



# PARTS CATALOG

## MERCUISER SEC A RIDE-GUIDE

SERIAL NUMBER

POWER STEERING/ TILLER HANDLES/ SHIFT KITS . MC Ride Guide (1985 and Below)

# TABLE OF CONTENTS:

LOCKING STEERING MOUNT ASSEMBLY (20 DEGREES OR 90 DEGREES) . . . . .	46
PARTS INDEX . . . . .	54
RACK AND PINION ASSEMBLY . . . . .	44
RIDE-GUIDE DUAL STEERING KIT (Marine 110, 120,140 and MerCr) . . . . .	22
RIDE-GUIDE DUAL STEERING KIT (MerCruiser "O") . . . . .	24
RIDE-GUIDE STEERING CABLE . . . . .	16
RIDE-GUIDE STEERING KIT . . . . .	38
RIDE-GUIDE STEERING WHEEL ASSEMBLY (Colored) . . . . .	20
RIDE-GUIDE STEERING WHEEL ASSEMBLY A . . . . .	2
RIDE-GUIDE STEERING WHEEL ASSEMBLY B . . . . .	6
RIDE-GUIDE STEERING WHEEL ASSEMBLY C . . . . .	10
RIDE-GUIDE TILT MOUNT ASSEMBLY, COMPLETE . . . . .	26
ROTARY RIDE-GUIDE CABLE ASSEMBLY . . . . .	34
ROTARY RIDE-GUIDE CABLE ASSEMBLY . . . . .	52
ROTARY RIDE-GUIDE STEERING RT . . . . .	30
ROTARY RIDE-GUIDE TILT MOUNT ASSEMBLY . . . . .	32
RIDE-GUIDE EXTENSION KIT . . . . .	18
STEERING MOUNT ASSEMBLY . . . . .	48
STEERING WHEEL ASSEMBLY (Wood Grain) A . . . . .	40
STEERING WHEEL ASSEMBLY (Wood Grain) B . . . . .	42
SUPER RIDE-GUIDE STEERING KIT . . . . .	14
SUPER RIDE-GUIDE STEERING KIT . . . . .	28
SUPER RIDE-GUIDE STEERING KIT . . . . .	50
SUPER ROTARY RIDE-GUIDE STEERING KIT I . . . . .	36

**NOTE:** Indented description indicate that these parts are included in preceding assembly.

**AR** = As Required

**NSS** = Not Sold Separate

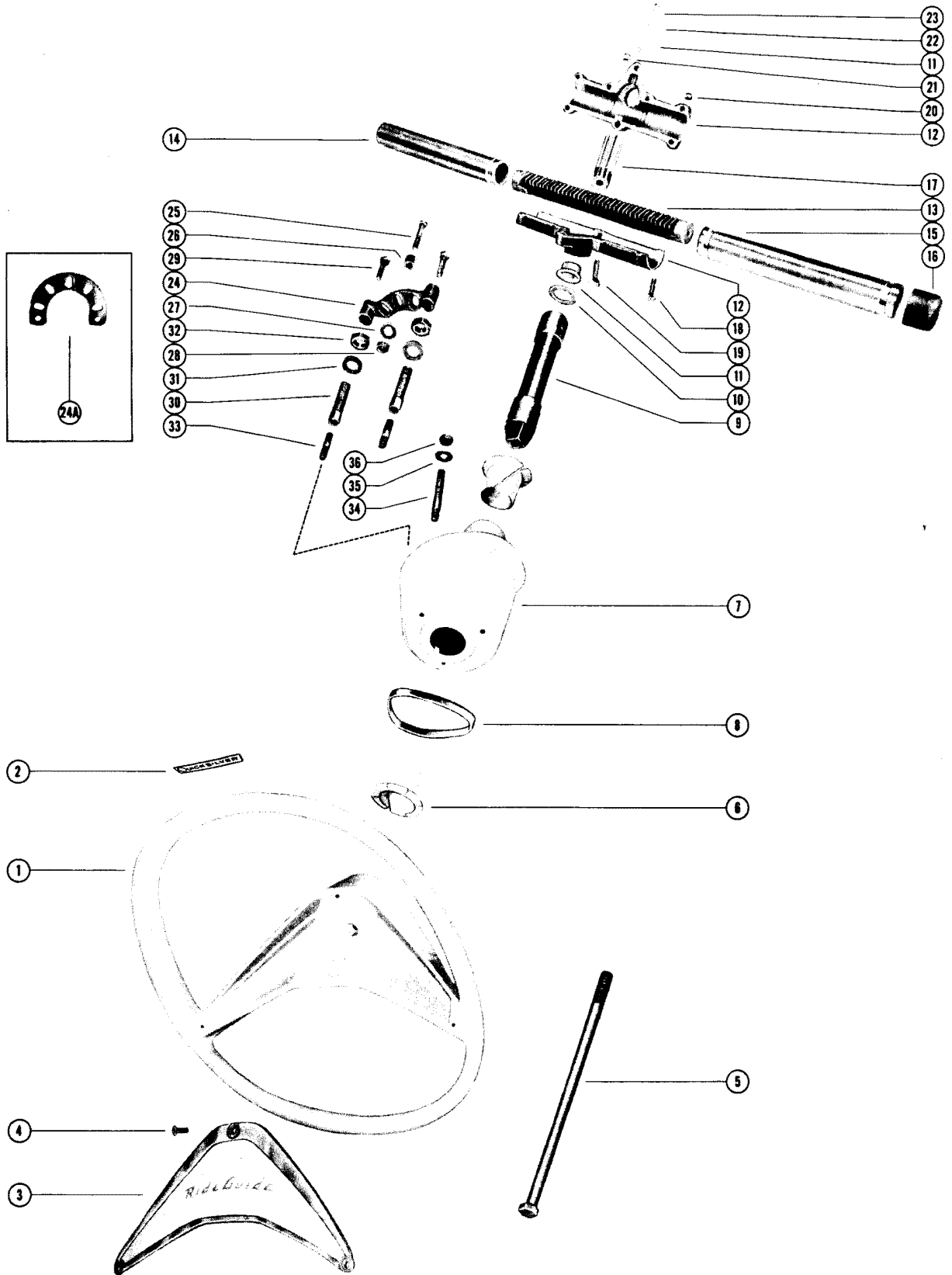
**OPT** = Optional

**NS** = Not Shown

**THESE PARTS BOOKS/FICHE CARD ARE COPYRIGHTED AND MAY NOT BE DISTRIBUTED OR REPRODUCED IN ANY OTHER FORMAT BY ANYONE OTHER THAN MERCURY MARINE WITHOUT THE PRIOR WRITTEN CONSENT OF MERCURY MARINE.**

THIS PAGE INTENTIONALLY LEFT BLANK

# RIDE-GUIDE STEERING WHEEL ASSEMBLY A

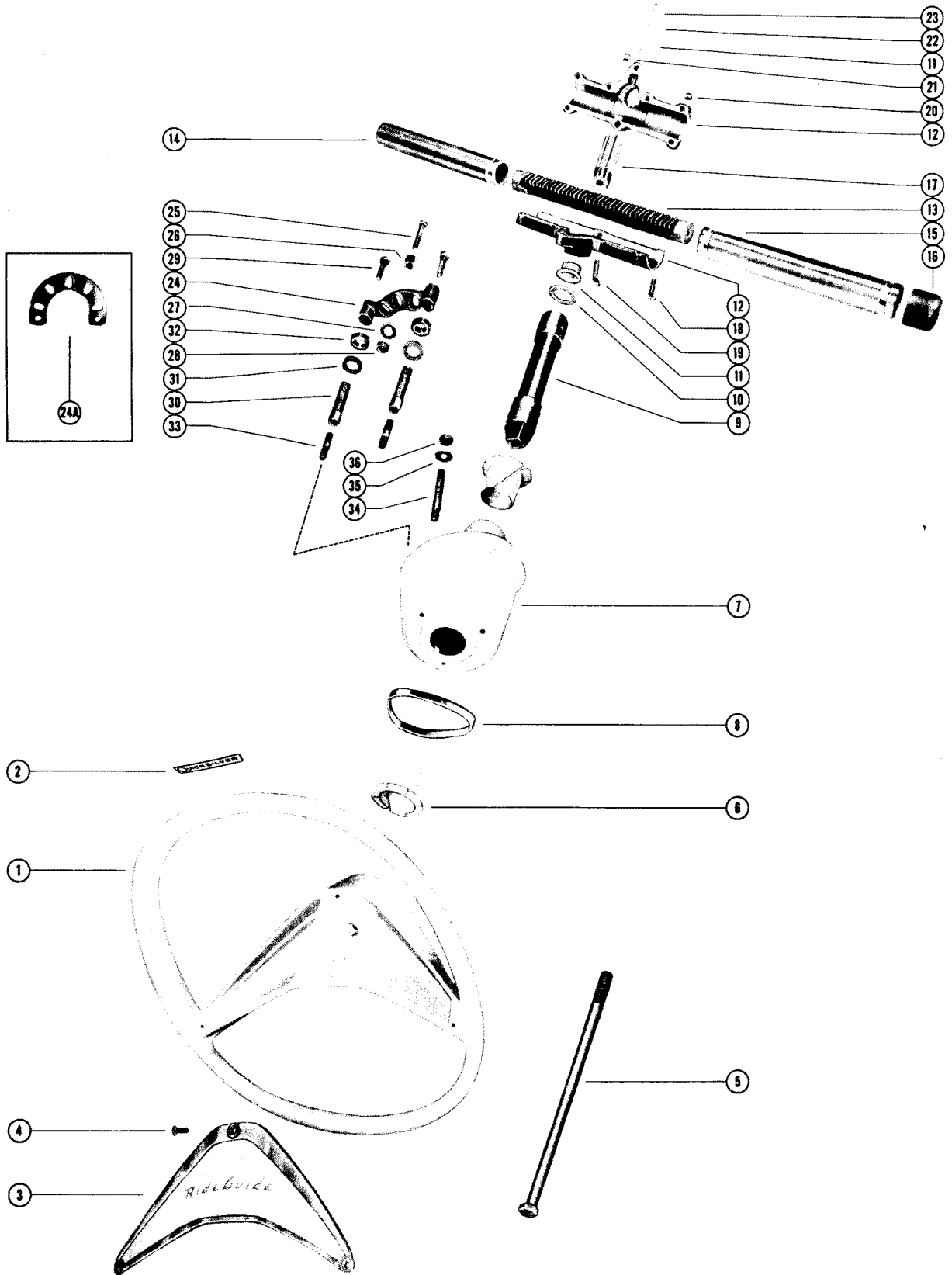


# RIDE-GUIDE STEERING WHEEL ASSEMBLY A

REF. NO.	PART NO.	SYM.	QTY.	DESCRIPTION
-	31269A1		1,	RIDE-GUIDE STEERING WHEEL ASSTY (DELUXE - 20 DEGREES) SEE NOTE
-	31331A1		,1	RIDE-GUIDE STEERING WHEEL ASSTY (DELUXE - 90 DEGREES) SEE NOTE
1	31268A1		1,1	STEERING WHEEL ASSEMBLY
2	38-31444		1,1	INSIGNIA (QUICKSILVER)
3	31344		1,1	EMBLEM (RIDE-GUIDE), STEERING WHEEL
4	10-31441		3,3	SCREW, EMBLEM TO STEERING WHEEL
5	10-29223		1,	BOLT, STEERING WHEEL TO GEAR RACK HOUSING (10 7/8")
	10-29400		,1	BOLT, STEERING WHEEL TO GEAR RACK HOUSING (9 7/8")
6	23-29097		2,2	BUSHING, STEERING WHEEL BRACKET
7	31446		1,	BRACKET, STEERING WHEEL MOUNTING
	31442		,1	BRACKET, STEERING WHEEL MOUNTING
8	37-31443		1,1	DECAL, OVERLAY TRIM STRIP - MOUNTING BRACKET
9	29220		1,	SHAFT, STEERING WHEEL
	25890		,1	SHAFT, STEERING WHEEL
10	12-25897		1,1	WASHER, SHAFT TO GEAR RACK HOUSING
11	23-25901		2,2	BUSHING, GEAR RACK HOUSING - SPLINED
12	25884		2,2	HOUSING, GEAR RACK
13	25887		1,1	RACK, GEAR
14	25895		1,1	TUBE, GEAR RACK (CABLE END)
15	25896		1,1	TUBE, GEAR RACK (OPEN END)
16	26059		1,1	CAP, RUBBER - GEAR RACK TUBE (OPEN END)
17	25898		1,1	PINION, GEAR RACK
18	10-20784		6,6	SCREW, GEAR RACK HOUSING CLAMPING (1/4")
19	10-24217		1,1	SCREW, GEAR RACK HOUSING CLAMPING (3/8")
20	11-20361		6,6	NUT, GEAR RACK HOUSING CLAMPING SCREW (1/4")
21	11-20509		1,1	NUT, GEAR RACK HOUSING CLAMPING SCREW (3/8")
22	12-27966		1,1	WASHER, LOWER - STEERING WHEEL HOUSING BOLT
23	11-23161		1,1	NUT, STEERING WHEEL TO HOUSING BOLT
24	29215		1,	BRACKET, GEAR RACK HOUSING (20 DEGREES)
24A	29398		,1	BRACKET, GEAR RACK HOUSING (90 DEGREES)
25	10-29222		1,1	SCREW, BRACKET TO GEAR RACK HOUSING
26	23-29210		1,	SPACER, BRACKET TO GEAR RACK HOUSING SCREW
	23-29397		,1	SPACER, BRACKET TO GEAR RACK HOUSING SCREW
27	12-25909		1,1	WASHER, BRACKET TO GEAR RACK HOUSING SCREW
28	11-20509		1,1	NUT, BRACKET TO GEAR RACK HOUSING SCREW
29	10-21962		,2	SCREW, STEERING BRACKET TO SPACER (1 1/2")
	10-20705		,2	SCREW, STEERING BRACKET TO SPACER (3/4")
30	23-29209		2,2	SPACER, STEERING BRACKET STUD TO SCREW
31	12-20959		2,2	WASHER, STEERING BRACKET SPACER

CONTINUED ON NEXT PAGE ➡

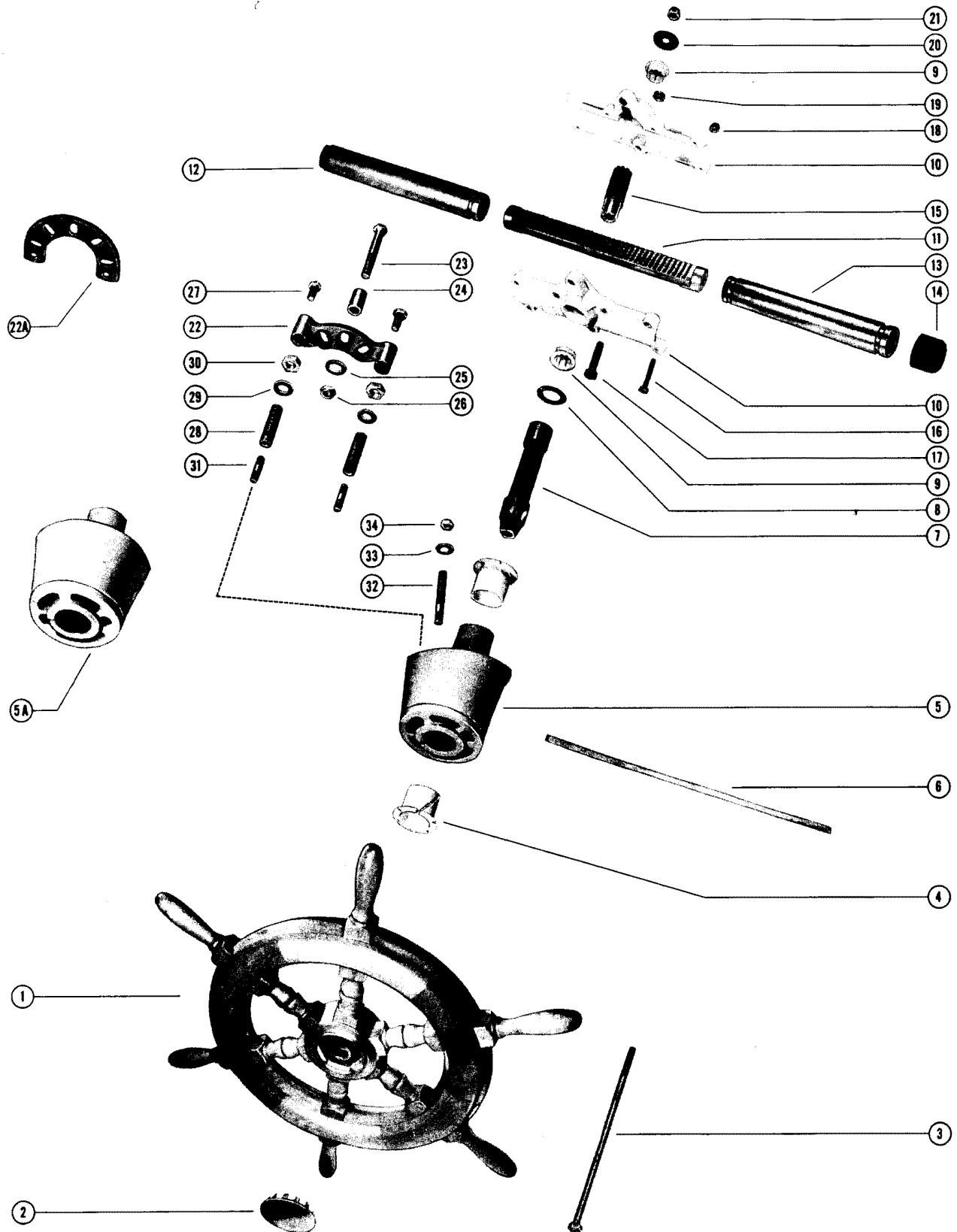
# RIDE-GUIDE STEERING WHEEL ASSEMBLY A



## RIDE-GUIDE STEERING WHEEL ASSEMBLY A

REF. NO.	PART NO.	SYM.	QTY.	DESCRIPTION
32	11-21612		2,2	NUT, STEERING BRACKET SPACER
33	16-21831		2,2	STUD, SPACER TO STEERING BRACKET (1 1/4")
34	16-29208		1,1	STUD, STEERING BRACKET MOUNTING (2 1/2")
35	12-26825		1,1	WASHER, STEERING BRACKET MOUNTING STUD
36	11-20102		1,1	NUT, STEERING BRACKET MOUNTING STUD

# RIDE-GUIDE STEERING WHEEL ASSEMBLY B



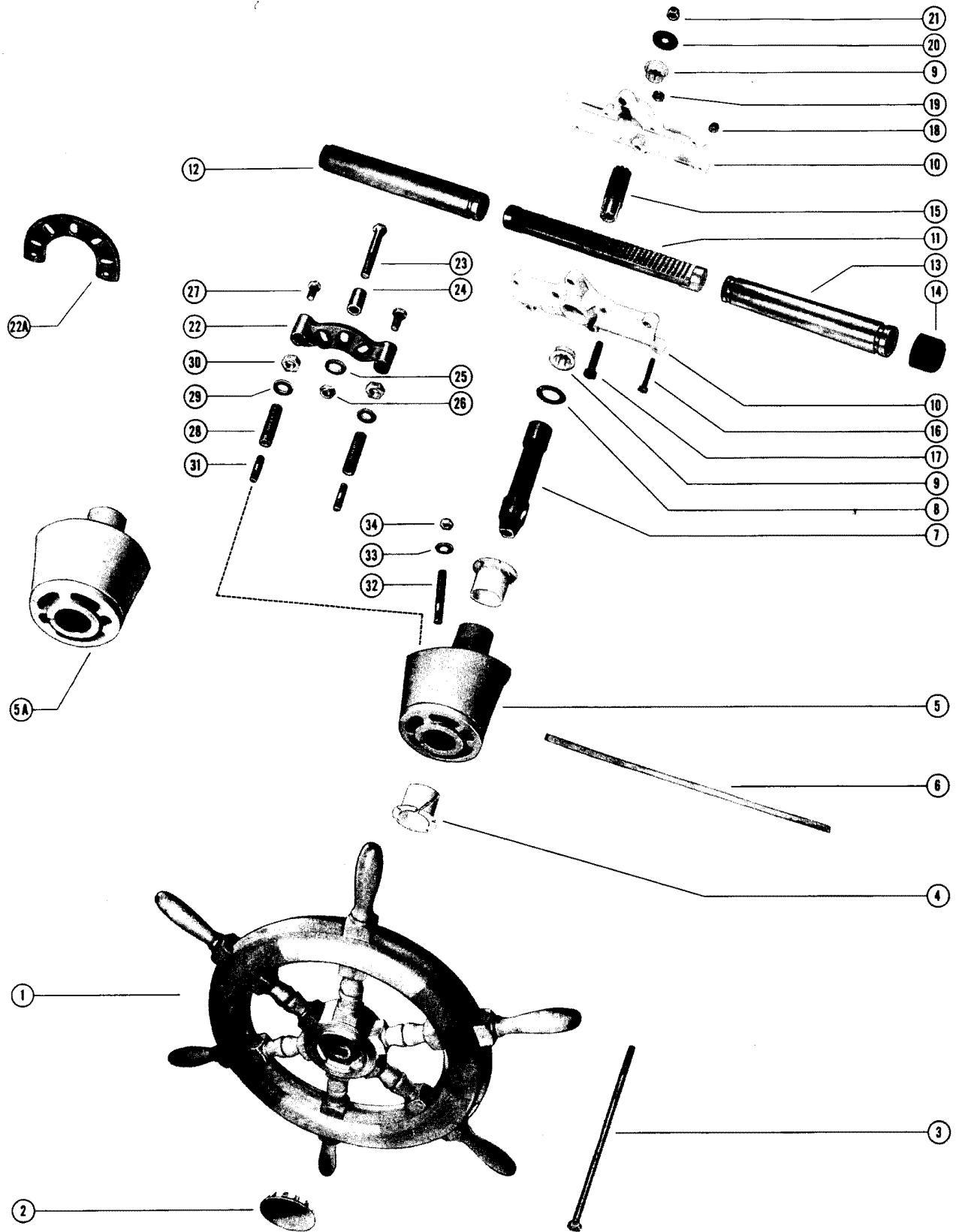


# RIDE-GUIDE STEERING WHEEL ASSEMBLY B

REF. NO.	PART NO.	SYM.	QTY.	DESCRIPTION
1	32401A1		,,,1,	RIDE- GUIDE STEERING WHEEL ASSEMBLY (MAHOGANY - 20")(SEE NOTE)
	32402A1		,,,1	RIDE-GUIDE STEERING WHEEL ASSEMBLY (MAHOGANY - 16")(SEE NOTE)
2	38-32429		,,,1,1	BUTTON,STEERING WHEEL (RIDE-GUIDE)
-	<b>32399A1</b>		<b>1,,,,</b>	<b>RIDE-GUIDE STEERING KIT,WHITE (20 DEGREES)</b>
-	<b>32399A2</b>		<b>,1,,,,</b>	<b>RIDE- GUIDE STEERING KIT,BLACK (20 DEGREES)</b>
-	<b>32400A1</b>		<b>,,1,,,</b>	<b>RIDE-GUIDE STEERING KIT,WHITE (90 DEGREES)</b>
-	<b>32400A2</b>		<b>,,,1,,</b>	<b>RIDE-GUIDE STEERING KIT,BLACK (90 DEGREES)</b>
3	10-29223		1,1,,,,	BOLT, STEERING WHEEL TO GEAR RACK HOUSING (10 7/8")
	10-29400		,,1,1,,	BOLT, STEERING WHEEL TO GEAR RACK HOUSING (9 7/8")
4	23-29097		2,2,2,2,,	BUSHING,STEERING WHEEL BRACKET
5	31446-1		1,,,,,	BRACKET,STEERING WHEEL MOUNTING (20 DEGREES)- WHITE
	31446-2		,1,,,,	BRACKET,STEERING WHEEL MOUNTING (20 DEGREES)- BLACK
5A	31442-1		,,1,,,	BRACKET,STEERING WHEEL MOUNTING (90 DEGREES)- WHITE
	31442-2		,,,1,,	BRACKET,STEERING WHEEL MOUNTING (90 DEGREES)- BLACK
6	37-32710		1,1,1,1,,	DECAL, OVERLAY TRIM STRIP - MOUNTING BRACKET
7	29220		1,1,,,,	SHAFT, STEERING WHEEL (20 DEGREES)
	25890		,,1,1,,	SHAFT, STEERING WHEEL (90 DEGREES)
8	12-25897		1,1,1,1,,	WASHER, SHAFT TO GEAR RACK HOUSING
9	23-25901		2,2,2,2,,	BUSHING, GEAR RACK HOUSING - SPLINED
10	25884		2,2,2,2,,	HOUSING, GEAR RACK
11	25887		1,1,1,1,,	RACK, GEAR
12	25895A1		1,1,1,1,,	TUBE ASSEMBLY, GEAR RACK (CABLE END)
13	25896		1,1,1,1,,	TUBE, GEAR RACK (OPEN END)
14	26059		1,1,1,1,,	CAP, RUBBER - GEAR RACK TUBE (OPEN END)
15	25898		1,1,1,1,,	PINION, GEAR RACK
16	10-20784		6,6,6,6,,	SCREW, GEAR RACK HOUSING CLAMPING (1/4-28)
17	10-24217		1,1,1,1,,	SCREW, GEAR RACK HOUSING CLAMPING (3/8-24)
18	11-46887		6,6,6,6,,	NUT, GEAR RACK HOUSING CLAMPING SCREW (1/4-28)
19	11-49197		1,1,1,1,,	NUT, GEAR RACK HOUSING CLAMPING SCREW (3/8-24)
20	12-27966		1,1,1,1,,	WASHER, LOWER - STEERING WHEEL HOUSING BOLT
21	11-23161		1,1,1,1,,	NUT, STEERING WHEEL TO HOUSING BOLT
22	29215		1,1,,,,	BRACKET, GEAR RACK HOUSING (20 DEGREES)
22A	29398		,,1,1,,	BRACKET, GEAR RACK HOUSING (90 DEGREES)
23	10-29222		1,1,1,1,,	SCREW, BRACKET TO GEAR RACK HOUSING
24	23-29210		1,1,,,,	SPACER, BRACKET TO GEAR RACK HOUSING SCREW
	23-29397		,,1,1,,	SPACER, BRACKET TO GEAR RACK HOUSING SCREW
25	12-25909		1,1,1,1,,	WASHER, BRACKET TO GEAR RACK HOUSING SCREW

CONTINUED ON NEXT PAGE ➡

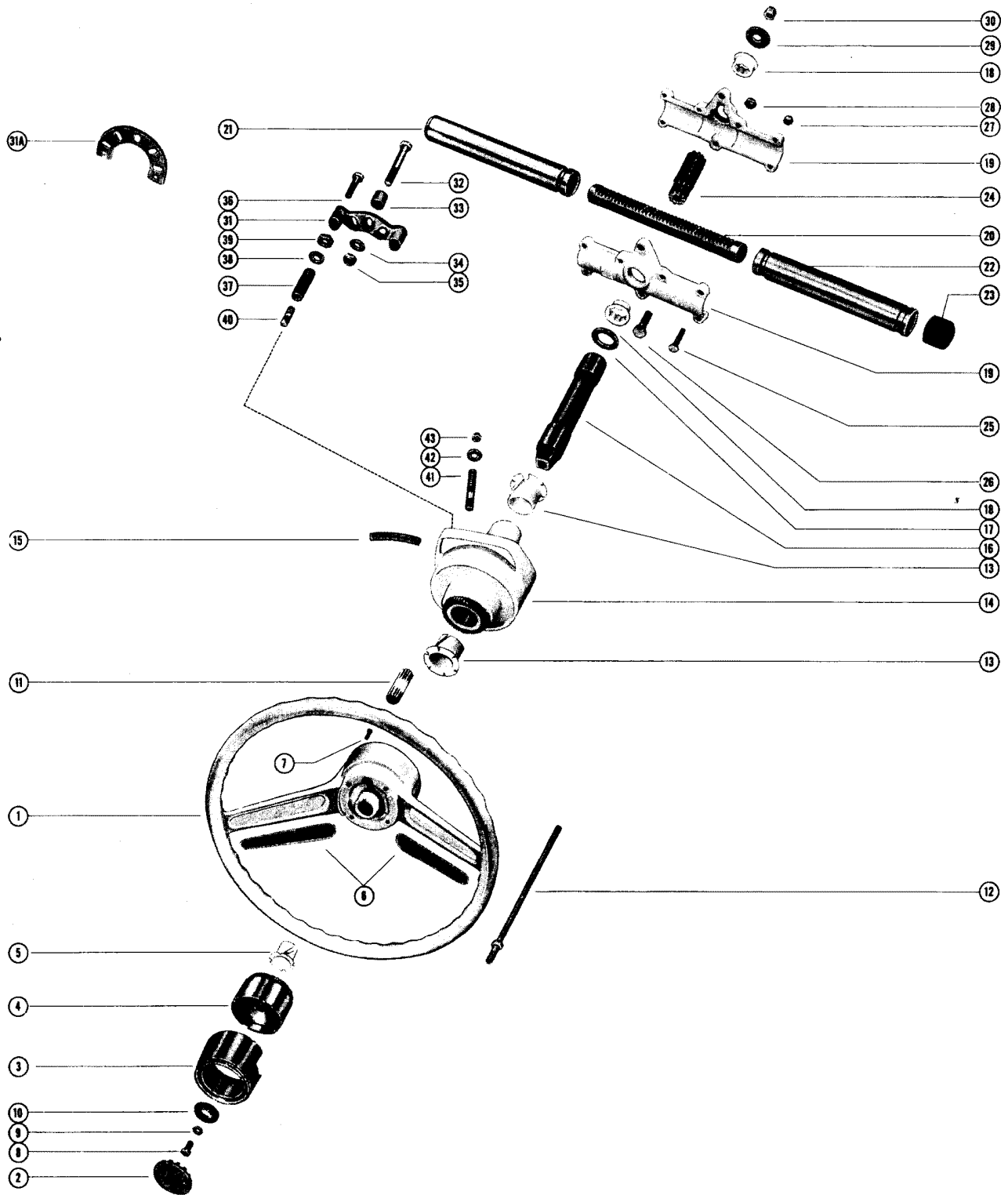
# RIDE-GUIDE STEERING WHEEL ASSEMBLY B



## RIDE-GUIDE STEERING WHEEL ASSEMBLY B

REF. NO.	PART NO.	SYM.	QTY.	DESCRIPTION
26	11-20509		1,1,1,1,,	NUT, BRACKET TO GEAR RACK HOUSING SCREW
27	10-22040		2,2,,,,	SCREW, STEERING BRACKET TO SPACER (1 1/2")
	10-20705		,,2,2,,	SCREW, STEERING BRACKET TO SPACER (3/4")
28	23-29209		2,2,2,2,,	SPACER, STEERING BRACKET STUD TO SCREW
29	12-20959		2,2,2,2,,	WASHER, STEERING BRACKET SPACER
30	11-21612		2,2,2,2,,	NUT, STEERING BRACKET SPACER
31	16-21831		2,2,2,2,,	STUD, SPACER TO STEERING BRACKET (1 1/4")
32	16-29208		1,1,1,1,,	STUD, STEERING BRACKET MOUNTING (2 1/2")
33	12-26825		1,1,1,1,,	WASHER, STEERING BRACKET MOUNTING STUD
34	11-21528		1,1,1,1,,	NUT, STEERING BRACKET MOUNTING STUD

# RIDE-GUIDE STEERING WHEEL ASSEMBLY C

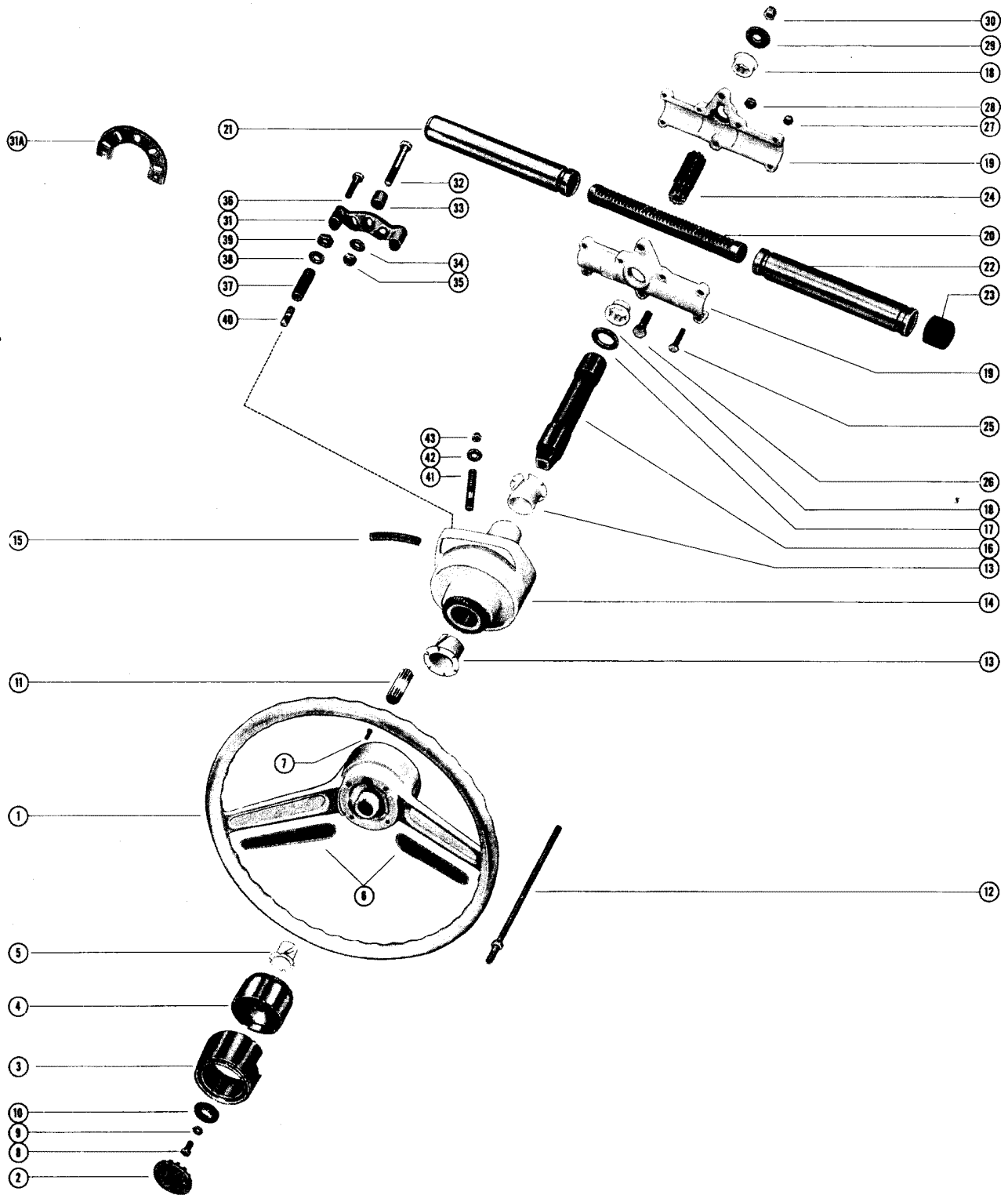


# RIDE-GUIDE STEERING WHEEL ASSEMBLY C

REF. NO.	PART NO.	SYM.	QTY.	DESCRIPTION
1	34659A4		1,,	RIDE-GUIDE STEERING WHEEL ASSEMBLY (INDICATOR)
2	38-34662		1,,	BUTTON, INDICATOR - STEERING WHEEL
3	34658		1,,	CAP, STEERING WHEEL
4	34654		1,,	HUB, INDICATOR - STEERING WHEEL
5	23-38347		1,,	BUSHING, STEERING WHEEL HUB
6	37-57221A1		1,,	DECAL SET, STEERING WHEEL
7	10-20646		4,,	SCREW, HUB TO STEERING WHEEL
8	10-20776		1,,	SCREW, CAP AND HUB TO STEERING WHEEL
9	13-26992		1,,	LOCKWASHER, CAP AND HUB SCREW
10	12-29954		1,,	WASHER, CAP AND HUB SCREW
11	34663		1,,	SHAFT, PINION
-	<b>34667A5</b>		<b>1,,</b>	<b>RIDE-GUIDE STEERING KIT (20 DEGREES)</b>
-	<b>34668A5</b>		<b>,,1</b>	<b>RIDE-GUIDE STEERING KIT (90 DEGREES)</b>
12	12-27966		,1,1	WASHER, LOWER - STEERING WHEEL HOUSING BOLT
13	11-23161		,1,1	NUT, STEERING WHEEL TO HOUSING BOLT
14	10-34660		,1,	BOLT, STEERING WHEEL TO GEAR RACK HOUSING (10 7/8")
	10-34661		,,1	BOLT, STEERING WHEEL TO GEAR RACK HOUSING (9 7/8")
15	23-29097		,2,2	BUSHING, STEERING WHEEL BRACKET
16	34655-2		,1,	BRACKET, STEERING WHEEL MOUNTING (20 DEGREES)
	34657-2		,,1	BRACKET, STEERING WHEEL MOUNTING (90 DEGREES)
17	37-37401		,1,1	DECAL, INSIGNIA (QUICKSILVER)
18	29220		,1,	SHAFT, STEERING WHEEL (20 DEGREES)
	25890		,,1	SHAFT, STEERING WHEEL (90 DEGREES)
19	12-25897		,1,1	WASHER, SHAFT TO GEAR RACK HOUSING
20	23-25901		,2,2	BUSHING, GEAR RACK HOUSING - SPLINED
21	25884		,2,2	HOUSING, GEAR RACK
22	25887		,1,1	RACK, GEAR
23	25895A1		,1,1	TUBE, GEAR RACK (CABLE END)
24	25896		,1,1	TUBE, GEAR RACK (OPEN END)
25	26059		,1,1	CAP, RUBBER - GEAR RACK TUBE (OPEN END)
26	25898		,1,1	PINION, GEAR RACK
27	10-20784		,6,6	SCREW, GEAR RACK HOUSING CLAMPING (1/4-28)
28	10-24217		,1,1	SCREW, GEAR RACK HOUSING CLAMPING (3/8-24)
29	11-46887		,6,6	NUT, GEAR RACK HOUSING CLAMPING SCREW (1/4-28)
30	11-49197		,1,1	NUT, GEAR RACK HOUSING CLAMPING SCREW (3/8-24)
31	29215		,1,	BRACKET, STEERING WHEEL MOUNTING (20 DEGREES)
31A	29398		,,1	BRACKET, STEERING WHEEL MOUNTING (90 DEGREES)
32	10-29222		,1,1	SCREW, BRACKET TO GEAR RACK HOUSING
33	23-29210		,1,	SPACER, BRACKET TO GEAR RACK HOUSING SCREW
	23-29397		,,1	SPACER, BRACKET TO GEAR RACK HOUSING SCREW
34	12-25909		,1,1	WASHER, BRACKET TO GEAR RACK HOUSING SCREW
35	11-20509		,1,1	NUT, BRACKET TO GEAR RACK HOUSING SCREW

CONTINUED ON NEXT PAGE ➡

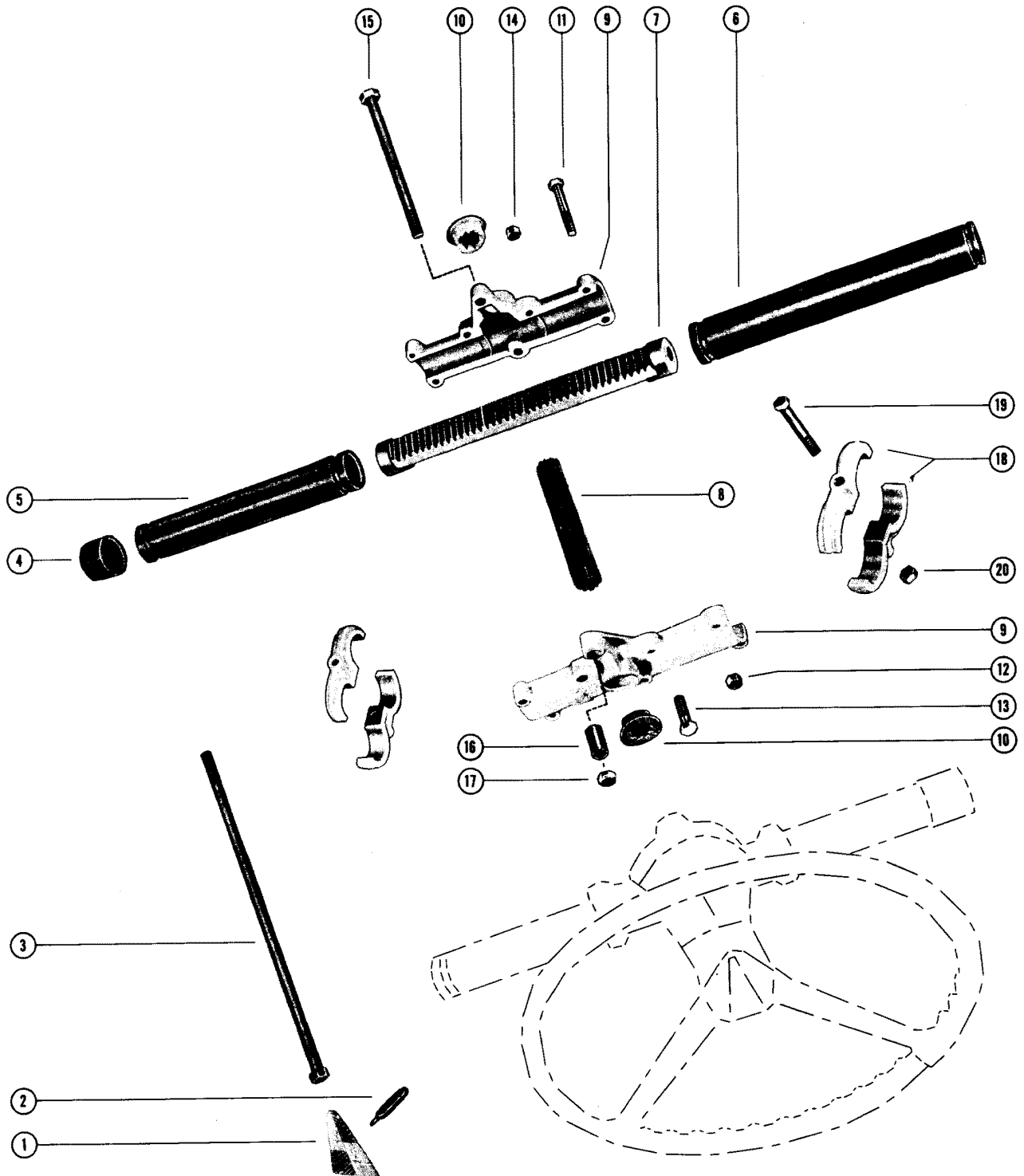
# RIDE-GUIDE STEERING WHEEL ASSEMBLY C



## RIDE-GUIDE STEERING WHEEL ASSEMBLY C

REF. NO.	PART NO.	SYM.	QTY.	DESCRIPTION
36	10-22040		,2,	SCREW, STEERING BRACKET TO SPACER (1 1/2")
	10-20705		,,2	SCREW, STEERING BRACKET TO SPACER (3/4")
37	23-29209		,2,2	SPACER, STEERING BRACKET STUD TO SCREW
38	12-20959		,2,2	WASHER, STEERING BRACKET SPACER
39	11-21612		,2,2	NUT, STEERING BRACKET SPACER
40	16-21831		,2,2	STUD, SPACER TO STEERING BRACKET (1 1/4")
41	16-29208		,1,1	STUD, STEERING BRACKET MOUNTING (2 1/2")
42	12-26825		,1,1	WASHER, STEERING BRACKET MOUNTING STUD
43	11-35814		,1,1	NUT, STEERING BRACKET MOUNTING STUD

# SUPER RIDE-GUIDE STEERING KIT

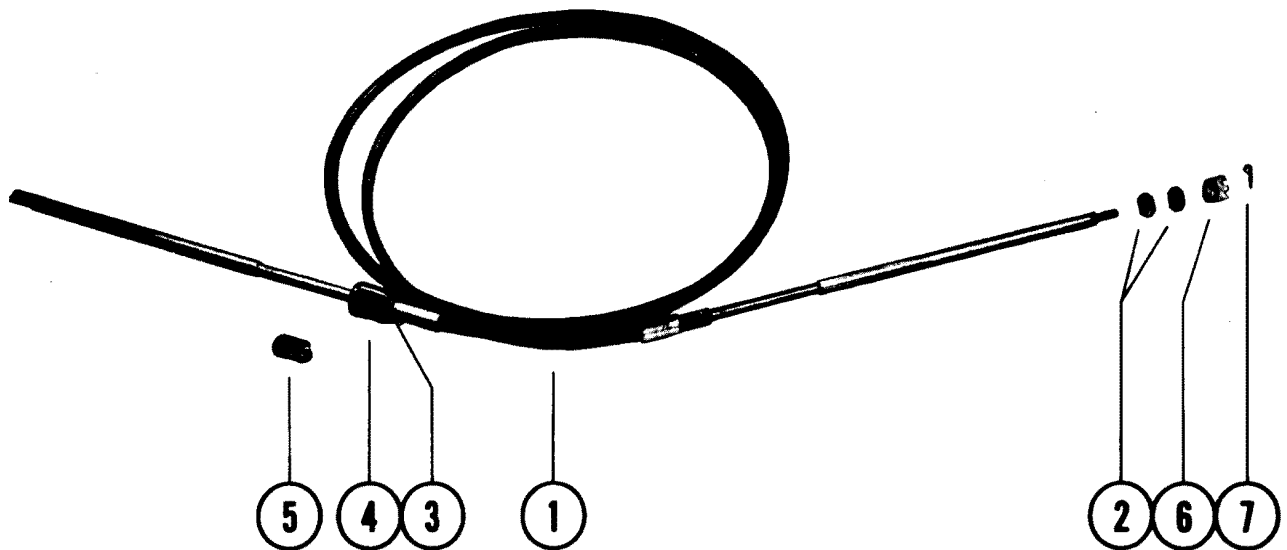




# SUPER RIDE-GUIDE STEERING KIT

REF. NO.	PART NO.	SYM.	QTY.	DESCRIPTION
-	31217A1		1,	<b>SUPER RIDE-GUIDE STEERING KIT SEE NOTES</b>
-	31217A2		,1	<b>SUPER RIDE-GUIDE STEERING KIT SEE NOTES</b>
1	38-29088		1,1	PLATE, NAME (RIDE - GUIDE)
2	92-30835		1,1	TUBE, ADHESIVE CAPSULE - NAME PLATE FASTENING
3	10-31222		1,1	BOLT, STEERING WHEEL TO GEAR RACK HOUSING
	10-35569		,1	BOLT, STEERING WHEEL TO GEAR RACK HOUSING
4	26059		1,1	CAP, RUBBER - GEAR RACK TUBE (OPEN END)
5	25896		1,1	TUBE, GEAR RACK (OPEN END)
6	25895		1,1	TUBE, GEAR RACK (CABLE END)
7	25887		1,1	RACK, GEAR
8	31221		1,1	PINION, GEAR RACK TO GEAR RACK
9	25884		2,2	HOUSING, GEAR RACK
10	23-25901		2,2	BUSHING, NYLON - GEAR RACK HOUSING
11	10-20784		6,6	SCREW, GEAR RACK HOUSING CLAMPING (1/4")
12	11-20361		6,6	NUT, GEAR RACK HOUSING CLAMPING SCREW (1/4")
13	10-24217		1,1	SCREW, GEAR RACK HOUSING CLAMPING (3/8")
14	11-20509		1,1	NUT, GEAR RACK HOUSING CLAMPING SCREW (3/8")
15	10-31220		1,1	SCREW, GEAR RACK HOUSING TO BRACKET
16	23-31219		1,1	SPACER, GEAR RACK HOUSING TO BRACKET SCREW
17	11-20509		1,1	NUT, GEAR RACK HOUSING TO BRACKET SCREW FASTENING
18	31218		4,4	BRACKET, GEAR RACK TUBE TO GEAR RACK TUBE
19	10-22039		2,2	SCREW, GEAR RACK TUBE BRACKET CLAMPING
20	11-20102		2,2	NUT, GEAR RACK TLLBE BRACKET CLAMPING SCREW

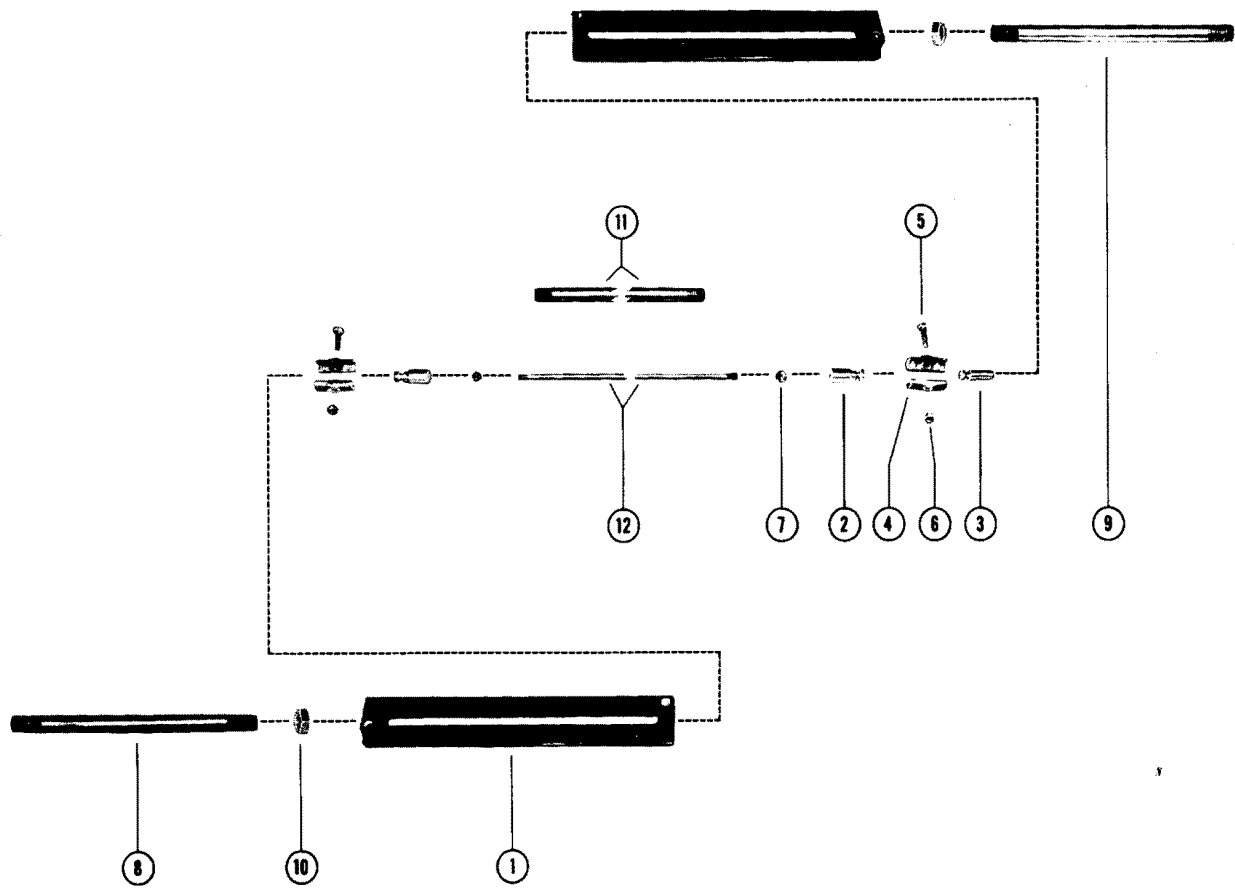
# RIDE-GUIDE STEERING CABLE



## RIDE-GUIDE STEERING CABLE

REF. NO.	PART NO.	SYM.	QTY.	DESCRIPTION
1	76043A		1	RIDE-GUIDE STEERING CABLE ASSEMBLY (7/8" O.D. )
2	11-21825		2	NUT, CABLE TO GEAR RACK
3	22-26000		1	FITTING, GREASE - STEERING CABLE
4	11-71670		1	NUT, COUPLER
5	71669A1		1	SLEEVE ASSEMBLY, LOCKING
6	66812		1	CAP, LOCKING
7	18-26953		1	COTTER PIN, LOCKING CAP

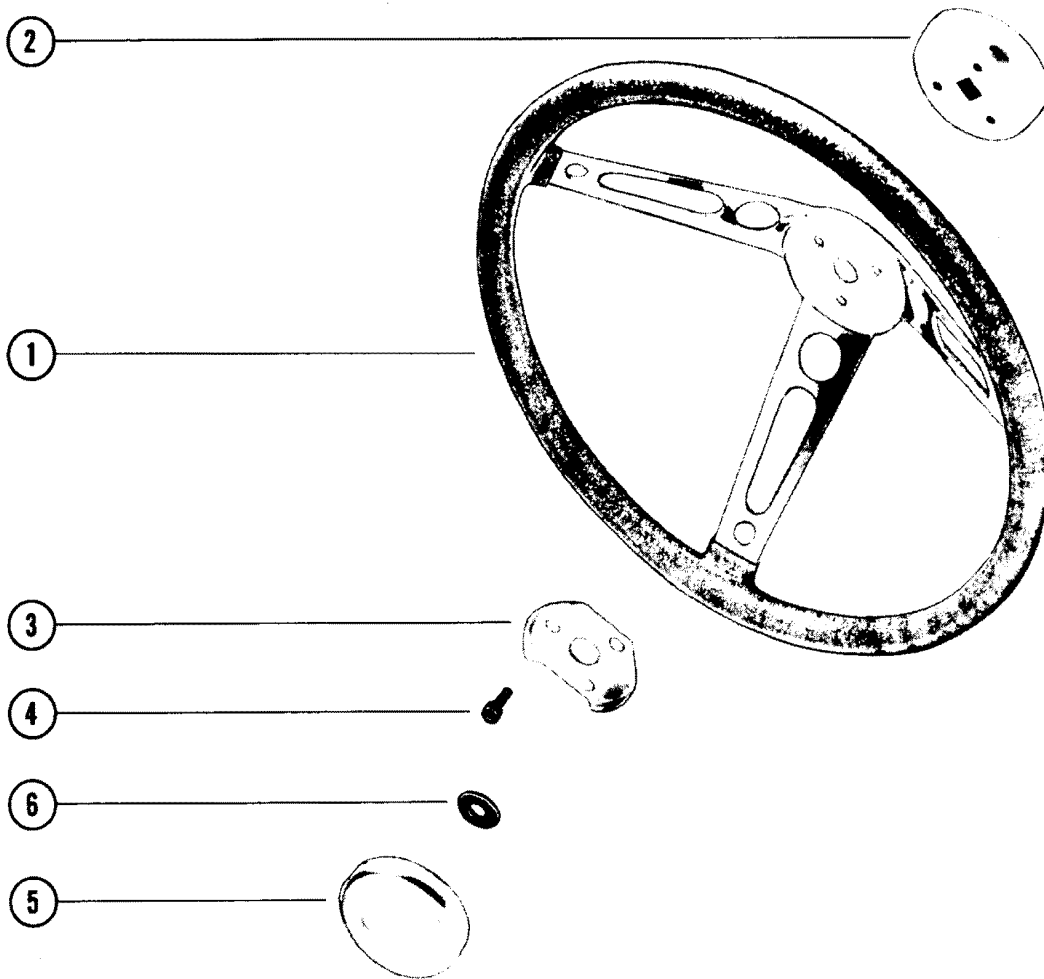
# RIDE-GUIDE EXTENSION KIT



## RIDE-GUIDE EXTENSION KIT

REF. NO.	PART NO.	SYM.	QTY.	DESCRIPTION
-	<b>30707A1</b>		<b>1</b>	<b>RIDE-GUIDE EXTENSION KIT (7/8" OD)</b>
1	29370		1	BRACKET, EXTENSION (3/4" OD)
	30705		1	BRACKET, EXTENSION (7/8" OD)
2	29375		2	CABLE END, STEERING - COUPLER TO EXTENSION ROD
3	29376		1	CABLE END, STEERING - COUPLER TO CONTROL CABLE
4	29374		4	COUPLER, HALVES - CABLE ENDS TO CABLE AND ROD
5	10-20653		2	SCREW, COUPLER HALVES CLAMPING
6	11-20586		2	NUT, COUPLER HALVES CLAMPING SCREW
7	11-20083		2	NUT, EXTENSION ROD LOCKING TO CABLE END
8	30664		1	TUBE, TILT (7/8" OD)
9	29372		1	TUBE, CABLE COUPLING
10	11-20739		1	NUT, TILT TUBE AND COUPLING TUBE LOCKING
	11-30708		1	NUT, TILT TUBE AND COUPLING TUBE LOCKING
11			-	PIPE (3/8") EXTENSION BRACKET TO EXTENSION BRACKET
12			-	ROD (5/16") COUPLER END TO COUPLER END

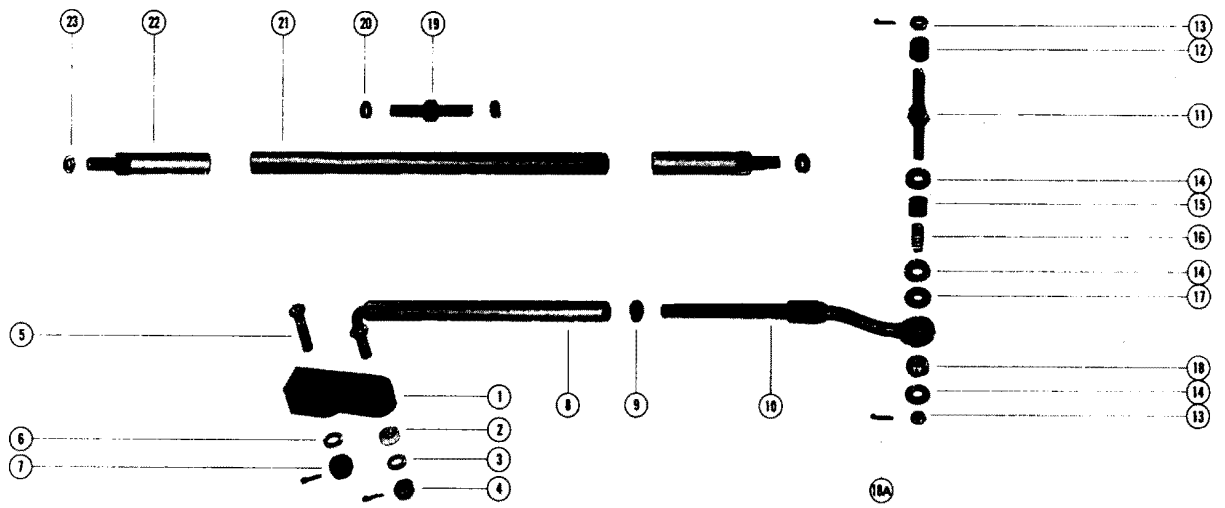
# RIDE-GUIDE STEERING WHEEL ASSEMBLY (Colored)



## RIDE-GUIDE STEERING WHEEL ASSEMBLY (Colored)

REF. NO.	PART NO.	SYM.	QTY.	DESCRIPTION
1	38605A1		1,,,	STEERING WHEEL ASSEMBLY (RICH RED) SLOTTED SPOKE
	38605A2		1,,,	STEERING WHEEL ASSEMBLY (LIGHT GOLD) SLOTTED SPOKE
	38605A3		1,,,	STEERING WHEEL ASSEMBLY (SILVER) SLOTTED SPOKE
	38605A4		1,,,	STEERING WHEEL ASSEMBLY (ROYAL BLUE) SLOTTED SPOKE
	46369A1		,1,,	STEERING WHEEL ASSEMBLY (RICH RED) THREE HOLE SPOKE
	46369A2		,1,,	STEERING WHEEL ASSEMBLY (LIGHT GOLD) THREE HOLE SPOKE
	46369A3		,1,,	STEERING WHEEL ASSEMBLY (SILVER) THREE HOLE SPOKE
	46369A4		,1,,	STEERING WHEEL ASSEMBLY (ROYAL BLUE) THREE HOLE SPOKE
	46369A5		,1,,	STEERING WHEEL ASSEMBLY (BLACK) THREE HOLE SPOKE
	46369A6		,1,,	STEERING WHEEL ASSEMBLY (WHITE) THREE HOLE SPOKE
	46752A1		,,1,	STEERING WHEEL ASSEMBLY (BLACK) THICK SPONGE GRIP
	46395A1		,,,1	STEERING WHEEL ASSEMBLY (PLASTIC)
2	38613		1,,,	HUB, STEERING WHEEL
	46290		,1,1,	HUB, STEERING WHEEL
3	38614		1,,,	PLATE, SNAP- STEERING WHEEL
	46370		,1,1,	PLATE, SNAP - STEERING WHEEL
4	10-38615		3,3,3,	SCREW, SNAP PLATE TO STEERING WHEEL (3/4")
5	38-38616		1,,,	NAME PLATE, CHROME
	46352		,1,1,	NAME PLATE, CHROME
6	12-38622		1,1,1,	WASHER, STEERING WHEEL TO HOUSING BOLT
-	<b>46999A1</b>		,,,1	<b>BUTTON ASSEMBLY, STEERING WHEEL</b>

# RIDE-GUIDE DUAL STEERING KIT (Marine 110, 120,140 and MerCr)

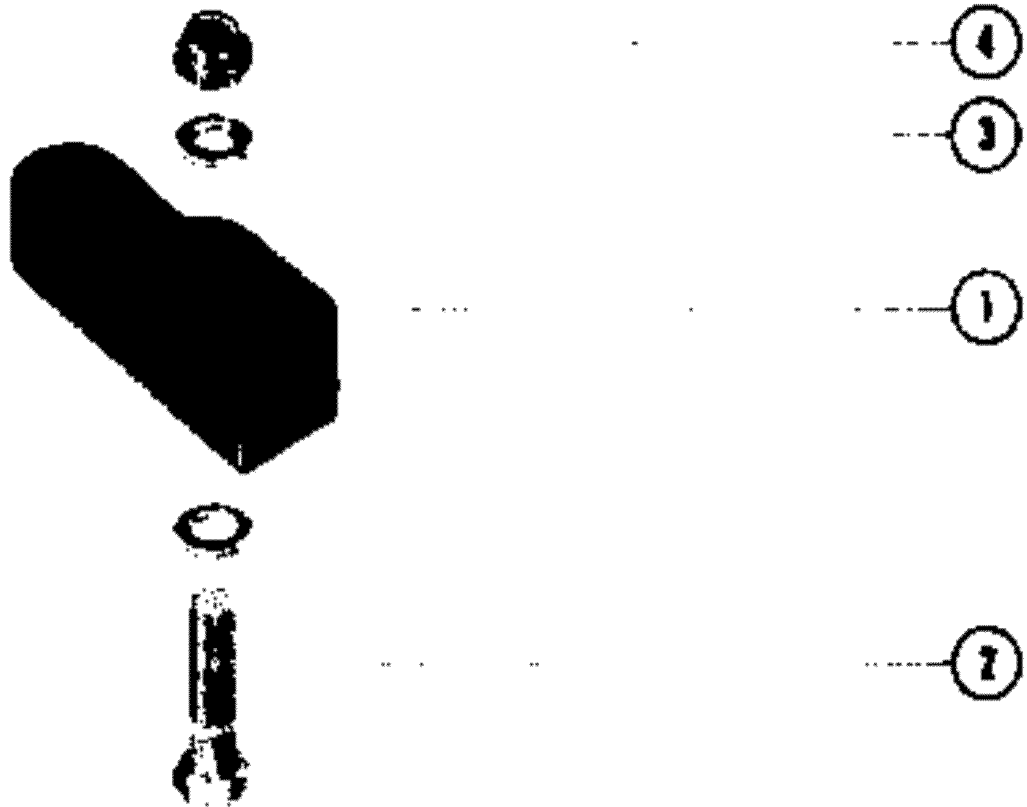




## RIDE-GUIDE DUAL STEERING KIT (Marine 110, 120,140 and MerCr)

REF. NO.	PART NO.	SYM.	QTY.	DESCRIPTION
-	39334A2		1,	RIDE-GUIDE DUAL STEERING KIT (MERCUISEROVER, MARINE 110 AND NOTE A)
-	39334A3		,1	RIDE-GUIDE DUAL STEERING KIT (MARINE 140 AND NOTE B)
1	39254		1,1	ADAPTOR, STEERING LINK ROD
2	23-35016		1,	SPACER, STEERING LINK ROD
3	12-20086		1,	WASHER, STEERING LINK ROD
4	11-20509		1,	NUT, STEERING LINK ROD
	11-55438		,1	NUT, STEERING LINK ROD
5	10-24217		1,1	SCREW, ADAPTOR TO RIDE-GUIDE CABLE
	10-66975		,1	SCREW, ADAPTOR TO RIDE-GUIDE CABLE
6	12-20086		1,	WASHER, ADAPTOR SCREW
	12-20086		,2	WASHER, ADAPTOR SCREW
7	11-20509		1,	NUT, ADAPTOR SCREW
	11-55438		,1	NUT, ADAPTOR SCREW
8	39336A1		1,	LINK ROD ASSEMBLY, STEERING - PRIMARY DRIVE UNIT
	66978A1		,1	LINK ROD ASSEMBLY, STEERING - PRIMARY DRIVE UNIT
9	11-22496		1,1	NUT, JAM - STEERING LINK ROD
10	39335A1		1,1	EYE ASSEMBLY, STEERING - SECONDARY DRIVE UNIT
11	16-32568		1,	STUD, PIVOT - STEERING EYE
	16-66979		1,	SHD, PIVOT - STEERING EYE-
12	23-52070		1,1	SLEEVE, PIVOT STUD
13	11-20509		2,	NUT, PIVOT STUD
	11-55438		,2	NUT, PIVOT STUD
14	12-25909		3,	WASHER, PIVOT STUD
	12-25909		,4	WASHER, PIVOT STUD
15	23-25915		1,1	BUSHING, PIVOT STUD
16	24-20510		1,1	SPRING, PIVOT STUD
17	12-29330		1,1	WASHER, NYLON - PIVOT STUD
18	29698		1,1	BALL, PIVOT STUD
18A	18-45882		,4	COTTER PIN, NUT LOCKING
19	30352A1		AR,AR	COUPLER ASSEMBLY, EXTENSION LINK ROD
20	13-30381		2,2	LOCKWASHER, COUPLER ASSEMBLY
21	30353		AR,AR	ROD, LINK (16" EXTENSION)
22	30351A1		AR,AR	BAR ASSEMBLY (4" EXTENSION)
23	13-30381		1,1	LOCKWASHER, EXTENSION BAR ASSEMBLY

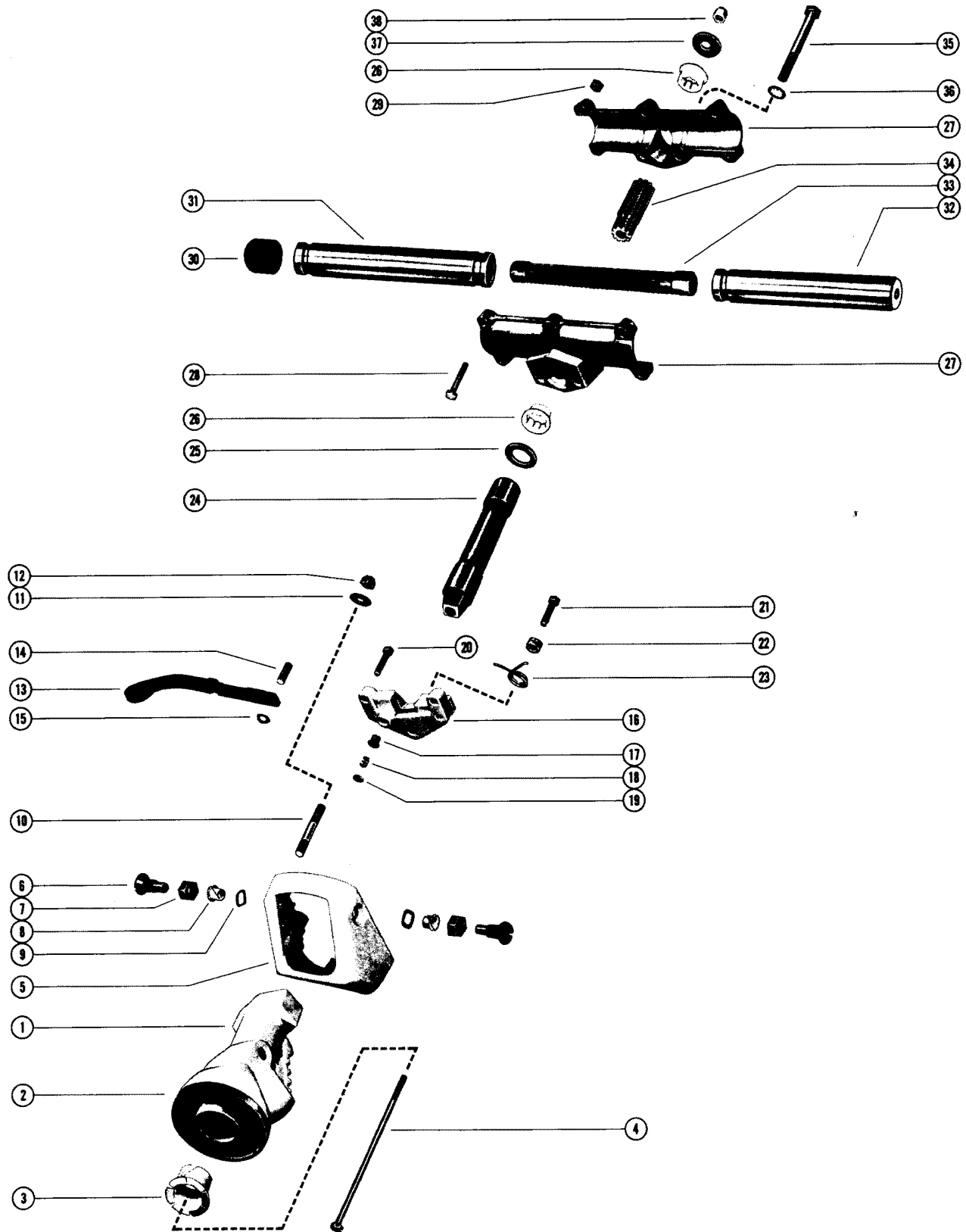
# RIDE-GUIDE DUAL STEERING KIT (MerCruiser "O")



## RIDE-GUIDE DUAL STEERING KIT (MerCruiser "O")

REF. NO.	PART NO.	SYM.	QTY.	DESCRIPTION
-	39253A2		1	RIDE-GUIDE DUAL STEERING KIT (MERCUISER "O")
1	39254		1	ADAPTOR, DUAL STEERING
2	10-24217		1	SCREW, STEERING ADAPTOR TO RIDE-GUIDE CABLE END
3	12-20086		2	WASHER, STEERING ADAPTOR SCREW
4	11-20509		1	NUT,STEERING ADAPTOR SCREW

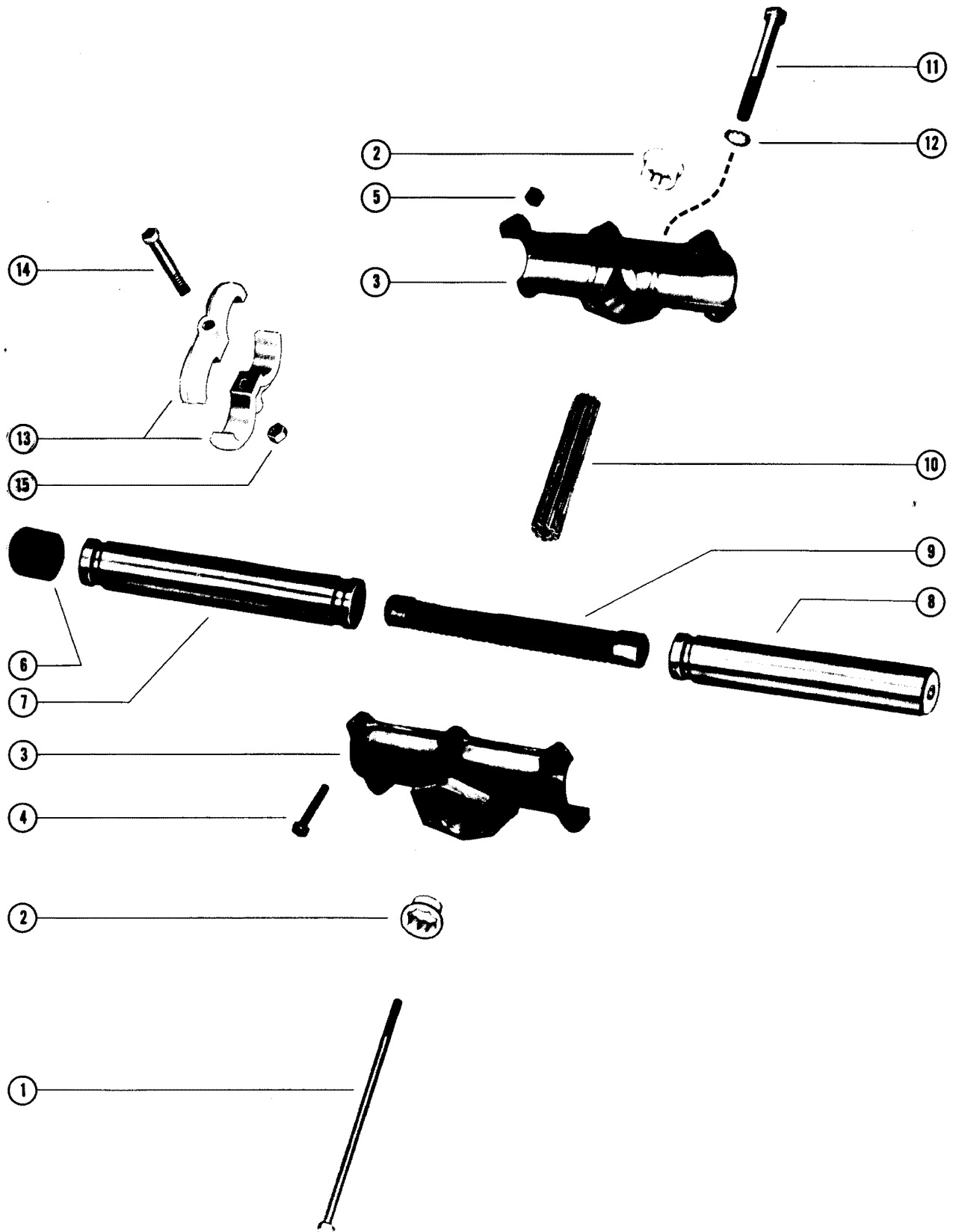
# RIDE-GUIDE TILT MOUNT ASSEMBLY, COMPLETE



# RIDE-GUIDE TILT MOUNT ASSEMBLY, COMPLETE

REF. NO.	PART NO.	SYM.	QTY.	DESCRIPTION
-	48250A4		1	RIDE-GUIDE TILT MOUNT ASSEMBLY, COMPLETE
1	48227-2		1	POST, TILT - STEERING WHEEL MOUNTING
2	37-32710		1	STRIP, TRIM - TILT POST
3	23-29097		1	BUSHING, NYLON - TILT POST
4	10-29223		1	BOLT, STEERING WHEEL TO TILT POST (10 7/8")
5	48228-2		1	HOUSING, TILT POST MOUNTING
6	10-48232		2	SCREW, MOUNTING HOUSING TO TILT POST (1 1/2")
7	11-48238		2	NUT, MOUNTING HOUSING SCREW
8	23-48237		2	BUSHING, NYLON - MOUNTING HOUSING SCREW
9	25-48182		2	SEAL, MOUNTING HOUSING SCREW
10	16-29208		4	STUD, MOUNTING HOUSING TO DASHBOARD (2 1/2")
11	12-26825		4	WASHER, MOUNTING HOUSING STUD
12	11-35814		4	NUT, MOUNTING HOUSING STUD
13	48224		1	LEVER, TILT ADJUSTING
14	29-48235		1	PIN, DETENT - TILT ADJUSTING LEVER
15	13-28943		1	WASHER, WAVE - TILT ADJUSTING LEVER PIN
16	48225-2		1	HOUSING, TILT ADJUSTING LEVER
17	17-20009		1	PIN, DETENT - TILT ADJUSTING LEVER
18	24-35227		1	SPRING, TENSION - DETENT PIN
19	19-20011		1	WELCH PLUG, DETENT PIN
20	10-48240		2	SCREW, LEVER HOUSING TO MOUNTING HOUSING (1 1/4")
21	10-48240		1	SCREW, TENSION SPRING SPACER TO HOUSING (1 1/4")
22	23-48233		1	SPACER, TENSION SPRING
23	24-48234		1	SPRING, TENSION - TILT ADJUSTING LEVER
24	29220		1	SHAFT, STEERING WHEEL
25	12-25897		1	WASHER, SHAFT TO GEAR RACK HOUSING (15/16" I.D. )
26	23-25901		2	BUSHING, GEAR RACK HOUSING - SPLINED
27	48226		2	HOUSING, GEAR RACK
28	10-20784		5	SCREW, GEAR RACK HOUSING CLAMPING (1 1/2")
29	11-46887		5	NUT, GEAR RACK CLAMPING SCREW
30	26059		1	CAP, RUBBER - GEAR RACK TUBE (OPEN END)
31	25896		1	TUBE, GEAR RACK (OPEN END)
32	25895A1		1	TUBE, GEAR RACK (CABLE END)
33	25887		1	RACK, GEAR
34	25898		1	PINION, GEAR RACK
35	10-48236		2	SCREW, GEAR RACK HOUSING CLAMPING (3 1/4")
36	13-48300		2	LOCKWASHER, GEAR RACK CLAMPING SCREW
37	12-48241		1	WASHER, LOWER - STEERING WHEEL HSG. BOLT (13/32" I.D)
38	11-23161		1	NUT, STEERING WHEEL TO HOUSING BOLT

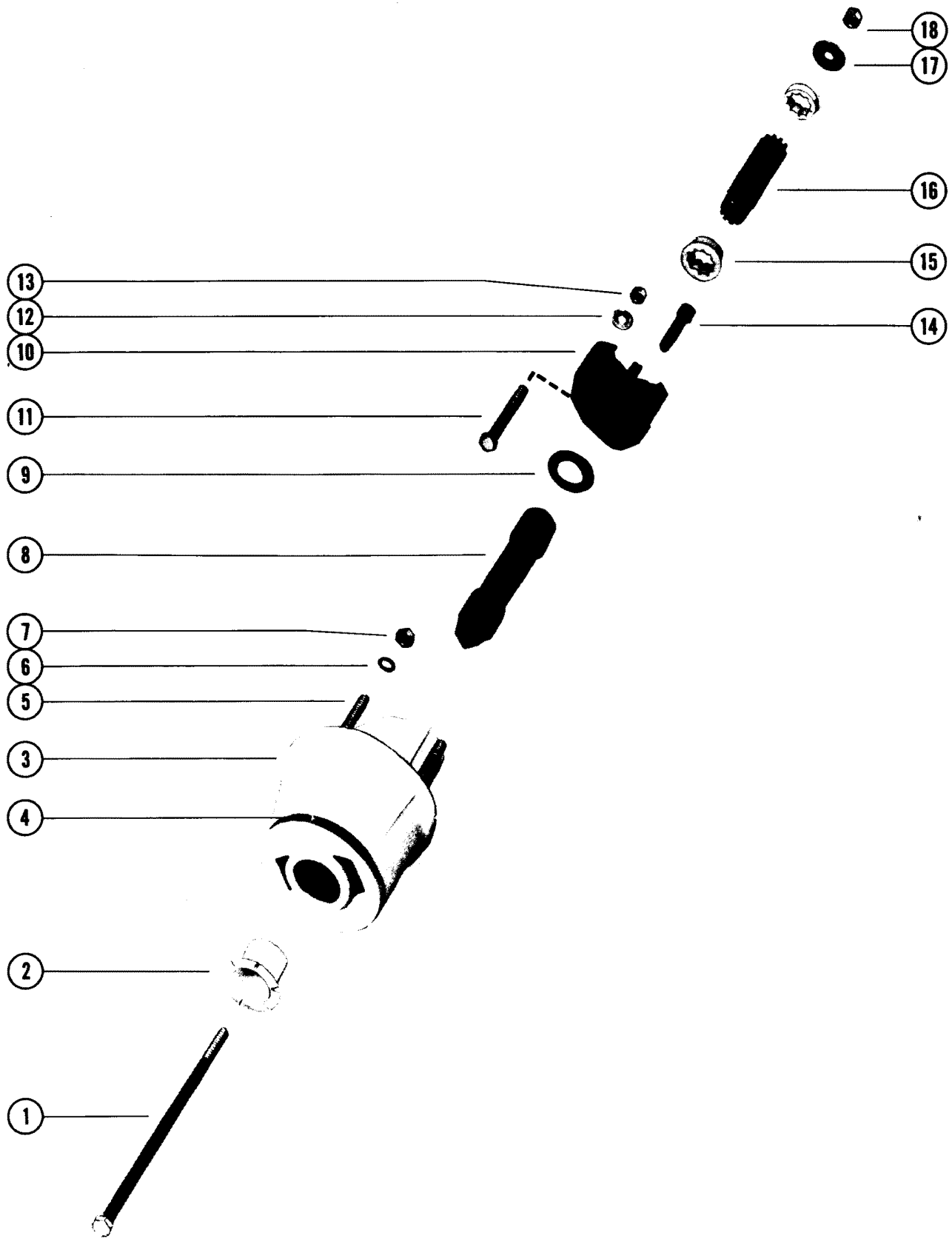
# SUPER RIDE-GUIDE STEERING KIT



## SUPER RIDE-GUIDE STEERING KIT

REF. NO.	PART NO.	SYM.	QTY.	DESCRIPTION
-	48366A1		1	<b>SUPER RIDE-GUIDE STEERING KIT(SEE NOTE)</b>
1	10-31222		1	BOLT, STEERING WHEEL TO TILT POST (13 5/16")
2	23-25901		2	BUSHING, GEAR RACK HOUSING - SPLINED
3	48226		2	HOUSING, GEAR RACK
4	10-20784		5	SCREW, GEAR RACK HOUSING CLAMPING (1 1/2" )
5	11-46887		5	NUT, GEAR RACK CLAMPING SCREW
6	26059		1	CAP, RUBBER - GEAR RACK TUBE (OPEN END)
7	25896		1	TUBE, GEAR RACK (OPEN END)
8	25895A1		1	TUBE, GEAR RACK (CABLE END)
9	25887		1	RACK, GEAR
10	31221		1	PINION, GEAR RACK TO GEAR RACK
11	10-48722		2	SCREW, GEAR RACK HOUSING CLAMPING (5 3/4")
12	13-48300		2	LOCKWASHER, GEAR RACK CLAMPING SCREW
13	31218		4	BRACKET, GEAR RACK TUBE TO GEAR RACK TUBE
14	10-22039		2	SCREW, GEAR RACK TUBE BRACKET CLAMPING
15	11-20102		2	NUT, GEAR RACK TUBE BRACKET SCREW

# ROTARY RIDE-GUIDE STEERING RT

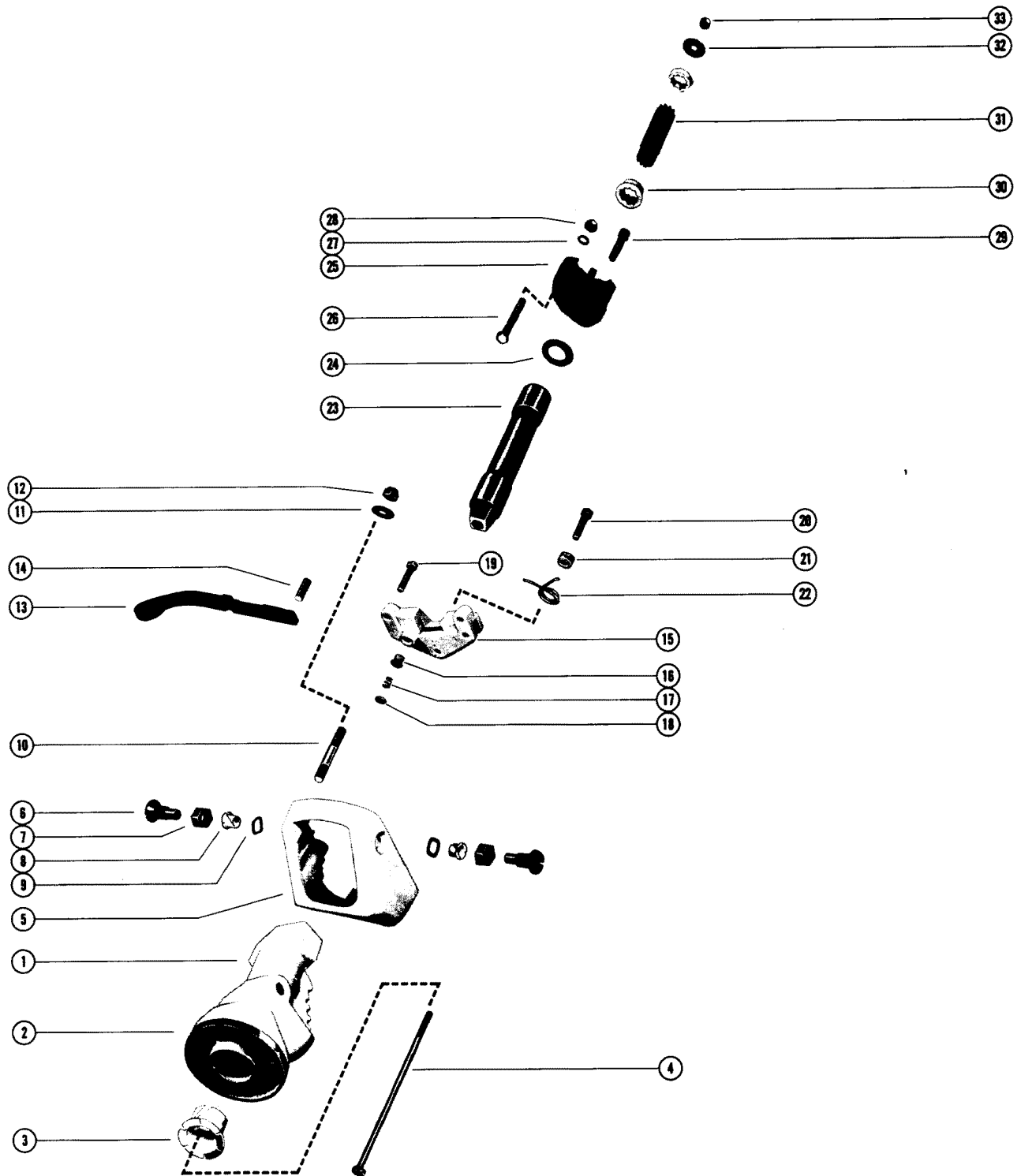




## ROTARY RIDE-GUIDE STEERING RT

REF. NO.	PART NO.	SYM.	QTY.	DESCRIPTION
-	54117A5		1,	ROTARY RIDE-GUIDE STEERING KIT, BLACK (20 DEGREES)
-	54118A5		,1	ROTARY RIDE-GUIDE STEERING KIT, BLACK (90 DEGREES)
1	10-54127		1,	BOLT, STEERING WHEEL TO CONTROL HOUSING (11 5/8")
	10-54128		,1	BOLT, STEERING WHEEL TO CONTROL HOUSING (10 5/8")
2	23-29097		1,1	BUSHING, NYLON - MOUNTING BRACKET
3	49055-2		1,	BRACKET, STEERING WHEEL MOUNTING (20 DEGREES)-BLACK
	49053-2		,1	BRACKET, STEERING WHEEL MOUNTING (90 DEGREES)-BLACK
4	37-32710		1,1	DECAL, OVERLAY TRIM STRIP - MOUNTING BRACKET
5	16-29208		3,3	STUD, MOUNTING BRACKET TO DASHBOARD (2 1/2")
6	12-26825		3,3	WASHER, MOUNTING BRACKET STUD
7	11-35814		3,3	NUT, MOUNTING BRACKET STUD
8	29220		1,	SHAFT, STEERING WHEEL (20 DEGREES)
	76706		,1	SHAFT, STEERING WHEEL (90 DEGREES)
9	12-25897		1,1	WASHER, SHAFT TO MOUNTING BRACKET
10	54129		1,1	ADAPTOR, ROTARY STEERING
11	10-29222		2,2	SCREW, STEERING ADAPTOR TO CONTROL HOUSING (2 3/4")
12	12-20086		2,2	WASHER, STEERING ADAPTOR SCREW
13	11-49197		2,2	NUT, STEERING ADAPTOR SCREW
14	10-54126		2,2	SCREW, STEERING ADAPTOR TO MOUNTING BRACKET (1 1/2")
15	23-25901		2,2	BUSHING, NYLON - STEERING PINION (SPLINED)
16	54125		1,1	PINION, STEERING
17	12-48241		1,1	WASHER, STEERING WHEEL BOLT
18	11-23161		1,1	NUT,STEERING WHEEL BOLT

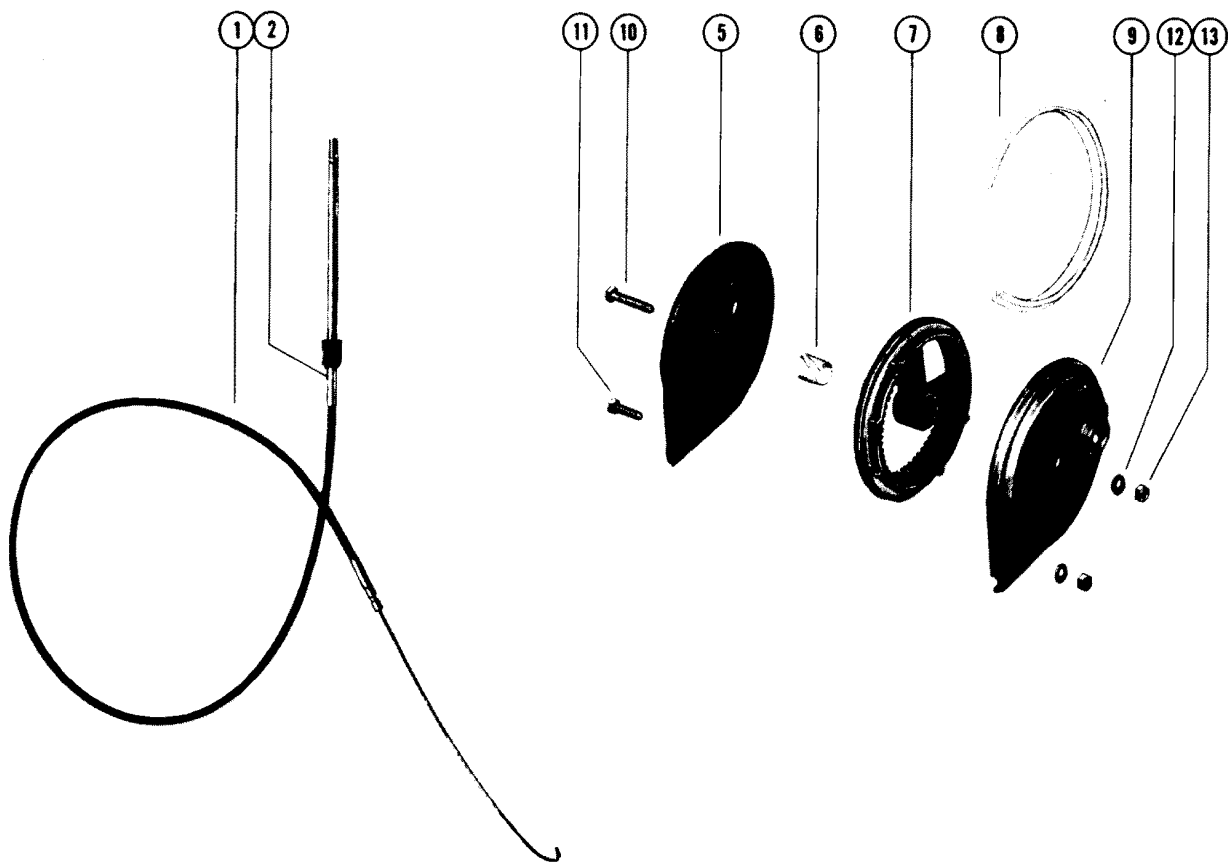
# ROTARY RIDE-GUIDE TILT MOUNT ASSEMBLY



## ROTARY RIDE-GUIDE TILT MOUNT ASSEMBLY

REF. NO.	PART NO.	SYM.	QTY.	DESCRIPTION
-	54119A4		1	ROTARY RIDE-GUIDE TILT MOUNT ASSEMBLY
1	48227-2		1	POST, TILT - STEERING WHEEL MOUNTING
2	37-32710		1	STRIP, TRIM - TILT POST
3	23-29097		1	BUSHING, NYLON - TILT POST
4	10-54127		1	BOLT, STEERING WHEEL TO TILT POST (11 5/8")
5	48228-2		1	HOUSING, TILT POST MOUNTING
6	10-48232		2	SCREW, MOUNTING HOUSING TO TILT POST (1 1/2")
7	11-48238		2	NUT, MOUNTING HOUSING SCREW
8	23-48237		2	BUSHING, NYLON - MOUNTING HOUSING SCREW
9	25-48182		2	QUAD RING, MOUNTING HOUSING SCREW
10	16-29208		4	STUD, MOUNTING HOUSING TO DASHBOARD (2 1/2")
11	12-26825		4	WASHER, MOUNTING HOUSING STUD
12	11-35814		4	NUT, MOUNTING HOUSING STUD
13	48224		1	LEVER, TILT ADJUSTING
14	29-48235		1	PIN, DETENT - TILT ADJUSTING LEVER
15	48225-2		1	HOUSING, TILT ADJUSTING LEVER
16	17-20009		1	PIN, DETENT - TILT ADJUSTING LEVER
17	24-35227		1	SPRING, TENSION - DETENT PIN
18	19-20011		1	WELCH PLUG, DETENT PIN
19	10-48240		2	SCREW, LEVER HOUSING TO MOUNTING HOUSING (1 1/4")
20	10-48240		1	SCREW, TENSION SPRING SPACER TO HOUSING (1 1/4")
21	23-48233		1	SPACER, TENSION SPRING
22	24-48234		1	SPRING, TENSION - TILT ADJUSTING LEVER
23	29220		1	SHAFT, STEERING WHEEL
24	12-25897		1	WASHER, SHAFT TO GEAR RACK HOUSING (15/16" I. D. )
25	54129		1	ADAPTOR, ROTARY STEERING
26	10-29222		2	SCREW, STEERING ADAPTOR TO CONTROL HOUSING (2 3/4")
27	12-20086		2	WASHER, STEERING ADAPTOR SCREW
28	11-49197		2	NUT, STEERING ADAPTOR SCREW
29	10-54126		2	SCREW, STEERING ADAPTOR TO TILT POST (1 1/2")
30	23-25901		2	BUSHING, NYLON - STEERING PINION (SPLINED)
31	54125		1	PINION, STEERING
32	12-48241		1	WASHER, LOWER - STEERING WHEEL BOLT
33	11-23161		1	NUT,STEERING WHEEL BOLT

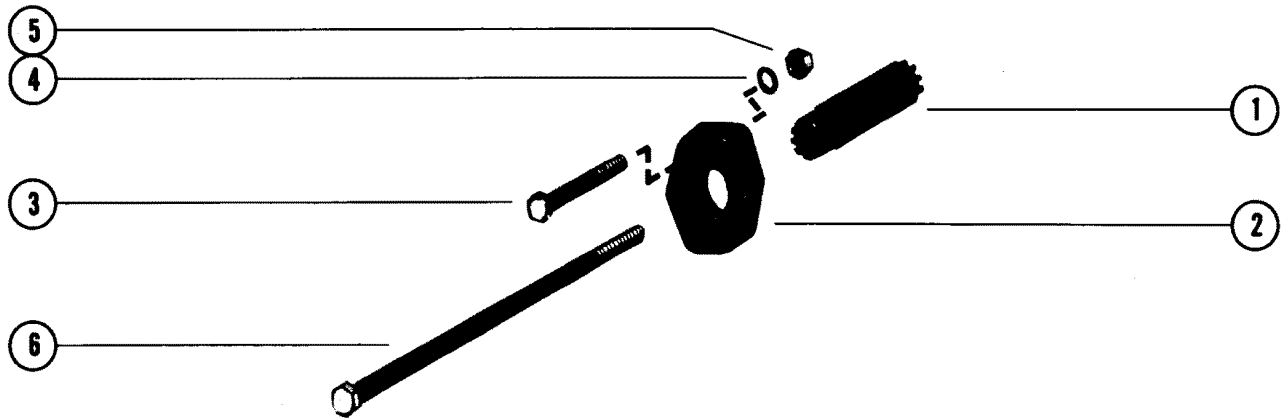
# ROTARY RIDE-GUIDE CABLE ASSEMBLY



## ROTARY RIDE-GUIDE CABLE ASSEMBLY

REF. NO.	PART NO.	SYM.	QTY.	DESCRIPTION
1	76042A		1	ROTARY RIDE GUIDE CABLE ASSEMBLY
2	22-26000		1	FITTING, GREASE - STEERING CABLE
-	<b>71669A1</b>		<b>1</b>	<b>SLEEVE ASSEMBLY, LOCKING</b>
5	54131		1	HOUSING, STEERING CONTROL - PORT
6	23-54123		1	BUSHING, NYLON - RING GEAR
7	43-54132		1	GEAR, RING
8	54124		1	LINER, NYLON - RING GEAR
9	54130		1	HOUSING, STEERING CONTROL - STARBOARD
10	10-32293		1	SCREW, CONTROL HOUSING CLAMPING (1 3/4")
11	10-20639		1	SCREW, CONTROL HOUSING CLAMPING (1 1/8")
12	12-20722		2	WASHER, CONTROL HOUSING CLAMPING SCREW
13	11-46793		2	NUT, CONTROL HOUSING CLAMPING SCREW

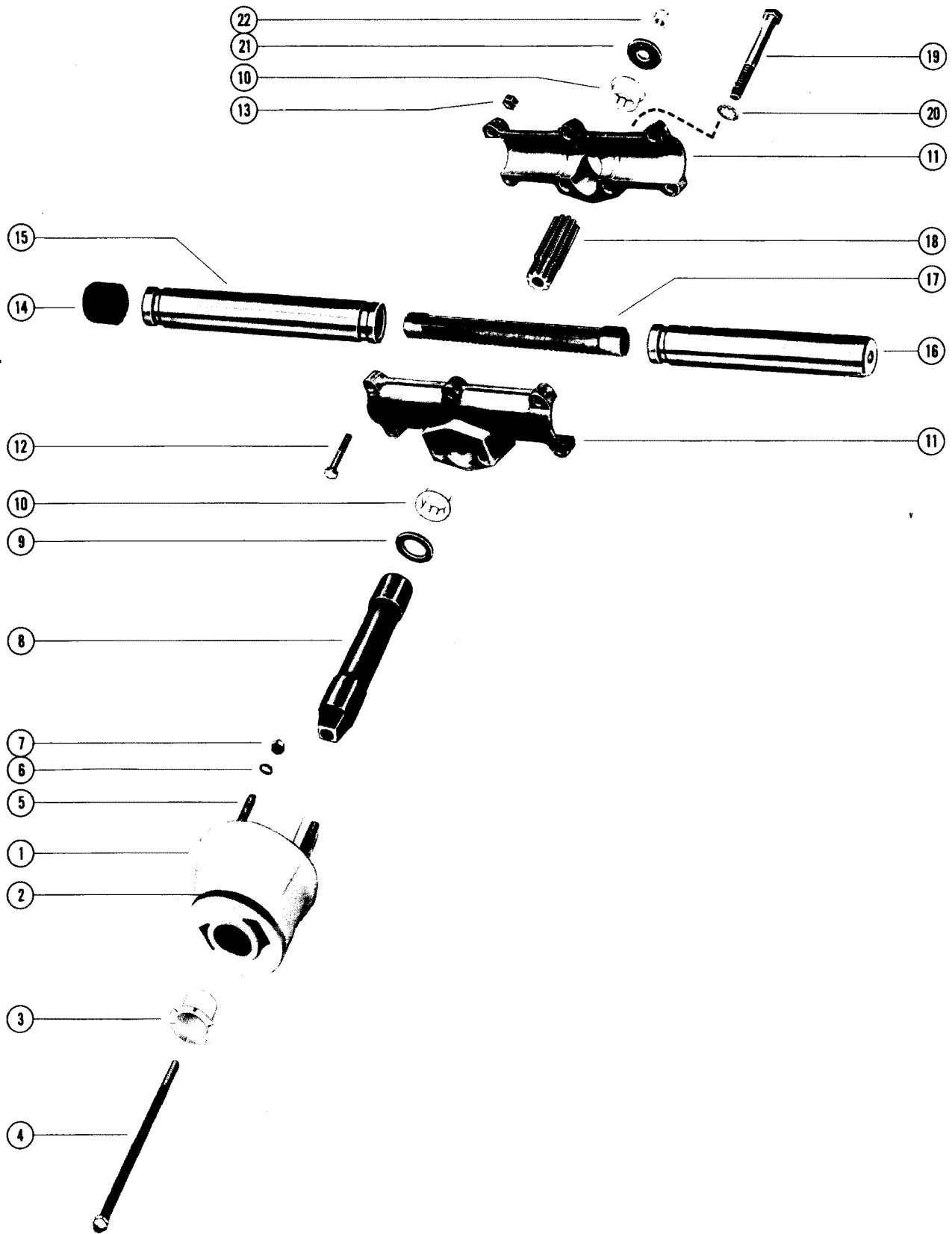
# SUPER ROTARY RIDE-GUIDE STEERING K&T I



## SUPER ROTARY RIDE-GUIDE STEERING KIT I

REF. NO.	PART NO.	SYM.	QTY.	DESCRIPTION
-	54120A1		1	SUPER ROTARY RIDE-GUIDE STEERING KIT(SEE NOTE)
1	54133		1	PINION, STEERING
2	54135		1	ADAPTOR, SUPER ROTARY STEERING
3	10-52409		2	SCREW, ADAPTOR TO CONTROL HOUSING (3 1/4" )
	10-29096		2	SCREW, ADAPTOR TO CONTROL HOUSING (2 1/2")
	10-37627		2	SCREW, ADAPTOR TO CONTROL HOUSING (5" )
4	12-20086		2	WASHER, ADAPTOR SCREW
5	11-49197		2	NUT, ADAPTOR SCREW
6	10-54134		1	SCREW, STEERING WHEEL ATTACHING (13 15/16")

# RIDE-GUIDE STEERING KIT

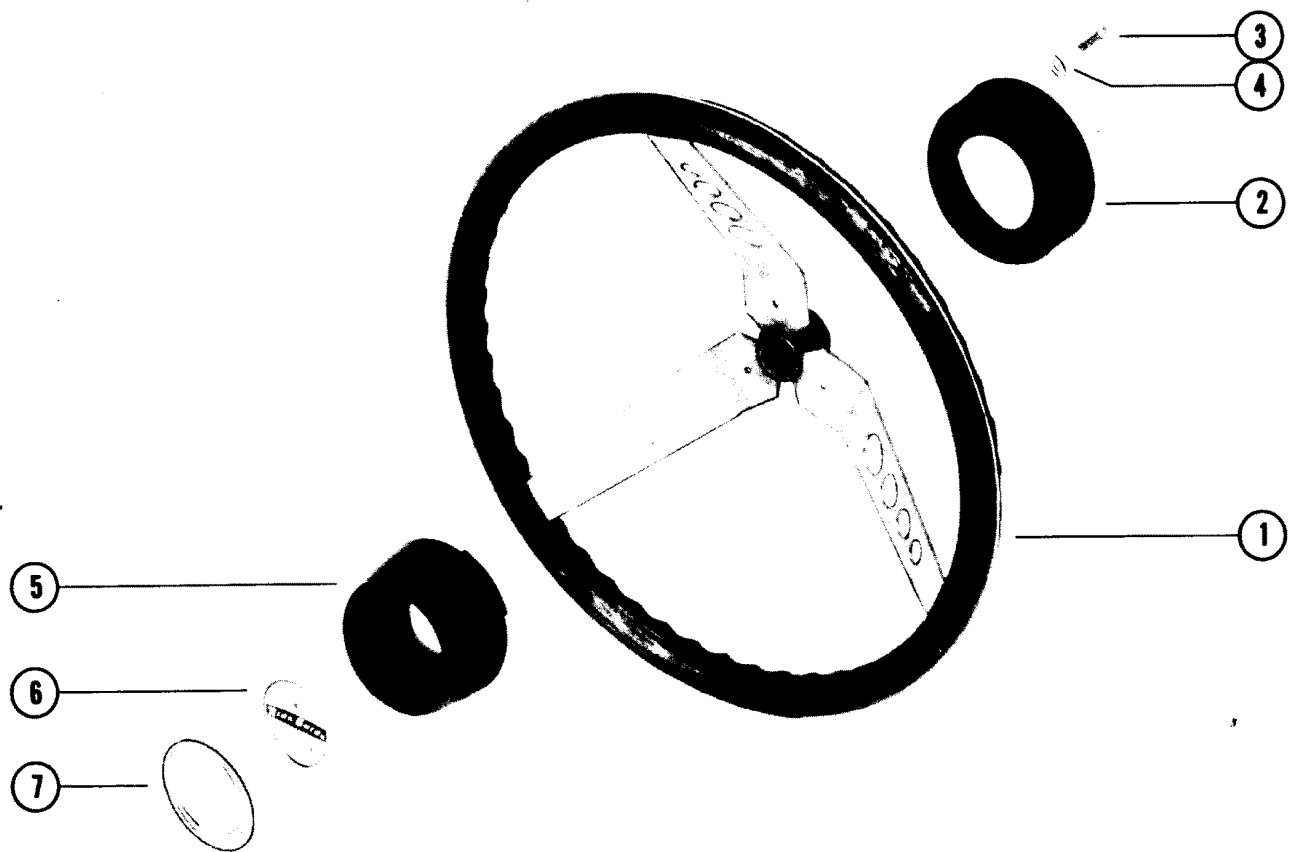




## RIDE-GUIDE STEERING KIT

REF. NO.	PART NO.	SYM.	QTY.	DESCRIPTION
-	49003A5		1,	RIDE-GUIDE STEERING KIT (20 DEGREES) - BLACK
-	49004A5		,1	RIDE-GUIDE STEERING KIT (90 DEGREES) - BLACK
1	49055-2		1,1	POST, STEERING WHEEL MOUNTING (20 DEGREES) - BLACK
	49053-2		,1	POST, STEERING WHEEL MOUNTING (90 DEGREES) - BLACK
2	37-32710		1,1	STRIP, TRIM - STEERING POST
3	23-29097		1,1	BUSHING, NYLON - STEERING POST
4	10-29223		1,	BOLT, STEERING WHEEL TO STEERING POST (10 7/8")
	10-29400		,1	BOLT, STEERING WHEEL TO STEERING POST (9 7/8")
5	16-29208		3,3	STUD, STEERING POST TO DASHBOARD (2 1/2")
6	12-26825		3,3	WASHER, STEERING POST STUD
7	11-21528		3,3	NUT, STEERING POST STUD
8	29220		1,	SHAFT, STEERING WHEEL (20 DEGREES)
	25890		,1	SHAFT, STEERING WHEEL (90 DEGREES)
9	12-25897		1,1	WASHER, SHAFT TO GEAR RACK HOUSING (15/16" I. D. )
10	23-25901		2,2	BUSHING, GEAR RACK HOUSING - SPLINED
11	48226		2,2	HOUSING, GEAR RACK
12	10-20784		5,5	SCREW, GEAR RACK HOUSING CLAMPING (1 1/2")
13	11-46887		5,5	NUT, GEAR RACK CLAMPING SCREW
14	26059		1,1	CAP, RUBBER - GEAR RACK TUBE (OPEN END)
15	25896		1,1	TUBE, GEAR RACK (OPEN END)
16	25895A1		1,1	TUBE, GEAR RACK (CABLE END)
17	25887		1,1	RACK, GEAR
18	25898		1,1	PINION, GEAR RACK
19	10-48236		2,2	SCREW, GEAR RACK HOUSING CLAMPING (3 1/4")
20	13-48300		2,2	LOCKWASHER, GEAR RACK CLAMPING SCREW
21	12-48241		1,1	WASHER, LOWER - HOUSING BOLT (13/32")I.D. )
22	11-23161		1,1	NUT,STEERING WHEEL TO HOUSING BOLT

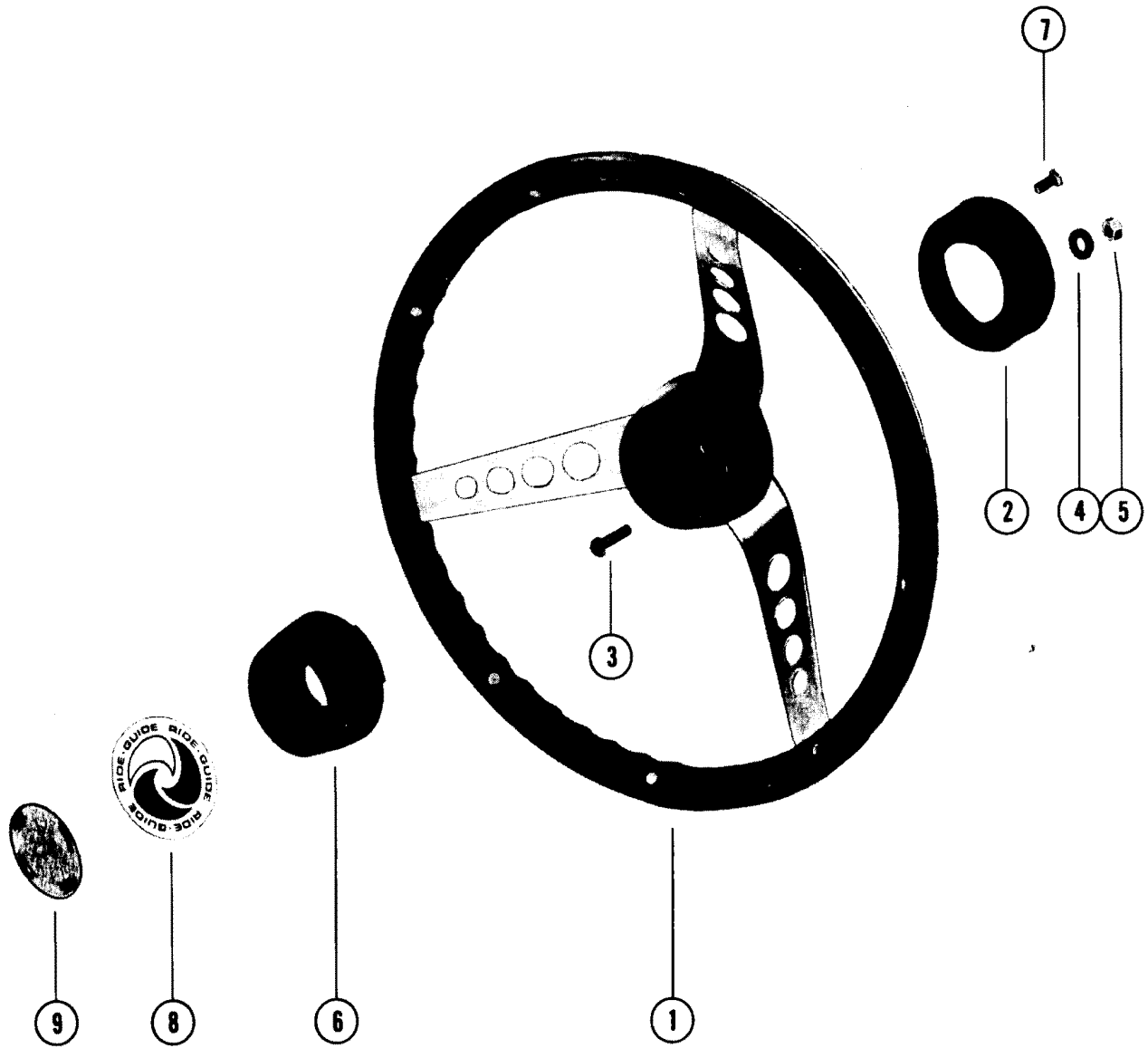
# STEERING WHEEL ASSEMBLY (Wood Grain) A



## STEERING WHEEL ASSEMBLY (Wood Grain) A

REF. NO.	PART NO.	SYM.	QTY.	DESCRIPTION
1	57862A1		1	STEERING WHEEL ASSEMBLY, WOOD GRAIN(SEE NOTE)
2	57912-1		1	SKIRT, STEERING WHEEL
3	10-57922		3	SCREW, SKIRT TO TOP CAP (7/8")
4	12-58198		3	WASHER, SKIRT SCREW
5	57928-1		1	CAP, TOP - STEERING WHEEL
6	57914A1		1	DISC ASSEMBLY, STEERING WHEEL
7	57913-1		1	LENS, STEERING WHEEL

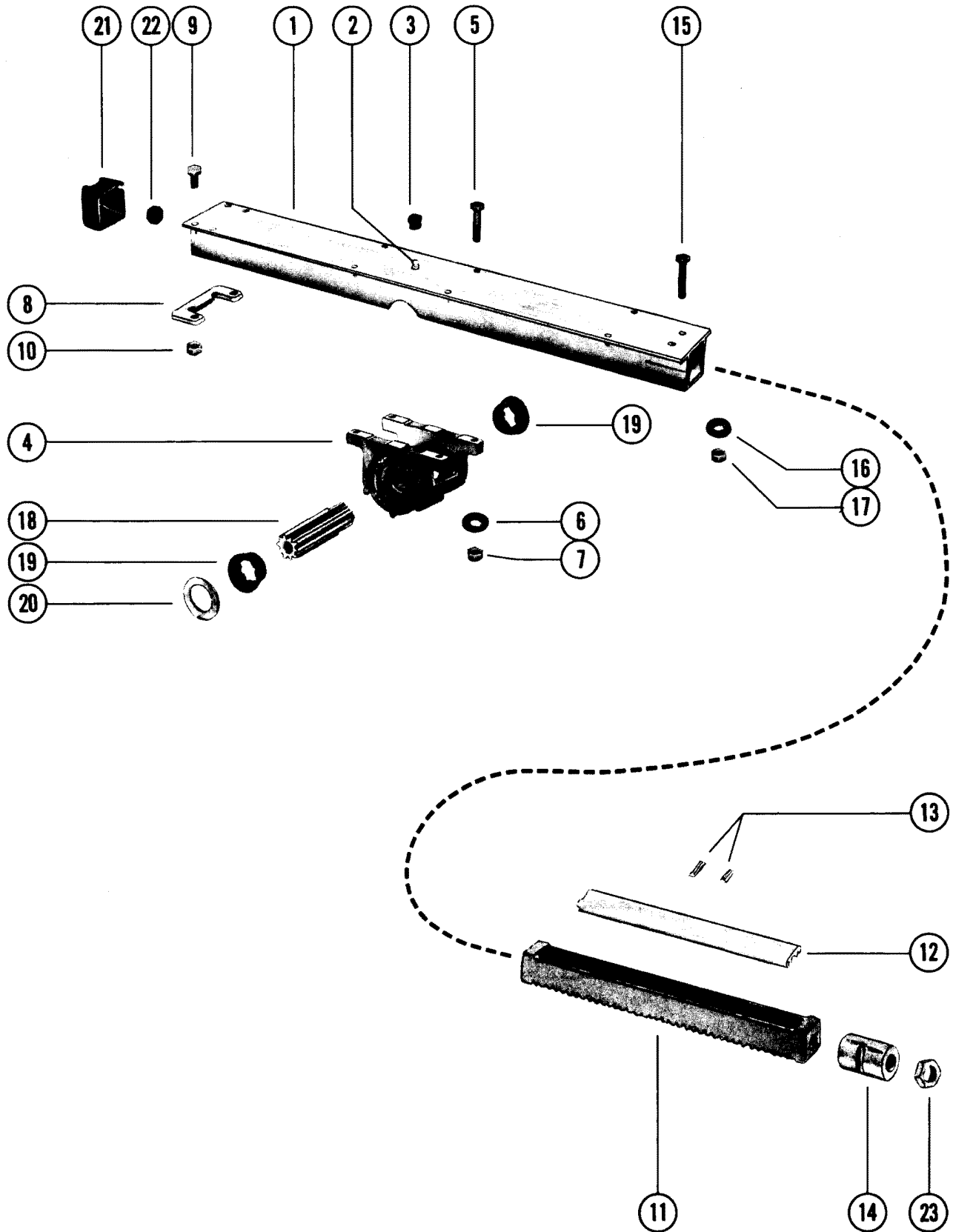
# STEERING WHEEL ASSEMBLY (Wood Grain) B



## STEERING WHEEL ASSEMBLY (Wood Grain) B

REF. NO.	PART NO.	SYM.	QTY.	DESCRIPTION
1	76130A1		1	STEERING WHEEL ASSEMBLY, WOOD GRAIN
2	76125		1	HUB, STEERING WHEEL
3	10-26065		3	SCREW, STEERING WHEEL TO HUB
4	12-20084		3	WASHER, STEERING WHEEL TO HUB SCREW (1")
5	11-35814		3	NUT, STEERING WHEEL TO HUB SCREW
6	76126		1	CAP, TOP - STEERING WHEEL
7	10-56027		3	SCREW, HUB TO STEERING WHEEL
8	57914A3		1	DRIVE ASSEMBLY, STEERING WHEEL
9	57913-1		1	LENS,STEERING WHEEL

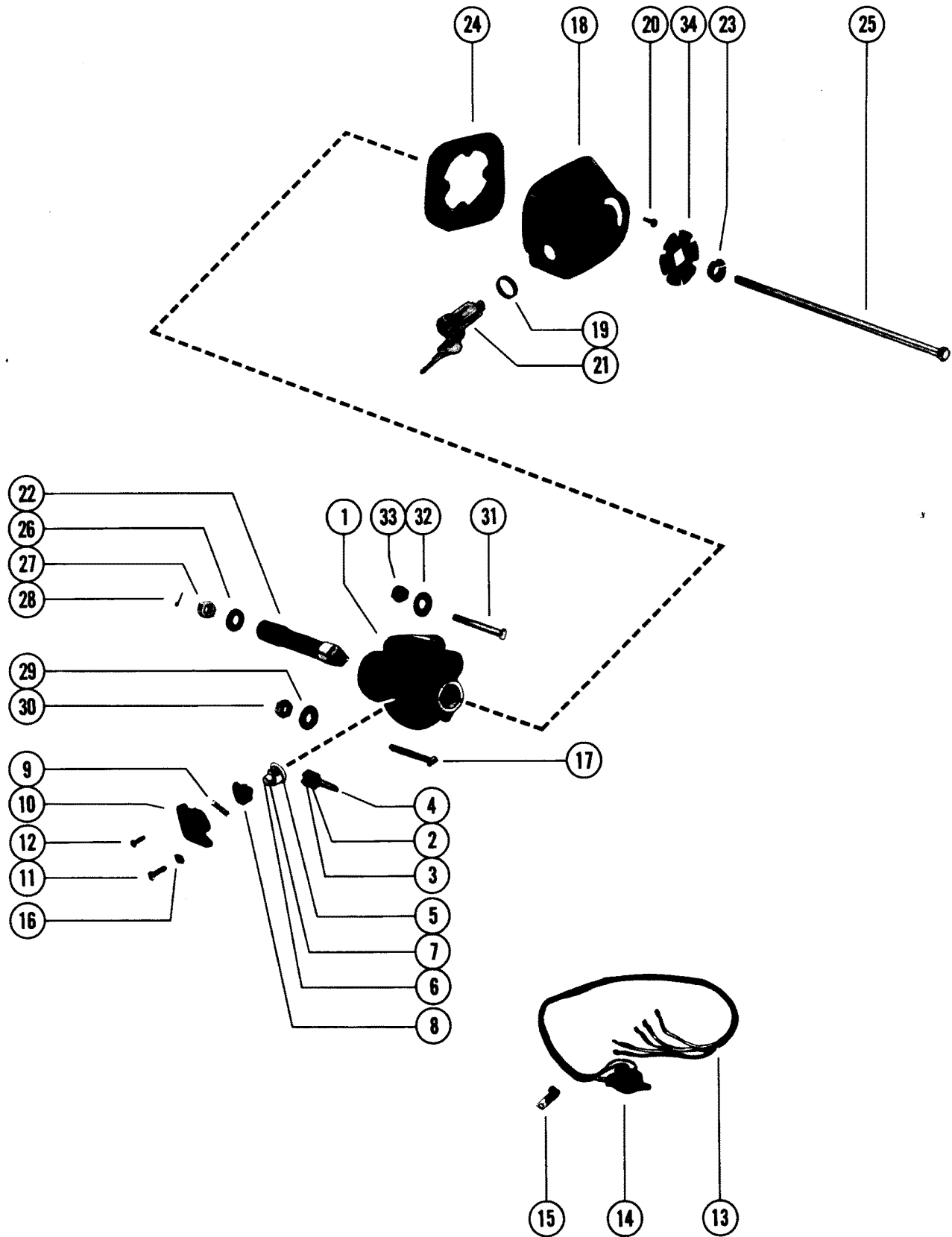
# RACK AND PINION ASSEMBLY



# RACK AND PINION ASSEMBLY

REF. NO.	PART NO.	SYM.	QTY.	DESCRIPTION
-	<b>66800A2</b>		<b>1</b>	<b>RACK AND PINION ASSEMBLY</b>
1	66800		1	HOUSING, RACK
2	22-26000		1	GREASE FITTING
3	29359		1	LUBRICAP, GREASE FITTING
4	66799		1	HOUSING, RACK MOUNT
5	10-69086		4	SCREW, RACK MOUNT HOUSING TO RACK HOUSING (1 1/8")
6	12-29245		4	WASHER, RACK MOUNT HOUSING TO RACK HOUSING SCREW
7	11-20361		4	NUT, RACK MOUNT HOUSING TO RACK HOUSING SCREW
8	66801		1	BRACKET, STOP
9	10-60300		2	SCREW, STOP BRACKET TO RACK HOUSING (3/4")
10	11-20361		2	NUT, STOP BRACKET TO RACK HOUSING SCREW
11	66802		1	RACK
12	66803		1	BUSHING, RACK
13	66804		2	GUIDE, RACK
14	66805		1	MOUNT, STEERING CABLE ATTACHING
15	10-21937		2	SCREW, MOUNT TO RACK HOUSING (2")
16	12-29245		2	WASHER, MOUNT TO RACK HOUSING SCREW
17	11-20361		2	NUT, MOUNT TO RACK HOUSING SCREW
18	25898		1	PINION
19	23-25901		2	BUSHING, SPLINED NYLON - PINION SECURING
20	12-25897		1	WASHER, PINION SECURING
21	66806		1	COVER, RACK HOUSING
22	11-20088		2	NUT, STEERING CABLE TO RACK
23	11-25899		1	NUT, JAM STEERING CABLE TO MOUNT

# LOCKING STEERING MOUNT ASSEMBLY (20 DEGREES OR 90 DEGREES)

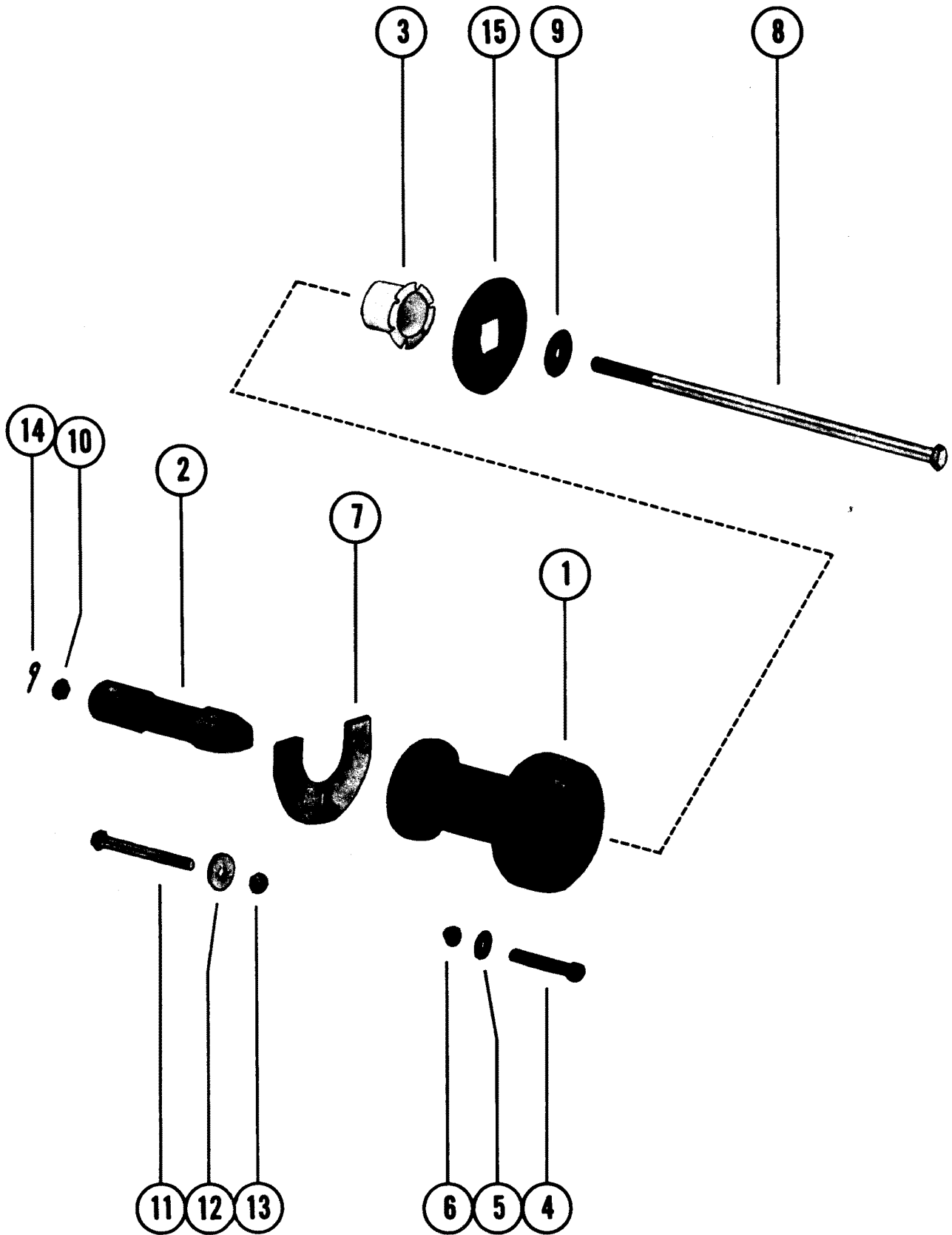




# LOCKING STEERING MOUNT ASSEMBLY (20 DEGREES OR 90 DEGREES)

REF. NO.	PART NO.	SYM.	QTY.	DESCRIPTION
-	66786A3		1	LOCKING STEERING MOUNT ASSEMBLY - 20 DEGREES OR 90 DEGREES
1	66786		1	STEERING POST
2	66787		1	RACK, LOCKING
3	24-66788		1	SPRING, LOCKING RACK PIN
4	66789		1	PIN, LOCKING RACK
5	66790		1	PINION, LOCKING
6	24-73455		1	SPRING, LOCKING PINION
7	66792		1	PIN, LOCKING PINION
8	66793		1	DRIVER, KEY SWITCH
9	24-73454		1	SPRING, KEY RETURN
10	66795		1	BRACKET, SWITCH MOUNTING
11	10-73556		2	SCREW, SWITCH MOUNTING BRACKET ATTACHING (3/4")
12	10-73557		3	SCREW, SWITCH MOUNTING BRACKET ATTACHING (5/8")
13	84-70025		1	WIRING HARNESS
14	87-67357		1	SWITCH, WIRING HARNESS
15	54-22740		1	CLIP, HARNESS TO BRACKET ATTACHING
16	22789		1	"C" WASHER, HARNESS ATTACHING SCREW
17	10-66797		3	"T" BOLT, STEERING POST AND WEDGE ATTACHING (5/16"-24)
18	66798		1	COVER, STEERING POST
19	66810		1	GROMMET, KEY CYLINDER TO MOUNT
20	10-73557		2	SCREW, STEERING POST ATTACHING (5/8")
21	67365		1	KEY CYLINDER
22	67352		1	SHAFT, STEERING WHEEL
23	23-29097		1	BUSHING, STEERING WHEEL SHAFT SCREW TO COVER
24	66816		1	WEDGE
25	10-67367		1	SCREW, STEERING WHEEL SHAFT (12")
26	12-48241		1	WASHER, STEERING WHEEL SHAFT SCREW
27	11-23161		1	NUT, STEERING WHEEL SHAFT SCREW
28	18-29623		1	COTTER PIN
29	12-26825		3	WASHER, "T" BOLT
30	11-35814		3	NUT, "T" BOLT TO DASHBOARD
31	10-69098		2	SCREW, STEERING POST TO DASHBOARD ATTACHING (3 1/2")
32	12-63032		2	WASHER, STEERING POST TO DASHBOARD SCREW
33	11-35814		2	NUT, STEERING POST TO DASHBOARD SCREW
34	66809		1	PLATE, COVER

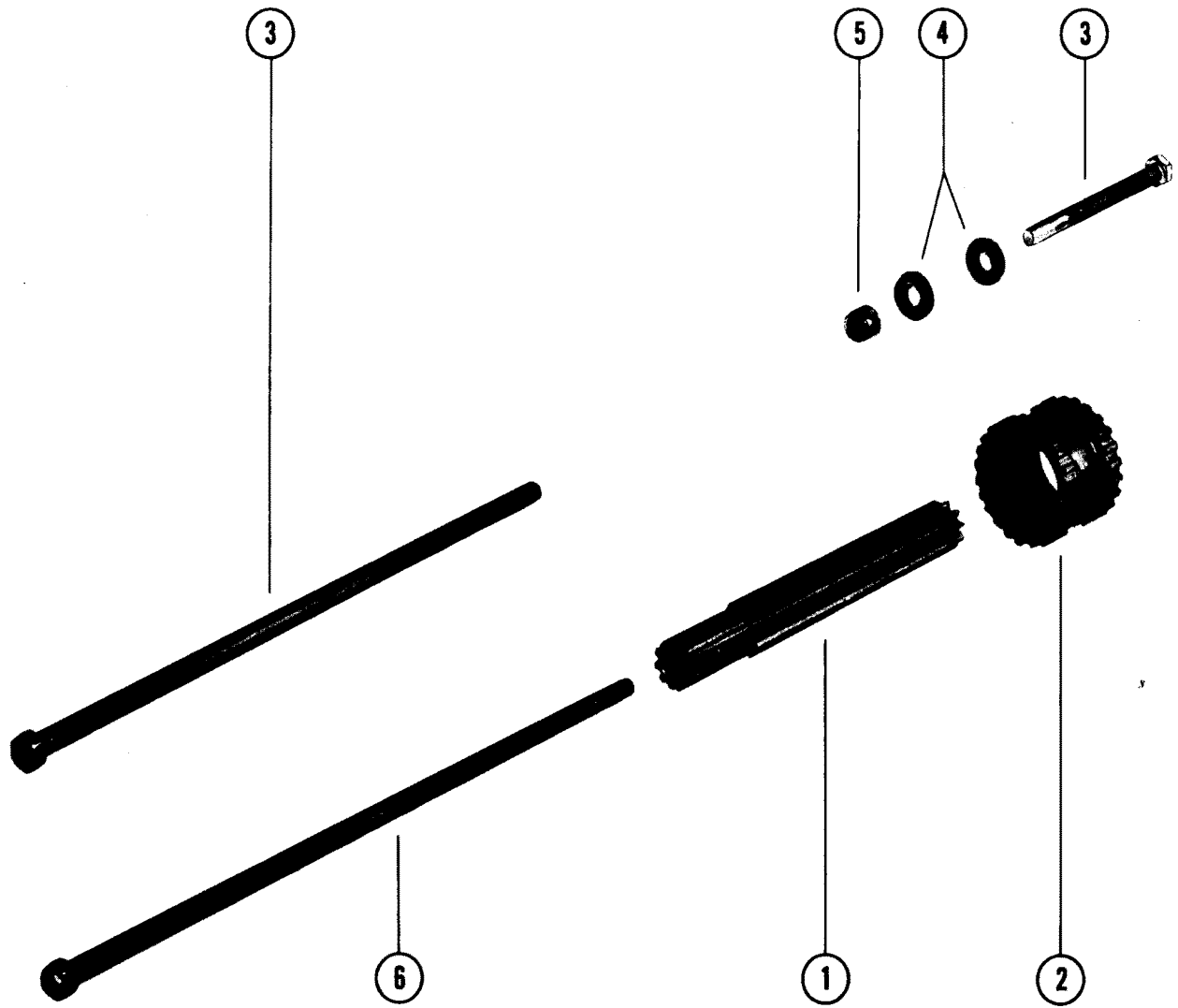
# STEERING MOUNT ASSEMBLY



## STEERING MOUNT ASSEMBLY

REF. NO.	PART NO.	SYM.	QTY.	DESCRIPTION
-	76640A1		1	STEERING MOUNT ASSEMBLY (90 DEGREES) - SEE NOTE
1	76640		1	POST, STEERING
2	76706		1	SHAFT, STEERING WHEEL
3	23-29097		1	BUSHING, NYLON - STEERING WHEEL SHAFT
4	10-76736		3	SCREW, STEERING POST TO DASHBOARD (2")
5	12-26825		3	WASHER, STEERING POST SCREW
6	11-21528		3	NUT, STEERING POST SCREW
7	76646		1	"U" PLATE
8	10-76745		1	BOLT, STEERING WHEEL ATTACHING (10 1/8")
9	12-48241		1	WASHER, STEERING WHEEL BOLT
10	11-23161		1	NUT, STEERING WHEEL BOLT
11	10-69098		2	SCREW, GEAR RACK ATTACHING (3 1/2")
12	12-63032		2	WASHER, GEAR RACK SCREW
13	11-21528		2	NUT, GEAR RACK SCREW
14	18-29623		1	COTTER PIN,
15	76909		1	DIVIDER PLATE

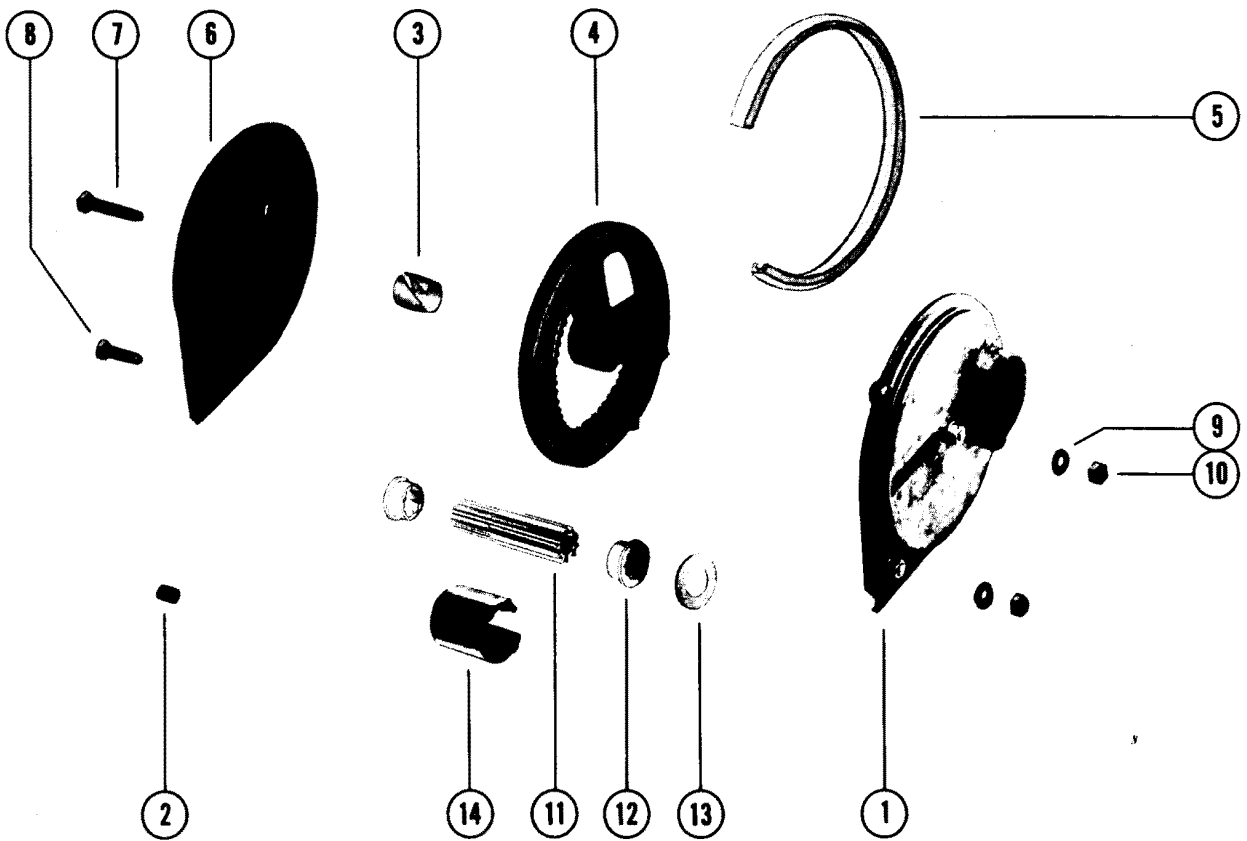
# SUPER RIDE-GUIDE STEERING KIT



## SUPER RIDE-GUIDE STEERING KIT

REF. NO.	PART NO.	SYM.	QTY.	DESCRIPTION
-	66815A2		1,	SUPER RIDE-GUIDE STEERING KIT SEE NOTE
-	66800A3		,1	SUPER RIDE-GUIDE STEERING KIT SEE NOTE
1	43-73956		1,	PINION, STEERING
	43-73961		,1	PINION, STEERING
2	73957		1,1	ADAPTOR, SUPER ROTARY STEERING
3	10-69098		2,2	SCREW, ADAPTOR TO CONTROL HOUSING (3 1/2")
	10-31222		1,	SCREW, ADAPTOR TO CONTROL HOUSING (13 1/4")
	10-78955		1,1	SCREW, ADAPTOR TO CONTROL HOUSING (13 5/8")
4	12-57792		4,4	WASHER, ADAPTOR SCREW
5	11-35814		2,2	NUT, ADAPTOR SCREW
6	10-73959		1,1	SCREW, STEERING WHEEL ATTACHING (15 1/4")

# ROTARY RIDE-GUIDE CABLE ASSEMBLY



## ROTARY RIDE-GUIDE CABLE ASSEMBLY

REF. NO.	PART NO.	SYM.	QTY.	DESCRIPTION
-	76876A		1	ROTARY STEERING CABLE ASSEMBLY (HEAVY DUTY)
1	66815		1	HOUSING, STEERING CONTROL - STARBOARD
2	67950		1	SPACER
3	23-54123		1	BUSHING, NYLON - RING GEAR
4	43-66144		1	GEAR, RING
5	54124		1	LINER, NYLON - RING GEAR
6	66814		1	HOUSING, STEERING CONTROL - PORT
7	10-32293		1	SCREW, CONTROL HOUSING CLAMPING (1 3/4")
8	10-20639		1	SCREW, CONTROL HOUSING CLAMPING (1 1/8")
9	12-20722		2	WASHER, CONTROL HOUSING CLAMPING SCREW
10	11-46793		2	NUT, CONTROL HOUSING CLAMPING SCREW
8	10-22958		2	SCREW, CONTROL HOUSING CLAMPING (1 1/8")
9	12-24676		2	WASHER, CONTROL HOUSING CLAMPING SCREW
10	11-46438		2	NUT, CONTROL HOUSING CLAMPING SCREW
11	66990		1	PINION, RING GEAR ACTUATING
12	23-66811		2	BUSHING, NYLON - PINION GEAR
13	12-67369		1	WASHER, PINION GEAR
14	71669A1		1	LOCKING SLEEVE ASSEMBLY

# PARTS INDEX

Part Number	Description	Pg.	Ref. No.	Part Number	Description	Pg.	Ref. No.
22789	"C" WASHER, HARNESS ATTACHING SCREW . . . .	47	16	26059	CAP, RUBBER - GEAR RACK TUBE (OPEN END) . . . . .	15	4
25884	HOUSING, GEAR RACK . . .	3	12	26059	CAP, RUBBER - GEAR RACK TUBE (OPEN END) . . . . .	27	30
25884	HOUSING, GEAR RACK . . .	7	10	26059	CAP, RUBBER - GEAR RACK TUBE (OPEN END) . . . . .	29	6
25884	HOUSING, GEAR RACK . . .	11	21	26059	CAP, RUBBER - GEAR RACK TUBE (OPEN END) . . . . .	39	14
25884	HOUSING, GEAR RACK . . .	15	9	29215	BRACKET, GEAR RACK HOUSING (20 DEGREES)	3	24
25887	RACK, GEAR . . . . .	3	13	29215	BRACKET, GEAR RACK HOUSING (20 DEGREES)	7	22
25887	RACK, GEAR . . . . .	7	11	29215	BRACKET, STEERING WHEEL MOUNTING (20 DEGREES)	11	31
25887	RACK, GEAR . . . . .	11	22	29220	SHAFT, STEERING WHEEL . . . . .	3	9
25887	RACK, GEAR . . . . .	15	7	29220	SHAFT, STEERING WHEEL . . . . .	27	24
25887	RACK, GEAR . . . . .	27	33	29220	SHAFT, STEERING WHEEL . . . . .	33	23
25887	RACK, GEAR . . . . .	29	9	29220	SHAFT, STEERING WHEEL (20 DEGREES)	7	7
25887	RACK, GEAR . . . . .	39	17	29220	SHAFT, STEERING WHEEL (20 DEGREES)	11	18
25890	SHAFT, STEERING WHEEL . . . . .	3	9	29220	SHAFT, STEERING WHEEL (20 DEGREES)	31	8
25890	SHAFT, STEERING WHEEL (90 DEGREES)	7	7	29220	SHAFT, STEERING WHEEL (20 DEGREES)	39	8
25890	SHAFT, STEERING WHEEL (90 DEGREES)	11	18	29359	LUBRICAP, GREASE FITTING . . . . .	45	3
25890	SHAFT, STEERING WHEEL (90 DEGREES)	39	8	29370	BRACKET, EXTENSION (3/4" OD)	19	1
25895	TUBE, GEAR RACK (CABLE END)	3	14	29372	TUBE, CABLE COUPLING . . . . .	19	9
25895	TUBE, GEAR RACK (CABLE END)	15	6	29374	COUPLER, HALVES - CABLE ENDS TO CABLE AND ROD	19	4
25895A1	TUBE ASSEMBLY, GEAR RACK (CABLE END)	7	12	29375	CABLE END, STEERING - COUPLER TO EXTENSION ROD	19	2
25895A1	TUBE, GEAR RACK (CABLE END)	11	23	29376	CABLE END, STEERING - COUPLER TO CONTROL CABLE	19	3
25895A1	TUBE, GEAR RACK (CABLE END)	27	32	29398	BRACKET, GEAR RACK HOUSING (90 DEGREES)	3	24A
25895A1	TUBE, GEAR RACK (CABLE END)	29	8	29398	BRACKET, GEAR RACK HOUSING (90 DEGREES)	7	22A
25895A1	TUBE, GEAR RACK (CABLE END)	39	16	29398	BRACKET, STEERING WHEEL MOUNTING (90 DEGREES)	11	31A
25896	TUBE, GEAR RACK (OPEN END)	3	15	29698	BALL, PIVOT STUD . . . . .	23	18
25896	TUBE, GEAR RACK (OPEN END)	7	13	30351A1	BAR ASSEMBLY (4" EXTENSION)	23	22
25896	TUBE, GEAR RACK (OPEN END)	11	24	30352A1	COUPLER ASSEMBLY, EXTENSION LINK ROD . . . . .	23	19
25896	TUBE, GEAR RACK (OPEN END)	15	5	30353	ROD, LINK (16" EXTENSION)	23	21
25896	TUBE, GEAR RACK (OPEN END)	27	31	30664	TUBE, TILT (7/8" OD)	19	8
25896	TUBE, GEAR RACK (OPEN END)	29	7	30705	BRACKET, EXTENSION (7/8" OD)	19	1
25896	TUBE, GEAR RACK (OPEN END)	39	15	30707A1	RIDE-GUIDE EXTENSION KIT (7/8" OD)	19	-
25898	PINION . . . . .	45	18				
25898	PINION, GEAR RACK . . . . .	3	17				
25898	PINION, GEAR RACK . . . . .	7	15				
25898	PINION, GEAR RACK . . . . .	11	26				
25898	PINION, GEAR RACK . . . . .	27	34				
25898	PINION, GEAR RACK . . . . .	39	18				
26059	CAP, RUBBER - GEAR RACK TUBE (OPEN END)	3	16				
26059	CAP, RUBBER - GEAR RACK TUBE (OPEN END)	7	14				
26059	CAP, RUBBER - GEAR RACK TUBE (OPEN END)	11	25				



# PARTS INDEX

Part Number	Description	Pg.	Ref. No.	Part Number	Description	Pg.	Ref. No.
31217A2	SUPER RIDE-GUIDE STEERING KIT SEE NOTES	15	-	34657-2	BRACKET, STEERING WHEEL MOUNTING (90 DEGREES)	11	16
31218	BRACKET, GEAR RACK TUBE TO GEAR RACK TUBE	15	18	34658	CAP, STEERING WHEEL	11	3
31218	BRACKET, GEAR RACK TUBE TO GEAR RACK TUBE	29	13	34659A4	RIDE-GUIDE STEERING WHEEL ASSEMBLY (INDICATOR)	11	1
31221	PINION, GEAR RACK TO GEAR RACK	15	8	34663	SHAFT, PINION	11	11
31221	PINION, GEAR RACK TO GEAR RACK	29	10	34667A5	RIDE-GUIDE STEERING KIT (20 DEGREES)	11	--
31268A1	STEERING WHEEL ASSEMBLY	3	1	34668A5	RIDE-GUIDE STEERING KIT (90 DEGREES)	11	--
31269A1	RIDE-GUIDE STEERING WHEEL ASSTY (DELUXE - 20 DEGREES) SEE NOTE	3	-	38605A1	STEERING WHEEL ASSEMBLY (RICH RED) SLOTTED SPOKE	21	1
31331A1	RIDE-GUIDE STEERING WHEEL ASSTY (DELUXE - 90 DEGREES) SEE NOTE	3	-	38605A2	STEERING WHEEL ASSEMBLY (LIGHT GOLD) SLOTTED SPOKE	21	1
31344	EMBLEM (RIDE-GUIDE), STEERING WHEEL	3	3	38605A3	STEERING WHEEL ASSEMBLY (SILVER) SLOTTED SPOKE	21	1
31442	BRACKET, STEERING WHEEL MOUNTING	3	7	38605A4	STEERING WHEEL ASSEMBLY (ROYAL BLUE) SLOTTED SPOKE	21	1
31442-1	BRACKET,STEERING WHEEL MOUNTING (90 DEGREES)-WHITE	7	5A	38613	HUB, STEERING WHEEL	21	2
31442-2	BRACKET,STEERING WHEEL MOUNTING (90 DEGREES)-BLACK	7	5A	38614	PLATE, SNAP- STEERING WHEEL	21	3
31446	BRACKET, STEERING WHEEL MOUNTING	3	7	39253A2	RIDE-GUIDE DUAL STEERING KIT (MERCURISER "O")	25	-
31446-1	BRACKET,STEERING WHEEL MOUNTING (20 DEGREES)-WHITE	7	5	39254	ADAPTOR, DUAL STEERING	25	1
31446-2	BRACKET,STEERING WHEEL MOUNTING (20 DEGREES)-BLACK	7	5	39254	ADAPTOR, STEERING LINK ROD	23	1
32399A1	RIDE-GUIDE STEERING KIT,WHITE (20 DEGREES)	7	-	39334A2	RIDE-GUIDE DUAL STEERING KIT (MERCURISEROVER, MARINE 110 AND NOTE A)	23	-
32399A2	RIDE- GUIDE STEERING KIT,BLACK (20 DEGREES)	7	-	39334A3	RIDE-GUIDE DUAL STEERING KIT (MARINE 140 AND NOTE B)	23	-
32400A1	RIDE-GUIDE STEERING KIT,WHITE (90 DEGREES)	7	-	39335A1	EYE ASSEMBLY, STEERING - SECONDARY DRIVE UNIT	23	10
32400A2	RIDE-GUIDE STEERING KIT,BLACK (90 DEGREES)	7	-	39336A1	LINK ROD ASSEMBLY, STEERING - PRIMARY DRIVE UNIT	23	8
32401A1	RIDE- GUIDE STEERING WHEEL ASSEMBLY (MAHOGANY - 20")(SEE NOTE)	7	1	46290	HUB, STEERING WHEEL	21	2
32402A1	RIDE-GUIDE STEERING WHEEL ASSEMBLY (MAHOGANY - 16")(SEE NOTE)	7	1	46352	NAME PLATE, CHROME	21	5
34654	HUB, INDICATOR - STEERING WHEEL	11	4	46369A1	STEERING WHEEL ASSEMBLY (RICH RED) THREE HOLE SPOKE	21	1
34655-2	BRACKET, STEERING WHEEL MOUNTING (20 DEGREES)	11	16	46369A2	STEERING WHEEL ASSEMBLY (LIGHT GOLD) THREE HOLE SPOKE	21	1
				46369A3	STEERING WHEEL ASSEMBLY (SILVER) THREE HOLE SPOKE	21	1
				46369A4	STEERING WHEEL ASSEMBLY (ROYAL BLUE) THREE HOLE SPOKE	21	1

# PARTS INDEX

Part Number	Description	Pg.	Ref. No.	Part Number	Description	Pg.	Ref. No.
46369A5	STEERING WHEEL ASSEMBLY (BLACK) THREE HOLE SPOKE . . .	21	1	54120A1	SUPER ROTARY RIDE-GUIDE STEERING KIT(SEE NOTE) . . . . .	37	-
46369A6	STEERING WHEEL ASSEMBLY (WHITE) THREE HOLE SPOKE . . .	21	1	54124	LINER, NYLON - RING GEAR	35	8
46370	PLATE, SNAP - STEERING WHEEL . . . . .	21	3	54124	LINER, NYLON - RING GEAR	53	5
46395A1	STEERING WHEEL ASSEMBLY (PLASTIC) . . .	21	1	54125	PINION, STEERING . . . . .	31	16
46752A1	STEERING WHEEL ASSEMBLY (BLACK) THICK SPONGE GRIP . . .	21	1	54125	PINION, STEERING . . . . .	33	31
46999A1	BUTTON ASSEMBLY, STEERING WHEEL . . . . .	21	-	54129	ADAPTOR, ROTARY STEERING . . . . .	31	10
48224	LEVER, TILT ADJUSTING . .	27	13	54129	ADAPTOR, ROTARY STEERING . . . . .	33	25
48224	LEVER, TILT ADJUSTING . .	33	13	54130	HOUSING, STEERING CONTROL - STARBOARD	35	9
48225-2	HOUSING, TILT ADJUSTING LEVER . . . . .	27	16	54131	HOUSING, STEERING CONTROL - PORT . . . . .	35	5
48225-2	HOUSING, TILT ADJUSTING LEVER . . . . .	33	15	54133	PINION, STEERING . . . . .	37	1
48226	HOUSING, GEAR RACK . . .	27	27	54135	ADAPTOR, SUPER ROTARY STEERING . . . . .	37	2
48226	HOUSING, GEAR RACK . . .	29	3	57862A1	STEERING WHEEL ASSEMBLY, WOOD GRAIN(SEE NOTE) . . . . .	41	1
48226	HOUSING, GEAR RACK . . .	39	11	57912-1	SKIRT, STEERING WHEEL . .	41	2
48227-2	POST, TILT - STEERING WHEEL MOUNTING . . . . .	27	1	57913-1	LENS, STEERING WHEEL . .	41	7
48227-2	POST, TILT - STEERING WHEEL MOUNTING . . . . .	33	1	57913-1	LENS,STEERING WHEEL . .	43	9
48228-2	HOUSING, TILT POST MOUNTING . . . . .	27	5	57914A1	DISC ASSEMBLY, STEERING WHEEL . . . . .	41	6
48228-2	HOUSING, TILT POST MOUNTING . . . . .	33	5	57914A3	DRIVE ASSEMBLY, STEERING WHEEL . . . . .	43	8
48250A4	RIDE-GUIDE TILT MOUNT ASSEMBLY, COMPLETE . .	27	-	57928-1	CAP, TOP - STEERING WHEEL . . . . .	41	5
48366A1	SUPER RIDE-GUIDE STEERING KIT(SEE NOTE)	29	-	66786	STEERING POST . . . . .	47	1
49003A5	RIDE-GUIDE STEERING KIT (20 DEGREES) - BLACK . .	39	-	66786A3	LOCKING STEERING MOUNT ASSEMBLY - 20 DEGREES OR 90 DEGREES . . . . .	47	-
49004A5	RIDE-GUIDE STEERING KIT (90 DEGREES) - BLACK . .	39	-	66787	RACK, LOCKING . . . . .	47	2
49053-2	BRACKET, STEERING WHEEL MOUNTING (90 DEGREES)-BLACK . . . . .	31	3	66789	PIN, LOCKING RACK . . . . .	47	4
49053-2	POST, STEERING WHEEL MOUNTING (90 DEGREES) - BLACK . . . . .	39	1	66790	PINION, LOCKING . . . . .	47	5
49055-2	BRACKET, STEERING WHEEL MOUNTING (20 DEGREES)-BLACK . . . . .	31	3	66792	PIN, LOCKING PINION . . . . .	47	7
49055-2	POST, STEERING WHEEL MOUNTING (20 DEGREES) - BLACK . . . . .	39	1	66793	DRIVER, KEY SWITCH . . . . .	47	8
54117A5	ROTARY RIDE-GUIDE STEERING KIT, BLACK (20 DEGREES) . . . . .	31	-	66795	BRACKET, SWITCH MOUNTING . . . . .	47	10
54118A5	ROTARY RIDE-GUIDE STEERING KIT, BLACK (90 DEGREES) . . . . .	31	-	66798	COVER, STEERING POST . .	47	18
54119A4	ROTARY RIDE-GUIDE TILT MOUNT ASSEMBLY . . . . .	33	-	66799	HOUSING, RACK MOUNT . .	45	4
				66800	HOUSING, RACK . . . . .	45	1
				66800A2	RACK AND PINION ASSEMBLY . . . . .	45	-
				66800A3	SUPER RIDE-GUIDE STEERING KIT SEE NOTE	51	-
				66801	BRACKET, STOP . . . . .	45	8
				66802	RACK . . . . .	45	11
				66803	BUSHING, RACK . . . . .	45	12
				66804	GUIDE, RACK . . . . .	45	13
				66805	MOUNT, STEERING CABLE ATTACHING . . . . .	45	14
				66806	COVER, RACK HOUSING . .	45	21
				66809	PLATE, COVER . . . . .	47	34
				66810	GROMMET, KEY CYLINDER TO MOUNT . . . . .	47	19
				66812	CAP, LOCKING . . . . .	17	6

# PARTS INDEX

Part Number	Description	Pg.	Ref. No.	Part Number	Description	Pg.	Ref. No.
66814	HOUSING, STEERING CONTROL - PORT	53	6	10-20705	SCREW, STEERING BRACKET TO SPACER (3/4")	13	36
66815	HOUSING, STEERING CONTROL - STARBOARD	53	1	10-20776	SCREW, CAP AND HUB TO STEERING WHEEL	11	8
66815A2	SUPER RIDE-GUIDE STEERING KIT SEE NOTE	51	-	10-20784	SCREW, GEAR RACK HOUSING CLAMPING (1 1/2")	29	4
66816	WEDGE	47	24	10-20784	SCREW, GEAR RACK HOUSING CLAMPING (1 1/2")	27	28
66978A1	LINK ROD ASSEMBLY, STEERING - PRIMARY DRIVE UNIT	23	8	10-20784	SCREW, GEAR RACK HOUSING CLAMPING (1 1/2")	39	12
66990	PINION, RING GEAR ACTUATING	53	11	10-20784	SCREW, GEAR RACK HOUSING CLAMPING (1/4")	3	18
67352	SHAFT, STEERING WHEEL	47	22	10-20784	SCREW, GEAR RACK HOUSING CLAMPING (1/4")	15	11
67365	KEY CYLINDER	47	21	10-20784	SCREW, GEAR RACK HOUSING CLAMPING (1/4-28)	7	16
67950	SPACER	53	2	10-20784	SCREW, GEAR RACK HOUSING CLAMPING (1/4-28)	11	27
71669A1	LOCKING SLEEVE ASSEMBLY	53	14	10-21937	SCREW, MOUNT TO RACK HOUSING (2")	45	15
71669A1	SLEEVE ASSEMBLY, LOCKING	17	5	10-21962	SCREW, STEERING BRACKET TO SPACER (1 1/2")	3	29
71669A1	SLEEVE ASSEMBLY, LOCKING	35	-	10-22039	SCREW, GEAR RACK TUBE BRACKET CLAMPING	15	19
73957	ADAPTOR, SUPER ROTARY STEERING	51	2	10-22039	SCREW, GEAR RACK TUBE BRACKET CLAMPING	29	14
76042A	ROTARY RIDE GUIDE CABLE ASSEMBLY	35	1	10-22040	SCREW, STEERING BRACKET TO SPACER (1 1/2")	9	27
76043A	RIDE-GUIDE STEERING CABLE ASSEMBLY (7/8" O.D.)	17	1	10-22040	SCREW, STEERING BRACKET TO SPACER (1 1/2")	13	36
76125	HUB, STEERING WHEEL	43	2	10-22958	SCREW, CONTROL HOUSING CLAMPING (1 1/8")	53	8
76126	CAP, TOP - STEERING WHEEL	43	6	10-24217	SCREW, ADAPTOR TO RIDE-GUIDE CABLE	23	5
76130A1	STEERING WHEEL ASSEMBLY, WOOD GRAIN	43	1	10-24217	SCREW, GEAR RACK HOUSING CLAMPING (3/8")	3	19
76640	POST, STEERING	49	1	10-24217	SCREW, GEAR RACK HOUSING CLAMPING (3/8")	15	13
76640A1	STEERING MOUNT ASSEMBLY (90 DEGREES) - SEE NOTE	49	-	10-24217	SCREW, GEAR RACK HOUSING CLAMPING (3/8-24)	7	17
76646	"U" PLATE	49	7	10-24217	SCREW, GEAR RACK HOUSING CLAMPING (3/8-24)	11	28
76706	SHAFT, STEERING WHEEL	49	2				
76706	SHAFT, STEERING WHEEL (90 DEGREES)	31	8				
76876A	ROTARY STEERING CABLE ASSEMBLY (HEAVY DUTY)	53	-				
76909	DIVIDER PLATE	49	15				
10-20639	SCREW, CONTROL HOUSING CLAMPING (1 1/8")	35	11				
10-20639	SCREW, CONTROL HOUSING CLAMPING (1 1/8")	53	8				
10-20646	SCREW, HUB TO STEERING WHEEL	11	7				
10-20653	SCREW, COUPLER HALVES CLAMPING	19	5				
10-20705	SCREW, STEERING BRACKET TO SPACER (3/4")	3	29				

# PARTS INDEX

Part Number	Description	Pg.	Ref. No.	Part Number	Description	Pg.	Ref. No.
10-26065	SCREW, STEERING WHEEL TO HUB	43	3	10-35569	BOLT, STEERING WHEEL TO GEAR RACK HOUSING	15	3
10-29096	SCREW, ADAPTOR TO CONTROL HOUSING (2 1/2")	37	3	10-37627	SCREW, ADAPTOR TO CONTROL HOUSING (5")	37	3
10-29222	SCREW, BRACKET TO GEAR RACK HOUSING	3	25	10-38615	SCREW, SNAP PLATE TO STEERING WHEEL (3/4")	21	4
10-29222	SCREW, BRACKET TO GEAR RACK HOUSING	7	23	10-48232	SCREW, MOUNTING HOUSING TO TILT POST (1 1/2")	27	6
10-29222	SCREW, BRACKET TO GEAR RACK HOUSING	11	32	10-48232	SCREW, MOUNTING HOUSING TO TILT POST (1 1/2")	33	6
10-29222	SCREW, STEERING ADAPTOR TO CONTROL HOUSING (2 3/4")	31	11	10-48236	SCREW, GEAR RACK HOUSING CLAMPING (3 1/4")	27	35
10-29222	SCREW, STEERING ADAPTOR TO CONTROL HOUSING (2 3/4")	33	26	10-48236	SCREW, GEAR RACK HOUSING CLAMPING (3 1/4")	39	19
10-29223	BOLT, STEERING WHEEL TO GEAR RACK HOUSING (10 7/8")	3	5	10-48240	SCREW, LEVER HOUSING TO MOUNTING HOUSING (1 1/4")	27	20
10-29223	BOLT, STEERING WHEEL TO GEAR RACK HOUSING (10 7/8")	7	3	10-48240	SCREW, LEVER HOUSING TO MOUNTING HOUSING (1 1/4")	33	19
10-29223	BOLT, STEERING WHEEL TO STEERING POST (10 7/8")	39	4	10-48240	SCREW, TENSION SPRING SPACER TO HOUSING (1 1/4")	27	21
10-29223	BOLT, STEERING WHEEL TO TILT POST (10 7/8")	27	4	10-48240	SCREW, TENSION SPRING SPACER TO HOUSING (1 1/4")	33	20
10-29400	BOLT, STEERING WHEEL TO GEAR RACK HOUSING (9 7/8")	3	5	10-48722	SCREW, GEAR RACK HOUSING CLAMPING (5 3/4")	29	11
10-29400	BOLT, STEERING WHEEL TO GEAR RACK HOUSING (9 7/8")	7	3	10-52409	SCREW, ADAPTOR TO CONTROL HOUSING (3 1/4")	37	3
10-29400	BOLT, STEERING WHEEL TO STEERING POST (9 7/8")	39	4	10-54126	SCREW, STEERING ADAPTOR TO MOUNTING BRACKET (1 1/2")	31	14
10-31220	SCREW, GEAR RACK HOUSING TO BRACKET	15	15	10-54126	SCREW, STEERING ADAPTOR TO TILT POST (1 1/2")	33	29
10-31222	BOLT, STEERING WHEEL TO GEAR RACK HOUSING	15	3	10-54127	BOLT, STEERING WHEEL TO CONTROL HOUSING (11 5/8")	31	1
10-31222	BOLT, STEERING WHEEL TO TILT POST (13 5/16")	29	1	10-54127	BOLT, STEERING WHEEL TO TILT POST (11 5/8")	33	4
10-31222	SCREW, ADAPTOR TO CONTROL HOUSING (13 1/4")	51	3	10-54128	BOLT, STEERING WHEEL TO CONTROL HOUSING (10 5/8")	31	1
10-31441	SCREW, EMBLEM TO STEERING WHEEL	3	4	10-54134	SCREW, STEERING WHEEL ATTACHING (13 15/16")	37	6
10-32293	SCREW, CONTROL HOUSING CLAMPING (1 3/4")	35	10	10-56027	SCREW, HUB TO STEERING WHEEL	43	7
10-32293	SCREW, CONTROL HOUSING CLAMPING (1 3/4")	53	7	10-57922	SCREW, SKIRT TO TOP CAP (7/8")	41	3
10-34660	BOLT, STEERING WHEEL TO GEAR RACK HOUSING (10 7/8")	11	14	10-60300	SCREW, STOP BRACKET TO RACK HOUSING (3/4")	45	9
10-34661	BOLT, STEERING WHEEL TO GEAR RACK HOUSING (9 7/8")	11	14				

# PARTS INDEX

Part Number	Description	Pg.	Ref. No.	Part Number	Description	Pg.	Ref. No.
10-66975	SCREW, ADAPTOR TO RIDE-GUIDE CABLE . . . .	23	5	11-20509	NUT, GEAR RACK HOUSING CLAMPING SCREW (3/8")	3	21
10-67367	SCREW, STEERING WHEEL SHAFT (12") . . . . .	47	25	11-20509	NUT, GEAR RACK HOUSING CLAMPING SCREW (3/8")	15	14
10-69086	SCREW, RACK MOUNT HOUSING TO RACK HOUSING (1 1/8") . . . . .	45	5	11-20509	NUT, GEAR RACK HOUSING TO BRACKET SCREW FASTENING . . . . .	15	17
10-69098	SCREW, ADAPTOR TO CONTROL HOUSING (3 1/2") . . . . .	51	3	11-20509	NUT, PIVOT STUD . . . . .	23	13
10-69098	SCREW, GEAR RACK ATTACHING (3 1/2") . . . . .	49	11	11-20509	NUT, STEERING LINK ROD .	23	4
10-69098	SCREW, STEERING POST TO DASHBOARD ATTACHING (3 1/2") . . . . .	47	31	11-20509	NUT,STEERING ADAPTOR SCREW . . . . .	25	4
10-73556	SCREW, SWITCH MOUNTING BRACKET ATTACHING (3/4") . . . . .	47	11	11-20586	NUT, COUPLER HALVES CLAMPING SCREW . . . . .	19	6
10-73557	SCREW, STEERING POST ATTACHING (5/8") . . . . .	47	20	11-20739	NUT, TILT TUBE AND COUPLING TUBE LOCKING . . . . .	19	10
10-73557	SCREW, SWITCH MOUNTING BRACKET ATTACHING (5/8") . . . . .	47	12	11-21528	NUT, GEAR RACK SCREW .	49	13
10-73959	SCREW, STEERING WHEEL ATTACHING (15 1/4") . . . . .	51	6	11-21528	NUT, STEERING BRACKET MOUNTING STUD . . . . .	9	34
10-76736	SCREW, STEERING POST TO DASHBOARD (2") . . . . .	49	4	11-21528	NUT, STEERING POST SCREW . . . . .	49	6
10-76745	BOLT, STEERING WHEEL ATTACHING (10 1/8") . . . . .	49	8	11-21528	NUT, STEERING POST STUD	39	7
10-78955	SCREW, ADAPTOR TO CONTROL HOUSING (13 5/8") . . . . .	51	3	11-21612	NUT, STEERING BRACKET SPACER . . . . .	3	32
11-20083	NUT, EXTENSION ROD LOCKING TO CABLE END	19	7	11-21612	NUT, STEERING BRACKET SPACER . . . . .	9	30
11-20088	NUT, STEERING CABLE TO RACK . . . . .	45	22	11-21612	NUT, STEERING BRACKET SPACER . . . . .	13	39
11-20102	NUT, GEAR RACK TLLBE BRACKET CLAMPING SCREW . . . . .	15	20	11-21825	NUT, CABLE TO GEAR RACK . . . . .	17	2
11-20102	NUT, GEAR RACK TUBE BRACKET SCREW . . . . .	29	15	11-22496	NUT, JAM - STEERING LINK ROD . . . . .	23	9
11-20102	NUT, STEERING BRACKET MOUNTING STUD . . . . .	5	36	11-23161	NUT, STEERING WHEEL BOLT . . . . .	49	10
11-20361	NUT, GEAR RACK HOUSING CLAMPING SCREW (1/4")	3	20	11-23161	NUT, STEERING WHEEL SHAFT SCREW . . . . .	47	27
11-20361	NUT, GEAR RACK HOUSING CLAMPING SCREW (1/4")	15	12	11-23161	NUT, STEERING WHEEL TO HOUSING BOLT . . . . .	3	23
11-20361	NUT, MOUNT TO RACK HOUSING SCREW . . . . .	45	17	11-23161	NUT, STEERING WHEEL TO HOUSING BOLT . . . . .	7	21
11-20361	NUT, RACK MOUNT HOUSING TO RACK HOUSING SCREW . . . . .	45	7	11-23161	NUT, STEERING WHEEL TO HOUSING BOLT . . . . .	11	13
11-20361	NUT, STOP BRACKET TO RACK HOUSING SCREW .	45	10	11-23161	NUT,STEERING WHEEL BOLT . . . . .	31	18
11-20509	NUT, ADAPTOR SCREW . . .	23	7	11-23161	NUT,STEERING WHEEL BOLT . . . . .	33	33
11-20509	NUT, BRACKET TO GEAR RACK HOUSING SCREW .	11	35	11-23161	NUT,STEERING WHEEL TO HOUSING BOLT . . . . .	27	38
11-20509	NUT, BRACKET TO GEAR RACK HOUSING SCREW .	3	28	11-23161	NUT,STEERING WHEEL TO HOUSING BOLT . . . . .	39	22
				11-25899	NUT,JAM STEERING CABLE TO MOUNT . . . . .	45	23
				11-30708	NUT, TILT TUBE AND COUPLING TUBE LOCKING . . . . .	19	10
				11-35814	NUT, "T" BOLT TO DASHBOARD . . . . .	47	30
				11-35814	NUT, ADAPTOR SCREW . . .	51	5
				11-35814	NUT, MOUNTING BRACKET STUD . . . . .	31	7

# PARTS INDEX

Part Number	Description	Pg.	Ref. No.	Part Number	Description	Pg.	Ref. No.
11-35814	NUT, MOUNTING HOUSING STUD	27	12	12-20722	WASHER, CONTROL HOUSING CLAMPING SCREW	35	12
11-35814	NUT, MOUNTING HOUSING STUD	33	12	12-20722	WASHER, CONTROL HOUSING CLAMPING SCREW	53	9
11-35814	NUT, STEERING BRACKET MOUNTING STUD	13	43	12-20959	WASHER, STEERING BRACKET SPACER	3	31
11-35814	NUT, STEERING POST TO DASHBOARD SCREW	47	33	12-20959	WASHER, STEERING BRACKET SPACER	9	29
11-35814	NUT, STEERING WHEEL TO HUB SCREW	43	5	12-20959	WASHER, STEERING BRACKET SPACER	13	38
11-46438	NUT, CONTROL HOUSING CLAMPING SCREW	53	10	12-24676	WASHER, CONTROL HOUSING CLAMPING SCREW	53	9
11-46793	NUT, CONTROL HOUSING CLAMPING SCREW	35	13	12-25897	WASHER, PINION SECURING	45	20
11-46793	NUT, CONTROL HOUSING CLAMPING SCREW	53	10	12-25897	WASHER, SHAFT TO GEAR RACK HOUSING	3	10
11-46887	NUT, GEAR RACK CLAMPING SCREW	27	29	12-25897	WASHER, SHAFT TO GEAR RACK HOUSING	7	8
11-46887	NUT, GEAR RACK CLAMPING SCREW	29	5	12-25897	WASHER, SHAFT TO GEAR RACK HOUSING	11	19
11-46887	NUT, GEAR RACK CLAMPING SCREW (1/4-28)	39	13	12-25897	WASHER, SHAFT TO GEAR RACK HOUSING (15/16" I. D.)	33	24
11-46887	NUT, GEAR RACK HOUSING CLAMPING SCREW (1/4-28)	7	18	12-25897	WASHER, SHAFT TO GEAR RACK HOUSING (15/16" I. D.)	39	9
11-46887	NUT, GEAR RACK HOUSING CLAMPING SCREW (1/4-28)	11	29	12-25897	WASHER, SHAFT TO GEAR RACK HOUSING (15/16" I. D.)	27	25
11-48238	NUT, MOUNTING HOUSING SCREW	27	7	12-25897	WASHER, SHAFT TO MOUNTING BRACKET	31	9
11-48238	NUT, MOUNTING HOUSING SCREW	33	7	12-25909	WASHER, BRACKET TO GEAR RACK HOUSING SCREW	3	27
11-49197	NUT, ADAPTOR SCREW	37	5	12-25909	WASHER, BRACKET TO GEAR RACK HOUSING SCREW	7	25
11-49197	NUT, GEAR RACK HOUSING CLAMPING SCREW (3/8-24)	7	19	12-25909	WASHER, BRACKET TO GEAR RACK HOUSING SCREW	11	34
11-49197	NUT, GEAR RACK HOUSING CLAMPING SCREW (3/8-24)	11	30	12-25909	WASHER, PIVOT STUD	23	14
11-49197	NUT, STEERING ADAPTOR SCREW	31	13	12-26825	WASHER, PIVOT STUD	23	14
11-49197	NUT, STEERING ADAPTOR SCREW	33	28	12-26825	WASHER, "T" BOLT	47	29
11-55438	NUT, ADAPTOR SCREW	23	7	12-26825	WASHER, MOUNTING BRACKET STUD	31	6
11-55438	NUT, PIVOT STUD	23	13	12-26825	WASHER, MOUNTING HOUSING STUD	27	11
11-55438	NUT, STEERING LINK ROD	23	4	12-26825	WASHER, MOUNTING HOUSING STUD	33	11
11-71670	NUT, COUPLER	17	4	12-26825	WASHER, STEERING BRACKET MOUNTING STUD	5	35
12-20084	WASHER, STEERING WHEEL TO HUB SCREW (1")	43	4	12-26825	WASHER, STEERING BRACKET MOUNTING STUD	9	33
12-20086	WASHER, ADAPTOR SCREW	23	6				
12-20086	WASHER, ADAPTOR SCREW	23	6				
12-20086	WASHER, ADAPTOR SCREW	37	4				
12-20086	WASHER, STEERING ADAPTOR SCREW	25	3				
12-20086	WASHER, STEERING ADAPTOR SCREW	31	12				
12-20086	WASHER, STEERING ADAPTOR SCREW	33	27				

# PARTS INDEX

Part Number	Description	Pg.	Ref. No.	Part Number	Description	Pg.	Ref. No.
12-26825	WASHER, STEERING POST SCREW	49	5	16-21831	STUD, SPACER TO STEERING BRACKET (1 1/4")	5	33
12-26825	WASHER, STEERING POST STUD	39	6	16-21831	STUD, SPACER TO STEERING BRACKET (1 1/4")	9	31
12-27966	WASHER, LOWER - STEERING WHEEL HOUSING BOLT	3	22	16-21831	STUD, SPACER TO STEERING BRACKET (1 1/4")	13	40
12-27966	WASHER, LOWER - STEERING WHEEL HOUSING BOLT	7	20	16-29208	STUD, MOUNTING BRACKET TO DASHBOARD (2 1/2")	31	5
12-27966	WASHER, LOWER - STEERING WHEEL HOUSING BOLT	11	12	16-29208	STUD, MOUNTING HOUSING TO DASHBOARD (2 1/2")	27	10
12-29245	WASHER, MOUNT TO RACK HOUSING SCREW	45	16	16-29208	STUD, MOUNTING HOUSING TO DASHBOARD (2 1/2")	33	10
12-29245	WASHER, RACK MOUNT HOUSING TO RACK HOUSING SCREW	45	6	16-29208	STUD, STEERING BRACKET MOUNTING (2 1/2")	5	34
12-29330	WASHER, NYLON - PIVOT STUD	23	17	16-29208	STUD, STEERING BRACKET MOUNTING (2 1/2")	9	32
12-29954	WASHER, CAP AND HUB SCREW	11	10	16-29208	STUD, STEERING BRACKET MOUNTING (2 1/2")	13	41
12-38622	WASHER, STEERING WHEEL TO HOUSING BOLT	21	6	16-29208	STUD, STEERING POST TO DASHBOARD (2 1/2")	39	5
12-48241	WASHER, LOWER - HOUSING BOLT (13/32")I.D.)	39	21	16-32568	STUD, PIVOT - STEERING EYE	23	11
12-48241	WASHER, LOWER - STEERING WHEEL BOLT	33	32	16-66979	SHD, PIVOT - STEERING EYE-	23	11
12-48241	WASHER, LOWER - STEERING WHEEL HSG. BOLT (13/32")I.D.)	27	37	17-20009	PIN, DETENT - TILT ADJUSTING LEVER	27	17
12-48241	WASHER, STEERING WHEEL BOLT	31	17	17-20009	PIN, DETENT - TILT ADJUSTING LEVER	33	16
12-48241	WASHER, STEERING WHEEL BOLT	49	9	18-26953	COTTER PIN, LOCKING CAP	17	7
12-48241	WASHER, STEERING WHEEL SHAFT SCREW	47	26	18-29623	COTTER PIN	47	28
12-57792	WASHER, ADAPTOR SCREW	51	4	18-29623	COTTER PIN,	49	14
12-58198	WASHER, SKIRT SCREW	41	4	18-45882	COTTER PIN, NUT LOCKING	23	18A
12-63032	WASHER, GEAR RACK SCREW	49	12	19-20011	WELCH PLUG, DETENT PIN	27	19
12-63032	WASHER, STEERING POST TO DASHBOARD SCREW	47	32	19-20011	WELCH PLUG, DETENT PIN	33	18
12-67369	WASHER, PINION GEAR	53	13	22-26000	FITTING, GREASE - STEERING CABLE	17	3
13-26992	LOCKWASHER, CAP AND HUB SCREW	11	9	22-26000	FITTING, GREASE - STEERING CABLE	35	2
13-28943	WASHER, WAVE - TILT ADJUSTING LEVER PIN	27	15	23-25901	GREASE FITTING	45	2
13-30381	LOCKWASHER, COUPLER ASSEMBLY	23	20	23-25901	BUSHING, GEAR RACK HOUSING - SPLINED	3	11
13-30381	LOCKWASHER, EXTENSION BAR ASSEMBLY	23	23	23-25901	BUSHING, GEAR RACK HOUSING - SPLINED	7	9
13-48300	LOCKWASHER, GEAR RACK CLAMPING SCREW	27	36	23-25901	BUSHING, GEAR RACK HOUSING - SPLINED	11	20
13-48300	LOCKWASHER, GEAR RACK CLAMPING SCREW	29	12	23-25901	BUSHING, GEAR RACK HOUSING - SPLINED	27	26
13-48300	LOCKWASHER, GEAR RACK CLAMPING SCREW	39	20	23-25901	BUSHING, GEAR RACK HOUSING - SPLINED	29	2
				23-25901	BUSHING, GEAR RACK HOUSING - SPLINED	39	10
				23-25901	BUSHING, NYLON - GEAR RACK HOUSING	15	10
				23-25901	BUSHING, NYLON - STEERING PINION (SPLINED)	31	15

# PARTS INDEX

Part Number	Description	Pg.	Ref. No.	Part Number	Description	Pg.	Ref. No.
23-25901	BUSHING, SPLINED NYLON - PINION SECURING . . . . .	45	19	23-48237	BUSHING, NYLON - MOUNTING HOUSING SCREW . . . . .	33	8
23-25915	BUSHING, PIVOT STUD . . .	23	15	23-52070	SLEEVE, PIVOT STUD . . . . .	23	12
23-29097	BUSHING, NYLON - MOUNTING BRACKET . . .	31	2	23-54123	BUSHING, NYLON - RING GEAR . . . . .	35	6
23-29097	BUSHING, NYLON - STEERING POST . . . . .	39	3	23-54123	BUSHING, NYLON - RING GEAR . . . . .	53	3
23-29097	BUSHING, NYLON - STEERING WHEEL SHAFT . . . . .	49	3	23-66811	BUSHING, NYLON - PINION GEAR . . . . .	53	12
23-29097	BUSHING, NYLON - TILT POST . . . . .	27	3	24-20510	SPRING, PIVOT STUD . . . . .	23	16
23-29097	BUSHING, NYLON - TILT POST . . . . .	33	3	24-35227	SPRING, TENSION - DETENT PIN . . . . .	27	18
23-29097	BUSHING, STEERING WHEEL BRACKET . . . . .	3	6	24-35227	SPRING, TENSION - DETENT PIN . . . . .	33	17
23-29097	BUSHING, STEERING WHEEL BRACKET . . . . .	11	15	24-48234	SPRING, TENSION - TILT ADJUSTING LEVER . . . . .	27	23
23-29097	BUSHING, STEERING WHEEL SHAFT SCREW TO COVER . . . . .	47	23	24-48234	SPRING, TENSION - TILT ADJUSTING LEVER . . . . .	33	22
23-29097	BUSHING, STEERING WHEEL BRACKET . . . . .	7	4	24-66788	SPRING, LOCKING RACK PIN . . . . .	47	3
23-29209	SPACER, STEERING BRACKET STUD TO SCREW . . . . .	3	30	24-73454	SPRING, KEY RETURN . . . . .	47	9
23-29209	SPACER, STEERING BRACKET STUD TO SCREW . . . . .	9	28	24-73455	SPRING, LOCKING PINION . . . . .	47	6
23-29209	SPACER, STEERING BRACKET STUD TO SCREW . . . . .	13	37	25-48182	QUAD RING, MOUNTING HOUSING SCREW . . . . .	33	9
23-29210	SPACER, BRACKET TO GEAR RACK HOUSING SCREW . . . . .	3	26	25-48182	SEAL, MOUNTING HOUSING SCREW . . . . .	27	9
23-29210	SPACER, BRACKET TO GEAR RACK HOUSING SCREW . . . . .	7	24	29-48235	PIN, DETENT - TILT ADJUSTING LEVER . . . . .	27	14
23-29210	SPACER, BRACKET TO GEAR RACK HOUSING SCREW . . . . .	11	33	29-48235	PIN, DETENT - TILT ADJUSTING LEVER . . . . .	33	14
23-29397	SPACER, BRACKET TO GEAR RACK HOUSING SCREW . . . . .	3	26	37-31443	DECAL, OVERLAY TRIM STRIP - MOUNTING BRACKET . . . . .	3	8
23-29397	SPACER, BRACKET TO GEAR RACK HOUSING SCREW . . . . .	7	24	37-32710	DECAL, OVERLAY TRIM STRIP - MOUNTING BRACKET . . . . .	7	6
23-29397	SPACER, BRACKET TO GEAR RACK HOUSING SCREW . . . . .	11	33	37-32710	DECAL, OVERLAY TRIM STRIP - MOUNTING BRACKET . . . . .	31	4
23-31219	SPACER, GEAR RACK HOUSING TO BRACKET SCREW . . . . .	15	16	37-32710	STRIP, TRIM - STEERING POST . . . . .	39	2
23-35016	SPACER, STEERING LINK ROD . . . . .	23	2	37-32710	STRIP, TRIM - TILT POST . . . . .	27	2
23-38347	BUSHING, STEERING WHEEL HUB . . . . .	11	5	37-32710	STRIP, TRIM - TILT POST . . . . .	33	2
23-48233	SPACER, TENSION SPRING . . . . .	27	22	37-37401	DECAL, INSIGNIA (QUICKSILVER) . . . . .	11	17
23-48233	SPACER, TENSION SPRING . . . . .	33	21	37-57221A1	DECAL SET, STEERING WHEEL . . . . .	11	6
				38-29088	PLATE, NAME (RIDE - GUIDE) . . . . .	15	1
				38-31444	INSIGNIA (QUICKSILVER) . . . . .	3	2
				38-32429	BUTTON, STEERING WHEEL (RIDE-GUIDE) . . . . .	7	2
				38-34662	BUTTON, INDICATOR - STEERING WHEEL . . . . .	11	2
				38-38616	NAME PLATE, CHROME . . . . .	21	5
				43-54132	GEAR, RING . . . . .	35	7
				43-66144	GEAR, RING . . . . .	53	4
				43-73956	PINION, STEERING . . . . .	51	1
				43-73961	PINION, STEERING . . . . .	51	1



# PARTS INDEX

Part Number	Description	Pg.	Ref. No.	Part Number	Description	Pg.	Ref. No.
54-22740	CLIP, HARNESS TO BRACKET ATTACHING ..	47	15				
84-70025	WIRING HARNESS .....	47	13				
87-67357	SWITCH, WIRING HARNESS	47	14				
92-30835	TUBE, ADHESIVE CAPSULE - NAME PLATE FASTENING .....	15	2				