



# PARTS CATALOG

## OUTBOARDS SEC B REMOTE CONTROLS

### SERIAL NUMBER

REMOTE CONTROLS ..... Outboard (1985 and Below)

# TABLE OF CONTENTS:

CONTROL HANDLE ASSEMBLY A	138
CONTROL HARNESS ASSEMBLY CHART (MERC 1750)	122
CONTROL HARNESS ASSEMBLY CHART (MERC 500 THRU 1500)	123
DUAL STATION REMOTE CONTROL KIT	88
HARNESS ADAPTOR ASSEMBLY	104
KEY AND CHOKE SWITCH KIT	136
MAGNETO SHORTING SWITCH ASSEMBLY	32
PANEL MOUNTED KEY AND CHOKE SWITCH KIT	72
PARTS INDEX	166
POWER TRIM SOLENOID KIT	164
REMOTE CONTROL (29581A10-A20)(30062A10-A20)(34215A10-A20)	16
REMOTE CONTROL ASSEMBLY (COMPACT - PANEL MOUNTED)	68
REMOTE CONTROL ASSEMBLY (ELECTRIC) F	90
REMOTE CONTROL ASSEMBLY (ELECTRIC) J	130
REMOTE CONTROL ASSEMBLY (STANDARD)	12
REMOTE CONTROL ASSEMBLY (STANDARD)	40
REMOTE CONTROL ASSEMBLY (TOP MOUNTED - CONSOLE)	128
REMOTE CONTROL ASSEMBLY(TOP MOUNTED - CONSOLE)	84
REMOTE CONTROL ASSEMBLY, COMPLETE (PANEL MOUNTED)	112
REMOTE CONTROL ASY (29699A10/ A15 /A20)	8
REMOTE CONTROL ASY (30470A10/ A15/ A20)	22
REMOTE CONTROL ASY (34742A10)(34743A10)(34693A10)(39444A10)	44
REMOTE CONTROL ASY (35615A1)(47974A1/ A2/ A3)	52
REMOTE CONTROL ASY (61490A10)(72747A10)(61492A10)(72888A10)	100
REMOTE CONTROL ASY (65640A10)	108
REMOTE CONTROL ASY (72745A10)	96
REMOTE CONTROL ASY (79108A15)	140
REMOTE CONTROL ASY (87317A10 CONT.)	148
REMOTE CONTROL ASY (87317A10)	144
REMOTE CONTROL ASY (87728A20 CONT.)	154
REMOTE CONTROL ASY (87728A20)	152
REMOTE CONTROL ASY (87729A15 CONT.)	160
REMOTE CONTROL ASY (87729A15)	156
REMOTE CONTROL ASY (COMPACT - CONSOLE MOUNT)(37580A1 / A2)	124
REMOTE CONTROL ASY (COMPACT - CONSOLE MOUNT)(68831A1)	62
REMOTE CONTROL ASY (CONSOLE MOUNT)(35651A1)	114
REMOTE CONTROL ASY (CONSOLE MOUNT)(74578A1)	54
REMOTE CONTROL ASY (PANEL MOUNT)(37782A1 / A2)	58
REMOTE CONTROL ATTACHMENT PARTS KIT A	34
REMOTE CONTROL ATTACHMENT PARTS KIT B	36
REMOTE CONTROL ATTACHMENT PARTS KIT C	38
REMOTE CONTROL ATTACHMENT PARTS KIT D	76
REMOTE CONTROL ATTACHMENT PARTS KIT E	78
REMOTE CONTROL ATTACHMENT PARTS KIT F	82
REMOTE CONTROL ATTACHMENT PARTS KIT G	106
REMOTE CONTROL CABLE ASSEMBLY	26
REMOTE CONTROL DUAL INSTALLATION KIT	50
REMOTE CONTROL DUAL INSTALLATION KIT A	4
REMOTE CONTROL DUAL INSTALLATION KIT B	6
REMOTE CONTROL DUAL INSTALLION KIT C	2
REMOTE CONTROL INSTALLATION KIT	48
REMOTE CONTROL(EXTENSION KIT)	30
SWITCH KEY ASSEMBLY	118
SWITCH PANEL ASSEMBLY	120
SWITCH PANEL ASSEMBLY	134

CONTINUED ON NEXT PAGE 

# TABLE OF CONTENTS:

**NOTE:** Indented description indicate that these parts are included in preceding assembly.

**AR** = As Required

**NSS** = Not Sold Separate

**OPT** = Optional

**NS** = Not Shown

**NOTE:** Following symbols are located in **SYM** column.

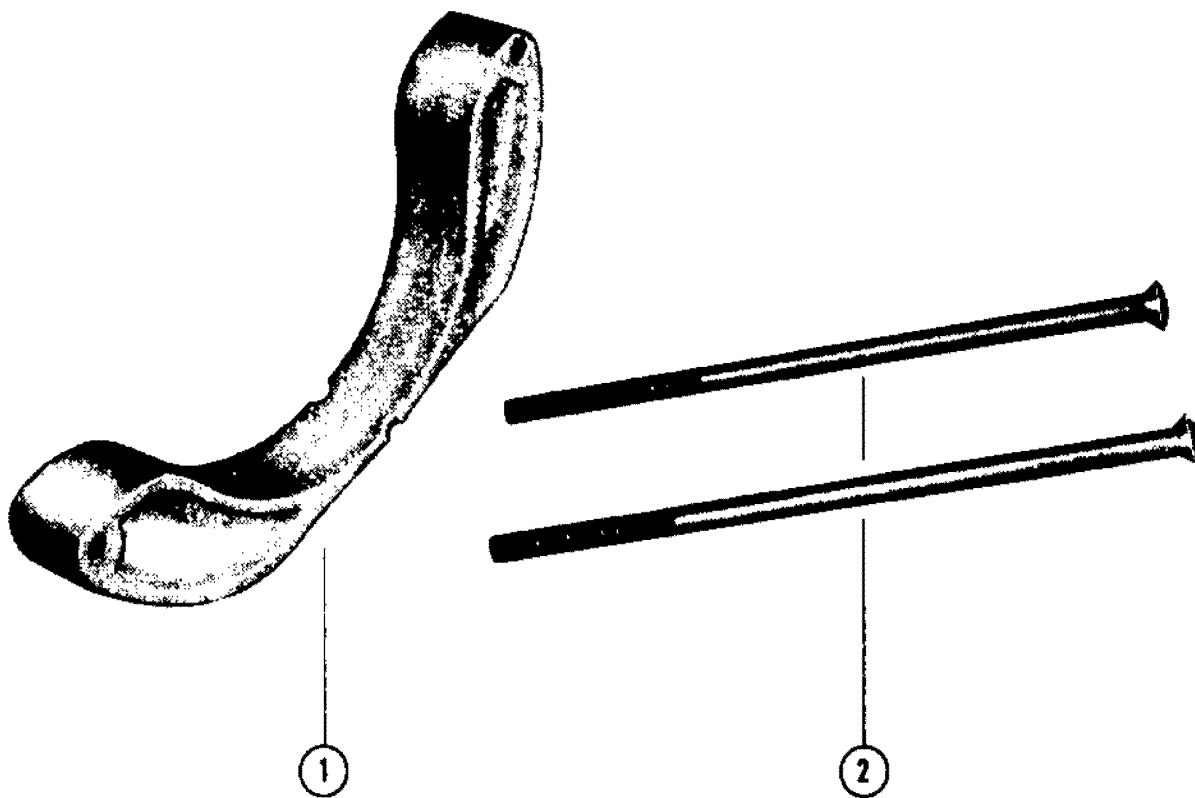
- = [A-29646A1] IS NO LONGER AVAIL. FOR REPLACEMENT ORDER [A-30063A1], COMP. PARTS ARE STILL STOCKED
- = ORDER IN THE FOLLOWING CABLE LENGTHS: 5, 7, 9 THRU 36,39 AND 40 FT.
- ▄ = LONGER CABLES AVAILABLE UPON SPECIAL ORDER SPECIFY LENGTH REQUIRED.
- ◇ = THIS KIT IS USED WITH: MERC 60 - SER. #1486474 THRU SERIAL #1882270.MERC 110-SER.#1470349 - 1909357
- ▲ = FOR USE ON 2 AND 4-CYLINDER STANDARD ENGINES
- ⊕ = THIS KIT TO BE USED WITH: MERC 200 "FULL GEAR SHIFT" - SERIAL #1558310 THRU SERIAL #1907765.
- † = [37782A 1] AND [37782A 2] REMOTE CONTROL ASSEMBLIES MUST USE TWO EACH [345554A]
- = [37580A 1] AND [37580A 2] REMOTE CONTROL ASSEMBLIES MUST USE [34555A\_] REMOTE CONTROL CABLE ASSY.
- ♣ = [36077A 1] & [36077A 2] ARE NO LONGER AVAILABLE. FOR REPLACEMENT ORDER [37580A1] & [37580A]
- ❖ = [35651A 1] REMOTE CONTROL ASSY IS NLA. FOR REPLACEMENT- ORDER [37580A1],COMPONE. PARTS STILL STOCKED
- ♥ = AVAILABLE IN LENGTHS OF 10 , 15 ,20 AND 40 .
- = THIS KIT TO BE USED WITH: MERC 39 - SERIAL #1912759 AND UP, MERC 40- SERIAL #3296136 AND BELOW
- = THIS KIT TO BE USED WITH: MERC 200."FULL GEAR SHIFT" SERIAL #1972827 THRU SERIAL #2094830.
- ♠ = FOR USE ON MERC 1750.
- ♣ = [74578A 1] REMOTE CONTROL ASSEMBLY IS AN OPTIONAL CONTROL USED ON THE MERC 1750.
- ★ = REPLACE ACCORDINGLY: [C-10-30489] SCREW (3), [C-13-29720] WAVE WASHER (3), [C-53-26769] SNAP RING-3
- ▼ = [65640A] REMOTE CONTROL IS AVAILABLE IN LENGTHS OF 10 ,5 ,20 AND 40 FOR USE ON MERC 1750
- ◆ = ANY POWER TRIM INSTALLATION USING MERCONTROL W/ POWER TRIM BUTTONS IN THE HANDLE REQUIRES THIS KIT.
- ✦ = FOR USE ON ELECTRIC MERC 40, MERC 50, MERC 70, MERC 80, MERC 90, MERC 115 AND MERC 140.
- = FOR USE ON MANUAL MERC 7.5, MERC 9.8, MERC 20, MERC 40 AND MERC 50 (1980 MODELS).
- ← = NEW STYLE MERCONTROL ASSEMBLY IS AVAILABLE IN LENGTHS OF 10 , 15 , 20 AND 40 .
- ✦ = FOR USE ON MERC 500 THRU MERC 1500 WITH POWER TRIM.
- ◆ = FOR USE ON MERC 500 THRU MERC 1500.
- ⊗ = THIS KIT TO BE USED WITH: MERC 200 "FULL GEAR SHIFT"SERIAL #2149831 THRU SERIAL #2271043.

**THESE PARTS BOOKS/FICHE CARD ARE COPYRIGHTED AND MAY NOT BE DISTRIBUTED OR REPRODUCED IN ANY OTHER FORMAT BY ANYONE OTHER THAN MERCURY MARINE WITHOUT THE PRIOR WRITTEN CONSENT OF MERCURY MARINE.**

THIS PAGE INTENTIONALLY LEFT BLANK

THIS PAGE INTENTIONALLY LEFT BLANK

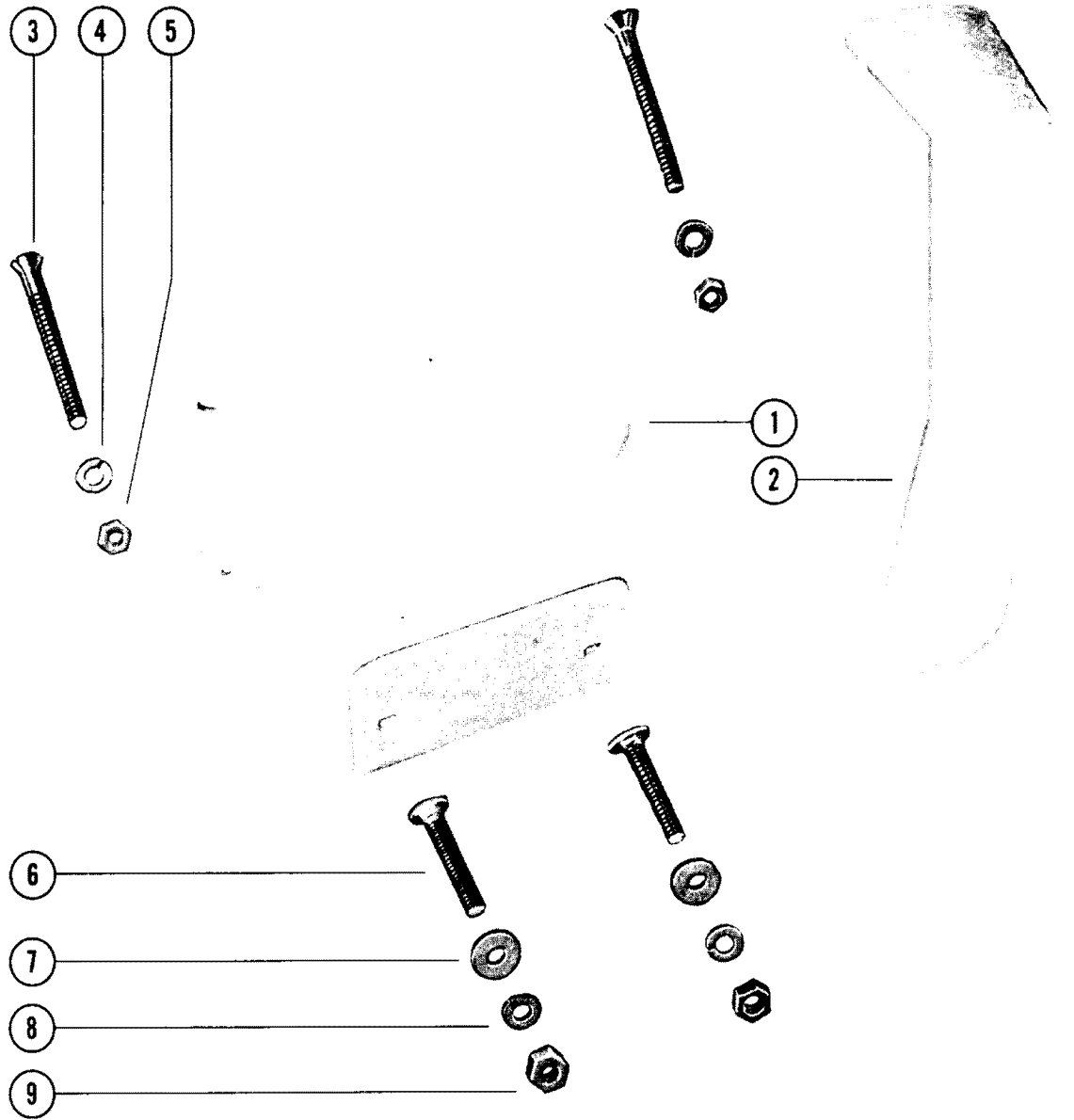
# REMOTE CONTROL DUAL INSTALLION KIT C



# REMOTE CONTROL DUAL INSTALLION KIT C

REF. NO.	PART NO.	SYM.	QTY.	DESCRIPTION
-	.-29774A1		1	REMOTE CONTROL DUAL INSTALLION KIT
1	23-29770		1	SPACER, CONTROL HOUSING TO HOUSING
2	10-29733		0	SCREW, SPACER AND CONTROL HOUSINGS TO BOAT

# REMOTE CONTROL DUAL INSTALLATION KIT A



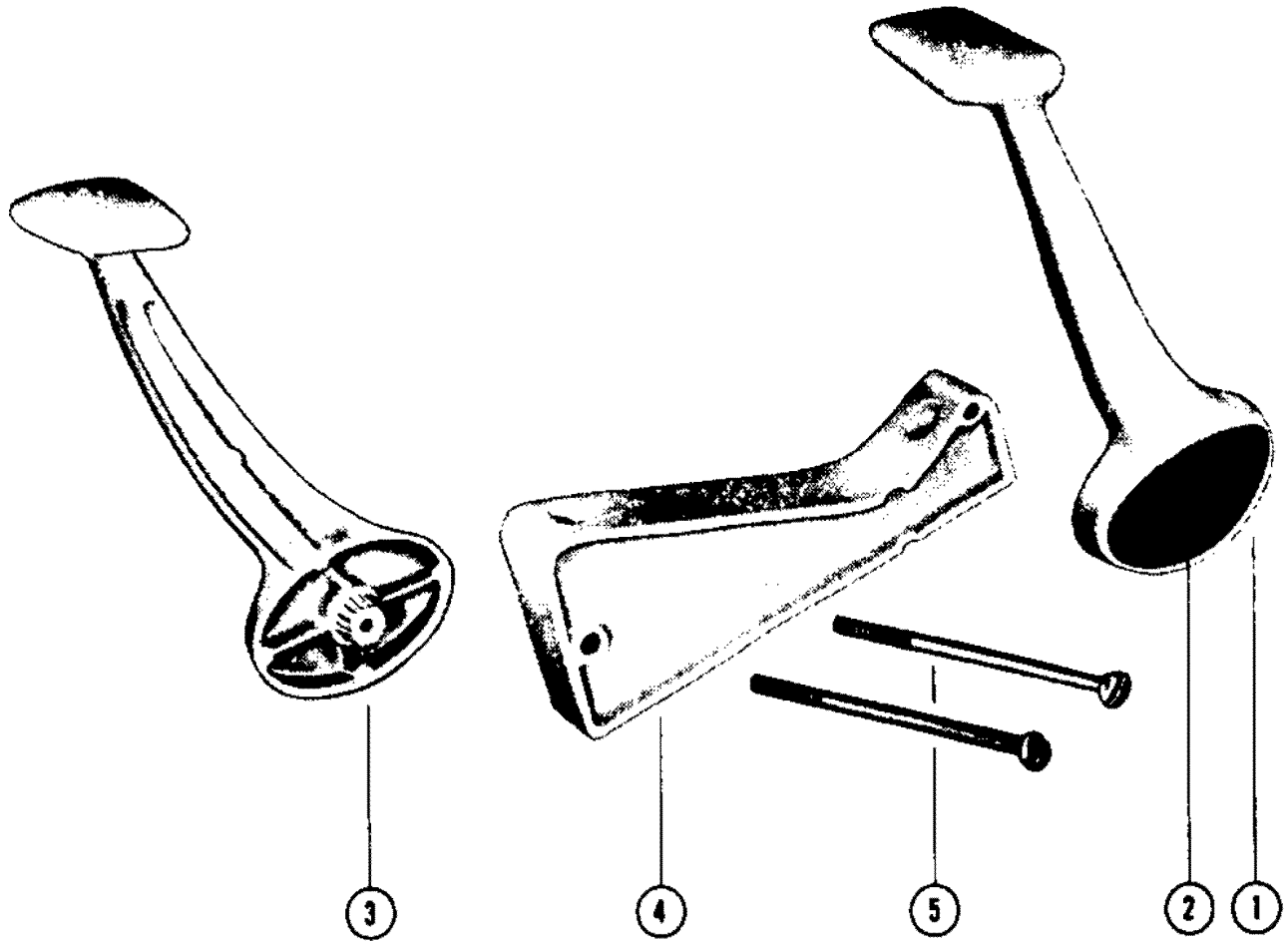


## REMOTE CONTROL DUAL INSTALLATION KIT A

REF. NO.	PART NO.	SYM.	QTY.	DESCRIPTION
-	<b>28923A1</b>		<b>1</b>	<b>REMOTE CONTROL KIT, DUAL INSTALLATION</b>
1	30136		1	BRACKET, MOUNTING - REMOTE CONTROL
2	28902		1	LEVER, CONTROL - THROTTLE AND SHIFT
3	10-28532		2	SCREW, REMOTE CONTROL TO BRACKET
4	13-26992		2	LOCKWASHER, REMOTE CONTROL TO BRACKET SCREW
5	11-25168		2	NUT, REMOTE CONTROL TO BRACKET SCREW
6	10-28924		2	BOLT, REMOTE CONTROL BRACKET TO BOAT
7	12-21631		2	WASHER, REMOTE CONTROL BRACKET BOLT
8	13-26992		2	LOCKWASHER, REMOTE CONTROL BRACKET BOLT
9	11-20890		2	NUT, REMOTE CONTROL BRACKET BOLT

ABOVE [A-28923A1] REMOTE CONTROL KIT IS REQUIRED IN ADDITION TO TWO EACH OF [A-29515A].  
 REMOTE CONTROL ASSEMBLY, COMPLETE

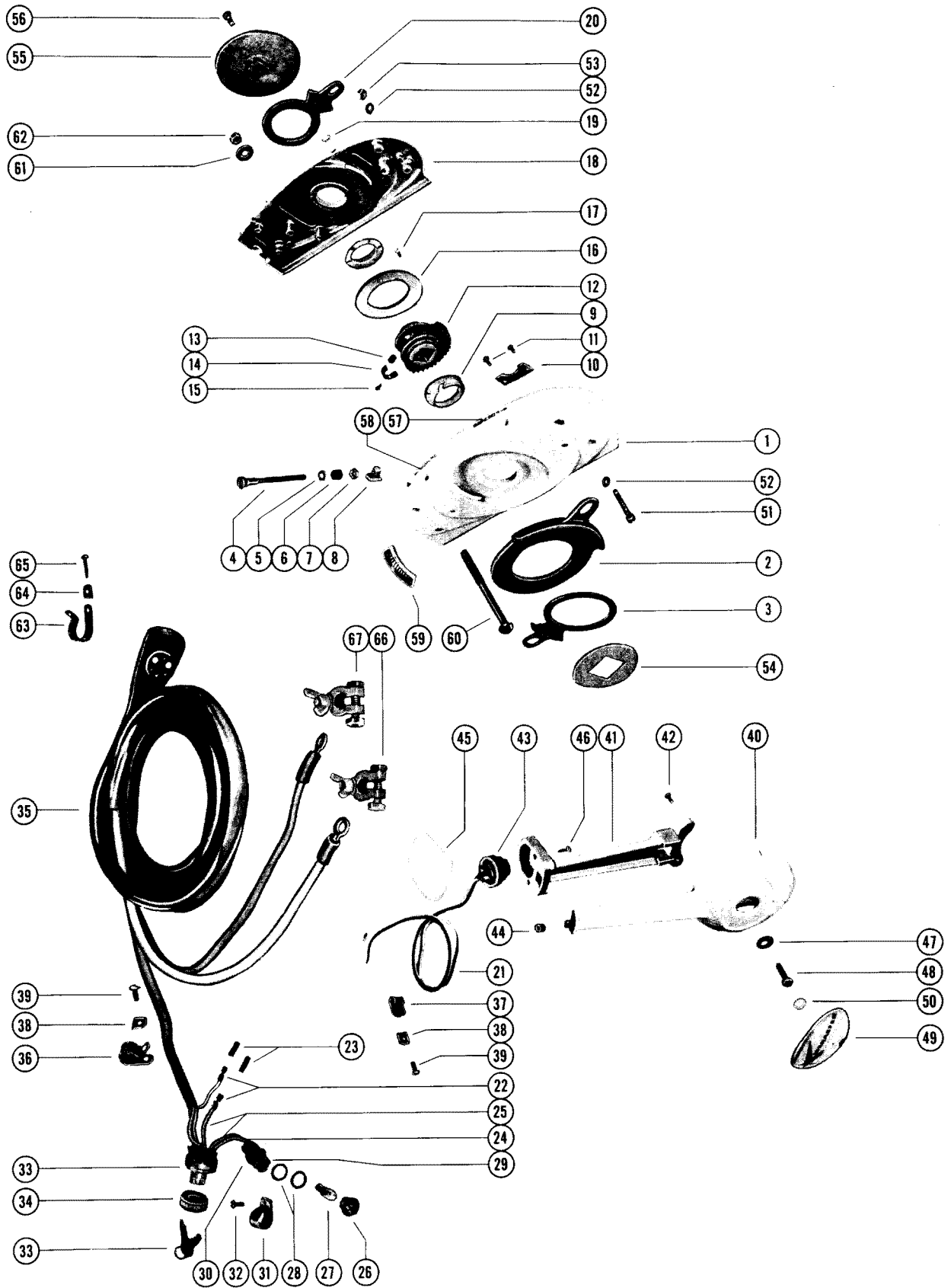
# REMOTE CONTROL DUAL INSTALLATION KIT B



## REMOTE CONTROL DUAL INSTALLATION KIT B

REF. NO.	PART NO.	SYM.	QTY.	DESCRIPTION
-	29700A1		1	REMOTE CONTROL DUAL INSTALLATION KIT
1	30047A1		1	CONTROL LEVER ASSEMBLY (PORT)
2	38-29643		1	INSIGNIA, CONTROL LEVER
3	30048A1		1	CONTROL LEVER ASSEMBLY (STARBOARD)
2	38-29643		1	INSIGNIA, CONTROL LEVER
4	23-29734		1	SPACER, CONTROL HOUSING TO HOUSING
5	10-29733		2	SCREW, SPACER AND CONTROL HOUSINGS TO BOAT

# REMOTE CONTROL ASY (29699A10/ A15 /A20)



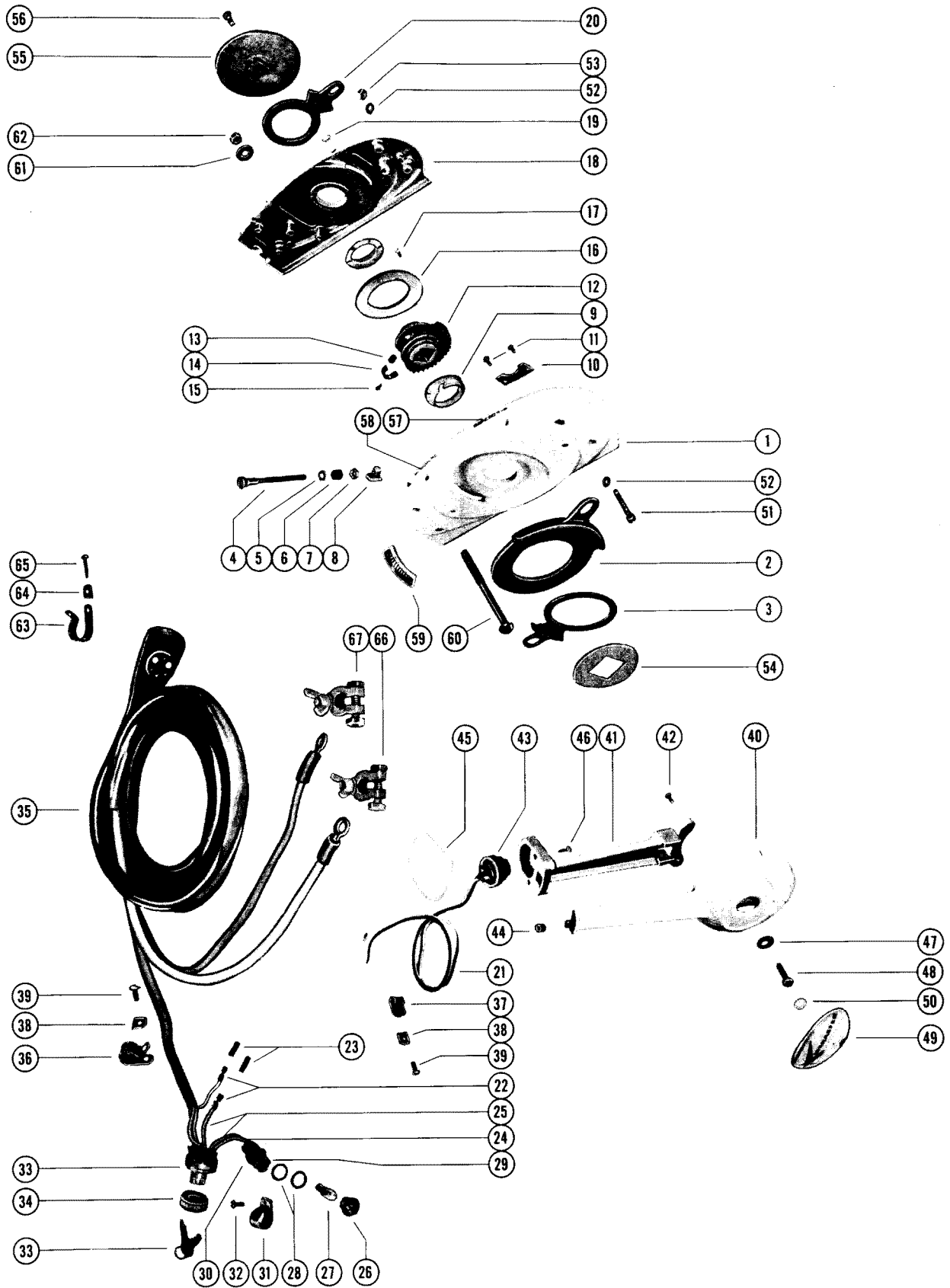
## REMOTE CONTROL ASY (29699A10/ A15 /A20)

REF. NO.	PART NO.	SYM.	QTY.	DESCRIPTION
-	29699A10		1	ELECTRIC REMOTE CONTROL ASSEMBLY, COMPLETE
-	29699A15		1	ELECTRIC REMOTE CONTROL ASSEMBLY, COMPLETE
-	29699A20		1	ELECTRIC REMOTE CONTROL ASSEMBLY, COMPLETE
1	29731		1	HOUSING, REMOTE CONTROL - STARBOARD
2	29724		1	CAM, FORWARD START - CONTROL HOUSING
3	29723		1	CAM, REVERSE START - CONTROL HOUSING
4	10-30489	★	3	SCREW, CAM ADJUSTMENT <b>SEE NOTES</b>
5	13-29720	★	3	WASHER, WAVE - CAM ADJUSTMENT SCREW <b>SEE NOTES</b>
6	23-30507	★	3	SLEEVE, CAM ADJUSTMENT SCREW <b>SEE NOTES</b>
7	11-30506	★	3	NUT, UPPER - CAM ADJUSTMENT SCREW <b>SEE NOTES</b>
8	11-29716		3	NUT, LOWER - CAM ADJUSTMENT SCREW
9	23-29719		2	BUSHING, NYLON - GEAR SECTOR TO CONTROL HOUSING
10	26667		1	PLATE, GEAR RACK RETAINING
11	10-26668		2	SCREW, GEAR RACK RETAINING PLATE TO CONTROL HOUSING
12	43-29728		1	GEAR, SECTOR
13	23-30299		1	SLEEVE, CONTROL LEVER HARNESS CLIP
14	54-29828		1	CLIP, CONTROL LEVER HARNESS
15	10-26381		1	SCREW, HARNESS CLIP TO GEAR SECTOR
16	12-29735		1	WASHER, HARNESS - GEAR SECTOR
17	10-29762		2	SCREW, HARNESS GUARD WASHER TO GEAR SECTOR
18	29732		1	HOUSING, REMOTE CONTROL - PORT
19	19-29991		1	PLUG, CAM ADJUSTMENT SCREW HOLE
20	29829		1	STOP, FULL THROTTLE - CONTROL HOUSING
21	29761		1	HARNESS, CONTROL LEVER TO JUMPER WIRE
22	29879		2	CONNECTOR, BUTT - HARNESS LEADS TO JUMPER WIRE
23	23-29902		2	SLEEVE, BUTT CONNECTOR COVERING
24	29752		1	JUMPER WIRE, IGNITION SWITCH TO PILOT LIGHT
25	26672		2	JUMPER WIRE, SWITCH TO PILOT LIGHT AND SWITCH TO HARNESS
26	27041		1	LENS, PILOT LIGHT
27	27040		1	BULB, PILOT LIGHT
28	27-27038		2	GASKET, PILOT LIGHT LENS
29	27039		1	SOCKET, BAYONET - PILOT LIGHT
30	12-29805		1	WASHER, PILOT LIGHT BAYONET SOCKET
31	54-27133		1	CLAMP, PILOT LIGHT TO CONTROL HOUSING
32	10-26668		1	SCREW, PILOT LIGHT CLAMP TO CONTROL HOUSING
33S	29060		1	SWITCH, IGNITION (WITH KEYS - PART #A-25304)
	30163		1	SWITCH, IGNITION (WITH KEYS - PART #C-30431)
34	22628		1	BEZEL, IGNITION SWITCH TO CONTROL HOUSING
35	29729-2		1	WIRING HARNESS, EXTERNAL (10 )
	29729-4		1	WIRING HARNESS, EXTERNAL (15 )

★ = REPLACE ACCORDINGLY: [C-10-30489] SCREW (3), [C-13-29720] WAVE WASHER (3), [C-53-26769] SNAP RING-

CONTINUED ON NEXT PAGE ➡

# REMOTE CONTROL ASY (29699A10/ A15 /A20)



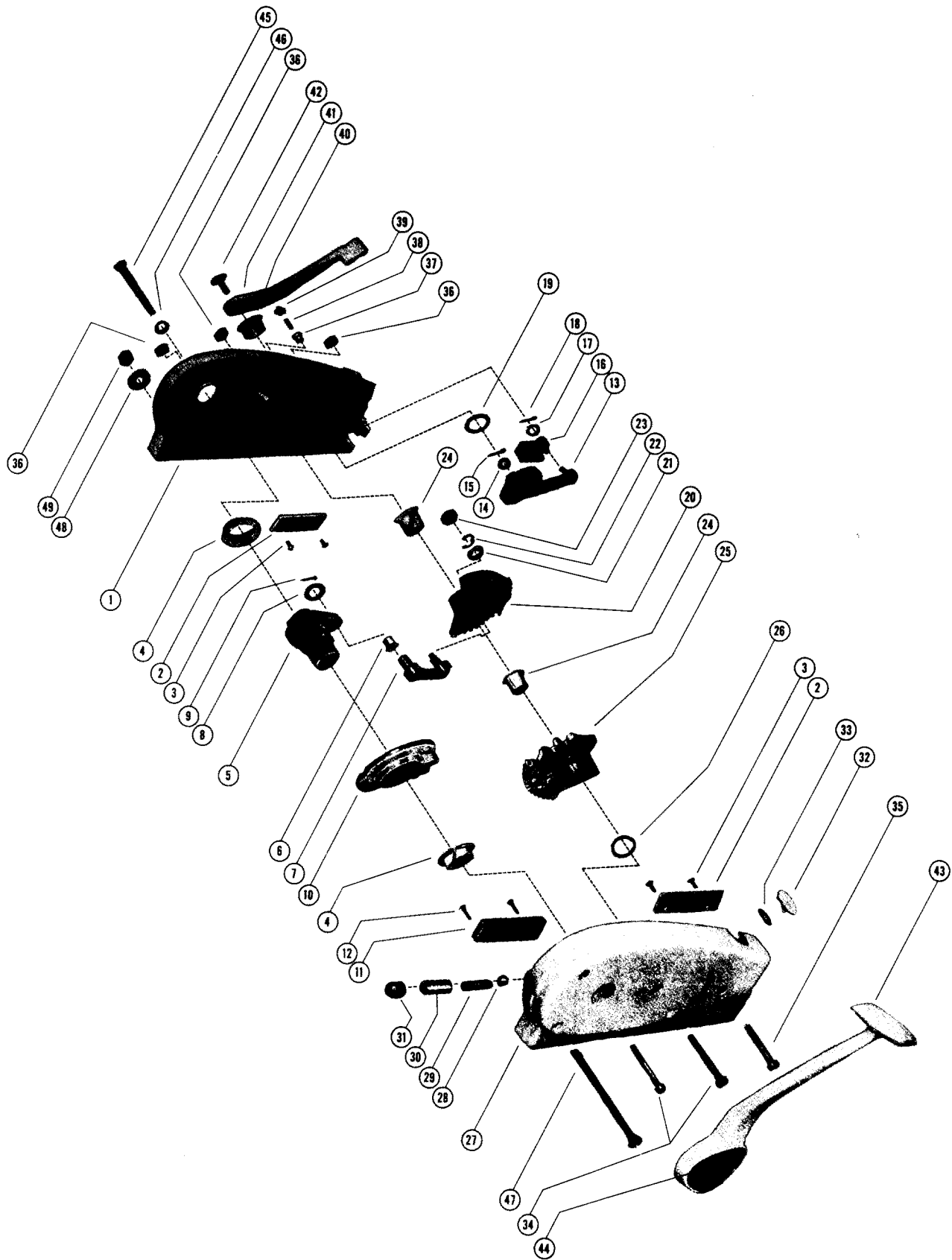
## REMOTE CONTROL ASY (29699A10/ A15 /A20)

REF. NO.	PART NO.	SYM.	QTY.	DESCRIPTION
35	29729-6		1	WIRING HARNESS, EXTERNAL (20 )
36	54-22627		1	CLIP, EXTERNAL WIRING HARNESS TO CONTROL HOUSING
37	54-23568		1	CLIP, CONTROL LEVER HARNESS TO CONTROL HOUSING
38	22789		2	"D" WASHER, HARNESS CLIP FASTENING SCREW
39	10-26682		2	SCREW, HARNESS CLIP TO CONTROL HOUSING
40	29755A1		1	CONTROL LEVER ASSEMBLY
41	29756A1		1	CONTROL LEVER COVER ASSEMBLY
42	10-29762		2	SCREW, COVER TO CONTROL LEVER
43	29759		1	SWITCH, STARTING - CONTROL LEVER COVER
44	32-29758		1	SLEEVE. RUBBER - CONTROL LEVER BOSS
45	29760		1	CAP, CONTROL LEVER
46	10-29763		2	SCREW, CAP TO CONTROL LEVER COVER
47	12-20346		1	WASHER, CONTROL LEVER TO CONTROL HOUSING SCREW
48	10-24238		1	SCREW, CONTROL LEVER TO CONTROL HOUSING
49	26183A5		1	EMBLEM, CONTROL LEVER
50	19-29916		1	PLUG, BUTTON - EMBLEM TO CONTROL LEVER
51	10-29832		4	SCREW, REMOTE CONTROL HOUSING CLAMPING
52	12-20028		AR	WASHER, REMOTE CONTROL HOUSING CLAMPING SCREW
53	11-24652		4	NUT, REMOTE CONTROL HOUSING CLAMPING SCREW
54	13-29717		1	WASHER, WAVE - CONTROL LEVER TO CONTROL HOUSING
55	29715		1	COVER, CONTROL HOUSING
56	10-29831		1	SCREW, CONTROL HOUSING COVER FASTENING
57	37-29841		1	DECAL,"FORWARD" - REMOTE CONTROL HOUSING
58	37-29842		1	DECAL,"REVERSE" - REMOTE CONTROL HOUSING
-	<b>37-30007</b>		<b>2</b>	<b>LABEL,START ADJUSTMENT - REMOTE CONTROL HOUSING</b>
-	<b>37-30008</b>		<b>1</b>	<b>LABEL,FORWARD LIMIT - REMOTE CONTROL HOUSING</b>
59	37-30016		1	LABEL,ECONOMY RANGE - REMOTE CONTROL HOUSING
60	10-29672		2	SCREW, REMOTE CONTROL HOUSING TO BOAT
61	12-20346		2	WASHER, REMOTE CONTROL HOUSING FASTENING SCREW
62	11-24652		2	NUT, REMOTE CONTROL HOUSING FASTENING SCREW
63	54-22690		1	CLIP, WIRING HARNESS
64	22789		1	"D" WASHER, WIRING HARNESS CLIP FASTENING SCREW
65	10-22793		1	SCREW, WIRING HARNESS CLIP TO BOAT
66	27912		1	BATTERY TERMINAL - POSITIVE (WITH BOLT AND NUT)
67	27913		1	BATTERY TERMINAL - NEGATIVE (WITH BOLT AND NUT)

EARLY PRODUCTION 6-CYLINDER REMOTE CONTROLS HAD A CAM ADJUSTING SCREW SETUP AS LISTED. REPLACE PARTS ACCORDINGLY

[C-10-30-489] SCREW (3), [C-13-29720] WAVE WASHER (3), [C-13-26769] SNAP RING (1)

# REMOTE CONTROL ASSEMBLY (STANDARD)



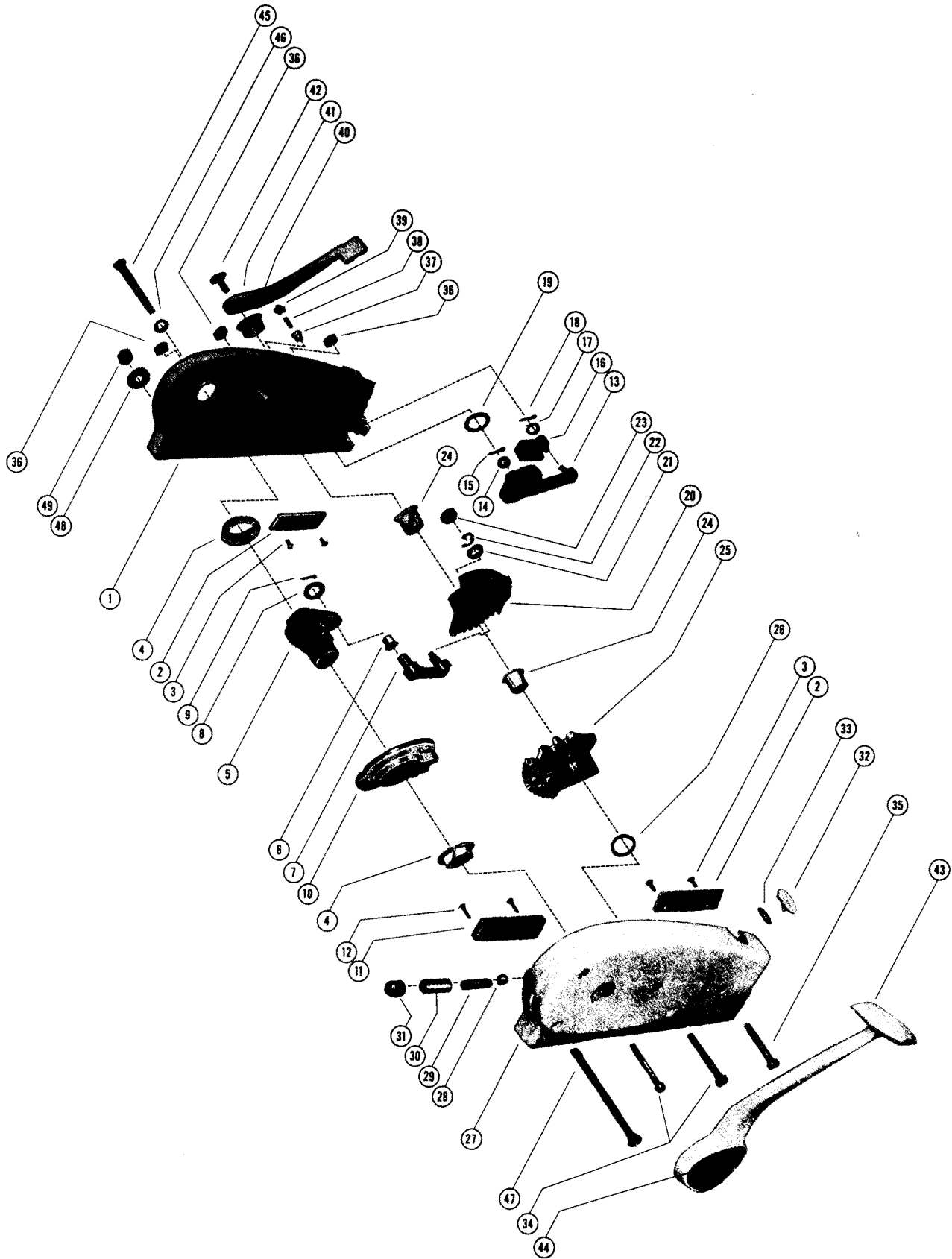


## REMOTE CONTROL ASSEMBLY (STANDARD)

REF. NO.	PART NO.	SYM.	QTY.	DESCRIPTION
-	29646A1		1,	REMOTE CONTROL ASSEMBLY (SEE NOTE)
-	30063A1		,1	REMOTE CONTROL ASSEMBLY
1	29580		1,	HOUSING, REMOTE CONTROL - STARBOARD (USE WITH A-43-29571 SECTOR GEAR)
	30203		,1	HOUSING, REMOTE CONTROL - STARBOARD (USE WITH C-43-30904 SECTOR GEAR)
2	29640		2,2	PLATE, RACK RETAINING
3	10-26668		4,4	SCREW, RACK RETAINING PLATE TO HOUSING
4	23-28314		2,2	BUSHING, NYLON - THROTTLE SECTOR ACTUATOR
5	29574		1,1	ACTUATOR, LINK AND THROTTLE SECTOR
6	23-29638		1,1	BUSHING, NYLON - THROTTLE LINK
7	29576		1,1	LINK, THROTTLE - ACTUATOR AND SECTOR GEAR
8	12-29629		1,1	WASHER, THROTTLE LINK
9	18-29623		1,1	COTTER PIN, THROTTLE LINK TO ACTUATOR
10	43-29575		1,1	GEAR, DRIVE - ACTUATOR (DRIVE GEAR WITH DETENTS) <b>ORDER A-43-31371</b>
11	29647		1,1	PLATE, SEPARATOR - CONTROL CABLE ANCHOR
12	10-29642		2,2	SCREW, SEPARATOR PLATE TO CONTROL HOUSING
13	29578A1		1,1	THROTTLE SHAFT AND LINK ASSEMBLY
14	12-20583		1,1	WASHER, THROTTLE SHAFT LINK
15	18-21071		1,1	COTTER PIN, LINK TO THROTTLE SHAFT
16	29573		1,1	BLOCK, CONTROL CABLE ANCHOR
17	12-29626		1,1	WASHER, THROTTLE SHAFT LINK
18	18-21071		1,1	COTTER PIN, LINK TO CABLE ANCHOR BLOCK
19	12-29683		1,1	WASHER, THROTTLE SHAFT AND LINK TO HOUSING
20	43-29571		1,1	GEAR, THROTTLE SECTOR FUSE <b>USE WITH A-29580 STARBOARD HOUSING</b>
	43-30204		,1	GEAR, THROTTLE SECTOR FUSE <b>USE WITH C-30203 STARBOARD HOUSING</b>
21	12-29629		1,1	WASHER, THROTTLE LINK
22	53-29641		1,1	"E" RING, THROTTLE LINK TO SECTOR GEAR
23	29630		1,1	CAM FOLLOWER, THROTTLE LINK
24	23-27132		2,2	BUSHING, NYLON - THROTTLE AND SHIFT GEAR
25	43-31802		1,1	GEAR, SHIFT SECTOR
26	12-29627		1,1	WASHER, SHIFT SECTOR GEAR TO HOUSING
27	30986		1,1	HOUSING, REMOTE CONTROL PORT -
28	30-29634		1,1	BALL, TENSION - DRIVE GEAR 3/8 <b>EARLY STYLE</b>
29	24-29622		1,1	SPRING, DETENT - DRIVE GEAR BALL (11/32" OD) <b>EARLY STYLE</b>
30	29838		1,1	HOUSING, DETENT SPRING <b>EARLY STYLE</b>
28	31370		,1	BALL, TENSION - DRIVE GEAR (7/16") <b>LATEST STYLE</b>
29	24-30891		,1	SPRING, DETENT - DRIVE GEAR BALL (27/64" OD) <b>LATEST STYLE</b>
31	10-29837		1,1	SCREW, RETAINING - DETENT SPRING HOUSING
32	19-29540		1,	PLUG, CHOKE SWITCH HOLE

CONTINUED ON NEXT PAGE ➡

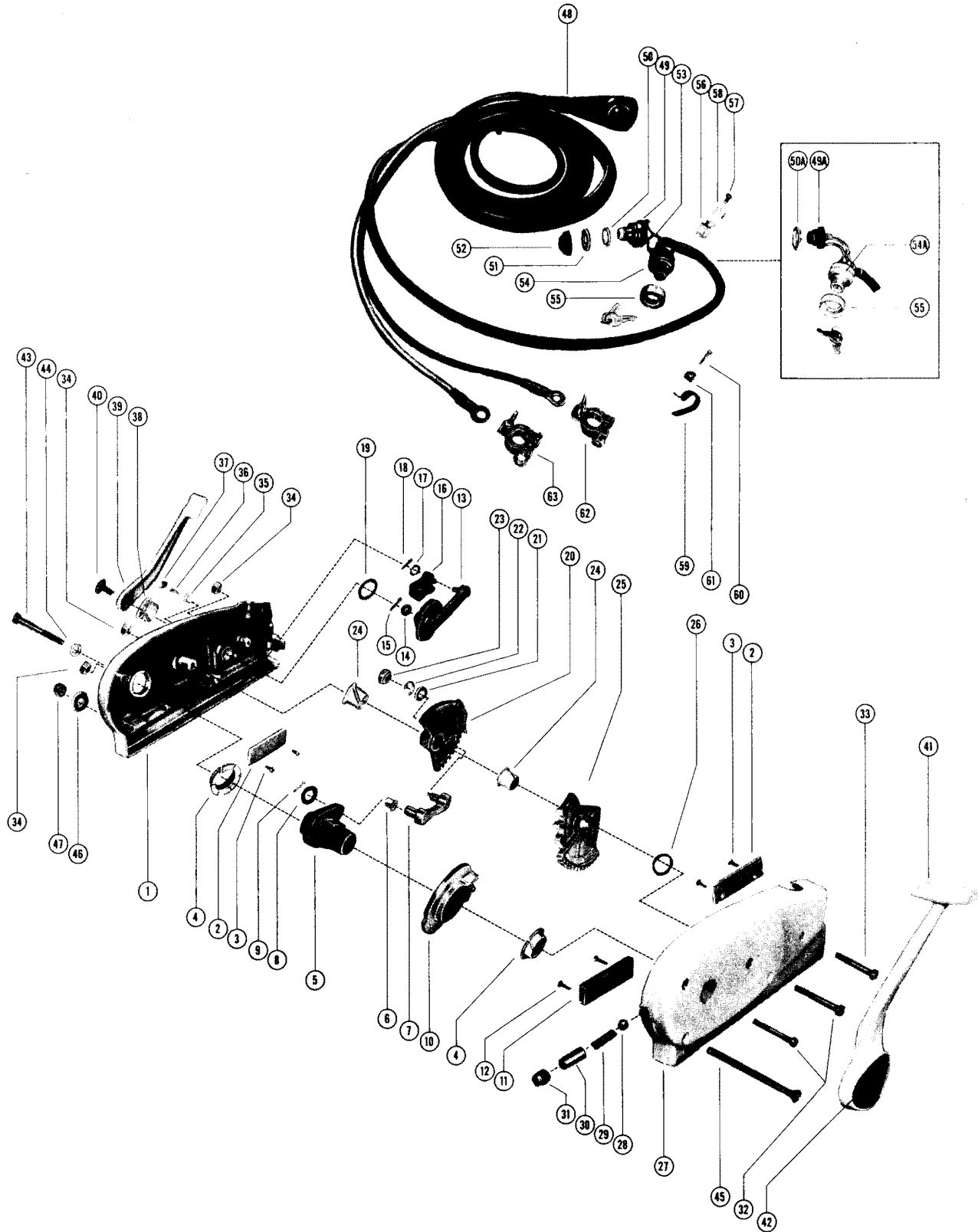
# REMOTE CONTROL ASSEMBLY (STANDARD)



## REMOTE CONTROL ASSEMBLY (STANDARD)

REF. NO.	PART NO.	SYM.	QTY.	DESCRIPTION
32	19-30064		,1	PLUG, CHOKE SWITCH HOLE
33	25-20034		1,	"O" RING, CHOKE HOLE PLUG
34	10-29389		2,2	SCREW, REMOTE CONTROL HOUSING CLAMPING (1 7/8")
35	10-29817		1,1	SCREW, REMOTE CONTROL HOUSING CLAMPING (1 5/8")
36	11-24652		3,3	NUT, REMOTE CONTROL HOUSING CLAMPING SCREW
37	17-20009		1,1	PIN, DETENT - CONTROL HOUSING SECTOR GEAR
38	24-20010		1,1	SPRING, DETENT PIN
39	19-20011		1,1	WELCH PLUG, DETENT PIN AND SPRING RETAINING
40	23-29684		1,1	BUSHING, NYLON - THROTTLE CONTROL LEVER TO HOUSING
41	29572		1,1	LEVER, THROTTLE CONTROL
-	<b>37-31021</b>		,1	<b>TAPE, THROTTLE CONTROL LEVER</b>
42	10-29628		1,1	SCREW, THROTTLE CONTROL LEVER TO HOUSING
43	29675A2		1,1	CONTROL HANDLE ASSEMBLY, THROTTLE AND SHIFT 2" <b>SHORTER CONTROL HANDLE-ORDER A-31384A1</b>
44	38-29643		1,1	INSIGNIA, CONTROL HANDLE
45	10-29671		1,1	SCREW, CONTROL HANDLE TO HOUSING
46	13-26992		1,1	LOCKWASHER, CONTROL HANDLE FASTENING SCREW
47	10-29672		2,2	SCREW, REMOTE CONTROL HOUSING TO BOAT
48	12-20346		2,2	WASHER, REMOTE CONTROL HOUSING TO BOAT SCREW
49	11-24652		2,2	NUT, REMOTE CONTROL HOUSING TO BOAT SCREW

# REMOTE CONTROL (29581A10-A20)(30062A10-A20)(34215A10-A20)



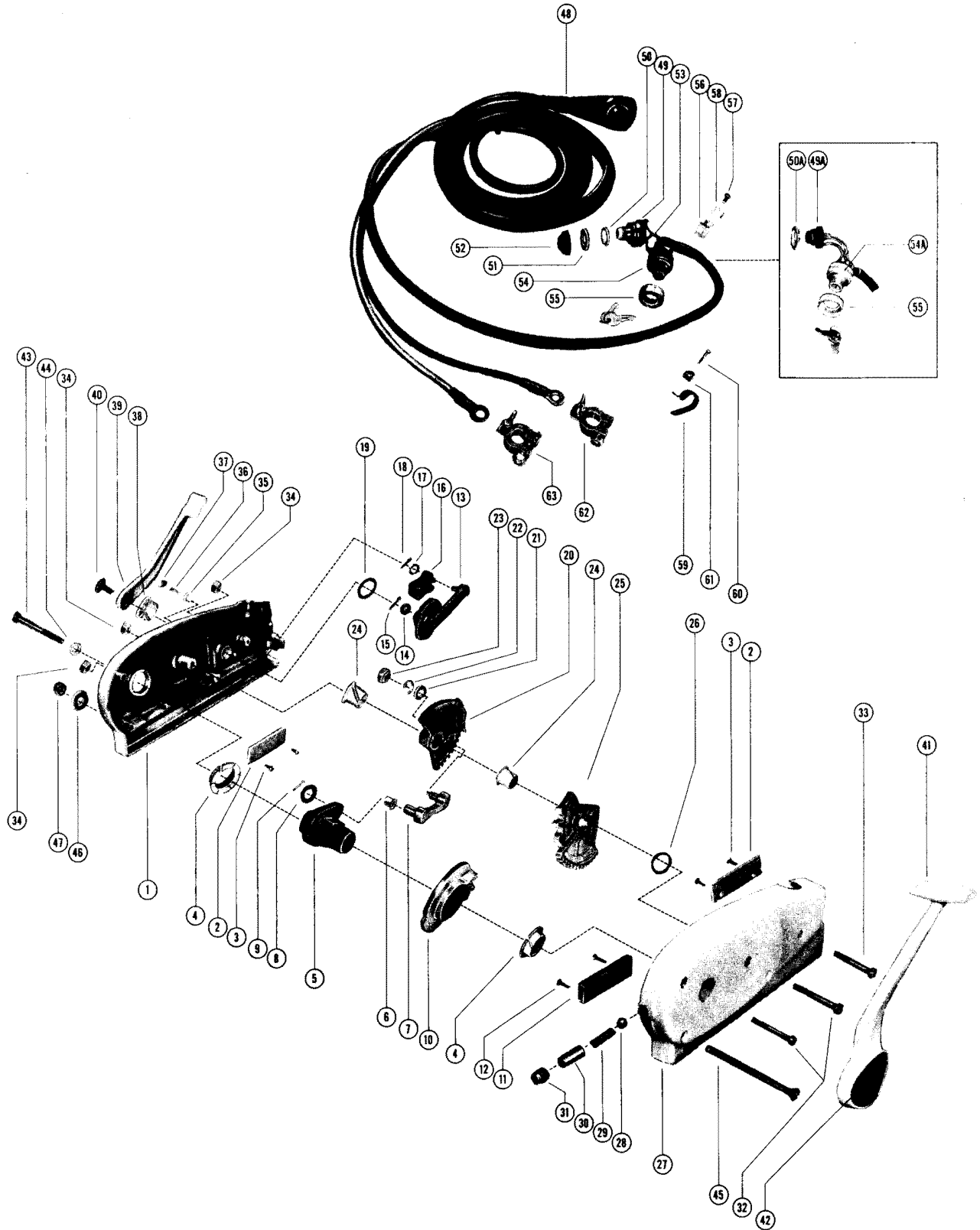
# REMOTE CONTROL (29581A10-A20)(30062A10-A20)(34215A10-A20)

REF. NO.	PART NO.	SYM.	QTY.	DESCRIPTION
-	29581A10	●	1,,	REMOTE CONTROL ASSEMBLY (ELECTRIC)
-	29581A15	●	1,,	REMOTE CONTROL ASSEMBLY (ELECTRIC)
-	29581A20	●	1,,	REMOTE CONTROL ASSEMBLY (ELECTRIC)
-	30062A10		,1,	REMOTE CONTROL ASSEMBLY (ELECTRIC)
-	30062A15		,1,	REMOTE CONTROL ASSEMBLY (ELECTRIC)
-	30062A20		,1,	REMOTE CONTROL ASSEMBLY (ELECTRIC)
-	34215A10		,1,	REMOTE CONTROL ASSEMBLY (ELECTRIC)
-	34215A15		,,1	REMOTE CONTROL ASSEMBLY (ELECTRIC)
-	34215A20		,,1	REMOTE CONTROL ASSEMBLY (ELECTRIC)
1	29580		1,,	HOUSING, REMOTE CONTROL - STARBOARD (USE WITH A-43-29571 SECTORGear)
	30059		,1,	HOUSING, REMOTE CONTROL - STARBOARD (USE WITH A-43-29S71 SECTORGear)
	30203		,1,1	HOUSING, REMOTE CONTROL - STARBOARD (USE WITH A-43-30204 SECTORGear)
2	29640		2,2,2	PLATE, RACK RETAINING
3	10-26668		4,4,4	SCREW, RACK RETAINING PLATE TO CONTROL HOUSING
4	23-28314		2,2,2	BUSHING, NYLON - THROTTLE SECTOR ACTUATOR
5	29574		1,1,1	ACTUATOR, LINK AND THROTTLE SECTOR
6	23-29683		1,1,1	BUSHING, NYLON - THROTTLE LINK
7	29576		1,1,1	LINK, THROTTLE - ACTUATOR AND SECTOR GEAR
8	12-29629		1,1,1	WASHER, THROTTLE LINK
9	18-29623		1,1,1	COTTER PIN, THROTTLE LINK TO ACTUATOR
10	43-29575		1,1,1	GEAR, DRIVE - ACTUATOR (DRIVE GEAR WITH DETENTS - ORDER A-43-31371)
11	29647		1,1,1	PLATE, SEPARATOR - CONTROL CABLE ANCHOR
12	10-29642		2,2,2	SCREW, SEPARATOR PLATE TO CONTROL HOUSING
13	29578A1		1,1,1	THROTTLE SHAFT AND LINK ASSEMBLY
14	12-20583		1,1,1	WASHER, THROTTLE SHAFT LINK
15	18-21071		1,1,1	COTTER PIN, LINK TO THROTTLE SHAFT
16	29573		1,1,1	BLOCK, CONTROL CABLE ANCHOR
17	12-29626		1,1,1	WASHER, THROTTLE SHAFT LINK
18	18-21071		1,1,1	COTTER PIN, LINK TO CABLE ANCHOR BLOCK
19	12-29683		1,1,1	WASHER, THROTTLE SHAFT AND LINK TO HOUSING
20	43-29571		1,1,	GEAR, THROTTLE SECTOR (USE WITH A-29580 AND A-30059 STARBOARD HOUSING)
	43-30204		,1,1	GEAR, THROTTLE SECTOR (USE WITH C-30203 STARBOARD HOUSING)
21	12-29629		1,1,1	WASHER, THROTTLE LINK
22	53-29641		1,1,1	"E" RING, THROTTLE LINK TO SECTOR GEAR
23	29630		1,1,1	CAM FOLLOWER, THROTTLE LINK
24	23-27132		2,2,2	BUSHING, NYLON - THROTTLE AND SHIFT GEAR
25	43-31802		1,1,1	GEAR, SHIFT SECTOR
26	12-29627		1,1,1	WASHER, SHIFT SECTOR GEAR TO HOUSING

● = [A-29646A1] IS NO LONGER AVAIL. FOR REPLACEMENT ORDER [A-30063A1], COMP. PARTS ARE STILL STOCK

CONTINUED ON NEXT PAGE ➡

# REMOTE CONTROL (29581A10-A20)(30062A10-A20)(34215A10-A20)

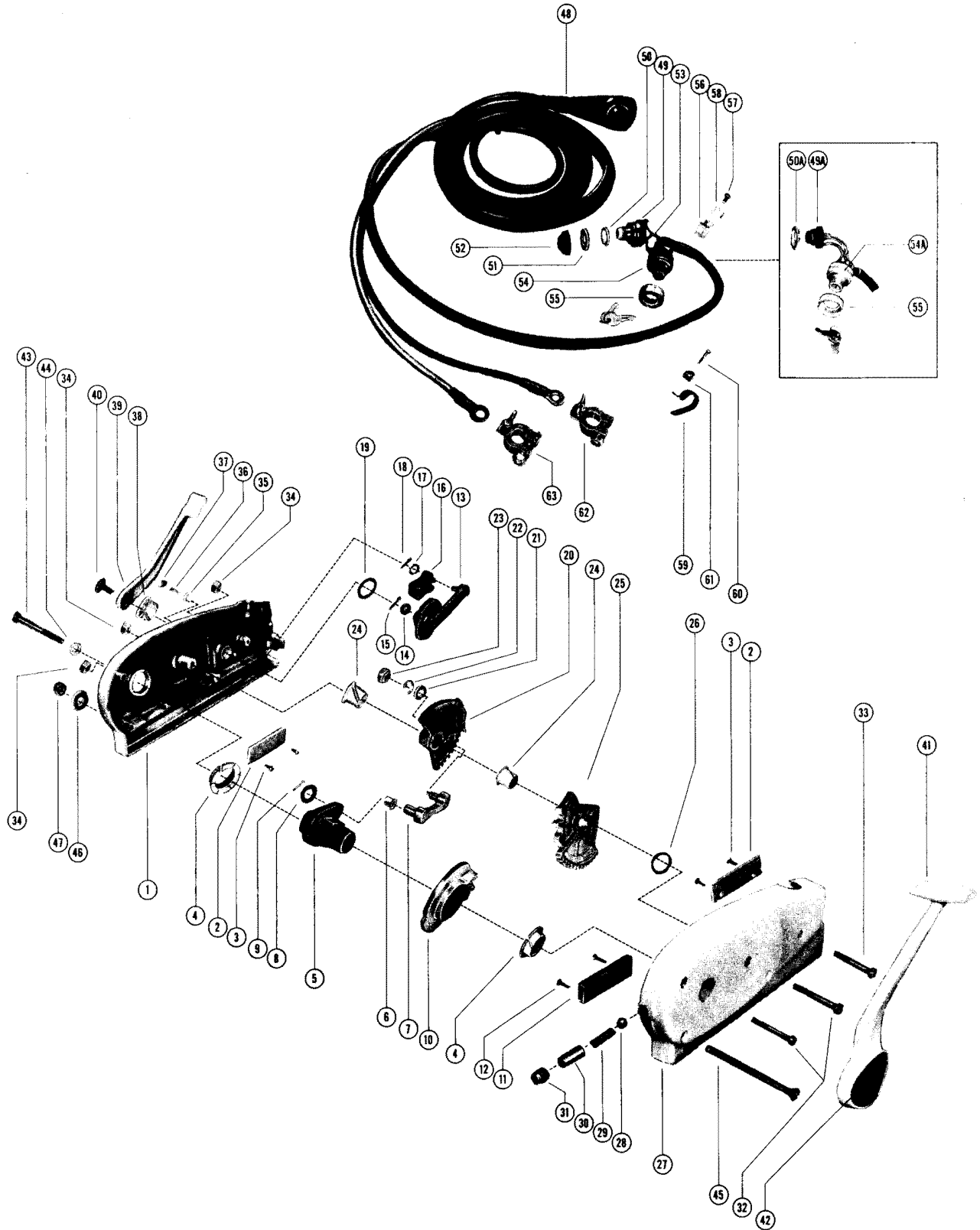


# REMOTE CONTROL (29581A10-A20)(30062A10-A20)(34215A10-A20)

REF. NO.	PART NO.	SYM.	QTY.	DESCRIPTION
27	30986		1,1,1	HOUSING, REMOTE CONTROL - PORT
28	30-29634		1,1,	BALL, TENSION - DRIVE GEAR (3/8") <b>EARLY STYLE</b>
29	24-29622		1,1,	SPRING, DETENT - DRIVE GEAR BALL (11/32" OD) <b>EARLY STYLE</b>
30	29838		,1,1	HOUSING, DETENT SPRING <b>EARLY STYLE</b>
28	31370		,1,1	BALL, TENSION (7/16") <b>LATEST STYLE</b>
29	24-30891		1,1,1	SPRING, DETENT - DRIVE GEAR BALL (27/64" OD) <b>LATEST STYLE</b>
31	10-29837		2,2,2	SCREW, RETAINING - DETENT SPRING HOUSING
32	10-29389		1,1,1	SCREW, REMOTE CONTROL HOUSING CLAMPING
33	10-29817		3,3,3	SCREW, REMOTE CONTROL HOUSING CLAMPING
34	11-24652		1,1,1	NUT, REMOTE CONTROL HOUSING CLAMPING SCREW
35	17-20009		1,1,1	PIN, DETENT - CONTROL HOUSING SECTOR GEAR
36	24-20010		1,1,1	SPRING, DETENT PIN
37	19-20011		1,1,1	WELCH PLUG, DETENT PIN AND SPRING RETAINING
38	23-29684		1,1,1	BUSHING, NYLON - THROTTLE CONTROL LEVER TO HOUSING
39	29572		1,1,1	LEVER, THROTTLE CONTROL
-	<b>37-31021</b>		,1,1	<b>TAPE, THROTTLE CONTROL LEVER</b>
40	10-29628		1,1,1	SCREW, THROTTLE CONTROL LEVER TO HOUSING
41	29675A2		1,1,1	CONTROL HANDLE ASSEMBLY, THROTTLE AND SHIFT ( <b>2" SHORTER CONTROL HANDLE - ORDER</b>
42	38-29643		1,1,1	INSIGNIA, CONTROL HANDLE
43	10-29671		1,1,1	SCREW, CONTROL HANDLE TO HOUSING
44	13-26992		1,1,1	LOCKWASHER, CONTROL HANDLE FASTENING SCREW
45	10-29672		2,2,2	SCREW, REMOTE CONTROL HOUSING TO BOAT
46	12-20346		2,2,2	WASHER, REMOTE CONTROL HOUSING SCREW
47	11-24652		2,2,2	NUT, REMOTE CONTROL HOUSING SCREW
48	29645-2		1,1,	WIRING HARNESS,EXTERNAL (10")
	29645-4		1,1,	WIRING HARNESS,EXTERNAL (15")
	29645-6		1,1,	WIRING HARNESS,EXTERNAL (20")
	34200-10		,,1	WIRING HARNESS,EXTERNAL (10")
	34200-15		,,1	WIRING HARNESS,EXTERNAL (15")
	34200-20		,,1	WIRING HARNESS, EXTERNAL (20")
49	29567		1,,	SWITCH, CHOKE
49A	29759		,1,1	SWITCH, CHOKE
50	12-30028		1,,	WASHER, CHOKE SWITCH
50A	30053		,1,1	COLLAR, CHOKE SWITCH TO CONTROL HOUSING
51	29639		1,,	BEZEL, CHOKE SWITCH TO CONTROL HOUSING
52	30027		1,,	COVER, RUBBER - CHOKE SWITCH
53	29648		1,1,1	JUMPER WIRE, CHOKE TO IGNITION SWITCH
54	29566		1,,	SWITCH, IGNITION (WITH KEYS) KEY PART #A-25304
54A	30162		,1,	SWITCH, IGNITION (WITH KEYS) KEY PART #C-30431
	34198		,,1	SWITCH, IGNITION (WITH KEYS) KEY PART #C-30431

CONTINUED ON NEXT PAGE ➡

# REMOTE CONTROL (29581A10-A20)(30062A10-A20)(34215A10-A20)

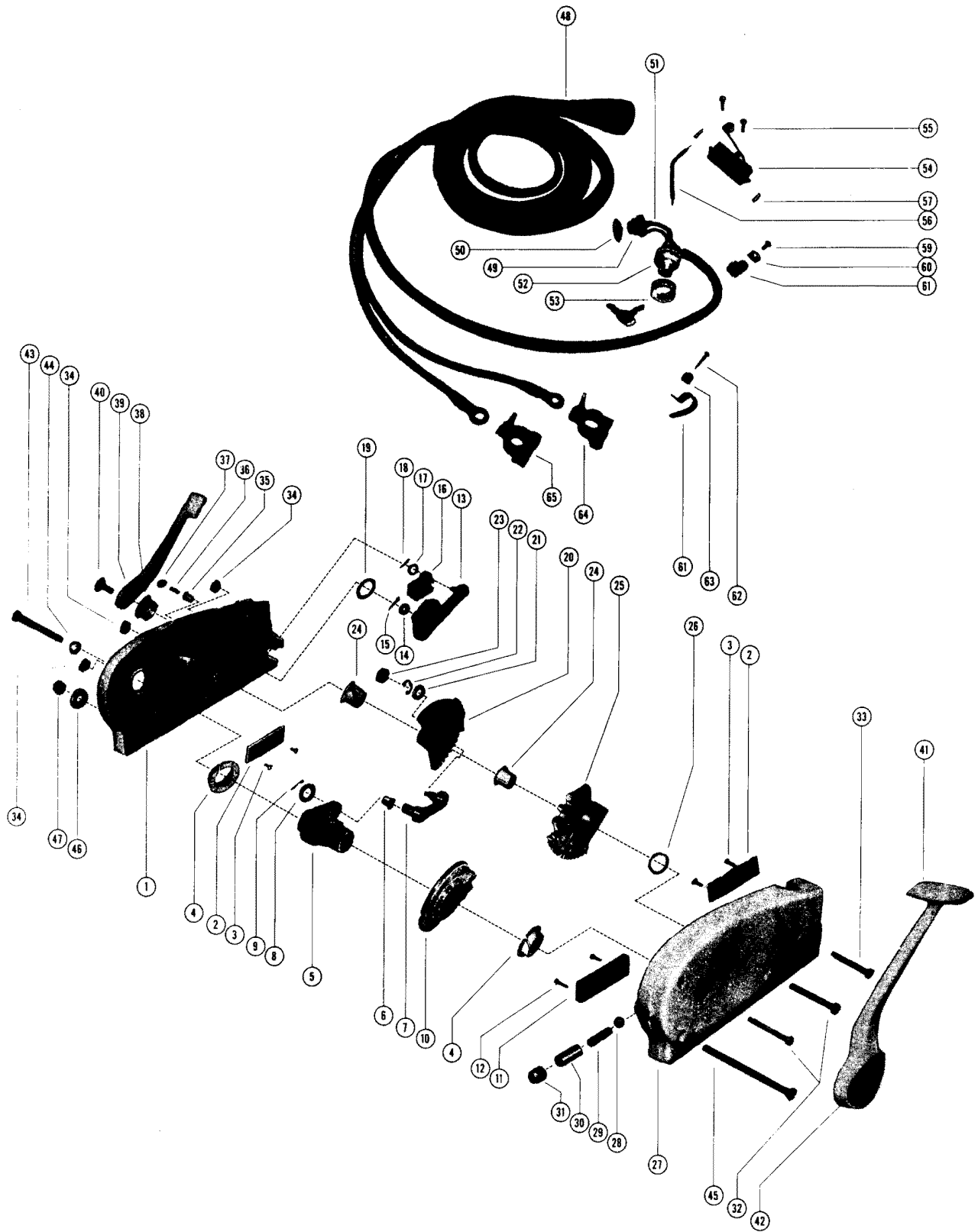




## REMOTE CONTROL (29581A10-A20)(30062A10-A20)(34215A10-A20)

REF. NO.	PART NO.	SYM.	QTY.	DESCRIPTION
55	22628		1,1,1	BEZEL, IGNITION SWITCH TO CONTROL HOUSING
56	54-26685		1,1,1	CLIP, INNER - WIRING HARNESS TO CONTROL HOUSING
57	10-26682		1,1,1	SCREW, INNER CLIP TO HOUSING
58	22789		1,1,1	"D" WASHER, INNER CLIP FASTENING SCREW
59	54-22690		1,1,1	CLIP, EXTERNAL WIRING HARNESS TO BOAT
60	10-22793		1,1,1	SCREW, EXTERNAL WIRING HARNESS CLIP TO BOAT
61	22789		1,1,1	"D" WASHER, WIRING HARNESS CLIP FASTENING SCREW
62	27913		1,1,1	BATTERY TERMINAL, NEGATIVE (WITH BOLT AND NUT)
63	27912		1,1,1	BATTERY TERMINAL, POSITIVE (WITH BOLT AND NUT)

# REMOTE CONTROL ASY (30470A10/ A15/ A20)

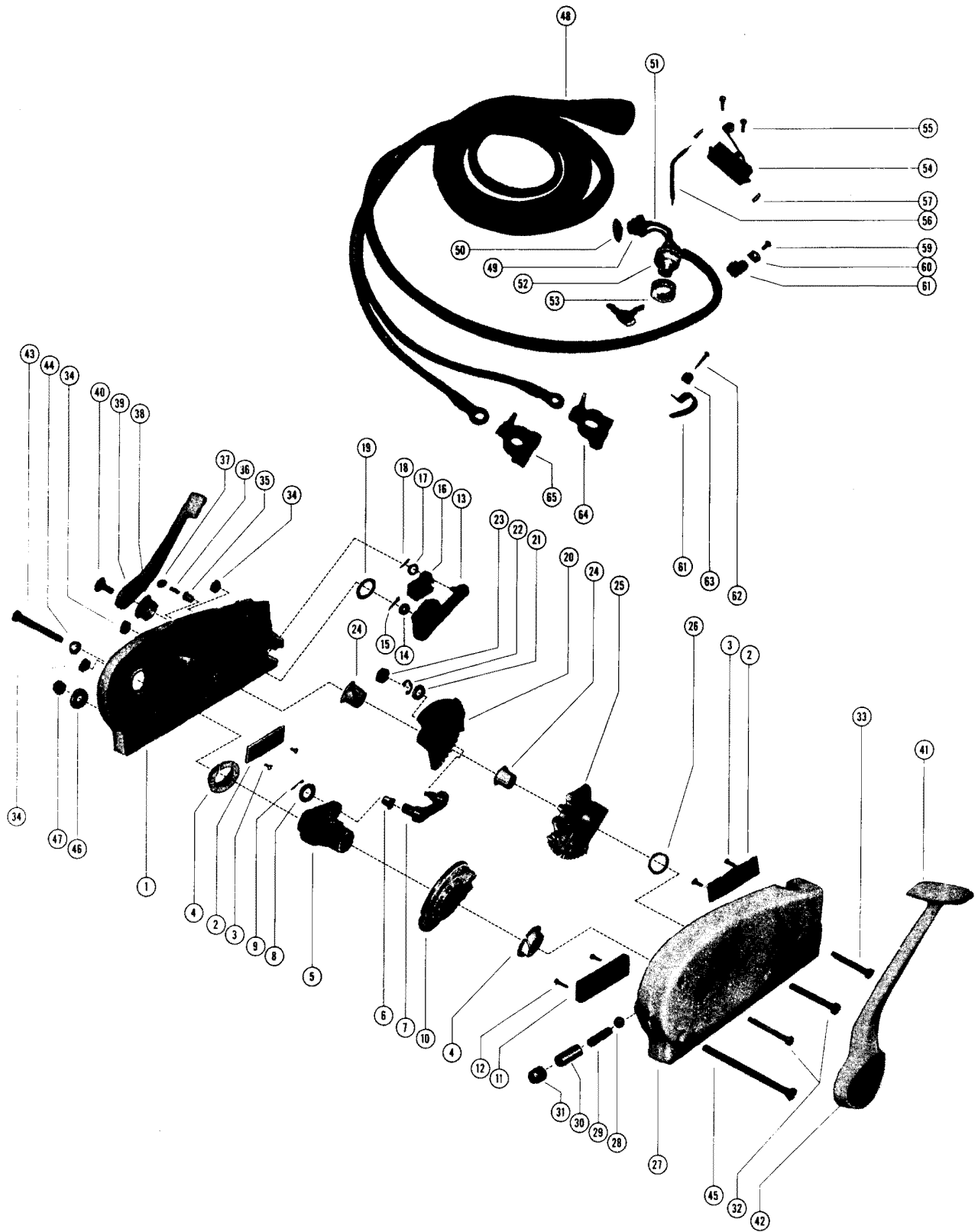


## REMOTE CONTROL ASY (30470A10/ A15/ A20)

REF. NO.	PART NO.	SYM.	QTY.	DESCRIPTION
-	30470A10		1	REMOTE CONTROL ASSEMBLY (ELECTRIC)
-	30470A15		1	REMOTE CONTROL ASSEMBLY (ELECTRIC)
-	30470A20		1	REMOTE CONTROL ASSEMBLY (ELECTRIC)
1	30203		1	HOUSING, REMOTE CONTROL - STARBOARD
2	29640		2	PLATE, RACK RETAINING
3	10-26668		4	SCREW, RACK RETAINING TO CONTROL HOUSING
4	23-28314		2	BUSHING, NYLON - THROTTLE SECTOR ACTUATOR
5	29574		1	ACTUATOR, LINK AND THROTTLE SECTOR
6	23-29638		1	BUSHING, NYLON - THROTTLE LINK
7	29576		1	LINK, THROTTLE - ACTUATOR AND SECTOR GEAR
8	12-29629		1	WASHER, THROTTLE LINK
9	18-29623		1	COTTER PIN, THROTTLE LINK TO ACTUATOR
10	43-29575		1	GEAR, DRIVE - ACTUATOR{DRIVE GEAR WITH DETENTS <b>ORDER A-43-81371</b>
11	29647		1	PLATE, SEPARATOR - CONTROL CABLE ANCHOR
12	10-29642		2	SCREW, SEPARATOR PLATE TO CONTROL HOUSING
13	29578A1		1	THROTTLE SHAFT AND LINK ASSEMBLY
14	12-20583		1	WASHER, THROTTLE SHAFT LINK
15	18-21071		1	COTTER PIN, LINK TO THROTTLE SHAFT
16	29573		1	BLOCK, CONTROL CABLE ANCHOR
17	12-29626		1	WASHER, THROTTLE SHAFT LINK
18	18-21071		1	COTTER PIN, LINK TO CABLE ANCHOR BLOCK
19	12-29683		1	WASHER, THROTTLE SHAFT AND LINK TO HOUSING
20	43-30204		1	GEAR, THROTTLE SECTOR
21	12-29629		1	WASHER, THROTTLE LINK
22	53-29641		1	"E" RING, THROTTLE LINK TO SECTOR GEAR
23	29630		1	CAM FOLLOWER, THROTTLE LINK
24	23-27132		2	BUSHING, NYLON - THROTTLE AND SHIFT GEAR
25	43-30987		1	GEAR, SHIFT SECTOR (13 TEETH)
	43-31802		1	GEAR, SHIFT SECTOR (12 TEETH)
26	12-29627		1	WASHER, SHIFT SECTOR GEAR TO HOUSING
27	30986		1	HOUSING, REMOTE CONTROL - PORT
28	30-29634		1	BALL, TENSION - DRIVE GEAR (3/8") <b>EARLY STYLE</b>
29	24-29622		1	SPRING, DETENT - DRIVE GEAR BALL (11/32" OD) <b>EARLY STYLE</b>
30	29838		1	HOUSING, DETENT SPRING <b>EARLY STYLE</b>
28	31370		1	BALL, TENSION - DRIVE GEAR (7/16TT) <b>LATEST STYLE</b>
29	24-30891		1	SPRING, DETENT - DRIVE GEAR BALL (27/64" OD) <b>LATEST STYLE</b>
31	10-29837		1	SCREW, RETAINING - DETENT SPRING HOUSING
32	10-29389		2	SCREW, REMOTE CONTROL HOUSING CLAMPING (1 7/8")
33	10-29817		1	SCREW, REMOTE CONTROL HOUSING CLAMPING (1 5/8")
34	11-24652		3	NUT, REMOTE CONTROL HOUSING CLAMPING SCREW
35	17-20009		1	PIN, DETENT - CONTROL HOUSING SECTOR GEAR

CONTINUED ON NEXT PAGE ➡

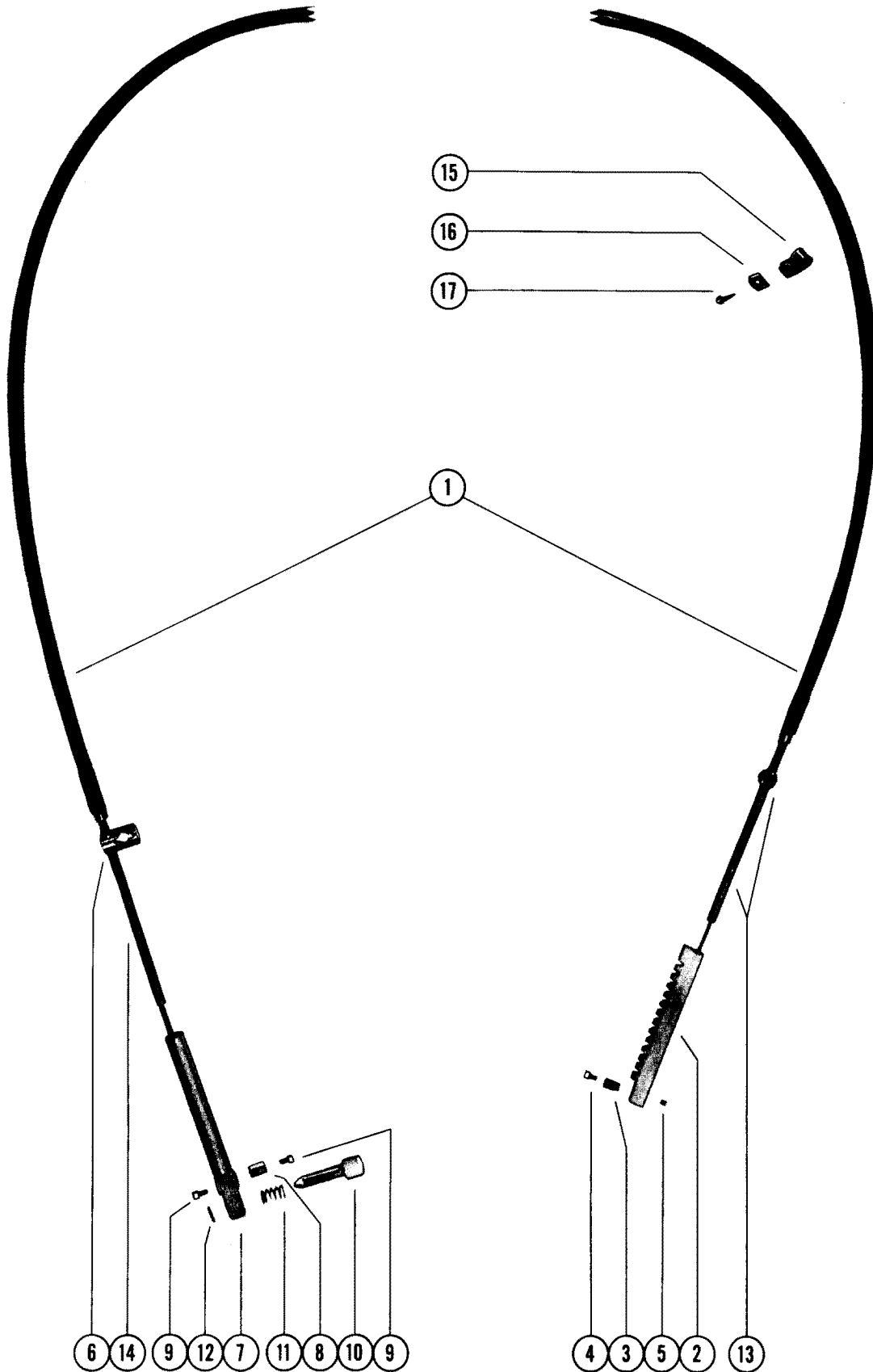
# REMOTE CONTROL ASY (30470A10/ A15/ A20)



## REMOTE CONTROL ASY (30470A10/ A15/ A20)

REF. NO.	PART NO.	SYM.	QTY.	DESCRIPTION
36	24-20010		1	SPRING, DETENT PIN
37	19-20011		1	WELCH PLUG, DETENT PIN AND SPRING RETAINING
38	23-29684		1	BUSHING, NYLON - THROTTLE CONTROL LEVER TO HOUSING
39	29572		1	LEVER, THROTTLE CONTROL
	37-31021		1	TAPE, THROTTLE CONTROL LEVER
40	10-29628		1	SCREW, THROTTLE CONTROL LEVER TO HOUSING
41	29675A2		1	CONTROL HANDLE ASSEMBLY, THROTTLE AND SHIFT (2" SHORTER CONTROL HANDLE - ORDER
42	26183A5		1	EMBLEM, CONTROL HANDLE
43	10-29671		1	SCREW, CONTROL HANDLE TO HOUSING
44	13-26992		1	LOCKWASHER, CONTROL HANDLE FASTENING SCREW
45	10-29672		2	SCREW, REMOTE CONTROL HOUSING TO BOAT
46	12-20346		2	WASHER, REMOTE CONTROL HOUSING SCREW
47	11-24652		2	NUT, REMOTE CONTROL HOUSING SCREW
48	30471-2		1	WIRING HARNESS, EXTERNAL (10' )
	30471-4		1	WIRING HARNESS, EXTERNAL (15' )
	30471-6		1	WIRING HARNESS, EXTERNAL (20' )
49	29759		1	SWITCH, CHOKE
50	30053		1	COLLAR, CHOKE SWITCH TO CONTROL HOUSING
51	29648		1	JUMPER WIRE, CHOKE TO IGNITION SWITCH
52	30163		1	SWITCH, IGNITION (WITH KEYS) KEY PART #C-30431D
53	22628		1	BEZEL, IGNITION SWITCH TO CONTROL HOUSING
54	30866		1	SWITCH, SAFETY - NEUTRAL STARTING
55	10-30902		2	SCREW, SAFETY SWITCH TO PORT HOUSING
56	30795		1	JUMPER WIRE, SAFETY SWITCH TO IGNITION SWITCH
57	23-29902		2	SLEEVE, SAFETY SWITCH LEADS
58	54-26685		1	CLIP, INNER - WIRING HARNESS TO HOUSING
59	10-26682		1	SCREW, INNER CLIP TO CONTROL HOUSING
60	22789		1	"D" WASHER, INNER CLIP FASTENING SCREW
61	54-22690		1	CLIP, EXTERNAL WIRING HARNESS TO BOAT
62	10-22793		1	SCREW, EXTERNAL WIRING HARNESS CLIP TO BOAT
63	22789		1	"D" WASHER, WIRING HARNESS CLIP FASTENING SCREW
64	27913		1	BATTERY TERMINAL, NEGATIVE (WITH BOLT AND NUT)
65	27912		1	BATTERY TERMINAL, POSITIVE (WITH BOLT AND NUT)

# REMOTE CONTROL CABLE ASSEMBLY



# REMOTE CONTROL CABLE ASSEMBLY

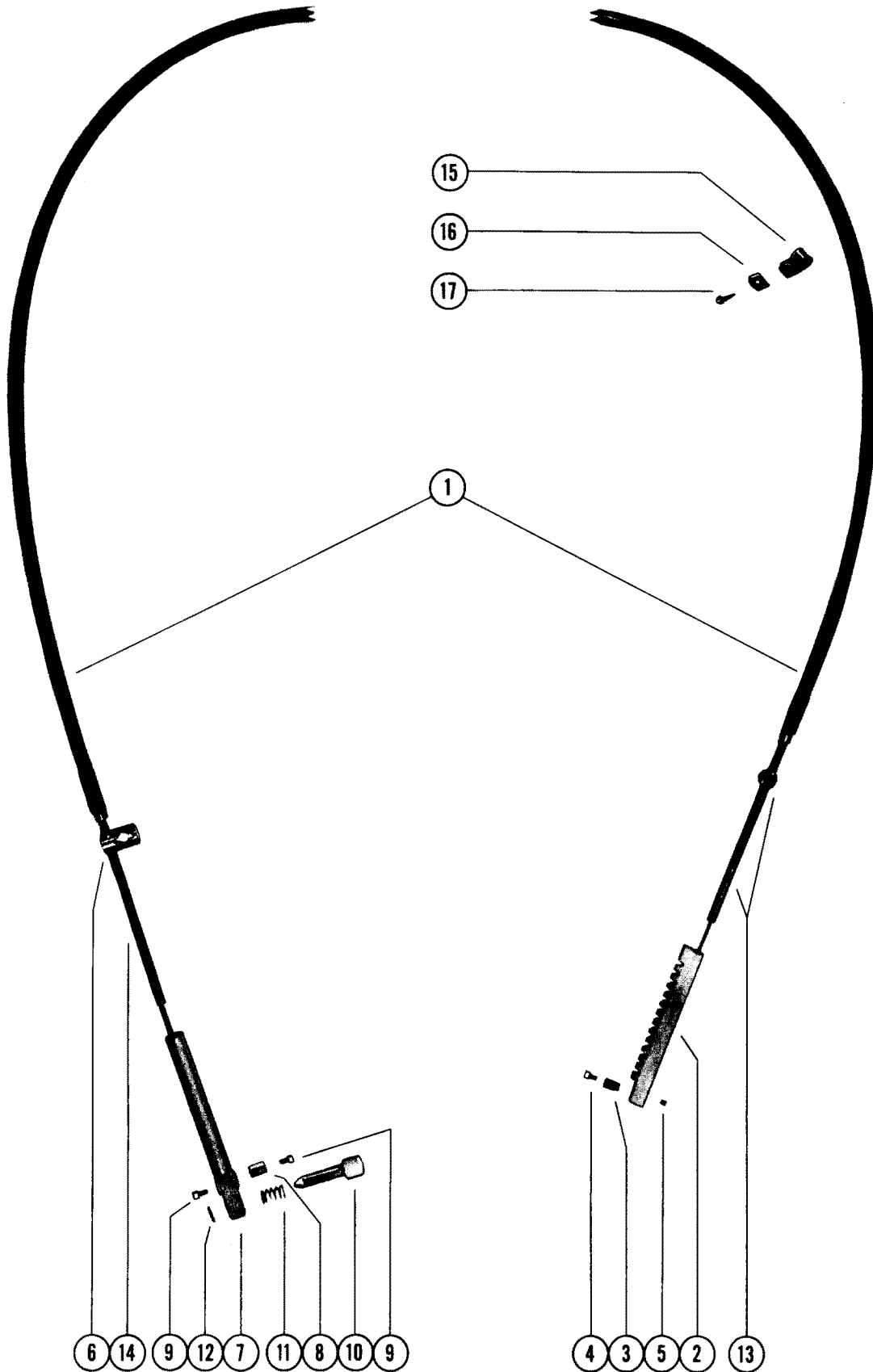
REF. NO.	PART NO.	SYM.	QTY.	DESCRIPTION
1	29564	■ ■	1,,,	REMOTE CONTROL CABLE ASSEMBLY .
	34555A	■ ■	,1,,	REMOTE CONTROL CABLE ASSEMBLY .
2	29577		1,,,	GEAR RACK, NYLON .
3	20007		1,,,	ANCHOR, CABLE END - GEAR RACK
4	10-20518		1,,,	SCREW, SET - CABLE END ANCHOR
5	10-20014		1,,,	SCREW, ALLEN - CABLE END ANCHOR
6	20552		1,,,	CONNECTOR, THROTTLE AND SHIFT
7	29880		1,1,,	GUIDE, CABLE CONTROL END
8	20007		1,1,,	ANCHOR, CABLE END GUIDE
9	10-20518		2,2,,	SCREW, SET - CABLE END GUIDE
10	17-29996		1,1,,	PIN, CABLE END GUIDE
11	24-20099		1,1,,	SPRING, CABLE END GUIDE PIN
12	17-23757		1,1,,	ROLL PIN, CABLE END GUIDE PIN
13	29934A1		1,,,	TRUNNION AND INSERT ASSEMBLY (BRASS)
-	<b>38685A1</b>		,1,,	<b>TRUNNION ASSEMBLY (BRASS)</b>
-	<b>38686</b>		,2,,	<b>RING, NYLON - CONTROL CABLE TRUNNION</b>
14	29935		1,,,	INSERT, CABLE END TUBE (STEEL)
15	54-24836		1,1,,	CLIP, CONTROL CABLE TO BOAT
16	22789		1,1,,	"D" WASHER, CLIP FASTENING SCREW
17	10-22793		1,1,,	SCREW, CONTROL CABLE CLIP FASTENING
-	<b>25260</b>		AR,,,	<b>INNER WIRE, REMOTE CONTROL CABLE (100 FT.ROLL)</b>
-	<b>36201A20</b>		,AR,,	<b>INNER WIRE, REMOTE CONTROL CABLE (20 FT)</b>
-	<b>36201A40</b>		,AR,,	<b>INNER WIRE, REMOTE CONTROL CABLE (40 FT)</b>
1	30033A		,,1,1	REMOTE CONTROL CABLE ASSEMBLY (CONTROL END) .
	30032A		,,,1	REMOTE CONTROL CABLE ASSEMBLY (ENGINE END)
2	29577		,,1,	GEAR RACK, NYLON
3	20007		,,1,	ANCHOR, CABLE END - GEAR RACK
4	10-20518		,,1,	SCREW, SET - CABLE END ANCHOR
5	10-20014		,,1,	SCREW, ALLEN - CABLE END ANCHOR
6	20552		,,1,	CONNECTOR, THROTTLE AND SHIFT
	20552		,,,2	CONNECTOR, THROTTLE AND SHIFT
7	29880		,,1,	GUIDE, CABLE CONTROL END
	20175		,,,2	GUIDE, CABLE CONTROL END
8	20007		,,1,	ANCHOR, CABLE END GUIDE
	20007		,,,2	ANCHOR, CABLE END GUIDE
9	10-20518		,,2,	SCREW, SET - CABLE END GUIDE
	10-20518		,,,4	SCREW, SET - CABLE END GUIDE
10	17-29996		,,,1	PIN, CABLE END GUIDE
11	24-20099		,,,1	SPRING, CABLE END GUIDE PIN
12	17-23757		,,,1	ROLL PIN, CABLE END GUIDE PIN
13	29934A1		,,1,	TRUNNION AND INSERT ASSEMBLY (BRASS)
14	29935		,,1,	INSERT, CABLE END TUBE (STEEL)

■ = ORDER IN THE FOLLOWING CABLE LENGTHS: 5, 7, 9 THUR 36,39 AND 40 FT.

■ = LONGER CABLES AVAILABLE UPON SPECIAL ORDER SPECIFY LENGTH REQUIRED.

CONTINUED ON NEXT PAGE ➡

# REMOTE CONTROL CABLE ASSEMBLY

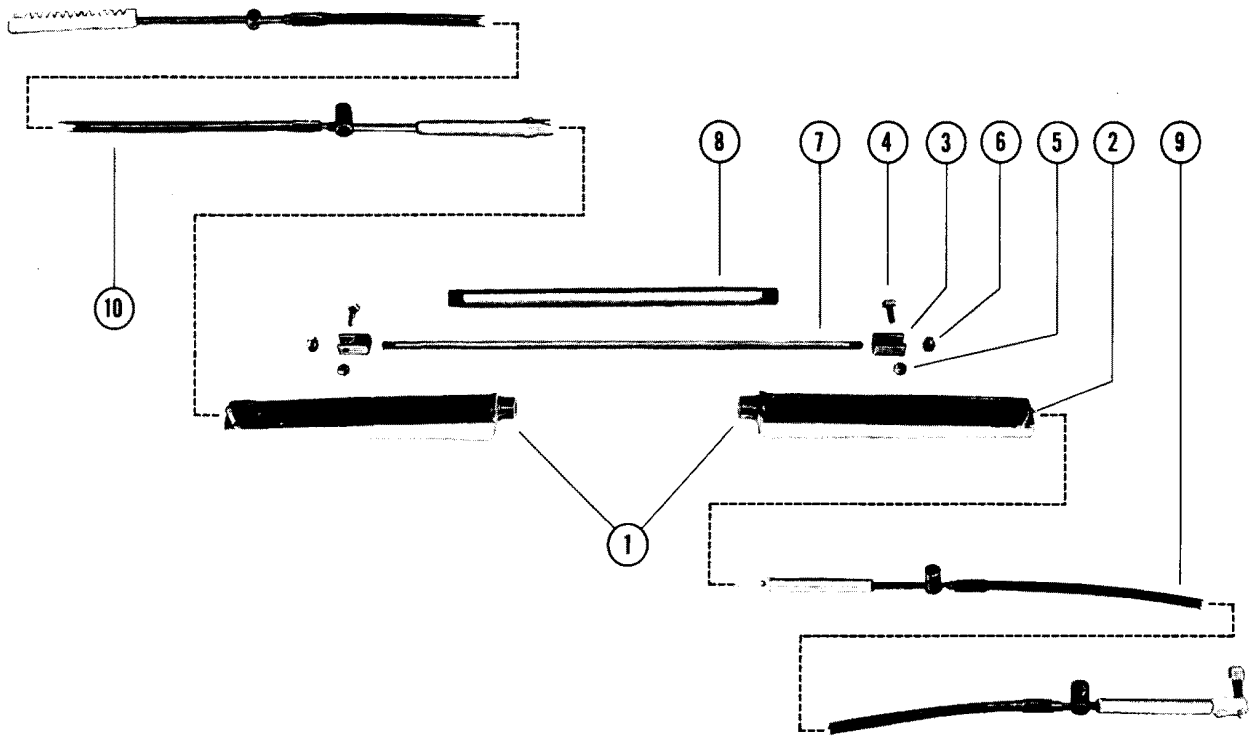




## REMOTE CONTROL CABLE ASSEMBLY

REF. NO.	PART NO.	SYM.	QTY.	DESCRIPTION
14	29935		,,2	INSERT, CABLE END TUBE (STEEL)
15	54-22740		,,1	CLIP, CONTROL CABLE TO BOAT
16	22789		,,1	"D" WASHER, CLIP FASTENING SCREW
17	10-22793		,,1	SCREW, CONTROL CABLE CLIP FASTENING
-	<b>25260</b>		,AR,AR	<b>INNER WIRE, REMOTE CONTROL CABLE (100 FT.ROLL)</b>

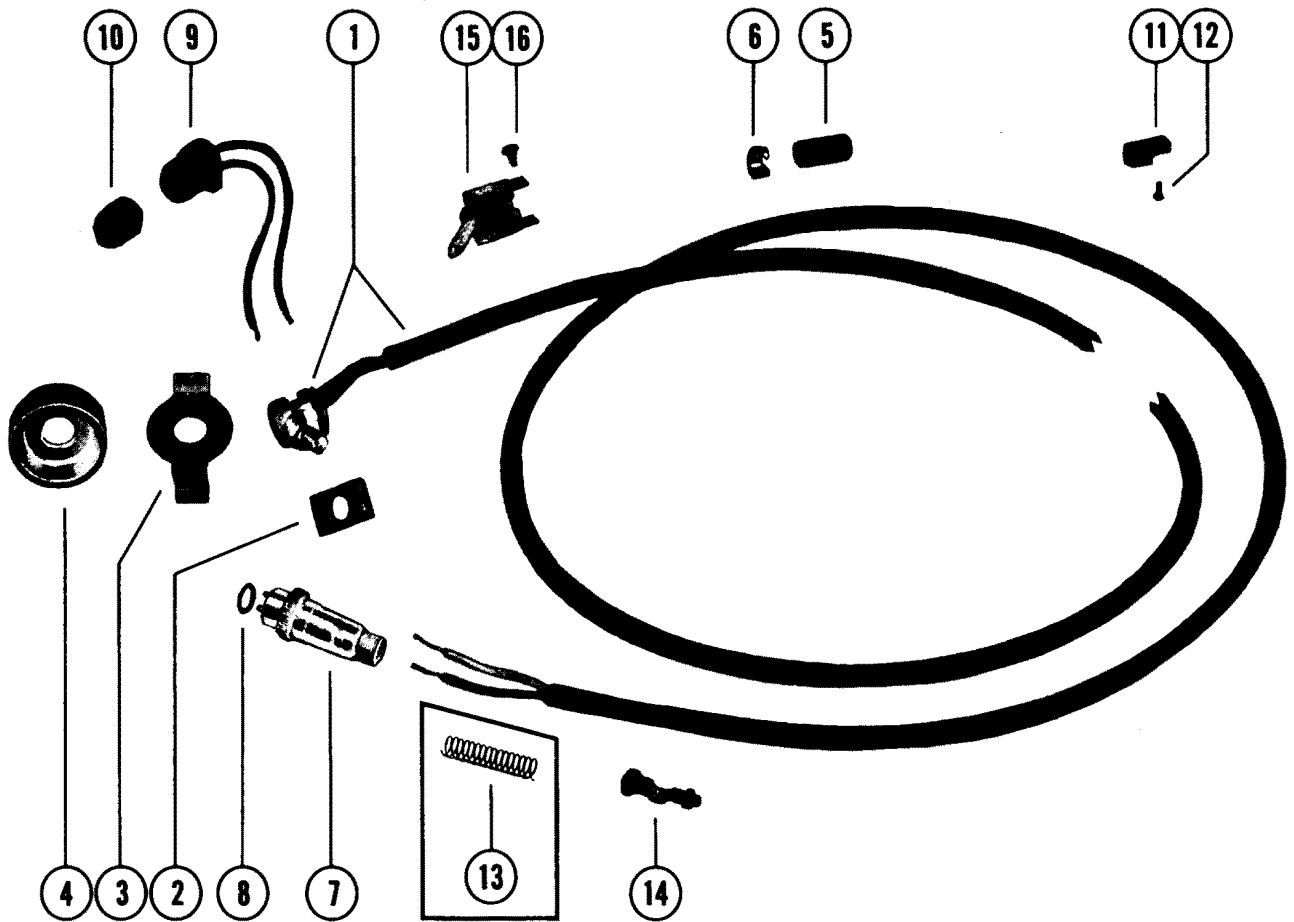
# REMOTE CONTROL(EXTENSION KIT)



## REMOTE CONTROL(EXTENSION KIT)

REF. NO.	PART NO.	SYM.	QTY.	DESCRIPTION
-	29377A1		1	REMOTE CONTROL EXTENSION KIT
1	29371A1		2	BRACKET ASSEMBLY, EXTENSION
2	17-23928		2	ROLL PIN, CABLE ANCHOR PIN (1/2")
3	29373		2	COUPLING, CONTROL CABLE TO ROD
4	10-20653		2	SCREW, COUPLING TO CONTROL CABLE GUIDE END
5	11-20586		2	NUT, COUPLING FASTENING SCREW (1/4")
6	11-20083		2	NUT, COUPLING TO EXTENSION ROD (5/16")
7			-	ROD (5/16") CABLE COUPLING TO CABLE COUPLING
8			-	PIPE (3/8") EXTENSION BRACKET TO EXTENSION BRACKET
9	29428A		1	REMOTE CONTROL CABLE ASS Y, ENGINE END L
10	29427A		1	REMOTE CONTROL CABLE ASS Y, CONTROL END SEE NOTE BELOW
9	30032A		1	REMOTE CONTROL CABLE ASS Y, ENGINE END SEE NOTE BELOW
10	30033A		1	REMOTE CONTROL CABLE ASS Y, CONTROL END

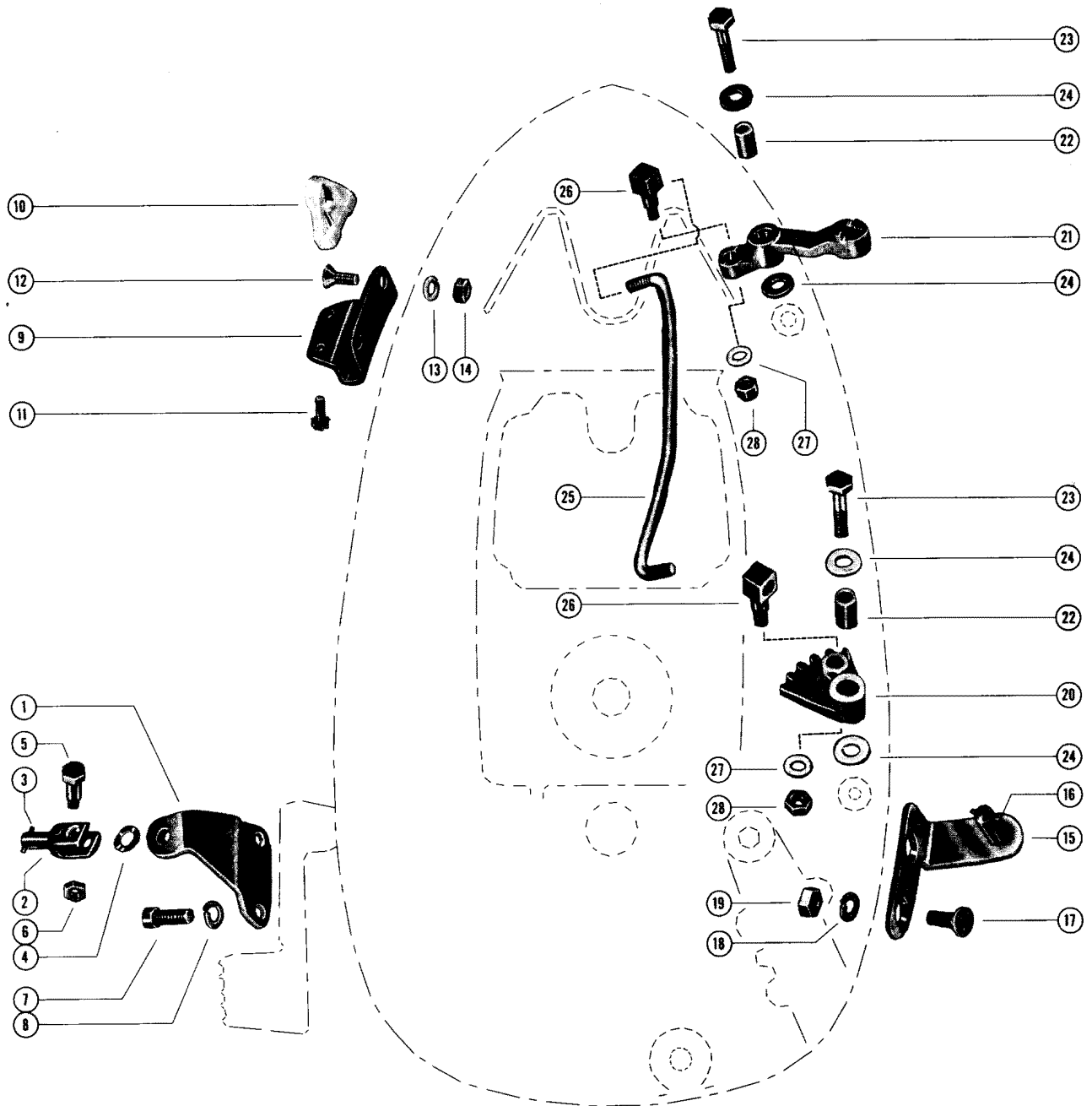
# MAGNETO SHORTING SWITCH ASSEMBLY



## MAGNETO SHORTING SWITCH ASSEMBLY

REF. NO.	PART NO.	SYM.	QTY.	DESCRIPTION
1	35490A		1,,,,,,	SHORTING SWITCH ASS'Y (10',15' AND 20' )
	35491A		,1,,,,,	SHORTING SWITCH ASS'Y (10', 15' AND 20' )
	48393A		,,1,,,,	SHORTING SWITCH ASS'Y (10', 15' AND 20' )
	57616A		,,,1,,,	SHORTING SWITCH ASS'Y (15'AND 20' )
	60324A		,,,,1,,	SHORTING SWITCH ASS'Y (15'AND 20' )
	71878A		,,,,,1,	SHORTING SWITCH ASS'Y (15'AND 20' )
	87-77984A		,,,,,,1	SHORTING SWITCH ASS'Y (15 'AND 20' )
2	23-52140		,,1,1,1,1,	BUSHING, TOGGLE SWITCH
3	35489		1,1,1,1,1	PLATE, FACE - SHORTING SWITCH
	57945		,,,1,,,	PLATE, FACE - SHORTING SWITCH
4	29644		1,1,1,1,1,	BEZEL, SWITCH TO CONTROL
5	23-34947		1,1,1,1,1,	SLEEVE, SWITCH LEAD WIRE
6	54-20386		1,1,1,1,1,	CLAMP, SWITCH LEAD WIRE SLEEVE
7	21105		,1,,,,,	CONNECTOR, SWITCH LEAD WIRE
	31054		1,,1,,,,	CONNECTOR, SWITCH LEAD WIRE
8	25-21706		,1,,,,,	"O" RING, SHORTING SWITCH CONNECTOR
	12-31053		1,,1,,,,	WASHER, SEALING - SHORTING SWITCH CONNECTOR
9	48392		,,1,,,,,	CONNECTOR, TACHOMETER
10	45940		,,1,,,,,	CAP, TACHOMETER CONNECTOR
11	45915		,,1,,,,,	TERMINAL BLOCK
12	10-37260		,,1,,,,,	SCREW, TERMINAL BLOCK TO CONTROL HOUSING
13	24-60417		,,,,,1,,	SPRING, SHORTING SWITCH (ENGINE)
14	23-71942		,,,,,,1,1	BUSHING, STRAIN RELIEF
15	87-77841		,,,,,,1	SWITCH, TOGGLE
16	10-63934		,,,,,,2	SCREW, TOGGLE SWITCH ATTACHING

# REMOTE CONTROL ATTACHMENT PARTS KIT A

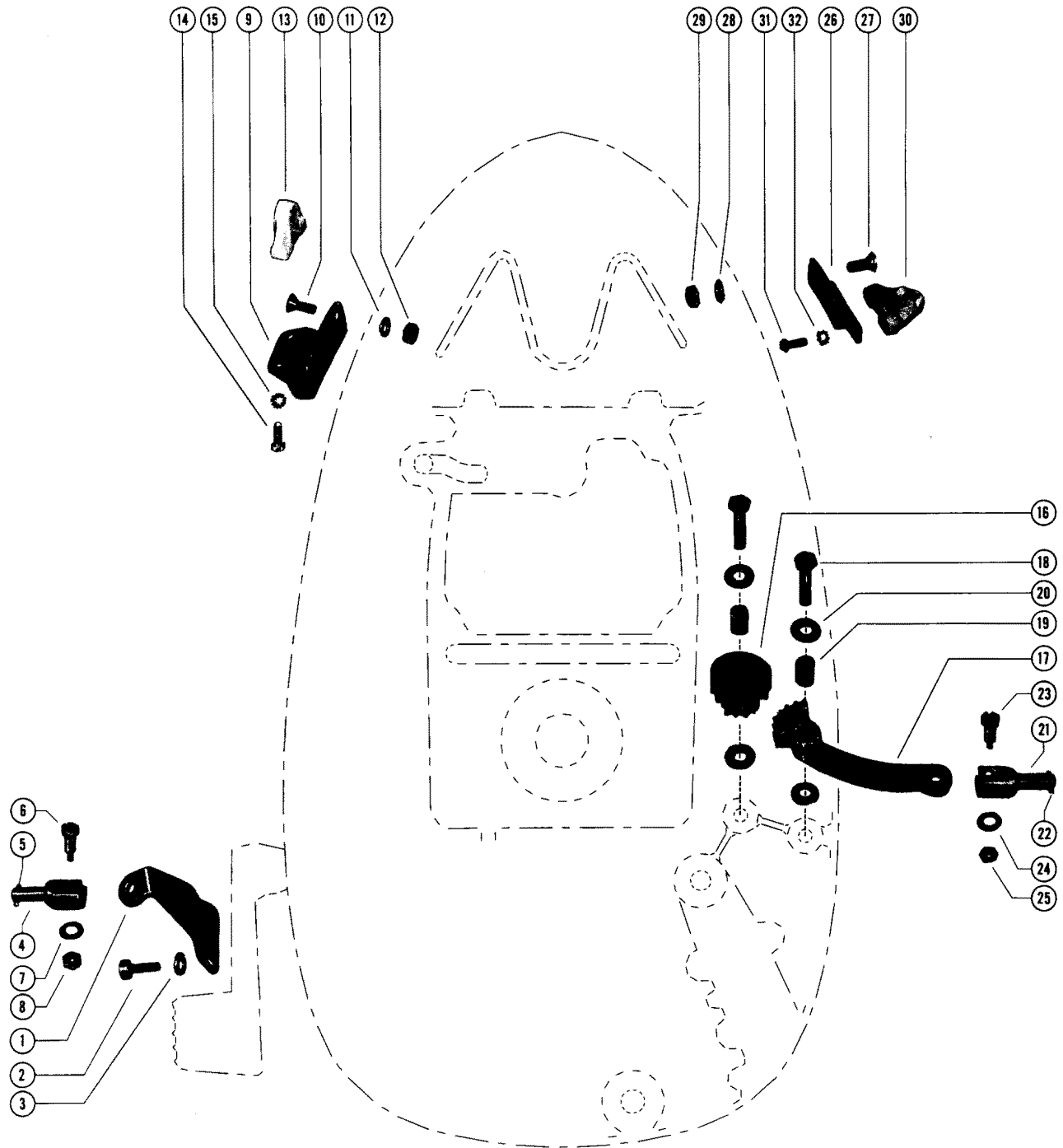


# REMOTE CONTROL ATTACHMENT PARTS KIT A

REF. NO.	PART NO.	SYM.	QTY.	DESCRIPTION
-	30917A2		1	REMOTE CONTROL ATTACHMENT PARTS KIT (SEE NOTE)
1	30917		1	BRACKET, SHIFT LEVER - REMOTE CONTROL CABLE
2	17-30978A1		1	CLEVIS YOKE PIN ASSEMBLY
3	17-23928		1	ROLL PIN, CLEVIS YOKE PIN
4	13-29402		1	WASHER, WAVE - CLEVIS YOKE PIN TENSION
5	10-20584		1	SCREW, CLEVIS YOKE PIN TO SHIFT LEVER BRACKET
6	11-29488		1	NUT, CLEVIS YOKE PIN FASTENING SCREW
7	10-20540		2	SCREW, SHIFT LEVER BRACKET TO SHIFT CONTROL HANDLE
8	13-26992		2	LOCKWASHER, SHIFT LEVER BRACKET FASTENING SCREW
9	30922		1	BRACKET, SHIFT CABLE
10	20557		1	BRACKET, CABLE END ANCHOR
11	10-29200		2	SCREW, ANCHOR BRACKET TO SHIFT CABLE BRACKET
12	10-31163		2	SCREW, SHIFT CABLE BRACKET TO BOTTOM COWL
13	13-26992		2	LOCKWASHER, SHIFT CABLE BRACKET FASTENING SCREW
14	11-20088		2	NUT, SHIFT CABLE BRACKET FASTENING SCREW
15	30921A2		1	BRACKET ASSEMBLY, THROTTLE CABLE
16	17-23928		1	ROLL PIN, THROTTLE CABLE BRACKET
17	10-31163		2	SCREW, THROTTLE CABLE BRACKET TO BOTTOM COWL
18	13-26992		2	LOCKWASHER, THROTTLE CABLE BRACKET FASTENING SCREW
19	11-20088		2	NUT, THROTTLE CABLE BRACKET FASTENING SCREW
20	43-30973		1	GEAR, THROTTLE SECTOR
21	30918		1	LEVER, THROTTLE - REMOTE CONTROL CABLE
22	23-30972		2	BUSHING, THROTTLE LEVER AND SECTOR GEAR
23	10-24878		2	SCREW, THROTTLE LEVER AND SECTOR GEAR TO BOTTOM COWL
24	12-30971		4	WASHER, THROTTLE LEVER AND SECTOR GEAR FASTENING SCREW
25	30920		1	ROD, LINK - SECTOR GEAR TO THROTTLE LEVER
26	27948		2	SWIVEL, LINK ROD
27	12-29245		2	WASHER, LINK ROD SWIVEL
28	11-20361		2	NUT, SWIVEL TO THROTTLE LEVER AND SECTOR GEAR

USE ON ALL MERC 60 ENGINES UP TO AND INCLUDING SERIAL #1486473. DO NOT USE ON MERC 110 ENGINES.

# REMOTE CONTROL ATTACHMENT PARTS KIT B



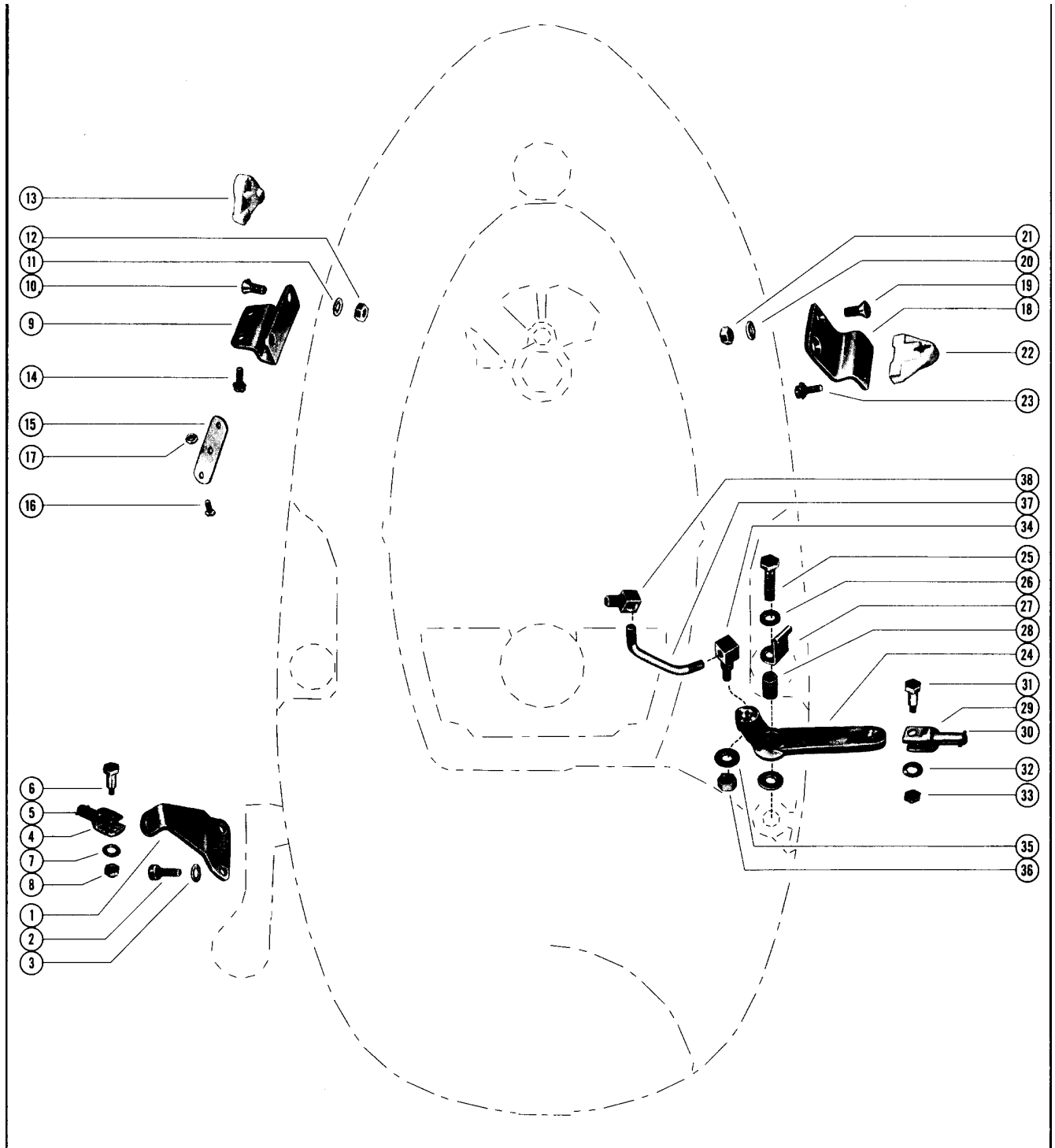


# REMOTE CONTROL ATTACHMENT PARTS KIT B

REF. NO.	PART NO.	SYM.	QTY.	DESCRIPTION
-	<b>30917A3</b>	◇	1	<b>REMOTE CONTROL ATTACHMENT PARTS KIT</b>
1	30917		1	BRACKET, SHIFT LEVER - REMOTE CONTROL CABLE
2	10-20540		2	SCREW, SHIFT LEVER BRACKET TO SHIFT CONTROL HANDLE
3	13-26992		2	LOCKWASHER, SHIFT LEVER BRACKET SCREW
4	17-30978A1		1	CLEVIS YOKE PIN ASSEMBLY
5	17-23928		1	ROLL PIN, CLEVIS YOKE PIN
6	10-20584		1	SCREW, CLEVIS YOKE PIN TO SHIFT LEVER BRACKET
7	13-29402		1	WASHER, WAVE - CLEVIS YOKE PIN SCREW
8	11-29488		1	NUT, CLEVIS YOKE PIN FASTENING SCREW
9	30922		1	BRACKET, SHIFT CABLE - BOTTOM COWL
10	10-31163		2	SCREW, SHIFT CABLE BRACKET TO BOTTOM COWL
11	13-26992		2	LOCKWASHER, SHIFT CABLE BRACKET SCREW
12	11-S20088		2	NUT, SHIFT CABLE BRACKET FASTENING SCREW
13	20557		1	BRACKET, CABLE END ANCHOR
14	10-20100		2	SCREW, ANCHOR BRACKET TO SHIFT CABLE BRACKET
15	13-20554		2	LOCKWASHER, ANCHOR BRACKET FASTENING SCREW
16	43-31805		1	GEAR, IDLER
17	43-31804		1	GEAR, LEVER SECTOR
18	10-24878		2	SCREW, IDLER GEAR AND SECTOR GEAR TO BOTTOM COWL
19	23-30972		2	BUSHING, IDLER GEAR AND SECTOR GEAR SCREW
20	12-30971		4	WASHER, IDLER GEAR AND SECTOR GEAR SCREW
21	17-30978A1		1	CLEVIS YOKE PIN ASSEMBLY
22	17-23928		1	ROLL PIN, CLEVIS YOKE PIN
23	10-20584		1	SCREW, CLEVIS YOKE PIN TO LEVER SECTOR GEAR
24	13-29402		1	WASHER, WAVE - CLEVIS YOKE PIN SCREW
25	11-29488		1	NUT, CLEVIS YOKE PIN FASTENING SCREW
26	31806		1	BRACKET, THROTTLE CABLE - BOTTOM COWL
27	10-31163		2	SCREW, THROTTLE CABLE BRACKET TO BOTTOM COWL
28	13-26992		2	LOCKWASHER, THROTTLE CABLE BRACKET SCREW
29	11-20088		2	NUT, THROTTLE CABLE BRACKET FASTENING SCREW
30	20557		1	BRACKET, CABLE END ANCHOR
31	10-20100		2	SCREW, ANCHOR BRACKET TO THROTTLE CABLE BRACKET
32	13-20554		2	LOCKWASHER, ANCHOR BRACKET FASTENING SCREW

◇ = THIS KIT IS USED WITH: MERC 60 - SER. #1486474 THRU SERIAL #1882270.MERC 110-SER.#1470349 - 190935

# REMOTE CONTROL ATTACHMENT PARTS KIT C

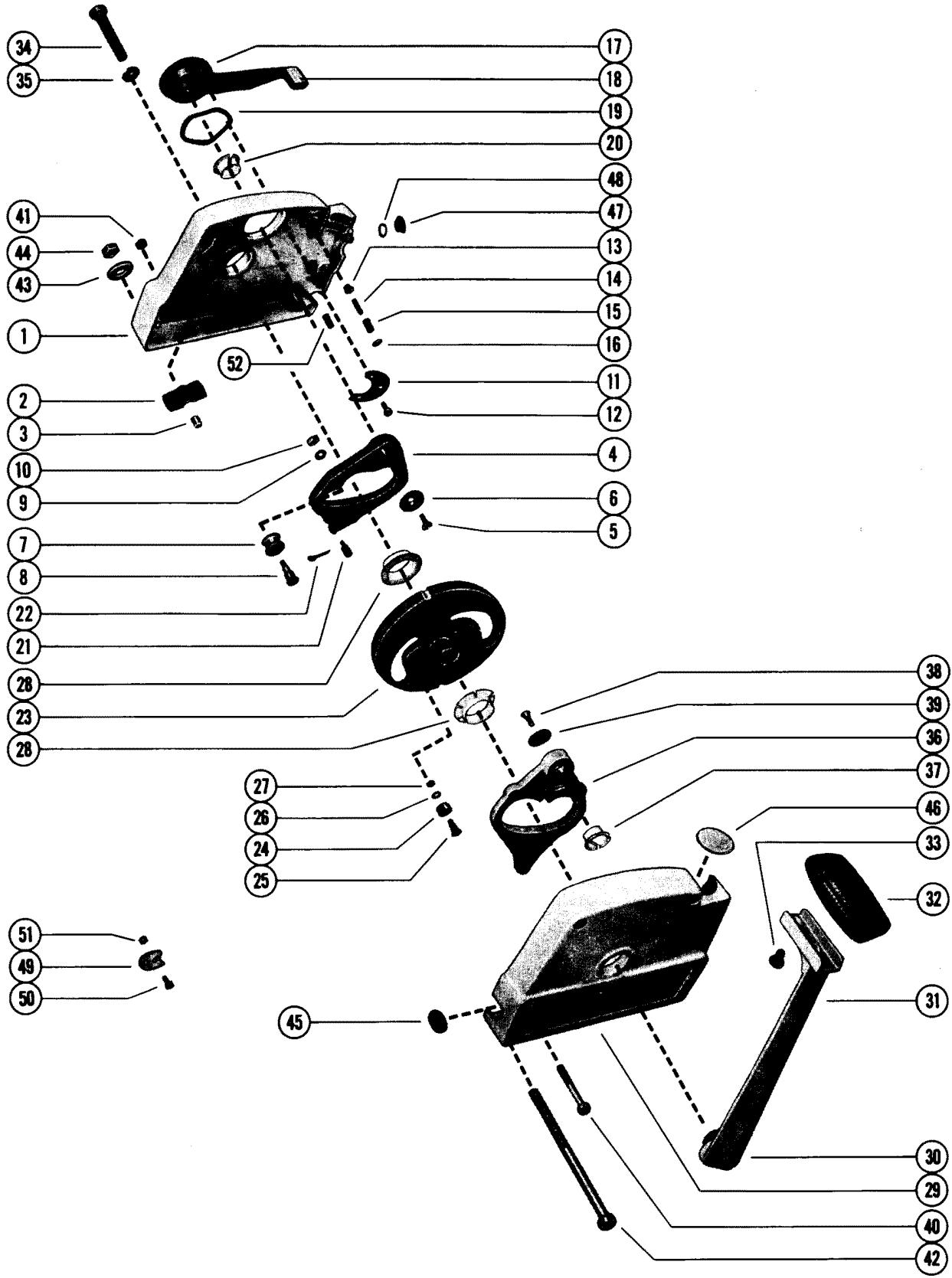


# REMOTE CONTROL ATTACHMENT PARTS KIT C

REF. NO.	PART NO.	SYM.	QTY.	DESCRIPTION
-	<b>30917A5</b>	<b>+</b>	<b>1</b>	<b>REMOTE CONTROL ATTACHMENT KIT</b>
1	30917		1	BRACKET, SHIFT LEVER - REMOTE CONTROL CABLE
2	10-20540		2	SCREW, SHIFT LEVER BRACKET TO SHIFT CONTROL HANDLE
3	13-26992		2	LOCKWASHER, SHIFT LEVER BRACKET SCREW
4	17-30978A1		1	CLEVIS YOKE PIN ASSEMBLY
5	17-23928		1	ROLL PIN, CLEVIS YOKE PIN
6	10-20584		1	SCREW, CLEVIS YOKE PIN TO SHIFT LEVER BRACKET
7	13-29402		1	WASHER, WAVE - CLEVIS YOKE PIN SCREW
8	11-29488		1	NUT, CLEVIS YOKE PIN FASTENING SCREW
9	33514		1	BRACKET, SHIFT CABLE - BOTTOM COWL
10	10-31163		2	SCREW, SHIFT CABLE BRACKET TO BOTTOM COWL
11	13-26992		2	LOCKWASHER, SHIFT CABLE BRACKET SCREW
12	11-20088		2	NUT, SHIFT CABLE BRACKET FASTENING SCREW
13	20557		1	BRACKET, CABLE END ANCHOR
14	10-29200		2	SCREW, ANCHOR BRACKET TO SHIFT CABLE BRACKET
15	35766		1	EXTENSION, SHIFT CABLE BRACKET
16	10-20100		1	SCREW, EXTENSION TO BRACKET
17	11-29488		1	NUT, EXTENSION FASTENING NUT
18	33611		1	BRACKET, THROTTLE CABLE - BOTTOM COWL
19	10-31163		2	SCREW, THROTTLE CABLE BRACKET TO BOTTOM COWL
20	13-26992		2	LOCKWASHER, THROTTLE CABLE BRACKET SCREW
21	11-20088		2	NUT, THROTTLE CABLE BRACKET FASTENING SCREW
22	20557		1	BRACKET, CABLE END ANCHOR
23	10-29200		2	SCREW, ANCHOR BRACKET TO THROTTLE CABLE BRACKET
24	33612		1	LEVER, REMOTE THROTTLE CONTROL
25	10-24878		1	SCREW, THROTTLE CONTROL LEVER TO BOTTOM COWL
26	12-30971		2	WASHER, THROTTLE CONTROL LEVER SCREW
27	54-33747		1	CLIP, RETAINER - SOUND SEAL
28	23-30972		1	BUSHING, THROTTLE CONTROL LEVER SCREW
29	17-30978A1		1	CLEVIS YOKE PIN ASSEMBLY
30	17-23928		1	ROLL PIN, CLEVIS YOKE PIN
31	10-20584		1	SCREW, CLEVIS YOKE PIN TO THROTTLE CONTROL LEVER
32	13-29402		1	WASHER, WAVE - CLEVIS YOKE PIN SCREW
33	11-29488		1	NUT, CLEVIS YOKE PIN FASTENING SCREW
34	27948		1	SWIVEL, THROTTLE CONTROL LEVER
35	12-29245		1	WASHER, THROTTLE CONTROL LEVER SWIVEL
36	11-20361		1	NUT, SWIVEL TO THROTTLE CONTROL LEVER
37	33610		1	LINK, THROTTLE CONTROL - SWIVEL TO SWIVEL
38	27947		1	SWIVEL, THROTTLE CONTROL LINK TO CONTROL LEVER

**+** = THIS KIT TO BE USED WITH: MERC 200 "FULL GEAR SHIFT" - SERIAL #1558310 THRU SERIAL #1907765.

# REMOTE CONTROL ASSEMBLY (STANDARD)



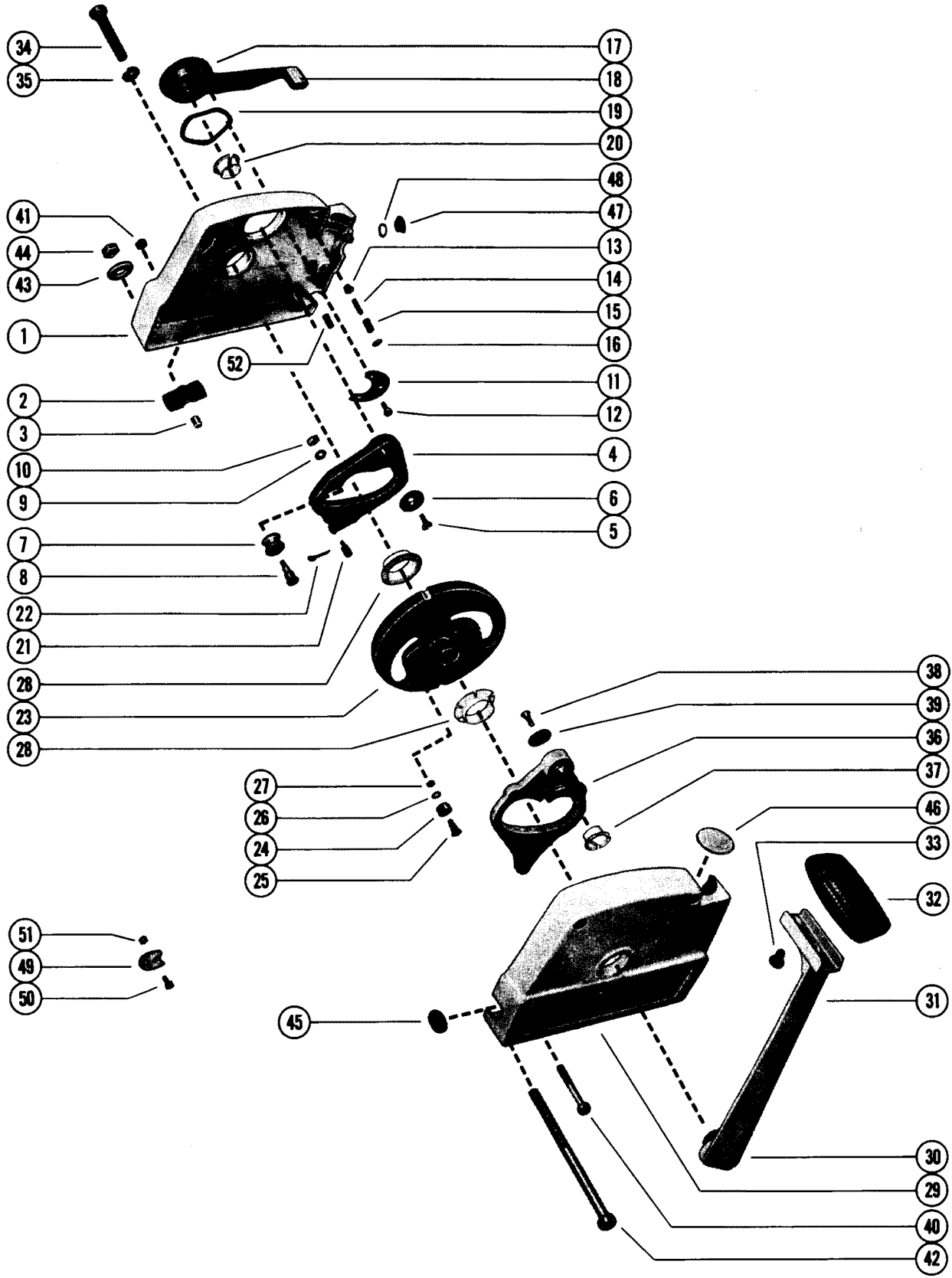
## REMOTE CONTROL ASSEMBLY (STANDARD)

REF. NO.	PART NO.	SYM.	QTY.	DESCRIPTION
-	34741A1	▲	1,,,,	REMOTE CONTROL ASSEMBLY, COMPLETE (STANDARD) .
-	45955A2	▲	,1,,,	REMOTE CONTROL ASSEMBLY, COMPLETE (STANDARD) .
-	45955A5	▲	,,1,,	REMOTE CONTROL ASSEMBLY, COMPLETE (STANDARD) .
-	45955A6	▲	,,,1,	REMOTE CONTROL ASSEMBLY, COMPLETE (STANDARD) .
-	72745A1	▲	,,,1	REMOTE CONTROL ASSEMBLY, COMPLETE (STANDARD) .
1	34669		1,,,,	HOUSING, REMOTE CONTROL (STARBOARD) .
	45880-2		,1,1,1,1	HOUSING, REMOTE CONTROL (STARBOARD) .
2	24-34683		2,2,2,2,2	SPRING, DETENT - CONTROL HOUSING
3	34992		1,1,1,1,1	ROLLER, DETENT SPRING
4	34671		1,1,1,1,1	LEVER, THROTTLE - CONTROL HOUSING
5	10-85072		1,1,1,1,1	SCREW, THROTTLE LEVER TO NEUTRAL WARM-UP LEVER
6	12-34675		1,1,1,1,1	WASHER, THROTTLE LEVER SCREW
7	34672		1,1,1,1,1	CAM ROLLER, THROTTLE LEVER
8	17-34673		1,1,1,1,1	PIN, CAM ROLLER TO THROTTLE LEVER
9	12-34680		1,1,1,1,1	WASHER, CAM ROLLER PIN
10	11-24656		1,1,1,1,1	NUT, CAM ROLLER TO THROTTLE LEVER PIN
11	34679		1,1,1,1,1	PLATE, THRUST - CONTROL HOUSING
12	10-47220		3,3,3,3,3	SCREW, THRUST PLATE TO NEUTRAL WARM-UP LEVER
13	17-20009		1,1,1,1,1	PIN, DETENT - CONTROL HOUSING NEUTRAL WARM-UP LEVER
14	24-35210		1,1,1,1,1	SPRING, DETENT PIN
15	24-35227		1,1,1,1,1	SPRING, DETENT PIN TENSION
16	19-20011		1,1,1,1,1	WELCH PLUG, DETENT PIN AND SPRING RETAINING
17	34670-2		1,1,1,1,1	LEVER, NEUTRAL WARM-UP CONTROL HOUSING
19	13-34678		1,1,1,1,1	WASHER, WAVE - NEUTRAL WARM-UP LEVER
20	23-33589		1,1,1,1,1	BUSHING, NYLON - NEUTRAL WARM-UP LEVER (5/8" I. D. )
21	17-34692		2,2,2,2,2	PIN, SHIFT AND THROTTLE LEVERS
22	18-29623		2,2,2,2,2	COTTER PIN, SHIFT AND THROTTLE LEVER PINS
23	59369		1,1,1,1,1	FACE CAM
	59787		,,,1	FACE CAM
24	59371		,,,1	CAM FOLLOWER
25	17-34673		,,,1	PIN, CAM FOLLOWER TO FACE CAM
26	23-59370		,,,1	SPACER, CAM FOLLOWER PIN
27	11-31953		,,,1	NUT, CAM FOLLOWER PIN
28	23-34677		2,2,2,2,2	BUSHING, NYLON - FACE CAM (1" I. D. )
29	34681		1,,,,	HOUSING, REMOTE CONTROL (PORT)
	45939-2		,1,1,1,1	HOUSING, REMOTE CONTROL (PORT)
30	37-34983		1,,,,	DECAL, CONTROL HOUSING (MERCONTROL)
	37-61412		,1,1,1,1	DECAL, CONTROL HOUSING (MERCONTROL)
-	<b>37-64043</b>		<b>,1,1,1,1</b>	<b>DECAL, CONTROL HOUSING</b>
31	34689-2		1,1,1,1,1	LEVER, CONTROL
32	55339		1,1,1,1,1	GRIP, CONTROL LEVER

▲ = FOR USE ON 2 AND 4-CYLINDER STANDARD ENGINES

CONTINUED ON NEXT PAGE ➡

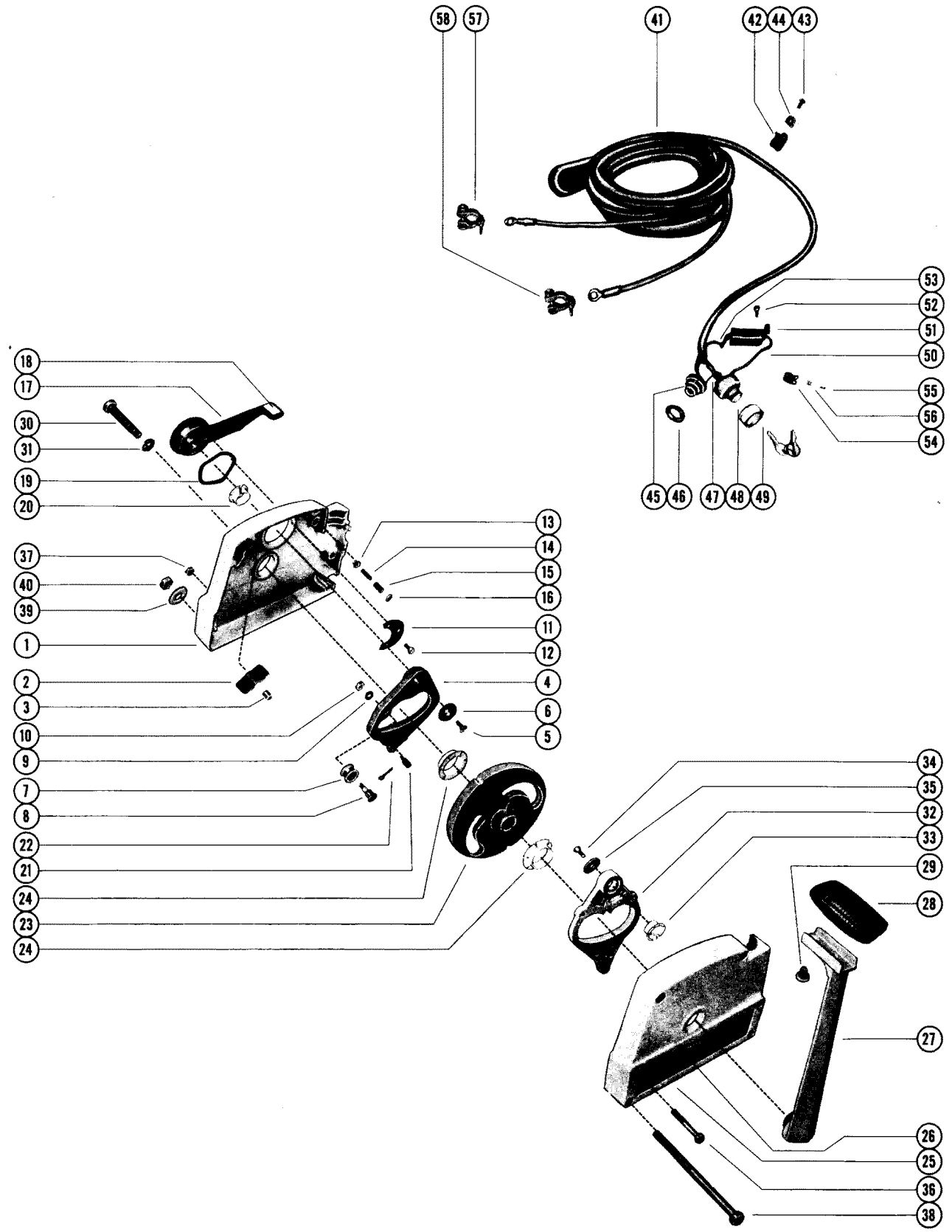
# REMOTE CONTROL ASSEMBLY (STANDARD)



## REMOTE CONTROL ASSEMBLY (STANDARD)

REF. NO.	PART NO.	SYM.	QTY.	DESCRIPTION
32	36005		,,,1	GRIP, CONTROL LEVER
33	10-37342		2,2,2,2,2	SCREW, GRIP TO CONTROL LEVER (7/16")
34	10-68909		1,1,1,1,1	SCREW, CONTROL LEVER TO FACE CAM (1 5/8")
35	13-26992		1,1,1,1,1	LOCKWASHER, CONTROL LEVER SCREW
36	34682		1,1,1,1,1	LEVER, SHIFT - CONTROL HOUSING
	59372		,,,1	LEVER, SHIFT - CONTROL HOUSING
37	23-33589		1,1,1,1,1	BUSHING, NYLON - SHIFT LEVER (5/8" I.D.)
38	10-85072		1,1,1,1,1	SCREW, SHIFT LEVER TO CONTROL HOUSING
39	12-34675		1,1,1,1,1	WASHER, SHIFT LEVER SCREW
40	10-37941		4,4,4,4,4	SCREW, REMOTE CONTROL HOUSING CLAMPING
41	11-34688		4,4,4,4,4	NUT, REMOTE CONTROL HOUSING CLAMPING SCREW
42	10-34900		2,2,2,2,2	SCREW, REMOTE CONTROL TO BOAT (4 1/4")
43	12-20346		2,2,2,2,2	WASHER, REMOTE CONTROL SCREW
44	11-24652		2,2,2,2,2	NUT, REMOTE CONTROL TO BOAT SCREW
45	19-45918		,1,,,	PLUG,CONNECTOR - PORT REMOTE CONTROL HOUSING
	19-55348		,,1,1,1	PLUG,CONNECTOR - PORT REMOTE CONTROL HOUSING
46	19-30064		1,1,,,	PLUG,CHOKE SWITCH HOLE
	19-55350		,,1,1,1	PLUG,CHOKE SWITCH HOLE
47	19-31682		1,,,,	PLUG,STARTER SWITCH HOLE HEARL MODELS <b>EARLY MODELS</b>
48	25-20034		1,,,,	"O" RING, STARTER SWITCH HOLE PLUG <b>EARLY MODELS</b>
47	19-55349		1,1,1,1,1	PLUG, STARTER SWITCH HOLE
49	72677		,,,1	THROTTLE STOP, FACE CAM - PORT
	72678		,,,2	THROTTLE STOP, FACE CAM - STARBOARD
50	10-24942		,,,2	SCREW, THROTTLE STOP (7/16")
51	11-24656		,,,2	NUT, THROTTLE STOP SCREW
52	24-33517		,,,1	SPRING, COMPRESSION - SHIFT AND THROTTLE CABLES

# REMOTE CONTROL ASY (34742A10)(34743A10)(34693A10)(39444A10)





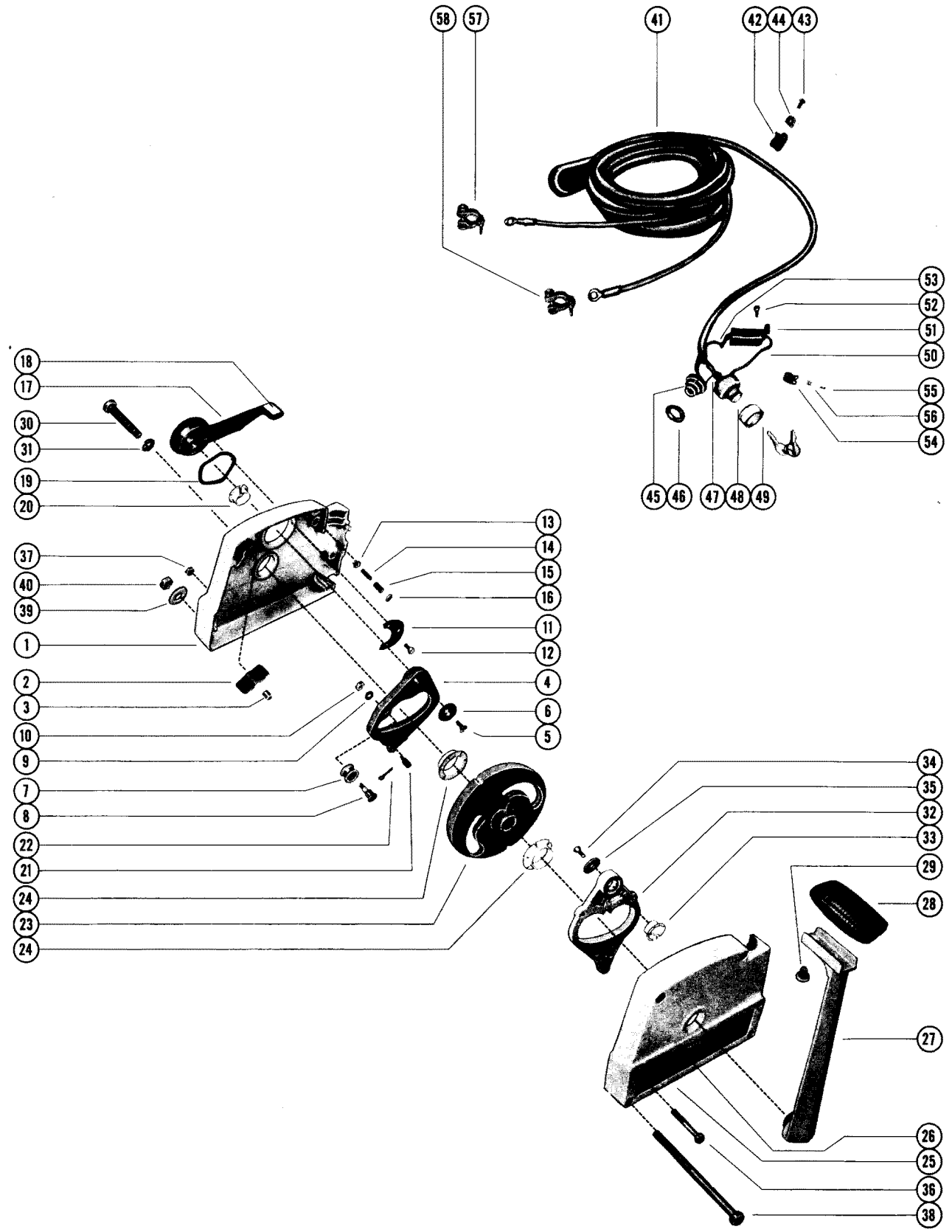
# REMOTE CONTROL ASY (34742A10)(34743A10)(34693A10)(39444A10)

REF. NO.	PART NO.	SYM.	QTY.	DESCRIPTION
-	34743A10	←	1,,	ELECTRIC REMOTE CONTROL ASSEMBLY, COMPLETE (USE WITH 2 CYLINDER ELECTRIC ENGINES)
-	34742A10	←	,1,,	ELECTRIC REMOTE CONTROL ASSEMBLY, COMPLETE (USE WITH 4 CYLINDER ELECTRIC ENGINES)
-	34693A10	←	,,1,	ELECTRIC REMOTE CONTROL ASSEMBLY, COMPLETE (USE WITH 6 CYLINDER ELECTRIC ENGINES)
-	39444A10	←	,,,1	ELECTRIC REMOTE CONTROL ASSEMBLY, COMPLETE (USE WITH 4 AND 6 CYLINDER 1966 ELECT)
1	34669		1,1,1,1	HOUSING, REMOTE CONTROL (STARBOARD)
2	24-34683		2,2,2,2	SPRING, DETENT- CONTROL HOUSING
3	34992		1,1,1,1	ROLLER, DETENT SPRING
4	34671		1,1,1,1	LEVER, THROTTLE - CONTROL HOUSING
5	10-34676		1,1,1,1	SCREW, THROTTLE LEVER TO NEUTRAL WARM-UP LEVER
6	12-34675		1,1,1,1	WASHER, THROTTLE LEVER SCREW
7	34672		1,1,1,1	CAM ROLLER, THROTTLE LEVER
8	17-34673		1,1,1,1	PIN, CAM ROLLER TO THROTTLE LEVER
9	12-34680		1,1,1,1	WASHER, CAM ROLLER PIN
10	11-31953		1,1,1,1	NUT, CAM ROLLER TO THROTTLE LEVER PIN
11	34679		1,1,1,1	PLATE, THRUST- CONTROL HOUSING
12	10-29762		3,3,3,3	SCREW, THRUST PLATE TO NEUTRAL WARM-UP LEVER
13	17-20009		1,1,1,1	PIN, DETENT - CONTROL HOUSING NEUTRAL WARM-UP LEVER
14	24-35210		1,1,1,1	SPRING, DETENT PIN
15	24-35227		1,1,1,1	SPRING, DETENT PIN TENSION
16	19-20011		1,1,1,1	WELCH P1UG, DETENT PIN AND SPRING RETAINING
17	34670		1,1,1,1	LEVER, NEUTRAL WARM-UP - CONTROL HOUSING
18	37-31021		1,1,1,1	TAPE, NEUTRAL WARM-UP LEVER
19	13-34678		1,1,1,1	WASHER, WAVE - NEUTRAL WARM-UP LEVER
20	23-33589		1,1,1,1	BUSHING, NYLON - NEUTRAL WARM-UP LEVER (5/8" I. D. )
21	17-34692		2,2,2,2	PIN, SHIFT AND THROTTLE LEVERS
22	18-29623		2,2,2,2	COTTER PIN, SHIFT AND THROTTLE LEVER PINS
23	34687		1,1,1,1	FACE CAM
24	23-34677		2,2,2,2	BUSHING, NYLON - FACE CAM (1" I.D.)
25	34681		1,1,1,1	HOUSING, REMOTE CONTROL (PORT)
26	37-34983		1,1,1,1	DECAL, CONTROL HOUSING (MERCNTROL)
27	34689		1,1,1,1	LEVER, CONTROL
28	36005		1,1,1,1	GRIP, CONTROL LEVER (BLACK)
29	10-37342		2,2,2,2	SCREW, GRIP TO CONTROL LEVER (7/16")
30	10-34691		1,1,1,1	SCREW, CONTROL LEVER TO FACE CAM (1 1/2")
31	13-26992		1,1,1,1	LOCKWASHER, CONTROL LEVER SCREW
32	34682		1,1,1,1	LEVER, SHIFT- CONTROL HOUSING
33	23-33589		1,1,1,1	BUSHING, NYLON - SHIFT LEVER (5/8" I. D. )
34	10-34676		1,1,1,1	SCREW, SHIFT LEVER TO CONTROL HOUSING

← = NEW STYLE MERCNTROL ASSEMBLY IS AVAILABLE IN LENGTHS OF 10 , 15 , 20 AND 40 .

CONTINUED ON NEXT PAGE ➡

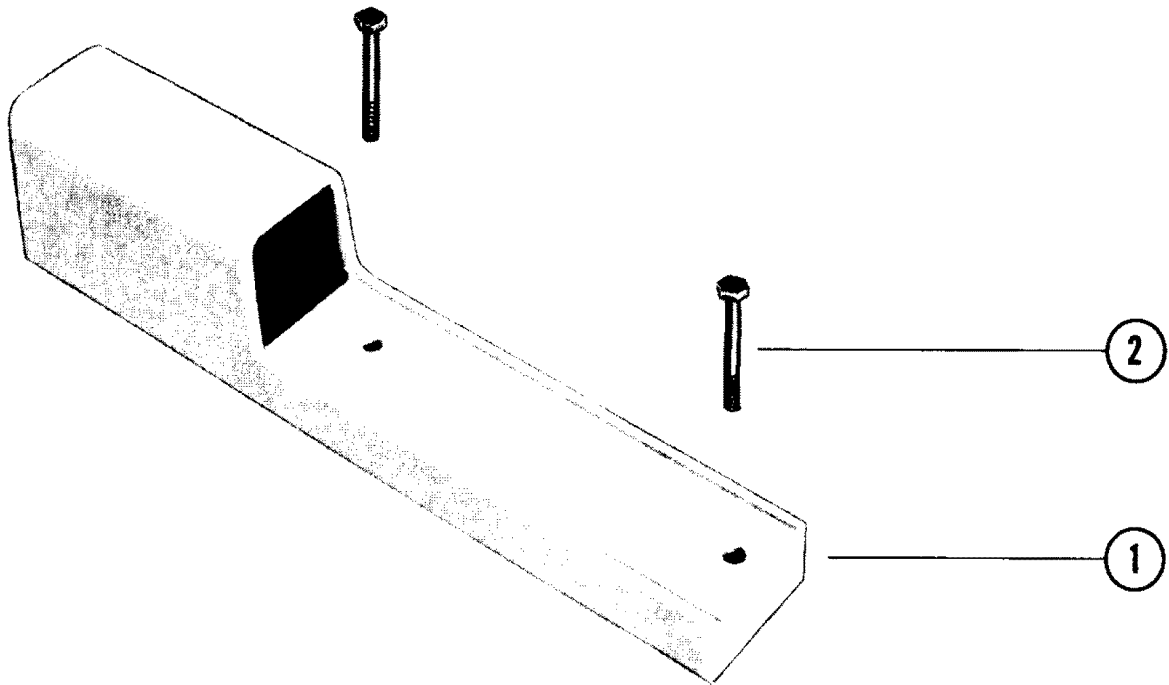
# REMOTE CONTROL ASY (34742A10)(34743A10)(34693A10)(39444A10)



# REMOTE CONTROL ASY (34742A10)(34743A10)(34693A10)(39444A10)

REF. NO.	PART NO.	SYM.	QTY.	DESCRIPTION
35	12-34675		1,1,1,1	WASHER, SHIFT LEVER SCREW
36	10-37941		4,4,4,4	SCREW, REMOTE CONTROL HOUSING CLAMPING
37	11-34688		4,4,4,4	NUT, REMOTE CONTROL HOUSING CLAMPING SCREW
38	10-34900		2,2,2,2	SCREW, REMOTE CONTROL TO BOAT (4 1/4")
39	12-20346		2,2,2,2	WASHER, REMOTE CONTROL SCREW
40	11-24652		2,2,2,2	NUT, REMOTE CONTROL TO BOAT SCREW
41	34200		1,,,	WIRING HARNESS, EXTERNAL (AVAILABLE IN LENGTHS OF 10 , 15 , 20 AND 40 )
	29645		,1,,	WIRING HARNESS, EXTERNAL (AVAILABLE IN LENGTHS OF 10 , 15 , 20 AND 40 )
	30471		,,1,	WIRING HARNESS, EXTERNAL (AVAILABLE IN LENGTHS OF 10 , 15 , 20 AND 40 )
	39125		,,,1	WIRING HARNESS, EXTERNAL (AVAILABLE IN LENGTHS OF 10 , 15 , 20 AND 40 )
42	54-22690		1,1,1,1	CLAMP, EXTERNAL WIRING HARNESS TO BOAT
43	10-22793		1,1,1,1	SCREW, WOOD - WIRING HARNESS CTIP TO BOAT
44	22789		1,1,1,1	"D" WASHER, WIRING HARNESS CLIP SCREW
45	29759		1,1,1,1	SWITCH, CHOKE
46	30053		1,1,1,1	COLLAR, CHOKE SWITCH TO CONTROL HOUSING
47	29648		1,1,1,	JUMPER WIRE, CHOKE SWITCH TO IGNITION SWITCH
	39180		,,,1	JUMPER WIRE, CHOKE SWITCH TO IGNITION SWITCH
48H	34198		1,,,	SWITCH, IGNITION (WITH KEYS) KEY PART #C-30431
	30162		1,,1,	SWITH IGNITION (WITH KEYS) KEY PART #C 30431
	30163		,,1,	SWITCH, IGNITION (WITH KEYS) KEY PART #C-30431
49	22628		1,1,1,1	BEZEL, IGNITION SWITCH TO CONTROL HOUSING
50	30795		,1,1,1	JUMPER WIRE, SAFETY SWITCH TO IGNITION SWITCH
51	34621		,1,1,1	SWITCH, SAFETY
52	10-30902		,,2,2	SCREW, SAFETY SWITCH TO CONTROL HOUSING
53	23-29902		,2,2,2	SLEEVE, SAFETY SWITCH LEADS
54	54-26685		1,1,1,1	CLIP, INNER - WIRING HARNESS TO CONTROL HOUSING
55	10-26682		1,1,1,	SCREW, WIRING HARNESS CLIP TO CONTROL HOUSING (10-32)
	10-37260		,,,1	SCREW, WIRING HARNESS CLIP TO CONTROL HOUSING (10-16)
56	22789		1,1,1,1	"D" WASHER, WIRING HARNESS CLIP SCREW
57	27913		1,1,1,1	BATTERY TERMINAL, NEGATIVE (WITH BOLT AND NUT)
58	27912		1,1,1,1	BATTERY TERMINAL, POSITIVE (WITH BOLT AND NUT)

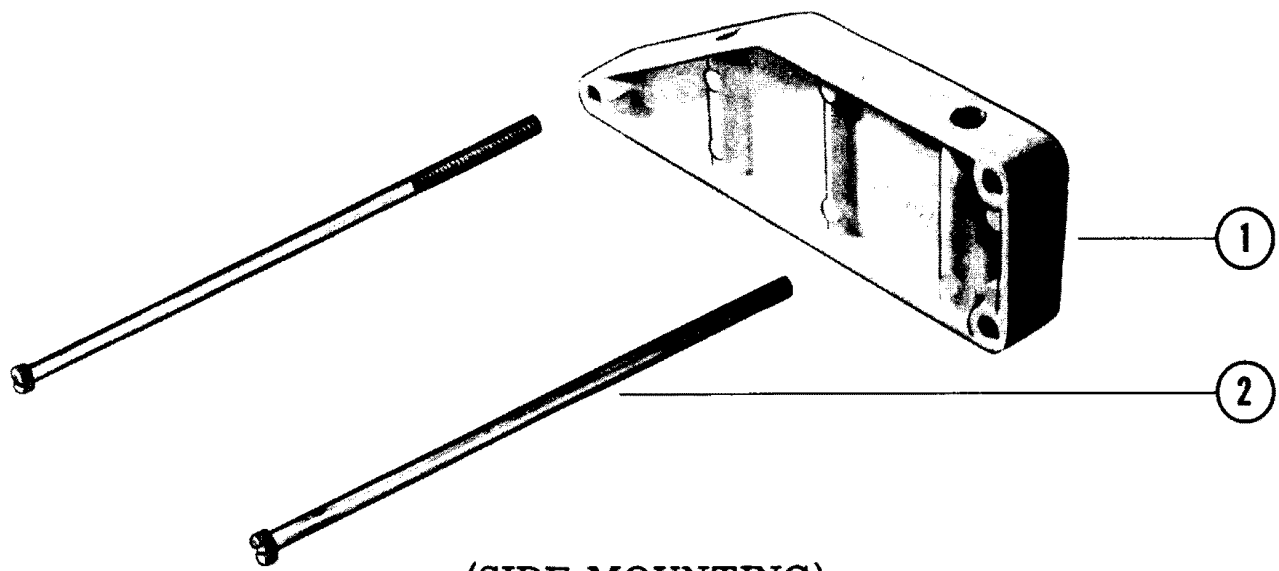
# REMOTE CONTROL INSTALLATION KIT



## REMOTE CONTROL INSTALLATION KIT

REF. NO.	PART NO.	SYM.	QTY.	DESCRIPTION
1	35158A1		1,	REMOTE CONTROL INSTALLATION KIT (WHITE)
	35158A2		,1	REMOTE CONTROL INSTALLATION KIT (BLACK)
2	10-28424		2,2	SCREW, SPACER TO BOAT (2 1/8" )

# REMOTE CONTROL DUAL INSTALLATION KIT

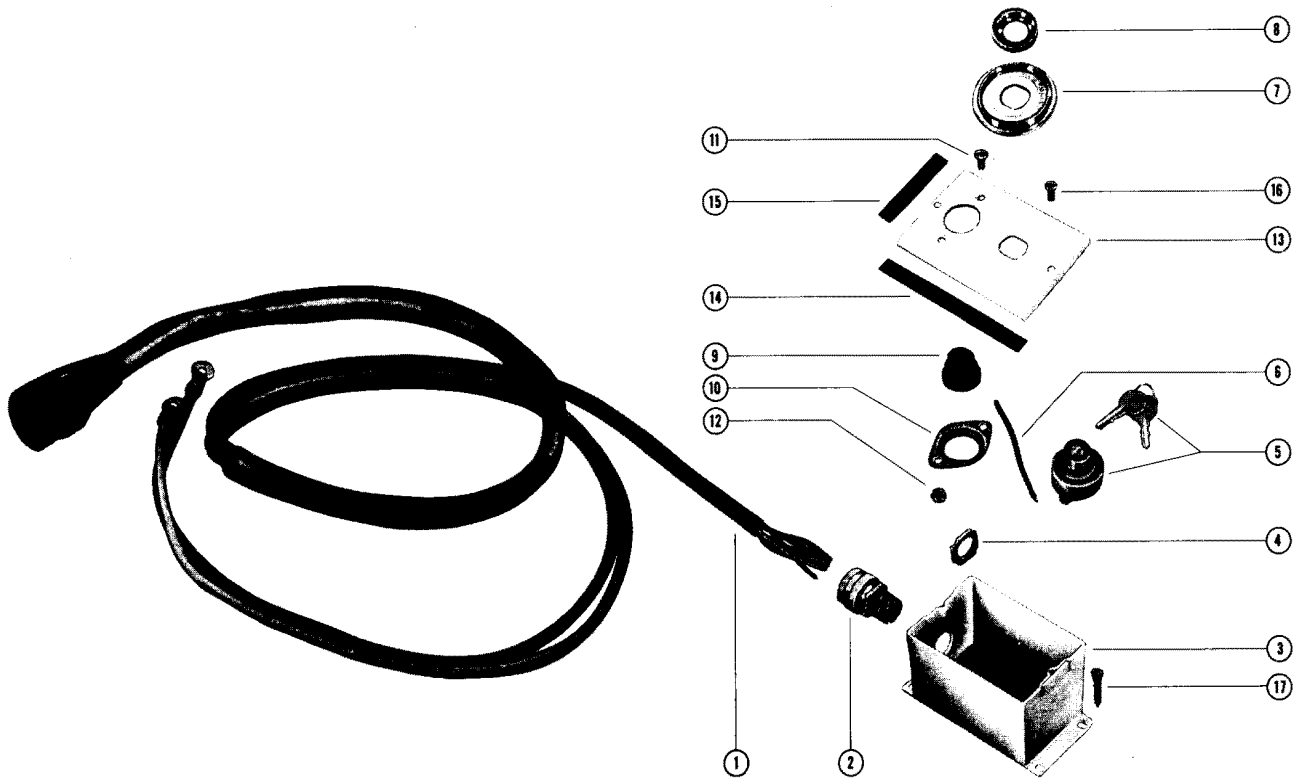


(SIDE MOUNTING)

# REMOTE CONTROL DUAL INSTALLATION KIT

REF. NO.	PART NO.	SYM.	QTY.	DESCRIPTION
1	34766A1		1,	REMOTE CONTROL DUAL LNSTALLATION KIT (WHITE)
	34766A2		,1	REMOTE CONTROL DUAL LNSTALLATION KIT (BLACK)
2	10-34768		2,2	SCREW, REMOTE CONTROL TO SPACER (7 1/2")

# REMOTE CONTROL ASY (35615A1)(47974A1/ A2/ A3)





## REMOTE CONTROL ASY (35615A1)(47974A1/ A2/ A3)

REF. NO.	PART NO.	SYM.	QTY.	DESCRIPTION
-	35615A1		1,,,	ELECTRIC REMOTE CONTROL ASSEMBLY SEE NOTE
-	47974A1		,1,,	ELECTRIC REMOTE CONTROL ASSEMBLY SEE NOTE
-	47974A2		,,1,	ELECTRIC REMOTE CONTROL ASSEMBLY SEE NOTE
-	47974A3		,,,1	ELECTRIC REMOTE CONTROL ASSEMBLY SEE NOTE
1	34200-5		1,1,,	HARNESS, WIRING (5' )
	57416-5		,,1,	HARNESS, WIRING (5' )
	45876-5		,,,1	HARNESS, WIRING (5' )
2	22-35616		1,,,	CONNECTOR, HARNESS TO CONTROL HOUSING
3	35615		1,,,	HOUSING, REMOTE CONTROL
	47974		,-1,,	HOUSING, REMOTE CONTROLS(NOT AS SHOWN)
	47974		,,1,1	HOUSING, REMOTE CONTROLS(NOT AS SHOWN)
4	11-35617		1,,,	NUT, LOCK - CONNECTOR TO HOUSING
5	34198		1,1,,	SWITCH, IGNITION (WITH KEYS - PART #C-30431)
	57485		,,1,	SWITCH, IGNITION (WITH KEYS - PART #C-30431)
	54211		,,,1	SWITCH, IGNITION (WITH KEYS - PART #C-30431)
6	26672		1,1,,	WIRE, JUMPER - SWITCH TO SWITCH
	32469		,,1,	WIRE, JUMPER - SWITCH TO SWITCH
	39180		,,,1	WIRE, JUMPER - SWITCH TO SWITCH
7	38-46971		1,,,	PLATE, IGNITION SWITCH
	38-47972		,1,1,1	PLATE, IGNITION SWITCH
8	32861		1,1,1,1	BEZEL, PLATE AND SWITCH TO COVER
9	29759		1,1,1,1	SWITCH, PUSH BOTTON
10	31899		1,,,	PLATE, RETAINER - PUSH BUTTON SWITCH
11	10-31903		2,,,	SCREW, RETAINER PLATE TO COVER
10	47973		,1,1,1	PLATE, RETAINER - PUSH BUTTON SWITCH
11	10-49597		,4,4,4	SCREW, RETAINER PLATE TO COVER
12	11-27164		2,,,	NUT, RETAINER PLATE FASTENING SCREW
13	35618		1,,,	COVER, REMOTE CONTROL HOUSING
14	27-35750		2,,,	GASKET, COVER TO CONTROL HOUSING (3 11/16")
15	27-35751		2,,,	GASKET, COVER TO CONTROL HOUSING (2 7/8")
16	10-22794		2,,,	SCREW, COVER TO CONTROL HOUSING
13	47971A1		,1,1,1	SWITCH COVER ASSEMBLY, CONTROL HOUSING (NOT AS SHOWN)
14	27-47975		,1,1,1	GASKET, SWITCH COVER(NOT AS SHOWN)
16	10-30663		,4,4,4	SCREW, SWITCH COVER INSULATOR (3/8")
17	10-47994		,4,4,4	SCREW, REMOTE CONTROL HOUSING

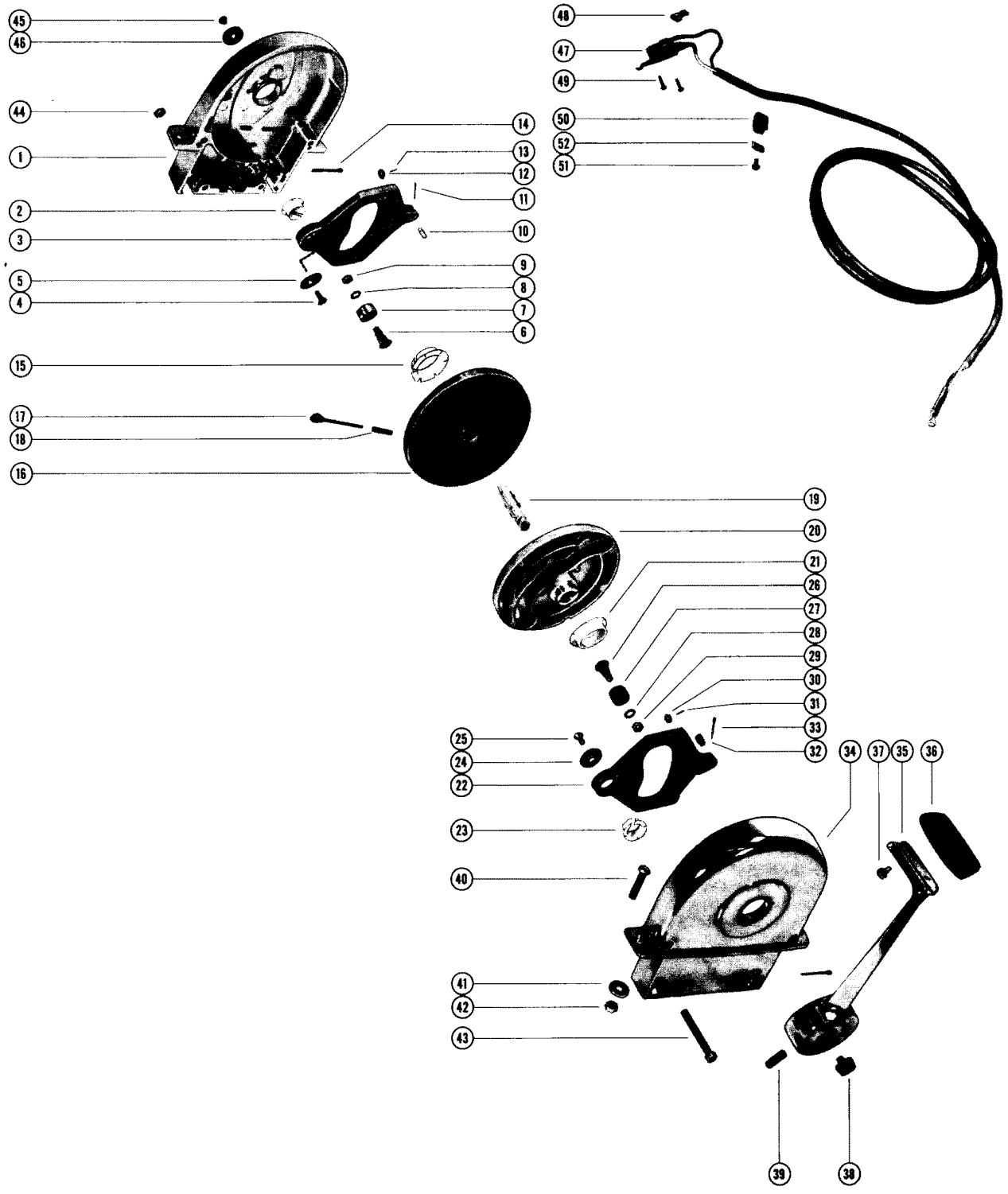
NOTE: [A-35615A1] CONTROL ASSEMBLY MAY BE INSTALLED ONLY ON THOSE MERC 350S AND 350SL ENGINES WHERE A STEERING HANDLE IS USED

[A-47974A1] CONTROL ASSEMBLY MAY BE INSTALLED ONLY ON MERC 200 ENGINES WHERE AN ELECTRIC STARTER KIT IS USED (SERIAL #2827676 AND BELOW)

[A-47974A2] CONTROL ASSEMBLY MAY BE INSTALLED ONLY ON MERC 200 ENGINES WHERE AN ELECTRIC STARTER KIT IS USED (SERIAL #2827677 - 3537530)

[A-47974A3] CONTROL ASSEMBLY MAY BE INSTALLED ONLY ON MERC 200 (SERIAL #3537531 AND UP), MERC 400 (2 CYLINDER) AND MERC 402 ENGINES WHERE AN ELECTRIC STARTER KIT IS USED.

# REMOTE CONTROL ASY (CONSOLE MOUNT)(74578A1)



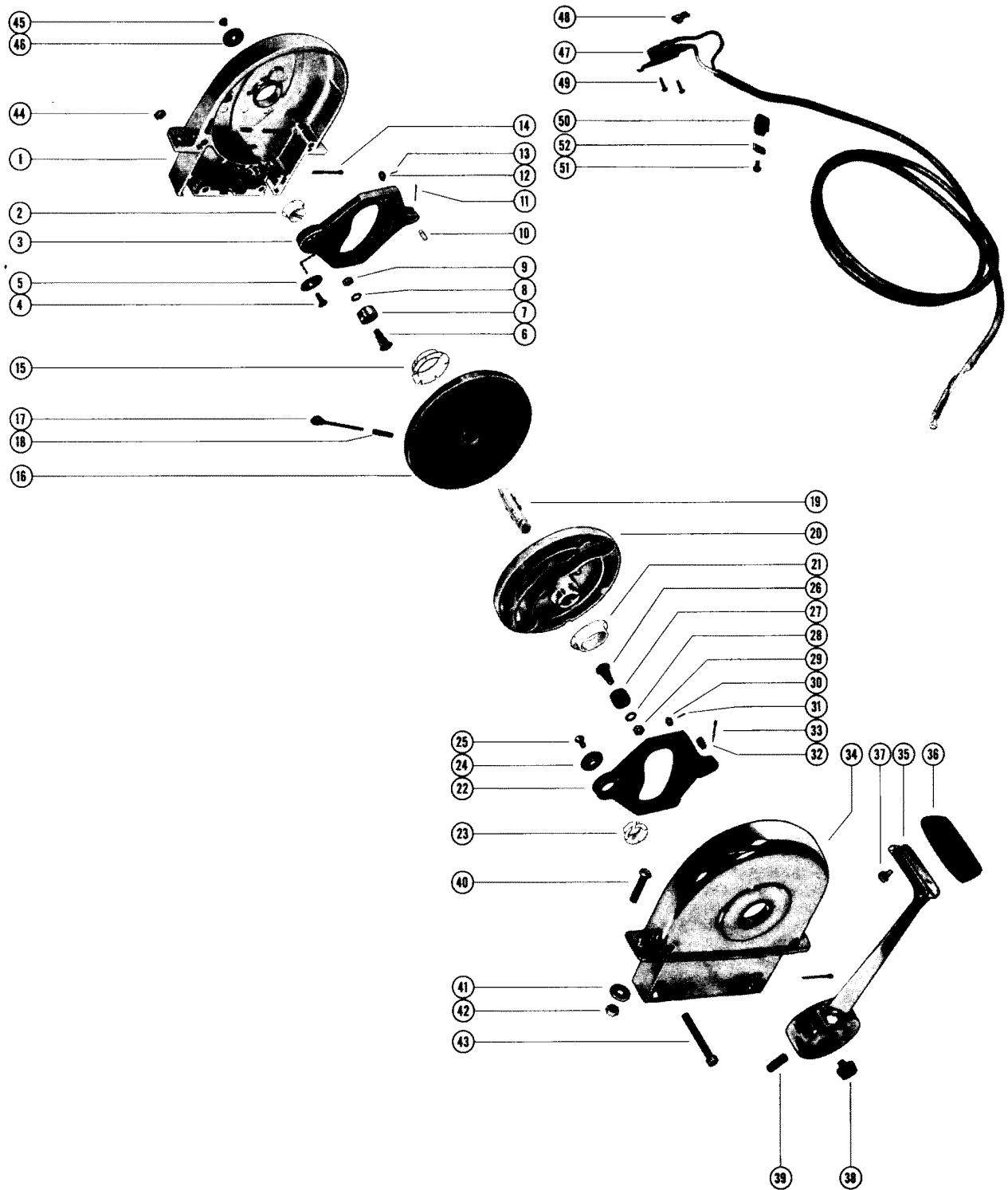
# REMOTE CONTROL ASY (CONSOLE MOUNT)(74578A1)

REF. NO.	PART NO.	SYM.	QTY.	DESCRIPTION
-	35651A1	❖	1	REMOTE CONTROL ASSEMBLY, COMPLETE (CONSOLE MOUNTED) .
1	35940		1	HOUSING, REMOTE CONTROL (STARBOARD)
2	23-33589		1	BUSHING, NYLON - SHIFT LEVER (5/8" I. D. )
3	35649		1	LEVER, SHIFT
4	10-34676		1	SCREW, SHIFT LEVER TO CONTROL HOUSING
5	12-34675		1	WASHER, RETAINING - SHIFT LEVER SCREW
6	17-35951		2	PIN, CAM ROLLER TO SHIFT LEVER
7	35943		2	CAM ROLLER, SHIFT LEVER
8	12-35950		2	WASHER, CAM ROLLER PIN
9	11-34688		2	NUT, CAM ROLLER PIN
10	17-35944		1	PIN, CONTROL CABLE TO SHIFT LEVER
11	18-29623		1	COTTER PIN, CONTROL TO SHIFT LEVER PIN
12	35942		2	ROLLER GUIDE, SHIFT LEVER
13	17-29908		2	PIN, ROLLER GUIDE TO SHIFT LEVER
14	18-36002		1	COTTER PIN, CONTROL CABLE TO CONTROL HOUSING
15	23-34677		1	BUSHING, NYLON - SHIFT CAM (1" I. D. )
16	35650		1	CAM, SHIFT
17	17-36241A1		1	PIN ASSEMBLY, BLOCKING - SHIFT CAM
18	24-36244		1	SPRING, COMPRESSION - BLOCKING PIN
19	35819A1		1	SHAFT, CONTROL ASSEMBLY
20	35648		1	CAM, THROTTLE
21	23-34677		1	BUSHING, NYLON - THROTTLE CAM
22	35649		1	LEVER, THROTTLE
23	23-33589		1	BUSHING, NYLON - THROTTLE LEVER (5/8" I. D. )
24	12-34675		1	WASHER, RETAINING - THROTTLE LEVER SCREW
25	10-34676		1	SCREW, THROTTLE LEVER TO CONTROL HOUSING
26	17-35951		1	PIN, CAM ROLLER TO THROTTLE LEVER
27	35943		1	CAM ROLLER, THROTTLE LEVER
28	12-35950		1	WASHER, CAM ROLLER PIN
29	11-34688		1	NUT, CAM ROLLER PIN
30	35942		2	ROLLER GUIDE, THROTTLE LEVER
31	17-29908		2	PIN, ROLLER GUIDE TO THROTTLE LEVER
32	17-35944		1	PIN, CONTROL CABLE TO THROTTLE LEVER
33	18-29623		1	COTTER PIN, CONTROL CABLE TO THROTTLE LEVER PIN
34	35941		1	HOUSING, REMOTE CONTROL (PORT)
35	36047		1	HANDLE, CONTROL
36	34771		1	GRIP, CONTROL HANDLE
37	10-37342		2	SCREW, GRIP TO CONTROL HANDLE
38	35956		1	BUTTON, CONTROL HANDLE
39	10-35955		1	SCREW, SET CONTROL HANDLE TO CONTROL SHAFT
40	10-35963		4	SCREW, REMOTE CONTROL TO BOAT (1 1/2")
41	12-20346		4	WASHER, REMOTE CONTROL SCREW

❖ = [35651A 1] REMOTE CONTROL ASSY IS NLA. FOR REPLACEMENT- ORDER [37580A1],COMPONE. PARTS STILL

CONTINUED ON NEXT PAGE ➡

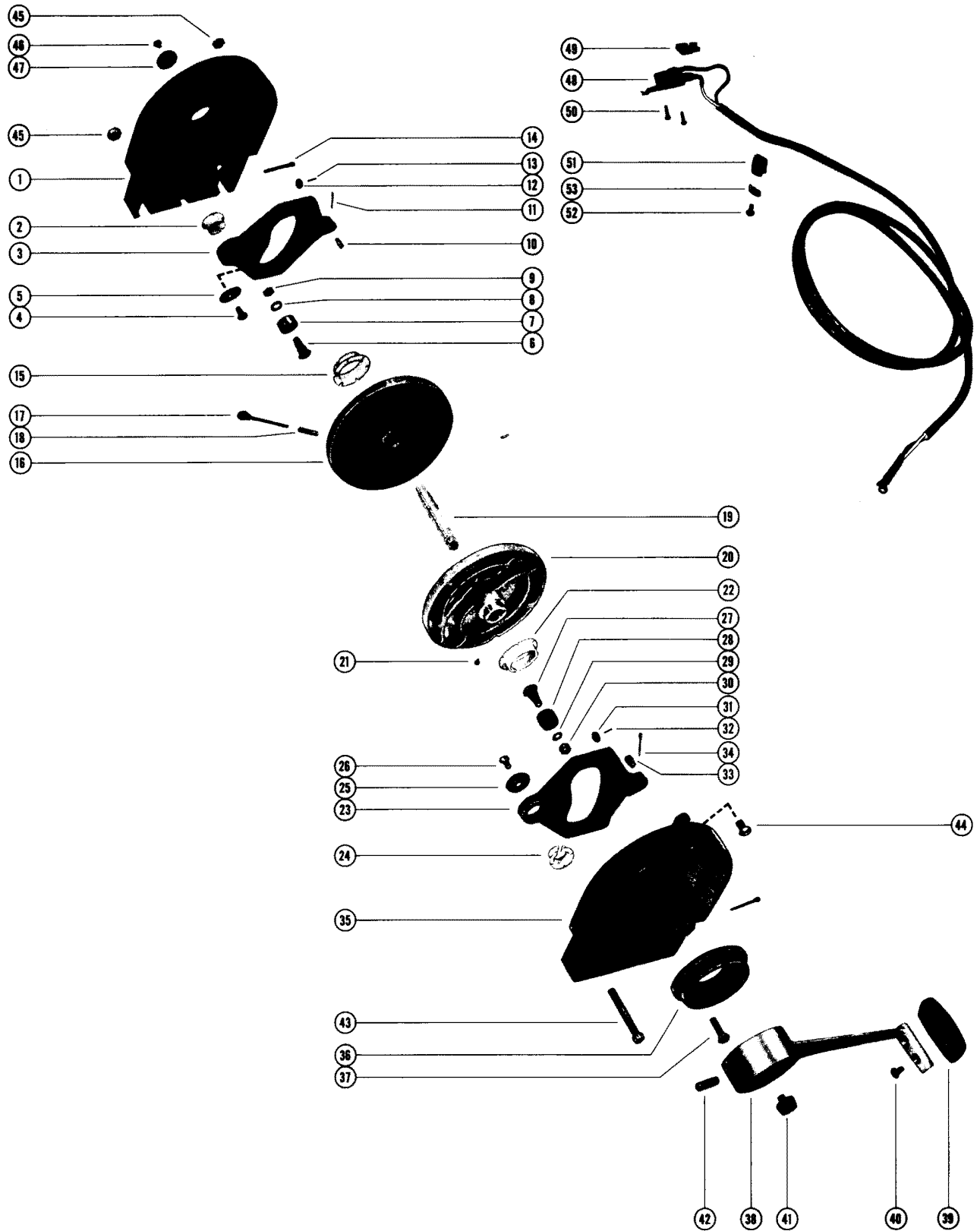
# REMOTE CONTROL ASY (CONSOLE MOUNT)(74578A1)



## REMOTE CONTROL ASY (CONSOLE MOUNT)(74578A1)

REF. NO.	PART NO.	SYM.	QTY.	DESCRIPTION
42	11-36069		4	NUT, REMOTE CONTROL TO BOAT SCREW
43	10-28774		4	SCREW, REMOTE CONTROL HOUSING CLAMPING (2")
44	11-34688		4	NUT, REMOTE CONTROL HOUSING CLAMPING SCREW
45	10-36046		1	SCREW, RETAINING - CONTROL SHAFT
46	12-35958		1	WASHER, CONTROL SHAFT RETAINING SCREW
47	36004A1		1	SWITCH AND HARNESS ASSEMBLY, SAFETY
48	36286		2	TAB RECEPTACLE, SWITCH HARNESS
49	10-36003		2	SCREW, SAFETY SWITCH TO CONTROL HOUSING
50	54-26550		1	CLIP, SAFETY SWITCH HARNESS TO CONTROL HOUSING
51	10-37260		1	SCREW, SAFETY SWITCH HARNESS CLIP TO CONTROL HOUSING
52	22789		1	"D" WASHER, SAFETY SWITCH HARNESS CLIP SCREW

# REMOTE CONTROL ASY (PANEL MOUNT)(37782A1 / A2)



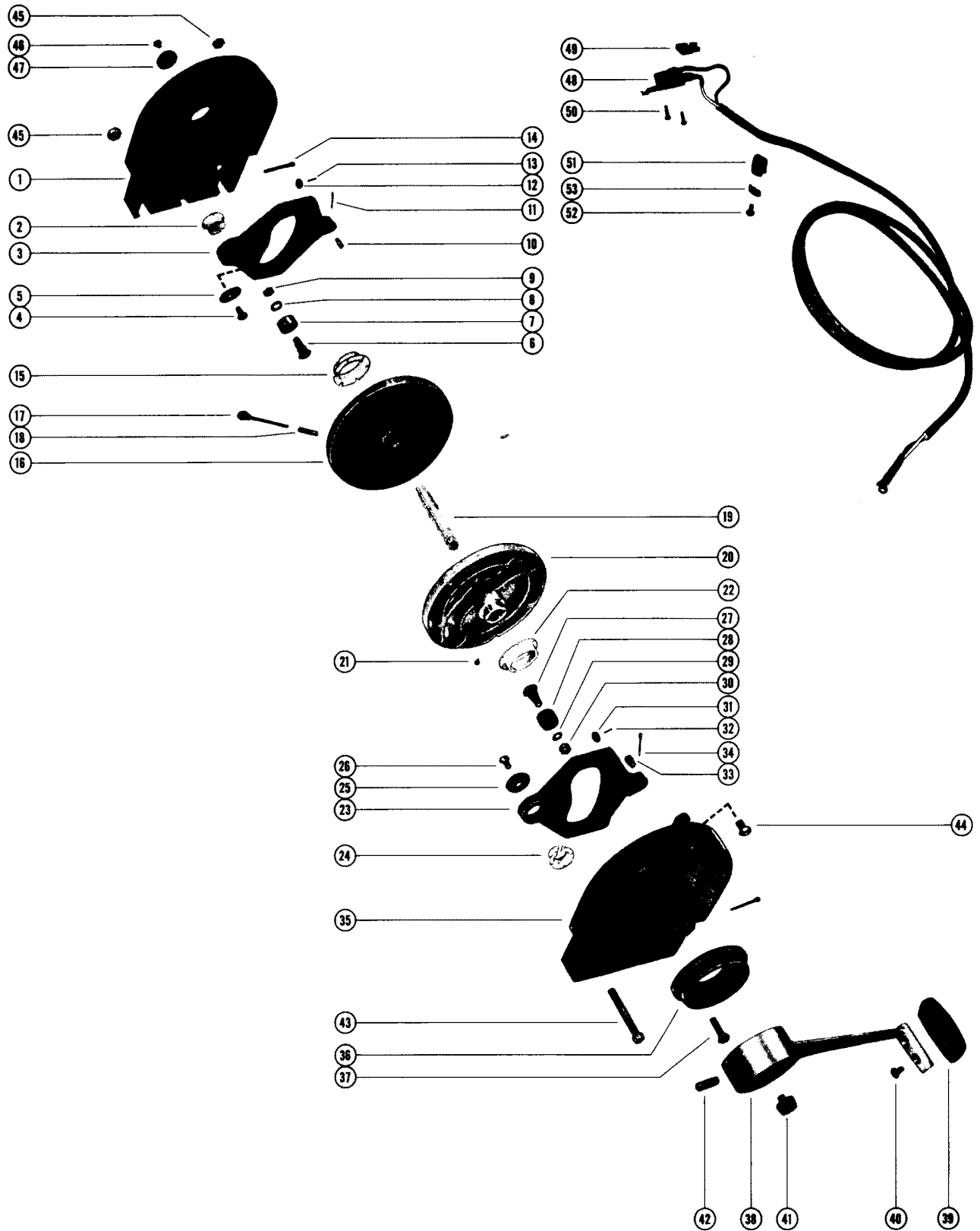
## REMOTE CONTROL ASY (PANEL MOUNT)(37782A1 / A2)

REF. NO.	PART NO.	SYM.	QTY.	DESCRIPTION
-	36077A1	♣	1,	REMOTE CONTROL ASSEMBLY, COMPLETE (PANEL MOUNTED) STARBOARD
-	36077A2	♣	,1	REMOTE CONTROL ASSEMBLY, COMPLETE (PANEL MOUNTED) PORT
1	36052		1,	HOUSING, REMOTE CONTROL (STARBOARD)
	37357		,1	HOUSING, REMOTE CONTROL (STARBOARD)
2	23-33589		1,1	BUSHING, NYLON - SHIFT LEVER (5/8" I. D. )
3	35649		1,1	LEVER, SHIFT
4	10-34676		1,1	SCREW, SHIFT LEVER TO CONTROL HOUSING
5	12-34675		1,1	WASHER, RETAINING - SHIFT LEVER SCREW
6	17-35951		2,2	PIN, CAM ROLLER TO SHIFT LEVER
7	35943		2,2	CAM ROLLER, SHIFT LEVER
8	12-35950		2,2	WASHER, CAM ROLLER PIN
9	11-34688		2,2	NUT, CAM ROLLER PIN
10	17-35944		1,1	PIN, CONTROL CABLE TO SHIFT LEVER
11	18-29623		1,1	COTTER PIN, CONTROL CABLE TO SHIFT LEVER PIN
12	35942		2,2	ROLLER GUIDE SHIFT LEVER
13	17-29908		2,2	PIN, ROLLER GUIDE TO SHIFT LEVER
14	18-36002		2,2	COTTER PIN, CONTROL CABLE TO CONTROL HOUSING
15	23-34677		1,1	BUSHING, NYLON - SHIFT CAM (1" I. D. )
16	35650		1,1	CAM, SHIFT
17	17-36241A1		1,1	PIN ASSEMBLY, BLOCKING - SHIFT CAM
18	24-36244		1,1	SPRING, COMPRESSION - BLOCKING PIN
19	36048A1		1,1	SHAFT, CONTROL ASSEMBLY
20	35648		1,1	CAM, THROTTLE
21	10-37942		1,1	SCREW, SET CONTROL SHAFT
22	23-34677		1,1	BUSHING, NYLON - THROTTLE CAM (1 " I. D. )
23	35649		1,1	LEVER, THROTTLE
24	23-33589		2,2	BUSHING, NYLON - THROTTLE LEVER (5/8" I. D. )
25	12-34675		1,1	WASHER, RETAINING - THROTTLE LEVER SCREW
26	10-34676		1,1	SCREW, THROTTLE LEVER TO CONTROL HOUSING
27	17-35951		1,1	PIN, CAM ROLLER TO THROTTLE LEVER
28	35943		1,1	CAM ROLLER, THROTTLE LEVER
29	12-35950		1,1	WASHER, CAM ROLLER PIN
30	11-34688		1,1	NUT, CAM ROLLER PIN
31	35942		2,2	ROLLER GUIDE, THROTTLE LEVER
32	17-29908		2,2	PIN, ROLLER GUIDE TO THROTTLE LEVER
33	17-35944		1,1	PIN, CONTROL CABLE TO THROTTLE LEVER
34	18-29623		1,1	COTTER PIN, CONTROL CABLE TO THROTTLE LEVER PIN
35	36053		1,	HOUSING, REMOTE CONTROL (PORT)
	37358		,1	HOUSING, REMOTE CONTROL (PORT)
36	36051		1,1	BEZEL, REMOTE CONTROL TO MOUNTING PANEL
37	10-36049		3,3	SCREW, BEZEL TO REMOTE CONTROL (1")

♣ = [36077A 1] & [36077A 2] ARE NO LONGER AVAILABLE. FOR REPLACEMENT ORDER [37580A1] & [37580A]

CONTINUED ON NEXT PAGE ➡

# REMOTE CONTROL ASY (PANEL MOUNT)(37782A1 / A2)

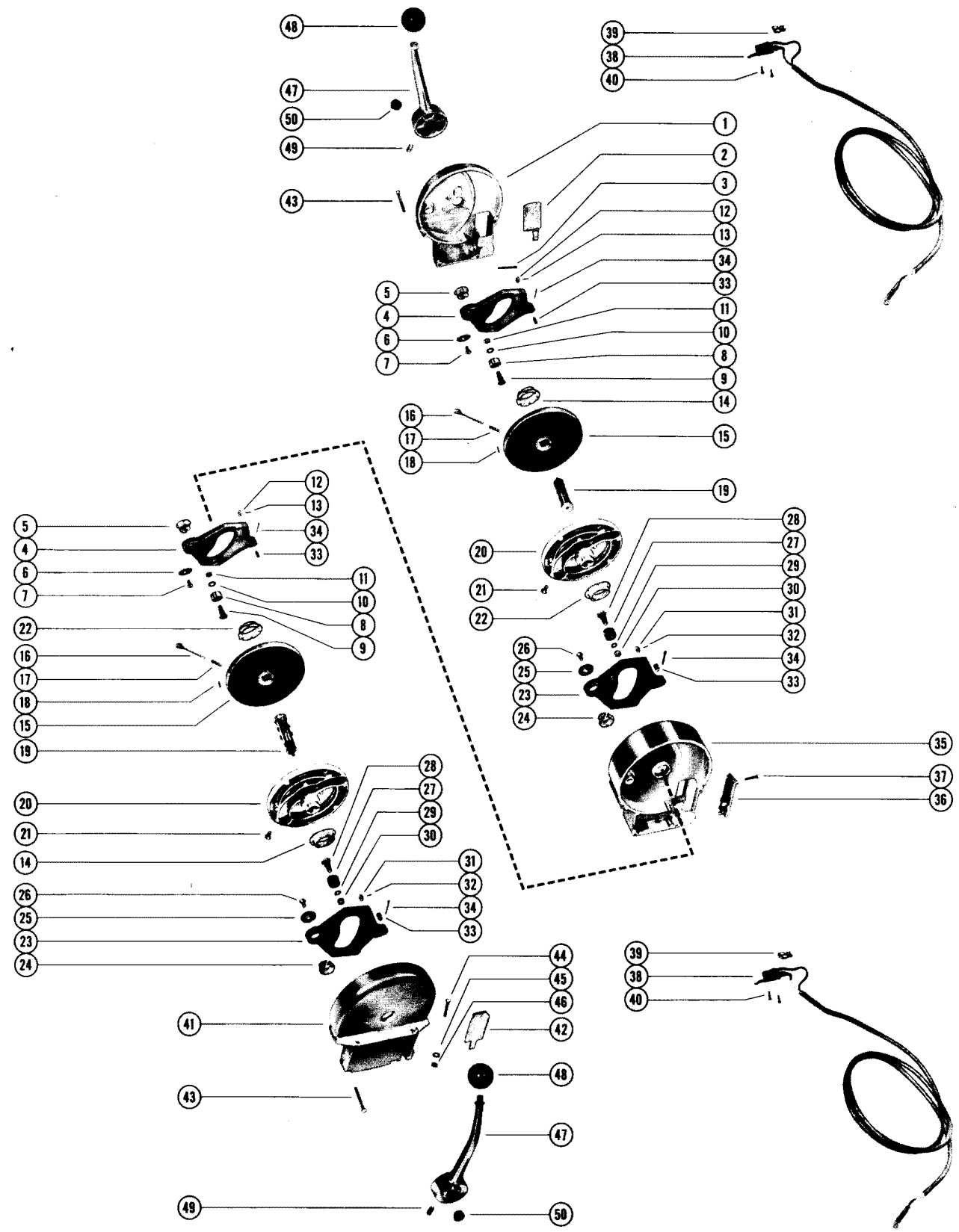




## REMOTE CONTROL ASY (PANEL MOUNT)(37782A1 / A2)

REF. NO.	PART NO.	SYM.	QTY.	DESCRIPTION
37	10-36078		3,3	SCREW, BEZEL TO REMOTE CONTROL (1 1/4")
38	36044		1,1	HANDLE, CONTROL
39	36005		1,1	GRIP, CONTROL HANDLE
40	10-37342		2,2	SCREW, GRIP TO CONTROL HANDLE
41	37669		1,1	BUTTON, CONTROL HANDLE
42	10-35955		1,1	SCREW, SET - CONTROL HANDLE TO CONTROL SHAFT
43	10-36562		4,4	SCREW, REMOTE CONTROL HOUSING CLAMPING (2 1/4")
44	10-36195		1,1	SCREW, REMOTE CONTROL HOUSING CLAMPING (TOP) - 7/8"
45	11-34688		5,5	NUT, REMOTE CONTROL HOUSING CLAMPING SCREW
46	10-36046		1,1	SCREW, RETAINING - CONTROL SHAFT (EARLIER MODELS)
47	12-35958		1,1	WASHER, CONTROL SHAFT RETAINING SCREW (EARLIER MODELS)
48	36004A1		1,1	SWITCH AND HARNESS ASSEMBLY, SAFETY
49	36286		2,2	TAB RECEPTACLE, SWITCH HARNESS
50	10-36003		2,2	SCREW, SAFETY SWITCH TO CONTROL HOUSING
51	54-26550		1,1	CLIP, SAFETY SWITCH HARNESS TO CONTROL HOUSING
52	10-26682		1,1	SCREW, SAFETY SWITCH HARNESS CLIP TO CONTROL HOUSING
53	22789		1,1	"D" WASHER, SAFETY SWITCH HARNESS CLIP SCREW

# REMOTE CONTROL ASY (COMPACT - CONSOLE MOUNT)(68831A1)



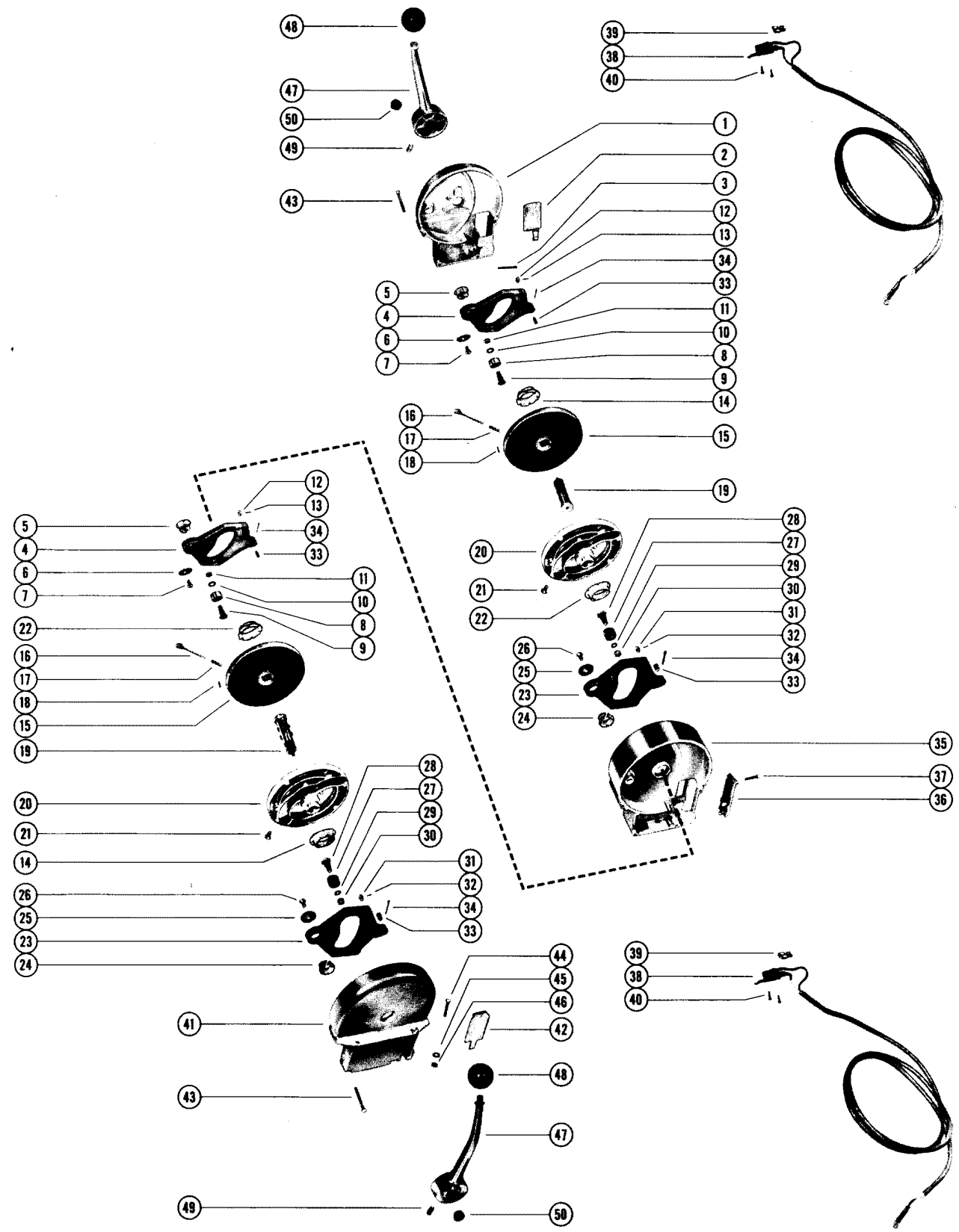
# REMOTE CONTROL ASY (COMPACT - CONSOLE MOUNT)(68831A1)

REF. NO.	PART NO.	SYM.	QTY.	DESCRIPTION
-	37580A1	○	1,	REMOTE CONTROL ASSEMBLY, COMPLETE (SINGLE INSTALLATION) .
-	37580A2	○	,1	REMOTE CONTROL ASSEMBLY, COMPLETE (DUAL INSTALLATION) .
1	37581		1,	HOUSING, REMOTE CONTROL (STARBOARD) C-37580A1 QUANTITY 1;C-37580A2 QUANTITY-
2	38749		1,1	COVER, CONTROL HOUSING (STARBOARD) C-37580A1 QUANTITY 1;C-37580A2 QUANTITY 1
3	18-32857		2,2	COTTER PIN, CONTROL CABLE TO CONTROL HOUSING C-37580A1 QUANTITY 2;C-37580A2 QUANTITY 2
4	37584		1,2	LEVER, SHIFT C-37580A1 QUANTITY 1;C-37580A2 QUANTITY 2
5	23-33589		1,2	BUSHING, NYLON - SHIFT LEVER (5/8" I. D. ) C-37580A1 QUANTITY 1;C-37580A2 QUANTITY 2
6	12-34675		1,2	WASHER, RETAINING - SHIFT LEVER SCREW C-37580A1 QUANTITY 1;C-37580A2 QUANTITY 2
7	10-34676		1,2	SCREW, SHIFT LEVER TO CONTROL HOUSING C-37580A1 QUANTITY 1;C-37580A2 QUANTITY 2 CENTER HOUSING (1/2")
8	37606		2,4	CAM ROLLER, SHIFT LEVER C-37580A1 QUANTITY 2;C-37580A2 QUANTITY 4
9	17-37603		2,4	PIN, CAM ROLLER TO SHIFT LEVER C-37580A1 QUANTITY 2;C-37580A2 QUANTITY 4
10	12-35950		2,4	WASHER, CAM ROLLER PIN C-37580A1 QUANTITY 2;C-37580A2 QUANTITY 4
11	11-37800		2,4	NUT, CAM ROLLER PIN C-37580A1 QUANTITY 2;C-37580A2 QUANTITY 4
12	37604		2,4	ROLLER GUIDE, SHIFT LEVER C-37580A1 QUANTITY 2;C-37580A2 QUANTITY 4
13	17-29908		2,4	PIN, ROLLER GUIDE TO SHIFT LEVER C-37580A1 QUANTITY 2;C-37580A2 QUANTITY 4
14	23-37593		2,2	BUSHING, NYLON C-37580A1 QUANTITY 2;C-37580A2 QUANTITY 2 :THROTTLE AND SHIFT CAMS TO CONTROL HOUSING (11/16" I. D. )
15	37607		1,2	CAM, SHIFT C-37580A1 QUANTITY 1;C-37580A2 QUANTITY 2
16	17-37599A2		1,2	PIN ASSEMBLY, BLOCKING - SHIFT CAM C-37580A1 QUANTITY 1;C-37580A2 QUANTITY 2
17	24-38872		1,2	SPRING, COMPRESSION - BLOCKING PIN C-37580A1 QUANTITY 1;C-37580A2 QUANTITY 2
18	13-39317		1,2	FASTENER - BLOCKING PIN TO SHIFT CAM C-37580A1 QUANTITY 1;C-37580A2 QUANTITY 2
19	37596A1		1,2	SHAFT ASSEMBLY, CONTROL C-37580A1 QUANTITY 1;C-37580A2 QUANTITY -
20	37608		1,2	CAM, THROTTLE C-37580A1 QUANTITY 1;C-37580A2 QUANTITY 2
21	10-37942		1,2	SCREW, SET - THROTTLE CAM C-37580A1 QUANTITY 1;C-37580A2 QUANTITY 2

○ = [37580A 1] AND [37580A 2] REMOTE CONTROL ASSEMBLIES MUST USE [34555A\_] REMOTE CONTROL CABLE

CONTINUED ON NEXT PAGE ➡

# REMOTE CONTROL ASY (COMPACT - CONSOLE MOUNT)(68831A1)

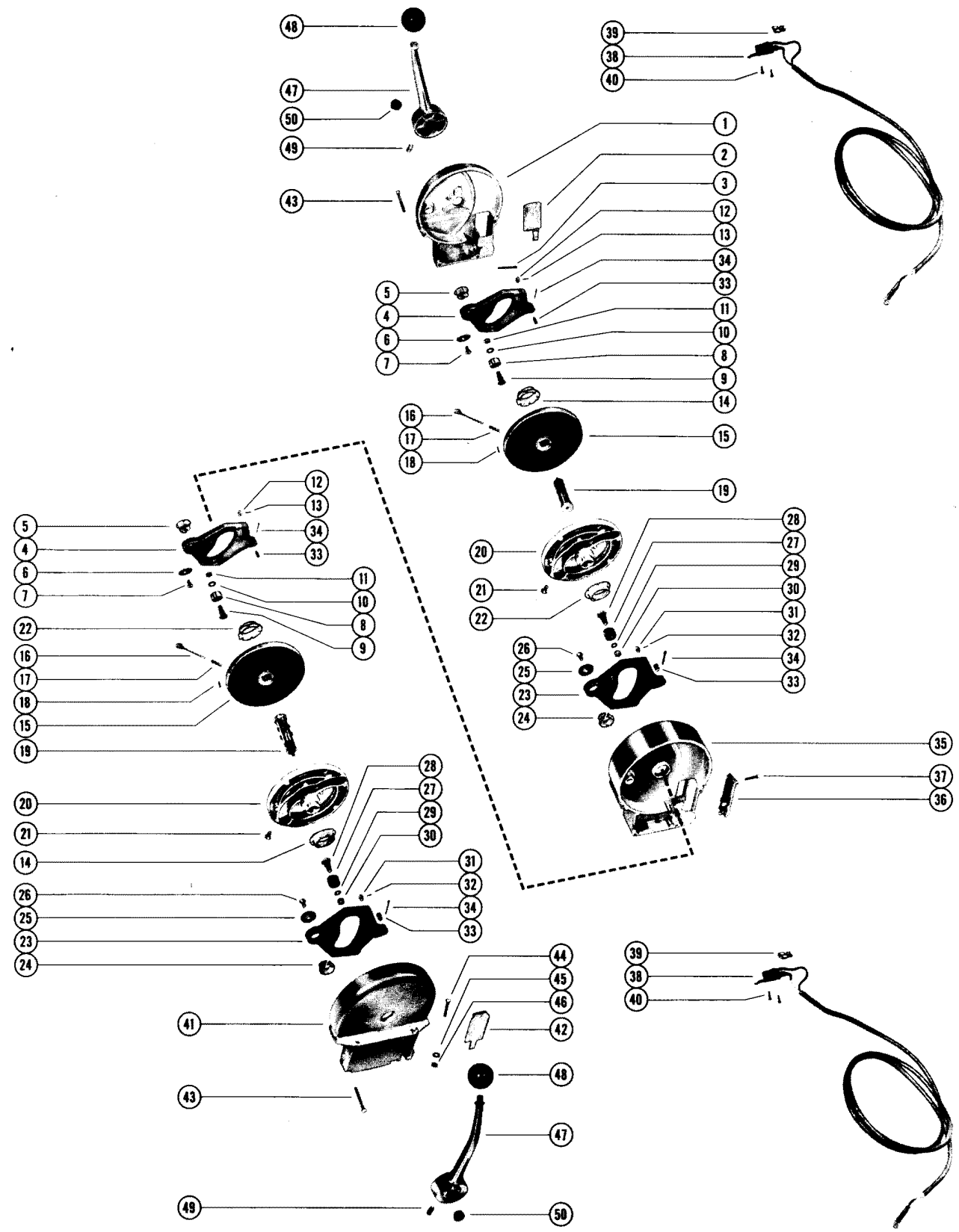


# REMOTE CONTROL ASY (COMPACT - CONSOLE MOUNT)(68831A1)

REF. NO.	PART NO.	SYM.	QTY.	DESCRIPTION
22	23-37594		,2	BUSHING, NYLON - THROTTLE AND SHIFT CAMS TO CENTER HOUSING (7/8" I. D. ) C-37580A1 QUANTITY -;C-37580A2 QUANTITY 2
23	37584		1,2	LEVER, THROTTLE C-37580A1 QUANTITY 1;C-37580A2 QUANTITY 2
24	23-33589		1,2	BUSHING, NYLON - THROTTLE LEVER (5/8" I. D. ) C-37580A1 QUANTITY 1;C-37580A2 QUANTITY 2
25	12-34675		1,2	WASHER, RETAINING - THROTTLE LEVER SCREW C-37580A1 QUANTITY 1;C-37580A2 QUANTITY 2
26	10-34676		1,2	SCREW, THROTTLE LEVER TO CONTROL HOUSING AND CENTER HOUSING (1/2") C-37580A1 QUANTITY 1;C-37580A2 QUANTITY 2
27	37606		1,2	CAM ROLLER, THROTTLE LEVER C-37580A1 QUANTITY 1;C-37580A2 QUANTITY 2
28	17-37603		1,2	PIN, CAM ROLLER TO THROTTLE LEVER C-37580A1 QUANTITY 1;C-37580A2 QUANTITY 2
29	12-35950		1,2	WASHER, CAM ROLLER PIN C-37580A1 QUANTITY 1;C-37580A2 QUANTITY 2
30	11-37800		1,	NUT, CAM ROLLER PIN C-37580A1 QUANTITY 1;C-37580A2 QUANTITY 2
31	37604		2,4	ROLLER GUIDE, THROTTLE LEVER C-37580A1 QUANTITY 2;C-37580A2 QUANTITY 4
32	17-29908		2,4	PIN, ROLLER GUIDE TO THROTTLE LEVER C-37580A1 QUANTITY 2;C-37580A2 QUANTITY 4
33	17-37801		2,4	PIN, CONTROL CABLE TO THROTTLE AND SHIFT LEVERS C-37580A1 QUANTITY 2;C-37580A2 QUANTITY 4
34	18-37809		3,5	PIN (HAIR), CONTROL CABLE PIN C-37580A1 QUANTITY 3;C-37580A2 QUANTITY 5
35	37583		,1	HOUSING, REMOTE CONTROL (CENTER) C-37580A1 QUANTITY -;C-37580A2 QUANTITY 1
36	37802		,1	PLATE, RETAINER - CENTER HOUSING C-37580A1 QUANTITY -;C-37580A2 QUANTITY 1
37	10-37804		,1	SCREW, RETAINER PLATE TO CENTER HOUSING (1") C-37580A1 QUANTITY -;C-37580A2 QUANTITY 1
38	36004A1		1,2	SWITCH AND HARNESS ASSEMBLY, SAFETY C-37580A1 QUANTITY 1;C-37580A2 QUANTITY 2
39	36286		2,4	TAB RECEPTACLE, SAFETY SWITCH C-37580A1 QUANTITY 2;C-37580A2 QUANTITY 4
-	54-20387		1,2	CLAMP, SAFETY SWITCH C-37580A1 QUANTITY 1;C-37580A2 QUANTITY 2
40	10-36003		2,4	SCREW, SAFETY SWITCH TO CONTROL HOUSING (5/8") C-37580A1 QUANTITY 2;C-37580A2 QUANTITY 4
41	37582		1,1	HOUSING, REMOTE CONTROL (PORT) C-37580A1 QUANTITY 1;C-37580A2 QUANTITY 1
42	38750		1,1	COVER, CONTROL HOUSING (PORT) C-37580A1 QUANTITY 1;C-37580A2 QUANTITY 1
43	10-37803		4,8	SCREW, CONTROL HOUSING CLAMPING (1 3/4") C-37580A1 QUANTITY 4;C-37580A2 QUANTITY 8
44	10-35963		4,4	SCREW, REMOTE CONTROL TO BOAT (1 1/2") C-37580A1 QUANTITY 4;C-37580A2 QUANTITY 4

CONTINUED ON NEXT PAGE ➡

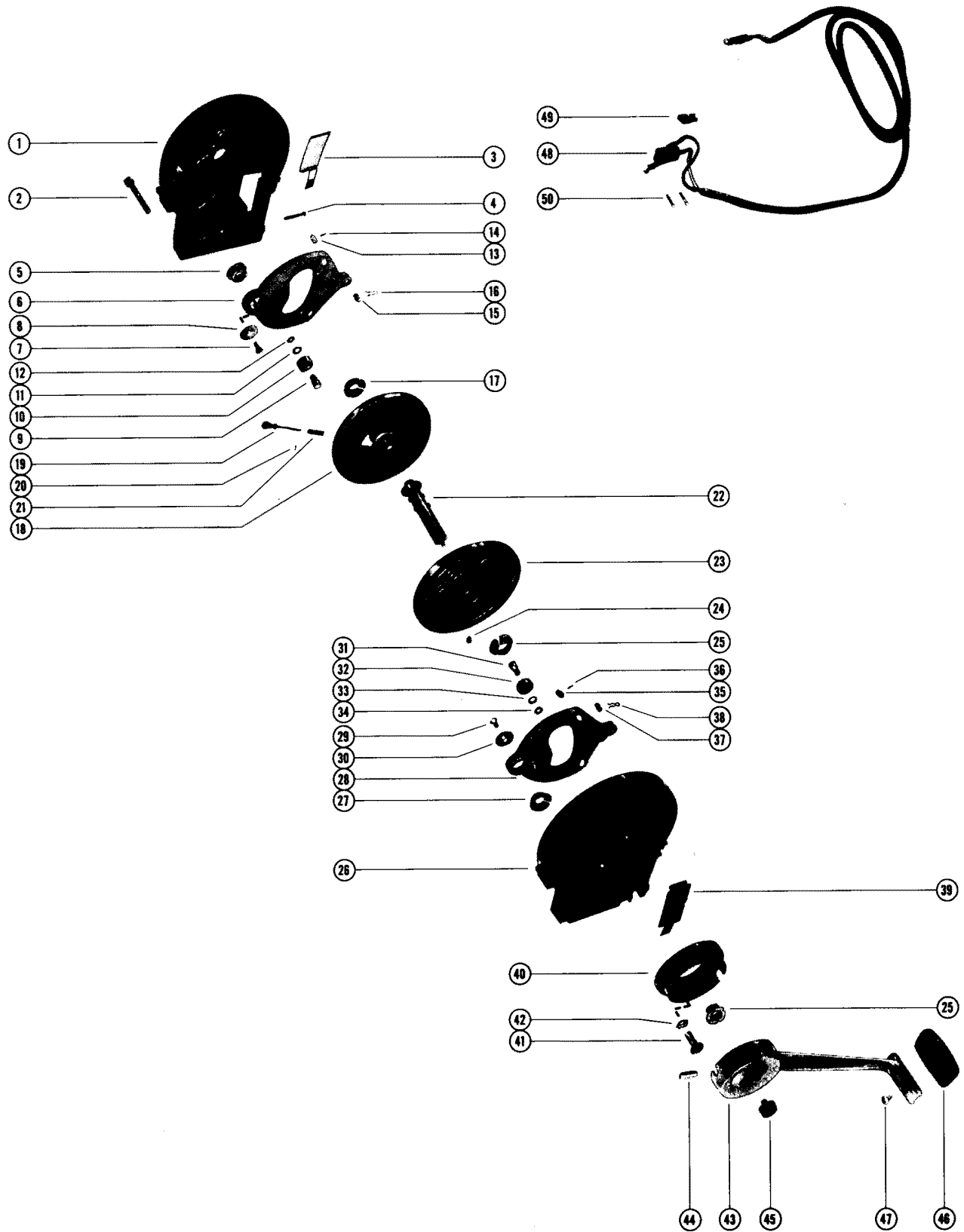
# REMOTE CONTROL ASY (COMPACT - CONSOLE MOUNT)(68831A1)



## REMOTE CONTROL ASY (COMPACT - CONSOLE MOUNT)(68831A1)

REF. NO.	PART NO.	SYM.	QTY.	DESCRIPTION
45	12-24664		4,4	WASHER, REMOTE CONTROL SCREW C-37580A1 <b>QUANTITY 4;C-37580A2 QUANTITY 4</b>
46	11-20361		4,4	NUT, REMOTE CONTROL SCREW C-37580A1 QUANTITY <b>4;C-37580A2 QUANTITY 4</b>
47	37812		1,2	HANDLE, CONTROL C-37580A1 QUANTITY 1;C-37580A2 <b>QUANTITY 2</b>
48	37813		1,2	GRIP, CONTROL HANDLE (BLACK) C-37580A1 QUANTITY <b>1;C-37580A2 QUANTITY 2</b>
49	10-37805		1,2	SCREW, SET - CONTROL HANDLE TO CONTROL SHAFT C- <b>37580A1 QUANTITY 1;C-37580A2 QUANTITY 2</b>
50	37602		1,2	BUTTON, CONTROL HANDLE C-37580A1 QUANTITY 1;C- <b>37580A2 QUANTITY 2</b>

# REMOTE CONTROL ASSEMBLY (COMPACT - PANEL MOUNTED)





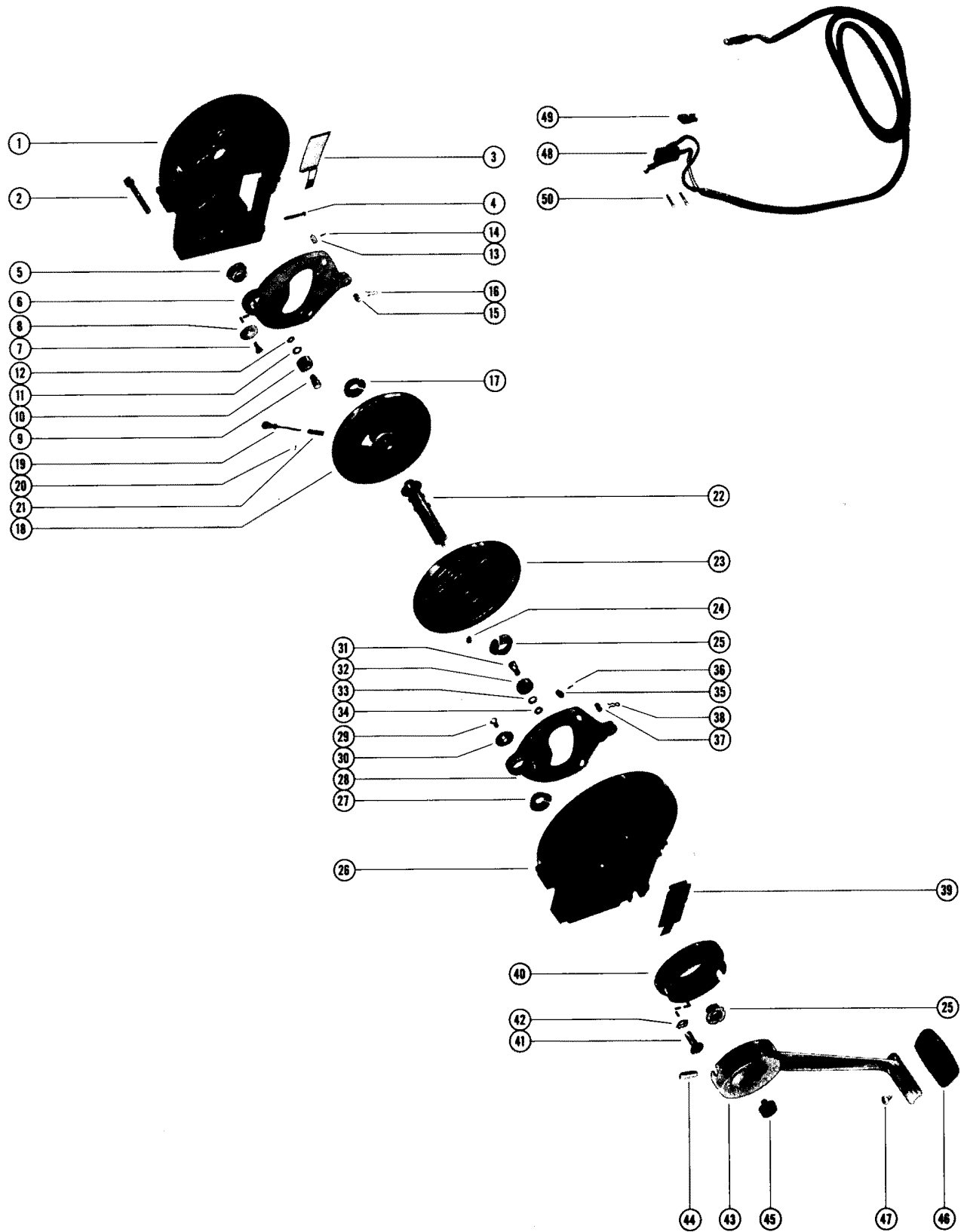
# REMOTE CONTROL ASSEMBLY (COMPACT - PANEL MOUNTED)

REF. NO.	PART NO.	SYM.	QTY.	DESCRIPTION
-	37782A1	†	1,	REMOTE CONTROL ASSEMBLY, COMPLETE (PANEL MOUNTED) STARBOARD
-	37782A2	†	,1	REMOTE CONTROL ASSEMBLY, COMPLETE (PANEL MOUNTED) PORT
1	37783		1,	HOUSING, REMOTE CONTROL (STARBOARD)
	37785		,1	HOUSING, REMOTE CONTROL (STARBOARD) - NOT AS SHOWN
2	10-37803		4,4	SCREW, REMOTE CONTROL HOUSING CLAMPING .
3	38749		1,1	COVER, CONTROL HOUSING (STARBOARD)
4	18-32857		2,2	COTTER PIN, CONTROL CABLE TO CONTROL HOUSING
5	23-33589		1,1	BUSHING, NYLON - SHIFT LEVER (5/8" I. D )
6	37584		1,1	LEVER, SHIFT
7	10-34676		1,1	SCREW, SHIFT LEVER TO CONTROL HOUSING
8	12-34675		1,1	WASHER, RETAINING - SHIFT LEVER SCREW
9	17-37603		2,2	PIN, CAM ROLLER TO SHIFT LEVER
10	37606		2,2	CAM ROLLER, SHIFT LEVER
11	12-35950		2,2	WASHER, CAM ROLLER PIN
12	11-37800		2,2	NUT, CAM ROLLER PIN
13	37604		2,2	ROLLER GUIDE, SHIFT LEVER
14	17-29908		2,2	PIN, ROLLER GUIDE TO SHIFT LEVER
15	17-37801		1,1	PIN, CONTROL CABLE TO SHIFT LEVER
16	18-37809		1,1	PIN, CONTROL CABLE TO SHIFT LEVER PIN
17	23-37593		1,1	BUSHING, NYLON - SHIFT CAM (11/16" I. D. )
18	37607		1,1	CAM, SHIFT
19	17-37599A2		1,1	PIN ASSEMBLY, BLOCKING - SHIFT CAM
20	13-39317		1,1	FASTENER - BLOCKING PIN TO SHIFT CAM .
21	24-38872		1,1	SPRING, COMPRESSION - BLOCKING PIN
22	37832A1		1,1	SHAFT ASSEMBLY, CONTROL
23	37608		1,1	CAM, THROTTLE
24	10-37942		1,1	SCREW, SET - THROTTLE CAM
25	23-37593		2,2	BUSHING, NYLON- THROTTLE CAM (11/16" I.D.)
26	37784		1,	HOUSING, REMOTE CONTROL (PORT)
	37786		,1	HOUSING, REMOTE CONTROL (PORT) - NOT AS SHOWN
27	23-33589		1,1	BUSHING, NYLON - THROTTLE LEVER (5/8" I.D.)
28	37584		1,1	LEVER, THROTTLE
29	10-34676		1,1	SCREW, THROTTLE LEVER TO CONTROL HOUSING
30	12-34675		1,1	WASHER, RETAINING - THROTTLE LEVER SCREW
31	17-37603		1,1	PIN, CAM ROLLER TO THROTTLE LEVER
32	37606		1,1	CAM ROLLER, THROTTLE LEVER
33	12-35950		1,1	WASHER, CAM ROLLER PIN
34	11-37800		1,1	NUT, CAM ROLLER PIN
35	37604		2,2	ROLLER GUIDE, THROTTLE LEVER
36	17-29908		2,2	PIN, ROLLER GUIDE TO THROTTLE LEVER

† = [37782A 1] AND [37782A 2] REMOTE CONTROL ASSEMBLIES MUST USE TWO EACH [345554A]

CONTINUED ON NEXT PAGE ➡

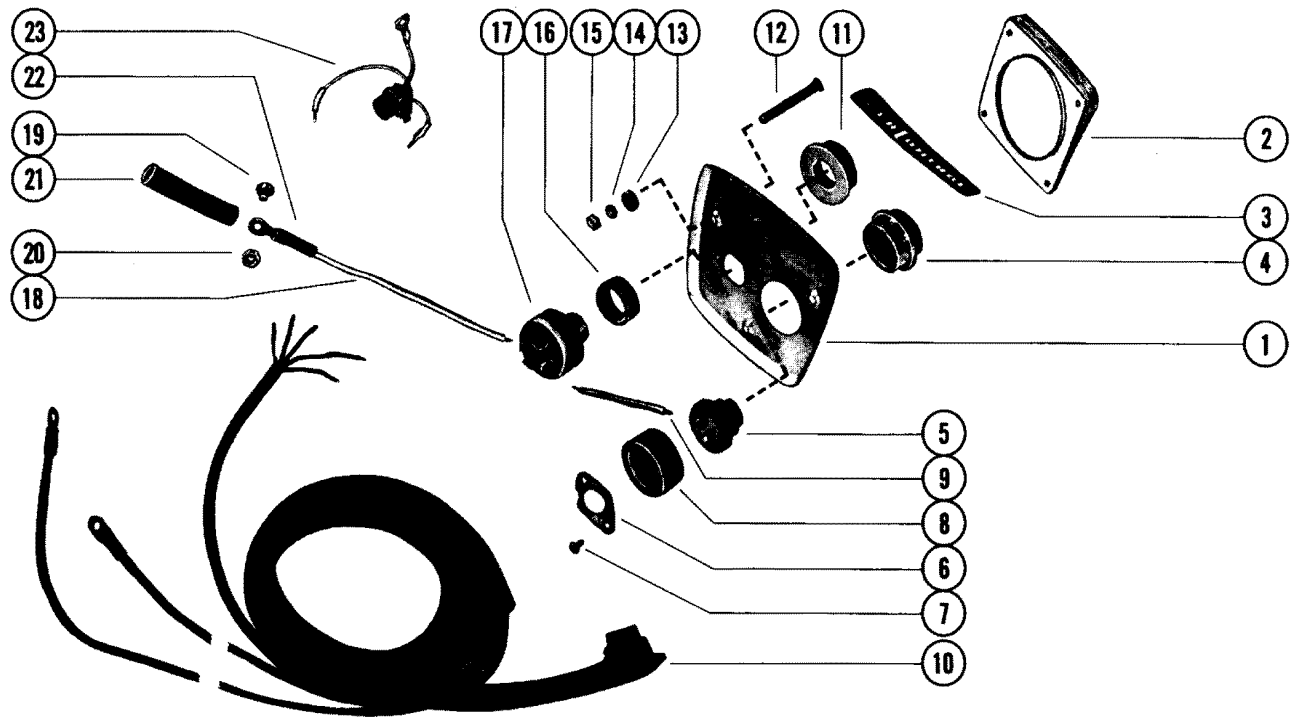
# REMOTE CONTROL ASSEMBLY (COMPACT - PANEL MOUNTED)



## REMOTE CONTROL ASSEMBLY (COMPACT - PANEL MOUNTED)

REF. NO.	PART NO.	SYM.	QTY.	DESCRIPTION
37	17-37801		1,1	PIN, CONTROL CABLE TO THROTTLE LEVER
38	18-37809		1,1	PIN, CONTROL CABLE TO THROTTLE LEVER PIN
39	38750		1,1	COVER, CONTROL HOUSING (PORT)
40	37820		1,1	BEZEL, REMOTE CONTROL TO MOUNTING PANEL
41	10-37818		3,3	SCREW, BEZEL TO REMOTE CONTROL (7/8")
	10-37819		3,3	SCREW, BEZEL TO REMOTE CONTROL (1 1/8")
42	13-37821		3,3	LOCKWASHER, BEZEL SCREW
43	37822		1,1	HANDLE, CONTROL
44	10-37805		1,1	SCREW, SET - CONTROL HANDLE TO CONTROL SHAFT
45	37602		1,1	BUTTON, CONTROL HANDLE
46	36005		1,1	GRIP, CONTROL HANDLE
47	10-37342		2,2	SCREW, GRIP TO CONTROL HANDLE
48	36004A1		1,1	SWITCH AND HARNESS ASSEMBLY, SAFETY
49	36286		2,2	TAB RECEPTACLE, SAFETY SWITCH
-	<b>54-20387</b>		<b>1,1</b>	<b>CLAMP, SAFETY SWITCH</b>
50	10-36003		2,2	SCREW, SAFETY SWITCH TO CONTROL HOUSING

# PANEL MOUNTED KEY AND CHOKE SWITCH KIT

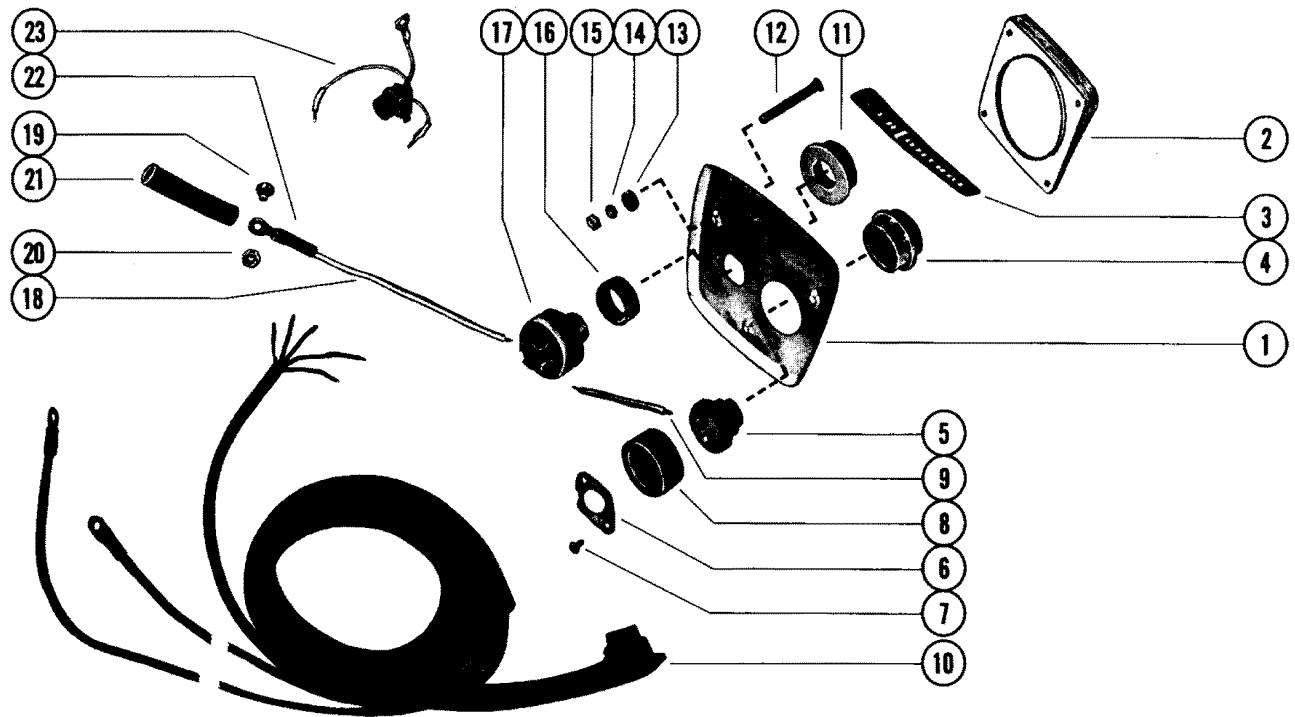


# PANEL MOUNTED KEY AND CHOKE SWITCH KIT

REF. NO.	PART NO.	SYM.	QTY.	DESCRIPTION
-	37244A1		1,,,	KEY & CHOKE SWITCH KIT,PANEL MOUNTED(6CYL.) SEE NOTE
-	45116A2		,1,,,	KEY & CHOKE SWITCH KIT,PANEL MOUNTED(4 AND 6 CYL.) 1966 MODELS (SEE NOTE)
-	59119A2		,,1,,	KEY & CHOKE SWITCH KIT,PANEL MOUNTED (4 AND 6 CYL.) 1970 THRU 1973 MODELS (SEE NOTE)
-	59119A3		,,,1,	KEY & CHOKE SWITCH KIT,PANEL MOUNTED-MERC 650 3 CYL. (SERIAL #4382056 AND BELOW)
-	72887A1		,,,1	KEY & CHOKE SWITCH KIT,PANEL MOUNTED-MERC 650 3 CYL.
1	36277		1,1,,,	PANEL, CONTROL
	58804A1		,,1,1,	PANEL ASSEMBLY
2	55193A1		,,1,1,1	BEZEL KIT, PANEL MOUNTING (SEE ACCESSORY SECTION)
3	37-36276		1,1,,,	DECAL, CONTROL PANEL
4	36278		1,1,,,	BEZEL, CHOKE SWITCH HOUSING
5	2975		1,1,,,	SWITCH, CHOKE
	55738A1		,,1,1,1	SWITCH ASSEMBLY, CHOKE
6	55691		,,1,1,1	RETAINER, CHOKE SWITCH TO CONTROL PANEL
7	10-30663		,,2,2,2	SCREW, RETAINER TO CONTROL PANEL
8	36279		1,1,,,	HOUSING, CHOKE SWITCH
9	29648		1,,,,	JUMPER WIRE, CHOKE SWITCH (BLACK - 2 1/2")
	39180		,1,1,1,1	JUMPER WIRE, CHOKE SWITCH (WHITE - 2 1/2")
10	38400-20		1,,,,	WIRING HARNESS (20' )
	39125-20		,1,,,,	WIRING HARNESS (20' )
	45876-20		,,1,,	WIRING HARNESS (20' )
	84-60797-20		,,,1,	WIRING HARNESS (20' )
	84-70924-20		,,,1	WIRING HARNESS (20' )
11	36280		1,1,,,	BEZEL, IGNITION SWITCH
	32861		,,1,1,1	BEZEL, IGNITION SWITCH
12	10-32866		3,3,,,	SCREW, CONTROL PANEL TO DASHBOARD (2")
13	12-33110		3,3,,,	WASHER, FIBER - CONTROL PANEL SCREW
14	12-26014		3,3,,,	WASHER, CONTROL PANEL SCREW
15	11-27164		3,3,,,	NUT, CONTROL PANEL SCREW
16	23-36273		1,1,,,	SPACER, IGNITION SWITCH
17	54211		,1,1,1,1	SWITCH, IGNITION WITH KEYS
	30163		1,,,,	SWITCH, IGNITION (PART #C-30431)
18	32872		1,,,,	JUMPER WIRE, SWITCH TO CONTROL (YELLOW - 12")
	30795		,1,1,1,1	JUMPER WIRE, SWITCH TO CONTROL (YELLOW - 6")
19	10-24231		2,2,,,	SCREW, JUMPER WIRE TO REMOTE CONTROL (1/4")
	10-24231		,,3,3,3	SCREW, JUMPER WIRE TO REMOTE CONTROL (1/4")
20	11-20645		2,2,,,	NUT, JUMPER WIRE SCREW

CONTINUED ON NEXT PAGE ➡

# PANEL MOUNTED KEY AND CHOKE SWITCH KIT



## PANEL MOUNTED KEY AND CHOKE SWITCH KIT

REF. NO.	PART NO.	SYM.	QTY.	DESCRIPTION
20	11-20645		,,3,3,3	NUT, JUMPER WIRE SCREW
21	23-32914		2,2,,	SLEEVE, RUBBER - JUMPER WIRE (2")
	23-32914		,,3,3,3	SLEEVE, RUBBER - JUMPER WIRE (2")
22	23-37961-2		,2,2,2,2	SLEEVE, RUBBER - JUMPER WIRE (7/8")
23	45887		,,1,1,1	CONNECTOR, TACHOMETER LEAD

NOTE: [A-37244A1], [A-45116A2] AND [A-59119A2], [A-59119A3] AND [A-72887A1] KEY AND CHOKE SWITCH ASSEMBLIES SHOULD BE USED WITH THE FOLLOWING REMOTE CONTROLS:

[C-37580A1] COMPACT CONSOLE MOUNTED REMOTE CONTROL ASSEMBLY (SINGLE INSTALLATION)

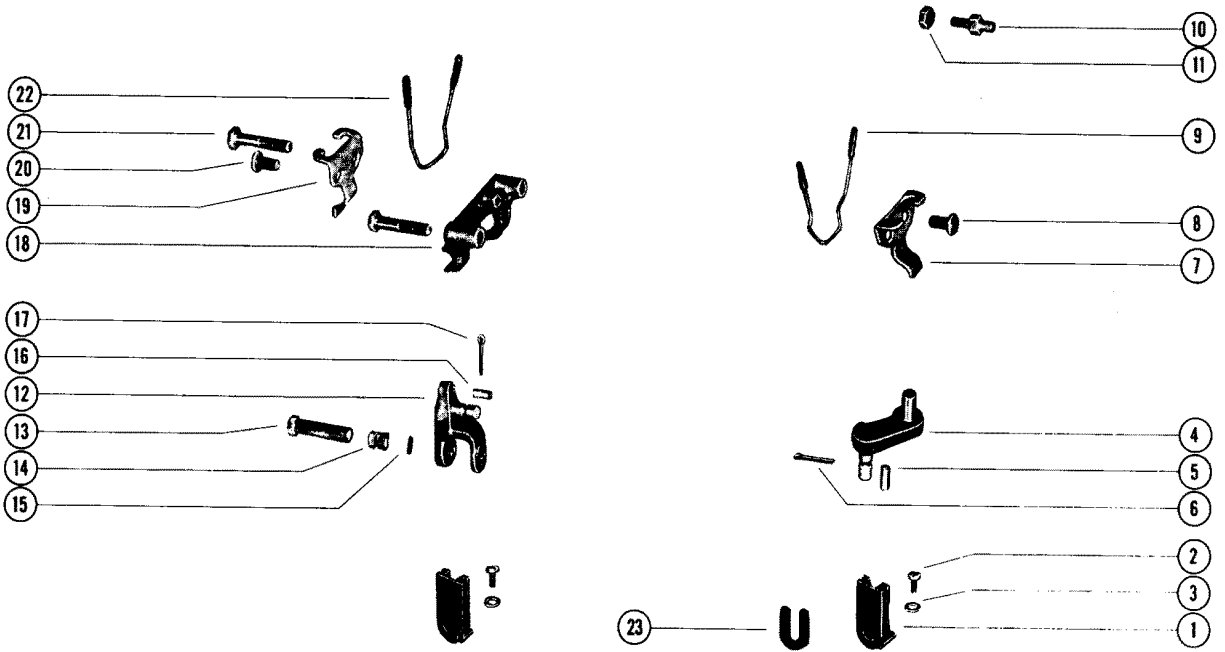
[C-37580A2] COMPACT CONSOLE MOUNTED REMOTE CONTROL ASSEMBLY (DUAL INSTALLATION)

[C-37782A1] COMPACT PANEL MOUNTED REMOTE CONTROL ASSEMBLY (STARBOARD SIDE)

[C-37782A2] COMPACT PANEL MOUNTED REMOTE CONTROL ASSEMBLY (PORT SIDE)

[C-38290A1] CONSOLE TWO LEVER REMOTE CONTROL ASSEMBLY (TOP MOUNTED)

# REMOTE CONTROL ATTACHMENT PARTS KIT D





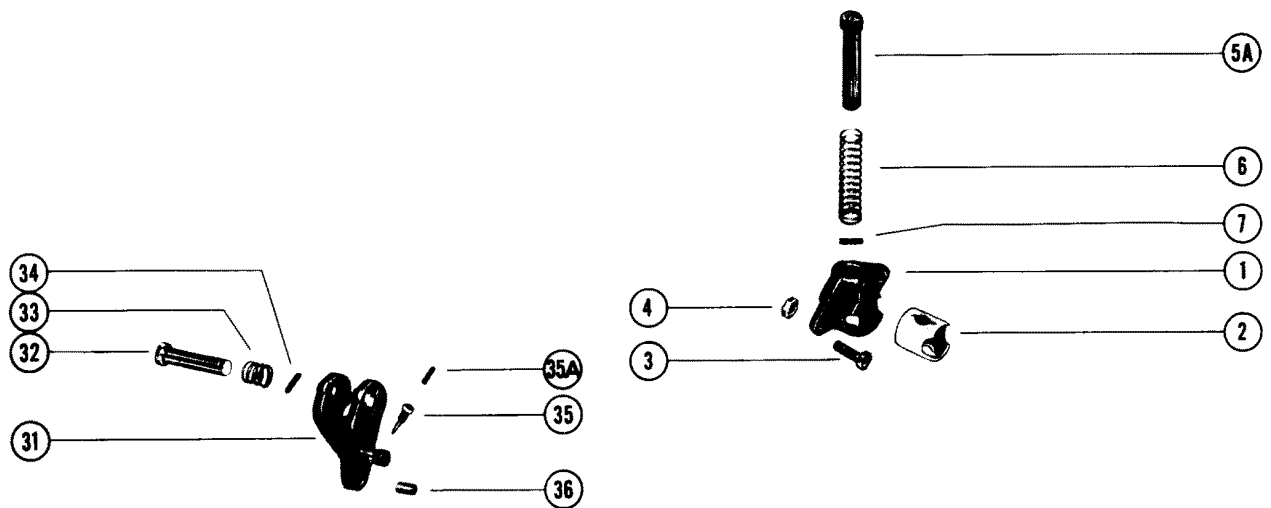
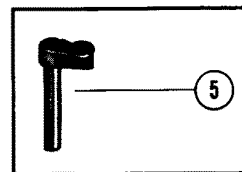
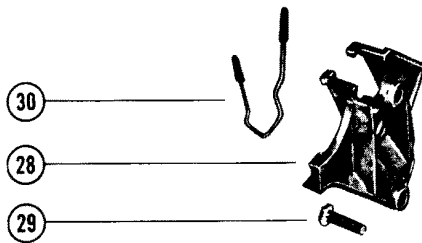
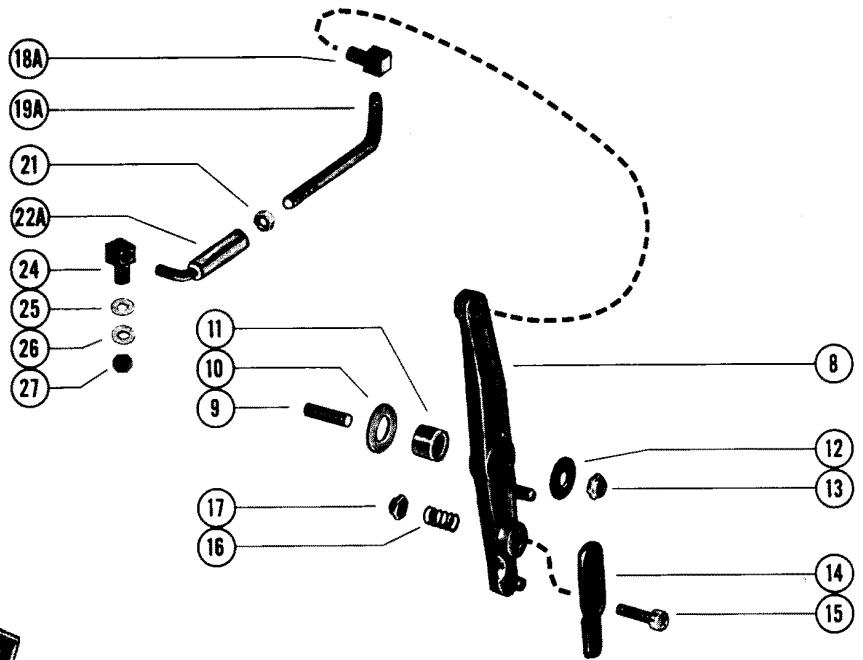
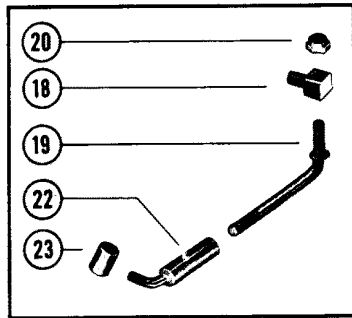
# REMOTE CONTROL ATTACHMENT PARTS KIT D

REF. NO.	PART NO.	SYM.	QTY.	DESCRIPTION
-	39466A1		1,	REMOTE CONTROL ATTACHMENT PARTS KIT (SEE NOTE)
-	39466A2		,1	REMOTE CONTROL ATTACHMENT PARTS KIT (SEE NOTE)
1	25-39463		2,2	GROMMET, RUBBER - BOTTOM COWL (THROTTLE AND SHIFT CABLE GUIDE)
2	10-29762		2,2	SCREW, RUBBER GROMMET TO BOTTOM COWL (3/8")
3	12-20192		2,2	WASHER, RUBBER GROMMET SCREW
4	39458		1,1	LINK, THROTTLE CONTROL
5	24-39457		1,1	SPRING, DETENT - THROTTLE CONTROL LINK
6	18-46950		1,1	COTTER PIN, THROTTLE CONTROL LINK TO THROTTLE CONTROL SHAFT
7	39464		1,1	BRACKET, MOUNTING - THROTTLE CABLE RETAINER SPRING
8	10-26774		2,2	SCREW, MOUNTING BRACKET TO EXHAUST COVER (1/2")
9	24-39462		1,1	SPRING, THROTTLE CABLE RETAINER
10	39461		2,2	PIN, ANCHOR - THROTTLE AND SHIFT CABLE (CYLINDER BLOCK COVER)
11	11-46887		2,2	NUT, ANCHOR PIN TO CYLINDER BLOCK COVER
12	39453		1,1	CLEVIS, SHIFT CONTROL
13	39456		1,1	PIN, SHIFT CABLE ANCHOR - SHIFT CONTROL CLEVIS
14	24-39455		1,1	SPRING, COMPRESSION - SHIFT CABLE ANCHOR PIN
15	17-23928		1,1	PIN, ROLL - SHIFT CABLE ANCHOR PIN
16	24-39457		1,1	SPRING, DETENT - SHIFT CONTROL CLEVIS
17	18-63480		1,1	COTTER PIN, SHIFT CONTROL CLEVIS TO SHIFT CONTROL LEVER
18	39465		1,1	BRACKET, RETAINER - SHIFT CABLE
19	39464		1,1	BRACKET, MOUNTING - SHIFT CABLE RETAINER SPRING
20	10-26774		1,1	SCREW, MOUNTING BRACKET TO RETAINER BRACKET (1/2")
21	10-20784		2,2	SCREW, RETAINER BRACKET TO CYLINDER BLOCK (1 1/2")
22	24-39462		1,1	SPRING, SHIFT CABLE RETAINER
23	66354		,2	GUIDE, BOTTOM COWL (THROTTLE END SHIFT CABLE GUIDE)

[A-39466A1] KIT TO BE USED WITH: MERC 60 (SERIAL #1916139 AND UP), MERC 75 (SERIAL #3801457 AND BELOW), MERC 110 (SERIAL #1912759-#3795657)

[A-39466A2] KIT TO BE USED WITH: MERC 75 (SERIAL #3801458 AND UP), MERC 110 (SERIAL # 3795658 AND UP)

# REMOTE CONTROL ATTACHMENT PARTS KIT E



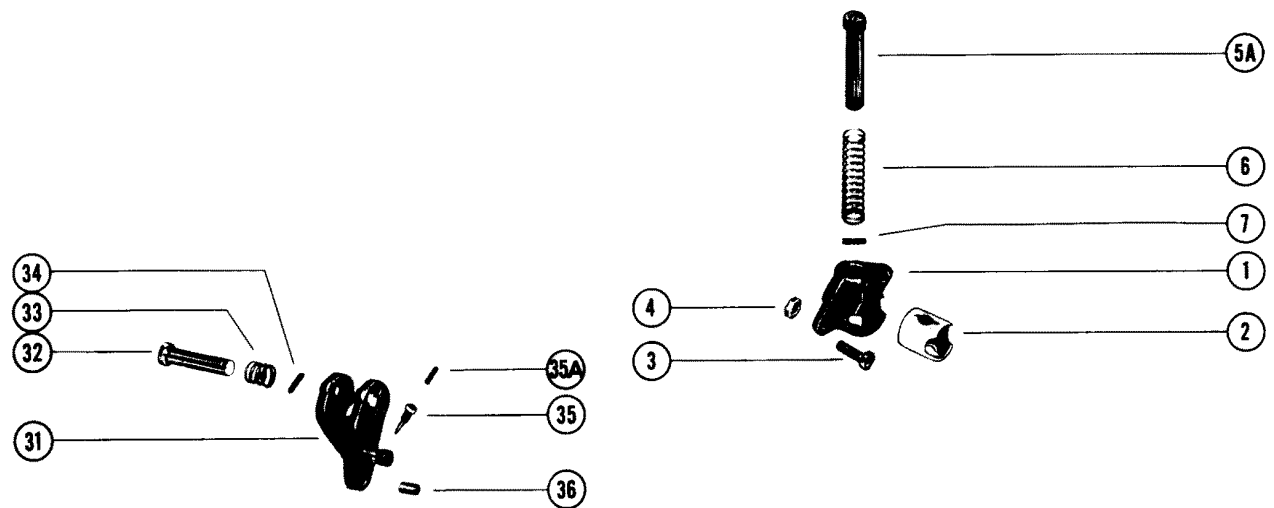
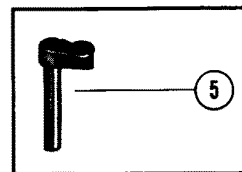
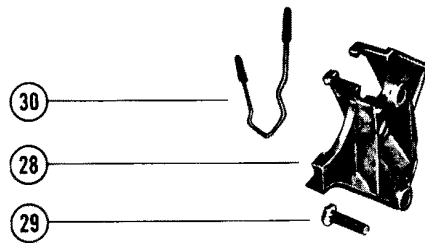
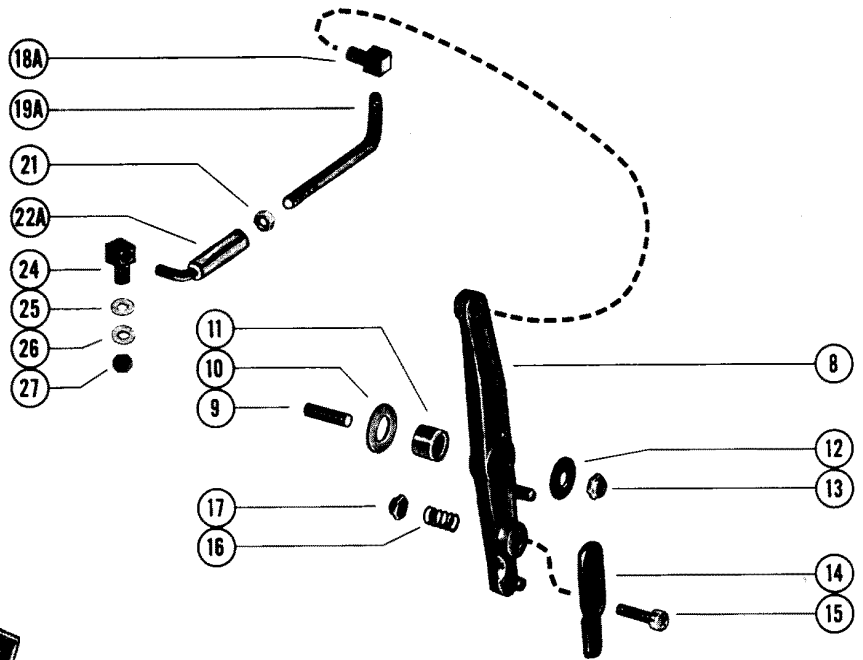
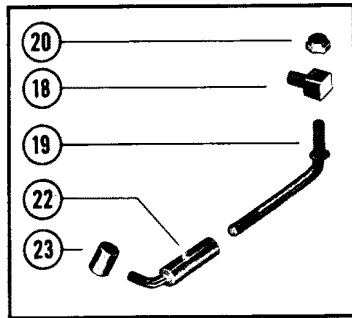
# REMOTE CONTROL ATTACHMENT PARTS KIT E

REF. NO.	PART NO.	SYM.	QTY.	DESCRIPTION
-	39660A1	>	1,,,	REMOTE CONTROL ATTACHMENT PARTS KIT
-	46455A1	⊗	,1,,	REMOTE CONTROL ATTACHMENT PARTS KIT
-	46455A2		,,1,	REMOTE CONTROL ATTACHMENT PARTS KIT
-	46455A3		,,,1	REMOTE CONTROL ATTACHMENT PARTS KIT
1	39490		1,,,	SOCKET, ANCHOR - THROTTLE CABLE
	46415		,1,1,1	SOCKET, ANCHOR - THROTTLE CABLE
2	39646		1,1,1,1	LINER, NYLON - ANCHOR SOCKET
3	10-20456		2,2,2,2	SCREW, ANCHOR SOCKET TO THROTTLE CONTROL HOUSING (5/8")
4	11-31953		2,2,2,2	NUT, ANCHOR BRACKET SCREW
5	37913		1,,,	LEVER, LOCKING - SHIFT CABLE TO ANCHOR SOCKET
5A	39456		,1,1,1	LEVER, LOCKING - SHIFT CABLE TO ANCHOR SOCKET
6	24-45004		1,,,	SPRING, COMPRESSION - LOCKING LEVER
	24-39455		,1,1,1	SPRING, COMPRESSION - LOCKING LEVER
7	17-23928		1,1,1,1	PIN, ROLL - LOCKING LEVER
8	39368		1,,,	LEVER, THROTTLE CONTROL
	46411		,1,1,1	LEVER, THROTTLE CONTROL
9	16-39647		1,1,1,1	STUD, THROTTLE CONTROL LEVER TO EXHAUST COVER
10	12-21900		1,1,1,1	WASHER, THROTTLE CONTROL LEVER STUD (17/32" I. D. )
11	23-39648		1,1,1,1	SLEEVE, THROTTLE CONTROL LEVER STUD
12	12-39649		1,1,1,1	WASHER, THROTTLE CONTROL LEVER STUD (17/64" I. D. )
13	11-20586		1,1,1,1	NUT, THROTTLE CONTROL LEVER STUD
14	39483		1,1,1,1	LATCH, THROTTLE CABLE FASTENING
15	10-22486		1,1,1,1	SCREW, LATCH TO THROTTLE CONTROL LEVER (7/8")
16	24-20099		1,1,1,1	SPRING, LATCH SCREW
17	11-20586		1,1,1,1	NUT, LATCH SCREW
18	39945		1,,,	SWIVEL, THROTTLE CONTROL LEVER TO LINK ROD
18A	27947		,1,1,1	SWIVEL, THROTTLE CONTROL LEVER TO LINK ROD
19	39944A1		1,,,	LINK ROD ASSEMBLY, THROTTLE CONTROL LEVER SWIVEL
L9A	46410		,1,1,1	LINK ROD, THROTTLE CONTROL LEVER SWIVEL
20	11-20586		1,,,	NUT, LINK ROD TO SWIVEL
21	11-25168		,1,1,1	NUT, JAM - LINK ROD
22	39943A1		1,,,	SLEEVE AND LINK ASSEMBLY
22A	25996A1		,1,1,1	SLEEVE AND LINK ASSEMBLY
23	34610		1,,,	SWIVEL, SLEEVE AND LINK TO THROTTLE CAM
24	27948		,1,1,1	SWIVEL, SLEEVE AND LINK TO THROTTLE CAM
25	13-25806		,1,1,1	WAVE WASHER, SLEEVE AND LINK SWIVEL
26	12-29245		,1,1,1	WASHER, SLEEVE AND LINK SWIVEL
27	11-20361		,1,1,1	NUT, SLEEVE AND LINK SWIVEL
28	39491		1,1,1,	BRACKET, MOUNTING - SHIFT CABLE RETAINER SPRING
29	10-20542		2,2,2,	SCREW, MOUNTING BRACKET TO CYLINDER BLOCK (7/8")

> = THIS KIT TO BE USED WITH: MERC 200."FULL GEAR SHIFT" SERIAL #1972827 THRU SERIAL #2094830.  
 ⊗ = THIS KIT TO BE USED WITH: MERC 200 "FULL GEAR SHIFT"SERIAL #2149831 THRU SERIAL #2271043.

CONTINUED ON NEXT PAGE ➡

# REMOTE CONTROL ATTACHMENT PARTS KIT E

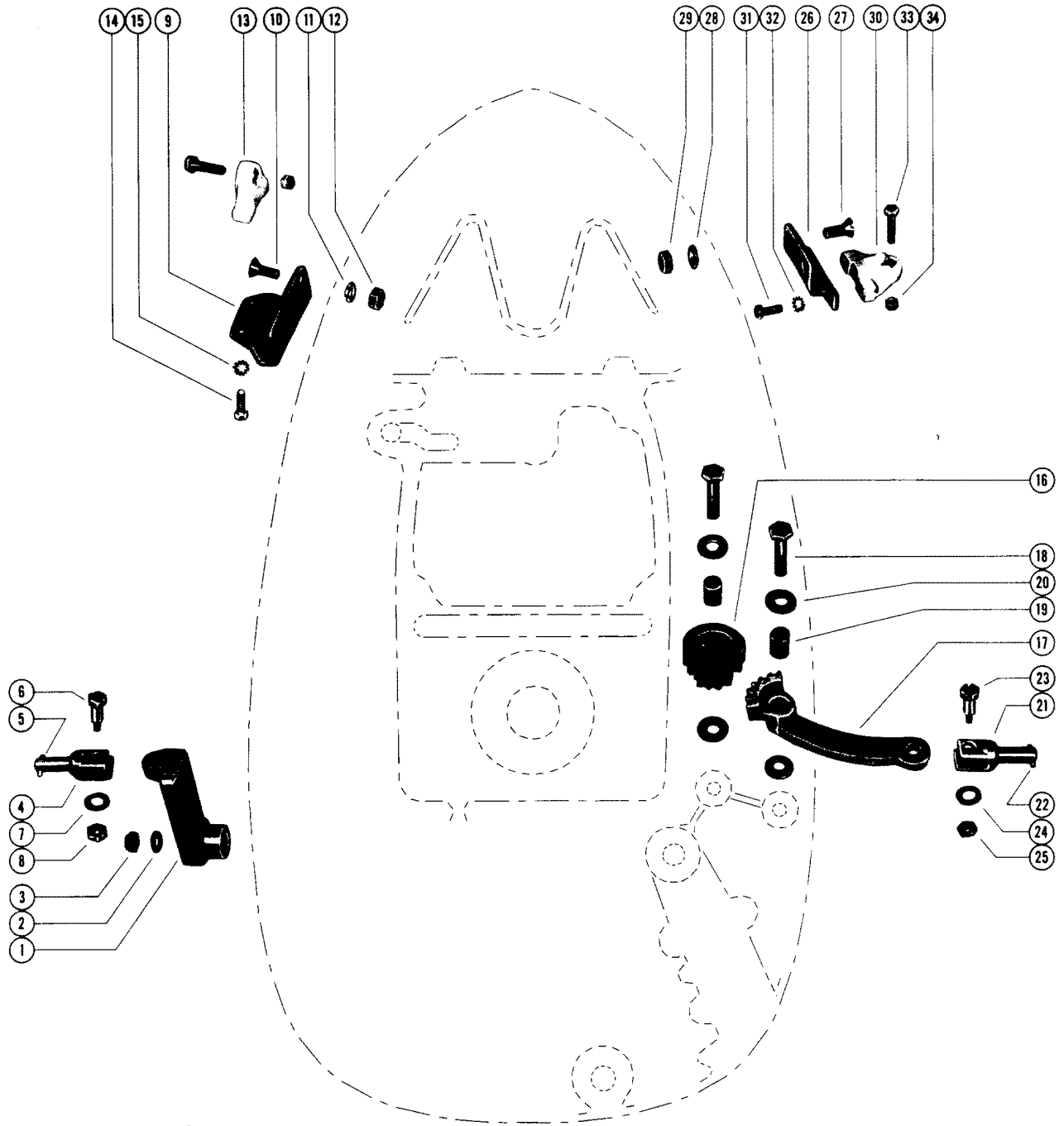


## REMOTE CONTROL ATTACHMENT PARTS KIT E

REF. NO.	PART NO.	SYM.	QTY.	DESCRIPTION
30	24-39462		1,1,1,	SPRING, SHIFT CABLE RETAINER
	24-49012		,,1,1	SPRING, SHIFT CABLE RETAINER
31	39488		1,1,1,1	CLEVIS, SHIFT CONTROL
	39453		,,,1	CLEVIS, SHIFT CONTROL
32	39456		1,1,1,1	PIN, SHIFT CABLE ANCHOR - SHIFT CONTROL CLEVIS
33	24-39455		1,1,1,1	SPRING, COMPRESSION - SHIFT CABLE ANCHOR PIN
34	17-23928		1,1,1,1	PIN, ROLL - SHIFT CABLE ANCHOR PIN
35	10-20847		1,1,,	SCREW, SHIFT CONTROL CLEVIS TO SHIFT CONTROL LEVER
35A	18-63480		,,1,1	COTTER PIN, SHIFT CONTROL CLEVIS TO SHIFT CONTROL LEVER
36	24-39457		1,1,1,1	SPRING, DETENT - SHIFT CONTROL CLEVIS

NOTE #1: THIS KIT TO BE USED WITH MERC 200 "FULL GEAR SHIFT"--SERIAL #1972827 THRU #2094830  
 NOTE #2: THIS KIT TO BE USED WITH: MERC200 "FULL GEAR SHIFT"--SEARIAL #2149831 THRU #2271043  
 NOTE #3: THIS KIT TO BE USED WITH: MERC 200 "FULL GEAR SHIFT"--SERIAL #2296267 THRU #3435920  
 NOTE #4: THIS KIT TO BE USED WITH: MERC 200 "FULL GEAR SHIFT"--SERIAL # 3537531 AND UP

# REMOTE CONTROL ATTACHMENT PARTS KIT F

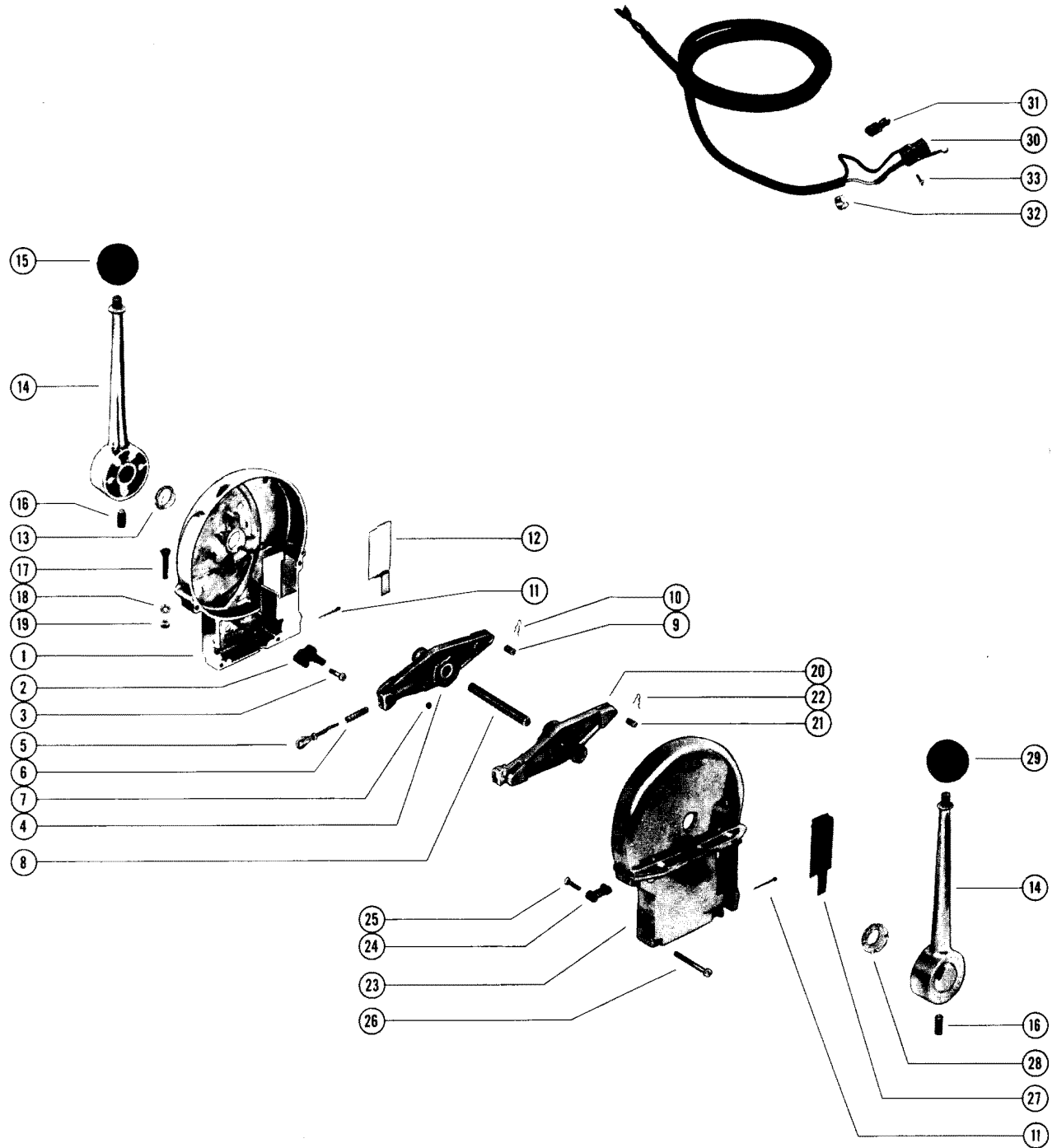


# REMOTE CONTROL ATTACHMENT PARTS KIT F

REF. NO.	PART NO.	SYM.	QTY.	DESCRIPTION
-	<b>45350A1</b>	□	1	<b>REMOTE CONTROL ATTACHMENT PARTS KIT</b>
1	45349		1	LEVER, SHIFT - REMOTE CONTROL CABLE
2	12-29245		1	WASHER, SHIFT LEVER TO SHIFT CONTROL SHAFT
3	11-35045		1	NUT, SHIFT LEVER TO SHIFT CONTROL SHAFT
4	17-30978A1		1	CLEVIS YOKE PIN ASSEMBLY
5	17-23928		1	ROLL PIN, CLEVIS YOKE PIN
6	10-20584		1	SCREW, CLEVIS YOKE PIN TO SHIFT LEVER BRACKET
7	13-29402		1	WASHER, WAVE - CLEVIS YOKE PIN SCREW
8	11-29488		1	NUT, CLEVIS YOKE PIN FASTENING SCREW
9	30922		1	BRACKET, SHIFT CABLE - BOTTOM COWL
10	10-31163		2	SCREW, SHIFT CABLE BRACKET TO BOTTOM COWL
11	13-26992		2	LOCKWASHER, SHIFT CABLE BRACKET SCREW
12	11-20088		2	NUT, SHIFT CABLE BRACKET FASTENING SCREW
13	20557		1	BRACKET, CABLE END ANCHOR
14	10-20100		2	SCREW, ANCHOR BRACKET TO SHIFT CABLE BRACKET
15	13-20554		2	LOCKWASHER, ANCHOR BRACKET FASTENING SCREW
16	43-31805		1	GEAR, IDLER
17	43-31804		1	GEAR, LEVER SECTOR
18	10-24878		2	SCREW, IDLER GEAR AND SECTOR GEAR TO BOTTOM COWL
19	23-30972		2	BUSHING, IDLER GEAR AND SECTOR GEAR SCREW
20	12-30971		4	WASHER, IDLER GEAR AND SECTOR GEAR SCREW
21	17-30978A1		1	CLEVIS YOKE PIN ASSEMBLY
22	17-23928		1	ROLL PIN, CLEVIS YOKE PIN
23	10-20584		1	SCREW, CLEVIS YOKE PIN TO LEVER SECTOR GEAR
24	13-29402		1	WASHER, WAVE - CLEVIS YOKE PIN SCREW
25	11-29488		1	NUT, CLEVIS YOKE PIN FASTENING SCREW
26	31806		1	BRACKET, THROTTLE CABLE - BOTTOM COWL
27	10-31163		2	SCREW, THROTTLE CABLE BRACKET TO BOTTOM COWL
28	13-26992		2	LOCKWASHER, THROTTLE CABLE BRACKET SCREW
29	11-20088		2	NUT, THROTTLE CABLE BRACKET FASTENING SCREW
30	20557		1	BRACKET, CABLE END ANCHOR
31	10-20100		2	SCREW, ANCHOR BRACKET TO THROTTLE CABLE BRACKET
32	13-20554		2	LOCKWASHER, ANCHOR BRACKET FASTENING SCREW
33	10-36154		2	SCREW, CABLE TO ANCHOR BRACKET (1 3/8")
34	11-35045		2	NUT, ANCHOR BRACKET CABLE SCREW

□ = THIS KIT TO BE USED WITH: MERC 39 - SERIAL #1912759 AND UP, MERC 40-SERIAL #3296136 AND BELOW

# REMOTE CONTROL ASSEMBLY(TOP MOUNTED - CONSOLE)



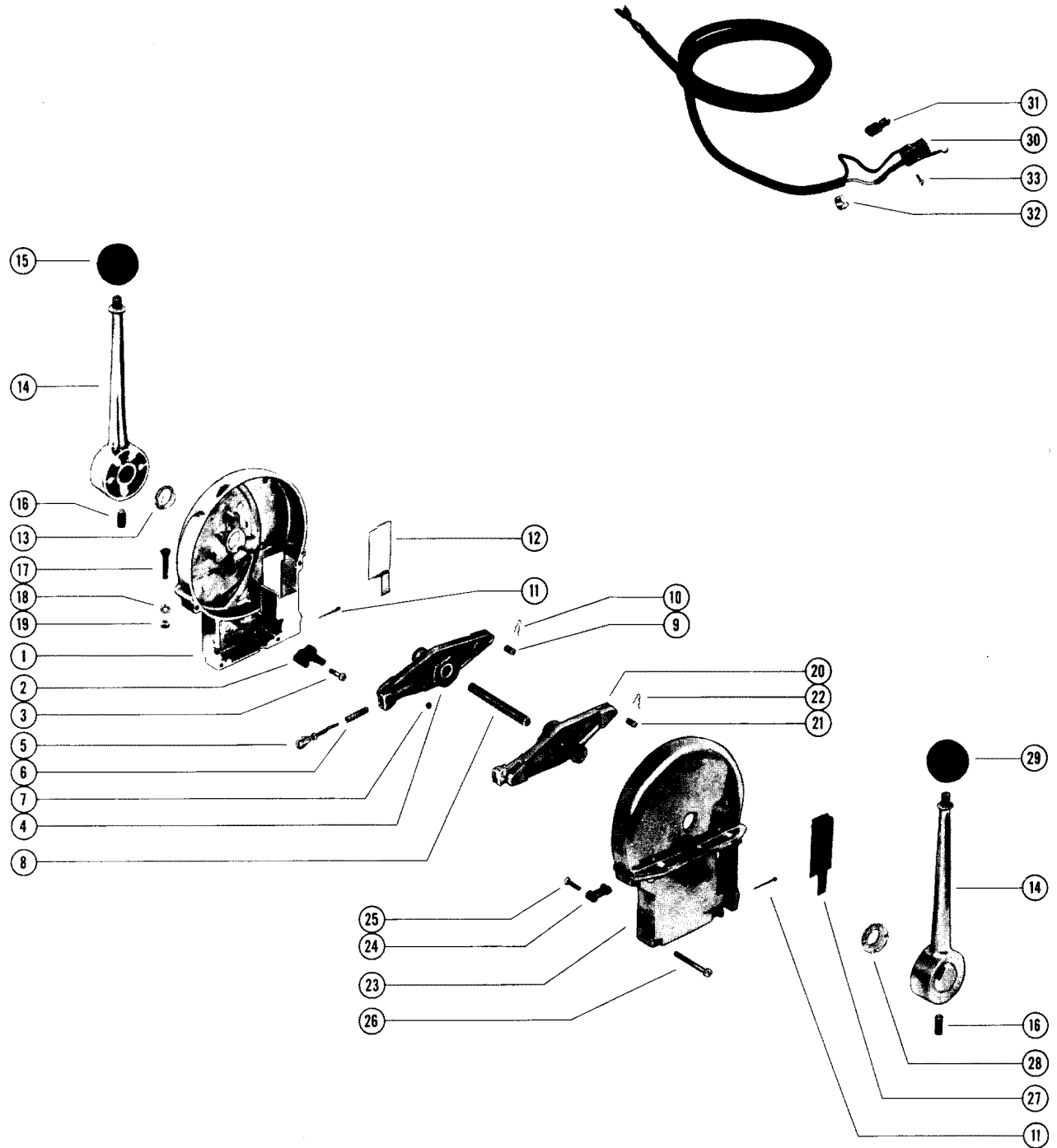


# REMOTE CONTROL ASSEMBLY(TOP MOUNTED - CONSOLE)

REF. NO.	PART NO.	SYM.	QTY.	DESCRIPTION
-	38290A1		1,	REMOTE CONTROL ASSEMBLY, TOP MOUNTED - TWO LEVER (SEE NOTE)
-	58602A1		,1	REMOTE CONTROL ASSEMBLY, TOP MOUNTED - TWO LEVER (SEE NOTE)
1	38288		1,1	HOUSING, REMOTE CONTROL (STARBOARD)
2	38882		1,	BLOCK, STOP - CONTROL HOUSING
3	10-24090		2,	SCREW, STOP BLOCK TO CONTROL HOUSING (5/8")
4	38282		1,	LEVER, SHIFT
2	58502		,1	BLOCK, STOP - CONTROL HOUSING
3	10-57937		,2	SCREW, STOP BLOCK TO CONTROL HOUSING (9/16")
4	58503		,1	LEVER, SHIFT
5	17-39577A3		1,1	PIN ASSEMBLY, DETENT - SHIFT LEVER
6	24-38872		1,1	SPRING, COMPRESSION - SHIFT LEVER DETENT PIN
7	13-39317		1,1	FASTENER, DETENT PIN TO SHIFT LEVER.
8	38283		1,1	SHAFT, CONTROL
9	17-37801		1,1	PIN, CONTROL CABLE TO SHIFT LEVER
10	18-37809		1,1	PIN, CONTROL CABLE TO SHIFT LEVER PIN
11	18-32857		2,2	COTTER PIN, CONTROL CABLE TO CONTROL HOUSING
12	38749		1,1	COVER, CONTROL HOUSING (STARBOARD)
13	23-37593		1,1	BUSHING, NYLON - SHIFT LEVER (11/16" I. D. )
14	38369		2,2	HANDLE, THROTTLE AND SHIFT
15	37813		1,1	KNOB, SHIFT HANDLE (BLACK)
16	10-37805		2,2	SCREW, SET THROTTLE AND SHIFT HANDLES TO THROTTLE AND SHIFT LEVERS
17	10-35963		4,4	SCREW, REMOTE CONTROL TO BOAT (1 1/2")
18	12-24664		4,4	WASHER, REMOTE CONTROL SCREW
19	11-20361		4,4	NUT, REMOTE CONTROL SCREW
20	38282		1,	LEVER, THROTTLE
	58503		,1	LEVER, THROTTLE
21	17-37801		1,1	PIN, CONTROL CABLE TO THROTTLE LEVER
22	18-37809		1,1	PIN, CONTROL CABLE TO THROTTLE LEVER PIN
23	38287		1,	HOUSING, REMOTE CONTROL (PORT)
24	38368		1,	BLOCK, STOP - CONTROL HOUSING
25	10-24090		2,	SCREW, STOP BLOCK TO CONTROL HOUSING (5/8")
23	58602		,1	HOUSING, REMOTE CONTROL (PORT)
24	57303		,1	BLOCK, STOP - CONTROL HOUSING
25	10-57937		,2	SCREW, STOP BLOCK TO CONTROL HOUSING (9/16")
26	10-37803		4,4	SCREW, CONTROL HOUSING CLAMPING (1 3/4")
27	38750		1,1	COVER, CONTROL HOUSING (PORT)
28	23-37593		1,1	BUSHING, NYLON - THROTTLE LEVER. (11/16" I. D. )
29	38293		1,1	KNOB, THROTTLE HANDLE (RED)
30	36004A1		1,1	SWITCH AND HARNESS ASSEMBLY, SAFETY

CONTINUED ON NEXT PAGE ➡

# REMOTE CONTROL ASSEMBLY(TOP MOUNTED - CONSOLE)

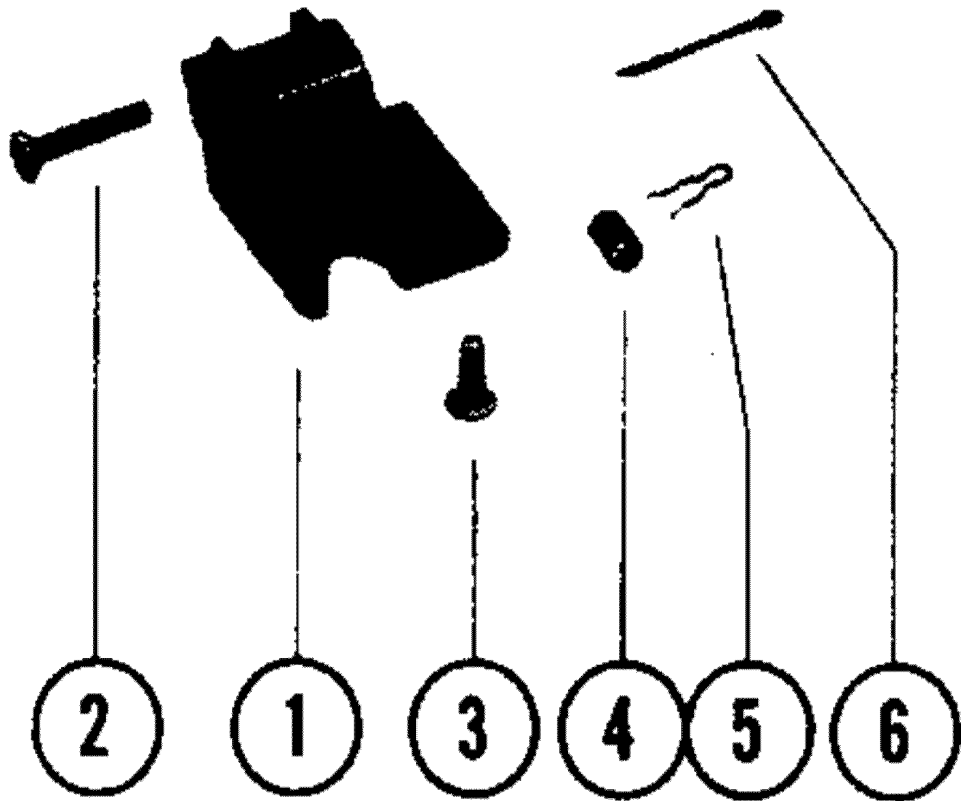


## REMOTE CONTROL ASSEMBLY(TOP MOUNTED - CONSOLE)

REF. NO.	PART NO.	SYM.	QTY.	DESCRIPTION
31	36286		2,2	TAB RECEPTACLE, SWITCH HARNESS
32	54-20387		1,1	CLAMP, SWITCH HARNESS
33	10-36003		2,2	SCREW, SAFETY SWITCH TO CONTROL HOUSING (5/8")
-	<b>57303</b>		,1	<b>BLOCK, STOP</b>
-	<b>10-59143</b>		,2	<b>SCREW, STOP BLOCK ATTACHING (1 1/4")</b>

NOTE: [C38290A1] AND [C-58602A1] REMOTE CONTROL ASSEMBLIES MUST USE TWO EACH [C-34555A]: REMOTE CONTROL CABLE ASSEMBLY. SEE REMOTE CONTROL CABLE ASSEMBLY FOR LENGTH OF CABEL DESIRED

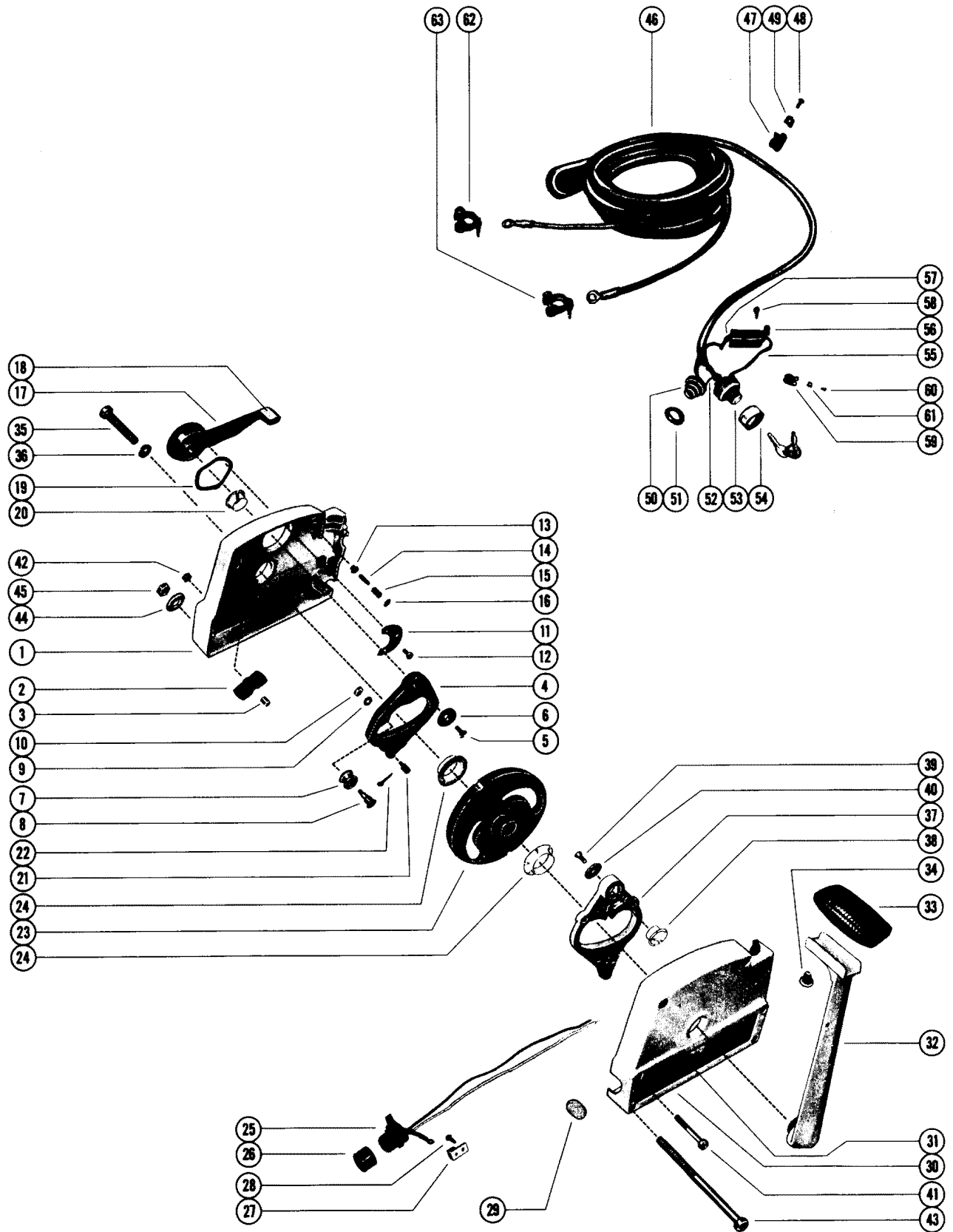
# DUAL STATION REMOTE CONTROL KIT



## DUAL STATION REMOTE CONTROL KIT

REF. NO.	PART NO.	SYM.	QTY.	DESCRIPTION
-	<b>38290A2</b>		<b>1</b>	<b>REMOTE CONTROL KIT, DUAL STATION (SEE NOTE)</b>
1	38280		1	RETAINER, CONTROL CABLE - REMOTE CONTROL
2	10-38289		2	SCREW, RETAINER TO REMOTE CONTROL (1")
3	10-38284		2	SCREWW RETAINER TO REMOTE CONTROL (1/2")
4	17-37801		2	PIN, CONTROL CABLE
5	18-37809		3	PIN, CONTROL CABLE PIN
6	18-32857		2	COTTER PIN, CONTROL CABLE TO RETAINER

# REMOTE CONTROL ASSEMBLY (ELECTRIC) F



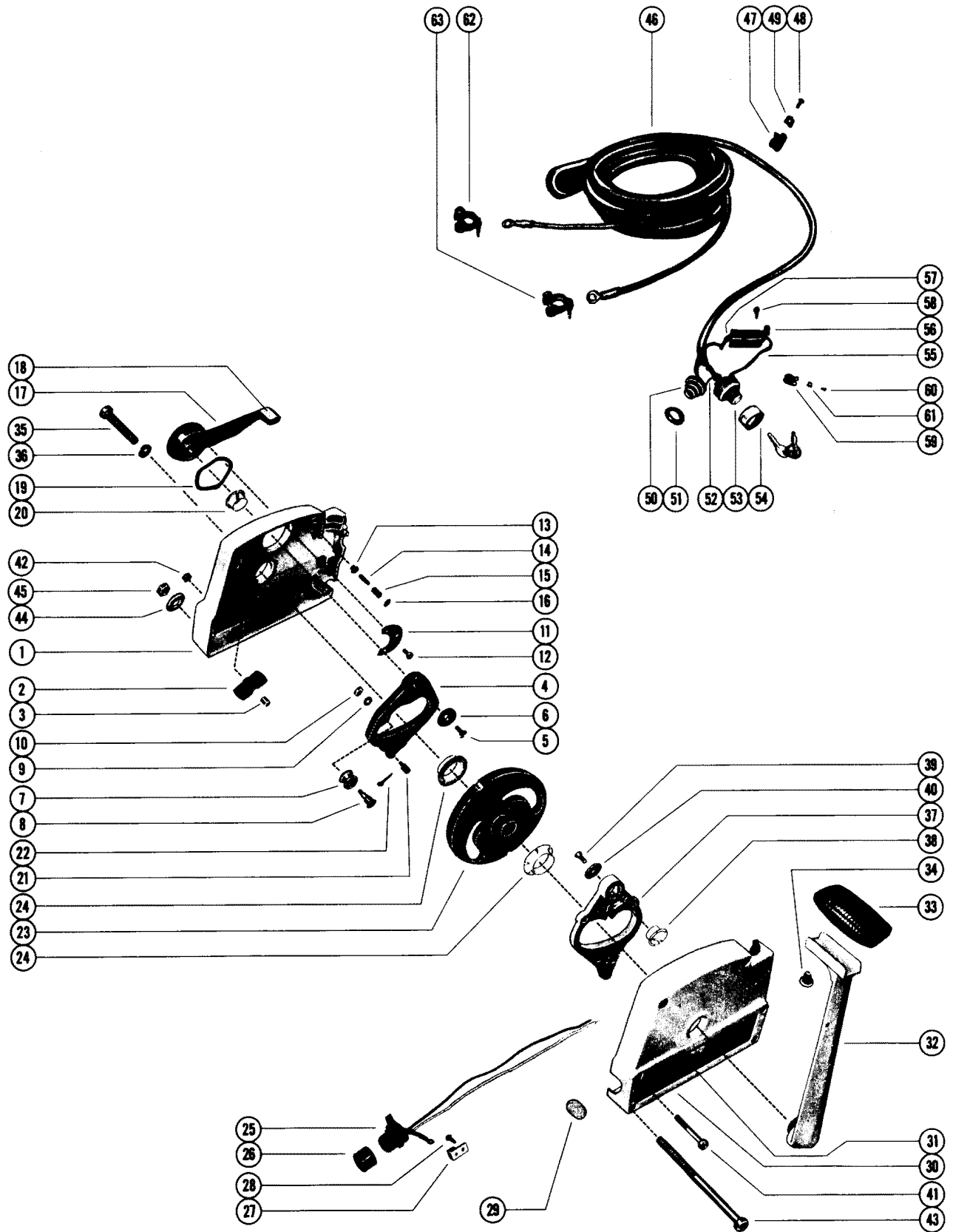
## REMOTE CONTROL ASSEMBLY (ELECTRIC) F

REF. NO.	PART NO.	SYM.	QTY.	DESCRIPTION
-	45854A	♥	1,,,	ELECTRIC REMOTE CONTROL ASSEMBLY, COMPLETE SEE INDEX PAGE (ENGINE) TO INSURE ORDERING CORRECT ELECTRIC REMOTE CONTROL ASSEMBLY
-	45957A	♥	,1,,,	ELECTRIC REMOTE CONTROL ASSEMBLY, COMPLETE SEE INDEX PAGE (ENGINE) TO INSURE ORDERING CORRECT ELECTRIC REMOTE CONTROL ASSEMBLY
-	45954A20	♥	,,1,,	ELECTRIC REMOTE CONTROL ASSEMBLY, COMPLETE SEE INDEX PAGE (ENGINE) TO INSURE ORDERING CORRECT ELECTRIC REMOTE CONTROL ASSEMBLY
-	56290A	♥	,,,1,	ELECTRIC REMOTE CONTROL ASSEMBLY, COMPLETE SEE INDEX PAGE (ENGINE) TO INSURE ORDERING CORRECT ELECTRIC REMOTE CONTROL ASSEMBLY
-	57617A	♥	,,,1	ELECTRIC REMOTE CONTROL ASSEMBLY, COMPLETE SEE INDEX PAGE (ENGINE) TO INSURE ORDERING CORRECT ELECTRIC REMOTE CONTROL ASSEMBLY
1	45880		1,1,1,,	HOUSING, REMOTE CONTROL (STARBOARD)-WHITE
	45880-2		,,,1,1	HOUSING, REMOTE CONTROL (STARBOARD)-BLACK
2	24-34683		2,2,2,2,2	SPRING, DETENT - CONTROL HOUSING
3	34992		1,1,1,1,1	ROLLER, DETENT SPRING
4	34671		1,1,1,1,1	LEVER, THROTTLE - CONTROL HOUSING
5	10-34676		1,1,1,1,1	SCREW, THROTTLE LEVER TO NEUTRAL WARM-UP LEVER
6	12-34675		1,1,1,1,1	WASHER, THROTTLE LEVER SCREW
7	34672		1,1,1,1,1	CAM ROLLER, THROTTLE LEVER
8	17-34673		1,1,1,1,1	PIN, CAM ROLLER TO THROTTLE LEVER
9	12-34680		1,1,1,1,1	WASHER, CAM ROLLER PIN
10	11-31953		1,1,1,1,1	NUT, CAM ROLLER TO THROTTLE LEVER PIN
11	34679		1,1,1,1,1	PLATE, THRUST - CONTROL HOUSING
12	10-47220		3,3,3,3,3	SCREW, THRUST PLATE TO NEUTRAL WARM-UP LEVER
13	17-20009		1,1,1,1,1	PIN, DETENT - CONTROL HOUSING NEUTRAL WARM-UP LEVER
14	24-35210		1,1,1,1,1	SPRING, DETENT PIN
15	24-35227		1,1,1,1,1	SPRING, DETENT PIN TENSION
16	19-20011		1,1,1,1,1	WELCH PLUG, DETENT PIN AND SPRING RETAINING
17	34670		1,1,1,,	LEVER, NEUTRAL WARM-UP CONTROL-HOUSING(WHITE)
	34670-2		,,,1,1	LEVER, NEUTRAL WARM-UP CONTROL-HOUSING ( BLACK)
18	37-31021		1,1,1,,	TAPE, NEUTRAL WARM-UP LEVER
19	13-34678		1,1,1,1,1	WASHER, WAVE - NEUTRAL WARM-UP LEVER
20	23-33589		1,1,1,1,1	BUSHING, NYLON - NEUTRAL WARM-UP LEVER (5/8" I. D. )
21	17-34692		2,2,2,2,2	PIN, SHIFT AND THROTTLE LEVERS
22	18-29623		2,2,2,2,2	COTTER PIN, SHIFT AND THROTTLE LEVER PINS
23	54911		1,1,1,1,1	FACE CAM
24	23-34677		2,2,2,2,2	BUSHING, NYLON- FACE CAM (1" I.D.)
25	45887		1,,,1,	CONNECTOR, TACHOMETER LEAD TO REMOTE CONTROL
26	45940		1,,,1,	CAP, TACHOMETER LEAD CONNECTOR
27	45915		1,,,1,	TERMINAL BLOCK, CONNECTOR LEADS

♥ = AVAILABLE IN LENGTHS OF 10 , 15 ,20 AND 40 .

CONTINUED ON NEXT PAGE ➡

# REMOTE CONTROL ASSEMBLY (ELECTRIC) F





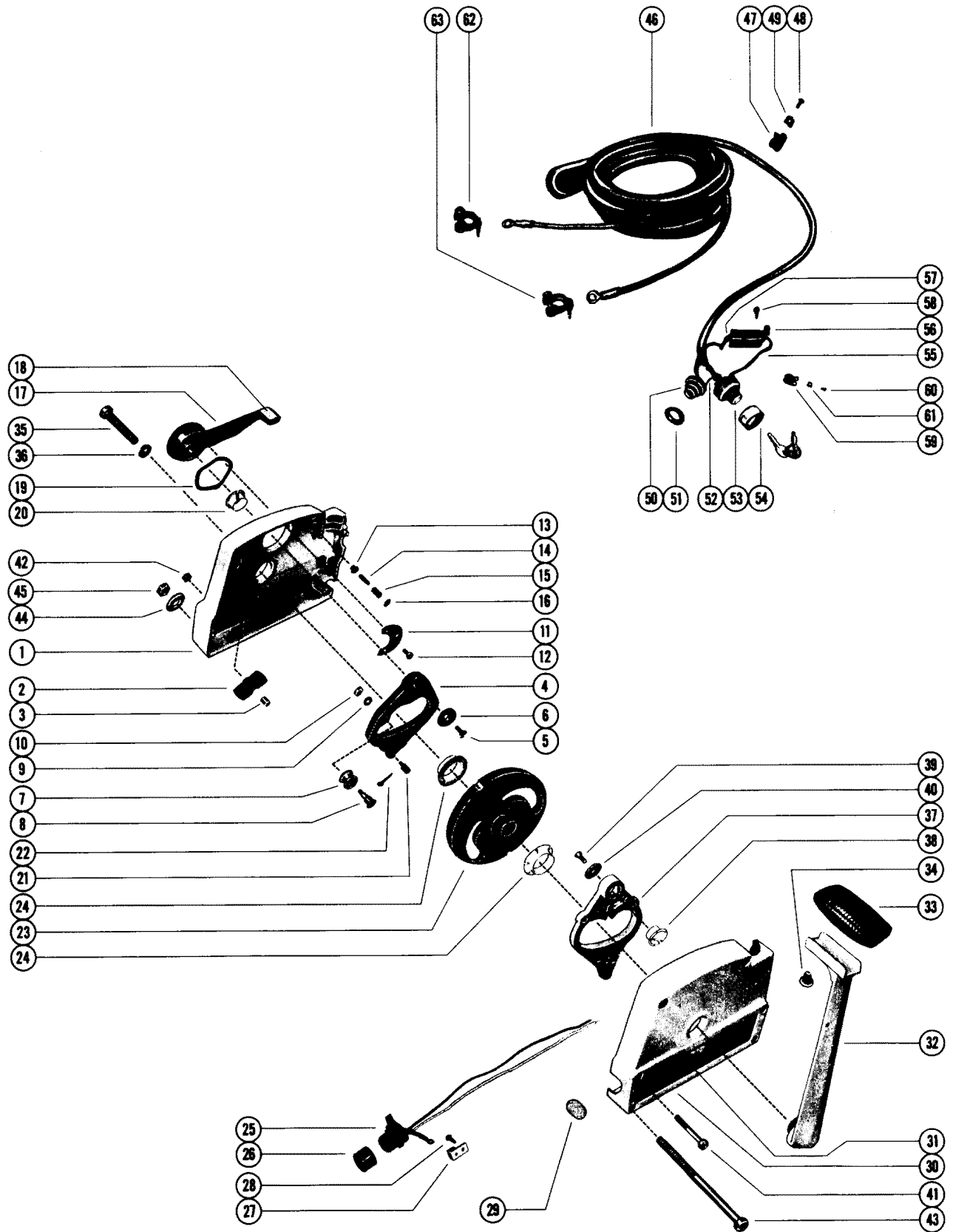
## REMOTE CONTROL ASSEMBLY (ELECTRIC) F

REF. NO.	PART NO.	SYM.	QTY.	DESCRIPTION
28	10-37260		2,,2,	SCREW, TERMINAL BLOCK TO CONTROL HOUSING (7/16")
29	19-45918		,1,1,,	PLUG, CONTROL HOUSING HOLE
	19-55348		,,,1	PLUG, CONTROL HOUSING HOLE
30	45939		1,1,1,,	HOUSING, REMOTE CONTROL (PORT)-WHITE
	45939-2		,,,1,1	HOUSING, REMOTE CONTROL (PORT)-BLOCK
31	37-46424		1,1,1,,	DECAL,CONTROL HOUSING (MERCENTROL)
	37-55326		,,,1,1	DECAL,CONTROL HOUSING (MERCENTROL)
-	<b>37-55325</b>		<b>,,,1,1</b>	<b>DECAL,CONTROL HOUSING (MERCENTROL)</b>
32	34689		1,1,1,,	LEVER,CONTROL (WHITE)
	34689-2		,,,1,1	LEVER,CONTROL (BLACK)
33	36005		1,1,1,,	GRIP, CONTROL LEVER(BLACK)
	55339		,,,1,1	GRIP, CONTROL LEVER(RED)
34	10-37342		2,2,2,2,2	SCREW, GRIP TO CONTROL LEVER (7/16")
35	10-34691		1,1,1,1,1	SCREW, CONTROL LEVER TO FACE CAM (1 1/2")
36	13-26992		1,1,1,1,1	LOCKWASHER, CONTROL LEVER SCREW
37	34682		1,1,1,1,1	LEVER, SHIFT - CONTROL HOUSING
38	23-33589		1,1,1,1,1	BUSHING, NYLON - SHIFT LEVER (5/8" I. D. )
39	10-34676		1,1,1,1,1	SCREW, SHIFT LEVER TO CONTROL HOUSING
40	12-34675		1,1,1,1,1	WASHER, SHIFT LEVER SCREW
41	10-37941		4,4,4,4,4	SCREW, REMOTE CONTROL HOUSING CLAMPING
42	11-34688		4,4,4,4,4	NUT, REMOTE CONTROL HOUSING CLAMPING SCREW
43	10-34900		2,2,2,2,2	SCREW, REMOTE CONTROL TO BOAT (4 1/4")
44	12-20346		2,2,2,2,2	WASHER, REMOTE CONTROL SCREW
45	11-24652		2,2,2,2,2	NUT, REMOTE CONTROL TO BOAT SCREW
46	45876	♥	,1,,,	WIRING HARNESS, EXTERNAL
	34200	♥	,,1,,	WIRING HARNESS, EXTERNAL
	57416	♥	,,,1	WIRING HARNESS, EXTERNAL
	38400-20	♥	,,1,,	WIRING HARNESS, EXTERNAL
47	54-23567		6,6,6,6,6	CLAMP, EXTERNAL WIRING HARNESS TO BOAT
48	10-22793		6,6,6,6,6	SCREW, WOOD - WIRING HARNESS CLIP TO BOAT
49	22789		6,6,6,6,6	"D" WASHER, WIRING HARNESS CLIP SCREW
50	29759		1,1,1,1,1	SWITCH, CHOKE
51	30053		1,1,1,1,1	COLLAR, CHOKE SWITCH TO CONTROL HOUSING
52	39180		1,,1,	JUMPER WIRE, CHOKE SWITCH TO IGNITION SWITCH
	29648		,1,1,,	JUMPER WIRE, CHOKE SWITCH TO IGNITION SWITCH
	32469		,,,1	JUMPER WIRE, CHOKE SWITCH TO IGNITION SWITCH
53	54211		1,,1,	SWITCH, IGNITION (WITH KEYS) KEY PART #C-30431
	54213		,1,,,	SWITCH, IGNITION (WITH KEYS) KEY PART #C-30431
	54212		,,1,,	SWITCH, IGNITION (WITH KEYS) KEY PART #C-30431
	57485		,,,1	SWITCH, IGNITION (WITH KEYS) KEY PART #C-30431
54	22628		1,1,1,1,1	BEZEL, IGNITION SWITCH TO CONTROL HOUSING
55	30795		1,,1,1,	JUMPER WIRE, SAFETY SWITCH TO IGNITION SWITCH

♥ = AVAILABLE IN LENGTHS OF 10 , 15 ,20 AND 40 .

CONTINUED ON NEXT PAGE ➡

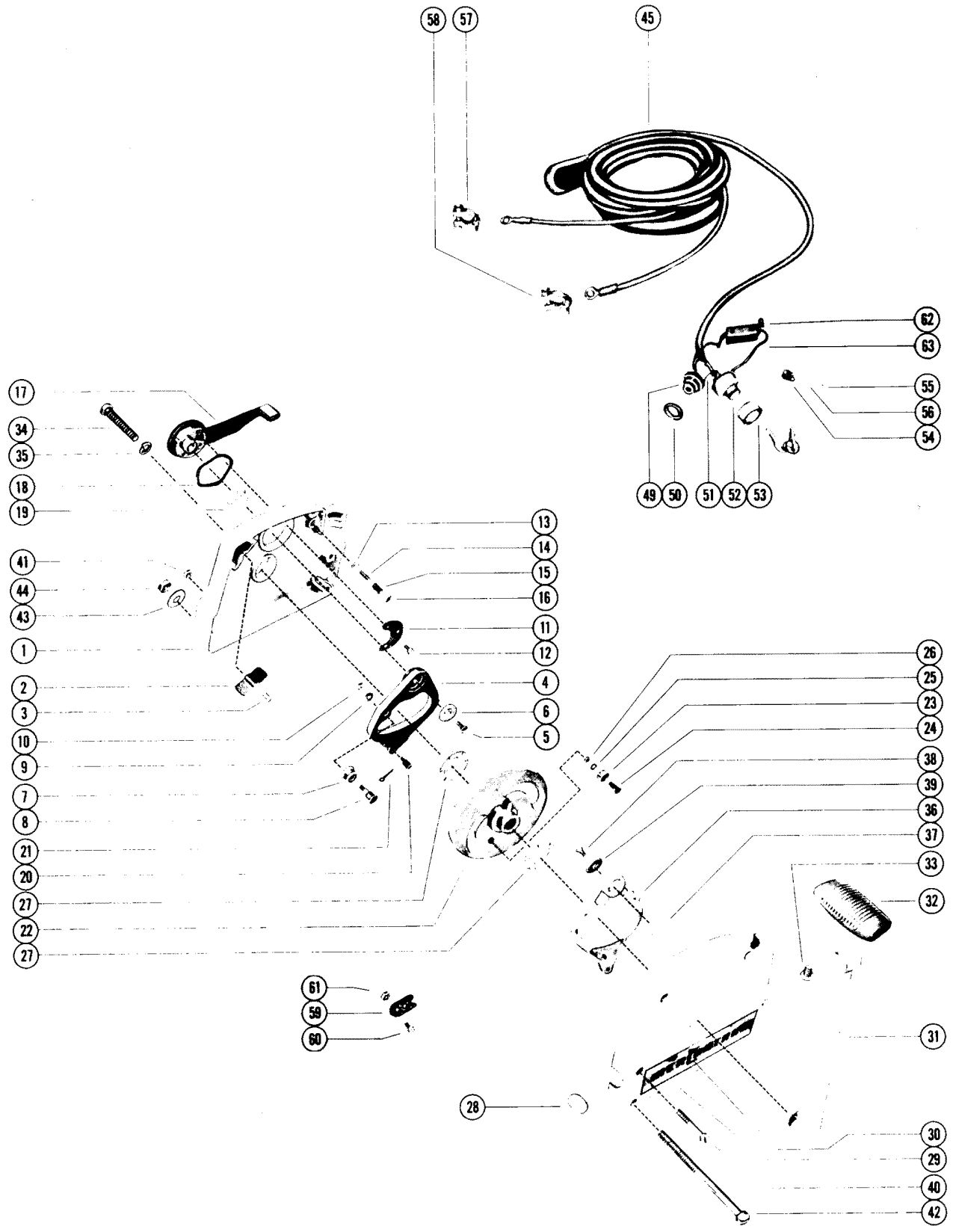
# REMOTE CONTROL ASSEMBLY (ELECTRIC) F



## REMOTE CONTROL ASSEMBLY (ELECTRIC) F

REF. NO.	PART NO.	SYM.	QTY.	DESCRIPTION
56	34621		1,,1,1,	SWITCH, SAFETY
57	23-37961		2,,2,2,	SLEEVE, SAFETY SWITCH LEADS
58	10-30902		2,,2,2,	SCREW, SAFETY SWITCH TO CONTROL HOUSING
59	54-22627		1,1,1,1,1	CLIP, INNER - WIRING HARNESS TO CONTROL HOUSING
60	10-37260		1,1,1,1,1	SCREW, WIRING HARNESS CLIP TO CONTROL HOUSING (7/16")
61	22789		1,1,1,1,1	"D" WASHER, WIRING HARNESS CLIP SCREW
62	27913		1,1,1,1,1	BATTERY TERMINAL, NEGATIVE (WITH BOLT AND NUT)
63	27912		1,1,1,1,1	BATTERY TERMINAL, POSITIVE (WITH BOLT AND NUT)

# REMOTE CONTROL ASY (72745A10)



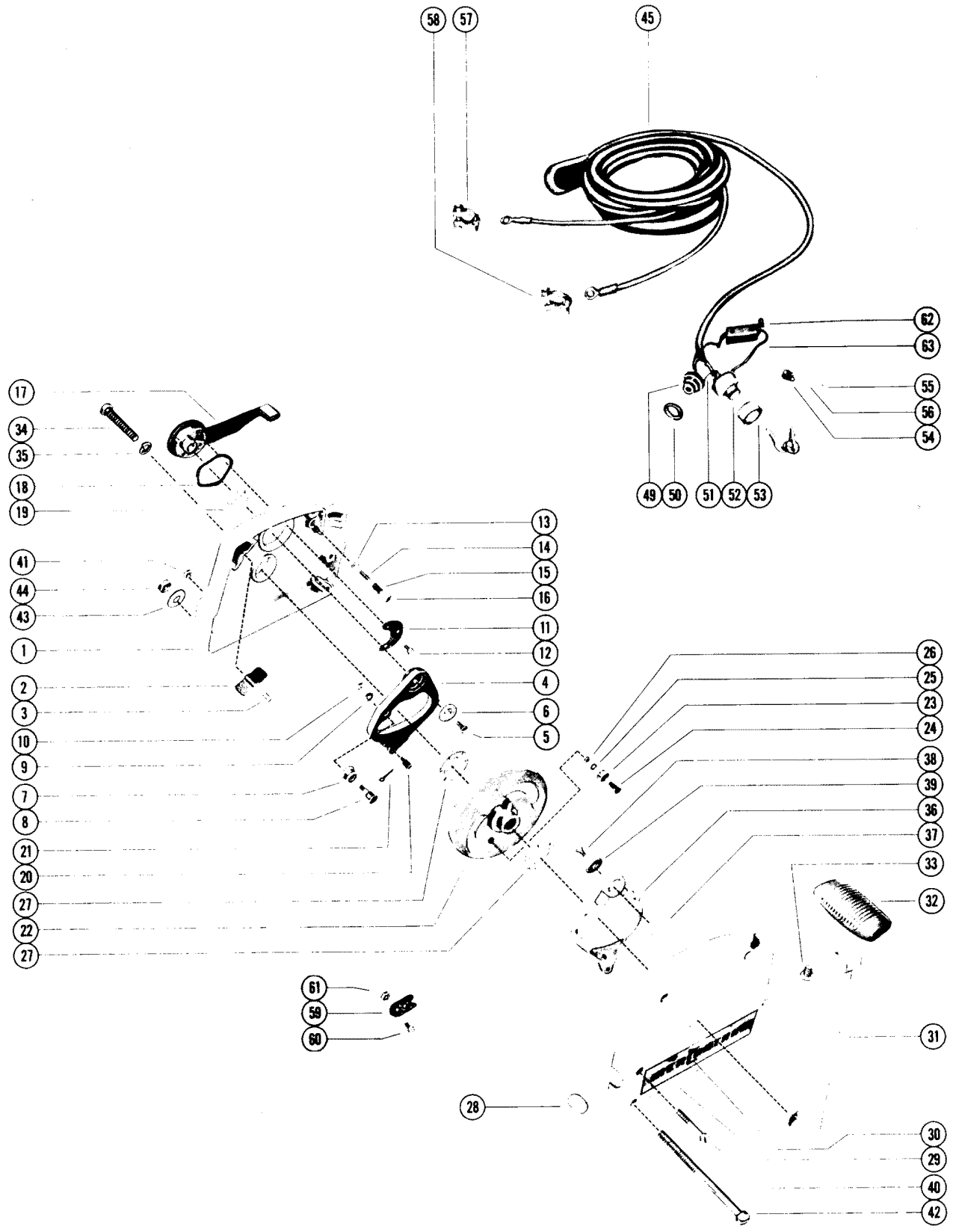
## REMOTE CONTROL ASY (72745A10)

REF. NO.	PART NO.	SYM.	QTY.	DESCRIPTION
-	72745A	♥	1	ELECTRIC REMOTE CONTROL ASSEMBLY COMPLETE SEE INDEX PAGE FOR CORRECT ENGINE MODEL
1	45880-2		1	HOUSING, REMOTE CONTROL (STARBOARD) - BLACK
2	24-34683		2	SPRING, DETENT - CONTROL HOUSING
3	34992		1	ROLLER, DETENT SPRING
4	34671		1	LEVER, THROTTLE - CONTROL HOUSING
5	10-85072		1	SCREW, THROTTLE LEVER TO NEUTRAL WARM-UP LEVER
6	12-34675		1	WASHER, THROTTLE LEVER SCREW
7	34672		1	CAM ROLLER, THROTTLE LEVER
8	17-34673		1	PIN, CAM ROLLER TO THROTTLE LEVER
9	12-34680		1	WASHER, CAM ROLLER PIN
10	11-31953		1	NUT, CAM ROLLER TO THROTTLE LEVER PIN
11	34679		1	PLATE, THRUST - CONTROL HOUSING
12	10-47220		3	SCREW, THRUST PLATE TO NEUTRAL WARM-UP LEVER
13	17-20009		1	PIN, DETENT - CONTROL HOUSING NEUTRAL WARM-UP LEVER
14	24-35210		1	SPRING, DETENT PIN
15	24-35227		1	SPRING, DETENT PIN TENSION
16	19-20011		1	WELCH PLUG, DETENT PIN AND SPRING RETAINING
17	34670-2		1	LEVER, NEUTRAL WARM -UP - CONTROL HOUSING ( BLACK )
18	13-34678		1	WASHER, WAVE - NEUTRAL WARM-UP LEVER
19	23-33589		1	BUSHING, NYLON - NEUTRAL WARM-UP LEVER (5/8" I. D. )
20	17-34692		2	PIN, SHIFT AND THROTTLE LEVERS
21	18-29623		2	COTTER PIN, SHIFT AND THROTTLE LEVER PINS
22	59787		1	FACE CAM
23	59371		1	CAM FOLLOWER
24	17-34673		1	PIN, CAM FOLLOWER TO FACE CAM
25	23-59370		1	SPACER, CAM FOLLOWER PIN
26	11-31953		1	NUT, CAM FOLLOWER PIN
27	23-34677		2	BUSHING, NYLON - FACE CAM (1 " I. D. )
28	19-55348		1	PLUG, CONTROL HOUSING HOLE
29	45939-2		1	HOUSING, REMOTE CONTROL (PORT) - BLACK
30	37-61412		1	DECAL, CONTROL HOUSING (MERCONTROL)
	37-64043		1	DECAL, CONTROL HOUSING (MERCONTROL)
31	34689-2		1	LEVER, CONTROL(BLACK)
32	36005		1	GRIP, CONTROL LEVER
33	10-37342		2	SCREW, GRIP TO CONTROL LEVER (7/16")
34	10-68909		1	SCREW, CONTROL LEVER TO FACE CAM (1 5/8")
35	13-26992		1	LOCKWASHER, CONTROL LEVER SCREW
36	59372		1	LEVER, SHIFT - CONTROL HOUSING
37	23-33589		1	BUSHING, NYLON - SHIFT LEVER (5/8" I. D. )

♥ = AVAILABLE IN LENGTHS OF 10 , 15 ,20 AND 40 .

CONTINUED ON NEXT PAGE ➡

# REMOTE CONTROL ASY (72745A10)

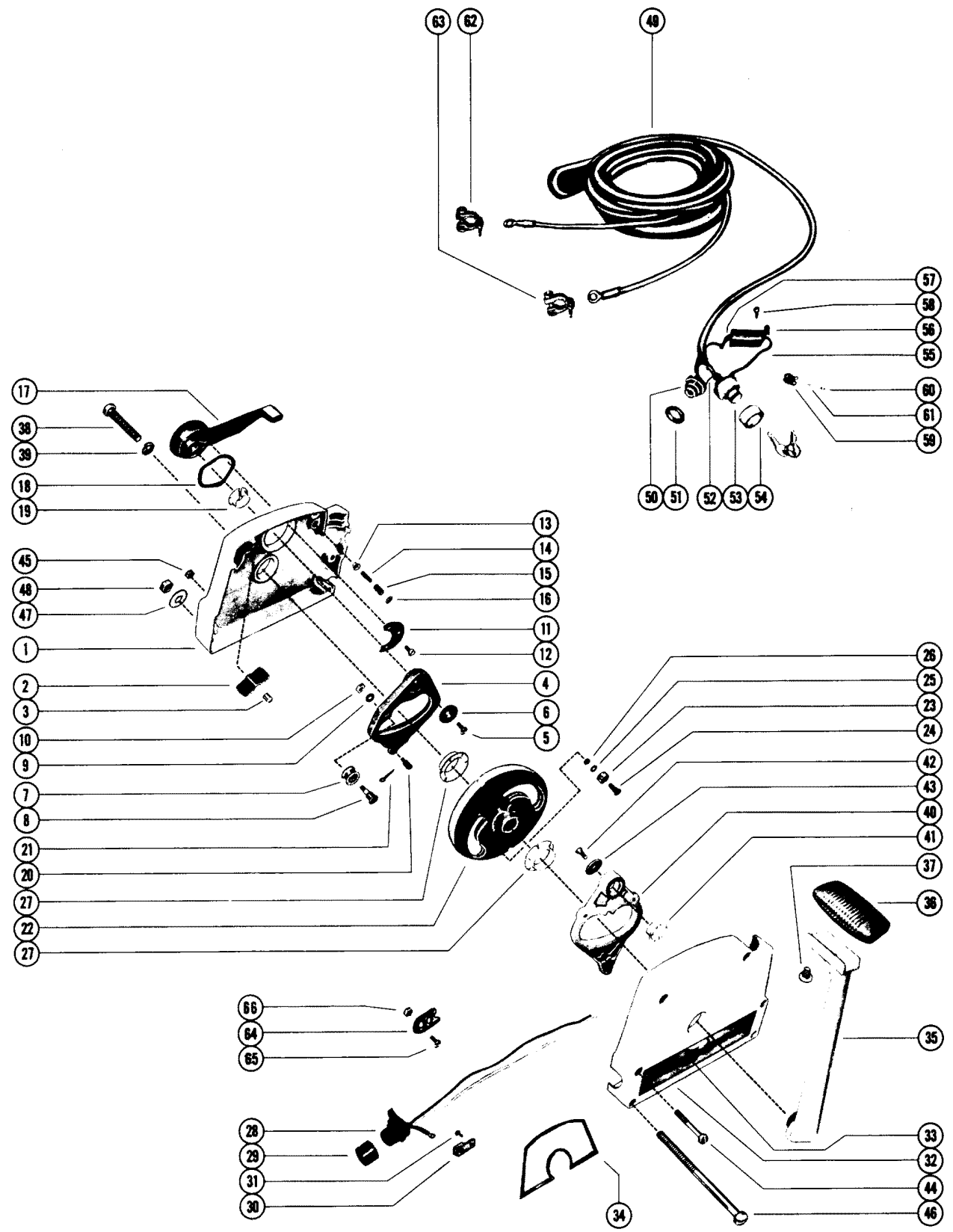


## REMOTE CONTROL ASY (72745A10)

REF. NO.	PART NO.	SYM.	QTY.	DESCRIPTION
38	10-85072		1	SCREW, SHIFT LEVER TO CONTROL HOUSING
39	12-34675		1	WASHER, SHIFT LEVER SCREW
40	10-37941		4	SCREW, REMOTE CONTROL HOUSING CLAMPING
41	11-34688		4	NUT, REMOTE CONTROL HOUSING CLAMPING SCREW
42	10-34900		2	SCREW, REMOTE CONTROL TO BOAT (4 1/4")
43	12-20346		2	WASHER, REMOTE CONTROL SCREW
44	11-24652		2	NUT, REMOTE CONTROL TO BOAT SCREW
45	57416	♥	1	WIRING HARNESS, EXTERNAL
49	29759		1	SWITCH, CHOKE
50	30053		1	COLLAR, CHOKE SWITCH TO CONTROL HOUSING
51	32469		1	JUMPER WIRE, CHOKE SWITCH TO IGNITION SWITCH
52	57485		1	SWITCH, IGNITION (WITH KEYS) KEY PART #C-30431
53	22628		1	BEZEL, IGNITION SWITCH TO CONTROL HOUSING
54	54-22627		1	CLIP, INNER - WIRING HARNESS TO CONTROL HOUSING
55	10-37260		1	SCREW, WIRING HARNESS CLIP TO CONTROL HOUSING (7/16")
56	22789		1	"D" WASHER, WIRING HARNESS CLIP SCREW
57	27913		1	BATTERY TERMINAL, NEGATIVE (WITH BOLT AND NUT)
58	27912		1	BATTERY TERMINAL, POSITIVE (WITH BOLT AND NUT)
59	72677		1	THROTTLE STOP, PORT - FACE CAM
	72678		1	THROTTLE STOP, STARBOARD - FACE CAM
60	10-24942		2	SCREW, THROTTLE STOP
61	11-68219		2	NUT, THROTTLE STOP SCREW
62	34621		1	SWITCH, SAFETY
63	30795		1	JUMPER, SAFETY SWITCH TO KEY SWITCH

♥ = AVAILABLE IN LENGTHS OF 10 , 15 ,20 AND 40 .

# REMOTE CONTROL ASY (61490A10)(72747A10)(61492A10)(72888A10)





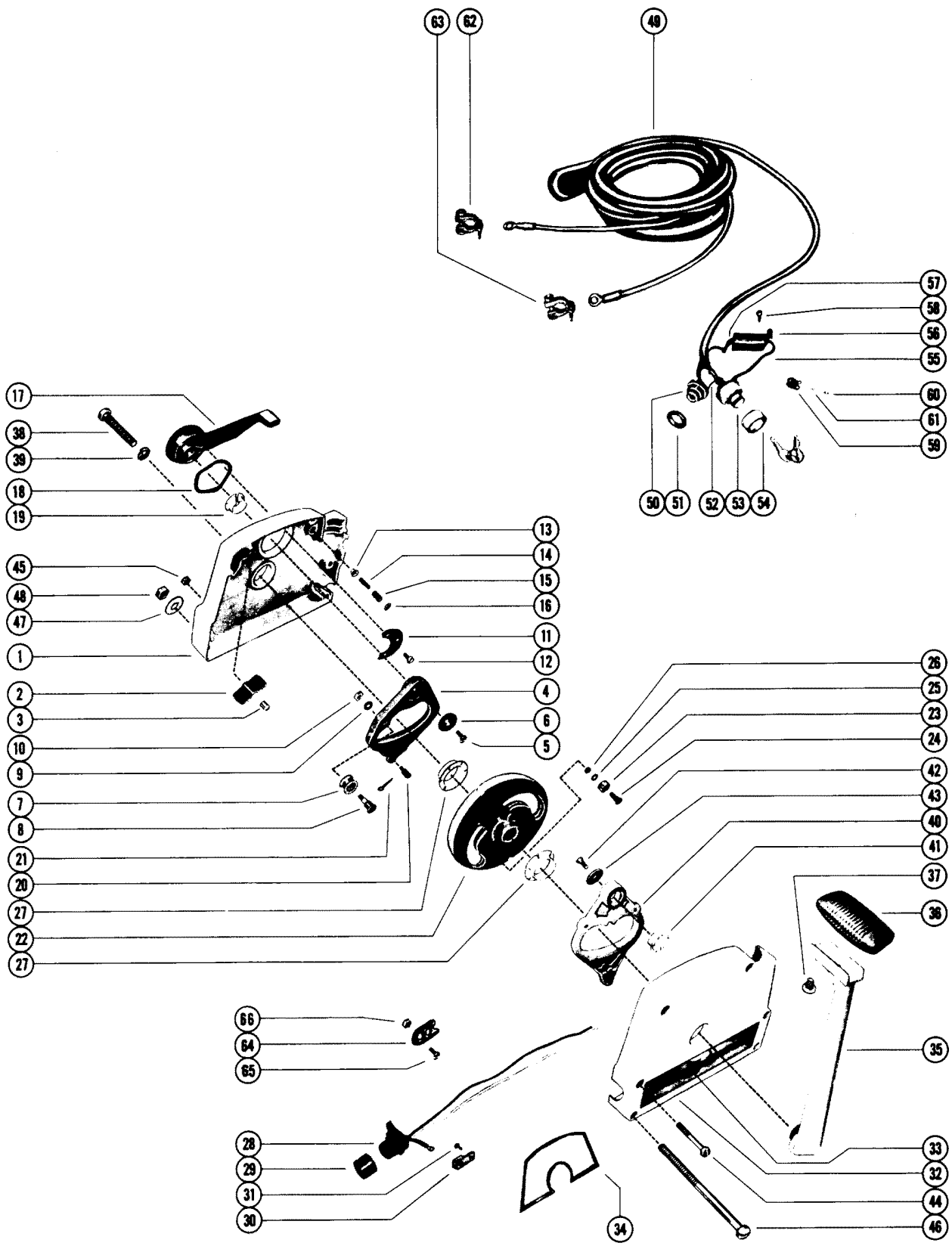
# REMOTE CONTROL ASY (61490A10)(72747A10)(61492A10)(72888A10)

REF. NO.	PART NO.	SYM.	QTY.	DESCRIPTION
-	61490A10	♥	1	ELECTRIC REMOTE CONTROL ASSEMBLY, COMPLETE
-	72747A10	♥	1	ELECTRIC REMOTE CONTROL ASSEMBLY, COMPLETE
-	61492A10	♥	1	ELECTRIC REMOTE CONTROL ASSEMBLY, COMPLETE
-	72888A10	♥	1	ELECTRIC REMOTE CONTROL ASSEMBLY, COMPLETE
1	45880-2		1	HOUSING, REMOTE CONTROL (STARBOARD)
2	24-34683		2	SPRING, DETENT - CONTROL HOUSING
3	34992		1	ROLLER, DETENT SPRING
4	34671		1	LEVER, THROTTLE - CONTROL HOUSING
5	10-85072		1	SCREW, THROTTLE LEVER TO NEUTRAL WARM-UP LEVER
6	12-34675		1	WASHER, THROTTLE LEVER SCREW
7	34672		1	CAM ROLLER, THROTTLE LEVER
8	17-34673		1	PIN, CAM ROLLER TO THROTTLE LEVER
9	12-34680		1	WASHER, CAM ROLLER PIN
10	11-24656		1	NUT, CAM ROLLER TO THROTTLE LEVER PIN
11	34679		1	PLATE, THRUST - CONTROL HOUSING
12	10-47220		3	SCREW, THRUST PLATE TO NEUTRAL WARM-UP LEVER
13	17-20009		1	PIN, DETENT - CONTROL HOUSING NEUTRAL WARM-UP LEVER
14	24-35210		1	SPRING, DETENT PIN
15	24-35227		1	SPRING, DETENT PIN TENSION
16	19-20011		1	WELCH PLUG, DETENT PIN AND SPRING RETAINING
17	34670-2		1	LEVER, NEUTRAL WARM-UP
18	13-34678		1	WASHER, WAVE - NEUTRAL WARM-UP LEVER
19	23-33589		1	BUSHING, NYLON - NEUTRAL WARM-UP LEVER (5/8" I. D. )
20	17-34692		2	PIN, SHIFT AND THROTTLE LEVERS
21	18-29623		1	COTTER PIN, SHIFT AND THROTTLE LEVER PINS
22	59369		1	FACE CAM (Use W/61490A/61492A/72888A)
	59787		1	FACE CAM (Use W/72747A)
23	59371		1	CAM FOLLOWER (Use W/72747A)
24	17-34673		1	PIN, CAM FOLLOWER TO FACE CAM (Use W/72747A)
25	23-59370		1	SPACER, CAM FOLLOWER PIN (Use W/72747A)
26	11-31953		1	NUT, CAM FOLLOWER PIN (Use W/72747A)
27	23-34677		2	BUSHING, NYLON - FACE CAM (1" I. D. )
28	45887		1	CONNECTOR, TACHOMETER LEAD TO REMOTE CONTROL
29	45940		1	CAP, TACHOMETER LEAD CONNECTOR
30	86-63577		1	TERMINAL BLOCK, CONNECTOR LEADS (Use W/61490A/72747A)
	45915		„1,1	TERMINAL BLOCK, CONNECTOR LEADS (Use W/61492A/72888A)
31	10-37260		2	SCREW, TERMINAL BLOCK TO CONTROL HOUSING (7/16")
32	45939-2		1	HOUSING, REMOTE CONTROL (PORT)
33	37-61412		1	DECAL, CONTROL HOUSING (MERCONTROL)

♥ = AVAILABLE IN LENGTHS OF 10 , 15 ,20 AND 40 .

CONTINUED ON NEXT PAGE ➡

# REMOTE CONTROL ASY (61490A10)(72747A10)(61492A10)(72888A10)

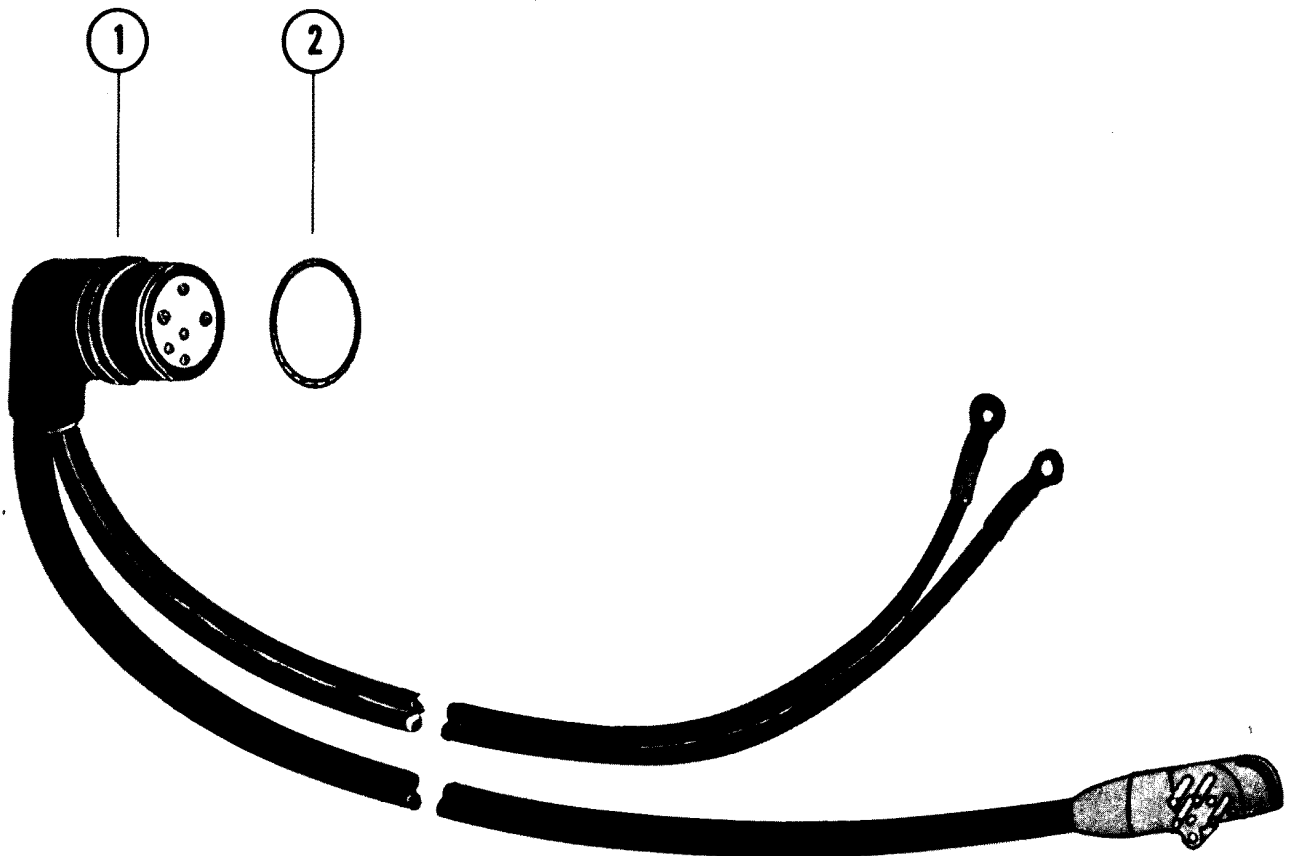


# REMOTE CONTROL ASY (61490A10)(72747A10)(61492A10)(72888A10)

REF. NO.	PART NO.	SYM.	QTY.	DESCRIPTION
34	37-64043		1	DECAL, CONTROL HOUSING (MERCNTROL)
35	34689-2		1	LEVER, CONTROL
36	55339		1	GRIP, CONTROL LEVER
37	10-37342		2	SCREW, GRIP TO CONTROL LEVER (7/16")
38	10-68909		1	SCREW, CONTROL LEVER TO FACE CAM (1 1/2")
39	13-26992		1	LOCKWASHER, CONTROL LEVER SCREW
40	34682		1	LEVER, SHIFT - CONTROL HOUSING ( <b>Use W/61490A/61492A/72888A</b> )
	59372		1	LEVER, SHIFT - CONTROL HOUSING ( <b>Use W/72747A</b> )
41	23-33589		1	BUSHING, NYLON - SHIFT LEVER (5/8" I.D. )
42	10-85072		1	SCREW, SHIFT LEVER TO CONTROL HOUSING
43	12-34675		1	WASHER, SHIFT LEVER SCREW
44	10-37941		4	SCREW, REMOTE CONTROL HOUSING CLAMPING
45	11-34688		4	NUT, REMOTE CONTROL HOUSING CLAMPING
46	10-34900		2	SCREW, REMOTE CONTROL TO BOAT (4 1/4")
47	12-20346		2	WASHER, REMOTE CONTROL SCREW
48	11-24652		2	NUT, REMOTE CONTROL TO BOAT TRANSOM
49	45876	♥	1	WIRING HARNESS, EXTERNAL ( <b>Use W/61490A/72747A</b> )
	84-60797	♥	1	WIRING HARNESS, EXTERNAL ( <b>Use W/61492A</b> )
	84-70924	♥	1	WIRING HARNESS, EXTERNAL ( <b>Use W/72888A</b> )
50	297S		1	SWITCH, CHOKE
51	30053		1	COLLAR, CHOKE SWITCH TO CONTROL HOUSING
52	391801		1	JUMPER WIRE, CHOKE SWITCH TO IGNITION SWITCH
53	542111		1	SWITCH, IGNITION (WITH KEYS) KEY PART #C-30431
54	226281		1	BEZEL, IGNITION SWITCH TO CONTROL HOUSING
55	30795		1	JUMPER WIRE, SAFETY SWITCH TO IGNITION SWITCH
56	34621		1	SWITCH, SAFETY
57	23-37961-2		2	SLEEVE, SAFETY SWITCH LEADS
58	10-30902		2	SCREW, SAFETY SWITCH TO CONTROL HOUSING
59	54-22627		1	CLIP, INNER - WIRING HARNESS TO CONTROL HOUSING
60	10-37260		1	SCREW, WIRING HARNESS CLIP TO CONTROL HOUSING (7/16")
61	22789		1	"D" WASHER, WIRING HARNESS CLIP SCREW
62	27913		1	BATTERY TERMINAL, NEGATIVE (WITH BOLT AND NUT)
63	27912		1	BATTERY TERMINAL, POSITIVE (WITH BOLT AND NUT)
64	72677		1	THROTTLE STOP, PORT ( <b>Use W/72747A</b> )
	72678		1	THROTTLE STOP, STARBOARD ( <b>Use W/72747A</b> )
65	10-24942		2	SCREW, THROTTLE STOP ( <b>Use W/72747A</b> )
66	11-24656		2	NUT, THROTTLE STOP SCREW ( <b>Use W/72747A</b> )

♥ = AVAILABLE IN LENGTHS OF 10 , 15 ,20 AND 40 .

# HARNESS ADAPTOR ASSEMBLY



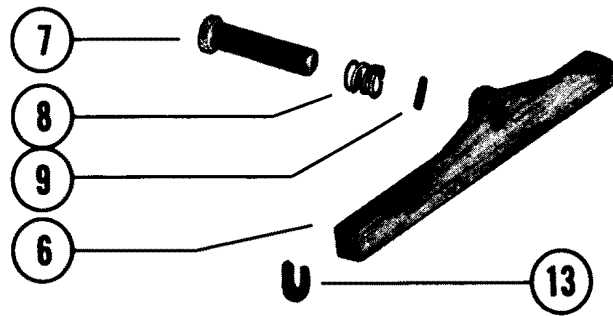
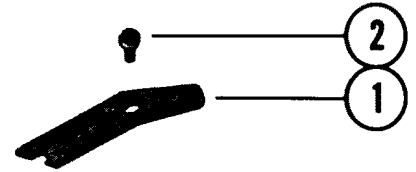
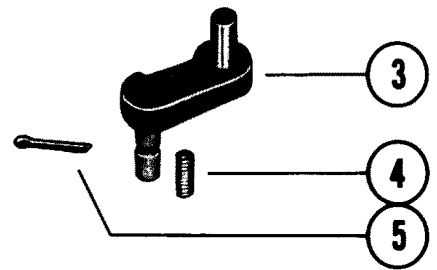
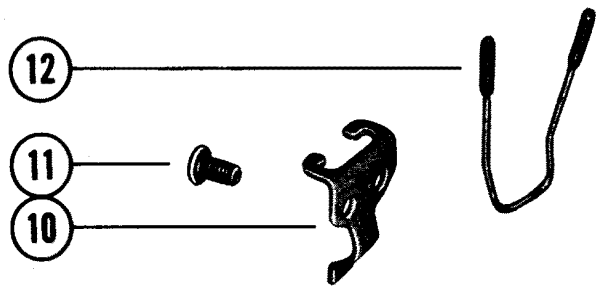
## HARNES ADAPTOR ASSEMBLY

REF. NO.	PART NO.	SYM.	QTY.	DESCRIPTION
1	84-62914A2		1	HARNES ADAPTOR ASSEMBLY(SEE NOTE #1)
	84-75291A2		1	HARNES ADAPTOR ASSEMBLY(SEE NOTE #2)
2	24-28975		1	SPRING, GARTER - HARNES

NOTE #1: THIS ADAPTOR HARNES WILL ALLOW THE USE OF [A-61490A] REMOTE CONTROL ASSEMBLY ON A MERC 650 "3CYLINDER" ENGINE (SERIAL # 4382056 AND BELOW)

NOTE #2: THIS ADAPTOR HARNES WILL ALLOW THE USE OF [A-61490A] REMOTE CONTROL ASSEMBLY ON A MERC 650 "3 CYLINDER" ENGINE (SERIAL #4382057 AND UP)

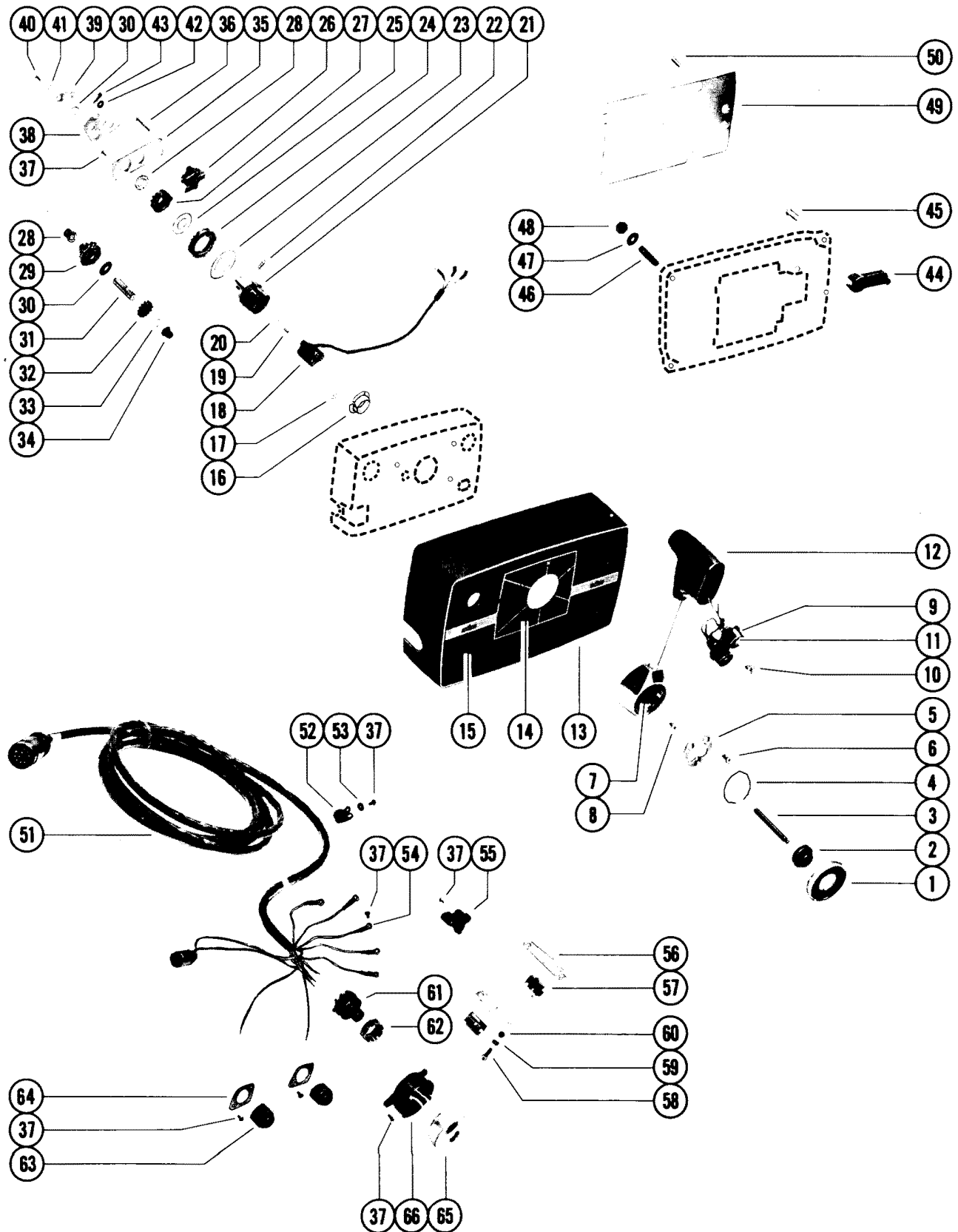
# REMOTE CONTROL ATTACHMENT PARTS KIT G



## REMOTE CONTROL ATTACHMENT PARTS KIT G

REF. NO.	PART NO.	SYM.	QTY.	DESCRIPTION
1	74354		1	RETAINER, CABLE BARREL
2	10-48408		1	SCREW, RETAINER ATTACHING (3/8")
3	39458		1	LINK, THROTTLE CONTROL
4	24-39457		1	SPRING, DETENT - THROTTLE CONTROL LINK
5	18-46950		1	COTTER PIN, LINK TO SHAFT
6	74355		1	GUIDE, CABLE
7	39456		1	PIN, SHIFT CABLE ANCHOR
8	24-39455		1	SPRING, COMPRESSION - SHIFT CABLE ANCHOR PIN
9	17-23928		1	PIN, ROLL - SHIFT CABLE ANCHOR PIN
10	39464		1	BRACKET, MOUNTING - SHIFT CABLE RETAINER SPRING
11	10-46923		2	SCREW, MOUNTING BRACKET TO RETAINER BRACKET (1/2")
12	24-39462		1	SPRING, SHIFT CABLE RETAINER
13	66354		2	GUIDE, CABLE - BOTTOM COWL
-	<b>--74355A3</b>		<b>1</b>	<b>REMOTE CONTROL ATTACHMENT PARTS KIT .</b>

# REMOTE CONTROL ASY (65640A10)





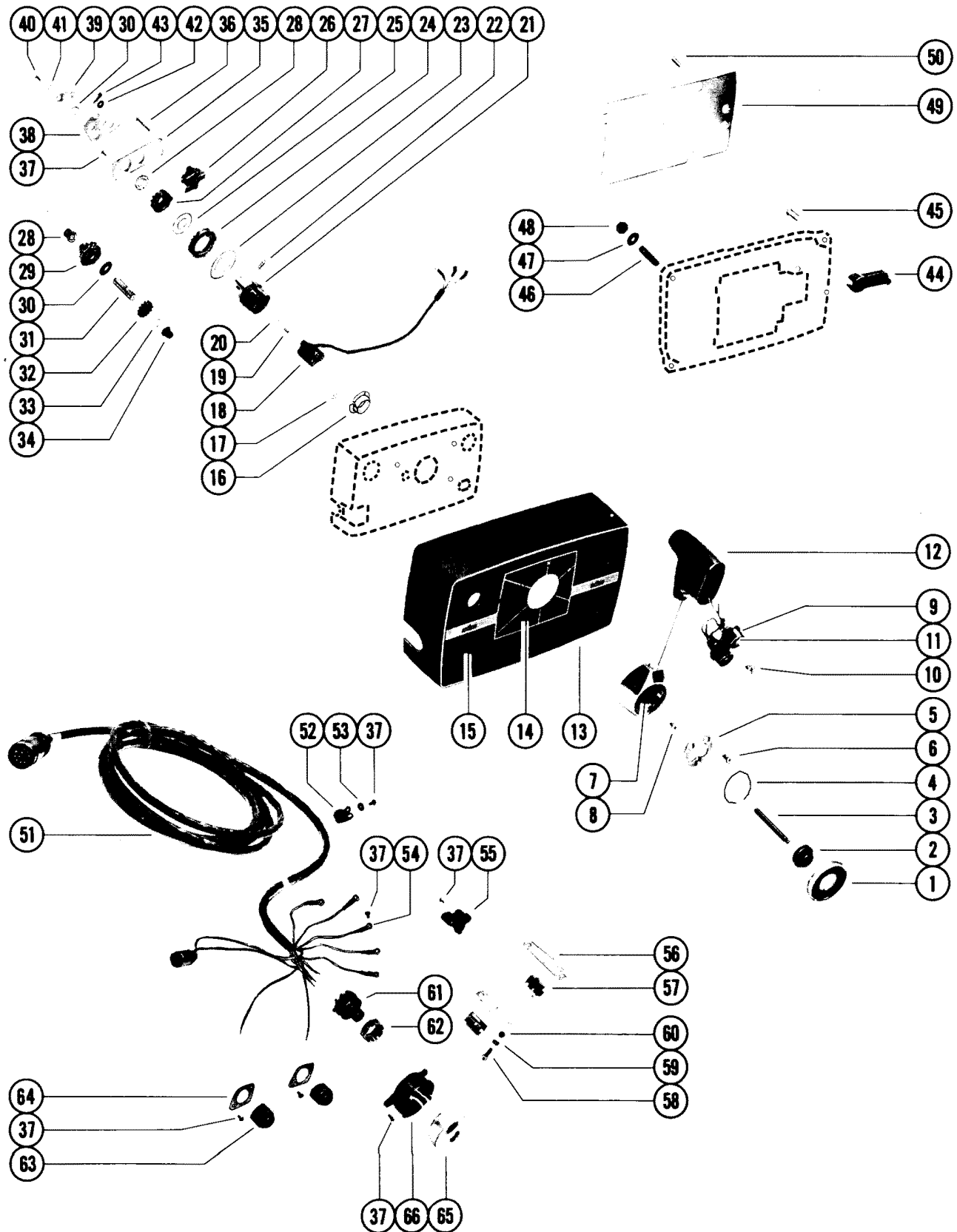
## REMOTE CONTROL ASY (65640A10)

REF. NO.	PART NO.	SYM.	QTY.	DESCRIPTION
-	65640A	▼	1	REMOTE CONTROL ASSEMBLY, COMPLETE (ELECTRIC)
1	65953A1		1	COVER ASSEMBLY, HUB
2	65676		1	BOOT, RUBBER - SHAFT
3	65673		1	SHAFT
4	56773		1	RETAINER, HUB COVER
5	65954		1	PLATE, CONTROL HANDLE
6	10-70903		3	SCREW, PLATE TO CONTROL HANDLE (1/2")
7	65955		1	CONNECTOR
8	10-20650		3	SCREW, CONNECTOR TO DISCONNECT (3/8")
9	74646		1	RETAINER, PUSH BUTTON SWITCHES
10	10-55750		2	SCREW, RETAINER TO CONTROL HANDLE (5/16")
11	87-68691		1	SWITCH, PUSH BUTTON (BLACK)
	87-68033		1	SWITCH, PUSH BUTTON (RED)
12	55719		1	HANDLE, CONTROL
13	68034		1	COVER, REMOTE CONTROL
14	37-69448		1	DECAL, REMOTE CONTROL COVER
15	37-70677		1	DECAL, REMOTE CONTROL COVER (MERCURY MARINE)
16	23-55399		1	BUSHING, NYLON - PORT CONTROL HOUSING
17	68026		1	PLATE, RETAINING - DISCONNECT PLUG
18	65672		1	PLUG, DISCONNECT
19	17-68672		1	PIN, CONTROL HUB
20	24-73190		1	SPRING, CONTROL HUB
21	65665		1	HUB, CONTROL
22	28-68024		1	KEY, CONTROL HUB
23	12-68025		1	WASHER, CONTROL HUB
24	43-65731		1	GEAR, THROTTLE
25	12-65986		1	WASHER, NYLON - CONTROL HUB
26	68876A1		1	DETENT ASSEMBLY
27	43-65733		1	GEAR, SHIFT
28	23-74647		2	BUSHING, NYLON - SUPPORT PLATE
29	43-65734		1	PINION GEAR, SHIFT
30	12-68032		2	WASHER, THROTTLE SHAFT
31	65730		1	SHAFT, THROTTLE
32	43-65732		1	PINION GEAR, THROTTLE
33	53-68030		1	RING, RETAINING - THROTTLE PINION
34	23-65830		1	BUSHING, NYLON - THROTTLE SHAFT
35	65832		1	PLATE, SUPPORT SHAFT AND DETENT
36	10-47184		2	SCREW, PLATE TO CONTROL HOUSING (1 1/2")
37	10-69079		16	SCREW (7/16")
38	65655A1		1	LEVER ASSEMBLY, SHIFT
39	65657A1		1	LEVER ASSEMBLY, THROTTLE
40	10-65554		1	SCREW, THROTTLE LEVER TO THROTTLE SCREW (1/2")

▼ = [65640A] REMOTE CONTROL IS AVAILABLE IN LENGTHS OF 10 ,5 ,20 AND 40 FOR USE ON MERC 1750

CONTINUED ON NEXT PAGE ➡

# REMOTE CONTROL ASY (65640A10)

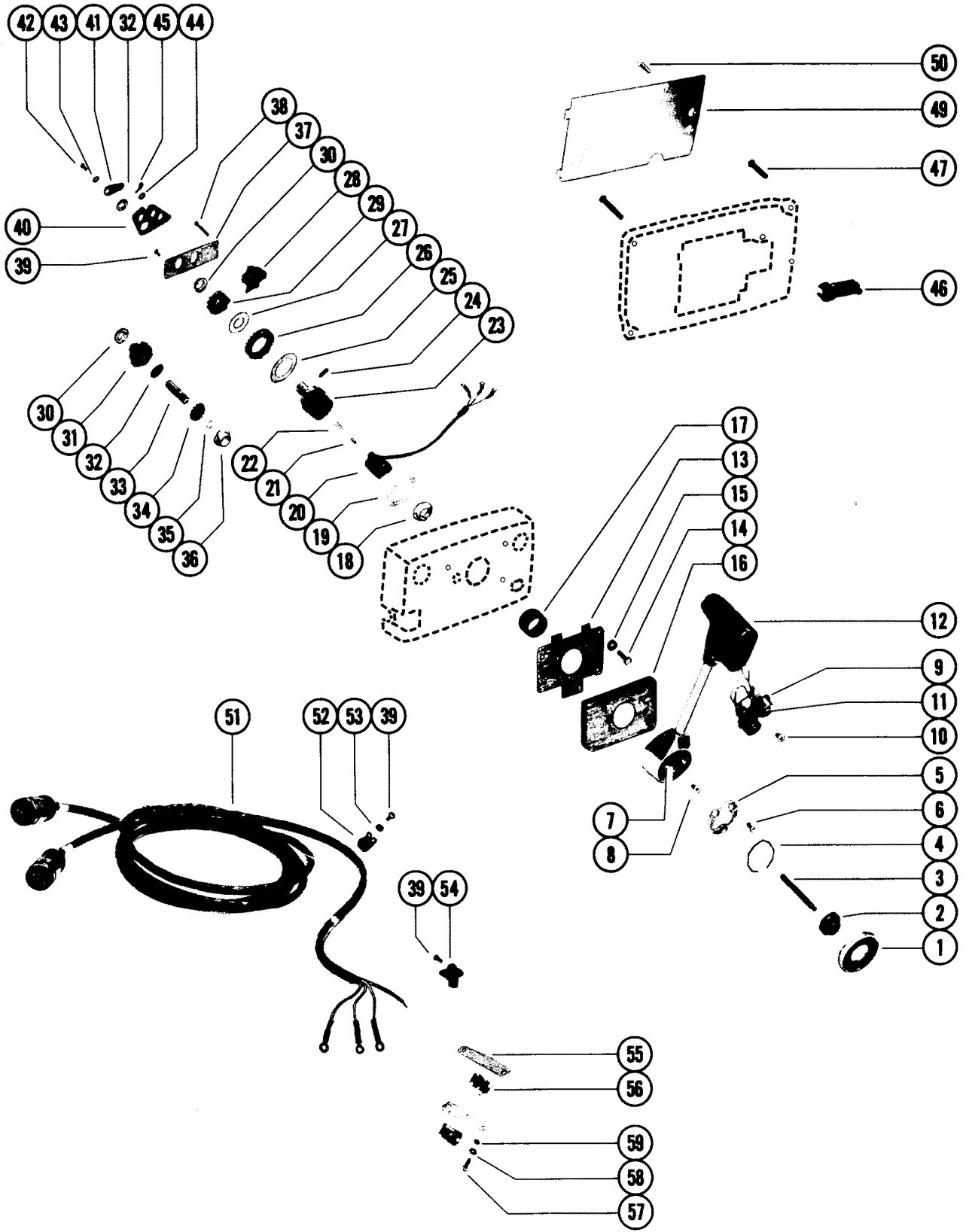


## REMOTE CONTROL ASY (65640A10)

REF. NO.	PART NO.	SYM.	QTY.	DESCRIPTION
41	12-72761		1	WASHER, THROTTLE LEVER SCREW
42	12-35950		2	WASHER, CABLE ATTACHING
43	18-21071		2	COTTER PIN, CABLE ATTACHING
44	68023		1	HOUSING, CABLE
45	10-24234		2	SCREW, CONTROL HOUSING ATTACHING (1")
46	16-55451		2	STUD, PORT CONTROL HOUSING (2 1/4")
47	12-26168		2	WASHER, PORT CONTROL HOUSING STUD
48	11-46793		2	NUT, PORT CONTROL HOUSING STUD
49	65956		1	COVER, STARBOARD CONTROL HOUSING
50	10-25504		2	SCREW, COVER ATTACHING (3/4")
51	84-66322	♥	1	WIRING HARNESS
52	54-22627		2	CLIP, WIRING HARNESS
53	12-20128		2	WASHER, CLIP SCREW
54	86-60878		5	TERMINAL, WIRING HARNESS
55	86-65738		1	TERMINAL BLOCK
56	74596		2	PLATE, MICRO SWITCH MOUNTING
57	87-74605		2	SWITCH, MICRO
58	10-63680		4	SCREW, MICRO SWITCH TO PLATE (5/8")
59	13-24658		4	LOCKWASHER, MICRO SWITCH SCREW
60	11-63683		4	NUT; MICRO SWITCH SCREW
61	54211		1	IGNITION SWITCH(WITH KEY - PART #C-30431)
62	68863		1	BEZEL, IGNITION SWITCH
63	55738A1		2	SWITCH ASSEMBLY, PUSH BUTTON
64	55691		2	COVER, PUSH BUTTON SWITCH
65	68878		1	ALARM, HORN
66	68879		1	COVER, ALARM HORN

♥ = AVAILABLE IN LENGTHS OF 10 , 15 ,20 AND 40 .

# REMOTE CONTROL ASSEMBLY, COMPLETE (PANEL MOUNTED)

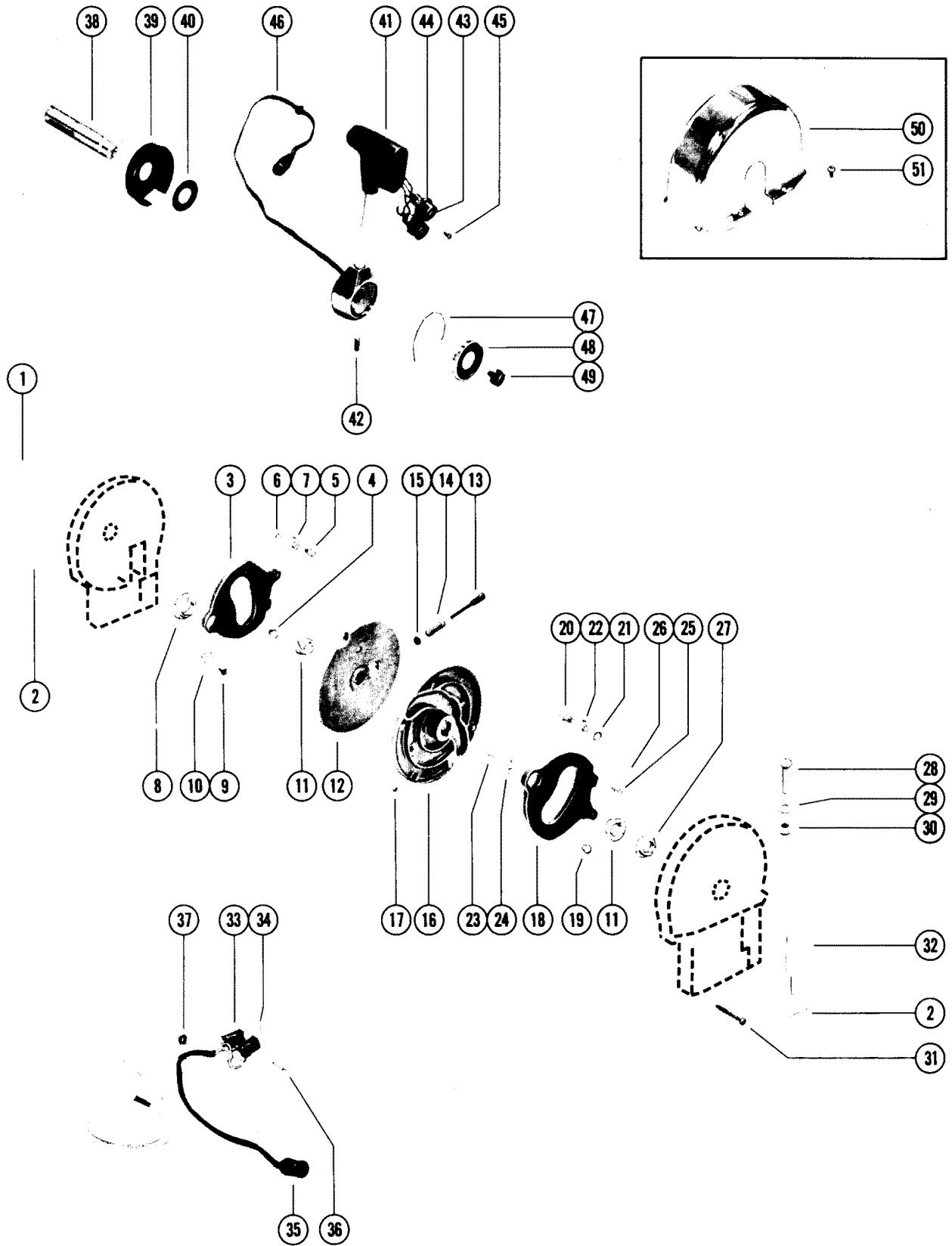


# REMOTE CONTROL ASSEMBLY, COMPLETE (PANEL MOUNTED)

REF. NO.	PART NO.	SYM.	QTY.	DESCRIPTION
-	70536A1	★	1	

★ = REPLACE ACCORDINGLY: [C-10-30489] SCREW (3), [C-13-29720] WAVE WASHER (3), [C-53-26769] SNAP RING-

# REMOTE CONTROL ASY (CONSOLE MOUNT)(35651A1)



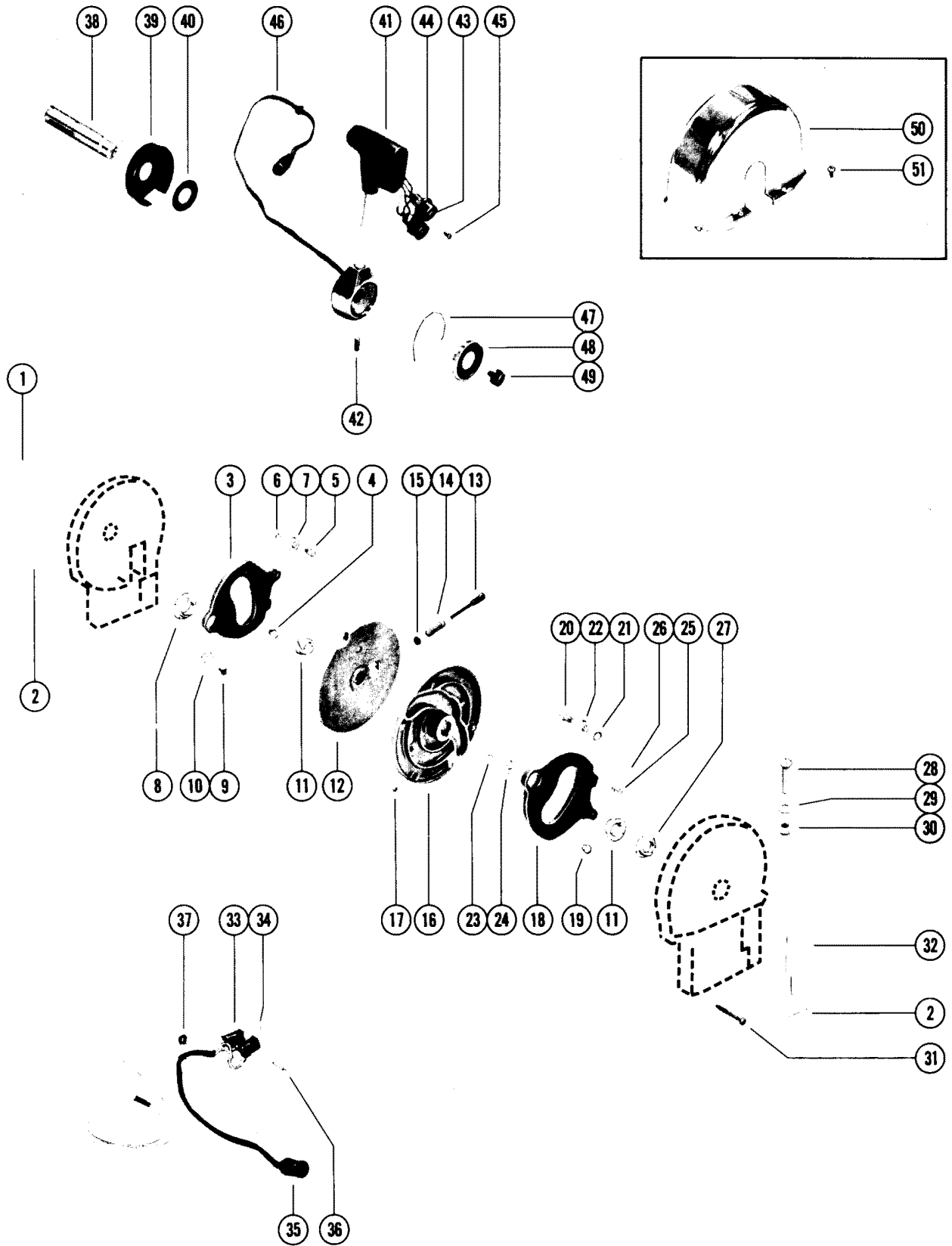
# REMOTE CONTROL ASY (CONSOLE MOUNT)(35651A1)

REF. NO.	PART NO.	SYM.	QTY.	DESCRIPTION
-	74578A1	▶	1	REMOTE CONTROL ASSEMBLY, COMPLETE
1	38749		1	COVER, CONTROL HOUSING (STARBOARD)
2	18-32857		2	COTTER PIN, CONTROL CABLE TO CONTROL HOUSING
3	70135A1		1	LEVER ASSEMBLY, SHIFT
4	19-58776		2	PLUG, SHIFT LEVER
5	17-37603		2	PIN, CAM ROLLER TO SHIFT LEVER
6	11-37800		2	NUT, CAM ROLLER PIN
7	60784		2	CAM ROLLER, SHIFT LEVER
8	23-33589		1	BUSHING, NYLON - SHIFT LEVER (5/8" I.D.)
9	10-34676		1	SCREW, SHIFT LEVER TO CONTROL HOUSING (1/2")
10	12-34675		1	WASHER, RETAINING - SHIFT LEVER SCREW
11	23-37593		2	BUSHING, NYLON-THROTTLE/SHIFT CAMS TO CONTROL HSG (11/16" I D)
12	37607		1	CAM, SHIFT
13	17-37599A2		1	PIN ASSEMBLY, BLOCKING - SHIFT CAM
14	24-38872		1	SPRING, COMPRESSION - BLOCKING PIN
15	13-39317		1	FASTENER, BLOCKING PIN TO SHIFT CAM
16	37608		1	CAM, THROTTLE
17	10-37942		1	SCREW, SET - THROTTLE CAM
18	70135A1		1	LEVER ASSEMBLY, THROTTLE
19	19-58776		1	PLUG, THROTTLE LEVER
20	17-37603		1	PIN, CAM ROLLER TO THROTTLE LEVER
21	11-37800		1	NUT, CAM ROLLER PIN
22	60784		1	CAM ROLLER, THROTTLE LEVER
23	10-34676		1	SCREW, THROTTLE LEVER TO CONTROL HOUSING (1/2")
24	12-34675		1	WASHER, RETAINING - THROTTLE LEVER SCREW
25	17-37801		2	PIN, CONTROL CABLE TO THROTTLE AND SHIFT LEVERS
26	18-37809		3	PIN (HAIR), CONTROL CABLE PIN
27	23-33589		1	BUSHING, NYLON - THROTTLE LEVER (5/8" I D
28	10-68848		4	SCREW, REMOTE CONTROL TO BOAT (1 1/2")
29	12-24664		4	WASHER, REMOTE CONTROL SCREW
30	11-20361		4	NUT, REMOTE CONTROL SCREW
31	10-37803		4	SCREW, CONTROL HOUSING CLAMPING (1 3/4")
32	38750		1	COVER, CONTROL HOUSING (PORT)
33	87-70024		1	SWITCH
34	87-68854		1	SWITCH
35	84-70252		2	HARNESS, WIRING
36	10-70026		1	SCREW, SWITCH ATTACHING
37	54-20387		1	CLAMP, HARNESS
38	74699A1		1	SHAFT ASSEMBLY, CONTROL
39	74577		1	COVER, CONTROL
40	27-75111		1	GASKET, CONTROL COVER
41	74737		1	HANDLE, CONTROL

▶ = [74578A 1] REMOTE CONTROL ASSEMBLY IS AN OPTIONAL CONTROL USED ON THE MERC 1750.

CONTINUED ON NEXT PAGE ➡

# REMOTE CONTROL ASY (CONSOLE MOUNT)(35651A1)

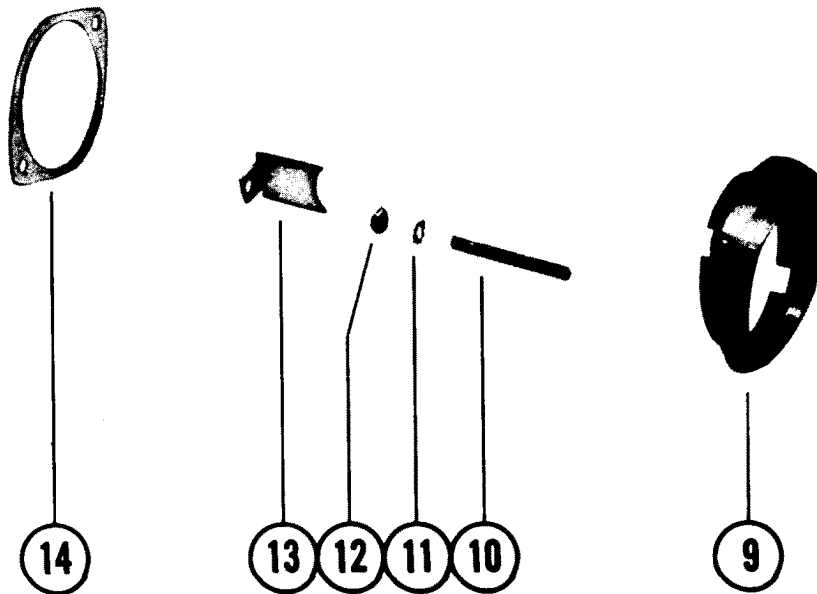
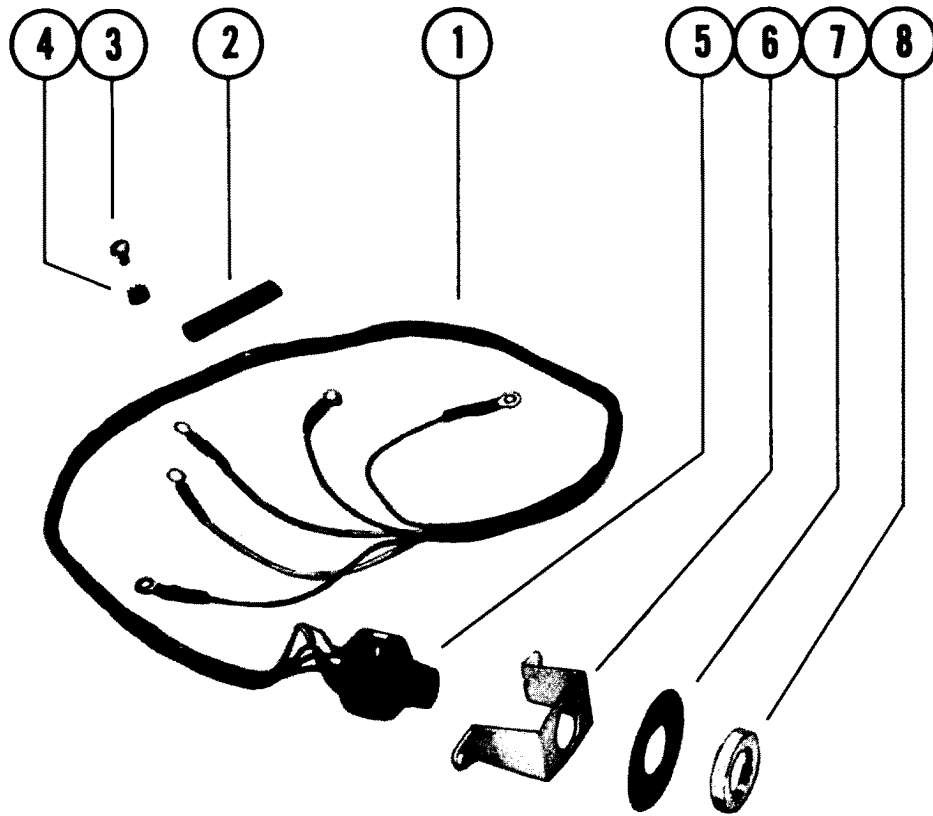




## REMOTE CONTROL ASY (CONSOLE MOUNT)(35651A1)

REF. NO.	PART NO.	SYM.	QTY.	DESCRIPTION
42	10-37805		1	SCREW, SET - CONTROL HANDLE TO CONTROL SHAFT
43	87-68033		1	SWITCH, PUSH-BUTTON (RED)
	87-68691		1	SWITCH, PUSH-BUTTON (BLACK)
44	74646		1	RETAINER, PUSH-BUTTON SWITCHES
45	10-55750		2	SCREW, RETAINER TO CONTROL HANDLE (5/16" )
46	84-74796		1	HARNESS, CONTROL HANDLE
47	56773		1	RETAINER, HUB COVER
48	65953A1		1	COVER ASSEMBLY, HUB
49	74326		1	BUTTON, CONTROL HANDLE
50	65444		1	CONTROL COVER
51	10-68849		4	SCREW, COVER TO CONTROL HOUSING (1/4")

# SWITCH KEY ASSEMBLY

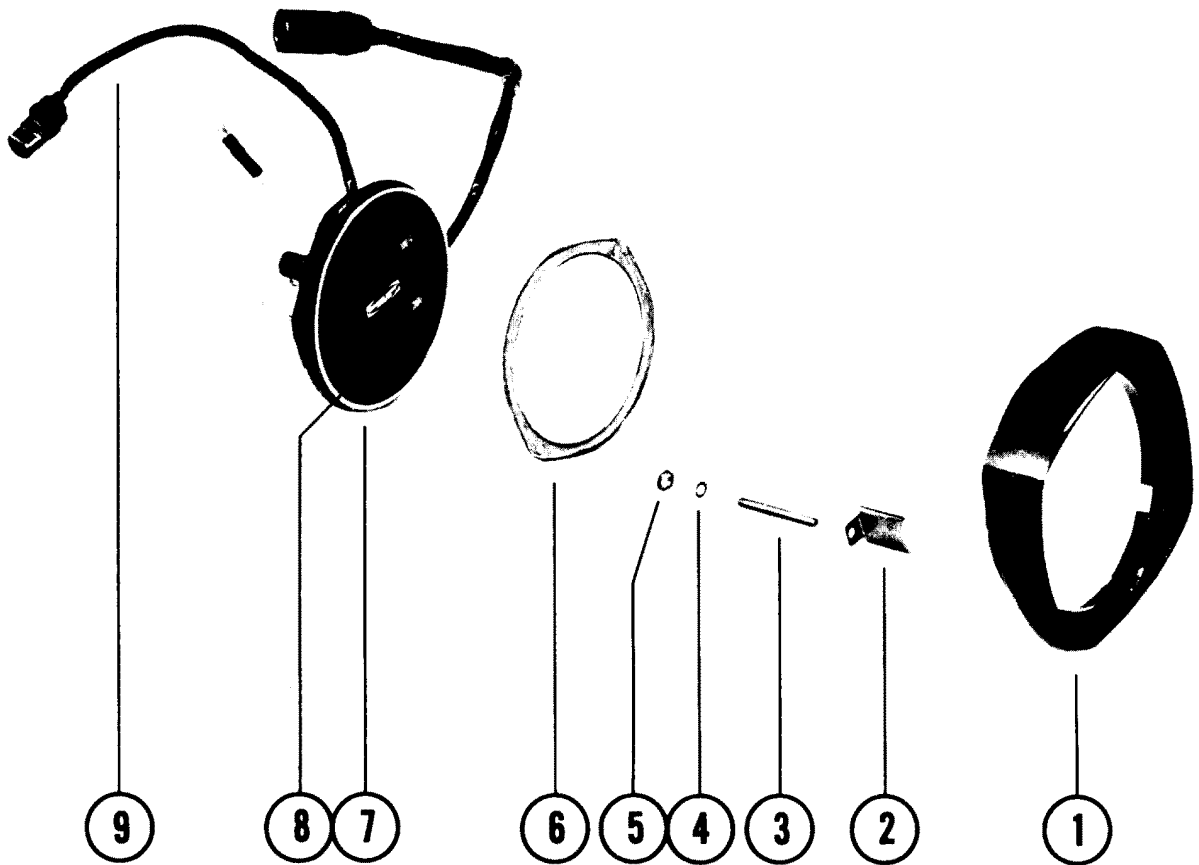
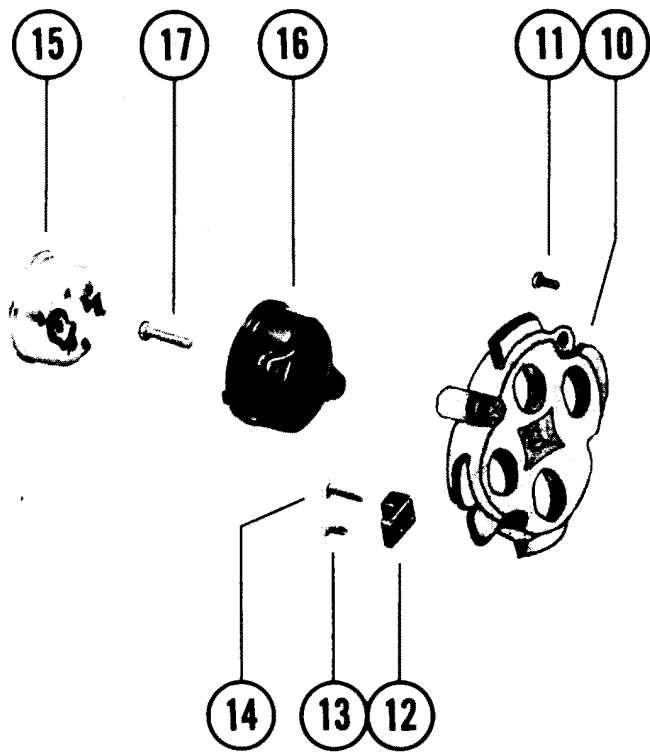


## SWITCH KEY ASSEMBLY

REF. NO.	PART NO.	SYM.	QTY.	DESCRIPTION
-	<b>84-70025A2</b>	♣	1	<b>SWITCH KEY ASSEMBLY</b>
1	84-70025		1	WIRING HARNESS
2	23-32914		5	SLEEVES WIRING HARNESS TERMINALS
3	10-24231		5	SCREW, WIRING HARNESS TERMINAL (1/4")
4	11-27164		5	NUT, WIRING HARNESS
5	54211		1	IGNITION SWITCH (WITH KEY - PART #C-30431)
6	57350		1	BRACKET, IGNITION SWITCH
7	38-70319		1	INSERT, IGNITION SWITCH LI
8	32861		1	BEZEL, IGNITION SWITCH
9	55315A1		1	SUNSHADE ASSEMBLY
10	16-55422		2	STUD, SUNSHADE TO DASHBOARD (2")
11	13-69432		4	LOCKW ASHER, SUNSHADE STUD
12	11-68219		4	NUT, SUNSHADE STUD
13	54-55341		2	CLIP, SUNSHADE STUD
14	55340		1	RETAINER, SWITCH TO DASHBOARD

♣ = FOR USE ON MERC 1750.

# SWITCH PANEL ASSEMBLY



# SWITCH PANEL ASSEMBLY

REF. NO.	PART NO.	SYM.	QTY.	DESCRIPTION
-	70247A4	♣	1,	SWITCH PANEL ASSEMBLY
-	70247A6	♠	,1	SWITCH PANEL ASSEMBLY
1	55193A1		1,1	SUNSHADE ASSEMBLY
2	54-55341		2,2	CLIP, INSTRUMENT RETAINER
3	16-55422		2,2	STUD, SUNSHADE TO DASHBOARD (2")
4	13-69432		4,4	LOCKWASHER, SUNSHADE STUD
5	11-68219		4,4	NUT, SUNSHADE STUD
6	55423		1,1	RETAINER, GAUGE TO DASHBOARD
7	70247		1,1	SWITCH PANEL
8	55738A1		2,2	SWITCH ASSEMBLY, PUSH BUTTON
9	84-70251		1,1	HARNESS, SWITCH PANEL
10	70246		1,1	RETAINER, SWITCH
11	10-62568		1,1	SCREW, RETAINER TO SWITCH PANEL (3/8")
12	86-71141		1,1	TERMINAL BLOCK
13	10-45218		1,1	SCREW, TERMINAL BLOCK ATTACHING (5/16")
14	10-48409		1,1	SCREW, TERMINAL BLOCK ATTACHING (5/8")
15	68878		1,	HORN, ALARM
16	68879		1,	COVER, ALARM HORN
17	10-70971		2,	SCREW, COVER AND RETAINER TO SWITCH (1")

♣ = FOR USE ON MERC 1750.

♠ = FOR USE ON MERC 500 THRU MERC 1500.

# CONTROL HARNESS ASSEMBLY CHART (MERC 1750)

REF. NO.	PART NO.	SYM.	QTY.	DESCRIPTION
-	84-66005A10	↑	1	HARNESS ASSEMBLY,CONTROL (10")
-	84-66005A15	↑	1	HARNESS ASSEMBLY,CONTROL (15")
-	84-66005A20	↑	1	HARNESS ASSEMBLY,CONTROL (20")
-	84-66005A40	↑	1	HARNESS ASSEMBLY,CONTROL (40")

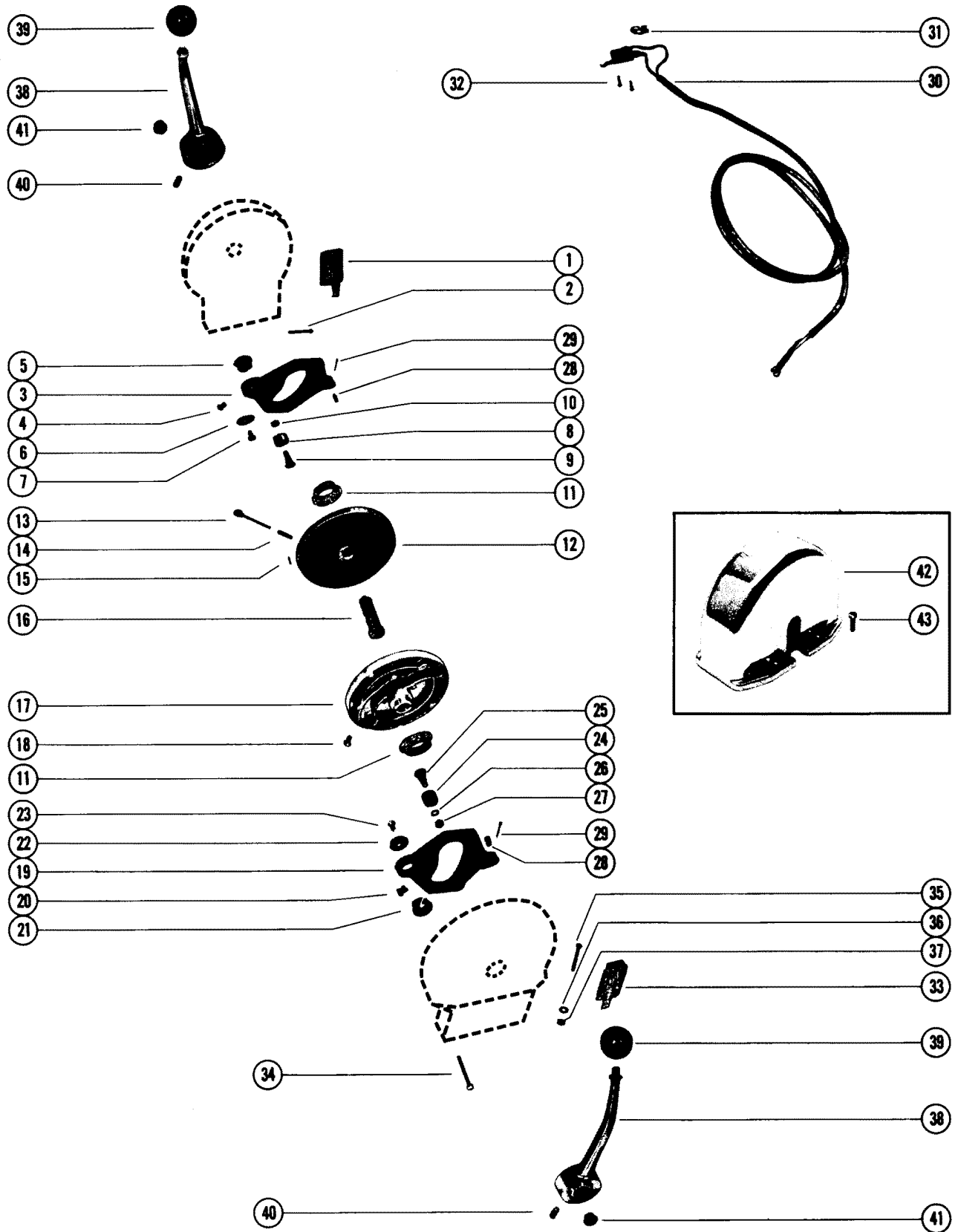
↑ = FOR USE ON MERC 1750.

# CONTROL HARNESS ASSEMBLY CHART (MERC 500 THRU 1500)

REF. NO.	PART NO.	SYM.	QTY.	DESCRIPTION
-	84-76954A10	◆	1	HARNESS ASSEMBLY, CONTROL (10 )
-	84-76954A15	◆	1	HARNESS ASSEMBLY, CONTROL (15 )
-	84-76954A20	◆	1	HARNESS ASSEMBLY, CONTROL (20 )
-	84-76954A40	◆	1	HARNESS ASSEMBLY, CONTROL (40 )

◆ = FOR USE ON MERC 500 THRU MERC 1500.

# REMOTE CONTROL ASY (COMPACT - CONSOLE MOUNT)(37580A1 / A2)



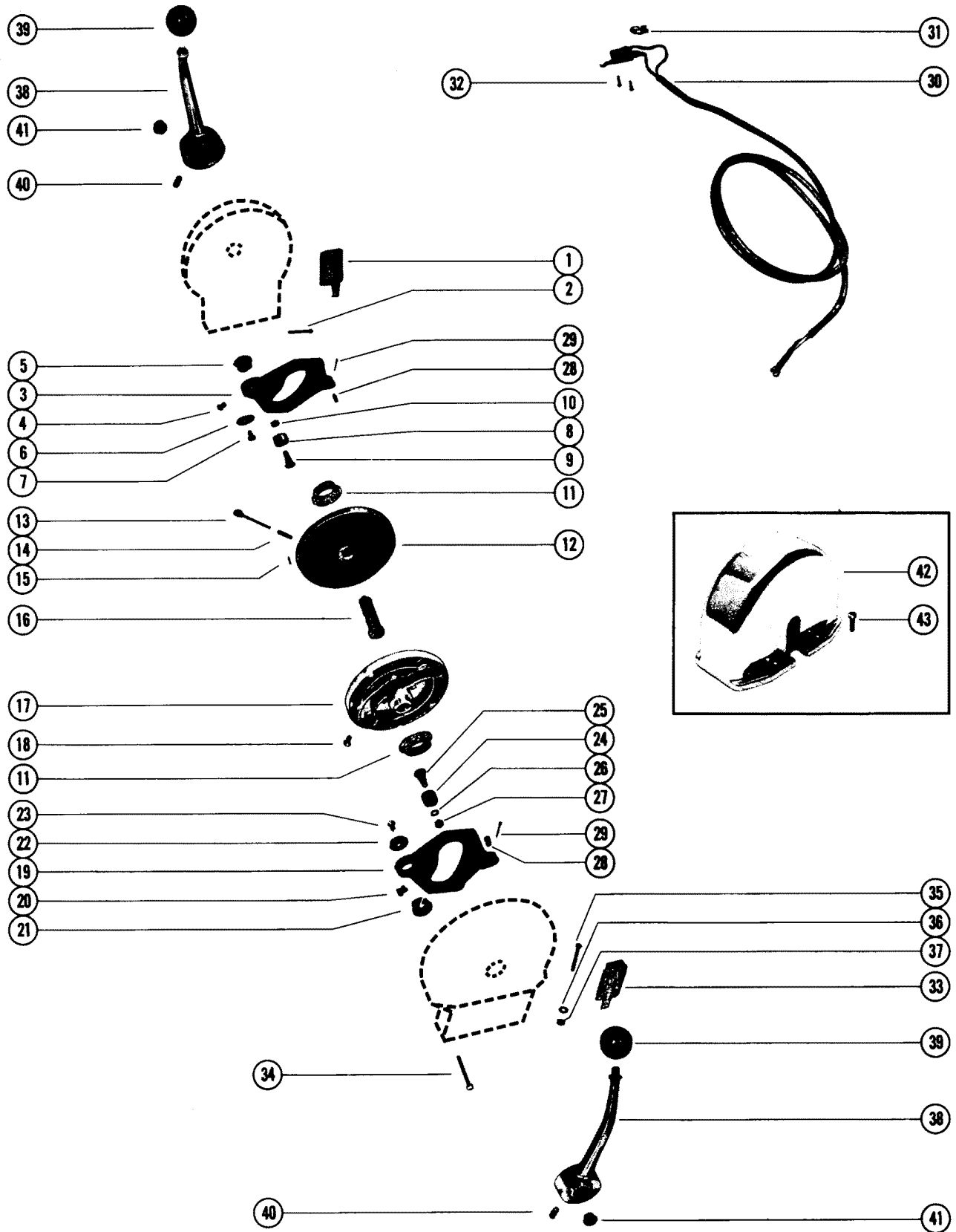


## REMOTE CONTROL ASY (COMPACT - CONSOLE MOUNT)(37580A1 / A2)

REF. NO.	PART NO.	SYM.	QTY.	DESCRIPTION
-	68831A1		1	<b>REMOTE CONTROL ASSEMBLY, COMPLETE (SINGLE INSTALLATION)</b>
1	38749		1	COVER, CONTROL HOUSING (STARBOARD)
2	18-32857		2	COTTER PIN, CONTROL CABLE TO CONTROL HOUSING
3	58777A3		1	LEVER ASSEMBLY, SHIFT
4	19-58776		1	PLUG, SHIFT LEVER
5	23-33589		1	BUSHING, NYLON - SHIFT LEVER (5/8" I D )
6	12-34675		1	WASHER, RETAINING - SHIFT LEVER SCREW
7	10-34676		1	SCREW, SHIFT LEVER TO CONTROL HOUSING <b>CENTER HOUSING (1/2")</b>
8	60784		2	CAM ROLLER, SHIFT LEVER
9	17-37603		2	PIN, CAM ROLLER TO SHIFT LEVER
10	11-37800		2	NUT, CAM ROLLER PIN
11	23-37593		2	BUSHING, NYLON-THROTTLE/SHIFT CAMS TO CONTROL HSG <b>(11/16" I D)</b>
12	37607		1	CAM, SHIFT
13	17-37599A2		1	PIN ASSEMBLY, BLOCKING - SHIFT CAM
14	34-38872		1	SPRING, COMPRESSION - BLOCKING PIN
15	13-39317		1	FASTENER, BLOCKING PIN TO SHIFT CAM
16	68844A2		1	SHAFT ASSEMBLY, CONTROL
17	37608		1	CAM, THROTTLE
18	10-37942		1	SCREW, SET - THROTTLE CAM
19	58777A3		1	LEVER ASSEMBLY, THROTTLE
20	19-58776		1	PLUG, THROTTLE LEVER
21	23-33589		1	BUSHING, NYLON - THROTTLE LEVER (5/8" I.D.)
22	12-34675		1	WASHER, RETAINING - THROTTLE LEVER SCREW
23	10-34676		1	SCREW, THROTTLE LEVER TO CONTROL HOUSING <b>CENTER HOUSING (1/2")</b>
24	60784		1	CAM ROLLER, THROTTLE LEVER
25	17-37603		1	PIN, CAM ROLLER TO THROTTLE LEVER
26	12-35950		1	WASHER, CAM ROLLER PIN
27	11-37800		1	NUT, CAM ROLLER PIN
28	17-37801		2	PIN, CONTROL CABLE TO THROTTLE AND SHIFT LEVERS
29	18-37809		3	PIN (HAIR), CONTROL CABLE PIN
30	36004A4		1	SWITCH AND HARNESS ASSEMBLY, SAFETY
31	36286		2	TAB RECEPTACLE, SAFETY SWITCH
-	<b>54-20387</b>		<b>1</b>	<b>CLAMP, SAFETY SWITCH</b>
32	10-36003		2	SCREW, SAFETY SWITCH TO CONTROL HOUSING (5/8")
33	38750		1	COVER, CONTROL HOUSING (PORT)
34	10-37803		4	SCREW, CONTROL HOUSING CLAMPING (1 3/4")
35	10-68848		4	SCREW, REMOTE CONTROL TO BOAT (1 1/2")
36	12-24664		4	WASHER, REMOTE CONTROL SCREW
37	11-20361		4	NUT, REMOTE CONTROL SCREW
38	37812A1		1	HANDLE, CONTROL

CONTINUED ON NEXT PAGE ➡

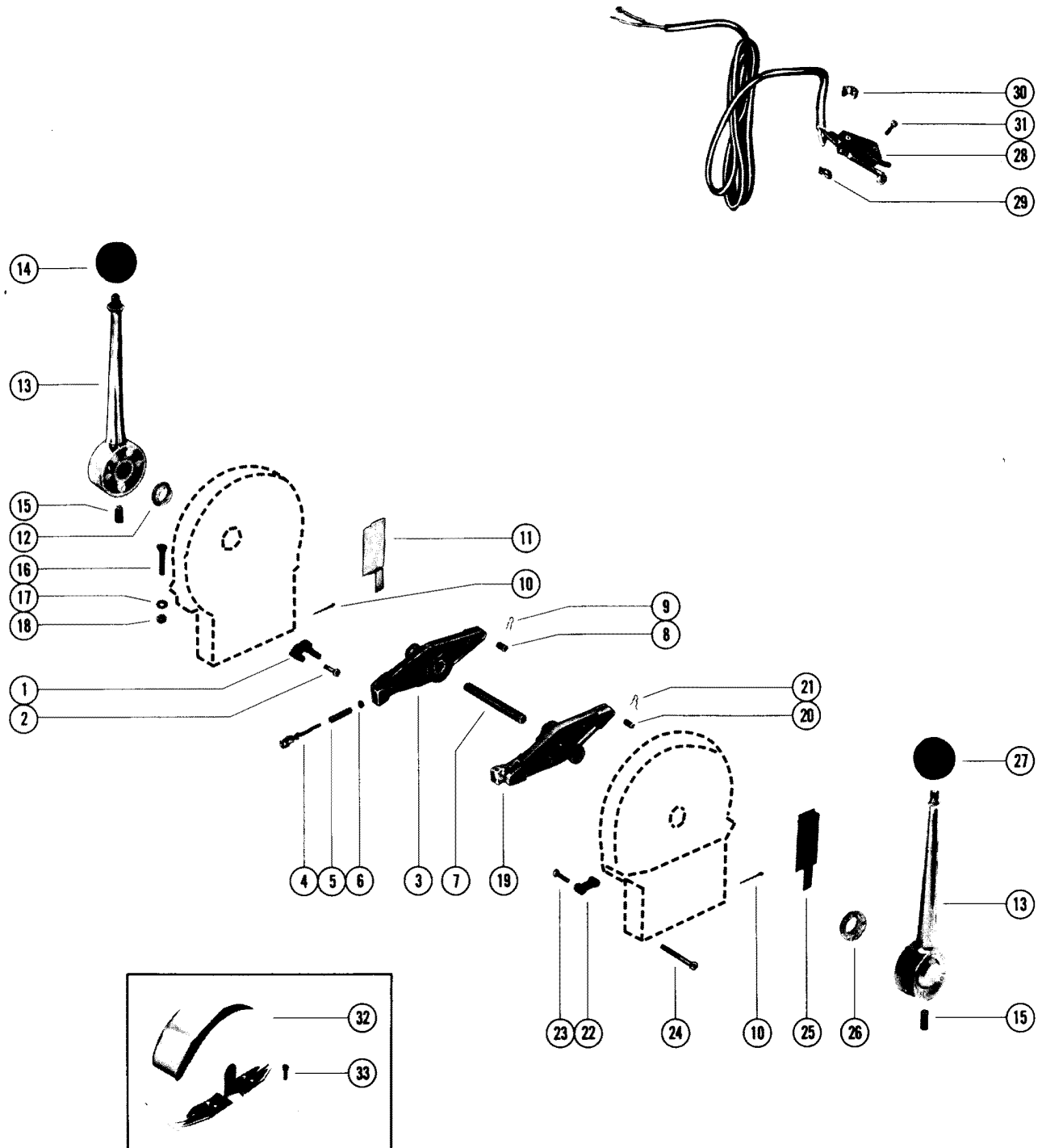
# REMOTE CONTROL ASY (COMPACT - CONSOLE MOUNT)(37580A1 / A2)



## REMOTE CONTROL ASY (COMPACT - CONSOLE MOUNT)(37580A1 / A2)

REF. NO.	PART NO.	SYM.	QTY.	DESCRIPTION
39	37813		1	GRIP, CONTROL HANDLE (BLACK)
40	10-37805		1	SCREW, SET - CONTROL HANDLE TO CONTROL SHAFT
41	62231		1	BUTTON, CONTROL HANDLE
42	65444		1	CONTROL COVER
43	10-68849		4	SCREW, COVER TO CONTROL HOUSING (1/4")

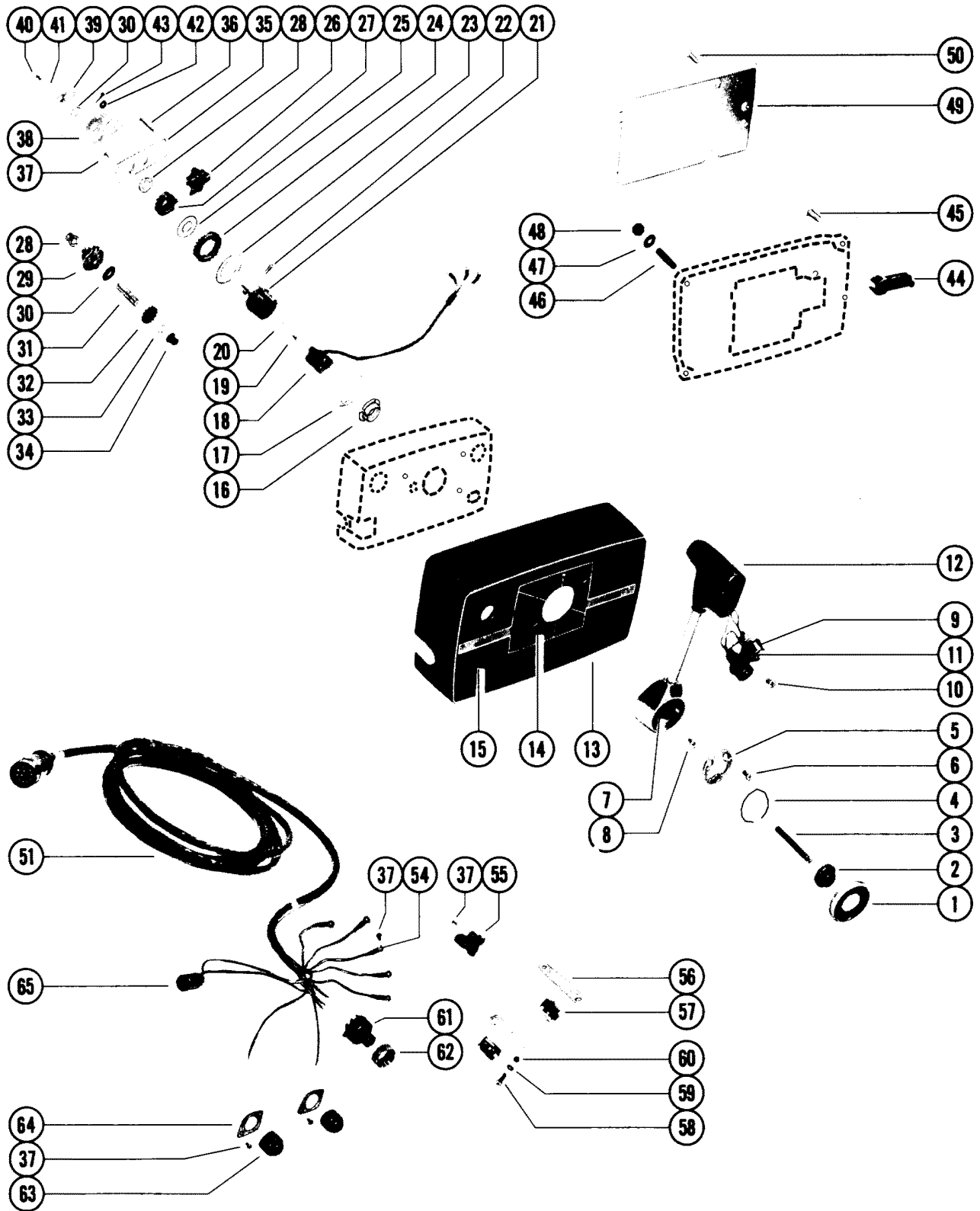
# REMOTE CONTROL ASSEMBLY (TOP MOUNTED - CONSOLE)



## REMOTE CONTROL ASSEMBLY (TOP MOUNTED - CONSOLE)

REF. NO.	PART NO.	SYM.	QTY.	DESCRIPTION
-	<b>68833A1</b>		1	<b>REMOTE CONTROL ASSEMBLY, TOP MOUNTED -TWO LEVER-</b>
1	58502		1	BLOCK, STOP - CONTROL HOUSING
2	10-57937		2	SCREW, STOP BLOCK TO CONTROL HOUSING (9/16")
3	68842		1	LEVER, SHIFT
4	17-39577A2		1	PIN ASSEMBLY, DETENT - SHIFT LEVER
5	24-38872		1	SPRING, COMPRESSION - SHIFT LEVER DETENT PIN
6	13-39317		1	FASTENER, DETENT PIN TO SHIFT LEVER
7	38283		1	SHAFT, CONTROL
8	17-37801		1	PIN, CONTROL CABLE TO SHIFT LEVER
9	18-37809		1	PIN, CONTROL CABLE TO SHIFT LEVER PIN
10	18-32857		2	COTTER PIN, CONTROL CABLE TO CONTROL HOUSING
11	38749		1	COVER, CONTROL HOUSING (STARBOARD)
12	23-37593		1	BUSHING, NYLON - SHIFT LEVER (11/16" I D)
13	69613		2	HANDLE, THROTTLE AND SHIFT
14	37813		1	KNOB, SHIFT HANDLE (BLACK)
15	10-37805		2	SCREW, SET - HANDLE TO LEVER
16	10-68848		4	SCREW, REMOTE CONTROL TO BOAT (1 1/2")
17	12-24664		4	WASHER, REMOTE CONTROL SCREW
18	11-20361		4	NUT, REMOTE CONTROL SCREW
19	68842		1	LEVER, THROTTLE
20	17-37801		1	PIN, CONTROL CABLE TO THROTTLE LEVER
21	18-37809		1	PIN, CONTROL CABLE TO THROTTLE LEVER PIN
22	57303		1	BLOCK, STOP -CONTROL HOUSING
23	10-57937		2	SCREW, STOP BLOCK TO CONTROL HOUSING (9/16")
24	10-37803		4	SCREW, CONTROL HOUSING CLAMPING (1 3/4")
25	38750		1	COVER, CONTROL HOUSING (PORT)
26	23-37593		1	BUSHING, NYLON - THROTTLE LEVER (11/16" I D)
27	38293		1	KNOB, THROTTLE HANDLE (RED)
28	36004A4		1	SWITCH AND HARNESS ASSEMBLY, SAFETY
29	36286		2	TAB RECEPTACLE, SWITCH HARNESS
30	54-20387		1	CLAMP, SWITCH HARNESS
31	10-36003		2	SCREW, SAFETY SWITCH TO CONTROL HOUSING (5/8")
-	<b>57303</b>		1	<b>BLOCK, STOP</b>
-	<b>10-59143</b>		2	<b>SCREW, STOP BLOCK ATTACHING (1 1/4")</b>
32	65420		1	CONTROL COVER
33	10-68849		1	SCREW, COVER TO CONTROL HOUSING (1/4")

# REMOTE CONTROL ASSEMBLY (ELECTRIC) J



## REMOTE CONTROL ASSEMBLY (ELECTRIC) J

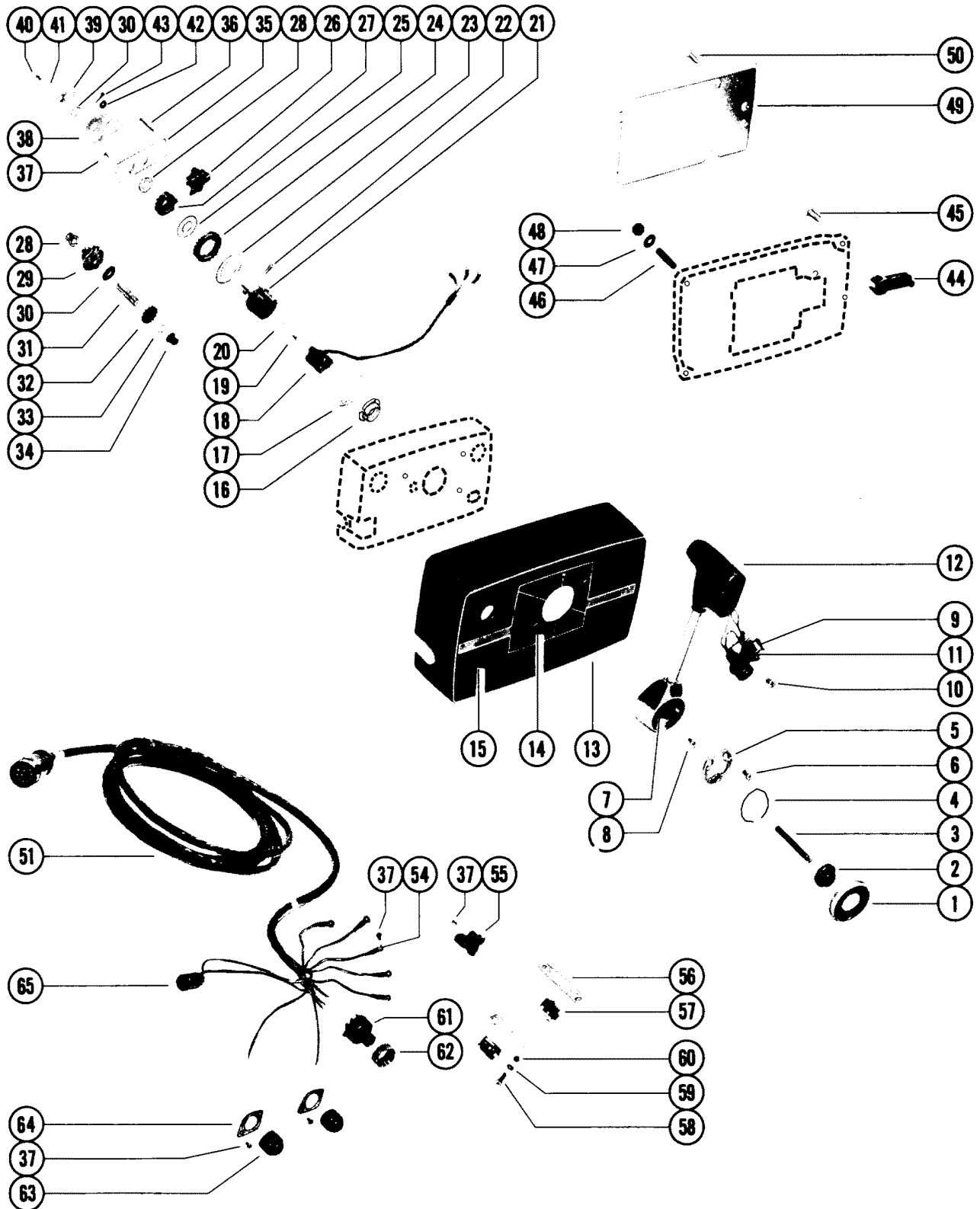
REF. NO.	PART NO.	SYM.	QTY.	DESCRIPTION
-	75314A	← †	1	REMOTE CONTROL ASSEMBLY, COMPLETE (ELECTRIC)
1	65953A1		1	COVER ASSEMBLY, HUB
2	65676		1	BOOT, RUBBER - SHAFT
3	65673		1	SHAFT
4	56773		1	RETAINER, HUB COVER
5	65954		1	PLATE, CONTROL HANDLE
6	10-70903		3	SCREW, PLATE TO CONTROL HANDLE (1/2")
7	65955		1	CONNECTOR
8	10-20650		3	SCREW, CONNECTOR TO DISCONNECT (3/8")
9	74646		1	RETAINER, PUSH BUTTON SWITCHES
10	10-77444		2	SCREW, RETAINER TO CONTROL HANDLE (5/16")
11	87-68691		1	SWITCH, PUSH BUTTON (BLACK)
	87-58033		1	SWITCH, PUSH BUTTON (RED)
12	55719		1	HANDLE, CONTROL
13	68034		1	COVER, REMOTE CONTROL
14	37-69448		1	DECAL, REMOTE CONTROL COVER
15	37-70677		1	DECAL, REMOTE CONTROL COVER (MERCURY MARINE)
16	23-55399		1	BUSHING, NYLON - PORT CONTROL HOUSING
17	68026		1	PLATE, RETAINING - DISCONNECT PLUG
18	65672		1	PLUG, DISCONNECT
19	17-68672		1	PIN, CONTROL HUB
20	24-73190		1	SPRING, CONTROL HUB
21	65665		1	HUB, CONTROL
22	28-68024		1	KEY, CONTROL HUB
23	12-68025		1	WASHER, CONTROL HUB
24	43-65731		1	GEAR, THROTTLE
25	12-65986		1	WASHER, NYLON - CONTROL HUB
26	68876A1		1	DETENT ASSEMBLY
27	43-65733		2	GEAR, SHIFT
28	23-74647		1	BUSHING, NYLON - SUPPORT PLATE
29	43-65734		2	PINION GEAR, SHIFT
30	12-68032		1	WASHER, THROTTLE SHAFT
31	65730		1	SHAFT, THROTTLE
32	43-65732		1	PINION GEAR, THROTTLE
33	53-68030		1	RING, RETAINING - THROTTLE PINION
34	23-65830		1	BUSHING, NYLON - THROTTLE SHAFT
35	65832		1	PLATE, SUPPORT SHAFT AND DETENT
36	10-47184		2	SCREW, PLATE TO CONTROL HOUSING (1 1/2")
37	10-69079		13	SCREW (7/16")
38	65655A1		1	LEVER ASSEMBLY, SHIFT
39	65657A1		1	LEVER ASSEMBLY, THROTTLE
40	10-37571		1	SCREW, THROTTLE LEVER TO THROTTLE SCREW (1/2")

← = NEW STYLE MERC CONTROL ASSEMBLY IS AVAILABLE IN LENGTHS OF 10 , 15 , 20 AND 40 .

† = FOR USE ON MERC 500 THRU MERC 1500 WITH POWER TRIM.

CONTINUED ON NEXT PAGE ➡

# REMOTE CONTROL ASSEMBLY (ELECTRIC) J



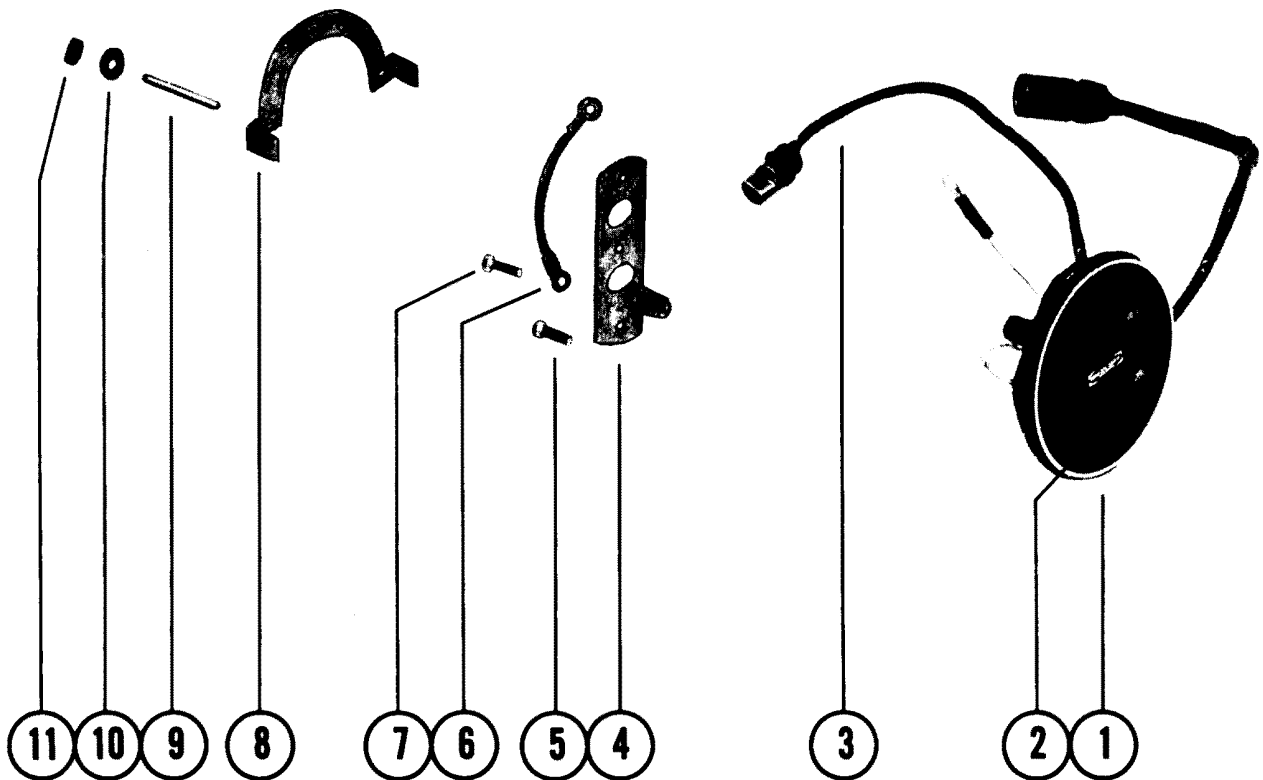


## REMOTE CONTROL ASSEMBLY (ELECTRIC) J

REF. NO.	PART NO.	SYM.	QTY.	DESCRIPTION
41	12-72761		1	WASHER, THROTTLE LEVER SCREW
42	12-35950		2	WASHER, CABLE ATTACHING
43	18-21071		2	COTTER PIN, CABLE ATTACHING
44	68023		1	HOUSING, CABLE
45	10-24234		2	SCREW, CONTROL HOUSING ATTACHING (1")
46	16-29208		2	STUD, PORT CONTROL HOUSING (2 1/2")
47	12-26168		2	WASHER, PORT CONTROL HOUSING STUD
48	11-46793		2	NUT, PORT CONTROL HOUSING STUD
49	65956		1	COVER, STARBOARD CONTROL HOUSING
50	10-25504		2	SCREW, COVER ATTACHING (3/4")
51	84-76407	♥	1	WIRING HARNESS
54	86-60878		4	TERMINAL, WIRING HARNESS
55	86-65738		1	TERMINAL BLOCK
56	74596		1	PLATE, MICRO SWITCH MOUNTING
57	87-74605		1	SWITCH, MICRO
58	10-63680		2	SCREW, MICRO SWITCH TO PLATE (5/8")
59	13-24658		2	LOCKWASHER, MICRO SWITCH SCREW
60	11-63683		2	NUT, MICRO SWITCH SCREW
61	54211		1	IGNITION SWITCH(WITH KEY - PART #C-30431)
62	68863		1	BEZEL, IGNITION SWITCH
63	55738A1		2	SWITCH ASSEMBLY, PUSH BUTTON
64	55691		2	COVER, PUSH BUTTON SWITCH
65	84-76353		1	HARNESS, TRIM(AVAILABLE IN LENGTHS OF 10 ,15 ,25 AND 45 )

♥ = AVAILABLE IN LENGTHS OF 10 , 15 ,20 AND 40 .

# SWITCH PANEL ASSEMBLY



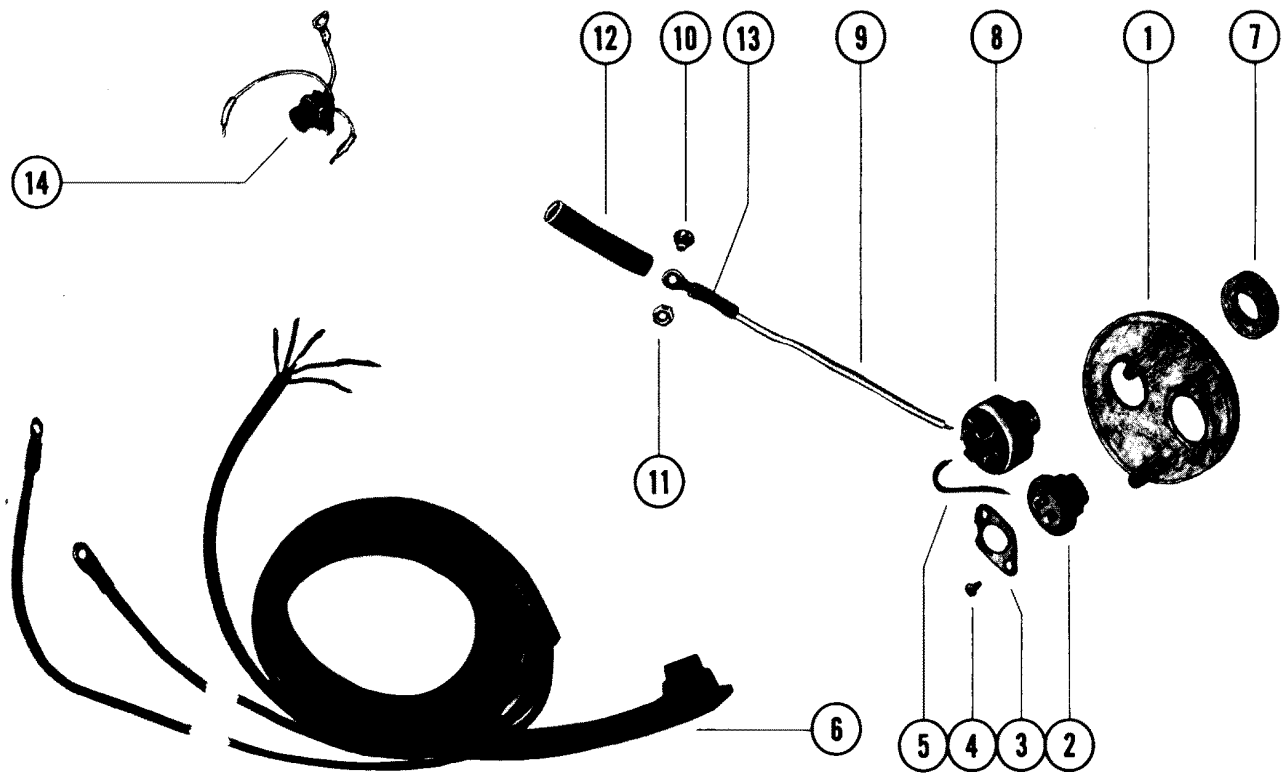
# SWITCH PANEL ASSEMBLY

REF. NO.	PART NO.	SYM.	QTY.	DESCRIPTION
-	77792A2	♣	1,	SWITCH PANEL ASSEMBLY
-	77792A4	♠	,1	SWITCH PANEL ASSEMBLY
1	76426		1,1	SWITCH PANEL
2	55738A1		2,2	SWITCH ASSEMBLY, PUSH BUTTON
3	84-70251		1,1	HARNESS, SWITCH PANEL
4	77642		1,1	PLATE, SWITCH RETAINER
5	10-69079		3,3	SCREW, PLATE TO SWITCH PANEL (7/16")
6	84-63594A5		1,1	WIRE ASSEMBLY (WHITE)
7	10-38792		1,1	SCREW, WIRE ATTACHING (5/16")
8	77676		1,1	BRACKET, MOUNTING
9	16-55422		2,2	STUD, BRACKET TO DASHBOARD (2 ")
10	12-24676		2,2	WASHER, MOUNTING STUD
11	11-68219		2,2	NUT, MOUNTING STUD
12	68878		1,	HORN, ALARM
13	68879		1,	COVER, ALARM HORN

♣ = FOR USE ON MERC 1750.

♠ = FOR USE ON MERC 500 THRU MERC 1500.

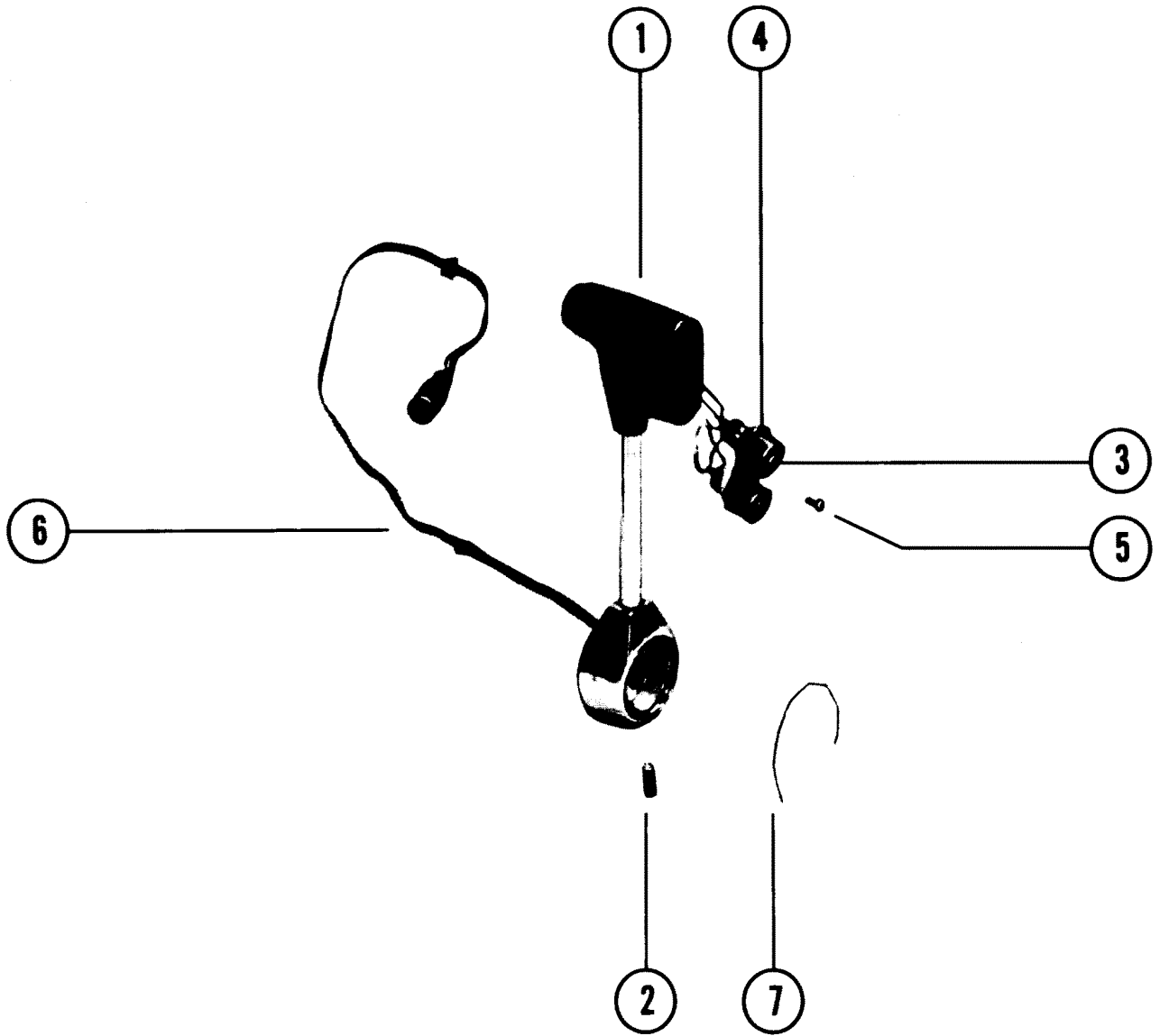
# KEY AND CHOKE SWITCH KIT



## KEY AND CHOKE SWITCH KIT

REF. NO.	PART NO.	SYM.	QTY.	DESCRIPTION
-	77777A2		1,	KEY & CHOKE SWITCH KIT USE ON MERC 402 -1500, EXCEPT MERC 700
-	77777A4		,1	KEY & CHOKE SWITCH KIT USE ON MERC 700
1	77777A5		1,1	PANEL ASSEMBLY, CONTROL
2	55738A1		1,1	SWITCH ASSEMBLY, CHOKE
3	55691		1,1	RETAINER, CHOKE SWITCH TO CONTROL PANEL
4	10-62568		2,2	SCREW, RETAINER TO CONTROL PANEL
5	39180		1,1	JUMPER WIRE, CHOKE SWITCH (WHITE - 2 1/2 " )
6	45876-20		1,	WIRING HARNESS (20 )
	84-70924-20		,1	WIRING HARNESS (20 )
7	68863		1,1	BEZEL, IGNITION SWITCH
8	54211		1,1	SWITCH, IGNITION (WITLL KE) - PART XC-30431 )
9	30795		1,1	JUMPER WIRE, SWITCH TO CONTROL (YELLOW - 6")
10	10-24231		3,3	SCREW, JUMPER WIRE TO REMOTE CONTROL (1/4")
11	11-68219		3,3	NUT, JUMPER WIRE SCREW
12	23-32914		3,3	SLEEVE, RUBBER - JUMPER WIRE (2 ")
13	23-37961-2		2,2	SLEEVE, RUBBER - JUMPER WIRE (7/8")
14	45887		1,1	CONNECTOR, TACHOMETER LEAD

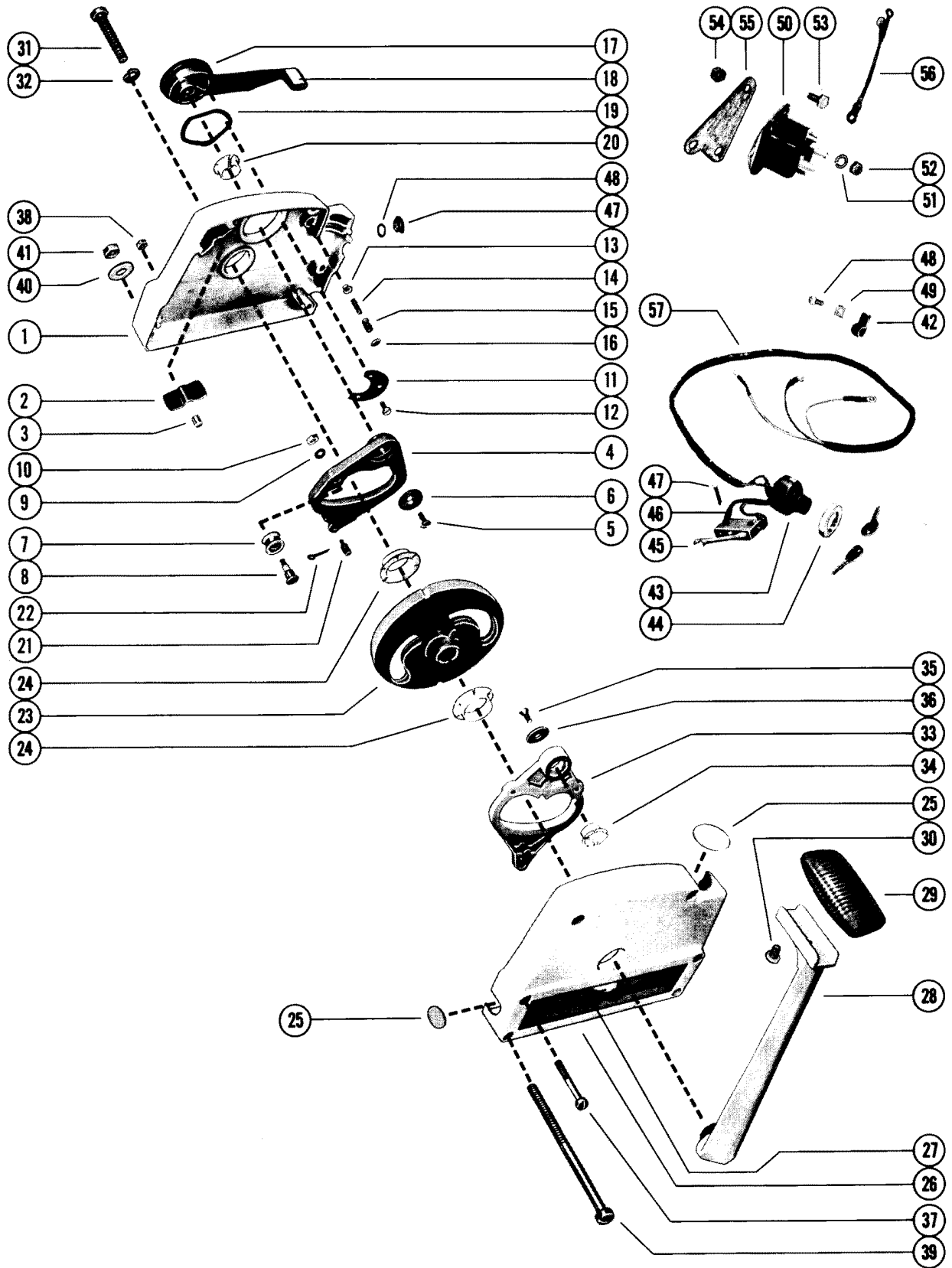
# CONTROL HANDLE ASSEMBLY A



## CONTROL HANDLE ASSEMBLY A

REF. NO.	PART NO.	SYM.	QTY.	DESCRIPTION
1	75312A1		1	CONTROL HANDLE ASSEMBLY USE ON CONSOLE REMOTE CONTROL. HANDLE GRIP ROTATED 180 DEG.
2	10-37805		1	SCREW, SET - CONTROL HANDLE TO CONTROL SHAFT
3	87-68033		1	SWITCH, PUSH-BUTTON (RED)
	87-68691		1	SWITCH, PUSH-BUTTON (BLACK)
4	74646		1	RETAINER, PUSH-BUTTON SWITCHES
5	10-77444		2	SCREW, RETAINER TO CONTROL HANDLE (5/16")
6	84-74796		1	HARNESS, CONTROL HANDLE
7	56773		1	RETAINER, HUB COVER

# REMOTE CONTROL ASY (79108A15)



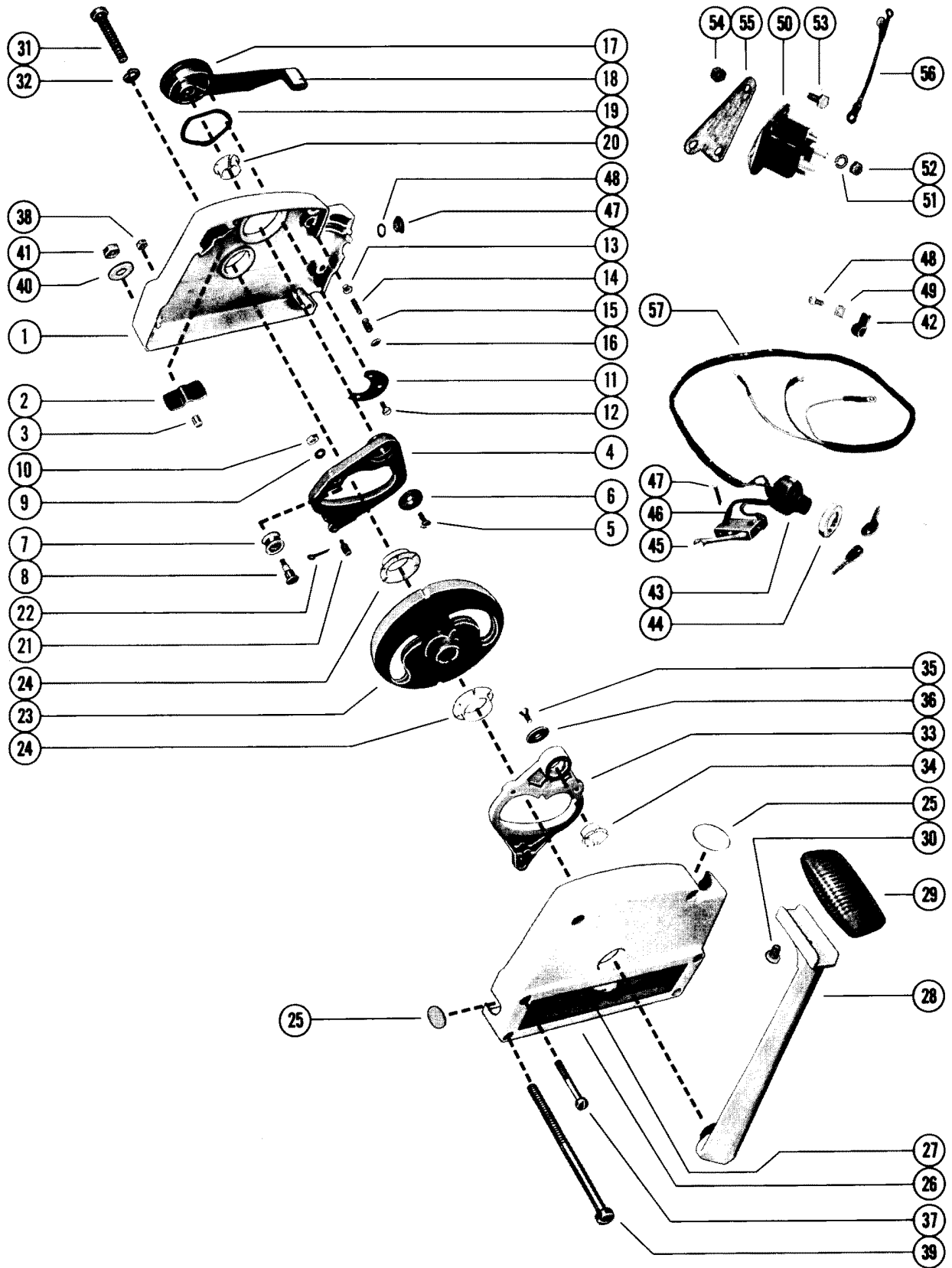


## REMOTE CONTROL ASY (79108A15)

REF. NO.	PART NO.	SYM.	QTY.	DESCRIPTION
-	79108A15		1,	ELECTRIC REMOTE CONTROL ASSEMBLY, COMPLETE SEE INDEX PAGE FOR CORRECT ENGINE MOD
-	85641A15		,1	ELECTRIC REMOTE CONTROL ASSEMBLY, COMPLETE SEE INDEX PAGE FOR CORRECT ENGINE MOD
1	N.S.S.		1,1	HOUSING, REMOTE CONTROL (STARBOARD) - BLACK
2	24-34683		2,2	SPRING, DETENT - CONTROL HOUSING
3	34992		1,1	ROLLER, DETENT SPRING
4	34671		1,1	LEVER, THROTTLE - CONTROL HOUSING
5	10-85072		1,1	SCREW, THROTTLE LEVER TO NEUTRAL WARM-UP LEVER
6	12-34675		1,1	WASHER, THROTTLE LEVER SCREW
7	34672		1,1	CAM ROLLER, THROTTLE LEVER
8	17-34673		1,1	PIN, CAM ROLLER TO THROTTLE LEVER
9	12-34680		1,1	WASHER, CAM ROLLER PIN
10	11-24656		1,1	NUT, CAM ROLLER TO THROTTLE LEVER PIN
11	34679		1,1	PLATE, THRUST - CONTROL HOUSING
12	10-47220		3,3	SCREW, THRUST PLATE TO NEUTRAL WARM-UP LEVER
13	17-20009		1,1	PIN, DETENT - CONTROL HOUSING NEUTRAL WARM-UP LEVER
14	24-35210		1,1	SPRING, DETENT PIN
15	24-35227		1,1	SPRING, DETENT PIN TENSION
16	19-20011		1,1	WELCH PLUG, DETENT PIN AND SPRING RETAINING
17	34670-2		1,1	LEVER, NEUTRAL WARM-UP CONTROL HOUSING(BLACK)
18	37-31021		1,1	TAPE, NEUTRAL WARM-UP LEVER
19	13-34678		1,1	WASHER, WAVE - NEUTRAL WARM-UP LEVER
20	23-33589		1,1	BUSHING, NYLON - NEUTRAL WARM-UP LEVER (5/8" I D)
21	17-34692		2,2	PIN, SHIFT AND THROTTLE LEVERS
22	18-29623		2,2	COTTER PIN, SHIFT AND THROTTLE LEVER PINS
23	59369		1,1	FACE CAM
24	23-34677		2,2	BUSHING, NYLON - FACE CAM (1" I.D. )
25	19-55350		1,1	PLUG, CONTROL HOUSING HOLE
	19-55348		1,1	PLUG, CONTROL HOUSING HOLE
26	N.S.S.		1,1	HOUSING, REMOTE CONTROL (PORT) - BLACK
27	37-61412		1,1	DECAL, CONTROL HOUSING (MERCONTROL)
	37-64043		1,1	DECAL, CONTROL HOUSING (MERCONTROL)
28	34689-2		1,1	LEVER, CONTROL ( BLACK)
29	36005		1,1	GRIP, CONTROL LEVER
30	10-37342		2,2	SCREW, GRIP TO CONTROL LEVER (7/16")
31	10-68909		1,1	SCREW, CONTROL LEVER TO FACE CAM (1 5/8")
32	13-26992		1,1	LOCKWASHER, CONTROL LEVER SCREW
33	34682		1,1	LEVER, SHIFT - CONTROL HOUSING
34	23-33589		1,1	BUSHING, NYLON - SHIFT LEVER (5/8" I.D.)
35	10-85072		1,1	SCREW, SHIFT LEVER TO CONTROL HOUSING
36	12-34675		1,1	WASHER, SHIFT LEVER SCREW

CONTINUED ON NEXT PAGE ➡

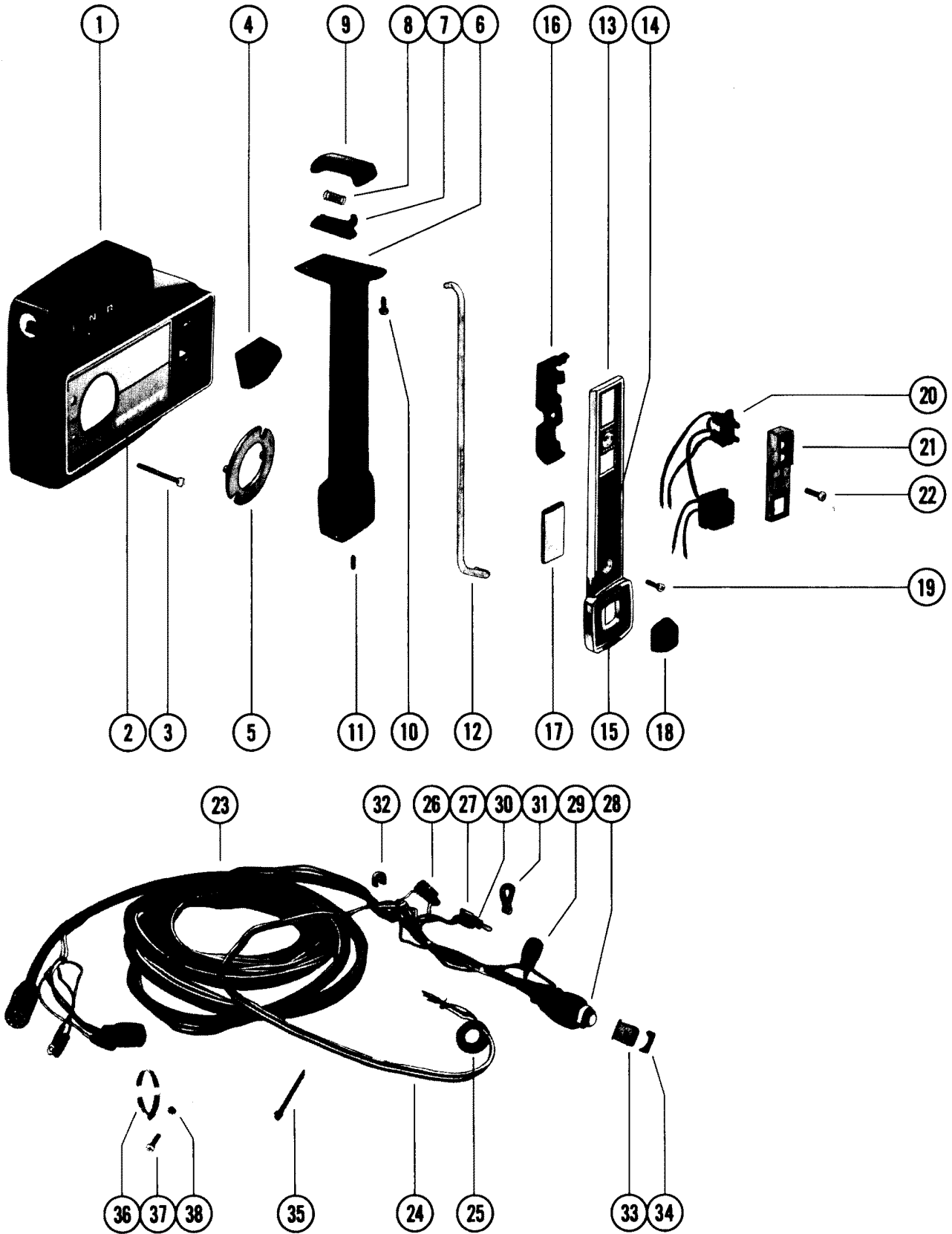
# REMOTE CONTROL ASY (79108A15)



## REMOTE CONTROL ASY (79108A15)

REF. NO.	PART NO.	SYM.	QTY.	DESCRIPTION
37	10-37941		4,4	SCREW, REMOTE CONTROL HOUSING CLAMPING
38	11-34688		4,4	NUT, REMOTE CONTROL HOUSING CLAMPING SCREW
39	10-34900		2,2	SCREW, REMOTE CONTROL TO BOAT (4 1/4")
40	12-20346		2,2	WASHER, REMOTE CONTROL SCREW
41	11-24652		2,2	NUT, REMOTE CONTROL TO BOAT SCREW
42	54-22740		1,1	CLAMP, EXTERNAL WIRING HARNESS TO BOAT
43	54211		1,1	SWITCH, IGNITION (WITH KEYS) KEY PART #C-30431 )
44	22628		1,	BEZEL, IGNITION SWITCH TO CONTROL HOUSING
45	34621		1,	SWITCH, SAFETY
	34621		,2	SWITCH, SAFETY
46	23-37961-2		2,	SLEEVE, SAFETY SWITCH H LEADS
47	10-30902		2,2	SCREW, SAFETY SWITCH TO CONTROL HOUSING
48	10-37260		1,1	SCREW, WIRING HARNESS CLIP TO CONTROL HOUSING (7/16")
49	69205		1,1	"D" WASHER, WIRING HARNESS CLIP SCREW
50	89-68258		2,2	SOLENOID
51	13-26996		2,2	LOCKWASHER, SOLENOID TERMINAL NUT
52	11-68219		2,2	NUT, SOLENOID TERMINAL
51	13-26993		2,2	LOCKWASHER, SOLENOID TERMINAL NUT
52	11-21908		2,2	NUT, SOLENOID TERMINAL
53	10-69052		1,1	SCREW, SOLENOID TO MOUNTING PLATE (1/2")
54	11-46887		1,1	NUT, SOLENOID MOUNTING SCREW
55	78428		1,1	PLATE, SOLENOID MOUNTING
56	84-79009A1		1,1	CABLE ASSEMBLY,RED - SOLENOID TERMINAL (2 7/8")
	84-79009A2		1,	CABLE ASSEMBLY,RED - SOLENOID TO START SWITCH (25")
	84-79009A3		,1	CABLE ASSEMBLY,RED - SOLENOID TO START SWITCH (22 1/2")
	84-79010A1		1,1	CABLE ASSEMBLY,YELLOW - SOLENOID TO STARTER (9")
	84-79012A1		1,1	CABLE ASSEMBLY,RED - SOLENOID TO RECTIFIER (7")
57	84-79011A1		1,1	CABLE ASSEMBLY,STOP/START (15 )

# REMOTE CONTROL ASY (87317A10)



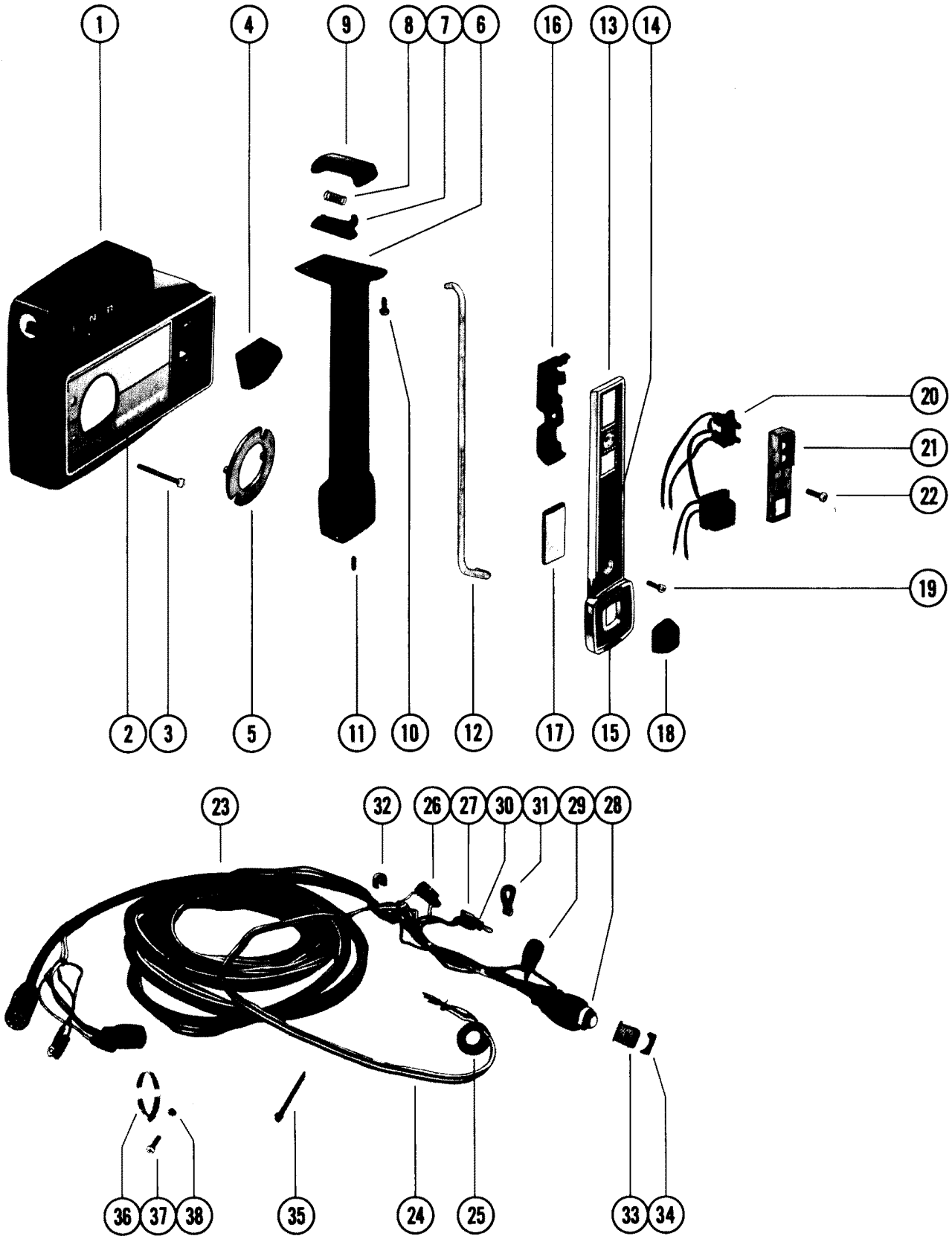
## REMOTE CONTROL ASY (87317A10)

REF. NO.	PART NO.	SYM.	QTY.	DESCRIPTION
-	<b>87317A</b>	♥	1	<b>REMOTE CONTROL ASSEMBLY</b>
1	85859		1	COVER, REMOTE CONTROL
2	37-87312		1	DECAL, REMOTE CONTROL COVER (QUICKSILVER)
3	10-86087		3	SCREW, REMOTE CONTROL COVER (3 1/2")
4	86351		1	COVER, TOGGLE SWITCH
5	53-85897A1		1	LOCK RING ASSEMBLY
6	86363		1	CONTROL HANDLE
7	85898		1	TRIGGER, CONTROL HANDLE
8			1	SPRING, TENSION - CONTROL HANDLE
9	85894		1	CAP, CONTROL HANDLE
10	10-75710		2	SCREW, CONTROL HANDLE CAP (1/2")
11	10-85797		1	SCREW, SET - CONTROL HANDLE
12	85895		1	ROD, LOCKING
13	85893		1	COVER, CONTROL HANDLE
14	37-85873		1	DECAL, COVER
15	37-85863		1	DECAL, COVER - LOWER
16	86041		1	RETAINER, TRIM SWITCH
17	88474		1	RETAINER, WIRING HARNESS
18	85896		1	BUTTON, THROTTLE
19	10-85911		1	SCREW, COVER TO CONTROL HANDLE (3/8 ")
20	87-86241A2		1	SWITCH ASSEMBLY, TRIM AND TRAILER
21	88873		1	RETAINER, TRIM BUTTONS
22	10-88904		1	SCREW, CONTROL HANDLE COVER (5/8")
23	84-86353A	♥	1	WIRING HARNESS ASSEMBLY
24	84-86228A	♥	1	HARNESS ASSEMBLY, TRIM
25	23-85872		1	BUSHING, TRIM HARNESS
26	87-86320		1	MICRO SWITCH
27	87-86350		1	TOGGLE SWITCH
28	87-88107		1	IGNITION SWITCH(SEE CHART FOR KEY)
29	85-86319		1	INSULATOR, WIRING HARNESS
30	11-27052		1	NUT, TOGGLE SWITCH
31	86352		2	KEY, TOGGLE SWITCH
32	25-85879		1	GROMMET, WIRING HARNESS
33	87870		2	COVER, IGNITION SWITCH KEYS
34	87869		2	RETAINER, IGNITION SWITCH KEYS
35	61990		2	STA-STRAP, WIRING HARNESS
36	54-46770		1	CLIP, WIRING HARNESS
37	10-29227		1	SCREW, WIRING HARNESS CLIP
38	11-34388		1	NUT, WIRING HARNESS CLIP SCREW
-	<b>89491-1</b>		-	<b>KEY 1A KEY CHART</b>
-	<b>89491-2</b>		-	<b>KEY 1B KEY CHART</b>
-	<b>89491-3</b>		-	<b>KEY 1C KEY CHART</b>

♥ = AVAILABLE IN LENGTHS OF 10 , 15 ,20 AND 40 .

CONTINUED ON NEXT PAGE ➡

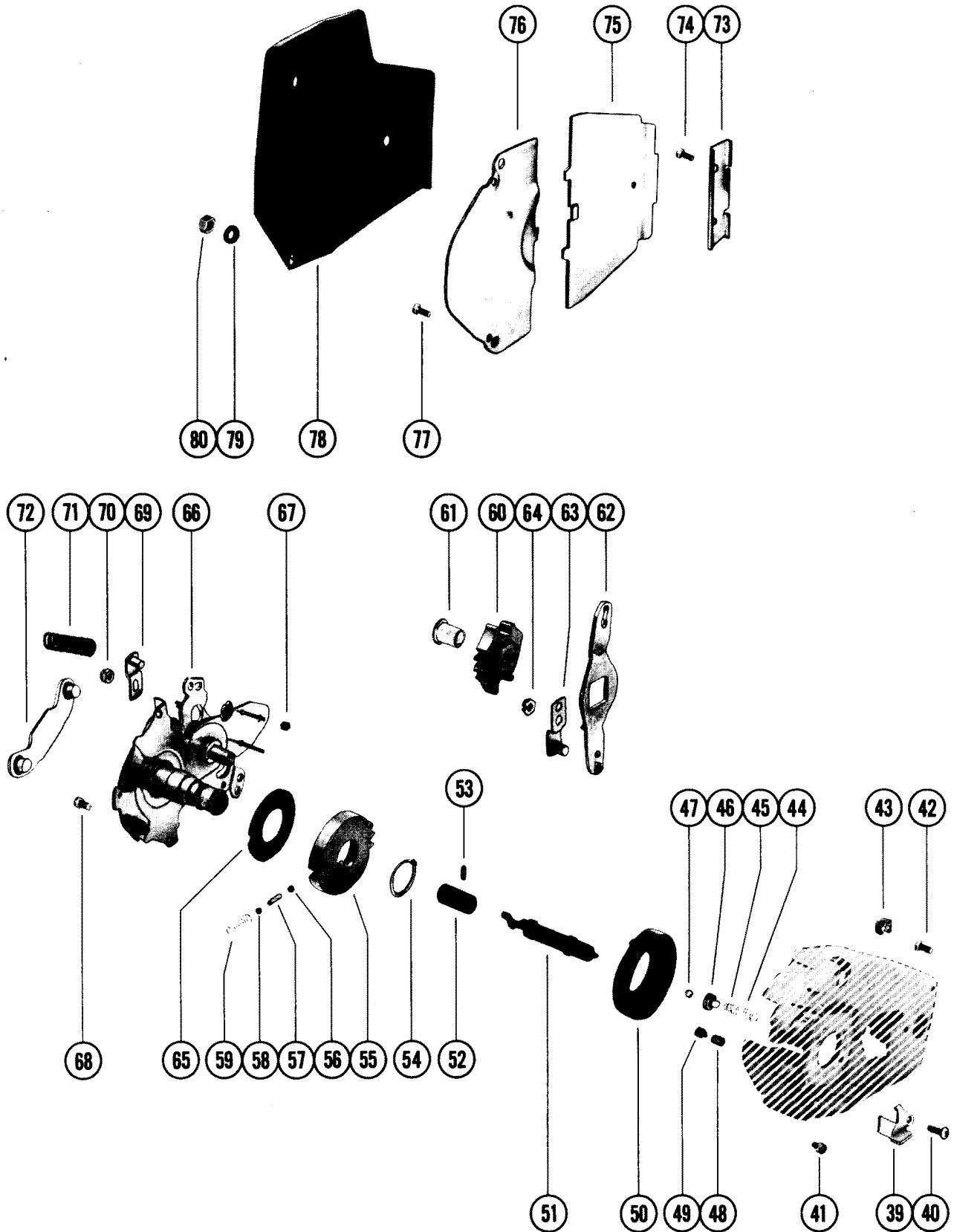
# REMOTE CONTROL ASY (87317A10)



## REMOTE CONTROL ASY (87317A10)

REF. NO.	PART NO.	SYM.	QTY.	DESCRIPTION
-	89491-4		-	KEY 1D KEY CHART
-	89491-5		-	KEY 1E KEY CHART
-	89491-6		-	KEY 1F KEY CHART
-	89491-7		-	KEY 2A KEY CHART
-	89491-8		-	KEY 2B KEY CHART
-	89491-9		-	KEY 2C KEY CHART
-	89491-10		-	KEY 2D KEY CHART
-	89491-11		-	KEY 2E KEY CHART
-	12-89491		-	KEY 2F KEY CHART

# REMOTE CONTROL ASY (87317A10 CONT.)





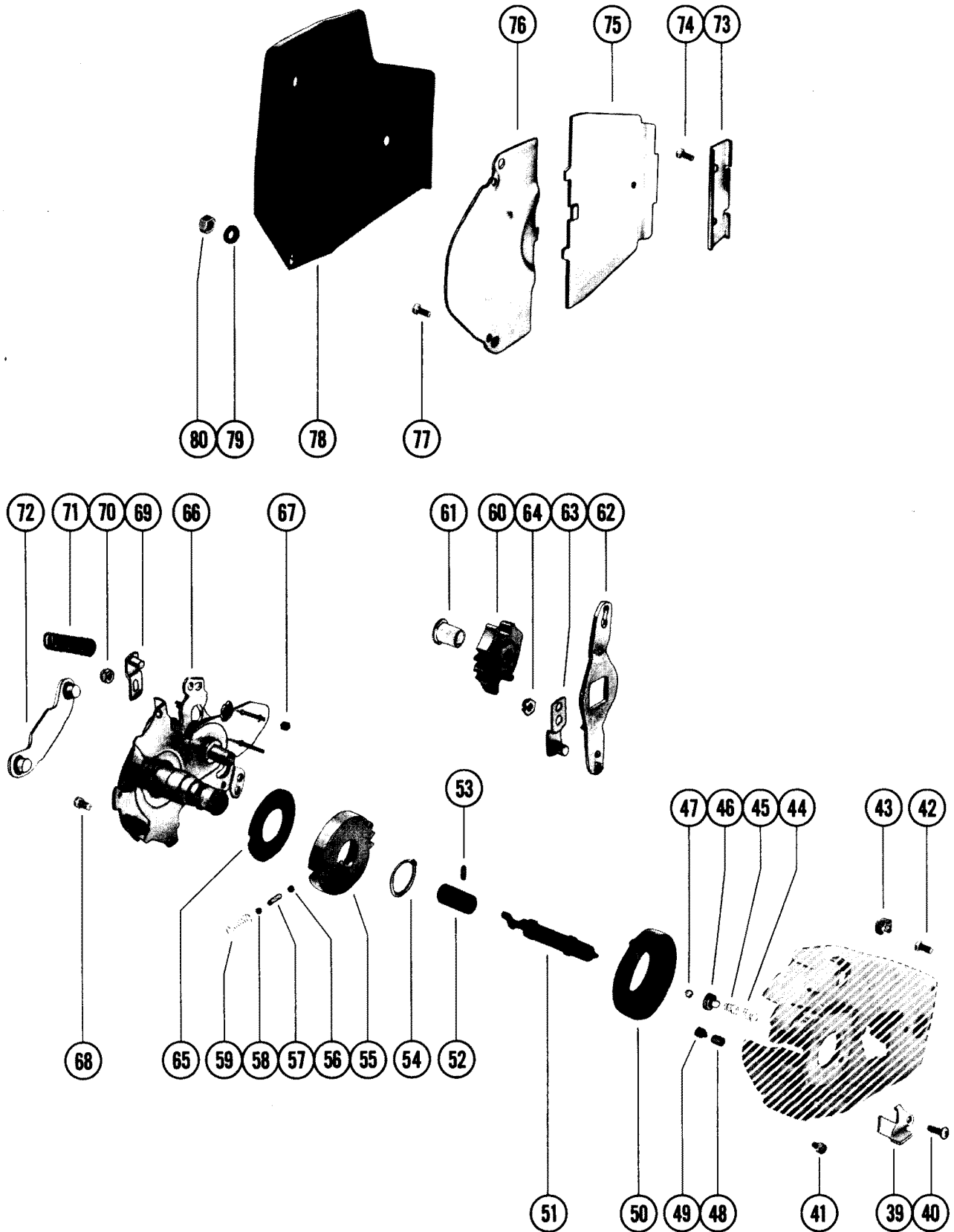
## REMOTE CONTROL ASY (87317A10 CONT.)

REF. NO.	PART NO.	SYM.	QTY.	DESCRIPTION
-	87317A	♥	1	REMOTE CONTROL ASSEMBLY
39	54-85886		1	CLIP, HARNESS RETAINING
40	10-86025		1	SCREW, HARNESS RETAINING CLIP (5/8")
41	10-86245		2	SCREW, SET - DETENT (PLASTIC)
42	10-75710		3	SCREW, CONTROL HOUSING TO COVER (1/2 ")
43	25-85879		1	GROMMET, CONTROL HOUSING
44			1	SPRING, COMPRESSION - CONTROL HOUSING (OUTER)
45			1	SPRING, COMPRESSION - CONTROL HOUSING (INNER)
46			1	FOLLOWER, CHECK BALL AND SPRING
47			1	BALL, CHECK - COMPRESSION SPRING
48			1	SPRING, COMPRESSION - CONTROL HOUSING
49			1	PAD, FRICTION
50	86005		1	RETAINER, WIRING HARNESS
51	85868		1	SHAFT, WARM -UP
52	85869		1	BARREL, WARM-UP SHAFT
53			1	PIN, BARREL TO WARM UP SHAFT
54	53-25184		1	RETAINING RING, BEARING PLATE
55	43-85870		1	GEAR, SHIFT
56			1	BALL, SHIFT GEAR - INNER
57			1	PIN, SHIFT GEAR
58			1	BALL, SHIFT GEAR - OUTER
59			1	SPRING, SHIFT GEAR
60	43-85901		1	PINION, SHIFT
61	23-85999		1	BUSHING, SHIFT PINION
62	85900A1		1	LEVER ASSEMBLY, SHIFT
63	54-85899A1		1	CLIP ASSEMBLY, SHIFT LEVER
64	11-20110		1	NUT, SHIFT LEVER CLIP
65	12-85877		1	WASHER, STEP - SHIFT GEAR
66	85902A4		1	BEARING PLATE ASSEMBLY
67	11-24832		2	NUT, BEARING PLATE STUD
68	10-34222		3	SCREW, BEARING PLATE (1/2")
69	54-85885A1		1	CLIP ASSEMBLY, THROTTLE LEVER
70	11-20110		1	NUT, THROTTLE LEVER CLIP
71			1	SPRING, COMPRESSION - THROTTLE LEVER
72	85875A1		1	LEVER ASSEMBLY, THROTTLE
73	86287		1	RETAINER, CABLE
74	10-32223		2	SCREW, RETAINER ATTACHING (1/2 ")
75	86288		1	COVER, BOTTOM

♥ = AVAILABLE IN LENGTHS OF 10 , 15 ,20 AND 40 .

CONTINUED ON NEXT PAGE ➡

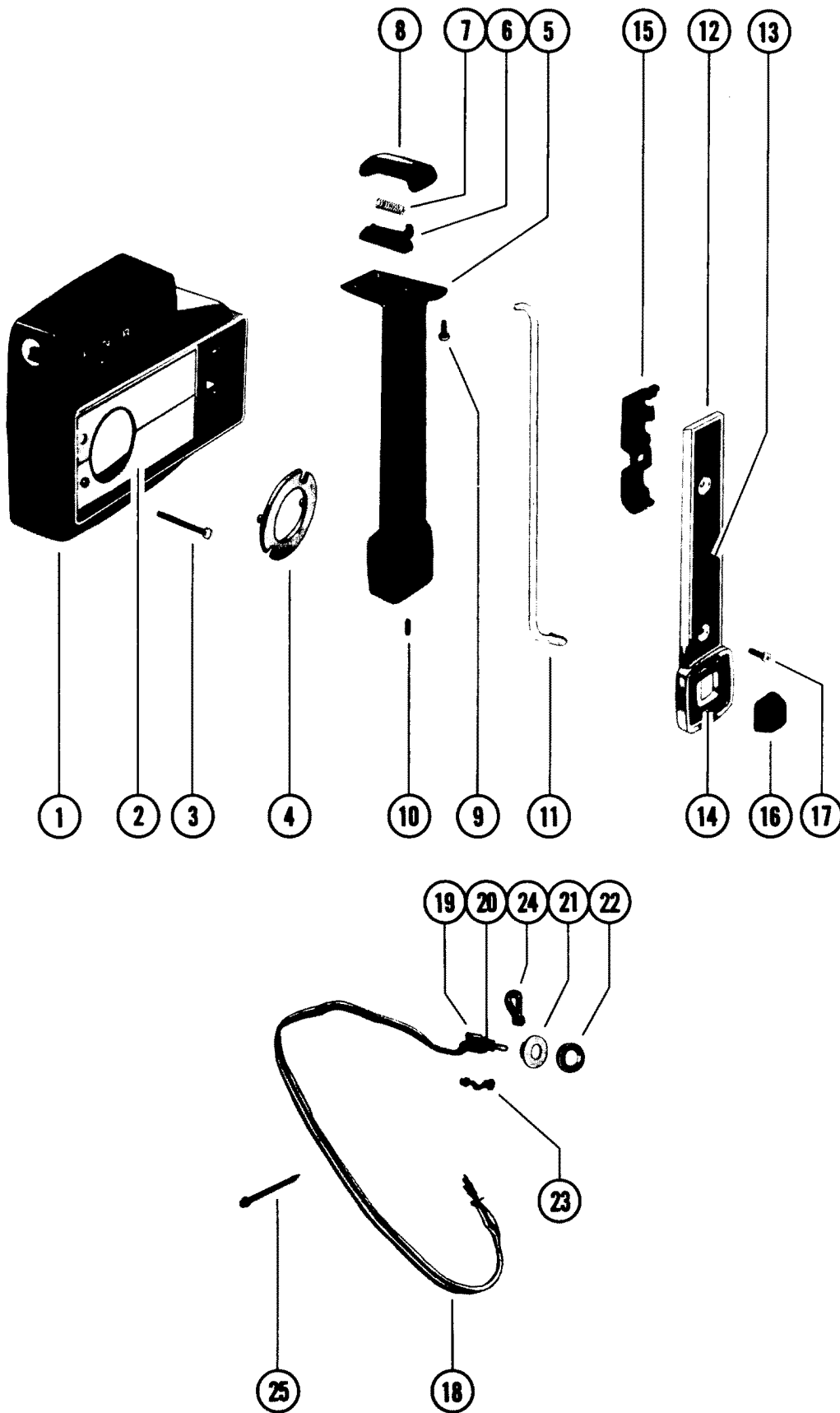
# REMOTE CONTROL ASY (87317A10 CONT.)



## REMOTE CONTROL ASY (87317A10 CONT.)

REF. NO.	PART NO.	SYM.	QTY.	DESCRIPTION
76	85867		1	COVER, TOP
77	10-34222		2	SCREW, TOP COVER ATTACHING (1/2")
78	86037		1	COVER, WATER SHIELD
79	12-21273		3	WASHER, REMOTE CONTROL COVER SCREW
80	11-20190		3	NUT, REMOTE CONTROL COVER SCREW

# REMOTE CONTROL ASY (87728A20)

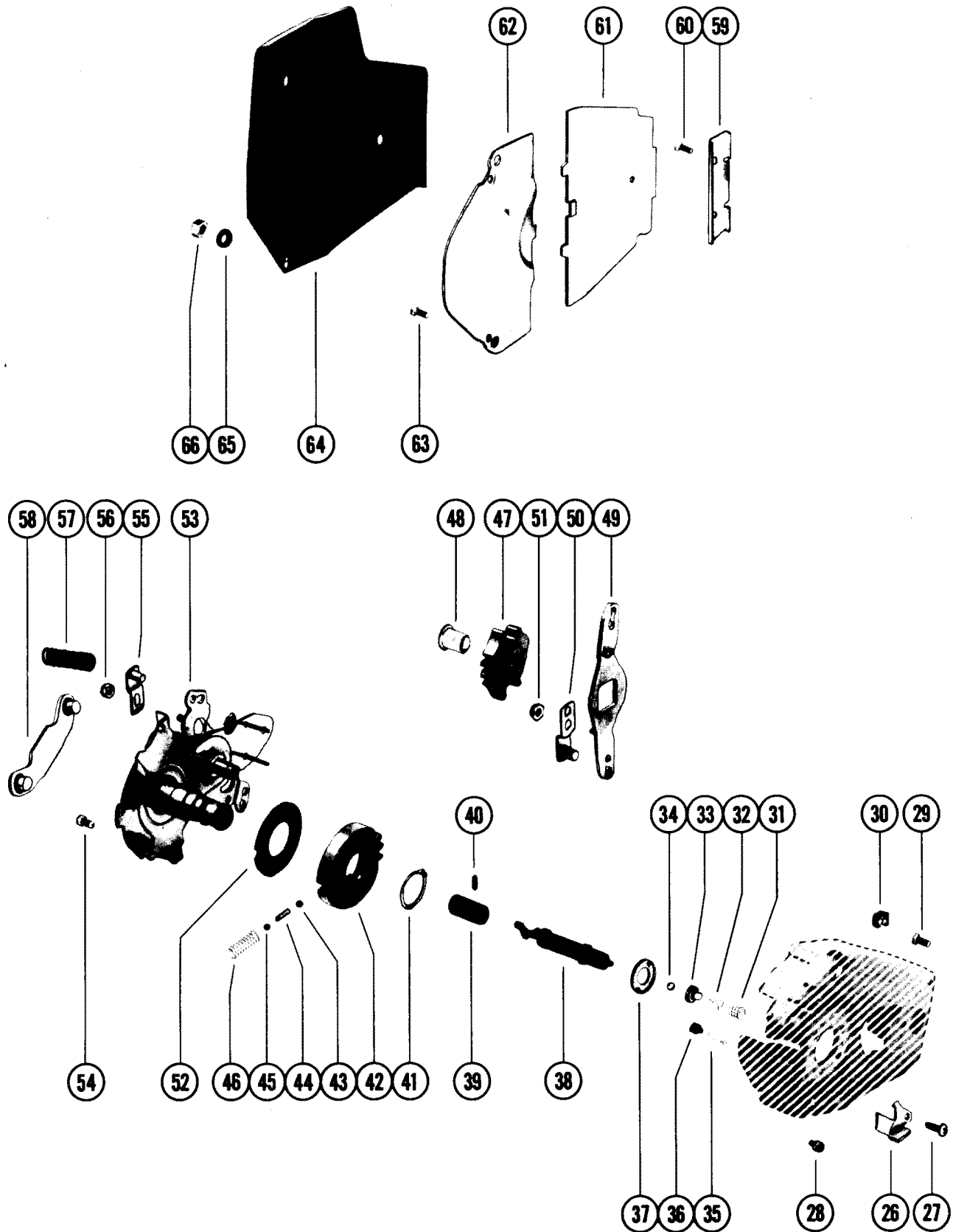


## REMOTE CONTROL ASY (87728A20)

REF. NO.	PART NO.	SYM.	QTY.	DESCRIPTION
-	<b>87728A20</b>	*	1	<b>REMOTE CONTROL ASSEMBLY, MANUAL</b>
1	88480		1	COVER, REMOTE CONTROL
2	37-87312		1	DECAL, REMOTE CONTROL COVER (QUICKSILVER)
3	10-86087		3	SCREW, REMOTE CONTROL COVER (3 1/2")
4	53-85897A1		1	LOCK RING ASSEMBLY
5	91070A3		1	CONTROL HANDLE
6	85898		1	TRIGGER, CONTROL HANDLE
7			1	SPRING, TENSION - CONTROL HANDLE
8	85894		1	CAP, CONTROL HANDLE
9	10-75710		2	SCREW, CONTROL HANDLE CAP (1/2")
10	10-85797		OPT.	SCREW, SET - CONTROL HANDLE (1/4 -20 THREAD)
	10-91051		OPT.	SCREW, SET - CONTROL HANDLE (5/16-18 THREAD)
11	85895		1	ROD, LOCKING
12	87313		1	COVER, CONTROL HANDLE
13	37-87815		1	DECAL, COVER
14	37-85863		1	DECAL, COVER - LOWER
15	89987		1	RETAINER, T RIM SWITCH
16	85896		1	BUTTON, THROTTLE
17	10-58376		2	SCREW, COVER TO CONTROL HANDLE (3/8")
18	87-88229A20		1	SHORTING SWITCH ASSEMBLY
19	87-86350		1	TOGGLE SWITCH
20	11-27052		1	NUT, TOGGLE SWITCH
21	23-88144		1	BUSHING, TOGGLE SWITCH
22	29644		1	BEZEL, TOGGLE SWITCH
23	23-71942		1	BUSHING, SHORTING SWITCH HARNESS
24	86352		2	KEY, TOGGLE SWITCH
25	61990		2	STA-STRAP, WIRING HARNESS

\* = FOR USE ON ELECTRIC MERC 40, MERC 50, MERC 70, MERC 80, MERC 90, MERC 115 AND MERC 140.

# REMOTE CONTROL ASY (87728A20 CONT.)

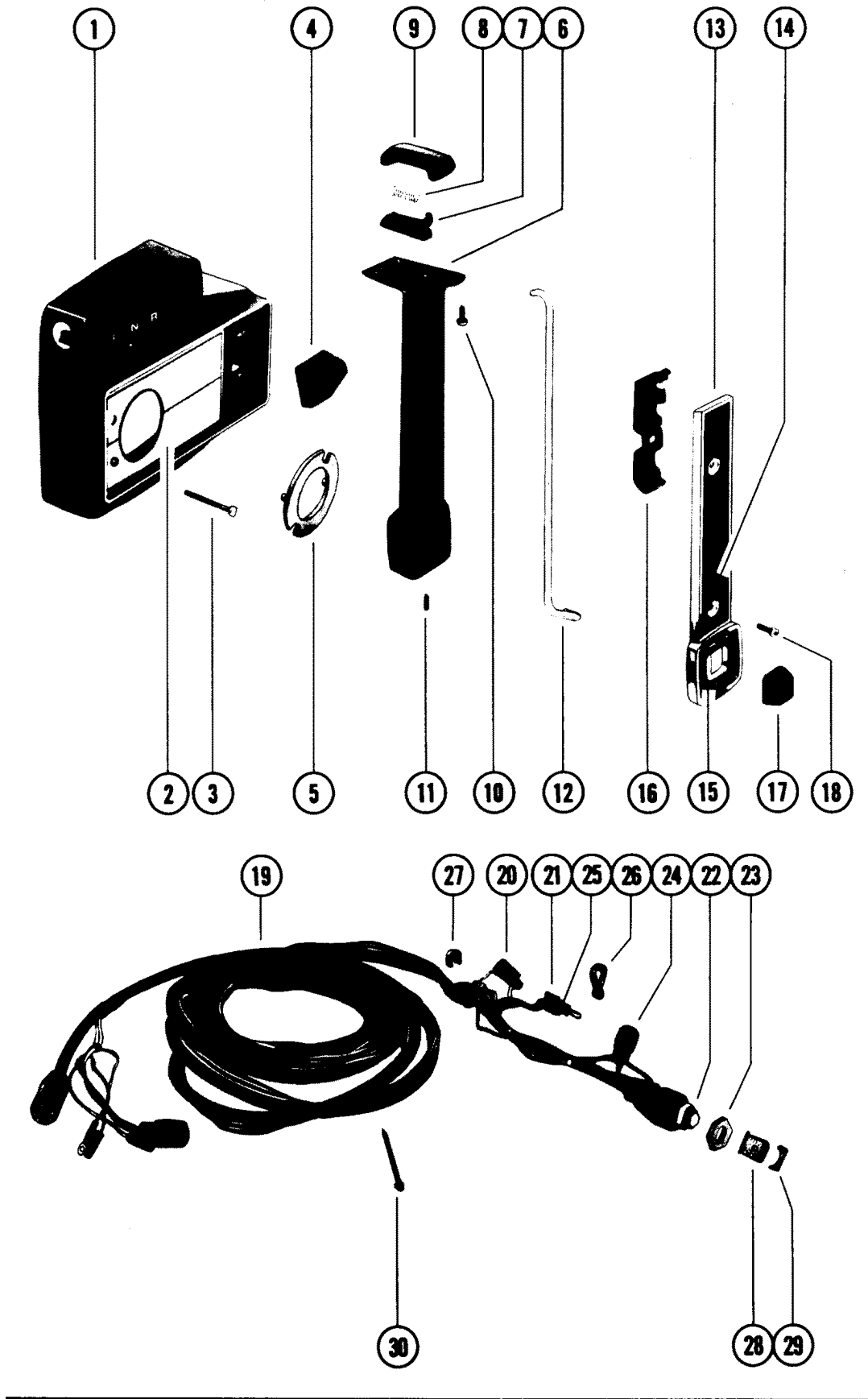


## REMOTE CONTROL ASY (87728A20 CONT.)

REF. NO.	PART NO.	SYM.	QTY.	DESCRIPTION
-	<b>87728A20</b>	→	1	<b>REMOTE CONTROL ASSEMBLY, MANUAL</b>
26	54-85886		1	CLIP, HARNESS RETAINING
27	10-86025		1	SCREW, HARNESS RETAINING CLIP (5/8")
28	10-86245		2	SCREW, SET - DETENT (PLASTIC )
29	10-75710		3	SCREW, CONTROL HOUSING TO COVER (1/2 ")
30	25-85879		1	GROMMET, CONTROL HOUSING
31			1	SPRING, COMPRESSION - CONTROL HOUSING (OUTER)
32			1	SPRING, COMPRESSION - CONT ROL HOUSING (INNER)
33			1	FOLLOWER, CHECK BALL AND SPRING
34			1	BALL, CHECK - COMPRESSION SPRING
35			1	SPRING, COMPRESSION - CONTROL HOUSING
36			1	PAD, FRICTION
37	23-85872		1	BUSHING, WARM-UP SHAFT
38	85868		1	SHAFT, WARM-UP
39	85869		1	BARREL, WARM-UP SHAFT
40			1	PIN, BARREL TO WARM-UP SHAFT
41	53-25184		1	RETAINING RING, BEARING PLATE
42	43-85870		1	GEAR, SHIFT
43			1	BALL, SHIFT GEAR - INNER
44			1	PIN, SHIFT GEAR
45			1	BALL, SHIFT GEAR - OUTER
46			1	SPRING, SHIFT GEAR
47	43-85901		1	PINION, SHIFT
48	23-85999		1	BUSHING, SHIFT PINION
49	85900A1		1	LEVER ASSEMBLY, SHIFT
50	54-85899A1		1	CLIP ASSEMBLY, SHIFT LEVER
51	11-20110		1	NUT, SHIFT LEVE R CLIP
52	12-85877		1	WASHER, STEP - SHIFT GEAR
53	85902A4		1	BEARING PLATE ASSEMBLY
54	10-34222		3	SCREW, BEARING PLATE (1/2 ")
55	54-85885A1		1	CLIP ASSEMBLY, THROTTLE LEVER
56	11-20110		1	NUT, THROTTLE LEVER CLIP
57			1	SPRING, COMPRESSION - THROTTLE LEVER
58	85875A1		1	LEVER ASSEMBLY, THROTTLE
59	86287		1	RETAINER, CABLE
60	10-34222		2	SCREW, RETAINER ATTACHING (1/2")
61	86288		1	COVER, BOTTOM
62	85867		1	COVER, TOP
63	10-34222		2	SCREW, TOP COVER ATTACHING (1/2 ")
64	86037		1	COVER, WATER SHIELD
65	12-21273		3	WASHER, REMOTE CONTROL COVER SCREW
66	11-89037		3	NUT, REMOTE CONTROL COVER SCREW

→ = FOR USE ON MANUAL MERC 7.5, MERC 9.8, MERC 20, MERC 40 AND MERC 50 (1980 MODELS).

# REMOTE CONTROL ASY (87729A15)





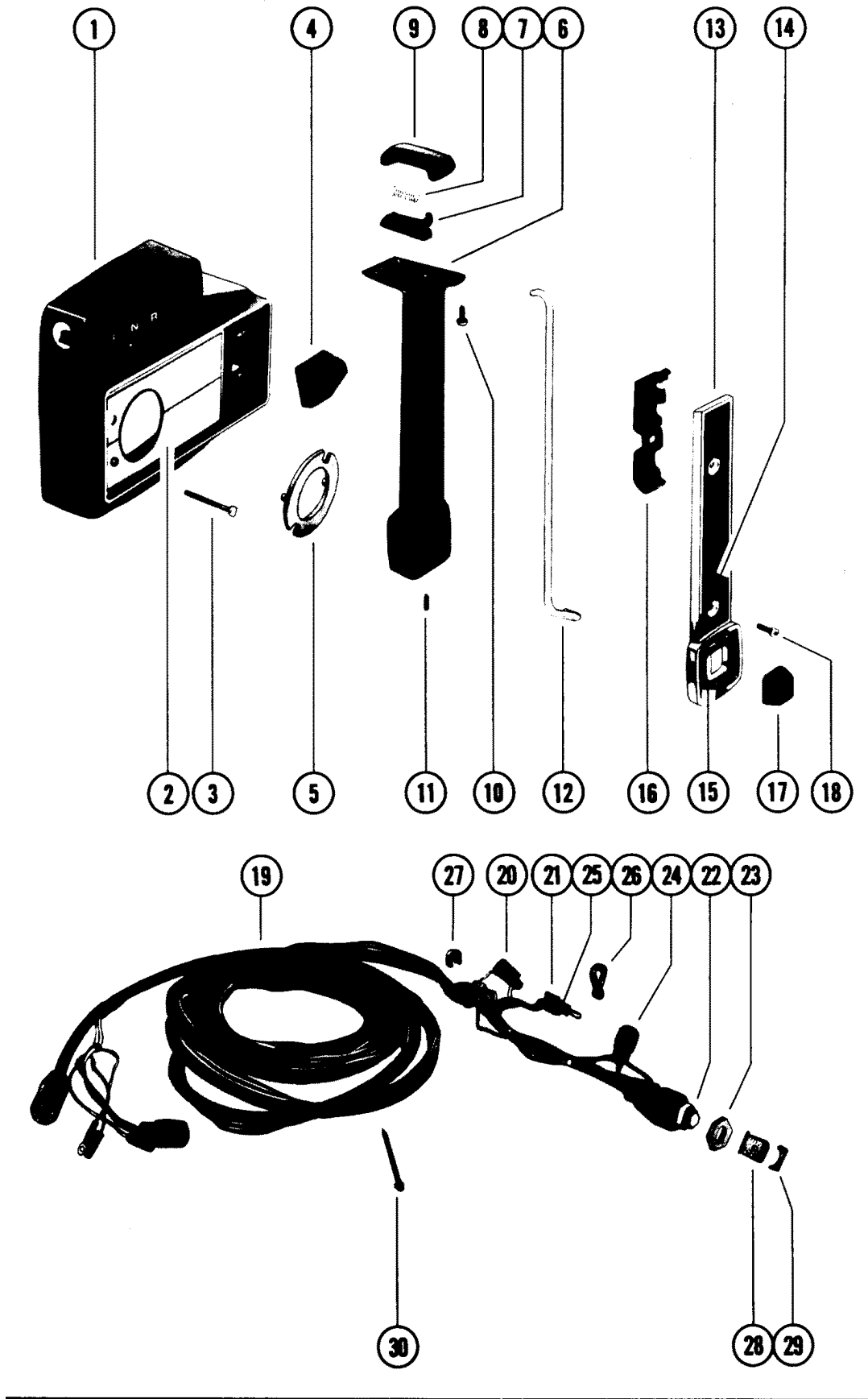
## REMOTE CONTROL ASY (87729A15)

REF. NO.	PART NO.	SYM.	QTY.	DESCRIPTION
-	<b>87729A15</b>	♥	1	<b>REMOTE CONTROL ASSEMBLY, ELECTRIC</b>
1	85859		1	COVER, REMOTE CONTROL
2	37-87312		1	DECAL, REMOTE CONTROL COVER (QUICKSILVER)
3	10-86087		3	SCREW, REMOTE CONTROL COVER (3 1/2")
4	86351		1	COVER, TOGGLE SWITCH
5	53-85897A1		1	LOCK RING ASSEMBLY
6	91070A3		1	CONTROL HANDLE ASSEMBLY
7	85898		1	TRIGGER, CONTROL HANDLE
8			1	SPRING, TENSION - CONTROL HANDLE
9	85894		1	CAP, CONTROL HANDLE
10	10-75710		2	SCREW, CONTROL HANDLE CAP (1/2 ")
11	10-85797		OPT	SCREW, SET - CONTROL HANDLE (1/4 -20 THREAD)
	10-91051		OPT	SCREW, SET - CONTROL HANDLE (5/16-18 THREAD)
12	85895		1	ROD, LOCKING
13	87313		1	COVER, CONTROL HANDLE
14	37-87815		1	DECAL, COVER
15	37-85863		1	DECAL, COVER - LOWER
16	89987		1	RETAINER, TRIM SWITCH
17	85896		1	BUTTON, THROTTLE
18	10-58376		2	SCREW, COVER TO CONTROL HANDLE (3/8")
19	84-87850A	♥	1	WIRING HARNESS ASSEMBLY
20	87-86320		1	MICRO SWITCH
21	87-86350		1	TOGGLE SWITCH
22	87-88107		1	IGNITION SWITCH(SEE CHART FOR KEY)
23	11-93543		1	NUT, IGNITION SWITCH
24	85-86319		1	INSULATOR, WIRING HARNESS
25	11-27052		1	NUT, TOGGLE SWITCH
26	86352		2	KEY, TOGGLE SWITCH
27	25-85879		1	GROMMET, WIRING HARNESS
28	87870		2	COVER, IGNITION SWITCH KEYS
29	87869		2	RETAINER, IGNITION SWITCH KEYS
30	61990		2	STA-STRAP, WIRING HARNESS
-	<b>89491-1</b>		<b>0</b>	<b>KEY 1A KEY CHART</b>
-	<b>89491-2</b>		<b>0</b>	<b>KEY 1B KEY CHART</b>
-	<b>89491-3</b>		<b>0</b>	<b>KEY 1C KEY CHART</b>
-	<b>89491-4</b>		<b>0</b>	<b>KEY 1D KEY CHART</b>
-	<b>89491-5</b>		<b>0</b>	<b>KEY 1E KEY CHART</b>
-	<b>89491-6</b>		<b>0</b>	<b>KEY 1F KEY CHART</b>
-	<b>89491-7</b>		<b>0</b>	<b>KEY 2A KEY CHART</b>

♥ = AVAILABLE IN LENGTHS OF 10 , 15 ,20 AND 40 .

CONTINUED ON NEXT PAGE ➡

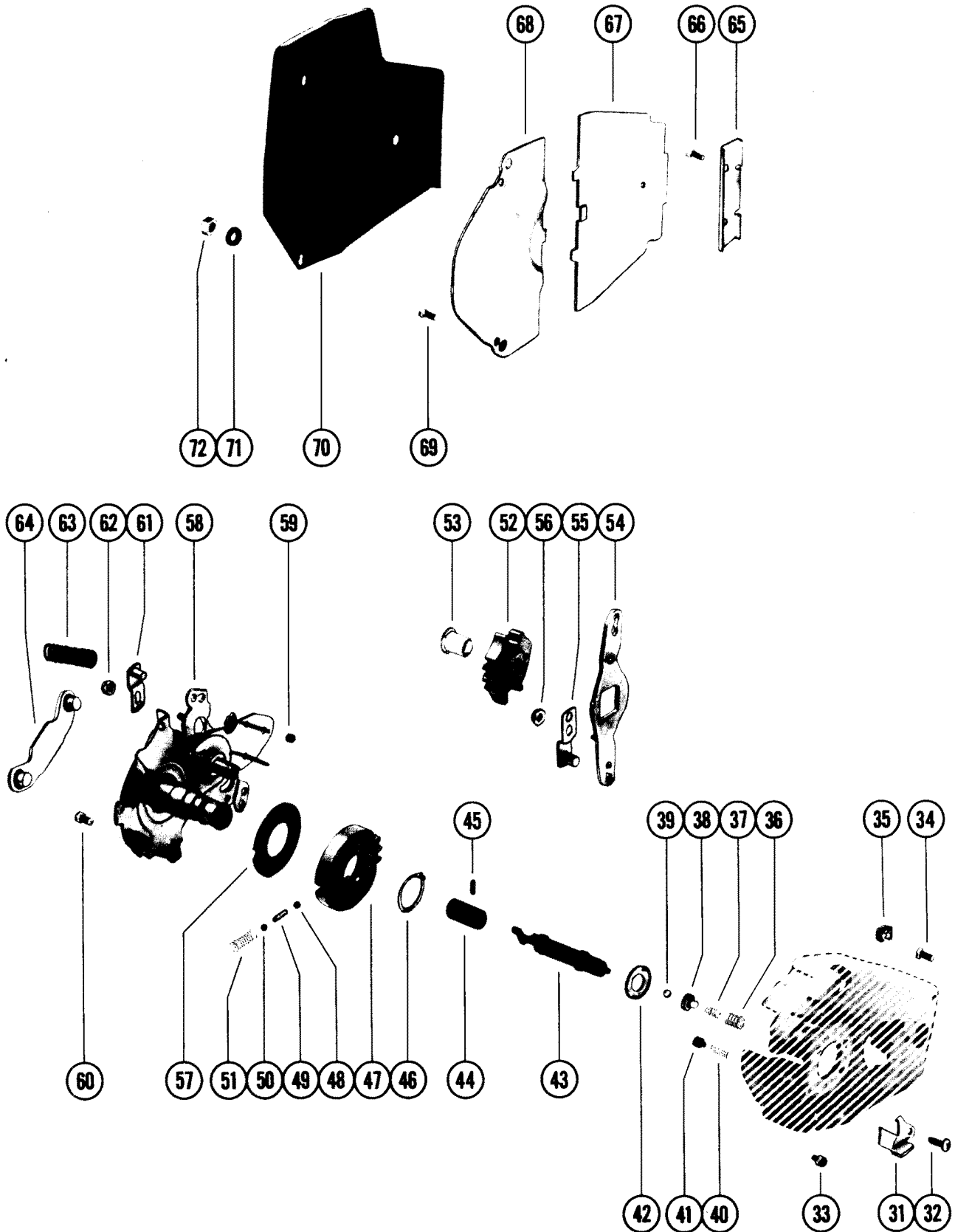
# REMOTE CONTROL ASY (87729A15)



## REMOTE CONTROL ASY (87729A15)

REF. NO.	PART NO.	SYM.	QTY.	DESCRIPTION
-	89491-8		0	KEY 2B KEY CHART
-	89491-9		0	KEY 2C KEY CHART
-	89491-10		0	KEY 2D KEY CHART
-	89491-11		0	KEY 2E KEY CHART
-	89491-12		0	KEY 2F KEY CHART

# REMOTE CONTROL ASY (87729A15 CONT.)



## REMOTE CONTROL ASY (87729A15 CONT.)

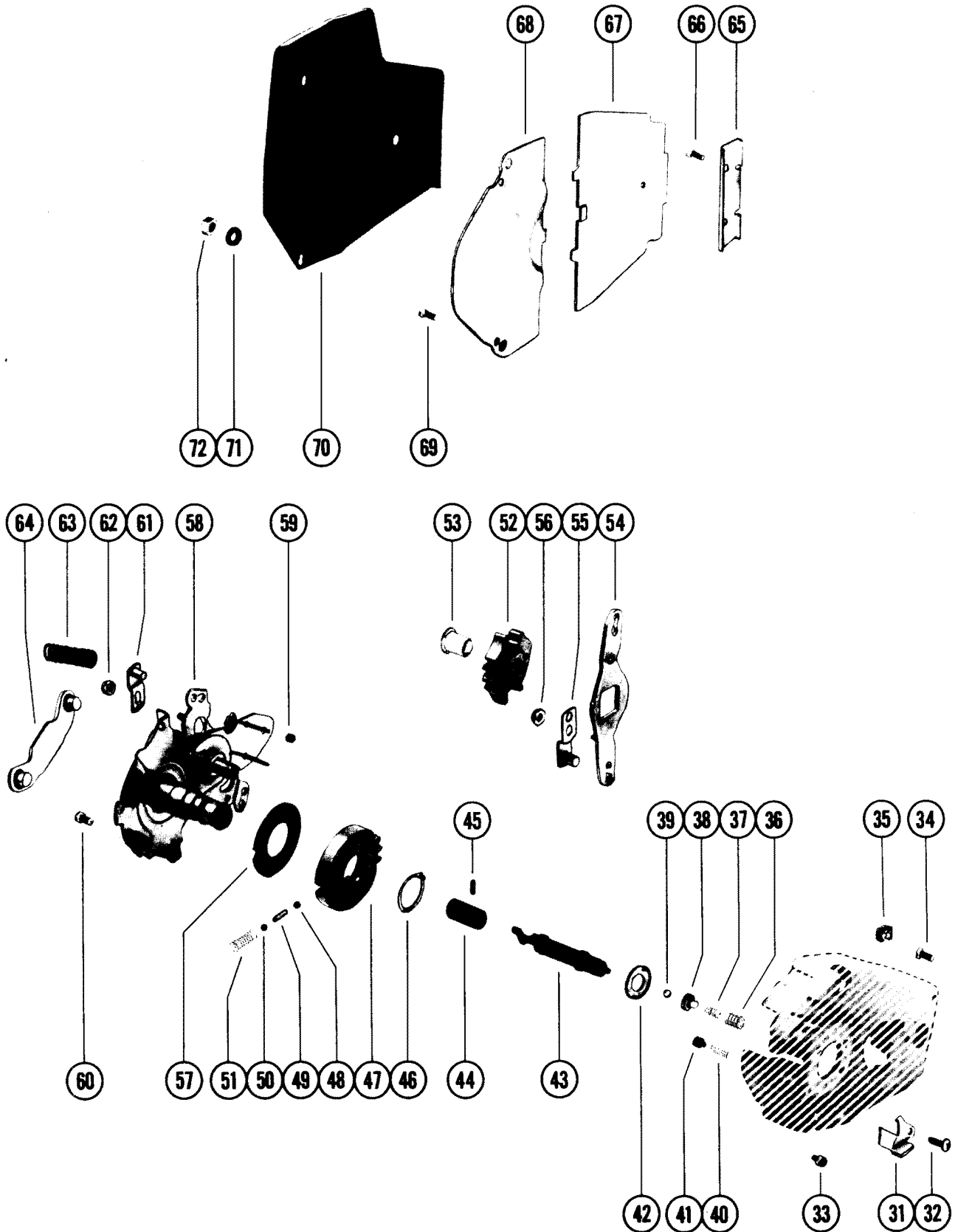
REF. NO.	PART NO.	SYM.	QTY.	DESCRIPTION
-	87729A15	♥*	1	REMOTE CONTROL ASSEMBLY, ELECTRIC
31	54-85886		1	CLIP, HARNESS RETAINING
32	10-86025		1	SCREW, HARNESS RETAINING CLIP (5/8")
33	10-86245		2	SCREW, SET - DETENT (PLASTIC)
34	10-75710		3	SCREW, CONTROL HOUSING TO COVER (1/2 ")
35	25-85879		1	GROMMET, CONT ROL HOUSING
36			1	SPRING, COMPRESSION - CONTROL HOUSING (OUTER)
37			1	SPRING, COMPRESSION - CONTROL HOUSING (INNER)
38			1	FOLLOWER, CHECK BALL AND SPRING
39			1	BALL, CHECK - COMPRESSION SPRING
40			1	SPRING, COMPRESSION - CONTROL HOUSING
41			1	PAD, FRICTION
42	23-85872		1	BUSHING, WARM-UP SHAFT
43	85868		1	SHAFT, WARM-UP
44	85869		1	BARREL, WARM-UP SHAFT
45			1	PIN, BARREL TO WARM-UP SHAFT
46	53-25184		1	RETAINING RING, BEA RING PLATE
47	43-85870		1	GEAR, SHIFT
48			1	BALL, SHIFT GEAR - INNER
49			1	PIN, SHIFT GEAR
50			1	BALL, SHIFT GEAR - OUTER
51	43-85901		1	SPRING, SHIFT GEAR
53	23-85999		1	BUSHING, SHIFT PINION
54	85900A1		1	LEVER ASSEMBLY, SHIFT
55	54-85899A1		1	CLIP ASSEMBLY, SHIFT LEVER
56	11-20110		1	NUT, SHIFT LEVER CLIP
57	12-85877		1	WASHER, STEP - SHIFT GEAR
58	85902A4		1	BEARING PLATE ASSEMBLY
59	11-24832		2	NUT, BEARING PLATE STUD
60	10-34222		3	SCREW, BEARING PLATE (1/2 ")
61	54-85885A1		1	CLIP ASSEMBLY, THROTTLE LEVER
62	11-20110		1	NUT, THROTTLE LEVER CLIP
63			1	SPRING, COMPRESSION - THROTTLE LEVER
64	85875A1		1	LEVER ASSEMBLY, THROTTLE
65	86287		1	RETAINER, CABLE
66	10-34222		2	SCREW, RETAINER ATTACHING (1/2 ")
67	86288		1	COVER, BOTTOM

♥ = AVAILABLE IN LENGTHS OF 10 , 15 ,20 AND 40 .

\* = FOR USE ON ELECTRIC MERC 40, MERC 50, MERC 70, MERC 80, MERC 90, MERC 115 AND MERC 140.

CONTINUED ON NEXT PAGE ➡

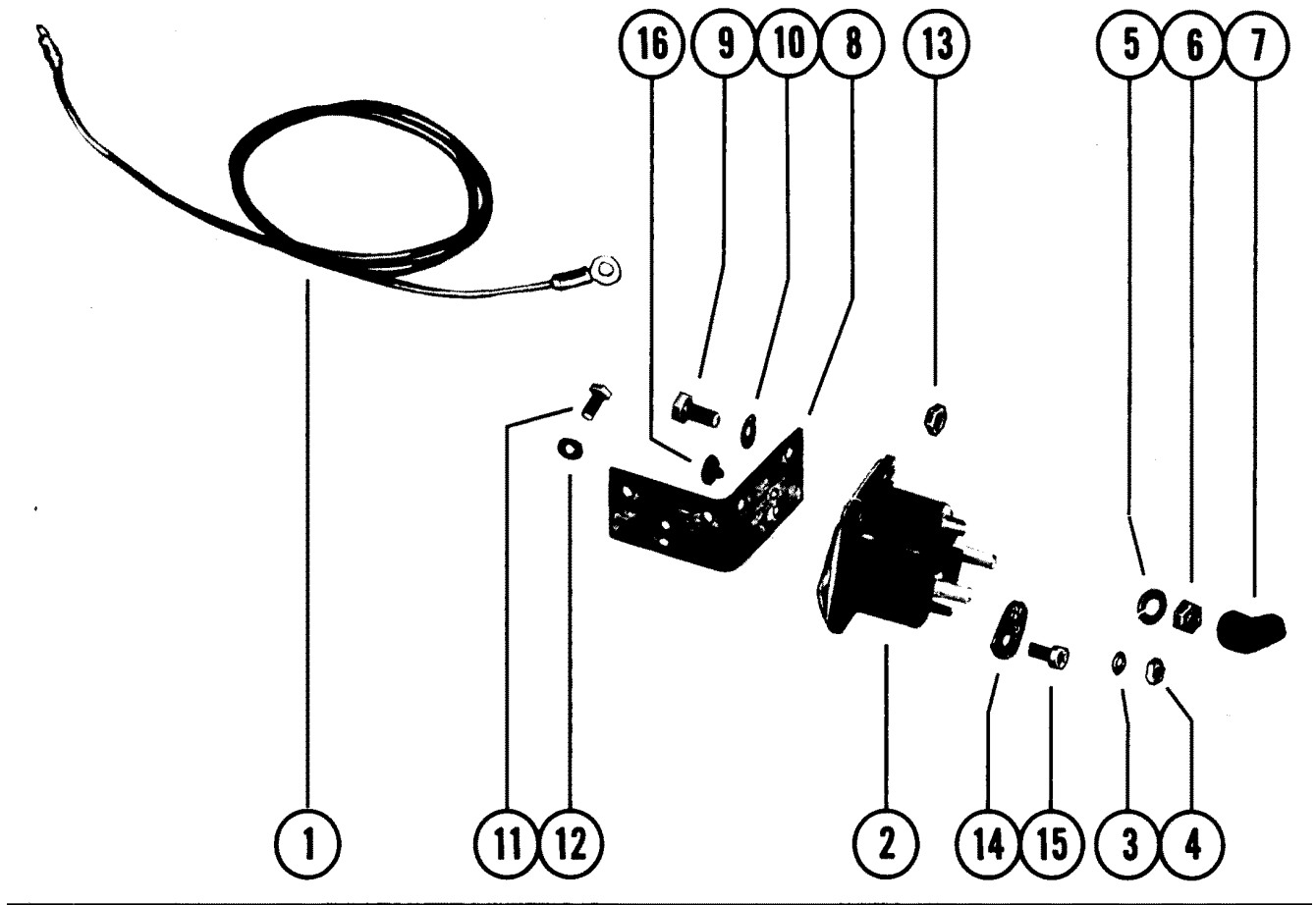
# REMOTE CONTROL ASY (87729A15 CONT.)



## REMOTE CONTROL ASY (87729A15 CONT.)

REF. NO.	PART NO.	SYM.	QTY.	DESCRIPTION
68	85867		1	COVER, TOP
69	10-34222		2	SCREW, TOP COVER ATTACHING (1/2")
70	86037		1	COVER, WATER SHIELD
71	12-21273		3	WASHER, REMOTE CONTROL COVER SCREW
72	11-89037		3	NUT, REMOTE CONTROL COVER SCREW

# POWER TRIM SOLENOID KIT





## POWER TRIM SOLENOID KIT

REF. NO.	PART NO.	SYM.	QTY.	DESCRIPTION
1	89-68258A2	◆	1	POWER TRIM SOLENOID KIT
	84-79139A2		1	BATTERY LEAD (POSITIVE)
	55992		1	BATTERY LEAD (NEGATIVE)
2	89-68258		1	STARTER SOLENOID
3	13-26996		2	LOCKWASHER, STARTER SOLENOID TERMINAL (#10)
4	11-68219		2	NUT, STARTER SOLENOID TERMINAL (#10)
5	13-26993		2	LOCKWASHER, STARTER SOLENOID TERMINAL (5/16")
6	11-68292		2	NUT, STARTER SOLENOID TERMINAL (5/16")
7	46265		1	BOOT, RUBBER - STARTER SOLENOID TERMINAL
8	74406		1	BRACKET, MOUNTING - STARTER SOLENOID
9	10-69028		2	SCREW, MOUNTING BRACKET TO HYDRAULIC PUMP (3/4")
10	13-26992		2	LOCKWASHER, MOUNTING BRACKET SCREW
11	10-34290		2	SCREW, STARTER SOLENOID TO MOUNTING BRACKET (5/8")
12	13-26992		2	LOCKWASHER, STARTER SOLENOID SCREW
13	11-21825		4	NUT, STARTER SOLENOID SCREW
14	26551		1	BRACKET, EXTENSION - SOLENOID
15	10-62568		1	SCREW, LEAD TO EXTENSION BRACKET
16	26901		1	BUMPER, RUBBER - SOLENOID MOUNTING BRACKET

◆ = ANY POWER TRIM INSTALLATION USING MERCONTROL W/ POWER TRIM BUTTONS IN THE HANDLE REQUIR

# PARTS INDEX

Part Number	Description	Pg.	Ref. No.	Part Number	Description	Pg.	Ref. No.
20007	ANCHOR, CABLE END - GEAR RACK	27	3	22789	"D" WASHER, SAFETY SWITCH HARNESS CLIP SCREW	61	53
20007	ANCHOR, CABLE END - GEAR RACK	27	3	22789	"D" WASHER, SAFETY SWITCH HARNESS CLIP SCREW	57	52
20007	ANCHOR, CABLE END GUIDE	27	8	22789	"D" WASHER, WIRING HARNESS CLIP FASTENING SCREW	11	64
20007	ANCHOR, CABLE END GUIDE	27	8	22789	"D" WASHER, WIRING HARNESS CLIP FASTENING SCREW	21	61
20175	GUIDE, CABLE CONTROL END	27	7	22789	"D" WASHER, WIRING HARNESS CLIP FASTENING SCREW	25	63
20552	CONNECTOR, THROTTLE AND SHIFT	27	6	22789	"D" WASHER, WIRING HARNESS CLIP SCREW	47	44
20552	CONNECTOR, THROTTLE AND SHIFT	27	6	22789	"D" WASHER, WIRING HARNESS CLIP SCREW	47	56
20552	CONNECTOR, THROTTLE AND SHIFT	27	6	22789	"D" WASHER, WIRING HARNESS CLIP SCREW	93	49
20557	BRACKET, CABLE END ANCHOR	35	10	22789	"D" WASHER, WIRING HARNESS CLIP SCREW	95	61
20557	BRACKET, CABLE END ANCHOR	37	13	22789	"D" WASHER, WIRING HARNESS CLIP SCREW	99	56
20557	BRACKET, CABLE END ANCHOR	37	30	22789	"D" WASHER, WIRING HARNESS CLIP SCREW	103	61
20557	BRACKET, CABLE END ANCHOR	39	13	22789	"D" WASHER, WIRING HARNESS CLIP SCREW	103	61
20557	BRACKET, CABLE END ANCHOR	39	22	25260	INNER WIRE, REMOTE CONTROL CABLE (100 FT.ROLL)	27	-
20557	BRACKET, CABLE END ANCHOR	39	22	25260	INNER WIRE, REMOTE CONTROL CABLE (100 FT.ROLL)	29	--
20557	BRACKET, CABLE END ANCHOR	83	13	25996A1	SLEEVE AND LINK ASSEMBLY	79	22A
20557	BRACKET, CABLE END ANCHOR	83	30	26183A5	EMBLEM, CONTROL HANDLE	25	42
21105	CONNECTOR, SWITCH LEAD WIRE	33	7	26183A5	EMBLEM, CONTROL LEVER	11	49
22628	BEZEL, IGNITION SWITCH TO CONTROL HOUSING	9	34	26551	BRACKET, EXTENSION - SOLENOID	165	14
22628	BEZEL, IGNITION SWITCH TO CONTROL HOUSING	21	55	26667	PLATE, GEAR RACK RETAINING	9	10
22628	BEZEL, IGNITION SWITCH TO CONTROL HOUSING	25	53	26672	JUMPER WIRE, SWITCH TO PILOT LIGHT AND SWITCH TO HARNESS	9	25
22628	BEZEL, IGNITION SWITCH TO CONTROL HOUSING	25	53	26672	WIRE, JUMPER - SWITCH TO SWITCH	53	6
22628	BEZEL, IGNITION SWITCH TO CONTROL HOUSING	47	49	26901	BUMPER, RUBBER - SOLENOID MOUNTING BRACKET	165	16
22628	BEZEL, IGNITION SWITCH TO CONTROL HOUSING	47	49	27039	SOCKET, BAYONET - PILOT LIGHT	9	29
22628	BEZEL, IGNITION SWITCH TO CONTROL HOUSING	93	54	27040	BULB, PILOT LIGHT	9	27
22628	BEZEL, IGNITION SWITCH TO CONTROL HOUSING	93	54	27041	LENS, PILOT LIGHT	9	26
22628	BEZEL, IGNITION SWITCH TO CONTROL HOUSING	99	53	27912	BATTERY TERMINAL - POSITIVE (WITH BOLT AND NUT)	11	66
22628	BEZEL, IGNITION SWITCH TO CONTROL HOUSING	99	53	27912	BATTERY TERMINAL, POSITIVE (WITH BOLT AND NUT)	21	63
22628	BEZEL, IGNITION SWITCH TO CONTROL HOUSING	143	44				
226281	BEZEL, IGNITION SWITCH TO CONTROL HOUSING	103	54				
22789	"D" WASHER, CLIP FASTENING SCREW	27	16				
22789	"D" WASHER, CLIP FASTENING SCREW	29	16				
22789	"D" WASHER, HARNESS CLIP FASTENING SCREW	11	38				
22789	"D" WASHER, INNER CLIP FASTENING SCREW	21	58				
22789	"D" WASHER, INNER CLIP FASTENING SCREW	25	60				

# PARTS INDEX

Part Number	Description	Pg.	Ref. No.	Part Number	Description	Pg.	Ref. No.
27912	BATTERY TERMINAL, POSITIVE (WITH BOLT AND NUT) . . . . .	25	65	29428A	REMOTE CONTROL CABLE ASS Y, ENGINE END L . .	31	9
27912	BATTERY TERMINAL, POSITIVE (WITH BOLT AND NUT) . . . . .	47	58	29564	REMOTE CONTROL CABLE ASSEMBLY . . . . .	27	1
27912	BATTERY TERMINAL, POSITIVE (WITH BOLT AND NUT) . . . . .	95	63	29566	SWITCH, IGNITION (WITH KEYS) KEY PART #A- 25304 . . . . .	19	54
27912	BATTERY TERMINAL, POSITIVE (WITH BOLT AND NUT) . . . . .	99	58	29567	SWITCH, CHOKE . . . . .	19	49
27912	BATTERY TERMINAL, POSITIVE (WITH BOLT AND NUT) . . . . .	103	63	29572	LEVER, THROTTLE CONTROL . . . . .	15	41
27913	BATTERY TERMINAL - NEGATIVE (WITH BOLT AND NUT) . . . . .	11	67	29572	LEVER, THROTTLE CONTROL . . . . .	19	39
27913	BATTERY TERMINAL, NEGATIVE (WITH BOLT AND NUT) . . . . .	21	62	29572	LEVER, THROTTLE CONTROL . . . . .	25	39
27913	BATTERY TERMINAL, NEGATIVE (WITH BOLT AND NUT) . . . . .	25	64	29573	BLOCK, CONTROL CABLE ANCHOR . . . . .	13	16
27913	BATTERY TERMINAL, NEGATIVE (WITH BOLT AND NUT) . . . . .	47	57	29573	BLOCK, CONTROL CABLE ANCHOR . . . . .	17	16
27913	BATTERY TERMINAL, NEGATIVE (WITH BOLT AND NUT) . . . . .	95	62	29573	BLOCK, CONTROL CABLE ANCHOR . . . . .	23	16
27913	BATTERY TERMINAL, NEGATIVE (WITH BOLT AND NUT) . . . . .	99	57	29574	ACTUATOR, LINK AND THROTTLE SECTOR . . . .	13	5
27913	BATTERY TERMINAL, NEGATIVE (WITH BOLT AND NUT) . . . . .	103	62	29574	ACTUATOR, LINK AND THROTTLE SECTOR . . . .	17	5
27947	SWIVEL, THROTTLE CONTROL LEVER TO LINK ROD . . . . .	79	18A	29574	ACTUATOR, LINK AND THROTTLE SECTOR . . . .	23	5
27947	SWIVEL, THROTTLE CONTROL LINK TO CONTROL LEVER . . . . .	39	38	29576	LINK, THROTTLE - ACTUATOR AND SECTOR GEAR . . . . .	13	7
27948	SWIVEL, LINK ROD . . . . .	35	26	29576	LINK, THROTTLE - ACTUATOR AND SECTOR GEAR . . . . .	17	7
27948	SWIVEL, SLEEVE AND LINK TO THROTTLE CAM . . . .	79	24	29577	GEAR RACK, NYLON . . . .	27	2
27948	SWIVEL, THROTTLE CONTROL LEVER . . . . .	39	34	29577	GEAR RACK, NYLON . . . .	27	2
28902	LEVER, CONTROL - THROTTLE AND SHIFT . .	5	2	29578A1	THROTTLE SHAFT AND LINK ASSEMBLY . . . . .	13	13
28923A1	REMOTE CONTROL KIT, DUAL INSTALLATION . . .	5	-	29578A1	THROTTLE SHAFT AND LINK ASSEMBLY . . . . .	17	13
29060	SWITCH, IGNITION (WITH KEYS - PART #A-25304) .	9	33S	29578A1	THROTTLE SHAFT AND LINK ASSEMBLY . . . . .	23	13
29371A1	BRACKET ASSEMBLY, EXTENSION . . . . .	31	1	29580	HOUSING, REMOTE CONTROL - STARBOARD	13	1
29373	COUPLING, CONTROL CABLE TO ROD . . . . .	31	3	29580	HOUSING, REMOTE CONTROL - STARBOARD	17	1
29377A1	REMOTE CONTROL EXTENSION KIT . . . . .	31	-	29581A10	REMOTE CONTROL ASSEMBLY (ELECTRIC) .	17	-
				29581A15	REMOTE CONTROL ASSEMBLY (ELECTRIC) .	17	-
				29581A20	REMOTE CONTROL ASSEMBLY (ELECTRIC) .	17	-
				29630	CAM FOLLOWER, THROTTLE LINK . . . . .	13	23
				29630	CAM FOLLOWER, THROTTLE LINK . . . . .	17	23
				29630	CAM FOLLOWER, THROTTLE LINK . . . . .	23	23

# PARTS INDEX

Part Number	Description	Pg.	Ref. No.	Part Number	Description	Pg.	Ref. No.
29640	PLATE, RACK RETAINING ..	13	2	29715	COVER, CONTROL HOUSING .....	11	55
29640	PLATE, RACK RETAINING ..	17	2	29723	CAM, REVERSE START - CONTROL HOUSING ....	9	3
29640	PLATE, RACK RETAINING ..	23	2	29724	CAM, FORWARD START - CONTROL HOUSING ....	9	2
29644	BEZEL, SWITCH TO CONTROL .....	33	4	29729-2	WIRING HARNESS, EXTERNAL (10 ) .....	9	35
29644	BEZEL, TOGGLE SWITCH ..	153	22	29729-4	WIRING HARNESS, EXTERNAL (15 ) .....	9	35
29645	WIRING HARNESS, EXTERNAL .....	47	41	29729-6	WIRING HARNESS, EXTERNAL (20 ) .....	11	35
29645-2	WIRING HARNESS,EXTERNAL (10") .....	19	48	29731	HOUSING, REMOTE CONTROL - STARBOARD	9	1
29645-4	WIRING HARNESS,EXTERNAL (15") .....	19	48	29732	HOUSING, REMOTE CONTROL - PORT .....	9	18
29645-6	WIRING HARNESS,EXTERNAL (20") .....	19	48	2975	SWITCH, CHOKE .....	73	5
29646A1	REMOTE CONTROL ASSEMBLY (SEE NOTE) .	13	-	29752	JUMPER WIRE, IGNITION SWITCH TO PILOT LIGHT	9	24
29647	PLATE, SEPARATOR - CONTROL CABLE ANCHOR .....	13	11	29755A1	CONTROL LEVER ASSEMBLY .....	11	40
29647	PLATE, SEPARATOR - CONTROL CABLE ANCHOR .....	17	11	29756A1	CONTROL LEVER COVER ASSEMBLY .....	11	41
29647	PLATE, SEPARATOR - CONTROL CABLE ANCHOR .....	23	11	29759	SWITCH, CHOKE .....	19	49A
29648	JUMPER WIRE, CHOKE SWITCH (BLACK - 2 1/2") .	73	9	29759	SWITCH, CHOKE .....	25	49
29648	JUMPER WIRE, CHOKE SWITCH TO IGNITION SWITCH .....	47	47	29759	SWITCH, CHOKE .....	47	45
29648	JUMPER WIRE, CHOKE SWITCH TO IGNITION SWITCH .....	93	52	29759	SWITCH, CHOKE .....	93	50
29648	JUMPER WIRE, CHOKE TO IGNITION SWITCH .....	19	53	29759	SWITCH, CHOKE .....	99	49
29648	JUMPER WIRE, CHOKE TO IGNITION SWITCH .....	25	51	29759	SWITCH, PUSH BOTTON ..	53	9
29675A2	CONTROL HANDLE ASSEMBLY, THROTTLE AND SHIFT .....	15	43	29759	SWITCH, STARTING - CONTROL LEVER COVER	11	43
29675A2	CONTROL HANDLE ASSEMBLY, THROTTLE AND SHIFT .....	19	41	29760	CAP, CONTROL LEVER ....	11	45
29675A2	CONTROL HANDLE ASSEMBLY, THROTTLE AND SHIFT .....	25	41	29761	HARNESS, CONTROL LEVER TO JUMPER WIRE	9	21
29699A10	ELECTRIC REMOTE CONTROL ASSEMBLY,COMPLETE ..	9	-	297S	SWITCH, CHOKE .....	103	50
29699A15	ELECTRIC REMOTE CONTROL ASSEMBLY,COMPLETE ..	9	-	29829	STOP, FULL THROTTLE - CONTROL HOUSING ....	9	20
29699A20	ELECTRIC REMOTE CONTROL ASSEMBLY,COMPLETE ..	9	-	29838	HOUSING, DETENT SPRING	13	30
29700A1	REMOTE CONTROL DUAL INSTALLATION KIT .....	7	-	29838	HOUSING, DETENT SPRING	19	30
				29838	HOUSING, DETENT SPRING	23	30
				29879	CONNECTOR, BUTT - HARNESS LEADS TO JUMPER WIRE .....	9	22
				29880	GUIDE, CABLE CONTROL END .....	27	7
				29880	GUIDE, CABLE CONTROL END .....	27	7
				29934A1	TRUNNION AND INSERT ASSEMBLY (BRASS) ....	27	13
				29934A1	TRUNNION AND INSERT ASSEMBLY (BRASS) ....	27	13
				29935	INSERT, CABLE END TUBE (STEEL) .....	27	14
				29935	INSERT, CABLE END TUBE (STEEL) .....	27	14
				29935	INSERT, CABLE END TUBE (STEEL) .....	29	14
				30027	COVER, RUBBER - CHOKE SWITCH .....	19	52

# PARTS INDEX

Part Number	Description	Pg.	Ref. No.	Part Number	Description	Pg.	Ref. No.
30032A	REMOTE CONTROL CABLE ASSEMBLY (ENGINE END)	27	1	30470A20	REMOTE CONTROL ASSEMBLY (ELECTRIC)	23	-
30033A	REMOTE CONTROL CABLE ASS Y, CONTROL END	31	10	30471	WIRING HARNESS, EXTERNAL	47	41
30033A	REMOTE CONTROL CABLE ASSEMBLY (CONTROL END)	27	1	30471-2	WIRING HARNESS, EXTERNAL (10')	25	48
30047A1	CONTROL LEVER ASSEMBLY (PORT)	7	1	30471-4	WIRING HARNESS, EXTERNAL (15')	25	48
30048A1	CONTROL LEVER ASSEMBLY (STARBOARD)	7	3	30471-6	WIRING HARNESS, EXTERNAL (20')	25	48
30053	COLLAR, CHOKE SWITCH TO CONTROL HOUSING	19	50A	30795	JUMPER WIRE, SAFETY SWITCH TO IGNITION SWITCH	25	56
30053	COLLAR, CHOKE SWITCH TO CONTROL HOUSING	25	50	30795	JUMPER WIRE, SAFETY SWITCH TO IGNITION SWITCH	47	50
30053	COLLAR, CHOKE SWITCH TO CONTROL HOUSING	47	46	30795	JUMPER WIRE, SAFETY SWITCH TO IGNITION SWITCH	93	55
30053	COLLAR, CHOKE SWITCH TO CONTROL HOUSING	93	51	30795	JUMPER WIRE, SAFETY SWITCH TO IGNITION SWITCH	103	55
30053	COLLAR, CHOKE SWITCH TO CONTROL HOUSING	99	50	30795	JUMPER WIRE, SWITCH TO CONTROL (YELLOW - 6")	73	18
30053	COLLAR, CHOKE SWITCH TO CONTROL HOUSING	103	51	30795	JUMPER WIRE, SWITCH TO CONTROL (YELLOW - 6")	137	9
30059	HOUSING, REMOTE CONTROL - STARBOARD	17	1	30795	JUMPER, SAFETY SWITCH TO KEY SWITCH	99	63
30062A10	REMOTE CONTROL ASSEMBLY (ELECTRIC)	17	-	30866	SWITCH, SAFETY - NEUTRAL STARTING	25	54
30062A15	REMOTE CONTROL ASSEMBLY (ELECTRIC)	17	-	30917	BRACKET, SHIFT LEVER - REMOTE CONTROL CABLE	35	1
30062A20	REMOTE CONTROL ASSEMBLY (ELECTRIC)	17	-	30917	BRACKET, SHIFT LEVER - REMOTE CONTROL CABLE	37	1
30063A1	REMOTE CONTROL ASSEMBLY	13	-	30917	BRACKET, SHIFT LEVER - REMOTE CONTROL CABLE	39	1
30136	BRACKET, MOUNTING - REMOTE CONTROL	5	1	30917A2	REMOTE CONTROL ATTACHMENT PARTS KIT (SEE NOTE)	35	-
30162	SWITCH, IGNITION (WITH KEYS) KEY PART #C-30431	19	54A	30917A3	REMOTE CONTROL ATTACHMENT PARTS KIT	37	-
30162	SWITH IGNITION (WITH KEYS) KEY PART #C 30431	47	48H	30917A5	REMOTE CONTROL ATTACHMENT KIT	39	-
30163	SWITCH, IGNITION (PART #C-30431)	73	17	30918	LEVER, THROTTLE - REMOTE CONTROL CABLE	35	21
30163	SWITCH, IGNITION (WITH KEYS - PART #C-30431)	9	33S	30920	ROD, LINK - SECTOR GEAR TO THROTTLE LEVER	35	25
30163	SWITCH, IGNITION (WITH KEYS) KEY PART #C-30431	47	48H	30921A2	BRACKET ASSEMBLY, THROTTLE CABLE	35	15
30163	SWITCH, IGNITION (WITH KEYS) KEY PART #C-30431D	25	52	30922	BRACKET, SHIFT CABLE	35	9
30203	HOUSING, REMOTE CONTROL - STARBOARD	13	1	30922	BRACKET, SHIFT CABLE - BOTTOM COWL	37	9
30203	HOUSING, REMOTE CONTROL - STARBOARD	17	1	30922	BRACKET, SHIFT CABLE - BOTTOM COWL	83	9
30203	HOUSING, REMOTE CONTROL - STARBOARD	23	1	30986	HOUSING, REMOTE CONTROL - PORT	19	27
30470A10	REMOTE CONTROL ASSEMBLY (ELECTRIC)	23	-				

# PARTS INDEX

Part Number	Description	Pg.	Ref. No.	Part Number	Description	Pg.	Ref. No.
30986	HOUSING, REMOTE CONTROL - PORT	23	27	34215A10	REMOTE CONTROL ASSEMBLY (ELECTRIC)	17	-
30986	HOUSING, REMOTE CONTROL PORT -	13	27	34215A15	REMOTE CONTROL ASSEMBLY (ELECTRIC)	17	-
31054	CONNECTOR, SWITCH LEAD WIRE	33	7	34215A20	REMOTE CONTROL ASSEMBLY (ELECTRIC)	17	-
31370	BALL, TENSION (7/16")	19	28	34555A	REMOTE CONTROL CABLE ASSEMBLY	27	1
31370	BALL, TENSION - DRIVE GEAR (7/16")	13	28	34610	SWIVEL, SLEEVE AND LINK TO THROTTLE CAM	79	23
31370	BALL, TENSION - DRIVE GEAR (7/16TT)	23	28	34621	SWITCH, SAFETY	47	51
31806	BRACKET, THROTTLE CABLE - BOTTOM COWL	37	26	34621	SWITCH, SAFETY	95	56
31806	BRACKET, THROTTLE CABLE - BOTTOM COWL	83	26	34621	SWITCH, SAFETY	99	62
31899	PLATE, RETAINER - PUSH BUTTON SWITCH	53	10	34621	SWITCH, SAFETY	103	56
32469	JUMPER WIRE, CHOKE SWITCH TO IGNITION SWITCH	53	10	34621	SWITCH, SAFETY	143	45
32469	JUMPER WIRE, CHOKE SWITCH TO IGNITION SWITCH	93	52	34669	HOUSING, REMOTE CONTROL (STARBOARD)	41	1
32469	JUMPER WIRE, CHOKE SWITCH TO IGNITION SWITCH	99	51	34669	HOUSING, REMOTE CONTROL (STARBOARD)	45	1
32469	WIRE, JUMPER - SWITCH TO SWITCH	53	6	34670	LEVER, NEUTRAL WARM-UP - CONTROL HOUSING	45	17
32861	BEZEL, IGNITION SWITCH	73	11	34670	LEVER, NEUTRAL WARM-UP CONTROL-HOUSING( WHITE)	91	17
32861	BEZEL, IGNITION SWITCH	119	8	34670-2	LEVER, NEUTRAL WARM-UP - CONTROL HOUSING ( BLACK )	97	17
32861	BEZEL, PLATE AND SWITCH TO COVER	53	8	34670-2	LEVER, NEUTRAL WARM-UP CONTROL HOUSING	101	17
32872	JUMPER WIRE, SWITCH TO CONTROL (YELLOW - 12")	73	18	34670-2	LEVER, NEUTRAL WARM-UP CONTROL HOUSING	41	17
33514	BRACKET, SHIFT CABLE - BOTTOM COWL	39	9	34670-2	LEVER, NEUTRAL WARM-UP CONTROL HOUSING( BLACK)	141	17
33610	LINK, THROTTLE CONTROL - SWIVEL TO SWIVEL	39	37	34670-2	LEVER, NEUTRAL WARM-UP CONTROL-HOUSING ( BLACK)	91	17
33611	BRACKET, THROTTLE CABLE - BOTTOM COWL	39	18	34671	LEVER, THROTTLE - CONTROL HOUSING	41	4
33612	LEVER, REMOTE THROTTLE CONTROL	39	24	34671	LEVER, THROTTLE - CONTROL HOUSING	45	4
34198	SWITCH, IGNITION (WITH KEYS - PART #C-30431)	53	5	34671	LEVER, THROTTLE - CONTROL HOUSING	91	4
34198	SWITCH, IGNITION (WITH KEYS) KEY PART #C-30431	19	54A	34671	LEVER, THROTTLE - CONTROL HOUSING	97	4
34198	SWITCH, IGNITION (WITH KEYS) KEY PART #C-30431	47	48H	34671	LEVER, THROTTLE - CONTROL HOUSING	101	4
34200	WIRING HARNESS, EXTERNAL	47	41	34671	LEVER, THROTTLE - CONTROL HOUSING	141	4
34200	WIRING HARNESS, EXTERNAL	93	46	34672	CAM ROLLER, THROTTLE LEVER	41	7
34200-10	WIRING HARNESS,EXTERNAL (10")	19	48	34672	CAM ROLLER, THROTTLE LEVER	45	7
34200-15	WIRING HARNESS,EXTERNAL (15")	19	48	34672	CAM ROLLER, THROTTLE LEVER	91	7
34200-20	WIRING HARNESS, EXTERNAL (20")	19	48	34672	CAM ROLLER, THROTTLE LEVER	97	7
34200-5	HARNESS, WIRING (5' )	53	1	34672	CAM ROLLER, THROTTLE LEVER	101	7

# PARTS INDEX

Part Number	Description	Pg.	Ref. No.	Part Number	Description	Pg.	Ref. No.
34679	PLATE, THRUST - CONTROL HOUSING	41	11	35158A2	REMOTE CONTROL INSTALLATION KIT (BLACK)	49	1
34679	PLATE, THRUST - CONTROL HOUSING	91	11	35489	PLATE, FACE - SHORTING SWITCH	33	3
34679	PLATE, THRUST - CONTROL HOUSING	97	11	35490A	SHORTING SWITCH ASS'Y (10',15' AND 20' )	33	1
34679	PLATE, THRUST - CONTROL HOUSING	101	11	35491A	SHORTING SWITCH ASS'Y (10', 15' AND 20' )	33	1
34679	PLATE, THRUST - CONTROL HOUSING	141	11	35615	HOUSING, REMOTE CONTROL	53	3
34679	PLATE, THRUST- CONTROL HOUSING	45	11	35615A1	ELECTRIC REMOTE CONTROL ASSEMBLY	53	-
34681	HOUSING, REMOTE CONTROL (PORT)	41	29	35618	COVER, REMOTE CONTROL HOUSING	53	13
34681	HOUSING, REMOTE CONTROL (PORT)	45	25	35648	CAM, THROTTLE	55	20
34682	LEVER, SHIFT - CONTROL HOUSING	43	36	35648	CAM, THROTTLE	59	20
34682	LEVER, SHIFT - CONTROL HOUSING	93	37	35649	LEVER, SHIFT	55	3
34682	LEVER, SHIFT - CONTROL HOUSING	103	40	35649	LEVER, SHIFT	59	3
34682	LEVER, SHIFT - CONTROL HOUSING	141	33	35649	LEVER, THROTTLE	55	22
34682	LEVER, SHIFT- CONTROL HOUSING	45	32	35649	LEVER, THROTTLE	59	23
34687	FACE CAM	45	23	35650	CAM, SHIFT	55	16
34689	LEVER, CONTROL	45	27	35650	CAM, SHIFT	59	16
34689	LEVER,CONTROL (WHITE)	93	32	35651A1	REMOTE CONTROL ASSEMBLY, COMPLETE (CONSOLE MOUNTED)	55	-
34689-2	LEVER, CONTROL	41	31	35766	EXTENSION, SHIFT CABLE BRACKET	39	15
34689-2	LEVER, CONTROL	103	35	35819A1	SHAFT, CONTROL ASSEMBLY	55	19
34689-2	LEVER, CONTROL ( BLACK)	141	28	35940	HOUSING, REMOTE CONTROL (STARBOARD)	55	1
34689-2	LEVER, CONTROL(BLACK)	97	31	35941	HOUSING, REMOTE CONTROL (PORT)	55	34
34689-2	LEVER,CONTROL (BLACK)	93	32	35942	ROLLER GUIDE SHIFT LEVER	59	12
34693A10	ELECTRIC REMOTE CONTROL ASSEMBLY, COMPLETE	45	-	35942	ROLLER GUIDE, SHIFT LEVER	55	12
34741A1	REMOTE CONTROL ASSEMBLY,COMPLETE (STANDARD)	41	-	35942	ROLLER GUIDE, THROTTLE LEVER	55	30
34742A10	ELECTRIC REMOTE CONTROL ASSEMBLY, COMPLETE	45	-	35942	ROLLER GUIDE, THROTTLE LEVER	59	31
34743A10	ELECTRIC REMOTE CONTROL ASSEMBLY, COMPLETE	45	-	35943	CAM ROLLER, SHIFT LEVER	55	7
34766A1	REMOTE CONTROL DUAL LNSTALLATION KIT (WHITE)	51	1	35943	CAM ROLLER, SHIFT LEVER	59	7
34766A2	REMOTE CONTROL DUAL LNSTALLATION KIT (BLACK)	51	1	35943	CAM ROLLER, THROTTLE LEVER	55	27
34771	GRIP, CONTROL HANDLE	55	36	35943	CAM ROLLER, THROTTLE LEVER	59	28
34992	ROLLER, DETENT SPRING	41	3	35956	BUTTON, CONTROL HANDLE	55	38
34992	ROLLER, DETENT SPRING	45	3	36004A1	SWITCH AND HARNESS ASSEMBLY, SAFETY	57	47
34992	ROLLER, DETENT SPRING	91	3	36004A1	SWITCH AND HARNESS ASSEMBLY, SAFETY	61	48
34992	ROLLER, DETENT SPRING	97	3	36004A1	SWITCH AND HARNESS ASSEMBLY, SAFETY	65	38
34992	ROLLER, DETENT SPRING	101	3	36004A1	SWITCH AND HARNESS ASSEMBLY, SAFETY	71	48
34992	ROLLER, DETENT SPRING	141	3	36004A1	SWITCH AND HARNESS ASSEMBLY, SAFETY	85	30

# PARTS INDEX

Part Number	Description	Pg.	Ref. No.	Part Number	Description	Pg.	Ref. No.
36004A4	SWITCH AND HARNESS ASSEMBLY, SAFETY . . . .	125	30	37580A2	REMOTE CONTROL ASSEMBLY, COMPLETE (DUAL INSTALLATION) . .	63	-
36004A4	SWITCH AND HARNESS ASSEMBLY, SAFETY . . . .	129	28	37581	HOUSING, REMOTE CONTROL (STARBOARD)	63	1
36005	GRIP, CONTROL HANDLE . .	61	39	37582	HOUSING, REMOTE CONTROL (PORT) . . . . .	65	41
36005	GRIP, CONTROL HANDLE . .	71	46	37583	HOUSING, REMOTE CONTROL (CENTER) . . . .	65	35
36005	GRIP, CONTROL LEVER . . .	43	32	37584	LEVER, SHIFT . . . . .	63	4
36005	GRIP, CONTROL LEVER . . .	97	32	37584	LEVER, SHIFT . . . . .	69	6
36005	GRIP, CONTROL LEVER . . .	141	29	37584	LEVER, THROTTLE . . . . .	65	23
36005	GRIP, CONTROL LEVER (BLACK) . . . . .	45	28	37584	LEVER, THROTTLE . . . . .	69	28
36005	GRIP, CONTROL LEVER( BLACK) . . . . .	93	33	37596A1	SHAFT ASSEMBLY, CONTROL . . . . .	63	19
36044	HANDLE, CONTROL . . . . .	61	38	37602	BUTTON, CONTROL HANDLE . . . . .	67	50
36047	HANDLE, CONTROL . . . . .	55	35	37602	BUTTON, CONTROL HANDLE . . . . .	71	45
36048A1	SHAFT, CONTROL ASSEMBLY . . . . .	59	19	37604	ROLLER GUIDE, SHIFT LEVER . . . . .	63	12
36051	BEZEL, REMOTE CONTROL TO MOUNTING PANEL . .	59	36	37604	ROLLER GUIDE, SHIFT LEVER . . . . .	69	13
36052	HOUSING, REMOTE CONTROL (STARBOARD)	59	1	37604	ROLLER GUIDE, THROTTLE LEVER . . . . .	65	31
36053	HOUSING, REMOTE CONTROL (PORT) . . . . .	59	35	37604	ROLLER GUIDE, THROTTLE LEVER . . . . .	69	35
36077A1	REMOTE CONTROL ASSEMBLY, COMPLETE (PANEL MOUNTED) . . . . .	59	-	37606	CAM ROLLER, SHIFT LEVER	63	8
36077A2	REMOTE CONTROL ASSEMBLY, COMPLETE (PANEL MOUNTED) . . . . .	59	-	37606	CAM ROLLER, SHIFT LEVER	69	10
36201A20	INNER WIRE, REMOTE CONTROL CABLE (20 FT)	27	-	37606	CAM ROLLER, THROTTLE LEVER . . . . .	65	27
36201A40	INNER WIRE, REMOTE CONTROL CABLE (40 FT)	27	-	37606	CAM ROLLER, THROTTLE LEVER . . . . .	69	32
36277	PANEL, CONTROL . . . . .	73	1	37607	CAM, SHIFT . . . . .	63	15
36278	BEZEL, CHOKE SWITCH HOUSING . . . . .	73	4	37607	CAM, SHIFT . . . . .	69	18
36279	HOUSING, CHOKE SWITCH	73	8	37607	CAM, SHIFT . . . . .	115	12
36280	BEZEL, IGNITION SWITCH .	73	11	37607	CAM, SHIFT . . . . .	125	12
36286	TAB RECEPTACLE, SAFETY SWITCH . . . . .	65	39	37608	CAM, THROTTLE . . . . .	63	20
36286	TAB RECEPTACLE, SAFETY SWITCH . . . . .	71	49	37608	CAM, THROTTLE . . . . .	69	23
36286	TAB RECEPTACLE, SAFETY SWITCH . . . . .	125	31	37608	CAM, THROTTLE . . . . .	115	16
36286	TAB RECEPTACLE, SWITCH HARNESS . . . . .	57	48	37608	CAM, THROTTLE . . . . .	125	17
36286	TAB RECEPTACLE, SWITCH HARNESS . . . . .	61	49	37669	BUTTON, CONTROL HANDLE . . . . .	61	41
36286	TAB RECEPTACLE, SWITCH HARNESS . . . . .	87	31	37782A1	REMOTE CONTROL ASSEMBLY, COMPLETE (PANEL MOUNTED) STARBOARD . . . . .	69	-
36286	TAB RECEPTACLE, SWITCH HARNESS . . . . .	129	29	37782A2	REMOTE CONTROL ASSEMBLY, COMPLETE (PANEL MOUNTED) PORT	69	-
37244A1	KEY & CHOKE SWITCH KIT, PANEL MOUNTED( 6CYL.) . . . . .	73	-	37783	HOUSING, REMOTE CONTROL (STARBOARD)	69	1
37357	HOUSING, REMOTE CONTROL (STARBOARD)	59	1	37784	HOUSING, REMOTE CONTROL (PORT) . . . . .	69	26
37358	HOUSING, REMOTE CONTROL (PORT) . . . . .	59	35	37785	HOUSING, REMOTE CONTROL (STARBOARD) - NOT AS SHOWN . . . . .	69	1
				37786	HOUSING, REMOTE CONTROL (PORT) - NOT AS SHOWN . . . . .	69	26



# PARTS INDEX

Part Number	Description	Pg.	Ref. No.	Part Number	Description	Pg.	Ref. No.
37802	PLATE, RETAINER - CENTER HOUSING	65	36	38749	COVER, CONTROL HOUSING (STARBOARD)	125	1
37812	HANDLE, CONTROL	67	47	38749	COVER, CONTROL HOUSING (STARBOARD)	129	11
37812A1	HANDLE, CONTROL	125	38	38750	COVER, CONTROL HOUSING (PORT)	65	42
37813	GRIP, CONTROL HANDLE (BLACK)	67	48	38750	COVER, CONTROL HOUSING (PORT)	71	39
37813	GRIP, CONTROL HANDLE (BLACK)	127	39	38750	COVER, CONTROL HOUSING (PORT)	85	27
37813	KNOB, SHIFT HANDLE (BLACK)	85	15	38750	COVER, CONTROL HOUSING (PORT)	115	32
37813	KNOB, SHIFT HANDLE (BLACK)	129	14	38750	COVER, CONTROL HOUSING (PORT)	125	33
37820	BEZEL, REMOTE CONTROL TO MOUNTING PANEL	71	40	38750	COVER, CONTROL HOUSING (PORT)	129	25
37822	HANDLE, CONTROL	71	43	38882	BLOCK, STOP - CONTROL HOUSING	85	2
37832A1	SHAFT ASSEMBLY, CONTROL	69	22	39125	WIRING HARNESS, EXTERNAL	47	41
37913	LEVER, LOCKING - SHIFT CABLE TO ANCHOR SOCKET	79	5	39125-20	WIRING HARNESS (20' )	73	10
38280	RETAINER, CONTROL CABLE - REMOTE CONTROL	89	1	39180	JUMPER WIRE, CHOKE SWITCH (WHITE - 2 1/2 " )	137	5
38282	LEVER, SHIFT	85	4	39180	JUMPER WIRE, CHOKE SWITCH (WHITE - 2 1/2" )	73	9
38282	LEVER, THROTTLE	85	20	39180	JUMPER WIRE, CHOKE SWITCH TO IGNITION	47	47
38283	SHAFT, CONTROL	85	8	39180	JUMPER WIRE, CHOKE SWITCH TO IGNITION	93	52
38283	SHAFT, CONTROL	129	7	39180	WIRE, JUMPER - SWITCH TO SWITCH	53	6
38287	HOUSING, REMOTE CONTROL (PORT)	85	23	391801	JUMPER WIRE, CHOKE SWITCH TO IGNITION	103	52
38288	HOUSING, REMOTE CONTROL (STARBOARD)	85	1	39368	LEVER, THROTTLE CONTROL	79	8
38290A1	REMOTE CONTROL ASSEMBLY, TOP MOUNTED - TWO LEVER	85	-	39444A10	ELECTRIC REMOTE CONTROL ASSEMBLY, COMPLETE	45	-
38290A2	REMOTE CONTROL KIT, DUAL STATION (SEE NOTE)	89	-	39453	CLEVIS, SHIFT CONTROL	77	12
38293	KNOB, THROTTLE HANDLE (RED)	85	29	39453	CLEVIS, SHIFT CONTROL	81	31
38293	KNOB, THROTTLE HANDLE (RED)	129	27	39456	LEVER, LOCKING - SHIFT CABLE TO ANCHOR SOCKET	79	5A
38368	BLOCK, STOP - CONTROL HOUSING	85	24	39456	PIN, SHIFT CABLE ANCHOR	107	7
38369	HANDLE, THROTTLE AND SHIFT	85	14	39456	PIN, SHIFT CABLE ANCHOR - SHIFT CONTROL CLEVIS	77	13
38400-20	WIRING HARNESS (20' )	73	10	39456	PIN, SHIFT CABLE ANCHOR - SHIFT CONTROL CLEVIS	81	32
38400-20	WIRING HARNESS, EXTERNAL	93	46	39458	LINK, THROTTLE CONTROL	77	4
38685A1	TRUNNION ASSEMBLY (BRASS)	27	-	39458	LINK, THROTTLE CONTROL	107	3
38686	RING, NYLON - CONTROL CABLE TRUNNION	27	-	39461	PIN, ANCHOR - THROTTLE AND SHIFT CABLE	77	10
38749	COVER, CONTROL HOUSING (STARBOARD)	63	2	39464	BRACKET, MOUNTING - SHIFT CABLE RETAINER SPRING	77	19
38749	COVER, CONTROL HOUSING (STARBOARD)	69	3				
38749	COVER, CONTROL HOUSING (STARBOARD)	85	12				
38749	COVER, CONTROL HOUSING (STARBOARD)	115	1				

# PARTS INDEX

Part Number	Description	Pg.	Ref. No.	Part Number	Description	Pg.	Ref. No.
39464	BRACKET, MOUNTING - THROTTLE CABLE			45887	CONNECTOR, TACHOMETER LEAD	137	14
	RETAINER SPRING	77	7	45887	CONNECTOR, TACHOMETER LEAD TO REMOTE CONTROL	91	25
39465	BRACKET, RETAINER - SHIFT CABLE	77	18	45887	CONNECTOR, TACHOMETER LEAD TO REMOTE CONTROL	101	28
39466A1	REMOTE CONTROL ATTACHMENT PARTS KIT	77	-	45915	TERMINAL BLOCK	33	11
39466A2	REMOTE CONTROL ATTACHMENT PARTS KIT	77	-	45915	TERMINAL BLOCK, CONNECTOR LEADS	91	27
39483	LATCH, THROTTLE CABLE FASTENING	79	14	45915	TERMINAL BLOCK, CONNECTOR LEADS	101	30
39488	CLEVIS, SHIFT CONTROL	81	31	45939	HOUSING, REMOTE CONTROL (PORT)-WHITE	93	30
39490	SOCKET, ANCHOR - THROTTLE CABLE	79	1	45939-2	HOUSING, REMOTE CONTROL (PORT)	41	29
39491	BRACKET, MOUNTING - SHIFT CABLE RETAINER SPRING	79	28	45939-2	HOUSING, REMOTE CONTROL (PORT)	101	32
39646	LINER, NYLON - ANCHOR SOCKET	79	2	45939-2	HOUSING, REMOTE CONTROL (PORT) - BLACK	97	29
39660A1	REMOTE CONTROL ATTACHMENT PARTS KIT	79	-	45939-2	HOUSING, REMOTE CONTROL (PORT)-BLOCK	93	30
39943A1	SLEEVE AND LINK ASSEMBLY	79	22	45940	CAP, TACHOMETER CONNECTOR	33	10
39944A1	LINK ROD ASSEMBLY, THROTTLE CONTROL LEVER SWIVEL	79	19	45940	CAP, TACHOMETER LEAD CONNECTOR	91	26
39945	SWIVEL, THROTTLE CONTROL LEVER TO LINK ROD	79	18	45940	CAP, TACHOMETER LEAD CONNECTOR	101	29
45116A2	KEY & CHOKE SWITCH KIT, PANEL MOUNTED(4 AND 6 CYL.)	73	-	45954A20	ELECTRIC REMOTE CONTROL ASSEMBLY, COMPLETE	91	-
45349	LEVER, SHIFT - REMOTE CONTROL CABLE	83	1	45955A2	REMOTE CONTROL ASSEMBLY, COMPLETE (STANDARD)	41	-
45350A1	REMOTE CONTROL ATTACHMENT PARTS KIT	83	-	45955A5	REMOTE CONTROL ASSEMBLY, COMPLETE (STANDARD)	41	-
45854A	ELECTRIC REMOTE CONTROL ASSEMBLY, COMPLETE	91	-	45955A6	REMOTE CONTROL ASSEMBLY, COMPLETE (STANDARD)	41	-
45876	WIRING HARNESS, EXTERNAL	93	46	45957A	ELECTRIC REMOTE CONTROL ASSEMBLY, COMPLETE	91	-
45876	WIRING HARNESS, EXTERNAL	103	49	46265	BOOT, RUBBER - STARTER SOLENOID TERMINAL	165	7
45876-20	WIRING HARNESS (20')	137	6	46410	LINK ROD, THROTTLE CONTROL LEVER SWIVEL	79	L9A
45876-20	WIRING HARNESS (20')	73	10	46411	LEVER, THROTTLE CONTROL	79	8
45876-5	HARNESS, WIRING (5')	53	1	46415	SOCKET, ANCHOR - THROTTLE CABLE	79	1
45880	HOUSING, REMOTE CONTROL (STARBOARD)-WHITE	91	1	46455A1	REMOTE CONTROL ATTACHMENT PARTS KIT	79	-
45880-2	HOUSING, REMOTE CONTROL (STARBOARD)	41	1	46455A2	REMOTE CONTROL ATTACHMENT PARTS KIT	79	-
45880-2	HOUSING, REMOTE CONTROL (STARBOARD)	101	1	46455A3	REMOTE CONTROL ATTACHMENT PARTS KIT	79	-
45880-2	HOUSING, REMOTE CONTROL (STARBOARD) - BLACK	97	1				
45880-2	HOUSING, REMOTE CONTROL (STARBOARD)-BLACK	91	1				

# PARTS INDEX

Part Number	Description	Pg.	Ref. No.	Part Number	Description	Pg.	Ref. No.
47973	PLATE, RETAINER - PUSH BUTTON SWITCH	53	10	55691	COVER, PUSH BUTTON SWITCH	133	64
47974	HOUSING, REMOTE CONTROLS(NOT AS SHOWN)	53	3	55691	RETAINER, CHOKE SWITCH TO CONTROL PANEL	73	6
47974	HOUSING, REMOTE CONTROLS(NOT AS SHOWN)	53	3	55691	RETAINER, CHOKE SWITCH TO CONTROL PANEL	137	3
47974A1	ELECTRIC REMOTE CONTROL ASSEMBLY	53	-	55719	HANDLE, CONTROL	109	12
47974A2	ELECTRIC REMOTE CONTROL ASSEMBLY	53	-	55719	HANDLE, CONTROL	131	12
47974A3	ELECTRIC REMOTE CONTROL ASSEMBLY	53	-	55738A1	SWITCH ASSEMBLY, CHOKE	73	5
48392	CONNECTOR, TACHOMETER	33	9	55738A1	SWITCH ASSEMBLY, CHOKE	137	2
48393A	SHORTING SWITCH ASS'Y (10', 15' AND 20')	33	1	55738A1	SWITCH ASSEMBLY, PUSH BUTTON	111	63
54211	IGNITION SWITCH (WITH KEY - PART #C-30431)	119	5	55738A1	SWITCH ASSEMBLY, PUSH BUTTON	121	8
54211	IGNITION SWITCH(WITH KEY - PART #C-30431)	111	61	55738A1	SWITCH ASSEMBLY, PUSH BUTTON	133	63
54211	IGNITION SWITCH(WITH KEY - PART #C-30431)	133	61	55738A1	SWITCH ASSEMBLY, PUSH BUTTON	135	2
54211	SWITCH, IGNITION (WITH KEYS - PART #C-30431)	53	5	55992	BATTERY LEAD (NEGATIVE)	165	1
54211	SWITCH, IGNITION (WITH KEYS) KEY PART #C- 30431	93	53	56290A	ELECTRIC REMOTE CONTROL ASSEMBLY, COMPLETE	91	-
54211	SWITCH, IGNITION (WITH KEYS) KEY PART #C- 30431 )	143	43	56773	RETAINER, HUB COVER	109	4
54211	SWITCH, IGNITION (WITLL KE) - PART XC-30431 )	137	8	56773	RETAINER, HUB COVER	117	47
54211	SWITCH, IGNITION WITH KEYS	73	17	56773	RETAINER, HUB COVER	131	4
542111	SWITCH, IGNITION (WITH KEYS) KEY PART #C- 30431	103	53	56773	RETAINER, HUB COVER	139	7
54212	SWITCH, IGNITION (WITH KEYS) KEY PART #C- 30431	93	53	57303	BLOCK, STOP	87	--
54213	SWITCH, IGNITION (WITH KEYS) KEY PART #C- 30431	93	53	57303	BLOCK, STOP	129	--
54911	FACE CAM	91	23	57303	BLOCK, STOP - CONTROL HOUSING	85	24
55193A1	BEZEL KIT, PANEL MOUNTING	73	2	57303	BLOCK, STOP -CONTROL HOUSING	129	22
55193A1	SUNSHADE ASSEMBLY	121	1	57350	BRACKET, IGNITION SWITCH	119	6
55315A1	SUNSHADE ASSEMBLY	119	9	57416	WIRING HARNESS, EXTERNAL	93	46
55339	GRIP, CONTROL LEVER	41	32	57416	WIRING HARNESS, EXTERNAL	99	45
55339	GRIP, CONTROL LEVER	103	36	57416-5	HARNESS, WIRING (5')	53	1
55339	GRIP, CONTROL LEVER( RED)	93	33	57485	SWITCH, IGNITION (WITH KEYS - PART #C-30431)	53	5
55340	RETAINER, SWITCH TO DASHBOARD	119	14	57485	SWITCH, IGNITION (WITH KEYS) KEY PART #C- 30431	93	53
55423	RETAINER, GAUGE TO DASHBOARD	121	6	57485	SWITCH, IGNITION (WITH KEYS) KEY PART #C- 30431	99	52
55691	COVER, PUSH BUTTON SWITCH	111	64	57616A	SHORTING SWITCH ASS'Y (15'AND 20')	33	1
				57617A	ELECTRIC REMOTE CONTROL ASSEMBLY, COMPLETE	91	-
				57945	PLATE, FACE - SHORTING SWITCH	33	3
				58502	BLOCK, STOP - CONTROL HOUSING	85	2
				58502	BLOCK, STOP - CONTROL HOUSING	129	1
				58503	LEVER, SHIFT	85	4
				58503	LEVER, THROTTLE	85	20

# PARTS INDEX

Part Number	Description	Pg.	Ref. No.	Part Number	Description	Pg.	Ref. No.
58602	HOUSING, REMOTE CONTROL (PORT) . . . . .	85	23	65657A1	LEVER ASSEMBLY, THROTTLE . . . . .	109	39
58602A1	REMOTE CONTROL ASSEMBLY, TOP MOUNTED - TWO LEVER	85	-	65657A1	LEVER ASSEMBLY, THROTTLE . . . . .	131	39
58777A3	LEVER ASSEMBLY, SHIFT . . . . .	125	3	65665	HUB, CONTROL . . . . .	109	21
58777A3	LEVER ASSEMBLY, THROTTLE . . . . .	125	19	65665	HUB, CONTROL . . . . .	131	21
58804A1	PANEL ASSEMBLY . . . . .	73	1	65672	PLUG, DISCONNECT . . . . .	109	18
59119A2	KEY & CHOKE SWITCH KIT,PANEL MOUNTED (4 AND 6 CYL.) . . . . .	73	-	65672	PLUG, DISCONNECT . . . . .	131	18
59119A3	KEY & CHOKE SWITCH KIT,PANEL MOUNTED-MERC 650 3 CYL. . . . .	73	-	65673	SHAFT . . . . .	109	3
59369	FACE CAM . . . . .	41	23	65673	SHAFT . . . . .	131	3
59369	FACE CAM . . . . .	101	22	65676	BOOT, RUBBER - SHAFT . . . . .	109	2
59369	FACE CAM . . . . .	141	23	65676	BOOT, RUBBER - SHAFT . . . . .	131	2
59371	CAM FOLLOWER . . . . .	41	24	65730	SHAFT, THROTTLE . . . . .	109	31
59371	CAM FOLLOWER . . . . .	97	23	65730	SHAFT, THROTTLE . . . . .	131	31
59371	CAM FOLLOWER . . . . .	101	23	65832	PLATE, SUPPORT SHAFT AND DETENT . . . . .	109	35
59372	LEVER, SHIFT - CONTROL HOUSING . . . . .	43	36	65832	PLATE, SUPPORT SHAFT AND DETENT . . . . .	131	35
59372	LEVER, SHIFT - CONTROL HOUSING . . . . .	97	36	65953A1	COVER ASSEMBLY, HUB . . . . .	109	1
59372	LEVER, SHIFT - CONTROL HOUSING . . . . .	103	40	65953A1	COVER ASSEMBLY, HUB . . . . .	117	48
59787	FACE CAM . . . . .	41	23	65953A1	COVER ASSEMBLY, HUB . . . . .	131	1
59787	FACE CAM . . . . .	97	22	65954	PLATE, CONTROL HANDLE . . . . .	109	5
59787	FACE CAM . . . . .	101	22	65954	PLATE, CONTROL HANDLE . . . . .	131	5
60324A	SHORTING SWITCH ASS'Y (15'AND 20' ) . . . . .	33	1	65955	CONNECTOR . . . . .	109	7
60784	CAM ROLLER, SHIFT LEVER	115	7	65955	CONNECTOR . . . . .	131	7
60784	CAM ROLLER, SHIFT LEVER	125	8	65956	COVER, STARBOARD CONTROL HOUSING . . . . .	111	49
60784	CAM ROLLER, THROTTLE LEVER . . . . .	115	22	65956	COVER, STARBOARD CONTROL HOUSING . . . . .	133	49
60784	CAM ROLLER, THROTTLE LEVER . . . . .	125	24	66354	GUIDE, BOTTOM COWL (THROTTLE END SHIFT CABLE GUIDE) . . . . .	77	23
61490A10	ELECTRIC REMOTE CONTROL ASSEMBLY, COMPLETE . . . . .	101	-	66354	GUIDE, CABLE - BOTTOM COWL . . . . .	107	13
61492A10	ELECTRIC REMOTE CONTROL ASSEMBLY, COMPLETE . . . . .	101	-	68023	HOUSING, CABLE . . . . .	111	44
61990	STA-STRAP, WIRING HARNESS . . . . .	145	35	68023	HOUSING, CABLE . . . . .	133	44
61990	STA-STRAP, WIRING HARNESS . . . . .	153	25	68026	PLATE, RETAINING - DISCONNECT PLUG . . . . .	109	17
61990	STA-STRAP, WIRING HARNESS . . . . .	157	30	68026	PLATE, RETAINING - DISCONNECT PLUG . . . . .	131	17
62231	BUTTON, CONTROL HANDLE . . . . .	127	41	68034	COVER, REMOTE CONTROL . . . . .	109	13
65420	CONTROL COVER . . . . .	129	32	68034	COVER, REMOTE CONTROL . . . . .	131	13
65444	CONTROL COVER . . . . .	117	50	68831A1	REMOTE CONTROL ASSEMBLY, COMPLETE (SINGLE INSTALLATION) . . . . .	125	-
65444	CONTROL COVER . . . . .	127	42	68833A1	REMOTE CONTROL ASSEMBLY, TOP MOUNTED -TWO LEVER-	129	-
65640A	REMOTE CONTROL ASSEMBLY, COMPLETE (ELECTRIC) . . . . .	109	-	68842	LEVER, SHIFT . . . . .	129	3
65655A1	LEVER ASSEMBLY, SHIFT . . . . .	109	38	68842	LEVER, THROTTLE . . . . .	129	19
65655A1	LEVER ASSEMBLY, SHIFT . . . . .	131	38	68844A2	SHAFT ASSEMBLY, CONTROL . . . . .	125	16
				68863	BEZEL, IGNITION SWITCH . . . . .	111	62
				68863	BEZEL, IGNITION SWITCH . . . . .	133	62
				68863	BEZEL, IGNITION SWITCH . . . . .	137	7
				68876A1	DETENT ASSEMBLY . . . . .	109	26
				68876A1	DETENT ASSEMBLY . . . . .	131	26
				68878	ALARM, HORN . . . . .	111	65
				68878	HORN, ALARM . . . . .	121	15
				68878	HORN, ALARM . . . . .	135	12

# PARTS INDEX

Part Number	Description	Pg.	Ref. No.	Part Number	Description	Pg.	Ref. No.
68879	COVER, ALARM HORN . . . .	111	66	74646	RETAINER, PUSH-BUTTON SWITCHES . . . . .	139	4
68879	COVER, ALARM HORN . . . .	121	16	74699A1	SHAFT ASSEMBLY, CONTROL . . . . .	115	38
68879	COVER, ALARM HORN . . . .	135	13	74737	HANDLE, CONTROL . . . . .	115	41
69205	"D" WASHER, WIRING HARNESS CLIP SCREW .	143	49	75312A1	CONTROL HANDLE ASSEMBLY . . . . .	139	1
69613	HANDLE, THROTTLE AND SHIFT . . . . .	129	13	75314A	REMOTE CONTROL ASSEMBLY, COMPLETE (ELECTRIC) . . . . .	131	-
70135A1	LEVER ASSEMBLY, SHIFT .	115	3	76426	SWITCH PANEL . . . . .	135	1
70135A1	LEVER ASSEMBLY, THROTTLE . . . . .	115	18	77642	PLATE, SWITCH RETAINER . . . . .	135	4
70246	RETAINER, SWITCH . . . . .	121	10	77676	BRACKET, MOUNTING . . . .	135	8
70247	SWITCH PANEL . . . . .	121	7	77777A2	KEY & CHOKE SWITCH KIT . . . .	137	-
70247A4	SWITCH PANEL ASSEMBLY .	121	-	77777A4	KEY & CHOKE SWITCH KIT . . . .	137	-
70247A6	SWITCH PANEL ASSEMBLY .	121	-	77777A5	PANEL ASSEMBLY, CONTROL . . . . .	137	1
71878A	SHORTING SWITCH ASS'Y (15'AND 20' ) . . . . .	33	1	77792A2	SWITCH PANEL ASSEMBLY . . . .	135	-
72677	THROTTLE STOP, FACE CAM - PORT . . . . .	43	49	77792A4	SWITCH PANEL ASSEMBLY . . . .	135	-
72677	THROTTLE STOP, PORT . . .	103	64	78428	PLATE, SOLENOID MOUNTING . . . . .	143	55
72677	THROTTLE STOP, PORT - FACE CAM . . . . .	99	59	79108A15	ELECTRIC REMOTE CONTROL ASSEMBLY, COMPLETE . . . . .	141	-
72678	THROTTLE STOP, FACE CAM - STARBOARD . . . . .	43	49	85641A15	ELECTRIC REMOTE CONTROL ASSEMBLY, COMPLETE SEE INDEX PAGE FOR CORRECT ENGINE MOD . . . . .	141	-
72678	THROTTLE STOP, STARBOARD . . . . .	103	64	85859	COVER, REMOTE CONTROL . . . .	145	1
72678	THROTTLE STOP, STARBOARD - FACE CAM .	99	59	85859	COVER, REMOTE CONTROL . . . .	157	1
72745A	ELECTRIC REMOTE CONTROL ASSEMBLY COMPLETE . . . . .	97	-	85867	COVER, TOP . . . . .	151	76
72745A1	REMOTE CONTROL ASSEMBLY, COMPLETE (STANDARD) . . . . .	41	-	85867	COVER, TOP . . . . .	155	62
72747A10	ELECTRIC REMOTE CONTROL ASSEMBLY, COMPLETE . . . . .	101	-	85867	COVER, TOP . . . . .	163	68
72887A1	KEY & CHOKE SWITCH KIT, PANEL MOUNTED-MERC 650 3 CYL. . . . .	73	-	85868	SHAFT, WARM -UP . . . . .	149	51
72888A10	ELECTRIC REMOTE CONTROL ASSEMBLY, COMPLETE . . . . .	101	-	85868	SHAFT, WARM-UP . . . . .	155	38
74326	BUTTON, CONTROL HANDLE . . . . .	117	49	85868	SHAFT, WARM-UP . . . . .	161	43
74354	RETAINER, CABLE BARREL .	107	1	85869	BARREL, WARM-UP SHAFT . . . .	149	52
74355	GUIDE, CABLE . . . . .	107	6	85869	BARREL, WARM-UP SHAFT . . . .	155	39
74406	BRACKET, MOUNTING - STARTER SOLENOID . . .	165	8	85869	BARREL, WARM-UP SHAFT . . . .	161	44
74577	COVER, CONTROL . . . . .	115	39	85875A1	LEVER ASSEMBLY, THROTTLE . . . . .	149	72
74578A1	REMOTE CONTROL ASSEMBLY, COMPLETE .	115	-	85875A1	LEVER ASSEMBLY, THROTTLE . . . . .	155	58
74596	PLATE, MICRO SWITCH MOUNTING . . . . .	111	56	85875A1	LEVER ASSEMBLY, THROTTLE . . . . .	161	64
74596	PLATE, MICRO SWITCH MOUNTING . . . . .	133	56	85893	COVER, CONTROL HANDLE . . . .	145	13
74646	RETAINER, PUSH BUTTON SWITCHES . . . . .	109	9	85894	CAP, CONTROL HANDLE . . . . .	145	9
74646	RETAINER, PUSH BUTTON SWITCHES . . . . .	131	9	85894	CAP, CONTROL HANDLE . . . . .	153	8
				85894	CAP, CONTROL HANDLE . . . . .	157	9
				85895	ROD, LOCKING . . . . .	145	12
				85895	ROD, LOCKING . . . . .	153	11
				85895	ROD, LOCKING . . . . .	157	12
				85896	BUTTON, THROTTLE . . . . .	145	18
				85896	BUTTON, THROTTLE . . . . .	153	16
				85896	BUTTON, THROTTLE . . . . .	157	17
				85898	TRIGGER, CONTROL HANDLE . . . . .	145	7
				85898	TRIGGER, CONTROL HANDLE . . . . .	153	6

# PARTS INDEX

Part Number	Description	Pg.	Ref. No.	Part Number	Description	Pg.	Ref. No.
85898	TRIGGER, CONTROL HANDLE	157	7	89491-2	KEY 1B	157	-
85900A1	LEVER ASSEMBLY, SHIFT	149	62	89491-3	KEY 1C	145	-
85900A1	LEVER ASSEMBLY, SHIFT	155	49	89491-3	KEY 1C	157	-
85900A1	LEVER ASSEMBLY, SHIFT	161	54	89491-4	KEY 1D	147	-
85902A4	BEARING PLATE ASSEMBLY	149	66	89491-4	KEY 1D	157	-
85902A4	BEARING PLATE ASSEMBLY	155	53	89491-5	KEY 1E	147	-
85902A4	BEARING PLATE ASSEMBLY	161	58	89491-5	KEY 1E	157	-
86005	RETAINER, WIRING HARNESS	149	50	89491-6	KEY 1F	147	-
86037	COVER, WATER SHIELD	151	78	89491-6	KEY 1F	157	-
86037	COVER, WATER SHIELD	155	64	89491-7	KEY 2A	147	-
86037	COVER, WATER SHIELD	163	70	89491-7	KEY 2A	157	-
86041	RETAINER, TRIM SWITCH	145	16	89491-8	KEY 2B	147	-
86287	RETAINER, CABLE	149	73	89491-8	KEY 2B	159	-
86287	RETAINER, CABLE	155	59	89491-9	KEY 2C	147	-
86287	RETAINER, CABLE	161	65	89491-9	KEY 2C	159	-
86288	COVER, BOTTOM	149	75	89987	RETAINER, T RIM SWITCH	153	15
86288	COVER, BOTTOM	155	61	89987	RETAINER, TRIM SWITCH	157	16
86288	COVER, BOTTOM	161	67	91070A3	CONTROL HANDLE	153	5
86351	COVER, TOGGLE SWITCH	145	4	91070A3	CONTROL HANDLE ASSEMBLY	157	6
86351	COVER, TOGGLE SWITCH	157	4	N.S.S.	HOUSING, REMOTE CONTROL (PORT) - BLACK	141	26
86352	KEY, TOGGLE SWITCH	145	31	N.S.S.	HOUSING, REMOTE CONTROL (STARBOARD) - BLACK	141	1
86352	KEY, TOGGLE SWITCH	153	24	--74355A3	REMOTE CONTROL ATTACHMENT PARTS KIT	107	-
86352	KEY, TOGGLE SWITCH	157	26	-.29774A1	REMOTE CONTROL DUAL INSTALLION KIT	3	-
86363	CONTROL HANDLE	145	6	10-20014	SCREW, ALLEN - CABLE END ANCHOR	27	5
87313	COVER, CONTROL HANDLE	153	12	10-20014	SCREW, ALLEN - CABLE END ANCHOR	27	5
87313	COVER, CONTROL HANDLE	157	13	10-20100	SCREW, ANCHOR BRACKET TO SHIFT CABLE BRACKET	37	14
87317A	REMOTE CONTROL ASSEMBLY	145	-	10-20100	SCREW, ANCHOR BRACKET TO SHIFT CABLE BRACKET	83	14
87317A	REMOTE CONTROL ASSEMBLY	149	-	10-20100	SCREW, ANCHOR BRACKET TO THROTTLE CABLE BRACKET	37	31
87728A20	REMOTE CONTROL ASSEMBLY, MANUAL	153	-	10-20100	SCREW, ANCHOR BRACKET TO THROTTLE CABLE BRACKET	83	31
87728A20	REMOTE CONTROL ASSEMBLY, MANUAL	155	-	10-20100	SCREW, EXTENSION TO BRACKET	39	16
87729A15	REMOTE CONTROL ASSEMBLY, ELECTRIC	157	-	10-20456	SCREW, ANCHOR SOCKET TO THROTTLE CONTROL HOUSING (5/8")	79	3
87729A15	REMOTE CONTROL ASSEMBLY, ELECTRIC	161	-	10-20518	SCREW, SET - CABLE END ANCHOR	27	4
87869	RETAINER, IGNITION SWITCH KEYS	145	34	10-20518	SCREW, SET - CABLE END ANCHOR	27	4
87869	RETAINER, IGNITION SWITCH KEYS	157	29	10-20518	SCREW, SET - CABLE END GUIDE	27	9
87870	COVER, IGNITION SWITCH KEYS	145	33	10-20518	SCREW, SET - CABLE END GUIDE	27	9
87870	COVER, IGNITION SWITCH KEYS	157	28	10-20518	SCREW, SET - CABLE END GUIDE	27	9
88474	RETAINER, WIRING HARNESS	145	17				
88480	COVER, REMOTE CONTROL	153	1				
88873	RETAINER, TRIM BUTTONS	145	21				
89491-1	KEY 1A	145	-				
89491-1	KEY 1A	157	-				
89491-10	KEY 2D	147	-				
89491-10	KEY 2D	159	-				
89491-11	KEY 2E	147	-				
89491-11	KEY 2E	159	-				
89491-12	KEY 2F	159	-				
89491-2	KEY 1B	145	-				

# PARTS INDEX

Part Number	Description	Pg.	Ref. No.	Part Number	Description	Pg.	Ref. No.
10-20540	SCREW, SHIFT LEVER BRACKET TO SHIFT CONTROL HANDLE . . . . .	35	7	10-22794	SCREW, COVER TO CONTROL HOUSING . . . .	53	16
10-20540	SCREW, SHIFT LEVER BRACKET TO SHIFT CONTROL HANDLE . . . . .	37	2	10-24090	SCREW, STOP BLOCK TO CONTROL HOUSING (5/8")	85	25
10-20540	SCREW, SHIFT LEVER BRACKET TO SHIFT CONTROL HANDLE . . . . .	39	2	10-24231	SCREW, JUMPER WIRE TO REMOTE CONTROL (1/4")	73	19
10-20542	SCREW, MOUNTING BRACKET TO CYLINDER BLOCK (7/8") . . . . .	79	29	10-24231	SCREW, JUMPER WIRE TO REMOTE CONTROL (1/4")	73	19
10-20584	SCREW, CLEVIS YOKE PIN TO LEVER SECTOR GEAR	37	23	10-24231	SCREW, WIRING HARNESS TERMINAL (1/4") . . . . .	119	3
10-20584	SCREW, CLEVIS YOKE PIN TO LEVER SECTOR GEAR	83	23	10-24234	SCREW, CONTROL HOUSING ATTACHING (1")	111	45
10-20584	SCREW, CLEVIS YOKE PIN TO SHIFT LEVER BRACKET . . . . .	35	5	10-24234	SCREW, CONTROL HOUSING ATTACHING (1")	133	45
10-20584	SCREW, CLEVIS YOKE PIN TO SHIFT LEVER BRACKET . . . . .	37	6	10-24238	SCREW, CONTROL LEVER TO CONTROL HOUSING .	11	48
10-20584	SCREW, CLEVIS YOKE PIN TO SHIFT LEVER BRACKET . . . . .	39	6	10-24878	SCREW, IDLER GEAR AND SECTOR GEAR TO BOTTOM COWL . . . . .	37	18
10-20584	SCREW, CLEVIS YOKE PIN TO SHIFT LEVER BRACKET . . . . .	83	6	10-24878	SCREW, IDLER GEAR AND SECTOR GEAR TO BOTTOM COWL . . . . .	83	18
10-20584	SCREW, CLEVIS YOKE PIN TO THROTTLE CONTROL LEVER . . . . .	39	31	10-24878	SCREW, THROTTLE CONTROL LEVER TO BOTTOM COWL . . . . .	39	25
10-20650	SCREW, CONNECTOR TO DISCONNECT (3/8") . . . . .	109	8	10-24942	SCREW, THROTTLE LEVER AND SECTOR GEAR TO BOTTOM COWL . . . . .	35	23
10-20650	SCREW, CONNECTOR TO DISCONNECT (3/8") . . . . .	131	8	10-24942	SCREW, THROTTLE STOP .	99	60
10-20653	SCREW, COUPLING TO CONTROL CABLE GUIDE END . . . . .	31	4	10-24942	SCREW, THROTTLE STOP .	103	65
10-20784	SCREW, RETAINER BRACKET TO CYLINDER BLOCK (1 1/2") . . . . .	77	21	10-25504	SCREW, THROTTLE STOP (7/16") . . . . .	43	50
10-20847	SCREW, SHIFT CONTROL CLEVIS TO SHIFT CONTROL LEVER . . . . .	81	35	10-25504	SCREW, COVER ATTACHING (3/4") . . . . .	111	50
10-22486	SCREW, LATCH TO THROTTLE CONTROL LEVER (7/8") . . . . .	79	15	10-26381	SCREW, COVER ATTACHING (3/4") . . . . .	133	50
10-22793	SCREW, CONTROL CABLE CLIP FASTENING . . . . .	27	17	10-26668	SCREW, HARNESS CLIP TO GEAR SECTOR . . . . .	9	15
10-22793	SCREW, CONTROL CABLE CLIP FASTENING . . . . .	29	17	10-26668	SCREW, GEAR RACK RETAINING PLATE TO CONTROL HOUSING . . . .	9	11
10-22793	SCREW, EXTERNAL WIRING HARNESS CLIP TO BOAT	21	60	10-26668	SCREW, PILOT LIGHT CLAMP TO CONTROL HOUSING . . . . .	9	32
10-22793	SCREW, EXTERNAL WIRING HARNESS CLIP TO BOAT	25	62	10-26668	SCREW, RACK RETAINING PLATE TO CONTROL HOUSING . . . . .	17	3
10-22793	SCREW, WIRING HARNESS CLIP TO BOAT . . . . .	11	65	10-26668	SCREW, RACK RETAINING PLATE TO HOUSING . . . .	13	3
10-22793	SCREW, WOOD - WIRING HARNESS CLIP TO BOAT	93	48	10-26682	SCREW, RACK RETAINING TO CONTROL HOUSING .	23	3
				10-26682	SCREW, HARNESS CLIP TO CONTROL HOUSING . . . .	11	39
				10-26682	SCREW, INNER CLIP TO CONTROL HOUSING . . . .	25	59

# PARTS INDEX

Part Number	Description	Pg.	Ref. No.	Part Number	Description	Pg.	Ref. No.
10-26682	SCREW, SAFETY SWITCH HARNESS CLIP TO CONTROL HOUSING . . . .	61	52	10-29671	SCREW, CONTROL HANDLE TO HOUSING . . . . .	25	43
10-26682	SCREW, WIRING HARNESS CLIP TO CONTROL HOUSING (10-32) . . . . .	47	55	10-29672	SCREW, REMOTE CONTROL HOUSING TO BOAT . . . . .	11	60
10-26774	SCREW, MOUNTING BRACKET TO EXHAUST COVER (1/2") . . . . .	77	8	10-29672	SCREW, REMOTE CONTROL HOUSING TO BOAT . . . . .	15	47
10-26774	SCREW, MOUNTING BRACKET TO RETAINER BRACKET (1/2") . . . . .	77	20	10-29672	SCREW, REMOTE CONTROL HOUSING TO BOAT . . . . .	19	45
10-28424	SCREW, SPACER TO BOAT (2 1/8" ) . . . . .	49	2	10-29672	SCREW, REMOTE CONTROL HOUSING TO BOAT . . . . .	25	45
10-28532	SCREW, REMOTE CONTROL TO BRACKET . . . . .	5	3	10-29733	SCREW, SPACER AND CONTROL HOUSINGS TO BOAT . . . . .	3	2
10-28774	SCREW, REMOTE CONTROL HOUSING CLAMPING (2") . . . . .	57	43	10-29733	SCREW, SPACER AND CONTROL HOUSINGS TO BOAT . . . . .	7	5
10-28924	BOLT, REMOTE CONTROL BRACKET TO BOAT . . . . .	5	6	10-29762	SCREW, COVER TO CONTROL LEVER . . . . .	11	42
10-29200	SCREW, ANCHOR BRACKET TO SHIFT CABLE BRACKET . . . . .	35	11	10-29762	SCREW, HARNESS GUARD WASHER TO GEAR SECTOR . . . . .	9	17
10-29200	SCREW, ANCHOR BRACKET TO SHIFT CABLE BRACKET . . . . .	39	14	10-29762	SCREW, RUBBER GROMMET TO BOTTOM COWL (3/8") . . . . .	77	2
10-29200	SCREW, ANCHOR BRACKET TO THROTTLE CABLE BRACKET . . . . .	39	23	10-29762	SCREW, THRUST PLATE TO NEUTRAL WARM-UP LEVER . . . . .	45	12
10-29227	SCREW, WIRING HARNESS CLIP . . . . .	145	37	10-29763	SCREW, CAP TO CONTROL LEVER COVER . . . . .	11	46
10-29389	SCREW, REMOTE CONTROL HOUSING CLAMPING . . . . .	19	32	10-29817	SCREW, REMOTE CONTROL HOUSING CLAMPING . . . . .	19	33
10-29389	SCREW, REMOTE CONTROL HOUSING CLAMPING (1 7/8") . . . . .	15	34	10-29817	SCREW, REMOTE CONTROL HOUSING CLAMPING (1 5/8") . . . . .	15	35
10-29389	SCREW, REMOTE CONTROL HOUSING CLAMPING (1 7/8") . . . . .	23	32	10-29817	SCREW, REMOTE CONTROL HOUSING CLAMPING (1 5/8") . . . . .	23	33
10-29628	SCREW, THROTTLE CONTROL LEVER TO HOUSING . . . . .	15	42	10-29831	SCREW, CONTROL HOUSING COVER FASTENING . . . . .	11	56
10-29628	SCREW, THROTTLE CONTROL LEVER TO HOUSING . . . . .	19	40	10-29832	SCREW, REMOTE CONTROL HOUSING CLAMPING . . . . .	11	51
10-29628	SCREW, THROTTLE CONTROL LEVER TO HOUSING . . . . .	25	40	10-29837	SCREW, RETAINING - DETENT SPRING HOUSING . . . . .	13	31
10-29642	SCREW, SEPARATOR PLATE TO CONTROL HOUSING . . . . .	13	12	10-29837	SCREW, RETAINING - DETENT SPRING HOUSING . . . . .	19	31
10-29642	SCREW, SEPARATOR PLATE TO CONTROL HOUSING . . . . .	17	12	10-29837	SCREW, RETAINING - DETENT SPRING HOUSING . . . . .	23	31
10-29642	SCREW, SEPARATOR PLATE TO CONTROL HOUSING . . . . .	23	12	10-30489	SCREW, CAM ADJUSTMENT	9	4
10-29671	SCREW, CONTROL HANDLE TO HOUSING . . . . .	15	45	10-30663	SCREW, RETAINER TO CONTROL PANEL . . . . .	73	7
				10-30663	SCREW, SWITCH COVER INSULATOR (3/8") . . . . .	53	16
				10-30902	SCREW, SAFETY SWITCH TO CONTROL HOUSING . . . . .	47	52
				10-30902	SCREW, SAFETY SWITCH TO CONTROL HOUSING . . . . .	95	58



# PARTS INDEX

Part Number	Description	Pg.	Ref. No.	Part Number	Description	Pg.	Ref. No.
10-30902	SCREW, SAFETY SWITCH TO CONTROL HOUSING . . . . .	103	58	10-34676	SCREW, SHIFT LEVER TO CONTROL HOUSING . . . . .	63	7
10-30902	SCREW, SAFETY SWITCH TO CONTROL HOUSING . . . . .	143	47	10-34676	SCREW, SHIFT LEVER TO CONTROL HOUSING . . . . .	69	7
10-30902	SCREW, SAFETY SWITCH TO PORT HOUSING . . . . .	25	55	10-34676	SCREW, SHIFT LEVER TO CONTROL HOUSING . . . . .	93	39
10-31163	SCREW, SHIFT CABLE BRACKET TO BOTTOM COWL . . . . .	35	12	10-34676	SCREW, SHIFT LEVER TO CONTROL HOUSING . . . . .	125	7
10-31163	SCREW, SHIFT CABLE BRACKET TO BOTTOM COWL . . . . .	37	10	10-34676	SCREW, SHIFT LEVER TO CONTROL HOUSING (1/2") . . . . .	115	9
10-31163	SCREW, SHIFT CABLE BRACKET TO BOTTOM COWL . . . . .	39	10	10-34676	SCREW, THROTTLE LEVER TO CONTROL HOUSING . . . . .	55	25
10-31163	SCREW, SHIFT CABLE BRACKET TO BOTTOM COWL . . . . .	83	10	10-34676	SCREW, THROTTLE LEVER TO CONTROL HOUSING . . . . .	59	26
10-31163	SCREW, THROTTLE CABLE BRACKET TO BOTTOM COWL . . . . .	35	17	10-34676	SCREW, THROTTLE LEVER TO CONTROL HOUSING . . . . .	69	29
10-31163	SCREW, THROTTLE CABLE BRACKET TO BOTTOM COWL . . . . .	37	27	10-34676	SCREW, THROTTLE LEVER TO CONTROL HOUSING (1/2") . . . . .	125	23
10-31163	SCREW, THROTTLE CABLE BRACKET TO BOTTOM COWL . . . . .	39	19	10-34676	SCREW, THROTTLE LEVER TO CONTROL HOUSING (1/2") . . . . .	65	26
10-31163	SCREW, THROTTLE CABLE BRACKET TO BOTTOM COWL . . . . .	83	27	10-34676	SCREW, THROTTLE LEVER TO NEUTRAL WARM-UP LEVER . . . . .	45	5
10-31903	SCREW, RETAINER PLATE TO COVER . . . . .	53	11	10-34691	SCREW, THROTTLE LEVER TO NEUTRAL WARM-UP LEVER . . . . .	91	5
10-32223	SCREW, RETAINER ATTACHING (1/2 ") . . . . .	149	74	10-34691	SCREW, CONTROL LEVER TO FACE CAM (1 1/2") . . . . .	45	30
10-32866	SCREW, CONTROL PANEL TO DASHBOARD (2") . . . . .	73	12	10-34691	SCREW, CONTROL LEVER TO FACE CAM (1 1/2") . . . . .	93	35
10-34222	SCREW, BEARING PLATE (1/2 ") . . . . .	155	54	10-34768	SCREW, REMOTE CONTROL TO SPACER (7 1/2") . . . . .	51	2
10-34222	SCREW, BEARING PLATE (1/2 ") . . . . .	161	60	10-34900	SCREW, REMOTE CONTROL TO BOAT (4 1/4") . . . . .	43	42
10-34222	SCREW, BEARING PLATE (1/2") . . . . .	149	68	10-34900	SCREW, REMOTE CONTROL TO BOAT (4 1/4") . . . . .	47	38
10-34222	SCREW, RETAINER ATTACHING (1/2 ") . . . . .	161	66	10-34900	SCREW, REMOTE CONTROL TO BOAT (4 1/4") . . . . .	93	43
10-34222	SCREW, RETAINER ATTACHING (1/2") . . . . .	155	60	10-34900	SCREW, REMOTE CONTROL TO BOAT (4 1/4") . . . . .	99	42
10-34222	SCREW, TOP COVER ATTACHING (1/2 ") . . . . .	155	63	10-34900	SCREW, REMOTE CONTROL TO BOAT (4 1/4") . . . . .	103	46
10-34222	SCREW, TOP COVER ATTACHING (1/2") . . . . .	151	77	10-34900	SCREW, REMOTE CONTROL TO BOAT (4 1/4") . . . . .	143	39
10-34222	SCREW, TOP COVER ATTACHING (1/2") . . . . .	163	69	10-35955	SCREW, SET - CONTROL HANDLE TO CONTROL SHAFT . . . . .	61	42
10-34290	SCREW, STARTER SOLENOID TO MOUNTING BRACKET (5/8") . . . . .	165	11	10-35955	SCREW, SET CONTROL HANDLE TO CONTROL SHAFT . . . . .	55	39
10-34676	SCREW, SHIFT LEVER TO CONTROL HOUSING . . . . .	45	34	10-35963	SCREW, REMOTE CONTROL TO BOAT (1 1/2") . . . . .	55	40
10-34676	SCREW, SHIFT LEVER TO CONTROL HOUSING . . . . .	55	4	10-35963	SCREW, REMOTE CONTROL TO BOAT (1 1/2") . . . . .	65	44

# PARTS INDEX

Part Number	Description	Pg.	Ref. No.	Part Number	Description	Pg.	Ref. No.
10-36003	SCREW, SAFETY SWITCH TO CONTROL HOUSING	57	49	10-37342	SCREW, GRIP TO CONTROL HANDLE	55	37
10-36003	SCREW, SAFETY SWITCH TO CONTROL HOUSING	61	50	10-37342	SCREW, GRIP TO CONTROL HANDLE	61	40
10-36003	SCREW, SAFETY SWITCH TO CONTROL HOUSING	71	50	10-37342	SCREW, GRIP TO CONTROL HANDLE	71	47
10-36003	SCREW, SAFETY SWITCH TO CONTROL HOUSING (5/8")	65	40	10-37342	SCREW, GRIP TO CONTROL LEVER (7/16")	43	33
10-36003	SCREW, SAFETY SWITCH TO CONTROL HOUSING (5/8")	87	33	10-37342	SCREW, GRIP TO CONTROL LEVER (7/16")	45	29
10-36003	SCREW, SAFETY SWITCH TO CONTROL HOUSING (5/8")	125	32	10-37342	SCREW, GRIP TO CONTROL LEVER (7/16")	93	34
10-36003	SCREW, SAFETY SWITCH TO CONTROL HOUSING (5/8")	129	31	10-37342	SCREW, GRIP TO CONTROL LEVER (7/16")	97	33
10-36046	SCREW, RETAINING - CONTROL SHAFT	57	45	10-37342	SCREW, GRIP TO CONTROL LEVER (7/16")	103	37
10-36046	SCREW, RETAINING - CONTROL SHAFT (EARLIER MODELS)	61	46	10-37342	SCREW, GRIP TO CONTROL LEVER (7/16")	141	30
10-36049	SCREW, BEZEL TO REMOTE CONTROL (1")	59	37	10-37571	SCREW, THROTTLE LEVER TO THROTTLE SCREW (1/2")	131	40
10-36078	SCREW, BEZEL TO REMOTE CONTROL (1 1/4")	61	37	10-37803	SCREW, CONTROL HOUSING CLAMPING (1 3/4")	65	43
10-36154	SCREW, CABLE TO ANCHOR BRACKET (1 3/8")	83	33	10-37803	SCREW, CONTROL HOUSING CLAMPING (1 3/4")	85	26
10-36195	SCREW, REMOTE CONTROL HOUSING CLAMPING (TOP) - 7/8"	61	44	10-37803	SCREW, CONTROL HOUSING CLAMPING (1 3/4")	115	31
10-36562	SCREW, REMOTE CONTROL HOUSING CLAMPING (2 1/4")	61	43	10-37803	SCREW, CONTROL HOUSING CLAMPING (1 3/4")	125	34
10-37260	SCREW, SAFETY SWITCH HARNESS CLIP TO CONTROL HOUSING	57	51	10-37803	SCREW, CONTROL HOUSING CLAMPING (1 3/4")	129	24
10-37260	SCREW, TERMINAL BLOCK TO CONTROL HOUSING	33	12	10-37803	SCREW, REMOTE CONTROL HOUSING CLAMPING	69	2
10-37260	SCREW, TERMINAL BLOCK TO CONTROL HOUSING (7/16")	93	28	10-37804	SCREW, RETAINER PLATE TO CENTER HOUSING (1")	65	37
10-37260	SCREW, TERMINAL BLOCK TO CONTROL HOUSING (7/16")	101	31	10-37805	SCREW, SET	85	16
10-37260	SCREW, WIRING HARNESS CLIP TO CONTROL HOUSING (10-16)	47	55	10-37805	SCREW, SET - CONTROL HANDLE TO CONTROL SHAFT	67	49
10-37260	SCREW, WIRING HARNESS CLIP TO CONTROL HOUSING (7/16")	95	60	10-37805	SCREW, SET - CONTROL HANDLE TO CONTROL SHAFT	71	44
10-37260	SCREW, WIRING HARNESS CLIP TO CONTROL HOUSING (7/16")	99	55	10-37805	SCREW, SET - CONTROL HANDLE TO CONTROL SHAFT	117	42
10-37260	SCREW, WIRING HARNESS CLIP TO CONTROL HOUSING (7/16")	103	60	10-37805	SCREW, SET - CONTROL HANDLE TO CONTROL SHAFT	127	40
				10-37805	SCREW, SET - CONTROL HANDLE TO CONTROL SHAFT	139	2
				10-37805	SCREW, SET - HANDLE TO LEVER	129	15
				10-37818	SCREW, BEZEL TO REMOTE CONTROL (7/8")	71	41

# PARTS INDEX

Part Number	Description	Pg.	Ref. No.	Part Number	Description	Pg.	Ref. No.
10-37819	SCREW, BEZEL TO REMOTE CONTROL (1 1/8")	71	41	10-48409	SCREW, TERMINAL BLOCK ATTACHING (5/8")	121	14
10-37941	SCREW, REMOTE CONTROL HOUSING CLAMPING	43	40	10-49597	SCREW, RETAINER PLATE TO COVER	53	11
10-37941	SCREW, REMOTE CONTROL HOUSING CLAMPING	47	36	10-55750	SCREW, RETAINER TO CONTROL HANDLE (5/16")	117	45
10-37941	SCREW, REMOTE CONTROL HOUSING CLAMPING	93	41	10-55750	SCREW, RETAINER TO CONTROL HANDLE (5/16")	109	10
10-37941	SCREW, REMOTE CONTROL HOUSING CLAMPING	99	40	10-57937	SCREW, STOP BLOCK TO CONTROL HOUSING (9/16")	85	25
10-37941	SCREW, REMOTE CONTROL HOUSING CLAMPING	103	44	10-57937	SCREW, STOP BLOCK TO CONTROL HOUSING (9/16")	85	3
10-37941	SCREW, REMOTE CONTROL HOUSING CLAMPING	143	37	10-57937	SCREW, STOP BLOCK TO CONTROL HOUSING (9/16")	129	2
10-37942	SCREW, SET - THROTTLE CAM	63	21	10-57937	SCREW, STOP BLOCK TO CONTROL HOUSING (9/16")	129	23
10-37942	SCREW, SET - THROTTLE CAM	69	24	10-58376	SCREW, COVER TO CONTROL HANDLE (3/8")	153	17
10-37942	SCREW, SET - THROTTLE CAM	115	17	10-58376	SCREW, COVER TO CONTROL HANDLE (3/8")	157	18
10-37942	SCREW, SET - THROTTLE CAM	125	18	10-59143	SCREW, STOP BLOCK ATTACHING (1 1/4")	87	--
10-37942	SCREW, SET CONTROL SHAFT	59	21	10-59143	SCREW, STOP BLOCK ATTACHING (1 1/4")	129	--
10-38284	SCREWW RETAINER TO REMOTE CONTROL (1/2")	89	3	10-62568	SCREW, LEAD TO EXTENSION BRACKET	165	15
10-38289	SCREW, RETAINER TO REMOTE CONTROL (1")	89	2	10-62568	SCREW, RETAINER TO CONTROL PANEL	137	4
10-38792	SCREW, WIRE ATTACHING (5/16")	135	7	10-62568	SCREW, RETAINER TO SWITCH PANEL (3/8")	121	11
10-45218	SCREW, TERMINAL BLOCK ATTACHING (5/16")	121	13	10-63680	SCREW, MICRO SWITCH TO PLATE (5/8")	111	58
10-46923	SCREW, MOUNTING BRACKET TO RETAINER BRACKET (1/2")	107	11	10-63680	SCREW, MICRO SWITCH TO PLATE (5/8")	133	58
10-47184	SCREW, PLATE TO CONTROL HOUSING (1 1/2")	109	36	10-63934	SCREW, TOGGLE SWITCH ATTACHING	33	16
10-47184	SCREW, PLATE TO CONTROL HOUSING (1 1/2")	131	36	10-65554	SCREW, THROTTLE LEVER TO THROTTLE SCREW (1/2")	109	40
10-47220	SCREW, THRUST PLATE TO NEUTRAL WARM-UP LEVER	41	12	10-68848	SCREW, REMOTE CONTROL TO BOAT (1 1/2")	115	28
10-47220	SCREW, THRUST PLATE TO NEUTRAL WARM-UP LEVER	91	12	10-68848	SCREW, REMOTE CONTROL TO BOAT (1 1/2")	125	35
10-47220	SCREW, THRUST PLATE TO NEUTRAL WARM-UP LEVER	97	12	10-68848	SCREW, REMOTE CONTROL TO BOAT (1 1/2")	129	16
10-47220	SCREW, THRUST PLATE TO NEUTRAL WARM-UP LEVER	101	12	10-68849	SCREW, COVER TO CONTROL HOUSING (1/4")	117	51
10-47220	SCREW, THRUST PLATE TO NEUTRAL WARM-UP LEVER	141	12	10-68849	SCREW, COVER TO CONTROL HOUSING (1/4")	127	43
10-47994	SCREW, REMOTE CONTROL HOUSING	53	17	10-68849	SCREW, COVER TO CONTROL HOUSING (1/4")	129	33
10-48408	SCREW, RETAINER ATTACHING (3/8")	107	2	10-68909	SCREW, CONTROL LEVER TO FACE CAM (1 1/2")	103	38
				10-68909	SCREW, CONTROL LEVER TO FACE CAM (1 5/8")	43	34

# PARTS INDEX

Part Number	Description	Pg.	Ref. No.	Part Number	Description	Pg.	Ref. No.
10-68909	SCREW, CONTROL LEVER TO FACE CAM (1 5/8") . . .	97	34	10-85797	SCREW, SET - CONTROL HANDLE . . . . .	145	11
10-68909	SCREW, CONTROL LEVER TO FACE CAM (1 5/8") . . .	141	31	10-85797	SCREW, SET - CONTROL HANDLE (1/4 -20 THREAD)	153	10
10-69028	SCREW, MOUNTING BRACKET TO HYDRAULIC PUMP (3/4") . . . . .	165	9	10-85797	SCREW, SET - CONTROL HANDLE (1/4 -20 THREAD)	157	11
10-69052	SCREW, SOLENOID TO MOUNTING PLATE (1/2") .	143	53	10-85911	SCREW, COVER TO CONTROL HANDLE (3/8 ")	145	19
10-69079	SCREW (7/16") . . . . .	109	37	10-86025	SCREW, HARNESS RETAINING CLIP (5/8") . .	149	40
10-69079	SCREW (7/16") . . . . .	131	37	10-86025	SCREW, HARNESS RETAINING CLIP (5/8") . .	155	27
10-69079	SCREW, PLATE TO SWITCH PANEL (7/16") . . . . .	135	5	10-86025	SCREW, HARNESS RETAINING CLIP (5/8") . .	161	32
10-70026	SCREW, SWITCH ATTACHING . . . . .	115	36	10-86087	SCREW, REMOTE CONTROL COVER (3 1/2") . . . . .	145	3
10-70903	SCREW, PLATE TO CONTROL HANDLE (1/2")	109	6	10-86087	SCREW, REMOTE CONTROL COVER (3 1/2") . . . . .	153	3
10-70903	SCREW, PLATE TO CONTROL HANDLE (1/2")	131	6	10-86087	SCREW, REMOTE CONTROL COVER (3 1/2") . . . . .	157	3
10-70971	SCREW, COVER AND RETAINER TO SWITCH (1") . . . . .	121	17	10-86245	SCREW, SET - DETENT (PLASTIC ) . . . . .	155	28
10-75710	SCREW, CONTROL HANDLE CAP (1/2 ") . . . . .	157	10	10-86245	SCREW, SET - DETENT (PLASTIC) . . . . .	149	41
10-75710	SCREW, CONTROL HANDLE CAP (1/2") . . . . .	145	10	10-86245	SCREW, SET - DETENT (PLASTIC) . . . . .	161	33
10-75710	SCREW, CONTROL HANDLE CAP (1/2") . . . . .	153	9	10-88904	SCREW, CONTROL HANDLE COVER (5/8") . . . . .	145	22
10-75710	SCREW, CONTROL HOUSING TO COVER (1/2 ") . . . . .	149	42	10-91051	SCREW, SET - CONTROL HANDLE (5/16-18 THREAD) . . . . .	153	10
10-75710	SCREW, CONTROL HOUSING TO COVER (1/2 ") . . . . .	155	29	10-91051	SCREW, SET - CONTROL HANDLE (5/16-18 THREAD) . . . . .	157	11
10-75710	SCREW, CONTROL HOUSING TO COVER (1/2 ") . . . . .	161	34	11-20083	NUT, COUPLING TO EXTENSION ROD (5/16") .	31	6
10-77444	SCREW, RETAINER TO CONTROL HANDLE (5/16")	131	10	11-20088	NUT, SHIFT CABLE BRACKET FASTENING SCREW . . . . .	35	14
10-77444	SCREW, RETAINER TO CONTROL HANDLE (5/16")	139	5	11-20088	NUT, SHIFT CABLE BRACKET FASTENING SCREW . . . . .	39	12
10-85072	SCREW, SHIFT LEVER TO CONTROL HOUSING . . . .	43	38	11-20088	NUT, SHIFT CABLE BRACKET FASTENING SCREW . . . . .	83	12
10-85072	SCREW, SHIFT LEVER TO CONTROL HOUSING . . . .	99	38	11-20088	NUT, THROTTLE CABLE BRACKET FASTENING SCREW . . . . .	35	19
10-85072	SCREW, SHIFT LEVER TO CONTROL HOUSING . . . .	103	42	11-20088	NUT, THROTTLE CABLE BRACKET FASTENING SCREW . . . . .	37	29
10-85072	SCREW, SHIFT LEVER TO CONTROL HOUSING . . . .	141	35	11-20088	NUT, THROTTLE CABLE BRACKET FASTENING SCREW . . . . .	39	21
10-85072	SCREW, THROTTLE LEVER TO NEUTRAL WARM-UP LEVER . . . . .	41	5	11-20088	NUT, THROTTLE CABLE BRACKET FASTENING SCREW . . . . .	83	29
10-85072	SCREW, THROTTLE LEVER TO NEUTRAL WARM-UP LEVER . . . . .	97	5	11-20110	NUT, SHIFT LEVE R CLIP . .	155	51
10-85072	SCREW, THROTTLE LEVER TO NEUTRAL WARM-UP LEVER . . . . .	101	5	11-20110	NUT, SHIFT LEVER CLIP . . .	149	64
				11-20110	NUT, SHIFT LEVER CLIP . . .	161	56

# PARTS INDEX

Part Number	Description	Pg.	Ref. No.	Part Number	Description	Pg.	Ref. No.
11-20110	NUT, THROTTLE LEVER CLIP	149	70	11-24652	NUT, REMOTE CONTROL TO BOAT SCREW	43	44
11-20110	NUT, THROTTLE LEVER CLIP	155	56	11-24652	NUT, REMOTE CONTROL TO BOAT SCREW	47	40
11-20110	NUT, THROTTLE LEVER CLIP	161	62	11-24652	NUT, REMOTE CONTROL TO BOAT SCREW	93	45
11-20190	NUT, REMOTE CONTROL COVER SCREW	151	80	11-24652	NUT, REMOTE CONTROL TO BOAT SCREW	99	44
11-20361	NUT, REMOTE CONTROL SCREW	67	46	11-24652	NUT, REMOTE CONTROL TO BOAT SCREW	143	41
11-20361	NUT, REMOTE CONTROL SCREW	85	19	11-24652	NUT, REMOTE CONTROL TO BOAT TRANSOM	103	48
11-20361	NUT, REMOTE CONTROL SCREW	115	30	11-24656	NUT, CAM ROLLER TO THROTTLE LEVER PIN	41	10
11-20361	NUT, REMOTE CONTROL SCREW	125	3 7	11-24656	NUT, CAM ROLLER TO THROTTLE LEVER PIN	101	10
11-20361	NUT, REMOTE CONTROL SCREW	129	18	11-24656	NUT, CAM ROLLER TO THROTTLE LEVER PIN	141	10
11-20361	NUT, SLEEVE AND LINK SWIVEL	79	27	11-24656	NUT, THROTTLE STOP SCREW	43	51
11-20361	NUT, SWIVEL TO THROTTLE CONTROL LEVER	39	36	11-24656	NUT, THROTTLE STOP SCREW	103	66
11-20361	NUT, SWIVEL TO THROTTLE LEVER AND SECTOR GEAR	35	28	11-24832	NUT, BEARING PLATE STUD	149	67
11-20586	NUT, COUPLING FASTENING SCREW (1/4")	31	5	11-24832	NUT, BEARING PLATE STUD	161	59
11-20586	NUT, LATCH SCREW	79	17	11-25168	NUT, JAM - LINK ROD	79	21
11-20586	NUT, LINK ROD TO SWIVEL	79	20	11-25168	NUT, REMOTE CONTROL TO BRACKET SCREW	5	5
11-20586	NUT, THROTTLE CONTROL LEVER STUD	79	13	11-27052	NUT, TOGGLE SWITCH	145	30
11-20645	NUT, JUMPER WIRE SCREW	73	20	11-27052	NUT, TOGGLE SWITCH	153	20
11-20645	NUT, JUMPER WIRE SCREW	75	20	11-27052	NUT, TOGGLE SWITCH	157	25
11-20890	NUT, REMOTE CONTROL BRACKET BOLT	5	9	11-27164	NUT, CONTROL PANEL SCREW	73	15
11-21825	NUT, STARTER SOLENOID SCREW	165	13	11-27164	NUT, RETAINER PLATE FASTENING SCREW	53	12
11-21908	NUT, SOLENOID TERMINAL	143	52	11-29488	NUT, WIRING HARNESS	119	4
11-24652	NUT, REMOTE CONTROL HOUSING CLAMPING SCREW	11	53	11-29488	NUT, CLEVIS YOKE PIN FASTENING SCREW	35	6
11-24652	NUT, REMOTE CONTROL HOUSING CLAMPING SCREW	15	36	11-29488	NUT, CLEVIS YOKE PIN FASTENING SCREW	37	25
11-24652	NUT, REMOTE CONTROL HOUSING CLAMPING SCREW	19	34	11-29488	NUT, CLEVIS YOKE PIN FASTENING SCREW	37	8
11-24652	NUT, REMOTE CONTROL HOUSING CLAMPING SCREW	23	34	11-29488	NUT, CLEVIS YOKE PIN FASTENING SCREW	39	33
11-24652	NUT, REMOTE CONTROL HOUSING FASTENING SCREW	11	62	11-29488	NUT, CLEVIS YOKE PIN FASTENING SCREW	39	8
11-24652	NUT, REMOTE CONTROL HOUSING SCREW	19	47	11-29488	NUT, CLEVIS YOKE PIN FASTENING SCREW	83	25
11-24652	NUT, REMOTE CONTROL HOUSING SCREW	25	47	11-29488	NUT, CLEVIS YOKE PIN FASTENING SCREW	83	8
11-24652	NUT, REMOTE CONTROL HOUSING TO BOAT SCREW	15	49	11-29488	NUT, EXTENSION FASTENING NUT	39	17
				11-29716	NUT, LOWER - CAM ADJUSTMENT SCREW	9	8
				11-30506	NUT, UPPER - CAM ADJUSTMENT SCREW	9	7
				11-31953	NUT, ANCHOR BRACKET SCREW	79	4
				11-31953	NUT, CAM FOLLOWER PIN	41	27
				11-31953	NUT, CAM FOLLOWER PIN	97	26
				11-31953	NUT, CAM FOLLOWER PIN	101	26

# PARTS INDEX

Part Number	Description	Pg.	Ref. No.	Part Number	Description	Pg.	Ref. No.
11-31953	NUT, CAM ROLLER TO THROTTLE LEVER PIN ..	45	10	11-63683	NUT; MICRO SWITCH SCREW .....	111	60
11-31953	NUT, CAM ROLLER TO THROTTLE LEVER PIN ..	91	10	11-68219	NUT, JUMPER WIRE SCREW	137	11
11-31953	NUT, CAM ROLLER TO THROTTLE LEVER PIN ..	97	10	11-68219	NUT, MOUNTING STUD ....	135	11
11-34388	NUT, WIRING HARNESS CLIP SCREW .....	145	38	11-68219	NUT, SOLENOID TERMINAL	143	52
11-34688	NUT, CAM ROLLER PIN ...	55	29	11-68219	NUT, STARTER SOLENOID TERMINAL (#10) .....	165	4
11-34688	NUT, CAM ROLLER PIN ...	55	9	11-68219	NUT, SUNSHADE STUD ...	119	12
11-34688	NUT, CAM ROLLER PIN ...	59	30	11-68219	NUT, SUNSHADE STUD ...	121	5
11-34688	NUT, CAM ROLLER PIN ...	59	9	11-68219	NUT, THROTTLE STOP SCREW .....	99	61
11-34688	NUT, REMOTE CONTROL HOUSING CLAMPING ...	103	45	11-68292	NUT, STARTER SOLENOID TERMINAL (5/16") .....	165	6
11-34688	NUT, REMOTE CONTROL HOUSING CLAMPING SCREW .....	43	41	11-89037	NUT, REMOTE CONTROL COVER SCREW .....	155	66
11-34688	NUT, REMOTE CONTROL HOUSING CLAMPING SCREW .....	47	37	11-89037	NUT, REMOTE CONTROL COVER SCREW .....	163	72
11-34688	NUT, REMOTE CONTROL HOUSING CLAMPING SCREW .....	57	44	11-93543	NUT, REMOTE CONTROL COVER SCREW .....	157	23
11-34688	NUT, REMOTE CONTROL HOUSING CLAMPING SCREW .....	61	45	11-S20088	NUT, IGNITION SWITCH ...		
11-34688	NUT, REMOTE CONTROL HOUSING CLAMPING SCREW .....	93	42		NUT, SHIFT CABLE BRACKET FASTENING SCREW .....	37	12
11-34688	NUT, REMOTE CONTROL HOUSING CLAMPING SCREW .....	99	41	12-20028	WASHER, REMOTE CONTROL HOUSING CLAMPING SCREW .....	11	52
11-35045	NUT, ANCHOR BRACKET CABLE SCREW .....	83	34	12-20128	WASHER, CLIP SCREW ...	111	53
11-35045	NUT, SHIFT LEVER TO SHIFT CONTROL SHAFT .	83	3	12-20192	WASHER, RUBBER GROMMET SCREW .....	77	3
11-35617	NUT, LOCK - CONNECTOR TO HOUSING .....	53	4	12-20346	WASHER, CONTROL LEVER TO CONTROL HOUSING SCREW .....	11	47
11-36069	NUT, REMOTE CONTROL TO BOAT SCREW .....	57	42	12-20346	WASHER, REMOTE CONTROL HOUSING FASTENING SCREW .....	11	61
11-37800	NUT, CAM ROLLER PIN ...	63	11	12-20346	WASHER, REMOTE CONTROL HOUSING SCREW .....	19	46
11-37800	NUT, CAM ROLLER PIN ...	65	30	12-20346	WASHER, REMOTE CONTROL HOUSING SCREW .....	25	46
11-37800	NUT, CAM ROLLER PIN ...	69	12	12-20346	WASHER, REMOTE CONTROL HOUSING TO BOAT SCREW .....	15	48
11-37800	NUT, CAM ROLLER PIN ...	69	34	12-20346	WASHER, REMOTE CONTROL SCREW .....	43	43
11-37800	NUT, CAM ROLLER PIN ...	115	21	12-20346	WASHER, REMOTE CONTROL SCREW .....	47	39
11-37800	NUT, CAM ROLLER PIN ...	115	6	12-20346	WASHER, REMOTE CONTROL SCREW .....	55	41
11-37800	NUT, CAM ROLLER PIN ...	125	10	12-20346	WASHER, REMOTE CONTROL SCREW .....	93	44
11-37800	NUT, CAM ROLLER PIN ...	125	27	12-20346	WASHER, REMOTE CONTROL SCREW .....	99	43
11-46793	NUT, PORT CONTROL HOUSING STUD .....	111	48	12-20346	WASHER, REMOTE CONTROL SCREW .....	103	47
11-46793	NUT, PORT CONTROL HOUSING STUD .....	133	48	12-20346	WASHER, REMOTE CONTROL SCREW .....	143	40
11-46887	NUT, ANCHOR PIN TO CYLINDER BLOCK COVER	77	11	12-20583	WASHER, THROTTLE SHAFT LINK .....	13	14
11-46887	NUT, SOLENOID MOUNTING SCREW .....	143	54	12-20583	WASHER, THROTTLE SHAFT LINK .....	17	14

# PARTS INDEX

Part Number	Description	Pg.	Ref. No.	Part Number	Description	Pg.	Ref. No.
12-20583	WASHER, THROTTLE SHAFT LINK	23	14	12-29683	WASHER, THROTTLE SHAFT AND LINK TO HOUSING	17	19
12-21273	WASHER, REMOTE CONTROL COVER SCREW	151	79	12-29683	WASHER, THROTTLE SHAFT AND LINK TO HOUSING	23	19
12-21273	WASHER, REMOTE CONTROL COVER SCREW	155	65	12-29735	WASHER, HARNESS - GEAR SECTOR	9	16
12-21273	WASHER, REMOTE CONTROL COVER SCREW	163	71	12-29805	WASHER, PILOT LIGHT BAYONET SOCKET	9	30
12-21631	WASHER, REMOTE CONTROL BRACKET BOLT	5	7	12-30028	WASHER, CHOKE SWITCH	19	50
12-21900	WASHER, THROTTLE CONTROL LEVER STUD (17/32" I. D.)	79	10	12-30971	WASHER, IDLER GEAR AND SECTOR GEAR SCREW	37	20
12-24664	WASHER, REMOTE CONTROL SCREW	67	45	12-30971	WASHER, IDLER GEAR AND SECTOR GEAR SCREW	83	20
12-24664	WASHER, REMOTE CONTROL SCREW	85	18	12-30971	WASHER, THROTTLE CONTROL LEVER SCREW	39	26
12-24664	WASHER, REMOTE CONTROL SCREW	115	29	12-30971	WASHER, THROTTLE LEVER AND SECTOR GEAR FASTENING SCREW	35	24
12-24664	WASHER, REMOTE CONTROL SCREW	125	36	12-31053	WASHER, SEALING - SHORTING SWITCH CONNECTOR	33	8
12-24664	WASHER, REMOTE CONTROL SCREW	129	17	12-33110	WASHER, FIBER - CONTROL PANEL SCREW	73	13
12-24676	WASHER, MOUNTING STUD	135	10	12-34675	WASHER, RETAINING - SHIFT LEVER SCREW	55	5
12-26014	WASHER, CONTROL PANEL SCREW	73	14	12-34675	WASHER, RETAINING - SHIFT LEVER SCREW	59	5
12-26168	WASHER, PORT CONTROL HOUSING STUD	111	47	12-34675	WASHER, RETAINING - SHIFT LEVER SCREW	63	6
12-26168	WASHER, PORT CONTROL HOUSING STUD	133	47	12-34675	WASHER, RETAINING - SHIFT LEVER SCREW	69	8
12-29245	WASHER, LINK ROD SWIVEL	35	27	12-34675	WASHER, RETAINING - SHIFT LEVER SCREW	115	10
12-29245	WASHER, SHIFT LEVER TO SHIFT CONTROL SHAFT	83	2	12-34675	WASHER, RETAINING - SHIFT LEVER SCREW	125	6
12-29245	WASHER, SLEEVE AND LINK SWIVEL	79	26	12-34675	WASHER, RETAINING - THROTTLE LEVER SCREW	55	24
12-29245	WASHER, THROTTLE CONTROL LEVER SWIVEL	39	35	12-34675	WASHER, RETAINING - THROTTLE LEVER SCREW	59	25
12-29626	WASHER, THROTTLE SHAFT LINK	13	17	12-34675	WASHER, RETAINING - THROTTLE LEVER SCREW	65	25
12-29626	WASHER, THROTTLE SHAFT LINK	17	17	12-34675	WASHER, RETAINING - THROTTLE LEVER SCREW	69	30
12-29626	WASHER, THROTTLE SHAFT LINK	23	17	12-34675	WASHER, RETAINING - THROTTLE LEVER SCREW	115	24
12-29627	WASHER, SHIFT SECTOR GEAR TO HOUSING	13	26	12-34675	WASHER, RETAINING - THROTTLE LEVER SCREW	125	22
12-29627	WASHER, SHIFT SECTOR GEAR TO HOUSING	17	26	12-34675	WASHER, SHIFT LEVER SCREW	43	39
12-29627	WASHER, SHIFT SECTOR GEAR TO HOUSING	23	26	12-34675	WASHER, SHIFT LEVER SCREW	47	35
12-29629	WASHER, THROTTLE LINK	13	21	12-34675	WASHER, SHIFT LEVER SCREW	93	40
12-29629	WASHER, THROTTLE LINK	13	8				
12-29629	WASHER, THROTTLE LINK	17	21				
12-29629	WASHER, THROTTLE LINK	17	8				
12-29629	WASHER, THROTTLE LINK	23	21				
12-29629	WASHER, THROTTLE LINK	23	8				

# PARTS INDEX

Part Number	Description	Pg.	Ref. No.	Part Number	Description	Pg.	Ref. No.
12-34675	WASHER, SHIFT LEVER SCREW	103	43	12-89491	KEY 2F	147	-
12-34675	WASHER, SHIFT LEVER SCREW	141	36	13-20554	LOCKWASHER, ANCHOR BRACKET FASTENING SCREW	37	15
12-34675	WASHER, THROTTLE LEVER SCREW	41	6	13-20554	LOCKWASHER, ANCHOR BRACKET FASTENING SCREW	37	32
12-34675	WASHER, THROTTLE LEVER SCREW	45	6	13-20554	LOCKWASHER, ANCHOR BRACKET FASTENING SCREW	83	15
12-34675	WASHER, THROTTLE LEVER SCREW	91	6	13-20554	LOCKWASHER, ANCHOR BRACKET FASTENING SCREW	83	32
12-34675	WASHER, THROTTLE LEVER SCREW	97	6	13-24658	LOCKWASHER, MICRO SWITCH SCREW	111	59
12-34675	WASHER, THROTTLE LEVER SCREW	101	6	13-24658	LOCKWASHER, MICRO SWITCH SCREW	133	59
12-34675	WASHER, THROTTLE LEVER SCREW	141	6	13-25806	WAVE WASHER, SLEEVE AND LINK SWIVEL	79	25
12-34680	WASHER, CAM ROLLER PIN	41	9	13-26992	LOCKWASHER, CONTROL HANDLE FASTENING SCREW	15	46
12-34680	WASHER, CAM ROLLER PIN	45	9	13-26992	LOCKWASHER, CONTROL HANDLE FASTENING SCREW	19	44
12-34680	WASHER, CAM ROLLER PIN	91	9	13-26992	LOCKWASHER, CONTROL HANDLE FASTENING SCREW	25	44
12-34680	WASHER, CAM ROLLER PIN	97	9	13-26992	LOCKWASHER, CONTROL LEVER SCREW	43	35
12-34680	WASHER, CAM ROLLER PIN	101	9	13-26992	LOCKWASHER, CONTROL LEVER SCREW	45	31
12-34680	WASHER, CAM ROLLER PIN	141	9	13-26992	LOCKWASHER, CONTROL LEVER SCREW	93	36
12-35950	WASHER, CABLE ATTACHING	111	42	13-26992	LOCKWASHER, CONTROL LEVER SCREW	97	35
12-35950	WASHER, CABLE ATTACHING	133	42	13-26992	LOCKWASHER, CONTROL LEVER SCREW	103	39
12-35950	WASHER, CAM ROLLER PIN	55	28	13-26992	LOCKWASHER, CONTROL LEVER SCREW	141	32
12-35950	WASHER, CAM ROLLER PIN	55	8	13-26992	LOCKWASHER, MOUNTING BRACKET SCREW	165	10
12-35950	WASHER, CAM ROLLER PIN	59	29	13-26992	LOCKWASHER, REMOTE CONTROL BRACKET BOLT	5	8
12-35950	WASHER, CAM ROLLER PIN	59	8	13-26992	LOCKWASHER, REMOTE CONTROL TO BRACKET SCREW	5	4
12-35950	WASHER, CAM ROLLER PIN	63	10	13-26992	LOCKWASHER, SHIFT CABLE BRACKET FASTENING SCREW	35	13
12-35950	WASHER, CAM ROLLER PIN	65	29	13-26992	LOCKWASHER, SHIFT CABLE BRACKET SCREW	37	11
12-35950	WASHER, CAM ROLLER PIN	69	11	13-26992	LOCKWASHER, SHIFT CABLE BRACKET SCREW	39	11
12-35950	WASHER, CAM ROLLER PIN	69	33	13-26992	LOCKWASHER, SHIFT CABLE BRACKET SCREW	83	11
12-35950	WASHER, CAM ROLLER PIN	69	33	13-26992	LOCKWASHER, SHIFT LEVER BRACKET FASTENING SCREW	35	8
12-35950	WASHER, CAM ROLLER PIN	125	26				
12-35958	WASHER, CONTROL SHAFT RETAINING SCREW	57	46				
12-35958	WASHER, CONTROL SHAFT RETAINING SCREW (EARLIER MODELS)	61	47				
12-39649	WASHER, THROTTLE CONTROL LEVER STUD (17/64" I. D.)	79	12				
12-65986	WASHER, NYLON - CONTROL HUB	109	25				
12-65986	WASHER, NYLON - CONTROL HUB	131	25				
12-68025	WASHER, CONTROL HUB	109	23				
12-68025	WASHER, CONTROL HUB	131	23				
12-68032	WASHER, THROTTLE SHAFT	109	30				
12-68032	WASHER, THROTTLE SHAFT	131	30				
12-72761	WASHER, THROTTLE LEVER SCREW	111	41				
12-72761	WASHER, THROTTLE LEVER SCREW	133	41				
12-85877	WASHER, STEP - SHIFT GEAR	149	65				
12-85877	WASHER, STEP - SHIFT GEAR	155	52				



# PARTS INDEX

Part Number	Description	Pg.	Ref. No.	Part Number	Description	Pg.	Ref. No.
13-26992	LOCKWASHER, SHIFT LEVER BRACKET SCREW	37	3	13-39317	FASTENER - BLOCKING PIN TO SHIFT CAM	69	20
13-26992	LOCKWASHER, SHIFT LEVER BRACKET SCREW	39	3	13-39317	FASTENER, BLOCKING PIN TO SHIFT CAM	115	15
13-26992	LOCKWASHER, STARTER SOLENOID SCREW	165	12	13-39317	FASTENER, BLOCKING PIN TO SHIFT CAM	125	15
13-26992	LOCKWASHER, THROTTLE CABLE BRACKET FASTENING SCREW	35	18	13-39317	FASTENER, DETENT PIN TO SHIFT LEVER	129	6
13-26992	LOCKWASHER, THROTTLE CABLE BRACKET SCREW	37	28	13-39317	FASTENER, DETENT PIN TO SHIFT LEVER.	85	7
13-26992	LOCKWASHER, THROTTLE CABLE BRACKET SCREW	39	20	13-69432	LOCKWASHER, SUNSHADE STUD	119	11
13-26992	LOCKWASHER, THROTTLE CABLE BRACKET SCREW	83	28	13-69432	LOCKWASHER, SUNSHADE STUD	121	4
13-26993	LOCKWASHER, SOLENOID TERMINAL NUT	143	51	16-29208	STUD, PORT CONTROL HOUSING (2 1/2")	133	46
13-26993	LOCKWASHER, STARTER SOLENOID TERMINAL (5/16")	165	5	16-39647	STUD, THROTTLE CONTROL LEVER TO EXHAUST COVER	79	9
13-26996	LOCKWASHER, SOLENOID TERMINAL NUT	143	51	16-55422	STUD, BRACKET TO DASHBOARD (2 ")	135	9
13-26996	LOCKWASHER, STARTER SOLENOID TERMINAL (#10)	165	3	16-55422	STUD, SUNSHADE TO DASHBOARD (2")	119	10
13-29402	WASHER, WAVE - CLEVIS YOKE PIN SCREW	37	24	16-55422	STUD, SUNSHADE TO DASHBOARD (2")	121	3
13-29402	WASHER, WAVE - CLEVIS YOKE PIN SCREW	37	7	16-55451	STUD, PORT CONTROL HOUSING (2 1/4")	111	46
13-29402	WASHER, WAVE - CLEVIS YOKE PIN SCREW	39	32	17-20009	PIN, DETENT - CONTROL HOUSING NEUTRAL WARM-UP LEVER	41	13
13-29402	WASHER, WAVE - CLEVIS YOKE PIN SCREW	39	7	17-20009	PIN, DETENT - CONTROL HOUSING NEUTRAL WARM-UP LEVER	45	13
13-29402	WASHER, WAVE - CLEVIS YOKE PIN SCREW	83	24	17-20009	PIN, DETENT - CONTROL HOUSING NEUTRAL WARM-UP LEVER	91	13
13-29402	WASHER, WAVE - CLEVIS YOKE PIN SCREW	83	7	17-20009	PIN, DETENT - CONTROL HOUSING NEUTRAL WARM-UP LEVER	97	13
13-29402	WASHER, WAVE - CLEVIS YOKE PIN TENSION	35	4	17-20009	PIN, DETENT - CONTROL HOUSING NEUTRAL WARM-UP LEVER	101	13
13-29717	WASHER, WAVE - CONTROL LEVER TO CONTROL HOUSING	11	54	17-20009	PIN, DETENT - CONTROL HOUSING NEUTRAL WARM-UP LEVER	141	13
13-29720	WASHER, WAVE - CAM ADJUSTMENT SCREW	9	5	17-20009	PIN, DETENT - CONTROL HOUSING NEUTRAL WARM-UP LEVER	15	37
13-34678	WASHER, WAVE - NEUTRAL WARM-UP LEVER	41	19	17-20009	PIN, DETENT - CONTROL HOUSING NEUTRAL WARM-UP LEVER	19	35
13-34678	WASHER, WAVE - NEUTRAL WARM-UP LEVER	45	19	17-20009	PIN, DETENT - CONTROL HOUSING NEUTRAL WARM-UP LEVER	23	35
13-34678	WASHER, WAVE - NEUTRAL WARM-UP LEVER	91	19	17-20009	PIN, DETENT - CONTROL HOUSING NEUTRAL WARM-UP LEVER	27	12
13-34678	WASHER, WAVE - NEUTRAL WARM-UP LEVER	97	18	17-20009	PIN, DETENT - CONTROL HOUSING NEUTRAL WARM-UP LEVER	27	12
13-34678	WASHER, WAVE - NEUTRAL WARM-UP LEVER	101	18	17-23757	ROLL PIN, CABLE END GUIDE PIN	27	12
13-34678	WASHER, WAVE - NEUTRAL WARM-UP LEVER	141	19	17-23757	ROLL PIN, CABLE END GUIDE PIN	27	12
13-37821	LOCKWASHER, BEZEL SCREW	71	42	17-23928	PIN, ROLL - LOCKING LEVER	79	7
13-39317	FASTENER - BLOCKING PIN TO SHIFT CAM	63	18	17-23928	PIN, ROLL - SHIFT CABLE ANCHOR PIN	77	15

# PARTS INDEX

Part Number	Description	Pg.	Ref. No.	Part Number	Description	Pg.	Ref. No.
17-23928	PIN, ROLL - SHIFT CABLE ANCHOR PIN . . . . .	107	9	17-34673	PIN, CAM ROLLER TO THROTTLE LEVER . . . . .	141	8
17-23928	ROLL PIN, CABLE ANCHOR PIN (1/2") . . . . .	31	2	17-34692	PIN, SHIFT AND THROTTLE LEVERS . . . . .	41	21
17-23928	ROLL PIN, CLEVIS YOKE PIN	35	3	17-34692	PIN, SHIFT AND THROTTLE LEVERS . . . . .	45	21
17-23928	ROLL PIN, CLEVIS YOKE PIN	37	22	17-34692	PIN, SHIFT AND THROTTLE LEVERS . . . . .	91	21
17-23928	ROLL PIN, CLEVIS YOKE PIN	37	5	17-34692	PIN, SHIFT AND THROTTLE LEVERS . . . . .	97	20
17-23928	ROLL PIN, CLEVIS YOKE PIN	39	30	17-34692	PIN, SHIFT AND THROTTLE LEVERS . . . . .	101	20
17-23928	ROLL PIN, CLEVIS YOKE PIN	39	5	17-34692	PIN, SHIFT AND THROTTLE LEVERS . . . . .	141	21
17-23928	ROLL PIN, CLEVIS YOKE PIN	83	22	17-34692	PIN, CONTROL CABLE TO SHIFT LEVER . . . . .	55	10
17-23928	ROLL PIN, CLEVIS YOKE PIN	83	5	17-34692	PIN, CONTROL CABLE TO SHIFT LEVER . . . . .	59	10
17-23928	ROLL PIN, THROTTLE CABLE BRACKET . . . . .	35	16	17-34692	PIN, CONTROL CABLE TO THROTTLE LEVER . . . . .	55	32
17-29908	PIN, ROLLER GUIDE TO SHIFT LEVER . . . . .	55	13	17-34692	PIN, CONTROL CABLE TO THROTTLE LEVER . . . . .	59	33
17-29908	PIN, ROLLER GUIDE TO SHIFT LEVER . . . . .	59	13	17-35944	PIN, CAM ROLLER TO SHIFT LEVER . . . . .	55	6
17-29908	PIN, ROLLER GUIDE TO SHIFT LEVER . . . . .	63	13	17-35944	PIN, CAM ROLLER TO SHIFT LEVER . . . . .	59	6
17-29908	PIN, ROLLER GUIDE TO SHIFT LEVER . . . . .	63	13	17-35944	PIN, CAM ROLLER TO THROTTLE LEVER . . . . .	55	26
17-29908	PIN, ROLLER GUIDE TO SHIFT LEVER . . . . .	69	14	17-35944	PIN, CAM ROLLER TO THROTTLE LEVER . . . . .	59	27
17-29908	PIN, ROLLER GUIDE TO THROTTLE LEVER . . . . .	55	31	17-35951	PIN ASSEMBLY, BLOCKING - SHIFT CAM . . . . .	55	17
17-29908	PIN, ROLLER GUIDE TO THROTTLE LEVER . . . . .	59	32	17-35951	PIN ASSEMBLY, BLOCKING - SHIFT CAM . . . . .	59	17
17-29908	PIN, ROLLER GUIDE TO THROTTLE LEVER . . . . .	65	32	17-35951	PIN ASSEMBLY, BLOCKING - SHIFT CAM . . . . .	63	16
17-29908	PIN, ROLLER GUIDE TO THROTTLE LEVER . . . . .	69	36	17-35951	PIN ASSEMBLY, BLOCKING - SHIFT CAM . . . . .	69	19
17-29996	PIN, CABLE END GUIDE . . . . .	27	10	17-35951	PIN ASSEMBLY, BLOCKING - SHIFT CAM . . . . .	115	13
17-29996	PIN, CABLE END GUIDE . . . . .	27	10	17-35951	PIN ASSEMBLY, BLOCKING - SHIFT CAM . . . . .	125	13
17-30978A1	CLEVIS YOKE PIN ASSEMBLY . . . . .	35	2	17-36241A1	PIN ASSEMBLY, BLOCKING - SHIFT CAM . . . . .	63	9
17-30978A1	CLEVIS YOKE PIN ASSEMBLY . . . . .	37	21	17-36241A1	PIN ASSEMBLY, BLOCKING - SHIFT CAM . . . . .	69	9
17-30978A1	CLEVIS YOKE PIN ASSEMBLY . . . . .	37	4	17-37599A2	PIN ASSEMBLY, BLOCKING - SHIFT CAM . . . . .	115	5
17-30978A1	CLEVIS YOKE PIN ASSEMBLY . . . . .	37	4	17-37599A2	PIN ASSEMBLY, BLOCKING - SHIFT CAM . . . . .	125	9
17-30978A1	CLEVIS YOKE PIN ASSEMBLY . . . . .	39	29	17-37599A2	PIN, CAM ROLLER TO THROTTLE LEVER . . . . .	65	28
17-30978A1	CLEVIS YOKE PIN ASSEMBLY . . . . .	39	4	17-37599A2	PIN, CAM ROLLER TO THROTTLE LEVER . . . . .	69	31
17-30978A1	CLEVIS YOKE PIN ASSEMBLY . . . . .	39	4	17-37599A2	PIN, CAM ROLLER TO THROTTLE LEVER . . . . .	115	20
17-30978A1	CLEVIS YOKE PIN ASSEMBLY . . . . .	83	21	17-37603	PIN, CAM ROLLER TO THROTTLE LEVER . . . . .	125	25
17-30978A1	CLEVIS YOKE PIN ASSEMBLY . . . . .	83	4	17-37603	PIN, CONTROL CABLE . . . . .	89	4
17-34673	PIN, CAM FOLLOWER TO FACE CAM . . . . .	41	25	17-37603			
17-34673	PIN, CAM FOLLOWER TO FACE CAM . . . . .	97	24	17-37603			
17-34673	PIN, CAM FOLLOWER TO FACE CAM . . . . .	101	24	17-37603			
17-34673	PIN, CAM ROLLER TO THROTTLE LEVER . . . . .	41	8	17-37603			
17-34673	PIN, CAM ROLLER TO THROTTLE LEVER . . . . .	45	8	17-37603			
17-34673	PIN, CAM ROLLER TO THROTTLE LEVER . . . . .	91	8	17-37603			
17-34673	PIN, CAM ROLLER TO THROTTLE LEVER . . . . .	97	8	17-37801			

# PARTS INDEX

Part Number	Description	Pg.	Ref. No.	Part Number	Description	Pg.	Ref. No.
17-37801	PIN, CONTROL CABLE TO SHIFT LEVER . . . . .	85	9	18-29623	COTTER PIN, SHIFT AND THROTTLE LEVER PINS . . . . .	101	21
17-37801	PIN, CONTROL CABLE TO SHIFT LEVER . . . . .	129	8	18-29623	COTTER PIN, SHIFT AND THROTTLE LEVER PINS . . . . .	141	22
17-37801	PIN, CONTROL CABLE TO THROTTLE AND SHIFT LEVERS . . . . .	65	33	18-29623	COTTER PIN, THROTTLE LINK TO ACTUATOR . . . . .	13	9
17-37801	PIN, CONTROL CABLE TO THROTTLE AND SHIFT LEVERS . . . . .	115	25	18-29623	COTTER PIN, THROTTLE LINK TO ACTUATOR . . . . .	17	9
17-37801	PIN, CONTROL CABLE TO THROTTLE AND SHIFT LEVERS . . . . .	125	28	18-29623	COTTER PIN, THROTTLE LINK TO ACTUATOR . . . . .	23	9
17-37801	PIN, CONTROL CABLE TO THROTTLE LEVER . . . . .	71	37	18-32857	COTTER PIN, CONTROL CABLE TO CONTROL HOUSING . . . . .	63	3
17-37801	PIN, CONTROL CABLE TO THROTTLE LEVER . . . . .	85	21	18-32857	COTTER PIN, CONTROL CABLE TO CONTROL HOUSING . . . . .	69	4
17-37801	PIN, CONTROL CABLE TO THROTTLE LEVER . . . . .	129	20	18-32857	COTTER PIN, CONTROL CABLE TO CONTROL HOUSING . . . . .	85	11
17-39577A2	PIN ASSEMBLY, DETENT - SHIFT LEVER . . . . .	129	4	18-32857	COTTER PIN, CONTROL CABLE TO CONTROL HOUSING . . . . .	115	2
17-39577A3	PIN ASSEMBLY, DETENT - SHIFT LEVER . . . . .	85	5	18-32857	COTTER PIN, CONTROL CABLE TO CONTROL HOUSING . . . . .	125	2
17-68672	PIN, CONTROL HUB . . . . .	109	19	18-32857	COTTER PIN, CONTROL CABLE TO CONTROL HOUSING . . . . .	129	10
17-68672	PIN, CONTROL HUB . . . . .	131	19	18-32857	COTTER PIN, CONTROL CABLE TO CONTROL HOUSING . . . . .	129	10
18-21071	COTTER PIN, CABLE ATTACHING . . . . .	111	43	18-32857	COTTER PIN, CONTROL CABLE TO CONTROL HOUSING . . . . .	129	10
18-21071	COTTER PIN, CABLE ATTACHING . . . . .	133	43	18-32857	COTTER PIN, CONTROL CABLE TO CONTROL HOUSING . . . . .	129	10
18-21071	COTTER PIN, LINK TO CABLE ANCHOR BLOCK . . . . .	13	18	18-32857	COTTER PIN, CONTROL CABLE TO RETAINER . . . . .	89	6
18-21071	COTTER PIN, LINK TO CABLE ANCHOR BLOCK . . . . .	17	18	18-36002	COTTER PIN, CONTROL CABLE TO CONTROL HOUSING . . . . .	55	14
18-21071	COTTER PIN, LINK TO CABLE ANCHOR BLOCK . . . . .	23	18	18-36002	COTTER PIN, CONTROL CABLE TO CONTROL HOUSING . . . . .	59	14
18-21071	COTTER PIN, LINK TO THROTTLE SHAFT . . . . .	13	15	18-37809	PIN (HAIR), CONTROL CABLE PIN . . . . .	65	34
18-21071	COTTER PIN, LINK TO THROTTLE SHAFT . . . . .	17	15	18-37809	PIN (HAIR), CONTROL CABLE PIN . . . . .	115	26
18-21071	COTTER PIN, LINK TO THROTTLE SHAFT . . . . .	23	15	18-37809	PIN (HAIR), CONTROL CABLE PIN . . . . .	125	29
18-29623	COTTER PIN, CONTROL CABLE TO SHIFT LEVER PIN . . . . .	59	11	18-37809	PIN, CONTROL CABLE PIN . . . . .	89	5
18-29623	COTTER PIN, CONTROL CABLE TO THROTTLE LEVER PIN . . . . .	55	33	18-37809	PIN, CONTROL CABLE TO SHIFT LEVER PIN . . . . .	69	16
18-29623	COTTER PIN, CONTROL CABLE TO THROTTLE LEVER PIN . . . . .	59	34	18-37809	PIN, CONTROL CABLE TO SHIFT LEVER PIN . . . . .	85	10
18-29623	COTTER PIN, CONTROL TO SHIFT LEVER PIN . . . . .	55	11	18-37809	PIN, CONTROL CABLE TO SHIFT LEVER PIN . . . . .	129	9
18-29623	COTTER PIN, SHIFT AND THROTTLE LEVER PINS . . . . .	41	22	18-37809	PIN, CONTROL CABLE TO THROTTLE LEVER PIN . . . . .	71	38
18-29623	COTTER PIN, SHIFT AND THROTTLE LEVER PINS . . . . .	45	22	18-37809	PIN, CONTROL CABLE TO THROTTLE LEVER PIN . . . . .	85	22
18-29623	COTTER PIN, SHIFT AND THROTTLE LEVER PINS . . . . .	91	22	18-37809	PIN, CONTROL CABLE TO THROTTLE LEVER PIN . . . . .	129	21
18-29623	COTTER PIN, SHIFT AND THROTTLE LEVER PINS . . . . .	97	21	18-46950	COTTER PIN, LINK TO SHAFT . . . . .	107	5

# PARTS INDEX

Part Number	Description	Pg.	Ref. No.	Part Number	Description	Pg.	Ref. No.
18-63480	COTTER PIN, SHIFT CONTROL CLEVIS TO SHIFT CONTROL LEVER .	77	17	23-27132	BUSHING, NYLON - THROTTLE AND SHIFT GEAR . . . . .	13	24
18-63480	COTTER PIN, SHIFT CONTROL CLEVIS TO SHIFT CONTROL LEVER .	81	35A	23-27132	BUSHING, NYLON - THROTTLE AND SHIFT GEAR . . . . .	17	24
19-20011	WELCH P1UG, DETENT PIN AND SPRING RETAINING	45	16	23-27132	BUSHING, NYLON - THROTTLE AND SHIFT GEAR . . . . .	23	24
19-20011	WELCH PLUG, DETENT PIN AND SPRING RETAINING	15	39	23-28314	BUSHING, NYLON - THROTTLE SECTOR ACTUATOR . . . . .	13	4
19-20011	WELCH PLUG, DETENT PIN AND SPRING RETAINING	19	37	23-28314	BUSHING, NYLON - THROTTLE SECTOR ACTUATOR . . . . .	17	4
19-20011	WELCH PLUG, DETENT PIN AND SPRING RETAINING	25	37	23-28314	BUSHING, NYLON - THROTTLE SECTOR ACTUATOR . . . . .	23	4
19-20011	WELCH PLUG, DETENT PIN AND SPRING RETAINING	41	16	23-29638	BUSHING, NYLON - THROTTLE LINK . . . . .	13	6
19-20011	WELCH PLUG, DETENT PIN AND SPRING RETAINING	91	16	23-29638	BUSHING, NYLON - THROTTLE LINK . . . . .	23	6
19-20011	WELCH PLUG, DETENT PIN AND SPRING RETAINING	97	16	23-29683	BUSHING, NYLON - THROTTLE LINK . . . . .	17	6
19-20011	WELCH PLUG, DETENT PIN AND SPRING RETAINING	101	16	23-29684	BUSHING, NYLON - THROTTLE CONTROL LEVER TO HOUSING . . . .	15	40
19-20011	WELCH PLUG, DETENT PIN AND SPRING RETAINING	141	16	23-29684	BUSHING, NYLON - THROTTLE CONTROL LEVER TO HOUSING . . . .	19	38
19-29540	PLUG, CHOKE SWITCH HOLE . . . . .	13	32	23-29684	BUSHING, NYLON - THROTTLE CONTROL LEVER TO HOUSING . . . .	25	38
19-29916	PLUG, BUTTON - EMBLEM TO CONTROL LEVER . . .	11	50	23-29719	BUSHING, NYLON - GEAR SECTOR TO CONTROL HOUSING . . . . .	9	9
19-29991	PLUG, CAM ADJUSTMENT SCREW HOLE . . . . .	9	19	23-29734	SPACER, CONTROL HOUSING TO HOUSING .	7	4
19-30064	PLUG, CHOKE SWITCH HOLE . . . . .	15	32	23-29770	SPACER, CONTROL HOUSING TO HOUSING .	3	1
19-30064	PLUG,CHOKE SWITCH HOLE	43	46	23-29902	SLEEVE, BUTT CONNECTOR COVERING . . . . .	9	23
19-31682	PLUG,STARTER SWITCH HOLE HEARL MODELS . .	43	47	23-29902	SLEEVE, SAFETY SWITCH LEADS . . . . .	25	57
19-45918	PLUG, CONTROL HOUSING HOLE . . . . .	93	29	23-29902	SLEEVE, SAFETY SWITCH LEADS . . . . .	47	53
19-45918	PLUG,CONNECTOR - PORT REMOTE CONTROL HOUSING . . . . .	43	45	23-30299	SLEEVE, CONTROL LEVER HARNESS CLIP . . . . .	9	13
19-55348	PLUG, CONTROL HOUSING HOLE . . . . .	93	29	23-30507	SLEEVE, CAM ADJUSTMENT SCREW . . . . .	9	6
19-55348	PLUG, CONTROL HOUSING HOLE . . . . .	97	28	23-30972	BUSHING, IDLER GEAR AND SECTOR GEAR SCREW .	37	19
19-55348	PLUG, CONTROL HOUSING HOLE . . . . .	141	25	23-30972	BUSHING, IDLER GEAR AND SECTOR GEAR SCREW .	83	19
19-55348	PLUG,CONNECTOR - PORT REMOTE CONTROL HOUSING . . . . .	43	45	23-30972	BUSHING, THROTTLE CONTROL LEVER SCREW	39	28
19-55349	PLUG, STARTER SWITCH HOLE . . . . .	43	47	23-30972	BUSHING, THROTTLE LEVER AND SECTOR GEAR . . . . .	35	22
19-55350	PLUG, CONTROL HOUSING HOLE . . . . .	141	25				
19-55350	PLUG,CHOKE SWITCH HOLE	43	46				
19-58776	PLUG, SHIFT LEVER . . . . .	115	4				
19-58776	PLUG, SHIFT LEVER . . . . .	125	4				
19-58776	PLUG, THROTTLE LEVER . .	115	19				
19-58776	PLUG, THROTTLE LEVER . .	125	20				
22-35616	CONNECTOR, HARNESS TO CONTROL HOUSING . . . .	53	2				

# PARTS INDEX

Part Number	Description	Pg.	Ref. No.	Part Number	Description	Pg.	Ref. No.
23-32914	SLEEVE, RUBBER - JUMPER WIRE (2")	75	21	23-33589	BUSHING, NYLON - THROTTLE LEVER (5/8" I.D.)	69	27
23-32914	SLEEVE, RUBBER - JUMPER WIRE (2")	75	21	23-33589	BUSHING, NYLON - THROTTLE LEVER (5/8" I.D.)	125	21
23-32914	SLEEVES WIRING HARNESS TERMINALS	119	2	23-34677	BUSHING, NYLON - FACE CAM (1" I. D. )	97	27
23-33589	BUSHING, NYLON - NEUTRAL WARM-UP LEVER (5/8" I D)	141	20	23-34677	BUSHING, NYLON - FACE CAM (1" I. D. )	41	28
23-33589	BUSHING, NYLON - NEUTRAL WARM-UP LEVER (5/8" I. D. )	41	20	23-34677	BUSHING, NYLON - FACE CAM (1" I. D. )	101	27
23-33589	BUSHING, NYLON - NEUTRAL WARM-UP LEVER (5/8" I. D. )	45	20	23-34677	BUSHING, NYLON - FACE CAM (1" I.D. )	141	24
23-33589	BUSHING, NYLON - NEUTRAL WARM-UP LEVER (5/8" I. D. )	91	20	23-34677	BUSHING, NYLON - FACE CAM (1" I. D. )	55	15
23-33589	BUSHING, NYLON - NEUTRAL WARM-UP LEVER (5/8" I. D. )	97	19	23-34677	BUSHING, NYLON - SHIFT CAM (1" I. D. )	59	15
23-33589	BUSHING, NYLON - NEUTRAL WARM-UP LEVER (5/8" I. D. )	101	19	23-34677	BUSHING, NYLON - THROTTLE CAM (1" I. D. )	59	22
23-33589	BUSHING, NYLON - SHIFT LEVER (5/8" I D )	125	5	23-34677	BUSHING, NYLON- FACE CAM (1" I.D.)	91	24
23-33589	BUSHING, NYLON - SHIFT LEVER (5/8" I. D )	69	5	23-34947	SLEEVE, SWITCH LEAD WIRE	33	5
23-33589	BUSHING, NYLON - SHIFT LEVER (5/8" I. D. )	45	33	23-36273	SPACER, IGNITION SWITCH	73	16
23-33589	BUSHING, NYLON - SHIFT LEVER (5/8" I. D. )	55	2	23-37593	BUSHING, NYLON	63	14
23-33589	BUSHING, NYLON - SHIFT LEVER (5/8" I. D. )	59	2	23-37593	BUSHING, NYLON - SHIFT CAM (11/16" I. D. )	69	17
23-33589	BUSHING, NYLON - SHIFT LEVER (5/8" I. D. )	63	5	23-37593	BUSHING, NYLON - SHIFT LEVER (11/16" I D)	129	12
23-33589	BUSHING, NYLON - SHIFT LEVER (5/8" I. D. )	93	38	23-37593	BUSHING, NYLON - SHIFT LEVER (11/16" I. D. )	85	13
23-33589	BUSHING, NYLON - SHIFT LEVER (5/8" I. D. )	97	37	23-37593	BUSHING, NYLON - THROTTLE LEVER (11/16" I D)	129	26
23-33589	BUSHING, NYLON - SHIFT LEVER (5/8" I.D. )	103	41	23-37593	BUSHING, NYLON - THROTTLE LEVER. (11/16" I. D. )	85	28
23-33589	BUSHING, NYLON - SHIFT LEVER (5/8" I.D.)	43	37	23-37593	BUSHING, NYLON- THROTTLE CAM (11/16" I.D.)	69	25
23-33589	BUSHING, NYLON - SHIFT LEVER (5/8" I.D.)	115	8	23-37593	BUSHING, NYLON- THROTTLE/SHIFT CAMS TO CONTROL HSG	115	11
23-33589	BUSHING, NYLON - SHIFT LEVER (5/8" I.D.)	141	34	23-37593	BUSHING, NYLON- THROTTLE/SHIFT CAMS TO CONTROL HSG	125	11
23-33589	BUSHING, NYLON - THROTTLE LEVER (5/8" I D	115	27	23-37594	BUSHING, NYLON - THROTTLE AND SHIFT CAMS TO CENTER HOUSING (7/8" I. D. )	65	22
23-33589	BUSHING, NYLON - THROTTLE LEVER (5/8" I. D. )	55	23	23-37961	SLEEVE, SAFETY SWITCH LEADS	95	57
23-33589	BUSHING, NYLON - THROTTLE LEVER (5/8" I. D. )	59	24	23-37961-2	SLEEVE, RUBBER - JUMPER WIRE (7/8")	75	22
23-33589	BUSHING, NYLON - THROTTLE LEVER (5/8" I. D. )	65	24				

# PARTS INDEX

Part Number	Description	Pg.	Ref. No.	Part Number	Description	Pg.	Ref. No.
23-37961-2	SLEEVE, SAFETY SWITC H LEADS . . . . .	143	46	24-34683	SPRING, DETENT - CONTROL HOUSING . . . .	41	2
23-37961-2	SLEEVE, SAFETY SWITCH LEADS . . . . .	103	57	24-34683	SPRING, DETENT - CONTROL HOUSING . . . .	91	2
23-39648	SLEEVE, THROTTLE CONTROL LEVER STUD .	79	11	24-34683	SPRING, DETENT - CONTROL HOUSING . . . .	97	2
23-52140	BUSHING, TOGGLE SWITCH	33	2	24-34683	SPRING, DETENT - CONTROL HOUSING . . . .	101	2
23-55399	BUSHING, NYLON - PORT CONTROL HOUSING . . . .	109	16	24-34683	SPRING, DETENT - CONTROL HOUSING . . . .	141	2
23-55399	BUSHING, NYLON - PORT CONTROL HOUSING . . . .	131	16	24-34683	SPRING, DETENT- CONTROL HOUSING . . . .	45	2
23-59370	SPACER, CAM FOLLOWER PIN . . . . .	41	26	24-35210	SPRING, DETENT PIN . . . . .	41	14
23-59370	SPACER, CAM FOLLOWER PIN . . . . .	97	25	24-35210	SPRING, DETENT PIN . . . . .	45	14
23-59370	SPACER, CAM FOLLOWER PIN . . . . .	101	25	24-35210	SPRING, DETENT PIN . . . . .	91	14
23-65830	BUSHING, NYLON - THROTTLE SHAFT . . . . .	109	34	24-35210	SPRING, DETENT PIN . . . . .	97	14
23-65830	BUSHING, NYLON - THROTTLE SHAFT . . . . .	131	34	24-35210	SPRING, DETENT PIN . . . . .	101	14
23-71942	BUSHING, SHORTING SWITCH HARNESS . . . . .	153	23	24-35210	SPRING, DETENT PIN . . . . .	141	14
23-71942	BUSHING, STRAIN RELIEF .	33	14	24-35227	SPRING, DETENT PIN TENSION . . . . .	41	15
23-74647	BUSHING, NYLON - SUPPORT PLATE . . . . .	109	28	24-35227	SPRING, DETENT PIN TENSION . . . . .	45	15
23-74647	BUSHING, NYLON - SUPPORT PLATE . . . . .	131	28	24-35227	SPRING, DETENT PIN TENSION . . . . .	91	15
23-85872	BUSHING, TRIM HARNESS .	145	25	24-35227	SPRING, DETENT PIN TENSION . . . . .	97	15
23-85872	BUSHING, WARM-UP SHAFT	155	37	24-35227	SPRING, DETENT PIN TENSION . . . . .	101	15
23-85872	BUSHING, WARM-UP SHAFT	161	42	24-36244	SPRING, DETENT PIN TENSION . . . . .	141	15
23-85999	BUSHING, SHIFT PINION . .	149	61	24-36244	SPRING, COMPRESSION - BLOCKING PIN . . . . .	55	18
23-85999	BUSHING, SHIFT PINION . .	155	48	24-36244	SPRING, COMPRESSION - BLOCKING PIN . . . . .	59	18
23-85999	BUSHING, SHIFT PINION . .	161	53	24-38872	SPRING, COMPRESSION - BLOCKING PIN . . . . .	63	17
23-88144	BUSHING, TOGGLE SWITCH	153	21	24-38872	SPRING, COMPRESSION - BLOCKING PIN . . . . .	69	21
24-20010	SPRING, DETENT PIN . . . . .	15	38	24-38872	SPRING, COMPRESSION - BLOCKING PIN . . . . .	115	14
24-20010	SPRING, DETENT PIN . . . . .	19	36	24-38872	SPRING, COMPRESSION - SHIFT LEVER DETENT PIN . . . . .	85	6
24-20010	SPRING, DETENT PIN . . . . .	25	36	24-38872	SPRING, COMPRESSION - SHIFT LEVER DETENT PIN . . . . .	129	5
24-20099	SPRING, CABLE END GUIDE PIN . . . . .	27	11	24-39455	SPRING, COMPRESSION - LOCKING LEVER . . . . .	79	6
24-20099	SPRING, CABLE END GUIDE PIN . . . . .	27	11	24-39455	SPRING, COMPRESSION - SHIFT CABLE ANCHOR PIN . . . . .	77	14
24-20099	SPRING, LATCH SCREW . . .	79	16	24-39455	SPRING, COMPRESSION - SHIFT CABLE ANCHOR PIN . . . . .	81	33
24-28975	SPRING, GARTER - HARNESS . . . . .	105	2	24-39455	SPRING, COMPRESSION - SHIFT CABLE ANCHOR PIN . . . . .	107	8
24-29622	SPRING, DETENT - DRIVE GEAR BALL (11/32" OD) .	13	29	24-39457	SPRING, DETENT - SHIFT CONTROL CLEVIS . . . . .	77	16
24-29622	SPRING, DETENT - DRIVE GEAR BALL (11/32" OD) .	19	29				
24-29622	SPRING, DETENT - DRIVE GEAR BALL (11/32" OD) .	23	29				
24-30891	SPRING, DETENT - DRIVE GEAR BALL (27/64" OD) .	13	29				
24-30891	SPRING, DETENT - DRIVE GEAR BALL (27/64" OD) .	19	29				
24-30891	SPRING, DETENT - DRIVE GEAR BALL (27/64" OD) .	23	29				
24-33517	SPRING, COMPRESSION - SHIFT AND THROTTLE CABLES . . . . .	43	52				

# PARTS INDEX

Part Number	Description	Pg.	Ref. No.	Part Number	Description	Pg.	Ref. No.
24-39457	SPRING, DETENT - THROTTLE CONTROL LINK	77	5	34-38872	SPRING, COMPRESSION - BLOCKING PIN	125	14
24-39457	SPRING, DETENT - THROTTLE CONTROL LINK	107	4	37-29841	DECAL,"FORWARD" - REMOTE CONTROL HOUSING	11	57
24-39462	SPRING, SHIFT CABLE RETAINER	77	22	37-29842	DECAL,"REVERSE" - REMOTE CONTROL HOUSING	11	58
24-39462	SPRING, SHIFT CABLE RETAINER	81	30	37-30007	LABEL,START ADJUSTMENT - REMOTE CONTROL HOUSING	11	-
24-39462	SPRING, SHIFT CABLE RETAINER	107	12	37-30008	LABEL,FORWARD LIMIT - REMOTE CONTROL HOUSING	11	-
24-39462	SPRING, THROTTLE CABLE RETAINER	77	9	37-30016	LABEL,ECONOMY RANGE - REMOTE CONTROL HOUSING	11	59
24-45004	SPRING, COMPRESSION - LOCKING LEVER	79	6	37-31021	TAPE, NEUTRAL WARM-UP LEVER	45	18
24-49012	SPRING, SHIFT CABLE RETAINER	81	30	37-31021	TAPE, NEUTRAL WARM-UP LEVER	91	18
24-60417	SPRING, SHORTING SWITCH (ENGINE)	33	13	37-31021	TAPE, NEUTRAL WARM-UP LEVER	141	18
24-73190	SPRING, CONTROL HUB	109	20	37-31021	TAPE, THROTTLE CONTROL LEVER	15	-
24-73190	SPRING, CONTROL HUB	131	20	37-31021	TAPE, THROTTLE CONTROL LEVER	19	--
25-20034	"O" RING, CHOKE HOLE PLUG	15	33	37-31021	TAPE, THROTTLE CONTROL LEVER	25	39
25-20034	"O" RING, STARTER SWITCH HOLE PLUG	43	48	37-34983	DECAL, CONTROL HOUSING (MERCENTROL)	41	30
25-21706	"O" RING, SHORTING SWITCH CONNECTOR	33	8	37-34983	DECAL, CONTROL HOUSING (MERCENTROL)	45	26
25-39463	GROMMET, RUBBER - BOTTOM COWL	77	1	37-36276	DECAL, CONTROL PANEL	73	3
25-85879	GROMMET, CONT ROL HOUSING	161	35	37-46424	DECAL,CONTROL HOUSING (MERCENTROL)	93	31
25-85879	GROMMET, CONTROL HOUSING	149	43	37-55325	DECAL,CONTROL HOUSING (MERCENTROL)	93	--
25-85879	GROMMET, CONTROL HOUSING	155	30	37-55326	DECAL,CONTROL HOUSING (MERCENTROL)	93	31
25-85879	GROMMET, WIRING HARNESS	145	32	37-61412	DECAL, CONTROL HOUSING (MERCENTROL)	41	30
25-85879	GROMMET, WIRING HARNESS	157	27	37-61412	DECAL, CONTROL HOUSING (MERCENTROL)	97	30
27-27038	GASKET, PILOT LIGHT LENS	9	28	37-61412	DECAL, CONTROL HOUSING (MERCENTROL)	101	33
27-35750	GASKET, COVER TO CONTROL HOUSING (3 11/16")	53	14	37-61412	DECAL, CONTROL HOUSING (MERCENTROL)	141	27
27-35751	GASKET, COVER TO CONTROL HOUSING (2 7/8")	53	15	37-64043	DECAL, CONTROL HOUSING (MERCENTROL)	41	-
27-47975	GASKET, SWITCH COVER( NOT AS SHOWN)	53	14	37-64043	DECAL, CONTROL HOUSING (MERCENTROL)	97	30
27-75111	GASKET, CONTROL COVER	115	40	37-64043	DECAL, CONTROL HOUSING (MERCENTROL)	103	34
28-68024	KEY, CONTROL HUB	109	22	37-69448	DECAL, REMOTE CONTROL COVER	109	14
28-68024	KEY, CONTROL HUB	131	22	37-69448	DECAL, REMOTE CONTROL COVER	131	14
30-29634	BALL, TENSION - DRIVE GEAR (3/8")	19	28				
30-29634	BALL, TENSION - DRIVE GEAR (3/8")	23	28				
30-29634	BALL, TENSION - DRIVE GEAR 3/8	13	28				
32-29758	SLEEVE, RUBBER - CONTROL LEVER BOSS	11	44				

# PARTS INDEX

Part Number	Description	Pg.	Ref. No.	Part Number	Description	Pg.	Ref. No.
37-70677	DECAL, REMOTE CONTROL COVER (MERCURY MARINE) . . . . .	131	15	43-85870	GEAR, SHIFT . . . . .	155	42
37-85863	DECAL, COVER - LOWER . .	145	15	43-85870	GEAR, SHIFT . . . . .	161	47
37-85863	DECAL, COVER - LOWER . .	153	14	43-85901	PINION, SHIFT . . . . .	149	60
37-85863	DECAL, COVER - LOWER . .	157	15	43-85901	PINION, SHIFT . . . . .	155	47
37-85873	DECAL, COVER . . . . .	145	14	43-85901	SPRING, SHIFT GEAR . . . . .	161	51
37-87312	DECAL, REMOTE CONTROL COVER (QUICKSILVER) .	145	2	53-25184	RETAINING RING, BEA RING PLATE . . . . .	161	46
37-87312	DECAL, REMOTE CONTROL COVER (QUICKSILVER) .	153	2	53-25184	RETAINING RING, BEARING PLATE . . . . .	149	54
37-87312	DECAL, REMOTE CONTROL COVER (QUICKSILVER) .	157	2	53-25184	RETAINING RING, BEARING PLATE . . . . .	155	41
37-87815	DECAL, COVER . . . . .	153	13	53-29641	"E" RING, THROTTLE LINK TO SECTOR GEAR . . . . .	13	22
37-87815	DECAL, COVER . . . . .	157	14	53-29641	"E" RING, THROTTLE LINK TO SECTOR GEAR . . . . .	17	22
38-29643	INSIGNIA, CONTROL HANDLE . . . . .	19	42	53-29641	"E" RING, THROTTLE LINK TO SECTOR GEAR . . . . .	23	22
38-29643	INSIGNIA, CONTROL HANDLE . . . . .	15	44	53-68030	RING, RETAINING - THROTTLE PINION . . . . .	109	33
38-29643	INSIGNIA, CONTROL LEVER	7	2	53-68030	RING, RETAINING - THROTTLE PINION . . . . .	131	33
38-29643	INSIGNIA, CONTROL LEVER	7	2	53-85897A1	LOCK RING ASSEMBLY . . .	145	5
38-46971	PLATE, IGNITION SWITCH .	53	7	53-85897A1	LOCK RING ASSEMBLY . . .	153	4
38-47972	PLATE, IGNITION SWITCH .	53	7	53-85897A1	LOCK RING ASSEMBLY . . .	157	5
38-70319	INSERT, IGNITION SWITCH LI . . . . .	119	7	54-20386	CLAMP, SWITCH LEAD WIRE SLEEVE . . . . .	33	6
43-29571	GEAR, THROTTLE SECTOR	17	20	54-20387	CLAMP, HARNESS . . . . .	115	37
43-29571	GEAR, THROTTLE SECTOR FUSE . . . . .	13	20	54-20387	CLAMP, SAFETY SWITCH . .	65	--
43-29575	GEAR, DRIVE - ACTUATOR	17	10	54-20387	CLAMP, SAFETY SWITCH . .	71	--
43-29575	GEAR, DRIVE - ACTUATOR (DRIVE GEAR WITH DETENTS) . . . . .	13	10	54-20387	CLAMP, SAFETY SWITCH . .	125	--
43-29575	GEAR, DRIVE - ACTUATOR{DRIVE GEAR WITH DETENTS . . . . .	23	10	54-20387	CLAMP, SWITCH HARNESS	87	32
43-29728	GEAR, SECTOR . . . . .	9	12	54-20387	CLAMP, SWITCH HARNESS	129	30
43-30204	GEAR, THROTTLE SECTOR	17	20	54-22627	CLIP, EXTERNAL WIRING HARNESS TO CONTROL HOUSING . . . . .	11	36
43-30204	GEAR, THROTTLE SECTOR	23	20	54-22627	CLIP, INNER - WIRING HARNESS TO CONTROL HOUSING . . . . .	95	59
43-30204	GEAR, THROTTLE SECTOR FUSE . . . . .	13	20	54-22627	CLIP, INNER - WIRING HARNESS TO CONTROL HOUSING . . . . .	99	54
43-30973	GEAR, THROTTLE SECTOR	35	20	54-22627	CLIP, INNER - WIRING HARNESS TO CONTROL HOUSING . . . . .	103	59
43-30987	GEAR, SHIFT SECTOR (13 TEETH) . . . . .	23	25	54-22627	CLIP, WIRING HARNESS . . .	111	52
43-31802	GEAR, SHIFT SECTOR . . . .	13	25	54-22690	CLAMP, EXTERNAL WIRING HARNESS TO BOAT . . . . .	47	42
43-31802	GEAR, SHIFT SECTOR . . . .	17	25	54-22690	CLIP, EXTERNAL WIRING HARNESS TO BOAT . . . . .	21	59
43-31802	GEAR, SHIFT SECTOR (12 TEETH) . . . . .	23	25	54-22690	CLIP, EXTERNAL WIRING HARNESS TO BOAT . . . . .	25	61
43-31804	GEAR, LEVER SECTOR . . . .	37	17	54-22690	CLIP, WIRING HARNESS . . .	11	63
43-31804	GEAR, LEVER SECTOR . . . .	83	17	54-22740	CLAMP, EXTERNAL WIRING HARNESS TO BOAT . . . . .	143	42
43-31805	GEAR, IDLER . . . . .	37	16	54-22740	CLIP, CONTROL CABLE TO BOAT . . . . .	29	15
43-31805	GEAR, IDLER . . . . .	83	16	54-23567	CLAMP, EXTERNAL WIRING HARNESS TO BOAT . . . . .	93	47
43-65731	GEAR, THROTTLE . . . . .	109	24				
43-65731	GEAR, THROTTLE . . . . .	131	24				
43-65732	PINION GEAR, THROTTLE .	109	32				
43-65732	PINION GEAR, THROTTLE .	131	32				
43-65733	GEAR, SHIFT . . . . .	109	27				
43-65733	GEAR, SHIFT . . . . .	131	27				
43-65734	PINION GEAR, SHIFT . . . . .	109	29				
43-65734	PINION GEAR, SHIFT . . . . .	131	29				
43-85870	GEAR, SHIFT . . . . .	149	55				



# PARTS INDEX

Part Number	Description	Pg.	Ref. No.	Part Number	Description	Pg.	Ref. No.
54-24836	CLIP, CONTROL CABLE TO BOAT	27	15	84-70025	WIRING HARNESS	119	1
54-26550	CLIP, SAFETY SWITCH HARNESS TO CONTROL HOUSING	57	50	84-70025A2	SWITCH KEY ASSEMBLY	119	-
54-26550	CLIP, SAFETY SWITCH HARNESS TO CONTROL HOUSING	61	51	84-70251	HARNESS, SWITCH PANEL	121	9
54-26685	CLIP, INNER - WIRING HARNESS TO CONTROL HOUSING	21	56	84-70251	HARNESS, SWITCH PANEL	135	3
54-26685	CLIP, INNER - WIRING HARNESS TO CONTROL HOUSING	47	54	84-70252	HARNESS, WIRING	115	35
54-26685	CLIP, INNER - WIRING HARNESS TO HOUSING	25	58	84-70924	WIRING HARNESS, EXTERNAL	103	49
54-27133	CLAMP, PILOT LIGHT TO CONTROL HOUSING	9	31	84-70924-20	WIRING HARNESS (20')	137	6
54-29828	CLIP, CONTROL LEVER HARNESS	9	14	84-70924-20	WIRING HARNESS (20')	73	10
54-33747	CLIP, RETAINER - SOUND SEAL	39	27	84-74796	HARNESS, CONTROL HANDLE	117	46
54-46770	CLIP, WIRING HARNESS	145	36	84-74796	HARNESS, CONTROL HANDLE	139	6
54-55341	CLIP, INSTRUMENT RETAINER	121	2	84-75291A2	HARNESS ADAPTOR ASSEMBLY(SEE NOTE #2)	105	1
54-55341	CLIP, SUNSHADE STUD	119	13	84-76353	HARNESS, TRIM(AVAILABLE IN LENGTHS OF 10 ,15 ,25 AND 45 )	133	65
54-85885A1	CLIP ASSEMBLY, THROTTLE LEVER	149	69	84-76407	WIRING HARNESS	133	51
54-85885A1	CLIP ASSEMBLY, THROTTLE LEVER	155	55	84-76954A10	HARNESS ASSEMBLY, CONTROL (10')	123	-
54-85885A1	CLIP ASSEMBLY, THROTTLE LEVER	161	61	84-76954A15	HARNESS ASSEMBLY, CONTROL (15')	123	-
54-85886	CLIP, HARNESS RETAINING	149	39	84-76954A20	HARNESS ASSEMBLY, CONTROL (20')	123	-
54-85886	CLIP, HARNESS RETAINING	155	26	84-76954A40	HARNESS ASSEMBLY, CONTROL (40')	123	-
54-85886	CLIP, HARNESS RETAINING	161	31	84-79009A1	CABLE ASSEMBLY,RED - SOLENOID TERMINAL (2 7/8")	143	56
54-85899A1	CLIP ASSEMBLY, SHIFT LEVER	149	63	84-79009A2	CABLE ASSEMBLY,RED - SOLENOID TO START SWITCH (25")	143	56
54-85899A1	CLIP ASSEMBLY, SHIFT LEVER	155	50	84-79009A3	CABLE ASSEMBLY,RED - SOLENOID TO START SWITCH (22 1/2")	143	56
54-85899A1	CLIP ASSEMBLY, SHIFT LEVER	161	55	84-79010A1	CABLE ASSEMBLY,YELLOW - SOLENOID TO STARTER (9")	143	56
84-60797	WIRING HARNESS, EXTERNAL	103	49	84-79011A1	CABLE ASSEMBLY,STOP/START (15')	143	57
84-60797-20	WIRING HARNESS (20')	73	10	84-79012A1	CABLE ASSEMBLY,RED - SOLENOID TO RECTIFIER (7")	143	56
84-62914A2	HARNESS ADAPTOR ASSEMBLY(SEE NOTE #1)	105	1	84-79139A2	BATTERY LEAD (POSITIVE)	165	1
84-63594A5	WIRE ASSEMBLY (WHITE)	135	6	84-86228A	HARNESS ASSEMBLY, TRIM	145	24
84-66005A10	HARNESS ASSEMBLY,CONTROL (10")	122	-	84-86353A	WIRING HARNESS ASSEMBLY	145	23
84-66005A15	HARNESS ASSEMBLY,CONTROL (15")	122	-	84-87850A	WIRING HARNESS ASSEMBLY	157	19
84-66005A20	HARNESS ASSEMBLY,CONTROL (20")	122	-	85-86319	INSULATOR, WIRING HARNESS	145	29
84-66005A40	HARNESS ASSEMBLY,CONTROL (40")	122	-	85-86319	INSULATOR, WIRING HARNESS	157	24
84-66322	WIRING HARNESS	111	51	86-60878	TERMINAL, WIRING HARNESS	111	54
				86-60878	TERMINAL, WIRING HARNESS	133	54

# PARTS INDEX

Part Number	Description	Pg.	Ref. No.	Part Number	Description	Pg.	Ref. No.
86-65738	TERMINAL BLOCK .....	111	55				
86-65738	TERMINAL BLOCK .....	133	55				
86-71141	TERMINAL BLOCK .....	121	12				
87-58033	SWITCH, PUSH BUTTON (RED) .....	131	11				
87-68033	SWITCH, PUSH BUTTON (RED) .....	109	11				
87-68033	SWITCH, PUSH-BUTTON (RED) .....	117	43				
87-68033	SWITCH, PUSH-BUTTON (RED) .....	139	3				
87-68691	SWITCH, PUSH BUTTON (BLACK) .....	109	11				
87-68691	SWITCH, PUSH BUTTON (BLACK) .....	131	11				
87-68691	SWITCH, PUSH-BUTTON (BLACK) .....	117	43				
87-68691	SWITCH, PUSH-BUTTON (BLACK) .....	139	3				
87-68854	SWITCH .....	115	34				
87-70024	SWITCH .....	115	33				
87-74605	SWITCH, MICRO .....	111	57				
87-74605	SWITCH, MICRO .....	133	57				
87-77841	SWITCH, TOGGLE .....	33	15				
87-77984A	SHORTING SWITCH ASS'Y (15 'AND 20' ) .....	33	1				
87-86241A2	SWITCH ASSEMBLY, TRIM AND TRAILER .....	145	20				
87-86320	MICRO SWITCH .....	145	26				
87-86320	MICRO SWITCH .....	157	20				
87-86350	TOGGLE SWITCH .....	145	27				
87-86350	TOGGLE SWITCH .....	153	19				
87-86350	TOGGLE SWITCH .....	157	21				
87-88107	IGNITION SWITCH(SEE CHART FOR KEY) .....	145	28				
87-88107	IGNITION SWITCH(SEE CHART FOR KEY) .....	157	22				
87-88229A20	SHORTING SWITCH ASSEMBLY .....	153	18				
89-68258	SOLENOID .....	143	50				
89-68258	STARTER SOLENOID .....	165	2				
89-68258A2	POWER TRIM SOLENOID KIT .....	165	1				