



PARTS CATALOG

OUTBOARDS SEC A RIDE-GUIDE

SERIAL NUMBER

POWER STEERING/ TILLER HANDLES/ SHIFT KITS . .OB Ride Guide (1985 and Below)

TABLE OF CONTENTS:

ADDITIONAL EXTENSIONS FOR A-30320A1 & C-30320A2 ATTACH KIT	44
LOCKING STEERING MOUNT ASSEMBLY (20 DEGREES OR 90 DEGREES)	102
PARTS INDEX	122
RACK AND PINION ASSEMBLY	100
RIDE GUIDE EXTENSION KIT	2
RIDE-GUIDE ATTACHING KIT	96
RIDE-GUIDE ATTACHING KIT (DUAL) A	90
RIDE-GUIDE ATTACHING KIT (DUAL) B	94
RIDE-GUIDE ATTACHING KIT (DUAL) C	118
RIDE-GUIDE ATTACHING KIT (DUAL) D	120
RIDE-GUIDE ATTACHING KIT (SINGLE) A	114
RIDE-GUIDE ATTACHING KIT (SINGLE) B	116
RIDE-GUIDE ATTACHING KIT A	22
RIDE-GUIDE ATTACHING KIT B	24
RIDE-GUIDE ATTACHING KIT C	28
RIDE-GUIDE ATTACHING KIT D	30
RIDE-GUIDE ATTACHING KIT E	32
RIDE-GUIDE ATTACHING KIT F	34
RIDE-GUIDE ATTACHING KIT G	42
RIDE-GUIDE ATTACHING KIT H	46
RIDE-GUIDE ATTACHING KIT I	48
RIDE-GUIDE ATTACHING KIT J	54
RIDE-GUIDE ATTACHING KIT K	70
RIDE-GUIDE ATTACHING KIT L	86
RIDE-GUIDE ATTACHING KIT M	88
RIDE-GUIDE STEERING CABLE	8
RIDE-GUIDE STEERING KIT	52
RIDE-GUIDE STEERING KIT A	16
RIDE-GUIDE STEERING KIT B	82
RIDE-GUIDE STEERING WHEEL ASSEMBLY (COLORED)	56
RIDE-GUIDE STEERING WHEEL ASSEMBLY A	14
RIDE-GUIDE STEERING WHEEL ASSEMBLY B	50
RIDE-GUIDE STEERING WHEEL KIT A	4
RIDE-GUIDE STEERING WHEEL KIT B	10
RIDE-GUIDE TILT MOUNT ASSEMBLY, COMPLETE	68
ROTARY RIDE- GUIDE TILT MOUNT ASSEMBLY	76
ROTARY RIDE-GUIDE CABLE ASSEMBLY A	72
ROTARY RIDE-GUIDE CABLE ASSEMBLY B	110
ROTARY RIDE-GUIDE STEERING KIT	74
STEERING KIT, TRANSOM MOUNTED	92
STEERING KIT, TRANSOM MOUNTED	112
STEERING MOUNT ASSEMBLY	106
STEERING WHEEL ASSEMBLY (WOOD GRAIN)	98
SUPER RIDE-GUIDE STEERING KIT	20
SUPER RIDE-GUIDE STEERING KIT	108
SUPER RIDEGUIDE STEERING KIT	80
SUPER ROTARY RIDE-GUIDE STEERING KIT B	78
UNIVERSAL RIDE-GUIDE ATTACHING KIT A	60
UNIVERSAL RIDE-GUIDE ATTACHING KIT B	62
UNIVERSAL RIDE-GUIDE ATTACHING KIT C	64
UNIVERSAL RIDE-GUIDE ATTACHING KIT D	66
UNIVERSAL RIDE-GUIDE DUAL ATTACHING KIT	40
UNIVERSAL RIDE-GUIDE SINGLE ATTACHING KIT	58
UNIVERSAL RIDE-GUIDE SINGLE ATTACHING KIT	84
UNIVERSAL RLDE-GUIDE SINGLE ATTACHING KIT A	36

CONTINUED ON NEXT PAGE 

TABLE OF CONTENTS:

NOTE: Indented description indicate that these parts are included in preceeding assembly.

AR = As Required

NSS = Not Sold Separate

OPT = Optional

NS = Not Shown

NOTE: Following symbols are located in **SYM** column.

● = ORDER STEERING CABLES IN THE FOLLOWING LENGTHS:A8, A9, A10, A11, A12,A13,A14,A15,A16,A17,A18,A19,A20

■ = ADDITIONAL EXTENSION PARTS ARE NOT INCLUDED WITH ATTACHING KIT AND ORDERED "AS REQUIRED" (AR).

◇ = ALSO USED WITH 7/8" OD CABLE.

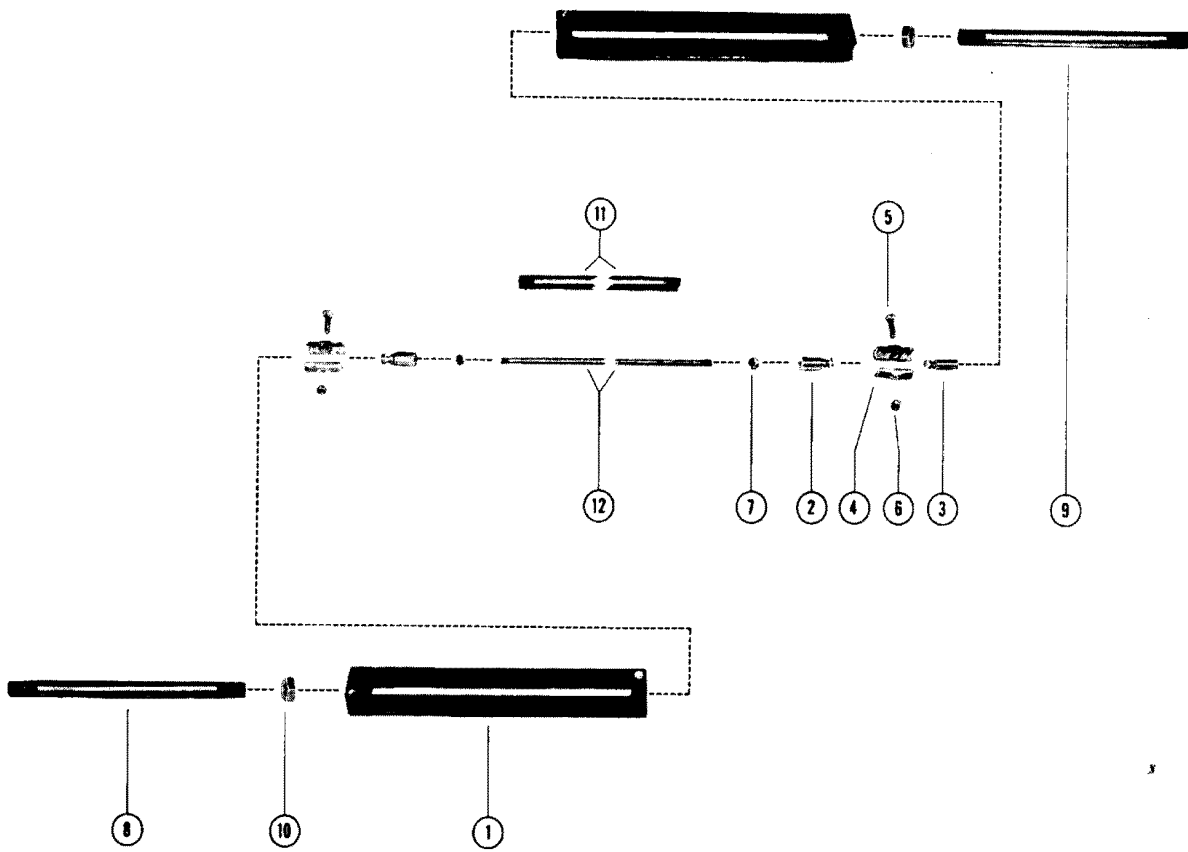
▲ = THINNER NUT FOR REPLACEMENT OF THICKER NUT ORIGINALLY USED ON PRODUCTION ENGINES.

THESE PARTS BOOKS/FICHE CARD ARE COPYRIGHTED AND MAY NOT BE DISTRIBUTED OR REPRODUCED IN ANY OTHER FORMAT BY ANYONE OTHER THAN MERCURY MARINE WITHOUT THE PRIOR WRITTEN CONSENT OF MERCURY MARINE.

THIS PAGE INTENTIONALLY LEFT BLANK

THIS PAGE INTENTIONALLY LEFT BLANK

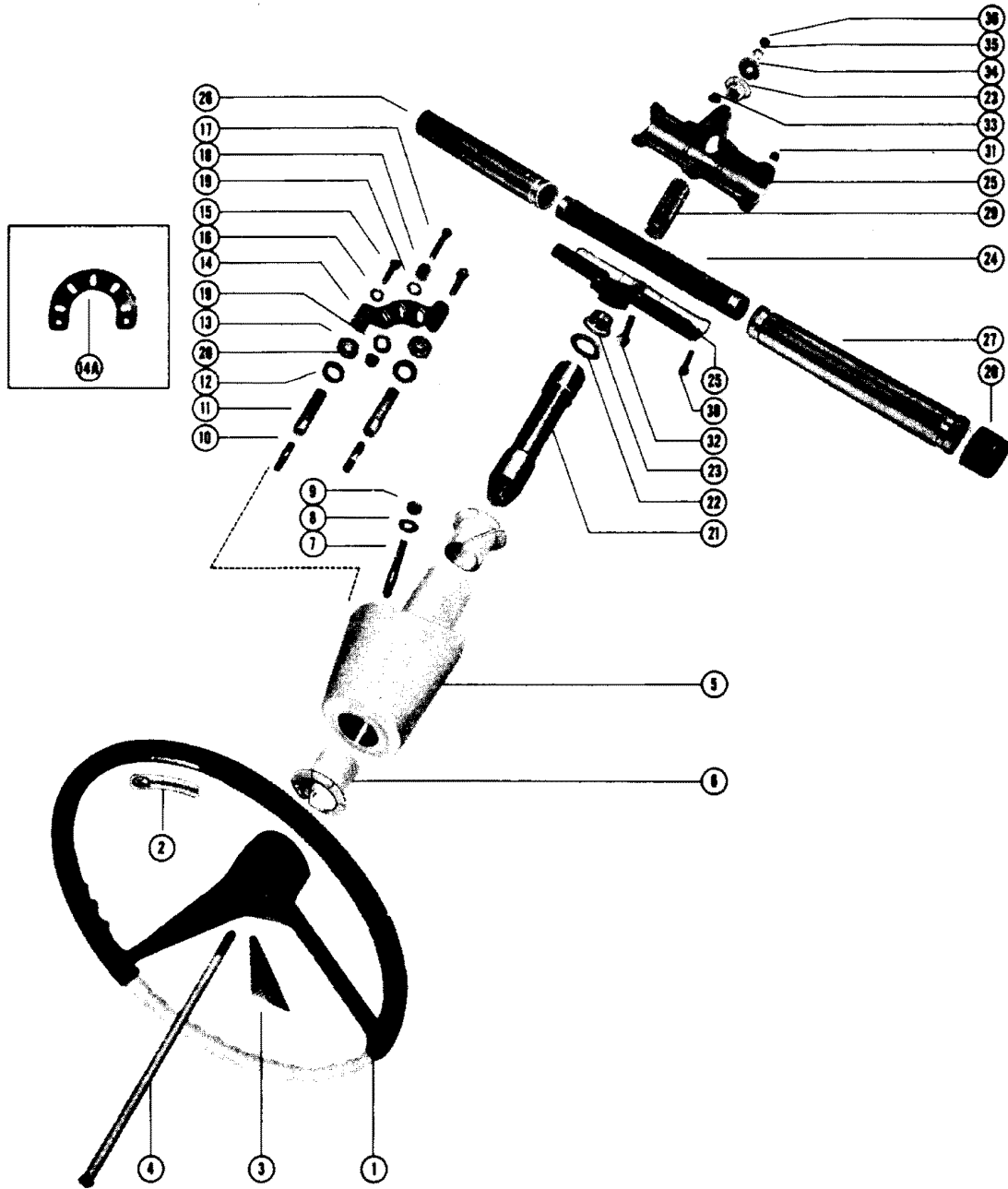
RIDE GUIDE EXTENSION KIT



RIDE GUIDE EXTENSION KIT

REF. NO.	PART NO.	SYM.	QTY.	DESCRIPTION
-	-.29378A1		1,-	RIDE-GUIDE EXTENSION KIT (3/4" OD)
-	-.30707A1		-,1	RIDE-GUIDE EXTENSION KIT (7/8" OD)
1	-.29370		2,1	BRACKET, EXTENSION (3/4"OD)
	-.30705		-,1	BRACKET, EXTENSION (7/8"OD)
2	-.29375		2,2	CABLE END, STEERING COUPLER TO EXTENSION ROD
3	-.29376		1,1	CABLE END, STEERING COUPLER TO CONTROL CABLE
4	-.29374		4,4	COUPLER, HALVES CABLE ENDS TO CABLE AND ROD
5	10-20653		2,2	SCREW, COUPLER HALVES CLAMPING
6	11-20586		2,2	NUT, COUPLER HALVES CLAMPING
7	11-20083		2,2	NUT, EXTENSION ROD LOCKING TO CABLE END
8	28122		1,-	TUBE, TILT (3/4"OD)
	30664		-,1	TUBE, TILT (7/8"OD)
9	29372		1,1	TUBE, CABLE COUPLING
10	11-20739		2,1	NUT, TILT TUBE AND COUPLING TUBE LOCKING
	11-30708		-,1	NUT, TILT TUBE AND COUPLING TUBE LOCKING
11	---		-	PIPE (3/8") EXTENSION BRACKET TO EXTENSION BRACKET
12	---		-	ROD (5/16") COUPLER END TO COUPLER END

RIDE-GUIDE STEERING WHEEL KIT A

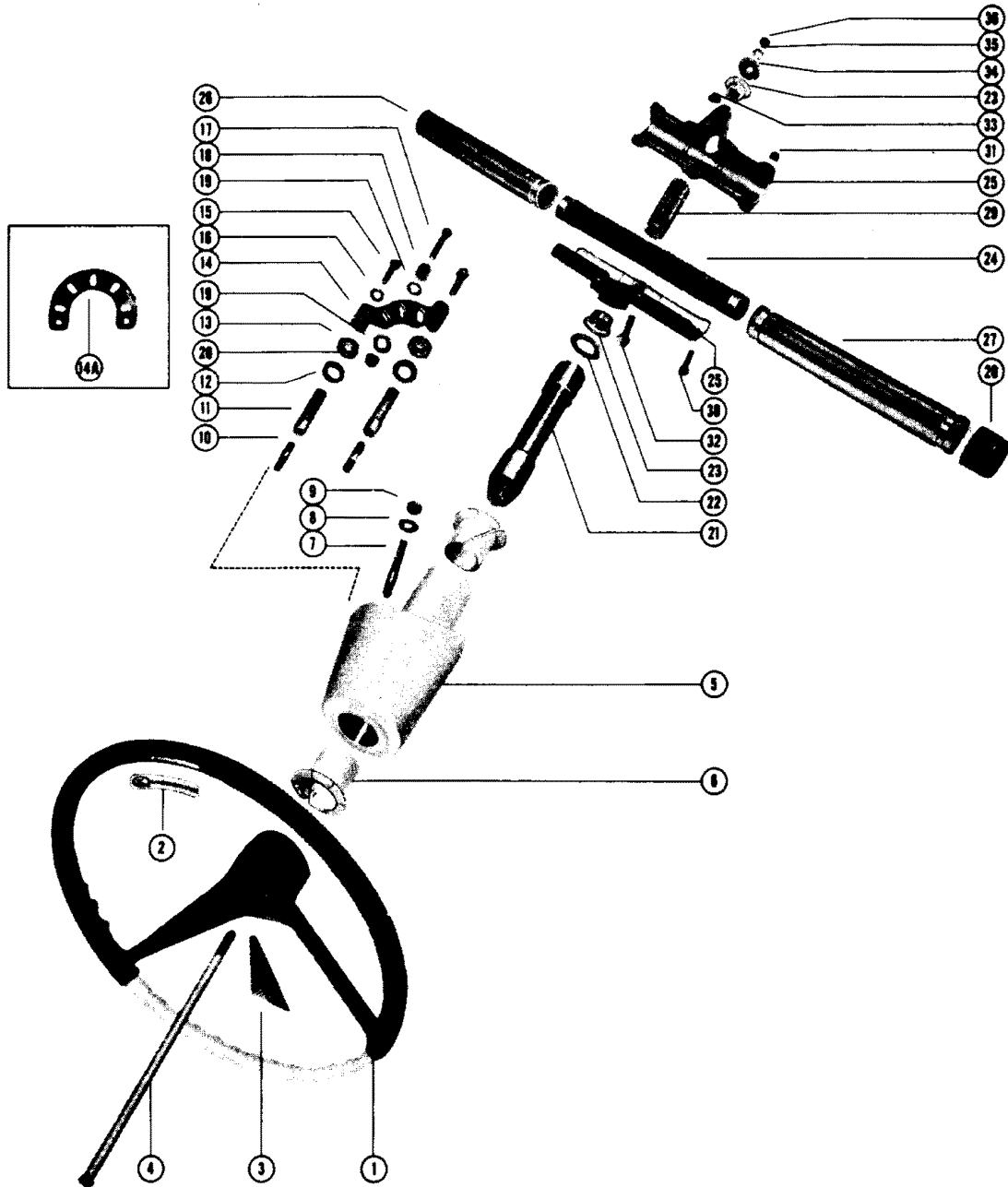


RIDE-GUIDE STEERING WHEEL KIT A

REF. NO.	PART NO.	SYM.	QTY.	DESCRIPTION
-	29071A1		1,	RIDE-GUIDE STEERING WHEEL KIT (20 DEGREES)
-	29401A1		,1	RIDE-GUIDE STEERING WHEEL KIT (90 DEGREES)
1	29071A6		1,1	STEERING WHEEL ASSEMBLY
2	38-29089		1,1	INSIGNIA (QUICKSILVER)
3	38-29088		1,1	PLATE, NAME (RIDE-GUIDE)
-	92-30835		1,1	TUBE, ADHESIVE CAPSULE - NAME PLATE FASTENING
4	10-29223		1,	BOLT, STEERING WHEEL TO GEAR RACK HOUSING
	10-29400		,1	BOLT, STEERING WHEEL TO GEAR RACK HOUSING
5	29086		1,	BRACKET, STEERING WHEEL MOUNTING
	29399		,1	BRACKET, STEERING WHEEL MOUNTING
6	23-29097		2,2	BUSHING, STEERING WHEEL BRACKET
7	16-29208		1,1	STUD, STEERING BRACKET MOUNTING
8	12-26825		1,1	WASHER, STEERING BRACKET STUD
9	11-20102		1,1	NUT, STEERING BRACKET STUD
10	16-21831		2,2	STUD, SPACER TO STEERING BRACKET
11	23-29209		2,2	SPACER, STEERING BRACKET TO HOUSING BRACKET
12	12-20959		2,2	WASHER, STEERING BRACKET SPACER
13	11-21612		2,2	NUT, STEERING BRACKET SPACER
14	29215		1,	BRACKET, GEAR RACK HOUSING
14A	29398		,1	BRACKET, GEAR RACK HOUSING
15	10-22040		2,	SCREW, HOUSING BRACKET TO SPACER
	10-20705		,2	SCREW, HOUSING BRACKET TO SPACER
16	13-26993		,2	LOCKWASHER, BRACKET TO SPACER SCREW
17	10-29222		1,1	SCREW, GEAR RACK HOUSING TO BRACKET
18	23-29210		1,	SPACER, HOUSING TO BRACKET SCREW
	23-29397		,1	SPACER, HOUSING TO BRACKET SCREW
19	12-25909		2,	WASHER, HOUSING TO BRACKET SCREW
20	11-20509		1,1	NUT, HOUSING TO BRACKET SCREW
21	29220		1,	SHAFT, STEERING WHEEL
	25890		,1	SHAFT, STEERING WHEEL
22	12-25897		1,1	WASHER, GEAR RACK PINION
23	23-25901		2,2	BUSHING, GEAR RACK HOUSING
24	25887		1,1	RACK, GEAR
25	25884		2,2	HOUSING, GEAR RACK
26	25895A1		1,1	TUBE ASSEMBLY, GEAR RACK (CABLE END)
27	25896		1,1	TUBE, GEAR RACK (OPEN END)
28	26059		1,1	CAP, RUBBER - GEAR RACK TUBE (OPEN END)
29	25898		1,1	PINION, GEAR RACK
30	10-20784		6,6	SCREW, GEAR RACK HOUSING CLAMPING (1/4")
31	11-20361		6,6	NUT, GEAR RACK HOUSING CLAMPING SCREW (1/4")

CONTINUED ON NEXT PAGE ➡

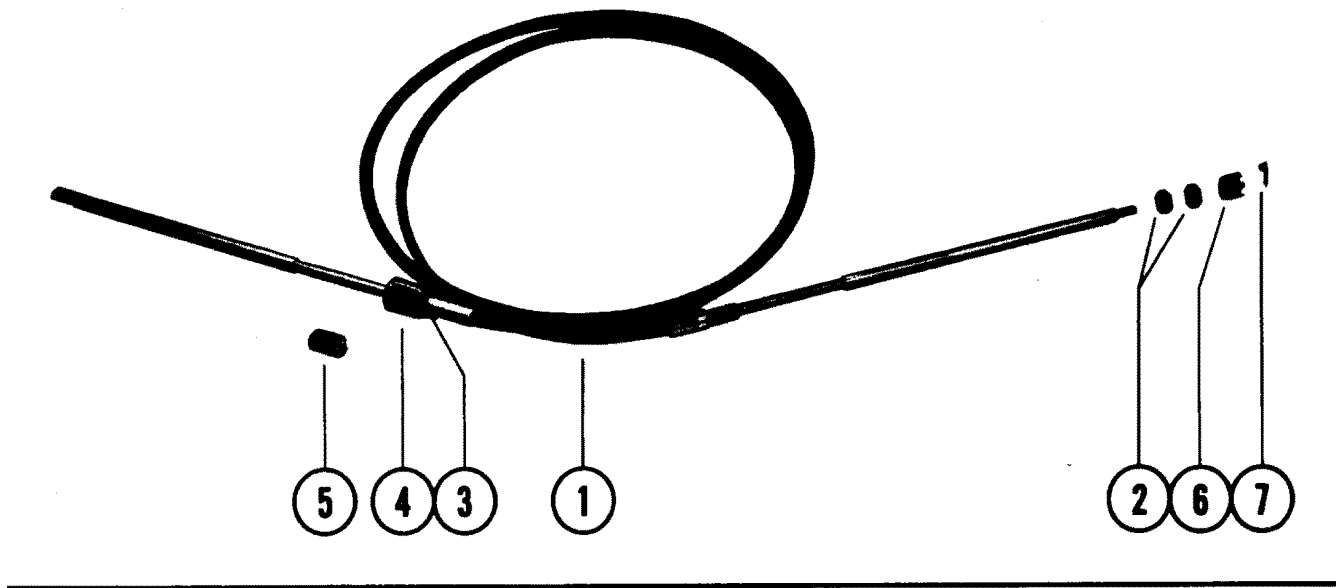
RIDE-GUIDE STEERING WHEEL KIT A



RIDE-GUIDE STEERING WHEEL KIT A

REF. NO.	PART NO.	SYM.	QTY.	DESCRIPTION
32	10-24217		1,1	SCREW, GEAR RACK HOUSING CLAMPING (3/8")
33	11-20509		1,1	NUT, GEAR RACK HOUSING CLAMPING SCREW (3/8")
34	12-27966		1,1	WASHER, LOWER - STEERING WHEEL TO HOUSING BOLT
35	13-27969		1,1	LOCKWASHER, STEERING WHEEL TO HOUSING BOLT
36	11-23161		1,1	NUT, STEERING WHEEL TO HOUSING BOLT

RIDE-GUIDE STEERING CABLE

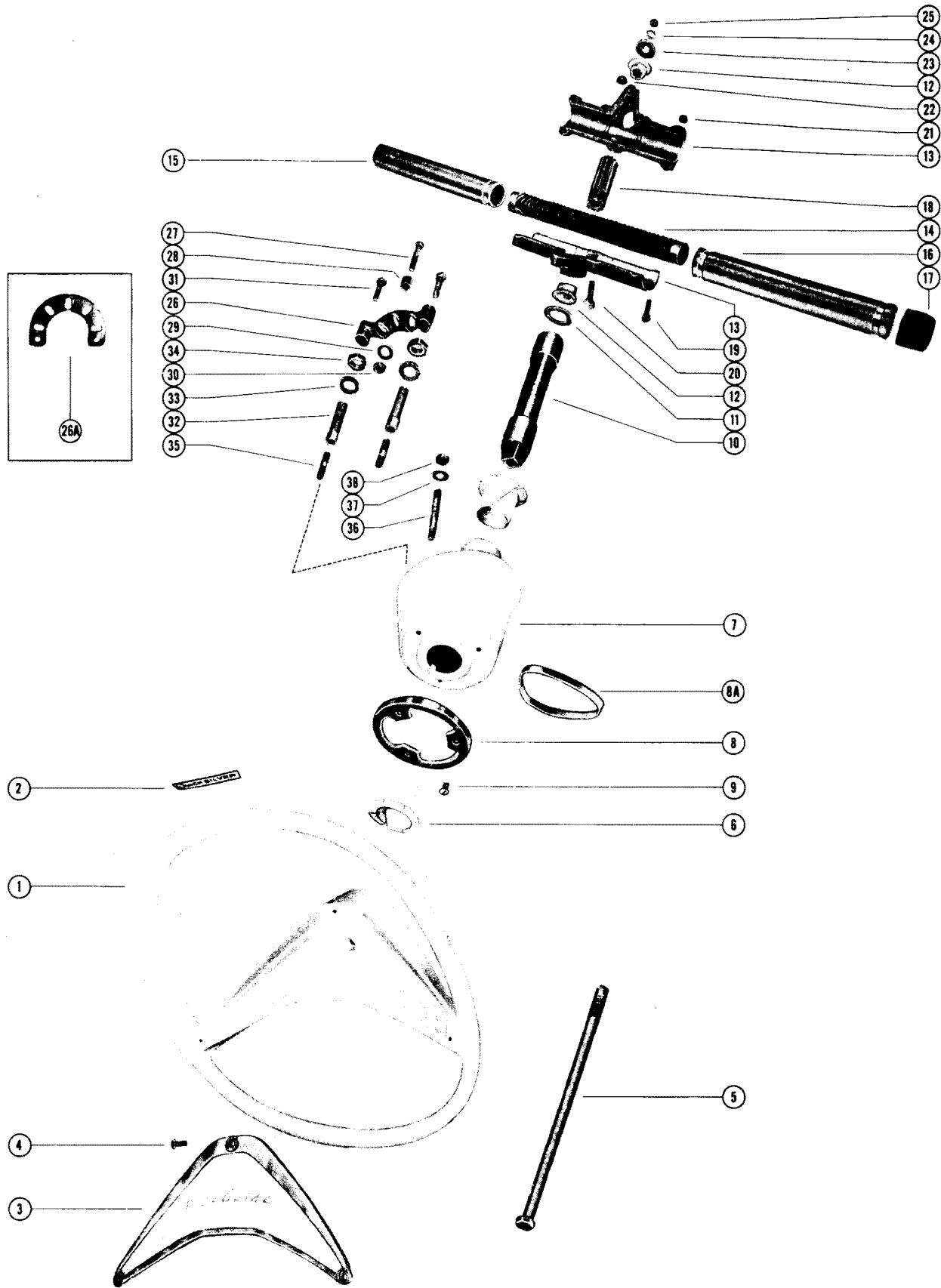


RIDE-GUIDE STEERING CABLE

REF. NO.	PART NO.	SYM.	QTY.	DESCRIPTION
1	76043A	●	1	RIDE GUIDE STEERING CALBLE ASSEMBLY (7/8" O. D.)
2	11-21825		2	NUT, CABLE TO GEAR RACK
3	22-26000		1	FITTING, GREASE - STEERING CABLE
4	11-71670		1	NUT, COUPLER
5	71669A1		1	SLEEVE ASSEMBLY, LOCKING
6	66812		1	CAP, LOCKING
7	18-26953		1	COTTER PIN, LOCKING CAP

● = ORDER STEERING CABLES IN THE FOLLOWING LENGTHS:A8, A9, A10, A11, A12,A13,A14,A15,A16,A17,A18,A19

RIDE-GUIDE STEERING WHEEL KIT B

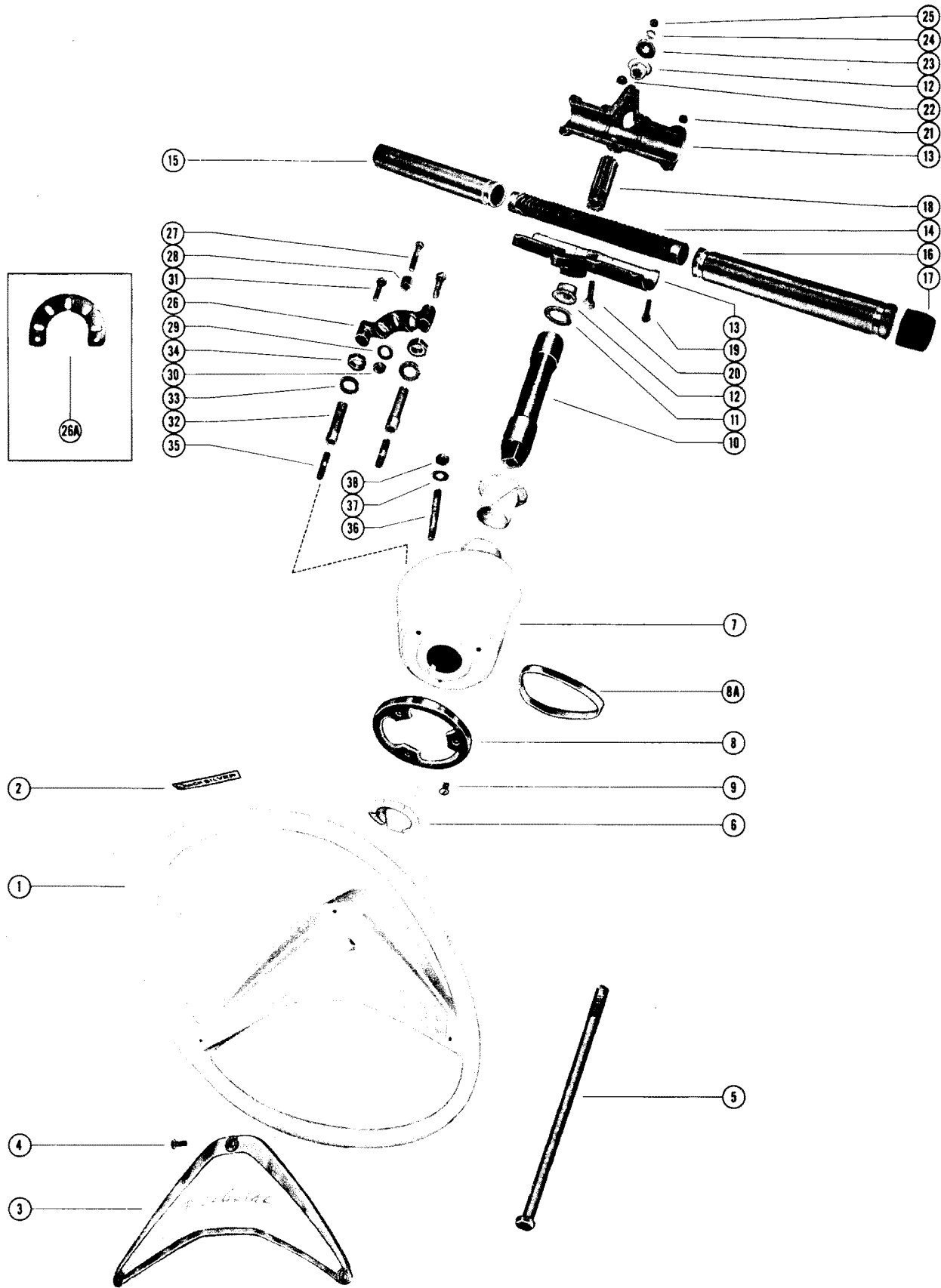


RIDE-GUIDE STEERING WHEEL KIT B

REF. NO.	PART NO.	SYM.	QTY.	DESCRIPTION
-	31269A1		1,	RIDE-GUIDE STEERING WHEEL KIT (20 DEGREES)
-	31331A1		,1	RIDE-GUIDE STEERING WHEEL KIT (90 DEGREES)
1	31268A1		1,1	STEERING WHEEL ASSEMBLY
2	38-31444		1,1	INSIGNIA (QUICKSILVER)
3	31344		1,1	EMBLEM (RIDE-GUIDE), STEERING WHEEL
4	10-31441		3,3	SCREW, EMBLEM TO STEERING WHEEL
5	10-29223		1,	BOLT, STEERING WHEEL TO GEAR RACK HOUSING (10 7/8")
	10-29400		,1	BOLT, STEERING WHEEL TO GEAR RACK HOUSING (9 7/8")
6	23-29097		2,2	BUSHING,STEERING WHEEL BRACKET
7	31127		1,	BRACKET,STEERING WHEEL MOUNTING (WITH RING) SEE NOTES
	31446		1,	BRACKET,STEERING WHEEL MOUNTING (WITHOUT RING) SEE NOTES
	31330		,1	BRACKET,STEERING WHEEL MOUNTING (WITH RING) SEE NOTES
	31442		,1	BRACKET,STEERING WHEEL MOUNTING (WITHOUT RING) SEE NOTES
8	31128		1,1	RING, MOUNTING BRACKET (EARLY MODELS ONLY) SEE NOTES
9	10-22022		3,3	SCREW, RING TO MOUNTING BRACKET SEE NOTES
8A	37-31443		1,1	DECAL, OVERLAY TRIM STRIP - MOUNTING BRACKET
10	29220		1,	SHAFT, STEERING WHEEL
	25890		,1	SHAFT, STEERING WHEEL
11	12-25897		1,1	WASHER, SHAFT TO GEAR RACK HOUSING
12	23-25901		2,2	BUSHING, GEAR RACK HOUSING - SPLINED
13	25884		2,2	HOUSING, GEAR RACK
14	25887		1,1	RACK, GEAR
15	25895		1,1	TUBE, GEAR RACK (CABLE END)
16	25896		1,1	TUBE, GEAR RACK (OPEN END)
17	26059		1,1	CAP, RUBBER - GEAR RACK TUBE (OPEN END)
18	25898		1,1	PINION, GEAR RACK
19	10-20784		6,6	SCREW, GEAR RACK HOUSING CLAMPING (1/4")
20	10-24217		1,1	SCREW, GEAR RACK HOUSING CLAMPING (3/8")
21	11-20361		6,6	NUT, GEAR RACK HOUSING CLAMPING SCREW (1/4")
22	11-20509		1,1	NUT, GEAR RACK HOUSING CLAMPING SCREW (3/8")
23	12-27966		1,1	WASHER, LOWER - STEERING WHEEL HOUSING BOLT
24	13-27969		1,1	LOCKWASHER, STEERING WHEEL HOUSING BOLT
25	11-23161		1,1	NUT, STEERING WHEEL TO HOUSING BOLT
26	29215		1,	BRACKET, GEAR RACK HOUSING (20 DEGREES)
26A	29398		,1	BRACKET, GEAR RACK HOUSING (90 DEGREES)
27	10-29222		1,1	SCREW, BRACKET TO GEAR RACK HOUSING
28	23-29210		1,	SPACER, BRACKET TO GEAR RACK HOUSING SCREW
	23-29397		,1	SPACER, BRACKET TO GEAR RACK HOUSING SCREW

CONTINUED ON NEXT PAGE ➡

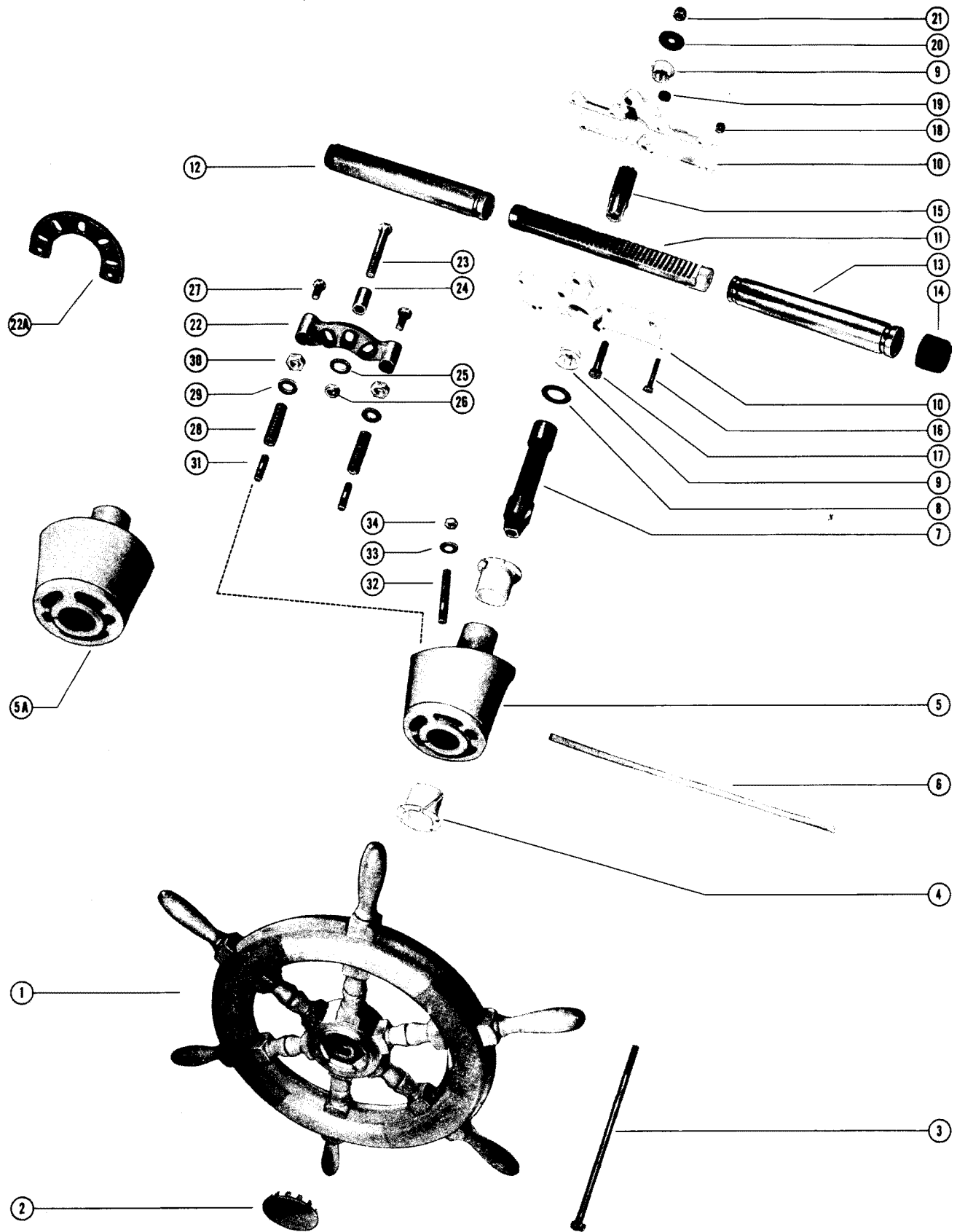
RIDE-GUIDE STEERING WHEEL KIT B



RIDE-GUIDE STEERING WHEEL KIT B

REF. NO.	PART NO.	SYM.	QTY.	DESCRIPTION
29	12-25909		1,1	WASHER, BRACKET TO GEAR RACK HOUSING SCREW
30	11-20509		1,1	NUT, BRACKET TO GEAR RACK HOUSING SCREW
31	10-22040		2,	SCREW, STEERING BRACKET TO SPACER (1 1/2")
	10-20705		,2	SCREW, STEERING BRACKET TO SPACER (3/4")
32	23-29209		2,2	SPACER, STEERING BRACKET STUD TO SCREW
33	12-20959		2,2	WASHER, STEERING BRACKET SPACER
34	11-21612		2,2	NUT, STEERING BRACKET SPACER
35	16-21831		2,2	STUD, SPACER TO STEERING BRACKET (1 1/4")
36	16-29208		1,1	STUD, STEERING BRACKET MOUNTING (2 1/2")
37	12-26825		1,1	WASHER, STEERING BRACKET MOUNTING STUD
38	11-20102		1,1	NUT, STEERING BRACKET MOUNTING STUD

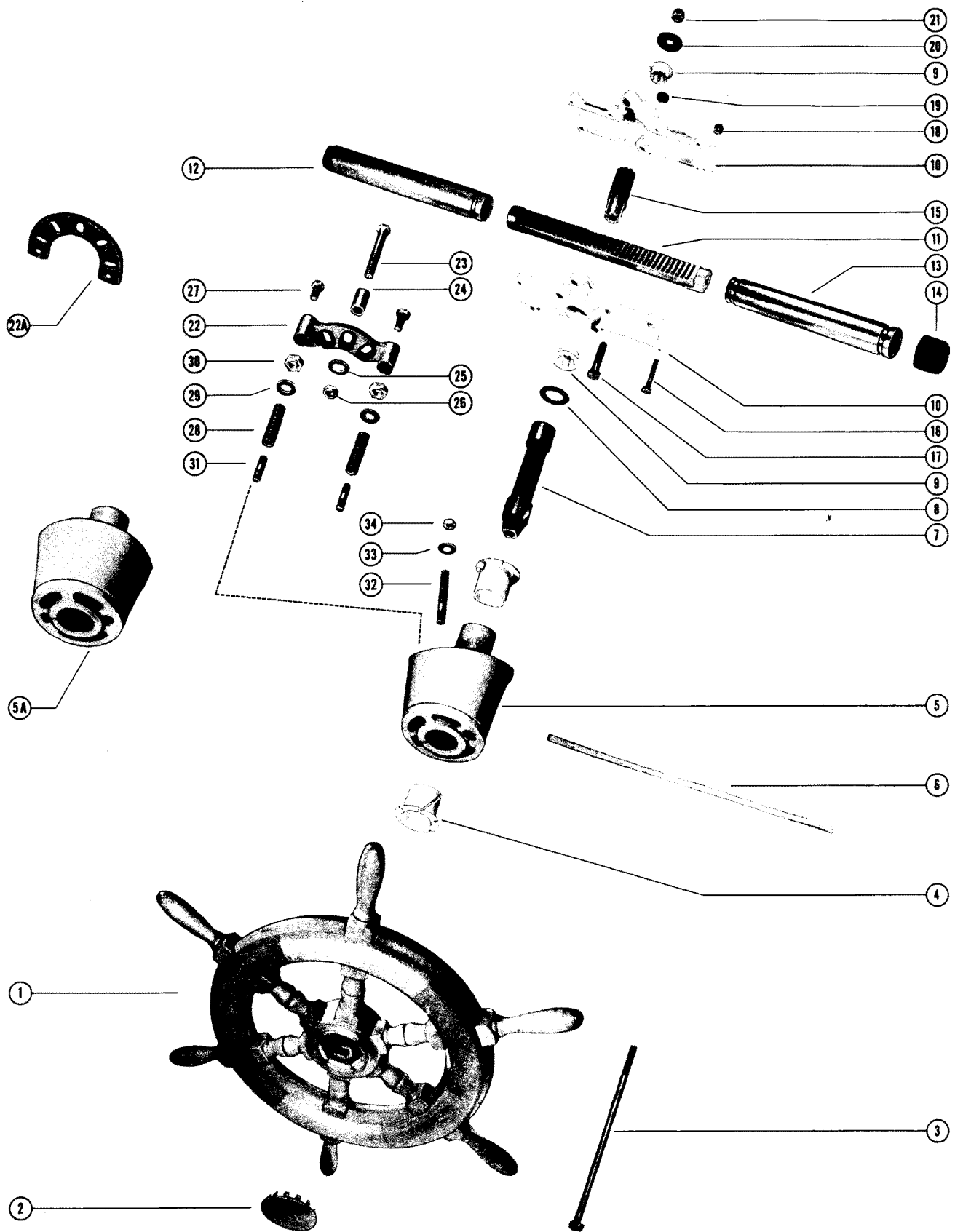
RIDE-GUIDE STEERING WHEEL ASSEMBLY A



RIDE-GUIDE STEERING WHEEL ASSEMBLY A

REF. NO.	PART NO.	SYM.	QTY.	DESCRIPTION
1	32401A1		1,	RIDE-GUIDE STEERING WHEEL ASSEMBLY (MAHOGANY) (20") SEE NOTES
	32402A1		,1	RIDE-GUIDE STEERING WHEEL ASSEMBLY (MAHOGANY) (16") SEE NOTES
2	38-32429		1,1	BUTTON, STEERING WHEEL (RIDE-GUIDE)

RIDE-GUIDE STEERING KIT A

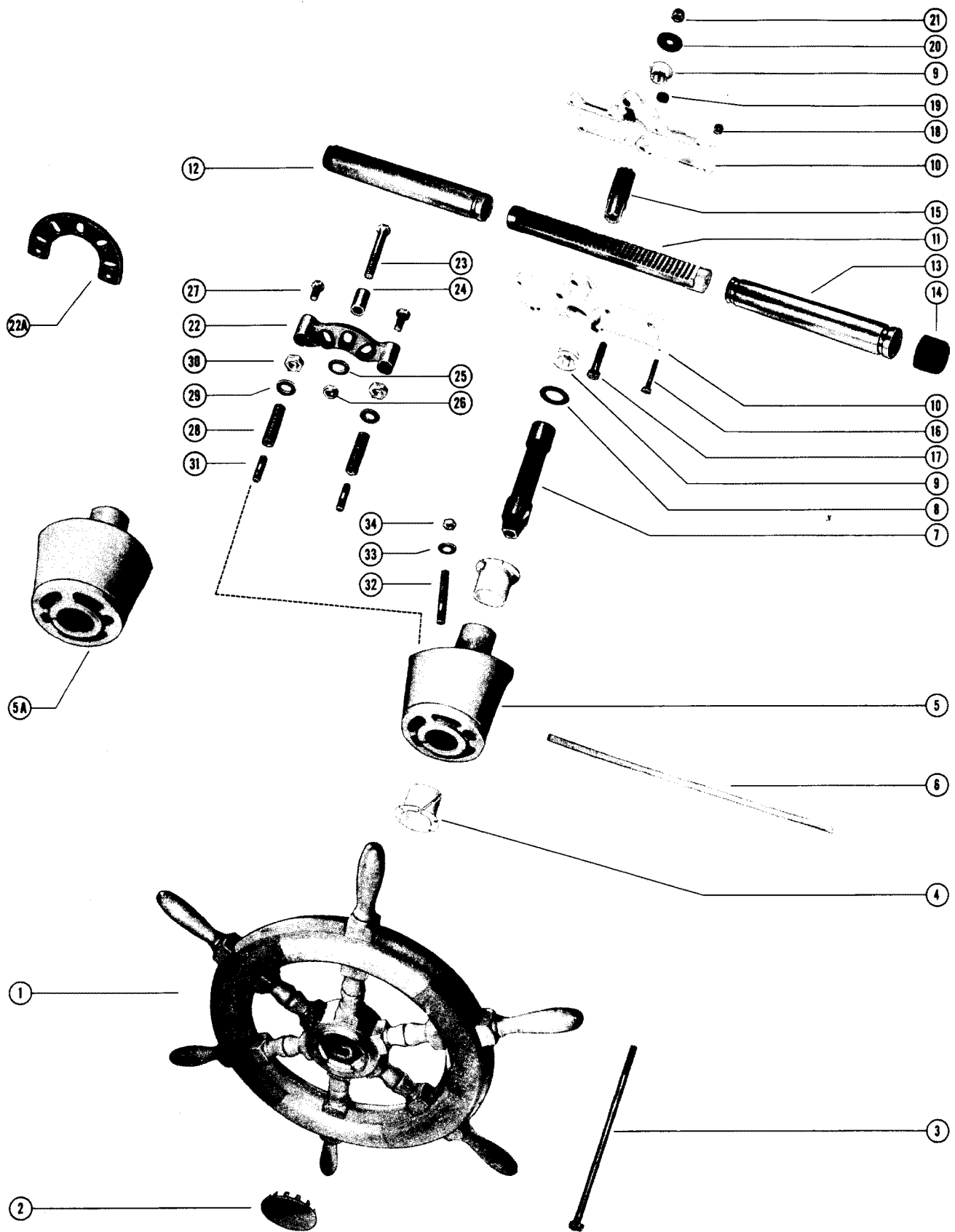


RIDE-GUIDE STEERING KIT A

REF. NO.	PART NO.	SYM.	QTY.	DESCRIPTION
-	32399A1		1,,	RIDE-GUIDE STEERING KIT, WHITE (20 DEGREES)
-	32399A2		,1,,	RIDE-GUIDE STEERING KIT, BLACK (20 DEGREES)
-	32400A1		,,1,	RIDE-GUIDE STEERING KIT, WHITE (90 DEGREES)
-	32400A2		,,,1	RIDE-GUIDE STEERING KIT, BLACK (90 DEGREES)
3	10-29223		1,1,,	BOLT, STEERING WHEEL TO GEAR RACK HOUSING (10 7/8")
	10-29400		,,1,1	BOLT, STEERING WHEEL TO GEAR RACK HOUSING (9 7/8")
4	23-29097		2,2,2,2	BUSHING,STEERING WHEEL BRACKET
5	31446-1		1,,	BRACKET,STEERING WHEEL MOUNTING (20 DEGREES) WHITE
	31446-2		,1,,	BRACKET,STEERING WHEEL MOUNTING (20 DEGREES) BLACK
5A	31442-1		,,1,	BRACKET,STEERING WHEEL MOUNTING (90 DEGREES) WHITE
	31442-2		,,,1	BRACKET,STEERING WHEEL MOUNTING (90 DEGREES) BLACK
6	37-32710		1,1,1,1	DECAL, OVERLAY TRIM STRIP - MOUNTING BRACKET
7	29220		1,1,,	SHAFT, STEERING WHEEL (20 DEGREES)
	25890		,,1,1	SHAFT, STEERING WHEEL (90 DEGREES)
8	12-25897		1,1,1,1	WASHER, SHAFT TO GEAR RACK HOUSING
9	23-25901		2,2,2,2	BUSHING, GEAR RACK HOUSING - SPLINED
10	25884		2,2,2,2	HOUSING, GEAR RACK
11	25887		1,1,1,1	RACK, GEAR
12	25895A1		1,1,1,1	TUBE ASSEMBLY, GEAR RACK (CABLE END)
13	25896		1,1,1,1	TUBE, GEAR RACK (OPEN END)
14	26059		1,1,1,1	CAP, RUBBER - GEAR RACK TUBE (OPEN END)
15	25898		1,1,1,1	PINION, GEAR RACK
16	10-20784		6,6,6,6	SCREW, GEAR RACK HOUSING CLAMPING (1/4-28)
17	10-24217		1,1,1,1	SCREW, GEAR RACK HOUSING CLAMPING (3/8-24)
18	11-46887		6,6,6,6	NUT, GEAR RACK HOUSING CLAMPING SCREW (1/4-28)
19	11-49197		1,1,1,1	NUT, GEAR RACK HOUSING CLAMPING SCREW (3/8-24)
20	12-27966		1,1,1,1	WASHER, LOWER - STEERING WHEEL HOUSING BOLT
21	11-23161		1,1,1,1	NUT, STEERING WHEEL TO HOUSING BOLT
22	29215		1,1,,	BRACKET, GEAR RACK HOUSING (20 DEGREES)
22A	29398		,,1,1	BRACKET, GEAR RACK HOUSING (90 DEGREES)
23	10-29222		1,1,1,1	SCREW, BRACKET TO GEAR RACK HOUSING
24	23-29210		1,1,,	SPACER, BRACKET TO GEAR RACK HOUSING SCREW
	23-29397		,,1,1	SPACER, BRACKET TO GEAR RACK HOUSING SCREW
25	12-25909		1,1,1,1	WASHER, BRACKET TO GEAR RACK HOUSING SCREW
26	11-20509		1,1,1,1	NUT, BRACKET TO GEAR RACK HOUSING SCREW
27	10-22040		2,2,,	SCREW, STEERING BRACKET TO SPACER (1 1/2")
	10-20705		,,2,2	SCREW, STEERING BRACKET TO SPACER (3/4")
28	23-29209		2,2,2,2	SPACER, STEERING BRACKET STUD TO SCREW
29	12-20959		2,2,2,2	WASHER, STEERING BRACKET SPACER

CONTINUED ON NEXT PAGE ➡

RIDE-GUIDE STEERING KIT A

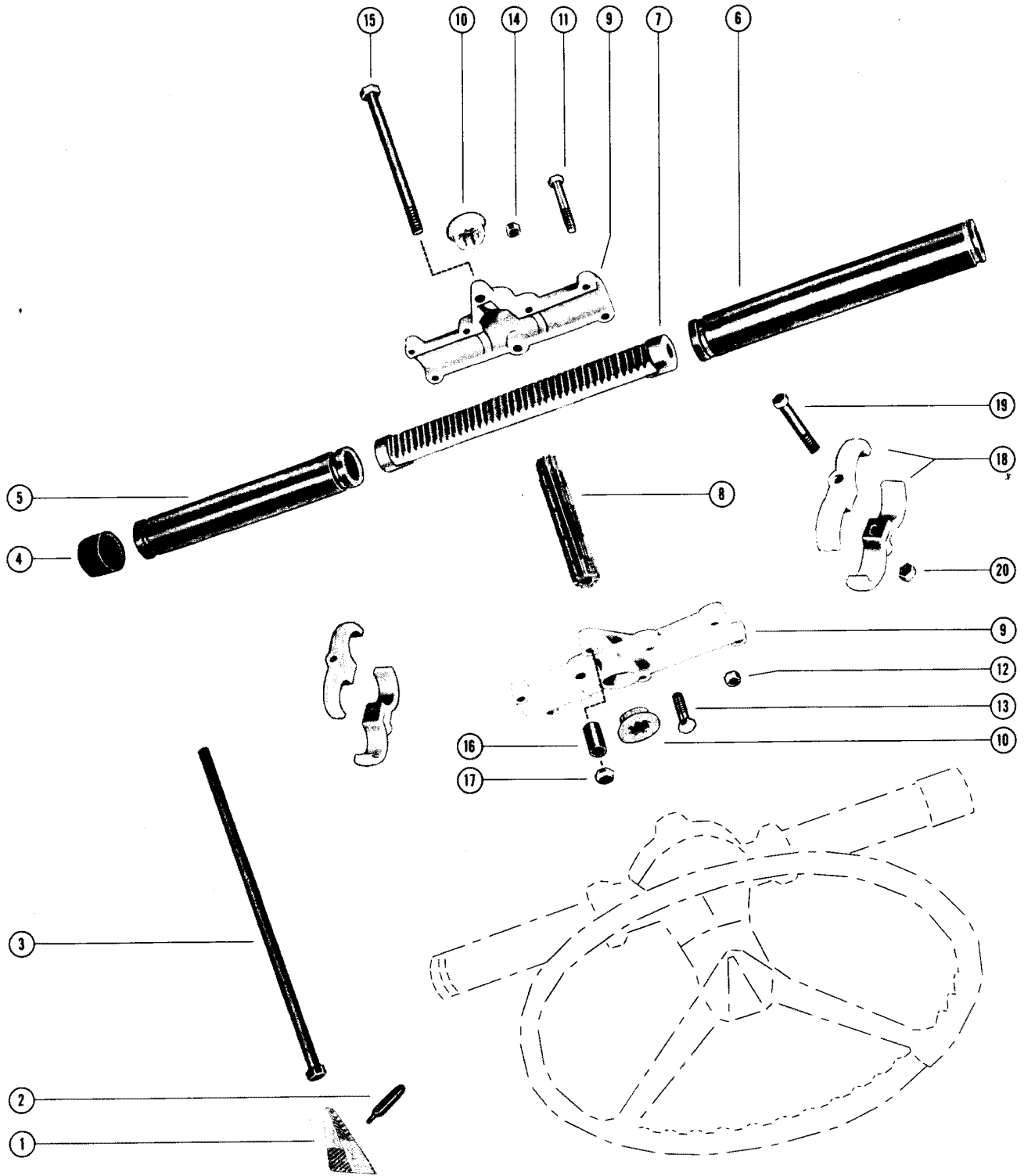


RIDE-GUIDE STEERING KIT A

REF. NO.	PART NO.	SYM.	QTY.	DESCRIPTION
30	11-21612		2,2,2,2	NUT, STEERING BRACKET SPACER
31	16-21831		2,2,2,2	STUD, SPACER TO STEERING BRACKET (1 1/4")
32	16-29208		1,1,1,1	STUD, STEERING BRACKET MOUNTING (2 1/2")
33	12-26825		1,1,1,1	WASHER, STEERING BRACKET MOUNTING STUD
34	11-21528		1,1,1,1	NUT, STEERING BRACKET MOUNTING STUD

C-32401A1 AND C-32402A1 STEERING WHEEL ASSEMBLIES CAN BE USED WITH EITHER C-32399A1, C-32399A2, C-32400A2 STEERING KITS, DEPENDING ON WHETHER 20 DEGREES OR 90 DEGREES IS DESIRED. EACH UNIT MUST BE ORDERED SEPARTATELY

SUPER RIDE-GUIDE STEERING KIT



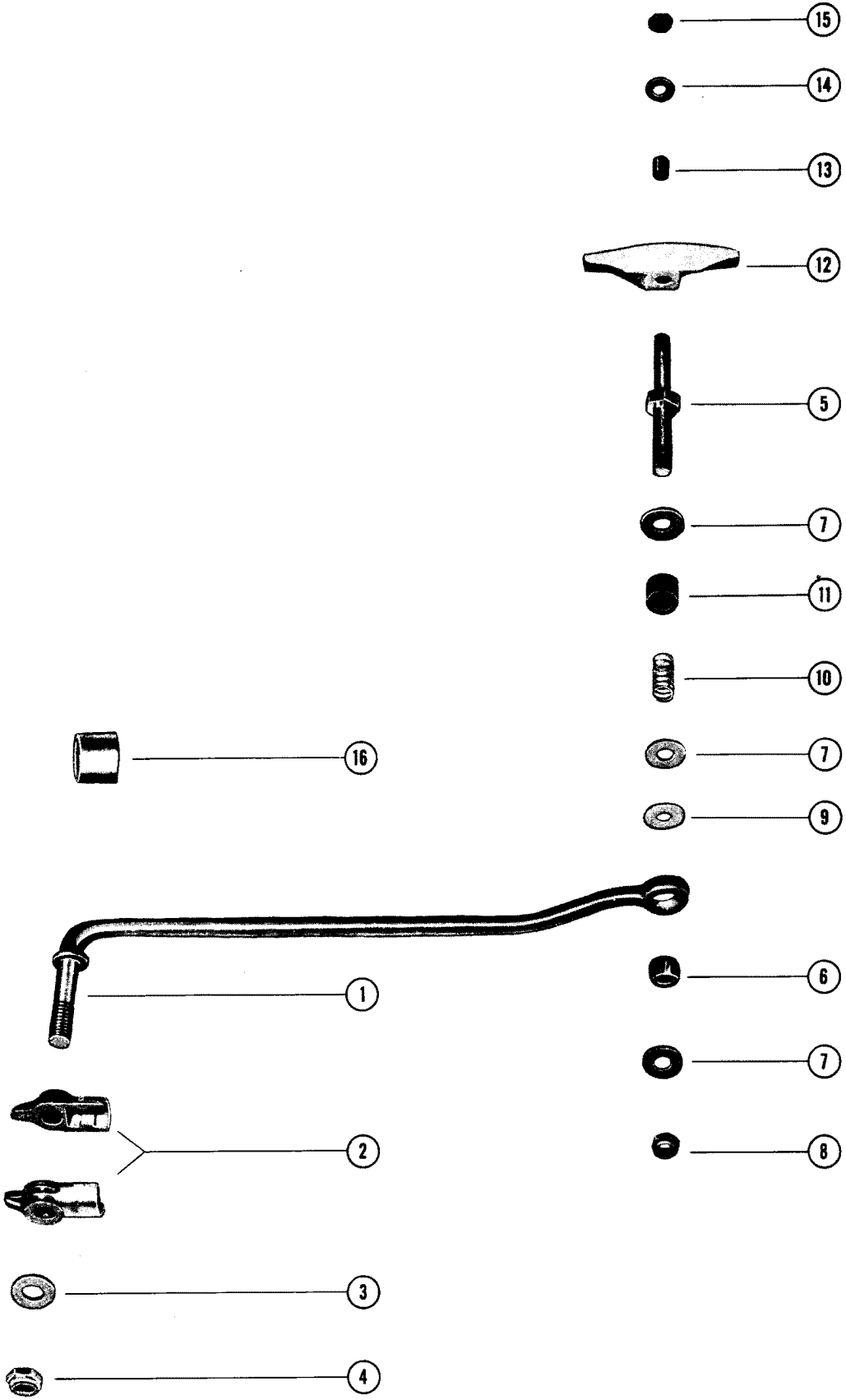
SUPER RIDE-GUIDE STEERING KIT

REF. NO.	PART NO.	SYM.	QTY.	DESCRIPTION
-	31217A1		1,	SUPER RIDE-GUIDE STEERING KIT SEE NOTES
-	31217A2		,1	SUPER RIDE-GUIDE STEERING KIT SEE NOTES
1	38-29088		1,1	PLATE, NAME (RIDE-GUIDE)
2	92-30835		1,1	TUBE, ADHESIVE CAPSULE - NAME PLATE FASTENING
3	10-31222		1,1	BOLT, STEERING WHEEL TO GEAR RACK HOUSING
	10-35569		,1	BOLT, STEERING WHEEL TO GEAR RACK HOUSING
4	26059		1,1	CAP, RUBBER - GEAR RACK TUBE (OPEN END)
5	25896		1,1	TUBE, GEAR RACK (OPEN END)
6	25895		1,1	TUBE, GEAR RACK (CABLE END)
7	25887		1,1	RACK, GEAR
8	31221		1,1	PINION, GEAR RACK TO GEAR RACK
9	25884		2,2	HOUSING, GEAR RACK
10	23-25901		2,2	BUSHING, NYLON - GEAR RACK HOUSING
11	10-20784		6,6	SCREW, GEAR RACK HOUSING CLAMPING (1/4")
12	11-20361		6,6	NUT, GEAR RACK HOUSING CLAMPING SCREW (1/4")
13	10-24217		1,1	SCREW, GEAR RACK HOUSING CLAMPING (3/8")
14	11-20509		1,1	NUT, GEAR RACK HOUSING CLAMPING SCREW (3/8")
15	10-31220		1,1	SCREW, GEAR RACK HOUSING TO BRACKET
16	23-31219		1,1	SPACER, GEAR RACK HOUSING TO BRACKET SCREW
17	11-20509		1,1	NUT, GEAR RACK HOUSING TO BRACKET SCREW FASTENING
18	31218		4,4	BRACKET, GEAR RACK TUBE TO GEAR RACK TUBE
19	10-22039		2,2	SCREW, GEAR RACK TUBE BRACKET CLAMPING
20	11-20102		2,2	NUT, GEAR RACK TUBE BRACKET CLAMPING SCREW

C-29071A1, C-29401A1, C-31269A1, C-31331A1, C-32401A1, C-32402A1, C-32401A1, C-32402A1=STEERING WHEEL ASSEMBLY

C-32401A, C-32402A1, C-32401A1, C-32402A1=STEERING WHEEL ASSEMBLY (DOES NOT INCLUDE C-323991A STEERING KIT (20 DEG.) AND MUST BE ORDERED SEPARTELY- SEE RIDE-GUIDE STEERING WHEEL ASSEMBLY

RIDE-GUIDE ATTACHING KIT A

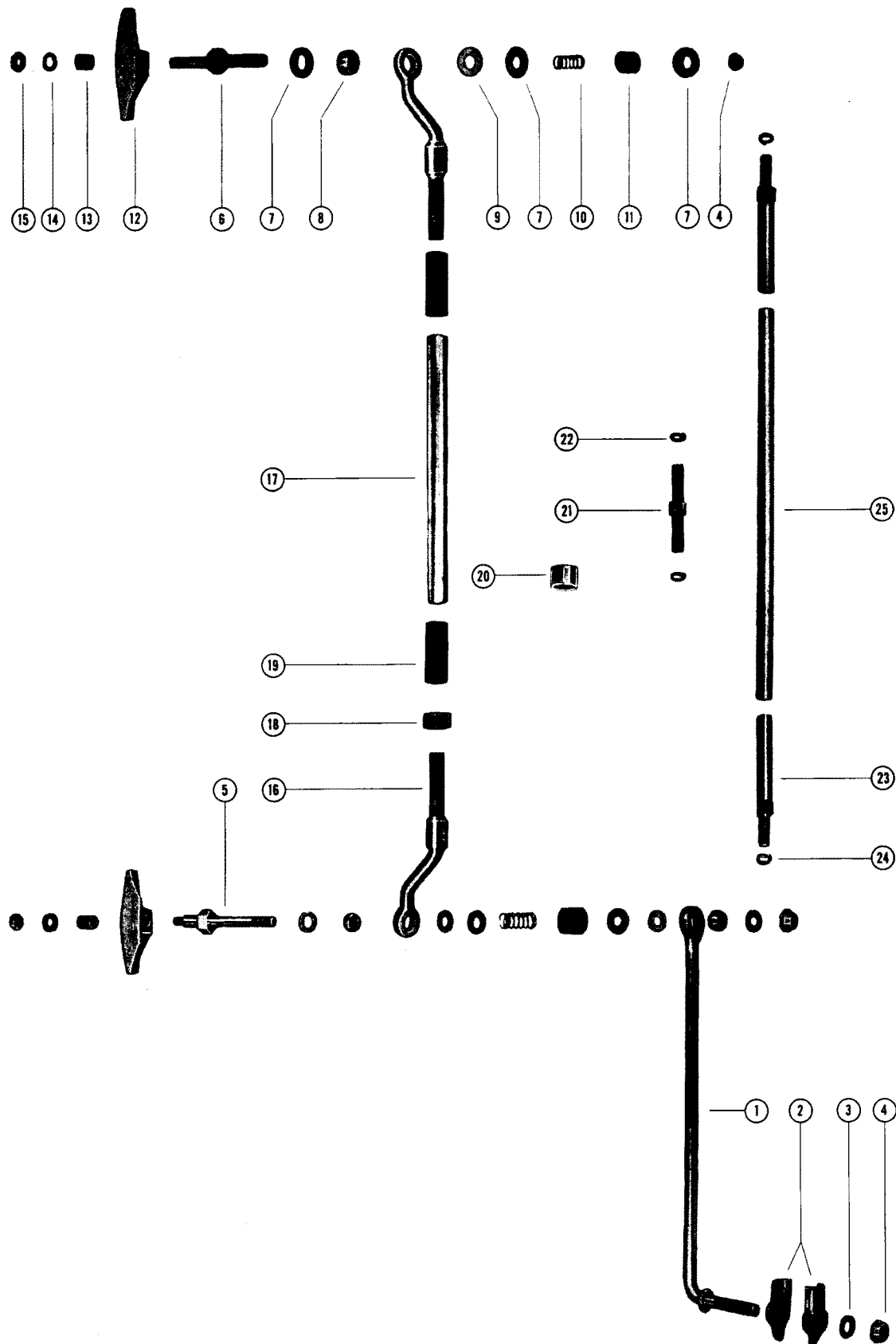


RIDE-GUIDE ATTACHING KIT A

REF. NO.	PART NO.	SYM.	QTY.	DESCRIPTION
-	29782A1		1,,,	RIDE-GUIDE ATTACHMENT KIT (3/4" OD) - SINGLE
-	30151A1		,1,,	RIDE-GUIDE ATTACHMENT KIT (3/4" OD) - SINGLE
-	30151A2		,,1,	RIDE-GUIDE ATTACHMENT KIT (7/8" OD) - SINGLE
-	30775A1		,,,1	RIDE-GUIDE ATTACHMENT KIT (7/8" OD) - SINGLE
1	29332		1,1,,1	ROD, STEERING LINK
	29332A5		,,1,	ROD, STEERING LINK
2	27872		2,2,,2	COUPLER, CABLE END
3	12-20086		1,1,1,1	WASHER, STEERING LINK ROD
4	11-20509		1,1,,1	NUT, STEERING LINK ROD
5	17-29697		1,,,	PIN, PIVOT
	17-30082		,,,1	PIN, PIVOT
6	29698		1,1,1,1	BALL, STEEL - PIVOT PIN TO LINK ROD
7	12-25909		3,3,3,3	WASHER, PIVOT PIN
8	11-20509		1,1,1,1	NUT, PIVOT PIN FASTENING (LOWER)
9	12-29330		1,1,1,1	WASHER, NYLON - PIVOT PIN
10	24-20510		1,1,1,1	SPRING, PIVOT PIN
11	23-25915		1,1,1,1	BUSHING, RUBBER - PIVOT PIN
12	28390		1,,,	BRACKET, LINK ROD TO BOTTOM COWL
	30081		,,,1	BRACKET, LINK ROD TO BOTTOM COWL
13	23-30079		1,,,	SLEEVE, SPACER - PIVOT PIN
14	12-20722		1,,,	WASHER, PIVOT PIN (UPPER)
15	11-20102		1,,,	NUT, PIVOT PIN FASTENING (UPPER)
	11-20696		,,,1	NUT, PIVOT PIN FASTENING (UPPER)
16	25955		1,1,,	CAP, TILT TUBE - OPEN END (3/4" OD)
	30744		,1,1,1	CAP, TILT TUBE - OPEN END (7/8" OD)

NOTE: THE A-23-30079 SPACER SLEEVE IS REQUIRED ONLY ON 4 AND 6 CYLINDER ENGINES WHERE WIDTH OF MOUNTING HOLE IN BOTTOM COWL WAS ENLARGED FROM 5/16 TO 29/64" DIAMETER

RIDE-GUIDE ATTACHING KIT B



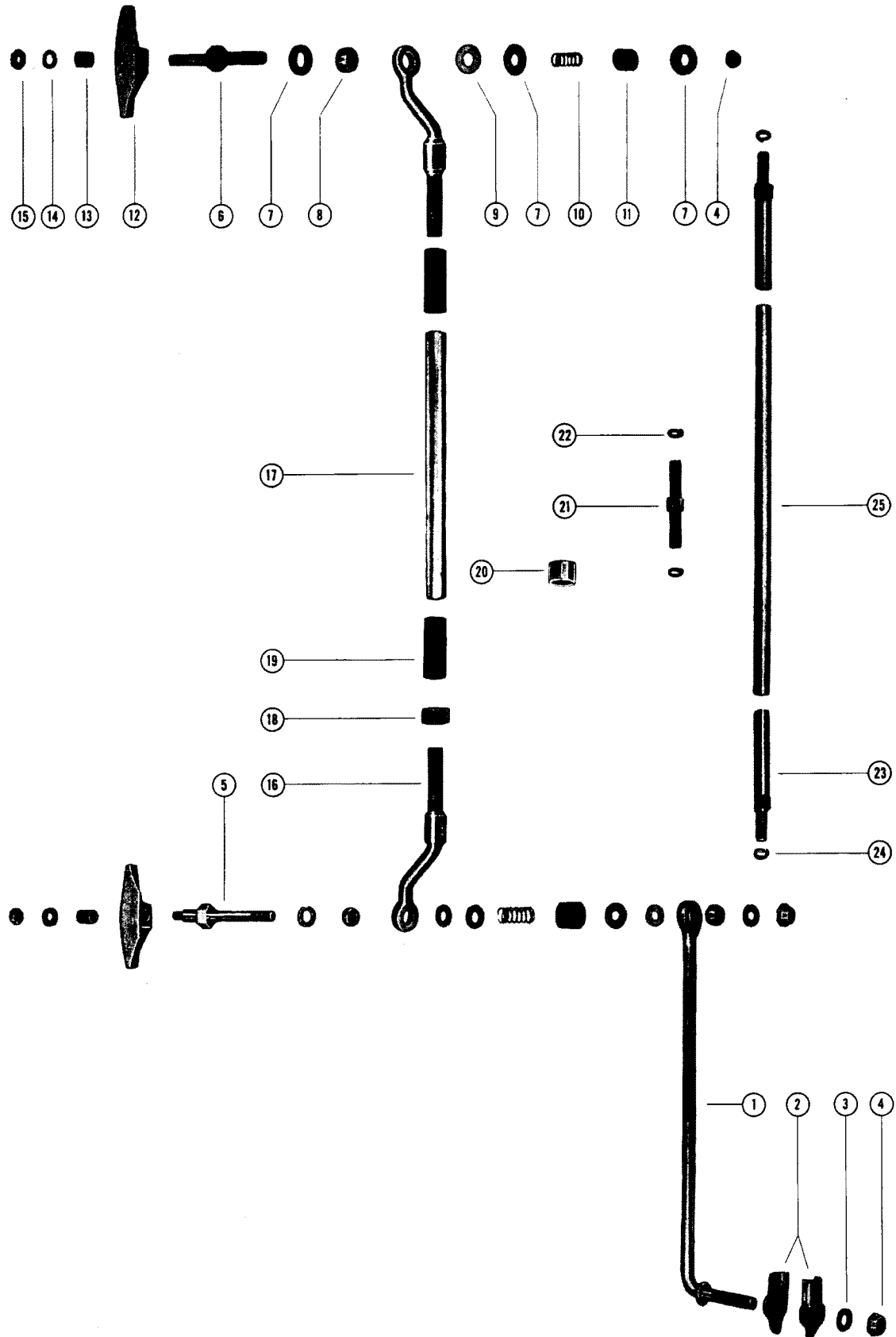
RIDE-GUIDE ATTACHING KIT B

REF. NO.	PART NO.	SYM.	QTY.	DESCRIPTION
-	29781A1		1,,,,,	RIDE-GUIDE ATTACHMENT KIT (3/4" OD) - DUAL
-	30372A1	◇	,1,,,,	RIDE-GUIDE ATTACHMENT KIT (3/4" OD) - DUAL
-	38619A1		,,1,,,,	RIDE-GUIDE ATTACHMENT KIT (7/8" OD) - DUAL
-	30776A1		,,,1,,	RIDE-GUIDE ATTACHMENT KIT (7/8" OD) - DUAL
-	39128A1		,,,1,,	RIDE-GUIDE ATTACHMENT KIT (7/8" OD) - DUAL
-	38619A2		,,,1,,	RIDE-GUIDE ATTACHMENT KIT (7/8" OD) - DUAL
1	30130A1		1,1,,1,,	STEERING LINK ROD ASSEMBLY
	29332A1		,,1,,1,1	STEERING LINK ROD ASSEMBLY
2	27872		2,2,2,,	COUPLER, CABLE END
3	12-20086		1,1,,1,,	WASHER, STEERING LINK ROD
4	11-20509		3,3,3,3,	NUT, COUPLER ADJUST AND PIVOT PIN OR SCREW (LOWER)
5	17-29696		1,,,,,	PIN, PIVOT - CONTROL ENGINE
	17-30371		,1,,,,	PIN, PIVOT - CONTROL ENGINE
	17-30083		,,,1,,	PIN, PIVOT - CONTROL ENGINE
	10-49220		,,1,,1,1	SCREW PIVOT CONTROL ENGINE
6	17-29697		1,,,,,	PIN, PIVOT - SECONDARY ENGINE
	17-30082		,,,1,,	PIN, PIVOT - SECONDARY ENGINE
	10-49220		,,1,,1,1	SCREW PIVOT - SECONDARY ENGINE
7	12-25909		7,7,,7,,	WASHER, PIVOT PIN OR SCREW
	12-25909		,,4,,4,4	WASHER, PIVOT PIN OR SCREW
	12-20086		,,1,,1,1	WASHER, PIVOT SCREW
8	29698		3,3,3,3,	BALL, STEEL - PIVOT PIN OR SCREW
9	12-29330		3,3,3,3,	WASHER, NYLON - PIVOT PIN OR SCREW
	12-29330		,,,2,,	WASHER, NYLON - PIVOT PIN OR SCREW
10	24-20510		2,2,2,2,	SPRING, PIVOT PIN OR SCREW
11	23-25915		2,2,2,2,	BUSHING, RUBBER - PIVOT PIN OR SCREW
12	28390		2,,,,,	BRACKET, PIVOT PIN TO BOTTOM COWL
	30081		,,,2,,	BRACKET, PIVOT PIN TO BOTTOM COWL
13	23-30079		2,,,,,	SLEEVE, SPACER - PIVOT PIN (UPPER) SEE NOTES
	23-36534		,,1,,1,1	SPACER, SCREW (UPPER)
14	12-20722		2,,,,,	WASHER, PIVOT PIN (UPPER)
15	11-20102		2,,,,,	NUT, PIVOT PIN (UPPER)
	11-20696		,,,2,,	NUT, PIVOT PIN (UPPER)
16	29744A1		2,2,2,,	LINK, DUAL CONTROL ADJUSTING
	39129A1		,,,1,,	EYE ASSEMBLY, DUAL CONTROL ADJUSTING STBD
	38624A1		,,1,,,1	EYE ASSEMBLY, DUAL CONTROL ADJUSTING STBD
	39130A1		,,,1,,	EYE ASSEMBLY, DUAL CONTROL ADJUSTING PORT
	38625A1		,,1,,,1	EYE ASSEMBLY, DUAL CONTROL ADJUSTING PORT
17	27973		1,1,1,1,1,	COUPLING, ADJUSTING- DUAL CONTROL
18	11-22496		1,1,1,1,1,	NUT, ADJUST COUPLING
19	26675		2,2,,2,,	BOOT, RUBBER - ADJUSTING LINK AND COUPLING
20	25955		1,1,,,,	CAP, PLASTIC - TILT TUBE (3/4" OD)

◇ = ALSO USED WITH 7/8" OD CABLE.

CONTINUED ON NEXT PAGE ➡

RIDE-GUIDE ATTACHING KIT B



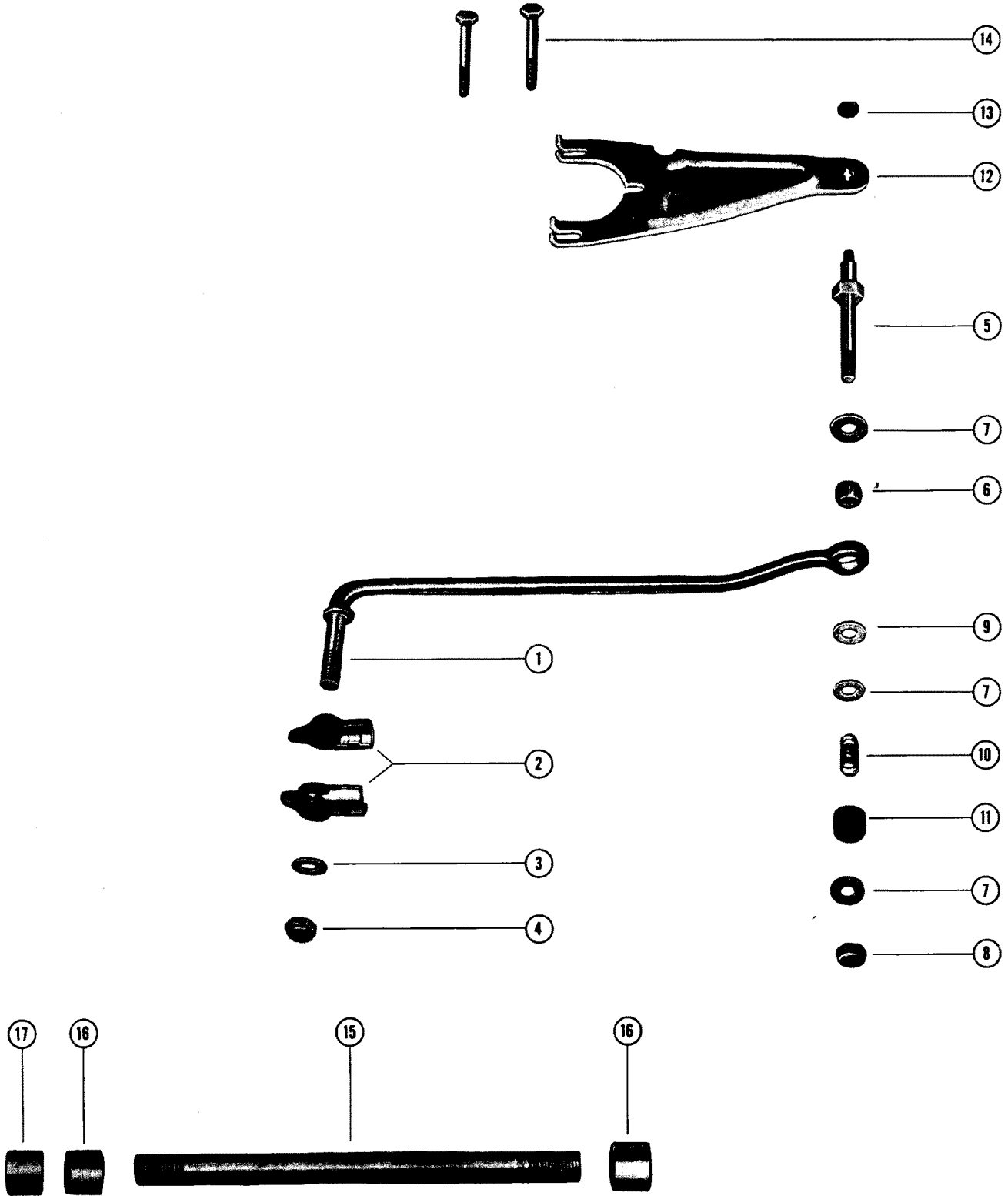
RIDE-GUIDE ATTACHING KIT B

REF. NO.	PART NO.	SYM.	QTY.	DESCRIPTION
20	30744		,1,,1,,	CAP, PLASTIC - TILT TUBE (7/8" OD)
21	30352A1	■	AR,AR,AR,A	COUPLER ASSEMBLY, EXTENSION LINK ROD
22	13-30381		2,2,2,2,2,	LOCKWASHER, COUPLER ASSEMBLY
23	30351A1	■	AR,AR,AR,A	BAR ASSEMBLY (4" EXTENSION)
24	13-30381		1,1,1,1,1,	LOCKWASHER, EXTENSION BAR ASSEMBLY
25	30353	■	AR,AR,AR,A	ROD, LINK (16" EXTENSION)

THE A-23-30079 SPACER SLEEVE IS REQUIRED ONLY ON 4 & 6 CYLINDER ENGINES WHERE WIDTH OF MOUNTING HOLE IN BOTTOM COWL WAS ENLARGED FROM 5/16" TO 29/64" DIAMETER

■ = ADDITIONAL EXTENSION PARTS ARE NOT INCLUDED WITH ATTACHING KIT AND ORDERED "AS REQUIRED"

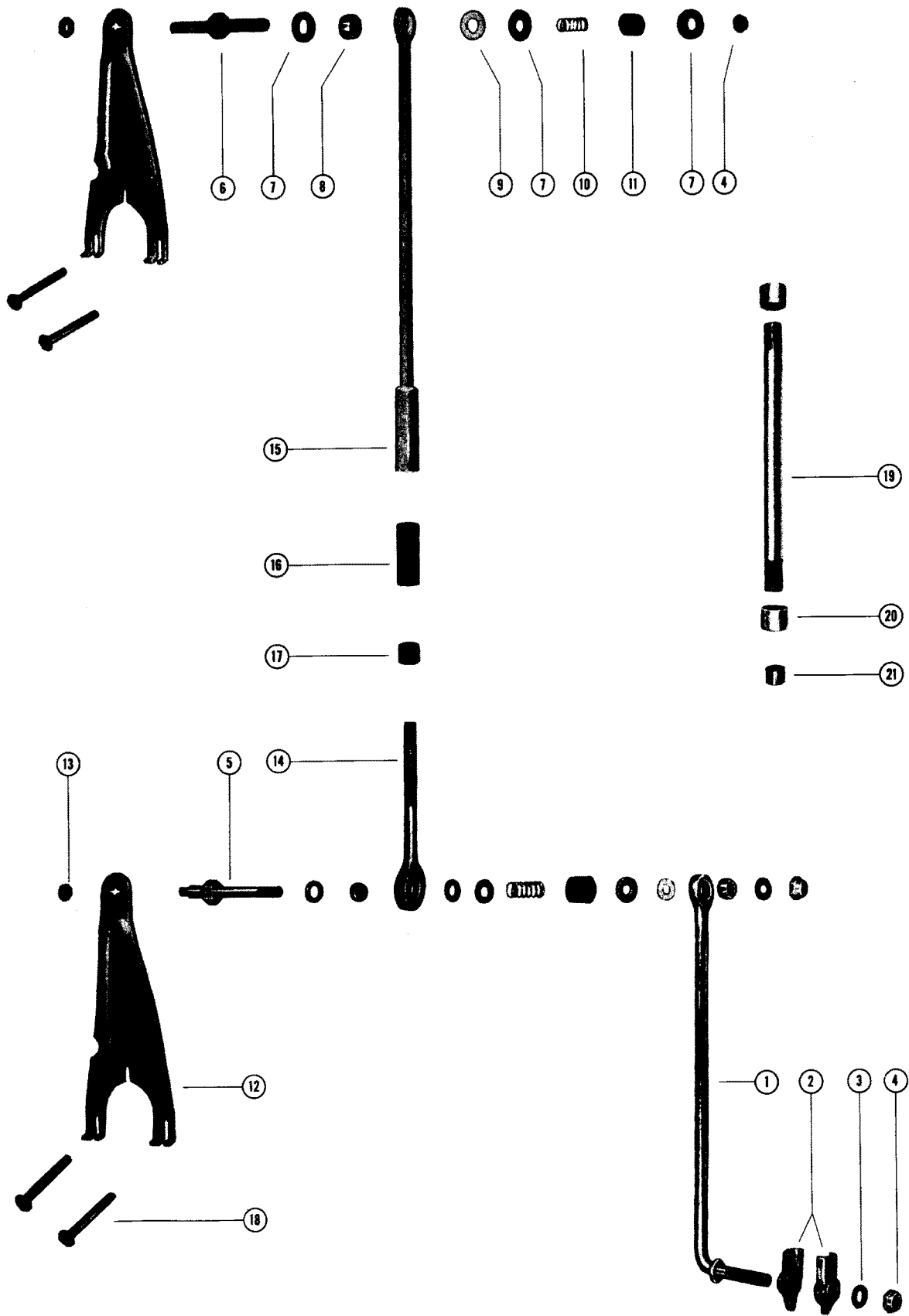
RIDE-GUIDE ATTACHING KIT C



RIDE-GUIDE ATTACHING KIT C

REF. NO.	PART NO.	SYM.	QTY.	DESCRIPTION
-	29749A1		1	RIDE-GUIDE ATTACHMENT KIT (3/4" OD) - SINGLE
1	29748A1		1	STEERING LINK ROD ASSEMBLY
2	27872		2	COUPLER, CABLE END
3	12-20086		1	WASHER, STEERING LINK ROD
4	11-20509		1	NUT, STEERING LINK ROD
5	17-29745		1	PIN, PIVOT
6	29698		1	BALL, STEEL - PIVOT PIN TO LINK ROD
7	12-25909		3	WASHER, PIVOT PIN
8	11-20509		1	NUT, PIVOT PIN FASTENING (LOWER)
9	12-29330		1	WASHER, NYLON - PIVOT PIN
10	24-20510		1	SPRING, PIVOT PIN
11	23-25915		1	BUSHING, RUBBER - PIVOT PIN
12	28689		1	BRACKET, LINK ROD TO BOTTOM COWL
13	11-20102		1	NUT, PIVOT PIN FASTENING (UPPER)
14	10-21937		2	SCREW, STEERING BRACKET TO SADDLE (2")
15	28122		1	TUBE, TILT - CLAMP AND SWIVEL BRACKET (3/4" OD)
16	23-25904		2	SPACER, TILT TUBE (3/4" OD)
17	25955		1	CAP, TILT TUBE - OPEN END (3/4" OD)

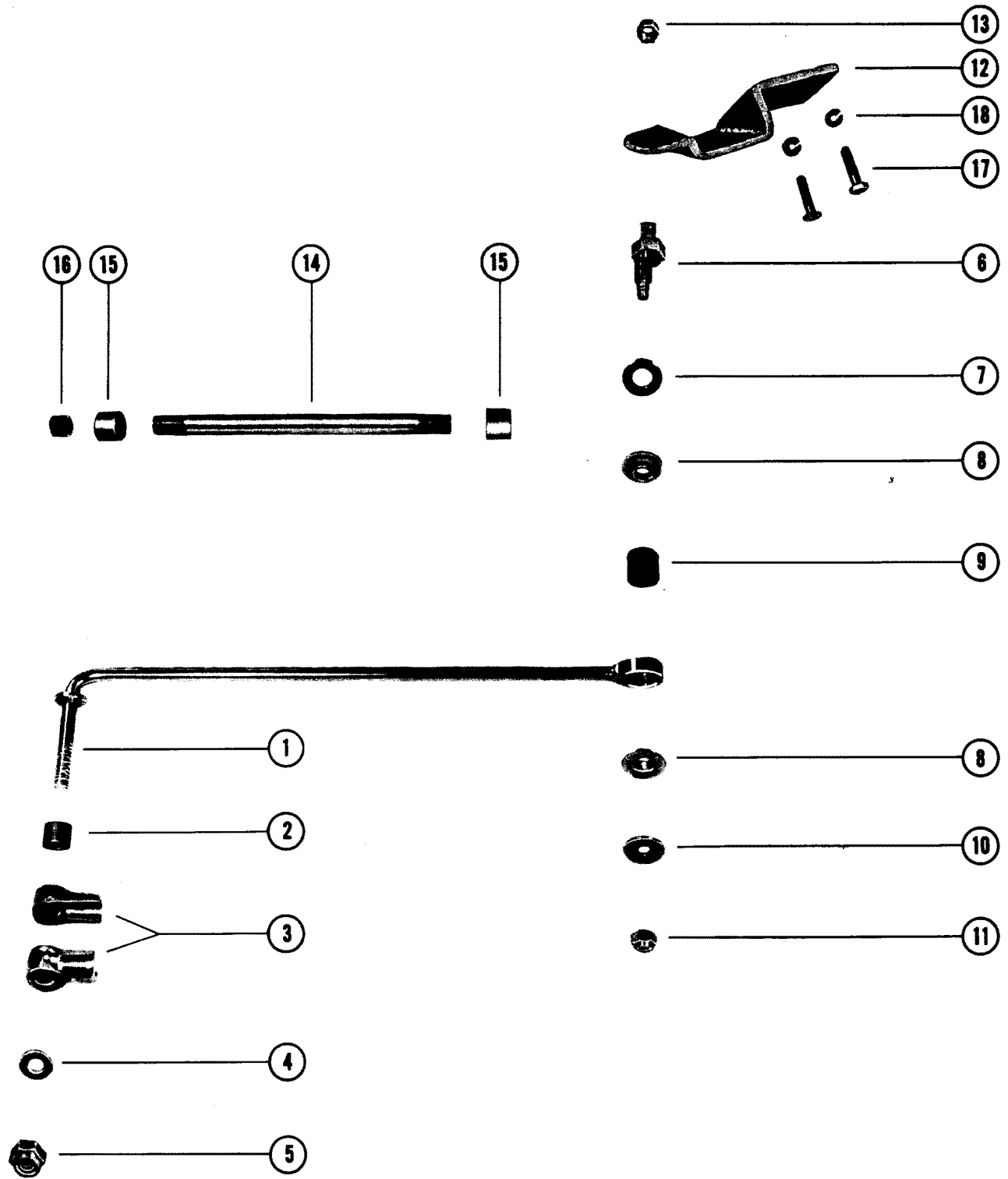
RIDE-GUIDE ATTACHING KIT D



RIDE-GUIDE ATTACHING KIT D

REF. NO.	PART NO.	SYM.	QTY.	DESCRIPTION
-	29750A1		1	RIDE-GUIDE ATTACHMENT KIT (3/4" OD) - DUAL
1	29748A1		1	STEERING LINK ROD ASSEMBLY
2	27872		2	COUPLER, CABLE END
3	12-20086		1	WASHER, STEERING LINK ROD
4	11-20509		3	NUT, COUPLER ADJUST AND PIVOT PIN (LOWER)
5	17-29746		1	PIN, PIVOT - CONTROL ENGINE
6	17-29745		1	PIN, PIVOT - SECONDARY ENGINE
7	12-25909		7	WASHER, PIVOT PIN
8	29698		3	BALL, STEEL - PIVOT PIN
9	12-29330		3	WASHER, NYLON - PIVOT PIN
10	24-20510		2	SPRING, PIVOT PIN
11	23-25915		2	BUSHING, RUBBER - PIVOT PIN
12	28689		2	BRACKET, PIVOT PIN TO BOTTOM COWL
13	11-20102		2	NUT, PIVOT PIN (UPPER)
14	29366		1	LINK, DUAL CONTROL ADJUSTING
15	29747A1		1	LINK, DUAL STEERING
16	26675		1	BOOT, RUBBER - ADJUSTING LINK AND COUPLING
17	32-29265		1	SPACER, DUAL STEERING LINK
18	10-21937		4	SCREW, STEERING BRACKET TO SADDLE (2")
19	28122		1	TUBE, TILT - CLAMP AND SWIVEL BRACKET (3/4" OD)
20	23-25904		2	SPACER, TILT TUBE (3/4" OD)
21	25955		1	CAP, PLASTIC - TILT TUBE (3/4" OD)

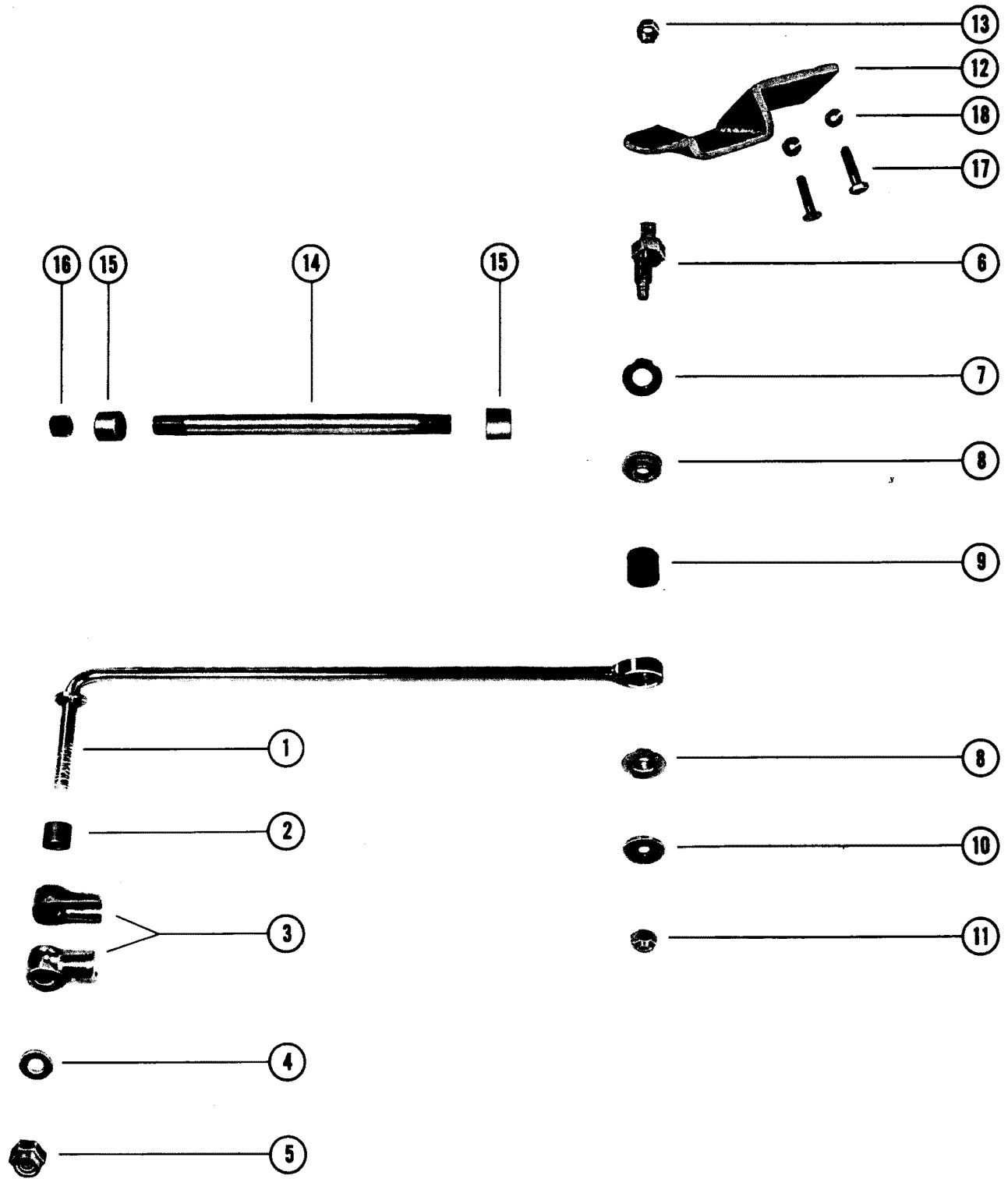
RIDE-GUIDE ATTACHING KIT E



RIDE-GUIDE ATTACHING KIT E

REF. NO.	PART NO.	SYM.	QTY.	DESCRIPTION
-	30773A2		1,	RIDE-GUIDE ATTACHMENT KIT (7/8" OD) - SINGLE
-	30773A3		,1	RIDE-GUIDE ATTACHMENT KIT (7/8" OD) - SINGLE
1	25902A5		1,	STEERING LINK ROD ASSEMBLY
	25902A11		,1	STEERING LINK ROD ASSEMBLY
2	23-35035		,1	SLEEVE, STEERING LINK ROD
3	25888		2,	COUPLER, CABLE END
4	12-20084		1,1	WASHER, STEERING LINK ROD
5	11-20102		1,1	NUT, STEERING LINK ROD
6	17-28692		1,1	PIN, ECCENTRIC PIVOT
7	12-25909		1,1	WASHER, PIVOT PIN
8	23-25907		2,2	BUSHING, NYLON - LINK ROD
9	23-25915		1,1	BUSHING, RUBBER - LINK ROD
10	12-25908		1,1	WASHER, PIVOT PIN (LOWER)
11	11-20361		1,1	NUT, PIVOT PIN FASTENING (LOWER)
12	34749		1,1	BRACKET, STEERING ARM
13	11-20102		1,1	NUT, PIVOT PIN FASTENING (UPPER)
14	30664		1,1	TUBE, TILT - CLAMP AND SWIVEL BRACKET (7/8" OD)
15	23-30981		2,2	SPACER, TILT TUBE
16	30744		1,1	CAP, TILT TUBE (OPEN END)
17	10-20540		2,	SCREW, BRACKET TO STEERING ARM (5/8")
	10-28635		,2	SCREW, BRACKET TO STEERING ARM (5/8")
18	13-26992		2,2	LOCKWASHER, BRACKET TO STEERING ARM SCREW

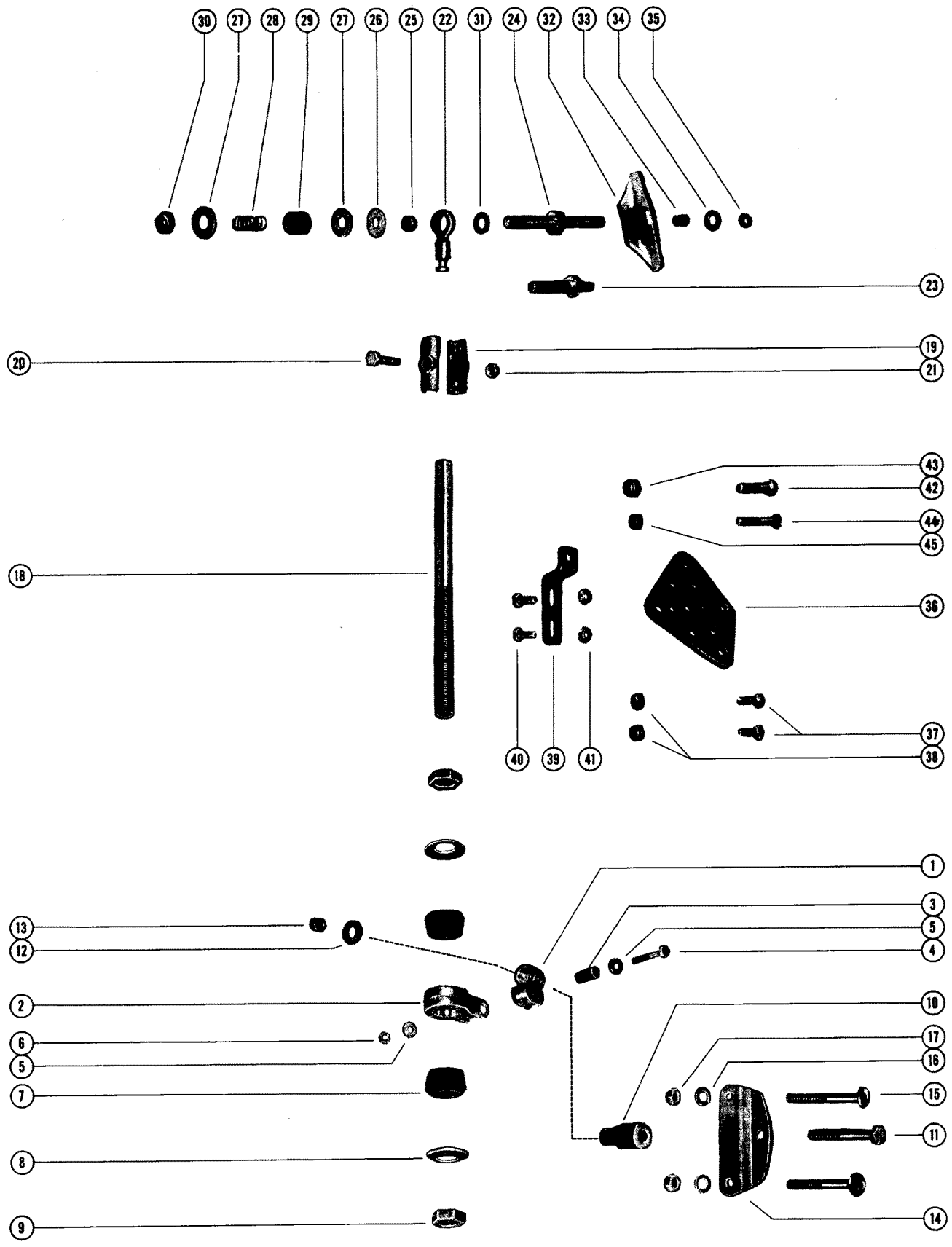
RIDE-GUIDE ATTACHING KIT F



RIDE-GUIDE ATTACHING KIT F

REF. NO.	PART NO.	SYM.	QTY.	DESCRIPTION
-	33968A4		1	RIDE-GUIDE ATTACHMENT KIT (7/8" OD) - SINGLE
1	33968A3		1	STEERING LINK ROD ASSEMBLY
3	27872		2	COUPLER, CABLE END
4	12-20086		1	WASHER, STEERING LINK ROD
5	11-20509		1	NUT, STEERING LINK ROD
6	17-33972		1	PIN, PIVOT
7	12-25909		1	WASHER, PIVOT PIN
8	23-25907		2	BUSHING, NYLON - LINK ROD
9	23-25915		1	BUSHING, RUBBER - LINK ROD
10	12-25908		1	WASHER, PIVOT PIN (LOWER)
11	11-30506		1	NUT, PIVOT PIN FASTENING (LOWER)
13	11-20102		1	NUT, PIVOT PIN FASTENING (UPPER)
16	30744		1	CAP, TILT TUBE (OPEN END)

UNIVERSAL RLDE-GUIDE SINGLE ATTACHING KIT A

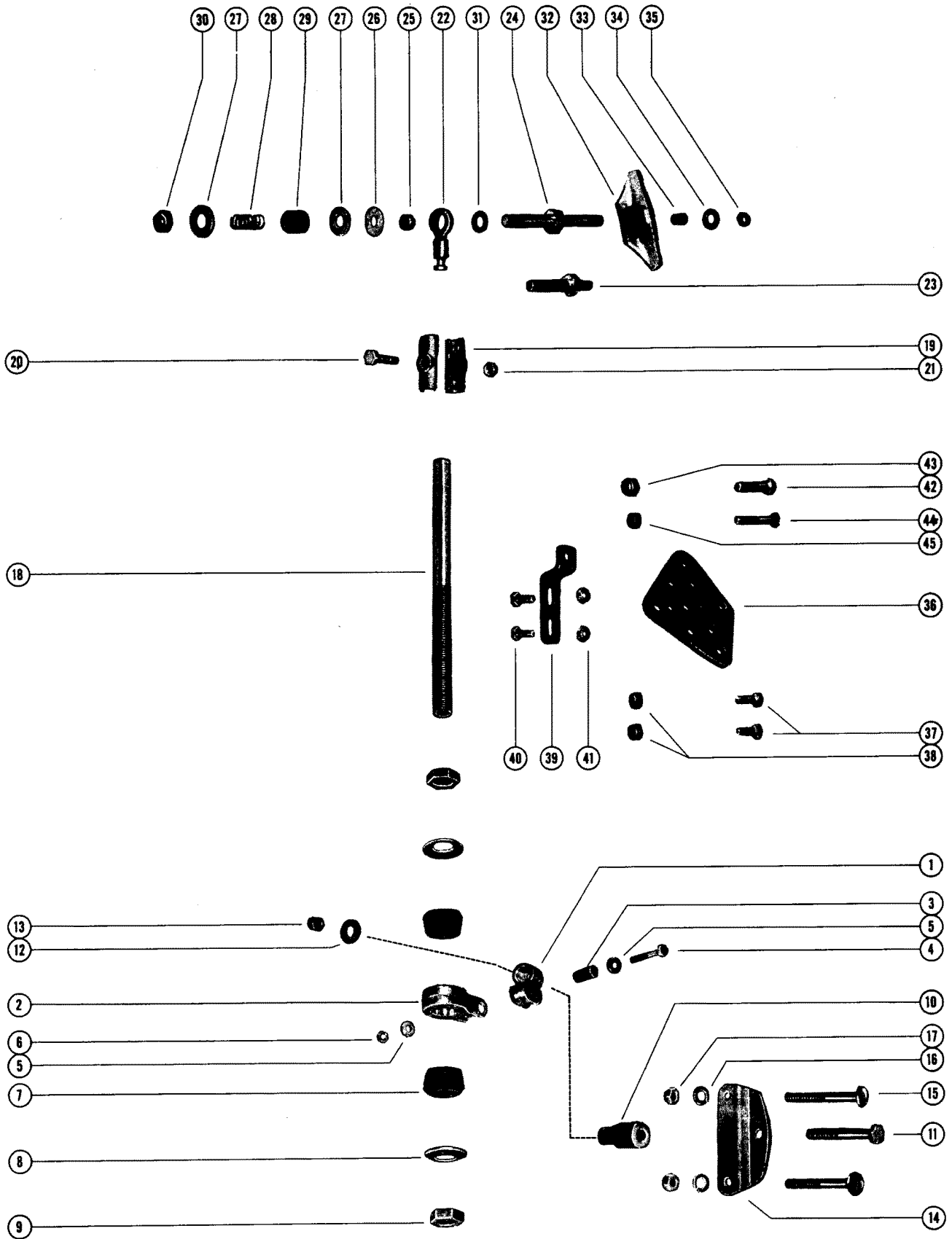


UNIVERSAL RLDE-GUIDE SINGLE ATTACHING KIT A

REF. NO.	PART NO.	SYM.	QTY.	DESCRIPTION
-	30084A1		1,,	UNIVERSAL RIDE-GUIDE ATTACHMENT KIT (3/4" OD) - SINGLE
-	30728A1		,1,	UNIVERSAL RIDE-GUIDE ATTACHMENT KIT (7/8" OD) - SINGLE
-	30728A2		,,1	UNIVERSAL RIDE-GUIDE ATTACHMENT KIT (7/8" OD) - SINGLE
-	28190A1		1,,	PIVOT BLOCK ASSEMBLY (3/4" OD)
-	28190A5		,1,1	PIVOT BLOCK ASSEMBLY (7/8" OD)
1	28190		1,1,1	BLOCK, PIVOT
2	27811		1,,	YOKE, PIVOT BLOCK (3/4" OD)
	30700		,1,1	YOKE, PIVOT BLOCK (7/8" OD)
3	23-27810		1,1,1	BUSHING, PIVOT BLOCK YOKE
4	10-20784		1,1,1	SCREW, PIVOT BLOCK TO YOKE
5	12-24664		2,2,2	WASHER, PIVOT BLOCK TO YOKE SCREW
6	11-20586		1,1,1	NUT, PIVOT BLOCK TO YOKE SCREW
7	23-27856		2,,	BUSHING, RUBBER - PIVOT BLOCK YOKE
8	12-27807		2,,	WASHER, CUPPED - CABLE GUIDE TUBE
9	11-20739		2,,	NUT, CABLE GUIDE TUBE ADJUSTING
	11-30708		,2,	NUT, CABLE GUIDE TUBE ADJUSTING
	11-37984		,,2	NUT, CABLE GUIDE TUBE ADJUSTING
10	23-28343		1,1,1	SPACER, PIVOT - TRANSOM BRACKET TO PIVOT BLOCK
11	10-29096		1,1,1	SCREW, TRANSOM BRACKET TO PIVOT BLOCK
12	12-21040		1,1,1	WASHER, PIVOT BLOCK SCREW
13	11-20509		1,1,1	NUT, PIVOT BLOCK FASTENING SCREW
14	30085		1,1,1	BRACKET, PIVOT BLOCK TO BOAT TRANSOM
15	10-26483		2,2,2	SCREW, BRACKET TO BOAT TRANSOM
16	13-26993		2,2,2	LOCKWASHER, BRACKET TO BOAT TRANSOM SCREW
17	11-21908		2,2,2	NUT, BRACKET TO BOAT TRANSOM SCREW
18	27805		1,,	TUBE, CABLE GUIDE (3/4" OD)
	30706		,1,	TUBE, CABLE GUIDE (7/8" OD)
	32-35015		,,1	TUBE, CABLE GUIDE (7/8" OD)
19	30108		2,2,	COUPLER, HALVES - CABLE END TO SOCKET END
	35854		,,2	COUPLER, HALVES - CABLE END TO SOCKET END (NOT AS SHOWN)
20	10-20639		1,1,	SCREW, COUPLER HALVES CLAMPING
	10-35855		,,2	SCREW, COUPLER HALVES CLAMPING
21	11-20102		1,1,	NUT, COUPLER HALVES CLAMPING SCREW
	11-20509		,,2	NUT, COUPLER HALVES CLAMPING SCREW
22	30105		1,1,	END, BALL SOCKET
	35856		,,1	END, BALL SOCKET
23	17-30093		1,1,1	PIN, PIVOT - BALL SOCKET END (SHORT)
24	17-29697		1,1,1	PIN, PIVOT - BALL SOCKET END (LONG)
25	29698		1,1,1	BALL, STEEL - BALL SOCKET END
26	12-29330		1,1,1	WASHER, NYLON - PIVOT PIN

CONTINUED ON NEXT PAGE ➡

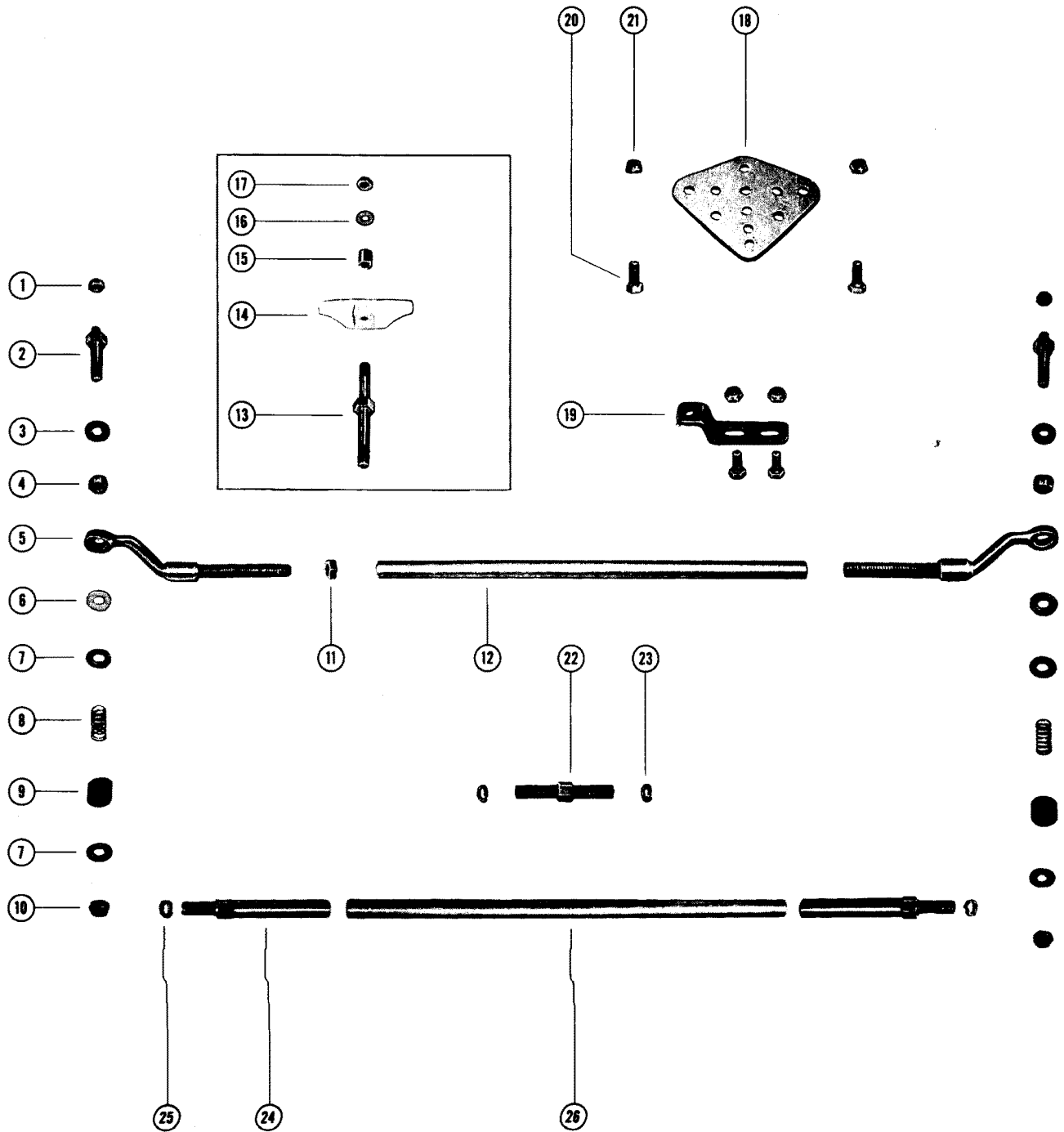
UNIVERSAL RLDE-GUIDE SINGLE ATTACHING KIT A



UNIVERSAL RLDE-GUIDE SINGLE ATTACHING KIT A

REF. NO.	PART NO.	SYM.	QTY.	DESCRIPTION
27	12-25909		2,2,2	WASHER, PIVOT PIN (LOWER)
28	24-20510		1,,	SPRING, PIVOT PIN
	24-20510		,1,1	SPRING, PIVOT PIN
29	23-25915		1,1,1	SLEEVE, RUBBER - PIVOT PIN
30	11-20509		1,1,1	NUT, PIVOT PIN FASTENING (LOWER)
31	12-20086		1,1,1	WASHER, PIVOT PIN (UPPER)
32	28390		1,1,1	BRACKET, PIVOT PIN TO BOTTOM COWL (MERCURY MODELS)
33	23-30079		1,1,1	SLEEVE, PIVOT PIN (UPPER)
34	12-20722		1,1,1	WASHER, PIVOT PIN (UPPER)
35	11-20102		1,1,1	NUT, PIVOT PIN FASTENING (UPPER)
36	30086		1,1,1	PLATE, PIVOT PIN TO ENGINE (COMPETITIVE MODELS)
37	10-20705		2,2,2	SCREW, PLATE TO COMPETITIVE STEERING BRACKET
38	11-20102		2,2,2	NUT, PLATE SCREW FASTENING
39	30251		1,1,1	BRACKET, EXTENSION - ENGINE PLATE
40	10-20705		2,2,2	SCREW, EXTENSION BRACKET TO PIVOT PIN PLATE
41	11-20102		2,2,2	NUT, EXTENSION BRACKET FASTENING SCREW
42	10-24217		1,1,1	SCREW, STEERING BRACKET TO ENGINE (3/8")
43	11-20509		1,1,1	NUT, STEERING BRACKET FASTENING SCREW (3/8")
44	10-21962		1,1,1	SCREW, STEERING BRACKET TO ENGINE (5/16")
45	11-20102		1,1,1	NUT, STEERING BRACKET FASTENING SCREW (5/16")

UNIVERSAL RIDE-GUIDE DUAL ATTACHING KIT

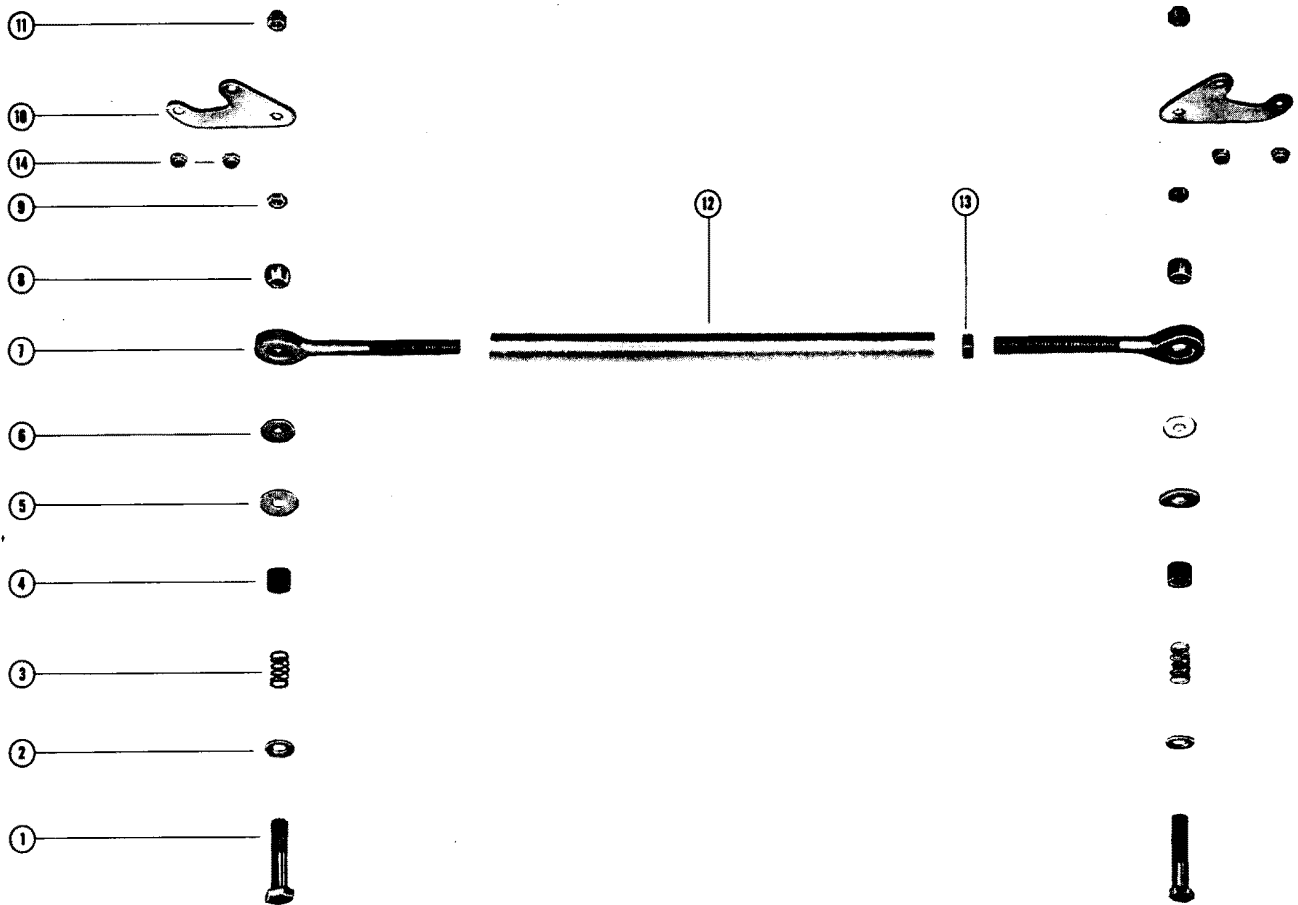


UNIVERSAL RIDE-GUIDE DUAL ATTACHING KIT

REF. NO.	PART NO.	SYM.	QTY.	DESCRIPTION
-	30354A1		1	UNIVERSAL RIDE-GUIDE ATTACHMENT KIT (DUAL)
1	11-20102		2	NUT, UPPER - PIVOT PIN
2	17-30093		2	PIN, PIVOT - ADJUSTING LINK (SHORT)
3	12-20086		2	WASHER, PIVOT PIN
4	29698		2	BALL, STEEL - ADJUSTING LINK
	29744A1		2	ADJUSTING LINK ASSEMBLY
6	12-29330		2	WASHER, NYLON - PIVOT PIN
7	12-25909		4	WASHER, LOWER - PIVOT PIN
8	24-20510		2	SPRING, PIVOT PIN
9	23-25915		2	SLEEVE, RUBBER - PIVOT PIN
10	11-20509		2	NUT, LOWER - PIVOT PIN
11	11-22496		1	NUT, LOCKING - ADJUSTING LINK
12	30353		1	ROD, LINK (16") - ENGINE EXTENSION
13	17-29697		1	PIN, PIVOT - ADJUSTING LINK
14	28390		1	BRACKET, PIVOT PIN TO COWL
15	23-30079		1	SLEEVE, SPACER - PIVOT PIN USE WITH MERCURY MODELS
16	12-20722		1	WASHER, UPPER - PIVOT PIN
17	11-20102		1	NUT, UPPER - PIVOT PIN
18	30086		1	PLATE, PIVOT PIN TO ENGINE (COMPETITIVE MODELS)
19	30251		2	BRACKET, EXTENSION - ENGINE PLATE
20	10-20705		5	SCREW, PLATE AND BRACKET FASTENING (3/4")
	10-26065		1	SCREW, PLATE AND BRACKET FASTENING (1")
	10-21962		1	SCREW, PLATE AND BRACKET FASTENING (1 1/2")
21	11-20102		5	NUT, PLATE AND BRACKET FASTENING SCREW
22	30352A1	■	AR	COUPLER ASSEMBLY, EXTENSION LINK ROD
23	13-30381		2	LOCKWASHER, COUPLER ASSEMBLY
24	30351A1	■	AR	BAR ASSEMBLY (4" EXTENSION)
25	13-30381		1	LOCKWASHER, EXTENSION BAR ASSEMBLY
26	30353	■	AR	ROD, LINK (16" EXTENSION)

■ = ADDITIONAL EXTENSION PARTS ARE NOT INCLUDED WITH ATTACHING KIT AND ORDERED "AS REQUIRED"

RIDE-GUIDE ATTACHING KIT G

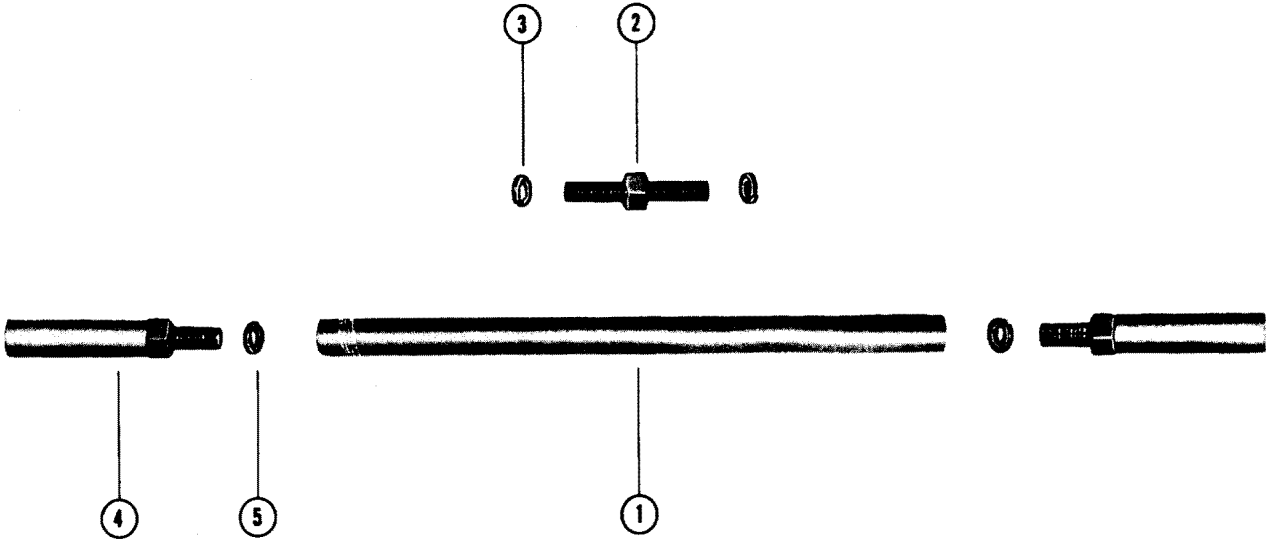


RIDE-GUIDE ATTACHING KIT G

REF. NO.	PART NO.	SYM.	QTY.	DESCRIPTION
-	30320A1		1,	RIDE-GUIDE ATTACHMENT KIT (DUAL - REAR INSTALLATION)
-	30320A2		,1	RIDE-GUIDE ATTACHMENT KIT (DUAL - REAR INSTALLATION)
1	10-30317		2,2	BOLT, PIVOT - LINK ROD TO STEERING PLATE
2	12-22248		2,2	WASHER, PIVOT BOLT
3	24-30316		2,2	SPRING, TENSION - PIVOT BOLT
4	23-30319		2,2	SLEEVE, RUBBER - PIVOT BOLT
5	12-30315		2,2	WASHER, PIVOT BOLT
6	12-30314		2,2	WASHER, NYLON - PIVOT BOLT
7	30309		2,2	ROD, STEERING LINK
8	30312		2,2	BALL, STEEL - PIVOT BOLT
9	11-22496		2,2	NUT, PIVOT BOLT - BALL AND SPRING TENSION
10	30313		2,	PLATE, STEERING - PIVOT BOLT
	37386		,2	PLATE, STEERING - PIVOT BOLT (NOT AS SHOWN)
11	11-22178		2,2	NUT, PIVOT BOLT TO PLATE (UPPER)
12	30310		1,1	ROD, LINK (16") - ENGINE EXTENSION
13	11-21612		2,2	NUT, EXTENSION LINK ROD LOCKING (STARBOARD ENGINE)
14	11-20509	▲	4,4	NUT, STEERING PLATE TO POWERHEAD STUDS

▲ = THINNER NUT FOR REPLACEMENT OF THICKER NUT ORIGINALLY USED ON PRODUCTION ENGINES.

ADDITIONAL EXTENSIONS FOR A-30320A1 & C-30320A2 ATTACH KIT

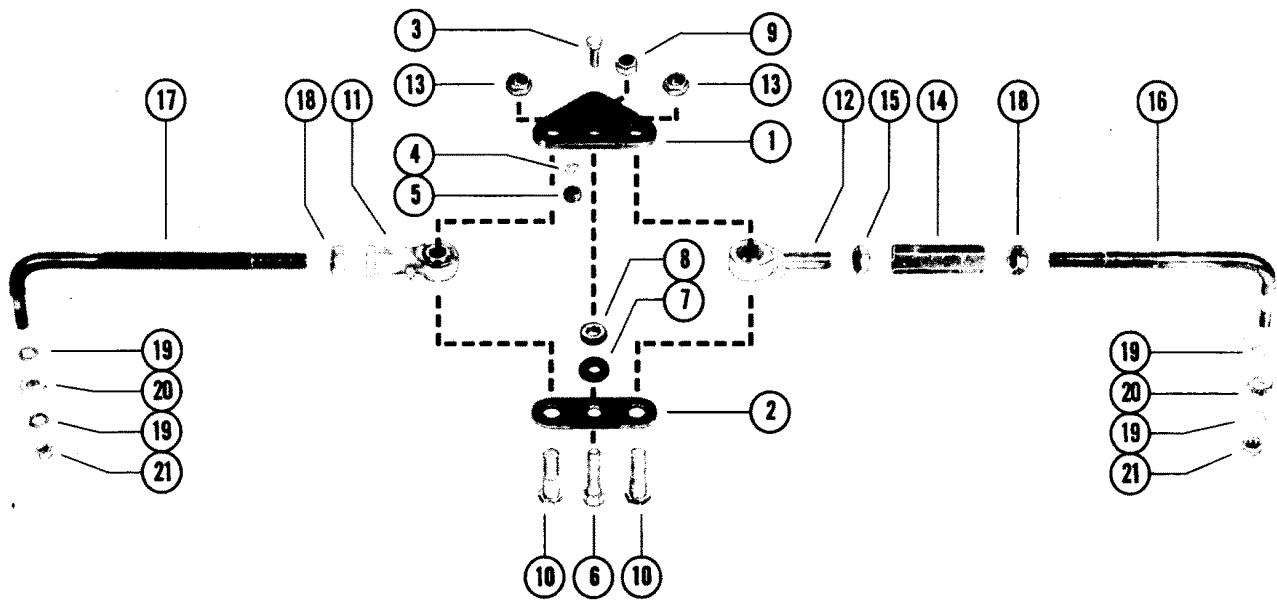


ADDITIONAL EXTENSIONS FOR A-30320A1 & C-30320A2 ATTACH KIT

REF. NO.	PART NO.	SYM.	QTY.	DESCRIPTION
1	30310	■	AR	ROD, LINK (16" EXTENSION)
2	30318A1	■	AR	C OUPLER ASSEMBLY, EXTENSION LINK ROD
3	13-22021		2	LOCKWASHER, COUPLER ASSEMBLY
4	30311A1	■	AR	BAR ASSEMBLY (4" EXTENSION)
5	13-22021		1	LOCKWASHER, EXTENSION BAR ASSEMBLY

■ = ADDITIONAL EXTENSION PARTS ARE NOT INCLUDED WITH ATTACHING KIT AND ORDERED "AS REQUIRED"

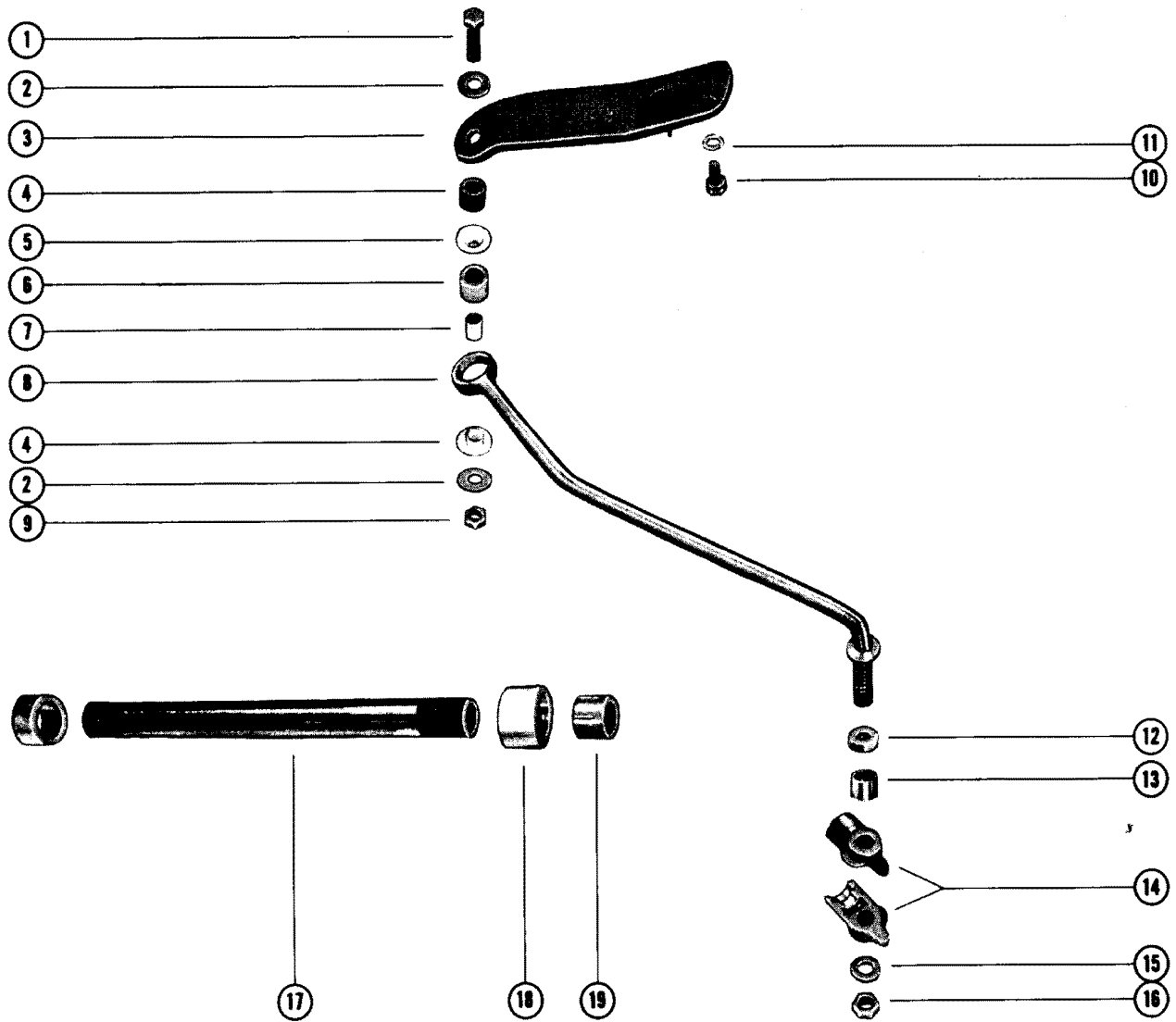
RIDE-GUIDE ATTACHING KIT H



RIDE-GUIDE ATTACHING KIT H

REF. NO.	PART NO.	SYM.	QTY.	DESCRIPTION
-	61403A1		1	RIDE GUIDE ATTACHING KIT (SEE NOTE)
1	61396		1	PLATE, TOP - STEERING ARM
2	61395		1	PLATE, BOTTOM - STEERING ARM
3	10-49006		1	SCREW, TOP PLATE TO STEERING ARM (3/4")
4	12-20546		1	WASHER, TOP PLATE TO STEERING ARM SCREW
5	11-46793		1	NUT, TOP PLATE TO STEERING ARM SCREW
6	10-52498		1	SCREW, BOTTOM AND TOP PLATE TO STEERING ARM (1 1/2")
7	12-32221		1	WASHER, STEERING ARM FASTENING SCREW
8	23-61398		1	SPACER, STEERING ARM FASTENING SCREW
9	11-20696		1	NUT, BOTTOM AND TOP PLATE TO STEERING ARM SCREW
10	10-60839		2	SCREW, ROD END TO STEERING PLATES (1 1/2")
11	61402		1	ROD END, FEMALE
12	61401		1	ROD END, MALE
13	11-20220		2	NUT, ROD END TO STEERING PLATES SCREW
14	61397		1	COUPLING, ROD END TO STEERING ROD
15	11-20166		1	NUT, JAM - ROD END TO COUPLING (LEFT HAND THREAD)
16	61399		1	ROD, STEERING LINK
17	61400		1	ROD, STEERING LINK
18	11-21612		2	NUT, JAM - STEERING LINK ROD (RIGHT HAND THREAD)
19	12-20086		4	WASHER, STEERING LINK ROD
20	23-36365		2	SPACER, STEERING LINK ROD
21	11-20509		2	NUT, STEERING LINK ROD

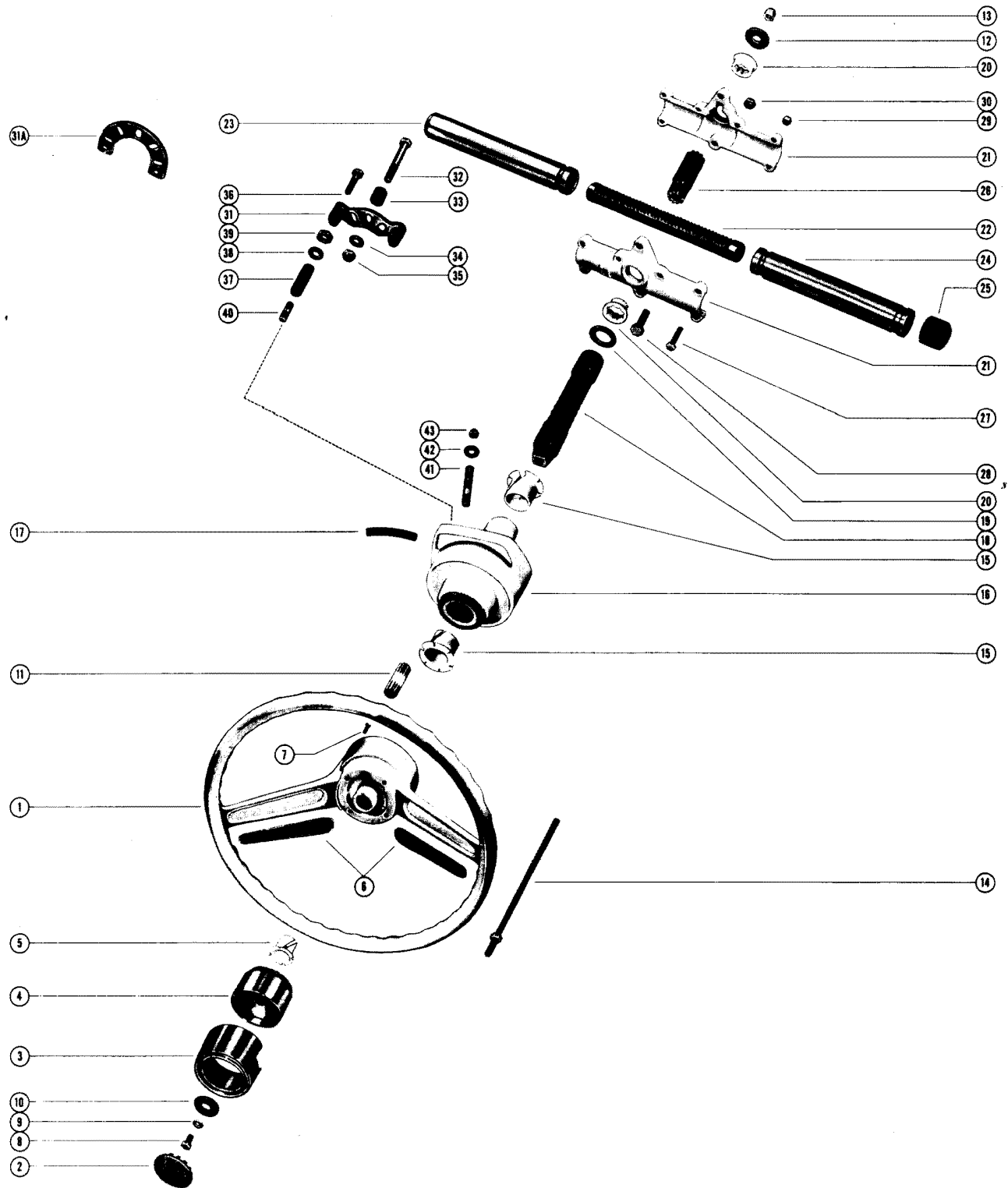
RIDE-GUIDE ATTACHING KIT I



RIDE-GUIDE ATTACHING KIT I

REF. NO.	PART NO.	SYM.	QTY.	DESCRIPTION
-	33785A1		1,	RIDE-GUIDE ATTACHMENT KIT (7/8" OD) - SINGLE
-	33785A2		,1	RIDE-GUIDE ATTACHMENT KIT (7/8" OD) - SINGLE
1	10-20639		1,	SCREW, STEERING LINK ROD TO STEERING ARM BRACKET
	10-21339		,1	SCREW, STEERING LINK ROD TO STEERING ARM BRACKET
2	12-24666		2,	WASHER, STEERING LINK ROD SCREW
	12-26825		,2	WASHER, STEERING LINK ROD SCREW
3	33607		1,	BRACKET, STEERING ARM
	34750		,1	BRACKET, STEERING ARM
4	23-55737		,1	SPACER, STEERING LINK ROD SCREW
5	23-25907		2,2	BUSHING, NYLON - LINK ROD
6	23-25915		1,1	BUSHING, RUBBER - LINK ROD
7	23-33763		1,1	SPACER, LINK ROD RUBBER BUSHING
8	25902A9		1,	STEERING LINK ROD ASSEMBLY
	25902A11		,1	STEERING LINK ROD ASSEMBLY
9	11-20102		1,1	NUT, STEERING LINK ROD FASTENING SCREW
10	10-29197		2,	SCREW, STEERING ARM BRACKET TO STEERING ARM
	10-28635		,2	SCREW, STEERING ARM BRACKET TO STEERING ARM
11	13-26992		,2	LOCKWASHER, STEERING ARM BRACKET SCREW
12	23-35016		,2	SPACER, STEERING LINK ROD
13	23-35035		,1	SLEEVE, STEERING LINK ROD
14	25888		2,	COUPLER, CABLE END
15	12-20084		1,1	WASHER, COUPLER END STEERING LINK ROD
16	11-20102		1,1	NUT, COUPLER TO STEERING LINK ROD
17	30664		1,1	TILT TUBE, CLAMP AND SWIVEL BRACKET (7/8" OD)
18	23-33468		2,2	SPACER, TILT TUBE
19	30744		1,1	CAP, TILT TUBE (OPEN END)

RIDE-GUIDE STEERING WHEEL ASSEMBLY B

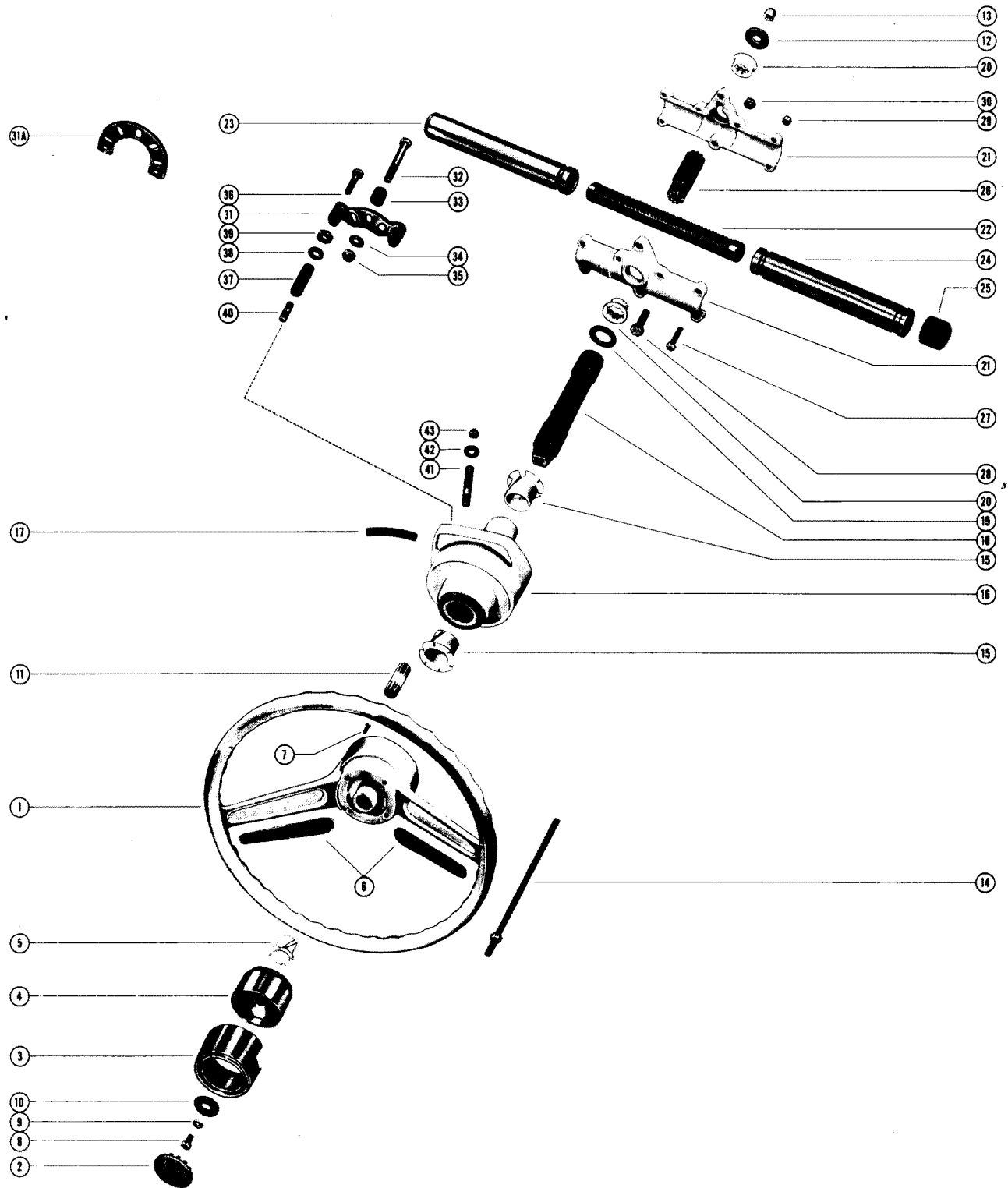


RIDE-GUIDE STEERING WHEEL ASSEMBLY B

REF. NO.	PART NO.	SYM.	QTY.	DESCRIPTION
1	34659A4		1	RIDE-GUIDE STEERING WHEEL ASSEMBLY (INDICATOR)
2	38-34662		1	BUTTON, INDICATOR - STEERING WHEEL
3	34658		1	CAP, STEERING WHEEL
4	34654		1	HUB, INDICATOR - STEERING WHEEL
5	23-38347		1	BUSHING, STEERING WHEEL HUB
6	37-57221A1		1	DECAL SET, STEERING WHEEL
7	10-20646		4	SCREW, HUB TO STEERING WHEEL
8	10-20776		1	SCREW, CAP AND HUB TO STEERING WHEEL
9	13-26992		1	LOCKWASHER, CAP AND HUB SCREW
10	12-29954		1	WASHER, CAP AND HUB SCREW
11	34663		1	SHAFT,PINION

NOTE: C-34659A4 STEERING WHEEL ASSEMBLIES CAN BE USED WITH EITHER C-34667A5 AND C-34688A5 STEERING KITS, DEPENDING ON WHETHER 20 DEG. OR 90 DEG. MOUNTING IS DESIRED. EACH UNIT MUST BE ORDERED SEPARATELY

RIDE-GUIDE STEERING KIT

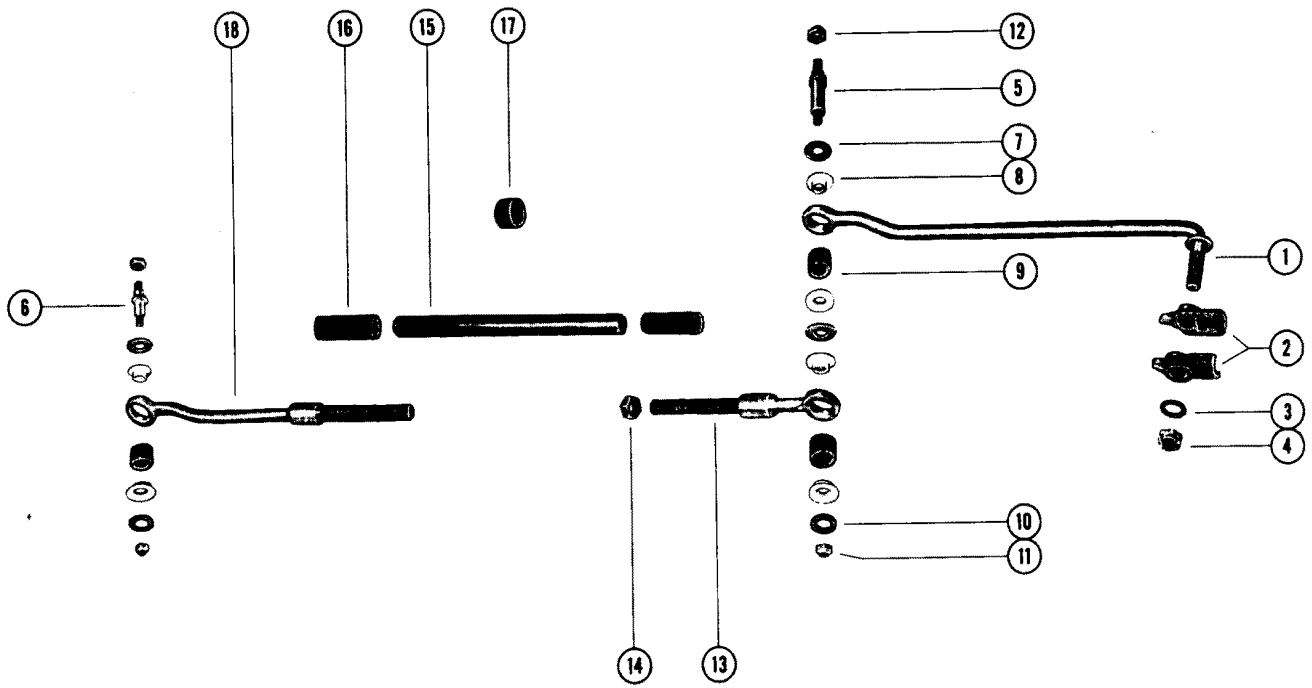


RIDE-GUIDE STEERING KIT

REF. NO.	PART NO.	SYM.	QTY.	DESCRIPTION
-	34667A5		1,	RIDE-GUIDE STEERING KIT (20 DEGREES)
-	34668A5		,1	RIDE-GUIDE STEERING KIT (90 DEGREES)
12	12-27966		1,1	WASHER, LOWER - STEERING WHEEL HOUSING BOLT
13	11-23161		1,1	NUT, STEERING WHEEL TO HOUSING BOLT
14	10-34660		1,	BOLT, STEERING WHEEL TO GEAR RACK HOUSING (10 7/8")
	10-34661		,1	BOLT, STEERING WHEEL TO GEAR RACK HOUSING (9 7/8")
15	23-29097		2,2	BUSHING, STEERING WHEEL BRACKET
16	34655-2		1,	BRACKET, STEERING WHEEL MOUNTING (20 DEGREES)
	34657-2		,1	BRACKET, STEERING WHEEL MOUNTING (90 DEGREES)
17	37-37401		1,1	DECAL, INSIGNIA (QUICKSILVER)
18	29220		1,	SHAFT, STEERING WHEEL (20 DEGREES)
	25890		,1	SHAFT, STEERING WHEEL (90 DEGREES)
19	12-25897		1,1	WASHER, SHAFT TO GEAR RACK HOUSING
20	23-25901		2,2	BUSHING, GEAR RACK HOUSING - SPLINED
21	25884		2,2	HOUSING, GEAR RACK
22	25887		1,1	RACK, GEAR
23	25895A1		1,1	TUBE, GEAR RACK (CABLE END)
24	25896		1,1	TUBE, GEAR RACK (OPEN END)
25	26059		1,1	CAP, RUBBER - GEAR RACK TUBE (OPEN END)
26	25898		1,1	PINION, GEAR RACK
27	10-20784		6,6	SCREW, GEAR RACK HOUSING CLAMPING (1/4-28)
28	10-24217		1,1	SCREW, GEAR RACK HOUSING CLAMPING (3/8-24)
29	11-46887		6,6	NUT, GEAR RACK HOUSING CLAMPING SCREW (1/4-28)
30	11-49197		1,1	NUT, GEAR RACK HOUSING CLAMPING SCREW (3/8-24)
31	29215		1,	BRACKET, STEERINGWHEEL MOUNTING (20 DEGREES)
31A	29398		,1	BRACKET, STEERING WHEEL MOUNTING (90 DEGREES)
32	10-29222		1,1	SCREW, BRACKET TO GEAR RACK HOUSING
33	23-29210		1,	SPACER, BRACKET TO GEAR RACK HOUSING SCREW
	23-29397		,1	SPACER, BRACKET TO GEAR RACK HOUSING SCREW
34	12-25909		1,1	WASHER, BRACKET TO GEAR RACK HOUSING SCREW
35	11-20509		1,1	NUT, BRACKET TO GEAR RACK HOUSING SCREW
36	10-22040		2,	SCREW, STEERING BRACKET TO SPACER (1 1/2")
	10-20705		,2	SCREW, STEERING BRACKET TO SPACER (3/4")
37	23-29209		2,2	SPACER, STEERING BRACKET STUD TO SCREW
38	12-20959		2,2	WASHER, STEERING BRACKET SPACER
39	11-21612		2,2	NUT, STEERING BRACKET SPACER
40	16-21831		2,2	STUD, SPACER TO STEERING BRACKET (1 1/4")
41	16-29208		1,1	STUD, STEERING BRACKET MOUNTING (2 1/2")
42	12-26825		1,1	WASHER, STEERING BRACKET MOUNTING STUD
43	11-35814		1,1	NUT, STEERING BRACKET MOUNTING STUD

NOTE: FOR USE ON MERC 350 (2 CYLINDER) ONLY

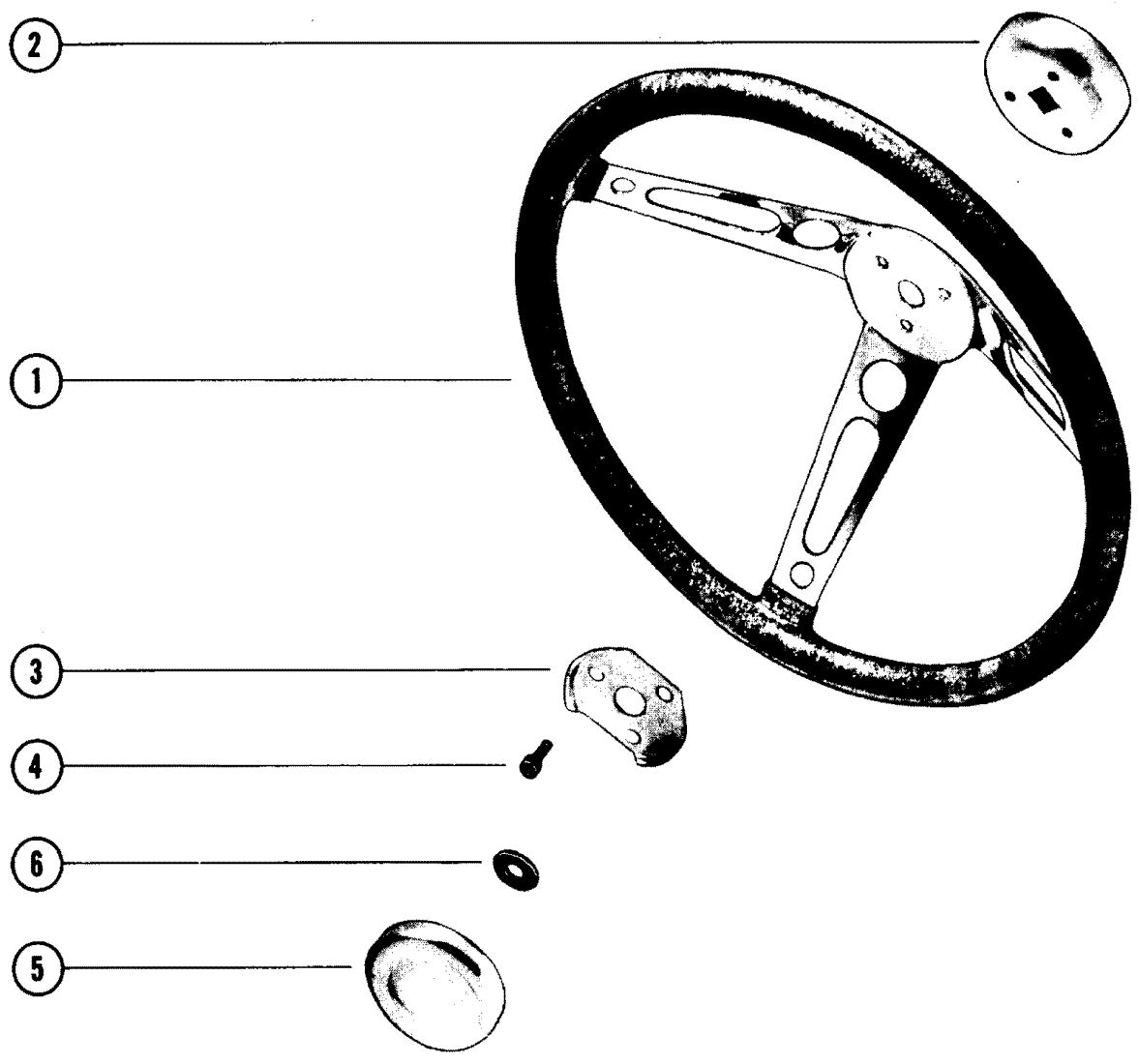
RIDE-GUIDE ATTACHING KIT J



RIDE-GUIDE ATTACHING KIT J

REF. NO.	PART NO.	SYM.	QTY.	DESCRIPTION
-	34739A1		1	RIDE-GUIDE ATTACHING KIT (DUAL)SEE NOTE
1	33968A3		1	ROD ASSEMBLY, STEERING LINK
2	27872		2	COUPLER, CABLE END
3	12-20086		1	WASHER, STEERING LINK ROD
4	11-20509		1	NUT, CABLE END COUPLERS TO STEERING LINK ROD
5	17-34736		1	PIN, PIVOT - CONTROL ENGINE
6	17-33972		1	PIN, PIVOT - SECONDARY ENGINE
7	12-25909		3	WASHER, PIVOT PIN (13/32" I. D.)
8	23-25907		6	BUSHING, NYLON - STEERING LINK AND ROD
9	23-25915		3	BUSHING, RUBBER - STEERING LINK AND ROD
10	12-25908		2	WASHER, PIVOT PIN (17/64" I. D.)
11	11-20102		2	NUT, PIVOT PIN - LOWER
12	11-30506		2	NUT, PIVOT PIN - UPPER
13	34737A1		1	LINK ASSEMBLY, STEERING - CONTROL ENGINE
14	11-22496		1	NUT, JAM - ADJUST COUPLING
15	27973		1	COUPLING, ADJUSTOR - DUAL CONTROL
16	26675		2	BOOT, RUBBER - COUPLING TO STEERING LINK AND ROD
17	30744		1	CAP, PLASTIC - TILT TUBE (7/8" O. D.)
18	34738A1		1	LINK ASSEMBLY, STEERING - SECONDARY ENGINE

RIDE-GUIDE STEERING WHEEL ASSEMBLY (COLORED)

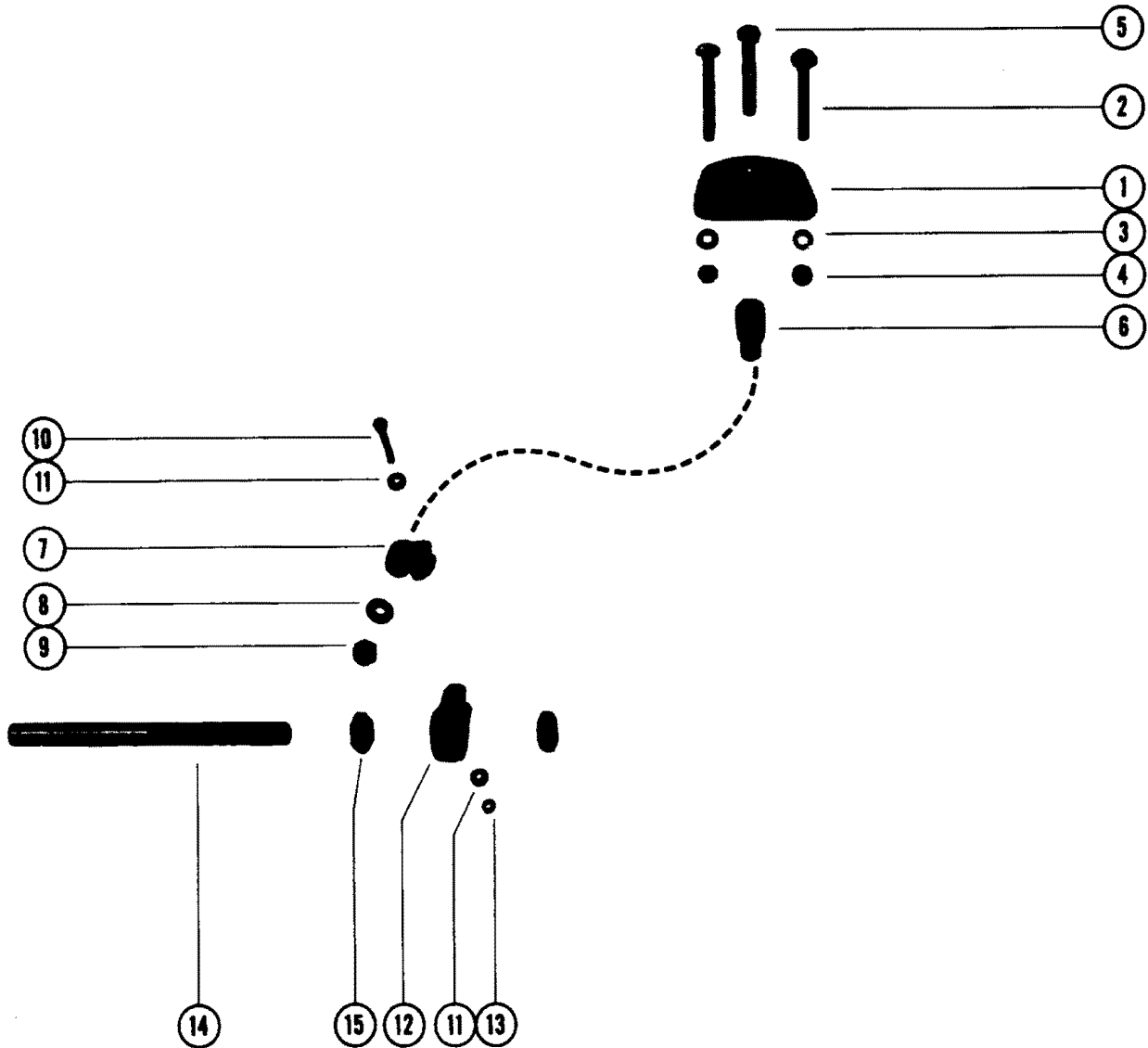


RIDE-GUIDE STEERING WHEEL ASSEMBLY (COLORED)

REF. NO.	PART NO.	SYM.	QTY.	DESCRIPTION
1	38605A1		1,,,	STEERING WHEEL ASSEMBLY (RICH RED) - SLOTTED SPOKE
	38605A2		1,,,	STEERING WHEEL ASSEMBLY (LIGHT GOLD) - SLOTTED SPOKE
	38605A3		1,,,	STEERING WHEEL ASSEMBLY (SILVER) - SLOTTED SPOKE
	38605A4		1,,,	STEERING WHEEL ASSEMBLY (ROYAL BLUE) - SLOTTED SPOKE
	46369A1		,1,,	STEERING WHEEL ASSEMBLY (RICH RED) - THREE HOLE SPOKE
	46369A2		,1,,	STEERING WHEEL ASSEMBLY (LIGHT GOLD) - THREE HOLE SPOKE
	46369A3		,1,,	STEERING WHEEL ASSEMBLY (SILVER) - THREE HOLE SPOKE
	46369A4		,1,,	STEERING WHEEL ASSEMBLY (ROYAL BLUE) - THREE HOLE SPOKE
	46369A5		,1,,	STEERING WHEEL ASSEMBLY (BLACK) - THREE HOLE SPOKE
	46369A6		,1,,	STEERING WHEEL ASSEMBLY (WHITE) - THREE HOLE SPOKE
	46752A1		,,1,	STEERING WHEEL ASSEMBLY (BLACK) - THICK SPONGE GRIP
	46395A1		,,,1	STEERING WHEEL ASSEMBLY (PLASTIC)
2	38613		1,,,	HUB, STEERING WHEEL
	46290		,1,1,	HUB, STEERING WHEEL
3	38614		1,,,	PLATE, SNAP - STEERING WHEEL
	46370		,1,1,	PLATE, SNAP - STEERING WHEEL
4	10-38615		3,3,3,	SCREW, SNAP PLATE TO STEERING WHEEL (3/4")
5	38-38616		1,,,	NAME PLATE, CHROME
	46352		,1,1,	NAME PLATE, CHROME
6	12-38622		1,1,1,	WASHER, STEERING WHEEL TO HOUSING BOLT
-	46999A1		,,,1	BUTTON ASSEMBLY, STEERING WHEEL

UNIVERSAL RIDE-GUIDE SINGLE ATTACHING KIT

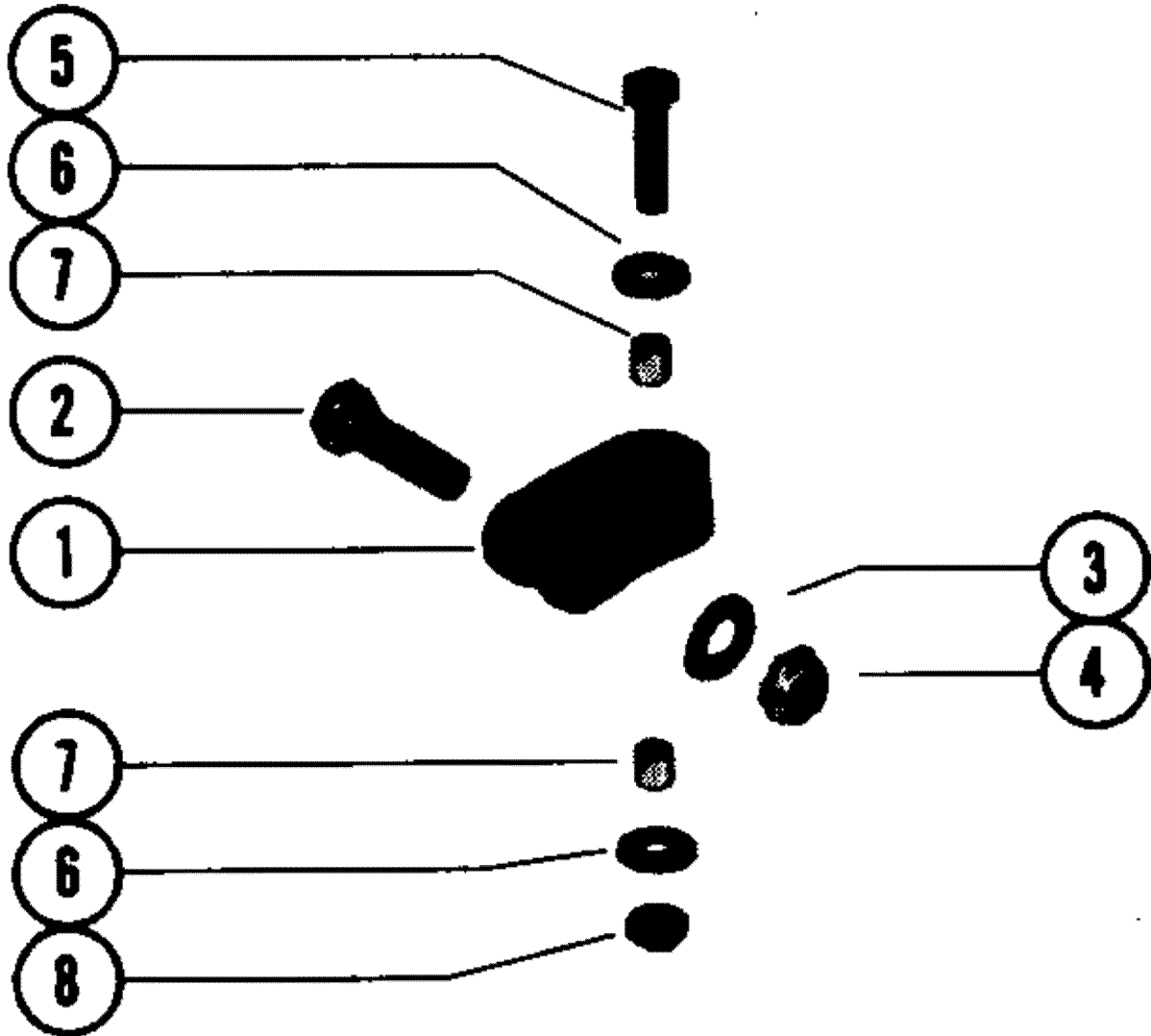
C-38047A1 TRANSOM ATTACHING KIT



UNIVERSAL RIDE-GUIDE SINGLE ATTACHING KIT

REF. NO.	PART NO.	SYM.	QTY.	DESCRIPTION
-	38047A1		1	UNIVERSAL RIDE-GUIDE TRANSOM ATTACHING KIT(SEE NOTE)
1	30085		1	BRACKET, PIVOT BLOCK TO BOAT TRANSOM
2	10-26483		2	SCREW, TRANSOM BRACKET TO BOAT TRANSOM (2 3/4")
3	13-26993		2	LOCKWASHER, TRANSOM BRACKET SCREW
4	11-21908		2	NUT, TRANSOM BRACKET SCREW
5	10-29096		1	SCREW, TRANSOM BRACKET TO PIVOT BLOCK (2 1/2")
6	23-28343		1	SPACER, PIVOT - TRANSOM BRACKET TO PIVOT BLOCK
7	28190		1	BLOCK, PIVOT
8	12-21040		1	WASHER, TRANSOM BRACKET TO PIVOT BLOCK SCREW
9	11-20509		1	NUT, TRANSOM BRACKET TO PIVOT BLOCK SCREW
10	10-39512		1	SCREW, PIVOT BLOCK TO YOKE (1 3/4")
11	12-22248		2	WASHER, PIVOT BLOCK SCREW
12	30700		1	YOKE, PIVOT BLOCK
13	11-20696		1	NUT, PIVOT BLOCK SCREW
14	32-35015		1	TUBE, CABLE GUIDE
15	11-37984		2	NUT, ADJUSTING - CABLE GUIDE TUBE

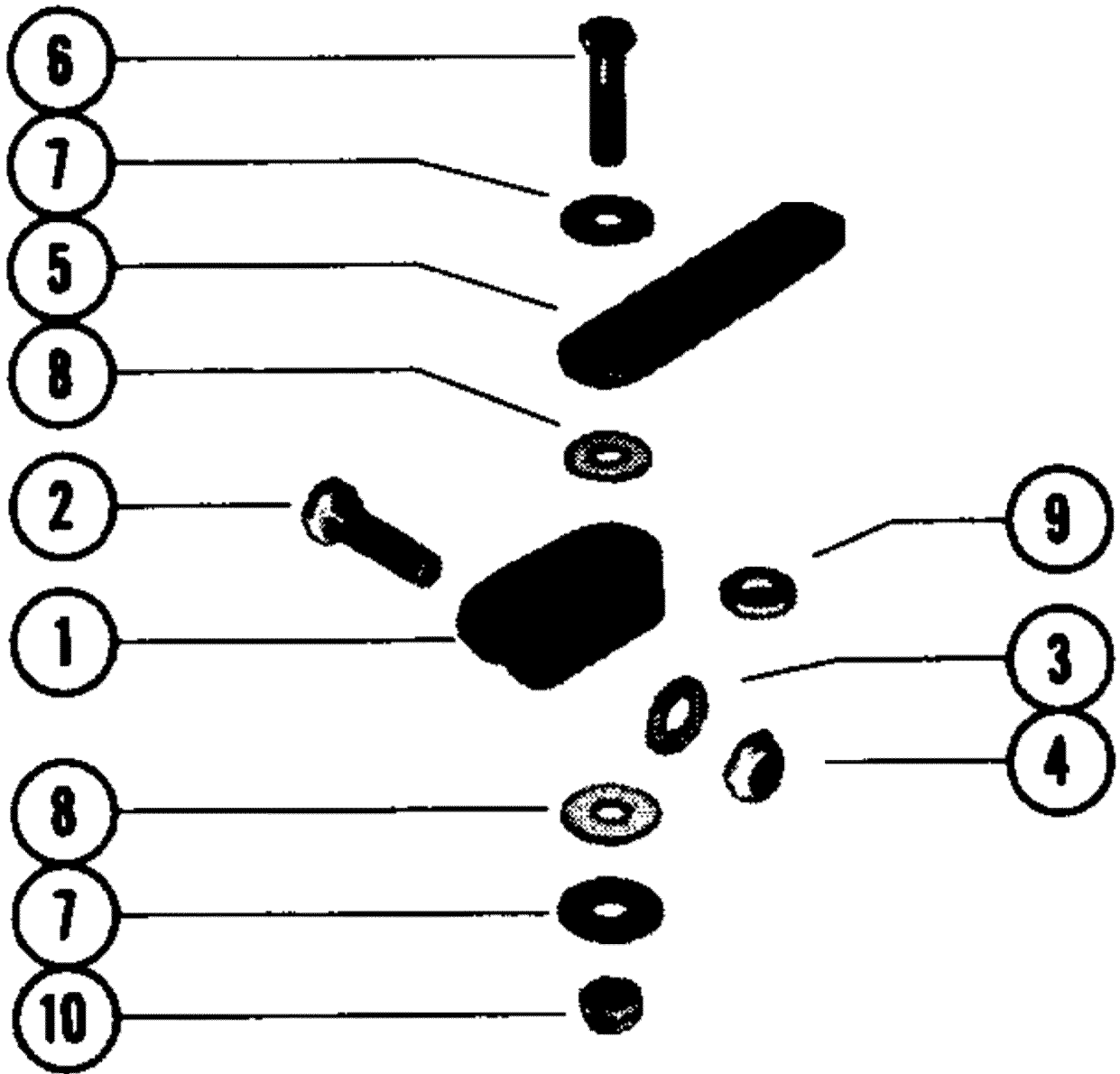
UNIVERSAL RIDE-GUIDE ATTACHING KIT A



UNIVERSAL RIDE-GUIDE ATTACHING KIT A

REF. NO.	PART NO.	SYM.	QTY.	DESCRIPTION
-	38047A2		1	UNIVERSAL RIDE-GUIDE ATTACHING KIT(SEE NOTE)
1	39118		1	CLEVIS, STEERING CABLE
2	10-35871		1	SCREW, STEERING CABLE CLEVIS TO STEERING CABLE (1 1/2")
3	12-20553		1	WASHER, STEERING CABLE CLEVIS SCREW
4	11-20509		1	NUT STEERING CABLE CLEVIS SCREW
5	10-26066		1	SCREW, STEERING BRACKET TO STEERING CABLE CLEVIS (1 1/4")
6	12-26825		2	WASHER, STEERING BRACKET SCREW
7	23-39303		2	SLEEVE, STEERING BRACKET SCREW
8	11-20102		1	NUT, STEERING BRACKET SCREW

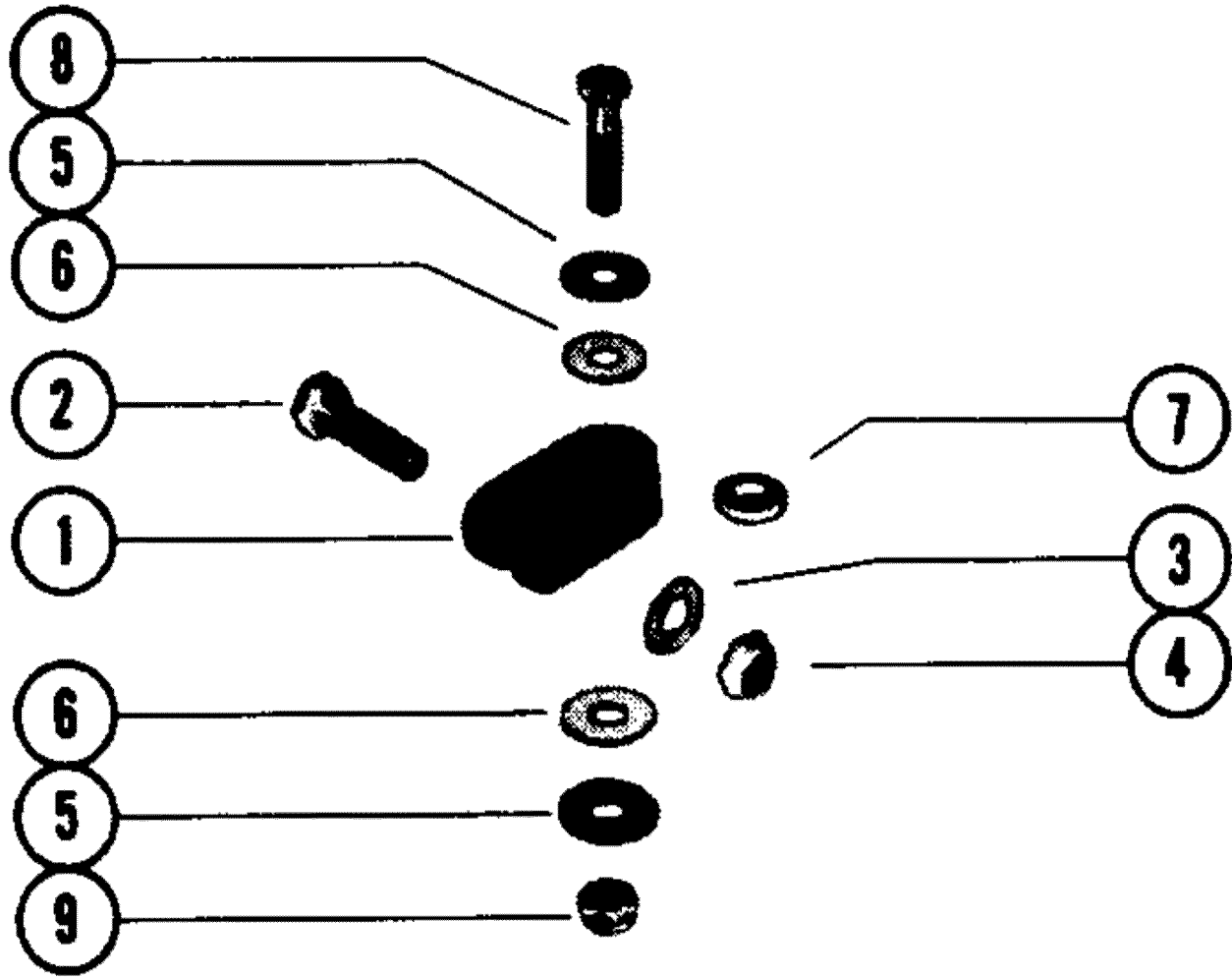
UNIVERSAL RIDE-GUIDE ATTACHING KIT B



UNIVERSAL RIDE-GUIDE ATTACHING KIT B

REF. NO.	PART NO.	SYM.	QTY.	DESCRIPTION
-	38047A3		1	UNIVERSAL RIDE-GUIDE ATTACHING KIT(SEE NOTE BELOW)
1	39118		1	CLEVIS, STEERING CABLE
2	10-35871		1	SCREW, STEERING CABLE CLEVIS TO STEERING CABLE (1 1/2")
3	12-20553		1	WASHER, STEERING CABLE CLEVIS SCREW
4	11-20509		1	NUT STEERING CABLE CLEVIS SCREW
5	39119		1	BRACKET, MOUNTING - ENGINE TO STEERING CABLE CLEVIS
6	10-35871		1	SCREW, MOUNTING BRACKET TO STEERING CABLE CLEVIS (1 1/2")
7	12-28105		2	WASHER, MOUNTING BRACKET SCREW
8	12-39116		2	WASHER, NYLON - MOUNTING BRACKET SCREW
9	12-39304		1	WASHER, SPACER - MOUNTING BRACKET SCREW
10	11-20509		1	NUT, MOUNTING BRACKET SCREW

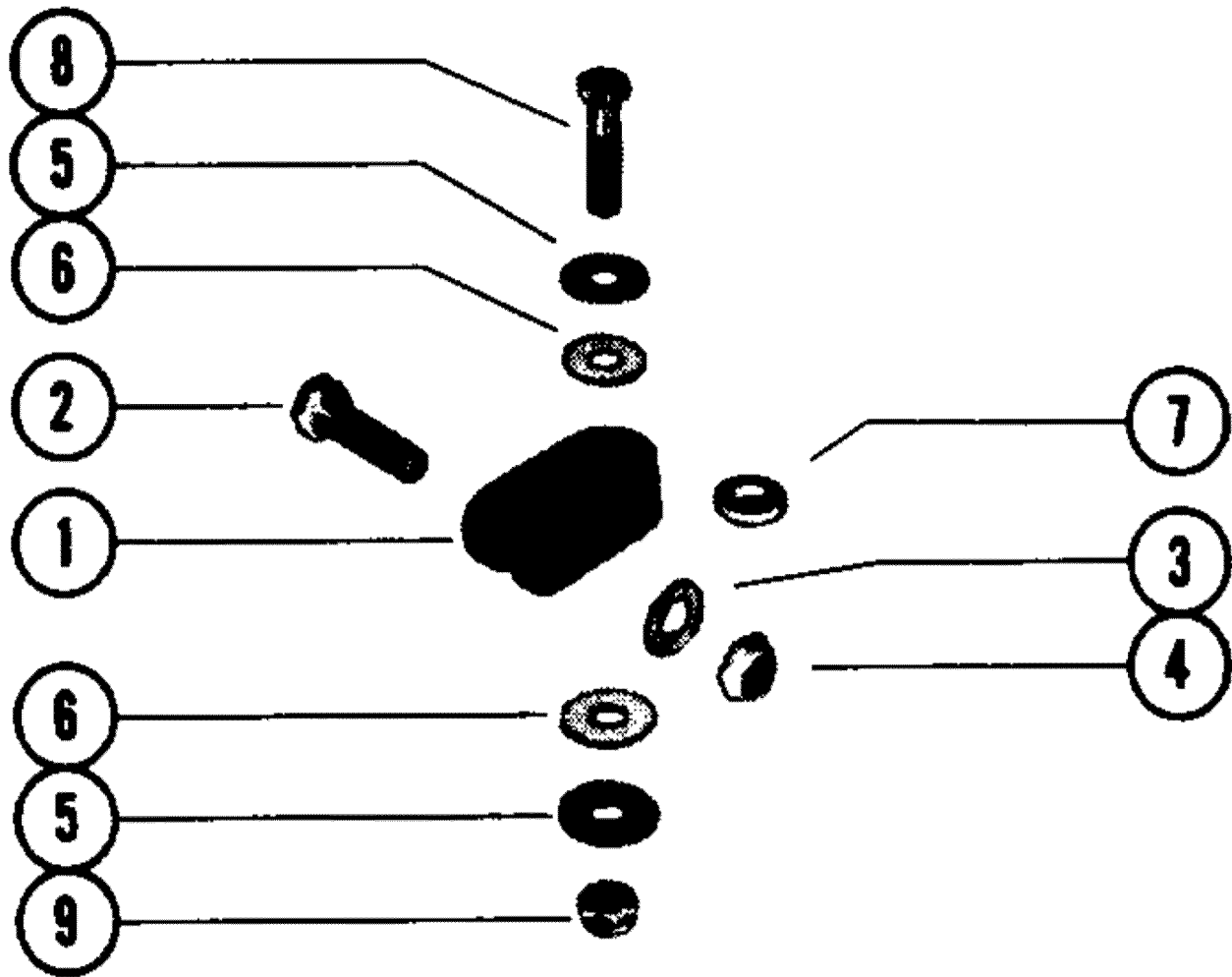
UNIVERSAL RIDE-GUIDE ATTACHING KIT C



UNIVERSAL RIDE-GUIDE ATTACHING KIT C

REF. NO.	PART NO.	SYM.	QTY.	DESCRIPTION
-	38047A4		1	UNIVERSAL RIDE-GUIDE ATTACHING KIT(SEE NOTE)
1	39118		1	CLEVIS, STEERING CABLE
2	10-35871		1	SCREW, STEERING CABLE CLEVIS TO STEERING CABLE (1 1/2")
3	12-20553		1	WASHER, STEERING CABLE CLEVIS SCREW
4	11-20509		1	NUT, STEERING CABLE CLEVIS SCREW
5	12-28105		2	WASHER, STEERING ARM SCREW
6	12-39116		2	WASHER, NYLON - STEERING ARM SCREW
7	12-39304		1	WASHER, SPACER - STEERING ARM SCREW
8	10-31830		1	SCREW, STEERING ARM TO STEERING CABLE CLEVIS (1 3/4) INCLUDED WITH EACH MERCURY
9	11-20509		1	NUT, STEERING ARM SCREW INCLUDED WITH EACH MERCURY MOTOR

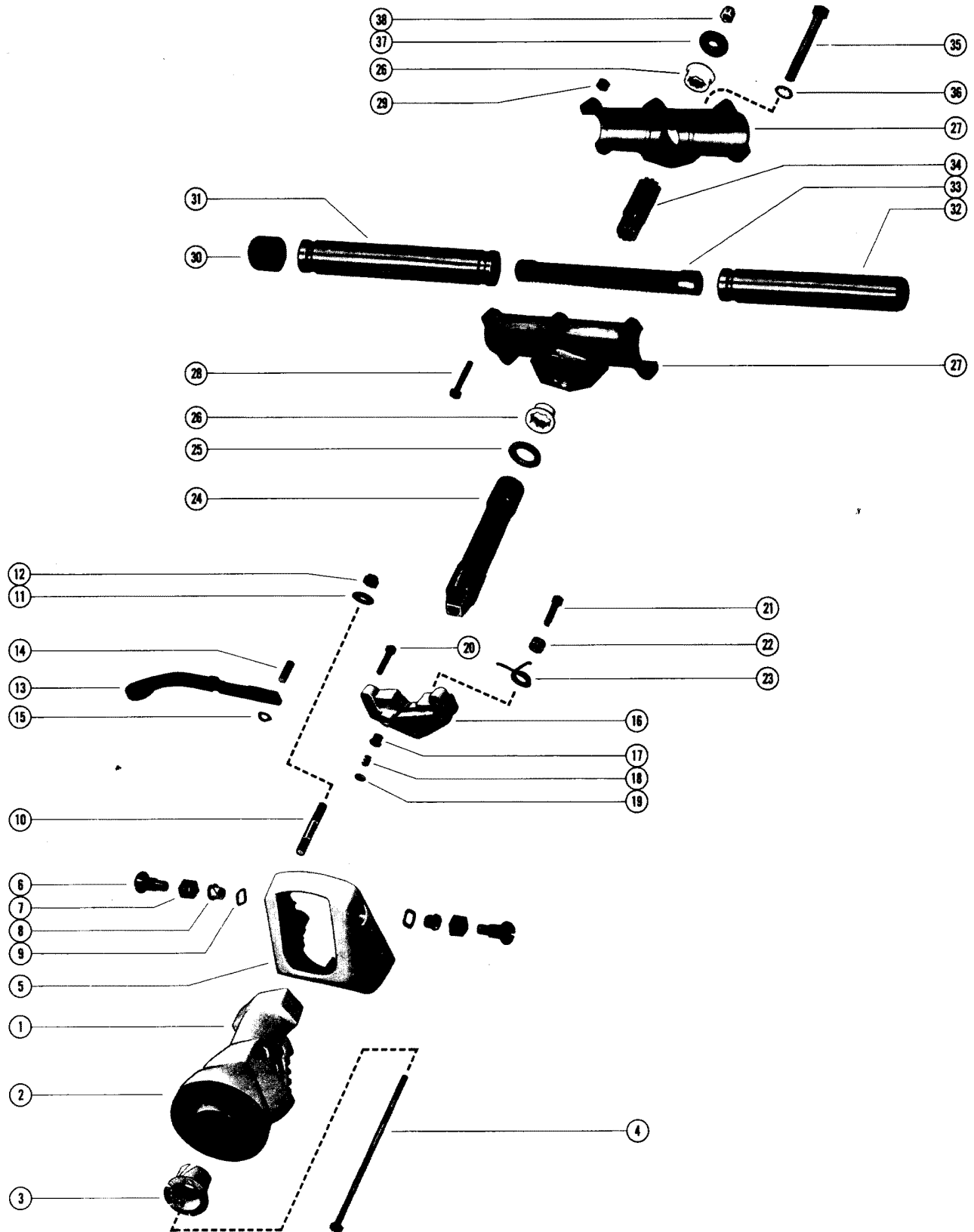
UNIVERSAL RIDE-GUIDE ATTACHING KIT D



UNIVERSAL RIDE-GUIDE ATTACHING KIT D

REF. NO.	PART NO.	SYM.	QTY.	DESCRIPTION
-	38047A5		1	UNIVERSAL RIDE-GUIDE ATTACHING KIT (SEE NOTE)
1	39118		1	CLEVIS, STEERING CABLE
2	10-35871		1	SCREW, STEERING CABLE CLEVIS TO STEERING CABLE (1 1/2")
3	12-20553		1	WASHER, STEERING CABLE CLEVIS SCREW
4	11-20509		1	NUT, STEERING CABLE CLEVIS SCREW
5	12-28105		2	WASHER, STEERING ARM SCREW
6	12-39116		2	WASHER, NYLON - STEERING ARM SCREW
7	12-39304		1	WASHER, SPACER - STEERING ARM SCREW
8	10-49220		1	SCREW, STEERING ARM TO STEERING CABLE CLEVIS (2 1/4")
9	11-20509		1	NUT, STEERING ARM SCREW

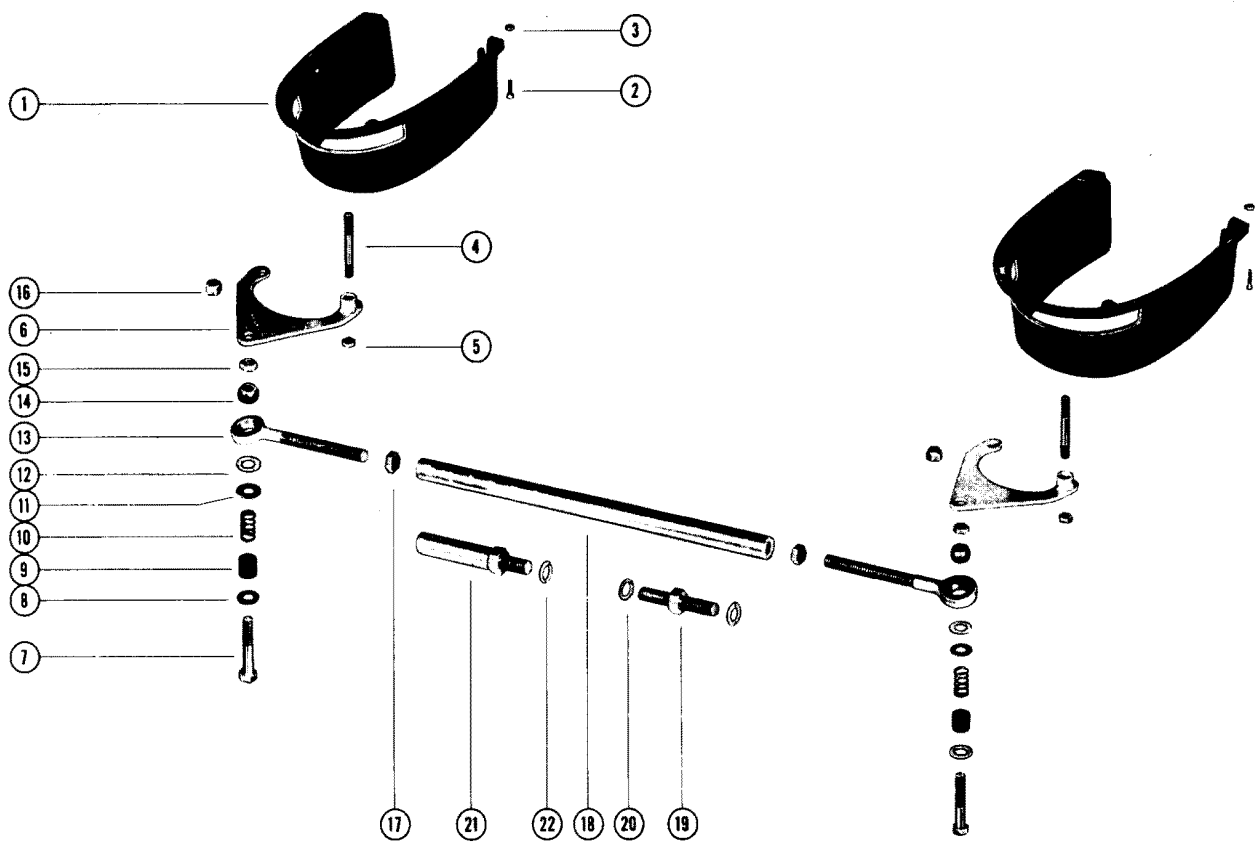
RIDE-GUIDE TILT MOUNT ASSEMBLY, COMPLETE



RIDE-GUIDE TILT MOUNT ASSEMBLY, COMPLETE

REF. NO.	PART NO.	SYM.	QTY.	DESCRIPTION
-	87422A1		1	RIDE -GUIDE TILT MOUNT ASSEMBLY, COMPLETE
1	87422		1	POST, TILT - STEERING WHEEL MOUNTING
2	37-32710		1	STRIP, TRIM - TILT POST
3	23-29097		1	BUSHING, NYLON - TILT POST
4	10-67367		1	BOLT, STEERING WHEEL TO TILT POST (12 ")
5	48228-2		1	HOUSING, TILT POST MOUNTING
6	10-48232		2	SCREW, MOUNTING HOUSING TO TILT POST T1 1/2")
7	11-48238		2	NUT, MOUNTING HOUSING S CREW
8	23-48237		2	BUSHING, NYLON -MOUNTING HOUSING SC REW
9	25-48182		2	SEAL, MOUNTING HOUSING SCREW
10	16-29208		4	STUD, MOUNTING HOUSING TO DASHBOARD (2 1/2")
11	12-26825		4	WASHER, MOUNTING HOUSING STUD
12	11-35814		6	NUT, MOUNTING HOUSING STUD
13	48224		1	LEVER, TILT ADJUSTING
14	29-48235		1	PIN, DENTENT - TILT ADJUSTING LEVER
15	13-28943		1	WASHER, WAVE - TILT ADJUSTING LEVER PIN
16	48225-2		1	HOUSING, TILT ADJUSTING LEVER
17	17-20009		1	PIN, DETENT - TILT ADJUSTING LEVER
18	24-35227		1	SPRING, TENS ION - DETENT PIN
19	19-20011		1	WELCH PLUG, DETENT PIN
20	10-48240		2	SCREW, LEVER HOUSING TO MOUNTING HOUSING (1 1/4")
21	10-48240		1	SCREW, TENSION SPRING SPACER TO HOUSING (1 1/4")
22	23-48233		1	SPACER, TENSION SPRING
23	24-48234		1	SPRING, TENSION - TILT ADJUSTING LEVER
24	67352		1	SHAFT, STEERING WHEEL
25	12-25897		1	WASHER, SHAFT TO GEAR RACK HOUSING (15/16" I.D.)
26	23-25901		2	BUSHING, GEAR RACK HOUSING - SPLINED
27	25898		1	PINION, GEAR RACK
28	10-69098		2	SCREW, GEAR RACK HOUSING CLAMPING (3 1/2")
29	12-63032		2	WASHER, GEAR RACK CLAMPING SCREW
30	12-48241		1	WASHER, LOWER - STEERING WHEEL HSG. BOLT (13/32" I.D.)
32	11-23161		1	NUT, STEERING WHEEL TO HOUSING BOLT
	18-29623		1	PIN,COTTER - STEERING WHEEL TO TILT PORT BOLT

RIDE-GUIDE ATTACHING KIT K

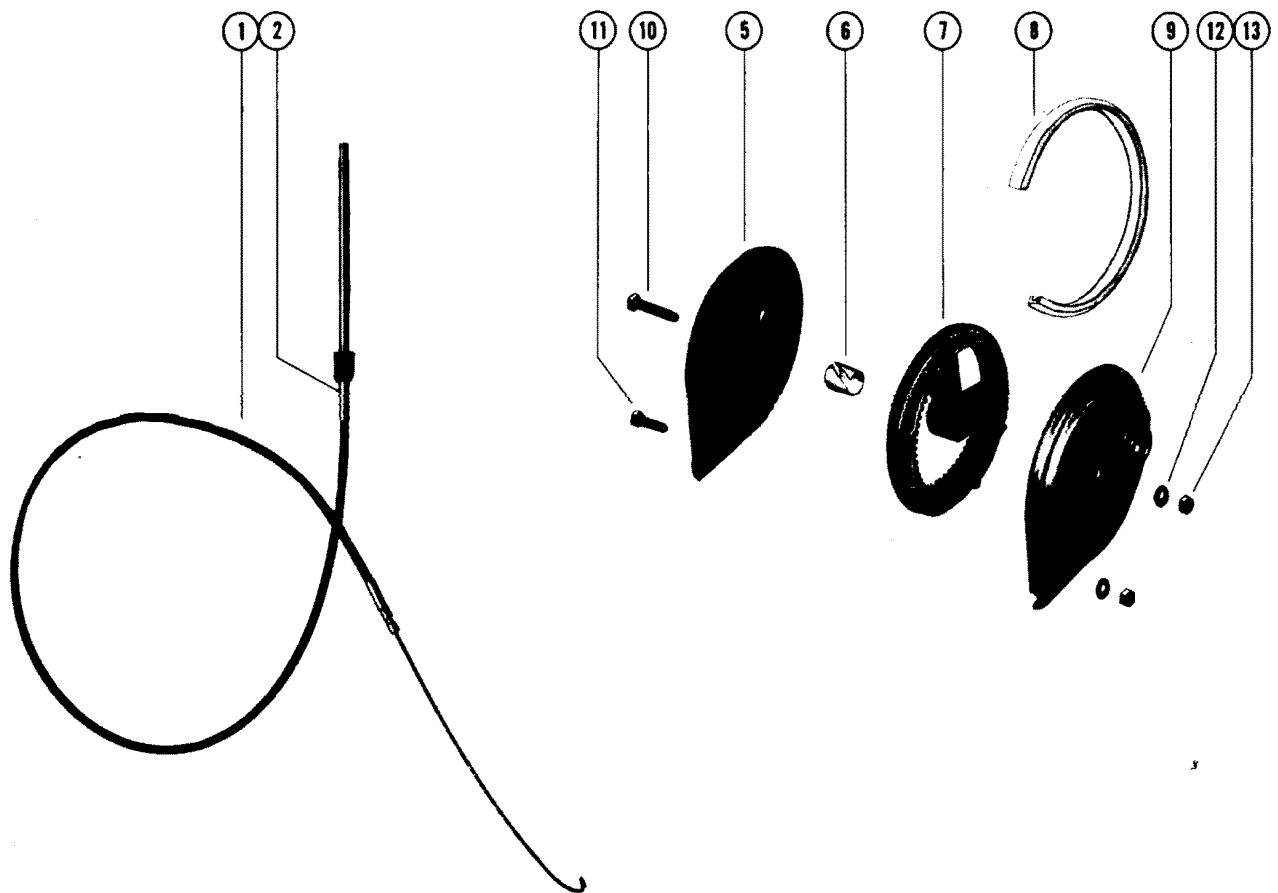


RIDE-GUIDE ATTACHING KIT K

REF. NO.	PART NO.	SYM.	QTY.	DESCRIPTION
-	39959A1		1,	RIDE-GUIDE ATTACHMENT KIT (DUAL - REAR INSTALLATION)
-	39959A2		,1	RIDE-GUIDE ATTACHMENT KIT (DUAL - REAR INSTALLATION)
1	39940		2,	COVER, TRIM - DRIVE SHAFT HOUSING
2	10-37978		8,8	SCREW, TRIM COVER FASTENING (3/4")
3	11-20645		8,8	NUT, TRIM COVER SCREW
4	16-37653		2,2	STUD, CYLINDER BLOCK (2 11/16") REPLACES RIGHT REAR STUD USED ON PRODUCTION ENG
5	11-20509	▲	4,4	NUT, STEERING PLATE TO POWERHEAD STUDS
6	39938A1		2,2	PLATE ASSEMBLY, STEERING (PIVOT BOLT)
7	10-32515		2,2	BOLT, PIVOT - LINK ROD TO STEERING PLATE (2 1/2")
8	12-22248		2,2	WASHER, STEERING LINK ROD PIVOT BOLT (7/8" O. D.)
9	23-30319		2,2	SLEEVE, RUBBER - STEERING LINK ROD PIVOT BOLT
10	24-30316		2,2	SPRING, TENSION - STEERING LINK ROD PIVOT BOLT
11	12-30315		2,2	WASHER, STEERING LINK ROD PIVOT BOLT (1" O.D.)
12	12-30314		2,2	WASHER, NYLON - STEERING LINK ROD PIVOT BOLT
13	30309		2,2	ROD, STEERING LINK
14	30312		2,2	BALL, STEERING LINK ROD
15	11-22496		2,2	NUT, JAM - STEERING LINK ROD PIVOT BOLT
16	11-22178		2,2	NUT, PIVOT BOLT TO STEERING PLATE (UPPER)
17	11-21612		2,2	NUT, JAM - STEERING LINK ROD
18	30310		1,1	ROD, LINK - EXTENSION (16")
	30310	■	AR,AR	ROD, LINK (16" EXTENSION) ADDITIONAL EXTENSIONS
19	30318A1	■	AR,AR	COUPLER ASSEMBLY, EXTENSION LINK ROD ADDITIONAL EXTENSIONS
20	13-22021	■	2,2	LOCKWASHER, COUPLER ASSEMBLY ADDITIONAL EXTENSIONS
21	30311A1	■	AR,AR	BAR ASSEMBLY (4" EXTENSION) ADDITIONAL EXTENSIONS
22	13-22021	■	1,1	LOCKWASHER, EXTENSION BAR ASSEMBLY ADDITIONAL EXTENSIONS

■ = ADDITIONAL EXTENSION PARTS ARE NOT INCLUDED WITH ATTACHING KIT AND ORDERED "AS REQUIRED"
▲ = THINNER NUT FOR REPLACEMENT OF THICKER NUT ORIGINALLY USED ON PRODUCTION ENGINES.

ROTARY RIDE-GUIDE CABLE ASSEMBLY A

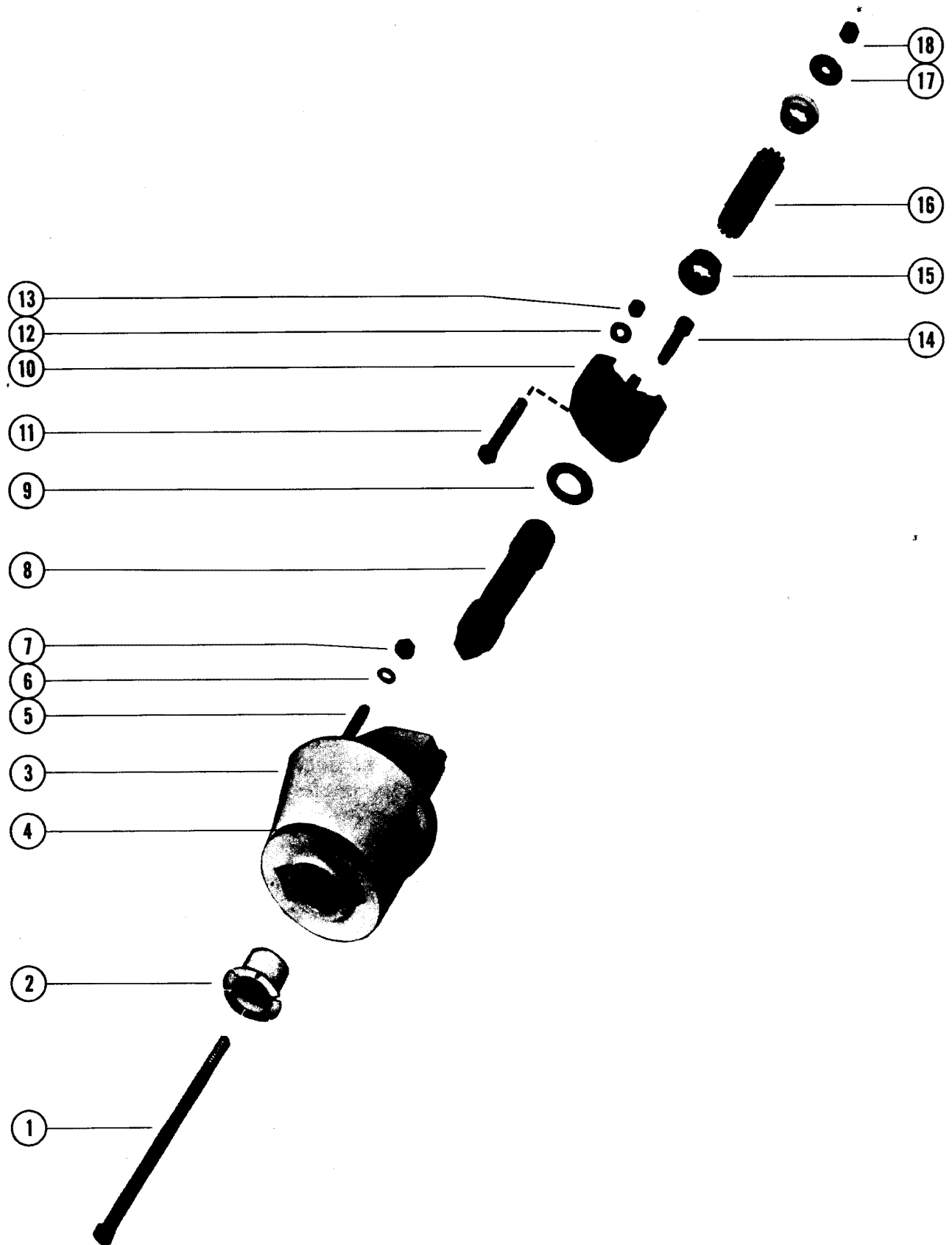


ROTARY RIDE-GUIDE CABLE ASSEMBLY A

REF. NO.	PART NO.	SYM.	QTY.	DESCRIPTION
1	76042A	●	1	ROTARY RIDE-GUIDE CABLE ASSEMBLY
2	22-26000		1	FITTING, GREASE - STEERING CABLE
-	71669A1		1	SLEEVE ASSEMBLY, LOCKING
5	54131		1	HOUSING, STEERING CONTROL - PORT
6	23-54123		1	BUSHING, NYLON - RING GEAR
7	43-54132		1	GEAR, RING
8	54124		1	LINER, NYLON - RING GEAR
9	54130		1	HOUSING, STEERING CONTROL - STARBOARD
10	10-32293		1	SCREW, CONTROL HOUSING CLAMPING (1 3/4")
11	10-20639		1	SCREW, CONTROL HOUSING CLAMPING (1 1/8")
12	12-20722		2	WASHER, CONTROL HOUSING CLAMPING SCREW
13	11-46793		2	NUT, CONTROL HOUSING CLAMPING SCREW

● = ORDER STEERING CABLES IN THE FOLLOWING LENGTHS:A8, A9, A10, A11, A12,A13,A14,A15,A16,A17,A18,A19

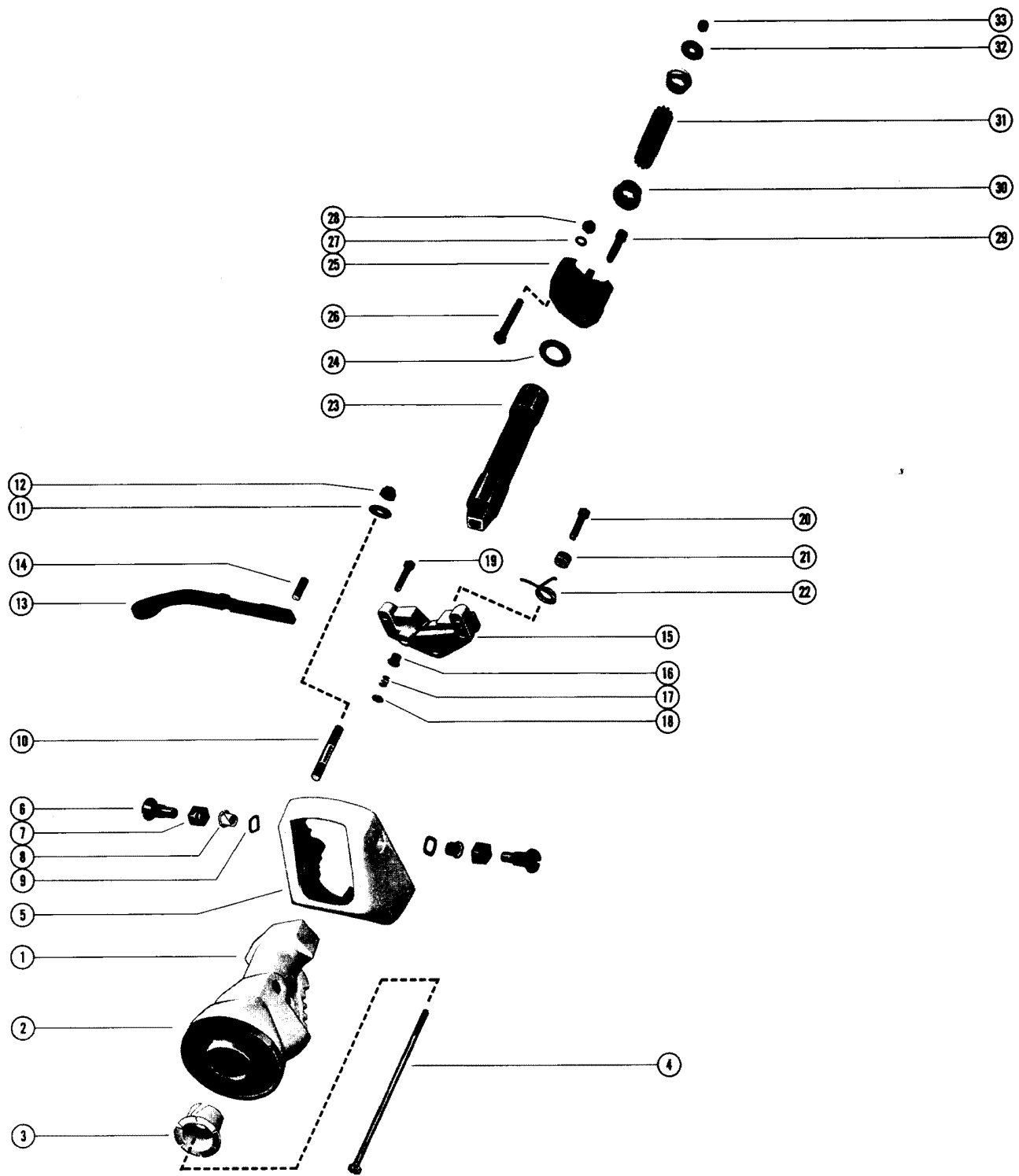
ROTARY RIDE-GUIDE STEERING KIT



ROTARY RIDE-GUIDE STEERING KIT

REF. NO.	PART NO.	SYM.	QTY.	DESCRIPTION
-	54117A5		1,	ROTARY RIDE-GUIDE STEERING KIT, BLACK (20 DEGREES)
-	54118A5		,1	ROTARY RIDE-GUIDE STEERING KIT, BLACK (90 DEGREES)
1	10-54127		1,	BOLT, STEERING WHEEL TO CONTROL HOUSING (11 5/8")
	10-54128		,1	BOLT, STEERING WHEEL TO CONTROL HOUSING (10 5/8")
2	23-29097		1,1	BUSHING, NYLON - MOUNTING BRACKET
3	49055-2		1,	BRACKET, STEERING WHEEL MOUNTING (20 DEGREES) BLACK
	49053-2		,1	BRACKET, STEERING WHEEL MOUNTING (90 DEGREES) BLACK
4	37-32710		1,1	DECAL, OVERLAY TRIM STRIP - MOUNTING BRACKET
5	16-29208		3,3	STUD, MOUNTING BRACKET TO DASHBOARD (2 1/2")
6	12-26825		3,3	WASHER, MOUNTING BRACKET STUD
7	11-35814		3,3	NUT, MOUNTING BRACKET STUD
8	29220		1,	SHAFT, STEERING WHEEL (20 DEGREES)
	76706		,1	SHAFT, STEERING WHEEL (90 DEGREES)
9	12-25897		1,1	WASHER, SHAFT TO MOUNTING BRACKET
10	54129		1,1	ADAPTOR, ROTARY STEERING
11	10-29222		2,2	SCREW, STEERING ADAPTOR TO CONTROL HOUSING (2 3/4")
12	12-20086		2,2	WASHER, STEERING ADAPTOR SCREW
13	11-49197		2,2	NUT, STEERING ADAPTOR SCREW
14	10-54126		2,2	SCREW, STEERING ADAPTOR TO MOUNTING BRACKET (1 1/2")
15	23-25901		2,2	BUSHING, NYLON - STEERING PINION (SPLINED)
16	54125		1,1	PINION, STEERING
17	12-48241		1,1	WASHER, STEERING WHEEL BOLT
18	11-23161		1,1	NUT,STEERING WHEEL BOLT

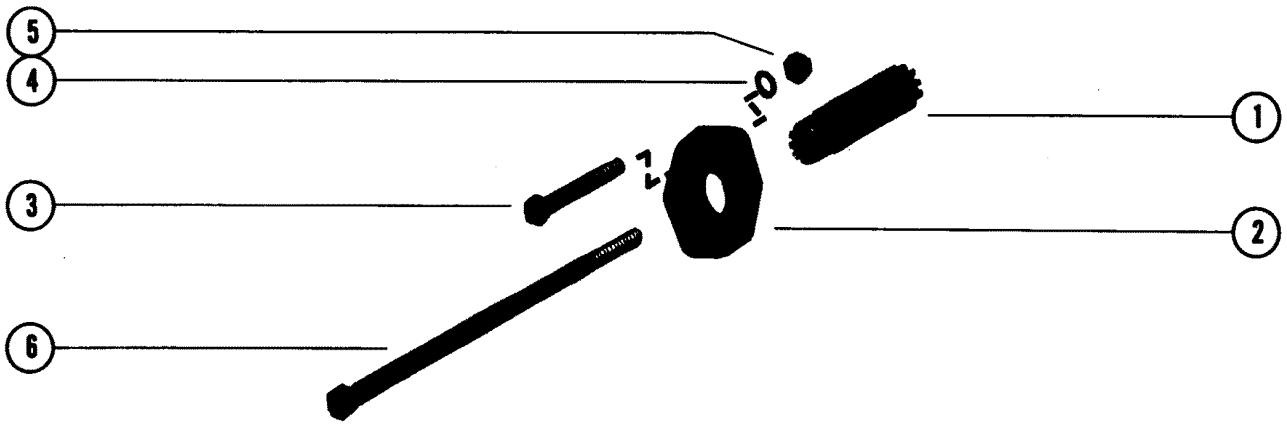
ROTARY RIDE- GUIDE TILT MOUNT ASSEMBLY



ROTARY RIDE- GUIDE TILT MOUNT ASSEMBLY

REF. NO.	PART NO.	SYM.	QTY.	DESCRIPTION
-	54119A4		1	ROTARY RIDE-GUIDE TILT MOUNT ASSEMBLY
1	48227-2		1	POST, TILT - STEERING WHEEL MOUNTING
2	37-32710		1	STRIP, TRIM - TILT POST
3	23-29097		1	BUSHING, NYLON - TILT POST
4	10-54127		1	BOLT, STEERING WHEEL TO TILT POST (11 5/8")
5	48228-2		1	HOUSING, TILT POST MOUNTING
6	10-48232		2	SCREW, MOUNTING HOUSING TO TILT POST (1 1/2")
7	11-48238		2	NUT, MOUNTING HOUSING SCREW
8	23-48237		2	BUSHING, NYLON - MOUNTING HOUSING SCREW
9	25-48182		2	QUAD RING, MOUNTING HOUSING SCREW
10	16-29208		4	STUD, MOUNTING HOUSING TO DASHBOARD (2 1/2")
11	12-26825		4	WASHER, MOUNTING HOUSING STUD
12	11-35814		4	NUT, MOUNTING HOUSING STUD
13	48224		1	LEVER, TILT ADJUSTING
14	29-48235		1	PIN, DETENT - TILT ADJUSTING LEVER
15	48225-2		1	HOUSING, TILT ADJUSTING LEVER
16	17-20009		1	PIN, DETENT - TILT ADJUSTING LEVER
17	24-35227		1	SPRING, TENSION - DETENT PIN
18	19-20011		1	WELCH P1UG, DETENT PIN
19	10-48240		2	SCREW, LEVER HOUSING TO MOUNTING HOUSING (1 1/4")
20	10-48240		1	SCREW, TENSION SPRING SPACER TO HOUSING (1 1/4")
21	23-48233		1	SPACER, TENSION SPRING
22	24-48234		1	SPRING, TENSION - TILT ADJUSTING LEVER
23	29220		1	SHAFT, STEERING WHEEL
24	12-25897		1	WASHER, SHAFT TO GEAR RACK HOUSING (15/16" I. D.)
25	54129		1	ADAPTOR, ROTARY STEERING
26	10-29222		2	SCREW, STEERING ADAPTOR TO CONTROL HOUSING (2 3/4")
27	12-20086		2	WASHER, STEERING ADAPTOR SCREW
28	11-49197		2	NUT, STEERING ADAPTOR SCREW
29	10-54126		2	SCREW, STEERING ADAPTOR TO TILT POST (1 1/2")
30	23-25901		2	BUSHING, NYLON - STEERING PINION (SPLINED)
31	54125		1	PINION, STEERING
32	12-48241		1	WASHER, LOWER - STEERING WHEEL BOLT
33	11-23161		1	NUT,STEERING WHEEL BOLT

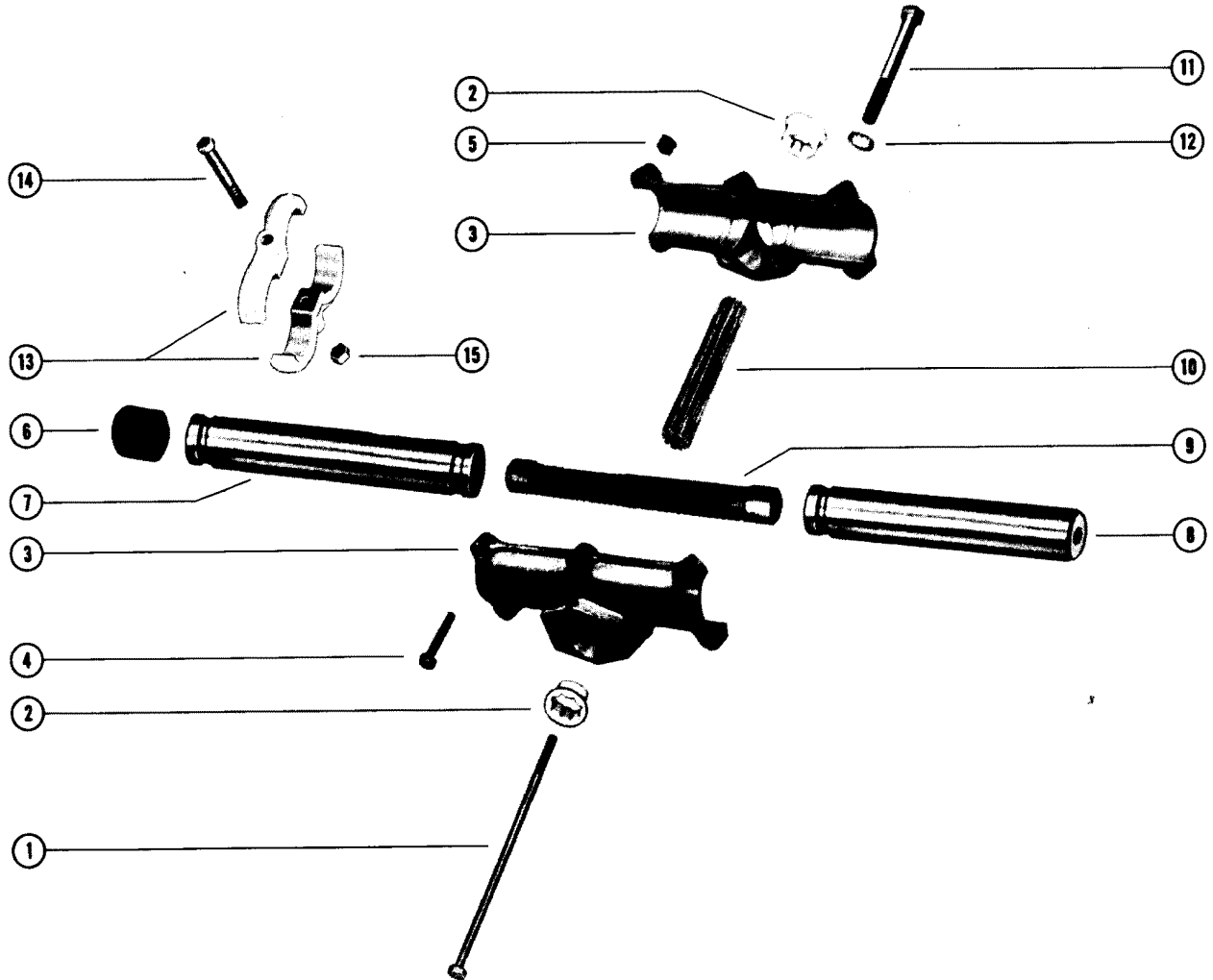
SUPER ROTARY RIDE-GUIDE STEERING KIT B



SUPER ROTARY RIDE-GUIDE STEERING KIT B

REF. NO.	PART NO.	SYM.	QTY.	DESCRIPTION
-	54120A1		1	SUPER ROTARY RIDE-GUIDE STEERING KIT (SEE NOTE)
1	54133		1	PINION, STEERING
2	54135		1	ADAPTOR, SUPER ROTARY STEERING
3	10-52409		2	SCREW, ADAPTOR TO CONTROL HOUSING (3 1/4")
	10-29096		2	SCREW, ADAPTOR TO CONTROL HOUSING (2 1/2")
	10-37627		2	SCREW, ADAPTOR TO CONTROL HOUSING (5")
4	12-20086		2	WASHER, ADAPTOR SCREW
5	11-49197		2	NUT, ADAPTOR SCREW
6	10-54134		1	SCREW, STEERING WHEEL ATTACHING (13 15/16")

SUPER RIDEGUIDE STEERING KIT

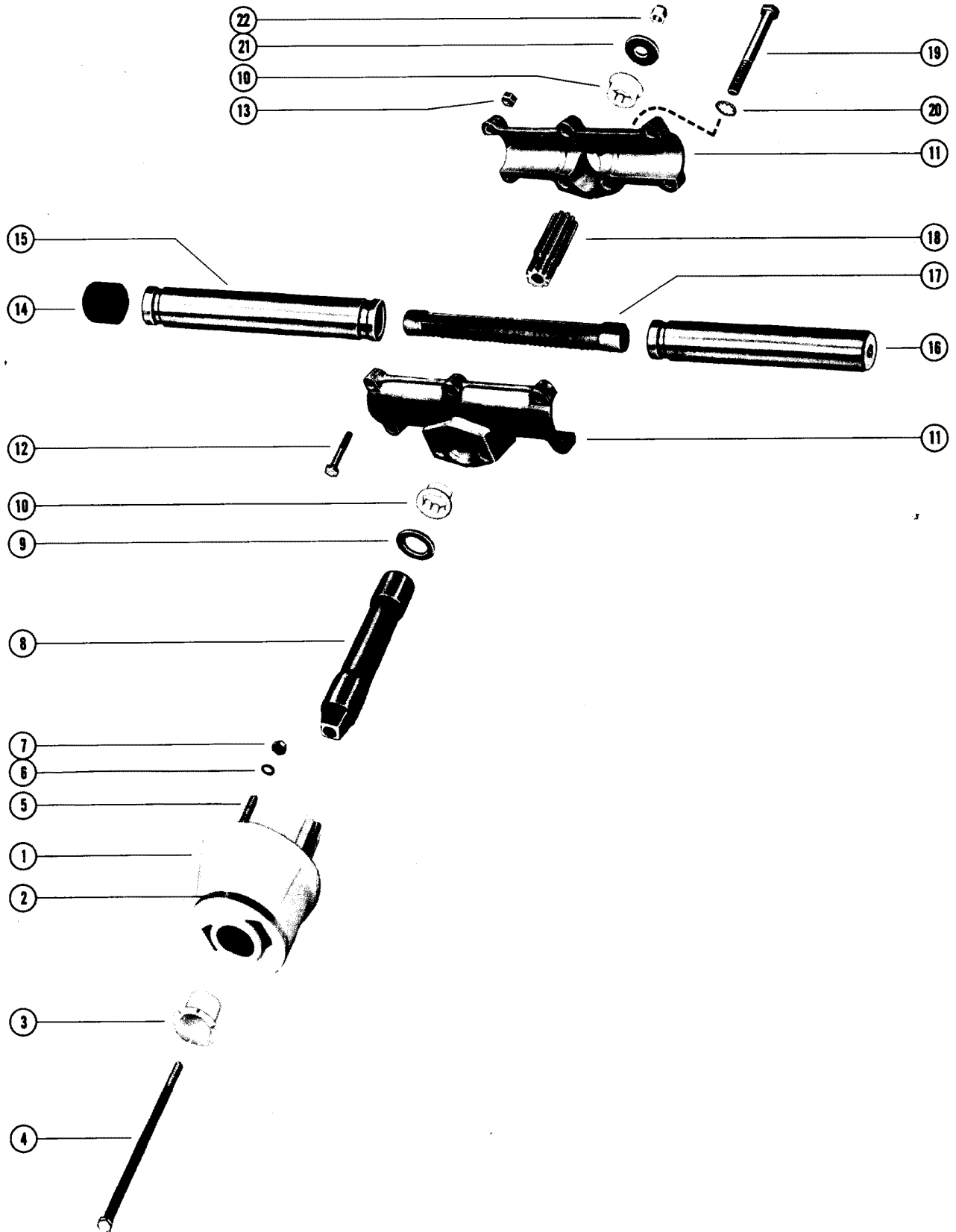


SUPER RIDEGUIDE STEERING KIT

REF. NO.	PART NO.	SYM.	QTY.	DESCRIPTION
-	48366A1		1	SUPER RIDE-GUIDE STEERING KIT(SEE NOTE)
1	10-31222		1	BOLT, STEERING WHEEL TO TILT POST (13 5/16")
2	23-25901		2	BUSHING, GEAR RACK HOUSING - SPLINED
3	48226		2	HOUSING, GEAR RACK
4	10-20784		5	SCREW, GEAR RACK HOUSING CLAMPING (1 1/2")
5	11-46887		5	NUT, GEAR RACK CLAMPING SCREW
6	26059		1	CAP, RUBBER - GEAR RACK TUBE (OPEN END)
7	25896		1	TUBE, GEAR RACK (OPEN END)
8	25895A1		1	TUBE, GEAR RACK (CABLE END)
9	25887		1	RACK, GEAR
10	31221		1	PINION, GEAR RACK TO GEAR RACK
11	10-48722		2	SCREW, GEAR RACK HOUSING CLAMPING (5 3/4")
12	13-48300		2	LOCKWASHER, GEAR RACK CLAMPING S CREW
13	31218		4	BRACKET, GEAR RACK TUBE TO GEAR RACK TUBE
14	10-22039		2	SCREW, GEAR RACK TUBE BRACKET CLAMPING
15	11-20102		2	NUT, GEAR RACK TUBE BRACKET SCREW

NOTE: C-48366A1 SUPER RIDE-GUIDE STEERING KIT TO BE USED WITH C-48250A1 TILT MOUNT ASSEMBLY

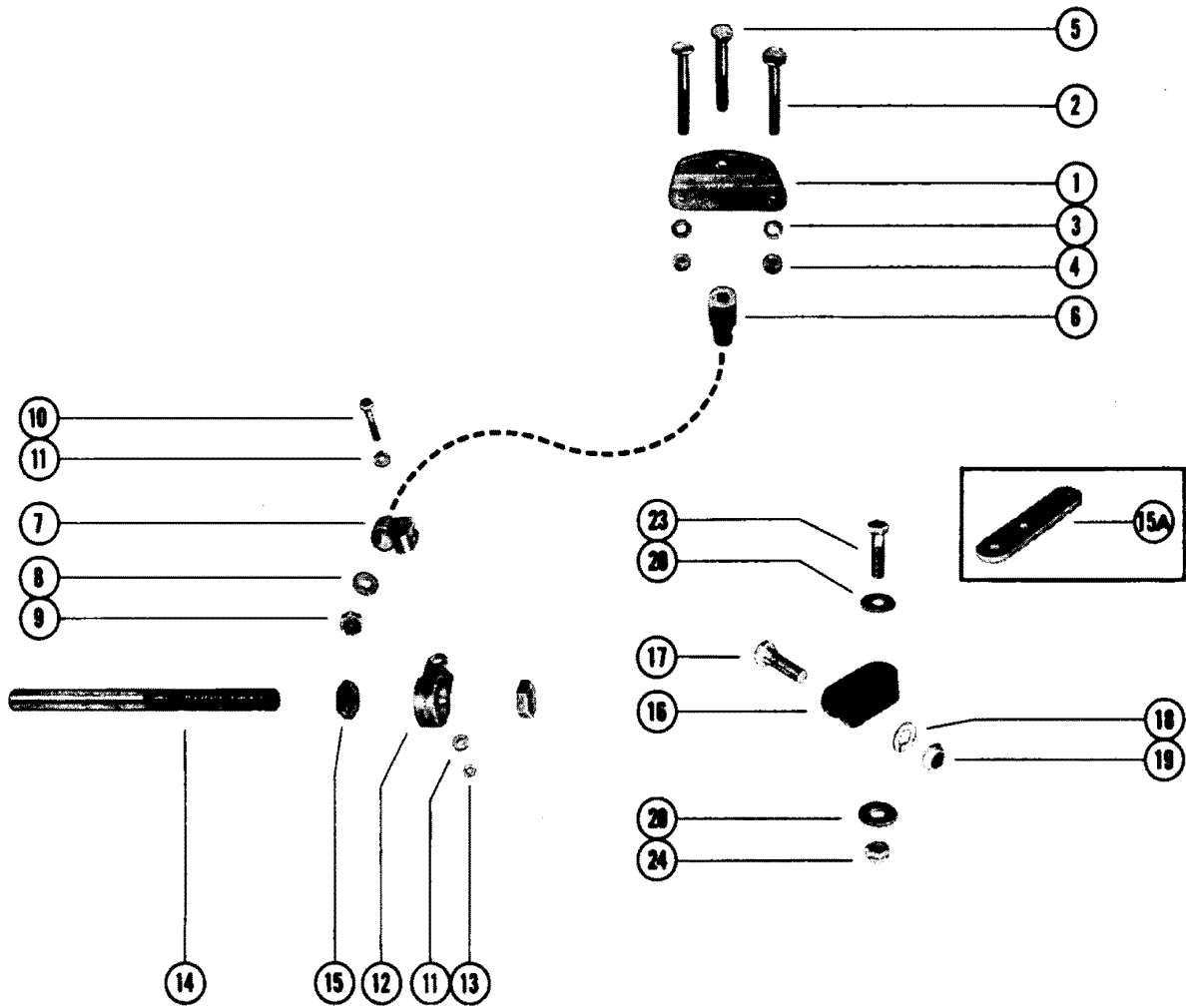
RIDE-GUIDE STEERING KIT B



RIDE-GUIDE STEERING KIT B

REF. NO.	PART NO.	SYM.	QTY.	DESCRIPTION
-	49003A5		1,	RIDE-GUIDE STEERING KIT (20 DEGREES) - BLACK
-	49004A5		,1	RIDE-GUIDE STEERING KIT (90 DEGREES) - BLACK
1	49055-2		1,	POST, STEERING WHEEL MOUNTING (20 DEGREES) - BLACK
	49053-2		,1	POST, STEERING WHEEL MOUNTING (90 DEGREES) - BLACK
2	37-32710		1,1	STRIP, TRIM - STEE RING POST
3	23-29097		1,1	BUS HING, NYLON - STEE RING POST
4	10-29223		1,	BOLT, STEERING WHEEL TO STEERING POST (10 7/8")
	10-29400		,1	BOLT, STEERING WHEEL TO STEERING POST (9 7/8")
5	16-29208		3,3	STUD, STEE RING POST TO DASHBOARD (2 1/2 ")
6	12-26825		3,3	WASHER, STEERING POST STUD
7	11-21528		3,3	NUT, STEERING POST STUD
8	29220		1,	SHAFT, STEERING WHEEL (20 DEGREES)
	25890		,1	SHAFT, STEERING WHEEL (90 DEGREES)
9	12-25897		1,1	WASHER, SHAFT TO GEAR RACK HOUSING (15/16" I. D.)
10	23-25901		2,2	BUSHING, GEAR RACK HOUSING - SPLINED
11	48226		2,2	HOUSING, GEAR RACK
12	10-20784		5,5	SCREW, GEAR RACK HOUSING CLAMPING (1 1/2")
13	11-46887		5,5	NUT, GEAR RACK CLAMPING SCREW
14	26059		1,1	CAP, RUBBER - GEAR RACK TUBE (OPEN END)
15	25896		1,1	TUBE, GEAR RACK (OPEN END)
16	25895A1		1,1	TUBE, GEAR RACK (CABLE END)
17	25887		1,1	RACK, GEAR
18	25898		1,1	PINION, GEAR RACK
19	10-48236		2,2	SCREW, GEAR RACK HOUSING CLAMPING (3 1/4")
20	13-48300		2,2	LOCKWASHER, GEAR RACK CLAMPING SCREW
21	12-48241		1,1	WASHER, LOWER - HOUSING BOLT (13/32 ")(I. D.)
22	11-23161		1,1	NUT,STEERING WHEEL TO HOUSING BOLT

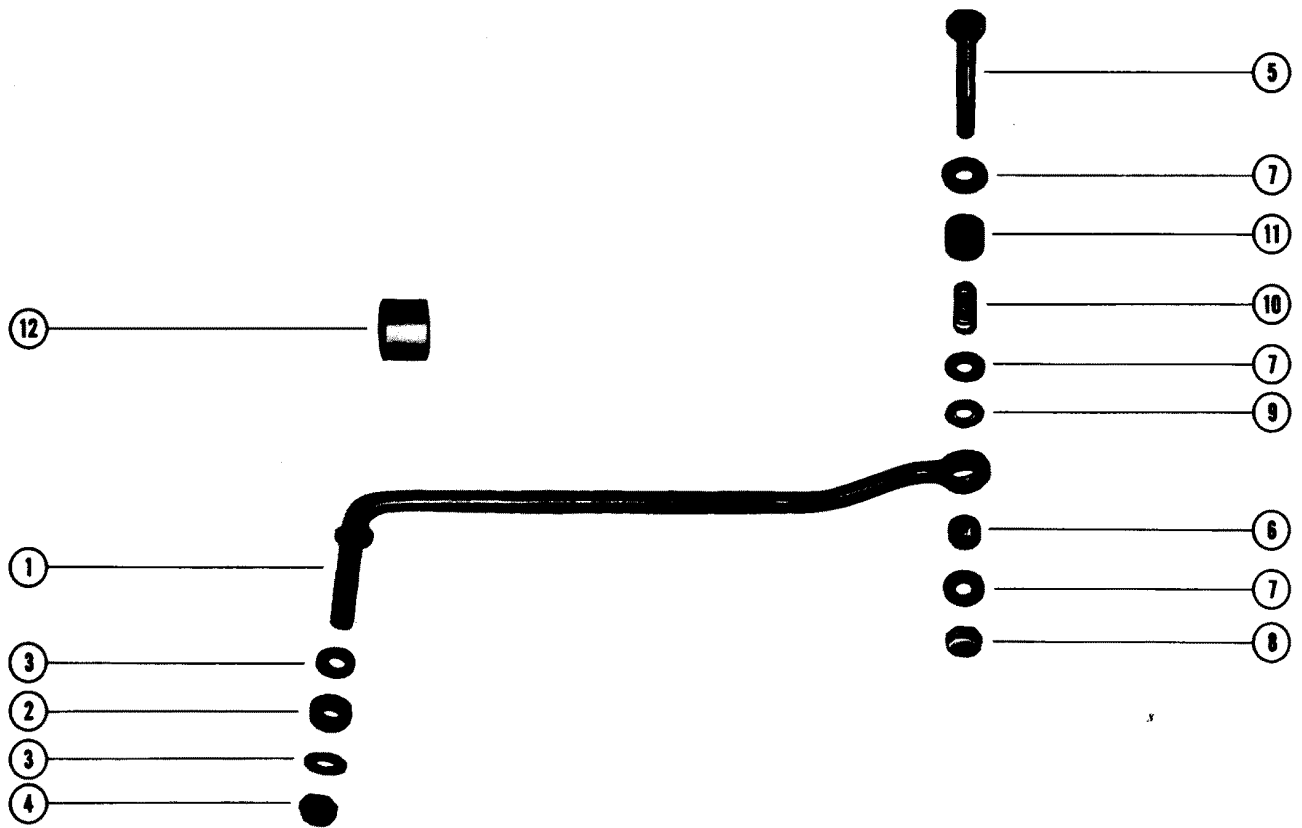
UNIVERSAL RIDE-GUIDE SINGLE ATTACHING KIT



UNIVERSAL RIDE-GUIDE SINGLE ATTACHING KIT

REF. NO.	PART NO.	SYM.	QTY.	DESCRIPTION
-	38047A11		1	UNIVERSAL RIDE-GUIDE ATTACHING KIT
1	56035		1	BRACKET, PIVOT BLOCK TO BOAT TRANSOM
2	10-26483		2	SCREW, TRANSOM BRACKET TO BOAT TRANSOM (2 3/4")
3	13-26993		2	LOCKWASHER, TRANSOM BRACKET SCREW
4	11-21908		2	NUT, TRANSOM BRACKET SCREW
5	10-29222		1	SCREW, TRANSOM BRACKET TO PIVOT BLOCK (2 3/4")
6	23-28343		1	SPACER, PIVOT - TRANSOM BRACKET TO PIVOT BLOCK
7	28190		1	BLOCK, PIVOT
8	12-21040		1	WASHER, TRANSOM BRACKET TO PIVOT BLOCK SCREW
9	11-20509		1	NUT, TRANSOM BRACKET TO PIVOT BLOCK SCREW
10	10-56393		1	SCREW, PIVOT BLOCK TO YOKE (1 3/4")
11	12-22248		2	WASHER, PIVOT BLOCK SCREW
12	30700		1	YOKE, PIVOT BLOCK
13	11-20696		1	NUT, PIVOT BLOCK SCREW
14	32-35015		1	TUBE, CABLE GUIDE
15	11-37984		2	NUT, ADJUSTING - CABLE GUIDE TUBE
16	70599A1		1	CLEVIS, STEERING CABLE
17	10-35871		2	SCREW, STEERING CABLE CLEVIS TO STEERING CABLE (1 1/2")
18	12-20553		1	WASHER, STEERING CABLE CLEVIS SCREW
19	11-20509		2	NUT, STEERING CABLE CLEVIS SCREW
20	12-28105		2	WASHER, STEERING ARM SCREW
23	10-49220		1	SCREW, STEERING ARM TO STEERING CABLE CLEVIS (2 1/4")
24	11-20509		1	NUT, STEERING ARM SCREW

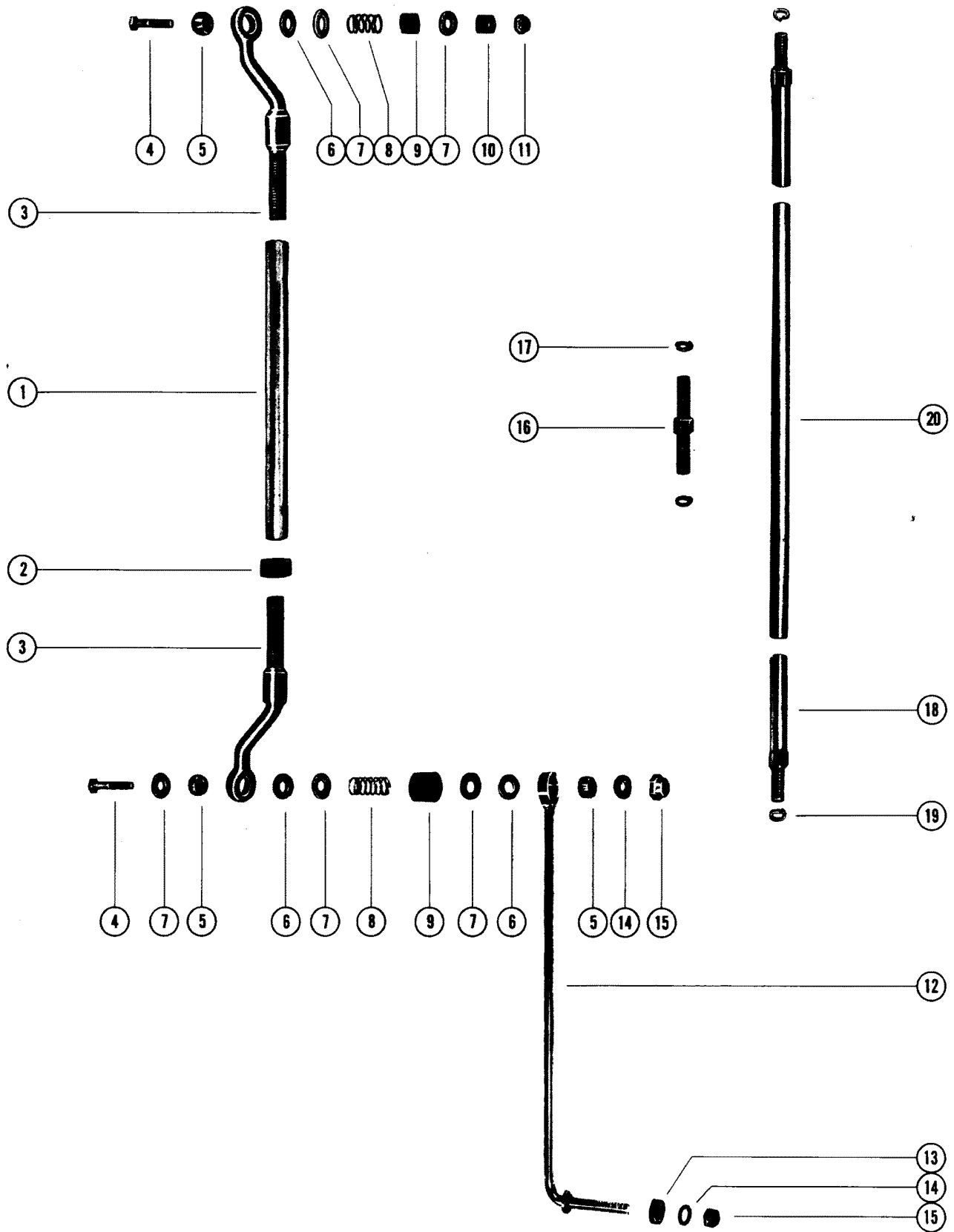
RIDE-GUIDE ATTACHING KIT L



RIDE-GUIDE ATTACHING KIT L

REF. NO.	PART NO.	SYM.	QTY.	DESCRIPTION
-	66741A1		1,	RIDE-GUIDE ATTACHMENT KIT (7/8" O. D.) - SINGLE
-	79278A1		,1	RIDE-GUIDE ATTACHMENT KIT (7/8" O.D.) - SINGLE
1	66741		1,	ROD, STEERING LINK
	79278		,1	ROD, STEERING LINK
2	23-66751		1,1	SPACER, STEERING LINK ROD
3	12-34931		2,2	WASHER, STEE RING LINK ROD
4	11-34863		1,1	NUT, STEERING LINK ROD
5	10-66752		1,	BOLT, PIVOT
	10-68340		,1	BOLT, PIVOT
6	29698		1,1	BALL, STEEL - PIVOT BOLT TO STEERING LINK ROD
7	12-34931		3,3	WASHER, PIVOT BOLT
8	11-34863		1,1	NUT, PIVOT BOLT FASTENING (LOWER)
9	12-29330		1,1	WASHER, NYLON - PIVOT BOLT
10	24-20510		1,	SPRING, PIVOT BOLT
	24-71641		,1	SPRING, PIVOT BOLT
11	23-25915		1,	BUSHING, RUBBER - PIVOT BOLT
	23-71642		,1	BUSHING, RUBBER - PIVOT BOLT
12	30744		1,1	CAP, TILT TUBE - OPEN END (7/8" O. D.)
-	26-78862A1		,1	STEERING CABLE SEAL KIT

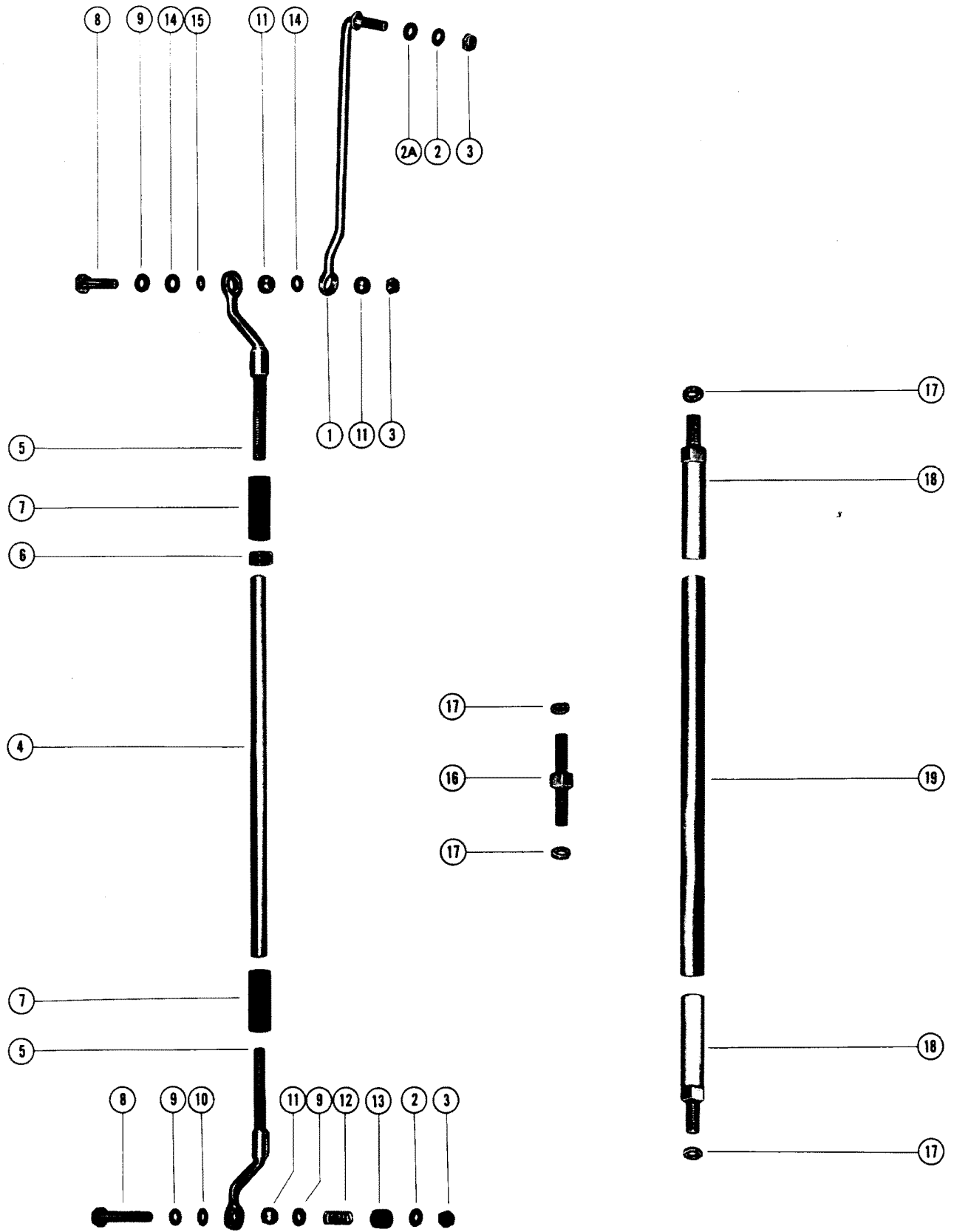
RIDE-GUIDE ATTACHING KIT M



RIDE-GUIDE ATTACHING KIT M

REF. NO.	PART NO.	SYM.	QTY.	DESCRIPTION
-	39128A2		1,	RIDE-GUIDE ATTACHMENT KIT (7/8" OD) - DUAL
-	38619A3		,1	RIDE-GUIDE ATTACHMENT KIT (7/8" OD) - DUAL
1	27973		1,1	COUPLING, ADJUSTING - DUAL CONTROL
2	11-22496		1,1	NUT, ADJUST COUPLING
3	39129A1		1,	EYE ASSEMBLY, DUAL CONTROL ADJUSTING - STBDR
	38624A1		,1	EYE ASSEMBLY, DUAL CONTROL ADJUSTING - STBD.
	39130A1		1,	EYE ASSEMBLY, DUAL CONTROL ADJUSTING - PORT
	38625A1		,1	EYE ASSEMBLY, DUAL CONTROL ADJUSTING - PORT
4	10-49220		2,2	SCREW, PIVOT CONTROL ENGINE
5	29698		3,3	BALL, STEEL - PIVOT SCREW
6	12-29330		3,3	WASHER, NYLON - PIVOT SCREW
7	12-25909		4,	WASHER, PIVOT SCREW
	12-25970		,6	WASHER, PIVOT SCREW
8	24-20510		2,2	SPRING, PIVOT SCREW
9	23-25915		2,2	BUSHING, RUBBER - PIVOT SCREW
10	23-36534		1,1	SPACER, PIVOT SCREW
11	11-20509		1,1	NUT, PIVOT SCREW
12	66741		1,1	LINK ROD, STEERING
13	23-66751		,1	SPACER, STEERING LINK ROD
14	12-20086		2,	WASHER, STEERING LINK ROD
	12-34931		,2	WASHER, STEERING LINK ROD
15	11-20509		2,2	NUT, STEERING LINK ROD
16	30352A1		AR,AR	COUPLER ASSEMBLY, EXTENSION LINK ROD
17	13-30381		2,2	LOCKWASHER, COUPLER ASSEMBLY
18	30351A1		AR,AR	BAR ASSEMBLY (4" EXTENSION)
19	13-30381		1,1	LOCKWASHER, EXTENSION BAR ASSEMBLY
20	30353		AR,AR	ROD, LINK (16" EXTENSION)

RIDE-GUIDE ATTACHING KIT (DUAL) A

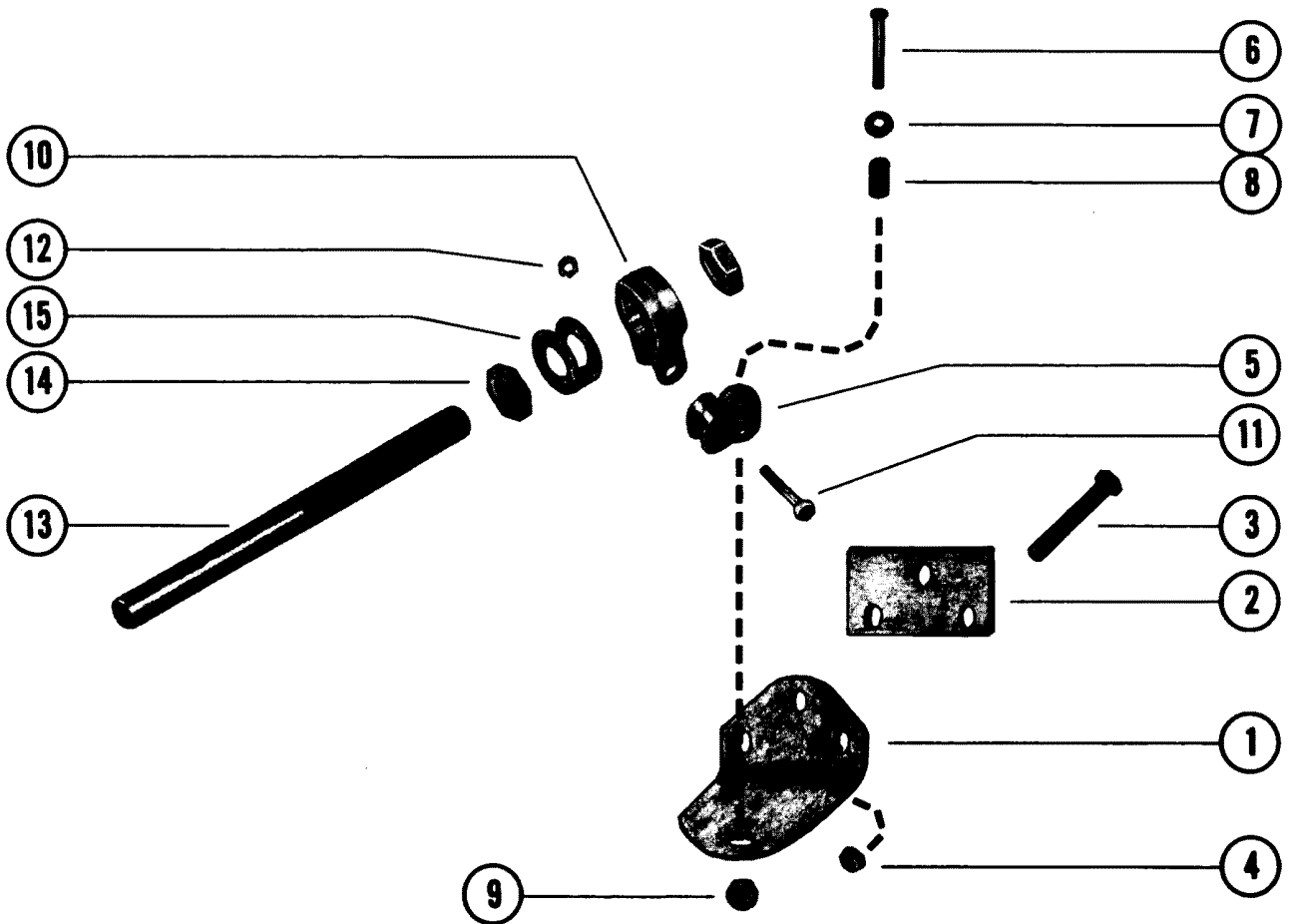
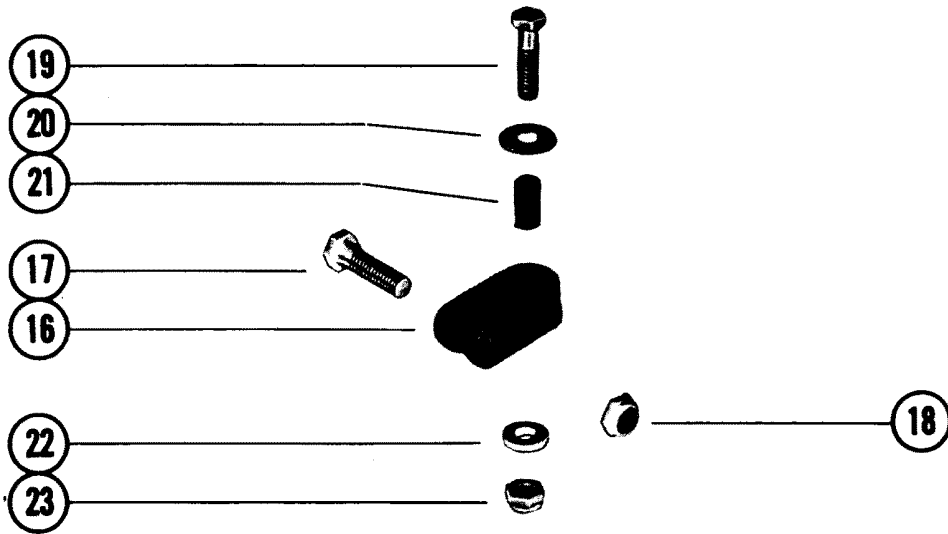


RIDE-GUIDE ATTACHING KIT (DUAL) A

REF. NO.	PART NO.	SYM.	QTY.	DESCRIPTION
-	62539A1		1,	RIDE -GUIDE ATTACHMENT KIT - DUAL
-	62539A2		,1	RIDE -GUIDE ATTACHMENT KIT - DUAL
1	59429		1,	STEERING LINK ROD
	66741		,1	STEERING LINK ROD
2	12-20086		2,	WASHER, STEERING LINK ROD AND PIVOT SCREW
	12-34931		,2	WASHER, STEERING LINK ROD AND PIVOT SCREW
2A	23-66751		,1	SPACER, STEERING LINK ROD
3	11-20509		3,	NUT, STEERING LINK ROD AND PIVOT SCREW
	11-34863		,3	NUT, STEERING LINK ROD AND PIVOT SCREW
4	27973		1,1	COUPLING, ADJUSTING - DUAL CONTROL
5	63040A1		2,2	EYE ASSEMBLY, DUAL CONTROL ADJUSTING
6	11-22496		1,1	NUT, JAM - ADJUST COUPLING
7	23-32052		2,2	SLEEVE, RUBBER - ADJUSTING LINK AND COUPLING
8	10-68340		2,2	SCREW, PIVOT - ADJUSTING LINK (1 5/8")
9	12-25909		3,	WASHER, PIVOT SCREW
	12-34931		,3	WASHER, PIVOT SCREW
10	12-29330		1,1	WASHER, NYLON - PIVOT SCREW
11	29698		3,3	BALL, STEEL - PIVOT SCREW
12	24-20510		1,1	SPRING, PIVOT SCREW
13	23-25915		1,1	BUSHING, RUBBER - PIVOT SCREW
14	12-56085		2,2	WASHER, NEOPRENE - PIVOT SCREW
15	12-20683		1,1	WASHER, PIVOT SCREW
16	30352A1	■	AR,AR	COUPLER ASSEMBLY, EXTENSION LINK ROD
17	13-30381		2,2	LOCKWASHER, COUPLER ASSEMBLY
18	30351A1	■	AR,AR	BAR ASSEMBLY (4" EXTENSION)
17	13-30381		1,1	LOCKWASHER, EXTENSION BAR ASSEMBLY
19	30353	■	AR,AR	ROD, LINK (16" EXTENSION)

■ = ADDITIONAL EXTENSION PARTS ARE NOT INCLUDED WITH ATTACHING KIT AND ORDERED "AS REQUIRED"

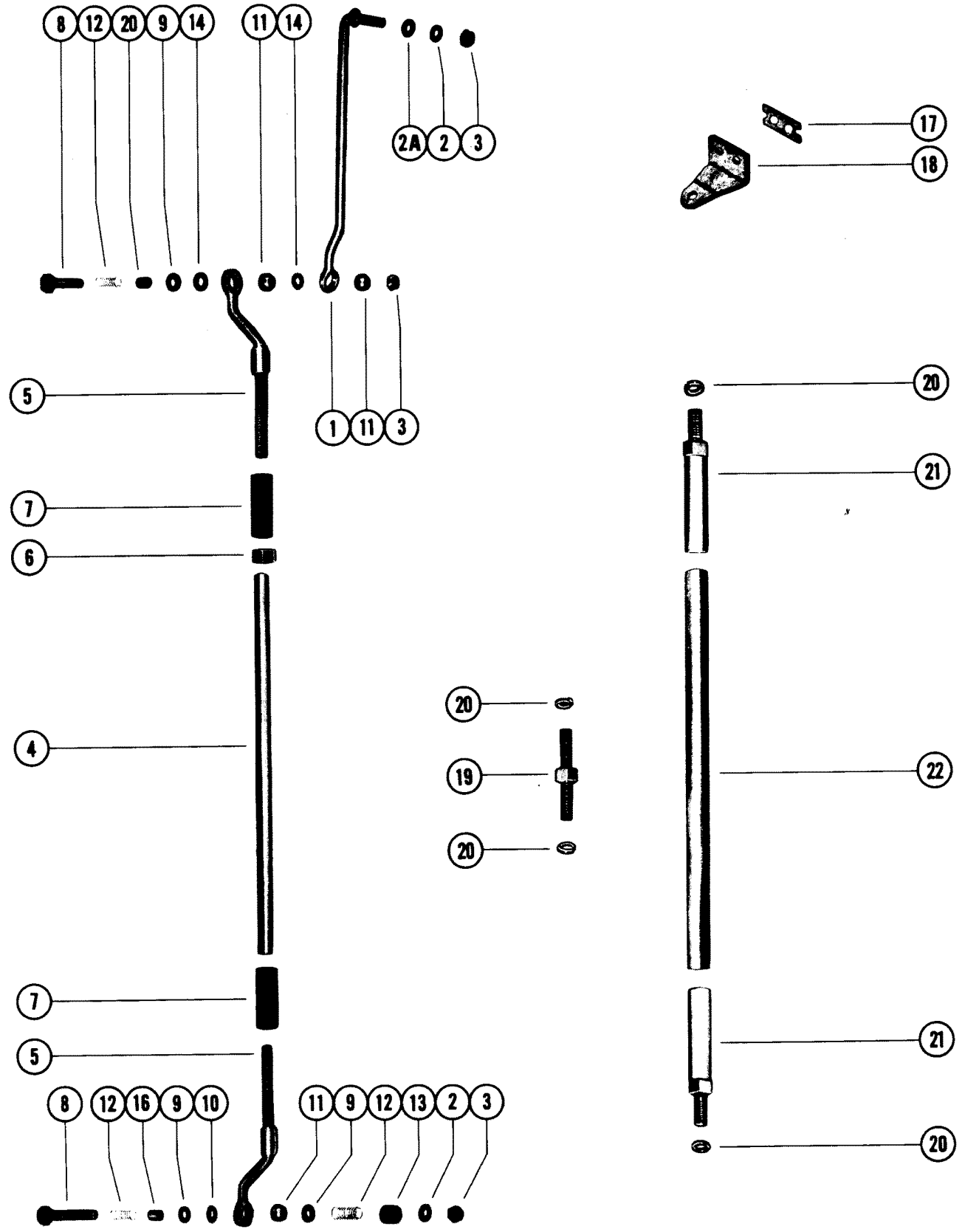
STEERING KIT, TRANSOM MOUNTED



STEERING KIT, TRANSOM MOUNTED

REF. NO.	PART NO.	SYM.	QTY.	DESCRIPTION
1	74754A		1	STEERING KIT, TRANSOM MOUNTED
	74754		1	BRACKET, TRANSOM
2	74755		1	PLATE, BACKING
3	10-74757		3	SCREW, BRACKET TO TRANSOM (3 1/4")
4	11-35814		3	NUT, BRACKET SCREW
5	73772		1	PIVOT BLOCK
6	10-70890		1	SCREW, PIVOT BLOCK TO BRACKET (1 3/4")
7	12-74758		1	WASHER, PIVOT BLOCK SCREW
8	23-74756		1	SPACER, PIVOT BLOCK SCREW
9	11-34933		1	NUT, PIVOT BLOC K S C REW
10	73774		1	YOKE, PIVOT BLOCK
11	10-70890		1	SCREW, PIVOT BLOCK TO YOKE (1 3/4")
12	11-34933		1	NUT, PIVOT BLOCK SCREW
13	71565		1	TUBE, CABLE GUIDE
14	11-73776		2	NUT, JAM - CABLE GUIDE TUBE
15	14-73777		1	TAB WASHER, CABLE GUIDE TUBE
16	78282		1	CLEVIS, STEERING CABLE
17	10-70891		1	SCREW, STEERING CABLE TO CLEVIS
18	11-34863		1	NUT, STEERING CABLE SCREW
19	10-70893		1	SCREW, CLEVIS TO STEERING ARM (1 1/4")
20	12-34931		1	WASHER, CLEVIS SCREW (THIN)
21	23-71564		1	SPACER, CLEVIS SCREW
22	12-74759		1	WASHER, CLEVIS SCREW (THICK)
23	11-34863		1	NUT,CLEVIS SCREW

RIDE-GUIDE ATTACHING KIT (DUAL) B

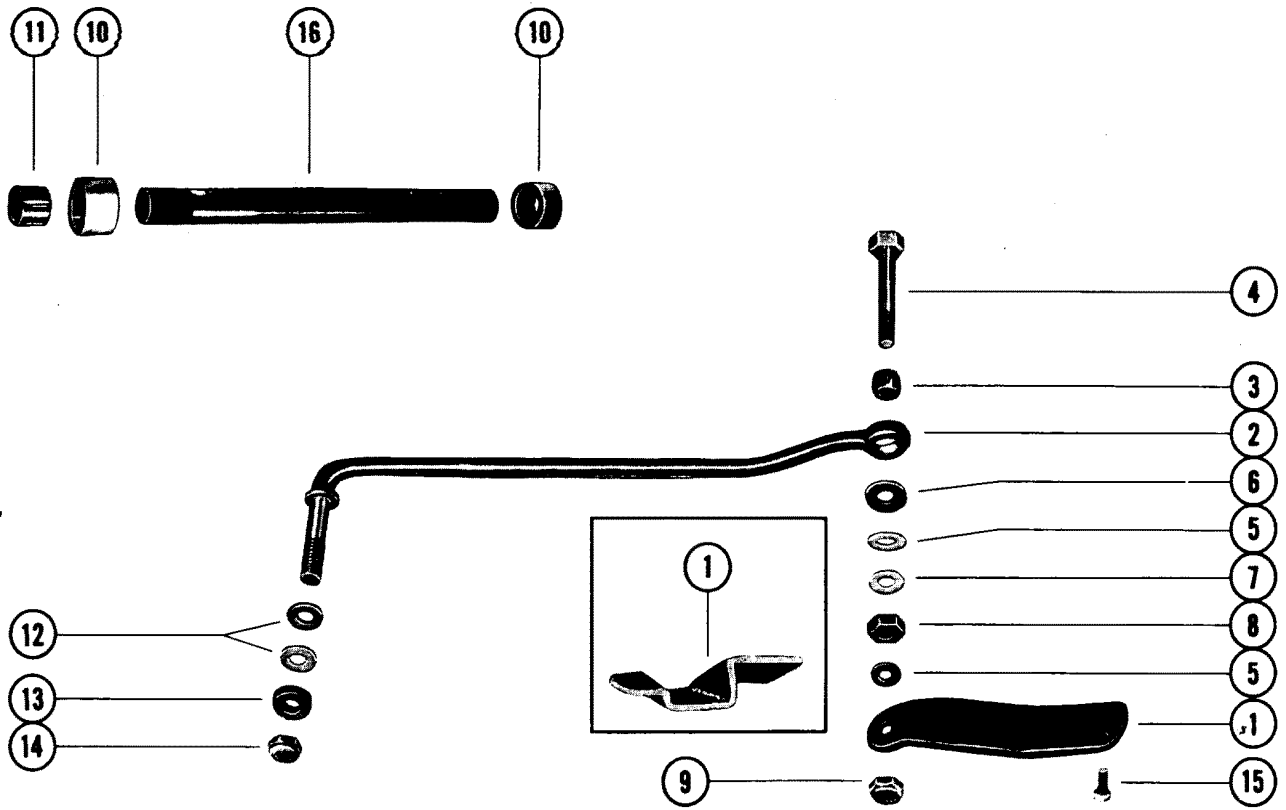


RIDE-GUIDE ATTACHING KIT (DUAL) B

REF. NO.	PART NO.	SYM.	QTY.	DESCRIPTION
-	79278A3		1,,	RIDE-GUIDE ATTACHING KIT, DUAL
-	79278A4		,1,	RIDE-GUIDE ATTACHING KIT, DUAL
-	79278A2		,,1	RIDE -GUIDE ATTACHING KIT, DUAL
1	79278		1,1,1	STEERING LINK ROD
2	12-34931		2,2,2	WASHER, STEERING LINK ROD AND PIVOT SCREW
2A	23-66751		1,1,1	SPACER, STEERING LINK ROD
3	11-34863		3,3,3	NUT, STEERING LINK ROD PIVOT SCREW
4	77144-1		1,1,1	COUPLING, ADJUSTING - DUAL CONTROL
5	72922		2,,	EYE ASSEMBLY, DUAL CONTROL ADJUSTING
	77474		,2,	EYE ASSEMBLY, DUAL CONTROL HOUSING
6	11-71852		1,1,1	NUT, JAM - ADJUSTING COUPLING
7	32-79491		2,2,2	SLEEVE, RUBBER - ADJUSTING LINK AND COUPLING
8	10-66752		2,,	SCREW, PIVOT - ADJUSTING LINK (1 5/8")
	10-71851		,2,	SCREW, PIVOT - ADJUSTING LINK (2 3/8")
	10-68340		,,1	SCREW, PIVOT - ADJUSTING LINK (1 5/8 ")
	10-68496		,,1	SCREW, PIVOT - ADJUSTING LINK (2 1/4")
9	12-34931		3,,3	WASHER, PIVOT SCREW
	12-34931		,4,	WASHER, PIVOT SCREW
10	12-29330		1,,	WASHER, NYLON - PIVOT SCREW
	12-29330		,3,3	WASHER, NYLON - PIVOT SCREW
11	29698		3,3,3	BALL, STEEL - PIVOT SCREW
12	24-20510		1,,	SPRING, PIVOT SCREW
	24-71641		,2,2	SPRING, PIVOT SCREW
13	23-25915		1,,	BUSHING, RUBBER - PIVOT SCREW
	23-71642		,2,2	BUSHING, RUBBER - PIVOT SCREW
14	12-56085		2,,	WASHER, NEOPRENE - PIVOT SCREW
16	23-71853		,1,	SPACER, STEERING LINK ROD
17	76533		,,1	STRAP, BRACKET SCREW
18	78874		,,1	BRACKET, RIDE GUIDE ATTACHING
19	30352A1	■	AR,AR,AR	COUPLER ASSEMBLY, EXTENSION LINK ROD SEE NOTE
20	13-30381		2,2,2	LOCKWASHER, COUPLER ASSEMBLY SEE NOTE
21	30351A1	■	,,AR	BAR ASSEMBLY (4" EXTENSION) SEE NOTE
22	30353	■	,,AR	ROD, LINK (16" EXTENSION) SEE NOTE

■ = ADDITIONAL EXTENSION PARTS ARE NOT INCLUDED WITH ATTACHING KIT AND ORDERED "AS REQUIRED"

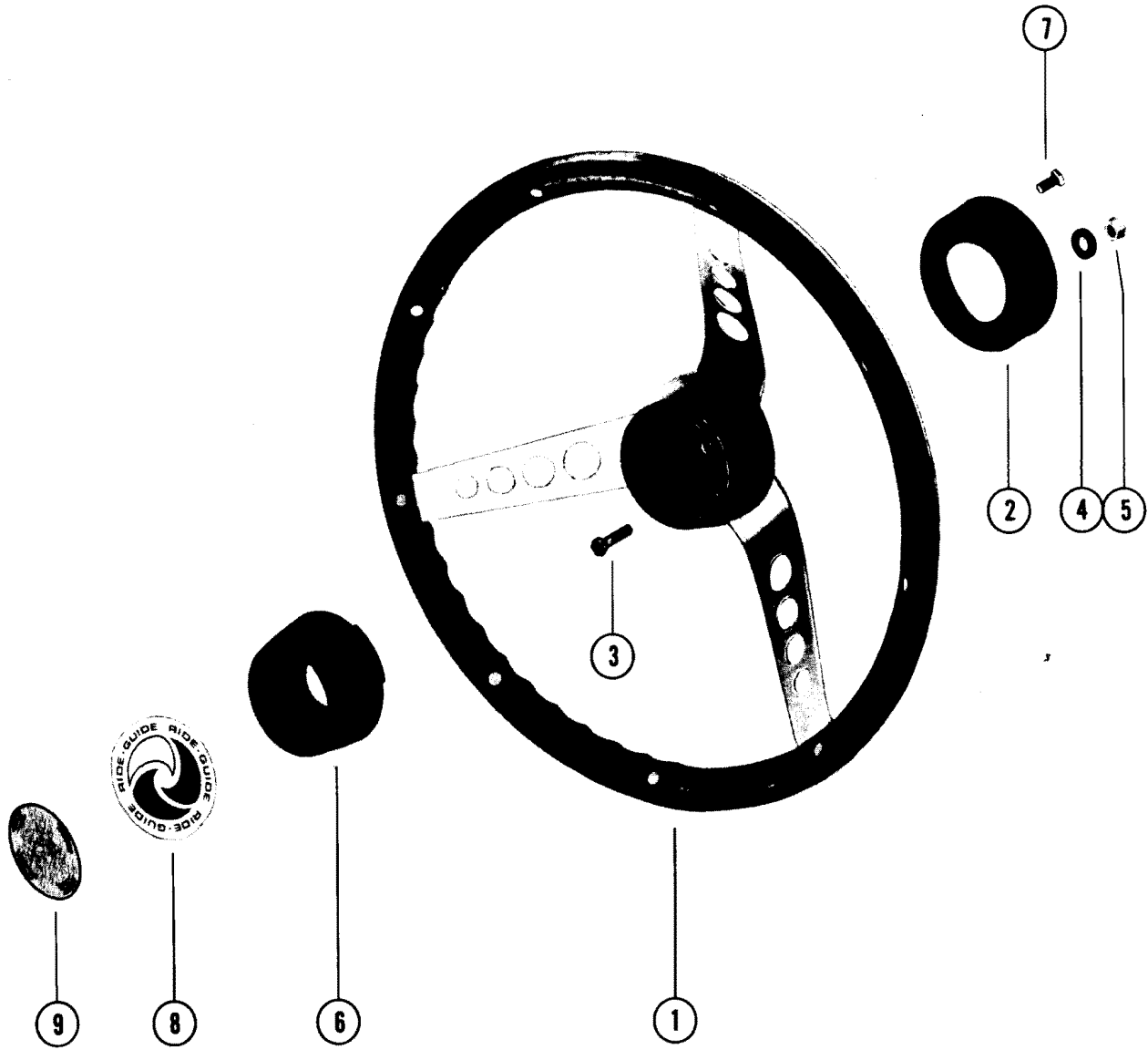
RIDE-GUIDE ATTACHING KIT



RIDE-GUIDE ATTACHING KIT

REF. NO.	PART NO.	SYM.	QTY.	DESCRIPTION
-	34749A6		1,,	RIDE-GUIDE ATTACHING KIT
-	73693A4		,1,	RIDE-GUIDE ATTACHING KIT
-	73693A5		,,1	RIDE-GUIDE ATTACHING KIT
1	34749		1,,	BRACKET, STEERING ARM
	73693		,1,	BRACKET, STEERING ARM
2	87354		1,1,	STEERING LINK ROD
3	29698		1,1,	BALL, STEEL - PIVOT BOLT TO STEERING LINK ROD
4	10-68340		1,1,	SCREW, ROD TO STEERING ARM BRACKET
5	12-73729		1,1,	WASHER, PIVOT BOLT
6	12-56085		1,1,	WASHER, NEOPRENE - PIVOT BOLT
7	12-34931		1,1,	WASHER, PIVOT BOLT
8	11-69254		1,1,	NUT, PIVOT BOLT
9	11-34863		1,1,	NUT, PIVOT BOLT FASTENING
10	23-30981		2,,	SPACER, TILT TUBE
	23-33468		,2,	SPACER, TILT TUBE
11	30744		1,1,	CAP, TILT TUBE (OPEN END)
12	12-34931		2,2,	WASHER, STEERING LINK ROD
13	23-66751		1,1,	SPACER, STEERING LINK ROD
14	11-34863		1,1,	NUT, STEERING LINK ROD
15	10-75677		2,,	SCREW, STEERING ARM BRACKET ATTACHING
	10-53099		,2,	SCREW, STEERING ARM BRACKET ATTACHING
16	30664		1,1,	TILT TUBE

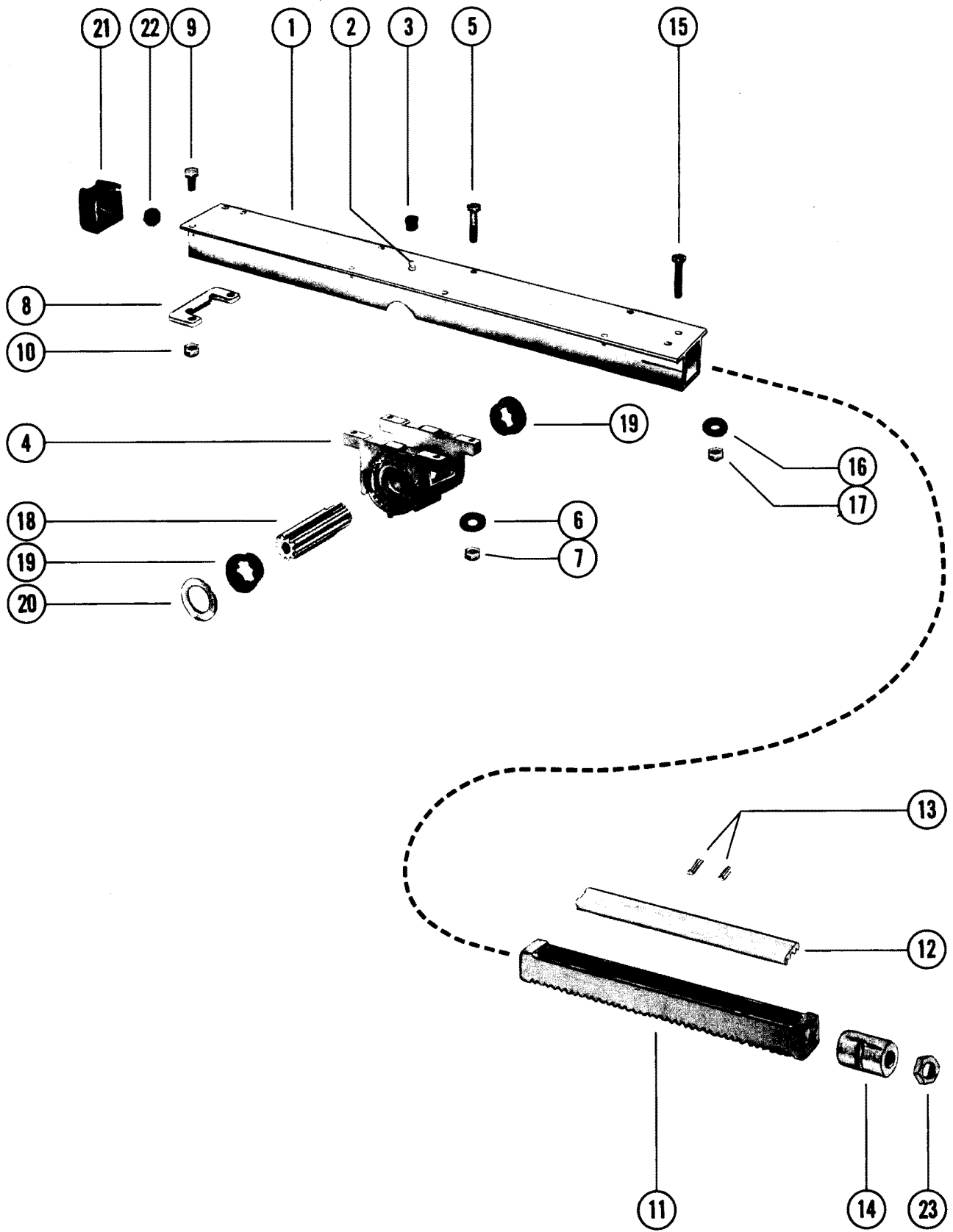
STEERING WHEEL ASSEMBLY (WOOD GRAIN)



STEERING WHEEL ASSEMBLY (WOOD GRAIN)

REF. NO.	PART NO.	SYM.	QTY.	DESCRIPTION
1	76130A1		1	STEERING WHEEL ASSEMBLY, WOOD GRAINED
2	76125		1	HUB, STEERING WHEEL
3	10-26065		3	SCREW, STEERING WHEEL TO HUB
4	12-20084		3	WASHER, STEERING WHEEL TO HUB SCREW (1")
5	11-35814		3	NUT, STEERING WHEEL TO HUB SCREW
6	76126		1	CAP, TOP - STEERING WHEEL
7	10-56027		3	SCREW, HUB TO STEERING WHEEL
8	57914A3		1	DRIVE ASSEMBLY, STEERING WHEEL
9	57913-1		1	LENS,STEERING WHEEL

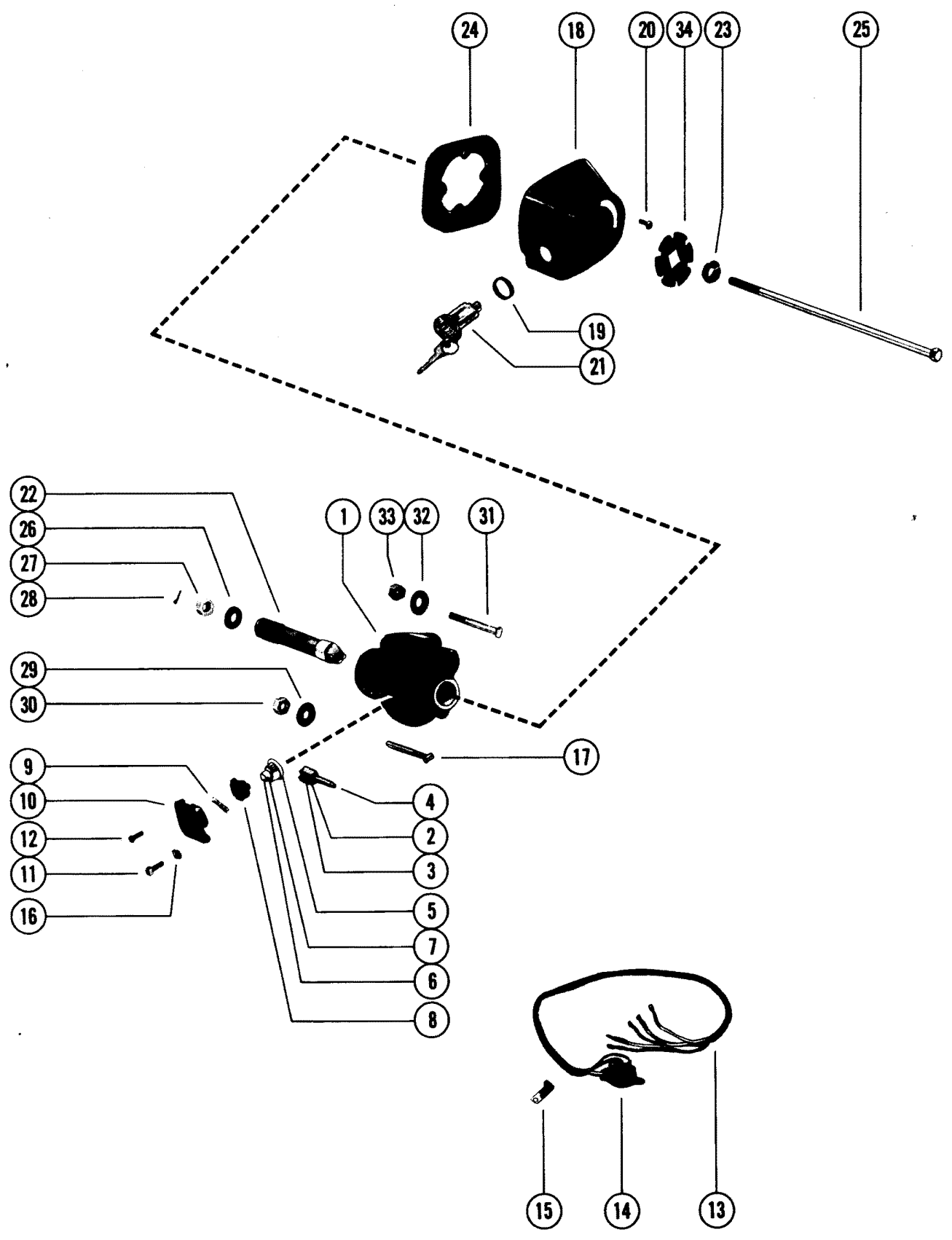
RACK AND PINION ASSEMBLY



RACK AND PINION ASSEMBLY

REF. NO.	PART NO.	SYM.	QTY.	DESCRIPTION
-	66800A2		1	RACK AND PINION ASSEMBLY
1	66800		1	HOUSING, RACK
2	22-26000		1	GREASE FITTING
3	29359		1	LUBRICAP, GREASE FITTING
4	66799		1	HOUSING, RACK MOUNT
5	10-69086		4	SCREW, RACK MOUNT HOUSING TO RACK HOUSING (1 1/8")
6	12-29245		4	WASHER, RACK MOUNT HOUSING TO RACK HOUSING SCREW
7	11-20361		4	NUT, RACK MOUNT HOUSING TO RACK HOUSING SCREW
8	66801		1	BRACKET, STOP
9	10-60300		2	SCREW, STOP BRACKET TO RACK HOUSING (3/4")
10	11-20361		2	NUT, STOP BRACKET TO RACK HOUSING SCREW
11	66802		1	RACK
12	66803		1	BUSHING, RACK
13	66804		2	GUIDE, RACK
14	66805		1	MOUNT, STEERING CABLE ATTACHING
15	10-21937		2	SCREW, MOUNT TO RACK HOUSING (2 ")
16	12-29245		2	WASHER, MOUNT TO RACK HOUSING SCREW
17	11-20361		2	NUT, MOUNT TO RACK HOUSING SCREW
18	25898		1	PINION
19	23-25901		2	BUSHING, SPLINED NYLON - PINION SECURING
20	12-25897		1	WASHER, PINION SECURING
21	66806		1	COVER, RACK HOUSING
22	11-20088		2	NUT, STEERING CABLE TO RACK
23	11-25899		1	NUT, JAM STEERING CABLE TO MOUNT

LOCKING STEERING MOUNT ASSEMBLY (20 DEGREES OR 90 DEGREES)

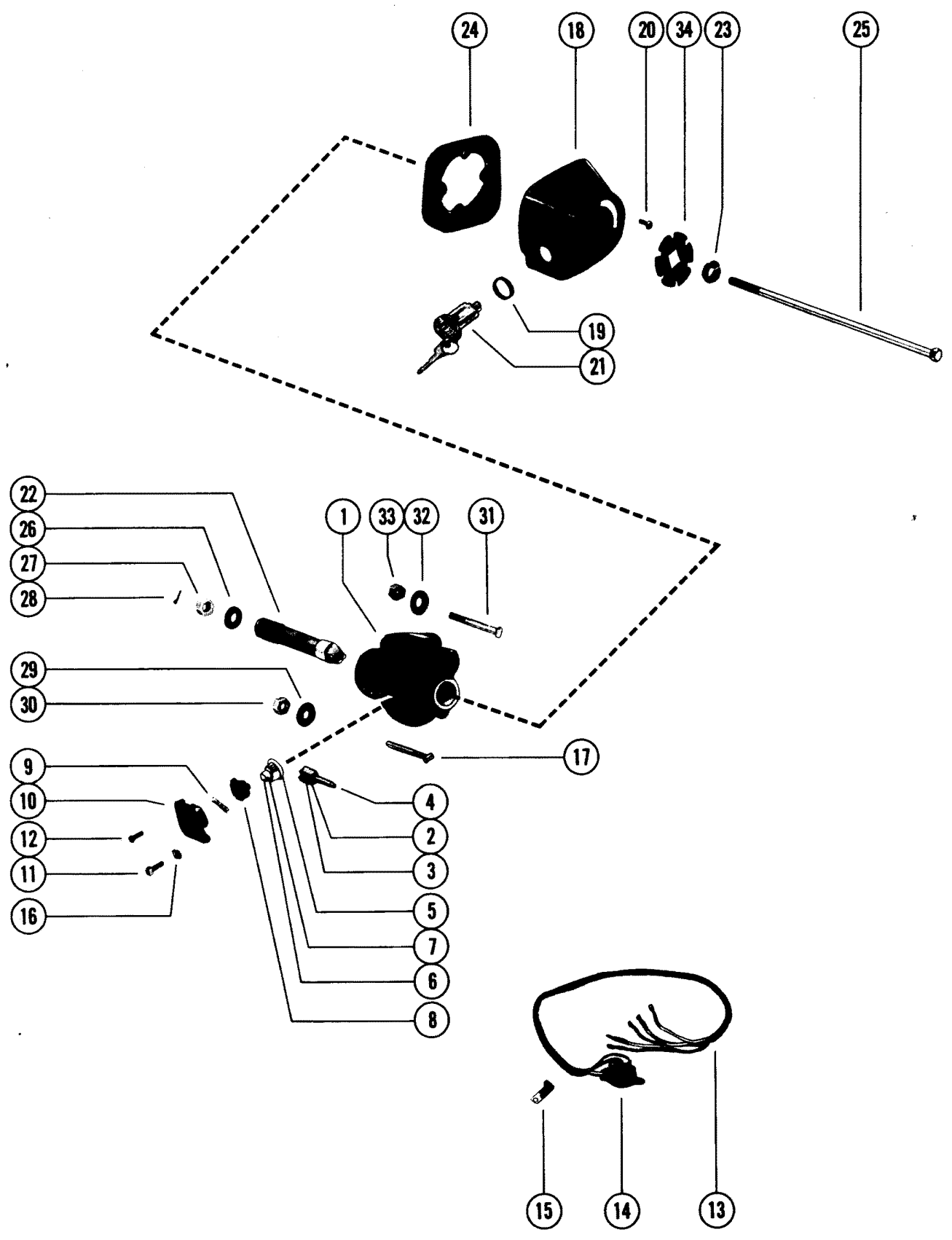


LOCKING STEERING MOUNT ASSEMBLY (20 DEGREES OR 90 DEGREES)

REF. NO.	PART NO.	SYM.	QTY.	DESCRIPTION
-	66786A3		1,	LOCKING STEERING MOUNT ASSEMBLY 20 DEGREES OR 90 DEGREES
-	66786A12		,1	LOCKING STEERING MOUNT ASSEMBLY 20 DEGREES OR 90 DEGREES
1	66786		1,1	STEERING POST
2	66787		1,1	RACK, LOCKING
3	24-66788		1,1	SPRING, LOCKING RACK PIN
4	66789		1,1	PIN, LOCKING RACK
5	66790		1,1	PINION, LOCKING
6	24-73455		1,1	SPRING, LOCKING PINION
7	66792		1,1	PIN, LOCKING PINION
8	66793		1,1	DRIVER, KEY SWITCH
9	24-73454		1,1	SPRING, KEY RETURN
10	66795		1,1	BRACKET, SWITCH MOUNTING
11	10-73556		2,2	SCREW, SWITCH MOUNTING BRACKET ATTACHING (3/4")
12	10-73557		3,3	SCREW, SWITCH MOUNTING BRACKET ATTACHING (5/8")
13	84-70025		1,	WIRING HARNESS
	84-79432		,1	WIRING HARNESS
14	87-67357		1,1	SWITCH, WIRING HARNESS
15	54-22740		1,	CLIP, HARNESS TO BRACKET ATTACHING
	54-26550		,1	CLIP, HARNESS TO BRACKET ATTACHING
16	69205		1,1	"C" WASHER, HARNESS ATTACHING SCREW
17	10-66797		3,3	"T" BOLT, STEERING POST TO WEDGE ATTACHING (5/16-24)
18	66798		1,1	COVER, STEERING POST
19	66810		1,1	GROMMET, KEY CYLINDER TO MOUNT
20	10-73557		2,2	SCREW, STEERING POST ATTACHING
21	67365		1,1	KEY CYLINDER
22	67352		1,1	SHAFT, STEERING WHEEL
23	23-29097		1,1	BUSHING, STEERING WHEEL SHAFT TO COVER
24	66816		1,1	WEDGE
25	10-67367		1,1	SCREW, STEERINGWHEEL SHAFT (12")
26	12-48241		1,1	WASHER, STEERING WHEEL SHAFT SCREW
27	11-23161		1,1	NUT, STEERING WHEEL SHAFT SCREW
28	18-29623		1,1	COTTER PIN
29	12-26825		3,3	WASHER, "T" BOLT
30	11-35814		3,3	NUT, "T" BOLT TO DASHBOARD
31	10-69098		2,2	SCREW, STEERING POST TO DASHBOARD ATTACHING (3 1/2")

CONTINUED ON NEXT PAGE ➡

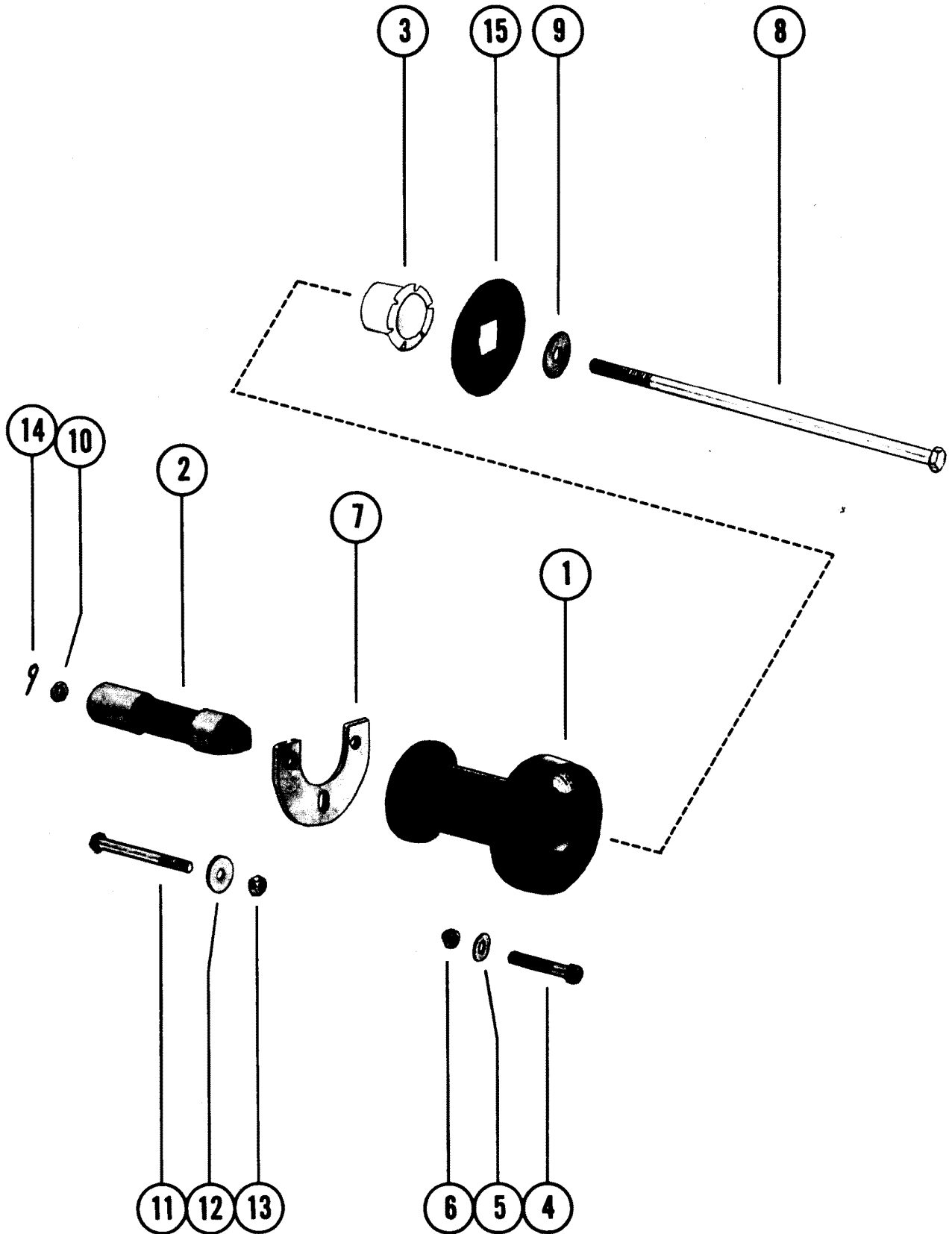
LOCKING STEERING MOUNT ASSEMBLY (20 DEGREES OR 90 DEGREES)



LOCKLNG STEERING MOUNT ASSEMBLY (20 DEGREES OR 90 DEGREES)

REF. NO.	PART NO.	SYM.	QTY.	DESCRIPTION
32	12-63032		2,2	WASHER, STEERING POST TO DASHBOARD SCREW
33	11-35814		2,2	NUT, STEERING POST TO DASHBOARD SCREW
34	66809		1,1	PLATE, COVER
-	84-78995A1		,1	CABLE ASSEMBLY, FUSE
-	88-79091		,1	FUSE,20 AMP

STEERING MOUNT ASSEMBLY

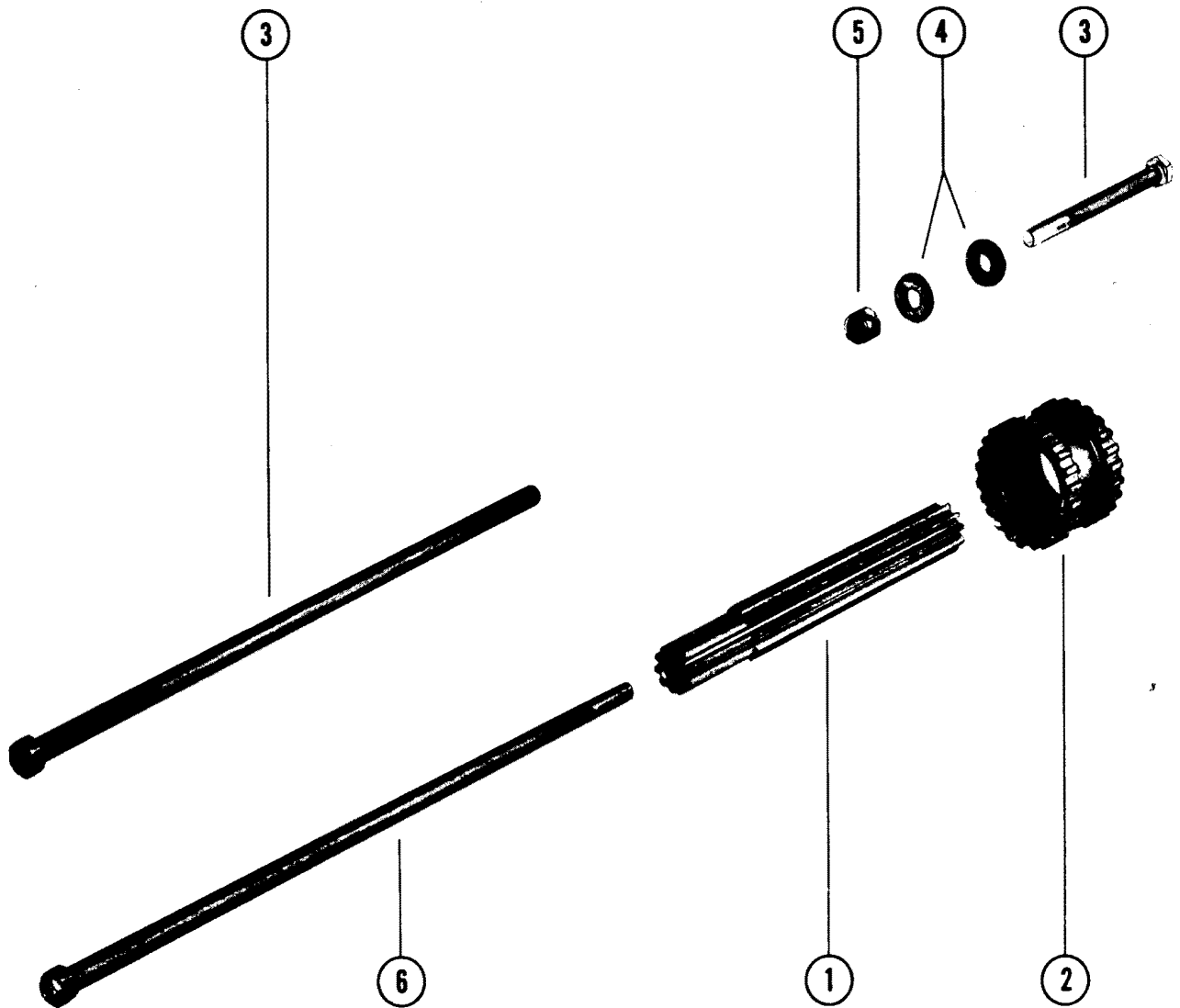


STEERING MOUNT ASSEMBLY

REF. NO.	PART NO.	SYM.	QTY.	DESCRIPTION
-	76640A1		1	STEERING MOUNT ASSEMBLY (90 DEGREES) - SEE NOTE
1	76640		1	POST, STEERING
2	76706		1	SHAFT, STEERING WHEEL
3	23-29097		1	BUSHING, NYLON - STEERING WHEEL SHAFT
4	10-76736		3	SCREW, STEERING POST TO DASHBOARD (2")
5	12-26825		3	WASHER, STEERING POST SCREW
6	11-21528		3	NUT, STEERING POST SCREW
7	76646		1	"U" PLATE
8	10-76745		1	BOLT, STEERING WHEEL ATTACHING (10 1/8")
9	12-48241		1	WASHER, STEERING WHEEL BOLT
10	11-23161		1	NUT, STEERING WHEEL BOLT
11	10-69098		2	SCREW, GEAR RACK ATTACHING (3 1/2 ")
12	12-63032		2	WASHER, GEAR RACK SCREW
13	11-21528		2	NUT, GEAR RACK SCREW
14	18-29623		1	COTTER PIN,
15	76909		1	DIVIDER PLATE

WHEN USING C-76641A1, 20 DEG. WEDGE KIT ASSEMBLY WITH ABOVE, USE PART #10-76737 SCREW (QUAN -1) AND PART #10-76735 SCREW (QUAN - 2) (SUPPLIED WEDGE KIT) IN PLACE OF PART #10-76736 (QUAN 3)

SUPER RIDE-GUIDE STEERING KIT

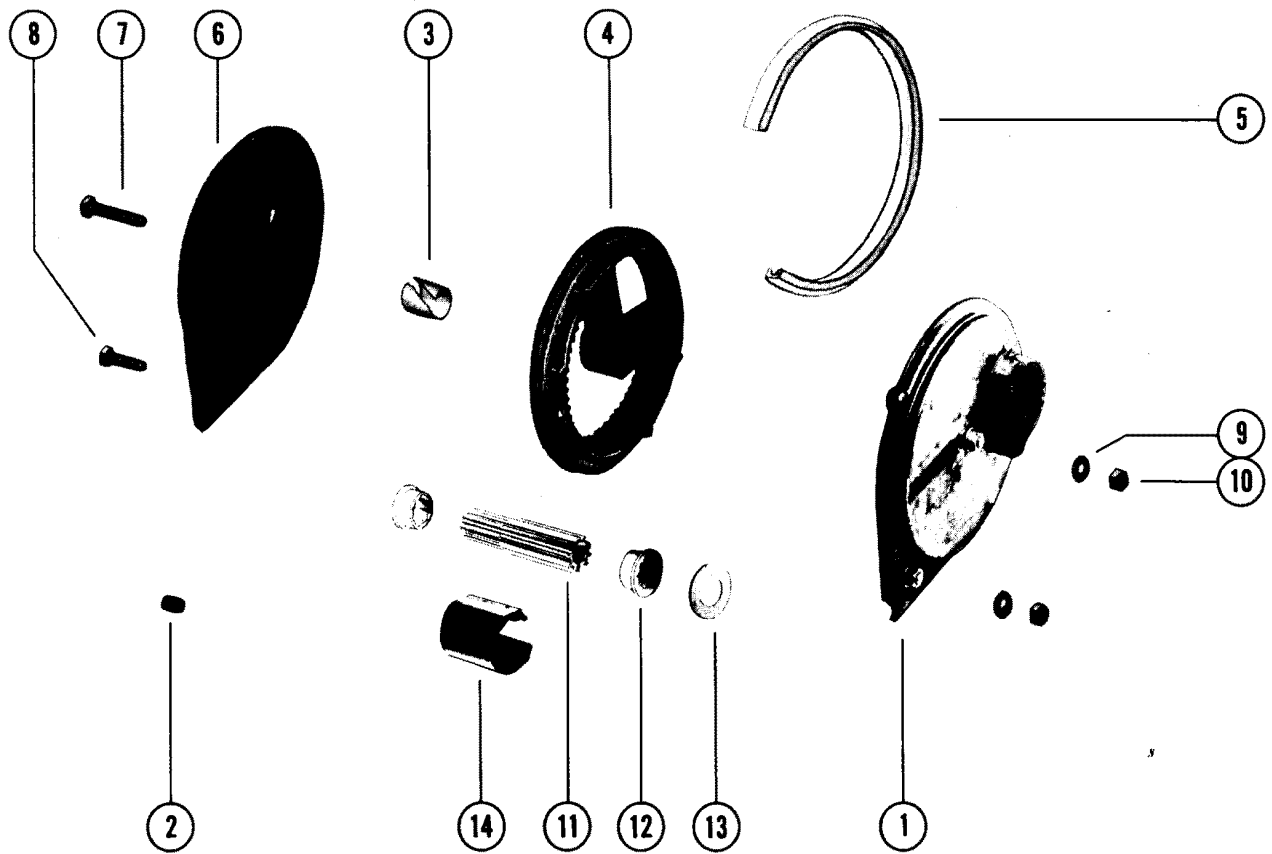


SUPER RIDE-GUIDE STEERING KIT

REF. NO.	PART NO.	SYM.	QTY.	DESCRIPTION
-	66815A2		1,	SUPER ROTARY RIDE GUIDE STEERING KIT SEE NOTE
-	66800A3		,1	SUPER RIDE GUIDE STEERING KIT SEE NOTE
1	43-73956		1,	PINION, STEERING
	43-73961		,1	PINION, STEERING
2	73957		1,1	ADAPTOR, SUPER ROTARY STEERING
3	10-69098		2,2	SCREW, ADAPTOR TO CONTROL HOUSING (3 1/2")
	10-31222		1,	SCREW, ADAPTOR TO CONTROL HOUSING (13 1/4")
	10-78955		1,1	SCREW, ADAPTOR TO CONTROL HOUSING (13 5/8")
4	12-57792		4,4	WASHER, ADAPTOR SCREW
5	11-35814		2,2	NUT, ADAPTOR SCREW
6	10-73959		1,1	SCREW, STEERING WHEEL ATTACHING (15 1/4")

NOTE: THE ABOVE KITS MUST BE USED WITH THE FOLLOWING ASSEMBLY: C-66786A3 LOCKING STEERING MOUNT

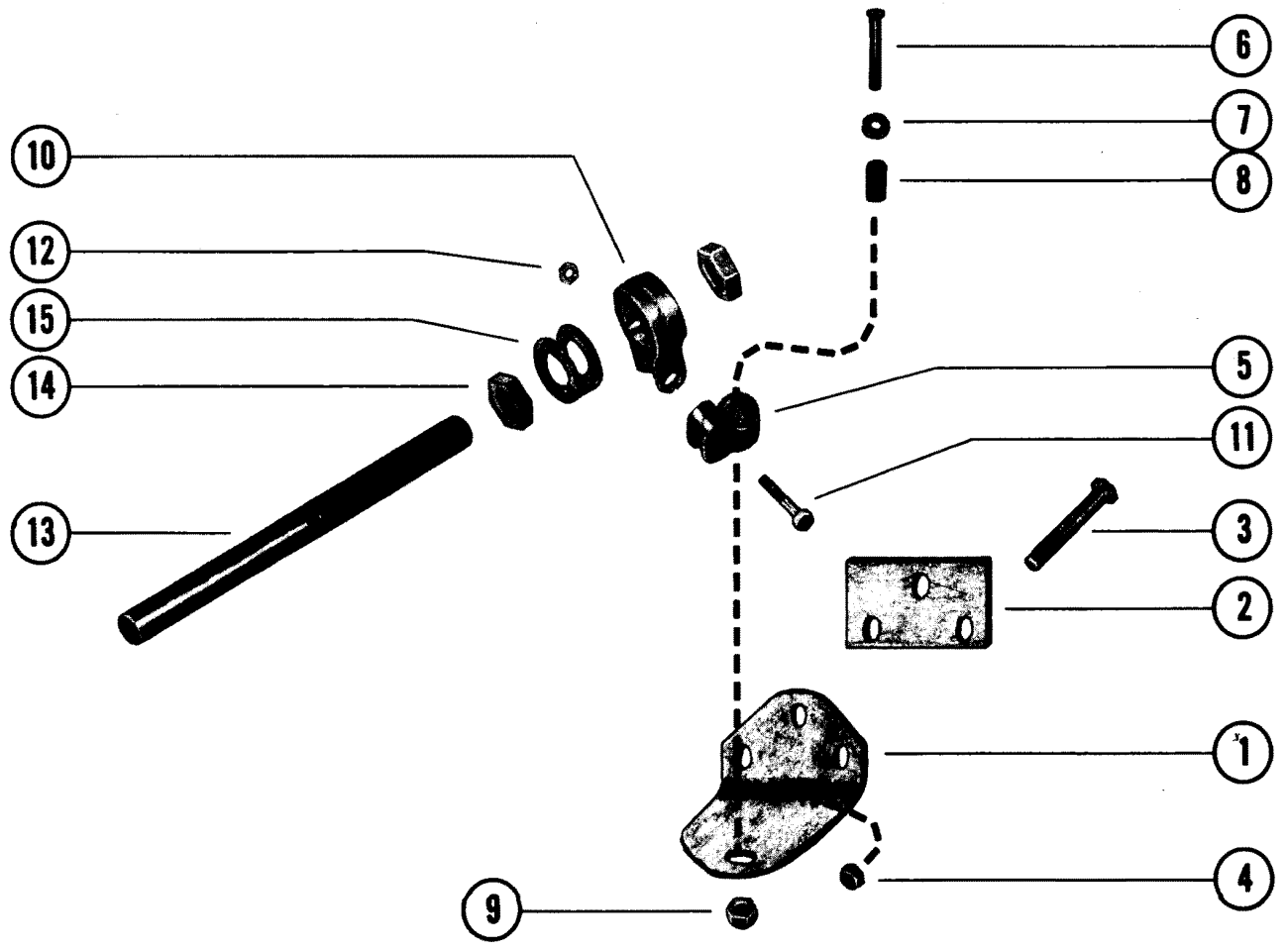
ROTARY RIDE-GUIDE CABLE ASSEMBLY B



ROTARY RIDE-GUIDE CABLE ASSEMBLY B

REF. NO.	PART NO.	SYM.	QTY.	DESCRIPTION
-	76876A		1	ROTARY STEERING CABLE ASSEMBLY (HEAVY DUTY)
1	66815		1	HOUSING, STEERING CONTROL - STARBOARD
2	67950		1	SPACER
3	23-54123		1	BUSHING, NYLON - RING GEAR
4	43-66144		1	GEAR, RING
5	54124		1	LINER, NYLON - RING GEAR
6	66814		1	HOUSING, STEERING CONTROL - PORT
7	10-32293		1	SCREW, CONTROL HOUSING CLAMPING (1 3/4")
8	10-20639		1	SCREW, CONTROL HOUSING CLAMPING (1 1/8")
9	12-20722		2	WASHER, CONTROL HOUSING CLAMPING SCREW
10	11-46793		2	NUT, CONTROL HOUSING CLAMPING SCREW
8	10-22958		2	SCREW, CONTROL HOUSING CLAMPING (1 1/8")
9	12-24676		2	WASHER, CONTROL HOUSING CLAMPING SCREW
10	11-46438		2	NUT, CONTROL HOUSING CLAMPING SCREW
11	66990		1	PINION, RING GEAR ACTUATING
12	23-66811		2	BUSHING, NYLON - PINION GEAR
13	12-67369		1	WASHER, PINION GEAR
14	71669A1		1	LOCKING SLEEVE ASSEMBLY

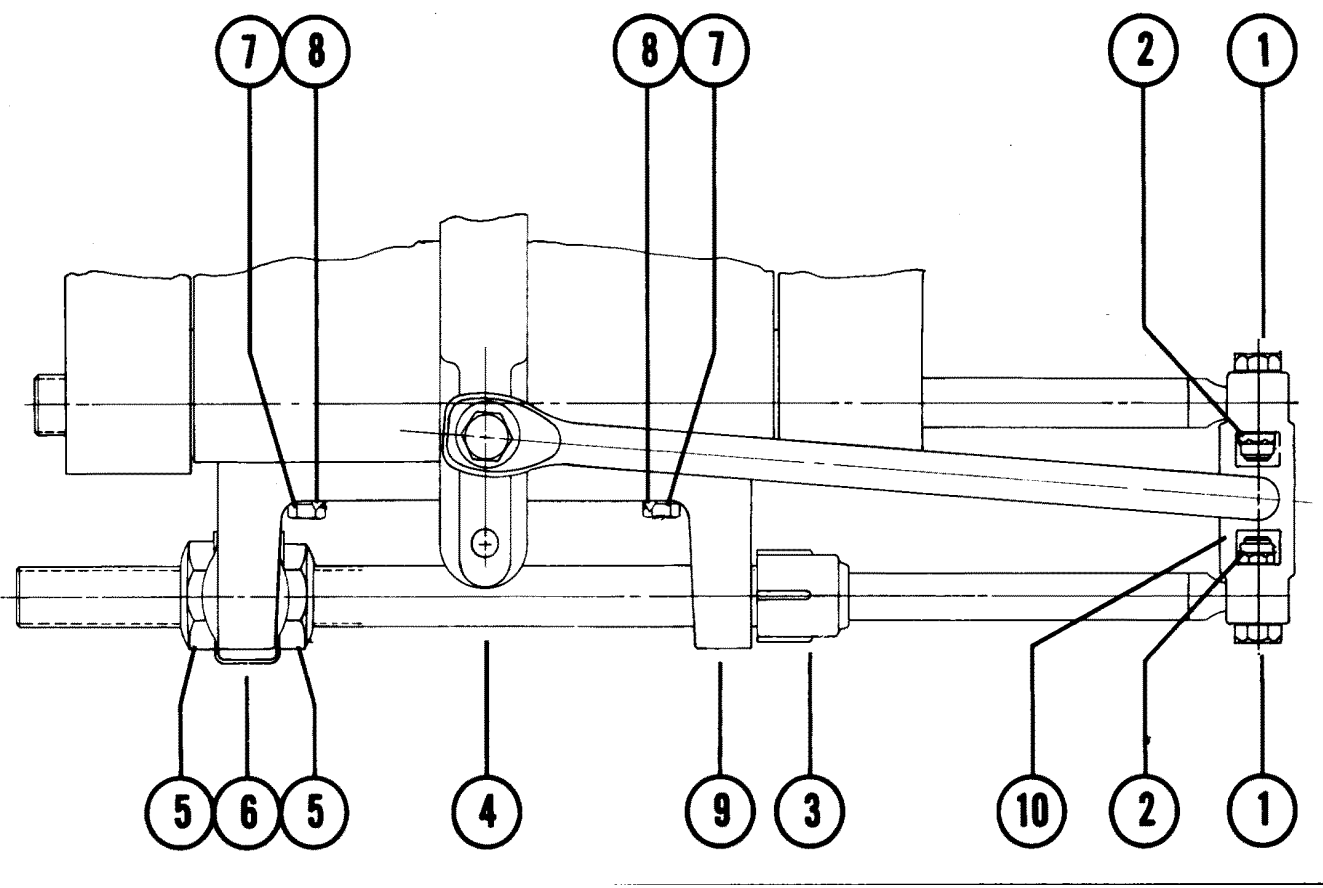
STEERING KIT, TRANSOM MOUNTED



STEERING KIT, TRANSOM MOUNTED

REF. NO.	PART NO.	SYM.	QTY.	DESCRIPTION
1	73770		1	BRACKET, TRANSOM
2	74755		1	PLATE, BACKING
3	10-74757		3	SCREW, BRACKET TO TRANSOM (3 1/4")
4	11-35814		3	NUT, BRACKET SCREW
5	73772		1	PIVOT BLOCK
6	10-70892		1	SCREW, PIVOT BLOCK TO BRACKET (2 1/2 ")
7	12-34931		1	WASHER, PIVOT BLOCK SCREW
8	23-73775		1	SPACER, PIVOT BLOCK SCREW
9	11-34863		1	NUT, PIVOT BLOCK SCREW
10	73774		1	YOKE, PIVOT BLOCK
11	10-70890		1	SCREW, PIVOT BLOCK TO YOKE (1 3/4")
12	11-35053		1	NUT, PIVOT BLOCK SCREW
13	71565		1	TUBE, CABLE GUIDE
14	11-73776		2	NUT, JAM - CABLE GUIDE TUBE
15	14-73777		1	TAB WASHER, CABLE GUIDE TUBE

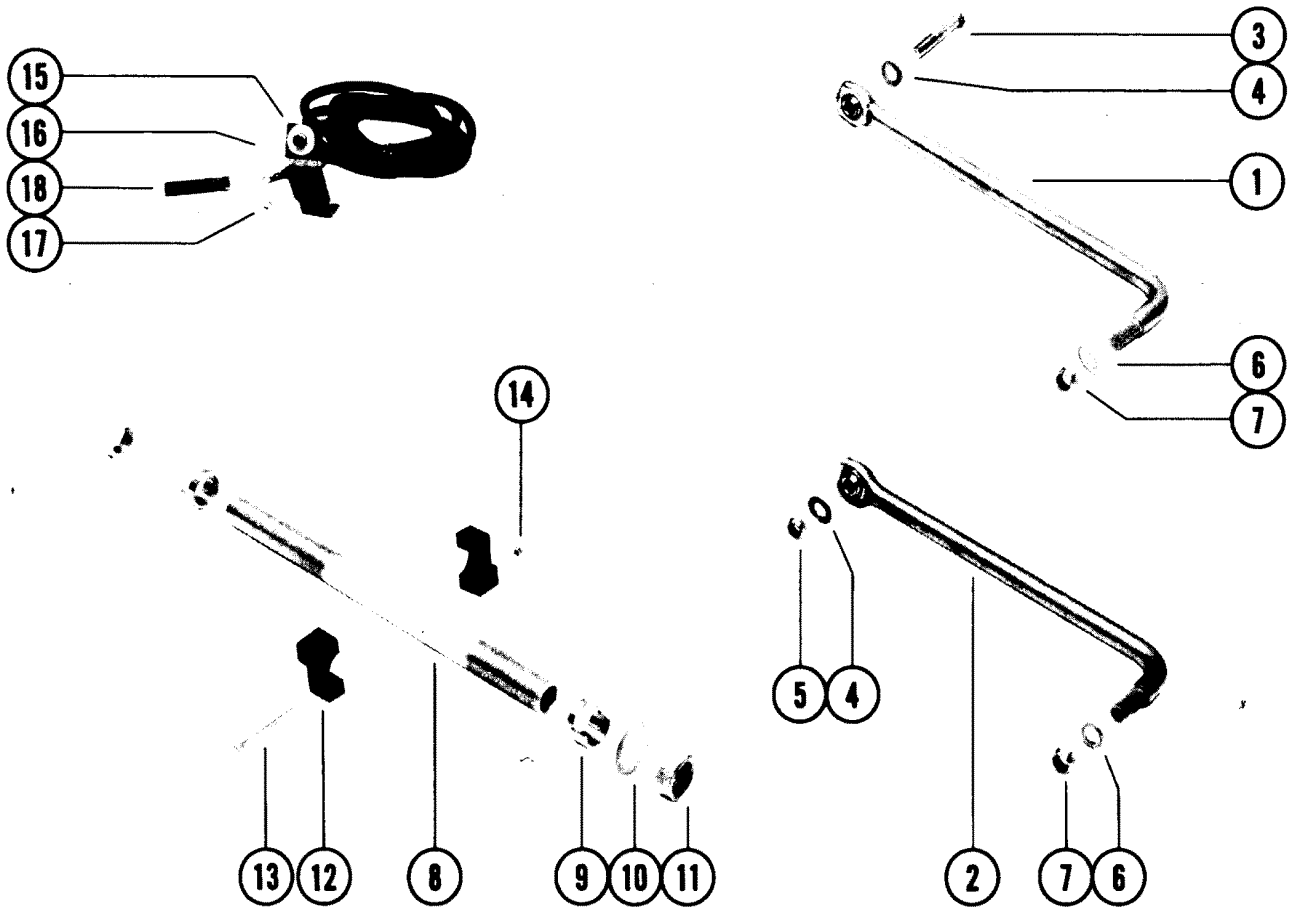
RIDE-GUIDE ATTACHING KIT (SINGLE) A



RIDE-GUIDE ATTACHING KIT (SINGLE) A

REF. NO.	PART NO.	SYM.	QTY.	DESCRIPTION
-	88320A1		1	RIDE-GUIDE ATTACHING KIT, SINGLE
1	10-73732		2	SCREW, STEERING LINK COUPLING (1 1/8")
2	11-34863		2	NUT, STEERING LINK COUPLING SCREW
3	26-78862A1		1	SEAL ASSEMBLY, CABLE
4	71565		1	TUBE, CABLE GUIDE
5	11-73776		2	NUT, JAM - CABLE GUIDE TUBE
6	14-73777		1	WASHER, TAB - CABLE GUIDE TUBE JAM NUT
7	10-38601		4	SCREW, TUBE MOUNTING BRACKET (5/8")
8	88404		2	WASHER, TAB - TUBE MOUNTING BRACKET SCREW
9	88320		1	BRACKET, TUBE MOUNTING
10	88319		1	COUPLING,STEERING LINK

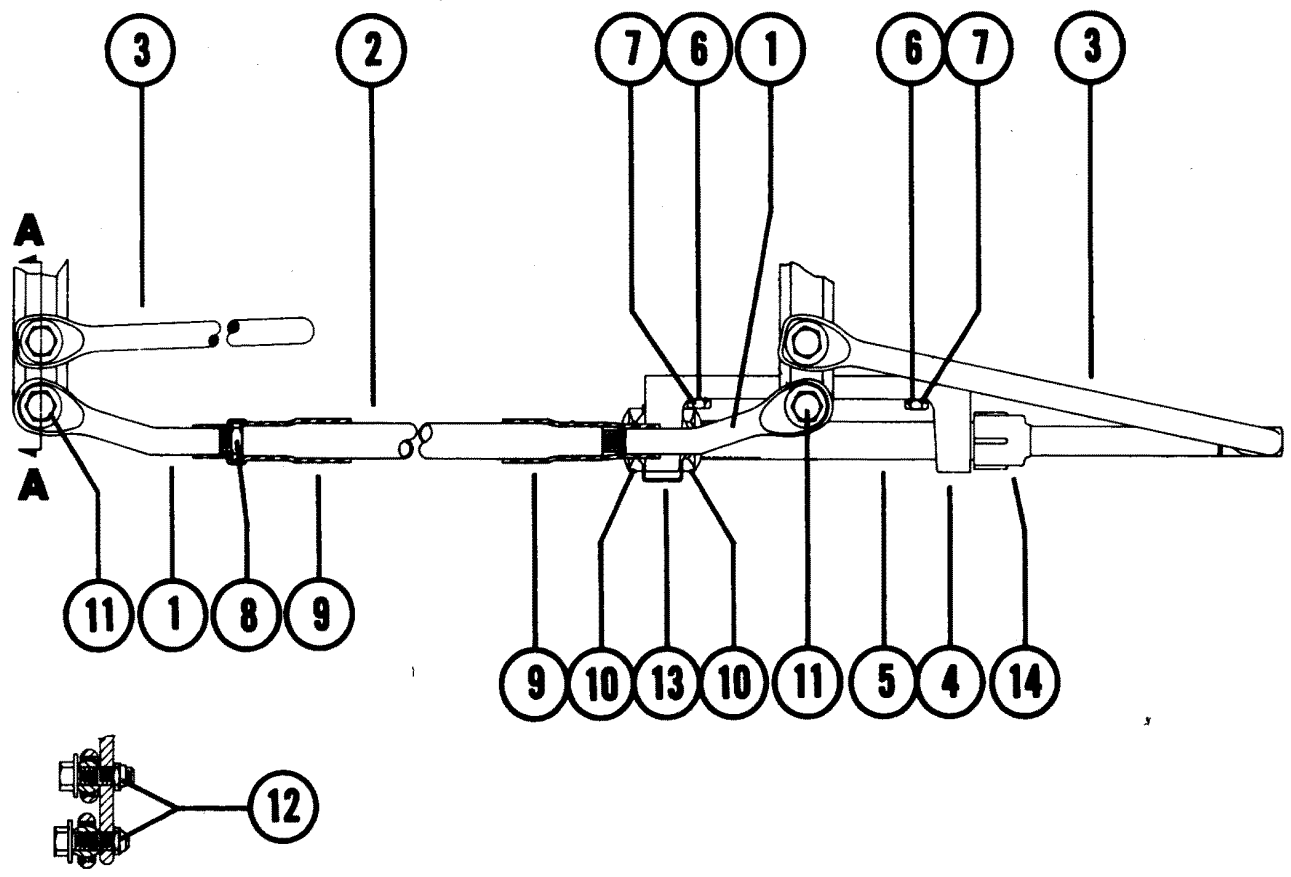
RIDE-GUIDE ATTACHING KIT (SINGLE) B



RIDE-GUIDE ATTACHING KIT (SINGLE) B

REF. NO.	PART NO.	SYM.	QTY.	DESCRIPTION
-	78834A2		1	RIDE-GUIDE ATTACHING KIT, SINGLE
1	78834A1		1	STEERING LINK ASSEMBLY, UPPER (LONGER BENT END)
2	78836A1		1	STEERING LINK ASSEMBLY, LOWER
3	10-68496		1	SCREW, STEERING LINK TO ENGINE STEERING ARM (2 1/4")
4	12-34931		2	WASHER, STEERING LINK TO ENGINE STEERING ARM SCREW
5	11-34863		1	NUT, STEERING LINK TO ENGINE STEERING ARM SCREW
6	12-34931		4	WASHER, LINK ROD END
7	11-34863		2	NUT, LINK ROD END
8	78837		1	TUBE, STEERING CABLE
9	78839		2	SPACER, STEERING CABLE TUBE
10	14-78835		2	WASHER, TAB - STEERING CABLE TUBE
11	11-55983		2	NUT, JAM - STEERING CABLE TUBE
12	78250		2	CLAMP, SWITCH ACTUATOR
13	10-75687		2	SCREW, SWITCH ACTUATOR CLAMP
14	11-45812		2	NUT, SWITCH ACTUATOR CLAMP SCREW
15	87-63885A1		1	SWITCH ASSEMBLY, TILT STOP
16	10-24231		1	SCREW, TILT STOP SWITCH LEAD
17	11-27164		1	NUT, TILT STOP SWITCH LEAD SCREW
18	23-32914		1	TUBE, NEOPRENE - TILT STOP SWITCH LEAD

RIDE-GUIDE ATTACHING KIT (DUAL) C

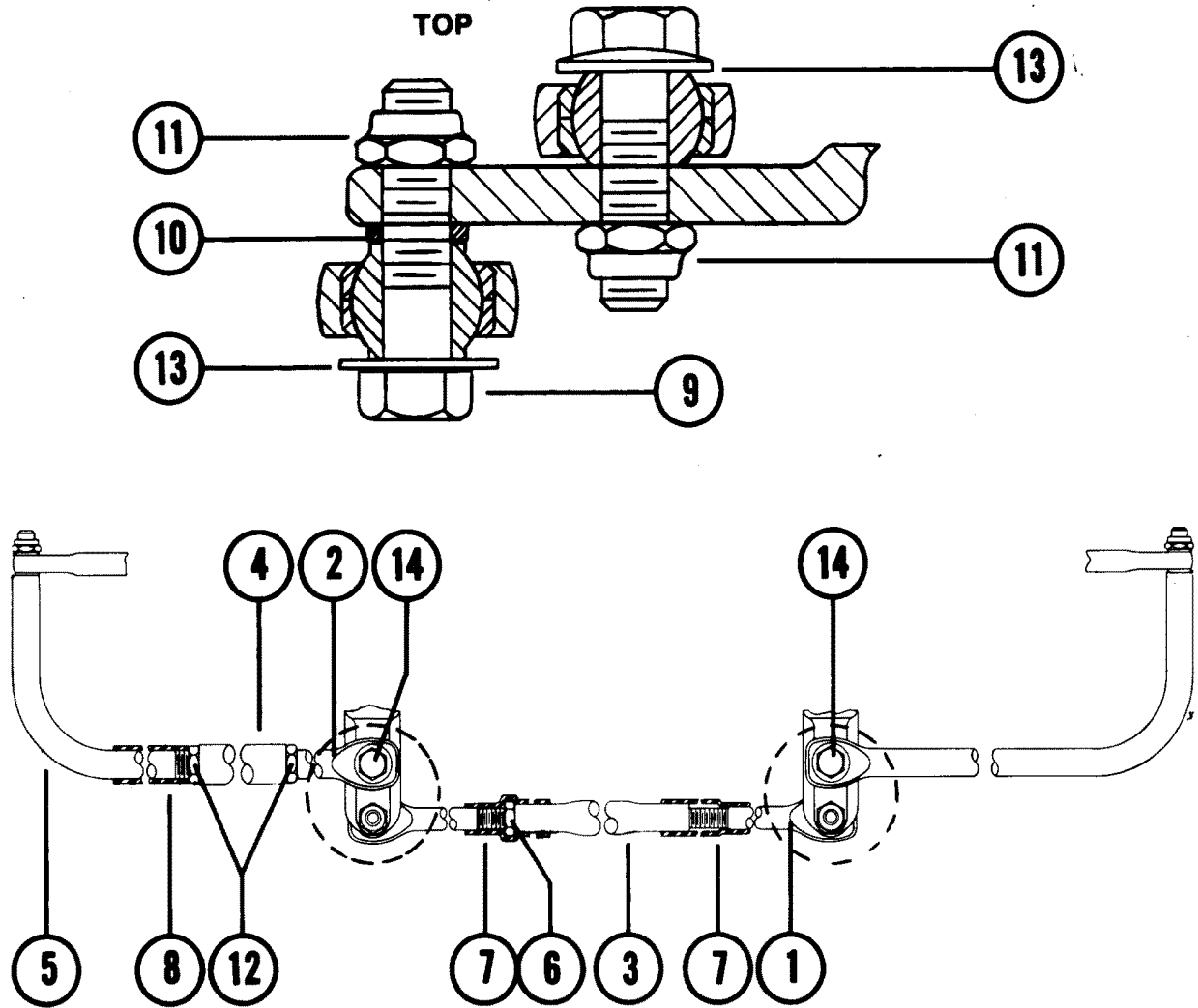


SECTION A-A
BOTH ENDS

RIDE-GUIDE ATTACHING KIT (DUAL) C

REF. NO.	PART NO.	SYM.	QTY.	DESCRIPTION
-	88521A2		1	RIDE-GUIDE ATTACHING KIT, DUAL
1	88521A1		2	STEERING EYE ASSEMBLY
2	77144-2		1	TUBE, LINK ROD
3	88609A1		1	LINK ROD ASSEMBLY
4	88320		1	BRACKET, TUBE MOUNTING
5	71565		1	TUBE, CABLE GUIDE
6	88404		2	LOCKING TAB
7	10-38601		4	SCREW, CABLE GUIDE TUBE
8	11-71852		1	NUT, JAM - STEERING EYE
9	32-79491		1	HOSE, LINK ROD TUBE
10	11-73776		2	NUT, JAM - CABLE GUIDE TUBE
11	10-79401		4	SCREW, STEERING EYE TO STEERING ARM (1 1/4")
12	11-34863		6	NUT, STEERING EYE TO STEERING ARM
13	14-73777		1	WASHER, TAB - TUBE MOUNTING
14	26-78862A1		1	SEAL, CABLE ASSEMBLY
-	77210		2	TRIM TAB

RIDE-GUIDE ATTACHING KIT (DUAL) D



RIDE-GUIDE ATTACHING KIT (DUAL) D

REF. NO.	PART NO.	SYM.	QTY.	DESCRIPTION
-	77143A2		1	RIDE-GUIDE ATTACHING KIT, DUAL
1	77143A1		2	STEERING LINK ASSEMBLY
2	77145A1		1	STEERING LINK ASSEMBLY
3	77144-2		1	TUBE, LINK ROD
4	77146		1	TUBE, LINK ROD
5	77147		1	LINK ROD, CABLE END
6	11-71852		1	NUT, JAM - STEERING LINK ASSEMBLY
7	32-79491		2	HOSE, STEERING LINK ASSEMBLY
8	32-78893		1	HOSE, LINK ROD
9	10-68340		2	SCREW, STEERING ARM TO STEERING LINK (1 5/8")
10	12-34931		4	WASHER, STEERING ARM TO STEERING LINK SCREW
11	11-34863		4	NUT, STEERING ARM AND STEERING LINK SCREWS
12	11-26301		2	NUT, JAM - LINK ROD TUBE
13	12-29395		2	WASHER, STEERING ARM TO STEERING LINK SCREW
14	10-79401		2	SCREW, STEERING LINK TO STEERING ARM
-	17-75688		1	PIN, CLAMP BRACKET
-	77210		2	TRIM TAB

PARTS INDEX

Part Number	Description	Pg.	Ref. No.	Part Number	Description	Pg.	Ref. No.
25884	HOUSING, GEAR RACK . . .	5	25	25902A5	STEERING LINK ROD ASSEMBLY	33	1
25884	HOUSING, GEAR RACK . . .	11	13	25902A9	STEERING LINK ROD ASSEMBLY	49	8
25884	HOUSING, GEAR RACK . . .	17	10	25955	CAP, PLASTIC - TILT TUBE (3/4" OD)	25	20
25884	HOUSING, GEAR RACK . . .	21	9	25955	CAP, TILT TUBE - OPEN END (3/4" OD)	23	16
25884	HOUSING, GEAR RACK . . .	53	21	25955	CAP, PLASTIC - TILT TUBE (3/4" OD)	31	21
25887	RACK, GEAR	5	24	25955	CAP, TILT TUBE - OPEN END (3/4" OD)	29	17
25887	RACK, GEAR	11	14	26059	CAP, RUBBER - GEAR RACK TUBE (OPEN END)	5	28
25887	RACK, GEAR	17	11	26059	CAP, RUBBER - GEAR RACK TUBE (OPEN END)	11	17
25887	RACK, GEAR	21	7	26059	CAP, RUBBER - GEAR RACK TUBE (OPEN END)	17	14
25887	RACK, GEAR	53	22	26059	CAP, RUBBER - GEAR RACK TUBE (OPEN END)	21	4
25887	RACK, GEAR	81	9	26059	CAP, RUBBER - GEAR RACK TUBE (OPEN END)	53	25
25887	RACK, GEAR	83	17	26059	CAP, RUBBER - GEAR RACK TUBE (OPEN END)	81	6
25888	COUPLER, CABLE END	33	3	26059	CAP, RUBBER - GEAR RACK TUBE (OPEN END)	83	14
25888	COUPLER, CABLE END	49	14	26675	BOOT, RUBBER - ADJUSTING LINK AND COUPLING	25	19
25890	SHAFT, STEERING WHEEL .	5	21	26675	BOOT, RUBBER - ADJUSTING LINK AND COUPLING	31	16
25890	SHAFT, STEERING WHEEL .	11	10	26675	BOOT, RUBBER - COUPLING TO STEERING LINK AND ROD	55	16
25890	SHAFT, STEERING WHEEL (90 DEGREES)	17	7	27805	TUBE, CABLE GUIDE (3/4" OD)	37	18
25890	SHAFT, STEERING WHEEL (90 DEGREES)	53	18	27811	YOKE, PIVOT BLOCK (3/4" OD)	37	2
25890	SHAFT, STEERING WHEEL (90 DEGREES)	83	8	27872	COUPLER, CABLE END	23	2
25895	TUBE, GEAR RACK (CABLE END)	11	15	27872	COUPLER, CABLE END	25	2
25895	TUBE, GEAR RACK (CABLE END)	21	6	27872	COUPLER, CABLE END	29	2
25895A1	TUBE ASSEMBLY, GEAR RACK (CABLE END)	5	26	27872	COUPLER, CABLE END	31	2
25895A1	TUBE ASSEMBLY, GEAR RACK (CABLE END)	17	12	27872	COUPLER, CABLE END	35	3
25895A1	TUBE, GEAR RACK (CABLE END)	53	23	27872	COUPLER, CABLE END	55	2
25895A1	TUBE, GEAR RACK (CABLE END)	81	8	27973	COUPLING, ADJUSTING - DUAL CONTROL	89	1
25895A1	TUBE, GEAR RACK (CABLE END)	83	16	27973	COUPLING, ADJUSTING - DUAL CONTROL	91	4
25896	TUBE, GEAR RACK (OPEN END)	5	27	27973	COUPLING, ADJUSTING- DUAL CONTROL	25	17
25896	TUBE, GEAR RACK (OPEN END)	11	16	27973	COUPLING, ADJUSTOR - DUAL CONTROL	55	15
25896	TUBE, GEAR RACK (OPEN END)	17	13	28122	TUBE, TILT (3/4"OD)	3	8
25896	TUBE, GEAR RACK (OPEN END)	21	5	28122	TUBE, TILT - CLAMP AND SWIVEL BRACKET (3/4" OD)	29	15
25896	TUBE, GEAR RACK (OPEN END)	53	24	28122	TUBE, TILT - CLAMP AND SWIVEL BRACKET (3/4" OD)	31	19
25896	TUBE, GEAR RACK (OPEN END)	81	7				
25896	TUBE, GEAR RACK (OPEN END)	83	15				
25898	PINION	101	18				
25898	PINION, GEAR RACK	5	29				
25898	PINION, GEAR RACK	11	18				
25898	PINION, GEAR RACK	17	15				
25898	PINION, GEAR RACK	53	26				
25898	PINION, GEAR RACK	69	27				
25898	PINION, GEAR RACK	83	18				
25902A11	STEERING LINK ROD ASSEMBLY	33	1				

PARTS INDEX

Part Number	Description	Pg.	Ref. No.	Part Number	Description	Pg.	Ref. No.
28190	BLOCK, PIVOT	37	1	29398	BRACKET, STEERING		
28190	BLOCK, PIVOT	59	7		WHEEL MOUNTING (90		
28190	BLOCK, PIVOT	85	7		DEGREES)	53	31A
28190A1	PIVOT BLOCK ASSEMBLY			29399	BRACKET, STEERING		
	(3/4" OD)	37	-		WHEEL MOUNTING	5	5
28190A5	PIVOT BLOCK ASSEMBLY			29401A1	RIDE-GUIDE STEERING		
	(7/8" OD)	37	-		WHEEL KIT (90 DEGREES)	5	-
28390	BRACKET, LINK ROD TO			29698	BALL, STEEL - ADJUSTING		
	BOTTOM COWL	23	12		LINK	41	4
28390	BRACKET, PIVOT PIN TO			29698	BALL, STEEL - BALL		
	BOTTOM COWL	25	12		SOCKET END	37	25
28390	BRACKET, PIVOT PIN TO			29698	BALL, STEEL - PIVOT BOLT		
	BOTTOM COWL				TO STEERING LINK ROD	87	6
	(MERCURY MODELS)	39	32	29698	BALL, STEEL - PIVOT BOLT		
28390	BRACKET, PIVOT PIN TO				TO STEERING LINK ROD	97	3
	COWL	41	14	29698	BALL, STEEL - PIVOT PIN	31	8
28689	BRACKET, LINK ROD TO			29698	BALL, STEEL - PIVOT PIN		
	BOTTOM COWL	29	12		OR SCREW	25	8
28689	BRACKET, PIVOT PIN TO			29698	BALL, STEEL - PIVOT PIN		
	BOTTOM COWL	31	12		TO LINK ROD	23	6
29071A1	RIDE-GUIDE STEERING			29698	BALL, STEEL - PIVOT PIN		
	WHEEL KIT (20 DEGREES)	5	-		TO LINK ROD	29	6
29071A6	STEERING WHEEL			29698	BALL, STEEL - PIVOT		
	ASSEMBLY	5	1		SCREW	89	5
29086	BRACKET, STEERING			29698	BALL, STEEL - PIVOT		
	WHEEL MOUNTING	5	5		SCREW	91	11
29215	BRACKET, GEAR RACK			29698	BALL, STEEL - PIVOT		
	HOUSING	5	14		SCREW	95	11
29215	BRACKET, GEAR RACK			29744A1	ADJUSTING LINK		
	HOUSING (20 DEGREES)	11	26		ASSEMBLY	41	4
29215	BRACKET, GEAR RACK			29744A1	LINK, DUAL CONTROL		
	HOUSING (20 DEGREES)	17	22		ADJUSTING	25	16
29215	BRACKET,			29747A1	LINK, DUAL STEERING	31	15
	STEERINGWHEEL			29748A1	STEERING LINK ROD		
	MOUNTING (20 DEGREES)	53	31		ASSEMBLY	29	1
29220	SHAFT, STEERING WHEEL	5	21	29748A1	STEERING LINK ROD		
29220	SHAFT, STEERING WHEEL	11	10		ASSEMBLY	31	1
29220	SHAFT, STEERING WHEEL	77	23	29749A1	RIDE-GUIDE ATTACHMENT		
29220	SHAFT, STEERING WHEEL				KIT (3/4" OD) - SINGLE	29	-
	(20 DEGREES)	17	7	29750A1	RIDE-GUIDE ATTACHMENT		
29220	SHAFT, STEERING WHEEL				KIT (3/4" OD) - DUAL	31	-
	(20 DEGREES)	53	18	29781A1	RIDE-GUIDE ATTACHMENT		
29220	SHAFT, STEERING WHEEL				KIT (3/4" OD) - DUAL	25	-
	(20 DEGREES)	75	8	29782A1	RIDE-GUIDE ATTACHMENT		
29220	SHAFT, STEERING WHEEL				KIT (3/4" OD) - SINGLE	23	-
	(20 DEGREES)	83	8	30081	BRACKET, LINK ROD TO		
29332	ROD, STEERING LINK	23	1		BOTTOM COWL	23	12
29332A1	STEERING LINK ROD			30081	BRACKET, PIVOT PIN TO		
	ASSEMBLY	25	1		BOTTOM COWL	25	12
29332A5	ROD, STEERING LINK	23	1	30084A1	UNIVERSAL RIDE-GUIDE		
29359	LUBRICAP, GREASE				ATTACHMENT KIT (3/4"		
	FITTING	101	3		OD) - SINGLE	37	-
29366	LINK, DUAL CONTROL			30085	BRACKET, PIVOT BLOCK TO		
	ADJUSTING	31	14		BOAT TRANSOM	37	14
29372	TUBE, CABLE COUPLING	3	9	30085	BRACKET, PIVOT BLOCK TO		
29398	BRACKET, GEAR RACK				BOAT TRANSOM	59	1
	HOUSING	5	14A	30086	PLATE, PIVOT PIN TO		
29398	BRACKET, GEAR RACK				ENGINE (COMPETITIVE		
	HOUSING (90 DEGREES)	11	26A		MODELS)	39	36

PARTS INDEX

Part Number	Description	Pg.	Ref. No.	Part Number	Description	Pg.	Ref. No.
30105	END, BALL SOCKET	37	22	30353	ROD, LINK (16" EXTENSION)	41	26
30108	COUPLER, HALVES - CABLE END TO SOCKET END . .	37	19	30353	ROD, LINK (16" EXTENSION)	89	20
30130A1	STEERING LINK ROD ASSEMBLY	25	1	30353	ROD, LINK (16" EXTENSION)	91	19
30151A1	RIDE-GUIDE ATTACHMENT KIT (3/4" OD) - SINGLE . .	23	-	30353	ROD, LINK (16" EXTENSION)	95	22
30151A2	RIDE-GUIDE ATTACHMENT KIT (7/8" OD) - SINGLE . .	23	-	30353	ROD, LINK (16") - ENGINE EXTENSION	41	12
30251	BRACKET, EXTENSION - ENGINE PLATE	39	39	30354A1	UNIVERSAL RIDE-GUIDE ATTACHMENT KIT (DUAL)	41	-
30251	BRACKET, EXTENSION - ENGINE PLATE	41	19	30372A1	RIDE-GUIDE ATTACHMENT KIT (3/4" OD) - DUAL	25	-
30309	ROD, STEERING LINK	43	7	30664	TILT TUBE	97	16
30309	ROD, STEERING LINK	71	13	30664	TILT TUBE, CLAMP AND SWIVEL BRACKET (7/8" OD)	49	17
30310	ROD, LINK (16" EXTENSION)	45	1	30664	TUBE, TILT (7/8"OD)	3	8
30310	ROD, LINK (16" EXTENSION)	71	18	30664	TUBE, TILT - CLAMP AND SWIVEL BRACKET (7/8" OD)	33	14
30310	ROD, LINK (16") - ENGINE EXTENSION	43	12	30700	YOKE, PIVOT BLOCK	59	12
30310	ROD, LINK - EXTENSION (16")	71	18	30700	YOKE, PIVOT BLOCK	85	12
30311A1	BAR ASSEMBLY (4" EXTENSION)	45	4	30700	YOKE, PIVOT BLOCK (7/8" OD)	37	2
30311A1	BAR ASSEMBLY (4" EXTENSION)	71	21	30706	TUBE, CABLE GUIDE (7/8" OD)	37	18
30312	BALL, STEEL - PIVOT BOLT	43	8	30728A1	UNIVERSAL RIDE-GUIDE ATTACHMENT KIT (7/8" OD) - SINGLE	37	-
30312	BALL, STEERING LINK ROD	71	14	30728A2	UNIVERSAL RIDE-GUIDE ATTACHMENT KIT (7/8" OD) - SINGLE	37	-
30313	PLATE, STEERING - PIVOT BOLT	43	10	30744	CAP, PLASTIC - TILT TUBE (7/8" O. D.)	55	17
30318A1	C O U P L E R A S S E M B L Y, EXTENSION LINK ROD . .	45	2	30744	CAP, PLASTIC - TILT TUBE (7/8" OD)	27	20
30318A1	COUPLER ASSEMBLY, EXTENSION LINK ROD . .	71	19	30744	CAP, TILT TUBE (OPEN END)	33	16
30320A1	RIDE-GUIDE ATTACHMENT KIT (DUAL - REAR INSTALLATION)	43	-	30744	CAP, TILT TUBE (OPEN END)	35	16
30320A2	RIDE-GUIDE ATTACHMENT KIT (DUAL - REAR INSTALLATION)	43	-	30744	CAP, TILT TUBE (OPEN END)	49	19
30351A1	BAR ASSEMBLY (4" EXTENSION)	27	23	30744	CAP, TILT TUBE (OPEN END)	97	11
30351A1	BAR ASSEMBLY (4" EXTENSION)	41	24	30744	CAP, TILT TUBE - OPEN END (7/8" O. D.)	87	12
30351A1	BAR ASSEMBLY (4" EXTENSION)	89	18	30744	CAP, TILT TUBE - OPEN END (7/8" OD)	23	16
30351A1	BAR ASSEMBLY (4" EXTENSION)	91	18	30773A2	RIDE-GUIDE ATTACHMENT KIT (7/8" OD) - SINGLE . .	33	-
30351A1	BAR ASSEMBLY (4" EXTENSION)	95	21	30773A3	RIDE-GUIDE ATTACHMENT KIT (7/8" OD) - SINGLE . .	33	-
30352A1	COUPLER ASSEMBLY, EXTENSION LINK ROD . .	27	21	30775A1	RIDE-GUIDE ATTACHMENT KIT (7/8" OD) - SINGLE . .	23	-
30352A1	COUPLER ASSEMBLY, EXTENSION LINK ROD . .	41	22	30776A1	RIDE-GUIDE ATTACHMENT KIT (7/8" OD) - DUAL	25	-
30352A1	COUPLER ASSEMBLY, EXTENSION LINK ROD . .	89	16	31127	BRACKET,STEERING WHEEL MOUNTING (WITH RING)	11	7
30352A1	COUPLER ASSEMBLY, EXTENSION LINK ROD . .	91	16	31128	RING, MOUNTING BRACKET (EARLY MODELS ONLY) .	11	8
30352A1	COUPLER ASSEMBLY, EXTENSION LINK ROD . .	95	19				
30353	ROD, LINK (16" EXTENSION)	27	25				

PARTS INDEX

Part Number	Description	Pg.	Ref. No.	Part Number	Description	Pg.	Ref. No.
31217A2	SUPER RIDE-GUIDE STEERING KIT	21	-	33968A3	ROD ASSEMBLY, STEERING LINK	55	1
31218	BRACKET, GEAR RACK TUBE TO GEAR RACK TUBE	21	18	33968A3	STEERING LINK ROD ASSEMBLY	35	1
31218	BRACKET, GEAR RACK TUBE TO GEAR RACK TUBE	81	13	33968A4	RIDE-GUIDE ATTACHMENT KIT (7/8" OD) - SINGLE	35	-
31221	PINION, GEAR RACK TO GEAR RACK	21	8	34654	HUB, INDICATOR - STEERING WHEEL	51	4
31221	PINION, GEAR RACK TO GEAR RACK	81	10	34655-2	BRACKET, STEERING WHEEL MOUNTING (20 DEGREES)	53	16
31268A1	STEERING WHEEL ASSEMBLY	11	1	34657-2	BRACKET, STEERING WHEEL MOUNTING (90 DEGREES)	53	16
31269A1	RIDE-GUIDE STEERING WHEEL KIT (20 DEGREES)	11	-	34658	CAP, STEERING WHEEL	51	3
31330	BRACKET,STEERING WHEEL MOUNTING (WITH RING)	11	7	34659A4	RIDE-GUIDE STEERING WHEEL ASSEMBLY (INDICATOR)	51	1
31331A1	RIDE-GUIDE STEERING WHEEL KIT (90 DEGREES)	11	-	34663	SHAFT,PINION	51	11
31344	EMBLEM (RIDE-GUIDE), STEERING WHEEL	11	3	34667A5	RIDE-GUIDE STEERING KIT (20 DEGREES)	53	-
31442	BRACKET,STEERING WHEEL MOUNTING (WITHOUT RING)	11	7	34668A5	RIDE-GUIDE STEERING KIT (90 DEGREES)	53	--
31442-1	BRACKET,STEERING WHEEL MOUNTING (90 DEGREES)	17	5A	34737A1	LINK ASSEMBLY, STEERING - CONTROL ENGINE	55	13
31442-2	BRACKET,STEERING WHEEL MOUNTING (90 DEGREES)	17	5A	34738A1	LINK ASSEMBLY, STEERING - SECONDARY ENGINE	55	18
31446	BRACKET,STEERING WHEEL MOUNTING (WITHOUT RING)	11	7	34739A1	RIDE-GUIDE ATTACHING KIT (DUAL)SEE NOTE	55	-
31446-1	BRACKET,STEERING WHEEL MOUNTING (20 DEGREES)	17	5	34749	BRACKET, STEERING ARM	33	12
31446-2	BRACKET,STEERING WHEEL MOUNTING (20 DEGREES)	17	5	34749	BRACKET, STEERING ARM	97	1
32399A1	RIDE-GUIDE STEERING KIT, WHITE (20 DEGREES)	17	-	34749A6	RIDE-GUIDE ATTACHING KIT	97	-
32399A2	RIDE-GUIDE STEERING KIT, BLACK (20 DEGREES)	17	-	34750	BRACKET, STEERING ARM	49	3
32400A1	RIDE-GUIDE STEERING KIT, WHITE (90 DEGREES)	17	-	35854	COUPLER, HALVES - CABLE END TO SOCKET END (NOT AS SHOWN)	37	19
32400A2	RIDE-GUIDE STEERING KIT, BLACK (90 DEGREES)	17	-	35856	END, BALL SOCKET	37	22
32401A1	RIDE-GUIDE STEERING WHEEL ASSEMBLY (MAHOGANY)	15	1	37386	PLATE, STEERING - PIVOT BOLT	43	10
32402A1	RIDE-GUIDE STEERING WHEEL ASSEMBLY (MAHOGANY)	15	1	38047A1	UNIVERSAL RIDE-GUIDE TRANSOM ATTACHING KIT(SEE NOTE)	59	-
33607	BRACKET, STEERING ARM	49	3	38047A11	UNIVERSAL RIDE-GUIDE ATTACHING KIT	85	-
33785A1	RIDE-GUIDE ATTACHMENT KIT (7/8" OD) - SINGLE	49	-	38047A2	UNIVERSAL RIDE-GUIDE ATTACHING KIT(SEE NOTE)	61	-
33785A2	RIDE-GUIDE ATTACHMENT KIT (7/8" OD) - SINGLE	49	-	38047A3	UNIVERSAL RIDE-GUIDE ATTACHING KIT(SEE NOTE BELOW)	63	-
				38047A4	UNIVERSAL RIDE-GUIDE ATTACHING KIT(SEE NOTE)	65	-
				38047A5	UNIVERSAL RIDE-GUIDE ATTACHING KIT (SEE NOTE)	67	-
				38605A1	STEERING WHEEL ASSEMBLY (RICH RED) - SLOTTED SPOKE	57	1

PARTS INDEX

Part Number	Description	Pg.	Ref. No.	Part Number	Description	Pg.	Ref. No.
38605A3	STEERING WHEEL ASSEMBLY (SILVER) - SLOTTED SPOKE	57	1	46369A2	STEERING WHEEL ASSEMBLY (LIGHT GOLD) - THREE HOLE SPOKE . .	57	1
38605A4	STEERING WHEEL ASSEMBLY (ROYAL BLUE) - SLOTTED SPOKE	57	1	46369A3	STEERING WHEEL ASSEMBLY (SILVER) - THREE HOLE SPOKE . . .	57	1
38613	HUB, STEERING WHEEL . . .	57	2	46369A4	STEERING WHEEL ASSEMBLY (ROYAL BLUE) - THREE HOLE SPOKE . .	57	1
38614	PLATE, SNAP - STEERING WHEEL	57	3	46369A5	STEERING WHEEL ASSEMBLY (BLACK) - THREE HOLE SPOKE . . .	57	1
38619A1	RIDE-GUIDE ATTACHMENT KIT (7/8" OD) - DUAL	25	-	46369A6	STEERING WHEEL ASSEMBLY (WHITE) - THREE HOLE SPOKE . . .	57	1
38619A2	RIDE-GUIDE ATTACHMENT KIT (7/8" OD) - DUAL	25	-	46370	PLATE, SNAP - STEERING WHEEL	57	3
38619A3	RIDE-GUIDE ATTACHMENT KIT (7/8" OD) - DUAL	89	-	46395A1	STEERING WHEEL ASSEMBLY (PLASTIC) . . .	57	1
38624A1	EYE ASSEMBLY, DUAL CONTROL ADJUSTING . .	25	16	46752A1	STEERING WHEEL ASSEMBLY (BLACK) - THICK SPONGE GRIP . . .	57	1
38624A1	EYE ASSEMBLY, DUAL CONTROL ADJUSTING - STBD.	89	3	46999A1	BUTTON ASSEMBLY, STEERING WHEEL	57	-
38625A1	EYE ASSEMBLY, DUAL CONTROL ADJUSTING . .	25	16	48224	LEVER, TILT ADJUSTING . .	69	13
38625A1	EYE ASSEMBLY, DUAL CONTROL ADJUSTING - PORT	89	3	48224	LEVER, TILT ADJUSTING . .	77	13
39118	CLEVIS, STEERING CABLE .	61	1	48225-2	HOUSING, TILT ADJUSTING LEVER	69	16
39118	CLEVIS, STEERING CABLE .	63	1	48225-2	HOUSING, TILT ADJUSTING LEVER	77	15
39118	CLEVIS, STEERING CABLE .	65	1	48226	HOUSING, GEAR RACK . . .	81	3
39118	CLEVIS, STEERING CABLE .	67	1	48226	HOUSING, GEAR RACK . . .	83	11
39119	BRACKET, MOUNTING - ENGINE TO STEERING CABLE CLEVIS	63	5	48227-2	POST, TILT - STEERING WHEEL MOUNTING	77	1
39128A1	RIDE-GUIDE ATTACHMENT KIT (7/8" OD) - DUAL	25	-	48228-2	HOUSING, TILT POST MOUNTING	69	5
39128A2	RIDE-GUIDE ATTACHMENT KIT (7/8" OD) - DUAL	89	-	48228-2	HOUSING, TILT POST MOUNTING	77	5
39129A1	EYE ASSEMBLY, DUAL CONTROL ADJUSTING . .	25	16	48366A1	SUPER RIDE-GUIDE STEERING KIT(SEE NOTE)	81	-
39129A1	EYE ASSEMBLY, DUAL CONTROL ADJUSTING - STBDR	89	3	49003A5	RIDE-GUIDE STEERING KIT (20 DEGREES) - BLACK . .	83	-
39130A1	EYE ASSEMBLY, DUAL CONTROL ADJUSTING . .	25	16	49004A5	RIDE-GUIDE STEERING KIT (90 DEGREES) - BLACK . .	83	-
39130A1	EYE ASSEMBLY, DUAL CONTROL ADJUSTING - PORT	89	3	49053-2	BRACKET, STEERING WHEEL MOUNTING (90 DEGREES)	75	3
39938A1	PLATE ASSEMBLY, STEERING (PIVOT BOLT)	71	6	49053-2	POST, STEERING WHEEL MOUNTING (90 DEGREES) - BLACK	83	1
39940	COVER, TRIM - DRIVE SHAFT HOUSING	71	1	49055-2	BRACKET, STEERING WHEEL MOUNTING (20 DEGREES)	75	3
39959A1	RIDE-GUIDE ATTACHMENT KIT (DUAL - REAR INSTALLATION)	71	-	49055-2	POST, STEERING WHEEL MOUNTING (20 DEGREES) - BLACK	83	1
39959A2	RIDE-GUIDE ATTACHMENT KIT (DUAL - REAR INSTALLATION)	71	-	54117A5	ROTARY RIDE-GUIDE STEERING KIT, BLACK (20 DEGREES)	75	-
46290	HUB, STEERING WHEEL . . .	57	2				
46352	NAME PLATE, CHROME . . .	57	5				

PARTS INDEX

Part Number	Description	Pg.	Ref. No.	Part Number	Description	Pg.	Ref. No.
54119A4	ROTARY RIDE-GUIDE TILT MOUNT ASSEMBLY	77	-	66798	COVER, STEERING POST . .	103	18
54120A1	SUPER ROTARY RIDE-GUIDE STEERING KIT (SEE NOTE)	79	-	66799	HOUSING, RACK MOUNT . .	101	4
54124	LINER, NYLON - RING GEAR	73	8	66800	HOUSING, RACK	101	1
54124	LINER, NYLON - RING GEAR	111	5	66800A2	RACK AND PINION ASSEMBLY	101	-
54125	PINION, STEERING	75	16	66800A3	SUPER RIDE GUIDE STEERING KIT SEE NOTE	109	-
54125	PINION, STEERING	77	31	66801	BRACKET, STOP	101	8
54129	ADAPTOR, ROTARY STEERING	75	10	66802	RACK	101	11
54129	ADAPTOR, ROTARY STEERING	77	25	66803	BUSHING, RACK	101	12
54130	HOUSING, STEERING CONTROL - STARBOARD	73	9	66804	GUIDE, RACK	101	13
54131	HOUSING, STEERING CONTROL - PORT	73	5	66805	MOUNT, STEERING CABLE ATTACHING	101	14
54133	PINION, STEERING	79	1	66806	COVER, RACK HOUSING . .	101	21
54135	ADAPTOR, SUPER ROTARY STEERING	79	2	66809	PLATE, COVER	105	34
56035	BRACKET, PIVOT BLOCK TO BOAT TRANSOM	85	1	66810	GROMMET, KEY CYLINDER TO MOUNT	103	19
57913-1	LENS, STEERING WHEEL . .	99	9	66812	CAP, LOCKING	9	6
57914A3	DRIVE ASSEMBLY, STEERING WHEEL	99	8	66814	HOUSING, STEERING CONTROL - PORT	111	6
59429	STEERING LINK ROD	91	1	66815	HOUSING, STEERING CONTROL - STARBOARD	111	1
61395	PLATE, BOTTOM - STEERING ARM	47	2	66815A2	SUPER ROTARY RIDE GUIDE STEERING KIT SEE NOTE	109	-
61396	PLATE, TOP - STEERING ARM	47	1	66816	WEDGE	103	24
61397	COUPLING, ROD END TO STEERING ROD	47	14	66990	PINION, RING GEAR ACTUATING	111	11
61399	ROD, STEERING LINK	47	16	67352	SHAFT, STEERING WHEEL .	69	24
61400	ROD, STEERING LINK	47	17	67352	SHAFT, STEERING WHEEL .	103	22
61401	ROD END, MALE	47	12	67365	KEY CYLINDER	103	21
61402	ROD END, FEMALE	47	11	67950	SPACER	111	2
61403A1	RIDE GUIDE ATTACHING KIT (SEE NOTE)	47	-	69205	"C" WASHER, HARNESS ATTACHING SCREW	103	16
62539A1	RIDE -GUIDE ATTACHMENT KIT - DUAL	91	-	70599A1	CLEVIS, STEERING CABLE .	85	16
62539A2	RIDE -GUIDE ATTACHMENT KIT - DUAL	91	-	71565	TUBE, CABLE GUIDE	93	13
63040A1	EYE ASSEMBLY, DUAL CONTROL ADJUSTING . .	91	5	71565	TUBE, CABLE GUIDE	113	13
66741	LINK ROD, STEERING	89	12	71565	TUBE, CABLE GUIDE	115	4
66741	ROD, STEERING LINK	87	1	71565	TUBE, CABLE GUIDE	119	5
66741	STEERING LINK ROD	91	1	71669A1	LOCKING SLEEVE ASSEMBLY	111	14
66741A1	RIDE-GUIDE ATTACHMENT KIT (7/8" O. D.) - SINGLE	87	-	71669A1	SLEEVE ASSEMBLY, LOCKING	9	5
66786	STEERING POST	103	1	71669A1	SLEEVE ASSEMBLY, LOCKING	73	-
66786A12	LOCKING STEERING MOUNT ASSEMBLY	103	-	72922	EYE ASSEMBLY, DUAL CONTROL ADJUSTING . .	95	5
66786A3	LOCKING STEERING MOUNT ASSEMBLY	103	-	73693	BRACKET, STEERING ARM	97	1
66787	RACK, LOCKING	103	2	73693A4	RIDE-GUIDE ATTACHING KIT	97	-
66789	PIN, LOCKING RACK	103	4	73693A5	RIDE-GUIDE ATTACHING KIT	97	-
66790	PINION, LOCKING	103	5	73770	BRACKET, TRANSOM	113	1
66792	PIN, LOCKING PINION	103	7	73772	PIVOT BLOCK	93	5
66793	DRIVER, KEY SWITCH	103	8	73772	PIVOT BLOCK	113	5
				73774	YOKE, PIVOT BLOCK	93	10
				73774	YOKE, PIVOT BLOCK	113	10
				73957	ADAPTOR, SUPER ROTARY STEERING	109	2
				74754	BRACKET, TRANSOM	93	1
				74754A	STEERING KIT, TRANSOM MOUNTED	93	1

PARTS INDEX

Part Number	Description	Pg.	Ref. No.	Part Number	Description	Pg.	Ref. No.
74755	PLATE, BACKING	93	2	79278A3	RIDE-GUIDE ATTACHING KIT, DUAL	95	-
74755	PLATE, BACKING	113	2	79278A4	RIDE-GUIDE ATTACHING KIT, DUAL	95	-
76042A	ROTARY RIDE-GUIDE CABLE ASSEMBLY	73	1	87354	STEERING LINK ROD	97	2
76043A	RIDE GUIDE STEERING CALBLE ASSEMBLY (7/8" O. D.)	9	1	87422	POST, TILT - STEERING WHEEL MOUNTING	69	1
76125	HUB, STEERING WHEEL	99	2	87422A1	RIDE -GUIDE TILT MOUNT ASSEMBLY, COMPLETE	69	-
76126	CAP, TOP - STEERING WHEEL	99	6	88319	COUPLING,STEERING LINK	115	10
76130A1	STEERING WHEEL ASSEMBLY, WOOD GRAINED	99	1	88320	BRACKET, TUBE MOUNTING	115	9
76533	STRAP, BRACKET SCREW	95	17	88320	BRACKET, TUBE MOUNTING	119	4
76640	POST, STEERING	107	1	88320A1	RIDE-GUIDE ATTACHING KIT, SINGLE	115	-
76640A1	STEERING MOUNT ASSEMBLY (90 DEGREES)	107	-	88404	LOCKING TAB	119	6
76646	"U" PLATE	107	7	88404	WASHER, TAB - TUBE MOUNTING BRACKET SCREW	115	8
76706	SHAFT, STEERING WHEEL	107	2	88521A1	STEERING EYE ASSEMBLY	119	1
76706	SHAFT, STEERING WHEEL (90 DEGREES)	75	8	88521A2	RIDE-GUIDE ATTACHING KIT, DUAL	119	-
76876A	ROTARY STEERING CABLE ASSEMBLY (HEAVY DUTY)	111	-	88609A1	LINK ROD ASSEMBLY	119	3
76909	DIVIDER PLATE	107	15	---	PIPE (3/8") EXTENSION BRACKET TO	3	11
77143A1	STEERING LINK ASSEMBLY	121	1	---	ROD (5/16") COUPLER END TO COUPLER END	3	12
77143A2	RIDE-GUIDE ATTACHING KIT, DUAL	121	-	-.29370	BRACKET, EXTENSION (3/4"OD)	3	1
77144-1	COUPLING, ADJUSTING - DUAL CONTROL	95	4	-.29374	COUPLER, HALVES	3	4
77144-2	TUBE, LINK ROD	119	2	-.29375	CABLE END, STEERING	3	2
77144-2	TUBE, LINK ROD	121	3	-.29376	CABLE END, STEERING	3	3
77145A1	STEERING LINK ASSEMBLY	121	2	-.29378A1	RIDE-GUIDE EXTENSION KIT (3/4" OD)	3	-
77146	TUBE, LINK ROD	121	4	-.30705	BRACKET, EXTENSION (7/8"OD)	3	1
77147	LINK ROD, CABLE END	121	5	-.30707A1	RIDE-GUIDE EXTENSION KIT (7/8" OD)	3	-
77210	TRIM TAB	119	--	10-20540	SCREW, BRACKET TO STEERING ARM (5/8")	33	17
77210	TRIM TAB	121	--	10-20639	SCREW, CONTROL HOUSING CLAMPING (1 1/8")	73	11
77474	EYE ASSEMBLY, DUAL CONTROL HOUSING	95	5	10-20639	SCREW, CONTROL HOUSING CLAMPING (1 1/8")	111	8
78250	CLAMP, SWITCH ACTUATOR	117	12	10-20639	SCREW, COUPLER HALVES CLAMPING	37	20
78282	CLEVIS, STEERING CABLE	93	16	10-20639	SCREW, STEERING LINK ROD TO STEERING ARM BRACKET	49	1
78834A1	STEERING LINK ASSEMBLY, UPPER (LONGER BENT END)	117	1	10-20646	SCREW, HUB TO STEERING WHEEL	51	7
78834A2	RIDE-GUIDE ATTACHING KIT, SINGLE	117	-	10-20653	SCREW, COUPLER HALVES CLAMPING	3	5
78836A1	STEERING LINK ASSEMBLY, LOWER	117	2	10-20705	SCREW, EXTENSION BRACKET TO PIVOT PIN PLATE	39	40
78837	TUBE, STEERING CABLE	117	8	10-20705	SCREW, HOUSING BRACKET TO SPACER	5	15
78839	SPACER, STEERING CABLE TUBE	117	9				
78874	BRACKET, RIDE GUIDE ATTACHING	95	18				
79278	ROD, STEERING LINK	87	1				
79278	STEERING LINK ROD	95	1				
79278A1	RIDE-GUIDE ATTACHMENT KIT (7/8" O.D.) - SINGLE	87	-				
79278A2	RIDE -GUIDE ATTACHING KIT, DUAL	95	-				

PARTS INDEX

Part Number	Description	Pg.	Ref. No.	Part Number	Description	Pg.	Ref. No.
10-20705	SCREW, PLATE TO COMPETITIVE STEERING BRACKET	39	37	10-22040	SCREW, STEERING BRACKET TO SPACER (1 1/2")	13	31
10-20705	SCREW, STEERING BRACKET TO SPACER (3/4")	13	31	10-22040	SCREW, STEERING BRACKET TO SPACER (1 1/2")	17	27
10-20705	SCREW, STEERING BRACKET TO SPACER (3/4")	17	27	10-22040	SCREW, STEERING BRACKET TO SPACER (1 1/2")	53	36
10-20705	SCREW, STEERING BRACKET TO SPACER (3/4")	53	36	10-22958	SCREW, CONTROL HOUSING CLAMPING (1 1/8")	111	8
10-20776	SCREW, CAP AND HUB TO STEERING WHEEL	51	8	10-24217	SCREW, GEAR RACK HOUSING CLAMPING (3/8")	7	32
10-20784	SCREW, GEAR RACK HOUSING CLAMPING (1 1/2")	81	4	10-24217	SCREW, GEAR RACK HOUSING CLAMPING (3/8")	11	20
10-20784	SCREW, GEAR RACK HOUSING CLAMPING (1 1/2")	83	12	10-24217	SCREW, GEAR RACK HOUSING CLAMPING (3/8")	21	13
10-20784	SCREW, GEAR RACK HOUSING CLAMPING (1/4")	5	30	10-24217	SCREW, GEAR RACK HOUSING CLAMPING (3/8-24)	17	17
10-20784	SCREW, GEAR RACK HOUSING CLAMPING (1/4")	11	19	10-24217	SCREW, GEAR RACK HOUSING CLAMPING (3/8-24)	53	28
10-20784	SCREW, GEAR RACK HOUSING CLAMPING (1/4-28)	21	11	10-24217	SCREW, STEERING BRACKET TO ENGINE (3/8")	39	42
10-20784	SCREW, GEAR RACK HOUSING CLAMPING (1/4-28)	17	16	10-24231	SCREW, TILT STOP SWITCH LEAD	117	16
10-20784	SCREW, GEAR RACK HOUSING CLAMPING (1/4-28)	53	27	10-26065	SCREW, PLATE AND BRACKET FASTENING (1")	41	20
10-20784	SCREW, PIVOT BLOCK TO YOKE	37	4	10-26065	SCREW, STEERING WHEEL TO HUB	99	3
10-21339	SCREW, STEERING LINK ROD TO STEERING ARM BRACKET	49	1	10-26066	SCREW, STEERING BRACKET TO STEERING CABLE CLEVIS (1 1/4")	61	5
10-21937	SCREW, MOUNT TO RACK HOUSING (2")	101	15	10-26483	SCREW, BRACKET TO BOAT TRANSOM	37	15
10-21937	SCREW, STEERING BRACKET TO SADDLE (2")	29	14	10-26483	SCREW, TRANSOM BRACKET TO BOAT TRANSOM (2 3/4")	59	2
10-21937	SCREW, STEERING BRACKET TO SADDLE (2")	31	18	10-26483	SCREW, TRANSOM BRACKET TO BOAT TRANSOM (2 3/4")	85	2
10-21962	SCREW, PLATE AND BRACKET FASTENING (1 1/2")	41	20	10-28635	SCREW, BRACKET TO STEERING ARM (5/8")	33	17
10-21962	SCREW, STEERING BRACKET TO ENGINE (5/16")	39	44	10-28635	SCREW, STEERING ARM BRACKET TO STEERING ARM	49	10
10-22022	SCREW, RING TO MOUNTING BRACKET	11	9	10-29096	SCREW, ADAPTOR TO CONTROL HOUSING (2 1/2")	79	3
10-22039	SCREW, GEAR RACK TUBE BRACKET CLAMPING	21	19	10-29096	SCREW, TRANSOM BRACKET TO PIVOT BLOCK	37	11
10-22039	SCREW, GEAR RACK TUBE BRACKET CLAMPING	81	14				
10-22040	SCREW, HOUSING BRACKET TO SPACER	5	15				

PARTS INDEX

Part Number	Description	Pg.	Ref. No.	Part Number	Description	Pg.	Ref. No.
10-29197	SCREW, STEERING ARM BRACKET TO STEERING ARM	49	10	10-32293	SCREW, CONTROL HOUSING CLAMPING (1 3/4")	111	7
10-29222	SCREW, BRACKET TO GEAR RACK HOUSING	11	27	10-32515	BOLT, PIVOT - LINK ROD TO STEERING PLATE (2 1/2")	71	7
10-29222	SCREW, BRACKET TO GEAR RACK HOUSING	17	23	10-34660	BOLT, STEERING WHEEL TO GEAR RACK HOUSING (10 7/8")	53	14
10-29222	SCREW, BRACKET TO GEAR RACK HOUSING	53	32	10-34661	BOLT, STEERING WHEEL TO GEAR RACK HOUSING (9 7/8")	53	14
10-29222	SCREW, GEAR RACK HOUSING TO BRACKET	5	17	10-35569	BOLT, STEERING WHEEL TO GEAR RACK HOUSING	21	3
10-29222	SCREW, STEERING ADAPTOR TO CONTROL HOUSING (2 3/4")	75	11	10-35855	SCREW, COUPLER HALVES CLAMPING	37	20
10-29222	SCREW, STEERING ADAPTOR TO CONTROL HOUSING (2 3/4")	77	26	10-35871	SCREW, MOUNTING BRACKET TO STEERING CABLE CLEVIS (1 1/2")	63	6
10-29222	SCREW, TRANSOM BRACKET TO PIVOT BLOCK (2 3/4")	85	5	10-35871	SCREW, STEERING CABLE CLEVIS TO STEERING CABLE (1 1/2")	61	2
10-29223	BOLT, STEERING WHEEL TO GEAR RACK HOUSING	5	4	10-35871	SCREW, STEERING CABLE CLEVIS TO STEERING CABLE (1 1/2")	63	2
10-29223	BOLT, STEERING WHEEL TO GEAR RACK HOUSING (10 7/8")	11	5	10-35871	SCREW, STEERING CABLE CLEVIS TO STEERING CABLE (1 1/2")	65	2
10-29223	BOLT, STEERING WHEEL TO GEAR RACK HOUSING (10 7/8")	17	3	10-35871	SCREW, STEERING CABLE CLEVIS TO STEERING CABLE (1 1/2")	67	2
10-29223	BOLT, STEERING WHEEL TO STEERING POST (10 7/8")	83	4	10-35871	SCREW, STEERING CABLE CLEVIS TO STEERING CABLE (1 1/2")	85	17
10-29400	BOLT, STEERING WHEEL TO GEAR RACK HOUSING	5	4	10-37627	SCREW, ADAPTOR TO CONTROL HOUSING (5")	79	3
10-29400	BOLT, STEERING WHEEL TO GEAR RACK HOUSING (9 7/8")	11	5	10-37978	SCREW, TRIM COVER FASTENING (3/4")	71	2
10-29400	BOLT, STEERING WHEEL TO GEAR RACK HOUSING (9 7/8")	17	3	10-38601	SCREW, CABLE GUIDE TUBE	119	7
10-29400	BOLT, STEERING WHEEL TO STEERING POST (9 7/8")	83	4	10-38601	SCREW, TUBE MOUNTING BRACKET (5/8")	115	7
10-30317	BOLT, PIVOT - LINK ROD TO STEERING PLATE	43	1	10-38615	SCREW, SNAP PLATE TO STEERING WHEEL (3/4")	57	4
10-31220	SCREW, GEAR RACK HOUSING TO BRACKET	21	15	10-39512	SCREW, PIVOT BLOCK TO YOKE (1 3/4")	59	10
10-31222	BOLT, STEERING WHEEL TO GEAR RACK HOUSING	21	3	10-48232	SCREW, MOUNTING HOUSING TO TILT POST (1 1/2")	77	6
10-31222	BOLT, STEERING WHEEL TO TILT POST (13 5/16")	81	1	10-48232	SCREW, MOUNTING HOUSING TO TILT POST T1 1/2")	69	6
10-31222	SCREW, ADAPTOR TO CONTROL HOUSING (13 1/4")	109	3	10-48236	SCREW, GEAR RACK HOUSING CLAMPING (3 1/4")	83	19
10-31441	SCREW, EMBLEM TO STEERING WHEEL	11	4	10-48240	SCREW, LEVER HOUSING TO MOUNTING HOUSING (1 1/4")	69	20
10-31830	SCREW, STEERING ARM TO STEERING CABLE CLEVIS (1 3/4) INCLUDED WITH EACH MERCURY	65	8	10-48240	SCREW, LEVER HOUSING TO MOUNTING HOUSING (1 1/4")	77	19

PARTS INDEX

Part Number	Description	Pg.	Ref. No.	Part Number	Description	Pg.	Ref. No.
10-48240	SCREW, TENSION SPRING SPACER TO HOUSING (1 1/4")	69	21	10-67367	BOLT, STEERING WHEEL TO TILT POST (12 ")	69	4
10-48240	SCREW, TENSION SPRING SPACER TO HOUSING (1 1/4")	77	20	10-67367	SCREW, STEERINGWHEEL SHAFT (12")	103	25
10-48722	SCREW, GEAR RACK HOUSING CLAMPING (5 3/4")	81	11	10-68340	BOLT, PIVOT	87	5
10-49006	SCREW, TOP PLATE TO STEERING ARM (3/4")	47	3	10-68340	SCREW, PIVOT - ADJUSTING LINK (1 5/8 ")	95	8
10-49220	SCREW PIVOT - SECONDARY ENGINE	25	6	10-68340	SCREW, PIVOT - ADJUSTING LINK (1 5/8")	91	8
10-49220	SCREW PIVOT CONTROL ENGINE	25	5	10-68340	SCREW, ROD TO STEERING ARM BRACKET	97	4
10-49220	SCREW, PIVOT CONTROL ENGINE	89	4	10-68340	SCREW, STEERING ARM TO STEERING LINK (1 5/8")	121	9
10-49220	SCREW, STEERING ARM TO STEERING CABLE CLEVIS (2 1/4")	67	8	10-68496	SCREW, PIVOT - ADJUSTING LINK (2 1/4")	95	8
10-49220	SCREW, STEERING ARM TO STEERING CABLE CLEVIS (2 1/4")	85	23	10-68496	SCREW, STEERING LINK TO ENGINE STEERING ARM (2 1/4")	117	3
10-52409	SCREW, ADAPTOR TO CONTROL HOUSING (3 1/4")	79	3	10-69086	SCREW, RACK MOUNT HOUSING TO RACK HOUSING (1 1/8")	101	5
10-52498	SCREW, BOTTOM AND TOP PLATE TO STEERING ARM (1 1/2")	47	6	10-69098	SCREW, ADAPTOR TO CONTROL HOUSING (3 1/2")	109	3
10-53099	SCREW, STEERING ARM BRACKET ATTACHING	97	15	10-69098	SCREW, GEAR RACK ATTACHING (3 1/2 ")	107	11
10-54126	SCREW, STEERING ADAPTOR TO MOUNTING BRACKET (1 1/2")	75	14	10-69098	SCREW, GEAR RACK HOUSING CLAMPING (3 1/2")	69	28
10-54126	SCREW, STEERING ADAPTOR TO TILT POST (1 1/2")	77	29	10-69098	SCREW, STEERING POST TO DASHBOARD ATTACHING (3 1/2")	103	31
10-54127	BOLT, STEERING WHEEL TO CONTROL HOUSING (11 5/8")	75	1	10-70890	SCREW, PIVOT BLOCK TO BRACKET (1 3/4")	93	6
10-54127	BOLT, STEERING WHEEL TO TILT POST (11 5/8")	77	4	10-70890	SCREW, PIVOT BLOCK TO YOKE (1 3/4")	93	11
10-54128	BOLT, STEERING WHEEL TO CONTROL HOUSING (10 5/8")	75	1	10-70890	SCREW, PIVOT BLOCK TO YOKE (1 3/4")	113	11
10-54134	SCREW, STEERING WHEEL ATTACHING (13 15/16")	79	6	10-70891	SCREW, STEERING CABLE TO CLEVIS	93	17
10-56027	SCREW, HUB TO STEERING WHEEL	99	7	10-70892	SCREW, PIVOT BLOCK TO BRACKET (2 1/2 ")	113	6
10-56393	SCREW, PIVOT BLOCK TO YOKE (1 3/4")	85	10	10-70893	SCREW, CLEVIS TO STEERING ARM (1 1/4")	93	19
10-60300	SCREW, STOP BRACKET TO RACK HOUSING (3/4")	101	9	10-71851	SCREW, PIVOT - ADJUSTING LINK (2 3/8")	95	8
10-60839	SCREW, ROD END TO STEERING PLATES (1 1/2")	47	10	10-73556	SCREW, SWITCH MOUNTING BRACKET ATTACHING (3/4")	103	11
10-66752	BOLT, PIVOT	87	5	10-73557	SCREW, STEERING POST ATTACHING	103	20
10-66752	SCREW, PIVOT - ADJUSTING LINK (1 5/8")	95	8	10-73557	SCREW, SWITCH MOUNTING BRACKET ATTACHING (5/8")	103	12
				10-73732	SCREW, STEERING LINK COUPLING (1 1/8")	115	1
				10-73959	SCREW, STEERING WHEEL ATTACHING (15 1/4")	109	6
				10-74757	SCREW, BRACKET TO TRANSOM (3 1/4")	93	3

PARTS INDEX

Part Number	Description	Pg.	Ref. No.	Part Number	Description	Pg.	Ref. No.
10-74757	SCREW, BRACKET TO TRANSOM (3 1/4")	113	3	11-20102	NUT, UPPER - PIVOT PIN	41	1
10-75677	SCREW, STEERING ARM BRACKET ATTACHING	97	15	11-20102	NUT, UPPER - PIVOT PIN	41	17
10-75687	SCREW, SWITCH ACTUATOR CLAMP	117	13	11-20166	NUT, JAM - ROD END TO COUPLING (LEFT HAND THREAD)	47	15
10-76736	SCREW, STEERING POST TO DASHBOARD (2")	107	4	11-20220	NUT, ROD END TO STEERING PLATES SCREW	47	13
10-76745	BOLT, STEERING WHEEL ATTACHING (10 1/8")	107	8	11-20361	NUT, GEAR RACK HOUSING CLAMPING SCREW (1/4")	5	31
10-78955	SCREW, ADAPTOR TO CONTROL HOUSING (13 5/8")	109	3	11-20361	NUT, GEAR RACK HOUSING CLAMPING SCREW (1/4")	11	21
10-79401	SCREW, STEERING EYE TO STEERING ARM (1 1/4")	119	11	11-20361	NUT, GEAR RACK HOUSING CLAMPING SCREW (1/4")	21	12
10-79401	SCREW, STEERING LINK TO STEERING ARM	121	14	11-20361	NUT, MOUNT TO RACK HOUSING SCREW	101	17
11-20083	NUT, EXTENSION ROD LOCKING TO CABLE END	3	7	11-20361	NUT, PIVOT PIN FASTENING (LOWER)	33	11
11-20088	NUT, STEERING CABLE TO RACK	101	22	11-20361	NUT, RACK MOUNT HOUSING TO RACK HOUSING SCREW	101	7
11-20102	NUT, COUPLER HALVES CLAMPING SCREW	37	21	11-20361	NUT, STOP BRACKET TO RACK HOUSING SCREW	101	10
11-20102	NUT, COUPLER TO STEERING LINK ROD	49	16	11-20509	NUT STEERING CABLE CLEVIS SCREW	61	4
11-20102	NUT, EXTENSION BRACKET FASTENING SCREW	39	41	11-20509	NUT STEERING CABLE CLEVIS SCREW	63	4
11-20102	NUT, GEAR RACK TUBE BRACKET CLAMPING SCREW	21	20	11-20509	NUT, BRACKET TO GEAR RACK HOUSING SCREW	13	30
11-20102	NUT, GEAR RACK TUBE BRACKET SCREW	81	15	11-20509	NUT, BRACKET TO GEAR RACK HOUSING SCREW	17	26
11-20102	NUT, PIVOT PIN (UPPER)	25	15	11-20509	NUT, BRACKET TO GEAR RACK HOUSING SCREW	53	35
11-20102	NUT, PIVOT PIN (UPPER)	31	13	11-20509	NUT, CABLE END COUPLERS TO STEERING LINK ROD	55	4
11-20102	NUT, PIVOT PIN - LOWER	55	11	11-20509	NUT, COUPLER ADJUST AND PIVOT PIN (LOWER)	31	4
11-20102	NUT, PIVOT PIN FASTENING (UPPER)	23	15	11-20509	NUT, COUPLER ADJUST AND PIVOT PIN OR SCREW (LOWER)	25	4
11-20102	NUT, PIVOT PIN FASTENING (UPPER)	29	13	11-20509	NUT, COUPLER HALVES CLAMPING SCREW	37	21
11-20102	NUT, PIVOT PIN FASTENING (UPPER)	33	13	11-20509	NUT, GEAR RACK HOUSING CLAMPING SCREW (3/8")	7	33
11-20102	NUT, PIVOT PIN FASTENING (UPPER)	35	13	11-20509	NUT, GEAR RACK HOUSING CLAMPING SCREW (3/8")	11	22
11-20102	NUT, PIVOT PIN FASTENING (UPPER)	39	35	11-20509	NUT, GEAR RACK HOUSING CLAMPING SCREW (3/8")	21	14
11-20102	NUT, PLATE AND BRACKET FASTENING SCREW	41	21	11-20509	NUT, GEAR RACK HOUSING TO BRACKET SCREW FASTENING	21	17
11-20102	NUT, PLATE SCREW FASTENING	39	38	11-20509	NUT, HOUSING TO BRACKET SCREW	5	20
11-20102	NUT, STEERING BRACKET FASTENING SCREW (5/16")	39	45	11-20509	NUT, LOWER - PIVOT PIN	41	10
11-20102	NUT, STEERING BRACKET MOUNTING STUD	13	38	11-20509	NUT, MOUNTING BRACKET SCREW	63	10
11-20102	NUT, STEERING BRACKET SCREW	61	8	11-20509	NUT, PIVOT BLOCK FASTENING SCREW	37	13
11-20102	NUT, STEERING BRACKET STUD	5	9				
11-20102	NUT, STEERING LINK ROD	33	5				

PARTS INDEX

Part Number	Description	Pg.	Ref. No.	Part Number	Description	Pg.	Ref. No.
11-20509	NUT, PIVOT PIN FASTENING (LOWER)	29	8	11-21612	NUT, JAM - STEERING LINK ROD	71	17
11-20509	NUT, PIVOT PIN FASTENING (LOWER)	39	30	11-21612	NUT, JAM - STEERING LINK ROD (RIGHT HAND THREAD)	47	18
11-20509	NUT, PIVOT SCREW	89	11	11-21612	NUT, STEERING BRACKET SPACER	5	13
11-20509	NUT, STEERING ARM SCREW	67	9	11-21612	NUT, STEERING BRACKET SPACER	13	34
11-20509	NUT, STEERING ARM SCREW	85	24	11-21612	NUT, STEERING BRACKET SPACER	19	30
11-20509	NUT, STEERING ARM SCREW INCLUDED WITH EACH MERCURY MOTOR	65	9	11-21612	NUT, STEERING BRACKET SPACER	53	39
11-20509	NUT, STEERING BRACKET FASTENING SCREW (3/8")	39	43	11-21825	NUT, CABLE TO GEAR RACK	9	2
11-20509	NUT, STEERING CABLE CLEVIS SCREW	65	4	11-21908	NUT, BRACKET TO BOAT TRANSOM SCREW	37	17
11-20509	NUT, STEERING CABLE CLEVIS SCREW	67	4	11-21908	NUT, TRANSOM BRACKET SCREW	59	4
11-20509	NUT, STEERING CABLE CLEVIS SCREW	85	19	11-21908	NUT, TRANSOM BRACKET SCREW	85	4
11-20509	NUT, STEERING LINK ROD	23	4	11-22178	NUT, PIVOT BOLT TO PLATE (UPPER)	43	11
11-20509	NUT, STEERING LINK ROD	29	4	11-22178	NUT, PIVOT BOLT TO STEERING PLATE (UPPER)	71	16
11-20509	NUT, STEERING LINK ROD	35	5	11-22496	NUT, ADJUST COUPLING	25	18
11-20509	NUT, STEERING LINK ROD	47	21	11-22496	NUT, ADJUST COUPLING	89	2
11-20509	NUT, STEERING LINK ROD	89	15	11-22496	NUT, JAM - ADJUST COUPLING	55	14
11-20509	NUT, STEERING LINK ROD AND PIVOT SCREW	91	3	11-22496	NUT, JAM - ADJUST COUPLING	91	6
11-20509	NUT, STEERING PLATE TO POWERHEAD STUDS	43	14	11-22496	NUT, JAM - STEERING LINK ROD PIVOT BOLT	71	15
11-20509	NUT, STEERING PLATE TO POWERHEAD STUDS	71	5	11-22496	NUT, LOCKING - ADJUSTING LINK	41	11
11-20509	NUT, TRANSOM BRACKET TO PIVOT BLOCK SCREW	59	9	11-22496	NUT, PIVOT BOLT - BALL AND SPRING TENSION	43	9
11-20509	NUT, TRANSOM BRACKET TO PIVOT BLOCK SCREW	85	9	11-23161	NUT, STEERING WHEEL BOLT	107	10
11-20586	NUT, COUPLER HALVES CLAMPING	3	6	11-23161	NUT, STEERING WHEEL SHAFT SCREW	103	27
11-20586	NUT, PIVOT BLOCK TO YOKE SCREW	37	6	11-23161	NUT, STEERING WHEEL TO HOUSING BOLT	7	36
11-20645	NUT, TRIM COVER SCREW	71	3	11-23161	NUT, STEERING WHEEL TO HOUSING BOLT	11	25
11-20696	NUT, BOTTOM AND TOP PLATE TO STEERING ARM SCREW	47	9	11-23161	NUT, STEERING WHEEL TO HOUSING BOLT	17	21
11-20696	NUT, PIVOT BLOCK SCREW	59	13	11-23161	NUT, STEERING WHEEL TO HOUSING BOLT	53	13
11-20696	NUT, PIVOT BLOCK SCREW	85	13	11-23161	NUT, STEERING WHEEL TO HOUSING BOLT	69	32
11-20696	NUT, PIVOT PIN (UPPER)	25	15	11-23161	NUT, STEERING WHEEL BOLT	75	18
11-20696	NUT, PIVOT PIN FASTENING (UPPER)	23	15	11-23161	NUT, STEERING WHEEL BOLT	77	33
11-20739	NUT, CABLE GUIDE TUBE ADJUSTING	37	9	11-23161	NUT, STEERING WHEEL TO HOUSING BOLT	83	22
11-20739	NUT, TILT TUBE AND COUPLING TUBE LOCKING	3	10	11-25899	NUT, JAM STEERING CABLE TO MOUNT	101	23
11-21528	NUT, GEAR RACK SCREW	107	13				
11-21528	NUT, STEERING BRACKET MOUNTING STUD	19	34				
11-21528	NUT, STEERING POST SCREW	107	6				
11-21528	NUT, STEERING POST STUD	83	7				

PARTS INDEX

Part Number	Description	Pg.	Ref. No.	Part Number	Description	Pg.	Ref. No.
11-26301	NUT, JAM - LINK ROD TUBE	121	12	11-37984	NUT, CABLE GUIDE TUBE		
11-27164	NUT, TILT STOP SWITCH LEAD SCREW	117	17	11-45812	NUT, SWITCH ACTUATOR CLAMP SCREW	37	9
11-30506	NUT, PIVOT PIN - UPPER	55	12	11-46438	NUT, CONTROL HOUSING CLAMPING SCREW	117	14
11-30506	NUT, PIVOT PIN FASTENING (LOWER)	35	11	11-46793	NUT, CONTROL HOUSING CLAMPING SCREW	111	10
11-30708	NUT, CABLE GUIDE TUBE ADJUSTING	37	9	11-46793	NUT, CONTROL HOUSING CLAMPING SCREW	73	13
11-30708	NUT, TILT TUBE AND COUPLING TUBE LOCKING	3	10	11-46793	NUT, CONTROL HOUSING CLAMPING SCREW	111	10
11-34863	NUT, LINK ROD END	117	7	11-46793	NUT, TOP PLATE TO STEERING ARM SCREW	47	5
11-34863	NUT, PIVOT BLOCK SCREW	113	9	11-46887	NUT, GEAR RACK CLAMPING SCREW	81	5
11-34863	NUT, PIVOT BOLT FASTENING	97	9	11-46887	NUT, GEAR RACK CLAMPING SCREW	83	13
11-34863	NUT, PIVOT BOLT FASTENING (LOWER)	87	8	11-46887	NUT, GEAR RACK HOUSING CLAMPING SCREW (1/4- 28)	17	18
11-34863	NUT, STEERING ARM AND STEERING LINK SCREWS	121	11	11-46887	NUT, GEAR RACK HOUSING CLAMPING SCREW (1/4- 28)	53	29
11-34863	NUT, STEERING CABLE SCREW	93	18	11-48238	NUT, MOUNTING HOUSING S CREW	69	7
11-34863	NUT, STEERING EYE TO STEERING ARM	119	12	11-48238	NUT, MOUNTING HOUSING SCREW	77	7
11-34863	NUT, STEERING LINK COUPLING SCREW	115	2	11-49197	NUT, ADAPTOR SCREW	79	5
11-34863	NUT, STEERING LINK ROD	87	4	11-49197	NUT, GEAR RACK HOUSING CLAMPING SCREW (3/8- 24)	17	19
11-34863	NUT, STEERING LINK ROD	97	14	11-49197	NUT, GEAR RACK HOUSING CLAMPING SCREW (3/8- 24)	53	30
11-34863	NUT, STEERING LINK ROD AND PIVOT SCREW	91	3	11-49197	NUT, STEERING ADAPTOR SCREW	75	13
11-34863	NUT, STEERING LINK ROD PIVOT SCREW	95	3	11-49197	NUT, STEERING ADAPTOR SCREW	77	28
11-34863	NUT, STEERING LINK TO ENGINE STEERING ARM SCREW	117	5	11-55983	NUT, JAM - STEERING CABLE TUBE	117	11
11-34863	NUT, CLEVIS SCREW	93	23	11-69254	NUT, PIVOT BOLT	97	8
11-34933	NUT, PIVOT BLOC K S C REW	93	9	11-71670	NUT, COUPLER	9	4
11-34933	NUT, PIVOT BLOCK SCREW	93	12	11-71852	NUT, JAM - ADJUSTING COUPLING	95	6
11-35053	NUT, PIVOT BLOCK SCREW	113	12	11-71852	NUT, JAM - STEERING EYE	119	8
11-35814	NUT, "T" BOLT TO DASHBOARD	103	30	11-71852	NUT, JAM - STEERING LINK ASSEMBLY	121	6
11-35814	NUT, ADAPTOR SCREW	109	5	11-73776	NUT, JAM - CABLE GUIDE TUBE	93	14
11-35814	NUT, BRACKET SCREW	93	4	11-73776	NUT, JAM - CABLE GUIDE TUBE	113	14
11-35814	NUT, BRACKET SCREW	113	4	11-73776	NUT, JAM - CABLE GUIDE TUBE	115	5
11-35814	NUT, MOUNTING BRACKET STUD	75	7	11-73776	NUT, JAM - CABLE GUIDE TUBE	119	10
11-35814	NUT, MOUNTING HOUSING STUD	69	12	12-20084	WASHER, COUPLER END STEERING LINK ROD	49	15
11-35814	NUT, MOUNTING HOUSING STUD	77	12	12-20084	WASHER, STEERING LINK ROD	33	4
11-35814	NUT, STEERING BRACKET MOUNTING STUD	53	43				
11-35814	NUT, STEERING POST TO DASHBOARD SCREW	105	33				
11-35814	NUT, STEERING WHEEL TO HUB SCREW	99	5				
11-37984	NUT, ADJUSTING - CABLE GUIDE TUBE	59	15				
11-37984	NUT, ADJUSTING - CABLE GUIDE TUBE	85	15				

PARTS INDEX

Part Number	Description	Pg.	Ref. No.	Part Number	Description	Pg.	Ref. No.
12-20086	WASHER, ADAPTOR SCREW	79	4	12-20959	WASHER, STEERING BRACKET SPACER	5	12
12-20086	WASHER, PIVOT PIN	41	3	12-21040	WASHER, PIVOT BLOCK SCREW	37	12
12-20086	WASHER, PIVOT PIN (UPPER)	39	31	12-21040	WASHER, TRANSOM BRACKET TO PIVOT BLOCK SCREW	59	8
12-20086	WASHER, PIVOT SCREW	25	7	12-21040	WASHER, TRANSOM BRACKET TO PIVOT BLOCK SCREW	85	8
12-20086	WASHER, STEERING ADAPTOR SCREW	75	12	12-21040	WASHER, TRANSOM BRACKET TO PIVOT BLOCK SCREW	85	11
12-20086	WASHER, STEERING ADAPTOR SCREW	77	27	12-22248	WASHER, PIVOT BLOCK SCREW	59	11
12-20086	WASHER, STEERING LINK ROD	23	3	12-22248	WASHER, PIVOT BLOCK SCREW	85	11
12-20086	WASHER, STEERING LINK ROD	25	3	12-22248	WASHER, PIVOT BOLT	43	2
12-20086	WASHER, STEERING LINK ROD	29	3	12-22248	WASHER, STEERING LINK ROD PIVOT BOLT (7/8" O. D.)	71	8
12-20086	WASHER, STEERING LINK ROD	31	3	12-24664	WASHER, PIVOT BLOCK TO YOKE SCREW	37	5
12-20086	WASHER, STEERING LINK ROD	35	4	12-24666	WASHER, STEERING LINK ROD SCREW	49	2
12-20086	WASHER, STEERING LINK ROD	47	19	12-24676	WASHER, CONTROL HOUSING CLAMPING SCREW	111	9
12-20086	WASHER, STEERING LINK ROD	55	3	12-25897	WASHER, GEAR RACK PINION	5	22
12-20086	WASHER, STEERING LINK ROD	89	14	12-25897	WASHER, PINION SECURING	101	20
12-20086	WASHER, STEERING LINK ROD AND PIVOT SCREW	91	2	12-25897	WASHER, SHAFT TO GEAR RACK HOUSING	11	11
12-20546	WASHER, TOP PLATE TO STEERING ARM SCREW	47	4	12-25897	WASHER, SHAFT TO GEAR RACK HOUSING	17	8
12-20553	WASHER, STEERING CABLE CLEVIS SCREW	61	3	12-25897	WASHER, SHAFT TO GEAR RACK HOUSING	53	19
12-20553	WASHER, STEERING CABLE CLEVIS SCREW	63	3	12-25897	WASHER, SHAFT TO GEAR RACK HOUSING (15/16" I. D.)	77	24
12-20553	WASHER, STEERING CABLE CLEVIS SCREW	65	3	12-25897	WASHER, SHAFT TO GEAR RACK HOUSING (15/16" I. D.)	83	9
12-20553	WASHER, STEERING CABLE CLEVIS SCREW	67	3	12-25897	WASHER, SHAFT TO GEAR RACK HOUSING (15/16" I.D.)	69	25
12-20553	WASHER, STEERING CABLE CLEVIS SCREW	85	18	12-25897	WASHER, SHAFT TO MOUNTING BRACKET	75	9
12-20683	WASHER, PIVOT SCREW	91	15	12-25908	WASHER, PIVOT PIN (17/64" I. D.)	55	10
12-20722	WASHER, CONTROL HOUSING CLAMPING SCREW	73	12	12-25908	WASHER, PIVOT PIN (LOWER)	33	10
12-20722	WASHER, CONTROL HOUSING CLAMPING SCREW	111	9	12-25908	WASHER, PIVOT PIN (LOWER)	35	10
12-20722	WASHER, PIVOT PIN (UPPER)	23	14	12-25909	WASHER, BRACKET TO GEAR RACK HOUSING SCREW	13	29
12-20722	WASHER, PIVOT PIN (UPPER)	25	14	12-25909	WASHER, BRACKET TO GEAR RACK HOUSING SCREW	17	25
12-20722	WASHER, PIVOT PIN (UPPER)	39	34				
12-20722	WASHER, UPPER - PIVOT PIN	41	16				
12-20959	WASHER, STEERING BRACKET SPACER	5	12				
12-20959	WASHER, STEERING BRACKET SPACER	13	33				
12-20959	WASHER, STEERING BRACKET SPACER	17	29				

PARTS INDEX

Part Number	Description	Pg.	Ref. No.	Part Number	Description	Pg.	Ref. No.
12-25909	WASHER, HOUSING TO BRACKET SCREW	5	19	12-28105	WASHER, MOUNTING BRACKET SCREW	63	7
12-25909	WASHER, LOWER - PIVOT PIN	41	7	12-28105	WASHER, STEERING ARM SCREW	65	5
12-25909	WASHER, PIVOT PIN	23	7	12-28105	WASHER, STEERING ARM SCREW	67	5
12-25909	WASHER, PIVOT PIN	29	7	12-28105	WASHER, STEERING ARM SCREW	85	20
12-25909	WASHER, PIVOT PIN	31	7	12-29245	WASHER, MOUNT TO RACK HOUSING SCREW	101	16
12-25909	WASHER, PIVOT PIN	33	7	12-29245	WASHER, RACK MOUNT HOUSING TO RACK HOUSING SCREW	101	6
12-25909	WASHER, PIVOT PIN (13/32" I. D.)	55	7	12-29330	WASHER, NYLON - PIVOT BOLT	87	9
12-25909	WASHER, PIVOT PIN (LOWER)	37	27	12-29330	WASHER, NYLON - PIVOT PIN	23	9
12-25909	WASHER, PIVOT PIN OR SCREW	25	7	12-29330	WASHER, NYLON - PIVOT PIN	29	9
12-25909	WASHER, PIVOT PIN OR SCREW	25	7	12-29330	WASHER, NYLON - PIVOT PIN	31	9
12-25909	WASHER, PIVOT SCREW	89	7	12-29330	WASHER, NYLON - PIVOT PIN	37	26
12-25909	WASHER, PIVOT SCREW	91	9	12-29330	WASHER, NYLON - PIVOT PIN	41	6
12-25970	WASHER, PIVOT SCREW	89	7	12-29330	WASHER, NYLON - PIVOT PIN OR SCREW	25	9
12-26825	WASHER, "T" BOLT	103	29	12-29330	WASHER, NYLON - PIVOT PIN OR SCREW	25	9
12-26825	WASHER, MOUNTING BRACKET STUD	75	6	12-29330	WASHER, NYLON - PIVOT SCREW	89	6
12-26825	WASHER, MOUNTING HOUSING STUD	69	11	12-29330	WASHER, NYLON - PIVOT SCREW	91	10
12-26825	WASHER, MOUNTING HOUSING STUD	77	11	12-29330	WASHER, NYLON - PIVOT SCREW	95	10
12-26825	WASHER, STEERING BRACKET MOUNTING STUD	13	37	12-29330	WASHER, NYLON - PIVOT SCREW	95	10
12-26825	WASHER, STEERING BRACKET MOUNTING STUD	19	33	12-29395	WASHER, STEERING ARM TO STEERING LINK SCREW	121	13
12-26825	WASHER, STEERING BRACKET MOUNTING STUD	53	42	12-29954	WASHER, CAP AND HUB SCREW	51	10
12-26825	WASHER, STEERING BRACKET SCREW	61	6	12-30314	WASHER, NYLON - PIVOT BOLT	43	6
12-26825	WASHER, STEERING BRACKET STUD	5	8	12-30314	WASHER, NYLON - STEERING LINK ROD PIVOT BOLT	71	12
12-26825	WASHER, STEERING LINK ROD SCREW	49	2	12-30315	WASHER, PIVOT BOLT	43	5
12-26825	WASHER, STEERING POST SCREW	107	5	12-30315	WASHER, STEERING LINK ROD PIVOT BOLT (1" O.D.)	71	11
12-26825	WASHER, STEERING POST STUD	83	6	12-32221	WASHER, STEERING ARM FASTENING SCREW	47	7
12-27807	WASHER, CUPPED - CABLE GUIDE TUBE	37	8	12-34931	WASHER, CLEVIS SCREW (THIN)	93	20
12-27966	WASHER, LOWER - STEERING WHEEL HOUSING BOLT	11	23	12-34931	WASHER, LINK ROD END	117	6
12-27966	WASHER, LOWER - STEERING WHEEL HOUSING BOLT	17	20	12-34931	WASHER, PIVOT BLOCK SCREW	113	7
12-27966	WASHER, LOWER - STEERING WHEEL HOUSING BOLT	53	12	12-34931	WASHER, PIVOT BOLT	87	7
12-27966	WASHER, LOWER - STEERING WHEEL TO HOUSING BOLT	7	34	12-34931	WASHER, PIVOT BOLT	97	7
				12-34931	WASHER, PIVOT SCREW	91	9

PARTS INDEX

Part Number	Description	Pg.	Ref. No.	Part Number	Description	Pg.	Ref. No.
12-34931	WASHER, PIVOT SCREW ..	95	9	12-63032	WASHER, STEERING POST TO DASHBOARD SCREW	105	32
12-34931	WASHER, PIVOT SCREW ..	95	9	12-67369	WASHER, PINION GEAR ...	111	13
12-34931	WASHER, STEE RING LINK ROD	87	3	12-73729	WASHER, PIVOT BOLT	97	5
12-34931	WASHER, STEERING ARM TO STEERING LINK SCREW	121	10	12-74758	WASHER, PIVOT BLOCK SCREW	93	7
12-34931	WASHER, STEERING LINK ROD	89	14	12-74759	WASHER, CLEVIS SCREW (THICK)	93	22
12-34931	WASHER, STEERING LINK ROD	97	12	13-22021	LOCKWASHER, COUPLER ASSEMBLY	45	3
12-34931	WASHER, STEERING LINK ROD AND PIVOT SCREW	91	2	13-22021	LOCKWASHER, COUPLER ASSEMBLY	71	20
12-34931	WASHER, STEERING LINK ROD AND PIVOT SCREW	95	2	13-22021	LOCKWASHER, EXTENSION BAR ASSEMBLY	45	5
12-34931	WASHER, STEERING LINK TO ENGINE STEERING ARM SCREW	117	4	13-22021	LOCKWASHER, EXTENSION BAR ASSEMBLY	71	22
12-38622	WASHER, STEERING WHEEL TO HOUSING BOLT	57	6	13-26992	LOCKWASHER, BRACKET TO STEERING ARM SCREW	33	18
12-39116	WASHER, NYLON - MOUNTING BRACKET SCREW	63	8	13-26992	LOCKWASHER, CAP AND HUB SCREW	51	9
12-39116	WASHER, NYLON - STEERING ARM SCREW .	65	6	13-26992	LOCKWASHER, STEERING ARM BRACKET SCREW .	49	11
12-39116	WASHER, NYLON - STEERING ARM SCREW .	67	6	13-26993	LOCKWASHER, BRACKET TO BOAT TRANSOM SCREW	37	16
12-39304	WASHER, SPACER - MOUNTING BRACKET SCREW	63	9	13-26993	LOCKWASHER, BRACKET TO SPACER SCREW	5	16
12-39304	WASHER, SPACER - STEERING ARM SCREW .	65	7	13-26993	LOCKWASHER, TRANSOM BRACKET SCREW	59	3
12-39304	WASHER, SPACER - STEERING ARM SCREW .	67	7	13-26993	LOCKWASHER, TRANSOM BRACKET SCREW	85	3
12-48241	WASHER, LOWER - HOUSING BOLT (13/32 ") (I. D.)	83	21	13-27969	LOCKWASHER, STEERING WHEEL HOUSING BOLT .	11	24
12-48241	WASHER, LOWER - STEERING WHEEL BOLT	77	32	13-27969	LOCKWASHER, STEERING WHEEL TO HOUSING BOLT	7	35
12-48241	WASHER, LOWER - STEERING WHEEL HSG. BOLT (13/32" I.D.)	69	30	13-28943	WASHER, WAVE - TILT ADJUSTING LEVER PIN .	69	15
12-48241	WASHER, STEERING WHEEL BOLT	75	17	13-30381	LOCKWASHER, COUPLER ASSEMBLY	27	22
12-48241	WASHER, STEERING WHEEL BOLT	107	9	13-30381	LOCKWASHER, COUPLER ASSEMBLY	41	23
12-48241	WASHER, STEERING WHEEL SHAFT SCREW ..	103	26	13-30381	LOCKWASHER, COUPLER ASSEMBLY	89	17
12-56085	WASHER, NEOPRENE - PIVOT BOLT	97	6	13-30381	LOCKWASHER, COUPLER ASSEMBLY	91	17
12-56085	WASHER, NEOPRENE - PIVOT SCREW	91	14	13-30381	LOCKWASHER, COUPLER ASSEMBLY	95	20
12-56085	WASHER, NEOPRENE - PIVOT SCREW	95	14	13-30381	LOCKWASHER, EXTENSION BAR ASSEMBLY	27	24
12-57792	WASHER, ADAPTOR SCREW	109	4	13-30381	LOCKWASHER, EXTENSION BAR ASSEMBLY	41	25
12-63032	WASHER, GEAR RACK CLAMPING SCREW	69	29	13-30381	LOCKWASHER, EXTENSION BAR ASSEMBLY	89	19
12-63032	WASHER, GEAR RACK SCREW	107	12	13-30381	LOCKWASHER, EXTENSION BAR ASSEMBLY	91	17
				13-48300	LOCKWASHER, GEAR RACK CLAMPING S CREW	81	12

PARTS INDEX

Part Number	Description	Pg.	Ref. No.	Part Number	Description	Pg.	Ref. No.
14-73777	TAB WASHER, CABLE GUIDE TUBE	93	15	17-30083	PIN, PIVOT - CONTROL ENGINE	25	5
14-73777	TAB WASHER, CABLE GUIDE TUBE	113	15	17-30093	PIN, PIVOT - ADJUSTING LINK (SHORT)	41	2
14-73777	WASHER, TAB - CABLE GUIDE TUBE JAM NUT . .	115	6	17-30093	PIN, PIVOT - BALL SOCKET END (SHORT)	37	23
14-73777	WASHER, TAB - TUBE MOUNTING	119	13	17-30371	PIN, PIVOT - CONTROL ENGINE	25	5
14-78835	WASHER, TAB - STEERING CABLE TUBE	117	10	17-33972	PIN, PIVOT	35	6
16-21831	STUD, SPACER TO STEERING BRACKET . . .	5	10	17-33972	PIN, PIVOT - SECONDARY ENGINE	55	6
16-21831	STUD, SPACER TO STEERING BRACKET (1 1/4")	13	35	17-34736	PIN, PIVOT - CONTROL ENGINE	55	5
16-21831	STUD, SPACER TO STEERING BRACKET (1 1/4")	19	31	17-75688	PIN, CLAMP BRACKET	121	--
16-21831	STUD, SPACER TO STEERING BRACKET (1 1/4")	53	40	18-26953	COTTER PIN, LOCKING CAP	9	7
16-29208	STUD, MOUNTING BRACKET TO DASHBOARD (2 1/2") .	75	5	18-29623	COTTER PIN	103	28
16-29208	STUD, MOUNTING HOUSING TO DASHBOARD (2 1/2") .	69	10	18-29623	COTTER PIN,	107	14
16-29208	STUD, MOUNTING HOUSING TO DASHBOARD (2 1/2") .	77	10	18-29623	PIN,COTTER - STEERING WHEEL TO TILT PORT BOLT	69	32
16-29208	STUD, STEE RING POST TO DASHBOARD (2 1/2 ") . . .	83	5	19-20011	WELCH P1UG, DETENT PIN	77	18
16-29208	STUD, STEERING BRACKET MOUNTING	5	7	19-20011	WELCH PLUG, DETENT PIN	69	19
16-29208	STUD, STEERING BRACKET MOUNTING (2 1/2")	13	36	22-26000	FITTING, GREASE - STEERING CABLE	9	3
16-29208	STUD, STEERING BRACKET MOUNTING (2 1/2")	19	32	22-26000	FITTING, GREASE - STEERING CABLE	73	2
16-29208	STUD, STEERING BRACKET MOUNTING (2 1/2")	53	41	22-26000	GREASE FITTING	101	2
16-37653	STUD, CYLINDER BLOCK (2 11/16")	71	4	23-25901	BUSHING, GEAR RACK HOUSING	5	23
17-20009	PIN, DETENT - TILT ADJUSTING LEVER	69	17	23-25901	BUSHING, GEAR RACK HOUSING - SPLINED	11	12
17-20009	PIN, DETENT - TILT ADJUSTING LEVER	77	16	23-25901	BUSHING, GEAR RACK HOUSING - SPLINED	17	9
17-28692	PIN, ECCENTRIC PIVOT . . .	33	6	23-25901	BUSHING, GEAR RACK HOUSING - SPLINED	53	20
17-29696	PIN, PIVOT - CONTROL ENGINE	25	5	23-25901	BUSHING, GEAR RACK HOUSING - SPLINED	69	26
17-29697	PIN, PIVOT	23	5	23-25901	BUSHING, GEAR RACK HOUSING - SPLINED	81	2
17-29697	PIN, PIVOT - ADJUSTING LINK	41	13	23-25901	BUSHING, GEAR RACK HOUSING - SPLINED	83	10
17-29697	PIN, PIVOT - BALL SOCKET END (LONG)	37	24	23-25901	BUSHING, NYLON - GEAR RACK HOUSING	21	10
17-29697	PIN, PIVOT - SECONDARY ENGINE	25	6	23-25901	BUSHING, NYLON - STEERING PINION (SPLINED)	75	15
17-29745	PIN, PIVOT	29	5	23-25901	BUSHING, NYLON - STEERING PINION (SPLINED)	77	30
17-29745	PIN, PIVOT - SECONDARY ENGINE	31	6	23-25901	BUSHING, SPLINED NYLON - PINION SECURING	101	19
17-29746	PIN, PIVOT - CONTROL ENGINE	31	5	23-25904	SPACER, TILT TUBE (3/4" OD)	29	16
17-30082	PIN, PIVOT	23	5	23-25904	SPACER, TILT TUBE (3/4" OD)	31	20
				23-25907	BUSHING, NYLON - LINK ROD	33	8
				23-25907	BUSHING, NYLON - LINK ROD	35	8

PARTS INDEX

Part Number	Description	Pg.	Ref. No.	Part Number	Description	Pg.	Ref. No.
23-25907	BUSHING, NYLON - STEERING LINK AND ROD	55	8	23-29097	BUSHING, STEERING WHEEL BRACKET	17	4
23-25915	BUSHING, RUBBER - LINK ROD	33	9	23-29209	SPACER, STEERING BRACKET STUD TO SCREW	13	32
23-25915	BUSHING, RUBBER - LINK ROD	35	9	23-29209	SPACER, STEERING BRACKET STUD TO SCREW	17	28
23-25915	BUSHING, RUBBER - LINK ROD	49	6	23-29209	SPACER, STEERING BRACKET STUD TO SCREW	53	37
23-25915	BUSHING, RUBBER - PIVOT BOLT	87	11	23-29209	SPACER, STEERING BRACKET TO HOUSING BRACKET	5	11
23-25915	BUSHING, RUBBER - PIVOT PIN	23	11	23-29210	SPACER, BRACKET TO GEAR RACK HOUSING SCREW	11	28
23-25915	BUSHING, RUBBER - PIVOT PIN	29	11	23-29210	SPACER, BRACKET TO GEAR RACK HOUSING SCREW	17	24
23-25915	BUSHING, RUBBER - PIVOT PIN	31	11	23-29210	SPACER, BRACKET TO GEAR RACK HOUSING SCREW	53	33
23-25915	BUSHING, RUBBER - PIVOT PIN OR SCREW	25	11	23-29210	SPACER, HOUSING TO BRACKET SCREW	5	18
23-25915	BUSHING, RUBBER - PIVOT SCREW	89	9	23-29397	SPACER, BRACKET TO GEAR RACK HOUSING SCREW	11	28
23-25915	BUSHING, RUBBER - PIVOT SCREW	91	13	23-29397	SPACER, BRACKET TO GEAR RACK HOUSING SCREW	17	24
23-25915	BUSHING, RUBBER - PIVOT SCREW	95	13	23-29397	SPACER, BRACKET TO GEAR RACK HOUSING SCREW	53	33
23-25915	BUSHING, RUBBER - STEERING LINK AND ROD	55	9	23-29397	SPACER, HOUSING TO BRACKET SCREW	5	18
23-25915	SLEEVE, RUBBER - PIVOT PIN	39	29	23-29397	SPACER, BRACKET TO GEAR RACK HOUSING SCREW	17	24
23-25915	SLEEVE, RUBBER - PIVOT PIN	41	9	23-29397	SPACER, BRACKET TO GEAR RACK HOUSING SCREW	53	33
23-27810	BUSHING, PIVOT BLOCK YOKE	37	3	23-29397	SPACER, HOUSING TO BRACKET SCREW	5	18
23-27856	BUSHING, RUBBER - PIVOT BLOCK YOKE	37	7	23-30079	SLEEVE, PIVOT PIN (UPPER)	39	33
23-28343	SPACER, PIVOT - TRANSOM BRACKET TO PIVOT BLOCK	37	10	23-30079	SLEEVE, SPACER - PIVOT PIN	23	13
23-28343	SPACER, PIVOT - TRANSOM BRACKET TO PIVOT BLOCK	59	6	23-30079	SLEEVE, SPACER - PIVOT PIN	41	15
23-28343	SPACER, PIVOT - TRANSOM BRACKET TO PIVOT BLOCK	85	6	23-30079	SLEEVE, SPACER - PIVOT PIN (UPPER)	25	13
23-29097	BUSHING, NYLON - STEERING RING POST	83	3	23-30319	SLEEVE, RUBBER - PIVOT BOLT	43	4
23-29097	BUSHING, NYLON - MOUNTING BRACKET	75	2	23-30319	SLEEVE, RUBBER - STEERING LINK ROD PIVOT BOLT	71	9
23-29097	BUSHING, NYLON - STEERING WHEEL SHAFT	107	3	23-30981	SPACER, TILT TUBE	33	15
23-29097	BUSHING, NYLON - TILT POST	69	3	23-30981	SPACER, TILT TUBE	97	10
23-29097	BUSHING, NYLON - TILT POST	77	3	23-31219	SPACER, GEAR RACK HOUSING TO BRACKET SCREW	21	16
23-29097	BUSHING, STEERING WHEEL BRACKET	5	6	23-32052	SLEEVE, RUBBER - ADJUSTING LINK AND COUPLING	91	7
23-29097	BUSHING, STEERING WHEEL BRACKET	53	15	23-32914	TUBE, NEOPRENE - TILT STOP SWITCH LEAD	117	18
23-29097	BUSHING, STEERING WHEEL SHAFT TO COVER	103	23	23-33468	SPACER, TILT TUBE	49	18

PARTS INDEX

Part Number	Description	Pg.	Ref. No.	Part Number	Description	Pg.	Ref. No.
23-33468	SPACER, TILT TUBE	97	10	24-20510	SPRING, PIVOT PIN	37	28
23-33763	SPACER, LINK ROD			24-20510	SPRING, PIVOT PIN	39	28
	RUBBER BUSHING	49	7	24-20510	SPRING, PIVOT PIN	41	8
23-35016	SPACER, STEERING LINK			24-20510	SPRING, PIVOT PIN OR		
	ROD	49	12		SCREW	25	10
23-35035	SLEEVE, STEERING LINK			24-20510	SPRING, PIVOT SCREW	89	8
	ROD	33	2	24-20510	SPRING, PIVOT SCREW	91	12
23-35035	SLEEVE, STEERING LINK			24-20510	SPRING, PIVOT SCREW	95	12
	ROD	49	13	24-30316	SPRING, TENSION - PIVOT		
23-36365	SPACER, STEERING LINK				BOLT	43	3
	ROD	47	20	24-30316	SPRING, TENSION -		
23-36534	SPACER, PIVOT SCREW	89	10		STEERING LINK ROD		
23-36534	SPACER, SCREW (UPPER)	25	13		PIVOT BOLT	71	10
23-38347	BUSHING, STEERING			24-35227	SPRING, TENSION -		
	WHEEL HUB	51	5		DETENT PIN	69	18
23-39303	SLEEVE, STEERING			24-35227	SPRING, TENSION - DETENT		
	BRACKET SCREW	61	7		PIN	77	17
23-48233	SPACER, TENSION SPRING	69	22	24-48234	SPRING, TENSION - TILT		
23-48233	SPACER, TENSION SPRING	77	21		ADJUSTING LEVER	69	23
23-48237	BUSHING, NYLON -			24-48234	SPRING, TENSION - TILT		
	MOUNTING HOUSING				ADJUSTING LEVER	77	22
	SCREW	77	8	24-66788	SPRING, LOCKING RACK		
23-48237	BUSHING, NYLON				PIN	103	3
	-MOUNTING HOUSING SC			24-71641	SPRING, PIVOT BOLT	87	10
	REW	69	8	24-71641	SPRING, PIVOT SCREW	95	12
23-54123	BUSHING, NYLON - RING			24-73454	SPRING, KEY RETURN	103	9
	GEAR	73	6	24-73455	SPRING, LOCKING PINION	103	6
23-54123	BUSHING, NYLON - RING			25-48182	QUAD RING, MOUNTING		
	GEAR	111	3		HOUSING SCREW	77	9
23-55737	SPACER, STEERING LINK			25-48182	SEAL, MOUNTING HOUSING		
	ROD SCREW	49	4		SCREW	69	9
23-61398	SPACER, STEERING ARM			26-78862A1	SEAL ASSEMBLY, CABLE	115	3
	FASTENING SCREW	47	8	26-78862A1	SEAL, CABLE ASSEMBLY	119	14
23-66751	SPACER, STEERING LINK			26-78862A1	STEERING CABLE SEAL KIT	87	--
	ROD	87	2	29-48235	PIN, DENTENT - TILT		
23-66751	SPACER, STEERING LINK				ADJUSTING LEVER	69	14
	ROD	89	13	29-48235	PIN, DETENT - TILT		
23-66751	SPACER, STEERING LINK				ADJUSTING LEVER	77	14
	ROD	91	2A	32-29265	SPACER, DUAL STEERING		
23-66751	SPACER, STEERING LINK				LINK	31	17
	ROD	95	2A	32-35015	TUBE, CABLE GUIDE	59	14
23-66751	SPACER, STEERING LINK			32-35015	TUBE, CABLE GUIDE	85	14
	ROD	97	13	32-35015	TUBE, CABLE GUIDE (7/8"		
23-66811	BUSHING, NYLON - PINION				OD)	37	18
	GEAR	111	12	32-78893	HOSE, LINK ROD	121	8
23-71564	SPACER, CLEVIS SCREW	93	21	32-79491	HOSE, LINK ROD TUBE	119	9
23-71642	BUSHING, RUBBER - PIVOT			32-79491	HOSE, STEERING LINK		
	BOLT	87	11		ASSEMBLY	121	7
23-71642	BUSHING, RUBBER - PIVOT			32-79491	SLEEVE, RUBBER -		
	SCREW	95	13		ADJUSTING LINK AND		
23-71853	SPACER, STEERING LINK				COUPLING	95	7
	ROD	95	16	37-31443	DECAL, OVERLAY TRIM		
23-73775	SPACER, PIVOT BLOCK				STRIP - MOUNTING		
	SCREW	113	8		BRACKET	11	8A
23-74756	SPACER, PIVOT BLOCK			37-32710	DECAL, OVERLAY TRIM		
	SCREW	93	8		STRIP - MOUNTING		
24-20510	SPRING, PIVOT BOLT	87	10		BRACKET	17	6
24-20510	SPRING, PIVOT PIN	23	10	37-32710	DECAL, OVERLAY TRIM		
24-20510	SPRING, PIVOT PIN	29	10		STRIP - MOUNTING		
24-20510	SPRING, PIVOT PIN	31	10		BRACKET	75	4

PARTS INDEX

Part Number	Description	Pg.	Ref. No.	Part Number	Description	Pg.	Ref. No.
37-32710	STRIP, TRIM - STEE RING						
	POST	83	2				
37-32710	STRIP, TRIM - TILT POST ..	69	2				
37-32710	STRIP, TRIM - TILT POST ..	77	2				
37-37401	DECAL, INSIGNIA						
	(QUICKSILVER)	53	17				
37-57221A1	DECAL SET, STEERING						
	WHEEL	51	6				
38-29088	PLATE, NAME (RIDE-GUIDE)	5	3				
38-29088	PLATE, NAME (RIDE-GUIDE)	21	1				
38-29089	INSIGNIA (QUICKSILVER) ..	5	2				
38-31444	INSIGNIA (QUICKSILVER) ..	11	2				
38-32429	BUTTON, STEERING WHEEL						
	(RIDE-GUIDE)	15	2				
38-34662	BUTTON, INDICATOR -						
	STEERING WHEEL	51	2				
38-38616	NAME PLATE, CHROME ...	57	5				
43-54132	GEAR, RING	73	7				
43-66144	GEAR, RING	111	4				
43-73956	PINION, STEERING	109	1				
43-73961	PINION, STEERING	109	1				
54-22740	CLIP, HARNESS TO						
	BRACKET ATTACHING ..	103	15				
54-26550	CLIP, HARNESS TO						
	BRACKET ATTACHING ..	103	15				
84-70025	WIRING HARNESS	103	13				
84-78995A1	CABLE ASSEMBLY, FUSE ..	105	--				
84-79432	WIRING HARNESS	103	13				
87-63885A1	SWITCH ASSEMBLY, TILT						
	STOP	117	15				
87-67357	SWITCH, WIRING HARNESS	103	14				
88-79091	FUSE,20 AMP	105	--				
92-30835	TUBE, ADHESIVE CAPSULE						
	- NAME PLATE						
	FASTENING	5	-				
92-30835	TUBE, ADHESIVE CAPSULE						
	- NAME PLATE						
	FASTENING	21	2				