

PARTS CATALOG

FORCE 1988 50 H.P. "D" MODELS

SERIAL NUMBER

50 H.P. (1988)	504H8D
50 H.P. (1988)	504S8D
50 H.P. (1988)	507D8D
50 H.P. (1988)	507F8D
50 H.P. (1988)	507H8D
50 H.P. (1988)	507I8D
50 H.P. (1988)	507L8D
50 H.P. (1988)	507N8D
50 H.P. (1988)	507R8D
50 H.P. (1988)	507S8D
50 H.P. (1988)	507T8D
50 H.P. (1988)	507V8D
50 H.P. (1988)	507X8D
50 H.P. (1988)	507Y8D
50 H.P. (1988)	508A8D
50 H.P. (1988)	508V8D
50 H.P. (1988)	508W8D

TABLE OF CONTENTS:

ACCESSORIES	54
CARBURETOR	20
CRANKSHAFT AND PISTON	26
CYLINDER BLOCK, HEAD AND EXHAUST CHEST COVER	24
ELECTRIC STARTER	16
ELECTRICAL COMPONENTS	12
ENGINE COVER BAYLINER MODELS	4
ENGINE COVER CAJUN MODELS	6
ENGINE COVER FORCE MODELS	2
FUEL PUMP	18
FUEL TANK AND LINE	42
GEAR HOUSING	38
MOTOR LEG	36
OVERHEAT BUZZER	44
PARTS INDEX	57
PROPELLER LISTING	56
RECIRCULATION SYSTEM AND STARTER BRACKETS	28
REED PLATE AND ADAPTER FLANGE	32
REMOTE CONTROL	46
SHIFT AND THROTTLE LINKAGE	30
SPACER PLATE	10
SPECIAL TOOLS - LOWER UNIT	51
SPECIAL TOOLS - LUBRICANTS AND SEALANTS	53
SPECIAL TOOLS - POWER HEAD	50
SPECIAL TOOLS - TEST EQUIPMENT	52
SUPPORT PLATE	8
SWIVEL BRACKET AND STERN BRACKETS	34

NOTE: Indented description indicate that these parts are included in preceding assembly.

AR = As Required

NSS = Not Sold Separate

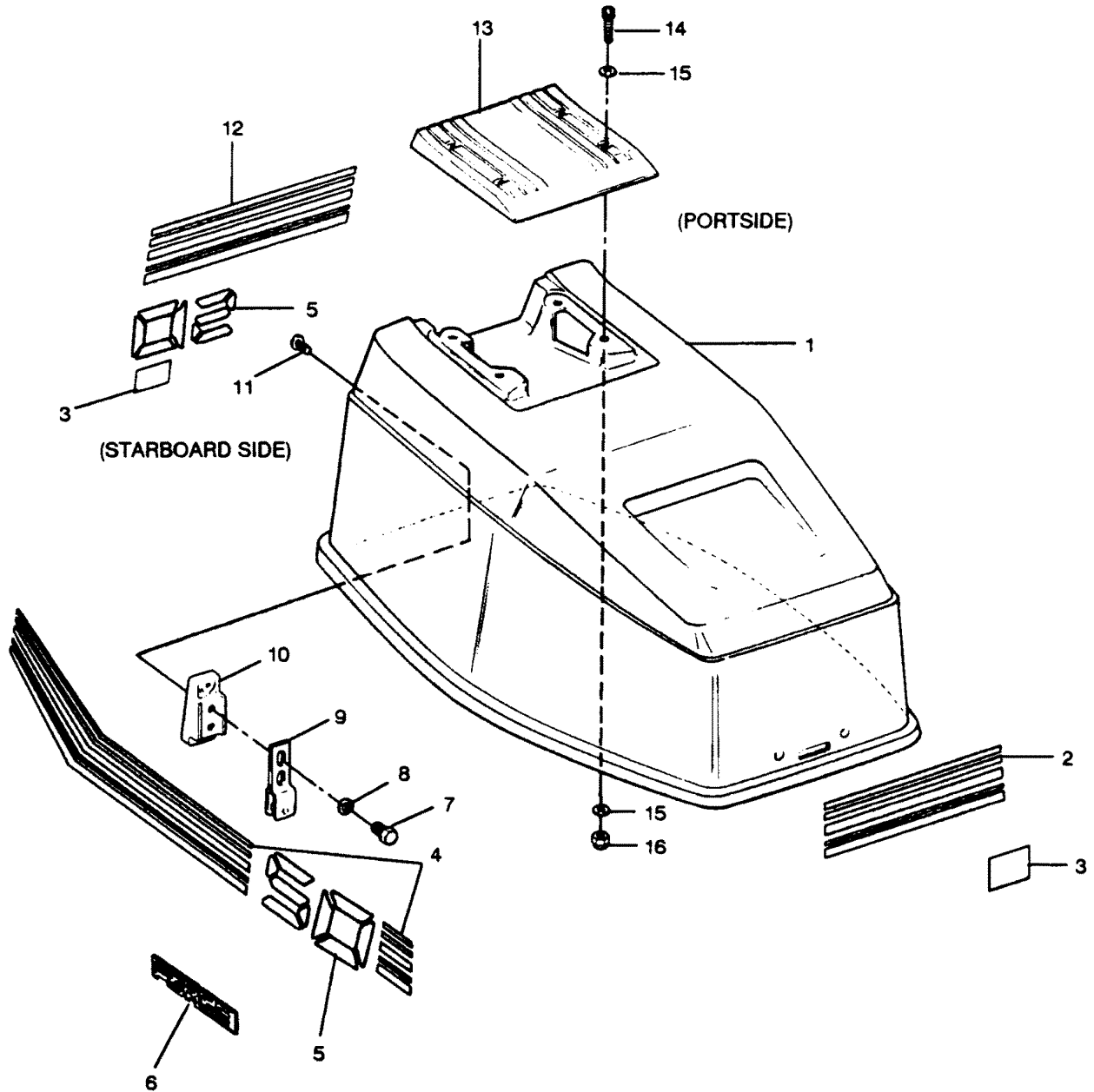
OPT = Optional

NS = Not Shown

THESE PARTS BOOKS/FICHE CARD ARE COPYRIGHTED AND MAY NOT BE DISTRIBUTED OR REPRODUCED IN ANY OTHER FORMAT BY ANYONE OTHER THAN MERCURY MARINE WITHOUT THE PRIOR WRITTEN CONSENT OF MERCURY MARINE.

THIS PAGE INTENTIONALLY LEFT BLANK

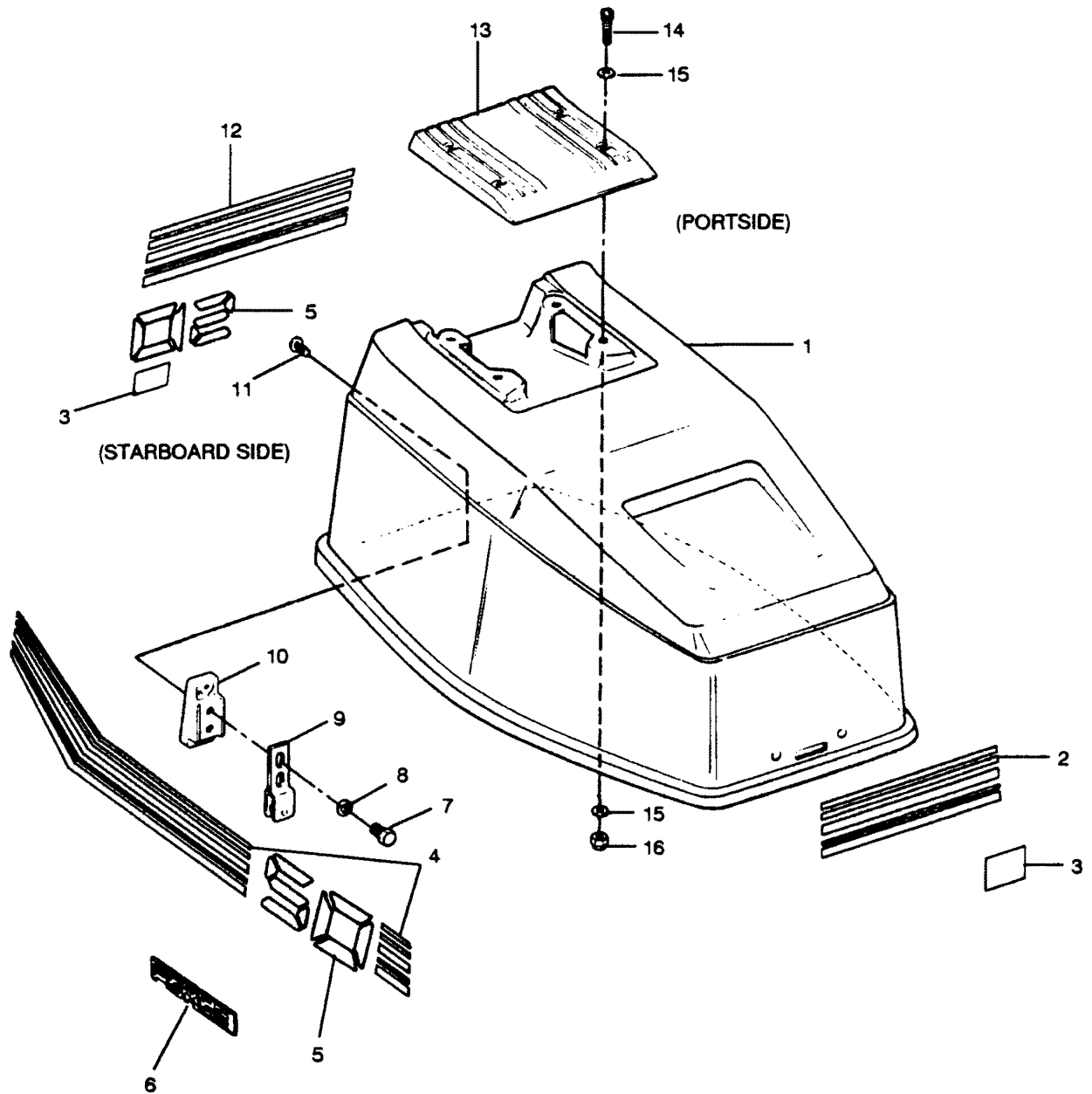
ENGINE COVER FORCE MODELS



ENGINE COVER FORCE MODELS

REF. NO.	PART NO.	SYM.	QTY.	DESCRIPTION
1	FS684712		1	ENGINE COVER (UNPAINTED)
-	F2C684712		0	ENGINE COVER COMPLETE (PAINTED W/DECALS)
2	F683892		1	DECAL, TOP FRONT
3	F685387-1		2	DECAL, US MARINE
4	F684396-1		1	DECAL, STARBOARD SIDE
-	F684397-1		1	DECAL, PORT SIDE
5	F684386		1	DECAL, "50", BOTTOM REAR
6	F663366		2	MEDALLION (FORCE)
7	F1857		2	HEX HEAD MACHINE SCREW, 5/16 - 18 X 5/8 S.S.
8	F8096		2	LOCKWASHER
9	FA481743		1	BRACKET, ROLLER
10	F684774		1	BRACKET
11	F1493		2	PAN HEAD MACHINE SCREW, 1/4 - 20 X 5/8 S.S.
12	F683528		1	DECAL, TOP REAR
13	F663269		1	HANDLE, TILT
14	F2143		4	HEX SOCKET HEAD SCREW, 1/4 - 20 X 1 S.S.
15	F2012		8	WASHER
16	F7024		4	STOP NUT, 1/4 - 20
-	F684984		1	BLANKET, TOP SILENCER (NOT SHOWN)
-	F684985		2	BLANKET, SIDE SILENCER (NOT SHOWN)

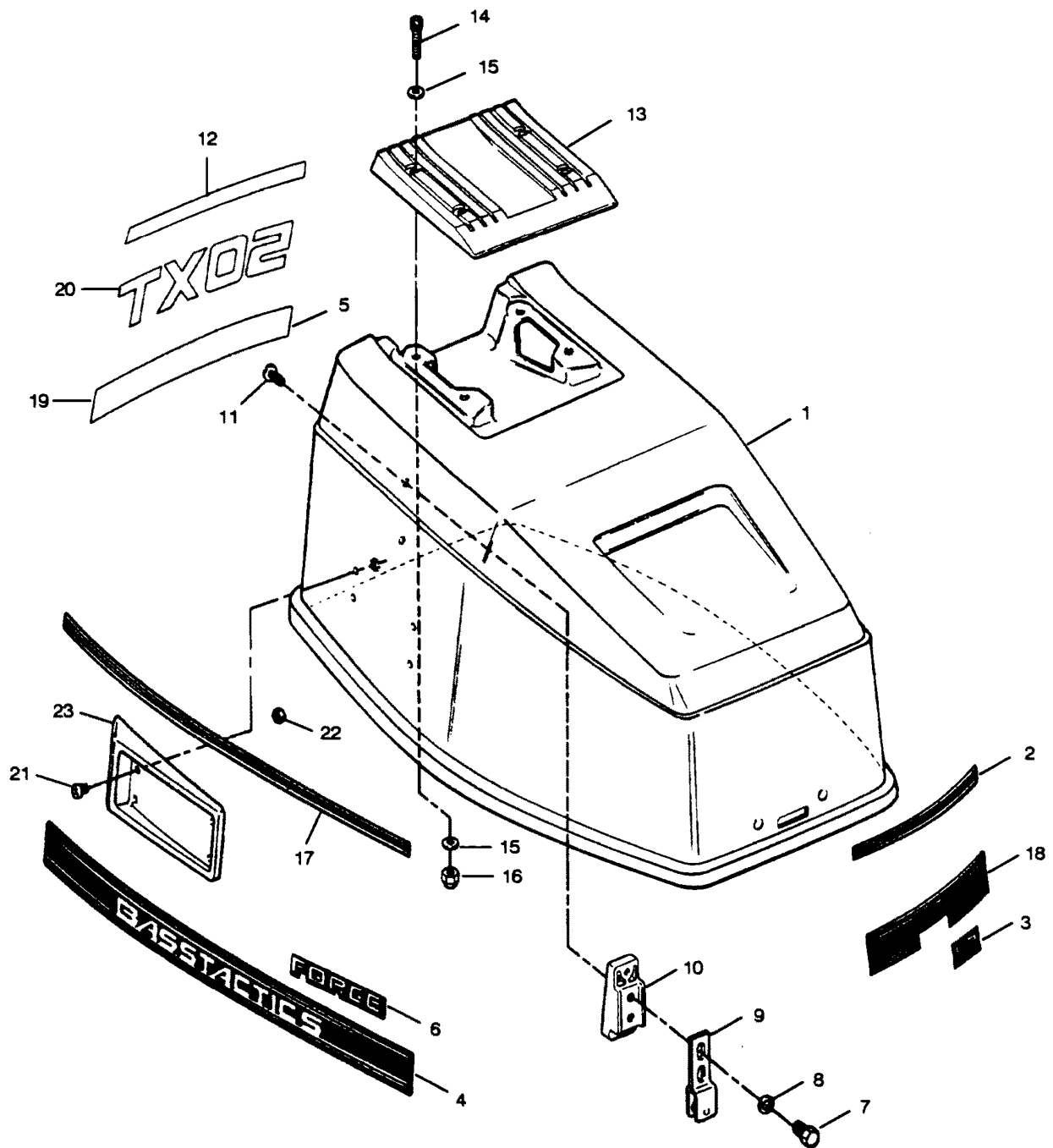
ENGINE COVER BAYLINER MODELS



ENGINE COVER BAYLINER MODELS

REF. NO.	PART NO.	SYM.	QTY.	DESCRIPTION
1	FS684712		1	ENGINE COVER (UNPAINTED)
-	100-818079A1		0	ENGINE COVER COMPLETE (PAINTED W/DECALS)
2	FX684892		1	DECAL, FRONT
3	F685387-1		2	DECAL, US MARINE
4	F684396		1	DECAL, STARBOARD SIDE
-	F684397		1	DECAL, PORT SIDE
5	F684386		1	DECAL, "50", REAR
6	F663366		2	MEDALLION (FORCE)
7	F1857		2	HEX HEAD MACHINE SCREW, 5/16 - 18 X 5/8 S.S.
8	F8096		2	LOCKWASHER
9	FA481743		1	BRACKET, ROLLER
10	F684774		1	BRACKET
11	F1493		2	PAN HEAD MACHINE SCREW, 1/4 - 20 X 5/8 S.S.
12	FX684528		1	DECAL, REAR
13	F663269		1	HANDLE, TILT
14	F2143		4	HEX SOCKET HEAD SCREW, 1/4 - 20 X 1 S.S.
15	F2012		8	WASHER
16	F7024		4	STOP NUT, 1/4 - 20
-	F684984		1	BLANKET, TOP SILENCER (NOT SHOWN)
-	F684985		2	BLANKET, SIDE SILENCER (NOT SHOWN)

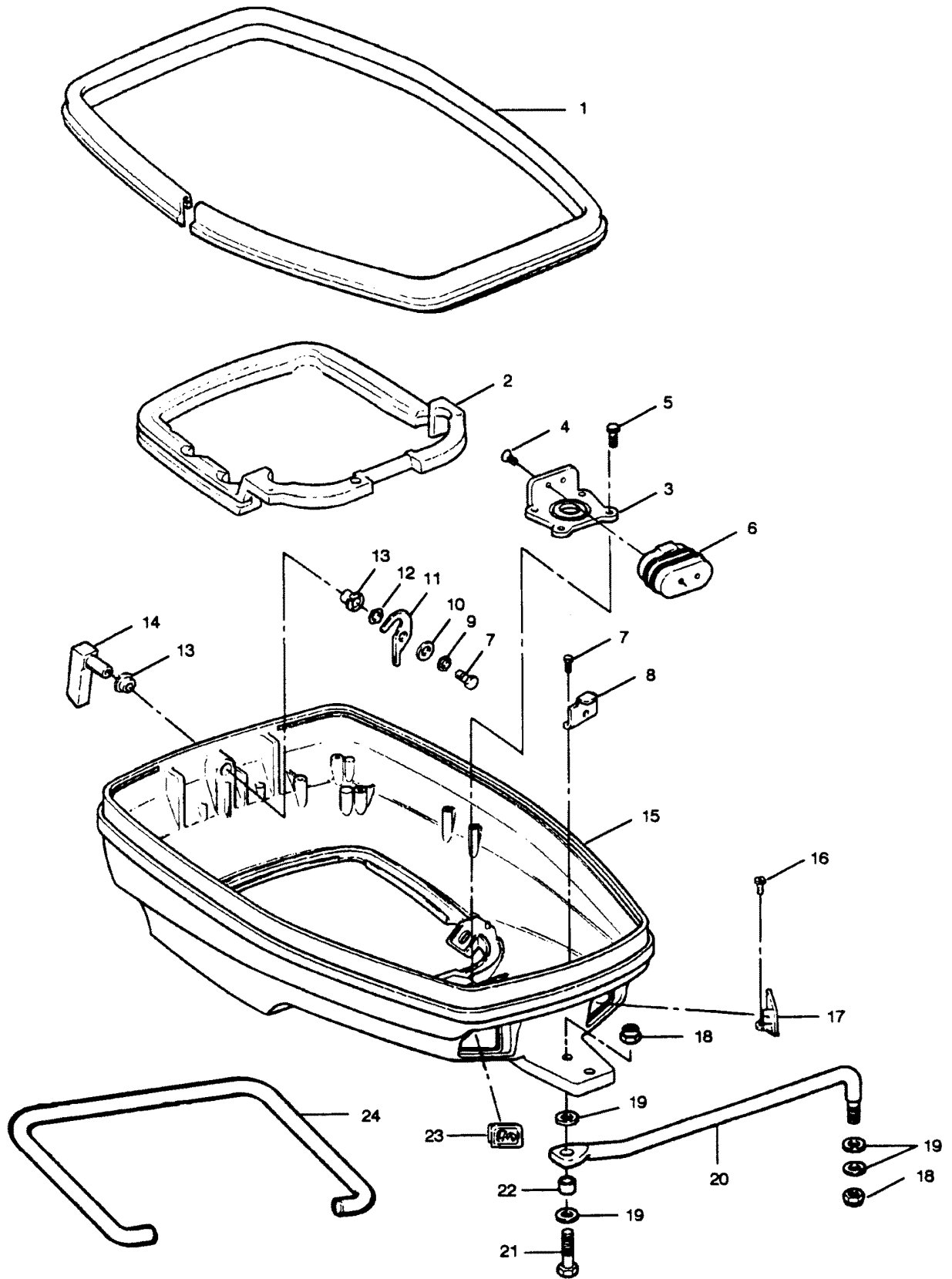
ENGINE COVER CAJUN MODELS



ENGINE COVER CAJUN MODELS

REF. NO.	PART NO.	SYM.	QTY.	DESCRIPTION
1	FS684712		1	ENGINE COVER (UNPAINTED)
-	F2C684712		0	ENGINE COVER COMPLETE (PAINTED W/DECALS)
2	FM684894		1	DECAL, TOP FRONT
3	37-817985--1		1	DECAL, US MARINE
4	FM684396		1	DECAL, STARBOARD SIDE
-	FM684397		1	DECAL, PORT SIDE
5	FM684528		1	DECAL, "50", BOTTOM REAR
6	F663366		2	MEDALLION (FORCE)
7	F1857		2	HEX HEAD MACHINE SCREW, 5/16 - 18 X 5/5 S.S.
8	F8096		2	LOCKWASHER
9	FA481743		1	BRACKET, ROLLER
10	F684774		1	BRACKET
11	F1493		2	PAN HEAD MACHINE SCREW, 1/4 - 20 X 5/8 S.S.
12	FM684585		1	DECAL, TOP REAR
13	F663269		1	HANDLE, TILT
14	F2143		4	HEX SOCKET HEAD SCREW, 1/4 - 20 X 1 S.S.
15	F2012		8	WASHER
16	F7024		4	STOP NUT, 1/4 - 20
17	FM684915		2	DECAL, TOP SIDE
18	FM684892		1	DECAL, BOTTOM FRONT
19	FM684392		1	DECAL, "BASSTACTICS"
20	FM684386		1	DECAL, "50XT"
21	F2216		8	HEX SOCKET HEAD CAP SCREW, 8 - 32 X 1/2 S.S.
22	F1770		8	LOCKNUT, 8 - 32
23	F684681		2	SCOOP
-	F684984		1	BLANKET, TOP SILENCER (NOT SHOWN)
-	F684985		2	BLANKET, SIDE SILENCER (NOT SHOWN)

SUPPORT PLATE



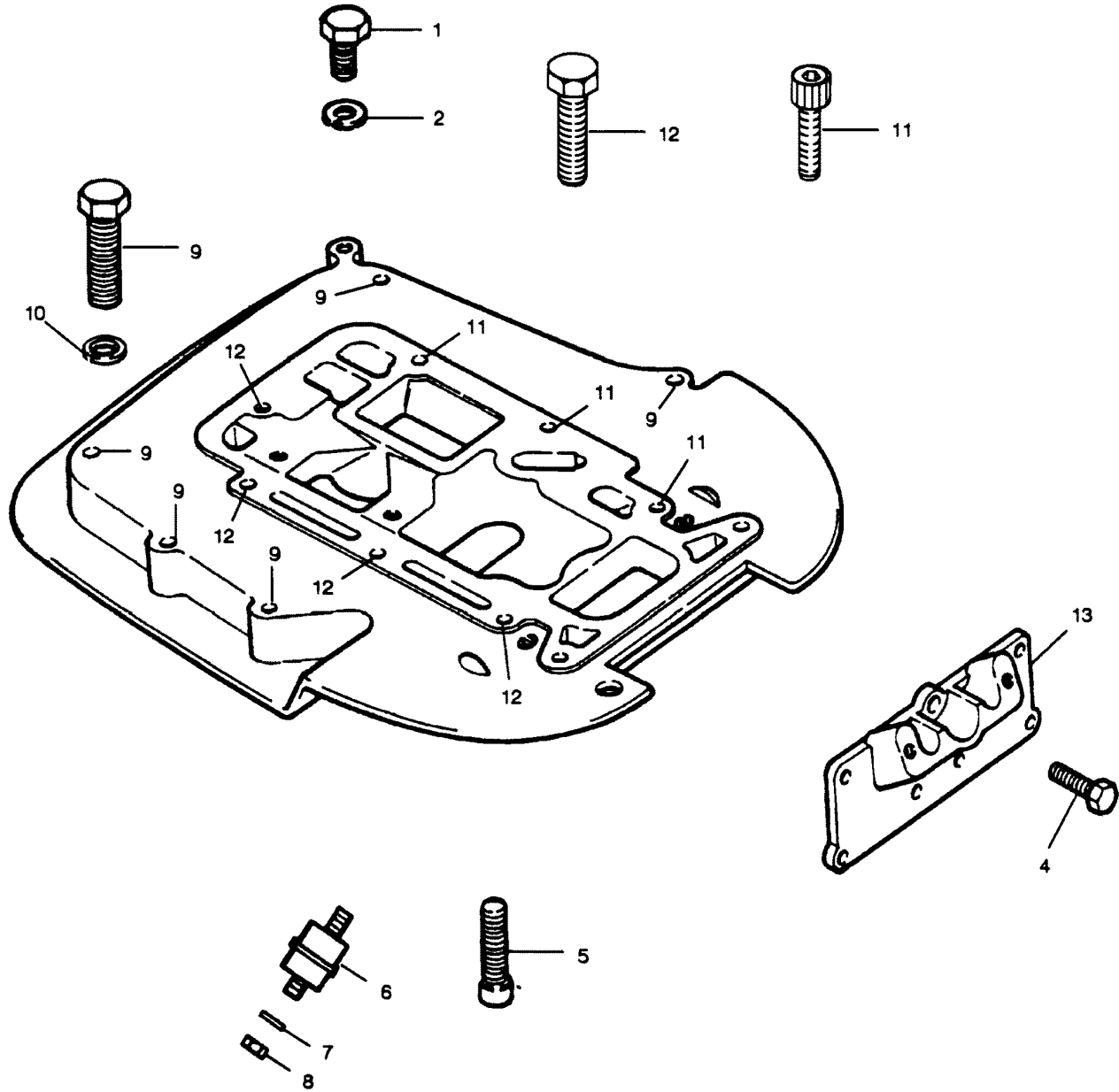
OR1959

4233-001

SUPPORT PLATE

REF. NO.	PART NO.	SYM.	QTY.	DESCRIPTION
1	F684756-1		1	PACKING, SUPPORT PLATE
2	F684989		1	SEAL, SUPPORT PLATE
3	F68335-1		1	BRACKET, UPPER MOUNT
4	F1211		2	HEX HEAD MACHINE SCREW, 1/4 - 28 X 5/8
5	F1532		4	HEX HEAD SCREW, 1/4 - 20 X 1
6	F203965		1	MOUNT UPPER SHOCK
7	F1854		3	HEX CAP SCREW, 1/4 - 20 X 5/8
8	F663480-1		1	RETAINER, ENGINE COVER
9	F8083		1	LOCKWASHER
10	F8094		1	WASHER
11	F481777		1	CAM, LATCH SHAFT
12	F2047		1	WAVE WASHER
13	F286818		2	BEARING, LATCH SHAFT
14	FA663469		1	ENGINE COVER LATCH HANDLE W/SHAFT
15	F684038		1	PLATE, SUPPORT
16	F1733		2	PAN HEAD SCREW, 10 - 24 X 9/16 S.S.
17	F549189-1		1	BUSHING, ELECTRIC CABLE ENTRY
18	F2093		2	STOP NUT
19	F8083		4	WASHER
20	F5H141		1	STEERING LINK KIT
21	F2073		1	HEX HEAD CAP SCREW, 3/8 - 24 X 1-5/8
22	F522359		1	SPACER, STEERING LINK
23	F660189		1	BUSHING, CABLE ENTRY
24	F5H084		1	TRAILERING TILT LOCK

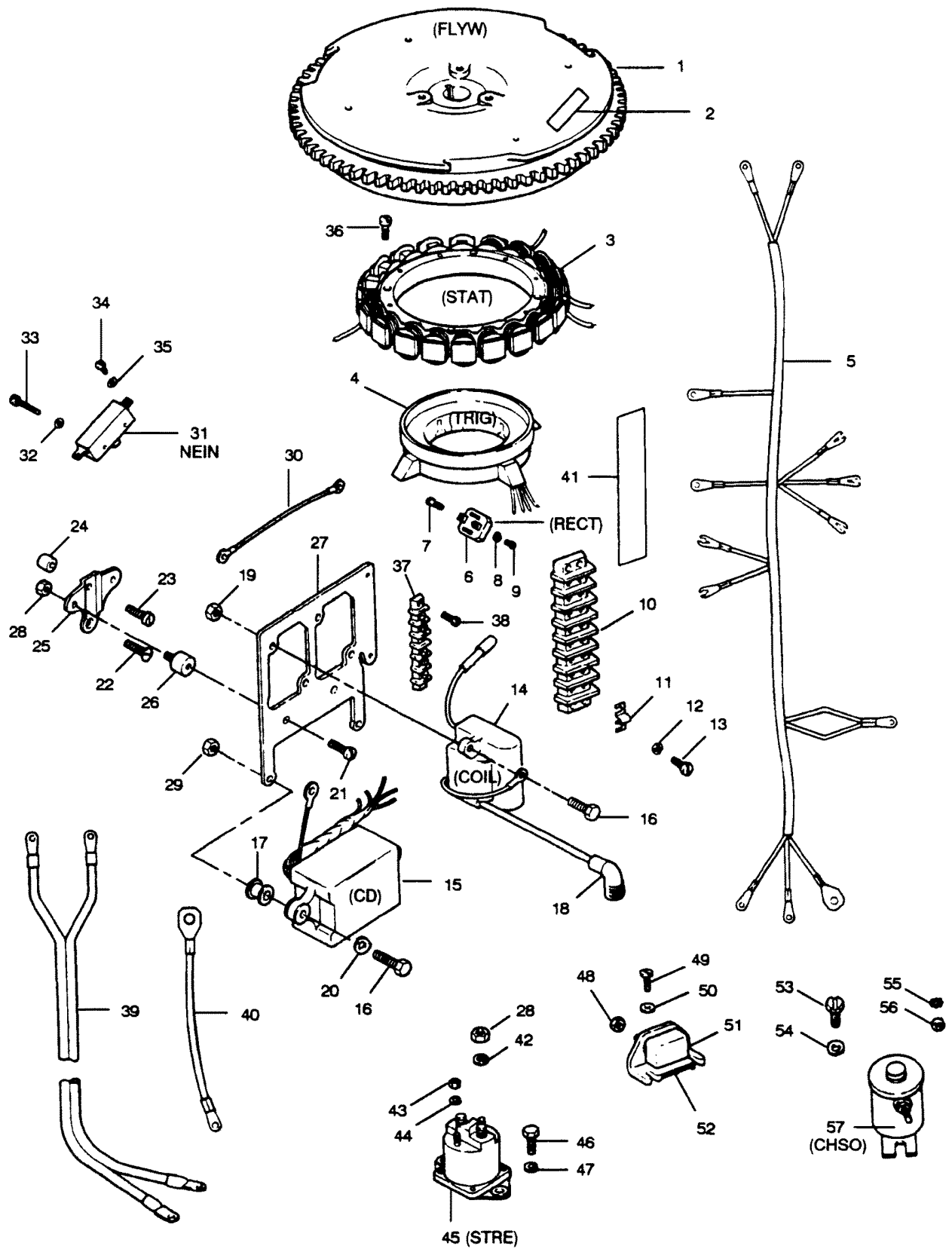
SPACER PLATE



SPACER PLATE

REF. NO.	PART NO.	SYM.	QTY.	DESCRIPTION
1	F1857		1	HEX HEAD CAP SCREW, 5/16 - 18 X 5/8
2	F8096		2	LOCKWASHER
3	F684680		1	PLATE, SPACER
4	F1211		2	HEX HEAD SCREW W/ LOCKWASHER, 1/4 - 28 X 5/8
5	F430732		2	SCREW
6	F307962		2	SHOCK MOUNT, SIDE UPPER
7	F8038		2	WASHER
8	F1346		2	HEX NUT, 3/8 - 16
9	F1005		5	SOCKET HEAD CAP SCREW, 3/8 - 16 X 1-1/2
10	F1703		5	LOCKWASHER
11	F1257		4	SOCKET HEAD SCREW, 5/16 - 18 X 1-1/4 S.S.
12	F1696		2	HEX HEAD SCREW, 5/16 - 18 X 1-3/4
13	F433946		1	COVER, SHOCK MOUNT UPPER

ELECTRICAL COMPONENTS



OB4252

12

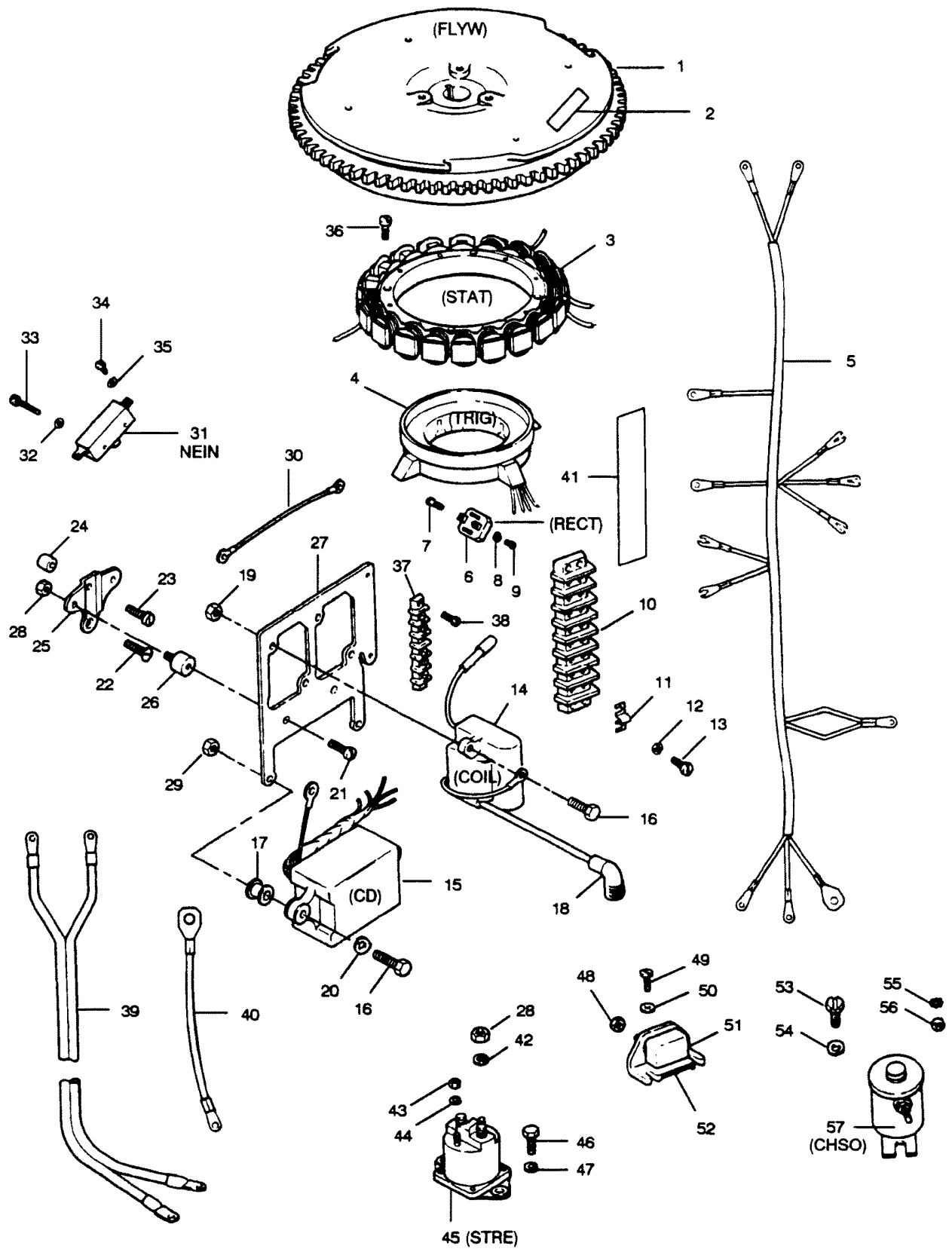
42520-001

ELECTRICAL COMPONENTS

REF. NO.	PART NO.	SYM.	QTY.	DESCRIPTION
1	FA658097		1	FLYWHEEL
2	FA609853		2	DECAL
3	F663095		1	STATOR
4	F684029		1	TRIGGER
5	F658744-1		1	ENGINE WIRE HARNESS
6	F684450		1	RECTIFIER
7	F1303		1	SCREW, 8 - 32 X 3/4
8	F1704		6	WASHER
9	F1645		6	SCREW, 6 - 32 X 1/4
10	FA616497		1	TERMINAL BLOCK
11	F307317		1	TERMINAL JUMPER CLIP
12	F1975		2	LOCKWASHER
13	F1974		2	SCREW, 10 - 24 X 5/8
14	F684475		2	COIL (BLUE)
15	F685301		1	CD UNIT (BLUE)
16	F1999		6	SCREW, 1/4 - 20 X 7/8
17	F475504		2	GROMMET
18	FK1123		2	SPARKIE KIT
19	F1341		4	NUT, 1/4 - 20
20	F8008		2	WASHER
21	F1129		2	SCREW, 3/8 - 16 X 1-5/8
22	F1164		1	SCREW, 5/16 - 18 X 1-1/8
23	F1858		1	SCREW, 5/16 - 18 X 1
24	F604929		2	SPACER
25	F684358		1	BRACKET
26	F684962		1	MOUNT
27	F684501		1	BRACKET
28	F1515		4	NUT, 5/16 - 18
29	F1832		2	LOCKNUT, 1/4 - 20
30	F319908		1	WIRE, GROUND
31	F84449		1	SWITCH, NEUTRAL INTERLOCK
32	F8088		2	FLATWASHER
33	F2016		2	SCREW, 6 - 32 X 7/8
34	F1645		6	SCREW, 6 - 32 X 1/4
35	F1704		6	WASHER
36	F2200		4	SCREW, 12 - 24 X 1
37	F658497		1	BLOCK, TERMINAL
38	F1552		2	SCREW, 8 - 32 X 1/2
39	F629896		1	CABLE, BATTERY (BAYLINER MODELS)
-	F381896-4		1	CABLE, BATTERY (FORCE MODELS)
40	F307683		1	WIRE, CIRCUIT BREAKER
41	37-817910--1		1	DECAL, WIRING
42	F8096		2	LOCKWASHER

CONTINUED ON NEXT PAGE ➡

ELECTRICAL COMPONENTS



OB4252

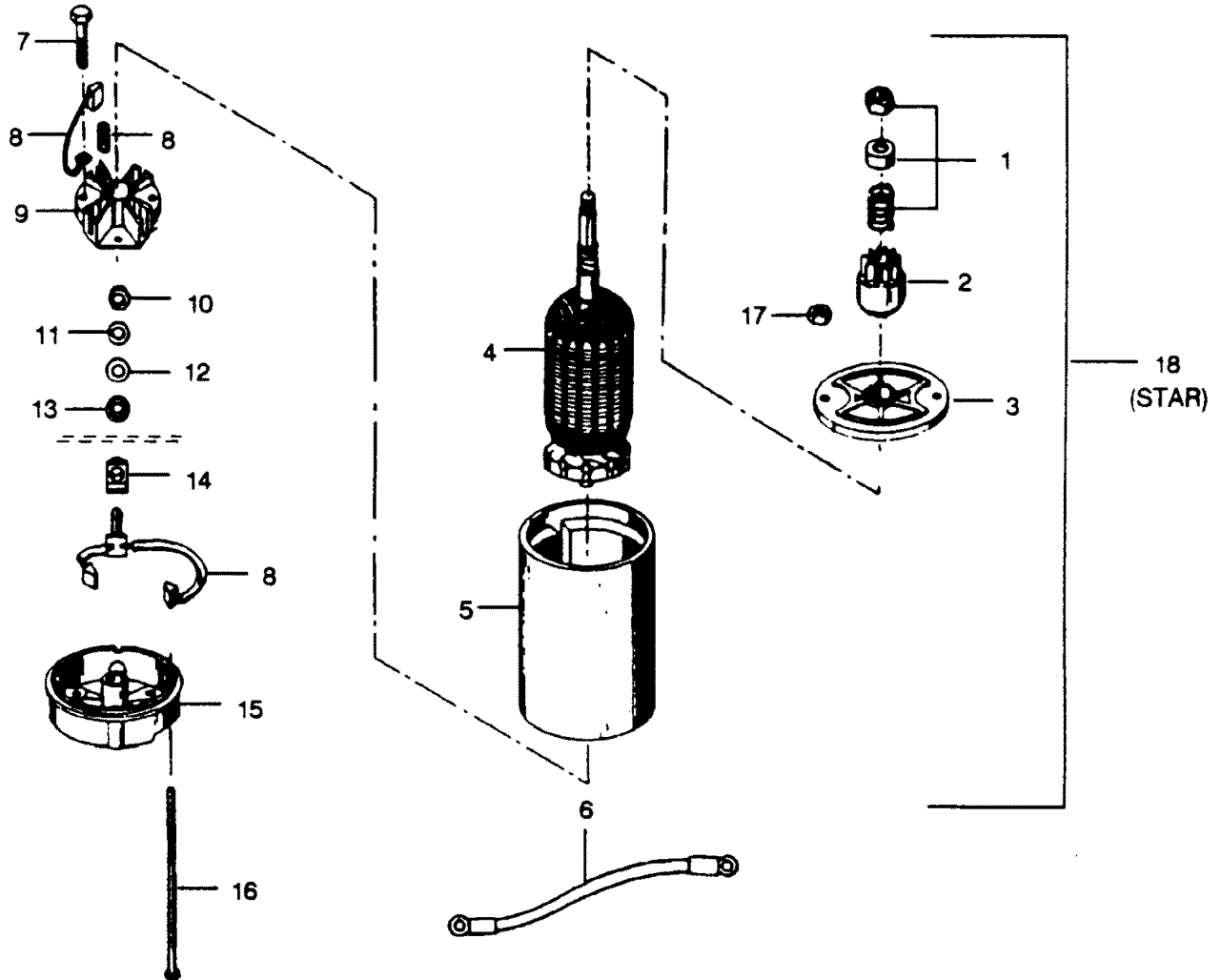
12

42520-001

ELECTRICAL COMPONENTS

REF. NO.	PART NO.	SYM.	QTY.	DESCRIPTION
43	F1513		2	NUT, 10 - 32
44	F1975		2	LOCKWASHER
45	FK460917		1	STARTER RELAY
46	F1238		2	SCREW, 1/4 - 20 X 3/4
47	F8094		2	WASHER
48	F1513		2	NUT, 10 - 32
49	F1733		2	SCREW, 10 - 24 X 9/16
50	F8011		2	WASHER
51	F510640		1	CIRCUIT BREAKER
52	F91446-1		1	BRACKET
53	F1854		2	SCREW, 1/ - 20 X 5/8
54	F8083		2	SPRING LOCKWASHER
55	F1647		2	HEX NUT, 8 - 32
56	F8056		2	SPRINK LOCKWASHER
57	89-817760A2		1	CHOKE SOLENOID

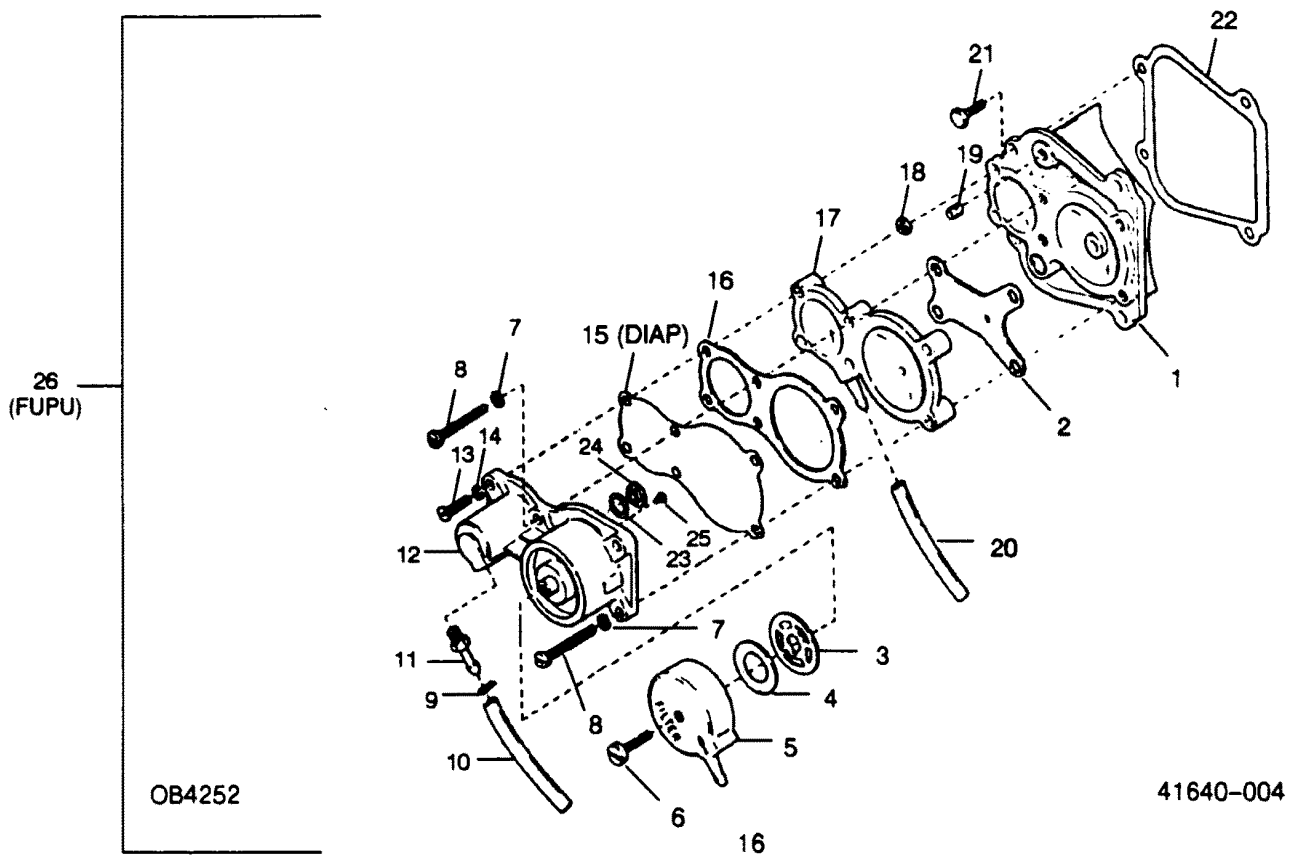
ELECTRIC STARTER



ELECTRIC STARTER

REF. NO.	PART NO.	SYM.	QTY.	DESCRIPTION
1	F15181		1	DRIVE KIT
2	F15182		1	DRIVE PINION
3	F15154		1	CAP, DRIVE END
4	F15183		1	ARMATURE
6	F684908-1		1	WIRE STARTER
7	F15158		2	SCREW, BRUSH HOLDER
8	F15164		1	BRUSH KIT
9	F15157		1	HOLDER, BRUSH
10	F15162		1	NUT
11	F15152		1	LOCKWASHER
12	F15161		1	PLAIN WASHER
13	F15160		1	INSULATOR WASHER
14	F15159		1	INSULATOR
15	F15179		1	CAP COMMUTATOR END W/BRUSHES AND BRUSH HOLDER
16	F15184		2	THRU BOLT
17	F7008		2	STOP NUT
18	F575955		1	STARTER MOTOR COMPLETE

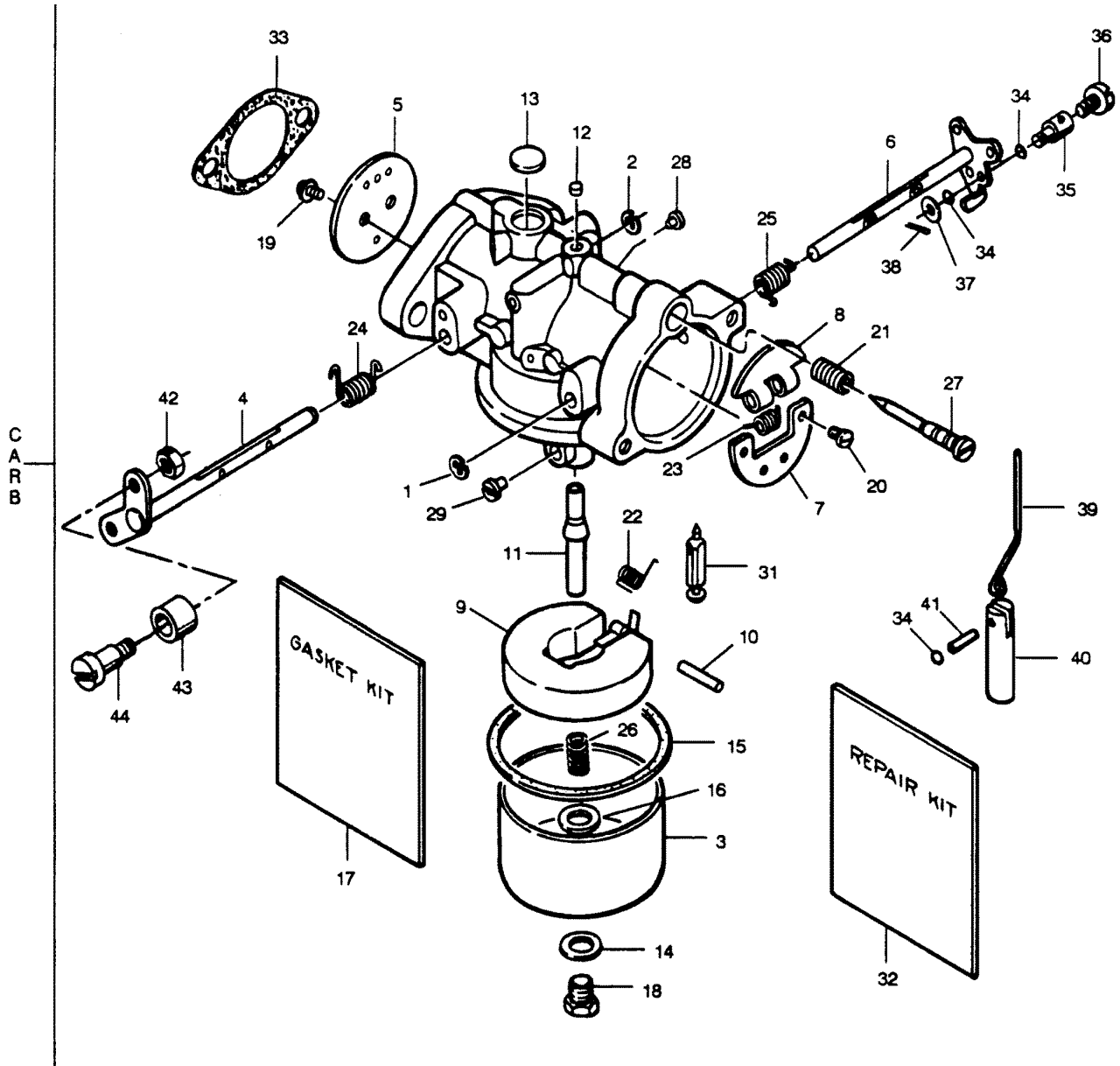
FUEL PUMP



FUEL PUMP

REF. NO.	PART NO.	SYM.	QTY.	DESCRIPTION
1	FA658746		1	COVER, FUEL PUMP W/LITERATURE
2	F658803		1	GASKET, SPACER PLATE
3	F438617		1	GASKET, FUEL SEDIMENT BOWL
4	F438653		1	SCREEN, FUEL PUMP
5	F438500		1	BOWL, FUEL SEDIMENT
6	F438165		1	SCREW, FUEL SEDIMENT BOWL
7	F8083		4	LOCKWASHER
8	F1504		4	SLOTTED FILL SCREW, 1/4 - 20 X 1-1/4 S.S.
9	F97772		2	CLAMP, FUEL LINE
10	F434754		1	FUEL LINE, PUMP TO CARBURETOR
11	F438801		1	ELBOW
12	FA438431		1	BODY, FUEL PUMP W/ILLUS.
13	F1648		2	SCREW, 10 - 24 X 3/4 PAN HD SCREW
14	F1975		2	LOCKWASHER
15	F438747		1	DIAPHRAGM, FUEL PUMP
16	F438760		1	GASKET, FUEL PUMP
17	F658836		1	SPACER, FUEL PUMP
18	F1473		2	NUT, 10 - 24 S.S.
19	F1789		1	PIPE PLUG - 1/16 - 27
20	F658758		1	HOSE, IMPULSE
21	F1540		3	HEX HD SCREW, 1/4 - 20 X 5/8 GR. 5
22	F40223		1	GASKET, TRANSFER PORT COVER
23	F84792		1	GASKET, FUEL PUMP VALVE
24	F177330		3	VALVE, FUEL PUMP
25	F1860		2	SLOTTED BINDING HEAD SCREW, 6 - 32 X 1/4
26	FC658746		1	FUEL PUMP COMPLETE

CARBURETOR

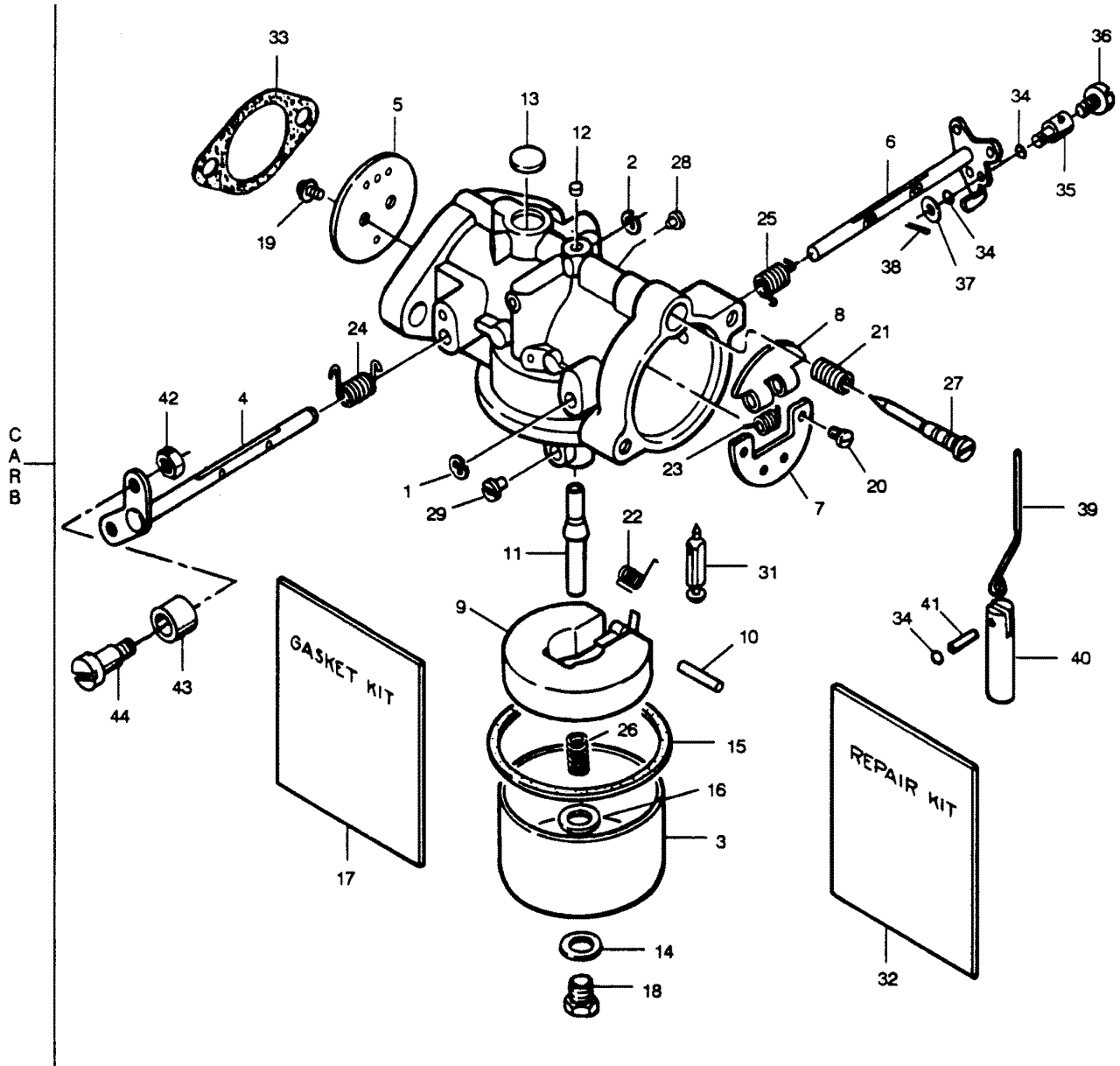


CARBURETOR

REF. NO.	PART NO.	SYM.	QTY.	DESCRIPTION
-	F628061-2		1	CARBURETOR ASSEMBLY (WE-17A)
1	F10218		1	RING
2	FO16620		1	SHAFT RETAINER RING
3	F10127		1	FUEL BOWL
4	F10193		1	THROTTLE SHAFT ASSEMBLY
5	F10207		1	THROTTLE VALVE
6	F10159		1	CHOKE SHAFT ASSEMBLY
7	F10128		1	CHOKE VALVE
8	F10129		1	CHOKE RELIEVING VALVE
9	F10135		1	FLOAT ASSEMBLY
10	F10208		1	PIN, FLOAT ASSEMBLY
11	F10137		1	NOZZLE
12	F10152		4	CUP PLUG
13	F10153		1	WELCH PLUG
14	F10067		1	BOWL RETAINER GASKET
15	FO15623		1	BOWL RING GASKET
16	F10206		1	BOWL RETAINER GASKET
17	FK10209		1	GASKET KIT. INCLUDES ALL ITEMS MARKED WITH A DOUBLE ASTERISK (**).
18	F10205		1	BOWL RETAINER SCREW
19	F10155		2	VALVE SCREW
20	F10140		2	VALVE SCREW
21	F10141		1	IDLE NEEDLE SPRING
22	F10142		1	FLOAT SUPPORT SPRING
23	F10130		1	CHOKE VALVE SPRING
24	F10192		1	THROTTLE RETURN SPRING
25	F10191		1	CHOKE RETURN SPRING
26	F10204		1	NOZZLE SPRING
27	FO14166		1	NEEDLE, IDEL
28	F10197		1	JET (.046)
29	F10229		1	MAIN FUEL JET (.084)
-	F10230		-	JET SIZE (.082) 2500-5000 FT.
-	F10203		-	JET SIZE (.080) 5000-7500 FT.
-	F10210		-	JET SIZE (.078) 7500-10,000 FT.
31	FK10107		1	FLOAT KIT, VALVE AND SEAT
32	FK10102		1	FLOAT KIT. INCLUDES ALL ITEMS MARKED WITH A SINGLE ASTERISK (*).
33	F40906-1		1	CARBURETOR GASKET
34	F184579		3	SEAL, CHOKE ARM SWIVEL
35	F184033-1		1	SWIVEL, CHOKE ROD
36	F1059		1	FILL HD SCREW 6 - 32 X 1/4
37	F8088		2	PLAIN WASHER
38	F1014		1	COTTER PIN
39	F452925		1	CHOKE SOLENOID ROD

CONTINUED ON NEXT PAGE ➡

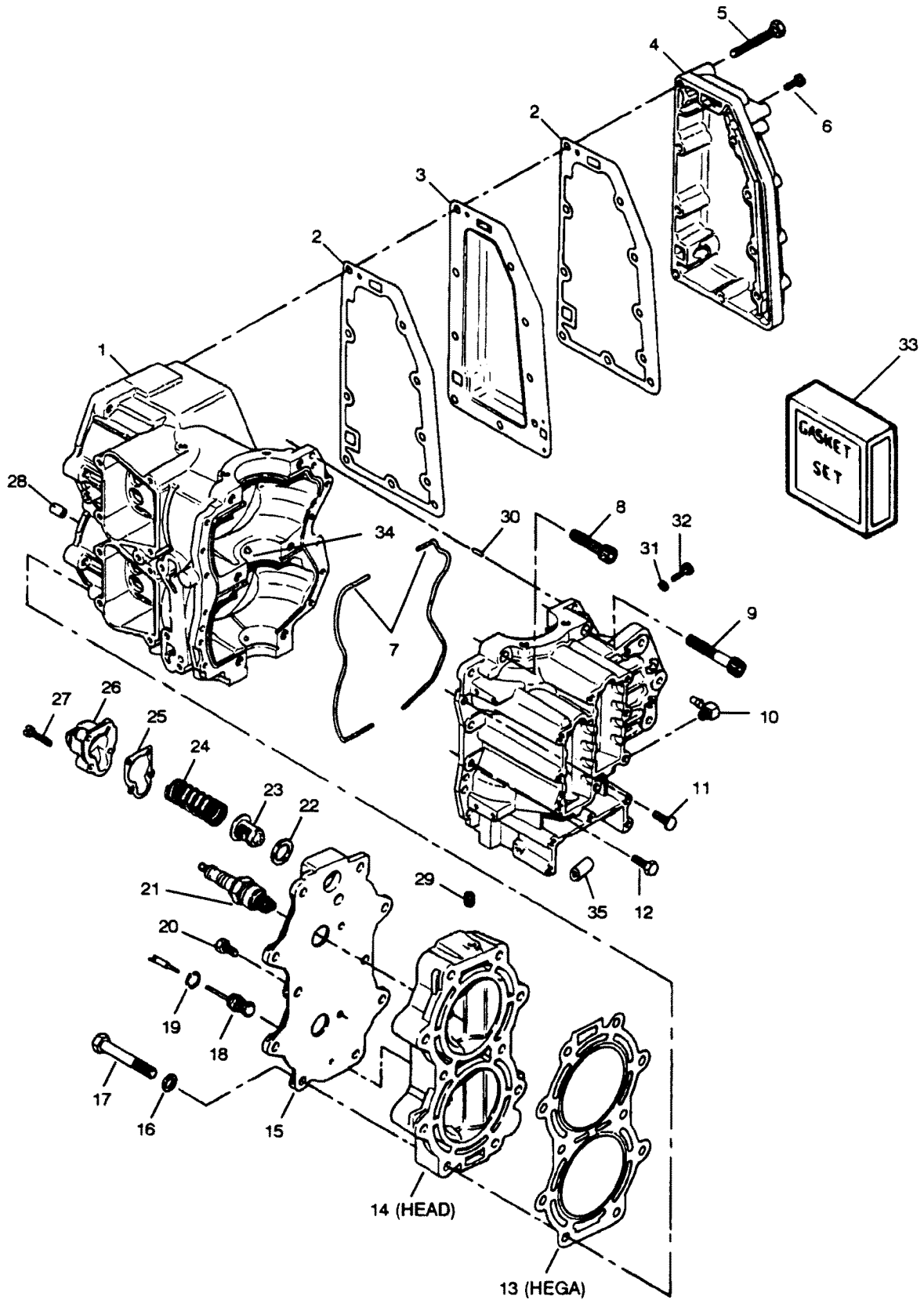
CARBURETOR



CARBURETOR

REF. NO.	PART NO.	SYM.	QTY.	DESCRIPTION
40	F391926-1		1	CHOKE SOLENOID PLUNGER
41	F2033		1	GROVE PIN
42	F1997		1	STOP NUT 8 - 32
43	F92759		1	ROLLER
44	F333316		1	THROTTLE ROLLER SHAFT

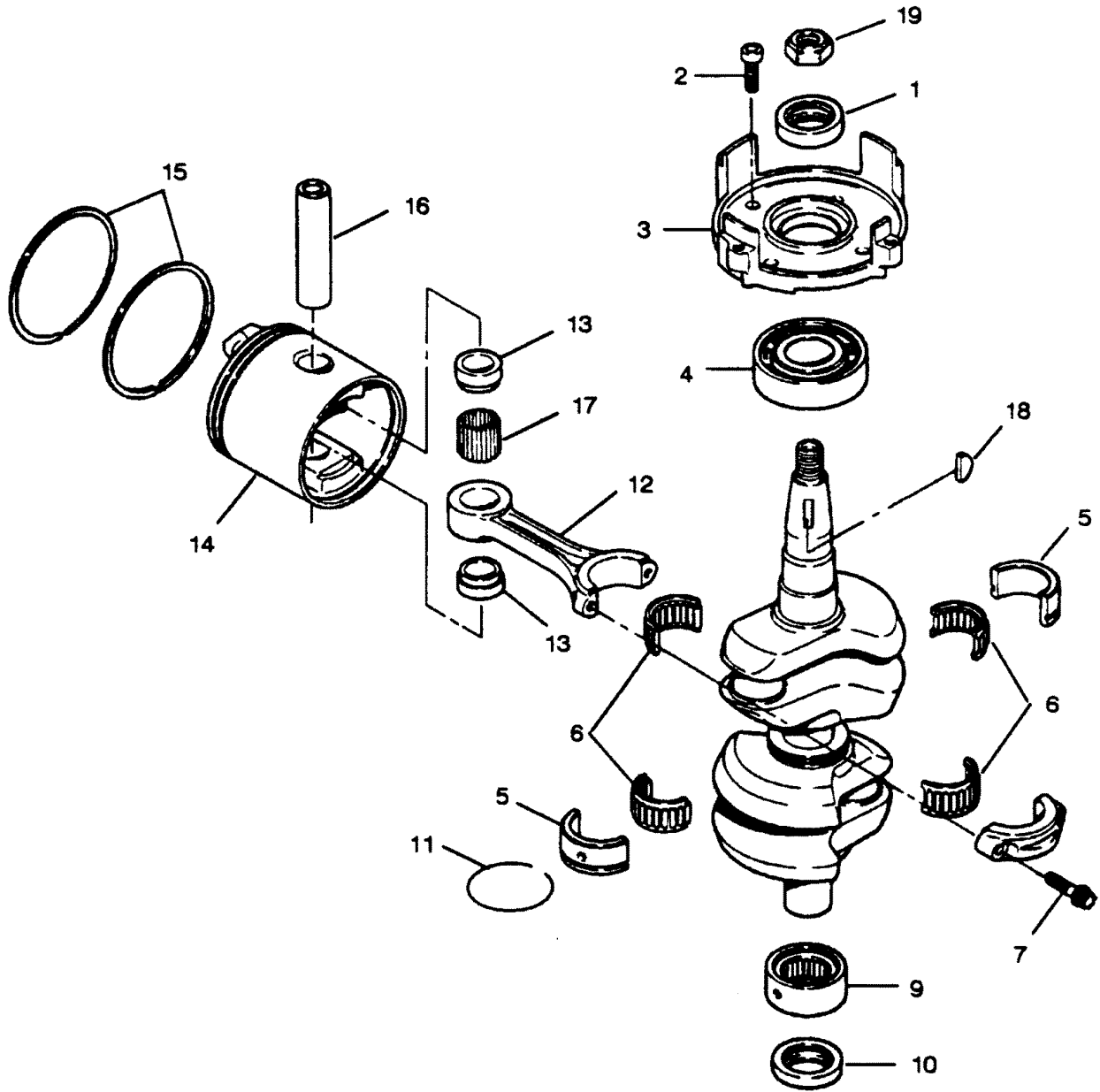
CYLINDER BLOCK, HEAD AND EXHAUST CHEST COVER



CYLINDER BLOCK, HEAD AND EXHAUST CHEST COVER

REF. NO.	PART NO.	SYM.	QTY.	DESCRIPTION
1	FA658010		1	CYLINDER W/CRANKCASE COVER AND DEFLECTOR PLATE
-	FC658010		1	SHORT BLOCK. INCLUDES ALL ITEMS MARKED WITH AN (*). ALSO REFER TO CRANKSHAFT PAGE.
2	F40154-4		2	GASKET, EXHAUST PORT PLATE
3	F40151-2		1	PLATE, EXHAUST PORT
4	F658152		1	COVER, EXHAUST PORT
5	F1971		9	SCREW, EXHAUST PORT, 1/4 - 20 X 2 1/8 HEX HD.
6	F1974		2	SCREW, TERMINAL BLOCK MTG., #10 - 24 X 5/8 SL PAN HD.
7	F184122-1		1	SEAL, CRANKCASE PARTING LINE
8	F1879		5	SCREW, CRANKCASE COVER TO CYLNDR 3/8 - 16 X 1-5/8 HEX SOC HD
9	F1646		1	SCREW, CRANKCASE COVER TO CYLINDER 3/8 - 16 X 2-1/4 H SOC
10	F463314		1	ELBOW, CHECK VALVE
11	F1922		3	SCREW, CRANKCASE TO CYLINDER, SMALL HD. 1/4 - 20 X 5/8
12	F1864		9	SCREW, CRANKCASE TO CYLINDER, LARGE HD. 1/4 - 20 X 3/4
13	F658529		1	GASKET, CYLINDER HEAD
14	F658518		1	HEAD, CYLINDER
15	F658995		1	COVER, CYLINDER HEAD
16	F8039		10	WASHER CYLINDER HEAD BOLTS
17	F2091		10	SCREW, CYLINDER HEAD AND COVER TO CYLINDER
18	F658449		1	THERMOSWITCH W/WIRE
19	F428096		1	RETAINING RING
20	F1502		2	SCREW, CYLINDER HEAD COVER TO CYLINDER HEAD
21	33-82370M		2	SPARK PLUG, L-82-C
22	F658504		1	WASHER, THERMOSTAT
23	F97068-2		1	THERMOSTAT
24	F658268		1	SPRING, THERMOSTAT
25	F97067		1	GASKET, THERMOSTAT COVER
26	F658066		1	COVER, THERMOSTAT
27	F1995		3	SCREW, THERMOSTAT COVER TO CYLINDER HEAD #10 - 24 X 1
28	F658418		1	TUBE, COOLING SYSTEM
29	F19109		1	PLUG
30	F8559		2	PIN, DOWEL
31	F8096		1	LOCKWASHER, SPRING
32	F1857		1	SCREW, HEX CAP, 5/16 - 18 X 5/8
33	FG1025-1		1	GASKET SET
34	F40909		1	PIN, LOCATING
35	F307942-1		2	BUMPER

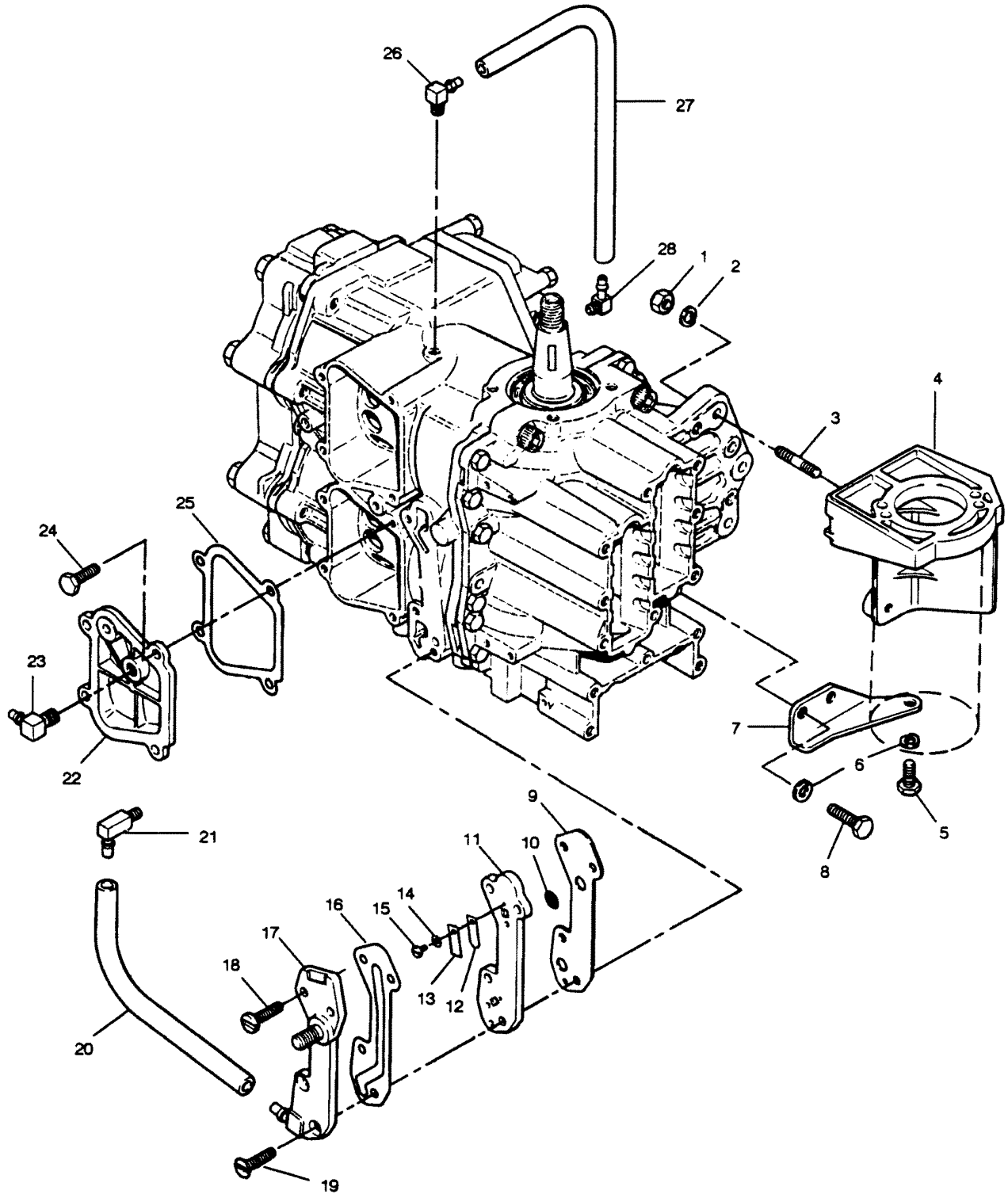
CRANKSHAFT AND PISTON



CRANKSHAFT AND PISTON

REF. NO.	PART NO.	SYM.	QTY.	DESCRIPTION
1	F474146		1	SEAL CRANKSHAFT, UPPER
2	F2081		4	SCREW, BEARING CAGE TO CYLINDER, 1/4 - 20 X 7/8 PAN HD
3	F658144		1	CAGE, CRANKSHAFT BEARING W/CRANKSHAFT SEAL
4	F658013		1	BEARING, CRANKSHAFT, UPPER MAIN
5	FA40655		1	RACE, CRANKSHAFT CENTER MAIN BEARING W/SNAP RING
6	FK85228-1		3	CAGE, BEARING WITH ROLLERS (16 PER SET)
7	F85634-2		4	SCREW, CONNECTING ROD
8	F658018		1	CRANKSHAFT W/UPPER CRANKSHAFT BEARING
9	F90014		1	BEARING, CRANKSHAFT, LOWER MAIN
10	F40146-2		1	SEAL, CRANKSHAFT LOWER
11	F40410		1	SNAP RING
12	600-818052A4		2	ROD, CONNECTING W/CAP AND SCREWS
13	F335215		4	SPACER, PISTON PIN
14	F658015		2	PISTON (STANDARD)
-	FSA658015		2	PISTON (.010 OVER)
-	700-818130A1		2	PISTON (.030 OVER)
15	FA658260		2	RING SET (STANDARD)
-	FSA658260		2	RING SET (.010 OVER)
-	39-818131A1		2	RING SET (.030 OVER)
16	F658017		2	PIN, PISTON
17	F335217-1		1	BEARING, PISTON PIN
18	F85498-1		1	FLYWHEEL KEY
19	F1968		1	FLYWHEEL NUT, 3/4 - 16

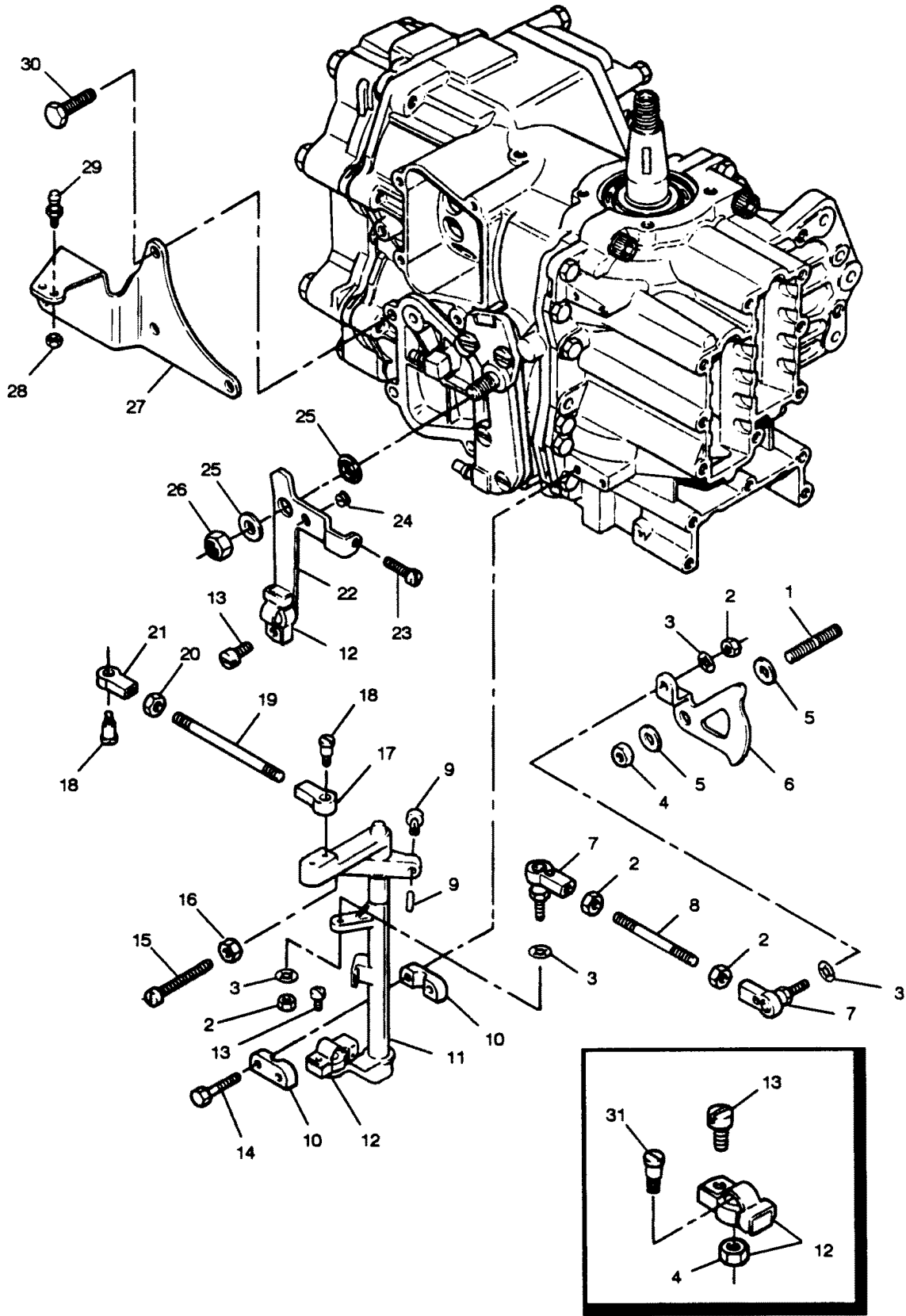
RECIRCULATION SYSTEM AND STARTER BRACKETS



RECIRCULATION SYSTEM AND STARTER BRACKETS

REF. NO.	PART NO.	SYM.	QTY.	DESCRIPTION
1	F1515		3	NUT, HEX, 5/16 - 18
2	F8096		3	LOCKWASHER, SPRING
3	F307211		3	STUD
4	F345427-1		1	BRACKET, STARTER MOUNTING
5	F1854		1	SCREW, HEX SLOT HD, 1/4 - 20 X 5/8
6	F8083		3	LOCKWASHER, SPRING
7	F575675		1	BRACKET, STARTER MOUNTING, LOWER
8	F1854		2	SCREW, 1/4 - 20 X 5/8
9	F93748-1		1	GASKET, CYLINDER DRAIN REED PLATE
10	F93811		2	SCREEN, CYLINDER DRAIN REED PLATE
11	F3A433757		1	REED PLATE,, CYLINDER DRAIN
12	F18160-3		2	REED, CYLINDER DRAIN
13	F93920		2	REED STOP, CYLINDER DRAIN
14	F8003		2	WASHER, PLAIN
15	F1286		2	SCREW, PAN HD., 4 - 40 X 3/16
16	F93472-1		1	GASKET, CYLINDER DRAIN COVER
17	FA433471		1	COVER, CYLINDER DRAIN W/FITTING
18	F1446		2	SCREW, SLOTTED PAN HD., 1/4 - 20 X 1
19	F1136		2	SCREW, FLAT HD., 1/4 - 20 X 1
20	F433254		1	HOSE
21	F404801		1	ELBOW
22	FA411222		1	COVER, TRANSFER PORT W/LITERATURE
23	F84314-2		1	ELBOW, FUEL LINE
24	F1922		5	SCREW, HEX HD., 1/4 - 20 5/8
25	F40223		2	GASKET, TRANSFER PORT COVER
26	F84314-2		1	ELBOW, FUEL
27	F433758		1	HOSE, LOWER MAIN BEARING TO ELBOW
28	F463314		1	ELBOW W/CHECK VALVE

SHIFT AND THROTTLE LINKAGE



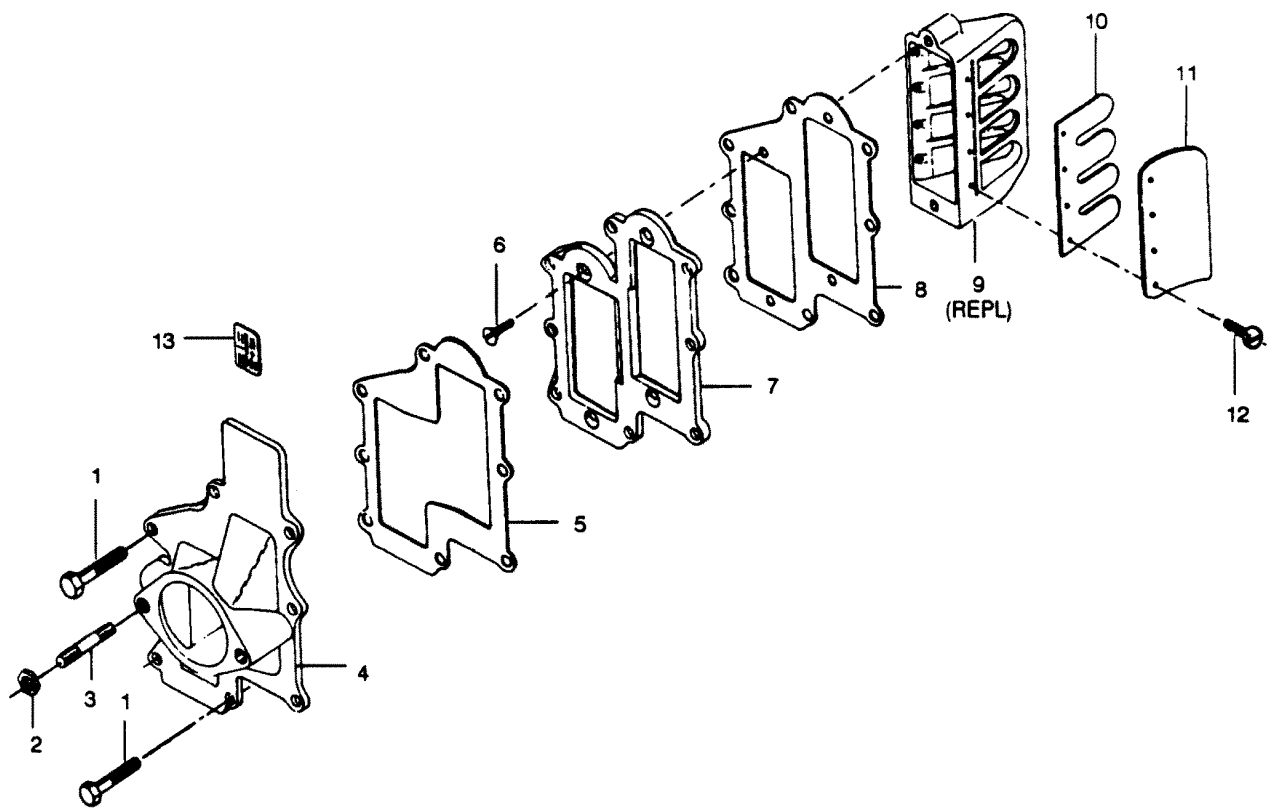
250

41640

SHIFT AND THROTTLE LINKAGE

REF. NO.	PART NO.	SYM.	QTY.	DESCRIPTION
1	F433209-1		1	STUD, THROTTLE CAM
2	F1513		4	NUT, HEX, 10 - 32
3	F8058		4	WASHER, TOOTH, EXTERNAL
4	F7008		1	NUT, ELASTIC, STOP, 1/4 - 20
5	F269319		2	BEARING, THROTTLE CAM
6	F433192		1	CAM, THROTTLE
7	817747--1		2	BEARING W/BALL JOINT
8	F85502		1	LINK, THROTTLE
9	F1727		1	RIVET, PLASTIC
10	F433689		4	BEARING, TOWERSHAFT
11	FK433838		1	TOWERSHAFT
12	FK405020		1	SWIVEL
13	F1556		2	SCREW, FILL HD. W/LOCKWASHER, 10 - 24 X 3/8
14	F1995		4	SCREW, FILL HD., 10 - 24 X 1
15	F1052		1	SCREW, FILL HD., 1/4 - 20 X 1
16	F1341		1	NUT, HEX
17	F84036		1	BEARING, SPARK CONTROL, L.H.
18	F84026		2	SWIVEL, SPARK CONTROL
19	F658445		1	LINK, SPARK CONTROL
20	F1473		1	NUT, HEX, 10 - 24
21	F84035-2		1	BEARING, SPARK CONTROL. R.H.
22	817793A1		1	SHIFT ARM
23	F2207		1	SCREW, FILL HD., 1/4 - 20 X 3/4
24	F85610		1	BEARING
25	F269052		2	BEARING, SHIFT ARM
26	F7004		1	NUT STOP, 7/16 - 20
27	817746A1		1	BRACKET, CONNECTOR STUD W/LITERATURE ORIGINAL FORCE P/N A 267371-1
28	F1804		2	NUT, STOP 10 - 32
29	F98273		2	STUD, ROD END CONNECTOR
30	F1864		3	SCREW, HEX CAP, 1/4 - 20 X 3/4
31	F405457		1	SCREW, PIVOT

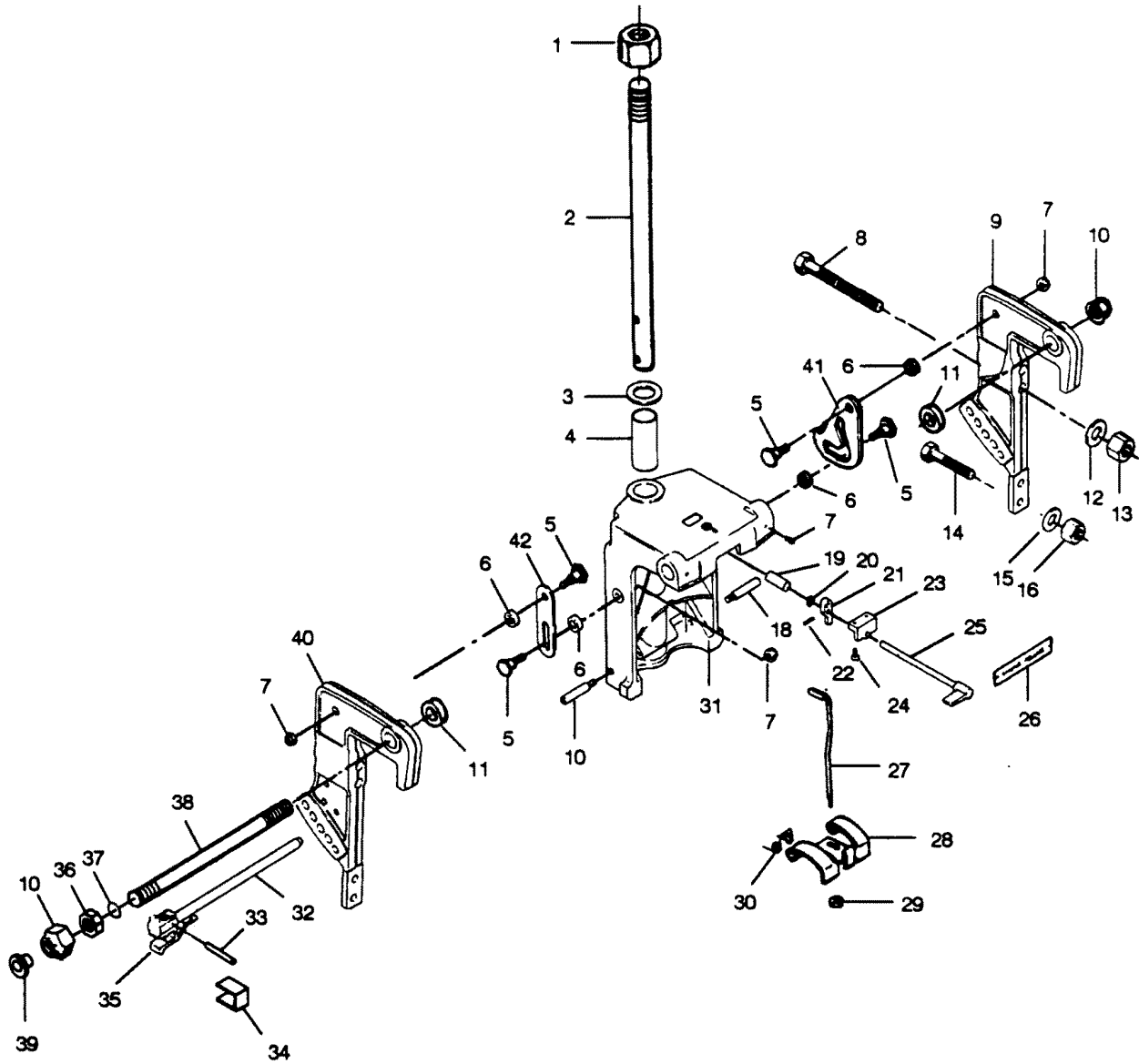
REED PLATE AND ADAPTER FLANGE



REED PLATE AND ADAPTER FLANGE

REF. NO.	PART NO.	SYM.	QTY.	DESCRIPTION
1	F2008		8	HEX HD SCREW, 1/4 - 20 X 7/8
2	F1515		2	HEX NUT, 5/16 - 18
3	F40209		2	CARBURETOR STUD
4	FA433167		1	CARBURETOR ADAPTER FLANGE
5	F433168		1	CARBURETOR ADAPTER GASKET
6	F1141		4	FLAT HD SCREW, 10 - 24 X 12
7	F433404		1	DEFLECTOR PLATE
8	F433406		1	DEFLECTOR PLATE GASKET
9	FA658158		2	REED PLATE
10	F316160		4	REED
11	F88161-4		4	REED STOP
12	F1755		16	ROUND HD SCREW W/LOCKWASHER, 6 - 32 X 1/4
13	37-817792A1		1	DECAL, TIMING W/LITERATURE ORIGINAL FORCE P/N A 433387-1

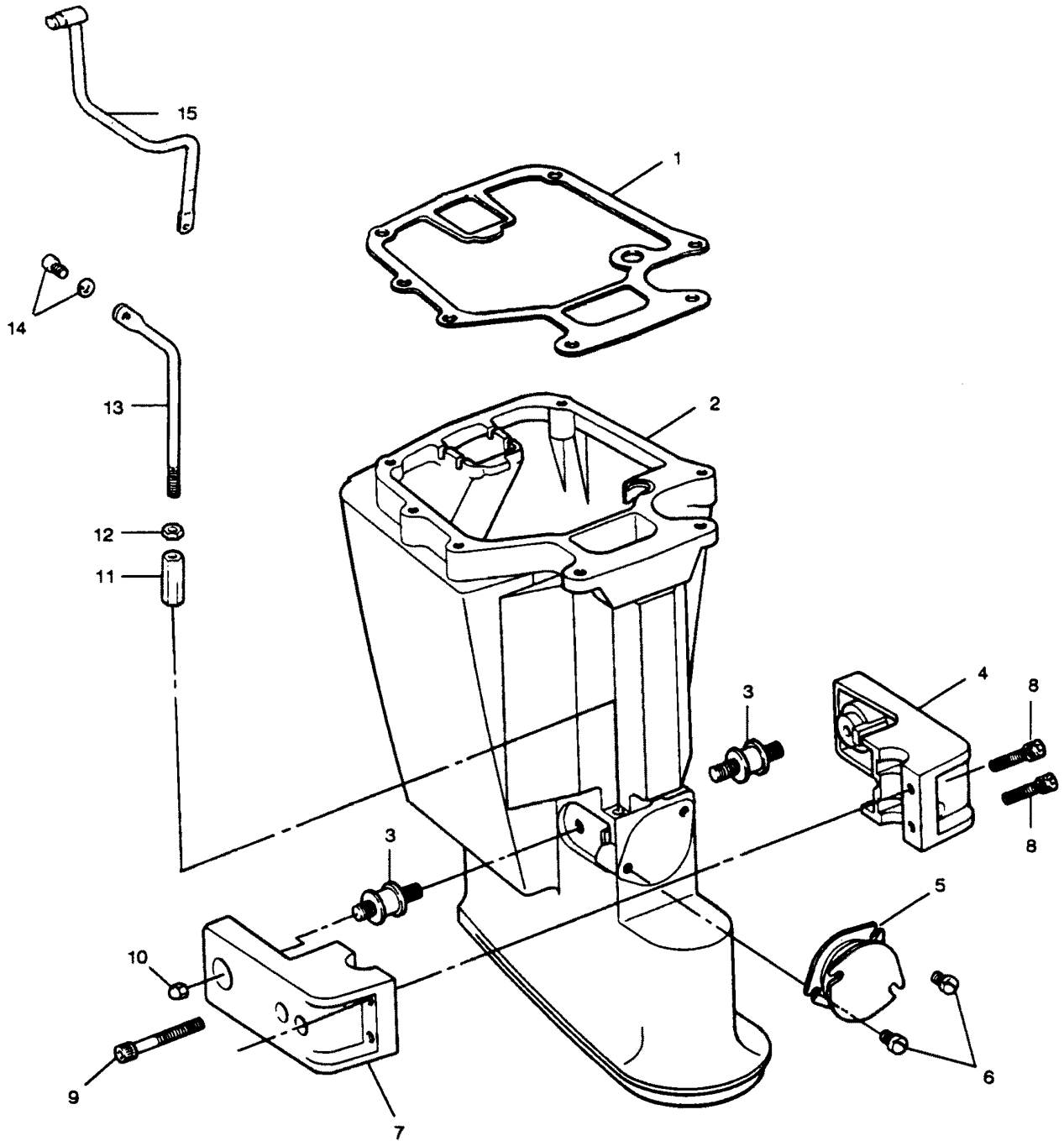
SWIVEL BRACKET AND STERN BRACKETS



SWIVEL BRACKET AND STERN BRACKETS

REF. NO.	PART NO.	SYM.	QTY.	DESCRIPTION
1	F84280		1	NUT, KINGPIN
2	819331A2		1	KINGPIN
3	F89011		1	WASHER, SWIVEL BRACKET
4	F191169-1		2	BEARING, SWIVEL BRACKET
5	F366350-1		4	PIVOT
6	F269929		4	SPACER
7	F7007		4	NUT
8	F685632		2	BOLT, LONG MOUNTING
9	F684532		1	BRACKET, PORT STERN
10	F9018		2	PLASTIC CAP
11	F522286		2	WASHER, FRICTION
12	F684201		2	WASHER
13	F7056		2	NUT, 1/2 - 20
14	F2185		2	HEX HEAD SCREW, 3/8 - 16 X 3-1/2 S.S.
15	F684415		2	WASHER
16	F1346		2	HEX NUT, 3/8 - 16 S.S.
17	F213274		3	GREASE FITTING
18	F366886		2	PIN
19	F197813		1	BEARING, REVERSE LOCK SHAFT, REAR
20	F2088		2	FASTENER
21	F366364		1	AARM, REVERSE LOCK
22	F1836		1	SPRING PIN
23	F522884		1	BEARING, REVERSE LOCK SHAFT, FRONT
24	F1733		2	PAN HEAD SCREW, 10 - 24 X 9/16
25	817944A2		1	HANDLE, END SHAFT W/FASTENERS AND REAR BEARING
26	F544390-1		1	DECAL, TILT LOCK
27	F366510-1		1	LINK, REVERSE LOCK
28	F366349		1	LOCK, REVERSE
29	F1669		1	STOP NUT
30	F366300		2	SPRING, REVERSE LOCK
31	FA613072		1	BRACKET, SWIVEL
32	FA433113		1	LOCK BAR W/HANDLE
33	F1744		1	SPRING PIN
34	F286461		1	SPRING, LOCK BAR HANDLE
35	F433114		1	HANDLE, LOCK BAR
36	F1600		2	LOCKNUT
37	F316599		1	SEAL, PIVOT TUBE
38	F522125-1		1	TUBE, PIVOT
39	F9052		2	PLASTIC PLUG
40	F684032		1	BRACKET, STARBOARD STERN
41	F366426		1	STOP, TILT, PORT
42	F366433		1	STOP, TILT, STARBOARD

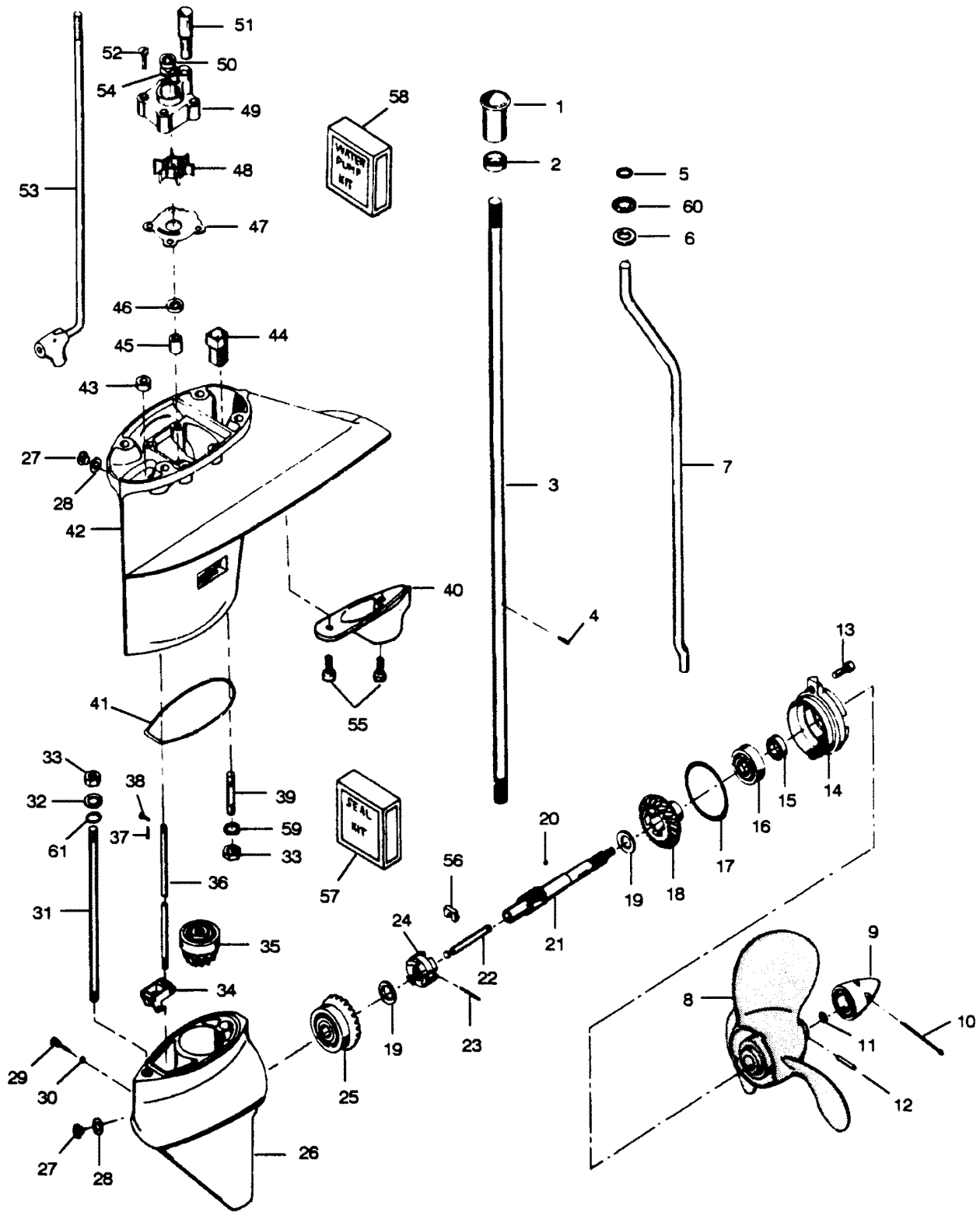
MOTOR LEG



MOTOR LEG

REF. NO.	PART NO.	SYM.	QTY.	DESCRIPTION
1	FK684453		1	GASKET, CYLINDER EXHAUST (UPPER & LOWER)
2	F684133-1		1	MOTOR LEG
3	F215962		2	SHOCK MOUNT, SIDE, LOWER
4	F684973		1	COVER, SHOCK MOUNT, PORT
5	F183346-1		1	MOUNT, SHOCK, LOWER
6	F1129		4	FILL HEAD SCREW, 5/16 - 18 X 1/2 S.S.
7	F684972		1	COVER, SHOCK MOUNT, STARBOARD
8	F1636		2	HEX SOCKET HEAD CAP SCREW, 3/8 - 16 X 1-1/4
9	F1635		2	HEX SOCKET HEAD CAP SCREW, 3/8 - 16 X 3-1/2
10	F1326		2	ACORN NUT, 5/16 - 18 S.S.
11	F141704		1	COUPLER, GEAR SHIFT ROD
12	F1349		1	HEX NUT, 5/16 - 18 S.S.
13	F684611		1	EXTENSION, SHIFT ROD
14	F2214		1	HEX HEAD SCREW W/LOCKWASHER, 1/4 - 28 X 1/2
15	F683615		1	ROD, GEAR SHIFT UPPER
16	F185764		1	RETAINING RING
17	F1987		1	WASHER

GEAR HOUSING

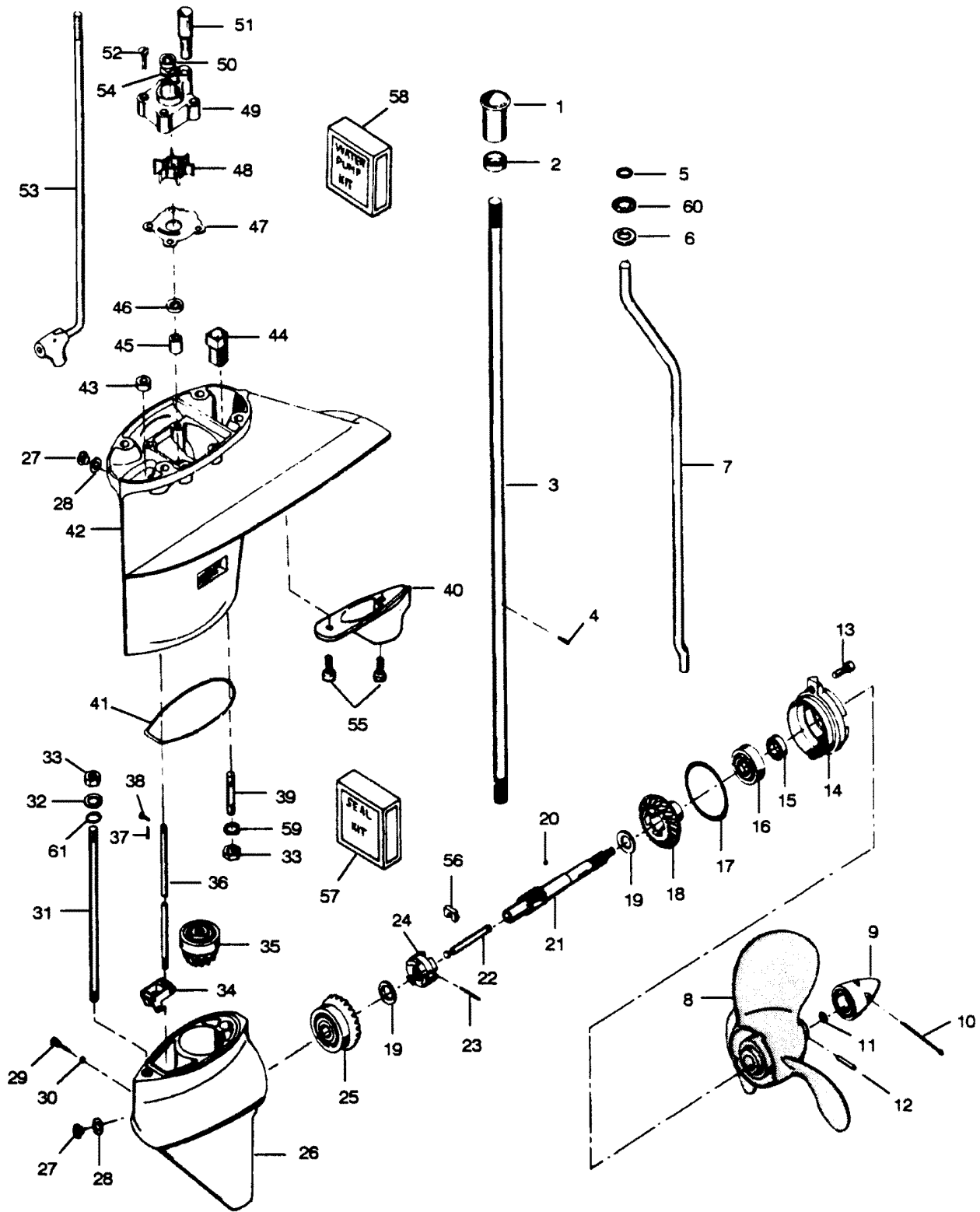


GEAR HOUSING

REF. NO.	PART NO.	SYM.	QTY.	DESCRIPTION
1	F338129-1		1	SEAL, DRIVESHAFT SPLINE
2	F338271		1	RETAINER
3	FA89128-1		1	DRIVESHAFT
4	F901563		1	DRIVE PIN, WATER PUMP IMPELLER
5	F40342		1	SEAL
6	F8042		2	PLAIN WASHER
7	F435244		1	INLET WATER LINE
9	FA94094-2		1	PROPELLER NUT
10	F1027		1	COTTER PIN, S.S., 1/8 - 1/2
11	F40342		1	SEAL, PROPELLER NUT
12	FK247		1	PROPELLER PIN, PACK OF 6
13	F1263		2	HEX SOCKET HEAD CAP SCREW, 2.2., 5/16 - 18 X 9/16
14	31-817731A5		1	PROPELLER SHAFT BEARING CAGE
15	F141118		1	SEAL, PROPELLER SHAFT
16	F366058		1	BALL BEARING, PROPELLER SHAFT
17	F141305		1	SEAL, PROPELLER SHAFT BEARING CAGE
18	FA485662		1	BEVEL GEAR REAR W/BEARING
19	F40717		2	THRUST WASHER, BEVEL GEAR
20	F366727		1	BALL, PROPELLER SHAFT
21	44-819500A3		1	PROPELLER SHAFT ASSEMBLY
22	F90871-3		1	GEAR SHIFT ARM PIN
23	F2097		1	SPRING PIN
24	F99521-1		1	CLUTCH
25	F485023-1		1	BEVEL GEAR FRONT W/FRONT AND CUP
26	FA486054		1	GEAR HOUSING LOWER W/THRUST BEARING CUP.
-	FC486054		1	GEAR HOUSING KIT. INCLUDES ALL ITEMS MARKED WITH AN ASTERISK (*).
27	F50109		2	PLUG, GEAR HOUSING
28	F8077		2	WASHER, GEAR HOUSING PLUG
29	F498891		1	GEAR SHIFT ARM PIVOT PIN
30	F498619		1	SEAL, O-RING
31	F97008-1		1	STUD, LONG
32	F2014		1	WASHER, PLAIN
33	F1346		2	HEX NUT, S.S., 3/8 - 16
34	817796A2		1	GEAR SHIFT ARM ASSEMBLY
35	F2A474266		1	BEVEL PINION W/BEARING
36	F435705		1	GEAR SHIFT ROD LOWER
37	F1015		1	COTTER PIN
38	F85372		1	PIN, GEAR SHIFT ROD LOWER
39	F40008		1	STUD, SHORT
40	FA435116		1	EXHAUST, SNOOT W/LITERATURE
41	F435555		1	SEAL, GEAR HOUSING
42	FA545554		1	GEAR HOUSING UPPER

CONTINUED ON NEXT PAGE ➡

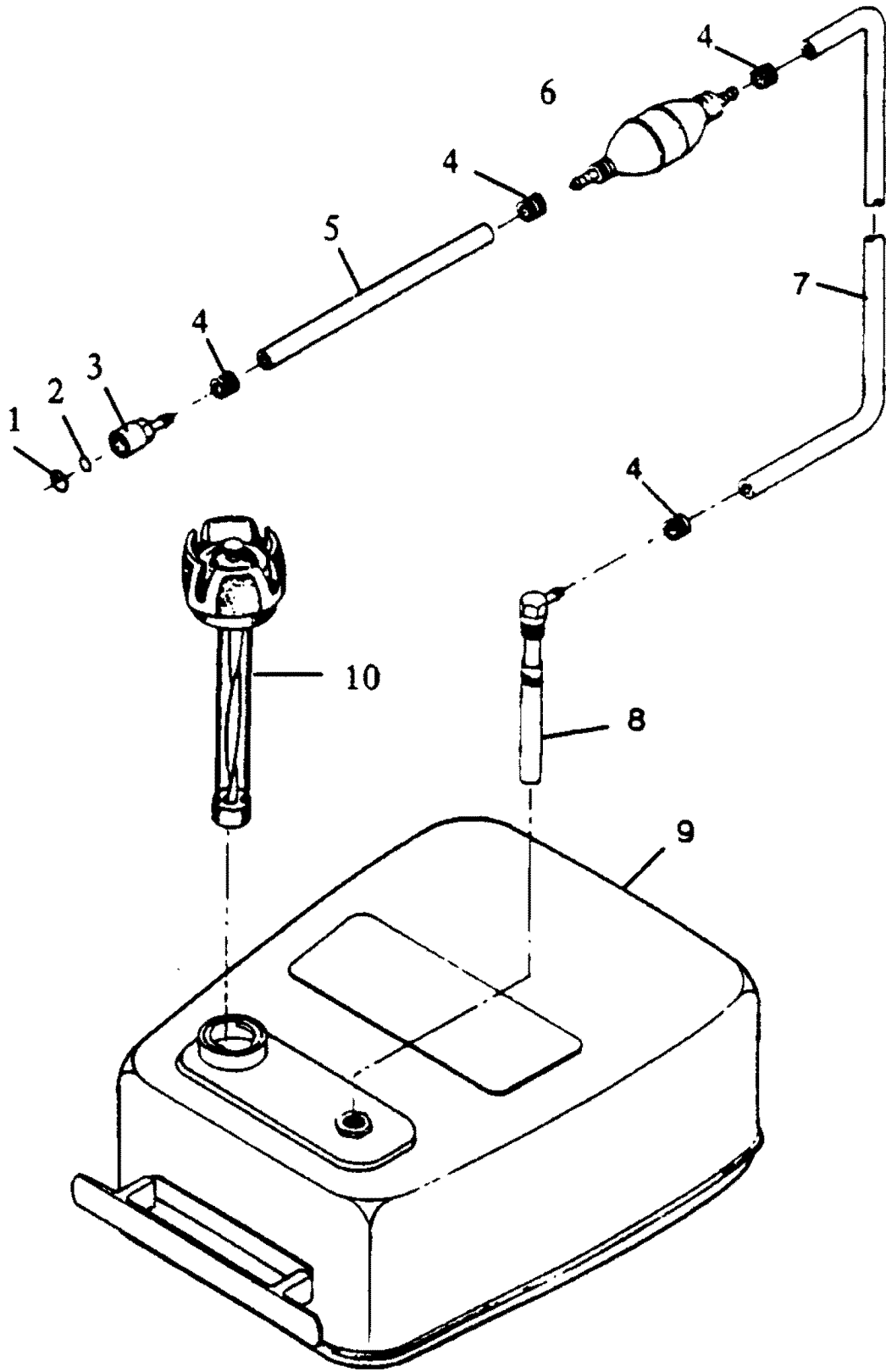
GEAR HOUSING



GEAR HOUSING

REF. NO.	PART NO.	SYM.	QTY.	DESCRIPTION
43	F338618-1		1	SEAL, SHIFT ROD LOWER
44	F435077		1	SCREEN, WATER INLET
45	F435057		1	BEARING, DRIVESHAFT UPPER
46	F40307-2		1	SEAL, DRIVESHAFT UPPER
47	F435562		1	WATER PUMP BACK PLATE
48	F433065-2		1	WATER PUMP IMPELLER
49	FA463060		1	WATER PUMP BODY
50	F349307		1	DRIVESHAFT SEAL - WATER PUMP
51	FA485914		1	SEAL, INLET WATER LINE, LOWER W/LITERATURE
52	F2030		4	HEX HEAD SCREW, S.S., 1/4 - 20 X 1-1/4
53	FA435616		1	GEAR SHIFT ROD INTERMEDIATE
54	485388		1	DIISC, WATER PUMP
55	F2008		2	HEX HEAD M.S., 1/4 - 20 X 7/8
56	F90619-2		1	YOKE
57	FK1074		1	GEAR HOUSING SEAL KIT. INCLUDES ALL ITEMS MARKED WITH A DOUBLE ASTERISK (**).
58	FK1073		1	WATER PUMP KIT. INCLUDES ITEMS MARKED WITH A STAR (*).
-	F2030		4	SCREW 1/4 - 20 X 1-1/4
-	F433065-2		1	IMPELLER
-	F435562		1	BACK PLATE, WATER PUMP
-	F901563		1	DRIVE PIN
-	FA463060		1	WATER PUMP BODY
59	F8065		1	LOCKWASHER
60	F658208		1	RETAINER
61	F24342		1	SEAL

FUEL TANK AND LINE

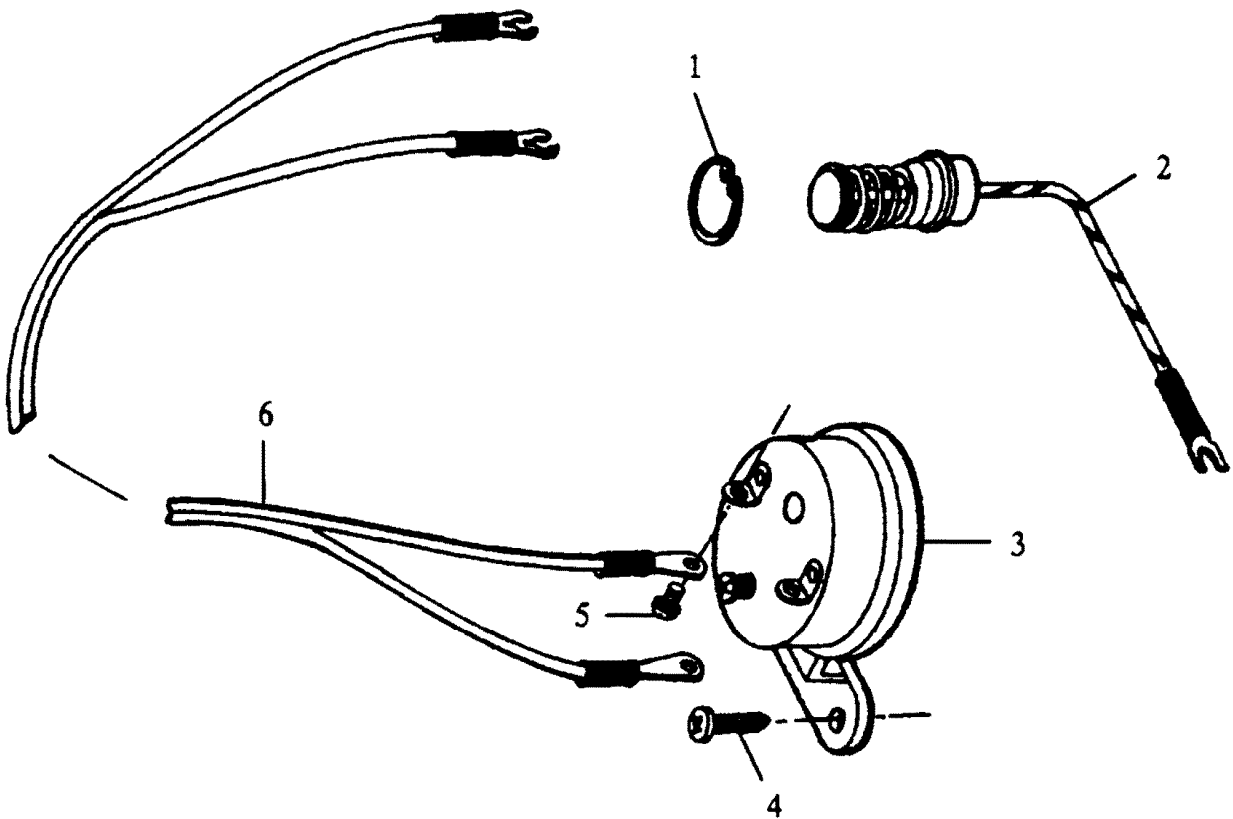


410

FUEL TANK AND LINE

REF. NO.	PART NO.	SYM.	QTY.	DESCRIPTION
1	F17816		1	SEAL, FUEL LINE COUPLER (LARGE)
2	F1785		1	SEAL, FUEL LINE COUPLER (SMALL)
3	F197787-3		2	FUEL LINE COUPLER
4	F298788		4	FERRULE
5	FA84754-1		1	FUEL LINE, SHORT
6	89396A38		1	PRIME BULB
7	32-817738A1		1	FUEL LINE, LONG W/CLAMP
8	F487755		1	FUEL TANK ADAPTER
9	F5H027-1		1	FUEL TANK (ACCESSORY ITEM)
10	F409251-1		1	GAUGE CAP
-	FS409752		1	FUEL LINE COMPLETE (NOT SHOWN) INCLUDES ALL ITEMS WITH AN ASTERISK (*)
-	FC409398		1	DECAL, TOTE TANK - CANADA (NOT SHOWN)
-	F310398		1	DECAL, WARNING (NOT SHOWN)
-	F17818		1	GASKET FOR GAUGE CAP (NOT SHOWN)

OVERHEAT BUZZER



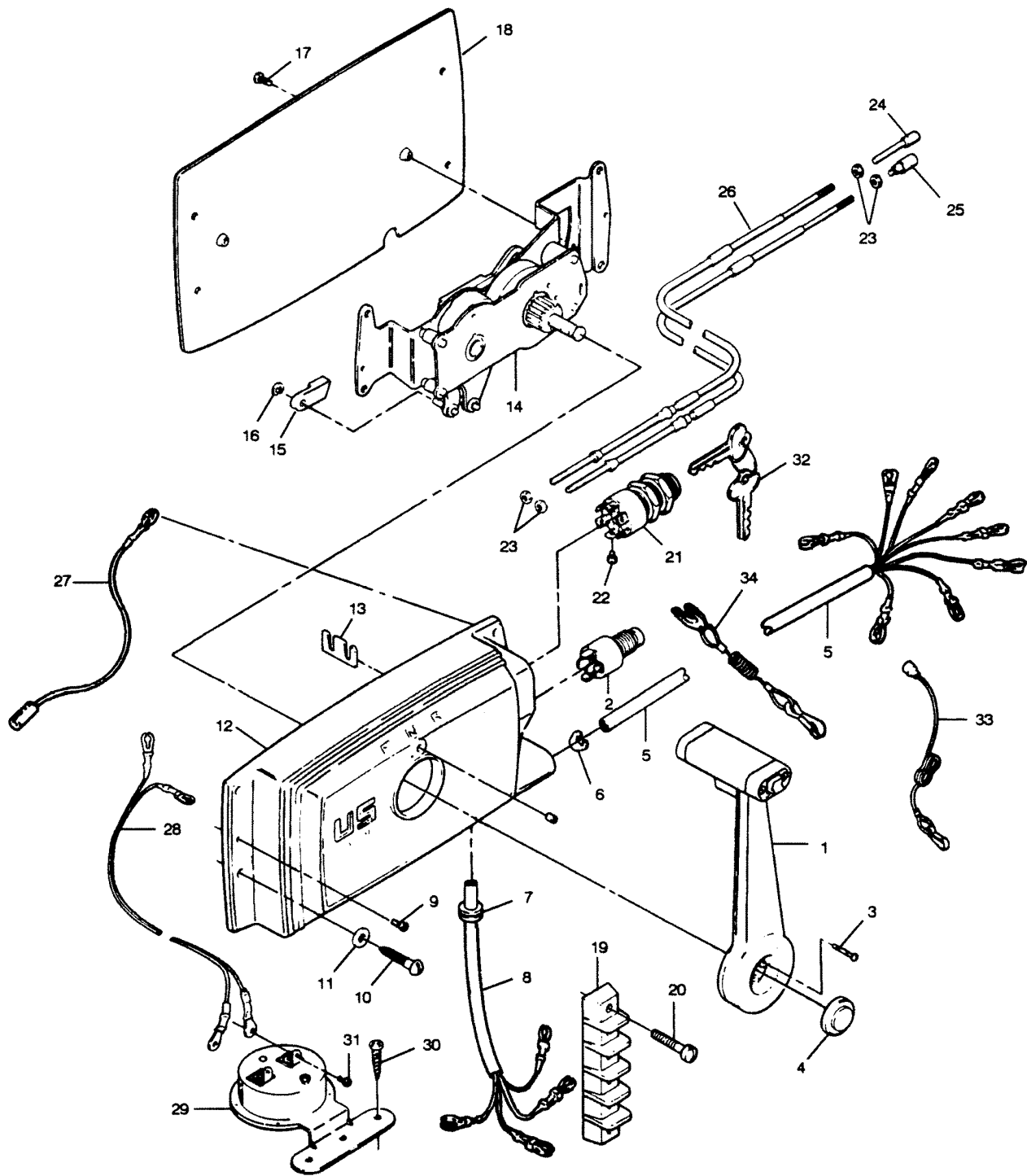
38

42

OVERHEAT BUZZER

REF. NO.	PART NO.	SYM.	QTY.	DESCRIPTION
1	F428096		1	RETAINER
2	F658449		1	THERMOSWITCH
3	F5H073		1	BUZZER KIT
4	F1741		2	FILL HEAD WOOD SCREW, #8 X 3/4 S.S.
5	F1645		2	SELF TOPPING SCREW, 6 - 32 X 1/4 S.S.
6	F404841		1	CABLE, OVERHEAT BUZZER

REMOTE CONTROL



OB4252

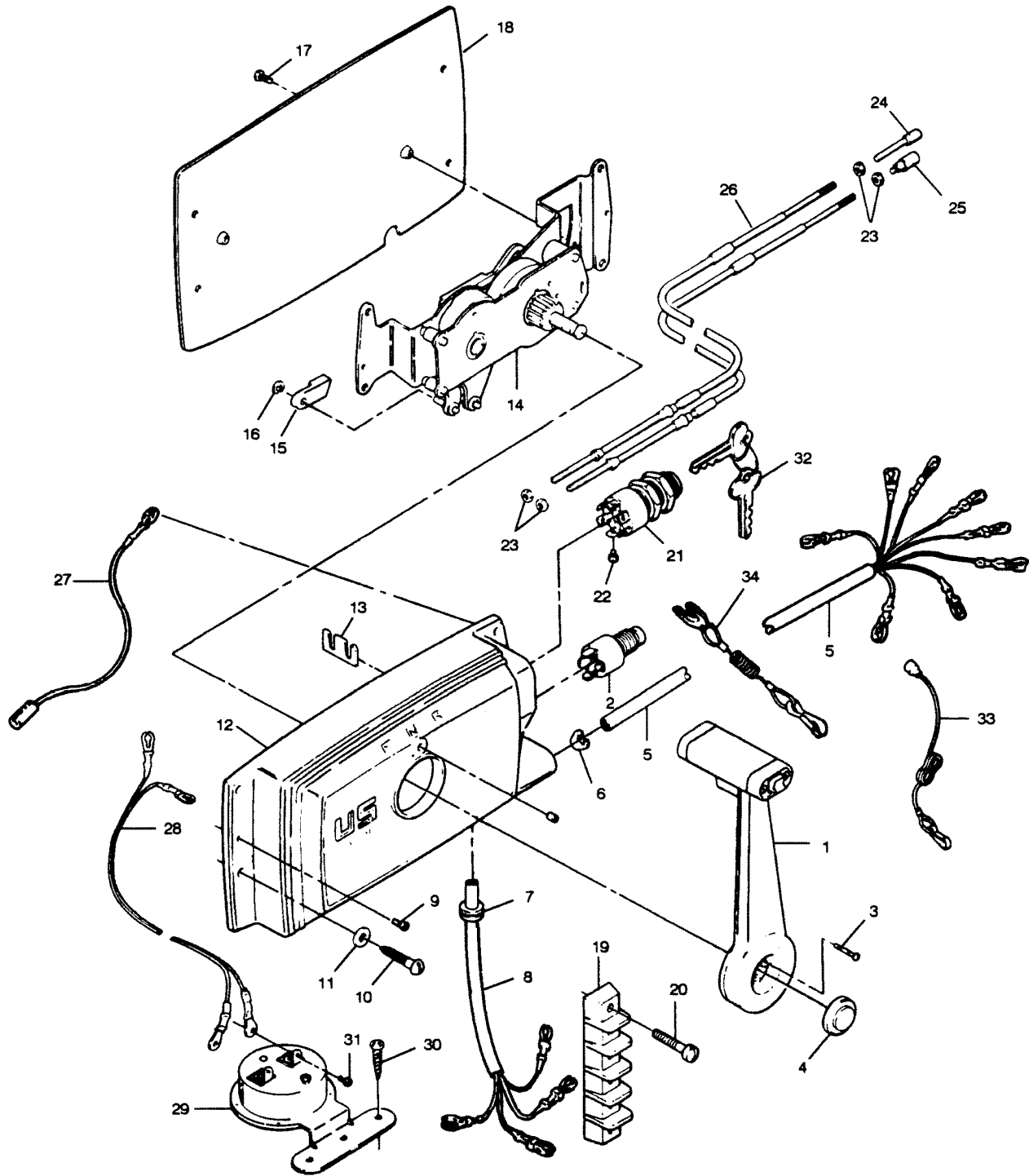
41960-013

REMOTE CONTROL

REF. NO.	PART NO.	SYM.	QTY.	DESCRIPTION
1	F660611		1	LEVER W/TRIM SWITCH
2	F660602		1	SWITCH (EMERGENCY STOP)
3	F660165		4	SCREW (LEVER TO ACTUATOR)
4	F660332		1	PLUG (WARM-UP BUTTON)
5	F660843		1	CABLE (15-1/2' REMOTE ELECT. - 10 WIRE)
-	F663843		-	CABLE (19' REMOTE ELECT. - 10 WIRE)
-	F664843		-	CABLE (22' REMOTE ELECT. - 10 WIRE)
-	F591843		-	CABLE (25' REMOTE ELECT. - 10 WIRE)
-	F5H193		-	CABLE (7' EXTENSION FOR 10 WIRE REMOTE ELECTRIC CABLE)
6	F660446		0	CLAMP (REMOTE ELECT. CABLE)
7	F660504		1	GROMMET (REMOTE ACCESSORY CABLE)
8	F660353		1	CABLE ACCESSORY
9	F660480		2	SCREW (COVER TO ACTUATOR)
10	F660732		4	SCREW (CONTROL MOUNTING)
11	F660595		4	WASHER (CONTROL MTG. SCREWS)
12	F660995		1	COVER (ASSEMBLY - REMOTE CONTROL)
13	F660642		1	RETAINER (REMOTE CABLE)
14	F660327		1	ACTUATOR (ASSEMBLY - REMOTE CONTROL)
15	F660141		2	CONNECTOR (CABLE - REMOTE CONTROL)
16	F660411		2	RING (RETAINING)
-	F1017		1	COTTER PIN
17	F660751		2	SCREW (PLATE TO ACTUATOR)
18	F660911		1	PLATE (REMOTE CONTROL)
19	F660497		1	BLOCK (TERMINAL)
20	F1741		2	SCREW (TERMINAL BLOCK)
21	F5H077		1	SWITCH (ACCESSORY ITEM)
22	F1280		6	SCREW (IGN. SWITCH WIRE TERMINAL)
23	F1513		4	STOP NUTS (CABLE END)
24	FA58976-1		1	CONNECTOR (THROTTLE)
25	F58685-2		1	CONNECTOR (SHIFT)
26	F195/_		1	REMOTE CONTROL CABLE (SPECIFY LENGTH - X)
27	F660664		1	WIRE (IGN. SWITCH TO ACC. TERMINAL BLOCK)
28	F404841		1	CABLE, OVERHEAT BUZZER
29	F5H073		1	BUZZER, OVERHEAT (ACCESSORY ITEM)
30	F1741		2	SCREW, PAN HD., 8-3/4
31	F1645		8	SCREW, RD. HD., SELF-TAPPING, 6 - 32 X 1/4
32	817782--1		1	IGNITION KEY - NO LETTER OR STAMPED A
-	817883--1		1	IGNITION KEY - STAMPED B
-	817891--1		1	IGNITION KEY - STAMPED C

CONTINUED ON NEXT PAGE ➡

REMOTE CONTROL



OB4252

41960-013

REMOTE CONTROL

REF. NO.	PART NO.	SYM.	QTY.	DESCRIPTION
-	817928--1		1	IGNITION KEY - STAMPED D
-	817929--1		1	IGNITION KEY - STAMPED E
33	F660329		1	LANYARD, STOP SWITCH (CUP TYPE)
34	F702329		1	LANYARD, STOP SWITCH (FORK TYPE)
-	F5H198		-	REMOTE CONTROL COMPLETE - WIRED FOR POWER TRIM

SPECIAL TOOLS - POWER HEAD

REF. NO.	PART NO.	SYM.	QTY.	DESCRIPTION
-	FT8933		0	LIFTING HOOK TO LIFT ENGINE.
-	FT2989		0	FLYWHEEL WEDGE TO REMOVE FLYWHEEL.
-	FT8971		0	SEAL INSTALLER TO INSTALL UPPER CRANKSHAFT BEARING CAGE SEAL.
-	FT8967		0	SEAL PROTECTOR TO PROTECT UPPER CRANKSHAFT BEARING CAGE SEAL DURING INSTALLATION.
-	FT2953		0	SOCKET TO TORQUE CONNECTING ROD SCREWS.
-	FT2990		0	PISTON PIN REMOVER TO REMOVE AND INSTALL PISTON PIN IN PISTON.
-	FT8926		0	RING EXPANDER TO INSTALL RINGS ON PISTONS.
-	FT2996		0	RING COMPRESSOR TO INSTALL PISTONS IN CYLINDERS.
-	FT8977		0	SEAL COLLAR INSTALLER TO INSTALL CRANKSHAFT LOWER SEAL COLLAR.
-	FT8976		0	SEAL PROTECTOR TO PROTECT LOWER SEAL DURING INSTALLATION.
-	FT2998		0	TORQUE WRENCH (0-100 LBS./FT.) TO PROPERLY SECURE FASTENERS.
-	FT2999		0	TORQUE WRENCH (0-600 LBS./IN.) TO PROPERLY SECURE FASTENERS
-	FT2991		0	CARBON BRUSH TO REMOVE CARBON FROM INSIDE POWER HEAD.
-	FT8900		0	HOSE CLAMP PLIERS TO REMOVE AND INSTALL FUEL HOSE CLAMPS.
-	FT1749		0	SNAP RING PLIERS TO REMOVE AND INSTALL PISTON PIN RETAINING RINGS.

SPECIAL TOOLS - LOWER UNIT

REF. NO.	PART NO.	SYM.	QTY.	DESCRIPTION
-	FT8948-1		0	PROPELLER SHAFT BEARING CAGE PULLER TO REMOVE PROPELLER SHAFT BEARING CAGE FROM LOWER GEAR HOUSING.
-	FT8919		0	SPRING PIN PUNCH TO REMOVE CLUTCH SPRING PIN.
-	FT8907		0	DRIVER HANDLE TO INSTALL BEARING CUP IN LOWER GEAR HOUSING.
-	FT8918		0	BUSHING GUIDE SET TO REMOVE AND INSTALL BEARING CUP IN LOWER GEAR HOUSING.
-	FT8921		0	FORWARD BEARING CUP REMOVER TO REMOVE FORWARD BEARING CUP FROM LOWER GEAR HOUSING.
-	FT8904		0	FORWARD BEARING CUP INSTALLER TO INSTALL FORWARD BEARING CUP IN LOWER GEAR HOUSING.
-	FT8972		0	DRIVESHAFT SEAL INSTALLER TO INSTALL FORWARD BEARING CUP IN LOWER GEAR HOUSING.
-	FT8957		0	SEAL INSTALLER TO INSTALL SHIFT ROD SEAL.
-	FT8963		0	BEARING INSTALLER TO INSTALL DRIVESHAFT BEARING IN GEAR HOUSING UPPER.
-	FT8964		0	BEARING REMOVER TO REMOVE DRIVESHAFT BEARING FROM GEAR HOUSING UPPER.
-	FT3431		0	SEAL INSTALLER TO INSTALL PROP SHAFT SEAL.

SPECIAL TOOLS - TEST EQUIPMENT

REF. NO.	PART NO.	SYM.	QTY.	DESCRIPTION
-	FT11260		0	SPARK TESTER TEST SPARK TO CYLINDERS.
-	FT2938-1		0	CONTINUITY TESTER BATTERY OPERATED - TO CHECK CONTINUITY OF WIRES.
-	FT2951		0	CIRCUIT TRACER TO TROUBLESHOOT 12 VOLT CIRCUITS.
-	FT2955A		0	TEST WHEEL TO TEST MOTOR IN TEST TANK.
-	FT8950		0	LEAKAGE TESTER TO TEST LOWER UNIT FOR LEAKAGE.
-	FTA11259		0	MULTIMETER TO TEST ELECTRICAL COMPONENTS.
-	FT11201		0	HARNESS ADAPTOR TO TEST ELECTRICAL COMPONENTS.

SPECIAL TOOLS - LUBRICANTS AND SEALANTS

REF. NO.	PART NO.	SYM.	QTY.	DESCRIPTION
-	FT2961		0	LUBRICANT - RYKON GREASE #2EP
-	FT2987-1		0	LUBRICANT - ANTI-SEIZE
-	FT8969		0	LUBRICANT - 7 OZ. LPS #1 LUBRICANT
-	FT8983		0	SEALANT
-	FT8936-1		0	SEALANT - 2 CC LOCTITE RETAINING COMPOUND #75
-	FT2962-1		0	SEALANT - 50 CC LOCTITE H, NON-HARDENING GRADE
-	FT2963-2		0	SEALANT - 2 OZ. LOCTITE 271
-	FT8935		0	LOC QUICK "T"

ACCESSORIES

REF. NO.	PART NO.	SYM.	QTY.	DESCRIPTION
-	F5H081		0	BATTERY CABLE LONGER LENGTH - 15 FEET.
-	F5H025		0	ANTI-CORROSION SACRIFICIAL ANODE USED TO HELP PREVENT CORROSION.
-	F5H021		0	BATTERY EXTENSION CABLE USED TO EXTEND BATTERY CABLE 6-1/2 FEET.
-	F5H041		0	BATTERY TERMINAL KIT FOR STANDARD NEGATIVE AND POSITIVE BATTERY POSTS.
-	F5H177		0	FLUSHING ADAPTER PERMITS FRESH WATER FLUSHING OF WATER PASSAGES WITH STANDARD GARDEN HOSE.
-	5H158		0	FUEL GAUGE FLUSH MOUNT MONITORS FUEL SUPPLY.
-	F5H055		0	WATER PUMP KIT HEAVY DUTY WATER PUMP RECOMMENDED FOR CONTINUED OPERATION IN SANDY OR SALT WATER.
-	F5H026-1		0	FUEL TANK, 6 GALLON, STEEL AUXILIARY TANK.
-	F5H215		0	FUEL TANK, 6 GALLON, PLASTIC AUXILIARY TANK.
-	F5H029		0	FUEL TANK ANCHOR SECURES 5H026-1 TO DECK.
-	F5H155		0	SPEEDOMETER FLUSH MOUNT 20 TO 100 KM/H.
-	F5H077		0	IGNITION KEY SWITCH FOR ELECTRIC START MODELS, SHORT BARREL.
-	F5H078		0	IGNITION KEY SWITCH FOR ELECTRIC START MODELS, LONG BARREL.
-	F5H159		0	HOURMETER FLUSH MOUNT, RECORDS ENGINE RUNNING TIME.
-	F195/___		0	REMOTE CONTROL CABLES CONNECTS REMOTE CONTROL BOX TO THROTTLE AND GEAR SHIFT ON MOTOR. AVAILABLE IN 6 THROUGH 26 FOOT LENGTHS.
-	F5H198		0	REMOTE CONTROL SURFACE MOUNT (SINGLE LEVER W/TRIM SWITCH) PERMITS REMOTE CONTROL OF THROTTLE AND GEAR SHIFT FROM STARBOARD SIDE OF BOAT.
-	F590		0	REMOTE CONTROL FLUSH MOUNT PERMITS REMOTE CONTROL OF THROTTLE AND GEAR SHIFT. MAY BE MOUNTED ON PORT OR STARBOARD SIDE OF BOAT.
-	F5H079		0	REMOTE CONTROL, CONSOLE MOUNT PERMITS REMOTE CONTROL OF THROTTLE AND GEAR SHIFT FROM CONSOLE MOUNTED SINGLE LEVER BOX.
-	F5H080		0	CONTROL, CONSOLE MOUNT (TWIN ENGINES) PERMITS REMOTE CONTROL OF THROTTLE AND GEAR SHIFT OF TWIN ENGINE FROM CONSOLE MOUNTED BOX. SINGLE LEVER CONTROL FOR EACH ENGINE.
-	F166		0	DUAL ENGINE TIE BAR CONNECTS ENGINES IN DUAL APPLICATION.
-	F5H076		0	SWITCH EXTENSION CABLE - 5' ALLOWS REMOTE INSTALLATION OF IGNITION SWITCH.
-	F5H075		0	SWITCH EXTENSION CABLE - 24" ALLOWS REMOTE INSTALLATION OF IGNITION SWITCH.
-	F5H030		0	SWITCH KIT - RUNNING LIGHTS DASH MOUNT TOGGLE FOR ANCHOR AND RUNNING LIGHTS.
-	F5H034		0	SWITCH KIT - BILGE PUMP DASH MOUNT TOGGLE FOR ELECTRIC BILGE PUMP.

CONTINUED ON NEXT PAGE ➡

ACCESSORIES

REF. NO.	PART NO.	SYM.	QTY.	DESCRIPTION
-	F5H035		0	SWITCH KIT - HORN DASH MOUNT TOGGLE FOR HORN - MOMENTARY ON.
-	F5H036		0	SWITCH KIT - TACHOMETER TRANSFER DASH MOUNT TOGGLE FOR ONE TACHOMETER ON DUAL ENGINE INSTALLATION.
-	F5H038		0	SWITCH KIT - IGNITION DASH MOUNT PLATE FOR 5H077 AND 5H078 KEY SWITCH (NOT INCLUDED).
-	F5H039		0	SWITCH KIT - INSTRUMENTS DASH MOUNT TOGGLE FOR INSTRUMENT LIGHTS.
-	F563		0	TERMINAL BLOCK KIT DOUBLE ROW 10 SECTION PROVIDES SIMPLIFIED ACCESSORY WIRING.
-	F5H191		0	FORCE BLUE ENAMEL ENGINE TOUCH-UP PAINT IN 13 OZ. SPRAY BOMB (6 CANS PER CASE).
-	F5H192		0	FORCE BLUE ENAMEL ENGINE TOUCH-UP PAINT IN 1/2 OZ. BOTTLE WITH BRUSH IN CAP (12 BOTTLES PER BOX).
-	F5H202		0	TRAILERING BRACKET TO SUPPORT ENGINE WHILE BOAT IS ON TRAILER.
-	F5H194		0	CLEAR ENAMEL ENGINE TOUCH-UP PAINT IN 13 OZ. AVERAGE SPRAY BOMB (6 CANS PER CASE).
-			0	US MARINE OUTBOARD OIL SEE NOTE 1
-	F596-		0	PINT CANS SEE NOTE 1
-	F5H187		0	QUART BOTTLES SEE NOTE 1
-	597-		0	US MARINE OUTBOARD GEAR LUBE SEE NOTE 2

PROPELLER LISTING

REF. NO.	PART NO.	SYM.	QTY.	DESCRIPTION
-	FP293		0	PROPELLER 10-3/8 X 12-1/2 X 3 ALUM.
-	FP293		0	PROPELLER 10-3/8 X 12-1/2 X 3 ALUM.
-	FP278		0	PROPELLER 10-3/8 X 10 X 3 ALUM.
-	FP293		0	PROPELLER 10-3/8 X 12-1/2 X 3 ALUM.
-	FP293		0	PROPELLER 10-3/8 X 12-1/2 X 3 ALUM.
-	FP293		0	PROPELLER 10-3/8 X 12-1/2 X 3 ALUM.
-	FP293		0	PROPELLER 10-3/8 X 12-1/2 X 3 ALUM.
-	FP287		0	PROPELLER 10-3/8 X 11-1/2 X 3 ALUM.
-	FP278		0	PROPELLER 10-3/8 X 10 X 3 ALUM.
-	FP293		0	PROPELLER 10-3/8 X 12-1/2 X 3 ALUM.
-	FP287		0	PROPELLER 10-3/8 X 11-1/2 X 3 ALUM.
-	FP293		0	PROPELLER 10-3/8 X 12-1/2 X 3 ALUM.
-	FP287		0	PROPELLER 10-3/8 X 11-1/2 X 3 ALUM.
-	FP287		0	PROPELLER 10-3/8 X 11-1/2 X 3 ALUM.
-	FP293		0	PROPELLER 10-3/8 X 12-1/2 X 3 ALUM.
-	FP293		0	PROPELLER 10-3/8 X 12-1/2 X 3 ALUM.

PARTS INDEX

Part Number	Description	Pg.	Ref. No.	Part Number	Description	Pg.	Ref. No.
485388	DIISC, WATER PUMP	41	54	F1059	FILL HD SCREW 6 - 32 X 1/4	21	36
5H158	FUEL GAUGE FLUSH MOUNT	54	-	F1129	FILL HEAD SCREW, 5/16 - 18 X 1/2 S.S.	37	6
817746A1	BRACKET, CONNECTOR STUD	31	27	F1129	SCREW, 3/8 - 16 X 1-5/8	13	21
817747--1	BEARING W/BALL JOINT	31	7	F1136	SCREW, FLAT HD., 1/4 - 20 X 1	29	19
817782--1	IGNITION KEY - NO LETTER OR STAMPED A	47	32	F1141	FLAT HD SCREW, 10 - 24 X 12	33	6
817793A1	SHIFT ARM	31	22	F1164	SCREW, 5/16 - 18 X 1-1/8	13	22
817796A2	GEAR SHIFT ARM ASSEMBLY	39	34	F1211	HEX HEAD MACHINE SCREW, 1/4 - 28 X 5/8	9	4
817883--1	IGNITION KEY - STAMPED B	47	-	F1211	HEX HEAD SCREW W/ LOCKWASHER, 1/4 - 28 X 5/8	11	4
817891--1	IGNITION KEY - STAMPED C	47	-	F1238	SCREW, 1/4 - 20 X 3/4	15	46
817928--1	IGNITION KEY - STAMPED D	49	-	F1257	SOCKET HEAD SCREW, 5/16 - 18 X 1-1/4 S.S.	11	11
817929--1	IGNITION KEY - STAMPED E	49	-	F1263	HEX SOCKET HEAD CAP SCREW, 2.2., 5/16 - 18 X 9/16	39	13
817944A2	HANDLE, END SHAFT W/FASTENERS AND REAR BEARING	35	25	F1280	SCREW (IGN. SWITCH WIRE TERMINAL)	47	22
819331A2	KINGPIN	35	2	F1286	SCREW, PAN HD., 4 - 40 X 3/16	29	15
89396A38	PRIME BULB	43	6	F1303	SCREW, 8 - 32 X 3/4	13	7
F1005	SOCKET HEAD CAP SCREW, 3/8 - 16 X 1-1/2	11	9	F1326	ACORN NUT, 5/16 - 18 S.S.	37	10
F10067	BOWL RETAINER GASKET	21	14	F1341	NUT, 1/4 - 20	13	19
F10127	FUEL BOWL	21	3	F1341	NUT, HEX	31	16
F10128	CHOKE VALVE	21	7	F1346	HEX NUT, 3/8 - 16	11	8
F10129	CHOKE RELIEVING VALVE	21	8	F1346	HEX NUT, 3/8 - 16 S.S.	35	16
F10130	CHOKE VALVE SPRING	21	23	F1346	HEX NUT, S.S., 3/8 - 16	39	33
F10135	FLOAT ASSEMBLY	21	9	F1349	HEX NUT, 5/16 - 18 S.S.	37	12
F10137	NOZZLE	21	11	F141118	SEAL, PROPELLER SHAFT	39	15
F1014	COTTER PIN	21	38	F141305	SEAL, PROPELLER SHAFT BEARING CAGE	39	17
F10140	VALVE SCREW	21	20	F141704	COUPLER, GEAR SHIFT ROD	37	11
F10141	IDLE NEEDLE SPRING	21	21	F1446	SCREW, SLOTTED PAN HD., 1/4 - 20 X 1	29	18
F10142	FLOAT SUPPORT SPRING	21	22	F1473	NUT, 10 - 24 S.S.	19	18
F1015	COTTER PIN	39	37	F1473	NUT, HEX, 10 - 24	31	20
F10152	CUP PLUG	21	12	F1493	PAN HEAD MACHINE SCREW, 1/4 - 20 X 5/8 S.S.	3	11
F10153	WELCH PLUG	21	13	F1493	PAN HEAD MACHINE SCREW, 1/4 - 20 X 5/8 S.S.	5	11
F10155	VALVE SCREW	21	19	F1493	PAN HEAD MACHINE SCREW, 1/4 - 20 X 5/8 S.S.	7	11
F10159	CHOKE SHAFT ASSEMBLY	21	6	F1502	SCREW, CYLINDER HEAD COVER TO CYLINDER HEAD	25	20
F1017	COTTER PIN	47	-	F1504	SLOTTED FILL SCREW, 1/4 - 20 X 1-1/4 S.S.	19	8
F10191	CHOKE RETURN SPRING	21	25	F1513	NUT, 10 - 32	15	43
F10192	THROTTLE RETURN SPRING	21	24	F1513	NUT, 10 - 32	15	48
F10193	THROTTLE SHAFT ASSEMBLY	21	4	F1513	NUT, HEX, 10 - 32	31	2
F10197	JET (.046)	21	28	F1513	STOP NUTS (CABLE END)	47	23
F10203	JET SIZE (.080) 5000-7500 FT.	21	-	F1515	HEX NUT, 5/16 - 18	33	2
F10204	NOZZLE SPRING	21	26	F1515	NUT, 5/16 - 18	13	28
F10205	BOWL RETAINER SCREW	21	18	F1515	NUT, HEX, 5/16 - 18	29	1
F10206	BOWL RETAINER GASKET	21	16	F15152	LOCKWASHER	17	11
F10207	THROTTLE VALVE	21	5				
F10208	PIN, FLOAT ASSEMBLY	21	10				
F10210	JET SIZE (.078) 7500-10,000 FT.	21	-				
F10218	RING	21	1				
F10229	MAIN FUEL JET (.084)	21	29				
F10230	JET SIZE (.082) 2500-5000 FT.	21	-				
F1027	COTTER PIN, S.S., 1/8 - 1/2	39	10				

PARTS INDEX

Part Number	Description	Pg.	Ref. No.	Part Number	Description	Pg.	Ref. No.
F15154	CAP, DRIVE END	17	3	F1770	LOCKNUT, 8 - 32	7	22
F15157	HOLDER, BRUSH	17	9	F177330	VALVE, FUEL PUMP	19	24
F15158	SCREW, BRUSH HOLDER	17	7	F17816	SEAL, FUEL LINE COUPLER (LARGE)	43	1
F15159	INSULATOR	17	14	F17818	GASKET FOR GAUGE CAP (NOT SHOWN)	43	-
F15160	INSULATOR WASHER	17	13	F1785	SEAL, FUEL LINE COUPLER (SMALL)	43	2
F15161	PLAIN WASHER	17	12	F1789	PIPE PLUG - 1/16 - 27	19	19
F15162	NUT	17	10	F1804	NUT, STOP 10 - 32	31	28
F15164	BRUSH KIT	17	8	F18160-3	REED, CYLINDER DRAIN	29	12
F15179	CAP COMMUTATOR END W/BRUSHES AND BRUSH HOLDER	17	15	F1832	LOCKNUT, 1/4 - 20	13	29
F15181	DRIVE KIT	17	1	F183346-1	MOUNT, SHOCK, LOWER	37	5
F15182	DRIVE PINION	17	2	F1836	SPRING PIN	35	22
F15183	ARMATURE	17	4	F184033-1	SWIVEL, CHOKE ROD	21	35
F15184	THRU BOLT	17	16	F184122-1	SEAL, CRANKCASE PARTING LINE	25	7
F1532	HEX HEAD SCREW, 1/4 - 20 X 1	9	5	F184579	SEAL, CHOKE ARM SWIVEL	21	34
F1540	HEX HD SCREW, 1/4 - 20 X 5/8 GR. 5	19	21	F1854	HEX CAP SCREW, 1/4 - 20 X 5/8	9	7
F1552	SCREW, 8 - 32 X 1/2	13	38	F1854	SCREW, 1/ - 20 X 5/8	15	53
F1556	SCREW, FILL HD. W/LOCKWASHER, 10 - 24 X 3/8	31	13	F1854	SCREW, 1/4 - 20 X 5/8	29	8
F1600	LOCKNUT	35	36	F1854	SCREW, HEX SLOT HD, 1/4 - 20 X 5/8	29	5
F1635	HEX SOCKET HEAD CAP SCREW, 3/8 - 16 X 3-1/2	37	9	F1857	HEX HEAD CAP SCREW, 5/16 - 18 X 5/8	11	1
F1636	HEX SOCKET HEAD CAP SCREW, 3/8 - 16 X 1-1/4	37	8	F1857	HEX HEAD MACHINE SCREW, 5/16 - 18 X 5/5 S.S.	7	7
F1645	SCREW, 6 - 32 X 1/4	13	34	F1857	HEX HEAD MACHINE SCREW, 5/16 - 18 X 5/8 S.S.	3	7
F1645	SCREW, 6 - 32 X 1/4	13	9	F1857	HEX HEAD MACHINE SCREW, 5/16 - 18 X 5/8 S.S.	5	7
F1645	SCREW, RD. HD., SELF- TAPPING, 6 - 32 X 1/4	47	31	F1857	SCREW, HEX CAP, 5/16 - 18 X 5/8	25	32
F1645	SELF TOPPING SCREW, 6 - 32 X 1/4 S.S.	45	5	F185764	RETAINING RING	37	16
F1646	SCREW, CRANKCASE COVER TO CYLINDER 3/8 - 16 X 2-1/4 H SOC	25	9	F1858	SCREW, 5/16 - 18 X 1	13	23
F1647	HEX NUT, 8 - 32	15	55	F1860	SLOTTED BINDING HEAD SCREW, 6 - 32 X 1/4	19	25
F1648	SCREW, 10 - 24 X 3/4 PAN HD SCREW	19	13	F1864	SCREW, CRANKCASE TO CYLINDER, LARGE HD. 1/4 - 20 X 3/4	25	12
F166	DUAL ENGINE TIE BAR	54	-	F1864	SCREW, HEX CAP, 1/4 - 20 X 3/4	31	30
F1669	STOP NUT	35	29	F1879	SCREW, CRANKCASE COVER TO CYLNDR 3/8 - 16 X 1-5/8 HEX SOC HD	25	8
F1696	HEX HEAD SCREW, 5/16 - 18 X 1-3/4	11	12	F19109	PLUG	25	29
F1703	LOCKWASHER	11	10	F191169-1	BEARING, SWIVEL BRACKET	35	4
F1704	WASHER	13	35	F1922	SCREW, CRANKCASE TO CYLINDER, SMALL HD. 1/4 - 20 X 5/8	25	11
F1704	WASHER	13	8	F1922	SCREW, HEX HD., 1/4 - 20 5/8	29	24
F1727	RIVET, PLASTIC	31	9	F195/___	REMOTE CONTROL CABLE (SPECIFY LENGTH - X)	47	26
F1733	PAN HEAD SCREW, 10 - 24 X 9/16	35	24	F195/___	REMOTE CONTROL CABLES	54	-
F1733	PAN HEAD SCREW, 10 - 24 X 9/16 S.S.	9	16				
F1733	SCREW, 10 - 24 X 9/16	15	49				
F1741	FILL HEAD WOOD SCREW, #8 X 3/4 S.S.	45	4				
F1741	SCREW (TERMINAL BLOCK)	47	20				
F1741	SCREW, PAN HD., 8-3/4	47	30				
F1744	SPRING PIN	35	33				

PARTS INDEX

Part Number	Description	Pg.	Ref. No.	Part Number	Description	Pg.	Ref. No.
F1968	FLYWHEEL NUT, 3/4 - 16	27	19	F2214	HEX HEAD SCREW		
F1971	SCREW, EXHAUST PORT, 1/4 - 20 X 2 1/8 HEX HD.	25	5		W/LOCKWASHER, 1/4 - 28 X 1/2	37	14
F1974	SCREW, 10 - 24 X 5/8	13	13	F2216	HEX SOCKET HEAD CAP SCREW, 8 - 32 X 1/2 S.S.	7	21
F1974	SCREW, TERMINAL BLOCK MTG., #10 - 24 X 5/8 SL PAN HD.	25	6	F24342	SEAL	41	61
F1975	LOCKWASHER	13	12	F269052	BEARING, SHIFT ARM	31	25
F1975	LOCKWASHER	15	44	F269319	BEARING, THROTTLE CAM	31	5
F1975	LOCKWASHER	19	14	F269929	SPACER	35	6
F197787-3	FUEL LINE COUPLER	43	3	F286461	SPRING, LOCK BAR HANDLE	35	34
F197813	BEARING, REVERSE LOCK SHAFT, REAR	35	19	F286818	BEARING, LATCH SHAFT	9	13
F1987	WASHER	37	17	F298788	FERRULE	43	4
F1995	SCREW, FILL HD., 10 - 24 X 1	31	14	F2A474266	BEVEL PINION W/BEARING	39	35
F1995	SCREW, THERMOSTAT COVER TO CYLINDER HEAD #10 - 24 X 1	25	27	F2C684712	ENGINE COVER COMPLETE	3	-
F1997	STOP NUT 8 - 32	23	42	F2C684712	ENGINE COVER COMPLETE (PAINTED W/DECALS)	7	-
F1999	SCREW, 1/4 - 20 X 7/8	13	16	F307211	STUD	29	3
F2008	HEX HD SCREW, 1/4 - 20 X 7/8	33	1	F307317	TERMINAL JUMPER CLIP	13	11
F2008	HEX HEAD M.S., 1/4 - 20 X 7/8	41	55	F307683	WIRE, CIRCUIT BREAKER	13	40
F2012	WASHER	3	15	F307942-1	BUMPER	25	35
F2012	WASHER	5	15	F307962	SHOCK MOUNT, SIDE UPPER	11	6
F2012	WASHER	7	15	F310398	DECAL, WARNING (NOT SHOWN)	43	-
F2014	WASHER, PLAIN	39	32	F316160	REED	33	10
F2016	SCREW, 6 - 32 X 7/8	13	33	F316599	SEAL, PIVOT TUBE	35	37
F2030	HEX HEAD SCREW, S.S., 1/4 - 20 X 1-1/4	41	52	F319908	WIRE, GROUND	13	30
F2030	SCREW 1/4 - 20 X 1-1/4	41	-	F333316	THROTTLE ROLLER SHAFT	23	44
F2033	GROVE PIN	23	41	F335215	SPACER, PISTON PIN	27	13
F203965	MOUNT UPPER SHOCK	9	6	F335217-1	BEARING, PISTON PIN	27	17
F2047	WAVE WASHER	9	12	F338129-1	SEAL, DRIVESHAFT SPLINE	39	1
F2073	HEX HEAD CAP SCREW, 3/8 - 24 X 1-5/8	9	21	F338271	RETAINER	39	2
F2081	SCREW, BEARING CAGE TO CYLINDER, 1/4 - 20 X 7/8 PAN HD	27	2	F338618-1	SEAL, SHIFT ROD LOWER	41	43
F2088	FASTENER	35	20	F345427-1	BRACKET, STARTER MOUNTING	29	4
F2091	SCREW, CYLINDER HEAD AND COVER TO CYLINDER	25	17	F349307	DRIVESHAFT SEAL - WATER PUMP	41	50
F2093	STOP NUT	9	18	F366058	BALL BEARING, PROPELLER SHAFT	39	16
F2097	SPRING PIN	39	23	F366300	SPRING, REVERSE LOCK	35	30
F213274	GREASE FITTING	35	17	F366349	LOCK, REVERSE	35	28
F2143	HEX SOCKET HEAD SCREW, 1/4 - 20 X 1 S.S.	3	14	F366350-1	PIVOT	35	5
F2143	HEX SOCKET HEAD SCREW, 1/4 - 20 X 1 S.S.	5	14	F366364	AARM, REVERSE LOCK	35	21
F2143	HEX SOCKET HEAD SCREW, 1/4 - 20 X 1 S.S.	7	14	F366426	STOP, TILT, PORT	35	41
F215962	SHOCK MOUNT, SIDE, LOWER	37	3	F366433	STOP, TILT, STARBOARD	35	42
F2185	HEX HEAD SCREW, 3/8 - 16 X 3-1/2 S.S.	35	14	F366510-1	LINK, REVERSE LOCK	35	27
F2200	SCREW, 12 - 24 X 1	13	36	F366727	BALL, PROPELLER SHAFT	39	20
				F366886	PIN	35	18
				F381896-4	CABLE, BATTERY (FORCE MODELS)	13	-
				F391926-1	CHOKE SOLENOID PLUNGER	23	40
				F3A433757	REED PLATE,, CYLINDER DRAIN	29	11
				F40008	STUD, SHORT	39	39
				F40146-2	SEAL, CRANKSHAFT LOWER	27	10
				F40151-2	PLATE, EXHAUST PORT	25	3

PARTS INDEX

Part Number	Description	Pg.	Ref. No.	Part Number	Description	Pg.	Ref. No.
F40209	CARBURETOR STUD	33	3	F475504	GROMMET	13	17
F40223	GASKET, TRANSFER PORT COVER	19	22	F481777	CAM, LATCH SHAFT	9	11
F40223	GASKET, TRANSFER PORT COVER	29	25	F485023-1	BEVEL GEAR FRONT W/FRONT AND CUP	39	25
F40307-2	SEAL, DRIVESHAFT UPPER	41	46	F487755	FUEL TANK ADAPTER	43	8
F40342	SEAL	39	5	F498619	SEAL, O-RING	39	30
F40342	SEAL, PROPELLER NUT	39	11	F498891	GEAR SHIFT ARM PIVOT PIN	39	29
F40410	SNAP RING	27	11	F50109	PLUG, GEAR HOUSING	39	27
F404801	ELBOW	29	21	F510640	CIRCUIT BREAKER	15	51
F404841	CABLE, OVERHEAT BUZZER	45	6	F522125-1	TUBE, PIVOT	35	38
F404841	CABLE, OVERHEAT BUZZER	47	28	F522286	WASHER, FRICTION	35	11
F405457	SCREW, PIVOT	31	31	F522359	SPACER, STEERING LINK	9	22
F40717	THRUST WASHER, BEVEL GEAR	39	19	F522884	BEARING, REVERSE LOCK SHAFT, FRONT	35	23
F40906-1	CARBURETOR GASKET	21	33	F544390-1	DECAL, TILT LOCK	35	26
F40909	PIN, LOCATING	25	34	F549189-1	BUSHING, ELECTRIC CABLE ENTRY	9	17
F409251-1	GAUGE CAP	43	10	F563	TERMINAL BLOCK KIT	55	-
F428096	RETAINER	45	1	F575675	BRACKET, STARTER MOUNTING, LOWER	29	7
F428096	RETAINING RING	25	19	F575955	STARTER MOTOR COMPLETE	17	18
F430732	SCREW	11	5	F58685-2	CONNECTOR (SHIFT)	47	25
F433065-2	IMPELLER	41	-	F590	REMOTE CONTROL FLUSH MOUNT	54	-
F433065-2	WATER PUMP IMPELLER	41	48	F591843	CABLE (25' REMOTE ELECT. - 10 WIRE)	47	-
F433114	HANDLE, LOCK BAR	35	35	F5H021	BATTERY EXTENSION CABLE	54	-
F433168	CARBURETOR ADAPTER GASKET	33	5	F5H025	ANTI-CORROSION SACRIFICIAL ANODE	54	-
F433192	CAM, THROTTLE	31	6	F5H026-1	FUEL TANK, 6 GALLON, STEEL	54	-
F433209-1	STUD, THROTTLE CAM	31	1	F5H027-1	FUEL TANK (ACCESSORY ITEM)	43	9
F433254	HOSE	29	20	F5H029	FUEL TANK ANCHOR	54	-
F433404	DEFLECTOR PLATE	33	7	F5H030	SWITCH KIT - RUNNING LIGHTS	54	-
F433406	DEFLECTOR PLATE GASKET	33	8	F5H034	SWITCH KIT - BILGE PUMP	54	-
F433689	BEARING, TOWERSHAFT	31	10	F5H035	SWITCH KIT - HORN	55	-
F433758	HOSE, LOWER MAIN BEARING TO ELBOW	29	27	F5H036	SWITCH KIT - TACHOMETER TRANSFER	55	-
F433946	COVER, SHOCK MOUNT UPPER	11	13	F5H038	SWITCH KIT - IGNITION	55	-
F434754	FUEL LINE, PUMP TO CARBURETOR	19	10	F5H039	SWITCH KIT - INSTRUMENTS	55	-
F435057	BEARING, DRIVESHAFT UPPER	41	45	F5H041	BATTERY TERMINAL KIT	54	-
F435077	SCREEN, WATER INLET	41	44	F5H055	WATER PUMP KIT	54	-
F435244	INLET WATER LINE	39	7	F5H073	BUZZER KIT	45	3
F435555	SEAL, GEAR HOUSING	39	41	F5H073	BUZZER, OVERHEAT (ACCESSORY ITEM)	47	29
F435562	BACK PLATE, WATER PUMP	41	-	F5H075	SWITCH EXTENSION CABLE - 24"	54	-
F435562	WATER PUMP BACK PLATE	41	47	F5H076	SWITCH EXTENSION CABLE - 5'	54	-
F435705	GEAR SHIFT ROD LOWER	39	36	F5H077	IGNITION KEY SWITCH	54	-
F438165	SCREW, FUEL SEDIMENT BOWL	19	6	F5H077	SWITCH (ACCESSORY ITEM)	47	21
F438500	BOWL, FUEL SEDIMENT	19	5	F5H078	IGNITION KEY SWITCH	54	-
F438617	GASKET, FUEL SEDIMENT BOWL	19	3				
F438653	SCREEN, FUEL PUMP	19	4				
F438747	DIAPHRAGM, FUEL PUMP	19	15				
F438760	GASKET, FUEL PUMP	19	16				
F438801	ELBOW	19	11				
F452925	CHOKE SOLENOID ROD	21	39				
F463314	ELBOW W/CHECK VALVE	29	28				
F463314	ELBOW, CHECK VALVE	25	10				
F474146	SEAL CRANKSHAFT, UPPER	27	1				

PARTS INDEX

Part Number	Description	Pg.	Ref. No.	Part Number	Description	Pg.	Ref. No.
F5H080	CONTROL, CONSOLE MOUNT (TWIN ENGINES)	54	-	F660189	BUSHING, CABLE ENTRY	9	23
F5H081	BATTERY CABLE	54	-	F660327	ACTUATOR (ASSEMBLY - REMOTE CONTROL)	47	14
F5H084	TRAILERING TILT LOCK	9	24	F660329	LANYARD, STOP SWITCH (CUP TYPE)	49	33
F5H141	STEERING LINK KIT	9	20	F660332	PLUG (WARM-UP BUTTON)	47	4
F5H155	SPEEDOMETER	54	-	F660353	CABLE ACCESSORY	47	8
F5H159	HOURMETER	54	-	F660411	RING (RETAINING)	47	16
F5H177	FLUSHING ADAPTER	54	-	F660446	CLAMP (REMOTE ELECT. CABLE)	47	6
F5H187	QUART BOTTLES	55	-	F660480	SCREW (COVER TO ACTUATOR)	47	9
F5H191	FORCE BLUE ENAMEL	55	-	F660497	BLOCK (TERMINAL)	47	19
F5H192	FORCE BLUE ENAMEL	55	-	F660504	GROMMET (REMOTE ACCESSORY CABLE)	47	7
F5H193	CABLE (7' EXTENSION FOR 10 WIRE REMOTE ELECTRIC CABLE)	47	-	F660595	WASHER (CONTROL MTG. SCREWS)	47	11
F5H194	CLEAR ENAMEL	55	-	F660602	SWITCH (EMERGENCY STOP)	47	2
F5H198	REMOTE CONTROL COMPLETE - WIRED FOR POWER TRIM	49	-	F660611	LEVER W/TRIM SWITCH	47	1
F5H198	REMOTE CONTROL SURFACE MOUNT (SINGLE LEVER W/TRIM SWITCH)	54	-	F660642	RETAINER (REMOTE CABLE)	47	13
F5H202	TRAILERING BRACKET	55	-	F660664	WIRE (IGN. SWITCH TO ACC. TERMINAL BLOCK)	47	27
F5H215	FUEL TANK, 6 GALLON, PLASTIC	54	-	F660732	SCREW (CONTROL MOUNTING)	47	10
F604929	SPACER	13	24	F660751	SCREW (PLATE TO ACTUATOR)	47	17
F628061-2	CARBURETOR ASSEMBLY (WE-17A)	21	-	F660843	CABLE (15-1/2' REMOTE ELECT. - 10 WIRE)	47	5
F629896	CABLE, BATTERY (BAYLINER MODELS)	13	39	F660911	PLATE (REMOTE CONTROL)	47	18
F658013	BEARING, CRANKSHAFT, UPPER MAIN	27	4	F660995	COVER (ASSEMBLY - REMOTE CONTROL)	47	12
F658015	PISTON (STANDARD)	27	14	F663095	STATOR	13	3
F658017	PIN, PISTON	27	16	F663269	HANDLE, TILT	3	13
F658018	CRANKSHAFT W/UPPER CRANKSHAFT BEARING	27	8	F663269	HANDLE, TILT	5	13
F658066	COVER, THERMOSTAT	25	26	F663269	HANDLE, TILT	7	13
F658144	CAGE, CRANKSHAFT BEARING W/CRANKSHAFT SEAL	27	3	F663366	MEDALLION (FORCE)	3	6
F658152	COVER, EXHAUST PORT	25	4	F663366	MEDALLION (FORCE)	5	6
F658208	RETAINER	41	60	F663366	MEDALLION (FORCE)	7	6
F658268	SPRING, THERMOSTAT	25	24	F663480-1	RETAINER, ENGINE COVER	9	8
F658418	TUBE, COOLING SYSTEM	25	28	F663843	CABLE (19' REMOTE ELECT. - 10 WIRE)	47	-
F658445	LINK, SPARK CONTROL	31	19	F664843	CABLE (22' REMOTE ELECT. - 10 WIRE)	47	-
F658449	THERMOSWITCH	45	2	F68335-1	BRACKET, UPPER MOUNT	9	3
F658449	THERMOSWITCH W/WIRE	25	18	F683528	DECAL, TOP REAR	3	12
F658497	BLOCK, TERMINAL	13	37	F683615	ROD, GEAR SHIFT UPPER	37	15
F658504	WASHER, THERMOSTAT	25	22	F683892	DECAL, TOP FRONT	3	2
F658518	HEAD, CYLINDER	25	14	F684029	TRIGGER	13	4
F658529	GASKET, CYLINDER HEAD	25	13	F684032	BRACKET, STARBOARD STERN	35	40
F658744-1	ENGINE WIRE HARNESS	13	5	F684038	PLATE, SUPPORT	9	15
F658758	HOSE, IMPULSE	19	20	F684133-1	MOTOR LEG	37	2
F658803	GASKET, SPACER PLATE	19	2	F684201	WASHER	35	12
F658836	SPACER, FUEL PUMP	19	17	F684358	BRACKET	13	25
F658995	COVER, CYLINDER HEAD	25	15	F684386	DECAL, "50", BOTTOM REAR	3	5
F660141	CONNECTOR (CABLE - REMOTE CONTROL)	47	15	F684386	DECAL, "50", REAR	5	5
F660165	SCREW (LEVER TO ACTUATOR)	47	3	F684396	DECAL, STARBOARD SIDE	5	4
				F684396-1	DECAL, STARBOARD SIDE	3	4

PARTS INDEX

Part Number	Description	Pg.	Ref. No.	Part Number	Description	Pg.	Ref. No.
F684397	DECAL, PORT SIDE	5	-	F8083	LOCKWASHER	9	9
F684397-1	DECAL, PORT SIDE	3	-	F8083	LOCKWASHER	19	7
F684415	WASHER	35	15	F8083	LOCKWASHER, SPRING	29	6
F684450	RECTIFIER	13	6	F8083	SPRING LOCKWASHER	15	54
F684475	COIL (BLUE)	13	14	F8083	WASHER	9	19
F684501	BRACKET	13	27	F8088	FLATWASHER	13	32
F684532	BRACKET, PORT STERN	35	9	F8088	PLAIN WASHER	21	37
F684611	EXTENSION, SHIFT ROD	37	13	F8094	WASHER	9	10
F684680	PLATE, SPACER	11	3	F8094	WASHER	15	47
F684681	SCOOP	7	23	F8096	LOCKWASHER	3	8
F684756-1	PACKING, SUPPORT PLATE	9	1	F8096	LOCKWASHER	5	8
F684774	BRACKET	3	10	F8096	LOCKWASHER	7	8
F684774	BRACKET	5	10	F8096	LOCKWASHER	11	2
F684774	BRACKET	7	10	F8096	LOCKWASHER	13	42
F684908-1	WIRE STARTER	17	6	F8096	LOCKWASHER, SPRING	25	31
F684962	MOUNT	13	26	F8096	LOCKWASHER, SPRING	29	2
F684972	COVER, SHOCK MOUNT, STARBOARD	37	7	F84026	SWIVEL, SPARK CONTROL	31	18
F684973	COVER, SHOCK MOUNT, PORT	37	4	F84035-2	BEARING, SPARK CONTROL, R.H.	31	21
F684984	BLANKET, TOP SILENCER (NOT SHOWN)	3	-	F84036	BEARING, SPARK CONTROL, L.H.	31	17
F684984	BLANKET, TOP SILENCER (NOT SHOWN)	5	-	F84280	NUT, KINGPIN	35	1
F684984	BLANKET, TOP SILENCER (NOT SHOWN)	7	-	F84314-2	ELBOW, FUEL	29	26
F684985	BLANKET, SIDE SILENCER (NOT SHOWN)	3	-	F84314-2	ELBOW, FUEL LINE	29	23
F684985	BLANKET, SIDE SILENCER (NOT SHOWN)	5	-	F84449	SWITCH, NEUTRAL INTERLOCK	13	31
F684985	BLANKET, SIDE SILENCER (NOT SHOWN)	7	-	F84792	GASKET, FUEL PUMP VALVE	19	23
F684989	SEAL, SUPPORT PLATE	9	2	F85372	PIN, GEAR SHIFT ROD LOWER	39	38
F685301	CD UNIT (BLUE)	13	15	F85498-1	FLYWHEEL KEY	27	18
F685387-1	DECAL, US MARINE	3	3	F85502	LINK, THROTTLE	31	8
F685387-1	DECAL, US MARINE	5	3	F8559	PIN, DOWEL	25	30
F685632	BOLT, LONG MOUNTING	35	8	F85610	BEARING	31	24
F7004	NUT STOP, 7/16 - 20	31	26	F85634-2	SCREW, CONNECTING ROD	27	7
F7007	NUT	35	7	F88161-4	REED STOP	33	11
F7008	NUT, ELASTIC, STOP, 1/4 - 20	31	4	F89011	WASHER, SWIVEL BRACKET	35	3
F7008	STOP NUT	17	17	F90014	BEARING, CRANKSHAFT, LOWER MAIN	27	9
F702329	LANYARD, STOP SWITCH (FORK TYPE)	49	34	F901563	DRIVE PIN	41	-
F7024	STOP NUT, 1/4 - 20	3	16	F901563	DRIVE PIN, WATER PUMP IMPELLER	39	4
F7024	STOP NUT, 1/4 - 20	5	16	F9018	PLASTIC CAP	35	10
F7024	STOP NUT, 1/4 - 20	7	16	F9052	PLASTIC PLUG	35	39
F7056	NUT, 1/2 - 20	35	13	F90619-2	YOKE	41	56
F8003	WASHER, PLAIN	29	14	F90871-3	GEAR SHIFT ARM PIN	39	22
F8008	WASHER	13	20	F91446-1	BRACKET	15	52
F8011	WASHER	15	50	F92759	ROLLER	23	43
F8038	WASHER	11	7	F93472-1	GASKET, CYLINDER DRAIN COVER	29	16
F8039	WASHER CYLINDER HEAD BOLTS	25	16	F93748-1	GASKET, CYLINDER DRAIN REED PLATE	29	9
F8042	PLAIN WASHER	39	6	F93811	SCREEN, CYLINDER DRAIN REED PLATE	29	10
F8056	SPRINK LOCKWASHER	15	56	F93920	REED STOP, CYLINDER DRAIN	29	13
F8058	WASHER, TOOTH, EXTERNAL	31	3	F97008-1	STUD, LONG	39	31
F8065	LOCKWASHER	41	59	F97067	GASKET, THERMOSTAT COVER	25	25
				F97068-2	THERMOSTAT	25	23

PARTS INDEX

Part Number	Description	Pg.	Ref. No.	Part Number	Description	Pg.	Ref. No.
F97772	CLAMP, FUEL LINE	19	9	FK405020	SWIVEL	31	12
F98273	STUD, ROD END CONNECTOR	31	29	FK433838	TOWERSHAFT	31	11
F99521-1	CLUTCH	39	24	FK460917	STARTER RELAY	15	45
FA40655	RACE, CRANKSHAFT CENTER MAIN BEARING W/SNAP RING	27	5	FK684453	GASKET, CYLINDER EXHAUST (UPPER & LOWER)	37	1
FA411222	COVER, TRANSFER PORT	29	22	FK85228-1	CAGE, BEARING WITH ROLLERS (16 PER SET)	27	6
FA433113	LOCK BAR W/HANDLE	35	32	FM684386	DECAL, "50XT"	7	20
FA433167	CARBURETOR ADAPTER FLANGE	33	4	FM684392	DECAL, "BASSTACTICS"	7	19
FA433471	COVER, CYLINDER DRAIN W/FITTING	29	17	FM684396	DECAL, STARBOARD SIDE	7	4
FA435116	EXHAUST, SNOUT	39	40	FM684397	DECAL, PORT SIDE	7	-
FA435616	GEAR SHIFT ROD INTERMEDIATE	41	53	FM684528	DECAL, "50", BOTTOM REAR	7	5
FA438431	BODY, FUEL PUMP	19	12	FM684585	DECAL, TOP REAR	7	12
FA463060	WATER PUMP BODY	41	-	FM684892	DECAL, BOTTOM FRONT	7	18
FA463060	WATER PUMP BODY	41	49	FM684894	DECAL, TOP FRONT	7	2
FA481743	BRACKET, ROLLER	3	9	FM684915	DECAL, TOP SIDE	7	17
FA481743	BRACKET, ROLLER	5	9	FO14166	NEEDLE, IDEL	21	27
FA481743	BRACKET, ROLLER	7	9	FO15623	BOWL RING GASKET	21	15
FA485662	BEVEL GEAR REAR W/BEARING	39	18	FO16620	SHAFT RETAINER RING	21	2
FA485914	SEAL, INLET WATER LINE, LOWER	41	51	FP278	PROPELLER 10-3/8 X 10 X 3 ALUM.	56	-
FA486054	GEAR HOUSING LOWER W/THRUST BEARING CUP	39	26	FP278	PROPELLER 10-3/8 X 10 X 3 ALUM.	56	-
FA545554	GEAR HOUSING UPPER	39	42	FP287	PROPELLER 10-3/8 X 11-1/2 X 3 ALUM.	56	-
FA58976-1	CONNECTOR (THROTTLE)	47	24	FP287	PROPELLER 10-3/8 X 11-1/2 X 3 ALUM.	56	-
FA609853	DECAL	13	2	FP287	PROPELLER 10-3/8 X 11-1/2 X 3 ALUM.	56	-
FA613072	BRACKET, SWIVEL	35	31	FP287	PROPELLER 10-3/8 X 11-1/2 X 3 ALUM.	56	-
FA616497	TERMINAL BLOCK	13	10	FP293	PROPELLER 10-3/8 X 12-1/2 X 3 ALUM.	56	-
FA658010	CYLINDER W/CRANKCASE COVER AND DEFLECTOR PLATE	25	1	FP293	PROPELLER 10-3/8 X 12-1/2 X 3 ALUM.	56	-
FA658097	FLYWHEEL	13	1	FP293	PROPELLER 10-3/8 X 12-1/2 X 3 ALUM.	56	-
FA658158	REED PLATE	33	9	FP293	PROPELLER 10-3/8 X 12-1/2 X 3 ALUM.	56	-
FA658260	RING SET (STANDARD)	27	15	FP293	PROPELLER 10-3/8 X 12-1/2 X 3 ALUM.	56	-
FA658746	COVER, FUEL PUMP	19	1	FP293	PROPELLER 10-3/8 X 12-1/2 X 3 ALUM.	56	-
FA663469	ENGINE COVER LATCH HANDLE W/SHAFT	9	14	FP293	PROPELLER 10-3/8 X 12-1/2 X 3 ALUM.	56	-
FA84754-1	FUEL LINE, SHORT	43	5	FP293	PROPELLER 10-3/8 X 12-1/2 X 3 ALUM.	56	-
FA89128-1	DRIVESHAFT	39	3	FP293	PROPELLER 10-3/8 X 12-1/2 X 3 ALUM.	56	-
FA94094-2	PROPELLER NUT	39	9	FP293	PROPELLER 10-3/8 X 12-1/2 X 3 ALUM.	56	-
FC409398	DECAL, TOTE TANK - CANADA (NOT SHOWN)	43	-	FP293	PROPELLER 10-3/8 X 12-1/2 X 3 ALUM.	56	-
FC486054	GEAR HOUSING KIT	39	-	FP293	PROPELLER 10-3/8 X 12-1/2 X 3 ALUM.	56	-
FC658010	SHORT BLOCK	25	-	FP293	PROPELLER 10-3/8 X 12-1/2 X 3 ALUM.	56	-
FC658746	FUEL PUMP COMPLETE	19	26	FS409752	FUEL LINE COMPLETE (NOT SHOWN)	43	-
FG1025-1	GASKET SET	25	33	FS684712	ENGINE COVER (UNPAINTED)	3	1
FK10102	FLOAT KIT	21	32	FS684712	ENGINE COVER (UNPAINTED)	5	1
FK10107	FLOAT KIT, VALVE AND SEAT	21	31	FS684712	ENGINE COVER (UNPAINTED)	7	1
FK10209	GASKET KIT	21	17				
FK1073	WATER PUMP KIT	41	58				
FK1074	GEAR HOUSING SEAL KIT	41	57				
FK1123	SPARKIE KIT	13	18				

PARTS INDEX

Part Number	Description	Pg.	Ref. No.	Part Number	Description	Pg.	Ref. No.
FSA658015	PISTON (.010 OVER)	27	-	32-817738A1	FUEL LINE, LONG W/CLAMP	43	7
FSA658260	RING SET (.010 OVER)	27	-	33-82370M	SPARK PLUG, L-82-C	25	21
FT11201	HARNES ADAPTOR	52	-	37-817792A1	DECAL, TIMING	33	13
FT11260	SPARK TESTER	52	-	37-817910--1	DECAL, WIRING	13	41
FT1749	SNAP RING PLIERS	50	-	37-817985--1	DECAL, US MARINE	7	3
FT2938-1	CONTINUITY TESTER	52	-	39-818131A1	RING SET (.030 OVER)	27	-
FT2951	CIRCUIT TRACER	52	-	44-819500A3	PROPELLER SHAFT		
FT2953	SOCKET	50	-		ASSEMBLY	39	21
FT2955A	TEST WHEEL	52	-	89-817760A2	CHOKE SOLENOID	15	57
FT2961	LUBRICANT - RYKON			100-818079A1	ENGINE COVER COMPLETE		
	GREASE #2EP	53	-		(PAINTED W/DECALS)	5	-
FT2962-1	SEALANT - 50 CC LOCTITE			597-	US MARINE OUTBOARD		
	H, NON-HARDENING				GEAR LUBE	55	-
	GRADE	53	-	600-818052A4	ROD, CONNECTING W/CAP		
FT2963-2	SEALANT - 2 OZ. LOCTITE				AND SCREWS	27	12
	271	53	-	700-818130A1	PISTON (.030 OVER)	27	-
FT2987-1	LUBRICANT - ANTI-SEIZE	53	-	F596-	PINT CANS	55	-
FT2989	FLYWHEEL WEDGE	50	-				
FT2990	PISTON PIN REMOVER	50	-				
FT2991	CARBON BRUSH	50	-				
FT2996	RING COMPRESSOR	50	-				
FT2998	TORQUE WRENCH (0-100						
	LBS./FT.)	50	-				
FT2999	TORQUE WRENCH (0-600						
	LBS./IN.)	50	-				
FT3431	SEAL INSTALLER	51	-				
FT8900	HOSE CLAMP PLIERS	50	-				
FT8904	FORWARD BEARING CUP						
	INSTALLER	51	-				
FT8907	DRIVER HANDLE	51	-				
FT8918	BUSHING GUIDE SET	51	-				
FT8919	SPRING PIN PUNCH	51	-				
FT8921	FORWARD BEARING CUP						
	REMOVER	51	-				
FT8926	RING EXPANDER	50	-				
FT8933	LIFTING HOOK	50	-				
FT8935	LOC QUICK "T"	53	-				
FT8936-1	SEALANT - 2 CC LOCTITE						
	RETAINING COMPOUND						
	#75	53	-				
FT8948-1	PROPELLER SHAFT						
	BEARING CAGE PULLER	51	-				
FT8950	LEAKAGE TESTER	52	-				
FT8957	SEAL INSTALLER	51	-				
FT8963	BEARING INSTALLER	51	-				
FT8964	BEARING REMOVER	51	-				
FT8967	SEAL PROTECTOR	50	-				
FT8969	LUBRICANT - 7 OZ. LPS #1						
	LUBRICANT	53	-				
FT8971	SEAL INSTALLER	50	-				
FT8972	DRIVESHAFT SEAL						
	INSTALLER	51	-				
FT8976	SEAL PROTECTOR	50	-				
FT8977	SEAL COLLAR INSTALLER	50	-				
FT8983	SEALANT	53	-				
FTA11259	MULTIMETER	52	-				
FX684528	DECAL, REAR	5	12				
FX684892	DECAL, FRONT	5	2				
31-817731A5	PROPELLER SHAFT						
	BEARING CAGE	39	14				