



PARTS CATALOG

FORCE 1988 125 HP "B" MODELS

SERIAL NUMBER

125 H.P. (1988)	1251A8B
125 H.P. (1988)	1251F8B
125 H.P. (1988)	1251H8B
125 H.P. (1988)	1251V8B
125 H.P. (1988)	1251X8B
125 H.P. (1988)	1253X8B
125 H.P. (1988)	1254X8B
125 H.P. (1988)	1258D8B
125 H.P. (1988)	1258F8B
125 H.P. (1988)	1258I8B
125 H.P. (1988)	1258L8B
125 H.P. (1988)	1258M8B
125 H.P. (1988)	1258T8B
125 H.P. (1988)	1258V8B
125 H.P. (1988)	1258X8B
125 H.P. (1988)	C1251F8B
125 H.P. (1988)	C1258F8B
125 H.P. (1988)	O1251X8B

TABLE OF CONTENTS:

ACCESSORIES	67
ADAPTER AND REED PLATE	24
CARBURETOR	20
CRANKSHAFT AND PISTON	34
ELECTRICAL COMPONENTS	14
ENGINE COVER BAYLINER MODELS	4
ENGINE COVER CAJUN MODELS	8
ENGINE COVER FORCE MODELS	2
ENGINE COVER MAXUM MODELS	6
ENGINE COVER OLYMPIC MODELS	10
FLARED HUB PROPS	60
FUEL PUMP	26
FUEL TANK AND LINE	52
GEAR HOUSING	42
MOTOR LEG	38
PARTS BREAKDOWN TILT CYLINDER, TRIM CYLINDER, MOTOR & PUMP	56
PARTS INDEX	69
POWER HEAD	28
POWER TRIM UNIT	54
REMOTE CONTROL	48
SPECIAL TOOLS - GEAR HOUSING	64
SPECIAL TOOLS - LUBRICANTS AND SEALANTS	66
SPECIAL TOOLS - POWER HEAD	63
SPECIAL TOOLS - TEST EQUIPMENT	65
SPECIAL TOOLS - TUNE-UP	62
STARTER	18
STRAIGHT HUB PROPS	58
SUPPORT PLATE	12
SWIVEL BRACKET AND STERN BRACKETS MODELS WITH POWER TRIM	36

NOTE: Indented description indicate that these parts are included in preceeding assembly.

AR = As Required

NSS = Not Sold Separate

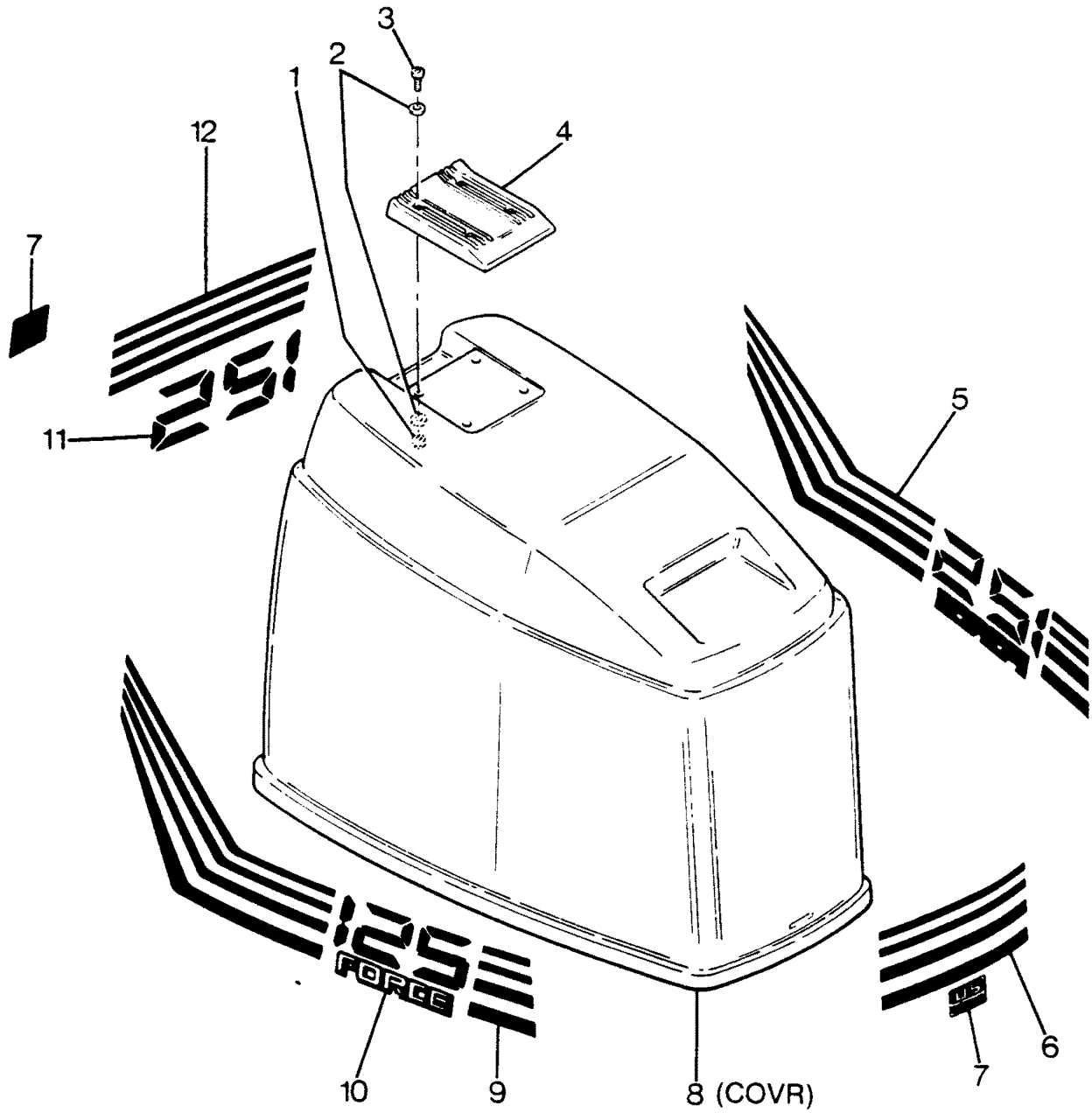
OPT = Optional

NS = Not Shown

THESE PARTS BOOKS/FICHE CARD ARE COPYRIGHTED AND MAY NOT BE DISTRIBUTED OR REPRODUCED IN ANY OTHER FORMAT BY ANYONE OTHER THAN MERCURY MARINE WITHOUT THE PRIOR WRITTEN CONSENT OF MERCURY MARINE.

THIS PAGE INTENTIONALLY LEFT BLANK

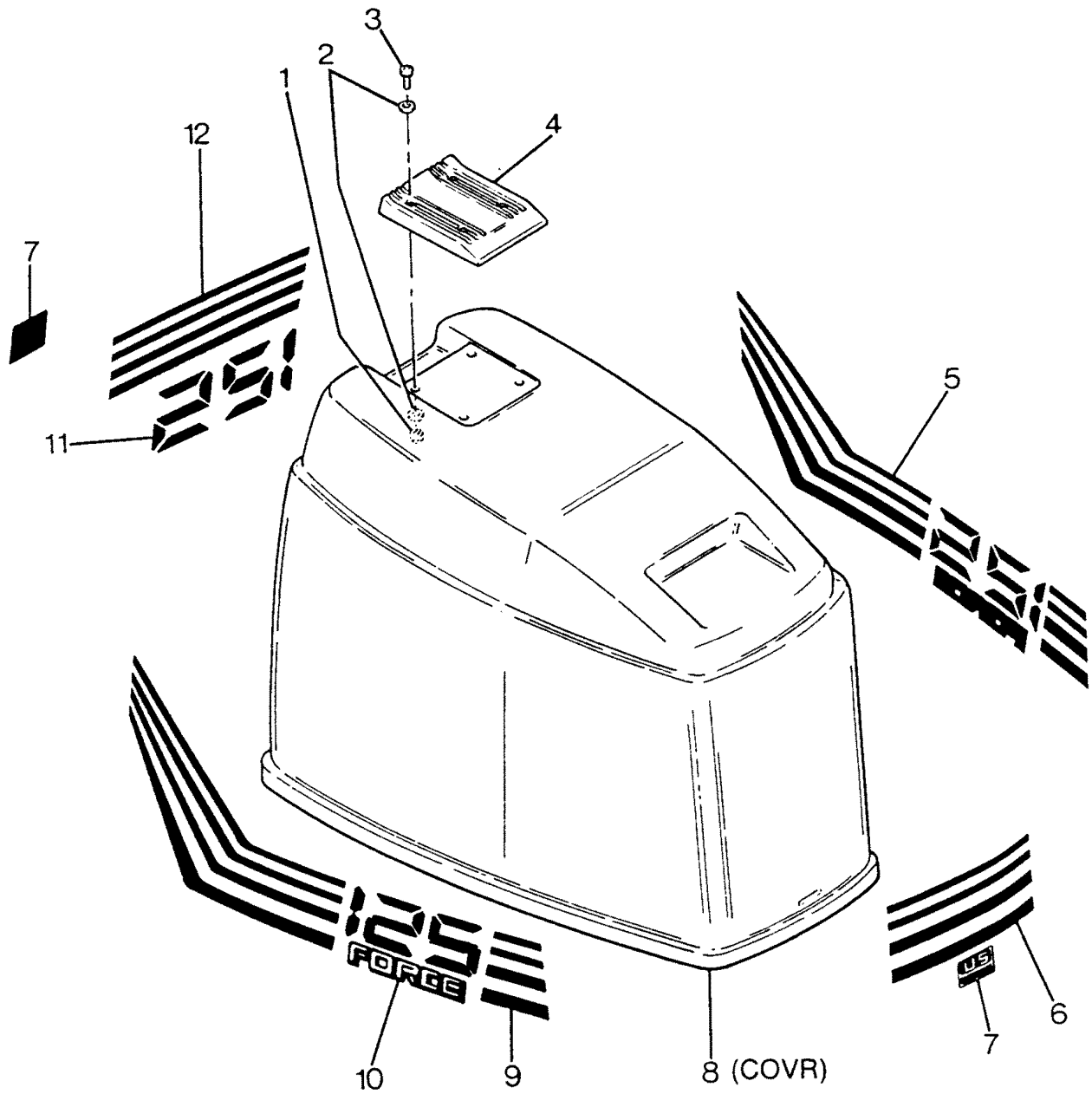
ENGINE COVER FORCE MODELS



ENGINE COVER FORCE MODELS

REF. NO.	PART NO.	SYM.	QTY.	DESCRIPTION
1	F7024		4	STOP NUT, 1/4 - 20
2	F2012		8	WASHER
3	F2143		4	HEX SOC. HD. SCREW, 1/4 - 20 X 1 S.S.
4	F663269		1	HANDLE, TILT
5	F686397		1	DECAL, PORT
6	F685892-1		1	DECAL, FRONT
7	F665387		2	DECAL, "US MARINE"
8	FS664712		1	ENGINE COVER, (WITHOUT PAINT, DECALS OR HARDWARE)
-	F2C686712		1	ENGINE COVER, COMPLETE
9	F686396		1	DECAL, STARBOARD
10	F663366		2	MEDALLION-FORCE
11	F664386		1	DECAL, "125"
12	F685528-1		1	DECAL, REAR
-	F663984		1	BLANKET, TOP (NOT SHOWN)
-	F664985		2	BLANKET, SIDE (NOT SHOWN)

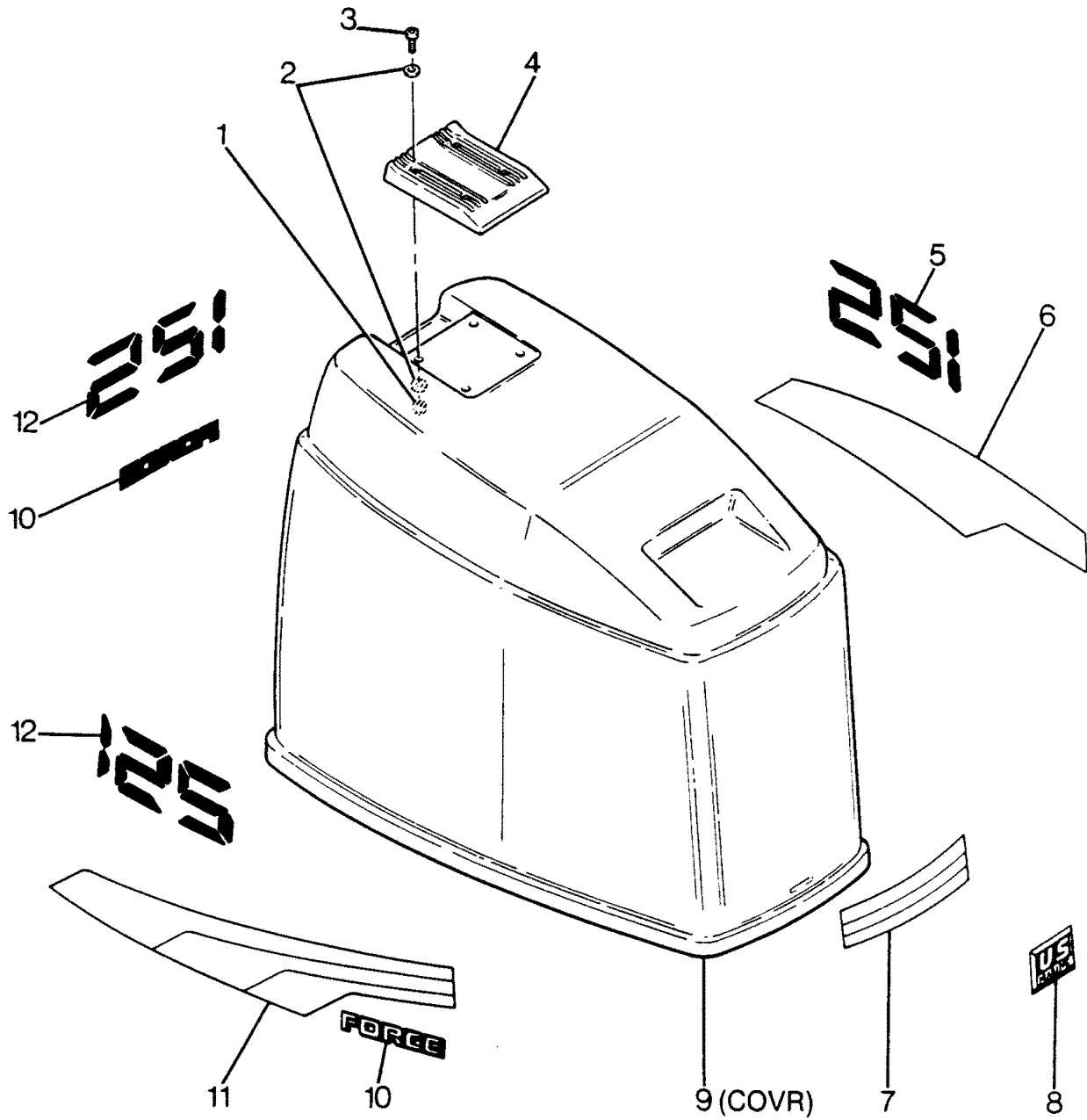
ENGINE COVER BAYLINER MODELS



ENGINE COVER BAYLINER MODELS

REF. NO.	PART NO.	SYM.	QTY.	DESCRIPTION
1	F7024		4	STOP NUT, 1/4 - 20
2	F2012		8	WASHER
3	F2143		4	HEX SOC. HD. SCREW, 1/4 - 20 X 1 S.S.
4	F663269		1	HANDLE, TILT
5	FX686397		1	DECAL, PORT
6	FX685892		1	DECAL, PORT
7	F665387		2	DECAL, "US MARINE"
8	FS664712		1	ENGINE COVER, (WITHOUT PAINT, DECALS OR HARDWARE)
-	F2C686712		1	ENGINE COVER, COMPLETE
9	FX686396		1	DECAL, STARBOARD
10	F663366		2	MEDALLION-FORCE
11	F664386		1	DECAL, "125"
12	FX685528		1	DECAL, REAR
-	F663984		1	BLANKET, TOP (NOT SHOWN)
-	F664985		2	BLANKET, SIDE (NOT SHOWN)

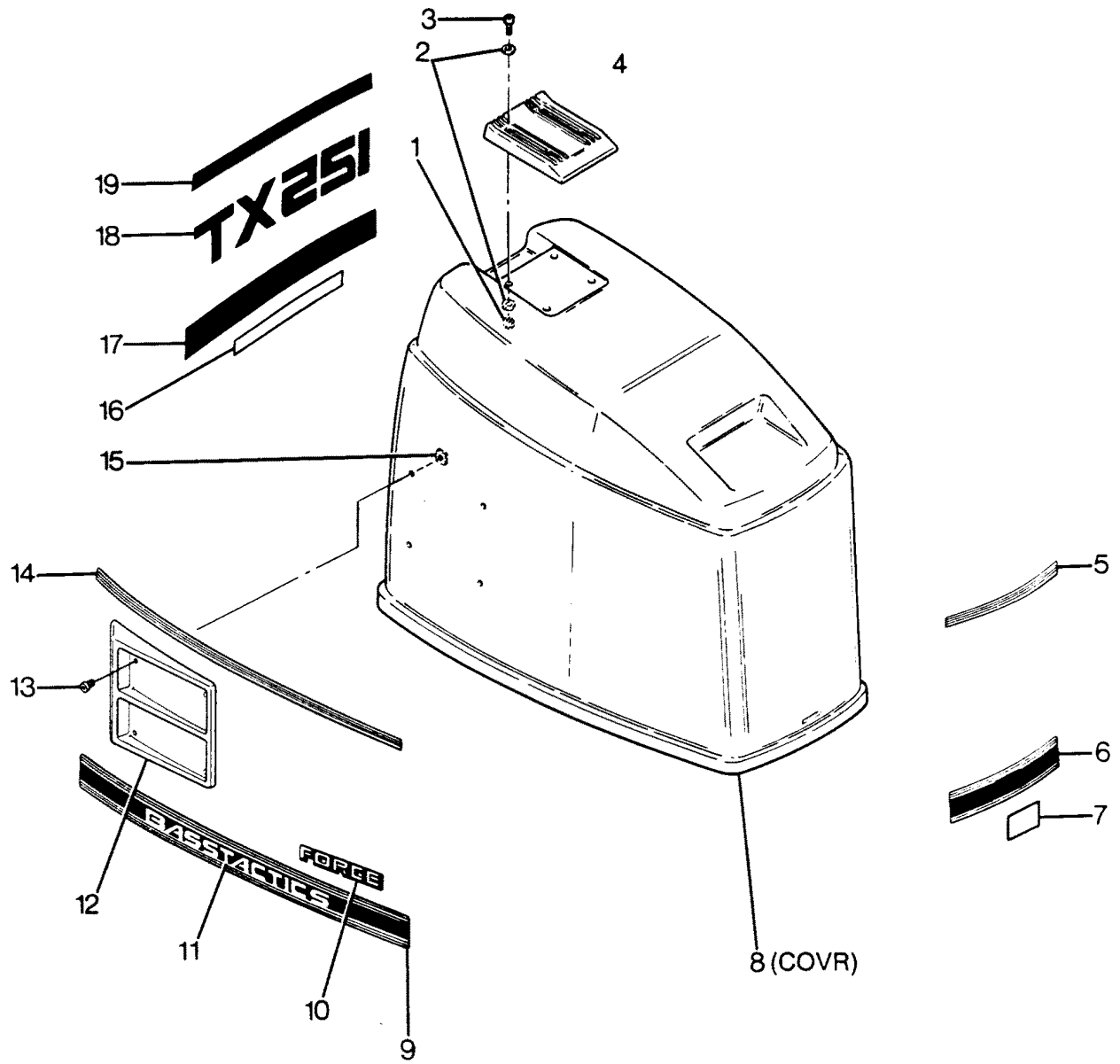
ENGINE COVER MAXUM MODELS



ENGINE COVER MAXUM MODELS

REF. NO.	PART NO.	SYM.	QTY.	DESCRIPTION
1	F7024		4	STOP NUT, 1/4 - 20
2	F2012		8	WASHER
3	F2143		4	HEX SOC. HD. SCREW, 1/4 - 20 X 1 S.S.
4	F663269		1	HANDLE, TILT
5	FZ686385		1	DECAL, "125", PORT
6	FZ685397		1	DECAL, PORT
7	FZ685892		1	DECAL, FRONT
8	37-F694366-1		2	DECAL, "US MARINE"
9	FS664712		1	ENGINE COVER, (WITHOUT PAINT, DECALS OR HARDWARE)
-	F2C686712		1	ENGINE COVER, COMPLETE
10	F663366		3	MEDALLION-FORCE
11	FZ685396		1	DECAL, STARBOARD
12	FZ686386		2	DECAL, "125", STARBOARD & REAR
-	F663984		1	BLANKET, TOP (NOT SHOWN)
-	F664985		2	BLANKET, SIDE (NOT SHOWN)

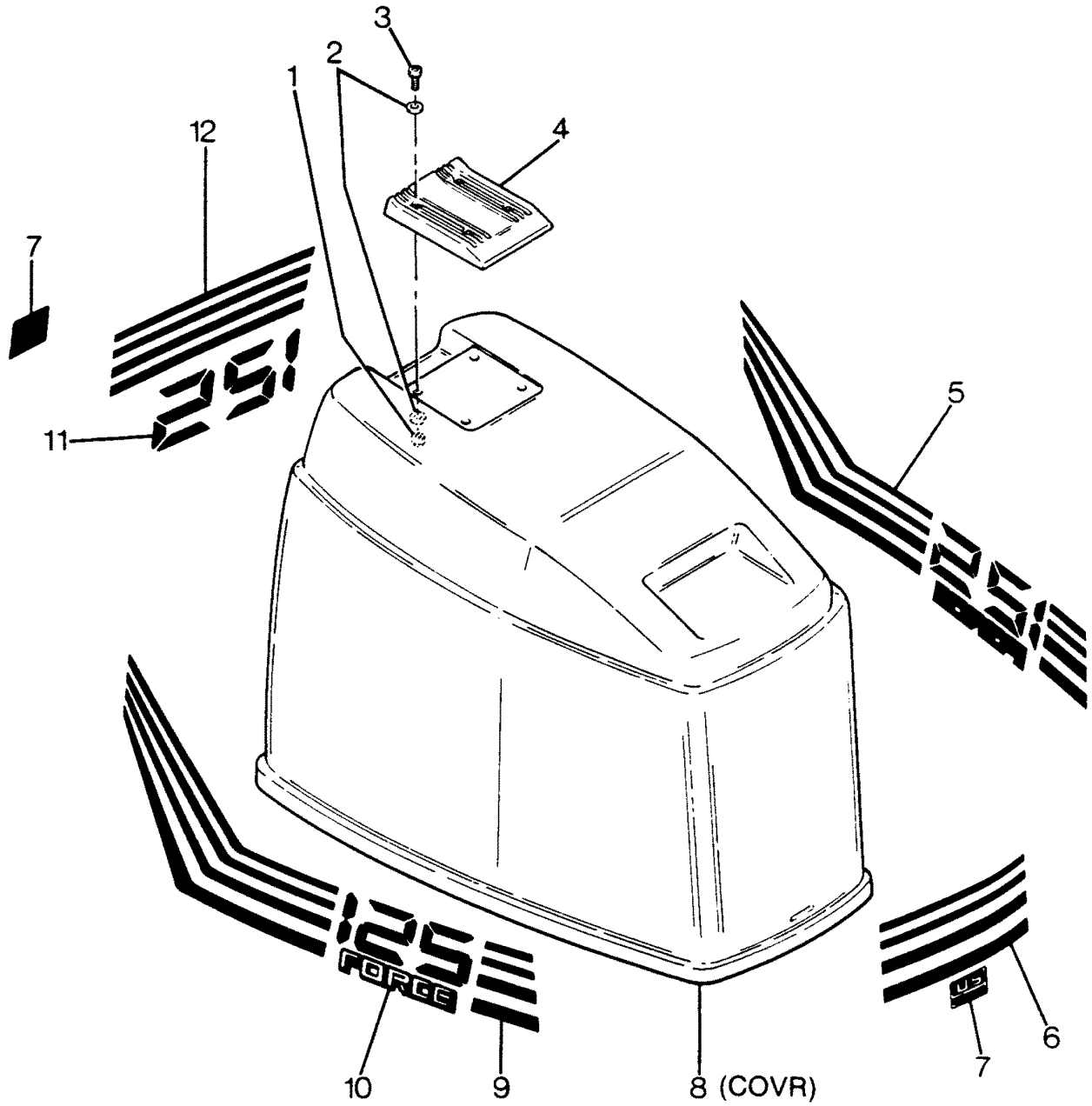
ENGINE COVER CAJUN MODELS



ENGINE COVER CAJUN MODELS

REF. NO.	PART NO.	SYM.	QTY.	DESCRIPTION
1	F7024		4	STOP NUT, 1/4 - 20
2	F2012		8	WASHER
3	F2143		4	HEX SOC. HD. SCREW, 1/4 - 20 X 1 S.S.
4	F663269		1	HANDLE, TILT
5	FM685894		1	DECAL, TOP-FRONT
6	FM685892		1	DECAL, BOTTOM-FRONT
7	F685387		1	DECAL, "US MARINE"
8	FS664712		1	ENGINE COVER, (WITHOUT PAINT, DECALS, OR HARDWARE)
-	F2C686712		1	ENGINE COVER, COMPLETE
9	FM685396		1	DECAL, BOTTOM-STARBOARD
10	F663366		2	MEDALLION-FORCE
11	FM685392		2	DECAL, "BASSTACTICS" (SIDE)
12	F685681		2	SCOOP, AIR
13	F2216		8	HEX SOC. HD. SCREW, 8-32 X 1/2 S.S.
14	FM685915		2	DECAL, TOP-SIDE
15	F1693		8	TINNERMAN NUT, 8-32
16	FM684392		1	DECAL, "BASSTACTICS" (REAR)
17	FM685528		1	DECAL, BOTTOM-REAR
18	FM686386		1	DECAL, "125XT"
19	FM685585		1	DECAL, TOP-REAR
-	F663984		1	BLANKET, TOP (NOT SHOWN)
-	F664985		2	BLANKET, SIDE (NOT SHOWN)

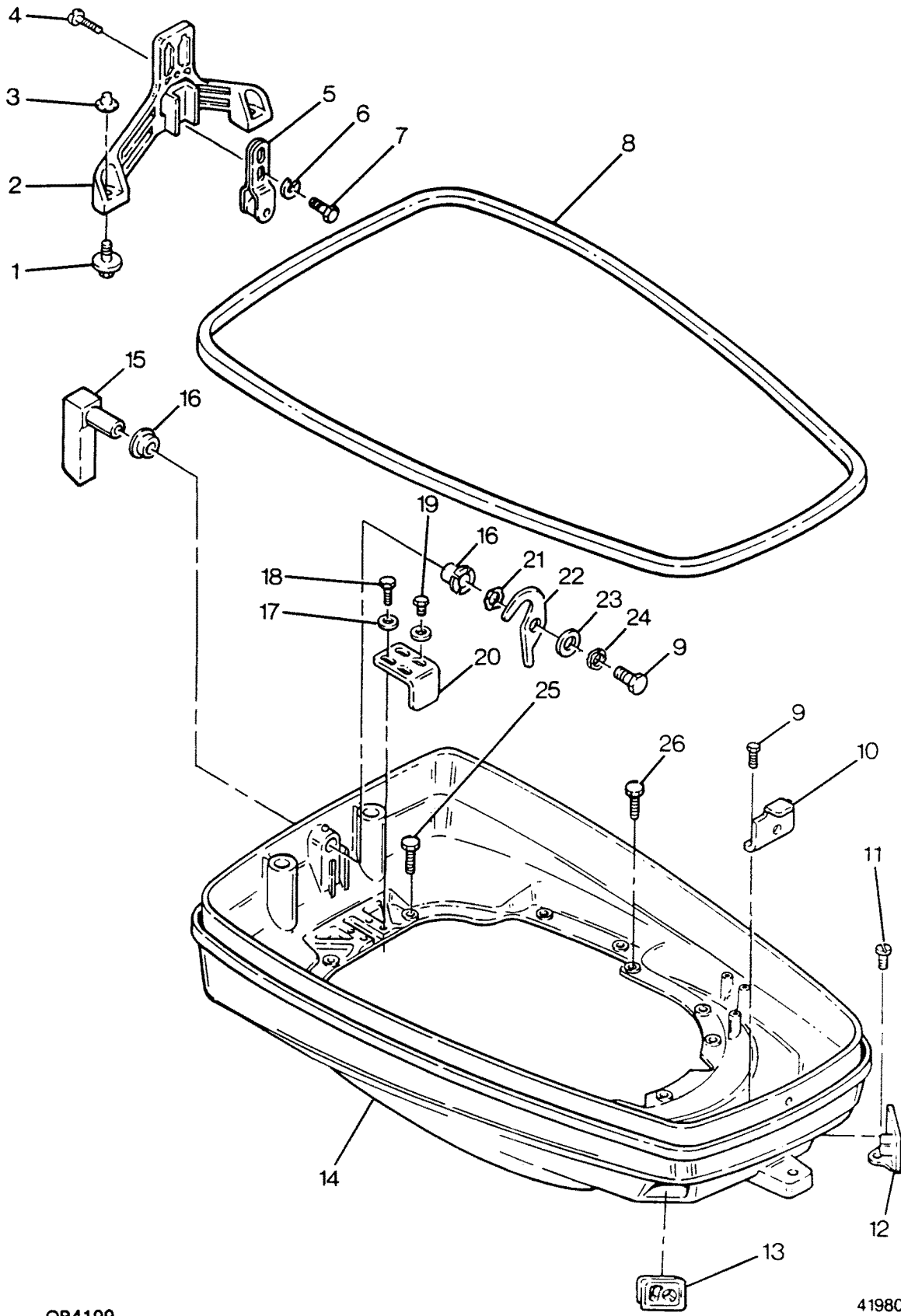
ENGINE COVER OLYMPIC MODELS



ENGINE COVER OLYMPIC MODELS

REF. NO.	PART NO.	SYM.	QTY.	DESCRIPTION
1	F7024		4	STOP NUT, 1/4 - 20
2	F2012		8	WASHER
3	F2143		4	HEX SOC. HD. SCREW, 1/4 - 20 X 1 S.S.
4	F663269		1	HANDLE TILT
5	F686397		1	DECAL, PORT
6	F685892-1		1	DECAL, FRONT
7	F665387		2	DECAL, "US MARINE"
8	FS664712		1	ENGINE COVER, (WITHOUT PAINT, DECALS OR HARDWARE)
-	F2C686712		1	ENGINE COVER, COMPLETE
9	F686396-1		1	DECAL, STARBOARD
10	F663366		2	MEDALLION-FORCE
11	F664386		1	DECAL, "125"
12	F685528-1		1	DECAL, REAR
-	F663984		1	BLANKET, TOP (NOT SHOWN)
-	F664985		2	BLANKET, SIDE (NOT SHOWN)

SUPPORT PLATE



OB4199

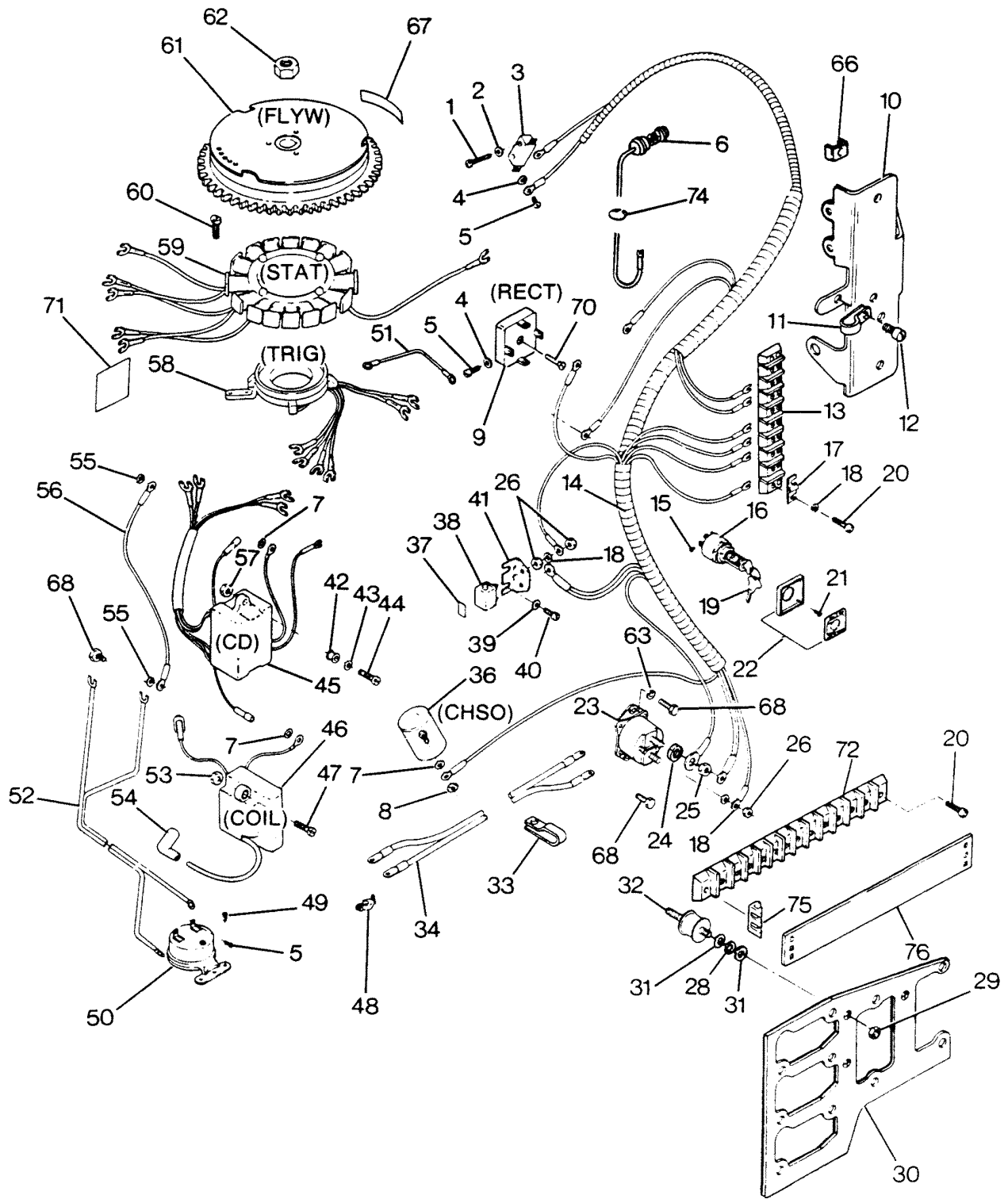
12

41980-00

SUPPORT PLATE

REF. NO.	PART NO.	SYM.	QTY.	DESCRIPTION
1	F481434		2	GUIDE, ENGINE COVER
2	F663774-1		1	BRACKET, ENGINE COVER LATCH
3	F2088		2	FASTENER
4	F1493		3	PAN HD. SCREW, 5/16 - 18 X 5/8 S.S.
5	FA481743		1	BRACKET, ROLLER LATCH W/ROLLER
6	F8096		2	SPRING LOCKWASHER
7	F1857		2	HEX CAP SCREW, 5/16 - 18 X 5/8
8	F663756		1	PACKING
9	F1854		3	HEX CAP SCREW, 1/4 - 20 X 5/8
10	F663480		1	RETAINER
11	F1733		3	PAN HD. SCREW, 10 - 24 X 9/16
12	F549189		1	BUSHING, ELECTRIC CABLE
13	F660189		1	BUSHING, CABLE ENTRY
14	F663038		1	SUPPORT PLATE
15	FA663469		1	ENGINE COVER LATCH HANDLE W/SHAFT
16	F286818		2	BEARING, LATCH SHAFT
17	F8096		4	SPRING LOCKWASHER
18	F1857		2	HEX CAP SCREW, 5/16 - 18 X 5/8
19	F1858		2	HEX CAP SCREW, 5/16 - 18 X 1
20	F335654-1		1	DEFLECTION STOP
21	F2047		1	WAVE WASHER
22	F481777		1	CAM, LATCH SHAFT
23	F8094		1	WASHER
24	F8083		1	LOCKWASHER
25	F1203		6	HEX CAP, SCREW, 1/4 - 20 X 7/8
26	F1238		7	HEX CAP SCREW, 1/4 - 20 X 3/4

ELECTRICAL COMPONENTS

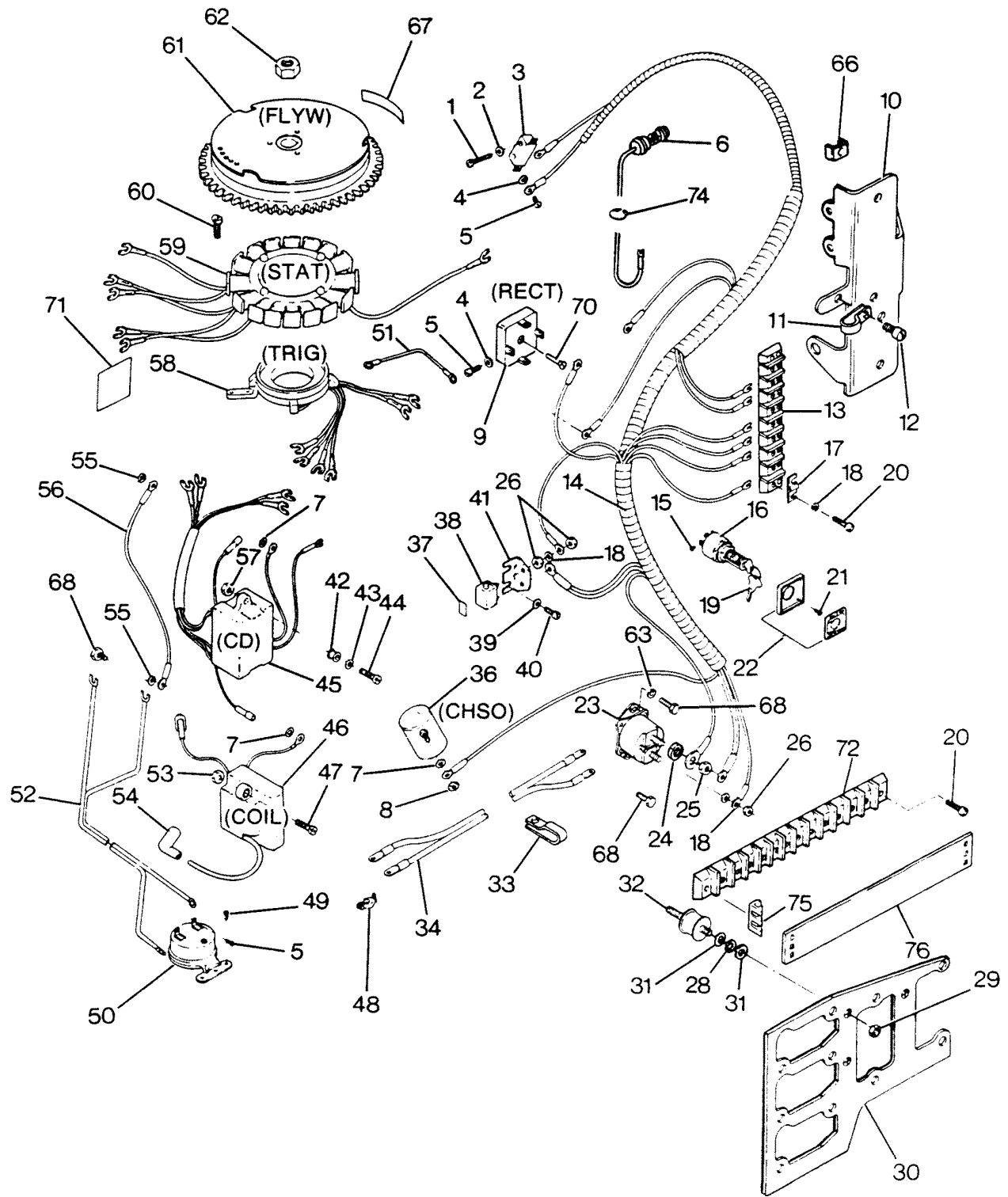


ELECTRICAL COMPONENTS

REF. NO.	PART NO.	SYM.	QTY.	DESCRIPTION
1	F2016		2	SLOTTED FILL HD. SCREW, 6 - 32 X 7/8
2	F8088		2	PLAIN WASHER
3	F84449		1	NEUTRAL INTERLOCK SWITCH
4	F1704		6	INTERNAL TOOTH LOCKWASHER
5	F1645		8	HD. SCREW, 6 - 32 X 1/4
6	F629449		1	THERMOSWITCH
7	F8056		2	SPRING LOCKWASHER
8	F1647		2	HEX NUT, 8 - 32
9	F650450		1	RECTIFIER WILLUS. 4, 5, 70 AND LITERATURE
10	FA439493		1	BRACKET, TERMINAL BLOCK WILLUS. 12 & 66
11	F289446-1		1	CLAMP, REMOTE ELEC. CABLE TO BRACKET
12	F1734		2	FILL HD. SCREW, 1/4 - 20 X 1/2
13	FA616497		1	TERMINAL BLOCK WILLUS. 17 & 20
14	F653744		1	WIRING HARNESS
15	F1280		6	SLOTTED PAN HD. SCREW, 8 - 32 X 1/4
16	F5H078		1	SWITCH, IGNITION LONG BARREL W/KEYS AND SCREWS (ACCESSORY ITEM)
17	F307317		7	CLIP, TERMINAL BLOCK GROUND
18	F1975		6	LOCKWASHER
19	817782--1		0	KEY IGNITION - NO LETTER OR STAMPED A
-	817883--1		0	KEY IGNITION - STAMPED B
-	817891--1		0	KEY IGNITION - STAMPED C
-	817928--1		0	KEY IGNITION - STAMPED D
-	817929--1		0	KEY IGNITION - STAMPED E
-	FA27232		1	EMERGENCY STARTER ROPE (NOT SHOWN)
20	F1648		2	PAN HD. SCREW, 10 - 24 X 3/4
21	F1934		4	HD. SCREW, 6 X 1/2
22	F5H038		1	IGNITION SWITCH MOUNTING KIT
23	FK460917		1	STARTER RELAY WILLUS. 63, 68 AND LITERATURE
24	F8096		2	SPRING LOCKWASHER
25	F1515		2	HEX NUT, S.S. 5/16 - 18
26	F1513		6	HEX NUT, 10 - 32
28	F8090		3	PLAIN WASHER
29	F1515		3	HEX NUT, S.S., 5/16 - 18
30	FS664358		1	BRACKET (C.D. - COIL)
31	F8124		3	PLAIN WASHER
32	F215962		3	MOUNT (SHOCK - C.D. UNIT)
33	F407446		1	CLAMP
34	F381896-4		1	BATTERY CABLE
36	F654924		1	CHOKE SOLENOI
37	F510374-1		1	DECAL, CIRCUIT BREAKER
38	F510460		1	CIRCUIT BREAKER
39	F8011		2	PLAIN WASHER

CONTINUED ON NEXT PAGE ➡

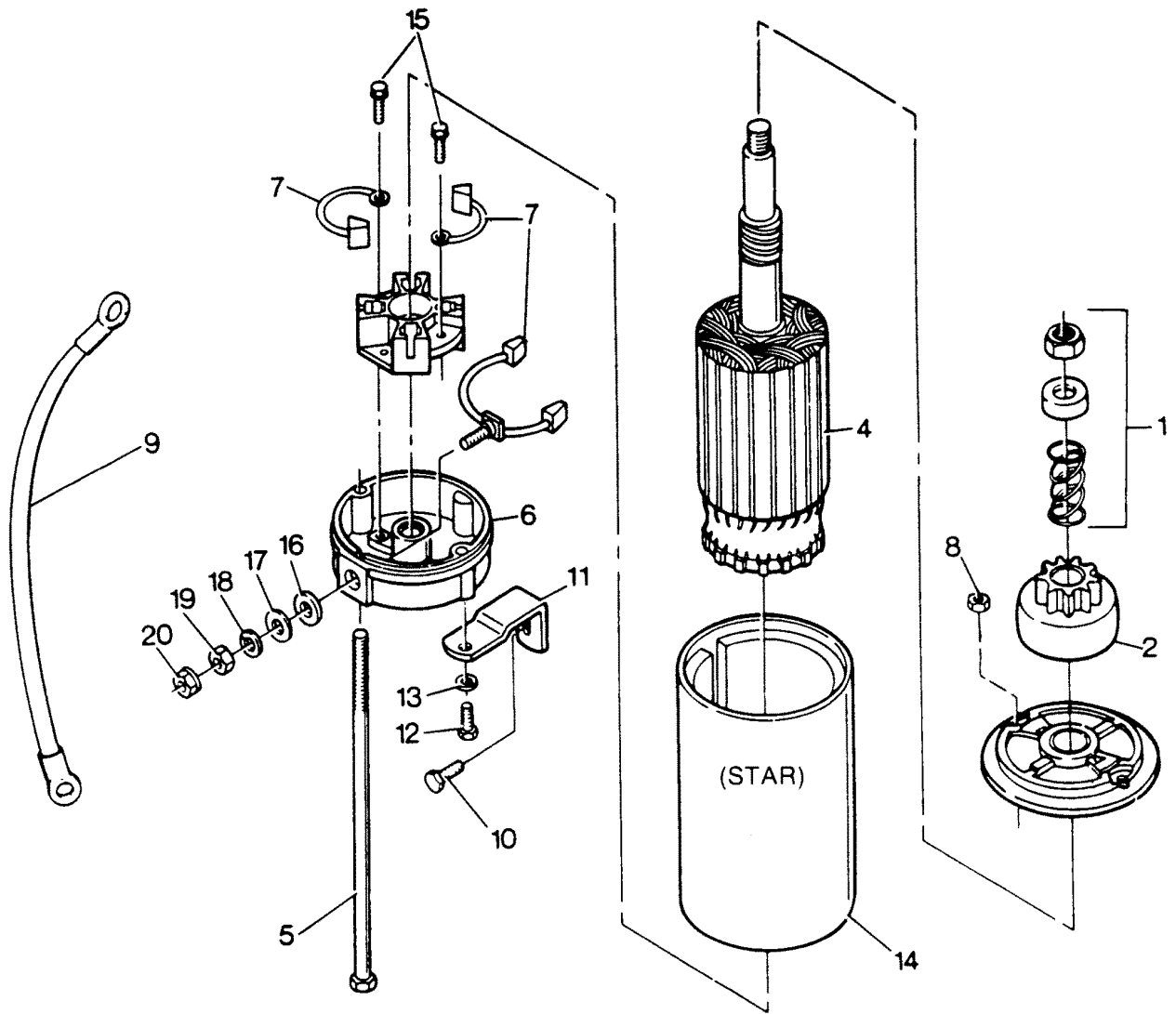
ELECTRICAL COMPONENTS



ELECTRICAL COMPONENTS

REF. NO.	PART NO.	SYM.	QTY.	DESCRIPTION
40	F1760		2	SLOTTED PAN HD. SCREW, 10 - 24 X 3/8
41	F91446-1		1	CIRCUIT BREAKER BRACKET
42	F475504		4	GROMMET
43	F8028		4	PLAIN WASHER
44	F2008		4	HEX HD. M. SC., 1/4 - 20 X 7/8
45	F653301-1		2	MODULE
46	F615475		4	IGNITION COIL
47	F2008		6	SLOTTED PAN HD. SCREW, 1/4 - 20 X 7/8
48	F5H041		1	BATTERY TERMINAL KIT (ACCESSORY ITEM)
49	F1741		2	PAN HD. SCREW, 8 X 3/4
50	F5H043		1	BUZZER, HEAT INDICATOR
51	F345683		1	WIRE, GROUND (RECTIFIER TO SRATER BOLT)
52	F404841		1	CABLE, HEAT INDICATOR
53	F1341		6	NUT, 1/4 - 20
54	FK1123		4	SPARKIE KIT
55	F2106		2	LOCKWASHER
56	F319908		1	WIRE, GROUND (C.D. - COIL BRACKET)
57	F1832		4	NUT, LOCK 1/4 - 20
58	F654029		1	TRIGGER ASSY.
59	F663095		1	ALTERNATOR STATOR
60	F1550		4	SLOTTED PAN HD. SCREW #12 - 24 X 1
61	200-817865A1		1	FLYWHEEL W/ILLUS. 67 ORIGINAL FORCE P/N A 615097-1
62	F1968		1	HEX NUT, 3/4 X 16
63	F8083		1	SPRING LOCKWASHER
64	F1877		1	TY-RAP (NOT SHOWN)
66	F438668		1	RETAINER
67	FA609853		1	DECAL, WARNING W/LITERATURE
68	F1705		3	HEX WASHER HD. M SCREW, 1/4 - 20 X 3/4
70	F1303		1	PAN HD. SCREW, 8 - 32 X 3/4
71	F654398		1	DECAL, 4 CYL. WIRING
72	F664384		2	CLIP, TERMINAL BLOCK COVER
73	F654497		1	TERMINAL BLOCK (12 POSITION)
74	F428096		1	RETAINER, THERMOSWITCH
75	F322273		1	STUD
76	F664672		1	COVER, TERMINAL BLOCK

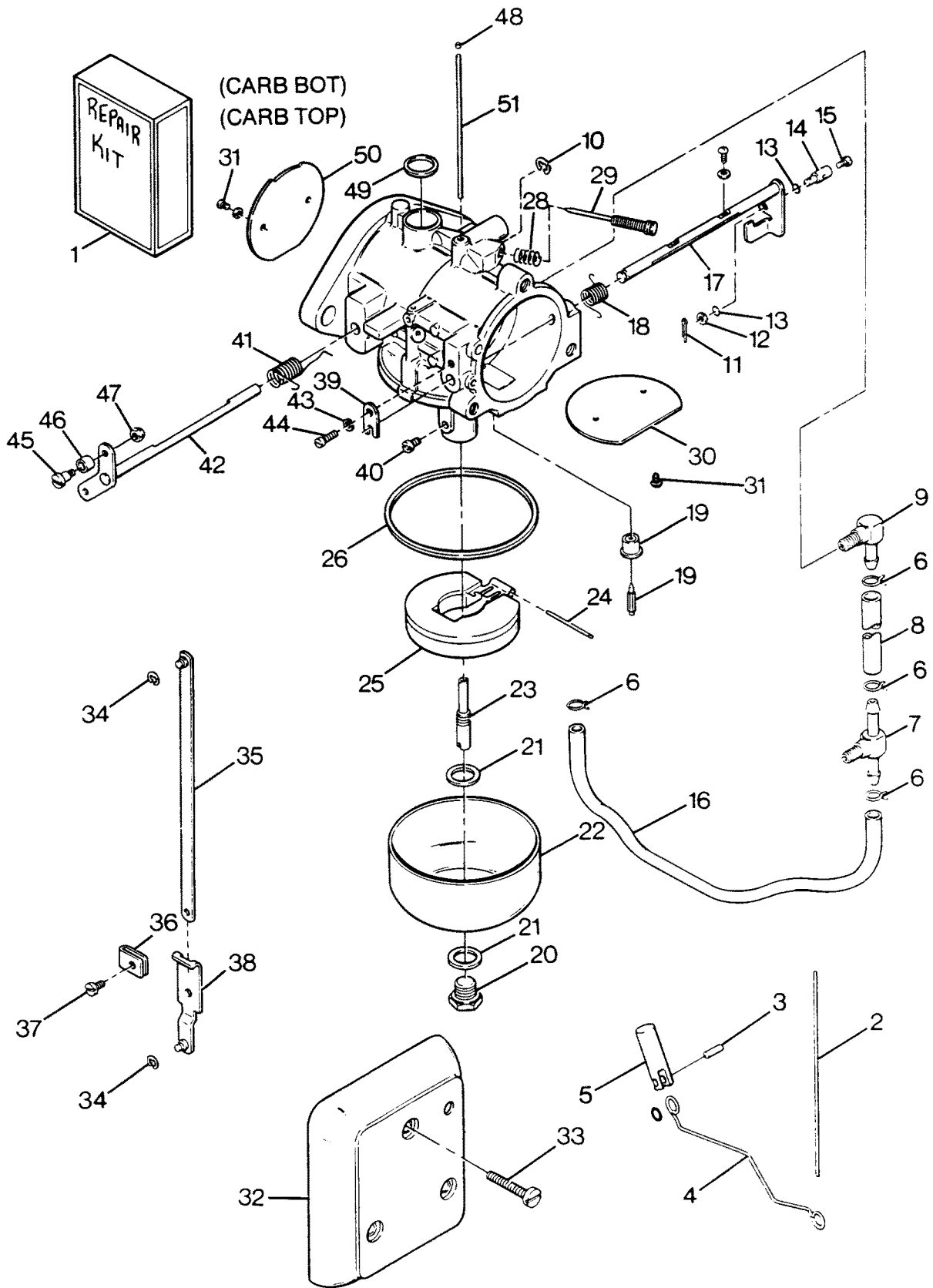
STARTER



STARTER

REF. NO.	PART NO.	SYM.	QTY.	DESCRIPTION
1	F15174		1	DRIVE KIT
2	F15175		1	DRIVE ASSEMBLY PINION
3	F15176		1	CAP STARTER DRIVE
4	F15177		1	ARMATURE
5	F15178		1	THRU BOLT PAKCAGE
6	F15179		1	COMMUTATOR
7	F15164		1	BRUSH KIT
8	F1641		1	LOCK NUT
9	F85908-1		1	LEAD WIRE
10	F1922		1	HEX CAP SCREW, 1/4 - 20 X 5/8
11	F616675		1	STARTER BRACKET LOWER
12	F1854		1	HEX HD. CAP SCREW, 1/4 - 20 X 5/8
13	F8083		1	SPRING LOCKWASHER
14	F616955		1	STARTER COMPLETE. INCLUDES ALL ITEMS MARKED WITH AN ASTERISK (*).
15	F15158		1	SCREW, BRUSH HOLDER
16	F15160		1	INSULATOR WASHER
17	F15161		1	PLAIN WASHER
18	F15152		1	LOCKWASHER
19	F1341		1	NUT
20	F15162		1	NUT

CARBURETOR



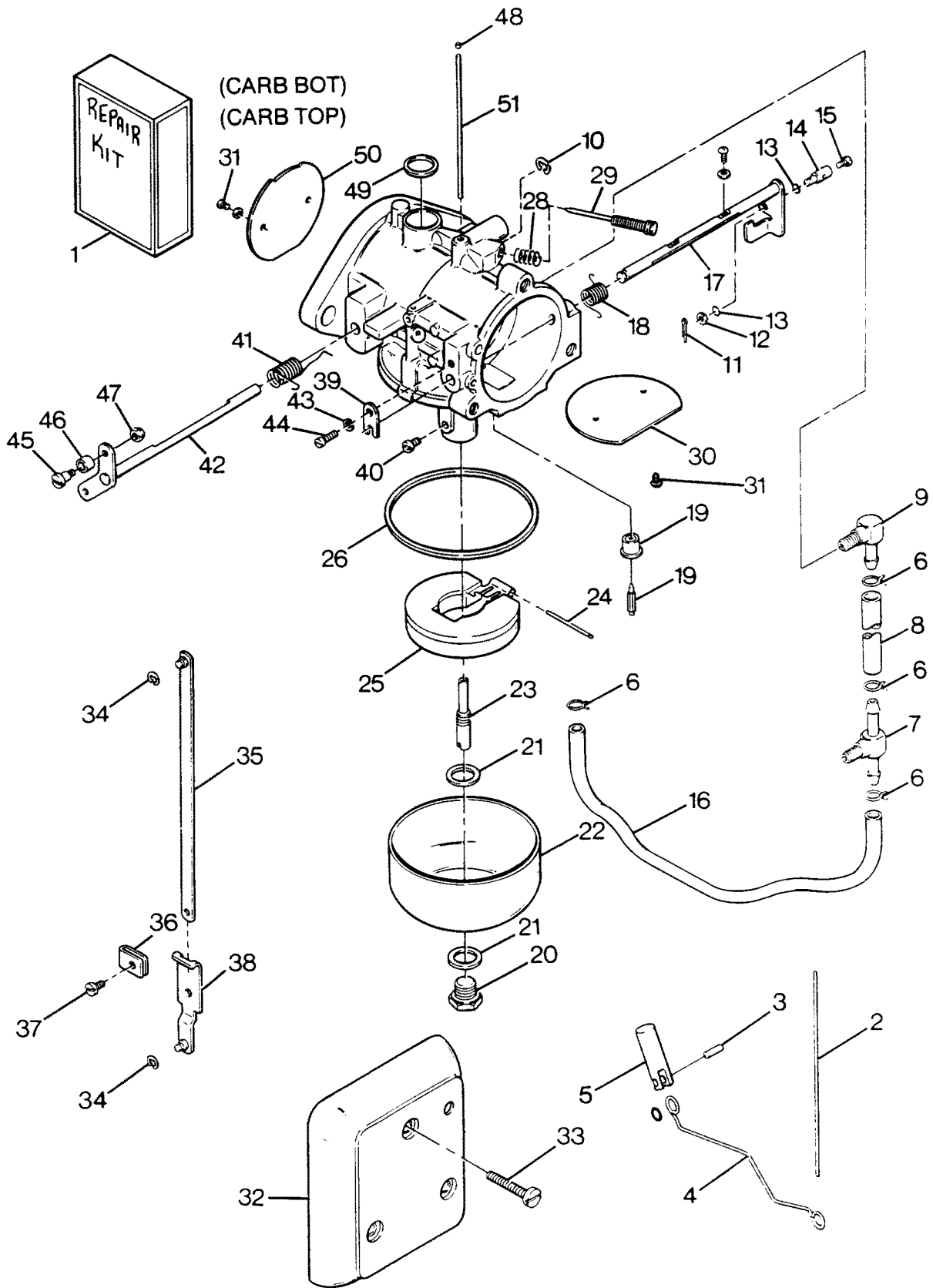
41980-006

CARBURETOR

REF. NO.	PART NO.	SYM.	QTY.	DESCRIPTION
1	FK10103		1	REPAIR PARTS KIT
2	F8550-1		1	LINK, CHOKE
3	F2033		1	GROOVE PIN
4	F440925		1	CHOKE ROD
5	F391926-1		1	PLUNGER
6	F97772		4	CLAMP
7	F85311		1	FUEL FITTING - BOTTOM CARBURETOR
8	F178754-1		1	FUEL LINE
9	F84314-2		1	ELBOW - TOP CARBURETOR
10	FO16620		1	E-RING
11	F1014		2	COTTER PIN
12	F8088		3	PLAIN WASHER
13	F184579		5	O-RING SEAL
14	F184033-1		1	SWIVEL, TOP CARBURETOR
15	F1059		2	FILL HD. SCREW, 6 - 32 X 1/4
16	F438754		1	FUEL LINE
17	FO16301		1	CHOKE SHAFT AND LEVER
18	FO17885		1	CHOKE SHAFT RETURN SPRING
19	FK10107		1	INLET NEEDLE AND SEAT W/LITERATURE
20	FO16132		1	FUEL BOWL RETAINING SCREW
21	FO5323		2	FUEL BOWL RETAINING SCREW GASKET
-	F85033		1	SWIVEL, CHOKE ROD (BOTTOM CARBURETOR) (NOT SHOWN)
-	FK10023		1	GASKET, SET INCLUDES ILLUS. 21, 26 AND 31 ON P 12.
22	FO16130		1	FUEL BOWL
23	FO16133		1	MAIN NOZZLE
24	FO13944		1	FLOAT LEVER PIN
25	FO13554		1	FLOAT
26	FO15623		1	FUEL BOWL GASKET
27	F664061		1	CARBURETOR COMPLETE (BOTTOM)
-	F589061-1		1	CARBURETOR COMPLETE (TOP)
28	FO11103		1	IDLE MIXTURE SCREW SPRING
29	FO14166		1	IDLE MIXTURE SCREW
30	FO17719		1	CHOKE, SHUTTER
31	FO8942		4	CHOKE AND THROTTLE SHUTTER SCREW
32	F511708-1		2	CHOKE, CARBURETOR
33	F1034		6	PAN HD. SCREW, 1/4 - 20 X 1-3/8
34	F90807		2	RETAINING RING
35	FA178233		1	THROTTLE TIE BAR W/SWIVEL
36	F1693		1	TIE BAR RETAINER NUT
37	F1064		1	FILL HD. SCREW, 8 - 32 X 3/8
38	FA85193		1	TIE BAR AND W/SWIVEL
39	FO9678		1	CLIP, CHOKE SHAFT

CONTINUED ON NEXT PAGE ➡

CARBURETOR



41980-006

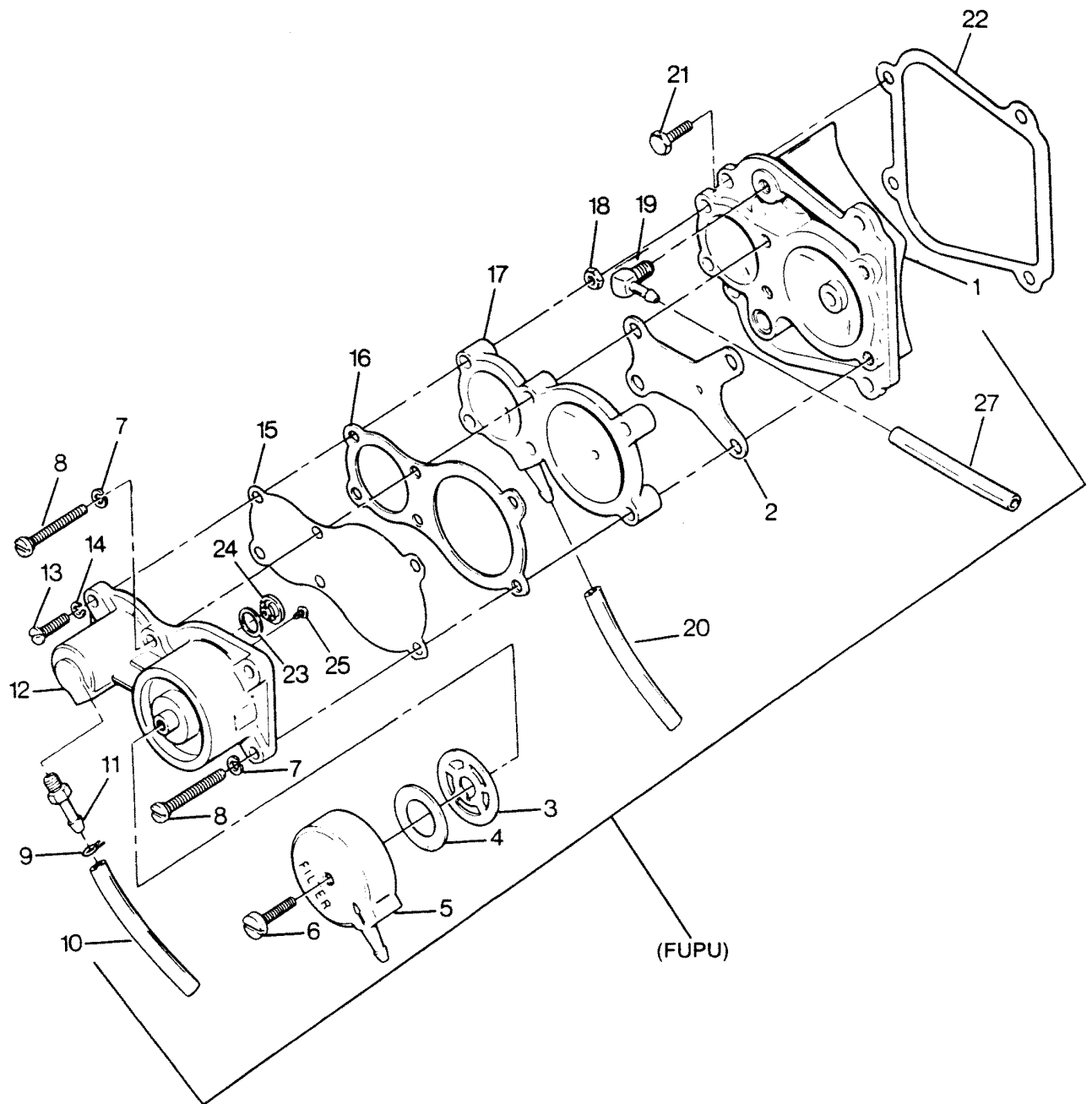
CARBURETOR

REF. NO.	PART NO.	SYM.	QTY.	DESCRIPTION
40	FO14191		1	MAIN FUEL JET STD. .0937 SEA LEVEL - 1500 FT. (BOTTOM CARBURETOR)
-	FO18010		1	MAIN FUEL JET STD. 101 SEA LEVEL - 1500 FT. (TOP CARBURETOR)
-	FO14190		-	MAIN FUEL JET OPT. .092 1500 - 3000 FT.
-	FO15406		-	MAIN FUEL JET OPT. .090 3000 - 4500 FT.
-	FO13193		-	MAIN FUEL JET OPT. .088 4500 - 6000 FT.
-	FO13949		-	MAIN FUEL JET OPT. .086 6000 FT. & UP
41	FO16143		1	THROTTLE SHAFT RETURN SPRING
42	FO17884		1	THROTTLE SHAFT AND LEVER
43	FO992		1	LOCKWASHER
44	FO1974		1	SCREW
45	F333316		1	THROTTLE ROLLER SHAFT
46	F92759		1	THROTTLE ROLLER
47	F1997		1	STOP NUT, 8 - 32
48	FO10588		4	BODY CHANNEL CUP PLUG
49	FO16128		1	BODY CHANNEL WELCH PLUG
50	FO16142		1	THROTTLE SHUTTER
51	FO16993		1	BY-PASS TUBE

ADAPTER AND REED PLATE

REF. NO.	PART NO.	SYM.	QTY.	DESCRIPTION
19	F372958		1	CHOKE BRACKET
20	F1532		6	HEX HD. SCREW, 1/4 - 20 X 1
21	F85317-3		1	SOLENOID CLAMP
22	F1236		2	SCREW, 1/4 - 20 X 1/2
23	817747--1		1	BALL JOINT W/STUD
24	F8058		2	INTERNAL TOOTH LOCKWASHER
25	F7008		1	STOP NUT, 1/4 - 20
26	F269319		2	THROTTLE CAM BEARING
27	F1513		1	HEX NUT, 10 - 32
28	F440192-1		1	THROTTLE CAM
29	F1346		4	HEX NUT
30	F440209		4	CARBURETOR STUD
31	F440906		2	CARBURETOR GASKET
32	F433209-1		1	THROTTLE CAM STUD
33	FA440167		1	CARBURETOR ADAPTER, LOWER W/FITTING AND ILLUS. 30
-	FA440157		1	CARBURETOR ADAPTER, UPPER W/FITTING AND ILLUS. 30 (NOT SHOWN)
34	F440254		1	BALANCE TUBE
35	F178168-1		1	GASKET, CARBURETOR ADAPTER
36	F178404-1		2	DEFLECTOR PLATE
37	F406406		2	GASKET DEFLECTOR PLATE
38	F1755		40	ROUND HD. SCREW W/LOCKWASHER 6 - 32 X 1/4
39	F85161-1		8	REED STOP
40	F530160		8	REED (5 PETAL)
41	F3A523158		4	REED PLATE W/ILLUS. 38, 39, 40, 44 AND 51
42	F1831		8	FLAT HD. SCREW, 1/4 - 20 X 5/8
43	F2008		10	HEX HD. SCREW, 1/4 - 20 X 7/8
44	F489551		1	BRACKET NEUTRAL INTERLOCK SWITCH
45	F84449		1	INTERLOCK SWITCH
46	F8088		2	PLAIN WASHER
47	F2016		2	SLOTTED HD. FILL SCREW, 6 - 32 X 7/8
48	F1704		2	LOCKWASHER
49	F1645		2	HD. SCREW, 6 - 32 X 1/4
50	F523451		8	SPACER, REED STOP
51	F500894		1	POINTER, TIMING

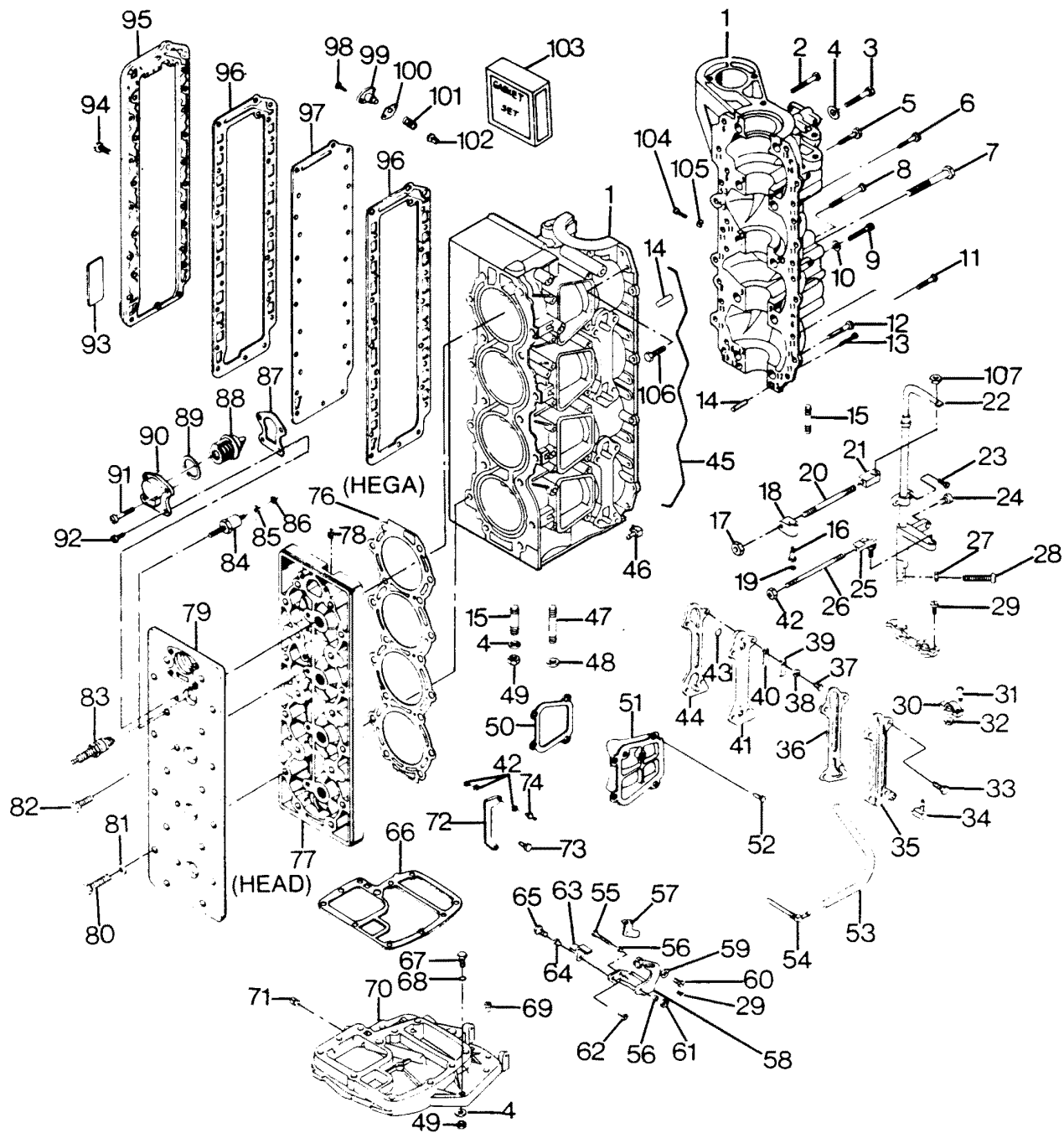
FUEL PUMP



FUEL PUMP

REF. NO.	PART NO.	SYM.	QTY.	DESCRIPTION
1	FA658746		1	COVER, FUEL PUMP W/LITERATURE
2	F658803		1	GASKET, SPACER PLATE
3	F438617		1	GASKET, FUEL SEDIMENT BOWL
4	F438653		1	SCREEN, FUEL PUMP
5	F438500		1	BOWL, FUEL SEDIMENT
6	F1648		1	SCREW, FUEL SEDIEMENT BOWL
7	F8083		4	LOCKWASHER
8	F1504		4	SLOTTED FIL SCREW, 1/4 - 20 X 1-1/4 S.S.
9	F97772		2	CLAMP, FUEL LINE
10	F438754		1	FUEL LINE, PUMP TO CARBURETOR
11	F438801		1	ELBOW
12	FA438431		1	BODY, FUEL PUMP W/ILLUS.
13	F1648		2	SCREW, 10 - 24 X 3/4 PAN HD. SCREW
14	F1975		2	LOCKWASHER
15	F438747		1	DIAPHRAGM, FUEL PUMP
16	F438760		1	GASKET, FUEL PUMP
17	F658836		1	SPACER, FUEL PUMP
18	F1473		2	NUT, 10 - 24 S.S.
19	F404310		1	ELBOW, RECIRCULATING
20	F89758		1	HOSE, IMPULSE
21	F1540		3	HEX HD. SCREW, 1/4 - 20 X 5/8 GR. 5
22	F40223		1	GASKET, TRANSFER PORT COVER
23	F84792		1	GASKET, FUEL PUMP VALVE
24	F177330		3	VALVE, FUEL PUMP
25	F1860		2	SLOTTED BINDING HEAD SCREW, 6 - 32 X 1/4
-	F2A664746		1	FUEL PUMP COMPLETE, INCLUDES ITEMS 1, 2, 7, 8 & 11 THRU 20
27	F441754-1		1	HOSE, RECIRCULATION

POWER HEAD

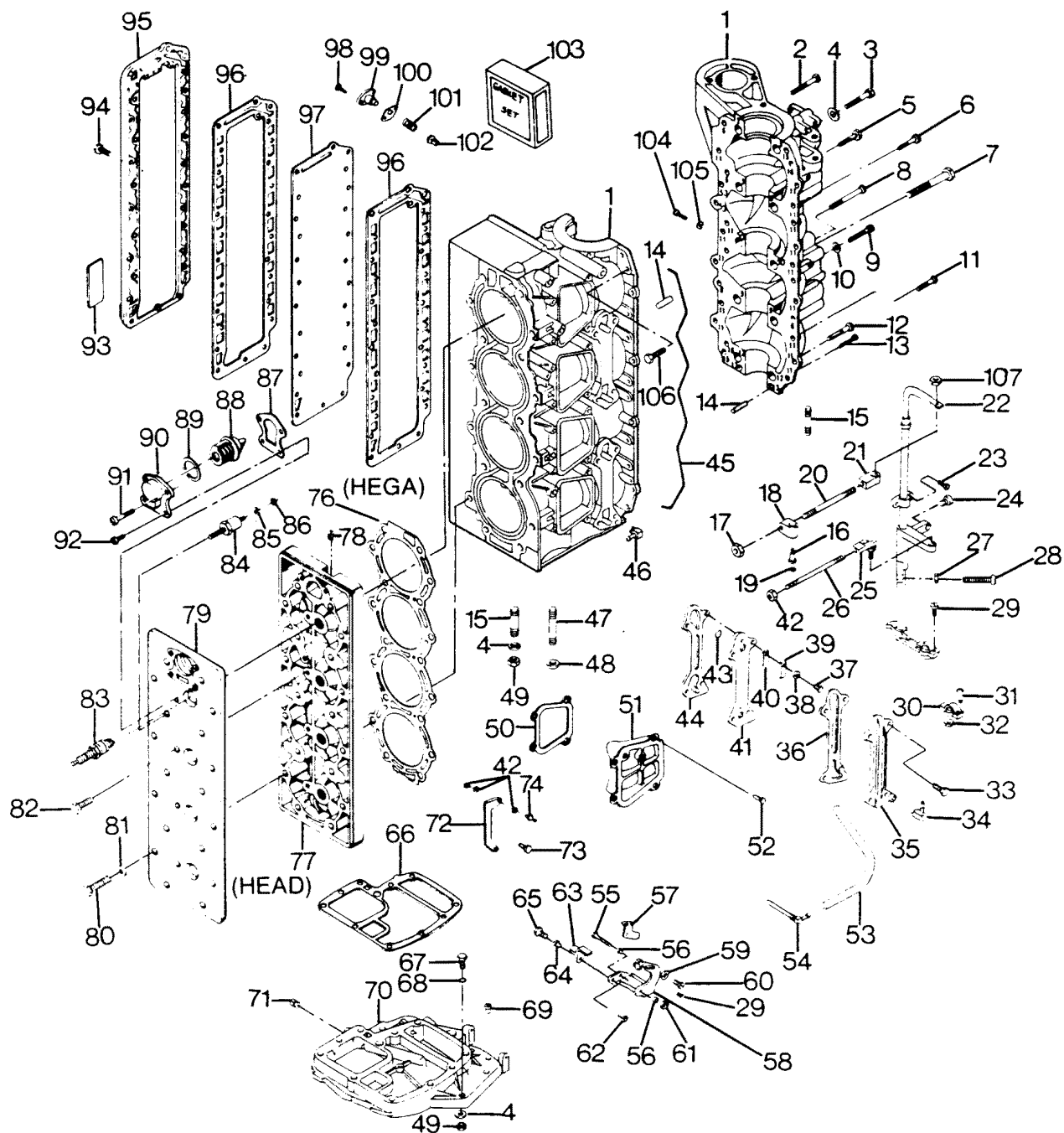


POWER HEAD

REF. NO.	PART NO.	SYM.	QTY.	DESCRIPTION
1	800-817864A6		1	CYLINDER W/CRANKCASE COVER, ILLUS. 2, 3, 7, 9, 12, 14, 15, 45 AND 47 ORIGINAL FORCE P/N A 615010-2
-	800-818154A6		1	SHORT BLOCK, CONTAINS ALL ITEMS MARKED WITH AN ASTERISK (*). ALSO REFER TO CRANKSHAFT PAGE. ORIGINAL FORCE P/N C 615010-2
2	F1874		1	HEX HD. SCREW, 3/8 - 16 X 1/8
3	F1009		1	HEX HD. SCREW, 3/8 - 16 X 2-3/4
4	F8038		4	PLAIN WASHER
5	F2008		2	HEX HD. SCREW, 1/4 - 20 X 7/8
6	F2008		3	HEX HD. SCREW, 1/4 - 20 X 7/8
7	F1873		2	HEX CAP SCREW, 3/8 - 16 X 3
8	F1699		1	HEX HD. SCREW, 1/4 - 20 X 1 - 1/8
9	F1253		4	HEX SOCKET HD. CAP SCREW, 3/8 - 16 X 2
10	F8104		4	PLAIN WASHER
11	F1864		16	HEX HD. SCREW, 1/4 - 20 X 3/4
12	F1872		2	HEX CAP SCREW, 3/8 - 16 X 1-3/4
13	F1504		2	FILL HD. SCREW, 1/4 - 20 X 1 - 1/4
14	F8563		2	DOWEL PIN
15	F85859		4	STUD
16	F499026		1	SWIVEL
17	F2015		1	HEX NUT 1/4 - 28
18	F499035		1	END, CONTROL ROD (TO TOWERSHAFT)
208	F5445		1	CONTROL ROD
2149	F9036		1	END, CONTROL ROD (TO TRIGGER)
22	817960A2		1	TOWERSHAFT W/ILLUS. 30, 76, 77, 24, 25, 27 AND 28 ORIGINAL FORCE P/N K 491838-1
23	F1829		2	FILL HD. SCREW, 10 - 24 X 7/8
24	F1727		1	PLASTIC RIVET
25A	F269141-1		1	BALL JOINT W/STUD
26	F85502		1	THROTTLE LINK
27	F1341		1	HEX NUT, 1/4 - 20
28	F1052		1	FILL HD. SCREW, 1/4 - 20 X 1
29	F1556		2	FILL HD. SCREW, W/LOCKWASHER, 10 - 24 X 3/8
30	FK405020		2	SWIVEL W/CLAMP, SHOULDER SCREW AND NUT
31	F405457		1	PIVOT SCREW
32	F7008		1	ELASTIC STOP NUT
33	F1532		8	HEX HD. SCREW, 1/4 - 20 X 1
34	22-818103--1		1	ELBOW, CYLINDER DRAIN LOWER
-	F404801		1	ELBOW, CYLINDER DRAIN UPPER (NOT SHOWN)
35	F406471-1		2	CYLINDER DRAIN COVER
36	F84472-5		2	GASKET, CYLINDER DRAIN COVER
37	F1286		4	PAN HD. SCREW, 4 - 40 X 3/16
38	F8003		4	PLAIN WASHER
39	F93920		4	REED STOP

CONTINUED ON NEXT PAGE ➡

POWER HEAD

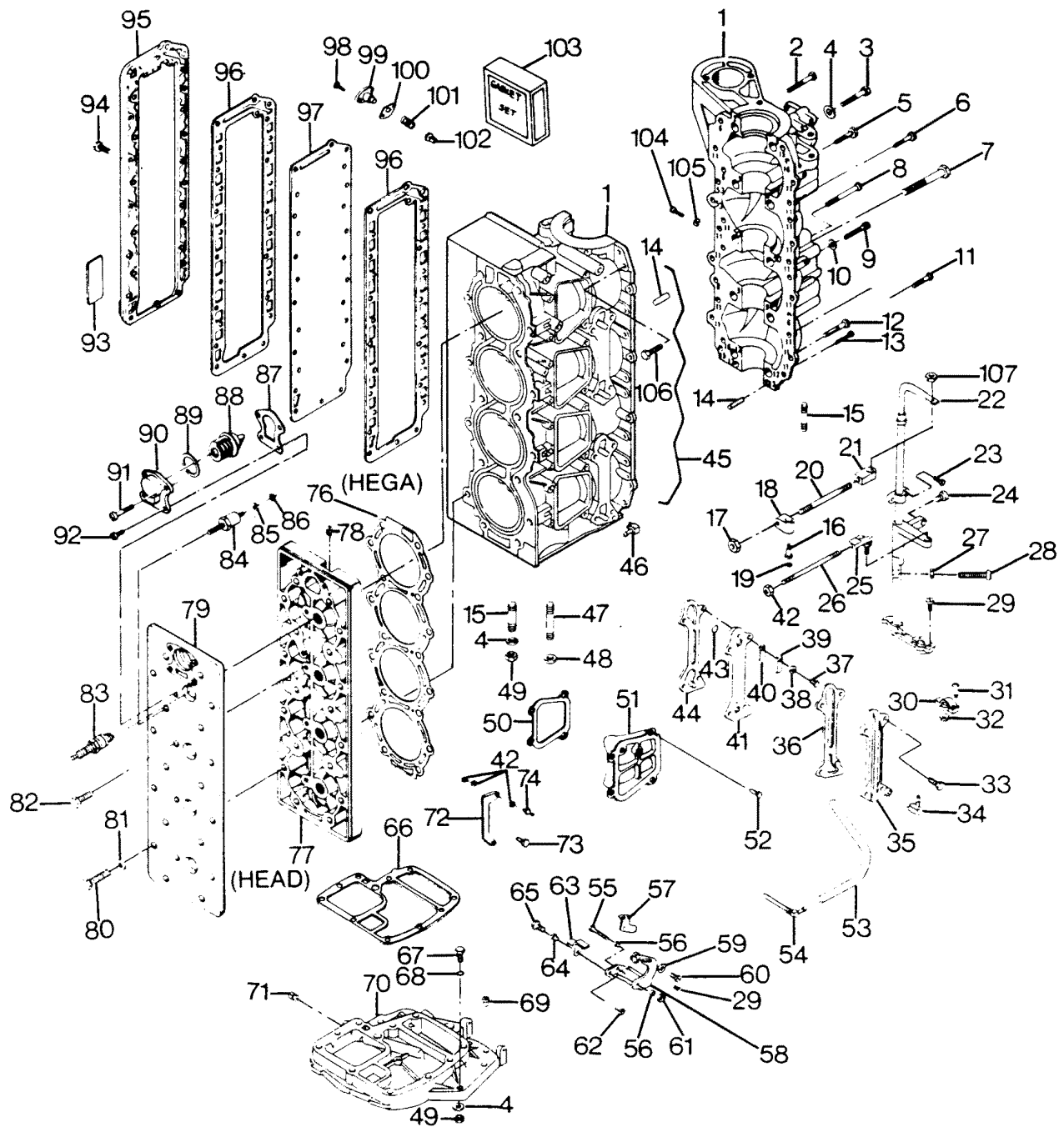


POWER HEAD

REF. NO.	PART NO.	SYM.	QTY.	DESCRIPTION
40	F18160-3		4	CYLINDER DRAIN REED
41	F2A476757		2	CYLINDER DRAIN REED PLATE W/ILLUS. 37, 38, 39, 40 AND 43
42	F1513		2	HEX NUT, 10 - 32
43	F93811		4	SCREEN
44	F84748-3		2	GASKET, CYL. DRAIN REED PLATE
45	F184122-1		1	SEAL, PARTING LINE
46	F84314-2		1	ELBOW
47	F85211		6	STUD
48	F8095		12	PLAIN WASHER
49	F7004		10	STOP NUT, 3/8 - 16
50	F40223		4	GASKET, TRANSFER PORT COVER
51	FA411222		3	TRANSFER PORT COVER W/ILLUS. 76 AND LITERATURE.
52	F1922		9	HEX CAP SCREW, 1/4 - 20 X 5/8
53	F406754-1		1	HOSE
54	F404314		1	FITTING
55	F1885		1	HEX BOLTS. S.S., 5/16 - 18 X 4-1/4
56	F85610		2	BEARING
57	F480107-1		1	CAM, STARTER INTERLOCK
58	FA480876		1	GEAR SHIFT ARM W/ILLUS. 30, 56, 62, 63, 64 AND 65
59	F2042		2	PLAIN WASHER
60	F2089		2	SLOTTED PAN HD. M. SCREW, 10 - 24 X 5/16
61	F2108		1	STOP NUT, 5/16 - 18
62	F1832		1	STOP NUT, 1/4 - 20
63	F369977-1		1	INTERLOCK ARM
64	F369610		1	BEARING
65	F369887		1	SHOUDER SCREW
66	F85279-2		1	GASKET, CYLINDER EXHAUST UPPER
67	F1869		6	HEX CAP SCREW, 3/8 - 16 X 1-1/4
68	F1703		6	LOCKWASHER
69	F40689-1		1	BEARING
70	817788A3		1	SPACER PLATE W/ILLUS. 71 ORIGINAL FORCE P/N A 404680-2
71	F2090		1	PLUG
72	FS85872-1		1	BRACKET
73	F1864		2	HEX CAP SCREW, 1/4 - 20 X 3/4
74	F98273		2	ROD END CONNECTOR STUD
75	F1804		2	STOP NUT
76	F476529-1		1	CYLINDER HEAD GASKET
77	FA631518		1	CYLINDER HEAD W/ILLUS. 78
78	F19109		1	PLUG
79	FS631995		1	COVER, CYLINDER HEAD
80	F2049		18	HEX CAP SCREW, 5/16 - 18 X 2-5/8
81	F1987		18	PLAIN WASHER

CONTINUED ON NEXT PAGE ➡

POWER HEAD



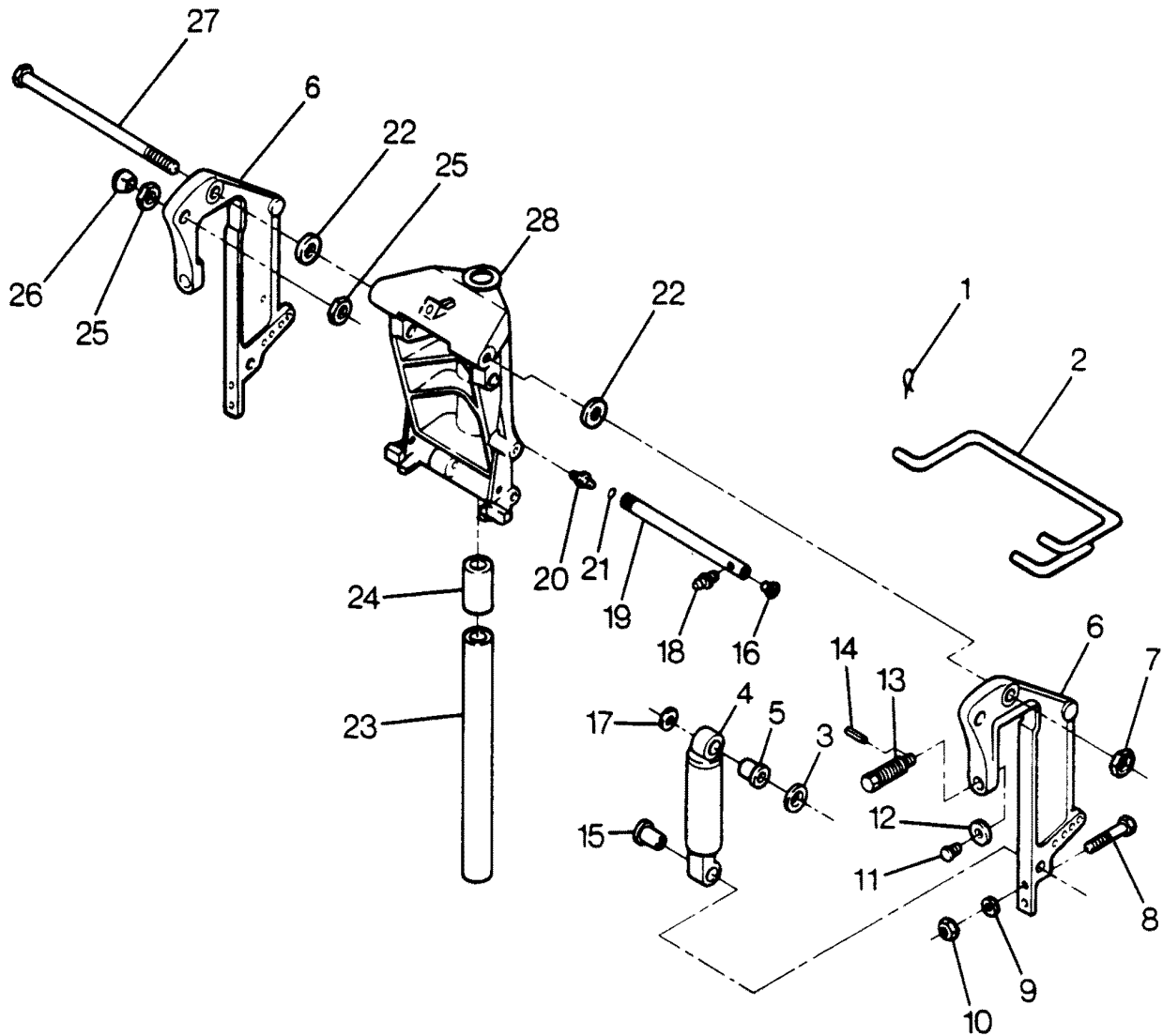
POWER HEAD

REF. NO.	PART NO.	SYM.	QTY.	DESCRIPTION
82	F2008		4	HEX CAP SCREW, 1/4 - 20 X 7/8
83	33-818007--1		4	SPARK PLUG (CHAMPION UL 18V) - USA
87	F476067		1	GASKET
88	F528068		1	THERMOSTAT
89	F84504		1	GROMMET (THERMOSTAT)
90	F476066-1		1	THERMOSTAT COVER
91	F1504		2	FILL HD. SCREW, 1/4 - 20 X 1/1-4
92	F1107		2	SLOTTED FILL HD. SCREW, 1/4 - 20 X 3/4
93	FC529398		1	DECAL, WIRING
94	F1699		27	HEX BOLT, 1/4 - 20 X 1-1/8
95	F372152-2		1	EXHAUST PORT COVER
96	F372154-1		2	GASKET, EXHAUST PORT PLATE
97	F372151-1		1	EXHAUST PORT PLATE
98	F1950		2	HEX CAP SCREW, 10 - 24 X 5/8
99	F438066		1	BY-PASS VALVE COVER
100	F85762		1	BY-PASS VALVE COVER GASKET
101	F404268		1	BY-PASS VALVE SPRING
102	F85916-1		1	BY-PASS VALVE
103	FG1019		1	GASKET SET INCLUDES ALL ITEMS MARKED WITH A *
-	F40223		4	TRANSFER PORT COVER GASKET
-	F84472-5		2	CYLINDER DRAIN COVER GASKET
-	F84748-3		2	CYLINDER DRAIN REED PLATE GASKET
-	F85279-2		1	CYLINDER EXHAUST UPPER GASKET
-	F85762		1	BY-PASS COVER GASKET
-	F85906		2	CARBURETOR GASKET
-	F178168-1		2	CARBURETOR ADAPTER GASKET
-	F184122-1		1	SEAL
-	F372154-1		2	EXHAUST PLATE GASKET
-	F406406		2	DEFLECTOR PLATE GASKET
-	F440906		2	CARBURETOR GASKET
-	F476067		1	THERMOSTAT COVER GASKET
-	F476529-1		1	CYLINDER HEAD GASKET
104	F2000		1	HEX CAP SCREW, 5/16 - 18 X 3/4
105	F8096		1	SPRING LOCKWASHER
106	F1532		2	HEX HD. SCREW, 1/4 - 20 X 1
107	F7009		1	LOCK NUT, #10 - 24
108	FA607689		2	BEARING TOWERSHAFT WILLUS. 23
109	F491689-1		1	BEARING TOWERSHAFT UPPPER

CRANKSHAFT AND PISTON

REF. NO.	PART NO.	SYM.	QTY.	DESCRIPTION
1	FA335260		4	PISTON RINGS (2 PER SET) STANDARD
-	FSA335260		4	PISTON RINGS (2 PER SET) .010 OVERSIZE
-	39-818110A1		4	PISTON RINGS (2 PER SET) .030 OVERSIZE
2	700-F372015-3		4	PISTON - STANDARD
-	700-817988A2		4	PISTON .010 OVERSIZE
-	700-818111A2		4	PISTON .030 OVERSIZE
3	F335215		8	SPACER, PISTON PIN (2 PER PISTON)
4	F85017		4	PISTON PIN
5	F335217-1		4	BEARING PISTON PIN (26 PER SET)
6	600-818052A4		4	CONNECTING ROD W/CAP AND ILLUS. 14 ORIGINAL FORCE P/N S 366016-4
7	FK85228-1		4	BEARING CAGE W/ROLLER
8	F85410		3	SNAP RING
9	FA85655-1		3	CRANKSHAFT MAIN BEARING RACE W/ILLUS. 8
10	F85571		3	BEARING CAGE W/ROLLER
11	F316579		3	SEAL, CRANKCASE
12	FA523014		1	CRANKSHAFT LOWER MAIN BEARING W/ILLUS. 13
13	F523146-1		1	SEAL, CRANKSHAFT LOWER
14	F85634-2		6	CONNECTING ROD SCREW
15	FA528018		1	CRANKSHAFT W/ILLUS. 11 AND 21
16	F85498-1		1	FLYWHEEL KEY
17	F2A615144		1	CRANKSHAFT BEARING CAGE W/ILLUS. 19
18	F2081		5	HEX SOC. HD. SCREW, 1/4 - 20 X 3/4
19	F523146-1		1	SEAL, CRANKSHAFT UPPER
20	F1968		1	FLYWHEEL NUT
21	F284659-2		1	CRANKSHAFT THRUST BEARING, UPPER
22	F2067		1	PLASTIC CAP
23	F85909-1		4	BEARING LOCATING PIN (PRESSED INTO BLOCK)

SWIVEL BRACKET AND STERN BRACKETS MODELS WITH POWER TRIM



SWIVEL BRACKET AND STERN BRACKETS MODELS WITH POWER TRIM

REF. NO.	PART NO.	SYM.	QTY.	DESCRIPTION
1	F525629		1	COTTER PIN
2	F5H179		1	TRAILERING BRACKET
3	F1710		4	WASHER
4	FS631962		1	SHOCK ABSORBER W/BUSHING
5	F178344		1	BUSHING
6	1400-817958A6		2	STERN BRACKET
7	F7012		1	STOP NUT
8	F2185		2	HEX HD. SCREW, 3/8 - 16 X 3-1/2 S.S.
9	F1904		2	WASHER
10	F1346		2	HEX NUT, 3/8 - 16 S.S.
11	F353480		2	STUD
12	F84074		2	FOOT, CLAMP SCREW
13	FA628073		2	CLAMP SCREW
14	F8538		2	SPRING, PIN
15	F449362		2	BEARING
16	F9052		1	PLUG
17	F1711		2	SPRING BOWED WASHER
18	F523274		1	GREASE FITTING
19	F511125-2		1	TUBE, STEERING SUPPORT
20	F213274		3	GREASE FITTING
21	F316599		1	SEAL
22	F84286-1		4	FRICTION WASHER
23	FS85019		1	KINGPIN (20 INCH MODELS)
-	FA500019		1	KINGPIN (25 INCH MODELS)
24	F438169		2	BEARING
25	F523280		2	NUT
26	F9018		1	CAP
27	F85037-1		1	BOLT, STERN BRACKET PIVOT
28	817783A5		1	SWIVEL BRACKET W/GREASE FITTINGS

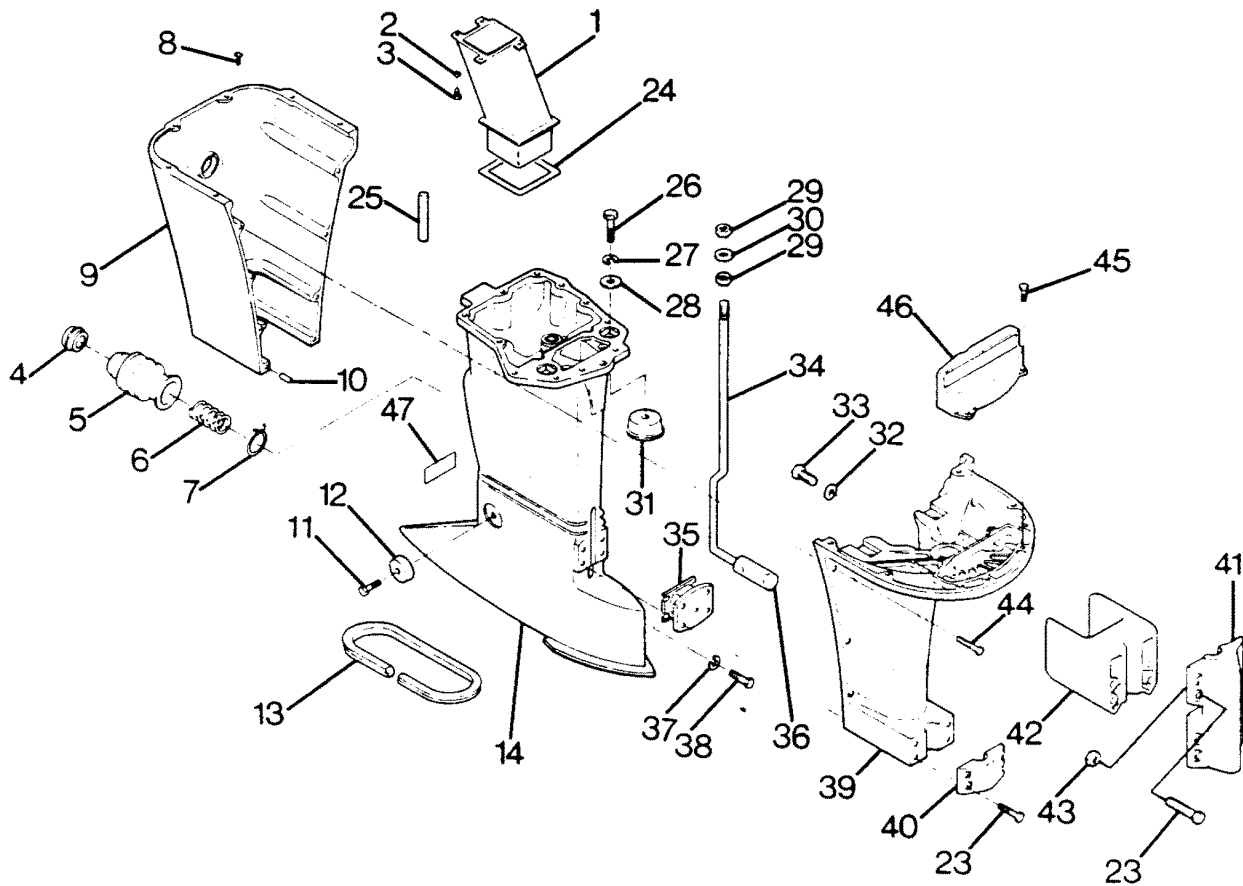
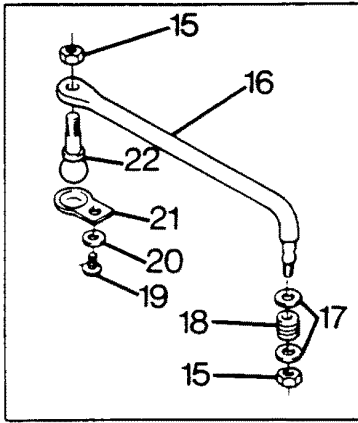
MOTOR LEG

REF. NO.	PART NO.	SYM.	QTY.	DESCRIPTION
1	F85660-1		1	EXHAUST TUBE
2	F8083		4	SPRING LOCKWASHER
3	F1864		4	HEX SLOT HD. SCREW, 1/4 - 20 X 3/4
4	F85258		1	INSERT
5	F85130		1	BOOT, IDLE EXHAUST
6	F85380		1	SPRING
7	F85772		1	CLAMP
8	F1729		2	PLUG
9	F178145-4		1	COVER, MOTO LEG REAR
10	F1664		2	SPRING PIN
11	F1263		2	HEX SOCKET HD. CAP SCREW, 5/16 - 18 X 9/16
12	F438962		2	MOUNT, LOWER REAR SHOCK
13	F178323		1	SEAL
14	F523133-2		1	MOTOR LEG (20 INCH MODELS)
-	F631133		1	MOTOR LEG (25 INCH MODELS)
15	F2093		2	STOP NUT, 3/8 - 24
16	F5H094		1	STEERING LINK KIT
17	F8038		2	WASHER
18	F523300-1		1	SPRING
19	F1280		1	PAN HD. SCREW, 8 - 32 X 1/4
20	F8080		1	SPRING LOCKWASHER
21	F523930		1	RETAINER
22	F523273		1	STUD
23	F1696		8	HEX BOLT, 5/16 - 18 X 1
24	F2030		6	HEX HD. SCREW, 1/4 - 20 X 1-1/4
25	F686660		2	STAND TUBE
26	F1871		4	HEX HD. SCREW, 3/8 - 16 X 3/4
27	F2014		2	WASHER
28	FA85355-1		2	WASHER SEAT
29	F2018		2	LOCKNUT
30	F1987		1	WASHER
31	F85965		2	MOUNT, UPPER SHOCK
32	F1703		2	SPRING, LOCKWASHER
33	F1871		4	HEX HD. SCREW, 3/8 - 16 X 3/4
34	F85615-1		1	ROD, GEAR SHIFT UPPER (20 INCH MODELS)
-	F500615		1	ROD, GEAR SHIFT UPPER (25 INCH MODELS)
35	F438346		1	MOUNT, LOWER SHOCK
36	F85704		1	COUPLER, GEAR SHIFT ROD
37	F8096		4	SPRING LOCKWASHER
38	F1822		4	HEX BOLT, 5/16 - 18 X 7/8
39	FA85135-4		1	COVER, FRONT LEG
40	F85606		1	CAP, KING PIN (20 INCH MODELS)
41	F631606		1	CAP, KING PIN (25 INCH MODELS)

CONTINUED ON NEXT PAGE ➡

MOTOR LEG

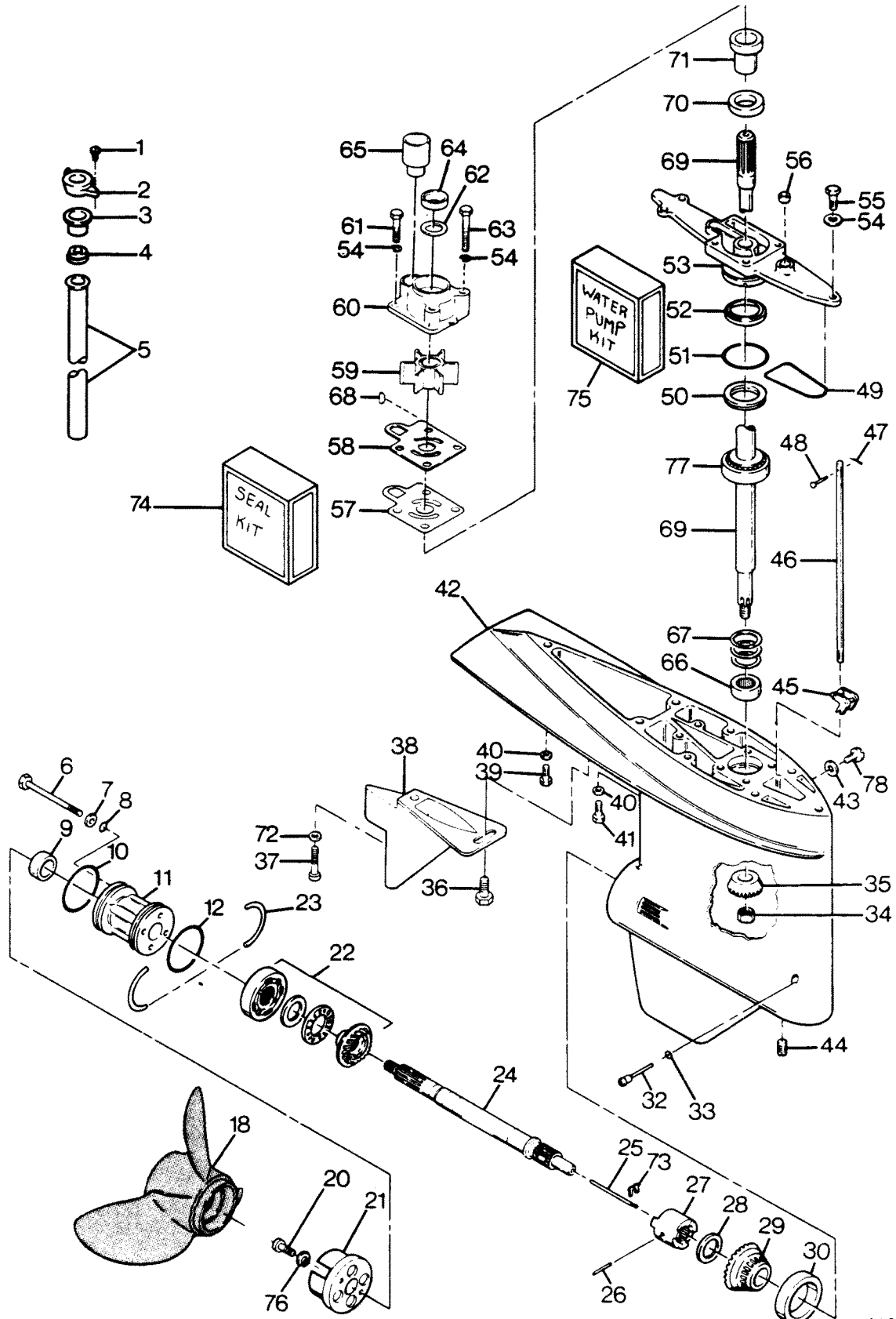
STEERING LINK



MOTOR LEG

REF. NO.	PART NO.	SYM.	QTY.	DESCRIPTION
42	F631707		1	COVER, SHOCK MOUNT LOWER (25 INCH MODELS)
43	F1515		4	HEX NUT, 5/16 - 18
44	F2030		6	HEX HD. CAP SCREW, 1/4 - 20 X 1-1/4
45	F1912		4	HEX HD. SCREW, 10 - 24 X 1/2
46	F85779-1		1	BAFFLE, AIR INTAKE
47	F680374		1	DECAL, "SWIRL CHARGED INDUCTION"

GEAR HOUSING



OB4199

38

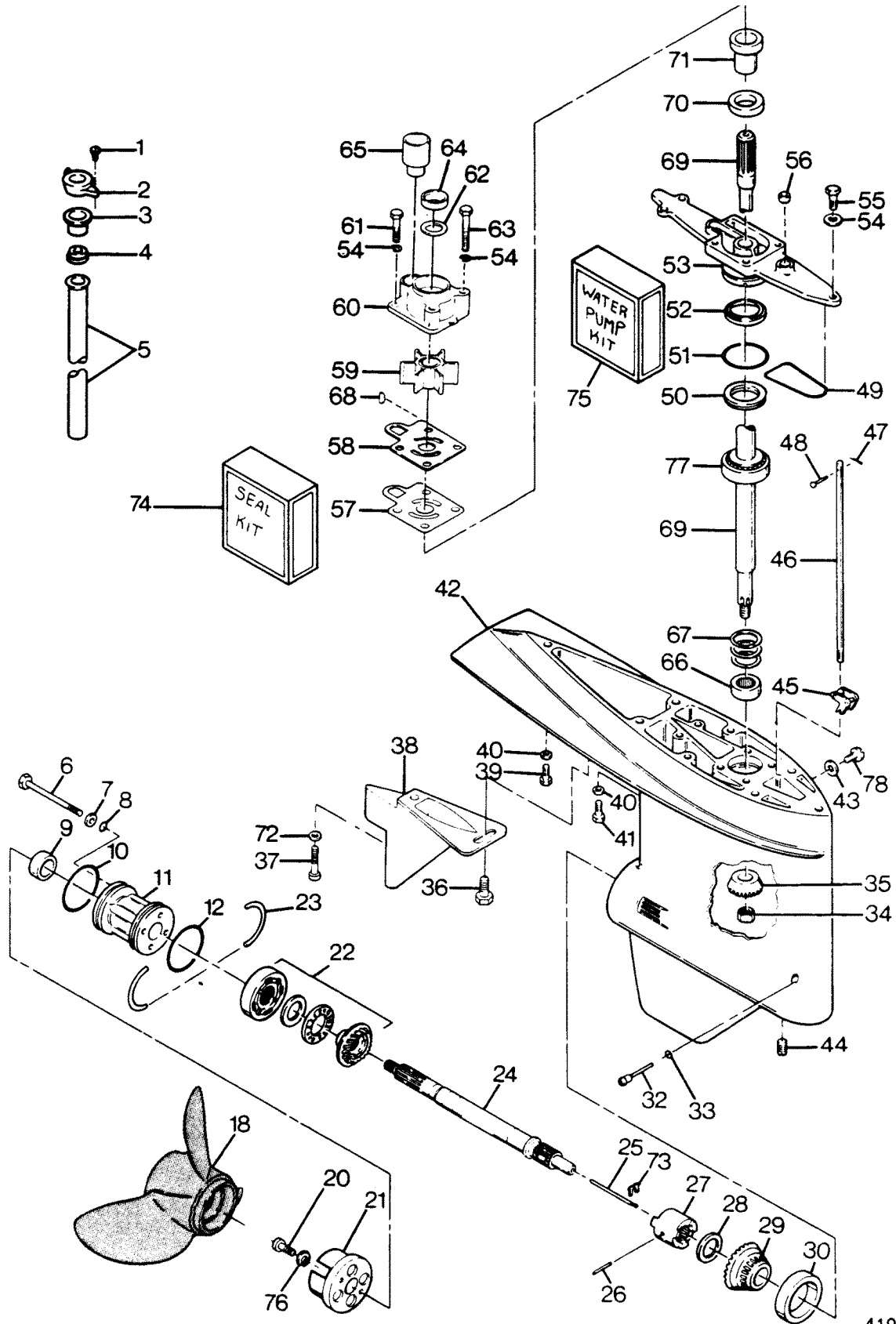
41960-004

GEAR HOUSING

REF. NO.	PART NO.	SYM.	QTY.	DESCRIPTION
1	F1705		2	HEX CAP SCREW, 1/4 - 20 X 3/4 S.S.
2	F85117		1	BRACKET, WATERLINE
3	F84342		1	SEAL, INLET WATERLINE, UPPER
4	F523899		1	GROMMET, WATERLINE
5	F523244		1	INLET WATERLINE (20 INCH MODELS)
-	F500244		1	INLET WATERLINE (25 INCH MODELS)
6	F1885		4	HEX CAP SCREW, 5/16 - 18 X 4-1/4 S.S.
7	F1907		4	PLAIN WASHER S.S.
8	F50342-1		4	SEAL, BEARING CAGE BOLTS
9	F506118		1	SEAL, PROPELLER SHAFT
10	F24278		1	SEAL, O-RING PROPELLER SHAFT SPOOL
11	F2A523239		1	SPOOL, PROPELLER SHAFT BEARING W/SEAL AND ILLUS. 9
12	F84305		1	SEAL, PROPELLER SHAFT BEARING SPOOL PROPELLER (SEE PAGE 50)
20	F1112		2	FILL HD. SCREW, 1/4 - 20 X 7/8
21	FA523485		1	ANTI-CORROSION ANODE W/LITERATURE
22	FA686662		1	BEVEL GEAR REAR W/BEARING CAGE, SPACER AND BEARING
23	F523411		2	RETRAINING RING
24	44-817962A2		1	PROPELLER SHAFT W/LITERATURE ORIGINAL FORCE P/N K 523098-1
25	F84871-1		1	PIN, GEAR SHIFT
26	F1713		1	SPRING PIN
27	F84521-2		1	CLUTCH
28	F1936		A/R	SPACER, BEVEL GEAR FRONT .059
-	F1937		A/R	SPACER, BEVEL GEAR FRONT .062
-	F1938		A/R	SPACER, BEVEL GEAR FRONT .065
-	F1939		A/R	SPACER, BEVEL GEAR FRONT .068
-	F1940		A/R	SPACER, BEVEL GEAR FRONT .071
-	F1941		A/R	SPACER, BEVEL GEAR FRONT .074
-	F1942		A/R	SPACER, BEVEL GEAR FRONT .077
-	F2113		A/R	SPACER, BEVEL GEAR FRONT .080
-	F2114		A/R	SPACER, BEVEL GEAR FRONT .083
-	F2115		A/R	SPACER, BEVEL GEAR FRONT .086
-	F2116		A/R	SPACER, BEVEL GEAR FRONT .089
-	F2121		A/R	SPACER, BEVEL GEAR FRONT .057
-	F2122		A/R	SPACER, BEVEL GEAR FRONT .054
29	F2A686023		1	BEVEL GEAR FRONT W/BEARING
30	F523813		1	BEARING CUP
32	F498891		1	PIN, GEAR SHIFT ARM
33	F498618		1	SEAL
34	F523188		1	NUT, BEVEL PINION RETAINING
35	FA686266		1	BEVEL PINION GEAR W/ILLUS. 50 AND SHIMS
36	F438930		1	RETAINER, SNOUT

CONTINUED ON NEXT PAGE ➡

GEAR HOUSING



OB4199

38

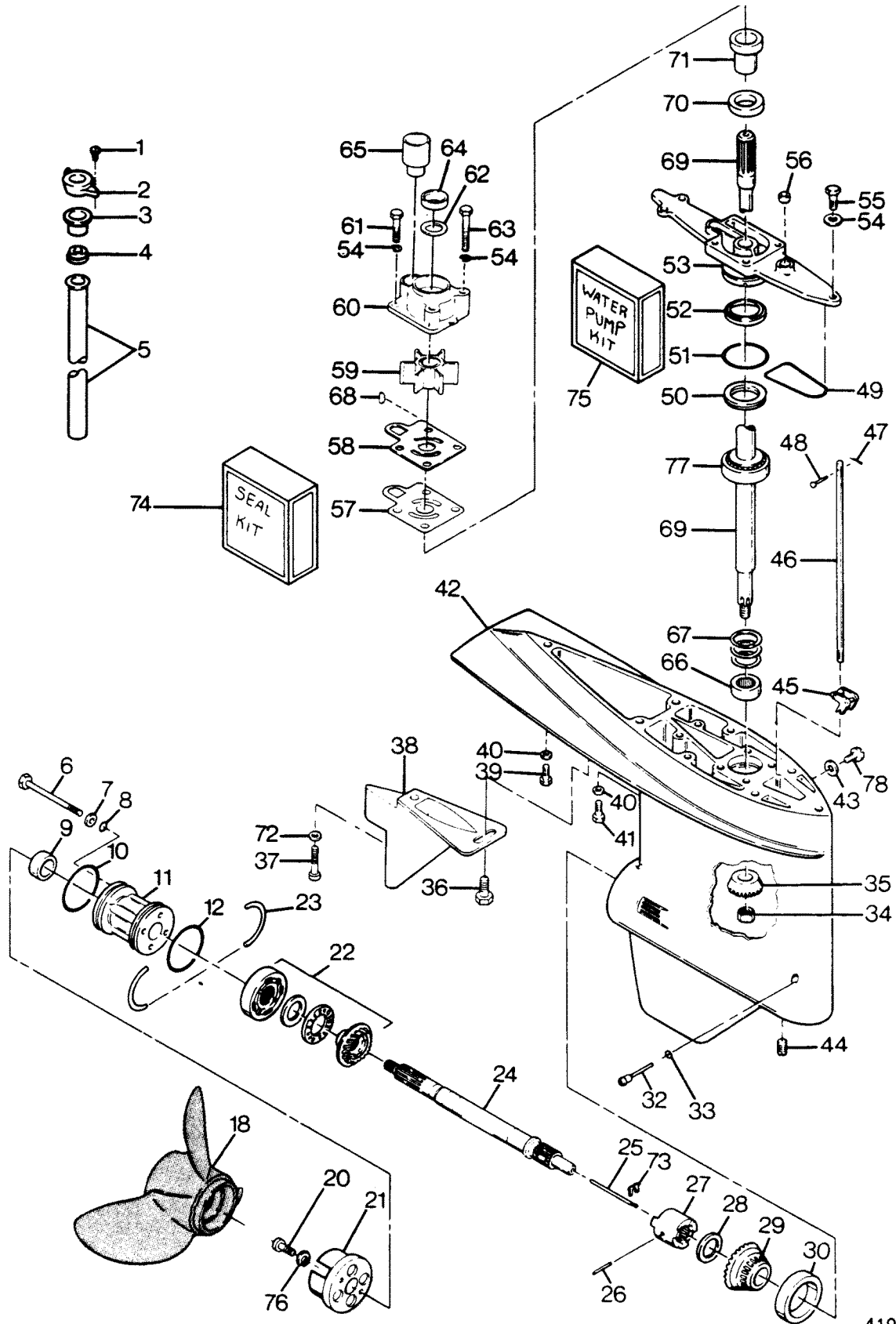
41960-004

GEAR HOUSING

REF. NO.	PART NO.	SYM.	QTY.	DESCRIPTION
37	F1994		1	HEX SOCKET HD. CAP SCREW, 5/16 - 18 X 1
38	F523116-1		1	EXHAUST SNOOT
39	F1858		1	HEX CAP SCREW, 5/16 - 18 X 1
40	F8096		7	SPRING LOCKWASHER
41	F1491		6	HEX HD. SCREW, 5/16 - 18 X 3/4
42	FA523054		1	GEAR HOUSING W/DRIVESHAFT BEARING LOWER ILLUS. 30, 31, 43 AND 44.
43	F8077		2	WASHER, GEAR HOUSING PLUG
44	FA523109		1	PLUG, GEAR HOUSING
45	FA84621-1		1	COUPLING, GEAR SHIFT ARM W/BUSHING
46	F523705		1	GEAR SHIFT ROD LOWER
47	F1015		1	COTTER PIN
48	F85372		1	PIN, GEAR SHIFT ROD LOWER
49	F523555		1	SEAL, O-RING, GEAR HOUSING COVER
50	F523961		1	CRUSH RING
51	F74305		1	SEAL, DRIVESHAFT BEARING CAGE
52	F506118		1	SEAL, DRIVESHAFT
53	F2A550706		1	GEAR HOUSING COVER W/ILLUS. 52
54	F8083		7	SPRING LOCKWASHER
55	F1999		3	HEX CAP SCREW, 1/4 - 20 X 7/8 S.S.
56	F338618-1		1	SEAL, GEAR SHIFT ROD
57	F523031		1	GASKET, WATER PUMP
58	F523562		1	WATER PUMP BACK PLATE
59	F523065-1		1	WATER PUMP IMPELLER
60	46-817853A1		1	WATER PUMP BODY W/ILLUS. 62, 64 AND 65 ORIGINAL FORCE P/N A 523060-1
61	F1990		2	HEX CAP SCREW, 1/4 - 20 X 1-5/8 S.S.
62	F480388		1	DISC, WATER PUMP LOCATING
63	F1425		2	HEX CAP SCREW, 1/4 - 20 X 2-5/8 S.S.
64	F351307		1	SEAL, WATER PUMP
65	FA523735		1	SEAL, INLET WATERLINE, LOWER W/LITERATURE
66	F523057		1	BEARING, DRIVESHAFT LOWER
67	F9106		A/R	SHIM, DRIVESHAFT BEARING, UPPER .003 - BRASS
-	F9095		A/R	SHIM, DRIVESHAFT BEARING, UPPER .005 - SILVER
-	F9097		A/R	SHIM, DRIVESHAFT BEARING, UPPER .010 - BLACK
68	F523498		1	DRIVE KEY, WATER PUMP
69	45-817967A6		1	DRIVESHAFT W/BEARING, ILLUS. 50, 67, AND LITERATURE ORIGINAL FORCE P/N K 616128-2
-	45-817961A6		1	DRIVESHAFT W/BEARING, ILLUS. 50, 67, AND LITERATURE ORIGINAL FORCE P/N K 500128-4
70	F438271		1	RETAINER, CRANKSHAFT SPLINE SEAL
71	F438129		1	SEAL, DRIVESHAFT SPLINE
72	F1856		2	PLAIN WASHER
73	F90619-2		1	YOKE

CONTINUED ON NEXT PAGE ➡

GEAR HOUSING



OB4199

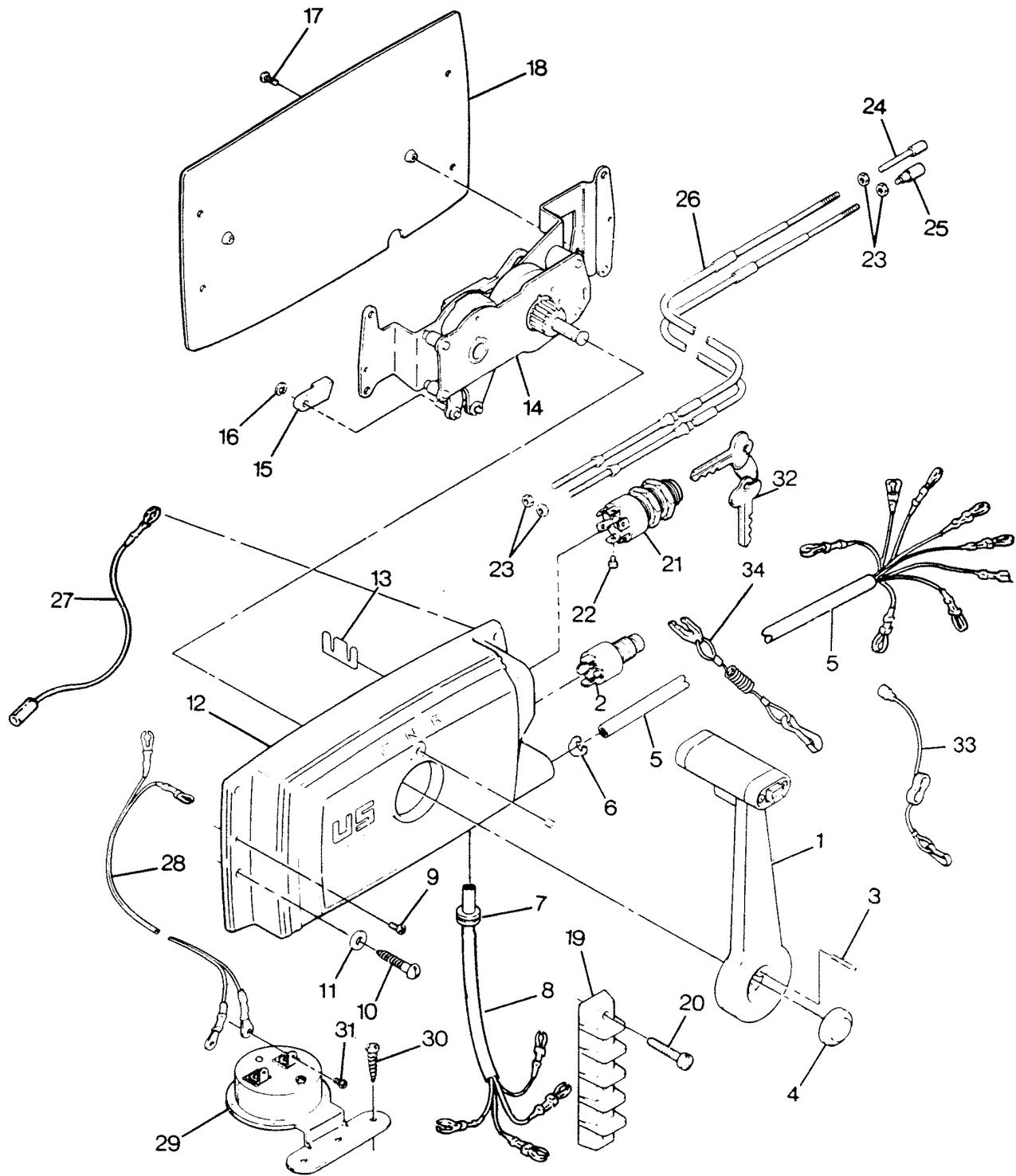
38

41960-004

GEAR HOUSING

REF. NO.	PART NO.	SYM.	QTY.	DESCRIPTION
74	FK1063-2		1	SEAL KIT INCLUDES ITEMS MARKED WITH A *
-	F50342-1		4	BEARING CAGE BOLT SEAL
-	F506118		1	PROPELLER SHAFT SEAL
-	F24278		1	PROPELLER SHAFT SPOOL SEAL
-	F84305		1	PROPELLER SHAFT SPOOLS SEAL
-	F498618		1	GEAR SHIFT ARM PIN SEAL
-	F8077		3	WASHER
-	F523555		1	GEAR HOUSING COVER SEAL
-	F74305		1	GEAR HOUSING COVER SEAL
-	F84307-1		1	DRIVE SHAFT SEAL
-	F338618-1		1	GEAR SHIFT ROD SEAL
75	FK1069		1	WATER PUMP KIT INCLUDES ITEMS MARKED WITH **
-	F1425		2	HEX CAP SCREW, 1/4 - 20 X 5/8 S.S.
-	F1990		2	HEX CAP SCREW, 1/4 - 20 X 1-5/8 S.S.
-	F8083		4	SPRING LOCKWASHER
-	F523031		1	GASKET, WATER PUMP
-	F523065-1		1	IMPELLER
-	F523498		1	KEY
-	F523562		1	PLATE, WATER PUMP
-	46-817853A1		1	WATER PUMP W/ILLUS. 62, 64 AND 65 ORIGINAL FORCE P/N A 523060-1
76	F8083		2	LOCKWASHER
77	F522056		1	BEARING
-	FC686054		1	GEAR HOUSING COMPLETE. INCLUDES ALL ITEMS MARKED WITH AN ASTERISK (*).
-	FC593054		0	GEAR HOUSING COMPLETE. INCLUDES ALL ITEMS MARKED WITH AN ASTERISK (*).
78	F50109		2	PLUG

REMOTE CONTROL



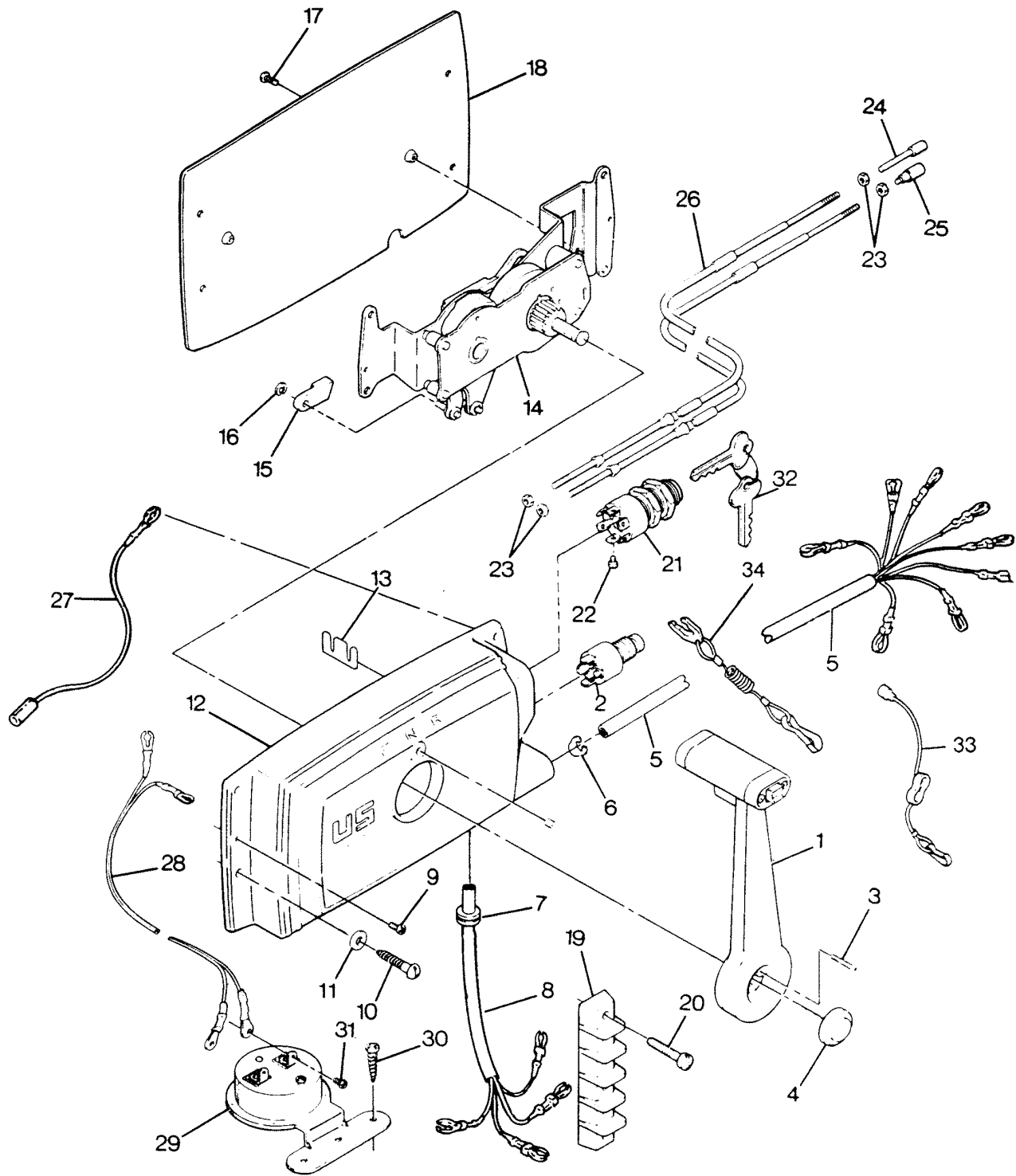
41960-013

REMOTE CONTROL

REF. NO.	PART NO.	SYM.	QTY.	DESCRIPTION
1	F660611		1	LEVER W/TRIM SWITCH
2	F660602		1	SWITCH (EMERGENCY STOP)
3	F660165		4	SCREW (LEVER TO ACTUATOR)
4	F660332		1	PLUG (WARM-UP BUTTON)
5	F660843		1	CABLE (15-1/2' REMOTE ELECT.)
-	F663843		-	CABLE (19' REMOTE ELECT. - 10 WIRE)
-	F664843		-	CABLE (22' REMOTE ELECT. - 10 WIRE)
-	F591843		-	CABLE (25' REMOTE ELECT. - 10 WIRE)
-	F5H193		-	CABLE (7' EXTENSION FOR 10 WIRE REMOTE ELECTRIC CABLE)
6	F660446		1	CLAMP (REMOTE ELECT. CABLE)
7	F660504		1	GROMMET (REMOTE ACCESSORY CABLE)
8	F660353		1	CABLE ACCESSORY
9	F660480		2	SCREW (COVER TO ACTUATOR)
10	F660732		4	SCREW (CONTROL MOUNTING)
11	F660595		4	WASHER (CONTROL MTG. SCREWS)
12	F660995		1	COVER (ASSEMBLY - REMOTE CONTROL)
13	F660642		1	RETAINER (REMOTE CABLE)
14	F660327		1	ACTUATOR (ASSEMBLY - REMOTE CONTROL)
15	F660141		2	CONNECTOR (CABLE - REMOTE CONTROL)
16	F660411		2	RING (RETAINING)
17	F660751		2	SCREW (PLATE TO ACTUATOR)
18	F660911		1	PLATE (REMOTE CONTROL)
19	F660497		1	BLOCK (TERMINAL)
20	F1741		2	SCREW (TERMINAL BLOCK)
21	F5H077		1	SWITCH (ACCESSORY ITEM) W/ITEMS 22 AND 32
22	F1280		6	SCREW (IGN. SWITCH WIRE TERMINAL)
23	F1513		4	STOP NUTS (CABLE END)
24	FA58976-1		1	CONNECTOR (THROTTLE)
25	F58685-2		1	CONNECTOR (SHIFT)
26	F195/___		1	REMOTE CONTROL CABLE (SPECIFY LENGTH - X)
27	F660664		1	WIRE (IGN. SWITCH TO ACC. TERMINAL BLOCK)
28	F404841		1	CABLE, OVERHEAT BUZZER
29	F5H073		1	BUZZER, OVERHEAT (ACCESSORY ITEM)
30	F1741		2	SCREW, PAN HD., 8-3/4
31	F1645		8	SCREW RD. HD., SELF-TAPPING, 6 - 32 X 1/4
32	817782--1		1	IGNITION KEY - NO LETTER OR STAMPED A
-	817883--1		1	IGNITION KEY - STAMPED B
-	817891--1		1	IGNITION KEY - STAMPED C

CONTINUED ON NEXT PAGE ➡

REMOTE CONTROL

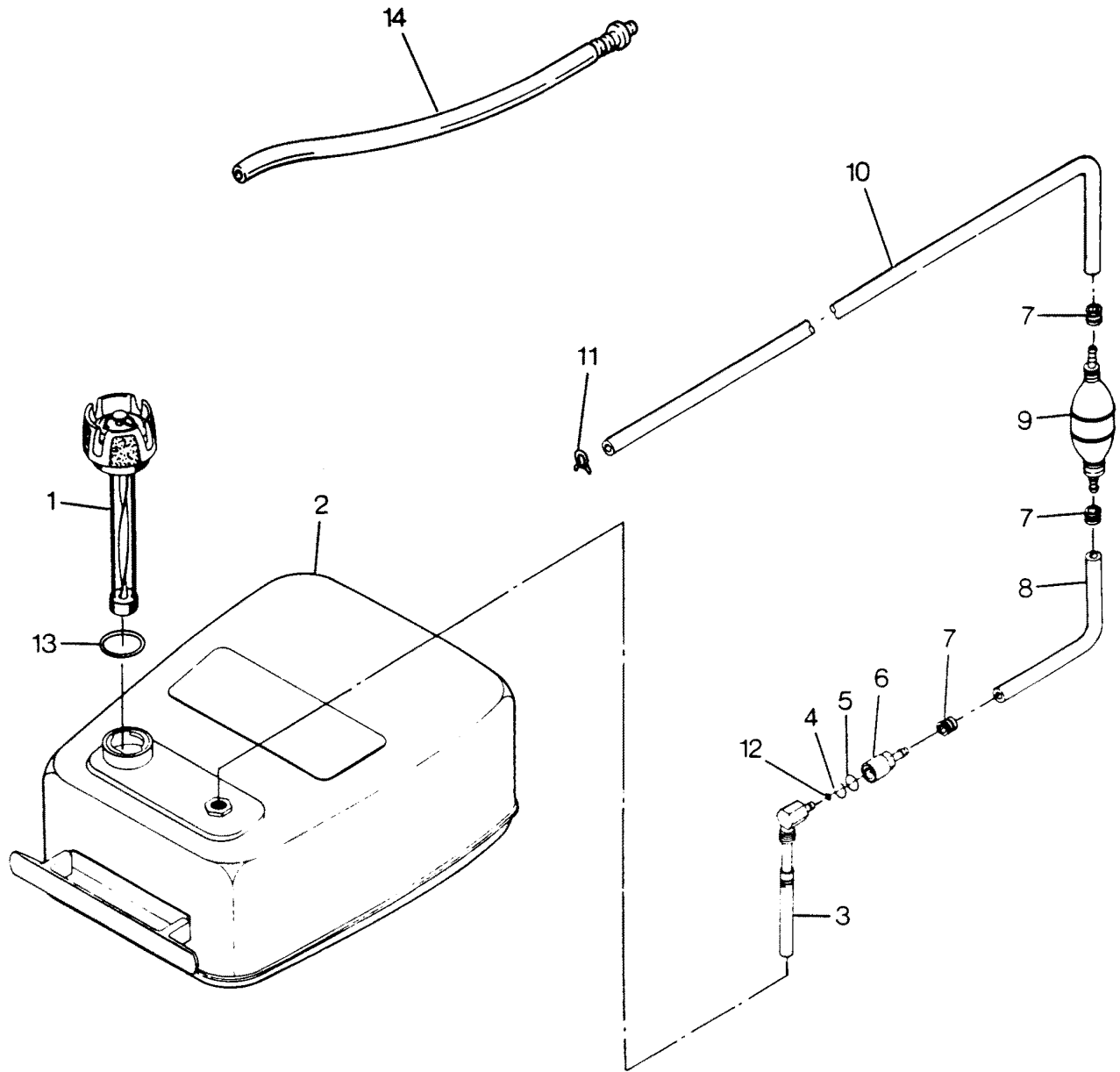


41960-013

REMOTE CONTROL

REF. NO.	PART NO.	SYM.	QTY.	DESCRIPTION
-	817928--1		1	IGNITION KEY - STAMPED D
-	817929--1		1	IGNITION KEY - STAMPED E
33	F660329		1	LANYARD, STOP SWITCH (CUP TYPE)
34	F702329		1	LANYARD, STOP SWITCH (FORK TYPE)
-	F5H198		-	REMOTE CONTROL COMPLETE - WIRED FOR POWER TRIM

FUEL TANK AND LINE

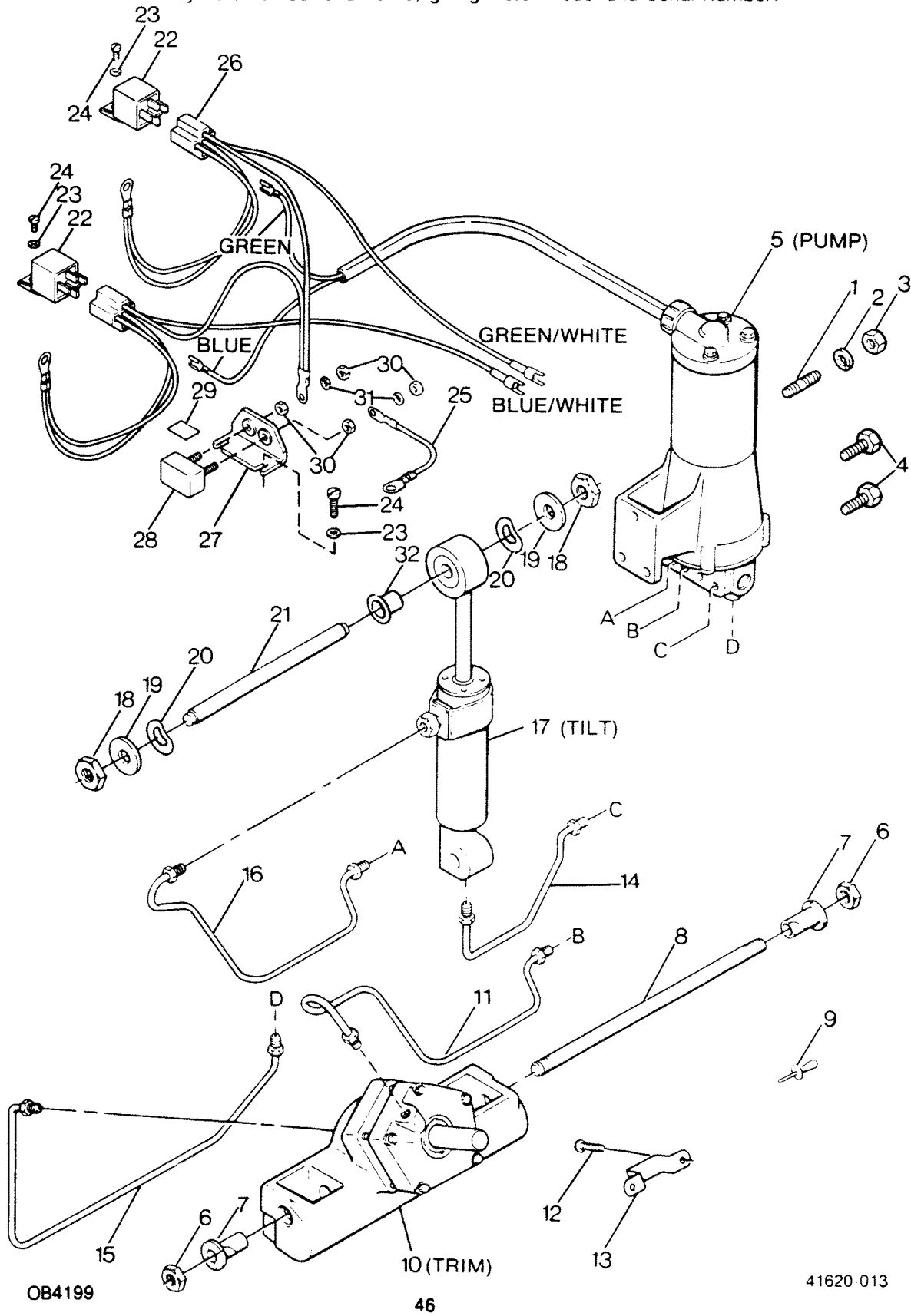


FUEL TANK AND LINE

REF. NO.	PART NO.	SYM.	QTY.	DESCRIPTION
1	F409251-1		1	GAUGE CAP
2	F5H026-1		1	FUEL TANK (ACCESSORY ITEM) W/ILLUSTRATION 1 AND 3
3	F485755-1		1	FUEL TANK ADAPTER
4	F17816		1	SEAL, FUEL LINE COUPLER (LARGE)
5	F17815		1	SEAL, FUEL LINE COUPLER (SMALL)
6	F197787-3		1	FUEL LINE COUPLER
7	F298788		3	FERRULE
8	FA84754-1		1	FUEL LINE SHORT W/FERRULES
9	89396A38		1	PRIME BULB
10	32-817738A1		1	FUEL LINE LONG W/ILLUS. 7 AND 11 ORIGINAL FORCE P/N A 197752-1
11	F97772		1	FUEL LINE CLAMP
12	F17817		1	SEAL, FUEL TANK ADAPTER
13	F17818		1	GASKET
14	FA612754		1	FUEL LINE, SHORT (BAYLINER MODELS)
-	FS409752		1	FUEL LINE COMPLETE (FORCE MODELS) INCLUDES ALL ITEMS MARKED WITH AN ASTERISK (*)
-	FA630752		1	FUEL LINE COMPLETE (BAYLINER MODELS) INCLUDES ALL ITEMS MARKED WITH AN ASTERISK (*)

POWER TRIM UNIT

Order by Part Number and Name, giving Motor Model and Serial Number.



OB4199

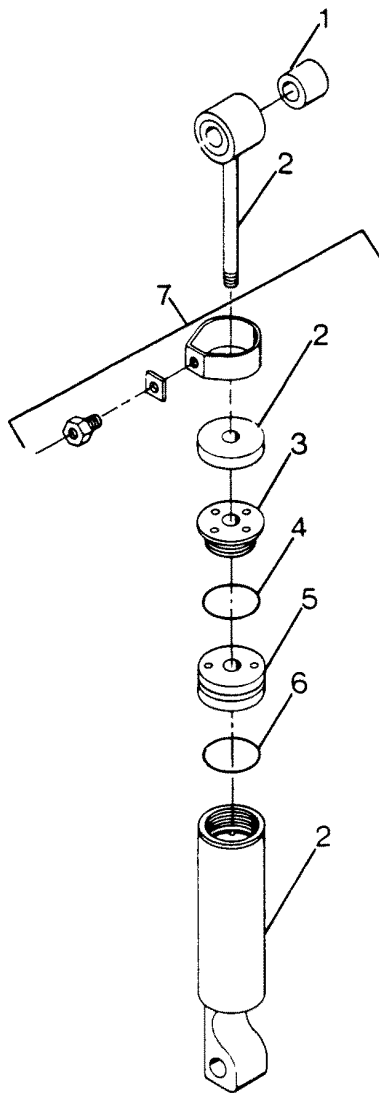
41620 013

46

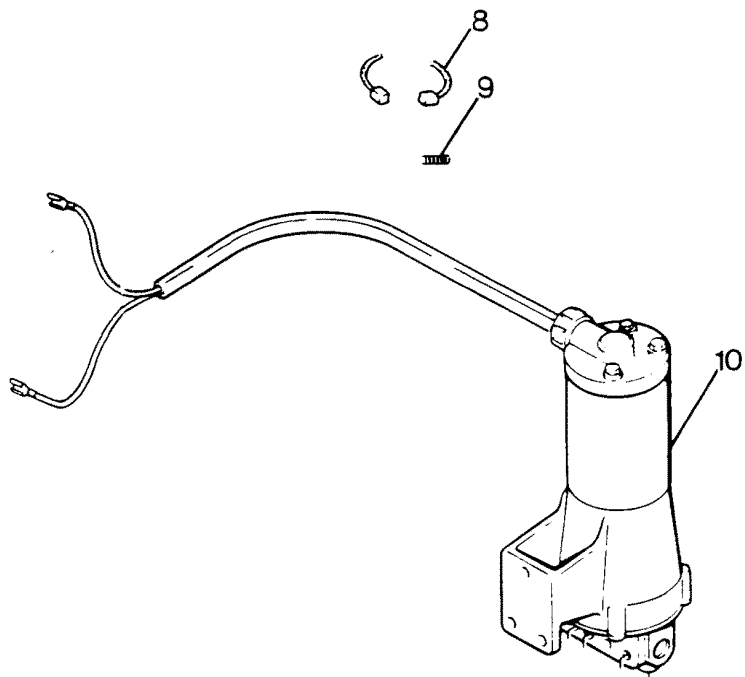
POWER TRIM UNIT

REF. NO.	PART NO.	SYM.	QTY.	DESCRIPTION
1	F660273		1	STUD
2	F8096		1	WASHER, 5/16 LOCK
3	F1515		1	NUT, 5/16 - 18 HEX
4	F1822		2	SCREW, 5/16 - 18 X 7/8 HEX
5	F660541		1	PUMP/MOTOR ASSEMBLY
6	F7053		2	NUT, 5/8 - 18 STOP
7	F449362		2	BEARING, LOWER SHAFT
8	F449632		1	SHAFT, TRIM MOUNT
9	F1966		1	PLUG, PLASTIC
10	818055A3		1	TRIM CYLINDER COMPLETE
11	F660254		1	LINE, UPPER HYDRAULIC TRIM CYLINDER
12	F1734		2	SCREW, 1/4 - 20 X 1/2 W/SPRING LOCKWASHER
13	F449354		1	BRACKET, THRUST
14	F660754		1	LINE, LOWER HYDRAULIC TILT CYLINDER
15	F660253		1	LINE, LOWER HYDRAULIC TRIM CYLINDER
16	F660758		1	UPPER HYDRAULIC TILT CYLINDER
17	FS654381		1	TRIM CYLINDER COMPLETE
18	F1931		2	NUT, 1/2 - 20 STOP
19	F1710		2	WASHER, PLAIN
20	F1711		2	WASHER, BOWED SPRING
21	F449889		1	SHAFT, UPPER SHOCK
22	F660917		2	RELAY, POWER TRIM
23	F8011		4	WASHER, #10
24	F1760		4	SCREW, #10 - 24 X 3/8 PAN HM.
25	F660908		1	WIRE, RED
26	FA663744		1	WIRING HARNESS
27	F91446-1		1	BRACKET
28	F510460		1	BREAKER, CIRCUIT
29	F510374-1		1	DECAL, CIRCUIT BREAKER
30	F1513		4	NUT, #10 - 32 HEX
31	F1975		2	WASHER, #10 SPRING LOCK
32	F178344		2	BUSHING, SHOCK ABSORBER
-	F5H196		-	POWER TRIM UNIT COMPLETE

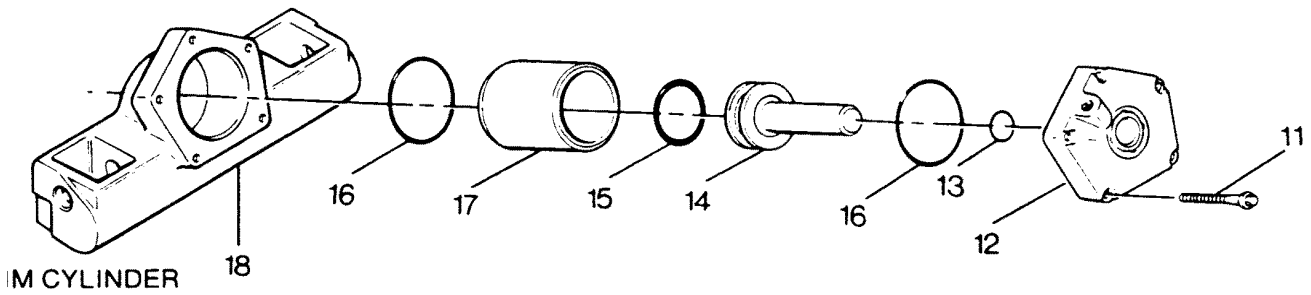
PARTS BREAKDOWN TILT CYLINDER, TRIM CYLINDER, MOTOR & PUMP



TILT CYLINDER



MOTOR & PUMP

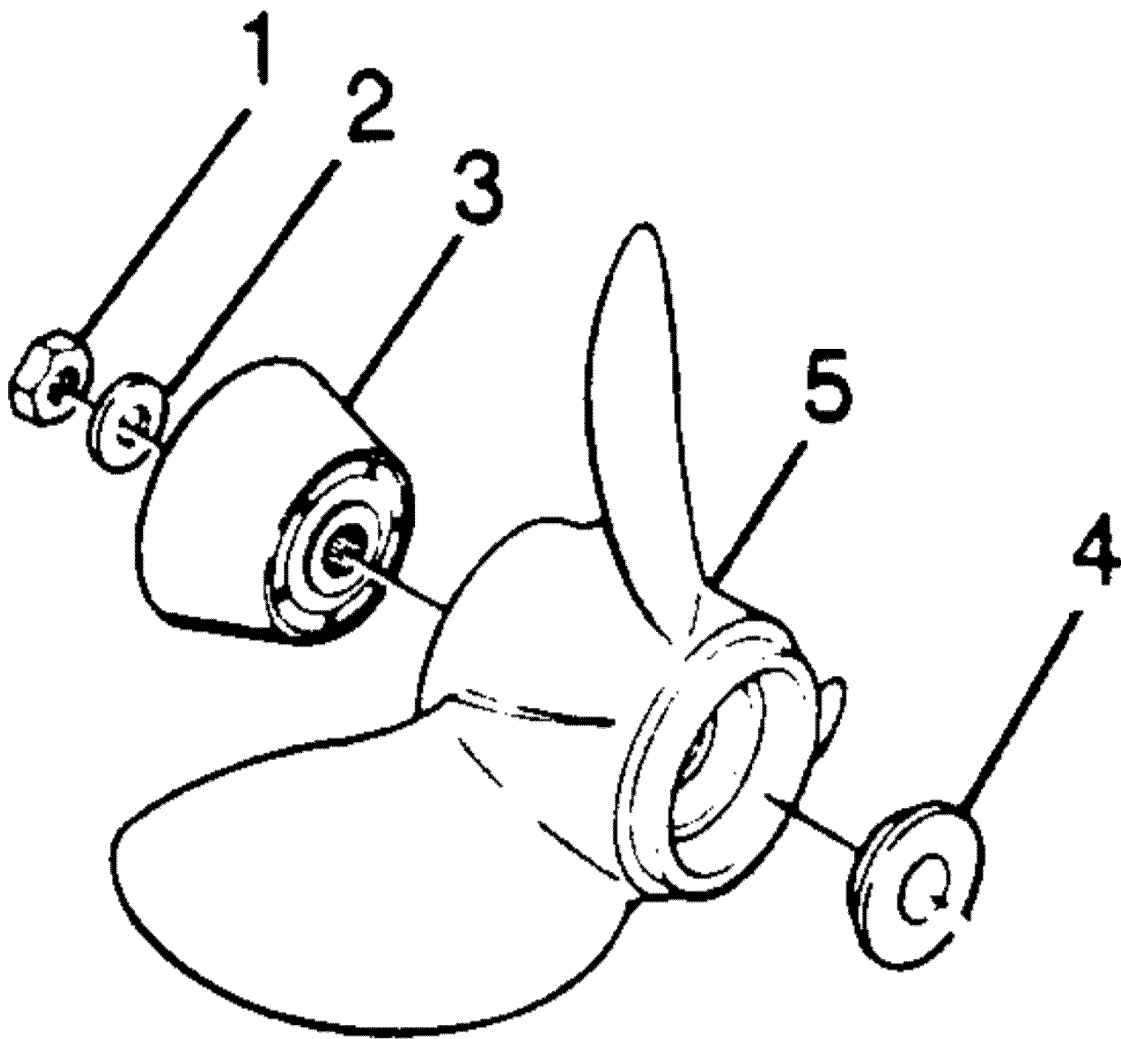


TRIM CYLINDER

PARTS BREAKDOWN TILT CYLINDER, TRIM CYLINDER, MOTOR & PUMP

REF. NO.	PART NO.	SYM.	QTY.	DESCRIPTION
1	F178344		1	BUSHING
3	FA654055		1	HEAD ASSEMBLY
4	F654618		1	O-RING
5	FA654015		1	PISTON ASSEMBLY
6	FA17561-1		1	O-RING
7	F2A654983		1	CYLINDER BEND ASSEMBLY
8	F17611		1	BRUSH SET
9	F17500		1	SPRING SET, BRUSH
11	F1959		5	SCREW, 1/4 - 2) X 1-3/4 S.S.
12	817802A3		1	COVER
13	F449342		1	SEAL, PISTON SHAFT
14	FA449015		1	PISTON
15	F449278		1	PISTON SEAL
16	F40278		2	SEAL, CYLINDER
17	F449010		1	CYLINDER
18	F449545-2		1	CYLINDER HOUSING

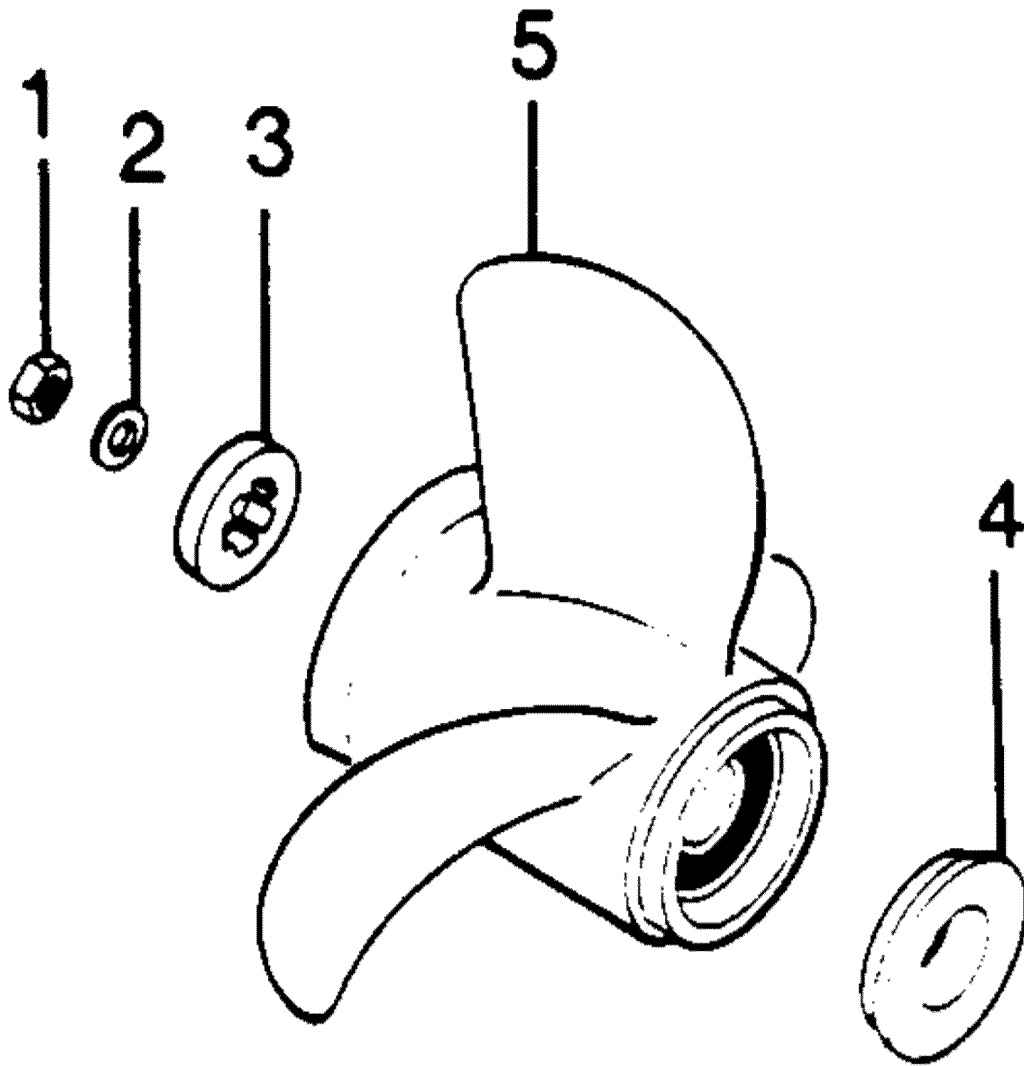
STRAIGHT HUB PROPS



STRAIGHT HUB PROPS

REF. NO.	PART NO.	SYM.	QTY.	DESCRIPTION
1	F1788		1	STOP NUT
2	F1866		1	WASHER
3	F532299		1	SPACER (FLARE)
4	F523099-1		1	SPACER, PROPELLER
5	FPS501		1	PROPELLER 14 X 13 (1253X8B)
-	FP539		1	PROPELLER 13 X 17 (1258M8B)

FLARED HUB PROPS



FLARED HUB PROPS

REF. NO.	PART NO.	SYM.	QTY.	DESCRIPTION
1	F1788		1	STOP NUT
2	F1866		1	WASHER
3	F523282		1	WASHER, PROP SPLINE
4	F523099-1		1	SPACER, PROPELLER
5	FP685		1	PROPELLER 13 X 17 (1251H8B, 1251X8B, O1251X8B, 1254X8B, 1258L8B, 1258L8B)
-	FP686		1	PROPELLER 13 X 19 (1251F8B, C125F8B, 1251V8B, 1258D8B, 1258F8B, C1258F8B, 125818B,1258T8B, 1258V8B, 1258X8B)
-	FP682		1	PROPELLER 13 X 15 (1251A8B)

SPECIAL TOOLS - TUNE-UP

REF. NO.	PART NO.	SYM.	QTY.	DESCRIPTION
-	FTA2937-1		0	TIMING TOOL TO ADJUST TIMING POINTER.
-	FT8978		0	TIMING LIGHT FOR ADJUSTING IGNITION TIMING.
-	FT8948-1		0	PULLER TO REMOVE FLYWHEEL.

SPECIAL TOOLS - POWER HEAD

REF. NO.	PART NO.	SYM.	QTY.	DESCRIPTION
-	FT2998		0	TORQUE WRENCH (0-100 LBS./FT.) TO TORQUE FLYWHEEL NUT.
-	FT2999		0	TORQUE WRENCH (0-600 LBS./IN.) TO TORQUE ALL FASTENERS.
-	FT2991		0	CARBON BRUSH TO REMOVE CARBON DEPOSITS FROM POWER HEAD.
-	FT8914		0	SEAL REMOVER TO REMOVE UPPER CRANKSHAFT BEARING CAGE SEAL.
-	FT8903		0	SEAL INSTALLER TO INSTALL UPPER CRANKSHAFT BEARING CAGE SEAL.
-	FT8907		0	DRIVER HANDLE USED WITH T 8903.
-	FT8925		0	SEAL INSTALLER TO INSTALL LOWER CRANKSHAFT SEAL.
-	FT2953		0	SOCKET TO TORQUE CONNECTING ROD SCREWS.
-	FT2990		0	PISTON PIN TOOL TO REMOVE AND INSTALL PISTON PINS.
-	FT2996		0	RING COMPRESSOR TO INSTALL PISTONS IN CYLINDER.
-	FT8926		0	RING EXPANDER TO INSTALL PISTON RINGS.
-	FT1082		0	SNAP RING PLIER TO REMOVE AND INSTALL DISTRIBUTOR RETAINING RING.
-	FT8933		0	LIFTING HOOK TO LIFT ENGINE.
-	FT8900		0	HOSE CLAMP PLIERS TO REMOVE FUEL LINE CLAMP.

SPECIAL TOOLS - GEAR HOUSING

REF. NO.	PART NO.	SYM.	QTY.	DESCRIPTION
-	FT8948-1		0	PULLER TO REMOVE PROPELLER SHAFT SPOOL FROM GEAR HOUSING.
-	FT11209		0	BEARING GUIDE SET TO REMOVE/INSTALL FORWARD BEARING CUP.
-	FT8918		0	BEARING GUIDE SET TO BE USED WITH T 11209 BEARING GUIDE SET.
-	FT11207		0	BEARING CUP REMOVER TO REMOVE FORWARD BEARING CUP IN GEAR HOUSING.
-	FT11205		0	BEARING INSTALLER/REMOVER TO REMOVE AND INSTALL LOWER DRIVESHAFT BEARING.
-	FT11204		0	BEARING CUP INSTALLER TO INSTALL FORWARD BEARING CUP IN GEAR HOUSING.
-	FT8930-1		0	FEELER GAUGE SET TO USE IN SHIMMING LOWER UNIT.
-	FT8957		0	SEAL INSTALLER TO INSTALL SHIFT ROD SEAL.
-	FT8985		0	SEAL INSTALLER TO INSTALL PROPELLER SHAFT SEAL IN SPOOL.
-	FT8925		0	SEAL INSTALLER TO INSTALL DRIVESHAFT SEAL IN GEAR HOUSING COVER.
-	FT3012		0	SEAL INSTALLER TO INSTALL DRIVESHAFT SEAL IN WATER PUMP.
-	FTA8997		0	SHIM TOOL TO SHIM LOWER UNIT.
-	FT8901		0	INDICATOR HOLDER USED IN CONJUNCTION WITH TA 8997.
-	FT8902		0	DIAL INDICATOR USED IN CONJUNCTION WITH TA 8997.
-	FT8907		0	DRIVER HANDLE USED WITH T 11204, T 11205, T 11209.
-	FT8919		0	SPRING PIN PUNCH TO REMOVE CLUTCH SPRING PIN.
-	FT7848		0	TORQUE ADAPTER TO HOLD DRIVESHAFT SPLINE WHILE TORQUING.

SPECIAL TOOLS - TEST EQUIPMENT

REF. NO.	PART NO.	SYM.	QTY.	DESCRIPTION
-	FT2951		0	CIRCUIT TRACER TO TROUBLESHOOT ELECTRICAL SYSTEM.
-	FTK8999		0	TEST WHEEL TO TEST MOTOR IN TEST TANK. ORIGINAL FORCE P/N TA 8999
-	FT8950		0	LEAKAGE TESTER TO TEST LOWER UNIT SEALS FOR LEAKAGE.
-	FT11260		0	SPARK TESTER TO TEST OUTPUT OF IGNITION SYSTEM.
-	FT2938-1		0	CONTINUITY TESTER TO TEST CIRCUITS FOR CONTINUITY.
-	FTA11259		0	MULTIMETER TO TEST ELECTRICAL COMPONENTS.

SPECIAL TOOLS - LUBRICANTS AND SEALANTS

REF. NO.	PART NO.	SYM.	QTY.	DESCRIPTION
-	FT2961		0	LUBRICANT - RYKON GREASE #2EP
-	FT2987-1		0	LUBRICANT - ANTI-SEIZE
-	FT8969		0	LUBRICANT - 7 OZ. LPS-1 LUBRICANT
-	FT8955		0	SEALANT - 5 OZ. EC-750 INDUSTRIAL SEALANT
-	FT8983		0	SEALANT - 3 OZ. RTV SEALANT FORM IN PLACE GASKETS
-	FT8936-1		0	SEALANT - 2 CC LOCTITE RETAINING COMPOUND #75
-	FT2962-2		0	SEALANT - 50 CC LOCTITE H, NON-HARDENING GRADE
-	FT2963-2		0	SEALANT - 2 OZ. LOCTITE 271
-	FT8935		0	SEALANT PRIMER LOC QUIC T

ACCESSORIES

REF. NO.	PART NO.	SYM.	QTY.	DESCRIPTION
-	F5H173		0	FLUSHING ADAPTER PERMITS FRESH WATER FLUSHING OF WATER PASSAGES WITH STANDARD GARDEN HOSE.
-	F5H198		0	REMOTE CONTROL - SURFACE MOUNT PERMITS REMOTE CONTROL OF THROTTLE AND GEAR SHIFT FROM STARBOARD SIDE OF BOAT. INCLUDES HANDLE MOUNTED TURN SWITCH.
-	F5H080		0	TWIN REMOTE CONTROL BOX PERMITS REMOTE CONTROL OF THROTTLE AND GEAR SHIFT - TWO ENGINES. CONSOLE MOUNTED.
-	F195/___		0	REMOTE CONTROL CABLES CONNECTS REMOTE CONTROL BOX TO THROTTLE AND GEAR SHIFT ON ENGINE. AVAILABLE IN 6 THROUGH 26 FOOT LENGTHS.
-	F5H108		0	STEERING CONNECTOR CLEVIS TYPE FOR BOAT MOUNTED STEERING AND NON-THREADED CABLE END.
-	F5H094		0	STEERING LINK KIT CONNECTS STEERING CABLE TO ENGINE WHEN USING ENGINE MOUNTED STEERING SYTEM.
-	F5H018		0	DUAL STEERING CONNECTOR PERMITS DUAL ENGINE INSTALLATIONS.
-	F5H025		0	ANTI-CORROSION SACRIFICIAL ANODE KIT USED TO REDUCE CORROSION.
-	F5H043		0	OVERHEAT BUZZER SOUNDS WARNING BUZZER IF ENGINE OVERHEATS.
-	F5H161		0	POWER TRIM INDICATOR INDICATES ENGINE TRIM ANGLE.
-	F5H044		0	TILT STOP KIT LIMITS TILTING ANGLE.
-	F5H151		0	SHOCK ABSORBER KIT TO PROVIDE SHOCK PROTECTION WHEN HITTING UNDERWATER OBJECT.
-	F5H081		0	BATTERY CABLE LONGER LENGTH - 15 FEET.
-	F5H157		0	VOLTMETER - FLUSH MOUNT INDICATED BATTERY CONDITION.
-	F5H021		0	EXTENSION CABLE FOR LENGTHENING BATTERY CABLE 6-1/2 FEET.
-	F5H041		0	BATTERY TERMINAL KIT FOR POSITIVE AND NEGATIVE BATTERY POSTS.
-	F5H037		0	CIGAR LIGHTER FOR USE AS CONVENIENCE OUTLET.
-	5H158		0	FUEL GAUGE FLUSH MOUNT MONITORS FUEL SUPPLY.
-	5H145		0	HYDRAULIC TILT HYDRAULIC UNIT TO RAISE AND LOWER THE LOWER UNIT WHEN BEACHING OR TRAILERING BOAT.
-	F5H159		0	HOURMETER RECORDS ENGINE RUNNING TIME.
-	F5H077		0	IGNITION KEY SWITCH SHORT BARREL WITH KEYS.
-	F5H078		0	IGNITION KEY SWITCH LONG BARREL WITH KEYS.
-	F5H028		0	SENDING UNIT, FUEL TANK FOR USE WITH 5H158 FUEL GAUGE.
-	F5H156		0	TEMPERATURE GAUGE FLUSH MOUNT MONITORS ENGINE TEMPERATURE. DO NOT USE TEMPERATURE GAUGE AND HEAT LAMP IN SAME INSTALLATION.
-	F5H167		0	TACHOMETER FLUSH MOUNT MONITORS ENGINE R.P.M. TO PROVIDE CHECK OF ENGINE PERFORMANCE.
-	F5H155		0	SPEEDOMETER FLUSH MOUNT MONITORS BOAT SPEED (10 - 65 M.P.H.)

CONTINUED ON NEXT PAGE ➡

ACCESSORIES

REF. NO.	PART NO.	SYM.	QTY.	DESCRIPTION
-	F5H154		0	SPEEDOMETER FLUSH MOUNT MONITORS BOAT SPEED (10 - 50 M.P.H.)
-	F5H115		0	TRAILERING TILT LOCK SECURES ENGINE IN HALF TILT POSITION FOR TRAILERING (WITHOUT TRIM AND TILT).
-	F5H179		0	TRAILERING TILT LOCK SECURES ENGINE IN HALF TILT POSITION FOR TRAILERING (WITH TRIM AND TILT).
-	F5H030		0	SWITCH KIT - RUNNING LIGHTS DASH MOUNTED TOGGLE SWITCH.
-	F5H031		0	SWITCH KIT - SPOT LIGHT DASH MOUNTED TOGGLE SWITCH.
-	F5H032		0	SWITCH KIT - WIPER DASH MOUNTED TOGGLE SWITCH.
-	F5H034		0	SWITCH KIT - BILGE PUMP DASH MOUNTED TOGGLE SWITCH.
-	F5H035		0	SWITCH KIT - HORN DASH MOUNTED TOGGLE SWITCH (MOMENTARY).
-	F5H036		0	SWITCH KIT - TACHOMETER TRANSFER DASH MOUNTED TOGGLE SWITCH FOR ONE TACHOMETER ON DUAL ENGINE INSTALLATION.
-	F5H039		0	SWITCH KIT - INSTRUMENT LIGHT DASH MOUNTED TOGGLE SWITCH.
-	F563		0	TERMINAL BLOCK KIT DOUBLE ROW 10 SECTION TO SIMPLIFY ACCESSORY INSTALLATION.
-			0	US MARINE OUTBOARD OIL SEE NOTE 1
-	F596-		0	PINT CANS SEE NOTE 1
-	F5H187		0	QUART BOTTLES SEE NOTE 1
-	597-		0	US MARINE OUTBOARD GEAR LUBE SEE NOTE 2
-	F5H191		0	FORCE BLUE ENAMEL ENGINE TOUCH-UP PAINT IN 13 OZ. AVERAGE SPRAY BOMBS (6 CANS PER CASE).
-	F5H192		0	FORCE BLUE ENAMEL ENGINE TOUCH-UP PAINT IN 1/2 OZ. BOTTLE WITH BRUSH IN CAP (12 BOTTLES PER BOX).
-	F5H194		0	CLEAR COAT ENAMEL ENGINE TOUCH-UP PAINT IN 13 OZ. AVERAGE SPRAY BOMBS (6 CANS PER CASE).
-	F5H211		0	MAXUM GRAY ENAMEL ENGINE TOUCH-UP PAINT IN 13 OZ. AVERAGE SPRAY BOMBS (6 CANS PER CASE).
-	F5H212		0	MAXUM GRAY ENAMEL

PARTS INDEX

Part Number	Description	Pg.	Ref. No.	Part Number	Description	Pg.	Ref. No.
5H145	HYDRAULIC TILT	67	-	F1341	NUT, 1/4 - 20	17	53
5H158	FUEL GAUGE FLUSH MOUNT	67	-	F1346	HEX NUT	25	29
817747--1	BALL JOINT W/STUD	25	23	F1346	HEX NUT, 3/8 - 16 S.S.	37	10
817782--1	IGNITION KEY - NO LETTER OR STAMPED A	49	32	F1425	HEX CAP SCREW, 1/4 - 20 X 2-5/8 S.S.	45	63
817782--1	KEY IGNITION - NO LETTER OR STAMPED A	15	19	F1425	HEX CAP SCREW, 1/4 - 20 X 5/8 S.S.	47	-
817783A5	SWIVEL BRACKET W/GREASE FITTINGS	37	28	F1473	NUT, 10 - 24 S.S.	27	18
817788A3	SPACER PLATE	31	70	F1491	HEX HD. SCREW, 5/16 - 18 X 3/4	45	41
817802A3	COVER	57	12	F1493	PAN HD. SCREW, 5/16 - 18 X 5/8 S.S.	13	4
817883--1	IGNITION KEY - STAMPED B	49	-	F1504	FILL HD. SCREW, 1/4 - 20 X 1 - 1/4	29	13
817883--1	KEY IGNITION - STAMPED B	15	-	F1504	FILL HD. SCREW, 1/4 - 20 X 1/1-4	33	91
817891--1	IGNITION KEY - STAMPED C	49	-	F1504	SLOTTED FIL SCREW, 1/4 - 20 X 1-1/4 S.S.	27	8
817891--1	KEY IGNITION - STAMPED C	15	-	F1513	HEX NUT, 10 - 32	15	26
817928--1	IGNITION KEY - STAMPED D	51	-	F1513	HEX NUT, 10 - 32	25	27
817928--1	KEY IGNITION - STAMPED D	15	-	F1513	HEX NUT, 10 - 32	31	42
817929--1	IGNITION KEY - STAMPED E	51	-	F1513	NUT, #10 - 32 HEX	55	30
817929--1	KEY IGNITION - STAMPED E	15	-	F1513	STOP NUTS (CABLE END)	49	23
817960A2	TOWERSHAFT	29	22	F1515	HEX NUT, 5/16 - 18	41	43
818055A3	TRIM CYLINDER COMPLETE	55	10	F1515	HEX NUT, S.S. 5/16 - 18	15	25
89396A38	PRIME BULB	53	9	F1515	HEX NUT, S.S., 5/16 - 18	15	29
F1009	HEX HD. SCREW, 3/8 - 16 X 2-3/4	29	3	F1515	NUT, 5/16 - 18 HEX	55	3
F1014	COTTER PIN	21	11	F15152	LOCKWASHER	19	18
F1015	COTTER PIN	45	47	F15158	SCREW, BRUSH HOLDER	19	15
F1034	PAN HD. SCREW, 1/4 - 20 X 1-3/8	21	33	F15160	INSULATOR WASHER	19	16
F1052	FILL HD. SCREW, 1/4 - 20 X 1	29	28	F15161	PLAIN WASHER	19	17
F1059	FILL HD. SCREW, 6 - 32 X 1/4	21	15	F15162	NUT	19	20
F1064	FILL HD. SCREW, 8 - 32 X 3/8	21	37	F15164	BRUSH KIT	19	7
F1107	SLOTTED FILL HD. SCREW, 1/4 - 20 X 3/4	33	92	F15174	DRIVE KIT	19	1
F1112	FILL HD. SCREW, 1/4 - 20 X 7/8	43	20	F15175	DRIVE ASSEMBLY PINION	19	2
F1203	HEX CAP, SCREW, 1/4 - 20 X 7/8	13	25	F15176	CAP STARTER DRIVE	19	3
F1236	SCREW, 1/4 - 20 X 1/2	25	22	F15177	ARMATURE	19	4
F1238	HEX CAP SCREW, 1/4 - 20 X 3/4	13	26	F15178	THRU BOLT PAKCAGE	19	5
F1253	HEX SOCKET HD. CAP SCREW, 3/8 - 16 X 2	29	9	F15179	COMMUTATOR	19	6
F1263	HEX SOCKET HD. CAP SCREW, 5/16 - 18 X 9/16	39	11	F1532	HEX HD. SCREW, 1/4 - 20 X 1	25	20
F1280	PAN HD. SCREW, 8 - 32 X 1/4	39	19	F1532	HEX HD. SCREW, 1/4 - 20 X 1	29	33
F1280	SCREW (IGN. SWITCH WIRE TERMINAL)	49	22	F1532	HEX HD. SCREW, 1/4 - 20 X 1	33	106
F1280	SLOTTED PAN HD. SCREW, 8 - 32 X 1/4	15	15	F1540	HEX HD. SCREW, 1/4 - 20 X 5/8 GR. 5	27	21
F1286	PAN HD. SCREW, 4 - 40 X 3/16	29	37	F1550	SLOTTED PAN HD. SCREW #12 - 24 X 1	17	60
F1303	PAN HD. SCREW, 8 - 32 X 3/4	17	70	F1556	FILL HD. SCREW, W/LOCKWASHER, 10 - 24 X 3/8	29	29
F1341	HEX NUT, 1/4 - 20	29	27	F1641	LOCK NUT	19	8
F1341	NUT	19	19	F1645	HD. SCREW, 6 - 32 X 1/4	15	5
				F1645	HD. SCREW, 6 - 32 X 1/4	25	49
				F1645	SCREW RD. HD., SELF- TAPPING, 6 - 32 X 1/4	49	31
				F1647	HEX NUT, 8 - 32	15	8
				F1648	PAN HD. SCREW, 10 - 24 X 3/4	15	20

PARTS INDEX

Part Number	Description	Pg.	Ref. No.	Part Number	Description	Pg.	Ref. No.
F1648	SCREW, 10 - 24 X 3/4 PAN HD. SCREW	27	13	F178344	BUSHING, SHOCK ABSORBER	55	32
F1648	SCREW, FUEL SEDIEMENT BOWL	27	6	F178404-1	DEFLECTOR PLATE	25	36
F1664	SPRING PIN	39	10	F178754-1	FUEL LINE	21	8
F1693	TIE BAR RETAINER NUT	21	36	F1788	STOP NUT	59	1
F1693	TINNERMAN NUT, 8-32	9	15	F1788	STOP NUT	61	1
F1696	HEX BOLT, 5/16 - 18 X 1	39	23	F1804	STOP NUT	31	75
F1699	HEX BOLT, 1/4 - 20 X 1-1/8	33	94	F18160-3	CYLINDER DRAIN REED	31	40
F1699	HEX HD. SCREW, 1/4 - 20 X 1 - 1/8	29	8	F1822	HEX BOLT, 5/16 - 18 X 7/8	39	38
F1703	LOCKWASHER	31	68	F1822	SCREW, 5/16 - 18 X 7/8 HEX	55	4
F1703	SPRING, LOCKWASHER	39	32	F1829	FILL HD. SCREW, 10 - 24 X 7/8	29	23
F1704	INTERNAL TOOTH LOCKWASHER	15	4	F1831	FLAT HD. SCREW, 1/4 - 20 X 5/8	25	42
F1704	LOCKWASHER	25	48	F1832	NUT, LOCK 1/4 - 20	17	57
F1705	HEX CAP SCREW, 1/4 - 20 X 3/4 S.S.	43	1	F1832	STOP NUT, 1/4 - 20	31	62
F1705	HEX WASHER HD. M SCREW, 1/4 - 20 X 3/4	17	68	F184033-1	SWIVEL, TOP CARBURETOR	21	14
F1710	WASHER	37	3	F184122-1	SEAL	33	-
F1710	WASHER, PLAIN	55	19	F184122-1	SEAL, PARTING LINE	31	45
F1711	SPRING BOWED WASHER	37	17	F184579	O-RING SEAL	21	13
F1711	WASHER, BOWED SPRING	55	20	F1854	HEX CAP SCREW, 1/4 - 20 X 5/8	13	9
F1713	SPRING PIN	43	26	F1854	HEX HD. CAP SCREW, 1/4 - 20 X 5/8	19	12
F1727	PLASTIC RIVET	29	24	F1856	PLAIN WASHER	45	72
F1729	PLUG	39	8	F1857	HEX CAP SCREW, 5/16 - 18 X 5/8	13	18
F1733	PAN HD. SCREW, 10 - 24 X 9/16	13	11	F1857	HEX CAP SCREW, 5/16 - 18 X 5/8	13	7
F1734	FILL HD. SCREW, 1/4 - 20 X 1/2	15	12	F1858	HEX CAP SCREW, 5/16 - 18 X 1	13	19
F1734	SCREW, 1/4 - 20 X 1/2 W/SPRING LOCKWASHER	55	12	F1858	HEX CAP SCREW, 5/16 - 18 X 1	45	39
F1741	PAN HD. SCREW, 8 X 3/4	17	49	F1860	SLOTTED BINDING HEAD SCREW, 6 - 32 X 1/4	27	25
F1741	SCREW (TERMINAL BLOCK)	49	20	F1864	HEX CAP SCREW, 1/4 - 20 X 3/4	31	73
F1741	SCREW, PAN HD., 8-3/4	49	30	F1864	HEX HD. SCREW, 1/4 - 20 X 3/4	29	11
F17500	SPRING SET, BRUSH	57	9	F1864	HEX SLOT HD. SCREW, 1/4 - 20 X 3/4	39	3
F1755	ROUND HD. SCREW W/LOCKWASHER 6 - 32 X 1/4	25	38	F1866	WASHER	59	2
F1760	SCREW, #10 - 24 X 3/8 PAN HM.	55	24	F1866	WASHER	61	2
F1760	SLOTTED PAN HD. SCREW, 10 - 24 X 3/8	17	40	F1869	HEX CAP SCREW, 3/8 - 16 X 1-1/4	31	67
F17611	BRUSH SET	57	8	F1871	HEX HD. SCREW, 3/8 - 16 X 3/4	39	26
F177330	VALVE, FUEL PUMP	27	24	F1871	HEX HD. SCREW, 3/8 - 16 X 3/4	39	33
F178145-4	COVER, MOTO LEG REAR	39	9	F1872	HEX CAP SCREW, 3/8 - 16 X 1-3/4	29	12
F17815	SEAL, FUEL LINE COUPLER (SMALL)	53	5	F1873	HEX CAP SCREW, 3/8 - 16 X 3	29	7
F17816	SEAL, FUEL LINE COUPLER (LARGE)	53	4	F1874	HEX HD. SCREW, 3/8 - 16 X 1/8	29	2
F178168-1	CARBURETOR ADAPTER GASKET	33	-	F1877	TY-RAP (NOT SHOWN)	17	64
F178168-1	GASKET, CARBURETOR ADAPTER	25	35	F1885	HEX BOLTS. S.S., 5/16 - 18 X 4-1/4	31	55
F17817	SEAL, FUEL TANK ADAPTER	53	12	F1885	HEX CAP SCREW, 5/16 - 18 X 4-1/4 S.S.	43	6
F17818	GASKET	53	13				
F178323	SEAL	39	13				
F178344	BUSHING	37	5				
F178344	BUSHING	57	1				

PARTS INDEX

Part Number	Description	Pg.	Ref. No.	Part Number	Description	Pg.	Ref. No.
F1904	WASHER	37	9	F2008	SLOTTED PAN HD. SCREW, 1/4 - 20 X 7/8	17	47
F1907	PLAIN WASHER S.S.	43	7	F2012	WASHER	3	2
F19109	PLUG	31	78	F2012	WASHER	5	2
F1912	HEX HD. SCREW, 10 - 24 X 1/2	41	45	F2012	WASHER	7	2
F1922	HEX CAP SCREW, 1/4 - 20 X 5/8	19	10	F2012	WASHER	9	2
F1922	HEX CAP SCREW, 1/4 - 20 X 5/8	31	52	F2012	WASHER	11	2
F1931	NUT, 1/2 - 20 STOP	55	18	F2014	WASHER	39	27
F1934	HD. SCREW, 6 X 1/2	15	21	F2015	HEX NUT 1/4 - 28	29	17
F1936	SPACER, BEVEL GEAR FRONT .059	43	28	F2016	SLOTTED FILL HD. SCREW, 6 - 32 X 7/8	15	1
F1937	SPACER, BEVEL GEAR FRONT .062	43	-	F2016	SLOTTED HD. FILL SCREW, 6 - 32 X 7/8	25	47
F1938	SPACER, BEVEL GEAR FRONT .065	43	-	F2018	LOCKNUT	39	29
F1939	SPACER, BEVEL GEAR FRONT .068	43	-	F2030	HEX HD. CAP SCREW, 1/4 - 20 X 1-1/4	41	44
F1940	SPACER, BEVEL GEAR FRONT .071	43	-	F2030	HEX HD. SCREW, 1/4 - 20 X 1-1/4	39	24
F1941	SPACER, BEVEL GEAR FRONT .074	43	-	F2033	GROOVE PIN	21	3
F1942	SPACER, BEVEL GEAR FRONT .077	43	-	F2042	PLAIN WASHER	31	59
F195/___	REMOTE CONTROL CABLE (SPECIFY LENGTH - X)	49	26	F2047	WAVE WASHER	13	21
F195/___	REMOTE CONTROL CABLES	67	-	F2049	HEX CAP SCREW, 5/16 - 18 X 2-5/8	31	80
F1950	HEX CAP SCREW, 10 - 24 X 5/8	33	98	F2067	PLASTIC CAP	35	22
F1959	SCREW, 1/4 - 2) X 1-3/4 S.S.	57	11	F2081	HEX SOC. HD. SCREW, 1/4 - 20 X 3/4	35	18
F1966	PLUG, PLASTIC	55	9	F2088	FASTENER	13	3
F1968	FLYWHEEL NUT	35	20	F2089	SLOTTED PAN HD. M. SCREW, 10 - 24 X 5/16	31	60
F1968	HEX NUT, 3/4 X 16	17	62	F2090	PLUG	31	71
F1975	LOCKWASHER	15	18	F2093	STOP NUT, 3/8 - 24	39	15
F1975	LOCKWASHER	27	14	F2106	LOCKWASHER	17	55
F1975	WASHER, #10 SPRING LOCK	55	31	F2108	STOP NUT, 5/16 - 18	31	61
F197787-3	FUEL LINE COUPLER	53	6	F2113	SPACER, BEVEL GEAR FRONT .080	43	-
F1987	PLAIN WASHER	31	81	F2114	SPACER, BEVEL GEAR FRONT .083	43	-
F1987	WASHER	39	30	F2115	SPACER, BEVEL GEAR FRONT .086	43	-
F1990	HEX CAP SCREW, 1/4 - 20 X 1-5/8 S.S.	45	61	F2116	SPACER, BEVEL GEAR FRONT .089	43	-
F1990	HEX CAP SCREW, 1/4 - 20 X 1-5/8 S.S.	47	-	F2121	SPACER, BEVEL GEAR FRONT .057	43	-
F1994	HEX SOCKET HD. CAP SCREW, 5/16 - 18 X 1	45	37	F2122	SPACER, BEVEL GEAR FRONT .054	43	-
F1997	STOP NUT, 8 - 32	23	47	F213274	GREASE FITTING	37	20
F1999	HEX CAP SCREW, 1/4 - 20 X 7/8 S.S.	45	55	F2143	HEX SOC. HD. SCREW, 1/4 - 20 X 1 S.S.	3	3
F2000	HEX CAP SCREW, 5/16 - 18 X 3/4	33	104	F2143	HEX SOC. HD. SCREW, 1/4 - 20 X 1 S.S.	5	3
F2008	HEX CAP SCREW, 1/4 - 20 X 7/8	33	82	F2143	HEX SOC. HD. SCREW, 1/4 - 20 X 1 S.S.	7	3
F2008	HEX HD. M. SC., 1/4 - 20 X 7/8	17	44	F2143	HEX SOC. HD. SCREW, 1/4 - 20 X 1 S.S.	9	3
F2008	HEX HD. SCREW, 1/4 - 20 X 7/8	25	43	F2143	HEX SOC. HD. SCREW, 1/4 - 20 X 1 S.S.	11	3
F2008	HEX HD. SCREW, 1/4 - 20 X 7/8	29	5	F215962	MOUNT (SHOCK - C.D. UNIT)	15	32
				F2185	HEX HD. SCREW, 3/8 - 16 X 3-1/2 S.S.	37	8

PARTS INDEX

Part Number	Description	Pg.	Ref. No.	Part Number	Description	Pg.	Ref. No.
F24278	PROPELLER SHAFT SPOOL SEAL	47	-	F40223	GASKET, TRANSFER PORT COVER	31	50
F24278	SEAL, O-RING PROPELLET SHAFT SPOOL	43	10	F40223	TRANSFER PORT COVER GASKET	33	-
F269141-1	BALL JOINT W/STUD	29	25A	F40278	SEAL, CYLINDER	57	16
F269319	THROTTLE CAM BEARING	25	26	F404268	BY-PASS VALVE SPRING	33	101
F284659-2	CRANKSHAFT THRUST BEARING, UPPER	35	21	F404310	ELBOW, RECIRCULATING	27	19
F286818	BEARING, LATCH SHAFT	13	16	F404314	FITTING	31	54
F289446-1	CLAMP, REMOTE ELEC. CABLE TO BRACKET	15	11	F404801	ELBOW, CYLINDER DRAIN UPPER (NOT SHOWN)	29	-
F298788	FERRULE	53	7	F404841	CABLE, HEAT INDICATOR	17	52
F2A476757	CYLINDER DRAIN REED PLATE	31	41	F404841	CABLE, OVERHEAT BUZZER	49	28
F2A523239	SPOOL, PROPELLER SHAFT BEARING	43	11	F405457	PIVOT SCREW	29	31
F2A550706	GEAR HOUSING COVER	45	53	F406406	DEFLECTOR PLATE GASKET	33	-
F2A615144	CRANKSHAFT BEARING CAGE	35	17	F406406	GASKET DEFLECTOR PLATE	25	37
F2A654983	CYLINDER BEND ASSEMBLY	57	7	F406471-1	CYLINDER DRAIN COVER	29	35
F2A664746	FUEL PUMP COMPLETE,	27	-	F406754-1	HOSE	31	53
F2A686023	BEVEL GEAR FRONT W/BEARING	43	29	F40689-1	BEARING	31	69
F2C686712	ENGINE COVER, COMPLETE	3	-	F407446	CLAMP	15	33
F2C686712	ENGINE COVER, COMPLETE	5	-	F409251-1	GAUGE CAP	53	1
F2C686712	ENGINE COVER, COMPLETE	7	-	F428096	RETAINER, THERMOSWITCH	17	74
F2C686712	ENGINE COVER, COMPLETE	9	-	F433209-1	THROTTLE CAM STUD	25	32
F2C686712	ENGINE COVER, COMPLETE	11	-	F438066	BY-PASS VALVE COVER	33	99
F307317	CLIP, TERMINAL BLOCK GROUND	15	17	F438129	SEAL, DRIVESHAFT SPLINE	45	71
F316579	SEAL, CRANKCASE	35	11	F438169	BEARING	37	24
F316599	SEAL	37	21	F438271	RETAINER, CRANKSHAFT SPLINE SEAL	45	70
F319908	WIRE, GROUND (C.D. - COIL BRACKET)	17	56	F438346	MOUNT, LOWER SHOCK	39	35
F322273	STUD	17	75	F438500	BOWL, FUEL SEDIMENT	27	5
F333316	THROTTLE ROLLER SHAFT	23	45	F438617	GASKET, FUEL SEDIMENT BOWL	27	3
F335215	SPACER, PISTON PIN (2 PER PISTON)	35	3	F438653	SCREEN, FUEL PUMP	27	4
F335217-1	BEARING PISTON PIN (26 PER SET)	35	5	F438668	RETAINER	17	66
F335654-1	DEFLECTION STOP	13	20	F438747	DIAPHRAGM, FUEL PUMP	27	15
F338618-1	GEAR SHIFT ROD SEAL	47	-	F438754	FUEL LINE	21	16
F338618-1	SEAL, GEAR SHIFT ROD	45	56	F438754	FUEL LINE, PUMP TO CARBURETOR	27	10
F345683	WIRE, GROUND (RECTIFIER TO SRATER BOLT)	17	51	F438760	GASKET, FUEL PUMP	27	16
F351307	SEAL, WATER PUMP	45	64	F438801	ELBOW	27	11
F353480	STUD	37	11	F438930	RETAINER, SNOUT	43	36
F369610	BEARING	31	64	F438962	MOUNT, LOWER REAR SHOCK	39	12
F369887	SHOUDER SCREW	31	65	F440192-1	THROTTLE CAM	25	28
F369977-1	INTERLOCK ARM	31	63	F440209	CARBURETOR STUD	25	30
F372151-1	EXHAUST PORT PLATE	33	97	F440254	BALANCE TUBE	25	34
F372152-2	EXHAUST PORT COVER	33	95	F440906	CARBURETOR GASKET	25	31
F372154-1	EXHAUST PLATE GASKET	33	-	F440906	CARBURETOR GASKET	33	-
F372154-1	GASKET, EXHAUST PORT PLATE	33	96	F440925	CHOKE ROD	21	4
F372958	CHOKE BRACKET	25	19	F441754-1	HOSE, RECIRCULATION	27	27
F381896-4	BATTERY CABLE	15	34	F449010	CYLINDER	57	17
F391926-1	PLUNGER	21	5	F449278	PISTON SEAL	57	15
F3A523158	REED PLATE	25	41	F449342	SEAL, PISTON SHAFT	57	13
				F449354	BRACKET, THRUST	55	13
				F449362	BEARING	37	15
				F449362	BEARING, LOWER SHAFT	55	7
				F449545-2	CYLINDER HOUSING	57	18
				F449632	SHAFT, TRIM MOUNT	55	8

PARTS INDEX

Part Number	Description	Pg.	Ref. No.	Part Number	Description	Pg.	Ref. No.
F449889	SHAFT, UPPER SHOCK	55	21	F523273	STUD	39	22
F475504	GROMMET	17	42	F523274	GREASE FITTING	37	18
F476066-1	THERMOSTAT COVER	33	90	F523280	NUT	37	25
F476067	GASKET	33	87	F523282	WASHER, PROP SPLINE	61	3
F476067	THERMOSTAT COVER GASKET	33	-	F523300-1	SPRING	39	18
F476529-1	CYLINDER HEAD GASKET	31	76	F523411	REATINING RING	43	23
F476529-1	CYLINDER HEAD GASKET	33	-	F523451	SPACER, REED STOP	25	50
F480107-1	CAM, STARTER INTERLOCK	31	57	F523498	DRIVE KEY, WATER PUMP	45	68
F480388	DISC, WATER PUMP LOCATING	45	62	F523498	KEY	47	-
F481434	GUIDE, ENGINE COVER	13	1	F523555	GEAR HOUSING COVER SEAL	47	-
F481777	CAM, LATCH SHAFT	13	22	F523555	SEAL, O-RING, GEAR HOUSING COVER	45	49
F485755-1	FUEL TANK ADAPTER	53	3	F523562	PLATE, WATER PUMP	47	-
F489551	BRACKET NEUTRAL INTERLOCK SWITCH	25	44	F523562	WATER PUMP BACK PLATE	45	58
F491689-1	BEARING TOWERSHAFT UPPPER	33	109	F523705	GEAR SHIFT ROD LOWER	45	46
F498618	GEAR SHIFT ARM PIN SEAL	47	-	F523813	BEARING CUP	43	30
F498618	SEAL	43	33	F523899	GROMMET, WATERLINE	43	4
F498891	PIN, GEAR SHIFT ARM	43	32	F523930	RETAINER	39	21
F499026	SWIVEL	29	16	F523961	CRUSH RING	45	50
F499035	END, CONTROL ROD (TO TOWERSHAFT)	29	18	F525629	COTTER PIN	37	1
F500244	INLET WATERLINE (25 INCH MODELS)	43	-	F528068	THERMOSTAT	33	88
F500615	ROD, GEAR SHIFT UPPER (25 INCH MODELS)	39	-	F528068	REED (5 PETAL)	25	40
F500894	POINTER, TIMING	25	51	F532299	SPACER (FLARE)	59	3
F50109	PLUG	47	78	F5445	CONTROL ROD	29	208
F50342-1	BEARING CAGE BOLT SEAL	47	-	F549189	BUSHING, ELECTRIC CABLE	13	12
F50342-1	SEAL, BEARING CAGE BOLTS	43	8	F563	TERMINAL BLOCK KIT	68	-
F506118	PROPELLER SHAFT SEAL	47	-	F58685-2	CONNECTOR (SHIFT)	49	25
F506118	SEAL, DRIVESHAFT	45	52	F589061-1	CARBURETOR COMPLETE (TOP)	21	-
F506118	SEAL, PROPELLER SHAFT	43	9	F591843	CABLE (25' REMOTE ELECT. - 10 WIRE)	49	-
F510374-1	DECAL, CIRCUIT BREAKER	15	37	F5H018	DUAL STEERING CONNECTOR	67	-
F510374-1	DECAL, CIRCUIT BREAKER	55	29	F5H021	EXTENSION CABLE	67	-
F510460	BREAKER, CIRCUIT	55	28	F5H025	ANTI-CORROSION SACRIFICIAL ANODE	67	-
F510460	CIRCUIT BREAKER	15	38	F5H026-1	FUEL TANK (ACCESSORY ITEM)	53	2
F511125-2	TUBE, STEERING SUPPORT	37	19	F5H028	SENDING UNIT, FUEL TANK	67	-
F511708-1	CHOKE, CARBURETOR	21	32	F5H030	SWITCH KIT - RUNNING LIGHTS	68	-
F522056	BEARING	47	77	F5H031	SWITCH KIT - SPOT LIGHT	68	-
F523031	GASKET, WATER PUMP	45	57	F5H032	SWITCH KIT - WIPER	68	-
F523031	GASKET, WATER PUMP	47	-	F5H034	SWITCH KIT - BILGE PUMP	68	-
F523057	BEARING, DRIVESHAFT LOWER	45	66	F5H035	SWITCH KIT - HORN	68	-
F523065-1	IMPELLER	47	-	F5H036	SWITCH KIT - TACHOMETER TRANSFER	68	-
F523065-1	WATER PUMP IMPELLER	45	59	F5H037	CIGAR LIGHTER	67	-
F523099-1	SPACER, PROPELLER	59	4	F5H038	IGNITION SWITCH MOUNTING KIT	15	22
F523099-1	SPACER, PROPELLER	61	4	F5H039	SWITCH KIT - INSTRUMENT LIGHT	68	-
F523116-1	EXHAUST SNOOT	45	38	F5H041	BATTERY TERMINAL KIT	67	-
F523133-2	MOTOR LEG (20 INCH MODELS)	39	14	F5H041	BATTERY TERMINAL KIT (ACCESSORY ITEM)	17	48
F523146-1	SEAL, CRANKSHAFT LOWER	35	13	F5H043	BUZZER, HEAT INDICATOR	17	50
F523146-1	SEAL, CRANKSHAFT UPPER	35	19	F5H043	OVERHEAT BUZZER	67	-
F523188	NUT, BEVEL PINION RETAINING	43	34	F5H044	TILT STOP KIT	67	-

PARTS INDEX

Part Number	Description	Pg.	Ref. No.	Part Number	Description	Pg.	Ref. No.
F5H077	IGNITION KEY SWITCH	67	-	F654029	TRIGGER ASSY.	17	58
F5H077	SWITCH (ACCESSORY ITEM) W/ITEMS 22 AND 32	49	21	F654398	DECAL, 4 CYL. WIRING	17	71
F5H078	IGNITION KEY SWITCH	67	-	F654497	TERMINAL BLOCK (12 POSITION)	17	73
F5H078	SWITCH, IGNITION LONG BARREL W/KEYS AND SCREWS	15	16	F654618	O-RING	57	4
F5H080	TWIN REMOTE CONTROL BOX	67	-	F654924	CHOKE SOLENOI	15	36
F5H081	BATTERY CABLE	67	-	F658803	GASKET, SPACER PLATE . .	27	2
F5H094	STEERING LINK KIT	39	16	F658836	SPACER, FUEL PUMP	27	17
F5H094	STEERING LINK KIT	67	-	F660141	CONNECTOR (CABLE - REMOTE CONTROL)	49	15
F5H108	STEERING CONNECTOR . .	67	-	F660165	SCREW (LEVER TO ACTUATOR)	49	3
F5H115	TRAILERING TILT LOCK . . .	68	-	F660189	BUSHING, CABLE ENTRY . .	13	13
F5H151	SHOCK ABSORBER KIT . . .	67	-	F660253	LINE, LOWER HYDRAULIC TRIM CYLINDER	55	15
F5H154	SPEEDOMETER FLUSH MOUNT	68	-	F660254	LINE, UPPER HYDRAULIC TRIM CYLINDER	55	11
F5H155	SPEEDOMETER FLUSH MOUNT	67	-	F660273	STUD	55	1
F5H156	TEMPERATURE GAUGE FLUSH MOUNT	67	-	F660327	ACTUATOR (ASSEMBLY - REMOTE CONTROL)	49	14
F5H157	VOLTMETER - FLUSH MOUNT	67	-	F660329	LANYARD, STOP SWITCH (CUP TYPE)	51	33
F5H159	HOURMETER	67	-	F660332	PLUG (WARM-UP BUTTON)	49	4
F5H161	POWER TRIM INDICATOR .	67	-	F660353	CABLE ACCESSORY	49	8
F5H167	TACHOMETER FLUSH MOUNT	67	-	F660411	RING (RETAINING)	49	16
F5H173	FLUSHING ADAPTER	67	-	F660446	CLAMP (REMOTE ELECT. CABLE)	49	6
F5H179	TRAILERING BRACKET	37	2	F660480	SCREW (COVER TO ACTUATOR)	49	9
F5H179	TRAILERING TILT LOCK . . .	68	-	F660497	BLOCK (TERMINAL)	49	19
F5H187	QUART BOTTLES	68	-	F660504	GROMMET (REMOTE ACCESSORY CABLE) . . .	49	7
F5H191	FORCE BLUE ENAMEL	68	-	F660541	PUMP/MOTOR ASSEMBLY .	55	5
F5H192	FORCE BLUE ENAMEL	68	-	F660595	WASHER (CONTROL MTG. SCREWS)	49	11
F5H193	CABLE (7' EXTENSION FOR 10 WIRE REMOTE ELECTRIC CABLE)	49	-	F660602	SWITCH (EMERGENCY STOP)	49	2
F5H194	CLEAR COAT ENAMEL	68	-	F660611	LEVER W/TRIM SWITCH . . .	49	1
F5H196	POWER TRIM UNIT COMPLETE	55	-	F660642	RETAINER (REMOTE CABLE)	49	13
F5H198	REMOTE CONTROL - SURFACE MOUNT	67	-	F660664	WIRE (IGN. SWITCH TO ACC. TERMINAL BLOCK) .	49	27
F5H198	REMOTE CONTROL COMPLETE - WIRED FOR POWER TRIM	51	-	F660732	SCREW (CONTROL MOUNTING)	49	10
F5H211	MAXUM GRAY ENAMEL . . .	68	-	F660751	SCREW (PLATE TO ACTUATOR)	49	17
F5H212	MAXUM GRAY ENAMEL . . .	68	-	F660754	LINE, LOWER HYDRAULIC TILT CYLINDER	55	14
F615475	IGNITION COIL	17	46	F660758	UPPER HYDRAULIC TILT CYLINDER	55	16
F616675	STARTER BRACKET LOWER	19	11	F660843	CABLE (15-1/2' REMOTE ELECT.)	49	5
F616955	STARTER COMPLETE.	19	14	F660908	WIRE, RED	55	25
F629449	THERMOSWITCH	15	6	F660911	PLATE (REMOTE CONTROL)	49	18
F631133	MOTOR LEG (25 INCH MODELS)	39	-	F660917	RELAY, POWER TRIM	55	22
F631606	CAP, KING PIN (25 INCH MODELS)	39	41	F660995	COVER (ASSEMBLY - REMOTE CONTROL)	49	12
F631707	COVER, SHOCK MOUNT LOWER (25 INCH MODELS)	41	42	F663038	SUPPORT PLATE	13	14
F650450	RECTIFIER	15	9	F663095	ALTERNATOR STATOR	17	59
F653301-1	MODULE	17	45	F663269	HANDLE TILT	11	4
F653744	WIRING HARNESS	15	14				

PARTS INDEX

Part Number	Description	Pg.	Ref. No.	Part Number	Description	Pg.	Ref. No.
F663269	HANDLE, TILT	3	4	F686660	STAND TUBE	39	25
F663269	HANDLE, TILT	5	4	F7004	STOP NUT, 3/8 - 16	31	49
F663269	HANDLE, TILT	7	4	F7008	ELASTIC STOP NUT	29	32
F663269	HANDLE, TILT	9	4	F7008	STOP NUT, 1/4 - 20	25	25
F663366	MEDALLION-FORCE	3	10	F7009	LOCK NUT, #10 - 24	33	107
F663366	MEDALLION-FORCE	5	10	F7012	STOP NUT	37	7
F663366	MEDALLION-FORCE	7	10	F702329	LANYARD, STOP SWITCH (FORK TYPE)	51	34
F663366	MEDALLION-FORCE	9	10	F7024	STOP NUT, 1/4 - 20	3	1
F663366	MEDALLION-FORCE	11	10	F7024	STOP NUT, 1/4 - 20	5	1
F663480	RETAINER	13	10	F7024	STOP NUT, 1/4 - 20	7	1
F663756	PACKING	13	8	F7024	STOP NUT, 1/4 - 20	9	1
F663774-1	BRACKET, ENGINE COVER LATCH	13	2	F7024	STOP NUT, 1/4 - 20	11	1
F663843	CABLE (19' REMOTE ELECT. - 10 WIRE)	49	-	F7053	NUT, 5/8 - 18 STOP	55	6
F663984	BLANKET, TOP (NOT SHOWN)	3	-	F74305	GEAR HOUSING COVER SEAL	47	-
F663984	BLANKET, TOP (NOT SHOWN)	5	-	F74305	SEAL, DRIVESHAFT BEARING CAGE	45	51
F663984	BLANKET, TOP (NOT SHOWN)	7	-	F8003	PLAIN WASHER	29	38
F663984	BLANKET, TOP (NOT SHOWN)	9	-	F8011	PLAIN WASHER	15	39
F663984	BLANKET, TOP (NOT SHOWN)	11	-	F8011	WASHER, #10	55	23
F664061	CARBURETOR COMPLETE (BOTTOM)	21	27	F8028	PLAIN WASHER	17	43
F664384	CLIP, TERMINAL BLOCK COVER	17	72	F8038	PLAIN WASHER	29	4
F664386	DECAL, "125"	3	11	F8038	WASHER	39	17
F664386	DECAL, "125"	5	11	F8056	SPRING LOCKWASHER ...	15	7
F664386	DECAL, "125"	11	11	F8058	INTERNAL TOOTH LOCKWASHER	25	24
F664672	COVER, TERMINAL BLOCK .	17	76	F8077	WASHER	47	-
F664843	CABLE (22' REMOTE ELECT. - 10 WIRE)	49	-	F8077	WASHER, GEAR HOUSING PLUG	45	43
F664985	BLANKET, SIDE (NOT SHOWN)	3	-	F8080	SPRING LOCKWASHER ...	39	20
F664985	BLANKET, SIDE (NOT SHOWN)	5	-	F8083	LOCKWASHER	13	24
F664985	BLANKET, SIDE (NOT SHOWN)	7	-	F8083	LOCKWASHER	27	7
F664985	BLANKET, SIDE (NOT SHOWN)	9	-	F8083	LOCKWASHER	47	76
F664985	BLANKET, SIDE (NOT SHOWN)	11	-	F8083	SPRING LOCKWASHER ...	17	63
F665387	DECAL, "US MARINE"	3	7	F8083	SPRING LOCKWASHER ...	19	13
F665387	DECAL, "US MARINE"	5	7	F8083	SPRING LOCKWASHER ...	39	2
F665387	DECAL, "US MARINE"	11	7	F8083	SPRING LOCKWASHER ...	45	54
F680374	DECAL, "SWIRL CHARGED INDUCTION"	41	47	F8083	SPRING LOCKWASHER ...	47	-
F685387	DECAL, "US MARINE"	9	7	F8088	PLAIN WASHER	15	2
F685528-1	DECAL, REAR	3	12	F8088	PLAIN WASHER	21	12
F685528-1	DECAL, REAR	11	12	F8088	PLAIN WASHER	25	46
F685681	SCOOP, AIR	9	12	F8090	PLAIN WASHER	15	28
F685892-1	DECAL, FRONT	3	6	F8094	WASHER	13	23
F685892-1	DECAL, FRONT	11	6	F8095	PLAIN WASHER	31	48
F686396	DECAL, STARBOARD	3	9	F8096	SPRING LOCKWASHER ...	13	17
F686396-1	DECAL, STARBOARD	11	9	F8096	SPRING LOCKWASHER ...	13	6
F686397	DECAL, PORT	3	5	F8096	SPRING LOCKWASHER ...	15	24
F686397	DECAL, PORT	11	5	F8096	SPRING LOCKWASHER ...	33	105
				F8096	SPRING LOCKWASHER ...	39	37
				F8096	SPRING LOCKWASHER ...	45	40
				F8096	WASHER, 5/16 LOCK	55	2
				F8104	PLAIN WASHER	29	10
				F8124	PLAIN WASHER	15	31
				F84074	FOOT, CLAMP SCREW	37	12
				F84286-1	FRICTION WASHER	37	22
				F84305	PROPELLER SHAFT SPOOLS SEAL	47	-

PARTS INDEX

Part Number	Description	Pg.	Ref. No.	Part Number	Description	Pg.	Ref. No.
F84307-1	DRIVE SHAFT SEAL	47	-	F85762	BY-PASS VALVE COVER		
F84314-2	ELBOW	31	46		GASKET	33	100
F84314-2	ELBOW - TOP			F85772	CLAMP	39	7
	CARBURETOR	21	9	F85779-1	BAFFLE, AIR INTAKE	41	46
F84342	SEAL, INLET WATERLINE, UPPER	43	3	F85859	STUD	29	15
F84449	INTERLOCK SWITCH	25	45	F85906	CARBURETOR GASKET	33	-
F84449	NEUTRAL INTERLOCK SWITCH	15	3	F85908-1	LEAD WIRE	19	9
F84472-5	CYLINDER DRAIN COVER			F85909-1	BEARING LOCATING PIN (PRESSED INTO BLOCK)	35	23
	GASKET	33	-	F85916-1	BY-PASS VALVE	33	102
F84472-5	GASKET, CYLINDER DRAIN COVER	29	36	F85965	MOUNT, UPPER SHOCK	39	31
F84504	GROMMET (THERMOSTAT)	33	89	F89758	HOSE, IMPULSE	27	20
F84521-2	CLUTCH	43	27	F9018	CAP	37	26
F84748-3	CYLINDER DRAIN REED PLATE GASKET	33	-	F9036	END, CONTROL ROD (TO TRIGGER)	29	2149
F84748-3	GASKET, CYL. DRAIN REED PLATE	31	44	F9052	PLUG	37	16
F84792	GASKET, FUEL PUMP VALVE	27	23	F90619-2	YOKE	45	73
F84871-1	PIN, GEAR SHIFT	43	25	F90807	RETAINING RING	21	34
F85017	PISTON PIN	35	4	F9095	SHIM, DRIVESHAFT BEARING, UPPER .005 - SILVER	45	-
F85033	SWIVEL, CHOKE ROD (BOTTOM CARBURETOR) (NOT SHOWN)	21	-	F9097	SHIM, DRIVESHAFT BEARING, UPPER .010 - BLACK	45	-
F85037-1	BOLT, STERN BRACKET PIVOT	37	27	F9106	SHIM, DRIVESHAFT BEARING, UPPER .003 - BRASS	45	67
F85117	BRACKET, WATERLINE	43	2	F91446-1	BRACKET	55	27
F85130	BOOT, IDLE EXHAUST	39	5	F91446-1	CIRCUIT BREAKER BRACKET	17	41
F85161-1	REED STOP	25	39	F92759	THROTTLE ROLLER	23	46
F85211	STUD	31	47	F93811	SCREEN	31	43
F85258	INSERT	39	4	F93920	REED STOP	29	39
F85279-2	CYLINDER EXHAUST UPPER GASKET	33	-	F97772	CLAMP	21	6
F85279-2	GASKET, CYLINDER EXHAUST UPPER	31	66	F97772	CLAMP, FUEL LINE	27	9
F85311	FUEL FITTING - BOTTOM CARBURETOR	21	7	F97772	FUEL LINE CLAMP	53	11
F85317-3	SOLENOID CLAMP	25	21	F98273	ROD END CONNECTOR STUD	31	74
F85372	PIN, GEAR SHIFT ROD LOWER	45	48	FA17561-1	O-RING	57	6
F8538	SPRING, PIN	37	14	FA178233	THROTTLE TIE BAR W/SWIVEL	21	35
F85380	SPRING	39	6	FA27232	EMERGENCY STARTER ROPE (NOT SHOWN)	15	-
F85410	SNAP RING	35	8	FA335260	PISTON RINGS (2 PER SET) STANDARD	35	1
F85498-1	FLYWHEEL KEY	35	16	FA411222	TRANSFER PORT COVER	31	51
F8550-1	LINK, CHOKE	21	2	FA438431	BODY, FUEL PUMP	27	12
F85502	THROTTLE LINK	29	26	FA439493	BRACKET, TERMINAL BLOCK	15	10
F85571	BEARING CAGE W/ROLLER	35	10	FA440157	CARBURETOR ADAPTER, UPPER	25	-
F85606	CAP, KING PIN (20 INCH MODELS)	39	40	FA440167	CARBURETOR ADAPTER, LOWER	25	33
F85610	BEARING	31	56	FA449015	PISTON	57	14
F85615-1	ROD, GEAR SHIFT UPPER (20 INCH MODELS)	39	34	FA480876	GEAR SHIFT ARM	31	58
F8563	DOWEL PIN	29	14	FA481743	BRACKET, ROLLER LATCH W/ROLLER	13	5
F85634-2	CONNECTING ROD SCREW	35	14	FA500019	KINGPIN (25 INCH MODELS)	37	-
F85660-1	EXHAUST TUBE	39	1	FA523014	CRANKSHAFT LOWER MAIN BEARING	35	12
F85704	COUPLER, GEAR SHIFT ROD	39	36				
F85762	BY-PASS COVER GASKET	33	-				

PARTS INDEX

Part Number	Description	Pg.	Ref. No.	Part Number	Description	Pg.	Ref. No.
FA523054	GEAR HOUSING	45	42	FM685892	DECAL, BOTTOM-FRONT	9	6
FA523109	PLUG, GEAR HOUSING	45	44	FM685894	DECAL, TOP-FRONT	9	5
FA523485	ANTI-CORROSION ANODE	43	21	FM685915	DECAL, TOP-SIDE	9	14
FA523735	SEAL, INLET WATERLINE, LOWER	45	65	FM686386	DECAL, "125XT"	9	18
FA528018	CRANKSHAFT	35	15	FO10588	BODY CHANNEL CUP PLUG	23	48
FA58976-1	CONNECTOR (THROTTLE)	49	24	FO11103	IDLE MIXTURE SCREW SPRING	21	28
FA607689	BEARING TOWERSHAFT	33	108	FO13193	MAIN FUEL JET OPT. .088 4500 - 6000 FT.	23	-
FA609853	DECAL, WARNING	17	67	FO13554	FLOAT	21	25
FA612754	FUEL LINE, SHORT (BAYLINER MODELS)	53	14	FO13944	FLOAT LEVER PIN	21	24
FA616497	TERMINAL BLOCK	15	13	FO13949	MAIN FUEL JET OPT. .086 6000 FT. & UP	23	-
FA628073	CLAMP SCREW	37	13	FO14166	IDLE MIXTURE SCREW	21	29
FA630752	FUEL LINE COMPLETE (BAYLINER MODELS)	53	-	FO14190	MAIN FUEL JET OPT. .092 1500 - 3000 FT.	23	-
FA631518	CYLINDER HEAD	31	77	FO14191	MAIN FUEL JET STD. .0937 SEA LEVEL - 1500 FT.	23	40
FA654015	PISTON ASSEMBLY	57	5	FO15406	MAIN FUEL JET OPT. .090 3000 - 4500 FT.	23	-
FA654055	HEAD ASSEMBLY	57	3	FO15623	FUEL BOWL GASKET	21	26
FA658746	COVER, FUEL PUMP	27	1	FO16128	BODY CHANNEL WELCH PLUG	23	49
FA663469	ENGINE COVER LATCH HANDLE W/SHAFT	13	15	FO16130	FUEL BOWL	21	22
FA663744	WIRING HARNESS	55	26	FO16132	FUEL BOWL RETAINING SCREW	21	20
FA686266	BEVEL PINION GEAR	43	35	FO16133	MAIN NOZZLE	21	23
FA686662	BEVEL GEAR REAR W/BEARING CAGE, SPACER AND BEARING	43	22	FO16142	THROTTLE SHUTTER	23	50
FA84621-1	COUPLING, GEAR SHIFT ARM W/BUSHING	45	45	FO16143	THROTTLE SHAFT RETURN SPRING	23	41
FA84754-1	FUEL LINE SHORT W/FERRULES	53	8	FO16301	CHOKE SHAFT AND LEVER	21	17
FA85135-4	COVER, FRONT LEG	39	39	FO16620	E-RING	21	10
FA85193	TIE BAR AND W/SWIVEL	21	38	FO16993	BY-PASS TUBE	23	51
FA85355-1	WASHER SEAT	39	28	FO17719	CHOKE, SHUTTER	21	30
FA85655-1	CRANKSHAFT MAIN BEARING RACE	35	9	FO17884	THROTTLE SHAFT AND LEVER	23	42
FC529398	DECAL, WIRING	33	93	FO17885	CHOKE SHAFT RETURN SPRING	21	18
FC593054	GEAR HOUSING COMPLETE.	47	-	FO18010	MAIN FUEL JET STD. 101 SEA LEVEL - 1500 FT.	23	-
FC686054	GEAR HOUSING COMPLETE.	47	-	FO1974	SCREW	23	44
FG1019	GASKET SET	33	103	FO5323	FUEL BOWL RETAINING SCREW GASKET	21	21
FK10023	GASKET, SET	21	-	FO8942	CHOKE AND THROTTLE SHUTTER SCREW	21	31
FK10103	REPAIR PARTS KIT	21	1	FO9678	CLIP, CHOKE SHAFT	21	39
FK10107	INLET NEEDLE AND SEAT	21	19	FO992	LOCKWASHER	23	43
FK1063-2	SEAL KIT	47	74	FP539	PROPELLER 13 X 17 (1258M8B)	59	-
FK1069	WATER PUMP KIT	47	75	FP682	PROPELLER 13 X 15 (1251A8B)	61	-
FK1123	SPARKIE KIT	17	54	FP685	PROPELLER 13 X 17	61	5
FK405020	SWIVEL W/CLAMP, SHOULDER SCREW AND NUT	29	30	FP686	PROPELLER 13 X 19	61	-
FK460917	STARTER RELAY	15	23	FPS501	PROPELLER 14 X 13 (1253X8B)	59	5
FK85228-1	BEARING CAGE W/ROLLER	35	7	FS409752	FUEL LINE COMPLETE (FORCE MODELS)	53	-
FM684392	DECAL, "BASSTACTICS" (REAR)	9	16	FS631962	SHOCK ABSORBER W/BUSHING	37	4
FM685392	DECAL, "BASSTACTICS" (SIDE)	9	11	FS631995	COVER, CYLINDER HEAD	31	79
FM685396	DECAL, BOTTOM- STARBOARD	9	9				
FM685528	DECAL, BOTTOM-REAR	9	17				
FM685585	DECAL, TOP-REAR	9	19				

PARTS INDEX

Part Number	Description	Pg.	Ref. No.	Part Number	Description	Pg.	Ref. No.
FS654381	TRIM CYLINDER COMPLETE	55	17	FT8930-1	FEELER GAUGE SET	64	-
FS664358	BRACKET (C.D. - COIL)	15	30	FT8933	LIFTING HOOK	63	-
FS664712	ENGINE COVER, (WITHOUT PAINT, DECALS OR HARDWARE)	3	8	FT8935	SEALANT PRIMER LOC QUIC T	66	-
FS664712	ENGINE COVER, (WITHOUT PAINT, DECALS OR HARDWARE)	5	8	FT8936-1	SEALANT - 2 CC LOCTITE RETAINING COMPOUND #75	66	-
FS664712	ENGINE COVER, (WITHOUT PAINT, DECALS OR HARDWARE)	7	9	FT8948-1	PULLER	62	-
FS664712	ENGINE COVER, (WITHOUT PAINT, DECALS OR HARDWARE)	7	9	FT8948-1	PULLER	64	-
FS664712	ENGINE COVER, (WITHOUT PAINT, DECALS OR HARDWARE)	11	8	FT8950	LEAKAGE TESTER	65	-
FS664712	ENGINE COVER, (WITHOUT PAINT, DECALS, OR HARDWARE)	9	8	FT8955	SEALANT - 5 OZ. EC-750 INDUSTRIAL SEALANT	66	-
FS85019	KINGPIN (20 INCH MODELS)	37	23	FT8957	SEAL INSTALLER	64	-
FS85872-1	BRACKET	31	72	FT8969	LUBRICANT - 7 OZ. LPS-1 LUBRICANT	66	-
FSA335260	PISTON RINGS (2 PER SET) .010 OVERSIZE	35	-	FT8978	TIMING LIGHT	62	-
FT1082	SNAP RING PLIER	63	-	FT8983	SEALANT - 3 OZ. RTV SEALANT FORM IN PLACE GASKETS	66	-
FT11204	BEARING CUP INSTALLER	64	-	FT8985	SEAL INSTALLER	64	-
FT11205	BEARING INSTALLER/REMOVER	64	-	FTA11259	MULTIMETER	65	-
FT11207	BEARING CUP REMOVER	64	-	FTA2937-1	TIMING TOOL	62	-
FT11209	BEARING GUIDE SET	64	-	FTA8997	SHIM TOOL	64	-
FT11260	SPARK TESTER	65	-	FTK8999	TEST WHEEL	65	-
FT2938-1	CONTINUITY TESTER	65	-	FX685528	DECAL, REAR	5	12
FT2951	CIRCUIT TRACER	65	-	FX685892	DECAL, PORT	5	6
FT2953	SOCKET	63	-	FX686396	DECAL, STARBOARD	5	9
FT2961	LUBRICANT - RYKON GREASE #2EP	66	-	FX686397	DECAL, PORT	5	5
FT2962-2	SEALANT - 50 CC LOCTITE H, NON-HARDENING GRADE	66	-	FZ685396	DECAL, STARBOARD	7	11
FT2963-2	SEALANT - 2 OZ. LOCTITE 271	66	-	FZ685397	DECAL, PORT	7	6
FT2987-1	LUBRICANT - ANTI-SEIZE	66	-	FZ685892	DECAL, FRONT	7	7
FT2990	PISTON PIN TOOL	63	-	FZ686385	DECAL, "125", PORT	7	5
FT2991	CARBON BRUSH	63	-	FZ686386	DECAL, "125", STARBOARD & REAR	7	12
FT2996	RING COMPRESSOR	63	-	22-818103--1	ELBOW, CYLINDER DRAIN LOWER	29	34
FT2998	TORQUE WRENCH (0-100 LBS./FT.)	63	-	32-817738A1	FUEL LINE LONG	53	10
FT2999	TORQUE WRENCH (0-600 LBS./IN.)	63	-	33-818007--1	SPARK PLUG (CHAMPION UL 18V) - USA	33	83
FT3012	SEAL INSTALLER	64	-	37-F694366-1	DECAL, "US MARINE"	7	8
FT7848	TORQUE ADAPTER	64	-	39-818110A1	PISTON RINGS (2 PER SET) .030 OVERSIZE	35	-
FT8900	HOSE CLAMP PLIERS	63	-	44-817962A2	PROPELLER SHAFT	43	24
FT8901	INDICATOR HOLDER	64	-	45-817961A6	DRIVESHAFT	45	-
FT8902	DIAL INDICATOR	64	-	45-817967A6	DRIVESHAFT	45	69
FT8903	SEAL INSTALLER	63	-	46-817853A1	WATER PUMP	47	-
FT8907	DRIVER HANDLE	63	-	46-817853A1	WATER PUMP BODY	45	60
FT8907	DRIVER HANDLE	64	-	200-817865A1	FLYWHEEL	17	61
FT8914	SEAL REMOVER	63	-	597-	US MARINE OUTBOARD GEAR LUBE	68	-
FT8918	BEARING GUIDE SET	64	-	600-818052A4	CONNECTING ROD	35	6
FT8919	SPRING PIN PUNCH	64	-	700-817988A2	PISTON .010 OVERSIZE	35	-
FT8925	SEAL INSTALLER	63	-	700-818111A2	PISTON .030 OVERSIZE	35	-
FT8925	SEAL INSTALLER	64	-	700-F372015-3	PISTON - STANDARD	35	2
FT8926	RING EXPANDER	63	-	800-817864A6	CYLINDER	29	1
				800-818154A6	SHORT BLOCK,	29	-
				1400-817958A6	STERN BRACKET	37	6
				F596-	PINT CANS	68	-