



PARTS CATALOG

9.9 H.P.

SERIAL NUMBER

9.9 H.P. (1986-1987)	225.587990
9.9 H.P. (1986-1987)	225.587991

TABLE OF CONTENTS:

ENGINE COVER AND SUPPORT PLATE	2
FUEL SYSTEM	10
FUEL TANK AND LINE	28
GEAR HOUSING	24
MAGNETO	6
MOTOR LEG	18
PARTS INDEX	32
POWER HEAD	14
SPECIAL TOOLS	30
STARTER	8

NOTE: *Indented description indicate that these parts are included in preceding assembly.*

AR = As Required

NSS = Not Sold Separate

OPT = Optional

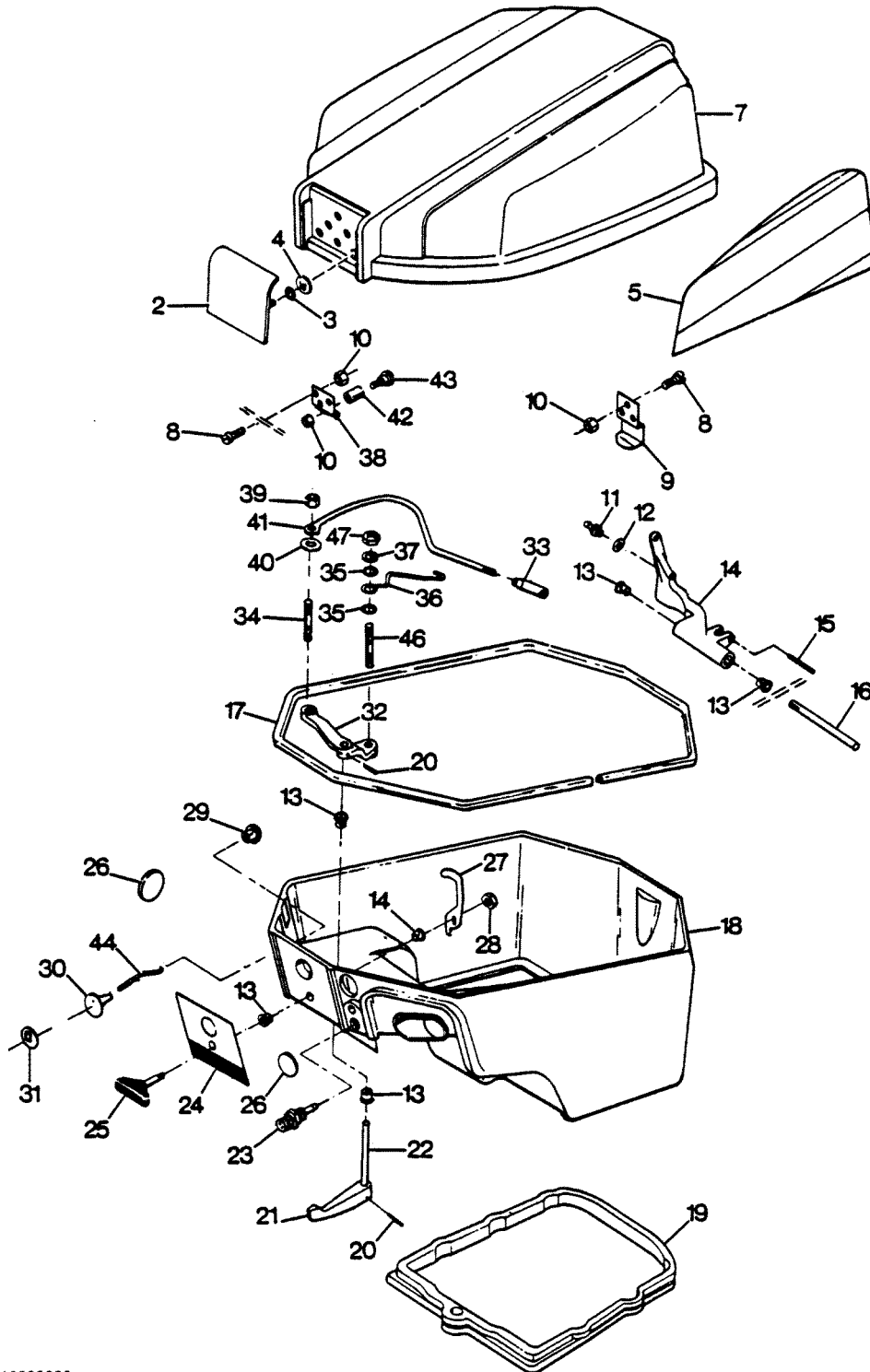
NS = Not Shown

THESE PARTS BOOKS/FICHE CARD ARE COPYRIGHTED AND MAY NOT BE DISTRIBUTED OR REPRODUCED IN ANY OTHER FORMAT BY ANYONE OTHER THAN MERCURY MARINE WITHOUT THE PRIOR WRITTEN CONSENT OF MERCURY MARINE.

THIS PAGE INTENTIONALLY LEFT BLANK

ENGINE COVER AND SUPPORT PLATE

Order by Part Number and Name, giving Motor Model and Serial Number.



OB10002008

Page 13

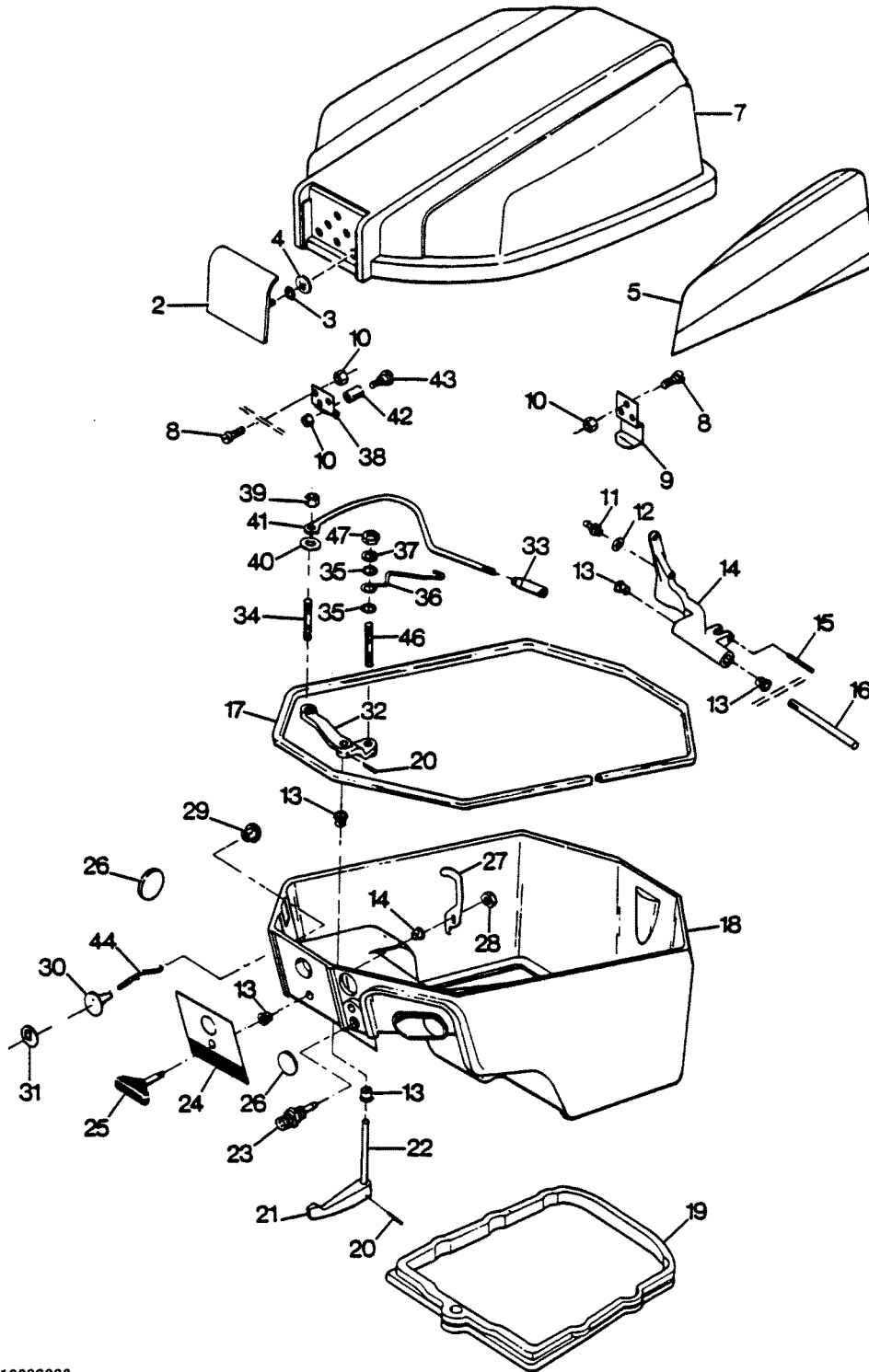
ENGINE COVER AND SUPPORT PLATE

REF. NO.	PART NO.	SYM.	QTY.	DESCRIPTION
2	610711		1	PLATE, ENGINE COVER
3	85735-1		3	SEAL
4	1753		3	FASTENER
5	677397		1	DECAL, ENGINE COVER PORT W/LITERATURE
-	677396		1	DECAL, ENGINE COVER STARBOARD W/LITERATURE
7	S541712		1	COVER, ENGINE W/ILLUS. 9 AND 38
-	2C677712		1	COVER, ENGINE COMPLETZ INCLUDES ALL ITEMS MARKED WITH AN ASTERISK (*).
8	1475		6	FILL HD SCREW,10 - 24 X 1/2
9	A610480		1	RETAINER, ENGINE COVER W/ILLUS.8 AND 10.
10	7011		7	ELASTIC STOP NUT,10 - 24
11	98273		1	STUD, 3EARSHIFT ROD CONNECTOR
12	8058		1	INTEMAL TOOTH LOCKWASHER
13	307818		6	BEARING
14	286876		1	LEVER, GEAR SHIFT
15	8542		1	SPRING PIN
16	286871		1	PIN, GEAR SHIFT LEVER
17	392756		1	PACKING, SUPPORT PLATE
18	A492038		1	PLATE, SUPPORT W/ILLUS. 26 AND 48
19	286989-2		1	SEAL SUPPORT PLATE
20	8540		2	SPRING PIN
21	286614		1	HANDLE, GEAR SHIFT
22	492417		1	SHAFT, GEAR SHIFL HANDLE
23	197767-1		1	BUSHING, FUEL LINE
24	A288711		1	PLATE, FRONT W/LITERATURE
25	A286489		1	KNOB, COVER LATCH W/SHAFT
26	343226-1		2	PLUG
27	286777		1	CAM, COVER LATCH
28	7006		1	STOP NUT, 5/16 - 18
29	197319		1	BEARING, CHOKE ROD
30	286547		1	KNOB, CHOKE
31	458677		1	INSERT, CHOKE KNOB
32	492619		1	LEVER, GEAR SHIFT SHAFT
33	286685		1	CONNECTOR, GEARSHIFT ROD
34	286134		1	STUD, GEAR SHIFT LEVER
35	184579		2	SEAL
36	492263		1	LINK, STARTER INTERIOCK
37	8011		1	PLAIN WASHER
38	A286774		1	BRACKET, COVER LATCH W/ILLUS. 8,10 AND 42
39	1804		1	STOP NUT,10 - 32
40	8048		1	BOWED SPRING WASHER
41	286611-1		1	ROD, GEAR SHIFT
42	92759		1	ROLLER

CONTINUED ON NEXT PAGE ➡

ENGINE COVER AND SUPPORT PLATE

Order by Part Number and Name, giving Motor Model and Serial Number.



OB10002008

Page 13

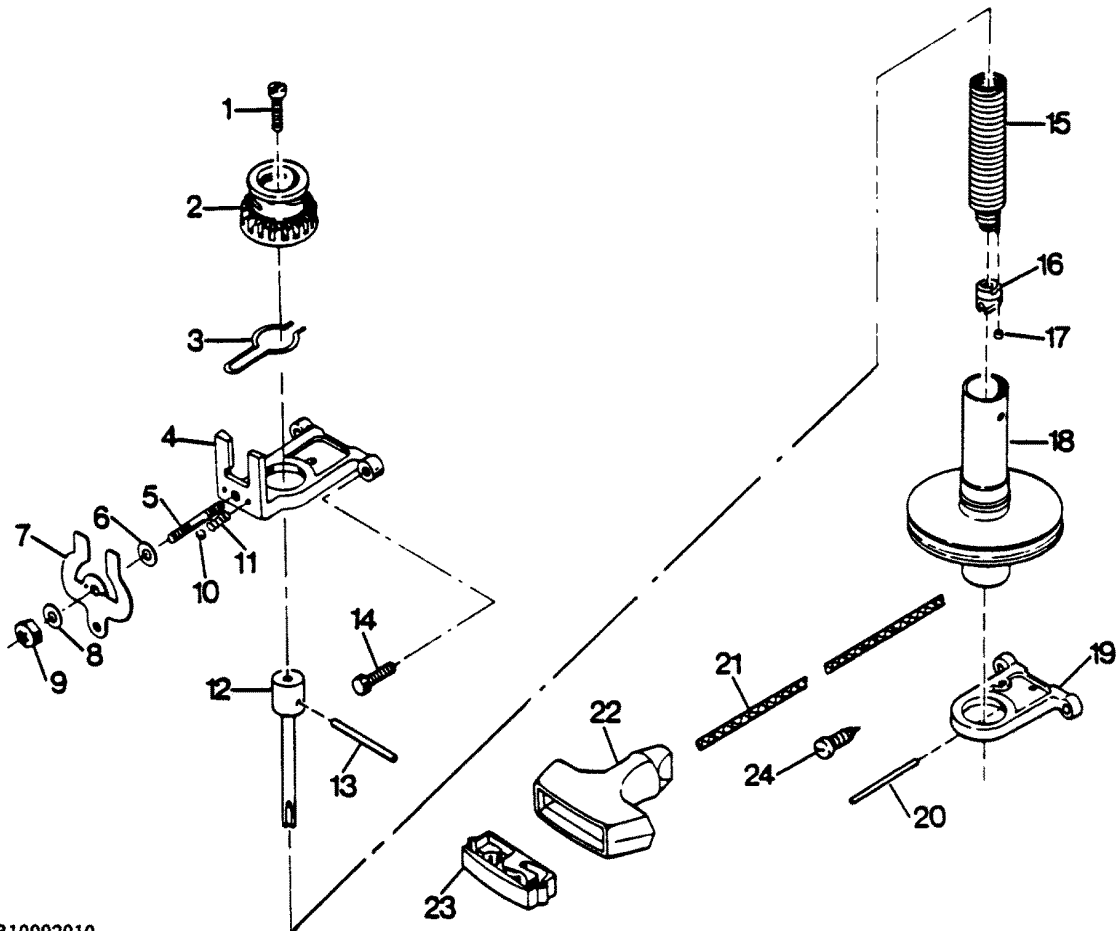
ENGINE COVER AND SUPPORT PLATE

REF. NO.	PART NO.	SYM.	QTY.	DESCRIPTION
43	333316		1	ROLLER SHAFT
44	617503		1	ROD, CHOKE
46	286134		1	STUD, STARTER INTERLOCK LINK
47	1804		1	STOP, NUT 10-32
48	1819		1	EYELET, SUPPORT PLATE (NOT SHOWN)
-	676892		1	DECAL, FRONT (NOT SHOWN)
-	677528		1	DECAL, REAR(NOT SHOWN)

MAGNETO

REF. NO.	PART NO.	SYM.	QTY.	DESCRIPTION
1	1809		1	HEX NUT,1/2 - 20
2	901456-1		1	EMERGENCY STARTER COLLAR
3	A302097		1	FLYWHEEL WTILLUS. 26
4	12170		4	CONTACT SCREW W/LOCKWASHER
5	12360		1	CAM WIPER FELT
6	12153--1		2	BREAKER POINT SET
7	12170		2	CONDENSER SCREW W/LOCKWASHER
8	12181-1		2	CONDENSER
9	12343		1	STATOR PLATE W/LAMINATIONS
10	617192		1	THROTTLE CAM PLATE
11	289664		1	WIRE, STATORGROUND
12	1075		4	FILL HD SCREW,10 - 24 X 1/2
13	217002		1	MAGNETO BREAKER CAM
14	458498		1	MAGNETO KEY
15	K1066		1	TUNE UP KIT - INCLUDES ALL ITEMS MARKED WITH AN ASTERISK (*).
16	12114		2	COIL GROUND TERMINAL SCREW
17	12146		2	COIL WEDGE SPRING
18	1090		4	FILL HD SCREW W/LOCKWASHER,10 - 24 X 9/18
19	K1123		2	SPARKIE W/SPRING
20	12088		2	GROMMET
21	12141		1	HIGH TENSION LEAD SLEEVE
22	A12370		2	COIL W/LEAD WIRE AND WEDGE SPRING
23	K436449		1	SHORTING SWITCH W/ILLUA 25
-	12091		1	LEAD WIRE MARKER TOP (NOT SHOWN)
24	12186-1		1	PRIMARY TERMINAL WIRE
25	436280		1	NUT, SHORTING SWITCH.
26	A609853		1	DECAL, WARNING, SHIFT CONTROL W/LITERATURE
27	1091		1	SLOTTED FILL HD M. SCREW,10 - 32 X 1/4

STARTER



OB10002010

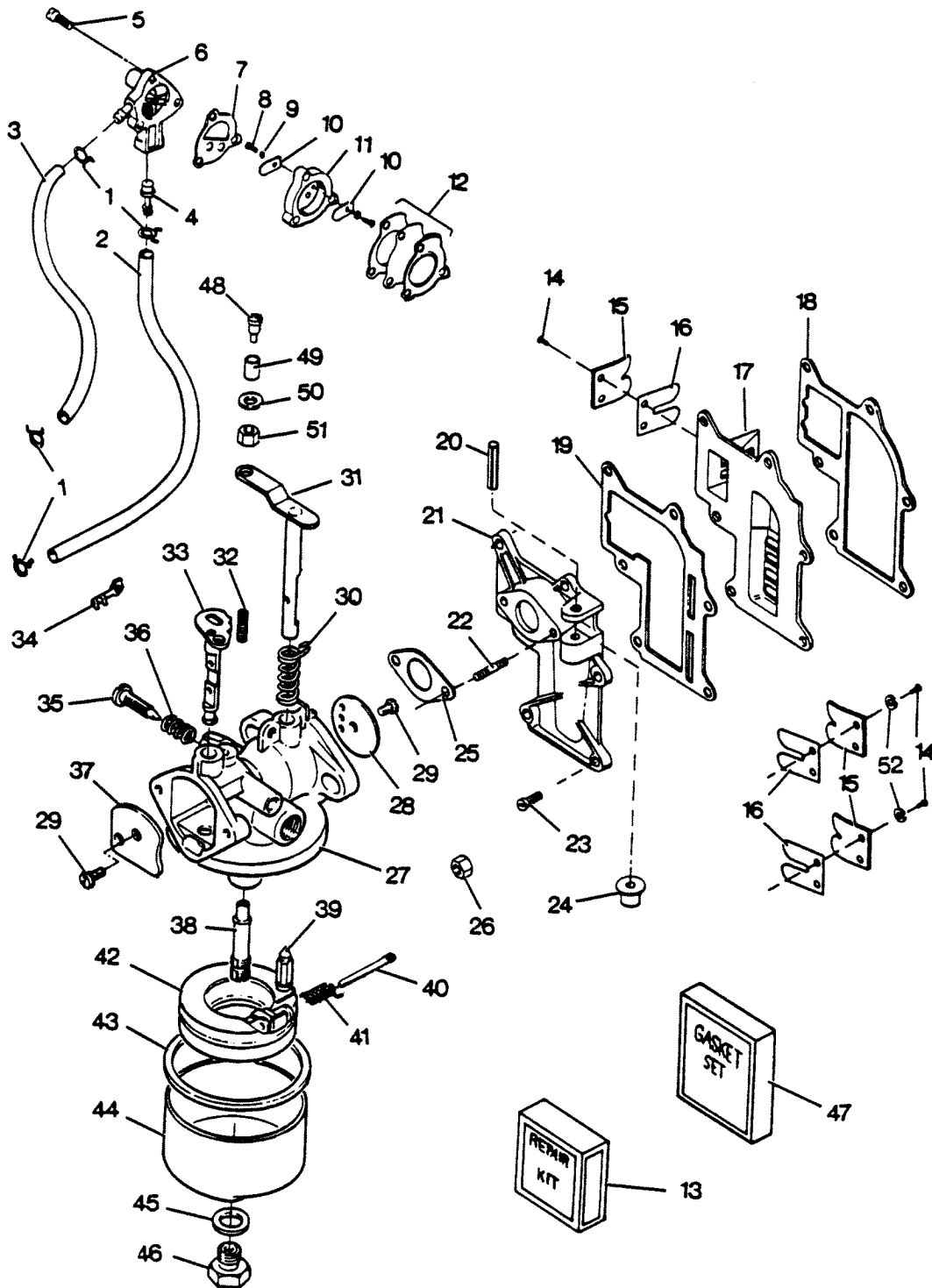
Page 15

STARTER

REF. NO.	PART NO.	SYM.	QTY.	DESCRIPTION
1	1089		1	FILL HD SCREW,10 - 24 X 9/16
2	817674		1	GEAR, STARTER PINION
3	487424-1		1	STARTER, PINION SPRING
4	487427-1		1	BRACKET, STARTER UPPER
5	286134		1	STUD
6	8011		1	PLAIN WASHER
7	487781-3		1	STARTER INTERLOCK
8	2042		1	PLAIN WASHER
9	1804		1	STOP NUT
10	487727		2	BALL, INTERLOCK DETENT
11	487895		2	SPRING, INTERLOCK DETENT
12	286710		1	ARBOR, STARTER SPRING
13	40425		1	STARTER PINION SPRING
14	1864		4	HEX HD SCREW,1/4 - 20 X 3/4
15	A286970		1	STANER REWIND SPRING W/ILLUA 16 AND 17
16	286737-1		1	RETAINER, STARTER REWIND SPRING
17	286930		1	END, STARTER SPRING
18	2A459239		1	STARTER SPOOL W/SHAFT W/LITERATURE
19	K317427		1	BRACKET, STARTER LOWER W/LILUS. 20 AND LITERATURE
20	1875		1	SPRING PIN, STARTER BRACKET
21	409232-1		1	STARTER ROPE
22	286132		1	HANDLE, STARTER ROPE
23	K286817		1	RETAINER, STARTER ROPE W/LITERATURE
24	1500		1	RD HD SHEET METAL SCREW

FUEL SYSTEM

Order by Part Number and Name, giving Motor Model and Serial Number



OB10002011

Page 17

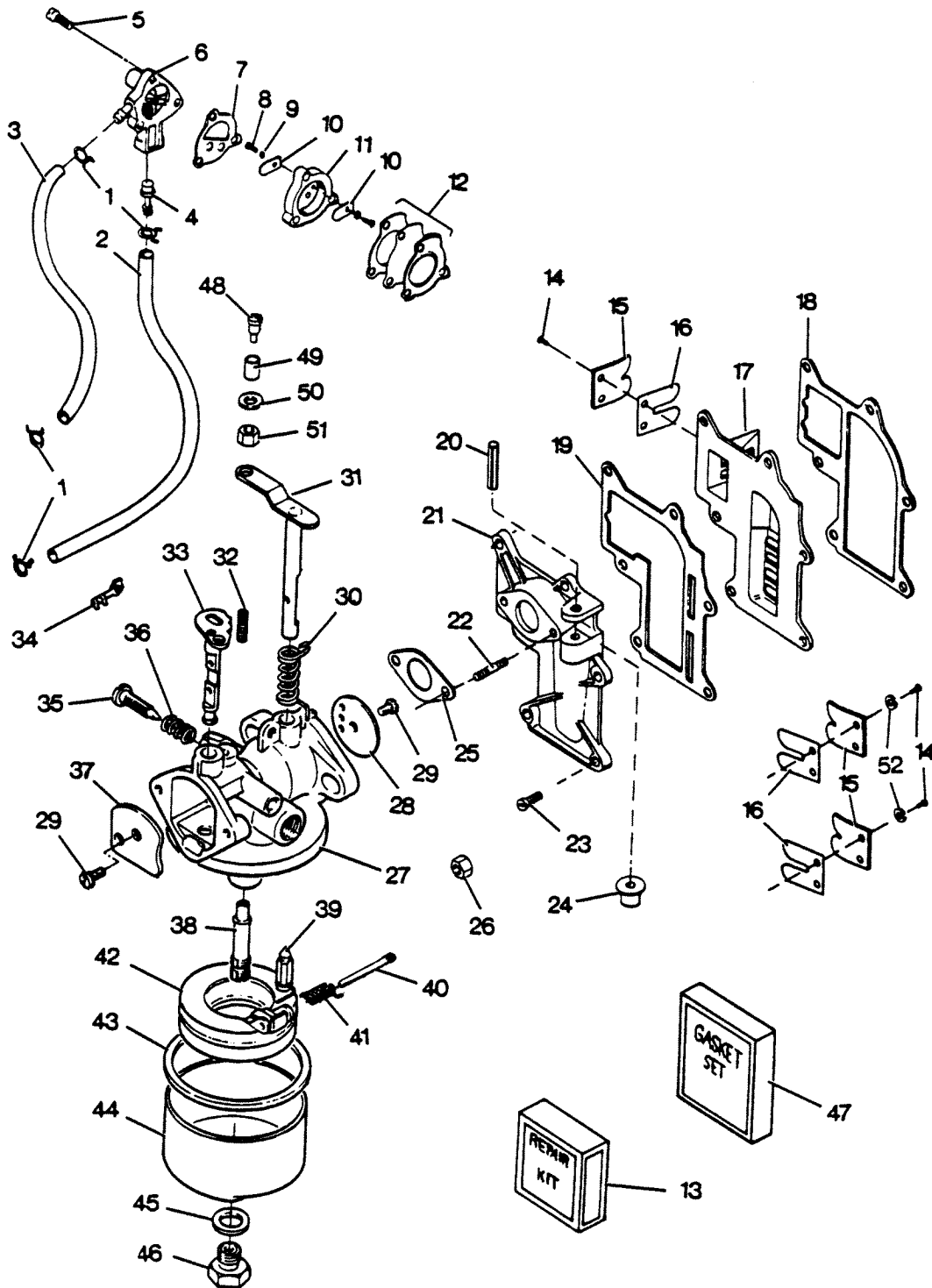
FUEL SYSTEM

REF. NO.	PART NO.	SYM.	QTY.	DESCRIPTION
1	2708772		4	HOSE CLAMP
2	40253-1		1	FUEL LLNE
3	A901754		1	FUEL LLNE W/LILUA 1
4	901811		1	FUEL PUMP TILTER
5	1089		3	FILL HD SCREW,10 - 24 X 1-1/18
8	901748-2		1	FUEL PUMP COVER
7	24748-2		1	GASKET, FUEL PUMP
8	1288		2	PAN HD SCREW, 4 - 40 X 3/18
9	8003		2	PLALN WASHER
10	18180-3		2	REED FUEL PUMP
11	2A24757		1	FUEL PUMP READ PLATE W/LILUA 8, 9 AND 10
12	2A24747		1	FUEL PUMP DLAPHRAGM W/GASKETS
13	K10114		1	REPAIR PARTS KIT LNCLUDES ALL ITEMS MARKED WLTH AN ASTERISK *).
14	17S5		8	RD HD SCREW W/LOCKWASHER, 8 - 32 X S/18
15	619161		4	REED STOP
18	31180-1		4	REED
17	A61-9158		1	REED PLATEW/LILUA 14, 15 AND 18
18	288159-1		1	GASKET, REOD PLATE
19	424188-1		1	GASKET, MANIFOLD
20	1878		1	SPRING PIN
21	2A424187		1	MANIFOLD W/LILUA 20, 22 AND 24
22	2788004		2	STUD, CARBURETOR
23	2008		8	HEX HD SCREW,1/4 - 20 X 7/8
24	487435		1	PULLEY, STARTER ROPE
25	18908		1	CARBURETOR GASKET
	1490		2	HEX NUT,1/4 S 20
27	617061-1		1	CARBURETOR COMPLETE (LMB228A)
28	10060		1	VALVE, THROTTLE
29	10071		2	SCREW, CHOKO AND THROTTLE VAIVES
30	10075		1	SPRING, THROTTLE RETURN
31	10110		1	SHAFT ASSEMBTY, THROTTLE
32	10072		1	SPRING, CHOKE STOP
33	10111		1	SHAFT ASSEMBTY, CHOKE
34	341384		1	RETALNER, CHOKE ROD
35	10077		1	NEEDLE, IDLE
38	10073		1	SPRING, IDLE NEEDLE
37	10112		1	VALVE, CHOKE
38	10088		1	NOZZLE
39	10101		1	KLT, VAHE SEAT
40	10084		1	SHAFT, FLOAT ASSEMBLY
41	10084		1	SPRING, FLOAT SUPPORT
42	10063		1	FLOAT ASSEMBLY W/LILUS. 40

CONTINUED ON NEXT PAGE ➡

FUEL SYSTEM

Order by Part Number and Name, giving Motor Model and Serial Number



OB10002011

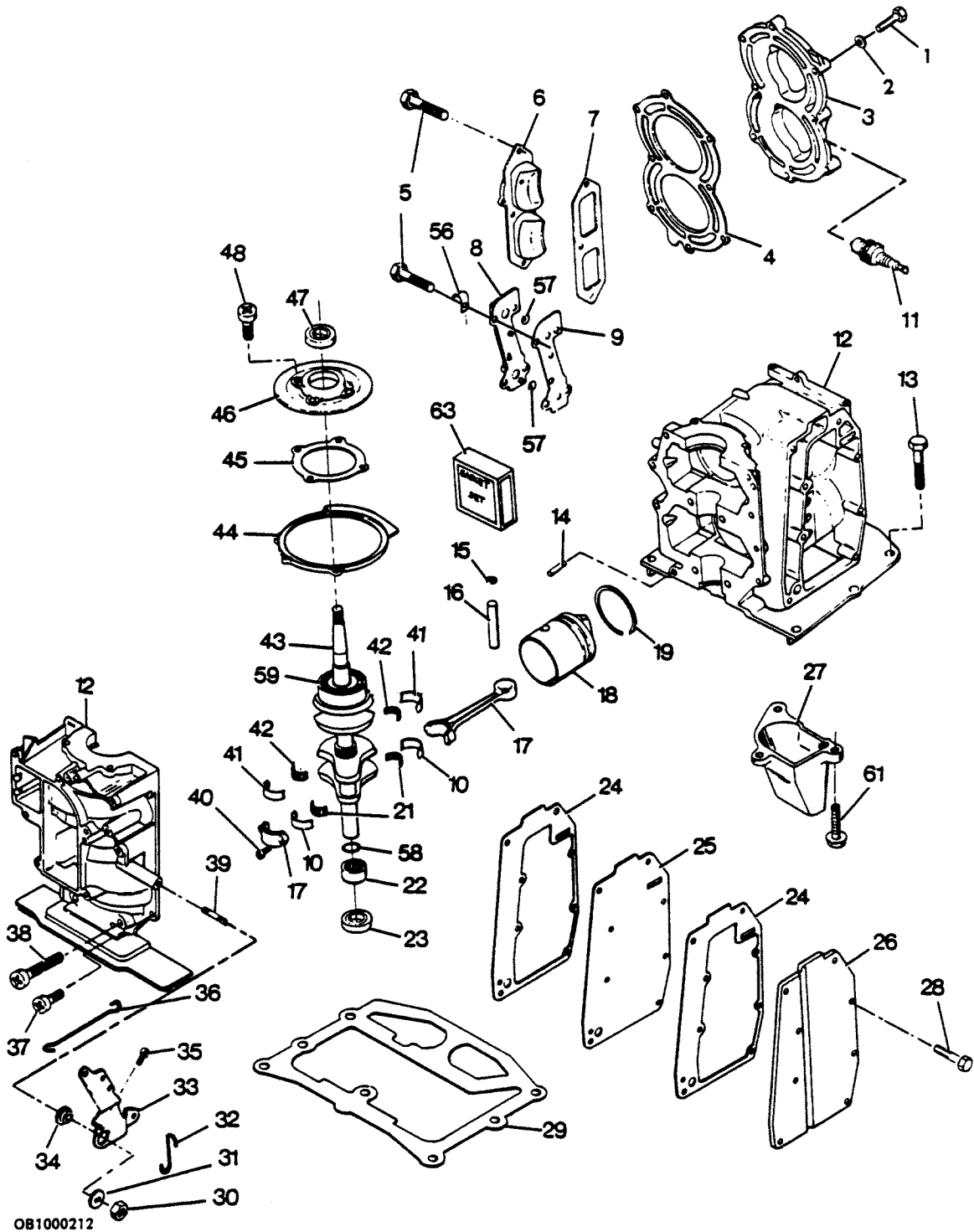
Page 17

FUEL SYSTEM

REF. NO.	PART NO.	SYM.	QTY.	DESCRIPTION
43	10088		1	GASKET, BODY TO BOWL
44	10058		1	BOWL, FUEL
45	10090		1	GASKET, BOWL RETAINER
46	10113		1	MAIN FUEL JET (.049) SEA LEVEL - 2500 FT.
-	10221		1	MAIN FUEL JET (.048) 2500 - 5000 FT.
-	10125		1	MAIN FUEL JET (.046) 5000 - 7500 FT.
-	10222		1	MAIN FUEL IET (.044) 7500 - 10,000 FT.
47	K10124		1	GASKET KIT, CARBURETOR. INCLUDES ALL ITEMS MARKED WITH A DOUBLE ASTERISK (**).
-	10116		1	PLUS KIT (NOT SHOWN)
48	333316		1	SHAFT, THROTTLE CAM ROLLER
49	92759		1	ROLLER, THROTTLE CAM
50	2042		1	PLAIN WASHER
51	1997		1	LOCK NUT, 8 - 32
52	1704		2	LOCKWASHER, #6 S S.

POWER HEAD

Order by Part Number and Name, giving Motor Model and Serial Number



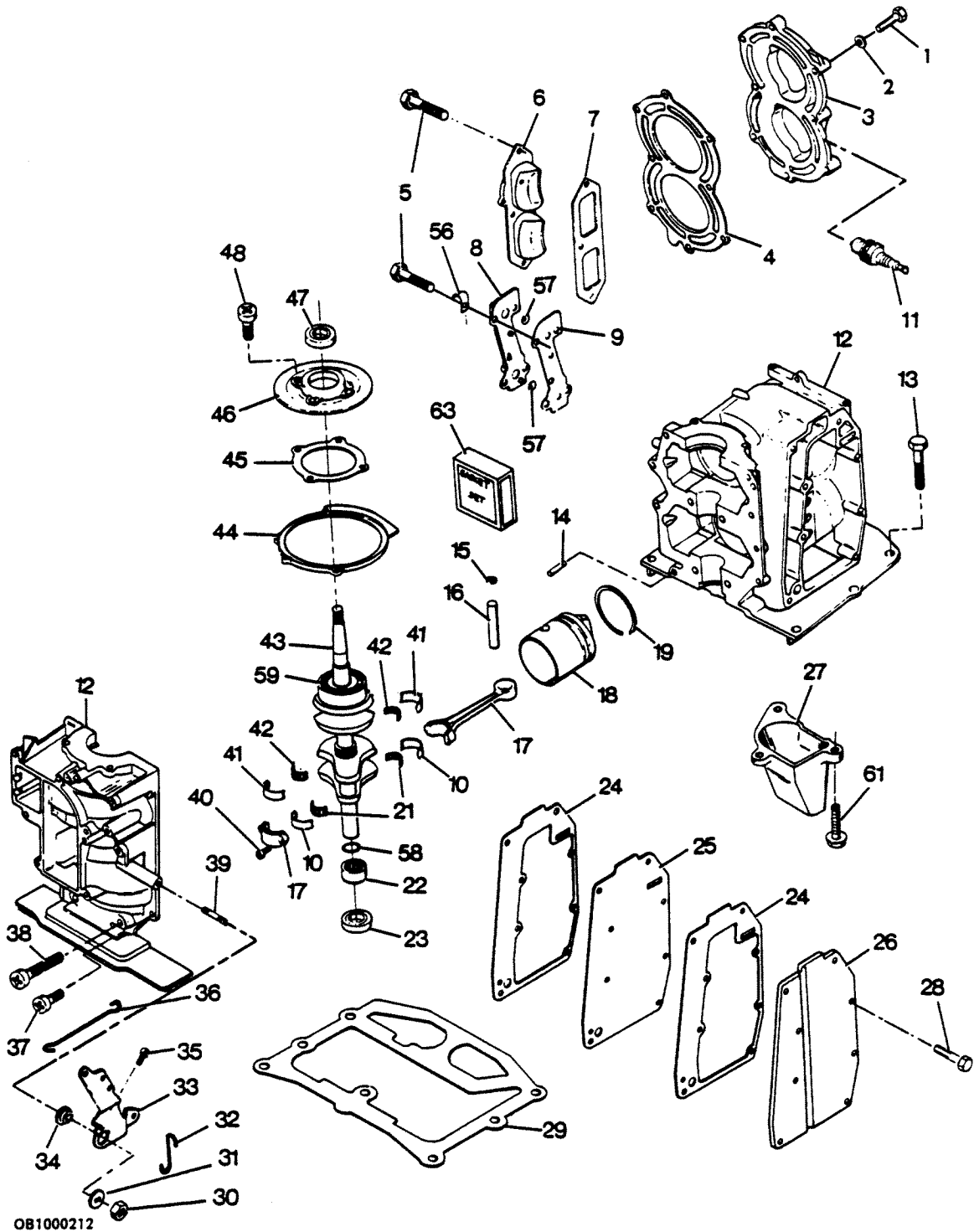
POWER HEAD

REF. NO.	PART NO.	SYM.	QTY.	DESCRIPTION
1	901938-1		8	SCREW, CYLINDER HEAD
2	8025		8	PLAIN WASHER
3	286518		1	HEAD, CYLINDER
4	286529-3		1	GASKET, CYLLNDERHEAD
5	1922		7	HEX HD SCREW,1/4 - 20 X 5/8
6	286222		1	COVER, TRANSTER PORT
7	286223		1	GASKET, TRANSFER PORT COVER
8	A429471		1	COVER, CYLINDER DRAIN W/CHECKVALVES AND ILLUS 57
9	429472		1	GASKET, CYLLNDERDRAIN COVER
10	A286229		2	LINER, CONNECTING ROD (2 PER SET)
11	S174227		2	PLUG, SPARK, L 82
12	A473010		1	CYLINDER W/CRANKCASE COVER, DOWEL PINS, SCREWS AND STUDS
-	C472010		1	SHORT BLOCK (NOT SHOWN) INCLUDES ALL ITEMS MARKED WITH AN ASTERISK (*)
13	1823		6	HEX CAP SCREW, 5/16 - 18 X 1
14	8559		2	DOWEL PIN
15	31410		4	RETAINING RING, PISTON PIN
16	174017		2	PLN, PISTON
17	2A286016		2	ROD, CONNECTING W/CAP AND SCREWS
18	472015-2		2	PLSTONS
19	A472260		1	PLSTON RLNG SET (4 PER SET)
21	A517228		2	ROLLER, CRANKPIN
22	343014		1	BEARLNG, CRANKSHAFT LOWER MAIN
23	141118		1	SEAL, CRANKSHAFT LOWER
24	286154		2	GASKET, EXHAUST COVER
25	286151		1	PLATE, EXHAUST
26	286152		1	COVER, EXHAUST
27	487660-1		1	EXHAUST TUBE
28	2008		8	HEX HD SCREW,1/4 - 20 X 7/8
29	286279-2		1	GASKET, CYLINDER MOUNTING
30	1803		1	STOP NUT,5/16 - 24
31	286282		1	WASHER
32	618445		1	LINK MAGNETO SHAFT
33	A618081		1	LEVER, MAGNETO CONTROL
34	183813		1	BEARINO, MAGNETO CONTROL LEVER
35	2126		1	SLOTTED FLLL HD M SC 1/4 - 28 X 2
36	286509		1	LINK, THROTTLE CAM
37	1107		8	FILL HD SCREW,1/4 20 X 3/4
38	1335		4	FLIL HD SCREW, 5/16 18 X 1-1/4
39	286440		1	STUD, MAGNETO CONTROL LEVER
40	286634-1		4	SCREW, CONNECTING ROD
41	A286155		1	MAIN BEARING LINER SET (2 PER SET)
42	286571		1	ROLLERSET, MAIN BEARING (26 PERSET)

CONTINUED ON NEXT PAGE ➡

POWER HEAD

Order by Part Number and Name, giving Motor Model and Serial Number

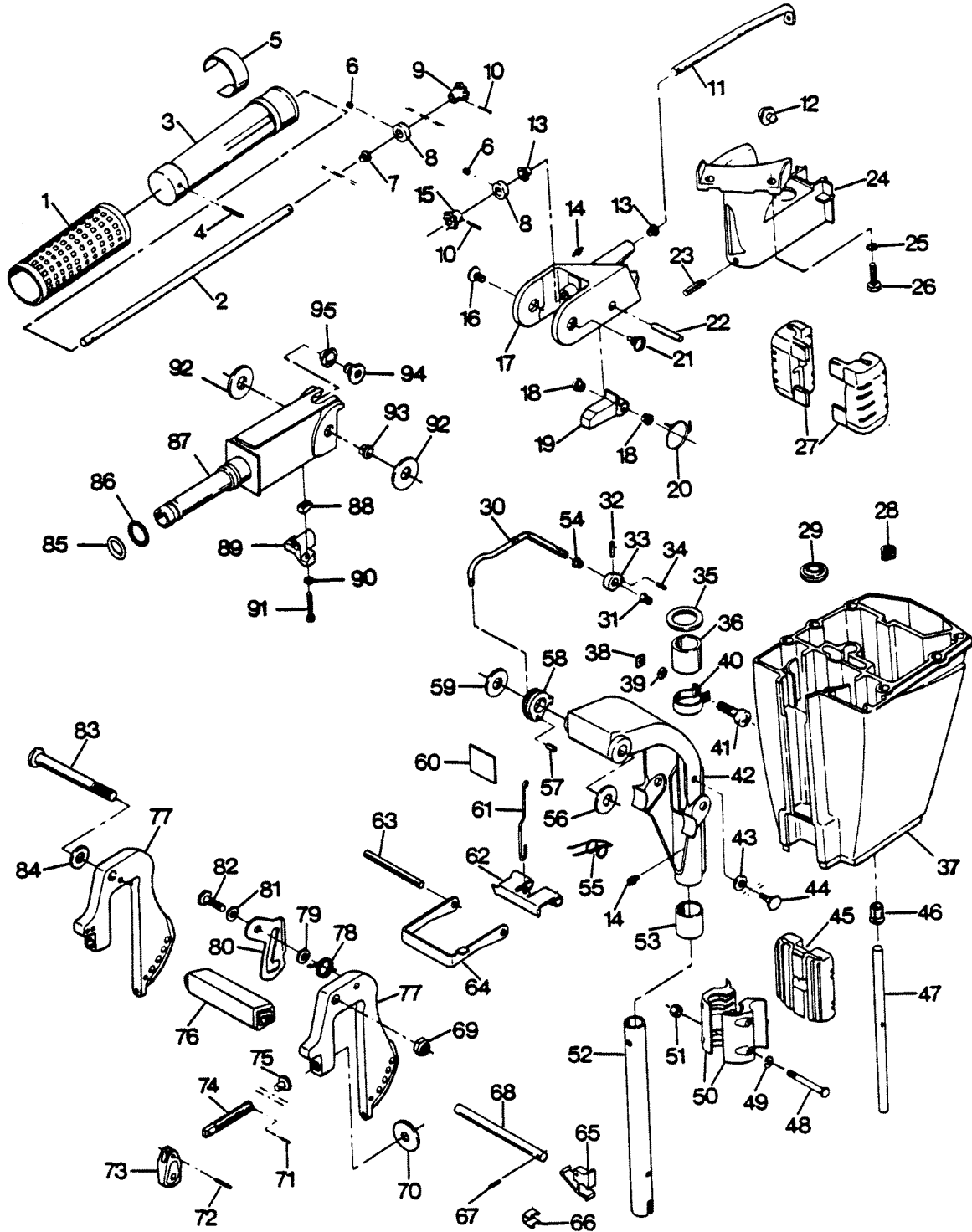


POWER HEAD

REF. NO.	PART NO.	SYM.	QTY.	DESCRIPTION
43	2A472018		1	CRANKSHAFTW/LILUS 59
44	73082		1	RLNG, MAGNETO STATOR
45	286277		1	GASKET,CRANKSHAFT BEARING CAGE
46	A286144		1	CAGE, CRANKSHAFT BEARING W/ILLUS 47
47	346146		1	SEAL, CRANKSHAFT UPPER
48	1111		4	FILL HD SCREW,1/4 - 20 X 7/8
56	286772-1		1	HOSE CLAMP
57	429811		2	SCREEN
58	461342		1	SEAL, DRIVESHAFT SPILNE
59	286028		1	BEARING, CRANKSHAFT UPPER MAIN
61	2040		3	HEX WASHER HD M SCREW,1/4 - 20 X 5/8
63	G2		1	GASKET SET - INCLUDES ITEMS LISTED BELOW
	18908		1	GASKET,CARBURETOR(ITEM25,PG B)
	286154		2	GASKET, EXHAUST (ITEM 24)
	286159-1		1	GASKET, REED PLATE (ITEM 18, PG 6)
	286223		1	GASKET, TRANSFER PORT (ITEM 7)
	286277		1	GASKET, CRANKSHAFT BEARING CAGE (ITEM 45)
	286279-2		1	GASKET, CYLINDER MOUNTING (ITEM 29)
	286529-3		1	GASKET, CYLINDER HEAD (ITEM 4)
	424168-1		1	GASKET,MANIFOLD(ITEM19,PG 6)
	429472		1	GASKET, CYLINDER DRAIN COVER (ITEM 9)

MOTOR LEG

Order by Part Number and Name, giving Motor Model and Serial Number



OB10002013

Page 23

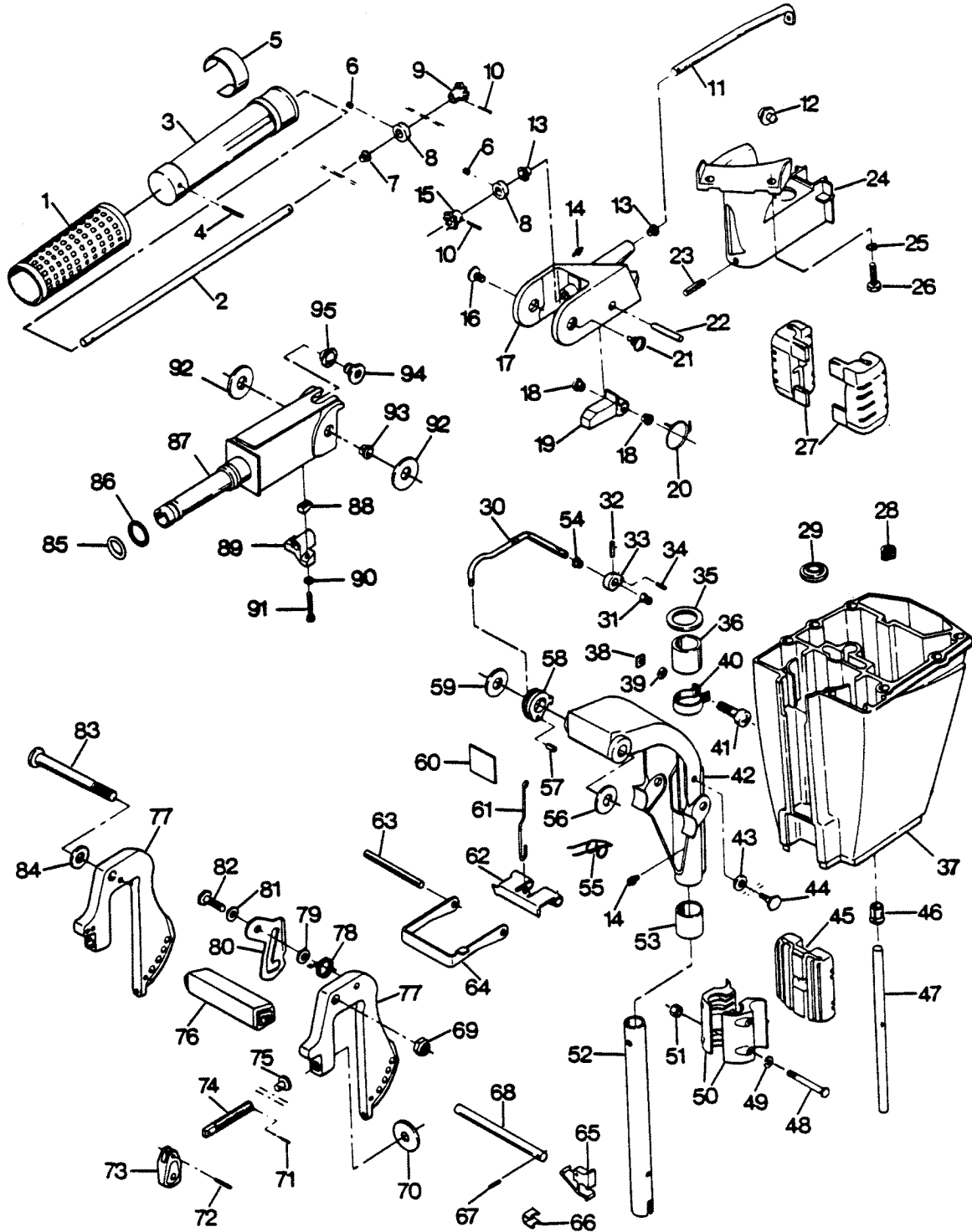
MOTOR LEG

REF. NO.	PART NO.	SYM.	QTY.	DESCRIPTION
1	458695		1	SLEEVE
2	429688		1	SHAFT, STEERING HANDLE
3	A456137		1	GRIP, STEERING HANDLE W/ILLUS.1
4	8548		1	SPRING PIN
5	C618894		1	STEERING HANDLE INDICATOR
6	1859		2	HEX SOCKET HEADLESS SET SCREW
7	85610		1	BEARING
8	A343178		2	RETAINER W/ILLUS. 6
9	S487815		1	GEAR, STEERING HANDLE SHAFT
10	1978		2	SPRING PIN
11	431838		1	MAGNETO CONTROL SHAFT
12	286539		1	BUMPER
13	307818		2	BEARING
14	213274		4	GREASE FITTING
15	S487815		1	GEAR, MAGNETO CONTROL SHAFT
16	1799		1	TRUSS HD SCREW, 5/16 - 18 X 5/8
17	A286078		1	STEERING HANDLE BRACKET W/ILLUS.14
18	197813		2	BEARLNG, STEERING HANDLE STOP
19	286490		1	STEERING HANDLE STOP
20	286868		1	SPRING, STEERING HANDLE STOP
21	286080		1	SCREW, STEERING HANDLE PIVOT
22	1807		1	GROOVE PIN
23	1805		1	SPRING PIN
24	A286582		1	STEERING ARM W/ILLUA 12 AND 23
25	8060		2	EXTERNAL TOOTH LOCKWASHER
26	1922		2	HEX CAP SCREW,1/4 - 20
27	288347		2	SHOCK MOUNT, UPPER
28	286414		1	SPRING, LEG WATER BRACKET
29	901307-2		1	SEAL, MOTOR LEG
30	A387742		1	LEVER, REVERSE LOCK, INTERMEDIATE ASSY.
31	197813		1	BEARING
32	8538		1	SPRING PIN
33	286364		1	LEVER, REVERSE LOCK
34	1794		1	SPRING PIN
35	286011		1	WASHER, SWIVEL BRACKET
36	286169		1	BEARING, SWIVEL BRACKET
37	2A477133		1	MOTOR LEG W/ITEMS 29, 46 AND 47
38	1608		1	SQUARE NUT,1/4 - 20
39	1907		1	WASHER
40	286573-1		1	CLAMP, STEERING FRICUON
41	1820		1	FILL HD SCREW,1/4 - 20 X 1-3/8
42	A286072		1	SWIVEL BRACKET W/LILUS.14 AND 53
43	286451		1	SPACER,TILT LOCK

CONTINUED ON NEXT PAGE ➡

MOTOR LEG

Order by Part Number and Name, giving Motor Model and Serial Number



OB10002013

Page 23

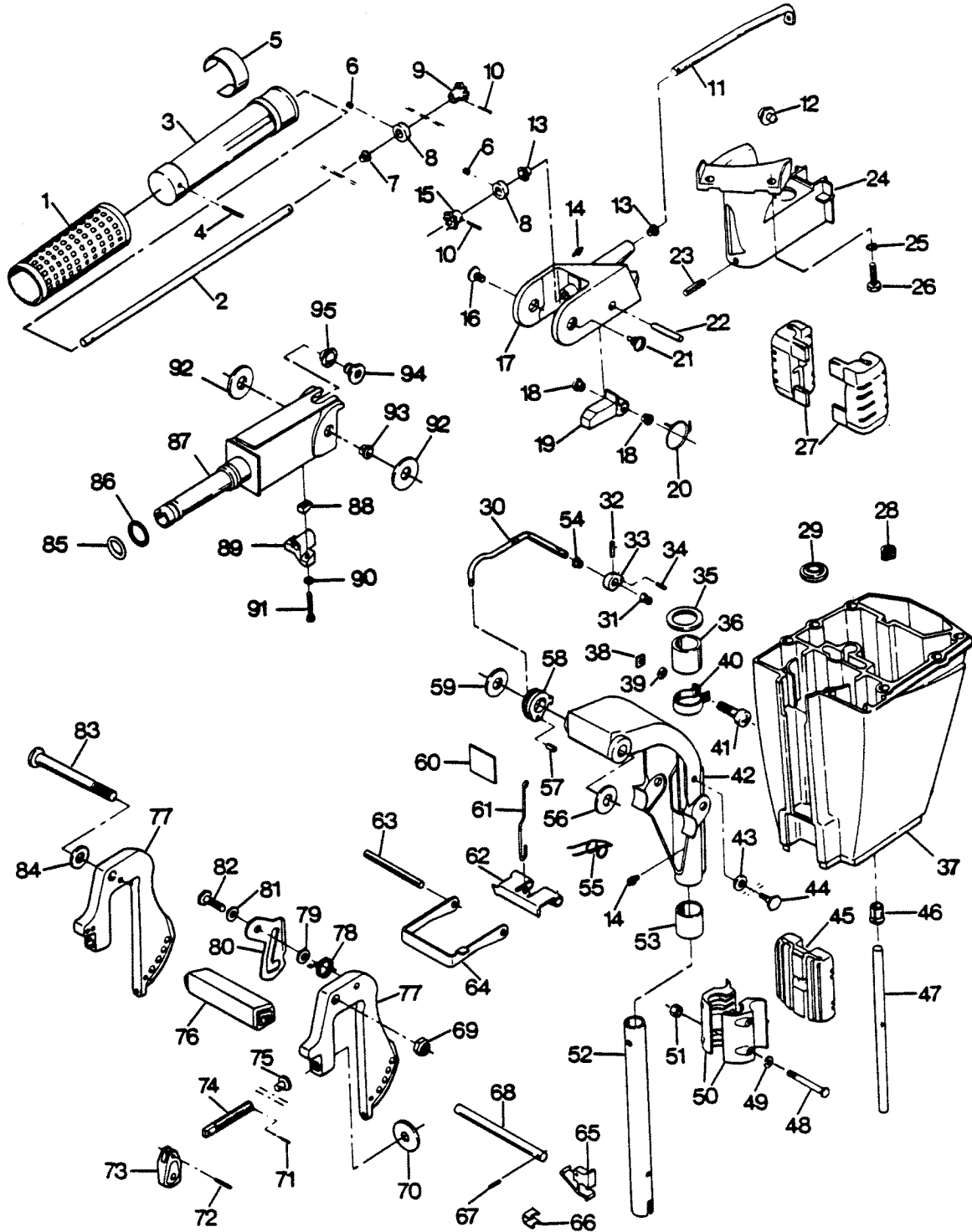
MOTOR LEG

REF. NO.	PART NO.	SYM.	QTY.	DESCRIPTION
44	286422-1		1	TILT LOCK PIVOT
45	286346		1	SHOCK MOUNT LOWER
46	286914		1	SLEEVE WATER LLNE
47	286244		1	WATER LINE
48	A1844		2	HEX BOLT,1/4 - 20 X 2-3/8 W/LILUS. 49
49	8083		2	SPRING LOCKWASHER
50	286956		2	BRACKET,SHOCKMOUNT LOWER
51	1341		2	HEX NUT,1/4 - 20
52	286019		1	KINGPIN
53	286169		1	BEARING, SWIVEL BRACKET
54	536813		1	BEARING, REVERSE LOCK INTERMEDIATE LEVER
55	286300		1	SPRING, REVERSE LOCK
56	286286-1		1	WASHER, STERN BRACKET
57	1794		1	SPRING PIN
58	286827		1	REVERSE LOCK RELEASE LEVER
59	525286		1	WASHER
60	286585-2		1	DECAL, TILT RELEASE
61	A341510		1	LINK, REVERSE LOCK LEVER W/LITERATURE
62	286349		1	REVERSE LOCK
63	1806		1	GROOVE PIN
64	286433		1	BRACKET SHALLOW WATER DRIVE
65	286114		1	LOCK BAR HANDLE
66	286461		1	SPRING LOCK BARHANDLE
67	8540		1	SPRING PIN
68	A617113		1	LOCK BAR W/ILLUS 65 66 AND 67
69	7026		1	STOP NUT 3/8 - 16
70	24074		2	CLAMP SCREW FOOT
71	8537		2	SPRING PIN
72	8554		2	SPRINGPIN
73	424075		2	HANDLE CLAMP SCREW
74	A298073		2	CLAMP SCREW W/ILLUS.70 71 AND 75
75	66480		2	STUD CLAMP SCREW
76	286647		1	CARRYING HANDLE
77	S617532		2	STEM BRACKET PON W/ILLUS. 74
78	286544-1		1	SPRING TILTSTOP
79	286451		1	SPACER TILT LOCK
80	429541		1	TILT LOCK
81	1666		1	BOWED SPRING WASHER
82	286422-1		1	TILT LOCK PIVOT
83	617037		1	STEM BRACKET PIVOT BOLT
84	2014		1	PLAIN WASHER
85	215795		1	SEAL
86	53795-1		1	SEAL STEORLNG HANDLE GRIP DAMPENER(LARGE)

CONTINUED ON NEXT PAGE ➡

MOTOR LEG

Order by Part Number and Name, giving Motor Model and Serial Number



OB10002013

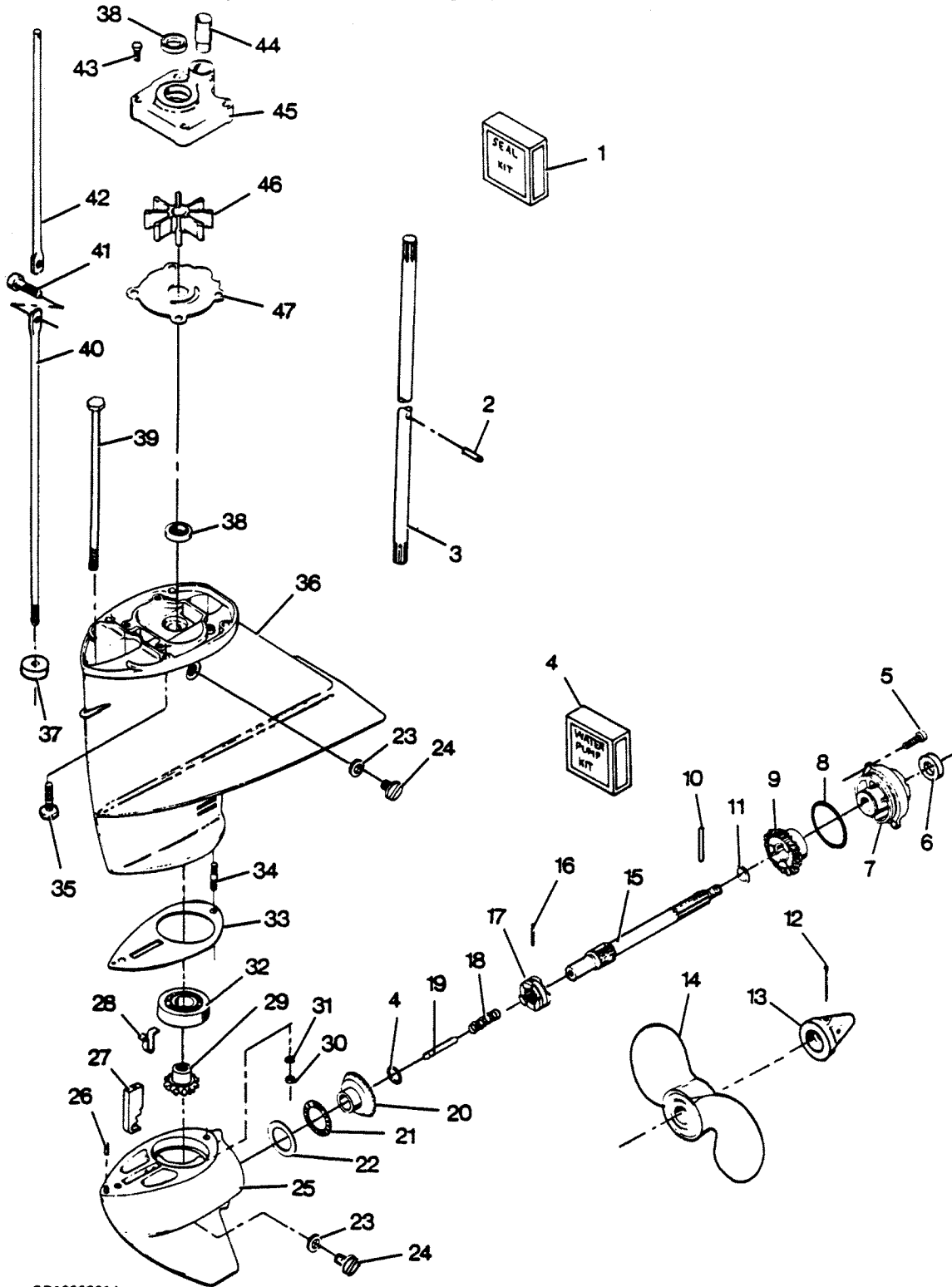
Page 23

MOTOR LEG

REF. NO.	PART NO.	SYM.	QTY.	DESCRIPTION
87	286079-1		1	STEERING HANDLE
88	341693		1	WEDGE STEERING HANDLE
89	487816		1	BEARING STEERING HANDLE
90	8058		2	INTEMAL TOOTH LOCKWASHER
91	1829		2	FILIHDSCREW 10-24X7/8
92	286220		2	WASHER STEERING HANDLE
93	197813		1	BEARING
94	286224		1	INSERT STEERING HANDLE PIVOT
95	286818		1	BEARING

GEAR HOUSING

Order by Part Number and Name, giving Motor Model and Serial Number.



OB10002014

Page 27

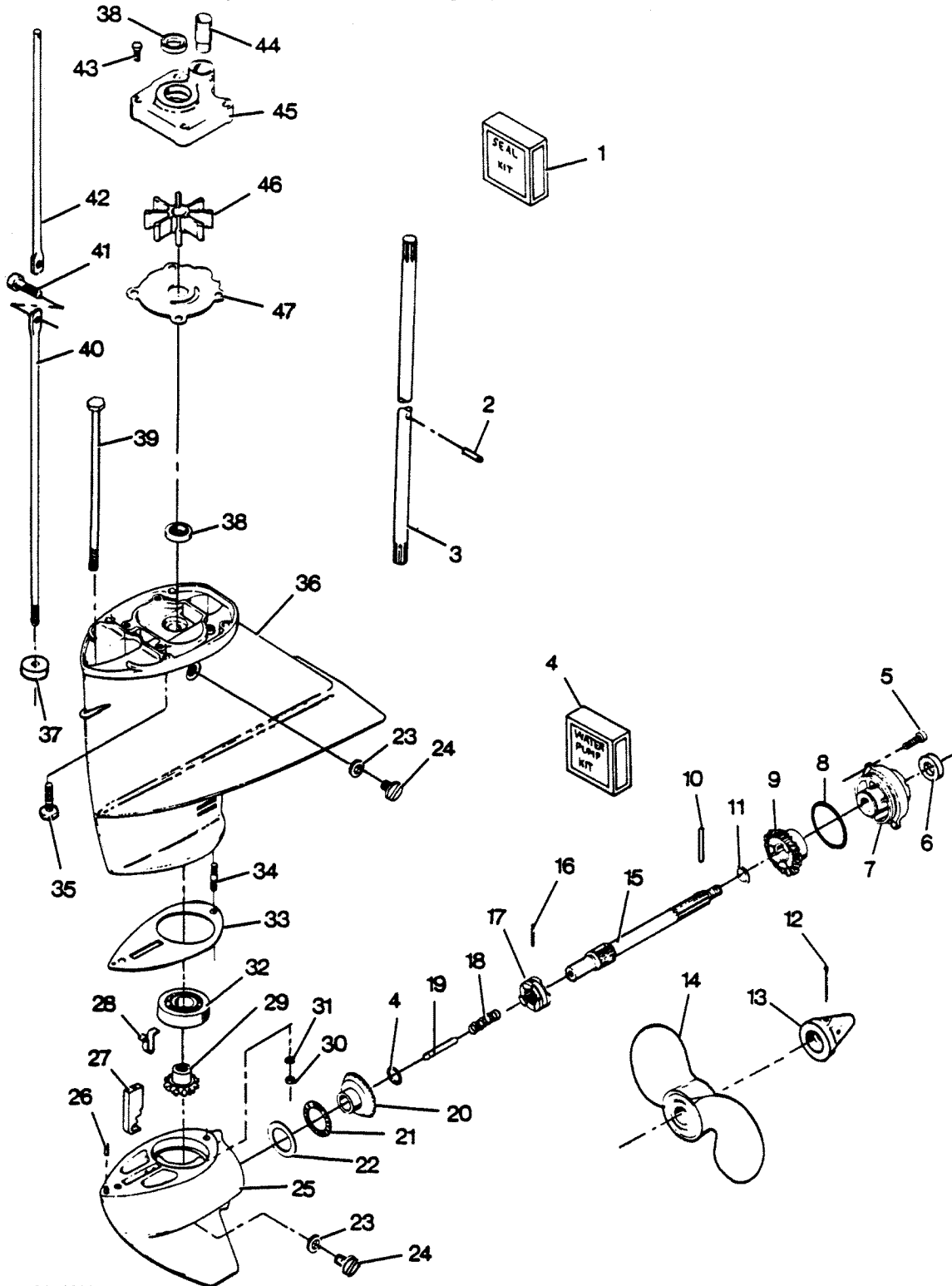
GEAR HOUSING

REF. NO.	PART NO.	SYM.	QTY.	DESCRIPTION
1	K1065		1	GEAR HOUSING SEAL KIT - INCLUDES ALL ITEMS MARKED WITH A DOUBLE ASTERISK (**)
2	901563		1	WATER PUMP IMPELLER DRIVE PIN
3	343128		1	DRIVESHAFT
4	K1		1	WATER PUMP KIT. INCLUDES ITEMS LISTED BELOW.
-	2030		4	SCREW,1/4 - 20 X 1-1/4 (ITEM 43)
-	341562		1	PLATE, WATER PUMP BACK (ITEM 47)
-	436065-2		1	IMPELLER (ITEM 46)
-	901563		1	PIN, WATER PUMP IMPELLER DRIVE (ITEM 2)
-	A504060		1	BODY, WATER PUMP W/ILLUA 44 (ITEM 45)
5	1493		2	FILL HD SCREW,1/4 - 20 X 5/8
6	348118		1	SEAL, PROPELLER SHAFT
7	A286298		1	PROPELLER SHAFT BEARING CAGE W/BEARING AND ITEMS 6 &
8	455305		1	SEAL, PROP SHAFT BEARING CAGE
9	A456662		1	BEVEL GEAR REAR W/BEARING
10	A324101		1	PROPELLER PIN, PACK OF 3 W/ILLUS.12
11	456717		2	THRUST WASHER
12	1846		1	COTTER PIN
13	A286094		1	PROPELLER NUT W/ILLUS.12
14	P6430		1	PROPELLER
15	456098		1	PROPELLER SHAFT
16	8564		1	SPRING PIN
17	A456521		1	CLUTCH W/LITERATURE
18	409719		1	CLUTCH SPRING
19	286728		1	CLUTCH SHIFT PIN
20	A456023		1	BEVEL GEAR FRONT W/BEARING
21	286901		1	BEARING, RADLAL, PROPELLER SHAFT
22	286903		1	RACE, PROPELLER SHAFT BEARING
23	8077		2	**NYLTITE WASHER
24	50109		2	GEAR HOUSING PLUG
25	A286054		1	GEAR HOUSING LOWER W/PROP SHAFT BEARING, ILLUS. 23, 24 AND 26
-	C456054		1	LOWER GEAR HOUSING KIT (NOT SHOWN). INCLUDES ALL ITEMS MARKED WITH AN ASTERISK (
26	8553		1	SPRING PIN
27	286721		1	CLUTCH, SHIFT CAM
28	286895		1	SPRING CAM DETENT
29	A286266		1	GEAR, BEVEL PINION W/LTEM 32
30	1490		1	HEX NUT,1/4 - 20
31	8083		1	SPRING LOCKWASHER
32	127910-2		1	BALL BEARLNG
33	286555		1	GASKET, GEAR HOUSING
34	286008		1	STUD,GEAR HOUSING REAR

CONTINUED ON NEXT PAGE ➡

GEAR HOUSING

Order by Part Number and Name, giving Motor Model and Serial Number.



OB10002014

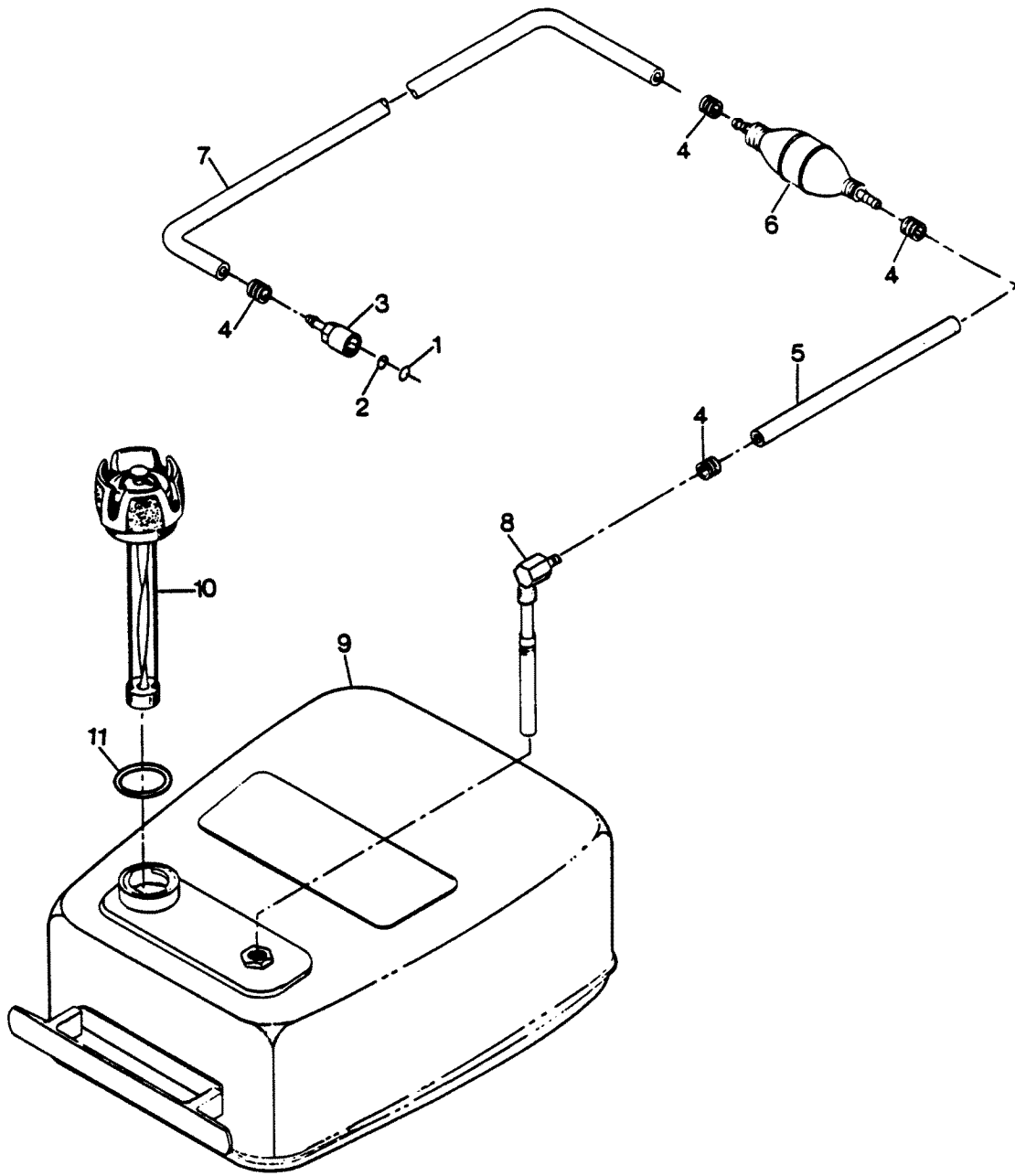
Page 27

GEAR HOUSING

REF. NO.	PART NO.	SYM.	QTY.	DESCRIPTION
35	430732		4	HEX HD SCREW,1/4 - 20 X 1
36	A456554		1	GEAR HOUSING UPPER W/BEARING AND ITEMS 23, 24,34,37 AND 38
37	338618-1		1	SEAL, GEAR SHIFT ROD LOWER
38	901307-2		2	SEAL, DRIVESHAFT AND WATER PUMP
39	1800		1	HEX BOLT,1/4 - 20 X 7
40	288705-1		1	GEARSHIFT ROD LOWER
41	1976		1	SOCKET HD SCREW W/LOCKWASHER,10 - 24 X 1/2
42	286615		1	GEAR SHIFT ROD UPPER
43	2030		4	HEX HD SCREW,1/4 - 20 X 1-1/4
44	A510914		1	SEAL, INLET WATER LINE W/LITERATURE
45	A504060		1	WATER PUMP BODY W/ILLUA 38
46	436065-2		1	WATER PUMP IMPELLER
47	341562		1	WATER PUMP BACK PLATE

FUEL TANK AND LINE

Order by Part Number and Name, giving Motor Model and Serial Number



OB10002015

Page 29

FUEL TANK AND LINE

REF. NO.	PART NO.	SYM.	QTY.	DESCRIPTION
1	17816		1	SEAL, FUEL LLNE COUPLER
2	17815		1	SEAL, FUEL LINE COUPLER
3	197787-3		1	FUEL LINE COUPLER
4	298788		4	FERRULE
5	A84754-1		1	FUEL LINE, SHORT W/ILLUS. 4
6	S387766		1	PRIMER BULB
7	A197752		1	FUEL LINE, LONG W/CLAMPS AND ILLUS. 4
8	487755		1	FUEL TANK ADAPTOR
9	5H027-1		1	FUEL TANK W/ILLUS. 8 AND 10 AND COMPLETE FUEL LINE
10	409251-1		1	GAUGE CAP
-	S409752		1	FUEL LINE COMPLETE (NOT SHOWN). INCLUDES ALL ITEMS MARKED WITH AN ASTERISK (*).
-	310398		1	DECAL, TOTE TANK - USA (NOT SHOWN)
11	17818		1	GASKET

SPECIAL TOOLS

REF. NO.	PART NO.	SYM.	QTY.	DESCRIPTION
-	T2989		0	FLYWHEEL WEDGETO REMOVE FLYWHEEL. TUNE UP
-	T2909		0	KNOCK-OFF NUTTO REMOVE FLYWHEEL. TUNE UP
-	T1		0	FEELER GAUGETO ADJUST BREAKER POINTS. MANUAL STARTER
-	T2985		0	STARTER REWIND KEYTO REWIND STARTER SPRING. POWER HEAD
-	T2998		0	TORQUE WRENCH (0 - 100 LBS/FT)TO PROPERLY SECURE FASTENERS. POWER HEAD
-	T2999		0	TORQUE WRENCH (0 - 600 LBS/IN.)TO PROPERLY SECURE FASTENERS. POWER HEAD
-	T2991		0	CARBON BRUSHTO REMOVE CARBON FROM INSIDE OF POWER HEAD POWER HEAD
-	T8900		0	HOSE CLAMP PLIERSTO REMOVE AND INSTALL FUEL HOSE CLAMPS. POWER HEAD
-	T11202		0	SEAL INSTALLERTO INSTALL CRANKSHAFT SEALS. POWER HEAD
-	T3012		0	SEAL INSTALLERTO INSTALL UPPER CRANKSHAFT BEARING CAGE SEAL. POWER HEAD
-	T2908		0	SEAL SIEEVETO INSTALL UPPER CRANKSHAFT BEARING CAGE SEAL. POWER HEAD
-	T8929		0	ADAPTER AND HEX BITTO TORQUE CONNECTING ROD SCREWS. POWER HEAD
-	T1749		0	SNAP RING PLIERSTO REMOVE AND INSTALL PISTON PIN RETAINING RINGS. POWER HEAD
-	T2997		0	RING COMPRESSORTO INSTALL PISTONS. POWER HEAD
-	T8926		0	RING EXPANDERTO INSTALL PISTON RINGS. POWER HEAD
-	T8993		0	TORQUE WRENCHTO TORQUE LOWER CYLINDER HEAD BOLTS ADAPTER. POWER HEAD
-	T1		0	PULLERTO REMOVE PROPELLER SHAFT BEARING CAGE. LOWER UNIT
-	T8957		0	SEAL INSTALLERTO INSTALL SHIFT ROD SEAL. LOWER UNIT
-	T2907		0	SEAL INSTALLERTO INSTALL DRIVESHAFT SEAL IN GEAR HOUSING UPPER,PROPELLER SHAFT LOWER UNIT
-	T1		0	BATTERY POWERED TEST LIGHTTO TEST FOR CONTINUITY IN WIRES. TEST EQUIPMENT
-	T8952		0	TEST PROPTO TEST MOTOR IN TEST TANK. TEST EQUIPMENT
-	T8950		0	LEAKAGE TESTERTO TEST GEAR HOUSING SEALS FOR LEAKS. TEST EQUIPMENT
-	T2951		0	CLRCUIT TRACERTO TEST 12 VOLT CIRCUITS FOR CONTINUITY. TEST EQUIPMENT
-	T2961		0	LUBRICANT - RYKON GREASE #2EP LUBRICANTS AND SEALANTS
-	T1		0	LUBRICANT - ANTI-SEIZE LUBRICANTS AND SEALANTS
-	T8969		0	LUBRICANT - 7 OL #1 LPS-1 LUBRICANTS AND SEALANTS

CONTINUED ON NEXT PAGE ➡

SPECIAL TOOLS

REF. NO.	PART NO.	SYM.	QTY.	DESCRIPTION
-	T8983		0	SEALANT - RTV LUBRICANTS AND SEALANTS
-	T1		0	SEALANT - 2 CC LOCTITE RETAINING COMPOUND #75 LUBRICANTS AND SEALANTS
-	T2		0	SEALANT - 50 CC LOCTITE H, NON-HARDENING GRADE LUBRICANTS AND SEALANTS
-	T2		0	SEALANT - 2 OL LOCTITE D, HARDENING GRADE LUBRICANTS AND SEALANTS
-	T8935		0	SEALANT PRIMER - 6 OL

PARTS INDEX

Part Number	Description	Pg.	Ref. No.	Part Number	Description	Pg.	Ref. No.
10058	BOWL, FUEL	13	44	12360	CAM WIPER FELT	7	5
10060	VALVE, THROTTLE	11	28	127910-2	BALL BEARLNG	25	32
10063	FLOAT ASSEMBLY W/LILUS. 40	11	42	1288	PAN HD SCREW, 4 - 40 X 3/18	11	8
10071	SCREW, CHOKO AND THROTTLE VAIVES	11	29	1335	FLIL HD SCREW, 5/16 18 X 1-1/4	15	38
10072	SPRING, CHOKE STOP	11	32	1341	HEX NUT,1/4 - 20	21	51
10073	SPRING, IDLE NEEDLE	11	38	141118	SEAL, CRANKSHAFT LOWER	15	23
10075	SPRING, THROTTLE RETURN	11	30	1475	FILL HD SCREW,10 - 24 X 1/2	3	8
10077	NEEDLE, IDLE	11	35	1490	HEX NUT,1/4 - 20	25	30
10084	SHAFT, FLOAT ASSEMBLY	11	40	1490	HEX NUT,1/4 S 20	11	25
10084	SPRING, FLOAT SUPPORT	11	41	1493	FILL HD SCREW,1/4 - 20 X 5/8	25	5
10088	GASKET, BODY TO BOWL	13	43	1500	RD HD SHEET METAL SCREW	9	24
10088	NOZZLE	11	38	1608	SQUARE NUT,1/4 - 20	19	38
10090	GASKET, BOWL RETAINER	13	45	1666	BOWED SPRING WASHER	21	81
10101	KLT, VAHE SEAT	11	39	1704	LOCKWASHER, #6 S S.	13	52
10110	SHAFT ASSEMBTY, THROTTLE	11	31	174017	PLN, PISTON	15	16
10111	SHAFT ASSEMBTY, CHOKE	11	33	1753	FASTENER	3	4
10112	VALVE, CHOKE	11	37	17815	SEAL, FUEL LINE COUPLER	29	2
10113	MAIN FUEL JET (.049) SEA LEVEL - 2500 FT.	13	46	17816	SEAL, FUEL LLNE COUPLER	29	1
10116	PLUS KIT (NOT SHOWN)	13	-	17818	GASKET	29	11
10125	MAIN FUEL JET (.046) 5000 - 7500 FT.	13	-	1794	SPRING PIN	19	34
10221	MAIN FUEL JET (.048) 2500 - 5000 FT.	13	-	1794	SPRING PIN	21	57
10222	MAIN FUEL IET (.044) 7500 - 10,000 FT.	13	-	1799	TRUSS HD SCREW, 5/16 - 18 X 5/8	19	16
1075	FILL HD SCREW,10 - 24 X 1/2	7	12	17S5	RD HD SCREW W/LOCKWASHER, 8 - 32 X S/18	11	14
1089	FILL HD SCREW,10 - 24 X 1- 1/18	11	5	1800	HEX BOLT,1/4 - 20 X 7	27	39
1089	FILL HD SCREW,10 - 24 X 9/16	9	1	1803	STOP NUT,5/16 - 24	15	30
1090	FILL HD SCREW W/LOCKWASHER,10 - 24 X 9/18	7	18	1804	STOP NUT	9	9
1091	SLOTTED FILL HD M. SCREW,10 - 32 X 1/4	7	27	1804	STOP NUT,10 - 32	3	39
1107	FILL HD SCREW,1/4 20 X 3/4	15	37	1804	STOP, NUT 10-32	5	47
1111	FILL HD SCREW,1/4 - 20 X 7/8	17	48	1805	SPRING PIN	19	23
12088	GROMMET	7	20	1806	GROOVE PIN	21	63
12091	LEAD WIRE MARKER TOP (NOT SHOWN)	7	-	1807	GROOVE PIN	19	22
12114	COIL GROUND TERMINAL SCREW	7	16	1809	HEX NUT,1/2 - 20	7	1
12141	HIGH TENSION LEAD SLEEVE	7	21	18180-3	REED FUEL PUMP	11	10
12146	COIL WEDGE SPRING	7	17	1819	EYELET, SUPPORT PLATE (NOT SHOWN)	5	48
12153--1	BREAKER POINT SET	7	6	1820	FILL HD SCREW,1/4 - 20 X 1- 3/8	19	41
12170	CONDENSER SCREW W/LOCKWASHER	7	7	1823	HEX CAP SCREW, 5/16 - 18 X 1	15	13
12170	CONTACT SCREW W/LOCKWASHER	7	4	1829	FILIHDSREW 10-24X7/8	23	91
12181-1	CONDENSER	7	8	183813	BEARINO, MAGNETO CONTROL LEVER	15	34
12186-1	PRIMARY TERMINAL WIRE	7	24	184579	SEAL	3	35
				1846	COTTER PIN	25	12
				1859	HEX SOCKET HEADLESS SET SCREW	19	6
				1864	HEX HD SCREW,1/4 - 20 X 3/4	9	14
				1875	SPRING PIN, STARTER BRACKET	9	20
				1878	SPRING PIN	11	20

PARTS INDEX

Part Number	Description	Pg.	Ref. No.	Part Number	Description	Pg.	Ref. No.
18908	CARBURETOR GASKET	11	25	286154	GASKET, EXHAUST COVER	15	24
18908	GASKET,CARBURETOR(286159-1	GASKET, REED PLATE		
	ITEM25,PG B)	17	63		(ITEM 18, PG 6)	17	63
1907	WASHER	19	39	286169	BEARING, SWIVEL		
1922	HEX CAP SCREW,1/4 - 20	19	26		BRACKET	19	36
1922	HEX HD SCREW,1/4 - 20 X			286169	BEARING, SWIVEL		
	5/8	15	5		BRACKET	21	53
197319	BEARING, CHOKE ROD	3	29	286220	WASHER STEERING		
1976	SOCKET HD SCREW				HANDLE	23	92
	W/LOCKWASHER,10 - 24			286222	COVER, TRANSTER PORT	15	6
	X 1/2	27	41	286223	GASKET, TRANSFER PORT		
197767-1	BUSHING, FUEL LINE	3	23		(ITEM 7)	17	63
197787-3	FUEL LINE COUPLER	29	3	286223	GASKET, TRANSFER PORT		
1978	SPRING PIN	19	10		COVER	15	7
197813	BEARING	19	31	286224	INSERT STEERING HANDLE		
197813	BEARING	23	93		PIVOT	23	94
197813	BEARLNG, STEERING			286244	WATER LINE	21	47
	HANDLE STOP	19	18	286277	GASKET, CRANKSHAFT		
1997	LOCK NUT, 8 - 32	13	51		BEARING CAGE (ITEM 45)	17	63
2008	HEX HD SCREW,1/4 - 20 X			286277	GASKET,CRANKSHAFT		
	7/8	11	23		BEARING CAGE	17	45
2008	HEX HD SCREW,1/4 - 20 X			286279-2	GASKET, CYLINDER		
	7/8	15	28		MOUNTING	15	29
2014	PLAIN WASHER	21	84	286279-2	GASKET, CYLINDER		
2030	HEX HD SCREW,1/4 - 20 X 1-				MOUNTING (ITEM 29)	17	63
	1/4	27	43	286282	WASHER	15	31
2030	SCREW,1/4 - 20 X 1-1/4			286286-1	WASHER, STERN BRACKET	21	56
	(ITEM 43)	25	-	286300	SPRING, REVERSE LOCK	21	55
2040	HEX WASHER HD M			286346	SHOCK MOUNT LOWER	21	45
	SCREW,1/4 - 20 X 5/8	17	61	286349	REVERSE LOCK	21	62
2042	PLAIN WASHER	9	8	286364	LEVER, REVERSE LOCK	19	33
2042	PLAIN WASHER	13	50	286414	SPRING, LEG WATER		
2126	SLOTTED FLLL HD M SC 1/4				BRACKET	19	28
	- 28 X 2	15	35	286422-1	TILT LOCK PIVOT	21	44
213274	GREASE FITTING	19	14	286422-1	TILT LOCK PIVOT	21	82
215795	SEAL	21	85	286433	BRACKET SHALLOW WATER		
217002	MAGNETO BREAKER CAM	7	13		DRIVE	21	64
24074	CLAMP SCREW FOOT	21	70	286440	STUD, MAGNETO CONTROL		
24748-2	GASKET, FUEL PUMP	11	7		LEVER	15	39
2708772	HOSE CLAMP	11	1	286451	SPACER TILT LOCK	21	79
2788004	STUD, CARBURETOR	11	22	286451	SPACER,TILT LOCK	19	43
286008	STUD,GEAR HOUSING			286461	SPRING LOCK BARHANDLE	21	66
	REAR	25	34	286490	STEERING HANDLE STOP	19	19
286011	WASHER, SWIVEL BRACKET	19	35	286509	LINK, THROTTLE CAM	15	36
286019	KINGPIN	21	52	286518	HEAD, CYLINDER	15	3
286028	BEARING, CRANKSHAFT			286529-3	GASKET, CYLINDER HEAD		
	UPPER MAIN	17	59		(ITEM 4)	17	63
286079-1	STEERING HANDLE	23	87	286529-3	GASKET, CYLLNDERHEAD	15	4
286080	SCREW, STEERING HANDLE			286539	BUMPER	19	12
	PIVOT	19	21	286544-1	SPRING TILTSTOP	21	78
286114	LOCK BAR HANDLE	21	65	286547	KNOB, CHOKE	3	30
286132	HANDLE, STARTER ROPE	9	22	286555	GASKET, GEAR HOUSING	25	33
286134	STUD	9	5	286571	ROLLERSET, MAIN BEARING		
286134	STUD, GEAR SHIFT LEVER	3	34		(26 PERSET)	15	42
286134	STUD, STARTER			286573-1	CLAMP, STEERING		
	INTERLOCK LINK	5	46		FRICUON	19	40
286151	PLATE, EXHAUST	15	25	286585-2	DECAL, TILT RELEASE	21	60
286152	COVER, EXHAUST	15	26	286611-1	ROD, GEAR SHIFT	3	41
286154	GASKET, EXHAUST (ITEM			286614	HANDLE, GEAR SHIFT	3	21
	24)	17	63	286615	GEAR SHIFT ROD UPPER	27	42

PARTS INDEX

Part Number	Description	Pg.	Ref. No.	Part Number	Description	Pg.	Ref. No.
286634-1	SCREW, CONNECTING ROD	15	40	338618-1	SEAL, GEAR SHIFT ROD		
286647	CARRYING HANDLE	21	76		LOWER	27	37
286685	CONNECTOR, GEARSHIFT			341384	RETALNER, CHOKE ROD	11	34
	ROD	3	33	341562	PLATE, WATER PUMP BACK		
286710	ARBOR, STARTER SPRING	9	12		(ITEM 47)	25	-
286721	CLUTCH, SHIFT CAM	25	27	341562	WATER PUMP BACK PLATE	27	47
286728	CLUTCH SHIFT PIN	25	19	341693	WEDGE STEERING HANDLE	23	88
286737-1	RETAINER, STARTER			343014	BEARLNG, CRANKSHAFT		
	REWIND SPRING	9	16		LOWER MAIN	15	22
286772-1	HOSE CLAMP	17	56	343128	DRIVESHAFT	25	3
286777	CAM, COVER LATCH	3	27	343226-1	PLUG	3	26
286818	BEARING	23	95	346146	SEAL, CRANKSHAFT UPPER	17	47
286827	REVERSE LOCK RELEASE			348118	SEAL, PROPELLER SHAFT	25	6
	LEVER	21	58	392756	PACKING, SUPPORT PLATE	3	17
286868	SPRING, STEERING			40253-1	FUEL LLNE	11	2
	HANDLE STOP	19	20	40425	STARTER PINION SPRING	9	13
286871	PIN, GEAR SHIFT LEVER	3	16	409232-1	STARTER ROPE	9	21
286876	LEVER, GEAR SHIFT	3	14	409251-1	GAUGE CAP	29	10
286895	SPRING CAM DETENT	25	28	409719	CLUTCH SPRING	25	18
286901	BEARING, RADLAL,			424075	HANDLE CLAMP SCREW	21	73
	PROPELLER SHAFT	25	21	424168-1	GASKET,MANIFOLD(
286903	RACE, PROPELLER SHAFT				ITEM19,PG 6)	17	63
	BEARING	25	22	424188-1	GASKET, MANIFOLD	11	19
286914	SLEEVE WATER LLNE	21	46	429472	GASKET, CYLINDER DRAIN		
286930	END, STARTER SPRING	9	17		COVER (ITEM 9)	17	63
286956	BRACKET,SHOCKMOUNT			429472	GASKET, CYLLNDERDRAIN		
	LOWER	21	50		COVER	15	9
286989-2	SEAL SUPPORT PLATE	3	19	429541	TILT LOCK	21	80
288159-1	GASKET, REOD PLATE	11	18	429688	SHAFT, STEERING HANDLE	19	2
288347	SHOCK MOUNT, UPPER	19	27	429811	SCREEN	17	57
288705-1	GEARSHIFT ROD LOWER	27	40	430732	HEX HD SCREW,1/4 - 20 X 1	27	35
289664	WIRE, STATORGROUND	7	11	431838	MAGNETO CONTROL SHAFT	19	11
298788	FERRULE	29	4	436065-2	IMPELLER (ITEM 46)	25	-
2A24747	FUEL PUMP DLAPHRAGM			436065-2	WATER PUMP IMPELLER	27	46
	W/GASKETS	11	12	436280	NUT, SHORTING SWITCH.	7	25
2A24757	FUEL PUMP READ PLATE			455305	SEAL, PROP SHAFT		
	W/LILUA 8, 9 AND 10	11	11		BEARING CAGE	25	8
2A286016	ROD, CONNECTING W/CAP			456098	PROPELLER SHAFT	25	15
	AND SCREWS	15	17	456717	THRUST WASHER	25	11
2A424187	MANIFOLD W/LILUA 20, 22			458498	MAGINETO KEY	7	14
	AND 24	11	21	458677	INSERT, CHOKE KNOB	3	31
2A459239	STARTER SPOOL W/SHAFT			458695	SLEEVE	19	1
	W/LITERATURE	9	18	461342	SEAL, DRIVESHAFT SPILNE	17	58
2A472018	CRANKSHAFTW/LILUS 59	17	43	472015-2	PLSTONS	15	18
2A477133	MOTOR LEG W/ITEMS 29, 46			487424-1	STARTER, PINION SPRING	9	3
	AND 47	19	37	487427-1	BRACKET, STARTER UPPER	9	4
2C677712	COVER, ENGINE COMPLETZ			487435	PULLEY, STARTER ROPE	11	24
	INCLUDES ALL ITEMS			487660-1	EXHAUST TUBE	15	27
	MARKED WITH AN			487727	BALL, INTERLOCK DETENT	9	10
	ASTERISK (*).	3	-	487755	FUEL TANK ADAPTOR	29	8
307818	BEARING	3	13	487781-3	STARTER INTERLOCK	9	7
307818	BEARING	19	13	487816	BEARING STEERING		
310398	DECAL, TOTE TANK - USA				HANDLE	23	89
	(NOT SHOWN)	29	-	487895	SPRING, INTERLOCK		
31180-1	REED	11	18		DETENT	9	11
31410	RETAINING RING, PISTON			492263	LINK, STARTER INTERIOCK	3	36
	PIN	15	15	492417	SHAFT, GEAR SHIFL		
333316	ROLLER SHAFT	5	43		HANDLE	3	22
333316	SHAFT, THROTTLE CAM			492619	LEVER, GEAR SHIFT SHAFT	3	32
	ROLLER	13	48	50109	GEAR HOUSING PLUG	25	24

PARTS INDEX

Part Number	Description	Pg.	Ref. No.	Part Number	Description	Pg.	Ref. No.
525286	WASHER	21	59	901456-1	EMERGENCY STARTER		
536813	BEARING, REVERSE LOCK				COLLAR	7	2
	INTERMEDIATE LEVER	21	54	901563	PIN, WATER PUMP		
53795-1	SEAL STEORLNG HANDLE				IMPELLER DRIVE (ITEM 2)	25	-
	GRIP DAMPENER(LARGE)	21	86	901563	WATER PUMP IMPEILER		
5H027-1	FUEL TANK W/ILLUS. 8 AND				DRIVE PIN	25	2
	10 AND COMPLETE FUEL			901748-2	FUEL PUMP COVER	11	8
	LINE	29	9	901811	FUEL PUMP TILTER	11	4
610711	PLATE, ENGINE COVER	3	2	901938-1	SCREW, CYLINDER HEAD	15	1
617037	STEM BRACKET PIVOT			92759	ROLLER	3	42
	BOLT	21	83	92759	ROLLER, THROTTLE CAM	13	49
617061-1	CARBURETOR COMPLETE			98273	STUD, 3EARSHIFT ROD		
	(LMB228A)	11	27		CONNECTOR	3	11
617192	THROTTLE CAM PLATE	7	10	A12370	COIL W/LEAD WIRE AND		
617503	ROD, CHOKE	5	44		WEDGE SPRING	7	22
618445	LINK MAGNETO SHAFT	15	32	A1844	HEX BOLT,1/4 - 20 X 2-3/8		
619161	REED STOP	11	15		W/LILUS. 49	21	48
66480	STUD CLAMP SCREW	21	75	A197752	FUEL LINE, LONG		
676892	DECAL, FRONT (NOT				W/CLAMPS AND ILLUS. 4	29	7
	SHOWN)	5	-	A286054	GEAR HOUSING LOWER		
677396	DECAL, ENGINE COVER				W/PROP SHAFT BEARING,		
	STARBOARD				ILLUS. 23, 24 AND 26	25	25
	W/LITERATURE	3	-	A286072	SWIVEL BRACKET		
677397	DECAL, ENGINE COVER				W/LILUS.14 AND 53	19	42
	PORT W/LITERATURE	3	5	A286078	STEERING HANDLE		
677528	DECAL, REAR(NOT SHOWN)	5	-		BRACKET W/ILLUS.14	19	17
7006	STOP NUT, 5/16 - 18	3	28	A286094	PROPELLER NUT		
7011	ELASTIC STOP NUT,10 - 24	3	10		W/ILLUS.12	25	13
7026	STOP NUT 3/8 - 16	21	69	A286144	CAGE, CRANKSHAFT		
73082	RLNG, MAGNETO STATOR	17	44		BEARING W/ILLUS 47	17	46
8003	PLALN WASHER	11	9	A286155	MAIN BEARING LINER SET		
8011	PLAIN WASHER	3	37		(2 PER SET)	15	41
8011	PLAIN WASHER	9	6	A286229	LINER, CONNECTING ROD		
8025	PLAIN WASHER	15	2		(2 PER SET)	15	10
8048	BOWED SPRING WASHER	3	40	A286266	GEAR, BEVEL PINION		
8058	INTEMAL TOOTH				W/LTEM 32	25	29
	LOCKWASHER	3	12	A286298	PROPELLER SHAFT		
8058	INTEMAL TOOTH				BEARING CAGE		
	LOCKWASHER	23	90		W/BEARING AND ITEMS 6		
8060	EXTERNAL TOOTH				&	25	7
	LOCKWASHER	19	25	A286489	KNOB, COVER LATCH		
8077	**NYLTITE WASHER	25	23		W/SHAFT	3	25
8083	SPRING LOCKWASHER	21	49	A286582	STEERING ARM W/ILLUA 12		
8083	SPRING LOCKWASHER	25	31		AND 23	19	24
817674	GEAR, STARTER PINION	9	2	A286774	BRACKET, COVER LATCH		
8537	SPRING PIN	21	71		W/ILLUS. 8,10 AND 42	3	38
8538	SPRING PIN	19	32	A286970	STANER REWIND SPRING		
8540	SPRING PIN	3	20		W/ILLUA 16 AND 17	9	15
8540	SPRING PIN	21	67	A288711	PLATE, FRONT		
8542	SPRING PIN	3	15		W/LITERATURE	3	24
8548	SPRING PIN	19	4	A298073	CLAMP SCREW W/ILLUS.70		
8553	SPRING PIN	25	26		71 AND 75	21	74
8554	SPRINGPIN	21	72	A302097	FLYWHEEL WTILLUS. 26	7	3
8559	DOWEL PIN	15	14	A324101	PROPELLER PIN, PACK OF		
85610	BEARING	19	7		3 W/ILLUS.12	25	10
8564	SPRING PIN	25	16	A341510	LINK, REVERSE LOCK		
85735-1	SEAL	3	3		LEVER W/LITERATURE	21	61
901307-2	SEAL, DRIVESHAFT AND			A343178	RETAINER W/ILLUS. 6	19	8
	WATER PUMP	27	38	A387742	LEVER, REVERSE LOCK,		
901307-2	SEAL, MOTOR LEG	19	29		INTERMEDIATE ASSY.	19	30

PARTS INDEX

Part Number	Description	Pg.	Ref. No.	Part Number	Description	Pg.	Ref. No.
A429471	COVER, CYLINDER DRAIN W/CHECKVALVES AND ILLUS 57	15	8	K1065	GEAR HOUSING SEAL KIT - INCLUDES ALL ITEMS MARKED WITH A DOUBLE ASTERISK (**)	25	1
A456023	BEVEL GEAR FRONT W/BEARING	25	20	K1066	TUNE UP KIT - INCLUDES ALL ITEMS MARKED WITH AN ASTERISK (*).	7	15
A456137	GRIP, STEERING HANDLE W/ILLUS.1	19	3	K1123	SPARKIE W/SPRING	7	19
A456521	CLUTCH W/LITERATURE	25	17	K286817	RETAINER, STARTER ROPE W/LITERATURE	9	23
A456554	GEAR HOUSING UPPER W/BEARING AND ITEMS 23, 24,34,37 AND 38	27	36	K317427	BRACKET, STARTER LOWER W/LILUS. 20 AND LITERATURE	9	19
A456662	BEVEL GEAR REAR W/BEARING	25	9	K436449	SHORTING SWITCH W/ILLUA 25	7	23
A472260	PLSTON RLNG SET (4 PER SET)	15	19	P6430	PROPELLER	25	14
A473010	CYLINDER W/CRANKCASE COVER, DOWEL PINS, SCREWS AND STUDS	15	12	S174227	PLUG, SPARK, L 82	15	11
A492038	PLATE, SUPPORT W/ILLUS. 26 AND 48	3	18	S387766	PRIMER BULB	29	6
A504060	BODY, WATER PUMP W/ILLUA 44 (ITEM 45)	25	-	S409752	FUEL LINE COMPLETE (NOT SHOWN). INCLUDES ALL ITEMS MARKED WITH AN ASTERISK (*).	29	-
A504060	WATER PUMP BODY W/ILLUA 38	27	45	S487815	GEAR, MAGNETO CONTROL SHAFT	19	15
A510914	SEAL, INLET WATER LINE W/LITERATURE	27	44	S487815	GEAR, STEERING HANDLE SHAFT	19	9
A517228	ROLLER, CRANKPIN	15	21	S541712	COVER, ENGINE W/ILLUS. 9 AND 38	3	7
A609853	DECAL, WARNING, SHIFT CONTROL W/LITERATURE	7	26	S617532	STEM BRACKET PON W/ILLUS. 74	21	77
A610480	RETAINER, ENGINE COVER W/ILLUS.8 AND 10.	3	9	T1	BATTERY POWERED TEST LIGHT	30	-
A617113	LOCK BAR W/ILLUS 65 66 AND 67	21	68	T1	FEELER GAUGE	30	-
A618081	LEVER, MAGNETO CONTROL	15	33	T1	LUBRICANT - ANTI-SEIZE	30	-
A84754-1	FUEL LINE, SHORT W/ILLUS. 4	29	5	T1	PULLER	30	-
A901754	FUEL LLNE W/LILUA 1	11	3	T1	SEALANT - 2 CC LOCTITE RETAINING COMPOUND #75	31	-
C456054	LOWER GEAR HOUSING KIT (NOT SHOWN). INCLUDES ALL ITEMS MARKED WITH AN ASTERISK (25	-	T11202	SEAL INSTALLER	30	-
C472010	SHORT BLOCK (NOT SHOWN) INCLUDES ALL ITEMS MARKED WITH AN ASTERISK (*)	15	-	T1749	SNAP RING PLIERS	30	-
C618894	STEERING HANDLE INDICATOR	19	5	T2	SEALANT - 2 OL LOCTITE D, HARDENING GRADE	31	-
G2	GASKET SET - INCLUDES ITEMS LISTED BELOW	17	63	T2	SEALANT - 50 CC LOCTITE H, NON-HARDENING GRADE	31	-
K1	WATER PUMP KIT. INCLUDES ITEMS LISTED BELOW.	25	4	T2907	SEAL INSTALLER	30	-
K10114	REPAIR PARTS KIT LNCLUDES ALL ITEMS MARKED WLTH AN ASTERISK *).	11	13	T2908	SEAL SIEEVE	30	-
				T2909	KNOCK-OFF NUT	30	-
				T2951	CLRCUIT TRACER	30	-
				T2961	LUBRICANT - RYKON GREASE #2EP	30	-
				T2985	STARTER REWIND KEY	30	-
				T2989	FLYWHEEL WEDGE	30	-
				T2991	CARBON BRUSH	30	-
				T2997	RING COMPRESSOR	30	-
				T2998	TORQUE WRENCH (0 - 100 LBS/FT)	30	-
				T2999	TORQUE WRENCH (0 - 600 LBS/IN.)	30	-
				T3012	SEAL INSTALLER	30	-

PARTS INDEX

Part Number	Description	Pg.	Ref. No.	Part Number	Description	Pg.	Ref. No.
T8900	HOSE CLAMP PLIERS	30	-				
T8926	RING EXPANDER	30	-				
T8929	ADAPTER AND HEX BIT	30	-				
T8935	SEALANT PRIMER - 6 OL	31	-				
T8950	LEAKAGE TESTER	30	-				
T8952	TEST PROP	30	-				
T8957	SEAL INSTALLER	30	-				
T8969	LUBRICANT - 7 OL #1 LPS-1	30	-				
T8983	SEALANT - RTV	31	-				
T8993	TORQUE WRENCH	30	-				
A61-9158	REED PLATEW/LILUA 14, 15 AND 18	11	17				