



PARTS CATALOG

FORCE 1987 85 H.P.

SERIAL NUMBER

85 H.P. (1987)856F7A
85 H.P. (1987)856X7A
85 H.P. (1987)856Y7A
85 H.P. (1987)858F7A
85 H.P. (1987)858V7A
85 H.P. (1987)	C856F7A

TABLE OF CONTENTS:

ACCESSORIES	55
ADAPTER AND REED PLATE	12
CARBURETOR	18
CRANKSHAFT AND PISTON	26
ELECTRICAL COMPONENTS	6
ENGINE COVER AND SUPPORT PLATE	2
FUEL PUMP	16
FUEL TANK AND LINE	40
GEAR HOUSING	34
MOTOR LEG	28
PARTS INDEX	58
POWER TRIM UNIT	46
POWERHEAD	20
REMOTE CONTROL	42
SPECIAL TOOLS - GEAR HOUSING	52
SPECIAL TOOLS - LUBRICANTS AND SEALANTS	54
SPECIAL TOOLS - POWER HEAD	51
SPECIAL TOOLS - TEST EQUIPMENT	53
SPECIAL TOOLS - TUNE-UP	50
STARTER	10

NOTE: Indented description indicate that these parts are included in preceeding assembly.

AR = As Required

NSS = Not Sold Separate

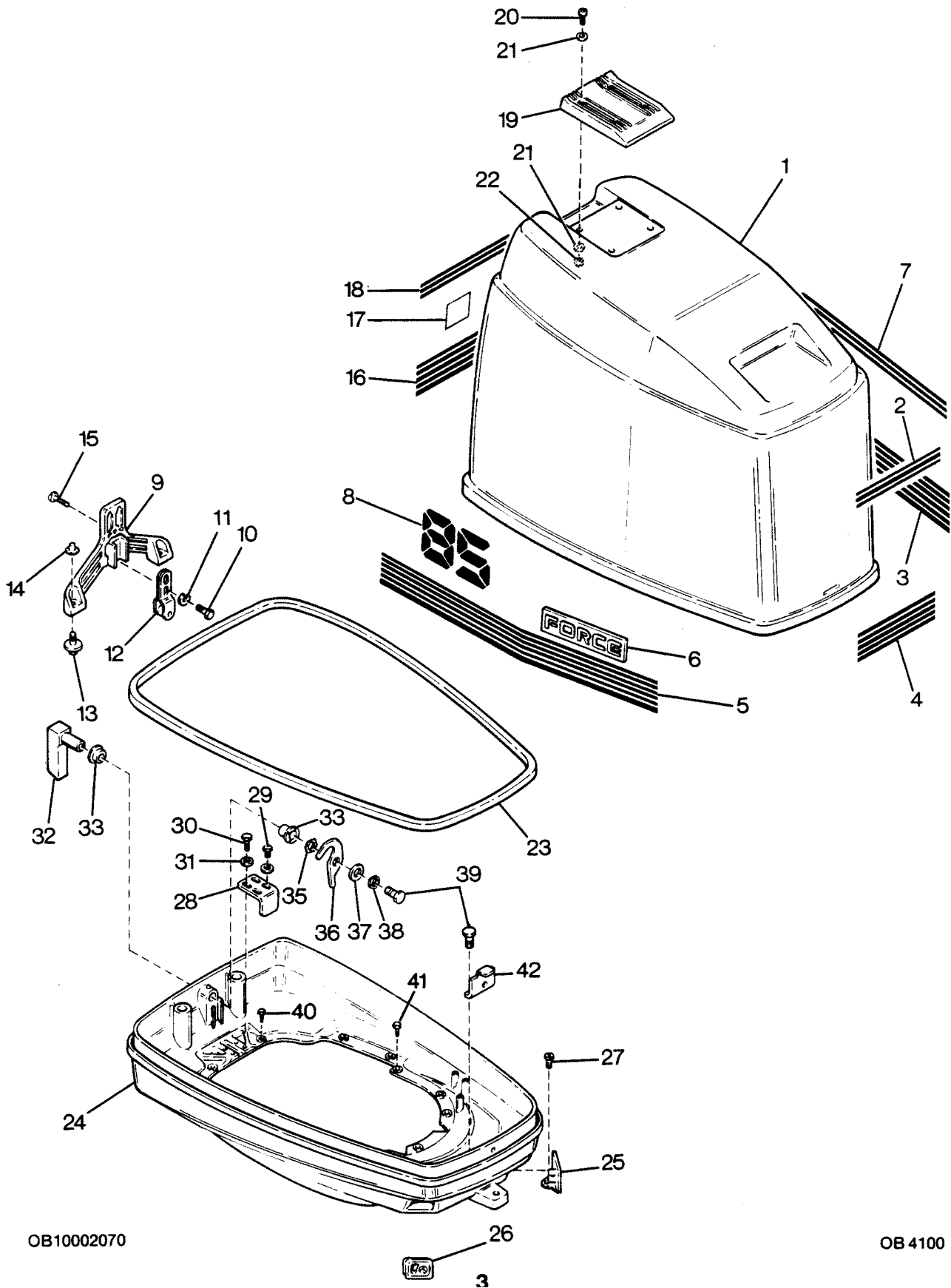
OPT = Optional

NS = Not Shown

THESE PARTS BOOKS/FICHE CARD ARE COPYRIGHTED AND MAY NOT BE DISTRIBUTED OR REPRODUCED IN ANY OTHER FORMAT BY ANYONE OTHER THAN MERCURY MARINE WITHOUT THE PRIOR WRITTEN CONSENT OF MERCURY MARINE.

THIS PAGE INTENTIONALLY LEFT BLANK

ENGINE COVER AND SUPPORT PLATE

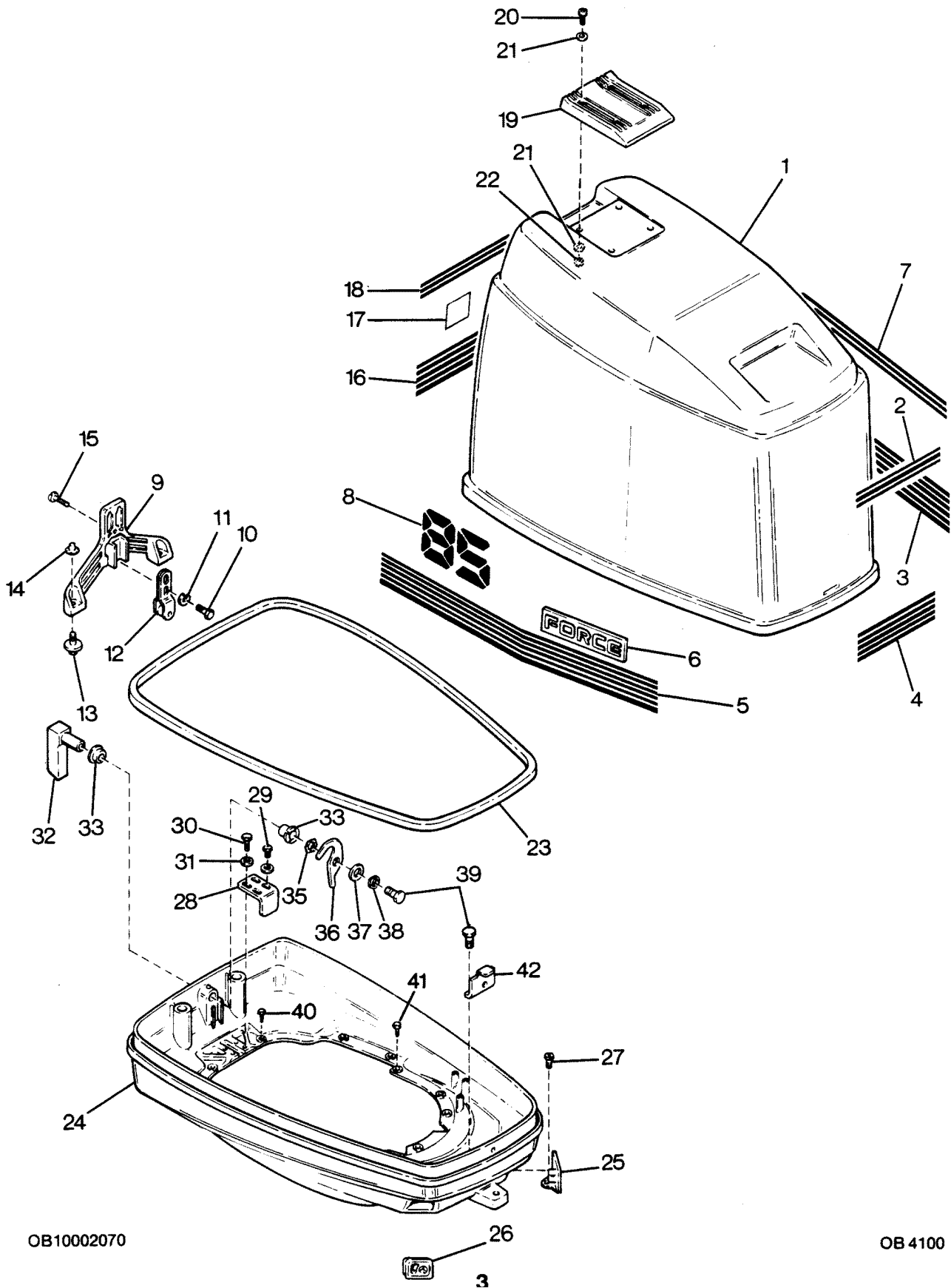


ENGINE COVER AND SUPPORT PLATE

REF. NO.	PART NO.	SYM.	QTY.	DESCRIPTION
1	FS663712		1	ENGINE COVER, (WITH OUT PAINT, DECALS OR HARDWARE)
-	F2C663712		1	ENGINE COVER, COMPLETE
2	F663894		1	DECAL, TOP - FRONT
3	F663397		1	DECAL, BOTTOM - PORT
4	F663892		1	DECAL, BOTTOM - FRONT
5	F663396		1	DECAL, BOTTOM - STARBOARD
6	F663366		2	MEDALLION - FORCE
7	F663373		2	DECAL, TOP - SIDE
8	F663386		2	DECAL, NUMBER 85
9	F663774-1		1	BRACKET, ENGINE COVER LATCH
10	F1857		2	HEX CAP SCREW, 5/16 - 18 X 5/8
11	F8096		2	SPRING LOCKWASHER
12	FA481743		1	BRACKET, ROLLER LATCH W/ROLLER
13	F481434		2	GUIDE, ENGINE COVER
14	F2088		2	FASTENER
15	F1493		3	PAN HD. SCREW, 5/16 - 18 X 5/8 S.S.
16	F663528		1	DECAL, BOTTOM - REAR
17	F665387		1	DECAL, LOGO (US MARINE)
18	F663585		1	DECAL, TOP - REAR
19	F663269		1	HANDLE, TILT
20	F2143		4	HEX SOC. HD SCREW, 1/4 - 20 X 1 S.S.
21	F2012		8	WASHER
22	F7024		4	STOP NUT, 1/4 - 20
-	F663984		1	BLANKET, TOP (NOT SHOWN)
-	F663985		2	BLANKET, SIDE (NOT SHOWN)
23	F663756		1	PACKING
24	F663038		1	SUPPORT PLATE
25	F549189		1	BUSHING, ELECTRIC CABLE
26	F660189		1	BUSHING, CABLE ENTRY
27	F1733		3	PAN HD SCREW, 10 - 24 X 9/16
28	F335654-1		1	DEFLECTION STOP
29	F1858		2	HEX CAP SCREW, 5/16 - 18 X 1
30	F1857		2	HEX CAP SCREW, 5/16 - 18 X 5/8
31	F8096		4	SPRING LOCKWASHER
32	FA663469		1	ENGINE COVER LATCH HANDLE W/SHAFT
33	F286818		2	BEARING, LATCH SHAFT
35	F2047		1	WAVE WASHER
36	F481777		1	CAM, LATCH SHAFT
37	F8094		1	WASHER

CONTINUED ON NEXT PAGE ➡

ENGINE COVER AND SUPPORT PLATE



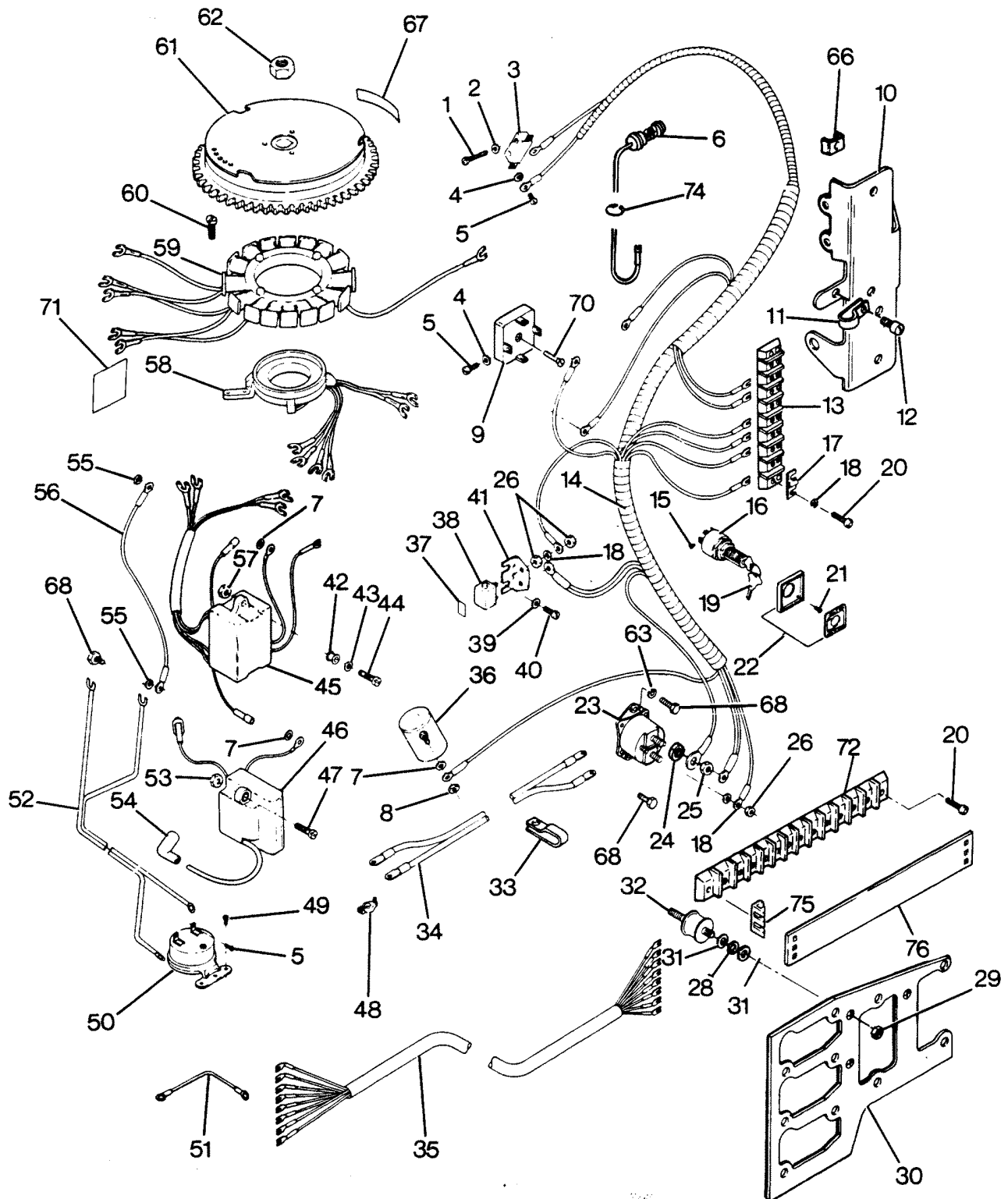
OB10002070

OB 4100

ENGINE COVER AND SUPPORT PLATE

REF. NO.	PART NO.	SYM.	QTY.	DESCRIPTION
38	F8083		1	LOCKWASHER
39	F1854		3	HEX CAP SCREW, 1/4 - 20 X 5/8
40	F1203		6	HEX CAP SCREW, 1/4 - 20 X 7/8
41	F1238		7	HEX CAP SCREW, 1/4 - 20 X 3/4
42	F663480		1	RETAINER

ELECTRICAL COMPONENTS

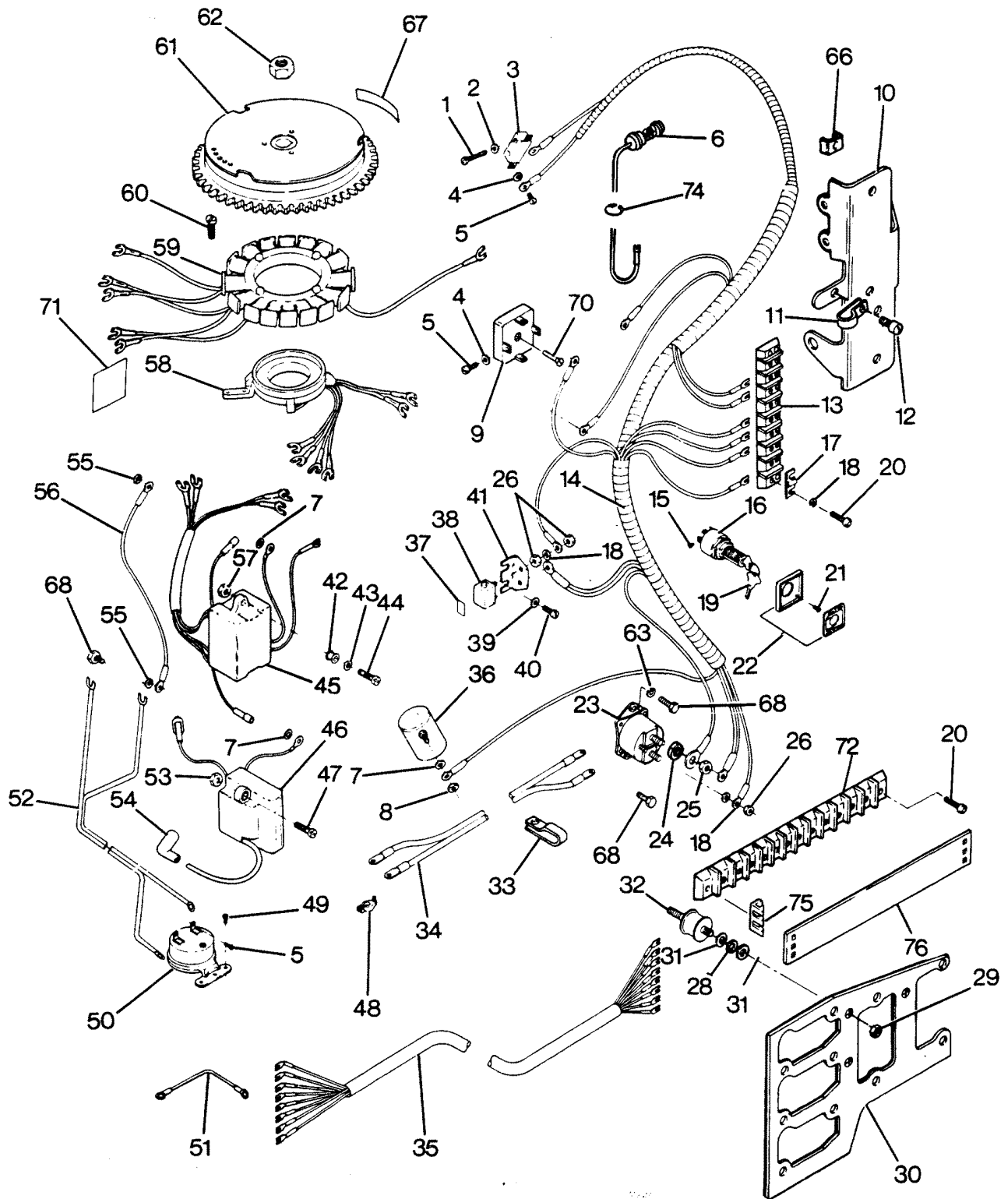


ELECTRICAL COMPONENTS

REF. NO.	PART NO.	SYM.	QTY.	DESCRIPTION
1	F2016		2	SLOTTED FILL HD. SCREW, 6 - 32 X 7/8
2	F8088		2	PLAIN WASHER
3	F84449		1	NEUTRAL INTERLOCK SWITCH
4	F1704		6	INTERNAL TOOTH LOCKWASHER
5	F1645		8	HD. SCREW, 6 - 32 X 1/4
6	F629449		1	THERMOSWITCH
7	F8056		2	SPRING LOCKWASHER
8	F1647		2	HEX NUT, 8 - 32
9	F650450		1	RECTIFIER WILLUS. 4, 5, 70 AND LITERATURE
10	FA438493		1	BRACKET, TERMINAL BLOCK WILLUS. 12 & 66
11	F289446-1		1	CLAMP, REMOTE ELEC. CABLE TO BRACKET
12	F1734		2	FILL HD. SCREW, 1/4 - 20 X 1/2
13	FA616497		1	TERMINAL BLOCK WILLUS. 17 & 20
14	F653744		1	WIRING HARNESS
15	F1280		6	SLOTTED PAN HD. SCREW, 8 - 32 X 1/4
16	F5H078		1	SWITCH, IGNITION LONG BARREL W/KEYS AND SCREWS (ACCESSORY ITEM)
17	F307317		2	CLIP, TERMINAL BLOCK GROUND
18	F1975		6	LOCKWASHER
19	817782--1		0	KEY IGNITION - NO LETTER OR STAMPED A
-	817883--1		0	KEY IGNITION - STAMPED B
-	817891--1		0	KEY IGNITION - STAMPED C
-	817928--1		0	KEY IGNITION - STAMPED D
-	817929--1		0	KEY IGNITION - STAMPED E
-	FA27232		1	EMERGENCY STARTER ROPE (NOT SHOWN)
20	F1648		2	PAN HD. SCREW, 10 - 24 X 3/4
21	F1934		4	FLAT HD. SCREW, 6 X 1/2
22	F5H038		1	IGNITION SWITCH MOUNTING KIT (ACCESSORY ITEM)
23	FK460917		1	STARTER RELAY WILLUS. 63, 68 AND LITERATURE
24	F8096		2	SPRING LOCKWASHER
25	F1515		2	HEX NUT, S.S., 5/16 - 18
26	F1513		6	HEX NUT, 10 - 32
28	F8090		3	PLAIN WASHER
29	F1515		3	HEX NUT, S.S., 5/16 - 18
30	FS663358		1	BRACKET (C.D. - COIL)
31	F8124		6	EXTERNAL TOOTH LOCKWASHER
32	F215962		3	MOUNT (SHOCK - C.D. UNIT)
33	F407446		1	CLAMP
34	F381896-4		1	BATTERY CABLE
35	F85843-1		1	ELECTRIC CONTROL CABLE, 18 FEET
36	F654924		1	CHOKE SOLENOID
37	F510374-1		1	DECAL, CIRCUIT BREAKER
38	F510460		1	CIRCUIT BREAKER

CONTINUED ON NEXT PAGE ➡

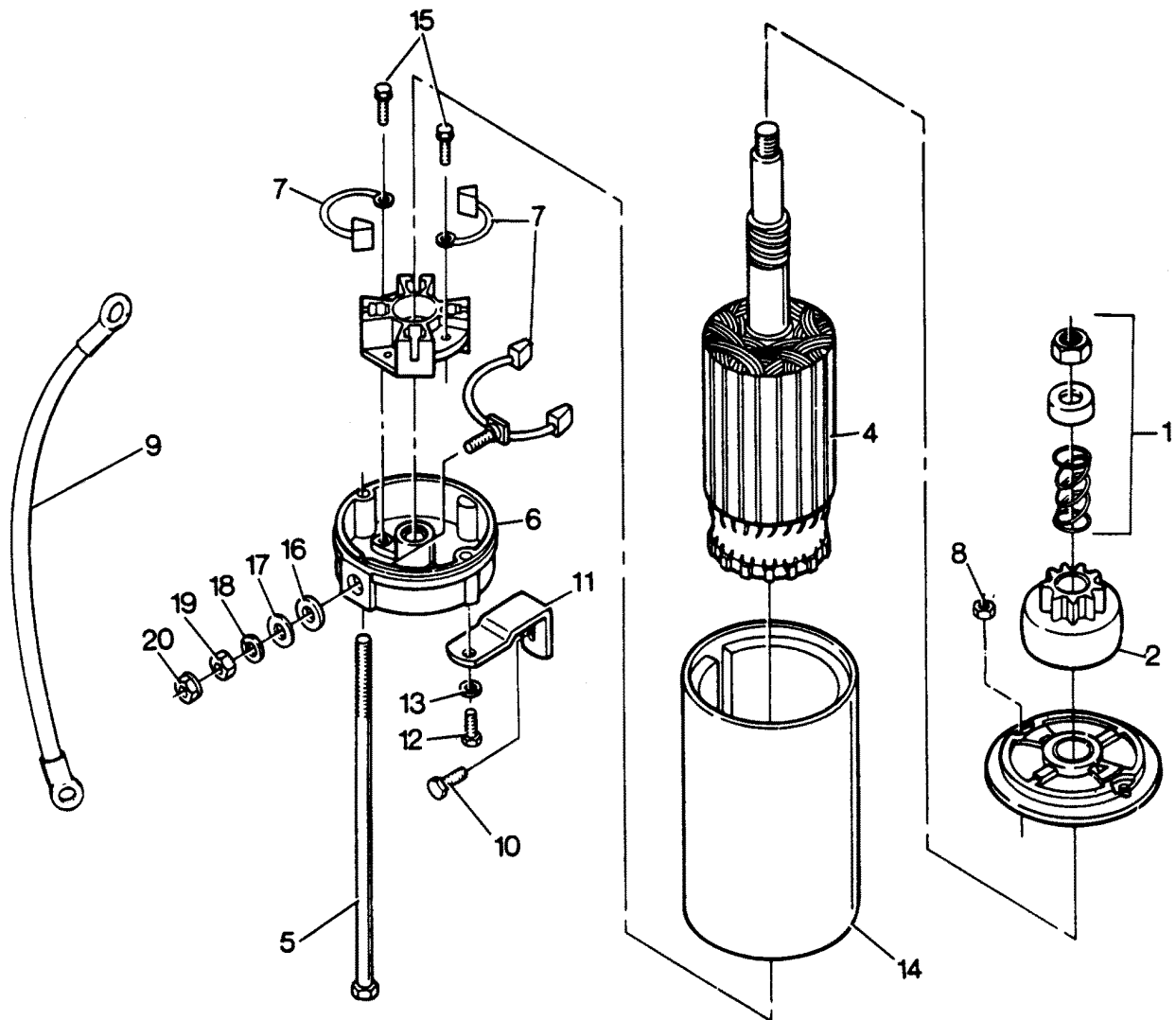
ELECTRICAL COMPONENTS



ELECTRICAL COMPONENTS

REF. NO.	PART NO.	SYM.	QTY.	DESCRIPTION
39	F8011		2	PLAIN WASHER
40	F1760		2	SLOTTED PAN HD. SCREW, 10 - 24 X 3/8
41	F91446-1		1	CIRCUIT BREAKER BRACKET
42	F475504		4	GROMMET
43	F8028		4	PLAIN WASHER
44	F2008		4	HEX HD. M. SC., 1/4 - 20 X 7/8
45	F653301-1		2	MODULE
46	F615475		3	IGNITION COIL
47	F2008		6	HEX HD. MACH. SCREW, 1/4 - 20 X 7/8
48	F5H041		1	BATTERY TERMINAL KIT (ACCESSORY ITEM)
49	F1741		2	PAN HD. SCREW, 8 X 3/4
50	F5H043		1	BUZZER, HEAT INDICATOR (ACCESSORY ITEM)
51	F345683		1	WIRE, GROUND (RECTIFIER TO STARTER BOLT)
52	F404841		1	CABLE, HEAT INDICATOR
53	F1341		6	NUT, 1/4 - 20
54	FK1123		3	SPARKIE KIT
55	F2106		2	LOCKWASHER
56	F319908		1	WIRE, GROUND (C.D. - COIL BRACKET)
57	F1832		4	NUT, LOCK 1/4 - 20
58	F653029		1	TRIGGER ASSY.
59	F663095		1	ALTERNATOR STATOR
60	F1550		4	SLOTTED PAN HD. SCREW #12 - 24 X 1
61	200-817865A1		1	FLYWHEEL WILLUS. 67 ORIGINAL FORCE P/N A 615097-1
62	F1968		1	HEX NUT, 3/4 X 16
63	F8083		1	SPRING LOCKWASHER
66	F438668		1	RETAINER
67	FA609853		1	DECAL, WARNING WLITERATURE
68	F1705		3	HEX HD. SCREW, 1/4 - 20 X 3/4
70	F1303		1	PAN HD. SCREW, 8 - 32 X 3/4
71	F653398-1		1	DECAL, 3 CYL WIRING
72	F664497		1	TERMINAL BLOCK (12 POSITION)
74	F428096		1	RETAINER, THERMOSWITCH
75	F664384		2	CLIP, TERMINAL BLOCK COVER
76	F664672		1	COVER, TERMINAL BLOCK COVER
-	F1877		1	TY-RAP (NOT SHOWN)

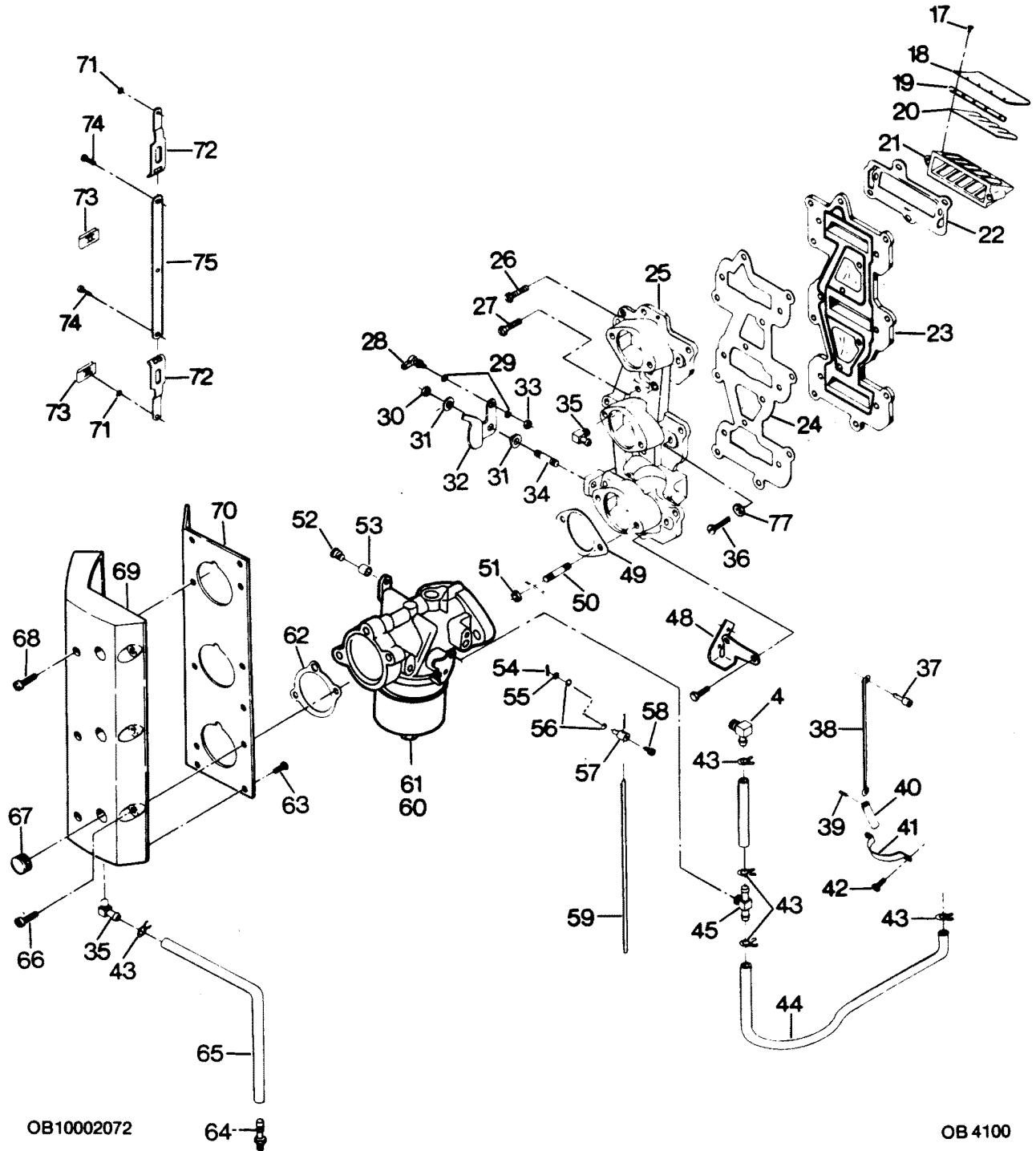
STARTER



STARTER

REF. NO.	PART NO.	SYM.	QTY.	DESCRIPTION
1	F15174		1	DRIVE KIT
2	F15175		1	DRIVE ASSEMBLY PINION
3	F15176		1	CAP STARTER DRIVE
4	F15177		1	ARMATURE
5	F15178		1	THRU BOLT PACKAGE
6	F15179		1	COMMUTATOR
7	F15164		1	BRUSH KIT
8	F1641		2	LOCK NUT
9	F85908-1		1	LEAD WIRE
10	F1922		1	HEX CAP SCREW, 1/4 - 20 X 5/8
11	F616675		1	STARTER BRACKET LOWER
12	F1854		1	HEX HD. CAP SCREW, 1/4 - 20 X 5/8
13	F8083		1	SPRING LOCKWASHER
14	F616955		1	STARTER COMPLETE. INCLUDES ALL ITEMS MARKED WITH AN ASTERISK (*).
15	F15158		1	SCREW, BRUSH HOLDER
16	F15160		1	INSULATOR WASHER
17	F15161		1	PLAIN WASHER
18	F15152		1	LOCKWASHER
19	F1341		1	NUT
20	F15162		1	NUT

ADAPTER AND REED PLATE

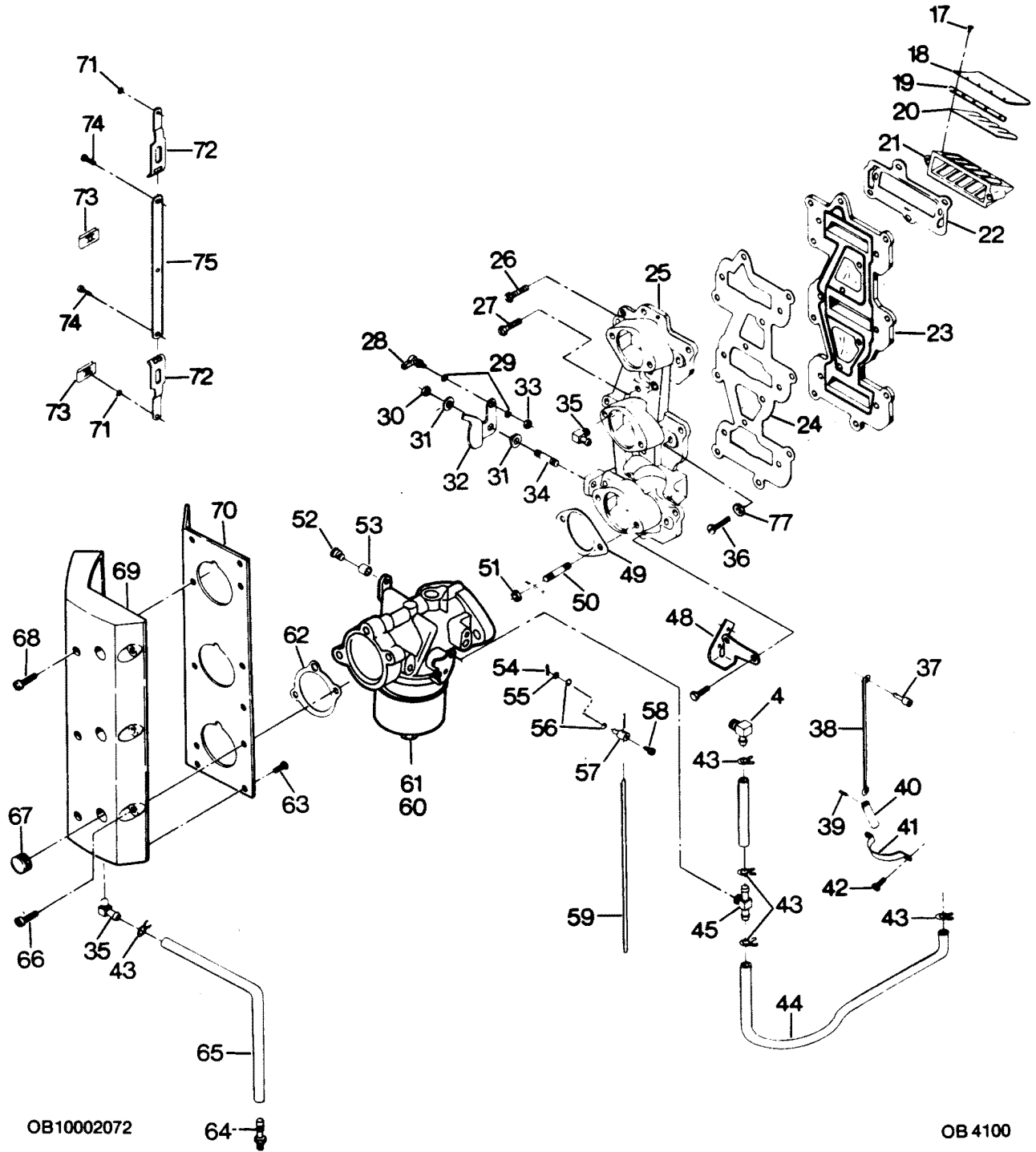


ADAPTER AND REED PLATE

REF. NO.	PART NO.	SYM.	QTY.	DESCRIPTION
4	F10156		2	ELBOW
17	F1755		30	RD HD SCREW W/LOCKWASHER, 6 - 32 X 5/16
18	F85161-1		6	REED STOP
19	F523451		6	SPACER, REED STOP
20	F530160		6	REED (5 PETAL)
21	F3A523158		3	REED PLATE W/ILLUS. 17, 18, 19 AND 20
22	F85168-1		3	GASKET REED PLATE ADAPTER
23	F85162		1	REED PLATE ADAPTER
24	F85159-1		1	GASKET, INTAKE MANIFOLD
25	817959A3		1	INTAKE MANIFOLD W/ILLUS. 36 AND LITERATURE ORIGINAL FORCE P/N K 480167-2
26	F2008		7	HEX HD SCREW, 1/4 - 20 X 7/8
27	F1699		2	HEX HD SCREW, 1/4 - 20 X 1-1/8
28	817747--1		1	BALL JOINT W/STUD
29	F8058		2	INTERNAL TOOTH LOCKWASHER
30	F7008		1	STOP NUT, 1/4 - 20
31	F269319		2	BEARING
32	F85192-1		1	THROTTLE CAM
33	F1513		1	HEX NUT, 10 - 32
34	F433209-1		1	STUD
35	22-818103--1		2	ELBOW
36	F2050		6	HEX HD SCREW, 1/4 - 20 X 1-1/2
37	F85033		1	CHOKE ROD SWIVEL
38	F85925		1	CHOKE ROD
39	F2033		1	GROOVE PIN
40	F391926-1		1	CHOKE SOLENOID PLUNGER
41	F85317-3		1	CLAMP
42	F1236		2	HEX HD SCREW, 1/4 - 20 X 1/2
43	F97772		6	HOSE CLAMP
44	F438754		1	FUEL LINE
45	F10164		2	FUEL FITTING
46	F85253-1		2	FUEL LINE
47	F1532		3	HEX HD SCREW, 1/4 - 20 X 1
48	F480551-1		1	BRACKET INTERLOCK SWITCH
49	F85906		3	CARBURETOR GASKET
50	F40209		6	CARBURETOR STUD
51	F1515		6	HEX NUT, 5/16 - 18
52	F333316		1	THROTTLE ROLLER SHAFT
53	F92759		1	THROTTLE ROLLER
54	F1014		3	COTTER PIN
55	F8088		3	PLAIN WASHER
56	F184579		6	SEAL, CHOKE ARM SWIVEL
57	F184033-1		2	CHOKE ARM SWIVEL

CONTINUED ON NEXT PAGE ➡

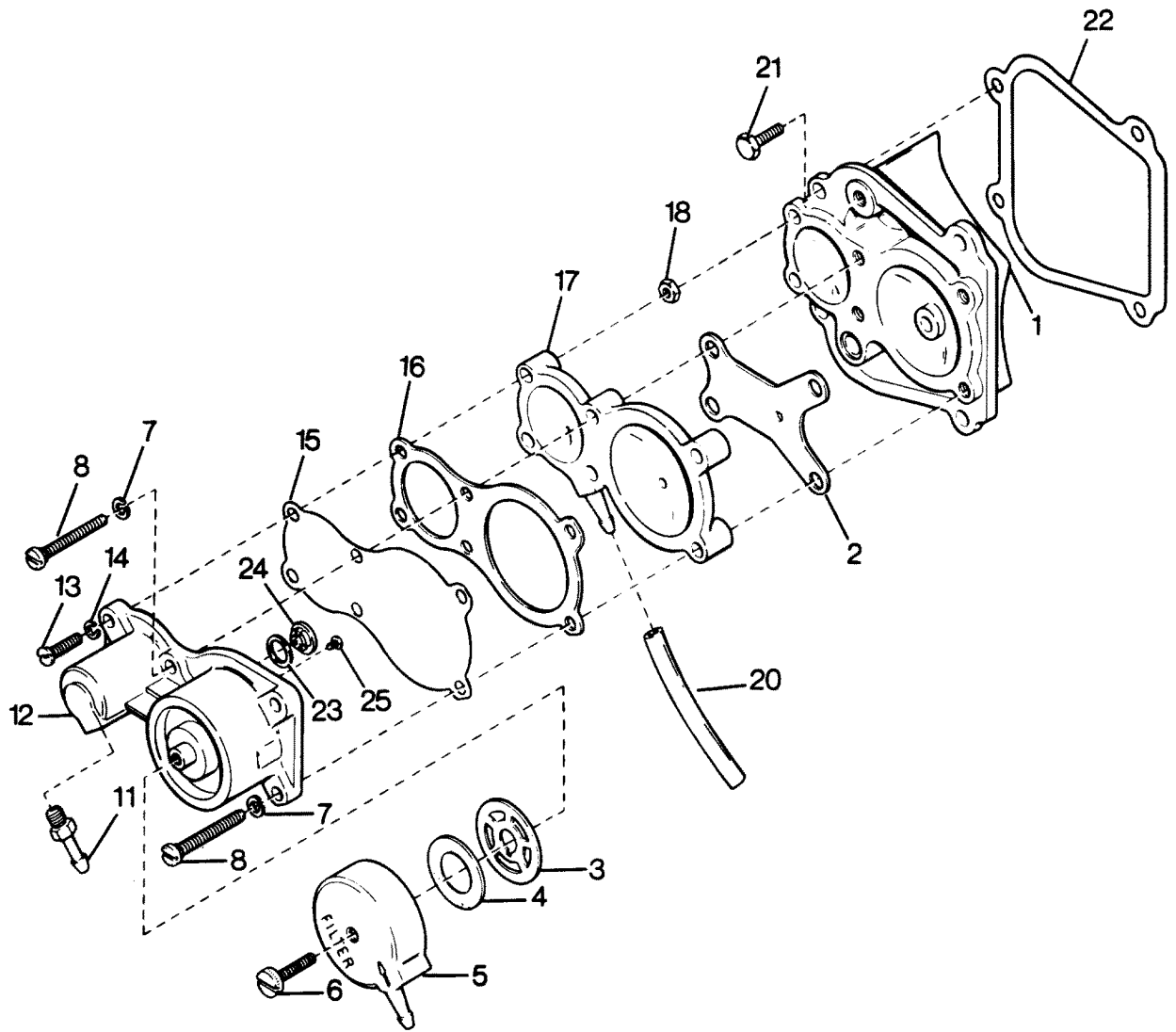
ADAPTER AND REED PLATE



ADAPTER AND REED PLATE

REF. NO.	PART NO.	SYM.	QTY.	DESCRIPTION
58	F1059		3	FILL HD SCREWS, S.S., 6 - 32 X 1/4
59	F85509-1		1	CHOKE LINK
60	F632061		1	CARBURETOR COMPLETE (TOP) WE 9-1
61	F631061		2	CARBURETOR COMPLETE (MIDDLE & BOTTOM) WE 9-2
62	F481836		3	INTAKE GASKET
63	F1760		6	PAN HD SCREW, 10 - 24 X 3/8
64	22-817789A1		1	DRAIN FITTING W/METERING CUP
65	F63754		1	HOSE INTAKE DRAIN
66	F1504		3	FILL HD SCREW, 1/4 - 20 X 1-1/4
67	F53504		3	GROMMET
68	F1072		3	FILL HD SCREW, 1/4 - 20 X 1-3/4
69	F481860-1		1	CARBURETOR, INTAKE
70	F481567		1	CARBURETOR, INTAKE ADAPTER
71	F90807		3	RETAINING RING
72	FA85193		2	TIE BAR END W/SWIVEL
73	F1693		2	TIE BAR RETAINER
74	F1064		2	FILL HD SCREWS, S.S., 8 - 32 X 3/8
75	FA85511		1	THROTTLE TIE BAR W/SWIVEL
77	F8026		1	PLAIN WASHER

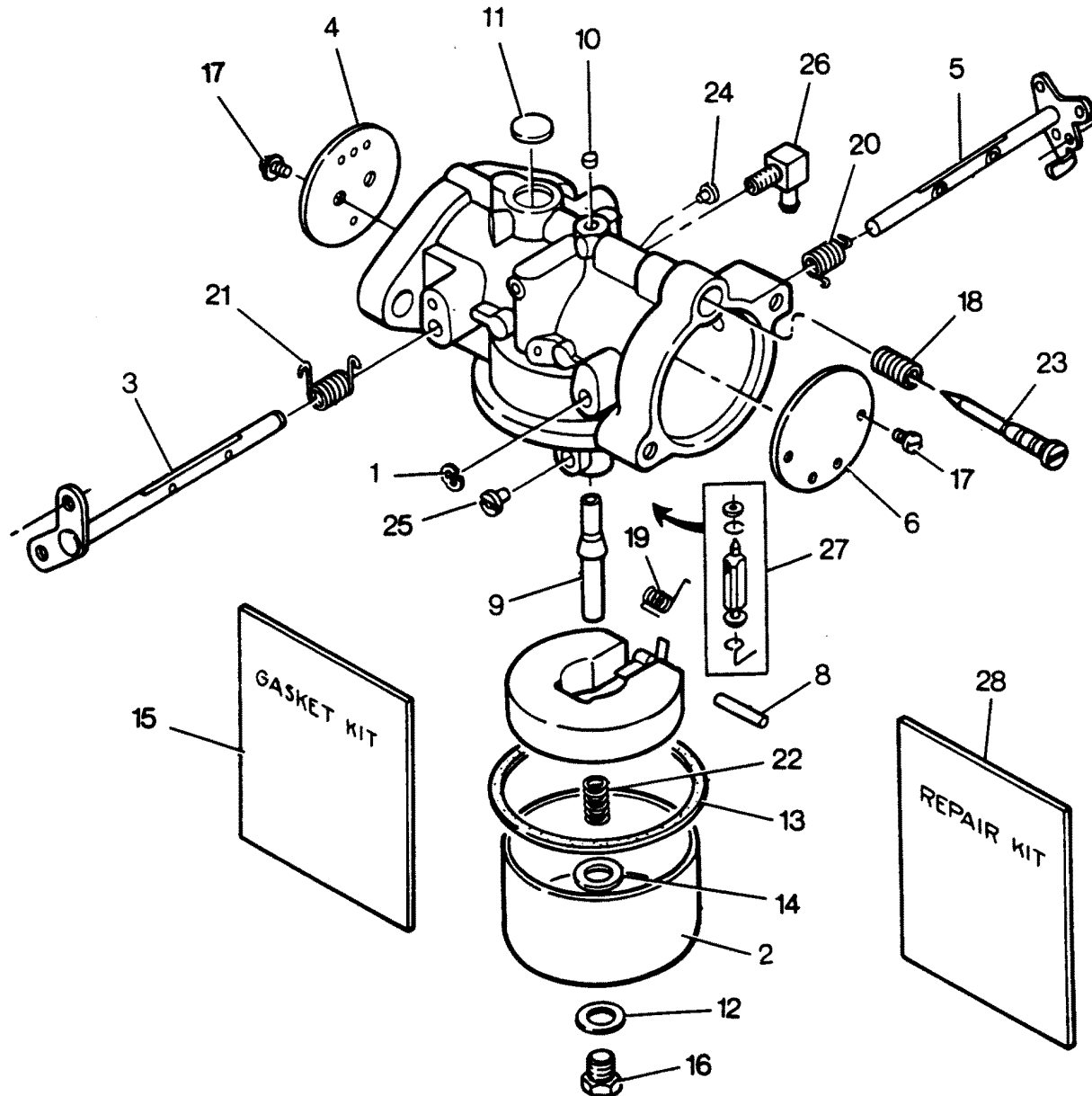
FUEL PUMP



FUEL PUMP

REF. NO.	PART NO.	SYM.	QTY.	DESCRIPTION
1	FA658746		1	COVER, FUEL PUMP W/LITERATURE
2	F658803		1	GASKET, SPACER PLATE
3	F438617		1	GASKET, FUEL SEDIMENT BOWL
4	F438653		1	SCREEN, FUEL PUMP
5	F438500		1	BOWL, FUEL SEDIMENT
6	F1648		1	SCREW, FUEL SEDIMENT BOWL
7	F8083		4	LOCKWASHER
8	F1504		4	SLOTTED FIL SCREW, 1/4 - 20 X 1-1/4 S.S.
11	F438801		1	FITTING, FUEL PUMP OUTLET
12	FA438431		1	BODY, FUEL PUMP W/ILLUS.
13	F1648		2	SCREW, 10 - 24 X 3/4 PAN HD SCREW
14	F1975		2	LOCKWASHER
15	F438747		1	DIAPHRAGM, FUEL PUMP
16	F438760		1	GASKET, FUEL PUMP
17	F658836		1	SPACER, FUEL PUMP
18	F1473		2	NUT, 10 - 24 S.S.
20	F658758		1	HOSE, IMPULSE
21	F1540		3	HEX HD SCREW, 1/4 - 20 X 5/8 GR. 5
22	F40223		1	GASKET, TRANSFER PORT COVER
23	F84792		1	GASKET, FUEL PUMP VALVE
24	F177330		3	VALVE, FUEL PUMP
25	F1860		2	SLOTTED BINDING HEAD SCREW, 6 - 32 X 1/4
-	F2A658746		1	FUEL PUMP COMPLETE INCLUDES ITEMS 1, 2, 7, 8 & 11 THRU 20

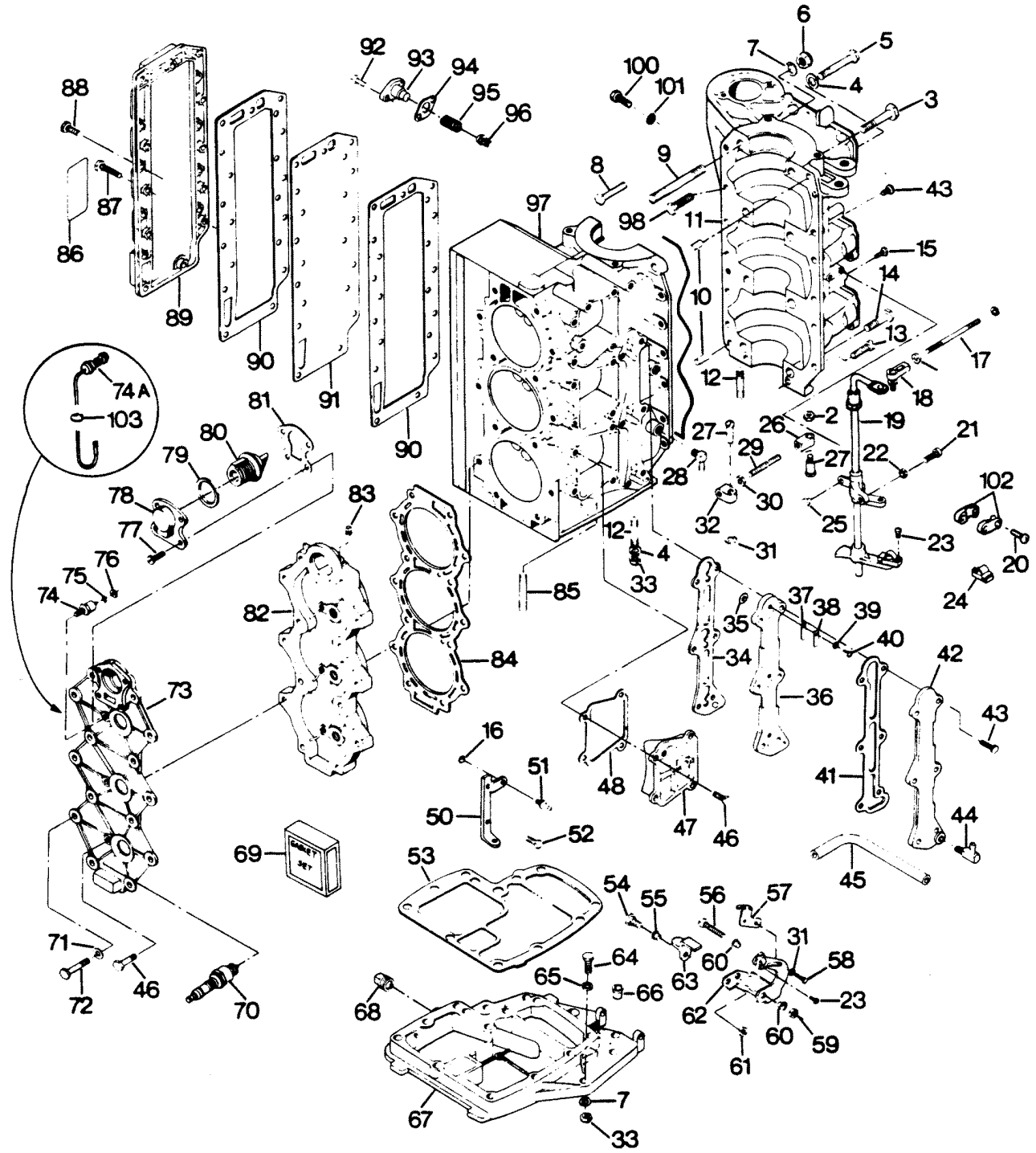
CARBURETOR



CARBURETOR

REF. NO.	PART NO.	SYM.	QTY.	DESCRIPTION
-	F631061		0	CARBURETOR ASSEMBLY (WE-9-2) MIDDLE & BOTTOM
-	F632061		0	CARBURETOR ASSEMBLY (WE-9-1) TOP
1	F10218		1	SHAFT RING RETAINER
2	F10127		1	FUEL BOWL
3	F10168		1	THROTTLE SHAFT ASSEMBLY
4	F10169		1	THROTTLE VALVE
5	F10219		1	CHOKE SHAFT ASSEMBLY
6	F10161		1	CHOKE VALVE
7	F10135		1	FLOAT ASSEMBLY
8	F10208		1	PIN, FLOAT ASSEMBLY
9	F10137		1	NOZZLE
10	F10152		2	CUP PLUG
11	F10153		1	WELCH PLUG
12	F10067		1	BOWL RETAINER GASKET
13	FO15623		1	BOWL RING GASKET
14	F10206		1	BOWL RETAINER GASKET
15	FK10209		1	GASKET KIT. INCLUDES ALL ITEMS MARKED WITH A DOUBLE ASTERISK (**).
16	F10205		1	BOWL RETAINER SCREW
17	F10155		4	CHOKE AND THROTTLE SCREW
18	F10141		1	IDLE NEEDLE SPRING
19	F10142		1	FLOAT SUPPORT SPRING
20	F10143		1	CHOKE VALVE SPRING
21	F10172		1	THROTTLE RETURN SPRING
22	F10204		1	NOZZLE SPRING
23	FO14166		1	NEEDLE, IDLE
24	F10163		1	JET (.060)
25	F10212		1	MAIN FUEL JET (.074) SEA LEVEL - 2500 FT.
-	F10213		0	072) 2500 - 5000 FT.
-	F10214		0	070) 5000 - 7500 FT.
-	F10215		0	068) 7500 - 10000 FT.
26	F10156		1	FUEL FITTING (ELBOW) FOR 631061
-	F10164		1	FUEL FITTING (TEE) FOR 632061 (NOT SHOWN)
27	FK10120-1		1	FLOAT KIT, VALVE & SEAT
28	FK10220		1	REPAIR KIT. INCLUDES ALL ITEMS MARKED WITH A SINGLE ASTERISK (*).

POWERHEAD

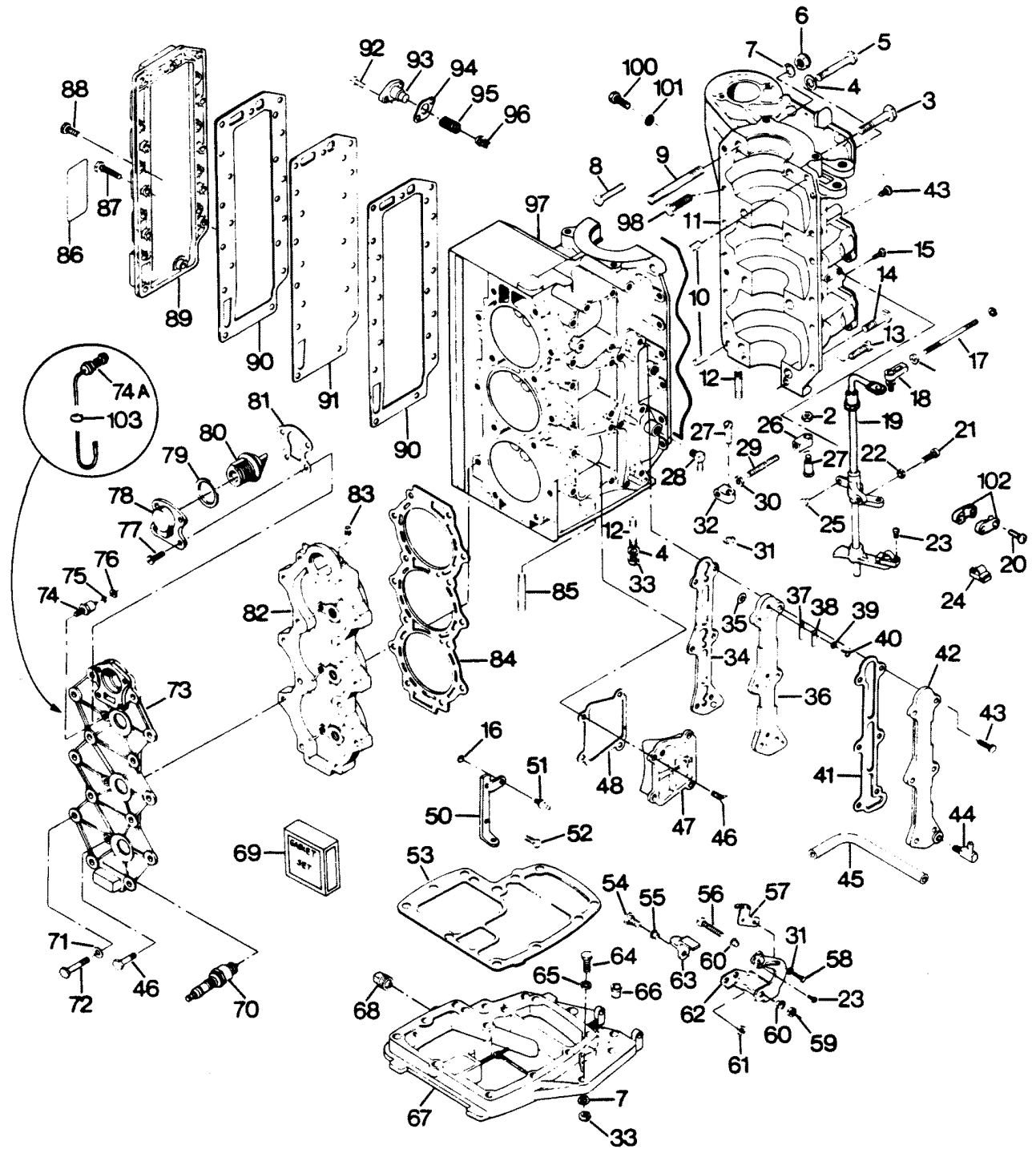


POWERHEAD

REF. NO.	PART NO.	SYM.	QTY.	DESCRIPTION
2	F7009		1	LOCK NUT, #10 - 24
3	F1009		1	HEX BOLT, 3/8 - 16 X 2-3/4
4	F8038		4	PLAIN WASHER
5	F1873		4	HEX BOLT, 3/8 - 16 X 3
6	F1346		1	HEX NUT, 3/8 - 16
7	F8095		14	PLAIN WASHER
8	F1864		9	HEX HD. SCREW, 1/4 - 20 X 3/4
9	F85210		1	STUD
10	F8563		2	DOWEL PIN
11	F184122-1		1	PARTING LINE SEAL
12	F85859		4	STUD, FORWARD
13	F1504		2	FILL HD. SCREW, 1/4 - 20 X 1-1/4
14	F1872		2	HEX BOLT, 3/8 - 16 X 1-3/4
15	F1199		1	HEX CAP SCREW, 1/4 - 20 X 1
16	F1804		2	STOP NUT
17	F85502		1	THROTTLE LINK
18	817747--1		1	BALL JOINT W/STUD
19	817968A2		1	TOWERSHAFT W/ILLUS. 18, 21, 22, 24, 25 AND 102 ORIGINAL FORCE P/N K 616838-1
20	F1829		2	FILL HD. SCREW, 10 - 24 X 7/8
21	F1504		1	FILL HD. SCREW, 1/4 - 20 X 1-1/4
22	F1341		1	HEX NUT, 1/4 - 20
23	F1556		2	FILL HD. SCREW W/LOCKWASHER, 10 - 24 X 3/8
24	FK405020		2	SWIVEL W/PIVOT SCREW AND NUT
25	F1727		1	PLASTIC RIVET
26	F499036		1	TOWERSHAFT CONTROL ROD END
27	F499026		2	SWIVEL
28	F84314-2		1	ELBOW
29	F85445		1	ROD, SPARK CONTROL
30	F2015		1	HEX NUT, 1/4 - 28
31	F2042		2	PLAIN WASHER
32	F499035		1	ROD END, CONTROL ROD TO TRIGGER
33	F7004		10	STOP NUT, 3/18 - 16
34	F85748-2		1	GASKET, CYLINDER DRAIN REED PLATE
35	F93811		3	SCREEN
36	F2A404757		1	CYLINDER DRAIN REED PLATE W/ILLUS. 35, 37, 38, 39, 40 AND METERING CUP
37	F18160-3		3	REED
38	F93920		3	REED STOP
39	F8003		3	PLAIN WASHER
40	F1286		3	PAN HD. SCREW, 4 - 40 X 3/16
41	F85472-2		1	GASKET, CYLINDER DRAIN COVER
42	817787A1		1	CYLINDER DRAIN COVER W/PLUG AND LITERATURE ORIGINAL FORCE P/N A 404471-1

CONTINUED ON NEXT PAGE ➡

POWERHEAD

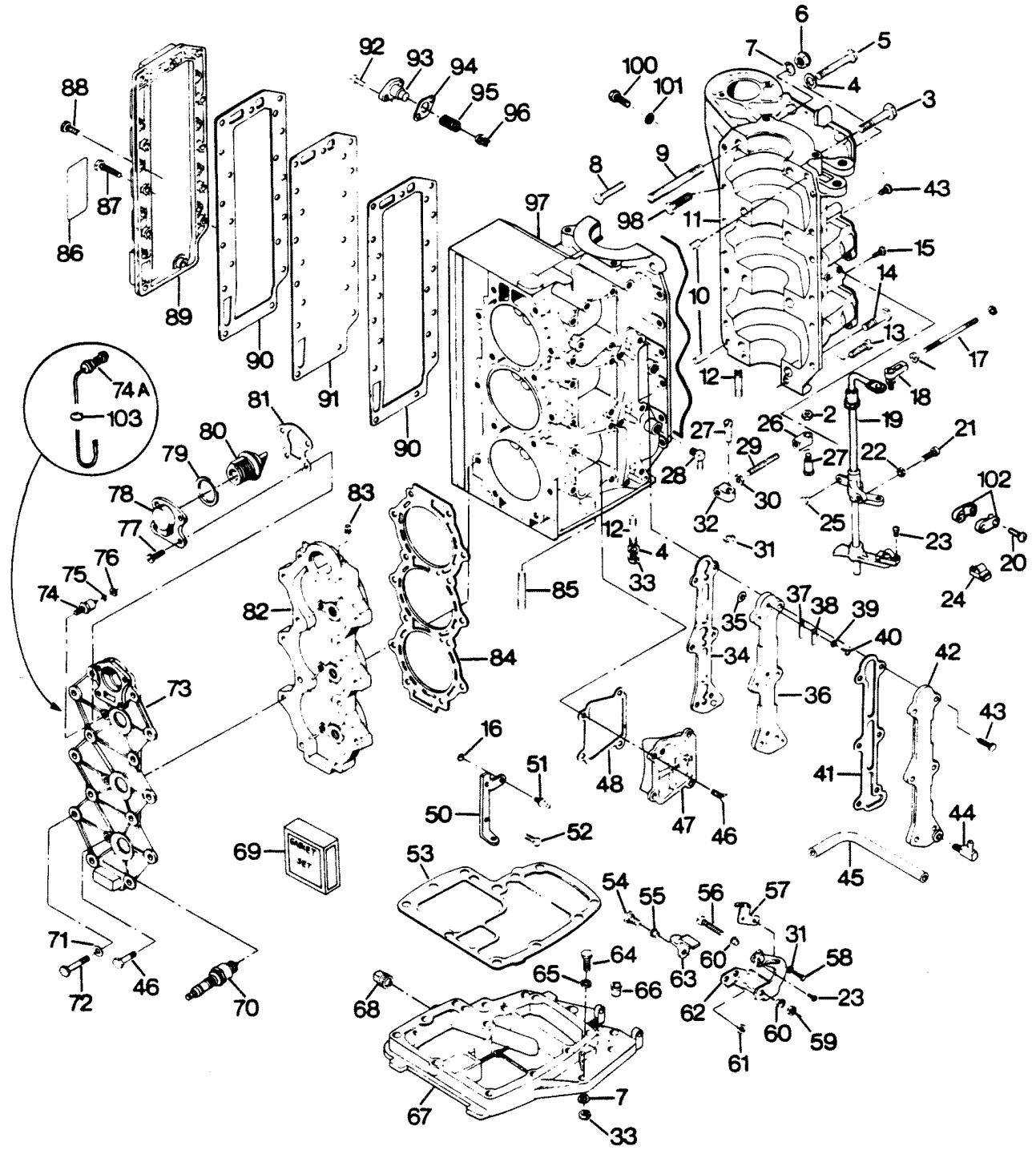


POWERHEAD

REF. NO.	PART NO.	SYM.	QTY.	DESCRIPTION
43	F1532		6	HEX HD. SCREW, 1/4 - 20 X 1
44	F404801		1	FITTING
45	F433253		1	HOSE
46	F1922		8	HEX HD. SCREW, 1/4 - 20 X 5/8
47	FA411222		2	TRANSFER PORT COVER W/PLUGS AND LITERATURE
48	F40223		3	GASKET, TRANSFER PORT COVER
49	F1513		2	HEX NUT 10 - 32
50	FS85872-1		1	BRACKET, REMOTE CABLE
51	F98273		2	ROD END CONNECTOR STUD
52	F1864		2	HEX HD. SCREW, 1/4 - 20 X 3/4
53	F85279-2		1	CYLINDER EXHAUST GASKET, UPPER
54	F369887		1	SHOULDER SCREW
55	F369610		1	BEARING
56	F1885		1	HEX BOLT, 5/16 - 18 X 4-1/4
57	F480107-1		1	CAM, STARTER INTERLOCK
58	F2089		2	SLOTTED PAN HD. MACHINE SCREW, 10 - 24 X 5/16
59	F2108		1	STOP NUT, 5/16 - 18
60	F85610		2	BEARING
61	F1832		1	STOP NUT, 1/4 - 20
62	FA480876		1	GEAR SHIFT ARM W/ILLUS. 24, 54, 55, 60, 61 AND 63
63	F369977-1		1	INTERLOCK ARM
64	F1869		6	HEX BOLT, 3/8 - 16 X 1-1/4
65	F1703		6	SPRING LOCKWASHER
66	F40689-1		1	BEARING, TOWERSHAFT
67	817788A3		1	SPACER PLATE W/ILLUS. 68 ORIGINAL FORCE P/N A 404680-2
68	F2090		1	PLUG
69	FG1020-1		1	GASKET SET - INCLUDES ITEMS MARKED WITH A *
-	F40223		3	*TRANSFER PORT COVER GASKET
-	F84278		1	*CRANKSHAFT BRG. SEAL CAGE SEAL
-	F84504		1	*THERMOSTAT GROMMET
-	F184122-1		1	*CRANKCASE SEAL
-	F85154-1		2	*EXHAUST PORT PLATE GASKET
-	F85159-1		1	*MANIFOLD GASKET
-	F85168-1		3	*CARBURETOR ADAPTER FLANGE GASKET
-	F85279-2		1	*CYLINDER, EXHAUST - UPPER GASKET
-	F85472-2		1	*CYLINDER DRAIN COVER GASKET
-	F85748-2		1	*CYLINDER DRAIN REED PLATE GASKET
-	F85762		1	*BY-PASS VALVE GASKET
-	F85906		3	*CARBURETOR GASKET
-	F369529-1		1	*CYLINDER HEAD GASKET
-	F476067		1	*THERMOSTAT COVER GASKET
-	F481836		3	*INTAKE GASKET

CONTINUED ON NEXT PAGE ➡

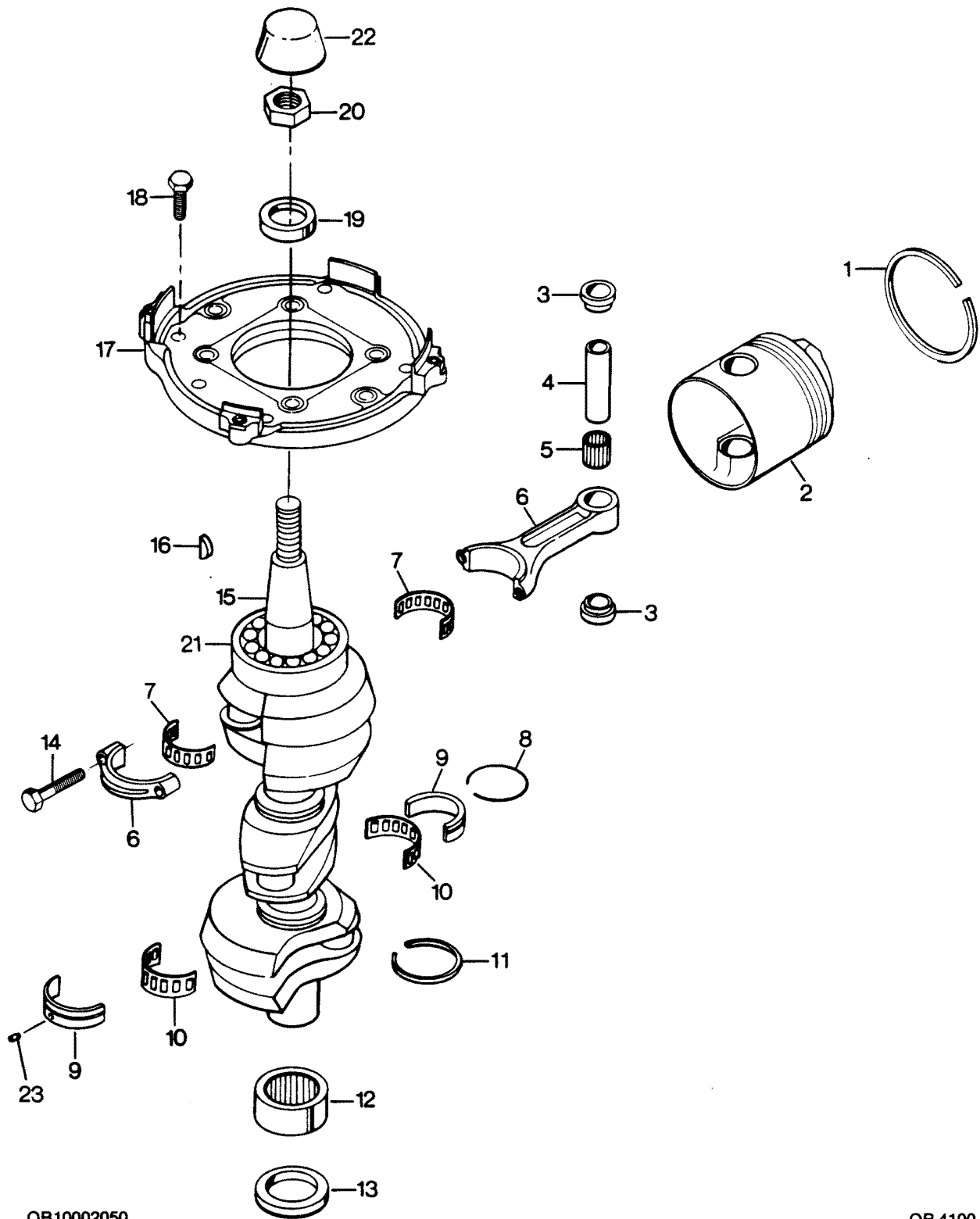
POWERHEAD



POWERHEAD

REF. NO.	PART NO.	SYM.	QTY.	DESCRIPTION
70	33-818007--1		3	SPARK PLUG (CHAMPION UL-18-V)
71	F1987		14	PLAIN WASHER
72	F1883		14	HEX BOLT, 5/16 - 18 X 2-3/8
73	F499995		1	CYLINDER HEAD COVER
74	F629449		1	THERMOSWITCH
77	F1110		4	FILL HD. SCREW, 1/4 - 20 X 5/8
78	F476066-1		1	COVER, THERMOSTAT
79	F84504		1	GROMMET
80	F528068		1	THERMOSTAT (110-F)
81	F476067		1	GASKET, THERMOSTAT COVER
82	F630518		1	CYLINDER HEAD
83	F19109		1	PLUG
84	F369529-1		1	CYLINDER HEAD GASKET
85	F85211		6	STUD, REAR
86	FC529398		1	DECAL, WIRING
87	F1699		5	HEX HD. SCREW, 1/4 - 20 X 1-1/8
89	F85152-4		1	EXHAUST PORT COVER
90	F85154-1		2	GASKET, EXHAUST PORT PLATE
91	F85151-1		1	EXHAUST PORT PLATE
92	F1950		2	HEX HD. SCREW, 10 - 24 X 5/8
93	F438066		1	BY-PASS VALVE COVER
94	F85762		1	GASKET, BY-PASS VALVE
95	F404268		1	SPRING, BY-PASS VALVE
96	F85916-1		1	BY-PASS VALVE
97	800-817861A7		1	CYLINDER W/CRANKCASE COVER ILLUS. 3, 5, 6, 9, 11, 12, 13, 14, 65, 85 AND LITERATURE ORIGINAL FORCE P/N A 581010-3
-	800-817912A9		1	SHORT BLOCK (NOT SHOWN). INCLUDES ALL ITEMS MARKED WITH AN ASTERISK (*). ALSO REFER TO CRANKSHAFT AND PISTON PAGES. ORIGINAL FORCE P/N C 581010-3
98	F2008		2	HEX CAP SCREW, 1/4 - 20 X 7/8
99	F1708		1	HEX HD. SCREW, 1/4 - 20 X 1-3/8
100	F2000		1	HEX CAP SCREW, 5/16 - 18 X 3/4
101	F8096		1	SPRING LOCKWASHER
102	FA607689		2	BEARING TOWERSHAFT LOWER
103	F428096		1	RETAINER, THERMOSWITCH

CRANKSHAFT AND PISTON



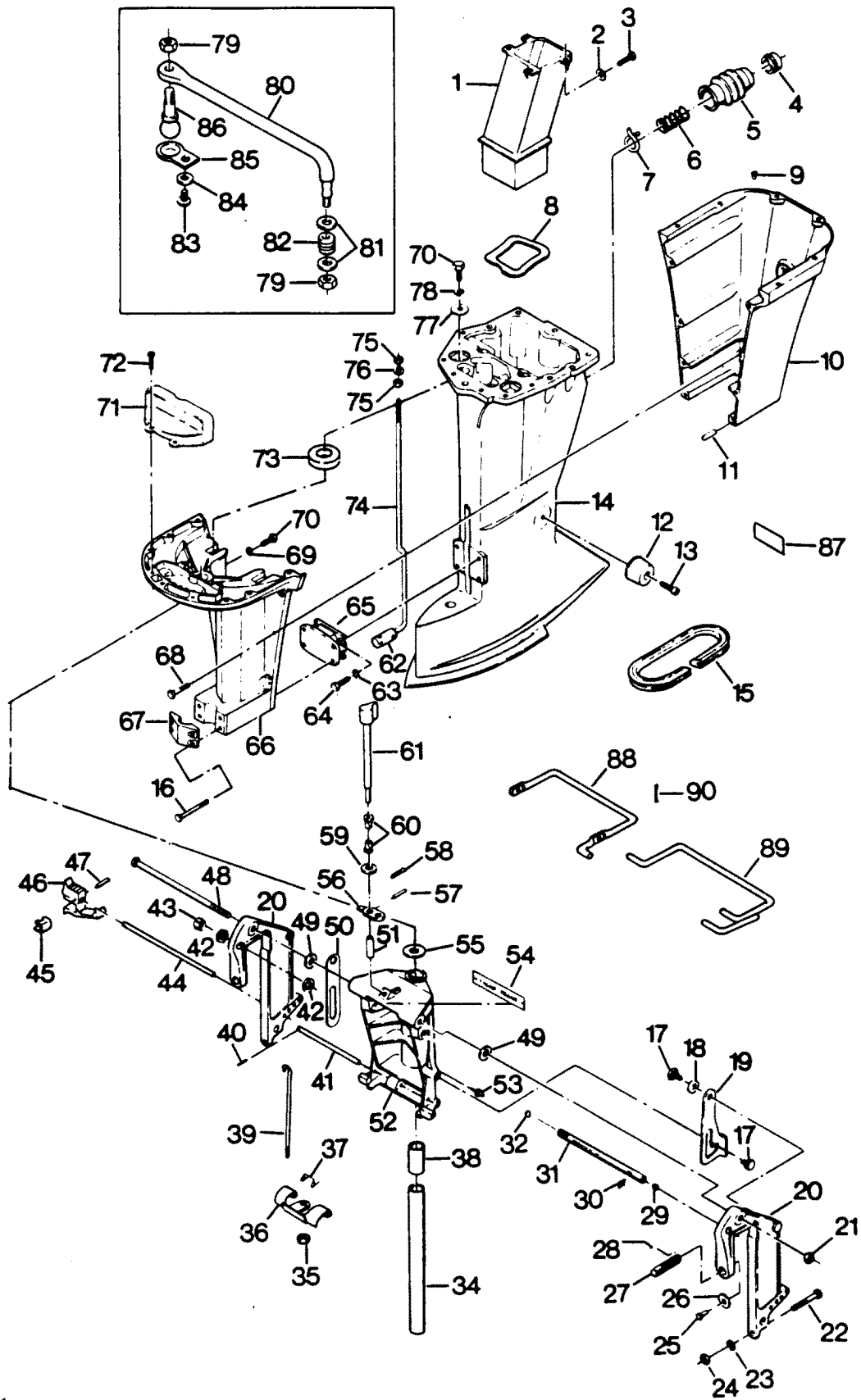
OB10002050

OB 4100

CRANKSHAFT AND PISTON

REF. NO.	PART NO.	SYM.	QTY.	DESCRIPTION
1	FA335260		3	PISTON RINGS (2 PER SET) STANDARD
-	FSA335260		3	PISTON RINGS (2 PER SET) .010 OVERSIZE
-	39-818110A1		3	PISTON RINGS (2 PER SET) .030 OVERSIZE
2	700-F372015-3		3	PISTON-STANDARD
-	700-817988A2		3	PISTON .010 OVERSIZE
-	700-818111A2		3	PISTON .030 OVERSIZE
3	F335215		6	SPACER, PISTON PIN (2 PER PISTON)
4	F85017		3	PISTON PIN
5	F335217-1		3	BEARING PISTON PIN (26 PER SET)
6	600-818052A4		3	CONNECTING ROD W/CAP AND ILLUS. 14 ORIGINAL FORCE P/N S 366016-4
7	FK85228-1		3	BEARING CAGE W/ROLLER
8	F85410		2	SNAP RING
9	FA85655-1		2	CRANKSHAFT MAIN BEARING RACE W/ILLUS. 8
10	F85571		2	BEARING CAGE W/ROLLER
11	F316579		2	SEAL, CRANKCASE
12	FA523014		1	CRANKSHAFT LOWER MAIN BEARING W/ILLUS. 13
13	F523146-1		1	SEAL, CRANKSHAFT LOWER
14	F85634-2		6	CONNECTING ROD SCREW
15	FA85018-2		1	CRANKSHAFT W/ILLUS. 11 AND 21
16	F85498-1		1	FLYWHEEL KEY
17	F2A615144		1	CRANKSHAFT BEARING CAGE W/ILLUS. 19
18	F2081		5	HEX SOC. HD. SCREW, 1/4 - 20 X 3/4
19	F523146-1		1	SEAL, CRANKSHAFT UPPER
21	F284659-2		1	CRANKSHAFT THRUST BEARING, UPPER
22	F2067		1	PLASTIC CAP
23	F85909-1		3	BEARING LOCATING PIN (PRESSED INTO BLOCK)

MOTOR LEG



1002051

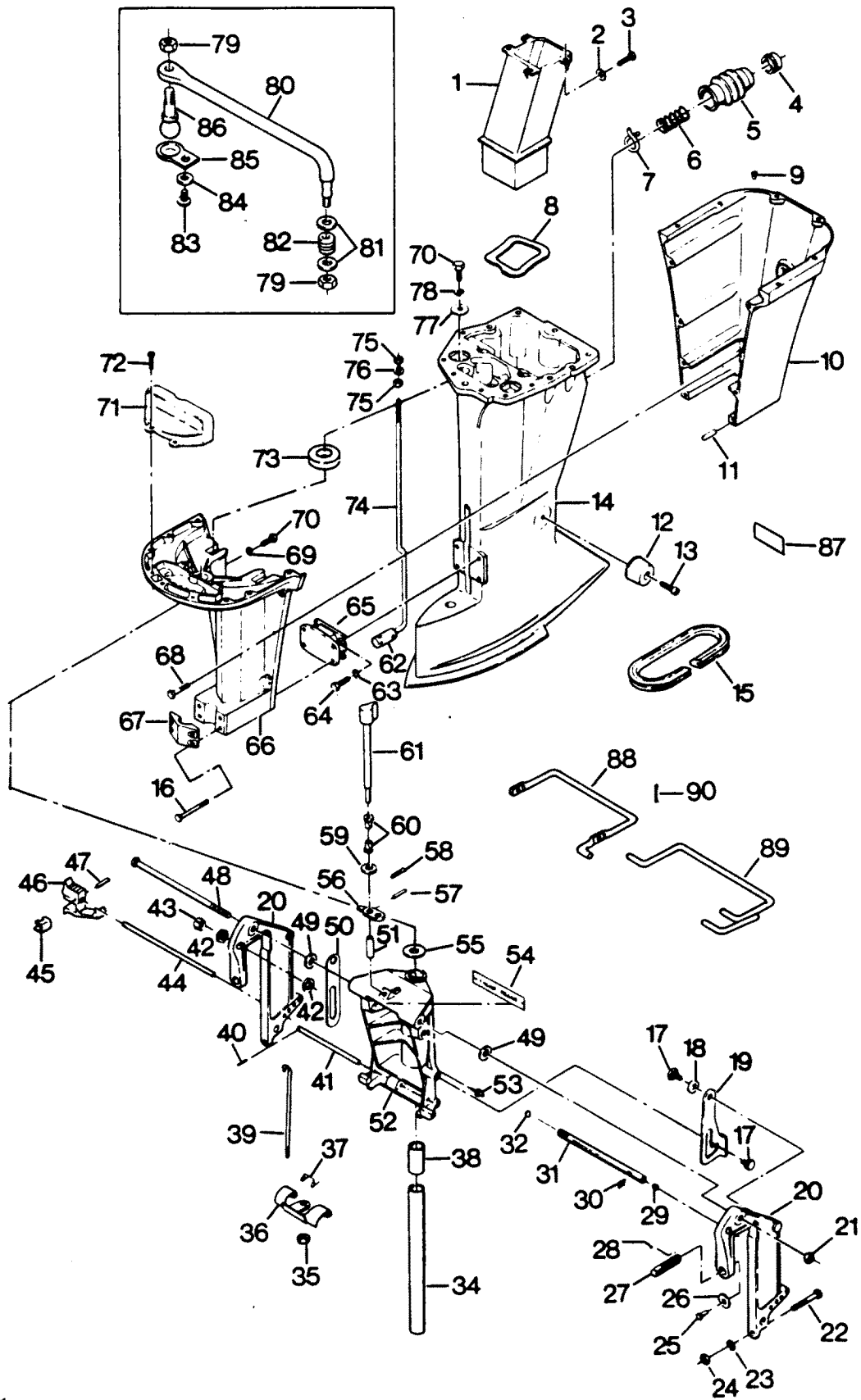
OB 41

MOTOR LEG

REF. NO.	PART NO.	SYM.	QTY.	DESCRIPTION
1	F85660-1		1	EXHAUST TUBE
2	F8083		4	SPRING LOCKWASHER
3	F1864		4	HEX SLOT HD. SCREW, 1/4 - 20 X 3/4
4	F85258		1	INSERT
5	F85130		1	BOOT, IDLE EXHAUST
6	F85380		1	SPRING
7	F85772		1	CLAMP
8	F439736		1	SEAL EXHAUST TUBE
9	F1729		2	PLUG
10	F178145-4		1	MOTOR LEG COVER, REAR
11	F1664		2	SPRING PIN
12	F438962		2	SHOCK MOUNT SLIDE
13	F1263		2	HEX SOCKET HD. CAP SCREW, 5/16 - 18 X 9/16
14	F523133-2		1	MOTOR LEG
15	F178323		1	SEAL, MOTOR LEG
16	F1696		4	HEX BOLT, 5/16 - 18 X 1-3/4
17	F85350-1		4	TILT STOP PIVOT
18	F1666		2	BOWED SPRING WASHER
19	F85541-1		1	TILT LOCK
20	1400-817958A6		2	STERN BRACKET
21	F7012		1	LOCK NUT, 1/2-20
22	F2125		2	HEX HD. SCREW, 3/8 - 16 X 3
23	F1904		2	PLAIN WASHER
24	F1346		2	HEX NUT, 3/8 - 16
25	F353480		2	STUD
26	F84074		2	CLAMP SCREW FOOT
27	F474073-1		2	CLAMP SCREW
28	F8538		2	SPRING PIN
29	F9052		1	PLUG
30	F523274		1	GREASE FITTING
31	F511125-2		1	TUBE, STEERING SUPPORT
32	F316599		1	SEAL, STEERING SUPPORT TUBE
34	FS85019		1	KINGPIN
35	F1669		1	LOCK NUT
36	F369349		1	REVERSE LOCK
37	F85300		1	REVERSE LOCK SPRING
38	F438169		2	BEARING
39	F369510		1	LINK
40	F1744		1	SPRING PIN
41	F177350		1	REVERSE LOCK PIN
42	F523280		2	NUT, STEERING SUPPORT TUBE
43	F9018		1	CAP
44	FA438113		1	STERN BRACKET LOCK BAR WILLUS. 45, 46 AND 47

CONTINUED ON NEXT PAGE ➡

MOTOR LEG



1002051

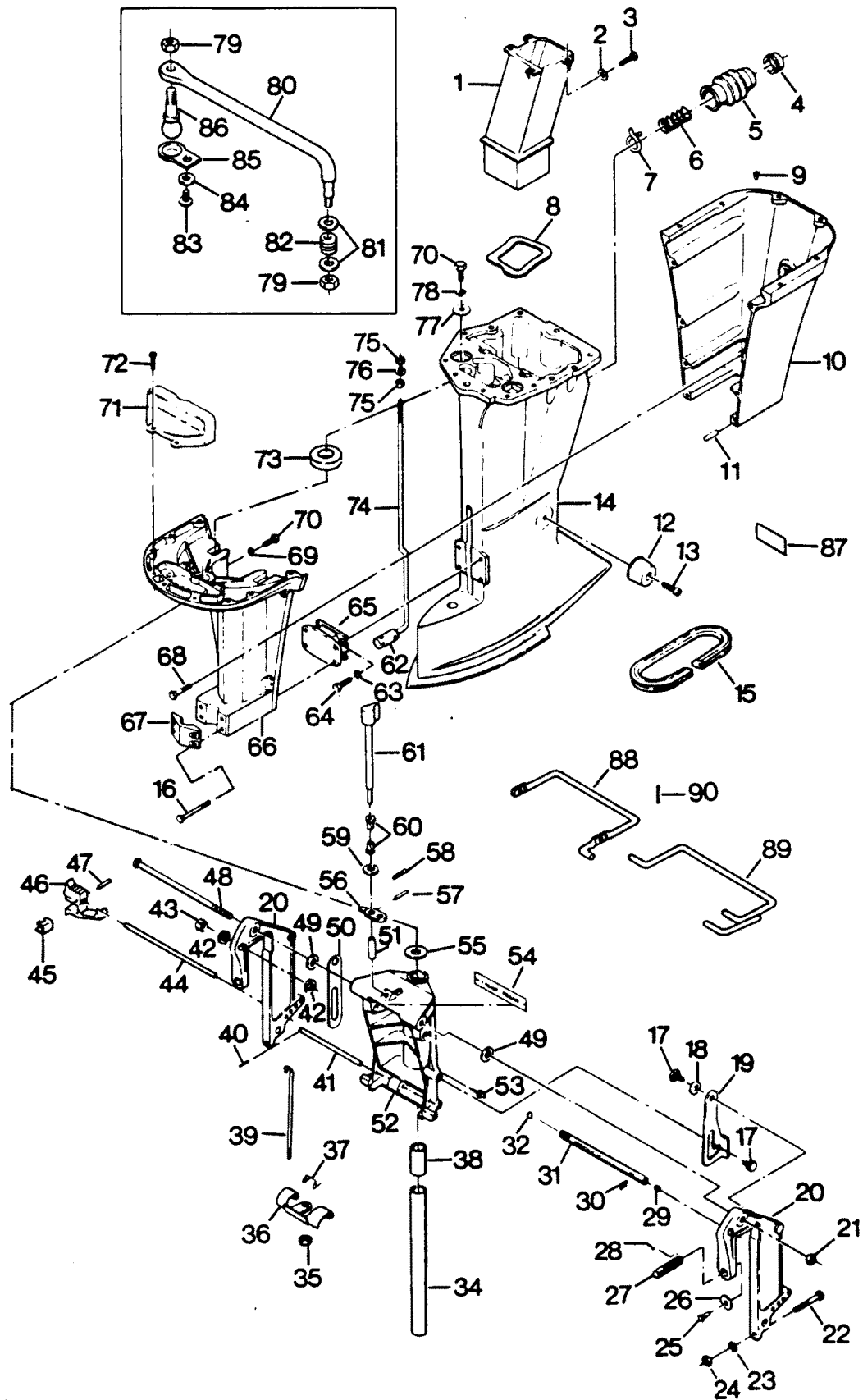
OB 41

MOTOR LEG

REF. NO.	PART NO.	SYM.	QTY.	DESCRIPTION
45	F286461		1	SPRING LOCK BAR HANDLE
46	F433114		1	HANDLE, LOCK BAR
47	F1744		1	SPRING PIN
48	F85037-1		1	STERN BRACKET PIVOT BOLT
49	F84286-1		4	FRICTION WASHER
50	F85426		1	TILT STOP
51	F483884		1	BEARING
52	817783A5		1	SWIVEL BRACKET W/ILLUS. 38 AND 53 ORIGINAL FORCE P/N A 369072-2
53	F213274		3	GREASE FITTING
54	F529390-1		1	DECAL, REVERSE LOCK
55	F84011		1	WASHER
56	F369364		1	REVERSE LOCK ARM
57	F1836		1	SPRING PIN
58	F1014		1	COTTER PIN
59	F8094		1	PLAIN WASHER
60	F197813		2	BEARING
61	817946A2		1	HANDLE AND SHAFT W/ILLUS. 60 AND LITERATURE ORIGINAL FORCE P/N K 369827-1
62	F85704		1	COUPLER, GEARSHIFT ROD, UPPER
63	F8096		4	SPRING LOCKWASHER
64	F1822		4	HEX BOLT, 5/16 - 18 X 7/8
65	F438346		1	SHOCK MOUNT, LOWER
66	FA85135-4		1	LEG COVER, FRONT W/ILLUS. 68
67	F85606		1	KINGPIN CAP
68	F2030		6	HEX HD. SCREW, 1/4 - 20 X 1-1/4
69	F1703		2	SPRING LOCKWASHER
70	F1871		4	HEX HD. SCREW, 3/8 - 16 X 3/4
71	F85779-1		1	BAFFLE, AIR INTAKE
72	F1912		4	HEX HD. SCREW, 10 - 24 X 1/2
73	F85965		2	SHOCK MOUNT, UPPER
74	F85615-1		1	GEAR SHIFT ROD, UPPER
75	F2108		2	LOCK NUT, 5/16-18
76	F1987		1	PLAIN WASHER
77	FA85355-1		2	WASHER SHOCK MOUNT UPPER W/WASHER
78	F2014		2	PLAIN WASHER
79	F2093		2	STOP NUT 3/8 - 24
81	F8038		2	PLAIN WASHER
82	F523300-1		1	SPRING
83	F1280		1	PAN HD. SCREW, 8 - 32 X 1/4
84	F8080		1	SPRING LOCKWASHER
85	F523930		1	RETAINER
86	F523273		1	STEERING BALL STUD
87	F598387		1	DECAL, POWER FLOW

CONTINUED ON NEXT PAGE ➡

MOTOR LEG



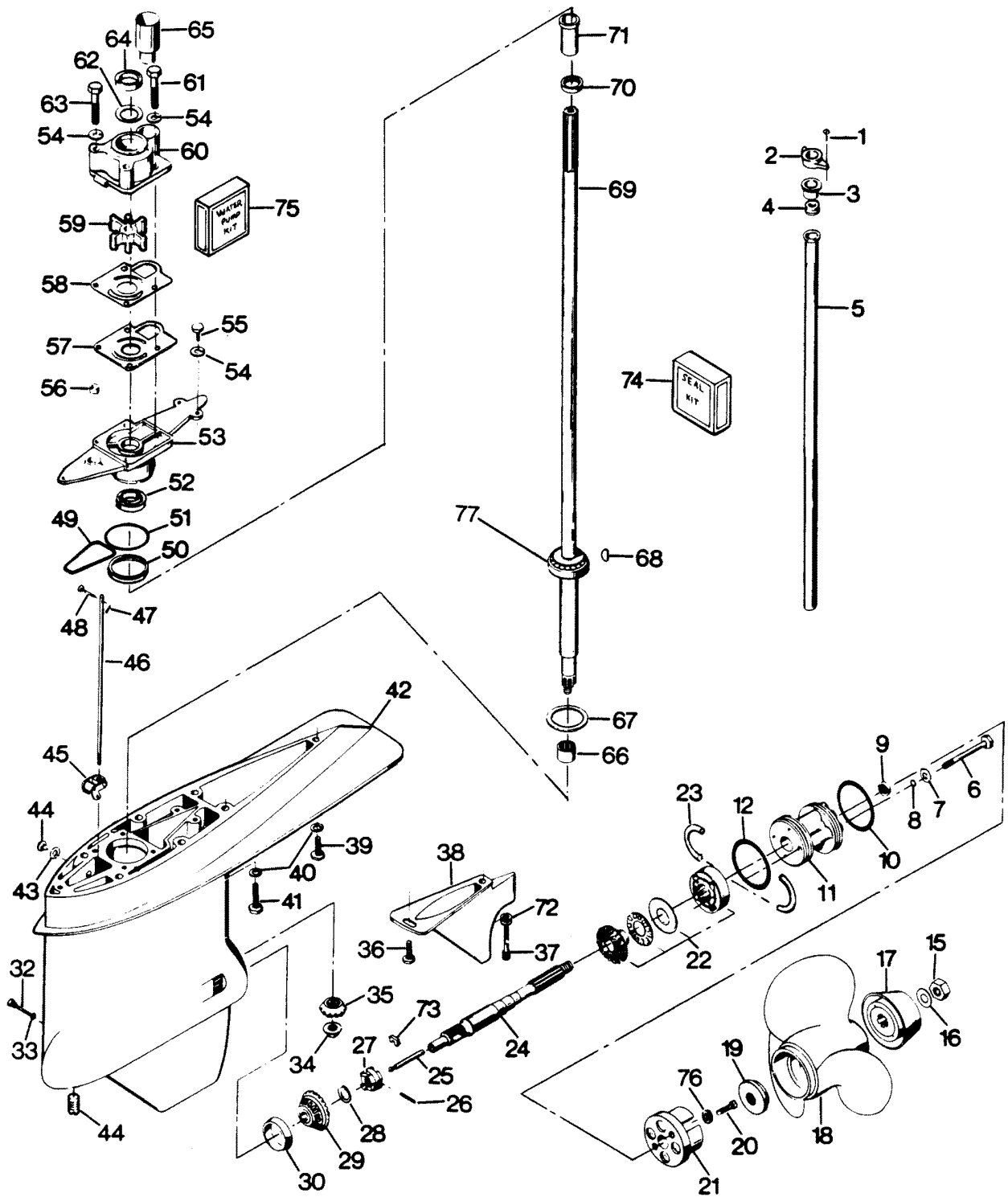
1002051

OB 41

MOTOR LEG

REF. NO.	PART NO.	SYM.	QTY.	DESCRIPTION
88	F5H115		1	TRAILERING BRACKET (W/OUT POWER TRIM)
89	F5H179		1	TRAILERING BRACKET (W/POWER TRIM)
90	F525629		1	COTTER PIN FOR 5H179

GEAR HOUSING

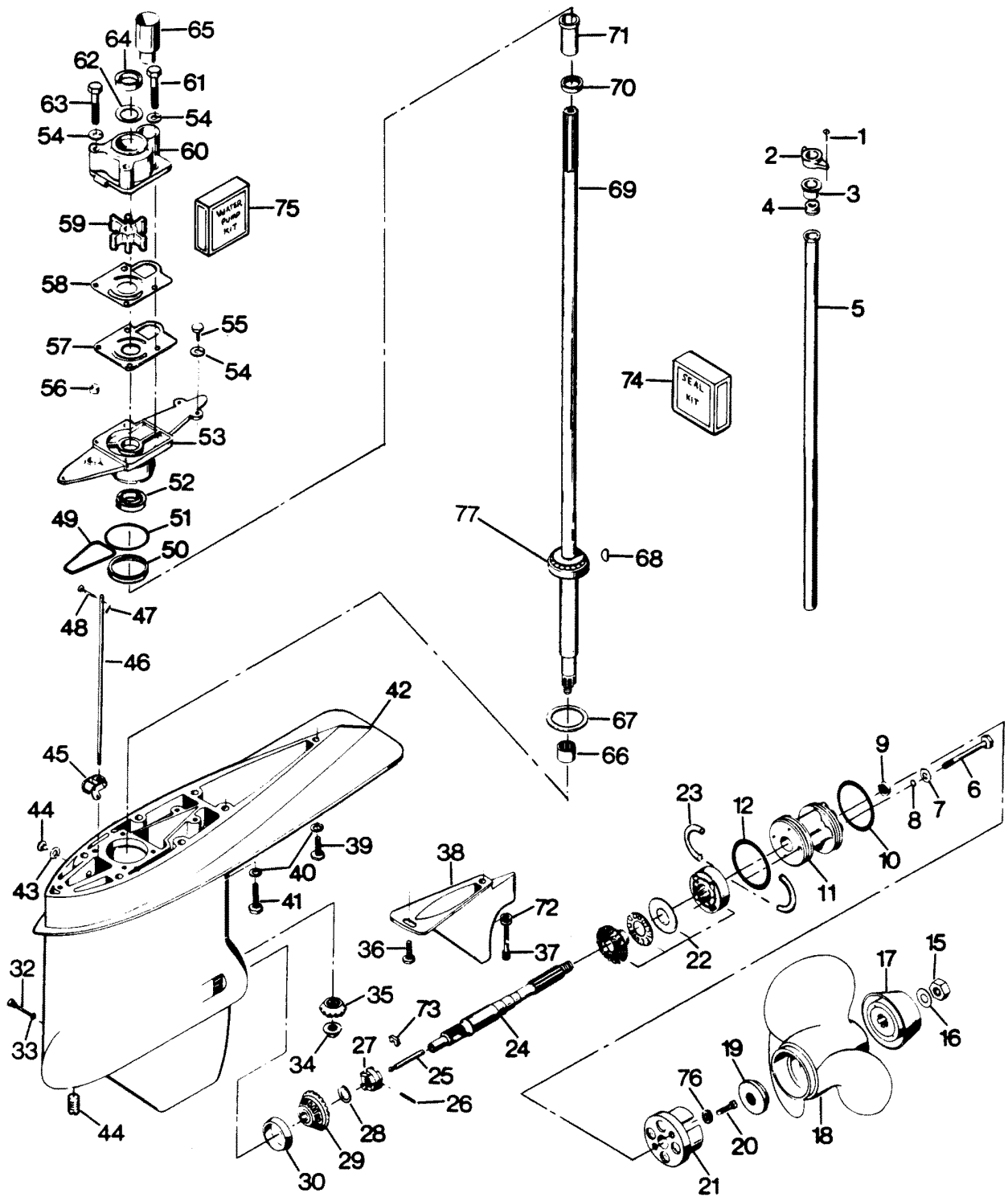


GEAR HOUSING

REF. NO.	PART NO.	SYM.	QTY.	DESCRIPTION
1	F1705		2	HEX CAP SCREW, 1/4 - 20 X 3/4 S.S.
2	F85117		1	BRACKET, WATER LINE
3	F84342		1	SEAL, INLET WATER LINE UPPER
4	F523899		1	GROMMET, WATER LINE
5	F523244		1	INLET WATER LINE
6	F1885		4	HEX CAP SCREW, 5/16 - 18 X 4-1/4 S.S.
7	F1907		4	PLAIN WASHER S.S.
8	F50342-1		4	SEAL, BEARING CAGE BOLTS
9	F506118		1	SEAL, PROPELLER SHAFT
10	F24278		1	SEAL, O-RING PROPELLER SHAFT SPOOL
11	F2A523239		1	SPOOL, PROPELLER SHAFT BEARING W/SEAL AND ILLUS. 9
12	F84305		1	SEAL, PROPELLER SHAFT BEARING SPOOL
15	F1788		1	STOP NUT
16	F1866		1	PLAIN WASHER
17	F532299		1	WASHER, PROPELLER SPLINE
18	FPS623		1	PROPELLER (13 X 17) MODELS 856X7A & 856Y7A
-	FPS625		1	PROPELLER (13 X 19) MODELS 856F7A, C856F7A, 858F7A & 858V7A
19	F523099-1		1	SPACER, PROPELLER
20	F1112		2	FILL HD. SCREW, 1/4 - 20 X 7/8
21	FA523485		1	ANTI-CORROSION ANODE W/LITERATURE
22	F2A498662		1	BEVEL GEAR REAR W/BEARING CAGE, SPACER AND BEARING
23	F523411		2	RETAINING RING
24	44-817962A2		1	PROPELLER SHAFT W/LITERATURE ORIGINAL FORCE P/N K 523098-1
25	F84871-1		1	PIN, GEAR SHIFT
26	F1713		1	SPRING PIN
27	F84521-2		1	CLUTCH
28	F1936		A/R	SPACER, BEVEL GEAR FRONT .059
-	F1937		A/R	SPACER, BEVEL GEAR FRONT .062
-	F1938		A/R	SPACER, BEVEL GEAR FRONT .065
-	F1939		A/R	SPACER, BEVEL GEAR FRONT .068
-	F1940		A/R	SPACER, BEVEL GEAR FRONT .071
-	F1941		A/R	SPACER, BEVEL GEAR FRONT .074
-	F1942		A/R	SPACER, BEVEL GEAR FRONT .077
-	F2113		A/R	SPACER, BEVEL GEAR FRONT .080
-	F2114		A/R	SPACER, BEVEL GEAR FRONT .083
-	F2115		A/R	SPACER, BEVEL GEAR FRONT .086
-	F2116		A/R	SPACER, BEVEL GEAR FRONT .089
-	F2121		A/R	SPACER, BEVEL GEAR FRONT .057
-	F2122		A/R	SPACER, BEVEL GEAR FRONT .054
29	43-818062A3		1	BEVEL GEAR FRONT W/BEARING
30	F523813		1	BEARING CUP

CONTINUED ON NEXT PAGE ➡

GEAR HOUSING

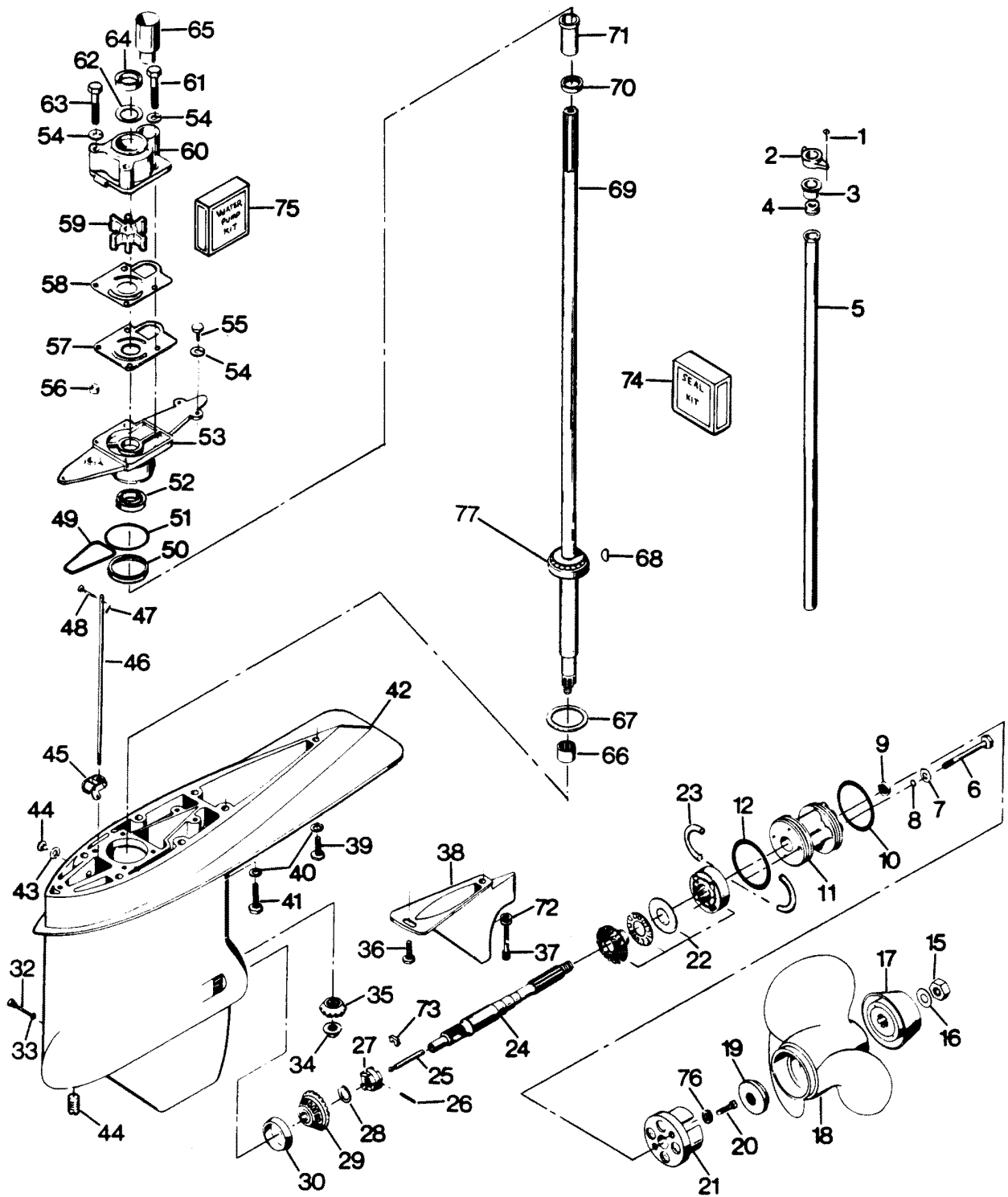


GEAR HOUSING

REF. NO.	PART NO.	SYM.	QTY.	DESCRIPTION
32	F498891		1	PIN, GEAR SHIFT ARM
33	F498618		1	SEAL
34	F523188		1	NUT, BEVEL PINION RETAINING
35	43-817830A2		1	BEVEL PINION GEAR W/ILLUS. 50 AND SHIMS ORIGINAL FORCE P/N A 498266-2
36	F438930		1	RETAINER, SNOUT
37	F1994		1	HEX SOCKET HD. CAP SCREW, 5/16 - 18 X 1
38	F523116-1		1	EXHAUST SNOUT
39	F1858		1	HEX CAP SCREW, 5/16 - 18 X 1
40	F8096		7	SPRING LOCKWASHER
41	F1491		6	HEX CAP SCREW, 5/16 - 18 X 3-1/4
42	FA523054		1	GEAR HOUSING W/DRIVESHAFT BEARING LOWER ILLUS. 30, 31, 43 AND 44
-	FC663054		1	GEAR HOUSING COMPLETE. INCLUDES ALL ITEMS MARKED WITH AN ASTERISK (*).
43	F8077		2	WASHER, GEAR HOUSING PLUG
44	F50109		1	PLUG, GEAR HOUSING
45	FA84621-1		1	COUPLING, GEAR SHIFT ARM W/BUSHING
46	F523705		1	GEAR SHIFT ROD, LOWER
47	F1015		1	COTTER PIN
48	F85372		1	PIN, GEAR SHIFT ROD, LOWER
49	F523555		1	SEAL, O-RING - GEAR HOUSING COVER
50	F523961		1	CRUSH RING
51	F74305		1	SEAL, DRIVESHAFT BEARING CAGE
52	F506118		1	SEAL, DRIVESHAFT
53	F2A550706		1	GEAR HOUSING COVER W/ILLUS. 52
54	F8083		7	SPRING LOCKWASHER
55	F1999		3	HEX CAP SCREW, 1/4 - 20 X 7/8 S.S.
56	F338618-1		1	SEAL, GEAR SHIFT ROD
57	F523031		1	GASKET, WATER PUMP
58	F523562		1	WATER PUMP BACK PLATE
59	F523065-1		1	WATER PUMP IMPELLER
60	46-817853A1		1	WATER PUMP BODY W/ILLUS. 62, 64 AND 65 ORIGINAL FORCE P/N A 523060-1
61	F1990		2	HEX CAP SCREW, 1/4 - 20 X 1-5/8 S.S.
62	F480388		1	DISC, WATER PUMP LOCATING
63	F1425		2	HEX CAP SCREW, 1/4 - 20 X 2-5/8 S.S.
64	F351307		1	SEAL, WATER PUMP
65	FA523735		1	SEAL, INLET WATER LINE LOWER W/LITERATURE
66	F523057		1	BEARING, DRIVESHAFT LOWER
67	F9106		A/R	SHIM, DRIVESHAFT BEARING UPPER .003 - BRASS
-	F9095		A/R	SHIM, DRIVESHAFT BEARING UPPER .005 - SILVER
-	F9097		A/R	SHIM, DRIVESHAFT BEARING UPPER .010 - BLACK
68	F523498		1	DRIVE KEY, WATER PUMP

CONTINUED ON NEXT PAGE ➡

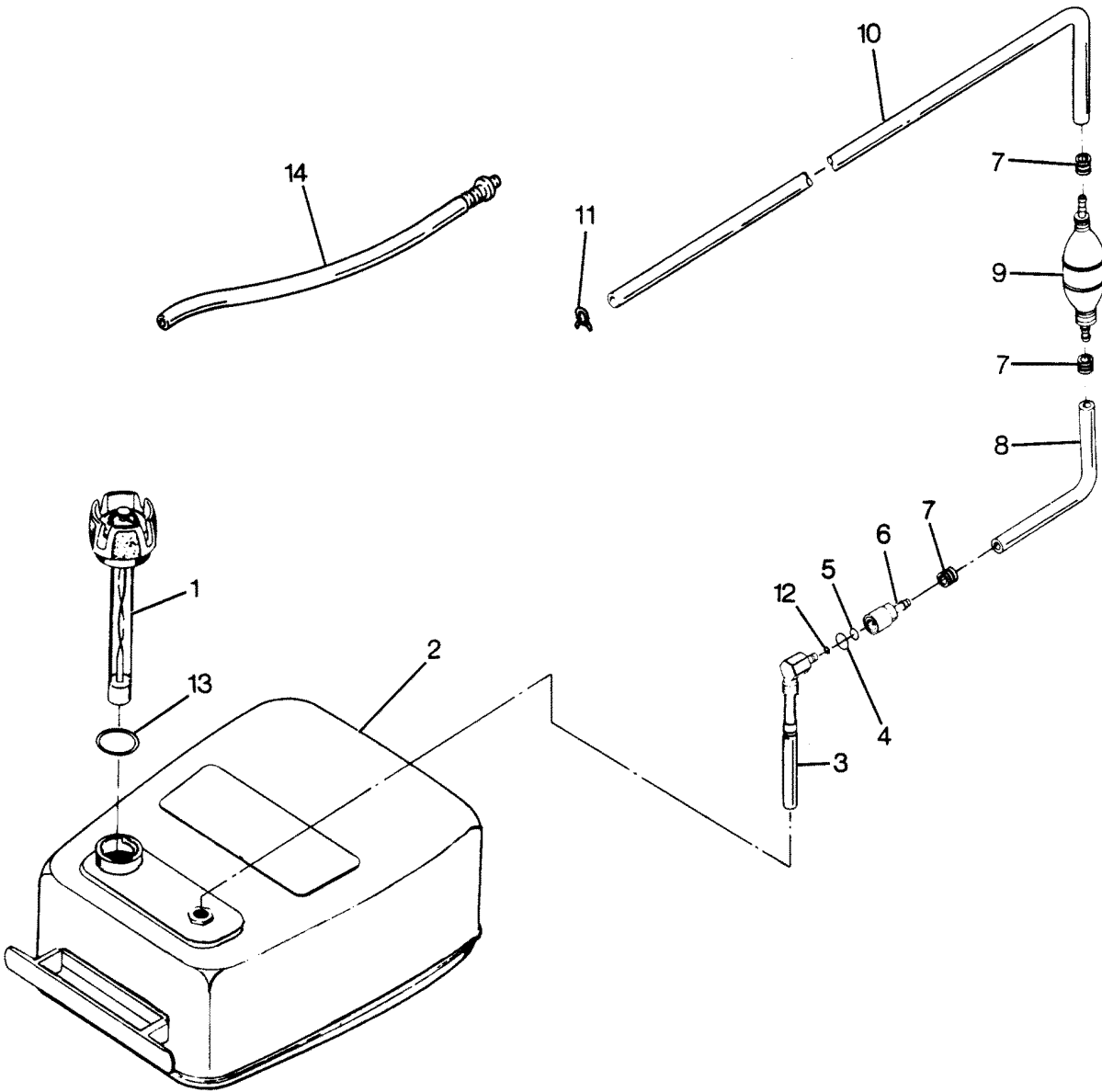
GEAR HOUSING



GEAR HOUSING

REF. NO.	PART NO.	SYM.	QTY.	DESCRIPTION
69	45-817967A6		1	DRIVESHAFT W/BEARING ILLUS. 50, 67 AND LITERATURE ORIGINAL FORCE P/N K 616128-2
70	F438271		1	RETAINER, CRANKSHAFT SPLINE SEAL
71	F438129		1	SEAL, DRIVESHAFT SPLINE
72	F1856		2	PLAIN WASHER
73	F90619-2		1	YOKE
74	FK1063-2		1	SEAL KIT - INCLUDES ITEMS MARKED WITH A *
-	F50342-1		4	*BEARING CAGE BOLT SEAL
-	F506118		1	*PROPELLER SHAFT SEAL
-	F24278		1	*PROPELLER SHAFT SPOOL SEAL
-	F84305		1	*PROPELLER SHAFT SPOOL SEAL
-	F498618		1	*GEAR SHIFT ARM PIN SEAL
-	F8077		3	*WASHER
-	F523555		1	*GEAR HOUSING COVER SEAL
-	F74305		1	*GEAR HOUSING COVER SEAL
-	F84307-1		1	*DRIVE SHAFT SEAL
-	F338618-1		1	*GEAR SHIFT ROD SEAL
75	FK1069		1	WATER PUMP KIT- INCLUDES ITEMS MARKED WITH A **
-	F1425		2	**HEX CAP SCREW, 1/4 - 20 X 5/8 S.S.
-	F1990		2	**HEX CAP SCREW, 1/4 - 20 X 1-5/8 S.S.
-	F8083		4	**SPRING LOCKWASHER
-	F523031		1	**GASKET, WATER PUMP
-	F523065-1		1	**IMPELLER
-	F523498		1	**KEY
-	F523562		1	**PLATE, WATER PUMP
-	46-817853A1		1	**WATER PUMP W/ILLUS. 62, 64 AND 65 ORIGINAL FORCE P/N A 523060-1
76	F8083		2	LOCKWASHER
77	F522056		1	BEARING
78	FA523109		1	PLUG, GEAR HOUSING

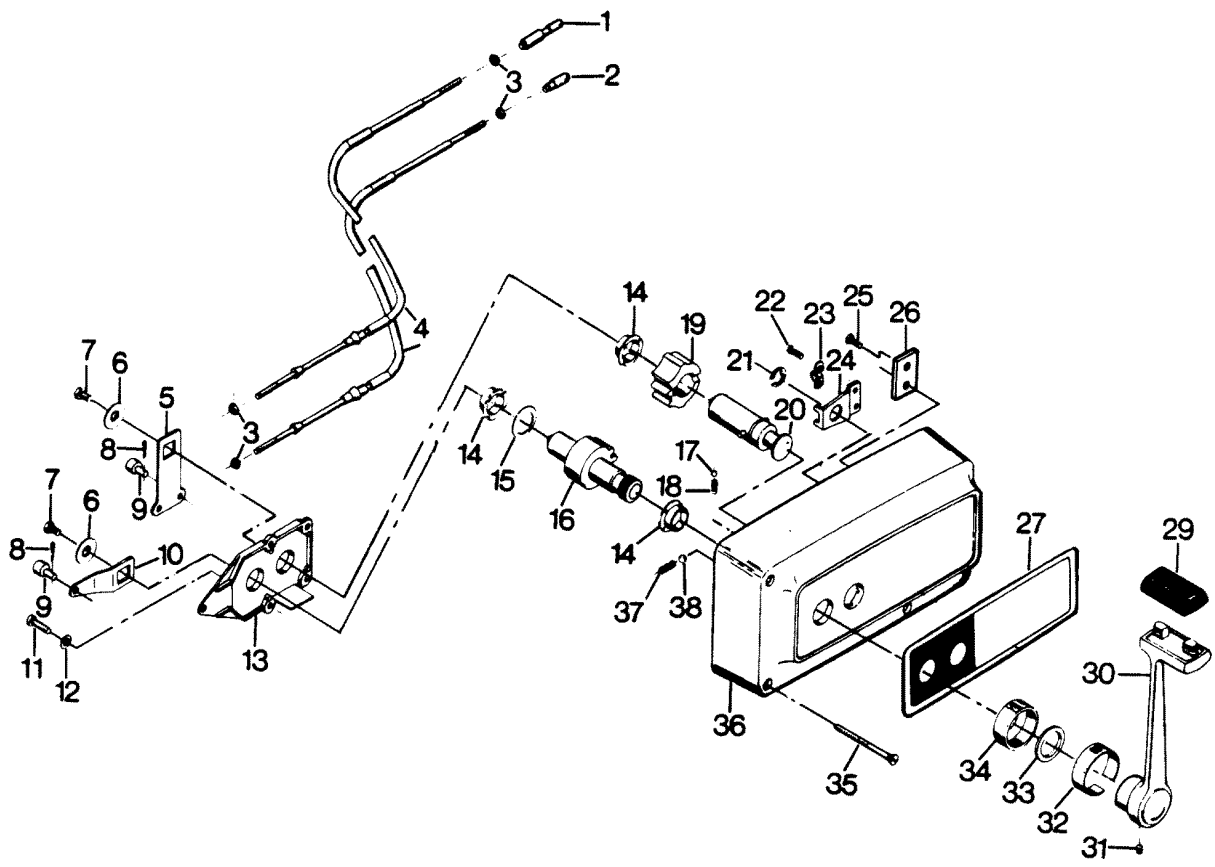
FUEL TANK AND LINE



FUEL TANK AND LINE

REF. NO.	PART NO.	SYM.	QTY.	DESCRIPTION
1	F409251-1		1	GAUGE CAP (CANADA) (FORCE MODELS)
2	F5H026-1		1	FUEL TANK ACC. ITEM (FORCE MODELS)
3	F485755-1		1	FUEL TANK ADAPTER
4	F17816		1	SEAL, FUEL LINE COUPLER (LARGE)
5	F17815		1	SEAL, FUEL LINE COUPLER (SMALL)
6	F197787-3		1	FUEL LINE COUPLER
7	F298788		3	FERRULE
8	FA84754-1		1	FUEL LINE SHORT W/ILLUS. 7
9	89396A38		1	PRIME BULB W/LITERATURE ORIGINAL FORCE P/N S 387766-1
10	32-817738A1		1	FUEL LINE LONG W/ILLUS. 7 AND 11 ORIGINAL FORCE P/N A 197752-1
11	F97772		1	FUEL LINE CLAMP
12	F17817		1	SEAL, FUEL TANK ADAPTER
-	F224394-3		1	DECAL, FUEL MIXTURE (USA) (NOT SHOWN)
-	FC311398		1	DECAL, FUEL MIXTURE (CANADA) (NOT SHOWN)
13	F17818		1	GASKET
-	F310398		1	DECAL, FUEL CAUTION (NOT SHOWN)
14	FA612754		1	FUEL LINE, SHORT (BAYLINER MODELS)
-	FS409752		1	FUEL LINE COMPLETE (FORCE MODELS). INCLUDES ALL ITEMS MARKED WITH AN ASTERISK (*)
-	FA630752		1	FUEL LINE COMPLETE (BAYLINER MODELS). INCLUDES ALL ITEMS MARKED WITH AN ASTERISK (*)

REMOTE CONTROL

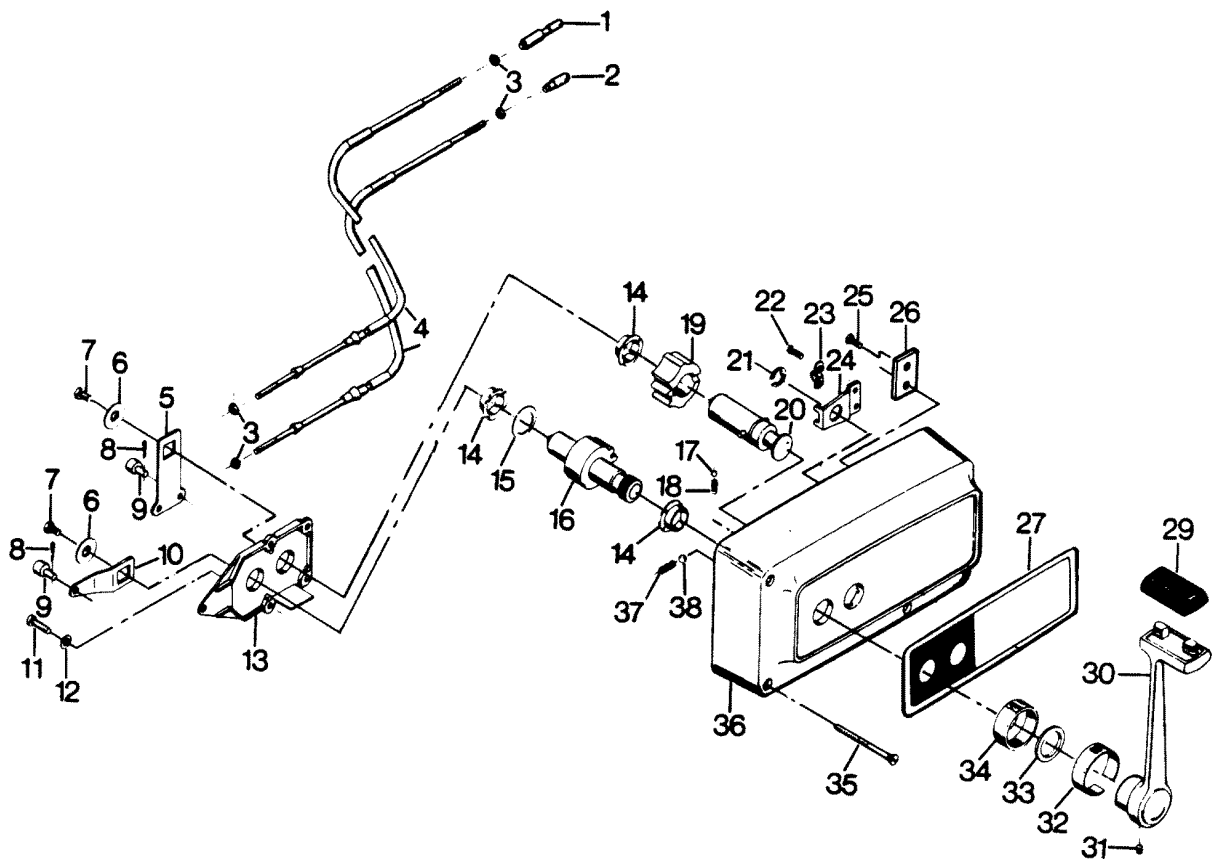


REMOTE CONTROL

REF. NO.	PART NO.	SYM.	QTY.	DESCRIPTION
1	FA58976-1		1	CONNECTOR, THROTTLE CABLE (FORCE MODELS)
-	F654976		1	CONNECTOR, THROTTLE CABLE (BAYLINER MODELS)
2	F58685-2		1	CONNECTOR, SHIFT CABLE (FORCE AND BAYLINER MODELS)
3	F1513		4	HEX NUT
4			1	REMOTE CONTROL CABLE (SPECIFY LENGTH-X) ACCESSORY ITEM (2 PER SET)
5	F17019		1	CLUTCH ARM
6	F17036		2	INTERNAL TOOTH LOCKWASHER
7	F17155		2	HEX BOLT, 1/4 - 28 X 1/2
8	F17149		2	COTTER PIN
9	F17016		2	CABLE TERMINAL
10	F17014		1	THROTTLE ARM
11	F17013		2	FILL HD. SCREW, 1/4 - 20 X 1/2
12	F8061		2	INTERNAL TOOTH LOCKWASHER
13	F17012		1	RETAINING PLATE
14	F17009		3	BEARING
15	F17011		1	BOWED WASHER
16	F17010-1		1	THROTTLE GEAR
17	F17111		1	DETENT BALL
18	F17006		1	DETENT SPRING
19	F17021		1	CLUTCH GEAR
20	F17100		1	CLUTCH SHAFT
21	F17092		1	SNAP RING
22	F17071		2	FILL HD. SCREW, 10 - 24 X 5/16
23	F154317		1	CABLE CLAMP
24	F17026		1	SWIVEL
25	F17141		2	ROUND HD. SCREW, 10 - 24 X 3/8
26	F17153		1	RETAINER PLATE
27	F580892-2		1	DECAL
29	F17116		1	KNOB
30	F17115-1		1	HANDLE
31	F455690		1	SET SCREW
32	FK17114-1		1	INDICATOR
33	F17105		1	FELT WASHER
34	F17106		1	COLLAR
35	F17154		3	WOOD SCREW

CONTINUED ON NEXT PAGE ➡

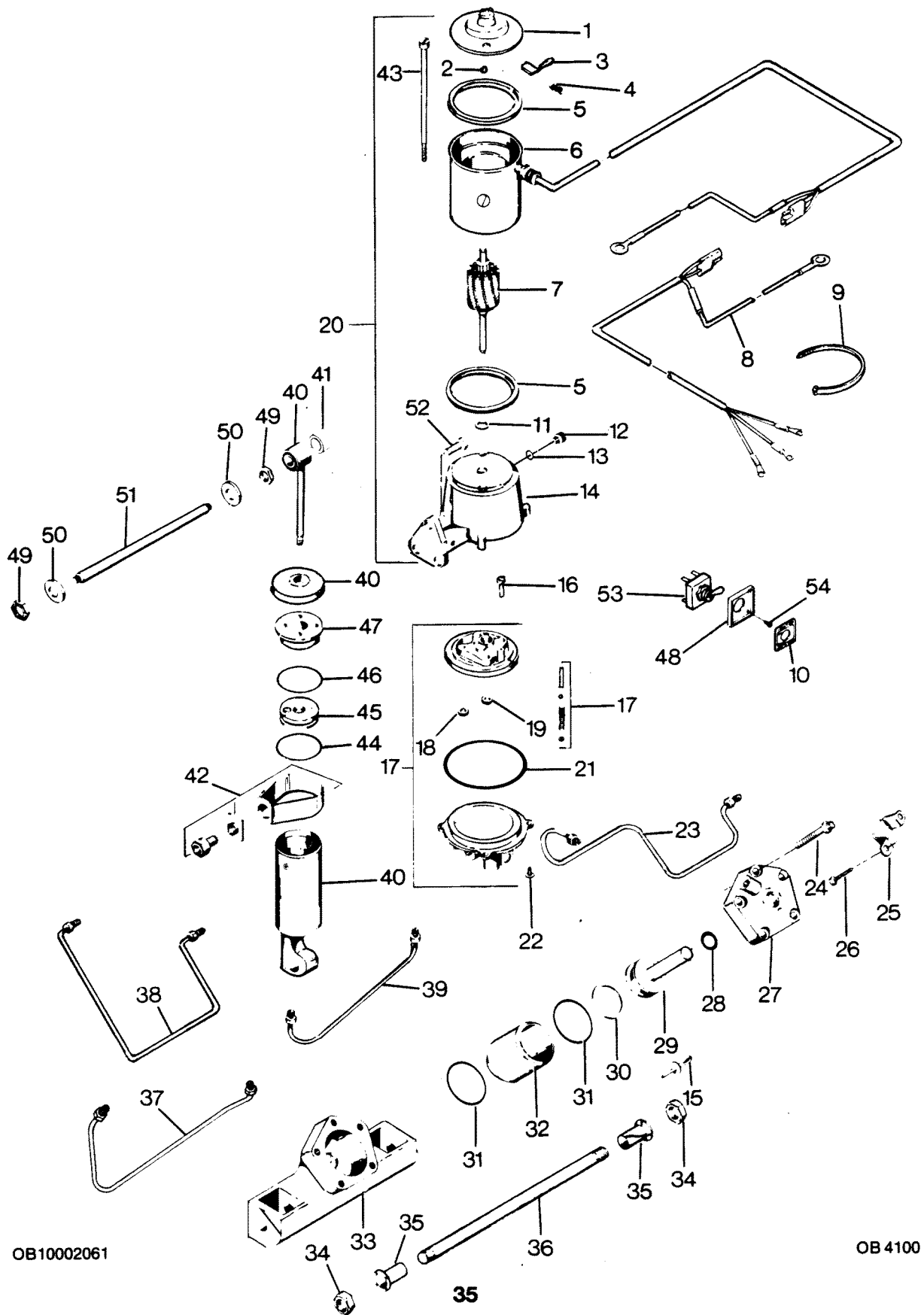
REMOTE CONTROL



REMOTE CONTROL

REF. NO.	PART NO.	SYM.	QTY.	DESCRIPTION
36	F5H130-1		1	HOUSING
37	F17157		1	DETENT SPRING
38	F17082-1		1	DETENT BALL
-	F1280		2	PAN HD. SCREW, 8 - 32 X 1/4 (TERMINAL BOARD) (NOT SHOWN)
-	FK17156		1	BAG ASSEMBLY (NOT SHOWN). INCLUDES ALL ITEMS MARKED WITH AN ASTERISK (*)

POWER TRIM UNIT



OB10002061

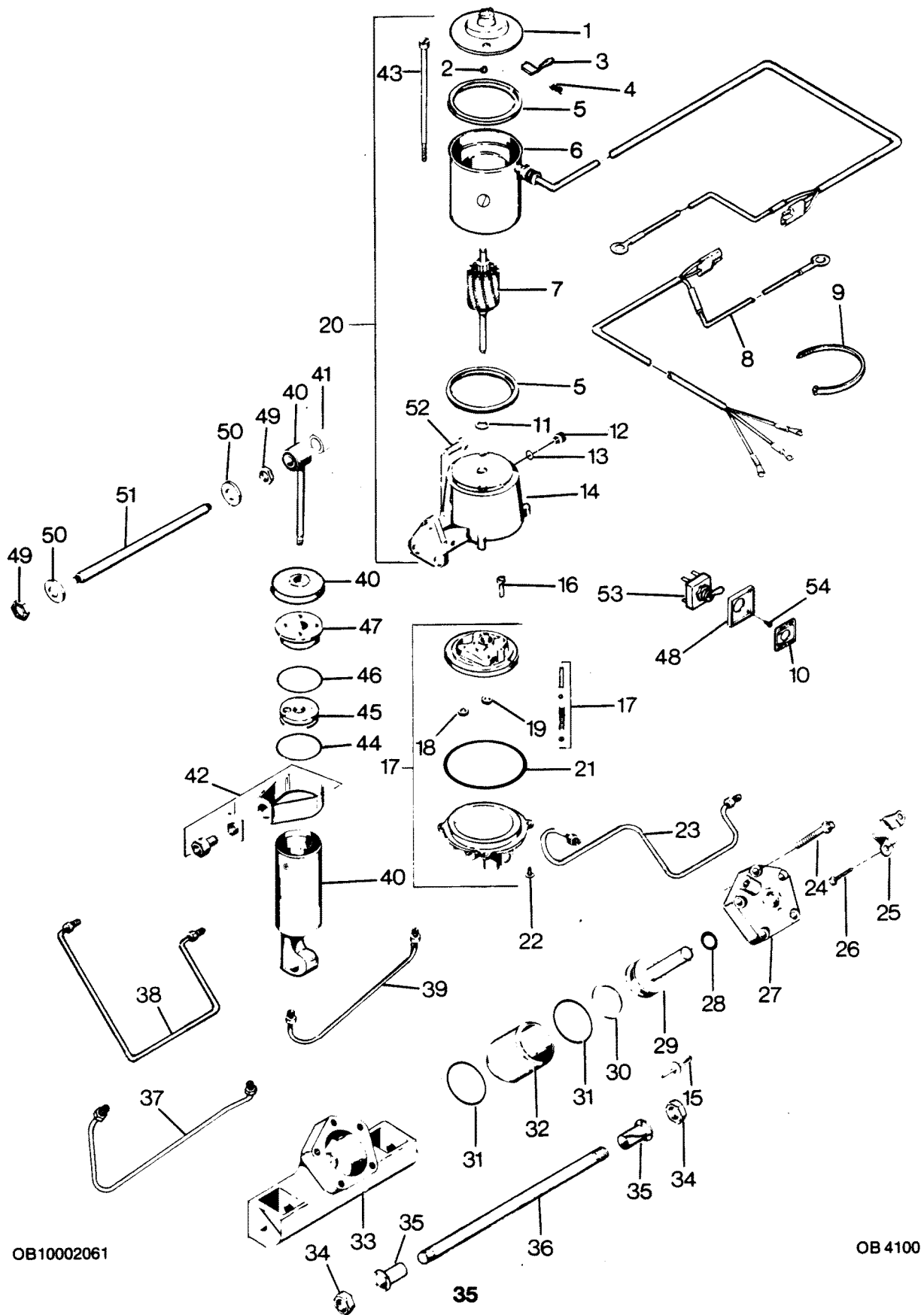
OB 4100

POWER TRIM UNIT

REF. NO.	PART NO.	SYM.	QTY.	DESCRIPTION
1	F17543		1	HEAD ASSEMBLY, COMMUTATOR END
2	F17539		1	BALL
3	F17504		1	BRUSH SET
4	F17500		1	SPRING SET
5	F17557		2	GASKET
6	F17556		1	FIELD AND FRAME ASSEMBLY
7	F17555		1	ARMATURE
8	F449843		1	CABLE
9	F1877		4	TY-RAP
10	F449181		1	PLATE, TRIM SWITCH
11	F17508		A/R	THRUST WASHER
12	F17518		1	FILLER CAP
13	F17510		1	O-RING
14	F17505		1	RESERVOIR AND BRACKET W/SEAL
15	F1966		1	PLUG, SWIVEL BRACKET
16	F1203		1	HEX CAP SCREW, 1/4 - 20 X 7/8
17	F17564		1	VALVE BODY AND PUMP W/ILLUS. 16, 18, 19 AND 21
18	F17566		1	IDLE GEAR
19	F17565		1	DRIVE GEAR
20	F17563		1	MOTOR AND RESERVOIR
21	F17522		1	O-RING
22	F1310		4	ROUND HD SCREW, 10 - 24 X 5/8
23	F449254		1	HYDRAULIC LINE, TRIM CYLINDER, UPPER
24	F1959		5	SCREW, 1/4 - 20 X 1-3/4, STAINLESS STEEL
25	F449354		1	THRUST BRACKET
26	F1734		2	SCREW AND LOCKWASHER, 1/4 - 20 X 1/2
27	FA449149		1	COVER W/SEALS AND RETAINER
28	F449342		1	SEAL, PISTON SHAFT
29	FA449015		1	PISTON
30	F449278		1	PISTON SEAL
31	F40278		2	SEAL, CYLINDER
32	F449010		1	CYLINDER
33	F449545-2		1	CYLINDER HOUSING
34	F1963		2	NUT, 5/8 - 18
35	F449362		2	BEARING
36	F449632		1	SHAFT
37	F449253-1		1	HYDRAULIC LINE, TRIM CYLINDER, LOWER
38	F449758		1	HYDRAULIC LINE, LIFT CYLINDER, UPPER
39	F449754-1		1	HYDRAULIC LINE, LIFT CYLINDER, LOWER
40	FA17559		1	LIFT CYLINDER COMPLETE W/ILLUS. 41
41	F178344		1	BUSHING, SHOCK ABSORBER - UPPER
42	F17577		1	ADAPTER FITTING PACKAGE
43	F17558		1	THRU-BOLT PACKAGE

CONTINUED ON NEXT PAGE ➡

POWER TRIM UNIT



OB10002061

OB 4100

POWER TRIM UNIT

REF. NO.	PART NO.	SYM.	QTY.	DESCRIPTION
44	FA17561-1		1	O-RING W/LITERATURE
45	F17562-1		1	PISTON ASSEMBLY
46	F17528		1	O-RING
47	F17560		1	HEAD ASSEMBLY
48	F413420		1	RETAINER, SWITCH PLATE
49	F1931		2	NUT, 1/2 - 20, STAINLESS STEEL
50	F1960		2	PLAIN WASHER
51	F449889		1	SHAFT, UPPER
52	F1822		3	SCREW, 5/16 - 18 X 7/8, STAINLESS STEEL
53	F299449-4		1	TOGGLE SWITCH
54	F1934		4	FLAT HD THREAD FORMING SCREW 6 X 1/2

SPECIAL TOOLS - TUNE-UP

REF. NO.	PART NO.	SYM.	QTY.	DESCRIPTION
-	FTA2937-1		0	TIMING TOOL TO ADJUST TIMING POINTER.
-	FT8978		0	TIMING LIGHT FOR ADJUSTING IGNITION TIMING.
-	FT8948-1		0	PULLER TO REMOVE FLYWHEEL.

SPECIAL TOOLS - POWER HEAD

REF. NO.	PART NO.	SYM.	QTY.	DESCRIPTION
-	FT2998		0	TORQUE WRENCH (0 - 100 LBS./FT.) TO TORQUE FLYWHEEL NUT.
-	FT2999		0	TORQUE WRENCH (0 - 600 LBS./FT.) TO TORQUE ALL FASTENERS.
-	FT2991		0	CARBON BRUSH TO REMOVE CARBON DEPOSITS FROM POWER HEAD.
-	FT8914		0	SEAL REMOVER TO REMOVE UPPER CRANKSHAFT BEARING CAGE SEAL.
-	FT8903		0	SEAL INSTALLER TO INSTALL UPPER CRANKSHAFT BEARING CAGE SEAL.
-	FT8907		0	DRIVER HANDLE USED WITH T 8903.
-	FT8925		0	SEAL INSTALLER TO INSTALL LOWER CRANKSHAFT SEAL.
-	FT2953		0	SOCKET TO TORQUE CONNECTING ROD SCREWS.
-	FT2990		0	PISTON PIN TOOL TO REMOVE AND INSTALL PISTON PINS.
-	FT2996		0	RING COMPRESSOR TO INSTALL PISTONS IN CYLINDER.
-	FT8926		0	RING EXPANDER TO INSTALL PISTON RINGS.
-	FT1082		0	SNAP RING PLIER TO REMOVE AND INSTALL DISTRIBUTOR RETAINING RING.
-	FT8933		0	LIFTING HOOK TO LIFT ENGINE.
-	FT8900		0	HOSE CLAMP PLIERS TO REMOVE FUEL LINE CLAMP.

SPECIAL TOOLS - GEAR HOUSING

REF. NO.	PART NO.	SYM.	QTY.	DESCRIPTION
-	FT8948-1		0	PULLER TO REMOVE PROPELLER SHAFT SPOOL FROM GEAR HOUSING.
-	FT11209		0	BEARING GUIDE SET TO REMOVE/INSTALL FORWARD BEARING CUP.
-	FT8918		0	BEARING GUIDE SET TO BE USED WITH T 11209 BEARING GUIDE SET.
-	FT11207		0	BEARING CUP REMOVER TO REMOVE FORWARD BEARING CUP IN GEAR HOUSING.
-	FT11205		0	BEARING INSTALLER/REMOVER TO REMOVE AND INSTALL LOWER DRIVESHAFT BEARING.
-	FT11204		0	BEARING CUP INSTALLER TO INSTALL FORWARD BEARING CUP IN GEAR HOUSING.
-	FT8930-1		0	FEELER GAUGE SET TO USE IN SHIMMING LOWER UNIT.
-	FT8957		0	SEAL INSTALLER TO INSTALL SHIFT ROD SEAL.
-	FT8985		0	SEAL INSTALLER TO INSTALL PROPELLER SHAFT SEAL IN SPOOL.
-	FT8925		0	SEAL INSTALLER TO INSTALL DRIVESHAFT SEAL IN GEAR HOUSING COVER.
-	FT3012		0	SEAL INSTALLER TO INSTALL DRIVESHAFT SEAL IN WATER PUMP.
-	FT8997		0	SHIM TOOL TO SHIM LOWER UNIT.
-	FT8901		0	INDICATOR HOLDER USED IN CONJUNCTION WITH T 8997.
-	FT8902		0	DIAL INDICATOR USED IN CONJUNCTION WITH T 8997.
-	FT8907		0	DRIVER HANDLE USED WITH T 11204, T 11205, T 11209.
-	FT8919		0	SPRING PIN PUNCH TO REMOVE CLUTCH SPRING PIN.
-	FT7848		0	TORQUE ADAPTER TO HOLD DRIVESHAFT SPLINE WHILE TORQUING.

SPECIAL TOOLS - TEST EQUIPMENT

REF. NO.	PART NO.	SYM.	QTY.	DESCRIPTION
-	FT2951		0	CIRCUIT TRACER TO TROUBLESHOOT ELECTRICAL SYSTEM.
-	FTK8999		0	TEST WHEEL TO TEST MOTOR IN TEST TANK. ORIGINAL FORCE P/N TA 8999
-	FT8950		0	LEAKAGE TESTER TO TEST LOWER UNIT SEALS FOR LEAKAGE.
-	FT11260		0	SPARK TESTER TO TEST OUTPUT OF IGNITION SYSTEM.
-	FT2938-1		0	CONTINUITY TESTER TO TEST CIRCUITS FOR CONTINUITY.
-	FT11259		0	MULTIMETER TO TEST ELECTRICAL COMPONENTS.

SPECIAL TOOLS - LUBRICANTS AND SEALANTS

REF. NO.	PART NO.	SYM.	QTY.	DESCRIPTION
-	FT2961		0	LUBRICANT - RYKON GREASE #2EP
-	FT2987-1		0	LUBRICANT - ANTI-SEIZE
-	FT8969		0	LUBRICANT - 7 OZ. LPS-1 LUBRICANT
-	FT8955		0	SEALANT - 5 OZ. EC-750 INDUSTRIAL SEALANT
-	FT8983		0	SEALANT - 3 OZ. RTV SEALANT FROM IN PLACE GASKETS
-	FT8936-1		0	SEALANT - 2 CC LOCTITE RETAINING COMPOUND #75
-	FT2962-2		0	SEALANT - 50 CC LOCTITE H, NON-HARDENING GRADE
-	FT2963-2		0	SEALANT - 2 OZ. LOCTITE 271
-	FT8935		0	SEALANT PRIMER LOC QUIC T

ACCESSORIES

REF. NO.	PART NO.	SYM.	QTY.	DESCRIPTION
-	F5H173		0	FLUSHING ADAPTER PERMITS FRESH WATER FLUSHING OF WATER PASSAGES WITH STANDARD GARDEN HOSE.
-	F5H130-1		0	REMOTE CONTROL - SURFACE MOUNT PERMITS REMOTE CONTROL OF THROTTLE AND GEAR SHIFT FROM STARBOARD SIDE OF BOAT.
-	F5H120		0	REMOTE CONTROL BACK PLATE TO PREVENT INTERFERENCE WITH PADDED SIDE OF BOAT.
-	F590		0	REMOTE CONTROL - FLUSH MOUNT FLUSH MOUNT CONTROL UNIT PERMITS REMOTE CONTROL OF THROTTLE AND GEAR SHIFT. MAY BE MOUNTED ON PORT OR STARBOARD SIDE OF BOAT.
-	F5H079		0	SINGLE REMOTE CONTROL BOX PERMITS REMOTE CONTROL OF THROTTLE AND GEAR SHIFT. CONSOLE MOUNTED.
-	F5H080		0	TWIN REMOTE CONTROL BOX PERMITS REMOTE CONTROL OF THROTTLE AND GEAR SHIFT - TWO ENGINES. CONSOLE MOUNTED.
-	F195/___		0	REMOTE CONTROL CABLES CONNECTS REMOTE CONTROL BOX TO THROTTLE AND GEAR SHIFT ON ENGINE. AVAILABLE IN 6 THROUGH 26 FOOT LENGTHS.
-	F5H132		0	REMOTE CONTROL HANDLE TRIM SWITCH HAS POWER TRIM CONTROL SWITCH IN HANDLE. REPLACES STANDARD CONTROL LEVER ON 5H130-1 CONTROL BOX.
-	F5H108		0	STEERING CONNECTOR CLEVIS TYPE FOR BOAT MOUNTED STEERING AND NON-THREADED CABLE END.
-	F5H094		0	STEERING LINK KIT CONNECTS STEERING CABLE TO ENGINE WHEN USING ENGINE MOUNTED STEERING SYSTEM.
-	F5H018		0	DUAL STEERING CONNECTOR PERMITS DUAL ENGINE INSTALLATIONS.
-	F5H019		0	ANTI-CORROSION KIT ELECTRICAL KIT FOR MOUNTING ON BOAT (12V) TO REDUCE CORROSION.
-	F5H025		0	ANTI-CORROSION SACRIFICIAL ANODE KIT USED TO REDUCE CORROSION.
-	F5H043		0	OVERHEAT BUZZER SOUNDS WARNING BUZZER IF ENGINE OVERHEATS.
-	F5H161		0	POWER TRIM INDICATOR INDICATES ENGINE TRIM ANGLE.
-	F5H044		0	TILT STOP KIT LIMITS TILTING ANGLE.
-	F5H068		0	RFI SUPPRESSION KIT PROVIDES RADIO NOISE SUPPRESSION.
-	F5H151		0	SHOCK ABSORBER KIT TO PROVIDE SHOCK PROTECTION WHEN HITTING UNDERWATER OBJECT.
-	F5H081		0	BATTERY CABLE LONGER LENGTH - 15 FEET.
-	F5H157		0	VOLTMETER - FLUSH MOUNT INDICATES BATTERY CONDITION.
-	F5H021		0	EXTENSION CABLE FOR LENGTHENING BATTERY CABLE 6-1/2 FEET.
-	F5H041		0	BATTERY TERMINAL KIT FOR POSITIVE AND NEGATIVE BATTERY POSTS.
-	F5H037		0	CIGAR LIGHTER FOR USE AS CONVENIENCE OUTLET.

CONTINUED ON NEXT PAGE ➡

ACCESSORIES

REF. NO.	PART NO.	SYM.	QTY.	DESCRIPTION
-	5H158		0	FUEL GAUGE FLUSH MOUNT MONITORS FUEL SUPPLY.
-	5H145		0	HYDRAULIC TILT HYDRAULIC UNIT TO RAISE AND LOWER THE LOWER UNIT WHEN BEACHING OR TRAILERING BOAT.
-	F5H159		0	HOURLY RECORDS ENGINE RUNNING TIME.
-	F5H077		0	IGNITION KEY SWITCH SHORT BARREL WITH KEYS.
-	F5H078		0	IGNITION KEY SWITCH LONG BARREL WITH KEYS.
-	F762		0	REMOTE ELECTRIC CABLE 25 FOOT CABLE FOR LARGE BOATS.
-	F5H070		0	REMOTE ELECTRIC CABLE 21 FOOT CABLE FOR LARGE BOATS.
-	F5H028		0	SENDING UNIT FOR USE WITH 5H158 FUEL GAUGE.
-	F5H156		0	TEMPERATURE GAUGE FLUSH MOUNT MONITORS ENGINE TEMPERATURE. DO NOT USE TEMPERATURE GAUGE AND HEAT LAMP IN SAME INSTALLATION.
-	F5H167		0	TACHOMETER FLUSH MOUNT MONITORS ENGINE R.P.M. TO PROVIDE CHECK OF ENGINE PERFORMANCE.
-	F5H149		0	POWER TRIM ADJUSTS ENGINE TRIM AND TILTS ENGINE.
-	F5H155		0	SPEEDOMETER FLUSH MOUNT MONITORS BOAT SPEED (10 - 65 M.P.H.).
-	F5H154		0	SPEEDOMETER FLUSH MOUNT MONITORS BOAT SPEED (10 - 50 M.P.H.).
-	F5H115		0	TRAILERING TILT LOCK SECURES ENGINE IN HALF TILT POSITION FOR TRAILERING (WITHOUT TRIM AND TILT).
-	F5H179		0	TRAILERING TILT LOCK SECURES ENGINE IN HALF TILT POSITION FOR TRAILERING (WITH TRIM AND TILT).
-	F5H076		0	SWITCH EXTENSION CABLE - 5 FT. ALLOWS INSTALLATION OF IGNITION SWITCH IN 5H130-1 CONTROL BOX WITH 563 TERMINAL BLOCK.
-	F5H030		0	SWITCH KIT - RUNNING LIGHTS DASH MOUNTED TOGGLE SWITCH.
-	F5H031		0	SWITCH KIT - SPOT LIGHT DASH MOUNTED TOGGLE SWITCH.
-	F5H032		0	SWITCH KIT - WIPER DASH MOUNTED TOGGLE SWITCH.
-	F5H034		0	SWITCH KIT - BILGE PUMP DASH MOUNTED TOGGLE SWITCH.
-	F5H035		0	SWITCH KIT - HORN DASH MOUNTED TOGGLE SWITCH (MOMENTARY).
-	F5H036		0	SWITCH KIT - TACHOMETER TRANSFER DASH MOUNTED TOGGLE SWITCH FOR ONE TACHOMETER ON DUAL ENGINE INSTALLATION.
-	F5H038		0	SWITCH KIT - IGNITION SWITCH TO MOUNT IGNITION SWITCH ON DASH.
-	F5H039		0	SWITCH KIT - INSTRUMENT LIGHT DASH MOUNTED TOGGLE SWITCH.
-	F563		0	TERMINAL BLOCK KIT DOUBLE ROW 10 SECTION TO SIMPLIFY ACCESSORY INSTALLATION.
-	F5H075		0	WIRING HARNESS - IGNITION SWITCH (24") USE WITH 563 TERMINAL BLOCK.
-	F596-		0	US MARINE OUTBOARD OIL SEE NOTE 1

CONTINUED ON NEXT PAGE ➡

ACCESSORIES

REF. NO.	PART NO.	SYM.	QTY.	DESCRIPTION
-	597-		0	US MARINE OUTBOARD GEAR LUBE SEE NOTE 2
-	F5H059		0	US MARINE OUTBOARD MULTI-PURPOSE GREASE LUBRICATES BEARINGS AND OTHER MOVING PARTS. AVAILABLE IN 8 OZ. TUBES AND 12 TUBE CASES.
-	F5H060		0	US MARINE OUTBOARD GREASE GUN USED WITH US MARINE OUTBOARD MULTI-PURPOSE GREASE TUBES FOR PRESSURE FITTINGS.
-	F5H191		0	FORCE BLUE ENAMEL ENGINE TOUCH-UP PAINT IN 13 OZ. AVERAGE SPRAY BOMBS (6 CANS PER CASE).
-	F5H192		0	FORCE BLUE ENAMEL

PARTS INDEX

Part Number	Description	Pg.	Ref. No.	Part Number	Description	Pg.	Ref. No.
5H145	HYDRAULIC TILT	56	-	F1072	FILL HD SCREW, 1/4 - 20 X 1-3/4	15	68
5H158	FUEL GAUGE FLUSH MOUNT	56	-	F1110	FILL HD. SCREW, 1/4 - 20 X 5/8	25	77
817747--1	BALL JOINT W/STUD	13	28	F1112	FILL HD. SCREW, 1/4 - 20 X 7/8	35	20
817747--1	BALL JOINT W/STUD	21	18	F1199	HEX CAP SCREW, 1/4 - 20 X 1	21	15
817782--1	KEY IGNITION - NO LETTER OR STAMPED A	7	19	F1203	HEX CAP SCREW, 1/4 - 20 X 7/8	5	40
817783A5	SWIVEL BRACKET	31	52	F1203	HEX CAP SCREW, 1/4 - 20 X 7/8	47	16
817787A1	CYLINDER DRAIN COVER	21	42	F1236	HEX HD SCREW, 1/4 - 20 X 1/2	13	42
817788A3	SPACER PLATE	23	67	F1238	HEX CAP SCREW, 1/4 - 20 X 3/4	5	41
817883--1	KEY IGNITION - STAMPED B	7	-	F1263	HEX SOCKET HD. CAP SCREW, 5/16 - 18 X 9/16	29	13
817891--1	KEY IGNITION - STAMPED C	7	-	F1280	PAN HD. SCREW, 8 - 32 X 1/4	31	83
817928--1	KEY IGNITION - STAMPED D	7	-	F1280	PAN HD. SCREW, 8 - 32 X 1/4 (TERMINAL BOARD) (NOT SHOWN)	45	-
817929--1	KEY IGNITION - STAMPED E	7	-	F1280	SLOTTED PAN HD. SCREW, 8 - 32 X 1/4	7	15
817946A2	HANDLE AND SHAFT	31	61	F1286	PAN HD. SCREW, 4 - 40 X 3/16	21	40
817959A3	INTAKE MANIFOLD	13	25	F1303	PAN HD. SCREW, 8 - 32 X 3/4	9	70
817968A2	TOWERSHAFT	21	19	F1310	ROUND HD SCREW, 10 - 24 X 5/8	47	22
89396A38	PRIME BULB	41	9	F1341	HEX NUT, 1/4 - 20	21	22
F10067	BOWL RETAINER GASKET	19	12	F1341	NUT	11	19
F1009	HEX BOLT, 3/8 - 16 X 2-3/4	21	3	F1341	NUT, 1/4 - 20	9	53
F10127	FUEL BOWL	19	2	F1346	HEX NUT, 3/8 - 16	21	6
F10135	FLOAT ASSEMBLY	19	7	F1346	HEX NUT, 3/8 - 16	29	24
F10137	NOZZLE	19	9	F1425	**HEX CAP SCREW, 1/4 - 20 X 5/8 S.S.	39	-
F1014	COTTER PIN	13	54	F1425	HEX CAP SCREW, 1/4 - 20 X 2-5/8 S.S.	37	63
F1014	COTTER PIN	31	58	F1473	NUT, 10 - 24 S.S.	17	18
F10141	IDLE NEEDLE SPRING	19	18	F1491	HEX CAP SCREW, 5/16 - 18 X 3-1/4	37	41
F10142	FLOAT SUPPORT SPRING	19	19	F1493	PAN HD. SCREW, 5/16 - 18 X 5/8 S.S.	3	15
F10143	CHOKE VALVE SPRING	19	20	F1504	FILL HD SCREW, 1/4 - 20 X 1-1/4	15	66
F1015	COTTER PIN	37	47	F1504	FILL HD. SCREW, 1/4 - 20 X 1-1/4	21	13
F10152	CUP PLUG	19	10	F1504	FILL HD. SCREW, 1/4 - 20 X 1-1/4	21	21
F10153	WELCH PLUG	19	11	F1504	SLOTTED FIL SCREW, 1/4 - 20 X 1-1/4 S.S.	17	8
F10155	CHOKE AND THROTTLE SCREW	19	17	F1513	HEX NUT	43	3
F10156	ELBOW	13	4	F1513	HEX NUT 10 - 32	23	49
F10156	FUEL FITTING (ELBOW) FOR 631061	19	26	F1513	HEX NUT, 10 - 32	7	26
F10161	CHOKE VALVE	19	6	F1513	HEX NUT, 10 - 32	13	33
F10163	JET (.060)	19	24	F1515	HEX NUT, 5/16 - 18	13	51
F10164	FUEL FITTING	13	45	F1515	HEX NUT, S.S., 5/16 - 18	7	25
F10164	FUEL FITTING (TEE) FOR 632061 (NOT SHOWN)	19	-	F1515	HEX NUT, S.S., 5/16 - 18	7	29
F10168	THROTTLE SHAFT ASSEMBLY	19	3				
F10169	THROTTLE VALVE	19	4				
F10172	THROTTLE RETURN SPRING	19	21				
F10204	NOZZLE SPRING	19	22				
F10205	BOWL RETAINER SCREW	19	16				
F10206	BOWL RETAINER GASKET	19	14				
F10208	PIN, FLOAT ASSEMBLY	19	8				
F10212	MAIN FUEL JET (.074) SEA LEVEL - 2500 FT.	19	25				
F10213	072) 2500 - 5000 FT.	19	-				
F10214	070) 5000 - 7500 FT.	19	-				
F10215	068) 7500 - 10000 FT.	19	-				
F10218	SHAFT RING RETAINER	19	1				
F10219	CHOKE SHAFT ASSEMBLY	19	5				
F1059	FILL HD SCREWS, S.S., 6 - 32 X 1/4	15	58				

PARTS INDEX

Part Number	Description	Pg.	Ref. No.	Part Number	Description	Pg.	Ref. No.
F15152	LOCKWASHER	11	18	F1705	HEX HD. SCREW, 1/4 - 20 X 3/4	9	68
F15158	SCREW, BRUSH HOLDER	11	15	F17071	FILL HD. SCREW, 10 - 24 X 5/16	43	22
F15160	INSULATOR WASHER	11	16	F1708	HEX HD. SCREW, 1/4 - 20 X 1-3/8	25	99
F15161	PLAIN WASHER	11	17	F17082-1	DETENT BALL	45	38
F15162	NUT	11	20	F17092	SNAP RING	43	21
F15164	BRUSH KIT	11	7	F17100	CLUTCH SHAFT	43	20
F15174	DRIVE KIT	11	1	F17105	FELT WASHER	43	33
F15175	DRIVE ASSEMBLY PINION	11	2	F17106	COLLAR	43	34
F15176	CAP STARTER DRIVE	11	3	F17111	DETENT BALL	43	17
F15177	ARMATURE	11	4	F17115-1	HANDLE	43	30
F15178	THRU BOLT PACKAGE	11	5	F17116	KNOB	43	29
F15179	COMMUTATOR	11	6	F1713	SPRING PIN	35	26
F1532	HEX HD SCREW, 1/4 - 20 X 1	13	47	F17141	ROUND HD. SCREW, 10 - 24 X 3/8	43	25
F1532	HEX HD. SCREW, 1/4 - 20 X 1	23	43	F17149	COTTER PIN	43	8
F1540	HEX HD SCREW, 1/4 - 20 X 5/8 GR. 5	17	21	F17153	RETAINER PLATE	43	26
F154317	CABLE CLAMP	43	23	F17154	WOOD SCREW	43	35
F1550	SLOTTED PAN HD. SCREW #12 - 24 X 1	9	60	F17155	HEX BOLT, 1/4 - 28 X 1/2	43	7
F1556	FILL HD. SCREW W/LOCKWASHER, 10 - 24 X 3/8	21	23	F17157	DETENT SPRING	45	37
F1641	LOCK NUT	11	8	F1727	PLASTIC RIVET	21	25
F1645	HD. SCREW, 6 - 32 X 1/4	7	5	F1729	PLUG	29	9
F1647	HEX NUT, 8 - 32	7	8	F1733	PAN HD SCREW, 10 - 24 X 9/16	3	27
F1648	PAN HD. SCREW, 10 - 24 X 3/4	7	20	F1734	FILL HD. SCREW, 1/4 - 20 X 1/2	7	12
F1648	SCREW, 10 - 24 X 3/4 PAN HD SCREW	17	13	F1734	SCREW AND LOCKWASHER, 1/4 - 20 X 1/2	47	26
F1648	SCREW, FUEL SEDIMENT BOWL	17	6	F1741	PAN HD. SCREW, 8 X 3/4	9	49
F1664	SPRING PIN	29	11	F1744	SPRING PIN	29	40
F1666	BOWED SPRING WASHER	29	18	F1744	SPRING PIN	31	47
F1669	LOCK NUT	29	35	F17500	SPRING SET	47	4
F1693	TIE BAR RETAINER	15	73	F17504	BRUSH SET	47	3
F1696	HEX BOLT, 5/16 - 18 X 1-3/4	29	16	F17505	RESERVOIR AND BRACKET W/SEAL	47	14
F1699	HEX HD SCREW, 1/4 - 20 X 1-1/8	13	27	F17508	THRUST WASHER	47	11
F1699	HEX HD. SCREW, 1/4 - 20 X 1-1/8	25	87	F17510	O-RING	47	13
F17006	DETENT SPRING	43	18	F17518	FILLER CAP	47	12
F17009	BEARING	43	14	F17522	O-RING	47	21
F17010-1	THROTTLE GEAR	43	16	F17528	O-RING	49	46
F17011	BOWED WASHER	43	15	F17539	BALL	47	2
F17012	RETAINING PLATE	43	13	F17543	HEAD ASSEMBLY, COMMUTATOR END	47	1
F17013	FILL HD. SCREW, 1/4 - 20 X 1/2	43	11	F1755	RD HD SCREW W/LOCKWASHER, 6 - 32 X 5/16	13	17
F17014	THROTTLE ARM	43	10	F17555	ARMATURE	47	7
F17016	CABLE TERMINAL	43	9	F17556	FIELD AND FRAME ASSEMBLY	47	6
F17019	CLUTCH ARM	43	5	F17557	GASKET	47	5
F17021	CLUTCH GEAR	43	19	F17558	THRU-BOLT PACKAGE	47	43
F17026	SWIVEL	43	24	F17560	HEAD ASSEMBLY	49	47
F1703	SPRING LOCKWASHER	23	65	F17562-1	PISTON ASSEMBLY	49	45
F1703	SPRING LOCKWASHER	31	69	F17563	MOTOR AND RESERVOIR	47	20
F17036	INTERNAL TOOTH LOCKWASHER	43	6	F17564	VALVE BODY AND PUMP	47	17
F1704	INTERNAL TOOTH LOCKWASHER	7	4	F17565	DRIVE GEAR	47	19
				F17566	IDLE GEAR	47	18

PARTS INDEX

Part Number	Description	Pg.	Ref. No.	Part Number	Description	Pg.	Ref. No.
F1760	PAN HD SCREW, 10 - 24 X 3/8	15	63	F1883	HEX BOLT, 5/16 - 18 X 2-3/8	25	72
F1760	SLOTTED PAN HD. SCREW, 10 - 24 X 3/8	9	40	F1885	HEX BOLT, 5/16 - 18 X 4-1/4	23	56
F177330	VALVE, FUEL PUMP	17	24	F1885	HEX CAP SCREW, 5/16 - 18 X 4-1/4 S.S.	35	6
F177350	REVERSE LOCK PIN	29	41	F1904	PLAIN WASHER	29	23
F178145-4	MOTOR LEG COVER, REAR	29	10	F1907	PLAIN WASHER S.S.	35	7
F17815	SEAL, FUEL LINE COUPLER (SMALL)	41	5	F19109	PLUG	25	83
F17816	SEAL, FUEL LINE COUPLER (LARGE)	41	4	F1912	HEX HD. SCREW, 10 - 24 X 1/2	31	72
F17817	SEAL, FUEL TANK ADAPTER	41	12	F1922	HEX CAP SCREW, 1/4 - 20 X 5/8	11	10
F17818	GASKET	41	13	F1922	HEX HD. SCREW, 1/4 - 20 X 5/8	23	46
F178323	SEAL, MOTOR LEG	29	15	F1931	NUT, 1/2 - 20, STAINLESS STEEL	49	49
F178344	BUSHING, SHOCK ABSORBER - UPPER	47	41	F1934	FLAT HD THREAD FORMING SCREW 6 X 1/2	49	54
F1788	STOP NUT	35	15	F1934	FLAT HD. SCREW, 6 X 1/2	7	21
F1804	STOP NUT	21	16	F1936	SPACER, BEVEL GEAR FRONT .059	35	28
F18160-3	REED	21	37	F1937	SPACER, BEVEL GEAR FRONT .062	35	-
F1822	HEX BOLT, 5/16 - 18 X 7/8	31	64	F1938	SPACER, BEVEL GEAR FRONT .065	35	-
F1822	SCREW, 5/16 - 18 X 7/8, STAINLESS STEEL	49	52	F1939	SPACER, BEVEL GEAR FRONT .068	35	-
F1829	FILL HD. SCREW, 10 - 24 X 7/8	21	20	F1940	SPACER, BEVEL GEAR FRONT .071	35	-
F1832	NUT, LOCK 1/4 - 20	9	57	F1941	SPACER, BEVEL GEAR FRONT .074	35	-
F1832	STOP NUT, 1/4 - 20	23	61	F1942	SPACER, BEVEL GEAR FRONT .077	35	-
F1836	SPRING PIN	31	57	F195/___	REMOTE CONTROL CABLES	55	-
F184033-1	CHOKE ARM SWIVEL	13	57	F1950	HEX HD. SCREW, 10 - 24 X 5/8	25	92
F184122-1	*CRANKCASE SEAL	23	-	F1959	SCREW, 1/4 - 20 X 1-3/4, STAINLESS STEEL	47	24
F184122-1	PARTING LINE SEAL	21	11	F1960	PLAIN WASHER	49	50
F184579	SEAL, CHOKE ARM SWIVEL	13	56	F1963	NUT, 5/8 - 18	47	34
F1854	HEX CAP SCREW, 1/4 - 20 X 5/8	5	39	F1966	PLUG, SWIVEL BRACKET	47	15
F1854	HEX HD. CAP SCREW, 1/4 - 20 X 5/8	11	12	F1968	HEX NUT, 3/4 X 16	9	62
F1856	PLAIN WASHER	39	72	F1975	LOCKWASHER	7	18
F1857	HEX CAP SCREW, 5/16 - 18 X 5/8	3	10	F1975	LOCKWASHER	17	14
F1857	HEX CAP SCREW, 5/16 - 18 X 5/8	3	30	F197787-3	FUEL LINE COUPLER	41	6
F1858	HEX CAP SCREW, 5/16 - 18 X 1	3	29	F197813	BEARING	31	60
F1858	HEX CAP SCREW, 5/16 - 18 X 1	37	39	F1987	PLAIN WASHER	25	71
F1860	SLOTTED BINDING HEAD SCREW, 6 - 32 X 1/4	17	25	F1987	PLAIN WASHER	31	76
F1864	HEX HD. SCREW, 1/4 - 20 X 3/4	21	8	F1990	**HEX CAP SCREW, 1/4 - 20 X 1-5/8 S.S.	39	-
F1864	HEX HD. SCREW, 1/4 - 20 X 3/4	23	52	F1990	HEX CAP SCREW, 1/4 - 20 X 1-5/8 S.S.	37	61
F1864	HEX SLOT HD. SCREW, 1/4 - 20 X 3/4	29	3	F1994	HEX SOCKET HD. CAP SCREW, 5/16 - 18 X 1	37	37
F1866	PLAIN WASHER	35	16	F1999	HEX CAP SCREW, 1/4 - 20 X 7/8 S.S.	37	55
F1869	HEX BOLT, 3/8 - 16 X 1-1/4	23	64	F2000	HEX CAP SCREW, 5/16 - 18 X 3/4	25	100
F1871	HEX HD. SCREW, 3/8 - 16 X 3/4	31	70	F2008	HEX CAP SCREW, 1/4 - 20 X 7/8	25	98
F1872	HEX BOLT, 3/8 - 16 X 1-3/4	21	14				
F1873	HEX BOLT, 3/8 - 16 X 3	21	5				
F1877	TY-RAP	47	9				
F1877	TY-RAP (NOT SHOWN)	9	-				

PARTS INDEX

Part Number	Description	Pg.	Ref. No.	Part Number	Description	Pg.	Ref. No.
F2008	HEX HD. M. SC., 1/4 - 20 X 7/8	9	44	F299449-4	TOGGLE SWITCH	49	53
F2008	HEX HD. MACH. SCREW, 1/4 - 20 X 7/8	9	47	F2A404757	CYLINDER DRAIN REED PLATE	21	36
F2012	WASHER	3	21	F2A498662	BEVEL GEAR REAR W/BEARING CAGE, SPACER AND BEARING	35	22
F2014	PLAIN WASHER	31	78	F2A523239	SPOOL, PROPELLER SHAFT BEARING	35	11
F2015	HEX NUT, 1/4 - 28	21	30	F2A550706	GEAR HOUSING COVER	37	53
F2016	SLOTTED FILL HD. SCREW, 6 - 32 X 7/8	7	1	F2A615144	CRANKSHAFT BEARING CAGE	27	17
F2030	HEX HD. SCREW, 1/4 - 20 X 1-1/4	31	68	F2A658746	FUEL PUMP COMPLETE	17	-
F2033	GROOVE PIN	13	39	F2C663712	ENGINE COVER, COMPLETE	3	-
F2042	PLAIN WASHER	21	31	F307317	CLIP, TERMINAL BLOCK GROUND	7	17
F2047	WAVE WASHER	3	35	F310398	DECAL, FUEL CAUTION (NOT SHOWN)	41	-
F2050	HEX HD SCREW, 1/4 - 20 X 1-1/2	13	36	F316579	SEAL, CRANKCASE	27	11
F2067	PLASTIC CAP	27	22	F316599	SEAL, STEERING SUPPORT TUBE	29	32
F2081	HEX SOC. HD. SCREW, 1/4 - 20 X 3/4	27	18	F319908	WIRE, GROUND (C.D. - COIL BRACKET)	9	56
F2088	FASTENER	3	14	F333316	THROTTLE ROLLER SHAFT	13	52
F2089	SLOTTED PAN HD. MACHINE SCREW, 10 - 24 X 5/16	23	58	F335215	SPACER, PISTON PIN (2 PER PISTON)	27	3
F2090	PLUG	23	68	F335217-1	BEARING PISTON PIN (26 PER SET)	27	5
F2093	STOP NUT 3/8 - 24	31	79	F335654-1	DEFLECTION STOP	3	28
F2106	LOCKWASHER	9	55	F338618-1	*GEAR SHIFT ROD SEAL	39	-
F2108	LOCK NUT, 5/16-18	31	75	F338618-1	SEAL, GEAR SHIFT ROD	37	56
F2108	STOP NUT, 5/16 - 18	23	59	F345683	WIRE, GROUND (RECTIFIER TO STARTER BOLT)	9	51
F2113	SPACER, BEVEL GEAR FRONT .080	35	-	F351307	SEAL, WATER PUMP	37	64
F2114	SPACER, BEVEL GEAR FRONT .083	35	-	F353480	STUD	29	25
F2115	SPACER, BEVEL GEAR FRONT .086	35	-	F369349	REVERSE LOCK	29	36
F2116	SPACER, BEVEL GEAR FRONT .089	35	-	F369364	REVERSE LOCK ARM	31	56
F2121	SPACER, BEVEL GEAR FRONT .057	35	-	F369510	LINK	29	39
F2122	SPACER, BEVEL GEAR FRONT .054	35	-	F369529-1	*CYLINDER HEAD GASKET	23	-
F2125	HEX HD. SCREW, 3/8 - 16 X 3	29	22	F369529-1	CYLINDER HEAD GASKET	25	84
F213274	GREASE FITTING	31	53	F369610	BEARING	23	55
F2143	HEX SOC. HD SCREW, 1/4 - 20 X 1 S.S.	3	20	F369887	SHOULDER SCREW	23	54
F215962	MOUNT (SHOCK - C.D. UNIT)	7	32	F369977-1	INTERLOCK ARM	23	63
F224394-3	DECAL, FUEL MIXTURE (USA) (NOT SHOWN)	41	-	F381896-4	BATTERY CABLE	7	34
F24278	*PROPELLER SHAFT SPOOL SEAL	39	-	F391926-1	CHOKE SOLENOID PLUNGER	13	40
F24278	SEAL, O-RING PROPELLER SHAFT SPOOL	35	10	F3A523158	REED PLATE	13	21
F269319	BEARING	13	31	F40209	CARBURETOR STUD	13	50
F284659-2	CRANKSHAFT THRUST BEARING, UPPER	27	21	F40223	*TRANSFER PORT COVER GASKET	23	-
F286461	SPRING LOCK BAR HANDLE	31	45	F40223	GASKET, TRANSFER PORT COVER	17	22
F286818	BEARING, LATCH SHAFT	3	33	F40223	GASKET, TRANSFER PORT COVER	23	48
F289446-1	CLAMP, REMOTE ELEC. CABLE TO BRACKET	7	11	F40278	SEAL, CYLINDER	47	31
F298788	FERRULE	41	7	F404268	SPRING, BY-PASS VALVE	25	95
				F404801	FITTING	23	44
				F404841	CABLE, HEAT INDICATOR	9	52
				F40689-1	BEARING, TOWERSHAFT	23	66
				F407446	CLAMP	7	33

PARTS INDEX

Part Number	Description	Pg.	Ref. No.	Part Number	Description	Pg.	Ref. No.
F413420	RETAINER, SWITCH PLATE	49	48	F481777	CAM, LATCH SHAFT	3	36
F428096	RETAINER, THERMOSWITCH	9	74	F481836	*INTAKE GASKET	23	-
F428096	RETAINER, THERMOSWITCH	25	103	F481836	INTAKE GASKET	15	62
F433114	HANDLE, LOCK BAR	31	46	F481860-1	CARBURETOR, INTAKE	15	69
F433209-1	STUD	13	34	F483884	BEARING	31	51
F433253	HOSE	23	45	F485755-1	FUEL TANK ADAPTER	41	3
F438066	BY-PASS VALVE COVER	25	93	F498618	*GEAR SHIFT ARM PIN SEAL	39	-
F438129	SEAL, DRIVESHAFT SPLINE	39	71	F498618	SEAL	37	33
F438169	BEARING	29	38	F498891	PIN, GEAR SHIFT ARM	37	32
F438271	RETAINER, CRANKSHAFT SPLINE SEAL	39	70	F499026	SWIVEL	21	27
F438346	SHOCK MOUNT, LOWER	31	65	F499035	ROD END, CONTROL ROD TO TRIGGER	21	32
F438500	BOWL, FUEL SEDIMENT	17	5	F499036	TOWERSHAFT CONTROL ROD END	21	26
F438617	GASKET, FUEL SEDIMENT BOWL	17	3	F499995	CYLINDER HEAD COVER	25	73
F438653	SCREEN, FUEL PUMP	17	4	F50109	PLUG, GEAR HOUSING	37	44
F438668	RETAINER	9	66	F50342-1	*BEARING CAGE BOLT SEAL	39	-
F438747	DIAPHRAGM, FUEL PUMP	17	15	F50342-1	SEAL, BEARING CAGE BOLTS	35	8
F438754	FUEL LINE	13	44	F506118	*PROPELLER SHAFT SEAL	39	-
F438760	GASKET, FUEL PUMP	17	16	F506118	SEAL, DRIVESHAFT	37	52
F438801	FITTING, FUEL PUMP OUTLET	17	11	F506118	SEAL, PROPELLER SHAFT	35	9
F438930	RETAINER, SNOOT	37	36	F510374-1	DECAL, CIRCUIT BREAKER	7	37
F438962	SHOCK MOUNT SLIDE	29	12	F510460	CIRCUIT BREAKER	7	38
F439736	SEAL EXHAUST TUBE	29	8	F511125-2	TUBE, STEERING SUPPORT	29	31
F449010	CYLINDER	47	32	F522056	BEARING	39	77
F449181	PLATE, TRIM SWITCH	47	10	F523031	**GASKET, WATER PUMP	39	-
F449253-1	HYDRAULIC LINE, TRIM CYLINDER, LOWER	47	37	F523031	GASKET, WATER PUMP	37	57
F449254	HYDRAULIC LINE, TRIM CYLINDER, UPPER	47	23	F523057	BEARING, DRIVESHAFT LOWER	37	66
F449278	PISTON SEAL	47	30	F523065-1	**IMPELLER	39	-
F449342	SEAL, PISTON SHAFT	47	28	F523065-1	WATER PUMP IMPELLER	37	59
F449354	THRUST BRACKET	47	25	F523099-1	SPACER, PROPELLER	35	19
F449362	BEARING	47	35	F523116-1	EXHAUST SNOOT	37	38
F449545-2	CYLINDER HOUSING	47	33	F523133-2	MOTOR LEG	29	14
F449632	SHAFT	47	36	F523146-1	SEAL, CRANKSHAFT LOWER	27	13
F449754-1	HYDRAULIC LINE, LIFT CYLINDER, LOWER	47	39	F523146-1	SEAL, CRANKSHAFT UPPER	27	19
F449758	HYDRAULIC LINE, LIFT CYLINDER, UPPER	47	38	F523188	NUT, BEVEL PINION RETAINING	37	34
F449843	CABLE	47	8	F523244	INLET WATER LINE	35	5
F449889	SHAFT, UPPER	49	51	F523273	STEERING BALL STUD	31	86
F455690	SET SCREW	43	31	F523274	GREASE FITTING	29	30
F474073-1	CLAMP SCREW	29	27	F523280	NUT, STEERING SUPPORT TUBE	29	42
F475504	GROMMET	9	42	F523300-1	SPRING	31	82
F476066-1	COVER, THERMOSTAT	25	78	F523411	RETAINING RING	35	23
F476067	*THERMOSTAT COVER GASKET	23	-	F523451	SPACER, REED STOP	13	19
F476067	GASKET, THERMOSTAT COVER	25	81	F523498	**KEY	39	-
F480107-1	CAM, STARTER INTERLOCK	23	57	F523498	DRIVE KEY, WATER PUMP	37	68
F480388	DISC, WATER PUMP LOCATING	37	62	F523555	*GEAR HOUSING COVER SEAL	39	-
F480551-1	BRACKET INTERLOCK SWITCH	13	48	F523555	SEAL, O-RING - GEAR HOUSING COVER	37	49
F481434	GUIDE, ENGINE COVER	3	13	F523562	**PLATE, WATER PUMP	39	-
				F523562	WATER PUMP BACK PLATE	37	58
				F523705	GEAR SHIFT ROD, LOWER	37	46
				F523813	BEARING CUP	35	30
				F523899	GROMMET, WATER LINE	35	4
				F523930	RETAINER	31	85

PARTS INDEX

Part Number	Description	Pg.	Ref. No.	Part Number	Description	Pg.	Ref. No.
F523961	CRUSH RING	37	50	F5H078	IGNITION KEY SWITCH	56	-
F525629	COTTER PIN FOR 5H179	33	90	F5H078	SWITCH, IGNITION LONG BARREL W/KEYS AND SCREWS	7	16
F528068	THERMOSTAT (110-F)	25	80	F5H079	SINGLE REMOTE CONTROL BOX	55	-
F529390-1	DECAL, REVERSE LOCK	31	54	F5H080	TWIN REMOTE CONTROL BOX	55	-
F530160	REED (5 PETAL)	13	20	F5H081	BATTERY CABLE	55	-
F532299	WASHER, PROPELLER SPLINE	35	17	F5H094	STEERING LINK KIT	55	-
F53504	GROMMET	15	67	F5H108	STEERING CONNECTOR	55	-
F549189	BUSHING, ELECTRIC CABLE	3	25	F5H115	TRAILERING BRACKET (W/OUT POWER TRIM)	33	88
F563	TERMINAL BLOCK KIT	56	-	F5H115	TRAILERING TILT LOCK	56	-
F580892-2	DECAL	43	27	F5H120	REMOTE CONTROL BACK PLATE	55	-
F58685-2	CONNECTOR, SHIFT CABLE (FORCE AND BAYLINER MODELS)	43	2	F5H130-1	HOUSING	45	36
F590	REMOTE CONTROL - FLUSH MOUNT	55	-	F5H130-1	REMOTE CONTROL - SURFACE MOUNT	55	-
F598387	DECAL, POWER FLOW	31	87	F5H132	REMOTE CONTROL HANDLE TRIM SWITCH	55	-
F5H018	DUAL STEERING CONNECTOR	55	-	F5H149	POWER TRIM	56	-
F5H019	ANTI-CORROSION KIT	55	-	F5H151	SHOCK ABSORBER KIT	55	-
F5H021	EXTENSION CABLE	55	-	F5H154	SPEEDOMETER FLUSH MOUNT	56	-
F5H025	ANTI-CORROSION SACRIFICIAL ANODE	55	-	F5H155	SPEEDOMETER FLUSH MOUNT	56	-
F5H026-1	FUEL TANK ACC. ITEM (FORCE MODELS)	41	2	F5H156	TEMPERATURE GAUGE FLUSH MOUNT	56	-
F5H028	SENDING UNIT	56	-	F5H157	VOLTMETER - FLUSH MOUNT	55	-
F5H030	SWITCH KIT - RUNNING LIGHTS	56	-	F5H159	HOURMETER	56	-
F5H031	SWITCH KIT - SPOT LIGHT	56	-	F5H161	POWER TRIM INDICATOR	55	-
F5H032	SWITCH KIT - WIPER	56	-	F5H167	TACHOMETER FLUSH MOUNT	56	-
F5H034	SWITCH KIT - BILGE PUMP	56	-	F5H173	FLUSHING ADAPTER	55	-
F5H035	SWITCH KIT - HORN	56	-	F5H179	TRAILERING BRACKET (W/POWER TRIM)	33	89
F5H036	SWITCH KIT - TACHOMETER TRANSFER	56	-	F5H179	TRAILERING TILT LOCK	56	-
F5H037	CIGAR LIGHTER	55	-	F5H191	FORCE BLUE ENAMEL	57	-
F5H038	IGNITION SWITCH MOUNTING KIT (ACCESSORY ITEM)	7	22	F5H192	FORCE BLUE ENAMEL	57	-
F5H038	SWITCH KIT - IGNITION SWITCH	56	-	F615475	IGNITION COIL	9	46
F5H039	SWITCH KIT - INSTRUMENT LIGHT	56	-	F616675	STARTER BRACKET LOWER	11	11
F5H041	BATTERY TERMINAL KIT	55	-	F616955	STARTER COMPLETE	11	14
F5H041	BATTERY TERMINAL KIT (ACCESSORY ITEM)	9	48	F629449	THERMOSWITCH	7	6
F5H043	BUZZER, HEAT INDICATOR (ACCESSORY ITEM)	9	50	F629449	THERMOSWITCH	25	74
F5H043	OVERHEAT BUZZER	55	-	F630518	CYLINDER HEAD	25	82
F5H044	TILT STOP KIT	55	-	F631061	CARBURETOR ASSEMBLY (WE-9-2) MIDDLE & BOTTOM	19	-
F5H059	US MARINE OUTBOARD MULTI-PURPOSE GREASE	57	-	F631061	CARBURETOR COMPLETE (MIDDLE & BOTTOM) WE 9-2	15	61
F5H060	US MARINE OUTBOARD GREASE GUN	57	-	F632061	CARBURETOR ASSEMBLY (WE-9-1) TOP	19	-
F5H068	RFI SUPPRESSION KIT	55	-	F632061	CARBURETOR COMPLETE (TOP) WE 9-1	15	60
F5H070	REMOTE ELECTRIC CABLE	56	-	F63754	HOSE INTAKE DRAIN	15	65
F5H075	WIRING HARNESS - IGNITION SWITCH (24")	56	-	F650450	RECTIFIER	7	9
F5H076	SWITCH EXTENSION CABLE - 5 FT.	56	-	F653029	TRIGGER ASSY.	9	58
F5H077	IGNITION KEY SWITCH	56	-				

PARTS INDEX

Part Number	Description	Pg.	Ref. No.	Part Number	Description	Pg.	Ref. No.
F653301-1	MODULE	9	45	F8077	*WASHER	39	-
F653398-1	DECAL, 3 CYL WIRING	9	71	F8077	WASHER, GEAR HOUSING PLUG	37	43
F653744	WIRING HARNESS	7	14	F8080	SPRING LOCKWASHER	31	84
F654924	CHOKE SOLENOID	7	36	F8083	**SPRING LOCKWASHER	39	-
F654976	CONNECTOR, THROTTLE CABLE (BAYLINER MODELS)	43	-	F8083	LOCKWASHER	5	38
F658758	HOSE, IMPULSE	17	20	F8083	LOCKWASHER	17	7
F658803	GASKET, SPACER PLATE	17	2	F8083	LOCKWASHER	39	76
F658836	SPACER, FUEL PUMP	17	17	F8083	SPRING LOCKWASHER	9	63
F660189	BUSHING, CABLE ENTRY	3	26	F8083	SPRING LOCKWASHER	11	13
F663038	SUPPORT PLATE	3	24	F8083	SPRING LOCKWASHER	29	2
F663095	ALTERNATOR STATOR	9	59	F8083	SPRING LOCKWASHER	37	54
F663269	HANDLE, TILT	3	19	F8088	PLAIN WASHER	7	2
F663366	MEDALLION - FORCE	3	6	F8088	PLAIN WASHER	13	55
F663373	DECAL, TOP - SIDE	3	7	F8090	PLAIN WASHER	7	28
F663386	DECAL, NUMBER 85	3	8	F8094	PLAIN WASHER	31	59
F663396	DECAL, BOTTOM - STARBOARD	3	5	F8094	WASHER	3	37
F663397	DECAL, BOTTOM - PORT	3	3	F8095	PLAIN WASHER	21	7
F663480	RETAINER	5	42	F8096	SPRING LOCKWASHER	3	11
F663528	DECAL, BOTTOM - REAR	3	16	F8096	SPRING LOCKWASHER	3	31
F663585	DECAL, TOP - REAR	3	18	F8096	SPRING LOCKWASHER	7	24
F663756	PACKING	3	23	F8096	SPRING LOCKWASHER	25	101
F663774-1	BRACKET, ENGINE COVER LATCH	3	9	F8096	SPRING LOCKWASHER	31	63
F663892	DECAL, BOTTOM - FRONT	3	4	F8096	SPRING LOCKWASHER	37	40
F663894	DECAL, TOP - FRONT	3	2	F8124	EXTERNAL TOOTH LOCKWASHER	7	31
F663984	BLANKET, TOP (NOT SHOWN)	3	-	F84011	WASHER	31	55
F663985	BLANKET, SIDE (NOT SHOWN)	3	-	F84074	CLAMP SCREW FOOT	29	26
F664384	CLIP, TERMINAL BLOCK COVER	9	75	F84278	*CRANKSHAFT BRG. SEAL CAGE SEAL	23	-
F664497	TERMINAL BLOCK (12 POSITION)	9	72	F84286-1	FRICITION WASHER	31	49
F664672	COVER, TERMINAL BLOCK COVER	9	76	F84305	*PROPELLER SHAFT SPOOL SEAL	39	-
F665387	DECAL, LOGO (US MARINE)	3	17	F84305	SEAL, PROPELLER SHAFT BEARING SPOOL	35	12
F7004	STOP NUT, 3/18 - 16	21	33	F84307-1	*DRIVE SHAFT SEAL	39	-
F7008	STOP NUT, 1/4 - 20	13	30	F84314-2	ELBOW	21	28
F7009	LOCK NUT, #10 - 24	21	2	F84342	SEAL, INLET WATER LINE UPPER	35	3
F7012	LOCK NUT, 1/2-20	29	21	F84449	NEUTRAL INTERLOCK SWITCH	7	3
F7024	STOP NUT, 1/4 - 20	3	22	F84504	*THERMOSTAT GROMMET	23	-
F74305	*GEAR HOUSING COVER SEAL	39	-	F84504	GROMMET	25	79
F74305	SEAL, DRIVESHAFT BEARING CAGE	37	51	F84521-2	CLUTCH	35	27
F762	REMOTE ELECTRIC CABLE	56	-	F84792	GASKET, FUEL PUMP VALVE	17	23
F8003	PLAIN WASHER	21	39	F84871-1	PIN, GEAR SHIFT	35	25
F8011	PLAIN WASHER	9	39	F85017	PISTON PIN	27	4
F8026	PLAIN WASHER	15	77	F85033	CHOKE ROD SWIVEL	13	37
F8028	PLAIN WASHER	9	43	F85037-1	STERN BRACKET PIVOT BOLT	31	48
F8038	PLAIN WASHER	21	4	F85117	BRACKET, WATER LINE	35	2
F8038	PLAIN WASHER	31	81	F85130	BOOT, IDLE EXHAUST	29	5
F8056	SPRING LOCKWASHER	7	7	F85151-1	EXHAUST PORT PLATE	25	91
F8058	INTERNAL TOOTH LOCKWASHER	13	29	F85152-4	EXHAUST PORT COVER	25	89
F8061	INTERNAL TOOTH LOCKWASHER	43	12	F85154-1	*EXHAUST PORT PLATE GASKET	23	-
				F85154-1	GASKET, EXHAUST PORT PLATE	25	90
				F85159-1	*MANIFOLD GASKET	23	-

PARTS INDEX

Part Number	Description	Pg.	Ref. No.	Part Number	Description	Pg.	Ref. No.
F85159-1	GASKET, INTAKE MANIFOLD	13	24	F85925	CHOKE ROD	13	38
F85161-1	REED STOP	13	18	F85965	SHOCK MOUNT, UPPER	31	73
F85162	REED PLATE ADAPTER	13	23	F9018	CAP	29	43
F85168-1	*CARBURETOR ADAPTER			F9052	PLUG	29	29
	FLANGE GASKET	23	-	F90619-2	YOKE	39	73
F85168-1	GASKET REED PLATE			F90807	RETAINING RING	15	71
	ADAPTER	13	22	F9095	SHIM, DRIVESHAFT		
F85192-1	THROTTLE CAM	13	32		BEARING UPPER .005 -		
F85210	STUD	21	9		SILVER	37	-
F85211	STUD, REAR	25	85	F9097	SHIM, DRIVESHAFT		
F85253-1	FUEL LINE	13	46		BEARING UPPER .010 -		
F85258	INSERT	29	4		BLACK	37	-
F85279-2	*CYLINDER, EXHAUST -			F9106	SHIM, DRIVESHAFT		
	UPPER GASKET	23	-		BEARING UPPER .003 -		
F85279-2	CYLINDER EXHAUST				BRASS	37	67
	GASKET, UPPER	23	53	F91446-1	CIRCUIT BREAKER		
F85300	REVERSE LOCK SPRING	29	37		BRACKET	9	41
F85317-3	CLAMP	13	41	F92759	THROTTLE ROLLER	13	53
F85350-1	TILT STOP PIVOT	29	17	F93811	SCREEN	21	35
F85372	PIN, GEAR SHIFT ROD,			F93920	REED STOP	21	38
	LOWER	37	48	F97772	FUEL LINE CLAMP	41	11
F8538	SPRING PIN	29	28	F97772	HOSE CLAMP	13	43
F85380	SPRING	29	6	F98273	ROD END CONNECTOR		
F85410	SNAP RING	27	8		STUD	23	51
F85426	TILT STOP	31	50	FA17559	LIFT CYLINDER COMPLETE	47	40
F85445	ROD, SPARK CONTROL	21	29	FA17561-1	O-RING	49	44
F85472-2	*CYLINDER DRAIN COVER			FA27232	EMERGENCY STARTER		
	GASKET	23	-		ROPE (NOT SHOWN)	7	-
F85472-2	GASKET, CYLINDER DRAIN			FA335260	PISTON RINGS (2 PER SET)		
	COVER	21	41		STANDARD	27	1
F85498-1	FLYWHEEL KEY	27	16	FA411222	TRANSFER PORT COVER	23	47
F85502	THROTTLE LINK	21	17	FA438113	STERN BRACKET LOCK BAR	29	44
F85509-1	CHOKE LINK	15	59	FA438431	BODY, FUEL PUMP	17	12
F85541-1	TILT LOCK	29	19	FA438493	BRACKET, TERMINAL		
F85571	BEARING CAGE W/ROLLER	27	10		BLOCK	7	10
F85606	KINGPIN CAP	31	67	FA449015	PISTON	47	29
F85610	BEARING	23	60	FA449149	COVER W/SEALS AND		
F85615-1	GEAR SHIFT ROD, UPPER	31	74		RETAINER	47	27
F8563	DOWEL PIN	21	10	FA480876	GEAR SHIFT ARM	23	62
F85634-2	CONNECTING ROD SCREW	27	14	FA481743	BRACKET, ROLLER LATCH		
F85660-1	EXHAUST TUBE	29	1		W/ROLLER	3	12
F85704	COUPLER, GEARSHIFT			FA523014	CRANKSHAFT LOWER MAIN		
	ROD, UPPER	31	62		BEARING	27	12
F85748-2	*CYLINDER DRAIN REED			FA523054	GEAR HOUSING		
	PLATE GASKET	23	-		W/DRIVESHAFT BEARING		
F85748-2	GASKET, CYLINDER DRAIN				LOWER	37	42
	REED PLATE	21	34	FA523109	PLUG, GEAR HOUSING	39	78
F85762	*BY-PASS VALVE GASKET	23	-	FA523485	ANTI-CORROSION ANODE	35	21
F85762	GASKET, BY-PASS VALVE	25	94	FA523735	SEAL, INLET WATER LINE		
F85772	CLAMP	29	7		LOWER	37	65
F85779-1	BAFFLE, AIR INTAKE	31	71	FA58976-1	CONNECTOR, THROTTLE		
F85843-1	ELECTRIC CONTROL				CABLE (FORCE MODELS)	43	1
	CABLE, 18 FEET	7	35	FA607689	BEARING TOWERSHAFT		
F85859	STUD, FORWARD	21	12		LOWER	25	102
F85906	*CARBURETOR GASKET	23	-	FA609853	DECAL, WARNING	9	67
F85906	CARBURETOR GASKET	13	49	FA612754	FUEL LINE, SHORT		
F85908-1	LEAD WIRE	11	9		(BAYLINER MODELS)	41	14
F85909-1	BEARING LOCATING PIN			FA616497	TERMINAL BLOCK	7	13
	(PRESSED INTO BLOCK)	27	23	FA630752	FUEL LINE COMPLETE		
F85916-1	BY-PASS VALVE	25	96		(BAYLINER MODELS)	41	-

PARTS INDEX

Part Number	Description	Pg.	Ref. No.	Part Number	Description	Pg.	Ref. No.
FA658746	COVER, FUEL PUMP	17	1	FT11260	SPARK TESTER	53	-
FA663469	ENGINE COVER LATCH HANDLE W/SHAFT	3	32	FT2938-1	CONTINUITY TESTER	53	-
FA84621-1	COUPLING, GEAR SHIFT ARM W/BUSHING	37	45	FT2951	CIRCUIT TRACER	53	-
FA84754-1	FUEL LINE SHORT	41	8	FT2953	SOCKET	51	-
FA85018-2	CRANKSHAFT	27	15	FT2961	LUBRICANT - RYKON GREASE #2EP	54	-
FA85135-4	LEG COVER, FRONT	31	66	FT2962-2	SEALANT - 50 CC LOCTITE H, NON-HARDENING GRADE	54	-
FA85193	TIE BAR END W/SWIVEL	15	72	FT2963-2	SEALANT - 2 OZ. LOCTITE 271	54	-
FA85355-1	WASHER SHOCK MOUNT UPPER W/WASHER	31	77	FT2987-1	LUBRICANT - ANTI-SEIZE	54	-
FA85511	THROTTLE TIE BAR W/SWIVEL	15	75	FT2990	PISTON PIN TOOL	51	-
FA85655-1	CRANKSHAFT MAIN BEARING RACE	27	9	FT2991	CARBON BRUSH	51	-
FC311398	DECAL, FUEL MIXTURE (CANADA) (NOT SHOWN)	41	-	FT2996	RING COMPRESSOR	51	-
FC529398	DECAL, WIRING	25	86	FT2998	TORQUE WRENCH (0 - 100 LBS./FT.)	51	-
FC663054	GEAR HOUSING COMPLETE.	37	-	FT2999	TORQUE WRENCH (0 - 600 LBS./FT.)	51	-
FG1020-1	GASKET SET -	23	69	FT3012	SEAL INSTALLER	52	-
FK10120-1	FLOAT KIT, VALVE & SEAT	19	27	FT7848	TORQUE ADAPTER	52	-
FK10209	GASKET KIT.	19	15	FT8900	HOSE CLAMP PLIERS	51	-
FK10220	REPAIR KIT.	19	28	FT8901	INDICATOR HOLDER	52	-
FK1063-2	SEAL KIT -	39	74	FT8902	DIAL INDICATOR	52	-
FK1069	WATER PUMP KIT-	39	75	FT8903	SEAL INSTALLER	51	-
FK1123	SPARKIE KIT	9	54	FT8907	DRIVER HANDLE	51	-
FK17114-1	INDICATOR	43	32	FT8907	DRIVER HANDLE	52	-
FK17156	BAG ASSEMBLY (NOT SHOWN).	45	-	FT8914	SEAL REMOVER	51	-
FK405020	SWIVEL W/PIVOT SCREW AND NUT	21	24	FT8918	BEARING GUIDE SET	52	-
FK460917	STARTER RELAY	7	23	FT8919	SPRING PIN PUNCH	52	-
FK85228-1	BEARING CAGE W/ROLLER	27	7	FT8925	SEAL INSTALLER	51	-
FO14166	NEEDLE, IDLE	19	23	FT8925	SEAL INSTALLER	52	-
FO15623	BOWL RING GASKET	19	13	FT8926	RING EXPANDER	51	-
FPS623	PROPELLER (13 X 17) MODELS 856X7A & 856Y7A	35	18	FT8930-1	FEELER GAUGE SET	52	-
FPS625	PROPELLER (13 X 19) MODELS 856F7A, C856F7A, 858F7A & 858V7A	35	-	FT8933	LIFTING HOOK	51	-
FS409752	FUEL LINE COMPLETE (FORCE MODELS).	41	-	FT8935	SEALANT PRIMER LOC QUIC T	54	-
FS663358	BRACKET (C.D. - COIL)	7	30	FT8936-1	SEALANT - 2 CC LOCTITE RETAINING COMPOUND #75	54	-
FS663712	ENGINE COVER, (WITH OUT PAINT, DECALS OR HARDWARE)	3	1	FT8948-1	PULLER	50	-
FS85019	KINGPIN	29	34	FT8948-1	PULLER	52	-
FS85872-1	BRACKET, REMOTE CABLE	23	50	FT8950	LEAKAGE TESTER	53	-
FSA335260	PISTON RINGS (2 PER SET) .010 OVERSIZE	27	-	FT8955	SEALANT - 5 OZ. EC-750 INDUSTRIAL SEALANT	54	-
FT1082	SNAP RING PLIER	51	-	FT8957	SEAL INSTALLER	52	-
FT11204	BEARING CUP INSTALLER	52	-	FT8969	LUBRICANT - 7 OZ. LPS-1 LUBRICANT	54	-
FT11205	BEARING INSTALLER/REMOVER	52	-	FT8978	TIMING LIGHT	50	-
FT11207	BEARING CUP REMOVER	52	-	FT8983	SEALANT - 3 OZ. RTV SEALANT FROM IN PLACE GASKETS	54	-
FT11209	BEARING GUIDE SET	52	-	FT8985	SEAL INSTALLER	52	-
FT11259	MULTIMETER	53	-	FT8997	SHIM TOOL	52	-
				FTA2937-1	TIMING TOOL	50	-
				FTK8999	TEST WHEEL	53	-
				22-817789A1	DRAIN FITTING W/METERING CUP	15	64
				22-818103--1	ELBOW	13	35
				32-817738A1	FUEL LINE LONG	41	10

PARTS INDEX

Part Number	Description	Pg.	Ref. No.	Part Number	Description	Pg.	Ref. No.
33-818007--1	SPARK PLUG (CHAMPION UL-18-V)	25	70				
39-818110A1	PISTON RINGS (2 PER SET) .030 OVERSIZE	27	-				
43-817830A2	BEVEL PINION GEAR	37	35				
43-818062A3	BEVEL GEAR FRONT W/BEARING	35	29				
44-817962A2	PROPELLER SHAFT	35	24				
45-817967A6	DRIVESHAFT W/BEARING	39	69				
46-817853A1	**WATER PUMP	39	-				
46-817853A1	WATER PUMP BODY	37	60				
200-817865A1	FLYWHEEL	9	61				
597-	US MARINE OUTBOARD GEAR LUBE	57	-				
600-818052A4	CONNECTING ROD	27	6				
700-817988A2	PISTON .010 OVERSIZE	27	-				
700-818111A2	PISTON .030 OVERSIZE	27	-				
700-F372015-3	PISTON-STANDARD	27	2				
800-817861A7	CYLINDER W/CRANKCASE COVER	25	97				
800-817912A9	SHORT BLOCK (NOT SHOWN).	25	-				
1400-817958A6	STERN BRACKET	29	20				
F596-	US MARINE OUTBOARD OIL	56	-				