



PARTS CATALOG

FORCE 1987 50 H.P.

SERIAL NUMBER

50 H.P. (1987)507F7A
50 H.P. (1987)507X7A
50 H.P. (1987)507Y7A
50 H.P. (1987)	508M7A
50 H.P. (1987)	C507F7A

TABLE OF CONTENTS:

ACCESSORIES	49
ALTERNATOR AND ELECTRICAL COMPONENTS	4
CARBURETOR	14
CRANKSHAFT AND PISTON GROUP	24
ELECTRIC STARTER	10
ENGINE COVER AND SUPPORT PLATE	2
FUEL PUMP	12
FUEL TANK AND LINE	38
GEAR HOUSING	34
MOTOR LEG	28
PARTS INDEX	52
POWER HEAD	18
REED PLATE	26
REMOTE CONTROL	40
SPECIAL TOOLS - LOWER UNIT	46
SPECIAL TOOLS - LUBRICANTS AND SEALANTS	48
SPECIAL TOOLS - POWER HEAD	45
SPECIAL TOOLS - TEST EQUIPMENT	47
SPECIAL TOOLS - TUNE-UP	44

NOTE: Indented description indicate that these parts are included in preceeding assembly.

AR = As Required

NSS = Not Sold Separate

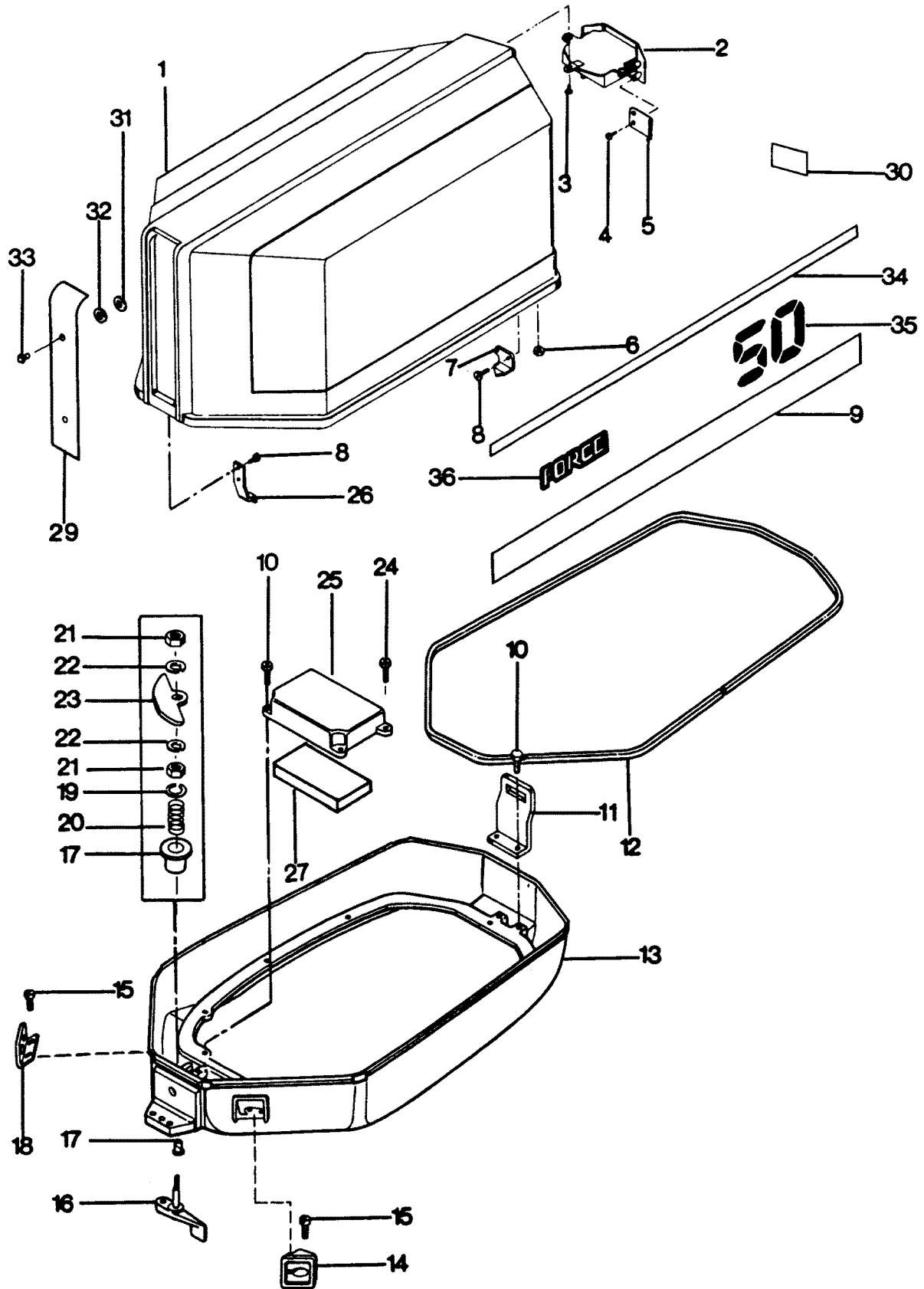
OPT = Optional

NS = Not Shown

THESE PARTS BOOKS/FICHE CARD ARE COPYRIGHTED AND MAY NOT BE DISTRIBUTED OR REPRODUCED IN ANY OTHER FORMAT BY ANYONE OTHER THAN MERCURY MARINE WITHOUT THE PRIOR WRITTEN CONSENT OF MERCURY MARINE.

THIS PAGE INTENTIONALLY LEFT BLANK

ENGINE COVER AND SUPPORT PLATE



ENGINE COVER AND SUPPORT PLATE

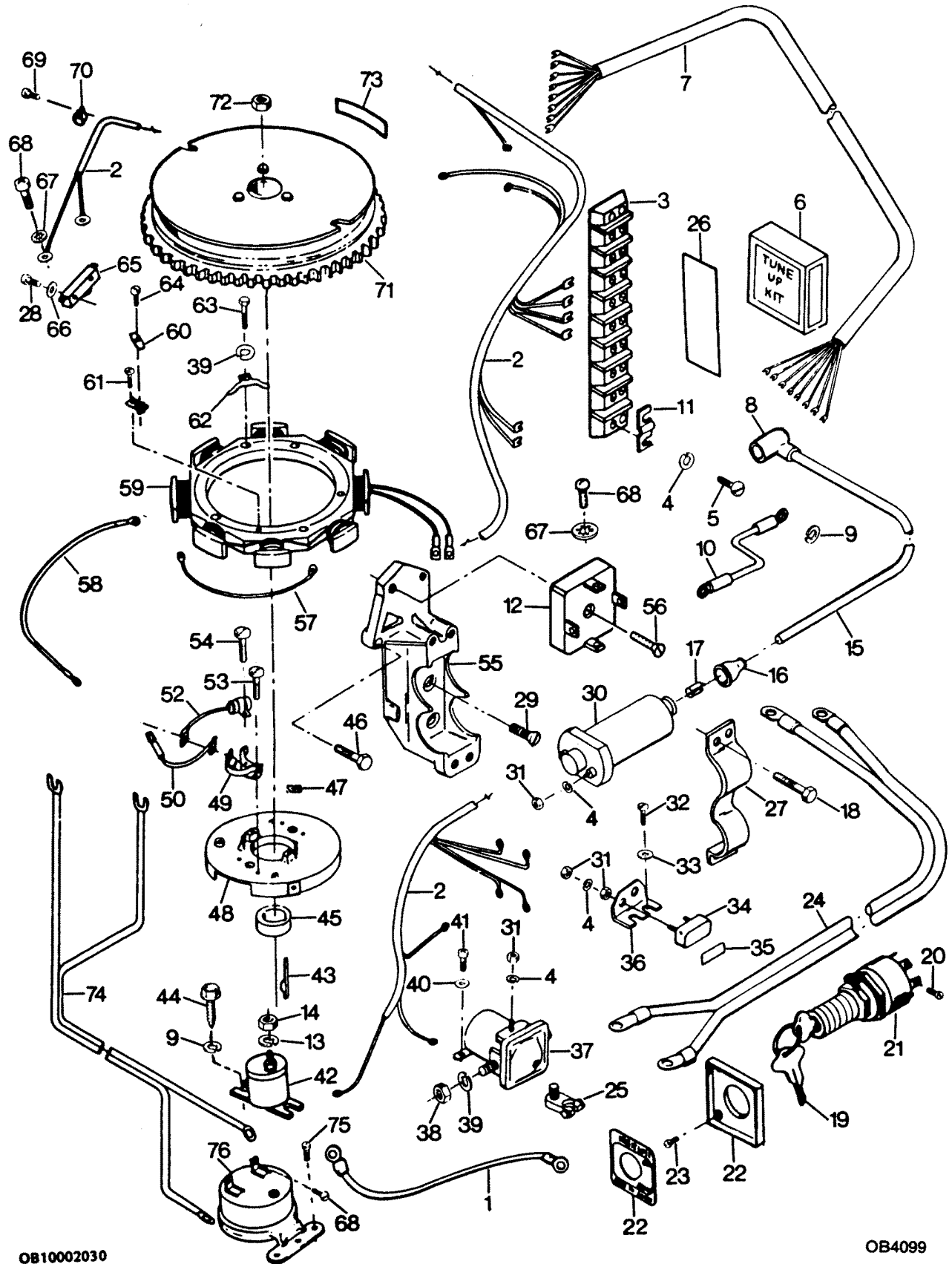
REF. NO.	PART NO.	SYM.	QTY.	DESCRIPTION
1	FS662712		1	ENGINE COVER W/ILLUS. 6, 7, 8 AND 26
-	F2C662712		1	ENGINE COVER COMPLETE INCLUDES ITEMS MARKED WITH AN ASTERISK (*).
2	817814A1		1	TILT HANDLE W/LITERATURE ORIGINAL FORCE P/N A 463269-1
3	F2025		1	PAN HD SCREW, 10 X 5/8
4	F2066		4	PAN HD SELF-TAPPING SCREW
5	F463864		2	RETAINER, TILT HANDLE
6	F7011		4	HEX NUT, 10-24
7	FA458480		1	ENGINE COVER RETAINER W/ILLUS. 6 AND 8
8	F1475		4	FILL HD SCREW, 10 X 24 X 1/2
9	F662397		2	DECAL, ENGINE COVER BOTTOM STRIPE
10	F1864		12	HEX CAP SCREW, 1/4 - 20 X 3/4
11	F458774		1	BRACKET RETAINER - REAR
12	F85756		1	SUPPORT PLATE PACKING
13	F307038		1	SUPPORT PLATE
14	F549189		1	BUSHING ELECTRIC CABLE ENTRY
15	F1733		3	PAN HD SCREW, 10 - 24 X 9/16
16	FA328763		1	COVER LATCH HANDLE W/ SHAFT
17	F307818		2	BEARING, LATCH SHAFT
18	F660189		1	BUSHING, CABLE ENTRY
19	F1987		1	PLAIN WASHER
20	F183300		1	SPRING
21	F1515		2	HEX NUT, 5/16 - 18
22	F8096		2	SPRING LOCKWASHER
23	F89777-1		1	LATCH CAM
24	F1532		2	HEX HD SCREW, 1/4 - 20 X 1
25	FA307779		1	BAFFLE, AIR INTAKE W/ILLUS. 27
26	FA366778		1	ENGINE COVER RETAINER FORWARD W/ILLUS. 6 AND 8
27	F307860		1	INTAKE SILENCER
29	FK606711		1	PLATE, FRONT W/ILLUS. 31, 32, 33
-	F465985		2	BLANKET, SILENCER - SIDE (NOT SHOWN)
-	F311984-1		1	BLANKET, SILENCER - TOP (NOT SHOWN)
-	F474992		1	BLANKET, SILENCER - FRONT (NOT SHOWN)
30	F665387		1	DECAL, "US MARINE"
31	F1753		2	FASTENER, TRIM (INSIDE OF COVER)
32	F85735-1		2	SEAL, TRIM (INSIDE OF COVER)
33	F2165		2	RIVET, TRIM
34	F662915		2	DECAL, ENGINE COVER TOP STRIPE
35	F662386		2	DECAL, "50"
36	F663366		2	MEDALLION "FORCE"

ALTERNATOR AND ELECTRICAL COMPONENTS

REF. NO.	PART NO.	SYM.	QTY.	DESCRIPTION
1	F307683		1	WIRE, CIRCUIT BREAKER
2	F311744-2		1	WIRING HARNESS
3	FA616497		1	TERMINAL BLOCK W/ILLUS. 5
4	F1975		7	LOCKWASHER
5	F1974		2	SLOTTED PAN HD SCREW, 10 - 24 X 5/8
6	FK1075		1	TUNE-UP KIT. INCLUDES ALL ITEMS MARKED WITH AN ASTERISK (*).
7	F629843		1	ELECTRICAL CONTROL CABLE - 14 1/2 FT. BAYLINER MODELS
-	F85843-1		1	ELECTRIC CONTROL CABLE - 18 FT. FORCE MODELS
8	FK1123		2	SPARKIE KIT
9	F8083		3	SPRING LOCKWASHER
10	F345683		1	WIRE - GROUND
11	F307317		1	CLIP, TERMINAL BLOCK - GROUND
12	F650450		1	RECTIFIER
13	F8056		1	SPRING LOCKWASHER
14	F1647		1	HEX NUT, 8 - 32
15	84-817765A2		2	COIL WIRE. INCLUDES ITEMS 16 AND 17 ORIGINAL FORCE P/N A 307664-2
-	F467841		2	COIL WIRE - CANADA
16	F203276		2	COIL BOOT
17	F203673-1		2	TERMINAL CLIP
18	F1922		4	HEX CAP SCREW, 1/4 - 20 X 5/8
19	817782--1		1	IGNITION KEY - NO LETTER OR STAMPED A
-	817883--1		1	IGNITION KEY - STAMPED B
-	817891--1		1	IGNITION KEY - STAMPED C
-	817928--1		1	IGNITION KEY - STAMPED D
-	817929--1		1	IGNITION KEY - STAMPED E
20	F1280		5	PAN HD SCREW, 8 - 32 X 1/4
21	F5H078		1	IGNITION SWITCH (ACCESSORY ITEM) W/ILLUS. 19 AND 20
22	F5H038		1	IGNITION SWITCH MOUNTING KIT (ACCESSORY ITEM) W/ILLUS. 23
-	817892--1		1	PLATE IGNITION SWITCH CANADA
23	F1934		4	FLAT HD SLOTTED SCREW, 6 X 1/2
24	F629896		1	BATTERY CABLE (BAYLINER MODELS)
-	F381896-4		1	BATTERY CABLE (FORCE MODELS)
25	F5H041		1	BATTERY TERMINAL KIT (ACCESSORY ITEM)
26	817887--1		1	DECAL, WIRING
-	FA27232		1	EMERGENCY STARTER ROPE (NOT SHOWN) WITH HANDLE
27	F380513		1	COIL CLAMP
28	F2016		2	FILL HD SCREW, 8 - 32 X 7/8
29	F1164		2	FLAT HD SCREW, 5/16 - 18 X 1-1/8
30	F380475		2	COIL
31	F1513		9	HEX NUT, 10-32

CONTINUED ON NEXT PAGE ➡

ALTERNATOR AND ELECTRICAL COMPONENTS



OB10002030

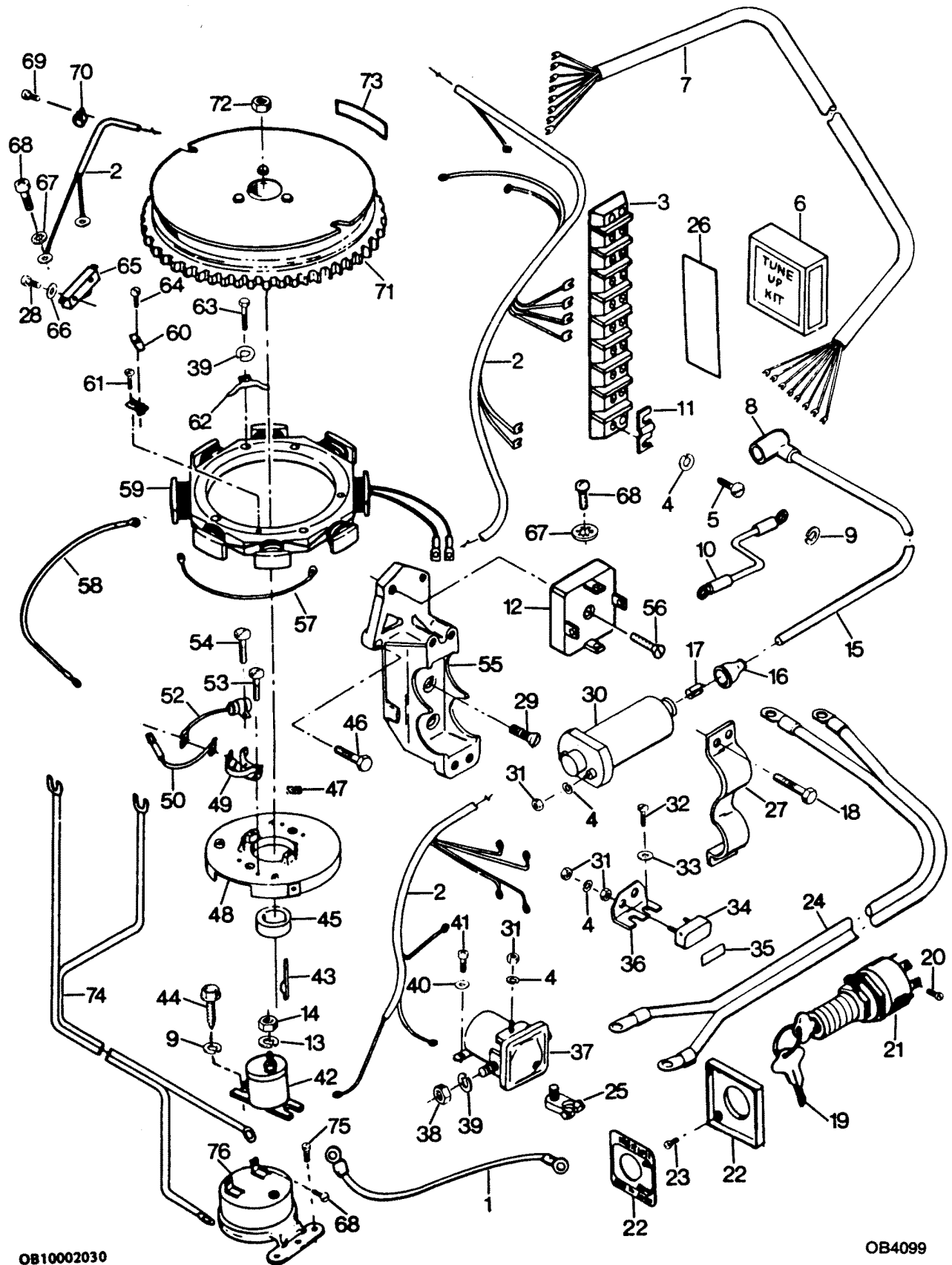
OB4099

ALTERNATOR AND ELECTRICAL COMPONENTS

REF. NO.	PART NO.	SYM.	QTY.	DESCRIPTION
32	F1733		2	PAN HD SCREW, 10 - 24 X 9/16
33	F8011		2	PLAIN WASHER
34	F510460		1	CIRCUIT BREAKER
35	F510374-1		1	DECAL, CIRCUIT BREAKER
36	F91446-1		1	CIRCUIT BREAKER BRACKET
37	F177917		1	STARTER RELAY
38	F1615		2	HEX NUT, 5/16-24
39	F8096		5	SPRING LOCKWASHER
40	F8094		1	PLAIN WASHER
41	F1238		2	FILL HD SCREW, 1/4 - 20 X 3/4
42	89-817760A2		1	CHOKE SOLENOID W/ILLUS. 13 AND 14 ORIGINAL FORCE P/N A 289924-1
43	F92498		1	KEY
44	F1854		2	HEX HD SCREW, 1/4 - 20 X 5/8
45	F268002-2		1	CAM
46	F1532		1	HEX HD SCREW, 1/4 - 20 X 1
47	F12227		2	CAM WIPER - FELT
48	F12344		1	BREAKER PLATE
49	F12329-2		2	BREAKER POINT SET
50	F12174-1		2	PRIMARY INTERLEAD GROUP
52	F12139-1		2	CONDENSER
53	F12090		4	BREAKER CONTACT SCREW
54	F12170		2	CONDENSER MOUNT SCREW W/LOCKWASHER
55	F380501-1		1	COIL MOUNT
56	F1552		1	SLOTTED PAN HD SCREW, 8 - 32 X 1/2
57	F12338		1	GROUND WIRE
58	F289664		1	WIRE STATOR GROUND
59	F466095		1	STATOR
60	F12172		2	TERMINAL COMPLETE INCLUDES ILLUS. 64
61	F1958		2	PAN HD SCREW, 6 X 7/16
62	F466479		3	BREAKER PLATE SHOE
63	F2071		3	HEX CAP SCREW, 5/16 - 18 X 1-3/8
64	F12167		2	SCREW
65	F84449		1	NEUTRAL INTERLOCK SWITCH
66	F8088		2	PLAIN WASHER
67	F1704		6	INTERNAL TOOTH LOCKWASHER
68	F1645		8	RD HD SELF-TAPPING SCREW, 6 - 32 X 1/4
69	F1110		1	SLOTTED FILL HD SCREW, 1/4 - 20 X 5/8
70	F260446-1		1	CLAMP
71	200-817739A6		1	FLYWHEEL W/ILLUS. 73 ORIGINAL FORCE P/N A 203097-6
72	F1920		1	HEX NUT, 5/8 - 18
73	FA609853		1	DECAL, WARNING W/LITERATURE
74	F404841		1	CABLE OVERHEAT BUZZER

CONTINUED ON NEXT PAGE ➡

ALTERNATOR AND ELECTRICAL COMPONENTS



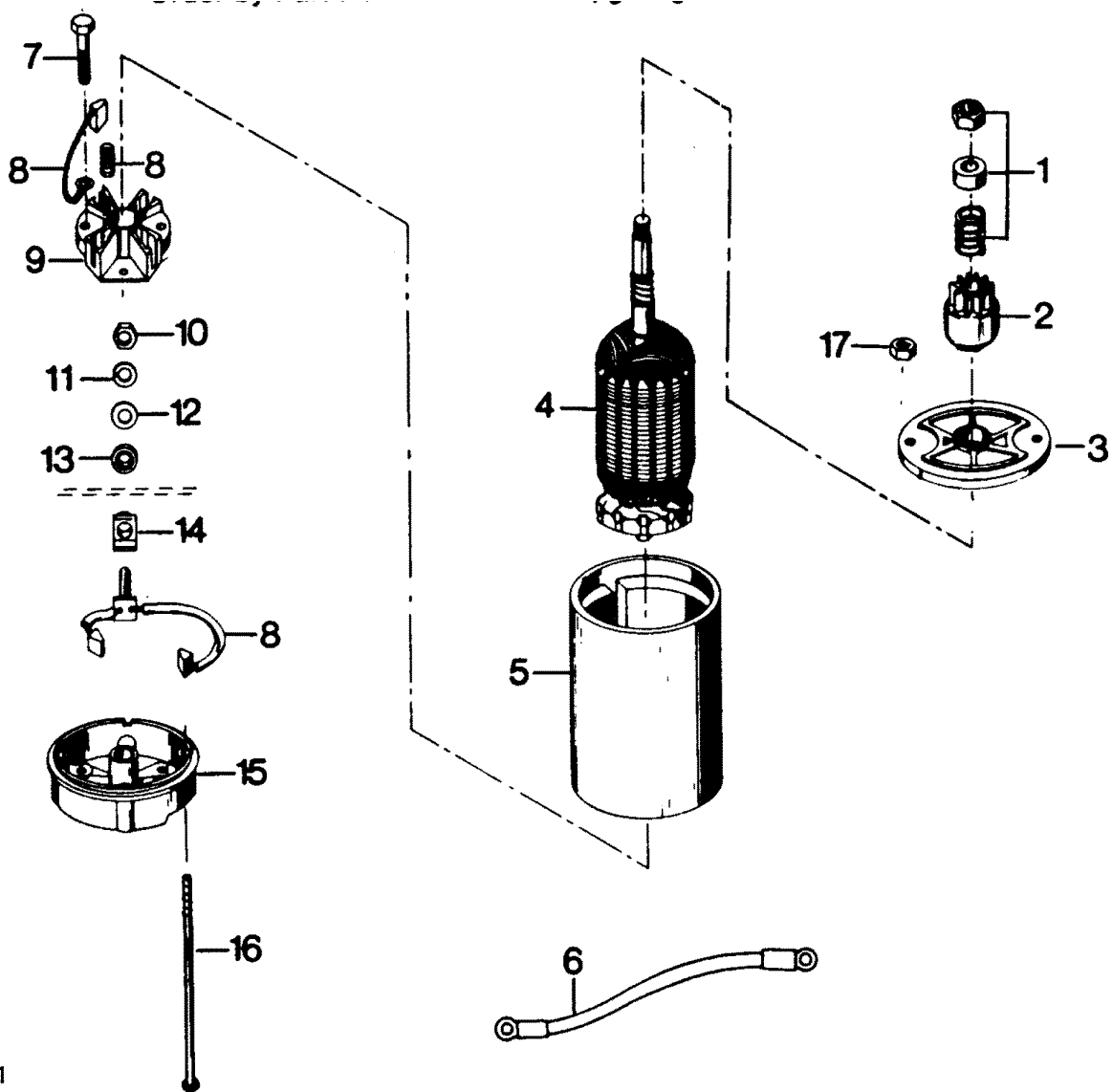
OB10002030

OB4099

ALTERNATOR AND ELECTRICAL COMPONENTS

REF. NO.	PART NO.	SYM.	QTY.	DESCRIPTION
75	F1741		1	PAN HD SCREW, 8 - 3/4
76	F5H073		1	OVERHEAT BUZZER (ACCESSORY ITEM)

ELECTRIC STARTER

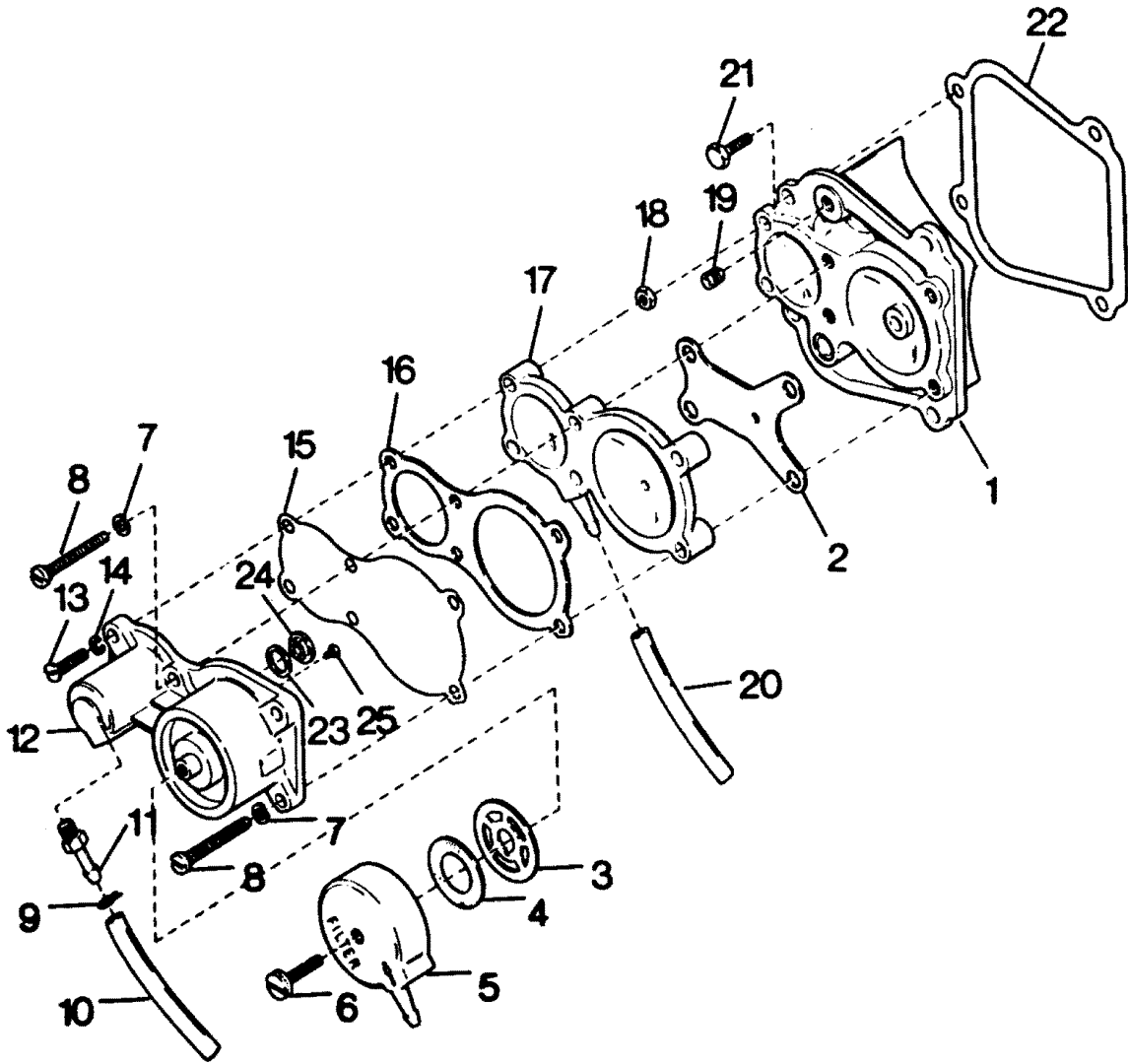


02031

ELECTRIC STARTER

REF. NO.	PART NO.	SYM.	QTY.	DESCRIPTION
1	F15181		1	DRIVE KIT
2	F15182		1	DRIVE PINION
3	F15154		1	CAP, DRIVE END
4	F15183		1	ARMATURE
6	F85908-1		1	WIRE, STARTER
7	F15158		2	SCREW, BRUSH HOLDER
8	F15164		1	BRUSH KIT
9	F15157		1	HOLDER, BRUSH
10	F15162		1	NUT
11	F15152		1	LOCKWASHER
12	F15161		1	PLAIN WASHER
13	F15160		1	INSULATOR WASHER
14	F15159		1	INSULATOR
15	F15179		1	CAP COMMUTATOR END W/ BRUSHES AND BRUSH HOLDER
16	F15184		2	THRU BOLT
17	F7008		2	STOP NUT
-	F575955		1	STARTER MOTOR COMPLETE

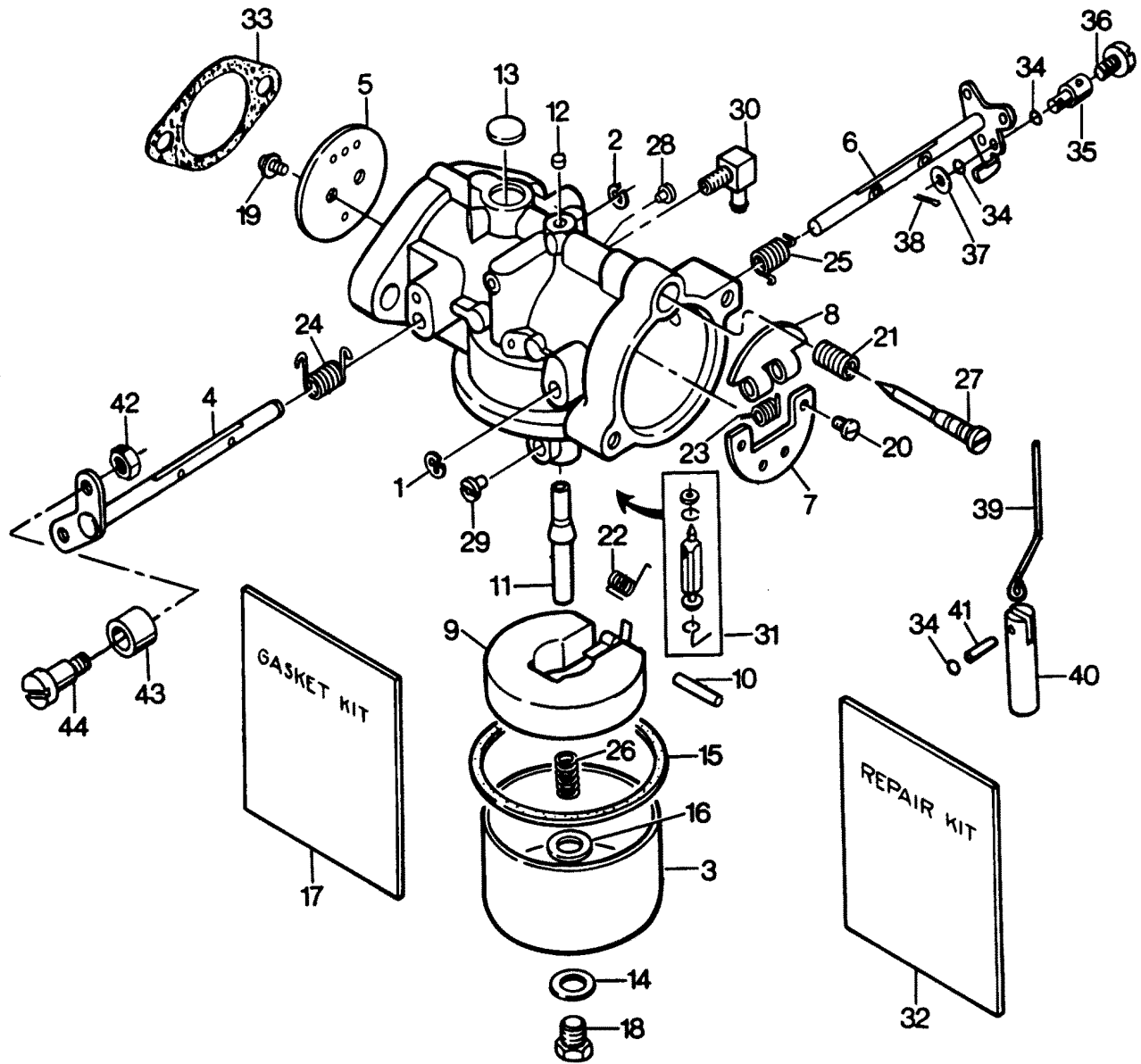
FUEL PUMP



FUEL PUMP

REF. NO.	PART NO.	SYM.	QTY.	DESCRIPTION
1	FA658746		1	COVER, FUEL PUMP W/LITERATURE
2	F658803		1	GASKET, SPACER PLATE
3	F438617		1	GASKET, FUEL SEDIMENT BOWL
4	F438653		1	SCREEN, FUEL PUMP
5	F438500		1	BOWL, FUEL SEDIMENT
6	F438165		1	SCREW, FUEL SEDIMENT BOWL
7	F8083		4	LOCKWASHER
8	F1504		4	SLOTTED FIL SCREW, 1/4 - 20 X 1-1/4 S.S.
9	F97772		2	CLAMP, FUEL LINE
10	F434754		1	FUEL LINE, PUMP TO CARBURETOR
11	F438801		1	ELBOW
12	FA438431		1	BODY, FUEL PUMP W/ILLUS.
13	F1648		2	SCREW, 10 - 24 X 3/4 PAN HD SCREW
14	F1975		2	LOCKWASHER
15	F438747		1	DIAPHRAGM, FUEL PUMP
16	F438760		1	GASKET, FUEL PUMP
17	F658836		1	SPACER, FUEL PUMP
18	F1473		2	NUT, 10-24 S.S.
19	F1789		1	PIPE PLUG, - 1/16 - 27
20	F658758		1	HOSE, IMPULSE
21	F1540		3	HEX HD SCREW, 1/4 - 20 X 5/8 GR. 5
22	F40223		1	GASKET, TRANSFER PORT COVER
23	F84792		1	GASKET, FUEL PUMP VALVE
24	F177330		3	VALVE, FUEL PUMP
25	F1860		2	SLOTTED BINDING HEAD SCREW, 6-32 X 1/4
-	FC658746		1	FUEL PUMP COMPLETE INCLUDES ITEMS 1, 2, 7, 8 & 11 THRU 20

CARBURETOR

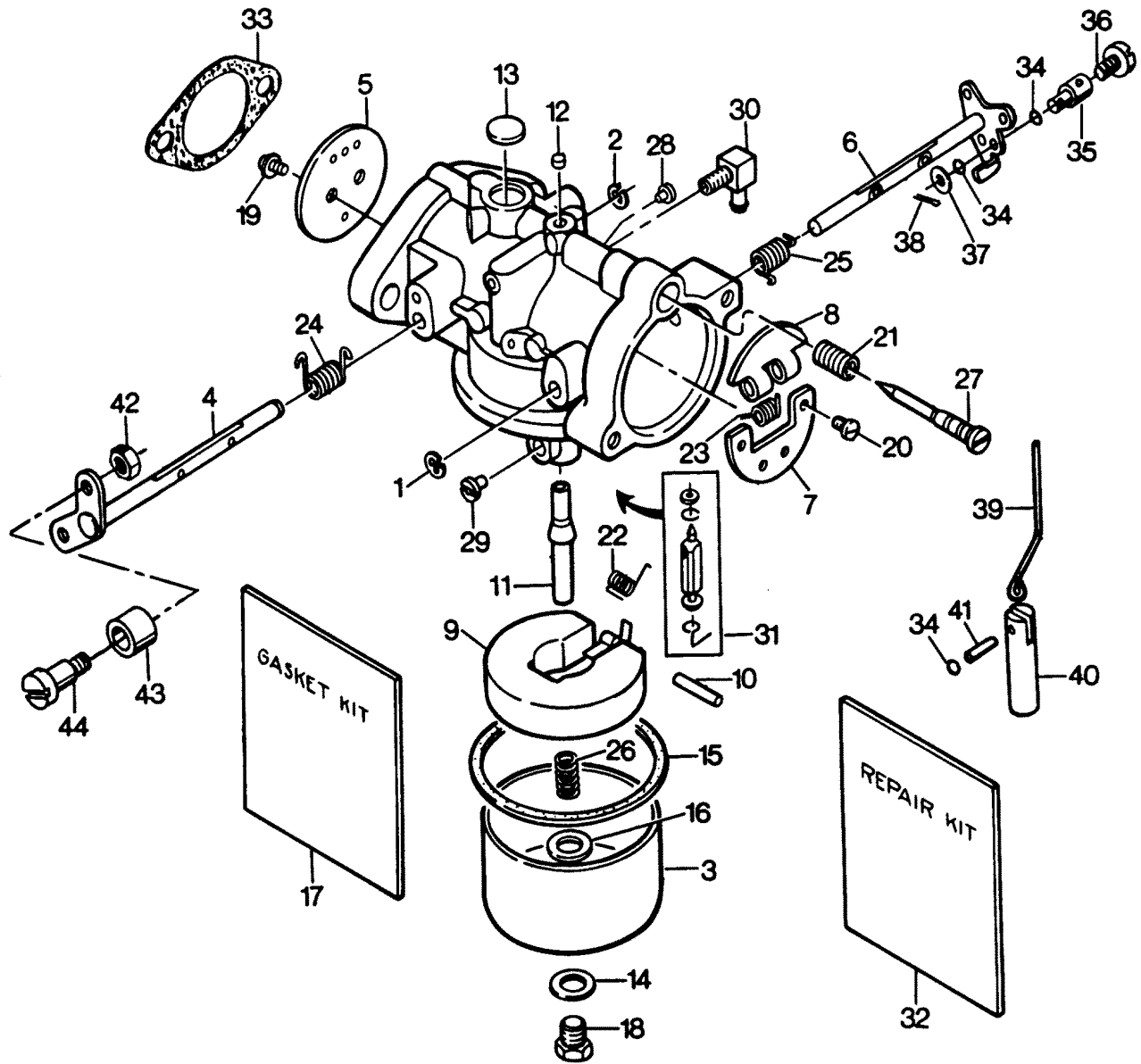


CARBURETOR

REF. NO.	PART NO.	SYM.	QTY.	DESCRIPTION
-	FK628061		1	CARBURETOR ASSEMBLY (WE-13)
1	F10218		1	RING
2	FO16620		1	SHAFT RETAINER RING
3	F10127		1	FUEL BOWL
4	F10193		1	THROTTLE SHAFT ASSEMBLY
5	F10207		1	THROTTLE VALVE
6	F10159		1	CHOKE SHAFT ASSEMBLY
7	F10128		1	CHOKE VALVE
8	F10129		1	CHOKE RELIEVING VALVE
9	F10135		1	FLOAT ASSEMBLY
10	F10208		1	PIN, FLOAT ASSEMBLY
11	F10137		1	NOZZLE
12	F10152		4	CUP PLUG
13	F10153		1	WELCH PLUG
14	F10067		1	BOWL RETAINER GASKET
15	FO15623		1	BOWL RING GASKET
16	F10206		1	BOWL RETAINER GASKET
17	FK10209		1	GASKET KIT. INCLUDES ALL ITEMS MARKED WITH A DOUBLE ASTERISK (**).
18	F10205		1	BOWL RETAINER SCREW
19	F10155		2	VALVE SCREW
20	F10140		2	VALVE SCREW
21	F10141		1	IDLE NEEDLE SPRING
22	F10142		1	FLOAT SUPPORT SPRING
23	F10130		1	CHOKE VALVE SPRING
24	F10192		1	THROTTLE RETURN SPRING
25	F10191		1	CHOKE RETURN SPRING
26	F10204		1	NOZZLE SPRING
27	FO14166		1	NEEDLE, IDLE
28	F10197		1	JET (.046)
29	F10229		1	MAIN FUEL JET (.084)
-	F10230		-	JET SIZE. (.082) 2500 FT. - 5000 FT.
-	F10203		-	JET SIZE. (.080) 5000 FT. - 7500 FT.
-	F10210		-	JET SIZE. (.078) 7500 FT. - 10,000 FT.
30	F10156		1	FUEL FITTING, ELBOW
31	FK10120-1		1	FLOAT KIT, VALVE & SEAT
32	FK10202		1	REPAIR KIT. INCLUDES ALL ITEMS MARKED WITH A SINGLE ASTERISK (*).
33	F40906-1		1	CARBURETOR GASKET
34	F184579		3	SEAL, CHOKE ARM SWIVEL
35	F184033-1		1	SWIVEL, CHOKE ROD
36	F1059		1	FILL HD SCREW 6 - 32 X 1/4
37	F8088		2	PLAIN WASHER
38	F1014		1	COTTER PIN

CONTINUED ON NEXT PAGE ➡

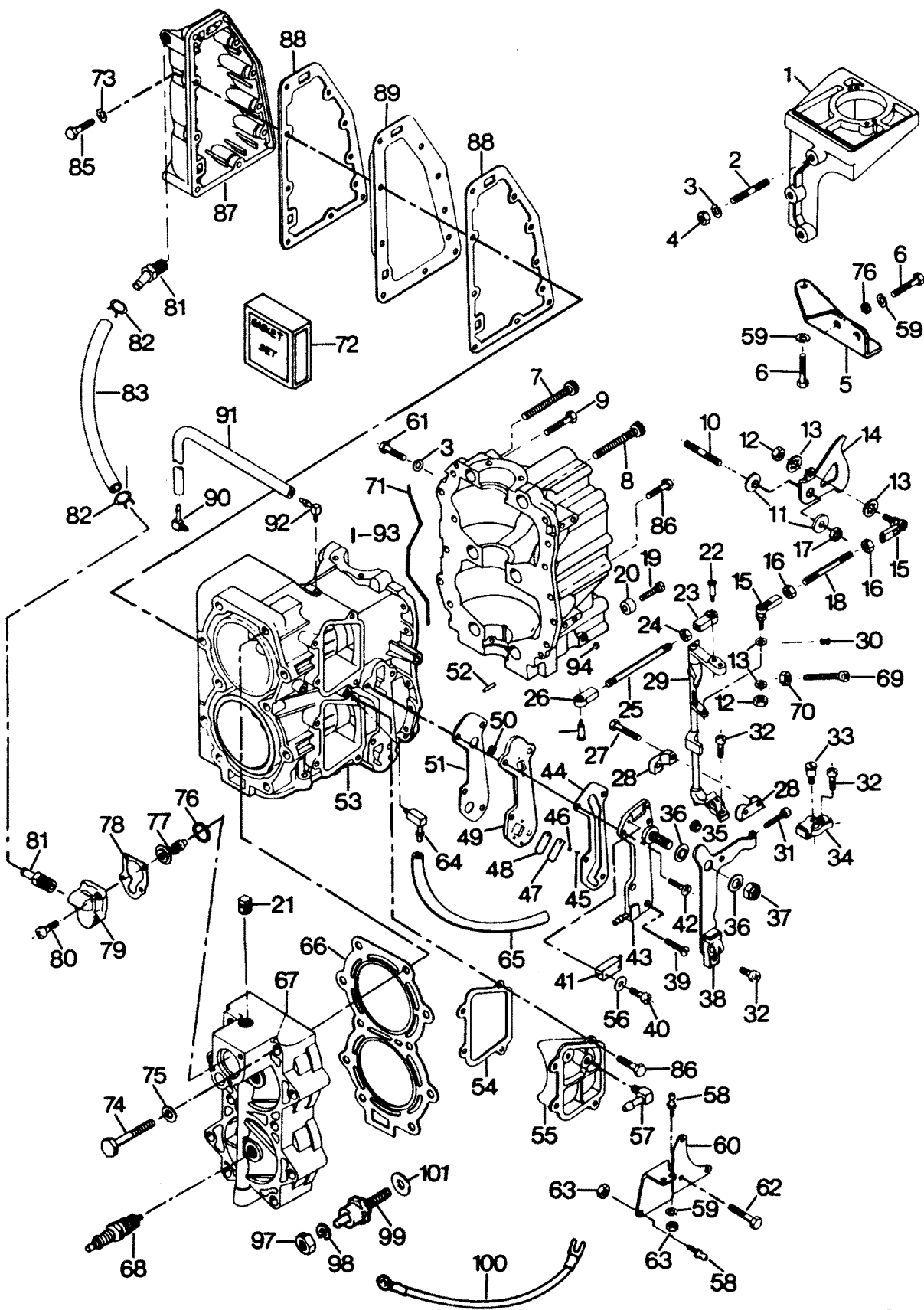
CARBURETOR



CARBURETOR

REF. NO.	PART NO.	SYM.	QTY.	DESCRIPTION
39	F452925		1	CHOKE SOLENOID ROD
40	F391926-1		1	CHOKE SOLENOID PLUNGER
41	F2033		1	GROVE PIN
42	F1997		1	STOP NUT 8 - 32
43	F92759		1	ROLLER
44	F333316		1	THROTTLE ROLLER SHAFT

POWER HEAD

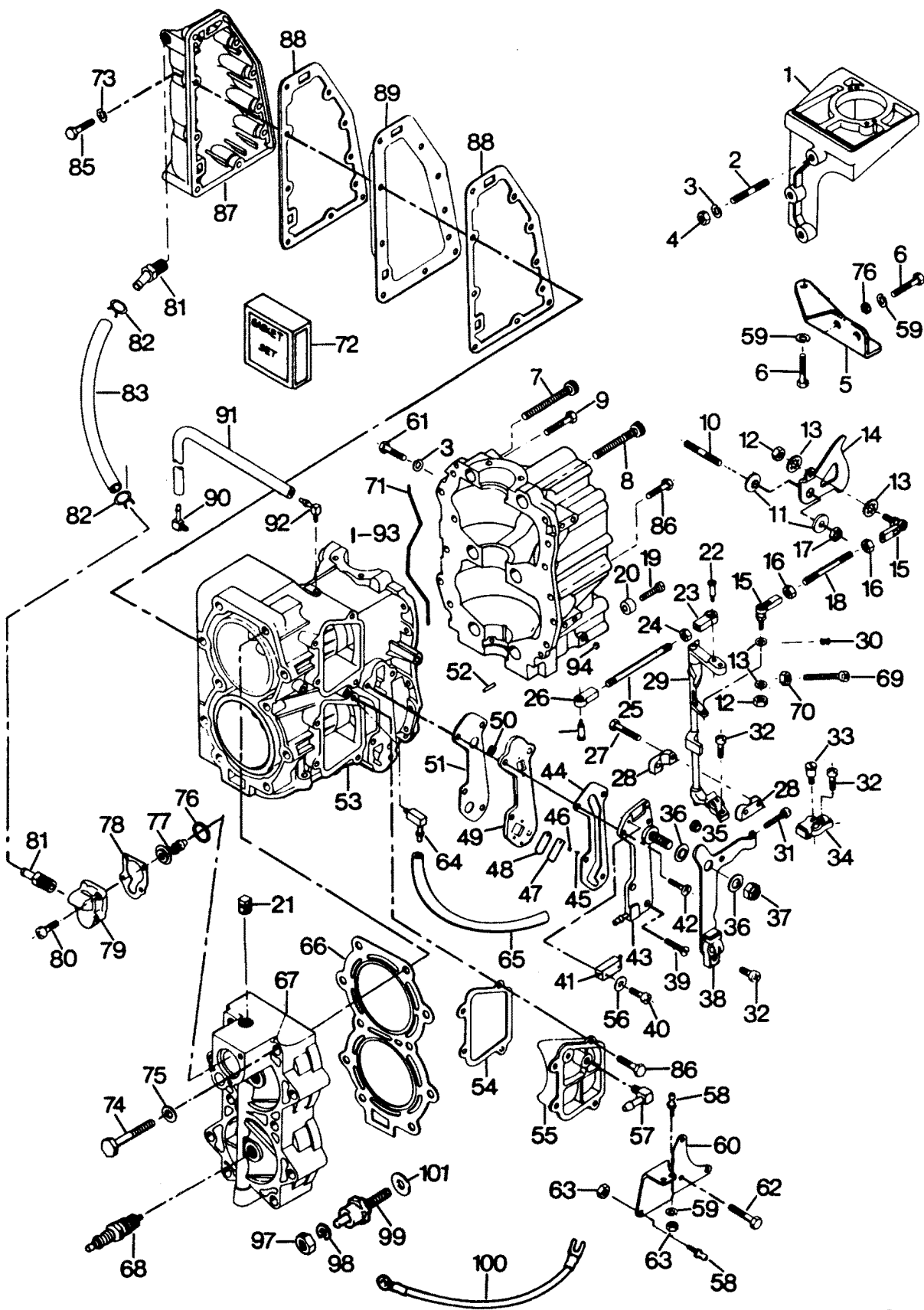


POWER HEAD

REF. NO.	PART NO.	SYM.	QTY.	DESCRIPTION
1	F345427-1		1	BRACKET, STARTER MOUNTING
2	F307211		3	STUD
3	F8096		4	SPRING LOCKWASHER
4	F1515		3	HEX NUT, 5/16 - 18
5	F575675		1	STARTER MOUNTING BRACKET - LOWER
6	F1854		3	HEX SLOT HD SCREW, 1/4 - 20 X 5/8
7	F1646		1	HEX SOCKET HD CAP SCREW, 3/8 - 16 X 2-1/4
8	F1879		5	HEX SOCKET HD CAP SCREW, 3/8 - 16 X 1-5/8
9	F1864		9	HEX HD SCREW, 1/4 - 20 X 3/4
10	F433209-1		1	STUD, THROTTLE CAM
11	F269319		2	THROTTLE CAM BEARING
12	F1513		2	HEX NUT, 10 - 32
13	F8058		4	INTERNAL TOOTH LOCKWASHER
14	F433192		1	THROTTLE CAM
15	817747--1		2	BALL JOINT W/BEARING
16	F1513		2	HEX NUT, 10 - 32
17	F7008		1	ELASTIC STOP NUT, 1/4 - 20
18	F85502		1	THROTTLE LINK
19	F1134		2	FILL HD SCREW, 10 - 24 X 1
20	F307942-1		2	BUMPER
21	F328109		1	PLUG
22	F84026		2	SPARK CONTROL SWIVEL
23	F84036		1	SPARK CONTROL BEARING, L.H.
24	F1473		1	HEX NUT, 10 - 24
25	F269445-1		1	SPARK CONTROL LINK
26	F84035-2		1	SPARK CONTROL BEARING, R.H.
27	F1995		4	FILL HD SCREW, 10 - 24 X 1
28	F433689		4	TOWERSHAFT BEARING
29	FK433838		1	TOWERSHAFT W/ILLUS. 34, 69, 70 AND LITERATURE
30	F1727		1	PLASTIC RIVET
31	F1969		1	FILL HD SCREW, 1/4 - 20 X 3/4
32	F1556		2	FILL HD SCREW, W/LOCKWASHER, 10 - 24 X 3/8
33	F405457		2	PIVOT SCREW
34	FK405020		1	SWIVEL W/ILLUS. 33 AND NUT
35	F85610		1	BEARING
36	F269052		2	SHIFT ARM BEARING
37	F7004		1	STOP NUT, 7/16 - 20
38	817793A1		1	SHIFT ARM W/ILLUS. 34 AND 35 ORIGINAL FORCE P/N A 433876-1
39	F1136		2	FLAT HD SCREW, 1/4 - 20 X 1
40	F2016		2	FILL HD SCREW, 6 - 32 X 7/8
41	F84449		1	SWITCH, NEUTRAL INTERLOCK
42	F1446		2	SLOTTED PAN HD SCREW, 1/4 - 20 X 1

CONTINUED ON NEXT PAGE ➡

POWER HEAD



POWER HEAD

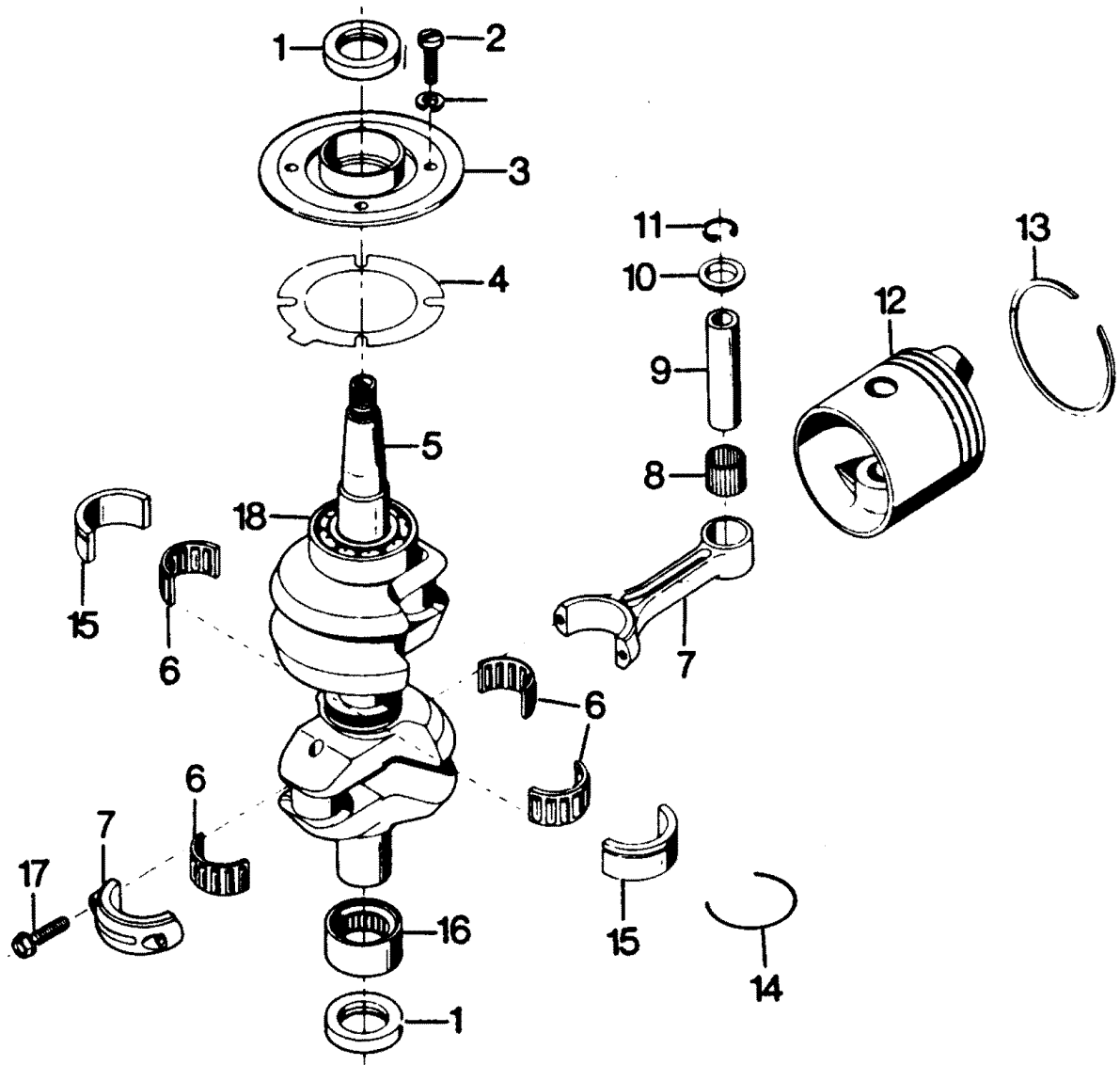
REF. NO.	PART NO.	SYM.	QTY.	DESCRIPTION
43	FA433471		1	CYLINDER DRAIN COVER W/FITTING
44	F93472-1		1	CYLINDER DRAIN COVER GASKET
45	F1286		2	PAN HD SCREW, 4 - 40 X 3/16
46	F8003		2	PLAIN WASHER
47	F93920		2	CYLINDER DRAIN REED STOP
48	F18160-3		2	REED, CYLINDER DRAIN
49	F3A433757		1	CYLINDER DRAIN REED PLATE W/ILLUS. 45, 46, 47, 48 AND 50
50	F93811		2	SCREEN CYLINDER DRAIN REED PLATE
51	F93748-1		1	CYLINDER DRAIN REED PLATE
52	F8559		2	DOWEL PIN
53	FA465010		1	CYLINDER W/CRANKCASE COVER, DEFLECTOR PLATE W/ILLUS. 7, 8, 52, 71, 93 AND LITERATURE
-	FC465010		1	SHORT BLOCK. ALSO REFER TO CRANKSHAFT PAGE. INCLUDES ALL ITEMS MARKED WITH AN ASTERISK (*).
54	F40223		2	TRANSFER PORT COVER GASKET
55	FA411222		1	TRANSFER PORT COVER W/LITERATURE
56	F8088		2	PLAIN WASHER
57	F84314-2		1	ELBOW, FUEL LINE
58	F98273		2	ROD END CONNECTOR STUD
59	F8083		3	SPRING LOCKWASHER
60	817746A1		1	CONNECTOR STUD BRACKET W/LITERATURE ORIGINAL FORCE P/N A 267371-1
61	F1857		1	HEX CAP SCREW, 5/16 - 18 X 5/8
62	F1864		3	HEX CAP SCREW, 1/4 - 20 X 3/4
63	F1804		2	STOP NUT, 10 - 32
64	F404801		1	ELBOW
65	F433254		1	HOSE
66	F201529-1		1	CYLINDER HEAD GASKET
67	900-818049A2		1	CYLINDER HEAD W/PLUGS
68	33-82371M		2	SPARK PLUG (UL81J)
69	F1052		1	FILL HD SCREW, 1/4 - 20 X 1
70	F1341		1	HEX NUT
71	F184122-1		1	CRANKCASE PARTING LINE SEAL (CUT TO 26")
72	FG1007-1		1	GASKET SET. INCLUDES ITEMS MARKED WITH AN ASTERISK (*) .
-	F40154-4		3	GASKET, EXHAUST PORT PLATE
-	F40223		1	GASKET, TRANSFER PORT COVER
-	F40833-4		1	GASKET, IDLE RELIEF COVER
-	F40906-1		1	GASKET, CARBURETOR
-	F93472-1		1	GASKET, CYLINDER DRAIN COVER
-	F93748-1		1	GASKET, CYLINDER DRAIN REED PLATE
-	F97067		1	GASKET, THERMOSTAT COVER
-	F201529-1		1	GASKET, CYLINDER HEAD

CONTINUED ON NEXT PAGE ➡

POWER HEAD

REF. NO.	PART NO.	SYM.	QTY.	DESCRIPTION
-	F184122-1		1	CRANKCASE PARTING LINE SEAL
-	F307279-2		1	GASKET, CYLINDER EXHAUST - UPPER
-	F40279-1		1	GASKET, CYLINDER EXHAUST - LOWER
-	F311996		1	GASKET, CYLINDER HEAD COVER
-	F366277		1	GASKET, BEARING CAGE
-	F433168		1	GASKET, CARBURETOR ADAPTER
-	F433406		1	GASKET, DEFLECTOR PLATE
73	F8083		9	SPRING LOCKWASHER
74	F1544		10	HEX HD CAP SCREW, 3/8 - 16 X 2-1/4
75	F2014		10	PLAIN WASHER
76	F97504		1	GROMMET, THERMOSTAT
77	F97068-2		1	THERMOSTAT (130-)
78	F97067		1	THERMOSTAT COVER GASKET
79	F97066-1		1	THERMOSTAT COVER
80	F1995		3	FILL HD SCREW, 10 - 24 X 1-1/16
81	F97275		2	FITTING, THERMOSTAT
82	F97772		2	CLAMP
83	FA97247		1	WATER TUBE, THERMOSTAT W/LITERATURE
85	F1971		9	HEX HD SCREW, 1/4 - 20 X 2-1/8
86	F1922		5	HEX HD SCREW, 1/4 - 20 X 5/8
87	FA433152		1	EXHAUST PORT COVER W/ILLUS. 85
88	F40154-4		2	EXHAUST PORT PLATE GASKET
89	F40151-2		1	EXHAUST PORT PLATE
90	F463314		1	ELBOW W/VALVE
91	F433758		1	HOSE
92	22-817740A1		1	ELBOW W/METERING CAP
93	F8545		1	SPRING PIN
94	F1997		2	STOP NUT, 8 - 32
95	F1526		1	WELCH PLUG, CYLINDER HEAD (NOT SHOWN)
96	F1525		1	WELCH PLUG, CYLINDER HEAD (NOT SHOWN)
97	F1647		1	HEX NUT
98	F8056		1	LOCKWASHER
99	87-817939A1		1	THERMOSWITCH W/ILLUS. 97, 98 AND 101 ORIGINAL FORCE P/N S 311449-1
100	F307104		1	WIRE THERMOSWITCH
101	F295175		1	WASHER, INSULATING

CRANKSHAFT AND PISTON GROUP

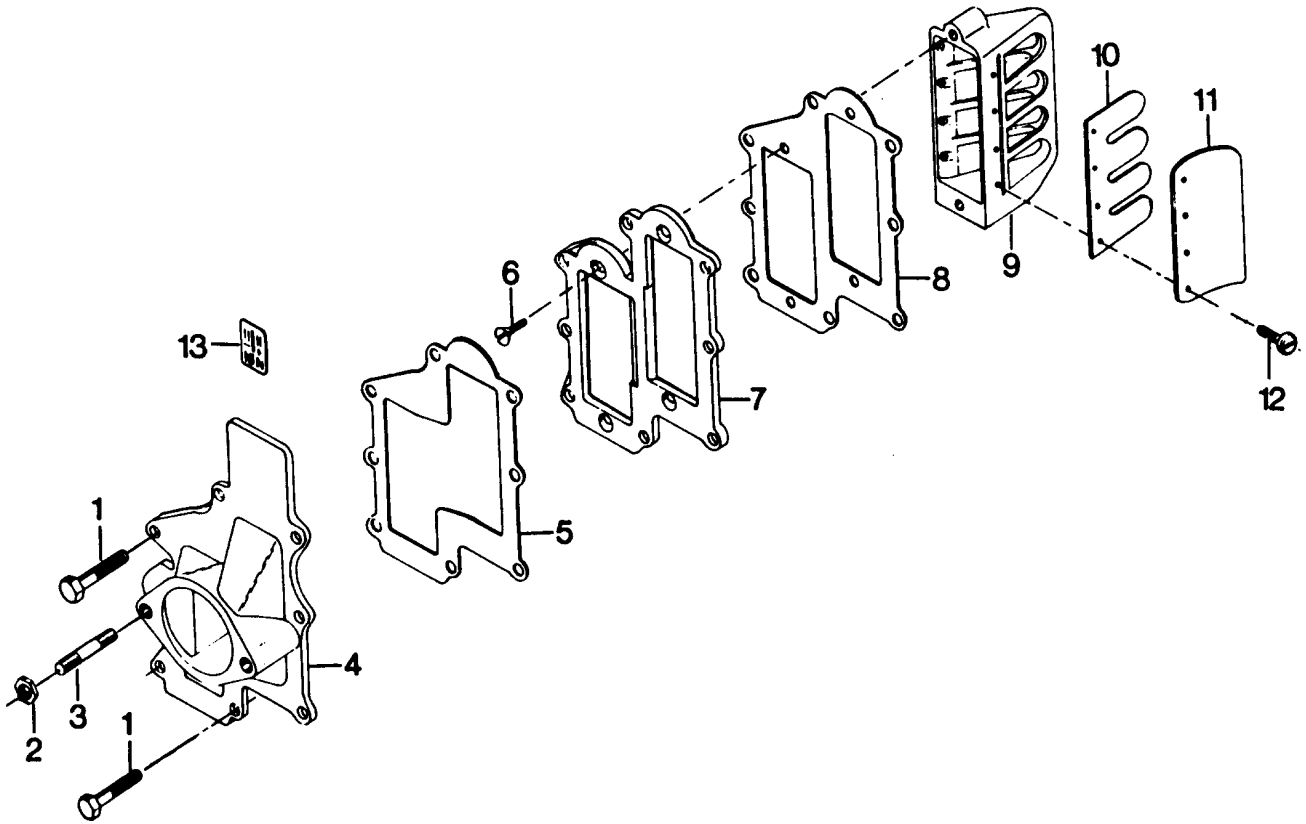


2036

CRANKSHAFT AND PISTON GROUP

REF. NO.	PART NO.	SYM.	QTY.	DESCRIPTION
1	F40146-1		2	CRANKSHAFT SEAL
2	F1441		4	PAN HD SCREW, 1/4 - 20 X 7/8
3	FA466144		1	CRANKSHAFT BEARING CAGE W/ILLUS. 1
4	F366277		1	BEARING CAGE GASKET
5	FA435018		1	CRANKSHAFT W/ILLUS. 18
6	FK85228-1		2	BEARING CAGE W/ROLLERS (16 PER SET)
7	600-818052A4		2	CONNECTING ROD W/CAP AND ILLUS. 17 ORIGINAL FORCE P/N S 366016-4
8	F335217-1		2	BEARING
9	F40017-2		2	PISTON PIN
10	F366215		4	SPACER
11	F428096		4	RETAINER, PISTON PIN
12	F428015-1		2	PISTON, STANDARD
-	700-817990A2		2	PISTON .010 OVERSIZE
-	700-818114A2		2	PISTON .030 OVERSIZE
13	FA435260		2	PISTON RINGS (2 PER SET) STANDARD
-	FSA435260		2	PISTON RINGS (2 PER SET) .010 OVERSIZE
-	39-818115A1		2	PISTON RINGS (2 PER SET) .030 OVERSIZE
14	F40410		1	SNAP RING
15	FA40655		1	CRANKSHAFT CENTER MAIN BEARING RACE W/ILLUS. 14
16	F90014		1	CRANKSHAFT LOWER MAIN BEARING
17	F85634-2		4	CONNECTING ROD SCREW
18	F366013		1	CRANKSHAFT THRUST BEARING UPPER
19	F8060		4	EXTERNAL TOOTH LOCKWASHER

REED PLATE

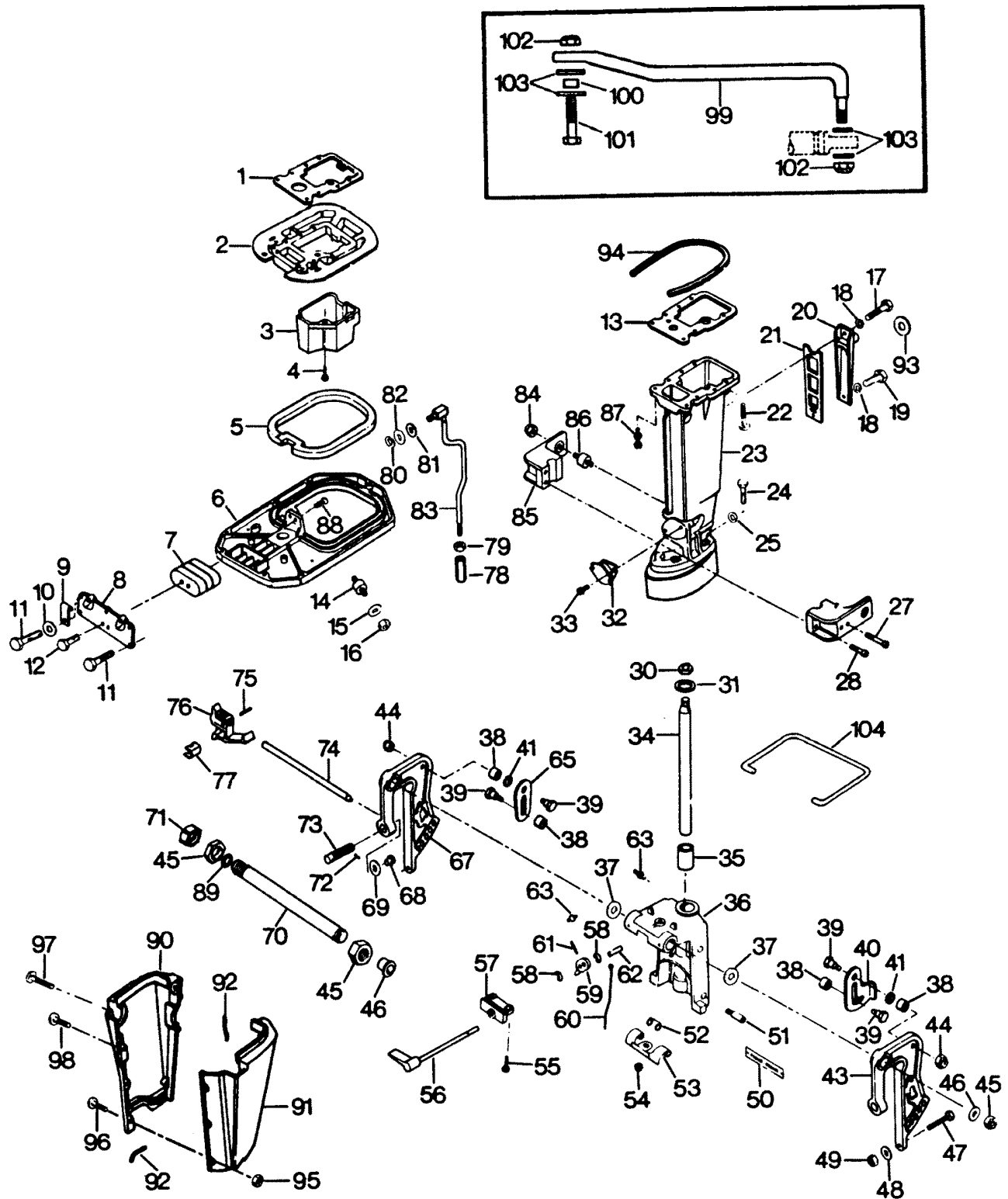


CR1000

REED PLATE

REF. NO.	PART NO.	SYM.	QTY.	DESCRIPTION
1	F2008		8	HEX HD SCREW, 1/4 - 20 X 7/8
2	F1515		2	HEX NUT, 5/16 - 18
3	F40209		2	CARBURETOR STUD
4	FA433167		1	CARBURETOR ADAPTER FLANGE W/ILLUS. 3
5	F433168		1	CARBURETOR ADAPTER GASKET
6	F1141		4	FLAT HD SCREW, 10 - 24 X 1/2
7	F433404		1	DEFLECTOR PLATE
8	F433406		1	DEFLECTOR PLATE GASKET
9	FA658158		2	REED PLATE W/ILLUS. 10, 11 AND 12
10	F316160		4	REED
11	F88161-4		4	REED STOP
12	F1755		16	ROUND HD SCREW W/LOCKWASHER, 6 - 32 X 1/4
13	37-817792A1		1	DECAL, TIMING W/LITERATURE ORIGINAL FORCE P/N A 433387-1

MOTOR LEG

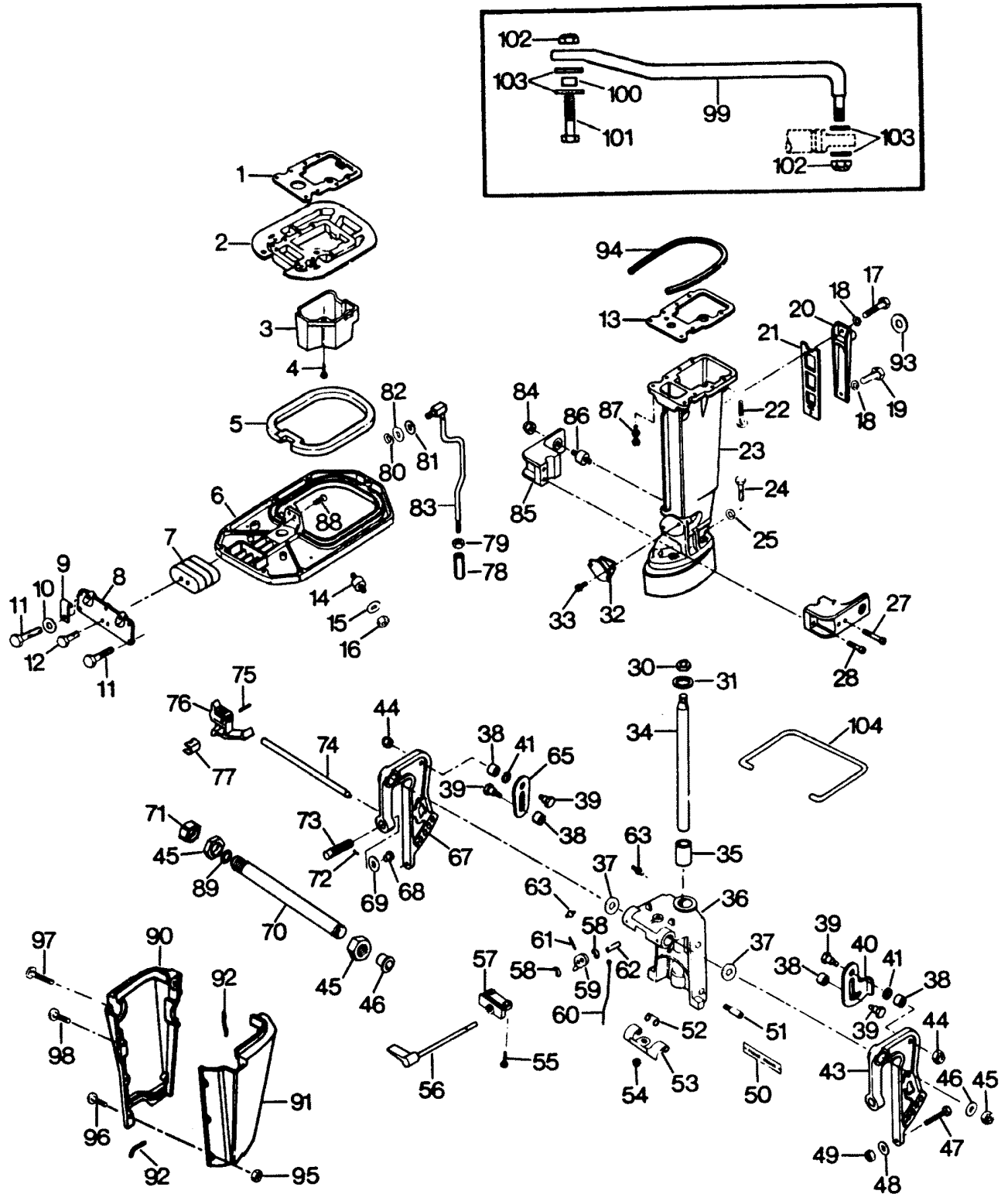


MOTOR LEG

REF. NO.	PART NO.	SYM.	QTY.	DESCRIPTION
1	F307279-2		1	CYLINDER EXHAUST GASKET UPPER
2	F433680		1	SPACER PLATE
3	F307660-1		1	LEG EXHAUST TUBE
4	F1851		3	FILL HD M. SCREW W/LOCKWASHER, 10 - 24 X 1/2
5	26-817766A1		1	SEAL, KINGPIN PLATE W/LITERATURE ORIGINAL FORCE P/N A 307989-1
6	FS307940		1	KINGPIN PLATE
7	F203965		1	SHOCK MOUNT UPPER
8	F433946		1	SHOCK MOUNT UPPER COVER
9	F286772-1		1	CLAMP
10	F8025		1	PLAIN WASHER
11	F1922		5	HEX CAP SCREW, 1/4 - 20 X 5/8
12	F1211		2	HEX HD SCREW W/LOCKWASHER, 1/4 - 28 X 5/8
13	F40279-1		1	CYLINDER EXHAUST GASKET LOWER
14	F307962		2	SHOCK MOUNT - SIDE - UPPER
15	F8038		2	PLAIN WASHER
16	F1346		2	HEX NUT, 3/8 - 16
17	F1849		1	HEX HD SCREW, S.S., 1/4 - 20 X 1-3/8
18	F8083		2	SPRING LOCKWASHER
19	F1199		1	HEX HD SCREW, 1/4 - 20 X 1
20	FA89832-2		1	MOTOR LEG EXHAUST COVER W/ILLUS. 17 & 19
21	F40833-4		1	MOTOR LEG EXHAUST COVER GASKET
22	F1905		1	FILL HD SCREW, 1/4 - 20 X 3-7/16
23	F435133-1		1	MOTOR LEG
24	F1929		4	HEX HD CAP SCREW, S.S., 3/8 - 16 X 1-1/8
25	F8065		4	SPRING LOCKWASHER
26	F433973		1	SHOCK MOUNT LOWER COVER - PORT
27	F1635		2	HEX SOCKET HD CAP SCREW, S.S., 3/8 - 16 X 3-1/2
28	F1636		2	HEX SOCKET HD CAP SCREW, S.S., 3/8 - 16 X 1-1/4
30	F84280		1	KINGPIN NUT
31	F89011		1	SWIVEL BRACKET WASHER
32	F183346-1		1	SHOCK MOUNT LOWER
33	F1129		4	FILL HD SCREW, S.S., 5/16 - 18 X 1/2
34	819331A2		1	KINGPIN
35	F191169-1		2	SWIVEL BRACKET BEARING
36	FA613072		1	SWIVEL BRACKET W/ILLUS. 35 & 63
37	F522286		2	STERN BRACKET FRICTION WASHER
38	F269929		4	SPACER, TILT STOP
39	F366350-1		4	TILT STOP PIVOT
40	F366426		1	TILT STOP - PORT
41	F1666		2	BOWED SPRING WASHER
43	F522532-1		1	STERN BRACKET - PORT
44	F7007		4	NUT

CONTINUED ON NEXT PAGE ➡

MOTOR LEG

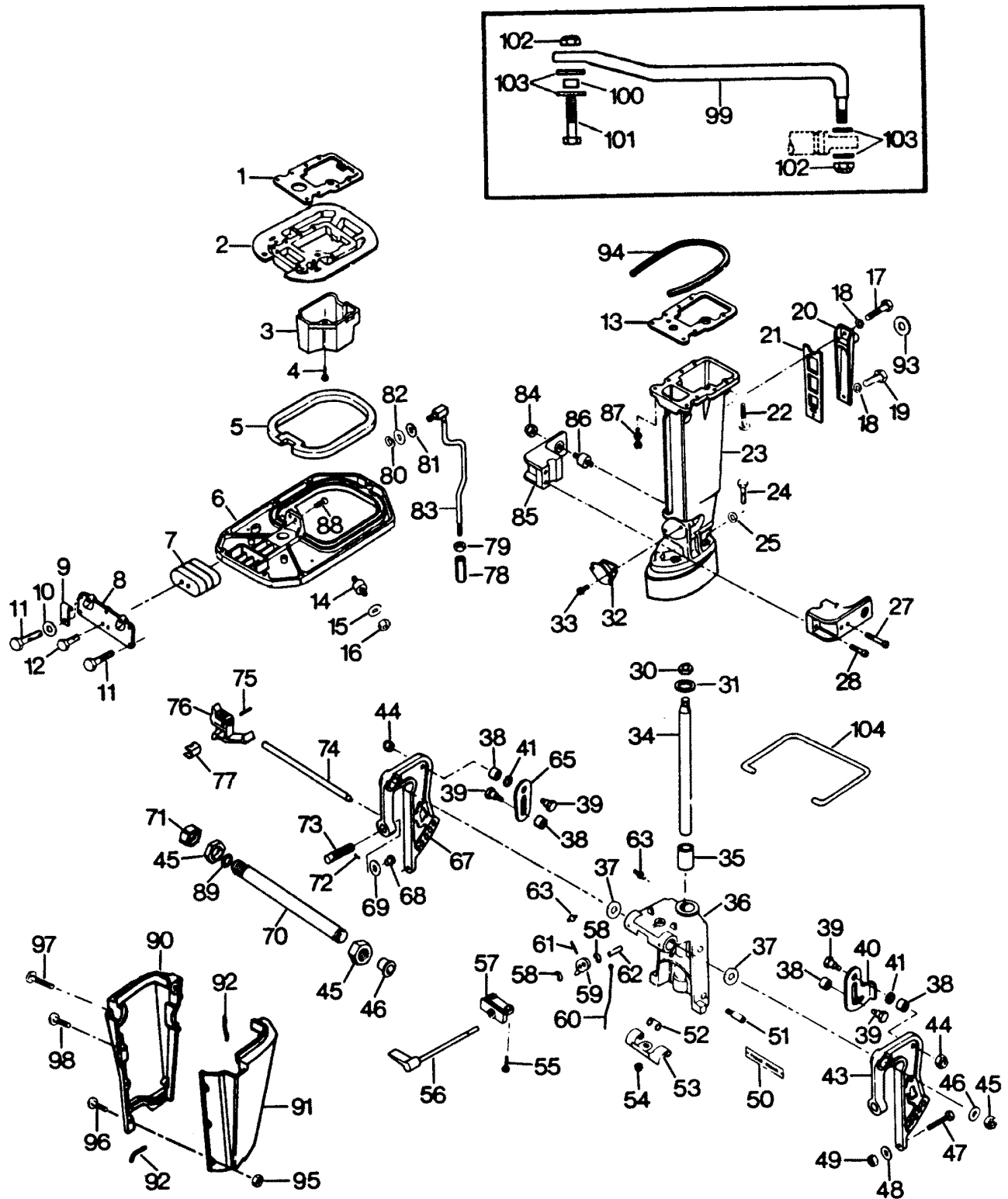


MOTOR LEG

REF. NO.	PART NO.	SYM.	QTY.	DESCRIPTION
45	F1600		2	LOCK NUT, PIVOT TUBE
46	F9052		2	PLASTIC PLUG, PIVOT TUBE
47	F2125		2	HEX HD SCREW, S.S., 3/8 - 16 X 3
48	F1904		2	PLAIN WASHER
49	F1346		2	HEX NUT, S.S., 3/8 - 16
50	F544390-1		1	DECAL, TILT LOCK
51	F366886		2	PIN
52	F366300		2	REVERSE LOCK SPRING
53	F366349		1	REVERSE LOCK
54	F1669		1	STOP NUT
55	F1733		2	PAN HD SCREW, 10 - 24 X 9/16
56	817944A2		1	HANDLE AND SHAFT W/ILLUS. 58, 62 AND LITERATURE ORIGINAL FORCE P/N K 366827-2
57	F522884		1	BEARING, REVERSE LOCK SHAFT
58	F2088		2	FASTENER
59	F366364		1	ARM, REVERSE LOCK
60	F366510-1		1	LINK, REVERSE LOCK
61	F1836		1	SPRING PIN
62	F197813		1	BEARING, REVERSE LOCK SHAFT REAR
63	F213274		3	GREASE FITTING
65	F366433		1	TILT STOP, STARBOARD
67	F522032		1	STERN BRACKET - STARBOARD
68	F353480		2	STUD
69	F24074		2	CLAMP SCREW FOOT
70	F522125-1		1	TUBE, PIVOT STEERING
71	F9018		1	PLASTIC CAP, PIVOT TUBE
72	F8538		2	SPRING PIN
73	F474073-1		2	CLAMP SCREW
74	FA658113		1	STERN BRACKET LOCK BAR W/ILLUS. 75, 76 & 77
75	F1744		1	SPRING PIN
76	F433114		1	HANDLE, LOCK BAR
77	F286461		1	SPRING LOCK BAR HANDLE
78	F141704		1	GEAR SHIFT ROD COUPLING
79	F1349		1	HEX NUT, S.S., 5/16 - 18
80	F185764		1	RETAINING RING
81	F8049		1	BOWED SPRING WASHER
82	F1987		1	PLAIN WASHER
83	F307615-1		1	GEAR SHIFT ROD UPPER
84	F1326		2	ACORN NUT, S.S., 5/16 - 18
85	F433972		1	SHOCK MOUNT LOWER COVER - STARBOARD
86	F215962		2	SHOCK MOUNT SIDE LOWER
87	F1947		8	FLANGED 12 POINT SCREW, 5/16 - 18 X 2
88	F1160		2	FLAT HD SCREW, 1/4 - 28 X 5/8

CONTINUED ON NEXT PAGE ➡

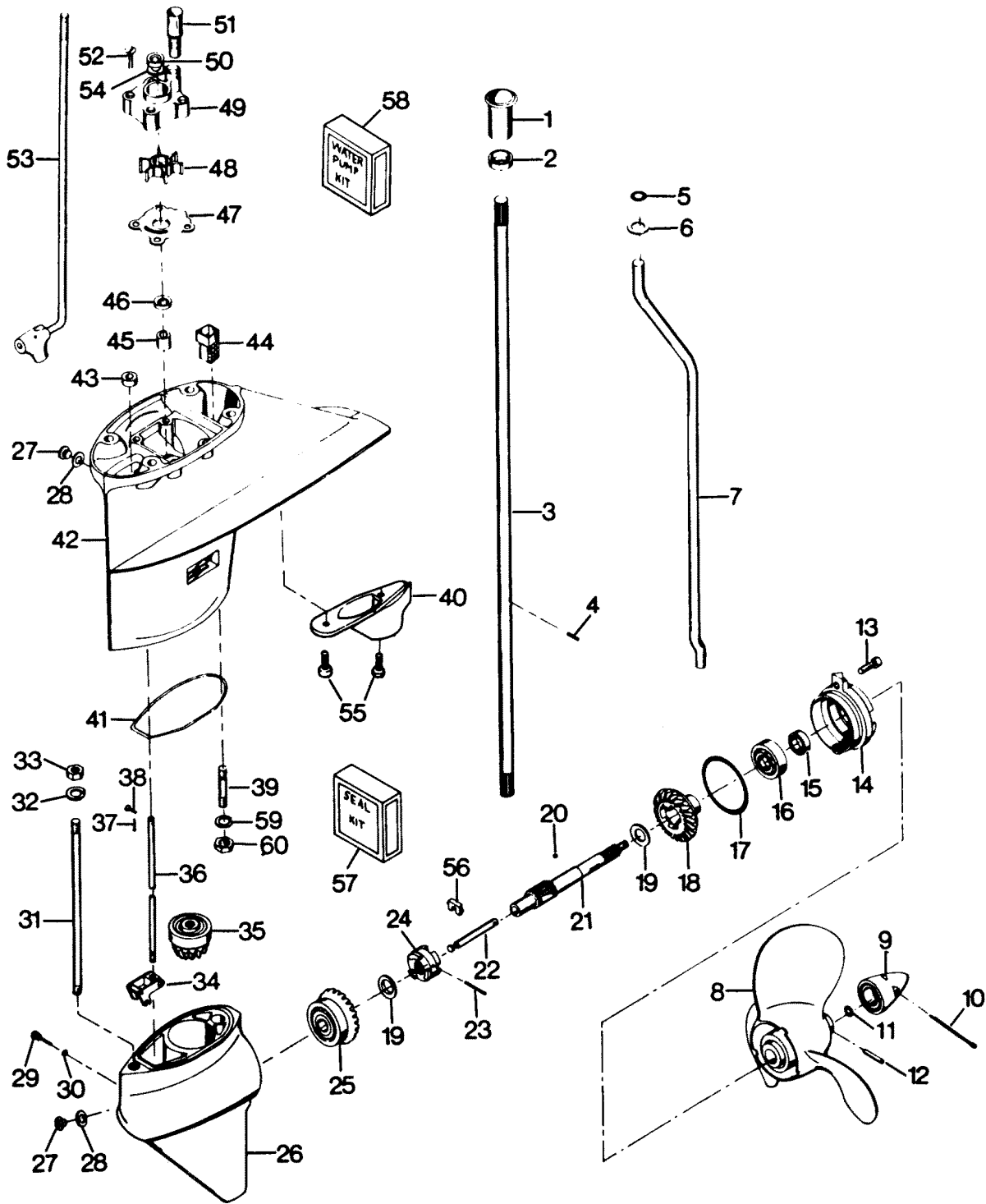
MOTOR LEG



MOTOR LEG

REF. NO.	PART NO.	SYM.	QTY.	DESCRIPTION
89	F316599		1	SEAL, PIVOT TUBE
90	FA435135		1	COVER, LEG ST'BD W/ILLUS. 92
91	FA435145		1	COVER, LEG PORT W/ILLUS. 92
92	F435323		3	PACKING, LEG COVER LOWER
93	F89504		1	GROMMET, MOTOR LEG EXHAUST COVER
94	F89025		1	PAD, DAMPENING - LEG COVER
95	F1473		6	HEX M. SC. NUT #10 - 24
96	F1733		3	PAN HD M. SC., #10 - 24 X 9/16
97	F1767		1	FILL HD M. SC., #10 - 24 X 3
98	F1768		2	FILL HD M. SC., #10 - 24 X 1-3/8
99	F5H141		1	LINK, STEERING W/ILLUS. 100, 101, 102, 103
100	F522359		1	SPACER, STEERING LINK
101	F2073		1	HEX CAP SCREW 3/8 - 24 X 1-5/8
102	F2093		2	STOP NUT
103	F8038		4	PLAIN WASHER
104	F5H084		1	TRAILERING TILT LOCK

GEAR HOUSING

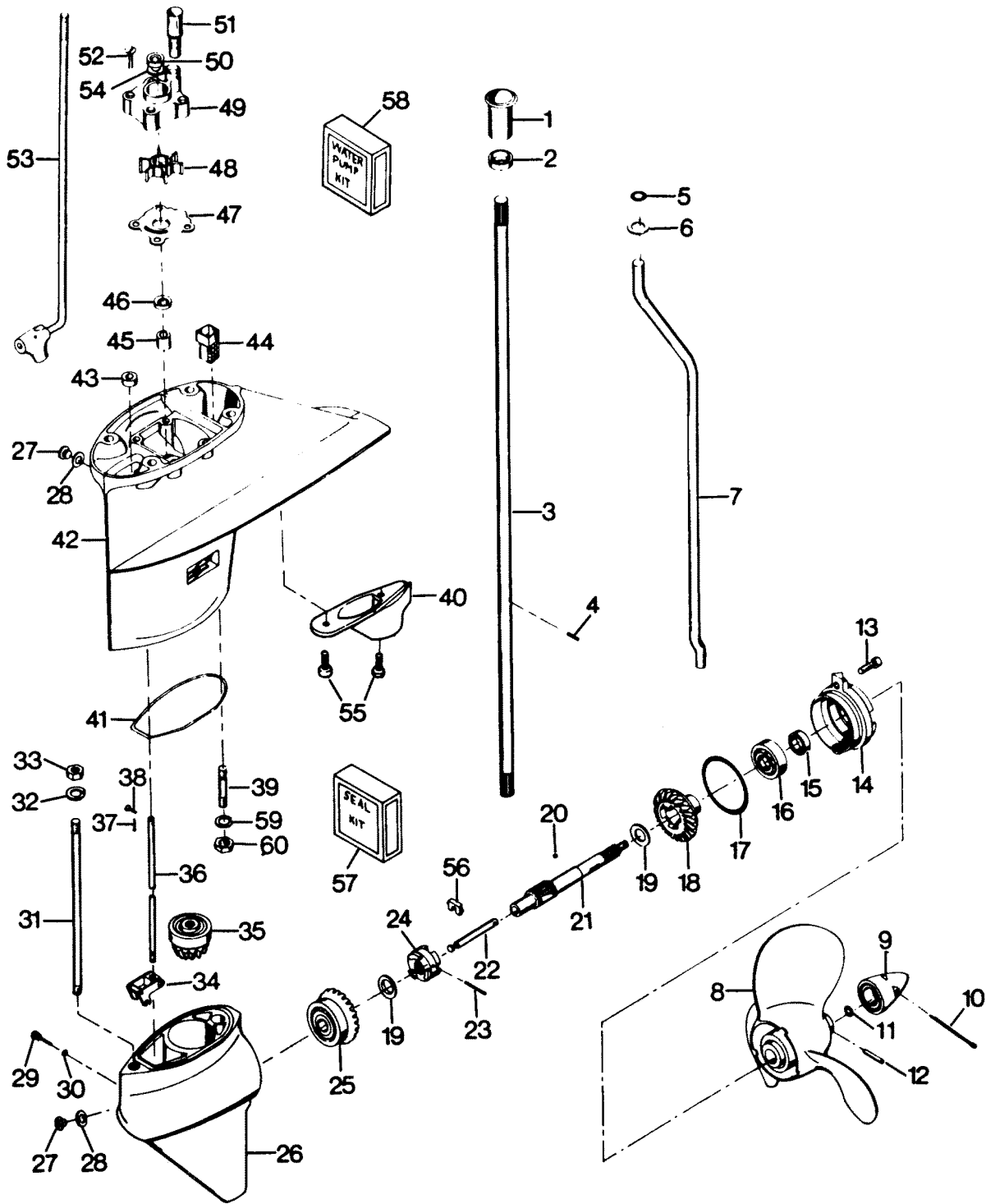


GEAR HOUSING

REF. NO.	PART NO.	SYM.	QTY.	DESCRIPTION
1	F338129-1		1	SEAL, DRIVESHAFT SPLINE
2	F338271		1	RETAINER
3	FA89128-1		1	DRIVESHAFT WILLUS. 2
4	F901563		1	DRIVE PIN, WATER PUMP IMPELLER
5	F40342		1	SEAL
6	F8042		1	PLAIN WASHER
7	F435244		1	INLET WATER LINE
8	FP293		1	PROPELLER (10-3/8 X 12-1/2) MODEL 507F7A, C507F7A, 507X7A, AND 508M7A
-	FP287		1	PROPELLER (10-3/8 X 11-1/2) MODEL 507Y7A
9	FA94094-2		1	PROPELLER NUT WILLUS. 10 AND 11
10	F1027		1	COTTER PIN, S.S., 1/8 - 1/2
11	F40342		1	SEAL, PROPELLER NUT
12	FK247		1	PROPELLER PIN, PACK OF 6 WILLUS. 10
13	F1263		2	HEX SOCKET HD CAP SCREW, S.S., 5/16 - 18 X 9/16
14	31-817731A5		1	PROPELLER SHAFT BEARING CAGE. INCLUDES ITEMS 15, 16 AND 17 ORIGINAL FORCE P/N 2A 366298-1
15	F141118		1	SEAL, PROPELLER SHAFT
16	F366058		1	BALL BEARING, PROPELLER SHAFT
17	F141305		1	SEAL, PROPELLER SHAFT BEARING CAGE
18	FA485662		1	BEVEL GEAR REAR W/BEARING
19	F40717		2	THRUST WASHER, BEVEL GEAR
20	F366727		1	BALL, PROPELLER SHAFT
21	44-819500A3		1	PROPELLER SHAFT ASSEMBLY
22	F90871-3		1	GEAR SHIFT ARM PIN
23	F2097		1	SPRING PIN
24	F99521-1		1	CLUTCH
25	43-817824A2		1	BEVEL GEAR FRONT W/BEARING AND CUP
26	FA486054		1	GEAR HOUSING LOWER W/THRUST BEARING CUP WILLUS. 27, 28, 29 AND 30
-	FC486054		1	GEAR HOUSING KIT. INCLUDES ALL ITEMS MARKED WITH AN ASTERISK (*).
27	F50109		2	PLUG, GEAR HOUSING
28	F8077		2	WASHER, GEAR HOUSING PLUG
29	F498891		1	GEAR SHIFT ARM PIVOT PIN
30	F498618		1	SEAL, O-RING
31	F97008-1		1	STUD, LONG
32	F8065		1	LOCKWASHER
33	F1346		1	HEX NUT, S.S., 3/8 - 16
34	817796A2		1	GEAR SHIFT ARM ASSEMBLY
35	F2A474266		1	BEVEL PINION W/ BEARING
36	F435705		1	GEAR SHIFT ROD LOWER
37	F1015		1	COTTER PIN
38	F85372		1	PIN, GEAR SHIFT ROD LOWER

CONTINUED ON NEXT PAGE ➡

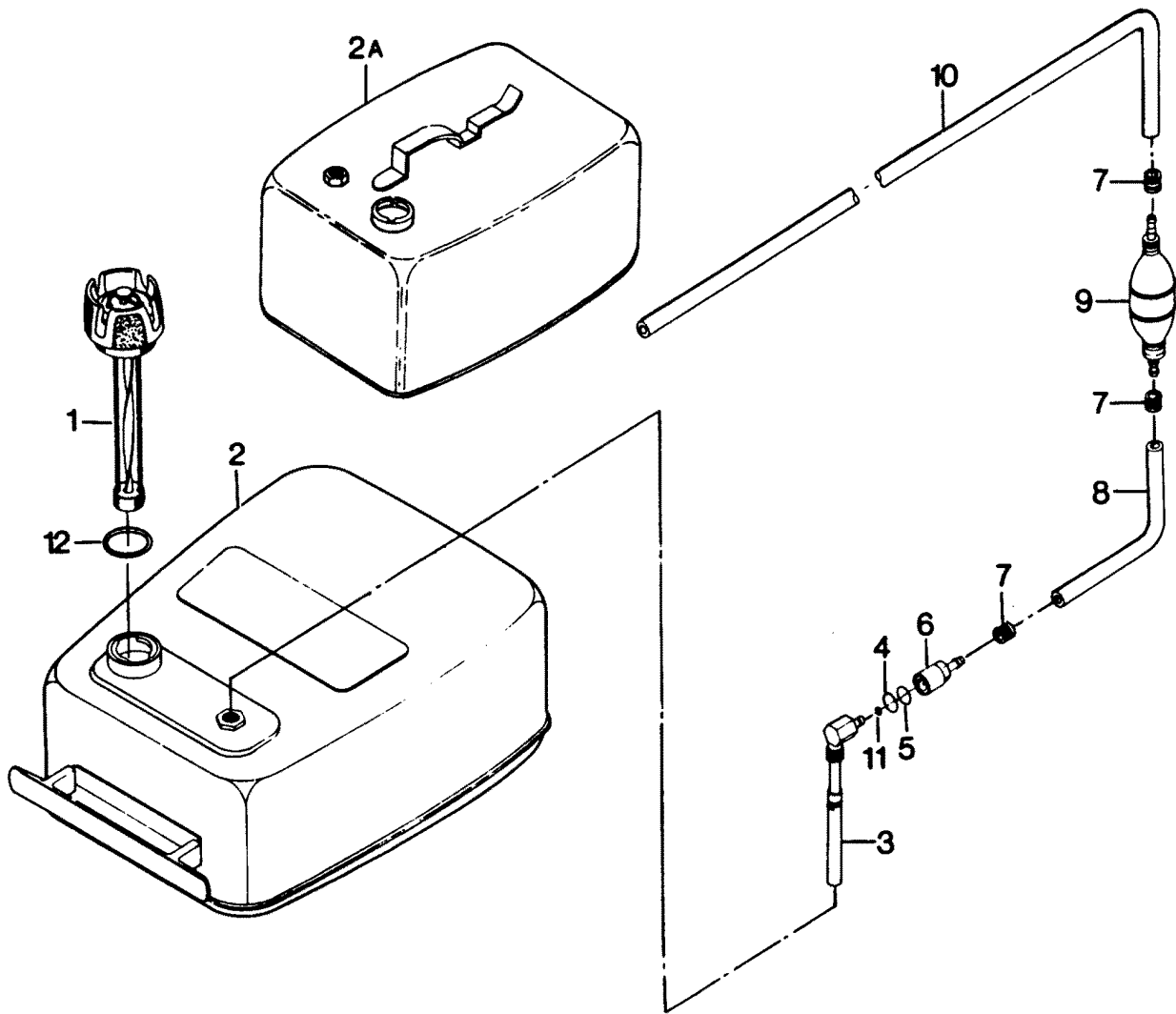
GEAR HOUSING



GEAR HOUSING

REF. NO.	PART NO.	SYM.	QTY.	DESCRIPTION
39	F40008		1	STUD, SHORT
40	FA435116		1	EXHAUST, SNOOT W/LITERATURE
41	F435555		1	SEAL, GEAR HOUSING
42	FA545554		1	GEAR HOUSING UPPER W/ILLUS. 27, 28, 39, 40, 43, 44, 45, 46 AND 55
43	F338618-1		1	SEAL, SHIFT ROD LOWER
44	F435077		1	SCREEN, WATER INLET
45	F435057		1	BEARING, DRIVESHAFT UPPER
46	F40307-2		1	SEAL, DRIVESHAFT
47	F435562		1	WATER PUMP BACK PLATE
48	F433065-2		1	WATER PUMP IMPELLER
49	FA463060		1	WATER PUMP BODY W/ILLUS. 50, 51 AND 54
50	F349307		1	DRIVESHAFT SEAL - WATER PUMP
51	FA485914		1	SEAL, INLET WATER LINE, LOWER W/LITERATURE
52	F2030		4	HEX HD SCREW, S.S., 1/4 - 20 X 1-1/4
53	FA435616		1	GEAR SHIFT ROD INTERMEDIATE
54	485388		1	DISC, WATER PUMP
55	F2008		2	HEX HD M.S., 1/4 - 20 X 1-1/4
56	F90619-2		1	YOKE
57	FK1074		1	GEAR HOUSING SEAL KIT. INCLUDES ALL ITEMS MARKED WITH A DOUBLE ASTERISK (**).
58	FK1073		1	WATER PUMP KIT. INCLUDES ITEMS MARKED WITH AN ASTERISK (*).
-	F2030		4	SCREW 1/4 - 20 X 1-1/4
-	F433065-2		1	IMPELLER
-	F435562		1	BACK PLATE, WATER PUMP
-	F901563		1	DRIVE PIN
-	FA463060		1	WATER PUMP BODY W/ILLUS. 50, 51, AND 52
59	F2014		1	PLAIN WASHER
60	F7004		1	ELASTIC STOP NUT 3/8 - 16

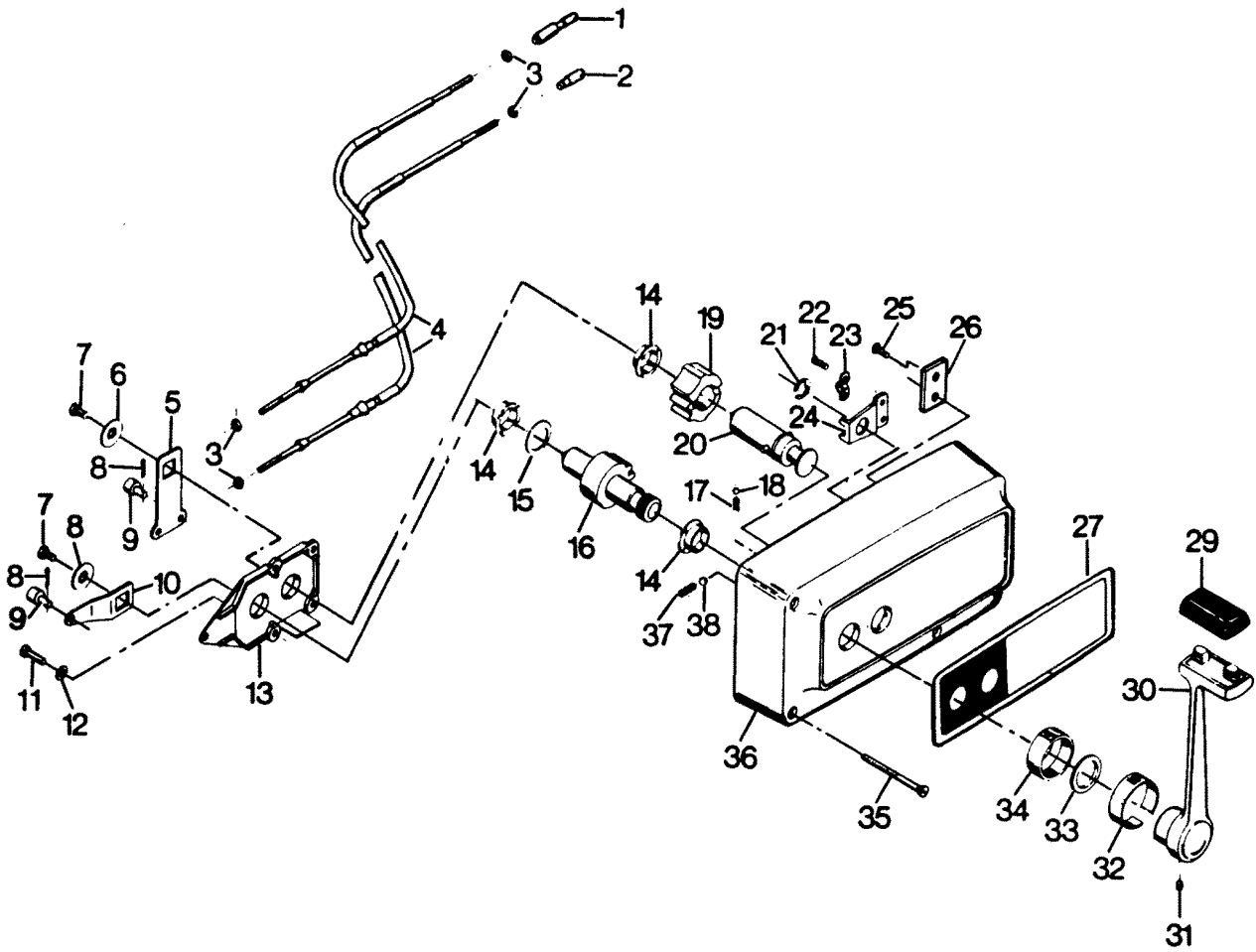
FUEL TANK AND LINE



FUEL TANK AND LINE

REF. NO.	PART NO.	SYM.	QTY.	DESCRIPTION
1	F409251-1		1	GAUGE CAP (BAYLINER MODELS)
-	F213251		1	GAUGE CAP (FORCE MODELS)
2	F5H026-1		1	FUEL TANK W/ILLUS. 1 AND 3 (FORCE MODELS)
2A	F5H176		1	FUEL TANK W/ILLUS. 1 AND 3 (BAYLINER MODELS)
3	F485755-1		1	FUEL TANK ADAPTER
4	F17816		1	SEAL, FUEL LINE COUPLER (LARGE)
5	F17815		1	SEAL, FUEL LINE COUPLER (SMALL)
6	F197787-3		1	FUEL LINE COUPLER
7	F298788		3	FERRULE
8	FA84754-1		1	FUEL LINE SHORT W/ILLUS. 7
9	89396A38		1	PRIME BULB
10	32-817738A1		1	FUEL LINE, LONG W/CLAMP W/ILLUS. 7 ORIGINAL FORCE P/N A 197752-1
11	F17817		1	SEAL, FUEL TANK ADAPTER USED WITH 485755-1 ADAPTER
-	FS409752		1	FUEL LINE - COMPLETE INCLUDES ITEMS MARKED WITH AN ASTERISK (*).
-	FC311398		1	DECAL, TOTE TANK - CANADA (NOT SHOWN)
-	F224394-3		1	DECAL, FUEL MIXTURE - U.S.A. (NOT SHOWN)
12	F17818		1	GASKET
-	F310398		1	DECAL, WARNING (NOT SHOWN)

REMOTE CONTROL

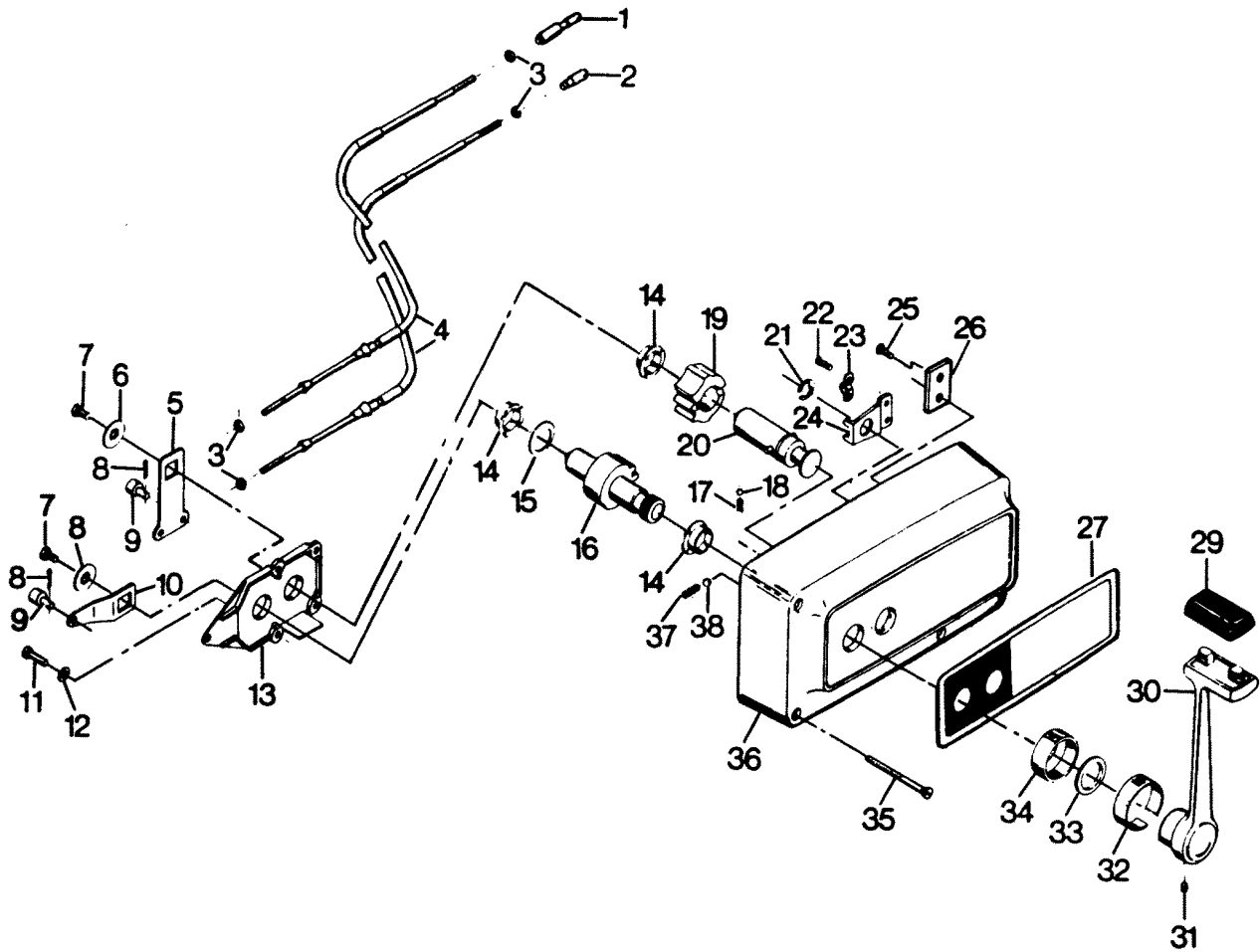


REMOTE CONTROL

REF. NO.	PART NO.	SYM.	QTY.	DESCRIPTION
1	FA58976-1		1	CONNECTOR, THROTTLE CABLE (FORCE MODELS) - NOT SHIPPED WITH ENGINE
-	F654976		1	CONNECTOR, THROTTLE CABLE (BAYLINER MODELS)
2	F58685-2		1	CONNECTOR, SHIFT CABLE (FORCE AND BAYLINER MODELS) - NOT SHIPPED WITH FORCE MODELS
3	F1513		4	HEX NUT
4	F195/___		1	REMOTE CONTROL CABLE (SPECIFY LENGTH-X) (2 PER SET) (NOT SHIPPED WITH ENGINE) FORCE MODELS
-	F5H190/___		1	REMOTE CONTROL CABLE, (SPECIFY LENGTH-X) (2 PER SET) (NOT SHIPPED WITH ENGINE) BAYLINER MODELS
5	F17019		1	CLUTCH ARM
6	F17036		2	INTERNAL TOOTH LOCKWASHER
7	F17155		2	HEX BOLT, 1/4 - 28 X 1/2
8	F17149		2	COTTER PIN
9	F17016		2	CABLE TERMINAL
10	F17014		1	THROTTLE ARM
11	F17013		2	FILL HD SCREW, 1/4 - 20 X 1/2
12	F8061		2	INTERNAL TOOTH LOCKWASHER
13	F17012		1	RETAINING PLATE
14	F17009		3	BEARING
15	F17011		1	BOWED WASHER
16	F17010-1		1	THROTTLE GEAR
17	F17111		1	DETENT BALL
18	F17006		1	DETENT SPRING
19	F17021		1	CLUTCH GEAR
20	F17100		1	CLUTCH SHIFT
21	F17092		1	SNAP RING
22	F17071		2	FILL HD SCREW, 10 - 24 X 5/16
23	F154317		1	CABLE CLAMP
24	F17026		1	SWIVEL
25	F17141		2	ROUND HD SCREW, 10 - 24 X 3/8
26	F17153		1	RETAINER PLATE
27	F580892-2		1	DECAL
29	F17116		1	KNOB
30	F17115-1		1	HANDLE
31	F455690		1	SET SCREW
32	FK17114-1		1	INDICATOR
33	F17105		1	FELT WASHER
34	F17106		1	COLLAR
35	F17154		3	WOOD SCREW

CONTINUED ON NEXT PAGE ➡

REMOTE CONTROL



REMOTE CONTROL

REF. NO.	PART NO.	SYM.	QTY.	DESCRIPTION
36	F5H130-1		1	HOUSING
37	F17157		1	DETENT SPRING
38	F17082-1		1	DETENT BALL
-	F1280		2	PAN HD SCREW, 8 - 32 X 1/4 (TERMINAL BOARD) (NOT SHOWN)
-	FK17156		1	BAG ASSEMBLY (NOT SHOWN). INCLUDES ALL ITEMS MARKED WITH AN ASTERISK (*).

SPECIAL TOOLS - TUNE-UP

REF. NO.	PART NO.	SYM.	QTY.	DESCRIPTION
-	FT8948-1		0	PULLER TO REMOVE FLYWHEEL
-	FT2910		0	KNOCK-OFF-NUT TO REMOVE FLYWHEEL (ALTERNATE TO PULLER)
-	FTA2937-1		0	TIMING TOOL TO ADJUST IGNITION TIMING (STATIC)
-	FT8930-1		0	FEELER GAUGE TO ADJUST BREAKER POINTS
-	FT8978		0	TIMING LIGHT TO ADJUST IGNITION TIMING (DYNAMIC)

SPECIAL TOOLS - POWER HEAD

REF. NO.	PART NO.	SYM.	QTY.	DESCRIPTION
-	FT2998		0	TORQUE WRENCH (0-100LBS./FT.) TO PROPERLY SECURE FASTENERS
-	FT2999		0	TORQUE WRENCH (0-600LBS./IN.) TO PROPERLY SECURE FASTENERS
-	FT2991		0	CARBON BRUSH TO REMOVE CARBON FROM INSIDE POWERHEAD
-	FT8900		0	HOSE CLAMP PILERS TO REMOVE AND INSTALL FUEL HOSE CLAMPS
-	FT3510		0	SEAL INSTALLER TO INSTALL UPPER CRANKSHAFT BEARING CAGE SEAL
-	FT3512		0	SEAL SLEEVE TO INSTALL UPPER CRANKSHAFT BEARING CAGE SEAL
-	FT1749		0	RETAINING RING PLIERS TO REMOVE AND INSTALL PISTON PIN RETAINING RINGS
-	FT2953		0	SOCKET TO TORQUE CONNECTING ROD SCREWS
-	FT2990		0	PISTON PIN REMOVER TO REMOVE AND INSTALL PISTON PIN IN PISTON
-	FT8926		0	RING EXPANDER TO INSTALL RINGS ON PISTONS
-	FT2996		0	RING COMPRESSOR TO INSTALL PISTONS IN CYLINDERS

SPECIAL TOOLS - LOWER UNIT

REF. NO.	PART NO.	SYM.	QTY.	DESCRIPTION
-	FT8948-1		0	PULLER TO REMOVE PROPELLER SHAFT BEARING CAGE FROM LOWER GEAR HOUSING.
-	FT8919		0	SPRING PIN PUNCH TO REMOVE CLUTCH SPRING PIN
-	FT8907		0	DRIVER HANDLE TO INSTALL BEARING CUP IN LOWER GEAR HOUSING
-	FT8945		0	RETAINER PUNCH TO INSTALL RETAINER ON DRIVESHAFT SPLINE BOOT
-	FT8918		0	BUSHING GUIDE SET TO REMOVE AND INSTALL BEARING CUP IN LOWER GEAR HOUSING
-	FT8921		0	FORWARD BEARING CUP REMOVER TO REMOVE FORWARD BEARING CUP FROM LOWER GEAR HOUSING
-	FT8904		0	FORWARD BEARING CUP INSTALLER TO INSTALL FORWARD BEARING CUP IN LOWER GEAR HOUSING
-	FT3431		0	SEAL INSTALLER TO INSTALL DRIVESHAFT AND PROP SHAFT SEAL IN LOWER UNIT
-	FT8957		0	SEAL INSTALLER TO INSTALL SHIFT ROD SEAL
-	FT8962		0	BEARING INSTALLER TO INSTALL DRIVESHAFT BEARING IN GEAR HOUSING UPPER
-	FT8964		0	BEARING REMOVER TO REMOVE DRIVESHAFT BEARING FROM GEAR HOUSING UPPER

SPECIAL TOOLS - TEST EQUIPMENT

REF. NO.	PART NO.	SYM.	QTY.	DESCRIPTION
-	FT2951		0	CIRCUIT TRACER TO TROUBLESHOOT 12 VOLT CIRCUITS
-	FT2938-1		0	TEST LIGHT TO CHECK CONTINUITY
-	FT2955A		0	TEST WHEEL TO TEST MOTOR IN TEST TANK
-	FT8950		0	LEAKAGE TESTER TO TEST LOWER UNIT FOR LEAKAGE
-	FT11259		0	MULTIMETER TO TEST ELECTRICAL SYSTEM
-	FT11260		0	SPARK TESTER TO TEST IGNITION SYSTEM FOR SPARK

SPECIAL TOOLS - LUBRICANTS AND SEALANTS

REF. NO.	PART NO.	SYM.	QTY.	DESCRIPTION
-	FT2961		0	LUBRICANT - RYKON GREASE #2EP
-	FT2987-1		0	LUBRICANT - ANTI-SEIZE
-	FT8969		0	LUBRICANT - 7 OZ. LUBRICANT LPS-1
-	FT8983		0	SEALANT - RTV
-	FT8936-1		0	SEALANT - 2 CC LOCTITE RETAINING COMPOUND #75
-	FT2962-2		0	SEALANT - 50 CC LOCTITE H, NON-HARDENING GRADE
-	FT2963-2		0	SEALANT - 2 OZ. LOCTITE #271
-	FT8935		0	SEALANT PRIMER - 6 OZ. LOC QUIC T

ACCESSORIES

REF. NO.	PART NO.	SYM.	QTY.	DESCRIPTION
-	F5H081		0	BATTERY CABLE LONGER LENGTH - 15 FEET
-	F5H019		0	ANTI-CORROSION KIT ELECTRICAL UNIT USED TO HELP PREVENT CORROSION.
-	F5H025		0	ANTI-CORROSION SACRIFICIAL ANODE USED TO HELP PREVENT CORROSION.
-	F5H021		0	BATTERY EXTENSION CABLE USED TO EXTEND BATTERY CABLE 6-1/2 FEET.
-	F5H041		0	BATTERY TERMINAL KIT FOR POSITIVE AND NEGATIVE BATTERY POSTS.
-	F5H020		0	CARRYING HANDLE PERMITS EASIER TRANSPORTATION OF ENGINE TO AND FROM BOAT (2 MAN).
-	F5H177		0	FLUSHING ADAPTER PERMITS FRESH WATER FLUSHING OF WATER PASSAGES WITH STANDARD GARDEN HOSE.
-	5H158		0	FUEL GAUGE MONITORS FUEL SUPPLY.
-	F5H028		0	SENDING UNIT FOR USE WITH ABOVE FUEL GAUGE.
-	F5H156		0	TEMPERATURE GAUGE MONITORS ENGINE TEMPERATURE. DO NOT USE TEMPERATURE GAUGE AND HEAT LAMP IN THE SAME INSTALLATION.
-	F5H055		0	WATER PUMP KIT HEAVY DUTY WATER PUMP RECOMMENDED FOR CONTINUED OPERATION IN SANDY OR SALT WATER.
-	F5H191		0	FORCE BLUE ENAMEL ENGINE TOUCH-UP PAINT IN 13 OZ. AVERAGE SPRAY BOMBS (6 CANS PER CASE).
-	F5H192		0	FORCE BLUE ENAMEL ENGINE TOUCH-UP PAINT IN 1/2 OZ. BOTTLE WITH BRUSH IN CAP (12 BOTTLES PER BOX).
-	F5H147		0	POWER TRIM ADJUSTS ENGINE TRIM AND TILTS ENGINE.
-	F5H160		0	POWER TRIM INDICATOR INDICATES TRIM ANGLE.
-	F5H084		0	TRAILERING TILT LOCK SECURES ENGINE IN TILTED POSITION FOR TRAILERING.
-	F5H120		0	REMOTE CONTROL BACK PLATE PROTECTS CONTROL MECHANISM FROM PADDED MOUNTING SURFACES IN BOAT.
-	F5H026-1		0	FUEL TANK, 6 GALLON, STEEL AUXILIARY TANK.
-	F5H029		0	FUEL TANK ANCHOR SECURES 5H026-1 TO DECK.
-	F5H143		0	POWER TILT TWELVE VOLT UNIT TILTS ENGINE FOR BEACHING, ETC.
-	F5H073		0	OVERHEAT BUZZER KIT WARNS OF ENGINE OVERHEATING.
-	F5H077		0	IGNITION KEY SWITCH FOR ELECTRIC START MODELS, SHORT BARREL.
-	F5H078		0	IGNITION KEY SWITCH FOR ELECTRIC START MODELS, LONG BARREL.
-	F195/___		0	REMOTE CONTROL CABLES (FORCE MODELS) CONNECTS REMOTE CONTROL BOX TO THROTTLE AND GEAR SHIFT ON MOTOR. AVAILABLE IN 6 THROUGH 26 FOOT LENGTHS. CONTAINS TWO CABLES PLUS THE SHIFT CONNECTOR (#58685-2) AND THE THROTTLE CONNECTOR (#A58976-1).
-	F5H130-1		0	REMOTE CONTROL SURFACE MOUNT (SINGLE LEVER) PERMITS REMOTE CONTROL OF THROTTLE AND GEAR SHIFT FROM STARBOARD SIDE OF BOAT.

CONTINUED ON NEXT PAGE ➡

ACCESSORIES

REF. NO.	PART NO.	SYM.	QTY.	DESCRIPTION
-	F590		0	REMOTE CONTROL FLUSH MOUNT (SINGLE LEVER) PERMITS REMOTE CONTROL OF THROTTLE AND GEAR SHIFT. MAY BE MOUNTED ON PORT OR STARBOARD SIDE OF BOAT.
-	F5H159		0	HOURLMETER MONITORS ENGINE RUNNING TIME.
-	F5H132		0	REMOTE CONTROL HANDLE TRIM SWITCH PROVIDES CONVENIENT OPERATION OF POWER TRIM.
-	F5H154		0	SPEEDOMETER FLUSH MOUNT (10-50 MPH).
-	F5H141		0	STEERING LINK KIT FOR USE WITH PIVOT TUBE STEERING.
-	F563		0	TERMINAL BLOCK KIT DOUBLE ROW 10 SECTION FOR ACCESSORY WIRING.
-	F5H075		0	WIRING HARNESS (24") FOR REMOTE INSTALLATION OF IGNITION SWITCH.
-	F137		0	REMOTE STEERING BRACKET ADAPTS MOTOR TO CABLE TYPE REMOTE STEERING.
-	F165		0	REMOTE STEERING BRACKET ADAPTS MOTOR TO CABLE TYPE REMOTE STEERING.
-	F5H190/___		0	REMOTE CONTROL CABLES BAYLINER MODELS CONNECTS REMOTE CONTROL BOX TO THROTTLE AND GEAR SHIFT ON MOTOR. AVAILABLE IN 6 THROUGH 26 FOOT LENGTHS. CONTAINS TWO CABLES PLUS THE SHIFT CONNECTOR (#58635-2) AND THE THROTTLE CONNECTOR (#654976).
-	F5H023		0	REMOTE STEERING BRACKET ADAPTS MOTOR TO MECHANICAL TYPE REMOTE STEERING.
-	F166		0	DUAL ENGINE TIE BAR PERMITS DUAL ENGINE INSTALLATION.
-	F5H153		0	TACHOMETER MONITORS ENGINE RPM TO PROVIDE CHECK OF ENGINE PERFORMANCE.
-	F5H157		0	VOLTMETER INDICATES BATTERY CONDITION.
-	F5H070		0	REMOTE ELECTRIC CABLE 21 FEET.
-	F762		0	REMOTE ELECTRIC CABLE 25 FEET.
-	F596-		0	US MARINE OUTBOARD OIL SEE NOTE 1
-	597-		0	US MARINE OUTBOARD GEAR LUBE SEE NOTE 2
-	F5H076		0	SWITCH EXTENSION CABLE (5') FOR REMOTE INSTALLATION OF IGNITION SWITCH.
-	F5H030		0	SWITCH KIT - RUNNING LIGHTS DASH MOUNT TOGGLE FOR ANCHOR AND RUNNING LIGHTS.
-	F5H031		0	SWITCH KIT - SPOT LIGHT DASH MOUNT TOGGLE FOR SPOT OR SEARCH LIGHTS.
-	F5H032		0	SWITCH KIT - WIPER DASH MOUNT TOGGLE FOR ELECTRIC WIPER.
-	F5H034		0	SWITCH KIT - BILGE PUMP DASH MOUNT TOGGLE FOR ELECTRIC BILGE PUMP.
-	F5H035		0	SWITCH KIT - HORN DASH MOUNT TOGGLE FOR HORN - MOMENTARY ON.
-	F5H036		0	SWITCH KIT - TACHOMETER TRANSFER DASH MOUNT TOGGLE FOR ONE TACHOMETER ON DUAL ENGINE INSTALLATION.
-	F5H037		0	SWITCH KIT - LIGHTER DASH MOUNT LIGHTER, COMPLETE.

CONTINUED ON NEXT PAGE ➡

ACCESSORIES

REF. NO.	PART NO.	SYM.	QTY.	DESCRIPTION
-	F5H038		0	SWITCH KIT - IGNITION DASH MOUNT PLATE FOR 5H077 AND 5H078 KEY SWITCH (NOT INCLUDED).
-	F5H039		0	SWITCH KIT - INSTRUMENTS

PARTS INDEX

Part Number	Description	Pg.	Ref. No.	Part Number	Description	Pg.	Ref. No.
485388	DISC, WATER PUMP	37	54	F1110	SLOTTED FILL HD SCREW, 1/4 - 20 X 5/8	7	69
5H158	FUEL GAUGE	49	-	F1129	FILL HD SCREW, S.S., 5/16 - 18 X 1/2	29	33
817746A1	CONNECTOR STUD BRACKET	21	60	F1134	FILL HD SCREW, 10 - 24 X 1	19	19
817747--1	BALL JOINT W/BEARING	19	15	F1136	FLAT HD SCREW, 1/4 - 20 X 1	19	39
817782--1	IGNITION KEY - NO LETTER OR STAMPED A	5	19	F1141	FLAT HD SCREW, 10 - 24 X 1/2	27	6
817793A1	SHIFT ARM	19	38	F1160	FLAT HD SCREW, 1/4 - 28 X 5/8	31	88
817796A2	GEAR SHIFT ARM ASSEMBLY	35	34	F1164	FLAT HD SCREW, 5/16 - 18 X 1-1/8	5	29
817814A1	TILT HANDLE	3	2	F1199	HEX HD SCREW, 1/4 - 20 X 1	29	19
817883--1	IGNITION KEY - STAMPED B	5	-	F12090	BREAKER CONTACT SCREW	7	53
817887--1	DECAL, WIRING	5	26	F1211	HEX HD SCREW W/LOCKWASHER, 1/4 - 28 X 5/8	29	12
817891--1	IGNITION KEY - STAMPED C	5	-	F12139-1	CONDENSER	7	52
817892--1	PLATE IGNITION SWITCH CANADA	5	-	F12167	SCREW	7	64
817928--1	IGNITION KEY - STAMPED D	5	-	F12170	CONDENSER MOUNT SCREW W/LOCKWASHER	7	54
817929--1	IGNITION KEY - STAMPED E	5	-	F12172	TERMINAL COMPLETE	7	60
817944A2	HANDLE AND SHAFT	31	56	F12174-1	PRIMARY INTERLEAD GROUP	7	50
819331A2	KINGPIN	29	34	F12227	CAM WIPER - FELT	7	47
89396A38	PRIME BULB	39	9	F12329-2	BREAKER POINT SET	7	49
F10067	BOWL RETAINER GASKET	15	14	F12338	GROUND WIRE	7	57
F10127	FUEL BOWL	15	3	F12344	BREAKER PLATE	7	48
F10128	CHOKE VALVE	15	7	F1238	FILL HD SCREW, 1/4 - 20 X 3/4	7	41
F10129	CHOKE RELIEVING VALVE	15	8	F1263	HEX SOCKET HD CAP SCREW, S.S., 5/16 - 18 X 9/16	35	13
F10130	CHOKE VALVE SPRING	15	23	F1280	PAN HD SCREW, 8 - 32 X 1/4	5	20
F10135	FLOAT ASSEMBLY	15	9	F1280	PAN HD SCREW, 8 - 32 X 1/4 (TERMINAL BOARD) (NOT SHOWN)	43	-
F10137	NOZZLE	15	11	F1286	PAN HD SCREW, 4 - 40 X 3/16	21	45
F1014	COTTER PIN	15	38	F1326	ACORN NUT, S.S., 5/16 - 18	31	84
F10140	VALVE SCREW	15	20	F1341	HEX NUT	21	70
F10141	IDLE NEEDLE SPRING	15	21	F1346	HEX NUT, 3/8 - 16	29	16
F10142	FLOAT SUPPORT SPRING	15	22	F1346	HEX NUT, S.S., 3/8 - 16	31	49
F1015	COTTER PIN	35	37	F1346	HEX NUT, S.S., 3/8 - 16	35	33
F10152	CUP PLUG	15	12	F1349	HEX NUT, S.S., 5/16 - 18	31	79
F10153	WELCH PLUG	15	13	F137	REMOTE STEERING BRACKET	50	-
F10155	VALVE SCREW	15	19	F141118	SEAL, PROPELLER SHAFT	35	15
F10156	FUEL FITTING, ELBOW	15	30	F141305	SEAL, PROPELLER SHAFT BEARING CAGE	35	17
F10159	CHOKE SHAFT ASSEMBLY	15	6	F141704	GEAR SHIFT ROD COUPLING	31	78
F10191	CHOKE RETURN SPRING	15	25	F1441	PAN HD SCREW, 1/4 - 20 X 7/8	25	2
F10192	THROTTLE RETURN SPRING	15	24	F1446	SLOTTED PAN HD SCREW, 1/4 - 20 X 1	19	42
F10193	THROTTLE SHAFT ASSEMBLY	15	4	F1473	HEX M. SC. NUT #10 - 24	33	95
F10197	JET (.046)	15	28	F1473	HEX NUT, 10 - 24	19	24
F10203	JET SIZE. (.080) 5000 FT. - 7500 FT.	15	-				
F10204	NOZZLE SPRING	15	26				
F10205	BOWL RETAINER SCREW	15	18				
F10206	BOWL RETAINER GASKET	15	16				
F10207	THROTTLE VALVE	15	5				
F10208	PIN, FLOAT ASSEMBLY	15	10				
F10210	JET SIZE. (.078) 7500 FT. - 10,000 FT.	15	-				
F10218	RING	15	1				
F10229	MAIN FUEL JET (.084)	15	29				
F10230	JET SIZE. (.082) 2500 FT. - 5000 FT.	15	-				
F1027	COTTER PIN, S.S., 1/8 - 1/2	35	10				
F1052	FILL HD SCREW, 1/4 - 20 X 1	21	69				
F1059	FILL HD SCREW 6 - 32 X 1/4	15	36				

PARTS INDEX

Part Number	Description	Pg.	Ref. No.	Part Number	Description	Pg.	Ref. No.
F1473	NUT, 10-24 S.S.	13	18	F165	REMOTE STEERING		
F1475	FILL HD SCREW, 10 X 24 X 1/2	3	8		BRACKET	50	-
F1504	SLOTTED FIL SCREW, 1/4 - 20 X 1-1/4 S.S.	13	8	F166	DUAL ENGINE TIE BAR	50	-
F1513	HEX NUT	41	3	F1666	BOWED SPRING WASHER .	29	41
F1513	HEX NUT, 10 - 32	19	12	F1669	STOP NUT	31	54
F1513	HEX NUT, 10 - 32	19	16	F17006	DETENT SPRING	41	18
F1513	HEX NUT, 10-32	5	31	F17009	BEARING	41	14
F1515	HEX NUT, 5/16 - 18	3	21	F17010-1	THROTTLE GEAR	41	16
F1515	HEX NUT, 5/16 - 18	19	4	F17011	BOWED WASHER	41	15
F1515	HEX NUT, 5/16 - 18	27	2	F17012	RETAINING PLATE	41	13
F15152	LOCKWASHER	11	11	F17013	FILL HD SCREW, 1/4 - 20 X 1/2	41	11
F15154	CAP, DRIVE END	11	3	F17014	THROTTLE ARM	41	10
F15157	HOLDER, BRUSH	11	9	F17016	CABLE TERMINAL	41	9
F15158	SCREW, BRUSH HOLDER ..	11	7	F17019	CLUTCH ARM	41	5
F15159	INSULATOR	11	14	F17021	CLUTCH GEAR	41	19
F15160	INSULATOR WASHER	11	13	F17026	SWIVEL	41	24
F15161	PLAIN WASHER	11	12	F17036	INTERNAL TOOTH LOCKWASHER	41	6
F15162	NUT	11	10	F1704	INTERNAL TOOTH LOCKWASHER	7	67
F15164	BRUSH KIT	11	8	F17071	FILL HD SCREW, 10 - 24 X 5/16	41	22
F15179	CAP COMMUTATOR END W/ BRUSHES AND BRUSH HOLDER	11	15	F17082-1	DETENT BALL	43	38
F15181	DRIVE KIT	11	1	F17092	SNAP RING	41	21
F15182	DRIVE PINION	11	2	F17100	CLUTCH SHIFT	41	20
F15183	ARMATURE	11	4	F17105	FELT WASHER	41	33
F15184	THRU BOLT	11	16	F17106	COLLAR	41	34
F1525	WELCH PLUG, CYLINDER HEAD (NOT SHOWN)	23	96	F17111	DETENT BALL	41	17
F1526	WELCH PLUG, CYLINDER HEAD (NOT SHOWN)	23	95	F17115-1	HANDLE	41	30
F1532	HEX HD SCREW, 1/4 - 20 X 1	3	24	F17116	KNOB	41	29
F1532	HEX HD SCREW, 1/4 - 20 X 1	7	46	F17141	ROUND HD SCREW, 10 - 24 X 3/8	41	25
F1540	HEX HD SCREW, 1/4 - 20 X 5/8 GR. 5	13	21	F17149	COTTER PIN	41	8
F154317	CABLE CLAMP	41	23	F17153	RETAINER PLATE	41	26
F1544	HEX HD CAP SCREW, 3/8 - 16 X 2-1/4	23	74	F17154	WOOD SCREW	41	35
F1552	SLOTTED PAN HD SCREW, 8 - 32 X 1/2	7	56	F17155	HEX BOLT, 1/4 - 28 X 1/2 ..	41	7
F1556	FILL HD SCREW, W/LOCKWASHER, 10 - 24 X 3/8	19	32	F17157	DETENT SPRING	43	37
F1600	LOCK NUT, PIVOT TUBE ...	31	45	F1727	PLASTIC RIVET	19	30
F1615	HEX NUT, 5/16-24	7	38	F1733	PAN HD M. SC., #10 - 24 X 9/16	33	96
F1635	HEX SOCKET HD CAP SCREW, S.S., 3/8 - 16 X 3-1/2	29	27	F1733	PAN HD SCREW, 10 - 24 X 9/16	3	15
F1636	HEX SOCKET HD CAP SCREW, S.S., 3/8 - 16 X 1-1/4	29	28	F1733	PAN HD SCREW, 10 - 24 X 9/16	7	32
F1645	RD HD SELF-TAPPING SCREW, 6 - 32 X 1/4	7	68	F1733	PAN HD SCREW, 10 - 24 X 9/16	31	55
F1646	HEX SOCKET HD CAP SCREW, 3/8 - 16 X 2-1/4 .	19	7	F1741	PAN HD SCREW, 8 - 3/4 ...	9	75
F1647	HEX NUT	23	97	F1744	SPRING PIN	31	75
F1647	HEX NUT, 8 - 32	5	14	F1753	FASTENER, TRIM (INSIDE OF COVER)	3	31
F1648	SCREW, 10 - 24 X 3/4 PAN HD SCREW	13	13	F1755	ROUND HD SCREW W/LOCKWASHER, 6 - 32 X 1/4	27	12
				F1767	FILL HD M. SC., #10 - 24 X 3	33	97
				F1768	FILL HD M. SC., #10 - 24 X 1-3/8	33	98
				F177330	VALVE, FUEL PUMP	13	24
				F177917	STARTER RELAY	7	37

PARTS INDEX

Part Number	Description	Pg.	Ref. No.	Part Number	Description	Pg.	Ref. No.
F17816	SEAL, FUEL LINE COUPLER (LARGE)	39	4	F195/_	REMOTE CONTROL CABLES (FORCE MODELS)	49	-
F17817	SEAL, FUEL TANK ADAPTER USED WITH 485755-1 ADAPTER	39	11	F1958	PAN HD SCREW, 6 X 7/16	7	61
F17818	GASKET	39	12	F1969	FILL HD SCREW, 1/4 - 20 X 3/4	19	31
F1789	PIPE PLUG, - 1/16 - 27	13	19	F1971	HEX HD SCREW, 1/4 - 20 X 2-1/8	23	85
F1804	STOP NUT, 10 - 32	21	63	F1974	SLOTTED PAN HD SCREW, 10 - 24 X 5/8	5	5
F18160-3	REED, CYLINDER DRAIN	21	48	F1975	LOCKWASHER	5	4
F183300	SPRING	3	20	F1975	LOCKWASHER	13	14
F183346-1	SHOCK MOUNT LOWER	29	32	F197787-3	FUEL LINE COUPLER	39	6
F1836	SPRING PIN	31	61	F197813	BEARING, REVERSE LOCK SHAFT REAR	31	62
F184033-1	SWIVEL, CHOKE ROD	15	35	F1987	PLAIN WASHER	3	19
F184122-1	CRANKCASE PARTING LINE SEAL	23	-	F1987	PLAIN WASHER	31	82
F184122-1	CRANKCASE PARTING LINE SEAL (CUT TO 26")	21	71	F1995	FILL HD SCREW, 10 - 24 X 1	19	27
F184579	SEAL, CHOKE ARM SWIVEL	15	34	F1995	FILL HD SCREW, 10 - 24 X 1-1/16	23	80
F1849	HEX HD SCREW, S.S., 1/4 - 20 X 1-3/8	29	17	F1997	STOP NUT 8 - 32	17	42
F1851	FILL HD M. SCREW W/LOCKWASHER, 10 - 24 X 1/2	29	4	F1997	STOP NUT, 8 - 32	23	94
F1854	HEX HD SCREW, 1/4 - 20 X 5/8	7	44	F2008	HEX HD M.S., 1/4 - 20 X 1-1/4	37	55
F1854	HEX SLOT HD SCREW, 1/4 - 20 X 5/8	19	6	F2008	HEX HD SCREW, 1/4 - 20 X 7/8	27	1
F1857	HEX CAP SCREW, 5/16 - 18 X 5/8	21	61	F2014	PLAIN WASHER	23	75
F185764	RETAINING RING	31	80	F2014	PLAIN WASHER	37	59
F1860	SLOTTED BINDING HEAD SCREW, 6-32 X 1/4	13	25	F201529-1	CYLINDER HEAD GASKET	21	66
F1864	HEX CAP SCREW, 1/4 - 20 X 3/4	3	10	F201529-1	GASKET, CYLINDER HEAD	21	-
F1864	HEX CAP SCREW, 1/4 - 20 X 3/4	21	62	F2016	FILL HD SCREW, 6 - 32 X 7/8	19	40
F1864	HEX HD SCREW, 1/4 - 20 X 3/4	19	9	F2016	FILL HD SCREW, 8 - 32 X 7/8	5	28
F1879	HEX SOCKET HD CAP SCREW, 3/8 - 16 X 1-5/8	19	8	F2025	PAN HD SCREW, 10 X 5/8	3	3
F1904	PLAIN WASHER	31	48	F2030	HEX HD SCREW, S.S., 1/4 - 20 X 1-1/4	37	52
F1905	FILL HD SCREW, 1/4 - 20 X 3-7/16	29	22	F2030	SCREW 1/4 - 20 X 1-1/4	37	-
F191169-1	SWIVEL BRACKET BEARING	29	35	F203276	COIL BOOT	5	16
F1920	HEX NUT, 5/8 - 18	7	72	F2033	GROVE PIN	17	41
F1922	HEX CAP SCREW, 1/4 - 20 X 5/8	5	18	F203673-1	TERMINAL CLIP	5	17
F1922	HEX CAP SCREW, 1/4 - 20 X 5/8	29	11	F203965	SHOCK MOUNT UPPER	29	7
F1922	HEX HD SCREW, 1/4 - 20 X 5/8	23	86	F2066	PAN HD SELF-TAPPING SCREW	3	4
F1929	HEX HD CAP SCREW, S.S., 3/8 - 16 X 1-1/8	29	24	F2071	HEX CAP SCREW, 5/16 - 18 X 1-3/8	7	63
F1934	FLAT HD SLOTTED SCREW, 6 X 1/2	5	23	F2073	HEX CAP SCREW 3/8 - 24 X 1-5/8	33	101
F1947	FLANGED 12 POINT SCREW, 5/16 - 18 X 2	31	87	F2088	FASTENER	31	58
F195/_	REMOTE CONTROL CABLE (SPECIFY LENGTH-X) (2 PER SET)	41	4	F2093	STOP NUT	33	102
				F2097	SPRING PIN	35	23
				F2125	HEX HD SCREW, S.S., 3/8 - 16 X 3	31	47
				F213251	GAUGE CAP (FORCE MODELS)	39	-
				F213274	GREASE FITTING	31	63
				F215962	SHOCK MOUNT SIDE LOWER	31	86
				F2165	RIVET, TRIM	3	33
				F224394-3	DECAL, FUEL MIXTURE - U.S.A. (NOT SHOWN)	39	-
				F24074	CLAMP SCREW FOOT	31	69
				F260446-1	CLAMP	7	70
				F268002-2	CAM	7	45

PARTS INDEX

Part Number	Description	Pg.	Ref. No.	Part Number	Description	Pg.	Ref. No.
F269052	SHIFT ARM BEARING	19	36	F366426	TILT STOP - PORT	29	40
F269319	THROTTLE CAM BEARING	19	11	F366433	TILT STOP, STARBOARD	31	65
F269445-1	SPARK CONTROL LINK	19	25	F366510-1	LINK, REVERSE LOCK	31	60
F269929	SPACER, TILT STOP	29	38	F366727	BALL, PROPELLER SHAFT	35	20
F286461	SPRING LOCK BAR HANDLE	31	77	F366886	PIN	31	51
F286772-1	CLAMP	29	9	F380475	COIL	5	30
F289664	WIRE STATOR GROUND	7	58	F380501-1	COIL MOUNT	7	55
F295175	WASHER, INSULATING	23	101	F380513	COIL CLAMP	5	27
F298788	FERRULE	39	7	F381896-4	BATTERY CABLE (FORCE MODELS)	5	-
F2A474266	BEVEL PINION W/ BEARING	35	35	F391926-1	CHOKE SOLENOID PLUNGER	17	40
F2C662712	ENGINE COVER COMPLETE	3	-	F3A433757	CYLINDER DRAIN REED PLATE	21	49
F307038	SUPPORT PLATE	3	13	F40008	STUD, SHORT	37	39
F307104	WIRE THERMOSWITCH	23	100	F40017-2	PISTON PIN	25	9
F307211	STUD	19	2	F40146-1	CRANKSHAFT SEAL	25	1
F307279-2	CYLINDER EXHAUST GASKET UPPER	29	1	F40151-2	EXHAUST PORT PLATE	23	89
F307279-2	GASKET, CYLINDER EXHAUST - UPPER	23	-	F40154-4	EXHAUST PORT PLATE GASKET	23	88
F307317	CLIP, TERMINAL BLOCK - GROUND	5	11	F40154-4	GASKET, EXHAUST PORT PLATE	21	-
F307615-1	GEAR SHIFT ROD UPPER	31	83	F40209	CARBURETOR STUD	27	3
F307660-1	LEG EXHAUST TUBE	29	3	F40223	GASKET, TRANSFER PORT COVER	13	22
F307683	WIRE, CIRCUIT BREAKER	5	1	F40223	GASKET, TRANSFER PORT COVER	21	-
F307818	BEARING, LATCH SHAFT	3	17	F40223	TRANSFER PORT COVER GASKET	21	54
F307860	INTAKE SILENCER	3	27	F40279-1	CYLINDER EXHAUST GASKET LOWER	29	13
F307942-1	BUMPER	19	20	F40279-1	GASKET, CYLINDER EXHAUST - LOWER	23	-
F307962	SHOCK MOUNT - SIDE - UPPER	29	14	F40307-2	SEAL, DRIVESHAFT	37	46
F310398	DECAL, WARNING (NOT SHOWN)	39	-	F40342	SEAL	35	5
F311744-2	WIRING HARNESS	5	2	F40342	SEAL, PROPELLER NUT	35	11
F311984-1	BLANKET, SILENCER - TOP (NOT SHOWN)	3	-	F40410	SNAP RING	25	14
F311996	GASKET, CYLINDER HEAD COVER	23	-	F404801	ELBOW	21	64
F316160	REED	27	10	F404841	CABLE OVERHEAT BUZZER	7	74
F316599	SEAL, PIVOT TUBE	33	89	F405457	PIVOT SCREW	19	33
F328109	PLUG	19	21	F40717	THRUST WASHER, BEVEL GEAR	35	19
F333316	THROTTLE ROLLER SHAFT	17	44	F40833-4	GASKET, IDLE RELIEF COVER	21	-
F335217-1	BEARING	25	8	F40833-4	MOTOR LEG EXHAUST COVER GASKET	29	21
F338129-1	SEAL, DRIVESHAFT SPLINE	35	1	F40906-1	CARBURETOR GASKET	15	33
F338271	RETAINER	35	2	F40906-1	GASKET, CARBURETOR	21	-
F338618-1	SEAL, SHIFT ROD LOWER	37	43	F409251-1	GAUGE CAP (BAYLINER MODELS)	39	1
F345427-1	BRACKET, STARTER MOUNTING	19	1	F428015-1	PISTON, STANDARD	25	12
F345683	WIRE - GROUND	5	10	F428096	RETAINER, PISTON PIN	25	11
F349307	DRIVESHAFT SEAL - WATER PUMP	37	50	F433065-2	IMPELLER	37	-
F353480	STUD	31	68	F433065-2	WATER PUMP IMPELLER	37	48
F366013	CRANKSHAFT THRUST BEARING UPPER	25	18	F433114	HANDLE, LOCK BAR	31	76
F366058	BALL BEARING, PROPELLER SHAFT	35	16	F433168	CARBURETOR ADAPTER GASKET	27	5
F366215	SPACER	25	10	F433168	GASKET, CARBURETOR ADAPTER	23	-
F366277	BEARING CAGE GASKET	25	4	F433192	THROTTLE CAM	19	14
F366277	GASKET, BEARING CAGE	23	-				
F366300	REVERSE LOCK SPRING	31	52				
F366349	REVERSE LOCK	31	53				
F366350-1	TILT STOP PIVOT	29	39				
F366364	ARM, REVERSE LOCK	31	59				

PARTS INDEX

Part Number	Description	Pg.	Ref. No.	Part Number	Description	Pg.	Ref. No.
F433209-1	STUD, THROTTLE CAM	19	10	F522125-1	TUBE, PIVOT STEERING . . .	31	70
F433254	HOSE	21	65	F522286	STERN BRACKET FRICTION WASHER	29	37
F433404	DEFLECTOR PLATE	27	7	F522359	SPACER, STEERING LINK . .	33	100
F433406	DEFLECTOR PLATE GASKET	27	8	F522532-1	STERN BRACKET - PORT . .	29	43
F433406	GASKET, DEFLECTOR PLATE	23	-	F522884	BEARING, REVERSE LOCK SHAFT	31	57
F433680	SPACER PLATE	29	2	F544390-1	DECAL, TILT LOCK	31	50
F433689	TOWERSHAFT BEARING . .	19	28	F549189	BUSHING ELECTRIC CABLE ENTRY	3	14
F433758	HOSE	23	91	F563	TERMINAL BLOCK KIT	50	-
F433946	SHOCK MOUNT UPPER COVER	29	8	F575675	STARTER MOUNTING BRACKET - LOWER	19	5
F433972	SHOCK MOUNT LOWER COVER - STARBOARD . .	31	85	F575955	STARTER MOTOR COMPLETE	11	-
F433973	SHOCK MOUNT LOWER COVER - PORT	29	26	F580892-2	DECAL	41	27
F434754	FUEL LINE, PUMP TO CARBURETOR	13	10	F58685-2	CONNECTOR, SHIFT CABLE (FORCE AND BAYLINER MODELS) - NOT SHI	41	2
F435057	BEARING, DRIVESHAFT UPPER	37	45	F590	REMOTE CONTROL FLUSH MOUNT (SINGLE LEVER)	50	-
F435077	SCREEN, WATER INLET . . .	37	44	F5H019	ANTI-CORROSION KIT	49	-
F435133-1	MOTOR LEG	29	23	F5H020	CARRYING HANDLE	49	-
F435244	INLET WATER LINE	35	7	F5H021	BATTERY EXTENSION CABLE	49	-
F435323	PACKING, LEG COVER LOWER	33	92	F5H023	REMOTE STEERING BRACKET	50	-
F435555	SEAL, GEAR HOUSING	37	41	F5H025	ANTI-CORROSION SACRIFICIAL ANODE	49	-
F435562	BACK PLATE, WATER PUMP	37	-	F5H026-1	FUEL TANK	39	2
F435562	WATER PUMP BACK PLATE	37	47	F5H026-1	FUEL TANK, 6 GALLON, STEEL	49	-
F435705	GEAR SHIFT ROD LOWER .	35	36	F5H028	SENDING UNIT	49	-
F438165	SCREW, FUEL SEDIMENT BOWL	13	6	F5H029	FUEL TANK ANCHOR	49	-
F438500	BOWL, FUEL SEDIMENT . . .	13	5	F5H030	SWITCH KIT - RUNNING LIGHTS	50	-
F438617	GASKET, FUEL SEDIMENT BOWL	13	3	F5H031	SWITCH KIT - SPOT LIGHT .	50	-
F438653	SCREEN, FUEL PUMP	13	4	F5H032	SWITCH KIT - WIPER	50	-
F438747	DIAPHRAGM, FUEL PUMP . .	13	15	F5H034	SWITCH KIT - BILGE PUMP .	50	-
F438760	GASKET, FUEL PUMP	13	16	F5H035	SWITCH KIT - HORN	50	-
F438801	ELBOW	13	11	F5H036	SWITCH KIT - TACHOMETER TRANSFER	50	-
F452925	CHOKE SOLENOID ROD . . .	17	39	F5H037	SWITCH KIT - LIGHTER	50	-
F455690	SET SCREW	41	31	F5H038	IGNITION SWITCH MOUNTING KIT (ACCESSORY ITEM)	5	22
F458774	BRACKET RETAINER - REAR	3	11	F5H038	SWITCH KIT - IGNITION . . .	51	-
F463314	ELBOW W/VALVE	23	90	F5H039	SWITCH KIT - INSTRUMENTS	51	-
F463864	RETAINER, TILT HANDLE . .	3	5	F5H041	BATTERY TERMINAL KIT . .	49	-
F465985	BLANKET, SILENCER - SIDE (NOT SHOWN)	3	-	F5H041	BATTERY TERMINAL KIT (ACCESSORY ITEM)	5	25
F466095	STATOR	7	59	F5H055	WATER PUMP KIT	49	-
F466479	BREAKER PLATE SHOE . . .	7	62	F5H070	REMOTE ELECTRIC CABLE	50	-
F467841	COIL WIRE - CANADA	5	-	F5H073	OVERHEAT BUZZER (ACCESSORY ITEM)	9	76
F474073-1	CLAMP SCREW	31	73	F5H073	OVERHEAT BUZZER KIT . . .	49	-
F474992	BLANKET, SILENCER - FRONT (NOT SHOWN) . .	3	-	F5H075	WIRING HARNESS (24") . . .	50	-
F485755-1	FUEL TANK ADAPTER	39	3	F5H076	SWITCH EXTENSION CABLE (5')	50	-
F498618	SEAL, O-RING	35	30				
F498891	GEAR SHIFT ARM PIVOT PIN	35	29				
F50109	PLUG, GEAR HOUSING	35	27				
F510374-1	DECAL, CIRCUIT BREAKER	7	35				
F510460	CIRCUIT BREAKER	7	34				
F522032	STERN BRACKET - STARBOARD	31	67				

PARTS INDEX

Part Number	Description	Pg.	Ref. No.	Part Number	Description	Pg.	Ref. No.
F5H077	IGNITION KEY SWITCH	49	-	F762	REMOTE ELECTRIC CABLE	50	-
F5H078	IGNITION KEY SWITCH	49	-	F8003	PLAIN WASHER	21	46
F5H078	IGNITION SWITCH (ACCESSORY ITEM)	5	21	F8011	PLAIN WASHER	7	33
F5H081	BATTERY CABLE	49	-	F8025	PLAIN WASHER	29	10
F5H084	TRAILERING TILT LOCK . . .	33	104	F8038	PLAIN WASHER	29	15
F5H084	TRAILERING TILT LOCK . . .	49	-	F8038	PLAIN WASHER	33	103
F5H120	REMOTE CONTROL BACK PLATE	49	-	F8042	PLAIN WASHER	35	6
F5H130-1	HOUSING	43	36	F8049	BOWED SPRING WASHER . .	31	81
F5H130-1	REMOTE CONTROL SURFACE MOUNT (SINGLE LEVER)	49	-	F8056	LOCKWASHER	23	98
F5H132	REMOTE CONTROL HANDLE TRIM SWITCH	50	-	F8056	SPRING LOCKWASHER . . .	5	13
F5H141	LINK, STEERING	33	99	F8058	INTERNAL TOOTH LOCKWASHER	19	13
F5H141	STEERING LINK KIT	50	-	F8060	EXTERNAL TOOTH LOCKWASHER	25	19
F5H143	POWER TILT	49	-	F8061	INTERNAL TOOTH LOCKWASHER	41	12
F5H147	POWER TRIM	49	-	F8065	LOCKWASHER	35	32
F5H153	TACHOMETER	50	-	F8065	SPRING LOCKWASHER . . .	29	25
F5H154	SPEEDOMETER	50	-	F8077	WASHER, GEAR HOUSING PLUG	35	28
F5H156	TEMPERATURE GAUGE . . .	49	-	F8083	LOCKWASHER	13	7
F5H157	VOLTMETER	50	-	F8083	SPRING LOCKWASHER . . .	5	9
F5H159	HOURLMETER	50	-	F8083	SPRING LOCKWASHER . . .	21	59
F5H160	POWER TRIM INDICATOR . .	49	-	F8083	SPRING LOCKWASHER . . .	23	73
F5H176	FUEL TANK	39	2A	F8083	SPRING LOCKWASHER . . .	29	18
F5H177	FLUSHING ADAPTER	49	-	F8088	PLAIN WASHER	7	66
F5H190/___	REMOTE CONTROL CABLE, (SPECIFY LENGTH-X) (2 PER SET)	41	-	F8088	PLAIN WASHER	15	37
F5H190/___	REMOTE CONTROL CABLES BAYLINER MODELS	50	-	F8088	PLAIN WASHER	21	56
F5H191	FORCE BLUE ENAMEL	49	-	F8094	PLAIN WASHER	7	40
F5H192	FORCE BLUE ENAMEL	49	-	F8096	SPRING LOCKWASHER . . .	3	22
F629843	ELECTRICAL CONTROL CABLE - 14 1/2 FT. BAYLINER MODELS	5	7	F8096	SPRING LOCKWASHER . . .	7	39
F629896	BATTERY CABLE (BAYLINER MODELS)	5	24	F8096	SPRING LOCKWASHER . . .	19	3
F650450	RECTIFIER	5	12	F84026	SPARK CONTROL SWIVEL .	19	22
F654976	CONNECTOR, THROTTLE CABLE (BAYLINER MODELS)	41	-	F84035-2	SPARK CONTROL BEARING, R.H.	19	26
F658758	HOSE, IMPULSE	13	20	F84036	SPARK CONTROL BEARING, L.H.	19	23
F658803	GASKET, SPACER PLATE . .	13	2	F84280	KINGPIN NUT	29	30
F658836	SPACER, FUEL PUMP	13	17	F84314-2	ELBOW, FUEL LINE	21	57
F660189	BUSHING, CABLE ENTRY . .	3	18	F84449	NEUTRAL INTERLOCK SWITCH	7	65
F662386	DECAL, "50"	3	35	F84449	SWITCH, NEUTRAL INTERLOCK	19	41
F662397	DECAL, ENGINE COVER BOTTOM STRIPE	3	9	F84792	GASKET, FUEL PUMP VALVE	13	23
F662915	DECAL, ENGINE COVER TOP STRIPE	3	34	F85372	PIN, GEAR SHIFT ROD LOWER	35	38
F663366	MEDALLION "FORCE"	3	36	F8538	SPRING PIN	31	72
F665387	DECAL, "US MARINE"	3	30	F8545	SPRING PIN	23	93
F7004	ELASTIC STOP NUT 3/8 - 16	37	60	F85502	THROTTLE LINK	19	18
F7004	STOP NUT, 7/16 - 20	19	37	F8559	DOWEL PIN	21	52
F7007	NUT	29	44	F85610	BEARING	19	35
F7008	ELASTIC STOP NUT, 1/4 - 20	19	17	F85634-2	CONNECTING ROD SCREW	25	17
F7008	STOP NUT	11	17	F85735-1	SEAL, TRIM (INSIDE OF COVER)	3	32
F7011	HEX NUT, 10-24	3	6	F85756	SUPPORT PLATE PACKING	3	12
				F85843-1	ELECTRIC CONTROL CABLE - 18 FT. FORCE MODELS	5	-
				F85908-1	WIRE, STARTER	11	6
				F88161-4	REED STOP	27	11

PARTS INDEX

Part Number	Description	Pg.	Ref. No.	Part Number	Description	Pg.	Ref. No.
F89011	SWIVEL BRACKET WASHER	29	31	FA435018	CRANKSHAFT	25	5
F89025	PAD, DAMPENING - LEG COVER	33	94	FA435116	EXHAUST, SNOUT	37	40
F89504	GROMMET, MOTOR LEG EXHAUST COVER	33	93	FA435135	COVER, LEG ST'BD	33	90
F89777-1	LATCH CAM	3	23	FA435145	COVER, LEG PORT	33	91
F90014	CRANKSHAFT LOWER MAIN BEARING	25	16	FA435260	PISTON RINGS (2 PER SET) STANDARD	25	13
F901563	DRIVE PIN	37	-	FA435616	GEAR SHIFT ROD INTERMEDIATE	37	53
F901563	DRIVE PIN, WATER PUMP IMPELLER	35	4	FA438431	BODY, FUEL PUMP	13	12
F9018	PLASTIC CAP, PIVOT TUBE	31	71	FA458480	ENGINE COVER RETAINER	3	7
F9052	PLASTIC PLUG, PIVOT TUBE	31	46	FA463060	WATER PUMP BODY	37	-
F90619-2	YOKE	37	56	FA463060	WATER PUMP BODY	37	49
F90871-3	GEAR SHIFT ARM PIN	35	22	FA465010	CYLINDER W/CRANKCASE COVER, DEFLECTOR PLATE	21	53
F91446-1	CIRCUIT BREAKER BRACKET	7	36	FA466144	CRANKSHAFT BEARING CAGE	25	3
F92498	KEY	7	43	FA485662	BEVEL GEAR REAR W/BEARING	35	18
F92759	ROLLER	17	43	FA485914	SEAL, INLET WATER LINE, LOWER	37	51
F93472-1	CYLINDER DRAIN COVER GASKET	21	44	FA486054	GEAR HOUSING LOWER W/THRUST BEARING CUP	35	26
F93472-1	GASKET, CYLINDER DRAIN COVER	21	-	FA545554	GEAR HOUSING UPPER . . .	37	42
F93748-1	CYLINDER DRAIN REED PLATE	21	51	FA58976-1	CONNECTOR, THROTTLE CABLE (FORCE MODELS) - (NOT SHOWN)	41	1
F93748-1	GASKET, CYLINDER DRAIN REED PLATE	21	-	FA609853	DECAL, WARNING	7	73
F93811	SCREEN CYLINDER DRAIN REED PLATE	21	50	FA613072	SWIVEL BRACKET	29	36
F93920	CYLINDER DRAIN REED STOP	21	47	FA616497	TERMINAL BLOCK	5	3
F97008-1	STUD, LONG	35	31	FA658113	STERN BRACKET LOCK BAR	31	74
F97066-1	THERMOSTAT COVER	23	79	FA658158	REED PLATE	27	9
F97067	GASKET, THERMOSTAT COVER	21	-	FA658746	COVER, FUEL PUMP	13	1
F97067	THERMOSTAT COVER GASKET	23	78	FA84754-1	FUEL LINE SHORT	39	8
F97068-2	THERMOSTAT (130-)	23	77	FA89128-1	DRIVESHAFT	35	3
F97275	FITTING, THERMOSTAT . . .	23	81	FA89832-2	MOTOR LEG EXHAUST COVER	29	20
F97504	GROMMET, THERMOSTAT . .	23	76	FA94094-2	PROPELLER NUT	35	9
F97772	CLAMP	23	82	FA97247	WATER TUBE, THERMOSTAT	23	83
F97772	CLAMP, FUEL LINE	13	9	FC311398	DECAL, TOTE TANK - CANADA (NOT SHOWN) . .	39	-
F98273	ROD END CONNECTOR STUD	21	58	FC465010	SHORT BLOCK. ALSO REFER TO CRANKSHAFT PAGE.	21	-
F99521-1	CLUTCH	35	24	FC486054	GEAR HOUSING KIT.	35	-
FA27232	EMERGENCY STARTER ROPE (NOT SHOWN) WITH HANDLE	5	-	FC658746	FUEL PUMP COMPLETE . . .	13	-
FA307779	BAFFLE, AIR INTAKE	3	25	FG1007-1	GASKET SET.	21	72
FA328763	COVER LATCH HANDLE W/ SHAFT	3	16	FK10120-1	FLOAT KIT, VALVE & SEAT .	15	31
FA366778	ENGINE COVER RETAINER FORWARD	3	26	FK10202	REPAIR KIT.	15	32
FA40655	CRANKSHAFT CENTER MAIN BEARING RACE	25	15	FK10209	GASKET KIT.	15	17
FA411222	TRANSFER PORT COVER . . .	21	55	FK1073	WATER PUMP KIT.	37	58
FA433152	EXHAUST PORT COVER	23	87	FK1074	GEAR HOUSING SEAL KIT. .	37	57
FA433167	CARBURETOR ADAPTER FLANGE	27	4	FK1075	TUNE-UP KIT.	5	6
				FK1123	SPARKIE KIT	5	8
				FK17114-1	INDICATOR	41	32
				FK17156	BAG ASSEMBLY (NOT SHOWN).	43	-
				FK247	PROPELLER PIN, PACK OF 6	35	12

PARTS INDEX

Part Number	Description	Pg.	Ref. No.	Part Number	Description	Pg.	Ref. No.
FK405020	SWIVEL	19	34	FT8945	RETAINER PUNCH	46	-
FK433838	TOWERSHAFT	19	29	FT8948-1	PULLER	44	-
FK606711	PLATE, FRONT	3	29	FT8948-1	PULLER	46	-
FK628061	CARBURETOR ASSEMBLY (WE-13)	15	-	FT8950	LEAKAGE TESTER	47	-
FK85228-1	BEARING CAGE W/ROLLERS (16 PER SET)	25	6	FT8957	SEAL INSTALLER	46	-
FO14166	NEEDLE, IDLE	15	27	FT8962	BEARING INSTALLER	46	-
FO15623	BOWL RING GASKET	15	15	FT8964	BEARING REMOVER	46	-
FO16620	SHAFT RETAINER RING	15	2	FT8969	LUBRICANT - 7 OZ. LUBRICANT LPS-1	48	-
FP287	PROPELLER (10-3/8 X 11- 1/2) MODEL 507Y7A	35	-	FT8978	TIMING LIGHT	44	-
FP293	PROPELLER (10-3/8 X 12- 1/2)	35	8	FT8983	SEALANT - RTV	48	-
FS307940	KINGPIN PLATE	29	6	FTA2937-1	TIMING TOOL	44	-
FS409752	FUEL LINE - COMPLETE	39	-	22-817740A1	ELBOW W/METERING CAP	23	92
FS662712	ENGINE COVER	3	1	26-817766A1	SEAL, KINGPIN PLATE	29	5
FSA435260	PISTON RINGS (2 PER SET) .010 OVERSIZE	25	-	31-817731A5	PROPELLER SHAFT BEARING CAGE	35	14
FT11259	MULTIMETER	47	-	32-817738A1	FUEL LINE, LONG W/CLAMP	39	10
FT11260	SPARK TESTER	47	-	33-82371M	SPARK PLUG (UL81J)	21	68
FT1749	RETAINING RING PLIERS	45	-	37-817792A1	DECAL, TIMING	27	13
FT2910	KNOCK-OFF-NUT	44	-	39-818115A1	PISTON RINGS (2 PER SET) .030 OVERSIZE	25	-
FT2938-1	TEST LIGHT	47	-	43-817824A2	BEVEL GEAR FRONT W/BEARING AND CUP	35	25
FT2951	CIRCUIT TRACER	47	-	44-819500A3	PROPELLER SHAFT ASSEMBLY	35	21
FT2953	SOCKET	45	-	84-817765A2	COIL WIRE	5	15
FT2955A	TEST WHEEL	47	-	87-817939A1	THERMOSWITCH	23	99
FT2961	LUBRICANT - RYKON GREASE #2EP	48	-	89-817760A2	CHOKE SOLENOID	7	42
FT2962-2	SEALANT - 50 CC LOCTITE H, NON-HARDENING GRADE	48	-	200-817739A6 597-	FLYWHEEL US MARINE OUTBOARD GEAR LUBE	7	71
FT2963-2	SEALANT - 2 OZ. LOCTITE #271	48	-	600-818052A4	CONNECTING ROD	25	7
FT2987-1	LUBRICANT - ANTI-SEIZE	48	-	700-817990A2	PISTON .010 OVERSIZE	25	-
FT2990	PISTON PIN REMOVER	45	-	700-818114A2	PISTON .030 OVERSIZE	25	-
FT2991	CARBON BRUSH	45	-	900-818049A2	CYLINDER HEAD W/PLUGS	21	67
FT2996	RING COMPRESSOR	45	-	F596-	US MARINE OUTBOARD OIL	50	-
FT2998	TORQUE WRENCH (0- 100LBS./FT.)	45	-				
FT2999	TORQUE WRENCH (0- 600LBS./IN.)	45	-				
FT3431	SEAL INSTALLER	46	-				
FT3510	SEAL INSTALLER	45	-				
FT3512	SEAL SLEEVE	45	-				
FT8900	HOSE CLAMP PILERS	45	-				
FT8904	FORWARD BEARING CUP INSTALLER	46	-				
FT8907	DRIVER HANDLE	46	-				
FT8918	BUSHING GUIDE SET	46	-				
FT8919	SPRING PIN PUNCH	46	-				
FT8921	FORWARD BEARING CUP REMOVER	46	-				
FT8926	RING EXPANDER	45	-				
FT8930-1	FEELER GAUGE	44	-				
FT8935	SEALANT PRIMER - 6 OZ. LOC QUIC T	48	-				
FT8936-1	SEALANT - 2 CC LOCTITE RETAINING COMPOUND #75	48	-				