



PARTS CATALOG

FORCE 1986 85 H.P.

SERIAL NUMBER

85 H.P. (1986)856F6A
85 H.P. (1986)856F6B
85 H.P. (1986)856F6C
85 H.P. (1986)	856FC6A
85 H.P. (1986)	856FC6B
85 H.P. (1986)	856FC6C
85 H.P. (1986)856X6L
85 H.P. (1986)	856X6M
85 H.P. (1986)856X6N
85 H.P. (1986)858F6A
85 H.P. (1986)858F6B
85 H.P. (1986)858F6C
85 H.P. (1986)858V6A
85 H.P. (1986)858V6B
85 H.P. (1986)858V6C

TABLE OF CONTENTS:

ACCESSORIES	57
CARBURETOR	20
CARBURETOR (WITH GASKET AND REPAIR KIT)	24
CRANKSHAFT AND PISTON	32
ELECTRICAL COMPONENTS "A" AND "L" MODELS	6
ELECTRICAL COMPONENTS "B" AND "M" MODELS	10
ELECTRICAL COMPONENTS "C" AND "N" MODELS	14
ENGINE COVER AND SUPPORT PLATE	2
FUEL TANK AND LINE	46
GEAR HOUSING	40
MOTOR LEG	34
PARTS INDEX	60
POWERHEAD	26
REMOTE CONTROL	48
SPECIAL TOOLS - GEAR HOUSING	54
SPECIAL TOOLS - LUBRICANTS AND SEALANTS	56
SPECIAL TOOLS - POWER HEAD	53
SPECIAL TOOLS - TEST EQUIPMENT	55
SPECIAL TOOLS - TUNE-UP	52
STARTER	18

NOTE: Indented description indicate that these parts are included in preceding assembly.

AR = As Required

NSS = Not Sold Separate

OPT = Optional

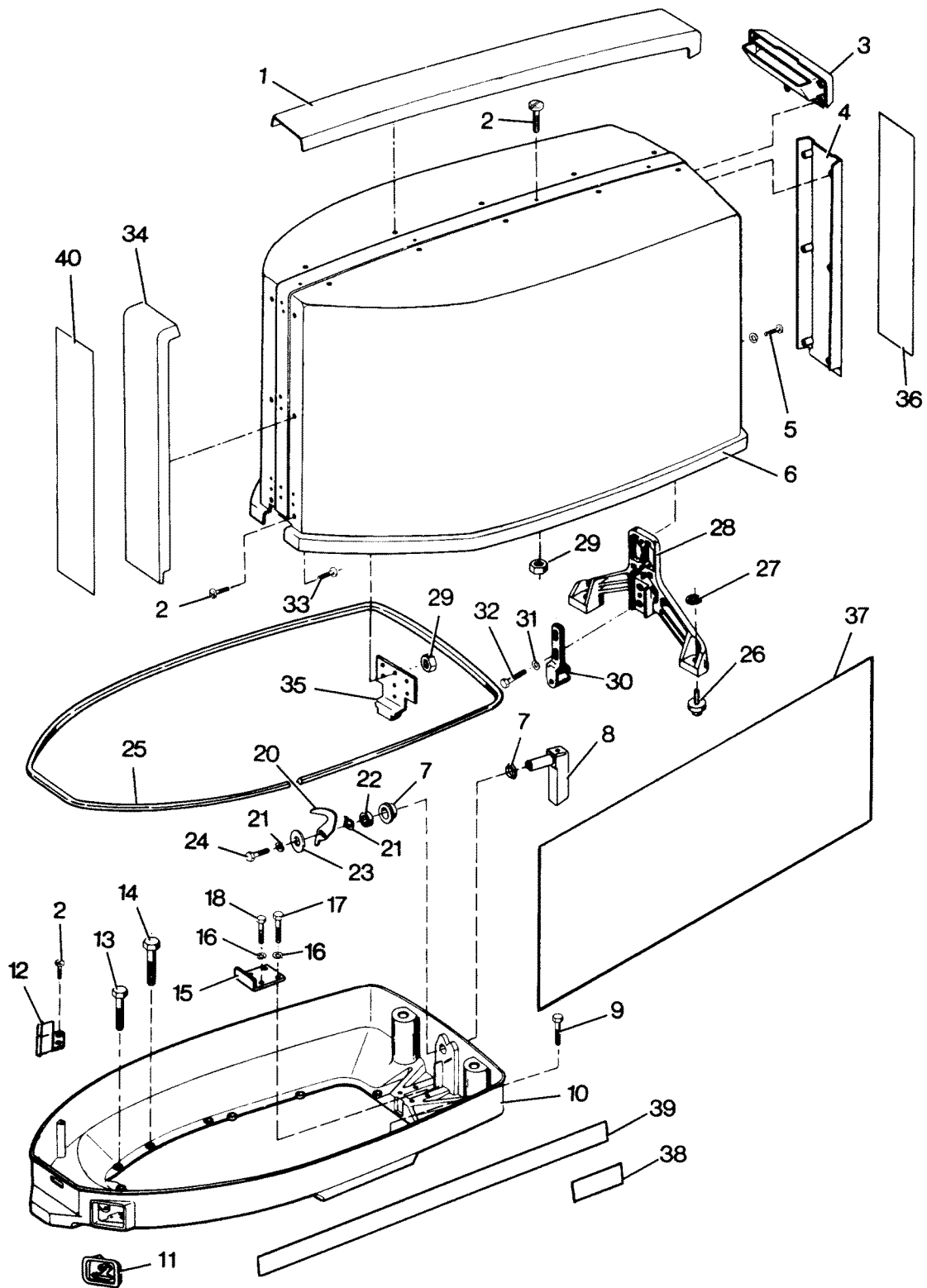
NS = Not Shown

THESE PARTS BOOKS/FICHE CARD ARE COPYRIGHTED AND MAY NOT BE DISTRIBUTED OR REPRODUCED IN ANY OTHER FORMAT BY ANYONE OTHER THAN MERCURY MARINE WITHOUT THE PRIOR WRITTEN CONSENT OF MERCURY MARINE.

THIS PAGE INTENTIONALLY LEFT BLANK

ENGINE COVER AND SUPPORT PLATE

Order by Part Number and Name, giving Motor Model and Serial Number.



OB10002042

3

OB 4085

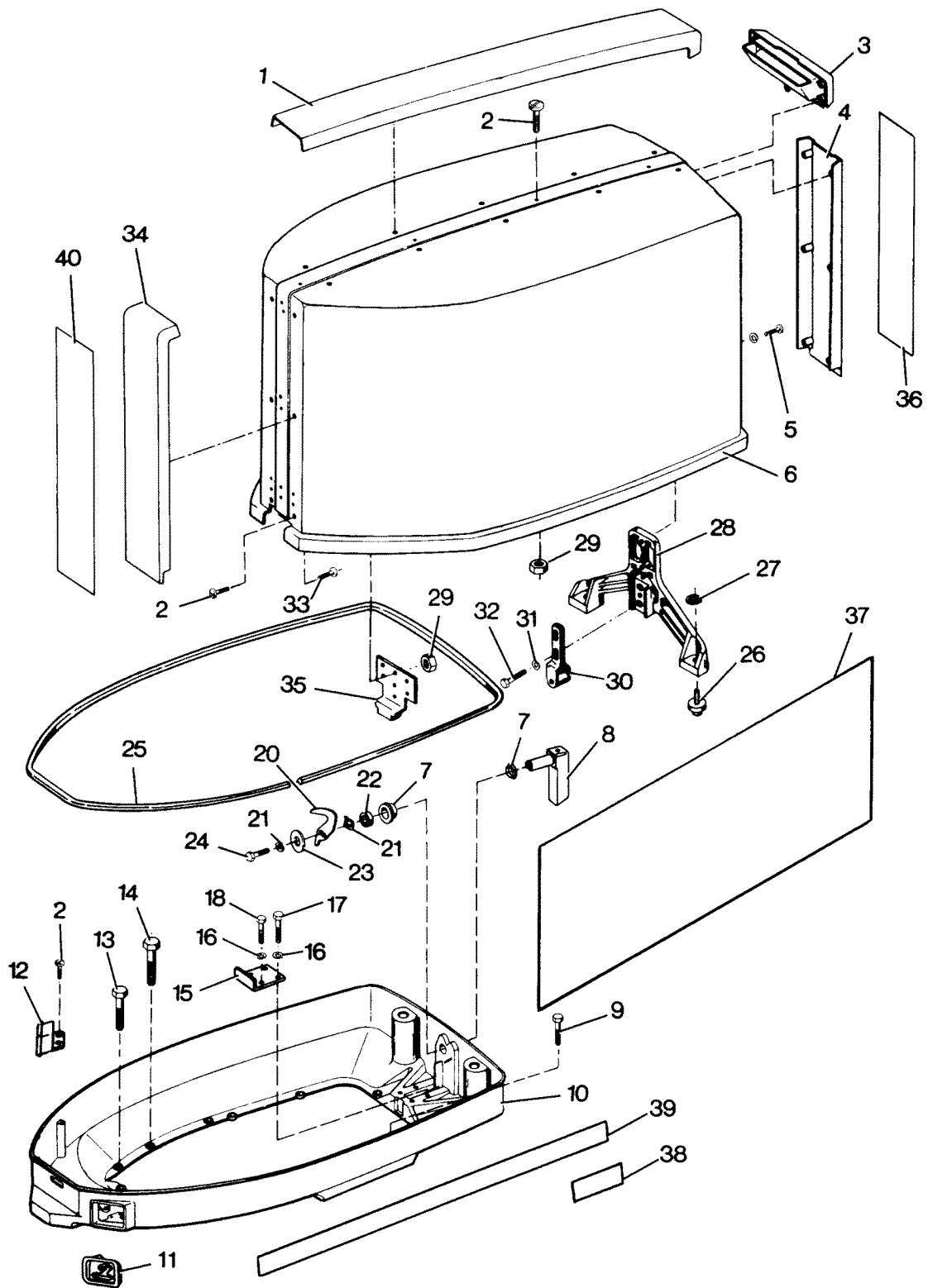
ENGINE COVER AND SUPPORT PLATE

REF. NO.	PART NO.	SYM.	QTY.	DESCRIPTION
1	FA480179		1	TRIM, TOP W/LITERATURE
2	F1733		10	PAN HD SCREW, 10 - 24 X 9/16
3	FA480269		1	TILT HANDLE W/LITERATURE
4	FA548180		1	TRIM, REAR W/LITERATURE
5	F1730		3	PAN HD SCREW, W/SPRING LOCKWASHER, 1/4 - 20 X 5/8
-	F548984		1	BLANKET, SILENCER TOP (NOT SHOWN)
-	F548985		2	BLANKET, SILENCER SIDE (NOT SHOWN)
6	FA549944		1	ENGINE COVER W/ILLUS. 2, 29 AND 35
-	F3C653944		1	ENGINE COVER COMPLETE. INCLUDES ALL ITEMS MARKED WITH AN ASTERISK (*).
7	F286818		2	BEARING, LATCH SHAFT
8	FA481469		1	ENGINE COVER LATCH HANDLE W/SHAFT
9	F1864		6	HEX CAP SCREW, 1/4 - 20 X 3/4
10	F480038-2		1	SUPPORT PLATE
11	F549189		1	BUSHING, ELECTRIC CABLE
12	F545189		1	BUSHING, CABLE ENTRY
13	F1708		2	HEX HD CAP SCREW, 1/4 - 20 X 1-3/8
14	F1922		5	HEX SLOT HD SCREW, 1/4 - 20 X 5/8
15	F335654-1		1	DEFLECTION STOP
16	F8096		4	SPRING LOCKWASHER
17	F1857		2	HEX CAP SCREW, 5/16 - 18 X 5/8
18	F1858		2	HEX CAP SCREW, 5/16 - 18 X 1
19	F8083		1	SPRING LOCKWASHER
20	F481777		1	CAM, LATCH SHAFT
21	F2047		1	WAVE SPRING WASHER
22	F481382-1		1	SPACER, LATCH SHAFT
23	F8094		1	PLAIN WASHER
24	F1854		1	HEX CAP SCREW 1/4 - 20 X 5/8
25	F321756		1	PACKING
26	F481434		2	GUIDE, ENGINE COVER
27	F2088		2	FASTENER
28	F481774		1	BRACKET, ENGINE COVER LATCH
29	F1473		7	HEX NUT, 10 - 24
30	FA481743		1	BRACKET, ROLLER LATCH W/ROLLER
31	F8096		2	SPRING LOCKWASHER
32	F1857		2	HEX CAP SCREW, 5/16 - 18 X 5/8
33	F2066		26	PAN HD TAPPING SCREW, 10 X 7/16
34	FA548888		1	TRIM, FRONT W/LITERATURE
35	F333480-1		1	RETAINER, ENGINE COVER
36	F653528		1	DECAL, REAR

CONTINUED ON NEXT PAGE ➡

ENGINE COVER AND SUPPORT PLATE

Order by Part Number and Name, giving Motor Model and Serial Number.



OB10002042

3

OB 4085

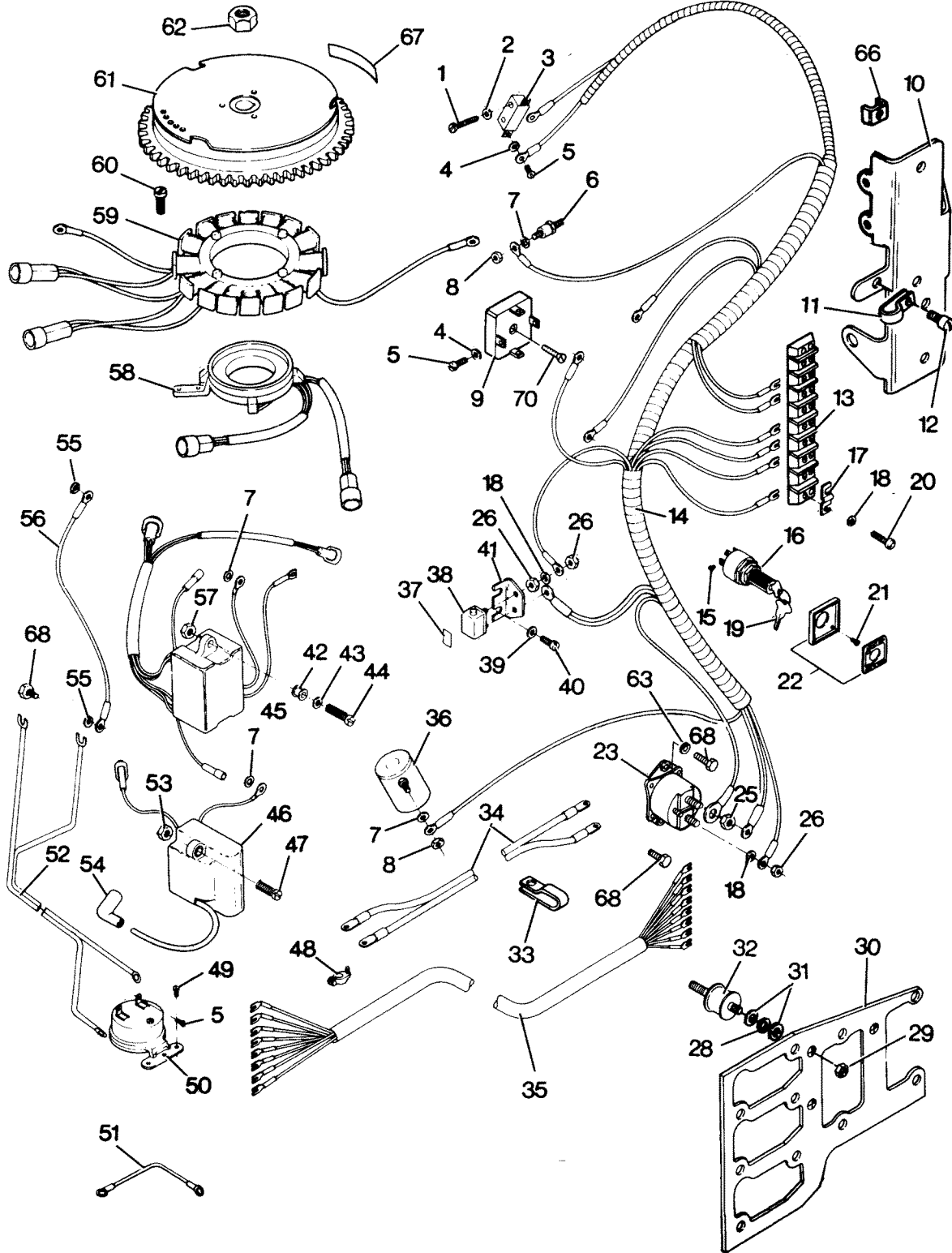
ENGINE COVER AND SUPPORT PLATE

REF. NO.	PART NO.	SYM.	QTY.	DESCRIPTION
37	F653397		1	DECAL, ENGINE COVER PORT
-	F653396		1	DECAL, ENGINE COVER STARBOARD
38	FA630374		1	DECAL, SWIRL W/LITERATURE
39	FA630391		0	DECAL, SUPPORT PLATE W/ILLUS. 38 AND LITERATURE
40	F653892		1	DECAL, FRONT

ELECTRICAL COMPONENTS "A" AND "L" MODELS

Order by Part Number and Name, giving Motor Model and Serial Number.

"A" and "L" Models



OB10002043

5

OB 4085

ELECTRICAL COMPONENTS "A" AND "L" MODELS

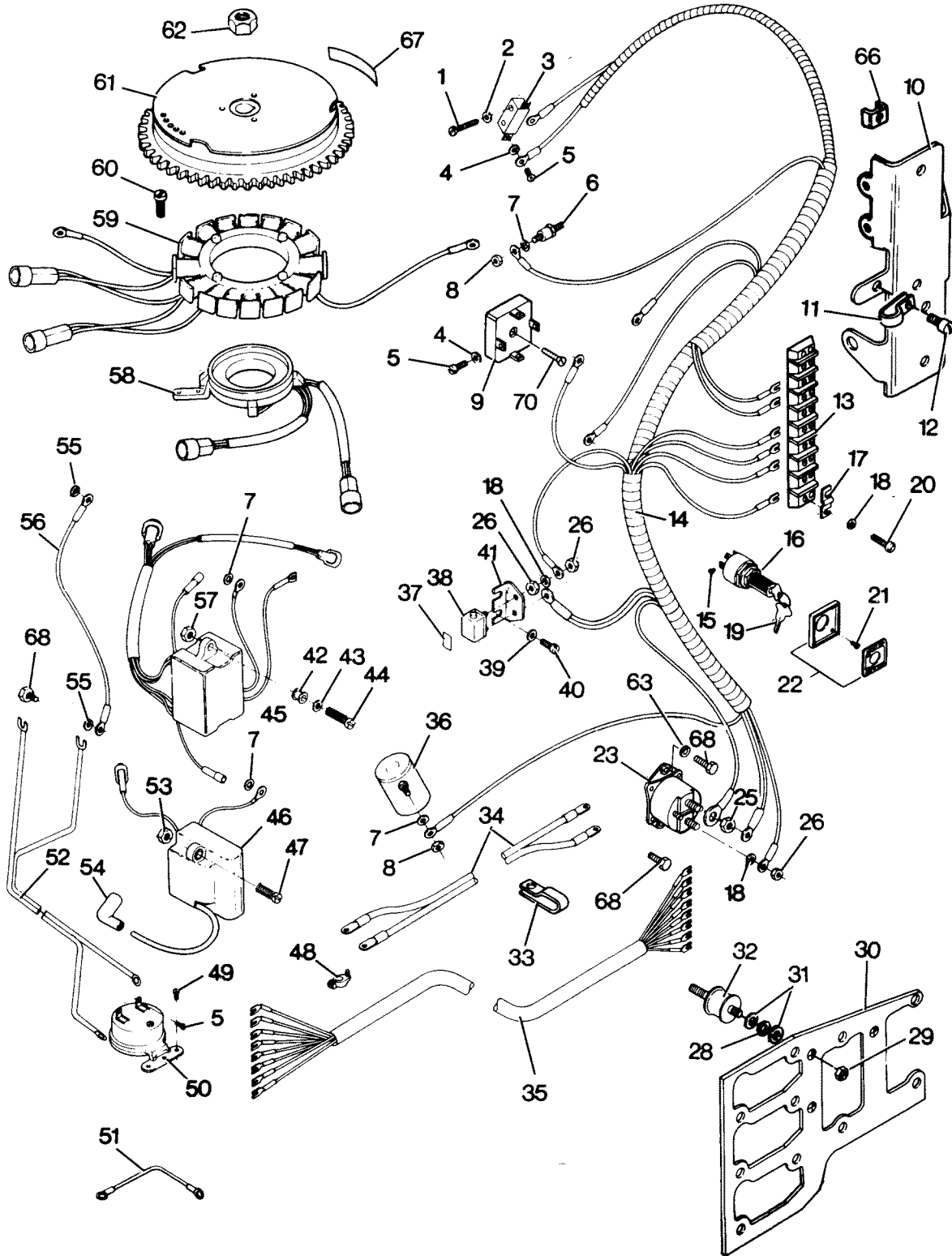
REF. NO.	PART NO.	SYM.	QTY.	DESCRIPTION
1	F2016		2	SLOTTED FILL HD SCREW, 6 - 32 X 7/8
2	F8088		2	PLAIN WASHER
3	F84449		1	NEUTRAL INTERLOCK SWITCH
4	F1704		6	INTERNAL TOOTH LOCKWASHER
5	F1645		8	RD HD SCREW, 6 - 32 X 1/4
6	87-817778A1		1	THERMOSWITCH W/ILLUS. 7 AND 8 ORIGINAL FORCE P/N A 335449-1
7	F8056		2	SPRING LOCKWASHER
8	F1647		2	HEX NUT, 8 - 32
9	F650450		1	RECTIFIER W/ILLUS. 4, 5, 70 AND LITERATURE
10	FA438493		1	BRACKET, TERMINAL BLOCK W/ILLUS. 12
11	F289446-1		1	CLAMP, REMOTE ELEC. CABLE TO BRACKET
12	F1734		2	FILL HD. SCREW, 1/4 - 20 X 1/2
13	FA616497		1	TERMINAL BLOCK W/ILLUS. 17
14	F616744		1	WIRING HARNESS
15	F1280		6	SLOTTED PAN HD SCREW, 8 - 32 X 1/4
16	F5H078		1	SWITCH, IGNITION LONG BARREL W/KEYS AND SCREWS (ACCESSORY ITEM)
17	F307317		2	CLIP, TERMINAL BLOCK GROUND
18	F1975		6	LOCKWASHER
19	817782--1		0	KEY IGNITION - NO LETTER OR STAMPED A
-	817883--1		0	KEY IGNITION - STAMPED B
-	817891--1		0	KEY IGNITION - STAMPED C
-	817928--1		0	KEY IGNITION - STAMPED D
-	817929--1		0	KEY IGNITION - STAMPED E
-	FA27232		1	EMERGENCY STARTER ROPE (NOT SHOWN)
20	F1648		2	PAN HD SCREW, 10 - 24 X 3/4
21	F1934		4	FLAT HD SCREW, 6 X 1/2
22	F5H038		1	IGNITION SWITCH MOUNTING KIT (ACCESSORY ITEM)
23	FK460917		1	STARTER RELAY W/ILLUS. 63, 68 AND LITERATURE
24	F8096		2	SPRING LOCKWASHER
25	F1515		2	HEX NUT, S.S., 5/16 - 18
26	F1513		6	HEX NUT, 10 - 32
28	F8090		3	PLAIN WASHER
29	F1515		3	HEX NUT, 5/16 - 18
30	F616358-1		1	BRACKET (C.D. - COIL)
31	F8124		6	EXTERNAL TOOTH LOCKWASHER
32	F215962		3	MOUNT (SHOCK - C.D. UNIT)
33	F407446		1	CLAMP
34	F381896-4		1	BATTERY CABLE
35	F85843-1		1	ELECTRIC CONTROL CABLE, 18 FEET
36	FA654924		1	CHOKE SOLENOID W/CLAMP
37	F510374-1		1	DECAL, CIRCUIT BREAKER
38	F510460		1	CIRCUIT BREAKER

CONTINUED ON NEXT PAGE ➡

ELECTRICAL COMPONENTS "A" AND "L" MODELS

Order by Part Number and Name, giving Motor Model and Serial Number.

"A" and "L" Models



OB10002043

5

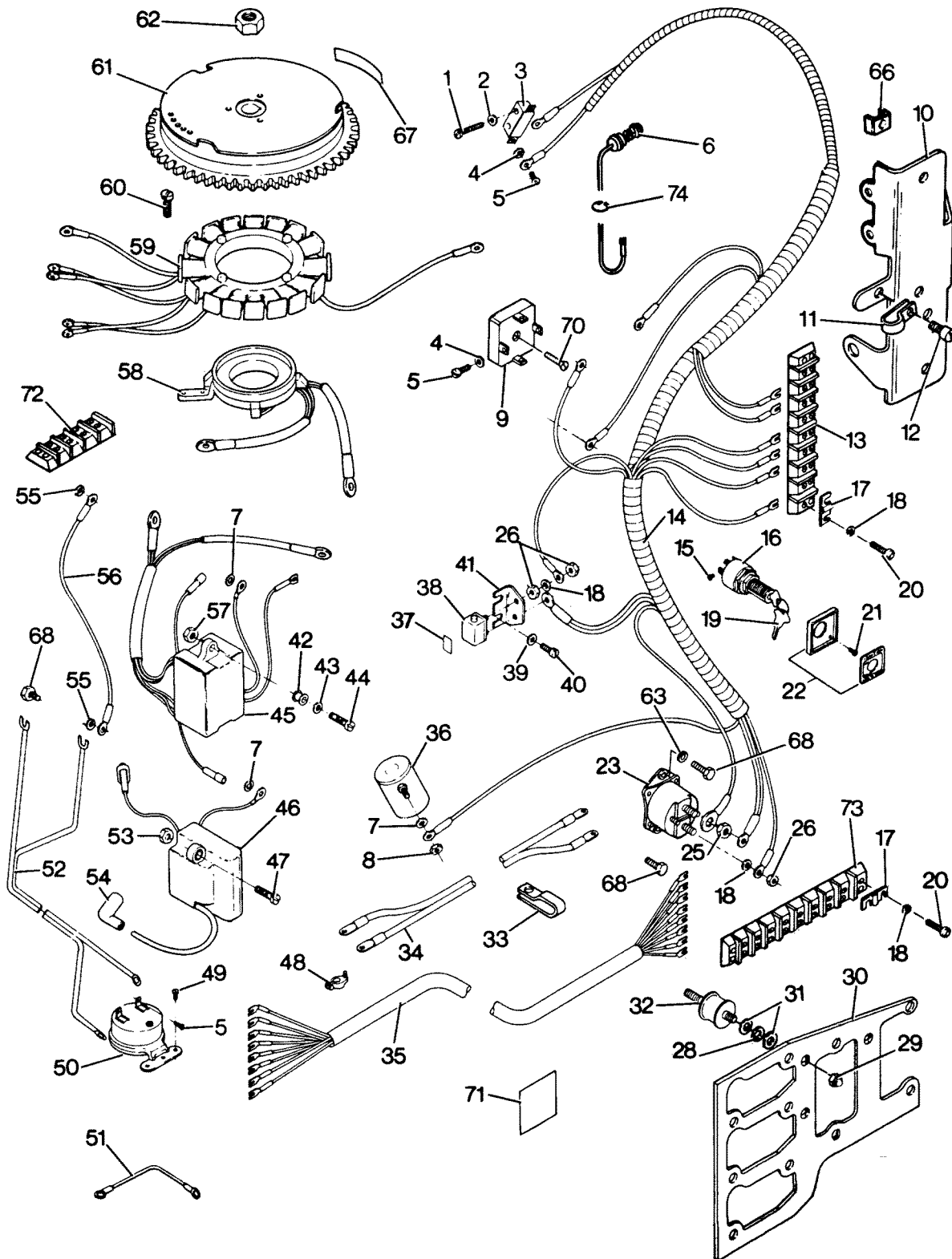
OB 4085

ELECTRICAL COMPONENTS "A" AND "L" MODELS

REF. NO.	PART NO.	SYM.	QTY.	DESCRIPTION
39	F8011		2	PLAIN WASHER
40	F1760		2	SLOTTED PAN HD SCREW, 10 - 24 X 3/8
41	F91446-1		1	CIRCUIT BREAKER BRACKET
42	F475504		4	GROMMET
43	F8028		4	PLAIN WASHER
44	F2008		4	HEX HD. M. SC., 1/4 - 20 X 7/8
45	F475301-1		1	MODULE
46	F615475		3	IGNITION COIL
47	F2008		6	SLOTTED PAN HD SCREW, 1/4 - 20 X 7/8
48	F5H041		1	BATTERY TERMINAL KIT (ACCESSORY ITEM)
49	F1741		2	PAN HD SCREW, 8 X 3/4
50	F5H043		1	BUZZER, HEAT INDICATOR (ACCESSORY ITEM)
51	F345683		1	WIRE, GROUND (RECTIFIER TO STARTER BOLT)
52	F404841		1	CABLE, HEAT INDICATOR
53	F1341		6	NUT, 1/4 - 20
54	FK1123		3	SPARKIE KIT
55	F2106		2	LOCKWASHER
56	F319908		1	WIRE, GROUND (C.D. - COIL BRACKET)
57	F1832		4	NUT, LOCK 1/4 - 20
58	F616029		1	TRIGGER ASSY.
59	F616095		1	ALTERNATOR STATOR
60	F1550		4	SLOTTED PAN HD SCREW #12 - 24 X 1
61	FA615097		1	FLYWHEEL WILLUS. 67
62	F1968		1	HEX NUT 3/4 - 16
63	F8083		1	SPRING LOCKWASHER
64	F1877		1	TY-RAP (NOT SHOWN)
66	F438668		1	RETAINER
67	FA609853		1	DECAL, WARNING W/LITERATURE
68	F1705		3	HEX WASHER HD M SCREW, 1/4 - 20 X 3/4
70	F1303		1	PAN HD SCREW, 8 - 32 X 3/4

ELECTRICAL COMPONENTS "B" AND "M" MODELS

Order by Part Number and Name, giving Motor Model and Serial Number.
"B" and "M" Models



OB10002044

9

OB 4085

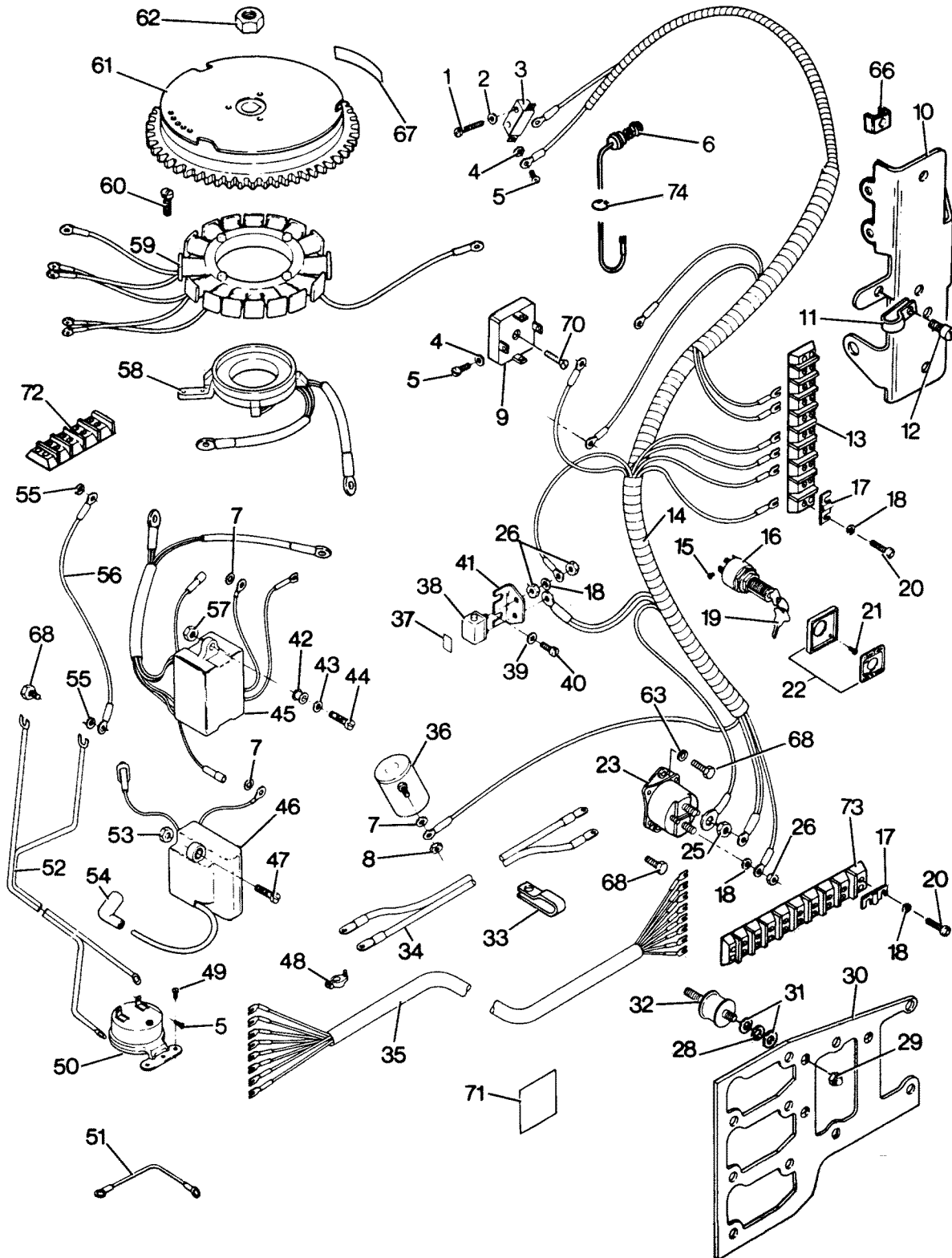
ELECTRICAL COMPONENTS "B" AND "M" MODELS

REF. NO.	PART NO.	SYM.	QTY.	DESCRIPTION
1	F2016		2	SLOTTED FILL HD SCREW, 6 - 32 X 7/8
2	F8088		2	PLAIN WASHER
3	F84449		1	NEUTRAL INTERLOCK SWITCH
4	F1704		6	INTERNAL TOOTH LOCKWASHER
5	F1645		8	RD HD SCREW, 6 - 32 X 1/4
6	F629449		1	THERMOSWITCH WILLUS. 7 AND 8
7	F8056		2	SPRING LOCKWASHER
8	F1647		2	HEX NUT, 8 - 32
9	F650450		1	RECTIFIER WILLUS. 4, 5, 70 AND LITERATURE
10	FA438493		1	BRACKET, TERMINAL BLOCK WILLUS. 12 & 66
11	F289446-1		1	CLAMP, REMOTE ELEC. CABLE TO BRACKET
12	F1734		2	FILL HD SCREW, 1/4 - 20 X 1/2
13	FA616497		1	TERMINAL BLOCK WILLUS. 17 & 20
14	F653744		1	WIRING HARNESS
15	F1280		6	SLOTTED PAN HD SCREW, 8 - 32 X 1/4
16	F5H078		1	SWITCH, IGNITION LONG BARREL W/KEYS AND SCREWS (ACCESSORY ITEM)
17	F307317		2	CLIP, TERMINAL BLOCK GROUND
18	F1975		6	LOCKWASHER
19	817782--1		0	KEY IGNITION - NO LETTER OR STAMPED A
-	817883--1		0	KEY IGNITION - STAMPED B
-	817891--1		0	KEY IGNITION - STAMPED C
-	817928--1		0	KEY IGNITION - STAMPED D
-	817929--1		0	KEY IGNITION - STAMPED E
-	FA27232		1	EMERGENCY STARTER ROPE (NOT SHOWN)
20	F1648		2	PAN HD SCREW, 10 - 24 X 3/4
21	F1934		4	FLAT HD SCREW, 6 X 1/2
22	F5H038		1	IGNITION SWITCH MOUNTING KIT
23	FK460917		1	STARTER RELAY WILLUS. 63, 68 AND LITERATURE
24	F8096		2	SPRING LOCKWASHER
25	F1515		2	HEX NUT, S.S., 5/16 - 18
26	F1513		6	HEX NUT, 10 - 32
28	F8090		3	PLAIN WASHER
29	F1515		3	HEX NUT, 5/16 - 18
30	FS663358		1	BRACKET (C.D. - COIL)
31	F8124		6	EXTERNAL TOOTH LOCKWASHER
32	F215962		3	MOUNT (SHOCK - C.D. UNIT)
33	F407446		1	CLAMP
34	F381896-4		1	BATTERY CABLE
35	F85843-1		1	ELECTRIC CONTROL CABLE, 18 FEET
36	FA654924		1	CHOKE SOLENOID W/CLAMP
37	F510374-1		1	DECAL, CIRCUIT BREAKER
38	F510460		1	CIRCUIT BREAKER

CONTINUED ON NEXT PAGE ➡

ELECTRICAL COMPONENTS "B" AND "M" MODELS

Order by Part Number and Name, giving Motor Model and Serial Number.
"B" and "M" Models



OB10002044

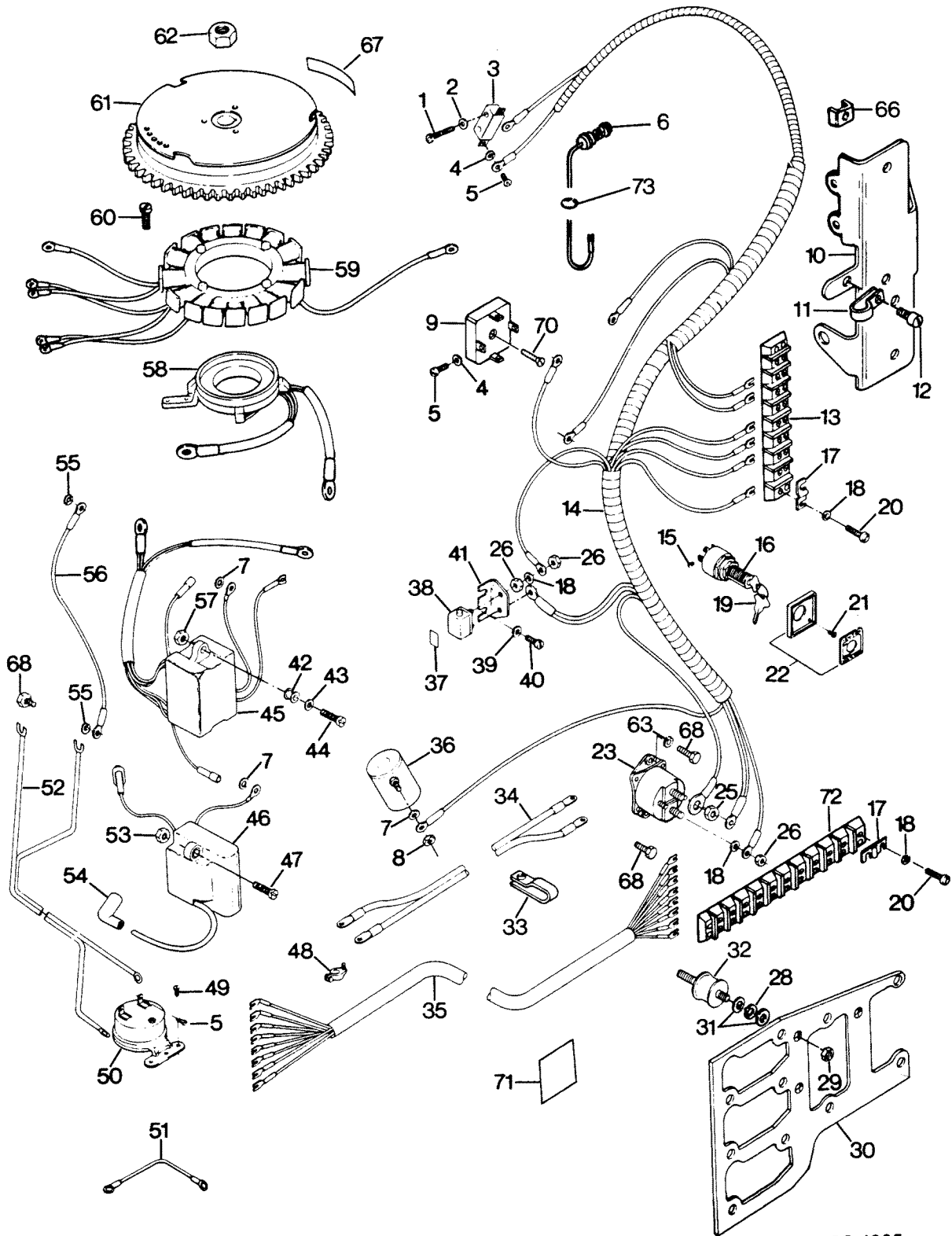
OB 4085

ELECTRICAL COMPONENTS "B" AND "M" MODELS

REF. NO.	PART NO.	SYM.	QTY.	DESCRIPTION
39	F8011		2	PLAIN WASHER
40	F1760		2	SLOTTED PAN HD SCREW, 10 - 24 X 3/8
41	F91446-1		1	CIRCUIT BREAKER BRACKET
42	F475504		4	GROMMET
43	F8028		4	PLAIN WASHER
44	F2008		4	HEX HD. M. S.C., 1/4 - 20 X 7/8
45	F653301		2	MODULE
46	F615475		3	IGNITION COIL
47	F2008		6	SLOTTED PAN HD SCREW 1/4 - 20 X 7/8
48	F5H041		1	BATTERY TERMINAL KIT (ACCESSORY ITEM)
49	F1741		2	PAN HD SCREW 8 X 3/4
50	F5H043		1	BUZZER, HEAT INDICATOR
51	F345683		1	WIRE, GROUND (RECTIFIER TO STARTER BOLT)
52	F404841		1	CABLE, HEAT INDICATOR
53	F1341		6	NUT, 1/4 - 20
54	FK1123		3	SPARKIE KIT
55	F2106		2	LOCKWASHER
56	F319908		1	WIRE, GROUND (C.D. - COIL BRACKET)
57	F1832		4	NUT, LOCK 1/4 - 20
58	F653029		1	TRIGGER ASSY.
59	F653095		1	ALTERNATOR STATOR
60	F1550		4	SLOTTED PAN HD SCREW #12 - 24 X 1
61	FA615097		1	FLYWHEEL WILLUS. 67
62	F1968		1	HEX NUT, 3/4 - 16
63	F8083		1	SPRING LOCKWASHER
64	F1877		1	TY-RAP (NOT SHOWN)
66	F438668		1	RETAINER
67	FA609853		1	DECAL, WARNING W/LITERATURE
68	F1705		3	HEX WASHER HD. M SCREW, 1/4 - 20 X 3/4
70	F1303		1	PAN HD SCREW, 8 - 32 X 3/4
71	F653398-1		1	DECAL, 3 CYL WIRING
72	F653497		1	TERMINAL BLOCK (4-POSITION)
73	F654497		1	TERMINAL BLOCK
74	F428096		1	RETAINER, THERMOSWITCH

ELECTRICAL COMPONENTS "C" AND "N" MODELS

Order by Part Number and Name, giving Motor Model and Serial Number.
"C" and "N" Models



OB10002045

13

OB 4085

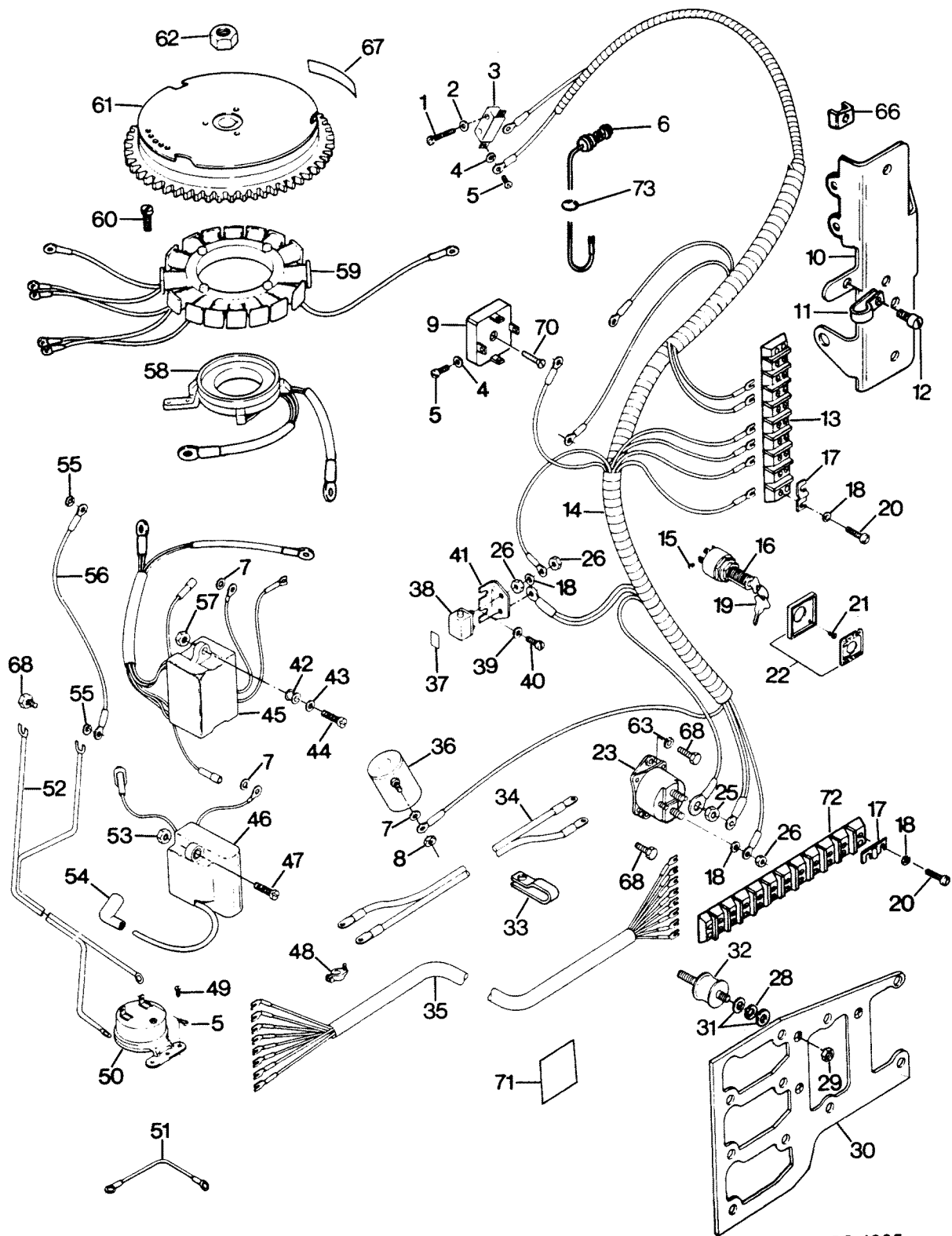
ELECTRICAL COMPONENTS "C" AND "N" MODELS

REF. NO.	PART NO.	SYM.	QTY.	DESCRIPTION
1	F2016		2	SLOTTED FILL HD SCREW, 6 - 32 X 7/8
2	F8088		2	PLAIN WASHER
3	F84449		1	NEUTRAL INTERLOCK SWITCH
4	F1704		6	INTERNAL TOOTH LOCKWASHER
5	F1645		8	HD SCREW, 6 - 32 X 1/4
6	F629449		1	THERMOSWITCH
7	F8056		2	SPRING LOCKWASHER
8	F1647		2	HEX NUT, 8 - 32
9	F650450		1	RECTIFIER WILLUS. 4, 5, 70 AND LITERATURE
10	FA438493		1	BRACKET, TERMINAL BLOCK WILLUS. 12 & 66
11	F289446-1		1	CLAMP, REMOTE ELEC. CABLE TO BRACKET
12	F1734		2	FILL HD SCREW, 1/4 - 20 X 1/2
13	FA616497		1	TERMINAL BLOCK WILLUS. 17 & 20
14	F616744		1	WIRING HARNESS
15	F1280		6	SLOTTED PAN HD. SCREW, 8 - 32 X 1/4
16	F5H078		1	SWITCH, IGNITION LONG BARREL W/KEYS AND SCREWS (ACCESSORY ITEM)
17	F307317		2	CLIP, TERMINAL BLOCK GROUND
18	F1975		6	LOCKWASHER
19	817782--1		0	KEY IGNITION - NO LETTER OR STAMPED A
-	817883--1		0	KEY IGNITION - STAMPED B
-	817891--1		0	KEY IGNITION - STAMPED C
-	817928--1		0	KEY IGNITION - STAMPED D
-	817929--1		0	KEY IGNITION - STAMPED E
-	FA27232		1	EMERGENCY STARTER ROPE (NOT SHOWN)
20	F1648		2	PAN HD SCREW, 10 - 24 X 3/4
21	F1934		4	FLAT HD SCREW, 6 X 1/2
22	F5H038		1	IGNITION SWITCH MOUNTING KIT (ACCESSORY ITEM)
23	FK460917		1	STARTER RELAY WILLUS. 63, 68 AND LITERATURE
24	F8096		2	SPRING LOCKWASHER
25	F1515		2	HEX NUT, S.S., 5/16 - 18
26	F1513		6	HEX NUT, 10 - 32
28	F8090		3	PLAIN WASHER
29	F1515		3	HEX NUT, 5/16 - 18
30	FS663358		1	BRACKET (C.D. - COIL)
31	F8124		6	EXTERNAL TOOTH LOCKWASHER
32	F215962		3	MOUNT (SHOCK - C.D. UNIT)
33	F407446		1	CLAMP
34	F381896-4		1	BATTERY CABLE
35	F85843-1		1	ELECTRIC CONTROL CABLE, 18 FEET
36	F85924		1	CHOKE SOLENOID
37	F510374-1		1	DECAL, CIRCUIT BREAKER
38	F510460		1	CIRCUIT BREAKER

CONTINUED ON NEXT PAGE ➡

ELECTRICAL COMPONENTS "C" AND "N" MODELS

Order by Part Number and Name, giving Motor Model and Serial Number.
"C" and "N" Models



OB10002045

13

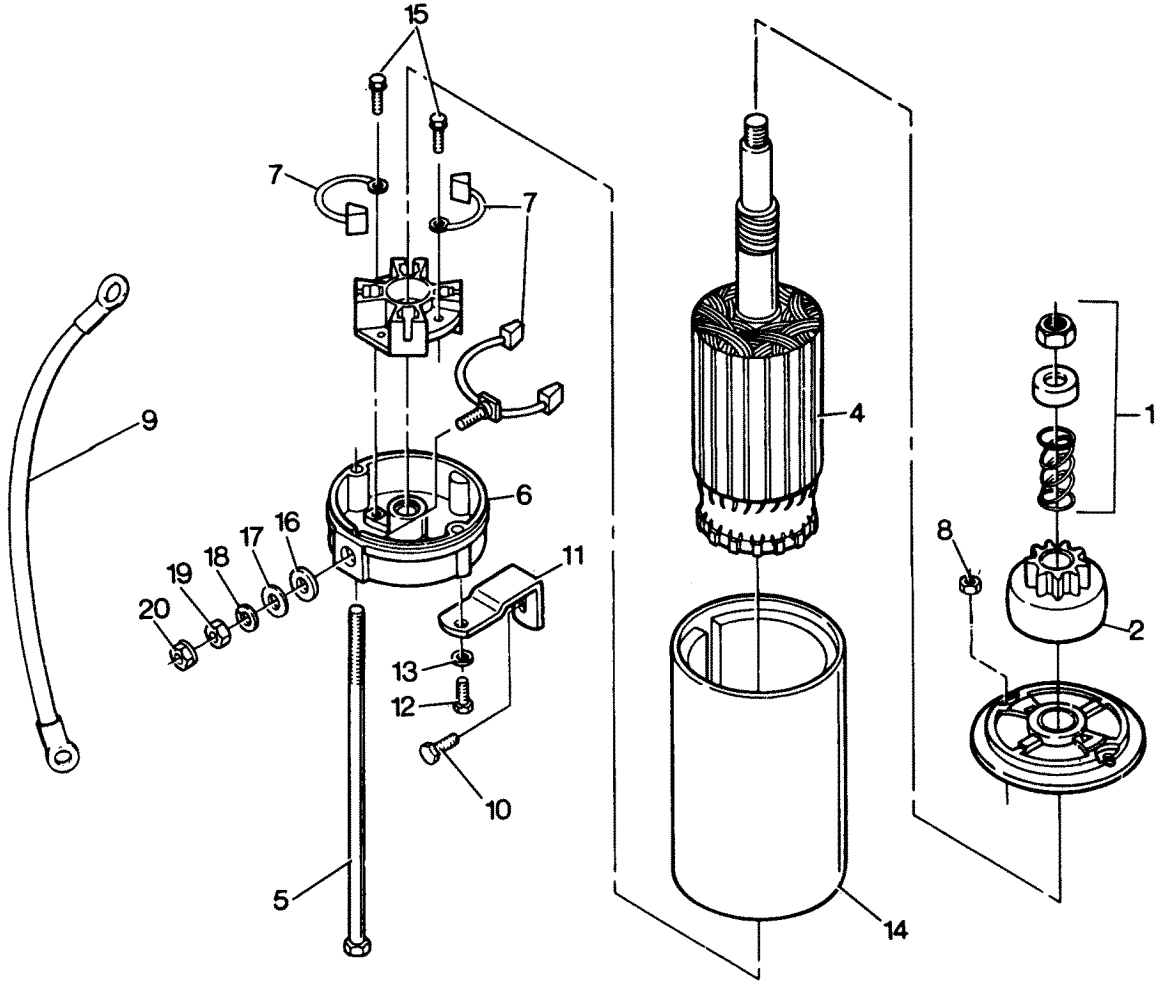
OB 4085

ELECTRICAL COMPONENTS "C" AND "N" MODELS

REF. NO.	PART NO.	SYM.	QTY.	DESCRIPTION
39	F8011		2	PLAIN WASHER
40	F1760		2	SLOTTED PAN HD SCREW, 10 - 24 X 3/8
41	F91446-1		1	CIRCUIT BREAKER BRACKET
42	F475504		4	GROMMET
43	F8028		4	PLAIN WASHER
44	F2008		4	HEX HD M. SC., 1/4 - 20 X 7/8
45	F653301-1		2	MODULE
46	F615475		3	IGNITION COIL
47	F2008		6	SLOTTED PAN HD SCREW, 1/4 - 20 X 7/8
48	F71H26		1	BATTERY TERMINAL KIT (ACCESSORY ITEM)
49	F1741		2	PAN HD SCREW, 8 X 3/4
50	F5H043		1	BUZZER, HEAT INDICATOR (ACCESSORY ITEM)
51	F345683		1	WIRE, GROUND (RECTIFIER TO STARTER BOLT)
52	F404841		1	CABLE, HEAT INDICATOR
53	F1341		6	NUT, 1/4 - 20
54	FK1123		3	SPARKIE KIT
55	F2106		2	LOCKWASHER
56	F319908		1	WIRE, GROUND (C.D. - COIL BRACKET)
57	F1832		4	NUT, LOCK 1/4 - 20
58	F653029		1	TRIGGER ASSY.
59	F663095		1	ALTERNATOR STATOR
60	F1550		4	SLOTTED PAN HD SCREW #12 - 24 X 1
61	FA615097		1	FLYWHEEL WILLUS. 67
62	F1968		1	HEX NUT, 3/4 X 16
63	F8083		1	SPRING LOCKWASHER
64	F1877		1	TY-RAP (NOT SHOWN)
66	F438668		1	RETAINER
67	FA609853		1	DECAL, WARNING W/LITERATURE
68	F1705		3	HEX WASHER HD M SCREW, 1/4 - 20 X 3/4
70	F1303		1	PAN HD SCREW, 8 - 32 X 3/4
71	F653398-1		1	DECAL, 3 CYL WIRING
72	F664497		1	TERMINAL BLOCK (12 POSITION)
73	F428096		1	RETAINER, THERMOSWITCH

STARTER

Order by Part Number and Name, giving Motor Model and Serial Number.



OB10002046

17

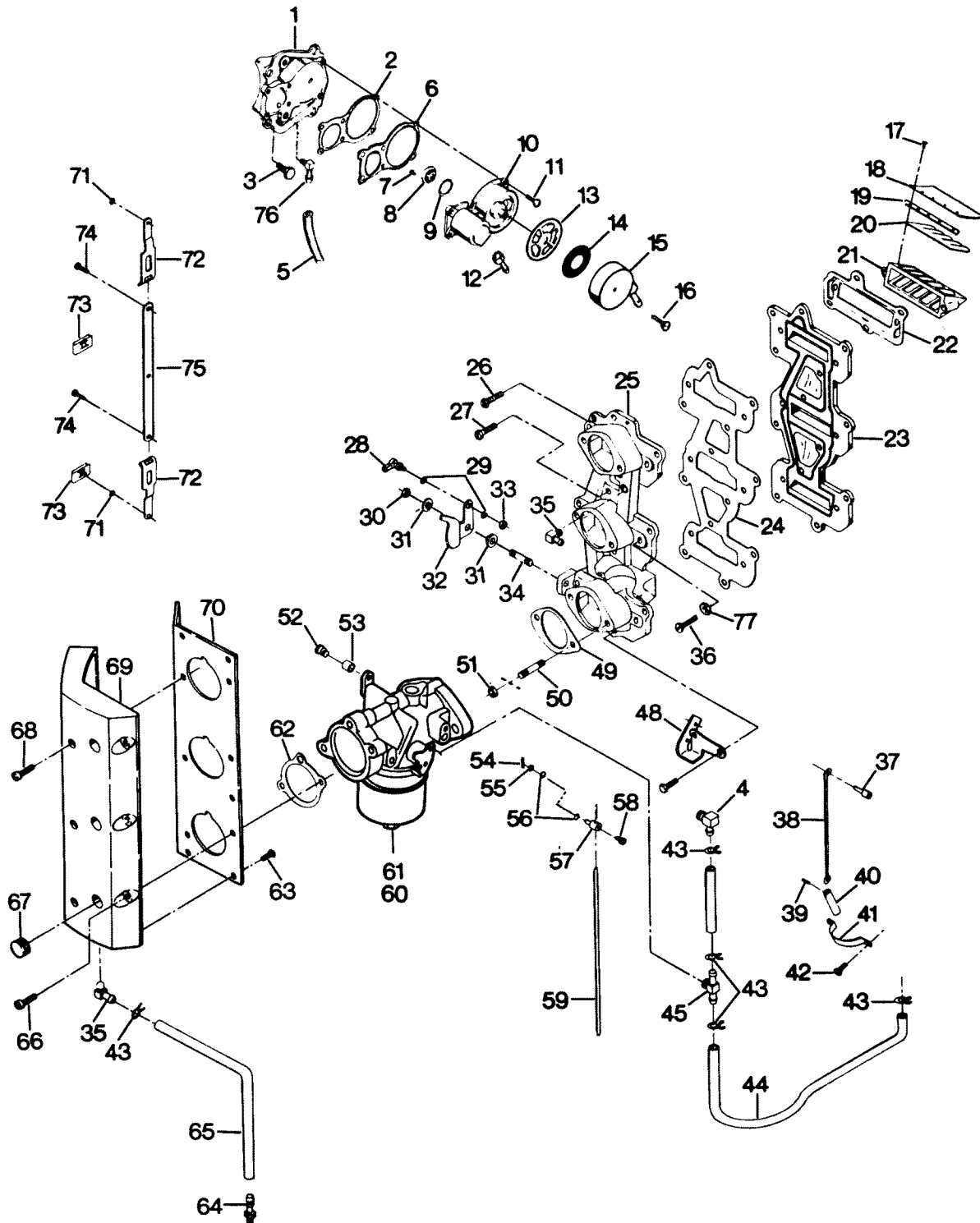
OB 4085

STARTER

REF. NO.	PART NO.	SYM.	QTY.	DESCRIPTION
1	F15174		1	DRIVE KIT
2	F15175		1	DRIVE ASSEMBLY PINION
3	F15176		1	CAP STARTER DRIVE
4	F15177		1	ARMATURE
5	F15178		1	THRU BOLT PACKAGE
6	F15179		1	COMMUTATOR
7	F15164		1	BRUSH KIT
8	F1641		2	LOCK NUT
9	F85908-1		1	LEAD WIRE
10	F1922		1	HEX CAP SCREW, 1/4 - 20 X 5/8
11	F616675		1	STARTER BRACKET LOWER
12	F1854		1	HEX HD CAP SCREW, 1/4 - 20 X 5/8
13	F8083		1	SPRING LOCKWASHER
14	F616955		1	STARTER COMPLETE. INCLUDES ALL ITEMS MARKED WITH AN ASTERISK (*).
15	F15158		1	SCREW, BRUSH HOLDER
16	F15160		1	INSULATOR WASHER
17	F15161		1	PLAIN WASHER
18	F15152		1	LOCKWASHER
19	F1341		1	NUT
20	F15162		1	NUT

CARBURETOR

Order by Part Number and Name, giving Motor Model and Serial Number.



OB10002047

19

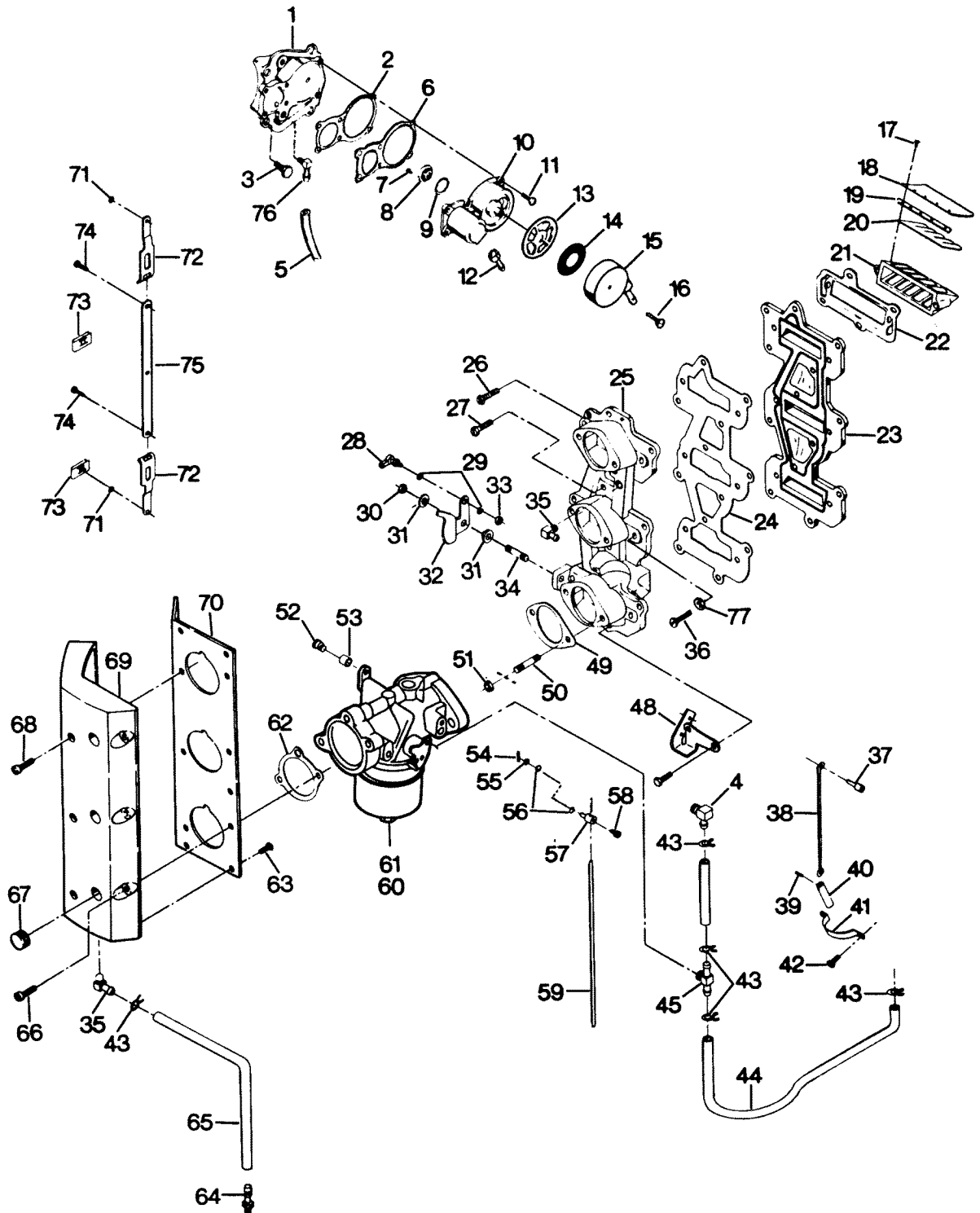
CARBURETOR

REF. NO.	PART NO.	SYM.	QTY.	DESCRIPTION
1	FA439746		1	FUEL PUMP COVER W/PLUG AND LITERATURE
2	F438760		1	FUEL PUMP GASKET
3	F1922		3	HEX CAP SCREW, 1/4 - 20 X 5/8
4	F10156		2	ELBOW
5	F89758		1	FUEL PUMP AIR HOSE, TOP
6	F438747		1	FUEL PUMP DIAPHRAGM
7	F1860		2	SLOTTED BINDING HD SCREW, 6 - 32 X 1/4
8	F177330		3	FUEL PUMP VALVE
9	F84792		1	GASKET, FUEL PUMP VALVE
10	FA438431		1	FUEL PUMP BODY W/ILLUS. 7, 8 AND 9
11	F1108		6	FILL HD SCREW W/LOCKWASHER, 1/4 - 20 X 3/4
12	F438801		1	FITTING
13	F438617		1	FUEL SEDIMENT BOWL GASKET
14	F438653		1	FUEL SEDIMENT BOWL SCREEN
15	F438500		1	FUEL SEDIMENT BOWL
16	F438165		1	SCREW, FUEL PUMP BOWL
17	F1755		30	RD HD SCREW W/LOCKWASHER, 6 - 32 X 5/16
18	F85161-1		6	REED STOP
19	F523451		6	SPACER, REED STOP
20	F530160		6	REED (5 PETAL)
21	F3A523158		3	REED PLATE W/ILLUS. 17, 18, 19 AND 20
22	F85168-1		3	GASKET REED PLATE ADAPTER
23	F85162		1	REED PLATE ADAPTER
24	F85159-1		1	GASKET, INTAKE MANIFOLD
25	817959A3		1	INTAKE MANIFOLD W/ILLUS. 36 AND LITERATURE ORIGINAL FORCE P/N K 480167-2
26	F2008		7	HEX HD SCREW, 1/4 - 20 X 7/8
27	F1699		2	HEX HD SCREW, 1/4 - 20 X 1-1/8
28	817747--1		1	BALL JOINT W/STUD
29	F8058		2	INTERNAL TOOTH LOCKWASHER
30	F7008		1	STOP NUT, 1/4 - 20
31	F269319		2	BEARING
32	F85192-1		1	THROTTLE CAM
33	F1513		1	HEX NUT, 10 - 32
34	F433209-1		1	STUD
35	22-818103--1		2	ELBOW
36	F2050		6	HEX HD SCREW, 1/4 - 20 X 1-1/2
37	F85033		1	CHOKE ROD SWIVEL
38	F85925		1	CHOKE ROD
39	F2033		1	GROOVE PIN
40	F391926-1		1	CHOKE SOLENOID PLUNGER
41	F85317-3		1	CLAMP
42	F1236		2	HEX HD SCREW, 1/4 - 20 X 1/2

CONTINUED ON NEXT PAGE ➡

CARBURETOR

Order by Part Number and Name, giving Motor Model and Serial Number.



OB10002047

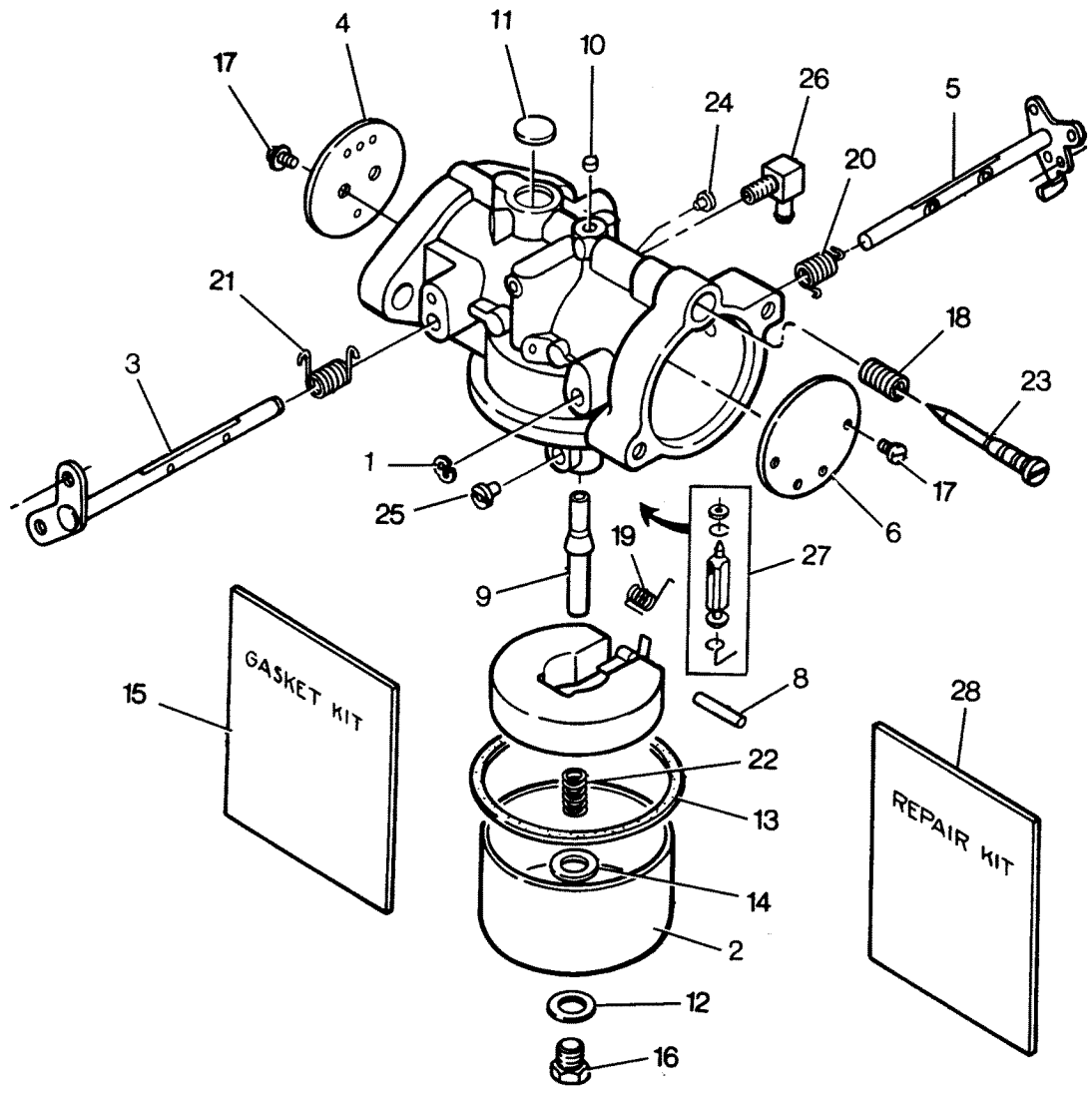
19

CARBURETOR

REF. NO.	PART NO.	SYM.	QTY.	DESCRIPTION
43	F97772		6	HOSE CLAMP
44	F438754		1	FUEL LINE
45	F10164		2	FUEL FITTING
46	F85253-1		2	FUEL LINE
47	F1532		3	HEX HD SCREW, 1/4 - 20 X 1
48	F480551-1		1	BRACKET INTERLOCK SWITCH
49	F85906		3	CARBURETOR GASKET
50	F40209		6	CARBURETOR STUD
51	F1515		6	HEX NUT, 5/16 - 18
52	F333316		1	THROTTLE ROLLER SHAFT
53	F92759		1	THROTTLE ROLLER
54	F1014		3	COTTER PIN
55	F8088		3	PLAIN WASHER
56	F184579		6	SEAL, CHOKE ARM SWIVEL
57	F184033-1		2	CHOKE ARM SWIVEL
58	F1059		3	FILL HD SCREWS, S.S., 6 - 32 X 1/4
59	F85509-1		1	CHOKE LINK
60	F632061		1	CARBURETOR COMPLETE (TOP) WE 9-1
61	F631061		2	CARBURETOR COMPLETE (MIDDLE & BOTTOM) WE 9-2
62	F481836		3	INTAKE GASKET
63	F1760		6	PAN HD SCREW, 10 - 24 X 3/8
64	22-817789A1		1	DRAIN FITTING W/METERING CUP
65	F63754		1	HOSE INTAKE DRAIN
66	F1504		3	FILL HD SCREW, 1/4 - 20 X 1-1/4
67	F53504		3	GROMMET
68	F1072		3	FILL HD SCREW, 1/4 - 20 X 1-3/4
69	F481860-1		1	CARBURETOR, INTAKE
70	F481567		1	CARBURETOR INTAKE ADAPTER
71	F90807		3	RETAINING RING
72	FA85193		2	TIE BAR END W/SWIVEL
73	F1693		2	TIE BAR RETAINER
74	F1064		2	FILL HD SCREWS, S.S., 8 - 32 X 3/8
75	FA85511		1	THROTTLE TIE BAR W/SWIVEL
76	F84314-2		1	ELBOW
77	F8026		1	PLAIN WASHER

CARBURETOR (WITH GASKET AND REPAIR KIT)

Carburetor



OB10002048

23

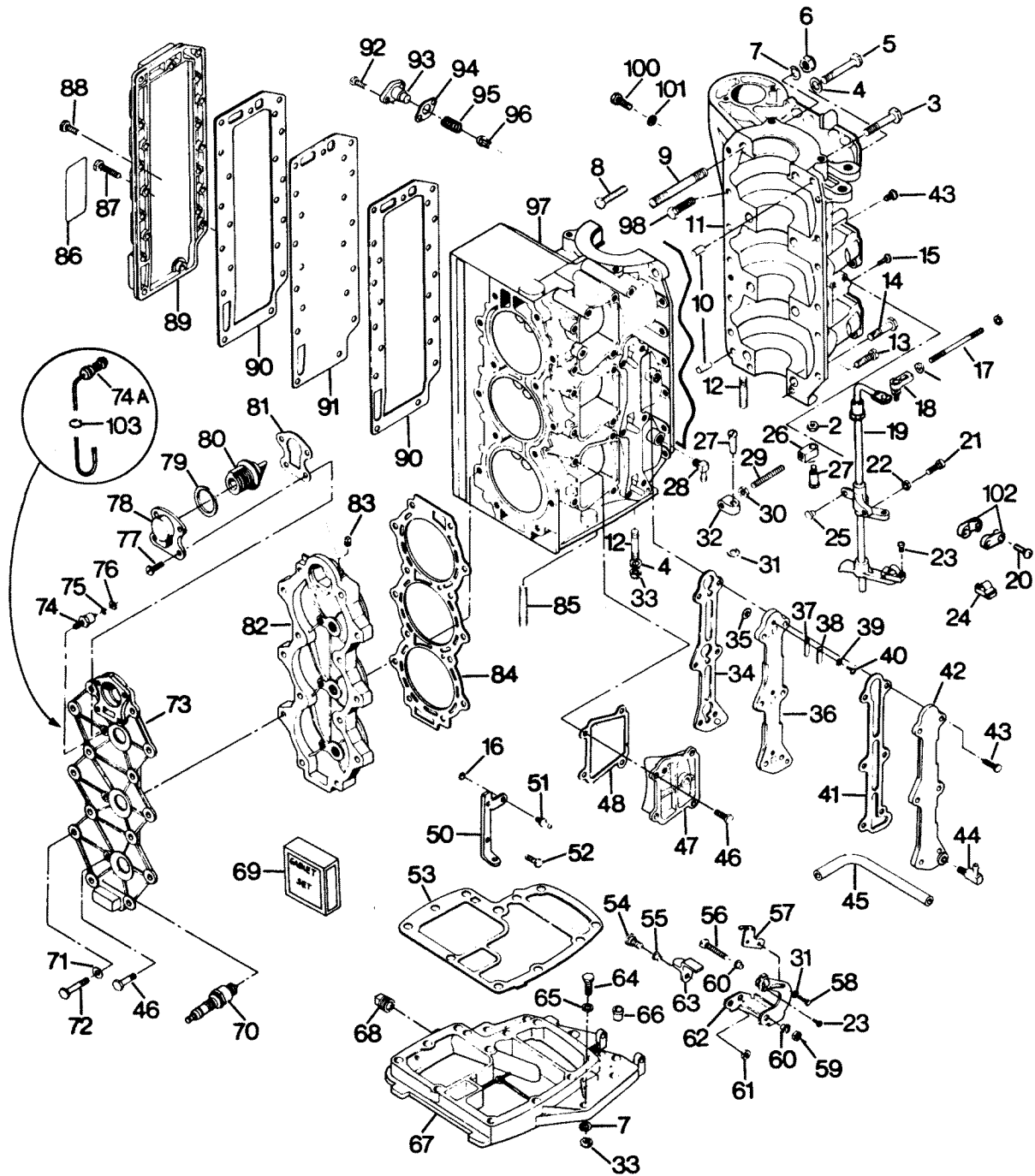
OB 4085

CARBURETOR (WITH GASKET AND REPAIR KIT)

REF. NO.	PART NO.	SYM.	QTY.	DESCRIPTION
-	F631061		0	CARBURETOR ASSEMBLY (WE-9-2) MIDDLE & BOTTOM
-	F632061		0	CARBURETOR ASSEMBLY (WE-9-1) TOP
1	F10218		1	SHAFT RING RETAINER
2	F10127		1	FUEL BOWL
3	F10168		1	THROTTLE SHAFT ASSEMBLY
4	F10169		1	THROTTLE VALVE
5	F10219		1	CHOKE SHAFT ASSEMBLY
6	F10161		1	CHOKE VALVE
7	F10135		1	FLOAT ASSEMBLY
8	F10208		1	PIN, FLOAT ASSEMBLY
9	F10137		1	NOZZLE
10	F10152		2	CUP PLUG
11	F10153		1	WELCH PLUG
12	F10067		1	BOWL RETAINER GASKET
13	F10138		1	BOWL RING GASKET
14	F10206		1	BOWL RETAINER GASKET
15	FK10209		1	GASKET KIT. INCLUDES ALL ITEMS MARKED WITH A DOUBLE ASTERISK (**)
16	F10205		1	BOWL RETAINER SCREW
17	F10155		4	CHOKE AND THROTTLE SCREW
18	F10141		1	IDLE NEEDLE SPRING
19	F10142		1	FLOAT SUPPORT SPRING
20	F10143		1	CHOKE VALVE SPRING
21	F10172		1	THROTTLE RETURN SPRING
22	F10204		1	NOZZLE SPRING
23	FO14166		1	NEEDLE, IDLE
24	F10163		1	JET (.060)
25	F10212		1	MAIN FUEL JET (.074)
-	F10213		0	JET SIZE (.072) 2500 - 5000 FT.
-	F10214		0	JET SIZE (.070) 5000 - 7500 FT.
-	F10215		0	JET SIZE (.068) 7500 - 10,000 FT.
26	F10156		1	FUEL FITTING (ELBOW) FOR 631061
-	F10164		1	FUEL FITTING (TEE) FOR 632061 (NOT SHOWN)
27	FK10120-1		1	FLOAT KIT, VALVE & SEAT
28	FK10220		1	REPAIR KIT. INCLUDES ALL ITEMS MARKED WITH A SINGLE ASTERISK (*).

POWERHEAD

Order by Part Number and Name, giving Motor Model and Serial Number.



OB10002049

25

OB 4085

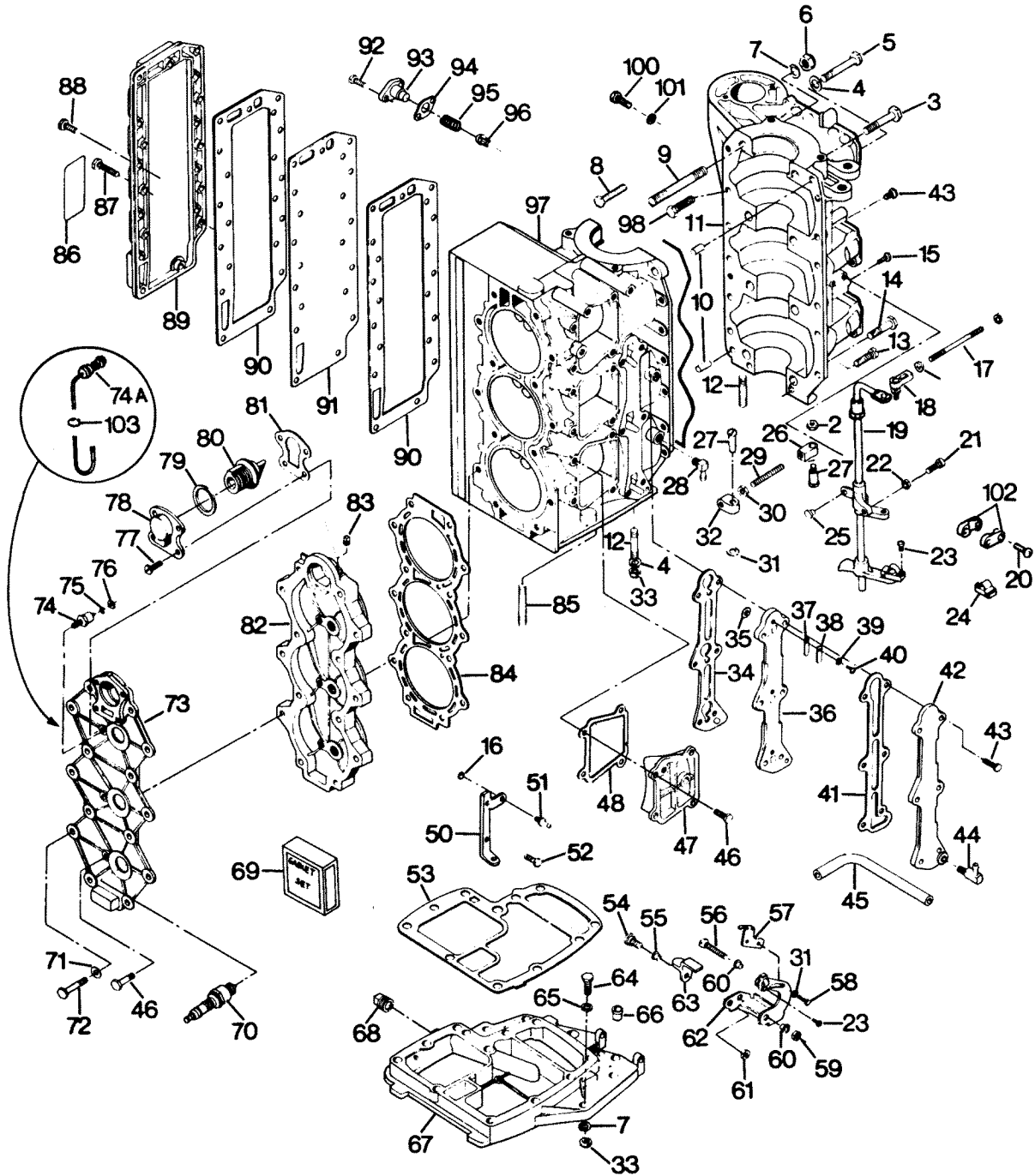
POWERHEAD

REF. NO.	PART NO.	SYM.	QTY.	DESCRIPTION
2	F7009		1	LOCK NUT, #10 - 24
3	F1009		1	HEX BOLT, 3/8 - 16 X 2-3/4
4	F8038		4	PLAIN WASHER
5	F1873		4	HEX BOLT, 3/8 - 16 X 3
6	F1346		1	HEX NUT, 3/8 - 16
7	F8095		14	PLAIN WASHER
8	F1864		9	HEX HD SCREW, 1/4 - 20 X 3/4
9	F85210		1	STUD
10	F8563		2	DOWEL PIN
11	F184122-1		1	PARTING LINE SEAL
12	F85859		4	STUD, FORWARD
13	F1504		2	FILL HD SCREW, 1/4 - 20 X 1-1/4
14	F1872		2	HEX BOLT, 3/8 - 16 X 1-3/4
15	F1199		1	HEX CAP SCREW, 1/4 - 20 X 1
16	F1804		2	STOP NUT
17	F85502		1	THROTTLE LINK
18	817747--1		1	BALL JOINT W/STUD
19	817968A2		1	TOWERSHAFT W/ILLUS. 18, 21, 22, 24, 25 AND 102 ORIGINAL FORCE P/N K 616838-1
20	F1829		2	FILL HD SCREW, 10 - 24 X 7/8
21	F1504		1	FILL HD SCREW, 1/4 - 20 X 1-1/4
22	F1341		1	HEX NUT, 1/4 - 20
23	F1556		2	FILL HD SCREW W/LOCKWASHER, 10 - 24 X 3/8
24	FK405020		2	SWIVEL W/PIVOT SCREW AND NUT
25	F1727		1	PLASTIC RIVET
26	F499036		1	TOWERSHAFT CONTROL ROD END
27	F499026		2	SWIVEL
28	F84314-2		1	ELBOW
29	F85445		1	ROD, SPARK CONTROL
30	F2015		1	HEX NUT, 1/4 - 28
31	F2042		2	PLAIN WASHER
32	F499035		1	ROD END, CONTROL ROD TO TRIGGER
33	F7004		10	STOP NUT, 3/18 - 16
34	F85748-2		1	GASKET, CYLINDER DRAIN REED PLATE
35	F93811		3	SCREEN
36	F2A404757		1	CYLINDER DRAIN REED PLATE W/ILLUS. 35, 37, 38, 39, 40 AND METERING CUP
37	F18160-3		3	REED
38	F93920		3	REED STOP
39	F8003		3	PLAIN WASHER
40	F1286		3	PAN HD SCREW, 4 - 40 X 3/16
41	F85472-2		1	GASKET, CYLINDER DRAIN COVER
42	817787A1		1	CYLINDER DRAIN COVER W/PLUG AND LITERATURE ORIGINAL FORCE P/N A 404471-1

CONTINUED ON NEXT PAGE ➡

POWERHEAD

Order by Part Number and Name, giving Motor Model and Serial Number.



OB10002049

25

OB 4085

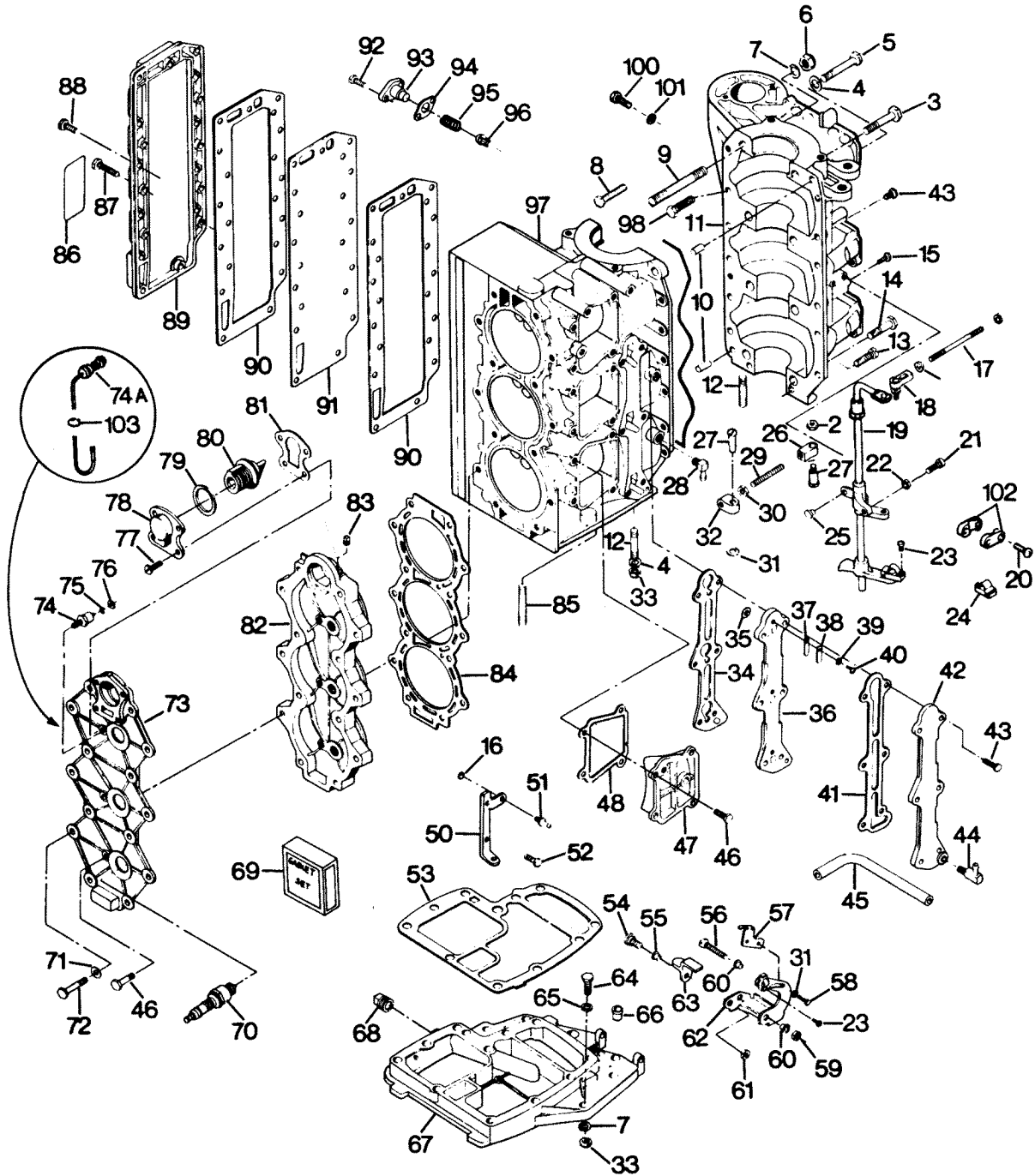
POWERHEAD

REF. NO.	PART NO.	SYM.	QTY.	DESCRIPTION
43	F1532		6	HEX HD SCREW, 1/4 - 20 X 1
44	F404801		1	FITTING
45	F433253		1	HOSE
46	F1922		8	HEX HD SCREW, 1/4 - 20 X 5/8
47	FA411222		2	TRANSFER PORT COVER W/PLUGS AND LITERATURE
48	F40223		3	GASKET, TRANSFER PORT COVER
49	F1513		2	HEX NUT 10 - 32
50	FS85872-1		1	BRACKET, REMOTE CABLE
51	F98273		2	ROD END CONNECTOR STUD
52	F1864		2	HEX HD SCREW, 1/4 - 20 X 3/4
53	F85279-2		1	CYLINDER EXHAUST GASKET, UPPER
54	F369887		1	SHOULDER SCREW
55	F369610		1	BEARING
56	F1885		1	HEX BOLT, 5/16 - 18 X 4-1/4
57	F480107-1		1	CAM, STARTER INTERLOCK
58	F2089		2	SLOTTED PAN HD MACHINE SCREW, 10 - 24 X 5/16
59	F2108		1	STOP NUT, 5/16 - 18
60	F85610		2	BEARING
61	F1832		1	STOP NUT, 1/4 - 20
62	FA480876		1	GEAR SHIFT ARM W/ILLUS. 24, 54, 55, 60, 61 AND 63
63	F369977-1		1	INTERLOCK ARM
64	F1869		6	HEX BOLT, 3/8 - 16 X 1-1/4
65	F1703		6	SPRING LOCKWASHER
66	F40689-1		1	BEARING, TOWERSHAFT
67	817788A3		1	SPACER PLATE W/ILLUS. 68 ORIGINAL FORCE P/N A 404680-2
68	F2090		1	PLUG
69	FG1020-1		1	GASKET SET INCLUDES ITEMS MARKED WITH A *
-	F40223		3	TRANSFER PORT COVER GASKET
-	F84278		1	CRANKSHAFT BRG. SEAL CAGE SEAL
-	F84504		1	THERMOSTAT GROMMET
-	F184122-1		1	CRANKCASE SEAL
-	F85154-1		2	EXHAUST PORT PLATE GASKET
-	F85159-1		1	MANIFOLD GASKET
-	F85168-1		3	CARBURETOR ADAPTER FLANGE GASKET
-	F85279-2		1	CYLINDER, EXHAUST - UPPER GASKET
-	F85472-2		1	CYLINDER DRAIN COVER GASKET
-	F85748-2		1	CYLINDER DRAIN REED PLATE GASKET
-	F85762		1	BY-PASS VALVE GASKET
-	F85906		3	CARBURETOR GASKET
-	F369529-1		1	CYLINDER HEAD GASKET
-	F476067		1	THERMOSTAT COVER GASKET
-	F481836		3	INTAKE GASKET

CONTINUED ON NEXT PAGE ➡

POWERHEAD

Order by Part Number and Name, giving Motor Model and Serial Number.



OB10002049

25

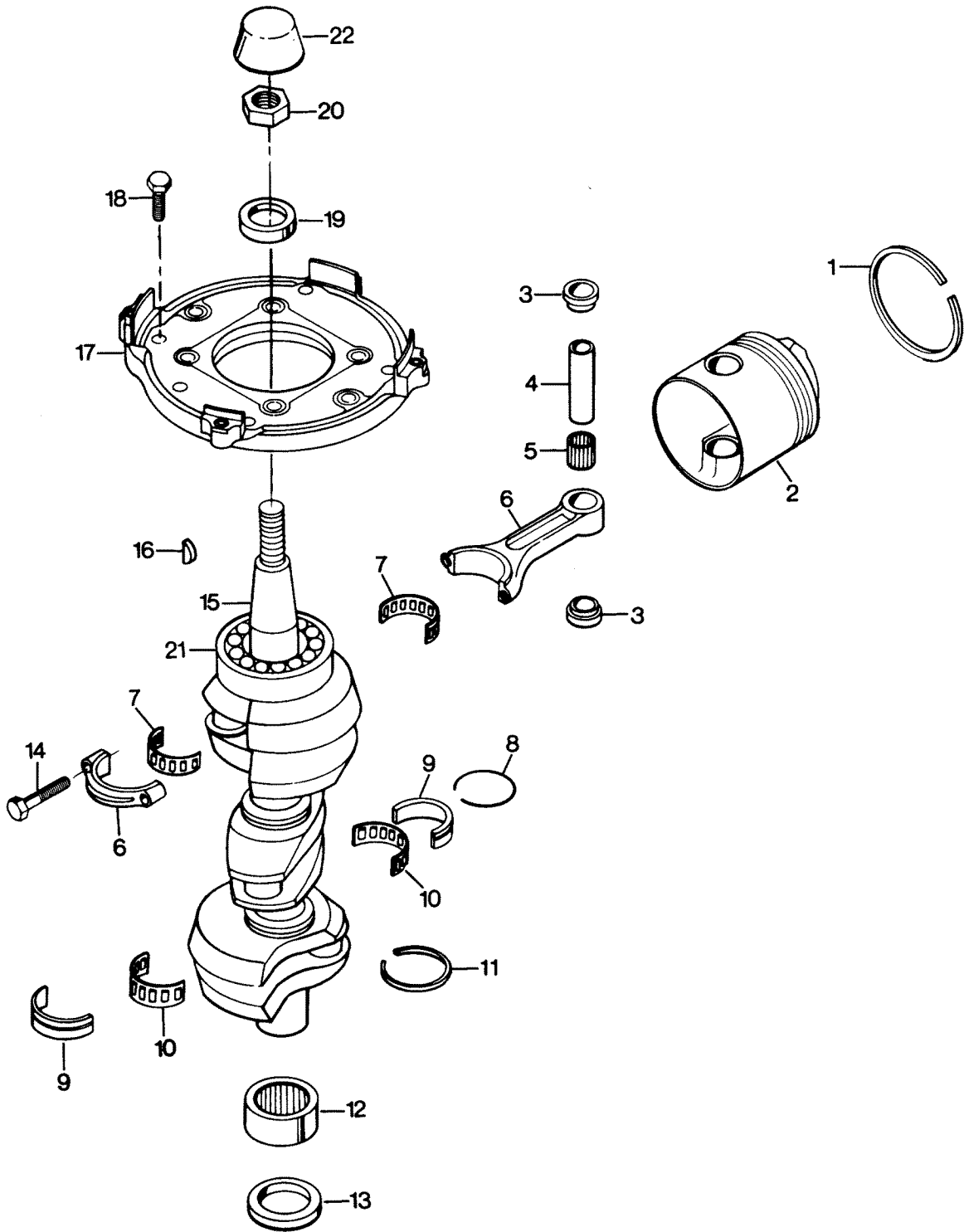
OB 4085

POWERHEAD

REF. NO.	PART NO.	SYM.	QTY.	DESCRIPTION
70	33-818007--1		3	SPARK PLUG (CHAMPION UL-18-V)
71	F1987		14	PLAIN WASHER
72	F1883		14	HEX BOLT, 5/16 - 18 X 2-3/8
73	F499995		1	CYLINDER HEAD COVER
74	87-817778A1		1	THERMOSWITCH "A" MODELS
74A	F629449		1	THERMOSWITCH "B" & "C" MODELS
75	F8056		1	SPRING LOCKWASHER
76	F1647		1	HEX NUT, 10 - 32
77	F1110		4	FILL HD SCREW, 1/4 - 20 X 5/8
78	F476066-1		1	COVER, THERMOSTAT
79	F84504		1	GROMMET
80	F528068		1	THERMOSTAT (110-F)
81	F476067		1	GASKET, THERMOSTAT COVER
82	F480518		1	CYLINDER HEAD "A" MODELS
-	F630518		1	CYLINDER HEAD "B" & "C" MODELS
83	F19109		1	PLUG
84	F369529-1		1	CYLINDER HEAD GASKET
85	F85211		6	STUD, REAR
86	FC529398		1	DECAL, WIRING
87	F1699		5	HEX HD SCREW, 1/4 - 20 X 1-1/8
88	F2008		14	HEX BOLT, 1/4 - 20 X 7/8
89	F85152-4		1	EXHAUST PORT COVER
90	F85154-1		2	GASKET, EXHAUST PORT PLATE
91	F85151-1		1	EXHAUST PORT PLATE
92	F1950		2	HEX HD SCREW, 10 - 24 X 5/8
93	F438066		1	BY-PASS VALVE COVER
94	F85762		1	GASKET, BY-PASS VALVE
95	F404268		1	SPRING, BY-PASS VALVE
96	F85916-1		1	BY-PASS VALVE
97	800-817861A7		1	CYLINDER W/CRANKCASE COVER ILLUS. 3, 5, 6, 9, 11, 12, 13, 14, 65, 85 AND LITERATURE ORIGINAL FORCE P/N A 581010-3
-	800-817912A9		1	SHORT BLOCK (NOT SHOWN). INCLUDES ALL ITEMS MARKED WITH AN ASTERISK (*). ALSO REFER TO CRANKSHAFT AND PISTON PAGES. ORIGINAL FORCE P/N C 581010-3
98	F2008		2	HEX CAP SCREW, 1/4 - 20 X 7/8
99	F1708		1	HEX HD SCREW, 1/4 - 20 X 1-3/8
100	F2000		1	HEX CAP SCREW, 5/16 - 18 X 3/4
101	F8096		1	SPRING LOCKWASHER
102	FA607689		2	BEARING TOWERSHAFT LOWER
103	F428096		1	RETAINER, THERMOSWITCH

CRANKSHAFT AND PISTON

Order by Part Number and Name, giving Motor Model and Serial Number.



OB10002050

29

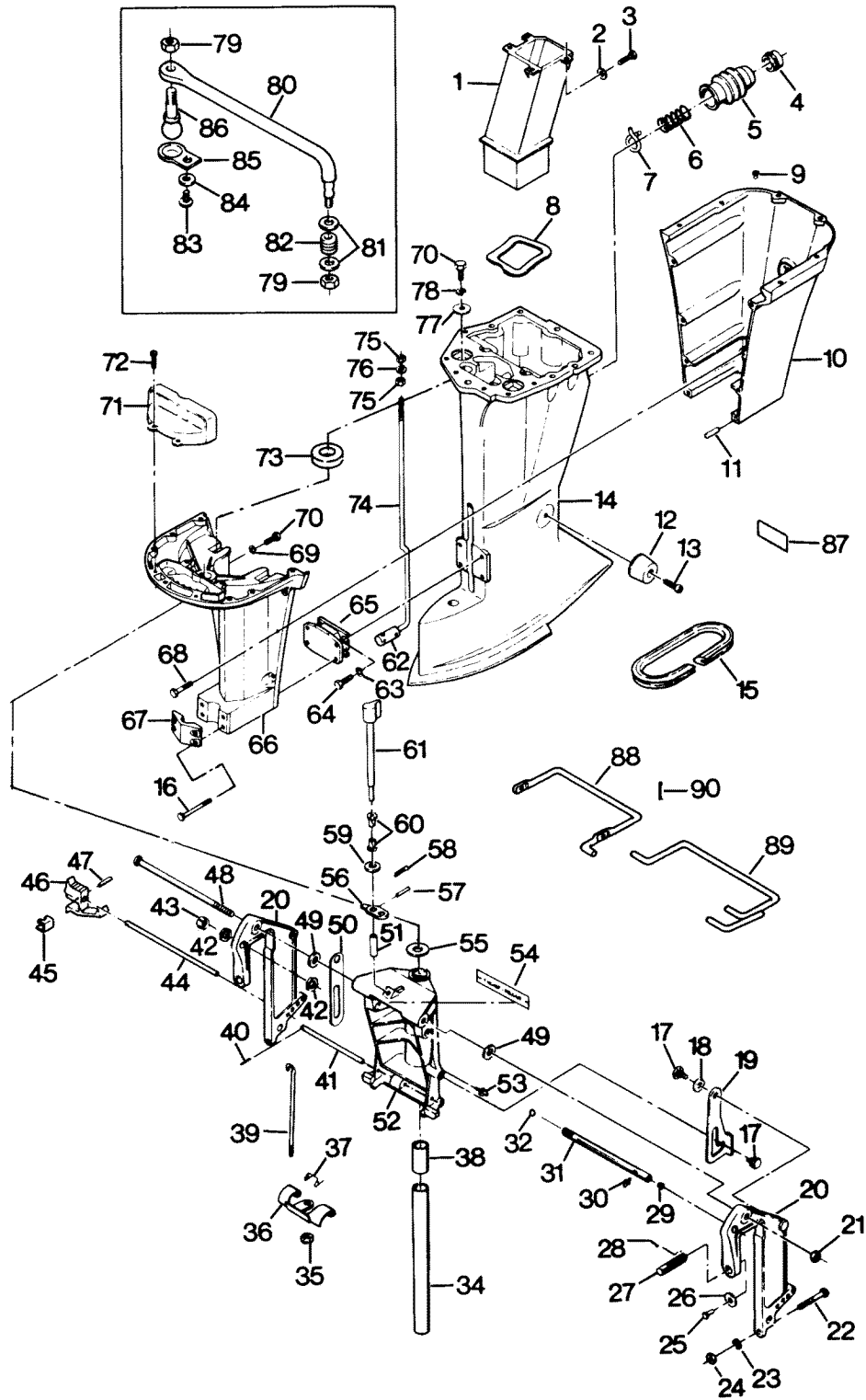
OB 4085

CRANKSHAFT AND PISTON

REF. NO.	PART NO.	SYM.	QTY.	DESCRIPTION
1	FA335260		3	PISTON RING SET (2 PER SET) STANDARD
-	FSA335260		3	PISTON RINGS (2 PER SET) .010 OVERSIZE
-	39-818110A1		3	PISTON RINGS (2 PER SET) .030 OVERSIZE
2	700-F372015-3		0	PISTON-STANDARD
-	700-817988A2		3	PISTON .010 OVERSIZE
-	700-818111A2		3	PISTON .030 OVERSIZE
3	F335215		6	SPACER, PISTON PIN (2 PER PISTON)
4	F85017		3	PISTON PIN
5	F335217-1		3	BEARING PISTON PIN (26 PER SET)
6	600-818052A4		3	CONNECTING ROD W/CAP ILLUS. 14 ORIGINAL FORCE P/N S 366016-4
7	FK85228-1		3	BEARING CAGE W/ROLLER
8	F85410		2	SNAP RING
9	FA85655-1		2	CRANKSHAFT MAIN BEARING RACE W/ILLUS. 8
10	F85571		2	BEARING CAGE W/ROLLER
11	F316579		2	SEAL, CRANKCASE
12	FA523014		1	CRANKSHAFT LOWER MAIN BEARING W/ILLUS. 13
13	F523146-1		1	SEAL, CRANKSHAFT LOWER
14	F85634-2		6	CONNECTING ROD SCREW
15	FA85018-2		1	CRANKSHAFT W/ILLUS. 11 AND 21
16	F85498-1		1	FLYWHEEL KEY
17	F2A615144		1	CRANKSHAFT BEARING CAGE W/ILLUS. 19
18	F2081		5	HEX SOC. HD SCREW, 1/4 - 20 X 3/4
19	F523146-1		1	SEAL, CRANKSHAFT UPPER
21	F284659-2		1	CRANKSHAFT THRUST BEARING, UPPER
22	F2067		1	PLASTIC CAP

MOTOR LEG

Order by Part Number and Name, giving Motor Model and Serial Number.



OB10002051

31

OB 4085

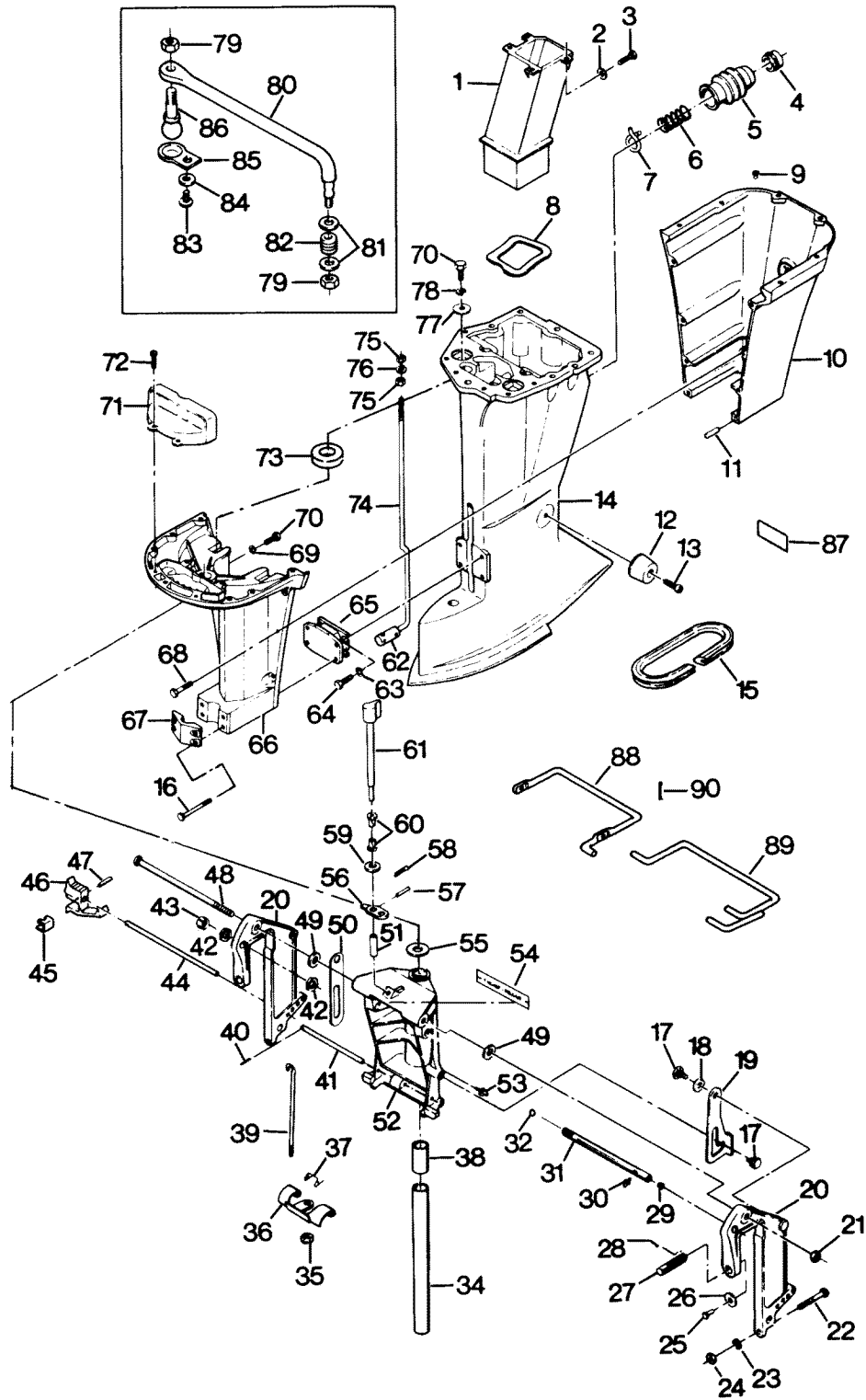
MOTOR LEG

REF. NO.	PART NO.	SYM.	QTY.	DESCRIPTION
1	F85660-1		1	EXHAUST TUBE
2	F8083		4	SPRING LOCKWASHER
3	F1864		4	HEX SLOT HD SCREW, 1/4 - 20 X 3/4
4	F85258		1	INSERT
5	F85130		1	BOOT, IDLE EXHAUST
6	F85380		1	SPRING
7	F85772		1	CLAMP
8	F439736		1	SEAL EXHAUST TUBE
9	F1729		2	PLUG
10	F178145-4		1	MOTOR LEG COVER, REAR
11	F1664		2	SPRING PIN
12	F438962		2	SHOCK MOUNT SLIDE
13	F1263		2	HEX SOCKET HD CAP SCREW, 5/16 - 18 X 9/16
14	F523133-2		1	MOTOR LEG
15	F178323		1	SEAL, MOTOR LEG
16	F1696		4	HEX BOLT, 5/16 - 18 X 1-3/4
17	F85350-1		4	TILT STOP PIVOT
18	F1666		2	BOWED SPRING WASHER
19	F85541-1		1	TILT LOCK
20	1400-817958A6		2	STERN BRACKET
21	F7012		1	LOCK NUT, 1/2 - 20
22	F1593		2	HEX HD SCREW, 3/8 - 16 X 3
23	F1904		2	PLAIN WASHER
24	F1346		2	HEX NUT, 3/8 - 16
25	F353480		2	STUD
26	F84074		2	CLAMP SCREW FOOT
27	F474073-1		2	CLAMP SCREW
28	F8538		2	SPRING PIN
29	F9052		1	PLUG
30	F523274		1	GREASE FITTING
31	F511125-2		1	TUBE, STEERING SUPPORT
32	F316599		1	SEAL, STEERING SUPPORT TUBE
34	FS85019		1	KINGPIN
35	F1669		1	LOCK NUT
36	F369349		1	REVERSE LOCK
37	F85300		1	REVERSE LOCK SPRING
38	F438169		2	BEARING
39	F369510		1	LINK
40	F1744		1	SPRING PIN
41	F177350		1	REVERSE LOCK PIN
42	F523280		2	NUT, STEERING SUPPORT TUBE
43	F9018		1	CAP
44	FA438113		1	STERN BRACKET LOCK BAR WILLUS. 45, 46 AND 47

CONTINUED ON NEXT PAGE ➡

MOTOR LEG

Order by Part Number and Name, giving Motor Model and Serial Number.



OB10002051

31

OB 4085

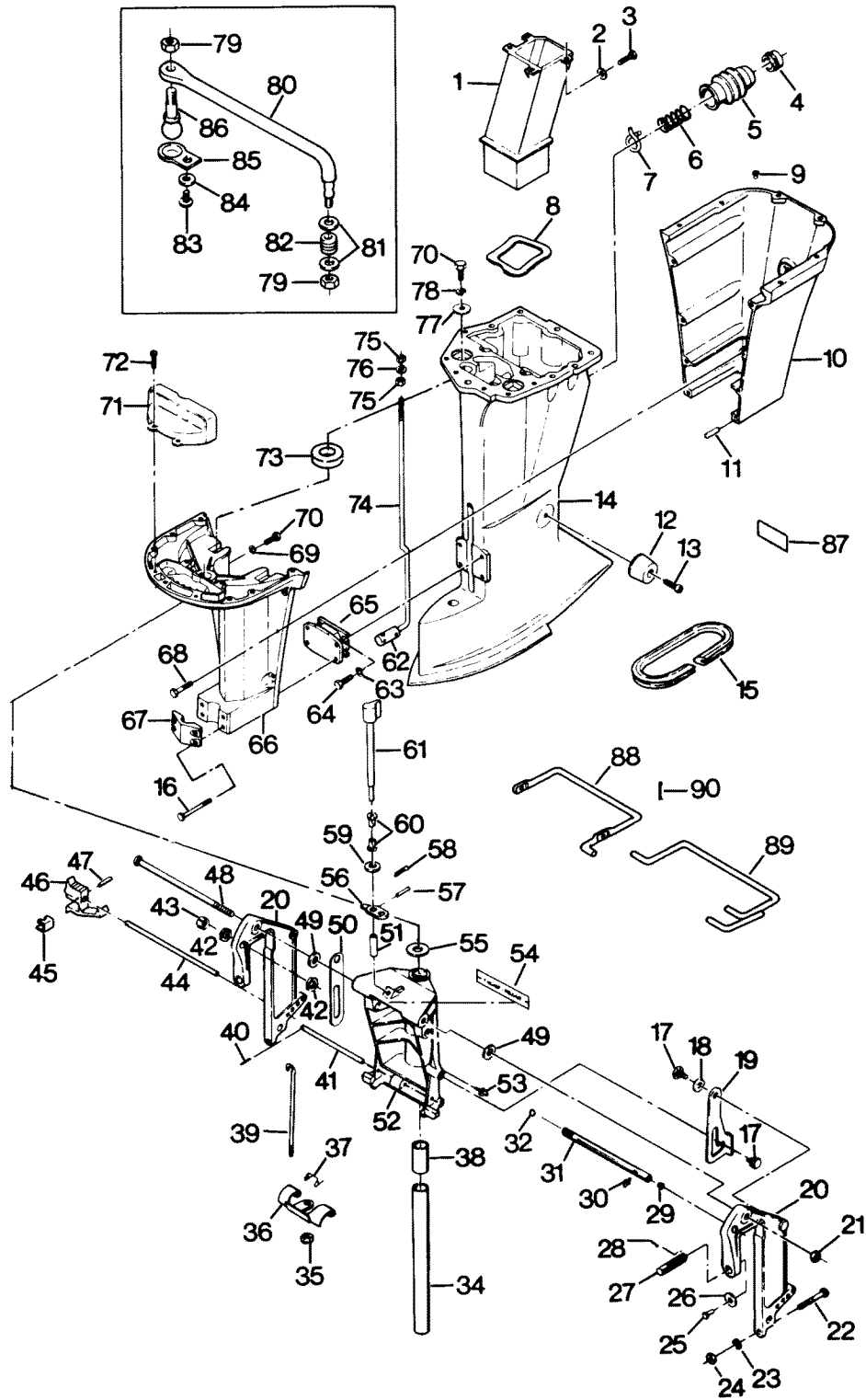
MOTOR LEG

REF. NO.	PART NO.	SYM.	QTY.	DESCRIPTION
45	F286461		1	SPRING LOCK BAR HANDLE
46	F433114		1	HANDLE, LOCK BAR
47	F1744		1	SPRING PIN
48	F85037-1		1	STERN BRACKET PIVOT BOLT
49	F84286-1		4	FRICITION WASHER
50	F85426		1	TILT STOP
51	F483884		1	BEARING
52	817783A5		1	SWIVEL BRACKET W/ILLUS. 38 AND 53 ORIGINAL FORCE P/N A 369072-2
53	F213274		3	GREASE FITTING
54	F529390-1		1	DECAL, REVERSE LOCK
55	F84011		1	WASHER
56	F369364		1	REVERSE LOCK ARM
57	F1836		1	SPRING PIN
58	F1014		1	COTTER PIN
59	F8094		1	PLAIN WASHER
60	F197813		2	BEARING
61	817946A2		1	HANDLE AND SHAFT W/ILLUS. 60 AND LITERATURE ORIGINAL FORCE P/N K 369827-1
62	F85704		1	COUPLER, GEARSHIFT ROD, UPPER
63	F8096		4	SPRING LOCKWASHER
64	F1822		4	HEX BOLT, 5/16 - 18 X 7/8
65	F438346		1	SHOCK MOUNT, LOWER
66	FA85135-4		1	LEG COVER, FRONT W/ILLUS. 68
67	F85606		1	KINGPIN CAP
68	F2030		6	HEX HD SCREW, 1/4 - 20 X 1-1/4
69	F1703		2	SPRING LOCKWASHER
70	F1871		4	HEX HD SCREW, 3/8 - 16 X 3/4
71	F85779-1		1	BAFFLE, AIR INTAKE
72	F1912		4	HEX HD SCREW, 10 - 24 X 1/2
73	F85965		2	SHOCK MOUNT, UPPER
74	F85615-1		1	GEAR SHIFT ROD, UPPER
75	F2108		2	LOCK NUT, 5/16 - 18
76	F1987		1	PLAIN WASHER
77	FA85355-1		2	WASHER SHOCK MOUNT UPPER W/WASHER
78	F2014		2	PLAIN WASHER
79	F2093		2	STOP NUT 3/8 - 24
81	F8038		2	PLAIN WASHER
82	F523300-1		1	SPRING
83	F1280		1	PAN HD SCREW, 8 - 32 X 1/4
84	F8080		1	SPRING LOCKWASHER
85	F523930		1	RETAINER
86	F523273		1	STEERING BALL STUD
87	F598387		1	DECAL, POWER FLOW

CONTINUED ON NEXT PAGE ➡

MOTOR LEG

Order by Part Number and Name, giving Motor Model and Serial Number.



OB10002051

31

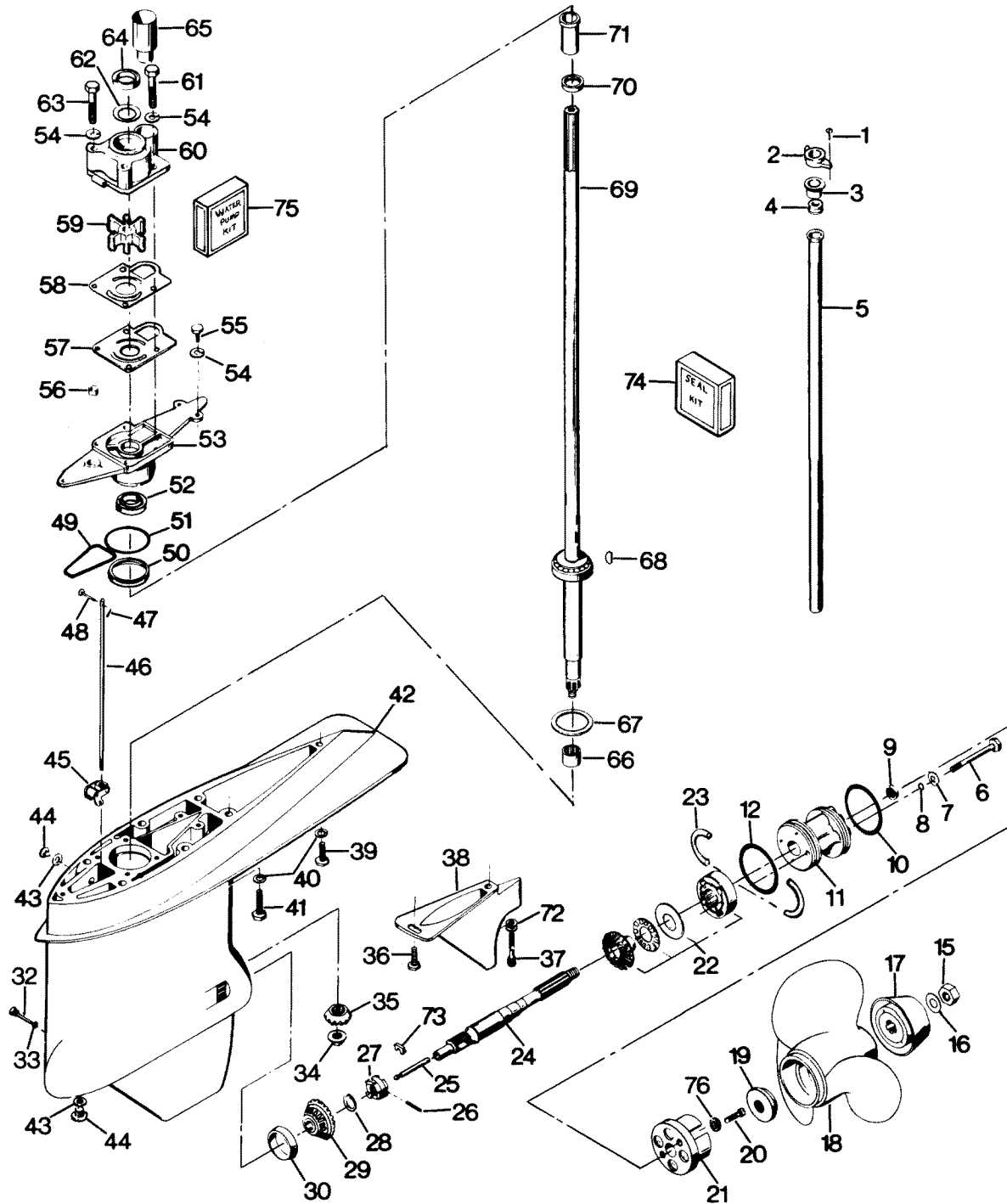
OB 4085

MOTOR LEG

REF. NO.	PART NO.	SYM.	QTY.	DESCRIPTION
88	F5H115		1	TRAILERING BRACKET (W/OUT POWER TRIM)
89	F5H179		1	TRAILERING BRACKET (W/POWER TRIM)
90	F525629		1	COTTER PIN FOR 5H179

GEAR HOUSING

Order by Part Number and Name, giving Motor Model and Serial Number.



OB10002052

35

OB 4085

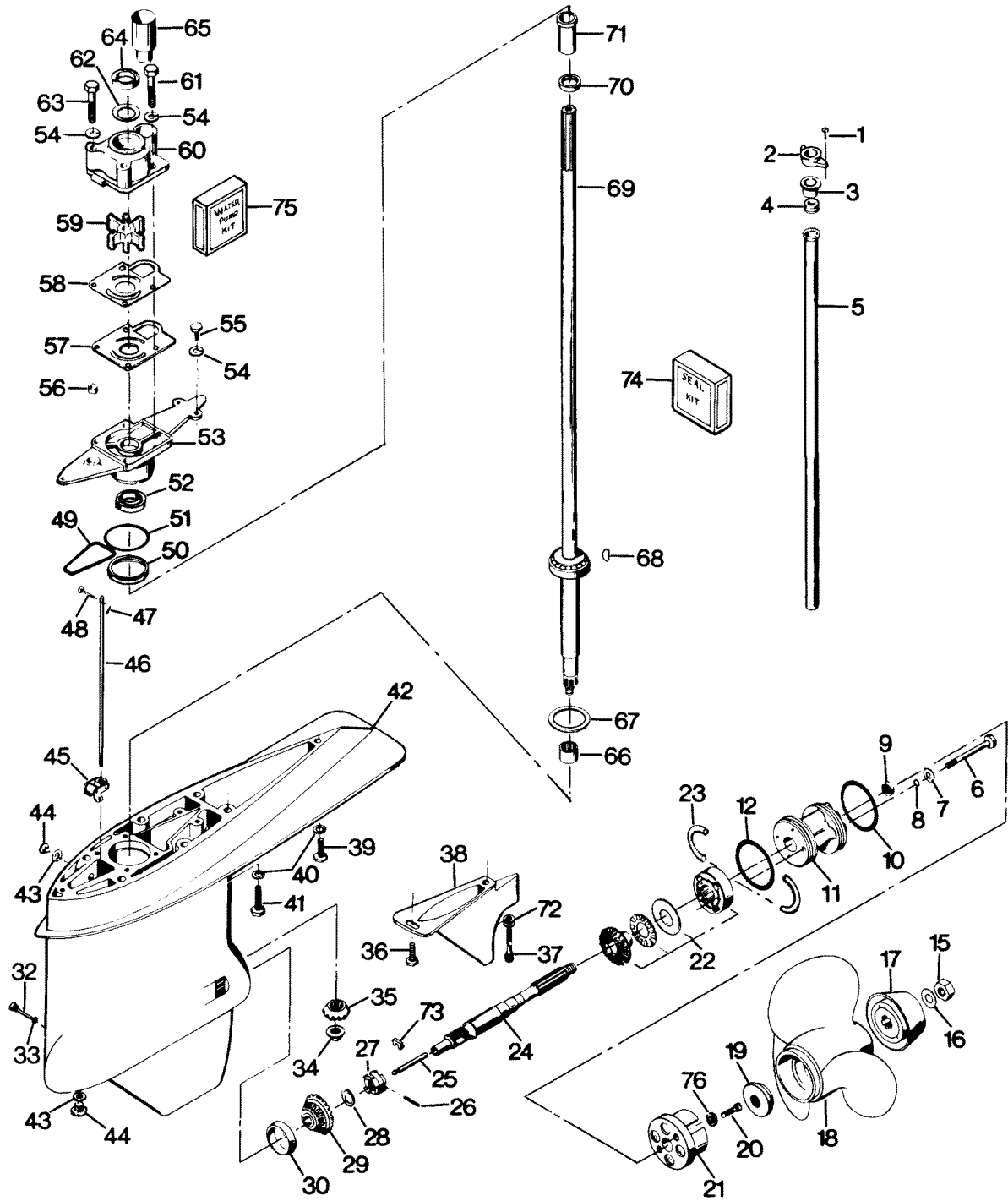
GEAR HOUSING

REF. NO.	PART NO.	SYM.	QTY.	DESCRIPTION
1	F1705		2	HEX CAP SCREW, 1/4 - 20 X 3/4 S.S.
2	F85117		1	BRACKET, WATERLINE
3	F84342		1	SEAL, INLET WATERLINE UPPER
4	F523899		1	GROMMET, WATERLINE
5	F523244		1	INLET WATERLINE
6	F1885		4	HEX CAP SCREW, 5/16 - 18 X 4-1/4 S.S.
7	F1907		4	PLAIN WASHER S.S.
8	F50342-1		4	SEAL, BEARING CAGE BOLTS
9	F506118		1	SEAL, PROPELLER SHAFT
10	F24278		1	SEAL, O-RING PROPELLER SHAFT SPOOL
11	F2A523239		1	SPOOL, PROPELLER SHAFT BEARING W/SEAL ILLUS. 9
12	F84305		1	SEAL, PROPELLER SHAFT BEARING SPOOL
15	F1788		1	STOP NUT
16	F1866		1	PLAIN WASHER
17	F532299		1	WASHER, PROPELLER SPLINE
18	FPS625		1	PROPELLER (13 X 19)
19	F523099-1		1	SPACER, PROPELLER
20	F1112		2	FILL HD SCREW, 1/4 - 20 X 7/8
21	FA523485		1	ANTI-CORROSION ANODE W/LITERATURE
22	F2A498662		1	BEVEL GEAR REAR W/BEARING CAGE, SPACER AND BEARING
23	F523411		2	RETAINING RING
24	44-817962A2		1	PROPELLER SHAFT W/LITERATURE ORIGINAL FORCE P/N K 523098-1
25	F84871-1		1	PIN, GEAR SHIFT
26	F1713		1	SPRING PIN
27	F84521-2		1	CLUTCH
28	F1936		A/R	SPACER, BEVEL GEAR FRONT .059
-	F1937		A/R	SPACER, BEVEL GEAR FRONT .062
-	F1938		A/R	SPACER, BEVEL GEAR FRONT .065
-	F1939		A/R	SPACER, BEVEL GEAR FRONT .068
-	F1940		A/R	SPACER, BEVEL GEAR FRONT .071
-	F1941		A/R	SPACER, BEVEL GEAR FRONT .074
-	F1942		A/R	SPACER, BEVEL GEAR FRONT .077
-	F2113		A/R	SPACER, BEVEL GEAR FRONT .080
-	F2114		A/R	SPACER, BEVEL GEAR FRONT .083
-	F2115		A/R	SPACER, BEVEL GEAR FRONT .086
-	F2116		A/R	SPACER, BEVEL GEAR FRONT .089
-	F2121		A/R	SPACER, BEVEL GEAR FRONT .057
-	F2122		A/R	SPACER, BEVEL GEAR FRONT .054
29	43-818062A3		1	BEVEL GEAR FRONT W/BEARING
30	F523813		1	BEARING CUP
32	F498891		1	PIN, GEAR SHIFT ARM
33	F498618		1	SEAL

CONTINUED ON NEXT PAGE ➡

GEAR HOUSING

Order by Part Number and Name, giving Motor Model and Serial Number.



OB10002052

35

OB 4085

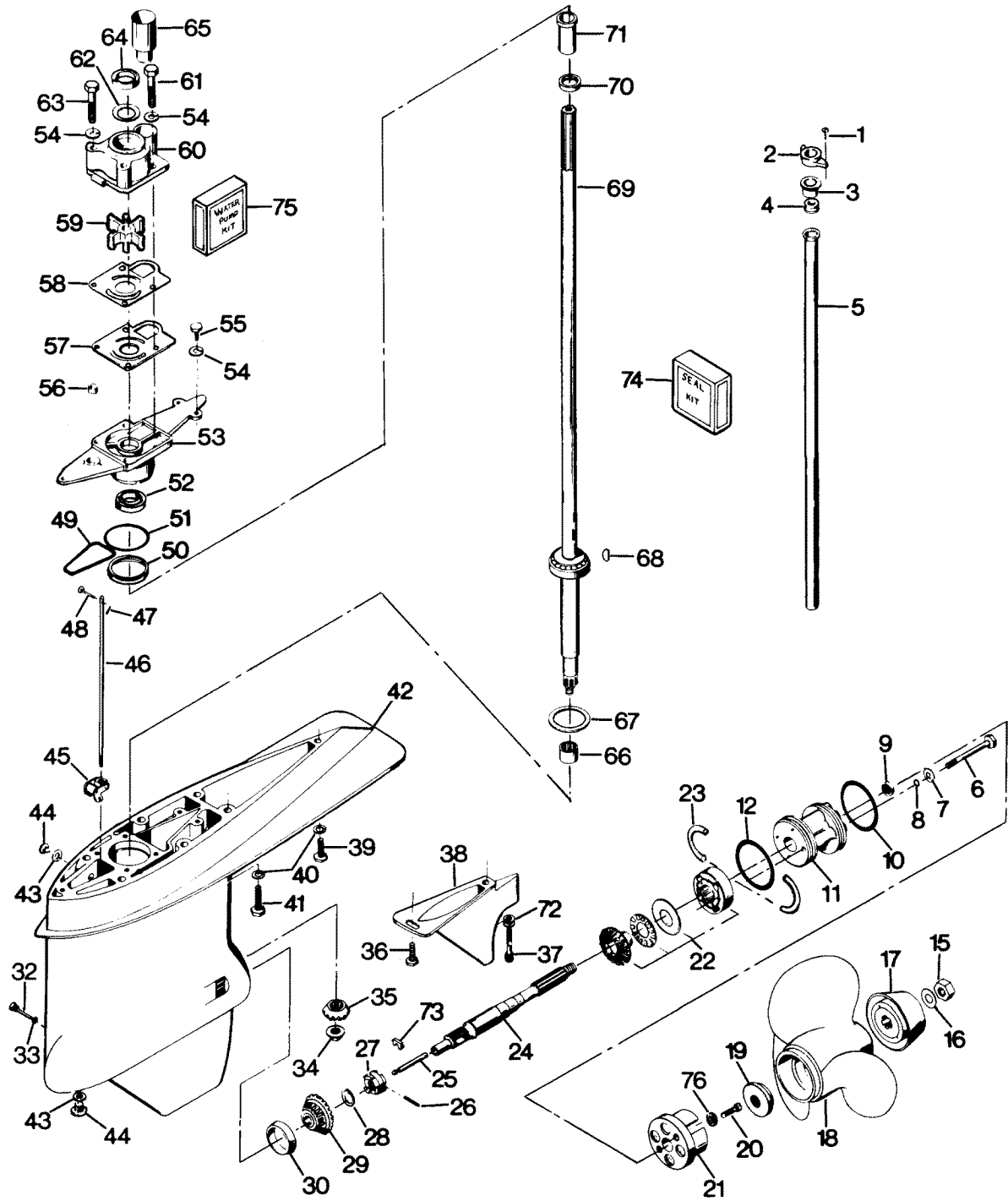
GEAR HOUSING

REF. NO.	PART NO.	SYM.	QTY.	DESCRIPTION
34	F523188		1	NUT, BEVEL PINION RETAINING
35	43-817830A2		1	BEVEL PINION GEAR W/ILLUS. 50 AND SHIMS ORIGINAL FORCE P/N A 498266-2
36	F438930		0	RETAINER, SNOOT
37	F1994		0	HEX SOCKET HD CAP SCREW, 5/16 - 18 X 1
38	F523116-1		0	EXHAUST SNOOT
39	F1858		1	HEX CAP SCREW, 5/16 - 18 X 1
40	F8096		7	SPRING LOCKWASHER
41	F1491		6	HEX CAP SCREW, 5/16 - 18 X 3-1/4
42	FA523054		1	GEAR HOUSING W/DRIVESHAFT BEARING LOWER ILLUS. 30, 31, 43 AND 44
-	1600-819196A3		1	GEAR HOUSING COMPLETE. INCLUDES ALL ITEMS MARKED WITH AN ASTERISK (*). ORIGINAL FORCE P/N C 630054-1
43	F8077		2	WASHER, GEAR HOUSING PLUG
44	FA523109		2	PLUG, GEAR HOUSING
45	FA84621-1		1	COUPLING, GEAR SHIFT ARM W/BUSHING
46	F523705		1	GEAR SHIFT ROD, LOWER
47	F1015		1	COTTER PIN
48	F85372		1	PIN, GEAR SHIFT ROD, LOWER
49	F532555		1	SEAL, O-RING - GEAR HOUSING COVER
50	F523961		1	CRUSH RING
51	F74305		1	SEAL, DRIVESHAFT BEARING CAGE
52	F506118		1	SEAL, DRIVESHAFT
53	F2A550706		1	GEAR HOUSING COVER W/ILLUS. 52
54	F8083		7	SPRING LOCKWASHER
55	F1999		3	HEX CAP SCREW, 1/4 - 20 X 7/8 S.S.
56	F338618-1		1	SEAL, GEAR SHIFT ROD
57	F523031		1	GASKET, WATER PUMP
58	F523562		1	WATER PUMP BACK PLATE
59	F523065-1		1	WATER PUMP IMPELLER
60	46-817853A1		1	WATER PUMP BODY W/ILLUS. 62, 64 AND 65 ORIGINAL FORCE P/N A 523060-1
61	F1990		2	HEX CAP SCREW, 1/4 - 20 X 1-5/8 S.S.
62	F480388		1	DISC, WATER PUMP LOCATING
63	F1425		2	HEX CAP SCREW, 1/4 - 20 X 2-5/8 S.S.
64	F351307		1	SEAL, WATER PUMP
65	FA523735		1	SEAL, INLET WATERLINE LOWER W/LITERATURE
66	F523057		1	BEARING, DRIVESHAFT LOWER
67	F9106		A/R	SHIM, DRIVESHAFT BEARING UPPER .003 - BRASS
-	F9095		A/R	SHIM, DRIVESHAFT BEARING UPPER .005 - SILVER
-	F9097		A/R	SHIM, DRIVESHAFT BEARING UPPER .010 - BLACK
68	F523498		1	DRIVE KEY, WATER PUMP
69	45-817967A6		1	DRIVESHAFT W/BEARING ILLUS. 50, 67 AND LITERATURE ORIGINAL FORCE P/N K 616128-1

CONTINUED ON NEXT PAGE ➡

GEAR HOUSING

Order by Part Number and Name, giving Motor Model and Serial Number.



OB10002052

35

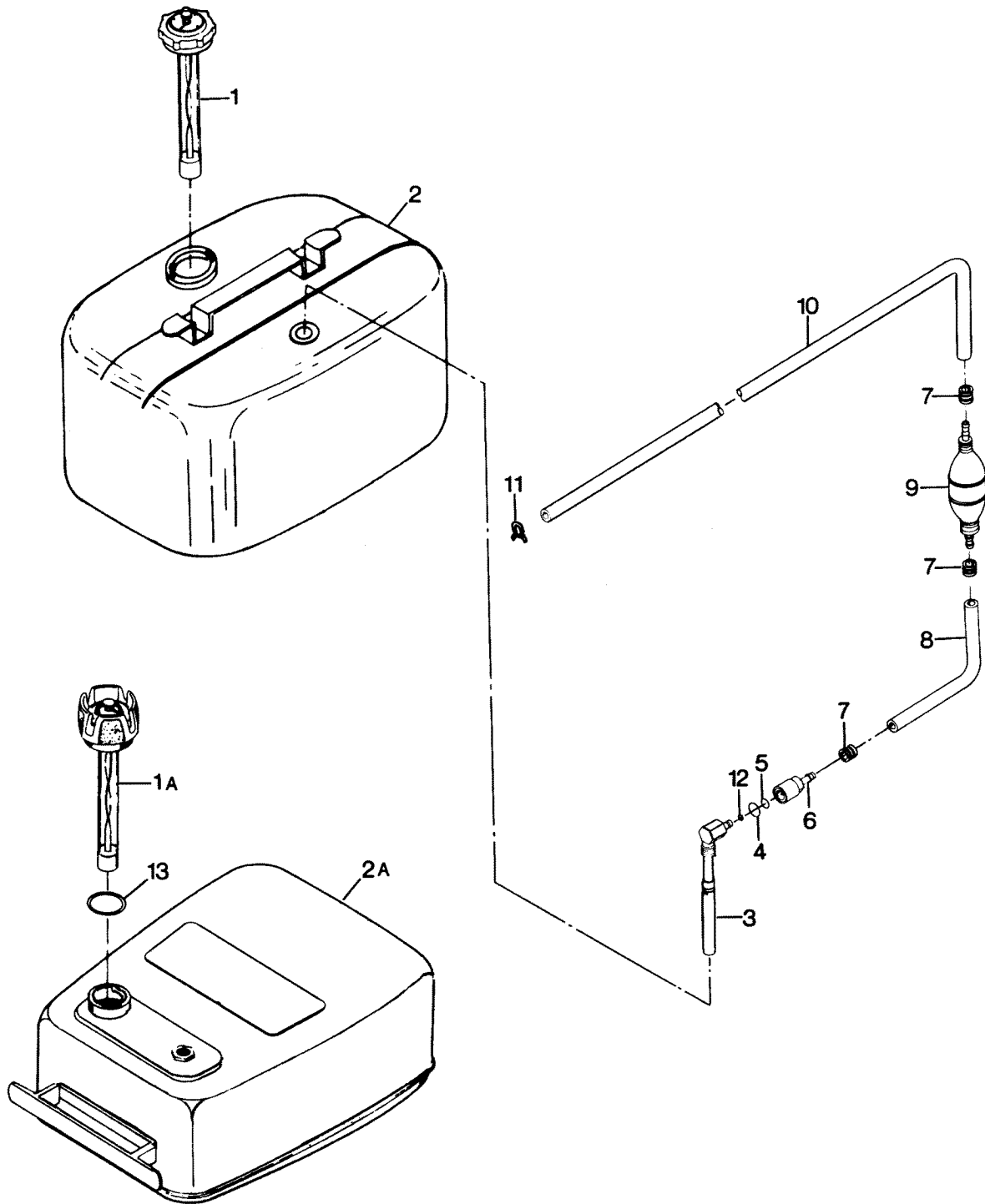
OB 4085

GEAR HOUSING

REF. NO.	PART NO.	SYM.	QTY.	DESCRIPTION
70	F438271		1	RETAINER, CRANKSHAFT SPLINE SEAL
71	F438129		1	SEAL, DRIVESHAFT SPLINE
72	F1856		2	PLAIN WASHER
73	F90619-2		1	YOKE
74	FK1063-2		1	SEAL KIT INCLUDES ITEMS MARKED WITH A *
-	F50342-1		4	BEARING CAGE BOLT SEAL
-	F506118		1	PROPELLER SHAFT SEAL
-	F24278		1	PROPELLER SHAFT SPOOL SEAL
-	F84305		1	PROPELLER SHAFT SPOOL SEAL
-	F498618		1	GEAR SHIFT ARM PIN SEAL
-	F8077		3	WASHER
-	F523555		1	GEAR HOUSING COVER SEAL
-	F74305		1	GEAR HOUSING COVER SEAL
-	F84307-1		1	DRIVE SHAFT SEAL
-	F338618-1		1	GEAR SHIFT ROD SEAL
75	FK1069		1	WATER PUMP KIT INCLUDES ITEMS MARKED WITH A **
-	F1425		2	HEX CAP SCREW, 1/4 - 20 X 5/8 S.S.
-	F1990		2	HEX CAP SCREW, 1/4 - 20 X 1-5/8 S.S.
-	F8083		4	SPRING LOCKWASHER
-	F523031		1	GASKET, WATER PUMP
-	F523065-1		1	IMPELLER
-	F523498		1	KEY
-	F523562		1	PLATE, WATER PUMP
-	46-817853A1		1	WATER PUMP W/ILLUS. 62, 64 AND 65 ORIGINAL FORCE P/N A 523060-1
76	F8083		2	LOCKWASHER

FUEL TANK AND LINE

Order by Part Number and Name, giving Motor Model and Serial Number.



OB10002053

39

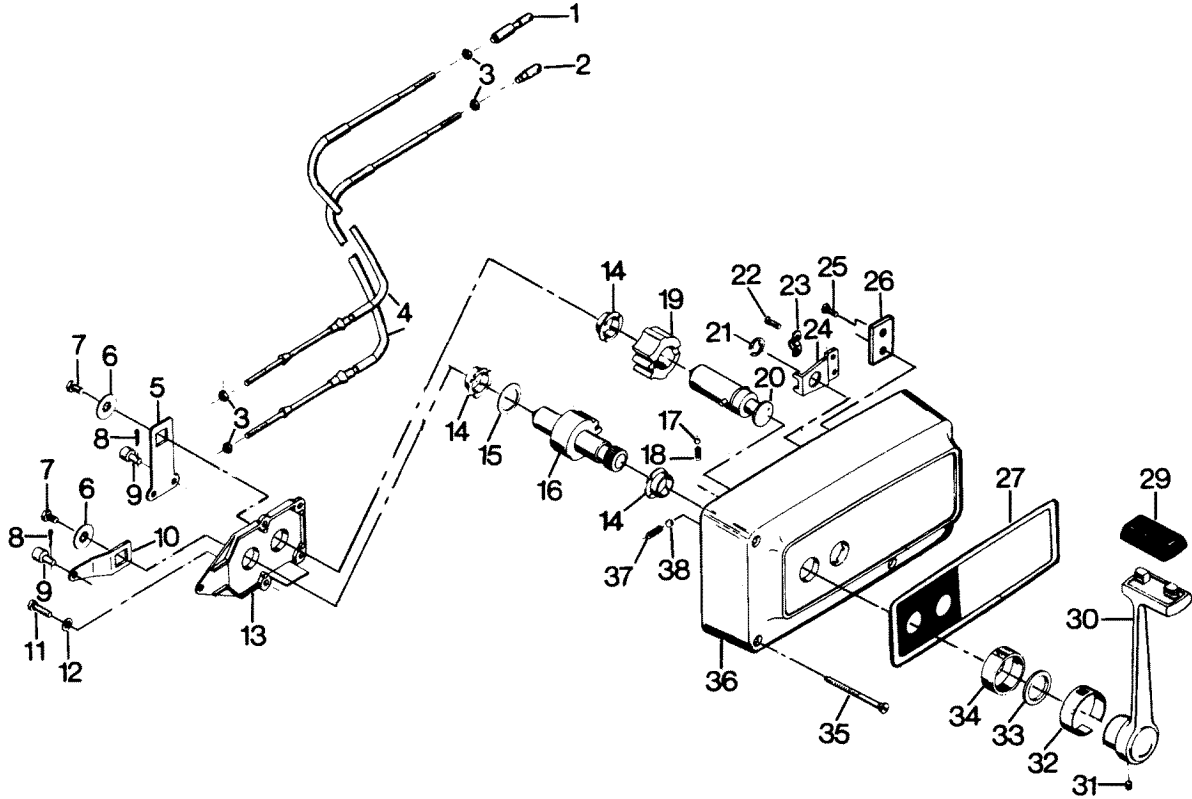
OB 4085

FUEL TANK AND LINE

REF. NO.	PART NO.	SYM.	QTY.	DESCRIPTION
1	F213251		1	GAUGE CAP (BAYLINER MODELS)
1A	F409251-1		1	GAUGE CAP (CANADA) (FORCE MODELS)
2	F5H176		1	FUEL TANK (USA) (BAYLINER MODELS)
2A	F5H026-1		1	FUEL TANK ACC. ITEM (FORCE MODELS)
3	F485755-1		1	FUEL TANK ADAPTER
4	F17816		1	SEAL, FUEL LINE COUPLER (LARGE)
5	F17815		1	SEAL, FUEL LINE COUPLER (SMALL)
6	F197787-3		1	FUEL LINE COUPLER
7	F298788		3	FERRULE
8	FA84754-1		1	FUEL LINE SHORT W/ILLUS. 7
9	89396A38		1	PRIME BULB W/LITERATURE ORIGINAL FORCE P/N S 387766-1
10	32-817738A1		1	FUEL LINE LONG W/ILLUS. 7 AND 11 ORIGINAL FORCE P/N A 197752-1
11	F97772		1	FUEL LINE CLAMP
12	F17817		1	SEAL, FUEL TANK ADAPTER
-	FS409752		1	FUEL LINE COMPLETE. INCLUDES ALL ITEMS MARKED WITH AN ASTERISK (*)
-	F224394-3		1	DECAL, FUEL MIXTURE (USA) (NOT SHOWN)
-	FC311398		1	DECAL, FUEL MIXTURE (CANADA) (NOT SHOWN)
13	F17818		1	GASKET
-	F310398		1	DECAL, FUEL CAUTION (NOT SHOWN)

REMOTE CONTROL

Order by Part Number and Name, giving Motor Model and Serial Number.



OB10002041

41

OB 4085

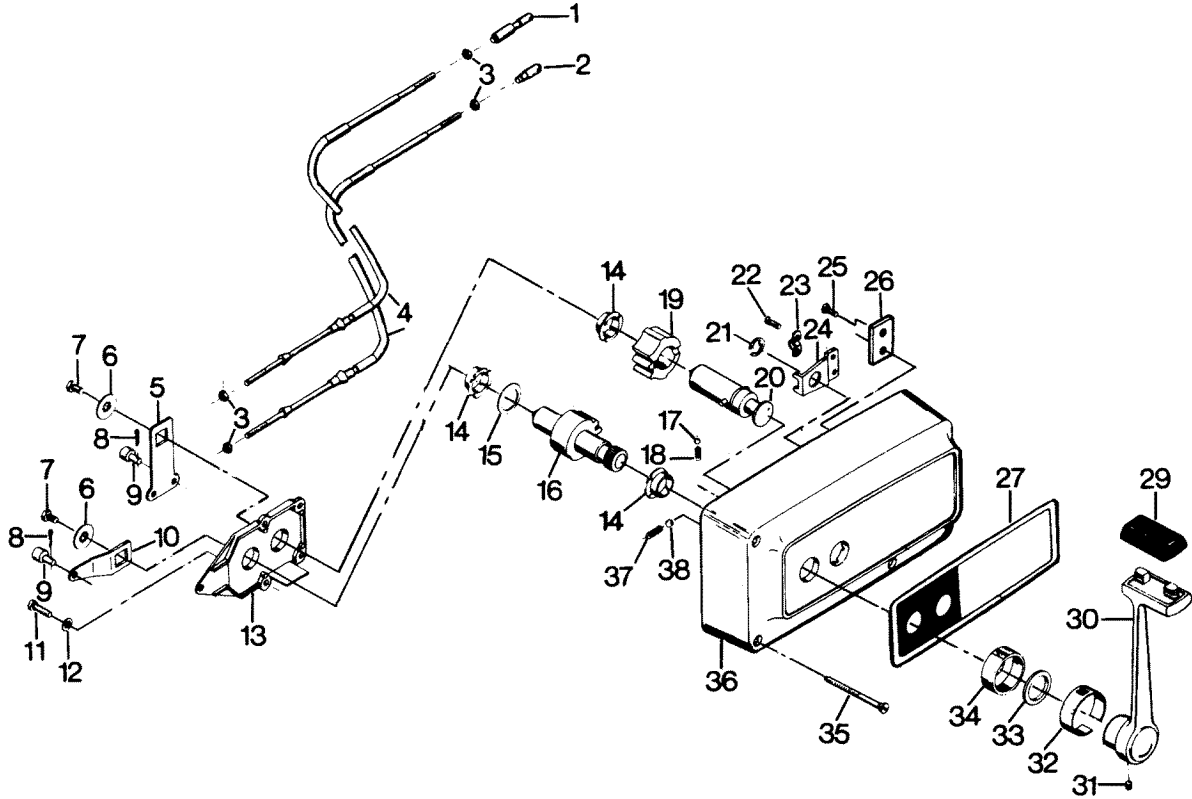
REMOTE CONTROL

REF. NO.	PART NO.	SYM.	QTY.	DESCRIPTION
1	FA58976-1		1	CONNECTOR, THROTTLE CABLE (FORCE MODELS)
-	F654976		1	CONNECTOR, THROTTLE CABLE (BAYLINER MODELS)
2	F58685-1		2	CONNECTOR, SHIFT CABLE (FORCE AND BAYLINER MODELS)
3	F1513		4	HEX NUT
4	F195/___		1	REMOTE CONTROL CABLE (SPECIFY LENGTH -X) ACCESSORY ITEM (2 PER SET)
5	F17019		1	CLUTCH ARM
6	F17036		2	INTERNAL TOOTH LOCKWASHER
7	F17155		2	HEX BOLT, 1/4 - 28 X 1/2
8	F17149		2	COTTER PIN
9	F17016		2	CABLE TERMINAL
10	F17014		1	THROTTLE ARM
11	F17013		2	FILL HD SCREW, 1/4 - 20 X 1/2
12	F8061		2	INTERNAL TOOTH LOCKWASHER
13	F17012		1	RETAINING PLATE
14	F17009		3	BEARING
15	F17011		1	BOWED WASHER
16	F17010-1		1	THROTTLE GEAR
17	F17111		1	DETENT BALL
18	F17006		1	DETENT SPRING
19	F17021		1	CLUTCH GEAR
20	F17100		1	CLUTCH SHAFT
21	F17092		1	SNAP RING
22	F17071		2	FILL HD SCREW, 10 - 24 X 5/16
23	F154317		1	CABLE CLAMP
24	F17026		1	SWIVEL
25	F17141		2	ROUND HD SCREW, 10 - 24 X 3/8
26	F17153		1	RETAINER PLATE
27	F580892-2		1	DECAL
29	F17116		1	KNOB
30	F17115-1		1	HANDLE
31	F455690		1	SET SCREW
32	FK17114-1		1	INDICATOR
33	F17105		1	FELT WASHER
34	F17106		1	COLLAR
35	F17154		3	WOOD SCREW

CONTINUED ON NEXT PAGE ➡

REMOTE CONTROL

Order by Part Number and Name, giving Motor Model and Serial Number.



OB10002041

41

OB 4085

REMOTE CONTROL

REF. NO.	PART NO.	SYM.	QTY.	DESCRIPTION
36	F17099-1		1	HOUSING
37	F17157		1	DETENT SPRING
38	F17082-1		1	DETENT BALL
-	F1280		2	PAN HD SCREW, 8 - 32 X 1/4 (TERMINAL BOARD) (NOT SHOWN)
-	FK17156		1	BAG ASSEMBLY (NOT SHOWN). INCLUDES ALL ITEMS MARKED WITH AN ASTERISK (*)

SPECIAL TOOLS - TUNE-UP

REF. NO.	PART NO.	SYM.	QTY.	DESCRIPTION
-	FTA2937-1		0	TIMING TOOL TO ADJUST TIMING POINTER.
-	FT8978		0	TIMING LIGHT FOR ADJUSTING IGNITION TIMING.
-	FT8948-1		0	PULLER TO REMOVE FLYWHEEL.

SPECIAL TOOLS - POWER HEAD

REF. NO.	PART NO.	SYM.	QTY.	DESCRIPTION
-	FT2998		0	TORQUE WRENCH (0 - 100 LBS./FT.) TO TORQUE FLYWHEEL NUT.
-	FT2999		0	TORQUE WRENCH (0 - 600 LBS./FT.) TO TORQUE ALL FASTENERS.
-	FT2991		0	CARBON BRUSH TO REMOVE CARBON DEPOSITS FROM POWER HEAD.
-	FT8914		0	SEAL REMOVER TO REMOVE UPPER CRANKSHAFT BEARING CAGE SEAL.
-	FT8903		0	SEAL INSTALLER TO INSTALL UPPER CRANKSHAFT BEARING CAGE SEAL.
-	FT8907		0	DRIVER HANDLE USED WITH T 8903.
-	FT8925		0	SEAL INSTALLER TO INSTALL LOWER CRANKSHAFT SEAL.
-	FT2953		0	SOCKET TO TORQUE CONNECTING ROD SCREWS.
-	FT2990		0	PISTON PIN TOOL TO REMOVE AND INSTALL PISTON PINS.
-	FT2996		0	RING COMPRESSOR TO INSTALL PISTONS IN CYLINDER.
-	FT8926		0	RING EXPANDER TO INSTALL PISTON RINGS.
-	FT1082		0	SNAP RING PLIER TO REMOVE AND INSTALL DISTRIBUTOR RETAINING RING.
-	FT8933		0	LIFTING HOOK TO LIFT ENGINE.
-	FT8900		0	HOSE CLAMP PLIERS TO REMOVE FUEL LINE CLAMP.

SPECIAL TOOLS - GEAR HOUSING

REF. NO.	PART NO.	SYM.	QTY.	DESCRIPTION
-	FT8948-1		0	PULLER TO REMOVE PROPELLER SHAFT SPOOL FROM GEAR HOUSING.
-	FT11209		0	BEARING GUIDE SET TO REMOVE/INSTALL FORWARD BEARING CUP.
-	FT8918		0	BEARING GUIDE SET TO BE USED WITH T 11209 BEARING GUIDE SET.
-	FT11207		0	BEARING CUP REMOVER TO REMOVE FORWARD BEARING CUP IN GEAR HOUSING.
-	FT11205		0	BEARING INSTALLER/REMOVER TO REMOVE AND INSTALL LOWER DRIVESHAFT BEARING.
-	FT11204		0	BEARING CUP INSTALLER TO INSTALL FORWARD BEARING CUP IN GEAR HOUSING.
-	FT8930-1		0	FEELER GAUGE SET TO USE IN SHIMMING LOWER UNIT.
-	FT8957		0	SEAL INSTALLER TO INSTALL SHIFT ROD SEAL.
-	FT8985		0	SEAL INSTALLER TO INSTALL PROPELLER SHAFT SEAL IN SPOOL.
-	FT8925		0	SEAL INSTALLER TO INSTALL DRIVESHAFT SEAL IN GEAR HOUSING COVER.
-	FT3012		0	SEAL INSTALLER TO INSTALL DRIVESHAFT SEAL IN WATER PUMP.
-	FT8997		0	SHIM TOOL TO SHIM LOWER UNIT.
-	FT8901		0	INDICATOR HOLDER USED IN CONJUNCTION WITH T 8997.
-	FT8902		0	DIAL INDICATOR USED IN CONJUNCTION WITH T 8997.
-	FT8907		0	DRIVER HANDLE USED WITH T 11204, T 11205, T 11209.
-	FT8919		0	SPRING PIN PUNCH TO REMOVE CLUTCH SPRING PIN.
-	FT7848		0	TORQUE ADAPTER TO HOLD DRIVESHAFT SPLINE WHILE TORQUING.

SPECIAL TOOLS - TEST EQUIPMENT

REF. NO.	PART NO.	SYM.	QTY.	DESCRIPTION
-	FT2951		0	CIRCUIT TRACER TO TROUBLESHOOT ELECTRICAL SYSTEM.
-	FTK8999		0	TEST WHEEL TO TEST MOTOR IN TEST TANK. ORIGINAL FORCE P/N TA 8999
-	FT8950		0	LEAKAGE TESTER TO TEST LOWER UNIT SEALS FOR LEAKAGE.
-	FT11260		0	SPARK TESTER TO TEST OUTPUT OF IGNITION SYSTEM.
-	FT2938-1		0	CONTINUITY TESTER TO TEST CIRCUITS FOR CONTINUITY.
-	FT11259		0	MULTIMETER TO TEST ELECTRICAL COMPONENTS.

SPECIAL TOOLS - LUBRICANTS AND SEALANTS

REF. NO.	PART NO.	SYM.	QTY.	DESCRIPTION
-	FT2961		0	LUBRICANT - RYKON GREASE #2EP
-	FT2987-1		0	LUBRICANT - ANTI-SEIZE
-	FT8969		0	LUBRICANT - 7 OZ. LPS-1 LUBRICANT
-	FT8955		0	SEALANT - 5 OZ. EC-750 INDUSTRIAL SEALANT
-	FT8983		0	SEALANT - 3 OZ. RTV SEALANT FROM IN PLACE GASKETS
-	FT8936-1		0	SEALANT - 2 CC LOCTITE RETAINING COMPOUND #75
-	FT2962-2		0	SEALANT - 50 CC LOCTITE H, NON-HARDENING GRADE
-	FT2963-2		0	SEALANT - 2 OZ. LOCTITE 271
-	FT8935		0	SEALANT PRIMER LOC QUIC T

ACCESSORIES

REF. NO.	PART NO.	SYM.	QTY.	DESCRIPTION
-	F5H173		0	FLUSHING ADAPTER PERMITS FRESH WATER FLUSHING OF WATER PASSAGES WITH STANDARD GARDEN HOSE.
-	F5H130-1		0	REMOTE CONTROL - SURFACE MOUNT PERMITS REMOTE CONTROL OF THROTTLE AND GEAR SHIFT FROM STARBOARD SIDE OF BOAT.
-	F5H120		0	REMOTE CONTROL BACK PLATE TO PREVENT INTERFERENCE WITH PADDED SIDE OF BOAT.
-	F590		0	REMOTE CONTROL - FLUSH MOUNT FLUSH MOUNT CONTROL UNIT PERMITS REMOTE CONTROL OF THROTTLE AND GEAR SHIFT. MAY BE MOUNTED ON PORT OR STARBOARD SIDE OF BOAT.
-	F5H079		0	SINGLE REMOTE CONTROL BOX PERMITS REMOTE CONTROL OF THROTTLE AND GEAR SHIFT. CONSOLE MOUNTED.
-	F5H080		0	TWIN REMOTE CONTROL BOX PERMITS REMOTE CONTROL OF THROTTLE AND GEAR SHIFT - TWO ENGINES. CONSOLE MOUNTED.
-	F195/___		0	REMOTE CONTROL CABLES CONNECTS REMOTE CONTROL BOX TO THROTTLE AND GEAR SHIFT ON ENGINE. AVAILABLE IN 6 THROUGH 26 FOOT LENGTHS.
-	F5H132		0	REMOTE CONTROL HANDLE TRIM SWITCH HAS POWER TRIM CONTROL SWITCH IN HANDLE. REPLACES STANDARD CONTROL LEVER ON 5H130-1 CONTROL BOX.
-	F5H108		0	STEERING CONNECTOR CLEVIS TYPE FOR BOAT MOUNTED STEERING AND NON-THREADED CABLE END.
-	F5H094		0	STEERING LINK KIT CONNECTS STEERING CABLE TO ENGINE WHEN USING ENGINE MOUNTED STEERING SYSTEM.
-	F5H018		0	DUAL STEERING CONNECTOR PERMITS DUAL ENGINE INSTALLATIONS.
-	F5H019		0	ANTI-CORROSION KIT ELECTRICAL KIT FOR MOUNTING ON BOAT (12V) TO REDUCE CORROSION.
-	F5H025		0	ANTI-CORROSION SACRIFICIAL ANODE KIT USED TO REDUCE CORROSION.
-	F5H043		0	OVERHEAT BUZZER SOUNDS WARNING BUZZER IF ENGINE OVERHEATS.
-	F5H161		0	POWER TRIM INDICATOR INDICATES ENGINE TRIM ANGLE.
-	F5H044		0	TILT STOP KIT LIMITS TILTING ANGLE.
-	F5H068		0	RFI SUPPRESSION KIT PROVIDES RADIO NOISE SUPPRESSION.
-	F5H151		0	SHOCK ABSORBER KIT TO PROVIDE SHOCK PROTECTION WHEN HITTING UNDERWATER OBJECT.
-	F5H081		0	BATTERY CABLE LONGER LENGTH - 15 FEET.
-	F5H157		0	VOLTMETER - FLUSH MOUNT INDICATES BATTERY CONDITION.
-	F5H021		0	EXTENSION CABLE FOR LENGTHENING BATTERY CABLE 6-1/2 FEET.
-	F5H041		0	BATTERY TERMINAL KIT FOR POSITIVE AND NEGATIVE BATTERY POSTS.
-	F5H037		0	CIGAR LIGHTER FOR USE AS CONVENIENCE OUTLET.

CONTINUED ON NEXT PAGE ➡

ACCESSORIES

REF. NO.	PART NO.	SYM.	QTY.	DESCRIPTION
-	5H158		0	FUEL GAUGE FLUSH MOUNT MONITORS FUEL SUPPLY.
-	5H145		0	HYDRAULIC TILT HYDRAULIC UNIT TO RAISE AND LOWER THE LOWER UNIT WHEN BEACHING OR TRAILERING BOAT.
-	F5H159		0	HOURMETER RECORDS ENGINE RUNNING TIME.
-	F5H077		0	IGNITION KEY SWITCH SHORT BARREL WITH KEYS.
-	F5H078		0	IGNITION KEY SWITCH LONG BARREL WITH KEYS.
-	F762		0	REMOTE ELECTRIC CABLE 25 FOOT CABLE FOR LARGE BOATS.
-	F5H070		0	REMOTE ELECTRIC CABLE 21 FOOT CABLE FOR LARGE BOATS.
-	F5H028		0	SENDING UNIT FOR USE WITH 5H158 FUEL GAUGE.
-	F5H156		0	TEMPERATURE GAUGE FLUSH MOUNT MONITORS ENGINE TEMPERATURE. DO NOT USE TEMPERATURE GAUGE AND HEAT LAMP IN SAME INSTALLATION.
-	F5H167		0	TACHOMETER FLUSH MOUNT MONITORS ENGINE R.P.M. TO PROVIDE CHECK OF ENGINE PERFORMANCE.
-	F5H149		0	POWER TRIM ADJUSTS ENGINE TRIM AND TILTS ENGINE.
-	F5H155		0	SPEEDOMETER FLUSH MOUNT MONITORS BOAT SPEED (10 - 65 M.P.H.).
-	F5H154		0	SPEEDOMETER FLUSH MOUNT MONITORS BOAT SPEED (10 - 65 M.P.H.).
-	F5H115		0	TRAILERING TILT LOCK SECURES ENGINE IN HALF TILT POSITION FOR TRAILERING (WITHOUT TRIM AND TILT).
-	F5H179		0	TRAILERING TILT LOCK SECURES ENGINE IN HALF TILT POSITION FOR TRAILERING (WITHOUT TRIM AND TILT).
-	F5H076		0	SWITCH EXTENSION CABLE - 5 FT. ALLOWS INSTALLATION OF IGNITION SWITCH IN 5H130-1 CONTROL BOX WITH 563 TERMINAL BLOCK.
-	F5H030		0	SWITCH KIT - RUNNING LIGHTS DASH MOUNTED TOGGLE SWITCH.
-	F5H031		0	SWITCH KIT - SPOT LIGHT DASH MOUNTED TOGGLE SWITCH.
-	F5H032		0	SWITCH KIT - WIPER DASH MOUNTED TOGGLE SWITCH.
-	F5H034		0	SWITCH KIT - BILGE PUMP DASH MOUNTED TOGGLE SWITCH.
-	F5H035		0	SWITCH KIT - HORN DASH MOUNTED TOGGLE SWITCH (MOMENTARY).
-	F5H036		0	SWITCH KIT - TACHOMETER TRANSFER DASH MOUNTED TOGGLE SWITCH FOR ONE TACHOMETER ON DUAL ENGINE INSTALLATION.
-	F5H038		0	SWITCH KIT - IGNITION SWITCH TO MOUNT IGNITION SWITCH ON DASH.
-	F5H039		0	SWITCH KIT - INSTRUMENT LIGHT DASH MOUNTED TOGGLE SWITCH.
-	F563		0	TERMINAL BLOCK KIT DOUBLE ROW 10 SECTION TO SIMPLIFY ACCESSORY INSTALLATION.
-	F5H075		0	WIRING HARNESS - IGNITION SWITCH (24") USE WITH 563 TERMINAL BLOCK.
-	F596-		0	US MARINE OUTBOARD OIL SEE NOTE 1

CONTINUED ON NEXT PAGE ➡

ACCESSORIES

REF. NO.	PART NO.	SYM.	QTY.	DESCRIPTION
-	597-1		0	US MARINE OUTBOARD GEAR LUBE SEE NOTE 2
-	F5H059		0	US MARINE OUTBOARD MULTI-PURPOSE GREASE LUBRICATES BEARINGS AND OTHER MOVING PARTS. AVAILABLE IN 8 OZ. TUBE AND 12 TUBE CASES.
-	F5H060		0	US MARINE OUTBOARD GREASE GUN USED WITH US MARINE OUTBOARD MULTI-PURPOSE GREASE TUBES FOR PRESSURE FITTINGS.
-	F5H181		0	FORCE WHITE ENAMEL ENGINE TOUCH-UP PAINT IN 13 OZ. AVERAGE SPRAY BOMBS (6 CANS PER CASE).
-	F5H182		0	FORCE WHITE ENAMEL

PARTS INDEX

Part Number	Description	Pg.	Ref. No.	Part Number	Description	Pg.	Ref. No.
5H145	HYDRAULIC TILT	58	-	F10205	BOWL RETAINER SCREW	25	16
5H158	FUEL GAUGE FLUSH MOUNT	58	-	F10206	BOWL RETAINER GASKET	25	14
817747--1	BALL JOINT W/STUD	21	28	F10208	PIN, FLOAT ASSEMBLY	25	8
817747--1	BALL JOINT W/STUD	27	18	F10212	MAIN FUEL JET (.074)	25	25
817782--1	KEY IGNITION - NO LETTER OR STAMPED A	7	19	F10213	JET SIZE (.072) 2500 - 5000 FT.	25	-
817782--1	KEY IGNITION - NO LETTER OR STAMPED A	11	19	F10214	JET SIZE (.070) 5000 - 7500 FT.	25	-
817782--1	KEY IGNITION - NO LETTER OR STAMPED A	15	19	F10215	JET SIZE (.068) 7500 - 10,000 FT.	25	-
817783A5	SWIVEL BRACKET	37	52	F10218	SHAFT RING RETAINER	25	1
817787A1	CYLINDER DRAIN COVER	27	42	F10219	CHOKE SHAFT ASSEMBLY	25	5
817788A3	SPACER PLATE	29	67	F1059	FILL HD SCREWS, S.S., 6 - 32 X 1/4	23	58
817883--1	KEY IGNITION - STAMPED B	7	-	F1064	FILL HD SCREWS, S.S., 8 - 32 X 3/8	23	74
817883--1	KEY IGNITION - STAMPED B	11	-	F1072	FILL HD SCREW, 1/4 - 20 X 1-3/4	23	68
817883--1	KEY IGNITION - STAMPED B	15	-	F1108	FILL HD SCREW W/LOCKWASHER, 1/4 - 20 X 3/4	21	11
817891--1	KEY IGNITION - STAMPED C	11	-	F1110	FILL HD SCREW, 1/4 - 20 X 5/8	31	77
817891--1	KEY IGNITION - STAMPED C	15	-	F1112	FILL HD SCREW, 1/4 - 20 X 7/8	41	20
817928--1	KEY IGNITION - STAMPED D	7	-	F1199	HEX CAP SCREW, 1/4 - 20 X 1	27	15
817928--1	KEY IGNITION - STAMPED D	11	-	F1236	HEX HD SCREW, 1/4 - 20 X 1/2	21	42
817928--1	KEY IGNITION - STAMPED D	15	-	F1263	HEX SOCKET HD CAP SCREW, 5/16 - 18 X 9/16	35	13
817929--1	KEY IGNITION - STAMPED E	7	-	F1280	PAN HD SCREW, 8 - 32 X 1/4	37	83
817929--1	KEY IGNITION - STAMPED E	11	-	F1280	PAN HD SCREW, 8 - 32 X 1/4 (TERMINAL BOARD) (NOT SHOWN)	51	-
817929--1	KEY IGNITION - STAMPED E	15	-	F1280	SLOTTED PAN HD SCREW, 8 - 32 X 1/4	7	15
817946A2	HANDLE AND SHAFT	37	61	F1280	SLOTTED PAN HD SCREW, 8 - 32 X 1/4	11	15
817959A3	INTAKE MANIFOLD	21	25	F1280	SLOTTED PAN HD. SCREW, 8 - 32 X 1/4	15	15
817968A2	TOWERSHAFT	27	19	F1286	PAN HD SCREW, 4 - 40 X 3/16	27	40
89396A38	PRIME BULB	47	9	F1303	PAN HD SCREW, 8 - 32 X 3/4	9	70
F10067	BOWL RETAINER GASKET	25	12	F1303	PAN HD SCREW, 8 - 32 X 3/4	13	70
F1009	HEX BOLT, 3/8 - 16 X 2-3/4	27	3	F1303	PAN HD SCREW, 8 - 32 X 3/4	17	70
F10127	FUEL BOWL	25	2	F1341	HEX NUT, 1/4 - 20	27	22
F10135	FLOAT ASSEMBLY	25	7	F1341	NUT	19	19
F10137	NOZZLE	25	9	F1341	NUT, 1/4 - 20	9	53
F10138	BOWL RING GASKET	25	13	F1341	NUT, 1/4 - 20	13	53
F1014	COTTER PIN	23	54	F1341	NUT, 1/4 - 20	17	53
F1014	COTTER PIN	37	58	F1346	HEX NUT, 3/8 - 16	27	6
F10141	IDLE NEEDLE SPRING	25	18	F1346	HEX NUT, 3/8 - 16	35	24
F10142	FLOAT SUPPORT SPRING	25	19	F1425	HEX CAP SCREW, 1/4 - 20 X 2-5/8 S.S.	43	63
F10143	CHOKE VALVE SPRING	25	20	F1425	HEX CAP SCREW, 1/4 - 20 X 5/8 S.S.	45	-
F1015	COTTER PIN	43	47	F1473	HEX NUT, 10 - 24	3	29
F10152	CUP PLUG	25	10	F1491	HEX CAP SCREW, 5/16 - 18 X 3-1/4	43	41
F10153	WELCH PLUG	25	11				
F10155	CHOKE AND THROTTLE SCREW	25	17				
F10156	ELBOW	21	4				
F10156	FUEL FITTING (ELBOW) FOR 631061	25	26				
F10161	CHOKE VALVE	25	6				
F10163	JET (.060)	25	24				
F10164	FUEL FITTING	23	45				
F10164	FUEL FITTING (TEE) FOR 632061 (NOT SHOWN)	25	-				
F10168	THROTTLE SHAFT ASSEMBLY	25	3				
F10169	THROTTLE VALVE	25	4				
F10172	THROTTLE RETURN SPRING	25	21				
F10204	NOZZLE SPRING	25	22				

PARTS INDEX

Part Number	Description	Pg.	Ref. No.	Part Number	Description	Pg.	Ref. No.
F1504	FILL HD SCREW, 1/4 - 20 X 1-1/4	23	66	F1669	LOCK NUT	35	35
F1504	FILL HD SCREW, 1/4 - 20 X 1-1/4	27	13	F1693	TIE BAR RETAINER	23	73
F1504	FILL HD SCREW, 1/4 - 20 X 1-1/4	27	21	F1696	HEX BOLT, 5/16 - 18 X 1-3/4	35	16
F1513	HEX NUT	49	3	F1699	HEX HD SCREW, 1/4 - 20 X 1-1/8	21	27
F1513	HEX NUT 10 - 32	29	49	F1699	HEX HD SCREW, 1/4 - 20 X 1-1/8	31	87
F1513	HEX NUT, 10 - 32	7	26	F17006	DETENT SPRING	49	18
F1513	HEX NUT, 10 - 32	11	26	F17009	BEARING	49	14
F1513	HEX NUT, 10 - 32	15	26	F17010-1	THROTTLE GEAR	49	16
F1513	HEX NUT, 10 - 32	21	33	F17011	BOWED WASHER	49	15
F1515	HEX NUT, 5/16 - 18	7	29	F17012	RETAINING PLATE	49	13
F1515	HEX NUT, 5/16 - 18	11	29	F17013	FILL HD SCREW, 1/4 - 20 X 1/2	49	11
F1515	HEX NUT, 5/16 - 18	15	29	F17014	THROTTLE ARM	49	10
F1515	HEX NUT, 5/16 - 18	23	51	F17016	CABLE TERMINAL	49	9
F1515	HEX NUT, S.S., 5/16 - 18	7	25	F17019	CLUTCH ARM	49	5
F1515	HEX NUT, S.S., 5/16 - 18	11	25	F17021	CLUTCH GEAR	49	19
F1515	HEX NUT, S.S., 5/16 - 18	15	25	F17026	SWIVEL	49	24
F15152	LOCKWASHER	19	18	F1703	SPRING LOCKWASHER	29	65
F15158	SCREW, BRUSH HOLDER	19	15	F1703	SPRING LOCKWASHER	37	69
F15160	INSULATOR WASHER	19	16	F17036	INTERNAL TOOTH LOCKWASHER	49	6
F15161	PLAIN WASHER	19	17	F1704	INTERNAL TOOTH LOCKWASHER	7	4
F15162	NUT	19	20	F1704	INTERNAL TOOTH LOCKWASHER	11	4
F15164	BRUSH KIT	19	7	F1704	INTERNAL TOOTH LOCKWASHER	15	4
F15174	DRIVE KIT	19	1	F1705	HEX CAP SCREW, 1/4 - 20 X 3/4 S.S.	41	1
F15175	DRIVE ASSEMBLY PINION	19	2	F1705	HEX WASHER HD M SCREW, 1/4 - 20 X 3/4	9	68
F15176	CAP STARTER DRIVE	19	3	F1705	HEX WASHER HD M SCREW, 1/4 - 20 X 3/4	17	68
F15177	ARMATURE	19	4	F1705	HEX WASHER HD. M SCREW, 1/4 - 20 X 3/4	13	68
F15178	THRU BOLT PACKAGE	19	5	F17071	FILL HD SCREW, 10 - 24 X 5/16	49	22
F15179	COMMUTATOR	19	6	F1708	HEX HD CAP SCREW, 1/4 - 20 X 1-3/8	3	13
F1532	HEX HD SCREW, 1/4 - 20 X 1	23	47	F1708	HEX HD SCREW, 1/4 - 20 X 1-3/8	31	99
F1532	HEX HD SCREW, 1/4 - 20 X 1	29	43	F17082-1	DETENT BALL	51	38
F154317	CABLE CLAMP	49	23	F17092	SNAP RING	49	21
F1550	SLOTTED PAN HD SCREW #12 - 24 X 1	9	60	F17099-1	HOUSING	51	36
F1550	SLOTTED PAN HD SCREW #12 - 24 X 1	13	60	F17100	CLUTCH SHAFT	49	20
F1550	SLOTTED PAN HD SCREW #12 - 24 X 1	17	60	F17105	FELT WASHER	49	33
F1556	FILL HD SCREW W/LOCKWASHER, 10 - 24 X 3/8	27	23	F17106	COLLAR	49	34
F1593	HEX HD SCREW, 3/8 - 16 X 3	35	22	F17111	DETENT BALL	49	17
F1641	LOCK NUT	19	8	F17115-1	HANDLE	49	30
F1645	HD SCREW, 6 - 32 X 1/4	15	5	F17116	KNOB	49	29
F1645	RD HD SCREW, 6 - 32 X 1/4	7	5	F1713	SPRING PIN	41	26
F1645	RD HD SCREW, 6 - 32 X 1/4	11	5	F17141	ROUND HD SCREW, 10 - 24 X 3/8	49	25
F1647	HEX NUT, 10 - 32	31	76	F17149	COTTER PIN	49	8
F1647	HEX NUT, 8 - 32	7	8	F17153	RETAINER PLATE	49	26
F1647	HEX NUT, 8 - 32	11	8	F17154	WOOD SCREW	49	35
F1647	HEX NUT, 8 - 32	15	8	F17155	HEX BOLT, 1/4 - 28 X 1/2	49	7
F1648	PAN HD SCREW, 10 - 24 X 3/4	7	20	F17157	DETENT SPRING	51	37
F1648	PAN HD SCREW, 10 - 24 X 3/4	11	20				
F1648	PAN HD SCREW, 10 - 24 X 3/4	15	20				
F1664	SPRING PIN	35	11				
F1666	BOWED SPRING WASHER	35	18				

PARTS INDEX

Part Number	Description	Pg.	Ref. No.	Part Number	Description	Pg.	Ref. No.
F1727	PLASTIC RIVET	27	25	F1857	HEX CAP SCREW, 5/16 - 18 X 5/8	3	32
F1729	PLUG	35	9	F1858	HEX CAP SCREW, 5/16 - 18 X 1	3	18
F1730	PAN HD SCREW, W/SPRING LOCKWASHER, 1/4 - 20 X 5/8	3	5	F1858	HEX CAP SCREW, 5/16 - 18 X 1	43	39
F1733	PAN HD SCREW, 10 - 24 X 9/16	3	2	F1860	SLOTTED BINDING HD SCREW, 6 - 32 X 1/4	21	7
F1734	FILL HD SCREW, 1/4 - 20 X 1/2	11	12	F1864	HEX CAP SCREW, 1/4 - 20 X 3/4	3	9
F1734	FILL HD SCREW, 1/4 - 20 X 1/2	15	12	F1864	HEX HD SCREW, 1/4 - 20 X 3/4	27	8
F1734	FILL HD. SCREW, 1/4 - 20 X 1/2	7	12	F1864	HEX HD SCREW, 1/4 - 20 X 3/4	29	52
F1741	PAN HD SCREW 8 X 3/4	13	49	F1864	HEX SLOT HD SCREW, 1/4 - 20 X 3/4	35	3
F1741	PAN HD SCREW, 8 X 3/4	9	49	F1866	PLAIN WASHER	41	16
F1741	PAN HD SCREW, 8 X 3/4	17	49	F1869	HEX BOLT, 3/8 - 16 X 1-1/4	29	64
F1744	SPRING PIN	35	40	F1871	HEX HD SCREW, 3/8 - 16 X 3/4	37	70
F1744	SPRING PIN	37	47	F1872	HEX BOLT, 3/8 - 16 X 1-3/4	27	14
F1755	RD HD SCREW W/LOCKWASHER, 6 - 32 X 5/16	21	17	F1873	HEX BOLT, 3/8 - 16 X 3	27	5
F1760	PAN HD SCREW, 10 - 24 X 3/8	23	63	F1877	TY-RAP (NOT SHOWN)	9	64
F1760	SLOTTED PAN HD SCREW, 10 - 24 X 3/8	9	40	F1877	TY-RAP (NOT SHOWN)	13	64
F1760	SLOTTED PAN HD SCREW, 10 - 24 X 3/8	13	40	F1877	TY-RAP (NOT SHOWN)	17	64
F1760	SLOTTED PAN HD SCREW, 10 - 24 X 3/8	17	40	F1883	HEX BOLT, 5/16 - 18 X 2-3/8	31	72
F177330	FUEL PUMP VALVE	21	8	F1885	HEX BOLT, 5/16 - 18 X 4-1/4	29	56
F177350	REVERSE LOCK PIN	35	41	F1885	HEX CAP SCREW, 5/16 - 18 X 4-1/4 S.S.	41	6
F178145-4	MOTOR LEG COVER, REAR	35	10	F1904	PLAIN WASHER	35	23
F17815	SEAL, FUEL LINE COUPLER (SMALL)	47	5	F1907	PLAIN WASHER S.S.	41	7
F17816	SEAL, FUEL LINE COUPLER (LARGE)	47	4	F19109	PLUG	31	83
F17817	SEAL, FUEL TANK ADAPTER	47	12	F1912	HEX HD SCREW, 10 - 24 X 1/2	37	72
F17818	GASKET	47	13	F1922	HEX CAP SCREW, 1/4 - 20 X 5/8	19	10
F178323	SEAL, MOTOR LEG	35	15	F1922	HEX CAP SCREW, 1/4 - 20 X 5/8	21	3
F1788	STOP NUT	41	15	F1922	HEX HD SCREW, 1/4 - 20 X 5/8	29	46
F1804	STOP NUT	27	16	F1922	HEX SLOT HD SCREW, 1/4 - 20 X 5/8	3	14
F18160-3	REED	27	37	F1934	FLAT HD SCREW, 6 X 1/2	7	21
F1822	HEX BOLT, 5/16 - 18 X 7/8	37	64	F1934	FLAT HD SCREW, 6 X 1/2	11	21
F1829	FILL HD SCREW, 10 - 24 X 7/8	27	20	F1934	FLAT HD SCREW, 6 X 1/2	15	21
F1832	NUT, LOCK 1/4 - 20	9	57	F1936	SPACER, BEVEL GEAR FRONT .059	41	28
F1832	NUT, LOCK 1/4 - 20	13	57	F1937	SPACER, BEVEL GEAR FRONT .062	41	-
F1832	NUT, LOCK 1/4 - 20	17	57	F1938	SPACER, BEVEL GEAR FRONT .065	41	-
F1832	STOP NUT, 1/4 - 20	29	61	F1939	SPACER, BEVEL GEAR FRONT .068	41	-
F1836	SPRING PIN	37	57	F1940	SPACER, BEVEL GEAR FRONT .071	41	-
F184033-1	CHOKE ARM SWIVEL	23	57	F1941	SPACER, BEVEL GEAR FRONT .074	41	-
F184122-1	CRANKCASE SEAL	29	-	F1942	SPACER, BEVEL GEAR FRONT .077	41	-
F184122-1	PARTING LINE SEAL	27	11				
F184579	SEAL, CHOKE ARM SWIVEL	23	56				
F1854	HEX CAP SCREW 1/4 - 20 X 5/8	3	24				
F1854	HEX HD CAP SCREW, 1/4 - 20 X 5/8	19	12				
F1856	PLAIN WASHER	45	72				

PARTS INDEX

Part Number	Description	Pg.	Ref. No.	Part Number	Description	Pg.	Ref. No.
F195/___	REMOTE CONTROL CABLES	57	-	F2088	FASTENER	3	27
F1950	HEX HD SCREW, 10 - 24 X 5/8	31	92	F2089	SLOTTED PAN HD MACHINE SCREW, 10 - 24 X 5/16	29	58
F1968	HEX NUT 3/4 - 16	9	62	F2090	PLUG	29	68
F1968	HEX NUT, 3/4 - 16	13	62	F2093	STOP NUT 3/8 - 24	37	79
F1968	HEX NUT, 3/4 X 16	17	62	F2106	LOCKWASHER	9	55
F1975	LOCKWASHER	7	18	F2106	LOCKWASHER	13	55
F1975	LOCKWASHER	11	18	F2106	LOCKWASHER	17	55
F1975	LOCKWASHER	15	18	F2108	LOCK NUT, 5/16 - 18	37	75
F197787-3	FUEL LINE COUPLER	47	6	F2108	STOP NUT, 5/16 - 18	29	59
F197813	BEARING	37	60	F2113	SPACER, BEVEL GEAR FRONT .080	41	-
F1987	PLAIN WASHER	31	71	F2114	SPACER, BEVEL GEAR FRONT .083	41	-
F1987	PLAIN WASHER	37	76	F2115	SPACER, BEVEL GEAR FRONT .086	41	-
F1990	HEX CAP SCREW, 1/4 - 20 X 1-5/8 S.S.	43	61	F2116	SPACER, BEVEL GEAR FRONT .089	41	-
F1990	HEX CAP SCREW, 1/4 - 20 X 1-5/8 S.S.	45	-	F2121	SPACER, BEVEL GEAR FRONT .057	41	-
F1994	HEX SOCKET HD CAP SCREW, 5/16 - 18 X 1	43	37	F2122	SPACER, BEVEL GEAR FRONT .054	41	-
F1999	HEX CAP SCREW, 1/4 - 20 X 7/8 S.S.	43	55	F213251	GAUGE CAP (BAYLINER MODELS)	47	1
F2000	HEX CAP SCREW, 5/16 - 18 X 3/4	31	100	F213274	GREASE FITTING	37	53
F2008	HEX BOLT, 1/4 - 20 X 7/8	31	88	F215962	MOUNT (SHOCK - C.D. UNIT)	7	32
F2008	HEX CAP SCREW, 1/4 - 20 X 7/8	31	98	F215962	MOUNT (SHOCK - C.D. UNIT)	11	32
F2008	HEX HD M. SC., 1/4 - 20 X 7/8	17	44	F215962	MOUNT (SHOCK - C.D. UNIT)	15	32
F2008	HEX HD SCREW, 1/4 - 20 X 7/8	21	26	F224394-3	DECAL, FUEL MIXTURE (USA) (NOT SHOWN)	47	-
F2008	HEX HD. M. S.C., 1/4 - 20 X 7/8	13	44	F24278	PROPELLER SHAFT SPOOL SEAL	45	-
F2008	HEX HD. M. SC., 1/4 - 20 X 7/8	9	44	F24278	SEAL, O-RING PROPELLER SHAFT SPOOL	41	10
F2008	SLOTTED PAN HD SCREW 1/4 - 20 X 7/8	13	47	F269319	BEARING	21	31
F2008	SLOTTED PAN HD SCREW, 1/4 - 20 X 7/8	9	47	F284659-2	CRANKSHAFT THRUST BEARING, UPPER	33	21
F2008	SLOTTED PAN HD SCREW, 1/4 - 20 X 7/8	17	47	F286461	SPRING LOCK BAR HANDLE	37	45
F2014	PLAIN WASHER	37	78	F286818	BEARING, LATCH SHAFT	3	7
F2015	HEX NUT, 1/4 - 28	27	30	F289446-1	CLAMP, REMOTE ELEC. CABLE TO BRACKET	7	11
F2016	SLOTTED FILL HD SCREW, 6 - 32 X 7/8	7	1	F289446-1	CLAMP, REMOTE ELEC. CABLE TO BRACKET	11	11
F2016	SLOTTED FILL HD SCREW, 6 - 32 X 7/8	11	1	F289446-1	CLAMP, REMOTE ELEC. CABLE TO BRACKET	15	11
F2016	SLOTTED FILL HD SCREW, 6 - 32 X 7/8	15	1	F298788	FERRULE	47	7
F2030	HEX HD SCREW, 1/4 - 20 X 1-1/4	37	68	F2A404757	CYLINDER DRAIN REED PLATE	27	36
F2033	GROOVE PIN	21	39	F2A498662	BEVEL GEAR REAR W/BEARING CAGE, SPACER AND BEARING	41	22
F2042	PLAIN WASHER	27	31	F2A523239	SPOOL, PROPELLER SHAFT BEARING W/SEAL	41	11
F2047	WAVE SPRING WASHER	3	21	F2A550706	GEAR HOUSING COVER	43	53
F2050	HEX HD SCREW, 1/4 - 20 X 1-1/2	21	36	F2A615144	CRANKSHAFT BEARING CAGE	33	17
F2066	PAN HD TAPPING SCREW, 10 X 7/16	3	33	F307317	CLIP, TERMINAL BLOCK GROUND	7	17
F2067	PLASTIC CAP	33	22	F307317	CLIP, TERMINAL BLOCK GROUND	11	17
F2081	HEX SOC. HD SCREW, 1/4 - 20 X 3/4	33	18				

PARTS INDEX

Part Number	Description	Pg.	Ref. No.	Part Number	Description	Pg.	Ref. No.
F307317	CLIP, TERMINAL BLOCK GROUND	15	17	F409251-1	GAUGE CAP (CANADA) (FORCE MODELS)	47	1A
F310398	DECAL, FUEL CAUTION (NOT SHOWN)	47	-	F428096	RETAINER, THERMOSWITCH	13	74
F316579	SEAL, CRANKCASE	33	11	F428096	RETAINER, THERMOSWITCH	17	73
F316599	SEAL, STEERING SUPPORT TUBE	35	32	F428096	RETAINER, THERMOSWITCH	31	103
F319908	WIRE, GROUND (C.D. - COIL BRACKET)	9	56	F433114	HANDLE, LOCK BAR	37	46
F319908	WIRE, GROUND (C.D. - COIL BRACKET)	13	56	F433209-1	STUD	21	34
F319908	WIRE, GROUND (C.D. - COIL BRACKET)	17	56	F433253	HOSE	29	45
F321756	PACKING	3	25	F438066	BY-PASS VALVE COVER	31	93
F333316	THROTTLE ROLLER SHAFT	23	52	F438129	SEAL, DRIVESHAFT SPLINE	45	71
F333480-1	RETAINER, ENGINE COVER	3	35	F438165	SCREW, FUEL PUMP BOWL	21	16
F335215	SPACER, PISTON PIN (2 PER PISTON)	33	3	F438169	BEARING	35	38
F335217-1	BEARING PISTON PIN (26 PER SET)	33	5	F438271	RETAINER, CRANKSHAFT SPLINE SEAL	45	70
F335654-1	DEFLECTION STOP	3	15	F438346	SHOCK MOUNT, LOWER	37	65
F338618-1	GEAR SHIFT ROD SEAL	45	-	F438500	FUEL SEDIMENT BOWL	21	15
F338618-1	SEAL, GEAR SHIFT ROD	43	56	F438617	FUEL SEDIMENT BOWL GASKET	21	13
F345683	WIRE, GROUND (RECTIFIER TO STARTER BOLT)	9	51	F438653	FUEL SEDIMENT BOWL SCREEN	21	14
F345683	WIRE, GROUND (RECTIFIER TO STARTER BOLT)	13	51	F438668	RETAINER	9	66
F345683	WIRE, GROUND (RECTIFIER TO STARTER BOLT)	17	51	F438668	RETAINER	13	66
F351307	SEAL, WATER PUMP	43	64	F438668	RETAINER	17	66
F353480	STUD	35	25	F438747	FUEL PUMP DIAPHRAGM	21	6
F369349	REVERSE LOCK	35	36	F438754	FUEL LINE	23	44
F369364	REVERSE LOCK ARM	37	56	F438760	FUEL PUMP GASKET	21	2
F369510	LINK	35	39	F438801	FITTING	21	12
F369529-1	CYLINDER HEAD GASKET	29	-	F438930	RETAINER, SNOUT	43	36
F369529-1	CYLINDER HEAD GASKET	31	84	F438962	SHOCK MOUNT SLIDE	35	12
F369610	BEARING	29	55	F439736	SEAL EXHAUST TUBE	35	8
F369887	SHOULDER SCREW	29	54	F455690	SET SCREW	49	31
F369977-1	INTERLOCK ARM	29	63	F474073-1	CLAMP SCREW	35	27
F381896-4	BATTERY CABLE	7	34	F475301-1	MODULE	9	45
F381896-4	BATTERY CABLE	11	34	F475504	GROMMET	9	42
F381896-4	BATTERY CABLE	15	34	F475504	GROMMET	13	42
F391926-1	CHOKE SOLENOID PLUNGER	21	40	F475504	GROMMET	17	42
F3A523158	REED PLATE	21	21	F476066-1	COVER, THERMOSTAT	31	78
F3C653944	ENGINE COVER COMPLETE.	3	-	F476067	GASKET, THERMOSTAT COVER	31	81
F40209	CARBURETOR STUD	23	50	F476067	THERMOSTAT COVER GASKET	29	-
F40223	GASKET, TRANSFER PORT COVER	29	48	F480038-2	SUPPORT PLATE	3	10
F40223	TRANSFER PORT COVER GASKET	29	-	F480107-1	CAM, STARTER INTERLOCK	29	57
F404268	SPRING, BY-PASS VALVE	31	95	F480388	DISC, WATER PUMP LOCATING	43	62
F404801	FITTING	29	44	F480518	CYLINDER HEAD "A" MODELS	31	82
F404841	CABLE, HEAT INDICATOR	9	52	F480551-1	BRACKET INTERLOCK SWITCH	23	48
F404841	CABLE, HEAT INDICATOR	13	52	F481382-1	SPACER, LATCH SHAFT	3	22
F404841	CABLE, HEAT INDICATOR	17	52	F481434	GUIDE, ENGINE COVER	3	26
F40689-1	BEARING, TOWERSHAFT	29	66	F481567	CARBURETOR INTAKE ADAPTER	23	70
F407446	CLAMP	7	33	F481774	BRACKET, ENGINE COVER LATCH	3	28
F407446	CLAMP	11	33	F481777	CAM, LATCH SHAFT	3	20
F407446	CLAMP	15	33	F481836	INTAKE GASKET	23	62

PARTS INDEX

Part Number	Description	Pg.	Ref. No.	Part Number	Description	Pg.	Ref. No.
F481836	INTAKE GASKET	29	-	F528068	THERMOSTAT (110-F)	31	80
F481860-1	CARBURETOR, INTAKE	23	69	F529390-1	DECAL, REVERSE LOCK	37	54
F483884	BEARING	37	51	F530160	REED (5 PETAL)	21	20
F485755-1	FUEL TANK ADAPTER	47	3	F532299	WASHER, PROPELLER SPLINE	41	17
F498618	GEAR SHIFT ARM PIN SEAL	45	-	F532555	SEAL, O-RING - GEAR HOUSING COVER	43	49
F498618	SEAL	41	33	F53504	GROMMET	23	67
F498891	PIN, GEAR SHIFT ARM	41	32	F545189	BUSHING, CABLE ENTRY	3	12
F499026	SWIVEL	27	27	F548984	BLANKET, SILENCER TOP (NOT SHOWN)	3	-
F499035	ROD END, CONTROL ROD TO TRIGGER	27	32	F548985	BLANKET, SILENCER SIDE (NOT SHOWN)	3	-
F499036	TOWERSHAFT CONTROL ROD END	27	26	F549189	BUSHING, ELECTRIC CABLE	3	11
F499995	CYLINDER HEAD COVER	31	73	F563	TERMINAL BLOCK KIT	58	-
F50342-1	BEARING CAGE BOLT SEAL	45	-	F580892-2	DECAL	49	27
F50342-1	SEAL, BEARING CAGE BOLTS	41	8	F58685-1	CONNECTOR, SHIFT CABLE (FORCE AND BAYLINER MODELS)	49	2
F506118	PROPELLER SHAFT SEAL	45	-	F590	REMOTE CONTROL - FLUSH MOUNT	57	-
F506118	SEAL, DRIVESHAFT	43	52	F598387	DECAL, POWER FLOW	37	87
F506118	SEAL, PROPELLER SHAFT	41	9	F5H018	DUAL STEERING CONNECTOR	57	-
F510374-1	DECAL, CIRCUIT BREAKER	7	37	F5H019	ANTI-CORROSION KIT	57	-
F510374-1	DECAL, CIRCUIT BREAKER	11	37	F5H021	EXTENSION CABLE	57	-
F510374-1	DECAL, CIRCUIT BREAKER	15	37	F5H025	ANTI-CORROSION SACRIFICIAL ANODE	57	-
F510460	CIRCUIT BREAKER	7	38	F5H026-1	FUEL TANK ACC. ITEM (FORCE MODELS)	47	2A
F510460	CIRCUIT BREAKER	11	38	F5H028	SENDING UNIT	58	-
F510460	CIRCUIT BREAKER	15	38	F5H030	SWITCH KIT - RUNNING LIGHTS	58	-
F511125-2	TUBE, STEERING SUPPORT	35	31	F5H031	SWITCH KIT - SPOT LIGHT	58	-
F523031	GASKET, WATER PUMP	43	57	F5H032	SWITCH KIT - WIPER	58	-
F523031	GASKET, WATER PUMP	45	-	F5H034	SWITCH KIT - BILGE PUMP	58	-
F523057	BEARING, DRIVESHAFT LOWER	43	66	F5H035	SWITCH KIT - HORN	58	-
F523065-1	IMPELLER	45	-	F5H036	SWITCH KIT - TACHOMETER TRANSFER	58	-
F523065-1	WATER PUMP IMPELLER	43	59	F5H037	CIGAR LIGHTER	57	-
F523099-1	SPACER, PROPELLER	41	19	F5H038	IGNITION SWITCH MOUNTING KIT	11	22
F523116-1	EXHAUST SNOOT	43	38	F5H038	IGNITION SWITCH MOUNTING KIT (ACCESSORY ITEM)	7	22
F523133-2	MOTOR LEG	35	14	F5H038	IGNITION SWITCH MOUNTING KIT (ACCESSORY ITEM)	15	22
F523146-1	SEAL, CRANKSHAFT LOWER	33	13	F5H038	SWITCH KIT - IGNITION SWITCH	58	-
F523146-1	SEAL, CRANKSHAFT UPPER	33	19	F5H039	SWITCH KIT - INSTRUMENT LIGHT	58	-
F523188	NUT, BEVEL PINION RETAINING	43	34	F5H041	BATTERY TERMINAL KIT	57	-
F523244	INLET WATERLINE	41	5	F5H041	BATTERY TERMINAL KIT (ACCESSORY ITEM)	9	48
F523273	STEERING BALL STUD	37	86	F5H041	BATTERY TERMINAL KIT (ACCESSORY ITEM)	13	48
F523274	GREASE FITTING	35	30	F5H043	BUZZER, HEAT INDICATOR	13	50
F523280	NUT, STEERING SUPPORT TUBE	35	42	F5H043	BUZZER, HEAT INDICATOR (ACCESSORY ITEM)	9	50
F523300-1	SPRING	37	82				
F523411	RETAINING RING	41	23				
F523451	SPACER, REED STOP	21	19				
F523498	DRIVE KEY, WATER PUMP	43	68				
F523498	KEY	45	-				
F523555	GEAR HOUSING COVER SEAL	45	-				
F523562	PLATE, WATER PUMP	45	-				
F523562	WATER PUMP BACK PLATE	43	58				
F523705	GEAR SHIFT ROD, LOWER	43	46				
F523813	BEARING CUP	41	30				
F523899	GROMMET, WATERLINE	41	4				
F523930	RETAINER	37	85				
F523961	CRUSH RING	43	50				
F525629	COTTER PIN FOR 5H179	39	90				

PARTS INDEX

Part Number	Description	Pg.	Ref. No.	Part Number	Description	Pg.	Ref. No.
F5H043	BUZZER, HEAT INDICATOR (ACCESSORY ITEM)	17	50	F5H179	TRAILERING TILT LOCK	58	-
F5H043	OVERHEAT BUZZER	57	-	F5H181	FORCE WHITE ENAMEL	59	-
F5H044	TILT STOP KIT	57	-	F5H182	FORCE WHITE ENAMEL	59	-
F5H059	US MARINE OUTBOARD MULTI-PURPOSE GREASE	59	-	F615475	IGNITION COIL	9	46
F5H060	US MARINE OUTBOARD GREASE GUN	59	-	F615475	IGNITION COIL	13	46
F5H068	RFI SUPPRESSION KIT	57	-	F615475	IGNITION COIL	17	46
F5H070	REMOTE ELECTRIC CABLE	58	-	F616029	TRIGGER ASSY.	9	58
F5H075	WIRING HARNESS - IGNITION SWITCH (24")	58	-	F616095	ALTERNATOR STATOR	9	59
F5H076	SWITCH EXTENSION CABLE - 5 FT.	58	-	F616358-1	BRACKET (C.D. - COIL)	7	30
F5H077	IGNITION KEY SWITCH	58	-	F616675	STARTER BRACKET LOWER	19	11
F5H078	IGNITION KEY SWITCH	58	-	F616744	WIRING HARNESS	7	14
F5H078	SWITCH, IGNITION LONG BARREL W/KEYS AND SCREWS	11	16	F616744	WIRING HARNESS	15	14
F5H078	SWITCH, IGNITION LONG BARREL W/KEYS AND SCREWS	15	16	F616955	STARTER COMPLETE.	19	14
F5H078	SWITCH, IGNITION LONG BARREL W/KEYS AND SCREWS	7	16	F629449	THERMOSWITCH	11	6
F5H079	SINGLE REMOTE CONTROL BOX	57	-	F629449	THERMOSWITCH	15	6
F5H080	TWIN REMOTE CONTROL BOX	57	-	F629449	THERMOSWITCH "B" & "C" MODELS	31	74A
F5H081	BATTERY CABLE	57	-	F630518	CYLINDER HEAD "B" & "C" MODELS	31	-
F5H094	STEERING LINK KIT	57	-	F631061	CARBURETOR ASSEMBLY (WE-9-2) MIDDLE & BOTTOM	25	-
F5H108	STEERING CONNECTOR	57	-	F631061	CARBURETOR COMPLETE (MIDDLE & BOTTOM) WE 9-2	23	61
F5H115	TRAILERING BRACKET (W/OUT POWER TRIM)	39	88	F632061	CARBURETOR ASSEMBLY (WE-9-1) TOP	25	-
F5H115	TRAILERING TILT LOCK	58	-	F632061	CARBURETOR COMPLETE (TOP) WE 9-1	23	60
F5H120	REMOTE CONTROL BACK PLATE	57	-	F63754	HOSE INTAKE DRAIN	23	65
F5H130-1	REMOTE CONTROL - SURFACE MOUNT	57	-	F650450	RECTIFIER	7	9
F5H132	REMOTE CONTROL HANDLE TRIM SWITCH	57	-	F650450	RECTIFIER	11	9
F5H149	POWER TRIM	58	-	F650450	RECTIFIER	15	9
F5H151	SHOCK ABSORBER KIT	57	-	F653029	TRIGGER ASSY.	13	58
F5H154	SPEEDOMETER FLUSH MOUNT	58	-	F653029	TRIGGER ASSY.	17	58
F5H155	SPEEDOMETER FLUSH MOUNT	58	-	F653095	ALTERNATOR STATOR	13	59
F5H156	TEMPERATURE GAUGE FLUSH MOUNT	58	-	F653301	MODULE	13	45
F5H157	VOLTMETER - FLUSH MOUNT	57	-	F653301-1	MODULE	17	45
F5H159	HOURLY METER	58	-	F653396	DECAL, ENGINE COVER STARBOARD	5	-
F5H161	POWER TRIM INDICATOR	57	-	F653397	DECAL, ENGINE COVER PORT	5	37
F5H167	TACHOMETER FLUSH MOUNT	58	-	F653398-1	DECAL, 3 CYL WIRING	13	71
F5H173	FLUSHING ADAPTER	57	-	F653398-1	DECAL, 3 CYL WIRING	17	71
F5H176	FUEL TANK (USA) (BAYLINER MODELS)	47	2	F653497	TERMINAL BLOCK (4- POSITION)	13	72
F5H179	TRAILERING BRACKET (W/POWER TRIM)	39	89	F653528	DECAL, REAR	3	36
				F653744	WIRING HARNESS	11	14
				F653892	DECAL, FRONT	5	40
				F654497	TERMINAL BLOCK	13	73
				F654976	CONNECTOR, THROTTLE CABLE (BAYLINER MODELS)	49	-
				F663095	ALTERNATOR STATOR	17	59
				F664497	TERMINAL BLOCK (12 POSITION)	17	72
				F7004	STOP NUT, 3/18 - 16	27	33
				F7008	STOP NUT, 1/4 - 20	21	30
				F7009	LOCK NUT, #10 - 24	27	2
				F7012	LOCK NUT, 1/2 - 20	35	21

PARTS INDEX

Part Number	Description	Pg.	Ref. No.	Part Number	Description	Pg.	Ref. No.
F71H26	BATTERY TERMINAL KIT (ACCESSORY ITEM)	17	48	F8124	EXTERNAL TOOTH LOCKWASHER	15	31
F74305	GEAR HOUSING COVER SEAL	45	-	F84011	WASHER	37	55
F74305	SEAL, DRIVESHAFT BEARING CAGE	43	51	F84074	CLAMP SCREW FOOT	35	26
F762	REMOTE ELECTRIC CABLE	58	-	F84278	CRANKSHAFT BRG. SEAL CAGE SEAL	29	-
F8003	PLAIN WASHER	27	39	F84286-1	FRICITION WASHER	37	49
F8011	PLAIN WASHER	9	39	F84305	PROPELLER SHAFT SPOOL SEAL	45	-
F8011	PLAIN WASHER	13	39	F84305	SEAL, PROPELLER SHAFT BEARING SPOOL	41	12
F8011	PLAIN WASHER	17	39	F84307-1	DRIVE SHAFT SEAL	45	-
F8026	PLAIN WASHER	23	77	F84314-2	ELBOW	23	76
F8028	PLAIN WASHER	9	43	F84314-2	ELBOW	27	28
F8028	PLAIN WASHER	13	43	F84342	SEAL, INLET WATERLINE UPPER	41	3
F8028	PLAIN WASHER	17	43	F84449	NEUTRAL INTERLOCK SWITCH	7	3
F8038	PLAIN WASHER	27	4	F84449	NEUTRAL INTERLOCK SWITCH	11	3
F8038	PLAIN WASHER	37	81	F84449	NEUTRAL INTERLOCK SWITCH	15	3
F8056	SPRING LOCKWASHER	7	7	F84504	GROMMET	31	79
F8056	SPRING LOCKWASHER	11	7	F84504	THERMOSTAT GROMMET . .	29	-
F8056	SPRING LOCKWASHER	15	7	F84521-2	CLUTCH	41	27
F8056	SPRING LOCKWASHER	31	75	F84792	GASKET, FUEL PUMP VALVE	21	9
F8058	INTERNAL TOOTH LOCKWASHER	21	29	F84871-1	PIN, GEAR SHIFT	41	25
F8061	INTERNAL TOOTH LOCKWASHER	49	12	F85017	PISTON PIN	33	4
F8077	WASHER	45	-	F85033	CHOKE ROD SWIVEL	21	37
F8077	WASHER, GEAR HOUSING PLUG	43	43	F85037-1	STERN BRACKET PIVOT BOLT	37	48
F8080	SPRING LOCKWASHER	37	84	F85117	BRACKET, WATERLINE	41	2
F8083	LOCKWASHER	45	76	F85130	BOOT, IDLE EXHAUST	35	5
F8083	SPRING LOCKWASHER	3	19	F85151-1	EXHAUST PORT PLATE	31	91
F8083	SPRING LOCKWASHER	9	63	F85152-4	EXHAUST PORT COVER	31	89
F8083	SPRING LOCKWASHER	13	63	F85154-1	EXHAUST PORT PLATE GASKET	29	-
F8083	SPRING LOCKWASHER	17	63	F85154-1	GASKET, EXHAUST PORT PLATE	31	90
F8083	SPRING LOCKWASHER	19	13	F85159-1	GASKET, INTAKE MANIFOLD	21	24
F8083	SPRING LOCKWASHER	35	2	F85159-1	MANIFOLD GASKET	29	-
F8083	SPRING LOCKWASHER	43	54	F85161-1	REED STOP	21	18
F8083	SPRING LOCKWASHER	45	-	F85162	REED PLATE ADAPTER	21	23
F8088	PLAIN WASHER	7	2	F85168-1	CARBURETOR ADAPTER FLANGE GASKET	29	-
F8088	PLAIN WASHER	11	2	F85168-1	GASKET REED PLATE ADAPTER	21	22
F8088	PLAIN WASHER	15	2	F85192-1	THROTTLE CAM	21	32
F8088	PLAIN WASHER	23	55	F85210	STUD	27	9
F8090	PLAIN WASHER	7	28	F85211	STUD, REAR	31	85
F8090	PLAIN WASHER	11	28	F85253-1	FUEL LINE	23	46
F8090	PLAIN WASHER	15	28	F85258	INSERT	35	4
F8094	PLAIN WASHER	3	23	F85279-2	CYLINDER EXHAUST GASKET, UPPER	29	53
F8094	PLAIN WASHER	37	59	F85279-2	CYLINDER, EXHAUST - UPPER GASKET	29	-
F8095	PLAIN WASHER	27	7	F85300	REVERSE LOCK SPRING . . .	35	37
F8096	SPRING LOCKWASHER	3	16	F85317-3	CLAMP	21	41
F8096	SPRING LOCKWASHER	3	31	F85350-1	TILT STOP PIVOT	35	17
F8096	SPRING LOCKWASHER	7	24				
F8096	SPRING LOCKWASHER	11	24				
F8096	SPRING LOCKWASHER	15	24				
F8096	SPRING LOCKWASHER	31	101				
F8096	SPRING LOCKWASHER	37	63				
F8096	SPRING LOCKWASHER	43	40				
F8124	EXTERNAL TOOTH LOCKWASHER	7	31				
F8124	EXTERNAL TOOTH LOCKWASHER	11	31				

PARTS INDEX

Part Number	Description	Pg.	Ref. No.	Part Number	Description	Pg.	Ref. No.
F85372	PIN, GEAR SHIFT ROD, LOWER	43	48	F91446-1	CIRCUIT BREAKER BRACKET	9	41
F8538	SPRING PIN	35	28	F91446-1	CIRCUIT BREAKER BRACKET	13	41
F85380	SPRING	35	6	F91446-1	CIRCUIT BREAKER BRACKET	17	41
F85410	SNAP RING	33	8	F92759	THROTTLE ROLLER	23	53
F85426	TILT STOP	37	50	F93811	SCREEN	27	35
F85445	ROD, SPARK CONTROL	27	29	F93920	REED STOP	27	38
F85472-2	CYLINDER DRAIN COVER GASKET	29	-	F97772	FUEL LINE CLAMP	47	11
F85472-2	GASKET, CYLINDER DRAIN COVER	27	41	F97772	HOSE CLAMP	23	43
F85498-1	FLYWHEEL KEY	33	16	F98273	ROD END CONNECTOR STUD	29	51
F85502	THROTTLE LINK	27	17	FA27232	EMERGENCY STARTER ROPE (NOT SHOWN)	7	-
F85509-1	CHOKE LINK	23	59	FA27232	EMERGENCY STARTER ROPE (NOT SHOWN)	11	-
F85541-1	TILT LOCK	35	19	FA27232	EMERGENCY STARTER ROPE (NOT SHOWN)	15	-
F85571	BEARING CAGE W/ROLLER	33	10	FA335260	PISTON RING SET (2 PER SET) STANDARD	33	1
F85606	KINGPIN CAP	37	67	FA411222	TRANSFER PORT COVER	29	47
F85610	BEARING	29	60	FA438113	STERN BRACKET LOCK BAR	35	44
F85615-1	GEAR SHIFT ROD, UPPER	37	74	FA438431	FUEL PUMP BODY	21	10
F8563	DOWEL PIN	27	10	FA438493	BRACKET, TERMINAL BLOCK	7	10
F85634-2	CONNECTING ROD SCREW	33	14	FA438493	BRACKET, TERMINAL BLOCK	11	10
F85660-1	EXHAUST TUBE	35	1	FA438493	BRACKET, TERMINAL BLOCK	15	10
F85704	COUPLER, GEARSHIFT ROD, UPPER	37	62	FA439746	FUEL PUMP COVER	21	1
F85748-2	CYLINDER DRAIN REED PLATE GASKET	29	-	FA480179	TRIM, TOP	3	1
F85748-2	GASKET, CYLINDER DRAIN REED PLATE	27	34	FA480269	TILT HANDLE	3	3
F85762	BY-PASS VALVE GASKET	29	-	FA480876	GEAR SHIFT ARM	29	62
F85762	GASKET, BY-PASS VALVE	31	94	FA481469	ENGINE COVER LATCH HANDLE W/SHAFT	3	8
F85772	CLAMP	35	7	FA481743	BRACKET, ROLLER LATCH W/ROLLER	3	30
F85779-1	BAFFLE, AIR INTAKE	37	71	FA523014	CRANKSHAFT LOWER MAIN BEARING	33	12
F85843-1	ELECTRIC CONTROL CABLE, 18 FEET	7	35	FA523054	GEAR HOUSING W/DRIVESHAFT BEARING LOWER	43	42
F85843-1	ELECTRIC CONTROL CABLE, 18 FEET	11	35	FA523109	PLUG, GEAR HOUSING	43	44
F85843-1	ELECTRIC CONTROL CABLE, 18 FEET	15	35	FA523485	ANTI-CORROSION ANODE	41	21
F85859	STUD, FORWARD	27	12	FA523735	SEAL, INLET WATERLINE LOWER	43	65
F85906	CARBURETOR GASKET	23	49	FA548180	TRIM, REAR	3	4
F85906	CARBURETOR GASKET	29	-	FA548888	TRIM, FRONT	3	34
F85908-1	LEAD WIRE	19	9	FA549944	ENGINE COVER	3	6
F85916-1	BY-PASS VALVE	31	96	FA58976-1	CONNECTOR, THROTTLE CABLE (FORCE MODELS)	49	1
F85924	CHOKE SOLENOID	15	36	FA607689	BEARING TOWERSHAFT LOWER	31	102
F85925	CHOKE ROD	21	38	FA609853	DECAL, WARNING	9	67
F85965	SHOCK MOUNT, UPPER	37	73	FA609853	DECAL, WARNING	13	67
F89758	FUEL PUMP AIR HOSE, TOP	21	5	FA609853	DECAL, WARNING	17	67
F9018	CAP	35	43	FA615097	FLYWHEEL	9	61
F9052	PLUG	35	29	FA615097	FLYWHEEL	13	61
F90619-2	YOKE	45	73	FA615097	FLYWHEEL	17	61
F90807	RETAINING RING	23	71				
F9095	SHIM, DRIVESHAFT BEARING UPPER .005 - SILVER	43	-				
F9097	SHIM, DRIVESHAFT BEARING UPPER .010 - BLACK	43	-				
F9106	SHIM, DRIVESHAFT BEARING UPPER .003 - BRASS	43	67				

PARTS INDEX

Part Number	Description	Pg.	Ref. No.	Part Number	Description	Pg.	Ref. No.
FA616497	TERMINAL BLOCK	7	13	FT2951	CIRCUIT TRACER	55	-
FA616497	TERMINAL BLOCK	11	13	FT2953	SOCKET	53	-
FA616497	TERMINAL BLOCK	15	13	FT2961	LUBRICANT - RYKON		
FA630374	DECAL, SWIRL	5	38		GREASE #2EP	56	-
FA630391	DECAL, SUPPORT PLATE	5	39	FT2962-2	SEALANT - 50 CC LOCTITE		
FA654924	CHOKE SOLENOID				H, NON-HARDENING		
	W/CLAMP	7	36		GRADE	56	-
FA654924	CHOKE SOLENOID			FT2963-2	SEALANT - 2 OZ. LOCTITE		
	W/CLAMP	11	36		271	56	-
FA84621-1	COUPLING, GEAR SHIFT			FT2987-1	LUBRICANT - ANTI-SEIZE	56	-
	ARM W/BUSHING	43	45	FT2990	PISTON PIN TOOL	53	-
FA84754-1	FUEL LINE SHORT	47	8	FT2991	CARBON BRUSH	53	-
FA85018-2	CRANKSHAFT	33	15	FT2996	RING COMPRESSOR	53	-
FA85135-4	LEG COVER, FRONT	37	66	FT2998	TORQUE WRENCH (0 - 100		
FA85193	TIE BAR END W/SWIVEL	23	72		LBS./FT.)	53	-
FA85355-1	WASHER SHOCK MOUNT			FT2999	TORQUE WRENCH (0 - 600		
	UPPER W/WASHER	37	77		LBS./FT.)	53	-
FA85511	THROTTLE TIE BAR			FT3012	SEAL INSTALLER	54	-
	W/SWIVEL	23	75	FT7848	TORQUE ADAPTER	54	-
FA85655-1	CRANKSHAFT MAIN			FT8900	HOSE CLAMP PLIERS	53	-
	BEARING RACE	33	9	FT8901	INDICATOR HOLDER	54	-
FC311398	DECAL, FUEL MIXTURE			FT8902	DIAL INDICATOR	54	-
	(CANADA) (NOT SHOWN)	47	-	FT8903	SEAL INSTALLER	53	-
FC529398	DECAL, WIRING	31	86	FT8907	DRIVER HANDLE	53	-
FG1020-1	GASKET SET	29	69	FT8907	DRIVER HANDLE	54	-
FK10120-1	FLOAT KIT, VALVE & SEAT	25	27	FT8914	SEAL REMOVER	53	-
FK10209	GASKET KIT.	25	15	FT8918	BEARING GUIDE SET	54	-
FK10220	REPAIR KIT.	25	28	FT8919	SPRING PIN PUNCH	54	-
FK1063-2	SEAL KIT	45	74	FT8925	SEAL INSTALLER	53	-
FK1069	WATER PUMP KIT	45	75	FT8925	SEAL INSTALLER	54	-
FK1123	SPARKIE KIT	9	54	FT8926	RING EXPANDER	53	-
FK1123	SPARKIE KIT	13	54	FT8930-1	FEELER GAUGE SET	54	-
FK1123	SPARKIE KIT	17	54	FT8933	LIFTING HOOK	53	-
FK17114-1	INDICATOR	49	32	FT8935	SEALANT PRIMER LOC		
FK17156	BAG ASSEMBLY (NOT				QUIC T	56	-
	SHOWN).	51	-	FT8936-1	SEALANT - 2 CC LOCTITE		
FK405020	SWIVEL W/PIVOT SCREW				RETAINING COMPOUND		
	AND NUT	27	24		#75	56	-
FK460917	STARTER RELAY	7	23	FT8948-1	PULLER	52	-
FK460917	STARTER RELAY	11	23	FT8948-1	PULLER	54	-
FK460917	STARTER RELAY	15	23	FT8950	LEAKAGE TESTER	55	-
FK85228-1	BEARING CAGE W/ROLLER	33	7	FT8955	SEALANT - 5 OZ. EC-750		
FO14166	NEEDLE, IDLE	25	23		INDUSTRIAL SEALANT	56	-
FPS625	PROPELLER (13 X 19)	41	18	FT8957	SEAL INSTALLER	54	-
FS409752	FUEL LINE COMPLETE.	47	-	FT8969	LUBRICANT - 7 OZ. LPS-1		
FS663358	BRACKET (C.D. - COIL)	11	30		LUBRICANT	56	-
FS663358	BRACKET (C.D. - COIL)	15	30	FT8978	TIMING LIGHT	52	-
FS85019	KINGPIN	35	34	FT8983	SEALANT - 3 OZ. RTV		
FS85872-1	BRACKET, REMOTE CABLE	29	50		SEALANT FROM IN PLACE		
FSA335260	PISTON RINGS (2 PER SET)				GASKETS	56	-
	.010 OVERSIZE	33	-	FT8985	SEAL INSTALLER	54	-
FT1082	SNAP RING PLIER	53	-	FT8997	SHIM TOOL	54	-
FT11204	BEARING CUP INSTALLER	54	-	FTA2937-1	TIMING TOOL	52	-
FT11205	BEARING			FTK8999	TEST WHEEL	55	-
	INSTALLER/REMOVER	54	-	22-817789A1	DRAIN FITTING		
FT11207	BEARING CUP REMOVER	54	-		W/METERING CUP	23	64
FT11209	BEARING GUIDE SET	54	-	22-818103--1	ELBOW	21	35
FT11259	MULTIMETER	55	-	32-817738A1	FUEL LINE LONG	47	10
FT11260	SPARK TESTER	55	-	33-818007--1	SPARK PLUG (CHAMPION		
FT2938-1	CONTINUITY TESTER	55	-		UL-18-V)	31	70

PARTS INDEX

Part Number	Description	Pg.	Ref. No.	Part Number	Description	Pg.	Ref. No.
39-818110A1	PISTON RINGS (2 PER SET)						
	.030 OVERSIZE	33	-				
43-817830A2	BEVEL PINION GEAR	43	35				
43-818062A3	BEVEL GEAR FRONT						
	W/BEARING	41	29				
44-817962A2	PROPELLER SHAFT	41	24				
45-817967A6	DRIVESHAFT W/BEARING .	43	69				
46-817853A1	WATER PUMP	45	-				
46-817853A1	WATER PUMP BODY	43	60				
87-817778A1	THERMOSWITCH	7	6				
87-817778A1	THERMOSWITCH "A"						
	MODELS	31	74				
597-1	US MARINE OUTBOARD						
	GEAR LUBE	59	-				
600-818052A4	CONNECTING ROD W/CAP .	33	6				
700-817988A2	PISTON .010 OVERSIZE . . .	33	-				
700-818111A2	PISTON .030 OVERSIZE . . .	33	-				
700-F372015-3	PISTON-STANDARD	33	2				
800-817861A7	CYLINDER W/CRANKCASE						
	COVER	31	97				
800-817912A9	SHORT BLOCK (NOT						
	SHOWN).	31	-				
1400-817958A6	STERN BRACKET	35	20				
1600-819196A3	GEAR HOUSING						
	COMPLETE.	43	-				
F596-	US MARINE OUTBOARD OIL	58	-				