



PARTS CATALOG

US MARINE 460 INBOARDS

SERIAL NUMBER

460 INBOARDS XXXXXXXXXXXXXXX

TABLE OF CONTENTS:

ALTERNATOR	28
CAMSHAFT AND SPROCKET	10
CARBURETOR	22
CRANKSHAFT AND FLYWHEEL	4
CYLINDER BLOCK	2
CYLINDER HEAD	8
DAMPER PLATE	54
ELECTRICAL COMPONENTS	32
ENGINE MOUNT	64
ENGINE WATER PUMP AND PULLEY	18
EXHAUST MANIFOLDS	50
FLAME ARRESTOR	26
FLYWHEEL HOUSING	52
FRESH WATER COOLING SYSTEM	40
FUEL PUMP AND LINES	24
HEAT EXCHANGER/GEAR COOLER	46
IGNITION SYSTEM	30
INTAKE MANIFOLD	20
OIL FILTER, ADAPTER AND COOLER	16
OIL INDICATOR AND LIFT BRACKET	38
OIL PUMP AND OIL PAN	14
OIL SWITCHES AND SENDER	36
PARTS INDEX	66
PISTON AND CONNECTING ROD	6
SEAWATER PUMP AND RELATED COMPONENTS	42
SEAWATER PUMP COMPONENTS	44
STARTER	34
THERMOSTAT HOUSING	48
THROTTLE AND RELAY BRACKET, SHIFT BRACKET	62
TRANSMISSION - HURTH DOWNANGLE	56
TRANSMISSION - HURTH V-DRIVE	58
TRANSMISSION OIL COOLER LINES	60
VALVE TRAIN AND VALVE COVER	12

NOTE: Indented description indicate that these parts are included in preceding assembly.

AR = As Required

NSS = Not Sold Separate

OPT = Optional

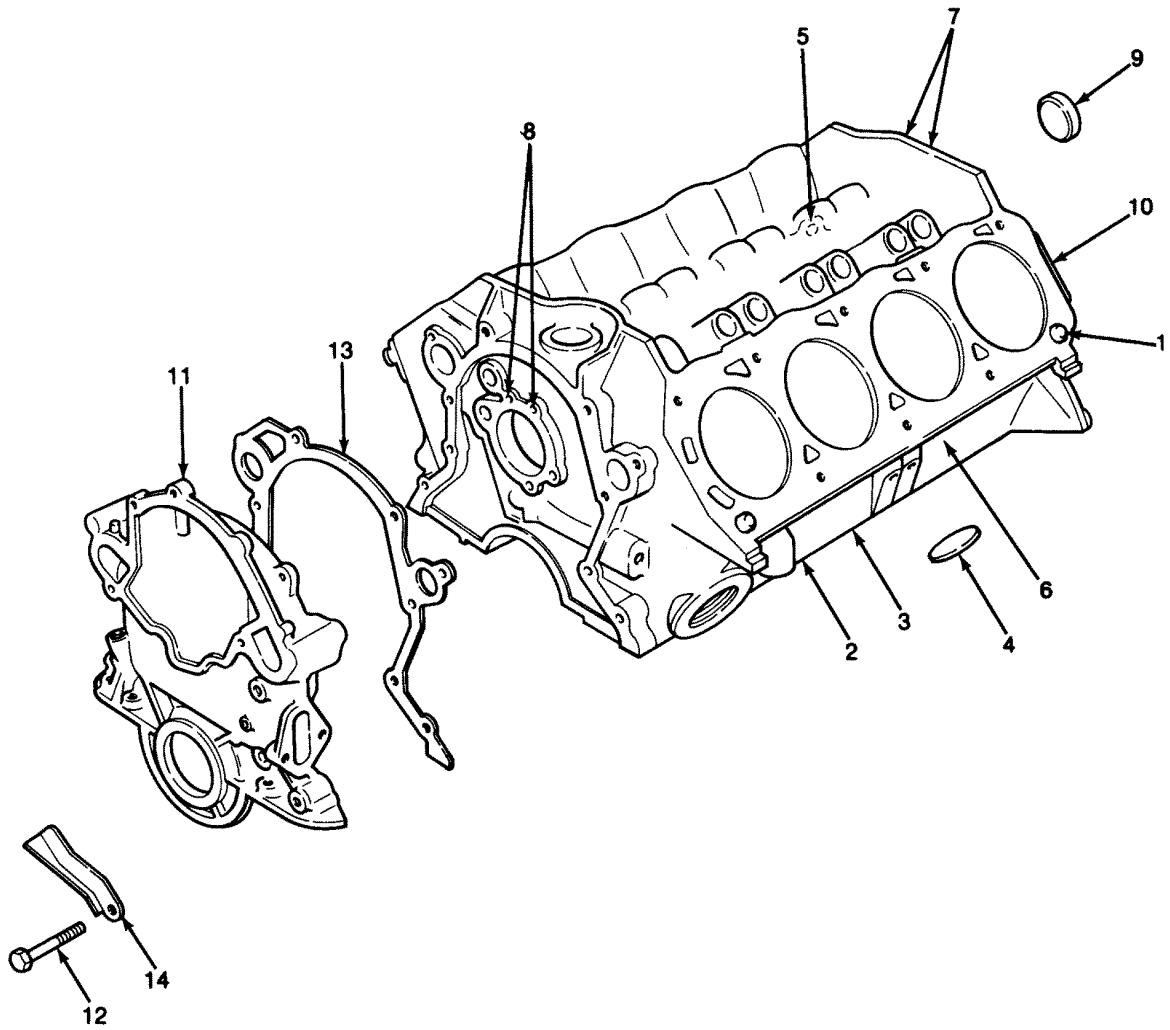
NS = Not Shown

THESE PARTS BOOKS/FICHE CARD ARE COPYRIGHTED AND MAY NOT BE DISTRIBUTED OR REPRODUCED IN ANY OTHER FORMAT BY ANYONE OTHER THAN MERCURY MARINE WITHOUT THE PRIOR WRITTEN CONSENT OF MERCURY MARINE.

THIS PAGE INTENTIONALLY LEFT BLANK

CYLINDER BLOCK

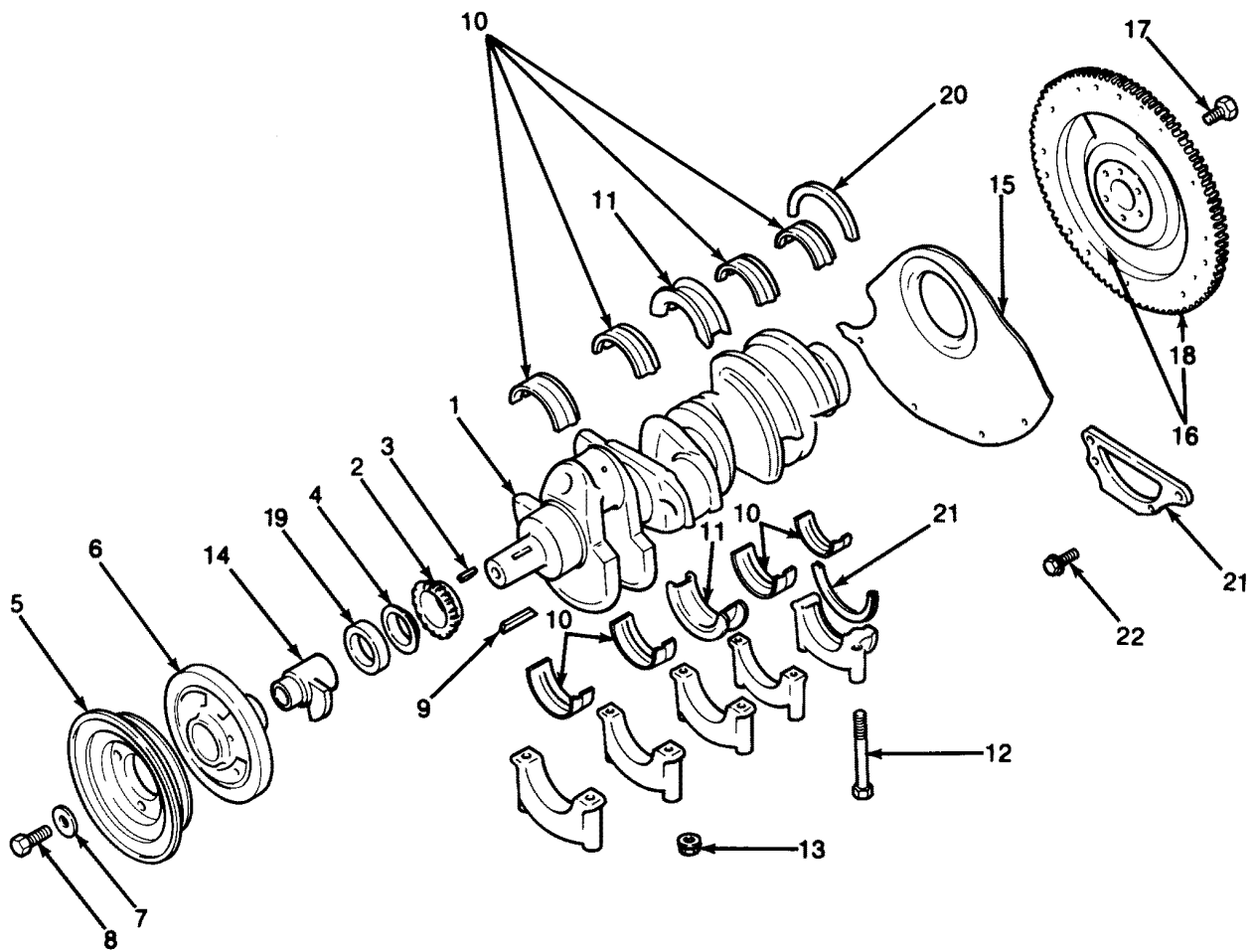
CYLINDER BLOCK



CYLINDER BLOCK

REF. NO.	PART NO.	SYM.	QTY.	DESCRIPTION
1	F724221		4	DOWEL, CYLINDER HEAD TO BLOCK
2	F724222		1	SHORT BLOCK, STD. ROTATION - "A" MODELS
-	F724223		1	SHORT BLOCK, STD. ROTATION - "B & C" MODELS
-	F724224		1	SHORT BLOCK, OPPOSITE ROTATION
3	F724225		1	BLOCK ASSEMBLY, "A" MODELS
-	F724226		1	BLOCK ASSEMBLY, "B & C" MODELS
4	F724227		6	PLUG, WATER JACKET - 1-1/2" BRASS
5	F724011		2	PLUG, OIL PASSAGE - 1/4" PIPE
6	F724010		2	PLUG, DRAIN HOLES - 1/4" PIPE
7	F724228		AR	PLUG, BLOCK - 3/8-18 PIPE
8	F724229		2	PLUG, BLOCK - 5/8-18
9	F724230		1	PLUG, CAM REAR
10	F724014		2	DOWEL, FLYWHEEL HOUSING TO BLOCK
11	F724231		1	COVER ASSEMBLY
12	F724162		1	BOLT, COVER 5/16 - 18 X .88
13	F724232		1	GASKET, COVER
14	F724233		1	POINTER, TIMING - ALL ROTATIONS

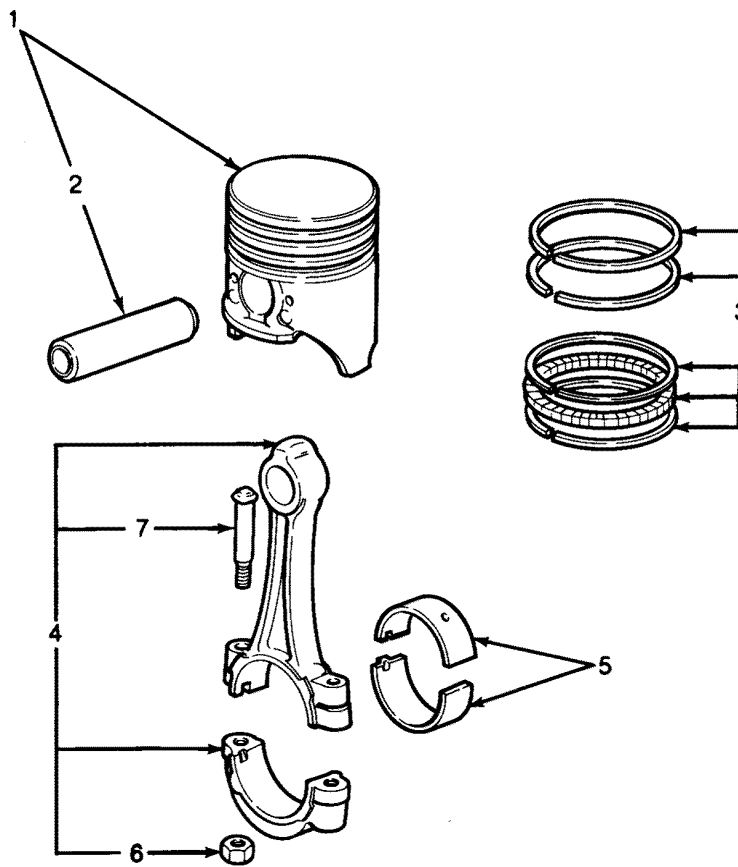
CRANKSHAFT AND FLYWHEEL



CRANKSHAFT AND FLYWHEEL

REF. NO.	PART NO.	SYM.	QTY.	DESCRIPTION
1	F724260		1	CRANKSHAFT, STD. ROTATION
-	F724261		1	CRANKSHAFT, REV. ROTATION
2	F724262		1	SPROCKET, CRANKSHAFT
3	F724263		1	KEY, SPROCKET, CRANKSHAFT
4	F724264		1	SLINGER, OIL
5	F708529		AR	PULLEY, CRANKSHAFT
6	F724266		1	DAMPER, VIBRATION
7	F724071		1	WASHER, DAMPER BOLT
8	F724267		1	BOLT, DAMPER
9	F724268		1	KEY, DAMPER
10	F724269		4	BEARING, MAIN - STD. LOWER
-	F724270		AR	BEARING, MAIN - .010 U/S LOWER
-	F724271		AR	BEARING, MAIN - .020 U/S LOWER
-	F724272		AR	BEARING, MAIN - .030 U/S LOWER
-	F724273		4	BEARING, MAIN - STD. UPPER
-	F724274		AR	BEARING, MAIN - .010 U/S UPPER
-	F724275		AR	BEARING, MAIN - .020 U/S UPPER
-	F724276		AR	BEARING, MAIN - .030 U/S UPPER
11	F724277		1	BEARING, CENTER - STD. UPPER
-	F724278		AR	BEARING, CENTER - .010 U/S UPPER
-	F724279		AR	BEARING, CENTER - .020 U/S UPPER
-	F724280		AR	BEARING, CENTER - .030 U/S UPPER
-	F724281		1	BEARING, CENTER - STD. LOWER
-	F724282		AR	BEARING, CENTER - .010 U/S LOWER
-	F724283		AR	BEARING, CENTER - .020 U/S LOWER
-	F724284		AR	BEARING, CENTER - .030 U/S LOWER
12	F724285		AR	BOLT, MAIN BEARING CAP
-	F724286		AR	STUD, MAIN BEARING CAP
13	F724287		AR	NUT, STUD
14	F724288		1	SPACER, CRANKSHAFT DAMPER
15	F724289		1	PLATE, FLYWHEEL COVER
16	F724290		1	FLYWHEEL ASSEMBLY
17	F724291		6	BOLT, FLYWHEEL
18	F724292		AR	RING GEAR, FLYWHEEL
19	F724293		1	OIL SEAL, FRONT COVER - REV. ROTATION
-	F724100		1	OIL SEAL, FRONT COVER - STD. ROTATION
20	F724294		2	SEAL, CRANKSHAFT REAR - REV. ROTATION
-	F724295		2	SEAL, CRANKSHAFT REAR - STD. ROTATION
21	F724296		1	INSPECTION COVER, FLYWHEEL PLATE
22	F724297		2	SCREW, INSPECTION COVER - 1/4 - 14 X 1/2

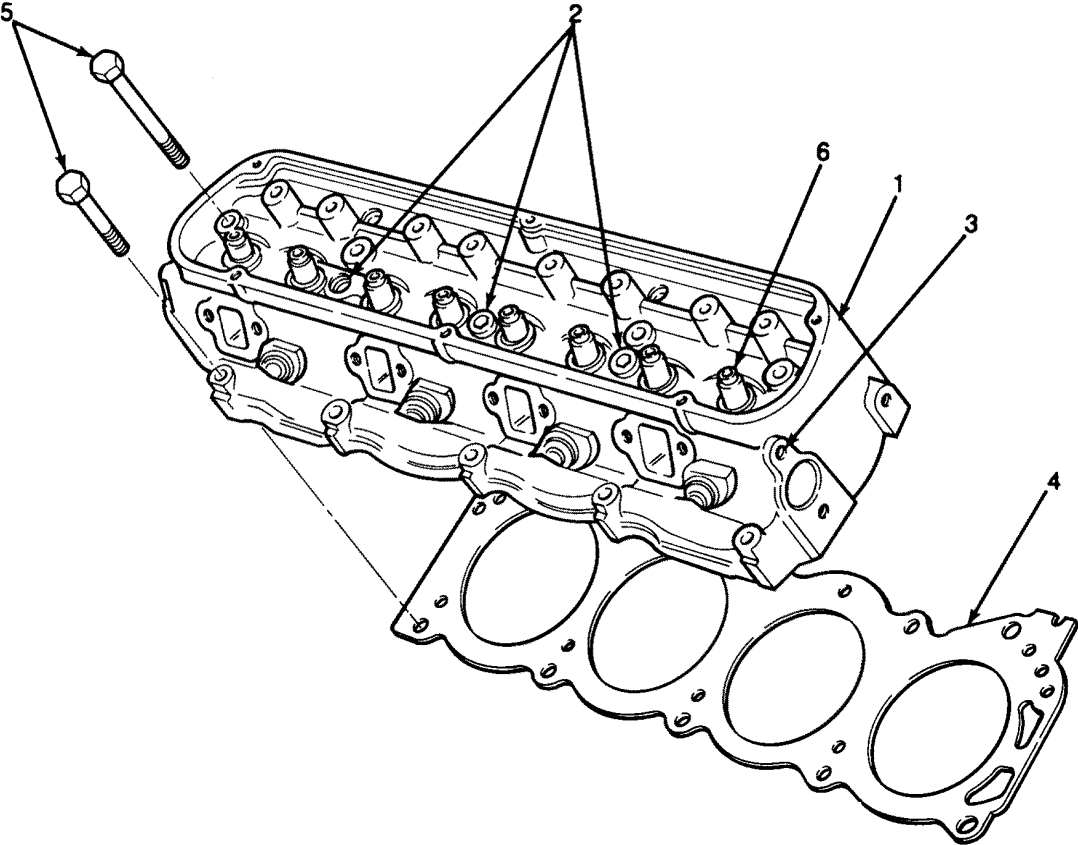
PISTON AND CONNECTING ROD



PISTON AND CONNECTING ROD

REF. NO.	PART NO.	SYM.	QTY.	DESCRIPTION
1	F724240		8	PISTON, STD.
2	F724241		8	PIN, PISTON - STD.
3	F724242		4	RING SET, STD. - FOR 2 PISTONS
4	F724243		8	CONNECTING ROD
5	F724244		8	BEARING, CONNECTING ROD - STD.
-	F724245		AR	BEARING, CONNECTING ROD - .010 U/S
-	F724246		AR	BEARING, CONNECTING ROD - .020 U/S
-	F724247		AR	BEARING, CONNECTING ROD - .030 U/S
6	F724050		16	NUT, CONNECTING ROD
7	F724051		16	BOLT, CONNECTING ROD

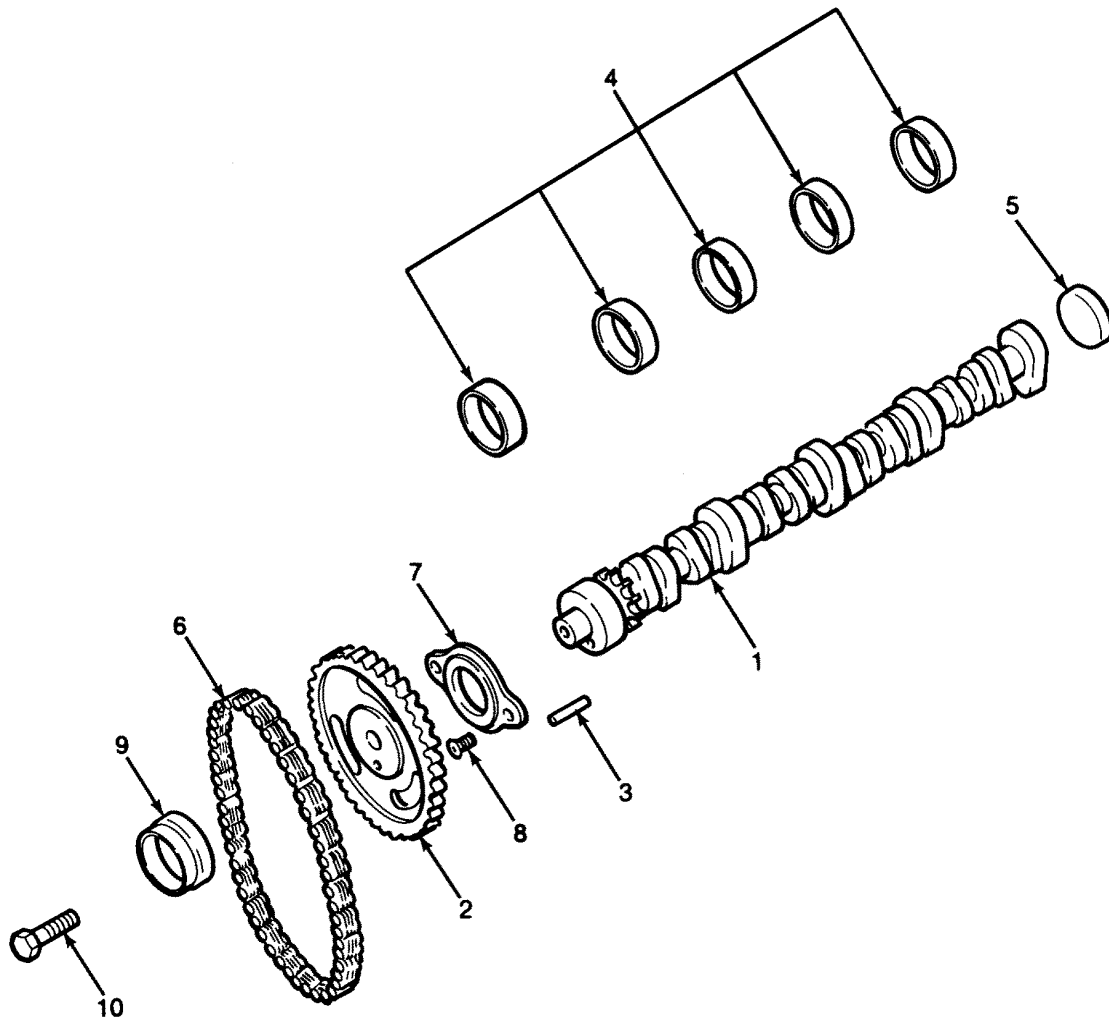
CYLINDER HEAD



CYLINDER HEAD

REF. NO.	PART NO.	SYM.	QTY.	DESCRIPTION
1	F724234		2	HEAD, CYLINDER - BARE
2	F724024		2	PLUG, 3/4 PIPE
3	F724235		6	PLUG, CUP - 43/64
4	F724236		2	GASKET, CYLINDER HEAD
5	F724237		10	BOLT, CYLINDER HEAD 9/16 - 12 X 5-1/8
-	F724238		10	BOLT, CYLINDER HEAD 9/16 - 12 X 4-3/8
6	F724239		AR	BUSHING, VALVE GUIDE

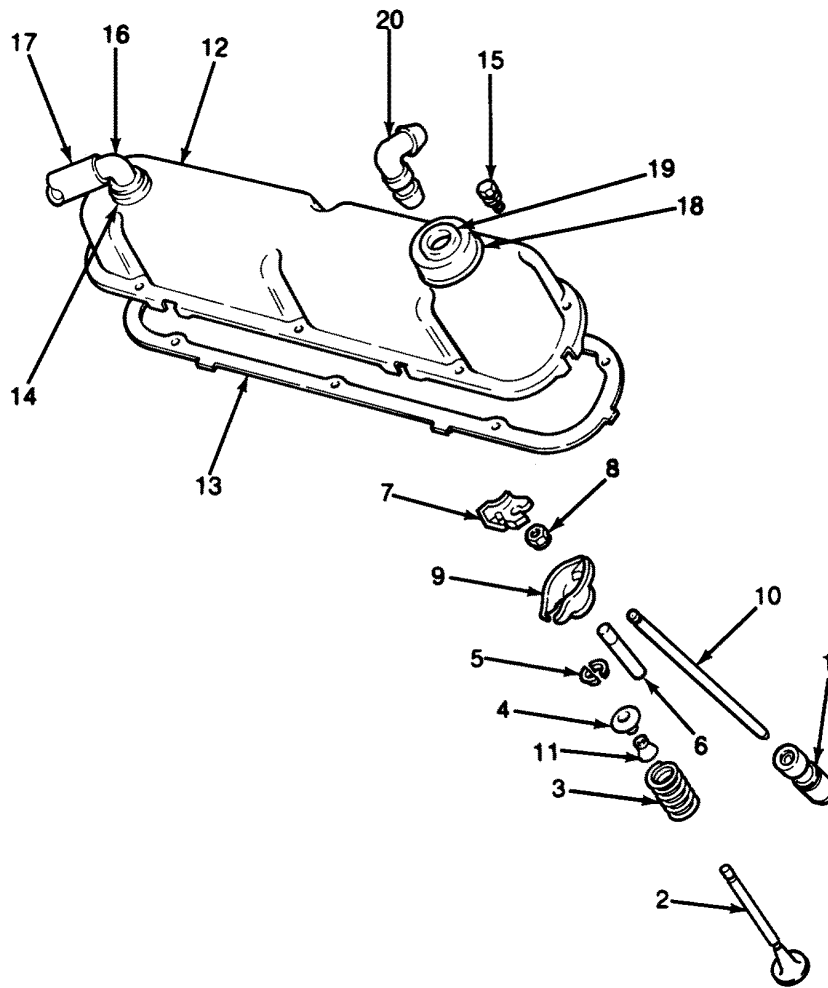
CAMSHAFT AND SPROCKET



CAMSHAFT AND SPROCKET

REF. NO.	PART NO.	SYM.	QTY.	DESCRIPTION
1	F724248		1	CAMSHAFT, STD. ROTATION
-	F724249		1	CAMSHAFT, REV. ROTATION
2	F724250		1	SPROCKET, CAMSHAFT
3	F724251		1	PIN, DOWEL
4	F724252		5	BEARING SET, CAM - STD.
-	F724253		AR	BEARING SET, CAM - .015 U/S
5	F724254		1	PLUG, CAM - REAR
6	F724255		1	CHAIN, TIMING
7	F724256		1	PLATE, CAM THRUST
8	F724257		2	BOLT, PLATE
9	F724258		1	ECCENTRIC, FUEL PUMP - INNER
-	F724064		1	ECCENTRIC, FUEL PUMP - OUTER
10	F724259		1	BOLT, ECCENTRIC

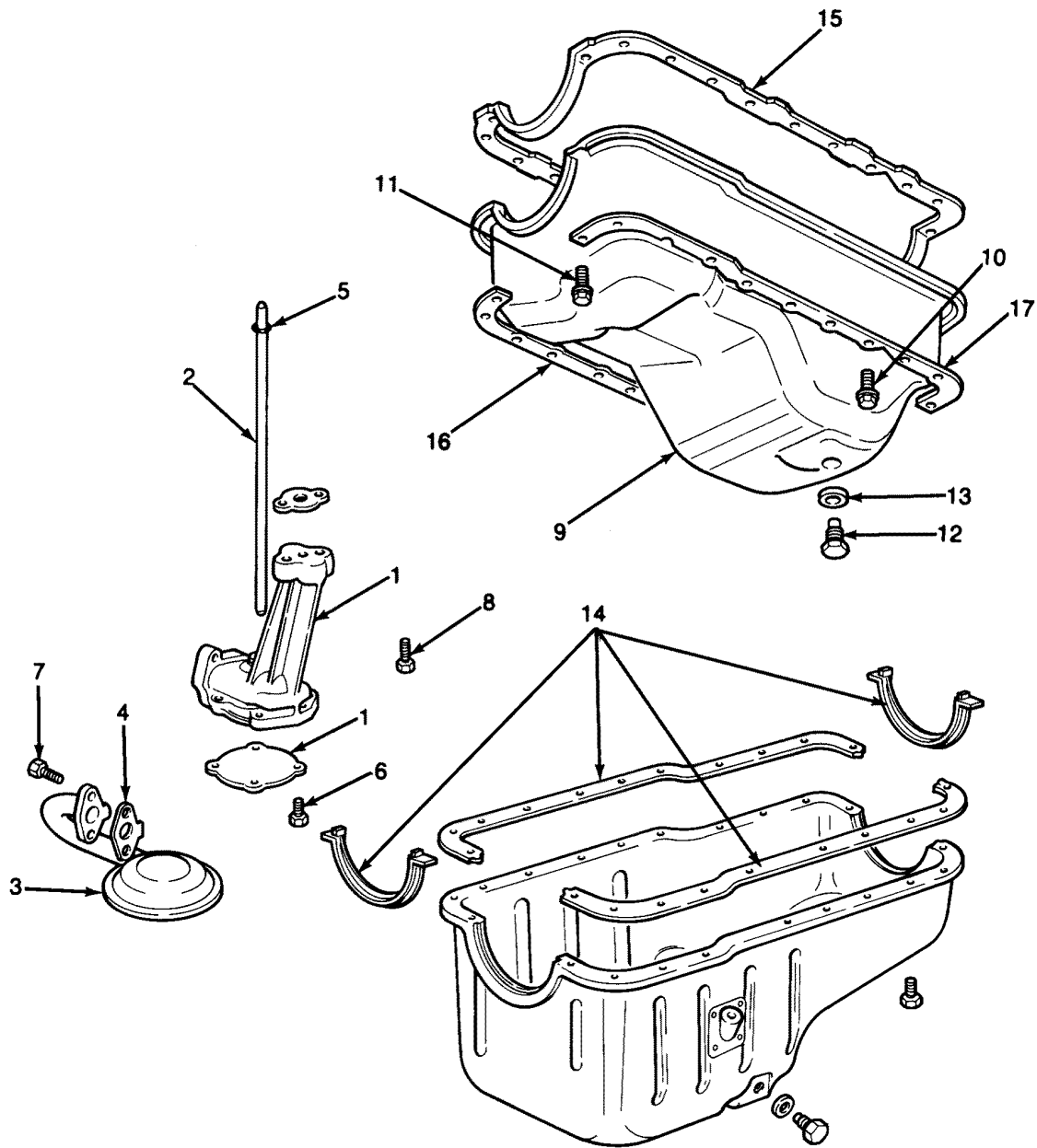
VALVE TRAIN AND VALVE COVER



VALVE TRAIN AND VALVE COVER

REF. NO.	PART NO.	SYM.	QTY.	DESCRIPTION
1	F724102		16	TAPPET ASSEMBLY
2	F724298		8	VALVE - EXHAUST
-	F724299		8	VALVE - INTAKE
3	F724300		16	SPRING & DAMPER ASSEMBLY
4	F724301		16	RETAINER, VALVE SPRING
5	F724114		32	LOCK, VALVE SPRING RETAINER
6	F724302		16	BOLT, ROCKER ARM SUPPORT
7	F724303		16	BAFFLE
8	F724116		16	SEAT, ROCKER ARM
9	F724304		16	ROCKER ARM
10	F724305		16	PUSHROD
11	F724306		8	SEAL, EXHAUST VALVE
-	F724307		8	SEAL, INTAKE VALVE
12	F724308		2	COVER, VALVE
13	F724309		2	GASKET, VALVE COVER
14	F724310		2	GROMMET, PCV VALVE
16	F724311		1	VALVE, PCV
17	F724312		1	HOSE, PCV VALVE
18	F724313		1	CAP, BREATHER
19	F724135		1	GROMMET, ELBOW
20	F724136		1	ELBOW

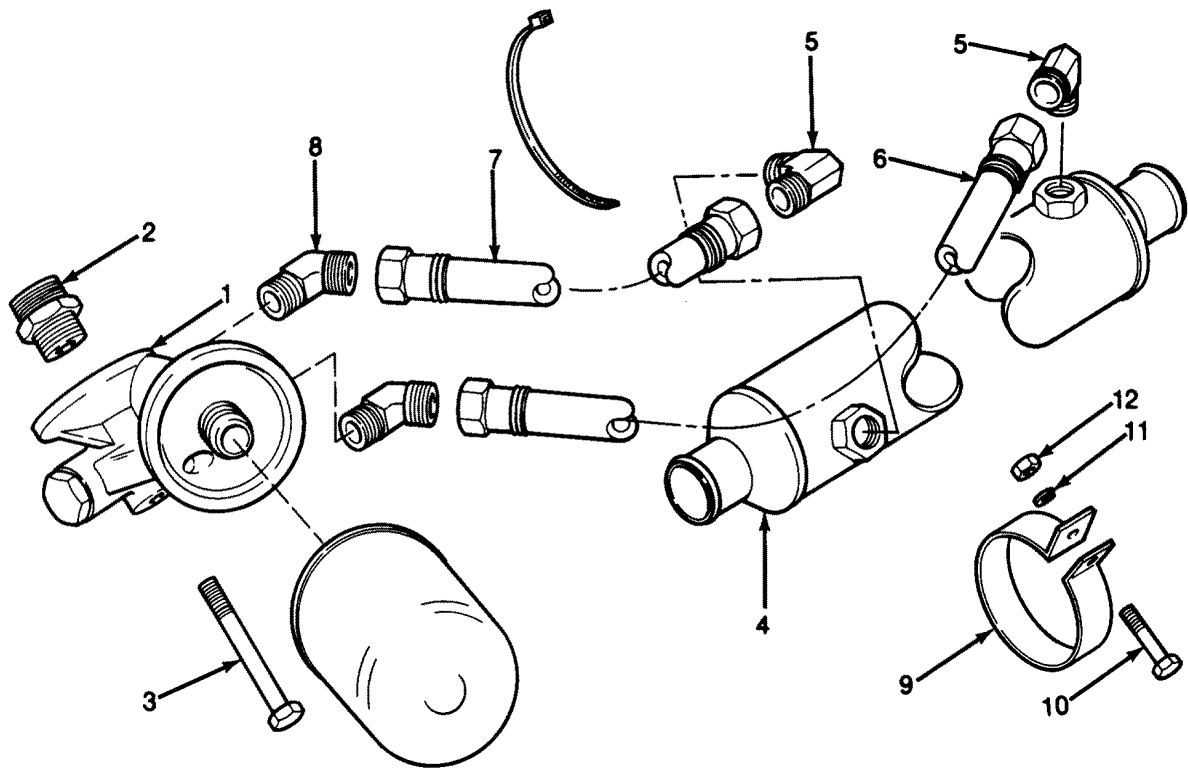
OIL PUMP AND OIL PAN



OIL PUMP AND OIL PAN

REF. NO.	PART NO.	SYM.	QTY.	DESCRIPTION
1	F724314		1	PUMP OIL
2	F724315		1	SHAFT, OIL PUMP
3	F724316		1	PICKUP, OIL - WITH SCREEN AND TUBE
4	F724317		1	GASKET, PICKUP
5	F724143		1	RING, OIL PUMP SHAFT RETAINER
6	F724139		4	BOLT, PUMP COVER
7	F724318		2	SCREW ASSEMBLY, PICKUP TUBE
8	F724319		2	SCREW ASSEMBLY, OIL PUMP
9	F724320		1	PAN, OIL - "B" MODELS & LATER
-	F724321		1	PAN, OIL - "A" MODELS ONLY
10	F724148		19	SCREW ASSEMBLY, OIL PAN - "B" MODELS
-	F724322		23	SCREW ASSEMBLY, OIL PAN - "A" MODELS
11	F724323		4	SCREW ASSEMBLY, OIL PAN - "B" MODELS
12	F724324		1	PLUG, OIL DRAIN - METRIC
13	F724325		1	GASKET, DRAIN PLUG
14	F724326		AR	GASKET SET, OIL PAN - 4 PIECE "A" MODELS
15	F724327		AR	GASKET, OIL PAN - 1 PIECE "B" MODELS & LATER
16	F724328		1	REINFORCEMENT, OIL PAN - RIGHT SIDE
17	F724329		1	REINFORCEMENT, OIL PAN - LEFT SIDE

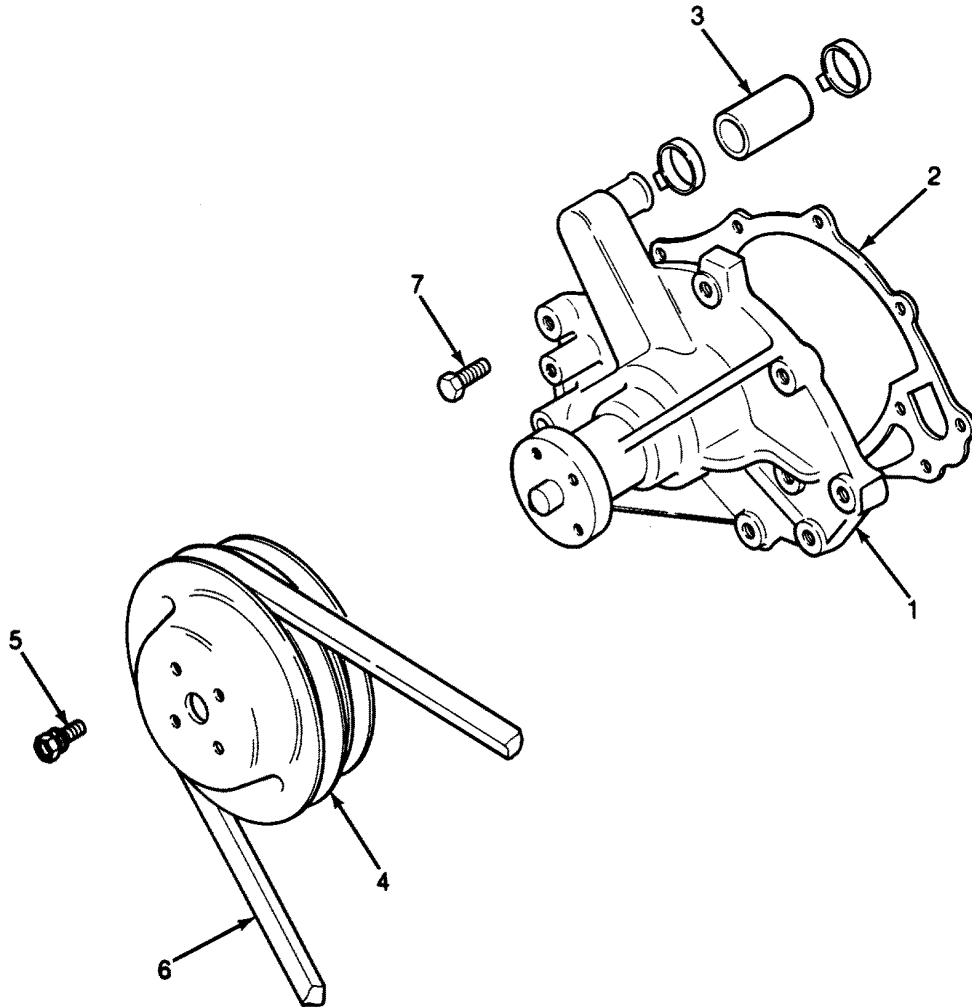
OIL FILTER, ADAPTER AND COOLER



OIL FILTER, ADAPTER AND COOLER

REF. NO.	PART NO.	SYM.	QTY.	DESCRIPTION
1	F708772		1	ADAPTER, OIL FILTER
2	F708571		1	INSERT, ADAPTER TO BLOCK
3	F708105		1	BOLT, ADAPTER
4	F708941		1	COOLER, ENGINE OIL
5	F700580		2	ELBOW, COOLER
6	F708773		1	HOSE, OIL - 18"
7	F708774		1	HOSE, OIL - 12"
8	F708383		2	ELBOW, ADAPTER - 45
9	F708533		1	BRACKET, OIL COOLER
10	F2315		1	SCREW, BRACKET - 5/16 - 18 X 2-1/4
11	F1901		1	WASHER, LOCK 5/16
12	F1515		1	NUT

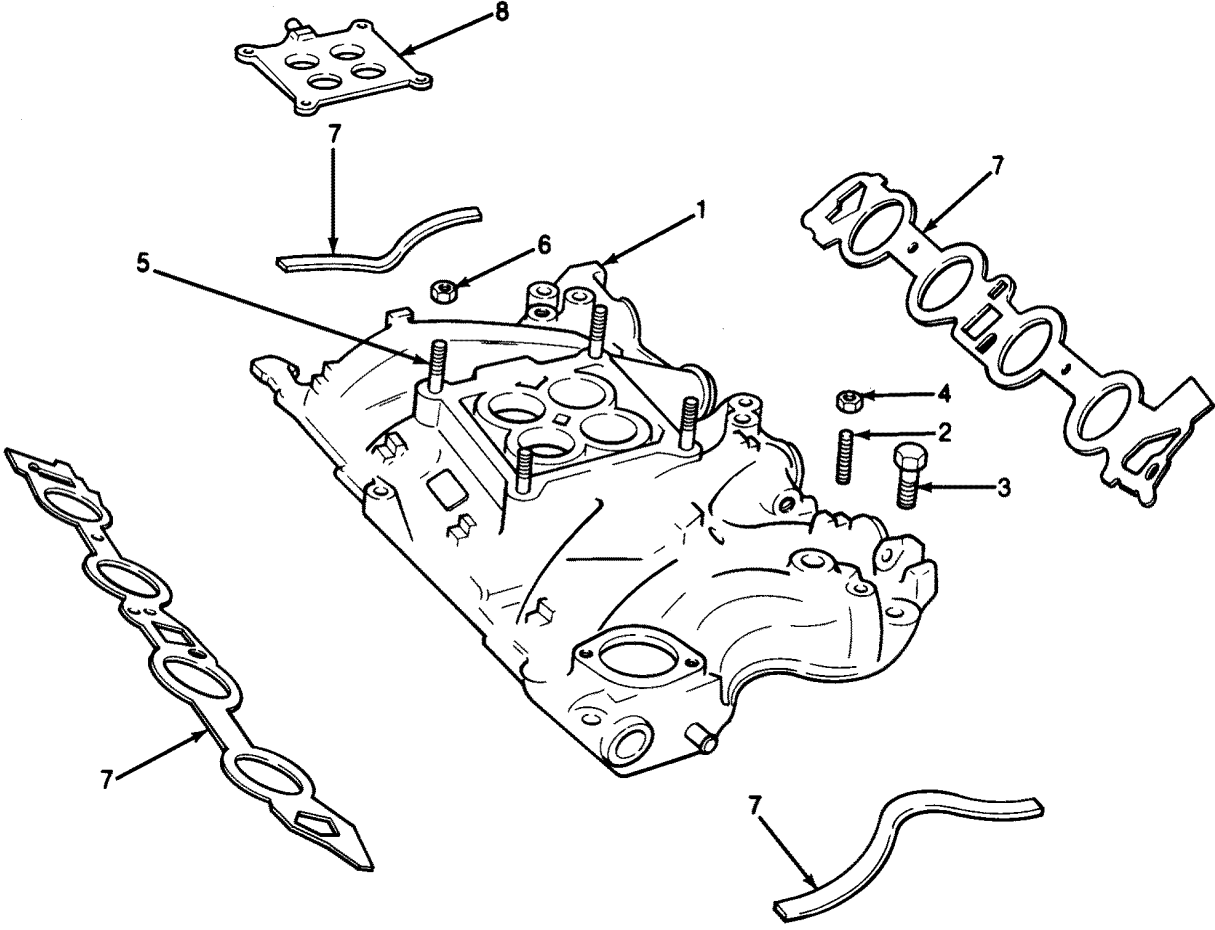
ENGINE WATER PUMP AND PULLEY



ENGINE WATER PUMP AND PULLEY

REF. NO.	PART NO.	SYM.	QTY.	DESCRIPTION
1	F724330		1	PUMP, WATER
2	F724331		1	GASKET, WATER PUMP
3	F724333		1	TUBE, WATER BY-PASS
4	F708530		1	PULLEY, WATER PUMP
5	F700211		4	SCREW, PULLEY
6	F708895		1	BELT, WATER PUMP

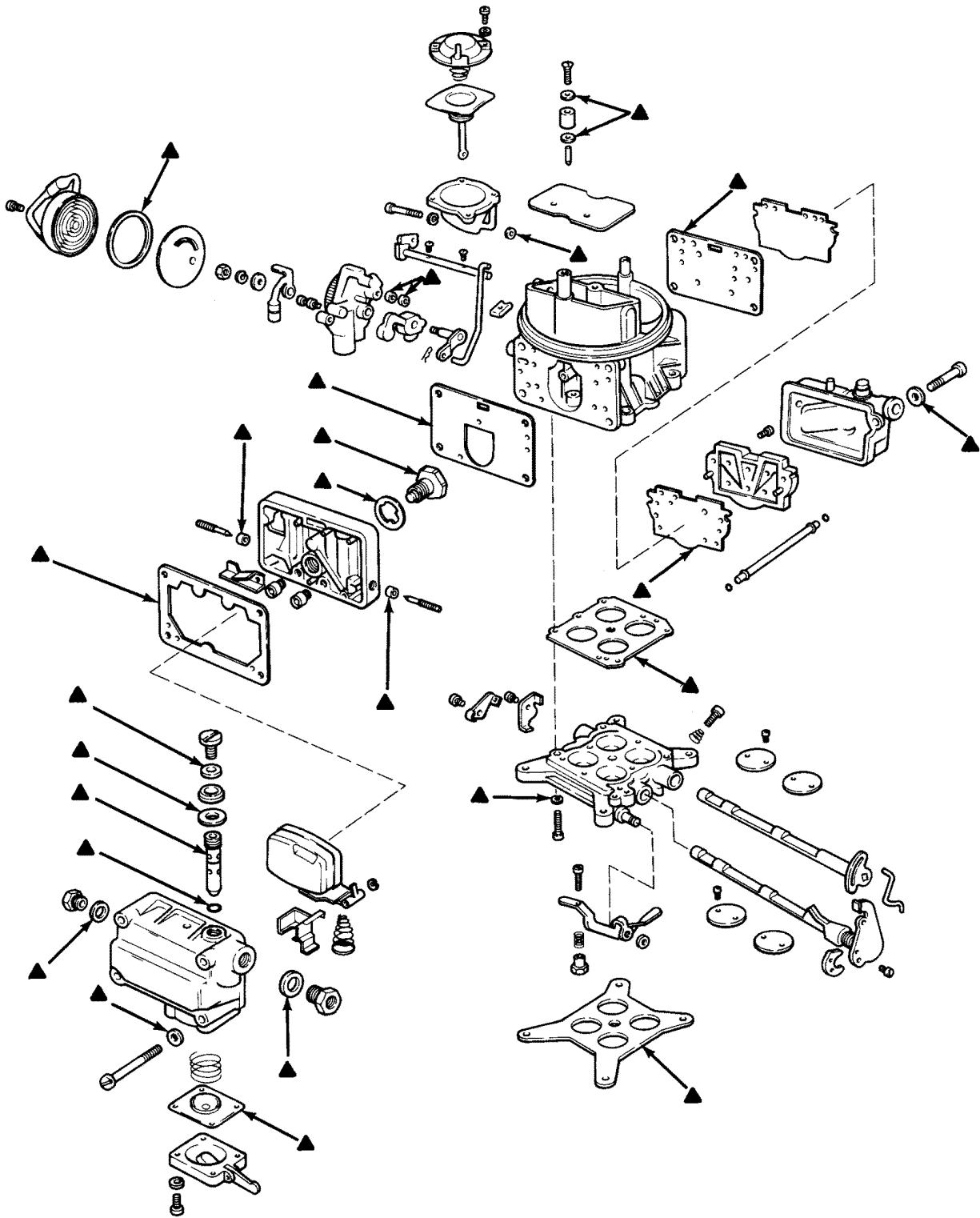
INTAKE MANIFOLD



INTAKE MANIFOLD

REF. NO.	PART NO.	SYM.	QTY.	DESCRIPTION
1	F724336		1	MANIFOLD ASSEMBLY, INTAKE
4	F724337		AR	NUT, MANIFOLD STUD - 3/8 - 16
5	F724338		4	STUD, CARBURETOR - 5/16 - 18 - 24 X 1.44
6	F1615		4	NUT, CARBURETOR STUD 5/16 - 24
7	F724339		AR	GASKET SET, INTAKE MANIFOLD
8	F724340		1	GASKET, CARBURETOR
NS	F708090		1	WEDGE, CARBURETOR - V-DRIVE MODELS
	F708184		1	GASKET, WEDGE
	F708155		2	STUD, WEDGE - LONG
	F708156		2	STUD, WEDGE - SHORT

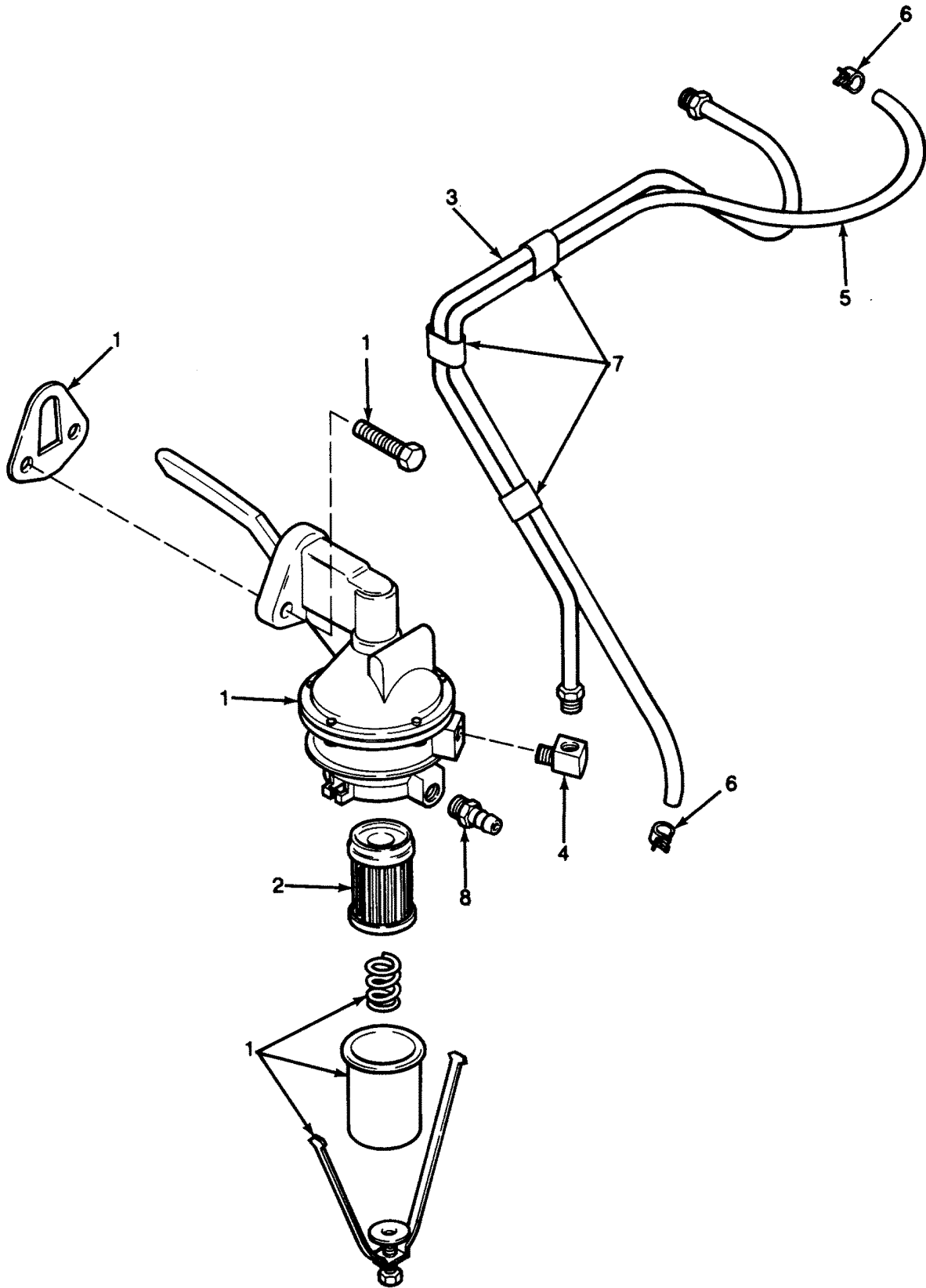
CARBURETOR



CARBURETOR

REF. NO.	PART NO.	SYM.	QTY.	DESCRIPTION
-	F724343		1	CARBURETOR - HOLLEY 4V
-	F724344		AR	REPAIR KIT, CARBURETOR
-	F724345		AR	GASKET KIT, CARBURETOR

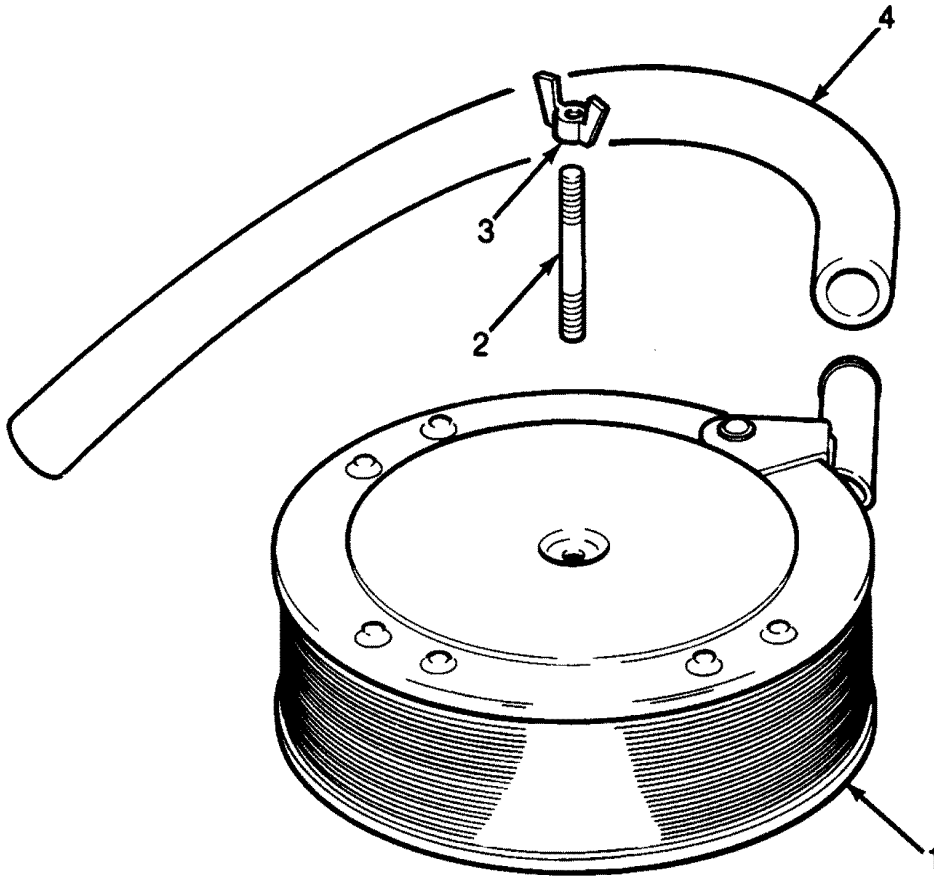
FUEL PUMP AND LINES



FUEL PUMP AND LINES

REF. NO.	PART NO.	SYM.	QTY.	DESCRIPTION
1	F708675		1	PUMP, FUEL - WITH FILTER, GASKET, SCREW
2	F724003-1		1	FILTER, FUEL
3	F708770		1	FUEL LINE - WITH FITTINGS
4	F642314		1	ELBOW, FUEL OUT
5	F708233		1	HOSE, PUMP OVERFLOW - 1/4 X 27
6	F700550		2	CLAMP, HOSE
7	F696880		3	CLIP, HOSE
8	F700586		1	NIPPLE, FUEL INLET

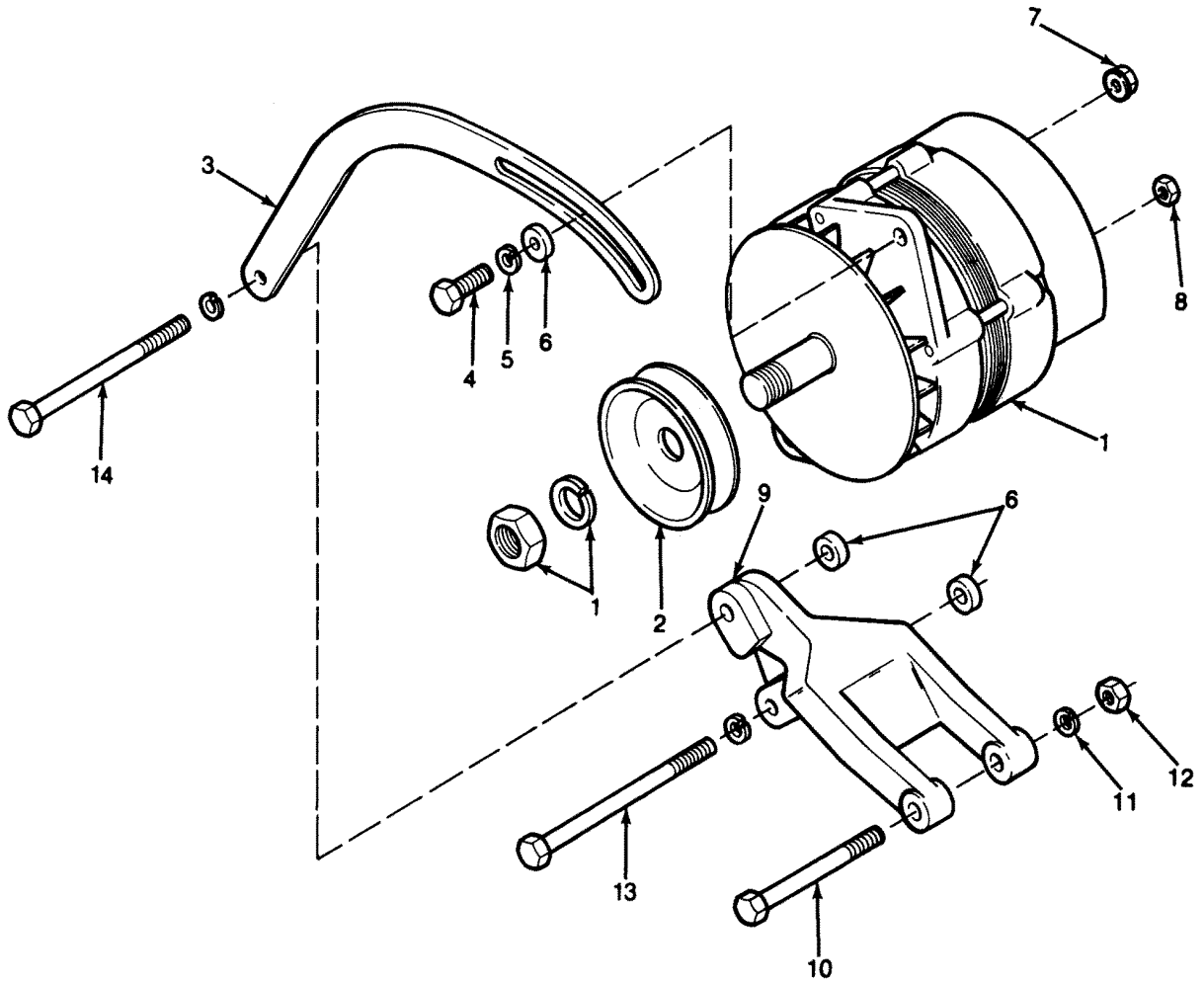
FLAME ARRESTOR



FLAME ARRESTOR

REF. NO.	PART NO.	SYM.	QTY.	DESCRIPTION
1	F700176		1	FLAME ARRESTOR
2	F642236		1	STUD, ARRESTOR - 1/4 - 20 X 2.0
3	F7046		1	NUT, WING
4	F708236		1	HOSE, BREATHER - 5/8 X 13

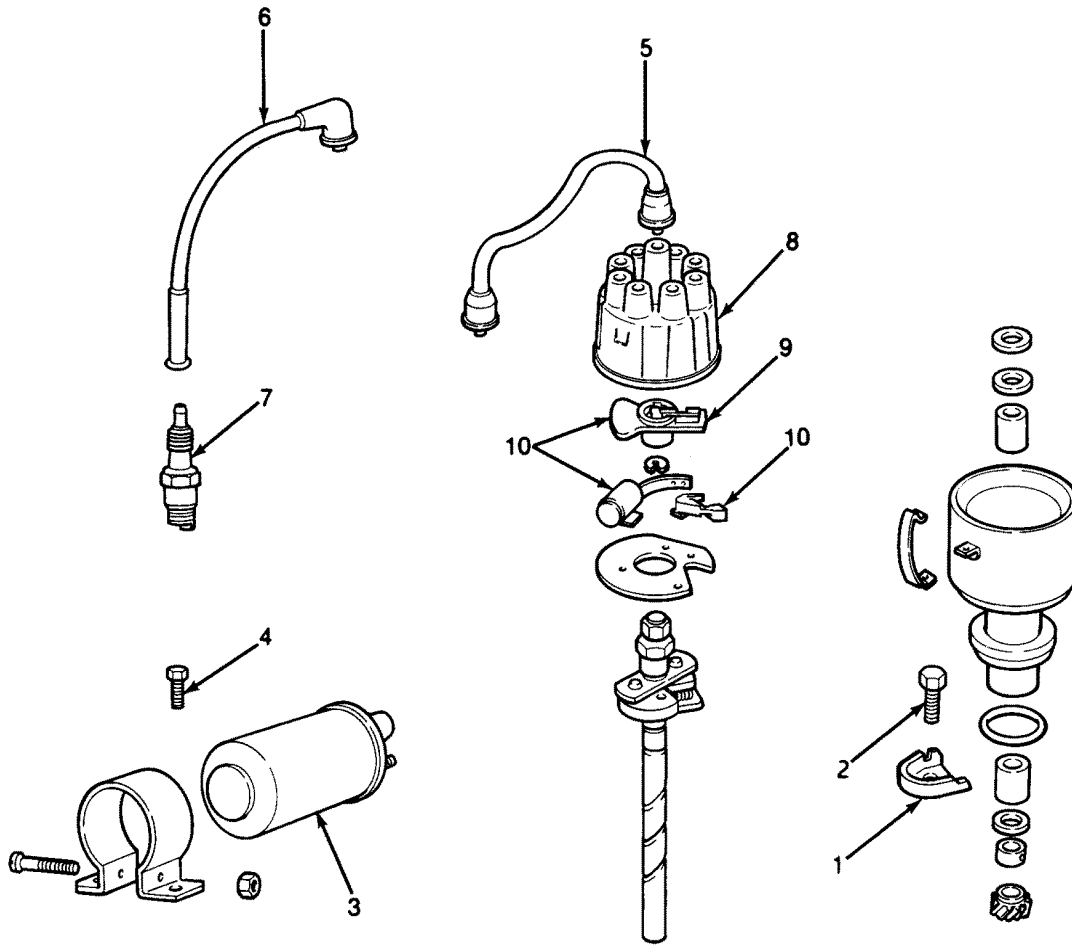
ALTERNATOR



ALTERNATOR

REF. NO.	PART NO.	SYM.	QTY.	DESCRIPTION
1	F641308		1	ALTERNATOR ASSY, MOTOROLA
2	F640240		1	PULLEY, ALTERNATOR
3	F708525		1	BRACKET, ALTERNATOR ADJUST
4	F1823		1	BOLT, ALT. ADJUST - 5/16 - 18 X 1
5	F1901		1	WASHER, ADJUST BOLT - 5/16
6	F1826		3	SPACER
7	F7063		1	NUT, ALT. TERMINAL - 1/4 - 20
8	F7011		1	NUT, ALT. FIELD TERMINAL
9	F708077-1		1	BRACKET, ALT. MOUNT
10	F2267		1	BOLT, ALT. PIVOT - 3/8 - 16 X 3-1/2
11	F1703		1	WASHER, PIVOT BOLT - 3/8
12	F1347		1	NUT, PIVOT BOLT - 3/8 - 16
13	F2425		1	BOLT, BRACKET - 5/16 - 18 X 6
14	F2314		1	BOLT, ADJUST BRACKET - 5/16 - 18 X 5-3/8

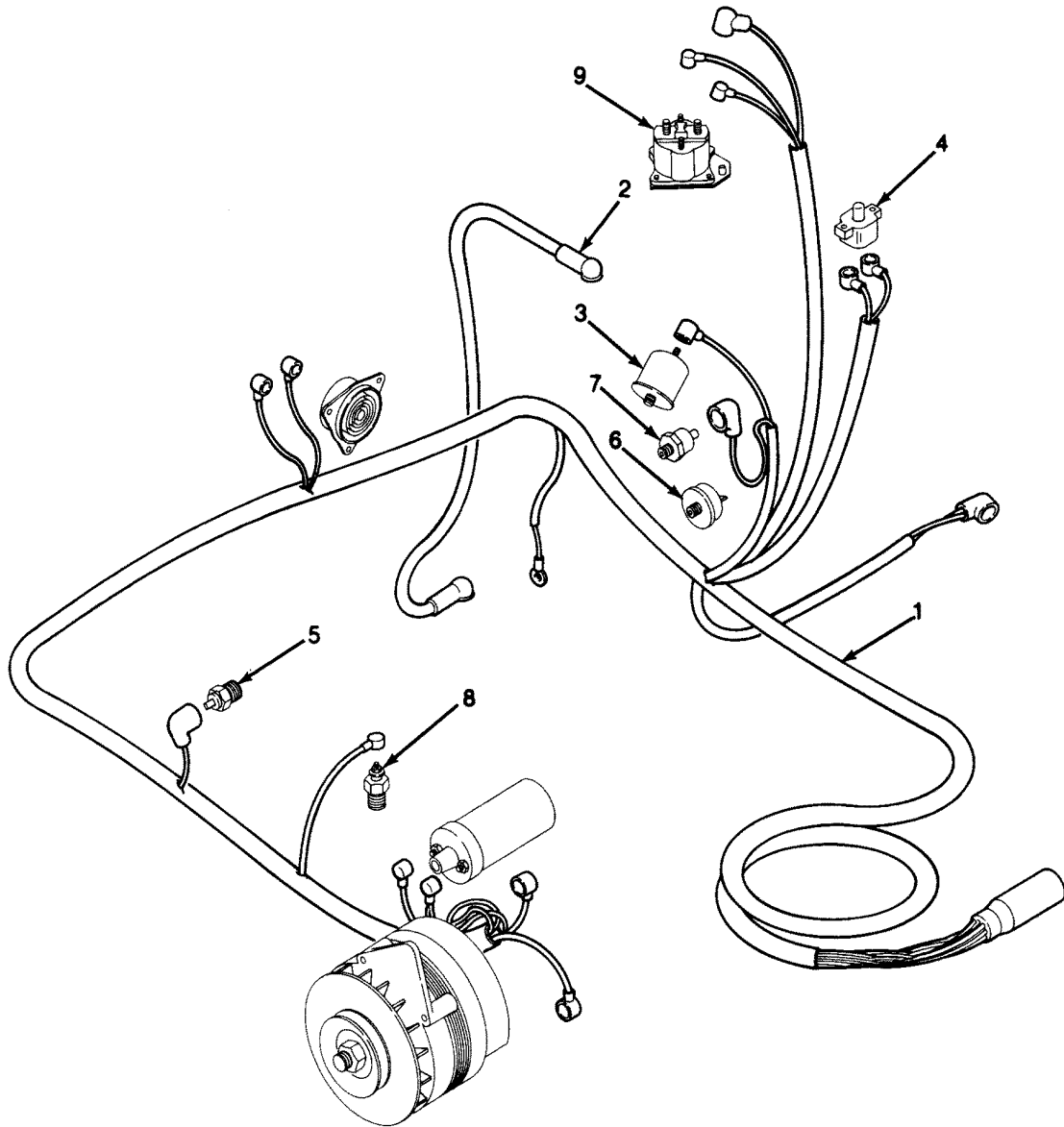
IGNITION SYSTEM



IGNITION SYSTEM

REF. NO.	PART NO.	SYM.	QTY.	DESCRIPTION
-	F724354		1	DISTRIBUTOR ASSEMBLY, STD. ROTATION
-	F724355		1	DISTRIBUTOR ASSEMBLY, REV. ROTATION
1	F724200		1	CLAMP, DISTRIBUTOR
2	F724201		1	SCREW ASSEMBLY, DISTRIBUTOR CLAMP
3	F724192		1	COIL, IGNITION
4	F724353		1	BOLT, COIL STRAP
5	F724198		1	WIRE, COIL
6	F700841		1	WIRE SET, IGNITION
7	F724356		8	SPARK PLUG
8	F724191		1	CAP, DISTRIBUTOR
9	F724352		1	ROTOR, DISTRIBUTOR
10	F724190		1	TUNE-UP KIT (POINTS, CONDENSER, ROTOR)

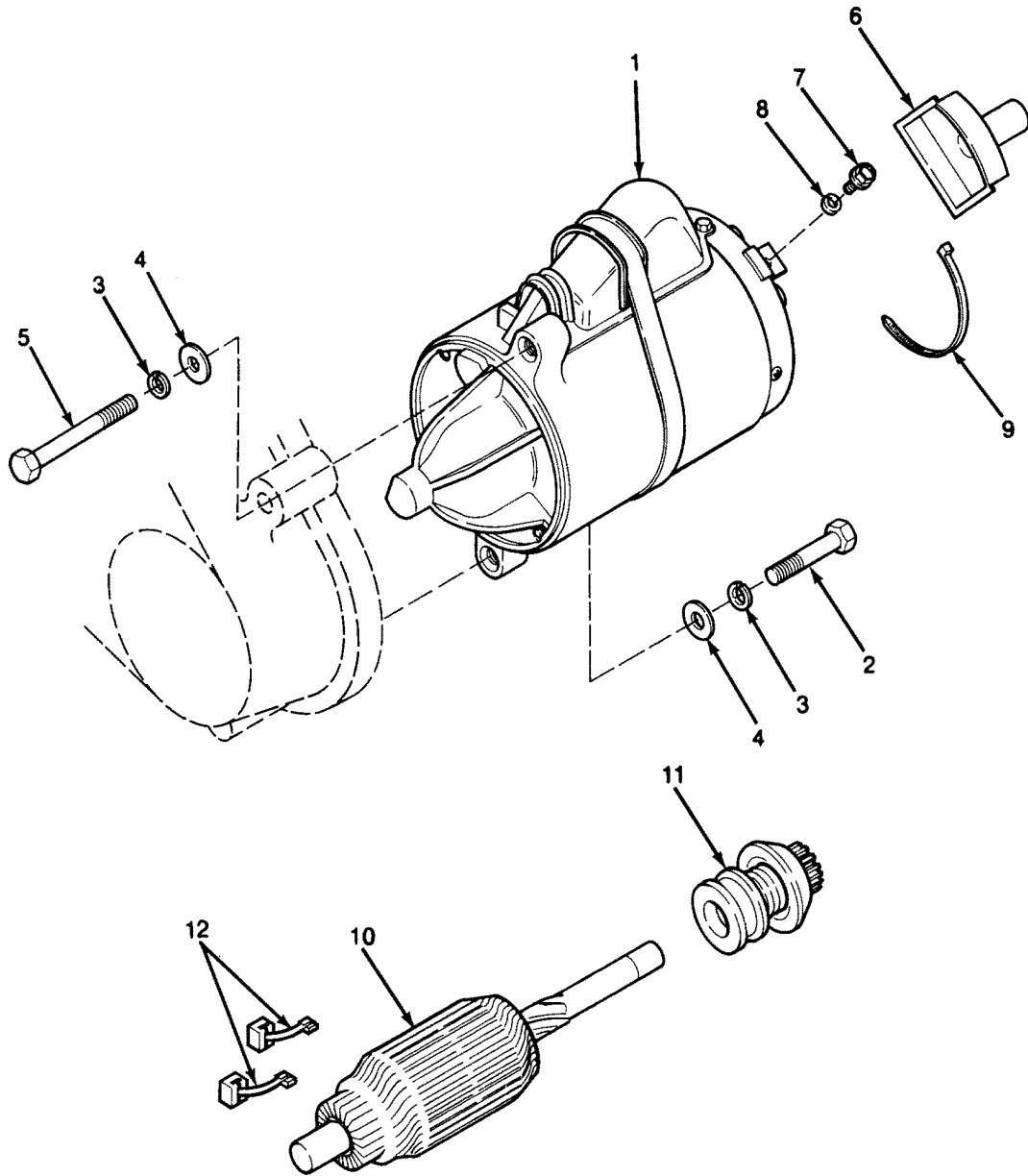
ELECTRICAL COMPONENTS



ELECTRICAL COMPONENTS

REF. NO.	PART NO.	SYM.	QTY.	DESCRIPTION
1	F708457		1	HARNES, WIRING
2	F708455		1	CABLE, STARTER
3	F708432		1	SENDER, OIL PRESSURE - DUAL STATION
4	F708431		1	CIRCUIT BREAKER
5	F700935		1	SWITCH, WATER TEMPERATURE ALARM
6	F708433		1	CIRCUIT INTERRUPTOR
7	F708940		1	SWITCH, OIL PRESSURE ALARM
8	F700690		1	SENDER, WATER TEMPERATURE
9	F642917		1	RELAY, STARTER

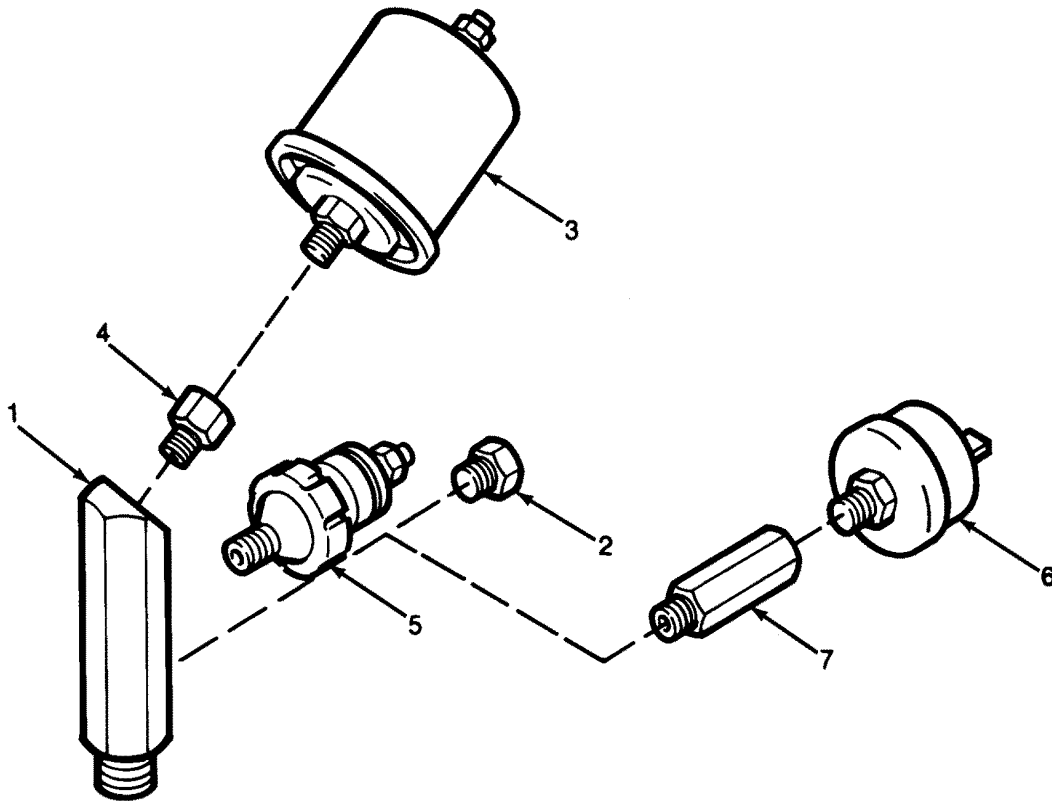
STARTER



STARTER

REF. NO.	PART NO.	SYM.	QTY.	DESCRIPTION
1	F708430		1	STARTER, STANDARD ROTATION
-	GG.708434		1	STARTER, REVERSE ROTATION
2	F1869		1	SCREW, STARTER - 3/8 - 16 X 1-1/4
3	F1703		2	WASHER, LOCK 3/8
4	F1778		2	WASHER, FLAT 3/8
5	FI3000148		1	SCREW, STARTER - 3/8 - 16 X 2-1/2
6	F700276		1	BOOT, STARTER TERMINAL
7	F2278		1	SCREW, TERMINAL - 1/4 - 20 X 1/2
8	F8063		1	WASHER, TERMINAL - 1/4
9	F700990		1	TIE, CABLE
10	F724347		AR	ARMATURE, STARTER
11	F724350		AR	DRIVE, STARTER - STD. ROTATION
-	F724349		AR	DRIVE, STARTER - REV. ROTATION
12	F724348		AR	BRUSH SET, STARTER

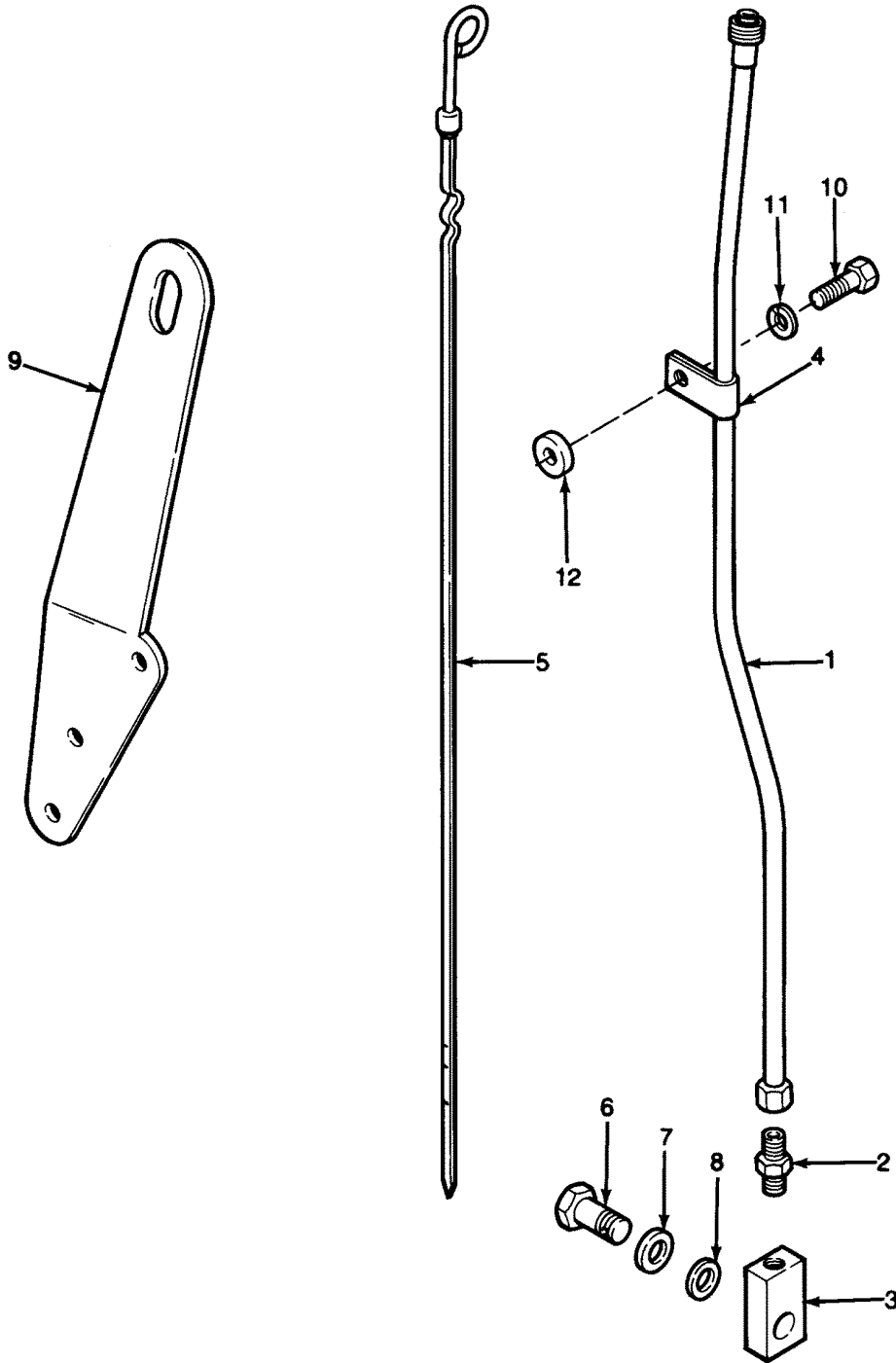
OIL SWITCHES AND SENDER



OIL SWITCHES AND SENDER

REF. NO.	PART NO.	SYM.	QTY.	DESCRIPTION
1	F700177		1	ADAPTER, OIL - STARBOARD
-	F700938		1	ADAPTER, OIL - PORT
2	F700633		AR	PLUG, ADAPTER - 1/8 - 27
3	F700918		AR	SENDER, OIL - SINGLE STATION
-	F708432		AR	SENDER, OIL - DUAL STATION
4	F700581		1	ADAPTER, 1/8 X 1/8
5	F708940		1	SWITCH, LOW OIL PRESSURE
6	F708433		1	INTERRUPTOR, CIRCUIT - LOW OIL PRESS.
7	F642126		1	COUPLING, 1/8 X 1/8

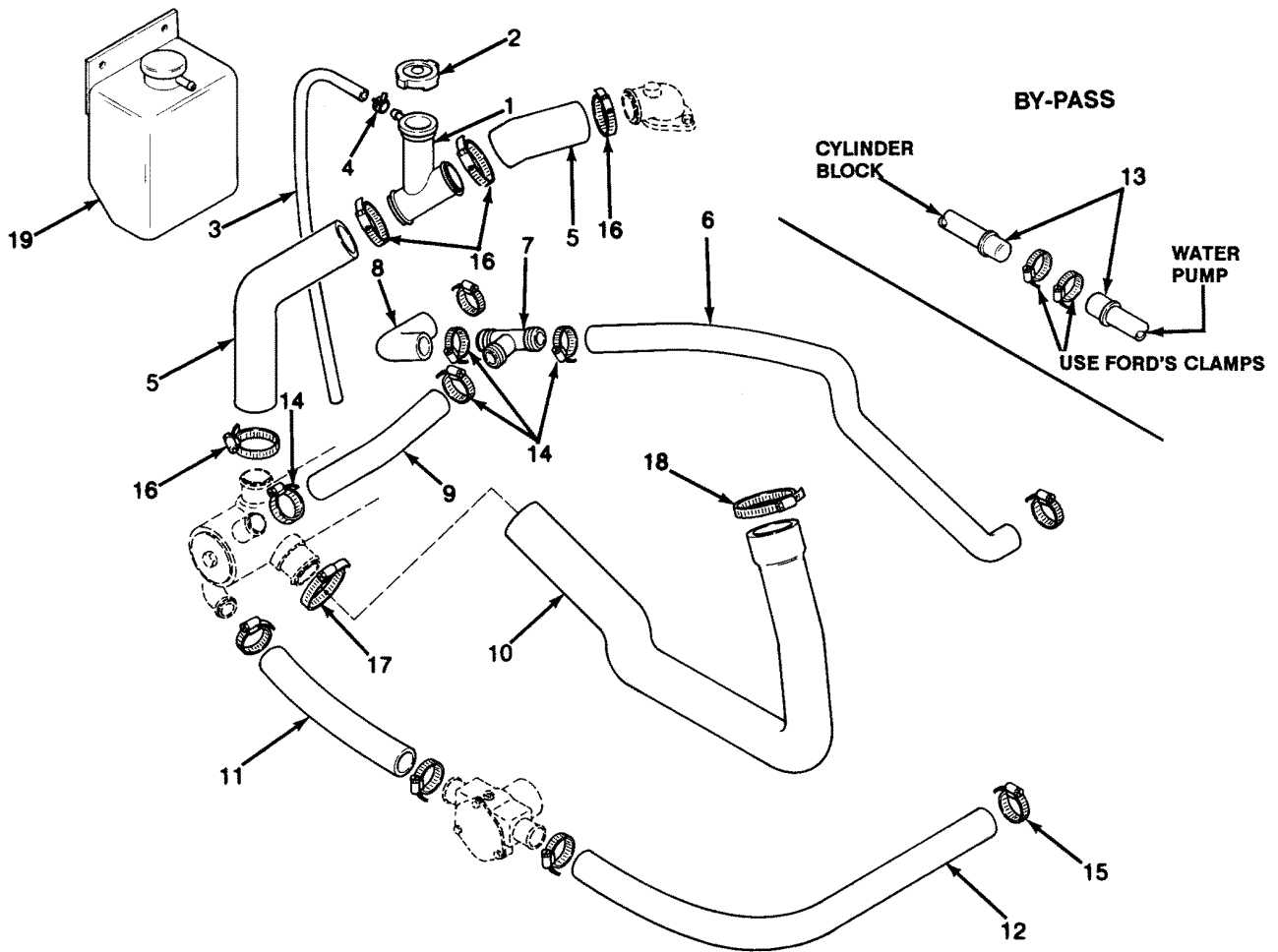
OIL INDICATOR AND LIFT BRACKET



OIL INDICATOR AND LIFT BRACKET

REF. NO.	PART NO.	SYM.	QTY.	DESCRIPTION
1	F708332		1	TUBE ASSEMBLY, OIL INDICATOR
2	F708380		1	CONNECTOR, TUBE
3	F700801		1	FITTING, BANJO
4	F708306		1	CLIP, INDICATOR TUBE
5	F708527		1	INDICATOR, OIL LEVEL
6	F700069-1		1	BOLT, HOLLOW - 14 MM
7	F700805		1	GASKET, BOLT - OUTER BLACK
8	F700803-1		1	GASKET, BOLT - INNER WHITE
9	F642439		2	BRACKET, ENGINE LIFT
10	F2285		4	SCREW, BRACKET - 7/16 - 14 X 1 - 1/4
11	F8153		4	WASHER, LOCK - 7/16
12	F708336		4	SPACER, LIFT BRACKET

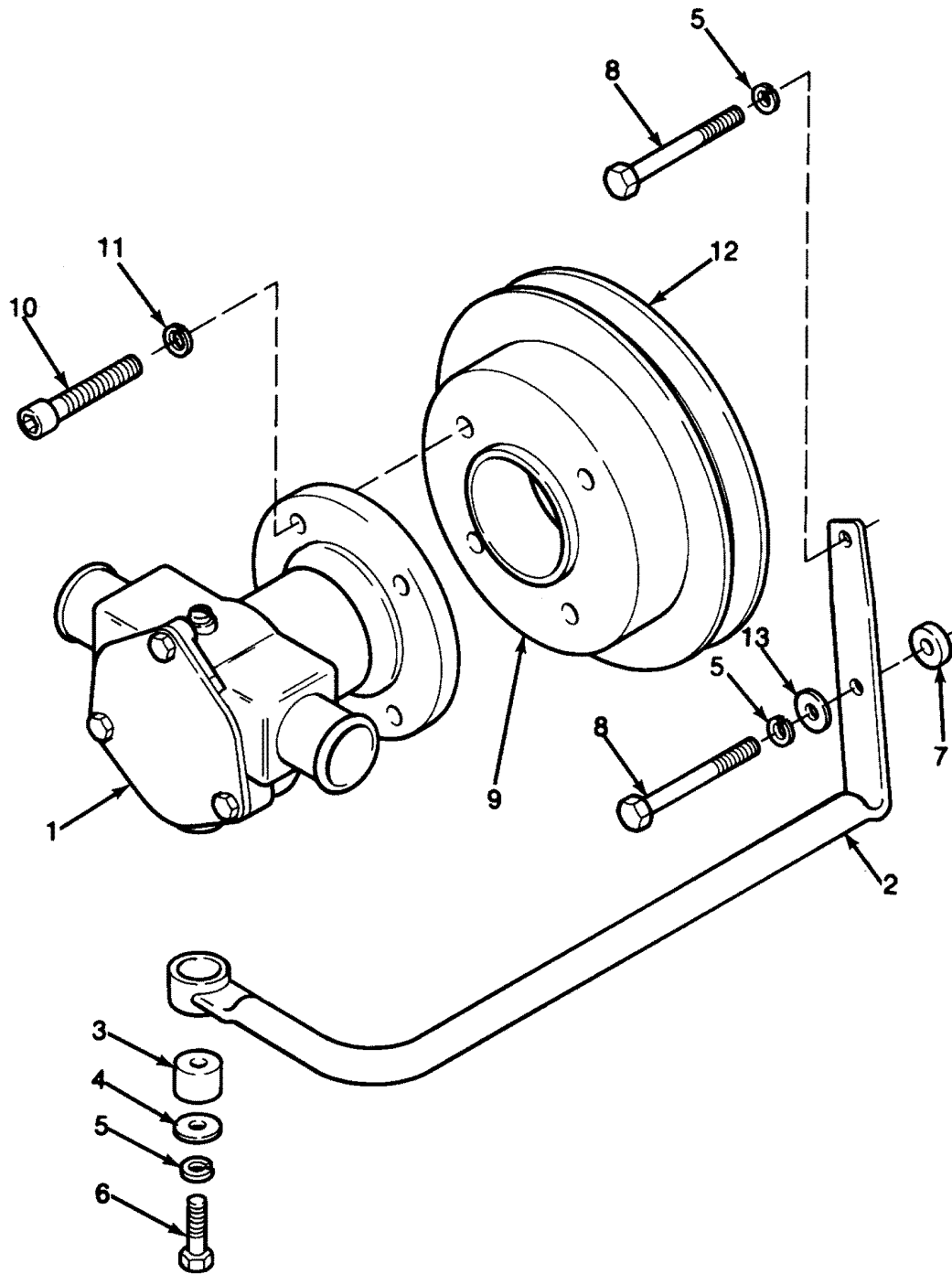
FRESH WATER COOLING SYSTEM



FRESH WATER COOLING SYSTEM

REF. NO.	PART NO.	SYM.	QTY.	DESCRIPTION
1	GG.708771		1	TEE, COOLANT FILL
2	F700679		1	CAP, PRESSURE
3	F700542		1	TUBE, COOLANT TANK - 5/16 X 30
4	F700557		2	CLAMP, COOLANT TANK HOSE
5	F708232		1	HOSE, (CUT TO INSTALL TEE)
6	F708231		1	HOSE, TEE TO EXHAUST MANIFOLD
7	F700418		1	TEE, HOSE
8	F708237		1	HOSE, TEE TO EXHAUST MANIFOLD
9	F708238		1	HOSE, TEE TO HEAT EXCHANGER
10	F708230		1	HOSE, HEAT EXCHANGE TO CIRCUIT PUMP
11	F708234		1	HOSE, 1-1/4 X 13" - WIRE REINFORCED
12	F708235		1	HOSE, 1-1/4 X 31" - WIRE REINFORCED
13	F696679		2	CAP, WATER BY-PASS
14	F700552		4	CLAMP, HOSE - #16
15	F700553		6	CLAMP, HOSE - #20
16	F700554		4	CLAMP, HOSE - #24
17	F700555		1	CLAMP, HOSE - #28
18	F708307		1	CLAMP, HOSE - #32
19	F700034		1	TANK, COOLANT RESERVE

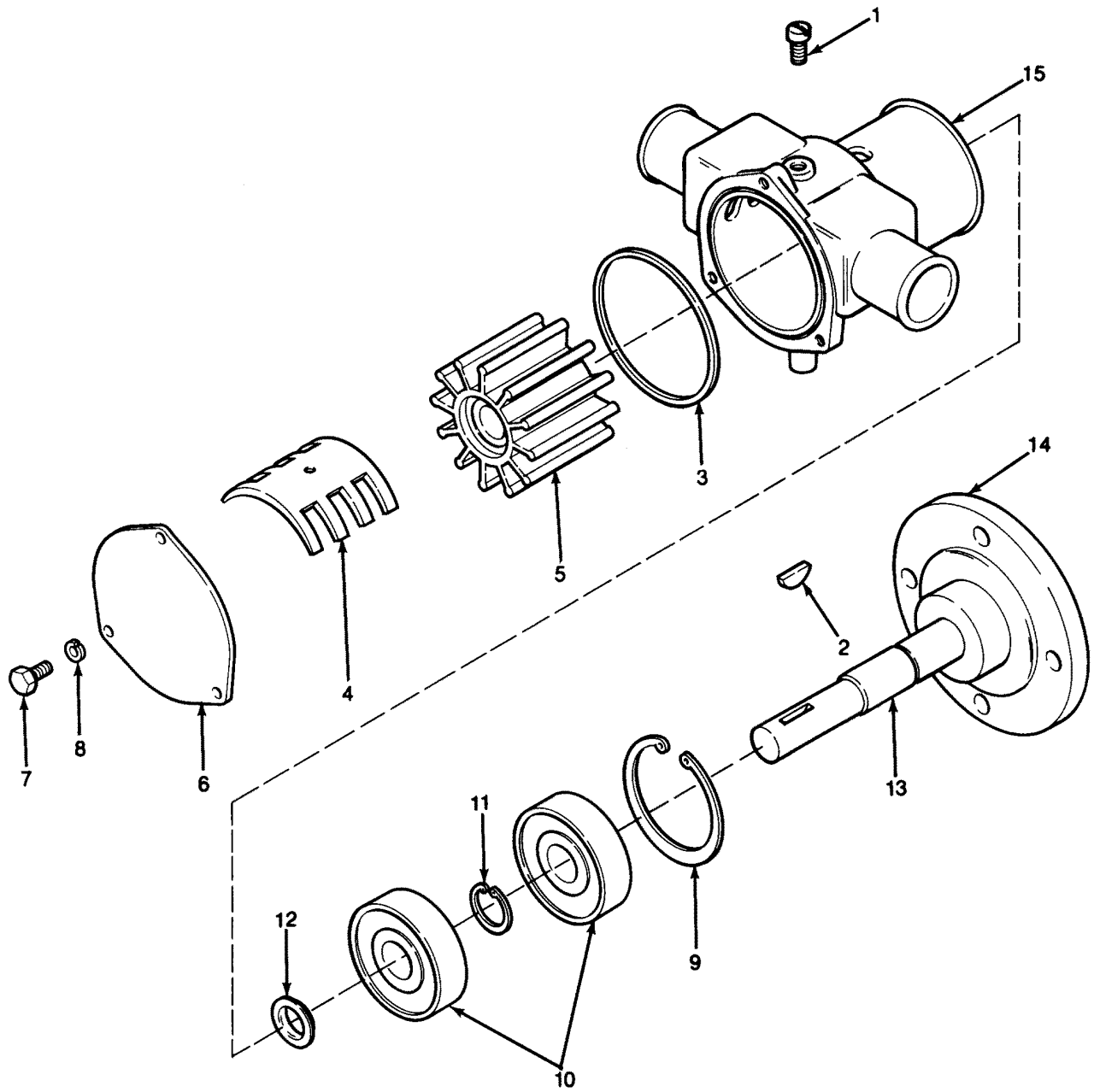
SEAWATER PUMP AND RELATED COMPONENTS



SEAWATER PUMP AND RELATED COMPONENTS

REF. NO.	PART NO.	SYM.	QTY.	DESCRIPTION
1	F700766-1		1	PUMP, SEAWATER
2	F708522		1	BRACE, SEAWATER PUMP
3	F700547		1	BUSHING, BRACE
4	F8172		1	WASHER, FLAT
5	F1901		3	WASHER, LOCK - 5/16
6	F1902		1	SCREW, BRACE - 5/16 - 18 X 3/4
7	F708331		1	SPACER, BRACE
8	F1827		2	SCREW, BRACE - 5/16 - 18 X 2 - 3/4
9	F708333		1	PILOT, SEA PUMP
10	F1485		4	SCREW, SOCKET HEAD 3/8 - 16 X 2 - 1/2
11	F8130		4	WASHER, LOCK - 3/8
12	F708529		1	PULLEY, CRANKSHAFT
13	FI4100024		2	WASHER, FLAT

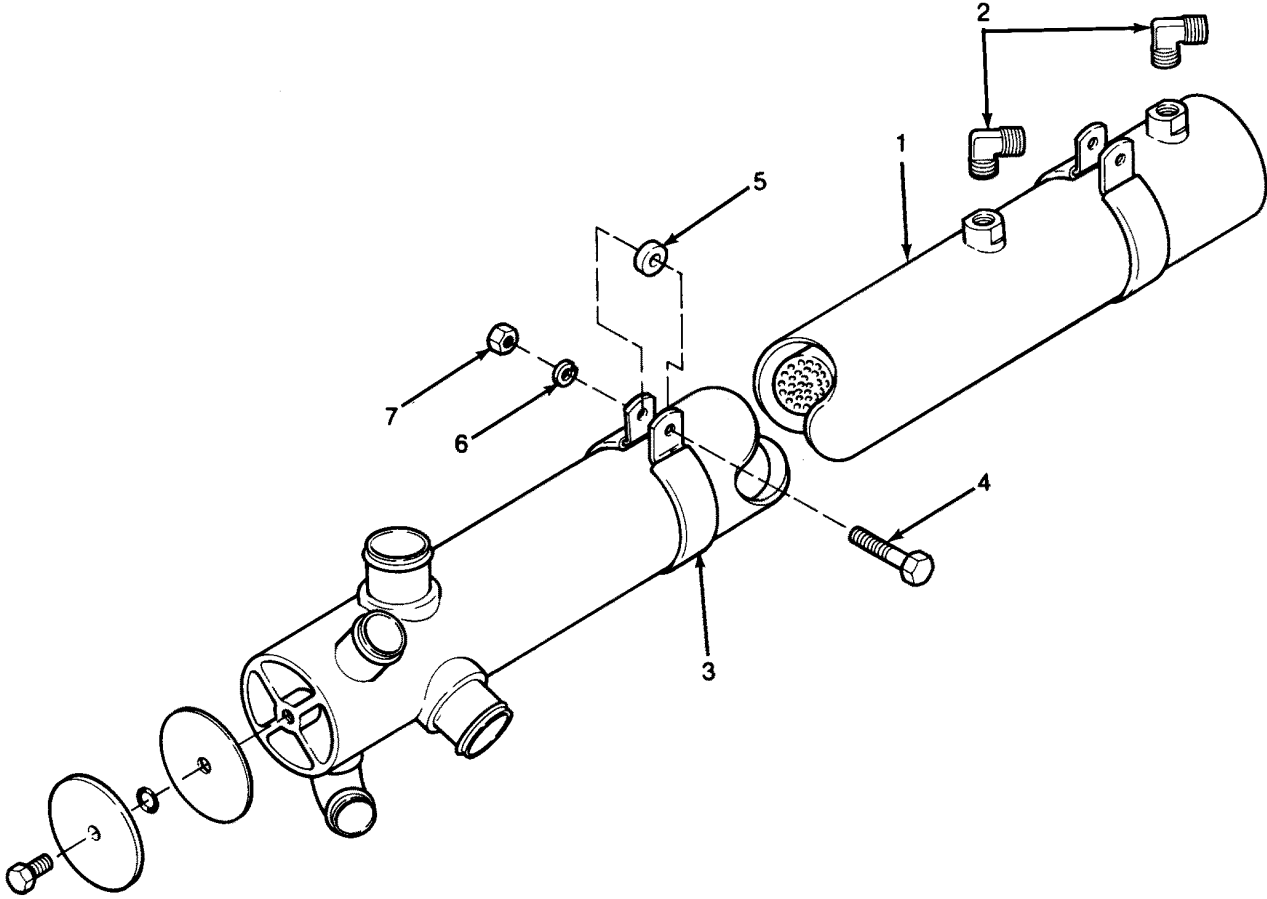
SEAWATER PUMP COMPONENTS



SEAWATER PUMP COMPONENTS

REF. NO.	PART NO.	SYM.	QTY.	DESCRIPTION
-	F700766-1		1	PUMP, SEAWATER (SHERWOOD P-151)
1	F724202		1	SCREW, CAM (SHERWOOD #10515)
2	F724206		1	KEY, WOODRUFF (SHERWOOD #4432)
3	F724207		1	O-RING, COVER (SHERWOOD #12231)
4	F724216		1	CAM (SHERWOOD #18398)
5	F724208		1	IMPELLAR (SHERWOOD #15000)
6	F724205		1	COVER, END (SHERWOOD #18509)
7	F724204		3	SCREW, COVER (SHERWOOD #01483)
8	F724203		3	WASHER, LOCK (SHERWOOD #12710)
9	F724214		1	RETAINING RING (SHERWOOD #8781)
10	F724212		2	BALL BEARING (SHERWOOD #18662)
11	F724213		1	RETAINING RING (SHERWOOD #6837)
12	F724211		1	SLINGER (SHERWOOD #18666)
13	F724217		1	SHAFT, (SHERWOOD #18671)
14	F724215		1	ADAPTOR, (SHERWOOD #18507)
15	F724209		1	HOUSING, (SHERWOOD #18660)
NS	F724210		1	LIP SEAL (SHERWOOD #18652), PRESSED INTO HOUSING

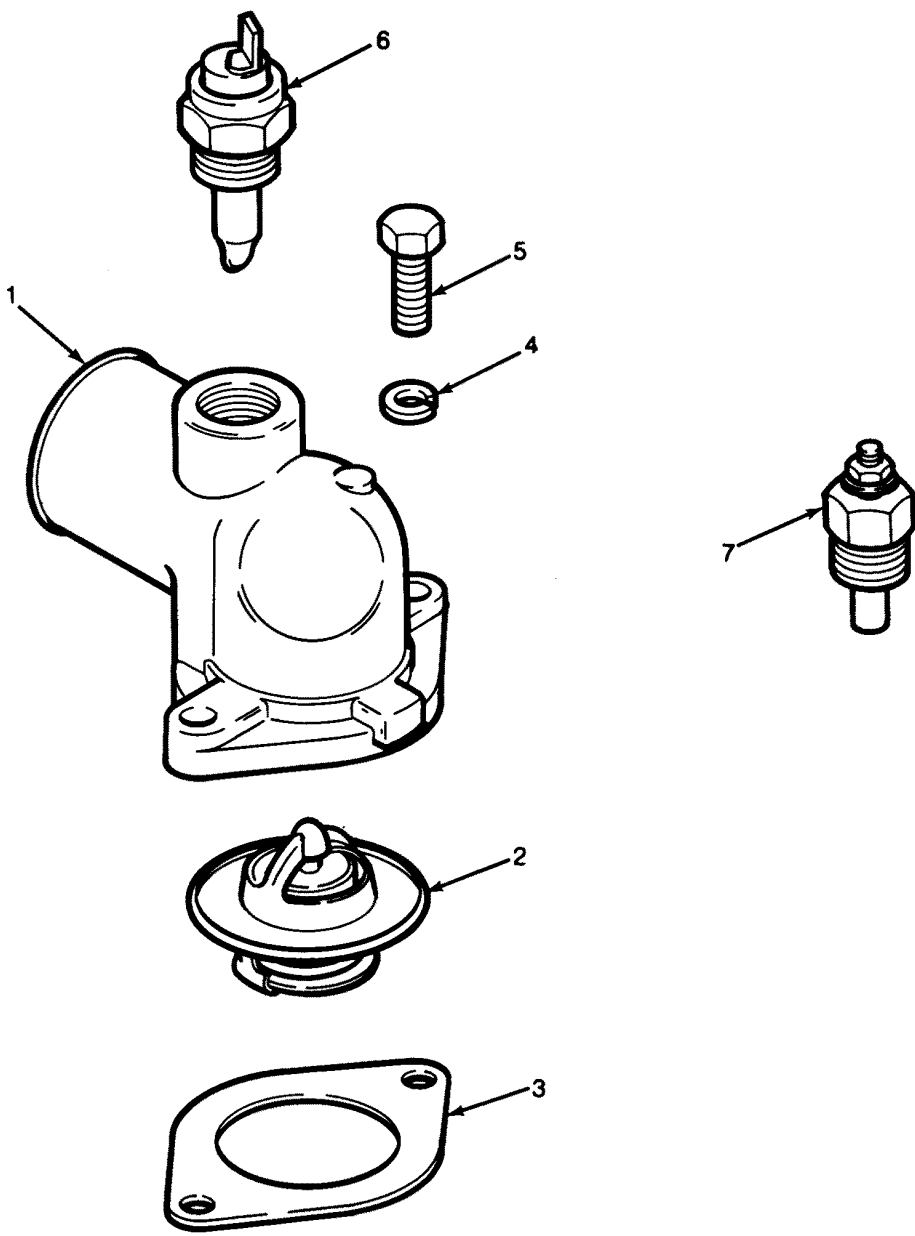
HEAT EXCHANGER/GEAR COOLER



HEAT EXCHANGER/GEAR COOLER

REF. NO.	PART NO.	SYM.	QTY.	DESCRIPTION
1	F708938		1	HEAT EXCHANGER/GEAR COOLER
2	F700580		2	ELBOW, 90
3	GG.708528		2	BRACKET, HEAT EXCHANGER
4	F1823		2	BOLT, BRACKET
5	F708331		2	SPACER, BRACKET
6	F1901		2	WASHER, LOCK
7	F1515		2	NUT, BRACKET BOLT

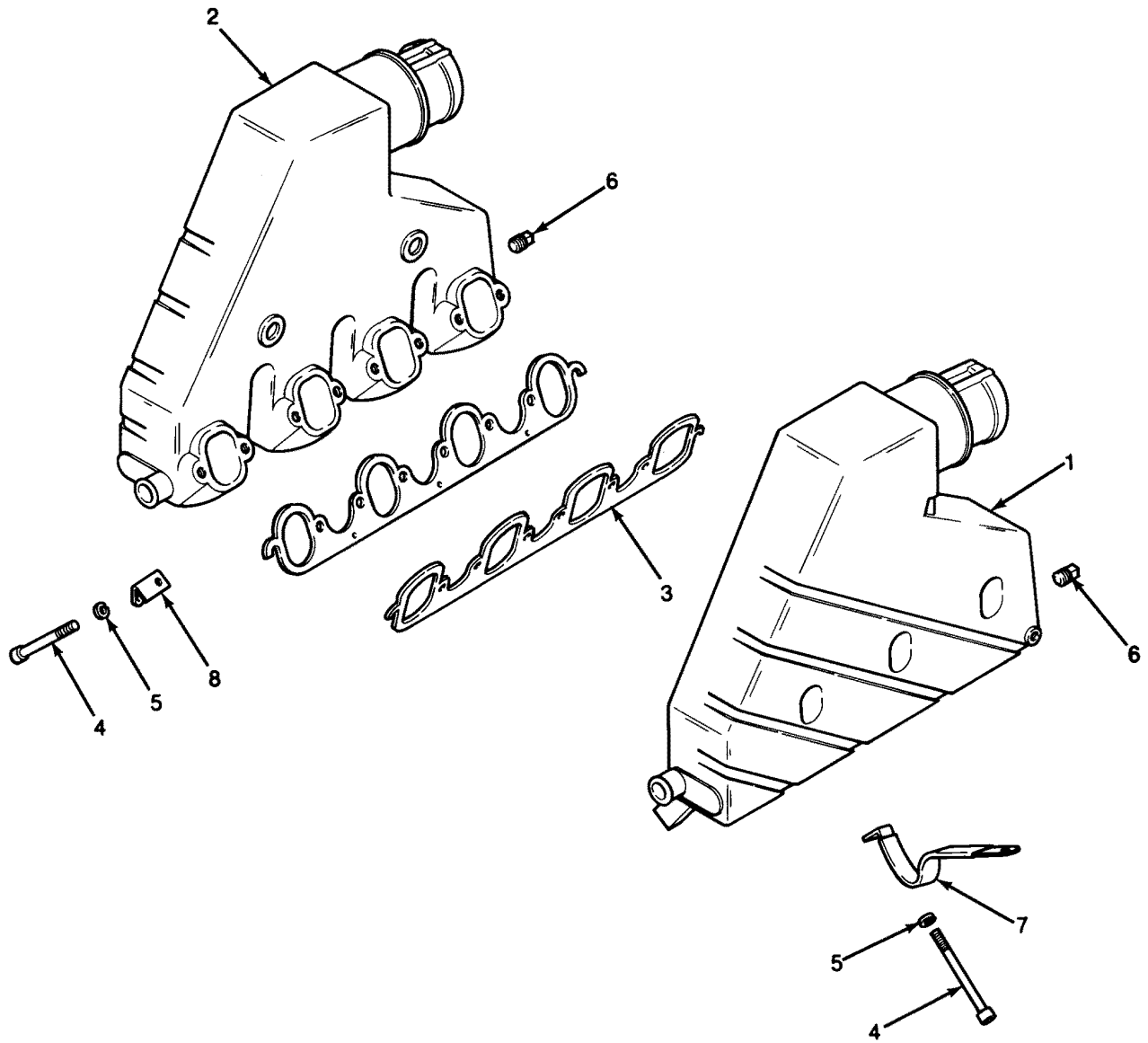
THERMOSTAT HOUSING



THERMOSTAT HOUSING

REF. NO.	PART NO.	SYM.	QTY.	DESCRIPTION
1	F708083		1	HOUSING, THERMOSTAT
2	FA700936		1	THERMOSTAT - 160- - 3/16 BLEED HOLE
3	F708181		1	GASKET, THERMOSTAT
4	F1901		2	WASHER, LOCK
5	F1823		2	SCREW, HOUSING - 5/16 - 18 X 1
6	F700691		AR	SWITCH, HI-TEMPERATURE ALARM - 210
-	F700935		AR	SWITCH, HI-TEMPERATURE ALARM - 220
7	F700791		AR	SENDER, WATER TEMPERATURE - SINGLE STATION
-	F700690		AR	SENDER, WATER TEMPERATURE - DUAL STATION

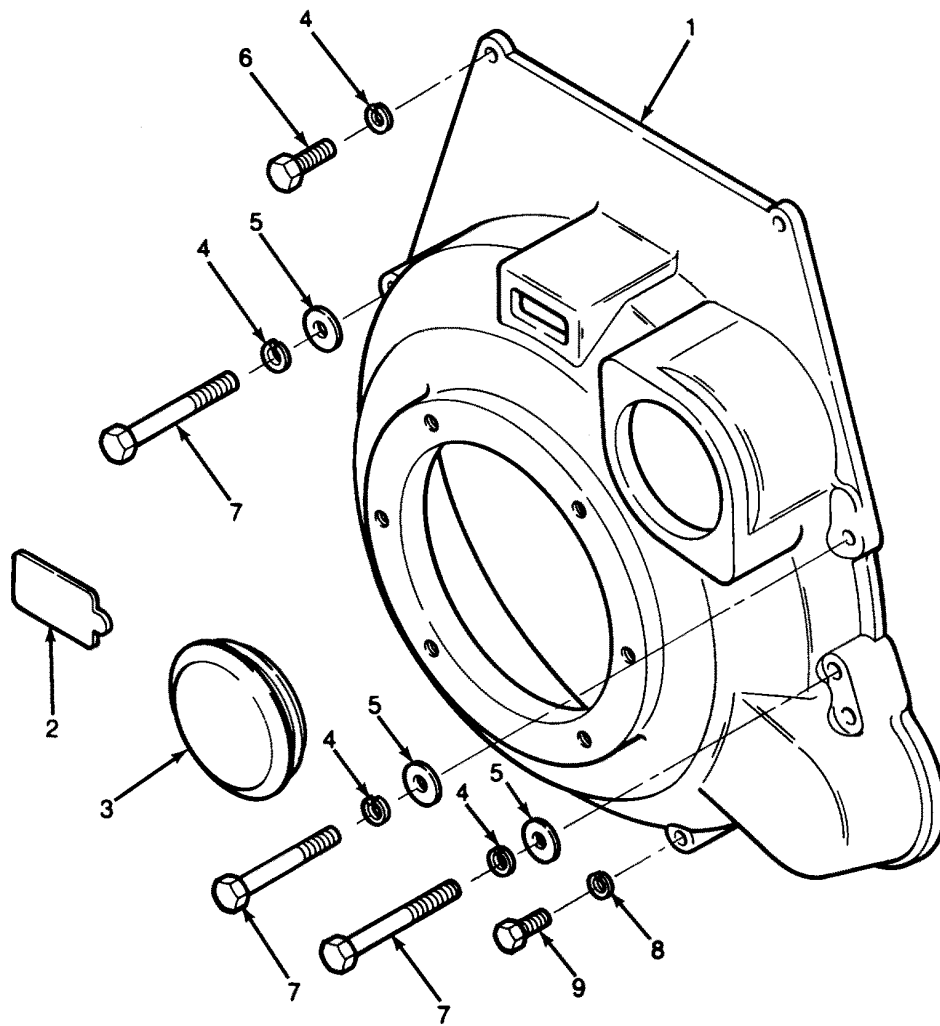
EXHAUST MANIFOLDS



EXHAUST MANIFOLDS

REF. NO.	PART NO.	SYM.	QTY.	DESCRIPTION
1	F708080		1	MANIFOLD, EXHAUST - LEFT
2	F708079		1	MANIFOLD, EXHAUST - RIGHT
3	F708183		2	GASKET, MANIFOLD
4	F2257		16	SCREW, MANIFOLD - 3/8 - 16 X 3 - 3/4
5	F8130		14	WASHER, MANIFOLD SCREW
6	F700590		2	PLUG, MANIFOLD - 1/4 NPT
7	F708534		1	BRACKET, HOSE SUPPORT
8	F708532		2	BRACKET, HEAT EXCHANGER

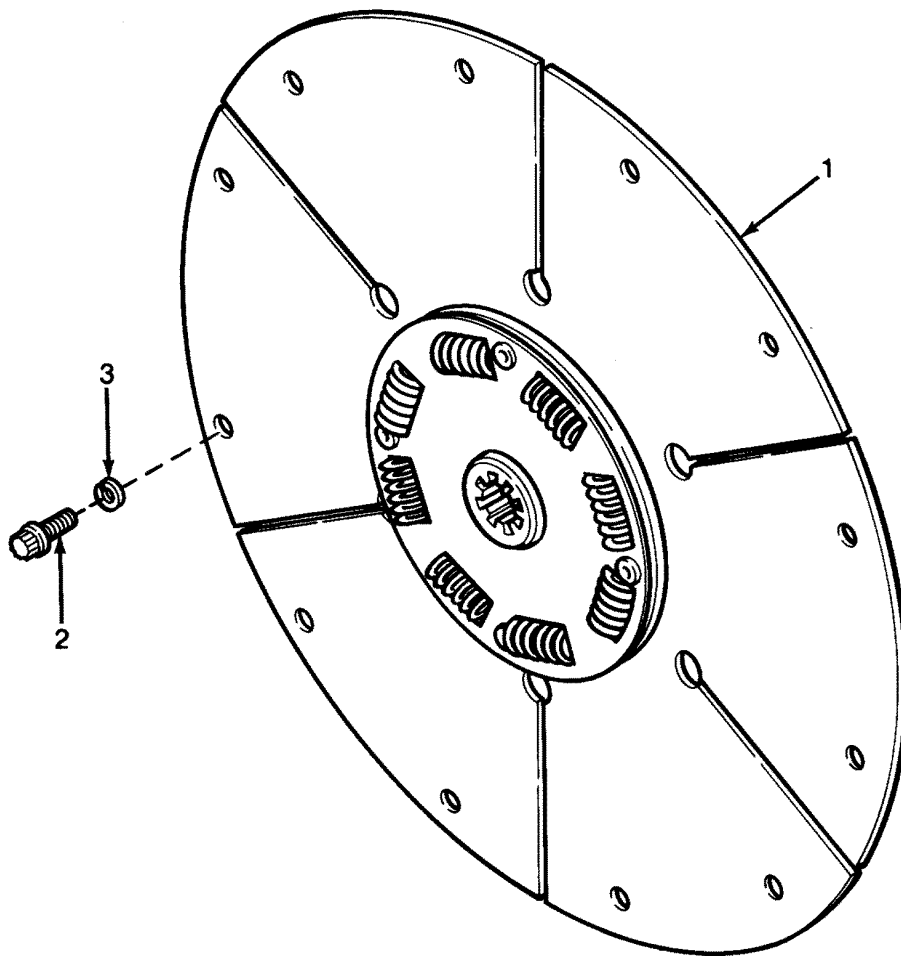
FLYWHEEL HOUSING



FLYWHEEL HOUSING

REF. NO.	PART NO.	SYM.	QTY.	DESCRIPTION
1	F708076		1	HOUSING, FLYWHEEL
2	F708149		1	COVER, TIMING WINDOW
3	F708935		1	COVER, STARTER HOLE
4	F8153		6	WASHER, LOCK 7/16"
5	F8165		6	WASHER, FLAT 7/16"
6	F2147		2	SCREW, HOUSING - 7/16 - 14 X 1-1/2
7	F2418		4	SCREW, HOUSING - 7/16 - 14 X 2-1/4
8	F1703		2	WASHER, LOCK 3/8"
9	F1871		2	SCREW, 3/8 - 16 X 3/4

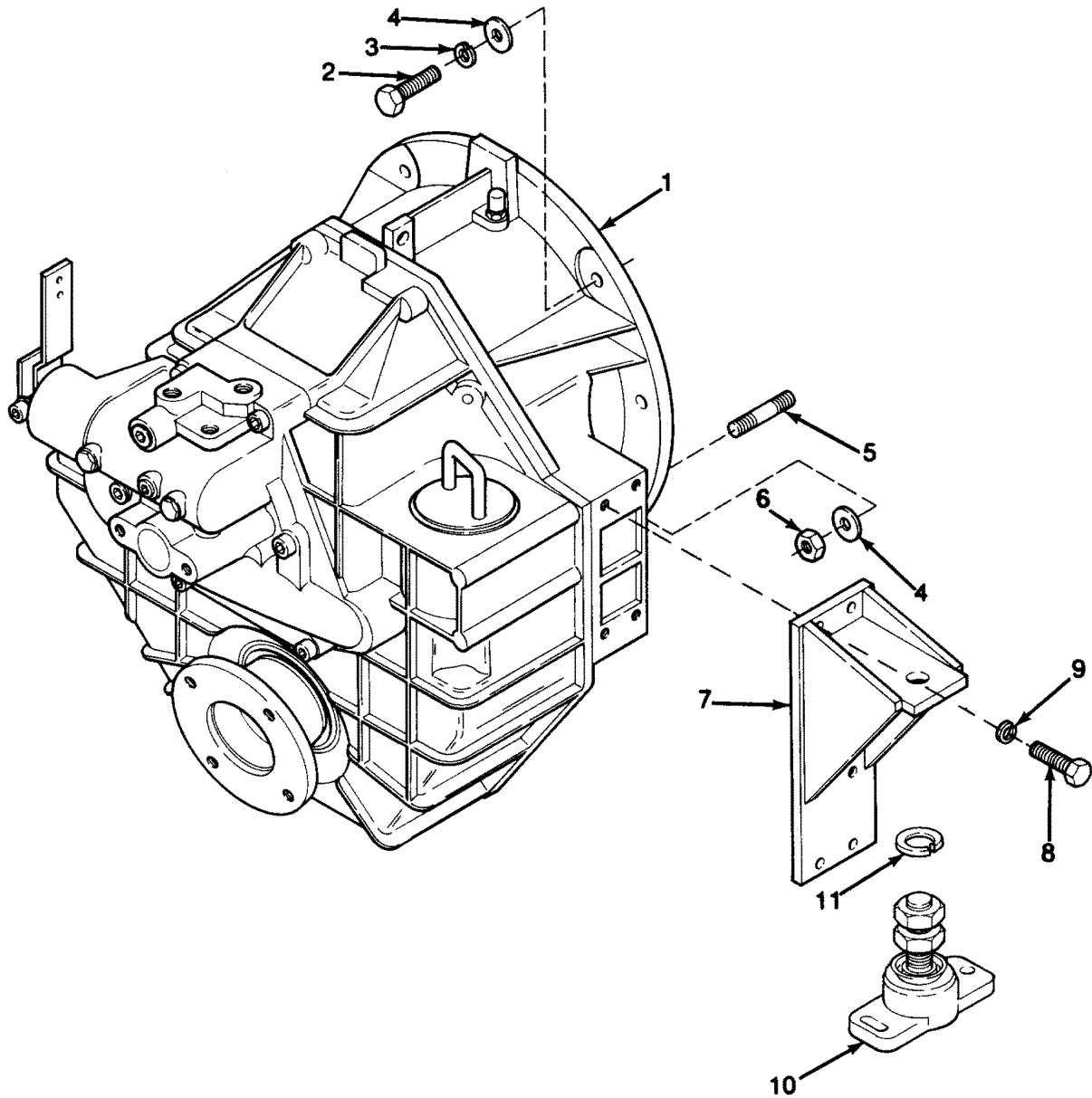
DAMPER PLATE



DAMPER PLATE

REF. NO.	PART NO.	SYM.	QTY.	DESCRIPTION
1	F708939		1	PLATE, DAMPER (UPE 150-008-1980)
2	F708106		8	SCREW, SHOULDERED
3	F1703		8	WASHER, LOCK

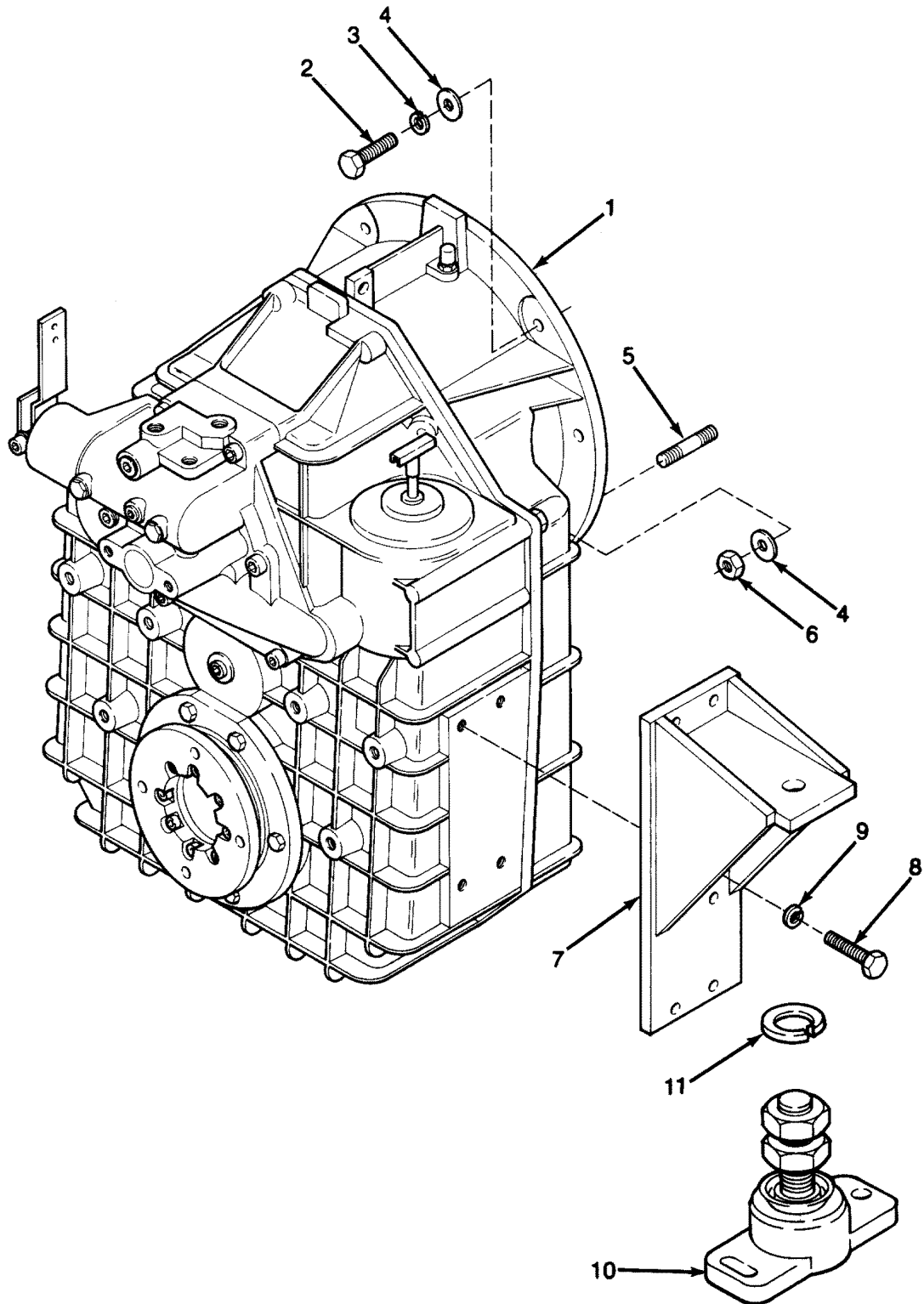
TRANSMISSION - HURTH DOWNANGLE



TRANSMISSION - HURTH DOWNANGLE

REF. NO.	PART NO.	SYM.	QTY.	DESCRIPTION
1	F708027		1	TRANSMISSION, HURTH HSW630A 1.5:1
-	F708028		0	TRANSMISSION HURTH HSW630A 2.0:1
-	F708029		0	TRANSMISSION, HURTH HSW630A 2.5:1
2	F2285		4	SCREW, TRANSMISSION - 7/16 - 14 X 1 - 1/4
3	F8153		4	WASHER, LOCK - 7/16
4	F8165		6	WASHER, FLAT - 7/16
5	F700440		2	STUD, TRANSMISSION
6	F2065		2	NUT, STUD - 7/16 - 14
7	F708778		2	MOUNT, TRANSMISSION - FOR 1.5-1 TRANS
-	F708777		2	MOUNT, TRANSMISSION - FOR 2.0:1, 2.5:1 TRANS
8	F2415		8	SCREW, MOUNT - M12 - 1.75 X 35 MM
9	F8175		8	WASHER, LOCK - M12
10	F708735		2	ISOLATOR, WITH NUTS
11	F8178		2	WASHER, LOCK-ISOLATOR - 3/4
NS	FI9608751		AR	FILTER, TRANSMISSION - W/O-RINGS

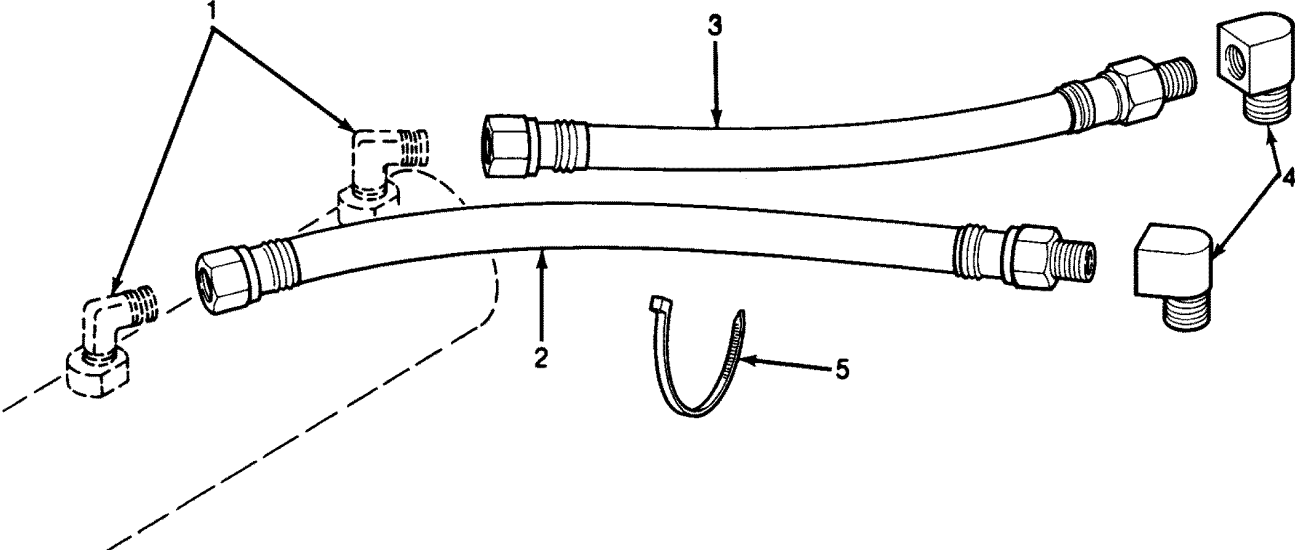
TRANSMISSION - HURTH V-DRIVE



TRANSMISSION - HURTH V-DRIVE

REF. NO.	PART NO.	SYM.	QTY.	DESCRIPTION
1	GG.708025		1	TRANSMISSION, V-DRIVE HSW630A 1.5:1
2	F2285		4	SCREW, TRANSMISSION - 7/16 - 14 X 1 - 1/4
3	F8153		4	WASHER, LOCK - 7/16
4	F8165		6	WASHER, FLAT - 7/16
5	F700440		2	STUD, TRANSMISSION
6	F2065		2	NUT, STUD - 7/16 - 14
7	F708781		2	MOUNT, TRANSMISSION
8	F2415		8	SCREW, MOUNT - M12 - 1.75 X 35 MM
9	F8175		8	WASHER, LOCK - M12
10	F708735		2	ISOLATOR, WITH NUTS
11	F8178		2	WASHER, LOCK-ISOLATOR - 3/4
NS	FI9608751		AR	FILTER, TRANSMISSION - W/O-RING

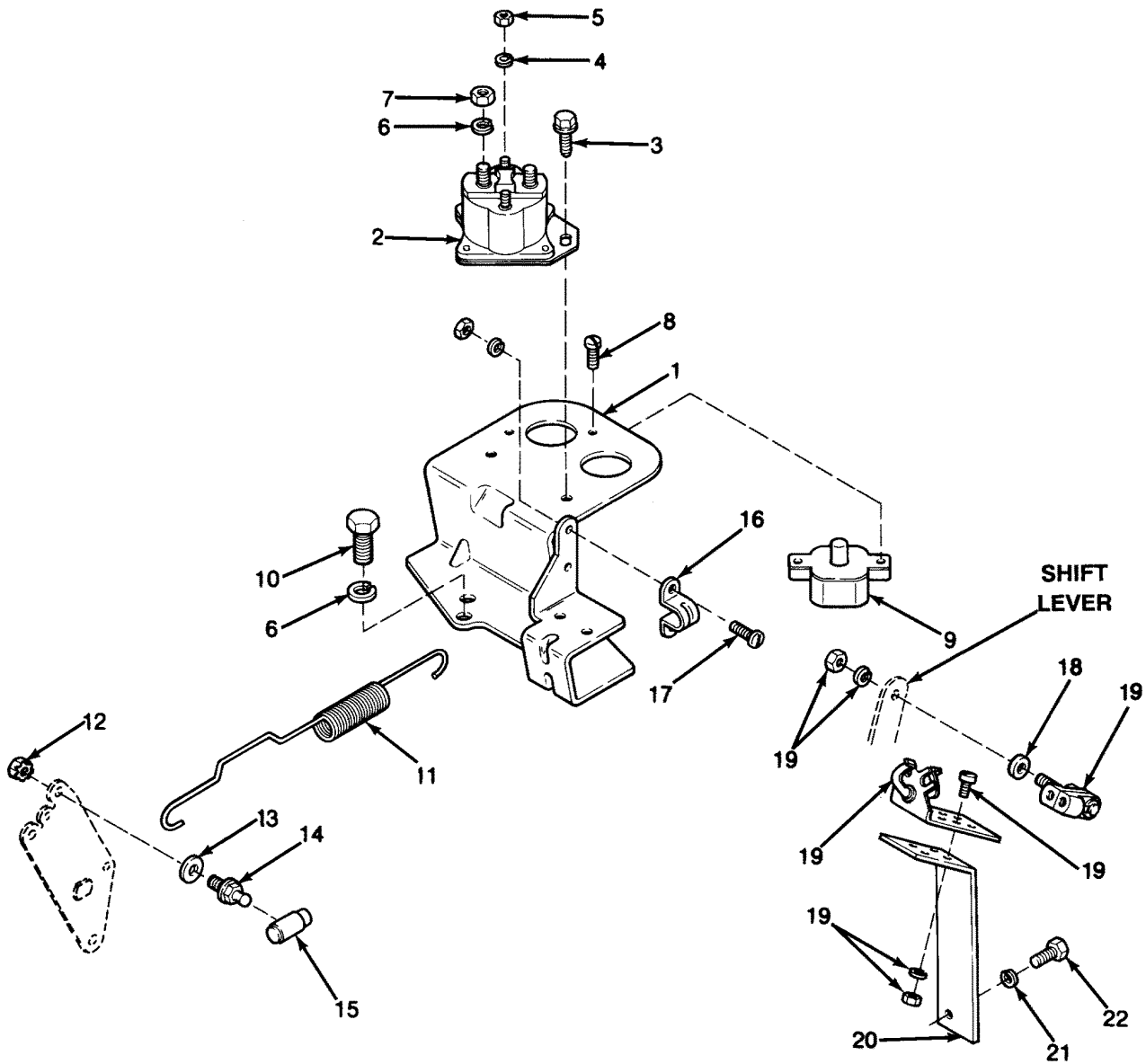
TRANSMISSION OIL COOLER LINES



TRANSMISSION OIL COOLER LINES

REF. NO.	PART NO.	SYM.	QTY.	DESCRIPTION
1	F700580		2	ELBOW, 90
2	F708773		1	HOSE, OIL - 18"
3	F708774		1	HOSE, OIL - 12"
4	F708382		2	ELBOW, 45
5	F700994		1	TIE, CABLE

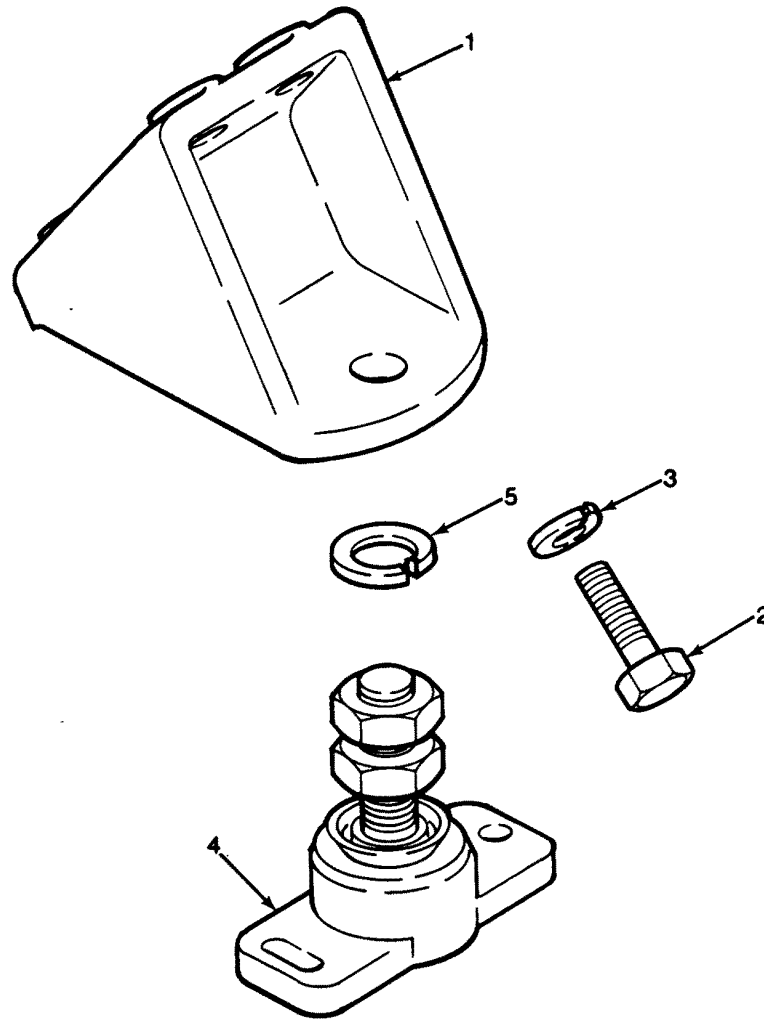
THROTTLE AND RELAY BRACKET, SHIFT BRACKET



THROTTLE AND RELAY BRACKET, SHIFT BRACKET

REF. NO.	PART NO.	SYM.	QTY.	DESCRIPTION
1	F708526		1	BRACKET, THROTTLE AND RELAY
2	F642917		1	RELAY, STARTER
3	F2278		2	SCREW, RELAY - 1/4 - 20 X 1-1/2
4	F1975		4	WASHER, TERMINAL - #10 LOCK
5	F1513		4	NUT, TERMINAL - #10 - 32
6	F1901		4	WASHER, TERMINAL - 5/16
7	F1515		2	NUT, TERMINAL - 5/16 - 18
8	F1303		2	SCREW, CIRCUIT BREAKER - 8 - 32 X 3/4
9	F639460		AR	BREAKER, CIRCUIT - 40 AMP
-	F708431		AR	BREAKER, CIRCUIT - 60 AMP
10	F1902		2	SCREW, BRACKET - 5/16 - 18 X 3/4
11	F700290		1	SPRING, THROTTLE RETURN
12	F7063		1	NUT, ROD END
13	F700402		3	WASHER, ROD END
14	F640273-1		1	STUD, ROD END
15	F58685-2		1	CONNECTOR, ROD END
16	F154317		1	CLAMP, CABLE
17	F2265		2	SCREW, CLAMP - 10 - 32 X 3/4
18	F708335		1	SPACER, THROTTLE STUD
19	F708820		AR	KIT, SHIFT CABLE MOUNTING - DUAL STATION
-	F708821		AR	KIT, SHIFT CABLE MOUNTING - SINGLE STATION (KITS INCLUDE CABLE MOUNTING, BRACKET, ROD END, AND FASTENERS)
20	F708535		1	BRACKET, SHIFT
21	F2205		2	WASHER, LOCK - 8MM
22	F2414		2	SCREW, BRACKET - 8MM X 25MM

ENGINE MOUNT



ENGINE MOUNT

REF. NO.	PART NO.	SYM.	QTY.	DESCRIPTION
1	F708075		2	BRACKET, ENGINE MOUNT
2	F2147		8	SCREW, BRACKET - 7/16 - 14 X 1-1/2
3	F8153		8	WASHER, LOCK - 7/16
4	F708735		2	ISOLATOR
5	F8178		2	WASHER, LOCK - 3/4

PARTS INDEX

Part Number	Description	Pg.	Ref. No.	Part Number	Description	Pg.	Ref. No.
F1303	SCREW, CIRCUIT BREAKER - 8 - 32 X 3/4	63	8	F2285	SCREW, TRANSMISSION - 7/16 - 14 X 1 - 1/4	57	2
F1347	NUT, PIVOT BOLT - 3/8 - 16	29	12	F2285	SCREW, TRANSMISSION - 7/16 - 14 X 1 - 1/4	59	2
F1485	SCREW, SOCKET HEAD 3/8 - 16 X 2 - 1/2	43	10	F2314	BOLT, ADJUST BRACKET - 5/16 - 18 X 5-3/8	29	14
F1513	NUT, TERMINAL - #10 - 32	63	5	F2315	SCREW, BRACKET - 5/16 - 18 X 2-1/4	17	10
F1515	NUT	17	12	F2414	SCREW, BRACKET - 8MM X 25MM	63	22
F1515	NUT, BRACKET BOLT	47	7	F2415	SCREW, MOUNT - M12 - 1.75 X 35 MM	57	8
F1515	NUT, TERMINAL - 5/16 - 18	63	7	F2415	SCREW, MOUNT - M12 - 1.75 X 35 MM	59	8
F154317	CLAMP, CABLE	63	16	F2418	SCREW, HOUSING - 7/16 - 14 X 2-1/4	53	7
F1615	NUT, CARBURETOR STUD 5/16 - 24	21	6	F2425	BOLT, BRACKET - 5/16 - 18 X 6	29	13
F1703	WASHER, LOCK	55	3	F58685-2	CONNECTOR, ROD END	63	15
F1703	WASHER, LOCK 3/8	35	3	F639460	BREAKER, CIRCUIT - 40 AMP	63	9
F1703	WASHER, LOCK 3/8"	53	8	F640240	PULLEY, ALTERNATOR	29	2
F1703	WASHER, PIVOT BOLT - 3/8	29	11	F640273-1	STUD, ROD END	63	14
F1778	WASHER, FLAT 3/8	35	4	F641308	ALTERNATOR ASSY, MOTOROLA	29	1
F1823	BOLT, ALT. ADJUST - 5/16 - 18 X 1	29	4	F642126	COUPLING, 1/8 X 1/8	37	7
F1823	BOLT, BRACKET	47	4	F642236	STUD, ARRESTOR - 1/4 - 20 X 2.0	27	2
F1823	SCREW, HOUSING - 5/16 - 18 X 1	49	5	F642314	ELBOW, FUEL OUT	25	4
F1826	SPACER	29	6	F642439	BRACKET, ENGINE LIFT	39	9
F1827	SCREW, BRACE - 5/16 - 18 X 2 - 3/4	43	8	F642917	RELAY, STARTER	33	9
F1869	SCREW, STARTER - 3/8 - 16 X 1-1/4	35	2	F642917	RELAY, STARTER	63	2
F1871	SCREW, 3/8 - 16 X 3/4	53	9	F696679	CAP, WATER BY-PASS	41	13
F1901	WASHER, ADJUST BOLT - 5/16	29	5	F696880	CLIP, HOSE	25	7
F1901	WASHER, LOCK	47	6	F700034	TANK, COOLANT RESERVE	41	19
F1901	WASHER, LOCK	49	4	F700069-1	BOLT, HOLLOW - 14 MM	39	6
F1901	WASHER, LOCK - 5/16	43	5	F700176	FLAME ARRESTOR	27	1
F1901	WASHER, LOCK 5/16	17	11	F700177	ADAPTER, OIL - STARBOARD	37	1
F1901	WASHER, TERMINAL - 5/16	63	6	F700211	SCREW, PULLEY	19	5
F1902	SCREW, BRACE - 5/16 - 18 X 3/4	43	6	F700276	BOOT, STARTER TERMINAL	35	6
F1902	SCREW, BRACKET - 5/16 - 18 X 3/4	63	10	F700290	SPRING, THROTTLE RETURN	63	11
F1975	WASHER, TERMINAL - #10 LOCK	63	4	F700402	WASHER, ROD END	63	13
F2065	NUT, STUD - 7/16 - 14	57	6	F700418	TEE, HOSE	41	7
F2065	NUT, STUD - 7/16 - 14	59	6	F700440	STUD, TRANSMISSION	57	5
F2147	SCREW, BRACKET - 7/16 - 14 X 1-1/2	65	2	F700440	STUD, TRANSMISSION	59	5
F2147	SCREW, HOUSING - 7/16 - 14 X 1-1/2	53	6	F700542	TUBE, COOLANT TANK - 5/16 X 30	41	3
F2205	WASHER, LOCK - 8MM	63	21	F700547	BUSHING, BRACE	43	3
F2257	SCREW, MANIFOLD - 3/8 - 16 X 3 - 3/4	51	4	F700550	CLAMP, HOSE	25	6
F2265	SCREW, CLAMP - 10 - 32 X 3/4	63	17	F700552	CLAMP, HOSE - #16	41	14
F2267	BOLT, ALT. PIVOT - 3/8 - 16 X 3-1/2	29	10	F700553	CLAMP, HOSE - #20	41	15
F2278	SCREW, RELAY - 1/4 - 20 X 1-1/2	63	3	F700554	CLAMP, HOSE - #24	41	16
F2278	SCREW, TERMINAL - 1/4 - 20 X 1/2	35	7	F700555	CLAMP, HOSE - #28	41	17
F2285	SCREW, BRACKET - 7/16 - 14 X 1 - 1/4	39	10	F700557	CLAMP, COOLANT TANK HOSE	41	4
				F700580	ELBOW, 90	47	2
				F700580	ELBOW, 90	61	1
				F700580	ELBOW, COOLER	17	5

PARTS INDEX

Part Number	Description	Pg.	Ref. No.	Part Number	Description	Pg.	Ref. No.
F700581	ADAPTER, 1/8 X 1/8	37	4	F708183	GASKET, MANIFOLD	51	3
F700586	NIPPLE, FUEL INLET	25	8	F708184	GASKET, WEDGE	21	NS
F700590	PLUG, MANIFOLD - 1/4 NPT	51	6	F708230	HOSE, HEAT EXCHANGE TO CIRCUIT PUMP	41	10
F700633	PLUG, ADAPTER - 1/8 - 27	37	2	F708231	HOSE, TEE TO EXHAUST MANIFOLD	41	6
F700679	CAP, PRESSURE	41	2	F708232	HOSE, (CUT TO INSTALL TEE)	41	5
F700690	SENDER, WATER TEMPERATURE	33	8	F708233	HOSE, PUMP OVERFLOW - 1/4 X 27	25	5
F700690	SENDER, WATER TEMPERATURE - DUAL STATION	49	-	F708234	HOSE, 1-1/4 X 13" - WIRE REINFORCED	41	11
F700691	SWITCH, HI-TEMPERATURE ALARM - 210	49	6	F708235	HOSE, 1-1/4 X 31" - WIRE REINFORCED	41	12
F700766-1	PUMP, SEAWATER	43	1	F708236	HOSE, BREATHER - 5/8 X 13	27	4
F700766-1	PUMP, SEAWATER (SHERWOOD P-151)	45	-	F708237	HOSE, TEE TO EXHAUST MANIFOLD	41	8
F700791	SENDER, WATER TEMPERATURE - SINGLE STATION	49	7	F708238	HOSE, TEE TO HEAT EXCHANGER	41	9
F700801	FITTING, BANJO	39	3	F708306	CLIP, INDICATOR TUBE	39	4
F700803-1	GASKET, BOLT - INNER WHITE	39	8	F708307	CLAMP, HOSE - #32	41	18
F700805	GASKET, BOLT - OUTER BLACK	39	7	F708331	SPACER, BRACE	43	7
F700841	WIRE SET, IGNITION	31	6	F708331	SPACER, BRACKET	47	5
F700918	SENDER, OIL - SINGLE STATION	37	3	F708332	TUBE ASSEMBLY, OIL INDICATOR	39	1
F700935	SWITCH, HI-TEMPERATURE ALARM - 220	49	-	F708333	PILOT, SEA PUMP	43	9
F700935	SWITCH, WATER TEMPERATURE ALARM	33	5	F708335	SPACER, THROTTLE STUD	63	18
F700938	ADAPTER, OIL - PORT	37	-	F708336	SPACER, LIFT BRACKET	39	12
F700990	TIE, CABLE	35	9	F708380	CONNECTOR, TUBE	39	2
F700994	TIE, CABLE	61	5	F708382	ELBOW, 45	61	4
F7011	NUT, ALT. FIELD TERMINAL	29	8	F708383	ELBOW, ADAPTER - 45	17	8
F7046	NUT, WING	27	3	F708430	STARTER, STANDARD ROTATION	35	1
F7063	NUT, ALT. TERMINAL - 1/4 - 20	29	7	F708431	BREAKER, CIRCUIT - 60 AMP	63	-
F7063	NUT, ROD END	63	12	F708431	CIRCUIT BREAKER	33	4
F708027	TRANSMISSION, HURTH HSW630A 1.5:1	57	1	F708432	SENDER, OIL - DUAL STATION	37	-
F708028	TRANSMISSION HURTH HSW630A 2.0:1	57	-	F708432	SENDER, OIL PRESSURE - DUAL STATION	33	3
F708029	TRANSMISSION, HURTH HSW630A 2.5:1	57	-	F708433	CIRCUIT INTERRUPTOR	33	6
F708075	BRACKET, ENGINE MOUNT	65	1	F708433	INTERRUPTOR, CIRCUIT - LOW OIL PRESS.	37	6
F708076	HOUSING, FLYWHEEL	53	1	F708455	CABLE, STARTER	33	2
F708077-1	BRACKET, ALT. MOUNT	29	9	F708457	HARNESS, WIRING	33	1
F708079	MANIFOLD, EXHAUST - RIGHT	51	2	F708522	BRACE, SEAWATER PUMP	43	2
F708080	MANIFOLD, EXHAUST - LEFT	51	1	F708525	BRACKET, ALTERNATOR ADJUST	29	3
F708083	HOUSING, THERMOSTAT	49	1	F708526	BRACKET, THROTTLE AND RELAY	63	1
F708090	WEDGE, CARBURETOR - V- DRIVE MODELS	21	NS	F708527	INDICATOR, OIL LEVEL	39	5
F708105	BOLT, ADAPTER	17	3	F708529	PULLEY, CRANKSHAFT	5	5
F708106	SCREW, SHOULDERED	55	2	F708529	PULLEY, CRANKSHAFT	43	12
F708149	COVER, TIMING WINDOW	53	2	F708530	PULLEY, WATER PUMP	19	4
F708155	STUD, WEDGE - LONG	21	NS	F708532	BRACKET, HEAT EXCHANGER	51	8
F708156	STUD, WEDGE - SHORT	21	NS	F708533	BRACKET, OIL COOLER	17	9
F708181	GASKET, THERMOSTAT	49	3	F708534	BRACKET, HOSE SUPPORT	51	7
				F708535	BRACKET, SHIFT	63	20

PARTS INDEX

Part Number	Description	Pg.	Ref. No.	Part Number	Description	Pg.	Ref. No.
F708675	PUMP, FUEL - WITH FILTER, GASKET, SCREW	25	1	F724190	TUNE-UP KIT (POINTS, CONDENSER, ROTOR)	31	10
F708735	ISOLATOR	65	4	F724191	CAP, DISTRIBUTOR	31	8
F708735	ISOLATOR, WITH NUTS	57	10	F724192	COIL, IGNITION	31	3
F708735	ISOLATOR, WITH NUTS	59	10	F724198	WIRE, COIL	31	5
F708770	FUEL LINE - WITH FITTINGS	25	3	F724200	CLAMP, DISTRIBUTOR	31	1
F708772	ADAPTER, OIL FILTER	17	1	F724201	SCREW ASSEMBLY, DISTRIBUTOR CLAMP	31	2
F708773	HOSE, OIL - 18"	17	6	F724202	SCREW, CAM (SHERWOOD #10515)	45	1
F708773	HOSE, OIL - 18"	61	2	F724203	WASHER, LOCK (SHERWOOD #12710)	45	8
F708774	HOSE, OIL - 12"	17	7	F724204	SCREW, COVER (SHERWOOD #01483)	45	7
F708774	HOSE, OIL - 12"	61	3	F724205	COVER, END (SHERWOOD #18509)	45	6
F708777	MOUNT, TRANSMISSION - FOR 2.0:1, 2.5:1 TRANS	57	-	F724206	KEY, WOODRUFF (SHERWOOD #4432)	45	2
F708778	MOUNT, TRANSMISSION - FOR 1.5-1 TRANS	57	7	F724207	O-RING, COVER (SHERWOOD #12231)	45	3
F708781	MOUNT, TRANSMISSION	59	7	F724208	IMPELLAR (SHERWOOD #15000)	45	5
F708820	KIT, SHIFT CABLE MOUNTING - DUAL STATION	63	19	F724209	HOUSING, (SHERWOOD #18660)	45	15
F708821	KIT, SHIFT CABLE MOUNTING - SINGLE STATION	63	-	F724210	LIP SEAL (SHERWOOD #18652), PRESSED INTO HOUSING	45	NS
F708895	BELT, WATER PUMP	19	6	F724211	SLINGER (SHERWOOD #18666)	45	12
F708935	COVER, STARTER HOLE	53	3	F724212	BALL BEARING (SHERWOOD #18662)	45	10
F708938	HEAT EXCHANGER/GEAR COOLER	47	1	F724213	RETAINING RING (SHERWOOD #6837)	45	11
F708939	PLATE, DAMPER (UPE 150-008-1980)	55	1	F724214	RETAINING RING (SHERWOOD #8781)	45	9
F708940	SWITCH, LOW OIL PRESSURE	37	5	F724215	ADAPTOR, (SHERWOOD #18507)	45	14
F708940	SWITCH, OIL PRESSURE ALARM	33	7	F724216	CAM (SHERWOOD #18398)	45	4
F708941	COOLER, ENGINE OIL	17	4	F724217	SHAFT, (SHERWOOD #18671)	45	13
F724003-1	FILTER, FUEL	25	2	F724221	DOWEL, CYLINDER HEAD TO BLOCK	3	1
F724010	PLUG, DRAIN HOLES - 1/4" PIPE	3	6	F724222	SHORT BLOCK, STD. ROTATION - "A" MODELS	3	2
F724011	PLUG, OIL PASSAGE - 1/4" PIPE	3	5	F724223	SHORT BLOCK, STD. ROTATION - "B & C" MODELS	3	-
F724014	DOWEL, FLYWHEEL HOUSING TO BLOCK	3	10	F724224	SHORT BLOCK, OPPOSITE ROTATION	3	-
F724024	PLUG, 3/4 PIPE	9	2	F724225	BLOCK ASSEMBLY, "A" MODELS	3	3
F724050	NUT, CONNECTING ROD	7	6	F724226	BLOCK ASSEMBLY, "B & C" MODELS	3	-
F724051	BOLT, CONNECTING ROD	7	7	F724227	PLUG, WATER JACKET - 1-1/2" BRASS	3	4
F724064	ECCENTRIC, FUEL PUMP - OUTER	11	-	F724228	PLUG, BLOCK - 3/8-18 PIPE	3	7
F724071	WASHER, DAMPER BOLT	5	7	F724229	PLUG, BLOCK - 5/8-18	3	8
F724100	OIL SEAL, FRONT COVER - STD. ROTATION	5	-	F724230	PLUG, CAM REAR	3	9
F724102	TAPPET ASSEMBLY	13	1	F724231	COVER ASSEMBLY	3	11
F724114	LOCK, VALVE SPRING RETAINER	13	5	F724232	GASKET, COVER	3	13
F724116	SEAT, ROCKER ARM	13	8				
F724135	GROMMET, ELBOW	13	19				
F724136	ELBOW	13	20				
F724139	BOLT, PUMP COVER	15	6				
F724143	RING, OIL PUMP SHAFT RETAINER	15	5				
F724148	SCREW ASSEMBLY, OIL PAN - "B" MODELS	15	10				
F724162	BOLT, COVER 5/16 - 18 X .88	3	12				

PARTS INDEX

Part Number	Description	Pg.	Ref. No.	Part Number	Description	Pg.	Ref. No.
F724233	POINTER, TIMING - ALL ROTATIONS	3	14	F724275	BEARING, MAIN - .020 U/S UPPER	5	-
F724234	HEAD, CYLINDER - BARE	9	1	F724276	BEARING, MAIN - .030 U/S UPPER	5	-
F724235	PLUG, CUP - 43/64	9	3	F724277	BEARING, CENTER - STD. UPPER	5	11
F724236	GASKET, CYLINDER HEAD	9	4	F724278	BEARING, CENTER - .010 U/S UPPER	5	-
F724237	BOLT, CYLINDER HEAD 9/16 - 12 X 5-1/8	9	5	F724279	BEARING, CENTER - .020 U/S UPPER	5	-
F724238	BOLT, CYLINDER HEAD 9/16 - 12 X 4-3/8	9	-	F724280	BEARING, CENTER - .030 U/S UPPER	5	-
F724239	BUSHING, VALVE GUIDE	9	6	F724281	BEARING, CENTER - STD. LOWER	5	-
F724240	PISTON, STD.	7	1	F724282	BEARING, CENTER - .010 U/S LOWER	5	-
F724241	PIN, PISTON - STD.	7	2	F724283	BEARING, CENTER - .020 U/S LOWER	5	-
F724242	RING SET, STD. - FOR 2 PISTONS	7	3	F724284	BEARING, CENTER - .030 U/S LOWER	5	-
F724243	CONNECTING ROD	7	4	F724285	BOLT, MAIN BEARING CAP	5	12
F724244	BEARING, CONNECTING ROD - STD.	7	5	F724286	STUD, MAIN BEARING CAP	5	-
F724245	BEARING, CONNECTING ROD - .010 U/S	7	-	F724287	NUT, STUD	5	13
F724246	BEARING, CONNECTING ROD - .020 U/S	7	-	F724288	SPACER, CRANKSHAFT DAMPER	5	14
F724247	BEARING, CONNECTING ROD - .030 U/S	7	-	F724289	PLATE, FLYWHEEL COVER	5	15
F724248	CAMSHAFT, STD. ROTATION	11	1	F724290	FLYWHEEL ASSEMBLY	5	16
F724249	CAMSHAFT, REV. ROTATION	11	-	F724291	BOLT, FLYWHEEL	5	17
F724250	SPROCKET, CAMSHAFT	11	2	F724292	RING GEAR, FLYWHEEL	5	18
F724251	PIN, DOWEL	11	3	F724293	OIL SEAL, FRONT COVER - REV. ROTATION	5	19
F724252	BEARING SET, CAM - STD.	11	4	F724294	SEAL, CRANKSHAFT REAR - REV. ROTATION	5	20
F724253	BEARING SET, CAM - .015 U/S	11	-	F724295	SEAL, CRANKSHAFT REAR - STD. ROTATION	5	-
F724254	PLUG, CAM - REAR	11	5	F724296	INSPECTION COVER, FLYWHEEL PLATE	5	21
F724255	CHAIN, TIMING	11	6	F724297	SCREW, INSPECTION COVER - 1/4 - 14 X 1/2	5	22
F724256	PLATE, CAM THRUST	11	7	F724298	VALVE - EXHAUST	13	2
F724257	BOLT, PLATE	11	8	F724299	VALVE - INTAKE	13	-
F724258	ECCENTRIC, FUEL PUMP - INNER	11	9	F724300	SPRING & DAMPER ASSEMBLY	13	3
F724259	BOLT, ECCENTRIC	11	10	F724301	RETAINER, VALVE SPRING	13	4
F724260	CRANKSHAFT, STD. ROTATION	5	1	F724302	BOLT, ROCKER ARM SUPPORT	13	6
F724261	CRANKSHAFT, REV. ROTATION	5	-	F724303	BAFFLE	13	7
F724262	SPROCKET, CRANKSHAFT	5	2	F724304	ROCKER ARM	13	9
F724263	KEY, SPROCKET, CRANKSHAFT	5	3	F724305	PUSHROD	13	10
F724264	SLINGER, OIL	5	4	F724306	SEAL, EXHAUST VALVE	13	11
F724266	DAMPER, VIBRATION	5	6	F724307	SEAL, INTAKE VALVE	13	-
F724267	BOLT, DAMPER	5	8	F724308	COVER, VALVE	13	12
F724268	KEY, DAMPER	5	9	F724309	GASKET, VALVE COVER	13	13
F724269	BEARING, MAIN - STD. LOWER	5	10	F724310	GROMMET, PCV VALVE	13	14
F724270	BEARING, MAIN - .010 U/S LOWER	5	-	F724311	VALVE, PCV	13	16
F724271	BEARING, MAIN - .020 U/S LOWER	5	-	F724312	HOSE, PCV VALVE	13	17
F724272	BEARING, MAIN - .030 U/S LOWER	5	-	F724313	CAP, BREATHER	13	18
F724273	BEARING, MAIN - STD. UPPER	5	-	F724314	PUMP OIL	15	1
				F724315	SHAFT, OIL PUMP	15	2

PARTS INDEX

Part Number	Description	Pg.	Ref. No.	Part Number	Description	Pg.	Ref. No.
F724317	GASKET, PICKUP	15	4	F8165	WASHER, FLAT - 7/16	57	4
F724318	SCREW ASSEMBLY, PICKUP TUBE	15	7	F8165	WASHER, FLAT - 7/16	59	4
F724319	SCREW ASSEMBLY, OIL PUMP	15	8	F8165	WASHER, FLAT 7/16"	53	5
F724320	PAN, OIL - "B" MODELS & LATER	15	9	F8172	WASHER, FLAT	43	4
F724321	PAN, OIL - "A" MODELS ONLY	15	-	F8175	WASHER, LOCK - M12	57	9
F724322	SCREW ASSEMBLY, OIL PAN - "A" MODELS	15	-	F8175	WASHER, LOCK - M12	59	9
F724323	SCREW ASSEMBLY, OIL PAN - "B" MODELS	15	11	F8178	WASHER, LOCK - 3/4	65	5
F724324	PLUG, OIL DRAIN - METRIC	15	12	F8178	WASHER, LOCK-ISOLATOR - 3/4	57	11
F724325	GASKET, DRAIN PLUG	15	13	F8178	WASHER, LOCK-ISOLATOR - 3/4	59	11
F724326	GASKET SET, OIL PAN - 4 PIECE "A" MODELS	15	14	FA700936	THERMOSTAT - 160-- - 3/16 BLEED HOLE	49	2
F724327	GASKET, OIL PAN - 1 PIECE "B" MODELS & LATER	15	15	FI3000148	SCREW, STARTER - 3/8 - 16 X 2-1/2	35	5
F724328	REINFORCEMENT, OIL PAN - RIGHT SIDE	15	16	FI4100024	WASHER, FLAT	43	13
F724329	REINFORCEMENT, OIL PAN - LEFT SIDE	15	17	FI9608751	FILTER, TRANSMISSION - W/O-RING	59	NS
F724330	PUMP, WATER	19	1	FI9608751	FILTER, TRANSMISSION - W/O-RINGS	57	NS
F724331	GASKET, WATER PUMP	19	2	GG.708025	TRANSMISSION, V-DRIVE HSW630A 1.5:1	59	1
F724333	TUBE, WATER BY-PASS	19	3	GG.708434	STARTER, REVERSE ROTATION	35	-
F724336	MANIFOLD ASSEMBLY, INTAKE	21	1	GG.708528	BRACKET, HEAT EXCHANGER	47	3
F724337	NUT, MANIFOLD STUD - 3/8 - 16	21	4	GG.708771	TEE, COOLANT FILL	41	1
F724338	STUD, CARBURETOR - 5/16 - 18 - 24 X 1.44	21	5				
F724339	GASKET SET, INTAKE MANIFOLD	21	7				
F724340	GASKET, CARBURETOR	21	8				
F724343	CARBURETOR - HOLLEY 4V	23	-				
F724344	REPAIR KIT, CARBURETOR	23	-				
F724345	GASKET KIT, CARBURETOR	23	-				
F724347	ARMATURE, STARTER	35	10				
F724348	BRUSH SET, STARTER	35	12				
F724349	DRIVE, STARTER - REV. ROTATION	35	-				
F724350	DRIVE, STARTER - STD. ROTATION	35	11				
F724352	ROTOR, DISTRIBUTOR	31	9				
F724353	BOLT, COIL STRAP	31	4				
F724354	DISTRIBUTOR ASSEMBLY, STD. ROTATION	31	-				
F724355	DISTRIBUTOR ASSEMBLY, REV. ROTATION	31	-				
F724356	SPARK PLUG	31	7				
F8063	WASHER, TERMINAL - 1/4	35	8				
F8130	WASHER, LOCK - 3/8	43	11				
F8130	WASHER, MANIFOLD SCREW	51	5				
F8153	WASHER, LOCK - 7/16	39	11				
F8153	WASHER, LOCK - 7/16	57	3				
F8153	WASHER, LOCK - 7/16	59	3				
F8153	WASHER, LOCK - 7/16	65	3				
F8153	WASHER, LOCK 7/16"	53	4				