



PARTS CATALOG

15 H.P. LONG SHAFT 20" LEG OUTBOARD MOTOR

SERIAL NUMBER

15 H.P. (1991) 225.581494

TABLE OF CONTENTS:

CARBURETOR	8
CRANKSHAFT AND PISTON	16
CYLINDER	18
ENGINE COVER AND SUPPORT PLATE	2
FUEL INTAKE AND RECIRCULATION SYSTEM	6
FUEL TANK AND LINE	34
GEAR HOUSING	30
IGNITION SYSTEM	12
MOTOR LEG AND SWIVEL BRACKET	20
PARTS INDEX	36
SHIFT LINKAGE	4
STARTER	14
STERN BRACKETS	28
TILLER HANDLE AND THROTTLE LINKAGE	24

NOTE: *Indented description indicate that these parts are included in preceeding assembly.*

AR = As Required

NSS = Not Sold Separate

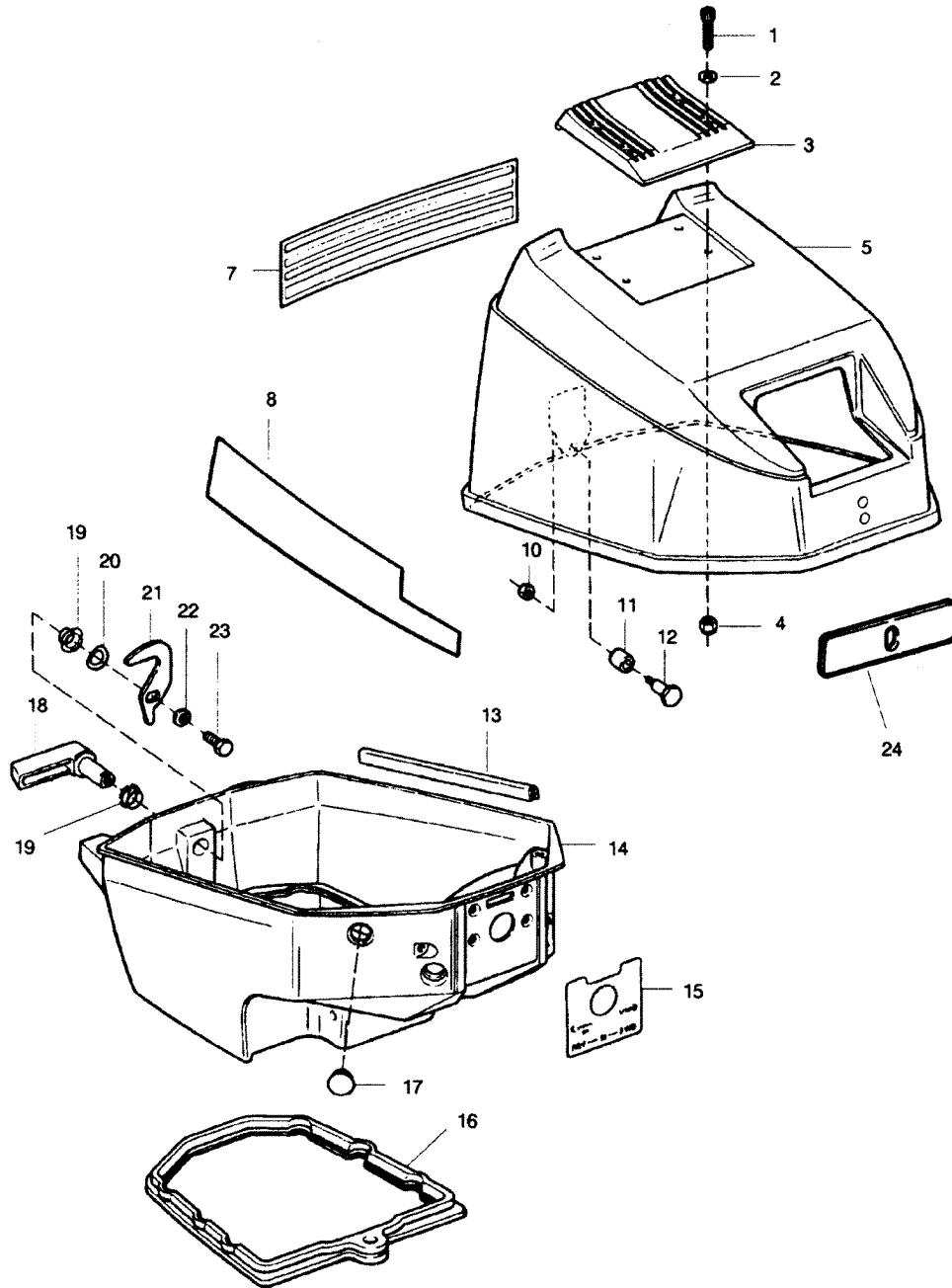
OPT = Optional

NS = Not Shown

THESE PARTS BOOKS/FICHE CARD ARE COPYRIGHTED AND MAY NOT BE DISTRIBUTED OR REPRODUCED IN ANY OTHER FORMAT BY ANYONE OTHER THAN MERCURY MARINE WITHOUT THE PRIOR WRITTEN CONSENT OF MERCURY MARINE.

THIS PAGE INTENTIONALLY LEFT BLANK

ENGINE COVER AND SUPPORT PLATE

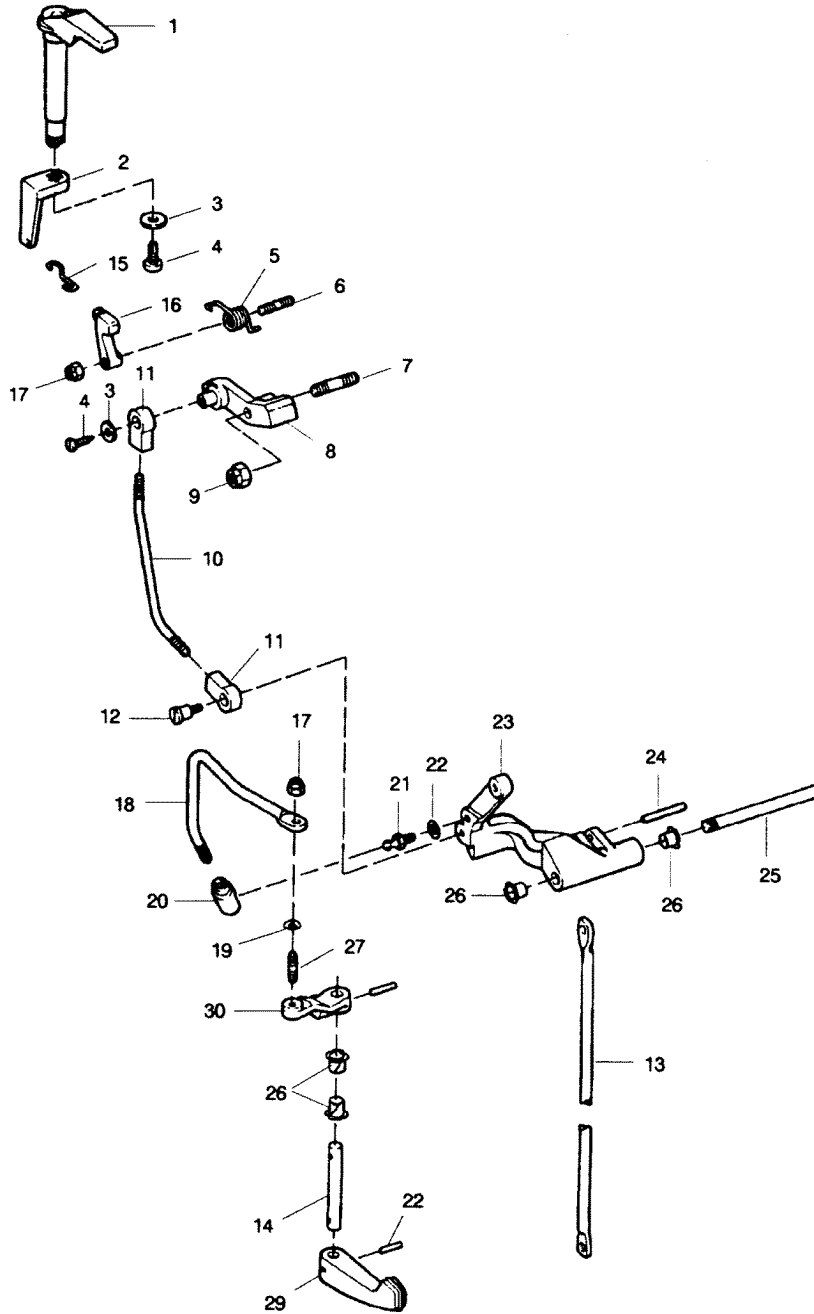


31

ENGINE COVER AND SUPPORT PLATE

REF. NO.	PART NO.	SYM.	QTY.	DESCRIPTION
1	2211		4	HEX HEAD CAP SCREW, 10 - 24 X 5/8 S.S.
2	2042		4	WASHER
3	703269		1	HANDLE, TILT
4	7009		4	LOCKNUT, 10 - 24 S.S.
5	S681712		1	COVER, BASIC (UNPAINTED)
	2C709712		0	COVER, COMPLETE (PAINTED W/DECALS)
7	709528		1	DECAL, REAR
8	709396		1	DECAL, STARBOARD
	709397		1	DECAL, PORT
10	1832		1	LOCKNUT, 1/4 - 20 S.S.
11	681759		1	ROLLER, LATCH
12	681026		1	SCREW, LATCH ROLLER
13	392756		1	PACKING
14	819280		1	SUPPORT PLATE
15	819281		1	PLATE, FRONT
16	286989-2		1	SEAL, SUPPORT PLATE
17	73336		2	PLUG
18	A681469		1	HANDLE, COVER LATCH
19	307818		2	BEARING
20	8048		1	BOWED WASHER
21	481777		1	CAM, LATCH
22	8083		1	SPRING LOCKWASHER
23	1854		1	HEX HEAD CAP SCREW, 1/4 - 20 X 5/8
24	681390		1	DECAL, START PROCEDURE

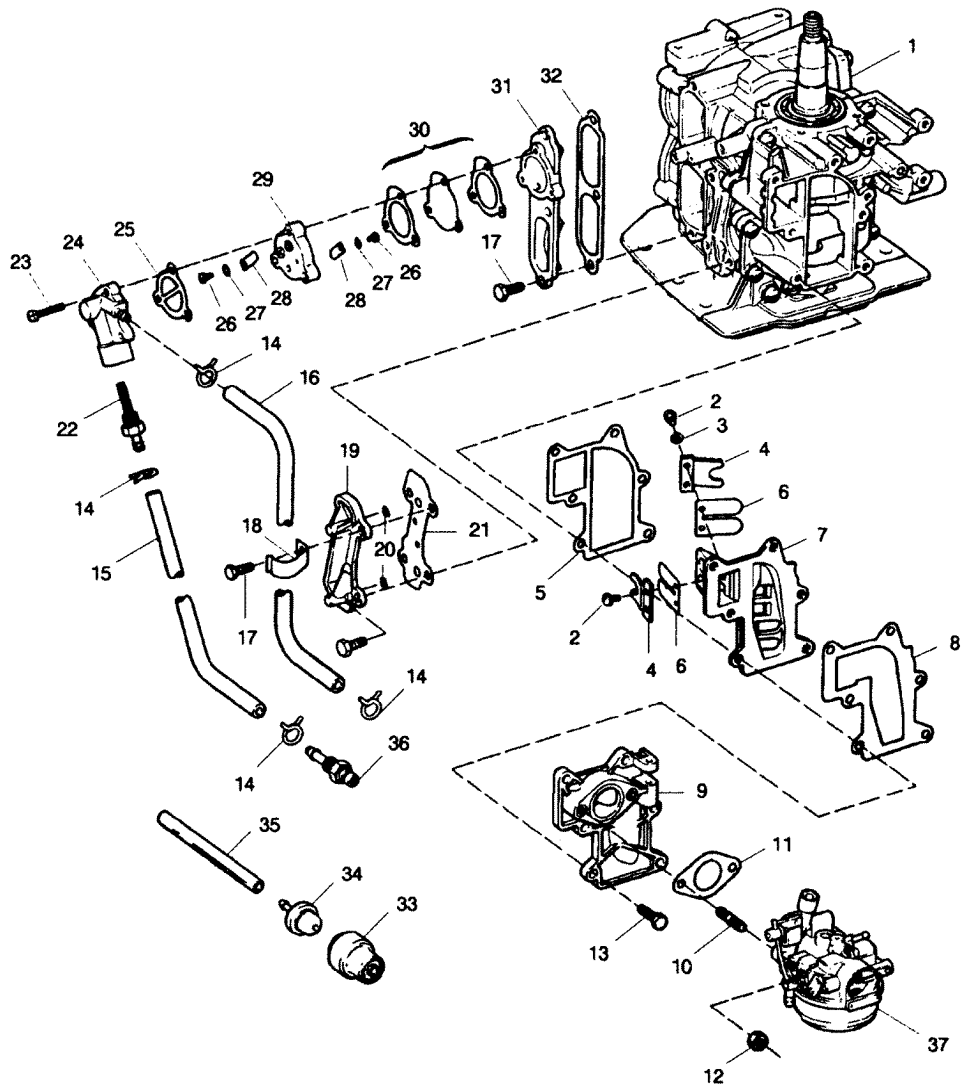
SHIFT LINKAGE



SHIFT LINKAGE

REF. NO.	PART NO.	SYM.	QTY.	DESCRIPTION
1	681490		1	STOP, STARTER INTERLOCK
2	681003-1		1	ARM, STARTER INTERLOCK
3	8143		1	WASHER, PLAIN #10
4	2209		1	PAN HEAD SELF TAPPING SCREW 10 - 16
5	681424		1	SPRING, INTERLOCK
6	681134		1	STUD
7	681008		1	STUD
8	681997-1		1	LEVER, NEUTRAL SPEED INTERLOCK
9	1832		1	LOCKNUT 1/4 - 20
10	681531-1		1	ROD, INTERLOCK
11	816514		2	BEARING, CONTROL ROD
12	84026		1	SCREW, SHOULDER
13	286615		1	ROD, GEARSHIFT UPPER
14	715417		1	SHAFT, GEARSHIFT HANDLE
15	681263-1		1	LINK, INTERLOCK
16	681742		1	LEVER, INTERMEDIATE INTERLOCK
17	1804		2	STOP NUT, 10 - 32
18	286611-2		1	ROD, GEARSHIFT
19	8048		1	BOWED SPRING WASHER
20	286685		1	CONNECTOR, GEARSHIFT ROD
21	98273		1	STUD, GEARSHIFT ROD CONNECTOR
22	8058		1	INTERNAL TOOTH LOCKWASHER
23	286876		1	LEVER, GEARSHIFT
24	8542		1	SPRING PIN
25	286871		1	PIN, GEARSHIFT LEVER
26	307818		4	BEARING
27	286134		1	STUD, GEARSHIFT LEVER
28	8547		2	SPRING PIN
29	715614		1	HANDLE, GEARSHIFT
30	715619		1	LEVER, SHIFT HANDLE SHAFT

FUEL INTAKE AND RECIRCULATION SYSTEM

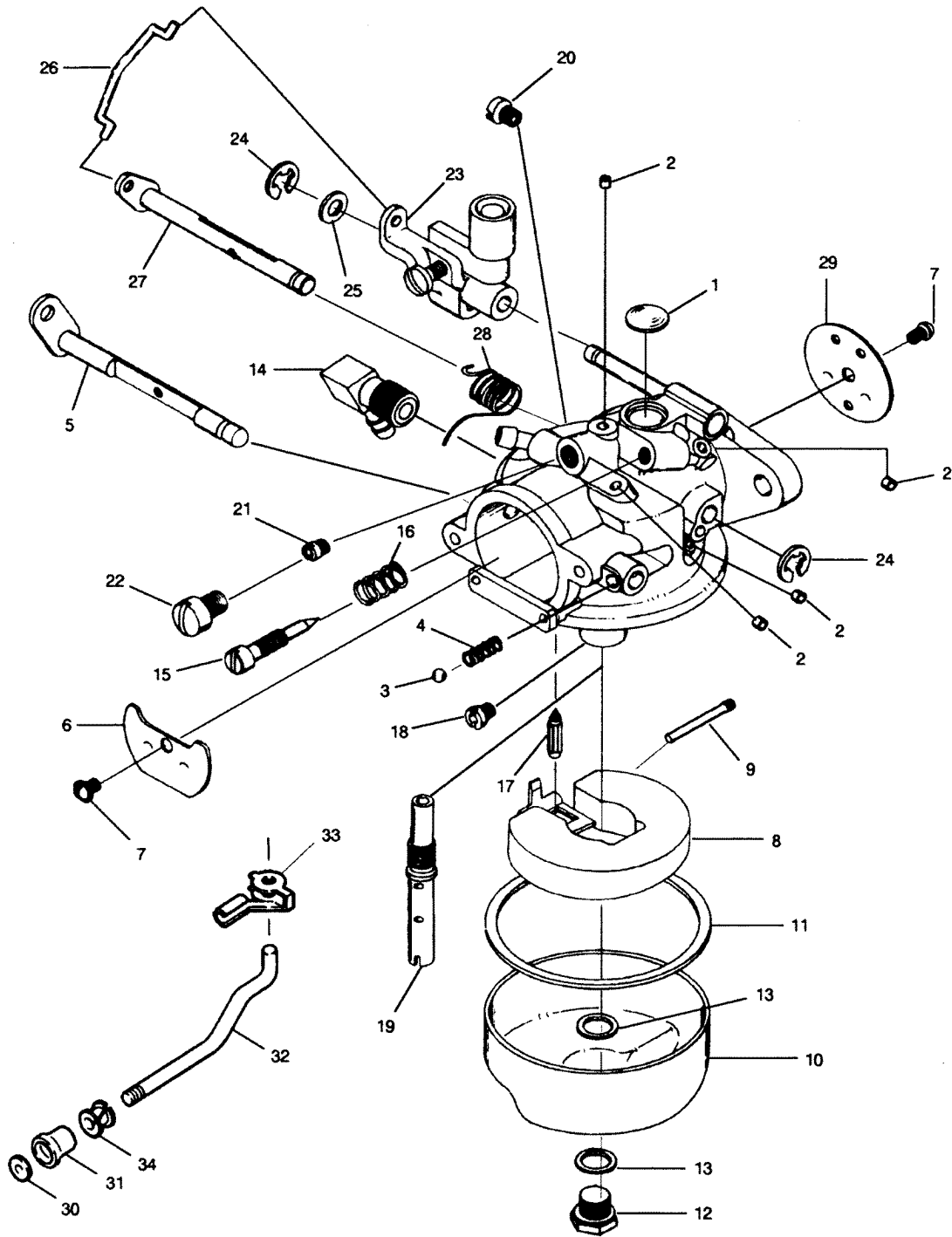


35

FUEL INTAKE AND RECIRCULATION SYSTEM

REF. NO.	PART NO.	SYM.	QTY.	DESCRIPTION
1	C709010		1	SHORT BLOCK
2	1755		8	ROUND HEAD SCREW W/LOCKWASHER, 6 - 32 X 5/16
3	1704		2	LOCKWASHER, #6 S.S.
4	424161		4	REED STOP, 9.9 HP
5	286159-1		1	GASKET, REED PLATE
6	31160-2		4	REED
7	A715158		1	REED PLATE W/REEDS AND REED STOPS - 9.9 HP
8	715168		1	GASKET, MANIFOLD
9	A714167		1	MANIFOLD W/STUDS
10	2788004		2	STUD, CARBURETOR
11	18906		1	GASKET, CARBURETOR
12	1490		2	HEX NUT, 1/4 - 20
13	2008		6	HEX HEAD SCREW, 1/4 - 20 X 7/8
14	2706772		4	HOSE CLAMP
15	40253-1		1	FUEL LINE (SUPPORT PLATE TO FUEL PUMP)
16	901754		1	FUEL LINE (FUEL PUMP TO CARBURETOR)
17	1922		7	HEX HEAD SCREW, 1/4 - 20 X 5/8
18	286772-1		1	CLAMP
L9	A429471		1	COVER, CYLINDER DRAIN WITH CHECK VALVES AND SCREENS
20	429811		2	SCREEN
21	429472		1	GASKET, CYLINDER DRAIN COVER
22	901811		1	FILTER, FUEL
23	1069		3	HEAD SCREW, 10 - 24 X 1-1/16
24	901746-2		1	COVER, FUEL PUMP
25	24748-2		1	GASKET, FUEL PUMP
26	1286		2	PAN HEAD SCREW, 4 - 40 X 3/16
27	8003		2	PLAIN WASHER
28	18160-3		2	REED, FUEL PUMP
29	2A24757		1	PLATE, FUEL PUMP W/REEDS
30	818043A1		1	FUEL PUMP DIAPHRAGM W/GASKETS
31	286222		1	COVER, TRANSFER PORT
32	286223		1	GASKET, TRANSFER PORT COVER
33	681954		1	COVER, PRIME BULB
34	681046		1	BULB, PRIME
35	681243		1	HOSE (PRIME BULB TO CARBURETOR)
36	197767-2		1	BUSHING (FUEL LINE)
37	714061		1	CARBURETOR, COMPLETE

CARBURETOR



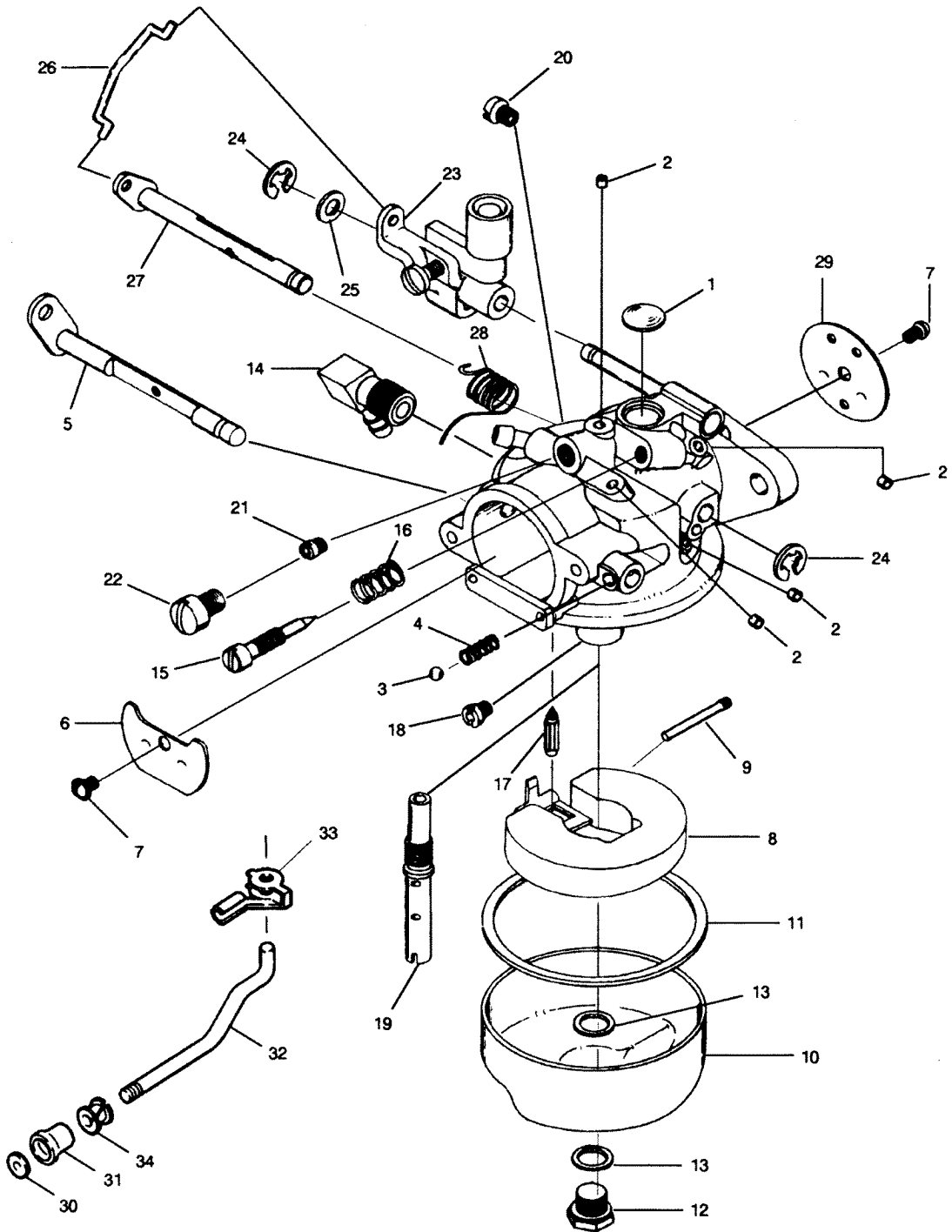
37

CARBURETOR

REF. NO.	PART NO.	SYM.	QTY.	DESCRIPTION
1	010588		1	PLUG
2	02531		1	PLUG
3	04784		1	BALL
4	08805		1	SPRING
5	015736		1	SHAFT, CHOKE
6	10236		1	SHUTTER, CHOKE
7	010280		1	SCREW
9	013554		1	FLOAT
10	013944		1	PIN, FLOAT
11	015366		1	BOWL, FUEL
12	015623		1	GASKET, FUEL BOWL
13	013945		1	SCREW, BOWL RETAINING
14	02510		2	GASKET, BOWL RETAINING
15	015520		1	NEEDLE, IDLE MIXTURE
16	011103		1	SPRING, IDLE MIXTURE
17	10265		1	NEEDLE, INLET
18	10237		1	INLET SEAT, NEEDLE AND GASKET
19	010165		1	GASKET, INLET SEAT
20	10260		1	JET, MAIN FUEL (.057) SEA LEVEL - 2500 FT.
	10247		1	JET, MAIN FUEL (.055) 2500 - 5000 FT.
	011765		1	JET, MAIN FUEL (.053) 5000 - 7500 FT.
	011764		1	JET, MAIN FUEL (.051) 7500 - 10000 FT.
21	10238		1	NOZZLE, MAIN
22	10290		1	FOLLOWER, THROTTLE CAM
23	10240		1	SHAFT, THROTTLE LINKAGE
24	10241		1	E-RING
25	10242		1	WASHER
26	10338		1	WIRE, THROTTLE LINKAGE
27	10339		1	SHAFT, THROTTLE
28	10246		1	SPRING, THROTTLE SHAFT RETURN
29	10354		1	SHUTTER, THROTTLE
30	10328		1	SCREW, THROTTLE SHUTTER
31	8088		1	WASHER
32	681033		1	SWIVEL
33	2215		1	SCREW
34	714061		1	CARBURETOR COMPLETE (HO5A)
35	K10294		1	GASKET SET
36	K10295		1	REPAIR KIT

CONTINUED ON NEXT PAGE ➡

CARBURETOR

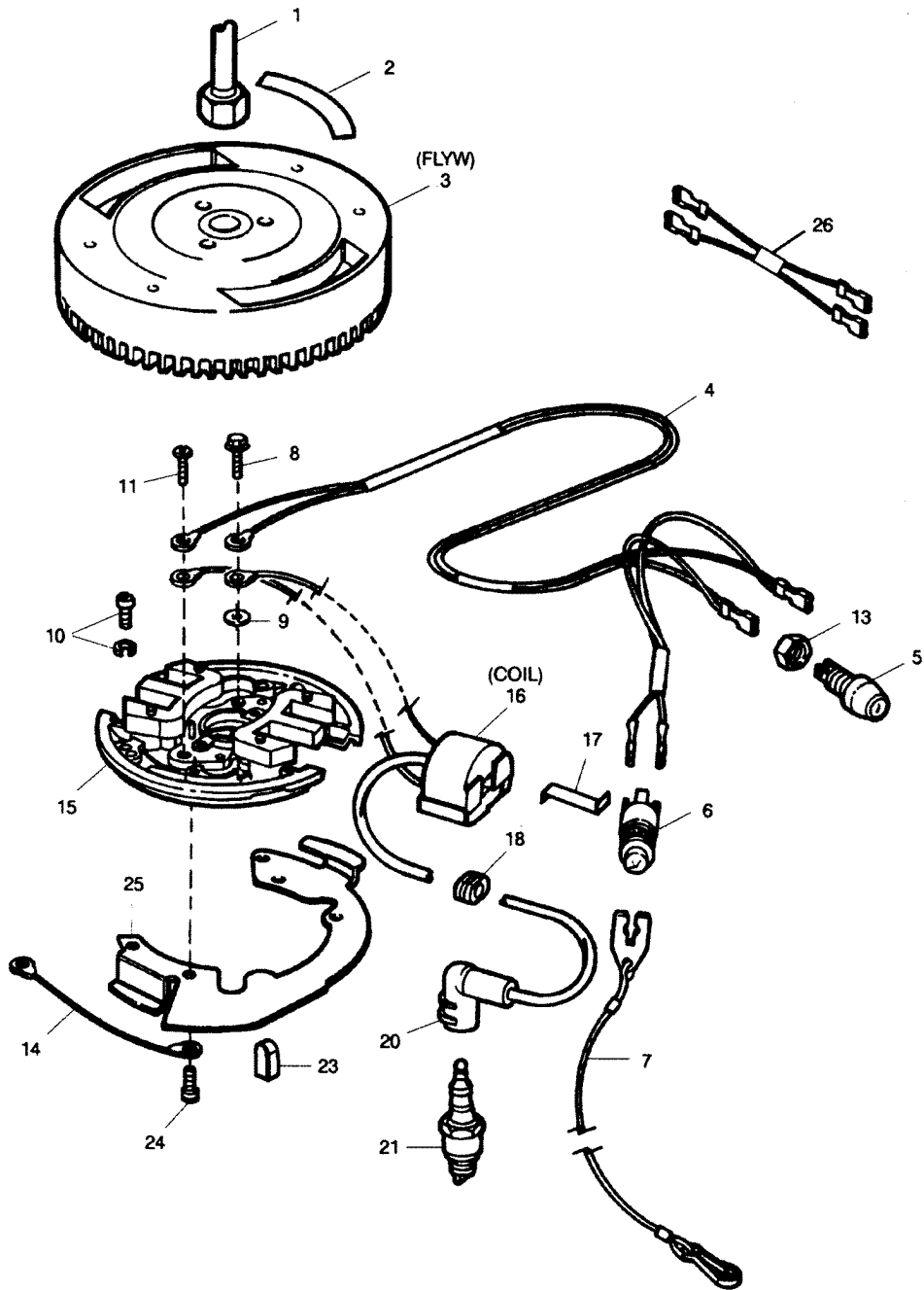


37

CARBURETOR

REF. NO.	PART NO.	SYM.	QTY.	DESCRIPTION
37	458677		1	INSERT, CHOKE KNOB
38	286547		1	KNOB, CHOKE
39	819348		1	ROD, CHOKE
40	341384		1	RETAINER, CHOKE ROD
41	9030		1	RETAINER

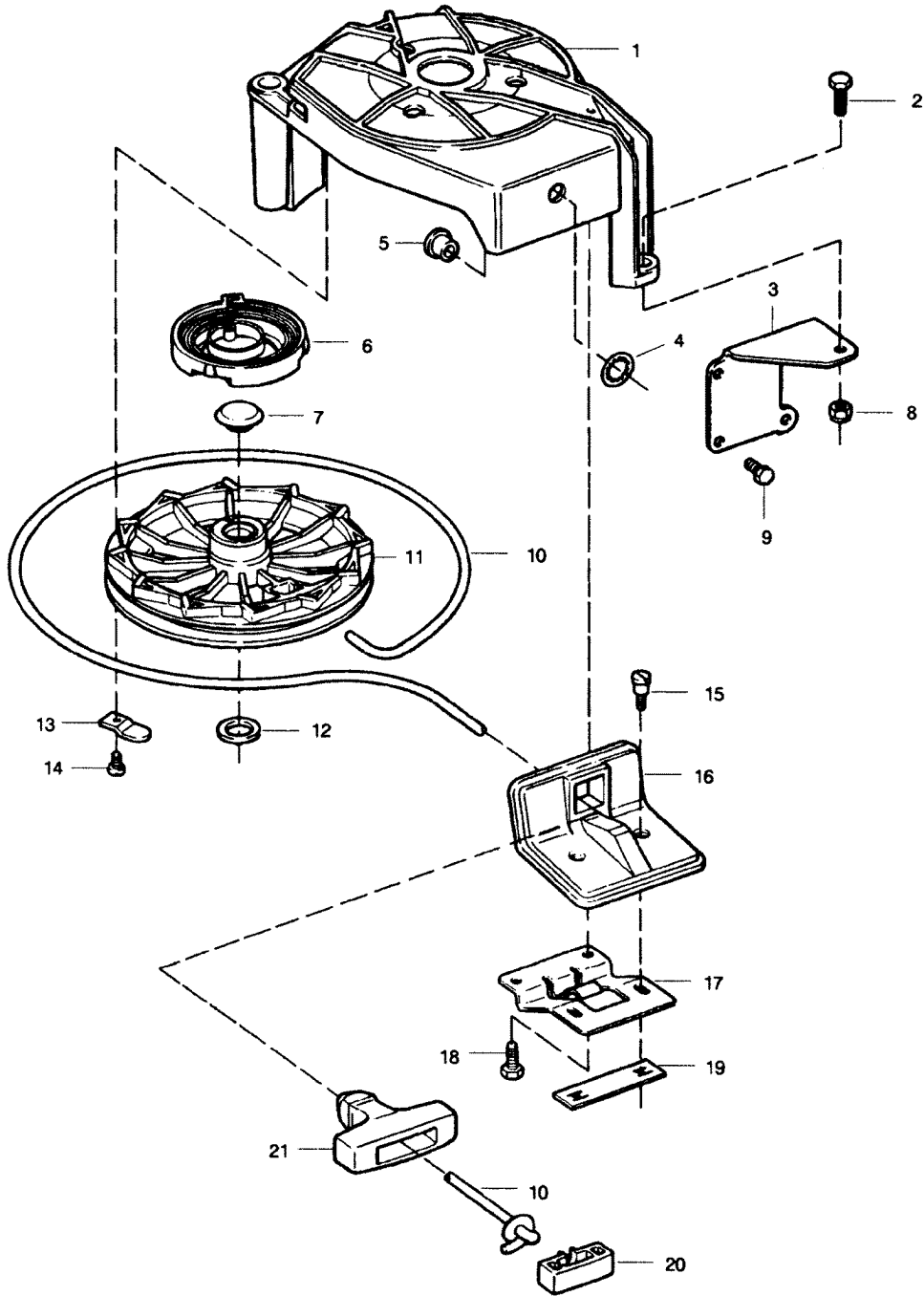
IGNITION SYSTEM



IGNITION SYSTEM

REF. NO.	PART NO.	SYM.	QTY.	DESCRIPTION
1	681091		1	NUT, FLYWHEEL
2	A609853		1	DECAL, SHIFT WARNING
3	A714097		1	FLYWHEEL W/DECAL
4	12376		1	WIRE, MAGNETO SHORTING
5	817952A1		1	SWITCH, STOP W/NUT
6	687287		1	SWITCH, EMERGENCY STOP
7	702329		1	LANYARD
8	12380		1	SCREW (PLASTIC)
9	12381		1	WASHER (PLASTIC)
10	1090		4	SCREW W/LOCKWASHER,10 - 24 X 9/16
11	12382		1	SCREW
13	436280		1	NUT, SHORTING SWITCH
14	289664		1	WIRE, STATOR GROUND
15	12377		1	STATOR, PLATE W/LAMINATIONS
16	712475		2	COIL
17	12378		2	SPRING, COIL WEDGE
18	12088		2	GROMMET
20	K1123		2	SPARKIE W/SPRING
21	819182T		2	SPARK PLUG (CHAMPION L87YC)
23	458498-1		1	KEY, MAGNETO
24	1090		4	SCREW, 10 - 24 X 9/16
25	617192		1	PLATE, THROTTLE CAM
26	819379A1		1	WIRE

STARTER

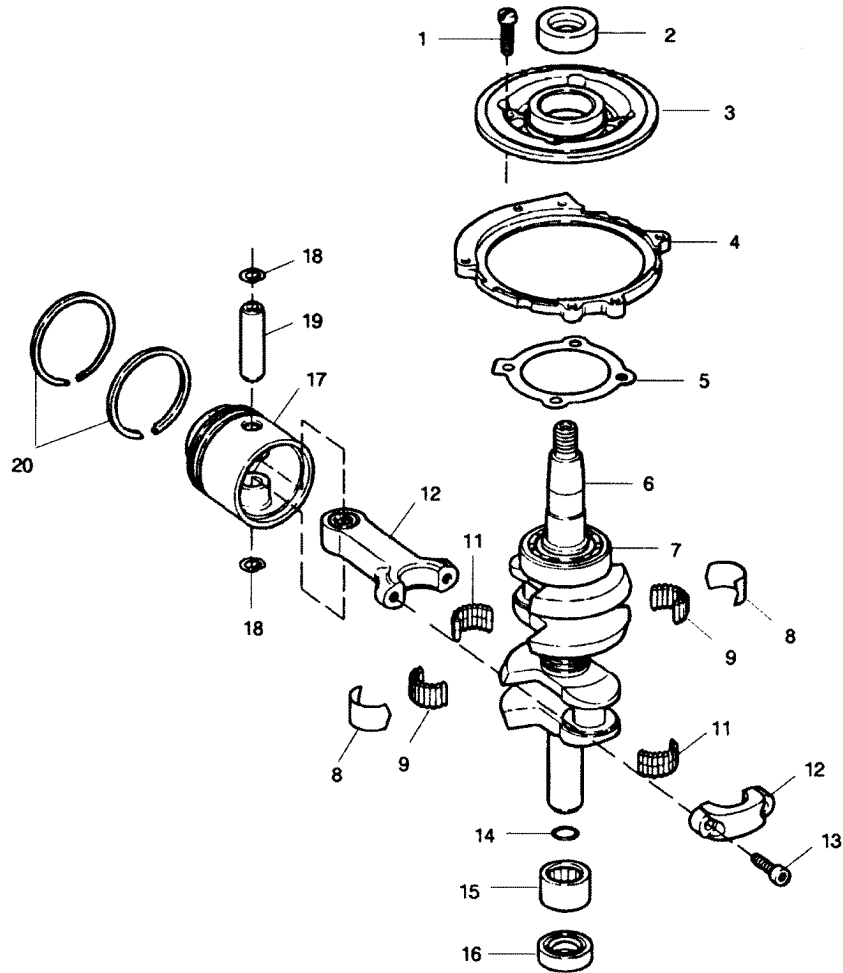


41

STARTER

REF. NO.	PART NO.	SYM.	QTY.	DESCRIPTION
1	681408-1		1	HOUSING
2	1864		3	SCREW, HEX HEAD 1/4 - 20 X 3/4 S.S.
3	681427-2		1	BRACKET
4	681741		1	RING, RETAINING
5	681428		1	INSERT, STARTER HOUSING ROPE
6	681970		1	SPRING, STARTER REWIND
7	681971		1	PLUG
8	1832		1	LOCKNUT, 1/4- 20
9	1090		3	SCREW, FILL. HEAD 10 - 24 X 9/16
10	681232		1	ROPE
11	A681239		1	STARTER PULLEY ASSEMBLY W/PLUG AND SEAL
12	681579		1	SEAL
13	681592		3	RETAINER, STARTER PULLEY
14	2209		3	SCREW, PAN HEAD 10 - 16 X 1/2 S.S.
15	84026		2	SCREW, SHOULDER
16	A681630		1	SUPPORT, HANDLE
17	681090		1	PLATE, HANDLE SUPPORT
18	2210		2	SCREW, PAN HEAD 1/4 - 14 X 1/2 S.S.
19	681874		1	FASTENER, HANDLE SUPPORT PLATE
20	681817		1	RETAINER, STARTER ROPE
21	681132		1	HANDLE, STARTER ROPE

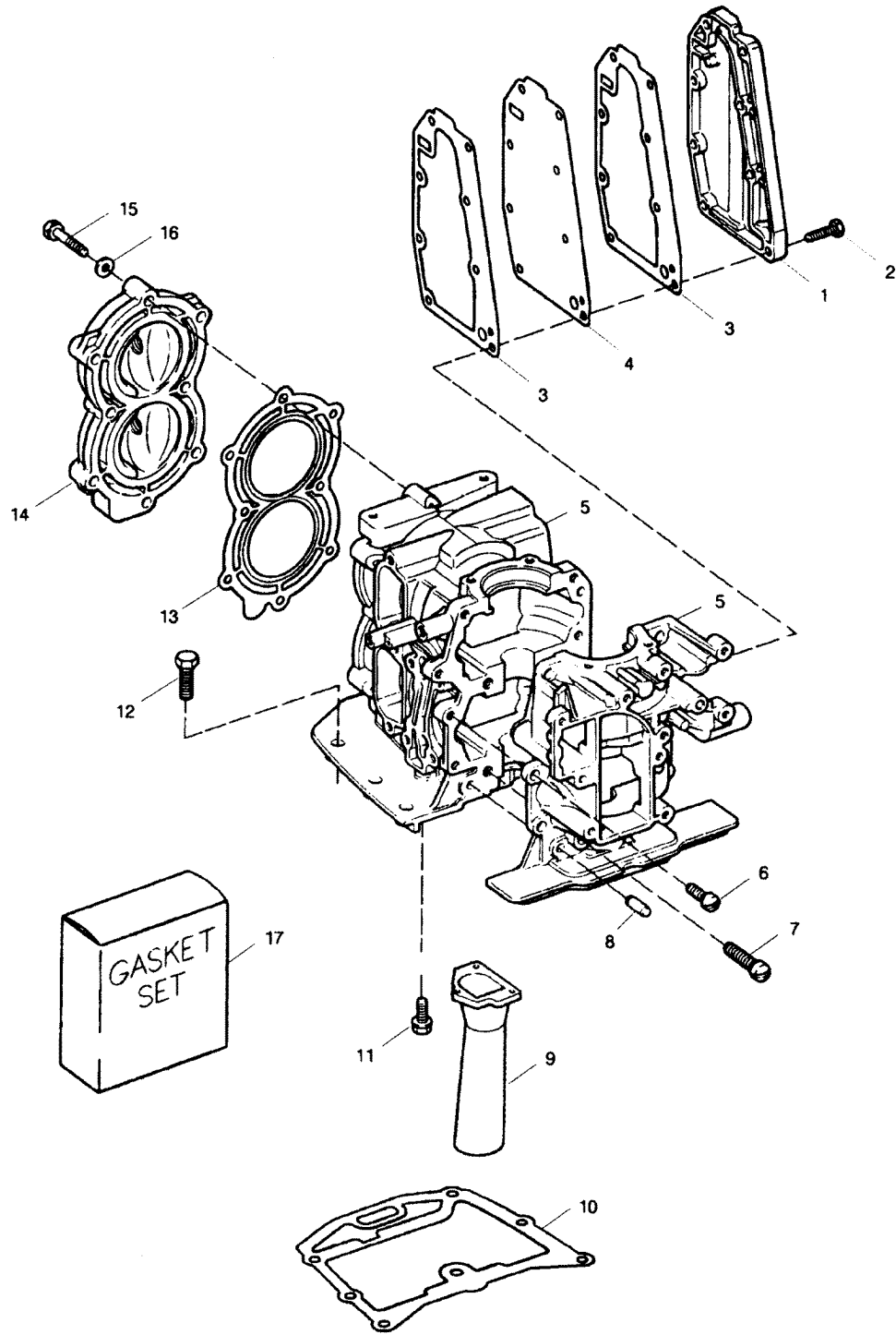
CRANKSHAFT AND PISTON



CRANKSHAFT AND PISTON

REF. NO.	PART NO.	SYM.	QTY.	DESCRIPTION
1	1111		4	HEAD SCREW, 1/4 - 20 X 7/8
2	346146		1	SEAL, CRANKSHAFT UPPER
3	817753A1		1	CAGE, CRANKSHAFT W/SEAL
4	73082		1	RING, MAGNETO STATOR
5	286277		1	GASKET, CRANKSHAFT BEARING CAGE
6	2A681018		1	CRANKSHAFT W/UPPER MAIN BEARING
7	286028		1	BEARING, CRANKSHAFT UPPER
8	A286155		1	CENTER MAIN BEARING LINER SET (2 PER SET)
9	286571		1	CENTER MAIN BEARING ROLLER SET (26 PER SET)
10	817755A1		2	CONNECTING ROD LINER SET (2 PER SET)
11	A517228		2	CONNECTING ROD ROLLER SET (2 PER SET)
12	818046A1		2	ROD, CONNECTING W/CAP AND SCREWS
13	286634-1		4	SCREW, CONNECTING ROD
14	461342		1	SEAL, DRIVESHAFT SPLINE
15	343014		1	BEARING, CRANKSHAFT LOWER MAIN
16	141118		1	SEAL, CRANKSHAFT LOWER
17	715015		2	PISTON
18	31410		4	RETAINING RING, PISTON PIN
19	712017		2	PIN, PISTON
20	A472260		1	RING SET, PISTON (4 PER SET)

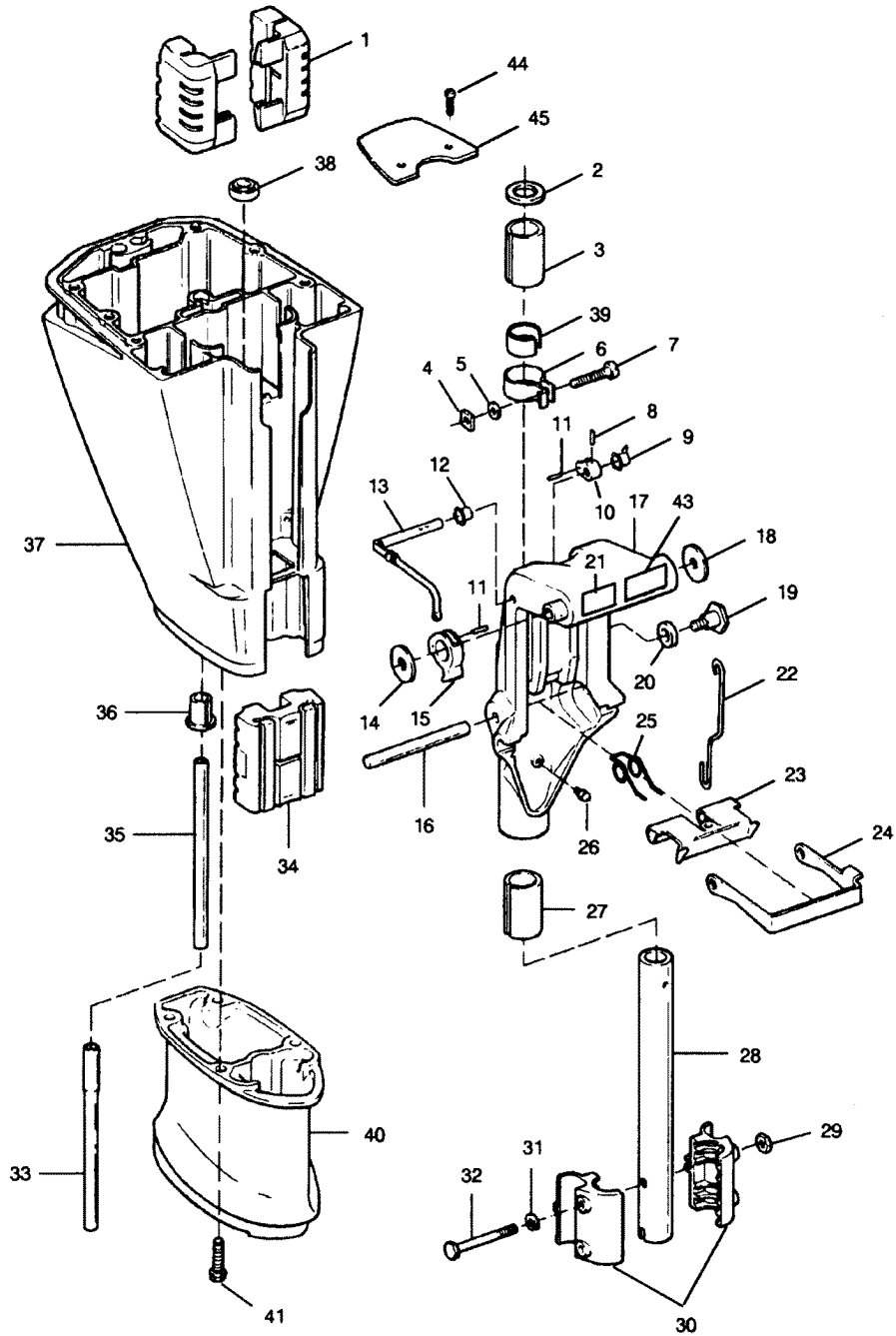
CYLINDER



CYLINDER

REF. NO.	PART NO.	SYM.	QTY.	DESCRIPTION
1	715152		1	COVER, EXHAUST
2	2008		8	HEX HEAD SCREW, 1/4 - 20 X 718
3	715154		2	GASKET, EXHAUST COVER
4	715151		1	PLATE, EXHAUST
5	A709010		1	CYLINDER
-	C709010		1	SHORT BLOCK (CYLINDER WITH CRANKSHAFT, PISTONS AND RODS INSTALLED)
6	1107		8	HEAD SCREW, 1/4 - 20 X 3/4
7	1335		4	HEAD SCREW, 5/16 - 18 X 1-1/4
8	8559		2	DOWEL PIN
10	715279-1		1	GASKET, CYLINDER MOUNT
12	1823		6	HEX HEAD CAP SCREW, 5/16 - 18 X 1
13	286529-3		1	GASKET, CYLINDER HEAD
14	703518		1	HEAD, CYLINDER
15	901938-1		8	SCREW, CYLINDER HEAD
16	8025		8	PLAIN WASHER
17	G1036		1	GASKET SET (INCLUDES ALL GASKETS AND SEALS REQUIRED TO REBUILD POWER HEAD)

MOTOR LEG AND SWIVEL BRACKET



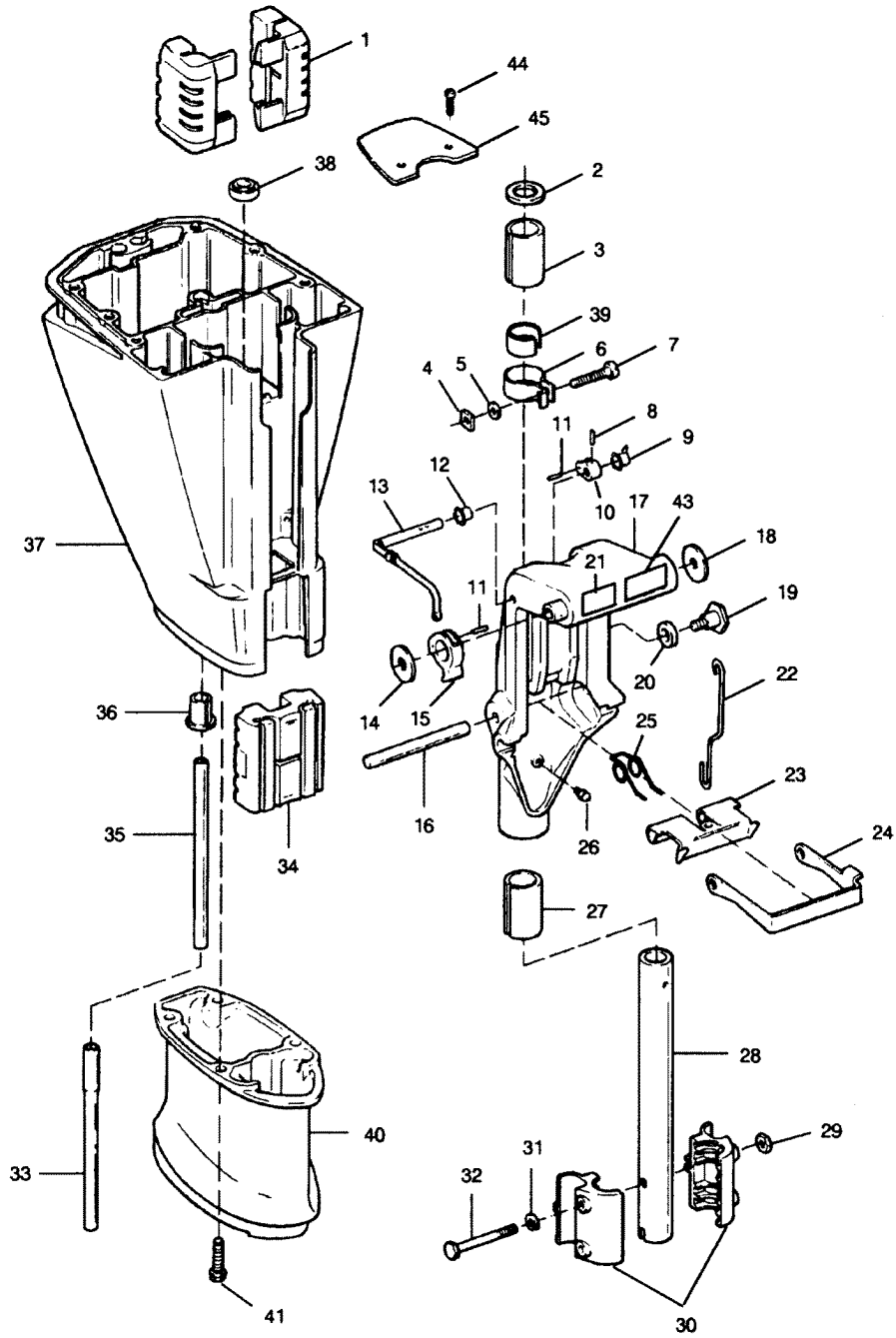
47

MOTOR LEG AND SWIVEL BRACKET

REF. NO.	PART NO.	SYM.	QTY.	DESCRIPTION
1	286347		2	MOUNT, UPPER SHOCK
2	286011		1	WASHER, SWIVEL BRACKET
3	681169		1	BEARING, SWIVEL BRACKET
4	1608		1	SQUARE NUT, 1/4 - 20
5	1907		1	WASHER
6	286573-1		1	CLAMP, STEERING FRICTION
7	1820		1	HEAD SCREW, 1/4 - 20 X 1-3/8
8	8538		1	SPRING PIN
9	197813		1	BEARING
10	286364		1	LEVER, REVERSE LOCK
11	1794		2	SPRING PIN
12	536813		1	BEARING
13	A387742		1	LEVER, REVERSE LOCK INTERMEDIATE
14	525286		1	WASHER
15	286827		1	LEVER, REVERSE LOCK
16	1806		1	GROOVE PIN
17	817750A2		1	BRACKET, SWIVEL W/GREASE FITTING AND LOWER BEARING
18	286286		1	WASHER
19	286422-1		1	PIVOT, TILT LOCK
20	286451		1	SPACER, TILT LOCK
21	688585		1	DECAL, TILT LOCK
22	A341510		1	LINK, REVERSE LOCK
23	286349		1	REVERSE LOCK
24	286433		1	BRACKET, REVERSE LOCK
25	286300		1	SPRING, REVERSE LOCK
26	213274		2	FITTING, GREASE
27	286169		1	BEARING LOWER SWIVEL BRACKET
28	286019		1	KINGPIN
29	1341		2	HEX NUT, 1/4 - 20
30	286956		2	BRACKET, SHOCK MOUNT LOWER
31	8083		2	SPRING LOCKWASHER
32	A1844		2	HEX BOLT W/LOCKWASHER, 1/4 - 20 X 2-3/8 S.S.
33	S901244		1	EXTENSION, WATER LINE (20 INCH TRANSOM MODELS)
34	286346		1	MOUNT, LOWER SHOCK
35	286244		1	LINE, WATER
36	286914		1	SLEEVE, WATER LINE
37	688133		1	LEG, MOTOR
38	901307-2		1	SEAL, MOTOR LEG
39	681631		1	SHOE, STEERING FRICTION

CONTINUED ON NEXT PAGE ➡

MOTOR LEG AND SWIVEL BRACKET

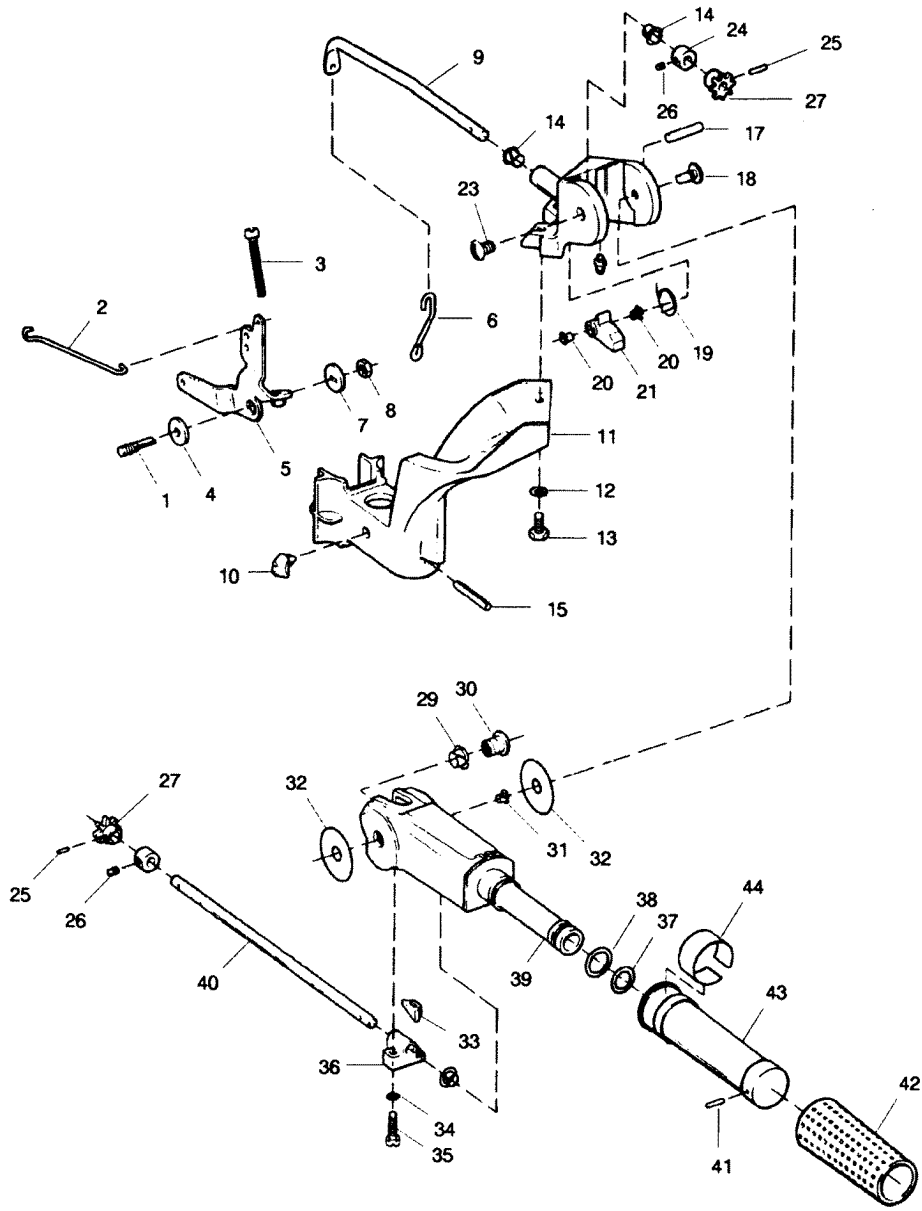


47

MOTOR LEG AND SWIVEL BRACKET

REF. NO.	PART NO.	SYM.	QTY.	DESCRIPTION
40	A492845		1	EXTENSION, MOTOR LEG (20 INCH TRANSOM MODELS)
41	430732		4	SCREW, S.S.
43	703398		1	DECAL, FUEL MIX
44	2417		2	SCREW, 1/4 - 20 X 3/8
45	715404		1	PLATE, LEG TUNER

TILLER HANDLE AND THROTTLE LINKAGE



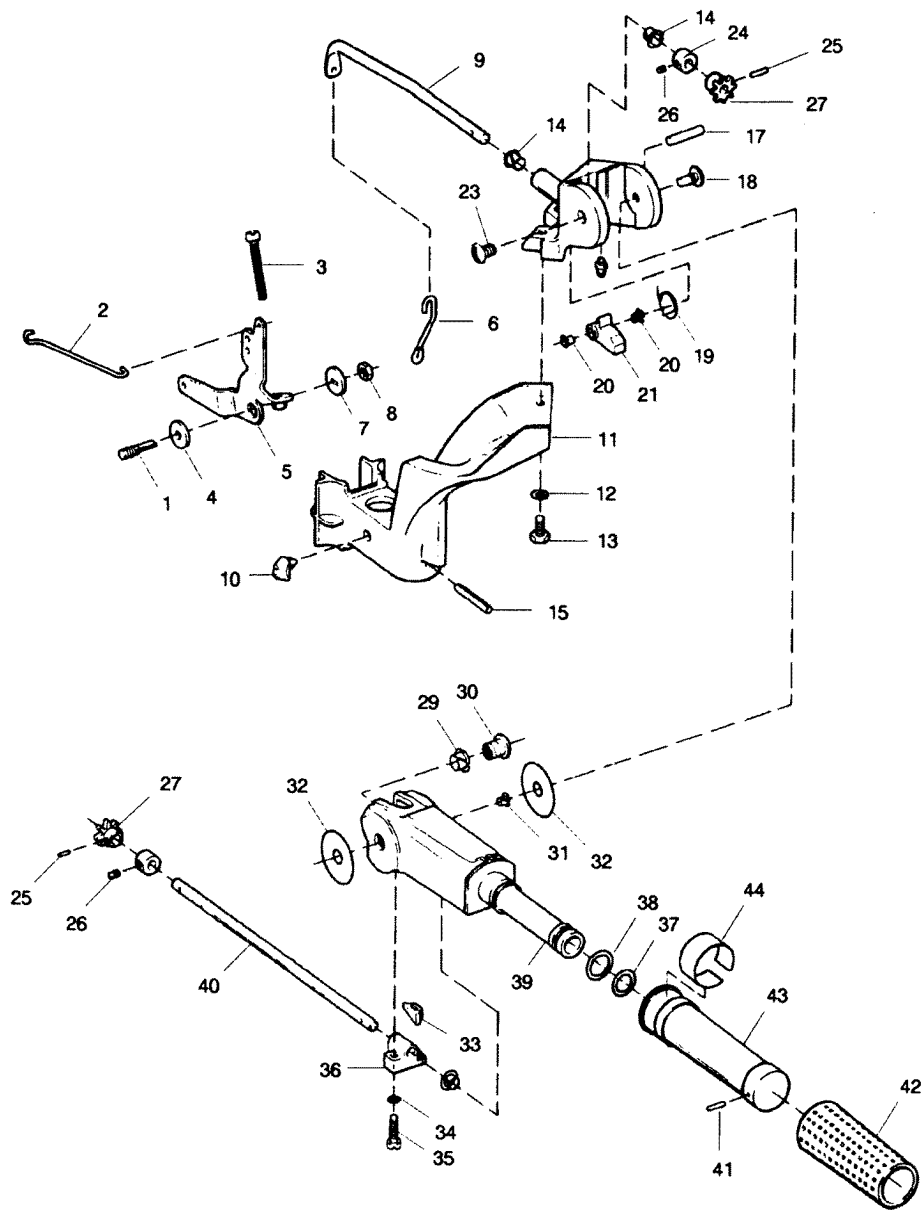
49

TILLER HANDLE AND THROTTLE LINKAGE

REF. NO.	PART NO.	SYM.	QTY.	DESCRIPTION
1	286440		1	STUD, MAGNETO CONTROL LEVER
2	286509		1	LINK, THROTTLE CAM
3	2126		1	SLOTTED FILL. HEAD SCREW, 1/4 - 28 X 2
4	183813		1	BEARING, MAGNETO CONTROL LEVER
5	A715081		1	LEVER, MAGNETO CONTROL
6	618445		1	LINK, MAGNETO SHAFT
7	286282		1	WASHER
8	1803		1	STOP NUT, 5/16 - 24
9	431838		1	SHAFT, MAGNETO CONTROL
10	286539		1	BUMPER
11	A286582		1	ARM, STEERING W/BUMPER AND SPRING PIN
12	8060		2	EXTERNAL TOOTH LOCKWASHER
13	1922		2	HEX CAP SCREW, 1/4 - 20
14	307818		2	BEARING
15	1805		1	SPRING PIN
16	213274		1	FITTING, GREASE
17	1807		1	GROOVE PIN
18	286080		1	SCREW, STEERING HANDLE PIVOT
19	286868		1	SPRING, STEERING HANDLE STOP
20	197813		2	BEARING, STEERING HANDLE STOP
21	286490		1	STOP, STEERING HANDLE
22	817751A2		1	BRACKET, STEERING HANDLE W/GREASE FITTING
23	1799		1	TRUSS HEAD SCREW, 5/16 - 18 X 5/8
24	A343178		2	RETAINER W/SET SCREW
25	1978		2	SPRING PIN
26	1859		2	HEX HEADLESS SOCKET SET SCREW
27	818009--1		2	GEAR, MAGNETO CONTROL SHAFT
28	85610		1	BEARING
29	286818		1	BEARING
30	286224-1		1	INSERT, STEERING HANDLE PIVOT
31	197813		1	BEARING
32	286220		2	WASHER, STEERING HANDLE
33	341693		1	WEDGE, STEERING HANDLE
34	8058		2	INTERNAL TOOTH LOCKWASHER
35	1829		2	HEAD SCREW, 10 - 24 X 7/8
36	487816-1		1	BEARING, STEERING HANDLE
37	215795		1	SEAL (SMALL)
38	53795-1		1	SEAL (LARGE)
39	819279		1	HANDLE, STEERING

CONTINUED ON NEXT PAGE ➡

TILLER HANDLE AND THROTTLE LINKAGE

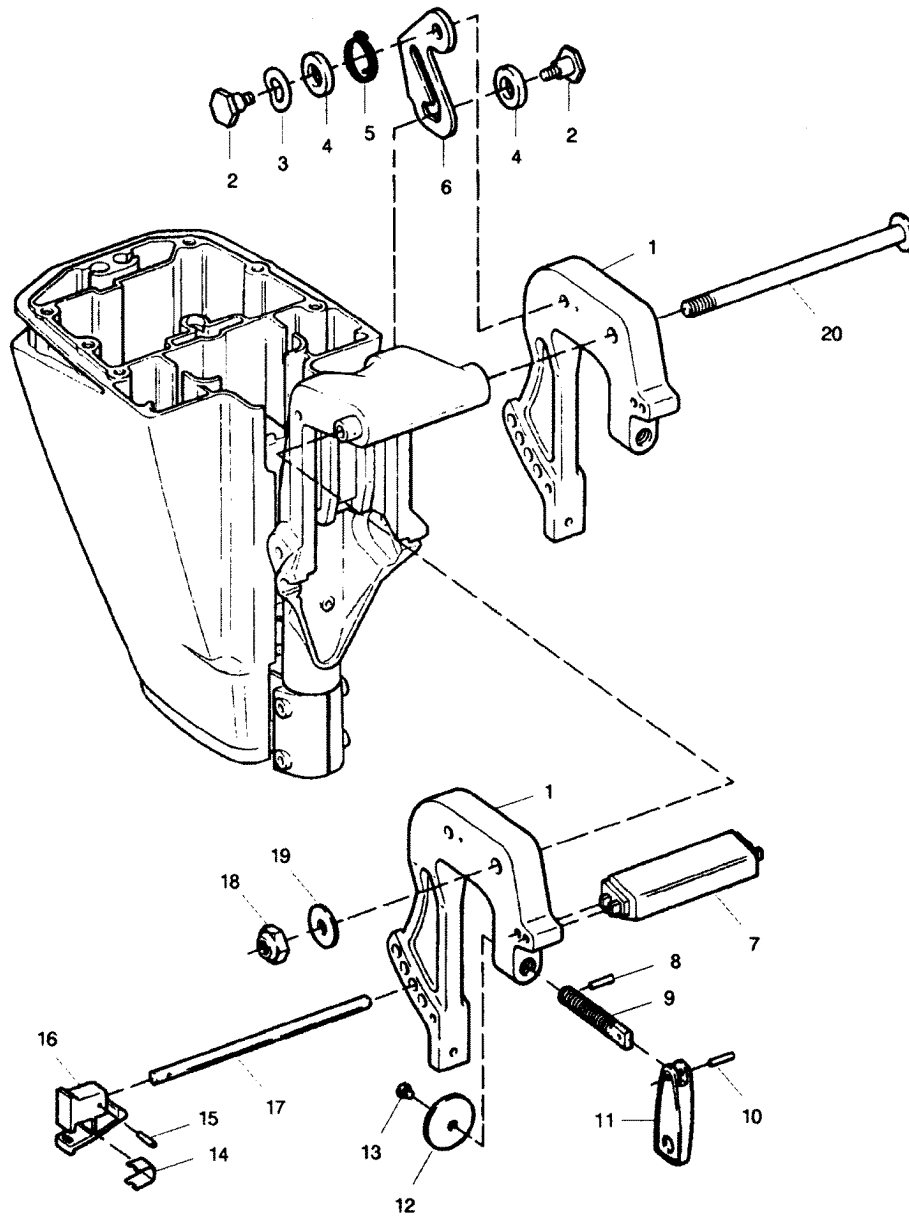


49

TILLER HANDLE AND THROTTLE LINKAGE

REF. NO.	PART NO.	SYM.	QTY.	DESCRIPTION
40	819160		1	SHAFT, STEERING HANDLE
41	8548		0	SPRING PIN
42	458695		1	SLEEVE
43	A456137		1	GRIP, STEERING HANDLE W/SLEEVE
44	709894		1	INDICATOR, STEERING HANDLE

STERN BRACKETS

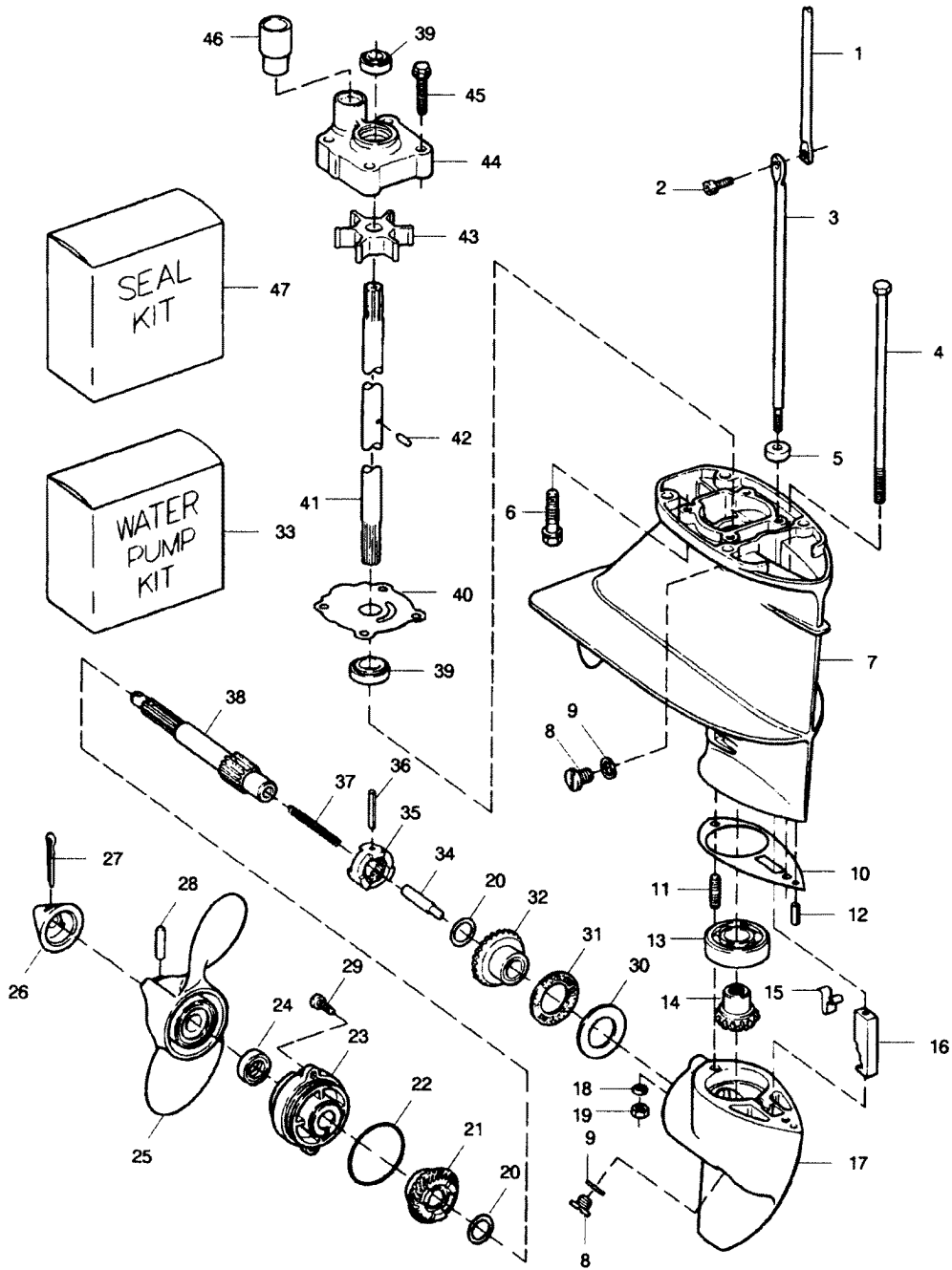


51

STERN BRACKETS

REF. NO.	PART NO.	SYM.	QTY.	DESCRIPTION
1	S617532		2	STERN BRACKET W/CLAMP SCREW
2	286422-1		2	PIVOT
3	1666		1	BOWED SPRING WASHER
4	286451		2	SPACER
5	286544-1		1	SPRING, TILT STOP
6	429541		1	LOCK, TILT
7	286647		1	HANDLE, CARRYING
8	8537		2	SPRING PIN
9	817761A2		2	CLAMP SCREW W/HANDLE AND FOOT
10	8554		2	SPRING PIN
11	424075		2	HANDLE, CLAMP SCREW
12	24074		2	FOOT, CLAMP SCREW
13	66480		2	STUD, CLAMP SCREW
14	286461		1	SPRING, LOCK BAR HANDLE
15	8540		1	SPRING PIN
16	286114		1	HANDLE, LOCK BAR
17	A617113		1	LOCK BAR W/HANDLE
18	7026		1	STOP NUT, 3/8 - 16
19	2014		1	WASHER
20	819029		1	DECAL, FUEL MIX
21	688585		1	DECAL, START PROCEDURE

GEAR HOUSING

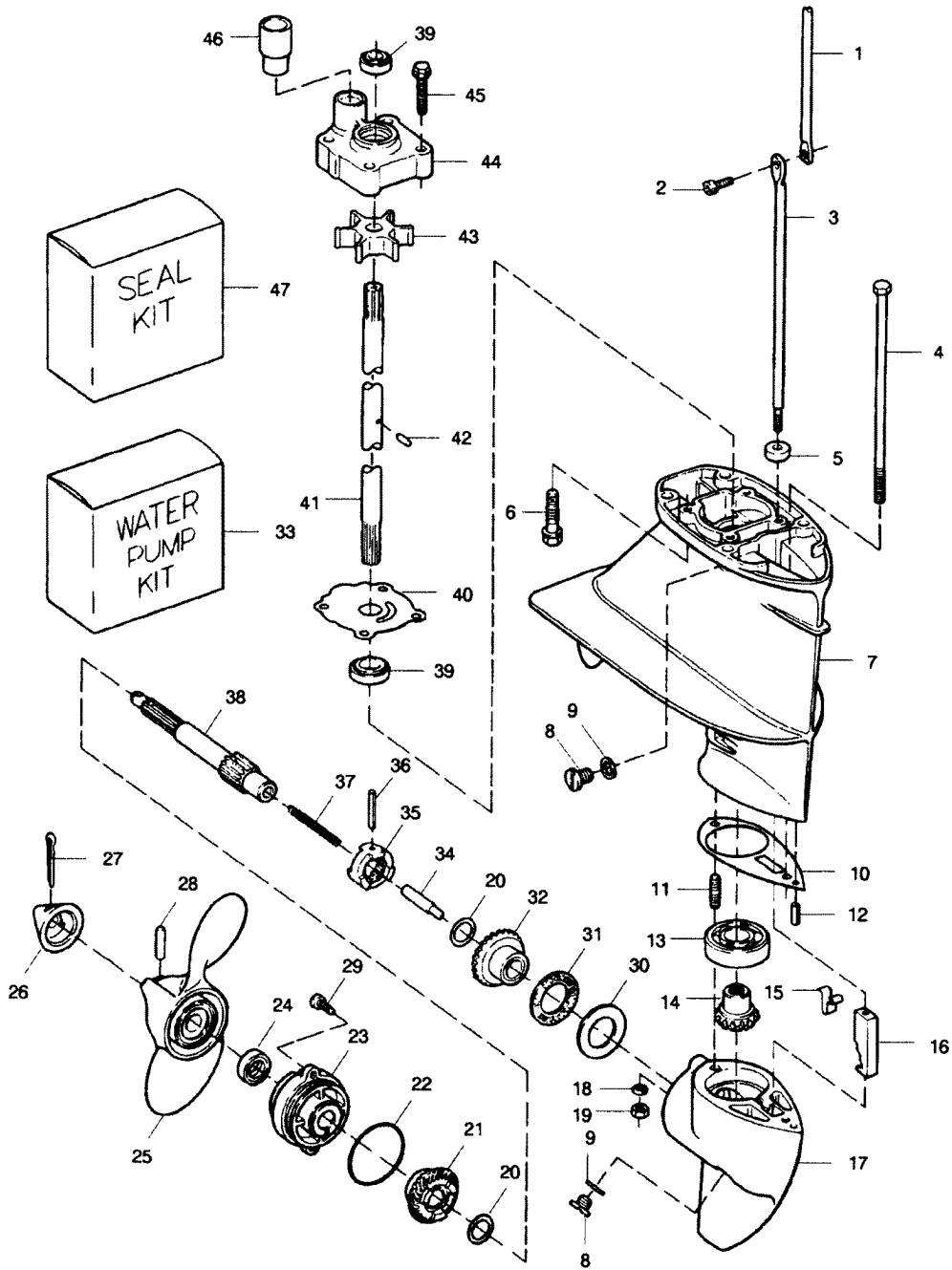


GEAR HOUSING

REF. NO.	PART NO.	SYM.	QTY.	DESCRIPTION
1	286615		1	GEAR SHIFT ROD, UPPER
2	1976		1	SOCKET HEAD CAP SCREW W/LOCKWASHER,10 - 24 X 1/2
3	330705		1	GEAR SHIFT ROD, LOWER (15 INCH TRANSOM MODELS)
4	1800		1	HEX BOLT, 1/4 - 20 X 7
5	338618-1		1	SEAL, SHIFT ROD LOWER
6	430732		4	HEX HEAD SCREW, 1/4 - 20 X 1
7	A715554		1	GEAR HOUSING UPPER W/BEARING, PLUGS AND SEALS
8	50109		2	PLUG, GEAR HOUSING
9	8186		2	WASHER, OIL PLUG
10	286555		1	GASKET, GEAR HOUSING
11	286008		1	STUD, REAR
12	8553		1	SPRING PIN
13	127910-2		1	BALL BEARING
14	819251A1		1	GEAR, BEVEL PINION W/BALL BEARING
15	286895		1	SPRING, CAM DETENT
16	286721		1	CAM, SHIFT
17	817749A1		1	GEAR HOUSING LOWER
	819483A1		1	GEAR HOUSING KIT TINCLUDES ALI ITEMS REQUIRED TO BUILD COMPLETE LOWER GEAR HOUSI
18	8083		1	SPRING LOCKWASHER
19	1490		1	HEX NUT, 1/4 - 20
20	456717		2	THRUST WASHER
21	819254A1		1	GEAR, BEVEL REAR W/BEARING
22	455305		1	SEAL, PROP SHAFT BEARING CAGE
23	817756A1		1	CAGE, PROP SHAFT BEARING W/BEARING END SEALS
24	346118		1	SEAL, PROP SHAFT
25	P6477		1	PROPELLER, 8 X 9-1/4, NYLON, 3 BLADE
26	817752A1		1	PROPELLER NUT W/COTTER PIN
27	1846		1	COTTER PIN
28	A324101		1	PROPELLER PIN, PACK OF 3 W/COTTER PIN
29	1493		2	HEAD SCREW, 1/4 - 20 X 5/8
30	286903		1	RACE, PROPELLER SHAFT BEARING
31	286901		1	BEARING, PROPELLER SHAFT
32	819252A1		1	GEAR, FRONT BEVEL W/BEARING
33	K1031-1		1	WATER PUMP KIT
34	286728		1	SHIFT PIN
35	819253		1	CLUTCH
36	8564		1	SPRING PIN
37	409719		1	SPRING, CLUTCH
38	456098		1	PROPELLER SHAFT
39	901307-2		2	SEAL, DRIVESHAFT
40	341562		1	WATER PUMP BACKPLATE
41	344128		1	DRIVESHAFT (20 INCH TRANSOM MODELS)

CONTINUED ON NEXT PAGE ➡

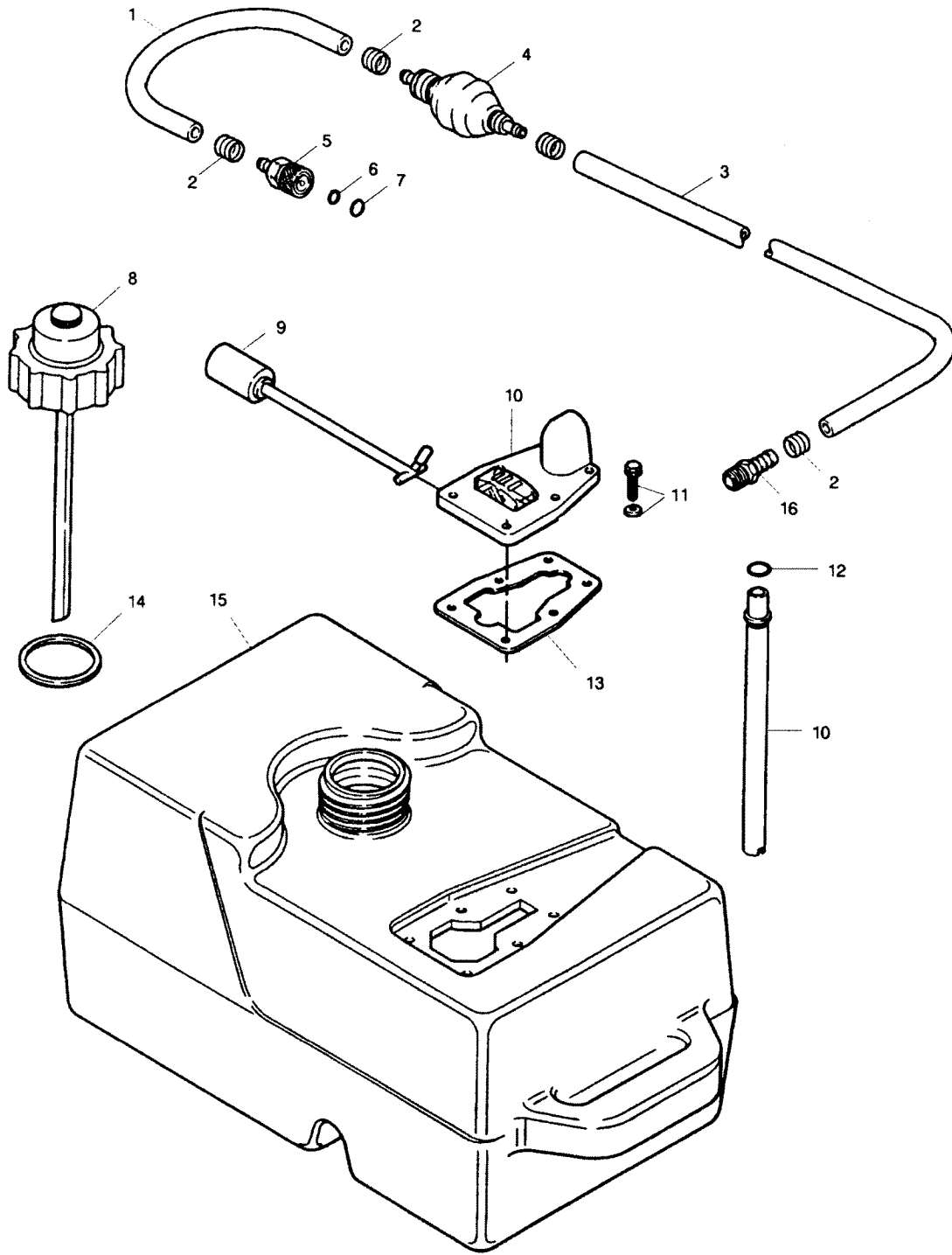
GEAR HOUSING



GEAR HOUSING

REF. NO.	PART NO.	SYM.	QTY.	DESCRIPTION
42	901563		1	PIN, IMPELLER DRIVE
43	436065-2		1	IMPELLER, WATER PUMP
44	A715060		1	WATER PUMP BODY W/DRIVESHAFT SEAL
45	2030		4	HEX HEAD SCREW, 1/4 - 20 X 1-1/4 S.S.
46	A510914		1	SEAL, WATER LINE
47	K1065		1	SEAL KIT

FUEL TANK AND LINE



55

FUEL TANK AND LINE

REF. NO.	PART NO.	SYM.	QTY.	DESCRIPTION
1	A84754-1		1	HOSE W/FERRULES
2	298788		4	FERRULE
3	A197752-1		1	HOSE W/CLAMP AND FERRULE
4	S387766-1		1	BULB, PRIME
5	197787-3		1	COUPLER
6	17815		1	SEAL
7	17816		1	SEAL
8	17821		1	CAP, FUEL TANK
9	17826		1	FLOAT
10	17828		1	GAUGE ASSEMBLY
11	17824		6	SCREW
12	17827		1	SEAL
13	17823		1	GASKET
14	17822		1	GASKET
15	819038A1		1	FUEL TANK W/LINE (6 GALLON)
16	702801		1	FITTING, FUEL
-	310398		2	DECAL, FUEL MIX (NOT SHOWN)

PARTS INDEX

Part Number	Description	Pg.	Ref. No.	Part Number	Description	Pg.	Ref. No.
010165	GASKET, INLET SEAT	9	19	1335	HEAD SCREW, 5/16 - 18 X 1-1/4	19	7
010280	SCREW	9	7				
010588	PLUG	9	1	1341	HEX NUT, 1/4 - 20	21	29
011103	SPRING, IDLE MIXTURE	9	16	141118	SEAL, CRANKSHAFT LOWER	17	16
011764	JET, MAIN FUEL (.051) 7500 - 10000 FT.	9	20	1490	HEX NUT, 1/4 - 20	7	12
011765	JET, MAIN FUEL (.053) 5000 - 7500 FT.	9	20	1490	HEX NUT, 1/4 - 20	31	19
013554	FLOAT	9	9	1493	HEAD SCREW, 1/4 - 20 X 5/8	31	29
013944	PIN, FLOAT	9	10	1608	SQUARE NUT, 1/4 - 20	21	4
013945	SCREW, BOWL RETAINING	9	13	1666	BOWED SPRING WASHER	29	3
015366	BOWL, FUEL	9	11	1704	LOCKWASHER, #6 S.S.	7	3
015520	NEEDLE, IDLE MIXTURE	9	15	1755	ROUND HEAD SCREW W/LOCKWASHER, 6 - 32 X 5/16	7	2
015623	GASKET, FUEL BOWL	9	12	17815	SEAL	35	6
015736	SHAFT, CHOKE	9	5	17816	SEAL	35	7
02510	GASKET, BOWL RETAINING	9	14	17821	CAP, FUEL TANK	35	8
02531	PLUG	9	2	17822	GASKET	35	14
04784	BALL	9	3	17823	GASKET	35	13
08805	SPRING	9	4	17824	SCREW	35	11
10236	SHUTTER, CHOKE	9	6	17826	FLOAT	35	9
10237	INLET SEAT, NEEDLE AND GASKET	9	18	17827	SEAL	35	12
10238	NOZZLE, MAIN	9	21	17828	GAUGE ASSEMBLY	35	10
10240	SHAFT, THROTTLE LINKAGE	9	23	1794	SPRING PIN	21	11
10241	E-RING	9	24	1799	TRUSS HEAD SCREW, 5/16 - 18 X 5/8	25	23
10242	WASHER	9	25	1800	HEX BOLT, 1/4 - 20 X 7	31	4
10246	SPRING, THROTTLE SHAFT RETURN	9	28	1803	STOP NUT, 5/16 - 24	25	8
10247	JET, MAIN FUEL (.055) 2500 - 5000 FT.	9	20	1804	STOP NUT, 10 - 32	5	17
10260	JET, MAIN FUEL (.057) SEA LEVEL - 2500 FT.	9	20	1805	SPRING PIN	25	15
10265	NEEDLE, INLET	9	17	1806	GROOVE PIN	21	16
10290	FOLLOWER, THROTTLE CAM	9	22	1807	GROOVE PIN	25	17
10328	SCREW, THROTTLE SHUTTER	9	30	18160-3	REED, FUEL PUMP	7	28
10338	WIRE, THROTTLE LINKAGE	9	26	1820	HEAD SCREW, 1/4 - 20 X 1-3/8	21	7
10339	SHAFT, THROTTLE	9	27	1823	HEX HEAD CAP SCREW, 5/16 - 18 X 1	19	12
10354	SHUTTER, THROTTLE	9	29	1829	HEAD SCREW, 10 - 24 X 7/8	25	35
1069	HEAD SCREW, 10 - 24 X 1-1/16	7	23	1832	LOCKNUT 1/4 - 20	5	9
1090	SCREW W/LOCKWASHER, 10 - 24 X 9/16	13	10	1832	LOCKNUT, 1/4 - 20 S.S.	3	10
1090	SCREW, 10 - 24 X 9/16	13	24	1832	LOCKNUT, 1/4- 20	15	8
1090	SCREW, FILL. HEAD 10 - 24 X 9/16	15	9	183813	BEARING, MAGNETO CONTROL LEVER	25	4
1107	HEAD SCREW, 1/4 - 20 X 3/4	19	6	1846	COTTER PIN	31	27
1111	HEAD SCREW, 1/4 - 20 X 7/8	17	1	1854	HEX HEAD CAP SCREW, 1/4 - 20 X 5/8	3	23
12088	GROMMET	13	18	1859	HEX HEADLESS SOCKET SET SCREW	25	26
12376	WIRE, MAGNETO SHORTING	13	4	1864	SCREW, HEX HEAD 1/4 - 20 X 3/4 S.S.	15	2
12377	STATOR, PLATE W/LAMINATIONS	13	15	18906	GASKET, CARBURETOR	7	11
12378	SPRING, COIL WEDGE	13	17	1907	WASHER	21	5
12380	SCREW (PLASTIC)	13	8	1922	HEX CAP SCREW, 1/4 - 20	25	13
12381	WASHER (PLASTIC)	13	9	1922	HEX HEAD SCREW, 1/4 - 20 X 5/8	7	17
12382	SCREW	13	11	1976	SOCKET HEAD CAP SCREW W/LOCKWASHER, 10 - 24 X 1/2	31	2
127910-2	BALL BEARING	31	13	197767-2	BUSHING (FUEL LINE)	7	36
1286	PAN HEAD SCREW, 4 - 40 X 3/16	7	26	197787-3	COUPLER	35	5

PARTS INDEX

Part Number	Description	Pg.	Ref. No.	Part Number	Description	Pg.	Ref. No.
1978	SPRING PIN	25	25	286364	LEVER, REVERSE LOCK	21	10
197813	BEARING	21	9	286422-1	PIVOT	29	2
197813	BEARING	25	31	286422-1	PIVOT, TILT LOCK	21	19
197813	BEARING, STEERING HANDLE STOP	25	20	286433	BRACKET, REVERSE LOCK	21	24
2008	HEX HEAD SCREW, 1/4 - 20 X 7/8	7	13	286440	STUD, MAGNETO CONTROL LEVER	25	1
2008	HEX HEAD SCREW, 1/4 - 20 X 7/8	19	2	286451	SPACER	29	4
2014	WASHER	29	19	286451	SPACER, TILT LOCK	21	20
2030	HEX HEAD SCREW, 1/4 - 20 X 1-1/4 S.S.	33	45	286461	SPRING, LOCK BAR HANDLE	29	14
2042	WASHER	3	2	286490	STOP, STEERING HANDLE	25	21
2126	SLOTTED FILL. HEAD SCREW, 1/4 - 28 X 2	25	3	286509	LINK, THROTTLE CAM	25	2
213274	FITTING, GREASE	21	26	286529-3	GASKET, CYLINDER HEAD	19	13
213274	FITTING, GREASE	25	16	286539	BUMPER	25	10
215795	SEAL (SMALL)	25	37	286544-1	SPRING, TILT STOP	29	5
2209	PAN HEAD SELF TAPPING SCREW 10 - 16	5	4	286547	KNOB, CHOKE	11	38
2209	SCREW, PAN HEAD 10 - 16 X 1/2 S.S.	15	14	286555	GASKET, GEAR HOUSING	31	10
2210	SCREW, PAN HEAD 1/4 - 14 X 1/2 S.S.	15	18	286571	CENTER MAIN BEARING ROLLER SET (26 PER SET)	17	9
2211	HEX HEAD CAP SCREW, 10 - 24 X 5/8 S.S.	3	1	286573-1	CLAMP, STEERING FRICTION	21	6
2215	SCREW	9	33	286611-2	ROD, GEARSHIFT	5	18
24074	FOOT, CLAMP SCREW	29	12	286615	GEAR SHIFT ROD, UPPER	31	1
2417	SCREW, 1/4 - 20 X 3/8	23	44	286615	ROD, GEARSHIFT UPPER	5	13
24748-2	GASKET, FUEL PUMP	7	25	286634-1	SCREW, CONNECTING ROD	17	13
2706772	HOSE CLAMP	7	14	286647	HANDLE, CARRYING	29	7
2788004	STUD, CARBURETOR	7	10	286685	CONNECTOR, GEARSHIFT ROD	5	20
286008	STUD, REAR	31	11	286721	CAM, SHIFT	31	16
286011	WASHER, SWIVEL BRACKET	21	2	286728	SHIFT PIN	31	34
286019	KINGPIN	21	28	286772-1	CLAMP	7	18
286028	BEARING, CRANKSHAFT UPPER	17	7	286818	BEARING	25	29
286080	SCREW, STEERING HANDLE PIVOT	25	18	286827	LEVER, REVERSE LOCK	21	15
286114	HANDLE, LOCK BAR	29	16	286868	SPRING, STEERING HANDLE STOP	25	19
286134	STUD, GEARSHIFT LEVER	5	27	286871	PIN, GEARSHIFT LEVER	5	25
286159-1	GASKET, REED PLATE	7	5	286876	LEVER, GEARSHIFT	5	23
286169	BEARING LOWER SWIVEL BRACKET	21	27	286895	SPRING, CAM DETENT	31	15
286220	WASHER, STEERING HANDLE	25	32	286901	BEARING, PROPELLER SHAFT	31	31
286222	COVER, TRANSFER PORT	7	31	286903	RACE, PROPELLER SHAFT BEARING	31	30
286223	GASKET, TRANSFER PORT COVER	7	32	286914	SLEEVE, WATER LINE	21	36
286224-1	INSERT, STEERING HANDLE PIVOT	25	30	286956	BRACKET, SHOCK MOUNT LOWER	21	30
286244	LINE, WATER	21	35	286989-2	SEAL, SUPPORT PLATE	3	16
286277	GASKET, CRANKSHAFT BEARING CAGE	17	5	289664	WIRE, STATOR GROUND	13	14
286282	WASHER	25	7	298788	FERRULE	35	2
286286	WASHER	21	18	2A24757	PLATE, FUEL PUMP W/REEDS	7	29
286300	SPRING, REVERSE LOCK	21	25	2A681018	CRANKSHAFT W/UPPER MAIN BEARING	17	6
286346	MOUNT, LOWER SHOCK	21	34	2C709712	COVER, COMPLETE (PAINTED W/DECALS)	3	5
286347	MOUNT, UPPER SHOCK	21	1	307818	BEARING	3	19
286349	REVERSE LOCK	21	23	307818	BEARING	5	26
				307818	BEARING	25	14
				310398	DECAL, FUEL MIX (NOT SHOWN)	35	-

PARTS INDEX

Part Number	Description	Pg.	Ref. No.	Part Number	Description	Pg.	Ref. No.
31160-2	REED	7	6	681169	BEARING, SWIVEL		
31410	RETAINING RING, PISTON				BRACKET	21	3
	PIN	17	18	681232	ROPE	15	10
330705	GEAR SHIFT ROD, LOWER			681243	HOSE (PRIME BULB TO		
	(15 INCH TRANSOM				CARBURETOR)	7	35
	MODELS)	31	3	681263-1	LINK, INTERLOCK	5	15
338618-1	SEAL, SHIFT ROD LOWER	31	5	681390	DECAL, START		
341384	RETAINER, CHOKE ROD	11	40		PROCEDURE	3	24
341562	WATER PUMP BACKPLATE	31	40	681408-1	HOUSING	15	1
341693	WEDGE, STEERING HANDLE	25	33	681424	SPRING, INTERLOCK	5	5
343014	BEARING, CRANKSHAFT			681427-2	BRACKET	15	3
	LOWER MAIN	17	15	681428	INSERT, STARTER		
344128	DRIVESHAFT (20 INCH				HOUSING ROPE	15	5
	TRANSOM MODELS)	31	41	681490	STOP, STARTER		
346118	SEAL, PROP SHAFT	31	24		INTERLOCK	5	1
346146	SEAL, CRANKSHAFT UPPER	17	2	681531-1	ROD, INTERLOCK	5	10
392756	PACKING	3	13	681579	SEAL	15	12
40253-1	FUEL LINE (SUPPORT			681592	RETAINER, STARTER		
	PLATE TO FUEL PUMP)	7	15		PULLEY	15	13
409719	SPRING, CLUTCH	31	37	681631	SHOE, STEERING FRICTION	21	39
424075	HANDLE, CLAMP SCREW	29	11	681741	RING, RETAINING	15	4
424161	REED STOP, 9.9 HP	7	4	681742	LEVER, INTERMEDIATE		
429472	GASKET, CYLINDER DRAIN				INTERLOCK	5	16
	COVER	7	21	681759	ROLLER, LATCH	3	11
429541	LOCK, TILT	29	6	681817	RETAINER, STARTER ROPE	15	20
429811	SCREEN	7	20	681874	FASTENER, HANDLE		
430732	HEX HEAD SCREW, 1/4 - 20				SUPPORT PLATE	15	19
	X 1	31	6	681954	COVER, PRIME BULB	7	33
430732	SCREW, S.S.	23	41	681970	SPRING, STARTER REWIND	15	6
431838	SHAFT, MAGNETO			681971	PLUG	15	7
	CONTROL	25	9	681997-1	LEVER, NEUTRAL SPEED		
436065-2	IMPELLER, WATER PUMP	33	43		INTERLOCK	5	8
436280	NUT, SHORTING SWITCH	13	13	687287	SWITCH, EMERGENCY		
455305	SEAL, PROP SHAFT				STOP	13	6
	BEARING CAGE	31	22	688133	LEG, MOTOR	21	37
456098	PROPELLER SHAFT	31	38	688585	DECAL, START		
456717	THRUST WASHER	31	20		PROCEDURE	29	21
458498-1	KEY, MAGNETO	13	23	688585	DECAL, TILT LOCK	21	21
458677	INSERT, CHOKE KNOB	11	37	7009	LOCKNUT, 10 - 24 S.S.	3	4
458695	SLEEVE	27	42	702329	LANYARD	13	7
461342	SEAL, DRIVESHAFT SPLINE	17	14	7026	STOP NUT, 3/8 - 16	29	18
481777	CAM, LATCH	3	21	702801	FITTING, FUEL	35	16
487816-1	BEARING, STEERING			703269	HANDLE, TILT	3	3
	HANDLE	25	36	703398	DECAL, FUEL MIX	23	43
50109	PLUG, GEAR HOUSING	31	8	703518	HEAD, CYLINDER	19	14
525286	WASHER	21	14	709396	DECAL, STARBOARD	3	8
536813	BEARING	21	12	709397	DECAL, PORT	3	8
53795-1	SEAL (LARGE)	25	38	709528	DECAL, REAR	3	7
617192	PLATE, THROTTLE CAM	13	25	709894	INDICATOR, STEERING		
618445	LINK, MAGNETO SHAFT	25	6		HANDLE	27	44
66480	STUD, CLAMP SCREW	29	13	712017	PIN, PISTON	17	19
681003-1	ARM, STARTER INTERLOCK	5	2	712475	COIL	13	16
681008	STUD	5	7	714061	CARBURETOR COMPLETE		
681026	SCREW, LATCH ROLLER	3	12		(HO5A)	9	34
681033	SWIVEL	9	32	714061	CARBURETOR, COMPLETE	7	37
681046	BULB, PRIME	7	34	715015	PISTON	17	17
681090	PLATE, HANDLE SUPPORT	15	17	715151	PLATE, EXHAUST	19	4
681091	NUT, FLYWHEEL	13	1	715152	COVER, EXHAUST	19	1
681132	HANDLE, STARTER ROPE	15	21	715154	GASKET, EXHAUST COVER	19	3
681134	STUD	5	6	715168	GASKET, MANIFOLD	7	8

PARTS INDEX

Part Number	Description	Pg.	Ref. No.	Part Number	Description	Pg.	Ref. No.
715279-1	GASKET, CYLINDER MOUNT	19	10	819253	CLUTCH	31	35
715404	PLATE, LEG TUNER	23	45	819254A1	GEAR, BEVEL REAR		
715417	SHAFT, GEARSHIFT				W/BEARING	31	21
	HANDLE	5	14	819279	HANDLE, STEERING	25	39
715614	HANDLE, GEARSHIFT	5	29	819280	SUPPORT PLATE	3	14
715619	LEVER, SHIFT HANDLE			819281	PLATE, FRONT	3	15
	SHAFT	5	30	819348	ROD, CHOKE	11	39
73082	RING, MAGNETO STATOR	17	4	819379A1	WIRE	13	26
73336	PLUG	3	17	819483A1	GEAR HOUSING KIT		
8003	PLAIN WASHER	7	27		TINCLUDES ALI ITEMS		
8025	PLAIN WASHER	19	16		REQUIRED TO BUILD		
8048	BOWED SPRING WASHER	5	19		COMPLETE LOWER GEAR		
8048	BOWED WASHER	3	20		HOUSI	31	17
8058	INTERNAL TOOTH			84026	SCREW, SHOULDER	5	12
	LOCKWASHER	5	22	84026	SCREW, SHOULDER	15	15
8058	INTERNAL TOOTH			8537	SPRING PIN	29	8
	LOCKWASHER	25	34	8538	SPRING PIN	21	8
8060	EXTERNAL TOOTH			8540	SPRING PIN	29	15
	LOCKWASHER	25	12	8542	SPRING PIN	5	24
8083	SPRING LOCKWASHER	3	22	8547	SPRING PIN	5	28
8083	SPRING LOCKWASHER	21	31	8548	SPRING PIN	27	41
8083	SPRING LOCKWASHER	31	18	8553	SPRING PIN	31	12
8088	WASHER	9	31	8554	SPRING PIN	29	10
8143	WASHER, PLAIN #10	5	3	8559	DOWEL PIN	19	8
816514	BEARING, CONTROL ROD	5	11	85610	BEARING	25	28
817749A1	GEAR HOUSING LOWER	31	17	8564	SPRING PIN	31	36
817750A2	BRACKET, SWIVEL			901307-2	SEAL, DRIVESHAFT	31	39
	W/GREASE FITTING AND			901307-2	SEAL, MOTOR LEG	21	38
	LOWER BEARING	21	17	901563	PIN, IMPELLER DRIVE	33	42
817751A2	BRACKET, STEERING			901746-2	COVER, FUEL PUMP	7	24
	HANDLE W/GREASE			901754	FUEL LINE (FUEL PUMP TO		
	FITTING	25	22		CARBURETOR)	7	16
817752A1	PROPELLER NUT			901811	FILTER, FUEL	7	22
	W/COTTER PIN	31	26	901938-1	SCREW, CYLINDER HEAD	19	15
817753A1	CAGE, CRANKSHAFT			9030	RETAINER	11	41
	W/SEAL	17	3	98273	STUD, GEARSHIFT ROD		
817755A1	CONNECTING ROD LINER				CONNECTOR	5	21
	SET (2 PER SET)	17	10	A1844	HEX BOLT		
817756A1	CAGE, PROP SHAFT				W/LOCKWASHER, 1/4 - 20		
	BEARING W/BEARING				X 2-3/8 S.S.	21	32
	END SEALS	31	23	A197752-1	HOSE W/CLAMP AND		
817761A2	CLAMP SCREW W/HANDLE				FERRULE	35	3
	AND FOOT	29	9	A286155	CENTER MAIN BEARING		
817952A1	SWITCH, STOP W/NUT	13	5		LINER SET (2 PER SET)	17	8
818009--1	GEAR, MAGNETO CONTROL			A286582	ARM, STEERING W/BUMPER		
	SHAFT	25	27		AND SPRING PIN	25	11
818043A1	FUEL PUMP DIAPHRAGM			A324101	PROPELLER PIN, PACK OF		
	W/GASKETS	7	30		3 W/COTTER PIN	31	28
818046A1	ROD, CONNECTING W/CAP			A341510	LINK, REVERSE LOCK	21	22
	AND SCREWS	17	12	A343178	RETAINER W/SET SCREW	25	24
8186	WASHER, OIL PLUG	31	9	A387742	LEVER, REVERSE LOCK		
819029	DECAL, FUEL MIX	29	20		INTERMEDIATE	21	13
819038A1	FUEL TANK W/LINE (6			A429471	COVER, CYLINDER DRAIN		
	GALLON)	35	15		WITH CHECK VALVES		
819160	SHAFT, STEERING HANDLE	27	40		AND SCREENS	7	L9
819182T	SPARK PLUG (CHAMPION			A456137	GRIP, STEERING HANDLE		
	L87YC)	13	21		W/SLEEVE	27	43
819251A1	GEAR, BEVEL PINION			A472260	RING SET, PISTON (4 PER		
	W/BALL BEARING	31	14		SET)	17	20

PARTS INDEX

Part Number	Description	Pg.	Ref. No.	Part Number	Description	Pg.	Ref. No.
A510914	SEAL, WATER LINE	33	46				
A517228	CONNECTING ROD ROLLER SET (2 PER SET)	17	11				
A609853	DECAL, SHIFT WARNING . .	13	2				
A617113	LOCK BAR W/HANDLE	29	17				
A681239	STARTER PULLEY ASSEMBLY W/PLUG AND SEAL	15	11				
A681469	HANDLE, COVER LATCH . .	3	18				
A681630	SUPPORT, HANDLE	15	16				
A709010	CYLINDER	19	5				
A714097	FLYWHEEL W/DECAL	13	3				
A714167	MANIFOLD W/STUDS	7	9				
A715060	WATER PUMP BODY W/DRIVESHAFT SEAL . . .	33	44				
A715081	LEVER, MAGNETO CONTROL	25	5				
A715158	REED PLATE W/REEDS AND REED STOPS - 9.9 HP . . .	7	7				
A715554	GEAR HOUSING UPPER W/BEARING, PLUGS AND SEALS	31	7				
A84754-1	HOSE W/FERRULES	35	1				
C709010	SHORT BLOCK	7	1				
C709010	SHORT BLOCK (CYLINDER WITH CRANKSHAFT, PISTONS AND RODS INSTALLED)	19	-				
G1036	GASKET SET (INCLUDES ALL GASKETS AND SEALS REQUIRED TO REBUILD POWER HEAD)	19	17				
K10294	GASKET SET	9	35				
K10295	REPAIR KIT	9	36				
K1031-1	WATER PUMP KIT	31	33				
K1065	SEAL KIT	33	47				
K1123	SPARKIE W/SPRING	13	20				
P6477	PROPELLER, 8 X 9-1/4, NYLON, 3 BLADE	31	25				
S387766-1	BULB, PRIME	35	4				
S617532	STERN BRACKET W/CLAMP SCREW	29	1				
S681712	COVER, BASIC (UNPAINTED)	3	5				
S901244	EXTENSION, WATER LINE (20 INCH TRANSOM MODELS)	21	33				