



PARTS CATALOG

SEARS 5 H.P. JAN 1990

SERIAL NUMBER

| | | |
|---------------|-------|------------|
| 5 H.P. (1990) | | 225.587493 |
| 5 H.P. (1990) | | 225.587503 |

TABLE OF CONTENTS:

| | |
|---|----|
| CARBURETOR | 12 |
| CRANKSHAFT AND PISTON | 18 |
| CYLINDER | 16 |
| ENGINE COVER | 2 |
| FUEL PUMP | 14 |
| FUEL TANK AND LINE | 32 |
| GEAR HOUSING | 28 |
| INTAKE SYSTEM | 10 |
| LOWER COVER AND SUPPORT PLATE | 4 |
| MAGNETO | 8 |
| MOTOR LEG | 26 |
| PARTS INDEX | 34 |
| SHIFT LINKAGE | 20 |
| STARTER | 6 |
| STEERING HANDLE AND TWIST GRIP THROTTLE | 22 |
| SWIVEL BRACKET AND STERN BRACKETS | 24 |

NOTE: *Indented description indicate that these parts are included in preceeding assembly.*

AR = As Required

NSS = Not Sold Separate

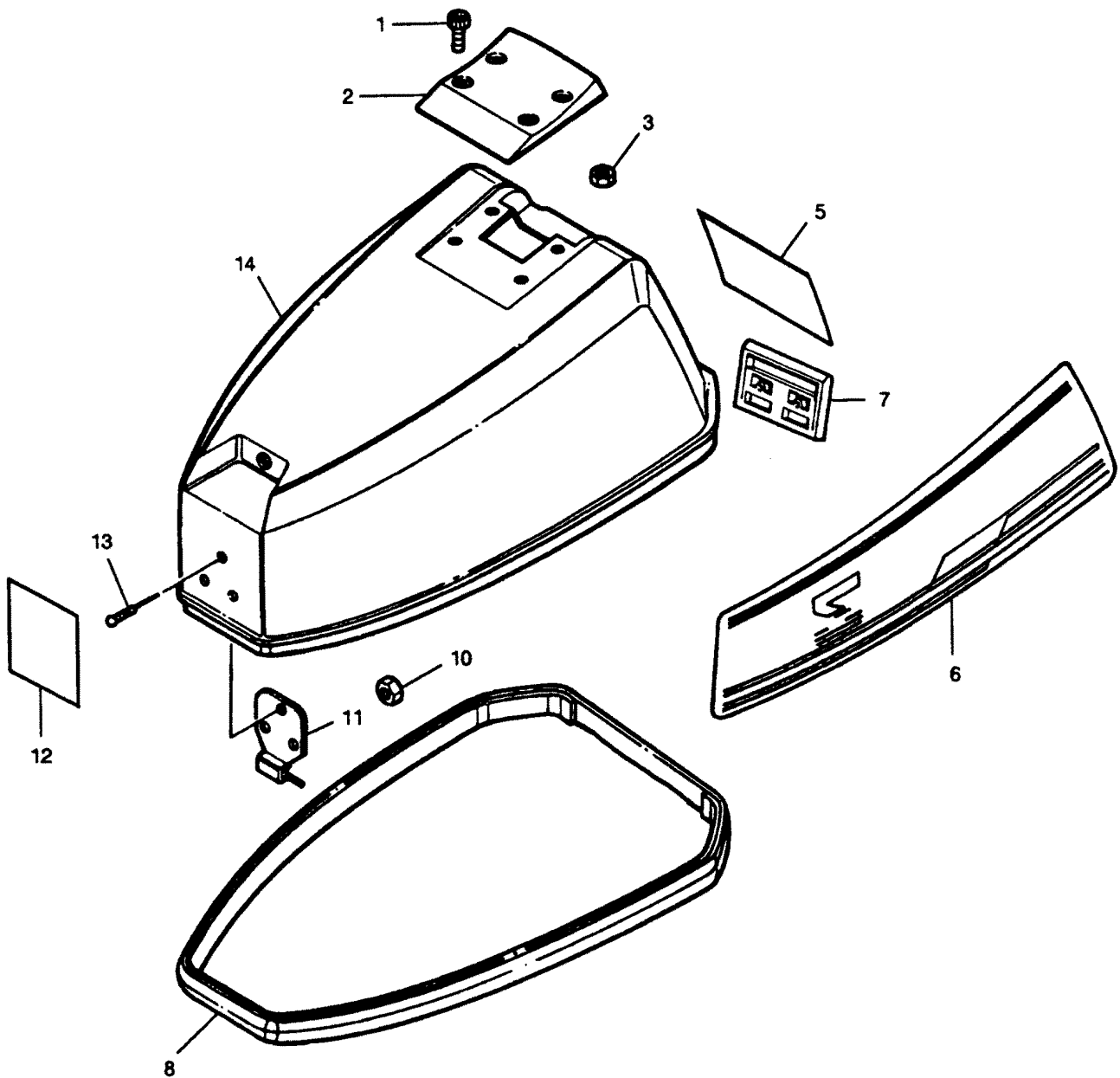
OPT = Optional

NS = Not Shown

THESE PARTS BOOKS/FICHE CARD ARE COPYRIGHTED AND MAY NOT BE DISTRIBUTED OR REPRODUCED IN ANY OTHER FORMAT BY ANYONE OTHER THAN MERCURY MARINE WITHOUT THE PRIOR WRITTEN CONSENT OF MERCURY MARINE.

THIS PAGE INTENTIONALLY LEFT BLANK

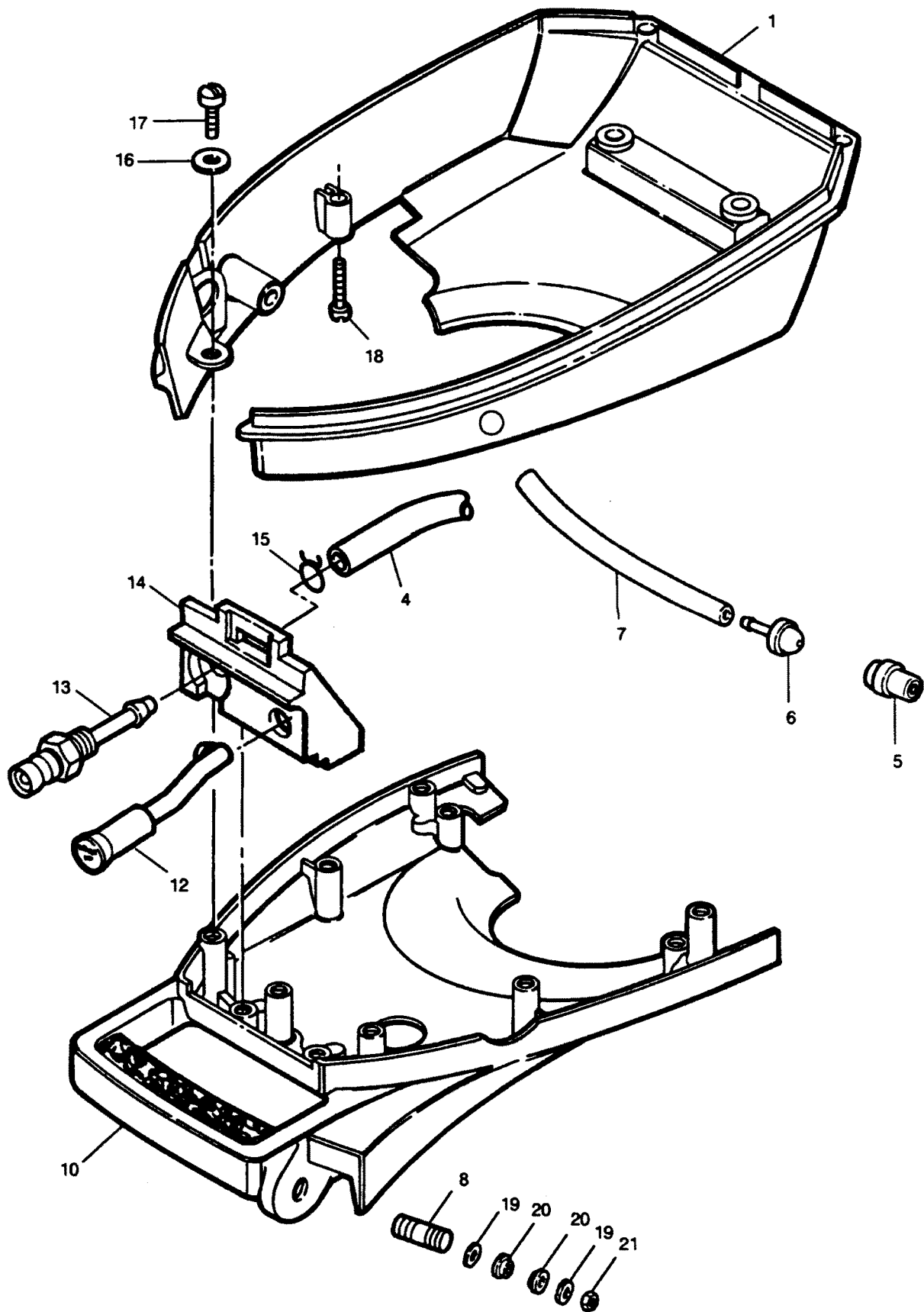
ENGINE COVER



ENGINE COVER

| REF. NO. | PART NO. | SYM. | QTY. | DESCRIPTION |
|----------|------------------|------|----------|---|
| 1 | F2211 | | 4 | SCREW, 10 - 24 X 5/8 |
| 2 | F703269 | | 1 | HANDLE, TILT |
| 3 | F7009 | | 4 | NUT, 10 - 24 |
| 5 | F713528 | | 1 | DECAL, REAR |
| 6 | F713397 | | 1 | DECAL, PORT |
| - | F713396 | | 1 | DECAL, STARBOARD |
| 7 | F687765 | | 1 | LATCH, ENGINE COVER, REAR |
| 8 | FK525713 | | 1 | PACKING |
| 10 | F7011 | | 3 | NUT, 10 - 24 |
| 11 | F702783 | | 1 | RETAINER, ENGINE COVER FRONT |
| 12 | F699892 | | 1 | DECAL, STARTING INSTRUCTIONS |
| 13 | F1979 | | 3 | SCREW, 10 - 24 X 1/2 |
| 14 | FS687712 | | 1 | COVER, UNPAINTED W/RETAINER AND PACKING |
| - | F2C713712 | | 1 | COVER, COMPLETE W/DECALS |

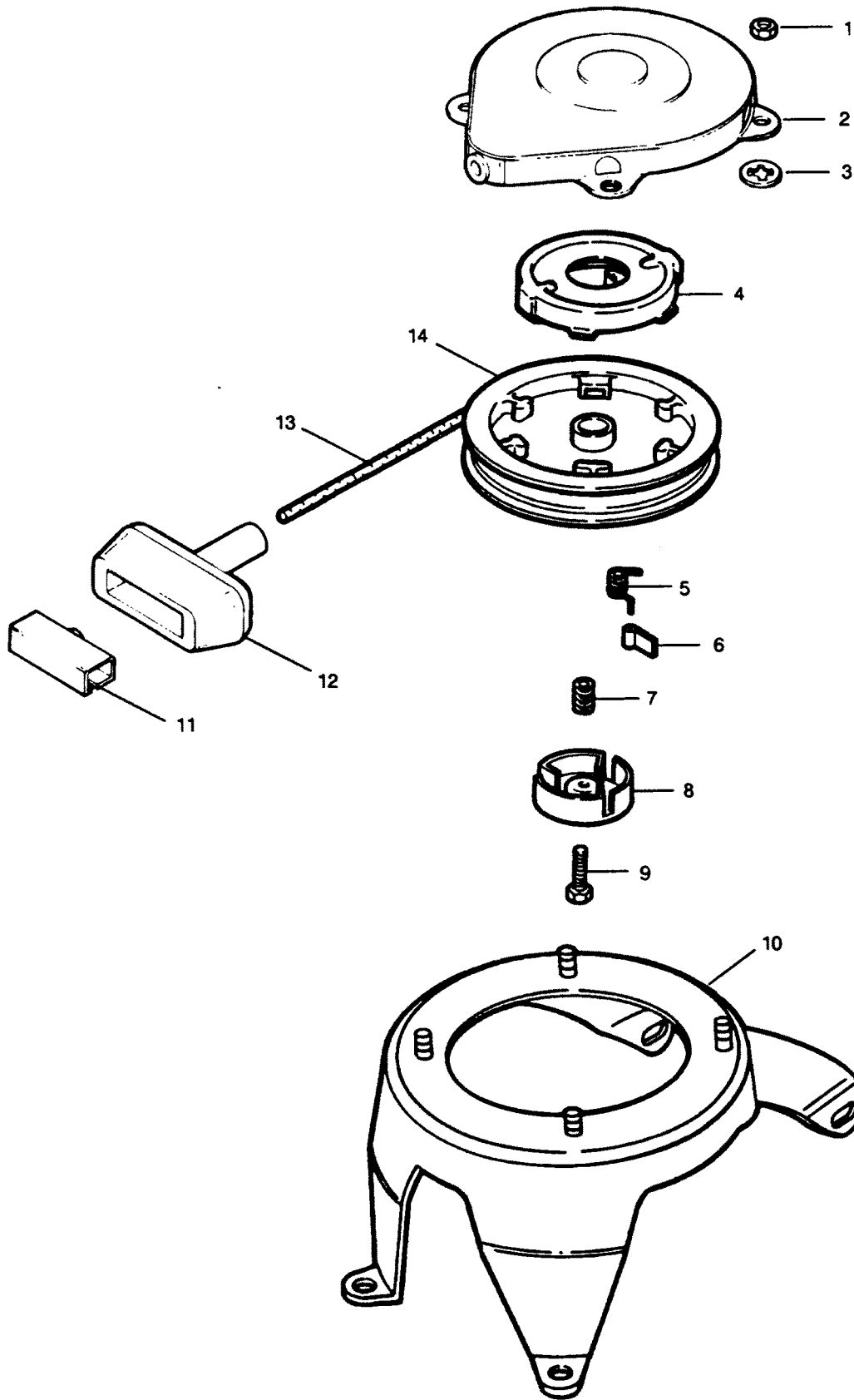
LOWER COVER AND SUPPORT PLATE



LOWER COVER AND SUPPORT PLATE

| REF. NO. | PART NO. | SYM. | QTY. | DESCRIPTION |
|----------|-----------|------|------|-----------------------------------|
| 1 | F687944 | | 1 | COVER, ENGINE LOWER |
| 4 | F901754 | | 1 | HOSE, FUEL (BUSHING TO FUEL PUMP) |
| 5 | F681954 | | 1 | COVER, PRIME BULB |
| 6 | F681046 | | 1 | BULB, PRIME |
| 7 | F681243 | | 1 | HOSE (PRIME BULB TO CARBURETOR) |
| 8 | F521004 | | 1 | STUD |
| 10 | F687038 | | 1 | PLATE, SUPPORT |
| 12 | F687547 | | 1 | KNOB, CHOKE |
| 13 | F197767-2 | | 1 | BUSHING, FUEL LINE |
| 14 | F687163 | | 1 | COVER, SUPPORT PLATE, FRONT |
| 15 | F2706772 | | 4 | CLAMP |
| 16 | F8008 | | 2 | WASHER |
| 17 | F1035 | | 3 | SCREW, 1/4 - 20 X 5/8 |
| 18 | F1829 | | 1 | SCREW, 10 - 24 X 7/8 |
| 19 | F8015 | | 2 | WASHER |
| 20 | F521319 | | 2 | BUSHING |
| 21 | F1756 | | 1 | NUT |

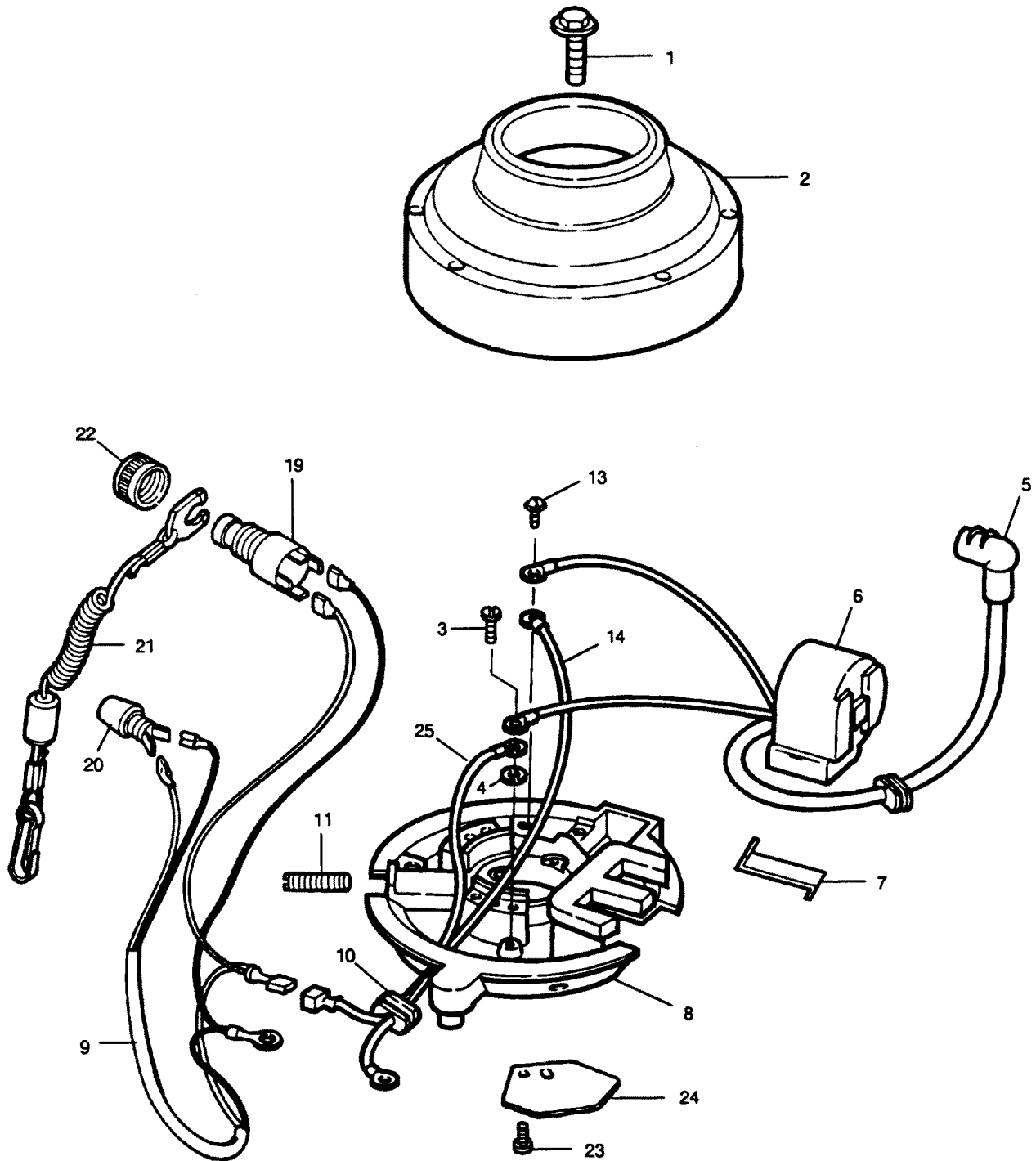
STARTER



STARTER

| REF. NO. | PART NO. | SYM. | QTY. | DESCRIPTION |
|----------|----------------|------|----------|---------------------------|
| 1 | F1341 | | 4 | NUT, 1/4 - 20 |
| 3 | F8061 | | 4 | INTERNAL TOOTH LOCKWASHER |
| 4 | F15584 | | 1 | SPRING AND KEEPER |
| 5 | F15605 | | 3 | SPRING |
| 6 | F250421 | | 3 | DOG |
| 7 | F250003 | | 1 | SPRING |
| 8 | F15604 | | 1 | RETAINER, DOG |
| 9 | F15615 | | 1 | SCREW |
| 10 | F702427 | | 1 | BRACKET, STARTER |
| 11 | F620817 | | 1 | RETAINER |
| 12 | F620132 | | 1 | HANDLE |
| 13 | F15585 | | 1 | ROPE, STARTER |
| 14 | F15606 | | 1 | PULLEY W/BEARING |
| - | F687063 | | 1 | STARTER, COMPLETE |

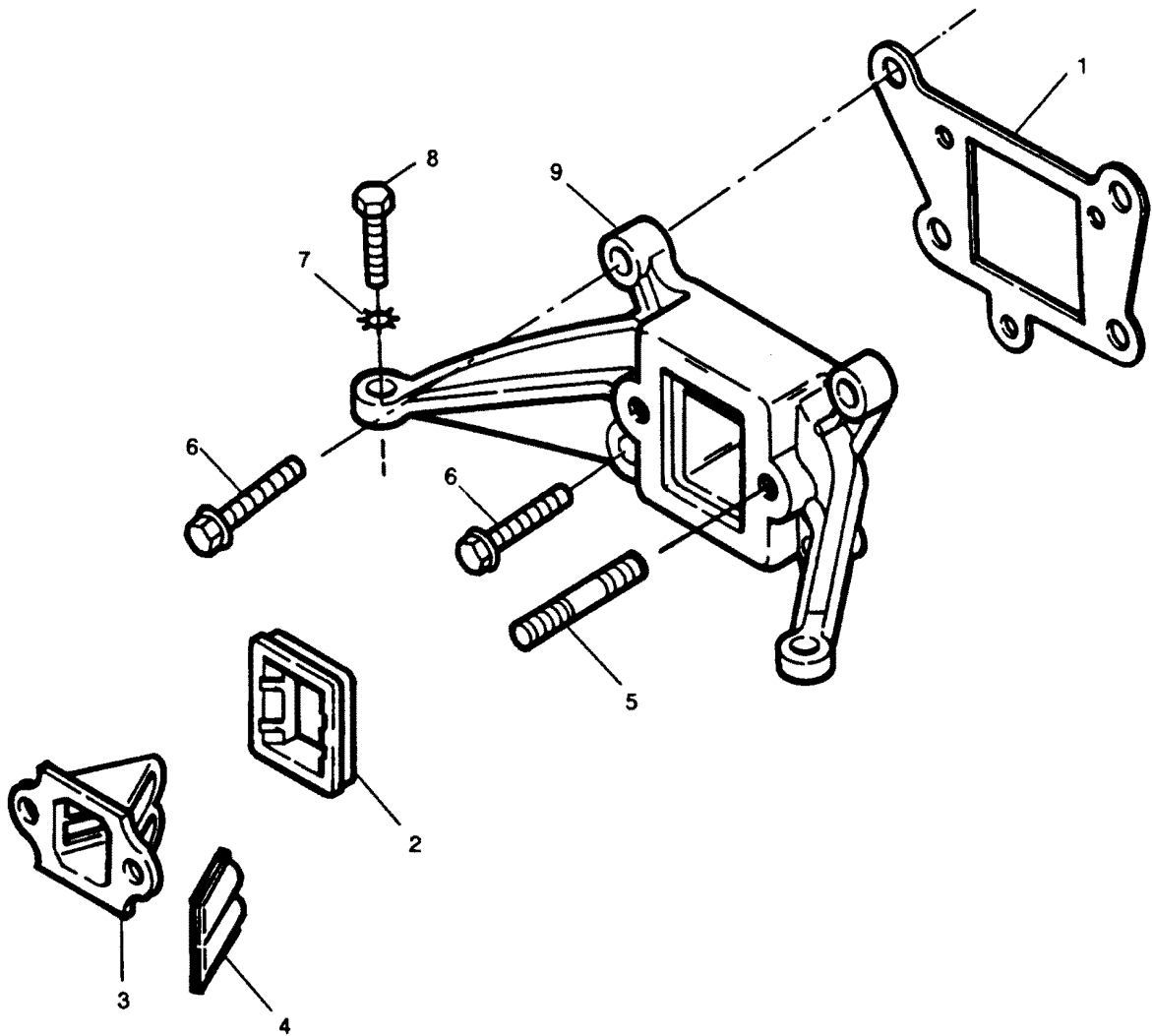
MAGNETO



MAGNETO

| REF. NO. | PART NO. | SYM. | QTY. | DESCRIPTION |
|----------|----------|------|------|-------------------------------------|
| 1 | F521552 | | 1 | SCREW |
| 2 | F712097 | | 1 | FLYWHEEL |
| 3 | F12380 | | 2 | SCREW (PLASTIC) |
| 4 | F12381 | | 1 | WASHER (PLASTIC) |
| 5 | FK1123 | | 1 | SPARKIE KIT |
| 6 | F712475 | | 1 | COIL W/LEAD WIRE, WEDGE AND SPARKIE |
| 7 | F12378 | | 1 | WEDGE SPRING |
| 8 | F12383 | | 1 | STATOR PLATE W/CORE |
| 9 | F702908 | | 1 | WIRE |
| 10 | F12088 | | 1 | GROMMET |
| 11 | F12066 | | 1 | FRICITION SCREW |
| 13 | F1755 | | 1 | SCREW, 6 - 32 X 5/16 |
| 14 | F12384 | | 1 | WIRE, GROUND |
| 18 | F521498 | | 1 | KEY, FLYWHEEL |
| 19 | F687287 | | 1 | SWITCH, EMERGENCY STOP |
| 20 | F702449 | | 1 | SWITCH, STOP |
| 21 | F702329 | | 1 | LANYARD |
| 22 | F681188 | | 1 | NUT |
| 23 | F1734 | | 1 | SCREW, 1/4 - 20 X 1/2 |
| 24 | F712192 | | 1 | CAM, THROTTLE |
| 25 | F12385 | | 1 | WIRE, STOP |

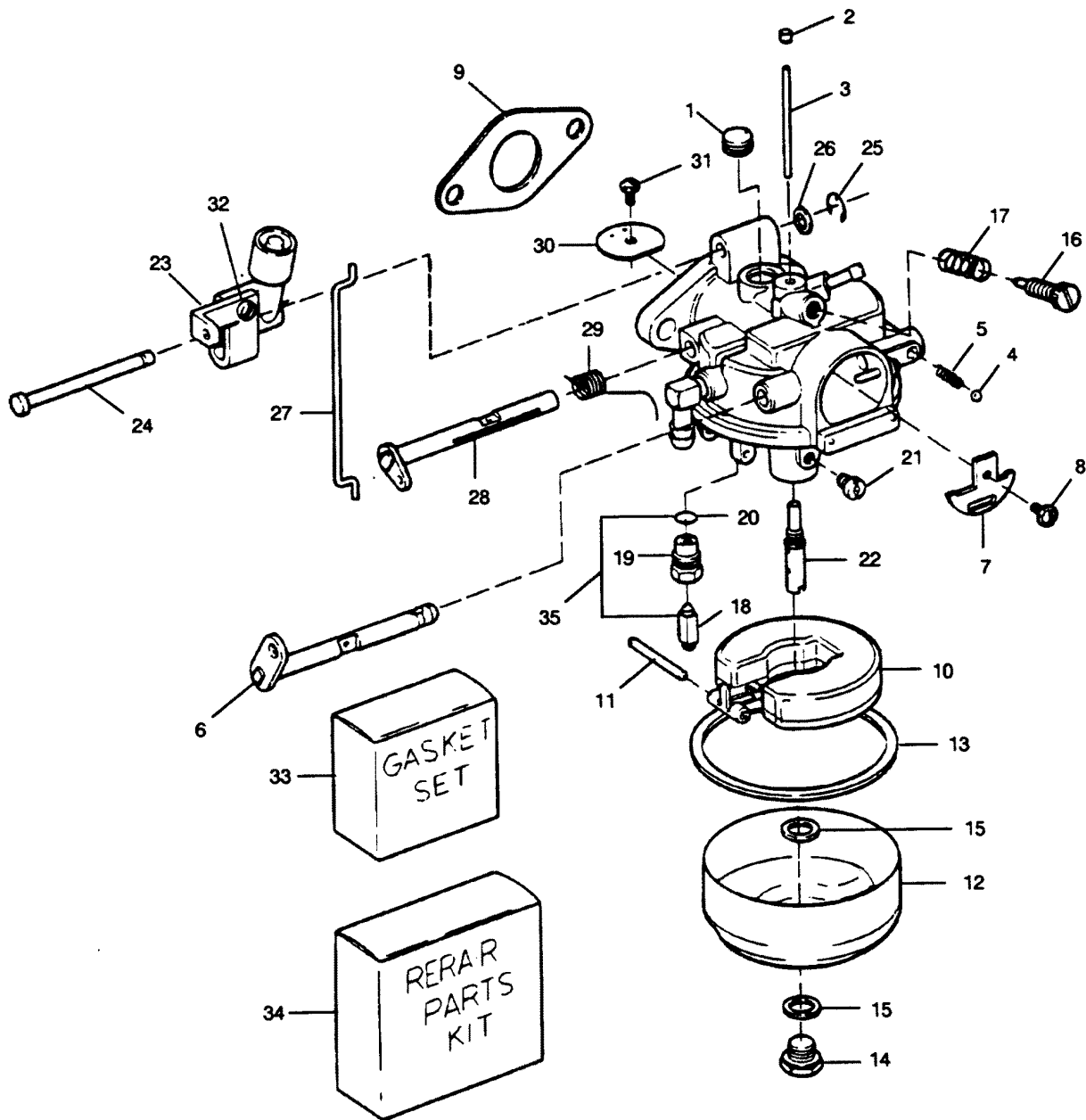
INTAKE SYSTEM



INTAKE SYSTEM

| REF. NO. | PART NO. | SYM. | QTY. | DESCRIPTION |
|----------|-----------|------|------|----------------------------|
| 1 | F521168 | | 1 | GASKET, CARBURETOR ADAPTER |
| 2 | F712504 | | 1 | GROMMET |
| 3 | F712158 | | 1 | PLATE, REED |
| 4 | F31160-2 | | 2 | REED |
| 5 | F433209-1 | | 2 | STUD |
| 6 | F1532 | | 4 | SCREW, 1/4 - 20 X 1 |
| 7 | F8060 | | 2 | WASHER |
| 8 | F2008 | | 2 | SCREW, 1/4 - 20 X 7/8 |
| 9 | F712167 | | 1 | CARBURETOR ADAPTER W/REEDS |

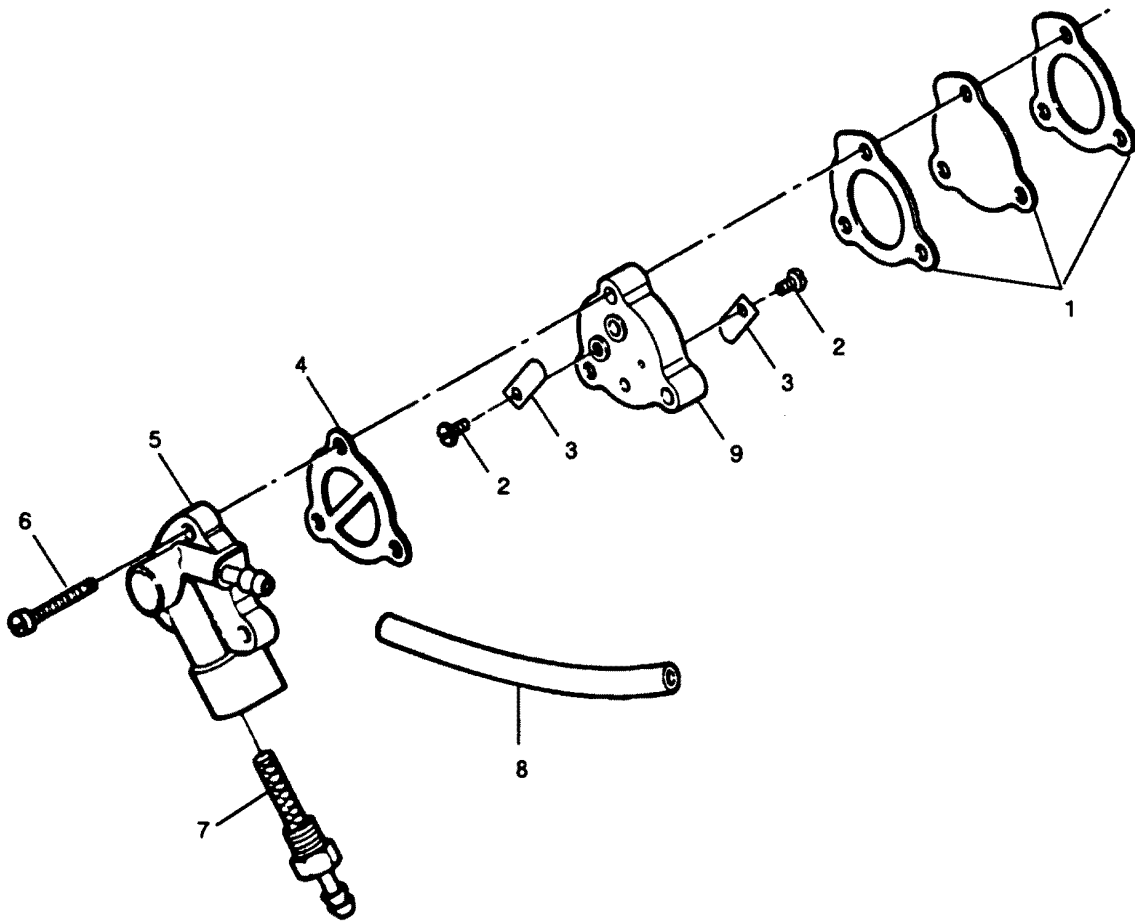
CARBURETOR



CARBURETOR

| REF. NO. | PART NO. | SYM. | QTY. | DESCRIPTION |
|----------|----------------|------|----------|--|
| 1 | FO2531 | | 1 | PLUG, WELCH |
| 2 | FO10588 | | 1 | PLUG |
| 3 | F10235 | | 1 | TUBE, BY-PASS |
| 4 | FO4784 | | 1 | BALL |
| 5 | FO8805 | | 1 | SPRING, CHOKE FRICTION |
| 6 | FO15736 | | 1 | SHAFT, CHOKE |
| 7 | FO15367 | | 1 | SHUTTER, CHOKE |
| 8 | FO10280 | | 2 | SCREW, SHUTTER |
| 9 | F18906 | | 1 | GASKET, CARBURETOR |
| 10 | FO13554 | | 1 | FLOAT |
| 11 | FO13944 | | 1 | PIN, FLOAT |
| 12 | FO15366 | | 1 | BOWL, FLOAT |
| 13 | FO15623 | | 1 | GASKET, FLOAT BOWL |
| 14 | FO13945 | | 1 | SCREW |
| 15 | FO2510 | | 1 | GASKET |
| 16 | FO15520 | | 1 | NEEDLE, IDLE |
| 17 | FO11103 | | 1 | SPRING, IDLE NEEDLE |
| 18 | F10265 | | 1 | NEEDLE, INLET |
| 19 | F10292 | | 1 | SEAT, INLET |
| 20 | FO10165 | | 1 | GASKET |
| 21 | F10337 | | 1 | MAIN FUEL JET (.041) SEA LEVEL - 2500 FT. |
| - | F10293 | | 1 | MAIN FUEL JET (.039) 2500 - 5000 FT. |
| - | F10342 | | 1 | MAIN FUEL JET (.037) 5000 - 7500 FT. |
| - | F10341 | | 1 | MAIN FUEL JET (.035) 7500 - 10000 FT. |
| 22 | F10238 | | 1 | NOZZLE |
| 23 | F10290 | | 1 | BRACKET ASSEMBLY, THROTTLE |
| 24 | F10240 | | 1 | SHAFT, THROTTLE LINKAGE |
| 25 | F10241 | | 1 | CLIP |
| 26 | F10242 | | 1 | WASHER |
| 27 | F10338 | | 1 | LINKAGE, WIRE |
| 28 | F10339 | | 1 | SHAFT, THROTTLE |
| 29 | F10246 | | 1 | SPRING, THROTTLE RETURN |
| 30 | F10248 | | 1 | SHUTTER, THROTTLE |
| 31 | F10328 | | 2 | SCREW, THROTTLE SHUTTER |
| 32 | FO10571 | | 1 | SCREW, IDLE SPEED |
| 33 | FK10294 | | 1 | GASKET SET |
| 34 | FK10295 | | 1 | REPAIR KIT |
| 35 | F10237 | | 1 | INLET NEEDLE SEAT & GASKET KIT |
| - | F712061 | | 1 | CARBURETOR COMPLETE (HO-4A) |

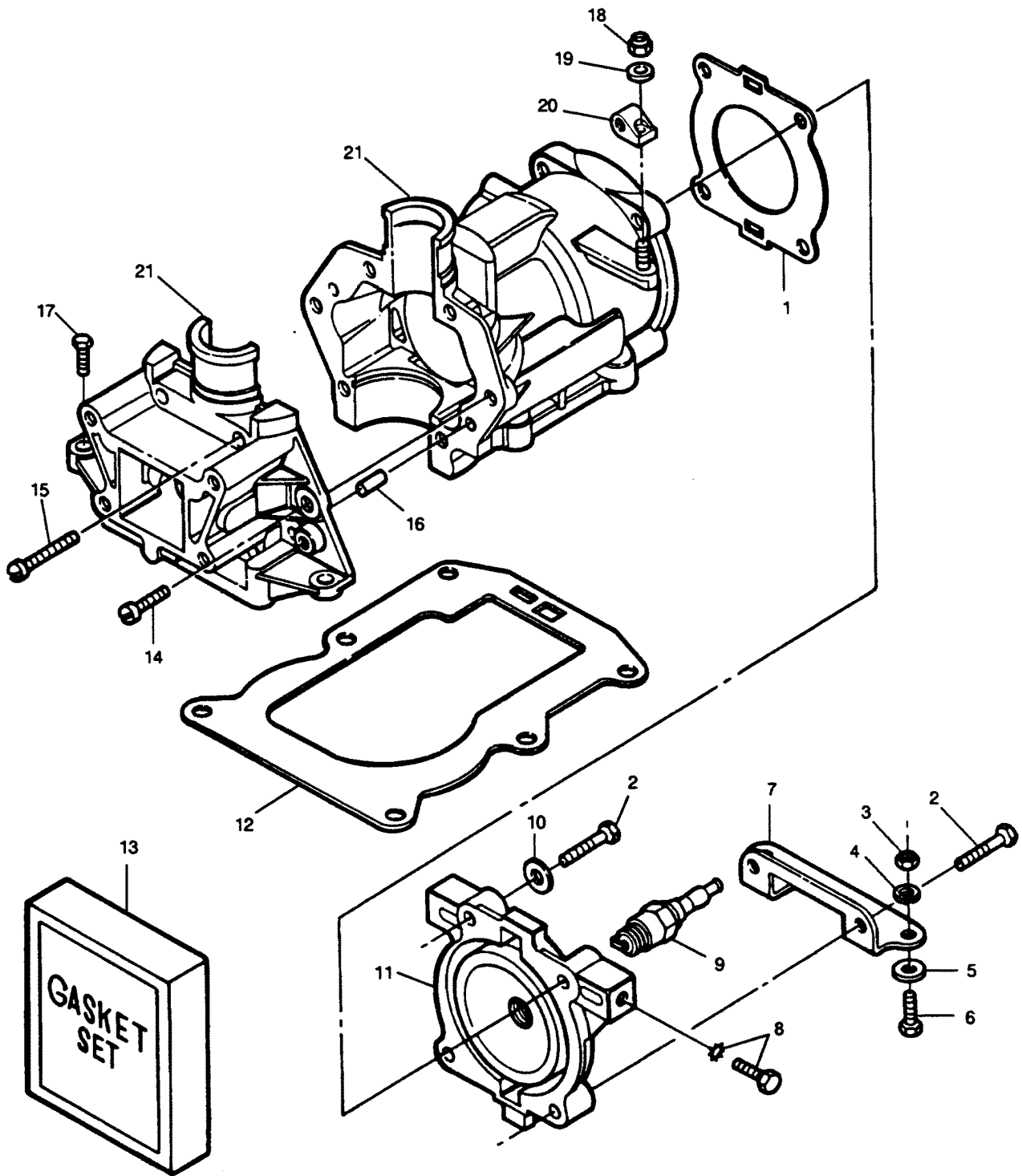
FUEL PUMP



FUEL PUMP

| REF. NO. | PART NO. | SYM. | QTY. | DESCRIPTION |
|----------|-------------|------|------|--------------------------------------|
| 1 | 27-818043A1 | | 1 | DIAPHRAGM W/GASKETS |
| 2 | F1286 | | 2 | SCREW, 4 - 40 X 3/16 |
| 3 | F18160-3 | | 2 | REED, FUEL PUMP |
| 4 | F24748-2 | | 1 | GASKET |
| 5 | F901746-2 | | 1 | COVER, FUEL PUMP |
| 6 | F1069 | | 3 | SCREW, 10 - 24 X 1-1/16 |
| 7 | F901811 | | 1 | FILTER, FUEL PUMP |
| 8 | F63754 | | 1 | HOSE, FUEL (FUEL PUMP TO CARBURETOR) |
| 9 | F2A24757 | | 1 | PLATE ASSY., FUEL PUMP |

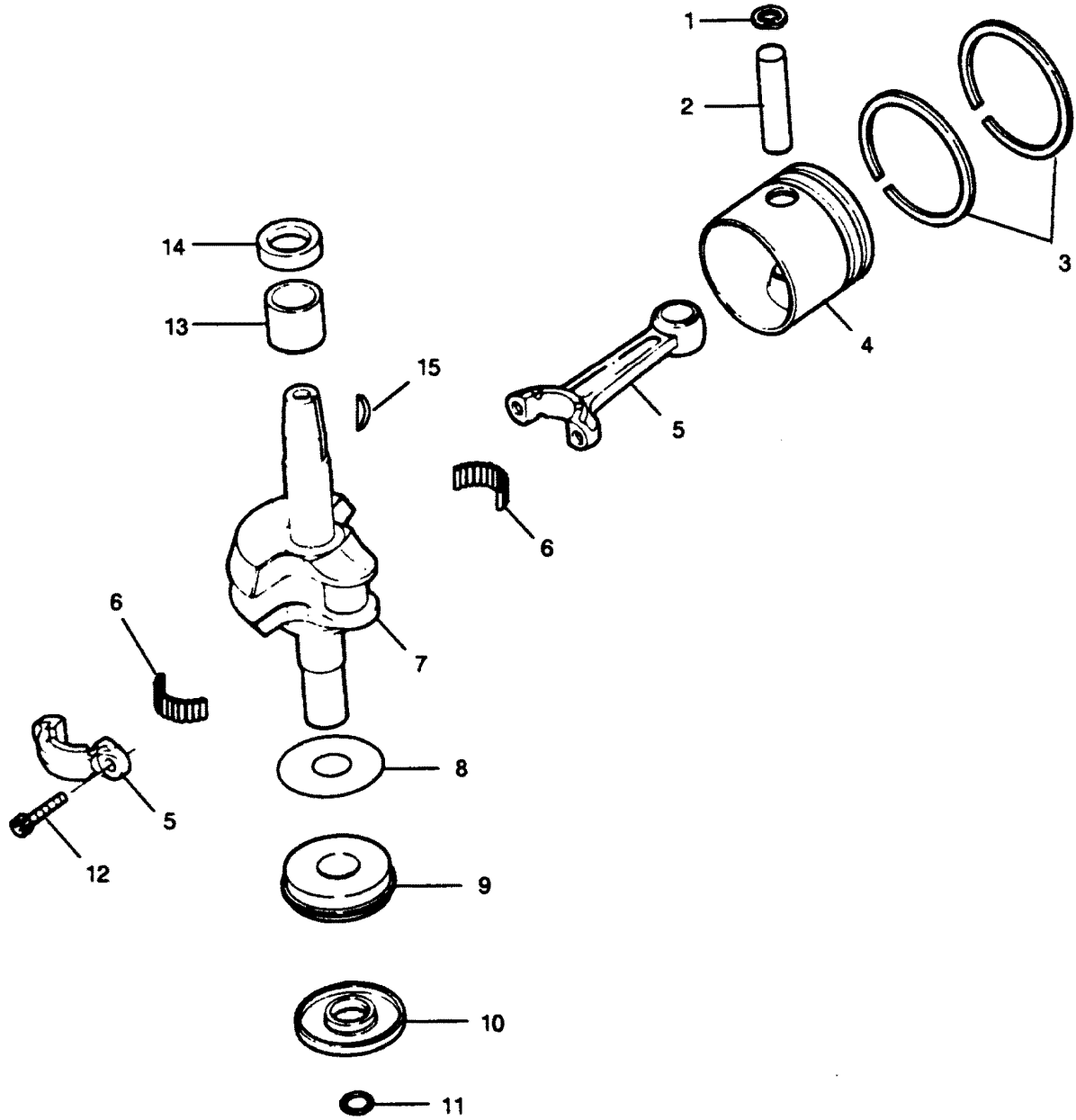
CYLINDER



CYLINDER

| REF. NO. | PART NO. | SYM. | QTY. | DESCRIPTION |
|----------|-----------------|------|----------|--|
| 1 | F712529 | | 1 | GASKET, CYLINDER HEAD |
| 2 | F901938-1 | | 4 | SCREW, HEAD |
| 3 | F1341 | | 2 | NUT, 1/4 - 20 |
| 4 | F8083 | | 2 | LOCKWASHER |
| 5 | F8008 | | 2 | WASHER |
| 6 | F1705 | | 2 | SCREW, 1/4 - 20 X 3/4 |
| 7 | F521774 | | 1 | BRACKET, ENGINE COVER LOWER |
| 8 | F1426 | | 2 | SCREW W/WASHER, 1/4 - 20 X 7/16 |
| 9 | FS690227 | | 1 | SPARK PLUG (L-78C) |
| 10 | F8028 | | 2 | WASHER |
| 11 | F712518 | | 1 | HEAD, CYLINDER |
| 12 | F521279-1 | | 1 | GASKET, CYLINDER EXHAUST |
| 13 | FG1034-1 | | 1 | GASKET SET |
| 14 | F1107 | | 2 | SCREW, 1/4 - 20 X 3/4 |
| 15 | F1504 | | 4 | SCREW, 1/4 - 20 X 1-1/4 |
| 16 | F8559 | | 2 | DOWEL PIN |
| 17 | F1864 | | 6 | SCREW, 1/4 - 20 X 3/4 |
| 18 | F1832 | | 1 | LOCKNUT |
| 19 | F2012 | | 1 | WASHER |
| 20 | F702668 | | 1 | RETAINER, SPEED CONTROL CABLE |
| 21 | F2A712010 | | 1 | CYLINDER W/CRANKCASE COVER |
| - | FC712010 | | 1 | CYLINDER COMPLETE (SHORT BLOCK) |

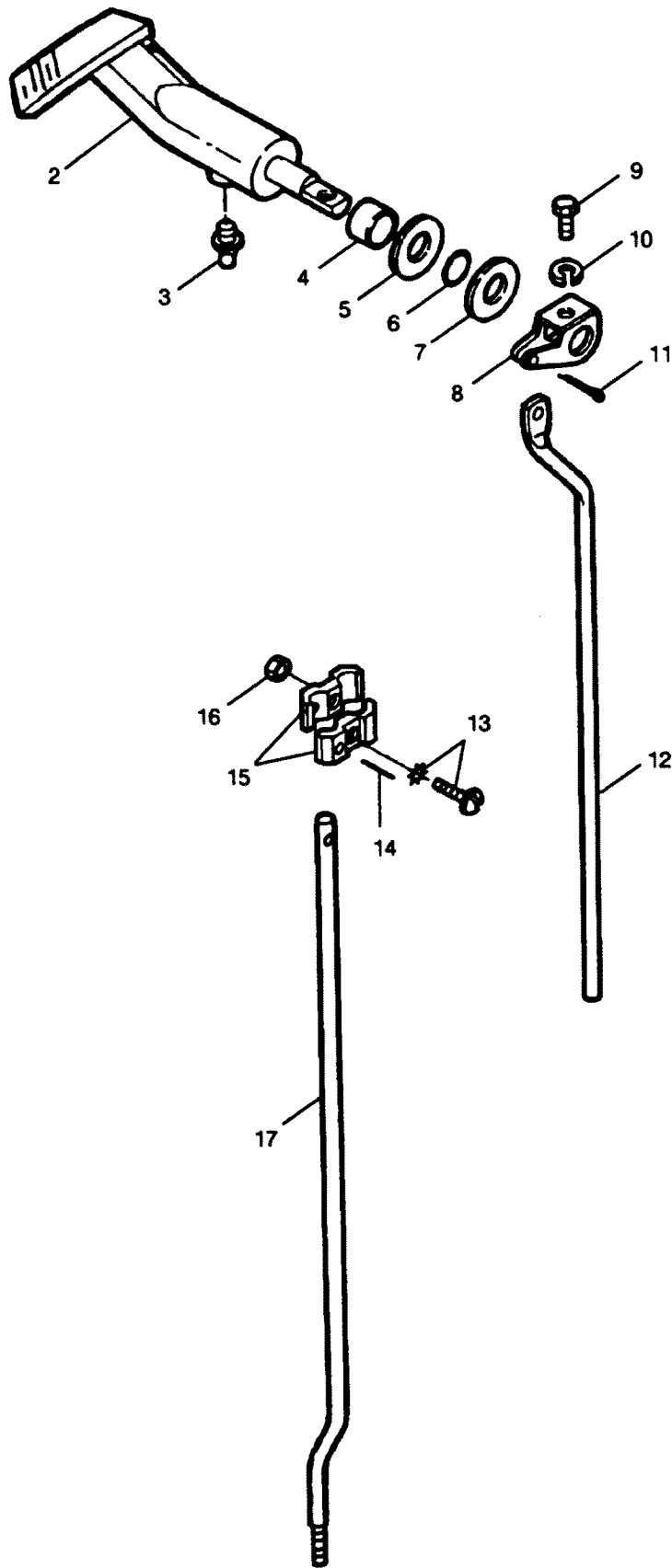
CRANKSHAFT AND PISTON



CRANKSHAFT AND PISTON

| REF. NO. | PART NO. | SYM. | QTY. | DESCRIPTION |
|-------------|-----------|------|------|---|
| 1 | F31410 | | 2 | RING, PISTON PIN RETAINING |
| 2 | F712017 | | 1 | PIN, PISTON |
| 3 | FA712260 | | 1 | RING (2 PER SET) |
| 4 | F712015 | | 1 | PISTON |
| 5 | FA715016 | | 1 | CONNECTING ROD W/BEARING, CAP AND SCREW |
| 6 | FA712228 | | 1 | CRANKPIN ROLLER (56 ROLLERS PER SET) |
| 7 | F2A527018 | | 1 | CRANKSHAFT W/BEARING & SLINGER |
| 8 | F521270 | | 1 | SLINGER |
| 9 | F521910 | | 1 | BEARING |
| 10 | F521118-1 | | 1 | SEAL |
| 11 | F521579 | | 1 | SEAL, CRANKSHAFT SPLINE |
| 12 | F36634 | | 2 | SCREW, CONNECTING ROD |
| 13 | F521013 | | 1 | BEARING |
| 14 | F521146 | | 1 | SEAL |
| 15 | F687498 | | 1 | KEY, FLYWHEEL |

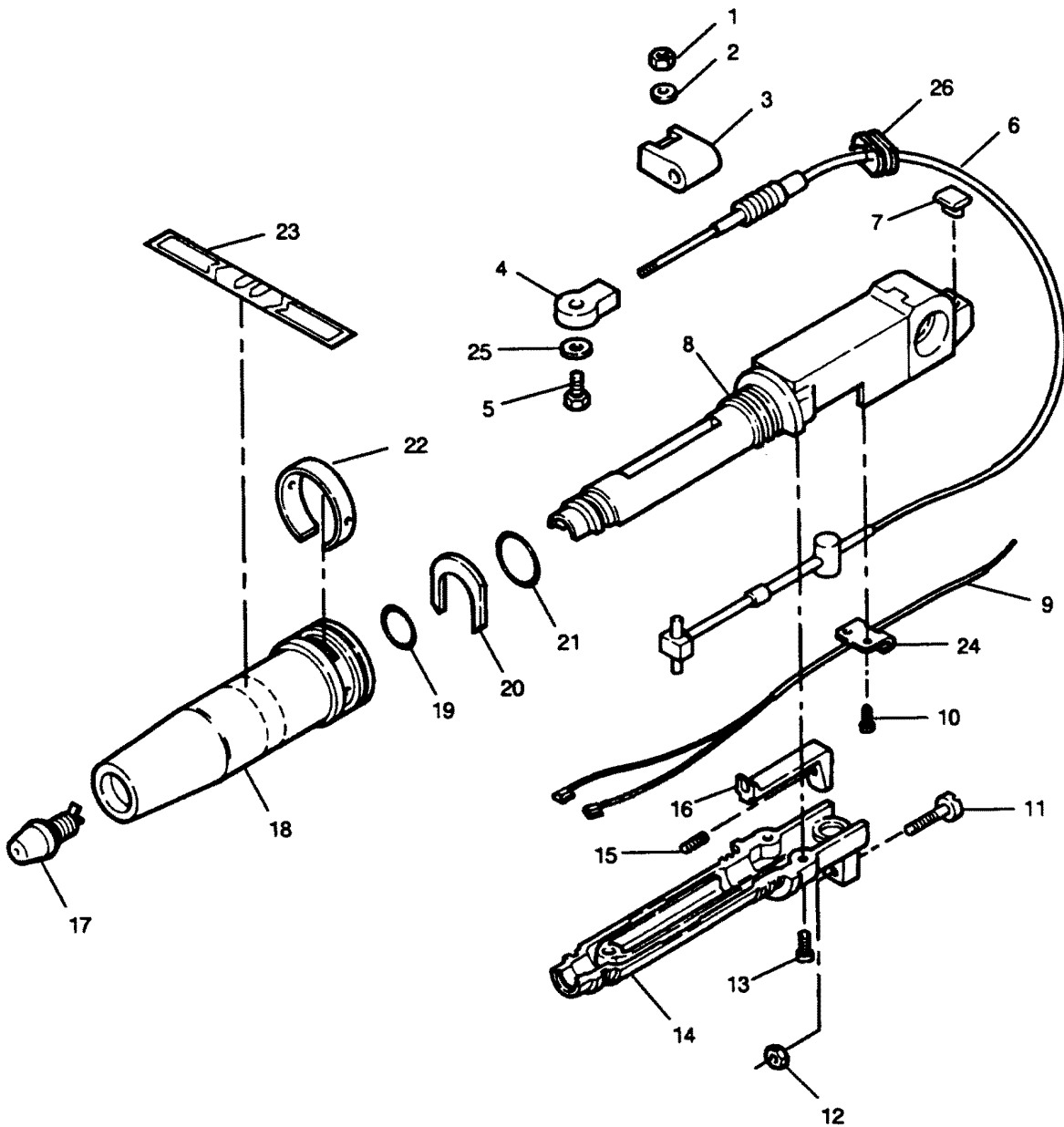
SHIFT LINKAGE



SHIFT LINKAGE

| REF. NO. | PART NO. | SYM. | QTY. | DESCRIPTION |
|----------|-----------|------|------|--|
| 2 | 820433T | | 1 | HANDLE, GEAR SHIFT W/GREASE FITTING |
| 3 | F213274 | | 1 | FITTING, GREASE |
| 4 | F341610 | | 1 | BEARING, GEAR SHIFT SHAFT |
| 5 | F521415 | | 1 | WASHER |
| 6 | F19342 | | 1 | SEAL |
| 7 | F2014 | | 1 | WASHER |
| 8 | F521621 | | 1 | LEVER, GEAR SHIFT |
| 9 | F2041 | | 1 | SCREW, 10 - 24 X 3/8 |
| 10 | F1975 | | 1 | WASHER |
| 11 | F1978 | | 1 | PIN |
| 12 | F521615 | | 1 | ROD, GEAR SHIFT UPPER |
| 13 | F1371 | | 1 | SCREW W/LOCKWASHER, 10 - 24 X 5/8 |
| 14 | F8538 | | 1 | PIN |
| 15 | FK341704 | | 1 | COUPLING W/SCREW AND NUT |
| 16 | F7009 | | 1 | LOCKNUT, 10 - 24 |
| 17 | F521705-1 | | 1 | ROD, GEAR SHIFT LOWER (15-INCH TRANSOM MODELS) |

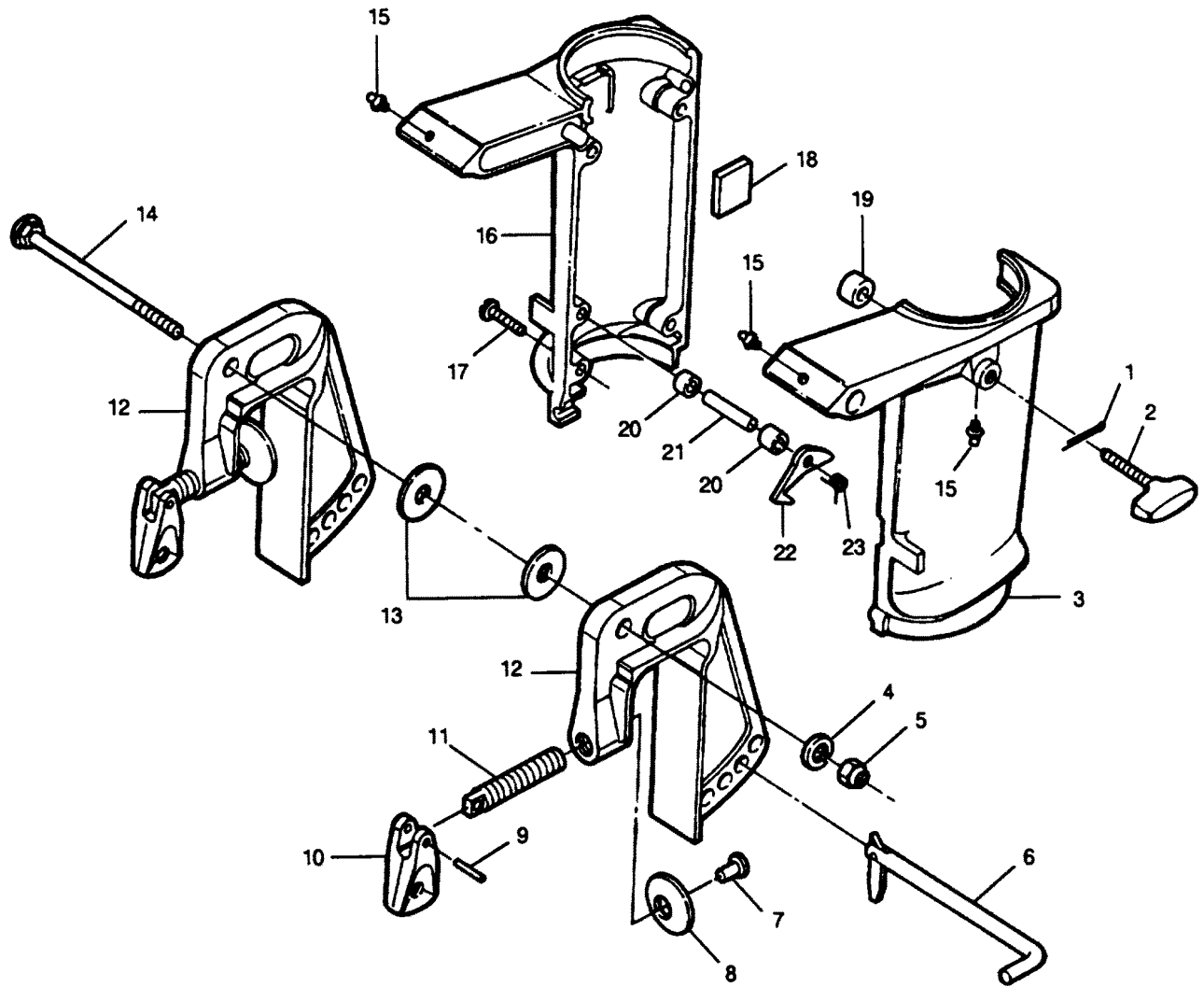
STEERING HANDLE AND TWIST GRIP THROTTLE



STEERING HANDLE AND TWIST GRIP THROTTLE

| REF. NO. | PART NO. | SYM. | QTY. | DESCRIPTION |
|----------|-----------|------|------|----------------------------------|
| 1 | F1832 | | 1 | LOCKNUT, 1/4 - 20 |
| 2 | F2012 | | 1 | WASHER |
| 3 | F702668 | | 1 | RETAINER, THROTTLE CABLE |
| 4 | F702035 | | 1 | BEARING |
| 5 | F702165 | | 1 | SCREW |
| 6 | F702444 | | 1 | CABLE, THROTTLE |
| 7 | F702025 | | 1 | PAD |
| 8 | F702079 | | 1 | ARM, UPPER STEERING |
| 9 | F702908 | | 1 | WIRE, SHORTING (STOP) |
| 10 | F2230 | | 4 | SCREW, #6 X 3/8 (SELF TAPPING) |
| 11 | F521690-1 | | 1 | SCREW, IDLE STOP |
| 12 | F7009 | | 1 | LOCKNUT, 10 - 24 |
| 13 | F2219 | | 3 | SCREW, 8-18 X 3/4 (SELF TAPPING) |
| 14 | F702576 | | 1 | ARM, LOWER STEERING |
| 15 | F521199 | | 1 | SPRING, THROTTLE STOP |
| 16 | F702198 | | 1 | STOP, IDLE |
| 17 | F702449 | | 1 | SWITCH, SHORTING (STOP) |
| 18 | F702137 | | 1 | GRIP, STEERING HANDLE |
| 19 | F53795-1 | | 1 | SEAL |
| 20 | F702178 | | 1 | RETAINER |
| 21 | F702736 | | 1 | SEAL |
| 22 | F702687 | | 1 | COLLAR |
| 23 | F709894 | | 1 | INDICATOR, SPEED CONTROL |
| 24 | F702212 | | 1 | PLATE, CABLE CLAMP |
| 25 | F8143 | | 1 | WASHER |
| 26 | F702504 | | 1 | GROMMET |

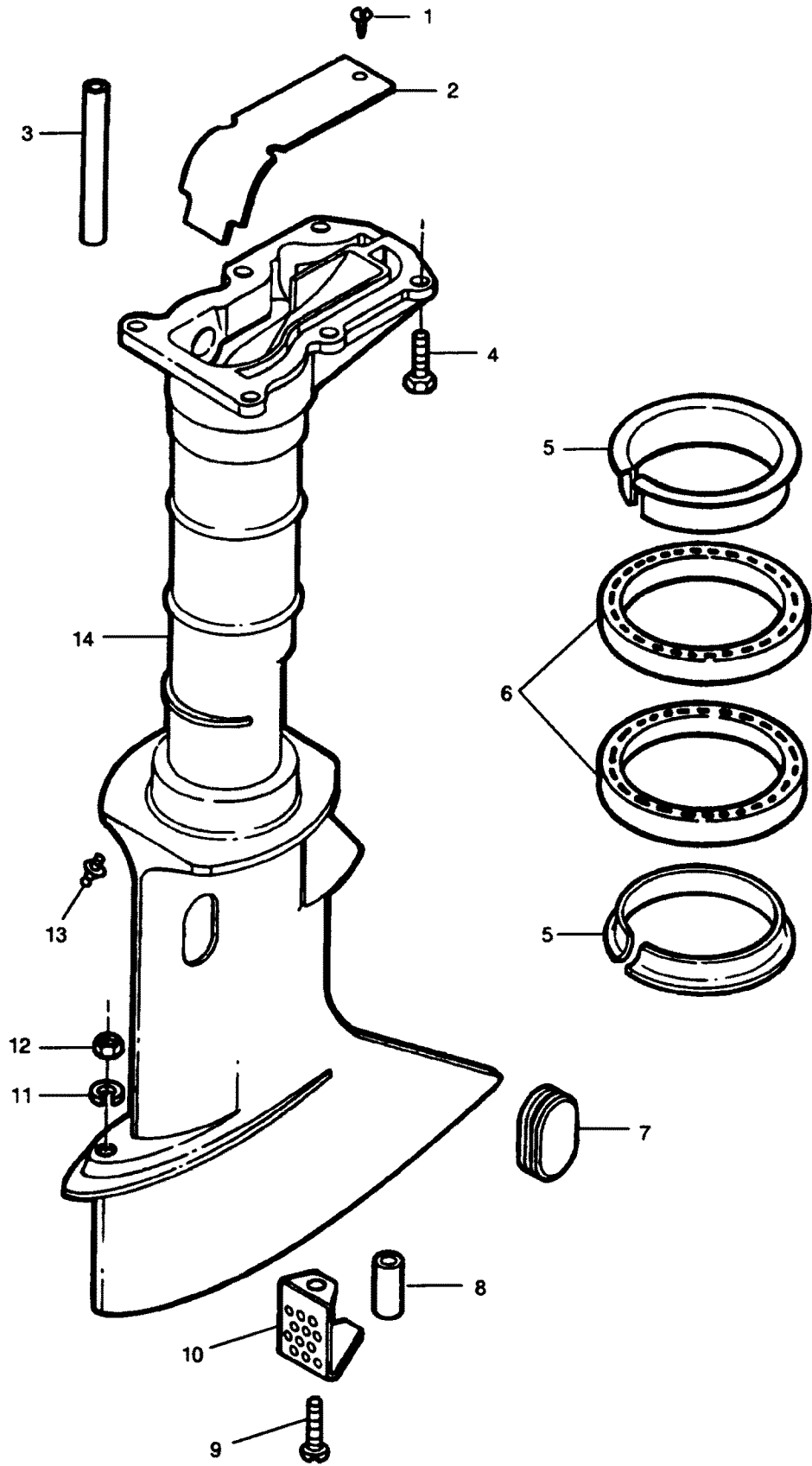
SWIVEL BRACKET AND STERN BRACKETS



SWIVEL BRACKET AND STERN BRACKETS

| REF. NO. | PART NO. | SYM. | QTY. | DESCRIPTION |
|----------|---------------|------|------|--|
| 1 | F1014 | | 1 | COTTER PIN |
| 2 | F521514 | | 1 | KNOB, STEERING FRICTION |
| 3 | 817815A4 | | 1 | BRACKET, SWIVEL - PORT W/GREASE FITTINGS |
| 4 | F2014 | | 1 | WASHER |
| 5 | F7026 | | 1 | STOP NUT, 3/8 - 16 |
| 6 | 817810A1 | | 1 | BAR, LOCK |
| 7 | F66480 | | 2 | STUD |
| 8 | F24074 | | 2 | FOOT, CLAMP SCREW |
| 9 | F8554 | | 2 | SPRING PIN |
| 10 | F298075 | | 2 | HANDLE, SPRING PIN |
| 11 | 817761A2 | | 2 | CLAMP SCREW W/HANDLE AND FOOT |
| 12 | 1400-817850A4 | | 2 | BRACKET, STERN W/CLAMP SCREW AND FOOT |
| 13 | F2037 | | 2 | WASHER |
| 14 | F468037-1 | | 1 | BOLT, PIVOT |
| 15 | F213274 | | 3 | FITTING, GREASE |
| 16 | 817816A6 | | 1 | BRACKET, SWIVEL - STARBOARD W/PAD AND GREASE FITTING |
| 17 | F2035 | | 4 | SCREW, 1/4 - 20 X 1 |
| 18 | F521661-1 | | 1 | PAD, SWIVEL FRICTION |
| 19 | F521631 | | 1 | SHOE, SWIVEL FRICTION |
| 20 | F197813 | | 2 | BEARING |
| 21 | F468350 | | 1 | PIN, REVERSE LOCK |
| 22 | F468349 | | 1 | LOCK, REVERSE |
| 23 | F468300-1 | | 1 | SPRING, REVERSE LOCK |

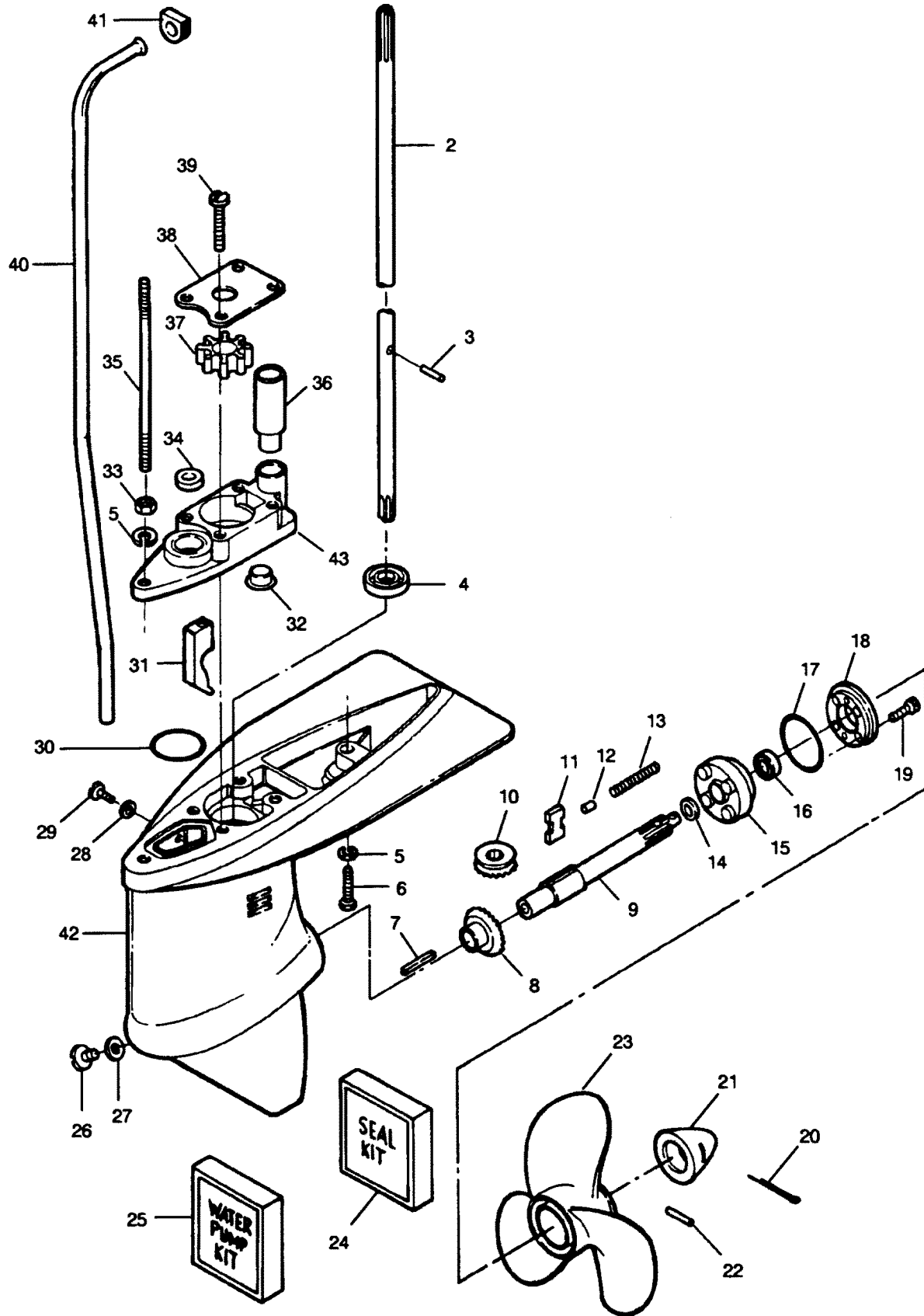
MOTOR LEG



MOTOR LEG

| REF. NO. | PART NO. | SYM. | QTY. | DESCRIPTION |
|----------|---------------|------|------|-------------------------------------|
| 1 | F1645 | | 3 | SCREW, THREAD CUTTING, 6 - 32 X 1/4 |
| 2 | FA341151 | | 1 | PLATE, EXHAUST W/SCREWS |
| 3 | F521261 | | 1 | LINE, WATER OUTLET |
| 4 | F1864 | | 6 | SCREW, 1/4 - 20 X 3/4 |
| 5 | F468169 | | 2 | BEARING, SWIVEL BRACKET |
| 6 | FA468346 | | 2 | MOUNT, SHOCK |
| 7 | F46899-1 | | 1 | COVER, SHIFT COUPLING |
| 8 | F521727 | | 1 | SLEEVE, IDLE BAFFLE |
| 9 | F1747 | | 1 | SCREW, 10 - 24 X 1-11/16 |
| 10 | F521779 | | 1 | BAFFLE, IDLE RELIEF |
| 11 | F8083 | | 1 | WASHER |
| 12 | F1341 | | 1 | NUT, 1/4 - 20 |
| 13 | F523274 | | 1 | FITTING, GREASE |
| 14 | 1500-817940A6 | | 1 | LEG, MOTOR W/EXHAUST PLATE |

GEAR HOUSING

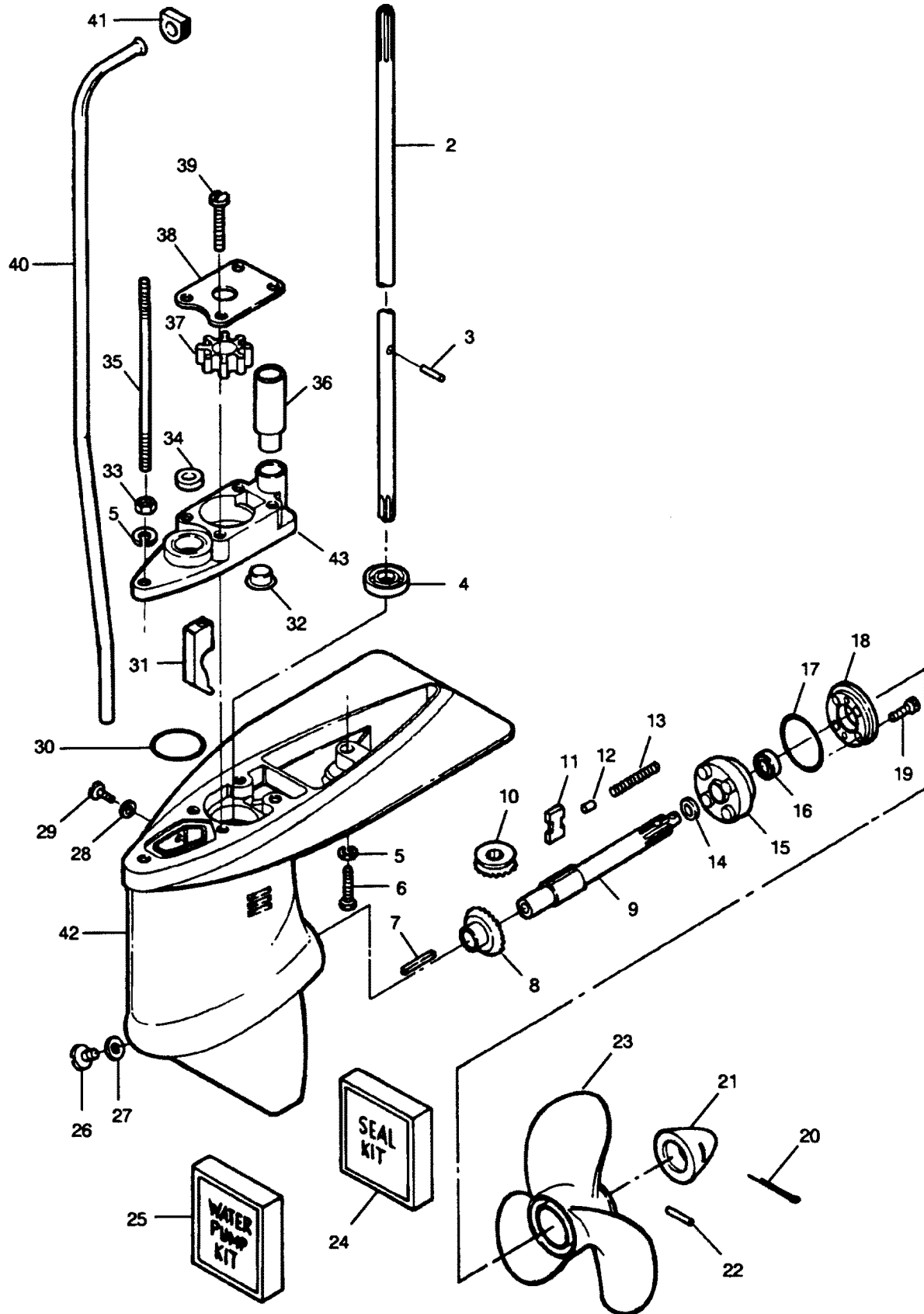


GEAR HOUSING

| REF. NO. | PART NO. | SYM. | QTY. | DESCRIPTION |
|----------|-------------|------|------|---|
| 2 | F521128 | | 1 | DRIVESHAFT (15 INCH TRANSM MODELS) |
| 3 | F390563 | | 1 | PIN, WATER PUMP DRIVE |
| 4 | F318307 | | 1 | SEAL, DRIVESHAFT |
| 5 | F8083 | | 2 | LOCKWASHER |
| 6 | F1199 | | 1 | SCREW, 1/4 - 20 X 1 (15 INCH TRANSM MODELS) |
| 7 | F521728 | | 1 | PIN, CLUTCH SHIFT |
| 8 | FA521023 | | 1 | GEAR W/BEARING |
| 9 | F409098 | | 1 | SHAFT, PROPELLER |
| 10 | F521266 | | 1 | GEAR, PINION |
| 11 | F409521 | | 1 | CLUTCH |
| 12 | F318372 | | 1 | PIN, CLUTCH GUIDE |
| 13 | F409719 | | 1 | SPRING, CLUTCH |
| 14 | F521099 | | 1 | SPACER, PROP SHAFT BEARING |
| 15 | FA341298 | | 1 | CAGE, PROP SHAFT W/BEARING AND SEAL |
| 16 | F521307 | | 1 | SEAL, PROP SHAFT |
| 17 | F521305 | | 1 | SEAL |
| 18 | F521296 | | 1 | RETAINER |
| 19 | F525457 | | 4 | SCREW |
| 20 | F1846 | | 1 | COTTER PIN |
| 21 | 11-817752A1 | | 1 | NUT, PROPELLER W/COTTER PIN |
| 22 | FA324101 | | 1 | PIN, PROPELLER (PACK OF 3 W/COTTER PIN) |
| 23 | FP712 | | 1 | PROPELLER (15 INCH TRANSM MODELS) |
| 24 | FK1057 | | 1 | GEAR HOUSING SEAL KIT |
| 25 | FK1072 | | 1 | WATER PUMP KIT |
| 26 | F50109 | | 1 | PLUG, GEAR HOUSING |
| 27 | F8077 | | 1 | WASHER |
| 28 | F8074 | | 1 | WASHER |
| 29 | F1077 | | 1 | SCREW, GEAR HOUSING VENT, 10 - 24 X 1/4 |
| 30 | F521783 | | 1 | SEAL |
| 31 | F521721 | | 1 | CAM, SHIFT |
| 32 | F521246-1 | | 1 | PLUG, WATER PUMP |
| 33 | F1341 | | 1 | NUT, 1/4 - 20 |
| 34 | F338618-1 | | 1 | SEAL, SHIFT ROD |
| 35 | F601006 | | 1 | STUD (15 INCH TRANSM MODELS) |
| 36 | FA521735 | | 1 | SEAL, WATER LINE |
| 37 | F521065-1 | | 1 | IMPELLER |
| 38 | F521537 | | 1 | PLATE, WATER PUMP |
| 39 | F1504 | | 4 | SCREW, 1/4 - 20 X 1-1/4 |

CONTINUED ON NEXT PAGE ➡

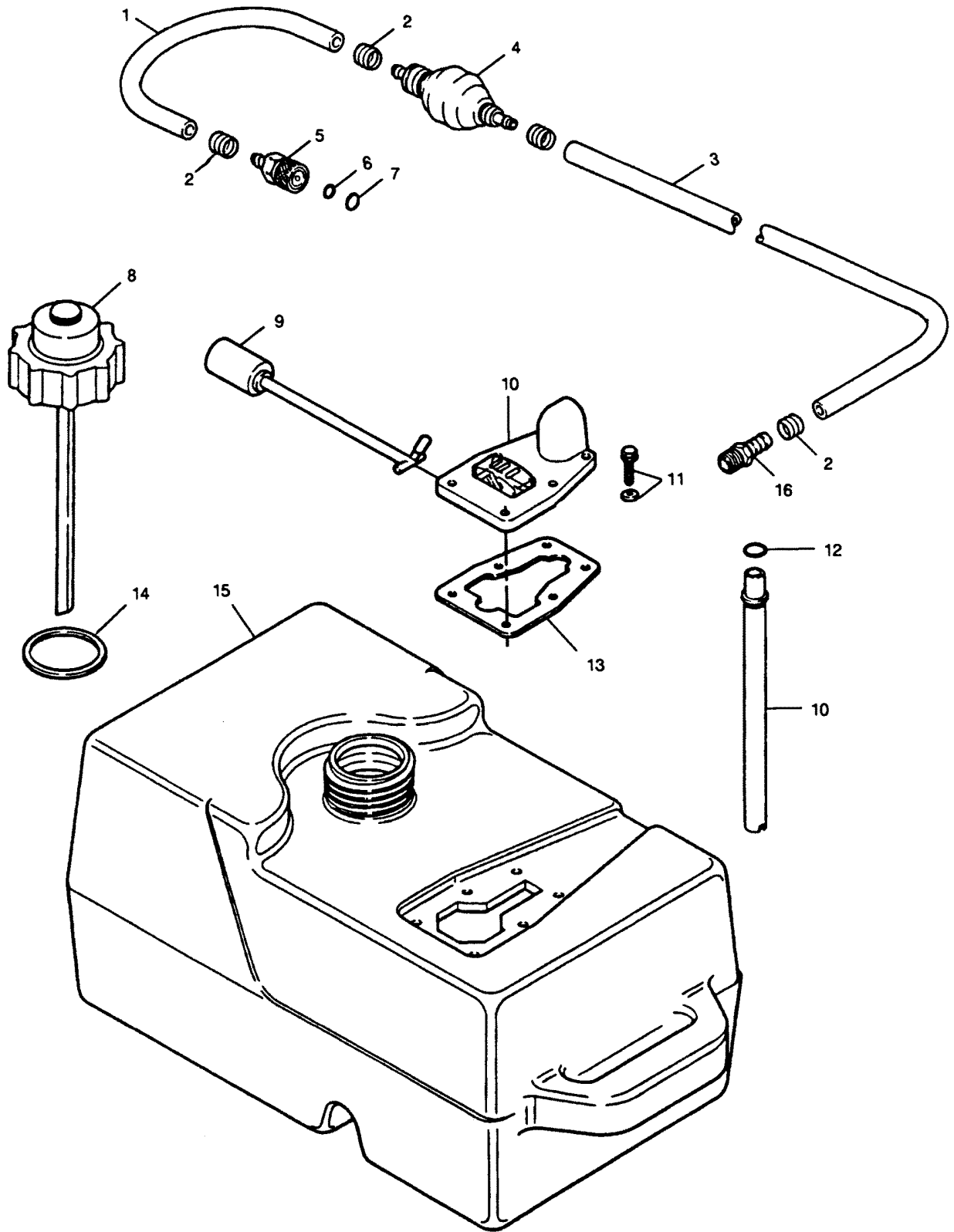
GEAR HOUSING



GEAR HOUSING

| REF. NO. | PART NO. | SYM. | QTY. | DESCRIPTION |
|----------|-----------------|------|----------|--------------------------------------|
| 40 | F521244-1 | | 1 | LINE, WATER (15 INCH TRANSOM MODELS) |
| 41 | F521342-1 | | 1 | SEAL, WATER LINE |
| 42 | F2A521054 | | 1 | GEAR HOUSING |
| - | FC341054 | | 1 | GEAR HOUSING COMPLETE |
| 43 | FA735060 | | 1 | BODY ASSY., WATER PUMP |

FUEL TANK AND LINE



FUEL TANK AND LINE

| REF. NO. | PART NO. | SYM. | QTY. | DESCRIPTION |
|----------|-------------|------|------|-----------------------------|
| 1 | FA84754-1 | | 1 | HOSE |
| 2 | F298788 | | 4 | FERRULE |
| 3 | 32-817738A1 | | 1 | HOSE |
| 4 | 89396A38 | | 1 | BULB, PRIME |
| 5 | F197787-3 | | 1 | COUPLER |
| 6 | F17815 | | 1 | SEAL |
| 7 | F17816 | | 1 | SEAL |
| 8 | F17820 | | 1 | CAP, FUEL TANK |
| | F17820 | | 1 | FLOAT |
| 10 | F17828 | | 1 | GAUGE ASSEMBLY |
| 11 | F17824 | | 6 | SCREW |
| 12 | F17827 | | 1 | SEAL |
| 13 | F17823 | | 1 | GASKET |
| 14 | F17822 | | 1 | GASKET |
| 15 | F5H213 | | 1 | FUEL TANK W/LINE (3 GALLON) |
| 16 | F702801 | | 1 | FITTING, FUEL |

PARTS INDEX

| Part Number | Description | Pg. | Ref. No. | Part Number | Description | Pg. | Ref. No. |
|-------------|--|-----|----------|-------------|-------------------------------------|-----|----------|
| 817761A2 | CLAMP SCREW W/HANDLE AND FOOT | 25 | 11 | F1426 | SCREW W/WASHER, 1/4 - 20 X 7/16 | 17 | 8 |
| 817810A1 | BAR, LOCK | 25 | 6 | F1504 | SCREW, 1/4 - 20 X 1-1/4 | 17 | 15 |
| 817815A4 | BRACKET, SWIVEL - PORT W/GREASE FITTINGS | 25 | 3 | F1504 | SCREW, 1/4 - 20 X 1-1/4 | 29 | 39 |
| 817816A6 | BRACKET, SWIVEL - STARBOARD W/PAD AND GREASE FITTING | 25 | 16 | F1532 | SCREW, 1/4 - 20 X 1 | 11 | 6 |
| 820433T | HANDLE, GEAR SHIFT W/GREASE FITTING | 21 | 2 | F15584 | SPRING AND KEEPER | 7 | 4 |
| 89396A38 | BULB, PRIME | 33 | 4 | F15585 | ROPE, STARTER | 7 | 13 |
| F1014 | COTTER PIN | 25 | 1 | F15604 | RETAINER, DOG | 7 | 8 |
| F10235 | TUBE, BY-PASS | 13 | 3 | F15605 | SPRING | 7 | 5 |
| F10237 | INLET NEEDLE SEAT & GASKET KIT | 13 | 35 | F15606 | PULLEY W/BEARING | 7 | 14 |
| F10238 | NOZZLE | 13 | 22 | F15615 | SCREW | 7 | 9 |
| F10240 | SHAFT, THROTTLE LINKAGE | 13 | 24 | F1645 | SCREW, THREAD CUTTING, 6 - 32 X 1/4 | 27 | 1 |
| F10241 | CLIP | 13 | 25 | F1705 | SCREW, 1/4 - 20 X 3/4 | 17 | 6 |
| F10242 | WASHER | 13 | 26 | F1734 | SCREW, 1/4 - 20 X 1/2 | 9 | 23 |
| F10246 | SPRING, THROTTLE RETURN | 13 | 29 | F1747 | SCREW, 10 - 24 X 1-11/16 | 27 | 9 |
| F10248 | SHUTTER, THROTTLE | 13 | 30 | F1755 | SCREW, 6 - 32 X 5/16 | 9 | 13 |
| F10265 | NEEDLE, INLET | 13 | 18 | F1756 | NUT | 5 | 21 |
| F10290 | BRACKET ASSEMBLY, THROTTLE | 13 | 23 | F17815 | SEAL | 33 | 6 |
| F10292 | SEAT, INLET | 13 | 19 | F17816 | SEAL | 33 | 7 |
| F10293 | MAIN FUEL JET (.039) 2500 - 5000 FT. | 13 | - | F17820 | CAP, FUEL TANK | 33 | 8 |
| F10328 | SCREW, THROTTLE SHUTTER | 13 | 31 | F17820 | FLOAT | 33 | 8 |
| F10337 | MAIN FUEL JET (.041) SEA LEVEL - 2500 FT. | 13 | 21 | F17822 | GASKET | 33 | 14 |
| F10338 | LINKAGE, WIRE | 13 | 27 | F17823 | GASKET | 33 | 13 |
| F10339 | SHAFT, THROTTLE | 13 | 28 | F17824 | SCREW | 33 | 11 |
| F10341 | MAIN FUEL JET (.035) 7500 - 10000 FT. | 13 | - | F17827 | SEAL | 33 | 12 |
| F10342 | MAIN FUEL JET (.037) 5000 - 7500 FT. | 13 | - | F17828 | GAUGE ASSEMBLY | 33 | 10 |
| F1035 | SCREW, 1/4 - 20 X 5/8 | 5 | 17 | F18160-3 | REED, FUEL PUMP | 15 | 3 |
| F1069 | SCREW, 10 - 24 X 1-1/16 | 15 | 6 | F1829 | SCREW, 10 - 24 X 7/8 | 5 | 18 |
| F1077 | SCREW, GEAR HOUSING VENT, 1/4 - 24 X 1/4 | 29 | 29 | F1832 | LOCKNUT | 17 | 18 |
| F1107 | SCREW, 1/4 - 20 X 3/4 | 17 | 14 | F1832 | LOCKNUT, 1/4 - 20 | 23 | 1 |
| F1199 | SCREW, 1/4 - 20 X 1 (15 INCH TRANSOM MODELS) | 29 | 6 | F1846 | COTTER PIN | 29 | 20 |
| F12066 | FRICITION SCREW | 9 | 11 | F1864 | SCREW, 1/4 - 20 X 3/4 | 17 | 17 |
| F12088 | GROMMET | 9 | 10 | F1864 | SCREW, 1/4 - 20 X 3/4 | 27 | 4 |
| F12378 | WEDGE SPRING | 9 | 7 | F18906 | GASKET, CARBURETOR | 13 | 9 |
| F12380 | SCREW (PLASTIC) | 9 | 3 | F19342 | SEAL | 21 | 6 |
| F12381 | WASHER (PLASTIC) | 9 | 4 | F1975 | WASHER | 21 | 10 |
| F12383 | STATOR PLATE W/CORE | 9 | 8 | F197767-2 | BUSHING, FUEL LINE | 5 | 13 |
| F12384 | WIRE, GROUND | 9 | 14 | F197787-3 | COUPLER | 33 | 5 |
| F12385 | WIRE, STOP | 9 | 25 | F1978 | PIN | 21 | 11 |
| F1286 | SCREW, 4 - 40 X 3/16 | 15 | 2 | F197813 | BEARING | 25 | 20 |
| F1341 | NUT, 1/4 - 20 | 7 | 1 | F1979 | SCREW, 10 - 24 X 1/2 | 3 | 13 |
| F1341 | NUT, 1/4 - 20 | 17 | 3 | F2008 | SCREW, 1/4 - 20 X 7/8 | 11 | 8 |
| F1341 | NUT, 1/4 - 20 | 27 | 12 | F2012 | WASHER | 17 | 19 |
| F1341 | NUT, 1/4 - 20 | 29 | 33 | F2012 | WASHER | 23 | 2 |
| F1371 | SCREW W/LOCKWASHER, 10 - 24 X 5/8 | 21 | 13 | F2014 | WASHER | 21 | 7 |
| | | | | F2014 | WASHER | 25 | 4 |
| | | | | F2035 | SCREW, 1/4 - 20 X 1 | 25 | 17 |
| | | | | F2037 | WASHER | 25 | 13 |
| | | | | F2041 | SCREW, 10 - 24 X 3/8 | 21 | 9 |
| | | | | F213274 | FITTING, GREASE | 21 | 3 |
| | | | | F213274 | FITTING, GREASE | 25 | 15 |
| | | | | F2211 | SCREW, 10 - 24 X 5/8 | 3 | 1 |
| | | | | F2219 | SCREW, 8-18 X 3/4 (SELF TAPPING) | 23 | 13 |
| | | | | F2230 | SCREW, #6 X 3/8 (SELF TAPPING) | 23 | 10 |
| | | | | F24074 | FOOT, CLAMP SCREW | 25 | 8 |
| | | | | F24748-2 | GASKET | 15 | 4 |
| | | | | F250003 | SPRING | 7 | 7 |

PARTS INDEX

| Part Number | Description | Pg. | Ref. No. | Part Number | Description | Pg. | Ref. No. |
|-------------|---|-----|----------|-------------|--|-----|----------|
| F250421 | DOG | 7 | 6 | F521498 | KEY, FLYWHEEL | 9 | 18 |
| F2706772 | CLAMP | 5 | 15 | F521514 | KNOB, STEERING FRICTION | 25 | 2 |
| F298075 | HANDLE, SPRING PIN | 25 | 10 | F521537 | PLATE, WATER PUMP | 29 | 38 |
| F298788 | FERRULE | 33 | 2 | F521552 | SCREW | 9 | 1 |
| F2A24757 | PLATE ASSY., FUEL PUMP | 15 | 9 | F521579 | SEAL, CRANKSHAFT SPLINE | 19 | 11 |
| F2A521054 | GEAR HOUSING | 31 | 42 | F521615 | ROD, GEAR SHIFT UPPER | 21 | 12 |
| F2A527018 | CRANKSHAFT W/BEARING & SLINGER | 19 | 7 | F521621 | LEVER, GEAR SHIFT | 21 | 8 |
| F2A712010 | CYLINDER W/CRANKCASE COVER | 17 | 21 | F521631 | SHOE, SWIVEL FRICTION | 25 | 19 |
| F2C713712 | COVER, COMPLETE W/DECALS | 3 | - | F521661-1 | PAD, SWIVEL FRICTION | 25 | 18 |
| F31160-2 | REED | 11 | 4 | F521690-1 | SCREW, IDLE STOP | 23 | 11 |
| F31410 | RING, PISTON PIN RETAINING | 19 | 1 | F521705-1 | ROD, GEAR SHIFT LOWER (15-INCH TRANSOM MODELS) | 21 | 17 |
| F318307 | SEAL, DRIVESHAFT | 29 | 4 | F521721 | CAM, SHIFT | 29 | 31 |
| F318372 | PIN, CLUTCH GUIDE | 29 | 12 | F521727 | SLEEVE, IDLE BAFFLE | 27 | 8 |
| F338618-1 | SEAL, SHIFT ROD | 29 | 34 | F521728 | PIN, CLUTCH SHIFT | 29 | 7 |
| F341610 | BEARING, GEAR SHIFT SHAFT | 21 | 4 | F521774 | BRACKET, ENGINE COVER LOWER | 17 | 7 |
| F36634 | SCREW, CONNECTING ROD | 19 | 12 | F521779 | BAFFLE, IDLE RELIEF | 27 | 10 |
| F390563 | PIN, WATER PUMP DRIVE | 29 | 3 | F521783 | SEAL | 29 | 30 |
| F409098 | SHAFT, PROPELLER | 29 | 9 | F521910 | BEARING | 19 | 9 |
| F409521 | CLUTCH | 29 | 11 | F523274 | FITTING, GREASE | 27 | 13 |
| F409719 | SPRING, CLUTCH | 29 | 13 | F525457 | SCREW | 29 | 19 |
| F433209-1 | STUD | 11 | 5 | F53795-1 | SEAL | 23 | 19 |
| F468037-1 | BOLT, PIVOT | 25 | 14 | F5H213 | FUEL TANK W/LINE (3 GALLON) | 33 | 15 |
| F468169 | BEARING, SWIVEL BRACKET | 27 | 5 | F601006 | STUD (15 INCH TRANSOM MODELS) | 29 | 35 |
| F468300-1 | SPRING, REVERSE LOCK | 25 | 23 | F620132 | HANDLE | 7 | 12 |
| F468349 | LOCK, REVERSE | 25 | 22 | F620817 | RETAINER | 7 | 11 |
| F468350 | PIN, REVERSE LOCK | 25 | 21 | F63754 | HOSE, FUEL (FUEL PUMP TO CARBURETOR) | 15 | 8 |
| F46899-1 | COVER, SHIFT COUPLING | 27 | 7 | F66480 | STUD | 25 | 7 |
| F50109 | PLUG, GEAR HOUSING | 29 | 26 | F681046 | BULB, PRIME | 5 | 6 |
| F521004 | STUD | 5 | 8 | F681188 | NUT | 9 | 22 |
| F521013 | BEARING | 19 | 13 | F681243 | HOSE (PRIME BULB TO CARBURETOR) | 5 | 7 |
| F521065-1 | IMPELLER | 29 | 37 | F681954 | COVER, PRIME BULB | 5 | 5 |
| F521099 | SPACER, PROP SHAFT BEARING | 29 | 14 | F687038 | PLATE, SUPPORT | 5 | 10 |
| F521118-1 | SEAL | 19 | 10 | F687063 | STARTER, COMPLETE | 7 | - |
| F521128 | DRIVESHAFT (15 INCH TRANSOM MODELS) | 29 | 2 | F687163 | COVER, SUPPORT PLATE, FRONT | 5 | 14 |
| F521146 | SEAL | 19 | 14 | F687287 | SWITCH, EMERGENCY STOP | 9 | 19 |
| F521168 | GASKET, CARBURETOR ADAPTER | 11 | 1 | F687498 | KEY, FLYWHEEL | 19 | 15 |
| F521199 | SPRING, THROTTLE STOP | 23 | 15 | F687547 | KNOB, CHOKE | 5 | 12 |
| F521244-1 | LINE, WATER (15 INCH TRANSOM MODELS) | 31 | 40 | F687765 | LATCH, ENGINE COVER, REAR | 3 | 7 |
| F521246-1 | PLUG, WATER PUMP | 29 | 32 | F687944 | COVER, ENGINE LOWER | 5 | 1 |
| F521261 | LINE, WATER OUTLET | 27 | 3 | F699892 | DECAL, STARTING INSTRUCTIONS | 3 | 12 |
| F521266 | GEAR, PINION | 29 | 10 | F7009 | LOCKNUT, 10 - 24 | 21 | 16 |
| F521270 | SLINGER | 19 | 8 | F7009 | LOCKNUT, 10 - 24 | 23 | 12 |
| F521279-1 | GASKET, CYLINDER EXHAUST | 17 | 12 | F7009 | NUT, 10 - 24 | 3 | 3 |
| F521296 | RETAINER | 29 | 18 | F7011 | NUT, 10 - 24 | 3 | 10 |
| F521305 | SEAL | 29 | 17 | F702025 | PAD | 23 | 7 |
| F521307 | SEAL, PROP SHAFT | 29 | 16 | F702035 | BEARING | 23 | 4 |
| F521319 | BUSHING | 5 | 20 | F702079 | ARM, UPPER STEERING | 23 | 8 |
| F521342-1 | SEAL, WATER LINE | 31 | 41 | F702137 | GRIP, STEERING HANDLE | 23 | 18 |
| F521415 | WASHER | 21 | 5 | F702165 | SCREW | 23 | 5 |

PARTS INDEX

| Part Number | Description | Pg. | Ref. No. | Part Number | Description | Pg. | Ref. No. |
|-------------|--|-----|----------|---------------|---|-----|----------|
| F702178 | RETAINER | 23 | 20 | F901811 | FILTER, FUEL PUMP | 15 | 7 |
| F702198 | STOP, IDLE | 23 | 16 | F901938-1 | SCREW, HEAD | 17 | 2 |
| F702212 | PLATE, CABLE CLAMP | 23 | 24 | FA324101 | PIN, PROPELLER (PACK OF 3 W/COTTER PIN) | 29 | 22 |
| F702329 | LANYARD | 9 | 21 | FA341151 | PLATE, EXHAUST W/SCREWS | 27 | 2 |
| F702427 | BRACKET, STARTER | 7 | 10 | FA341298 | CAGE, PROP SHAFT W/BEARING AND SEAL | 29 | 15 |
| F702444 | CABLE, THROTTLE | 23 | 6 | FA468346 | MOUNT, SHOCK | 27 | 6 |
| F702449 | SWITCH, SHORTING (STOP) | 23 | 17 | FA521023 | GEAR W/BEARING | 29 | 8 |
| F702449 | SWITCH, STOP | 9 | 20 | FA521735 | SEAL, WATER LINE | 29 | 36 |
| F702504 | GROMMET | 23 | 26 | FA712228 | CRANKPIN ROLLER (56 ROLLERS PER SET) | 19 | 6 |
| F702576 | ARM, LOWER STEERING | 23 | 14 | FA712260 | RING (2 PER SET) | 19 | 3 |
| F7026 | STOP NUT, 3/8 - 16 | 25 | 5 | FA715016 | CONNECTING ROD W/BEARING, CAP AND SCREW | 19 | 5 |
| F702668 | RETAINER, SPEED CONTROL CABLE | 17 | 20 | FA735060 | BODY ASSY., WATER PUMP | 31 | 43 |
| F702668 | RETAINER, THROTTLE CABLE | 23 | 3 | FA84754-1 | HOSE | 33 | 1 |
| F702687 | COLLAR | 23 | 22 | FC341054 | GEAR HOUSING COMPLETE | 31 | - |
| F702736 | SEAL | 23 | 21 | FC712010 | CYLINDER COMPLETE (SHORT BLOCK) | 17 | - |
| F702783 | RETAINER, ENGINE COVER FRONT | 3 | 11 | FG1034-1 | GASKET SET | 17 | 13 |
| F702801 | FITTING, FUEL | 33 | 16 | FK10294 | GASKET SET | 13 | 33 |
| F702908 | WIRE | 9 | 9 | FK10295 | REPAIR KIT | 13 | 34 |
| F702908 | WIRE, SHORTING (STOP) | 23 | 9 | FK1057 | GEAR HOUSING SEAL KIT | 29 | 24 |
| F703269 | HANDLE, TILT | 3 | 2 | FK1072 | WATER PUMP KIT | 29 | 25 |
| F709894 | INDICATOR, SPEED CONTROL | 23 | 23 | FK1123 | SPARKIE KIT | 9 | 5 |
| F712015 | PISTON | 19 | 4 | FK341704 | COUPLING W/SCREW AND NUT | 21 | 15 |
| F712017 | PIN, PISTON | 19 | 2 | FK525713 | PACKING | 3 | 8 |
| F712061 | CARBURETOR COMPLETE (HO-4A) | 13 | - | FO10165 | GASKET | 13 | 20 |
| F712097 | FLYWHEEL | 9 | 2 | FO10280 | SCREW, SHUTTER | 13 | 8 |
| F712158 | PLATE, REED | 11 | 3 | FO10571 | SCREW, IDLE SPEED | 13 | 32 |
| F712167 | CARBURETOR ADAPTER W/REEDS | 11 | 9 | FO10588 | PLUG | 13 | 2 |
| F712192 | CAM, THROTTLE | 9 | 24 | FO11103 | SPRING, IDLE NEEDLE | 13 | 17 |
| F712475 | COIL W/LEAD WIRE, WEDGE AND SPARKIE | 9 | 6 | FO13554 | FLOAT | 13 | 10 |
| F712504 | GROMMET | 11 | 2 | FO13944 | PIN, FLOAT | 13 | 11 |
| F712518 | HEAD, CYLINDER | 17 | 11 | FO13945 | SCREW | 13 | 14 |
| F712529 | GASKET, CYLINDER HEAD | 17 | 1 | FO15366 | BOWL, FLOAT | 13 | 12 |
| F713396 | DECAL, STARBOARD | 3 | - | FO15367 | SHUTTER, CHOKE | 13 | 7 |
| F713397 | DECAL, PORT | 3 | 6 | FO15520 | NEEDLE, IDLE | 13 | 16 |
| F713528 | DECAL, REAR | 3 | 5 | FO15623 | GASKET, FLOAT BOWL | 13 | 13 |
| F8008 | WASHER | 5 | 16 | FO15736 | SHAFT, CHOKE | 13 | 6 |
| F8008 | WASHER | 17 | 5 | FO2510 | GASKET | 13 | 15 |
| F8015 | WASHER | 5 | 19 | FO2531 | PLUG, WELCH | 13 | 1 |
| F8028 | WASHER | 17 | 10 | FO4784 | BALL | 13 | 4 |
| F8060 | WASHER | 11 | 7 | FO8805 | SPRING, CHOKE FRICTION | 13 | 5 |
| F8061 | INTERNAL TOOTH LOCKWASHER | 7 | 3 | FP712 | PROPELLER (15 INCH TRANSOM MODELS) | 29 | 23 |
| F8074 | WASHER | 29 | 28 | FS687712 | COVER, UNPAINTED W/RETAINER AND PACKING | 3 | 14 |
| F8077 | WASHER | 29 | 27 | FS690227 | SPARK PLUG (L-78C) | 17 | 9 |
| F8083 | LOCKWASHER | 17 | 4 | 11-817752A1 | NUT, PROPELLER W/COTTER PIN | 29 | 21 |
| F8083 | LOCKWASHER | 29 | 5 | 27-818043A1 | DIAPHRAGM W/GASKETS | 15 | 1 |
| F8083 | WASHER | 27 | 11 | 32-817738A1 | HOSE | 33 | 3 |
| F8143 | WASHER | 23 | 25 | 1400-817850A4 | BRACKET, STERN W/CLAMP SCREW AND FOOT | 25 | 12 |
| F8538 | PIN | 21 | 14 | | | | |
| F8554 | SPRING PIN | 25 | 9 | | | | |
| F8559 | DOWEL PIN | 17 | 16 | | | | |
| F901746-2 | COVER, FUEL PUMP | 15 | 5 | | | | |

PARTS INDEX

| Part Number | Description | Pg. | Ref. No. | Part Number | Description | Pg. | Ref. No. |
|---------------|-------------------------------------|-----|----------|-------------|-------------|-----|----------|
| 1500-817940A6 | LEG, MOTOR W/EXHAUST PLATE | 27 | 14 | | | | |