



PARTS CATALOG

SEARS 5 H.P.

SERIAL NUMBER

5 H.P. (1988)	225.58749
5 H.P. (1988)	225.587490
5 H.P. (1988)	225.58750
5 H.P. (1988)	225.587500

TABLE OF CONTENTS:

CARBURETOR	12
CRANKSHAFT AND PISTON	18
CYLINDER	16
ENGINE COVER	2
FUEL PUMP	14
FUEL TANK AND LINE	30
GEAR HOUSING	28
INTAKE SYSTEM	10
LOWER COVER AND SUPPORT PLATE	4
MAGNETO	8
MOTOR LEG	26
PARTS INDEX	32
SHIFT LINKAGE	20
STARTER	6
STEERING HANDLE AND TWIST GRIP THROTTLE	22
SWIVEL BRACKET AND STERN BRACKETS	24

NOTE: Indented description indicate that these parts are included in preceding assembly.

AR = As Required

NSS = Not Sold Separate

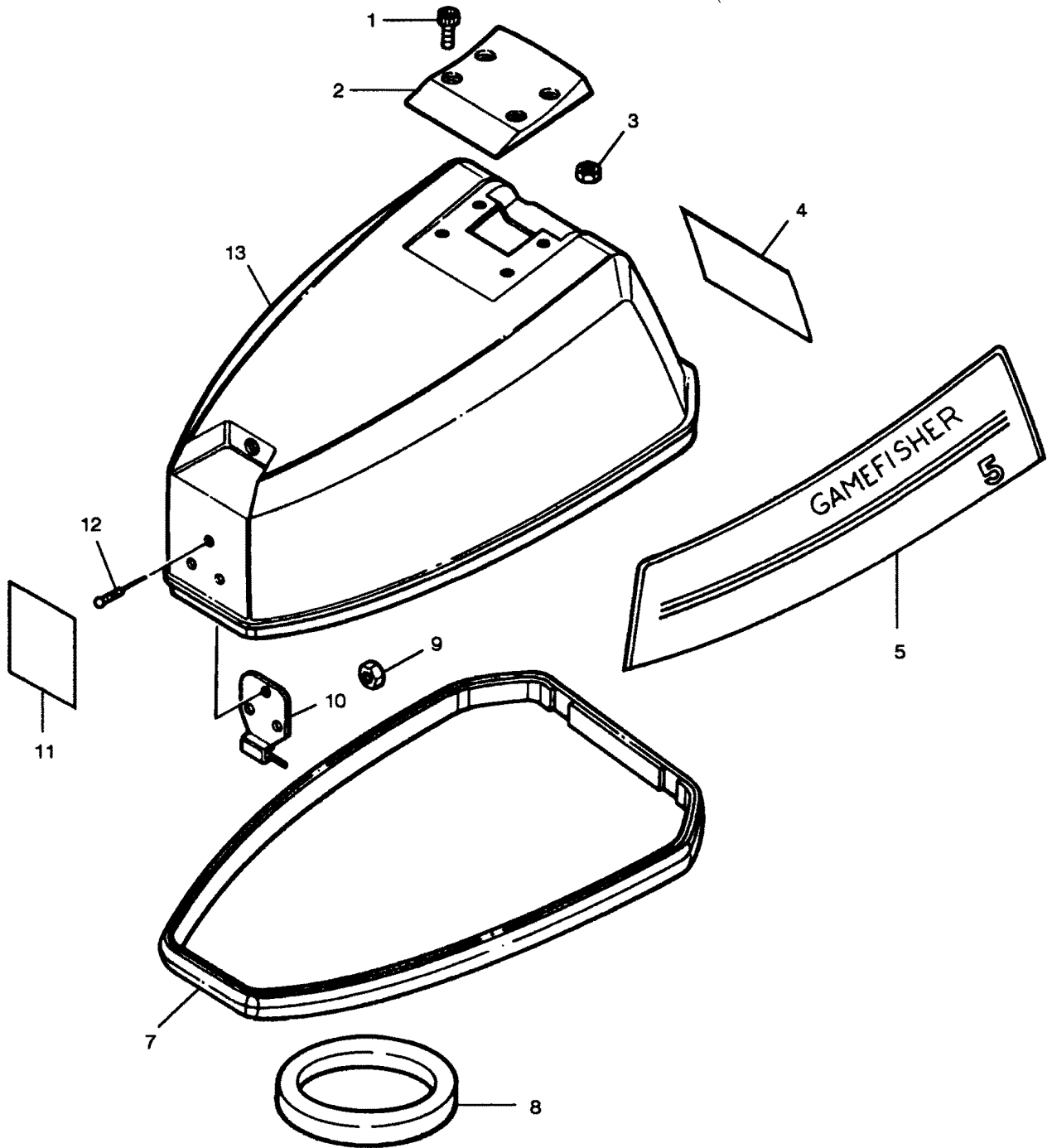
OPT = Optional

NS = Not Shown

THESE PARTS BOOKS/FICHE CARD ARE COPYRIGHTED AND MAY NOT BE DISTRIBUTED OR REPRODUCED IN ANY OTHER FORMAT BY ANYONE OTHER THAN MERCURY MARINE WITHOUT THE PRIOR WRITTEN CONSENT OF MERCURY MARINE.

THIS PAGE INTENTIONALLY LEFT BLANK

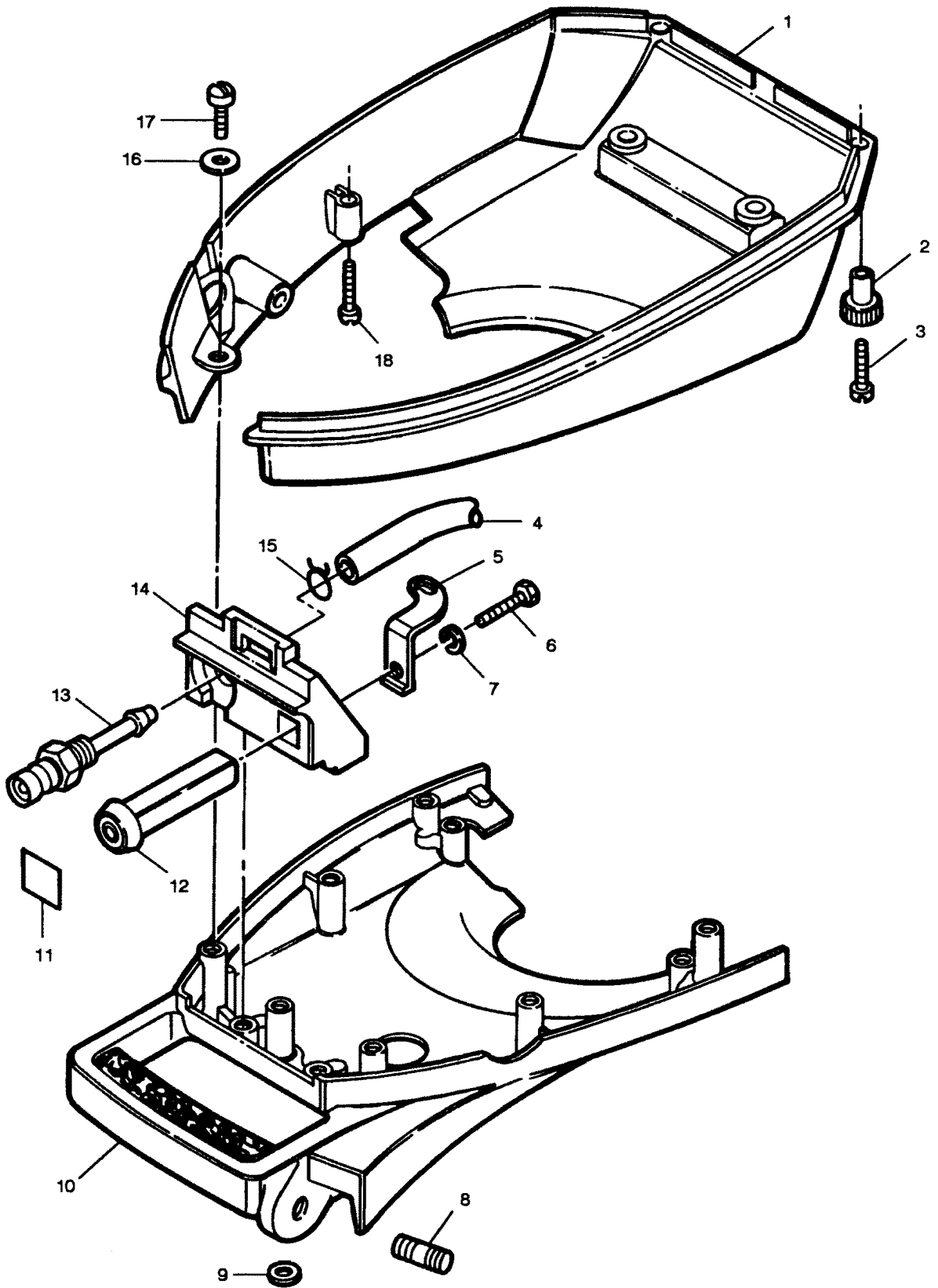
ENGINE COVER



ENGINE COVER

REF. NO.	PART NO.	SYM.	QTY.	DESCRIPTION
1	F2211		4	SCREW, 10 - 24 X 5/8
2	F703269		1	HANDLE, TILT
3	F7009		4	NUT, 10 - 24
4	F702528		1	DECAL, REAR
5	F702397		1	DECAL, PORT
-	F702396		1	DECAL, STARBOARD
7	FK525713		1	PACKING
8	F702984		1	PAD
9	F7011		3	NUT, 10 - 24
10	F702783		1	RETAINER, ENGINE COVER FRONT
11	F702892		1	DECAL, STARTING INSTRUCTIONS
12	F1979		3	SCREW, 10 - 24 X 1/2
13	FS702712		1	COVER, UNPAINTED W/RETAINER AND PACKING
-	F2C702712		1	COVER, COMPLETE W/DECALS

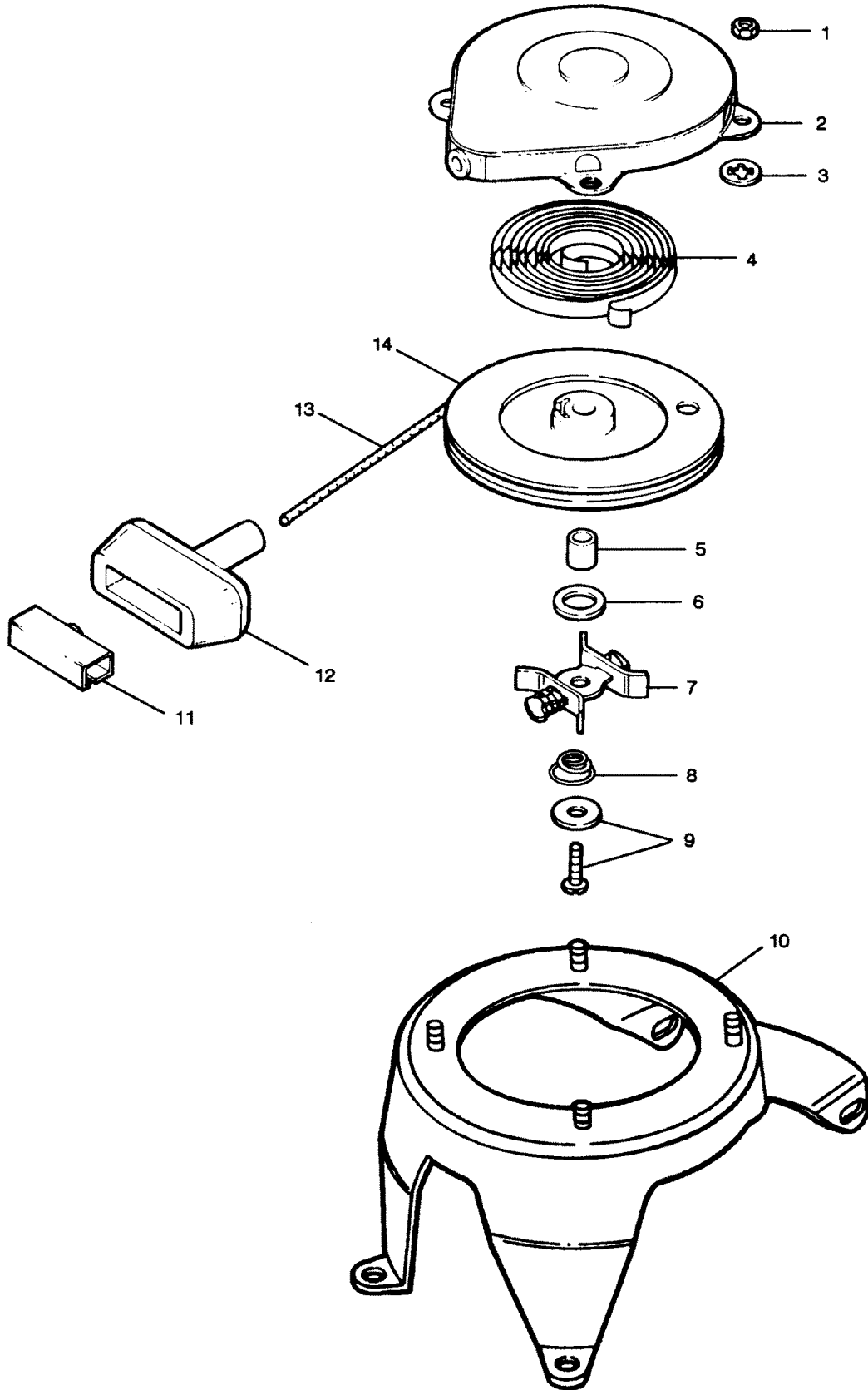
LOWER COVER AND SUPPORT PLATE



LOWER COVER AND SUPPORT PLATE

REF. NO.	PART NO.	SYM.	QTY.	DESCRIPTION
1	F702944		1	COVER, ENGINE LOWER
2	F521284		2	KNOB, COVER RETAINING
3	F1995		2	SCREW, 10 - 24 X 1
4	F702253		2	HOSE, FUEL
5	F521925		1	LINK, CHOKE KNOB
6	F2041		1	SCREW, 10 - 24 X 3/8
7	F1975		1	SPRING LOCKWASHER
8	F521004		1	STUD
9	F455208		1	RETAINING RING
10	F702038		1	PLATE, SUPPORT
11	F702248		1	DECAL, CHOKE
12	F521547		1	KNOB, CHOKE
13	F197767-1		1	BUSHING, FUEL LINE
14	F702163		1	COVER, SUPPORT PLATE, FRONT
15	F2706772		4	CLAMP
16	F8008		2	WASHER
17	F1035		3	SCREW, 1/4 - 20 X 5/8
18	F1829		1	SCREW, 10 - 24 X 7/8

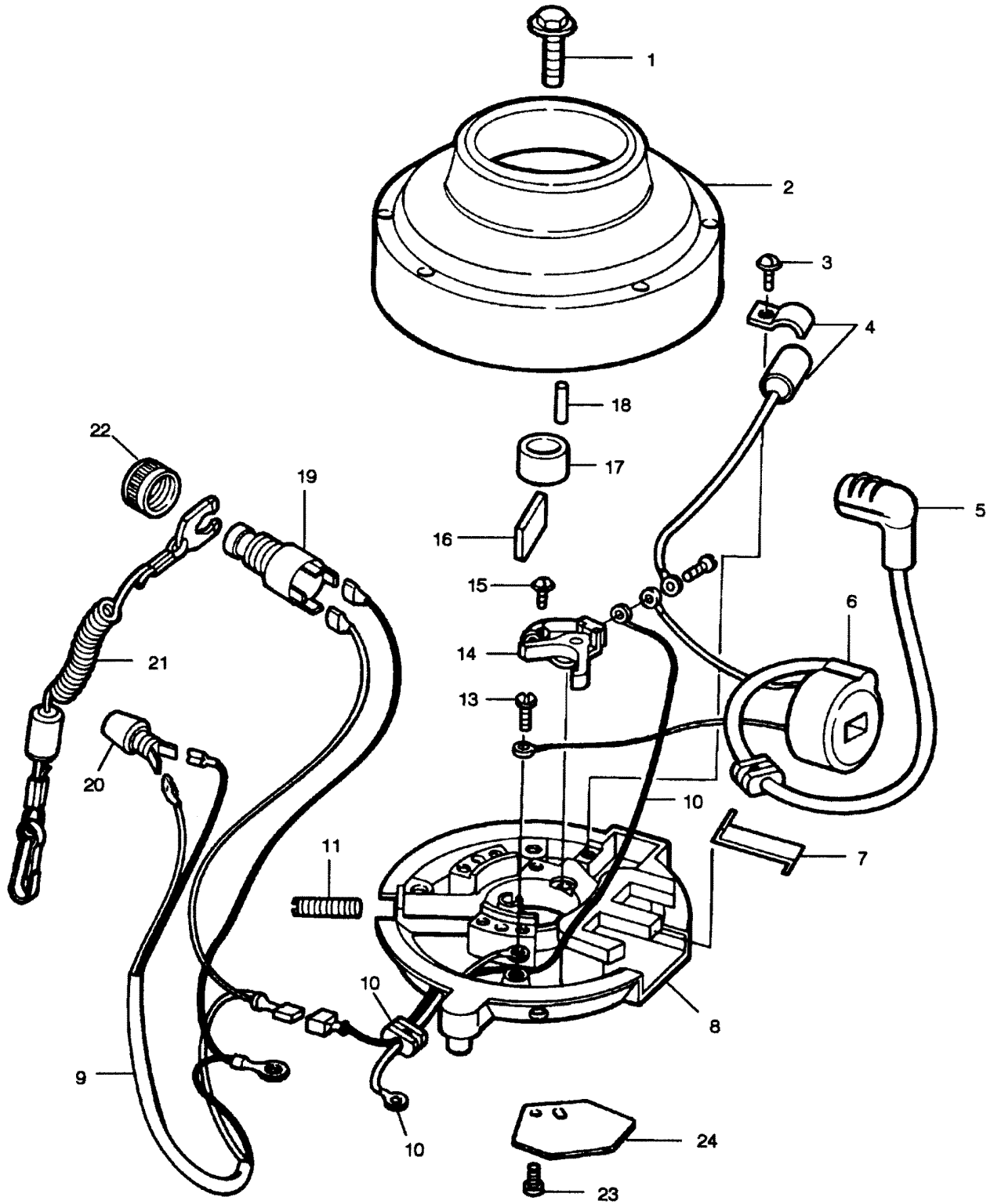
STARTER



STARTER

REF. NO.	PART NO.	SYM.	QTY.	DESCRIPTION
1	F1341		4	NUT, 1/4 - 20
2	FA521408		1	COVER
3	F8061		4	INTERNAL TOOTH LOCKWASHER
4	F521970		1	SPRING, REWIND
5	F521818		1	NYLINER
6	F521359		1	WASHER
7	FA521775		1	FRICTION SCREW ASSEMBLY
8	F521003		1	SPRING
9	F2145		1	SCREW AND WASHER
10	F702427		1	BRACKET, STARTER
11	F620817		1	RETAINER
12	F620132		1	HANDLE
13	F521232		1	ROPE, STARTER
14	FA521239		1	ROTOR
-	50-817848A3		1	STARTER, COMPLETE

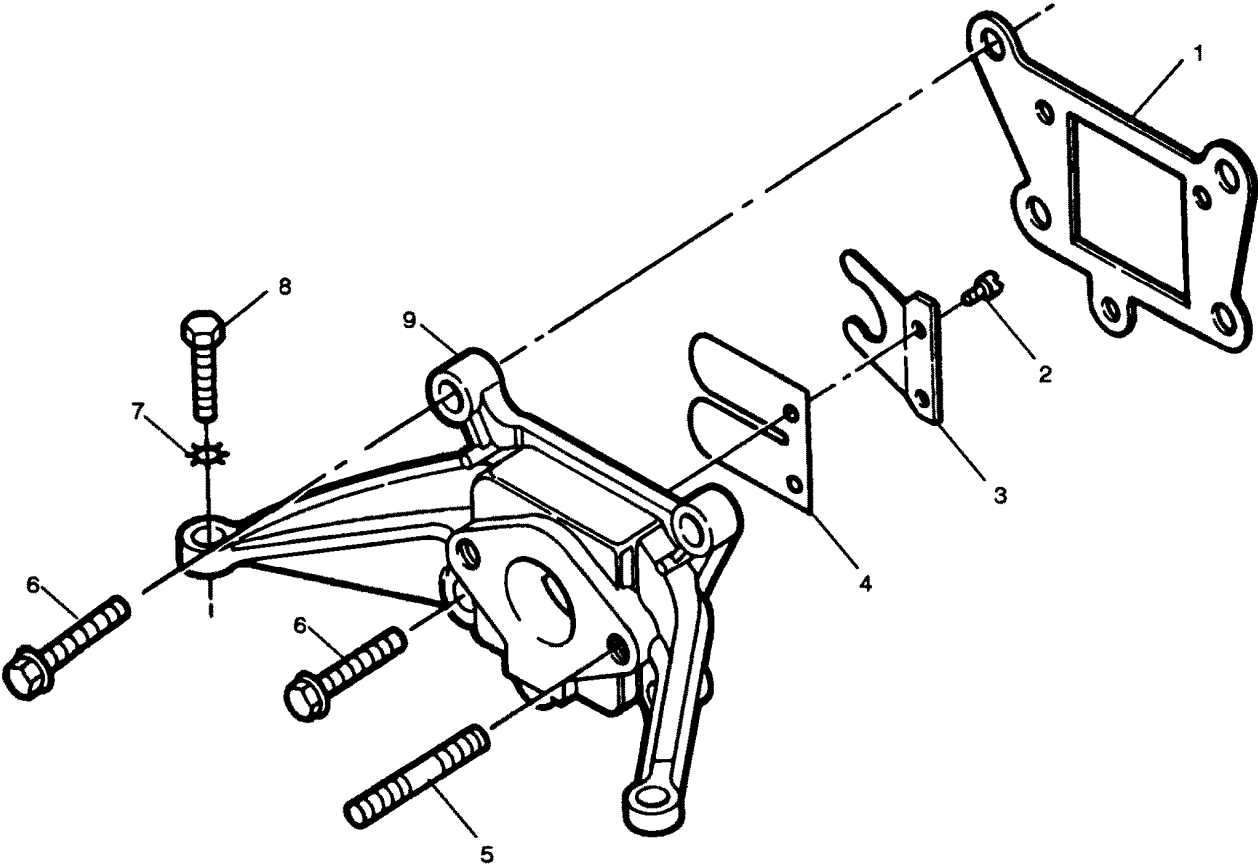
MAGNETO



MAGNETO

REF. NO.	PART NO.	SYM.	QTY.	DESCRIPTION
1	F521552		1	SCREW
2	F535097		1	FLYWHEEL
3	F12090		2	SCREW
4	FK12357		1	CONDENSER W/CLAMP
5	FK1123		1	SPARKIE KIT
6	FK12369		1	COIL W/LEAD WIRE, WEDGE AND SPARKIE
7	F12350		1	WEDGE SPRING
8	F12362		1	STATOR PLATE W/CORE
9	F702908		1	WIRE
10	F12361		1	WIRE & GROMMET PACKAGE
11	F12066		1	FRICITION SCREW
13	F1755		1	SCREW, 6 - 32 X 5/16
14	F12359		1	CONTACT SET
15	F12090		2	SCREW
16	F12360		1	FELT
17	F521002		1	CAM
18	F521498		1	KEY, FLYWHEEL
19	FK681602		1	SWITCH, EMERGENCY STOP
20	F702449		1	SWITCH, STOP
21	F702329		1	LANYARD
22	F681188		1	NUT
23	F1734		1	SCREW, 1/4 - 20 X 1/2
24	F521192-1		1	CAM, THROTTLE

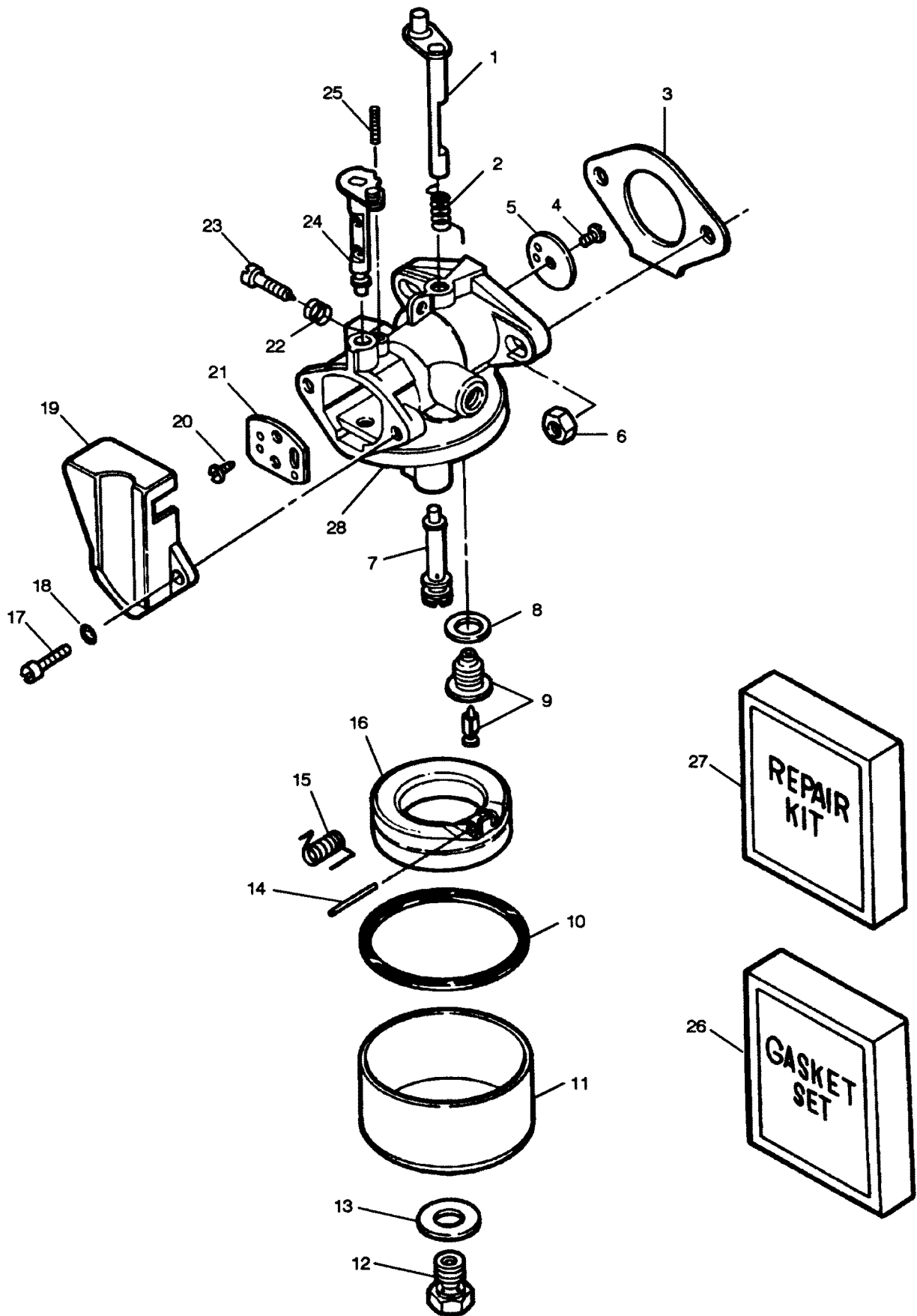
INTAKE SYSTEM



INTAKE SYSTEM

REF. NO.	PART NO.	SYM.	QTY.	DESCRIPTION
1	F521168		1	GASKET, CARBURETOR ADAPTER
2	F1755		2	SCREW, 6 - 32 X 5/16
3	F680161		1	STOP, REED
4	F31160-1		1	REED
5	F433209-1		2	STUD
6	F1532		4	SCREW, 1/4 - 20 X 1
7	F8060		2	WASHER
8	F2008		2	SCREW, 1/4 - 20 X 7/8
9	F2A680167		1	CARBURETOR ADAPTER W/REEDS

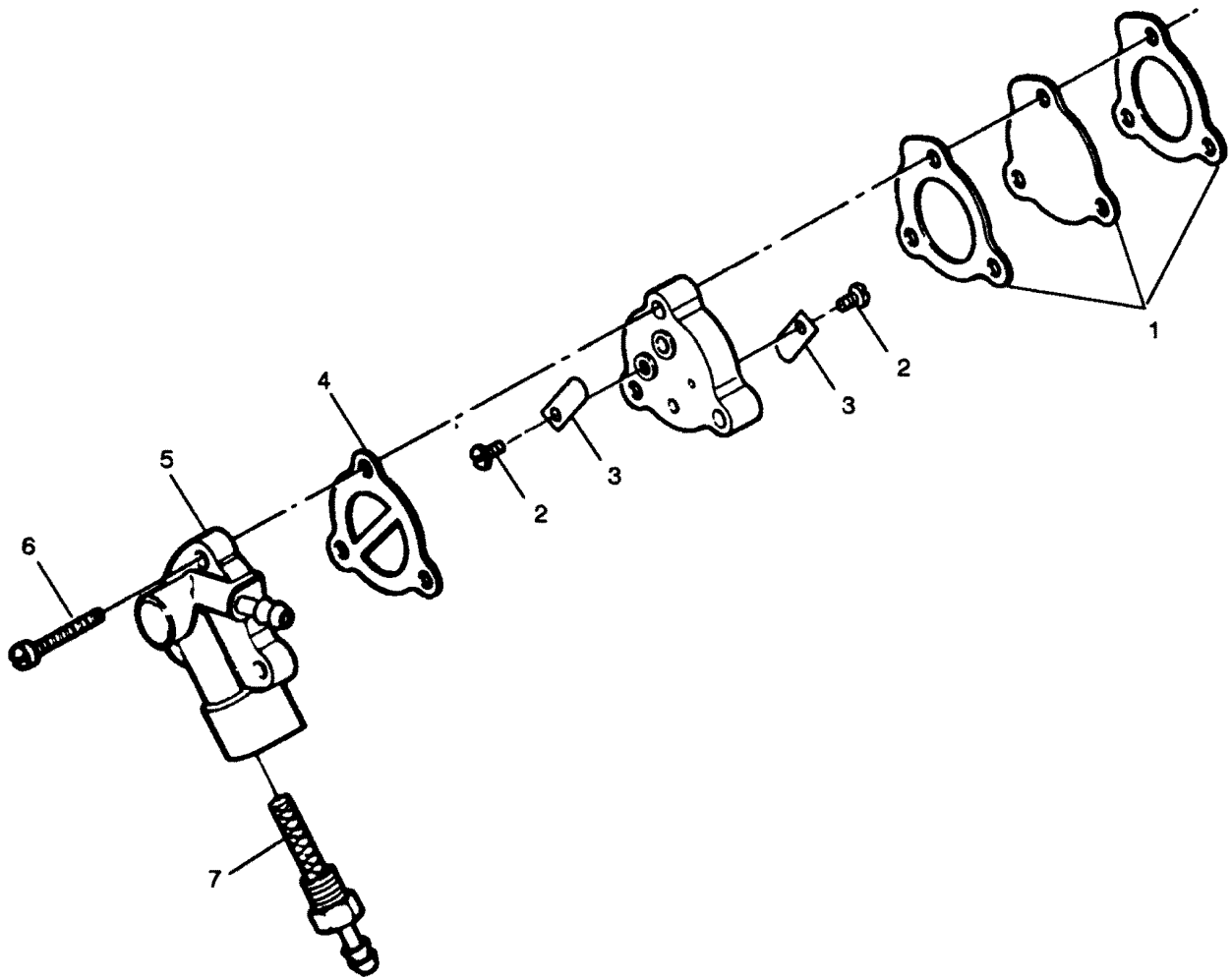
CARBURETOR



CARBURETOR

REF. NO.	PART NO.	SYM.	QTY.	DESCRIPTION
1	F10059		1	SHAFT, THROTTLE
2	F10075		1	SPRING, THROTTLE RETURN
3	F521906		1	GASKET, CARBURETOR
4	F10071		1	SCREW, THROTTLE SHUTTER
5	F10091		1	SHUTTER, THROTTLE
6	F1490		2	NUT, 1/4 - 20
7	F10277		1	MAIN NOZZLE
8	F10066		1	GASKET, VALVE SEAT
9	F10276		1	INLET NEEDLE AND SEAT W/GASKET
10	F10068		1	GASKET, FUEL BOWL
11	F10058		1	BOWL, FUEL
12	10251		1	MAIN FUEL JET (.035) STD. SEA LEVEL - 2500 FT.
-	F10253		1	MAIN FUEL JET (.033) OPT. 2500 - 5000 FT.
-	F10254		1	MAIN FUEL JET (.031) OPT. 5000 - 7500 FT.
-	F10255		1	MAIN FUEL JET (.029) OPT. 7500 - 10000 FT.
13	F10090		1	GASKET, FUEL BOWL RETAINING
14	F10064		1	PIN, FLOAT
15	F10084		1	SPRING, FLOAT
16	F10063		1	FLOAT
17	F1064		2	SCREW, 8 - 32 X 3/8
18	F8078		2	WASHER
19	F521708		1	COVER, CARBURETOR
20	F10070		2	SCREW, CHOKE VALVE
21	F10062		1	SHUTTER, CHOKE
22	F10073		1	SPRING, IDLE NEEDLE
23	F10077		1	NEEDLE, IDLE
24	F10061		1	SHAFT, CHOKE
25	F10072		1	SPRING, CHOKE STOP
26	FK10281		1	GASKET SET
27	FK10280		1	REPAIR KIT
28	F702061		1	CARBURETOR COMPLETE (LMB-237)

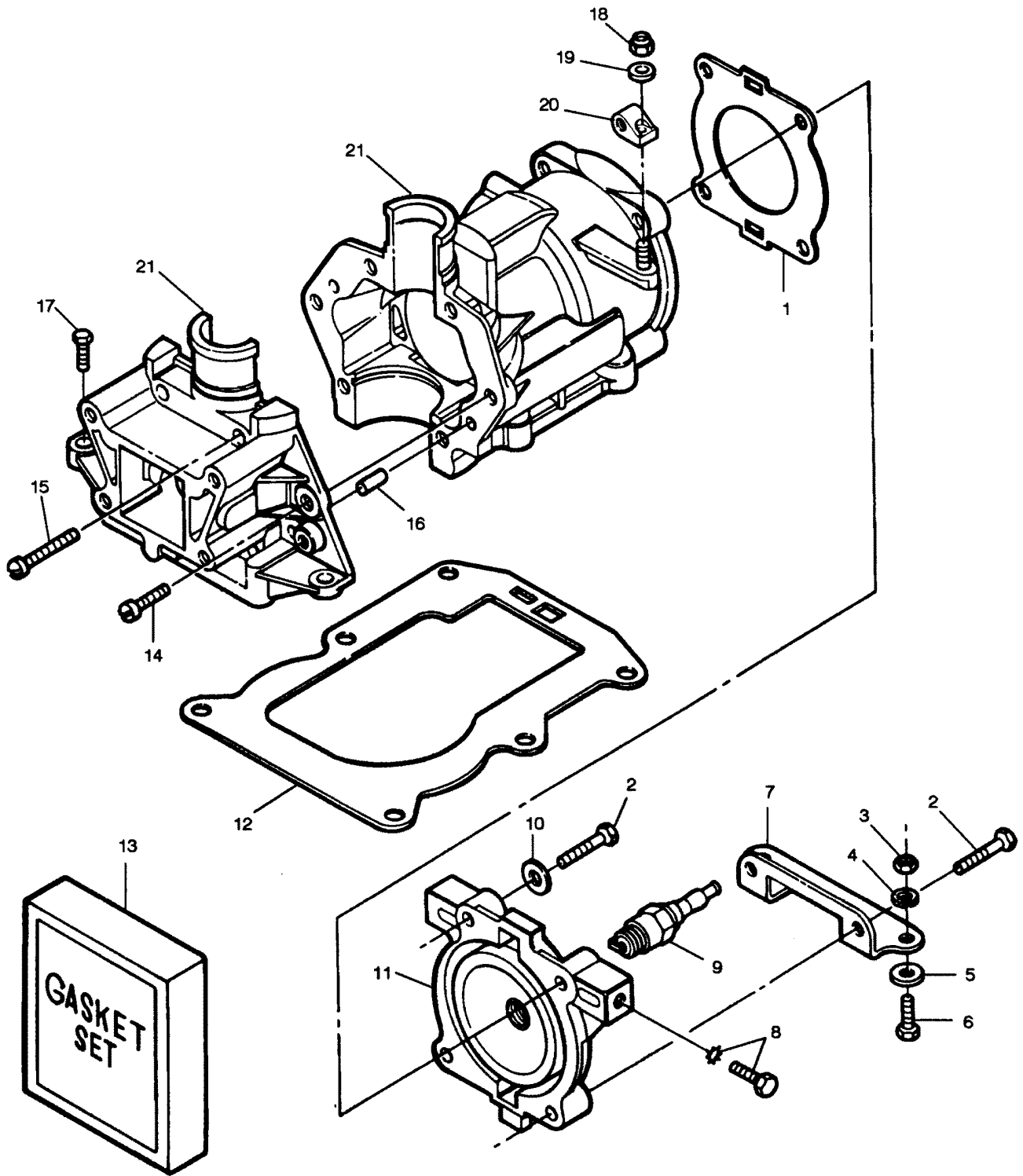
FUEL PUMP



FUEL PUMP

REF. NO.	PART NO.	SYM.	QTY.	DESCRIPTION
1	27-818043A1		1	DIAPHRAGM W/GASKETS
2	F1286		2	SCREW, 4 - 40 X 3/16
3	F18160-3		2	REED, FUEL PUMP
4	F24748-2		1	GASKET
5	F901746-2		1	COVER, FUEL PUMP
6	F1069		3	SCREW, 10 - 24 X 1-1/16
7	F901811		1	FILTER, FUEL PUMP

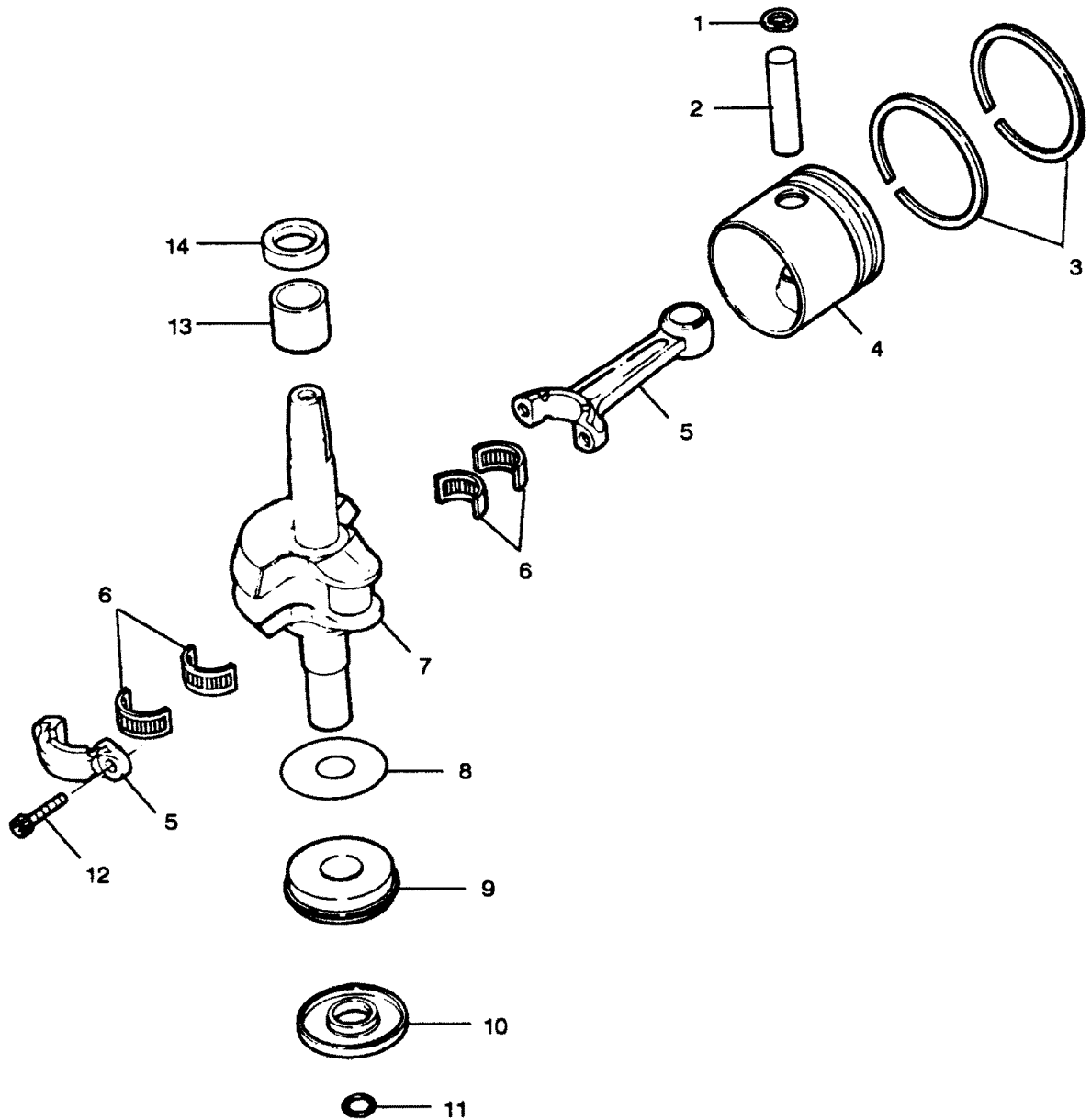
CYLINDER



CYLINDER

REF. NO.	PART NO.	SYM.	QTY.	DESCRIPTION
1	F521529-1		1	GASKET, CYLINDER HEAD
2	F901938-1		4	SCREW, HEAD
3	F1341		2	NUT, 1/4 - 20
4	F8083		2	LOCKWASHER
5	F8008		2	WASHER
6	F1705		2	SCREW, 1/4 - 20 X 3/4
7	F521774		1	BRACKET, ENGINE COVER LOWER
8	F1426		2	SCREW W/WASHER, 1/4 - 20 X 7/16
9	33-82370M		1	SPARK PLUG (L-86) USA
10	F8028		2	WASHER
11	F680518		1	HEAD, CYLINDER
12	F521279		1	GASKET, CYLINDER EXHAUST
13	FG1022		1	GASKET SET
14	F1107		2	SCREW, 1/4 - 20 X 3/4
15	F1504		4	SCREW, 1/4 - 20 X 1-1/4
16	F8559		2	DOWEL PIN
17	F1864		6	SCREW, 1/4 - 20 X 7/8
18	F1832		1	LOCKNUT
19	F2012		1	WASHER
20	F702668		1	RETAINER, SPEED CONTROL CABLE
21	F2A702010		1	CYLINDER W/CRANKCASE COVER
-	FC702010		1	CYLINDER COMPLETE (SHORT BLOCK)

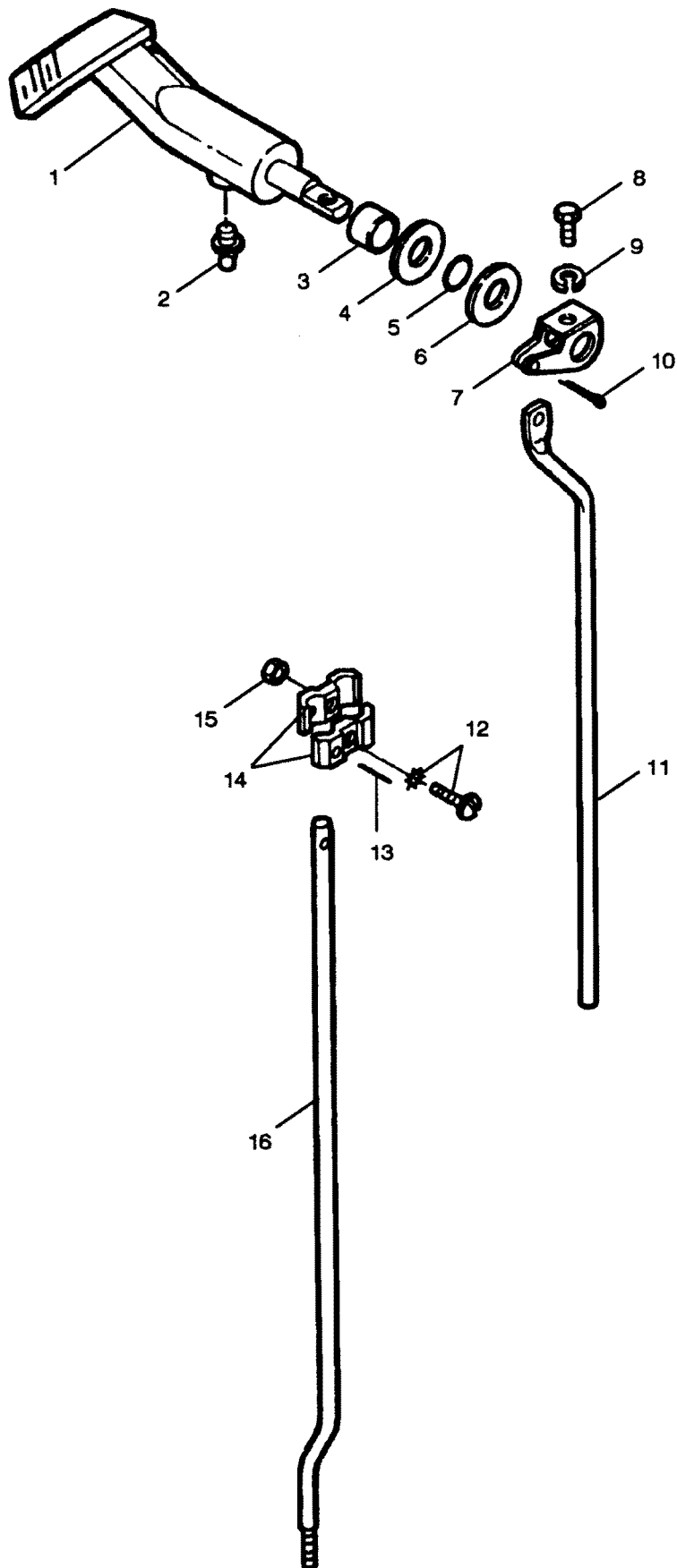
CRANKSHAFT AND PISTON



CRANKSHAFT AND PISTON

REF. NO.	PART NO.	SYM.	QTY.	DESCRIPTION
1	F250410		2	RING, PISTON PIN RETAINING
2	F250017		1	PIN, PISTON
3	FA26260-1		1	RING
4	F521015-1		1	PISTON
5	F2A521016		1	CONNECTING ROD W/BEARING, CAP AND SCREW
6	FA567241		1	CRANKPIN ROLLER AND CAGE SET
7	F2A527018		1	CRANKSHAFT W/BEARING & SLINGER
8	F521270		1	SLINGER
9	F521910		1	BEARING
10	F521118-1		1	SEAL
11	F521579		1	SEAL, CRANKSHAFT SPLINE
12	F36634		2	SCREW, CONNECTING ROD
13	F521013		1	BEARING
14	F521146		1	SEAL

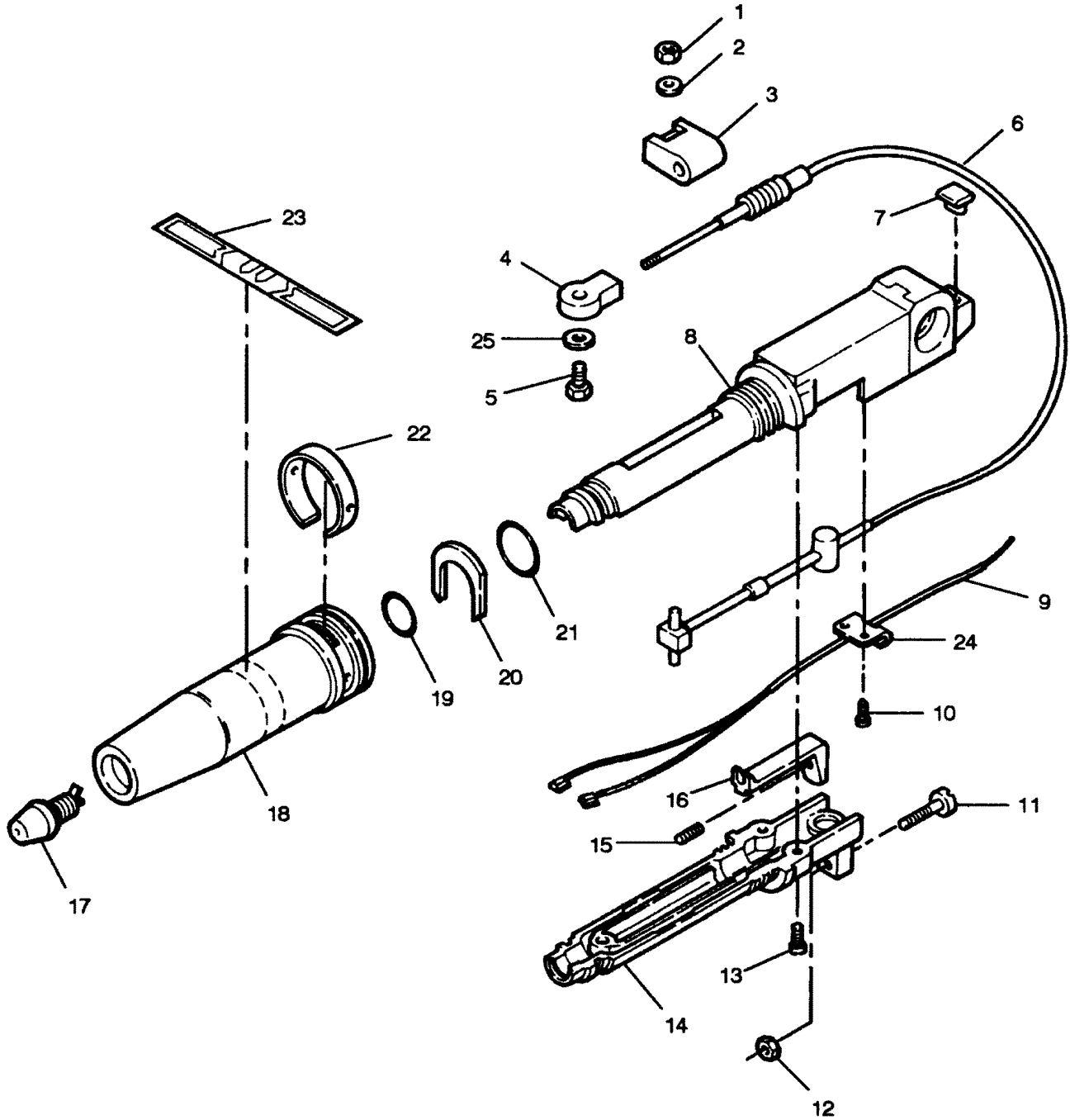
SHIFT LINKAGE



SHIFT LINKAGE

REF. NO.	PART NO.	SYM.	QTY.	DESCRIPTION
1	820433T		1	HANDLE, GEAR SHIFT W/GREASE FITTING
2	F213274		1	FITTING, GREASE
3	F341610		1	BEARING, GEAR SHIFT SHAFT
4	F521415		1	WASHER
5	F19342		1	SEAL
6	F2014		1	WASHER
7	F521621		1	LEVEL, GEAR SHIFT
8	F2041		1	SCREW, 10 - 24 X 3/8
9	F1975		1	WASHER
10	F1978		1	PIN
11	F521615		1	ROD, GEAR SHIFT UPPER
12	F1371		1	SCREW W/LOCKWASHER, 10 - 24 X 5/8
13	F8538		1	PIN
14	FK341704		1	COUPLING W/SCREW AND NUT
15	F7009		1	LOCKNUT, 10 - 24
16	F521705-1		1	ROD, GEAR SHIFT LOWER (15-INCH TRANSOM MODELS)

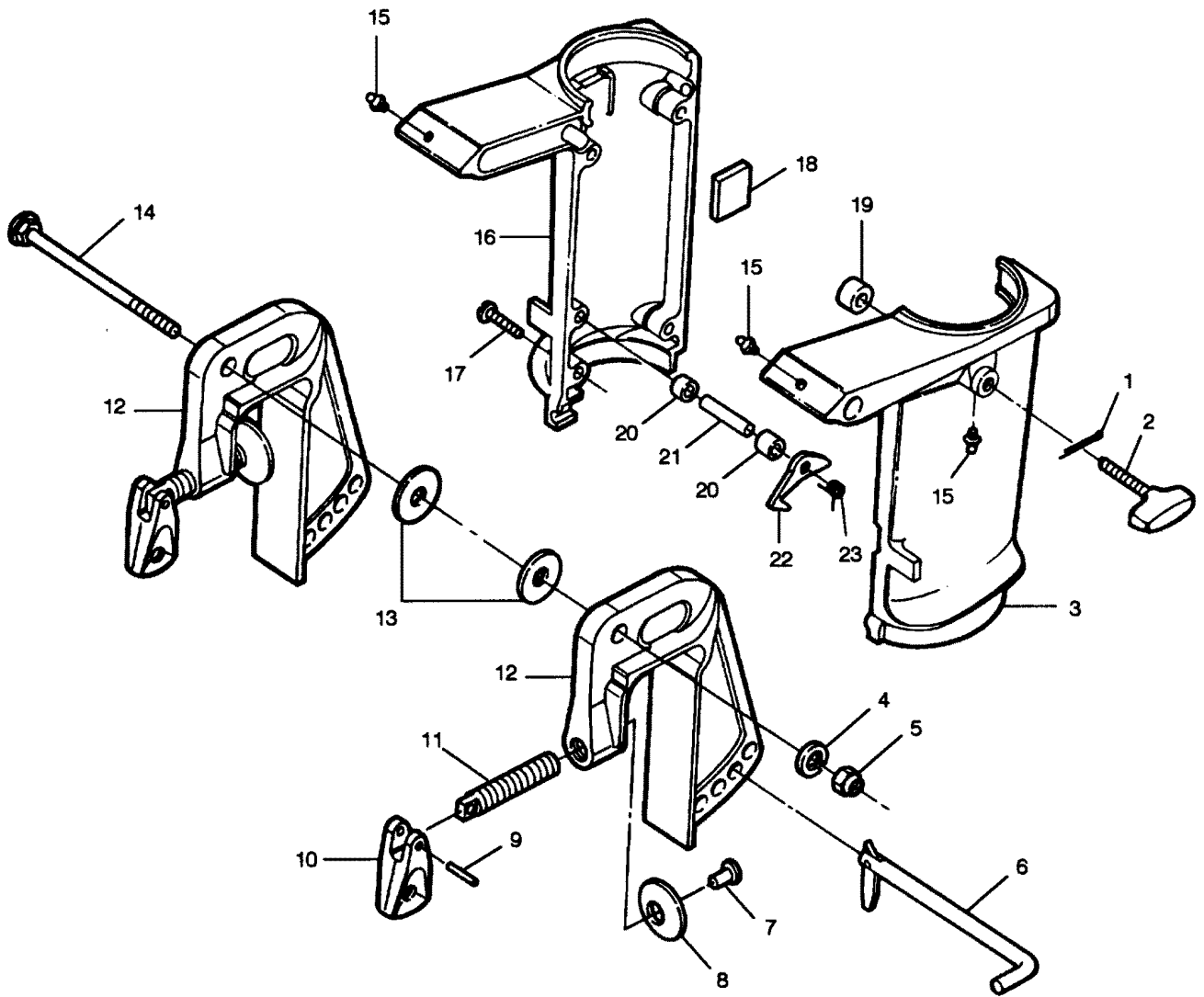
STEERING HANDLE AND TWIST GRIP THROTTLE



STEERING HANDLE AND TWIST GRIP THROTTLE

REF. NO.	PART NO.	SYM.	QTY.	DESCRIPTION
1	F1832		1	LOCKNUT, 1/4 - 20
2	F2012		1	WASHER
3	F702668		1	RETAINER, THROTTLE CABLE
4	F702035		1	BEARING
5	F702165		1	SCREW
6	F702444		1	CABLE, THROTTLE
7	F702025		1	PAD
8	F702079		1	ARM, UPPER STEERING
9	F702908		1	WIRE, SHORTING (STOP)
10	F2230		4	SCREW, #6 X 3/8 (SELF TAPPING)
11	F521690-1		1	SCREW, IDLE STOP
12	F7009		1	LOCKNUT, 10 - 24
13	F2219		3	SCREW, 8-18 X 3/4 (SELF TAPPING)
14	F702576		1	ARM, LOWER STEERING
15	F521199		1	SPRING, THROTTLE STOP
16	F702198		1	STOP, IDLE
17	F702449		1	SWITCH, SHORTING (STOP)
18	F702137		1	GRIP, STEERING HANDLE
19	F53795-1		1	SEAL
20	F702178		1	RETAINER
21	F702736		1	SEAL
22	F702687		1	COLLAR
23	F703894		1	INDICATOR, SPEED CONTROL
24	F702212		1	PLATE, CABLE CLAMP
25	F8143		1	WASHER

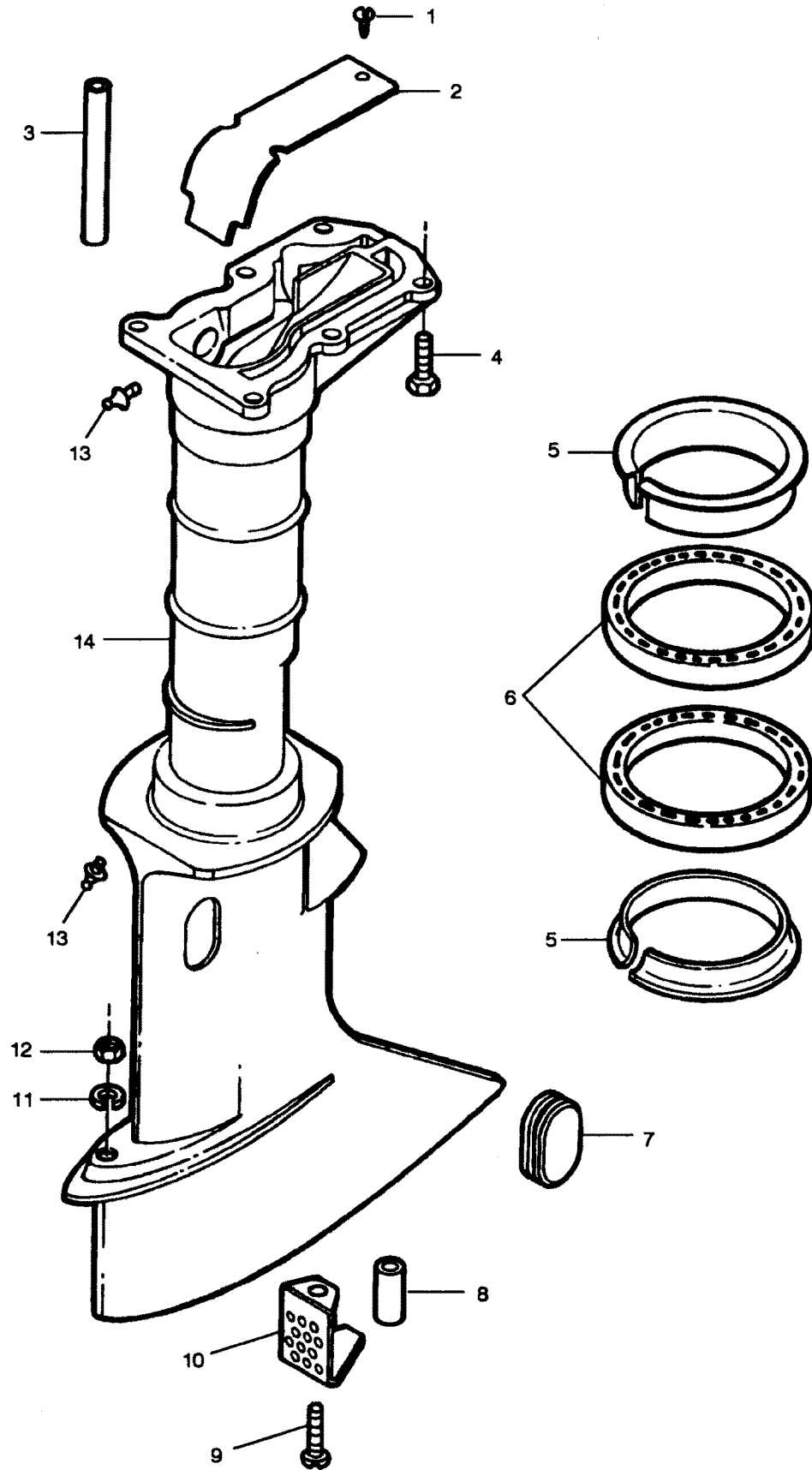
SWIVEL BRACKET AND STERN BRACKETS



SWIVEL BRACKET AND STERN BRACKETS

REF. NO.	PART NO.	SYM.	QTY.	DESCRIPTION
1	F1014		1	COTTER PIN
2	F521514		1	KNOB, STEERING FRICTION
3	817815A4		1	BRACKET, SWIVEL - PORT W/GREASE FITTINGS
4	F2014		1	WASHER
5	F7026		1	STOP NUT, 3/8 - 16
6	817810A1		1	BAR, LOCK
7	F66480		2	STUD
8	F24074		2	FOOT, CLAMP SCREW
9	F8554		2	SPRING PIN
10	F298075		2	HANDLE, SPRING PIN
11	817761A2		2	CLAMP SCREW W/HANDLE AND FOOT
12	1400-817850A4		2	BRACKET, STERN W/CLAMP SCREW AND FOOT
13	F2037		2	WASHER
14	F468037-1		1	BOLT, PIVOT
15	F213274		3	FITTING, GREASE
16	817816A6		1	BRACKET, SWIVEL - STARBOARD W/PAD AND GREASE FITTING
17	F2035		4	SCREW, 1/4 - 20 X 1
18	F521661-1		1	PAD, SWIVEL FRICTION
19	F521631		1	SHOE, SWIVEL FRICTION
20	F197813		2	BEARING
21	F468350		1	PIN, REVERSE LOCK
22	F468349		1	LOCK, REVERSE
23	F468300-1		1	SPRING, REVERSE LOCK

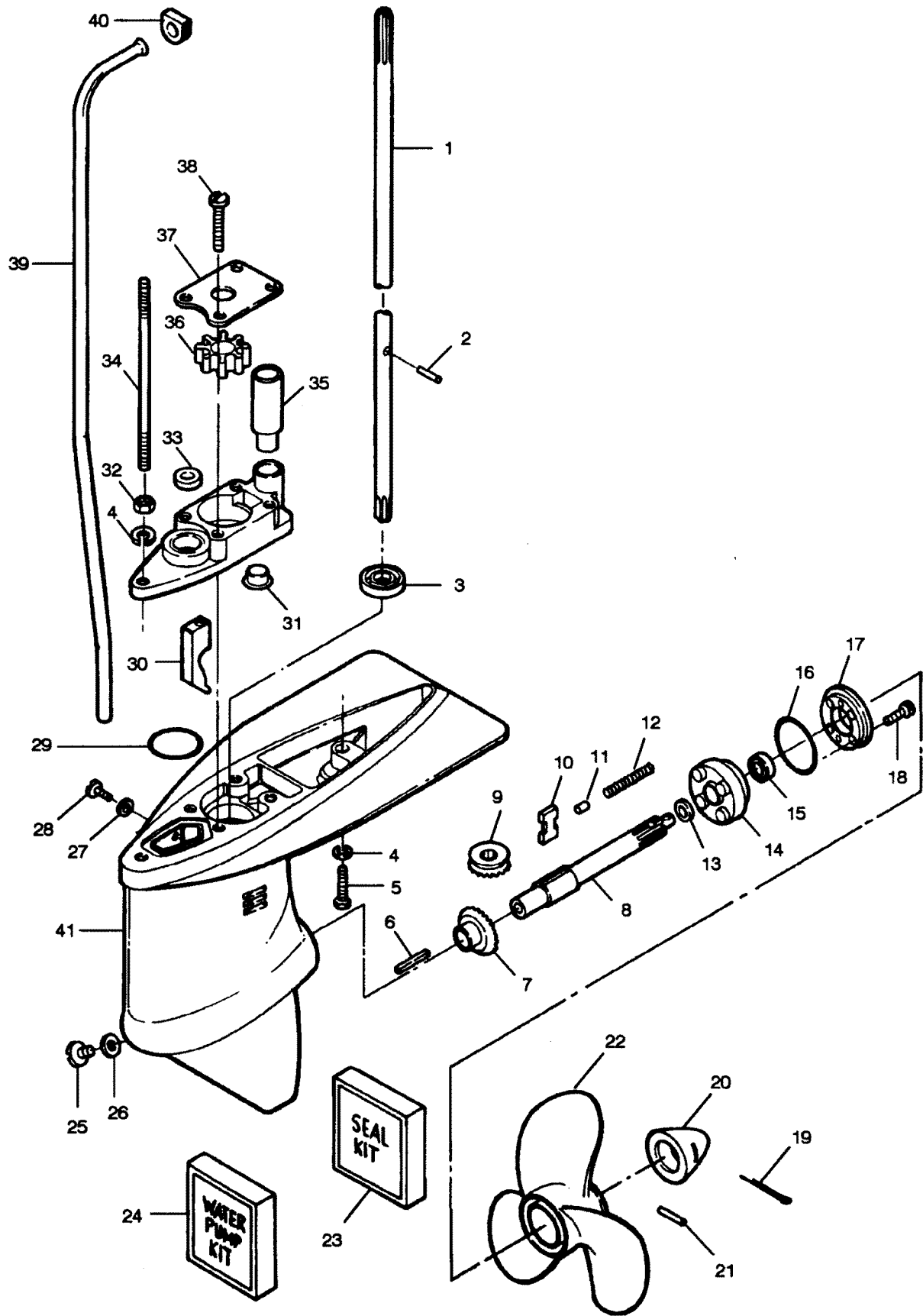
MOTOR LEG



MOTOR LEG

REF. NO.	PART NO.	SYM.	QTY.	DESCRIPTION
1	F1645		3	SCREW, THREAD CUTTING, 6 - 32 X 1/4
2	FA341151		1	PLATE, EXHAUST W/SCREWS
3	F521261		1	LINE, WATER OUTLET
4	F1864		6	SCREW, 1/4 - 20 X 3/4
5	F468169		2	BEARING, SWIVEL BRACKET
6	FA468346		2	MOUNT, SHOCK
7	F46899-1		1	COVER, SHIFT COUPLING
8	F521727		1	SLEEVE, IDLE BAFFLE
9	F1747		1	SCREW, 10 - 24 X 1-11/16
10	F521779		1	BAFFLE, IDLE RELIEF
11	F8083		1	WASHER
12	F1341		1	NUT, 1/4 - 20
13	F213274		2	FITTING, GREASE
14	1500-817940A6		1	LEG, MOTOR W/EXHAUST PLATE

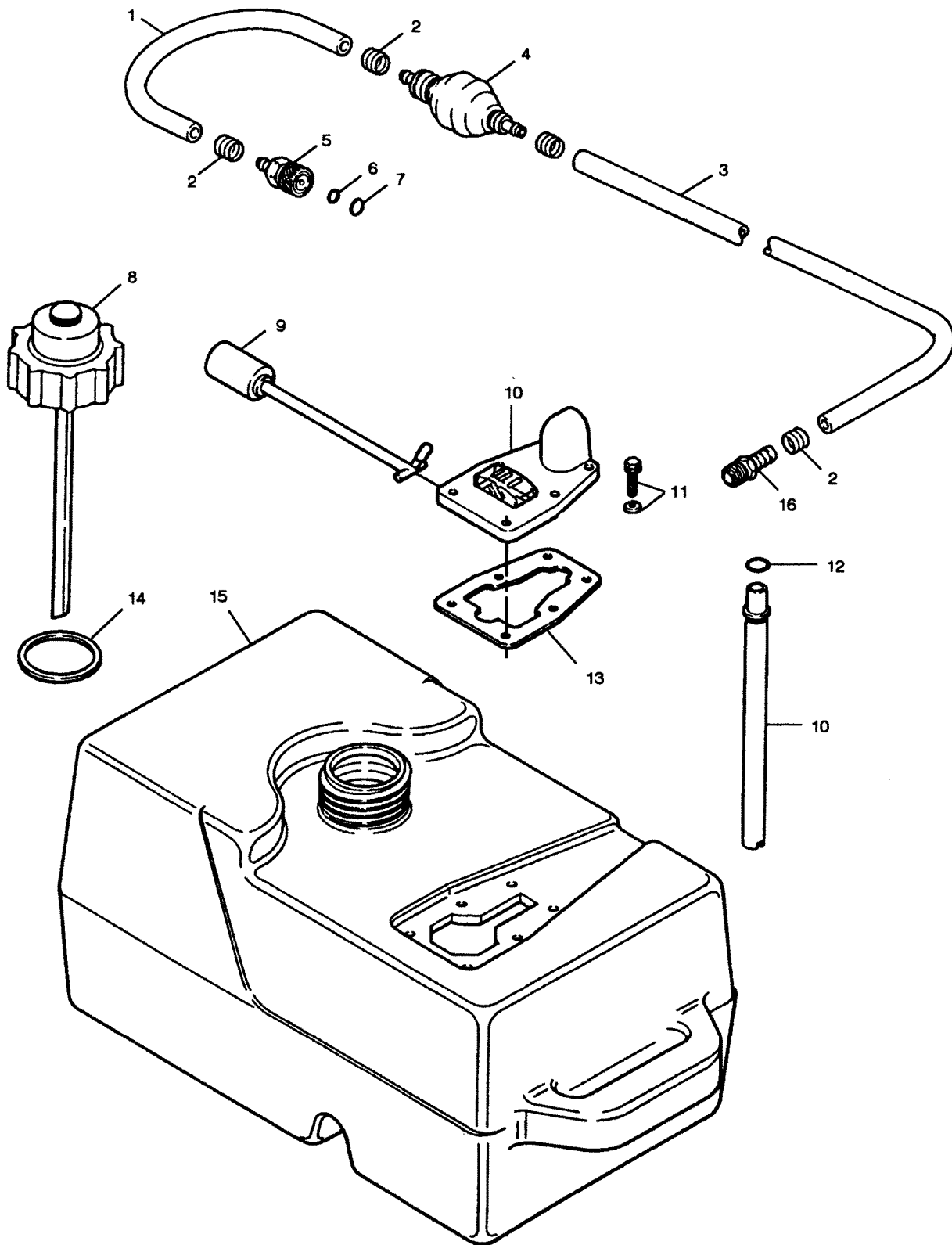
GEAR HOUSING



GEAR HOUSING

REF. NO.	PART NO.	SYM.	QTY.	DESCRIPTION
1	F521128		1	DRIVESHAFT (15 INCH TRANSOM MODELS)
2	F390563		1	PIN, WATER PUMP DRIVE
3	F318307		1	SEAL, DRIVESHAFT
4	F8083		2	LOCKWASHER
5	F1199		1	SCREW, 1/4 - 20 X 1 (15 INCH TRANSOM MODELS)
6	F521728		1	PIN, CLUTCH SHIFT
7	FA521023		1	GEAR W/BEARING
8	F409098		1	SHAFT, PROPELLER
9	F521266		1	GEAR, PINION
10	F409521		1	CLUTCH
11	F318372		1	PIN, CLUTCH GUIDE
12	F409719		1	SPRING, CLUTCH
13	F521099		1	SPACER, PROP SHAFT BEARING
14	FA341298		1	CAGE, PROP SHAFT W/BEARING AND SEAL
15	F521307		1	SEAL, PROP SHAFT
16	F521305		1	SEAL
17	F521296		1	RETAINER
18	F525457		4	SCREW
19	F1846		1	COTTER PIN
20	11-817752A1		1	NUT, PROPELLER W/COTTER PIN
21	FA324101		1	PIN, PROPELLER (PACK OF 3 W/COTTER PIN)
22	FP332		1	PROPELLER (15 INCH TRANSOM MODELS)
23	FK1057		1	GEAR HOUSING SEAL KIT
24	FK1072		1	WATER PUMP KIT
25	F50109		1	PLUG, GEAR HOUSING
26	F8077		1	WASHER
27	F8074		1	WASHER
28	F1077		1	SCREW, GEAR HOUSING VENT, 10 - 24 X 1/4
29	F521783		1	SEAL
30	F521721		1	CAM, SHIFT
31	F521246-1		1	PLUG, WATER PUMP
32	F1341		1	NUT, 1/4 - 20
33	F338618-1		1	SEAL, SHIFT ROD
34	F601006		1	STUD (15 INCH TRANSOM MODELS)
35	FA521735		1	SEAL, WATER LINE
36	F521065		1	IMPELLER
37	F521537		1	PLATE, WATER PUMP
38	F1504		4	SCREW, 1/4 - 20 X 1-1/4
39	F521244-1		1	LINE, WATER (15 INCH TRANSOM MODELS)
40	F521342-1		1	SEAL, WATER LINE
41	F2A521054		1	GEAR HOUSING
-	FC341054		1	GEAR HOUSING COMPLETE

FUEL TANK AND LINE



FUEL TANK AND LINE

REF. NO.	PART NO.	SYM.	QTY.	DESCRIPTION
1	F84754-1		1	HOSE
2	F298788		4	FERRULE
3	32-817738A1		1	HOSE
4	89396A38		1	BULB, PRIME
5	F197787-3		1	COUPLER
6	F17815		1	SEAL
7	F17816		1	SEAL
8	F17821		1	CAP, FUEL TANK
9	F17826		1	FLOAT
10	F17828		1	GAUGE ASSEMBLY
11	F17824		6	SCREW
12	F17827		1	SEAL
13	F17823		1	GASKET
14	F17822		1	GASKET
15	F5H213		1	FUEL TANK W/LINE (3 GALLON)
16	F702801		1	FITTING, FUEL

PARTS INDEX

Part Number	Description	Pg.	Ref. No.	Part Number	Description	Pg.	Ref. No.
10251	MAIN FUEL JET (.035) STD.			F1286	SCREW, 4 - 40 X 3/16	15	2
	SEA LEVEL - 2500 FT.	13	12	F1341	NUT, 1/4 - 20	7	1
817761A2	CLAMP SCREW W/HANDLE			F1341	NUT, 1/4 - 20	17	3
	AND FOOT	25	11	F1341	NUT, 1/4 - 20	27	12
817810A1	BAR, LOCK	25	6	F1341	NUT, 1/4 - 20	29	32
817815A4	BRACKET, SWIVEL - PORT			F1371	SCREW W/LOCKWASHER,		
	W/GREASE FITTINGS	25	3		10 - 24 X 5/8	21	12
817816A6	BRACKET, SWIVEL -			F1426	SCREW W/WASHER, 1/4 - 20		
	STARBOARD W/PAD AND				X 7/16	17	8
	GREASE FITTING	25	16	F1490	NUT, 1/4 - 20	13	6
820433T	HANDLE, GEAR SHIFT			F1504	SCREW, 1/4 - 20 X 1-1/4	17	15
	W/GREASE FITTING	21	1	F1504	SCREW, 1/4 - 20 X 1-1/4	29	38
89396A38	BULB, PRIME	31	4	F1532	SCREW, 1/4 - 20 X 1	11	6
F10058	BOWL, FUEL	13	11	F1645	SCREW, THREAD CUTTING,		
F10059	SHAFT, THROTTLE	13	1		6 - 32 X 1/4	27	1
F10061	SHAFT, CHOKE	13	24	F1705	SCREW, 1/4 - 20 X 3/4	17	6
F10062	SHUTTER, CHOKE	13	21	F1734	SCREW, 1/4 - 20 X 1/2	9	23
F10063	FLOAT	13	16	F1747	SCREW, 10 - 24 X 1-11/16	27	9
F10064	PIN, FLOAT	13	14	F1755	SCREW, 6 - 32 X 5/16	9	13
F10066	GASKET, VALVE SEAT	13	8	F1755	SCREW, 6 - 32 X 5/16	11	2
F10068	GASKET, FUEL BOWL	13	10	F17815	SEAL	31	6
F10070	SCREW, CHOKE VALVE	13	20	F17816	SEAL	31	7
F10071	SCREW, THROTTLE			F17821	CAP, FUEL TANK	31	8
	SHUTTER	13	4	F17822	GASKET	31	14
F10072	SPRING, CHOKE STOP	13	25	F17823	GASKET	31	13
F10073	SPRING, IDLE NEEDLE	13	22	F17824	SCREW	31	11
F10075	SPRING, THROTTLE			F17826	FLOAT	31	9
	RETURN	13	2	F17827	SEAL	31	12
F10077	NEEDLE, IDLE	13	23	F17828	GAUGE ASSEMBLY	31	10
F10084	SPRING, FLOAT	13	15	F18160-3	REED, FUEL PUMP	15	3
F10090	GASKET, FUEL BOWL			F1829	SCREW, 10 - 24 X 7/8	5	18
	RETAINING	13	13	F1832	LOCKNUT	17	18
F10091	SHUTTER, THROTTLE	13	5	F1832	LOCKNUT, 1/4 - 20	23	1
F1014	COTTER PIN	25	1	F1846	COTTER PIN	29	19
F10253	MAIN FUEL JET (.033) OPT.			F1864	SCREW, 1/4 - 20 X 3/4	27	4
	2500 - 5000 FT.	13	-	F1864	SCREW, 1/4 - 20 X 7/8	17	17
F10254	MAIN FUEL JET (.031) OPT.			F19342	SEAL	21	5
	5000 - 7500 FT.	13	-	F1975	SPRING LOCKWASHER	5	7
F10255	MAIN FUEL JET (.029) OPT.			F1975	WASHER	21	9
	7500 - 10000 FT.	13	-	F197767-1	BUSHING, FUEL LINE	5	13
F10276	INLET NEEDLE AND SEAT			F197787-3	COUPLER	31	5
	W/GASKET	13	9	F1978	PIN	21	10
F10277	MAIN NOZZLE	13	7	F197813	BEARING	25	20
F1035	SCREW, 1/4 - 20 X 5/8	5	17	F1979	SCREW, 10 - 24 X 1/2	3	12
F1064	SCREW, 8 - 32 X 3/8	13	17	F1995	SCREW, 10 - 24 X 1	5	3
F1069	SCREW, 10 - 24 X 1-1/16	15	6	F2008	SCREW, 1/4 - 20 X 7/8	11	8
F1077	SCREW, GEAR HOUSING			F2012	WASHER	17	19
	VENT, 10 - 24 X 1/4	29	28	F2012	WASHER	23	2
F1107	SCREW, 1/4 - 20 X 3/4	17	14	F2014	WASHER	21	6
F1199	SCREW, 1/4 - 20 X 1 (15			F2014	WASHER	25	4
	INCH TRANSOM MODELS)	29	5	F2035	SCREW, 1/4 - 20 X 1	25	17
F12066	FRICTION SCREW	9	11	F2037	WASHER	25	13
F12090	SCREW	9	15	F2041	SCREW, 10 - 24 X 3/8	5	6
F12090	SCREW	9	3	F2041	SCREW, 10 - 24 X 3/8	21	8
F12350	WEDGE SPRING	9	7	F213274	FITTING, GREASE	21	2
F12359	CONTACT SET	9	14	F213274	FITTING, GREASE	25	15
F12360	FELT	9	16	F213274	FITTING, GREASE	27	13
F12361	WIRE & GROMMET			F2145	SCREW AND WASHER	7	9
	PACKAGE	9	10	F2211	SCREW, 10 - 24 X 5/8	3	1
F12362	STATOR PLATE W/CORE	9	8				

PARTS INDEX

Part Number	Description	Pg.	Ref. No.	Part Number	Description	Pg.	Ref. No.
F2230	SCREW, #6 X 3/8 (SELF TAPPING)	23	10	F521244-1	LINE, WATER (15 INCH TRANSOM MODELS)	29	39
F24074	FOOT, CLAMP SCREW	25	8	F521246-1	PLUG, WATER PUMP	29	31
F24748-2	GASKET	15	4	F521261	LINE, WATER OUTLET	27	3
F250017	PIN, PISTON	19	2	F521266	GEAR, PINION	29	9
F250410	RING, PISTON PIN RETAINING	19	1	F521270	SLINGER	19	8
F2706772	CLAMP	5	15	F521279	GASKET, CYLINDER EXHAUST	17	12
F298075	HANDLE, SPRING PIN	25	10	F521284	KNOB, COVER RETAINING .	5	2
F298788	FERRULE	31	2	F521296	RETAINER	29	17
F2A521016	CONNECTING ROD W/BEARING, CAP AND SCREW	19	5	F521305	SEAL	29	16
F2A521054	GEAR HOUSING	29	41	F521307	SEAL, PROP SHAFT	29	15
F2A527018	CRANKSHAFT W/BEARING & SLINGER	19	7	F521342-1	SEAL, WATER LINE	29	40
F2A680167	CARBURETOR ADAPTER W/REEDS	11	9	F521359	WASHER	7	6
F2A702010	CYLINDER W/CRANKCASE COVER	17	21	F521415	WASHER	21	4
F2C702712	COVER, COMPLETE W/DECALS	3	-	F521498	KEY, FLYWHEEL	9	18
F31160-1	REED	11	4	F521514	KNOB, STEERING FRICTION	25	2
F318307	SEAL, DRIVESHAFT	29	3	F521529-1	GASKET, CYLINDER HEAD .	17	1
F318372	PIN, CLUTCH GUIDE	29	11	F521537	PLATE, WATER PUMP	29	37
F338618-1	SEAL, SHIFT ROD	29	33	F521547	KNOB, CHOKE	5	12
F341610	BEARING, GEAR SHIFT SHAFT	21	3	F521552	SCREW	9	1
F36634	SCREW, CONNECTING ROD	19	12	F521579	SEAL, CRANKSHAFT SPLINE	19	11
F390563	PIN, WATER PUMP DRIVE .	29	2	F521615	ROD, GEAR SHIFT UPPER .	21	11
F409098	SHAFT, PROPELLER	29	8	F521621	LEVEL, GEAR SHIFT	21	7
F409521	CLUTCH	29	10	F521631	SHOE, SWIVEL FRICTION ..	25	19
F409719	SPRING, CLUTCH	29	12	F521661-1	PAD, SWIVEL FRICTION ...	25	18
F433209-1	STUD	11	5	F521690-1	SCREW, IDLE STOP	23	11
F455208	RETAINING RING	5	9	F521705-1	ROD, GEAR SHIFT LOWER (15-INCH TRANSOM MODELS)	21	16
F468037-1	BOLT, PIVOT	25	14	F521708	COVER, CARBURETOR	13	19
F468169	BEARING, SWIVEL BRACKET	27	5	F521721	CAM, SHIFT	29	30
F468300-1	SPRING, REVERSE LOCK ..	25	23	F521727	SLEEVE, IDLE BAFFLE	27	8
F468349	LOCK, REVERSE	25	22	F521728	PIN, CLUTCH SHIFT	29	6
F468350	PIN, REVERSE LOCK	25	21	F521774	BRACKET, ENGINE COVER LOWER	17	7
F46899-1	COVER, SHIFT COUPLING .	27	7	F521779	BAFFLE, IDLE RELIEF	27	10
F50109	PLUG, GEAR HOUSING	29	25	F521783	SEAL	29	29
F521002	CAM	9	17	F521818	NYLINER	7	5
F521003	SPRING	7	8	F521906	GASKET, CARBURETOR ...	13	3
F521004	STUD	5	8	F521910	BEARING	19	9
F521013	BEARING	19	13	F521925	LINK, CHOKE KNOB	5	5
F521015-1	PISTON	19	4	F521970	SPRING, REWIND	7	4
F521065	IMPELLER	29	36	F525457	SCREW	29	18
F521099	SPACER, PROP SHAFT BEARING	29	13	F535097	FLYWHEEL	9	2
F521118-1	SEAL	19	10	F53795-1	SEAL	23	19
F521128	DRIVESHAFT (15 INCH TRANSOM MODELS)	29	1	F5H213	FUEL TANK W/LINE (3 GALLON)	31	15
F521146	SEAL	19	14	F601006	STUD (15 INCH TRANSOM MODELS)	29	34
F521168	GASKET, CARBURETOR ADAPTER	11	1	F620132	HANDLE	7	12
F521192-1	CAM, THROTTLE	9	24	F620817	RETAINER	7	11
F521199	SPRING, THROTTLE STOP .	23	15	F66480	STUD	25	7
F521232	ROPE, STARTER	7	13	F680161	STOP, REED	11	3
				F680518	HEAD, CYLINDER	17	11
				F681188	NUT	9	22
				F7009	LOCKNUT, 10 - 24	21	15
				F7009	LOCKNUT, 10 - 24	23	12
				F7009	NUT, 10 - 24	3	3
				F7011	NUT, 10 - 24	3	9

PARTS INDEX

Part Number	Description	Pg.	Ref. No.	Part Number	Description	Pg.	Ref. No.
F702025	PAD	23	7	F901746-2	COVER, FUEL PUMP	15	5
F702035	BEARING	23	4	F901811	FILTER, FUEL PUMP	15	7
F702038	PLATE, SUPPORT	5	10	F901938-1	SCREW, HEAD	17	2
F702061	CARBURETOR COMPLETE (LMB-237)	13	28	FA26260-1	RING	19	3
F702079	ARM, UPPER STEERING	23	8	FA324101	PIN, PROPELLER (PACK OF 3 W/COTTER PIN)	29	21
F702137	GRIP, STEERING HANDLE	23	18	FA341151	PLATE, EXHAUST W/SCREWS	27	2
F702163	COVER, SUPPORT PLATE, FRONT	5	14	FA341298	CAGE, PROP SHAFT W/BEARING AND SEAL	29	14
F702165	SCREW	23	5	FA468346	MOUNT, SHOCK	27	6
F702178	RETAINER	23	20	FA521023	GEAR W/BEARING	29	7
F702198	STOP, IDLE	23	16	FA521239	ROTOR	7	14
F702212	PLATE, CABLE CLAMP	23	24	FA521408	COVER	7	2
F702248	DECAL, CHOKE	5	11	FA521735	SEAL, WATER LINE	29	35
F702253	HOSE, FUEL	5	4	FA521775	FRICTION SCREW ASSEMBLY	7	7
F702329	LANYARD	9	21	FA567241	CRANKPIN ROLLER AND CAGE SET	19	6
F702396	DECAL, STARBOARD	3	-	FC341054	GEAR HOUSING COMPLETE	29	-
F702397	DECAL, PORT	3	5	FC702010	CYLINDER COMPLETE (SHORT BLOCK)	17	-
F702427	BRACKET, STARTER	7	10	FG1022	GASKET SET	17	13
F702444	CABLE, THROTTLE	23	6	FK10280	REPAIR KIT	13	27
F702449	SWITCH, SHORTING (STOP)	23	17	FK10281	GASKET SET	13	26
F702449	SWITCH, STOP	9	20	FK1057	GEAR HOUSING SEAL KIT	29	23
F702528	DECAL, REAR	3	4	FK1072	WATER PUMP KIT	29	24
F702576	ARM, LOWER STEERING	23	14	FK1123	SPARKIE KIT	9	5
F7026	STOP NUT, 3/8 - 16	25	5	FK12357	CONDENSER W/CLAMP	9	4
F702668	RETAINER, SPEED CONTROL CABLE	17	20	FK12369	COIL W/LEAD WIRE, WEDGE AND SPARKIE	9	6
F702668	RETAINER, THROTTLE CABLE	23	3	FK341704	COUPLING W/SCREW AND NUT	21	14
F702687	COLLAR	23	22	FK525713	PACKING	3	7
F702736	SEAL	23	21	FK681602	SWITCH, EMERGENCY STOP	9	19
F702783	RETAINER, ENGINE COVER FRONT	3	10	FP332	PROPELLER (15 INCH TRANSOM MODELS)	29	22
F702801	FITTING, FUEL	31	16	FS702712	COVER, UNPAINTED W/RETAINER AND PACKING	3	13
F702892	DECAL, STARTING INSTRUCTIONS	3	11	11-817752A1	NUT, PROPELLER W/COTTER PIN	29	20
F702908	WIRE	9	9	27-818043A1	DIAPHRAGM W/GASKETS	15	1
F702908	WIRE, SHORTING (STOP)	23	9	32-817738A1	HOSE	31	3
F702944	COVER, ENGINE LOWER	5	1	33-82370M	SPARK PLUG (L-86) USA	17	9
F702984	PAD	3	8	50-817848A3	STARTER, COMPLETE	7	-
F703269	HANDLE, TILT	3	2	1400-817850A4	BRACKET, STERN W/CLAMP SCREW AND FOOT	25	12
F703894	INDICATOR, SPEED CONTROL	23	23	1500-817940A6	LEG, MOTOR W/EXHAUST PLATE	27	14
F8008	WASHER	5	16				
F8008	WASHER	17	5				
F8028	WASHER	17	10				
F8060	WASHER	11	7				
F8061	INTERNAL TOOTH LOCKWASHER	7	3				
F8074	WASHER	29	27				
F8077	WASHER	29	26				
F8078	WASHER	13	18				
F8083	LOCKWASHER	17	4				
F8083	LOCKWASHER	29	4				
F8083	WASHER	27	11				
F8143	WASHER	23	25				
F84754-1	HOSE	31	1				
F8538	PIN	21	13				
F8554	SPRING PIN	25	9				
F8559	DOWEL PIN	17	16				