



PARTS CATALOG

75 H.P.

SERIAL NUMBER

75 (1982)756B2J
75 (1982)756H2J
75 (1982)758B2E
75 (1982)758H2E
75 (1983)756B3K
75 (1983)756H3K
75 (1983)756R3L
75 (1983)758B3F
75 (1983)758H3F
75 (1984)756H4L
75 (1984)756S4A
75 (1984)756S4B
75 (1984)756S4C
75 (1984)758C4G
75 (1984)758H4G

TABLE OF CONTENTS:

ACCESSORIES	61
CARBURETOR	16
CRANKSHAFT AND PISTON GROUP	28
DISTRIBUTOR	10
ELECTRIC STARTER	14
ELECTRICAL COMPONENTS	6
ENGINE COVER AND SUPPORT PLATE	2
FUEL TANK AND LINE	46
GEAR HOUSING	40
MOTOR LEG 756H2J, 756B2J, 756H3K, 756B3K MODELS	34
MOTOR LEG 758H2E, 758B2E, 758H3F, 758B3F MODELS	30
PARTS INDEX	64
POWER TRIM UNIT 758H2E, 758B2E, 758H3F, 758B3F MODELS	52
POWERHEAD	22
REMOTE CONTROL	48
SPECIAL TOOLS - GEAR HOUSING	58
SPECIAL TOOLS - LUBRICANTS AND SEALANTS	60
SPECIAL TOOLS - POWER HEAD	57
SPECIAL TOOLS - TEST EQUIPMENT	59
SPECIAL TOOLS - TUNE-UP	56

NOTE: Indented description indicate that these parts are included in preceeding assembly.

AR = As Required

NSS = Not Sold Separate

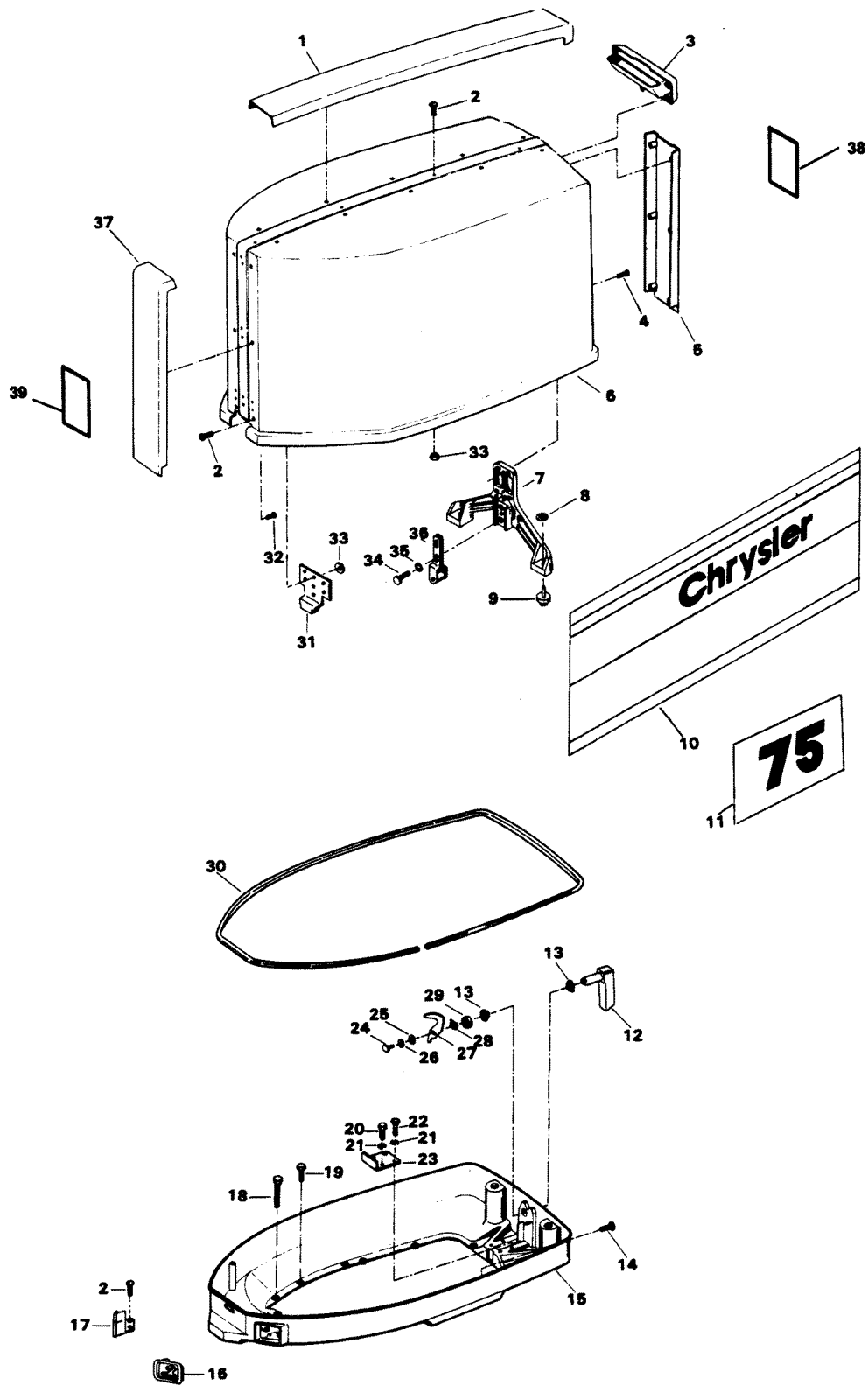
OPT = Optional

NS = Not Shown

THESE PARTS BOOKS/FICHE CARD ARE COPYRIGHTED AND MAY NOT BE DISTRIBUTED OR REPRODUCED IN ANY OTHER FORMAT BY ANYONE OTHER THAN MERCURY MARINE WITHOUT THE PRIOR WRITTEN CONSENT OF MERCURY MARINE.

THIS PAGE INTENTIONALLY LEFT BLANK

ENGINE COVER AND SUPPORT PLATE

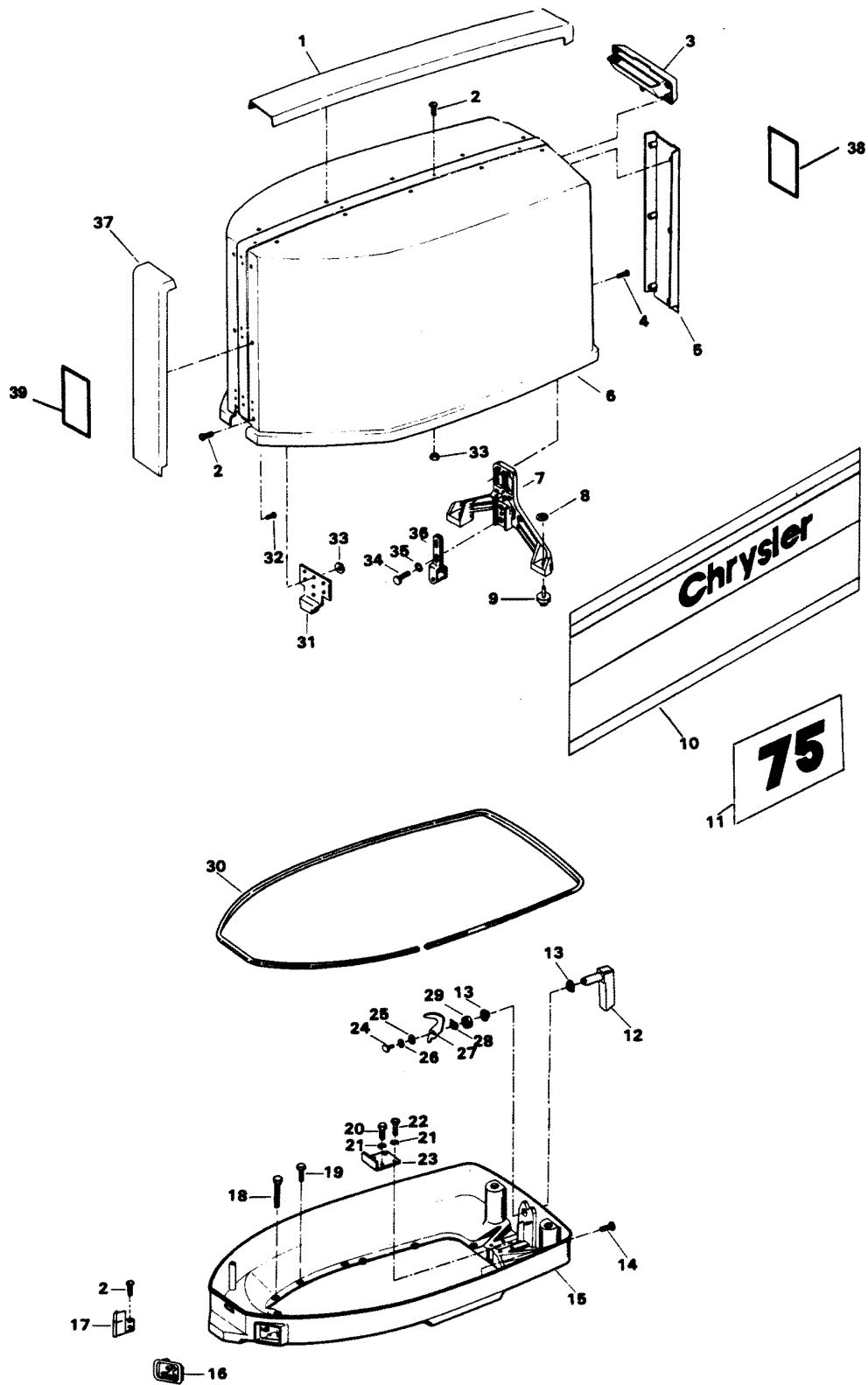


ENGINE COVER AND SUPPORT PLATE

REF. NO.	PART NO.	SYM.	QTY.	DESCRIPTION
1	FA480179		1	TRIM, TOP W/LITERATURE
2	F1733		10	SCREW, PAN HD, 10 - 24 X 9/16
3	FA480269		1	HANDLE, TILT W/LITERATURE
4	F1730		3	SCREW, PAN HD W/SPRING LOCKWASHER, 1/4 - 20 X 5/8
5	FA548180		1	TRIM, REAR W/LITERATURE
6	A480944		1	COVER, ENGINE W/ILLUS. 2, 31 AND 33 (756H2J, 756B2J, 758H2E, 758B2E)
-	FA549944		1	COVER, ENGINE W/ILLUS. 2, 31 AND 33 (756H3K, 756B3K, 758H3F, 758B3F)
-	5C480944		1	COVER, ENGINE - COMPLETE INCLUDES ITEMS MARKED WITH AN ASTERISK (*). NUMERAL DECAL ORDER SEPARATE (756H2J, 756B2J, 758H2E, 758B2E)
-	F3C616944		1	COVER, ENGINE - COMPLETE INCLUDES ITEMS MARKED WITH AN ASTERISK (*). NUMERAL DECAL ORDER SEPARATE (756H3K, 756B3K, 758H3F, 758B3F)
7	F481774		1	BRACKET, ENGINE COVER LATCH
8	F2088		2	FASTENER
9	F481434		2	GUIDE, ENGINE COVER
10	FA581396		1	DECAL, ENGINE COVER - STARBOARD (TOP) W/LITERATURE (756H2J, 756B2J, 758H2E, 758B2E)
-	FA582396		1	DECAL, ENGINE COVER - STARBOARD (BOTTOM) W/LITERATURE (756H2J, 756B2J, 758H2E, 758B2E)
-	FA616396		1	DECAL, ENGINE COVER - STARBOARD W/LITERATURE (756H3K, 756B3K, 758H3F, 758B3F)
-	FA581397		1	DECAL, ENGINE COVER - PORT (TOP) W/LITERATURE (756H2J, 756B2J, 758H2E, 758B2E)
-	FA582397		1	DECAL, ENGINE COVER - PORT (BOTTOM) W/LITERATURE (756H2J, 756B2J, 758H2E, 758B2E)
-	FA616397		1	DECAL, ENGINE COVER - PORT W/LITERATURE (756H3K, 756B3K, 758H3F, 758B3F)
11	A557386		2	DECAL, NUMERAL W/LITERATURE (756H2J, 756B2J, 758H2E, 758B2E)
-	FA579386		2	DECAL, NUMERAL W/LITERATURE (756H3K, 756B3K, 758H3F, 758B3F)
12	FA481469		1	LATCH HANDLE, ENGINE COVER W/SHAFT
13	F480818		2	BEARING, LATCH SHAFT
14	F1864		6	HEX CAP SCREW, 1/4 - 20 X 3/4
15	F480038-2		1	PLATE, SUPPORT
16	F549189		1	BUSHING, ELECTRIC CABLE
17	F545189		1	BUSHING, CABLE ENTRY
18	F1708		2	HEX HD CAP SCREW, 1/4 - 20 X 1-3/8
19	F1922		5	HEX SLOT HD SCREW, 1/4 - 20 X 5/8
20	F1858		2	HEX CAP SCREW, 5/16 - 18 X 1
21	F8096		4	LOCKWASHER
22	F1857		2	HEX CAP SCREW, 5/16 - 18 X 5/8
23	F335654-1		1	STOP, DEFLECTION
24	F1854		1	HEX CAP SCREW, 1/4 - 20 X 5/8

CONTINUED ON NEXT PAGE ➡

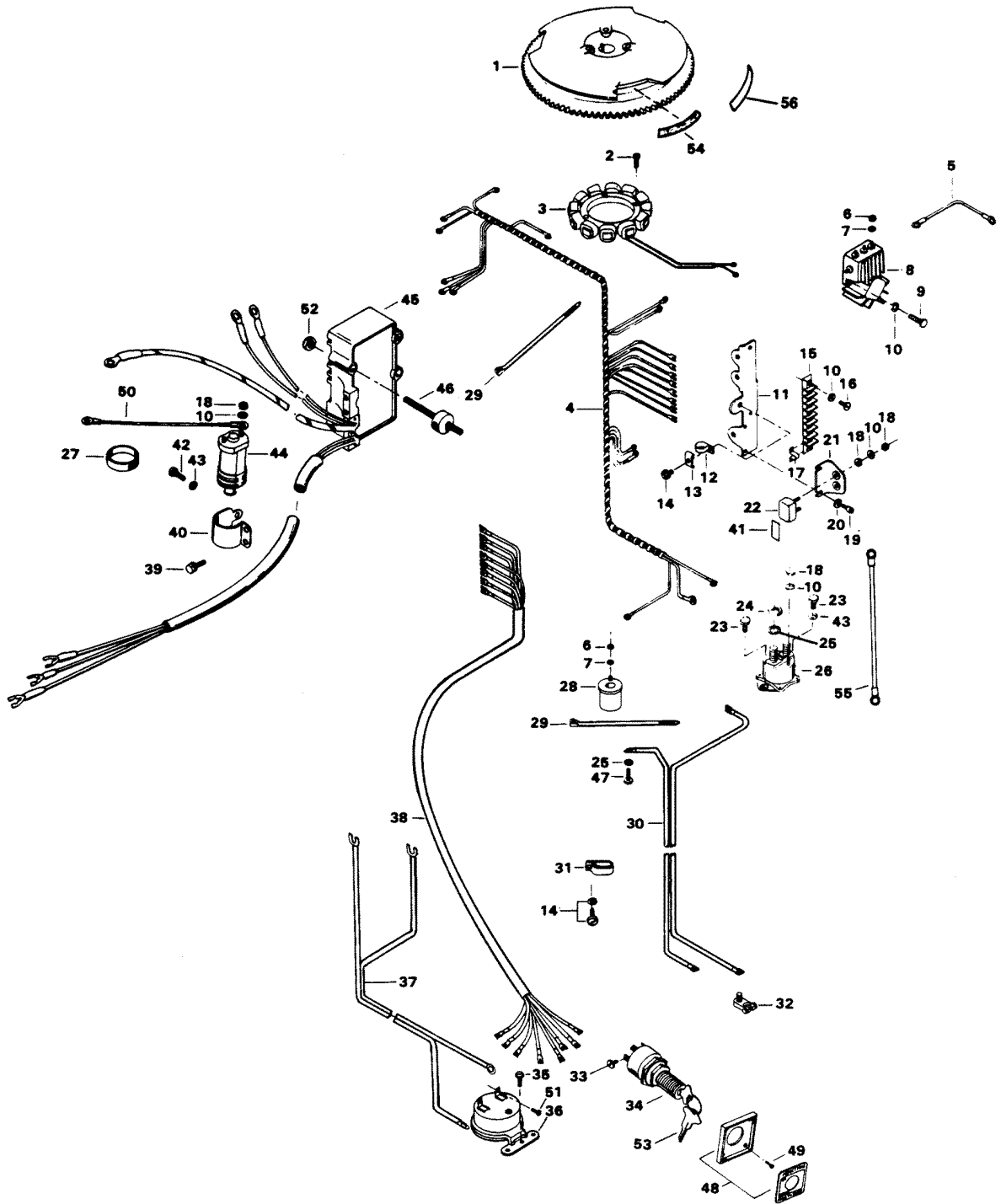
ENGINE COVER AND SUPPORT PLATE



ENGINE COVER AND SUPPORT PLATE

REF. NO.	PART NO.	SYM.	QTY.	DESCRIPTION
25	F8094		1	WASHER, PLAIN
26	F8083		1	LOCKWASHER
27	F481777		1	CAM, LATCH SHAFT
28	F2047		1	WAVE WASHER
29	F481382-1		1	SPACER, LATCH SHAFT
30	F321756		1	PACKING
31	F333480-1		1	RETAINER, ENGINE COVER
32	F2066		26	PAN HEAD TAPPING SCREW, 10 X 7/16
33	F1473		7	HEX NUT, 10 - 24
34	F1857		2	HEX CAPSCREW, 5/16 - 18 X 5/8
35	F8096		2	LOCKWASHER
36	FA481743		1	LATCH, ROLLER BRACKET W/ROLLER
37	FA548888		1	TRIM, FRONT W/LITERATURE
-	F548984		1	BLANKET, SILENCER - TOP (NOT SHOWN)
-	F548985		2	BLANKET, SILENCER - SIDE (NOT SHOWN)
38	FA606528		1	DECAL, ENGINE COVER, REAR (756H3K, 756B3K, 758H3F, 758B3F)
39	FA606892		1	DECAL, ENGINE COVER, FRONT (756H3K, 756B3K, 758H3F, 758B3F)

ELECTRICAL COMPONENTS

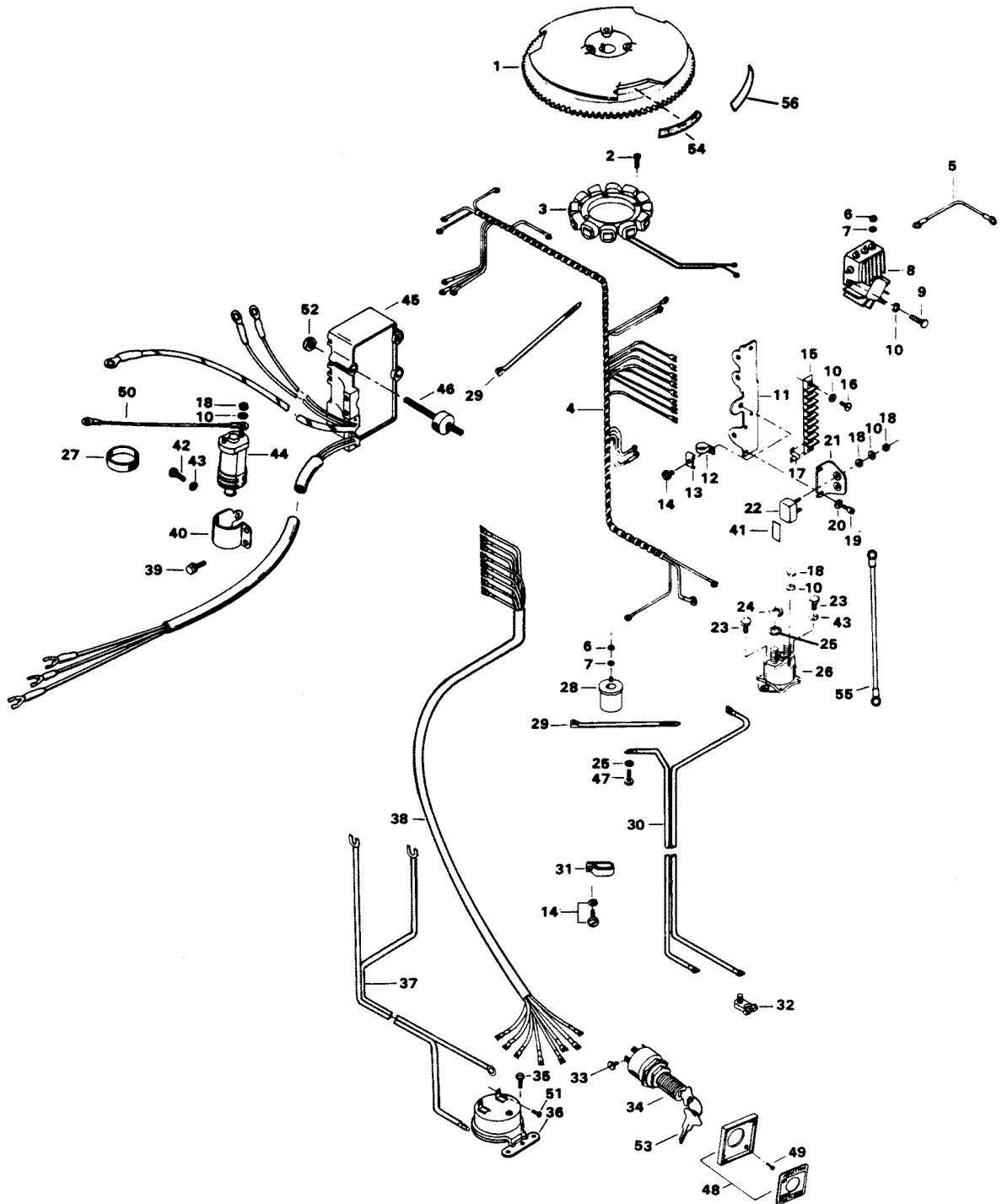


ELECTRICAL COMPONENTS

REF. NO.	PART NO.	SYM.	QTY.	DESCRIPTION
1	FA404097		1	FLYWHEEL WILLUS. 56
2	F1087		6	FILL HD SCREW, 10 - 24 X 13/16
3	F85095-2		1	STATOR
4	F438744-1		1	WIRING HARNESS
5	F345683		1	WIRE, REGULATOR-RECTIFIER GROUND
6	F1647		5	HEX NUT, 8 - 32
7	F8056		5	SPRING LOCKWASHER
8	F404470-1		1	REGULATOR-RECTIFIER
9	F2107		3	FILL HD SCREW, 10 - 24 X 5/8
10	F1975		10	SPRING LOCKWASHER
11	FA438493		1	TERMINAL BLOCK BRACKET WILLUS. 13, 14 AND ILLUS. 6 ON PAGE 14
12	F289446-1		1	CLAMP
13	F438668		1	RETAINER, CABLE CLAMP
14	F1734		2	FILL HD SCREW W/LOCKWASHER, 1/4 - 20 X 1/2
15	FA510497		1	TERMINAL BLOCK WILLUS. 16 & 17
16	F1648		2	PAN HD SCREW, 10 - 24 X 3/4
17	F307317-1		1	CLIP, TERMINAL BLOCK
18	F1513		8	HEX NUT
19	F1760		2	PAN HD SCREW, 10 - 24 X 3/8
20	F8011		2	PLAIN WASHER
21	F91446-1		1	CIRCUIT BREAKER BRACKET
22	F510460		1	CIRCUIT BREAKER
23	F1705		2	HEX CAP SCREW, 1/4 - 20 X 3/4
24	F1515		2	HEX NUT
25	F8096		3	SPRING LOCKWASHER
26	F460917		1	STARTER RELAY
27	F391983		2	RETAINING BAND
28	F85924		1	CHOKE SOLENOID
29	F1877		2	TY-RAP
30	F381896-4		1	BATTERY CABLE
31	F407446		1	CLAMP
32	F71H26		1	BATTERY CABLE CLAMP KIT. (ACCESSORY ITEM)
33	F1280		5	PAN HD SCREW, 8 - 32 X 1/4
34	F5H078		1	IGNITION SWITCH (LONG BARREL) W/KEYS AND SCREWS (ACCESSORY ITEM)
35	F1741		2	PAN HD SCREW, 8 X 3/4
36	F5H043		1	OVERHEAT BUZZER (ACCESSORY ITEM)
37	F404841		1	CABLE, HEAT INDICATOR
38	F85843-1		1	REMOTE ELECTRIC CABLE, 18 FEET
39	F1851		2	FILL HD SCREW W/LOCKWASHER, 10 - 24 X 1/2
40	F404513		1	COIL CLAMP
41	F510374		1	DECAL, CIRCUIT BREAKER - USA
-	FC510374		1	DECAL, CIRCUIT BREAKER - CANADA

CONTINUED ON NEXT PAGE ➡

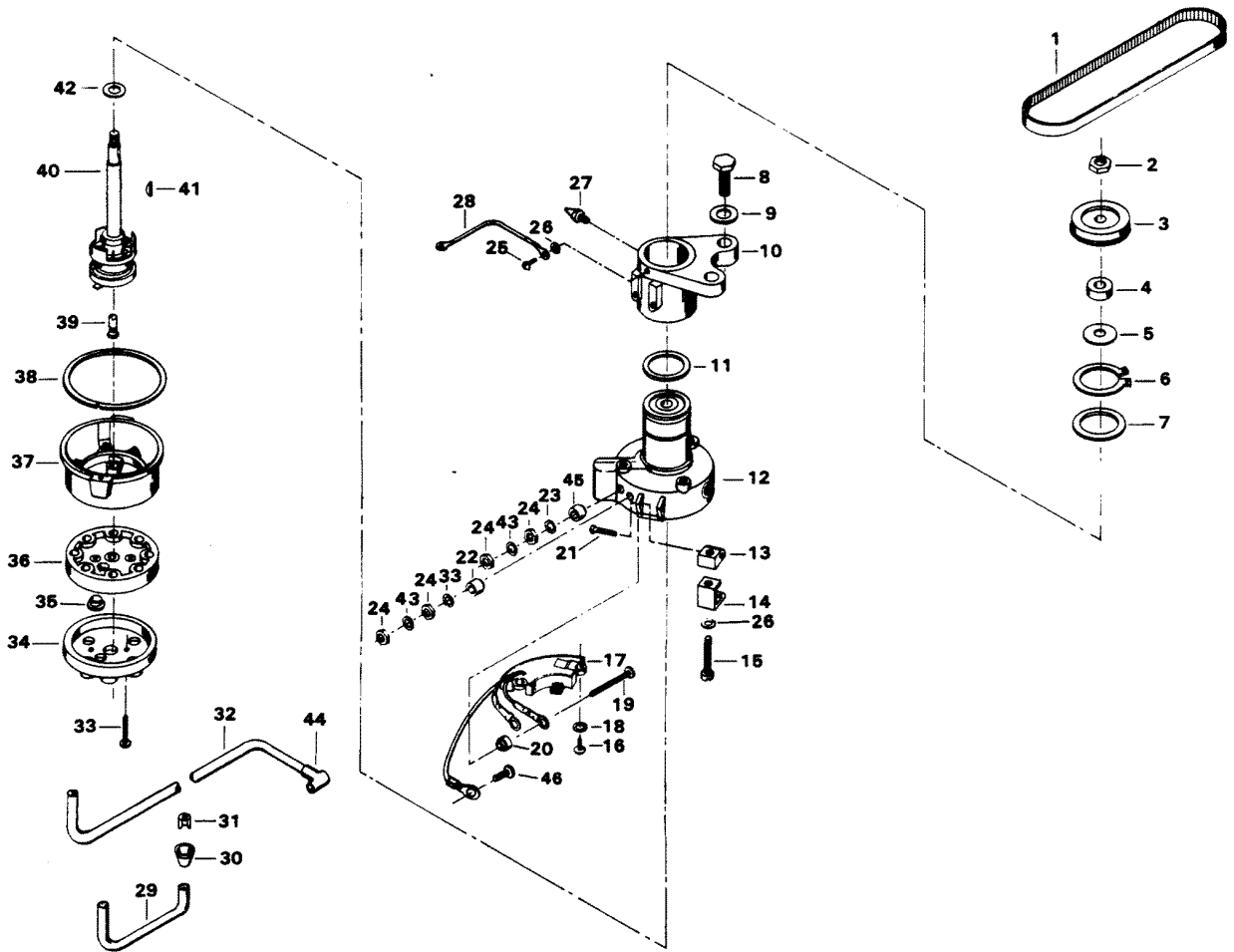
ELECTRICAL COMPONENTS



ELECTRICAL COMPONENTS

REF. NO.	PART NO.	SYM.	QTY.	DESCRIPTION
42	F1689		1	HEX HD CAP SCREW, 1/4 - 20 X 1/2
43	F8083		2	SPRING LOCKWASHER
44	F345475-1		1	COIL
45	300-817855A1		1	UNIT (ORIGINAL FORCE P/N A 523301-1)(Does not include Coil & Clamp)
46	F523962		3	SHOCK MOUNT - C.D. UNIT
47	F2000		1	HEX CAP SCREW, 5/16 - 18 X 3/4
48	F5H038		1	IGNITION SWITCH MOUNTING KIT (ACCESSORY ITEM)
-	817892--1		1	IGNITION SWITCH PLATE - CANADA (NOT SHOWN)
49	F1934		4	FLAT HD SLOTTED SCREW, 6 X 1/2
50	F85664		1	WIRE, DISTRIBUTOR GROUND
51	F1645		2	RD HD SCREW, 6 - 32 X 1/4
52	F1892		3	STOP NUT
53	FA368700		-	KEY, IGNITION - NO LETTER OR STAMPED A
-	FB368700		-	KEY IGNITION - STAMPED B
-	FC368700		-	KEY IGNITION - STAMPED C
-	FD368700		-	KEY IGNITION - STAMPED D
-	FE368700		-	KEY IGNITION - STAMPED E
54	F474387		1	TIMING DECAL
55	F319908		1	WIRE, GROUND (CANADA ONLY)
56	FA609853		1	DECAL, WARNING W/LITERATURE

DISTRIBUTOR

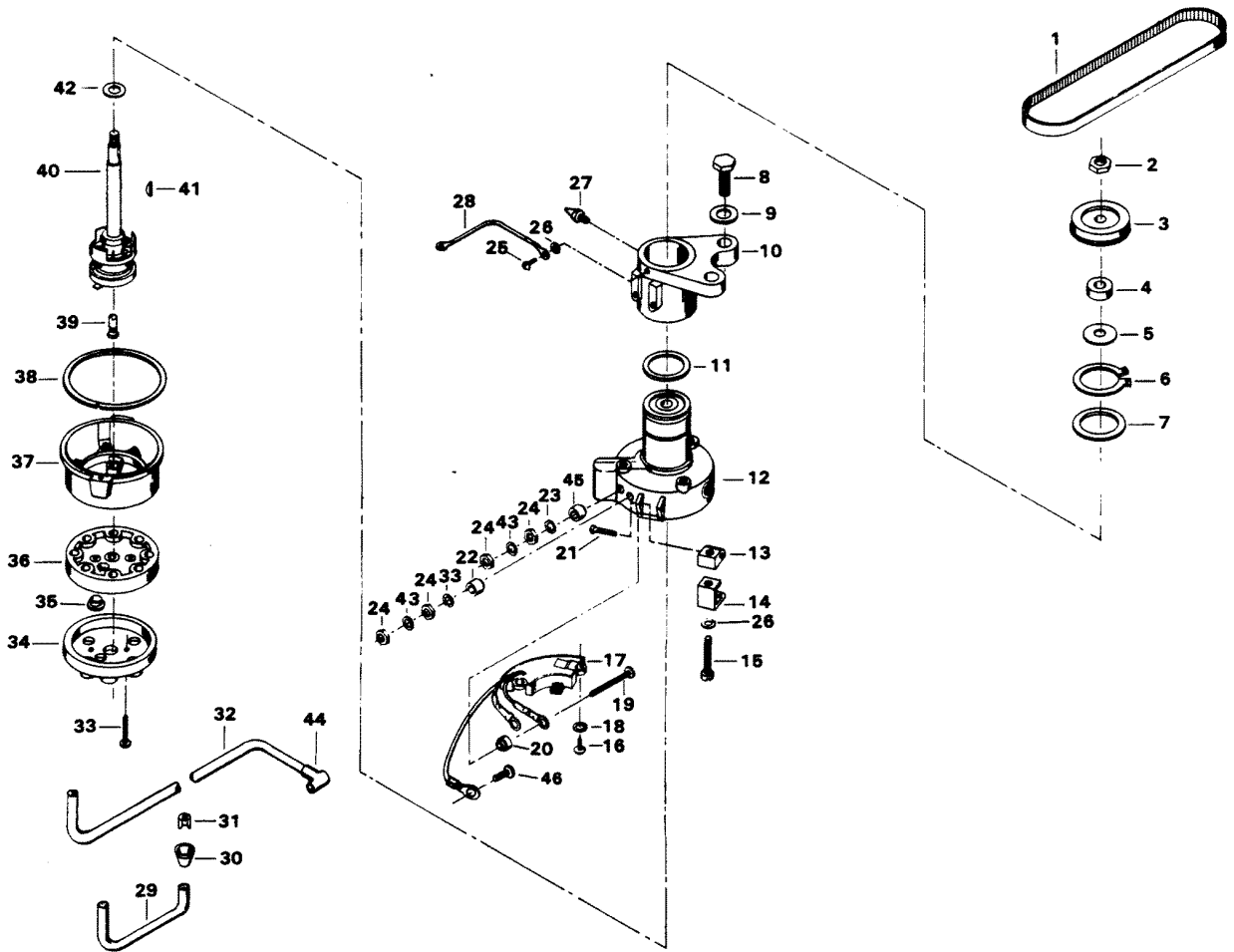


DISTRIBUTOR

REF. NO.	PART NO.	SYM.	QTY.	DESCRIPTION
1	F85311		1	DISTRIBUTOR BELT
2	F7013		1	STOP NUT
3	817786A1		1	DISTRIBUTOR PULLEY W/STOP NUT, WASHER AND LITERATURE ORIGINAL FORCE P/N A 373435-1
4	F14025		1	SPACER
5	F14028		1	THRUST WASHER
6	F85173		1	RETAINING RING
7	F14029		1	THRUST WASHER
8	F1612		2	HEX CAP SCREW, 3/8 - 16 X 1-1/4
9	F1778		2	PLAIN WASHER
10	FA321574		1	DISTRIBUTOR BRACKET W/ILLUS. 25, 26 AND 27
11	F1759		2	SHIM, DISTRIBUTOR (QTY. AS REQUIRED)
12	F14042		1	DISTRIBUTOR HOUSING W/BEARINGS
-	817822A1		1	DISTRIBUTOR, COMPLETE. INCLUDES ALL ITEMS MARKED WITH AN ASTERISK (*) ORIGINAL FORCE P/N A 480309-1
13	F14036		2	SWIVEL
14	F14037		2	CAP CLIPS
15	F14038		2	CAP CLIP SCREWS
16	F14045		2	SCREW
17	FA14048-2		1	PREAMPLIFIER W/SCREW, WASHER AND LITERATURE
18	F8056		2	LOCKWASHER
19	F14046		2	TERMINAL SCREW
20	F14047		2	TERMINAL INSULATOR (INSIDE)
21	F14015		2	CAP CLIP RIVET
22	F14049		1	TERMINAL INSULATOR (OUTSIDE)
23	F14041		2	EXTERNAL TOOTH LOCKWASHER
24	F1647		4	HEX NUT, 8 - 32
25	F1760		2	PAN HD SCREW, 10 - 24 X 3/8
26	F1975		2	SPRING LOCKWASHER
27	F213274		1	GREASE FITTING
28	F85664		1	DISTRIBUTOR GROUND
29	84-817775A1		1	COIL WIRE W/ILLUS. 30 AND 31 - USA ORIGINAL FORCE P/N A 321905-1
-	F438905		1	COIL WIRE - CANADA
30	F203276		1	BOOT
31	F203673		1	TERMINAL CLIP
32	F321841-3		3	LEAD WIRE
-	F438841-1		3	LEAD WIRE - CANADA
33	F14007		2	CAP SCREW
34	F14011-1		1	CAP COVER
35	F14040		2	VENT
36	F14020-1		1	CAP SEAL
37	F14006-2		1	CAP BASE
38	F14030		1	CAP GASKET

CONTINUED ON NEXT PAGE ➡

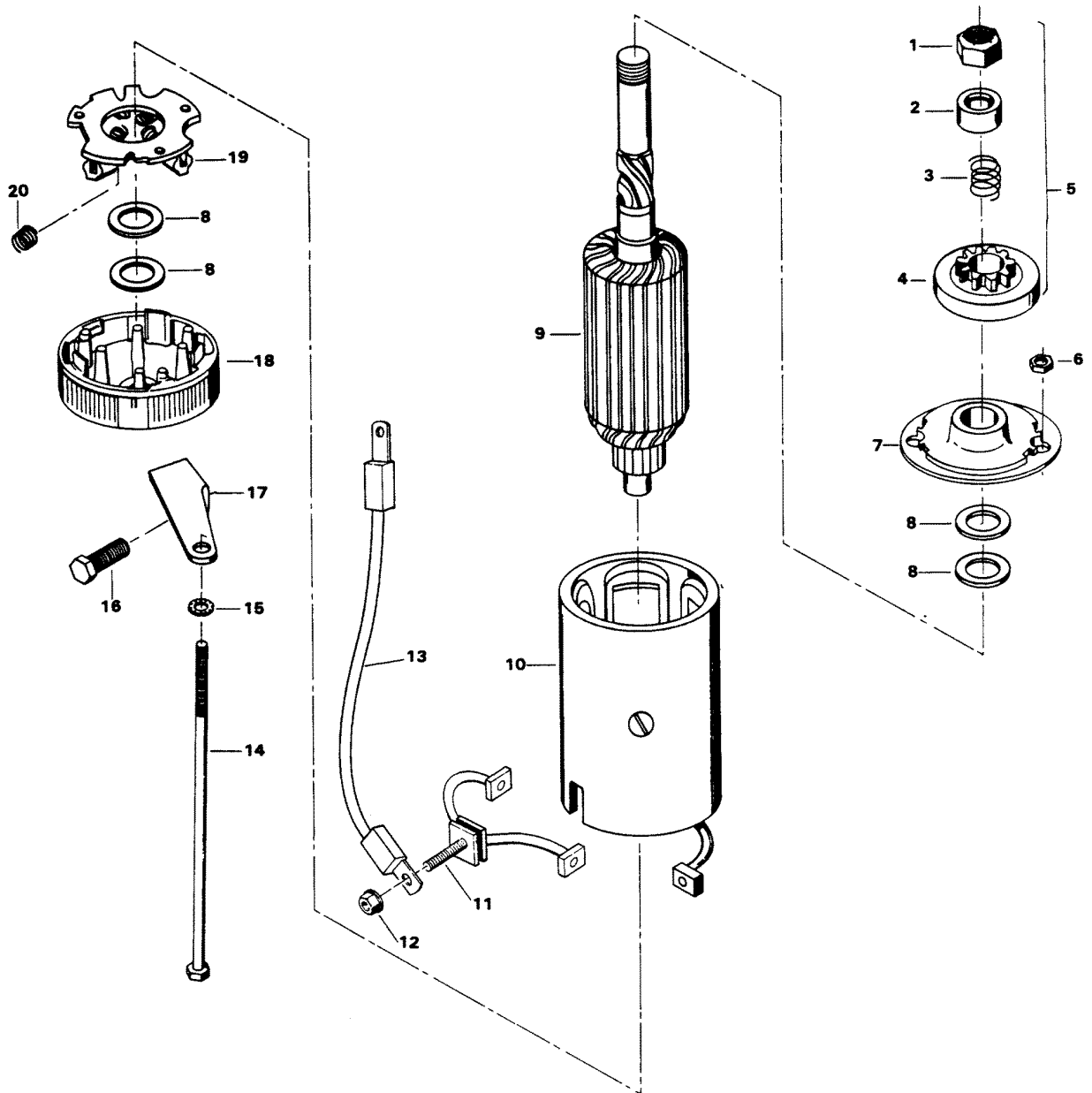
DISTRIBUTOR



DISTRIBUTOR

REF. NO.	PART NO.	SYM.	QTY.	DESCRIPTION
39	F14012-1		1	BRUSH
40	F14043		1	DISTRIBUTOR SHAFT
41	F1692		1	WOODRUFF KEY
42	F14024		1	SPACER
43	F8056		2	LOCKWASHER
44	FK1123		3	SPARKIE
45	F14017		1	TERMINAL INSULATOR (OUTSIDE)
46	F14056		1	SCREW

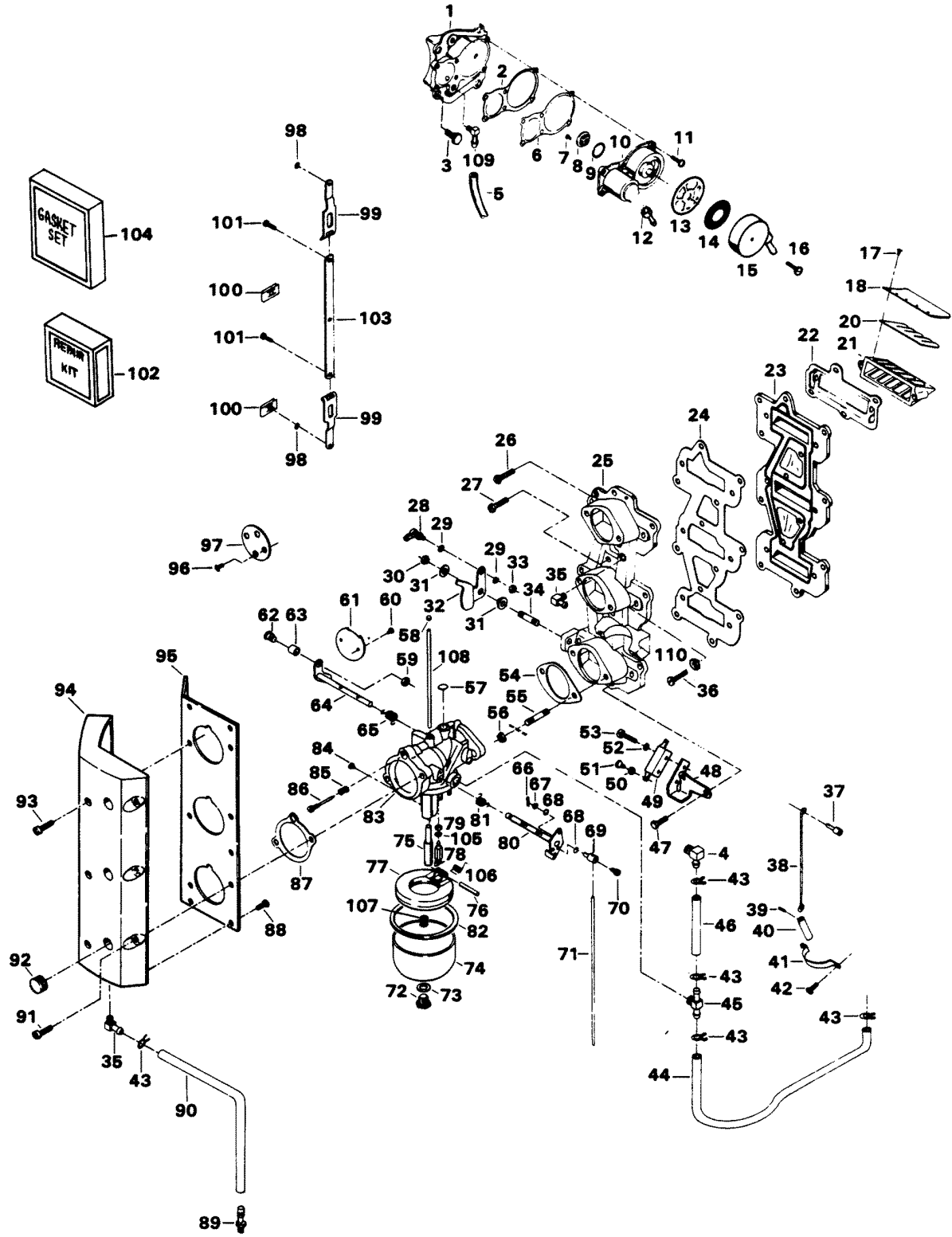
ELECTRIC STARTER



ELECTRIC STARTER

REF. NO.	PART NO.	SYM.	QTY.	DESCRIPTION
1	F15111		1	NUT, STOP RETAINING
2	F15112		1	STOP, PINION
3	F15080		1	SPRING
4	F15110		1	CLUTCH ASSEMBLY
5	F15100		1	BENDIX
-	F480955		1	STARTER COMPLETE. INCLUDES ALL ITEMS MARKED WITH AN ASTERISK (*)
-	FC499390		1	DECAL, STARTER (CANADA) NOT SHOWN
6	F1641		2	LOCK NUT
7	F15167		1	HEAD ASSEMBLY DRIVE END
8	F15126		1	THRUST WASHER PACKAGE
9	F15099		1	ARMATURE
10	15169		1	FRAME AND FIELD ASSEMBLY
11	F15165		1	BRUSH TERMINAL SET
12	F15162		1	HEX LOCK NUT, 1/4 - 20 W/LOCKWASHER
13	F85908		1	STARTER LEAD WIRE
14	F15168		1	THRU BOLT PACKAGE
15	F8028		2	PLAIN WASHER
16	F1922		1	HEX HD SCREW, 1/4 - 20 X 5/8
17	F511675		1	STARTER BRACKET, LOWER
18	F15125		1	HEAD ASSEMBLY, COMMUTATOR END
19	F15057		1	BRUSH PLATE AND HOLDER
20	F15034		1	SPRING SET

CARBURETOR

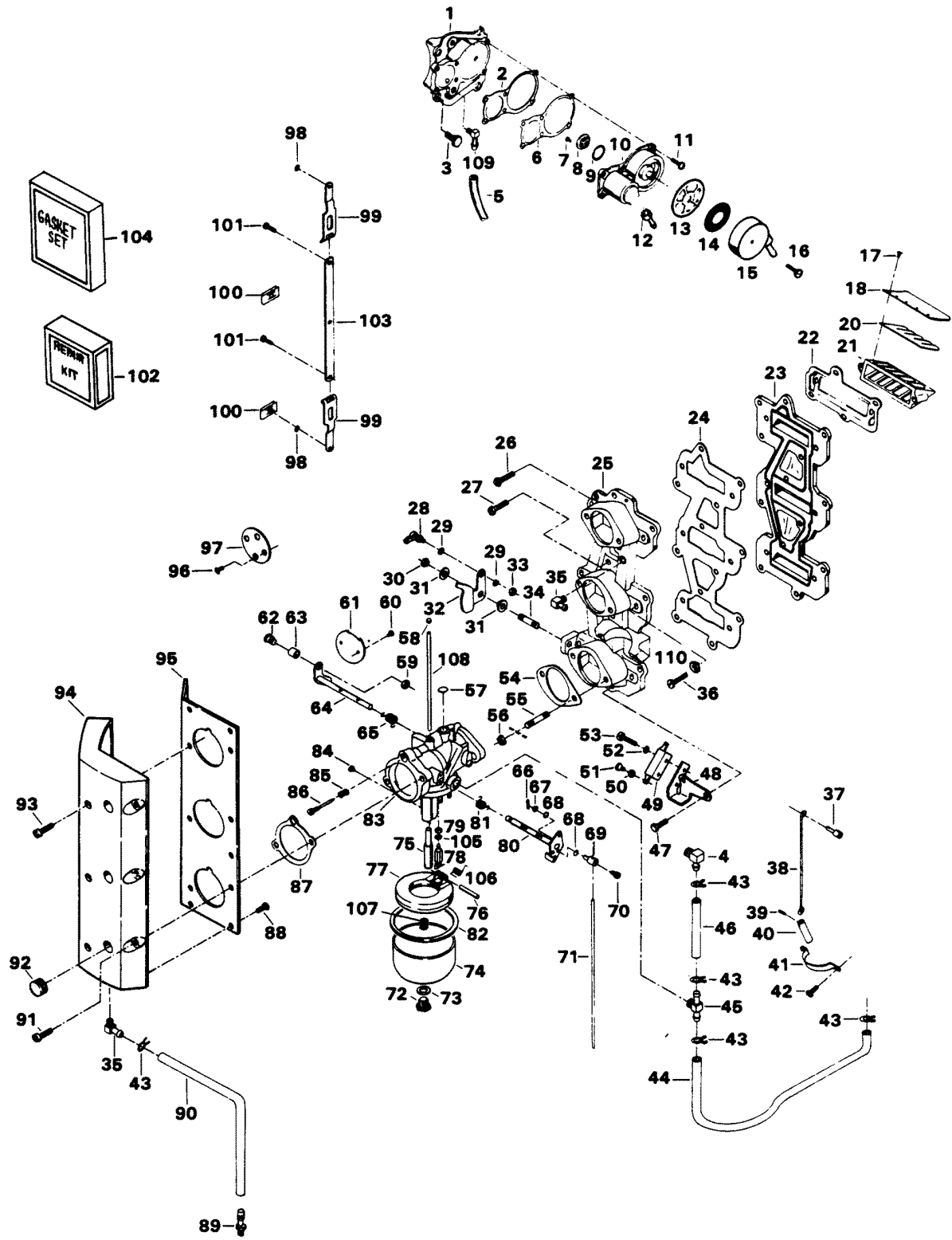


CARBURETOR

REF. NO.	PART NO.	SYM.	QTY.	DESCRIPTION
1	FA439746		1	FUEL PUMP COVER W/PLUG AND LITERATURE
2	F438760		1	FUEL PUMP GASKET
3	F1922		3	HEX CAP SCREW, 1/4 - 20 X 5/8
4	F10156		2	ELBOW
5	F89758		1	FUEL PUMP AIR HOSE, TOP
6	F438747		1	FUEL PUMP DIAPHRAGM
7	F1860		2	SLOTTED BINDING HD SCREW, 6 - 32 X 1/4
8	F177330		3	FUEL PUMP VALVE
9	F84792		1	GASKET, FUEL PUMP VALVE
10	FA438431		1	FUEL PUMP BODY W/ILLUS. 7, 8 AND 9
11	F1108		6	FILL HD SCREW W/LOCKWASHER, 1/4 - 20 X 3/4
12	F438801		1	FITTING
13	F438617		1	FUEL SEDIMENT BOWL GASKET
14	F438653		1	FUEL SEDIMENT BOWL SCREEN
15	F438500		1	FUEL SEDIMENT BOWL
16	F438165		1	SCREW, FUEL PUMP BOWL
17	F1755		30	RD HD SCREW W/LOCKWASHER, 6 - 32 X 5/16
18	F85161-1		6	REED STOP
20	F530160		6	REED (5 PETAL)
21	F3A523158		3	REED PLATE W/ILLUS. 17, 18, 19 AND 20
22	F85168-1		3	GASKET REED PLATE ADAPTER
23	F85162		1	REED PLATE ADAPTER
24	F85159-1		1	GASKET, INTAKE MANIFOLD
25	817959A3		1	INTAKE MANIFOLD W/ILLUS. 36 AND LITERATURE ORIGINAL FORCE P/N K 480167-2
26	F2008		7	HEX HD SCREW, 1/4 - 20 X 7/8
27	F1699		2	HEX HD SCREW, 1/4 - 20 X 1-1/8
28	817747--1		1	BALL JOINT W/STUD
29	F8058		2	INTERNAL TOOTH LOCKWASHER
30	F1910		1	STOP NUT, 1/4 - 20
31	F269319		2	BEARING
32	F85192-1		1	THROTTLE CAM
33	F1513		1	HEX NUT, 10 - 32
34	F433209-1		1	STUD
35	22-818103--1		2	ELBOW
36	F2050		6	HEX HD SCREW, 1/4 - 20 X 1-1/2
37	F85033		1	CHOKE ROD SWIVEL
38	F85925		1	CHOKE ROD
39	F2033		1	GROOVE PIN
40	F391926-1		1	CHOKE SOLENOID PLUNGER
41	F85317-2		1	CLAMP
42	F1236		2	HEX HD SCREW, 1/4 - 20 X 1/2
43	F97772		6	HOSE CLAMP

CONTINUED ON NEXT PAGE ➡

CARBURETOR

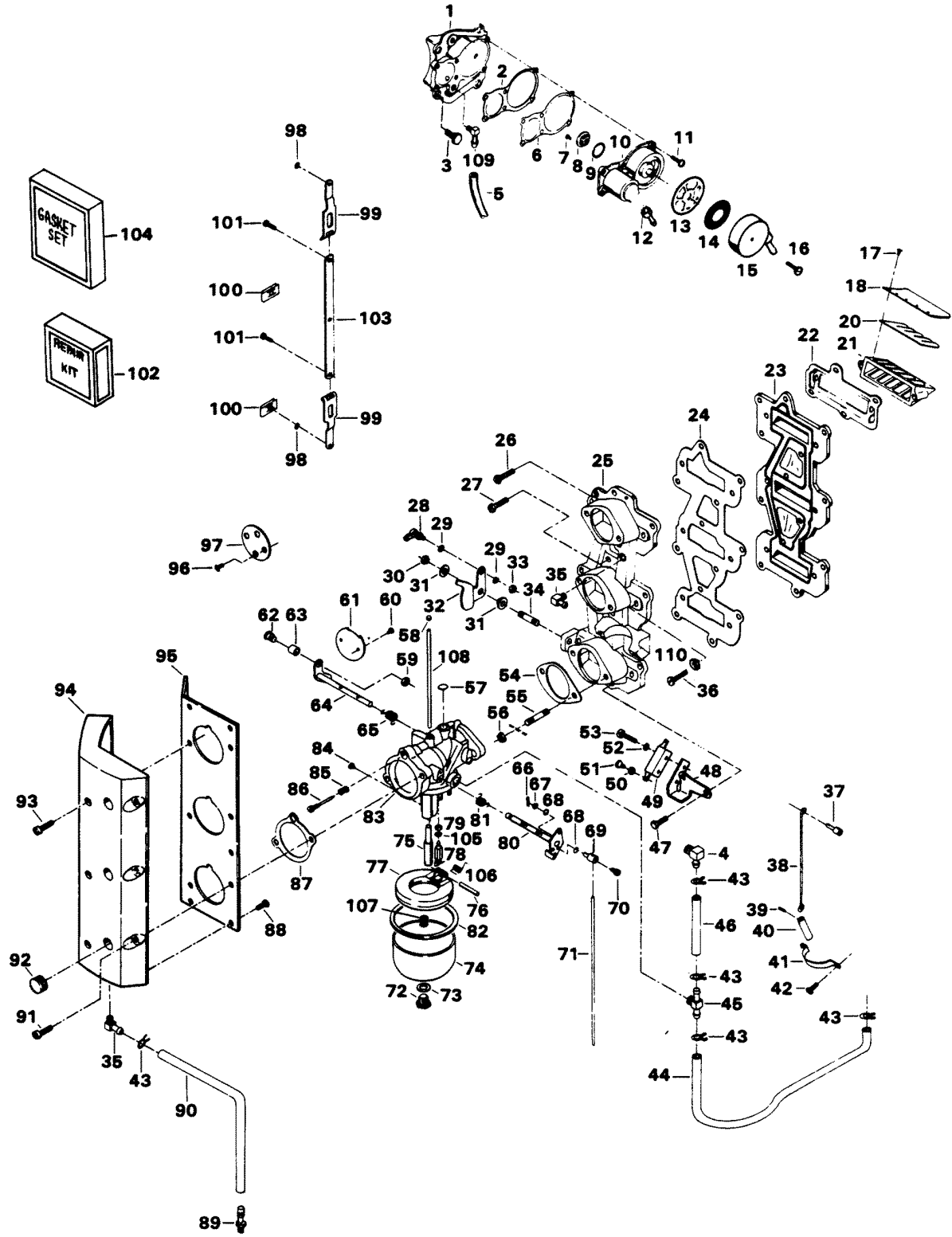


CARBURETOR

REF. NO.	PART NO.	SYM.	QTY.	DESCRIPTION
44	F438754		1	FUEL LINE
45	F10164		2	FUEL FITTING
46	F85253-1		2	FUEL LINE
47	F1532		3	HEX HD SCREW, 1/4 - 20 X 1
48	F480551-1		1	BRACKET INTERLOCK SWITCH
49	F84449		1	INTERLOCK SWITCH
50	F1704		2	INTERNAL TOOTH LOCKWASHER
51	F1645		2	RD HD SCREW, 6 - 32 X 1/4
52	F8088		2	PLAIN WASHER
53	F2016		2	FILL HD SCREW, 6 - 32 X 7/8
54	F85906		3	CARBURETOR GASKET
55	F40209		6	CARBURETOR STUD
56	F1515		6	HEX NUT, 5/16 - 18
57	F10153		1	BODY CHANNEL WELCH PLUG
58	F10152		1	BODY CHANNEL CUP PLUG
59	F1997		1	STOP NUT, 8 - 32
60	F10155		2	THROTTLE SHUTTER SCREW AND LOCKWASHER
61	F10169		1	THROTTLE SHUTTER
62	F333316		1	THROTTLE ROLLER SHAFT
63	F92759		1	THROTTLE ROLLER
64	F10168		1	THROTTLE SHAFT AND LEVER
65	F10172		1	THROTTLE SHAFT RETURN SPRING
66	F1014		3	COTTER PIN
67	F8088		3	PLAIN WASHER
68	F184579		6	SEAL, CHOKE ARM SWIVEL
69	F184033-1		2	CHOKE ARM SWIVEL
70	F1059		3	FILL HD SCREWS, S.S., 6 - 32 X 1/4
71	F85509-1		1	CHOKE LINK
72	F10173		1	MAIN FUEL JET (.074) STD. SEA LEVEL - 2500 FT.
-	F10147		-	MAIN FUEL JET (.072) OPT. 2500 - 5000 FT.
-	F10183		-	MAIN FUEL JET (.068) OPT. 5000 - 7500 FT.
-	F10181		-	MAIN FUEL JET (.064) OPT. 7500 FT. & UP
73	F10090		1	GASKET, FUEL BOWL RETAINING SCREW
74	F10127		1	FUEL BOWL
75	F10137		1	MAIN NOZZLE
76	F10136		1	FLOAT LEVER PIN
77	F10135		1	FLOAT
78	F10170		1	VALVE ASSY./INLET
79	F10171		1	SEAT VALVE
80	F10159		1	CHOKE SHAFT AND LEVER
81	F10143		1	CHOKE SHAFT RETURN SPRING
82	F10138		1	FUEL BOWL GASKET
83	F581061		1	CARBURETOR COMPLETE (TOP) WE 4-1

CONTINUED ON NEXT PAGE ➡

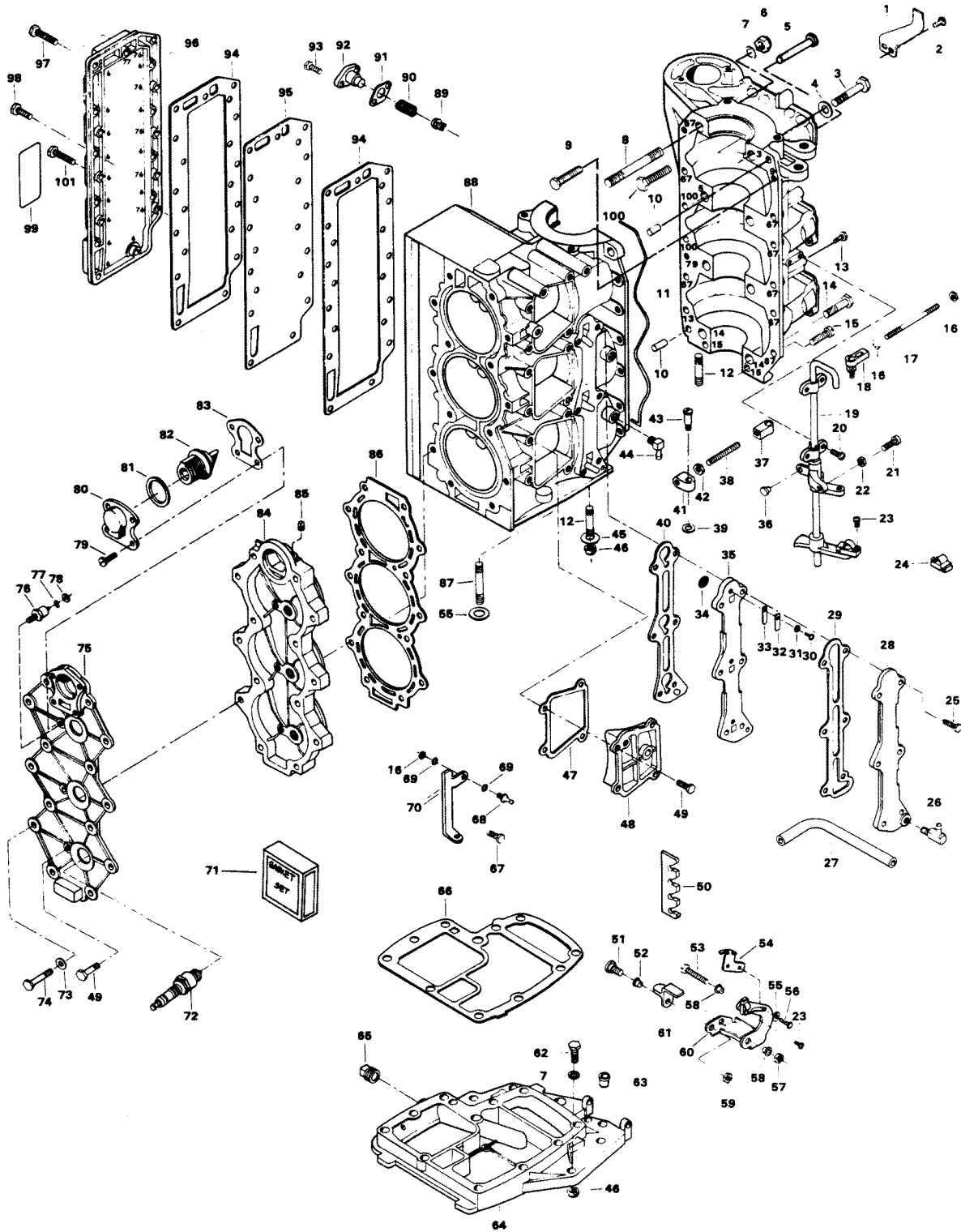
CARBURETOR



CARBURETOR

REF. NO.	PART NO.	SYM.	QTY.	DESCRIPTION
-	F582061		2	CARBURETOR COMPLETE (MIDDLE & BOTTOM) WE 4-2
84	F10175		1	JET
85	F10141		1	IDLE SCREW SPRING
86	F10146		1	IDLE SCREW
87	F481836		3	INTAKE GASKET
88	F1760		6	PAN HD SCREW, 10 - 24 X 3/8
89	22-817789A1		1	DRAIN FITTING W/METERING CUP
90	F63754		1	HOSE INTAKE DRAIN
91	F1504		3	FILL HD SCREW, 1/4 - 20 X 1-1/4
92	F53504		3	GROMMET
93	F1072		3	FILL HD SCREW, 1/4 - 20 X 1-3/4
94	F481860-1		1	CARBURETOR, INTAKE
95	F481567		1	CARBURETOR INTAKE ADAPTER
96	F10140		2	SHUTTER SCREW W/LOCKWASHER
97	F10161		1	CHOKE SHUTTER
98	F90807		3	RETAINING RING
99	FA85193		2	TIE BAR END W/SWIVEL
100	F1693		2	TIE BAR RETAINER
101	F1064		2	FILL HD SCREWS, S.S., 8 - 32 X 3/8
102	FK10177		1	REPAIR PARTS KIT. INCLUDES ALL ITEMS MARKED WITH AN ASTERISK (*) .
103	FA85511		1	THROTTLE TIE BAR W/SWIVEL
104	FK10178		1	GASKET SET. INCLUDES ALL ITEMS MARKED WITH A DOUBLE ASTERISK (**)
-	F8026		1	PLAIN WASHER (UNDER 2ND FROM BOTTOM CENTER MANIFOLD TO CRANKCASE COVER SCREW). (NOT SHOWN).
105	F10167		1	RING, RETAINING
106	F10142		1	SPRING, FLOAT SUPPORT
107	F10145		1	SPRING, COMPRESSION
108	F10176		1	TUBE, IDLE
109	F84314-2		1	ELBOW
110	F8026		1	PLAIN WASHER

POWERHEAD

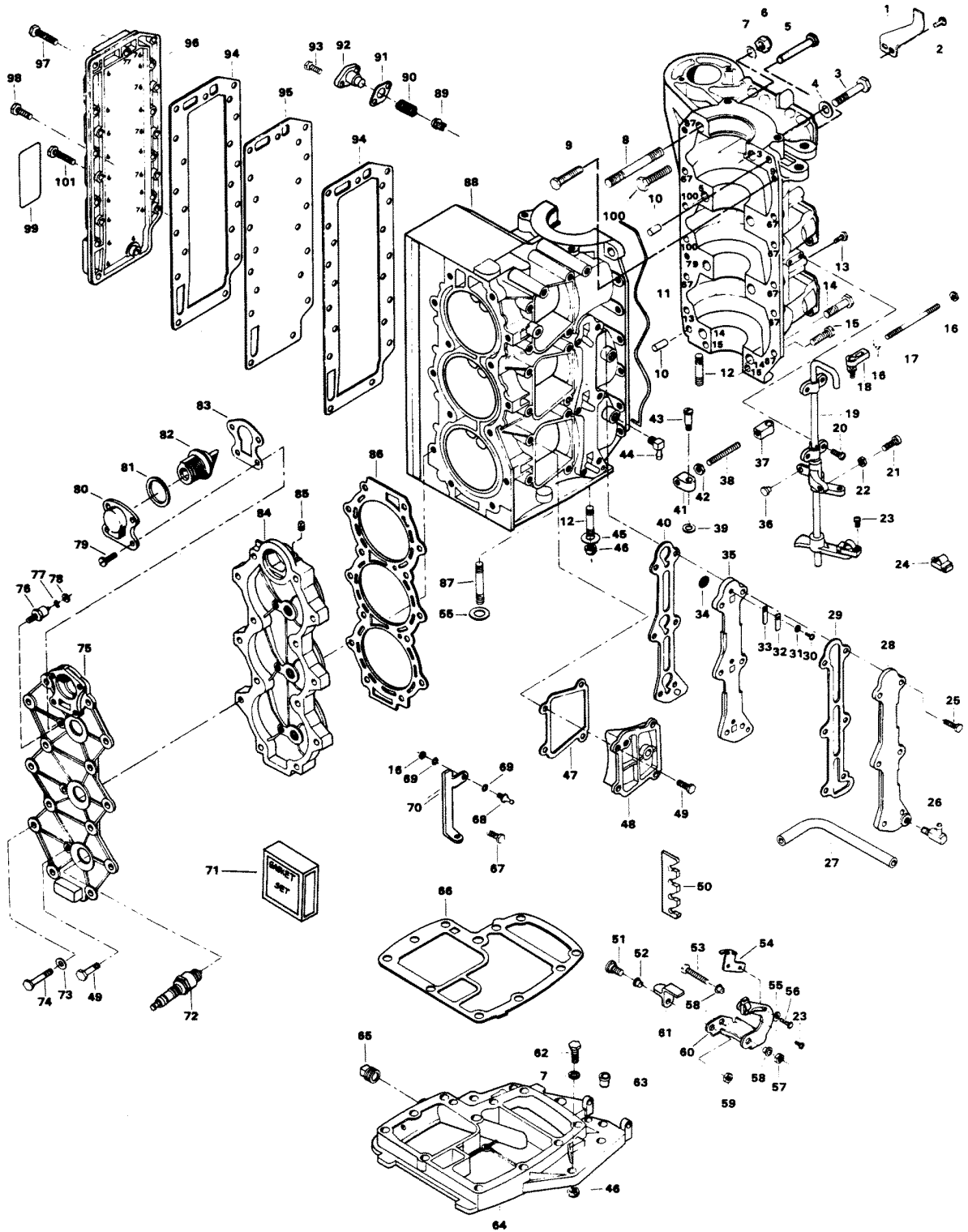


POWERHEAD

REF. NO.	PART NO.	SYM.	QTY.	DESCRIPTION
1	FA480894		1	TIMING POINTER W/ILLUS. 56 ON PAGE 4 AND LITERATURE
2	F1760		2	PAN HD SCREW, 10 - 24 X 3/8
3	F1009		1	HEX BOLT, 3/8 - 16 X 2-3/4
4	F8095		14	PLAIN WASHER
5	F1873		4	HEX BOLT, 3/8 - 16 X 3
6	F1346		1	HEX NUT, 3/8 - 16
7	F1703		6	SPRING LOCKWASHER
8	F85210		1	STUD
9	F1864		1	HEX HD SCREW, 1/4 - 20 X 3/4
10	F8563		2	DOWEL PIN
11	F85122		1	PARTING LINE SEAL
12	F85859		4	STUD, FORWARD
13	F1199		1	HEX CAP SCREW, 1/4 - 20 X 1
14	F1872		2	HEX BOLT, 3/8 - 16 X 1-3/4
15	F1099		2	FILL HD SCREW, 1/4 - 20 X 1-1/4
16	F1513		4	HEX NUT, 10 - 32
17	F85502		1	THROTTLE LINK
18	817747--1		1	BALL JOINT W/STUD
19	FA85838-5		1	TOWERSHAFT W/ILLUS. 18, 21, 22, 23, 24 AND 36
20	F1475		4	FILL HD SCREW, 10 - 24 X 1/2
21	F1504		1	FILL HD SCREW, 1/4 - 20 X 1-1/4
22	F1341		1	HEX NUT, 1/4 - 20
23	F1556		2	FILL HD SCREW W/LOCKWASHER, 10 - 24 X 3/8
24	FK405020		2	SWIVEL W/PIVOT SCREW AND NUT
25	F1532		6	HEX HD SCREW, 1/4 - 20 X 1
26	F404801		1	FITTING
27	F433253		1	HOSE
28	817787A1		1	CYLINDER DRAIN COVER W/PLUG AND LITERATURE ORIGINAL FORCE P/N A 404471-1
29	F85472-2		1	GASKET, CYLINDER DRAIN COVER
30	F1286		3	PAN HD SCREW, 4 - 40 X 3/16
31	F8003		3	PLAIN WASHER
32	F93920		3	REED STOP
33	F18160-2		3	REED
34	F93811		3	SCREEN
35	F2A404757		1	CYLINDER DRAIN REED PLATE W/ILLUS. 30, 31, 32, 33, 34 AND METERING CUPS
36	F1727		1	PLASTIC RIVET
37	F85036		1	TOWERSHAFT CONTROL ROD END
38	F85445		1	DISTRIBUTOR CONTROL ROD
39	F2042		1	PLAIN WASHER
40	F85748-2		1	GASKET, CYLINDER DRAIN REED PLATE
41	F85035		1	DISTRIBUTOR CONTROL ROD END
42	F2015		1	HEX NUT, 1/4 - 28

CONTINUED ON NEXT PAGE ➡

POWERHEAD

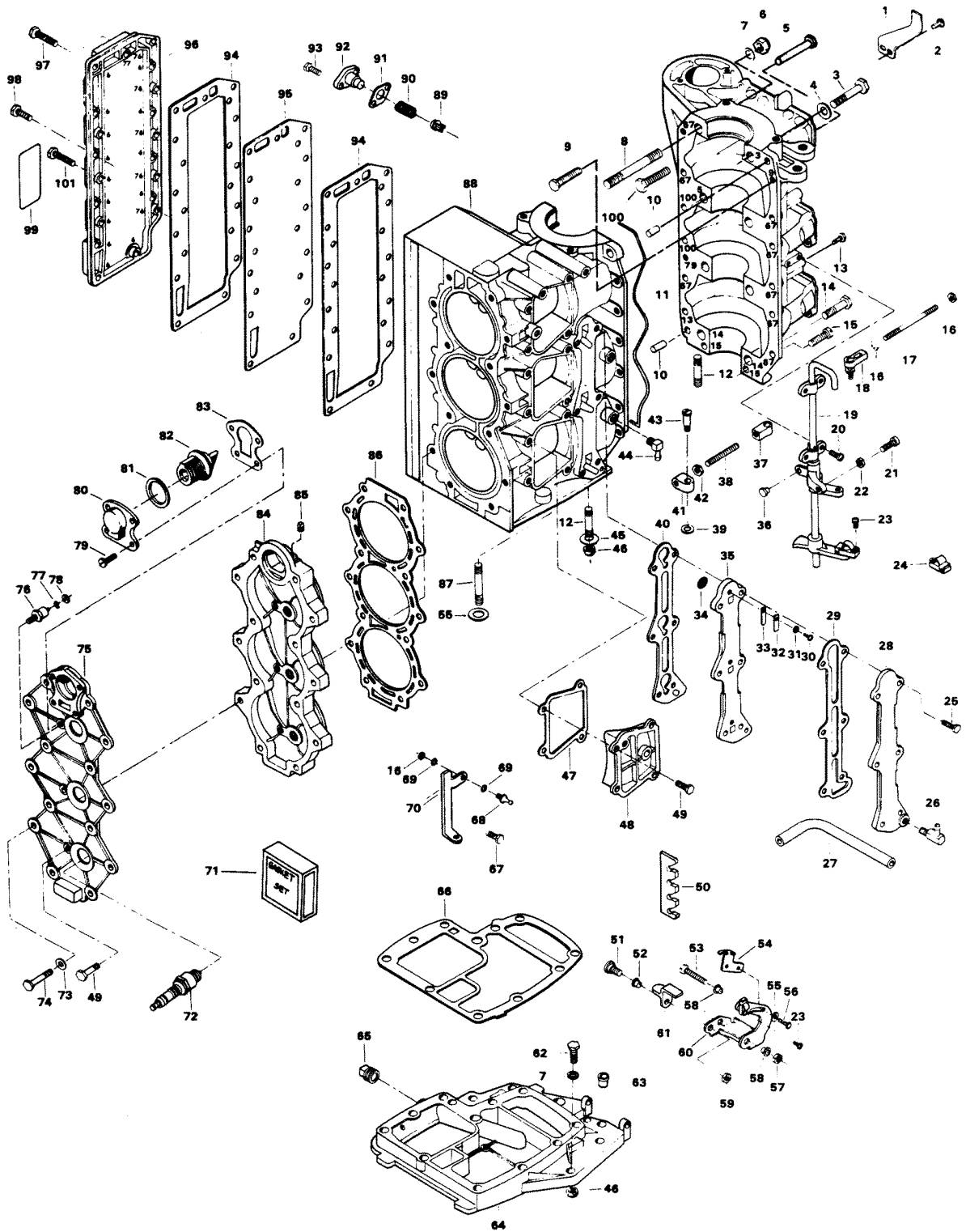


POWERHEAD

REF. NO.	PART NO.	SYM.	QTY.	DESCRIPTION
43	F85026		1	SWIVEL
44	F84314-2		1	ELBOW
45	F8038		4	PLAIN WASHER
46	F7004		10	STOP NUT, 3/18 - 16
47	F40223		3	GASKET, TRANSFER PORT COVER
48	FA411222		2	TRANSFER PORT COVER W/PLUGS AND LITERATURE
49	F1922		8	HEX HD SCREW, 1/4 - 20 X 5/8
50	F523834		1	CLIP, SPARK PLUG WIRE
51	F369887		1	SHOULDER SCREW
52	F369610		1	BEARING
53	F1885		1	HEX BOLT, 5/16 - 18 X 4-1/4
54	F480107-1		1	CAM, STARTER INTERLOCK
55	F2042		2	PLAIN WASHER
56	F2089		2	SLOTTED PAN HD MACHINE SCREW, 10 - 24 X 5/16
57	F2108		1	STOP NUT, 5/16 - 18
58	F85610		2	BEARING
59	F1832		1	STOP NUT, 1/4 - 20
60	FA480876		1	GEAR SHIFT ARM W/ILLUS. 24, 51, 52, 58, 59 AND 61
61	F369977-1		1	INTERLOCK ARM
62	F1869		6	HEX BOLT, 3/8 - 16 X 1-1/4
63	F40689-1		1	BEARING, TOWERSHAFT
64	817788A3		1	SPACER PLATE W/ILLUS. 65 ORIGINAL FORCE P/N A 404680-1
65	F2090		1	PLUG
66	F85279-2		1	CYLINDER EXHAUST GASKET, UPPER
67	F1864		10	HEX HD SCREW, 1/4 - 2 X 3/4
68	F98273		2	ROD END CONNECTOR STUD
69	F8058		4	INTERNAL TOOTH LOCKWASHER
70	FS85872-1		1	BRACKET
71	FG1020-1		1	GASKET SET INCLUDES ITEMS MARKED WITH A STAR (*)
*	F40223		3	TRANSFER PORT COVER GASKET
	F84278		1	CRANKSHAFT BRG. CAGE SEAL
	F84504		1	THERMOSTAT GROMMET
	F85122		1	CRANKCASE SEAL
	F85154-1		2	EXHAUST PORT PLATE GASKET
	F85159-1		1	MANIFOLD GASKET
	F85168-1		3	CARBURETOR ADAPTER FLANGE GASKET
	F85453-1		1	CYLINDER, EXHAUST - LOWER GASKET
	F85472-2		1	CYLINDER DRAIN COVER GASKET
	F85748-2		1	CYLINDER DRAIN REED PLATE GASKET
	F85762		1	BY-PASS VALVE PLATE GASKET
	F85906		3	CARBURETOR GASKET
	F369529-1		1	CYLINDER HEAD GASKET

CONTINUED ON NEXT PAGE ➡

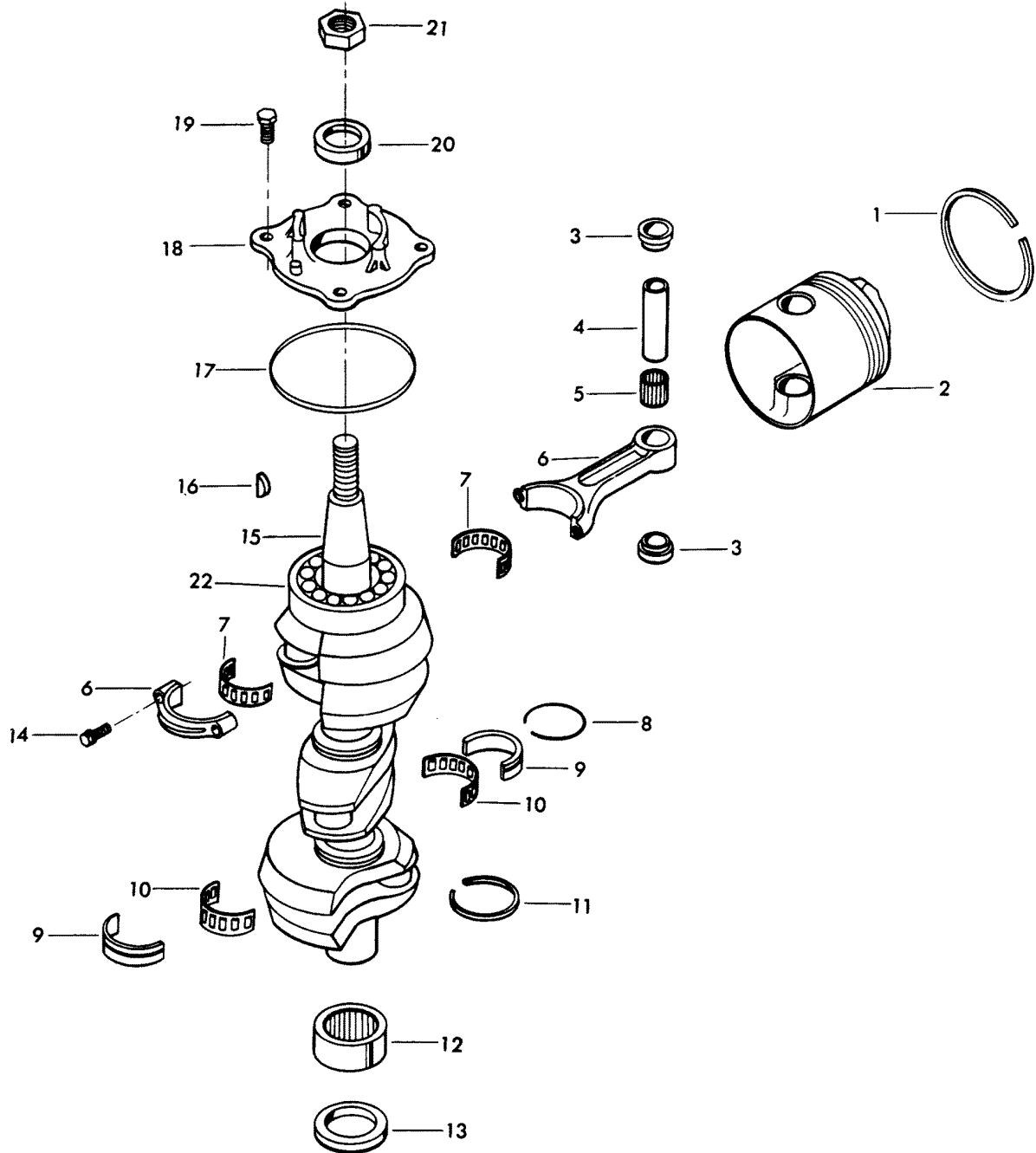
POWERHEAD



POWERHEAD

REF. NO.	PART NO.	SYM.	QTY.	DESCRIPTION
*	F476067		1	THERMOSTAT COVER GASKET
	F481836		3	INTAKE GASKET
72	33-97180		3	SPARK PLUG (L 20 V)
-	FC522227		3	SPARK PLUG (CHAMPION QUL-77V) - CANADA
73	F1987		14	PLAIN WASHER
74	F1883		14	HEX BOLT, 5/16 - 18 X 2-3/8
75	F499995		1	CYLINDER HEAD COVER
76	87-817778A1		1	THERMOSWITCH W/ILLUS. 77 AND 78 ORIGINAL FORCE P/N A 335449-1
77	F8056		1	SPRING LOCKWASHER
78	F1647		1	HEX NUT, 10 - 32
79	F1110		4	FILL HD SCREW, 1/4 - 20 X 5/8
80	F476066-1		1	COVER, THERMOSTAT
81	F84504		1	GROMMET
82	F528068		1	THERMOSTAT
83	F476067		1	GASKET, THERMOSTAT COVER
84	F480518		1	CYLINDER HEAD
85	F19109		1	PLUG
86	F369529-1		1	CYLINDER HEAD GASKET
87	F85211		6	STUD, REAR
88	FA480010		1	CYLINDER ASSEMBLY W/ILLUS. 5, 6, 7, 8, 10, 11, 12, 14, 15 AND 87
-	FC548010		1	SHORT BLOCK. INCLUDES ALL ITEMS MARKED WITH AN ASTERISK (*). ALSO REFER TO CRANKSHAFT PAGE.
89	F85916-1		1	BY-PASS VALVE
90	F404268		1	SPRING, BY-PASS VALVE
91	F85762		1	GASKET, BY-PASS VALVE
92	F438066		1	BY-PASS VALVE COVER
93	F1950		2	HEX HD SCREW, 10 - 24 X 5/8
94	F85154-1		2	GASKET, EXHAUST PORT PLATE
95	F85151-1		1	EXHAUST PORT PLATE
96	F85152-4		1	EXHAUST PORT COVER
97	F1708		1	HEX HD SCREW, 1/4 - 20 X 1-3/8
98	F2008		14	HEX BOLT, 1/4 - 20 X 7/8
99	F438398-1		1	DECAL, WIRING
100	F2008		2	HEX CAP SCREW, 1/4 - 20 X 7/8
101	F1699		5	HEX HD SCREW, 1/4 - 20 X 1-1/8

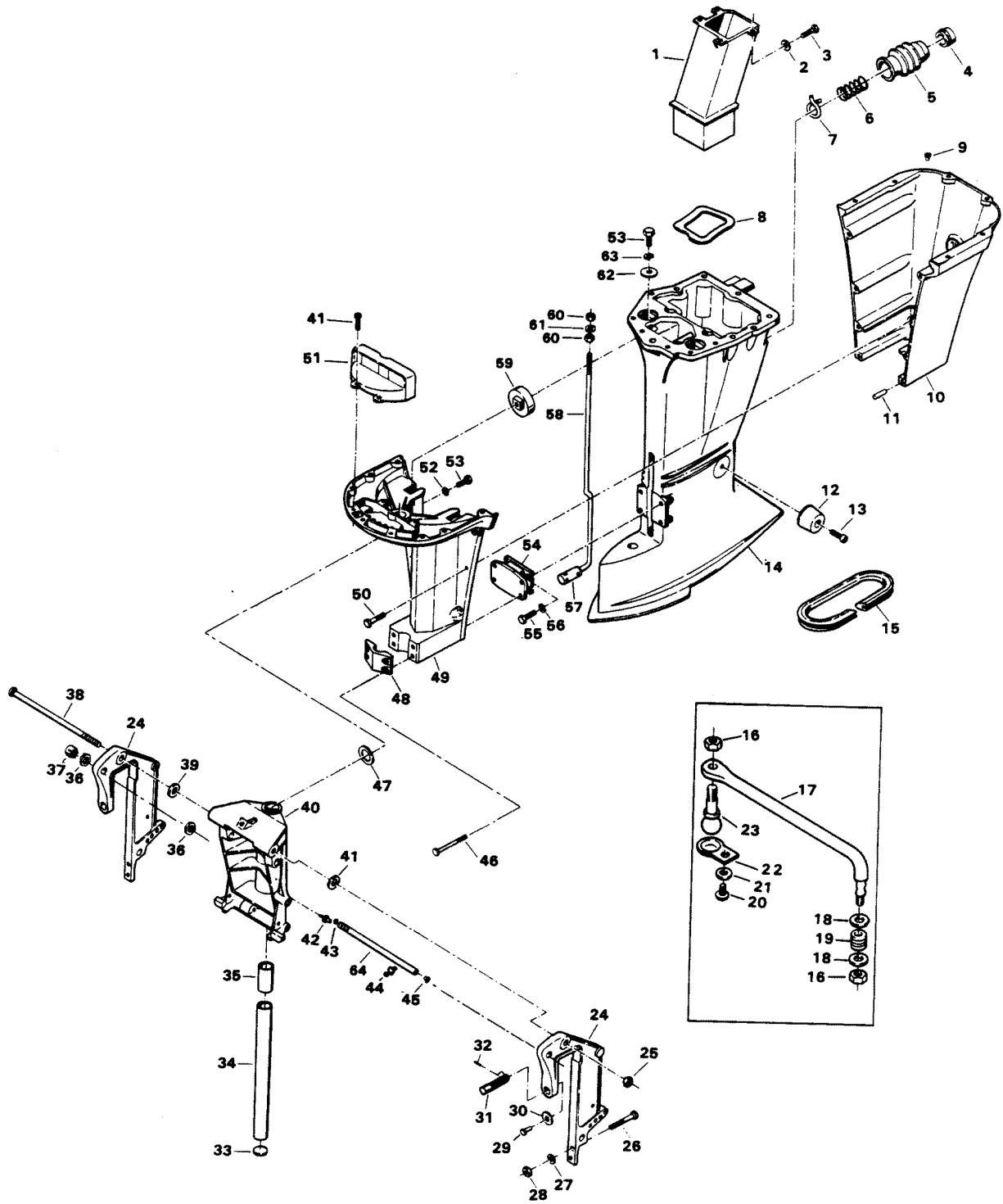
CRANKSHAFT AND PISTON GROUP



CRANKSHAFT AND PISTON GROUP

REF. NO.	PART NO.	SYM.	QTY.	DESCRIPTION
1	FA335260		3	PISTON RING SET (3 PER SET) STANDARD
-	FSA335260		3	PISTON RINGS (3 PER SET) .010 OVERSIZE
-	39-818110A1		3	PISTON RINGS (3 PER SET) .030 OVERSIZE
2	700-F372015-3		3	PISTON (STANDARD)
-	700-817988A2		3	PISTON .010 OVERSIZE
-	700-818111A2		3	PISTON .030 OVERSIZE
3	F335215		6	SPACER, PISTON PIN (2 PER PISTON)
4	F85017		3	PISTON PIN
5	F335217-1		3	BEARING PISTON PIN (26 PER SET)
6	600-818052A4		3	CONNECTING ROD W/CAP AND ILLUS. 14 ORIGINAL FORCE P/N S 366016-4
7	FK85228-1		3	BEARING CAGE W/ROLLER
8	F85410		2	SNAP RING
9	FA85655-1		2	CRANKSHAFT MAIN BEARING RACE W/ILLUS. 8
10	F85571		2	BEARING CAGE W/ROLLER
11	F316579		2	SEAL, CRANKCASE
12	FA523014		1	CRANKSHAFT LOWER MAIN BEARING W/ILLUS. 13
13	F523146		1	SEAL, CRANKSHAFT LOWER
14	F85634-2		6	CONNECTING ROD SCREW
15	FA85018-2		1	CRANKSHAFT W/ILLUS. 11 AND 22
16	F85498		1	FLYWHEEL KEY
17	F84278		1	SEAL, CRANKSHAFT BEARING CAGE
18	31-817785A2		1	CRANKSHAFT BEARING CAGE W/ILLUS. 20 ORIGINAL FORCE P/N A 373144-2
19	F1867		4	HEX CAP SCREW, 3/8 - 16 X 1
20	F523146		1	SEAL
21	F1968		1	FLYWHEEL NUT
22	F284659-2		1	CRANKSHAFT THRUST BEARING UPPER
-	F2067		1	PLASTISOL CAP (NOT SHOWN) FOR EXPOSED THREADS OF CRANKSHAFT

MOTOR LEG 758H2E, 758B2E, 758H3F, 758B3F MODELS

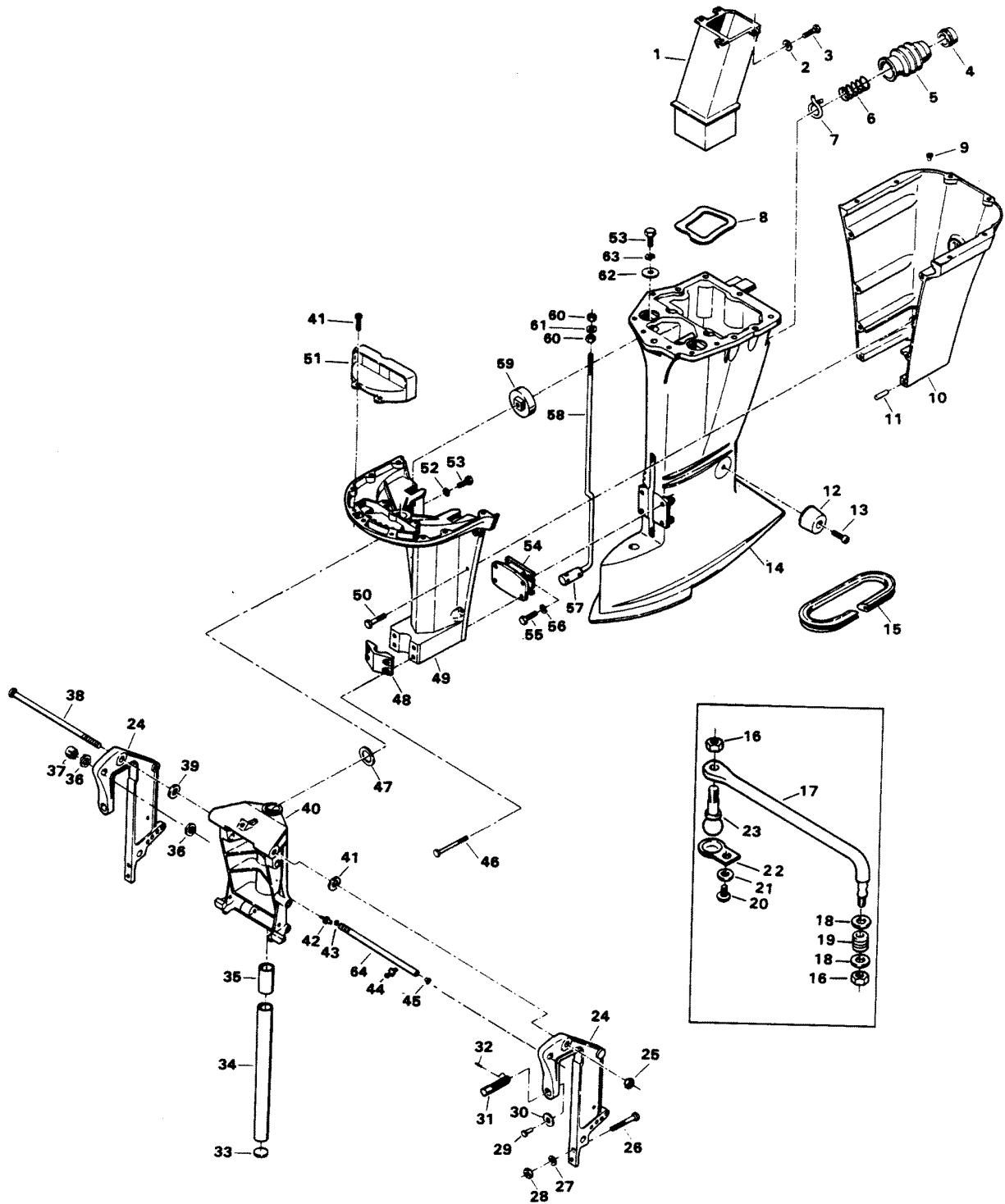


MOTOR LEG 758H2E, 758B2E, 758H3F, 758B3F MODELS

REF. NO.	PART NO.	SYM.	QTY.	DESCRIPTION
1	F85660-1		1	EXHAUST TUBE
2	F8083		4	SPRING LOCKWASHER
3	F1705		4	HEX SLOT HD SCREW, 1/4 - 20 X 3/4
4	F85258		1	INSERT
5	F85130		1	BOOT, IDLE EXHAUST
6	F85380		1	SPRING
7	F85772		1	CLAMP
8	F439736		1	SEAL EXHAUST TUBE
9	F1729		2	PLUG
10	F178145-3		1	MOTOR LEG COVER, REAR
11	F1664		2	SPRING PIN
12	F438962		2	SHOCK MOUNT SLIDE
13	F1263		2	HEX SOCKET HD CAP SCREW, 5/16 - 18 X 9/16
14	F523133-2		1	MOTOR LEG
15	F178323		1	SEAL, MOTOR LEG
16	F2093		2	STOP NUT, 3/8 - 24
17	F523881-2		1	STEERING LINK
18	F8038		2	PLAIN WASHER
19	F523300-1		1	SPRING, STEERING LINK
20	F523273		1	STEERING BALL STUD
21	F8080		1	SPRING LOCKWASHER
22	F1280		1	PAN HD SCREW, 8 - 32 X 1/4
23	F523930		1	RETAINER
24	1400-817958A6		2	STERN BRACKET
25	F7012		1	LOCK NUT, 1/2 - 20
26	F1593		2	HEX HD SCREW, 3/8 - 16 X 3
27	F1904		2	PLAIN WASHER
28	F1346		2	HEX NUT, 3/8 - 16
29	F353480		2	STUD
30	F84074		2	CLAMP SCREW FOOT
31	F474073-1		2	CLAMP SCREW
32	F8538		2	SPRING PIN
33	F1528		1	WELCH PLUG
34	FA85019		1	KINGPIN W/ILLUS. 33
35	F438169		2	BEARING
36	F523280		2	NUT, STEERING SUPPORT TUBE
37	F9018		1	CAP
38	F85037-1		1	STERN BRACKET PIVOT BOLT
39	F84286-1		4	FRICTION WASHER
40	817783A5		1	SWIVEL BRACKET W/ILLUS. 35 AND 42 ORIGINAL FORCE P/N A 369072-2
41	F1912		4	HEX HD SCREW, 10 - 24 X 1/2
42	F213274		3	GREASE FITTING

CONTINUED ON NEXT PAGE ➡

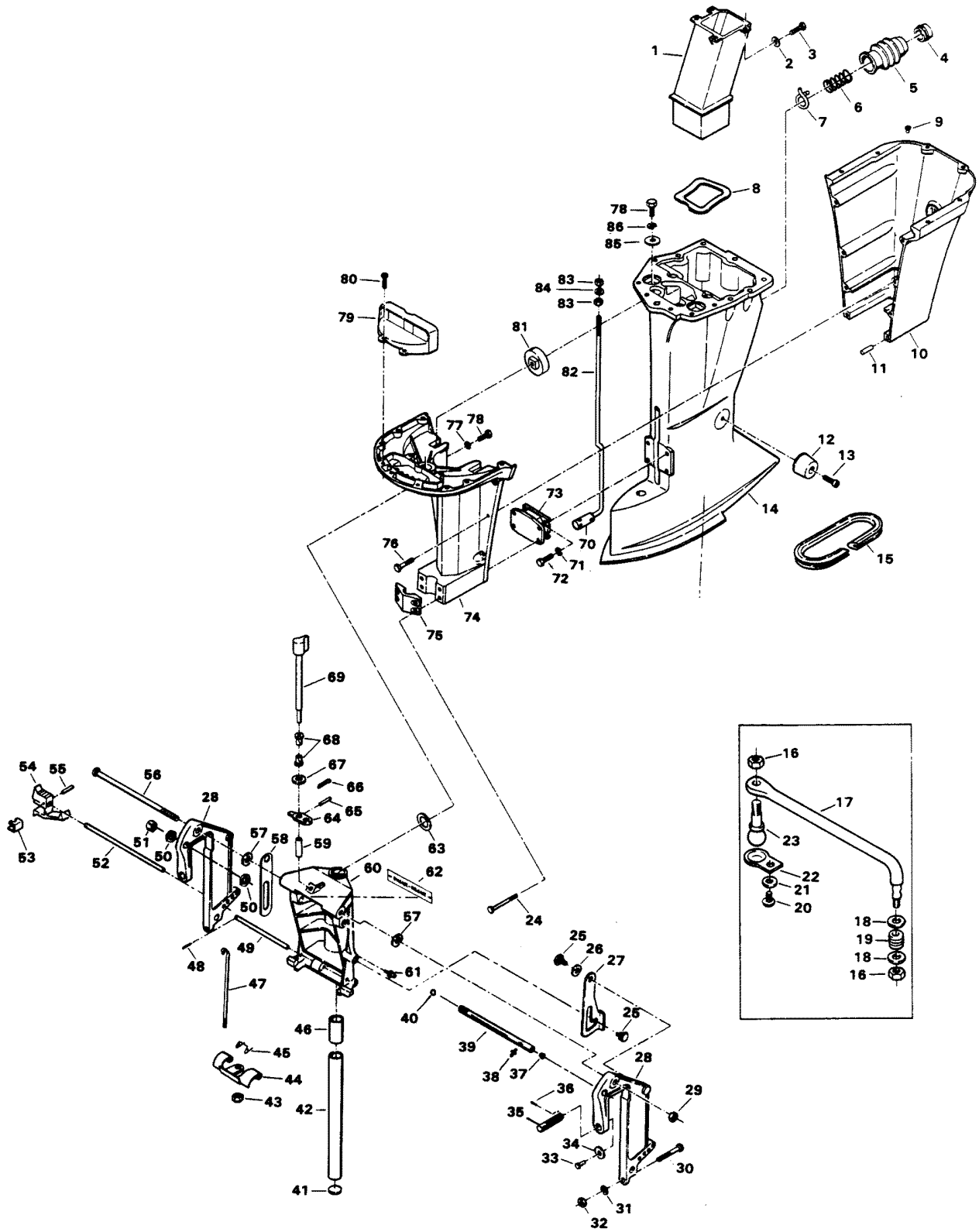
MOTOR LEG 758H2E, 758B2E, 758H3F, 758B3F MODELS



MOTOR LEG 758H2E, 758B2E, 758H3F, 758B3F MODELS

REF. NO.	PART NO.	SYM.	QTY.	DESCRIPTION
43	F316599		1	SEAL, STEERING SUPPORT TUBE
44	F523274		1	GREASE FITTING
45	F9052		1	PLUG
46	F1696		4	HEX BOLT, 5/16 - 18 X 1-3/4
47	F84011		1	WASHER
48	F85606		1	KINGPIN CAP
49	FA85135-4		1	LEG COVER, FRONT W/ILLUS. 50
50	F2030		6	HEX HD SCREW, 1/4 - 20 X 1 1/4
51	F85779-1		1	BAFFLE, AIR INTAKE
52	F1703		2	SPRING LOCKWASHER
53	F1871		4	HEX HD SCREW, 3/8 - 16 X 3/4
54	F438346		1	SHOCK MOUNT, LOWER
55	F1822		4	HEX BOLT, 5/16 - 18 X 7/8
56	F8096		4	SPRING LOCKWASHER
57	F85704		1	COUPLER, GEARSHIFT ROD - UPPER
58	F85615		1	GEAR SHIFT ROD - UPPER
59	F85965		2	SHOCK MOUNT, UPPER
60	F2108		2	LOCK NUT, 5/16 - 18
61	F1987		1	PLAIN WASHER
62	FA85355-1		2	WASHER SHOCK MOUNT UPPER W/ILLUS. 63
63	F2014		2	PLAIN WASHER
64	F511125-2		1	TUBE, STEERING SUPPORT

MOTOR LEG 756H2J, 756B2J, 756H3K, 756B3K MODELS

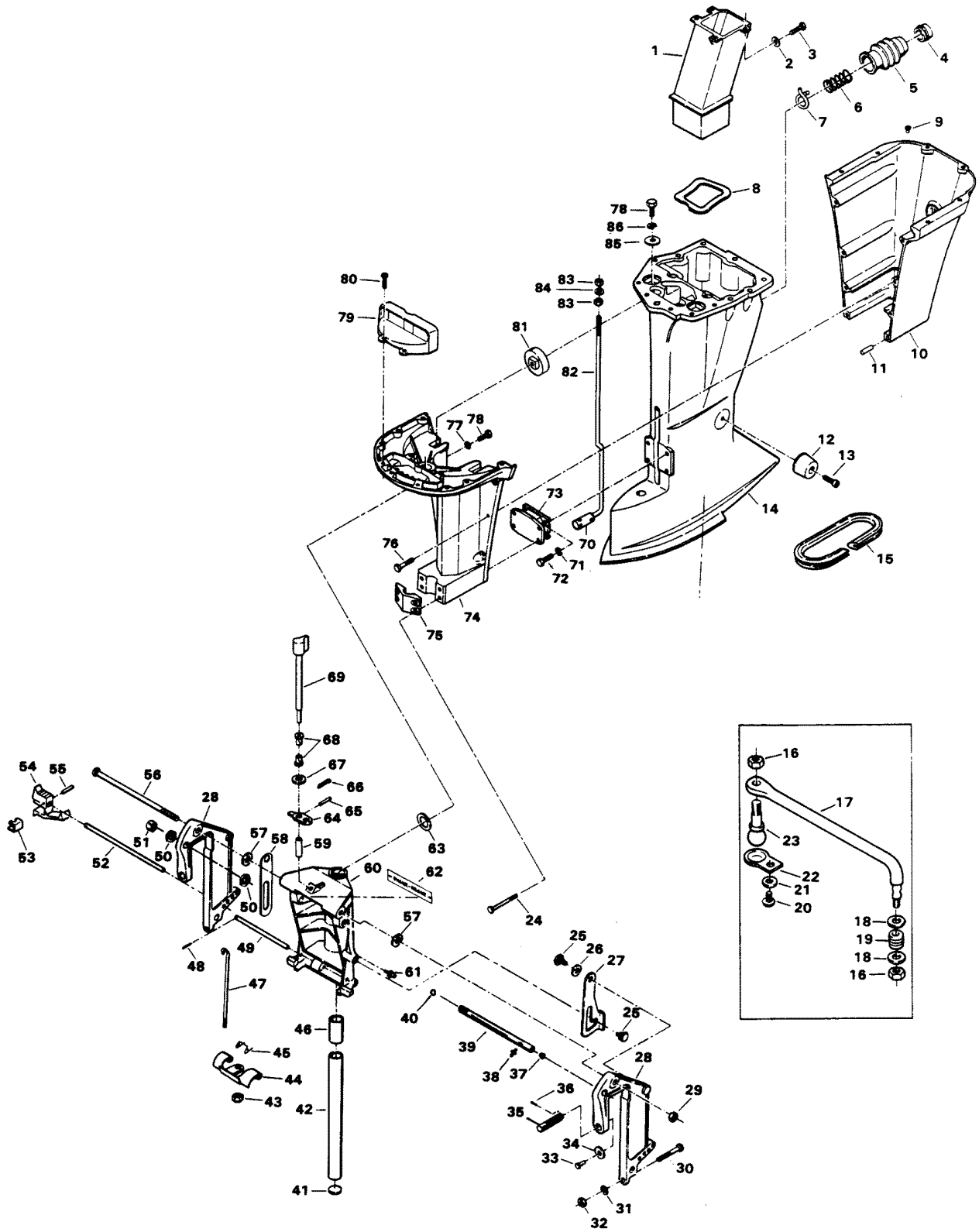


MOTOR LEG 756H2J, 756B2J, 756H3K, 756B3K MODELS

REF. NO.	PART NO.	SYM.	QTY.	DESCRIPTION
1	F85660-1		1	EXHAUST TUBE
2	F8083		4	SPRING LOCKWASHER
3	F1705		4	HEX SLOT HD SCREW, 1/4 - 20 X 3/4
4	F85258		1	INSERT
5	F85130		1	BOOT, IDLE EXHAUST
6	F85380		1	SPRING
7	F85772		1	CLAMP
8	F439736		1	SEAL EXHAUST TUBE
9	F1729		2	PLUG
10	F178145-3		1	MOTOR LEG COVER, REAR
11	F1664		2	SPRING PIN
12	F438962		2	SHOCK MOUNT SLIDE
13	F1263		2	HEX SOCKET HD CAP SCREW, 5/16 - 18 X 9/16
14	F523133-2		1	MOTOR LEG
15	F178323		1	SEAL, MOTOR LEG
16	F2093		2	STOP NUT, 3/8 - 24
17	F523881-2		1	STEERING LINK
18	F8038		2	PLAIN WASHER
19	F523300-1		1	SPRING STEERING LINK
20	F1280		1	PAN HD SCREW
21	F8080		1	HELICAL SPRING LOCKWASHER
22	F523930		1	RETAINER
23	F523273		1	STEERING BALL STUD
24	F1696		4	HEX BOLT, 5/16 - 18 X 1-3/4
25	F85350-1		4	TILT STOP PIVOT
26	F1666		2	BOWED SPRING WASHER
27	F85541-1		1	TILT LOCK
28	1400-817958A6		2	STERN BRACKET
29	F7012		1	LOCK NUT, 1/2 - 20
30	F1593		2	HEX HD SCREW, 3/8 - 16 X 3
31	F1904		2	PLAIN WASHER
32	F1346		2	HEX NUT, 3/8 - 16
33	F353480		2	STUD
34	F84074		2	CLAMP SCREW FOOT
35	F474073-1		2	CLAMP SCREW
36	F8538		2	SPRING PIN
37	F9052		1	PLUG
38	F523274		1	GREASE FITTING
39	F511125-2		1	TUBE, STEERING SUPPORT
40	F316599		1	SEAL, STEERING SUPPORT TUBE
41	F1528		1	WELCH PLUG
42	FA85019		1	KINGPIN W/ILLUS. 41
43	F1669		1	LOCK NUT

CONTINUED ON NEXT PAGE ➡

MOTOR LEG 756H2J, 756B2J, 756H3K, 756B3K MODELS

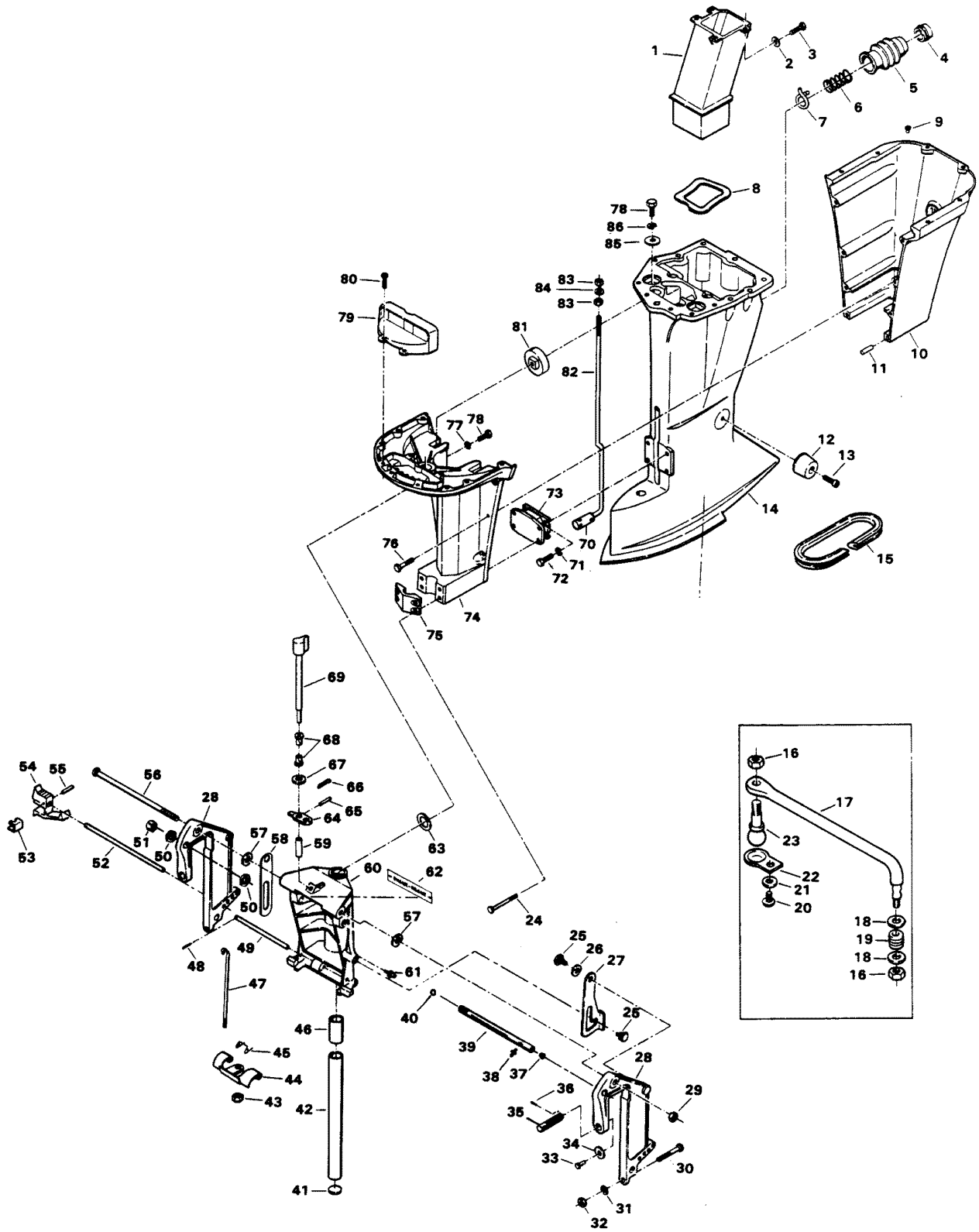


MOTOR LEG 756H2J, 756B2J, 756H3K, 756B3K MODELS

REF. NO.	PART NO.	SYM.	QTY.	DESCRIPTION
44	F369349		1	REVERSE LOCK
45	F85300		1	REVERSE LOCK SPRING
46	F438169		2	BEARING
47	F369510		1	LINK
48	F1744		1	SPRING PIN
49	F177350		1	REVERSE LOCK PIN
50	F523280		2	NUT, STEERING SUPPORT TUBE
51	F9018		1	CAP
52	FA438113		1	STERN BRACKET LOCK BAR WILLUS. 53, 54 AND 55
53	F286461		1	SPRING LOCK BAR HANDLE
54	F433114		1	HANDLE, LOCK BAR
55	F1744		1	SPRING PIN
56	F85037-1		1	STERN BRACKET PIVOT BOLT
57	F84286-1		4	FRICTION WASHER
58	F85426		1	TILT STOP
59	F483884		1	BEARING
60	817783A5		1	SWIVEL BRACKET WILLUS. 46 AND 61 ORIGINAL FORCE P/N A 369072-2
61	F213274		3	GREASE FITTING
62	F529390-1		1	DECAL, REVERSE LOCK
63	F84011		1	WASHER
64	F369364		1	REVERSE LOCK ARM
65	F1836		1	SPRING PIN
66	F1014		1	COTTER PIN
67	F8094		1	PLAIN WASHER
68	F197813		2	BEARING
69	F369827		1	HANDLE AND SHAFT
70	F85704		1	COUPLER, GEARSHIFT ROD, UPPER
71	F8096		4	SPRING LOCKWASHER
72	F1822		4	HEX BOLT, 5/16 - 18 X 7/8
73	F438346		1	SHOCK MOUNT, LOWER
74	FA85135-4		1	LEG COVER, FRONT WILLUS. 76
75	F85606		1	KINGPIN CAP
76	F2030		6	HEX HD SCREW, 1/4 - 20 X 1-1/4
77	F1703		2	SPRING LOCKWASHER
78	F1871		4	HEX HD SCREW, 3/8 - 16 X 3/4
79	F85779-1		1	BAFFLE, AIR INTAKE
80	F1912		4	HEX HD SCREW, 10 - 24 X 1/2
81	F85965		2	SHOCK MOUNT, UPPER
82	F85615		1	GEAR SHIFT ROD, UPPER
83	F2108		2	LOCK NUT, 5/16 - 18
84	F1987		1	PLAIN WASHER
85	FA85355-1		2	WASHER SHOCK MOUNT UPPER WWASHER

CONTINUED ON NEXT PAGE ➡

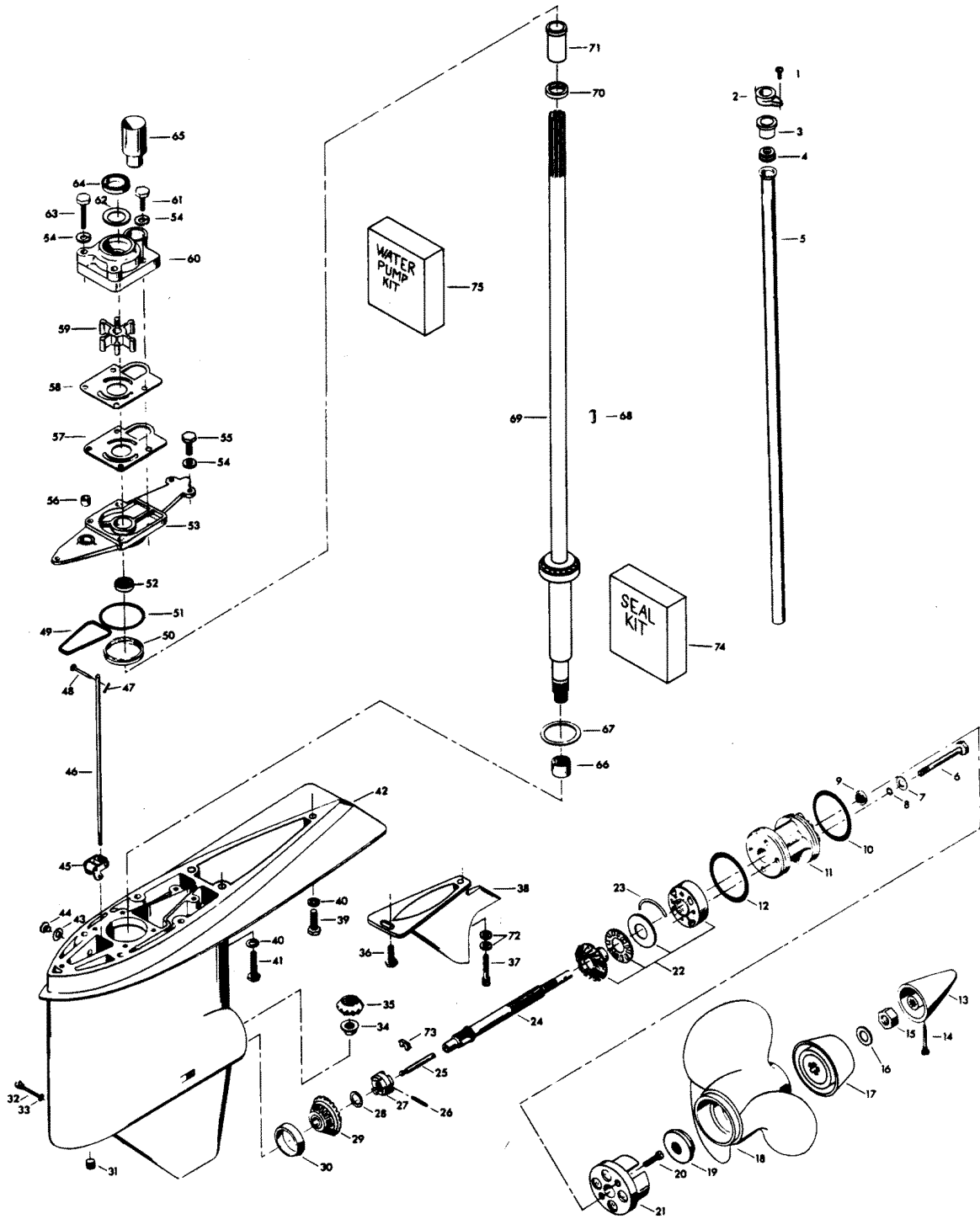
MOTOR LEG 756H2J, 756B2J, 756H3K, 756B3K MODELS



MOTOR LEG 756H2J, 756B2J, 756H3K, 756B3K MODELS

REF. NO.	PART NO.	SYM.	QTY.	DESCRIPTION
86	F2014		2	PLAIN WASHER

GEAR HOUSING

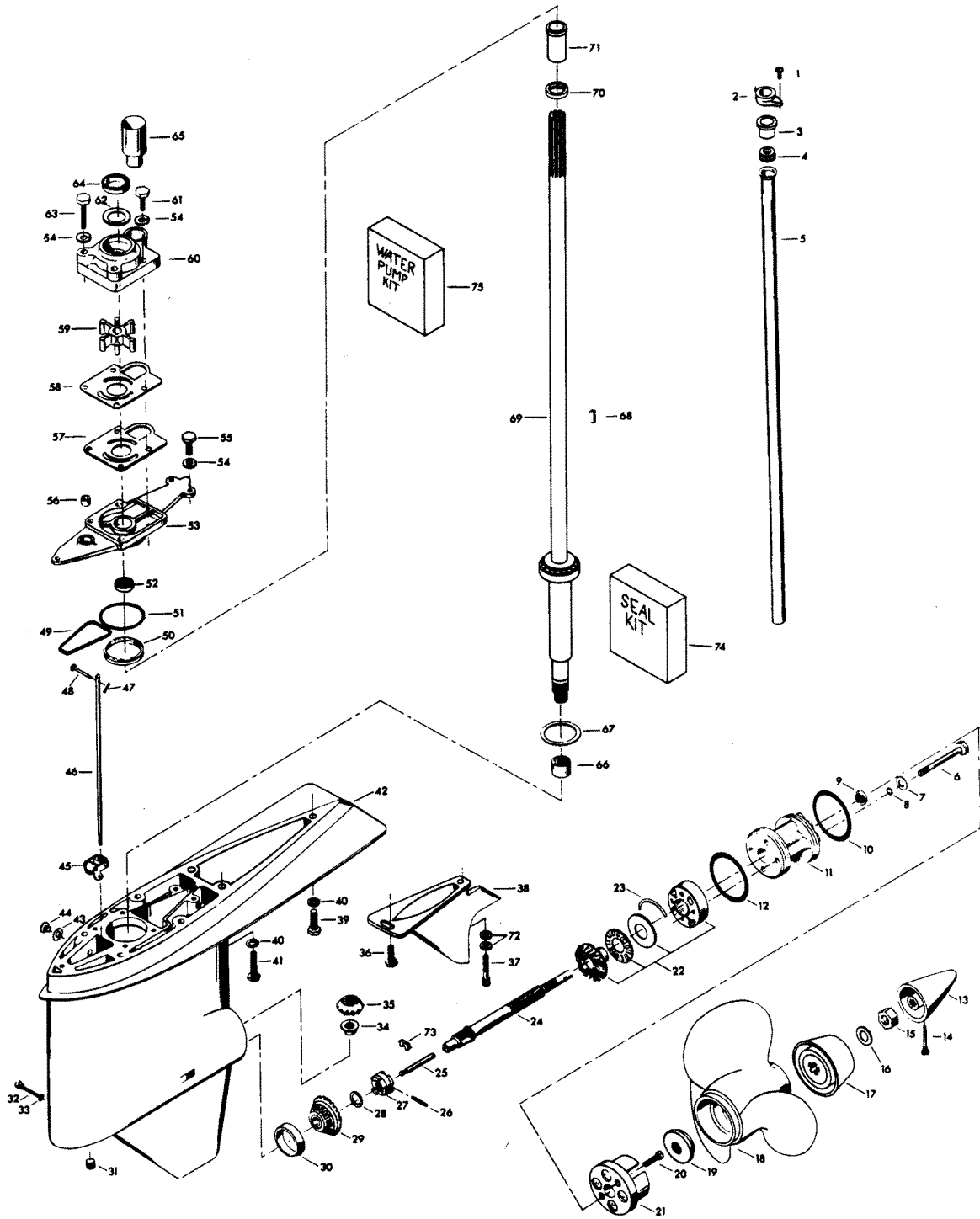


GEAR HOUSING

REF. NO.	PART NO.	SYM.	QTY.	DESCRIPTION
1	F1705		2	HEX CAP SCREW, 1/4 - 20 X 3/4
2	F85117		1	BRACKET, WATER LINE
3	F84342		1	SEAL, INLET WATER LINE UPPER
4	F523899		1	GROMMET, WATER LINE
5	F523244		1	INLET WATER LINE
6	F1885		4	HEX CAP SCREW, 5/16 - 18 X 4-1/4
7	F1907		4	PLAIN WASHER
8	F50342-1		4	SEAL, BEARING CAGE BOLTS
9	F506118		1	SEAL, PROPELLER SHAFT
10	F24278		1	SEAL, O-RING PROPELLER SHAFT SPOOL
11	F2A523239		1	SPOOL, PROPELLER SHAFT BEARING W/BEARING AND ILLUS. 9
12	F84305		1	SEAL, PROPELLER SHAFT BEARING SPOOL
13	F523094-2		1	PROPELLER NUT
14	F498891		1	PIN, PROPELLER NUT RETAINING
15	F1788		1	STOP NUT
16	F1866		1	PLAIN WASHER
17	F5H119		1	WASHER, PROPELLER SPLINE (ACCESSORY ITEM)
18	FPS523		1	PROPELLER (ACCESSORY ITEM)
19	F523099-1		1	SPACER, PROPELLER
20	F1577		2	FILL HD SCREW, 1/4 - 20 X 3/4
21	FA523485		1	ANTI-CORROSION ANODE W/LITERATURE
22	F2A498662		1	BEVEL GEAR, REAR W/BEARING CAGE, SPACER AND BEARING
23	F523411		2	RETAINING RING
24	FA523098		1	PROPELLER SHAFT ASSEMBLY
25	F84871-1		1	PIN, GEAR SHIFT
26	F1713		1	SPRING PIN
27	F84521-2		1	CLUTCH
28	F1936		A/R	SPACER, BEVEL GEAR FRONT .059
-	F1937		A/R	SPACER, BEVEL GEAR FRONT .062
-	F1938		A/R	SPACER, BEVEL GEAR FRONT .065
-	F1939		A/R	SPACER, BEVEL GEAR FRONT .068
-	F1940		A/R	SPACER, BEVEL GEAR FRONT .071
-	F1941		A/R	SPACER, BEVEL GEAR FRONT .074
-	F1942		A/R	SPACER, BEVEL GEAR FRONT .077
-	F2113		A/R	SPACER, BEVEL GEAR FRONT .080
-	F2114		A/R	SPACER, BEVEL GEAR FRONT .083
-	F2115		A/R	SPACER, BEVEL GEAR FRONT .086
-	F2116		A/R	SPACER, BEVEL GEAR FRONT .089
-	F2121		A/R	SPACER, BEVEL GEAR FRONT .057
-	F2122		A/R	SPACER, BEVEL GEAR FRONT .054
29	43-818062A3		1	BEVEL GEAR FRONT W/SHIMS AND ILLUS. 30 ORIGINAL FORCE P/N 2A 498023-1

CONTINUED ON NEXT PAGE ➡

GEAR HOUSING

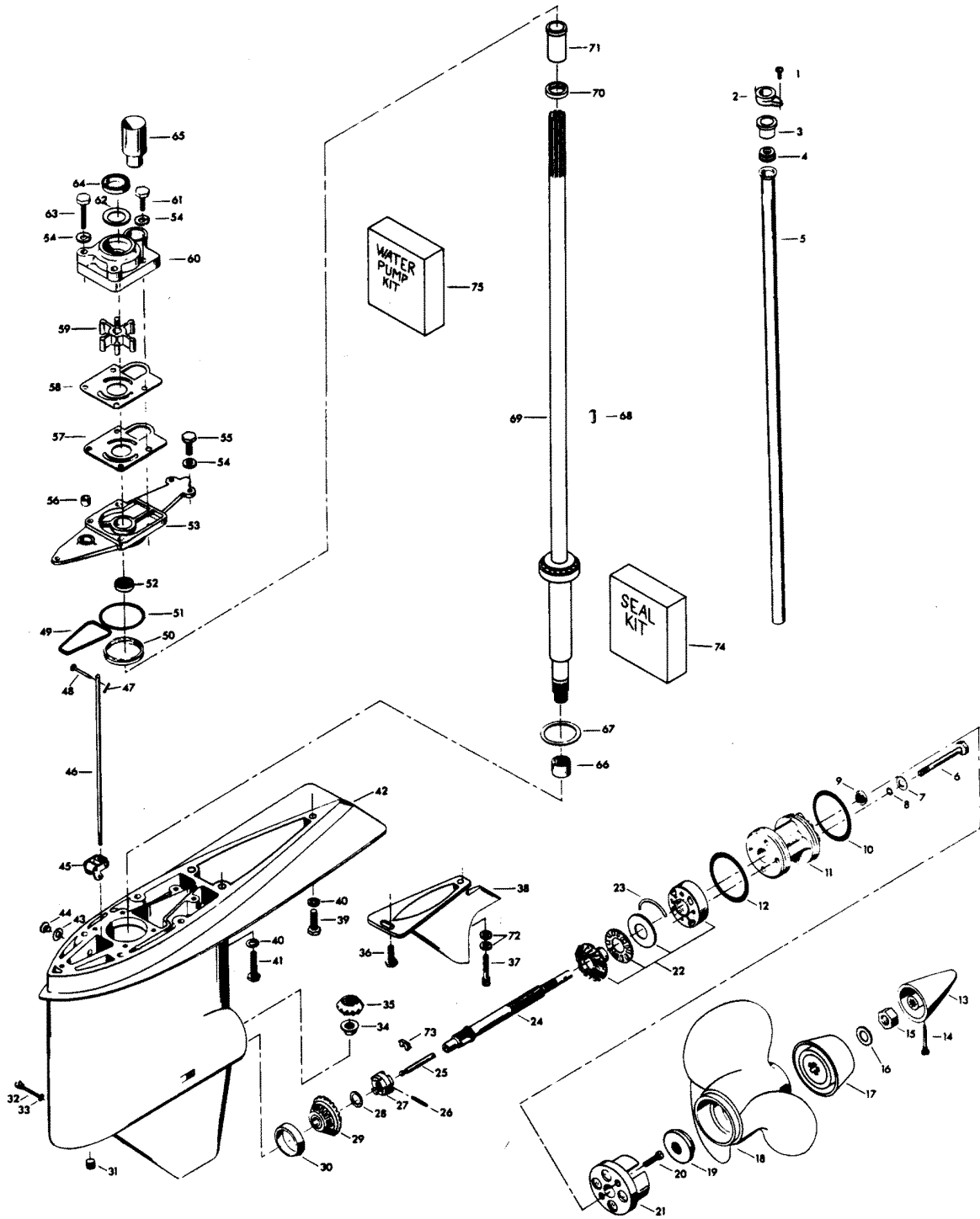


GEAR HOUSING

REF. NO.	PART NO.	SYM.	QTY.	DESCRIPTION
30	F523813		1	BEARING CUP
31	F19109		1	PLUG, GEAR HOUSING
32	F498891		1	PIN, GEAR SHIFT ARM
33	F498618		1	SEAL
34	F523188		1	NUT, BEVEL PINION RETAINING
35	43-817830A2		1	BEVEL PINION GEAR W/SHIMS AND ILLUS. 50 ORIGINAL FORCE P/N A 498266-2
36	F438930		1	RETAINER, SNOUT
37	F1994		1	HEX SOCKET HD CAP SCREW, 5/16 - 18 X 1
38	F523116-1		1	EXHAUST SNOUT
39	F1858		1	HEX CAP SCREW, 5/16 - 18 X 1
40	F8096		7	SPRING LOCKWASHER
41	F1491		6	HEX CAP SCREW, 5/16 - 18 X 3-1/4
42	FA523054		1	GEAR HOUSING W/DRIVESHAFT BEARING LOWER, ILLUS. 30, 31, 43 AND 44
-	1600-819196A3		1	GEAR HOUSING COMPLETE INCLUDES ALL ITEMS MARKED WITH AN ASTERISK (*). ORIGINAL FORCE P/N C 550054-1
43	F8077		3	WASHER, GEAR HOUSING PLUG
44	F50109		3	PLUG, GEAR HOUSING
45	FA84621-1		1	COUPLING, GEAR SHIFT ARM W/BUSHING
46	F523705		1	GEAR SHIFT ROD LOWER
47	F1015		1	COTTER PIN
48	F85372		1	PIN, GEAR SHIFT ROD LOWER
49	F523555		1	SEAL, O-RING - GEAR HOUSING COVER
50	F523961		1	CRUSH RING
51	F74305		1	SEAL, DRIVESHAFT BEARING CAGE
52	F506118		1	SEAL, DRIVESHAFT
53	F2A550706		1	GEAR HOUSING COVER W/ILLUS. 52 AND 56
54	F8083		7	SPRING LOCKWASHER
55	F2008		3	HEX CAP SCREW, 1/4 - 20 X 7/8
56	F338618-1		1	SEAL, GEAR SHIFT ROD
57	F523031		1	GASKET, WATER PUMP
58	F523562		1	WATER PUMP IMPELLER
60	46-817853A1		1	WATER PUMP BODY W/ILLUS. 62, 64 AND 65 ORIGINAL FORCE P/N A 523060-1
61	F1990		2	HEX CAP SCREW, 1/4 - 20 X 1-5/8
62	F480388		1	DISC, WATER PUMP LOCATING
63	F1425		2	HEX CAP SCREW, 1/4 - 20 X 2-5/8
64	F351307		1	SEAL, WATER PUMP
65	FA523735		1	SEAL, INLET WATER LINE LOWER W/LITERATURE
66	F523057		1	BEARING, DRIVESHAFT LOWER
67	F9106		A/R	SHIM, DRIVESHAFT BEARING UPPER .003 - BRASS
-	F9095		A/R	SHIM, DRIVESHAFT BEARING UPPER .005 - SILVER
-	F9097		A/R	SHIM, DRIVESHAFT BEARING UPPER .010 - BLACK

CONTINUED ON NEXT PAGE ➡

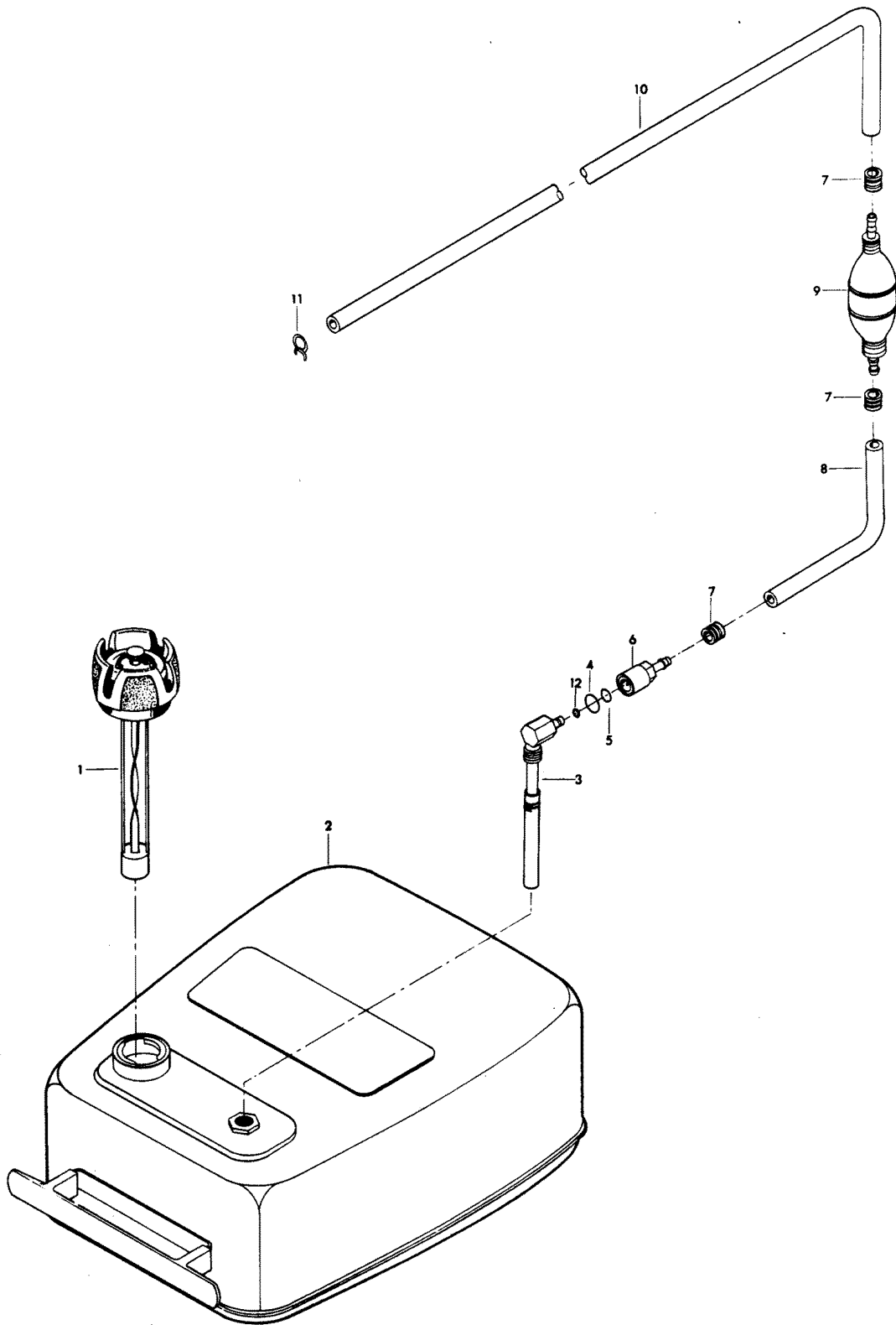
GEAR HOUSING



GEAR HOUSING

REF. NO.	PART NO.	SYM.	QTY.	DESCRIPTION
68	F523498		1	DRIVE KEY, WATER PUMP
69	FK616128		1	DRIVESHAFT W/BEARING AND ILLUS. 50 AND 67
70	F438271		1	RETAINER, CRANKSHAFT SPLINE SEAL
71	F438129		1	SEAL, DRIVESHAFT SPLINE
72	F1856		2	PLAIN WASHER
73	F90619-1		1	YOKE
74	FK1063-2		1	SEAL KIT INCLUDES ITEMS MARKED WITH A STAR (*)
-	F50342-1		4	BEARING CAGE BOLT SEAL
-	F506118		2	PROPELLER SHAFT SEAL
-	F24278		1	PROPELLER SHAFT SPOOL SEAL
-	F84305		1	PROPELLER SHAFT SPOOL SEAL
-	F498618		1	GEAR SHIFT ARM PIN SEAL
-	F8077		3	WASHER
-	F523555		1	GEAR HOUSING COVER SEAL
-	F74305		1	GEAR HOUSING COVER SEAL
-	F84307-1		1	DRIVESHAFT SEAL
-	F338618-1		1	GEAR SHIFT ROD SEAL
75	FK1069		1	WATER PUMP KIT INCLUDES ITEMS MARKED WITH A SQUARE
-	F1425		2	HEX CAP SCREW, 1/4 - 20 X 5/8
-	F1990		2	HEX CAP SCREW
-	F8083		4	SPRING LOCKWASHER
-	F523031		1	GASKET, WATER LUMP
-	F523065-1		1	IMPELLER
-	F523498		1	KEY
-	F523562		1	PLATE, WATER PUMP
-	46-817853A1		1	WATER PUMP

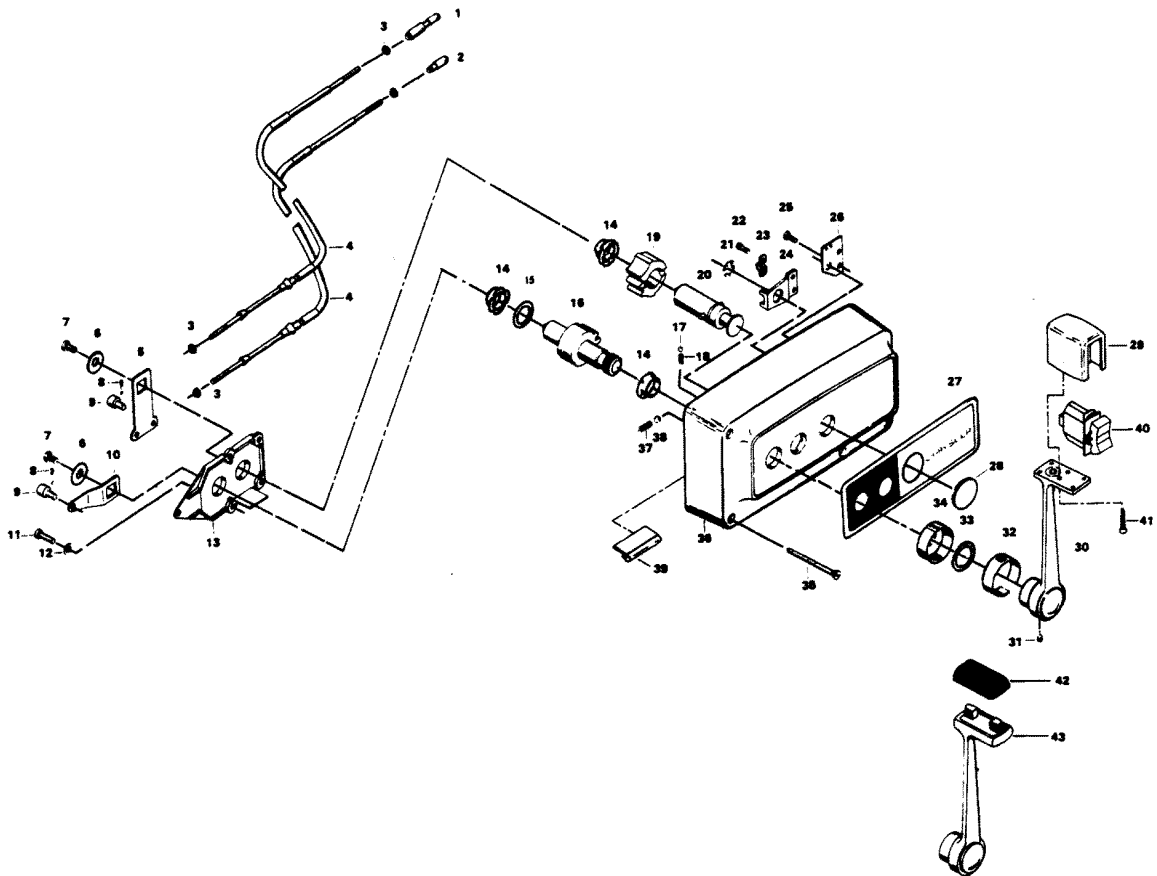
FUEL TANK AND LINE



FUEL TANK AND LINE

REF. NO.	PART NO.	SYM.	QTY.	DESCRIPTION
1	F409251-1		1	GAUGE CAP
2	F5H026		1	FUEL TANK (ACCESSORY ITEM)
3	F485755-1		1	FUEL TANK ADAPTER
4	F17816		1	SEAL, FUEL LINE COUPLER (LARGE)
5	F17815		1	SEAL, FUEL LINE COUPLER (SMALL)
6	F197787-3		1	FUEL LINE COUPLER
7	F298788		3	FERRULE
8	FA84754-1		1	FUEL LINE SHORT W/ILLUS. 7
9	89396A38		1	PRIME BULB W/LITERATURE ORIGINAL FORCE P/N S 387766-1
10	32-817738A1		1	FUEL LINE LONG W/ILLUS. 7 AND 11 ORIGINAL FORCE P/N A 197752-1
11	F97772		1	FUEL LINE CLAMP
12	F17817		1	SEAL, FUEL TANK ADAPTER
-	FS409752		1	FUEL LINE COMPLETE. INCLUDES ALL ITEMS MARKED WITH AN ASTERISK (*)
-	FC409398		1	DECAL, TOTE TANK - CANADA (NOT SHOWN)

REMOTE CONTROL

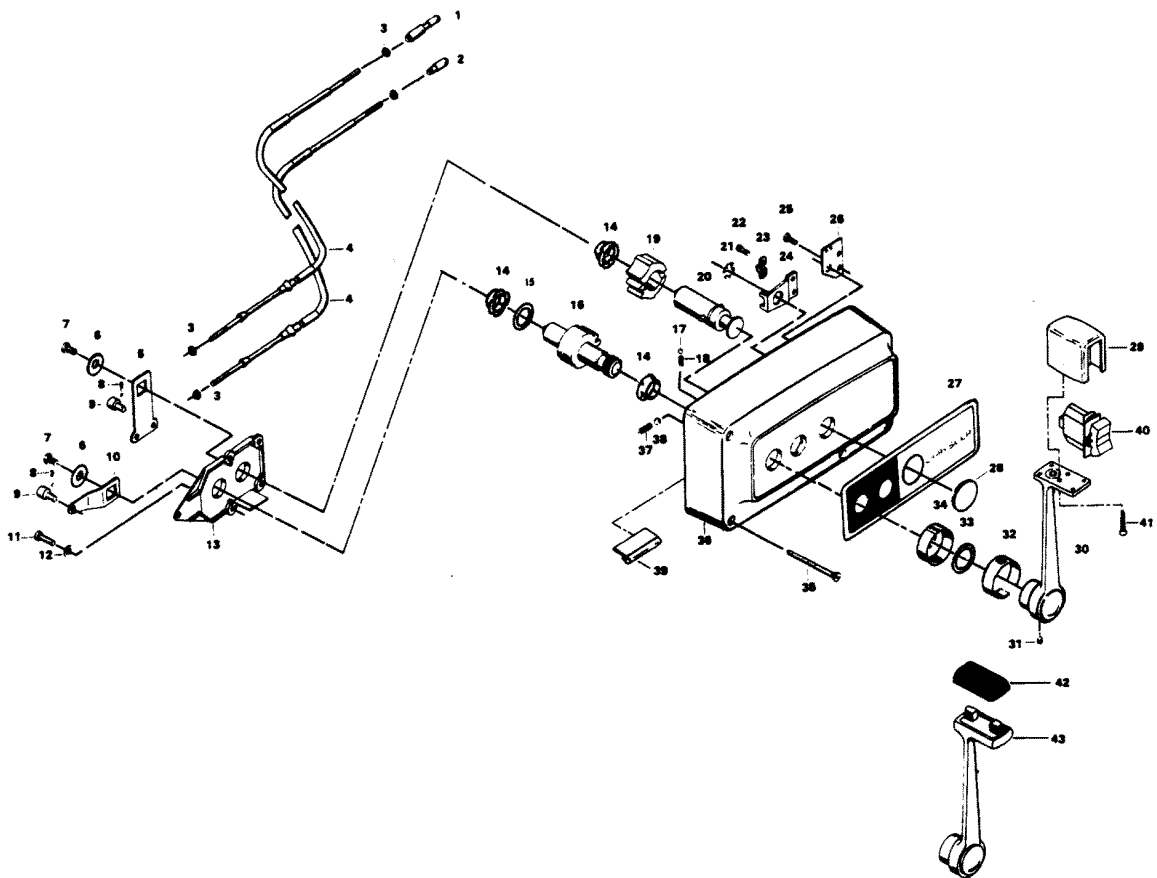


REMOTE CONTROL

REF. NO.	PART NO.	SYM.	QTY.	DESCRIPTION
1	FA58976-1		1	CONNECTOR, THROTTLE CABLE
2	F58685-2		1	CONNECTOR, SHIFT CABLE
3	F1513		4	HEX NUT
4	F195/___		1	REMOTE CONTROL CABLE (SPECIFY LENGTH) ACCESSORY ITEM (2 PER SET)
5	F17019		1	CLUTCH ARM
6	F17036		2	INTERNAL TOOTH LOCKWASHER
7	F1715		2	HEX BOLT, 1/4 - 28 X 9/16
8	F17149		2	COTTER PIN
9	F17016		2	CABLE TERMINAL
10	F17014		1	THROTTLE ARM
11	F17013		2	FILL HD SCREW, 1/4 - 20 X 1/2
12	F17147		2	INTERNAL TOOTH LOCKWASHER
13	F17012		1	RETAINING PLATE
14	F17009		3	BEARING
15	F17011		1	BOWED WASHER
16	F17010-1		1	THROTTLE GEAR
17	F17111		1	DETENT BALL
18	F17006		1	DETENT SPRING
19	F17021		1	CLUTCH GEAR
20	F17100		1	CLUTCH SHAFT
21	F17092		1	SNAP RING
22	F17071		2	FILL HD SCREW, 10 - 24 X 5/16
23	F154317		1	CABLE CLAMP
24	F17026		1	SWIVEL
25	F1557		2	FLAT HD SCREW, 10 - 24 X 3/8
26	F17112		1	JUNCTION BOARD, STARBOARD
-	F17113		1	JUNCTION BOARD, PORT
27	F17148		1	DECAL, STARBOARD
-	F531892		1	DECAL, PORT
28	F17031-1		1	SNAP CAP
29	F448543		1	KNOB (758H2E, 758B2E, 758H3F, 758B3F)
30	F448611-1		1	HANDLE (758H2E, 758B2E, 758H3F, 758B3F)
31	F17030-1		1	SET SCREW
32	F449894		1	INDICATOR (758H2E, 758B2E, 758H3F, 758B3F)
-	FK17114-1		1	INDICATOR (756H2E, 756B2E, 758H3F, 758B3F)
33	F17105		1	FELT WASHER
34	F17106		1	COLLAR
35	F17146		3	WOOD SCREW
36	F17099		1	HOUSING
37	F17068		1	DETENT SPRING
38	F17082-1		1	DETENT BALL
-	F1280		2	PAN HD SCREW, 8 - 32 X 1/4 (TERMINAL BOARD) (NOT SHOWN)

CONTINUED ON NEXT PAGE ➡

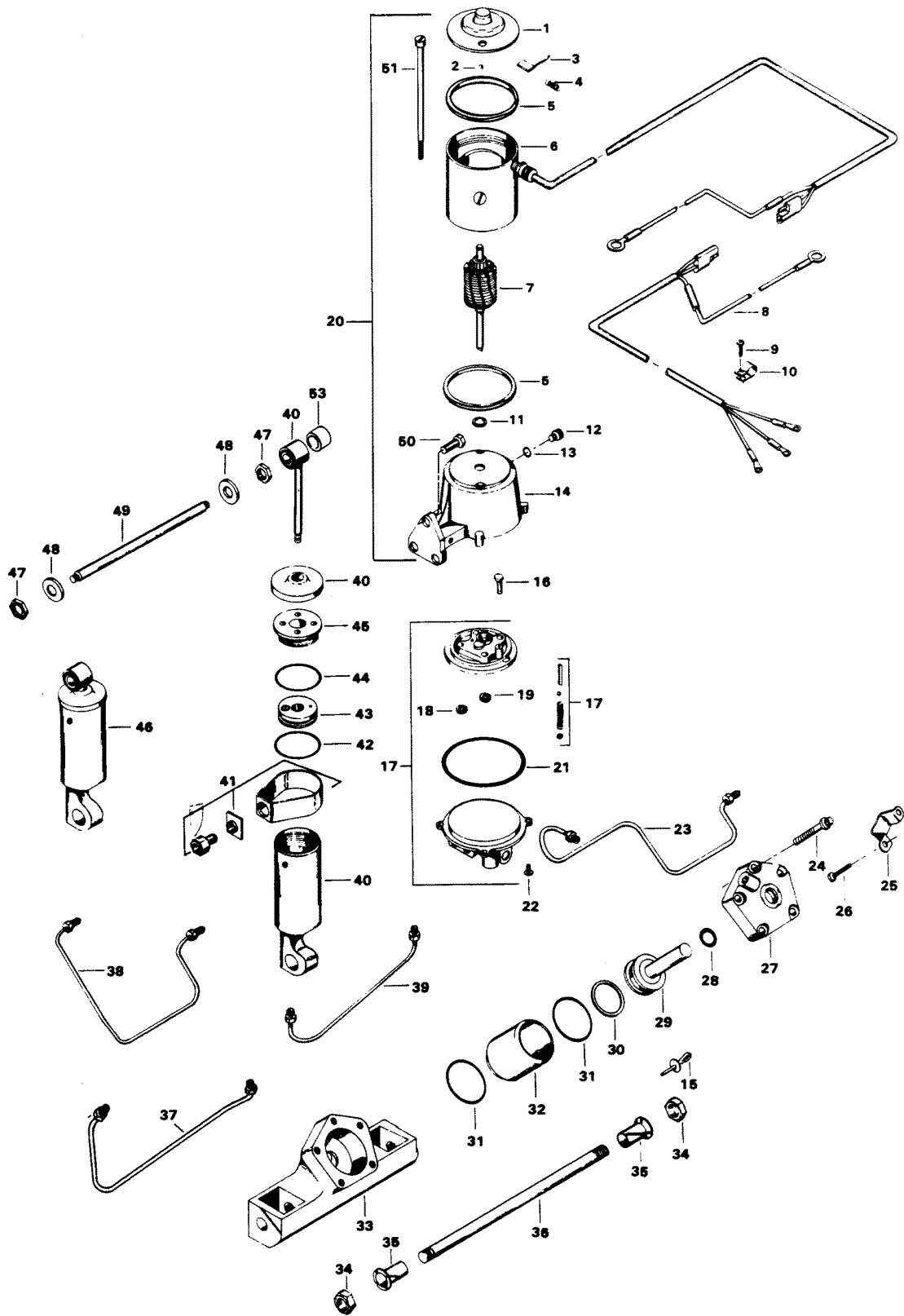
REMOTE CONTROL



REMOTE CONTROL

REF. NO.	PART NO.	SYM.	QTY.	DESCRIPTION
-	OB3062		1	LITERATURE (NOT SHOWN) (5H130 REMOTE CONTROL)
-	F17103		1	BAG ASSEMBLY (NOT SHOWN) INCLUDES ITEMS MARKED WITH AN ASTERISK (*)
39	F448446		1	CLAMP, CABLE TRIM SWITCH (758H2E, 758B2E, 758H3F, 758B3F)
40	F455449		1	SWITCH (758H2E, 758B2E, 758H3F, 758B3F)
41	F1461		2	TAPPING SCREW, #6 X 7/8 (758H2E, 758B2E, 758H3F, 758B3F)
42	F17116		1	KNOB (756H2E, 756B2E, 758H3F, 758B3F)
43	F17115-1		1	HAND LEVER (756H2E, 756B2E, 758H3F, 758B3F)

POWER TRIM UNIT 758H2E, 758B2E, 758H3F, 758B3F MODELS

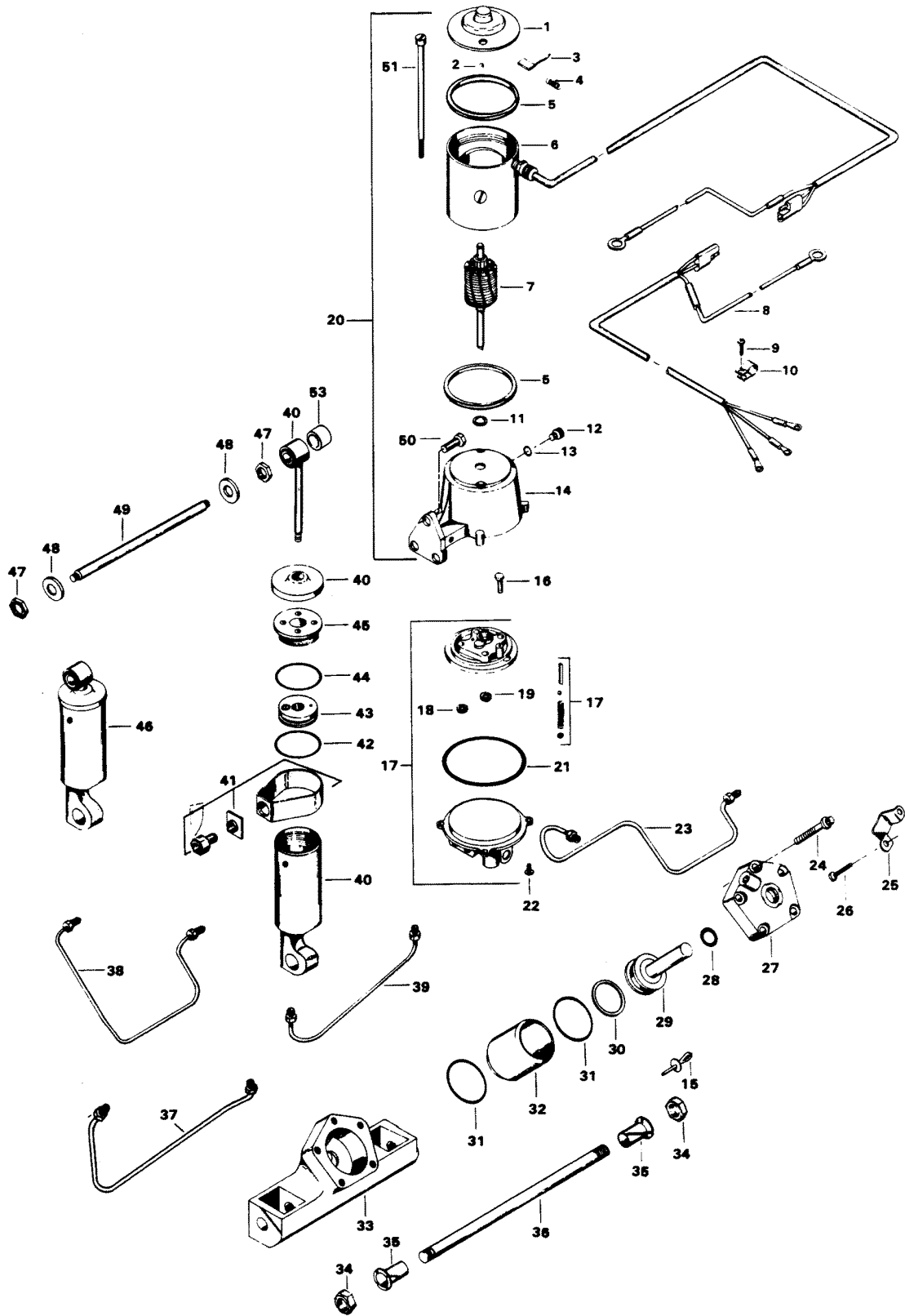


POWER TRIM UNIT 758H2E, 758B2E, 758H3F, 758B3F MODELS

REF. NO.	PART NO.	SYM.	QTY.	DESCRIPTION
1	F17543		1	HEAD ASSEMBLY, COMMUTATOR END
2	F17539		1	BALL
3	F17504		1	BRUSH SET
4	F17500		1	SPRING SET
5	F17557		2	GASKET
6	F17556		1	FIELD AND FRAME ASSEMBLY
7	F17555		1	ARMATURE
8	F500843		1	CABLE
9	F1741		2	THREAD FORMING SCREW, 8 X 3/4
10	F178446		2	CLAMP
11	F17508		A/R	THRUST WASHER
12	F17518		1	FILTER CAP
13	F17510		1	O-RING
14	F17505		1	RESERVOIR AND BRACKET W/SEAL
15	F1966		1	PLUG, SWIVEL BRACKET
16	F1203		1	HEX CAP SCREW, 1/4 - 20 X 7/8
17	F17564		1	VALVE BODY AND PUMP W/ILLUS. 16, 18, 19 AND 21
18	F17566		1	IDLE GEAR
19	F17565		1	DRIVE GEAR
20	F17563		1	MOTOR AND RESERVOIR
21	F17522		1	O-RING
22	F1310		4	ROUND HD SCREW, 10 - 24 X 5/8
23	F449254		1	HYDRAULIC LINE, TRIM CYLINDER, UPPER
24	F1959		5	FERRY HD CAP SCREW, 1/4 - 20 X 1 3/4, STAINLESS STEEL
25	F449354		1	THRUST BRACKET
26	F1734		2	FILL HD MOUNTING SCREW AND LOCKWASHER, 1/4 - 20 X 1/2
27	FA449149		1	COVER W/SEALS RETAINER AND ILLUS. 28
28	F449342		1	SEAL, PISTON SHAFT
29	FA449015		1	PISTON
30	F449278		1	PISTON SEAL
31	F40278		2	SEAL, CYLINDER
32	F449010		1	CYLINDER
33	F449545-2		1	CYLINDER HOUSING
34	F1963		2	ELASTIC STOP NUT, 5/8 - 18
35	F449362		2	BEARING
36	F449632		1	SHAFT
37	F449253-1		1	HYDRAULIC LINE, TRIM CYLINDER, LOWER
38	F449758		1	HYDRAULIC LINE, LIFT CYLINDER, UPPER
39	F449754-1		1	HYDRAULIC LINE, LIFT CYLINDER, LOWER
40	FA17559		1	LIFT CYLINDER COMPLETE W/ILLUS. 53
41	F17577		1	ADAPTER FITTING PACKAGE
42	FA17561-1		1	O-RING

CONTINUED ON NEXT PAGE ➡

POWER TRIM UNIT 758H2E, 758B2E, 758H3F, 758B3F MODELS



POWER TRIM UNIT 758H2E, 758B2E, 758H3F, 758B3F MODELS

REF. NO.	PART NO.	SYM.	QTY.	DESCRIPTION
43	F17562-1		1	PISTON ASSEMBLY
44	F17528		1	O-RING
45	F17560		1	HEAD ASSEMBLY
46	FA178962		1	SHOCK ABSORBER WILLUS. 53
47	F1931		2	STOP NUT, 1/2 - 20, STAINLESS STEEL
48	F1960		2	PLAIN WASHER
49	F449889		1	SHAFT, UPPER
50	F1822		3	HEX CAP SCREW, 5/16 - 18 X 7/8, STAINLESS STEEL
51	F17558		1	THRU-BOLT PACKAGE
52	F1877		2	TY-RAP (NOT SHOWN)
53	F178344		2	BUSHING
54	FK1083		1	SEAL KIT (NOT SHOWN)

SPECIAL TOOLS - TUNE-UP

REF. NO.	PART NO.	SYM.	QTY.	DESCRIPTION
-	FTA2937-1		0	TIMING TOOL TO ADJUST TIMING POINTER.
-	FT8978		0	TIMING LIGHT FOR ADJUSTING IGNITION TIMING.
-	FT8948-1		0	PULLER TO REMOVE FLYWHEEL.

SPECIAL TOOLS - POWER HEAD

REF. NO.	PART NO.	SYM.	QTY.	DESCRIPTION
-	FT2998		0	TORQUE WRENCH (0 - 100 LBS./FT.) TO TORQUE FLYWHEEL NUT.
-	FT2999		0	TORQUE WRENCH (0 - 600 LBS./FT.) TO TORQUE ALL FASTENERS.
-	FT2991		0	CARBON BRUSH TO REMOVE CARBON DEPOSITS FROM POWER HEAD.
-	FT8914		0	SEAL REMOVER TO REMOVE UPPER CRANKSHAFT BEARING CAGE SEAL.
-	FT8903		0	SEAL INSTALLER TO INSTALL UPPER CRANKSHAFT BEARING CAGE SEAL.
-	FT8907		0	DRIVER HANDLE USED WITH T 8903.
-	FT8925		0	SEAL INSTALLER TO INSTALL LOWER CRANKSHAFT SEAL.
-	FT2953		0	SOCKET TO TORQUE CONNECTING ROD SCREWS.
-	FT2990		0	PISTON PIN TOOL TO REMOVE AND INSTALL PISTON PINS.
-	FT2996		0	RING COMPRESSOR TO INSTALL PISTONS IN CYLINDER.
-	FT8926		0	RING EXPANDER TO INSTALL PISTON RINGS.
-	FT1082		0	SNAP RING PLIER TO REMOVE AND INSTALL DISTRIBUTOR RETAINING RING.
-	FT8933		0	LIFTING HOOK TO LIFT ENGINE.
-	FT8900		0	HOSE CLAMP PLIERS TO REMOVE FUEL LINE CLAMP.

SPECIAL TOOLS - GEAR HOUSING

REF. NO.	PART NO.	SYM.	QTY.	DESCRIPTION
-	FT8948-1		0	PULLER TO REMOVE PROPELLER SHAFT SPOOL FROM GEAR HOUSING.
-	FT11209		0	BEARING GUIDE SET TO REMOVE/INSTALL FORWARD BEARING CUP.
-	FT8918		0	BEARING GUIDE SET TO BE USED WITH T 11209 BEARING GUIDE SET.
-	FT11207		0	BEARING CUP REMOVER TO REMOVE FORWARD BEARING CUP IN GEAR HOUSING.
-	FT11205		0	BEARING INSTALLER/REMOVER TO REMOVE AND INSTALL LOWER DRIVESHAFT BEARING.
-	FT11204		0	BEARING CUP INSTALLER TO INSTALL FORWARD BEARING CUP IN GEAR HOUSING.
-	FT8930-1		0	FEELER GAUGE SET TO USE IN SHIMMING LOWER UNIT.
-	FT8957		0	SEAL INSTALLER TO INSTALL SHIFT ROD SEAL.
-	FT8985		0	SEAL INSTALLER TO INSTALL PROPELLER SHAFT SEAL IN SPOOL.
-	FT8925		0	SEAL INSTALLER TO INSTALL DRIVESHAFT SEAL IN GEAR HOUSING COVER.
-	FT3012		0	SEAL INSTALLER TO INSTALL DRIVESHAFT SEAL IN WATER PUMP.
-	FT8997		0	SHIM TOOL TO SHIM LOWER UNIT.
-	FT8901		0	INDICATOR HOLDER USED IN CONJUNCTION WITH T 8997.
-	FT8902		0	DIAL INDICATOR USED IN CONJUNCTION WITH T 8997
-	FT8907		0	DRIVER HANDLE USED WITH T 11204, T 11205, T 11209.
-	FT8919		0	SPRING PIN PUNCH TO REMOVE CLUTCH SPRING PIN.
-	FT7848		0	TORQUE ADAPTER TO HOLD DRIVESHAFT SPLINE WHILE TORQUING.

SPECIAL TOOLS - TEST EQUIPMENT

REF. NO.	PART NO.	SYM.	QTY.	DESCRIPTION
-	FT2951		0	CIRCUIT TRACER TO TROUBLESHOOT ELECTRICAL SYSTEM.
-	FTK8999		0	TEST WHEEL TO TEST MOTOR IN TEST TANK. ORIGINAL FORCE P/N TA 8999
-	FT8950		0	LEAKAGE TESTER TO TEST LOWER UNIT SEALS FOR LEAKAGE.
-	FT8953		0	IGNITION TESTER TO TEST OUTPUT OF C-D UNIT.
-	FT2938-1		0	CONTINUITY TESTER TO TEST CIRCUITS FOR CONTINUITY.

SPECIAL TOOLS - LUBRICANTS AND SEALANTS

REF. NO.	PART NO.	SYM.	QTY.	DESCRIPTION
-	FT2961		0	LUBRICANT - RYKON GREASE #2EP
-	FT2987-1		0	LUBRICANT - ANTI-SEIZE
-	FT8969		0	LUBRICANT - 7 OZ. L PSI LUBRICANT
-	FT8955		0	SEALANT - 5 OZ. EC-750 INDUSTRIAL SEALANT
-	FT8983		0	SEALANT - 3 OZ. RTV SEALANT FROM IN PLACE GASKETS
-	FT8936-1		0	SEALANT - 2 CC LOCTITE RETAINING COMPOUND #75
-	FT2962-1		0	SEALANT - 50 CC LOCTITE H, NON-HARDENING GRADE
-	FT2963-2		0	SEALANT - 2 OZ. LOCTITE D, HARDENING GRADE
-	FT8935		0	SEALANT PRIMER - 6 OZ.

ACCESSORIES

REF. NO.	PART NO.	SYM.	QTY.	DESCRIPTION
-	F5H173		0	FLUSHING ADAPTER PERMITS FRESH WATER FLUSHING OF WATER PASSAGES WITH STANDARD GARDEN HOSE.
-	F5H130		0	REMOTE CONTROL - SURFACE MOUNT PERMITS REMOTE CONTROL OF THROTTLE AND GEAR SHIFT FROM STARBOARD SIDE OF BOAT.
-	F5H120		0	REMOTE CONTROL BACK PLATE TO PREVENT INTERFERENCE WITH PADDED SIDE OF BOAT.
-	F5H131		0	PORT SIDE DECAL KIT CONVERTS 5H130 CONTROL BOX TO PORT SIDE MOUNTING.
-	F590		0	REMOTE CONTROL - FLUSH MOUNT FLUSH MOUNT CONTROL UNIT PERMITS REMOTE CONTROL OF THROTTLE AND GEAR SHIFT. MAY BE MOUNTED ON PORT OR STARBOARD SIDE OF BOAT.
-	865		0	REMOTE CONTROL - SURFACE MOUNT PERMITS REMOTE CONTROL OF THROTTLE AND GEAR SHIFT ON TWIN ENGINE INSTALLATIONS. MAY BE MOUNTED ON PORT OR STARBOARD SIDE OF BOAT.
-	F5H079		0	SINGLE REMOTE CONTROL BOX PERMITS REMOTE CONTROL OF THROTTLE AND GEAR SHIFT. CONSOLE MOUNTED.
-	F5H080		0	TWIN REMOTE CONTROL BOX PERMITS REMOTE CONTROL OF THROTTLE AND GEAR SHIFT - TWO ENGINES. CONSOLE MOUNTED.
-	F195/___		0	REMOTE CONTROL CABLES CONNECTS REMOTE CONTROL BOX TO THROTTLE AND GEAR SHIFT ON ENGINE. AVAILABLE IN 6 THROUGH 40 FOOT LENGTHS.
-	F5H132		0	REMOTE CONTROL HANDLE TRIM SWITCH HAS POWER TRIM CONTROL SWITCH IN HANDLE. REPLACES STANDARD CONTROL LEVER ON 5H130 CONTROL BOX.
-	F5H108		0	STEERING CONNECTOR CLEVIS TYPE FOR BOAT MOUNTED STEERING AND NONTHREADED CABLE END.
-	F5H094		0	STEERING LINK KIT CONNECTS STEERING CABLE TO ENGINE WHEN USING ENGINE MOUNTED STEERING SYSTEM.
-	F5H018		0	DUAL STEERING CONNECTOR PERMITS DUAL ENGINE INSTALLATIONS.
-	F5H026		0	STEEL, 6 GALLON FUEL TANK (LOW PROFILE) AUXILIARY TANK.
-	F5H029		0	TANK ANCHOR SECURES 5H026 TO BOAT.
-	F5H040		0	STEEL, 12 GALLON FUEL TANK AUXILIARY TANK.
-	F5H019		0	ANTI-CORROSION KIT ELECTRICAL KIT FOR MOUNTING ON BOAT (12V) TO REDUCE CORROSION.
-	F5H025		0	ANTI-CORROSION SACRIFICIAL ANODE KIT USED TO REDUCE CORROSION.
-	F5H043		0	OVERHEAT BUZZER SOUNDS WARNING BUZZER IF ENGINE OVERHEATS.
-	F5H161		0	POWER TRIM INDICATOR INDICATES ENGINE TRIM ANGLE.
-	F5H134		0	BOAT WHITE LACQUER ENGINE TOUCH-UP PAINT IN 12 3/4 OZ. SPRAY BOMBS (6 CANS PER CASE).
-	F5H044		0	TILT STOP KIT LIMITS TILTING ANGLE.

CONTINUED ON NEXT PAGE ➡

ACCESSORIES

REF. NO.	PART NO.	SYM.	QTY.	DESCRIPTION
-	F5H068		0	RFI SUPPRESSION KIT PROVIDES RADIO NOISE SUPPRESSION.
-	F5H151		0	SHOCK ABSORBER KIT TO PROVIDE SHOCK PROTECTION WHEN HITTING UNDERWATER OBJECT.
-	F5H081		0	BATTERY CABLE LONGER LENGTH - 15 FEET.
-	F5H157		0	VOLTMETER - FLUSH MOUNT INDICATES BATTERY CONDITION.
-	F5H021		0	EXTENSION CABLE FOR LENGTHENING BATTERY CABLE 6 1/2 FEET.
-	F71H26		0	BATTERY TERMINAL KIT FOR STANDARD NEGATIVE AND POSITIVE BATTERY POST.
-	71H25		0	CHARGE INDICATOR LAMP GLOWS GREEN WHEN ALTERNATOR IS RECHARGING BATTERY. DO NOT USE INDICATOR LAMP AND AMMETER IN SAME INSTALLATION.
-	F5H037		0	CIGAR LIGHTER FOR USE AS CONVENIENCE OUTLET.
-	5H158		0	FUEL GAUGE FLUSH MOUNT MONITORS FUEL SUPPLY.
-	5H145		0	HYDRAULIC TILT HYDRAULIC UNIT TO RAISE AND LOWER THE LOWER UNIT WHEN BEACHING OR TRAILERING BOAT.
-	479		0	HEAT LAMP KIT GLOWS RED IF ENGINE OVERHEATS. DO NOT USE HEAT LAMP AND TEMPERATURE GAUGE IN SOME INSTALLATION.
-	F5H119		0	PROPELLER SPACER (FLARED) REDUCES PROPELLER VENTILATION ON SOME HULLS.
-	F5H159		0	HOURLMETER RECORDS ENGINE RUNNING TIME.
-	F5H077		0	IGNITION KEY SWITCH SHORT BARREL WITH KEYS.
-	F5H078		0	IGNITION KEY SWITCH LONG BARREL WITH KEYS.
-	F762		0	REMOTE ELECTRIC CABLE 25 FOOT CABLE FOR LARGE BOATS.
-	F5H070		0	REMOTE ELECTRIC CABLE 21 FOOT CABLE FOR LARGE BOATS.
-	F5H028		0	SENDING UNIT FOR USE WITH 5H008 FUEL GAUGE.
-	F5H156		0	TEMPERATURE GAUGE FLUSH MOUNT MONITORS ENGINE TEMPERATURE. DO NOT USE TEMPERATURE GAUGE AND HEAT LAMP IN SAME INSTALLATION.
-	F5H153		0	TACHOMETER FLUSH MOUNT MONITORS ENGINE R.P.M. TO PROVIDE CHECK OF ENGINE PERFORMANCE.
-	F5H149		0	POWER TRIM ADJUSTS ENGINE TRIM AND TILTS ENGINE.
-	F5H155		0	SPEEDOMETER FLUSH MOUNT MONITORS BOAT SPEED (10-65 M.P.H.).
-	F5H154		0	SPEEDOMETER FLUSH MOUNT MONITORS BOAT SPEED (10-50 M.P.H.).
-	F5H115		0	TRAILERING TILT LOCK SECURES ENGINE IN HALF TILT POSITION FOR TRAILERING.
-	F5H076		0	SWITCH EXTENSION CABLE - 5 FT. ALLOWS INSTALLATION OF IGNITION SWITCH IN 5H130 CONTROL BOX WITH 563 TERMINAL BLOCK.
-	F5H030		0	SWITCH KIT - RUNNING LIGHTS DASH MOUNTED TOGGLE SWITCH.

CONTINUED ON NEXT PAGE ➡

ACCESSORIES

REF. NO.	PART NO.	SYM.	QTY.	DESCRIPTION
-	F5H031		0	SWITCH KIT - SPOT LIGHT DASH MOUNTED TOGGLE SWITCH.
-	F5H032		0	SWITCH KIT - WIPER DASH MOUNTED TOGGLE SWITCH.
-	F5H034		0	SWITCH KIT - BILGE PUMP DASH MOUNTED TOGGLE SWITCH.
-	F5H035		0	SWITCH KIT - HORN DASH MOUNTED TOGGLE SWITCH (MOMENTARY).
-	F5H036		0	SWITCH KIT - TACHOMETER TRANSFER DASH MOUNTED TOGGLE SWITCH FOR ONE TACHOMETER ON DUAL ENGINE INSTALLATION.
-	F5H038		0	SWITCH KIT - IGNITION SWITCH TO MOUNT IGNITION SWITCH ON DASH.
-	F5H039		0	SWITCH KIT - INSTRUMENT LIGHT DASH MOUNTED TOGGLE SWITCH.
-	F563		0	TERMINAL BLOCK KIT DOUBLE ROW 10 SECTION TO SIMPLIFY ACCESSORY INSTALLATION.
-	F5H075		0	WIRING HARNESS - IGNITION SWITCH (24") USE WITH 563 TERMINAL BLOCK.
-	F596		0	CHRYSLER OUTBOARD OIL SEE BLOCK COMMENT 1.
-	F597		0	CHRYSLER OUTBOARD GEAR LUBE SEE BLOCK COMMENT 2.
-	F5H059		0	CHRYSLER OUTBOARD MULTI-PURPOSE GREASE LUBRICATES BEARINGS AND OTHER MOVING PARTS. AVAILABLE IN 8 OZ. TUBES AND 12 CASES.
-	F5H060		0	CHRYSLER OUTBOARD GREASE GUN

PARTS INDEX

Part Number	Description	Pg.	Ref. No.	Part Number	Description	Pg.	Ref. No.
15169	FRAME AND FIELD ASSEMBLY	15	10	F10170	VALVE ASSY./INLET	19	78
479	HEAT LAMP KIT	62	-	F10171	SEAT VALVE	19	79
5C480944	COVER, ENGINE - COMPLETE	3	-	F10172	THROTTLE SHAFT RETURN SPRING	19	65
5H145	HYDRAULIC TILT	62	-	F10173	MAIN FUEL JET (.074) STD. SEA LEVEL - 2500 FT.	19	72
5H158	FUEL GAUGE FLUSH MOUNT	62	-	F10175	JET	21	84
71H25	CHARGE INDICATOR LAMP	62	-	F10176	TUBE, IDLE	21	108
817747--1	BALL JOINT W/STUD	17	28	F10181	MAIN FUEL JET (.064) OPT. 7500 FT. & UP	19	-
817747--1	BALL JOINT W/STUD	23	18	F10183	MAIN FUEL JET (.068) OPT. 5000 - 7500 FT.	19	-
817783A5	SWIVEL BRACKET	31	40	F1059	FILL HD SCREWS, S.S., 6 - 32 X 1/4	19	70
817783A5	SWIVEL BRACKET	37	60	F1064	FILL HD SCREWS, S.S., 8 - 32 X 3/8	21	101
817786A1	DISTRIBUTOR PULLEY	11	3	F1072	FILL HD SCREW, 1/4 - 20 X 1-3/4	21	93
817787A1	CYLINDER DRAIN COVER	23	28	F1087	FILL HD SCREW, 10 - 24 X 13/16	7	2
817788A3	SPACER PLATE	25	64	F1099	FILL HD SCREW, 1/4 - 20 X 1-1/4	23	15
817822A1	DISTRIBUTOR, COMPLETE	11	-	F1108	FILL HD SCREW W/LOCKWASHER, 1/4 - 20 X 3/4	17	11
817892--1	IGNITION SWITCH PLATE - CANADA (NOT SHOWN)	9	-	F1110	FILL HD SCREW, 1/4 - 20 X 5/8	27	79
817959A3	INTAKE MANIFOLD	17	25	F1199	HEX CAP SCREW, 1/4 - 20 X 1	23	13
865	REMOTE CONTROL - SURFACE MOUNT	61	-	F1203	HEX CAP SCREW, 1/4 - 20 X 7/8	53	16
89396A38	PRIME BULB	47	9	F1236	HEX HD SCREW, 1/4 - 20 X 1/2	17	42
A480944	COVER, ENGINE	3	6	F1263	HEX SOCKET HD CAP SCREW, 5/16 - 18 X 9/16	31	13
A557386	DECAL, NUMERAL	3	11	F1263	HEX SOCKET HD CAP SCREW, 5/16 - 18 X 9/16	35	13
F1009	HEX BOLT, 3/8 - 16 X 2-3/4	23	3	F1280	PAN HD SCREW	35	20
F10090	GASKET, FUEL BOWL RETAINING SCREW	19	73	F1280	PAN HD SCREW, 8 - 32 X 1/4	7	33
F10127	FUEL BOWL	19	74	F1280	PAN HD SCREW, 8 - 32 X 1/4	31	22
F10135	FLOAT	19	77	F1280	PAN HD SCREW, 8 - 32 X 1/4 (TERMINAL BOARD) (NOT SHOWN)	49	-
F10136	FLOAT LEVER PIN	19	76	F1286	PAN HD SCREW, 4 - 40 X 3/16	23	30
F10137	MAIN NOZZLE	19	75	F1310	ROUND HD SCREW, 10 - 24 X 5/8	53	22
F10138	FUEL BOWL GASKET	19	82	F1341	HEX NUT, 1/4 - 20	23	22
F1014	COTTER PIN	19	66	F1346	HEX NUT, 3/8 - 16	23	6
F1014	COTTER PIN	37	66	F1346	HEX NUT, 3/8 - 16	31	28
F10140	SHUTTER SCREW W/LOCKWASHER	21	96	F1346	HEX NUT, 3/8 - 16	35	32
F10141	IDLE SCREW SPRING	21	85	F14006-2	CAP BASE	11	37
F10142	SPRING, FLOAT SUPPORT	21	106	F14007	CAP SCREW	11	33
F10143	CHOKE SHAFT RETURN SPRING	19	81	F14011-1	CAP COVER	11	34
F10145	SPRING, COMPRESSION	21	107	F14012-1	BRUSH	13	39
F10146	IDLE SCREW	21	86	F14015	CAP CLIP RIVET	11	21
F10147	MAIN FUEL JET (.072) OPT. 2500 - 5000 FT.	19	-	F14017	TERMINAL INSULATOR (OUTSIDE)	13	45
F1015	COTTER PIN	43	47	F14020-1	CAP SEAL	11	36
F10152	BODY CHANNEL CUP PLUG	19	58	F14024	SPACER	13	42
F10153	BODY CHANNEL WELCH PLUG	19	57				
F10155	THROTTLE SHUTTER SCREW AND LOCKWASHER	19	60				
F10156	ELBOW	17	4				
F10159	CHOKE SHAFT AND LEVER	19	80				
F10161	CHOKE SHUTTER	21	97				
F10164	FUEL FITTING	19	45				
F10167	RING, RETAINING	21	105				
F10168	THROTTLE SHAFT AND LEVER	19	64				
F10169	THROTTLE SHUTTER	19	61				

PARTS INDEX

Part Number	Description	Pg.	Ref. No.	Part Number	Description	Pg.	Ref. No.
F14025	SPACER	11	4	F15168	THRU BOLT PACKAGE	15	14
F14028	THRUST WASHER	11	5	F1528	WELCH PLUG	31	33
F14029	THRUST WASHER	11	7	F1528	WELCH PLUG	35	41
F14030	CAP GASKET	11	38	F1532	HEX HD SCREW, 1/4 - 20 X 1	19	47
F14036	SWIVEL	11	13	F1532	HEX HD SCREW, 1/4 - 20 X 1	23	25
F14037	CAP CLIPS	11	14	F154317	CABLE CLAMP	49	23
F14038	CAP CLIP SCREWS	11	15	F1556	FILL HD SCREW W/LOCKWASHER, 10 - 24 X 3/8	23	23
F14040	VENT	11	35	F1557	FLAT HD SCREW, 10 - 24 X 3/8	49	25
F14041	EXTERNAL TOOTH LOCKWASHER	11	23	F1577	FILL HD SCREW, 1/4 - 20 X 3/4	41	20
F14042	DISTRIBUTOR HOUSING W/BEARINGS	11	12	F1593	HEX HD SCREW, 3/8 - 16 X 3	31	26
F14043	DISTRIBUTOR SHAFT	13	40	F1593	HEX HD SCREW, 3/8 - 16 X 3	35	30
F14045	SCREW	11	16	F1612	HEX CAP SCREW, 3/8 - 16 X 1-1/4	11	8
F14046	TERMINAL SCREW	11	19	F1641	LOCK NUT	15	6
F14047	TERMINAL INSULATOR (INSIDE)	11	20	F1645	RD HD SCREW, 6 - 32 X 1/4	9	51
F14049	TERMINAL INSULATOR (OUTSIDE)	11	22	F1645	RD HD SCREW, 6 - 32 X 1/4	19	51
F14056	SCREW	13	46	F1647	HEX NUT, 10 - 32	27	78
F1425	HEX CAP SCREW, 1/4 - 20 X 2-5/8	43	63	F1647	HEX NUT, 8 - 32	7	6
F1425	HEX CAP SCREW, 1/4 - 20 X 5/8	45	-	F1647	HEX NUT, 8 - 32	11	24
F1461	TAPPING SCREW, #6 X 7/8 (758H2E, 758B2E, 758H3F, 758B3F)	51	41	F1648	PAN HD SCREW, 10 - 24 X 3/4	7	16
F1473	HEX NUT, 10 - 24	5	33	F1664	SPRING PIN	31	11
F1475	FILL HD SCREW, 10 - 24 X 1/2	23	20	F1664	SPRING PIN	35	11
F1491	HEX CAP SCREW, 5/16 - 18 X 3-1/4	43	41	F1666	BOWED SPRING WASHER	35	26
F15034	SPRING SET	15	20	F1669	LOCK NUT	35	43
F1504	FILL HD SCREW, 1/4 - 20 X 1-1/4	21	91	F1689	HEX HD CAP SCREW, 1/4 - 20 X 1/2	9	42
F1504	FILL HD SCREW, 1/4 - 20 X 1-1/4	23	21	F1692	WOODRUFF KEY	13	41
F15057	BRUSH PLATE AND HOLDER	15	19	F1693	TIE BAR RETAINER	21	100
F15080	SPRING	15	3	F1696	HEX BOLT, 5/16 - 18 X 1-3/4	33	46
F15099	ARMATURE	15	9	F1696	HEX BOLT, 5/16 - 18 X 1-3/4	35	24
F15100	BENDIX	15	5	F1699	HEX HD SCREW, 1/4 - 20 X 1-1/8	17	27
F15110	CLUTCH ASSEMBLY	15	4	F1699	HEX HD SCREW, 1/4 - 20 X 1-1/8	27	101
F15111	NUT, STOP RETAINING	15	1	F17006	DETENT SPRING	49	18
F15112	STOP, PINION	15	2	F17009	BEARING	49	14
F15125	HEAD ASSEMBLY, COMMUTATOR END	15	18	F17010-1	THROTTLE GEAR	49	16
F15126	THRUST WASHER PACKAGE	15	8	F17011	BOWED WASHER	49	15
F1513	HEX NUT	7	18	F17012	RETAINING PLATE	49	13
F1513	HEX NUT	49	3	F17013	FILL HD SCREW, 1/4 - 20 X 1/2	49	11
F1513	HEX NUT, 10 - 32	17	33	F17014	THROTTLE ARM	49	10
F1513	HEX NUT, 10 - 32	23	16	F17016	CABLE TERMINAL	49	9
F1515	HEX NUT	7	24	F17019	CLUTCH ARM	49	5
F1515	HEX NUT, 5/16 - 18	19	56	F17021	CLUTCH GEAR	49	19
F15162	HEX LOCK NUT, 1/4 - 20 W/LOCKWASHER	15	12	F17026	SWIVEL	49	24
F15165	BRUSH TERMINAL SET	15	11	F1703	SPRING LOCKWASHER	23	7
F15167	HEAD ASSEMBLY DRIVE END	15	7	F1703	SPRING LOCKWASHER	33	52
				F1703	SPRING LOCKWASHER	37	77
				F17030-1	SET SCREW	49	31
				F17031-1	SNAP CAP	49	28
				F17036	INTERNAL TOOTH LOCKWASHER	49	6
				F1704	INTERNAL TOOTH LOCKWASHER	19	50

PARTS INDEX

Part Number	Description	Pg.	Ref. No.	Part Number	Description	Pg.	Ref. No.
F1705	HEX CAP SCREW, 1/4 - 20 X 3/4	7	23	F17508	THRUST WASHER	53	11
F1705	HEX CAP SCREW, 1/4 - 20 X 3/4	41	1	F17510	O-RING	53	13
F1705	HEX SLOT HD SCREW, 1/4 - 20 X 3/4	31	3	F17518	FILTER CAP	53	12
F1705	HEX SLOT HD SCREW, 1/4 - 20 X 3/4	35	3	F17522	O-RING	53	21
F17068	DETENT SPRING	49	37	F17528	O-RING	55	44
F17071	FILL HD SCREW, 10 - 24 X 5/16	49	22	F17539	BALL	53	2
F1708	HEX HD CAP SCREW, 1/4 - 20 X 1-3/8	3	18	F17543	HEAD ASSEMBLY, COMMUTATOR END	53	1
F1708	HEX HD SCREW, 1/4 - 20 X 1-3/8	27	97	F1755	RD HD SCREW W/LOCKWASHER, 6 - 32 X 5/16	17	17
F17082-1	DETENT BALL	49	38	F17555	ARMATURE	53	7
F17092	SNAP RING	49	21	F17556	FIELD AND FRAME ASSEMBLY	53	6
F17099	HOUSING	49	36	F17557	GASKET	53	5
F17100	CLUTCH SHAFT	49	20	F17558	THRU-BOLT PACKAGE	55	51
F17103	BAG ASSEMBLY (NOT SHOWN)	51	-	F17560	HEAD ASSEMBLY	55	45
F17105	FELT WASHER	49	33	F17562-1	PISTON ASSEMBLY	55	43
F17106	COLLAR	49	34	F17563	MOTOR AND RESERVOIR	53	20
F17111	DETENT BALL	49	17	F17564	VALVE BODY AND PUMP	53	17
F17112	JUNCTION BOARD, STARBOARD	49	26	F17565	DRIVE GEAR	53	19
F17113	JUNCTION BOARD, PORT	49	-	F17566	IDLE GEAR	53	18
F17115-1	HAND LEVER (756H2E, 756B2E, 758H3F, 758B3F)	51	43	F17577	ADAPTER FITTING PACKAGE	53	41
F17116	KNOB (756H2E, 756B2E, 758H3F, 758B3F)	51	42	F1759	SHIM, DISTRIBUTOR (QTY. AS REQUIRED)	11	11
F1713	SPRING PIN	41	26	F1760	PAN HD SCREW, 10 - 24 X 3/8	7	19
F17146	WOOD SCREW	49	35	F1760	PAN HD SCREW, 10 - 24 X 3/8	11	25
F17147	INTERNAL TOOTH LOCKWASHER	49	12	F1760	PAN HD SCREW, 10 - 24 X 3/8	21	88
F17148	DECAL, STARBOARD	49	27	F1760	PAN HD SCREW, 10 - 24 X 3/8	23	2
F17149	COTTER PIN	49	8	F177330	FUEL PUMP VALVE	17	8
F1715	HEX BOLT, 1/4 - 28 X 9/16	49	7	F177350	REVERSE LOCK PIN	37	49
F1727	PLASTIC RIVET	23	36	F1778	PLAIN WASHER	11	9
F1729	PLUG	31	9	F178145-3	MOTOR LEG COVER, REAR	31	10
F1729	PLUG	35	9	F178145-3	MOTOR LEG COVER, REAR	35	10
F1730	SCREW, PAN HD W/SPRING LOCKWASHER, 1/4 - 20 X 5/8	3	4	F17815	SEAL, FUEL LINE COUPLER (SMALL)	47	5
F1733	SCREW, PAN HD, 10 - 24 X 9/16	3	2	F17816	SEAL, FUEL LINE COUPLER (LARGE)	47	4
F1734	FILL HD MOUNTING SCREW AND LOCKWASHER, 1/4 - 20 X 1/2	53	26	F17817	SEAL, FUEL TANK ADAPTER	47	12
F1734	FILL HD SCREW W/LOCKWASHER, 1/4 - 20 X 1/2	7	14	F178323	SEAL, MOTOR LEG	31	15
F1741	PAN HD SCREW, 8 X 3/4	7	35	F178323	SEAL, MOTOR LEG	35	15
F1741	THREAD FORMING SCREW, 8 X 3/4	53	9	F178344	BUSHING	55	53
F1744	SPRING PIN	37	48	F178446	CLAMP	53	10
F1744	SPRING PIN	37	55	F1788	STOP NUT	41	15
F17500	SPRING SET	53	4	F18160-2	REED	23	33
F17504	BRUSH SET	53	3	F1822	HEX BOLT, 5/16 - 18 X 7/8	33	55
				F1822	HEX BOLT, 5/16 - 18 X 7/8	37	72
				F1822	HEX CAP SCREW, 5/16 - 18 X 7/8, STAINLESS STEEL	55	50
				F1832	STOP NUT, 1/4 - 20	25	59
				F1836	SPRING PIN	37	65
				F184033-1	CHOKE ARM SWIVEL	19	69
				F184579	SEAL, CHOKE ARM SWIVEL	19	68

PARTS INDEX

Part Number	Description	Pg.	Ref. No.	Part Number	Description	Pg.	Ref. No.
F1854	HEX CAP SCREW, 1/4 - 20 X 5/8	3	24	F1937	SPACER, BEVEL GEAR FRONT .062	41	-
F1856	PLAIN WASHER	45	72	F1938	SPACER, BEVEL GEAR FRONT .065	41	-
F1857	HEX CAP SCREW, 5/16 - 18 X 5/8	3	22	F1939	SPACER, BEVEL GEAR FRONT .068	41	-
F1857	HEX CAPSCREW, 5/16 - 18 X 5/8	5	34	F1940	SPACER, BEVEL GEAR FRONT .071	41	-
F1858	HEX CAP SCREW, 5/16 - 18 X 1	3	20	F1941	SPACER, BEVEL GEAR FRONT .074	41	-
F1858	HEX CAP SCREW, 5/16 - 18 X 1	43	39	F1942	SPACER, BEVEL GEAR FRONT .077	41	-
F1860	SLOTTED BINDING HD SCREW, 6 - 32 X 1/4	17	7	F195/_	REMOTE CONTROL CABLE (SPECIFY LENGTH)	49	4
F1864	HEX CAP SCREW, 1/4 - 20 X 3/4	3	14	F195/_	REMOTE CONTROL CABLES	61	-
F1864	HEX HD SCREW, 1/4 - 2 X 3/4	25	67	F1950	HEX HD SCREW, 10 - 24 X 5/8	27	93
F1864	HEX HD SCREW, 1/4 - 20 X 3/4	23	9	F1959	FERRY HD CAP SCREW, 1/4 - 20 X 1 3/4, STAINLESS STEEL	53	24
F1866	PLAIN WASHER	41	16	F1960	PLAIN WASHER	55	48
F1867	HEX CAP SCREW, 3/8 - 16 X 1	29	19	F1963	ELASTIC STOP NUT, 5/8 - 18	53	34
F1869	HEX BOLT, 3/8 - 16 X 1-1/4	25	62	F1966	PLUG, SWIVEL BRACKET	53	15
F1871	HEX HD SCREW, 3/8 - 16 X 3/4	33	53	F1968	FLYWHEEL NUT	29	21
F1871	HEX HD SCREW, 3/8 - 16 X 3/4	37	78	F1975	SPRING LOCKWASHER	7	10
F1872	HEX BOLT, 3/8 - 16 X 1-3/4	23	14	F1975	SPRING LOCKWASHER	11	26
F1873	HEX BOLT, 3/8 - 16 X 3	23	5	F197787-3	FUEL LINE COUPLER	47	6
F1877	TY-RAP	7	29	F197813	BEARING	37	68
F1877	TY-RAP (NOT SHOWN)	55	52	F1987	PLAIN WASHER	27	73
F1883	HEX BOLT, 5/16 - 18 X 2-3/8	27	74	F1987	PLAIN WASHER	37	84
F1885	HEX BOLT, 5/16 - 18 X 4-1/4	25	53	F1990	HEX CAP SCREW	45	-
F1885	HEX CAP SCREW, 5/16 - 18 X 4-1/4	41	6	F1990	HEX CAP SCREW, 1/4 - 20 X 1-5/8	43	61
F1892	STOP NUT	9	52	F1994	HEX SOCKET HD CAP SCREW, 5/16 - 18 X 1	43	37
F1904	PLAIN WASHER	31	27	F1997	STOP NUT, 8 - 32	19	59
F1904	PLAIN WASHER	35	31	F2000	HEX CAP SCREW, 5/16 - 18 X 3/4	9	47
F1907	PLAIN WASHER	41	7	F2008	HEX BOLT, 1/4 - 20 X 7/8	27	98
F1910	STOP NUT, 1/4 - 20	17	30	F2008	HEX CAP SCREW, 1/4 - 20 X 7/8	27	100
F19109	PLUG	27	85	F2008	HEX CAP SCREW, 1/4 - 20 X 7/8	43	55
F19109	PLUG, GEAR HOUSING	43	31	F2008	HEX HD SCREW, 1/4 - 20 X 7/8	17	26
F1912	HEX HD SCREW, 10 - 24 X 1/2	31	41	F2014	PLAIN WASHER	33	63
F1912	HEX HD SCREW, 10 - 24 X 1/2	37	80	F2014	PLAIN WASHER	39	86
F1922	HEX CAP SCREW, 1/4 - 20 X 5/8	17	3	F2015	HEX NUT, 1/4 - 28	23	42
F1922	HEX HD SCREW, 1/4 - 20 X 5/8	15	16	F2016	FILL HD SCREW, 6 - 32 X 7/8	19	53
F1922	HEX HD SCREW, 1/4 - 20 X 5/8	25	49	F2030	HEX HD SCREW, 1/4 - 20 X 1 1/4	33	50
F1922	HEX SLOT HD SCREW, 1/4 - 20 X 5/8	3	19	F2030	HEX HD SCREW, 1/4 - 20 X 1-1/4	37	76
F1931	STOP NUT, 1/2 - 20, STAINLESS STEEL	55	47	F203276	BOOT	11	30
F1934	FLAT HD SLOTTED SCREW, 6 X 1/2	9	49	F2033	GROOVE PIN	17	39
F1936	SPACER, BEVEL GEAR FRONT .059	41	28	F203673	TERMINAL CLIP	11	31
				F2042	PLAIN WASHER	23	39
				F2042	PLAIN WASHER	25	55
				F2047	WAVE WASHER	5	28

PARTS INDEX

Part Number	Description	Pg.	Ref. No.	Part Number	Description	Pg.	Ref. No.
F2050	HEX HD SCREW, 1/4 - 20 X 1-1/2	17	36	F321756	PACKING	5	30
F2066	PAN HEAD TAPPING SCREW, 10 X 7/16	5	32	F321841-3	LEAD WIRE	11	32
F2067	PLASTISOL CAP (NOT SHOWN) FOR EXPOSED THREADS OF CRANKSHAFT	29	-	F333316	THROTTLE ROLLER SHAFT	19	62
F2088	FASTENER	3	8	F333480-1	RETAINER, ENGINE COVER	5	31
F2089	SLOTTED PAN HD MACHINE SCREW, 10 - 24 X 5/16	25	56	F335215	SPACER, PISTON PIN (2 PER PISTON)	29	3
F2090	PLUG	25	65	F335217-1	BEARING PISTON PIN (26 PER SET)	29	5
F2093	STOP NUT, 3/8 - 24	31	16	F335654-1	STOP, DEFLECTION	3	23
F2093	STOP NUT, 3/8 - 24	35	16	F338618-1	GEAR SHIFT ROD SEAL	45	-
F2107	FILL HD SCREW, 10 - 24 X 5/8	7	9	F338618-1	SEAL, GEAR SHIFT ROD	43	56
F2108	LOCK NUT, 5/16 - 18	33	60	F345475-1	COIL	9	44
F2108	LOCK NUT, 5/16 - 18	37	83	F345683	WIRE, REGULATOR-RECTIFIER GROUND	7	5
F2108	STOP NUT, 5/16 - 18	25	57	F351307	SEAL, WATER PUMP	43	64
F2113	SPACER, BEVEL GEAR FRONT .080	41	-	F353480	STUD	31	29
F2114	SPACER, BEVEL GEAR FRONT .083	41	-	F353480	STUD	35	33
F2115	SPACER, BEVEL GEAR FRONT .086	41	-	F369349	REVERSE LOCK	37	44
F2116	SPACER, BEVEL GEAR FRONT .089	41	-	F369364	REVERSE LOCK ARM	37	64
F2121	SPACER, BEVEL GEAR FRONT .057	41	-	F369510	LINK	37	47
F2122	SPACER, BEVEL GEAR FRONT .054	41	-	F369529-1	CYLINDER HEAD GASKET	25	*
F213274	GREASE FITTING	11	27	F369529-1	CYLINDER HEAD GASKET	27	86
F213274	GREASE FITTING	31	42	F369610	BEARING	25	52
F213274	GREASE FITTING	37	61	F369827	HANDLE AND SHAFT	37	69
F24278	PROPELLER SHAFT SPOOL SEAL	45	-	F369887	SHOULDER SCREW	25	51
F24278	SEAL, O-RING PROPELLER SHAFT SPOOL	41	10	F369977-1	INTERLOCK ARM	25	61
F269319	BEARING	17	31	F381896-4	BATTERY CABLE	7	30
F284659-2	CRANKSHAFT THRUST BEARING UPPER	29	22	F391926-1	CHOKE SOLENOID PLUNGER	17	40
F286461	SPRING LOCK BAR HANDLE	37	53	F391983	RETAINING BAND	7	27
F289446-1	CLAMP	7	12	F3A523158	REED PLATE	17	21
F298788	FERRULE	47	7	F3C616944	COVER, ENGINE - COMPLETE	3	-
F2A404757	CYLINDER DRAIN REED PLATE	23	35	F40209	CARBURETOR STUD	19	55
F2A498662	BEVEL GEAR, REAR W/BEARING CAGE, SPACER AND BEARING	41	22	F40223	GASKET, TRANSFER PORT COVER	25	47
F2A523239	SPOOL, PROPELLER SHAFT BEARING	41	11	F40223	TRANSFER PORT COVER GASKET	25	*
F2A550706	GEAR HOUSING COVER	43	53	F40278	SEAL, CYLINDER	53	31
F307317-1	CLIP, TERMINAL BLOCK	7	17	F404268	SPRING, BY-PASS VALVE	27	90
F316579	SEAL, CRANKCASE	29	11	F404470-1	REGULATOR-RECTIFIER	7	8
F316599	SEAL, STEERING SUPPORT TUBE	33	43	F404513	COIL CLAMP	7	40
F316599	SEAL, STEERING SUPPORT TUBE	35	40	F404801	FITTING	23	26
F319908	WIRE, GROUND (CANADA ONLY)	9	55	F404841	CABLE, HEAT INDICATOR	7	37
				F40689-1	BEARING, TOWERSHAFT	25	63
				F407446	CLAMP	7	31
				F409251-1	GAUGE CAP	47	1
				F433114	HANDLE, LOCK BAR	37	54
				F433209-1	STUD	17	34
				F433253	HOSE	23	27
				F438066	BY-PASS VALVE COVER	27	92
				F438129	SEAL, DRIVESHAFT SPLINE	45	71
				F438165	SCREW, FUEL PUMP BOWL	17	16
				F438169	BEARING	31	35
				F438169	BEARING	37	46
				F438271	RETAINER, CRANKSHAFT SPLINE SEAL	45	70
				F438346	SHOCK MOUNT, LOWER	33	54
				F438346	SHOCK MOUNT, LOWER	37	73
				F438398-1	DECAL, WIRING	27	99

PARTS INDEX

Part Number	Description	Pg.	Ref. No.	Part Number	Description	Pg.	Ref. No.
F438500	FUEL SEDIMENT BOWL	17	15	F480818	BEARING, LATCH SHAFT	3	13
F438617	FUEL SEDIMENT BOWL GASKET	17	13	F480955	STARTER COMPLETE.	15	-
F438653	FUEL SEDIMENT BOWL SCREEN	17	14	F481382-1	SPACER, LATCH SHAFT	5	29
F438668	RETAINER, CABLE CLAMP	7	13	F481434	GUIDE, ENGINE COVER	3	9
F438744-1	WIRING HARNESS	7	4	F481567	CARBURETOR INTAKE ADAPTER	21	95
F438747	FUEL PUMP DIAPHRAGM	17	6	F481774	BRACKET, ENGINE COVER LATCH	3	7
F438754	FUEL LINE	19	44	F481777	CAM, LATCH SHAFT	5	27
F438760	FUEL PUMP GASKET	17	2	F481836	INTAKE GASKET	21	87
F438801	FITTING	17	12	F481836	INTAKE GASKET	27	*
F438841-1	LEAD WIRE - CANADA	11	-	F481860-1	CARBURETOR, INTAKE	21	94
F438905	COIL WIRE - CANADA	11	-	F483884	BEARING	37	59
F438930	RETAINER, SNOOT	43	36	F485755-1	FUEL TANK ADAPTER	47	3
F438962	SHOCK MOUNT SLIDE	31	12	F498618	GEAR SHIFT ARM PIN SEAL	45	-
F438962	SHOCK MOUNT SLIDE	35	12	F498618	SEAL	43	33
F439736	SEAL EXHAUST TUBE	31	8	F498891	PIN, GEAR SHIFT ARM	43	32
F439736	SEAL EXHAUST TUBE	35	8	F498891	PIN, PROPELLER NUT RETAINING	41	14
F448446	CLAMP, CABLE TRIM SWITCH (758H2E, 758B2E, 758H3F, 758B3F)	51	39	F499995	CYLINDER HEAD COVER	27	75
F448543	KNOB (758H2E, 758B2E, 758H3F, 758B3F)	49	29	F500843	CABLE	53	8
F448611-1	HANDLE (758H2E, 758B2E, 758H3F, 758B3F)	49	30	F50109	PLUG, GEAR HOUSING	43	44
F449010	CYLINDER	53	32	F50342-1	BEARING CAGE BOLT SEAL	45	-
F449253-1	HYDRAULIC LINE, TRIM CYLINDER, LOWER	53	37	F50342-1	SEAL, BEARING CAGE BOLTS	41	8
F449254	HYDRAULIC LINE, TRIM CYLINDER, UPPER	53	23	F506118	PROPELLER SHAFT SEAL	45	-
F449278	PISTON SEAL	53	30	F506118	SEAL, DRIVESHAFT	43	52
F449342	SEAL, PISTON SHAFT	53	28	F506118	SEAL, PROPELLER SHAFT	41	9
F449354	THRUST BRACKET	53	25	F510374	DECAL, CIRCUIT BREAKER - USA	7	41
F449362	BEARING	53	35	F510460	CIRCUIT BREAKER	7	22
F449545-2	CYLINDER HOUSING	53	33	F511125-2	TUBE, STEERING SUPPORT	33	64
F449632	SHAFT	53	36	F511125-2	TUBE, STEERING SUPPORT	35	39
F449754-1	HYDRAULIC LINE, LIFT CYLINDER, LOWER	53	39	F511675	STARTER BRACKET, LOWER	15	17
F449758	HYDRAULIC LINE, LIFT CYLINDER, UPPER	53	38	F523031	GASKET, WATER LUMP	45	-
F449889	SHAFT, UPPER	55	49	F523031	GASKET, WATER PUMP	43	57
F449894	INDICATOR (758H2E, 758B2E, 758H3F, 758B3F)	49	32	F523057	BEARING, DRIVESHAFT LOWER	43	66
F455449	SWITCH (758H2E, 758B2E, 758H3F, 758B3F)	51	40	F523065-1	IMPELLER	45	-
F460917	STARTER RELAY	7	26	F523094-2	PROPELLER NUT	41	13
F474073-1	CLAMP SCREW	31	31	F523099-1	SPACER, PROPELLER	41	19
F474073-1	CLAMP SCREW	35	35	F523116-1	EXHAUST SNOOT	43	38
F474387	TIMING DECAL	9	54	F523133-2	MOTOR LEG	31	14
F476066-1	COVER, THERMOSTAT	27	80	F523133-2	MOTOR LEG	35	14
F476067	GASKET, THERMOSTAT COVER	27	83	F523146	SEAL	29	20
F476067	THERMOSTAT COVER GASKET	27	*	F523146	SEAL, CRANKSHAFT LOWER	29	13
F480038-2	PLATE, SUPPORT	3	15	F523188	NUT, BEVEL PINION RETAINING	43	34
F480107-1	CAM, STARTER INTERLOCK	25	54	F523244	INLET WATER LINE	41	5
F480388	DISC, WATER PUMP LOCATING	43	62	F523273	STEERING BALL STUD	31	20
F480518	CYLINDER HEAD	27	84	F523273	STEERING BALL STUD	35	23
				F523274	GREASE FITTING	33	44
				F523274	GREASE FITTING	35	38
				F523280	NUT, STEERING SUPPORT TUBE	31	36
				F523280	NUT, STEERING SUPPORT TUBE	37	50
				F523300-1	SPRING STEERING LINK	35	19

PARTS INDEX

Part Number	Description	Pg.	Ref. No.	Part Number	Description	Pg.	Ref. No.
F523300-1	SPRING, STEERING LINK ..	31	19	F5H035	SWITCH KIT - HORN	63	-
F523411	RETAINING RING	41	23	F5H036	SWITCH KIT - TACHOMETER TRANSFER	63	-
F523498	DRIVE KEY, WATER PUMP ..	45	68	F5H037	CIGAR LIGHTER	62	-
F523498	KEY	45	-	F5H038	IGNITION SWITCH MOUNTING KIT (ACCESSORY ITEM)	9	48
F523555	GEAR HOUSING COVER SEAL	45	-	F5H038	SWITCH KIT - IGNITION SWITCH	63	-
F523555	SEAL, O-RING - GEAR HOUSING COVER	43	49	F5H039	SWITCH KIT - INSTRUMENT LIGHT	63	-
F523562	PLATE, WATER PUMP	45	-	F5H040	STEEL, 12 GALLON FUEL TANK	61	-
F523562	WATER PUMP IMPELLER ..	43	58	F5H043	OVERHEAT BUZZER	61	-
F523705	GEAR SHIFT ROD LOWER ..	43	46	F5H043	OVERHEAT BUZZER (ACCESSORY ITEM)	7	36
F523813	BEARING CUP	43	30	F5H044	TILT STOP KIT	61	-
F523834	CLIP, SPARK PLUG WIRE ..	25	50	F5H059	CHRYSLER OUTBOARD MULTI-PURPOSE GREASE	63	-
F523881-2	STEERING LINK	31	17	F5H060	CHRYSLER OUTBOARD GREASE GUN	63	-
F523881-2	STEERING LINK	35	17	F5H068	RFI SUPPRESSION KIT	62	-
F523899	GROMMET, WATER LINE ..	41	4	F5H070	REMOTE ELECTRIC CABLE	62	-
F523930	RETAINER	31	23	F5H075	WIRING HARNESS - IGNITION SWITCH (24") ..	63	-
F523930	RETAINER	35	22	F5H076	SWITCH EXTENSION CABLE - 5 FT.	62	-
F523961	CRUSH RING	43	50	F5H077	IGNITION KEY SWITCH	62	-
F523962	SHOCK MOUNT - C.D. UNIT	9	46	F5H078	IGNITION KEY SWITCH	62	-
F528068	THERMOSTAT	27	82	F5H078	IGNITION SWITCH (LONG BARREL) W/KEYS AND SCREWS	7	34
F529390-1	DECAL, REVERSE LOCK ...	37	62	F5H079	SINGLE REMOTE CONTROL BOX	61	-
F530160	REED (5 PETAL)	17	20	F5H080	TWIN REMOTE CONTROL BOX	61	-
F531892	DECAL, PORT	49	-	F5H081	BATTERY CABLE	62	-
F53504	GROMMET	21	92	F5H094	STEERING LINK KIT	61	-
F545189	BUSHING, CABLE ENTRY ..	3	17	F5H108	STEERING CONNECTOR ..	61	-
F548984	BLANKET, SILENCER - TOP (NOT SHOWN)	5	-	F5H115	TRAILERING TILT LOCK ...	62	-
F548985	BLANKET, SILENCER - SIDE (NOT SHOWN)	5	-	F5H119	PROPELLER SPACER (FLARED)	62	-
F549189	BUSHING, ELECTRIC CABLE	3	16	F5H119	WASHER, PROPELLER SPLINE (ACCESSORY ITEM)	41	17
F563	TERMINAL BLOCK KIT	63	-	F5H120	REMOTE CONTROL BACK PLATE	61	-
F581061	CARBURETOR COMPLETE (TOP) WE 4-1	19	83	F5H130	REMOTE CONTROL - SURFACE MOUNT	61	-
F582061	CARBURETOR COMPLETE (MIDDLE & BOTTOM) WE 4-2	21	-	F5H131	PORT SIDE DECAL KIT	61	-
F58685-2	CONNECTOR, SHIFT CABLE	49	2	F5H132	REMOTE CONTROL HANDLE TRIM SWITCH	61	-
F590	REMOTE CONTROL - FLUSH MOUNT	61	-	F5H134	BOAT WHITE LACQUER ...	61	-
F596	CHRYSLER OUTBOARD OIL	63	-	F5H149	POWER TRIM	62	-
F597	CHRYSLER OUTBOARD GEAR LUBE	63	-	F5H151	SHOCK ABSORBER KIT ...	62	-
F5H018	DUAL STEERING CONNECTOR	61	-	F5H153	TACHOMETER FLUSH MOUNT	62	-
F5H019	ANTI-CORROSION KIT	61	-	F5H154	SPEEDOMETER FLUSH MOUNT	62	-
F5H021	EXTENSION CABLE	62	-				
F5H025	ANTI-CORROSION SACRIFICIAL ANODE	61	-				
F5H026	FUEL TANK (ACCESSORY ITEM)	47	2				
F5H026	STEEL, 6 GALLON FUEL TANK (LOW PROFILE) ...	61	-				
F5H028	SENDING UNIT	62	-				
F5H029	TANK ANCHOR	61	-				
F5H030	SWITCH KIT - RUNNING LIGHTS	62	-				
F5H031	SWITCH KIT - SPOT LIGHT ..	63	-				
F5H032	SWITCH KIT - WIPER	63	-				
F5H034	SWITCH KIT - BILGE PUMP ..	63	-				

PARTS INDEX

Part Number	Description	Pg.	Ref. No.	Part Number	Description	Pg.	Ref. No.
F5H156	TEMPERATURE GAUGE			F84011	WASHER	37	63
	FLUSH MOUNT	62	-	F84074	CLAMP SCREW FOOT	31	30
F5H157	VOLTMETER - FLUSH			F84074	CLAMP SCREW FOOT	35	34
	MOUNT	62	-	F84278	CRANKSHAFT BRG. CAGE		
F5H159	HOURLMETER	62	-		SEAL	25	*
F5H161	POWER TRIM INDICATOR	61	-	F84278	SEAL, CRANKSHAFT		
F5H173	FLUSHING ADAPTER	61	-		BEARING CAGE	29	17
F63754	HOSE INTAKE DRAIN	21	90	F84286-1	FRICITION WASHER	31	39
F7004	STOP NUT, 3/18 - 16	25	46	F84286-1	FRICITION WASHER	37	57
F7012	LOCK NUT, 1/2 - 20	31	25	F84305	PROPELLER SHAFT SPOOL		
F7012	LOCK NUT, 1/2 - 20	35	29		SEAL	45	-
F7013	STOP NUT	11	2	F84305	SEAL, PROPELLER SHAFT		
F71H26	BATTERY CABLE CLAMP				BEARING SPOOL	41	12
	KIT. (ACCESSORY ITEM)	7	32	F84307-1	DRIVESHAFT SEAL	45	-
F71H26	BATTERY TERMINAL KIT	62	-	F84314-2	ELBOW	21	109
F74305	GEAR HOUSING COVER			F84314-2	ELBOW	25	44
	SEAL	45	-	F84342	SEAL, INLET WATER LINE		
F74305	SEAL, DRIVESHAFT				UPPER	41	3
	BEARING CAGE	43	51	F84449	INTERLOCK SWITCH	19	49
F762	REMOTE ELECTRIC CABLE	62	-	F84504	GROMMET	27	81
F8003	PLAIN WASHER	23	31	F84504	THERMOSTAT GROMMET	25	*
F8011	PLAIN WASHER	7	20	F84521-2	CLUTCH	41	27
F8026	PLAIN WASHER	21	-	F84792	GASKET, FUEL PUMP		
F8026	PLAIN WASHER	21	110		VALVE	17	9
F8028	PLAIN WASHER	15	15	F84871-1	PIN, GEAR SHIFT	41	25
F8038	PLAIN WASHER	25	45	F85017	PISTON PIN	29	4
F8038	PLAIN WASHER	31	18	F85026	SWIVEL	25	43
F8038	PLAIN WASHER	35	18	F85033	CHOKE ROD SWIVEL	17	37
F8056	LOCKWASHER	11	18	F85035	DISTRIBUTOR CONTROL		
F8056	LOCKWASHER	13	43		ROD END	23	41
F8056	SPRING LOCKWASHER	7	7	F85036	TOWERSHAFT CONTROL		
F8056	SPRING LOCKWASHER	27	77		ROD END	23	37
F8058	INTERNAL TOOTH			F85037-1	STERN BRACKET PIVOT		
	LOCKWASHER	17	29		BOLT	31	38
F8058	INTERNAL TOOTH			F85037-1	STERN BRACKET PIVOT		
	LOCKWASHER	25	69		BOLT	37	56
F8077	WASHER	45	-	F85095-2	STATOR	7	3
F8077	WASHER, GEAR HOUSING			F85117	BRACKET, WATER LINE	41	2
	PLUG	43	43	F85122	CRANKCASE SEAL	25	*
F8080	HELICAL SPRING			F85122	PARTING LINE SEAL	23	11
	LOCKWASHER	35	21	F85130	BOOT, IDLE EXHAUST	31	5
F8080	SPRING LOCKWASHER	31	21	F85130	BOOT, IDLE EXHAUST	35	5
F8083	LOCKWASHER	5	26	F85151-1	EXHAUST PORT PLATE	27	95
F8083	SPRING LOCKWASHER	9	43	F85152-4	EXHAUST PORT COVER	27	96
F8083	SPRING LOCKWASHER	31	2	F85154-1	EXHAUST PORT PLATE		
F8083	SPRING LOCKWASHER	35	2		GASKET	25	*
F8083	SPRING LOCKWASHER	43	54	F85154-1	GASKET, EXHAUST PORT		
F8083	SPRING LOCKWASHER	45	-		PLATE	27	94
F8088	PLAIN WASHER	19	52	F85159-1	GASKET, INTAKE MANIFOLD	17	24
F8088	PLAIN WASHER	19	67	F85159-1	MANIFOLD GASKET	25	*
F8094	PLAIN WASHER	37	67	F85161-1	REED STOP	17	18
F8094	WASHER, PLAIN	5	25	F85162	REED PLATE ADAPTER	17	23
F8095	PLAIN WASHER	23	4	F85168-1	CARBURETOR ADAPTER		
F8096	LOCKWASHER	3	21		FLANGE GASKET	25	*
F8096	LOCKWASHER	5	35	F85168-1	GASKET REED PLATE		
F8096	SPRING LOCKWASHER	7	25		ADAPTER	17	22
F8096	SPRING LOCKWASHER	33	56	F85173	RETAINING RING	11	6
F8096	SPRING LOCKWASHER	37	71	F85192-1	THROTTLE CAM	17	32
F8096	SPRING LOCKWASHER	43	40	F85210	STUD	23	8
F84011	WASHER	33	47	F85211	STUD, REAR	27	87

PARTS INDEX

Part Number	Description	Pg.	Ref. No.	Part Number	Description	Pg.	Ref. No.
F85253-1	FUEL LINE	19	46	F85906	CARBURETOR GASKET	19	54
F85258	INSERT	31	4	F85906	CARBURETOR GASKET	25	*
F85258	INSERT	35	4	F85908	STARTER LEAD WIRE	15	13
F85279-2	CYLINDER EXHAUST GASKET, UPPER	25	66	F85916-1	BY-PASS VALVE	27	89
F85300	REVERSE LOCK SPRING	37	45	F85924	CHOKE SOLENOID	7	28
F85311	DISTRIBUTOR BELT	11	1	F85925	CHOKE ROD	17	38
F85317-2	CLAMP	17	41	F85965	SHOCK MOUNT, UPPER	33	59
F85350-1	TILT STOP PIVOT	35	25	F85965	SHOCK MOUNT, UPPER	37	81
F85372	PIN, GEAR SHIFT ROD LOWER	43	48	F89758	FUEL PUMP AIR HOSE, TOP	17	5
F8538	SPRING PIN	31	32	F9018	CAP	31	37
F8538	SPRING PIN	35	36	F9018	CAP	37	51
F85380	SPRING	31	6	F9052	PLUG	33	45
F85380	SPRING	35	6	F9052	PLUG	35	37
F85410	SNAP RING	29	8	F90619-1	YOKE	45	73
F85426	TILT STOP	37	58	F90807	RETAINING RING	21	98
F85445	DISTRIBUTOR CONTROL ROD	23	38	F9095	SHIM, DRIVESHAFT BEARING UPPER .005 - SILVER	43	-
F85453-1	CYLINDER, EXHAUST - LOWER GASKET	25	*	F9097	SHIM, DRIVESHAFT BEARING UPPER .010 - BLACK	43	-
F85472-2	CYLINDER DRAIN COVER GASKET	25	*	F9106	SHIM, DRIVESHAFT BEARING UPPER .003 - BRASS	43	67
F85472-2	GASKET, CYLINDER DRAIN COVER	23	29	F91446-1	CIRCUIT BREAKER BRACKET	7	21
F85498	FLYWHEEL KEY	29	16	F92759	THROTTLE ROLLER	19	63
F85502	THROTTLE LINK	23	17	F93811	SCREEN	23	34
F85509-1	CHOKE LINK	19	71	F93920	REED STOP	23	32
F85541-1	TILT LOCK	35	27	F97772	FUEL LINE CLAMP	47	11
F85571	BEARING CAGE W/ROLLER	29	10	F97772	HOSE CLAMP	17	43
F85606	KINGPIN CAP	33	48	F98273	ROD END CONNECTOR STUD	25	68
F85606	KINGPIN CAP	37	75	FA14048-2	PREAMPLIFIER	11	17
F85610	BEARING	25	58	FA17559	LIFT CYLINDER COMPLETE	53	40
F85615	GEAR SHIFT ROD - UPPER	33	58	FA17561-1	O-RING	53	42
F85615	GEAR SHIFT ROD, UPPER	37	82	FA178962	SHOCK ABSORBER	55	46
F8563	DOWEL PIN	23	10	FA321574	DISTRIBUTOR BRACKET	11	10
F85634-2	CONNECTING ROD SCREW	29	14	FA335260	PISTON RING SET (3 PER SET) STANDARD	29	1
F85660-1	EXHAUST TUBE	31	1	FA368700	KEY, IGNITION - NO LETTER OR STAMPED A	9	53
F85660-1	EXHAUST TUBE	35	1	FA404097	FLYWHEEL	7	1
F85664	DISTRIBUTOR GROUND	11	28	FA411222	TRANSFER PORT COVER	25	48
F85664	WIRE, DISTRIBUTOR GROUND	9	50	FA438113	STERN BRACKET LOCK BAR	37	52
F85704	COUPLER, GEARSHIFT ROD - UPPER	33	57	FA438431	FUEL PUMP BODY	17	10
F85704	COUPLER, GEARSHIFT ROD, UPPER	37	70	FA438493	TERMINAL BLOCK BRACKET	7	11
F85748-2	CYLINDER DRAIN REED PLATE GASKET	25	*	FA439746	FUEL PUMP COVER	17	1
F85748-2	GASKET, CYLINDER DRAIN REED PLATE	23	40	FA449015	PISTON	53	29
F85762	BY-PASS VALVE PLATE GASKET	25	*	FA449149	COVER	53	27
F85762	GASKET, BY-PASS VALVE	27	91	FA480010	CYLINDER ASSEMBLY	27	88
F85772	CLAMP	31	7	FA480179	TRIM, TOP	3	1
F85772	CLAMP	35	7	FA480269	HANDLE, TILT	3	3
F85779-1	BAFFLE, AIR INTAKE	33	51	FA480876	GEAR SHIFT ARM	25	60
F85779-1	BAFFLE, AIR INTAKE	37	79	FA480894	TIMING POINTER	23	1
F85843-1	REMOTE ELECTRIC CABLE, 18 FEET	7	38	FA481469	LATCH HANDLE, ENGINE COVER W/SHAFT	3	12
F85859	STUD, FORWARD	23	12	FA481743	LATCH, ROLLER BRACKET W/ROLLER	5	36
				FA510497	TERMINAL BLOCK	7	15

PARTS INDEX

Part Number	Description	Pg.	Ref. No.	Part Number	Description	Pg.	Ref. No.
FA523014	CRANKSHAFT LOWER MAIN BEARING	29	12	FC548010	SHORT BLOCK.	27	-
FA523054	GEAR HOUSING	43	42	FD368700	KEY IGNITION - STAMPED D	9	-
FA523098	PROPELLER SHAFT ASSEMBLY	41	24	FE368700	KEY IGNITION - STAMPED E	9	-
FA523485	ANTI-CORROSION ANODE	41	21	FG1020-1	GASKET SET	25	71
FA523735	SEAL, INLET WATER LINE LOWER	43	65	FK10177	REPAIR PARTS KIT.	21	102
FA548180	TRIM, REAR	3	5	FK10178	GASKET SET.	21	104
FA548888	TRIM, FRONT	5	37	FK1063-2	SEAL KIT	45	74
FA549944	COVER, ENGINE	3	-	FK1069	WATER PUMP KIT	45	75
FA579386	DECAL, NUMERAL	3	-	FK1083	SEAL KIT (NOT SHOWN)	55	54
FA581396	DECAL, ENGINE COVER - STARBOARD (TOP)	3	10	FK1123	SPARKIE	13	44
FA581397	DECAL, ENGINE COVER - PORT (TOP)	3	-	FK17114-1	INDICATOR (756H2E, 756B2E, 758H3F, 758B3F)	49	-
FA582396	DECAL, ENGINE COVER - STARBOARD (BOTTOM)	3	-	FK405020	SWIVEL W/PIVOT SCREW AND NUT	23	24
FA582397	DECAL, ENGINE COVER - PORT (BOTTOM)	3	-	FK616128	DRIVESHAFT	45	69
FA58976-1	CONNECTOR, THROTTLE CABLE	49	1	FK85228-1	BEARING CAGE W/ROLLER	29	7
FA606528	DECAL, ENGINE COVER, REAR (756H3K, 756B3K, 758H3F, 758B3F)	5	38	FPS523	PROPELLER (ACCESSORY ITEM)	41	18
FA606892	DECAL, ENGINE COVER, FRONT (756H3K, 756B3K, 758H3F, 758B3F)	5	39	FS409752	FUEL LINE COMPLETE.	47	-
FA609853	DECAL, WARNING	9	56	FS85872-1	BRACKET	25	70
FA616396	DECAL, ENGINE COVER - STARBOARD	3	-	FSA335260	PISTON RINGS (3 PER SET) .010 OVERSIZE	29	-
FA616397	DECAL, ENGINE COVER - PORT	3	-	FT1082	SNAP RING PLIER	57	-
FA84621-1	COUPLING, GEAR SHIFT ARM W/BUSHING	43	45	FT11204	BEARING CUP INSTALLER	58	-
FA84754-1	FUEL LINE SHORT	47	8	FT11205	BEARING INSTALLER/REMOVER	58	-
FA85018-2	CRANKSHAFT	29	15	FT11207	BEARING CUP REMOVER	58	-
FA85019	KINGPIN	31	34	FT11209	BEARING GUIDE SET	58	-
FA85019	KINGPIN	35	42	FT12938-1	CONTINUITY TESTER	59	-
FA85135-4	LEG COVER, FRONT	33	49	FT2951	CIRCUIT TRACER	59	-
FA85135-4	LEG COVER, FRONT	37	74	FT2953	SOCKET	57	-
FA85193	TIE BAR END W/SWIVEL	21	99	FT2961	LUBRICANT - RYKON GREASE #2EP	60	-
FA85355-1	WASHER SHOCK MOUNT UPPER	33	62	FT2962-1	SEALANT - 50 CC LOCTITE H, NON-HARDENING GRADE	60	-
FA85355-1	WASHER SHOCK MOUNT UPPER W/WASHER	37	85	FT2963-2	SEALANT - 2 OZ. LOCTITE D, HARDENING GRADE	60	-
FA85511	THROTTLE TIE BAR W/SWIVEL	21	103	FT2987-1	LUBRICANT - ANTI-SEIZE	60	-
FA85655-1	CRANKSHAFT MAIN BEARING RACE	29	9	FT2990	PISTON PIN TOOL	57	-
FA85838-5	TOWERSHAFT	23	19	FT2991	CARBON BRUSH	57	-
FB368700	KEY IGNITION - STAMPED B	9	-	FT2996	RING COMPRESSOR	57	-
FC368700	KEY IGNITION - STAMPED C	9	-	FT2998	TORQUE WRENCH (0 - 100 LBS./FT.)	57	-
FC409398	DECAL, TOTE TANK - CANADA (NOT SHOWN)	47	-	FT2999	TORQUE WRENCH (0 - 600 LBS./FT.)	57	-
FC499390	DECAL, STARTER (CANADA) NOT SHOWN	15	-	FT3012	SEAL INSTALLER	58	-
FC510374	DECAL, CIRCUIT BREAKER - CANADA	7	-	FT7848	TORQUE ADAPTER	58	-
				FT8900	HOSE CLAMP PLIERS	57	-
				FT8901	INDICATOR HOLDER	58	-
				FT8902	DIAL INDICATOR	58	-
				FT8903	SEAL INSTALLER	57	-
				FT8907	DRIVER HANDLE	57	-
				FT8907	DRIVER HANDLE	58	-
				FT8914	SEAL REMOVER	57	-
				FT8918	BEARING GUIDE SET	58	-
				FT8919	SPRING PIN PUNCH	58	-
				FT8925	SEAL INSTALLER	57	-
				FT8925	SEAL INSTALLER	58	-
				FT8926	RING EXPANDER	57	-

PARTS INDEX

Part Number	Description	Pg.	Ref. No.	Part Number	Description	Pg.	Ref. No.
FT8930-1	FEELER GAUGE SET	58	-				
FT8933	LIFTING HOOK	57	-				
FT8935	SEALANT PRIMER - 6 OZ. . .	60	-				
FT8936-1	SEALANT - 2 CC LOCTITE RETAINING COMPOUND #75	60	-				
FT8948-1	PULLER	56	-				
FT8948-1	PULLER	58	-				
FT8950	LEAKAGE TESTER	59	-				
FT8953	IGNITION TESTER	59	-				
FT8955	SEALANT - 5 OZ. EC-750 INDUSTRIAL SEALANT . .	60	-				
FT8957	SEAL INSTALLER	58	-				
FT8969	LUBRICANT - 7 OZ. L PSI LUBRICANT	60	-				
FT8978	TIMING LIGHT	56	-				
FT8983	SEALANT - 3 OZ. RTV SEALANT FROM IN PLACE GASKETS	60	-				
FT8985	SEAL INSTALLER	58	-				
FT8997	SHIM TOOL	58	-				
FTA2937-1	TIMING TOOL	56	-				
FTK8999	TEST WHEEL	59	-				
OB3062	LITERATURE (NOT SHOWN) (5H130 REMOTE CONTROL)	51	-				
22-817789A1	DRAIN FITTING W/METERING CUP	21	89				
22-818103--1	ELBOW	17	35				
31-817785A2	CRANKSHAFT BEARING CAGE	29	18				
32-817738A1	FUEL LINE LONG	47	10				
33-97180	SPARK PLUG (L 20 V)	27	72				
39-818110A1	PISTON RINGS (3 PER SET) .030 OVERSIZE	29	-				
43-817830A2	BEVEL PINION GEAR	43	35				
43-818062A3	BEVEL GEAR FRONT	41	29				
46-817853A1	WATER PUMP	45	-				
46-817853A1	WATER PUMP BODY	43	60				
84-817775A1	COIL WIRE	11	29				
87-817778A1	THERMOSWITCH	27	76				
300-817855A1	UNIT	9	45				
600-818052A4	CONNECTING ROD	29	6				
700-817988A2	PISTON .010 OVERSIZE . . .	29	-				
700-818111A2	PISTON .030 OVERSIZE . . .	29	-				
700-F372015-3	PISTON (STANDARD)	29	2				
1400-817958A6	STERN BRACKET	31	24				
1400-817958A6	STERN BRACKET	35	28				
1600-819196A3	GEAR HOUSING COMPLETE	43	-				