



PARTS CATALOG

45 H.P.

SERIAL NUMBER

45 (1983)	457B3P
45 (1983)	457H3P
45 (1984)	457C4R
45 (1984)	457H4R

TABLE OF CONTENTS:

ACCESSORIES	47
ALTERNATOR AND ELECTRICAL COMPONENTS	4
CARBURETOR	12
CRANKSHAFT AND PISTON GROUP	22
ELECTRIC STARTER	8
ENGINE COVER AND SUPPORT PLATE	2
FUEL PUMP	10
FUEL TANK AND LINE	36
GEAR HOUSING	32
MOTOR LEG	26
PARTS INDEX	50
POWER HEAD	16
REED PLATE	24
REMOTE CONTROL	38
SPECIAL TOOLS - LOWER UNIT	44
SPECIAL TOOLS - LUBRICANTS AND SEALANTS	46
SPECIAL TOOLS - POWER HEAD	43
SPECIAL TOOLS - TEST EQUIPMENT	45
SPECIAL TOOLS - TUNE-UP	42

NOTE: Indented description indicate that these parts are included in preceeding assembly.

AR = As Required

NSS = Not Sold Separate

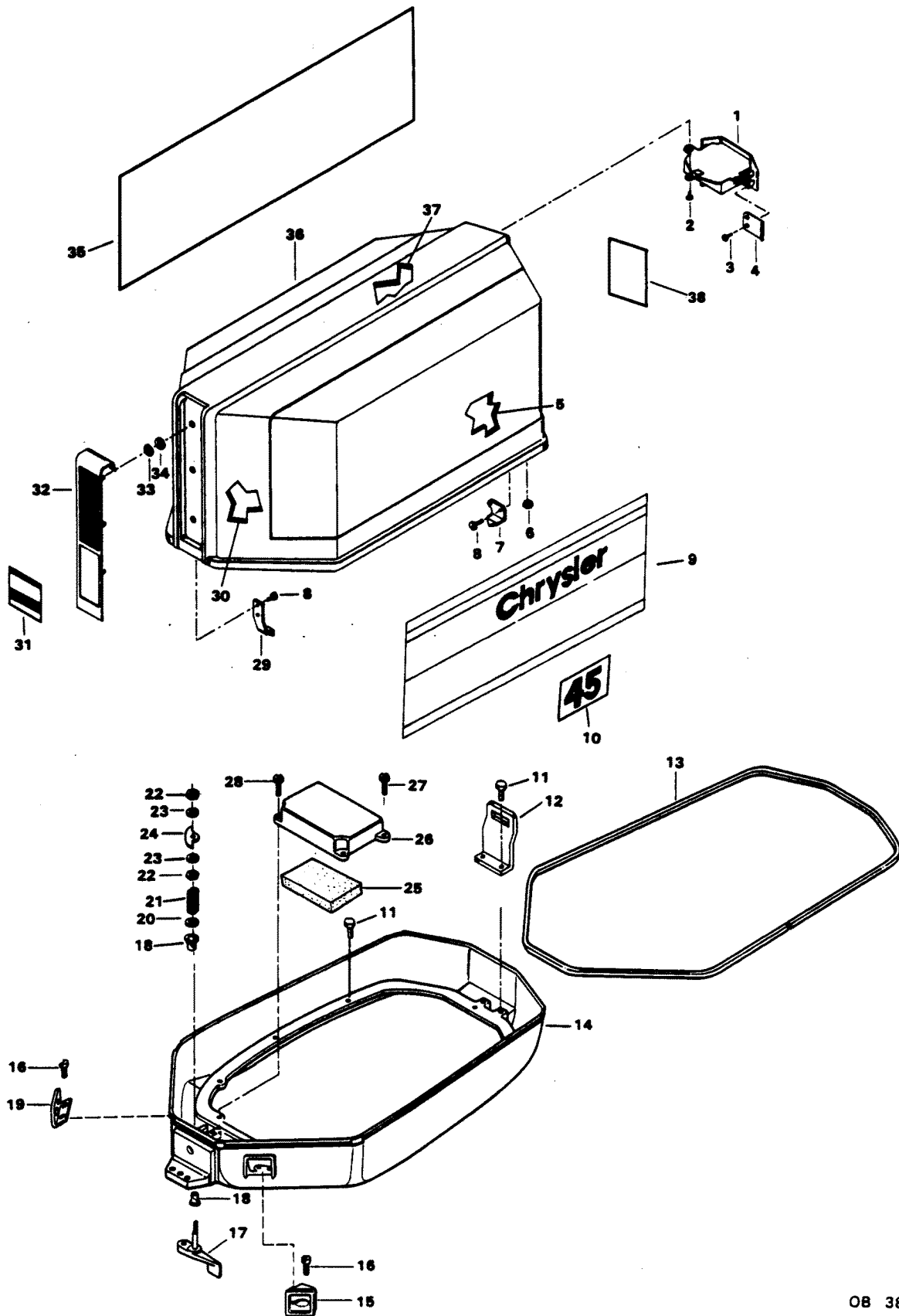
OPT = Optional

NS = Not Shown

THESE PARTS BOOKS/FICHE CARD ARE COPYRIGHTED AND MAY NOT BE DISTRIBUTED OR REPRODUCED IN ANY OTHER FORMAT BY ANYONE OTHER THAN MERCURY MARINE WITHOUT THE PRIOR WRITTEN CONSENT OF MERCURY MARINE.

THIS PAGE INTENTIONALLY LEFT BLANK

ENGINE COVER AND SUPPORT PLATE

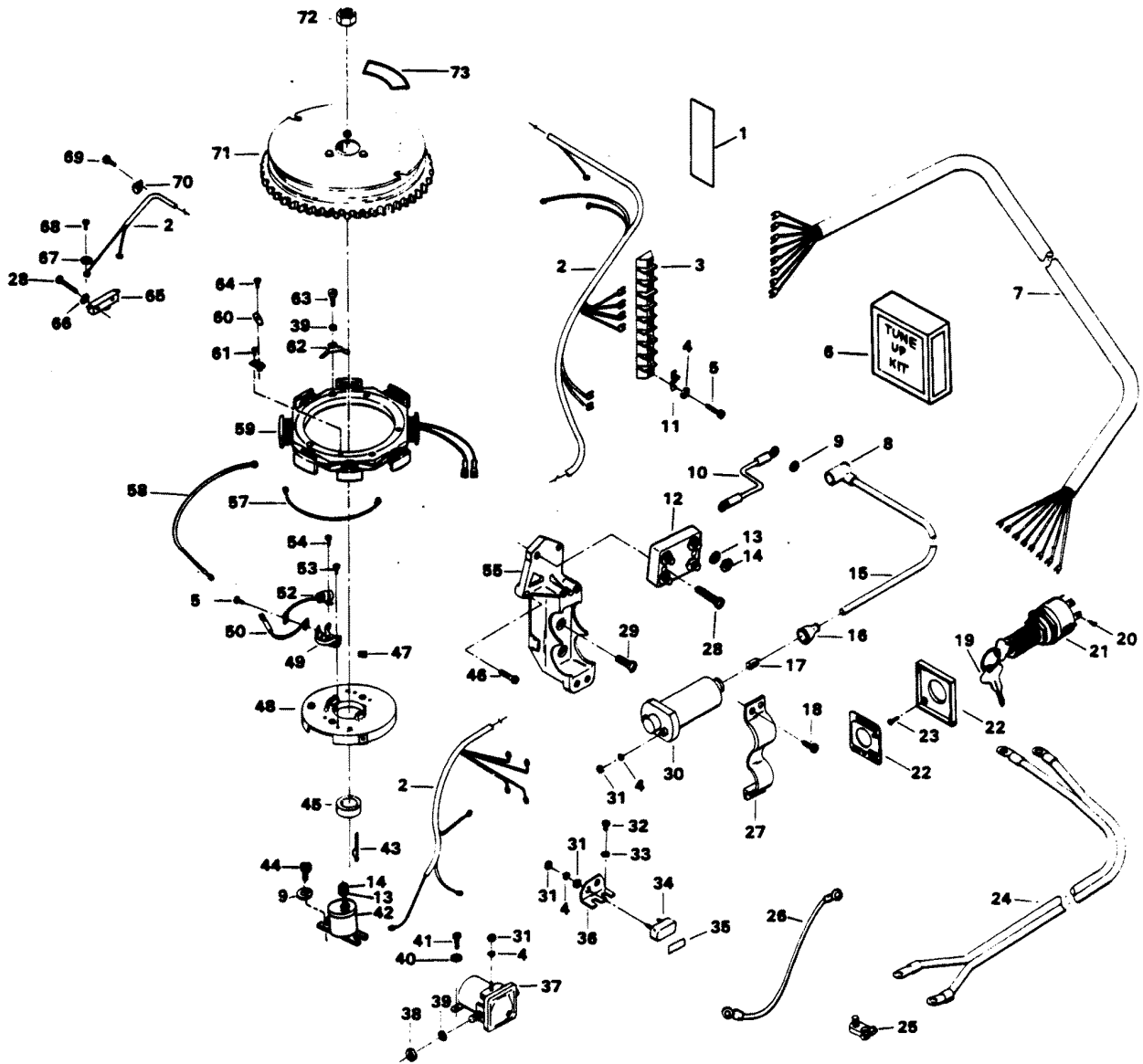


OB 3847

ENGINE COVER AND SUPPORT PLATE

REF. NO.	PART NO.	SYM.	QTY.	DESCRIPTION
1	817814A1		1	TILT HANDLE W/LITERATURE ORIGINAL FORCE P/N A 463269-1
2	F2025		1	PAN HD SCREW, 10 X 5/8
3	F2066		4	PAN HD SELF-TAPPING SCREW
4	F463864		2	RETAINER, TILT HANDLE
5	F465985		2	BLANKET, SILENCER - SIDE
6	F7011		4	HEX NUT, 10 - 24
7	FA458480		1	ENGINE COVER RETAINER W/ILLUS. 6 AND 8
8	F1475		4	FILL HD SCREW, 10 X 24 X 1/2
9	FA606397		1	DECAL, ENGINE COVER - PORT W/LITERATURE
10	FA606386		2	DECAL, NUMERAL "45" W/LITERATURE
11	F1864		8	HEX CAP SCREW, 1/4 20 X 3/4
12	F458774		1	BRACKET RETAINER - REAR
13	F85756		1	SUPPORT PLATE PACKING
14	F307038		1	SUPPORT PLATE
15	F549189		1	BUSHING ELECTRIC CABLE ENTRY
16	F1733		3	PAN HD SCREW, 10 - 24 X 9/16
17	FA328763		1	COVER LATCH HANDLE W/SHAFT
18	F307818		2	BEARING, LATCH SHAFT
19	F545189		1	BUSHING, CABLE ENTRY
20	F1987		1	PLAIN WASHER
21	F183300		1	SPRING
22	F1515		2	HEX NUT, 5/16 - 18
23	F8096		2	SPRING LOCKWASHER
24	F89777-1		1	LATCH CAM
25	F307860		1	INTAKE SILENCER
26	FA307779		1	BAFFLE, AIR INTAKE W/ILLUS. 25
27	F1864		2	HEX HD SCREW, 1/4 - 20 X 3/4
28	F1532		2	HEX HD SCREW, 1/4 - 20 X 1
29	FA366778		1	ENGINE COVER RETAINER FORWARD W/ILLUS. 6 AND 8
30	F474992		1	BLANKET, SILENCER - FRONT
31	FA606892		1	DECAL, ENGINE COVER FRONT W/LITERATURE
32	F605711		1	PLATE, FRONT
33	F85735-1		3	SEAL
34	F1753		3	FASTENER
35	FA606396		1	DECAL, ENGINE COVER - STARBOARD W/LITERATURE
36	FS606712		1	ENGINE COVER W/ILLUS. 6, 7, 8 AND 29 ORIGINAL FORCE P/N S 486712-1
-	F2C606712		1	ENGINE COVER COMPLETE INCLUDES ALL ITEMS MARKED WITH AN ASTERISK (*) NOTE: THE NUMERAL MUST BE ORDERED SEPARATELY
37	F311984-1		1	BLANKET, SILENCER - TOP
38	FA606528		1	DECAL, ENGINE COVER REAR W/LITERATURE

ALTERNATOR AND ELECTRICAL COMPONENTS

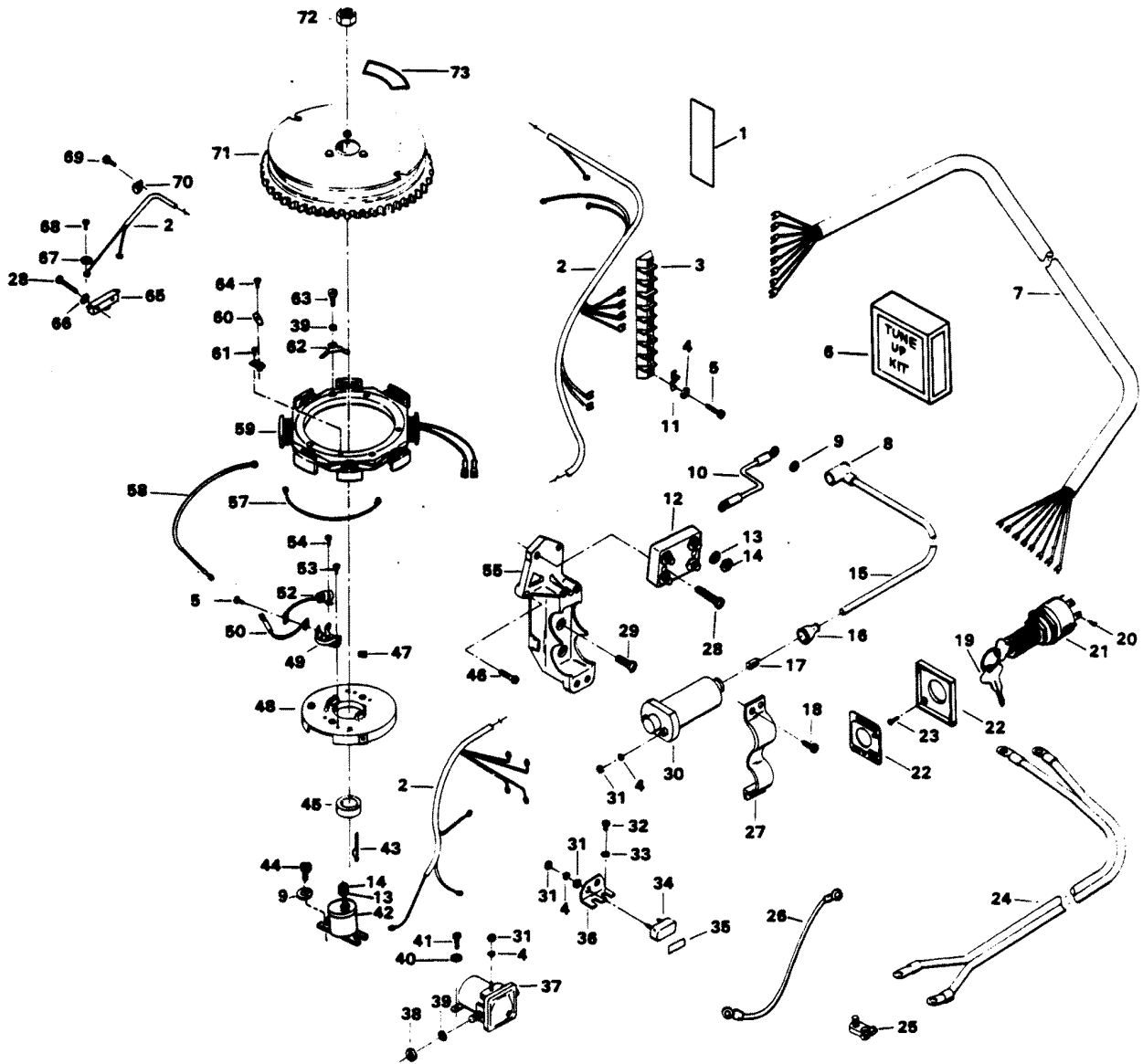


ALTERNATOR AND ELECTRICAL COMPONENTS

REF. NO.	PART NO.	SYM.	QTY.	DESCRIPTION
1	F438398-1		1	DECAL, WIRING
-	FA27232		1	EMERGENCY STARTER ROPE (NOT SHOWN) WITH HANDLE
2	F311744-2		1	WIRING HARNESS
3	FA510497		1	TERMINAL BLOCK W/ILLUS. 5 AND 11
4	F1975		7	LOCKWASHER
5	F1974		2	SLOTTED PAN HD SCREW, 10 - 24 X 5/8
6	FK1075		1	TUNE-UP KIT INCLUDES ALL ITEMS MARKED WITH AN ASTERISK (*)
7	F85843-1		1	ELECTRIC CONTROL CABLE
8	FK1123		2	SPARKIE KIT
9	F8083		3	SPRING LOCKWASHER
10	F345683		1	WIRE - GROUND
11	F307317-1		1	CLIP, TERMINAL BLOCK - GROUND
12	F369450		1	RECTIFIER
13	F8056		6	SPRING LOCKWASHER
14	F1647		5	HEX NUT, 8 - 32
15	84-817765A2		2	COIL WIRE INCLUDES ITEMS 16 AND 17 ORIGINAL FORCE P/N A 307664-1
-	F467841		2	COIL WIRE - CANADA
16	F203276		2	COIL BOOT
17	F203673		2	TERMINAL CLIP
18	F1922		4	HEX CAP SCREW, 1/4 - 20 X 5/8
19	FA368700		1	IGNITION KEY - NO LETTER OR STAMPED A
-	FB368700		1	IGNITION KEY - STAMPED B
-	FC368700		1	IGNITION KEY - STAMPED C
-	FD368700		1	IGNITION KEY - STAMPED D
-	FE368700		1	IGNITION KEY - STAMPED E
20	F1280		5	PAN HD SCREW, 8 - 32 X 1/4
21	F5H078		1	IGNITION SWITCH (ACCESSORY ITEM) W/ILLUS. 19 AND 20
22	F5H038		1	IGNITION SWITCH MOUNTING KIT (ACCESSORY ITEM) INCLUDES ITEM 23
-	817892--1		1	IGNITION SWITCH MOUNTING PLATE (CANADA)
23	F1934		4	FLAT HD SLOTTED SCREW, 6 X 1/2
24	F381896-4		1	BATTERY CABLE
25	F71H26		1	BATTERY TERMINAL KIT (ACCESSORY ITEM)
26	F307683		1	WIRE, CIRCUIT BREAKER
27	F380513		1	COIL CLAMP
28	F2016		4	FILL HD SCREW, 8 - 32 X 7/8
29	F1164		2	FLAT HD SCREW, 5/16 - 18 X 1 1/8
30	F380475		2	COIL
31	F1513		9	HEX NUT, 10 - 32
32	F1733		2	PAN HD SCREW, 10 - 24 X 9/16
33	F8011		2	PLAIN WASHER
34	F510460		1	CIRCUIT BREAKER

CONTINUED ON NEXT PAGE ➡

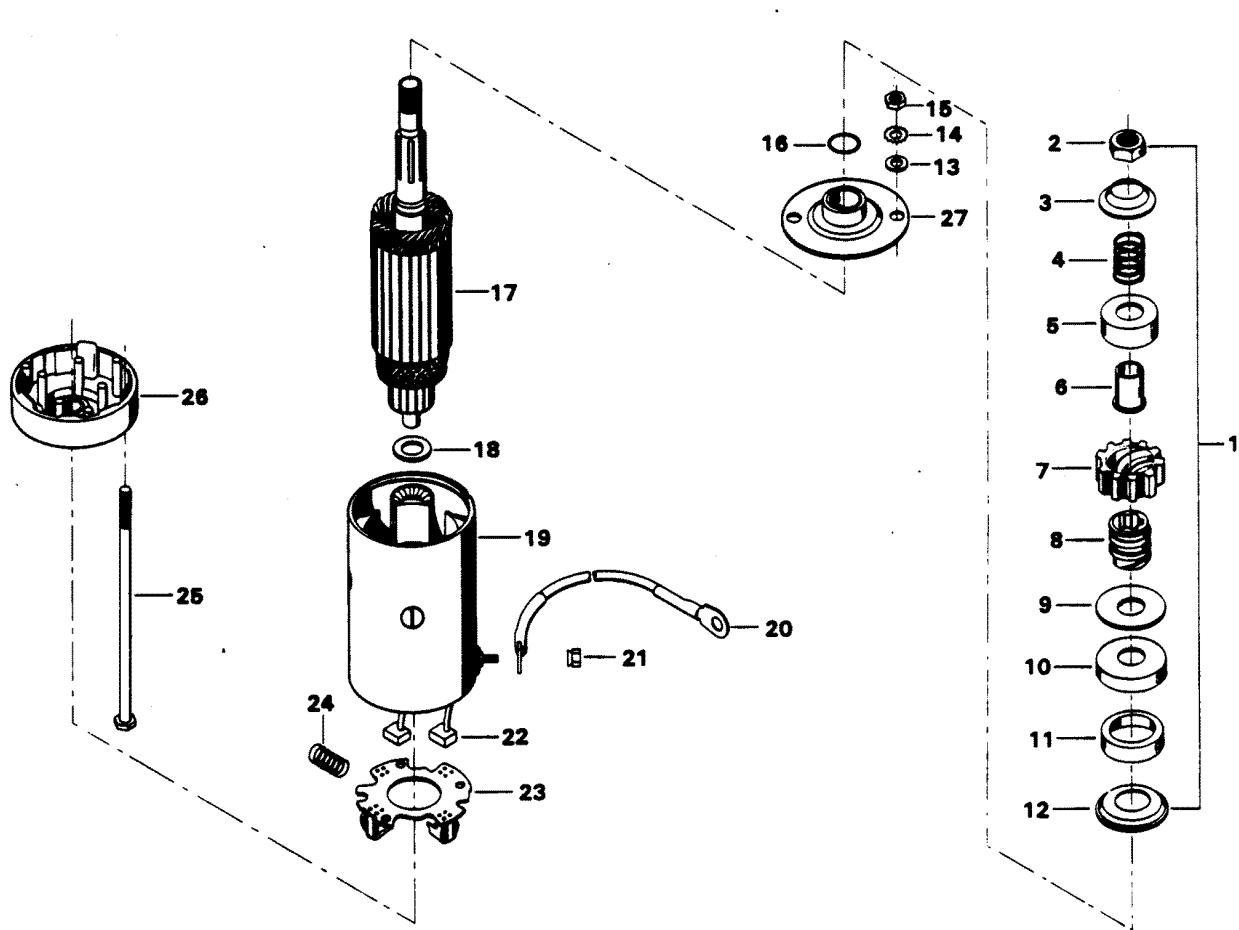
ALTERNATOR AND ELECTRICAL COMPONENTS



ALTERNATOR AND ELECTRICAL COMPONENTS

REF. NO.	PART NO.	SYM.	QTY.	DESCRIPTION
35	F510374		1	DECAL, CIRCUIT BREAKER
36	F91446-1		1	CIRCUIT BREAKER BRACKET
37	F177917		1	STARTER RELAY
38	F1615		2	HEX NUT, 5/16 - 24
39	F8096		5	SPRING LOCKWASHER
40	F8094		1	PLAIN WASHER
41	F1864		2	FILL HD SCREW, 1/4 - 20 X 3/4
42	89-817760A2		1	CHOKE SOLENOID W/ILLUS. 13 AND 14 ORIGINAL FORCE P/N A 289924-1
43	F92498		1	KEY
44	F1854		2	HEX HD SCREW, 1/4 - 20 X 5/8
45	F268002-2		1	CAM
46	F1532		1	HEX HD SCREW, 1/4 - 20 X 1
47	F12227		2	CAM WIPER - FELT
48	F12344		1	BREAKER PLATE
49	F12329-2		2	BREAKER POINT SET
50	F12189		2	CONDENSER MOUNT SCREW
51	F12174-1		2	PRIMARY INTERLEAD GROUP
52	F12139-1		2	CONDENSER
53	F12090		4	BREAKER CONTACT SCREW
54	F12170		2	CONDENSER MOUNT SCREW W/LOCKWASHER
55	F380501		1	COIL MOUNT
57	F12338		1	GROUND WIRE
58	F289664		1	WIRE STATOR GROUND
59	F466095		1	STATOR
60	F12172		2	TERMINAL COMPLETE, INCLUDES ITEM 64
61	F1958		1	PAN HD SCREW, 6 X 7/16
62	F466479		3	BREAKER PLATE SHOE
63	F2071		3	HEX CAP SCREW, 5/16 - 18 X 1 3/8
64	F12167		2	SCREW
65	F84449		1	NEUTRAL INTERLOCK SWITCH
66	F8088		2	PLAIN WASHER
67	F1704		2	INTERNAL TOOTH LOCKWASHER
68	F1645		2	RD HD SELF-TAPPING SCREW, 6 - 32 X 1/4
69	F1110		1	SLOTTED FILL HD SCREW, 1/4 - 20 X 5/8
70	F92446		1	CLAMP
71	200-817739A6		1	FLYWHEEL W/ILLUS. 73 ORIGINAL FORCE P/N A 203097-5
72	F1920		1	HEX NUT, 5/8 - 18
73	FA609853		1	DECAL, WARNING W/LITERATURE

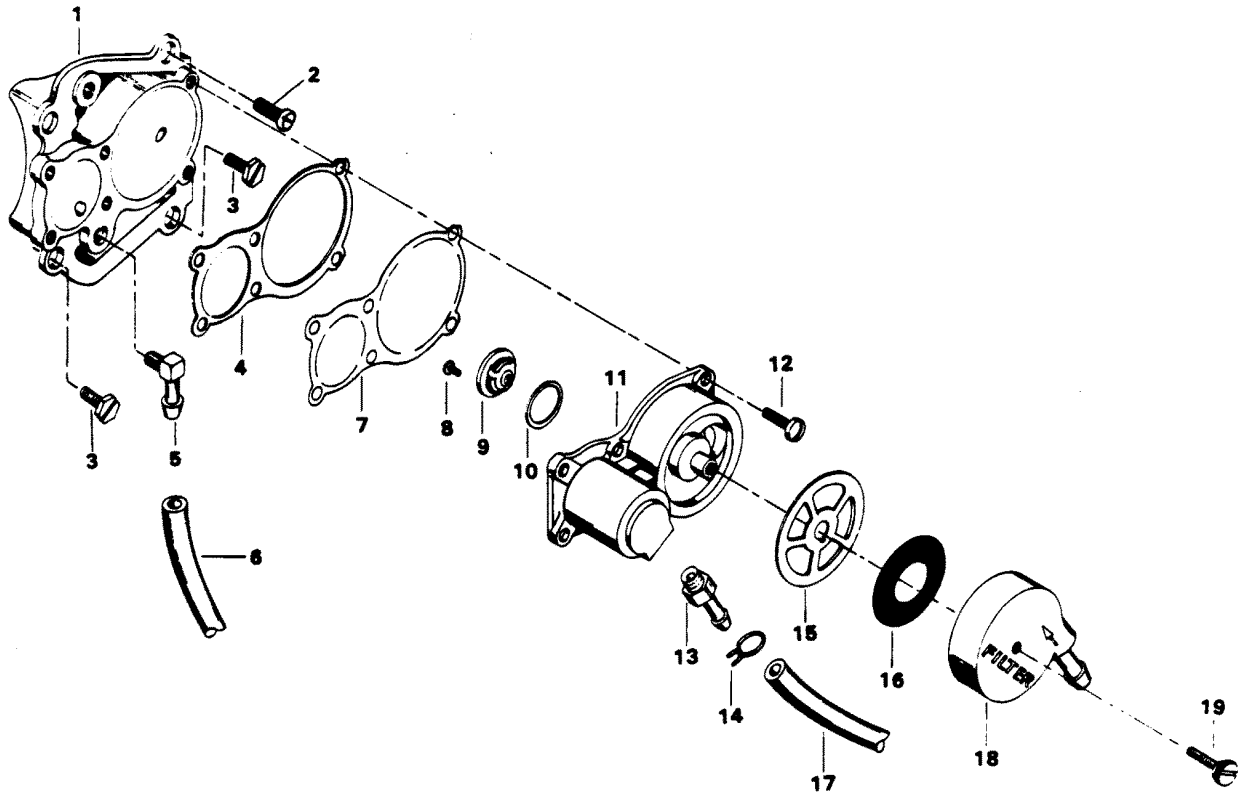
ELECTRIC STARTER



ELECTRIC STARTER

REF. NO.	PART NO.	SYM.	QTY.	DESCRIPTION
1	F15113		1	BENDIX DRIVE. (INCLUDES ILLUS. 2 THRU 12)
2	F15087		1	NUT
3	F15109		1	STOP
4	F15088		1	SPRING
5	F15115		1	CUP, PINION
6	F15116		1	SLEEVE
7	F15114		1	PINION
8	FK15084		1	SCREW SHAFT W/PINION W/LITERATURE
9	F15091		1	WASHER
10	F15105		1	CUP
11	F15106		1	CUSHION
12	F15104		1	CUP, CUSHION THRUST
13	F8028		2	PLAIN WASHER
14	F8060		2	LOCKWASHER
15	F1514		2	HEX NUT, 1/4 - 20
16	F15000		1	SEAL, "O" RING
17	F15044		1	ARMATURE
18	F15073		1	THRUST WASHER PACKAGE
19	F15043		1	FRAME AND FIELD ASSEMBLY. INCLUDES ITEM 24
20	F307908		1	STARTER LEAD
21	F15162		1	HEX LOCK NUT, 1/4 - 20 W/LOCKWASHER
22	F15042		1	BRUSH SET
23	F15038-1		1	BRUSH PLATE AND HOLDER
24	F15034		1	SPRING SET
25	F15094		1	THRU BOLT PACKAGE (SET OF 2 BOLTS)
26	15037		1	HEAD ASSEMBLY, COMMUTATOR END
-	FA201955		1	STARTER MOTOR - COMPLETE (NOT SHOWN) INCLUDES ALL ITEMS MARKED WITH AN (*) ASTERISK .
-	FC479390		1	DECAL, STARTER - CANADA (NOT SHOWN)
27	F15021-1		1	HEAD ASSEMBLY, DRIVE END

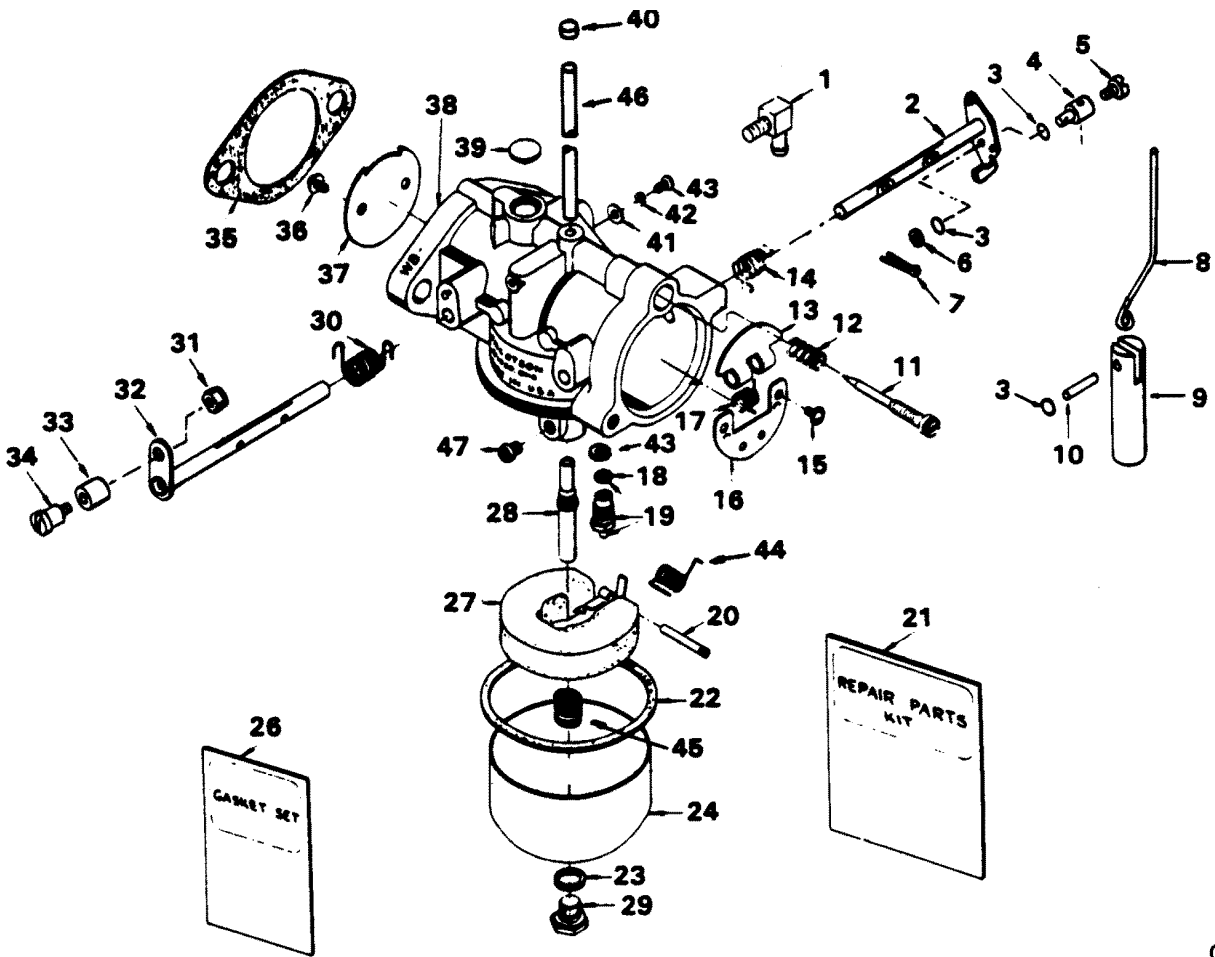
FUEL PUMP



FUEL PUMP

REF. NO.	PART NO.	SYM.	QTY.	DESCRIPTION
1	FA439746		1	FUEL PUMP COVER W/LITERATURE
2	F1110		1	SLOTTED FILL HD SCREW, 1/4 - 20 X 5/8
3	F1922		2	HEX HD SCREW, 1/4 - 20 X 5/8
4	F438760		1	FUEL PUMP GASKET
5	F84314-2		1	ELBOW
6	F434758		1	FUEL PUMP IMPULSE HOSE
7	F438747		1	FUEL PUMP DIAPHRAGM
8	F1860		2	SLOTTED BINDING HD SCREW, 6 - 32 X 1/4
9	F177330		3	FUEL PUMP VALVE
10	F84792		3	FUEL PUMP VALVE GASKET
11	FA438431		1	FUEL PUMP BODY W/ILLUS. 8, 9 & 10
12	F1108		6	FILL HD SCREW W/SPRING LOCKWASHER, 1/4 - 20 X 3/4
13	F438801		1	ELBOW
14	F97772		2	FUEL LINE CLAMPS
15	F438617		1	FUEL SEDIMENT BOWL GASKET
16	F438653		1	FUEL PUMP SCREEN
17	F434754		1	FUEL LINE, PUMP TO CARBURETOR
18	F438500		1	FUEL SEDIMENT BOWL
19	F438165		1	SCREW, FUEL BOWL

CARBURETOR



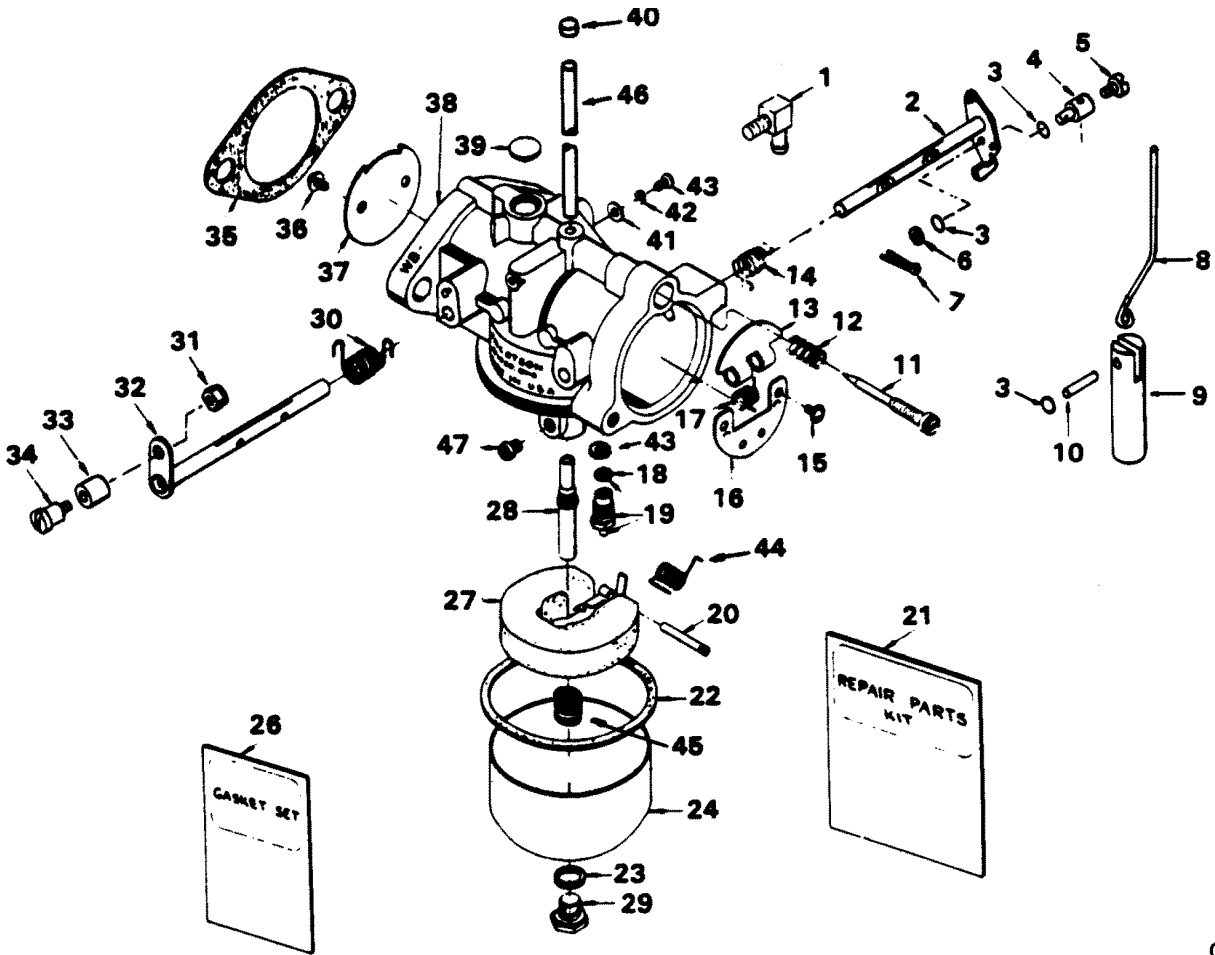
OB 3

CARBURETOR

REF. NO.	PART NO.	SYM.	QTY.	DESCRIPTION
1	F10156		1	ELBOW, FUEL LINE CARBURETOR
2	F10159		1	CHOKE SHAFT AND LEVER
3	F184579		3	SEAL, CHOKE ARM SWIVEL
4	F184033-1		1	SWIVEL, CHOKE ROD
5	F1059		1	FILL HD SCREW, 6 - 32 X 1/4
6	F8088		2	PLAIN WASHER
7	F1014		1	COTTER PIN
8	F452925		1	CHOKE SOLENOID ROD
9	F391926-1		1	CHOKE SOLENOID PLUNGER
10	F2033		1	GROOVE PIN
11	F10146		1	IDLE MIXTURE SCREW
12	F10141		1	IDLE MIXTURE SCREW SPRING
13	F10129		1	CHOKE RELIEF VALVE
14	F10191		1	CHOKE SHAFT RETURN SPRING
15	F10140		2	CHOKE SHUTTER RETAINING SCREW AND LOCKWASHER
16	F10128		1	CHOKE SHUTTER
17	F10130		1	CHOKE RELIEF VALVE SPRING
18	F10171		1	VALVE SEAT
19	F10170		1	VALVE ASSEMBLY INLET
20	F10136		1	FLOAT LEVER PIN
21	FK10195		1	REPAIR PARTS KIT. INCLUDES ALL ITEMS MARKED WITH AN ASTERISK (*)
22	F10138		1	FUEL BOWL GASKET
23	F10090		1	FUEL BOWL JET ASSEMBLY GASKET
24	F10127		1	FUEL BOWL
26	FK10178		1	GASKET SET. INCLUDES ITEMS MARKED WITH A DOUBLE ASTERISK (**)
27	F10135		1	FLOAT
28	F10137		1	MAIN NOZZLE
29	F10162		1	MAIN FUEL JET .086 - STD.
-	F10188		-	MAIN FUEL JET .084 - OPT. 2500 - 5000 FT.
-	F10186		-	MAIN FUEL JET .080 - OPT. 5000 - 7500 FT.
-	F10185		-	MAIN FUEL JET .076 - OPT. 7500 & UP
30	F10192		1	THROTTLE SHAFT RETURN SPRING
31	F1997		1	STOP NUT, 8 - 32
32	F10193		1	THROTTLE SHAFT AND LEVER
33	F92759		1	ROLLER
34	F333316		1	THROTTLE ROLLER SHAFT
35	F40906-1		1	FLANGE GASKET
36	F10155		2	THROTTLE SHUTTER RETAINING SCREW AND LOCKWASHER
37	F10158		1	THROTTLE SHUTTER
38	F575061		1	CARBURETOR - COMPLETE (WE-8)
39	F10153		1	BODY CHANNEL WELCH PLUG
40	F10152		1	BODY CHANNEL CUP PLUG

CONTINUED ON NEXT PAGE ➡

CARBURETOR

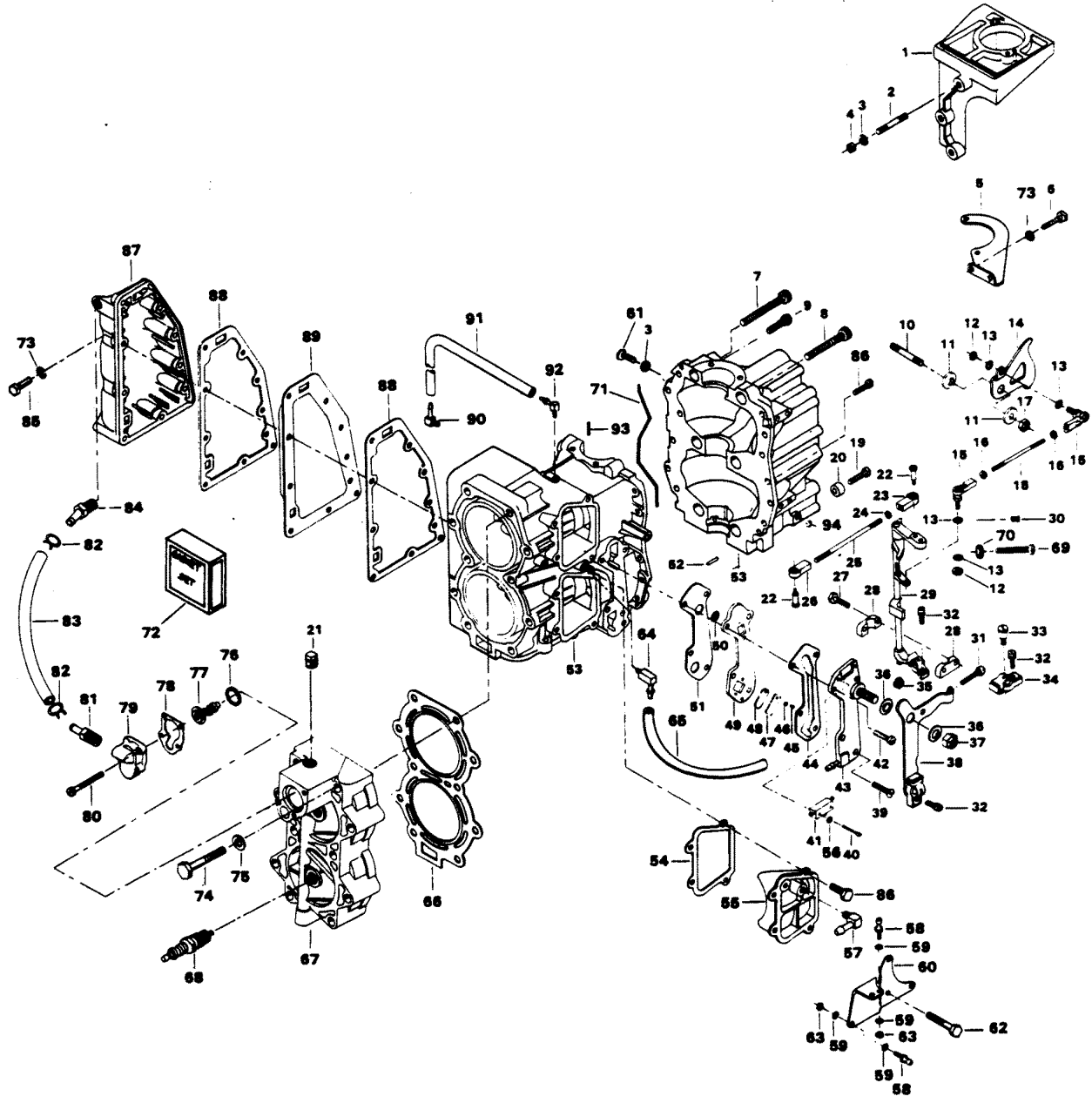


OB 3

CARBURETOR

REF. NO.	PART NO.	SYM.	QTY.	DESCRIPTION
42	F10131		1	THROTTLE SHAFT POSITION RETAINING RING
43	F10167		1	RETAINING RING, VALVE SEAT
44	F10142		1	SPRING, FLOAT SUPPORT
45	F10145		1	SPRING, ADJ.
46	F10176		1	TUBE, IDLE
47	F10194		1	JET

POWER HEAD

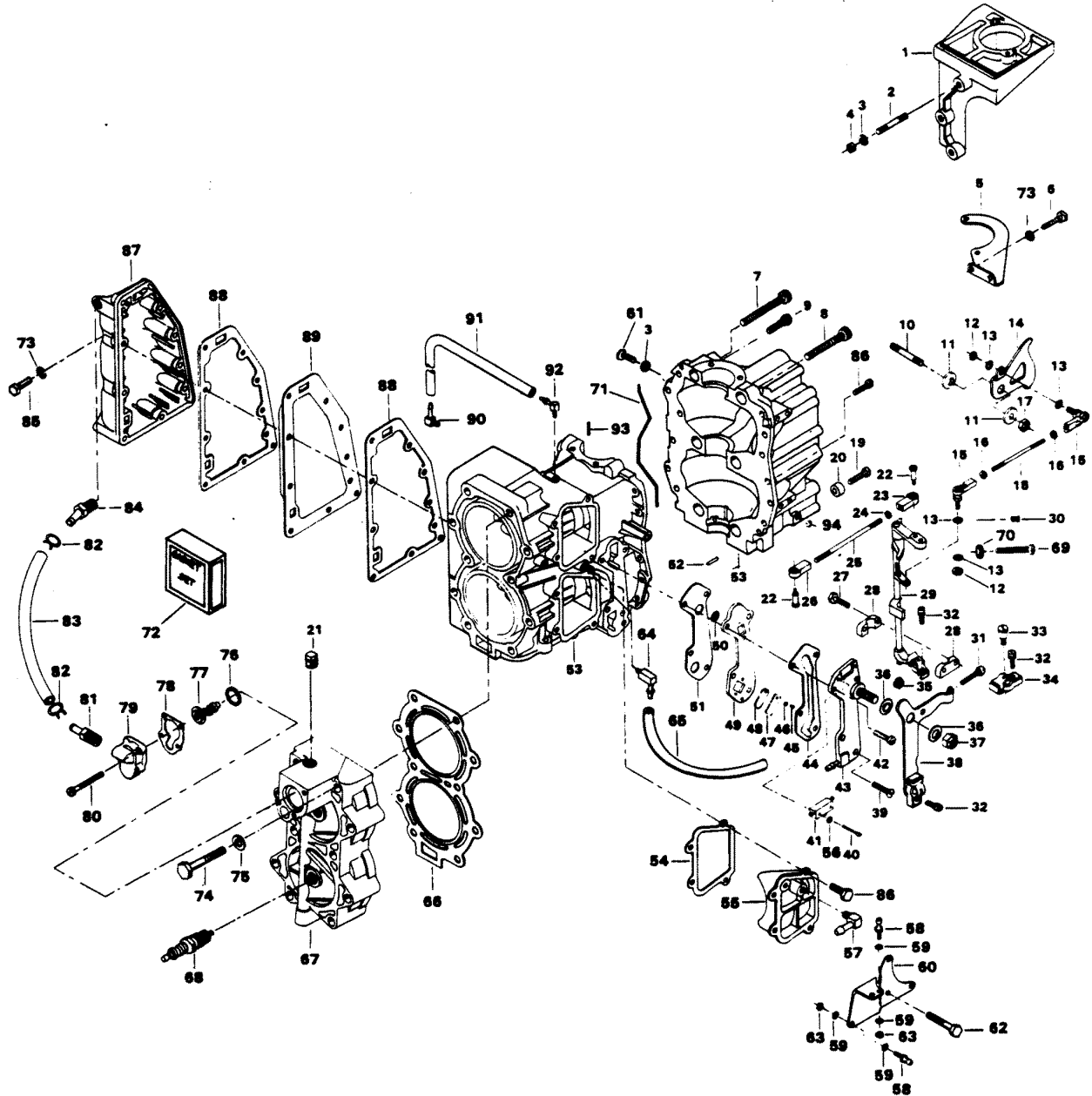


POWER HEAD

REF. NO.	PART NO.	SYM.	QTY.	DESCRIPTION
1	F345427-1		1	BRACKET, STARTER MOUNTING
2	F307211		3	STUD
3	F8096		4	SPRING LOCKWASHER
4	F1515		3	HEX NUT, 5/16 - 18
5	F433675		1	STARTER MOUNTING BRACKET - LOWER
6	F1854		2	HEX SLOT HD SCREW, 1/4 - 20 X 5/8
7	F1646		1	HEX SOCKET HD CAP SCREW, 3/8 - 16 X 2 1/4
8	F1879		5	HEX SOCKET HD CAP SCREW, 3/8 - 16 X 1 5/8
9	F1864		9	HEX HD SCREW, 1/4 - 20 X 3/4
10	F433209-1		1	STUD, THROTTLE CAM
11	F269319		2	THROTTLE CAM BEARING
12	F1513		2	HEX NUT, 10 - 32
13	F8058		4	INTERNAL TOOTH LOCKWASHER
14	F433192		1	THROTTLE CAM
15	817747--1		2	BALL JOINT W/BEARING
16	F1513		2	HEX NUT, 10 - 32
17	F1910		1	ELASTIC STOP NUT, 1/4 - 20
18	F85502		1	THROTTLE LINK
19	F1134		2	FILL HD SCREW, 8 - 32 X 1 1/8
20	F307942-1		2	BUMPER
21	F328109		1	PLUG
22	F84026		2	SPARK CONTROL SWIVEL
23	F84036		1	SPARK CONTROL BEARING, L.H.
24	F1473		1	HEX NUT, 10 - 24
25	F269445-1		1	SPARK CONTROL LINK
26	F84035-2		1	SPARK CONTROL BEARING, R.H.
27	F1995		4	FILL HD SCREW, 10 - 24 X 1
28	F433689		4	TOWERSHAFT BEARING
29	FK433838		1	TOWERSHAFT WILLUS. 33, 34, 72, 73
30	F1727		1	PLASTIC RIVET
31	F1969		1	FILL HD SCREW, 1/4 - 20 X 3/4
32	F1556		2	FILL HD SCREW W/LOCKWASHER, 10 - 24 X 3/8
33	F405457		2	PIVOT SCREW
34	FK405020		1	SWIVEL W/NUT ILLUS. 33
35	F85610		1	BEARING
36	F269052		2	SHIFT ARM BEARING
37	F7004		1	STOP NUT, 7/16 - 20
38	817793A1		1	SHIFT ARM W/CLAMP AND SWIVEL
39	F1136		2	FLAT HD SCREW, 1/4 - 20 X 1
42	F1446		2	SLOTTED PAN HD SCREW, 1/4 - 20 X 1
43	FA433471		1	CYLINDER DRAIN COVER W/FITTING
44	F93472-1		1	CYLINDER DRAIN COVER GASKET
45	F1286		2	PAN HD SCREW, 4 - 40 X 3/16

CONTINUED ON NEXT PAGE ➡

POWER HEAD

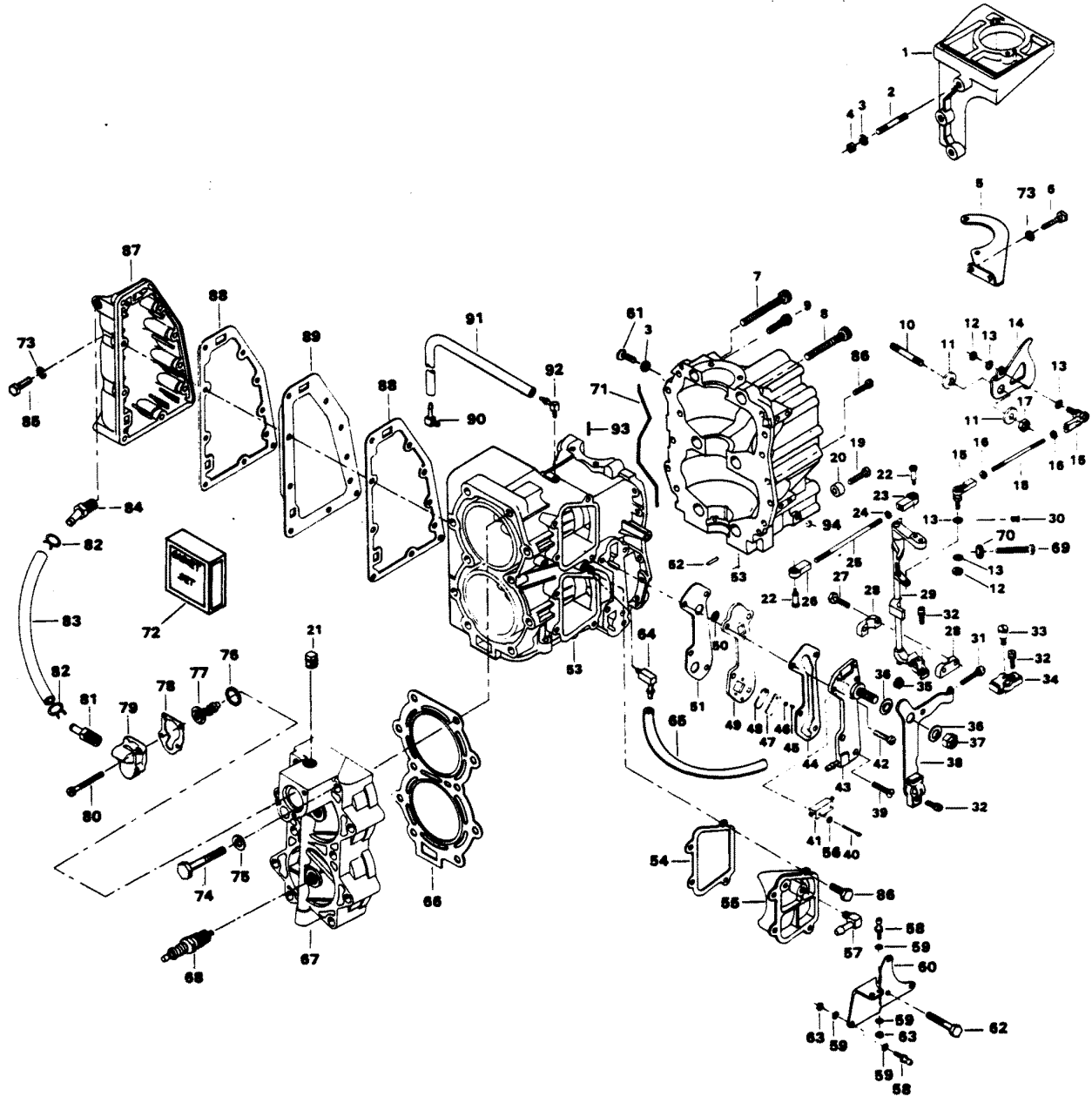


POWER HEAD

REF. NO.	PART NO.	SYM.	QTY.	DESCRIPTION
46	F8003		2	PLAIN WASHER
47	F93920		2	CYLINDER DRAIN REED STOP
48	F18160-2		2	REED, CYLINDER DRAIN
49	F2A433757		1	CYLINDER DRAIN REED PLATE W/ILLUS. 45, 46, 47, 48 AND 50
50	F93811		2	SCREEN CYLINDER DRAIN REED PLATE
51	F93748-1		1	CYLINDER DRAIN REED PLATE GASKET
52	F8559		2	DOWEL PIN
53	FA464010		1	CYLINDER W/CRANKCASE COVER, DEFLECTOR PLATE ILLUS. 7, 8, 52, 71 AND 93
-	FC464010		1	SHORT BLOCK. INCLUDES ALL ITEMS MARKED WITH AN ASTERISK (*). ALSO REFER TO CRANKSHAFT PAGE.
54	F40223		2	TRANSFER PORT COVER GASKET
55	FA411222		1	TRANSFER PORT COVER W/LITERATURE
57	F84314-2		1	ELBOW, FUEL LINE
58	F98273		2	ROD END CONNECTOR STUD
59	F8058		4	INTERNAL TOOTH LOCKWASHER
60	817746A1		1	CONNECTOR STUD BRACKET W/LITERATURE ORIGINAL FORCE P/N A 267371-1
61	F1857		1	HEX CAP SCREW, 5/16 - 18 X 5/8
62	F1864		3	HEX CAP SCREW, 1/4 - 20 X 3/4
63	F1513		2	HEX NUT, 10 - 32
64	F404801		1	ELBOW
65	F433254		1	HOSE
66	F201529-1		1	CYLINDER HEAD GASKET
67	900-818049A2		1	CYLINDER HEAD
68	33-82371M		2	SPARK PLUG (UL-81J)
-	C235227		2	SPARK PLUG (RL-82) CANADA ONLY
69	F1052		1	FILL HD SCREW, 1/4 - 20 X 1
70	F1341		1	HEX NUT
71	F269122-1		1	CRANKCASE PARTING LINE SEAL
72	FG1007-1		1	GASKET SET. INCLUDES ITEMS MARKED WITH A STAR (*):
-	F40154-3		3	GASKET, EXHAUST PORT PLATE
-	F40223		1	GASKET, TRANSFER PORT COVER
-	F40833-4		1	GASKET, IDLE RELIEF COVER
-	F40906-1		1	GASKET, CARBURETOR
-	F93472-1		1	GASKET, CYLINDER DRAIN COVER
-	F93748-1		1	GASKET, CYLINDER DRAIN REED PLATE
-	F97067		1	GASKET, THERMOSTAT COVER
-	F201529-1		1	GASKET, CYLINDER HEAD
-	F269122-1		1	CRANKCASE PARTING LINE SEAL
-	F307279-2		1	GASKET, CYLINDER EXHAUST - UPPER
-	F40279-1		1	GASKET, CYLINDER EXHAUST - LOWER
-	F311996		1	GASKET, CYLINDER HEAD COVER

CONTINUED ON NEXT PAGE ➡

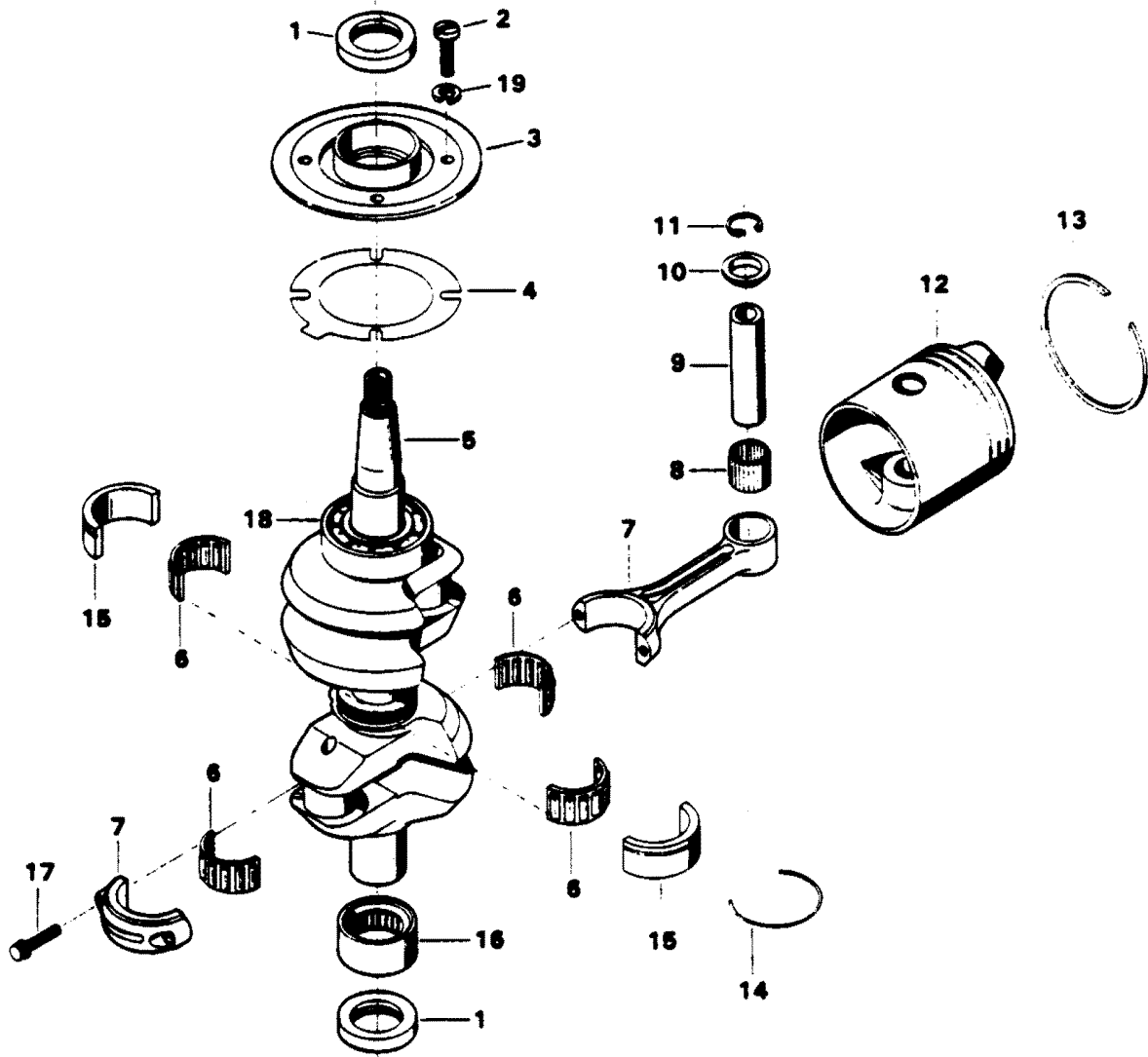
POWER HEAD



POWER HEAD

REF. NO.	PART NO.	SYM.	QTY.	DESCRIPTION
-	F366277		1	GASKET, BEARING CAGE
-	F433168		1	GASKET, CARBURETOR ADAPTER
-	F433406		1	GASKET, DEFLECTOR PLATE
73	F8083		11	SPRING LOCKWASHER
74	F1544		10	HEX HD CAP SCREW, 3/8 - 16 X 2 1/4
75	F2014		10	PLAIN WASHER
76	F97504		1	GROMMET, THERMOSTAT
77	F97068-1		1	THERMOSTAT
78	F97067		1	THERMOSTAT COVER GASKET
79	F97066-1		1	THERMOSTAT COVER
80	F1995		3	FILL HD SCREW, 10 - 24 X 1 1/16
81	F97275		1	FITTING, THERMOSTAT
82	F97772		2	CLAMP
83	FA97247		1	WATER TUBE, THERMOSTAT W/LITERATURE
84	F141275		1	FITTING, THERMOSTAT
85	F1971		9	HEX HD SCREW, 1/4 - 20 X 2 1/8
86	F1922		5	HEX HD SCREW, 1/4 - 20 X 5/8
87	FA433152		1	EXHAUST PORT COVER W/ILLUS. 85
88	F40154-3		2	EXHAUST PORT PLATE GASKET
89	F40151-1		1	EXHAUST PORT PLATE
90	F463314		1	ELBOW
91	FS433758		1	HOSE W/VALVE
92	22-817740A1		1	ELBOW ASSEMBLY
93	F8545		1	SPRING PIN
94	F1997		2	STOP NUT, 8 - 32
95	F1525		1	WELCH PLUG, CYLINDER HEAD (NOT SHOWN)
96	F1526		1	WELCH PLUG, CYLINDER HEAD (NOT SHOWN)

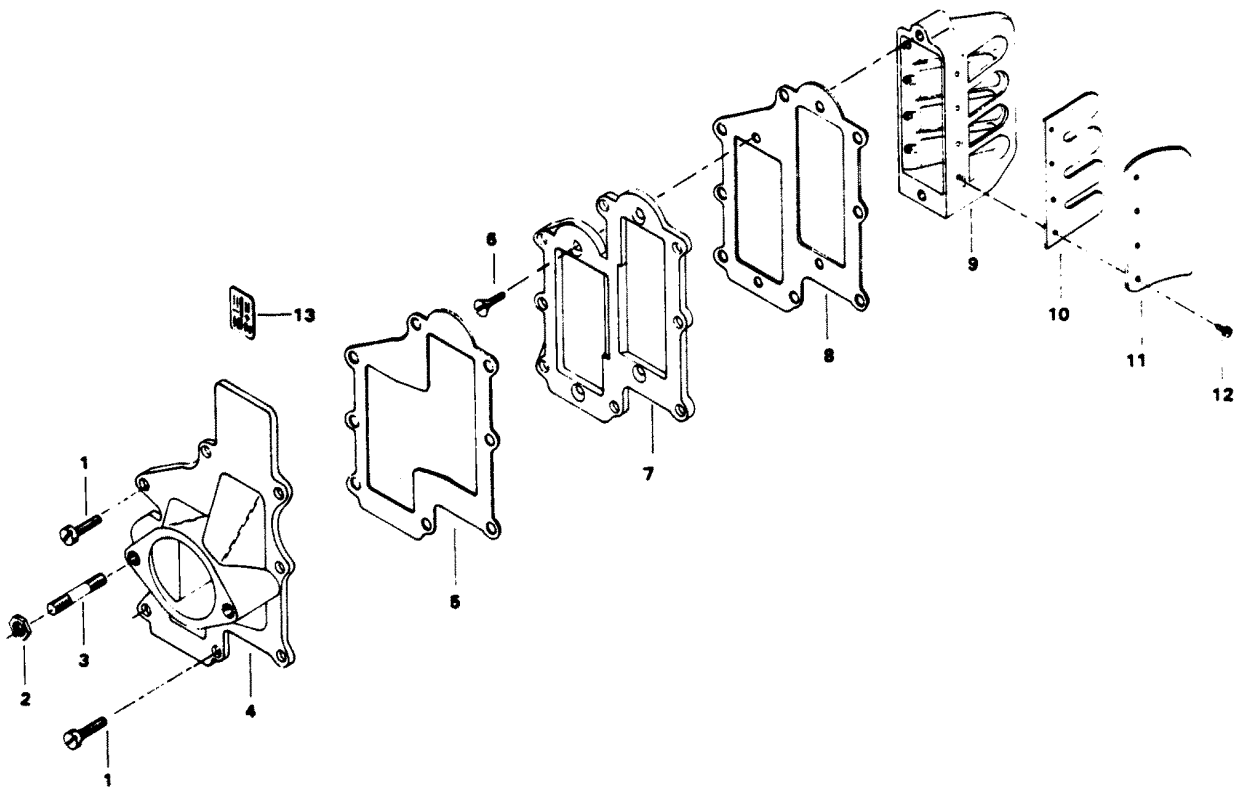
CRANKSHAFT AND PISTON GROUP



CRANKSHAFT AND PISTON GROUP

REF. NO.	PART NO.	SYM.	QTY.	DESCRIPTION
1	F40146-1		2	CRANKSHAFT SEAL
2	F1441		4	PAN HD SCREW, 1/4 - 20 X 7/8
3	FA466144		1	CRANKSHAFT BEARING CAGE W/ILLUS. 1
4	F366277		1	BEARING CAGE GASKET
5	FA545018		1	CRANKSHAFT W/ILLUS. 18
6	FK85228-1		3	BEARING CAGE W/ROLLERS (16 PER SET)
7	600-818052A4		2	CONNECTING ROD W/CAP AND SCREWS
8	F335217-1		2	BEARING
9	F40017-2		2	PISTON PIN
10	F366215		4	SPACER
11	F428096		4	RETAINER, PISTON PIN
12	F486015		2	PISTON
-	FSA486015		2	PISTON .010 OVERSIZE
-	700-818124A1		2	PISTON .030 OVERSIZE
13	FA354260		1	PISTON RING SET (6 PER SET)
-	FS310260		1	PISTON RINGS (6 PER SET) .010 OVERSIZE
-	39-818113A1		1	PISTON RINGS (6 PER SET) .030 OVERSIZE
14	F40410		1	SNAP RING
15	FA40655		1	CRANKSHAFT CENTER MAIN BEARING RACE W/ILLUS. 14
16	F90014		1	CRANKSHAFT LOWER MAIN BEARING
17	F85634-2		4	CONNECTING ROD SCREW
18	F366013		1	CRANKSHAFT THRUST BEARING UPPER
19	F8060		4	EXTERNAL TOOTH LOCKWASHER

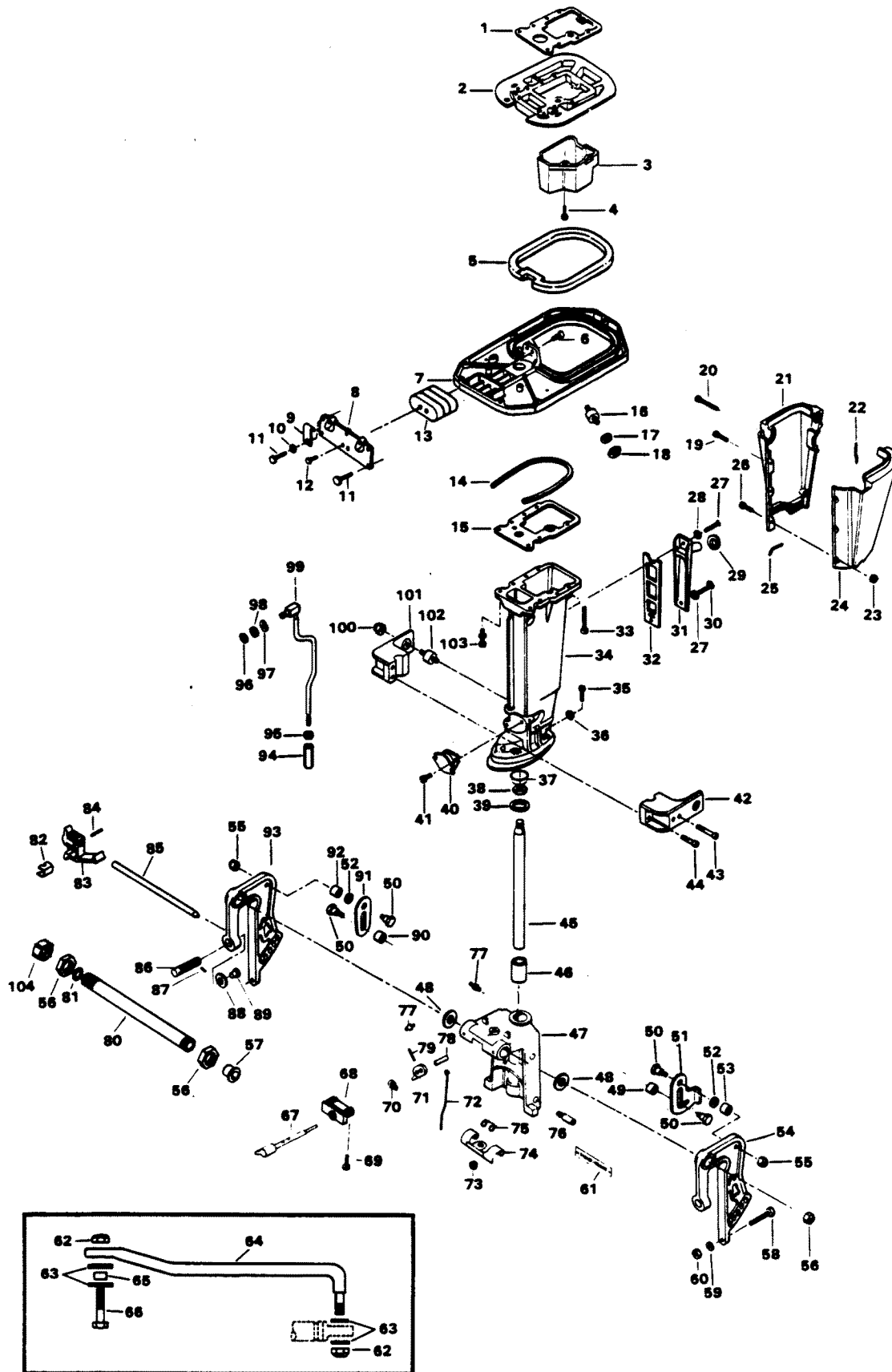
REED PLATE



REED PLATE

REF. NO.	PART NO.	SYM.	QTY.	DESCRIPTION
1	F2008		8	HEX HD SCREW, 1/4 - 20 X 7/8
2	F1515		2	HEX NUT, 5/16 - 18
3	F40209		2	CARBURETOR STUD
4	FA433167		1	CARBURETOR ADAPTER FLANGE W/ILLUS. 3
5	F433168		1	CARBURETOR ADAPTER GASKET
6	F1141		4	FLAT HD SCREW, 10 - 24 X 1/2
7	F433404		1	DEFLECTOR PLATE
8	F433406		1	DEFLECTOR PLATE GASKET
9	FA433158		2	REED PLATE W/ILLUS. 10, 11 AND 12
10	F335160		4	REED
11	F88161-3		4	REED STOP
12	F1755		16	ROUND HD SCREW W/LOCKWASHER, 6 - 32 X 1/4
13	37-817792A1		1	DECAL, TIMING W/LITERATURE ORIGINAL FORCE P/N A 433387-1

MOTOR LEG



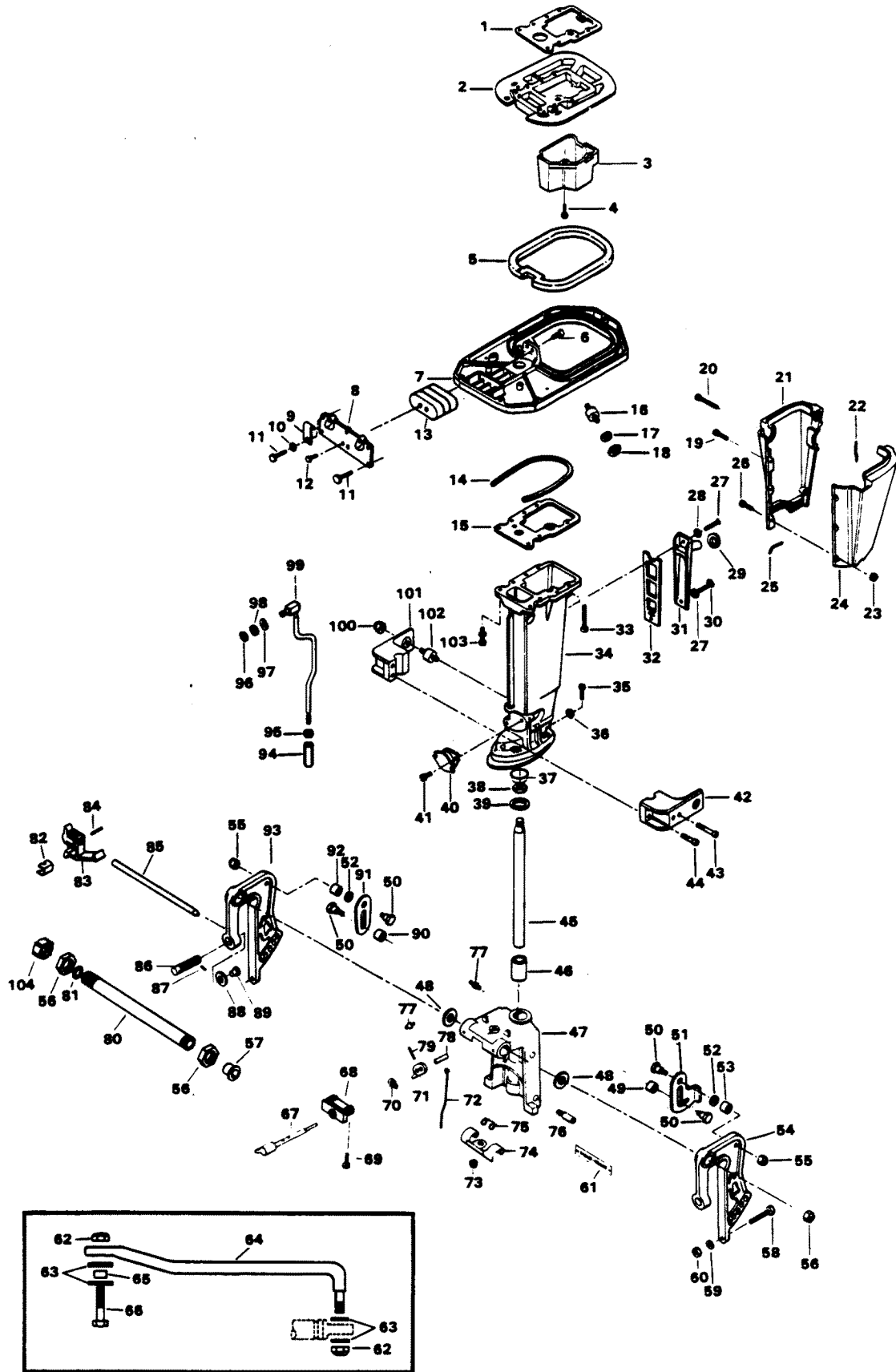
OB 3

MOTOR LEG

REF. NO.	PART NO.	SYM.	QTY.	DESCRIPTION
1	F307279-2		1	CYLINDER EXHAUST GASKET UPPER
2	F433680		1	SPACER PLATE
3	F307660-1		1	LEG EXHAUST TUBE
4	F1851		3	FILL HD M. SCREW W/LOCKWASHER, 10 - 24 X 1/2
5	26-817766A1		1	SEAL, KINGPIN PLATE W/LITERATURE ORIGINAL FORCE P/N A 307989-1
6	F1160		2	FLAT HD SCREW, 1/4 - 28 X 5/8
7	FS307940		1	KINGPIN PLATE
8	F433946		1	SHOCK MOUNT UPPER COVER
9	F286772-1		1	CLAMP
10	F8025		1	PLAIN WASHER
11	F1922		5	HEX CAP SCREW, 1/4 - 20 X 5/8
12	F1211		2	HEX HD SCREW W/LOCKWASHER, 1/4 - 28 X 5/8
13	F203965		1	SHOCK MOUNT UPPER
14	F89025		1	DAMPENING PAD
15	F40279-1		1	CYLINDER EXHAUST GASKET LOWER
16	F307962		2	SHOCK MOUNT - SIDE - UPPER
17	F8038		2	PLAIN WASHER
18	F1346		2	HEX NUT, 3/8 - 16
19	F1768		2	FILL HD SCREW, 10 - 24 X 1 3/8
20	F1767		1	FILL HD SCREW, 10 - 24 X 3
21	FA435145		1	LEG COVER - STARBOARD WITH PACKING
22	F435323		2	PACKING, LEG COVER - UPPER
23	F1473		6	HEX NUT, 10 - 24
24	FA435135		1	LEG COVER - PORT - W/PACKING
25	F435323		2	PACKING, LEG COVER - LOWER
26	F1733		3	FILL HD SCREW, 10 - 24 X 9/16
27	F1849		1	HEX HD SCREW, S.S., 1/4 - 20 X 1 3/8
28	F8083		2	SPRING LOCKWASHER
29	F89504		1	GROMMET, MOTOR LEG
30	F1199		1	HEX HD SCREW, 1/4 - 20 X 1
31	FA89832-2		1	MOTOR LEG EXHAUST COVER W/ILLUS. 27 & 30
32	F40833-4		1	MOTOR LEG EXHAUST COVER GASKET
33	F1905		1	FILL HD SCREW, 1/4 - 20 X 3 7/16
34	F435133-1		1	MOTOR LEG
35	F1929		4	HEX HD CAP SCREW, S.S., 3/8 - 16 X 1 1/8
36	F8065		4	SPRING LOCKWASHER
37	F1880		1	PLASTIC PLUG
38	F84280		1	KINGPIN NUT
39	F89011		1	SWIVEL BRACKET WASHER
40	F183346-1		1	SHOCK MOUNT LOWER
41	F1129		4	FILL HD SCREW, S.S., 5/16 - 18 X 1/2
42	F433973		1	SHOCK MOUNT LOWER COVER - PORT

CONTINUED ON NEXT PAGE ➡

MOTOR LEG



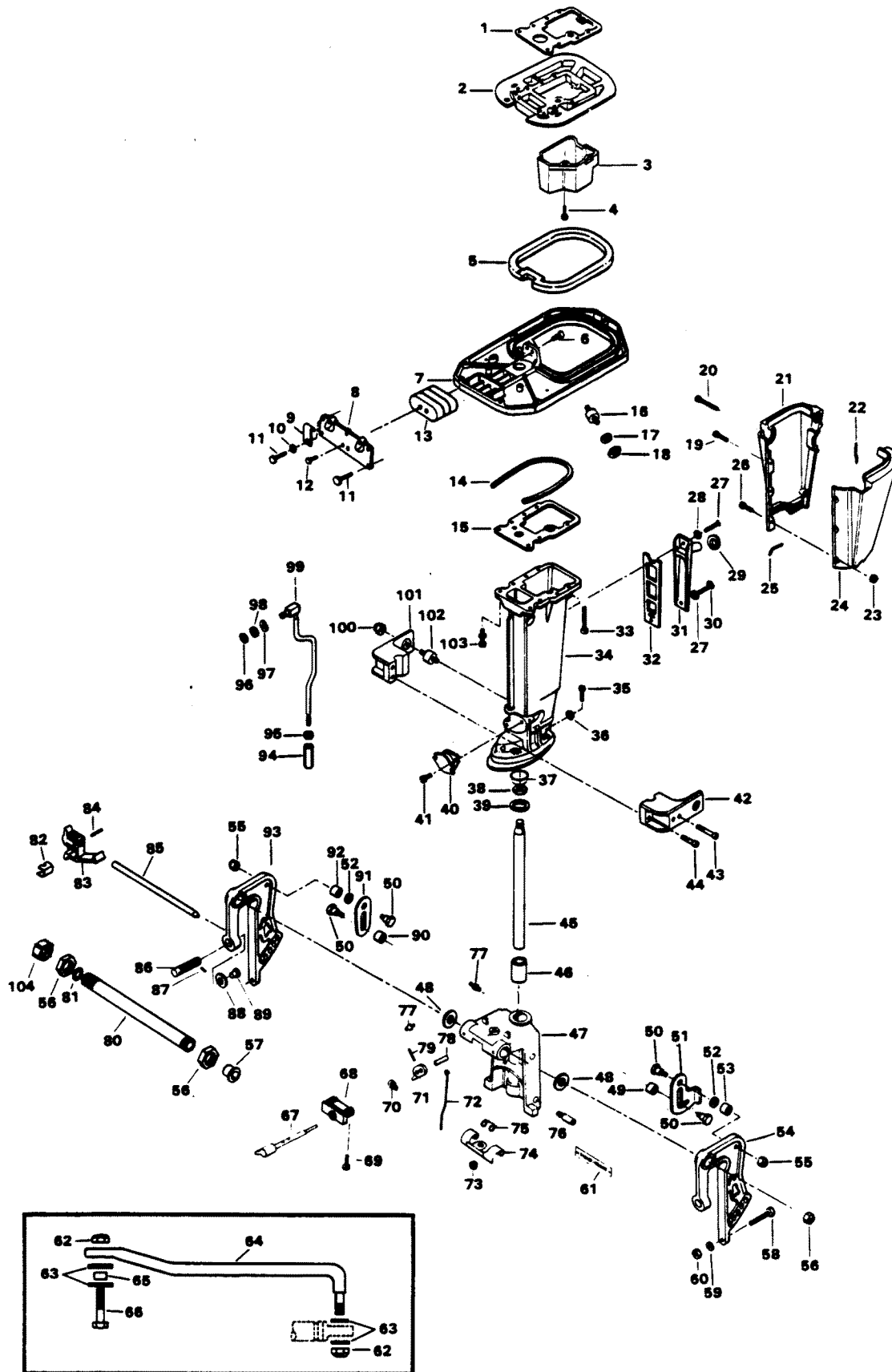
OB 3

MOTOR LEG

REF. NO.	PART NO.	SYM.	QTY.	DESCRIPTION
43	F1635		2	HEX SOCKET HD CAP SCREW, S.S., 3/8 - 16 X 3 1/2
44	F1636		2	HEX SOCKET HD CAP SCREW, S.S., 3/8 - 16 X 1 1/4
45	FA433019		1	KINGPIN WILLUS. 37
46	F191169-1		2	SWIVEL BRACKET BEARING
47	FA545072		1	SWIVEL BRACKET WILLUS. 46 & 77
48	F522286		2	STERN BRACKET FRICTION WASHER
49	F269929		1	SPACER, TILT STOP
50	F366350		4	TILT STOP PIVOT
51	F366426		1	TILT STOP - PORT
52	F1666		2	BOWED SPRING WASHER
53	F269929		1	SPACER, TILT STOP
54	F522532		1	STERN BRACKET - PORT
55	F7007		4	NUT
56	F1600		2	LOCK NUT, PIVOT TUBE
57	F9052		1	PLASTIC PLUG, PIVOT TUBE
58	F1593		2	HEX HD SCREW, S.S., 3/8 - 16 X 3
59	F1904		2	PLAIN WASHER
60	F1346		2	HEX NUT, S.S., 3/8 - 16
61	F544390-1		1	DECAL, TILT LOCK
62	F2093		2	STOP NUT 3/8 - 24
63	F8038		4	PLAIN WASHER
64	F5H141		1	LINK, STEERING WILLUS 62, 63, 65 AND 66
65	F522359		1	SPACER, STEERING LINK
66	F2073		1	HEX CAP SC 3/8 - 24 X 1-5/8
67	F366827		1	HANDLE AND SHAFT
68	F522884		1	BEARING
69	F1733		2	PAN HD SCREW, 10 - 24 X 9/16
70	F522741		1	RING, RETAINING-REV. LOCK SHAFT
71	F366364		1	ARM
72	F366510-1		1	LINK
73	F1669		1	STOP NUT
74	F366349		1	REVERSE LOCK
75	F366300		2	REVERSE LOCK SPRING
76	F366866		2	PIN
77	F213274		3	GREASE FITTING
78	F483884		1	BEARING
79	F1836		1	SPRING PIN
80	F522125-1		1	TUBE, PIVOT STEERING
81	F316599		1	SEAL, PIVOT TUBE
82	F286461		1	SPRING LOCK BAR HANDLE
83	F433114		1	HANDLE, LOCK BAR
84	F1744		1	SPRING PIN
85	FA433113		1	STERN BRACKET LOCK BAR WILLUS. 82, 83 & 84

CONTINUED ON NEXT PAGE ➡

MOTOR LEG

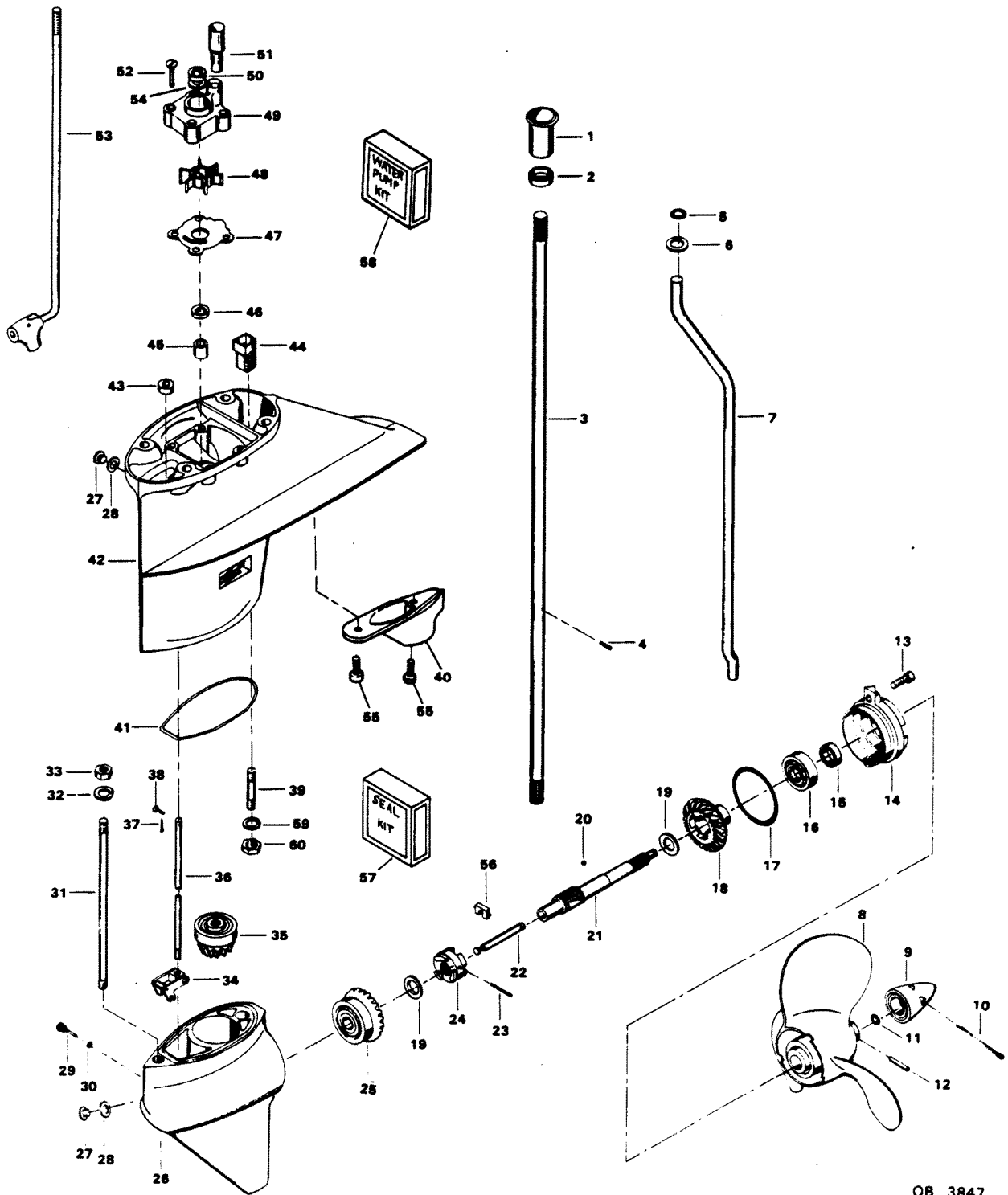


OB 3

MOTOR LEG

REF. NO.	PART NO.	SYM.	QTY.	DESCRIPTION
86	F474073-1		2	CLAMP SCREW
87	F8538		2	SPRING PIN
88	F24074		2	CLAMP SCREW FOOT
89	F353480		2	STUD
90	F269929		1	SPACER, TILT STOP
91	F366433		1	TILT STOP, STARBOARD
92	F269929		1	SPACER, TILT STOP
93	F522032		1	STERN BRACKET - STARBOARD
94	F141704		1	GEAR SHIFT ROD COUPLING
95	F1349		1	HEX NUT, S.S., 5/16 - 18
96	F185764		1	RETAINING RING
97	F8049		1	BOWED SPRING WASHER
98	F1987		1	PLAIN WASHER
99	F307615		1	GEAR SHIFT ROD UPPER
100	F1326		2	ACORN NUT, S.S., 5/16 - 18
101	F433972		1	SHOCK MOUNT LOWER COVER - STARBOARD
102	F215962		2	SHOCK MOUNT SIDE LOWER
103	F1947		8	FLANGED 12 POINT SCREW, 5/16 - 18 X 2
104	F9018		1	PLASTIC CAP, PIVOT TUBE

GEAR HOUSING



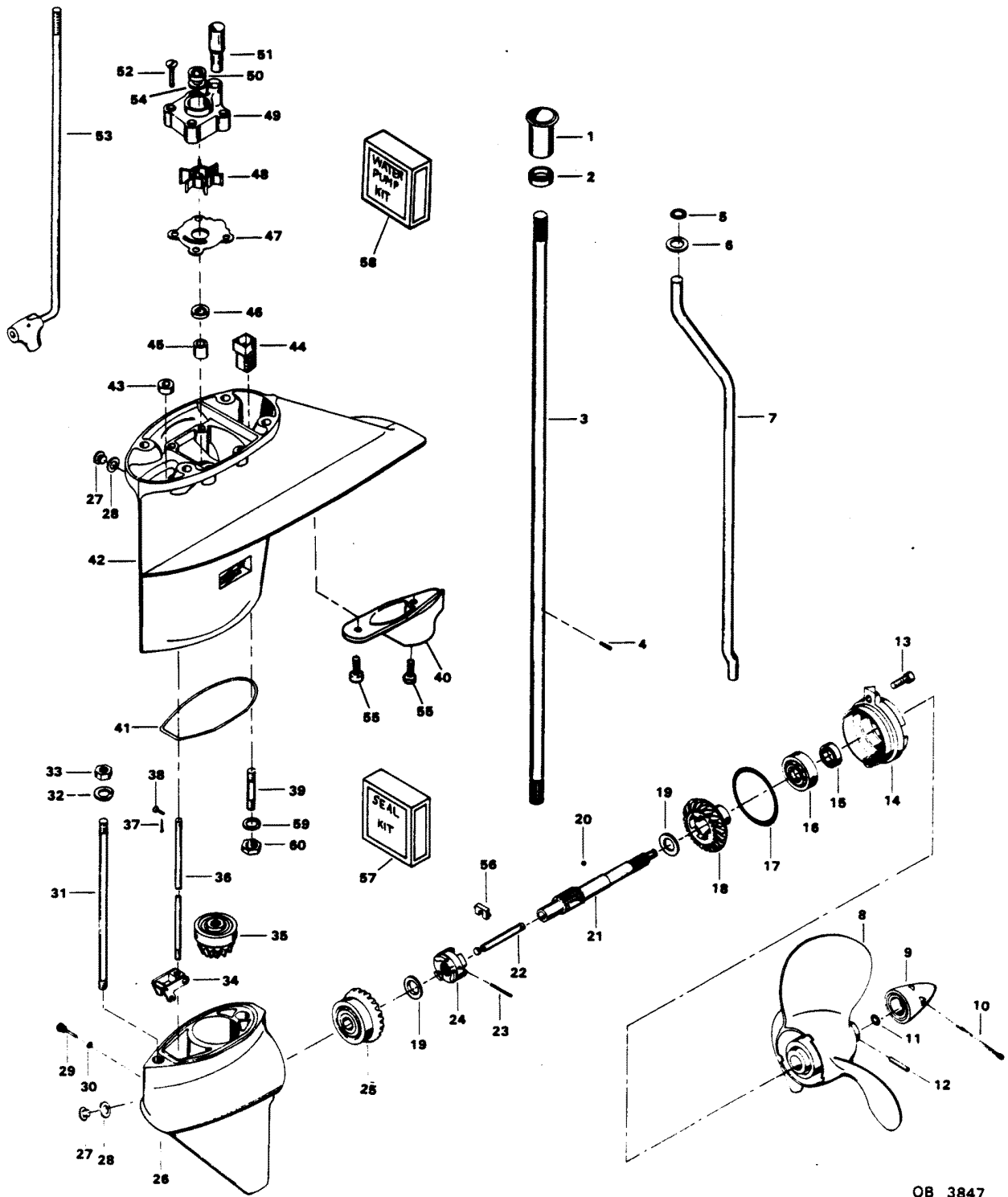
OB 3847

GEAR HOUSING

REF. NO.	PART NO.	SYM.	QTY.	DESCRIPTION
1	F338129-1		1	SEAL, DRIVESHAFT SPLINE
2	F338271		1	RETAINER
3	FA89128-1		1	DRIVESHAFT WILLUS. 2
4	F901563		1	DRIVE PIN, WATER PUMP IMPELLER
5	F40342		1	SEAL
6	F8042		1	PLAIN WASHER
7	F435244		1	INLET WATER LINE
8	FP293		1	PROPELLER (ACCESSORY ITEM)
9	FA94094-2		1	PROPELLER NUT WILLUS. 10 AND 11
10	F1027		1	COTTER PIN, S.S., 1/8 - 1/2
11	F40342		1	SEAL, PROPELLER NUT
12	FK247		1	PROPELLER PIN, PACK OF 6 WILLUS. 10
13	F1263		2	HEX SOCKET HD CAP SCREW, S.S., 5/16 - 18 X 9/16
14	F2A366298		1	PROPELLER SHAFT BEARING CAGE. INCLUDES ITEMS 15, 16 AND 17
15	F141118		1	SEAL, PROPELLER SHAFT
16	F366058		1	BALL BEARING, PROPELLER SHAFT
17	F141305		1	SEAL, PROPELLER SHAFT BEARING CAGE
18	FA485662		1	BEVEL GEAR REAR W/BEARING
19	F40717		2	THRUST WASHER, BEVEL GEAR
20	F366727		1	BALL, PROPELLER SHAFT
21	44-819500A3		1	PROPELLER SHAFT ASSEMBLY
22	F90871-3		1	GEAR SHIFT ARM PIN
23	F2097		1	SPRING PIN
24	F99521-1		1	CLUTCH
25	FA485023		1	BEVEL GEAR FRONT W/BEARING
26	FA486054		1	GEAR HOUSING LOWER W/THRUST BEARING CUP ILLUS. 27, 28, 29 AND 30
-	FC486054		1	GEAR HOUSING COMPLETE. INCLUDES ALL ITEMS MARKED WITH AN ASTERISK (*)
27	F50109		2	PLUG, GEAR HOUSING
28	F8077		2	WASHER, GEAR HOUSING PLUG
29	F498891		1	GEAR SHIFT ARM PIVOT PIN
30	F498618		1	SEAL, "O" RING
31	F97008-1		1	STUD, LONG
32	F8065		1	LOCKWASHER
33	F1346		1	HEX NUT, S.S., 3/8 - 16
34	817796A2		1	GEAR SHIFT ARM ASSEMBLY
35	F2A474266		1	BEVEL PINION W/BEARING
36	F435705		1	GEAR SHIFT ROD LOWER
37	F1015		1	COTTER PIN
38	F85372		1	PIN, GEAR SHIFT ROD LOWER
39	F40008		1	STUD, SHORT
40	FA435116		1	SNOUT, ANODE, EXHAUST W/LITERATURE

CONTINUED ON NEXT PAGE ➡

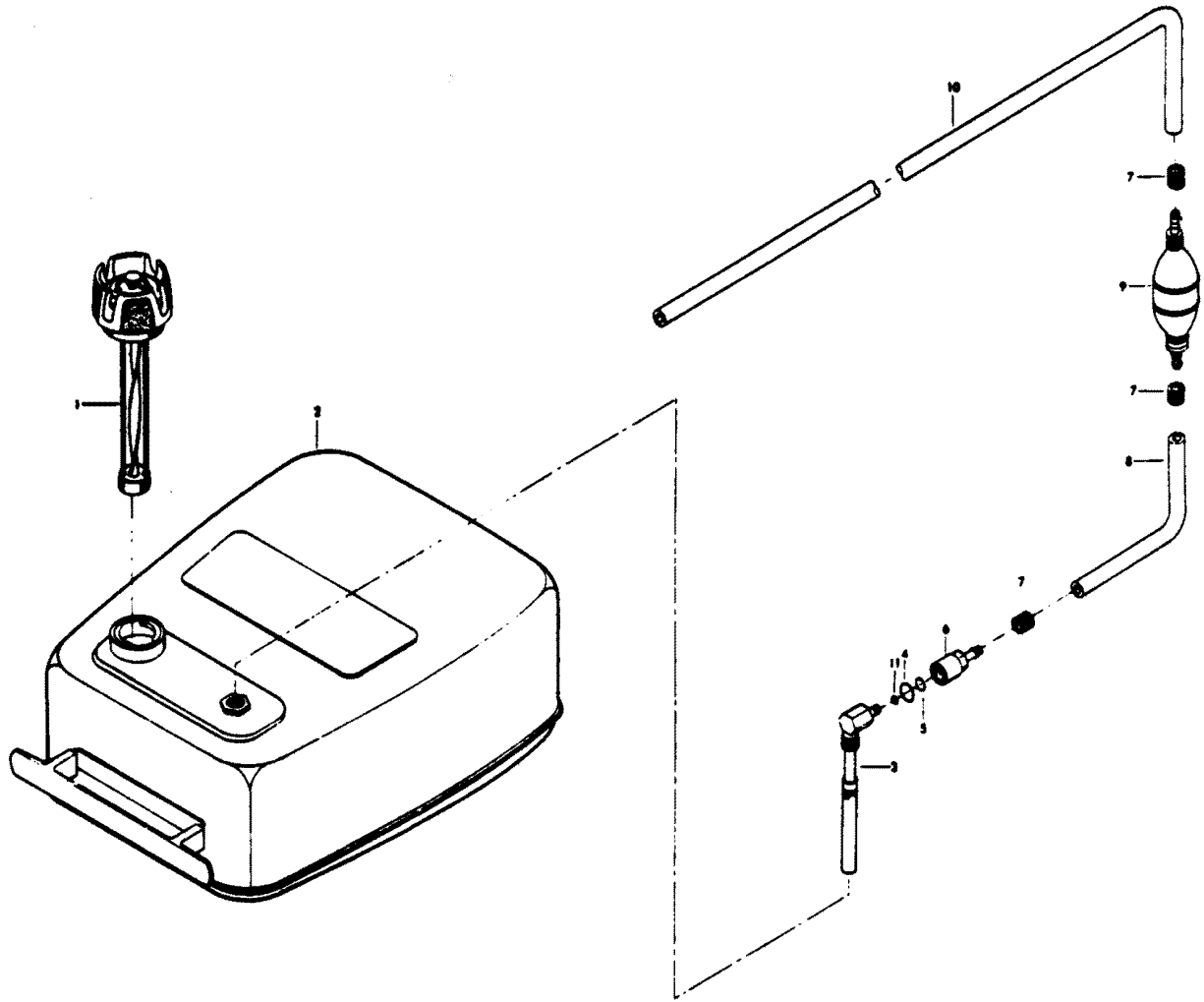
GEAR HOUSING



GEAR HOUSING

REF. NO.	PART NO.	SYM.	QTY.	DESCRIPTION
41	F435555		1	SEAL, GEAR HOUSING
42	FA545554		1	GEAR HOUSING UPPER W/ILLUS. 27, 28, 39, 40, 43, 44, 45, 46 AND 55
43	F338618-1		1	SEAL, SHIFT ROD LOWER
44	F435077		1	SCREEN, WATER INLET
45	F435057		1	BEARING, DRIVESHAFT UPPER
46	F40307-2		1	SEAL, DRIVESHAFT
47	F435562		1	WATER PUMP BACK PLATE
48	F433065-2		1	WATER PUMP IMPELLER W/INSERT
49	FA463060		1	WATER PUMP BODY W/ILLUS. 50, 51 AND 54
50	F349307		1	DRIVESHAFT SEAL - WATER PUMP
51	FA485914		1	SEAL, INLET WATER LINE, LOWER W/LITERATURE
52	F2030		4	HEX HD SCREW, S.S., 1/4 - 20 X 1 1/4
53	FA435616		1	GEAR SHIFT ROD INTERMEDIATE
54	485388		1	DISC, WATER PUMP
55	F2008		2	HEX HD M. SCREW, 1/4 - 20 X 7/8
56	F90619-1		1	YOKE
57	FK1074		1	GEAR HOUSING SEAL KIT. INCLUDES ALL ITEMS MARKED WITH A DOUBLE ASTERISK (**)
58	FK1073		1	WATER PUMP KIT
-	F2030		4	SCREW 1/4 - 20 X 1-1/4
-	F433065-2		1	IMPELLER
-	F435562		1	BACK PLATE, WATER PUMP
-	F901563		1	DRIVE PIN
-	FA463060		1	WATER PUMP BODY
59	F2014		1	PLAIN WASHER
60	F7004		1	ELASTIC STOP NUT 3/8 - 16

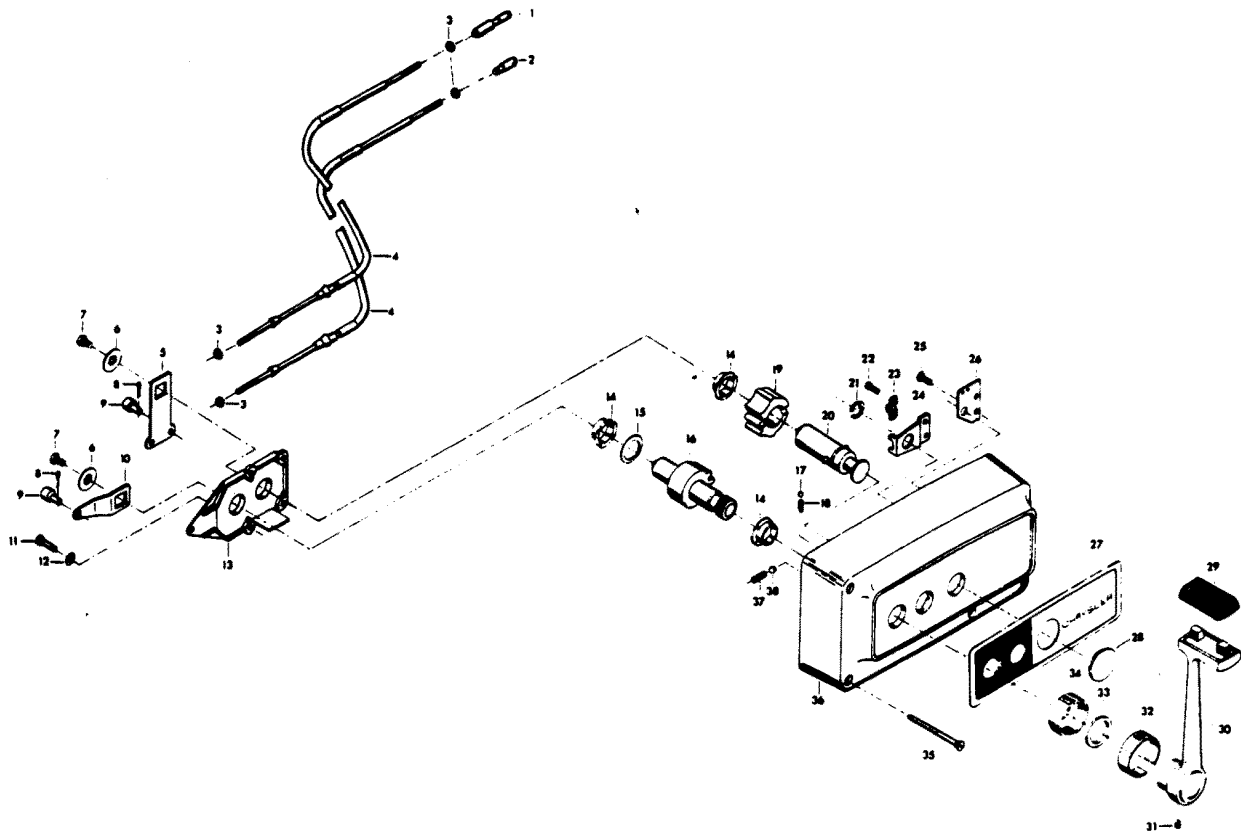
FUEL TANK AND LINE



FUEL TANK AND LINE

REF. NO.	PART NO.	SYM.	QTY.	DESCRIPTION
1	F409251-1		1	GAUGE CAP
2	F5H027		1	FUEL TANK (ACCESSORY ITEM)
3	F485755-1		1	FUEL TANK ADAPTER
4	F17816		1	SEAL, FUEL LINE COUPLER (LARGE)
5	F17815		1	SEAL, FUEL LINE COUPLER (SMALL)
6	F197787-3		1	FUEL LINE COUPLER
7	F298788		3	FERRULE
8	FA84754-1		1	FUEL LINE SHORT W/ILLUS. 7
9	89396A38		1	PRIME BULB
10	32-817738A1		1	FUEL LINE, LONG W/CLAMP ILLUS. 7 ORIGINAL FORCE P/N A 197752-1
11	F17817		1	SEAL, FUEL TANK ADAPTER
-	FS409752		1	FUEL LINE - COMPLETE INCLUDES ITEMS MARKED WITH AN ASTERISK (*)
-	FC409398		1	DECAL, TOTE TANK - CANADA (NOT SHOWN)

REMOTE CONTROL

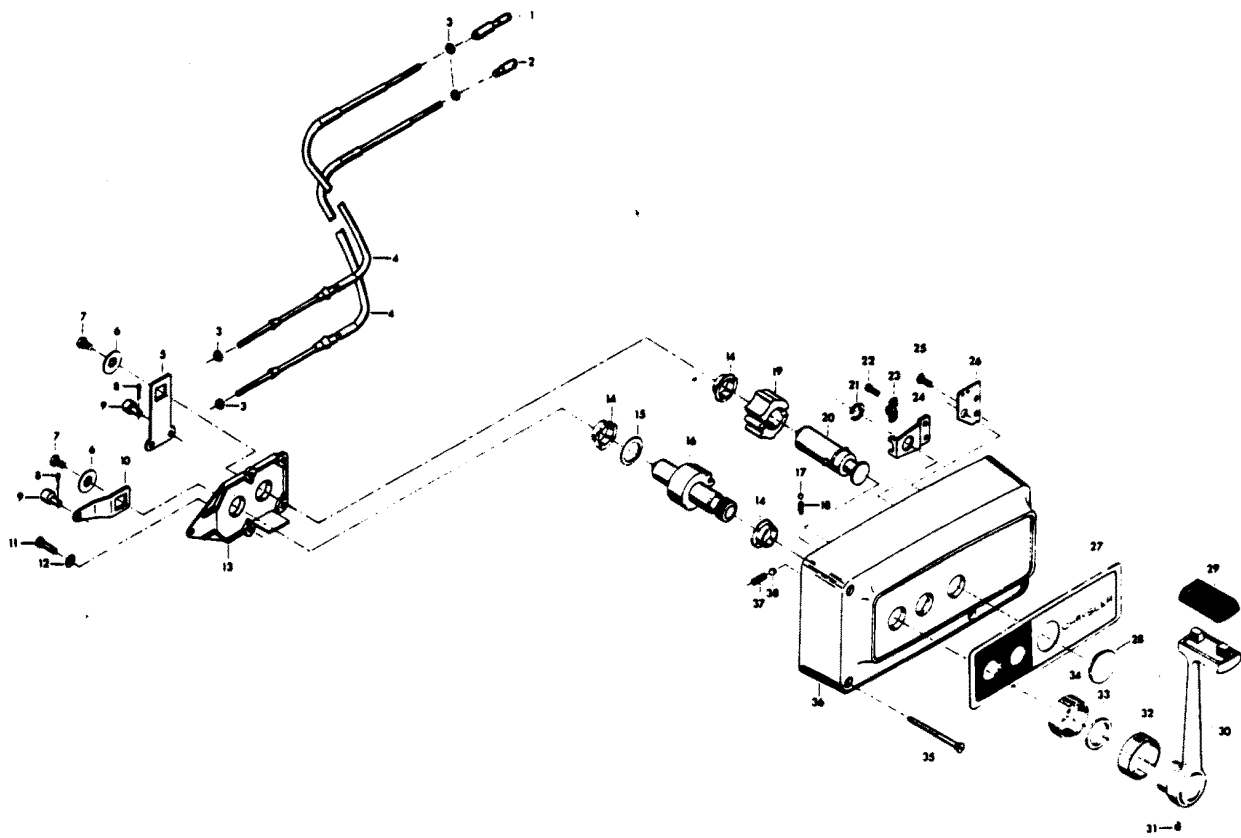


REMOTE CONTROL

REF. NO.	PART NO.	SYM.	QTY.	DESCRIPTION
1	FA58976-1		1	CONNECTOR, THROTTLE CABLE
2	F58685-2		1	CONNECTOR, SHIFT CABLE
3	F1513		4	HEX NUT
4	F195/___		1	REMOTE CONTROL CABLE (SPECIFY LENGTH). ACCESSORY ITEM (2 PER SET)
5	F17019		1	CLUTCH ARM
6	F17036		2	INTERNAL TOOTH LOCKWASHER
7	F1715		2	HEX BOLT, 1/4 - 28 X 9/16
8	F17149		2	COTTER PIN
9	F17016		2	CABLE TERMINAL
10	F17014		1	THROTTLE ARM
11	F17013		2	FILL HD SCREW, 1/4 - 20 X 1/2
12	F8061		2	INTERNAL TOOTH LOCKWASHER
13	F17012		1	RETAINING PLATE
14	F17009		3	BEARING
15	F17011		1	BOWED WASHER
16	F17010-1		1	THROTTLE GEAR
17	F17111		1	DETENT BALL
18	F17006		1	DETENT SPRING
19	F17021		1	CLUTCH GEAR
20	F17100		1	CLUTCH SHAFT
21	F17092		1	SNAP RING
22	F17071		2	FILL HD SCREW, 10 - 24 X 5/16
23	F154317		1	CABLE CLAMP
24	F17026		1	SWIVEL
25	F1557		2	FLAT HD SCREW, 10 - 24 X 3/8
26	F17112		1	JUNCTION BOARD - STARBOARD
-	F17113		1	JUNCTION BOARD - PORT
27	F580892		1	DECAL, STARBOARD
-	F581892		1	DECAL, PORT
28	F17031-1		1	SNAP CAP
29	F17116		1	KNOB
30	F17115-1		1	HANDLE
31	F17030-1		1	SET SCREW
32	FK17114-1		1	INDICATOR
33	F17105		1	FELT WASHER
34	F17106		1	COLLAR
35	F17146		3	WOOD SCREW
36	F17099		1	HOUSING

CONTINUED ON NEXT PAGE ➡

REMOTE CONTROL



REMOTE CONTROL

REF. NO.	PART NO.	SYM.	QTY.	DESCRIPTION
37	F17068		1	DETENT SPRING
38	F17082-1		1	DETENT BALL
-	F1280		1	PAN HD SCREW, 8 - 32 X 1/4 (TERMINAL BOARD) (NOT SHOWN)
-	OB3062		1	LITERATURE (NOT SHOWN). INSTALLATION INSTRUCTIONS FOR 5H130
-	F17103		1	BAG ASSEMBLY (NOT SHOWN) INCLUDES ALL ITEMS MARKED WITH AN ASTERISK (*)

SPECIAL TOOLS - TUNE-UP

REF. NO.	PART NO.	SYM.	QTY.	DESCRIPTION
-	FT8948-1		0	FLYWHEEL PULLER TO REMOVE FLYWHEEL
-	FTA2937-1		0	TIMING TOOL TO ADJUST SPARK ADVANCE
-	FT8930-1		0	FEELER GAUGE TO ADJUST BREAKER POINTS

SPECIAL TOOLS - POWER HEAD

REF. NO.	PART NO.	SYM.	QTY.	DESCRIPTION
-	FT3510		0	SEAL INSTALLER TO INSTALL UPPER CRANKSHAFT BEARING CAGE SEAL
-	FT3512		0	SEAL SLEEVE TO INSTALL UPPER CRANKSHAFT BEARING CAGE SEAL
-	FT1749		0	RETAINING RING PLIERS TO REMOVE AND INSTALL PISTON PIN RETAINING RINGS
-	FT2953		0	SOCKET TO TORQUE CONNECTING ROD SCREWS
-	FT2990		0	PISTON PIN TOOL TO REMOVE AND INSTALL PISTON PIN IN PISTON
-	FT8926		0	RING EXPANDER TO INSTALL RINGS ON PISTONS
-	FT2996		0	RING COMPRESSOR TO INSTALL PISTONS IN CYLINDERS
-	FT8932		0	LIFTING HOOK TO LIFT ENGINE
-	FT2998		0	TORQUE WRENCH (0-100 LBS/FT) TO TORQUE FLYWHEEL NUT
-	FT2999		0	TORQUE WRENCH (0-600 LBS/FT) TO TORQUE FASTENERS
-	FT2991		0	CARBON BRUSH TO CLEAN CARBON FROM INSIDE POWER HEAD
-	FT8900		0	HOSE CLAMP PLIERS TO REMOVE CLAMPS FROM FUEL HOSES

SPECIAL TOOLS - LOWER UNIT

REF. NO.	PART NO.	SYM.	QTY.	DESCRIPTION
-	FT8948-1		0	PROPELLER SHAFT BEARING CAGE PULLER TO REMOVE PROPELLER SHAFT BEARING CAGE FROM LOWER GEAR HOUSING
-	FT8919		0	SPRING PIN PUNCH TO REMOVE CLUTCH SPRING PIN
-	FT8907		0	DRIVER HANDLE TO INSTALL BEARING CUP IN LOWER GEAR HOUSING
-	FT8945		0	RETAINER PUNCH TO INSTALL RETAINER ON DRIVESHAFT SPLINE BOAT
-	FT8918		0	BUSHING GUIDE SET TO REMOVE AND INSTALL BEARING CUP IN LOWER GEAR HOUSING
-	FT8921		0	FORWARD BEARING CUP REMOVER TO REMOVE FORWARD BEARING CUP FROM LOWER GEAR HOUSING
-	FT8904		0	FORWARD BEARING CUP INSTALLER TO INSTALL FORWARD BEARING CUP IN LOWER GEAR HOUSING
-	FT3431		0	DRIVESHAFT SEAL AND PROP SHAFT SEAL INSTALLER TO INSTALL DRIVESHAFT AND PROP SHAFT SEAL IN LOWER UNIT
-	FT8957		0	SEAL INSTALLER TO INSTALL SHIFT ROD SEAL
-	FT8962		0	BEARING INSTALLER TO INSTALL DRIVESHAFT BEARING IN GEAR HOUSING UPPER
-	FT8964		0	BEARING REMOVER TO REMOVE DRIVESHAFT BEARING FROM GEAR HOUSING UPPER

SPECIAL TOOLS - TEST EQUIPMENT

REF. NO.	PART NO.	SYM.	QTY.	DESCRIPTION
-	FT2951		0	CIRCUIT TRACER TO TEST 12 VOLT ELECTRICAL SYSTEM
-	FT2955A		0	TEST WHEEL TO TEST MOTOR IN TEST TANK
-	FT8950		0	LEAKAGE TESTER TO TEST LOWER UNIT FOR LEAKAGE
-	FT2938-1		0	TEST LIGHT - BATTERY POWERED TO TEST CONTINUITY IN WIRES AND CIRCUITS

SPECIAL TOOLS - LUBRICANTS AND SEALANTS

REF. NO.	PART NO.	SYM.	QTY.	DESCRIPTION
-	FT2961		0	LUBRICANT - RYKON GREASE #2EP
-	FT2987-1		0	LUBRICANT - ANTI-SEIZE
-	FT8969		0	LUBRICANT - 7 OZ. LPS 1 LUBRICANT
-	FT8983		0	SEALANT - RTV
-	FT8936-1		0	SEALANT - 2 CC LOCTITE RETAINING COMPOUND #75
-	FT2962-1		0	SEALANT - 50 CC LOCTITE H, NON-HARDENING GRADE
-	FT2963-2		0	SEALANT - 2 OZ. LOCTITE D, HARDENING GRADE
-	FT8935		0	SEALANT PRIMER - 6 OZ. LOCTITE GRADE T
-	FT8955		0	SEALANT - EC-750 INDUSTRIAL

ACCESSORIES

REF. NO.	PART NO.	SYM.	QTY.	DESCRIPTION
-	F5H081		0	BATTERY CABLE LONGER LENGTH - 15 FEET
-	71H25		0	CHARGE INDICATOR LAMP GLOWS GREEN WHEN ALTERNATOR IS CHARGING BATTERY.
-	F5H019		0	ANTI-CORROSION KIT ELECTRICAL UNIT USED TO HELP PERVENT CORROSION.
-	F5H025		0	ANTI-CORROSION SACRIFICIAL ANODE USED TO HELP PREVENT CORROSION.
-	F5H021		0	BATTERY EXTENSION CABLE USED TO EXTEND BATTERY CABLE 6 1/2 FEET.
-	F71H26		0	BATTERY TERMINAL KIT FOR POSITIVE AND NEGATIVE BATTERY POSTS.
-	F5H020		0	CARRYING HANDLE PERMITS EASIER TRANSPORTATION OF ENGINE TO AND FROM BOAT (2 MAN).
-	F5H159		0	HOURMETER RECORDS ENGINE RUNNING TIME.
-	F5H177		0	FLUSHING ADAPTER PERMITS FRESH WATER FLUSHING OF WATER PASSAGES WITH STANDARD GARDEN HOSE.
-	5H158		0	FUEL GAUGE MONITORS FUEL SUPPLY.
-	F5H028		0	SENDING UNIT FOR USE WITH ABOVE FUEL GAUGE.
-	F5H156		0	TEMPERATURE GAUGE MONITORS ENGINE TEMPERATURE. DO NOT USE TEMPERATURE GAUGE AND HEAT LAMP IN SAME INSTALLATION.
-	F5H055		0	WATER PUMP KIT HEAVY DUTY WATER PUMP RECOMMENDED FOR CONTINUED OPERATION IN SANDY OR SALT WATER.
-	F5H134		0	BOAT WHITE LACQUER ENGINE TOUCH-UP PAINT IN 12 3/4 OZ. SPRAY BOMBS (6 CANS PER CASE).
-	F5H147		0	POWER TRIM ADJUST ENGINE TRIM AND TILTS ENGINE.
-	F5H160		0	POWER TRIM INDICATOR INDICATES TRIM ANGLE.
-	F5H084		0	TRAILERING TILT LOCK SECURES ENGINE IN TILTED POSITION FOR TRAILERING.
-	F5H120		0	REMOTE CONTROL BACK PLATE PROTECTS CONTROL MECHANISM FROM PADDED MOUNTING SURFACES IN BOAT.
-	F5H027		0	FUEL TANK, 6 GALLON, STEEL AUXILIARY TANK.
-	F5H029		0	FUEL TANK ANCHOR SECURES 5H026 TO DECK.
-	F5H040		0	FUEL TANK, 12 GALLON, STEEL AUXILIARY TANK.
-	F5H143		0	POWER TILT TWELVE VOLT UNIT TILTS ENGINE FOR BEACHING, ETC.
-	479		0	HEAT LAMP KIT WARNS OF ENGINE OVERHEATING.
-	F5H073		0	OVERHEAT BUZZER KIT WARNS OF ENGINE OVERHEATING.
-	F5H076		0	SWITCH EXTENSION CABLE (5') ALLOWS FOR INSTALLATION OF IGNITION SWITCH IN 51H30 CONTROL BOX IN CONJUNCTION W/563 TERMINAL BLOCK.
-	F5H077		0	IGNITION KEY SWITCH FOR ELECTRIC START MODELS, SHORT BARREL.
-	F5H078		0	IGNITION KEY SWITCH FOR ELECTRIC START MODELS, LONG BARREL.

CONTINUED ON NEXT PAGE ➡

ACCESSORIES

REF. NO.	PART NO.	SYM.	QTY.	DESCRIPTION
-	F195/___		0	REMOTE CONTROL CABLES CONNECTS REMOTE CONTROL BOX TO THROTTLE AND GEAR SHIFT ON MOTOR. AVAILABLE IN 6 THROUGH 40 FOOT LENGTHS.
-	F5H130		0	REMOTE CONTROL SURFACE MOUNT (SINGLE LEVER) PERMITS REMOTE CONTROL OF THROTTLE AND GEAR SHIFT FROM STARBOARD SIDE OF BOAT.
-	F5H131		0	PORT SIDE DECAL KIT CONVERTS 5H130 CONTROL BOX TO PORT SIDE MOUNTING.
-	F590		0	REMOTE CONTROL FLUSH MOUNT (SINGLE LEVER) PERMITS REMOTE CONTROL OF THROTTLE AND GEAR SHIFT. MAY BE MOUNTED ON PORT OR STARBOARD SIDE OF BOAT.
-	F5H079		0	REMOTE CONTROL - SINGLE LEVER CONSOLE MOUNT FOR SINGLE ENGINE INSTALLATION (CHROME PLATED).
-	F5H080		0	REMOTE CONTROL - DUAL SINGLE LEVER CONSOLE MOUNT FOR TWIN ENGINE INSTALLATION (CHROME PLATED)
-	F5H132		0	REMOTE CONTROL HANDLE TRIM SWITCH POWER TRIM SWITCH IN CONTROL BOX HANDLE, REPLACES STANDARD CONTROL HANDLE
-	F5H141		0	STEERING LINK KIT FOR USE WITH PIVOT TUBE STEERING
-	F137		0	REMOTE STEERING BRACKET ADAPTS MOTOR TO CABLE TYPE REMOTE STEERING (WIRE FORM LATCH).
-	F165		0	REMOTE STEERING BRACKET ADAPTS MOTOR TO CABLE TYPE REMOTE STEERING (INCLUDES PULLEYS).
-	F5H023		0	REMOTE STEERING BRACKET ADAPTS MOTOR TO MECHANICAL TYPE REMOTE STEERING.
-	F5H108		0	STEERING CONNECTOR CLEVIS TYPE FOR BOAT MOUNTED STEERING AND NON-THREADED CABLE END.
-	F166		0	DUAL ENGINE TIE BAR PERMITS DUAL ENGINE INSTALLATION.
-	F5H154		0	SPEEDOMETER FLUSH MOUNT 10 TO 50 MPH
-	F5H155		0	SPEEDOMETER FLUSH MOUNT 20 TO 100 KM/HR.
-	F5H153		0	TACHOMETER MONITORS ENGINE RPM TO PROVIDE CHECK OF ENGINE PERFORMANCE.
-	F5H157		0	VOLTMETER INDICATES BATTERY CONDITION.
-	F5H070		0	REMOTE ELECTRIC CABLE 21 FEET.
-	F762		0	REMOTE ELECTRIC CABLE 25 FEET.
-	F596		0	CHRYSLER OUTBOARD OIL SEE BLOCK COMMENT 1.
-	F597		0	CHRYSLER OUTBOARD GEAR LUBE SEE BLOCK COMMENT 2.
-	F5H059		0	CHRYSLER OUTBOARD MULTI-PURPOSE GREASE LUBRICATES BEARINGS AND OTHER MOVING PARTS. AVAILABLE IN 8 OZ. TUBES AND 12 TUBE CASES.
-	F5H060		0	CHRYSLER OUTBOARD GREASE GUN USED WITH CHRYSLER OUTBOARD MULTI-PURPOSE GREASE TUBES FOR PRESSURE FITTINGS
-	F5H030		0	SWITCH KIT - RUNNING LIGHTS DASH MOUNTED TOGGLE SWITCH.

CONTINUED ON NEXT PAGE ➡

ACCESSORIES

REF. NO.	PART NO.	SYM.	QTY.	DESCRIPTION
-	F5H031		0	SWITCH KIT - SPOT LIGHT DASH MOUNTED TOGGLE SWITCH.
-	F5H032		0	SWITCH KIT - WIPER DASH MOUNTED TOGGLE SWITCH.
-	F5H034		0	SWITCH KIT - BILGE PUMP DASH MOUNTED TOGGLE SWITCH.
-	F5H035		0	SWITCH KIT - HORN DASH MOUNTED TOGGLE SWITCH.
-	F5H036		0	SWITCH KIT - TACHOMETER TRANSFER FOR (1) TACHOMETER ON DUAL ENGINE INSTALLATION.
-	F5H039		0	SWITCH KIT - INSTRUMENT LIGHTS DASH MOUNTED TOGGLE SWITCH.
-	F5H037		0	SWITCH KIT - CIGAR LIGHTER FOR USE AS CONVENIENCE OUTLET.
-	F5H038		0	SWITCH KIT - IGNITION SWITCH PLATE TO MOUNT IGNITION SWITCH IN DASH.
-	F563		0	TERMINAL BLOCK KIT DOUBLE ROW (10) SECTION TERMINAL BLOCK SIMPLIFIES ACCESSORY WIRING.
-	F5H075		0	WIRING HARNESS - IGNITION SWITCH (24")

PARTS INDEX

Part Number	Description	Pg.	Ref. No.	Part Number	Description	Pg.	Ref. No.
15037	HEAD ASSEMBLY, COMMUTATOR END	9	26	F10185	MAIN FUEL JET .076 - OPT. 7500 & UP	13	-
479	HEAT LAMP KIT	47	-	F10186	MAIN FUEL JET .080 - OPT. 5000 - 7500 FT.	13	-
485388	DISC, WATER PUMP	35	54	F10188	MAIN FUEL JET .084 - OPT. 2500 - 5000 FT.	13	-
5H158	FUEL GAUGE	47	-	F10191	CHOKE SHAFT RETURN SPRING	13	14
71H25	CHARGE INDICATOR LAMP	47	-	F10192	THROTTLE SHAFT RETURN SPRING	13	30
817746A1	CONNECTOR STUD BRACKET	19	60	F10193	THROTTLE SHAFT AND LEVER	13	32
817747--1	BALL JOINT W/BEARING . . .	17	15	F10194	JET	15	47
817793A1	SHIFT ARM W/CLAMP AND SWIVEL	17	38	F1027	COTTER PIN, S.S., 1/8 - 1/2 .	33	10
817796A2	GEAR SHIFT ARM ASSEMBLY	33	34	F1052	FILL HD SCREW, 1/4 - 20 X 1	19	69
817814A1	TILT HANDLE	3	1	F1059	FILL HD SCREW, 6 - 32 X 1/4	13	5
817892--1	IGNITION SWITCH MOUNTING PLATE (CANADA)	5	-	F1108	FILL HD SCREW W/SPRING LOCKWASHER, 1/4 - 20 X 3/4	11	12
89396A38	PRIME BULB	37	9	F1110	SLOTTED FILL HD SCREW, 1/4 - 20 X 5/8	7	69
C235227	SPARK PLUG (RL-82) CANADA ONLY	19	-	F1110	SLOTTED FILL HD SCREW, 1/4 - 20 X 5/8	11	2
F10090	FUEL BOWL JET ASSEMBLY GASKET	13	23	F1129	FILL HD SCREW, S.S., 5/16 - 18 X 1/2	27	41
F10127	FUEL BOWL	13	24	F1134	FILL HD SCREW, 8 - 32 X 1 1/8	17	19
F10128	CHOKE SHUTTER	13	16	F1136	FLAT HD SCREW, 1/4 - 20 X 1	17	39
F10129	CHOKE RELIEF VALVE	13	13	F1141	FLAT HD SCREW, 10 - 24 X 1/2	25	6
F10130	CHOKE RELIEF VALVE SPRING	13	17	F1160	FLAT HD SCREW, 1/4 - 28 X 5/8	27	6
F10131	THROTTLE SHAFT POSITION RETAINING RING	15	42	F1164	FLAT HD SCREW, 5/16 - 18 X 1 1/8	5	29
F10135	FLOAT	13	27	F1199	HEX HD SCREW, 1/4 - 20 X 1	27	30
F10136	FLOAT LEVER PIN	13	20	F12090	BREAKER CONTACT SCREW	7	53
F10137	MAIN NOZZLE	13	28	F1211	HEX HD SCREW W/LOCKWASHER, 1/4 - 28 X 5/8	27	12
F10138	FUEL BOWL GASKET	13	22	F12139-1	CONDENSER	7	52
F1014	COTTER PIN	13	7	F12167	SCREW	7	64
F10140	CHOKE SHUTTER RETAINING SCREW AND LOCKWASHER	13	15	F12170	CONDENSER MOUNT SCREW W/LOCKWASHER	7	54
F10141	IDLE MIXTURE SCREW SPRING	13	12	F12172	TERMINAL COMPLETE,	7	60
F10142	SPRING, FLOAT SUPPORT . .	15	44	F12174-1	PRIMARY INTERLEAD GROUP	7	51
F10145	SPRING, ADJ.	15	45	F12189	CONDENSER MOUNT SCREW	7	50
F10146	IDLE MIXTURE SCREW	13	11	F12227	CAM WIPER - FELT	7	47
F1015	COTTER PIN	33	37	F12329-2	BREAKER POINT SET	7	49
F10152	BODY CHANNEL CUP PLUG	13	40	F12338	GROUND WIRE	7	57
F10153	BODY CHANNEL WELCH PLUG	13	39	F12344	BREAKER PLATE	7	48
F10155	THROTTLE SHUTTER RETAINING SCREW AND LOCKWASHER	13	36	F1263	HEX SOCKET HD CAP SCREW, S.S., 5/16 - 18 X 9/16	33	13
F10156	ELBOW, FUEL LINE CARBURETOR	13	1	F1280	PAN HD SCREW, 8 - 32 X 1/4	5	20
F10158	THROTTLE SHUTTER	13	37				
F10159	CHOKE SHAFT AND LEVER	13	2				
F10162	MAIN FUEL JET .086 - STD.	13	29				
F10167	RETAINING RING, VALVE SEAT	15	43				
F10170	VALVE ASSEMBLY INLET . .	13	19				
F10171	VALVE SEAT	13	18				
F10176	TUBE, IDLE	15	46				

PARTS INDEX

Part Number	Description	Pg.	Ref. No.	Part Number	Description	Pg.	Ref. No.
F1286	PAN HD SCREW, 4 - 40 X 3/16	17	45	F1525	WELCH PLUG, CYLINDER HEAD (NOT SHOWN)	21	95
F1326	ACORN NUT, S.S., 5/16 - 18	31	100	F1526	WELCH PLUG, CYLINDER HEAD (NOT SHOWN)	21	96
F1341	HEX NUT	19	70	F1532	HEX HD SCREW, 1/4 - 20 X 1	3	28
F1346	HEX NUT, 3/8 - 16	27	18	F1532	HEX HD SCREW, 1/4 - 20 X 1	7	46
F1346	HEX NUT, S.S., 3/8 - 16	29	60	F154317	CABLE CLAMP	39	23
F1346	HEX NUT, S.S., 3/8 - 16	33	33	F1544	HEX HD CAP SCREW, 3/8 - 16 X 2 1/4	21	74
F1349	HEX NUT, S.S., 5/16 - 18	31	95	F1556	FILL HD SCREW W/LOCKWASHER, 10 - 24 X 3/8	17	32
F137	REMOTE STEERING BRACKET	48	-	F1557	FLAT HD SCREW, 10 - 24 X 3/8	39	25
F141118	SEAL, PROPELLER SHAFT	33	15	F1593	HEX HD SCREW, S.S., 3/8 - 16 X 3	29	58
F141275	FITTING, THERMOSTAT	21	84	F1600	LOCK NUT, PIVOT TUBE	29	56
F141305	SEAL, PROPELLER SHAFT BEARING CAGE	33	17	F1615	HEX NUT, 5/16 - 24	7	38
F141704	GEAR SHIFT ROD COUPLING	31	94	F1635	HEX SOCKET HD CAP SCREW, S.S., 3/8 - 16 X 3 1/2	29	43
F1441	PAN HD SCREW, 1/4 - 20 X 7/8	23	2	F1636	HEX SOCKET HD CAP SCREW, S.S., 3/8 - 16 X 1 1/4	29	44
F1446	SLOTTED PAN HD SCREW, 1/4 - 20 X 1	17	42	F1645	RD HD SELF-TAPPING SCREW, 6 - 32 X 1/4	7	68
F1473	HEX NUT, 10 - 24	17	24	F1646	HEX SOCKET HD CAP SCREW, 3/8 - 16 X 2 1/4	17	7
F1473	HEX NUT, 10 - 24	27	23	F1647	HEX NUT, 8 - 32	5	14
F1475	FILL HD SCREW, 10 X 24 X 1/2	3	8	F165	REMOTE STEERING BRACKET	48	-
F15000	SEAL, "O" RING	9	16	F166	DUAL ENGINE TIE BAR	48	-
F15021-1	HEAD ASSEMBLY, DRIVE END	9	27	F1666	BOWED SPRING WASHER	29	52
F15034	SPRING SET	9	24	F1669	STOP NUT	29	73
F15038-1	BRUSH PLATE AND HOLDER	9	23	F17006	DETENT SPRING	39	18
F15042	BRUSH SET	9	22	F17009	BEARING	39	14
F15043	FRAME AND FIELD ASSEMBLY.	9	19	F17010-1	THROTTLE GEAR	39	16
F15044	ARMATURE	9	17	F17011	BOWED WASHER	39	15
F15073	THRUST WASHER PACKAGE	9	18	F17012	RETAINING PLATE	39	13
F15087	NUT	9	2	F17013	FILL HD SCREW, 1/4 - 20 X 1/2	39	11
F15088	SPRING	9	4	F17014	THROTTLE ARM	39	10
F15091	WASHER	9	9	F17016	CABLE TERMINAL	39	9
F15094	THRU BOLT PACKAGE (SET OF 2 BOLTS)	9	25	F17019	CLUTCH ARM	39	5
F15104	CUP, CUSHION THRUST	9	12	F17021	CLUTCH GEAR	39	19
F15105	CUP	9	10	F17026	SWIVEL	39	24
F15106	CUSHION	9	11	F17030-1	SET SCREW	39	31
F15109	STOP	9	3	F17031-1	SNAP CAP	39	28
F15113	BENDIX DRIVE.	9	1	F17036	INTERNAL TOOTH LOCKWASHER	39	6
F15114	PINION	9	7	F1704	INTERNAL TOOTH LOCKWASHER	7	67
F15115	CUP, PINION	9	5	F17068	DETENT SPRING	41	37
F15116	SLEEVE	9	6	F17071	FILL HD SCREW, 10 - 24 X 5/16	39	22
F1513	HEX NUT	39	3	F17082-1	DETENT BALL	41	38
F1513	HEX NUT, 10 - 32	5	31	F17092	SNAP RING	39	21
F1513	HEX NUT, 10 - 32	17	12	F17099	HOUSING	39	36
F1513	HEX NUT, 10 - 32	17	16	F17100	CLUTCH SHAFT	39	20
F1513	HEX NUT, 10 - 32	19	63				
F1514	HEX NUT, 1/4 - 20	9	15				
F1515	HEX NUT, 5/16 - 18	3	22				
F1515	HEX NUT, 5/16 - 18	17	4				
F1515	HEX NUT, 5/16 - 18	25	2				
F15162	HEX LOCK NUT, 1/4 - 20 W/LOCKWASHER	9	21				

PARTS INDEX

Part Number	Description	Pg.	Ref. No.	Part Number	Description	Pg.	Ref. No.
F17105	FELT WASHER	39	33	F1864	HEX HD SCREW, 1/4 - 20 X 3/4	3	27
F17106	COLLAR	39	34	F1864	HEX HD SCREW, 1/4 - 20 X 3/4	17	9
F17111	DETENT BALL	39	17	F1879	HEX SOCKET HD CAP SCREW, 3/8 - 16 X 1 5/8	17	8
F17112	JUNCTION BOARD - STARBOARD	39	26	F1880	PLASTIC PLUG	27	37
F17113	JUNCTION BOARD - PORT	39	-	F1904	PLAIN WASHER	29	59
F17115-1	HANDLE	39	30	F1905	FILL HD SCREW, 1/4 - 20 X 3 7/16	27	33
F17116	KNOB	39	29	F1910	ELASTIC STOP NUT, 1/4 - 20	17	17
F17146	WOOD SCREW	39	35	F191169-1	SWIVEL BRACKET BEARING	29	46
F17149	COTTER PIN	39	8	F1920	HEX NUT, 5/8 - 18	7	72
F1715	HEX BOLT, 1/4 - 28 X 9/16	39	7	F1922	HEX CAP SCREW, 1/4 - 20 X 5/8	5	18
F1727	PLASTIC RIVET	17	30	F1922	HEX CAP SCREW, 1/4 - 20 X 5/8	27	11
F1733	FILL HD SCREW, 10 - 24 X 9/16	27	26	F1922	HEX HD SCREW, 1/4 - 20 X 5/8	11	3
F1733	PAN HD SCREW, 10 - 24 X 9/16	3	16	F1922	HEX HD SCREW, 1/4 - 20 X 5/8	21	86
F1733	PAN HD SCREW, 10 - 24 X 9/16	5	32	F1929	HEX HD CAP SCREW, S.S., 3/8 - 16 X 1 1/8	27	35
F1733	PAN HD SCREW, 10 - 24 X 9/16	29	69	F1934	FLAT HD SLOTTED SCREW, 6 X 1/2	5	23
F1744	SPRING PIN	29	84	F1947	FLANGED 12 POINT SCREW, 5/16 - 18 X 2	31	103
F1753	FASTENER	3	34	F195/___	REMOTE CONTROL CABLE (SPECIFY LENGTH)	39	4
F1755	ROUND HD SCREW W/LOCKWASHER, 6 - 32 X 1/4	25	12	F195/___	REMOTE CONTROL CABLES	48	-
F1767	FILL HD SCREW, 10 - 24 X 3 3/8	27	20	F1958	PAN HD SCREW, 6 X 7/16	7	61
F1768	FILL HD SCREW, 10 - 24 X 1 3/8	27	19	F1969	FILL HD SCREW, 1/4 - 20 X 3/4	17	31
F177330	FUEL PUMP VALVE	11	9	F1971	HEX HD SCREW, 1/4 - 20 X 2 1/8	21	85
F177917	STARTER RELAY	7	37	F1974	SLOTTED PAN HD SCREW, 10 - 24 X 5/8	5	5
F17815	SEAL, FUEL LINE COUPLER (SMALL)	37	5	F1975	LOCKWASHER	5	4
F17816	SEAL, FUEL LINE COUPLER (LARGE)	37	4	F197787-3	FUEL LINE COUPLER	37	6
F17817	SEAL, FUEL TANK ADAPTER	37	11	F1987	PLAIN WASHER	3	20
F18160-2	REED, CYLINDER DRAIN	19	48	F1987	PLAIN WASHER	31	98
F183300	SPRING	3	21	F1995	FILL HD SCREW, 10 - 24 X 1 1/16	21	80
F183346-1	SHOCK MOUNT LOWER	27	40	F1997	STOP NUT, 8 - 32	13	31
F1836	SPRING PIN	29	79	F1997	STOP NUT, 8 - 32	21	94
F184033-1	SWIVEL, CHOKE ROD	13	4	F2008	HEX HD M. SCREW, 1/4 - 20 X 7/8	35	55
F184579	SEAL, CHOKE ARM SWIVEL	13	3	F2008	HEX HD SCREW, 1/4 - 20 X 7/8	25	1
F1849	HEX HD SCREW, S.S., 1/4 - 20 X 1 3/8	27	27	F2014	PLAIN WASHER	21	75
F1851	FILL HD M. SCREW W/LOCKWASHER, 10 - 24 X 1/2	27	4	F2014	PLAIN WASHER	35	59
F1854	HEX HD SCREW, 1/4 - 20 X 5/8	7	44	F201529-1	CYLINDER HEAD GASKET	19	66
F1854	HEX SLOT HD SCREW, 1/4 - 20 X 5/8	17	6	F201529-1	GASKET, CYLINDER HEAD	19	-
F1857	HEX CAP SCREW, 5/16 - 18 X 5/8	19	61	F2016	FILL HD SCREW, 8 - 32 X 7/8	5	28
F185764	RETAINING RING	31	96	F2025	PAN HD SCREW, 10 X 5/8	3	2
F1860	SLOTTED BINDING HD SCREW, 6 - 32 X 1/4	11	8	F2030	HEX HD SCREW, S.S., 1/4 - 20 X 1 1/4	35	52
F1864	FILL HD SCREW, 1/4 - 20 X 3/4	7	41	F2030	SCREW 1/4 - 20 X 1-1/4	35	-
F1864	HEX CAP SCREW, 1/4 - 20 X 3/4	19	62	F203276	COIL BOOT	5	16

PARTS INDEX

Part Number	Description	Pg.	Ref. No.	Part Number	Description	Pg.	Ref. No.
F2033	GROOVE PIN	13	10	F335160	REED	25	10
F203673	TERMINAL CLIP	5	17	F335217-1	BEARING	23	8
F203965	SHOCK MOUNT UPPER	27	13	F338129-1	SEAL, DRIVESHAFT SPLINE	33	1
F2066	PAN HD SELF-TAPPING SCREW	3	3	F338271	RETAINER	33	2
F2071	HEX CAP SCREW, 5/16 - 18 X 1 3/8	7	63	F338618-1	SEAL, SHIFT ROD LOWER	35	43
F2073	HEX CAP SC 3/8 - 24 X 1-5/8	29	66	F345427-1	BRACKET, STARTER MOUNTING	17	1
F2093	STOP NUT 3/8 - 24	29	62	F345683	WIRE - GROUND	5	10
F2097	SPRING PIN	33	23	F349307	DRIVESHAFT SEAL - WATER PUMP	35	50
F213274	GREASE FITTING	29	77	F353480	STUD	31	89
F215962	SHOCK MOUNT SIDE LOWER	31	102	F366013	CRANKSHAFT THRUST BEARING UPPER	23	18
F24074	CLAMP SCREW FOOT	31	88	F366058	BALL BEARING, PROPELLER SHAFT	33	16
F268002-2	CAM	7	45	F366215	SPACER	23	10
F269052	SHIFT ARM BEARING	17	36	F366277	BEARING CAGE GASKET	23	4
F269122-1	CRANKCASE PARTING LINE SEAL	19	-	F366277	GASKET, BEARING CAGE	21	-
F269122-1	CRANKCASE PARTING LINE SEAL	19	71	F366300	REVERSE LOCK SPRING	29	75
F269319	THROTTLE CAM BEARING	17	11	F366349	REVERSE LOCK	29	74
F269445-1	SPARK CONTROL LINK	17	25	F366350	TILT STOP PIVOT	29	50
F269929	SPACER, TILT STOP	29	49	F366364	ARM	29	71
F269929	SPACER, TILT STOP	29	53	F366426	TILT STOP - PORT	29	51
F269929	SPACER, TILT STOP	31	90	F366433	TILT STOP, STARBOARD	31	91
F269929	SPACER, TILT STOP	31	92	F366510-1	LINK	29	72
F286461	SPRING LOCK BAR HANDLE	29	82	F366727	BALL, PROPELLER SHAFT	33	20
F286772-1	CLAMP	27	9	F366827	HANDLE AND SHAFT	29	67
F289664	WIRE STATOR GROUND	7	58	F366866	PIN	29	76
F298788	FERRULE	37	7	F369450	RECTIFIER	5	12
F2A366298	PROPELLER SHAFT BEARING CAGE	33	14	F380475	COIL	5	30
F2A433757	CYLINDER DRAIN REED PLATE	19	49	F380501	COIL MOUNT	7	55
F2A474266	BEVEL PINION W/BEARING	33	35	F380513	COIL CLAMP	5	27
F2C606712	ENGINE COVER COMPLETE	3	-	F381896-4	BATTERY CABLE	5	24
F307038	SUPPORT PLATE	3	14	F391926-1	CHOKE SOLENOID PLUNGER	13	9
F307211	STUD	17	2	F40008	STUD, SHORT	33	39
F307279-2	CYLINDER EXHAUST GASKET UPPER	27	1	F40017-2	PISTON PIN	23	9
F307279-2	GASKET, CYLINDER EXHAUST - UPPER	19	-	F40146-1	CRANKSHAFT SEAL	23	1
F307317-1	CLIP, TERMINAL BLOCK - GROUND	5	11	F40151-1	EXHAUST PORT PLATE	21	89
F307615	GEAR SHIFT ROD UPPER	31	99	F40154-3	EXHAUST PORT PLATE GASKET	21	88
F307660-1	LEG EXHAUST TUBE	27	3	F40154-3	GASKET, EXHAUST PORT PLATE	19	-
F307683	WIRE, CIRCUIT BREAKER	5	26	F40209	CARBURETOR STUD	25	3
F307818	BEARING, LATCH SHAFT	3	18	F40223	GASKET, TRANSFER PORT COVER	19	-
F307860	INTAKE SILENCER	3	25	F40223	TRANSFER PORT COVER GASKET	19	54
F307908	STARTER LEAD	9	20	F40279-1	CYLINDER EXHAUST GASKET LOWER	27	15
F307942-1	BUMPER	17	20	F40279-1	GASKET, CYLINDER EXHAUST - LOWER	19	-
F307962	SHOCK MOUNT - SIDE - UPPER	27	16	F40307-2	SEAL, DRIVESHAFT	35	46
F311744-2	WIRING HARNESS	5	2	F40342	SEAL	33	5
F311984-1	BLANKET, SILENCER - TOP	3	37	F40342	SEAL, PROPELLER NUT	33	11
F311996	GASKET, CYLINDER HEAD COVER	19	-	F40410	SNAP RING	23	14
F316599	SEAL, PIVOT TUBE	29	81	F404801	ELBOW	19	64
F328109	PLUG	17	21	F405457	PIVOT SCREW	17	33
F333316	THROTTLE ROLLER SHAFT	13	34	F40717	THRUST WASHER, BEVEL GEAR	33	19

PARTS INDEX

Part Number	Description	Pg.	Ref. No.	Part Number	Description	Pg.	Ref. No.
F40833-4	GASKET, IDLE RELIEF COVER	19	-	F458774	BRACKET RETAINER - REAR	3	12
F40833-4	MOTOR LEG EXHAUST COVER GASKET	27	32	F463314	ELBOW	21	90
F40906-1	FLANGE GASKET	13	35	F463864	RETAINER, TILT HANDLE	3	4
F40906-1	GASKET, CARBURETOR	19	-	F465985	BLANKET, SILENCER - SIDE	3	5
F409251-1	GAUGE CAP	37	1	F466095	STATOR	7	59
F428096	RETAINER, PISTON PIN	23	11	F466479	BREAKER PLATE SHOE	7	62
F433065-2	IMPELLER	35	-	F467841	COIL WIRE - CANADA	5	-
F433065-2	WATER PUMP IMPELLER W/INSERT	35	48	F474073-1	CLAMP SCREW	31	86
F433114	HANDLE, LOCK BAR	29	83	F474992	BLANKET, SILENCER - FRONT	3	30
F433168	CARBURETOR ADAPTER GASKET	25	5	F483884	BEARING	29	78
F433168	GASKET, CARBURETOR ADAPTER	21	-	F485755-1	FUEL TANK ADAPTER	37	3
F433192	THROTTLE CAM	17	14	F486015	PISTON	23	12
F433209-1	STUD, THROTTLE CAM	17	10	F498618	SEAL, "O" RING	33	30
F433254	HOSE	19	65	F498891	GEAR SHIFT ARM PIVOT PIN	33	29
F433404	DEFLECTOR PLATE	25	7	F50109	PLUG, GEAR HOUSING	33	27
F433406	DEFLECTOR PLATE GASKET	25	8	F510374	DECAL, CIRCUIT BREAKER	7	35
F433406	GASKET, DEFLECTOR PLATE	21	-	F510460	CIRCUIT BREAKER	5	34
F433675	STARTER MOUNTING BRACKET - LOWER	17	5	F522032	STERN BRACKET - STARBOARD	31	93
F433680	SPACER PLATE	27	2	F522125-1	TUBE, PIVOT STEERING	29	80
F433689	TOWERSHAFT BEARING	17	28	F522286	STERN BRACKET FRICTION WASHER	29	48
F433946	SHOCK MOUNT UPPER COVER	27	8	F522359	SPACER, STEERING LINK	29	65
F433972	SHOCK MOUNT LOWER COVER - STARBOARD	31	101	F522532	STERN BRACKET - PORT	29	54
F433973	SHOCK MOUNT LOWER COVER - PORT	27	42	F522741	RING, RETAINING-REV. LOCK SHAFT	29	70
F434754	FUEL LINE, PUMP TO CARBURETOR	11	17	F522884	BEARING	29	68
F434758	FUEL PUMP IMPULSE HOSE	11	6	F544390-1	DECAL, TILT LOCK	29	61
F435057	BEARING, DRIVESHAFT UPPER	35	45	F545189	BUSHING, CABLE ENTRY	3	19
F435077	SCREEN, WATER INLET	35	44	F549189	BUSHING ELECTRIC CABLE ENTRY	3	15
F435133-1	MOTOR LEG	27	34	F563	TERMINAL BLOCK KIT	49	-
F435244	INLET WATER LINE	33	7	F575061	CARBURETOR - COMPLETE (WE-8)	13	38
F435323	PACKING, LEG COVER - LOWER	27	25	F580892	DECAL, STARBOARD	39	27
F435323	PACKING, LEG COVER - UPPER	27	22	F581892	DECAL, PORT	39	-
F435555	SEAL, GEAR HOUSING	35	41	F58685-2	CONNECTOR, SHIFT CABLE	39	2
F435562	BACK PLATE, WATER PUMP	35	-	F590	REMOTE CONTROL FLUSH MOUNT (SINGLE LEVER)	48	-
F435562	WATER PUMP BACK PLATE	35	47	F596	CHRYSLER OUTBOARD OIL	48	-
F435705	GEAR SHIFT ROD LOWER	33	36	F597	CHRYSLER OUTBOARD GEAR LUBE	48	-
F438165	SCREW, FUEL BOWL	11	19	F5H019	ANTI-CORROSION KIT	47	-
F438398-1	DECAL, WIRING	5	1	F5H020	CARRYING HANDLE	47	-
F438500	FUEL SEDIMENT BOWL	11	18	F5H021	BATTERY EXTENSION CABLE	47	-
F438617	FUEL SEDIMENT BOWL GASKET	11	15	F5H023	REMOTE STEERING BRACKET	48	-
F438653	FUEL PUMP SCREEN	11	16	F5H025	ANTI-CORROSION SACRIFICIAL ANODE	47	-
F438747	FUEL PUMP DIAPHRAGM	11	7	F5H027	FUEL TANK (ACCESSORY ITEM)	37	2
F438760	FUEL PUMP GASKET	11	4	F5H027	FUEL TANK, 6 GALLON, STEEL	47	-
F438801	ELBOW	11	13	F5H028	SENDING UNIT	47	-
F452925	CHOKE SOLENOID ROD	13	8	F5H029	FUEL TANK ANCHOR	47	-
				F5H030	SWITCH KIT - RUNNING LIGHTS	48	-

PARTS INDEX

Part Number	Description	Pg.	Ref. No.	Part Number	Description	Pg.	Ref. No.
F5H031	SWITCH KIT - SPOT LIGHT .	49	-	F5H160	POWER TRIM INDICATOR .	47	-
F5H032	SWITCH KIT - WIPER	49	-	F5H177	FLUSHING ADAPTER	47	-
F5H034	SWITCH KIT - BILGE PUMP .	49	-	F605711	PLATE, FRONT	3	32
F5H035	SWITCH KIT - HORN	49	-	F7004	ELASTIC STOP NUT 3/8 - 16	35	60
F5H036	SWITCH KIT - TACHOMETER TRANSFER	49	-	F7004	STOP NUT, 7/16 - 20	17	37
F5H037	SWITCH KIT - CIGAR LIGHTER	49	-	F7007	NUT	29	55
F5H038	IGNITION SWITCH MOUNTING KIT (ACCESSORY ITEM)	5	22	F7011	HEX NUT, 10 - 24	3	6
F5H038	SWITCH KIT - IGNITION SWITCH PLATE	49	-	F71H26	BATTERY TERMINAL KIT . .	47	-
F5H039	SWITCH KIT - INSTRUMENT LIGHTS	49	-	F71H26	BATTERY TERMINAL KIT (ACCESSORY ITEM)	5	25
F5H040	FUEL TANK, 12 GALLON, STEEL	47	-	F762	REMOTE ELECTRIC CABLE	48	-
F5H055	WATER PUMP KIT	47	-	F8003	PLAIN WASHER	19	46
F5H059	CHRYSLER OUTBOARD MULTI-PURPOSE GREASE	48	-	F8011	PLAIN WASHER	5	33
F5H060	CHRYSLER OUTBOARD GREASE GUN	48	-	F8025	PLAIN WASHER	27	10
F5H070	REMOTE ELECTRIC CABLE	48	-	F8028	PLAIN WASHER	9	13
F5H073	OVERHEAT BUZZER KIT . . .	47	-	F8038	PLAIN WASHER	27	17
F5H075	WIRING HARNESS - IGNITION SWITCH (24") . .	49	-	F8038	PLAIN WASHER	29	63
F5H076	SWITCH EXTENSION CABLE (5')	47	-	F8042	PLAIN WASHER	33	6
F5H077	IGNITION KEY SWITCH	47	-	F8049	BOWED SPRING WASHER . .	31	97
F5H078	IGNITION KEY SWITCH	47	-	F8056	SPRING LOCKWASHER . . .	5	13
F5H078	IGNITION SWITCH (ACCESSORY ITEM)	5	21	F8058	INTERNAL TOOTH LOCKWASHER	17	13
F5H079	REMOTE CONTROL - SINGLE LEVER CONSOLE MOUNT	48	-	F8058	INTERNAL TOOTH LOCKWASHER	19	59
F5H080	REMOTE CONTROL - DUAL SINGLE LEVER CONSOLE MOUNT	48	-	F8060	EXTERNAL TOOTH LOCKWASHER	23	19
F5H081	BATTERY CABLE	47	-	F8060	LOCKWASHER	9	14
F5H084	TRAILERING TILT LOCK	47	-	F8061	INTERNAL TOOTH LOCKWASHER	39	12
F5H108	STEERING CONNECTOR	48	-	F8065	LOCKWASHER	33	32
F5H120	REMOTE CONTROL BACK PLATE	47	-	F8065	SPRING LOCKWASHER . . .	27	36
F5H130	REMOTE CONTROL SURFACE MOUNT (SINGLE LEVER)	48	-	F8077	WASHER, GEAR HOUSING PLUG	33	28
F5H131	PORT SIDE DECAL KIT	48	-	F8083	SPRING LOCKWASHER . . .	5	9
F5H132	REMOTE CONTROL HANDLE TRIM SWITCH	48	-	F8083	SPRING LOCKWASHER . . .	21	73
F5H134	BOAT WHITE LACQUER	47	-	F8083	SPRING LOCKWASHER . . .	27	28
F5H141	LINK, STEERING	29	64	F8088	PLAIN WASHER	7	66
F5H141	STEERING LINK KIT	48	-	F8088	PLAIN WASHER	13	6
F5H143	POWER TILT	47	-	F8094	PLAIN WASHER	7	40
F5H147	POWER TRIM	47	-	F8096	SPRING LOCKWASHER . . .	3	23
F5H153	TACHOMETER	48	-	F8096	SPRING LOCKWASHER . . .	7	39
F5H154	SPEEDOMETER	48	-	F8096	SPRING LOCKWASHER . . .	17	3
F5H155	SPEEDOMETER	48	-	F84026	SPARK CONTROL SWIVEL .	17	22
F5H156	TEMPERATURE GAUGE	47	-	F84035-2	SPARK CONTROL BEARING, R.H.	17	26
F5H157	VOLTMETER	48	-	F84036	SPARK CONTROL BEARING, L.H.	17	23
F5H159	HOURMETER	47	-	F84280	KINGPIN NUT	27	38
				F84314-2	ELBOW	11	5
				F84314-2	ELBOW, FUEL LINE	19	57
				F84449	NEUTRAL INTERLOCK SWITCH	7	65
				F84792	FUEL PUMP VALVE GASKET	11	10
				F85372	PIN, GEAR SHIFT ROD LOWER	33	38
				F8538	SPRING PIN	31	87
				F8545	SPRING PIN	21	93
				F85502	THROTTLE LINK	17	18
				F8559	DOWEL PIN	19	52
				F85610	BEARING	17	35

PARTS INDEX

Part Number	Description	Pg.	Ref. No.	Part Number	Description	Pg.	Ref. No.
F85634-2	CONNECTING ROD SCREW	23	17	FA368700	IGNITION KEY - NO LETTER OR STAMPED A	5	19
F85735-1	SEAL	3	33	FA40655	CRANKSHAFT CENTER MAIN BEARING RACE	23	15
F85756	SUPPORT PLATE PACKING	3	13	FA411222	TRANSFER PORT COVER	19	55
F85843-1	ELECTRIC CONTROL CABLE	5	7	FA433019	KINGPIN	29	45
F88161-3	REED STOP	25	11	FA433113	STERN BRACKET LOCK BAR	29	85
F89011	SWIVEL BRACKET WASHER	27	39	FA433152	EXHAUST PORT COVER	21	87
F89025	DAMPENING PAD	27	14	FA433158	REED PLATE	25	9
F89504	GROMMET, MOTOR LEG	27	29	FA433167	CARBURETOR ADAPTER FLANGE	25	4
F89777-1	LATCH CAM	3	24	FA433471	CYLINDER DRAIN COVER W/FITTING	17	43
F90014	CRANKSHAFT LOWER MAIN BEARING	23	16	FA435116	SNOUT, ANODE, EXHAUST LEG COVER - PORT - W/PACKING	33	40
F901563	DRIVE PIN	35	-	FA435135	LEG COVER - STARBOARD WITH PACKING	27	24
F901563	DRIVE PIN, WATER PUMP IMPELLER	33	4	FA435145	LEG COVER - STARBOARD WITH PACKING	27	21
F9018	PLASTIC CAP, PIVOT TUBE	31	104	FA435616	GEAR SHIFT ROD INTERMEDIATE	35	53
F9052	PLASTIC PLUG, PIVOT TUBE	29	57	FA438431	FUEL PUMP BODY	11	11
F90619-1	YOKE	35	56	FA439746	FUEL PUMP COVER	11	1
F90871-3	GEAR SHIFT ARM PIN	33	22	FA458480	ENGINE COVER RETAINER	3	7
F91446-1	CIRCUIT BREAKER BRACKET	7	36	FA463060	WATER PUMP BODY	35	-
F92446	CLAMP	7	70	FA463060	WATER PUMP BODY	35	49
F92498	KEY	7	43	FA464010	CYLINDER W/CRANKCASE COVER, DEFLECTOR PLATE	19	53
F92759	ROLLER	13	33	FA466144	CRANKSHAFT BEARING CAGE	23	3
F93472-1	CYLINDER DRAIN COVER GASKET	17	44	FA485023	BEVEL GEAR FRONT W/BEARING	33	25
F93472-1	GASKET, CYLINDER DRAIN COVER	19	-	FA485662	BEVEL GEAR REAR W/BEARING	33	18
F93748-1	CYLINDER DRAIN REED PLATE GASKET	19	51	FA485914	SEAL, INLET WATER LINE, LOWER	35	51
F93748-1	GASKET, CYLINDER DRAIN REED PLATE	19	-	FA486054	GEAR HOUSING LOWER W/THRUST BEARING CUP	33	26
F93811	SCREEN CYLINDER DRAIN REED PLATE	19	50	FA510497	TERMINAL BLOCK	5	3
F93920	CYLINDER DRAIN REED STOP	19	47	FA545018	CRANKSHAFT	23	5
F97008-1	STUD, LONG	33	31	FA545072	SWIVEL BRACKET	29	47
F97066-1	THERMOSTAT COVER	21	79	FA545554	GEAR HOUSING UPPER	35	42
F97067	GASKET, THERMOSTAT COVER	19	-	FA58976-1	CONNECTOR, THROTTLE CABLE INSTALLATION INSTRUCTIONS FOR 5H130	39	1
F97067	THERMOSTAT COVER GASKET	21	78	FA606386	DECAL, NUMERAL "45"	3	10
F97068-1	THERMOSTAT	21	77	FA606396	DECAL, ENGINE COVER - STARBOARD	3	35
F97275	FITTING, THERMOSTAT	21	81	FA606397	DECAL, ENGINE COVER - PORT	3	9
F97504	GROMMET, THERMOSTAT	21	76	FA606528	DECAL, ENGINE COVER REAR	3	38
F97772	CLAMP	21	82	FA606892	DECAL, ENGINE COVER FRONT	3	31
F97772	FUEL LINE CLAMPS	11	14	FA609853	DECAL, WARNING	7	73
F98273	ROD END CONNECTOR STUD	19	58	FA84754-1	FUEL LINE SHORT	37	8
F99521-1	CLUTCH	33	24	FA89128-1	DRIVESHAFT	33	3
FA201955	STARTER MOTOR - COMPLETE (NOT SHOWN)	9	-	FA89832-2	MOTOR LEG EXHAUST COVER	27	31
FA27232	EMERGENCY STARTER ROPE (NOT SHOWN) WITH HANDLE	5	-				
FA307779	BAFFLE, AIR INTAKE	3	26				
FA328763	COVER LATCH HANDLE W/SHAFT	3	17				
FA354260	PISTON RING SET (6 PER SET)	23	13				

PARTS INDEX

Part Number	Description	Pg.	Ref. No.	Part Number	Description	Pg.	Ref. No.
FA94094-2	PROPELLER NUT	33	9	FT3510	SEAL INSTALLER	43	-
FA97247	WATER TUBE, THERMOSTAT	21	83	FT3512	SEAL SLEEVE	43	-
FB368700	IGNITION KEY - STAMPED B	5	-	FT8900	HOSE CLAMP PLIERS	43	-
FC368700	IGNITION KEY - STAMPED C	5	-	FT8904	FORWARD BEARING CUP INSTALLER	44	-
FC409398	DECAL, TOTE TANK - CANADA (NOT SHOWN)	37	-	FT8907	DRIVER HANDLE	44	-
FC464010	SHORT BLOCK	19	-	FT8918	BUSHING GUIDE SET	44	-
FC479390	DECAL, STARTER - CANADA (NOT SHOWN)	9	-	FT8919	SPRING PIN PUNCH	44	-
FC486054	GEAR HOUSING COMPLETE	33	-	FT8921	FORWARD BEARING CUP REMOVER	44	-
FD368700	IGNITION KEY - STAMPED D	5	-	FT8926	RING EXPANDER	43	-
FE368700	IGNITION KEY - STAMPED E	5	-	FT8930-1	FEELER GAUGE	42	-
FG1007-1	GASKET SET	19	72	FT8932	LIFTING HOOK	43	-
FK10178	GASKET SET	13	26	FT8935	SEALANT PRIMER - 6 OZ. LOCTITE GRADE T	46	-
FK10195	REPAIR PARTS KIT	13	21	FT8936-1	SEALANT - 2 CC LOCTITE RETAINING COMPOUND #75	46	-
FK1073	WATER PUMP KIT	35	58	FT8945	RETAINER PUNCH	44	-
FK1074	GEAR HOUSING SEAL KIT	35	57	FT8948-1	FLYWHEEL PULLER	42	-
FK1075	TUNE-UP KIT	5	6	FT8948-1	PROPELLER SHAFT BEARING CAGE PULLER	44	-
FK1123	SPARKIE KIT	5	8	FT8950	LEAKAGE TESTER	45	-
FK15084	SCREW SHAFT	9	8	FT8955	SEALANT - EC-750 INDUSTRIAL	46	-
FK17114-1	INDICATOR	39	32	FT8957	SEAL INSTALLER	44	-
FK247	PROPELLER PIN, PACK OF 6	33	12	FT8962	BEARING INSTALLER	44	-
FK405020	SWIVEL W/NUT	17	34	FT8964	BEARING REMOVER	44	-
FK433838	TOWERSHAFT	17	29	FT8969	LUBRICANT - 7 OZ. LPS 1 LUBRICANT	46	-
FK85228-1	BEARING CAGE W/ROLLERS (16 PER SET)	23	6	FT8983	SEALANT - RTV	46	-
FP293	PROPELLER (ACCESSORY ITEM)	33	8	FTA2937-1	TIMING TOOL	42	-
FS307940	KINGPIN PLATE	27	7	OB3062	LITERATURE (NOT SHOWN). INSTALLATION INSTRUCTIONS FOR 5H130	41	-
FS310260	PISTON RINGS (6 PER SET) .010 OVERSIZE	23	-	22-817740A1	ELBOW ASSEMBLY	21	92
FS409752	FUEL LINE - COMPLETE	37	-	26-817766A1	SEAL, KINGPIN PLATE	27	5
FS433758	HOSE	21	91	32-817738A1	FUEL LINE, LONG W/CLAMP	37	10
FS606712	ENGINE COVER	3	36	33-82371M	SPARK PLUG (UL-81J)	19	68
FSA486015	PISTON .010 OVERSIZE	23	-	37-817792A1	DECAL, TIMING	25	13
FT1749	RETAINING RING PLIERS	43	-	39-818113A1	PISTON RINGS (6 PER SET) .030 OVERSIZE	23	-
FT2938-1	TEST LIGHT - BATTERY POWERED	45	-	44-819500A3	PROPELLER SHAFT ASSEMBLY	33	21
FT2951	CIRCUIT TRACER	45	-	84-817765A2	COIL WIRE	5	15
FT2953	SOCKET	43	-	89-817760A2	CHOKE SOLENOID	7	42
FT2955A	TEST WHEEL	45	-	200-817739A6	FLYWHEEL	7	71
FT2961	LUBRICANT - RYKON GREASE #2EP	46	-	600-818052A4	CONNECTING ROD W/CAP AND SCREWS	23	7
FT2962-1	SEALANT - 50 CC LOCTITE H, NON-HARDENING GRADE	46	-	700-818124A1	PISTON .030 OVERSIZE	23	-
FT2963-2	SEALANT - 2 OZ. LOCTITE D, HARDENING GRADE	46	-	900-818049A2	CYLINDER HEAD	19	67
FT2987-1	LUBRICANT - ANTI-SEIZE	46	-				
FT2990	PISTON PIN TOOL	43	-				
FT2991	CARBON BRUSH	43	-				
FT2996	RING COMPRESSOR	43	-				
FT2998	TORQUE WRENCH (0-100 LBS/FT)	43	-				
FT2999	TORQUE WRENCH (0-600 LBS/FT)	43	-				