



PARTS CATALOG

25 H.P.

SERIAL NUMBER

| | | |
|-----------|-------|--------|
| 25 (1983) | | 252B3G |
| 25 (1983) | | 252H3G |
| 25 (1983) | | 257B3D |
| 25 (1983) | | 257H3D |
| 25 (1984) | | 252C4H |
| 25 (1984) | | 252H4H |
| 25 (1984) | | 253C4H |
| 25 (1984) | | 253H4H |
| 25 (1984) | | 256C4E |
| 25 (1984) | | 256H4E |
| 25 (1984) | | 257C4E |
| 25 (1984) | | 257H4E |

TABLE OF CONTENTS:

| | |
|---|----|
| 252H3G 252B3G HAND STARTER | 6 |
| 252H3G 252B3G MAGNETO | 8 |
| 257H3D 257B3D ALTERNATOR | 18 |
| 257H3D 257B3D ELECTRIC STARTER | 10 |
| 257H3D 257B3D ELECTRIC STARTER | 12 |
| 257H3D 257B3D ELECTRICAL COMPONENTS | 14 |
| ACCESSORIES | 59 |
| CARBURETOR STYLE 1 | 20 |
| CARBURETOR STYLE 2 | 26 |
| CRANKSHAFT AND PISTON GROUP | 30 |
| ENGINE COVER AND SUPPORT PLATE | 2 |
| FUEL PUMP | 32 |
| FUEL TANK AND LINE | 52 |
| GEAR HOUSING | 48 |
| MOTOR LEG | 44 |
| PARTS INDEX | 62 |
| POWER HEAD | 34 |
| REED PLATE | 24 |
| SPECIAL TOOLS - LOWER UNIT | 56 |
| SPECIAL TOOLS - LUBRICANTS AND SEALANTS | 58 |
| SPECIAL TOOLS - POWER HEAD | 55 |
| SPECIAL TOOLS - TEST EQUIPMENT | 57 |
| SPECIAL TOOLS - TUNE-UP | 54 |
| SWIVEL BRACKET GROUP | 40 |

NOTE: Indented description indicate that these parts are included in preceding assembly.

AR = As Required

NSS = Not Sold Separate

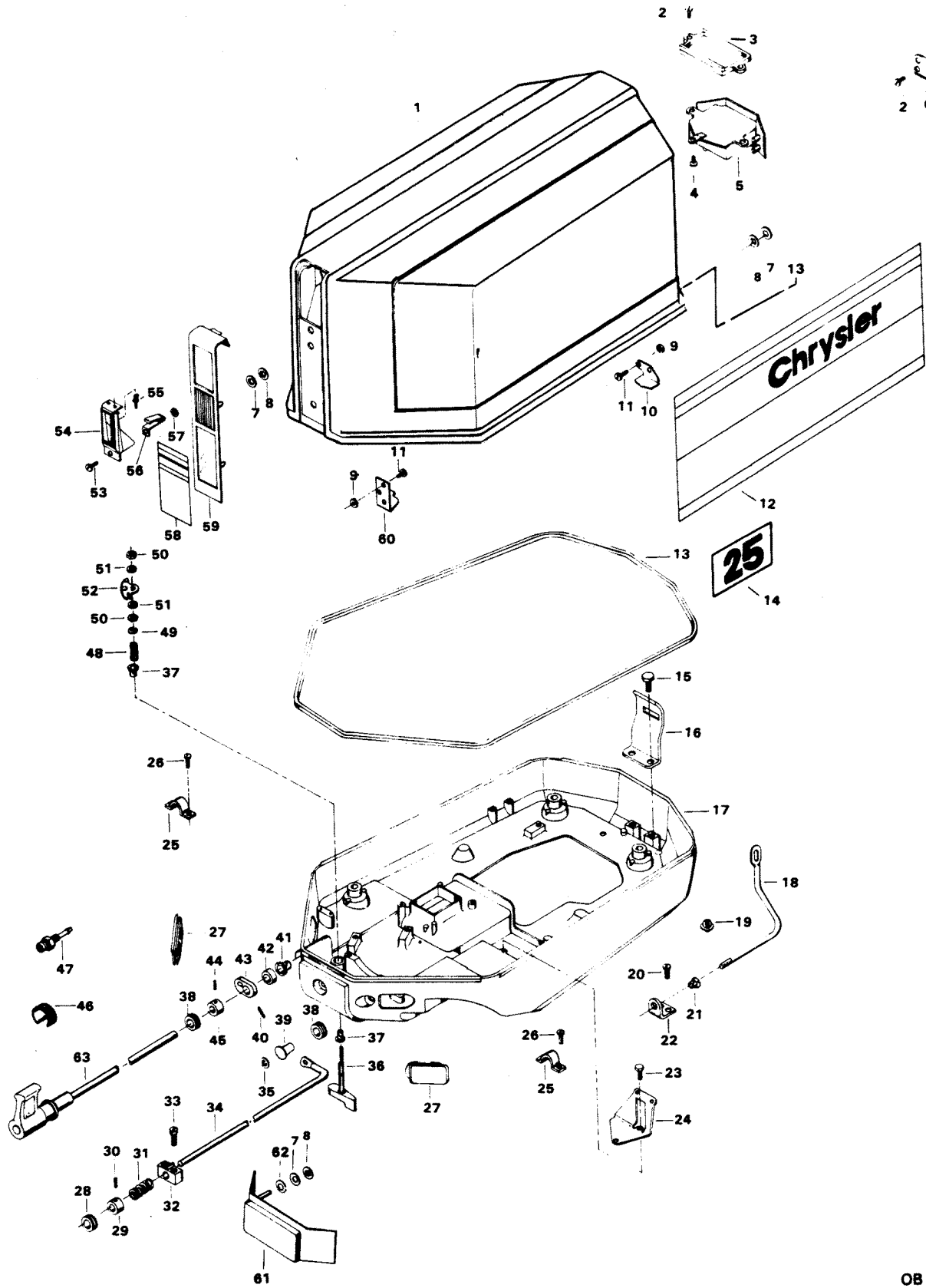
OPT = Optional

NS = Not Shown

THESE PARTS BOOKS/FICHE CARD ARE COPYRIGHTED AND MAY NOT BE DISTRIBUTED OR REPRODUCED IN ANY OTHER FORMAT BY ANYONE OTHER THAN MERCURY MARINE WITHOUT THE PRIOR WRITTEN CONSENT OF MERCURY MARINE.

THIS PAGE INTENTIONALLY LEFT BLANK

ENGINE COVER AND SUPPORT PLATE



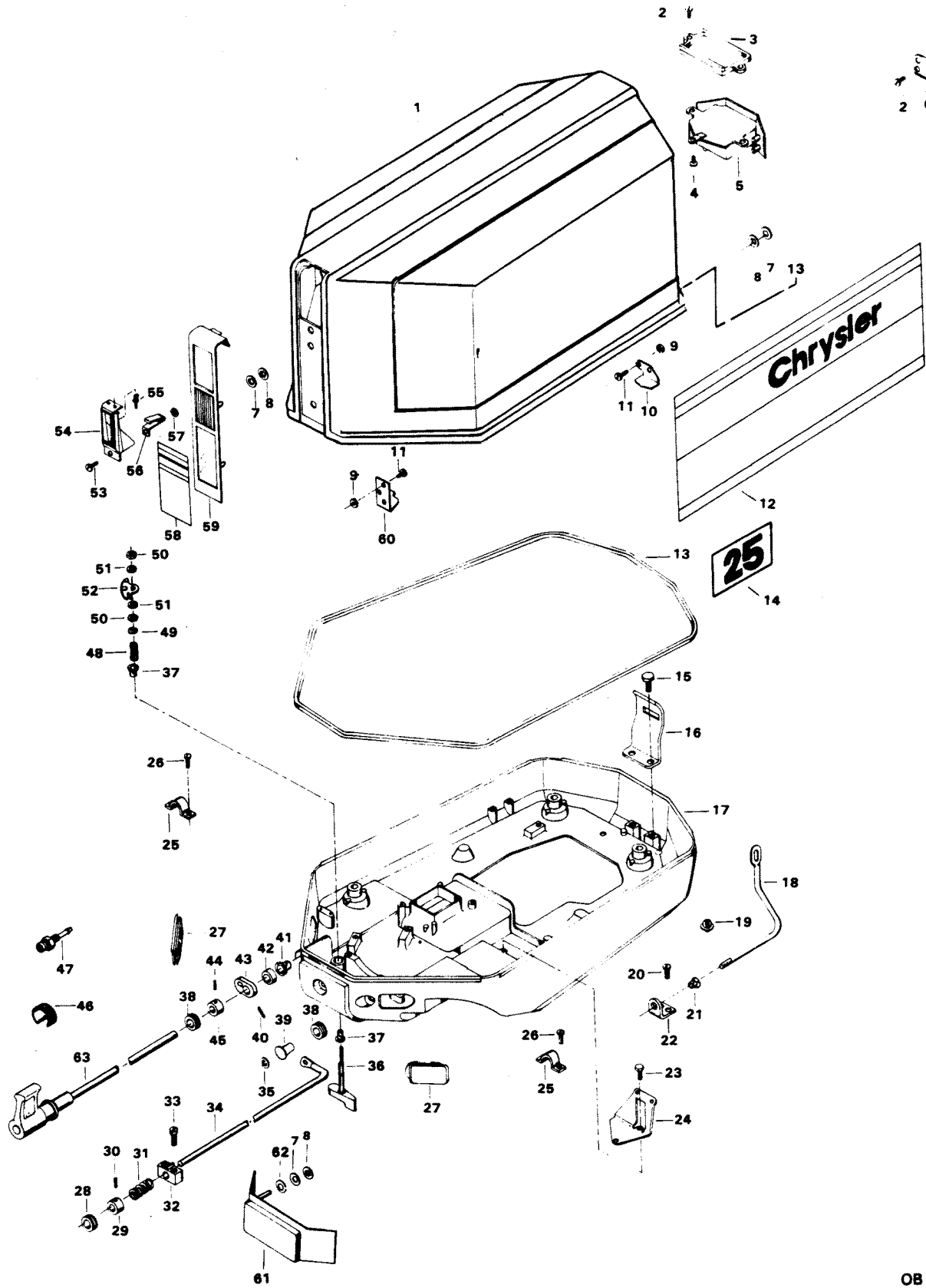
OB 3845

ENGINE COVER AND SUPPORT PLATE

| REF. NO. | PART NO. | SYM. | QTY. | DESCRIPTION |
|----------|------------------|------|------|--|
| 1 | 100-818015A1 | | 1 | ENGINE COVER W/ILLUS. 9, 10, 11 AND 60 ORIGINAL FORCE P/N S 529712-1 |
| - | F3C604712 | | 1 | ENGINE COVER - COMPLETE INCLUDES ALL ITEMS MARKED WITH AN ASTERISK (*), NUMERAL MUST BE ORDERED SEPARATE (HAND START) |
| 2 | F2066 | | 6 | PAN HD SCREW, 10 X 7/16 |
| 3 | F458245-1 | | 1 | BAFFLE, TILT HANDLE |
| 4 | F2025 | | 1 | PAN HD SCREW, 10 X 5/8 |
| 5 | 817842A1 | | 1 | TILT HANDLE W/LITERATURE ORIGINAL FORCE P/N A 513269-1 |
| 6 | F463864 | | 2 | RETAINER, TILT HANDLE |
| 7 | F85735-1 | | 7 | SEAL |
| 8 | F1753 | | 7 | FASTENER |
| 9 | F7011 | | 4 | HEX NUT |
| 10 | FA458480 | | 1 | RETAINER, ENGINE COVER - REAR W/ILLUS. 9 AND 11 |
| 11 | F1475 | | 4 | FILL HD SCREW, 10 - 24 X 1/2 |
| 12 | FA603397 | | 1 | DECAL, ENGINE COVER - PORT W/LITERATURE |
| - | FA603396 | | 1 | DECAL, ENGINE COVER - STARBOARD W/LITERATURE |
| 13 | F85756 | | 1 | PACKING, ENGINE COVER |
| 14 | FA529386 | | 2 | DECAL NUMERAL 25 W/LITERATURE |
| 15 | F1922 | | 2 | HEX HD SCREW, 1/4 - 20 X 5/8 |
| 16 | F461774 | | 1 | BRACKET, RETAINER - REAR |
| 17 | F458038-2 | | 1 | SUPPORT PLATE |
| 18 | F458503 | | 1 | CHOKE ROD (252H3G, 252B3G) |
| 19 | F1632 | | 1 | PLASTIC-PLUG |
| 20 | F1760 | | 2 | PAN HD SCREW, 10 - 24 X 3/8 (252H3G, 252B3G) |
| 21 | F183818 | | 1 | BEARING, CHOKE ROD (252H3G, 252B3G) |
| 22 | F324993 | | 1 | BRACKET, CHOKE ROD BEARING (252H3G, 252B3G) |
| 23 | F1236 | | 2 | HEX CAP SCREW, 1/4 - 20 X 1/2 |
| 24 | F458371 | | 1 | BRACKET, REMOTE THROTTLE CABLE |
| 25 | F154317 | | 2 | CLAMP, REMOTE CABLE |
| 26 | F2107 | | 4 | SLOTTED FILL HD SCREW W/SPRING LOCKWASHER, 10 - 24 X 5/8 |
| 27 | F324840-1 | | 2 | GROMMET, REMOTE THROTTLE CABLE (252H3G, 252B3G) |
| - | F462840 | | 2 | GROMMET, REMOTE THROTTLE CABLE (257H3D, 257B3D) |
| 28 | F183504 | | 1 | GROMMET, MAGNETO CONTROL SHAFT (252H3G, 252B3G) |
| 29 | FA343178 | | 1 | RETAINER, MAGNETO CONTROL SHAFT W/ILLUS. 30 (252H3G, 252B3G) |
| 30 | F1859 | | 1 | HEX SOCKET HEADLESS SET SCREW, 1/4 - 28 X 3/16 (252H3G, 252B3G) |
| 31 | F183300 | | 1 | SPRING, MAGNETO CONTROL SHAFT (252H3G, 252B3G) |
| 32 | F324689 | | 1 | BEARING, MAGNETO CONTROL SHAFT (252H3G, 252B3G) |
| 33 | F1087 | | 2 | FILL HD SCREW, 10 - 24 X 7/8 (252H3G, 252B3G) |
| 34 | FA458838 | | 1 | MAGNETO CONTROL SHAFT W/EYELET (252H3G, 252B3G) |
| 35 | F458677 | | 1 | INSERT, CHOKE KNOB (252H3G, 252B3G) |

CONTINUED ON NEXT PAGE ➡

ENGINE COVER AND SUPPORT PLATE

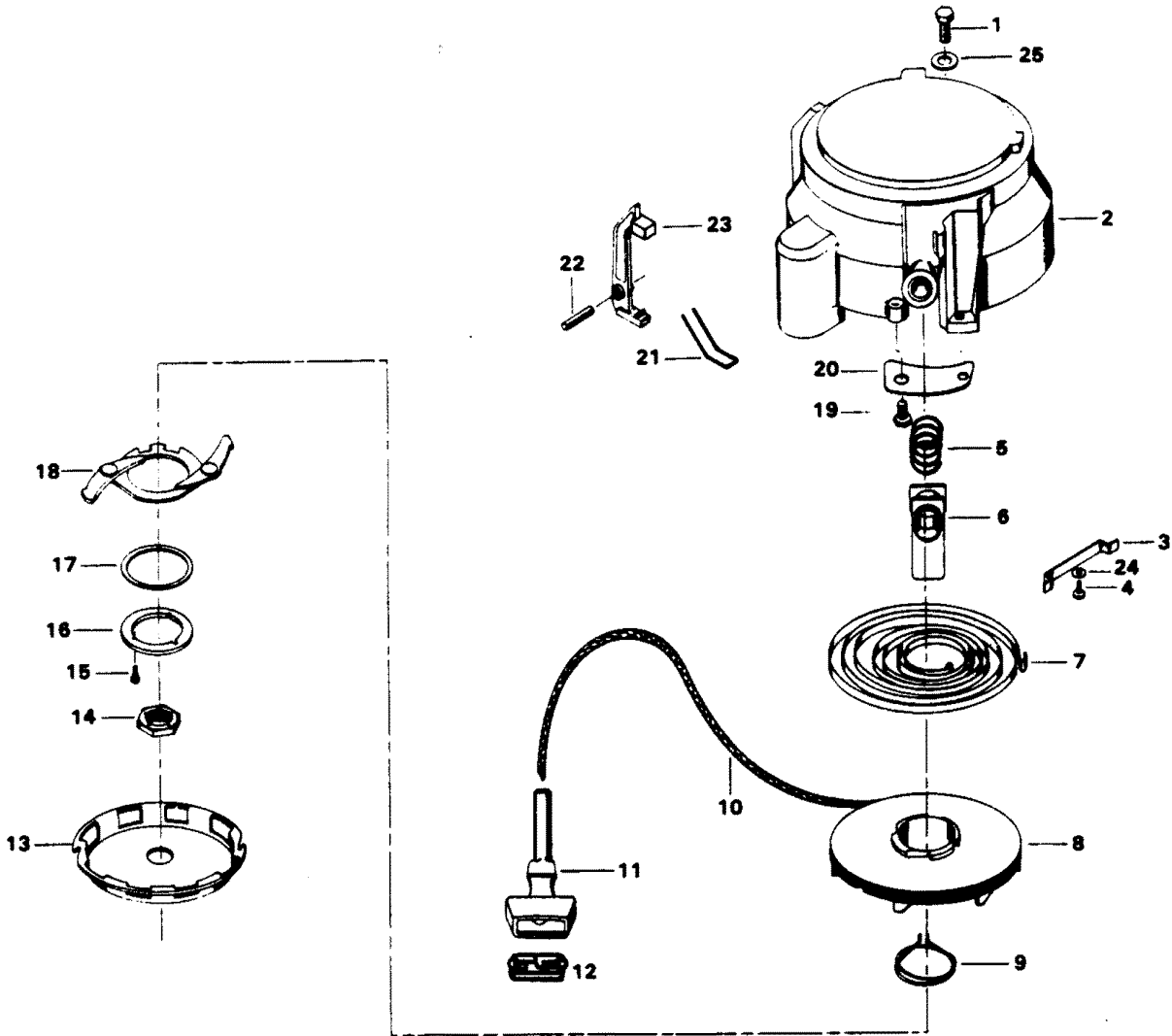


OB 3845

ENGINE COVER AND SUPPORT PLATE

| REF. NO. | PART NO. | SYM. | QTY. | DESCRIPTION |
|----------|----------------|------|----------|---|
| 36 | FA413469 | | 1 | COVER LATCH HANDLE W/SHAFT |
| 37 | F307818 | | 2 | BEARING, LATCH SHAFT |
| 38 | F24623-1 | | 1 | GROMMET, GEAR SHIFT CHOKE ROD (252H3G, 252B3G) |
| - | F53504 | | 1 | GROMMET, SUPPORT PLATE (257H3D, 257B3D) |
| 39 | F286547 | | 1 | CHOKE KNOB (252H3G, 252B3G) |
| 40 | F1836 | | 1 | SPRING PIN (252H3G, 252B3G) |
| 41 | F307818 | | 1 | BEARING (252H3G, 252B3G) |
| 42 | F504836 | | 1 | SPACER, GEAR SHIFT SHAFT (252H3G, 252B3G) |
| 43 | F504621 | | 1 | LEVER, GEAR SHIFT CONTROL (252H3G, 252B3G) |
| 44 | F1859 | | 1 | HEX SOCKET HEADLESS SET SCREW, 1/4 - 28 X 3/16 (252H3G, 252B3G) |
| 45 | FA343178 | | 1 | RETAINER, GEAR SHIFT SHAFT W/ILLUS. 44 (252H3G, 252B3G) |
| 46 | FC461400 | | 1 | INDICATOR, GEAR SHIFT (252H3G, 252B3G) |
| 47 | F434767 | | 1 | BUSHING, FUEL LINE |
| 48 | F183300 | | 1 | SPRING, LATCH SHAFT |
| 49 | F185764 | | 1 | RETAINING RING |
| 50 | F1515 | | 2 | HEX JAM NUT, 5/16 - 18 |
| 51 | F8096 | | 2 | SPRING LOCKWASHER |
| 52 | F89777-1 | | 1 | CAM, ENGINE COVER LATCH |
| 53 | F1760 | | 1 | PAN HD SCREW, 10 - 24 X 3/8 (252H3G, 252B3G) |
| 54 | F458888-1 | | 1 | TRIM, STARTER HANDLE GUIDE (252H3G, 252B3G) |
| 55 | F2026 | | 2 | PLASTIC RIVET (252H3G, 252B3G) |
| 56 | F458880 | | 1 | CLIP, STARTER GUIDE (252H3G, 252B3G) |
| 57 | F1473 | | 1 | HEX NUT, 10 - 24 (252H3G, 252B3G) |
| 58 | FA603892 | | 1 | DECAL ENGINE COVER - FRONT W/LITERATURE |
| 59 | F602711 | | 1 | PLATE, FRONT (252H3G, 252B3G) |
| - | F603711 | | 1 | PLATE, FRONT (257H3D, 257B3D) |
| 60 | FA458778 | | 1 | RETAINER, ENGINE COVER FRONT W/SCREWS AND NUTS |
| 61 | 817813A1 | | 1 | COVER, SUPPORT PLATE (ALT. START) W/LITERATURE ORIGINAL FORCE P/N A 460163-1 |
| 62 | F8011 | | 2 | PLAIN WASHER |
| 63 | F2A504614 | | 1 | KNOB, GEAR SHIFT W/SHAFT AND ILLUS. 46 (252H3G, 252B3G) |

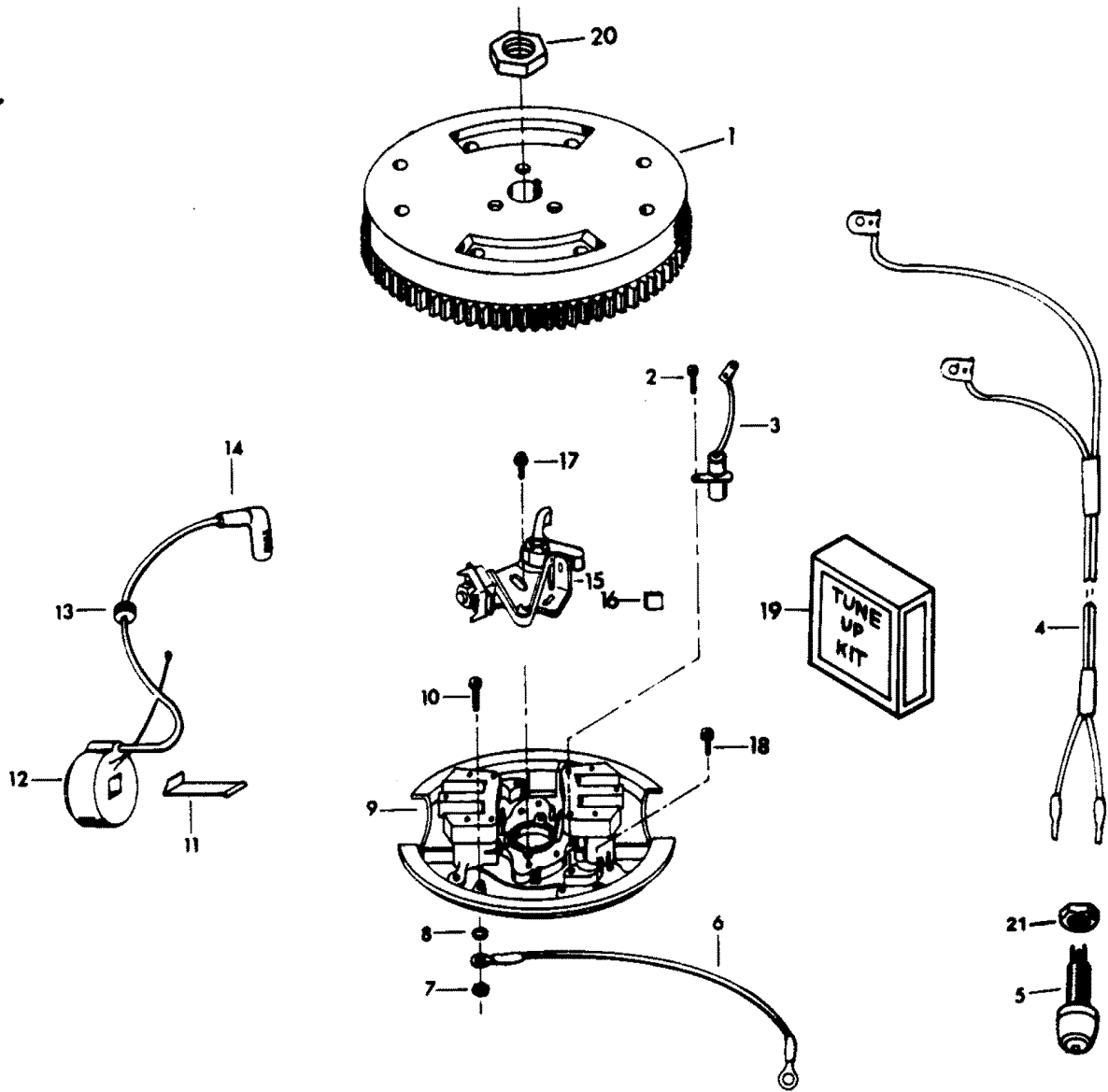
252H3G 252B3G HAND STARTER



252H3G 252B3G HAND STARTER

| REF. NO. | PART NO. | SYM. | QTY. | DESCRIPTION |
|----------|--------------|------|------|---|
| 1 | F1705 | | 3 | HEX WASHER HD SCREW, 1/4 - 20 X 3/4 |
| 2 | 817955A1 | | 1 | HOUSING, HAND STARTER W/ILLUS. 19, 20, 24 AND LITERATURE ORIGINAL FORCE P/N K 461408-1 |
| 3 | F458937 | | 1 | LINER, STARTER HOUSING |
| 4 | F1927 | | 1 | PAN HD SCREW, 10 - 32 X 3/8 |
| 5 | F458071 | | 1 | SPRING, STARTER HANDLE GUIDE |
| 6 | F458953-1 | | 1 | GUIDE, STARTER HANDLE |
| 7 | F458970 | | 1 | SPRING, STARTER REWIND |
| 8 | F458239 | | 1 | STARTER PULLEY |
| 9 | F458424 | | 1 | SPRING, STARTER PAWL PLATE |
| 10 | F458232 | | 1 | STARTER ROPE |
| 11 | F458132 | | 1 | HANDLE, STARTER ROPE |
| 12 | 817938A1 | | 1 | RETAINER, STARTER ROPE HANDLE W/LITERATURE ORIGINAL FORCE P/N K 286817-1 |
| 13 | F458456 | | 1 | HAND STARTER COLLAR (ALSO USED ON 257H3D, 257B3D) |
| 14 | F2021 | | 1 | FLYWHEEL NUT |
| 15 | F2004 | | 3 | FILL HD SCREW, 8 - 32 X 3/8 |
| 16 | F458592 | | 1 | RETAINER, STARTER PULLEY |
| 17 | F9022 | | - | SHIM .006 (SILVER) |
| - | F9023 | | - | SHIM .007 (BRASS) |
| - | F9024 | | - | SHIM .010 (BLACK) |
| 18 | FA460423 | | 1 | STARTER PAWL PLATE ASSEMBLY |
| 19 | F2040 | | 1 | HEX HD MACHINE SCREW, 1/4 - 20 X 5/8 |
| 20 | F461952 | | 1 | STRAP, HAND STARTER HOUSING |
| 21 | F458846 | | 1 | SPRING, STARTER INTERLOCK LEVER |
| 22 | F1638 | | 1 | SPRING PIN |
| 23 | F458003 | | 1 | STARTER INTERLOCK LEVER |
| 24 | F8011 | | 1 | PLAIN WASHER |
| 25 | F2012 | | 3 | PLAIN WASHER |

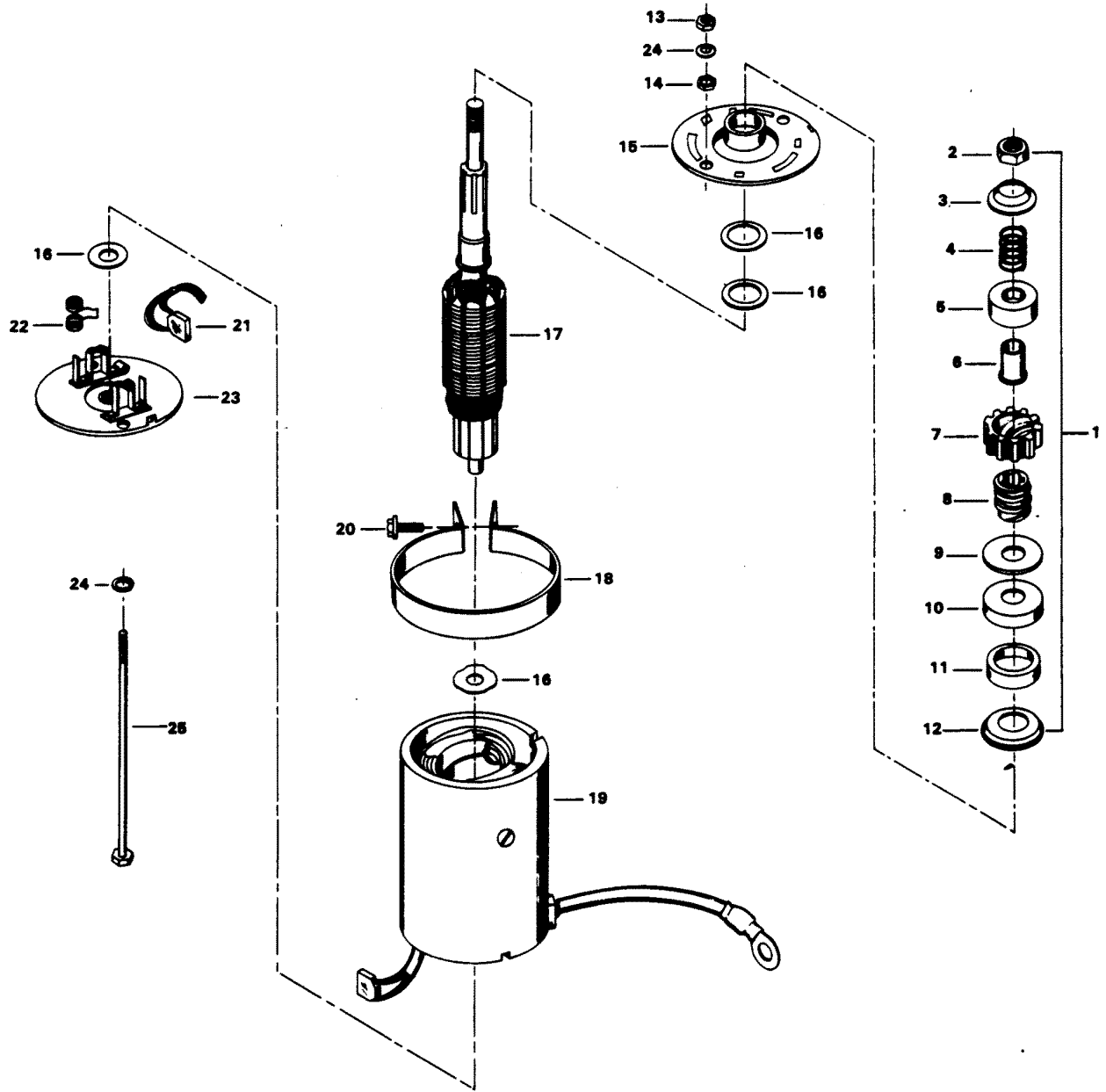
252H3G 252B3G MAGNETO



252H3G 252B3G MAGNETO

| REF. NO. | PART NO. | SYM. | QTY. | DESCRIPTION |
|----------|-----------|------|------|--|
| 1 | F460097-1 | | 1 | FLYWHEEL |
| 2 | F12170 | | 2 | CONDENSER MOUNTING SCREW |
| 3 | F12181-1 | | 2 | CONDENSER |
| 4 | F12186-1 | | 1 | GROUND LEAD |
| 5 | FK436449 | | 1 | SHORTING SWITCH W/ILLUS. 21 |
| 6 | F460664 | | 1 | STATOR GROUND WIRE |
| 7 | F1513 | | 1 | HEX NUT |
| 8 | F1975 | | 1 | SPRING LOCKWASHER |
| 9 | F12346 | | 1 | STATOR PLATE W/LAMINATIONS |
| 10 | F1092 | | 1 | FILL HD SCREW, 10 - 32 X 5/8 |
| 11 | F12146 | | 2 | COIL WEDGE SPRING |
| 12 | FA12370 | | 2 | COIL W/LEAD WIRE |
| 13 | F12088 | | 2 | GROMMET, LEAD WIRE |
| 14 | FK1123 | | 2 | SPARKIE W/SPRING |
| 15 | F12153-1 | | 2 | BREAKER POINT SET |
| 16 | F12360 | | 1 | CAM WIPER FELT |
| 17 | F12170 | | 4 | CONTACT SCREW W/LOCKWASHER |
| 18 | F2010 | | 3 | FILL HD SCREW W/SPRING LOCKWASHER, 10 - 32 X 9/16 |
| 19 | FK1066 | | 1 | TUNE UP KIT. INCLUDES ITEMS MARKED WITH AN ASTERISK (*) . |
| 20 | F2021 | | 1 | FLYWHEEL NUT 5/8 - 18 |
| 21 | F436280 | | 1 | NUT, SHORTING SWITCH |

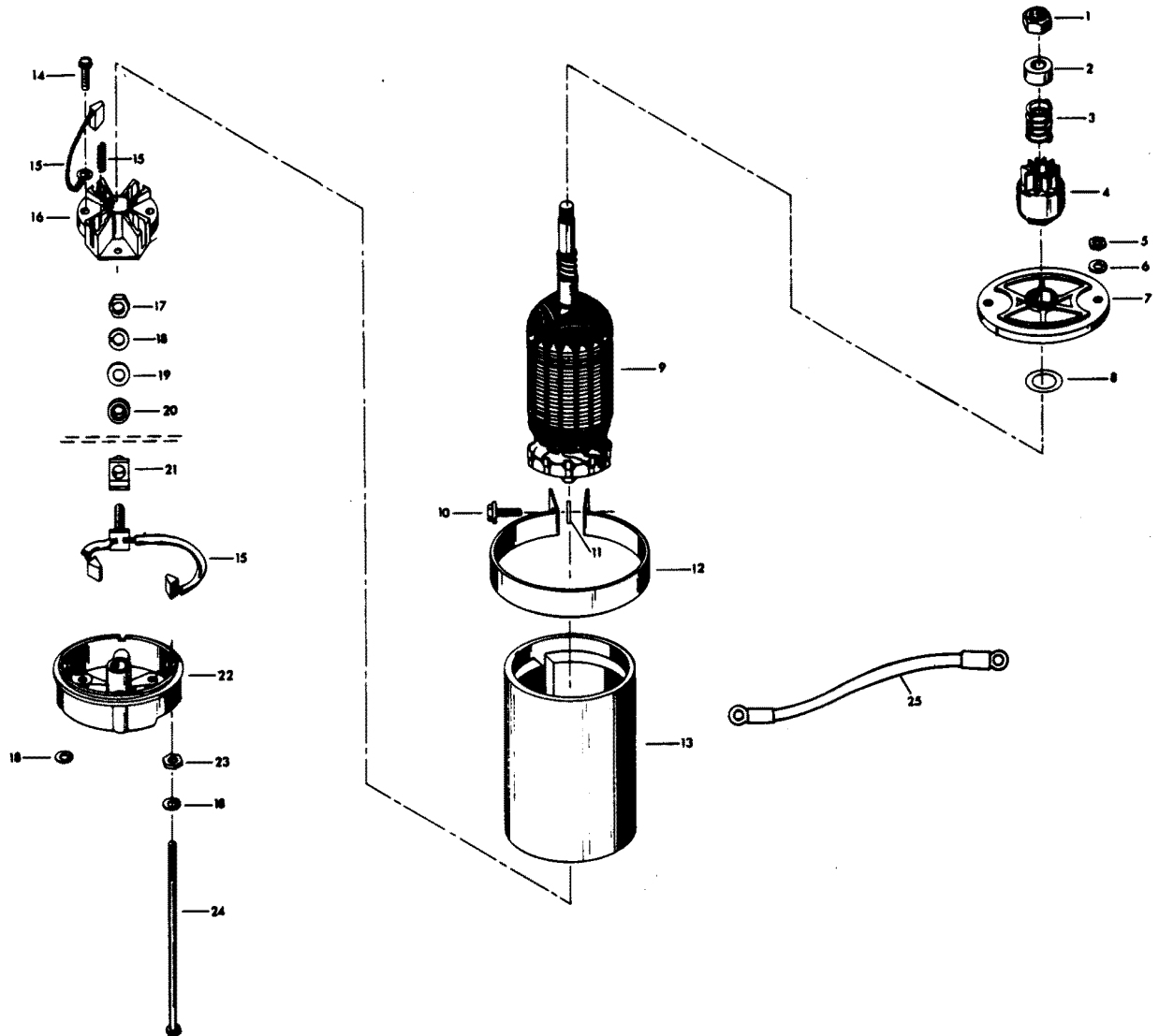
257H3D 257B3D ELECTRIC STARTER



257H3D 257B3D ELECTRIC STARTER

| REF. NO. | PART NO. | SYM. | QTY. | DESCRIPTION |
|----------|-----------------|------|----------|--|
| 1 | F15095 | | 1 | BENDIX DRIVE |
| 2 | F15087 | | 1 | HEX NUT |
| 3 | F15109 | | 1 | CUP, STOP |
| 4 | F15102 | | 1 | SPRING, ANTI-DRIFT |
| 5 | F15107 | | 1 | CUP, PINION |
| 6 | F15108 | | 1 | SLEEVE |
| 7 | FK15103 | | 1 | PINION |
| 8 | FK15084 | | 1 | SCREW SHAFT |
| 9 | F15091 | | 1 | WASHER |
| 10 | F15105 | | 1 | CUP, CUSHION |
| 11 | F15106 | | 1 | CUSHION |
| 12 | F15104 | | 1 | CUP, CUSHION THRUST |
| 13 | F1514 | | 2 | HEX JAM NUT, 1/4 - 20 |
| 14 | F1341 | | 2 | HEX NUT, 1/4 - 20 |
| 15 | F15021-1 | | 1 | HEAD ASSEMBLY DRIVE END |
| 16 | F15098 | | 1 | THRUST WASHER PACKAGE |
| 17 | F15010 | | 1 | ARMATURE |
| 18 | F460573 | | 1 | CLAMP, STARTER MOTOR |
| 19 | F15117 | | 1 | FRAME AND FIELD ASSEMBLY |
| 20 | F1705 | | 1 | HEX CAP SCREW, 1/4 - 20 X 3/4 |
| 21 | F15015 | | 1 | BRUSH SET |
| 22 | F15002 | | 1 | SPRING SET |
| 23 | F15019-1 | | 1 | HEAD ASSEMBLY COMMUTATOR END |
| 24 | F8083 | | 2 | SPRING LOCKWASHER |
| 25 | F15097 | | 1 | THRU BOLT PACKAGE |
| - | F460955 | | 1 | STARTER MOTOR COMPLETE. INCLUDES ALL ITEMS MARKED W/AN ASTERISK (*) |
| - | FC497390 | | 1 | DECAL STARTER - CANADA |

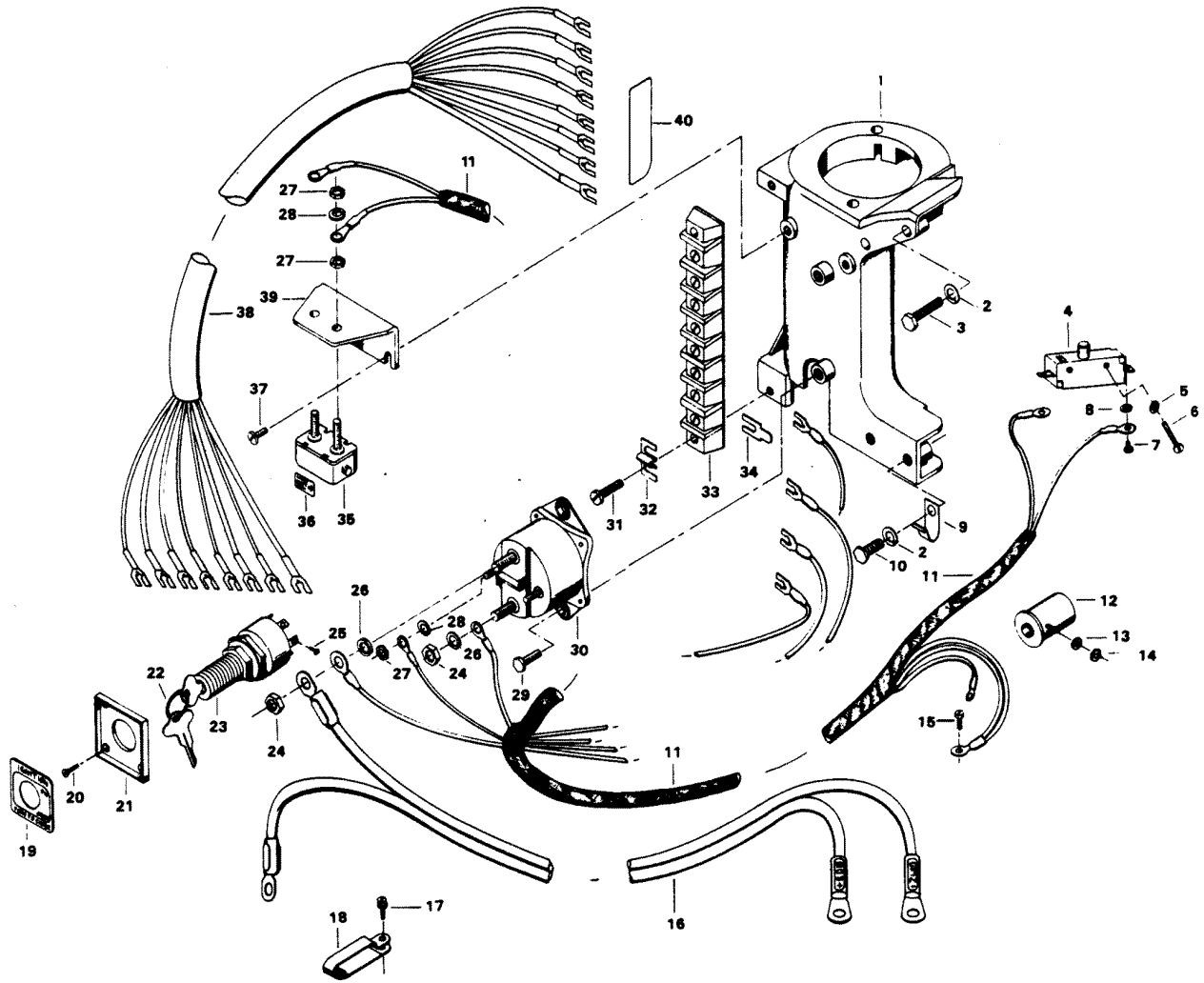
257H3D 257B3D ELECTRIC STARTER



257H3D 257B3D ELECTRIC STARTER

| REF. NO. | PART NO. | SYM. | QTY. | DESCRIPTION |
|----------|----------------|------|----------|-------------------------------|
| 1 | F15147 | | 1 | STOP NUT, PINION |
| 2 | F15148 | | 1 | STOP, PINION |
| 3 | F15149 | | 1 | SPRING, ANTI-DRIFT |
| 4 | F15150 | | 1 | DRIVE PINION |
| 5 | F1514 | | 2 | HEX JAM NUT, 1/4 - 20 |
| 6 | F8083 | | 2 | SPRING LOCKWASHER |
| 7 | F15154 | | 1 | CAP, DRIVE END |
| 8 | F15155 | | 1 | WASHER, THRUST |
| 9 | F15156 | | 1 | ARMATURE |
| 10 | F1705 | | 1 | HEX CAP SCREW, 1/4 - 20 X 3/4 |
| 11 | F8026 | | 1 | PLAIN WASHER |
| 12 | F460573 | | 1 | CLAMP, STARTER MOTOR |
| 14 | F15158 | | 2 | SCREW, BRUSH HOLDER |
| 15 | F15164 | | 1 | BRUSH KIT |
| 16 | F15157 | | 1 | HOLDER, BRUSH |
| 17 | F15162 | | 1 | NUT, HOT LEAD |
| 18 | F15152 | | 3 | LOCKWASHER |
| 19 | F15161 | | 1 | PLAIN WASHER |
| 20 | F15160 | | 1 | INSULATOR WASHER |
| 21 | F15159 | | 1 | INSULATOR |
| 22 | F15163 | | 1 | CAP, COMMUTATOR END |
| 23 | F15153 | | 1 | SPACER WASHER, THRU BOLT |
| 24 | F15151 | | 2 | THRU BOLT |
| - | F514955 | | 1 | STARTER MOTOR COMPLETE |
| 25 | F307908 | | 1 | WIRE STARTER |

257H3D 257B3D ELECTRICAL COMPONENTS

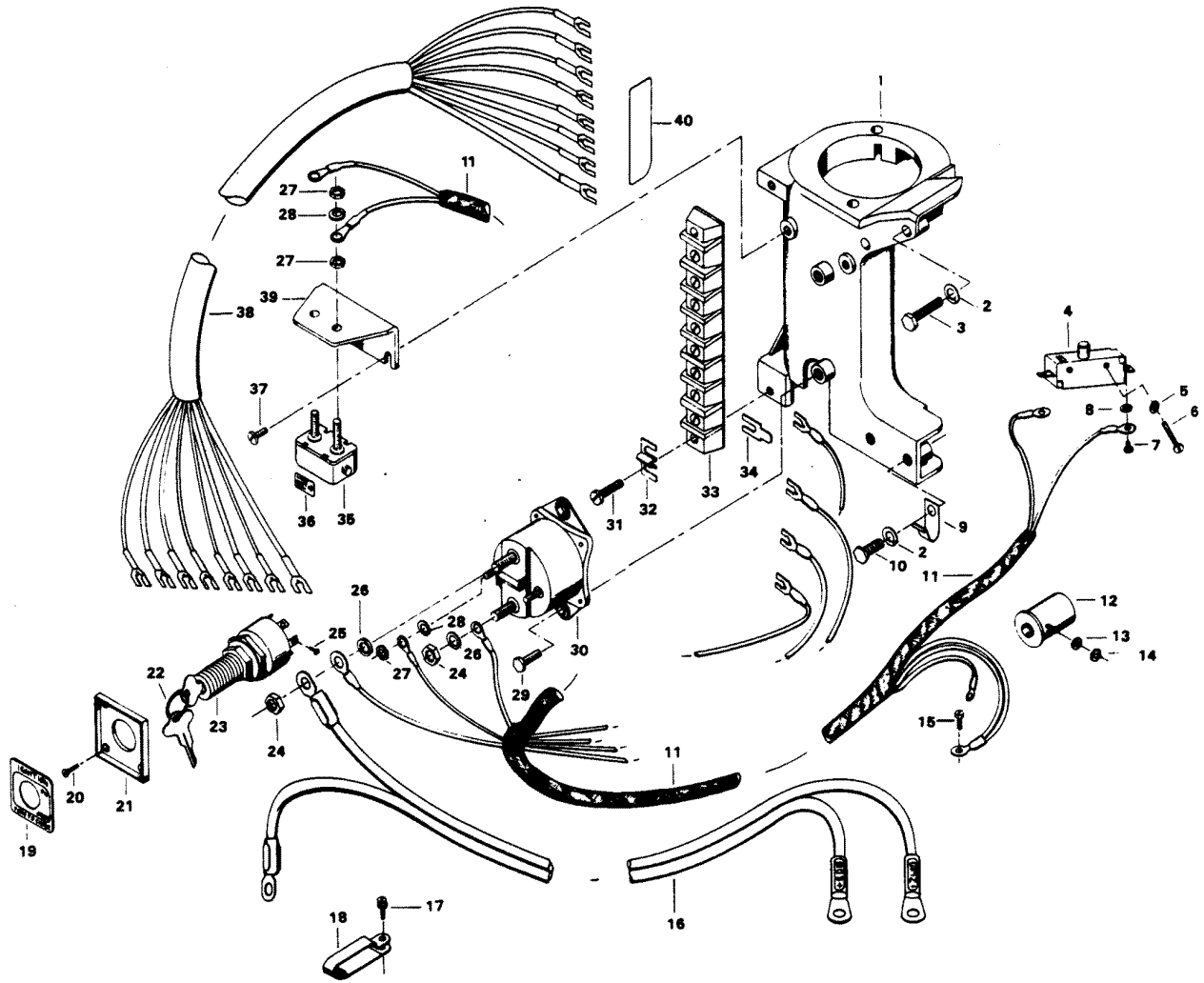


257H3D 257B3D ELECTRICAL COMPONENTS

| REF. NO. | PART NO. | SYM. | QTY. | DESCRIPTION |
|----------|------------------|------|----------|--|
| 1 | F514427 | | 1 | BRACKET, STARTER MOTOR |
| 2 | F8083 | | 4 | SPRING LOCKWASHER |
| 3 | F1699 | | 3 | HEX HD M. SCREW, 1/4 - 20 X 1-1/8 |
| 4 | F84449 | | 1 | SWITCH, STARTER INTERLOCK |
| 5 | F8088 | | 2 | PLAIN WASHER |
| 6 | F2016 | | 2 | FILL HD SCREW, 6 - 32 X 7/8 |
| 7 | F1645 | | 2 | ROUND HD SCREW, 6 - 32 X 7/8 |
| 8 | F1704 | | 2 | INTERNAL TOOTH LOCKWASHER |
| 9 | F286772-1 | | 1 | CLAMP, FUEL PUMP TO CARBURETOR HOSE |
| 10 | F1100 | | 1 | SLOTTED FILL HD SCREW, 1/4 - 20 X 1-1/8 |
| 11 | F529744 | | 1 | WIRING HARNESS |
| 12 | F85924 | | 1 | CHOKE SOLENOID |
| 13 | F8056 | | 1 | SPRING LOCKWASHER |
| 14 | F1647 | | 1 | HEX NUT |
| 15 | F1077 | | 1 | FILL HD SCREW, 10 - 24 X 1/2 |
| 16 | F381896-4 | | 1 | CABLE, BATTERY ENTRY |
| 17 | F1734 | | 1 | FILL HD MACHINE SCREW W/SPRING LOCKWASHER, 1/4 - 20 X 1/2 |
| 18 | F407446 | | 1 | CLAMP, BATTERY CABLE |
| 19 | F412181-1 | | 1 | PLATE, IGNITION - U.S.A. |
| - | 817892--1 | | 1 | PLATE, IGNITION - CANADA |
| 20 | F1934 | | 4 | FLAT HD SLOTTED SCREW |
| 21 | F411420 | | 1 | RETAINER, SWITCH PLATE |
| 22 | FA368700 | | 1 | IGNITION KEY - NO LETTER OR STAMPED A |
| - | FB368700 | | 1 | IGNITION KEY - STAMPED B |
| - | FC368700 | | 1 | IGNITION KEY - STAMPED C |
| - | FD368700 | | 1 | IGNITION KEY - STAMPED D |
| - | FE368700 | | 1 | IGNITION KEY - STAMPED E |
| 23 | F5H078 | | 1 | IGNITION SWITCH (ACCESSORY ITEM) W/ILLUS. 22 & 25 |
| 24 | F1515 | | 2 | HEX NUT |
| 25 | F1280 | | 5 | PAN HD SCREW, 8 - 32 X 1/4 |
| 26 | F8096 | | 2 | SPRING LOCKWASHER |
| 27 | F1513 | | 6 | HEX NUT, 10 - 32 |
| 28 | F1975 | | 4 | SPRING LOCKWASHER |
| 29 | F1854 | | 2 | HEX CAP SCREW, 1/4 - 20 X 5/8 |
| 30 | F460917 | | 1 | STARTER RELAY |
| 31 | F1648 | | 2 | PAN HD SCREW, 10 - 24 X 3/4 |
| 32 | F307317-1 | | 1 | CLIP, TERMINAL BLOCK GROUND |
| 33 | FA510497 | | 1 | TERMINAL BLOCK W/ILLUS. 31 & 32 |
| 34 | F296898 | | 2 | TERMINAL |
| 35 | F510460 | | 1 | CIRCUIT BREAKER |
| 36 | F510374 | | 1 | DECAL, CIRCUIT BREAKER - U.S.A. |
| - | FC510374 | | 1 | DECAL, CIRCUIT BREAKER - CANADA |

CONTINUED ON NEXT PAGE ➡

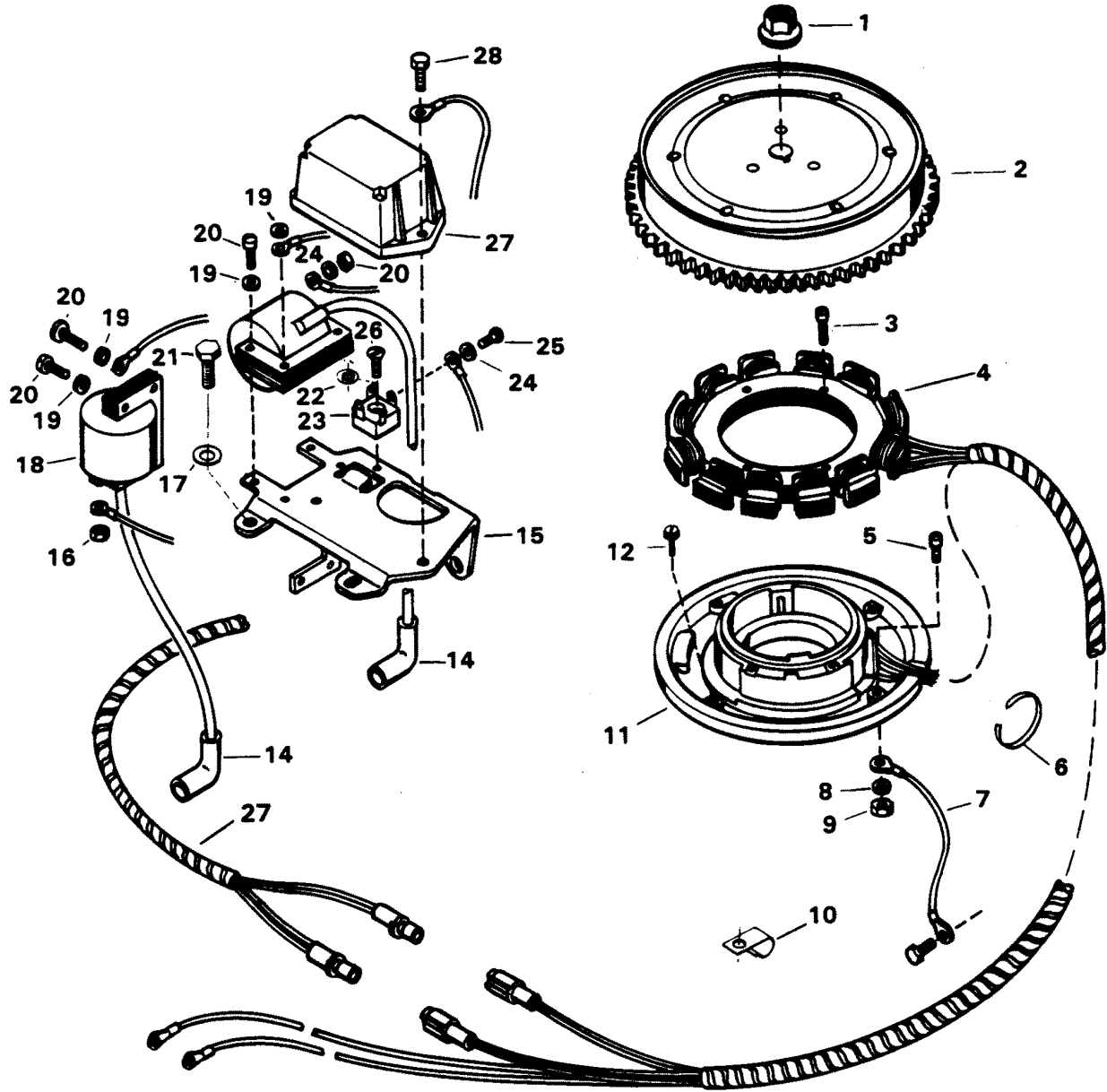
257H3D 257B3D ELECTRICAL COMPONENTS



257H3D 257B3D ELECTRICAL COMPONENTS

| REF. NO. | PART NO. | SYM. | QTY. | DESCRIPTION |
|----------|-----------------|------|----------|--|
| 37 | F1733 | | 2 | PAN HD SCREW, 10 - 24 X 1/2 - 10 - 24 X 9/16 |
| 38 | F85843-1 | | 1 | CABLE, ELECTRIC CONTROL |
| 39 | F91446-1 | | 1 | BRACKET, CIRCUIT BREAKER |
| 40 | F529398 | | 1 | DECAL, WIRING - U.S.A. |
| - | FC529398 | | 1 | DECAL, WIRING - CANADA |

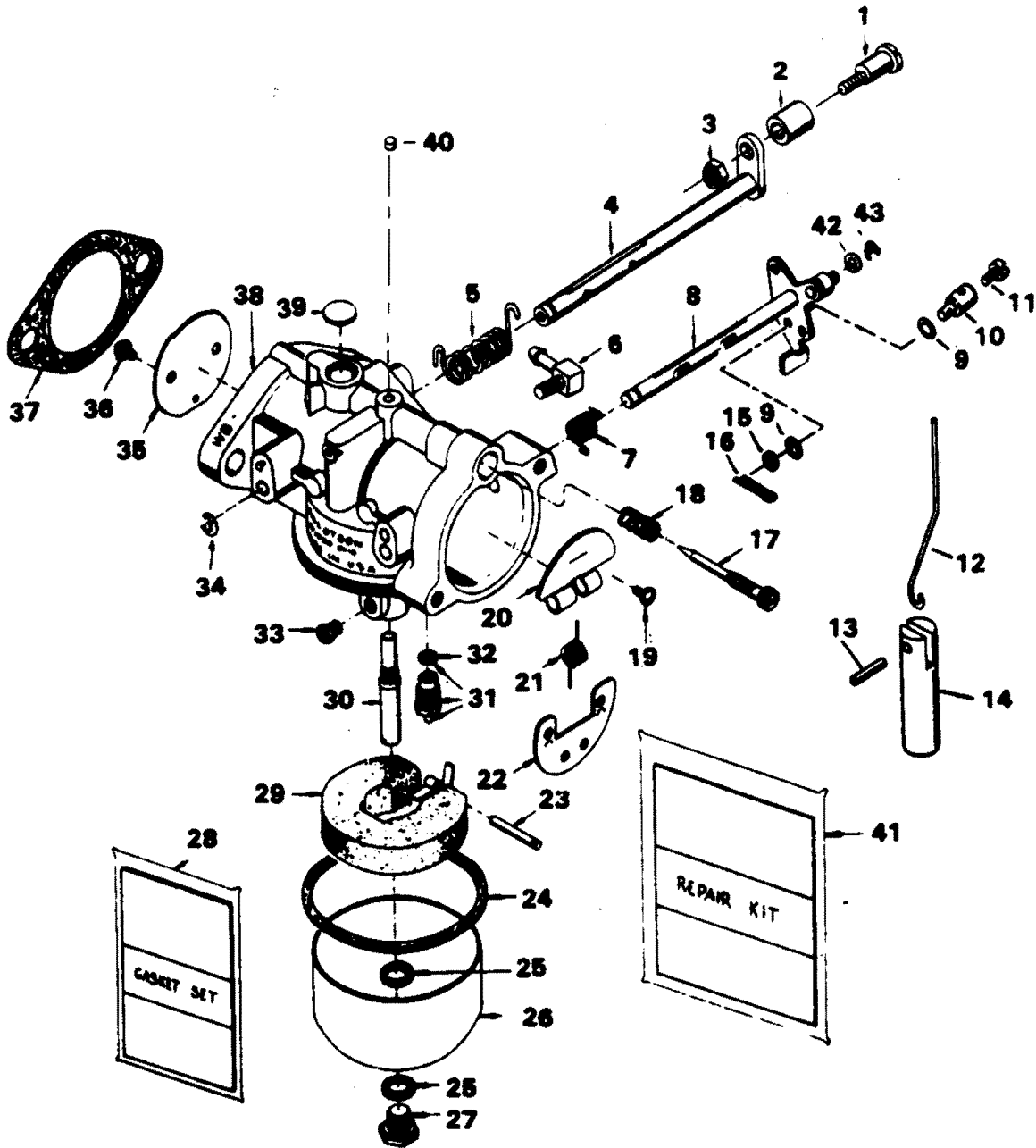
257H3D 257B3D ALTERNATOR



257H3D 257B3D ALTERNATOR

| REF. NO. | PART NO. | SYM. | QTY. | DESCRIPTION |
|----------|-----------------|------|----------|--|
| 1 | F2012 | | 1 | FLYWHEEL NUT, 5/8 - 18 |
| 2 | F529097 | | 1 | FLYWHEEL |
| 3 | F1995 | | 4 | SLOTTED FILL HD SCREW, 10 - 24 X 1 |
| 4 | F529095 | | 1 | STATOR GROUND WIRE |
| 5 | F2010 | | 3 | FILL HD SCREW, 10 - 32 X 9/16 |
| 6 | F1877 | | 1 | TY-RAP |
| 7 | F460664 | | 1 | STATOR GROUND WIRE |
| 8 | F1975 | | 1 | SPRING LOCKWASHER |
| 9 | F1513 | | 1 | HEX NUT, 10 - 32 |
| 10 | F286772-1 | | 1 | CLAMP |
| 11 | F529029 | | 1 | STATOR TRIGGER |
| 12 | F1092 | | 1 | FILL HD SCREW, 10 - 32 X 5/8 |
| 14 | FK1123 | | 2 | SPARKIE KIT |
| 15 | F529358 | | 1 | BRACKET, ELECTRICAL COMPONENTS |
| 16 | F1337 | | 2 | NUT, 6 - 32 |
| 17 | F2012 | | 2 | PLAIN WASHER |
| 18 | F510475 | | 2 | IGNITION COIL |
| 19 | F1975 | | 8 | LOCKWASHER |
| 20 | F1648 | | 8 | PAN HD SCREW, 10 - 24 X 3/4 |
| 21 | F1200 | | 2 | HEX HD SCREW, 1/4 - 20 X 1/2 |
| 22 | F8078 | | 1 | LOCKWASHER #8 |
| 23 | F510450-1 | | 1 | RECTIFIER |
| 24 | F1704 | | 2 | LOCKWASHER #6 |
| 25 | F1645 | | 4 | ROUND HD SCREW, 6 - 32 X 1/4 |
| 26 | F1552 | | 1 | PAN HD SCREW, 8 - 32 X 1/2 |
| 27 | F529301 | | 1 | C-D MODULE |
| 28 | F1746 | | 2 | HEX CAP SCREW, 1/4 - 28 X 5/8 |
| - | FA27232 | | 1 | STARTER ROPE (NOT SHOWN) W/HANDLE |
| - | F18132-1 | | 1 | HANDLE, STARTER ROPE (NOT SHOWN) |

CARBURETOR STYLE 1



CARBURETOR STYLE 1

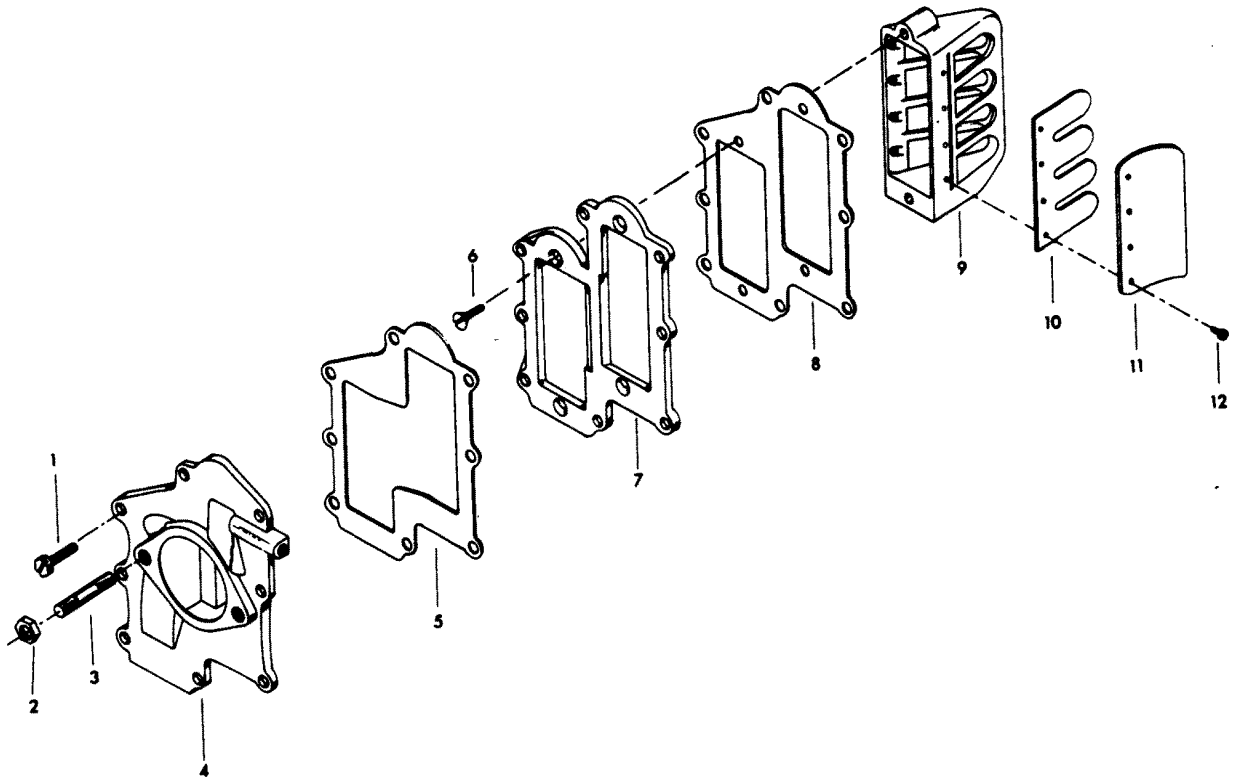
| REF. NO. | PART NO. | SYM. | QTY. | DESCRIPTION |
|----------|----------------|------|----------|---|
| 1 | F333316 | | 1 | SHAFT, THROTTLE ROLLER |
| 2 | F92759 | | 1 | ROLLER, THROTTLE CAM FOLLOWER |
| 3 | F1997 | | 1 | LOCK NUT |
| 4 | FO17907 | | 1 | THROTTLE SHAFT AND LEVER |
| 5 | FO16563 | | 1 | THROTTLE SHAFT RETURN SPRING |
| 6 | F84314-2 | | 1 | ELBOW |
| 7 | FO16397 | | 1 | CHOKE SHAFT RETURN SPRING |
| 8 | FO16562 | | 1 | CHOKE SHAFT AND LEVER |
| 9 | F184579 | | 2 | SEAL, CHOKE ARM SWIVEL |
| 10 | F184033-1 | | 1 | SWIVEL, CHOKE ARM |
| 11 | F1059 | | 1 | FILL HD SCREW 6 - 32 X 1/4 |
| 12 | F460925 | | 1 | ROD |
| 13 | F2033 | | 1 | GROOVE PIN |
| 14 | F391926-1 | | 1 | PLUNGER |
| 15 | F8088 | | 1 | PLAIN WASHER |
| 16 | F1014 | | 1 | COTTER PIN |
| 17 | FO14166 | | 1 | IDLE MIXTURE SCREW |
| 18 | FO11103 | | 1 | IDLE MIXTURE SCREW SPRING |
| 19 | FO10280 | | 2 | CHOKE SHUTTER RETAINING SCREW AND LOCKWASHER |
| 20 | FO12251 | | 1 | CHOKE RELIEF VALVE |
| 21 | FO10883 | | 1 | CHOKE RELIEF VALVE SPRING |
| 22 | FO12250 | | 1 | CHOKE SHUTTER |
| 23 | FO13944 | | 1 | FLOAT LEVER PIN |
| 24 | FO15623 | | 1 | FUEL BOWL GASKET |
| 25 | FO2510 | | 1 | FUEL BOWL RETAINING SCREW GASKET |
| 26 | FO13552 | | 1 | FUEL BOWL |
| 27 | FO13945 | | 1 | FUEL BOWL RETAINING SCREW |
| 28 | FK10000 | | 1 | GASKET SET. INCLUDES ITEMS MARKED WITH A DOUBLE ASTERISK (**) |
| 29 | FO13554 | | 1 | FLOAT |
| 30 | FO15213 | | 1 | MAIN NOZZLE |
| 31 | FO10790 | | 1 | INLET NEEDLE, SEAT AND GASKET |
| 32 | FO10165 | | 1 | INLET SEAT GASKET |
| 33 | FO14188 | | 1 | MAIN FUEL JET STD. .066 SEAL LEVEL - 1250 FT. |
| - | FO14108 | | - | MAIN FUEL JET OPT. .064 1250-3750 FT. |
| - | FO14187 | | 0 | MAIN FUEL JET OPT. .062 3750-6250 FT. |
| - | FO14186 | | 0 | MAIN FUEL JET OPT. .060 6250-8250 FT. OPTIONAL SIZE MAIN FUEL JETS ARE TO BE USED ONLY AT ALTITUDES INDICATED. |
| 34 | FO16620 | | 1 | E-RING, THROTTLE SHAFT RETAINING |
| 35 | FO17639 | | 1 | THROTTLE SHUTTER |
| 36 | FO8942 | | 2 | THROTTLE SHUTTER RETAINING SCREW AND LOCKWASHER |
| 37 | F40906-1 | | 1 | FLANGE GASKET |
| 38 | F461061-3 | | 1 | CARBURETOR COMPLETE (WB-19D) |

CONTINUED ON NEXT PAGE ➡

CARBURETOR STYLE 1

| REF. NO. | PART NO. | SYM. | QTY. | DESCRIPTION |
|----------|----------|------|------|--|
| 39 | FO4326 | | 1 | BODY CHANNEL WELCH PLUG |
| 40 | FO10588 | | 1 | BODY CHANNEL CUP PLUG |
| 41 | FK10027 | | 1 | REPAIR PARTS KIT INCLUDES ALL ITEMS MARKED WITH AN ASTERISK (*) |
| 42 | F8011 | | 1 | PLAIN WASHER (252H3G, 252B3G) |
| 43 | F90807 | | 1 | RETAINER CHOKE ROD FOR (252H3G, 252B3G) |

REED PLATE

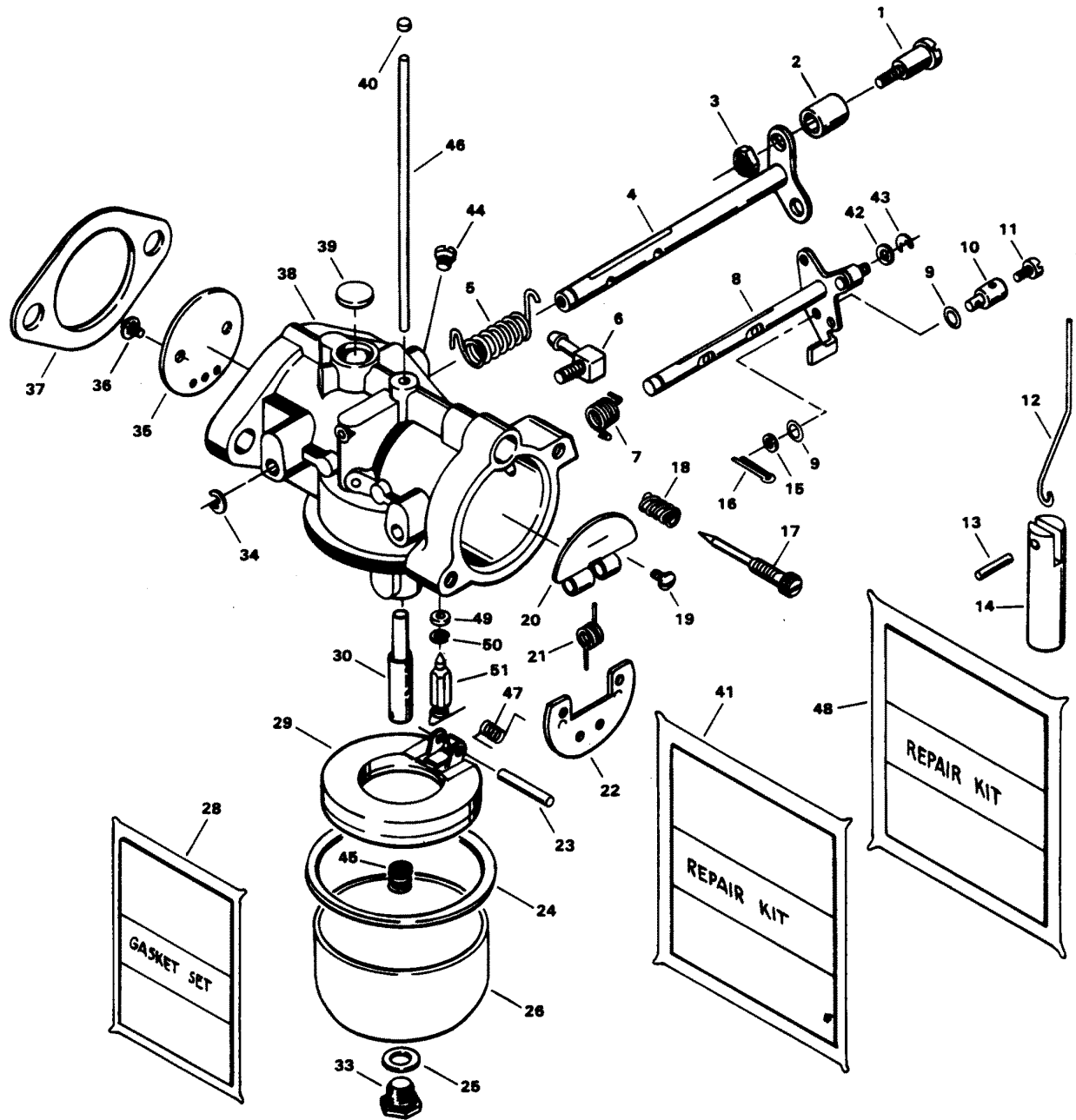


CR 3945

REED PLATE

| REF. NO. | PART NO. | SYM. | QTY. | DESCRIPTION |
|----------|----------|------|------|--|
| 1 | F2008 | | 8 | HEX HD SCREW, 1/4 - 20 X 7/8 |
| 2 | F1515 | | 2 | HEX NUT, 5/16 - 18 |
| 3 | F40209 | | 2 | CARBURETOR STUD |
| 4 | FA458167 | | 1 | CARBURETOR ADAPTER W/ILLUSTRATION 3 |
| 5 | F433168 | | 1 | GASKET, CARBURETOR ADAPTER W/STUDS |
| 6 | F1141 | | 4 | FLAD HD SCREW, 10 - 24 X 1/2 |
| 7 | F433404 | | 1 | DEFLECTOR PLATE |
| 8 | F433406 | | 1 | GASKET, DEFLECTOR PLATE |
| 9 | FA572158 | | 2 | REED PLATE W/PLUG |
| 10 | F316160 | | 4 | REED |
| 11 | F88161-3 | | 4 | REED STOP |
| 12 | F1755 | | 16 | ROUND HD SCREW W/LOCKWASHER, 6 - 32 X 5/16 |

CARBURETOR STYLE 2

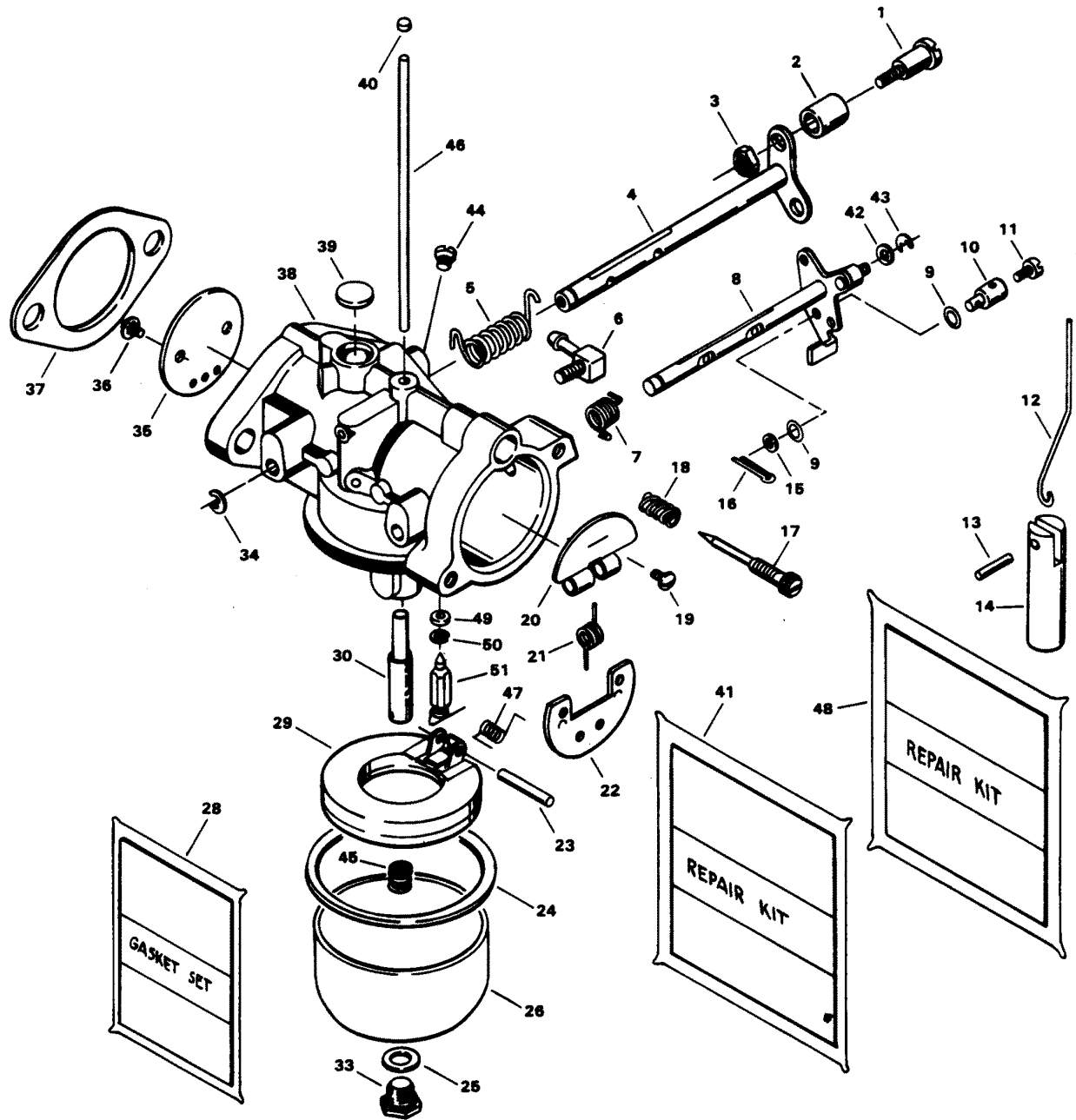


CARBURETOR STYLE 2

| REF. NO. | PART NO. | SYM. | QTY. | DESCRIPTION |
|----------|-----------|------|------|--|
| 1 | F333316 | | 1 | SHAFT, THROTTLE ROLLER |
| 2 | F92759 | | 1 | ROLLER, THROTTLE CAM FOLLOWER |
| 3 | F1997 | | 1 | LOCK NUT |
| 4 | F10132 | | 1 | THROTTLE SHAFT AND LEVER |
| 5 | F10144 | | 1 | THROTTLE SHAFT RETURN SPRING |
| 6 | F10156 | | 1 | ELBOW |
| 7 | F10143 | | 1 | CHOKE SHAFT RETURN SPRING |
| 8 | F10134 | | 1 | CHOKE SHAFT AND LEVER |
| 9 | F184579 | | 2 | SEAL, CHOKE ARM SWIVEL |
| 10 | F184033-1 | | 1 | SWIVEL, CHOKE ARM |
| 11 | F1059 | | 1 | FILL HD SCREW 6 - 32 X 1/4 |
| 12 | F460925 | | 1 | ROD |
| 13 | F2033 | | 1 | GROOVE PIN |
| 14 | F391926-1 | | 1 | PLUNGER |
| 15 | F8088 | | 1 | PLAIN WASHER |
| 16 | F1014 | | 1 | COTTER PIN |
| 17 | F10146 | | 1 | IDLE MIXTURE SCREW |
| 18 | F10141 | | 1 | IDLE MIXTURE SCREW SPRING |
| 19 | F10140 | | 2 | CHOKE SHUTTER RETAINING SCREW AND LOCKWASHER |
| 20 | F10129 | | 1 | CHOKE RELIEF VALVE |
| 21 | F10130 | | 1 | CHOKE RELIEF VALVE SPRING |
| 22 | F10128 | | 1 | CHOKE SHUTTER |
| 23 | F10136 | | 1 | FLOAT LEVER PIN |
| 24 | F10138 | | 1 | FUEL BOWL GASKET |
| 25 | F10090 | | 1 | FUEL BOWL RETAINING SCREW GASKET |
| 26 | F10127 | | 1 | FUEL BOWL |
| 28 | FK10139 | | 1 | GASKET SET. INCLUDES ITEMS MARKED WITH A DOUBLE ASTERISK (**) |
| 29 | F10135 | | 1 | FLOAT |
| 30 | F10137 | | 1 | MAIN NOZZLE |
| 33 | F10147 | | 1 | MAIN FUEL JET STD. .066 SEA LEVEL - 1250 FT. |
| 34 | F10131 | | 1 | E-RING, THROTTLE SHAFT RETAINING |
| 35 | F10133 | | 1 | THROTTLE SHUTTER |
| 36 | F10155 | | 2 | THROTTLE SHUTTER RETAINING SCREW AND LOCKWASHER |
| 37 | F40906-1 | | 1 | FLANGE GASKET |
| 38 | FK602061 | | 1 | CARBURETOR COMPLETE (WE-1) |
| 39 | F10153 | | 1 | BODY CHANNEL WELCH PLUG |
| 40 | F10152 | | 1 | BODY CHANNEL CUP PLUG |
| 41 | FK10151 | | 1 | REPAIR PARTS KIT INCLUDES ALL ITEMS MARKED WITH AN ASTERISK (*) |
| 42 | F8011 | | 1 | PLAIN WASHER (252H3G, 252B3G) |
| 43 | F90807 | | 1 | RETAINER, CHOKE ROD FOR 252H3G, 252B3G |
| 44 | F10148 | | 1 | JET, NOZZLE VENT |
| 45 | F10145 | | 1 | SPRING, NOZZLE COMPRESSION |

CONTINUED ON NEXT PAGE ➡

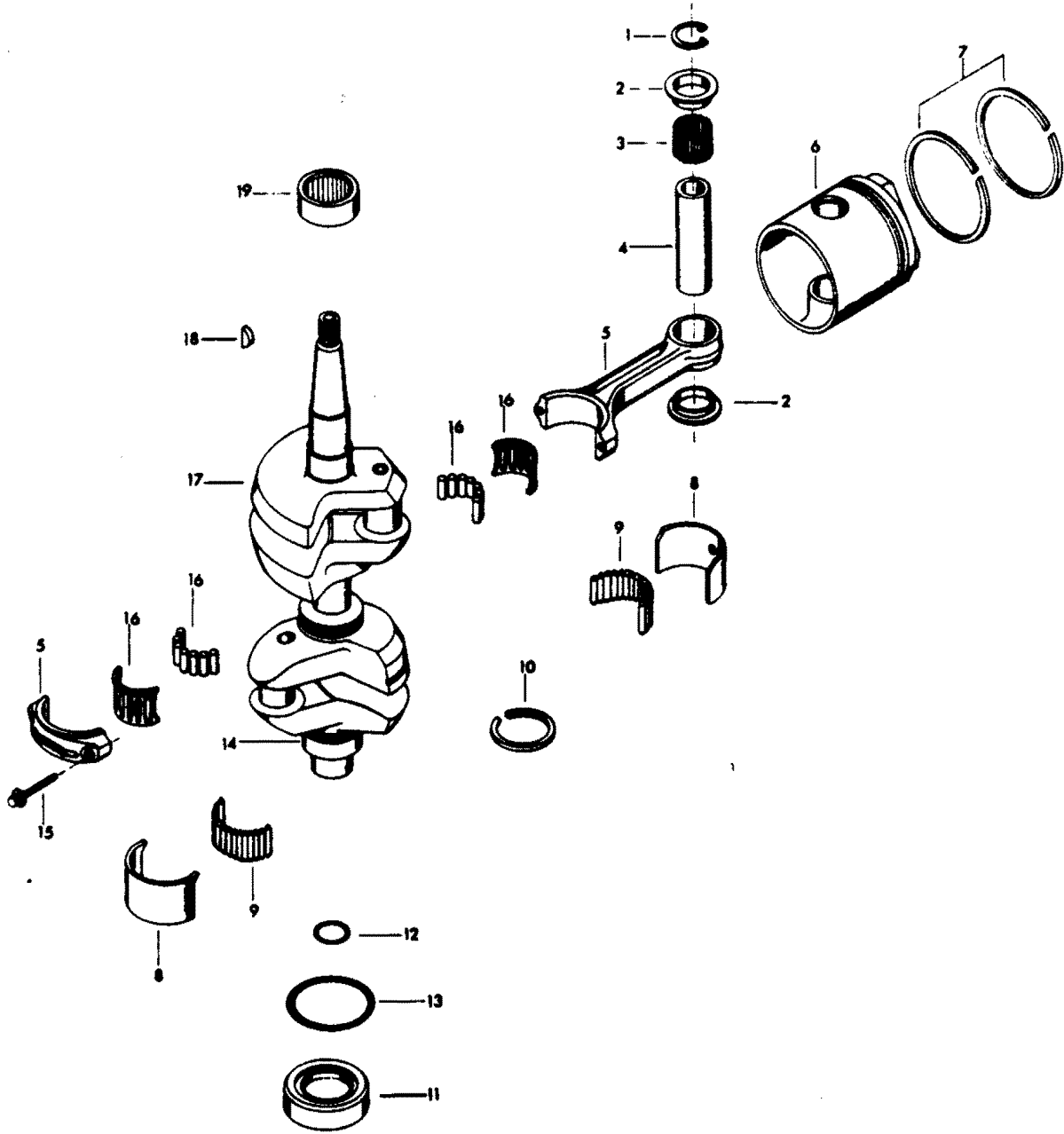
CARBURETOR STYLE 2



CARBURETOR STYLE 2

| REF. NO. | PART NO. | SYM. | QTY. | DESCRIPTION |
|----------|-----------|------|------|-----------------------|
| 46 | F10176 | | 1 | TUBE, IDLE |
| 47 | F10142 | | 1 | SPRING, FLOAT SUPPORT |
| 48 | FK10120-1 | | 1 | KIT, VALVE SET REPAIR |
| 49 | F10171 | | 1 | SEAT VALVE |
| 50 | F10167 | | 1 | RING - RETAINING |
| 51 | F10170 | | 1 | VALVE ASSY - INLET |

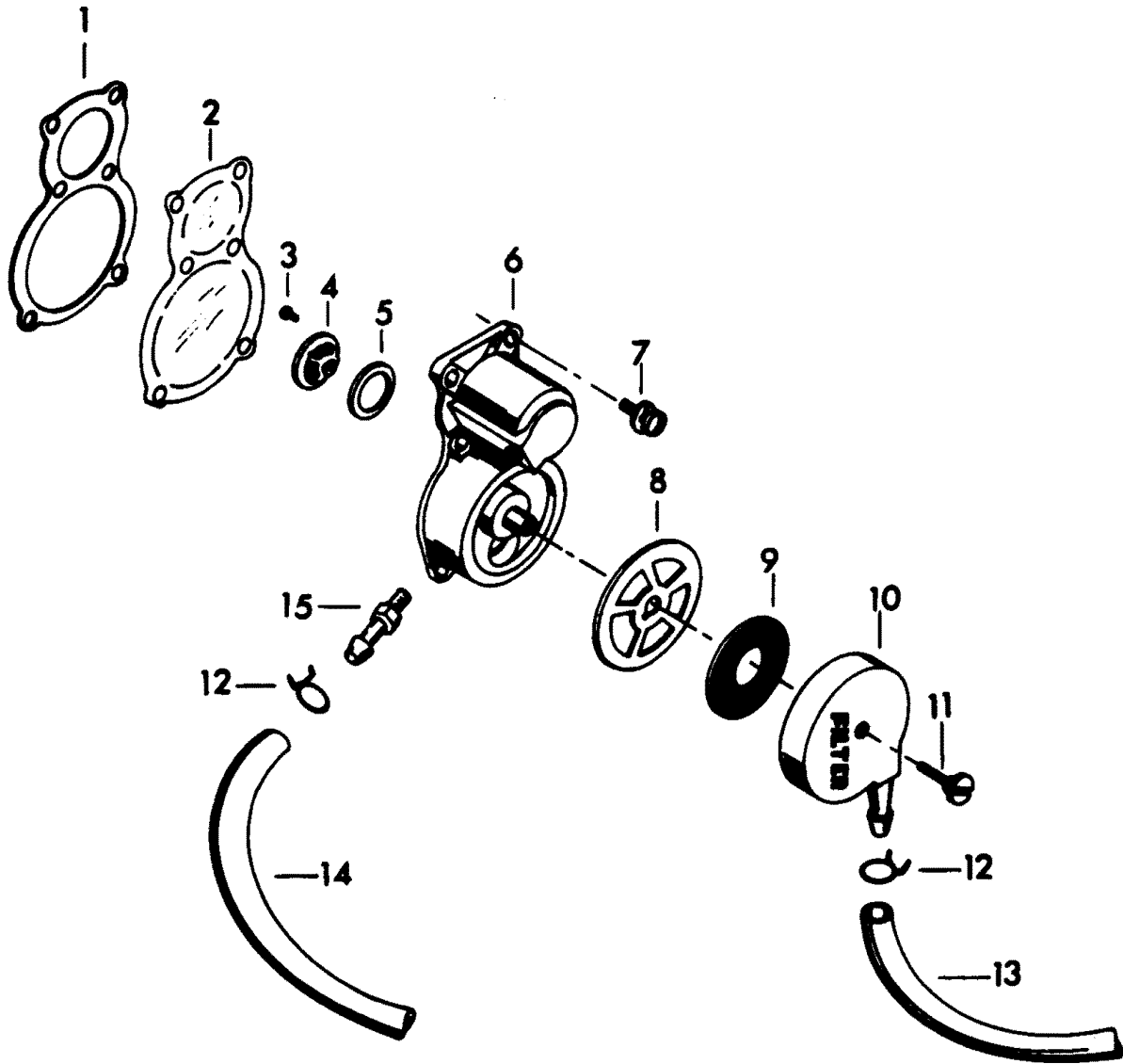
CRANKSHAFT AND PISTON GROUP



CRANKSHAFT AND PISTON GROUP

| REF. NO. | PART NO. | SYM. | QTY. | DESCRIPTION |
|----------|---------------------|------|----------|--|
| 1 | F90096 | | 4 | RETAINER, PISTON PIN |
| 2 | F366215 | | 4 | SPACER, PISTON PIN |
| 3 | F335217-1 | | 2 | BEARING, PISTON PIN |
| 4 | F458017 | | 2 | PISTON PIN |
| 5 | 600-818052A4 | | 2 | CONNECTING ROD W/CAP AND ILLUS. 15 ORIGINAL FORCE P/N S 366016-4 |
| 6 | F458015-1 | | 2 | PISTON |
| - | FSA458015 | | 2 | PISTON .010 OVERSIZE (NOT SHOWN) |
| - | 700-818118A1 | | 2 | PISTON .030 OVERSIZE (NOT SHOWN) |
| 7 | FA458260 | | 1 | PISTON RING SET (4 PER SET) |
| - | FSA458260 | | 1 | PISTON RINGS (4 PER SET) .010 OVERSIZE (NOT SHOWN) |
| - | 39-818119A1 | | 1 | PISTON RINGS (4 PER SET) .030 OVERSIZE (NOT SHOWN) |
| 8 | FA458655 | | 1 | LINER, CENTER MAIN (1 SET) |
| 9 | FA458571 | | 1 | ROLLER, CENTER MAIN |
| 10 | F458579 | | 1 | SEAL, CRANKCASE |
| 11 | F2A458581 | | 1 | COLLAR W/LOWER CRANKCASE SEAL |
| 12 | F461342 | | 1 | SEAL, DRIVESHAFT SPLINE |
| 13 | F455305 | | 1 | SEAL, CRANKSHAFT COLLAR |
| 14 | F286028 | | 1 | BEARING, CRANKSHAFT LOWER MAIN |
| 15 | F85634-2 | | 4 | SCREW, CONNECTING ROD |
| 16 | FK85228-1 | | 2 | BEARING CAGE W/ROLLERS (16 PER SET) |
| 17 | 400-818058A1 | | 1 | CRANKSHAFT W/LOWER MAIN BEARING (252H3G, 252B3G) |
| - | 400-818063A1 | | 1 | CRANKSHAFT W/LOWER MAIN BEARING (257H3D, 257B3D) |
| 18 | F458498 | | 1 | FLYWHEEL KEY (252H3G, 252B3G) |
| - | F85498 | | 1 | FLYWHEEL KEY (257H3D, 257B3D) |
| 19 | F458028 | | 1 | BEARING, CRANKSHAFT UPPER MAIN |

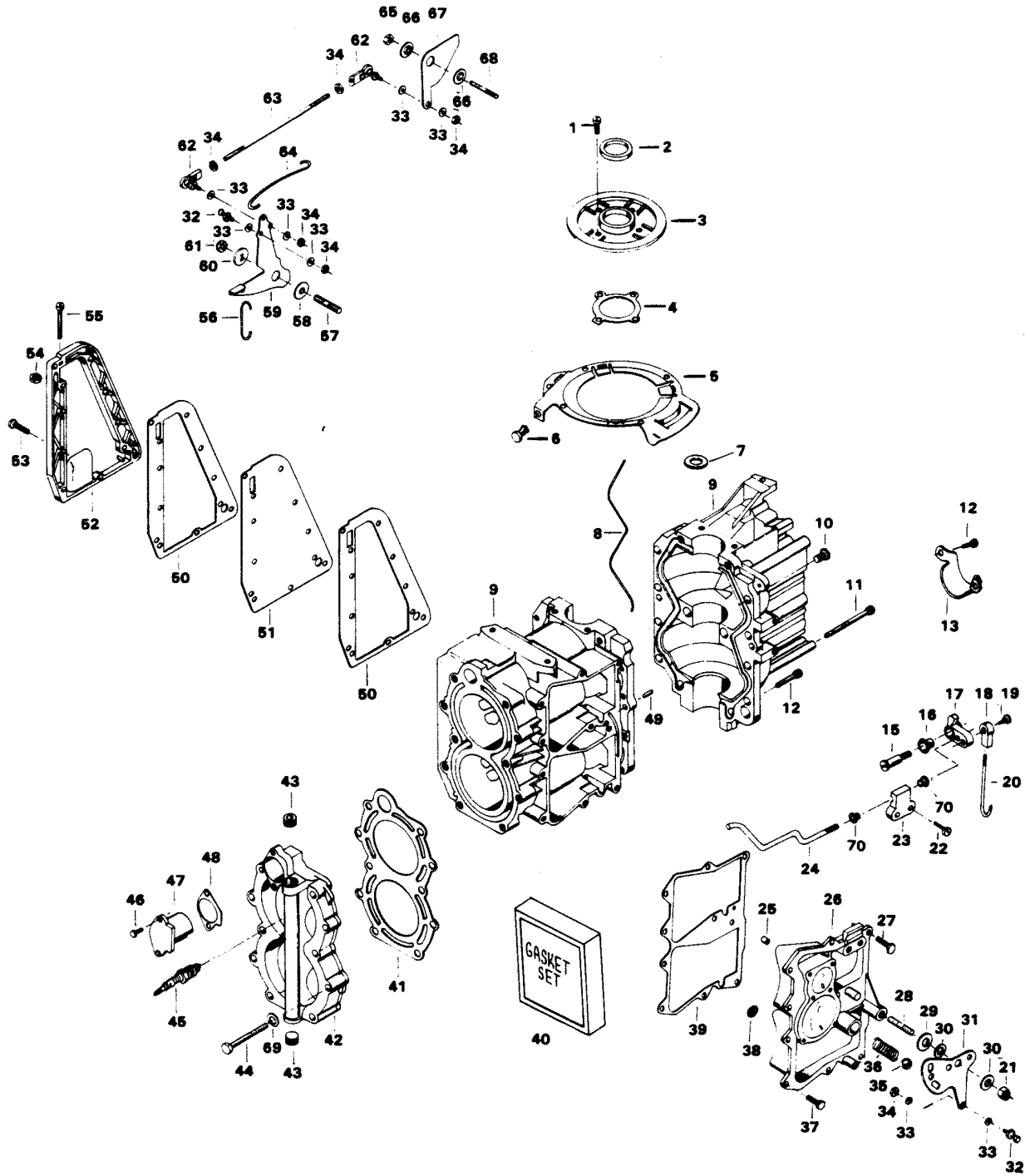
FUEL PUMP



FUEL PUMP

| REF. NO. | PART NO. | SYM. | QTY. | DESCRIPTION |
|----------|-----------|------|------|---|
| 1 | F438760 | | 1 | FUEL PUMP GASKET |
| 2 | F438747 | | 1 | FUEL PUMP DIAPHRAGM |
| 3 | F1860 | | 2 | BINDING HD MACHINE SCREW, 6 - 32 X 1/4 |
| 4 | F177330 | | 1 | FUEL PUMP VALVE |
| 5 | F84792 | | 3 | FUEL PUMP VALVE GASKET |
| 6 | FA438431 | | 1 | FUEL PUMP BODY W/ILLUS. 3, 4 AND 5 |
| 7 | F1108 | | 6 | FILL HD MACHINE SCREW W/LOCKWASHER, 1/4 - 20 X 34 |
| 8 | F438617 | | 1 | GASKET, FUEL PUMP BOWL |
| 9 | F438653 | | 1 | SCREEN, FUEL PUMP |
| 10 | F438500 | | 1 | FUEL PUMP BOWL |
| 11 | F438165 | | 1 | SCREW, FUEL PUMP BOWL |
| 12 | F97772 | | 4 | FUEL LINE CLAMP |
| 13 | FA85754-1 | | 1 | HOSE, FUEL PUMP TO BUSHING W/ILLUS. 12 |
| 14 | F458754 | | 1 | HOSE, FUEL PUMP TO CARBURETOR |
| 15 | F438801 | | 1 | FITTING, FUEL PUMP BODY |

POWER HEAD

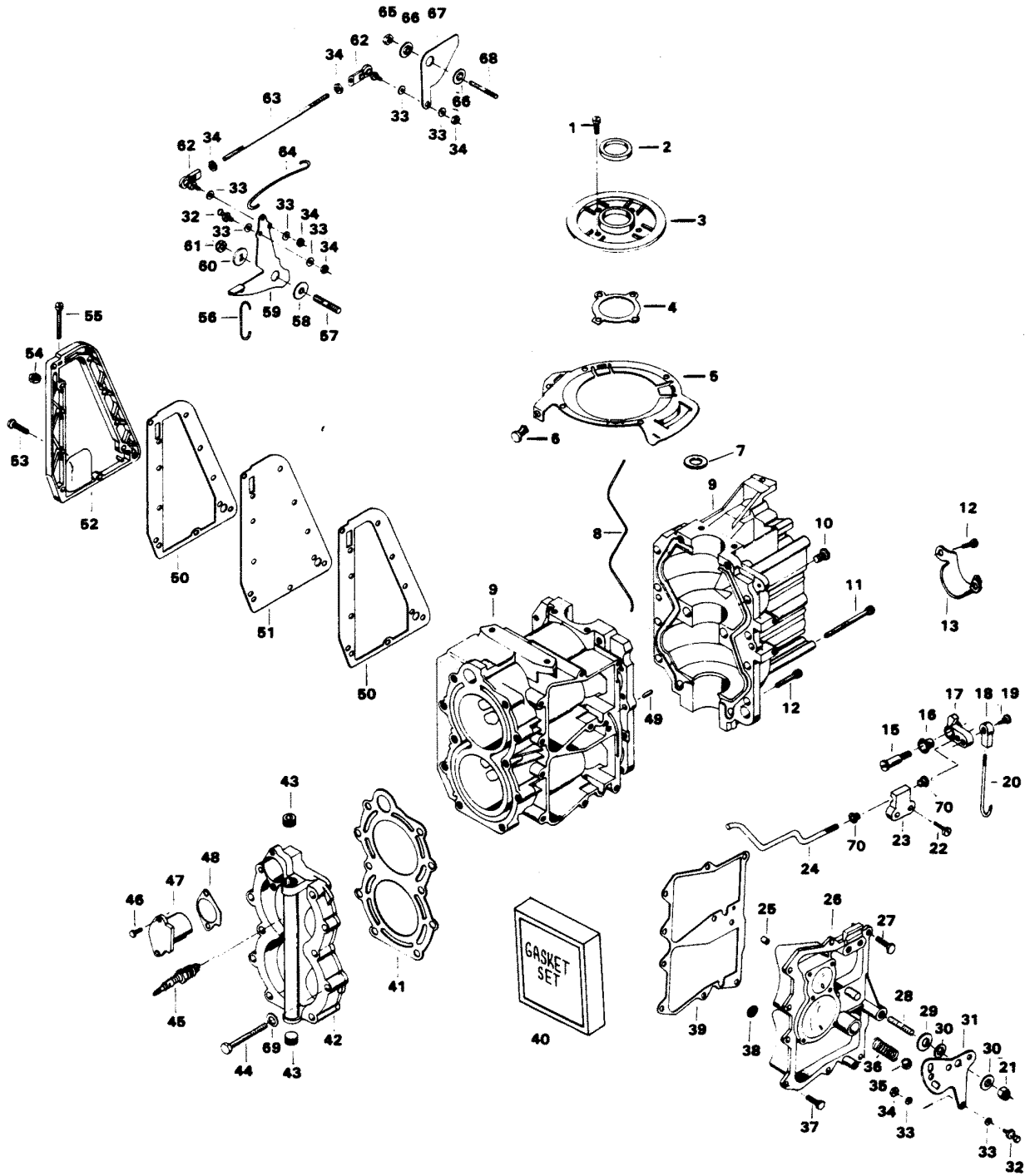


POWER HEAD

| REF. NO. | PART NO. | SYM. | QTY. | DESCRIPTION |
|----------|-----------------|------|------|--|
| 1 | F1107 | | 4 | FILL HD SCREW, 1/4 - 20 X 3/4 |
| 2 | F458146 | | 1 | SEAL, CRANKSHAFT UPPER MAIN |
| 3 | FA458144 | | 1 | CRANKSHAFT BEARING CAGE W/ILLUS. 2 |
| 4 | F458277 | | 1 | GASKET, CRANKSHAFT BEARING CAGE |
| 5 | FA504082 | | 1 | MAGNETO STATOR RING W/ILLUS. 7 |
| 6 | F1727 | | 1 | PLASTI-RIVET |
| 7 | F8000 | | 1 | PLAIN WASHER |
| 8 | F269122-1 | | 1 | SEAL, CRANKCASE PARTING LINE |
| 9 | FA542010 | | 1 | CYLINDER W/CRANKCASE COVER, ILLUS. 8, 11, 12 AND 49 |
| - | FC542010 | | 1 | SHORT BLOCK FOR HAND START (NOT SHOWN)(252H3G, 252B3G) SHORT BLOCK INCLUDES ALL ITEMS MARKED WITH AN ASTERISK (*). ALSO REFER TO CRANKSHAFT PAGE. |
| - | FC543010 | | 1 | SHORT BLOCK FOR ALT. START MODELS (NOT SHOWN) (257H3D, 257B3D) SHORT BLOCK INCLUDES ALL ITEMS MARKED WITH AN ASTERISK (*). ALSO REFER TO CRANKSHAFT PAGE. |
| 10 | F1864 | | 8 | HEX HD SCREW, 1/4 - 20 X 3/4 |
| 11 | F2005 | | 2 | HEX SOCKET HD CAP SCREW, 5/16 - 18 X 2 3/4 |
| 12 | F1689 | | 2 | HEX CAP SCREW, 1/4 - 20 X 1/2 FOR ELECTRIC START MODELS (257H3D, 257B3D) |
| 13 | F460317 | | 1 | CLAMP, SOLENOID (257H3D, 257B3D) |
| 14 | F2013 | | 4 | HEX SOCKET HD SCREW, 5/16 - 18 X 1 1/4 |
| 15 | F85026 | | 1 | SWIVEL, SHIFT INTERLOCK LEVER |
| 16 | F307818 | | 1 | BEARING |
| 17 | F458977-3 | | 1 | LEVER, SHIFT INTERLOCK |
| 18 | F84035-2 | | 1 | BEARING, SHIFT INTERLOCK ROD |
| 19 | F84026 | | 1 | SWIVEL SHIFT INTERLOCK BEARING |
| 20 | 817805A1 | | 1 | ROD, SHIFT INTERLOCK W/LITERATURE ORIGINAL FORCE P/N A 458531-1 |
| 21 | F7004 | | 1 | LOCK NUT, 3/8 |
| 22 | F1075 | | 2 | FILL HD M. SCREW, 10 - 24 X 1/2 (252H3G, 252B3G) |
| 23 | F504527 | | 1 | CAP, INTERLOCK (252H3G, 252B3G) |
| 24 | F504809 | | 1 | ROD, STARTER INTERLOCK (252H3G, 252B3G) |
| 25 | 21-817741A1 | | 2 | CHECK VALVE W/LITERATURE ORIGINAL FORCE P/N A 213740-1 |
| 26 | FA572222 | | 1 | TRANSFER PORT COVER W/ITEM 25 |
| 27 | F1922 | | 9 | HEX CAP SCREW, 1/4 - 20 X 5/8 |
| 28 | F440209 | | 1 | STUD, GEAR SHIFT LEVER |
| 29 | F2014 | | 1 | PLAIN WASHER |
| 30 | F269052 | | 2 | BEARING, SHIFT LEVER |
| 31 | 817808A2 | | 1 | LEVER, GEAR SHIFT |
| 32 | F98273 | | 2 | ROD END CONNECTOR STUD |
| 33 | F8058 | | 8 | INTERNAL TOOTH LOCKWASHER |
| 34 | F1513 | | 6 | HEX NUT, 10 - 32 |

CONTINUED ON NEXT PAGE ➡

POWER HEAD

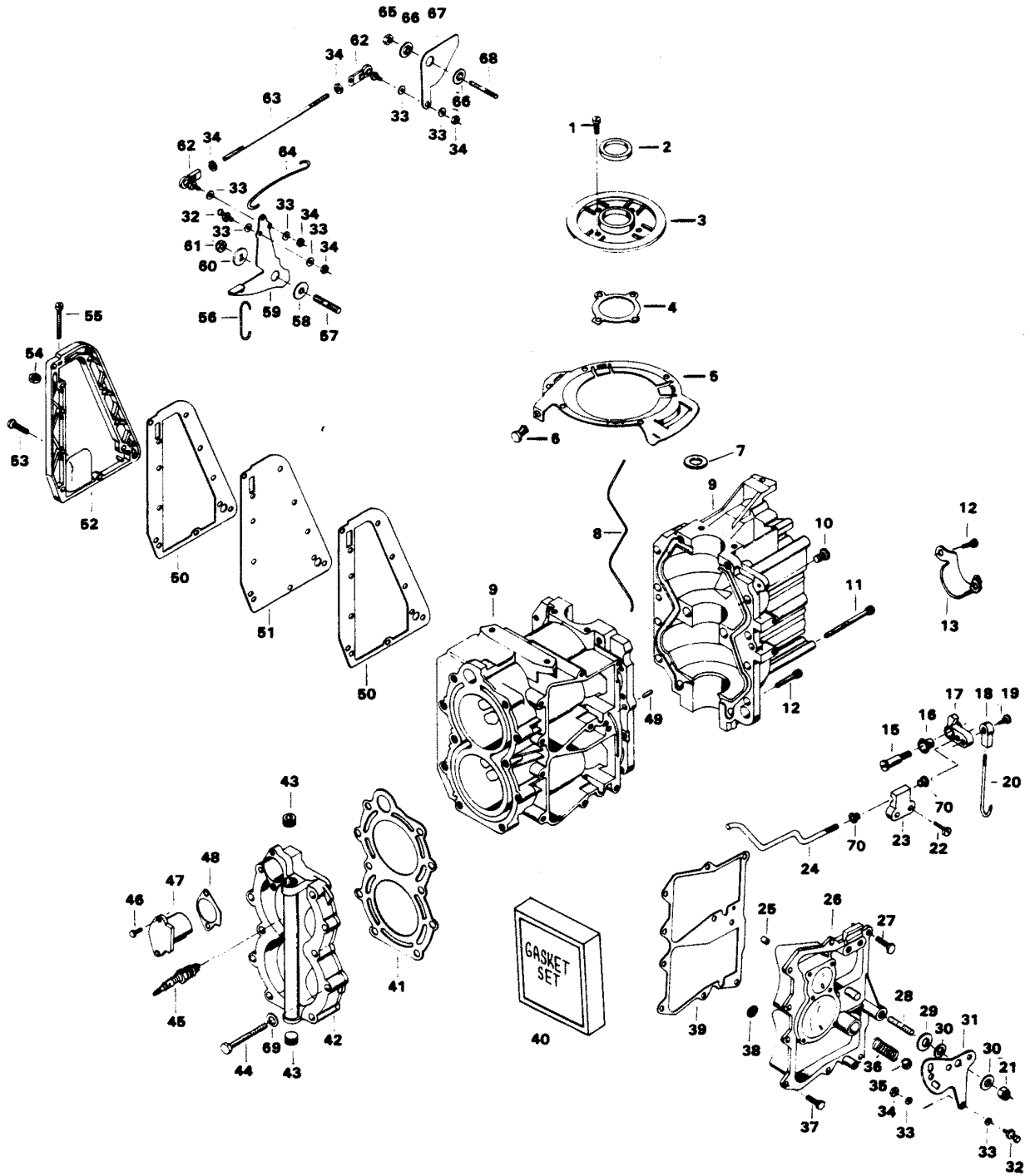


POWER HEAD

| REF. NO. | PART NO. | SYM. | QTY. | DESCRIPTION |
|----------|-----------------|------|----------|--|
| 35 | F458727 | | 1 | BALL SHIFT LEVER DETENT |
| 36 | F183300 | | 1 | SPRING, SHIFT DETENT |
| 37 | F1922 | | 1 | HEX HD SCREW, 1/4 - 20 X 5/8 |
| 38 | F429811 | | 2 | SCREEN, CYLINDER DRAIN |
| 39 | F458223 | | 1 | GASKET, TRANSFER PORT COVER |
| 40 | FG1010 | | 1 | GASKET SET (INCLUDES THE FOLLOWING ITEMS) |
| - | F40906-1 | | 1 | GASKET, CARBURETOR |
| - | F433168 | | 1 | GASKET, CARBURETOR ADAPTER |
| - | F433406 | | 1 | DEFLECTOR PLATE GASKET |
| - | F438617 | | 1 | FUEL PUMP BOWL GASKET |
| - | F438760 | | 1 | FUEL PUMP GASKET |
| - | F458067 | | 1 | THERMOSTAT COVER GASKET |
| - | F458154 | | 2 | EXHAUST PORT PLATE |
| - | F458223 | | 1 | TRANSFER PORT COVER GASKET |
| - | F458277 | | 1 | CRANKSHAFT BEARING CAGE GASKET |
| - | F458279 | | 1 | CYLINDER EXHAUST GASKET |
| - | F458453 | | 1 | LEG EXHAUST GASKET |
| - | F458529 | | 1 | CYLINDER HEAD GASKET |
| 41 | F458529 | | 1 | GASKET, CYLINDER HEAD |
| 42 | FA458518 | | 1 | CYLINDER HEAD W/ILLUS. 43 |
| 43 | F458109 | | 2 | PLUG, CYLINDER HEAD |
| 44 | F458936 | | 10 | SCREW, CYLINDER HEAD |
| 45 | 33-82370M | | 2 | SPARK PLUG (L-82) |
| - | C235227 | | 2 | SPARK PLUG, CANADA (RL82) (252H3G, 252B3G) |
| - | FC503227 | | 2 | SPARK PLUG, CANADA (QL-77-J4) ALT. START (257H3D, 257B3D) |
| 46 | F1854 | | 2 | HEX CAP SCREW, 1/4 - 20 X 5/8 |
| 47 | F458066 | | 1 | THERMOSTAT COVER |
| 48 | F458067 | | 1 | GASKET, THERMOSTAT COVER |
| 49 | F8559 | | 2 | DOWEL PIN |
| 50 | F458154 | | 2 | GASKET, EXHAUST PORT PLATE |
| 51 | F458151 | | 1 | EXHAUST PORT PLATE |
| 52 | F458152 | | 1 | EXHAUST PORT COVER |
| 53 | F1532 | | 10 | HEX HD SCREW, 1/4 - 20 X 1 |
| 54 | F1341 | | 1 | HEX NUT |
| 55 | F1072 | | 1 | FILL HD SCREW, 1/4 - 20 X 3/4 |
| 56 | F458445 | | 1 | LINK MAGNETO CONTROL SHAFT (252H3G, 252B3G) |
| 57 | F286440 | | 1 | STUD, MAGNETO CONTROL LEVER |
| 58 | F183813 | | 1 | BEARING |
| 59 | F2A458081 | | 1 | MAGNETO CONTROL LEVER W/ILLUS. 32, 33 AND 34 |
| 60 | F286282 | | 1 | WASHER |
| 61 | F1803 | | 1 | STOP NUT |
| 62 | 817747--1 | | 2 | JOINT BALL ASSEMBLY |

CONTINUED ON NEXT PAGE ➡

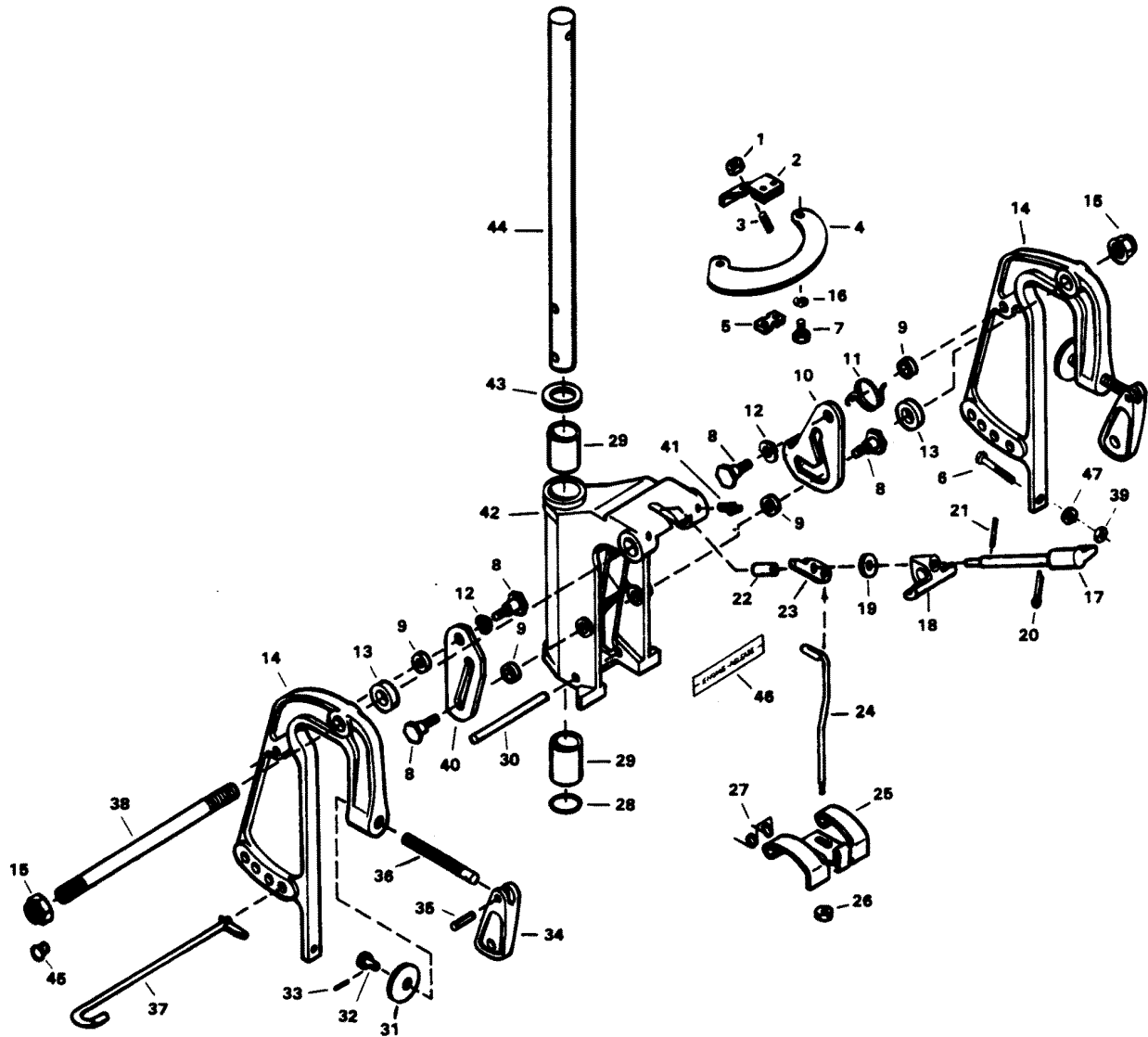
POWER HEAD



POWER HEAD

| REF. NO. | PART NO. | SYM. | QTY. | DESCRIPTION |
|----------|--------------|------|----------|---|
| 63 | F458502 | | 1 | ROD, THROTTLE CAM |
| 64 | F458509 | | 1 | LINK, MAGNETO STATOR |
| 65 | F1910 | | 1 | LOCK NUT |
| 66 | F269319 | | 2 | BEARING, THROTTLE CAM |
| 67 | F458192 | | 1 | THROTTLE CAM |
| 68 | F1739 | | 10 | PLAIN WASHER, FOR 252H3G, 252B3G |
| - | F1739 | | 7 | PLAIN WASHER, FOR 257H3D, 257B3D |
| 70 | F504052 | | 2 | BEARING (252H3G, 252B3G) |

SWIVEL BRACKET GROUP

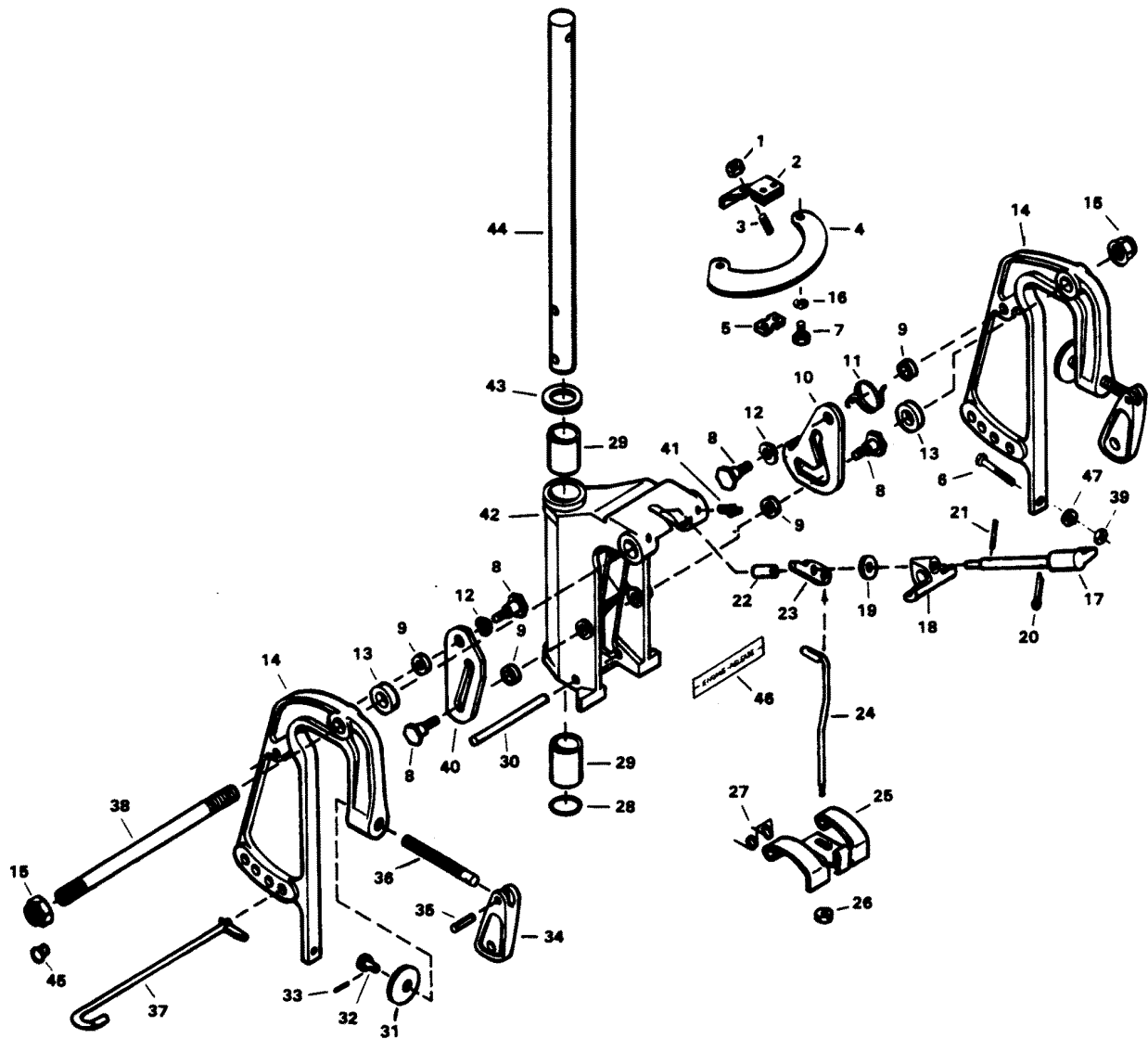


SWIVEL BRACKET GROUP

| REF. NO. | PART NO. | SYM. | QTY. | DESCRIPTION |
|----------|-----------|------|------|---|
| 1 | F7024 | | 1 | STOP NUT |
| 2 | 817882A1 | | 1 | FRICION SHOE ADJUSTING ARM ASSEMBLY W/ILLUS. 5 ORIGINAL FORCE P/N A 901742-1 |
| 3 | F901822-1 | | 1 | STUD, SWIVEL BRACKET |
| 4 | F901775 | | 1 | PLATE, FRICTION SHOE |
| 5 | F901631-1 | | 1 | FRICTION SHOE |
| 6 | F2027 | | 2 | HEX CAP SCREW, 5/16 - 18 X 3 |
| 7 | F1689 | | 2 | HEX CAP SCREW, 1/4 - 20 X 1/2 |
| 8 | F286422-1 | | 4 | PIVOT, TILT LOCK |
| 9 | F286451 | | 4 | SPACER, TILT LOCK |
| 10 | F436541 | | 1 | TILT LOCK (PORT) |
| 11 | F286544-1 | | 1 | SPRING, TILT LOCK |
| 12 | F1666 | | 2 | BOWED SPRING LOCKWASHER |
| 13 | F529286 | | 2 | WASHER, SWIVEL BRACKET FRICTION |
| 14 | FS602532 | | 2 | STERN BRACKET W/ILLUS. 31, 32, 33 AND 36 |
| 15 | F1600 | | 2 | LOCK NUT, 7/8 - 14 |
| 16 | F8083 | | 2 | SPRING LOCKWASHER |
| 17 | F483827 | | 1 | LEVER, REVERSE LOCK |
| 18 | F529726 | | 1 | BEARING |
| 19 | F8094 | | 1 | PLAIN WASHER |
| 20 | F1014 | | 1 | COTTER PIN |
| 21 | F1836 | | 1 | SPRING PIN |
| 22 | F483884 | | 1 | BEARING |
| 23 | F366364 | | 1 | ARM, REVERSE LOCK |
| 24 | F483510-1 | | 1 | LINK, REVERSE LOCK |
| 25 | F483349-1 | | 1 | REVERSE LOCK |
| 26 | F1669 | | 1 | NUT |
| 27 | F483300 | | 1 | SPRING |
| 28 | F458783 | | 1 | SEAL, SWIVEL BRACKET |
| 29 | F901169-1 | | 2 | BEARING, SWIVEL BRACKET |
| 30 | F2095 | | 1 | SPRING PIN |
| 31 | F24074 | | 2 | CLAMP SCREW FOOT |
| 32 | F66480 | | 2 | STUD |
| 33 | F8537 | | 2 | SPRING PIN |
| 34 | F288075 | | 2 | HANDLE, STERN BRACKET CLAMP SCREW |
| 35 | F1638 | | 2 | SPRING PIN |
| 36 | 817776A3 | | 2 | STERN BRACKET CLAMP SCREW W/ILLUS. 31, 32, 33, 34 AND 35 ORIGINAL FORCE P/N A 324073-3 |
| 37 | FA324113 | | 1 | STERN BRACKET LOCK BAR W/END |
| 38 | F529125-1 | | 1 | TUBE, PIVOT STEERING |
| 39 | F1515 | | 2 | HEX NUT, 5/16 - 18 |
| 40 | F385433 | | 1 | TILT STOP |
| 41 | F213274 | | 3 | GREASE FITTING |
| 42 | FA529072 | | 1 | SWIVEL BRACKET W/ILLUS. 29 AND 41 |

CONTINUED ON NEXT PAGE ➡

SWIVEL BRACKET GROUP



SWIVEL BRACKET GROUP

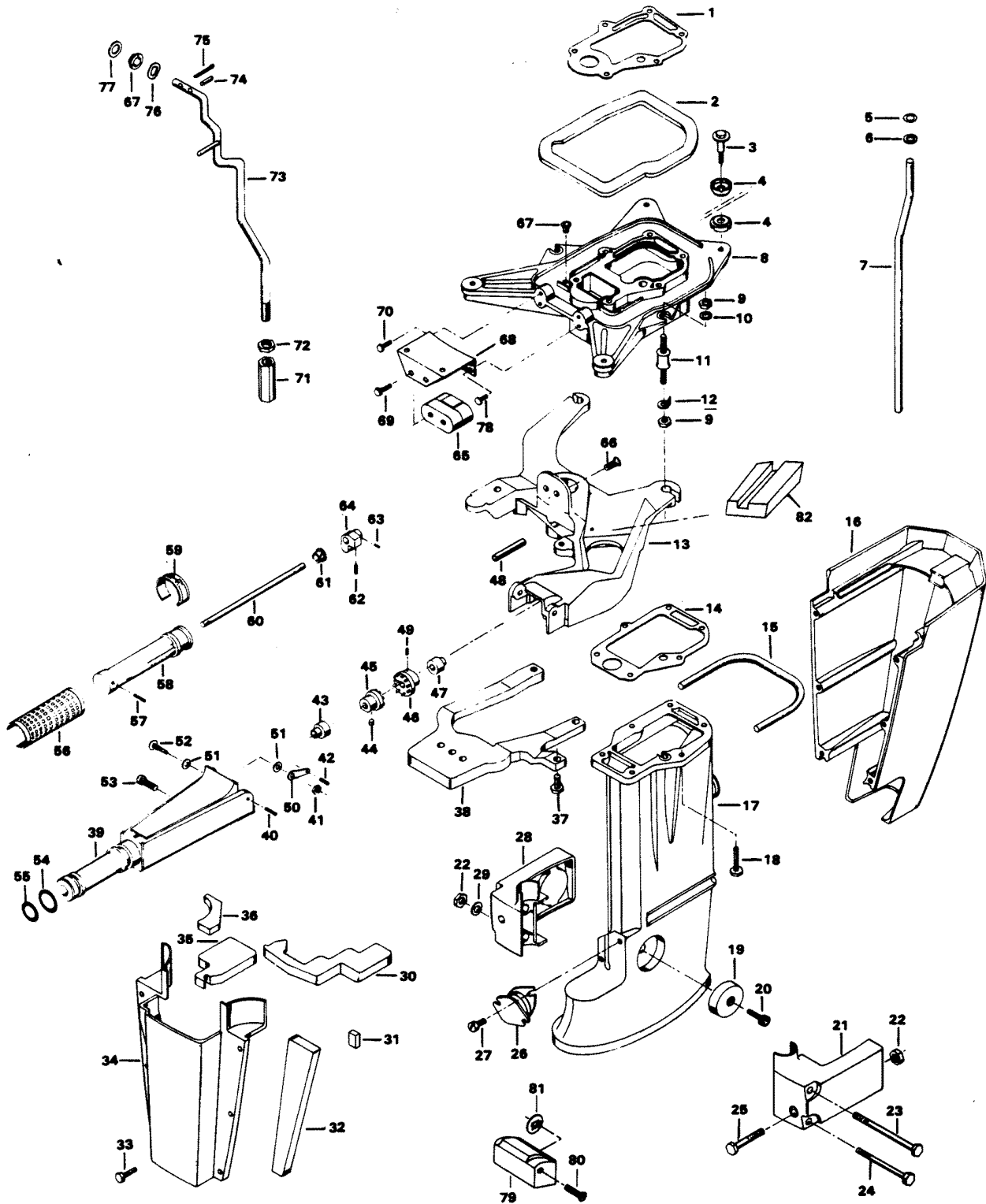
| REF. NO. | PART NO. | SYM. | QTY. | DESCRIPTION |
|----------|-----------|------|------|--------------------------|
| 43 | F901011 | | 1 | WASHER, SWIVEL BRACKET |
| 44 | F458019 | | 1 | KINGPIN |
| 45 | F9018 | | 2 | CAP, PIVOT STEERING TUBE |
| 46 | F529390-1 | | 1 | DECAL, REVERSE LOCK |
| 47 | F1904 | | 2 | PLAIN WASHER |

MOTOR LEG

| REF. NO. | PART NO. | SYM. | QTY. | DESCRIPTION |
|----------|-----------|------|------|--|
| 1 | F458279 | | 1 | GASKET, CYLINDER EXHAUST |
| 2 | F183756-1 | | 1 | PACKING, SUPPORT PLATE |
| 3 | F458887 | | 4 | FASTENER, SUPPORT PLATE MOUNT |
| 4 | F458347 | | 8 | MOUNT, SUPPORT PLATE |
| 5 | F24342 | | 1 | SEAL, WATER LINE UPPER |
| 6 | F2014 | | 1 | PLAIN WASHER |
| 7 | F458244-1 | | 1 | INLET WATER LINE |
| 8 | F458963 | | 1 | PLATE, SHOCK MOUNT |
| 9 | F1346 | | 4 | HEX NUT, 3/8 - 16 |
| 10 | F1778 | | 2 | PLAIN WASHER |
| 11 | F458962 | | 2 | MOUNT, SIDE UPPER |
| 12 | F458076 | | 2 | TAB, SHOCK MOUNT SIDE |
| 13 | 817809A1 | | 1 | PLATE, KINGPIN MOUNTING |
| 14 | F458453 | | 1 | GASKET, LEG EXHAUST |
| 15 | F458322 | | 2 | PACKING, LEG COVER REAR |
| 16 | 818057A1 | | 1 | LEG COVER REAR W/PACKING |
| 17 | F458133 | | 1 | MOTOR LEG |
| 18 | F458166-2 | | 6 | SCREW, MOTOR LEG TO CYLINDER |
| 19 | F462962 | | 2 | SHOCK MOUNT, LOWER SIDE |
| 20 | F1263 | | 2 | HEX SOCKET HD CAP SCREW, 5/16 - 18 X 9/16 |
| 21 | F458973-1 | | 1 | COVER, SHOCK MOUNT PORT |
| 22 | F1515 | | 4 | HEX NUT, 5/16 - 18 |
| 23 | F2006 | | 1 | HEX CAP SCREW, 5/16 - 18 X 4-3/4 |
| 24 | F2007 | | 1 | HEX CAP SCREW, 5/16 - 18 X 4 |
| 25 | F1696 | | 2 | HEX CAP SCREW, 5/16 - 18 X 1-3/4 |
| 26 | F183346-1 | | 1 | SHOCK MOUNT LOWER THRUST |
| 27 | F1129 | | 2 | FILL HD SCREW, 5/16 - 18 X 1/2 |
| 28 | F458972-1 | | 1 | COVER, SHOCK MOUNT STARBOARD |
| 29 | F8096 | | 2 | SPRING LOCKWASHER |
| 30 | F458320 | | 1 | PACKING, LEG COVER FRONT UPPER PORT |
| 31 | F458323-1 | | 3 | PACKING, LEG COVER FRONT |
| 32 | F458312 | | 2 | PACKING, LEG COVER SIDE |
| 33 | F1705 | | 6 | HEX CAP SCREW, 1/4 - 20 X 3/4 |
| 34 | 818056A2 | | 1 | LEG COVER FRONT W/ILLUS. 30, 31, 32, 35 & 36 ORIGINAL FORCE P/N 2A 458135-1 |
| 35 | F458324 | | 1 | PACKING, LEG COVER FRONT UPPER STARBOARD |
| 36 | F458315 | | 2 | PACKING, LEG COVER SIDE UPPER |
| 37 | F1745 | | 3 | HEX HD SCREW W/SPRING LOCKWASHER, 5/16 - 18 X 1 |
| 38 | F385647 | | 1 | CARRYING HANDLE |
| 39 | F458079 | | 1 | STEERING HANDLE (252H3G, 252B3G) |
| 40 | F1664 | | 1 | SPRING PIN (252H3G, 252B3G) |
| 41 | F1812 | | 1 | HEX LOCK NUT (252H3G, 252B3G) |
| 42 | F8550 | | 1 | SPRING PIN (252H3G, 252B3G) |

CONTINUED ON NEXT PAGE ➡

MOTOR LEG

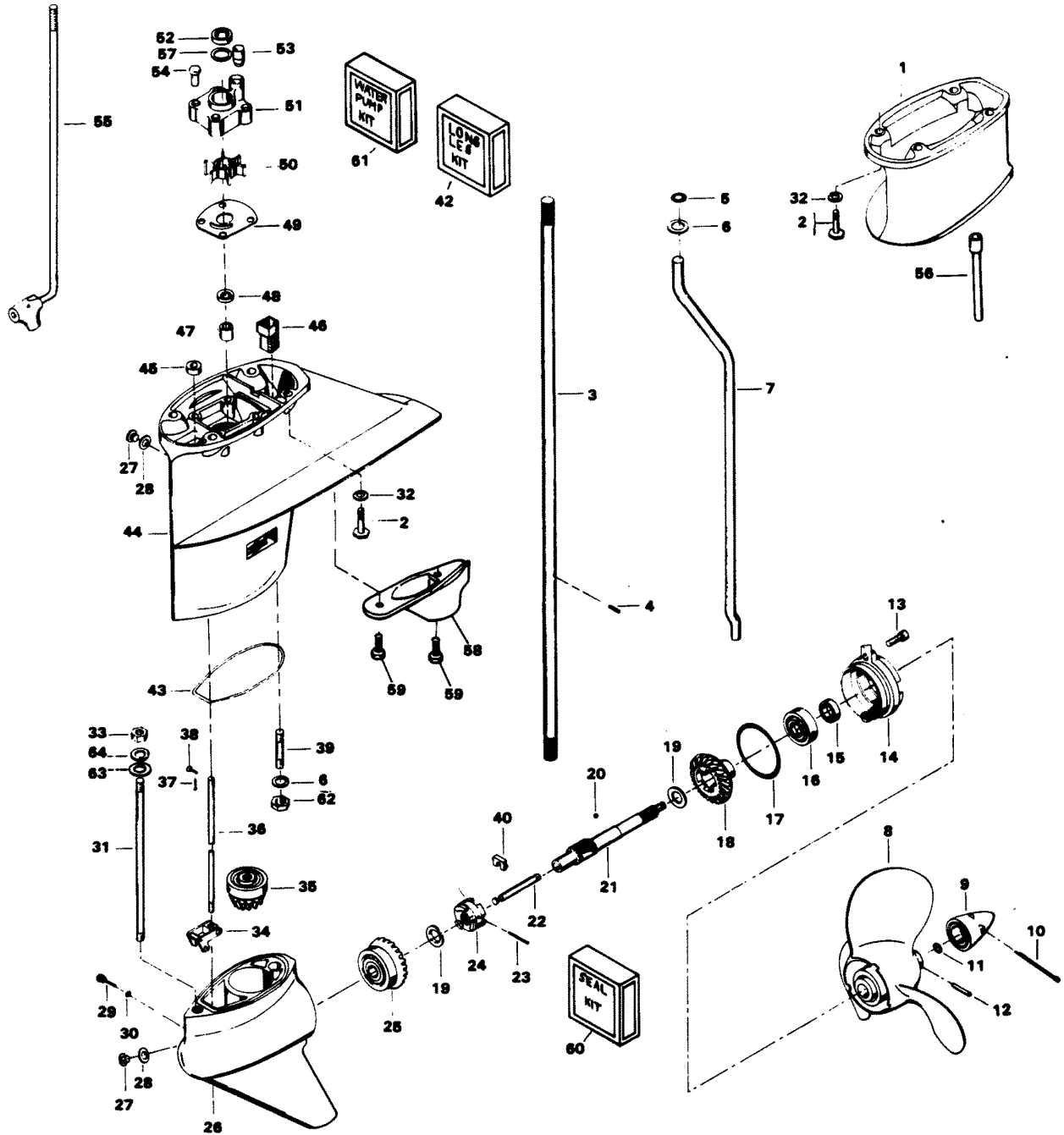


OB 3845

MOTOR LEG

| REF. NO. | PART NO. | SYM. | QTY. | DESCRIPTION |
|----------|--------------|------|------|---|
| 43 | F295689 | | 1 | BEARING, STEERING HANDLE GEAR (252H3G, 252B3G) |
| 44 | F1954 | | 1 | HEX SOCKET HEADLESS SET SCREW, 5/16 -24 X 1/4 (252H3G, 252B3G) |
| 45 | FA413815 | | 1 | GEAR, STEERING HANDLE WILLUS. 44 (252H3G, 252B3G) |
| 46 | F288691 | | 1 | GEAR, MAGNETO CONTROL SHAFT (252H3G, 252B3G) |
| 47 | F288689 | | 1 | BEARING, MAGNETO CONTROL SHAFT (252H3G, 252B3G) |
| 48 | F1663 | | 1 | SPRING PIN |
| 49 | F1642 | | 1 | SOCKET HD CAP SCREW, 10 - 24 X 3/4 (252H3G, 252B3G) |
| 50 | F295457 | | 1 | RETAINING WASHER STEERING HANDLE PIVOT (252H3G, 252B3G) |
| 51 | F295175 | | 2 | WASHER, STEERING HANDLE PIVOT BOLT (252H3G, 252B3G) |
| 52 | F295080 | | 1 | STEERING, HANDLE PIVOT BOLT (252H3G, 252B3G) |
| 53 | F458519 | | 1 | SCREW, TILLER IDLE STOP (252H3G, 252B3G) |
| 54 | F53795-1 | | 1 | SEAL, STEERING HANDLE GRIP (252H3G, 252B3G) |
| 55 | F215795 | | 1 | SEAL, STEERING HANDLE GRIP (252H3G, 252B3G) |
| 56 | F458695 | | 1 | SLEEVE (252H3G, 252B3G) |
| 57 | F8548 | | 1 | SPRING PIN (252H3G, 252B3G) |
| 58 | FA456137 | | 1 | GRIP, STEERING HANDLE WILLUS. 56 (252H3G, 252B3G) |
| 59 | 37-F286894-3 | | 1 | INDICATOR SPEED CONTROL (252H3G, 252B3G) |
| 60 | F458688 | | 1 | SHAFT, STEERING HANDLE (252H3G, 252B3G) |
| 61 | F85610 | | 1 | BEARING, STEERING HANDLE SHAFT (252H3G, 252B3G) |
| 62 | F458690 | | 1 | SCREW, THROTTLE STOP (252H3G, 252B3G) |
| 63 | F1978 | | 1 | SPRING PIN (252H3G, 252B3G) |
| 64 | F458198 | | 1 | THROTTLE STOP (252H3G, 252B3G) |
| 65 | F203965 | | 1 | SHOCK MOUNT UPPER THRUST |
| 66 | F1160 | | 2 | FLAT HD SCREW, 1/4 - 28 X 5/8 |
| 67 | F85610 | | 2 | BEARING |
| 68 | F40956 | | 1 | BRACKET, SHOCK MOUNT UPPER THRUST |
| 69 | F1211 | | 2 | HEX HD SCREW W/SPRING LOCKWASHER, 1/4 - 28 X 5/8 |
| 70 | F1472 | | 2 | HEX SLOT HD SCREW W/LOCKWASHER, 1/4 - 20 X 3/4 |
| 71 | F141704 | | 1 | COUPLING, GEAR SHIFT ROD |
| 72 | F1349 | | 1 | HEX NUT |
| 73 | F458615 | | 1 | GEAR SHIFT ROD UPPER |
| 74 | F1978 | | 1978 | SPRING PIN |
| 75 | F1020 | | 1 | COTTER PIN |
| 76 | F8049 | | 1 | BOWED SPRING WASHER |
| 77 | F1739 | | 1 | PLAIN WASHER |
| 78 | F1922 | | 2 | HEX CAP SCREW, 1/4 - 20 X 5/8 |
| 79 | FA460686 | | 1 | COVER, KING PIN MOUNTING PLATE (ALT. START) W/LITERATURE |
| 80 | F2011 | | 2 | PAN HD SCREW 1/4 - 20 X 1-1/4 (257H3D, 257B3D) |
| 81 | F2018 | | 2 | SPEED NUT 1/4 - 20 (257H3D, 257B3D) |
| 82 | F458345 | | 1 | PAD, KING PIN MOUNTING |

GEAR HOUSING

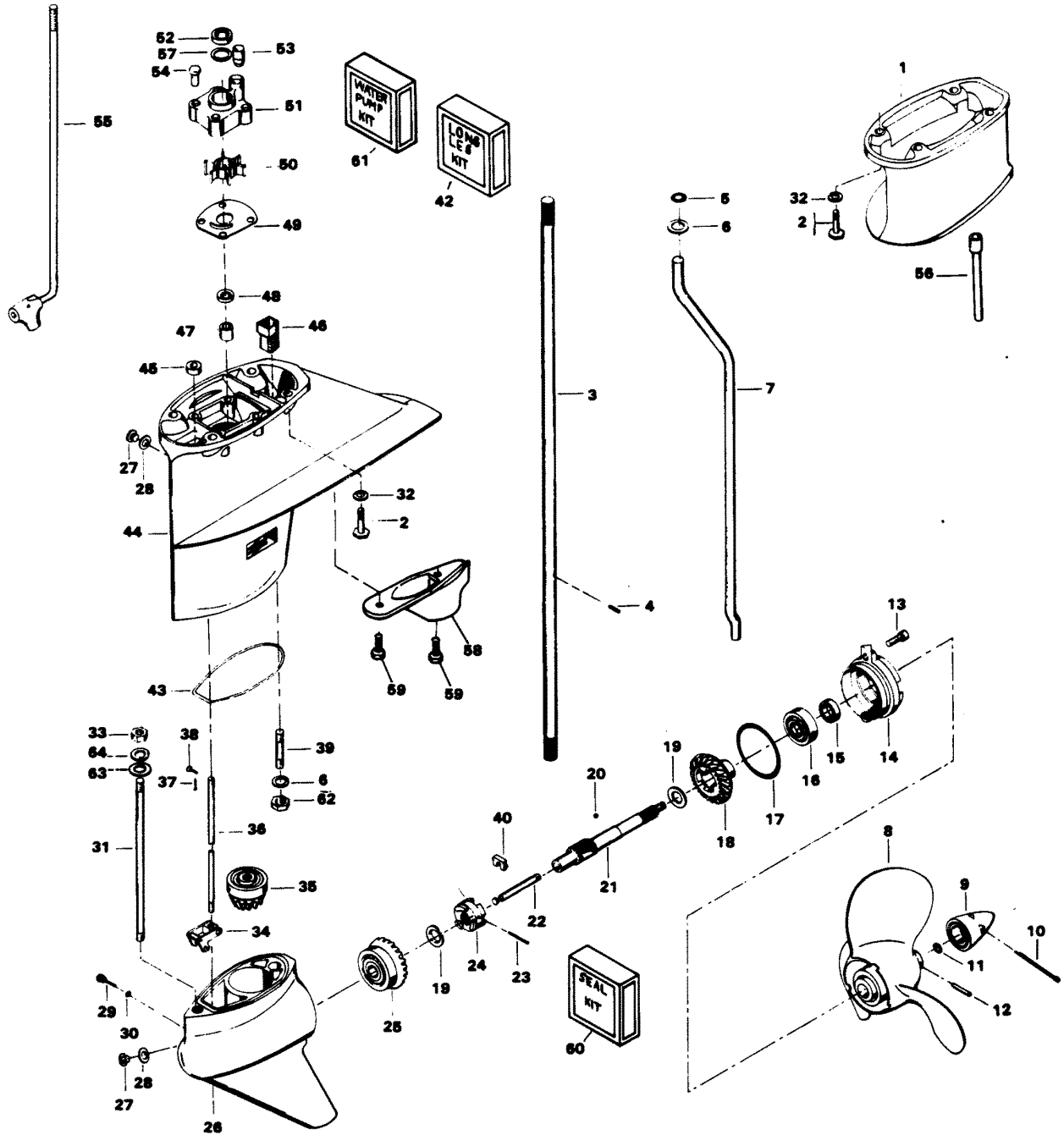


GEAR HOUSING

| REF. NO. | PART NO. | SYM. | QTY. | DESCRIPTION |
|----------|----------------------|------|----------|---|
| 1 | F458845 | | 1 | EXTENSION, MOTOR LEG (257H3D, 257B3D) |
| 2 | F1929 | | 8 | HEX CAP SCREW, 3/8 - 16 X 1 1/8 |
| 3 | F502128 | | 1 | DRIVESHAFT FOR 252H3G, 252B3D |
| - | F503128 | | 1 | DRIVESHAFT FOR 257H3D, 257B3D |
| 4 | F901563 | | 1 | DRIVE PIN, WATER PUMP IMPELLER |
| 5 | F24342 | | 1 | SEAL, INLET WATER LINE UPPER |
| 6 | F2014 | | 2 | PLAIN WASHER |
| 7 | F458244-1 | | 1 | INLET WATER LINE FOR STANDARD SHAFT MODELS |
| 8 | FP293 | | 1 | PROPELLER (ACCESSORY ITEM) |
| 9 | FA94094-2 | | 1 | PROPELLER NUT W/ILLUSTRATIONS 10 & 11 |
| 10 | F1027 | | 1 | COTTER PIN |
| 11 | F40342 | | 1 | SEAL, PROPELLER NUT |
| 12 | FK247 | | 1 | PROPELLER PIN, PACK OF 6 W/ILLUS. 10 |
| 13 | F1263 | | 2 | HEX SOCKET HD CAP SCREW, 5/16 - 18 X 9/16 |
| 14 | F2A366298 | | 1 | PROPELLER SHAFT BEARING CAGE W/ITEMS 15, 16 AND 17 |
| 15 | F141118 | | 1 | SEAL, PROPELLER SHAFT |
| 16 | F366058 | | 1 | BALL BEARING, PROPELLER SHAFT |
| 17 | F141305 | | 1 | SEAL, PROPELLER SHAFT BEARING CAGE |
| 18 | FA458662 | | 1 | BEVEL GEAR REAR W/BUSHING |
| 19 | F40717 | | 2 | THRUST WASHER |
| 20 | F366727 | | 1 | BALL, PROPELLER SHAFT |
| 21 | 44-819500A3 | | 1 | PROPELLER SHAFT ASSEMBLY |
| 22 | F90871-3 | | 1 | GEAR SHIFT ARM PIN |
| 23 | F2097 | | 1 | SPRING PIN |
| 24 | F99521-1 | | 1 | CLUTCH |
| 25 | FS458023 | | 1 | BEVEL GEAR FRONT W/BEARING |
| 26 | 1600-817804A3 | | 1 | GEAR HOUSING LOWER W/ILLUS. 27, 28 AND THRUST BEARING CUP ORIGINAL FORCE P/N A 458054-1 |
| - | 1600-817896A2 | | 1 | LOWER GEAR HOUSING - COMPLETE (NOT SHOWN) INCLUDES ALL ITEMS MARKED WITH AN ASTERISK (*) ORIGINAL FORCE P/N C 458054-1 |
| 27 | F50109 | | 2 | PLUG, GEAR HOUSING |
| 28 | F8077 | | 2 | WASHER, GEAR HOUSING PLUG |
| 29 | F498891 | | 1 | GEAR SHIFT ARM PIVOT PIN |
| 30 | F498618 | | 1 | SEAL, "O" RING |
| 31 | F97008-1 | | 1 | STUD, LONG |
| 32 | F8065 | | 12 | SPRING LOCKWASHER |
| 33 | F1346 | | 1 | LOCK NUT |
| 34 | 817796A2 | | 1 | GEAR SHIFT ARM ASSEMBLY |
| 35 | F2A458266 | | 1 | GEAR, BEVEL PINION ASSEMBLY W/BEARING |
| 36 | F435705 | | 1 | GEAR SHIFT ROD LOWER |
| 37 | F1015 | | 1 | COTTER PIN |
| 38 | F85372 | | 1 | PIN, GEAR SHIFT ROD LOWER |
| 39 | F40008 | | 1 | STUD, SHORT |

CONTINUED ON NEXT PAGE ➡

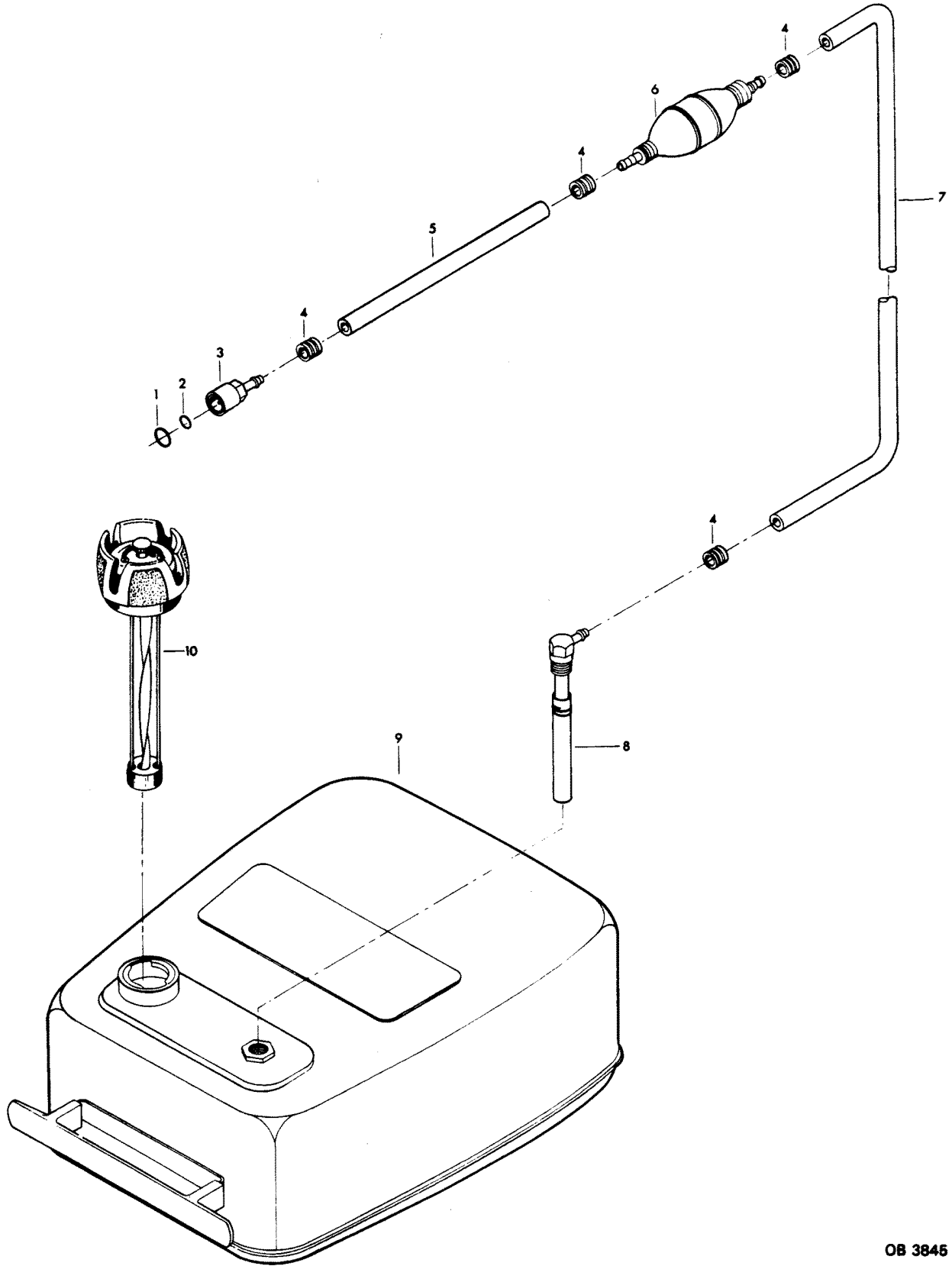
GEAR HOUSING



GEAR HOUSING

| REF. NO. | PART NO. | SYM. | QTY. | DESCRIPTION |
|----------|-----------------|------|----------|---|
| 40 | F90619-1 | | 1 | YOKE, SHIFT ARM |
| 42 | FK1119 | | 1 | LONG LEG EXT. KIT W/ILLUS. 1, 2, 3, 32, 37, 55 AND 56 |
| 43 | F435555 | | 1 | SEAL, GEAR HOUSING |
| 44 | FA502554 | | 1 | GEAR HOUSING UPPER W/ITEMS 27, 28, 45, 46, 47, 48, 39, 58 AND 59 |
| 45 | F338618-1 | | 1 | SEAL, SHIFT ROD LOWER |
| 46 | F435077 | | 1 | SCREEN, WATER INLET |
| 47 | F458057 | | 1 | BEARING, DRIVESHAFT UPPER |
| 48 | F458307 | | 1 | SEAL, DRIVESHAFT |
| 49 | F435562 | | 1 | WATER PUMP BACK PLATE |
| 50 | F462065 | | 1 | WATER PUMP IMPELLER |
| 51 | FA513060 | | 1 | WATER PUMP BODY W/ITEM 52, 53 AND 57 |
| 52 | F458736 | | 1 | SEAL, WATER PUMP |
| 53 | FA510914 | | 1 | SEAL, INLET WATER LINE LOWER W/LITERATURE |
| 54 | F2030 | | 4 | HEX HD CAP SCREW, 1/4 - 20 X 1 1/4 |
| 55 | FA434616 | | 1 | GEAR SHIFT ROD INTERMEDIATE FOR 252H3G, 252B3G |
| - | FA435616 | | 1 | GEAR SHIFT ROD INTERMEDIATE FOR 257H3D, 257B3D |
| 56 | FS901244 | | 1 | EXTENSION, INLET WATER LINE (257H3D, 257B3D) |
| 57 | F513388 | | 1 | DISC, WATER PUMP LOCATING |
| 58 | FA435116 | | 1 | EXHAUST SNOUT W/LITERATURE |
| 59 | F2008 | | 2 | HEX HD MACH SCREW, 1/4 - 20 X 7/8 |
| 60 | FK1068 | | 1 | GEAR HOUSING SEAL KIT. INCLUDES ALL ITEMS MARKED WITH A DOUBLE ASTERISK (**) |
| 61 | FK1053 | | 1 | WATER PUMP KIT W/ILLUSTRATIONS 4, 49, 50, 51 AND 54 |
| 62 | F7004 | | 1 | LOCK NUT |
| 63 | F24342 | | 1 | SEAL |
| 64 | F2014 | | 1 | PLAIN WASHER |

FUEL TANK AND LINE



OB 3845

FUEL TANK AND LINE

| REF. NO. | PART NO. | SYM. | QTY. | DESCRIPTION |
|-------------|-----------------|------|------|--|
| 1 | F17816 | | 1 | SEAL, FUEL LINE COUPLER |
| 2 | F17815 | | 1 | SEAL, FUEL LINE COUPLER |
| 3 | F197787-3 | | 1 | FUEL LINE COUPLER |
| 4 | F298788 | | 4 | FERRULE |
| 5 | FA84754-1 | | 1 | FUEL LINE SHORT W/ILLUS. 4 |
| 6 | 89396A38 | | 1 | PRIME BULB |
| 7 | 32-817738A1 | | 1 | FUEL LINE, LONG W/CLAMPS AND ILLUS. 4 ORIGINAL FORCE P/N A 197752-1 |
| 8 | F487755 | | 1 | FUEL TANK ADAPTER |
| 9 | F5H027 | | 1 | FUEL TANK (ACCESSORY ITEM) W/ILLUS. 1 - 8 & 10 |
| 10 | F409251-1 | | 1 | GAUGE CAP |
| - | FS409752 | | 1 | FUEL LINE COMPLETE - (NOT SHOWN) INCLUDES ITEMS MARKED WITH AN ASTERISK (*) |
| - | FC409398 | | 1 | DECAL, TOTE TANK - CANADA (NOT SHOWN) |

SPECIAL TOOLS - TUNE-UP

| REF. NO. | PART NO. | SYM. | QTY. | DESCRIPTION |
|----------|----------|------|------|---|
| - | FT2910 | | 0 | KNOCK-OFF NUT TO REMOVE FLYWHEEL. |
| - | FT2989 | | 0 | FLYWHEEL WEDGE TO REMOVE FLYWHEEL. |
| - | FT8930-1 | | 0 | FEELER GAUGE TO SET BREAKER POINTS (HAND START MODELS). |

SPECIAL TOOLS - POWER HEAD

| REF. NO. | PART NO. | SYM. | QTY. | DESCRIPTION |
|-------------|----------|------|------|---|
| - | FT2998 | | 0 | TORQUE WRENCH (0 - 100 LBS./FT.) TO PROPERLY SECURE FASTENERS. |
| - | FT2999 | | 0 | TORQUE WRENCH (0 - 600 LBS./IN.) TO PROPERLY SECURE FASTENERS. |
| - | FT2991 | | 0 | CARBON BRUSH TO REMOVE CARBON FROM INSIDE POWER HEAD. |
| - | FT8900 | | 0 | HOSE CLAMP PLIERS TO REMOVE AND INSTALL FUEL HOSE CLAMPS. |
| - | FT1749 | | 0 | SNAP RING PLIERS TO REMOVE AND INSTALL PISTON RETAINING RINGS. |
| - | FT8971 | | 0 | SEAL INSTALLER TO INSTALL UPPER CRANKSHAFT BEARING CAGE SEAL. |
| - | FT8967 | | 0 | SEAL PROTECTOR TO PROTECT UPPER CRANKSHAFT BEARING CAGE SEAL DURING INSTALLATION. |
| - | FT2953 | | 0 | SOCKET TO TORQUE CONNECTING ROD SCREWS. |
| - | FT2990 | | 0 | PISTON PIN REMOVER TO REMOVE AND INSTALL PISTON PIN IN PISTON. |
| - | FT8926 | | 0 | RING EXPANDER TO INSTALL RINGS ON PISTONS. |
| - | FT2996 | | 0 | RING COMPRESSOR TO INSTALL PISTONS IN CYLINDERS. |
| - | FT8977 | | 0 | SEAL COLLAR INSTALLER TO INSTALL CRANKSHAFT LOWER SEAL COLLAR. |
| - | FT8976 | | 0 | SEAL PROTECTOR TO PROTECT LOWER SEAL DURING INSTALLATION. |
| - | FT8932 | | 0 | LIFTING HOOK TO LIFT ENGINE. |

SPECIAL TOOLS - LOWER UNIT

| REF. NO. | PART NO. | SYM. | QTY. | DESCRIPTION |
|----------|----------|------|------|---|
| - | FT3431 | | 0 | SEAL INSTALLER TO INSTALL PROP SHAFT SEAL. |
| - | FT8948-1 | | 0 | PROPELLER SHAFT BEARING CAGE PULLER TO REMOVE PROPELLER SHAFT BEARING CAGE FROM LOWER GEAR HOUSING. |
| - | FT8972 | | 0 | SEAL INSTALLER TO INSTALL DRIVESHAFT - WATER PUMP SEAL. |
| - | FT8919 | | 0 | SPRING PIN PUNCH TO REMOVE CLUTCH SPRING PIN. |
| - | FT8921 | | 0 | CUP REMOVER TO REMOVE FORWARD BEARING CUP. |
| - | FT8918 | | 0 | BEARING GUIDE SET TO REMOVE FORWARD BEARING CUP. |
| - | FT8957 | | 0 | SEAL INSTALLER TO INSTALL SHIFT ROD SEAL. |
| - | FT8963 | | 0 | BEARING INSTALLER TO INSTALL DRIVESHAFT BEARING. |
| - | FT8907 | | 0 | DRIVER HANDLE TO INSTALL FORWARD BEARING CUP. |
| - | FT8904 | | 0 | CUP INSTALLER TO INSTALL FORWARD BEARING CUP. |
| - | FT8964 | | 0 | BEARING REMOVER TO REMOVE DRIVESHAFT BEARING. |

SPECIAL TOOLS - TEST EQUIPMENT

| REF. NO. | PART NO. | SYM. | QTY. | DESCRIPTION |
|----------|----------|------|------|--|
| - | FT8996 | | 0 | IGNITION TESTER TO TEST IGNITION SYSTEM - C-D IGNITION MODELS. |
| - | FT8953 | | 0 | C-D TESTER TO TEST IGNITION SYSTEM - C-D IGNITION MODELS. |
| - | FT2938-1 | | 0 | BATTERY POWERED HEAD TEST LIGHT TO MAKE CONTINUITY TESTS. |
| - | FT2951 | | 0 | CIRCUIT TRACER TO TEST 12 VOLT CIRCUITS. |
| - | FT11201 | | 0 | HARNESS ADAPTER CONNECTING C-D IGNITION SYSTEM TO IGNITION TESTER. |
| - | FT8968A | | 0 | TEST WHEEL TO TEST MOTOR IN TEST TANK. |
| - | FT8950 | | 0 | LEAKAGE TESTER TO TEST LOWER UNIT FOR LEAKAGE. |

SPECIAL TOOLS - LUBRICANTS AND SEALANTS

| REF. NO. | PART NO. | SYM. | QTY. | DESCRIPTION |
|----------|----------|------|------|--|
| - | FT2961 | | 0 | LUBRICANT - RYKON GREASE #2EP |
| - | FT2987-1 | | 0 | LUBRICANT - ANTI-SEIZE |
| - | FT8969 | | 0 | LUBRICANT - 7 OZ. L PSI LUBRICANT |
| - | FT8983 | | 0 | SEALANT - RTV |
| - | FT8936-1 | | 0 | SEALANT - 2 CC LOCTITE RETAINING COMPOUND #75 |
| - | FT2962-1 | | 0 | SEALANT - 50 CC LOCTITE H, NON-HARDENING GRADE |
| - | FT2963-2 | | 0 | SEALANT - 2 OZ. LOCTITE D, HARDENING GRADE |
| - | FT8935 | | 0 | SEALANT PRIMER - 6 OZ. |

ACCESSORIES

| REF. NO. | PART NO. | SYM. | QTY. | DESCRIPTION |
|----------|----------|------|------|--|
| - | F5H081 | | 0 | BATTERY CABLE LONGER LENGTH - 15 FEET. |
| - | F5H019 | | 0 | ANTI-CORROSION KIT ELECTRICAL UNIT USED TO HELP PREVENT CORROSION. |
| - | F5H025 | | 0 | ANTI-CORROSION SACRIFICIAL ANODE USED TO HELP PREVENT CORROSION. |
| - | F5H021 | | 0 | BATTERY EXTENSION CABLE USED TO EXTEND BATTERY CABLE 6-1/2 FEET. |
| - | F5H020 | | 0 | CARRYING HANDLE PERMITS EASIER TRANSPORTATION OF ENGINE TO AND FROM BOAT (2 MAN). |
| - | F71H26 | | 0 | BATTERY TERMINAL KIT FOR POSITIVE AND NEGATIVE BATTERY POSTS. |
| - | F861 | | 0 | FLUSHING ADAPTER PERMITS FRESH WATER FLUSHING OF WATER PASSAGES WITH STANDARD GARDEN HOSE. |
| - | 5H158 | | 0 | FUEL GAUGE FLUSH MOUNT MONITORS FUEL SUPPLY. ELECTRIC START MODELS. |
| - | F5H028 | | 0 | SENDING UNIT FOR USE WITH ABOVE FUEL GAUGES. |
| - | F5H055 | | 0 | WATER PUMP HEAVY DUTY WATER PUMP RECOMMENDED FOR CONTINUED OPERATION IN SANDY OR SALT WATER. |
| - | F5H134 | | 0 | BOAT WHITE LACQUER ENGINE TOUCH-UP PAINT IN 12-3/4 OZ. SPRAY BOMBS (6 CANS PER CASE). |
| - | F476 | | 0 | FUEL LINE ADAPTION KIT ADAPTS MODEL 5H027 FUEL TANK FOR DISCONNECT AT TANK. |
| - | F5H027 | | 0 | STEEL, 6 GALLON FUEL TANK AUXILIARY TANK. |
| - | F5H040 | | 0 | STEEL, 12 GALLON FUEL TANK AUXILIARY TANK. |
| - | F5H029 | | 0 | FUEL TANK ANCHOR SECURES 5H027 TO DECK. |
| - | 5H065 | | 0 | CANVAS HOOD PROTECTION FOR ENGINE COVER. |
| - | F5H154 | | 0 | SPEEDOMETER FLUSH MOUNT 10 TO 50 M.P.H. |
| - | F5H155 | | 0 | SPEEDOMETER FLUSH MOUNT 20 TO 100 KM/H. |
| - | F5H072 | | 0 | OVERHEAT BUZZER KIT FOR ELECTRIC START MODELS. WARNS OF ENGINE OVERHEATING. |
| - | 167 | | 0 | IGNITION CUT-OFF KIT PERMITS STOPPING OF ENGINE FROM OPERATOR'S SEAT. |
| - | F5H077 | | 0 | IGNITION KEY SWITCH FOR ELECTRIC START MODELS SHORT BARREL. |
| - | F5H078 | | 0 | IGNITION KEY SWITCH FOR ELECTRIC START MODELS LONG BARREL. |
| - | F195/___ | | 0 | REMOTE CONTROL CABLES CONNECTS REMOTE CONTROL BOX TO THROTTLE AND GEAR SHIFT ON MOTOR. AVAILABLE IN 6 THROUGH 40 FOOT LENGTHS. |
| - | F5H130 | | 0 | REMOTE CONTROL SURFACE MOUNT PERMITS REMOTE CONTROL OF THROTTLE AND GEAR SHIFT FROM STARBOARD SIDE OF BOAT. |
| - | F5H131 | | 0 | PORT SIDE DECAL KIT CONVERTS 5H130 CONTROL BOX TO PORT SIDE MOUNTING. |
| - | F866 | | 0 | REMOTE CONTROL (TWIN LEVER) TWIN LEVER SURFACE MOUNT SEPARATE THROTTLE AND GEAR SHIFT. |
| - | F137 | | 0 | REMOTE STEERING BRACKET ADAPTS MOTOR TO CABLE TYPE REMOTE STEERING |

CONTINUED ON NEXT PAGE ➡

ACCESSORIES

| REF. NO. | PART NO. | SYM. | QTY. | DESCRIPTION |
|----------|----------|------|------|--|
| - | F165 | | 0 | REMOTE STEERING BRACKET ADAPTS MOTOR TO CABLE TYPE REMOTE STEERING. |
| - | F5H170 | | 0 | STARTER CONVERSION CONVERTS HAND START MODELS TO ELECTRIC START. |
| - | F5H157 | | 0 | VOLTMETER FLUSH MOUNT, INDICATES BATTERY CONDITION. ELECTRIC MODELS. |
| - | F5H159 | | 0 | HOURMETER FLUSH MOUNT, RECORDS ENGINE RUNNING TIME. |
| - | F596 | | 0 | CHRYSLER OUTBOARD OIL SEE BLOCK COMMENT 1. |
| - | F75H22 | | 0 | IGNITION CUT-OFF SWITCH PROVIDES MOUNTING FOR ENGINE PUSH BUTTON STOP SWITCH REMOTE POSITION. |
| - | FK1119 | | 0 | LEG EXTENSION KIT CONVERTS 15" MOTOR LEG LENGTH TO 20" LENGTH. |
| - | F5H087 | | 0 | MANUAL TILLER KIT CONVERTS REMOTE CONTROL MODEL TO M.T. MODEL. |
| - | F597 | | 0 | CHRYSLER OUTBOARD GEAR LUBE SEE BLOCK COMMENT 2. |
| - | F5H059 | | 0 | CHRYSLER OUTBOARD MULTI-PURPOSE GREASE LUBRICATES BEARINGS AND OTHER MOVING PARTS. AVAILABLE IN 8 OZ. TUBES AND 12 TUBE CASES. |
| - | F5H060 | | 0 | CHRYSLER OUTBOARD GREASE GUN USED WITH CHRYSLER OUTBOARD MULTI-PURPOSE GREASE TUBES FOR PRESSURE FITTINGS. |
| - | F5H102 | | 0 | STEERING LINK KIT TO BE USED W/PIVOT TUBE STEERING (STARBOARD ENTRY). |
| - | F5H106 | | 0 | STEERING LINK KIT TO BE USED W/PIVOT TUBE STEERING (PORT ENTRY). |
| - | F5H076 | | 0 | SWITCH EXTENSION CABLE - 5' FOR REMOTE PLACEMENT OF IGNITION SWITCH. |
| - | F5H030 | | 0 | SWITCH KIT - RUNNING LIGHTS DASH MOUNT TOGGLE FOR ANCHOR AND RUNNING LIGHTS. |
| - | F5H031 | | 0 | SWITCH KIT - SPOT LIGHT DASH MOUNT TOGGLE FOR SPOT OR SEARCH LIGHTS. |
| - | F5H032 | | 0 | SWITCH KIT - WIPER DASH MOUNT TOGGLE FOR ELECTRIC WIPER. |
| - | F5H034 | | 0 | SWITCH KIT - BILGE PUMP DASH MOUNT TOGGLE FOR ELECTRIC BILGE PUMP. |
| - | F5H035 | | 0 | SWITCH KIT - HORN DASH MOUNT TOGGLE FOR HORN - MOMENTARY ON. |
| - | F5H036 | | 0 | SWITCH KIT - TACHOMETER TRANSFER DASH MOUNT TOGGLE FOR ONE TACHOMETER ON DUAL ENGINE INSTALLATION. |
| - | F5H037 | | 0 | SWITCH KIT - LIGHTER DASH MOUNT LIGHTER, COMPLETE. |
| - | F5H038 | | 0 | SWITCH KIT - IGNITION DASH MOUNT PLATE FOR 5H077 AND 5H078 KEY SWITCH (NOT INCLUDED). |
| - | F5H039 | | 0 | SWITCH KIT - INSTRUMENTS DASH MOUNT TOGGLE FOR INSTRUMENT LIGHTS. |
| - | F5H167 | | 0 | TACHOMETER FOR ELECTRIC MODELS ONLY. |
| - | F563 | | 0 | TERMINAL BLOCK KIT DOUBLE ROW - 10 POSITION - SIMPLIFIES WIRING. |

CONTINUED ON NEXT PAGE ➡

ACCESSORIES

| REF. NO. | PART NO. | SYM. | QTY. | DESCRIPTION |
|----------|----------|------|------|--|
| - | F5H075 | | 0 | SWITCH EXTENSION CABLE - 24" FOR REMOTE PLACEMENT OF IGNITION SWITCH. |
| - | F5H120 | | 0 | REMOTE CONTROL BACK PLATE PROTECTS CONTROL MECHANISM FROM DAMAGING PADDED MOUNTING SURFACES IN BOAT. |
| - | F590 | | 0 | REMOTE CONTROL SINGLE LEVER - FLUSH MOUNT - STARBOARD OR PORT. |
| - | F762 | | 0 | REMOTE ELECTRIC CABLE 25 FT. LENGTH. |
| - | F5H070 | | 0 | REMOTE ELECTRIC CABLE 21 FT. LENGTH. |
| - | F166 | | 0 | STEERING CONNECTOR |

PARTS INDEX

| Part Number | Description | Pg. | Ref. No. | Part Number | Description | Pg. | Ref. No. |
|-------------|-------------------------------|-----|----------|-------------|------------------------------|-----|----------|
| 167 | IGNITION CUT-OFF KIT | 59 | - | F10147 | MAIN FUEL JET STD. .066 | | |
| 5H065 | CANVAS HOOD | 59 | - | | SEA LEVEL - 1250 FT. . . . | 27 | 33 |
| 5H158 | FUEL GAUGE FLUSH | | | F10148 | JET, NOZZLE VENT | 27 | 44 |
| | MOUNT | 59 | - | F1015 | COTTER PIN | 49 | 37 |
| 817747--1 | JOINT BALL ASSEMBLY | 37 | 62 | F10152 | BODY CHANNEL CUP PLUG | 27 | 40 |
| 817776A3 | STERN BRACKET CLAMP | | | F10153 | BODY CHANNEL WELCH | | |
| | SCREW | 41 | 36 | | PLUG | 27 | 39 |
| 817796A2 | GEAR SHIFT ARM | | | F10155 | THROTTLE SHUTTER | | |
| | ASSEMBLY | 49 | 34 | | RETAINING SCREW AND | | |
| 817805A1 | ROD, SHIFT INTERLOCK | 35 | 20 | | LOCKWASHER | 27 | 36 |
| 817808A2 | LEVER, GEAR SHIFT | 35 | 31 | F10156 | ELBOW | 27 | 6 |
| 817809A1 | PLATE, KINGPIN MOUNTING | 45 | 13 | F10167 | RING - RETAINING | 29 | 50 |
| 817813A1 | COVER, SUPPORT PLATE | | | F10170 | VALVE ASSY - INLET | 29 | 51 |
| | (ALT. START) | 5 | 61 | F10171 | SEAT VALVE | 29 | 49 |
| 817842A1 | TILT HANDLE | 3 | 5 | F10176 | TUBE, IDLE | 29 | 46 |
| 817882A1 | FRICTION SHOE ADJUSTING | | | F1020 | COTTER PIN | 47 | 75 |
| | ARM ASSEMBLY | 41 | 2 | F1027 | COTTER PIN | 49 | 10 |
| 817892--1 | PLATE, IGNITION - CANADA | 15 | - | F1059 | FILL HD SCREW 6 - 32 X 1/4 | 21 | 11 |
| 817938A1 | RETAINER, STARTER ROPE | | | F1059 | FILL HD SCREW 6 - 32 X 1/4 | 27 | 11 |
| | HANDLE | 7 | 12 | F1072 | FILL HD SCREW, 1/4 - 20 X | | |
| 817955A1 | HOUSING, HAND STARTER | 7 | 2 | | 3/4 | 37 | 55 |
| 818056A2 | LEG COVER FRONT | 45 | 34 | F1075 | FILL HD M. SCREW, 10 - 24 | | |
| 818057A1 | LEG COVER REAR | | | | X 1/2 (252H3G, 252B3G) . . . | 35 | 22 |
| | W/PACKING | 45 | 16 | F1077 | FILL HD SCREW, 10 - 24 X | | |
| 89396A38 | PRIME BULB | 53 | 6 | | 1/2 | 15 | 15 |
| C235227 | SPARK PLUG, CANADA | | | F1087 | FILL HD SCREW, 10 - 24 X | | |
| | (RL82) (252H3G, 252B3G) | 37 | - | | 7/8 (252H3G, 252B3G) | 3 | 33 |
| F10090 | FUEL BOWL RETAINING | | | F1092 | FILL HD SCREW, 10 - 32 X | | |
| | SCREW GASKET | 27 | 25 | | 5/8 | 9 | 10 |
| F10127 | FUEL BOWL | 27 | 26 | F1092 | FILL HD SCREW, 10 - 32 X | | |
| F10128 | CHOKE SHUTTER | 27 | 22 | | 5/8 | 19 | 12 |
| F10129 | CHOKE RELIEF VALVE | 27 | 20 | F1100 | SLOTTED FILL HD SCREW, | | |
| F10130 | CHOKE RELIEF VALVE | | | | 1/4 - 20 X 1-1/8 | 15 | 10 |
| | SPRING | 27 | 21 | F1107 | FILL HD SCREW, 1/4 - 20 X | | |
| F10131 | E-RING, THROTTLE SHAFT | | | | 3/4 | 35 | 1 |
| | RETAINING | 27 | 34 | F1108 | FILL HD MACHINE SCREW | | |
| F10132 | THROTTLE SHAFT AND | | | | W/LOCKWASHER, 1/4 - 20 | | |
| | LEVER | 27 | 4 | | X 34 | 33 | 7 |
| F10133 | THROTTLE SHUTTER | 27 | 35 | F1129 | FILL HD SCREW, 5/16 - 18 X | | |
| F10134 | CHOKE SHAFT AND LEVER | 27 | 8 | | 1/2 | 45 | 27 |
| F10135 | FLOAT | 27 | 29 | F1141 | FLAD HD SCREW, 10 - 24 X | | |
| F10136 | FLOAT LEVER PIN | 27 | 23 | | 1/2 | 25 | 6 |
| F10137 | MAIN NOZZLE | 27 | 30 | F1160 | FLAT HD SCREW, 1/4 - 28 X | | |
| F10138 | FUEL BOWL GASKET | 27 | 24 | | 5/8 | 47 | 66 |
| F1014 | COTTER PIN | 21 | 16 | F1200 | HEX HD SCREW, 1/4 - 20 X | | |
| F1014 | COTTER PIN | 27 | 16 | | 1/2 | 19 | 21 |
| F1014 | COTTER PIN | 41 | 20 | F12088 | GROMMET, LEAD WIRE | 9 | 13 |
| F10140 | CHOKE SHUTTER | | | F1211 | HEX HD SCREW W/SPRING | | |
| | RETAINING SCREW AND | | | | LOCKWASHER, 1/4 - 28 X | | |
| | LOCKWASHER | 27 | 19 | | 5/8 | 47 | 69 |
| F10141 | IDLE MIXTURE SCREW | | | F12146 | COIL WEDGE SPRING | 9 | 11 |
| | SPRING | 27 | 18 | F12153-1 | BREAKER POINT SET | 9 | 15 |
| F10142 | SPRING, FLOAT SUPPORT | 29 | 47 | F12170 | CONDENSER MOUNTING | | |
| F10143 | CHOKE SHAFT RETURN | | | | SCREW | 9 | 2 |
| | SPRING | 27 | 7 | F12170 | CONTACT SCREW | | |
| F10144 | THROTTLE SHAFT RETURN | | | | W/LOCKWASHER | 9 | 17 |
| | SPRING | 27 | 5 | F12181-1 | CONDENSER | 9 | 3 |
| F10145 | SPRING, NOZZLE | | | F12186-1 | GROUND LEAD | 9 | 4 |
| | COMPRESSION | 27 | 45 | F12346 | STATOR PLATE | | |
| F10146 | IDLE MIXTURE SCREW | 27 | 17 | | W/LAMINATIONS | 9 | 9 |

PARTS INDEX

| Part Number | Description | Pg. | Ref. No. | Part Number | Description | Pg. | Ref. No. |
|-------------|--|-----|----------|-------------|---|-----|----------|
| F1236 | HEX CAP SCREW, 1/4 - 20 X 1/2 | 3 | 23 | F1515 | HEX NUT | 15 | 24 |
| F12360 | CAM WIPER FELT | 9 | 16 | F1515 | HEX NUT, 5/16 - 18 | 25 | 2 |
| F1263 | HEX SOCKET HD CAP SCREW, 5/16 - 18 X 9/16 | 45 | 20 | F1515 | HEX NUT, 5/16 - 18 | 41 | 39 |
| F1263 | HEX SOCKET HD CAP SCREW, 5/16 - 18 X 9/16 | 49 | 13 | F1515 | HEX NUT, 5/16 - 18 | 45 | 22 |
| F1280 | PAN HD SCREW, 8 - 32 X 1/4 | 15 | 25 | F15150 | DRIVE PINION | 13 | 4 |
| F1337 | NUT, 6 - 32 | 19 | 16 | F15151 | THRU BOLT | 13 | 24 |
| F1341 | HEX NUT | 37 | 54 | F15152 | LOCKWASHER | 13 | 18 |
| F1341 | HEX NUT, 1/4 - 20 | 11 | 14 | F15153 | SPACER WASHER, THRU BOLT | 13 | 23 |
| F1346 | HEX NUT, 3/8 - 16 | 45 | 9 | F15154 | CAP, DRIVE END | 13 | 7 |
| F1346 | LOCK NUT | 49 | 33 | F15155 | WASHER, THRUST | 13 | 8 |
| F1349 | HEX NUT | 47 | 72 | F15156 | ARMATURE | 13 | 9 |
| F137 | REMOTE STEERING BRACKET | 59 | - | F15157 | HOLDER, BRUSH | 13 | 16 |
| F141118 | SEAL, PROPELLER SHAFT | 49 | 15 | F15158 | SCREW, BRUSH HOLDER | 13 | 14 |
| F141305 | SEAL, PROPELLER SHAFT BEARING CAGE | 49 | 17 | F15159 | INSULATOR | 13 | 21 |
| F141704 | COUPLING, GEAR SHIFT ROD | 47 | 71 | F15160 | INSULATOR WASHER | 13 | 20 |
| F1472 | HEX SLOT HD SCREW W/LOCKWASHER, 1/4 - 20 X 3/4 | 47 | 70 | F15161 | PLAIN WASHER | 13 | 19 |
| F1473 | HEX NUT, 10 - 24 (252H3G, 252B3G) | 5 | 57 | F15162 | NUT, HOT LEAD | 13 | 17 |
| F1475 | FILL HD SCREW, 10 - 24 X 1/2 | 3 | 11 | F15163 | CAP, COMMUTATOR END | 13 | 22 |
| F15002 | SPRING SET | 11 | 22 | F15164 | BRUSH KIT | 13 | 15 |
| F15010 | ARMATURE | 11 | 17 | F1532 | HEX HD SCREW, 1/4 - 20 X 1 | 37 | 53 |
| F15015 | BRUSH SET | 11 | 21 | F154317 | CLAMP, REMOTE CABLE | 3 | 25 |
| F15019-1 | HEAD ASSEMBLY COMMUTATOR END | 11 | 23 | F1552 | PAN HD SCREW, 8 - 32 X 1/2 | 19 | 26 |
| F15021-1 | HEAD ASSEMBLY DRIVE END | 11 | 15 | F1600 | LOCK NUT, 7/8 - 14 | 41 | 15 |
| F15087 | HEX NUT | 11 | 2 | F1632 | PLASTIC-PLUG | 3 | 19 |
| F15091 | WASHER | 11 | 9 | F1638 | SPRING PIN | 7 | 22 |
| F15095 | BENDIX DRIVE | 11 | 1 | F1638 | SPRING PIN | 41 | 35 |
| F15097 | THRU BOLT PACKAGE | 11 | 25 | F1642 | SOCKET HD CAP SCREW, 10 - 24 X 3/4 (252H3G, 252B3G) | 47 | 49 |
| F15098 | THRUST WASHER PACKAGE | 11 | 16 | F1645 | ROUND HD SCREW, 6 - 32 X 1/4 | 19 | 25 |
| F15102 | SPRING, ANTI-DRIFT | 11 | 4 | F1645 | ROUND HD SCREW, 6 - 32 X 7/8 | 15 | 7 |
| F15104 | CUP, CUSHION THRUST | 11 | 12 | F1647 | HEX NUT | 15 | 14 |
| F15105 | CUP, CUSHION | 11 | 10 | F1648 | PAN HD SCREW, 10 - 24 X 3/4 | 15 | 31 |
| F15106 | CUSHION | 11 | 11 | F1648 | PAN HD SCREW, 10 - 24 X 3/4 | 19 | 20 |
| F15107 | CUP, PINION | 11 | 5 | F165 | REMOTE STEERING BRACKET | 60 | - |
| F15108 | SLEEVE | 11 | 6 | F166 | STEERING CONNECTOR | 61 | - |
| F15109 | CUP, STOP | 11 | 3 | F1663 | SPRING PIN | 47 | 48 |
| F15117 | FRAME AND FIELD ASSEMBLY | 11 | 19 | F1664 | SPRING PIN (252H3G, 252B3G) | 45 | 40 |
| F1513 | HEX NUT | 9 | 7 | F1666 | BOWED SPRING LOCKWASHER | 41 | 12 |
| F1513 | HEX NUT, 10 - 32 | 15 | 27 | F1669 | NUT | 41 | 26 |
| F1513 | HEX NUT, 10 - 32 | 19 | 9 | F1689 | HEX CAP SCREW, 1/4 - 20 X 1/2 | 35 | 12 |
| F1513 | HEX NUT, 10 - 32 | 35 | 34 | F1689 | HEX CAP SCREW, 1/4 - 20 X 1/2 | 41 | 7 |
| F1514 | HEX JAM NUT, 1/4 - 20 | 11 | 13 | F1696 | HEX CAP SCREW, 5/16 - 18 X 1-3/4 | 45 | 25 |
| F1514 | HEX JAM NUT, 1/4 - 20 | 13 | 5 | F1699 | HEX HD M. SCREW, 1/4 - 20 X 1-1/8 | 15 | 3 |
| F15147 | STOP NUT, PINION | 13 | 1 | F1704 | INTERNAL TOOTH LOCKWASHER | 15 | 8 |
| F15148 | STOP, PINION | 13 | 2 | F1704 | LOCKWASHER #6 | 19 | 24 |
| F15149 | SPRING, ANTI-DRIFT | 13 | 3 | | | | |
| F1515 | HEX JAM NUT, 5/16 - 18 | 5 | 50 | | | | |

PARTS INDEX

| Part Number | Description | Pg. | Ref. No. | Part Number | Description | Pg. | Ref. No. |
|-------------|---|-----|----------|-------------|---|-----|----------|
| F1705 | HEX CAP SCREW, 1/4 - 20 X 3/4 | 13 | 10 | F185764 | RETAINING RING | 5 | 49 |
| F1705 | HEX CAP SCREW, 1/4 - 20 X 3/4 | 45 | 33 | F1859 | HEX SOCKET HEADLESS SET SCREW, 1/4 - 28 X 3/16 | 3 | 30 |
| F1705 | HEX WASHER HD SCREW, 1/4 - 20 X 3/4 | 7 | 1 | F1859 | HEX SOCKET HEADLESS SET SCREW, 1/4 - 28 X 3/16 | 5 | 44 |
| F1727 | PLASTI-RIVET | 35 | 6 | F1860 | BINDING HD MACHINE SCREW, 6 - 32 X 1/4 | 33 | 3 |
| F1733 | PAN HD SCREW, 10 - 24 X 1/2 - 10 - 24 X 9/16 | 17 | 37 | F1864 | HEX HD SCREW, 1/4 - 20 X 3/4 | 35 | 10 |
| F1734 | FILL HD MACHINE SCREW | 15 | 17 | F1877 | TY-RAP | 19 | 6 |
| F1739 | PLAIN WASHER | 47 | 77 | F1904 | PLAIN WASHER | 43 | 47 |
| F1739 | PLAIN WASHER, FOR 252H3G, 252B3G | 39 | 68 | F1910 | LOCK NUT | 39 | 65 |
| F1739 | PLAIN WASHER, FOR 257H3D, 257B3D | 39 | - | F1922 | HEX CAP SCREW, 1/4 - 20 X 5/8 | 35 | 27 |
| F1745 | HEX HD SCREW | 45 | 37 | F1922 | HEX CAP SCREW, 1/4 - 20 X 5/8 | 47 | 78 |
| F1746 | HEX CAP SCREW, 1/4 - 28 X 5/8 | 19 | 28 | F1922 | HEX HD SCREW, 1/4 - 20 X 5/8 | 3 | 15 |
| F1753 | FASTENER | 3 | 8 | F1922 | HEX HD SCREW, 1/4 - 20 X 5/8 | 37 | 37 |
| F1755 | ROUND HD SCREW W/LOCKWASHER, 6 - 32 X 5/16 | 25 | 12 | F1927 | PAN HD SCREW, 10 - 32 X 3/8 | 7 | 4 |
| F1760 | PAN HD SCREW, 10 - 24 X 3/8 (252H3G, 252B3G) | 3 | 20 | F1929 | HEX CAP SCREW, 3/8 - 16 X 1 1/8 | 49 | 2 |
| F1760 | PAN HD SCREW, 10 - 24 X 3/8 (252H3G, 252B3G) | 5 | 53 | F1934 | FLAT HD SLOTTED SCREW | 15 | 20 |
| F177330 | FUEL PUMP VALVE | 33 | 4 | F195/_ | REMOTE CONTROL CABLES | 59 | - |
| F1778 | PLAIN WASHER | 45 | 10 | F1954 | HEX SOCKET HEADLESS SET SCREW, 5/16 - 24 X 1/4 | 47 | 44 |
| F17815 | SEAL, FUEL LINE COUPLER | 53 | 2 | F1975 | LOCKWASHER | 19 | 19 |
| F17816 | SEAL, FUEL LINE COUPLER | 53 | 1 | F1975 | SPRING LOCKWASHER | 9 | 8 |
| F1803 | STOP NUT | 37 | 61 | F1975 | SPRING LOCKWASHER | 15 | 28 |
| F1812 | HEX LOCK NUT (252H3G, 252B3G) | 45 | 41 | F1975 | SPRING LOCKWASHER | 19 | 8 |
| F18132-1 | HANDLE, STARTER ROPE (NOT SHOWN) | 19 | - | F197787-3 | FUEL LINE COUPLER | 53 | 3 |
| F183300 | SPRING, LATCH SHAFT | 5 | 48 | F1978 | SPRING PIN | 47 | 74 |
| F183300 | SPRING, MAGNETO CONTROL SHAFT (252H3G, 252B3G) | 3 | 31 | F1978 | SPRING PIN (252H3G, 252B3G) | 47 | 63 |
| F183300 | SPRING, SHIFT DETENT | 37 | 36 | F1995 | SLOTTED FILL HD SCREW, 10 - 24 X 1 | 19 | 3 |
| F183346-1 | SHOCK MOUNT LOWER THRUST | 45 | 26 | F1997 | LOCK NUT | 21 | 3 |
| F183504 | GROMMET, MAGNETO CONTROL SHAFT (252H3G, 252B3G) | 3 | 28 | F1997 | LOCK NUT | 27 | 3 |
| F1836 | SPRING PIN | 41 | 21 | F2004 | FILL HD SCREW, 8 - 32 X 3/8 | 7 | 15 |
| F1836 | SPRING PIN (252H3G, 252B3G) | 5 | 40 | F2005 | HEX SOCKET HD CAP SCREW, 5/16 - 18 X 2 3/4 | 35 | 11 |
| F183756-1 | PACKING, SUPPORT PLATE | 45 | 2 | F2006 | HEX CAP SCREW, 5/16 - 18 X 4-3/4 | 45 | 23 |
| F183813 | BEARING | 37 | 58 | F2007 | HEX CAP SCREW, 5/16 - 18 X 4 | 45 | 24 |
| F183818 | BEARING, CHOKE ROD (252H3G, 252B3G) | 3 | 21 | F2008 | HEX HD MACH SCREW, 1/4 - 20 X 7/8 | 51 | 59 |
| F184033-1 | SWIVEL, CHOKE ARM | 21 | 10 | F2008 | HEX HD SCREW, 1/4 - 20 X 7/8 | 25 | 1 |
| F184033-1 | SWIVEL, CHOKE ARM | 27 | 10 | F2010 | FILL HD SCREW W/SPRING LOCKWASHER, 10 - 32 X 9/16 | 9 | 18 |
| F184579 | SEAL, CHOKE ARM SWIVEL | 21 | 9 | F2010 | FILL HD SCREW, 10 - 32 X 9/16 | 19 | 5 |
| F184579 | SEAL, CHOKE ARM SWIVEL | 27 | 9 | | | | |
| F1854 | HEX CAP SCREW, 1/4 - 20 X 5/8 | 15 | 29 | | | | |
| F1854 | HEX CAP SCREW, 1/4 - 20 X 5/8 | 37 | 46 | | | | |

PARTS INDEX

| Part Number | Description | Pg. | Ref. No. | Part Number | Description | Pg. | Ref. No. |
|-------------|--|-----|----------|-------------|---|-----|----------|
| F2012 | FLYWHEEL NUT, 5/8 - 18 | 19 | 1 | F288689 | BEARING, MAGNETO CONTROL SHAFT (252H3G, 252B3G) | 47 | 47 |
| F2012 | PLAIN WASHER | 7 | 25 | F288691 | GEAR, MAGNETO CONTROL SHAFT (252H3G, 252B3G) | 47 | 46 |
| F2012 | PLAIN WASHER | 19 | 17 | F295080 | STEERING, HANDLE PIVOT BOLT (252H3G, 252B3G) | 47 | 52 |
| F2013 | HEX SOCKET HD SCREW, 5/16 - 18 X 1 1/4 | 35 | 14 | F295175 | WASHER, STEERING HANDLE PIVOT BOLT (252H3G, 252B3G) | 47 | 51 |
| F2014 | PLAIN WASHER | 35 | 29 | F295457 | RETAINING WASHER STEERING HANDLE PIVOT (252H3G, 252B3G) | 47 | 50 |
| F2014 | PLAIN WASHER | 45 | 6 | F295689 | BEARING, STEERING HANDLE GEAR (252H3G, 252B3G) | 47 | 43 |
| F2014 | PLAIN WASHER | 49 | 6 | F296898 | TERMINAL | 15 | 34 |
| F2014 | PLAIN WASHER | 51 | 64 | F298788 | FERRULE | 53 | 4 |
| F2016 | FILL HD SCREW, 6 - 32 X 7/8 | 15 | 6 | F2A366298 | PROPELLER SHAFT BEARING CAGE | 49 | 14 |
| F2018 | SPEED NUT 1/4 - 20 (257H3D, 257B3D) | 47 | 81 | F2A458081 | MAGNETO CONTROL LEVER | 37 | 59 |
| F2021 | FLYWHEEL NUT | 7 | 14 | F2A458266 | GEAR, BEVEL PINION ASSEMBLY W/BEARING | 49 | 35 |
| F2021 | FLYWHEEL NUT 5/8 - 18 | 9 | 20 | F2A458581 | COLLAR W/LOWER CRANKCASE SEAL | 31 | 11 |
| F2025 | PAN HD SCREW, 10 X 5/8 | 3 | 4 | F2A504614 | KNOB, GEAR SHIFT | 5 | 63 |
| F2026 | PLASTIC RIVET (252H3G, 252B3G) | 5 | 55 | F307317-1 | CLIP, TERMINAL BLOCK GROUND | 15 | 32 |
| F2027 | HEX CAP SCREW, 5/16 - 18 X 3 | 41 | 6 | F307818 | BEARING | 35 | 16 |
| F2030 | HEX HD CAP SCREW, 1/4 - 20 X 1 1/4 | 51 | 54 | F307818 | BEARING (252H3G, 252B3G) | 5 | 41 |
| F2033 | GROOVE PIN | 21 | 13 | F307818 | BEARING, LATCH SHAFT | 5 | 37 |
| F2033 | GROOVE PIN | 27 | 13 | F307908 | WIRE STARTER | 13 | 25 |
| F203965 | SHOCK MOUNT UPPER THRUST | 47 | 65 | F316160 | REED | 25 | 10 |
| F2040 | HEX HD MACHINE SCREW, 1/4 - 20 X 5/8 | 7 | 19 | F324689 | BEARING, MAGNETO CONTROL SHAFT (252H3G, 252B3G) | 3 | 32 |
| F2066 | PAN HD SCREW, 10 X 7/16 | 3 | 2 | F324840-1 | GROMMET, REMOTE THROTTLE CABLE (252H3G, 252B3G) | 3 | 27 |
| F2095 | SPRING PIN | 41 | 30 | F324993 | BRACKET, CHOKE ROD BEARING (252H3G, 252B3G) | 3 | 22 |
| F2097 | SPRING PIN | 49 | 23 | F333316 | SHAFT, THROTTLE ROLLER | 21 | 1 |
| F2107 | SLOTTED FILL HD SCREW | 3 | 26 | F333316 | SHAFT, THROTTLE ROLLER | 27 | 1 |
| F213274 | GREASE FITTING | 41 | 41 | F335217-1 | BEARING, PISTON PIN | 31 | 3 |
| F215795 | SEAL, STEERING HANDLE GRIP (252H3G, 252B3G) | 47 | 55 | F338618-1 | SEAL, SHIFT ROD LOWER | 51 | 45 |
| F24074 | CLAMP SCREW FOOT | 41 | 31 | F366058 | BALL BEARING, PROPELLER SHAFT | 49 | 16 |
| F24342 | SEAL | 51 | 63 | F366215 | SPACER, PISTON PIN | 31 | 2 |
| F24342 | SEAL, INLET WATER LINE UPPER | 49 | 5 | F366364 | ARM, REVERSE LOCK | 41 | 23 |
| F24342 | SEAL, WATER LINE UPPER | 45 | 5 | F366727 | BALL, PROPELLER SHAFT | 49 | 20 |
| F24623-1 | GROMMET, GEAR SHIFT CHOKE ROD (252H3G, 252B3G) | 5 | 38 | F381896-4 | CABLE, BATTERY ENTRY | 15 | 16 |
| F269052 | BEARING, SHIFT LEVER | 35 | 30 | F385433 | TILT STOP | 41 | 40 |
| F269122-1 | SEAL, CRANKCASE PARTING LINE | 35 | 8 | F385647 | CARRYING HANDLE | 45 | 38 |
| F269319 | BEARING, THROTTLE CAM | 39 | 66 | F391926-1 | PLUNGER | 21 | 14 |
| F286028 | BEARING, CRANKSHAFT LOWER MAIN | 31 | 14 | F391926-1 | PLUNGER | 27 | 14 |
| F286282 | WASHER | 37 | 60 | F3C604712 | ENGINE COVER - COMPLETE | 3 | - |
| F286422-1 | PIVOT, TILT LOCK | 41 | 8 | F40008 | STUD, SHORT | 49 | 39 |
| F286440 | STUD, MAGNETO CONTROL LEVER | 37 | 57 | F40209 | CARBURETOR STUD | 25 | 3 |
| F286451 | SPACER, TILT LOCK | 41 | 9 | | | | |
| F286544-1 | SPRING, TILT LOCK | 41 | 11 | | | | |
| F286547 | CHOKE KNOB (252H3G, 252B3G) | 5 | 39 | | | | |
| F286772-1 | CLAMP | 19 | 10 | | | | |
| F286772-1 | CLAMP, FUEL PUMP TO CARBURETOR HOSE | 15 | 9 | | | | |

PARTS INDEX

| Part Number | Description | Pg. | Ref. No. | Part Number | Description | Pg. | Ref. No. |
|-------------|---|-----|----------|-------------|---|-----|----------|
| F40342 | SEAL, PROPELLER NUT . . . | 49 | 11 | F458109 | PLUG, CYLINDER HEAD . . . | 37 | 43 |
| F40717 | THRUST WASHER | 49 | 19 | F458132 | HANDLE, STARTER ROPE . . | 7 | 11 |
| F407446 | CLAMP, BATTERY CABLE . . | 15 | 18 | F458133 | MOTOR LEG | 45 | 17 |
| F40906-1 | FLANGE GASKET | 21 | 37 | F458146 | SEAL, CRANKSHAFT UPPER MAIN | 35 | 2 |
| F40906-1 | FLANGE GASKET | 27 | 37 | F458151 | EXHAUST PORT PLATE . . . | 37 | 51 |
| F40906-1 | GASKET, CARBURETOR . . . | 37 | - | F458152 | EXHAUST PORT COVER . . . | 37 | 52 |
| F409251-1 | GAUGE CAP | 53 | 10 | F458154 | EXHAUST PORT PLATE . . . | 37 | - |
| F40956 | BRACKET, SHOCK MOUNT UPPER THRUST | 47 | 68 | F458154 | GASKET, EXHAUST PORT PLATE | 37 | 50 |
| F411420 | RETAINER, SWITCH PLATE | 15 | 21 | F458166-2 | SCREW, MOTOR LEG TO CYLINDER | 45 | 18 |
| F412181-1 | PLATE, IGNITION - U.S.A. . . | 15 | 19 | F458192 | THROTTLE CAM | 39 | 67 |
| F429811 | SCREEN, CYLINDER DRAIN | 37 | 38 | F458198 | THROTTLE STOP (252H3G, 252B3G) | 47 | 64 |
| F433168 | GASKET, CARBURETOR ADAPTER | 37 | - | F458223 | GASKET, TRANSFER PORT COVER | 37 | 39 |
| F433168 | GASKET, CARBURETOR ADAPTER W/STUDS | 25 | 5 | F458223 | TRANSFER PORT COVER GASKET | 37 | - |
| F433404 | DEFLECTOR PLATE | 25 | 7 | F458232 | STARTER ROPE | 7 | 10 |
| F433406 | DEFLECTOR PLATE GASKET | 37 | - | F458239 | STARTER PULLEY | 7 | 8 |
| F433406 | GASKET, DEFLECTOR PLATE | 25 | 8 | F458244-1 | INLET WATER LINE | 45 | 7 |
| F434767 | BUSHING, FUEL LINE | 5 | 47 | F458244-1 | INLET WATER LINE | 49 | 7 |
| F435077 | SCREEN, WATER INLET . . . | 51 | 46 | F458245-1 | BAFFLE, TILT HANDLE | 3 | 3 |
| F435555 | SEAL, GEAR HOUSING | 51 | 43 | F458277 | CRANKSHAFT BEARING CAGE GASKET | 37 | - |
| F435562 | WATER PUMP BACK PLATE | 51 | 49 | F458277 | GASKET, CRANKSHAFT BEARING CAGE | 35 | 4 |
| F435705 | GEAR SHIFT ROD LOWER . . | 49 | 36 | F458279 | CYLINDER EXHAUST GASKET | 37 | - |
| F436280 | NUT, SHORTING SWITCH . . | 9 | 21 | F458279 | GASKET, CYLINDER EXHAUST | 45 | 1 |
| F436541 | TILT LOCK (PORT) | 41 | 10 | F458307 | SEAL, DRIVESHAFT | 51 | 48 |
| F438165 | SCREW, FUEL PUMP BOWL | 33 | 11 | F458312 | PACKING, LEG COVER SIDE | 45 | 32 |
| F438500 | FUEL PUMP BOWL | 33 | 10 | F458315 | PACKING, LEG COVER SIDE UPPER | 45 | 36 |
| F438617 | FUEL PUMP BOWL GASKET | 37 | - | F458320 | PACKING, LEG COVER FRONT UPPER PORT | 45 | 30 |
| F438617 | GASKET, FUEL PUMP BOWL | 33 | 8 | F458322 | PACKING, LEG COVER REAR | 45 | 15 |
| F438653 | SCREEN, FUEL PUMP | 33 | 9 | F458323-1 | PACKING, LEG COVER FRONT | 45 | 31 |
| F438747 | FUEL PUMP DIAPHRAGM . . | 33 | 2 | F458324 | PACKING, LEG COVER FRONT UPPER STARBOARD | 45 | 35 |
| F438760 | FUEL PUMP GASKET | 33 | 1 | F458345 | PAD, KING PIN MOUNTING . . | 47 | 82 |
| F438760 | FUEL PUMP GASKET | 37 | - | F458347 | MOUNT, SUPPORT PLATE . . | 45 | 4 |
| F438801 | FITTING, FUEL PUMP BODY | 33 | 15 | F458371 | BRACKET, REMOTE THROTTLE CABLE | 3 | 24 |
| F440209 | STUD, GEAR SHIFT LEVER | 35 | 28 | F458424 | SPRING, STARTER PAWL PLATE | 7 | 9 |
| F455305 | SEAL, CRANKSHAFT COLLAR | 31 | 13 | F458445 | LINK MAGNETO CONTROL SHAFT (252H3G, 252B3G) | 37 | 56 |
| F458003 | STARTER INTERLOCK LEVER | 7 | 23 | F458453 | GASKET, LEG EXHAUST . . . | 45 | 14 |
| F458015-1 | PISTON | 31 | 6 | F458453 | LEG EXHAUST GASKET . . . | 37 | - |
| F458017 | PISTON PIN | 31 | 4 | F458456 | HAND STARTER COLLAR (ALSO USED ON 257H3D, 257B3D) | 7 | 13 |
| F458019 | KINGPIN | 43 | 44 | F458498 | FLYWHEEL KEY (252H3G, 252B3G) | 31 | 18 |
| F458028 | BEARING, CRANKSHAFT UPPER MAIN | 31 | 19 | | | | |
| F458038-2 | SUPPORT PLATE | 3 | 17 | | | | |
| F458057 | BEARING, DRIVESHAFT UPPER | 51 | 47 | | | | |
| F458066 | THERMOSTAT COVER | 37 | 47 | | | | |
| F458067 | GASKET, THERMOSTAT COVER | 37 | 48 | | | | |
| F458067 | THERMOSTAT COVER GASKET | 37 | - | | | | |
| F458071 | SPRING, STARTER HANDLE GUIDE | 7 | 5 | | | | |
| F458076 | TAB, SHOCK MOUNT SIDE . . | 45 | 12 | | | | |
| F458079 | STEERING HANDLE (252H3G, 252B3G) | 45 | 39 | | | | |

PARTS INDEX

| Part Number | Description | Pg. | Ref. No. | Part Number | Description | Pg. | Ref. No. |
|-------------|---|-----|----------|-------------|---|-----|----------|
| F458502 | ROD, THROTTLE CAM | 39 | 63 | F461774 | BRACKET, RETAINER - REAR | 3 | 16 |
| F458503 | CHOKE ROD (252H3G, 252B3G) | 3 | 18 | F461952 | STRAP, HAND STARTER HOUSING | 7 | 20 |
| F458509 | LINK, MAGNETO STATOR | 39 | 64 | F462065 | WATER PUMP IMPELLER | 51 | 50 |
| F458519 | SCREW, TILLER IDLE STOP (252H3G, 252B3G) | 47 | 53 | F462840 | GROMMET, REMOTE THROTTLE CABLE (257H3D, 257B3D) | 3 | - |
| F458529 | CYLINDER HEAD GASKET | 37 | - | F462962 | SHOCK MOUNT, LOWER SIDE | 45 | 19 |
| F458529 | GASKET, CYLINDER HEAD | 37 | 41 | F463864 | RETAINER, TILT HANDLE | 3 | 6 |
| F458579 | SEAL, CRANKCASE | 31 | 10 | F476 | FUEL LINE ADAPTION KIT | 59 | - |
| F458592 | RETAINER, STARTER PULLEY | 7 | 16 | F483300 | SPRING | 41 | 27 |
| F458615 | GEAR SHIFT ROD UPPER | 47 | 73 | F483349-1 | REVERSE LOCK | 41 | 25 |
| F458677 | INSERT, CHOKE KNOB (252H3G, 252B3G) | 3 | 35 | F483510-1 | LINK, REVERSE LOCK | 41 | 24 |
| F458688 | SHAFT, STEERING HANDLE (252H3G, 252B3G) | 47 | 60 | F483827 | LEVER, REVERSE LOCK | 41 | 17 |
| F458690 | SCREW, THROTTLE STOP (252H3G, 252B3G) | 47 | 62 | F483884 | BEARING | 41 | 22 |
| F458695 | SLEEVE (252H3G, 252B3G) | 47 | 56 | F487755 | FUEL TANK ADAPTER | 53 | 8 |
| F458727 | BALL SHIFT LEVER DETENT | 37 | 35 | F498618 | SEAL, "O" RING | 49 | 30 |
| F458736 | SEAL, WATER PUMP | 51 | 52 | F498891 | GEAR SHIFT ARM PIVOT PIN | 49 | 29 |
| F458754 | HOSE, FUEL PUMP TO CARBURETOR | 33 | 14 | F50109 | PLUG, GEAR HOUSING | 49 | 27 |
| F458783 | SEAL, SWIVEL BRACKET | 41 | 28 | F502128 | DRIVESHAFT FOR 252H3G, 252B3D | 49 | 3 |
| F458845 | EXTENSION, MOTOR LEG (257H3D, 257B3D) | 49 | 1 | F503128 | DRIVESHAFT FOR 257H3D, 257B3D | 49 | - |
| F458846 | SPRING, STARTER INTERLOCK LEVER | 7 | 21 | F504052 | BEARING (252H3G, 252B3G) | 39 | 70 |
| F458880 | CLIP, STARTER GUIDE (252H3G, 252B3G) | 5 | 56 | F504527 | CAP, INTERLOCK (252H3G, 252B3G) | 35 | 23 |
| F458887 | FASTENER, SUPPORT PLATE MOUNT | 45 | 3 | F504621 | LEVER, GEAR SHIFT CONTROL (252H3G, 252B3G) | 5 | 43 |
| F458888-1 | TRIM, STARTER HANDLE GUIDE (252H3G, 252B3G) | 5 | 54 | F504809 | ROD, STARTER INTERLOCK (252H3G, 252B3G) | 35 | 24 |
| F458936 | SCREW, CYLINDER HEAD | 37 | 44 | F504836 | SPACER, GEAR SHIFT SHAFT (252H3G, 252B3G) | 5 | 42 |
| F458937 | LINER, STARTER HOUSING | 7 | 3 | F510374 | DECAL, CIRCUIT BREAKER - U.S.A. | 15 | 36 |
| F458953-1 | GUIDE, STARTER HANDLE | 7 | 6 | F510450-1 | RECTIFIER | 19 | 23 |
| F458962 | MOUNT, SIDE UPPER | 45 | 11 | F510460 | CIRCUIT BREAKER | 15 | 35 |
| F458963 | PLATE, SHOCK MOUNT | 45 | 8 | F510475 | IGNITION COIL | 19 | 18 |
| F458970 | SPRING, STARTER REWIND | 7 | 7 | F513388 | DISC, WATER PUMP LOCATING | 51 | 57 |
| F458972-1 | COVER, SHOCK MOUNT STARBOARD | 45 | 28 | F514427 | BRACKET, STARTER MOTOR | 15 | 1 |
| F458973-1 | COVER, SHOCK MOUNT PORT | 45 | 21 | F514955 | STARTER MOTOR COMPLETE | 13 | - |
| F458977-3 | LEVER, SHIFT INTERLOCK | 35 | 17 | F529029 | STATOR TRIGGER | 19 | 11 |
| F460097-1 | FLYWHEEL | 9 | 1 | F529095 | STATOR GROUND WIRE | 19 | 4 |
| F460317 | CLAMP, SOLENOID (257H3D, 257B3D) | 35 | 13 | F529097 | FLYWHEEL | 19 | 2 |
| F460573 | CLAMP, STARTER MOTOR | 11 | 18 | F529125-1 | TUBE, PIVOT STEERING | 41 | 38 |
| F460573 | CLAMP, STARTER MOTOR | 13 | 12 | F529286 | WASHER, SWIVEL BRACKET FRICTION | 41 | 13 |
| F460664 | STATOR GROUND WIRE | 9 | 6 | F529301 | C-D MODULE | 19 | 27 |
| F460664 | STATOR GROUND WIRE | 19 | 7 | F529358 | BRACKET, ELECTRICAL COMPONENTS | 19 | 15 |
| F460917 | STARTER RELAY | 15 | 30 | F529390-1 | DECAL, REVERSE LOCK | 43 | 46 |
| F460925 | ROD | 21 | 12 | F529398 | DECAL, WIRING - U.S.A. | 17 | 40 |
| F460925 | ROD | 27 | 12 | F529726 | BEARING | 41 | 18 |
| F460955 | STARTER MOTOR COMPLETE. | 11 | - | F529744 | WIRING HARNESS | 15 | 11 |
| F461061-3 | CARBURETOR COMPLETE (WB-19D) | 21 | 38 | | | | |
| F461342 | SEAL, DRIVESHAFT SPLINE | 31 | 12 | | | | |

PARTS INDEX

| Part Number | Description | Pg. | Ref. No. | Part Number | Description | Pg. | Ref. No. |
|-------------|-------------------------|-----|----------|-------------|-------------------------|-----|----------|
| F53504 | GROMMET, SUPPORT | | | F5H154 | SPEEDOMETER | 59 | - |
| | PLATE (257H3D, 257B3D) | 5 | - | F5H155 | SPEEDOMETER | 59 | - |
| F53795-1 | SEAL, STEERING HANDLE | | | F5H157 | VOLTMETER | 60 | - |
| | GRIP (252H3G, 252B3G) | 47 | 54 | F5H159 | HOURMETER | 60 | - |
| F563 | TERMINAL BLOCK KIT | 60 | - | F5H167 | TACHOMETER | 60 | - |
| F590 | REMOTE CONTROL | 61 | - | F5H170 | STARTER CONVERSION | 60 | - |
| F596 | CHRYSLER OUTBOARD OIL | 60 | - | F602711 | PLATE, FRONT (252H3G, | | |
| F597 | CHRYSLER OUTBOARD | | | | 252B3G) | 5 | 59 |
| | GEAR LUBE | 60 | - | F603711 | PLATE, FRONT (257H3D, | | |
| F5H019 | ANTI-CORROSION KIT | 59 | - | | 257B3D) | 5 | - |
| F5H020 | CARRYING HANDLE | 59 | - | F66480 | STUD | 41 | 32 |
| F5H021 | BATTERY EXTENSION | | | F7004 | LOCK NUT | 51 | 62 |
| | CABLE | 59 | - | F7004 | LOCK NUT, 3/8 | 35 | 21 |
| F5H025 | ANTI-CORROSION | | | F7011 | HEX NUT | 3 | 9 |
| | SACRIFICIAL ANODE | 59 | - | F7024 | STOP NUT | 41 | 1 |
| F5H027 | FUEL TANK (ACCESSORY | | | F71H26 | BATTERY TERMINAL KIT | 59 | - |
| | ITEM) | 53 | 9 | F75H22 | IGNITION CUT-OFF SWITCH | 60 | - |
| F5H027 | STEEL, 6 GALLON FUEL | | | F762 | REMOTE ELECTRIC CABLE | 61 | - |
| | TANK | 59 | - | F8000 | PLAIN WASHER | 35 | 7 |
| F5H028 | SENDING UNIT | 59 | - | F8011 | PLAIN WASHER | 5 | 62 |
| F5H029 | FUEL TANK ANCHOR | 59 | - | F8011 | PLAIN WASHER | 7 | 24 |
| F5H030 | SWITCH KIT - RUNNING | | | F8011 | PLAIN WASHER (252H3G, | | |
| | LIGHTS | 60 | - | | 252B3G) | 23 | 42 |
| F5H031 | SWITCH KIT - SPOT LIGHT | 60 | - | F8011 | PLAIN WASHER (252H3G, | | |
| F5H032 | SWITCH KIT - WIPER | 60 | - | | 252B3G) | 27 | 42 |
| F5H034 | SWITCH KIT - BILGE PUMP | 60 | - | F8026 | PLAIN WASHER | 13 | 11 |
| F5H035 | SWITCH KIT - HORN | 60 | - | F8049 | BOWED SPRING WASHER | 47 | 76 |
| F5H036 | SWITCH KIT - TACHOMETER | | | F8056 | SPRING LOCKWASHER | 15 | 13 |
| | TRANSFER | 60 | - | F8058 | INTERNAL TOOTH | | |
| F5H037 | SWITCH KIT - LIGHTER | 60 | - | | LOCKWASHER | 35 | 33 |
| F5H038 | SWITCH KIT - IGNITION | 60 | - | F8065 | SPRING LOCKWASHER | 49 | 32 |
| F5H039 | SWITCH KIT - | | | F8077 | WASHER, GEAR HOUSING | | |
| | INSTRUMENTS | 60 | - | | PLUG | 49 | 28 |
| F5H040 | STEEL, 12 GALLON FUEL | | | F8078 | LOCKWASHER #8 | 19 | 22 |
| | TANK | 59 | - | F8083 | SPRING LOCKWASHER | 11 | 24 |
| F5H055 | WATER PUMP | 59 | - | F8083 | SPRING LOCKWASHER | 13 | 6 |
| F5H059 | CHRYSLER OUTBOARD | | | F8083 | SPRING LOCKWASHER | 15 | 2 |
| | MULTI-PURPOSE GREASE | 60 | - | F8083 | SPRING LOCKWASHER | 41 | 16 |
| F5H060 | CHRYSLER OUTBOARD | | | F8088 | PLAIN WASHER | 15 | 5 |
| | GREASE GUN | 60 | - | F8088 | PLAIN WASHER | 21 | 15 |
| F5H070 | REMOTE ELECTRIC CABLE | 61 | - | F8088 | PLAIN WASHER | 27 | 15 |
| F5H072 | OVERHEAT BUZZER KIT | 59 | - | F8094 | PLAIN WASHER | 41 | 19 |
| F5H075 | SWITCH EXTENSION CABLE | | | F8096 | SPRING LOCKWASHER | 5 | 51 |
| | - 24" | 61 | - | F8096 | SPRING LOCKWASHER | 15 | 26 |
| F5H076 | SWITCH EXTENSION CABLE | | | F8096 | SPRING LOCKWASHER | 45 | 29 |
| | - 5' | 60 | - | F84026 | SWIVEL SHIFT INTERLOCK | | |
| F5H077 | IGNITION KEY SWITCH | 59 | - | | BEARING | 35 | 19 |
| F5H078 | IGNITION KEY SWITCH | 59 | - | F84035-2 | BEARING, SHIFT | | |
| F5H078 | IGNITION SWITCH | | | | INTERLOCK ROD | 35 | 18 |
| | (ACCESSORY ITEM) | 15 | 23 | F84314-2 | ELBOW | 21 | 6 |
| F5H081 | BATTERY CABLE | 59 | - | F84449 | SWITCH, STARTER | | |
| F5H087 | MANUAL TILLER KIT | 60 | - | | INTERLOCK | 15 | 4 |
| F5H102 | STEERING LINK KIT | 60 | - | F84792 | FUEL PUMP VALVE GASKET | 33 | 5 |
| F5H106 | STEERING LINK KIT | 60 | - | F85026 | SWIVEL, SHIFT INTERLOCK | | |
| F5H120 | REMOTE CONTROL BACK | | | | LEVER | 35 | 15 |
| | PLATE | 61 | - | F8537 | SPRING PIN | 41 | 33 |
| F5H130 | REMOTE CONTROL | | | F85372 | PIN, GEAR SHIFT ROD | | |
| | SURFACE MOUNT | 59 | - | | LOWER | 49 | 38 |
| F5H131 | PORT SIDE DECAL KIT | 59 | - | F8548 | SPRING PIN (252H3G, | | |
| F5H134 | BOAT WHITE LACQUER | 59 | - | | 252B3G) | 47 | 57 |

PARTS INDEX

| Part Number | Description | Pg. | Ref. No. | Part Number | Description | Pg. | Ref. No. |
|-------------|---|-----|----------|-------------|--|-----|----------|
| F85498 | FLYWHEEL KEY (257H3D, 257B3D) | 31 | - | FA368700 | IGNITION KEY - NO LETTER OR STAMPED A | 15 | 22 |
| F8550 | SPRING PIN (252H3G, 252B3G) | 45 | 42 | FA413469 | COVER LATCH HANDLE W/SHAFT | 5 | 36 |
| F8559 | DOWEL PIN | 37 | 49 | FA413815 | GEAR, STEERING HANDLE | 47 | 45 |
| F85610 | BEARING | 47 | 67 | FA434616 | GEAR SHIFT ROD INTERMEDIATE FOR 252H3G, 252B3G | 51 | 55 |
| F85610 | BEARING, STEERING HANDLE SHAFT (252H3G, 252B3G) | 47 | 61 | FA435116 | EXHAUST SNOOT | 51 | 58 |
| F85634-2 | SCREW, CONNECTING ROD | 31 | 15 | FA435616 | GEAR SHIFT ROD INTERMEDIATE FOR 257H3D, 257B3D | 51 | - |
| F85735-1 | SEAL | 3 | 7 | FA438431 | FUEL PUMP BODY | 33 | 6 |
| F85756 | PACKING, ENGINE COVER | 3 | 13 | FA456137 | GRIP, STEERING HANDLE | 47 | 58 |
| F85843-1 | CABLE, ELECTRIC CONTROL | 17 | 38 | FA458144 | CRANKSHAFT BEARING CAGE | 35 | 3 |
| F85924 | CHOKE SOLENOID | 15 | 12 | FA458167 | CARBURETOR ADAPTER | 25 | 4 |
| F861 | FLUSHING ADAPTER | 59 | - | FA458260 | PISTON RING SET (4 PER SET) | 31 | 7 |
| F866 | REMOTE CONTROL (TWIN LEVER) | 59 | - | FA458480 | RETAINER, ENGINE COVER - REAR | 3 | 10 |
| F88161-3 | REED STOP | 25 | 11 | FA458518 | CYLINDER HEAD | 37 | 42 |
| F89777-1 | CAM, ENGINE COVER LATCH | 5 | 52 | FA458571 | ROLLER, CENTER MAIN | 31 | 9 |
| F90096 | RETAINER, PISTON PIN | 31 | 1 | FA458655 | LINER, CENTER MAIN (1 SET) | 31 | 8 |
| F901011 | WASHER, SWIVEL BRACKET | 43 | 43 | FA458662 | BEVEL GEAR REAR W/BUSHING | 49 | 18 |
| F901169-1 | BEARING, SWIVEL BRACKET | 41 | 29 | FA458778 | RETAINER, ENGINE COVER FRONT W/SCREWS AND NUTS | 5 | 60 |
| F901563 | DRIVE PIN, WATER PUMP IMPELLER | 49 | 4 | FA458838 | MAGNETO CONTROL SHAFT | 3 | 34 |
| F901631-1 | FRICTION SHOE | 41 | 5 | FA460423 | STARTER PAWL PLATE ASSEMBLY | 7 | 18 |
| F901775 | PLATE, FRICTION SHOE | 41 | 4 | FA460686 | COVER, KING PIN MOUNTING PLATE (ALT. START) | 47 | 79 |
| F9018 | CAP, PIVOT STEERING TUBE | 43 | 45 | FA502554 | GEAR HOUSING UPPER | 51 | 44 |
| F901822-1 | STUD, SWIVEL BRACKET | 41 | 3 | FA504082 | MAGNETO STATOR RING | 35 | 5 |
| F9022 | SHIM .006 (SILVER) | 7 | 17 | FA510497 | TERMINAL BLOCK | 15 | 33 |
| F9023 | SHIM .007 (BRASS) | 7 | - | FA510914 | SEAL, INLET WATER LINE LOWER | 51 | 53 |
| F9024 | SHIM .010 (BLACK) | 7 | - | FA513060 | WATER PUMP BODY | 51 | 51 |
| F90619-1 | YOKE, SHIFT ARM | 51 | 40 | FA529072 | SWIVEL BRACKET | 41 | 42 |
| F90807 | RETAINER CHOKE ROD FOR (252H3G, 252B3G) | 23 | 43 | FA529386 | DECAL NUMERAL 25 | 3 | 14 |
| F90807 | RETAINER, CHOKE ROD FOR 252H3G, 252B3G | 27 | 43 | FA542010 | CYLINDER | 35 | 9 |
| F90871-3 | GEAR SHIFT ARM PIN | 49 | 22 | FA572158 | REED PLATE W/PLUG | 25 | 9 |
| F91446-1 | BRACKET, CIRCUIT BREAKER | 17 | 39 | FA572222 | TRANSFER PORT COVER | 35 | 26 |
| F92759 | ROLLER, THROTTLE CAM FOLLOWER | 21 | 2 | FA603396 | DECAL, ENGINE COVER - STARBOARD | 3 | - |
| F92759 | ROLLER, THROTTLE CAM FOLLOWER | 27 | 2 | FA603397 | DECAL, ENGINE COVER - PORT | 3 | 12 |
| F97008-1 | STUD, LONG | 49 | 31 | FA603892 | DECAL ENGINE COVER - FRONT | 5 | 58 |
| F97772 | FUEL LINE CLAMP | 33 | 12 | FA84754-1 | FUEL LINE SHORT | 53 | 5 |
| F98273 | ROD END CONNECTOR STUD | 35 | 32 | FA85754-1 | HOSE, FUEL PUMP TO BUSHING | 33 | 13 |
| F99521-1 | CLUTCH | 49 | 24 | FA94094-2 | PROPELLER NUT | 49 | 9 |
| FA12370 | COIL W/LEAD WIRE | 9 | 12 | FB368700 | IGNITION KEY - STAMPED B | 15 | - |
| FA27232 | STARTER ROPE (NOT SHOWN) W/HANDLE | 19 | - | FC368700 | IGNITION KEY - STAMPED C | 15 | - |
| FA324113 | STERN BRACKET LOCK BAR W/END | 41 | 37 | | | | |
| FA343178 | RETAINER, GEAR SHIFT SHAFT | 5 | 45 | | | | |

PARTS INDEX

| Part Number | Description | Pg. | Ref. No. | Part Number | Description | Pg. | Ref. No. |
|-------------|--|-----|----------|-------------|--|-----|----------|
| FC461400 | INDICATOR, GEAR SHIFT (252H3G, 252B3G) | 5 | 46 | FO14186 | MAIN FUEL JET OPT. .060 6250-8250 FT. | 21 | - |
| FC497390 | DECAL STARTER - CANADA | 11 | - | FO14187 | MAIN FUEL JET OPT. .062 3750-6250 FT. | 21 | - |
| FC503227 | SPARK PLUG, CANADA (QL- 77-J4) ALT. START (257H3D, 257B3D) | 37 | - | FO14188 | MAIN FUEL JET STD. .066 SEAL LEVEL - 1250 FT. | 21 | 33 |
| FC510374 | DECAL, CIRCUIT BREAKER - CANADA | 15 | - | FO15213 | MAIN NOZZLE | 21 | 30 |
| FC529398 | DECAL, WIRING - CANADA . | 17 | - | FO15623 | FUEL BOWL GASKET | 21 | 24 |
| FC542010 | SHORT BLOCK FOR HAND START (NOT SHOWN)(252H3G, 252B3G) | 35 | - | FO16397 | CHOKE SHAFT RETURN SPRING | 21 | 7 |
| FC543010 | SHORT BLOCK FOR ALT. START MODELS (NOT SHOWN) | 35 | - | FO16562 | CHOKE SHAFT AND LEVER | 21 | 8 |
| FD368700 | IGNITION KEY - STAMPED D | 15 | - | FO16563 | THROTTLE SHAFT RETURN SPRING | 21 | 5 |
| FE368700 | IGNITION KEY - STAMPED E | 15 | - | FO16620 | E-RING, THROTTLE SHAFT RETAINING | 21 | 34 |
| FG1010 | GASKET SET | 37 | 40 | FO17639 | THROTTLE SHUTTER | 21 | 35 |
| FK10000 | GASKET SET. | 21 | 28 | FO17907 | THROTTLE SHAFT AND LEVER | 21 | 4 |
| FK10027 | REPAIR PARTS KIT | 23 | 41 | FO2510 | FUEL BOWL RETAINING SCREW GASKET | 21 | 25 |
| FK10120-1 | KIT, VALVE SET REPAIR . . . | 29 | 48 | FO4326 | BODY CHANNEL WELCH PLUG | 23 | 39 |
| FK10139 | GASKET SET. | 27 | 28 | FO8942 | THROTTLE SHUTTER RETAINING SCREW AND | 21 | 36 |
| FK10151 | REPAIR PARTS KIT | 27 | 41 | FP293 | PROPELLER (ACCESSORY ITEM) | 49 | 8 |
| FK1053 | WATER PUMP KIT | 51 | 61 | FS409752 | FUEL LINE COMPLETE - (NOT SHOWN) | 53 | - |
| FK1066 | TUNE UP KIT. | 9 | 19 | FS458023 | BEVEL GEAR FRONT W/BEARING | 49 | 25 |
| FK1068 | GEAR HOUSING SEAL KIT. . | 51 | 60 | FS602532 | STERN BRACKET | 41 | 14 |
| FK1119 | LEG EXTENSION KIT | 60 | - | FS901244 | EXTENSION, INLET WATER LINE (257H3D, 257B3D) . . | 51 | 56 |
| FK1119 | LONG LEG EXT. KIT | 51 | 42 | FSA458015 | PISTON .010 OVERSIZE (NOT SHOWN) | 31 | - |
| FK1123 | SPARKIE KIT | 19 | 14 | FSA458260 | PISTON RINGS (4 PER SET) .010 OVERSIZE (NOT SHOWN) | 31 | - |
| FK1123 | SPARKIE W/SPRING | 9 | 14 | FT11201 | HARNESS ADAPTER | 57 | - |
| FK15084 | SCREW SHAFT | 11 | 8 | FT1749 | SNAP RING PLIERS | 55 | - |
| FK15103 | PINION | 11 | 7 | FT2910 | KNOCK-OFF NUT | 54 | - |
| FK247 | PROPELLER PIN, PACK OF 6 | 49 | 12 | FT2938-1 | BATTERY POWERED HEAD TEST LIGHT | 57 | - |
| FK436449 | SHORTING SWITCH | 9 | 5 | FT2951 | CIRCUIT TRACER | 57 | - |
| FK602061 | CARBURETOR COMPLETE (WE-1) | 27 | 38 | FT2953 | SOCKET | 55 | - |
| FK85228-1 | BEARING CAGE W/ROLLERS (16 PER SET) | 31 | 16 | FT2961 | LUBRICANT - RYKON GREASE #2EP | 58 | - |
| FO10165 | INLET SEAT GASKET | 21 | 32 | FT2962-1 | SEALANT - 50 CC LOCTITE H, NON-HARDENING GRADE | 58 | - |
| FO10280 | CHOKE SHUTTER RETAINING SCREW AND LOCKWASHER | 21 | 19 | FT2963-2 | SEALANT - 2 OZ. LOCTITE D, HARDENING GRADE . . | 58 | - |
| FO10588 | BODY CHANNEL CUP PLUG | 23 | 40 | FT2987-1 | LUBRICANT - ANTI-SEIZE . . | 58 | - |
| FO10790 | INLET NEEDLE, SEAT AND GASKET | 21 | 31 | FT2989 | FLYWHEEL WEDGE | 54 | - |
| FO10883 | CHOKE RELIEF VALVE SPRING | 21 | 21 | FT2990 | PISTON PIN REMOVER | 55 | - |
| FO11103 | IDLE MIXTURE SCREW SPRING | 21 | 18 | FT2991 | CARBON BRUSH | 55 | - |
| FO12250 | CHOKE SHUTTER | 21 | 22 | FT2996 | RING COMPRESSOR | 55 | - |
| FO12251 | CHOKE RELIEF VALVE | 21 | 20 | FT2998 | TORQUE WRENCH (0 - 100 LBS./FT.) | 55 | - |
| FO13552 | FUEL BOWL | 21 | 26 | | | | |
| FO13554 | FLOAT | 21 | 29 | | | | |
| FO13944 | FLOAT LEVER PIN | 21 | 23 | | | | |
| FO13945 | FUEL BOWL RETAINING SCREW | 21 | 27 | | | | |
| FO14108 | MAIN FUEL JET OPT. .064 1250-3750 FT. | 21 | - | | | | |
| FO14166 | IDLE MIXTURE SCREW | 21 | 17 | | | | |

PARTS INDEX

| Part Number | Description | Pg. | Ref. No. | Part Number | Description | Pg. | Ref. No. |
|---------------|--|-----|----------|-------------|-------------|-----|----------|
| FT2999 | TORQUE WRENCH (0 - 600 LBS./IN.) | 55 | - | | | | |
| FT3431 | SEAL INSTALLER | 56 | - | | | | |
| FT8900 | HOSE CLAMP PLIERS | 55 | - | | | | |
| FT8904 | CUP INSTALLER | 56 | - | | | | |
| FT8907 | DRIVER HANDLE | 56 | - | | | | |
| FT8918 | BEARING GUIDE SET | 56 | - | | | | |
| FT8919 | SPRING PIN PUNCH | 56 | - | | | | |
| FT8921 | CUP REMOVER | 56 | - | | | | |
| FT8926 | RING EXPANDER | 55 | - | | | | |
| FT8930-1 | FEELER GAUGE | 54 | - | | | | |
| FT8932 | LIFTING HOOK | 55 | - | | | | |
| FT8935 | SEALANT PRIMER - 6 OZ. | 58 | - | | | | |
| FT8936-1 | SEALANT - 2 CC LOCTITE RETAINING COMPOUND #75 | 58 | - | | | | |
| FT8948-1 | PROPELLER SHAFT BEARING CAGE PULLER | 56 | - | | | | |
| FT8950 | LEAKAGE TESTER | 57 | - | | | | |
| FT8953 | C-D TESTER | 57 | - | | | | |
| FT8957 | SEAL INSTALLER | 56 | - | | | | |
| FT8963 | BEARING INSTALLER | 56 | - | | | | |
| FT8964 | BEARING REMOVER | 56 | - | | | | |
| FT8967 | SEAL PROTECTOR | 55 | - | | | | |
| FT8968A | TEST WHEEL | 57 | - | | | | |
| FT8969 | LUBRICANT - 7 OZ. L PSI LUBRICANT | 58 | - | | | | |
| FT8971 | SEAL INSTALLER | 55 | - | | | | |
| FT8972 | SEAL INSTALLER | 56 | - | | | | |
| FT8976 | SEAL PROTECTOR | 55 | - | | | | |
| FT8977 | SEAL COLLAR INSTALLER | 55 | - | | | | |
| FT8983 | SEALANT - RTV | 58 | - | | | | |
| FT8996 | IGNITION TESTER | 57 | - | | | | |
| 21-817741A1 | CHECK VALVE | 35 | 25 | | | | |
| 32-817738A1 | FUEL LINE, LONG | 53 | 7 | | | | |
| 33-82370M | SPARK PLUG (L-82) | 37 | 45 | | | | |
| 37-F286894-3 | INDICATOR SPEED CONTROL (252H3G, 252B3G) | 47 | 59 | | | | |
| 39-818119A1 | PISTON RINGS (4 PER SET) .030 OVERSIZE (NOT SHOWN) | 31 | - | | | | |
| 44-819500A3 | PROPELLER SHAFT ASSEMBLY | 49 | 21 | | | | |
| 100-818015A1 | ENGINE COVER | 3 | 1 | | | | |
| 400-818058A1 | CRANKSHAFT W/LOWER MAIN BEARING (252H3G, 252B3G) | 31 | 17 | | | | |
| 400-818063A1 | CRANKSHAFT W/LOWER MAIN BEARING (257H3D, 257B3D) | 31 | - | | | | |
| 600-818052A4 | CONNECTING ROD | 31 | 5 | | | | |
| 700-818118A1 | PISTON .030 OVERSIZE (NOT SHOWN) | 31 | - | | | | |
| 1600-817804A3 | GEAR HOUSING LOWER | 49 | 26 | | | | |
| 1600-817896A2 | LOWER GEAR HOUSING - COMPLETE (NOT SHOWN) | 49 | - | | | | |