



PARTS CATALOG

35 H.P.

SERIAL NUMBER

35 (1982)352H2P
35 (1982)353H2P

TABLE OF CONTENTS:

ACCESSORIES	46
CARBURETOR	14
CRANKSHAFT AND PISTON GROUP	24
ENGINE COVER AND SUPPORT PLATE	2
FUEL PUMP	12
FUEL TANK AND LINE	38
GEAR HOUSING	34
HAND STARTER	10
MAGNETO	8
MOTOR LEG	28
PARTS INDEX	47
POWER HEAD	18
REED PLATE	26
SPECIAL TOOLS - GEAR HOUSING	43
SPECIAL TOOLS - LUBRICANTS AND SEALANTS	45
SPECIAL TOOLS - MANUAL STARTER	41
SPECIAL TOOLS - POWER HEAD	42
SPECIAL TOOLS - TEST EQUIPMENT	44
SPECIAL TOOLS - TUNE-UP	40

NOTE: Indented description indicate that these parts are included in preceeding assembly.

AR = As Required

NSS = Not Sold Separate

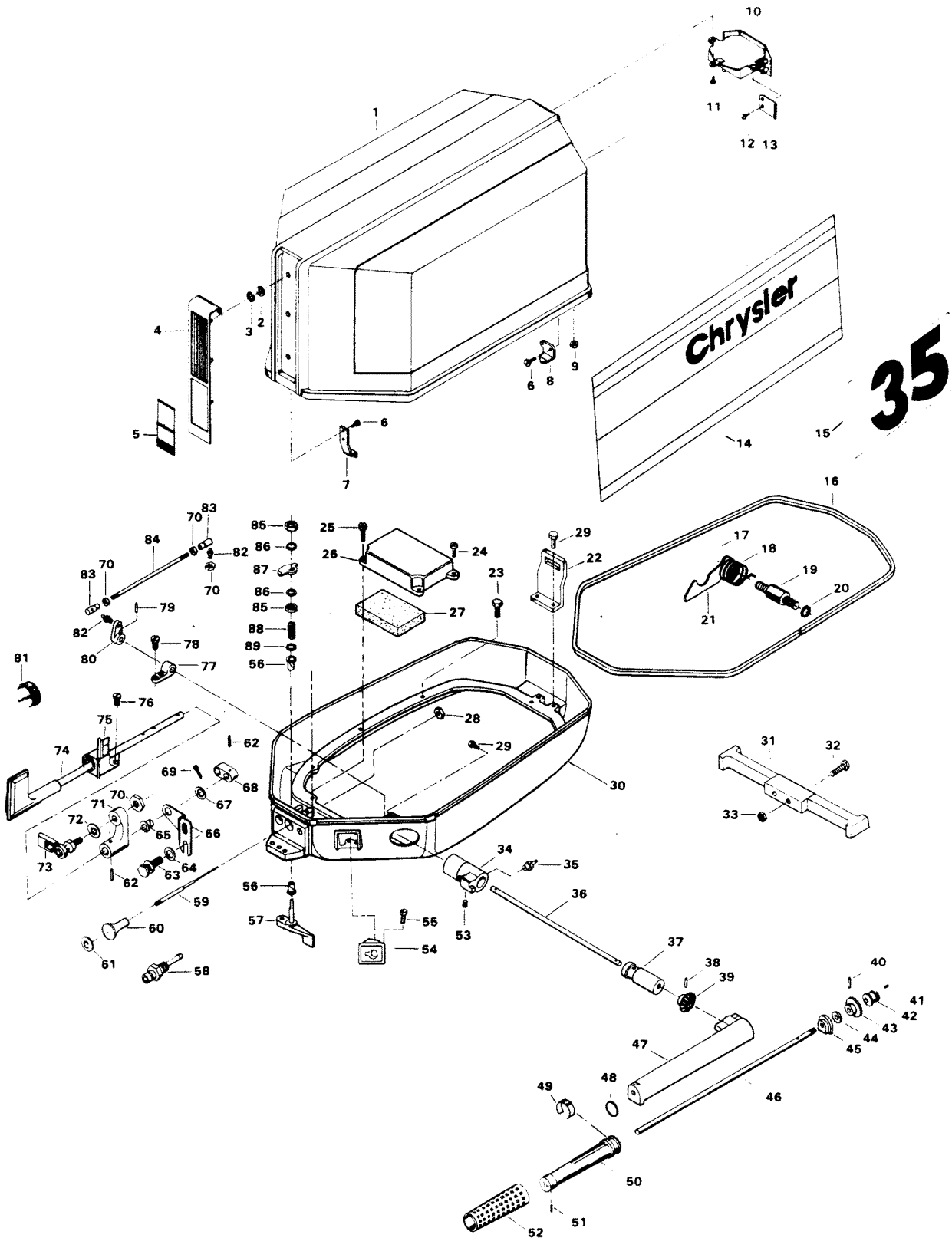
OPT = Optional

NS = Not Shown

THESE PARTS BOOKS/FICHE CARD ARE COPYRIGHTED AND MAY NOT BE DISTRIBUTED OR REPRODUCED IN ANY OTHER FORMAT BY ANYONE OTHER THAN MERCURY MARINE WITHOUT THE PRIOR WRITTEN CONSENT OF MERCURY MARINE.

THIS PAGE INTENTIONALLY LEFT BLANK

ENGINE COVER AND SUPPORT PLATE



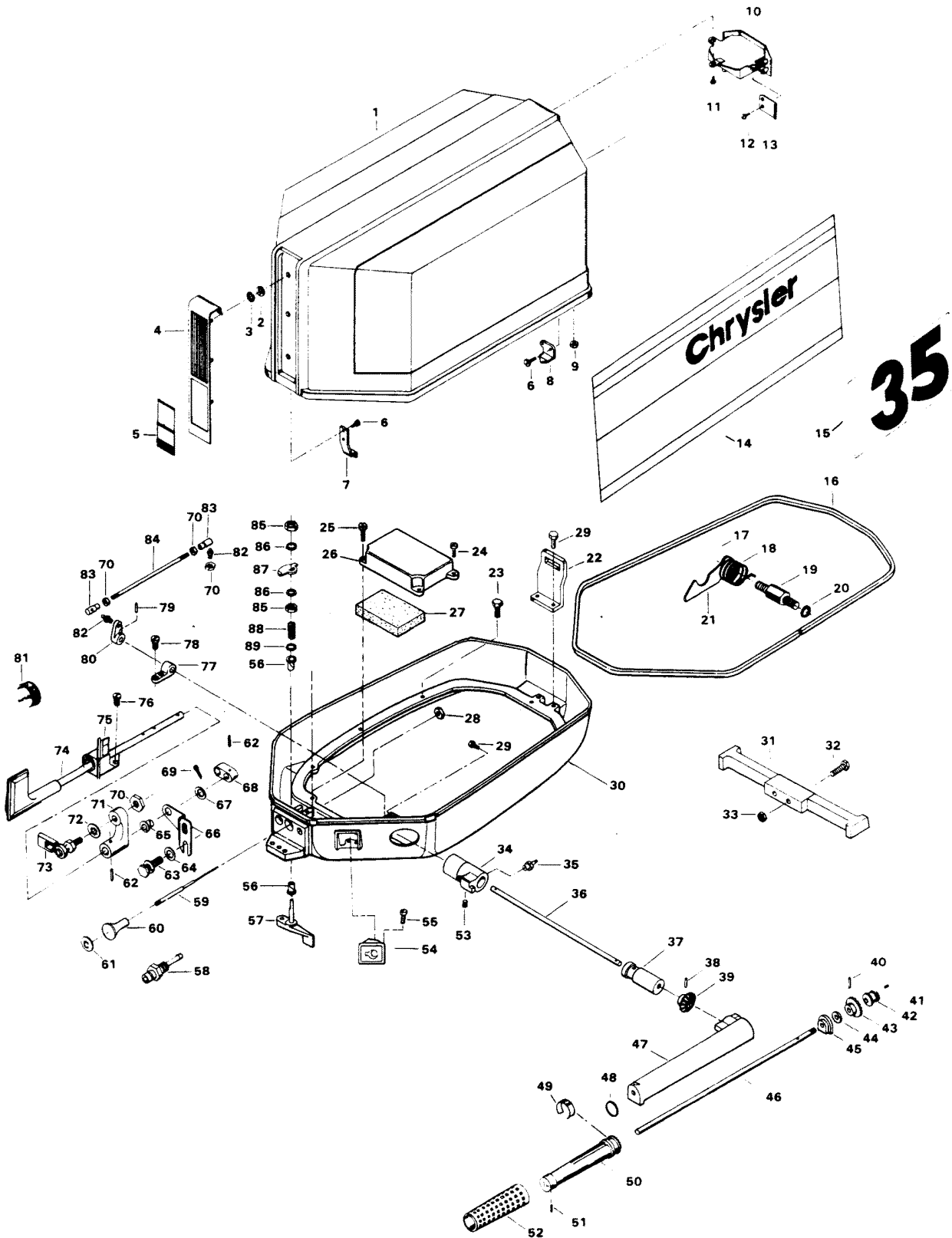
OB 3844

ENGINE COVER AND SUPPORT PLATE

REF. NO.	PART NO.	SYM.	QTY.	DESCRIPTION
1	FS606712		1	ENGINE COVER W/ILLUS. 6, 7, 8 AND 9 ORIGINAL FORCE P/N S 486712-1
-	2C605712		1	ENGINE COVER COMPLETE INCLUDES ALL ITEMS MARKED WITH AN ASTERISK (*) NOTE: THE NUMERICAL DECAL IS NOT PART OF THIS COVER.IT MUST BE ORDERED SEPARATELY
2	F1753		3	FASTENER
3	F85735-1		3	SEAL
4	F605711		1	PLATE, FRONT
5	FA605892		1	DECAL, ENGINE COVER FRONT W/LITERATURE
6	F1979		4	FILL HD SCREW, 10 - 24 X 1/2
7	FA366778		1	ENGINE COVER RETAINER, FORWARD W/ILLUS. 6 AND 9
8	FA458480		1	ENGINE COVER RETAINER W/ILLUS. 6 AND 9
9	F7011		4	HEX NUT, 10 - 24
10	817814A1		1	TILT HANDLE W/LITERATURE ORIGINAL FORCE P/N A 463269-1
11	F2025		1	PAN HD SCREW, 10 X 3/8
12	F2066		4	PAN HD SELF - TAPPING SCREW, 10 - 7/16
13	F463864		2	RETAINER, TILT HANDLE
14	FA605397		1	DECAL, ENGINE COVER - PORT W/LITERATURE
-	FA605396		1	DECAL, ENGINE COVER - STARBOARD W/LITERATURE
15	FA605386		2	DECAL, NUMERAL W/LITERATURE
16	F85756		1	SUPPORT PLATE PACKING
17	F7006		1	HEX NUT, 5/16 - 18
18	F367300		1	SPRING SHIFT DETENT
19	F328819		1	SWIVEL SHIFT DETENT
20	F8060		1	INTERNAL TOOTH LOCKWASHER
21	F328884		1	DETENT, SHIFT ARM
22	F458774		1	BRACKET, RETAINER REAR
23	F1864		8	HEX CAP SCREW, 1/4 - 20 X 3/4
24	F1864		2	HEX HD SCREW, 1/4 - 20 X 3/4
25	F1532		2	HEX HD SCREW, 1/4 - 20 X 1
26	FA307779		1	BAFFLE, AIR INTAKE ASSEMBLY W/ILLUS. 27
27	F307860		1	INTAKE SILENCER
28	F1738		1	HEX NUT, 3/8 - 24
29	F1864		4	HEX CAP SCREW, 1/4 - 20 X 3/4
30	818054A1		1	SUPPORT PLATE W/PLUG
31	F366824		1	CARRYING HANDLE
32	F1603		2	HEX BOLT, 5/16 - 18 X 2
33	F1892		2	STOP NUT, 5/16 - 18
34	F328703-1		1	STEERING HANDLE ADAPTER
35	F213274		1	GREASE FITTING
36	F338877		1	MAGNETO CONTROL SHAFT
37	F328692		1	PIVOT TUBE

CONTINUED ON NEXT PAGE ➡

ENGINE COVER AND SUPPORT PLATE



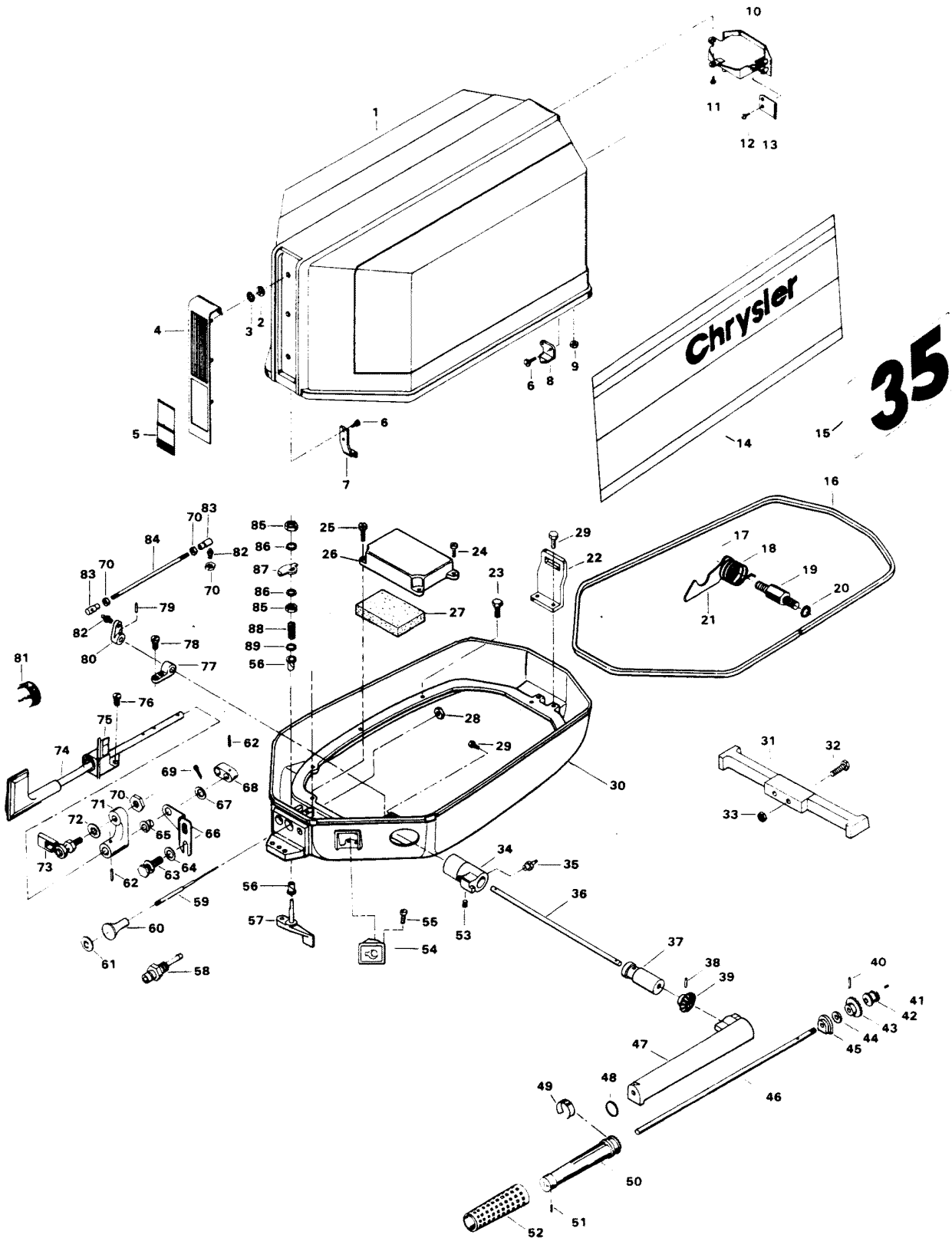
OB 3844

ENGINE COVER AND SUPPORT PLATE

REF. NO.	PART NO.	SYM.	QTY.	DESCRIPTION
38	F8538		1	SPRING PIN
39	F338815		1	STEERING HANDLE GEAR
40	F8538		1	SPRING PIN
41	F1277		1	SLOTTED OVAL HD SET SCREW 1/4 - 28 X 3/8
42	F307689-1		1	STEERING HANDLE CONTROL SHAFT BEARING
43	F338815		1	STEERING HANDLE GEAR
44	F1955		1	PLAIN WASHER
45	F40816-1		1	STEERING HANDLE CONTROL SHAFT THRUST BEARING
46	F433688		1	SHAFT, STEERING HANDLE
47	F2A338079		1	STEERING HANDLE, INCLUDING ITEMS 36, 37, 38, 39 AND 48
48	F53795-1		2	DAMPENER
49	F286894-3		1	STEERING HANDLE INDICATOR
50	FA456137		1	STEERING HANDLE GRIP W/ILLUS. 52
51	F8548		1	SPRING PIN
52	F458695		1	SLEEVE, STEERING HANDLE
53	FA901839		1	STEERING HANDLE FRICTION SCREW W/SPRING AND BUTTON
54	FA366953		1	BUSHING, STARTER HANDLE W/INSERT
55	F1733		1	PAN HD SCREW, 10 - 24 X 9/16
56	F307818		2	BEARING, LATCH SHAFT
57	FA328763		1	LATCH SHAFT W/HANDLE
58	F434767		1	BUSHING
59	F433503		1	CHOKE CABLE
60	F286547		1	CHOKE KNOB
61	F458677		1	INSERT, CHOKE KNOB
62	F1836		2	SPRING PIN
63	F2008		2	HEX HD SCREW W/LOCKWASHER, 1/4 - 20 X 7/8
64	F8028		1	PLAIN WASHER
65	F85610		1	BEARING
66	F433612		1	BRACKET, SHIFT ROD
67	F8032		1	PLAIN WASHER
68	F328621		1	ARM, GEAR SHIFT LEVER
69	F1017		1	COTTER PIN
70	F1513		4	HEX NUT, 10 - 32
71	F485005		1	INTERLOCK LEVER ARM
72	F8058		1	INTERNAL TOOTH LOCKWASHER
-	F191993-1		1	BRACKET, CHOKE CABLE (NOT SHOWN)
73	817747--1		1	BALL JOINT W/BEARING
74	818059A1		1	GEAR SHIFT ROD W/ILLUS. 81 ORIGINAL FORCE P/N 2A 463614-1
75	F328189-1		1	BUSHING, GEAR SHIFT ROD
76	F1733		2	PAN HD SCREW, 10 - 24 X 9/16
77	F366813		1	BEARING
78	F1974		2	FILL HD SCREW, 10 - 24 X 5/8

CONTINUED ON NEXT PAGE ➡

ENGINE COVER AND SUPPORT PLATE

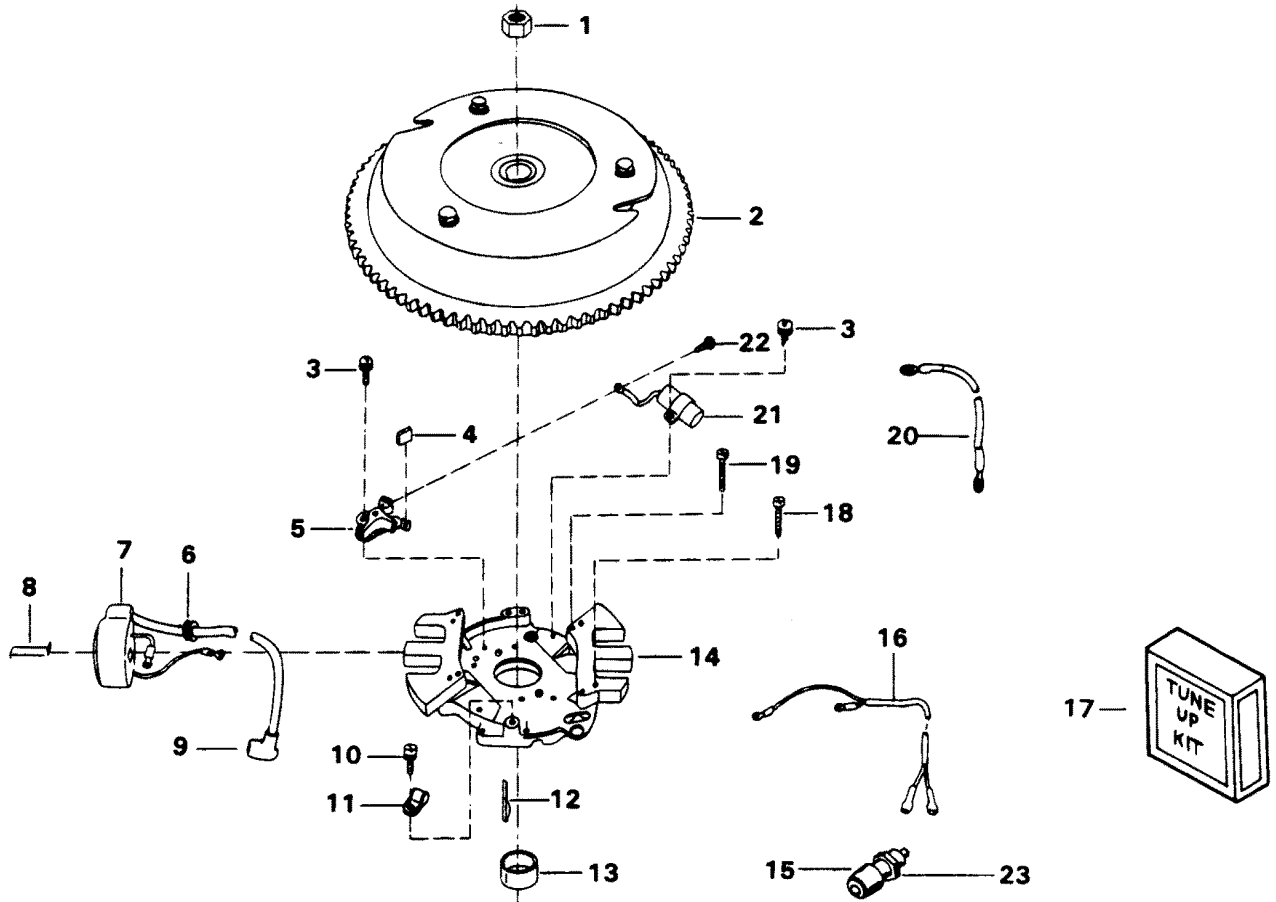


OB 3844

ENGINE COVER AND SUPPORT PLATE

REF. NO.	PART NO.	SYM.	QTY.	DESCRIPTION
79	F8540		1	SPRING PIN
80	F328438		1	MAGNETO CONTROL ARM
81	F461400		1	GEAR SHIFT INDICATOR
82	F98273		2	ROD END CONNECTOR STUD
83	F58685-2		2	ROD END CONNECTOR, MAGNETO CONTROL
84	F307809-1		1	MAGNETO CONTROL ROD
85	F1515		2	HEX NUT, 5/16 - 18
86	F8096		2	SPRING LOCKWASHER
87	F89777-1		1	LATCH CAM
88	F183300		1	SPRING
89	F1987		1	PLAIN WASHER

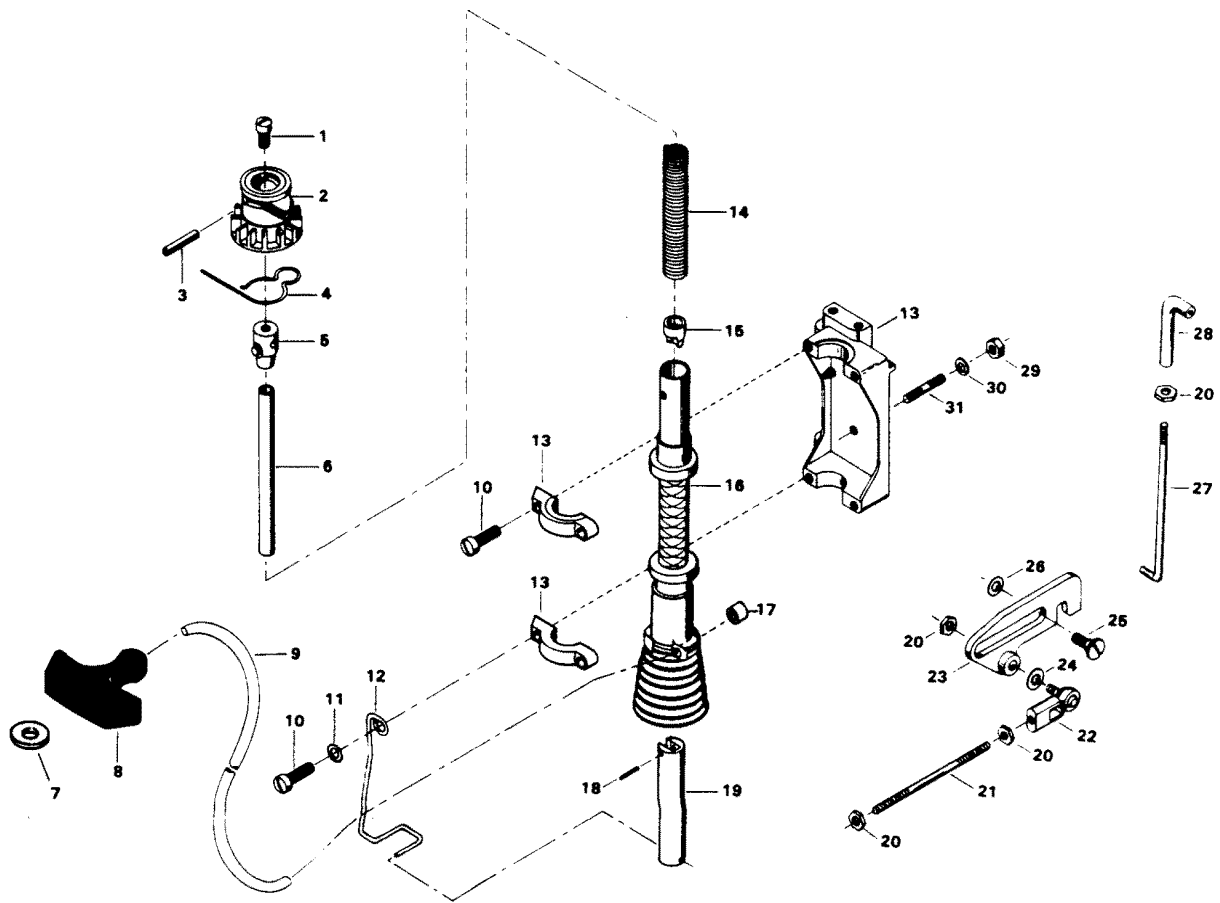
MAGNETO



MAGNETO

REF. NO.	PART NO.	SYM.	QTY.	DESCRIPTION
1	F1920		1	HEX NUT, 5/8 - 18
2	F93097-6		1	FLYWHEEL
3	F12014		6	BREAKER POINT AND CONDENSER MOUNTING SCREW 8 - 32 X 3/8
4	F12227		2	CAM WIPER FELT
5	F12044		2	BREAKER POINT SET
6	F12050		2	GROMMET
7	F12057		2	COIL W/LEAD WIRE, SPARKIE AND GROMMET
8	F12053		2	COIL RETAINING CLIP
9	FK1123		2	SPARKIE KIT
10	F12016		1	CABLE CLIP SCREW, 8 - 32 X 1/2
11	F12246		1	CABLE CLIP
12	F92498		1	KEY
13	F93002		1	CAM
14	F12342		1	STATOR PLATE WITHOUT LAMINATIONS
15	FK436449		1	SHORTING SWITCH W/ILLUS. 23
16	F12059		1	PRIMARY TERMINAL WIRE
17	FK1077		1	TUNE - UP KIT INCLUDES ALL ITEMS MARKED WITH AN ASTERISK (*)
18	F12023		2	LAMINATION SCREW, 10 - 24 X 1
19	F1926		2	LAMINATION SCREW, 8 - 32 X 7/8
20	F460664		0	1 WIRE, STATOR GROUND
21	F12042-1		2	CONDENSOR W/MOUNT
22	F1300		2	BREAKER POINT TERMINAL SCREW, 6 - 32 X 7/8
-	F94914		1	SLEEVE, STATOR WIRE (NOT SHOWN)
-	F12341		2	COIL LAMINATIONS (NOT SHOWN)
-	300-818002A2		-	STATOR COMPLETE INCLUDES ALL ITEMS WITH A DOUBLE ASTERISK (**). ORIGINAL FORCE P/N S 338095-2
23	F436280		4	NUT, SHORTING SWITCH

HAND STARTER

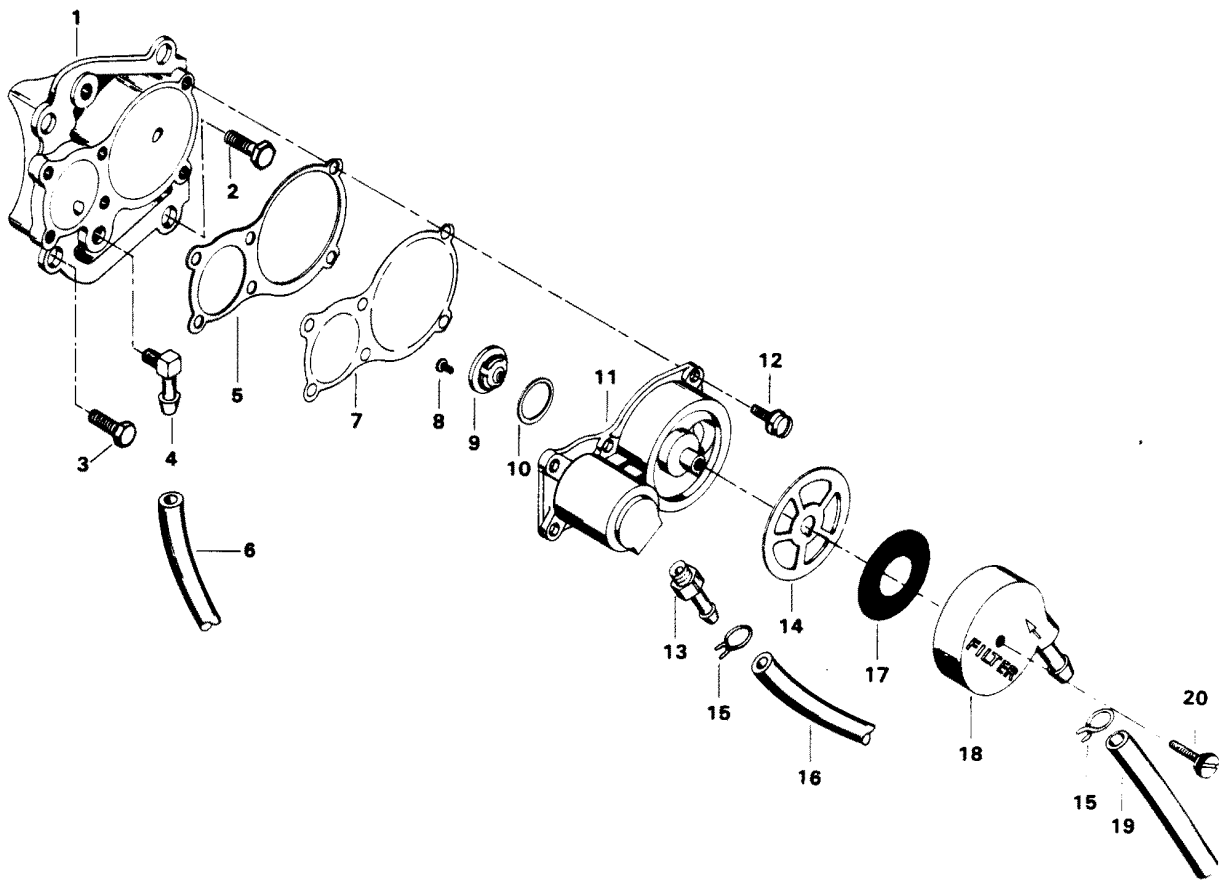


OB 31

HAND STARTER

REF. NO.	PART NO.	SYM.	QTY.	DESCRIPTION
1	F1097		1	FILL HD SCREW, 1/4 - 20 X 3/8
2	F487674		4	STARTER PINION GEAR
3	F40425		1	STARTER PINION PIN
4	F485424		1	SPRING, STARTER PINION
5	F901739		1	STARTER REWIND SPRING DRIVE
6	F328710		1	STARTER ROPE GUIDE POST
7	F2042		1	WASHER, PLAIN
8	F286132		1	STARTER ROPE HANDLE
9	818020A2		1	STARTER ROPE
10	F1111		4	FILL HD SCREW, 1/4 - 20 X 7/8
11	F8060		1	EXTERNAL TOOTH LOCKWASHER
12	F328455		1	STARTER ROPE GUIDE
13	A486427		1	STARTER MOUNTING BRACKET W/CAPS AND ILLUS. 10
14	F901970		1	SPRING STARTER REWIND
15	F191737		1	RETAINER, STARTER SPRING
16	F328239		1	STARTER SPOOL
17	F24333		1	END, STARTER ROPE
18	F8540		1	SPRING PIN
19	F191971		1	STARTER RETAINER EXTENSION
20	F1513		4	HEX NUT, 10 - 32
21	F478502		1	LINK
22	817747--1		1	BALL JOINT W/BEARING
23	F485781		1	STARTER INTERLOCK LOCK
24	F8058		1	INTERNAL TOOTH LOCKWASHER
25	F369887		2	INTERLOCK SCREW
26	F8028		2	PLAIN WASHER
27	F486531		1	STARTER INTERLOCK ROD
28	F485971		1	STARTER SPRING EXTENSION
29	F1515		3	HEX NUT, 5/16 - 18
30	F8096		2	SPRING LOCKWASHER
31	F307211		3	STUD
-	FA27232		1	EMERGENCY STARTER ROPE (NOT SHOWN) W/HANDLE

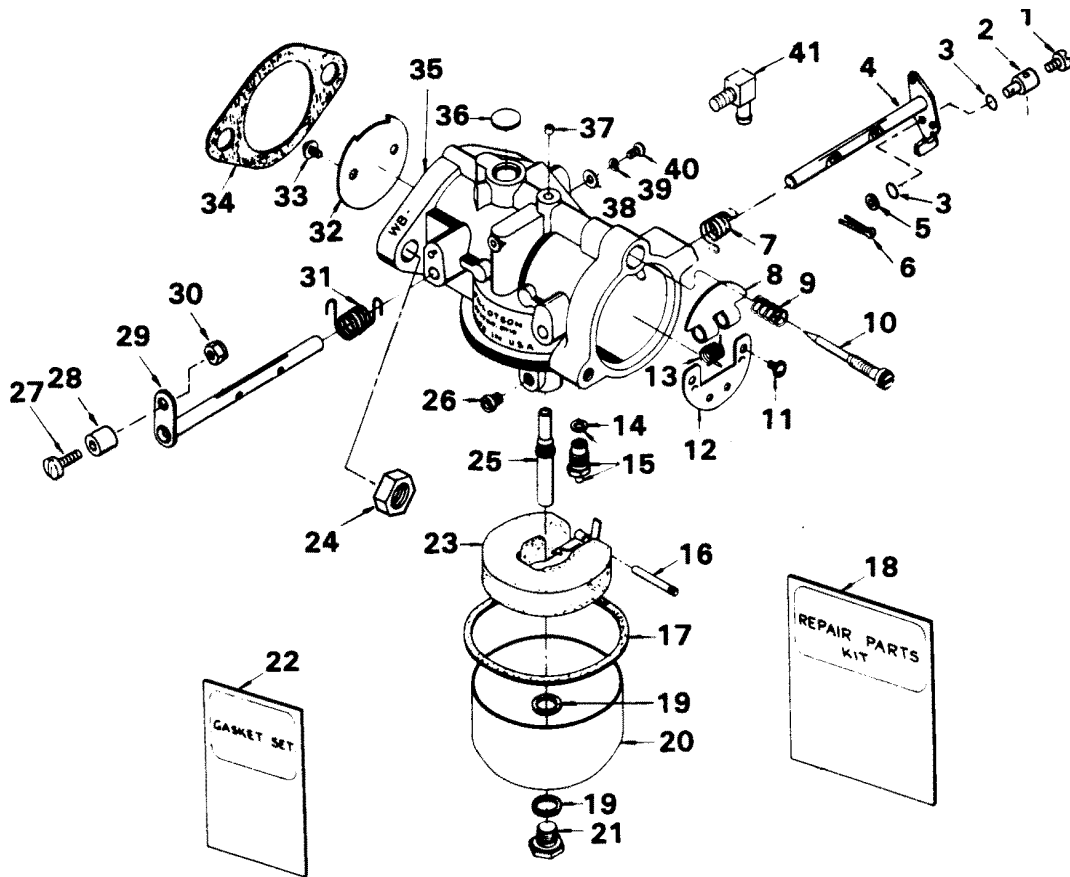
FUEL PUMP



FUEL PUMP

REF. NO.	PART NO.	SYM.	QTY.	DESCRIPTION
1	FA439746		1	FUEL PUMP COVER W/LITERATURE
2	F1922		1	HEX HD SCREW, 1/4 - 20 X 5/8
3	F1922		2	HEX CAP SCREW, 1/4 - 20 X 5/8
4	F84314-2		1	ELBOW
5	F438760		1	FUEL PUMP GASKET
6	F434758		1	FUEL PUMP IMPULSE HOSE
7	F438747		1	FUEL PUMP DIAPHRAGM
8	F1860		2	ROUND HD SCREW, 6 32 X 1/4
9	F177330		3	FUEL PUMP VALVE
10	F84792		1	FUEL PUMP VALVE GASKET (CENTER VALVE)
11	FA438431		1	FUEL PUMP BODY W/ILLUS. 8, 9 AND 10
12	F1108		6	FILL HD SCREW 1/4 W/LOCKWASHER, 20 X 3/4
13	F438801		1	ELBOW
14	F438617		1	FUEL SEDIMENT BOWL GASKET
15	F97772		4	FUEL LINE CLAMPS
16	F434754		1	FUEL LINE, PUMP TO CARBURETOR
17	F438653		1	FUEL PUMP SCREEN
18	F438500		1	FUEL SEDIMENT BOWL
19	F434754		1	HOSE BUSHING TO FUEL PUMP
20	F438165		1	SCREW, FUEL BOWL

CARBURETOR



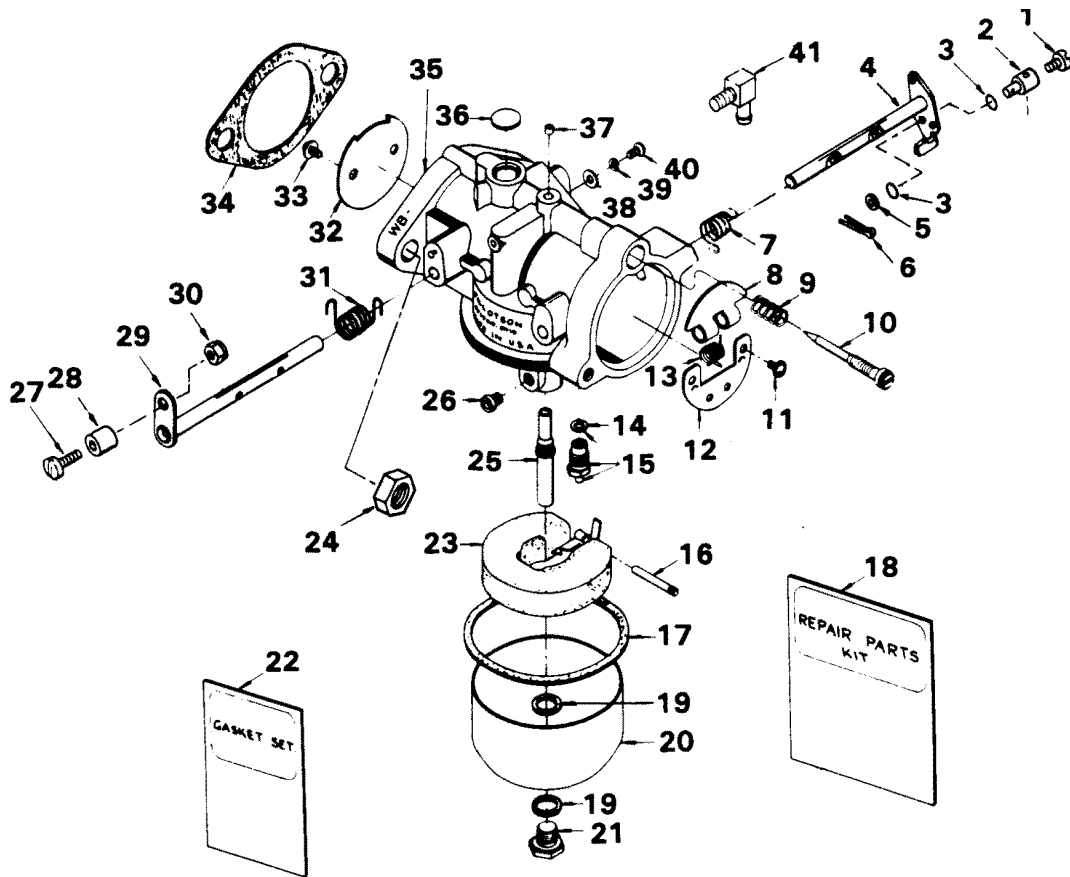
OB 3844

CARBURETOR

REF. NO.	PART NO.	SYM.	QTY.	DESCRIPTION
1	F1059		1	FILL HD SCREW, 6 - 32X 1-4
2	F184033-1		1	SWIVEL, CHOKE ROD
3	F184579		2	SEAL, CHOKE ARM SWIVEL
4	FO16383		1	CHOKE SHAFT AND LEVER
5	F8088		1	PLAIN WASHER
6	F1014		1	COTTER PIN
7	FO16385		1	CHOKE SHAFT RETURN SPRING
8	FO12251		1	CHOKE RELIEF VALVE
9	FO11103		1	IDLE MIXTURE SCREW SPRING
10	FO13946		1	IDLE MIXTURE SCREW
11	FO10280		2	CHOKE SHUTTER RETAINING SCREW AND LOCKWASHER
12	FO12250		1	CHOKE SHUTTER
13	FO10883		1	CHOKE RELIEF VALVE SPRING
14	FO10165		1	INLET SEAT GASKET
15	FO10790		1	INLET NEEDLE, SEAT AND GASKET
16	FO13944		1	FLOAT LEVER PIN
17	FO15623		1	FUEL BOWL GASKET
18	F10019		1	REPAIR PARTS KIT INCLUDES ALL ITEMS MARKED WITH AN ASTERISK (*)
19	FO2510		2	FUEL BOWL RETAINING SCREW GASKET
20	FO13552		1	FUEL BOWL
21	FO13945		1	FUEL BOWL RETAINING SCREW
22	FK10000		1	GASKET SET W/ILLUS. MARKED WITH A DOUBLE ASTERISK (**)
23	FO13554		1	FLOAT
24	F1515		2	HEX NUT, 5/16 - 18
25	FO16251		1	MAIN NOZZLE
26	FO15406		1	MAIN FUEL JET .090 (STD.)
-	FO13193		-	MAIN FUEL JET .088 (OPT.) 1250 - 3750 FEET
-	FO13949		-	MAIN FUEL JET .086 (OPT.) 3750 - 6250 FEET
-	FO14302		-	MAIN FUEL JET .084 (OPT.) 6250 - 8250 FEET
27	F333316		1	THROTTLE ROLLER SHAFT
28	F92759		1	ROLLER
29	FO15728		1	THROTTLE SHAFT AND LEVER
30	F1997		1	STOP NUT, 10 - 24
31	FO14292		1	THROTTLE SHAFT RETURN SPRING
32	FO16119		1	THROTTLE SHUTTER
33	FO8942		2	THROTTLE SHUTTER RETAINING SCREW AND LOCKWASHER
34	F40906-1		1	FLANGE GASKET
35	F433061-2		1	CARBURETOR COMPLETE (WB-17C)
36	FO4326		1	BODY CHANNEL WELCH PLUG

CONTINUED ON NEXT PAGE ➡

CARBURETOR

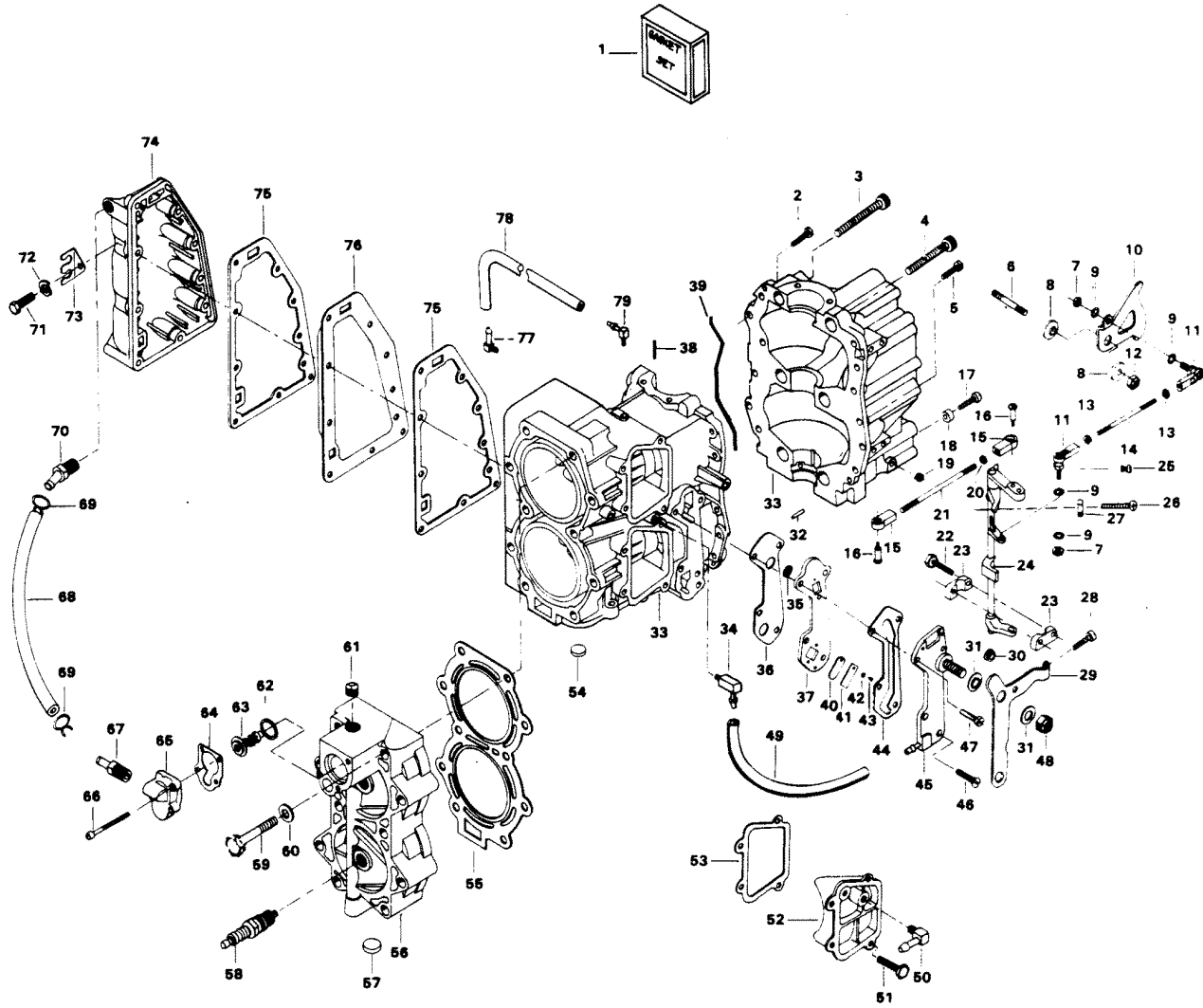


OB 3844

CARBURETOR

REF. NO.	PART NO.	SYM.	QTY.	DESCRIPTION
37	FO10588		1	BODY CHANNEL CUP PLUG
38	FO3804		1	THROTTLE SHAFT POSITION RETAINING WASHER
39	FO6396		1	THROTTLE SHAFT POSITION RETAINING SCREW LOCKWASHER
40	FO6393		1	THROTTLE SHAFT POSITION RETAINING SCREW
41	F84314-2		1	ELBOW, FUEL LINE

POWER HEAD

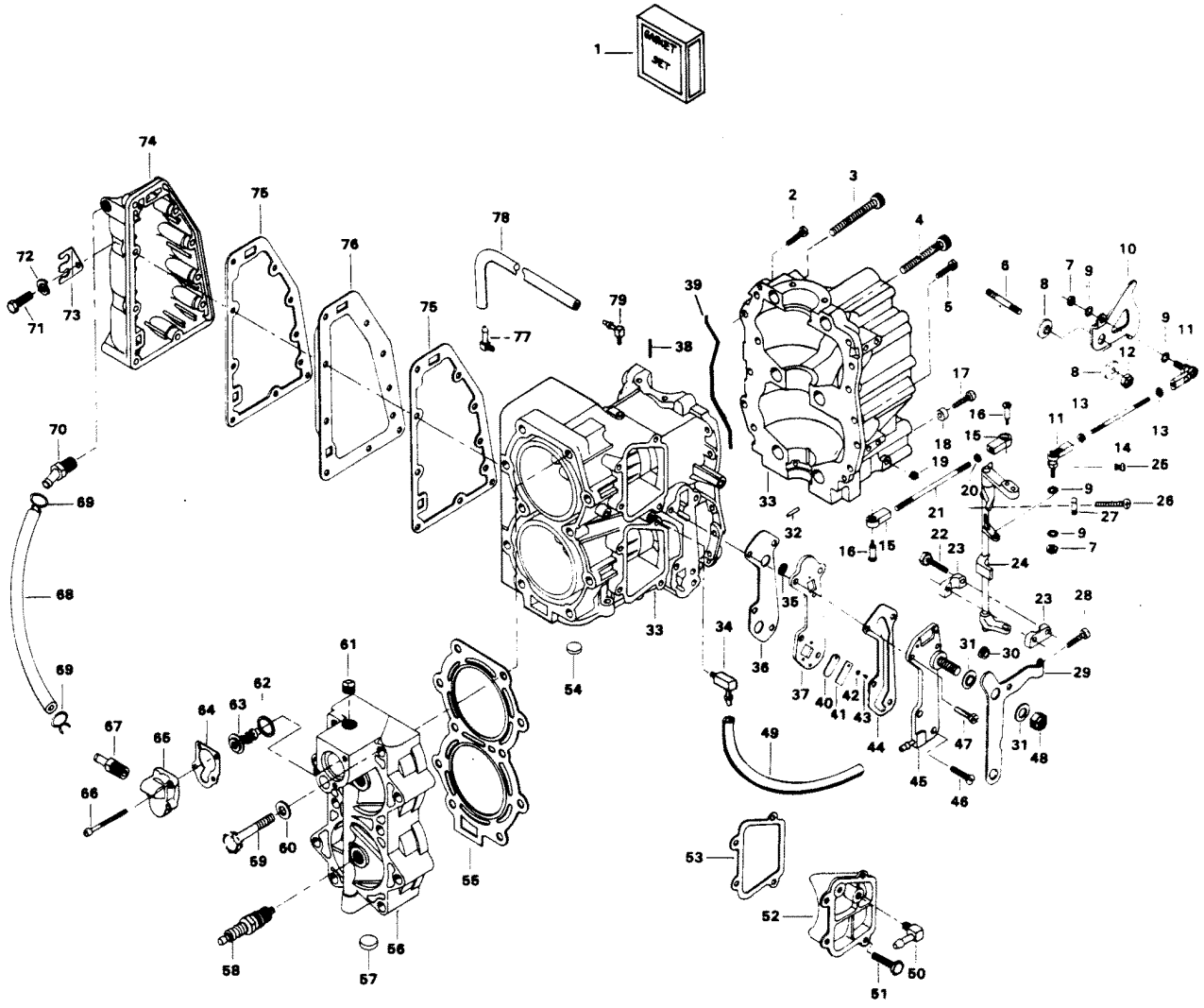


POWER HEAD

REF. NO.	PART NO.	SYM.	QTY.	DESCRIPTION
1	FG1007-1		1	GASKET SET INCLUDES ITEMS MARKED WITH A STAR *
-	F40154-3		3	GASKET, EXHAUST PORT PLATE
-	F40223		1	GASKET, TRANSFER PORT COVER
-	F40833-4		1	GASKET, RELIEF COVER
-	F40906-1		1	GASKET, CARBURETOR
-	F93472-1		1	GASKET, CYLINDER DRAIN
-	F93748-1		1	GASKET, CYLINDER DRAIN
-	F97067		1	GASKET, THERMOSTAT COVER
-	F201529-1		1	GASKET, CYLINDER HEAD
-	F269122-1		1	GASKET, CRANKCASE PARTING LINE SEAL
-	F307279-2		1	GASKET, CYLINDER EXHAUST UPPER
-	F40279-1		1	GASKET, CYLINDER EXHAUST LOWER
-	F311996		1	GASKET, CYLINDER HEAD COVER
-	F366277		1	GASKET, BEARING CAGE
-	F433168		1	GASKET, CARBURETOR ADAPTER
-	F433406		1	GASKET, DEFLECTOR PLATE
2	F1864		9	HEX SLOT HD SCREW, 1/4 - 20 X 3/4
3	F1646		1	HEX SOCKET HD CAP SCREW, 3/8 - 16 X 2-1/4
4	F1879		5	HEX SOCKET HD CAP SCREW, 3/8 - 16 X 1-5/8
5	F1922		3	HEX HD SCREW, 1/4 - 20 X 5/8
6	F433209-1		1	STUD, THROTTLE CAM
7	F1513		2	HEX NUT, 10 - 32
8	F269319		2	THROTTLE CAM BEARING
9	F8058		4	INTERNAL TOOTH LOCKWASHER
10	F433192		1	THROTTLE CAM
11	817747--1		2	BALL JOINT W/BEARING
12	F1910		1	ELASTIC STOP NUT, 1/4 - 20
13	F1513		2	HEX NUT, 10 - 32
14	F85502		1	THROTTLE LINK
15	F84035-2		1	SPARK CONTROL BEARING, R.H.
-	F84036		1	SPARK CONTROL BEARING, L.H.
16	F84026		2	SPARK CONTROL SWIVEL
17	F1134		2	FILL HD SCREW, 8 - 32 X 1 - 1/8
18	F307942-1		2	BUMPER
19	F1770		2	LOCK NUT, 8 - 32
20	F1473		1	HEX NUT, 10 - 24
21	F269445-1		1	SPARK CONTROL LINK
22	F1995		4	FILL HD SCREW, 10 - 24 X 1
23	F433689		4	BEARING, TOWERSHAFT
24	FK433838		1	TOWERSHAFT ASSEMBLY W/ILLUS. 26 AND 27
25	F1727		1	PLASTIC RIVET
26	F1052		1	FILL HD SCREW, 1/4 - 20 X 1
27	F1341		1	HEX NUT, 1/4 - 20

CONTINUED ON NEXT PAGE ➡

POWER HEAD

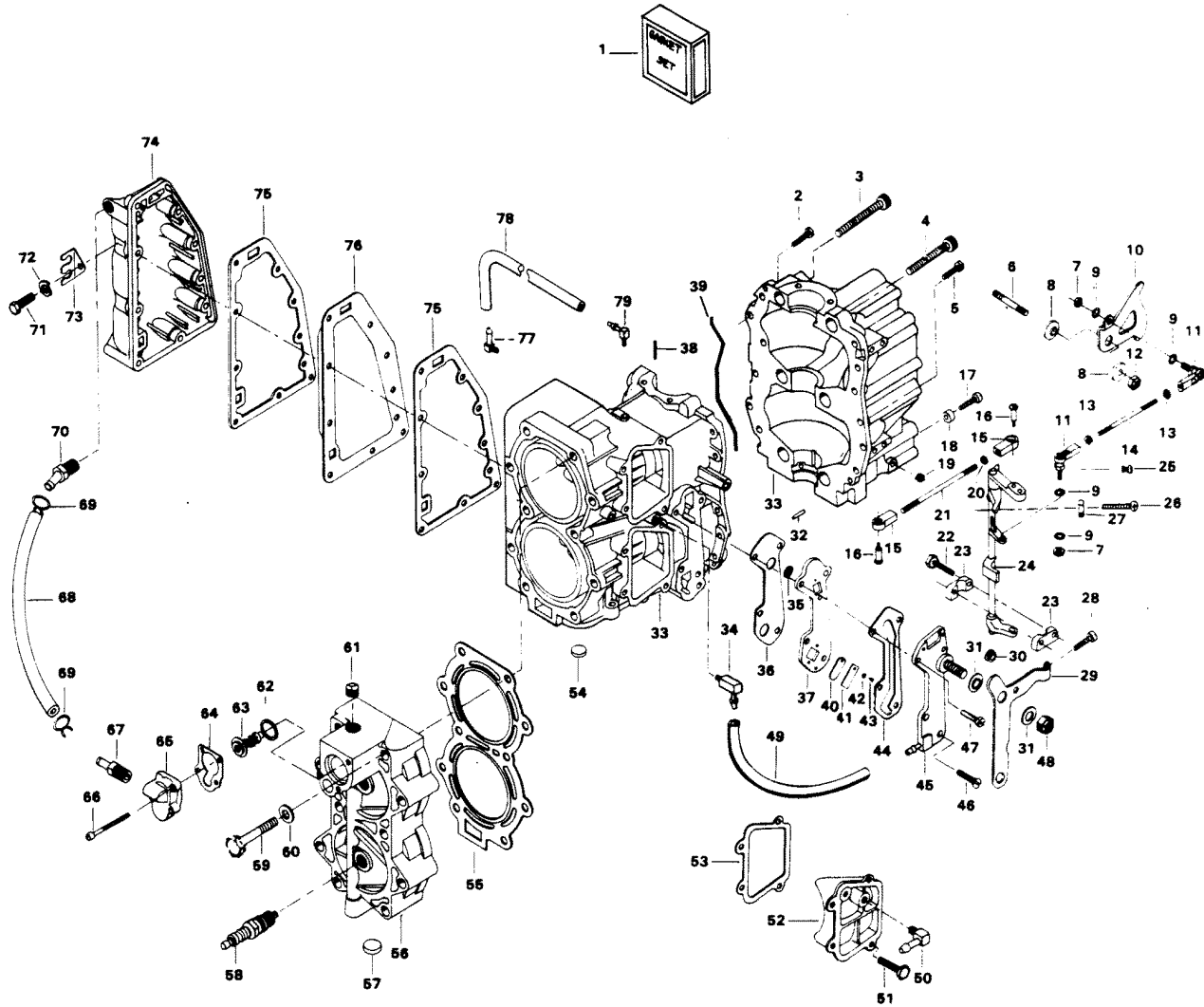


POWER HEAD

REF. NO.	PART NO.	SYM.	QTY.	DESCRIPTION
28	F1969		1	FILL HD SCREW, 1/4 - 20 X 3/4
29	817794A1		1	SHIFT ARM W/ROLLER & ILLUS. 30
30	F85610		1	BEARING
31	F269052		2	SHIFT ARM BEARING
32	F8559		2	DOWEL PIN
33	800-817791A1		1	CYLINDER W/CRANKCASE COVER, DEFLECTOR PLATE ILLUS. 3, 4, 32, 38, 39, AND LITERATURE ORIGINAL FORCE P/N A 433010-1
-	800-817894A2		1	SHORT BLOCK (NOT SHOWN) INCLUDES ALL ITEMS MARKED WITH AN ASTERISK (*). ALSO REFER TO CRANKSHAFT AND PISTON PAGE ORIGINAL FORCE P/N C 433010-2
34	F404801		1	ELBOW
35	F93811		2	SCREEN, CYLINDER DRAIN REED PLATE
36	F93748-1		1	CYLINDER DRAIN REED PLATE GASKET
37	F2A433757		1	CYLINDER DRAIN REED PLATE W/ILLUS. 35, 40, 41, 42 AND 43
38	F8545		1	SPRING PIN
39	F269122-1		1	CRANKCASE PARTING LINE SEAL
40	F18160-2		2	REED, CYLINDER DRAIN
41	F93920		2	CYLINDER DRAIN REED STOP
42	F8003		2	PLAIN WASHER
43	F1286		2	PAN HD SCREW, 4 - 40 X 3/16
44	F93472-1		1	CYLINDER DRAIN COVER GASKET
45	FA433471		1	CYLINDER DRAIN COVER W/FITTING
46	F1136		2	FLAT HD SCREW, 1/4 - 20 X 1
47	F1446		2	SLOTTED PAN HD SCREW, 1/4 - 20 X 1
48	F7004		1	STOP NUT, 3/8 - 16
49	F433254		1	HOSE
50	F84314-2		1	ELBOW, FUEL LINE
51	F1922		2	HEX CAP SCREW, 1/4 - 20 X 5/8
52	FA411222		1	TRANSFER PORT COVER W/FITTING AND LITERATURE
53	F40223		2	TRANSFER PORT COVER GASKET
54	F1525		1	WELCH PLUG
55	F201529-1		1	CYLINDER HEAD GASKET
56	2A307518		1	CYLINDER HEAD W/ILLUS. 57 AND 54
57	F1526		1	WELCH PLUG
58	33-82370M		2	SPARK PLUG (L-82)
59	F1544		10	HEX HD SCREW, 3/8 - 16 X 2 - 1/4
60	F2014		10	PLAIN WASHER
61	F328109		1	PIPE PLUG CYLINDER HEAD
62	F97504		1	GROMMET, THERMOSTAT
63	F97068-1		1	THERMOSTAT
64	F97067		1	THERMOSTAT COVER GASKET
65	F97066-1		1	THERMOSTAT COVER

CONTINUED ON NEXT PAGE ➡

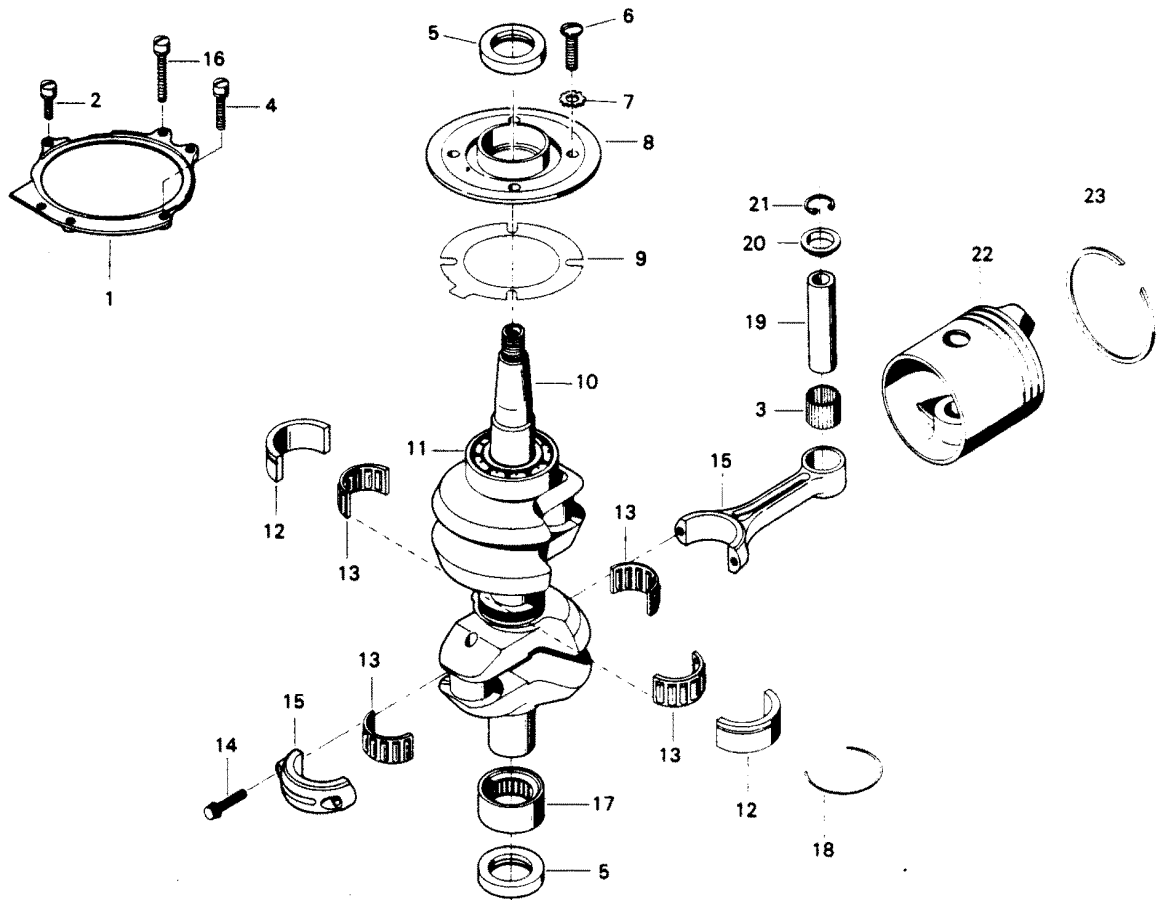
POWER HEAD



POWER HEAD

REF. NO.	PART NO.	SYM.	QTY.	DESCRIPTION
66	F1995		3	FILL HD SCREW, 10 - 24 X 1
67	F97275		1	FITTING, THERMOSTAT
68	FA97247		1	WATER TUBE, THERMOSTAT W/LITERATURE
69	F97772		2	CLAMP
70	F141275		1	FITTING, THERMOSTAT
71	F1971		9	HEX HD SCREW, 1/4 - 20 X 2 - 1/8
72	F8083		9	SPRING LOCKWASHER
73	F901834		1	LEAD WIRE CLIP
74	FA433152		1	EXHAUST PORT COVER W/ILLUS. 71
75	F40151-1		1	EXHAUST PORT PLATE
76	F40154-3		2	EXHAUST PORT PLATE GASKET
77	F463314		1	FITTING
78	FS433758		1	HOSE W/LITERATURE
79	22-817740A1		1	ELBOW W/METERING CUP

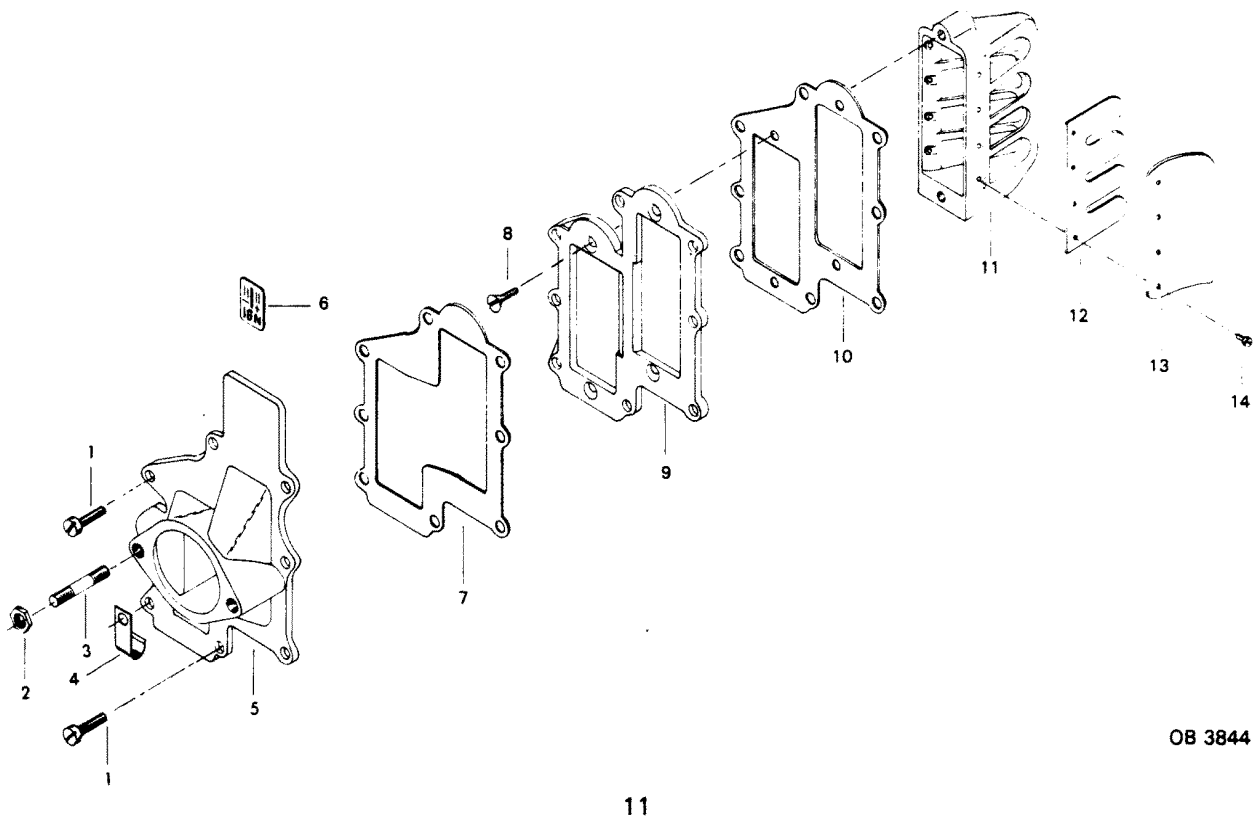
CRANKSHAFT AND PISTON GROUP



CRANKSHAFT AND PISTON GROUP

REF. NO.	PART NO.	SYM.	QTY.	DESCRIPTION
1	F366082		1	MAGNETO STATOR RING
2	F1080		1	FILL HD SCREW W/LOCKWASHER, 10 - 24 X 3/4
3	F335217-1		2	BEARING
4	F1813		1	FILL HD SCREW W/LOCKWASHER, 10 - 24 X 1-1/8
5	F40146-1		2	CRANKSHAFT SEAL
6	F1441		4	PAN HD SCREW, 1/4 - 20 X 7/8
7	F8060		4	EXTERNAL TOOTH LOCKWASHER (USE WITH PAN HD SCREW)
8	FA433144		1	CRANKSHAFT BRG. CAGE W/ILLUS. 5
9	F366277		1	BEARING CAGE GASKET
10	FA485018		1	CRANKSHAFT W/ILLUS. 11
11	F366013		1	CRANKSHAFT THRUST BEARING UPPER
12	FA40655		1	CRANKSHAFT CENTER MAIN BEARING RACE W/ILLUS. 18
13	FK85228-1		3	BEARING CAGE W/ROLLERS (16 PER SET)
14	F85634-2		4	CONNECTING ROD SCREW
15	600-818052A4		2	CONNECTING ROD W/CAP AND ILLUS 14 ORIGINAL FORCE P/N S 366016-4
16	F1812		2	FILL HD SCREW W/LOCKWASHER, 10 - 24 X 1-9/16
17	F90014		1	CRANKSHAFT LOWER MAIN BEARING
18	F40410		1	SNAP RING
19	F40017-2		1	PISTON PIN
20	F366215		4	SPACER
21	F428096		4	RETAINER, PISTON PIN
22	F377015-1		2	PISTON (STANDARD)
-	3SA37701		2	PISTON .030 OVERSIZE
-	SA377015		2	PISTON .010 OVERSIZE
23	FA353260		1	PISTON RING SET (6 PER SET) (STANDARD)
-	39-818112A1		1	PISTON RINGS (6 PER SET) .030 OVERSIZE
-	FS307260		1	PISTON RINGS (6 PER SET) .010 OVERSIZE

REED PLATE

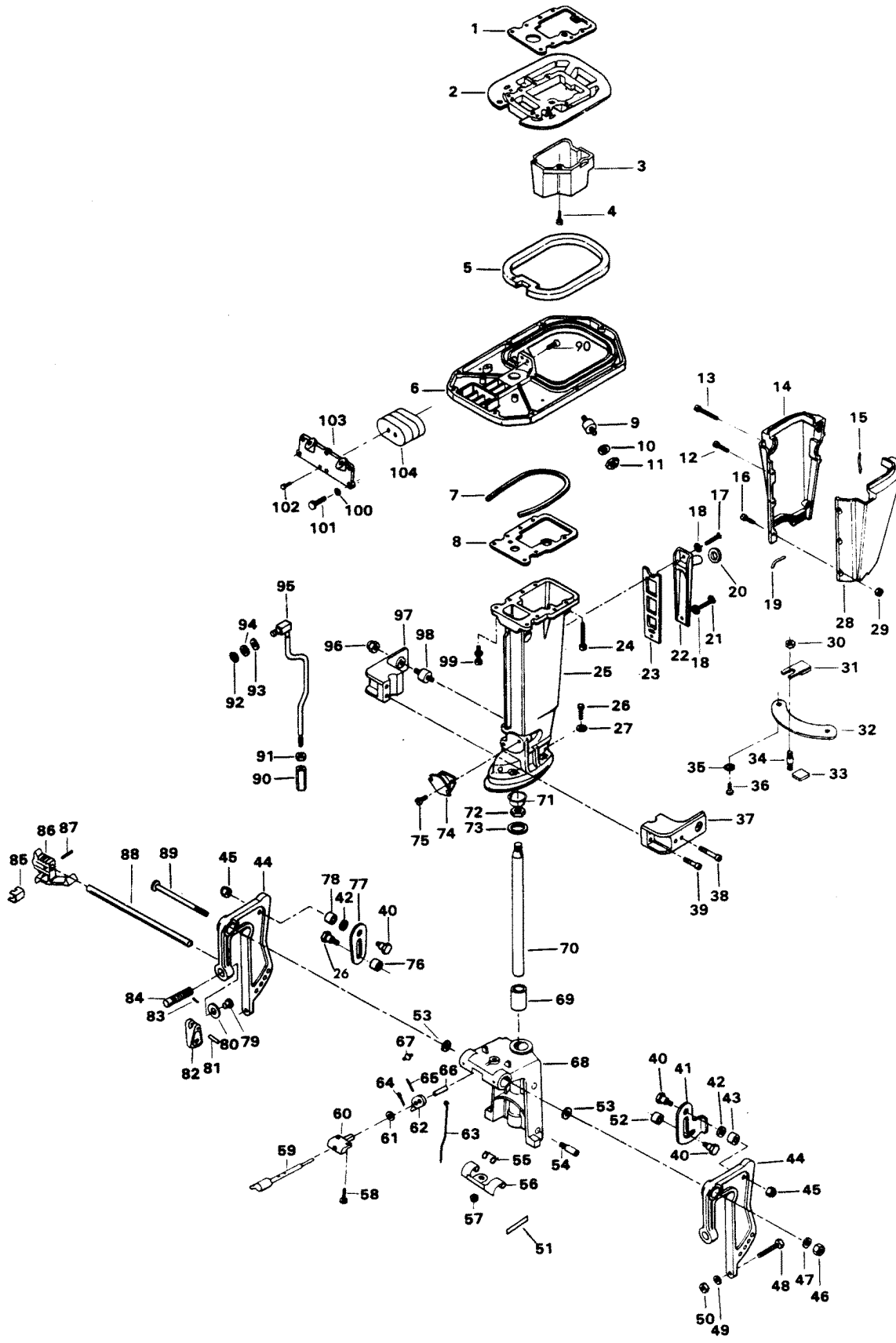


OB 3844

REED PLATE

REF. NO.	PART NO.	SYM.	QTY.	DESCRIPTION
1	F2008		8	HEX HD SCREW, 1/4 - 20 X 7/8
2	F1515		2	HEX NUT, 5/16 - 18
3	F40209		2	CARBURETOR STUD
4	F286772-1		1	CLAMP
5	FA433167		1	CARBURETOR ADAPTER FLANGE W/ILLUS. 3
6	37-817792A1		1	DECAL, TIMING W/LITERATURE ORIGINAL FORCE P/N A 433387-1
7	F433168		1	CARBURETOR ADAPTER GASKET
8	F1141		4	FLAT HD SCREW, 10 - 24 X 1/2
9	F433404		1	DEFLECTOR PLATE
10	F433406		1	DEFLECTOR PLATE GASKET
11	FA433158		2	REED PLATE W/ILLUS. 12, 13 AND 14
12	F335160		4	REED
13	F88161-3		4	REED STOP
14	F1755		16	ROUND HD SCREW W/LOCKWASHER, 6 - 32 X 5/16

MOTOR LEG



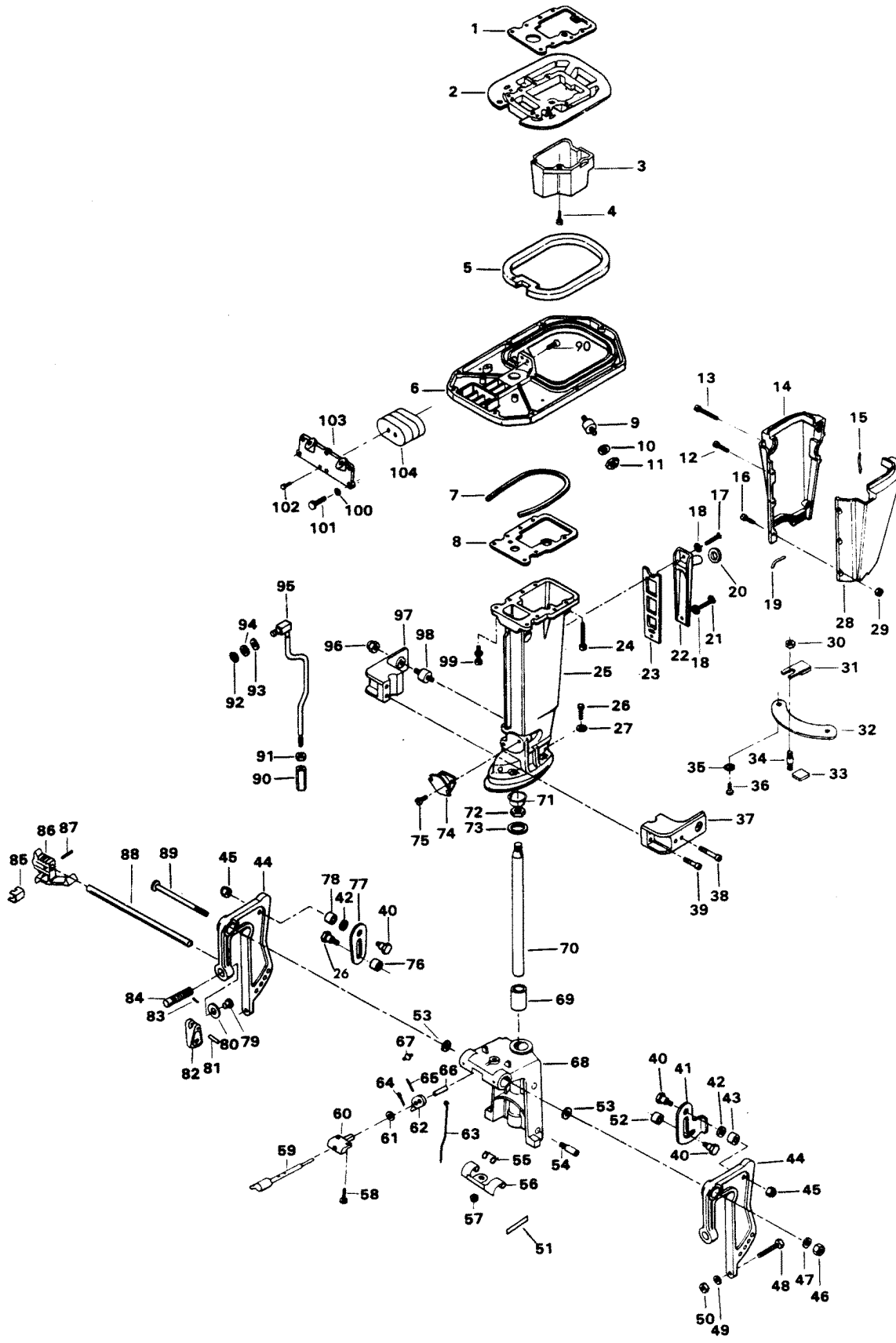
OB 3844

MOTOR LEG

REF. NO.	PART NO.	SYM.	QTY.	DESCRIPTION
1	F307279-2		1	CYLINDER EXHAUST GASKET UPPER
2	F433680		1	SPACER PLATE
3	F307660-1		1	TUBE LEG EXHAUST
4	F1851		3	FILL HD MACHINE SCREW W/LOCKWASHER, 10 - 24 X 1/2
5	F307989-1		1	SEAL, KINGPIN PLATE
6	FS307940		1	KINGPIN PLATE
7	F89025		1	DAMPENING PAD
8	F40279-1		1	CYLINDER EXHAUST GASKET LOWER
9	F307962		2	SHOCK MOUNT, SIDE UPPER
10	F8038		2	PLAIN WASHER
11	F1346		2	HEX NUT, 3/8 - 16
12	F1768		2	FILL HD SCREW, 10 - 24 X 1-3/8 (LONG LEG)
-	F1768		3	FILL HD. SCREW, 10 - 24 X 1-3/8 (STD. LEG)
-	F1733		1	PAN HD M. SCREW, 10 - 24 X 9/16 (LONG LEG)
13	F1767		1	FILL HD SCREW, 10 - 24 X 3
14	FA435145		1	LEG COVER (STARBOARD) W/ILLUS 15 & 19
15	F435323		2	PACKING LEG COVER UPPER
16	F1733		2	FILL HD SCREW, 10 - 24 X 9/16
17	F1849		1	FLAT HD SCREW, S.S., 1/4 - 20 X 1-3/8
18	F8083		2	SPRING LOCKWASHER
19	F435323		2	PACKING LEG COVER LOWER
20	F89504		1	GROMMET, MOTOR LEG
21	F1199		1	HEX HD SCREW, 1/4 - 20 X 1
22	FA89832-2		1	MOTOR LEG EXHAUST COVER W/ILLUS. 17, 18 AND 21
23	F40833-4		1	MOTOR LEG EXHAUST COVER GASKET
24	F1905		1	HEX HD SCREW, 1/4 - 20 X 3 - 7/16
25	F435133-1		1	MOTOR LEG (LONG LEG)
-	F366133-2		1	MOTOR LEG (STD. LEG)
26	F1929		4	HEX HD CAP SCREW, S.S., 3/8 - 16 X 1-1/8
27	F8065		4	SPRING LOCKWASHER
28	FA435135		1	LEG COVER (PORT) W/ILLUS. 15 & 19
29	F1473		6	HEX NUT, 10 - 24
30	F1832		1	HEX LOCK NUT, 1/4 - 20
31	FA40742		1	FRICTION SHOE ADJUSTING ARM W/ILLUS. 33
32	F40775		1	FRICTION SHOE PLATE
33	F901631-1		1	FRICTION SHOE
34	F210-1		1	STUD
35	F8083		2	LOCKWASHER
36	F1546		2	HEX HD SCREW, 1/4 - 20 X 1/2
37	F433973		1	SHOCK MOUNT LOWER COVER, PORT
38	F1635		2	HEX SOCKET HD CAP SCREW, S.S., 3/8 - 16 X 3 - 1/2
39	F1636		2	HEX SOCKET HD CAP SCREW, S.S., 3/8 - 16 X 1 - 1/4
40	F366350		4	TILT STOP PIVOT

CONTINUED ON NEXT PAGE ➡

MOTOR LEG



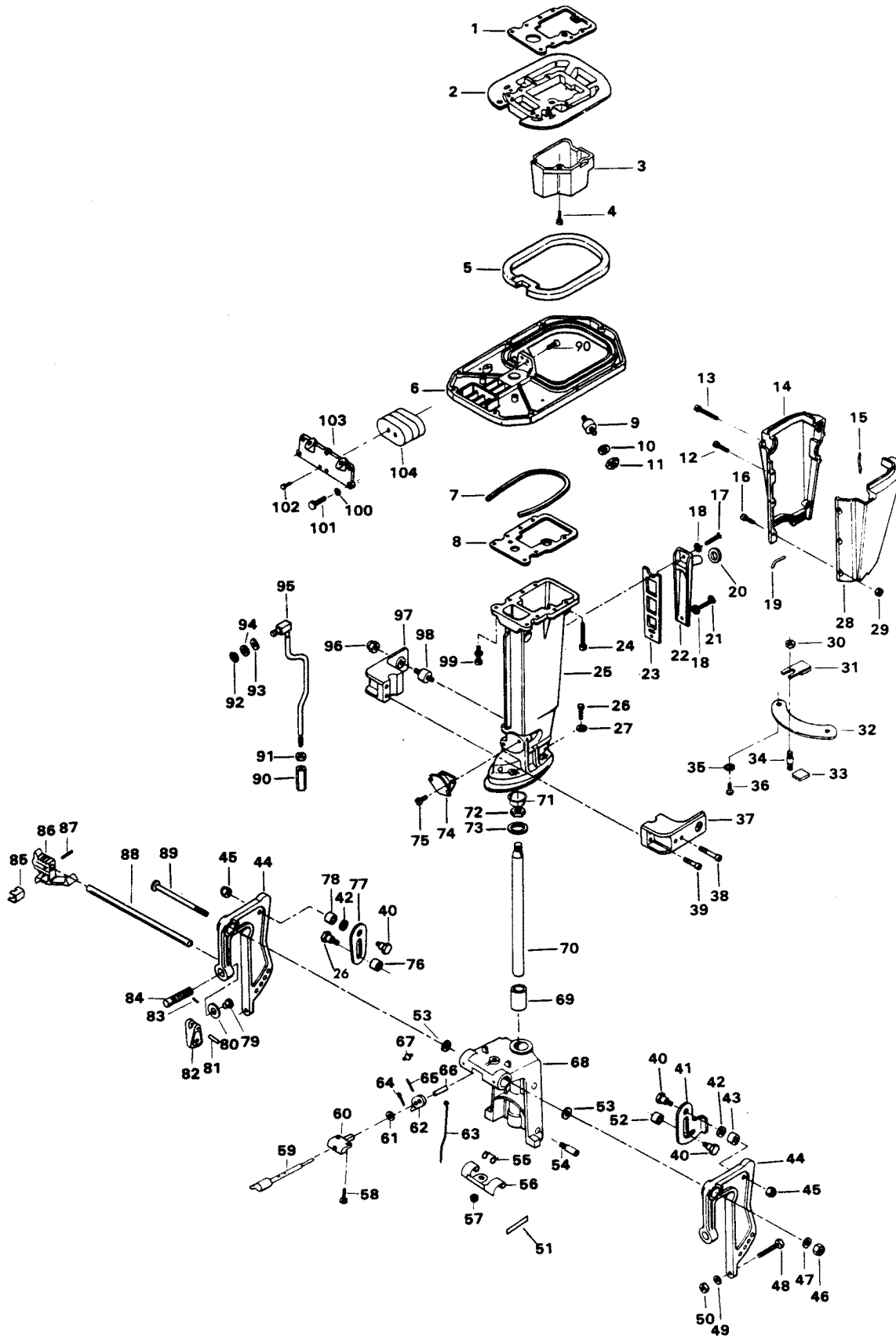
OB 3844

MOTOR LEG

REF. NO.	PART NO.	SYM.	QTY.	DESCRIPTION
41	F366426		1	TILT STOP, PORT
42	F1666		2	BOWED SPRING WASHER
43	F269929		1	SPACER, TILT STOP
44	FK433032		2	STERN BRACKET W/ILLUS. 79, 80, 83 AND 84
45	F7007		4	ELASTIC STOP NUT
46	F7001		1	ELASTIC STOP NUT
47	F1656		1	PLAIN WASHER
48	F1593		2	HEX HD SCREW, S.S., 3/8 - 16 X 3
49	F1904		2	PLAIN WASHER
50	F1346		2	HEX NUT, S.S., 3/8 - 16
51	F544390-1		1	DECAL, REVERSE LOCK - U.S.A.
52	F269929		1	SPACER, TILT STOP
53	F366286		2	STERN BRACKET FRICTION WASHER
54	F366886		2	PIN
55	F366300		1	REVERSE LOCK SPRING
56	F366349		1	LOCK
57	F1669		1	STOP NUT
58	F1733		2	PAN HD SCREW, 10 - 24 X 9/16
59	F366827		1	HANDLE AND SHAFT
60	F366884		1	BEARING
64	F8094		1	PLAIN WASHER
62	F366364		1	ARM
63	F366510		1	LINK
64	F1014		1	COTTER PIN
65	F1836		1	SPRING PIN
66	F483884		1	BEARING
67	F213274		3	GREASE FITTING
68	817945A1		1	SWIVEL BRACKET W/ILLUS. 67 AND 69 ORIGINAL FORCE P/N A 367072-1
69	F191169-1		2	SWIVEL BRACKET BEARING
70	FA433019		1	KINGPIN W/ILLUS. 71
71	F1880		1	PLUG
72	F84280		1	KINGPIN NUT
73	F89011		1	SWIVEL BRACKET WASHER
74	FA40346-2		1	SHOCK MOUNT LOWER
75	F1129		4	FILL HD SCREW, S.S., 5/16 - 18 X 1/2
76	F269929		1	SPACER, TILT STOP
77	F366433		1	TILT STOP, STARBOARD
78	F269929		1	SPACER, TILT STOP
79	F353480		2	STUD
80	F24074		2	CLAMP SCREW FOOT
81	F1638		2	SPRING PIN
82	F288075		2	CLAMP SCREW HANDLE

CONTINUED ON NEXT PAGE ➡

MOTOR LEG

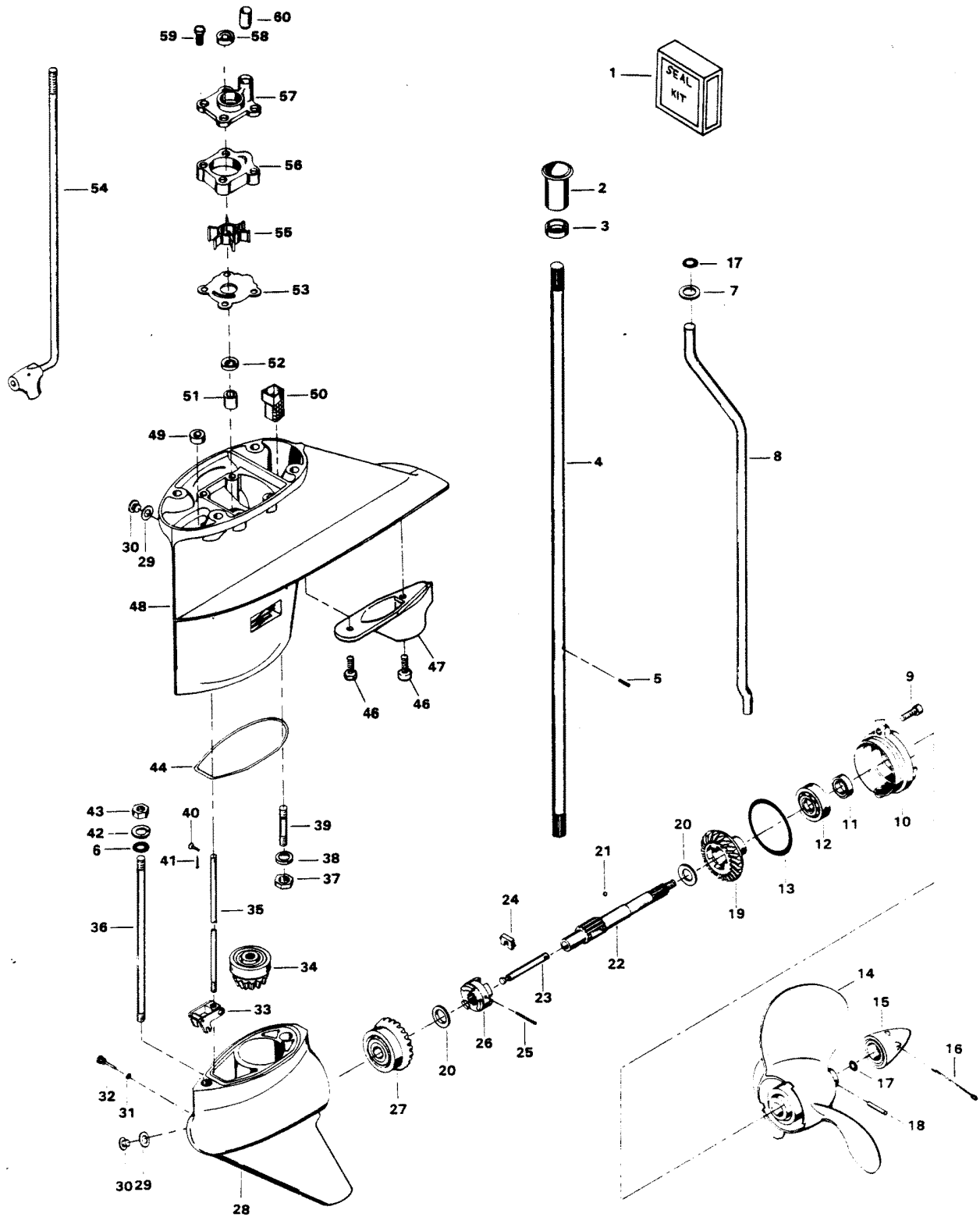


OB 3844

MOTOR LEG

REF. NO.	PART NO.	SYM.	QTY.	DESCRIPTION
83	F8537		2	SPRING PIN
84	F463073		2	CLAMP SCREW
85	F286461		1	SPRING LOCK BAR HANDLE
86	F433114		1	HANDLE, LOCK BAR
87	F1744		1	SPRING PIN
88	FA433113		1	STERN BRACKET LOCK BAR W/ILLUS. 85, 86 AND 87
89	F366037		1	STERN BRACKET PIVOT BOLT
90	F141704		1	GEAR SHIFT ROD COUPLING
91	F1349		1	HEX NUT, S.S., 5/16 - 18
92	F185764		1	RETAINING RING
93	F8049		1	BOWED SPRING WASHER
94	F1987		1	PLAIN WASHER
95	F328615		1	GEAR SHIFT ROD UPPER
96	F1326		2	ACORN NUT
97	F433972		1	SHOCK MOUNT LOWER COVER, STARBOARD
98	F215962		2	SHOCK MOUNT SIDE LOWER
99	F1947		8	FLANGED 12 PT. SCREW, 5/16 - 18 X 2
100	F8025		1	PLAIN WASHER
101	F1922		3	HEX HD SCREW, 1/4 - 20 X 5/8
102	F1211		2	HEX HD SCREW W/LOCKWASHER, 1/4 - 28 X 5/8
103	F485946		1	SHOCK MOUNT UPPER COVER
104	F203965		1	SHOCK MOUNT UPPER
105	F1160		2	FLAT HD SCREW, 1/4 - 28 X 5/8

GEAR HOUSING



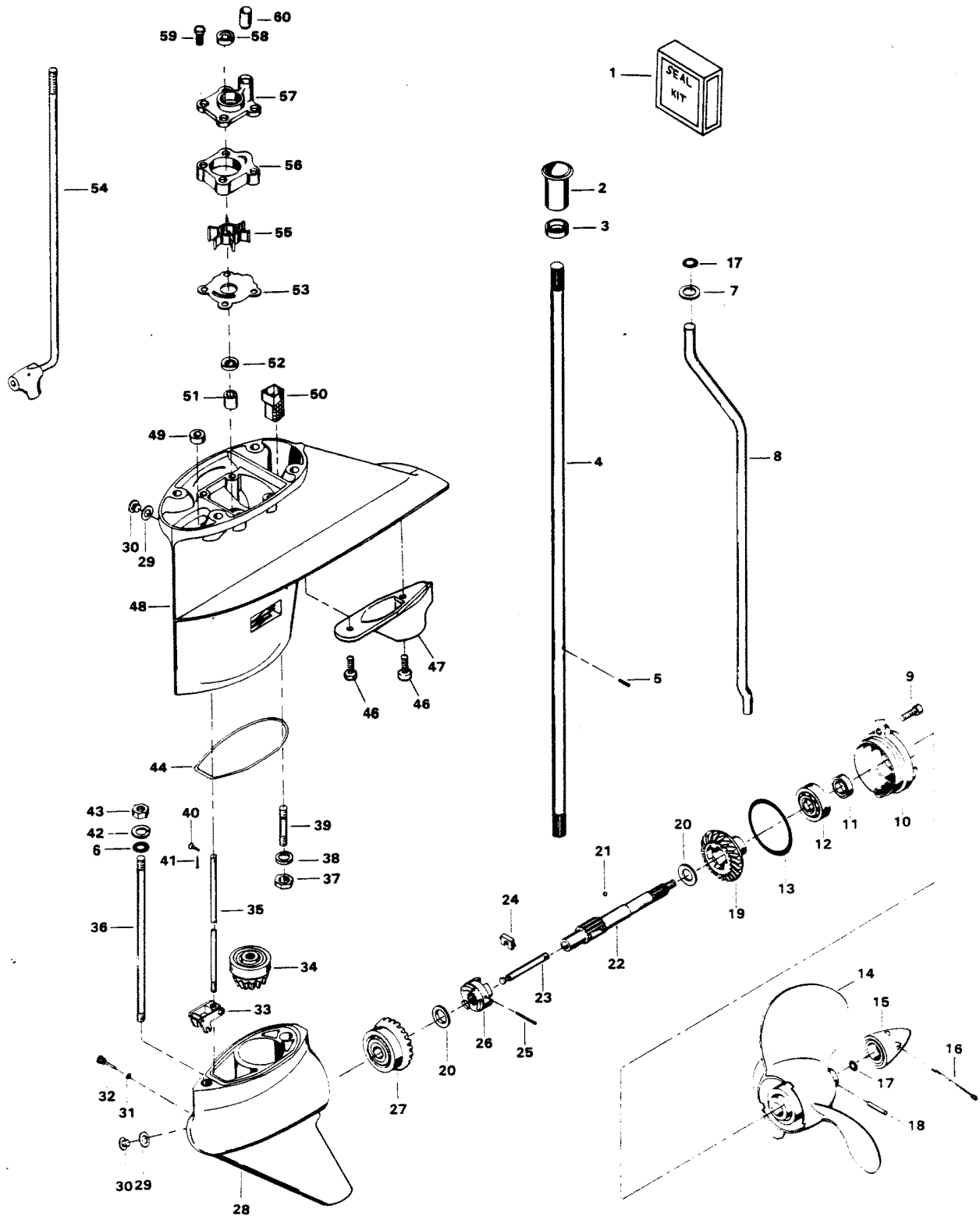
OB 3844

GEAR HOUSING

REF. NO.	PART NO.	SYM.	QTY.	DESCRIPTION
1	FK1074		1	GEAR HOUSING SEAL KIT - INCLUDES ALL ITEMS MARKED WITH A STAR (*)
2	F338129-1		1	BOOT
3	F338271		1	RETAINER
4	FA89128-1		1	DRIVESHAFT W/ILLUS. 3 (LONG LEG)
-	45-817737A1		1	DRIVESHAFT W/ILLUS 3 (STD. LEG) ORIGINAL FORCE P/N A 191128-1
5	F901563		1	DRIVE PIN, WATER PUMP IMPELLER
6	F24342		1	SEAL
7	F8042		1	PLAIN WASHER
8	F435244		1	INLET WATER LINE (LONG LEG)
-	F141244		1	INLET WATER LINE (STD. LEG)
9	F1263		2	HEX SOCKET HD CAP SCREW, S.S., 5/16 - 18 X 9/16
10	F2A366298		1	PROPELLER SHAFT BEARING CAGE W/ILLUS. 11, 12 AND 13
11	F141118		1	SEAL, PROPELLER SHAFT
12	F366058		1	BALL BEARING, PROPELLER SHAFT
13	F141305		1	SEAL, PROPELLER SHAFT BEARING CAGE
14	FP287		1	STANDARD PROP (ACCESSORY ITEM)
15	FA94094-2		1	PROPELLER NUT W/ILLUS. 16 AND 17
16	F1027		1	COTTER PIN, S.S., 1/8 - 1/2
17	F40342		2	SEAL, PROPELLER NUT
18	FK247		1	PROPELLER PIN, PACK OF 6 W/ILLUS. 16
19	FA485662		1	BEVEL GEAR REAR W/BEARING
20	F40717		2	THRUST WASHER, BEVEL GEAR
21	F366727		1	BALL, PROPELLER SHAFT
22	44-819500A3		1	PROPELLER SHAFT ASSEMBLY
23	F90871-3		1	GEAR SHIFT ARM PIN
24	F90619-1		1	YOKE
25	F2097		1	SPRING PIN
26	F99521-1		1	CLUTCH
27	F2A485023		1	BEVEL GEAR FRONT W/BEARING
28	FA433054		1	GEAR HOUSING LOWER W/THRUST BEARING CUP ILLUS. 29, 30, 31 AND 32
-	FC433054		1	GEAR HOUSING COMPLETE (NOT SHOWN) INCLUDES ALL ITEMS MARKED WITH AN ASTERISK (*)
29	F8077		2	WASHER, GEAR HOUSING PLUG
30	F50109		2	PLUG, GEAR HOUSING
31	F498618		1	SEAL, GEAR SHIFT ARM PIN
32	F498891		1	GEAR SHIFT ARM PIVOT PIN
33	817796A2		1	GEAR SHIFT ARM
34	F2A474266		1	BEVEL PINION W/BEARING AND CUP
35	F435705		1	GEAR SHIFT ROD LOWER
36	F97008-1		1	STUD, LONG
37	F7004		1	NUT, 3/8 - 16

CONTINUED ON NEXT PAGE ➡

GEAR HOUSING

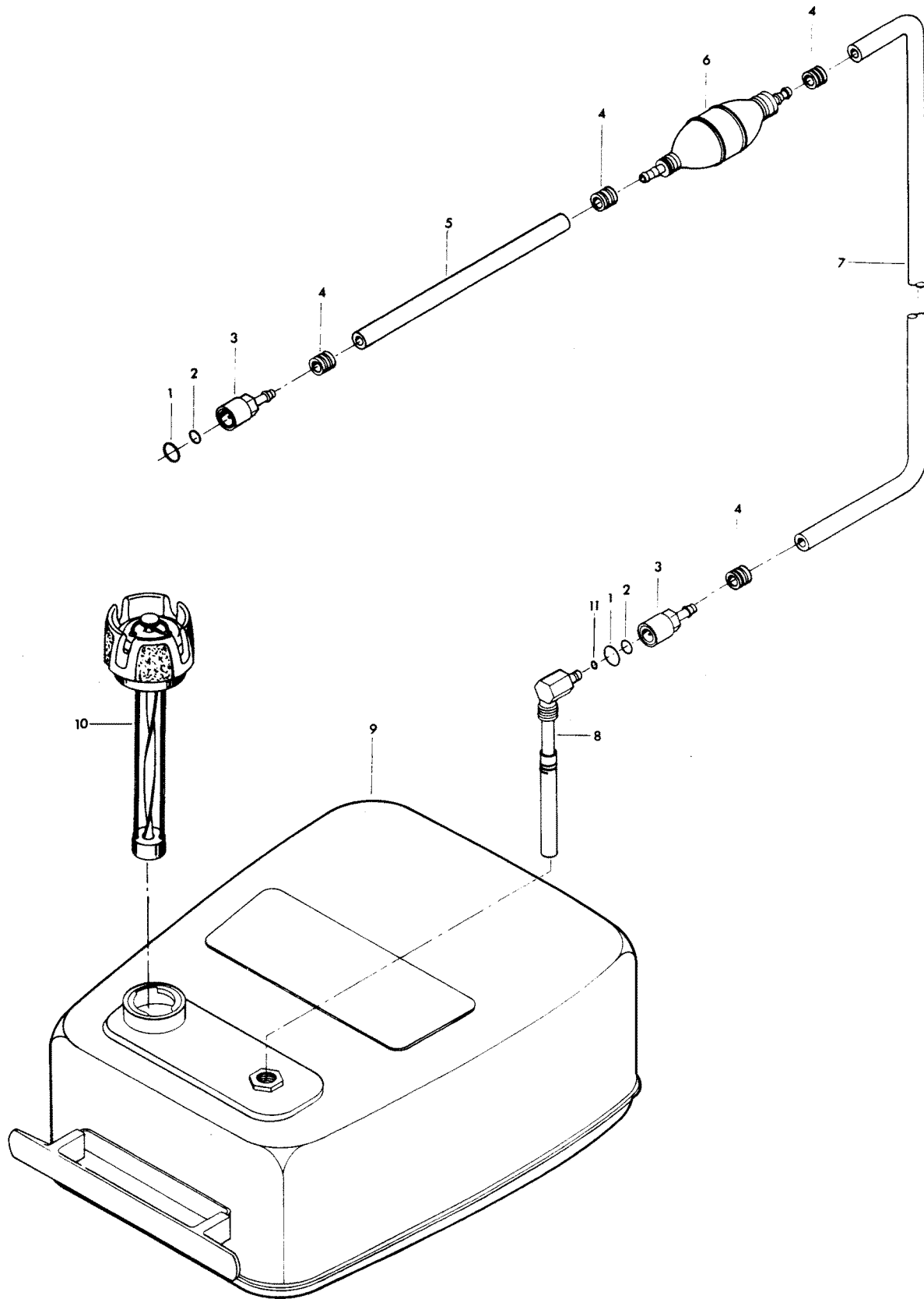


OB 3844

GEAR HOUSING

REF. NO.	PART NO.	SYM.	QTY.	DESCRIPTION
38	F2014		1	PLAIN WASHER
39	F40008		1	STUD, SHORT
40	F85372		1	PIN, GEAR SHIFT ROD LOWER
41	F1015		1	COTTER PIN
42	F2014		1	LOCKWASHER
43	F1346		1	HEX NUT, S.S., 3/8 - 16
44	F435555		1	SEAL, GEAR HOUSING
46	F2008		2	HEX HD M. SC. 1/4 - 20 X 7/8
47	FA435116		1	SNOUT, EXHAUST W/LITERATURE
48	FA545554		1	GEAR HOUSING UPPER W/ILLUS. 29, 30, 39, 45, 46, 47, 49, 51 AND 52
49	F338618-1		1	SEAL, SHIFT ROD LOWER
50	F435077		1	SCREEN, WATER INLET
51	F435057		1	BEARING, DRIVESHAFT UPPER
52	F40307-2		1	SEAL, DRIVESHAFT
53	F433562		1	WATER PUMP BACK PLATE
54	FA435616		1	GEAR SHIFT INTERMEDIATE (LONG LEG)
-	FA434616		1	GEAR SHIFT ROD INTERMEDIATE (STD. LEG)
55	F40065-2		1	WATER PUMP IMPELLER
56	F366060		1	WATER PUMP BODY
57	A366326-1		1	WATER PUMP COVER INCLUDES ITEM 58 ORIGINAL FORCE P/N A 366326-1
58	F349307		1	DRIVESHAFT SEAL
59	F2030		4	HEX HD SCREW, 1/4 - 20 X 1 - 1/4
60	FA485914		1	SEAL, INLET WATER LINE, LOWER W/LITERATURE

FUEL TANK AND LINE



OB 3844

FUEL TANK AND LINE

REF. NO.	PART NO.	SYM.	QTY.	DESCRIPTION
1	F17816		2	SEAL, FUEL LINE COUPLER
2	F17815		2	SEAL, FUEL LINE COUPLER
3	F197787-3		2	FUEL LINE COUPLER
4	F298788		4	FERRULE
5	FA84754-1		1	FUEL LINE SHORT W/ILLUS. 4
6	89396A38		1	PRIME BULB
7	32-817738A1		1	FUEL LINE, LONG W/CLAMP AND ILLUS. 4 ORIGINAL FORCE P/N A 197752-1
8	F485755-1		1	FUEL TANK ADAPTER
9	F5H026		1	FUEL TANK (ACCESSORY ITEM)
10	F409251-1		1	GAUGE CAP
11	F17932		1	SEAL, FUEL TANK ADAPTER
-	FS409752		1	FUEL LINE, COMPLETE - INCLUDES ALL ITEMS MARKED WITH AC ASTERISK (*)

SPECIAL TOOLS - TUNE-UP

REF. NO.	PART NO.	SYM.	QTY.	DESCRIPTION
-	FT8938		0	TIMING TOOL TO ADJUST SPARK ADVANCE
-	FT8948-1		0	PULLER TO REMOVE FLYWHEEL
-	FT8930-1		0	FEELER GAUGE TO SET BREAKER POINTS

SPECIAL TOOLS - MANUAL STARTER

REF. NO.	PART NO.	SYM.	QTY.	DESCRIPTION
-	FT3139-1		0	STARTER REWIND KEY TO REWIND STARTER SPRING
-	FT2991		0	CARBON BRUSH TO REMOVE CARBON FROM CYLINDER AND PISTONS

SPECIAL TOOLS - POWER HEAD

REF. NO.	PART NO.	SYM.	QTY.	DESCRIPTION
-	FT3510		0	SEAL INSTALLER TO INSTALL UPPER CRANKSHAFT BEARING CAGE SEAL
-	FT8900		0	CLAMP PLIERS TO REMOVE AND INSTALL HOSE CLAMPS
-	FT2996		0	RING COMPRESSOR TO INSTALL PISTONS IN CYLINDERS
-	FT3512		0	SEAL PROTECTOR TO INSTALL UPPER CRANKSHAFT BEARING CAGE SEAL
-	FT8926		0	RING EXPANDER TO INSTALL RINGS ON PISTONS
-	FT2953		0	SOCKET TO TORQUE CONNECTING ROD SCREWS W/T 2999
-	FT2990		0	PISTON PIN TOOL TO REMOVE AND INSTALL PISTON PIN IN PISTON
-	FT2999		0	TORQUE WRENCH TO TORQUE CONNECTING ROD SCREWS
-	FT8932		0	LIFTING HOOK TO LIFT ENGINE
-	FT2998		0	TORQUE WRENCH TO TORQUE FLYWHEEL NUT
-	FT1749		0	SNAP RING PLIERS TO REMOVE AND INSTALL PISTON PIN RETAINING RINGS

SPECIAL TOOLS - GEAR HOUSING

REF. NO.	PART NO.	SYM.	QTY.	DESCRIPTION
-	FT8948-1		0	PROPELLER SHAFT BEARING CAGE PULLER TO REMOVE PROPELLER SHAFT BEARING CAGE FROM LOWER GEAR HOUSING
-	FT8919		0	SPRING PIN PUNCH TO REMOVE CLUTCH SPRING PIN
-	FT8964		0	BEARING REMOVER TO REMOVE DRIVESHAFT BEARING
-	FT8907		0	DRIVER HANDLE FOR USE WITH T 8904
-	FT8945		0	RETAINER PUNCH TO INSTALL RETAINER ON DRIVESHAFT SPLINE
-	FT8918		0	BRUSHING GUIDE SET TO REMOVE AND INSTALL BEARING CUP IN LOWER GEAR HOUSING
-	FT8921		0	FORWARD BEARING CUP REMOVER TO REMOVE FORWARD BEARING CUP FROM LOWER GEAR HOUSING
-	FT8904		0	FORWARD BEARING CUP INSTALLER TO INSTALL FORWARD BEARING CUP IN LOWER GEAR HOUSING
-	FT3431		0	DRIVESHAFT SEAL AND PROP SHAFT SEAL INSTALLER TO INSTALL DRIVESHAFT AND PROP SHAFT SEAL IN LOWER UNIT
-	FT8962		0	BEARING INSTALLER TO INSTALL DRIVESHAFT BEARING
-	FT8957		0	SEAL INSTALLER TO INSTALL SHIFT SEAL

SPECIAL TOOLS - TEST EQUIPMENT

REF. NO.	PART NO.	SYM.	QTY.	DESCRIPTION
-	FT2954A		0	TEST WHEEL TO TEST MOTOR IN TEST TANKS
-	FT8950		0	LEAKAGE TESTER TO TEST LOWER UNIT FOR LEAKAGE

SPECIAL TOOLS - LUBRICANTS AND SEALANTS

REF. NO.	PART NO.	SYM.	QTY.	DESCRIPTION
-	FT2961		0	LUBRICANT - RYKON GREASE #2EP
-	FT2987-1		0	LUBRICANT - ANTI-SEIZE
-	FT8969		0	LUBRICANT - 7 OZ, #2 LPS LUBRICANT
-	FT8983		0	SEALANT
-	FT8936-1		0	SEALANT - 2 CC LOCTITE RETAINING COMPOUND #75
-	FT2962-1		0	SEALANT - 50 CC LOCTITE H, NON-HARDENING GRADE
-	FT2963-2		0	SEALANT - 2 OZ. LOCTITE D, HARDENING GRADE
-	FT8935		0	SEALANT PRIMER - 6 OZ.

ACCESSORIES

REF. NO.	PART NO.	SYM.	QTY.	DESCRIPTION
-	F5H025		0	ANTI-CORROSION SACRIFICIAL ANODE HELPS TO PREVENT CORROSION.
-	F5H040		0	FUEL TANK, 12 GALLON, STEEL ADDITIONAL TANK TO CARRY FUEL.
-	F5H026		0	FUEL TANK, 6 GALLON, STEEL ADDITIONAL TANK TO CARRY FUEL.
-	F5H066		0	LONG LEG CONVERSION KIT CONVERTS 15" STANDARD SHAFT MODEL TO 20" LONG SHAFTMODEL.
-	F5H153		0	TACHOMETER INDICATES ENGINE RPM
-	F75H22		0	IGNITION CUT-OFF SWITCH PROVIDES MOUNTING FOR ENGINE PUSH-BUTTON STOP SWITCH AT REMOTE POSITION.
-	F596		0	CHRYSLER OUTBOARD OIL SEE BLOCK COMMENT 1.
-	F597		0	CHRYSLER OUTBOARD GEAR LUBE SEE BLOCK COMMENT 2.
-	F5H134		0	BOAT WHITE LACQUER ENGINE TOUCH-UP PAINT CASE OF (6) 12 3/4 OZ. SPRAY BOMBS.
-	F5H059		0	CHRYSLER OUTBOARD MULTI-PURPOSE GREASE AVAILABLE IN 8 OZ. TUBES AND 12 TUBE CASES.
-	F5H060		0	GREASE GUN

PARTS INDEX

Part Number	Description	Pg.	Ref. No.	Part Number	Description	Pg.	Ref. No.
2A307518	CYLINDER HEAD	21	56	F12059	PRIMARY TERMINAL WIRE	9	16
2C605712	ENGINE COVER COMPLETE	3	-	F1211	HEX HD SCREW		
3SA37701	PISTON .030 OVERSIZE	25	-		W/LOCKWASHER, 1/4 - 28		
817747--1	BALL JOINT W/BEARING	5	73		X 5/8	33	102
817747--1	BALL JOINT W/BEARING	11	22	F12227	CAM WIPER FELT	9	4
817747--1	BALL JOINT W/BEARING	19	11	F12246	CABLE CLIP	9	11
817794A1	SHIFT ARM W/ROLLER &			F12341	COIL LAMINATIONS (NOT		
	ILLUS. 30	21	29		SHOWN)	9	-
817796A2	GEAR SHIFT ARM	35	33	F12342	STATOR PLATE WITHOUT		
817814A1	TILT HANDLE	3	10		LAMINATIONS	9	14
817945A1	SWIVEL BRACKET	31	68	F1263	HEX SOCKET HD CAP		
818020A2	STARTER ROPE	11	9		SCREW, S.S., 5/16 - 18 X		
818054A1	SUPPORT PLATE W/PLUG	3	30		9/16	35	9
818059A1	GEAR SHIFT ROD	5	74	F1277	SLOTTED OVAL HD SET		
89396A38	PRIME BULB	39	6		SCREW 1/4 - 28 X 3/8	5	41
A366326-1	WATER PUMP COVER	37	57	F1286	PAN HD SCREW, 4 - 40 X		
A486427	STARTER MOUNTING				3/16	21	43
	BRACKET	11	13	F1300	BREAKER POINT TERMINAL		
F10019	REPAIR PARTS KIT	15	18		SCREW, 6 - 32 X 7/8	9	22
F1014	COTTER PIN	15	6	F1326	ACORN NUT	33	96
F1014	COTTER PIN	31	64	F1341	HEX NUT, 1/4 - 20	19	27
F1015	COTTER PIN	37	41	F1346	HEX NUT, 3/8 - 16	29	11
F1017	COTTER PIN	5	69	F1346	HEX NUT, S.S., 3/8 - 16	31	50
F1027	COTTER PIN, S.S., 1/8 - 1/2	35	16	F1346	HEX NUT, S.S., 3/8 - 16	37	43
F1052	FILL HD SCREW, 1/4 - 20 X 1	19	26	F1349	HEX NUT, S.S., 5/16 - 18	33	91
F10596	FILL HD SCREW, 6 - 32X 1-			F141118	SEAL, PROPELLER SHAFT	35	11
	4TAINING SCREW			F141244	INLET WATER LINE (STD.		
	LOCKWASHER	15	1		LEG)	35	-
F1080	FILL HD SCREW			F141275	FITTING, THERMOSTAT	23	70
	W/LOCKWASHER, 10 - 24			F141305	SEAL, PROPELLER SHAFT		
	X 3/4	25	2		BEARING CAGE	35	13
F1097	FILL HD SCREW, 1/4 - 20 X			F141704	GEAR SHIFT ROD		
	3/8	11	1		COUPLING	33	90
F1108	FILL HD SCREW 1/4			F1441	PAN HD SCREW, 1/4 - 20 X		
	W/LOCKWASHER, 20 X 3/4	13	12		7/8	25	6
F1111	FILL HD SCREW, 1/4 - 20 X			F1446	SLOTTED PAN HD SCREW,		
	7/8	11	10		1/4 - 20 X 1	21	47
F1129	FILL HD SCREW, S.S., 5/16 -			F1473	HEX NUT, 10 - 24	19	20
	18 X 1/2	31	75	F1473	HEX NUT, 10 - 24	29	29
F1134	FILL HD SCREW, 8 - 32 X 1 -			F1513	HEX NUT, 10 - 32	5	70
	1/8	19	17	F1513	HEX NUT, 10 - 32	11	20
F1136	FLAT HD SCREW, 1/4 - 20 X			F1513	HEX NUT, 10 - 32	19	13
	1	21	46	F1513	HEX NUT, 10 - 32	19	7
F1141	FLAT HD SCREW, 10 - 24 X			F1515	HEX NUT, 5/16 - 18	7	85
	1/2	27	8	F1515	HEX NUT, 5/16 - 18	11	29
F1160	FLAT HD SCREW, 1/4 - 28 X			F1515	HEX NUT, 5/16 - 18	15	24
	5/8	33	105	F1515	HEX NUT, 5/16 - 18	27	2
F1199	HEX HD SCREW, 1/4 - 20 X 1	29	21	F1525	WELCH PLUG	21	54
F12014	BREAKER POINT AND			F1526	WELCH PLUG	21	57
	CONDENSER MOUNTING			F1532	HEX HD SCREW, 1/4 - 20 X 1	3	25
	SCREW 8 - 32 X 3/8	9	3	F1544	HEX HD SCREW, 3/8 - 16 X 2		
F12016	CABLE CLIP SCREW, 8 - 32				- 1/4	21	59
	X 1/2	9	10	F1546	HEX HD SCREW, 1/4 - 20 X		
F12023	LAMINATION SCREW, 10 -				1/2	29	36
	24 X 1	9	18	F1593	HEX HD SCREW, S.S., 3/8 -		
F12042-1	CONDENSOR W/MOUNT	9	21		16 X 3	31	48
F12044	BREAKER POINT SET	9	5	F1603	HEX BOLT, 5/16 - 18 X 2	3	32
F12050	GROMMET	9	6	F1635	HEX SOCKET HD CAP		
F12053	COIL RETAINING CLIP	9	8		SCREW, S.S., 3/8 - 16 X 3		
					- 1/2	29	38

PARTS INDEX

Part Number	Description	Pg.	Ref. No.	Part Number	Description	Pg.	Ref. No.
F1636	HEX SOCKET HD CAP SCREW, S.S., 3/8 - 16 X 1 - 1/4	29	39	F1864	HEX HD SCREW, 1/4 - 20 X 3/4	3	24
F1638	SPRING PIN	31	81	F1864	HEX SLOT HD SCREW, 1/4 - 20 X 3/4	19	2
F1646	HEX SOCKET HD CAP SCREW, 3/8 - 16 X 2-1/4	19	3	F1879	HEX SOCKET HD CAP SCREW, 3/8 - 16 X 1-5/8	19	4
F1656	PLAIN WASHER	31	47	F1880	PLUG	31	71
F1666	BOWED SPRING WASHER	31	42	F1892	STOP NUT, 5/16 - 18	3	33
F1669	STOP NUT	31	57	F1904	PLAIN WASHER	31	49
F1727	PLASTIC RIVET	19	25	F1905	HEX HD SCREW, 1/4 - 20 X 3 - 7/16	29	24
F1733	FILL HD SCREW, 10 - 24 X 9/16	29	16	F1910	ELASTIC STOP NUT, 1/4 - 20	19	12
F1733	PAN HD M. SCREW, 10 - 24 X 9/16 (LONG LEG)	29	-	F191169-1	SWIVEL BRACKET BEARING	31	69
F1733	PAN HD SCREW, 10 - 24 X 9/16	5	55	F191737	RETAINER, STARTER SPRING	11	15
F1733	PAN HD SCREW, 10 - 24 X 9/16	5	76	F191971	STARTER RETAINER EXTENSION	11	19
F1733	PAN HD SCREW, 10 - 24 X 9/16	31	58	F191993-1	BRACKET, CHOKE CABLE (NOT SHOWN)	5	-
F1738	HEX NUT, 3/8 - 24	3	28	F1920	HEX NUT, 5/8 - 18	9	1
F1744	SPRING PIN	33	87	F1922	HEX CAP SCREW, 1/4 - 20 X 5/8	13	3
F1753	FASTENER	3	2	F1922	HEX CAP SCREW, 1/4 - 20 X 5/8	21	51
F1755	ROUND HD SCREW W/LOCKWASHER, 6 - 32 X 5/16	27	14	F1922	HEX HD SCREW, 1/4 - 20 X 5/8	13	2
F1767	FILL HD SCREW, 10 - 24 X 3	29	13	F1922	HEX HD SCREW, 1/4 - 20 X 5/8	19	5
F1768	FILL HD SCREW, 10 - 24 X 1- 3/8 (LONG LEG)	29	12	F1922	HEX HD SCREW, 1/4 - 20 X 5/8	33	101
F1768	FILL HD. SCREW, 10 - 24 X 1-3/8 (STD. LEG)	29	-	F1926	LAMINATION SCREW, 8 - 32 X 7/8	9	19
F1770	LOCK NUT, 8 - 32	19	19	F1929	HEX HD CAP SCREW, S.S., 3/8 - 16 X 1-1/8	29	26
F177330	FUEL PUMP VALVE	13	9	F1947	FLANGED 12 PT. SCREW, 5/16 - 18 X 2	33	99
F17815	SEAL, FUEL LINE COUPLER	39	2	F1955	PLAIN WASHER	5	44
F17816	SEAL, FUEL LINE COUPLER	39	1	F1969	FILL HD SCREW, 1/4 - 20 X 3/4	21	28
F17932	SEAL, FUEL TANK ADAPTER	39	11	F1971	HEX HD SCREW, 1/4 - 20 X 2 - 1/8	23	71
F1812	FILL HD SCREW W/LOCKWASHER, 10 - 24 X 1-9/16	25	16	F1974	FILL HD SCREW, 10 - 24 X 5/8	5	78
F1813	FILL HD SCREW W/LOCKWASHER, 10 - 24 X 1-1/8	25	4	F197787-3	FUEL LINE COUPLER	39	3
F18160-2	REED, CYLINDER DRAIN	21	40	F1979	FILL HD SCREW, 10 - 24 X 1/2	3	6
F1832	HEX LOCK NUT, 1/4 - 20	29	30	F1987	PLAIN WASHER	7	89
F183300	SPRING	7	88	F1987	PLAIN WASHER	33	94
F1836	SPRING PIN	5	62	F1995	FILL HD SCREW, 10 - 24 X 1	19	22
F1836	SPRING PIN	31	65	F1995	FILL HD SCREW, 10 - 24 X 1	23	66
F184033-1	SWIVEL, CHOKE ROD	15	2	F1997	STOP NUT, 10 - 24	15	30
F184579	SEAL, CHOKE ARM SWIVEL	15	3	F2008	HEX HD M. SC. 1/4 - 20 X 7/8	37	46
F1849	FLAT HD SCREW, S.S., 1/4 - 20 X 1-3/8	29	17	F2008	HEX HD SCREW W/LOCKWASHER, 1/4 - 20 X 7/8	5	63
F1851	FILL HD MACHINE SCREW W/LOCKWASHER, 10 - 24 X 1/2	29	4	F2008	HEX HD SCREW, 1/4 - 20 X 7/8	27	1
F185764	RETAINING RING	33	92	F2014	LOCKWASHER	37	42
F1860	ROUND HD SCREW, 6 32 X 1/4	13	8	F2014	PLAIN WASHER	21	60
F1864	HEX CAP SCREW, 1/4 - 20 X 3/4	3	23	F2014	PLAIN WASHER	37	38

PARTS INDEX

Part Number	Description	Pg.	Ref. No.	Part Number	Description	Pg.	Ref. No.
F201529-1	CYLINDER HEAD GASKET . . .	21	55	F307989-1	SEAL, KINGPIN PLATE	29	5
F201529-1	GASKET, CYLINDER HEAD . . .	19	-	F311996	GASKET, CYLINDER HEAD COVER	19	-
F2025	PAN HD SCREW, 10 X 3/8 . . .	3	11	F328109	PIPE PLUG CYLINDER HEAD	21	61
F2030	HEX HD SCREW, 1/4 - 20 X 1 - 1/4	37	59	F328189-1	BUSHING, GEAR SHIFT ROD	5	75
F203965	SHOCK MOUNT UPPER	33	104	F328239	STARTER SPOOL	11	16
F2042	WASHER, PLAIN	11	7	F328438	MAGNETO CONTROL ARM . . .	7	80
F2066	PAN HD SELF - TAPPING SCREW, 10 - 7/16	3	12	F328455	STATER ROPE GUIDE	11	12
F2097	SPRING PIN	35	25	F328615	GEAR SHIFT ROD UPPER . . .	33	95
F213274	GREASE FITTING	3	35	F328621	ARM, GEAR SHIFT LEVER . . .	5	68
F213274	GREASE FITTING	31	67	F328692	PIVOT TUBE	3	37
F215962	SHOCK MOUNT SIDE LOWER	33	98	F328703-1	STEERING HANDLE ADAPTER	3	34
F24074	CLAMP SCREW FOOT	31	80	F328710	STARTER ROPE GUIDE POST	11	6
F24333	END, STARTER ROPE	11	17	F328819	SWIVEL SHIFT DETENT	3	19
F24342	SEAL	35	6	F328884	DETENT, SHIFT ARM	3	21
F269052	SHIFT ARM BEARING	21	31	F333316	THROTTLE ROLLER SHAFT	15	27
F269122-1	CRANKCASE PARTING LINE SEAL	21	39	F335160	REED	27	12
F269122-1	GASKET, CRANKCASE PARTING LINE SEAL	19	-	F335217-1	BEARING	25	3
F269319	THROTTLE CAM BEARING . . .	19	8	F338129-1	BOOT	35	2
F269445-1	SPARK CONTROL LINK	19	21	F338271	RETAINER	35	3
F269929	SPACER, TILT STOP	31	43	F338618-1	SEAL, SHIFT ROD LOWER . . .	37	49
F269929	SPACER, TILT STOP	31	52	F338815	STEERING HANDLE GEAR . . .	5	39
F269929	SPACER, TILT STOP	31	76	F338815	STEERING HANDLE GEAR . . .	5	43
F269929	SPACER, TILT STOP	31	78	F338877	MAGNETO CONTROL SHAFT	3	36
F286132	STARTER ROPE HANDLE	11	8	F349307	DRIVESHAFT SEAL	37	58
F286461	SPRING LOCK BAR HANDLE	33	85	F353480	STUD	31	79
F286547	CHOKE KNOB	5	60	F366013	CRANKSHAFT THRUST BEARING UPPER	25	11
F286772-1	CLAMP	27	4	F366037	STERN BRACKET PIVOT BOLT	33	89
F286894-3	STEERING HANDLE INDICATOR	5	49	F366058	BALL BEARING, PROPELLER SHAFT	35	12
F288075	CLAMP SCREW HANDLE	31	82	F366060	WATER PUMP BODY	37	56
F298788	FERRULE	39	4	F366082	MAGNETO STATOR RING	25	1
F2A338079	STEERING HANDLE,	5	47	F366133-2	MOTOR LEG (STD. LEG)	29	-
F2A366298	PROPELLER SHAFT BEARING CAGE	35	10	F366215	SPACER	25	20
F2A433757	CYLINDER DRAIN REED PLATE	21	37	F366277	BEARING CAGE GASKET	25	9
F2A474266	BEVEL PINION W/BEARING AND CUP	35	34	F366277	GASKET, BEARING CAGE	19	-
F2A485023	BEVEL GEAR FRONT W/BEARING	35	27	F366286	STERN BRACKET FRICTION WASHER	31	53
F307211	STUD	11	31	F366300	REVERSE LOCK SPRING	31	55
F307279-2	CYLINDER EXHAUST GASKET UPPER	29	1	F366349	LOCK	31	56
F307279-2	GASKET, CYLINDER EXHAUST UPPER	19	-	F366350	TILT STOP PIVOT	29	40
F307660-1	TUBE LEG EXHAUST	29	3	F366364	ARM	31	62
F307689-1	STEERING HANDLE CONTROL SHAFT BEARING	5	42	F366426	TILT STOP, PORT	31	41
F307809-1	MAGNETO CONTROL ROD	7	84	F366433	TILT STOP, STARBOARD	31	77
F307818	BEARING, LATCH SHAFT	5	56	F366510	LINK	31	63
F307860	INTAKE SILENCER	3	27	F366727	BALL, PROPELLER SHAFT	35	21
F307942-1	BUMPER	19	18	F366813	BEARING	5	77
F307962	SHOCK MOUNT, SIDE UPPER	29	9	F366824	CARRYING HANDLE	3	31
				F366827	HANDLE AND SHAFT	31	59
				F366884	BEARING	31	60
				F366886	PIN	31	54
				F367300	SPRING SHIFT DETENT	3	18
				F369887	INTERLOCK SCREW	11	25
				F377015-1	PISTON (STANDARD)	25	22
				F40008	STUD, SHORT	37	39
				F40017-2	PISTON PIN	25	19

PARTS INDEX

Part Number	Description	Pg.	Ref. No.	Part Number	Description	Pg.	Ref. No.
F40065-2	WATER PUMP IMPELLER ..	37	55	F434754	HOSE BUSHING TO FUEL PUMP	13	19
F40146-1	CRANKSHAFT SEAL	25	5	F434758	FUEL PUMP IMPULSE HOSE	13	6
F40151-1	EXHAUST PORT PLATE ...	23	75	F434767	BUSHING	5	58
F40154-3	EXHAUST PORT PLATE GASKET	23	76	F435057	BEARING, DRIVESHAFT UPPER	37	51
F40154-3	GASKET, EXHAUST PORT PLATE	19	-	F435077	SCREEN, WATER INLET ...	37	50
F40209	CARBURETOR STUD	27	3	F435133-1	MOTOR LEG (LONG LEG) ..	29	25
F40223	GASKET, TRANSFER PORT COVER	19	-	F435244	INLET WATER LINE (LONG LEG)	35	8
F40223	TRANSFER PORT COVER GASKET	21	53	F435323	PACKING LEG COVER LOWER	29	19
F40279-1	CYLINDER EXHAUST GASKET LOWER	29	8	F435323	PACKING LEG COVER UPPER	29	15
F40279-1	GASKET, CYLINDER EXHAUST LOWER	19	-	F435555	SEAL, GEAR HOUSING	37	44
F40307-2	SEAL, DRIVESHAFT	37	52	F435705	GEAR SHIFT ROD LOWER .	35	35
F40342	SEAL, PROPELLER NUT ...	35	17	F436280	NUT, SHORTING SWITCH ..	9	23
F40410	SNAP RING	25	18	F438165	SCREW, FUEL BOWL	13	20
F40425	STARTER PINION PIN	11	3	F438500	FUEL SEDIMENT BOWL ...	13	18
F404801	ELBOW	21	34	F438617	FUEL SEDIMENT BOWL GASKET	13	14
F40717	THRUST WASHER, BEVEL GEAR	35	20	F438653	FUEL PUMP SCREEN	13	17
F40775	FRICITION SHOE PLATE ...	29	32	F438747	FUEL PUMP DIAPHRAGM ..	13	7
F40816-1	STEERING HANDLE CONTROL SHAFT THRUST BEARING	5	45	F438760	FUEL PUMP GASKET	13	5
F40833-4	GASKET, RELIEF COVER ..	19	-	F438801	ELBOW	13	13
F40833-4	MOTOR LEG EXHAUST COVER GASKET	29	23	F458677	INSERT, CHOKE KNOB	5	61
F40906-1	FLANGE GASKET	15	34	F458695	SLEEVE, STEERING HANDLE	5	52
F40906-1	GASKET, CARBURETOR ...	19	-	F458774	BRACKET, RETAINER REAR	3	22
F409251-1	GAUGE CAP	39	10	F460664	1	9	20
F428096	RETAINER, PISTON PIN ...	25	21	F461400	GEAR SHIFT INDICATOR ..	7	81
F433061-2	CARBURETOR COMPLETE (WB-17C)	15	35	F463073	CLAMP SCREW	33	84
F433114	HANDLE, LOCK BAR	33	86	F463314	FITTING	23	77
F433168	CARBURETOR ADAPTER GASKET	27	7	F463864	RETAINER, TILT HANDLE ..	3	13
F433168	GASKET, CARBURETOR ADAPTER	19	-	F478502	LINK	11	21
F433192	THROTTLE CAM	19	10	F483884	BEARING	31	66
F433209-1	STUD, THROTTLE CAM	19	6	F485005	INTERLOCK LEVER ARM ..	5	71
F433254	HOSE	21	49	F485424	SPRING, STARTER PINION .	11	4
F433404	DEFLECTOR PLATE	27	9	F485755-1	FUEL TANK ADAPTER	39	8
F433406	DEFLECTOR PLATE GASKET	27	10	F485781	STARTER INTERLOCK LOCK	11	23
F433406	GASKET, DEFLECTOR PLATE	19	-	F485946	SHOCK MOUNT UPPER COVER	33	103
F433503	CHOKE CABLE	5	59	F485971	STARTER SPRING EXTENSION	11	28
F433562	WATER PUMP BACK PLATE	37	53	F486531	STARTER INTERLOCK ROD	11	27
F433612	BRACKET, SHIFT ROD	5	66	F487674	STARTER PINION GEAR ...	11	2
F433680	SPACER PLATE	29	2	F498618	SEAL, GEAR SHIFT ARM PIN	35	31
F433688	SHAFT, STEERING HANDLE	5	46	F498891	GEAR SHIFT ARM PIVOT PIN	35	32
F433689	BEARING, TOWERSHAFT ..	19	23	F50109	PLUG, GEAR HOUSING	35	30
F433972	SHOCK MOUNT LOWER COVER, STARBOARD ...	33	97	F53795-1	DAMPENER	5	48
F433973	SHOCK MOUNT LOWER COVER, PORT	29	37	F544390-1	DECAL, REVERSE LOCK ...	31	51
				F58685-2	ROD END CONNECTOR, MAGNETO CONTROL ...	7	83
				F596	CHRYSLER OUTBOARD OIL	46	-
				F597	CHRYSLER OUTBOARD GEAR LUBE	46	-
				F5H025	ANTI-CORROSION SACRIFICIAL ANODE	46	-

PARTS INDEX

Part Number	Description	Pg.	Ref. No.	Part Number	Description	Pg.	Ref. No.
F5H026	FUEL TANK, 6 GALLON, STEEL	46	-	F8537	SPRING PIN	33	83
F5H040	FUEL TANK, 12 GALLON, STEEL	46	-	F85372	PIN, GEAR SHIFT ROD LOWER	37	40
F5H059	CHRYSLER OUTBOARD MULTI-PURPOSE GREASE	46	-	F8538	SPRING PIN	5	38
F5H060	GREASE GUN	46	-	F8538	SPRING PIN	5	40
F5H066	LONG LEG CONVERSION KIT	46	-	F8540	SPRING PIN	7	79
F5H134	BOAT WHITE LACQUER	46	-	F8540	SPRING PIN	11	18
F5H153	TACHOMETER	46	-	F8545	SPRING PIN	21	38
F605711	PLATE, FRONT	3	4	F8548	SPRING PIN	5	51
F7001	ELASTIC STOP NUT	31	46	F85502	THROTTLE LINK	19	14
F7004	NUT, 3/8 - 16	35	37	F8559	DOWEL PIN	21	32
F7004	STOP NUT, 3/8 - 16	21	48	F85610	BEARING	5	65
F7006	HEX NUT, 5/16 - 18	3	17	F85610	BEARING	21	30
F7007	ELASTIC STOP NUT	31	45	F85634-2	CONNECTING ROD SCREW	25	14
F7011	HEX NUT, 10 - 24	3	9	F85735-1	SEAL	3	3
F75H22	IGNITION CUT-OFF SWITCH	46	-	F85756	SUPPORT PLATE PACKING	3	16
F8003	PLAIN WASHER	21	42	F88161-3	REED STOP	27	13
F8025	PLAIN WASHER	33	100	F89011	SWIVEL BRACKET WASHER	31	73
F8028	PLAIN WASHER	5	64	F89025	DAMPENING PAD	29	7
F8028	PLAIN WASHER	11	26	F89504	GROMMET, MOTOR LEG	29	20
F8032	PLAIN WASHER	5	67	F89777-1	LATCH CAM	7	87
F8038	PLAIN WASHER	29	10	F90014	CRANKSHAFT LOWER MAIN BEARING	25	17
F8042	PLAIN WASHER	35	7	F901563	DRIVE PIN, WATER PUMP IMPELLER	35	5
F8049	BOWED SPRING WASHER	33	93	F901631-1	FRICITION SHOE	29	33
F8058	INTERNAL TOOTH LOCKWASHER	5	72	F901739	STARTER REWIND SPRING DRIVE	11	5
F8058	INTERNAL TOOTH LOCKWASHER	11	24	F901834	LEAD WIRE CLIP	23	73
F8058	INTERNAL TOOTH LOCKWASHER	19	9	F901970	SPRING STARTER REWIND	11	14
F8060	EXTERNAL TOOTH LOCKWASHER	11	11	F90619-1	YOKE	35	24
F8060	EXTERNAL TOOTH LOCKWASHER (USE WITH PAN HD SCREW)	25	7	F90871-3	GEAR SHIFT ARM PIN	35	23
F8060	INTERNAL TOOTH LOCKWASHER	3	20	F92498	KEY	9	12
F8065	SPRING LOCKWASHER	29	27	F92759	ROLLER	15	28
F8077	WASHER, GEAR HOUSING PLUG	35	29	F93002	CAM	9	13
F8083	LOCKWASHER	29	35	F93097-6	FLYWHEEL	9	2
F8083	SPRING LOCKWASHER	23	72	F93472-1	CYLINDER DRAIN COVER GASKET	21	44
F8083	SPRING LOCKWASHER	29	18	F93472-1	GASKET, CYLINDER DRAIN	19	-
F8088	PLAIN WASHER	15	5	F93748-1	CYLINDER DRAIN REED PLATE GASKET	21	36
F8094	PLAIN WASHER	31	64	F93748-1	GASKET, CYLINDER DRAIN	19	-
F8096	SPRING LOCKWASHER	7	86	F93811	SCREEN, CYLINDER DRAIN REED PLATE	21	35
F8096	SPRING LOCKWASHER	11	30	F93920	CYLINDER DRAIN REED STOP	21	41
F84026	SPARK CONTROL SWIVEL	19	16	F94914	SLEEVE, STATOR WIRE (NOT SHOWN)	9	-
F84035-2	SPARK CONTROL BEARING, R.H.	19	15	F97008-1	STUD, LONG	35	36
F84036	SPARK CONTROL BEARING, L.H.	19	-	F97066-1	THERMOSTAT COVER	21	65
F84280	KINGPIN NUT	31	72	F97067	GASKET, THERMOSTAT COVER	19	-
F84314-2	ELBOW	13	4	F97067	THERMOSTAT COVER GASKET	21	64
F84314-2	ELBOW, FUEL LINE	17	41	F97068-1	THERMOSTAT	21	63
F84314-2	ELBOW, FUEL LINE	21	50	F97275	FITTING, THERMOSTAT	23	67
				F97504	GROMMET, THERMOSTAT	21	62
				F97772	CLAMP	23	69
				F97772	FUEL LINE CLAMPS	13	15

PARTS INDEX

Part Number	Description	Pg.	Ref. No.	Part Number	Description	Pg.	Ref. No.
F99521-1	CLUTCH	35	26	FA94094-2	PROPELLER NUT	35	15
FA27232	EMERGENCY STARTER ROPE (NOT SHOWN) W/HANDLE	11	-	FA97247	WATER TUBE, THERMOSTAT	23	68
FA307779	BAFFLE, AIR INTAKE ASSEMBLY	3	26	FC433054	GEAR HOUSING COMPLETE (NOT SHOWN)	35	-
FA328763	LATCH SHAFT W/HANDLE	5	57	FG1007-1	GASKET SET	19	1
FA353260	PISTON RING SET (6 PER SET) (STANDARD)	25	23	FK10000	GASKET SET	15	22
FA366778	ENGINE COVER RETAINER, FORWARD	3	7	FK1074	GEAR HOUSING SEAL KIT	35	1
FA366953	BUSHING, STARTER HANDLE W/INSERT	5	54	FK1077	TUNE - UP KIT	9	17
FA40346-2	SHOCK MOUNT LOWER	31	74	FK1123	SPARKIE KIT	9	9
FA40655	CRANKSHAFT CENTER MAIN BEARING RACE	25	12	FK247	PROPELLER PIN, PACK OF 6	35	18
FA40742	FRICITION SHOE ADJUSTING ARM	29	31	FK433032	STERN BRACKET	31	44
FA411222	TRANSFER PORT COVER	21	52	FK433838	TOWERSHAFT ASSEMBLY	19	24
FA433019	KINGPIN	31	70	FK436449	SHORTING SWITCH	9	15
FA433054	GEAR HOUSING LOWER W/THRUST BEARING CUP	35	28	FK85228-1	BEARING CAGE W/ROLLERS (16 PER SET)	25	13
FA433113	STERN BRACKET LOCK BAR	33	88	FO10165	INLET SEAT GASKET	15	14
FA433144	CRANKSHAFT BRG. CAGE	25	8	FO10280	CHOKE SHUTTER RETAINING SCREW AND LOCKWASHER	15	11
FA433152	EXHAUST PORT COVER	23	74	FO10588	BODY CHANNEL CUP PLUG	17	37
FA433158	REED PLATE	27	11	FO10790	INLET NEEDLE, SEAT AND GASKET	15	15
FA433167	CARBURETOR ADAPTER FLANGE	27	5	FO10883	CHOKE RELIEF VALVE SPRING	15	13
FA433471	CYLINDER DRAIN COVER W/FITTING	21	45	FO11103	IDLE MIXTURE SCREW SPRING	15	9
FA434616	GEAR SHIFT ROD INTERMEDIATE (STD. LEG)	37	-	FO12250	CHOKE SHUTTER	15	12
FA435116	SNOUT, EXHAUST	37	47	FO12251	CHOKE RELIEF VALVE	15	8
FA435135	LEG COVER (PORT)	29	28	FO13193	MAIN FUEL JET .088 (OPT.) 1250 - 3750 FEET	15	-
FA435145	LEG COVER (STARBOARD)	29	14	FO13552	FUEL BOWL	15	20
FA435616	GEAR SHIFT INTERMEDIATE (LONG LEG)	37	54	FO13554	FLOAT	15	23
FA438431	FUEL PUMP BODY	13	11	FO13944	FLOAT LEVER PIN	15	16
FA439746	FUEL PUMP COVER	13	1	FO13945	FUEL BOWL RETAINING SCREW	15	21
FA456137	STEERING HANDLE GRIP	5	50	FO13946	IDLE MIXTURE SCREW	15	10
FA458480	ENGINE COVER RETAINER	3	8	FO13949	MAIN FUEL JET .086 (OPT.) 3750 - 6250 FEET	15	-
FA485018	CRANKSHAFT	25	10	FO14292	THROTTLE SHAFT RETURN SPRING	15	31
FA485662	BEVEL GEAR REAR W/BEARING	35	19	FO14302	MAIN FUEL JET .084 (OPT.) 6250 - 8250 FEET	15	-
FA485914	SEAL, INLET WATER LINE, LOWER	37	60	FO15406	MAIN FUEL JET .090 (STD.)	15	26
FA545554	GEAR HOUSING UPPER	37	48	FO15623	FUEL BOWL GASKET	15	17
FA605386	DECAL, NUMERAL	3	15	FO15728	THROTTLE SHAFT AND LEVER	15	29
FA605396	DECAL, ENGINE COVER - STARBOARD	3	-	FO16119	THROTTLE SHUTTER	15	32
FA605397	DECAL, ENGINE COVER - PORT	3	14	FO16251	MAIN NOZZLE	15	25
FA605892	DECAL, ENGINE COVER FRONT	3	5	FO16383	CHOKE SHAFT AND LEVER	15	4
FA84754-1	FUEL LINE SHORT	39	5	FO16385	CHOKE SHAFT RETURN SPRING	15	7
FA89128-1	DRIVESHAFT	35	4	FO2510	FUEL BOWL RETAINING SCREW GASKET	15	19
FA89832-2	MOTOR LEG EXHAUST COVER	29	22	FO3804	THROTTLE SHAFT POSITION RETAINING WASHER	17	38
				FO4326	BODY CHANNEL WELCH PLUG	15	36

PARTS INDEX

Part Number	Description	Pg.	Ref. No.	Part Number	Description	Pg.	Ref. No.
FO6393	THROTTLE SHAFT POSITION RETAINING SCREW	17	40	FT8957	SEAL INSTALLER	43	-
FO6396	THROTTLE SHAFT POSITION RETAINING SCREW LOCKWASHER ..	17	39	FT8962	BEARING INSTALLER	43	-
FO8942	THROTTLE SHUTTER RETAINING SCREW AND LOCKWASHER	15	33	FT8964	BEARING REMOVER	43	-
FP287	STANDARD PROP (ACCESSORY ITEM)	35	14	FT8969	LUBRICANT - 7 OZ, #2 LPS LUBRICANT	45	-
FS307260	PISTON RINGS (6 PER SET) .010 OVERSIZE	25	-	FT8983	SEALANT	45	-
FS307940	KINGPIN PLATE	29	6	SA377015	PISTON .010 OVERSIZE	25	-
FS409752	FUEL LINE, COMPLETE	39	-	22-817740A1	ELBOW W/METERING CUP	23	79
FS433758	HOSE	23	78	32-817738A1	FUEL LINE, LONG	39	7
FS606712	ENGINE COVER	3	1	33-82370M	SPARK PLUG (L-82)	21	58
FT1749	SNAP RING PLIERS	42	-	37-817792A1	DECAL, TIMING	27	6
FT2953	SOCKET	42	-	39-818112A1	PISTON RINGS (6 PER SET) .030 OVERSIZE	25	-
FT2954A	TEST WHEEL	44	-	44-819500A3	PROPELLER SHAFT ASSEMBLY	35	22
FT2961	LUBRICANT - RYKON GREASE #2EP	45	-	45-817737A1	DRIVESHAFT	35	-
FT2962-1	SEALANT - 50 CC LOCTITE H, NON-HARDENING GRADE	45	-	300-818002A2	STATOR COMPLETE	9	-
FT2963-2	SEALANT - 2 OZ. LOCTITE D, HARDENING GRADE ..	45	-	600-818052A4	CONNECTING ROD	25	15
FT2987-1	LUBRICANT - ANTI-SEIZE ..	45	-	800-817791A1	CYLINDER W/CRANKCASE COVER, DEFLECTOR PLATE	21	33
FT2990	PISTON PIN TOOL	42	-	800-817894A2	SHORT BLOCK (NOT SHOWN)	21	-
FT2991	CARBON BRUSH	41	-	F210-1	STUD	29	34
FT2996	RING COMPRESSOR	42	-				
FT2998	TORQUE WRENCH	42	-				
FT2999	TORQUE WRENCH	42	-				
FT3139-1	STARTER REWIND KEY	41	-				
FT3431	DRIVESHAFT SEAL AND PROP SHAFT SEAL INSTALLER	43	-				
FT3510	SEAL INSTALLER	42	-				
FT3512	SEAL PROTECTOR	42	-				
FT8900	CLAMP PLIERS	42	-				
FT8904	FORWARD BEARING CUP INSTALLER	43	-				
FT8907	DRIVER HANDLE	43	-				
FT8918	BRUSHING GUIDE SET	43	-				
FT8919	SPRING PIN PUNCH	43	-				
FT8921	FORWARD BEARING CUP REMOVER	43	-				
FT8926	RING EXPANDER	42	-				
FT8930-1	FEELER GAUGE	40	-				
FT8932	LIFTING HOOK	42	-				
FT8935	SEALANT PRIMER - 6 OZ. ..	45	-				
FT8936-1	SEALANT - 2 CC LOCTITE RETAINING COMPOUND #75	45	-				
FT8938	TIMING TOOL	40	-				
FT8945	RETAINER PUNCH	43	-				
FT8948-1	PROPELLER SHAFT BEARING CAGE PULLER	43	-				
FT8948-1	PULLER	40	-				
FT8950	LEAKAGE TESTER	44	-				