



PARTS CATALOG

9.9 HP

SERIAL NUMBER

9.9 (1981)	92H1J
9.9 (1982)	92B2J
9.9 (1982)	92H2J
9.9 (1982)	98B2C
9.9 (1982)	98H2C

TABLE OF CONTENTS:

ACCESSORIES	44
ELECTRIC STARTER 98H2C, 98B2C	12
ELECTRICAL COMPONENTS 98H2C, 98B2C	14
ENGINE COVER AND SUPPORT PLATE	2
FUEL PUMP 98H2C, 98B2C	10
FUEL SYSTEM	18
FUEL TANK AND LINE	36
GEAR HOUSING	32
MAGNETO 92H1J, 92B1J, 92H2J, 92B2J	6
MOTOR LEG	26
PARTS INDEX	46
POWER HEAD	22
SPECIAL TOOLS - LOWER UNIT	41
SPECIAL TOOLS - LUBRICANTS AND SEALANTS	43
SPECIAL TOOLS - MANUAL STARTER	39
SPECIAL TOOLS - POWER HEAD	40
SPECIAL TOOLS - TEST EQUIPMENT	42
SPECIAL TOOLS - TUNE-UP	38
STARTER 92H1J, 92B1J, 92H2J, 92B2J	8

NOTE: Indented description indicate that these parts are included in preceeding assembly.

AR = As Required

NSS = Not Sold Separate

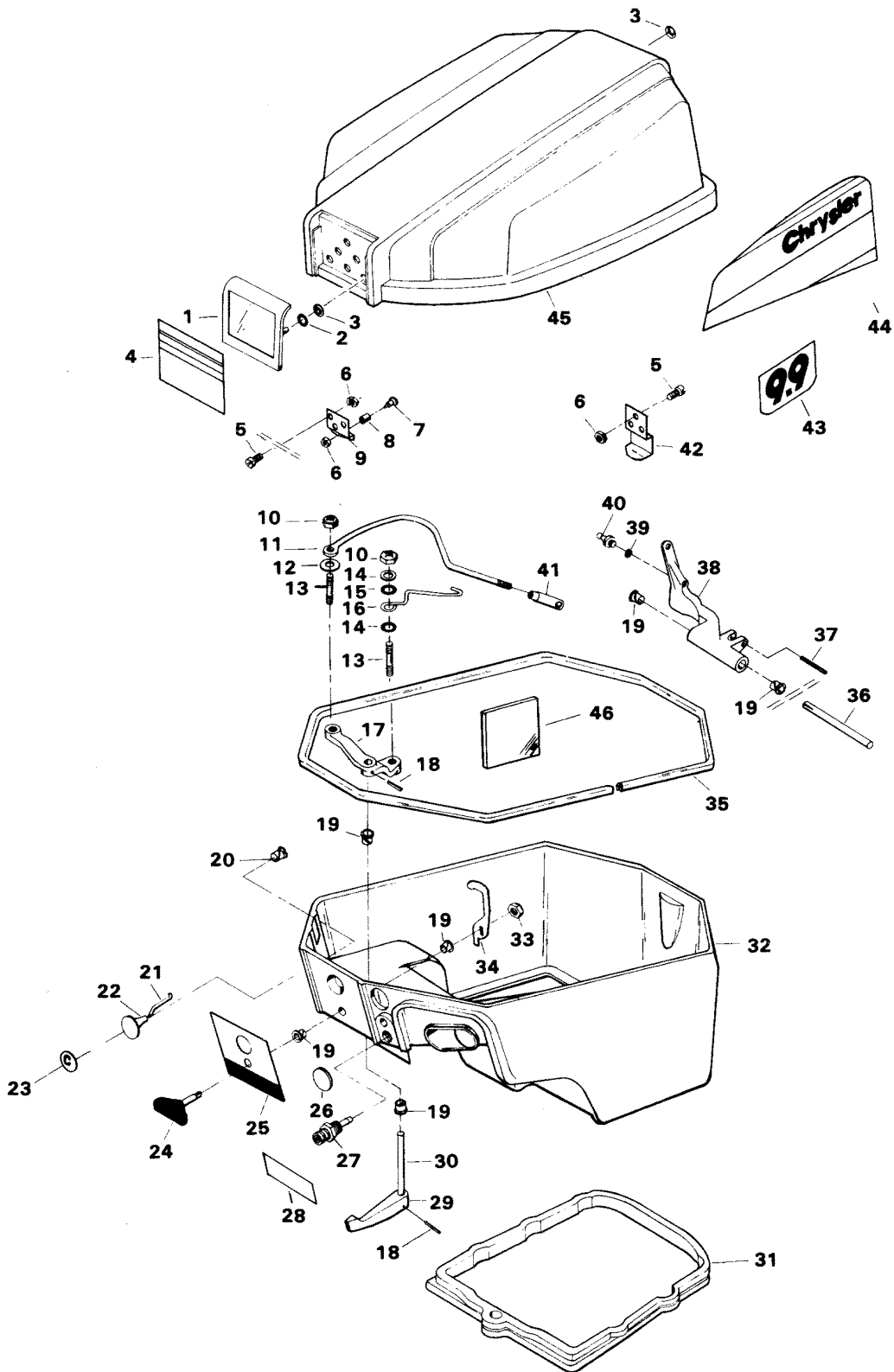
OPT = Optional

NS = Not Shown

THESE PARTS BOOKS/FICHE CARD ARE COPYRIGHTED AND MAY NOT BE DISTRIBUTED OR REPRODUCED IN ANY OTHER FORMAT BY ANYONE OTHER THAN MERCURY MARINE WITHOUT THE PRIOR WRITTEN CONSENT OF MERCURY MARINE.

THIS PAGE INTENTIONALLY LEFT BLANK

ENGINE COVER AND SUPPORT PLATE

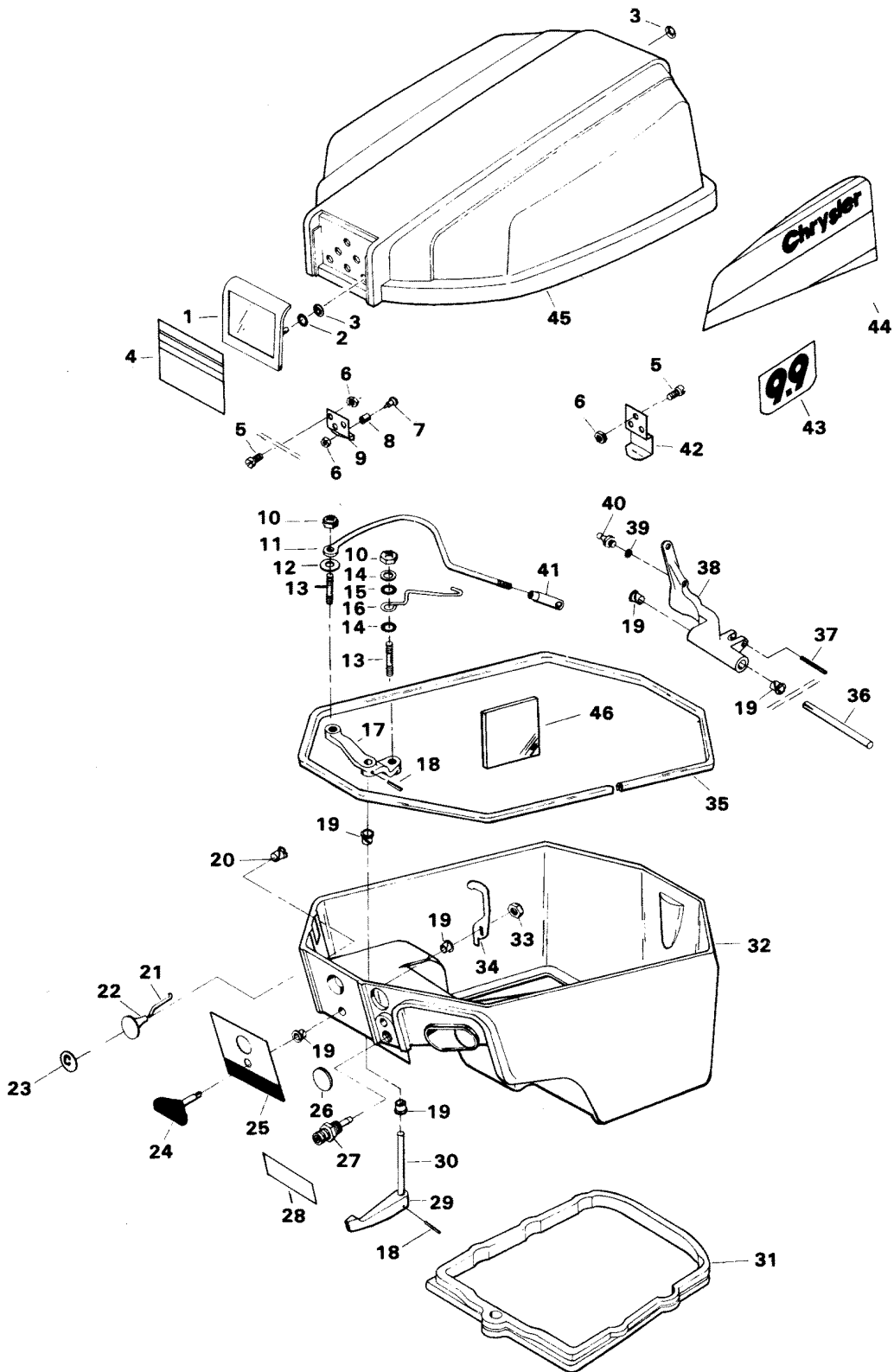


ENGINE COVER AND SUPPORT PLATE

REF. NO.	PART NO.	SYM.	QTY.	DESCRIPTION
-	F94840		1	GROMMET (BATTERY CABLE) 98H2C, 98B2C
1	F610711		1	PLATE, ENGINE COVER
2	F85735-1		3	SEAL
3	F1753		3	FASTENER
4	FA610892		1	DECAL, ENGINE COVER, FRONT W/LITERATURE
5	F1979		6	SCREW PAN HD, 10 - 24 X 1/2
6	F7011		7	ELASTIC STOP NUT, 10 - 24
7	F269316		1	ROLLER SHAFT
8	F92759		1	ROLLER
9	817758A1		1	BRACKET, COVER LATCH W/ILLUS. 6, 7 AND 8 ORIGINAL FORCE P/N A 286774-1
10	F1804		2	STOP NUT, 10 - 32
11	F286611-1		1	ROD, GEAR SHIFT
12	F8048		1	BOWED SPRING WASHER
13	F286134		2	STUD, GEAR SHIFT LEVER
14	F8011		1	PLAIN WASHER (92H2J, 92B2J)
15	F184579		2	SEAL (92H2J, 92B2J)
16	F492263		1	LINK, STARTER INTERLOCK (92H2J, 92B2J)
17	F492619		1	LEVER, GEAR SHIFT SHAFT
18	F8540		2	SPRING PIN
19	F307818		6	BEARING
20	F197319		1	BEARING, CHOKE ROD
21	F617503		1	ROD, CHOKE KNOB
22	FA286547		1	KNOB, CHOKE
23	F458677		1	INSERT, CHOKE KNOB
24	FA286469		1	KNOB, COVER LATCH
25	817757A4		1	PLATE, FRONT SUPPORT W/LITERATURE (92H2J, 92B2J) ORIGINAL FORCE P/N A 286711-3
-	FA510711		1	PLATE, FRONT SUPPORT W/LITERATURE (98H2C, 98B2C)
26	F343226-1		2	PLUG
27	F197767-1		1	BUSHING, FUEL LINE
28	FC516400		1	DECAL, SHIFT - CANADA (92B2J)
29	F286614		1	HANDLE, GEAR SHIFT
30	F492417		1	SHAFT, GEAR SHIFT HANDLE
31	F286989-2		1	SEAL, SUPPORT PLATE
32	FA492038		1	PLATE, SUPPORT W/PLUGS (92H2J, 92B2J)
-	FA510038		1	PLATE, SUPPORT W/PLUGS (98H2C, 98B2C)
33	F7006		1	STOP NUT, 5/16 - 18
34	F286777		1	CAM, COVER LATCH
35	F392756		1	PACKING, SUPPORT PLATE
36	F286871		1	PIN, GEAR SHIFT LEVER
37	F8542		1	SPRING PIN
38	F286876		1	LEVER, GEAR SHIFT
39	F8058		1	INTERNAL TOOTH LOCKWASHER

CONTINUED ON NEXT PAGE ➡

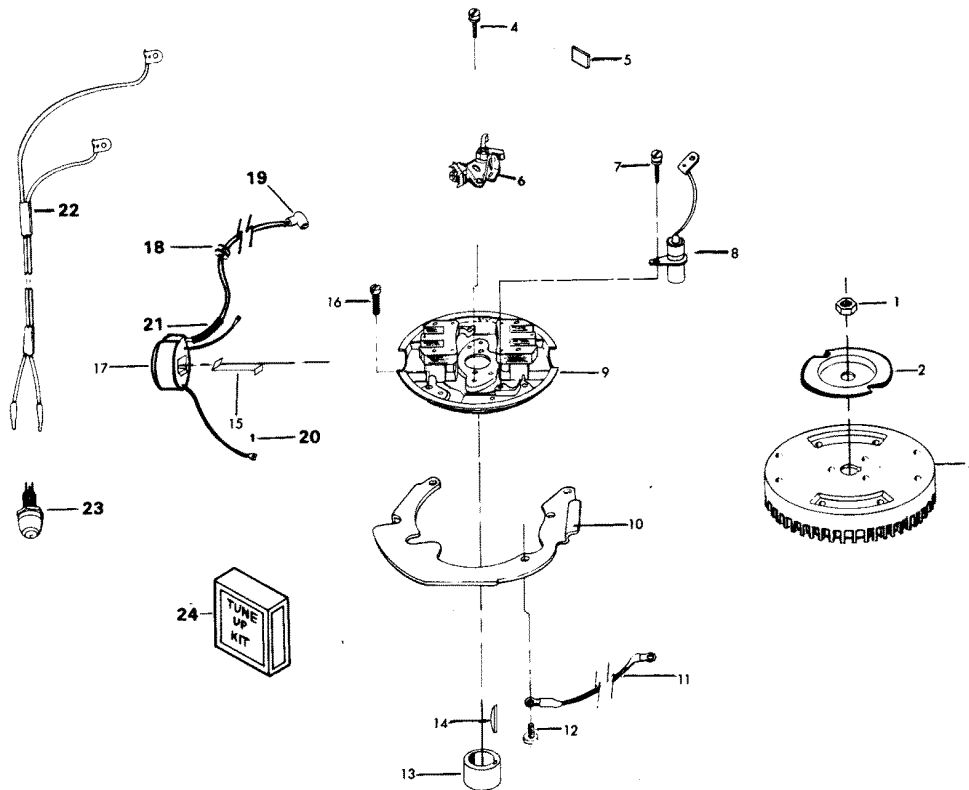
ENGINE COVER AND SUPPORT PLATE



ENGINE COVER AND SUPPORT PLATE

REF. NO.	PART NO.	SYM.	QTY.	DESCRIPTION
40	F98273		1	STUD, GEAR SHIFT ROD CONNECTOR
41	F286685		1	CONNECTOR, GEAR SHIFT ROD
42	FA610480		1	RETAINER, ENGINE COVER INCLUDES ILLUS. 5 AND 6.
43	FA610386		2	DECAL, NUMERAL W/LITERATURE
44	FA610396		1	DECAL, "CHRYSLER" STARBOARD W/LITERATURE
-	FA610397		1	DECAL, "CHRYSLER" PORT W/LITERATURE
45	100-FS666712T		1	COVER, ENGINE W/ILLUS. 5, 6, 7, 8, 9 AND 42 ORIGINAL FORCE P/N S 541712-1
-	2C610712		1	COVER, ENGINE COMPLETE. INCLUDES ITEMS MARKED WITH AN ASTERISK (*).
46	F510661		1	PAD, STARTER (98H2C, 98B2C)

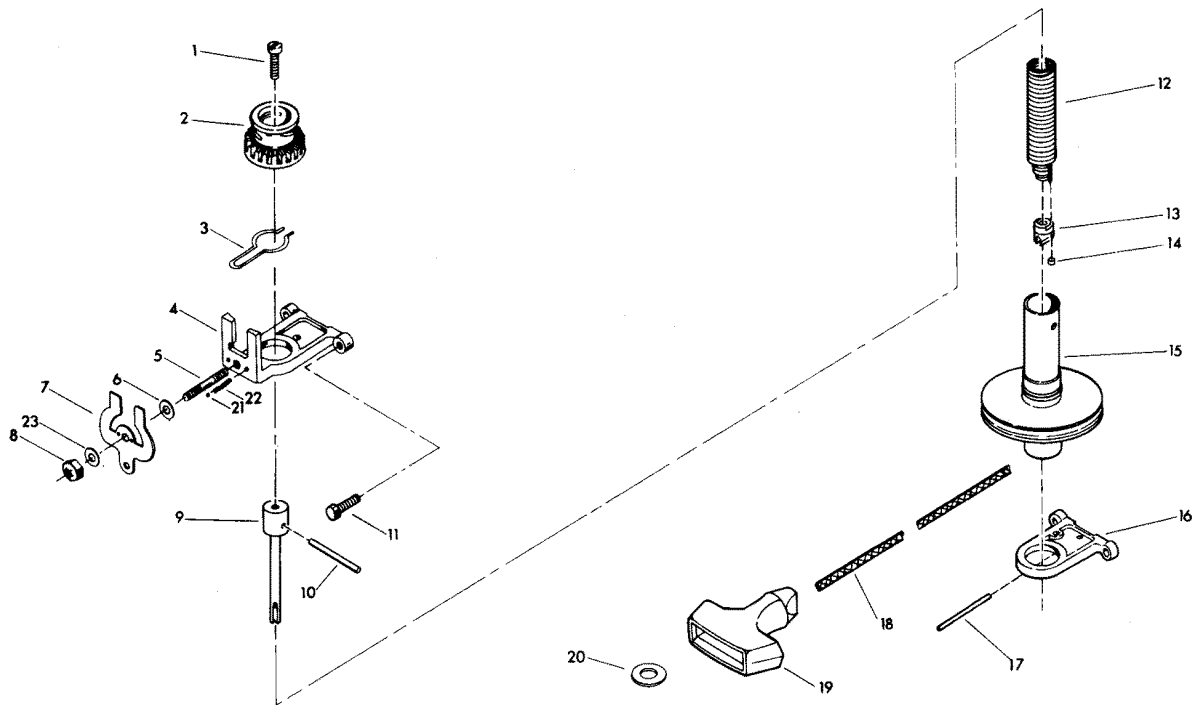
MAGNETO 92H1J, 92B1J, 92H2J, 92B2J



MAGNETO 92H1J, 92B1J, 92H2J, 92B2J

REF. NO.	PART NO.	SYM.	QTY.	DESCRIPTION
1	F1809		1	HEX NUT, 1/2 - 20
2	F901456-1		1	EMERGENCY STARTER COLLAR
3	F302097		1	FLYWHEEL
4	F12170		4	CONTACT SCREW W/LOCKWASHER
5	F12360		1	CAM WIPER FELT
6	F12153-1		2	BREAKER POINT SET
7	F12083		2	CONDENSER SCREW W/LOCKWASHER
8	F12181-1		2	CONDENSER
9	F12343		1	STATOR PLATE W/LAMINATIONS
10	F617192		1	THROTTLE CAM PLATE
11	F289664		1	WIRE, STATOR GROUND
12	F1075		4	FILL HD SCREW, 10 - 24 X 1/2
13	F217002		1	MAGNETO BREAKER CAM
14	F458498		1	MAGNETO KEY
15	F12146		2	COIL WEDGE SPRING
16	F1090		4	FILL HD SCREW W/LOCKWASHER, 10 - 24 X 9/16
17	FA12370		2	COIL W/LEAD WIRE AND WEDGE SPRING
18	F12088		4	GROMMET
19	FK1123		2	SPARKIE W/SPRING
20	F12114		2	COIL GROUND TERMINAL SCREW
21	F12141		1	HIGH TENSION LEAD SLEEVE
22	F12186-1		1	PRIMARY TERMINAL WIRE
23	F436449		1	SHORTING SWITCH
-	F12091		1	LEAD WIRE MARKER TOP (NOT SHOWN)
24	FK1066		1	TUNE UP KIT. INCLUDES ALL ITEMS MARKED WITH AN ASTERISK (*)

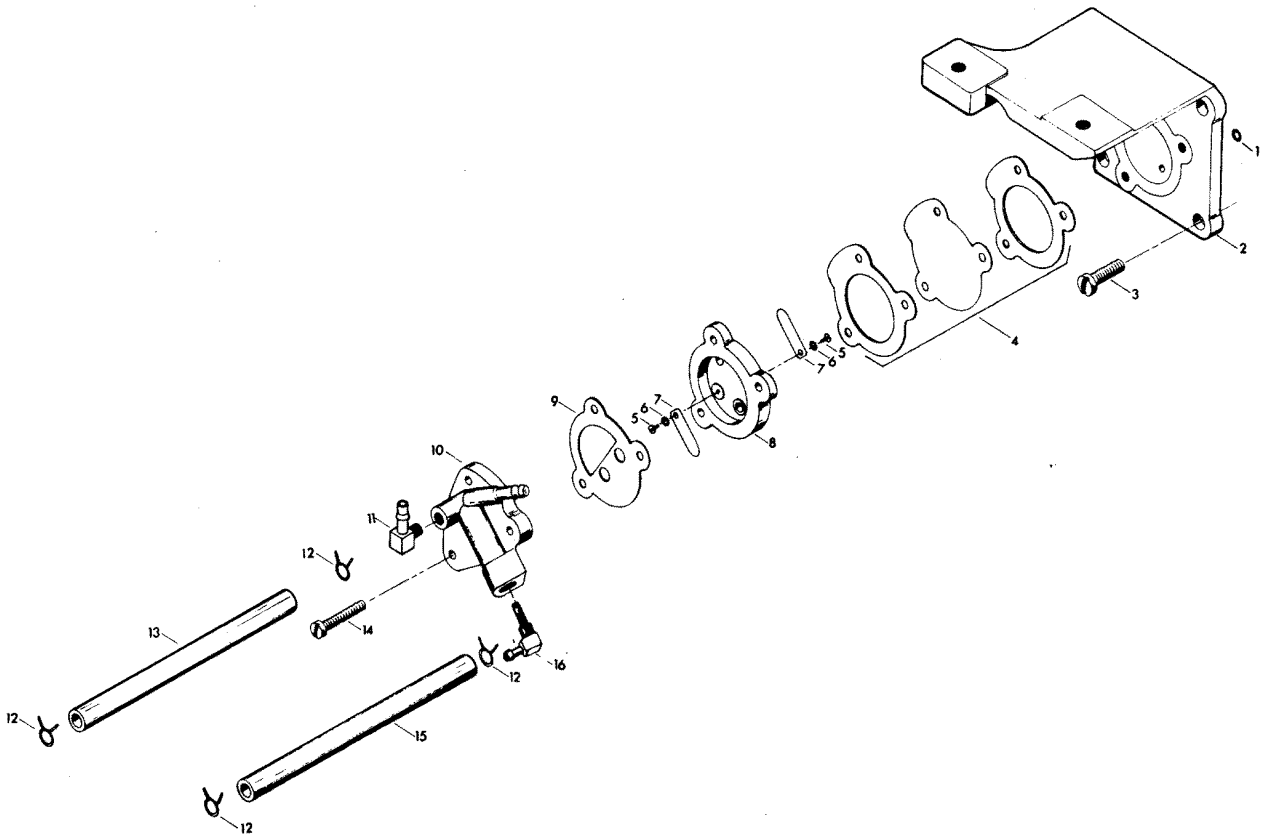
STARTER 92H1J, 92B1J, 92H2J, 92B2J



STARTER 92H1J, 92B1J, 92H2J, 92B2J

REF. NO.	PART NO.	SYM.	QTY.	DESCRIPTION
1	F1089		1	FILL HD SCREW, 10 - 24 X 9/16
2	F487674		1	GEAR, STARTER PINION
3	F487424-1		1	STARTER PINION SPRING
4	F487427-1		1	BRACKET, STARTER UPPER
5	F286134		1	STUD
6	F8011		1	PLAIN WASHER
7	F487781-3		1	STARTER INTERLOCK
8	F1804		1	STOP NUT
9	F286710		1	ARBOR, STARTER SPRING
10	F40425		1	STARTER PINION PIN
11	F1914		4	HEX HD SCREW, 1/4 - 20 X 3/4
12	FA286970		1	STARTER REWIND SPRING W/ILLUS. 13 AND 14
13	F286737-1		1	RETAINER, STARTER REWIND SPRING
14	F286930		1	END, STARTER SPRING
15	F2A459239		1	STARTER SPOOL W/SHAFT
16	FK317427		1	BRACKET, STARTER LOWER W/ILLUS. 17
17	F1875		1	SPRING PIN, STARTER BRACKET
18	F409232		1	STARTER ROPE
19	F286132		1	HANDLE, STARTER ROPE
20	F2042		2	PLAIN WASHER
21	F487727		2	BALL, INTERLOCK DETENT
22	F487895		2	SPRING, INTERLOCK DENTENT

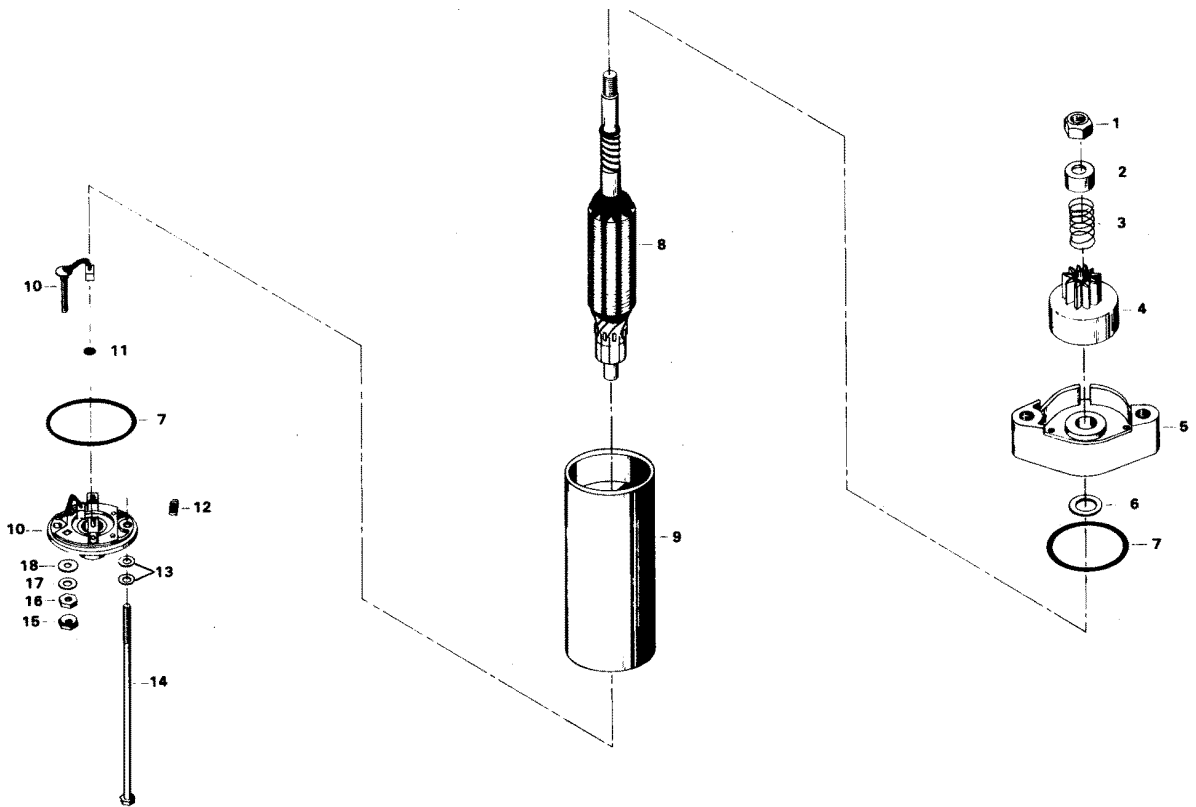
FUEL PUMP 98H2C, 98B2C



FUEL PUMP 98H2C, 98B2C

REF. NO.	PART NO.	SYM.	QTY.	DESCRIPTION
1	F455118		1	SEAL, FUEL PUMP BRACKET
2	F510427		1	BRACKET, STARTER SUPPORT
3	F1577		4	FILL HD SCREW, 1/4 - 20 X 3/4
4	27-818043A1		1	FUEL PUMP DIAPHRAGM W/GASKETS
5	F1286		2	PAN HD SCREW, 4 - 40 X 3/16
6	F8003		2	PLAIN WASHER
7	F18160-2		2	REED, FUEL PUMP
8	F2A24757		1	FUEL PUMP REED PLATE W/ILLUS. 5, 6 AND 7
9	F24748-2		1	GASKET, FUEL PUMP
10	F510746		1	FUEL PUMP COVER
11	22-818103--1		1	FITTING, FUEL PUMP
12	F2706772		4	HOSE CLAMP
13	FA901753		1	HOSE, FUEL PUMP TO CARBURETOR
14	F1069		3	FILL HD SCREW, 10 - 24 X 1 1/16
15	F2752253		1	HOSE, FUEL PUMP TO BUSHING - U.S.A.
16	F510811		1	FILTER, FUEL PUMP

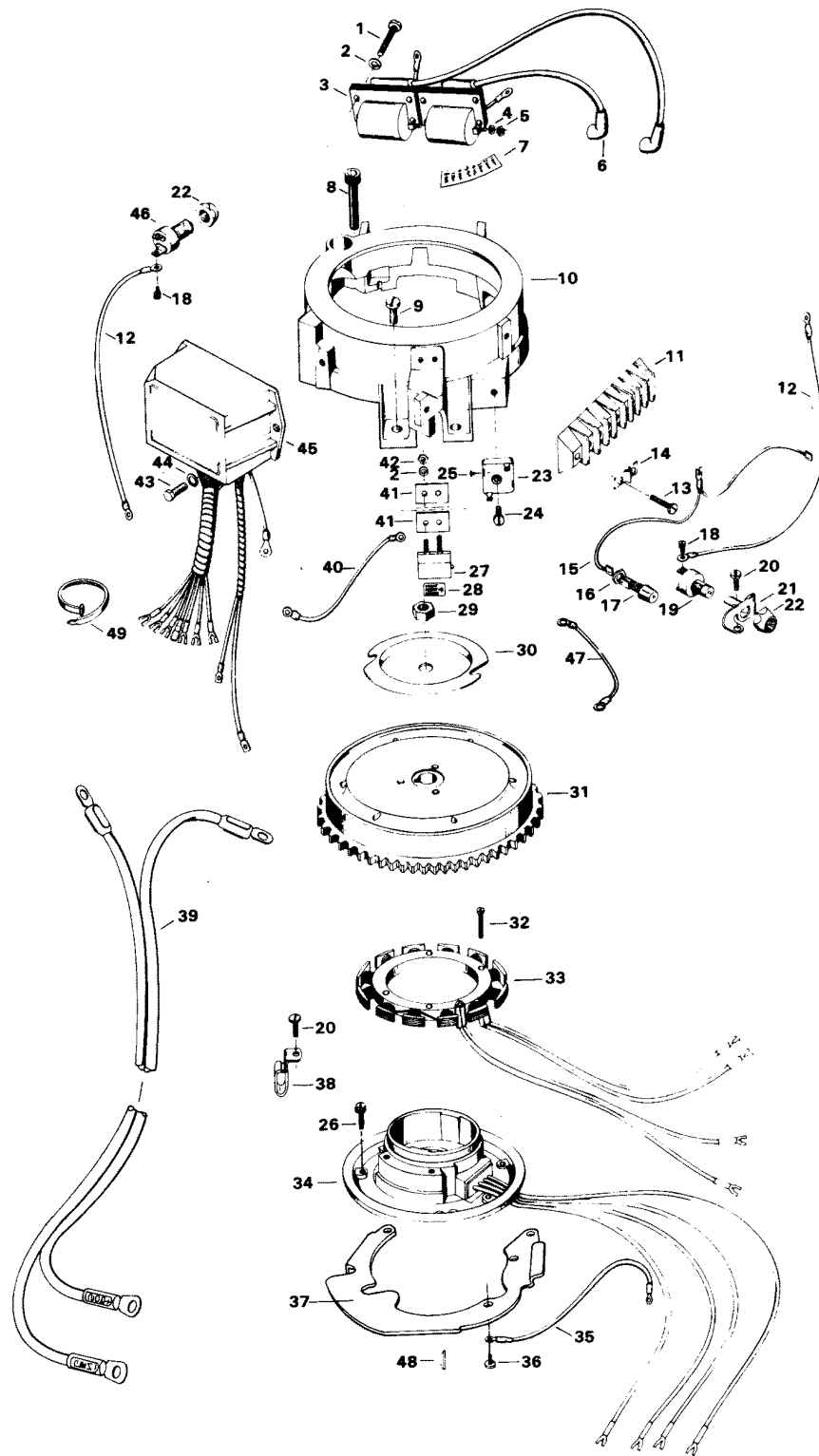
ELECTRIC STARTER 98H2C, 98B2C



ELECTRIC STARTER 98H2C, 98B2C

REF. NO.	PART NO.	SYM.	QTY.	DESCRIPTION
1	F15142		1	STOP NUT
2	F15141		1	PINION STOP
3	F15140		1	SPRING
4	F15139		1	PINION ASSEMBLY
5	F15135		1	CAP ASSEMBLY, DRIVE END
6	F15137		1	WASHER
7	F15145		2	GASKET
8	F15134		1	ARMATURE
9	F15136		1	HOUSING ASSEMBLY
10	F15127		1	CAP ASSEMBLY, COMMUTATOR END. INCLUDES ITEMS 15, 16, 17 AND 18
11	F15143		1	DISC
12	F15138		2	SPRING, BRUSH
13	F15146		4	WASHER
14	F15144		2	SCREW, THRU BOLT
15	F15129		1	NUT W/LOCKWASHER
16	F15130		1	NUT
17	F1533		1	WASHER
18	F15132		1	WASHER, FIBER
-	F510955		1	STARTER MOTOR - COMPLETE. INCLUDES ALL ITEMS MARKED WITH AN ASTERISK (*).
-	FC520390		1	DECAL, STARTER CANADA (NOT SHOWN)

ELECTRICAL COMPONENTS 98H2C, 98B2C

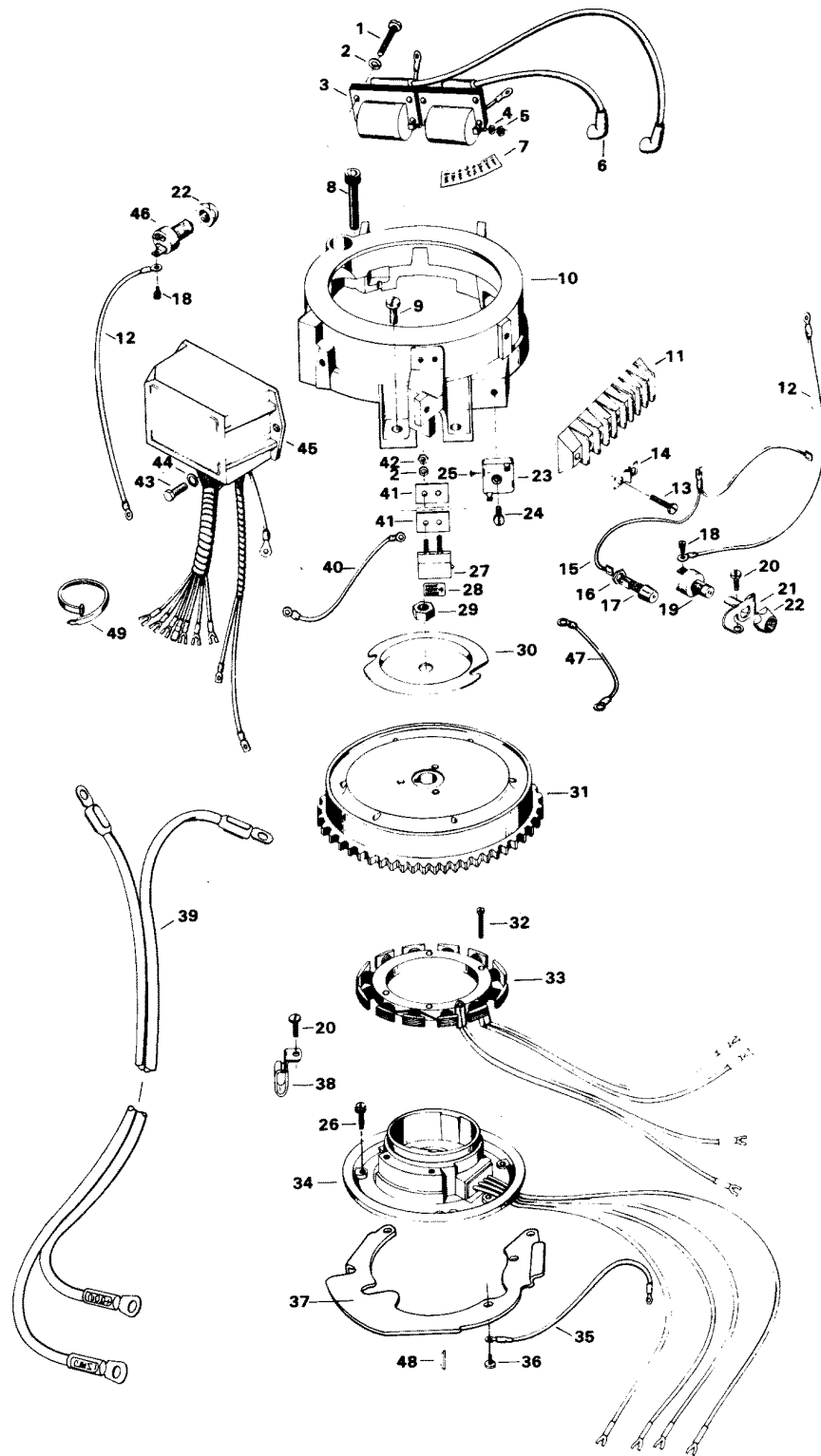


ELECTRICAL COMPONENTS 98H2C, 98B2C

REF. NO.	PART NO.	SYM.	QTY.	DESCRIPTION
1	F1829		8	FILL HD M. SCREW, 10 - 24 X 7/8
2	F1975		12	SPRING LOCKWASHER
3	F510475		2	IGNITION COIL
4	F1704		2	INTERNAL TOOTH LOCKWASHER
5	F1337		2	HEX NUT, 6 - 32
6	FK1123		2	SPARKIE W/SPRING
7	F510398		1	DECAL, WIRING
-	FC510398		1	DECAL, WIRING - CANADA
8	F1646		2	HEX SOCKET HD CAP SCREW, 3/8 - 16 X 2 1/4
9	F1577		4	FILL HD SCREW, 1/4 - 20 X 3/4
10	F510675-1		1	STARTER SUPPORT
11	FA510497		1	TERMINAL BLOCK W/ILLUSTRATION 13 ORIGINAL FORCE P/N K 289497-2
12	F510841		2	WIRE, STARTER INTERLOCK SWITCH
13	F1648		2	PAN HD SCREW, 10 - 24 X 3/4
14	F307317		1	CLIP, TERMINAL BLOCK GROUND
15	F510908		1	WIRE, GROUND
16	F510288		1	NUT, SHORTING SWITCH
17	F436449		1	SHORTING SWITCH
18	F1556		4	FILL HD M. SCREW W/SPRING LOCKWASHER, 10 - 24 X 3/8
19	F510918		1	STARTER SWITCH
20	F1802		3	FILL HD SCREW, 1/4 - 20 X 9/16
21	F510540		1	BRACKET, STARTER SWITCH
22	F510669		2	NUT, INTERLOCK SWITCH AND STARTER SWITCH
23	F510450-1		1	RECTIFIER
24	F1303		1	SLOTTED PAN HD M. SCREW, 8/32 X 3/4
25	F1645		4	RD HD THREAD CUTTING SCREW, 6 - 32 X 1/4
26	F1090		4	FILL HD SCREW W/SPRING LOCKWASHER, 10 - 24 X 9/16
27	F510460		1	CIRCUIT BREAKER
28	F510374		1	DECAL, CIRCUIT BREAKER
-	FC510374		1	DECAL, CIRCUIT BREAKER - CANADA
29	F1809		1	HEX NUT
30	F901456-1		1	EMERGENCY STARTER COLLAR
31	F510097		1	FLYWHEEL
32	F1087		4	FILL HD SCREW, 10 - 24 X 13/16
33	F510095		1	STATOR, ALTERNATOR
34	F510029		1	STATOR, TRIGGER
35	F404908		1	GROUND WIRE
36	F1075		4	FILL HD SCREW, 10 - 24 X 1/2
37	F617192		1	THROTTLE CAM
38	F510446		1	CLAMP, BATTERY CABLE
39	F510896		1	BATTERY CABLE
40	F493683		1	WIRE

CONTINUED ON NEXT PAGE ➡

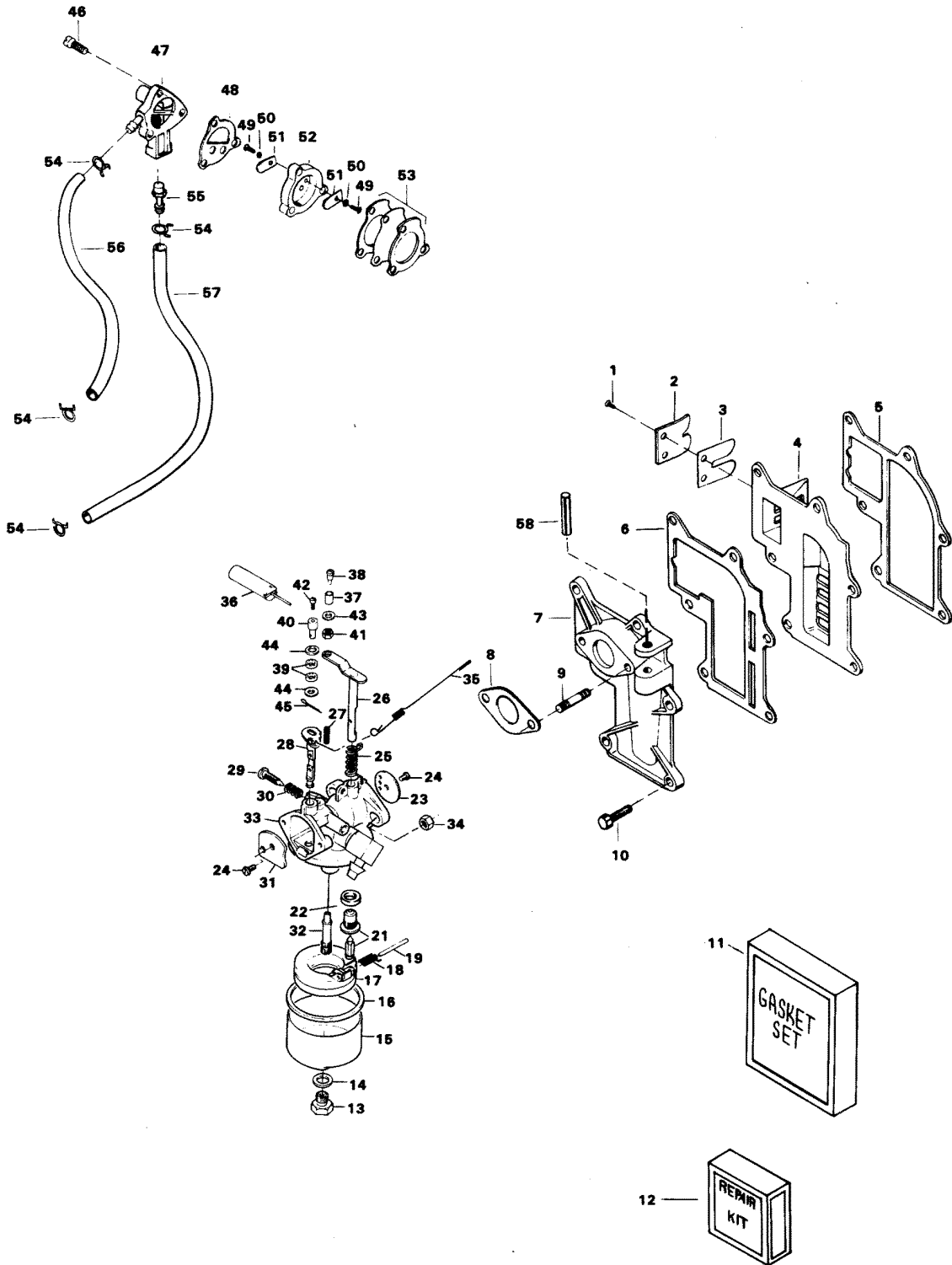
ELECTRICAL COMPONENTS 98H2C, 98B2C



ELECTRICAL COMPONENTS 98H2C, 98B2C

REF. NO.	PART NO.	SYM.	QTY.	DESCRIPTION
41	F510595		2	INSULATOR, CIRCUIT BREAKER
42	F1513		2	HEX NUT, 10 - 32
43	F1999		2	HEX CAP SCREW, 1/4 - 20 X 7/8
44	F8083		1	SPRING LOCKWASHER
45	F510301		1	C-D MODULE
46	F510449		1	NEUTRAL INTERLOCK SWITCH
47	F510683		1	WIRE, RECTIFIER - CIRCUIT BREAKER
48	F458498		1	KEY, FLYWHEEL
49	F1845		5	TY-RAP

FUEL SYSTEM

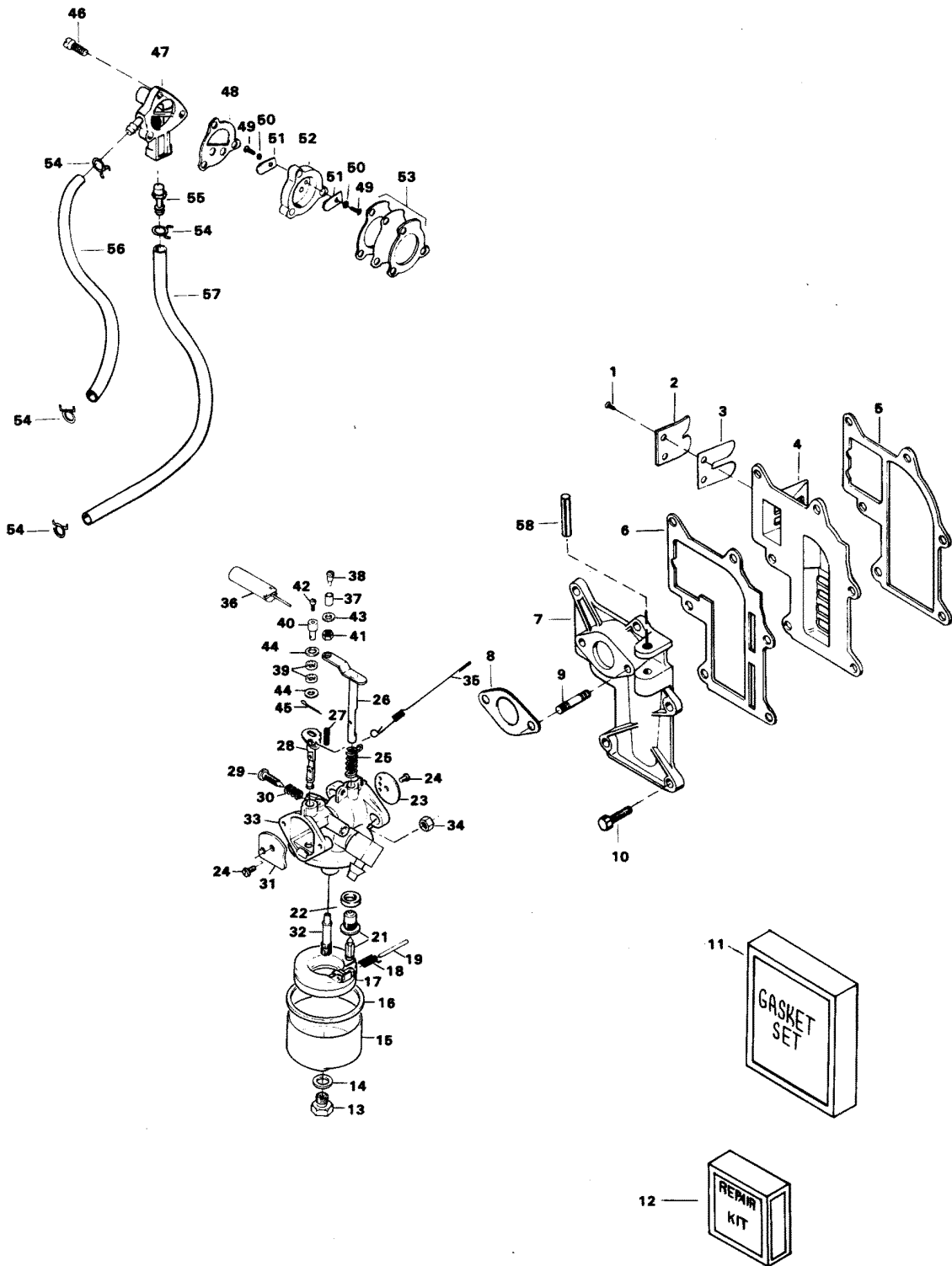


FUEL SYSTEM

REF. NO.	PART NO.	SYM.	QTY.	DESCRIPTION
1	F1755		8	RD HD SCREW W/LOCKWASHER, 6 - 32 X 5/16
2	F424161		4	REED STOP
3	F31160-1		4	REED
4	FA424158		1	REED PLATE W/ILLUS. 1, 2 AND 3
5	F286159-1		1	GASKET, REED PLATE
6	F424168-1		1	GASKET, MANIFOLD
7	F2A424167		1	MANIFOLD W/ILLUS. 9
8	F18906		1	GASKET, CARBURETOR
9	F2788004		2	STUD, CARBURETOR
10	F2008		4	HEX HD SCREW, 1/4 - 20 X 7/8
11	F10069		0	GASKET SET
12	FK10114		0	REPAIR KIT
13	F10125		1	JET ASSY., MAIN FUEL (.049)
14	F10090		1	GASKET, BOWL RETAINER
15	F10058		1	BOWL, FUEL
16	F10068		1	GASKET, BOWL
17	F10063		1	FLOAT ASSY.
18	F10084		1	SPRING, FLOAT SUPPORT
19	F10064		1	SHAFT, FLOAT
21	F10101		1	KIT, VALVE SEAT ASSEMBLY
-	F10115		1	KIT, PLUG (NOT SHOWN)
22	F10066		1	GASKET, VALVE SEAT
23	F10060		1	VALVE, THROTTLE
24	F10071		2	SCREW, CHOKE AND THROTTLE VALVE
25	F10075		1	SPRING, THROTTLE RETURN
26	F10110		1	SHAFT ASSY., THROTTLE
27	F10072		1	SPRING, CHOKE STOP
28	F10111		1	SHAFT ASSY., CHOKE
29	F10077		1	NEEDLE, IDLE
30	F10073		1	SPRING, IDLE NEEDLE
31	F10112		1	VALVE, CHOKE
32	F10088		1	NOZZLE
33	F617061		1	CARBURETOR COMPLETE (LMB-228)
34	F1490		2	HEX NUT, 1/4 - 20
35	F517846		1	SPRING, REMOTE CHOKE
36	FA617925		1	ROD AND PLUNGER, CHOKE SOLENOID
37	F92759		1	ROLLER, THROTTLE CAM
38	F333316		1	SHAFT, THROTTLE CAM ROLLER
39	F184579		2	SEAL, CHOKE ARM SWIVEL
40	F184033-1		1	SWIVEL, CHOKE ARM
41	F1997		1	LOCK NUT, 8 - 32
42	F1059		1	FILL HD M. SC., 6 - 32 X 1/4
43	F2042		1	PLAIN WASHER (THROTTLE ROLLER SHAFT)

CONTINUED ON NEXT PAGE ➡

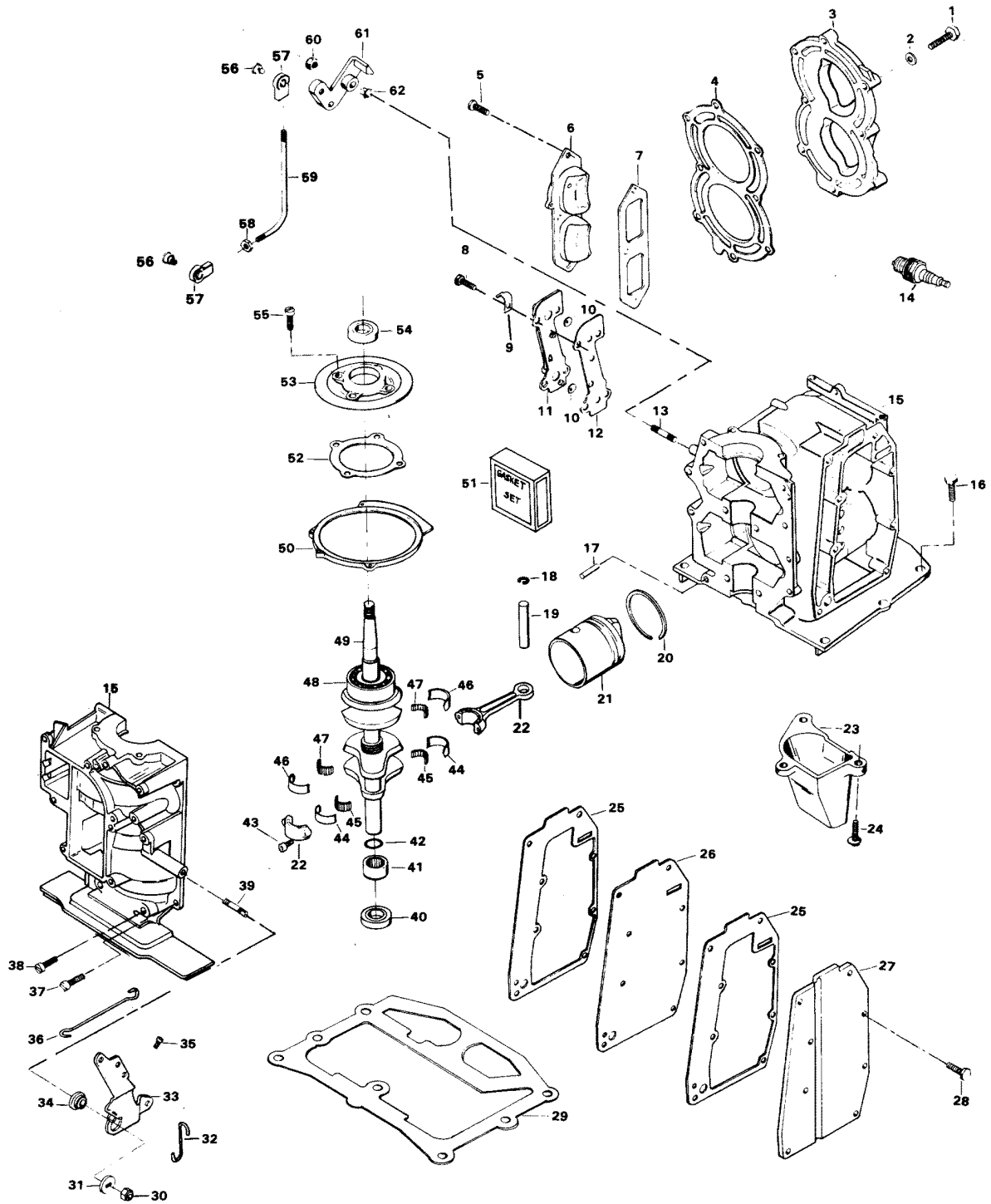
FUEL SYSTEM



FUEL SYSTEM

REF. NO.	PART NO.	SYM.	QTY.	DESCRIPTION
44	F8088		2	PLAIN WASHER (CHOKE ARM SWIVEL)
45	F1014		1	COTTER PIN (CHOKE ARM SWIVEL TO CARB)
46	F1069		3	FILL HD SCREW, 10 - 24 X 1-1/16
47	F901746-2		1	FUEL PUMP COVER (92H2J, 92B2J)
48	F24748-2		1	GASKET, FUEL PUMP
49	F1286		2	PAN HD SCREW, 4 - 40 X 3/16
50	F8003		2	PLAIN WASHER
51	F18160-2		2	REED FUEL PUMP
52	F2A24757		1	FUEL PUMP REED PLATE W/ILLUS. 4, 5 AND 6
53	27-818043A1		1	FUEL PUMP DIAPHRAGM W/GASKETS
54	F2706772		4	HOSE CLAMP
55	F901811		1	FUEL PUMP FILTER (92H2J, 92B2J)
56	32-F40253-1		1	FUEL LINE W/CLAMPS (FUEL PUMP TO CARBURETOR)
57	F40253-1		1	FUEL LINE (FUEL PUMP TO BUSHING) (92H2J, 92B2J)
58	F1876		1	SPRING PIN (92H2J, 92B2J)

POWER HEAD

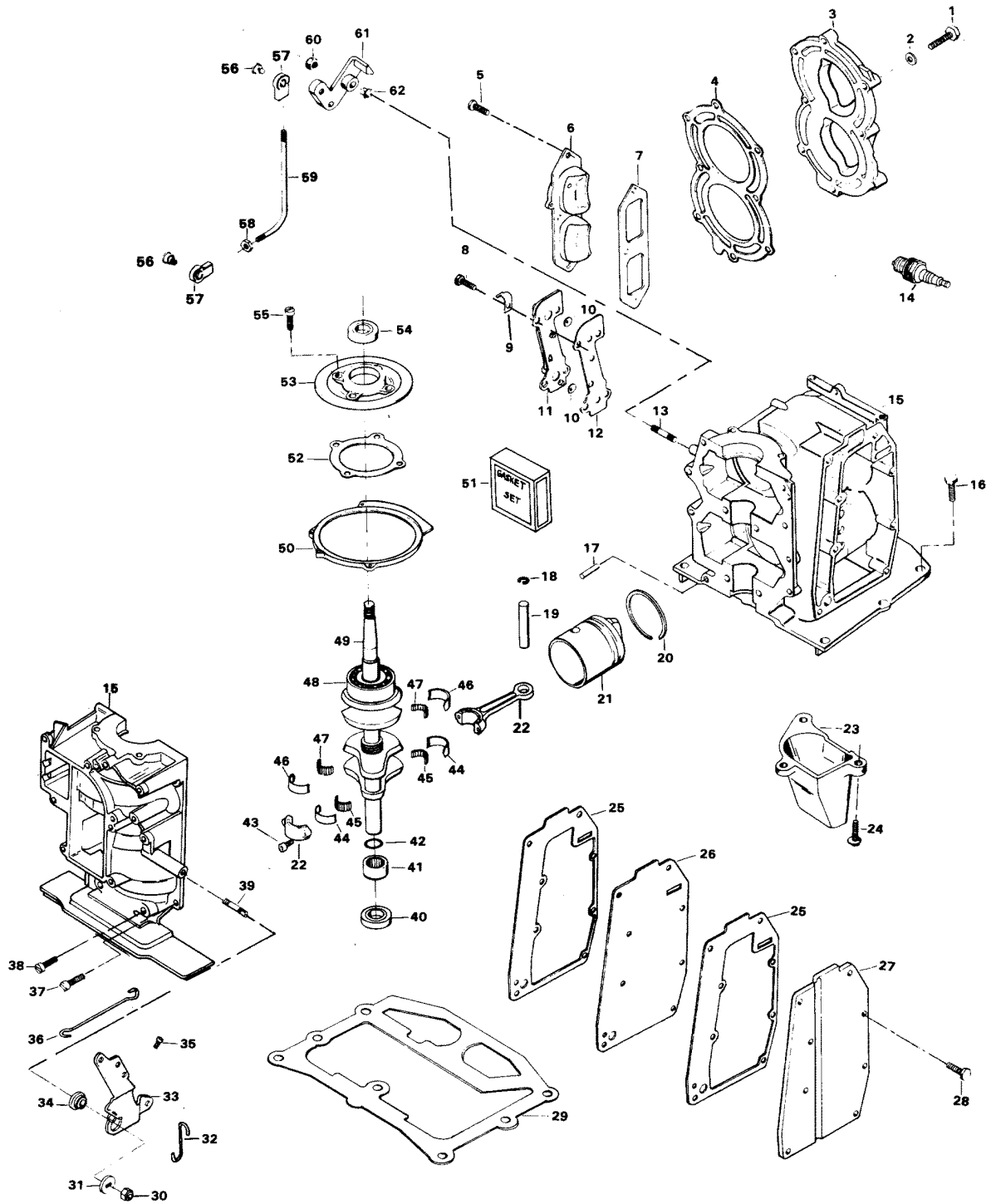


POWER HEAD

REF. NO.	PART NO.	SYM.	QTY.	DESCRIPTION
-	F1859		1	HEX SOCKET HEADLESS SET SC. 1/4 - 28 X 3/16 (TRANSFER PORT CCOVER 98H2C, 98B2C)
1	F901938-1		8	SCREW, CYLINDER HEAD
2	F8025		8	PLAIN WASHER
3	F492518		1	HEAD, CYLINDER
4	F286529-3		1	GASKET, CYLINDER HEAD
5	F1922		3	HEX CAP SCREW, 1/4 - 20 X 5/8, (92H2J, 92B2J)
-	F510165		3	SCREW, (98H2C, 98B2C)
6	F286222		1	COVER, TRANSFER PORT (92H2J, 92B2J)
-	F510222		1	COVER, TRANSFER PORT (98H2C, 98B2C)
7	F286223		1	GASKET, TRANSFER PORT COVER
8	F1922		4	HEX HD SCREW, 1/4 - 20 X 5/8
9	F286772-1		1	HOSE CLAMP (92H2J, 92B2J)
10	F429811		2	SCREEN
11	FA429471		1	COVER, CYLINDER DRAIN W/CHECK VALVES AND ILLUS. 10
12	F429472		1	GASKET, CYLINDER DRAIN COVER
13	F28004		1	STUD, INTERLOCK LEVER (98H2C, 98B2C)
14	FS174227		2	PLUG, SPARK, CHAMPION (L-4-J)
-	FC235227		2	PLUG, SPARK CHAMPION (RL-4-J), FOR CANADA
15	800-817801A2		1	CYLINDER W/CRANKCASE COVER W/ILLUS. 11, 12, 13, 37, 38, 39 AND LITERATURE (98H1H, 98B1H) ORIGINAL FORCE P/N A 442010-2
-	FA510010		1	CYLINDER W/CRANKCASE COVER, ILLUS. 13, 37, 38 AND 39 (98H1B, 98B1B)
-	800-817893A3		1	SHORT BLOCK (NOT SHOWN). INCLUDES ALL ITEMS MARKED WITH AN ASTERISK (*) 92H2J, 92B2J ORIGINAL FORCE P/N C 431010-3
-	800-817904A1		1	SHORT BLOCK (NOT SHOWN). INCLUDES ALL ITEMS MARLED WITH AN ASTERISK (*) 98H2C, 98B2C ORIGINAL FORCE P/N C 510010-1
16	F1823		6	HEX CAP SCREW, 5/16 - 18 X 1
17	F8559		2	DOWEL PIN
18	F31410		4	RETAINING RING, PISTON PIN
19	F174017		2	PIN, PISTON
20	FA174260		2	PISTON RING SET (2 PER SET)
21	F286015-3		2	PISTONS
22	F2A286016		2	ROD, CONNECTING W/CAP AND ILLUS. 43
23	F487660-1		1	EXHAUST TUBE
24	F2040		3	HEX WASHER HD M. SCREW, 1/4 - 20 X 5/8
25	F286154		2	GASKET, EXHAUST COVER
26	F286151		1	PLATE, EXHAUST
27	F286152		1	COVER, EXHAUST
28	F1915		8	HEX HD SCREW, 1/4 - 20 X 7/8
29	F286279-2		1	GASKET, CYLINDER MOUNTING
30	F1803		1	STOP NUT, 5/16 - 24

CONTINUED ON NEXT PAGE ➡

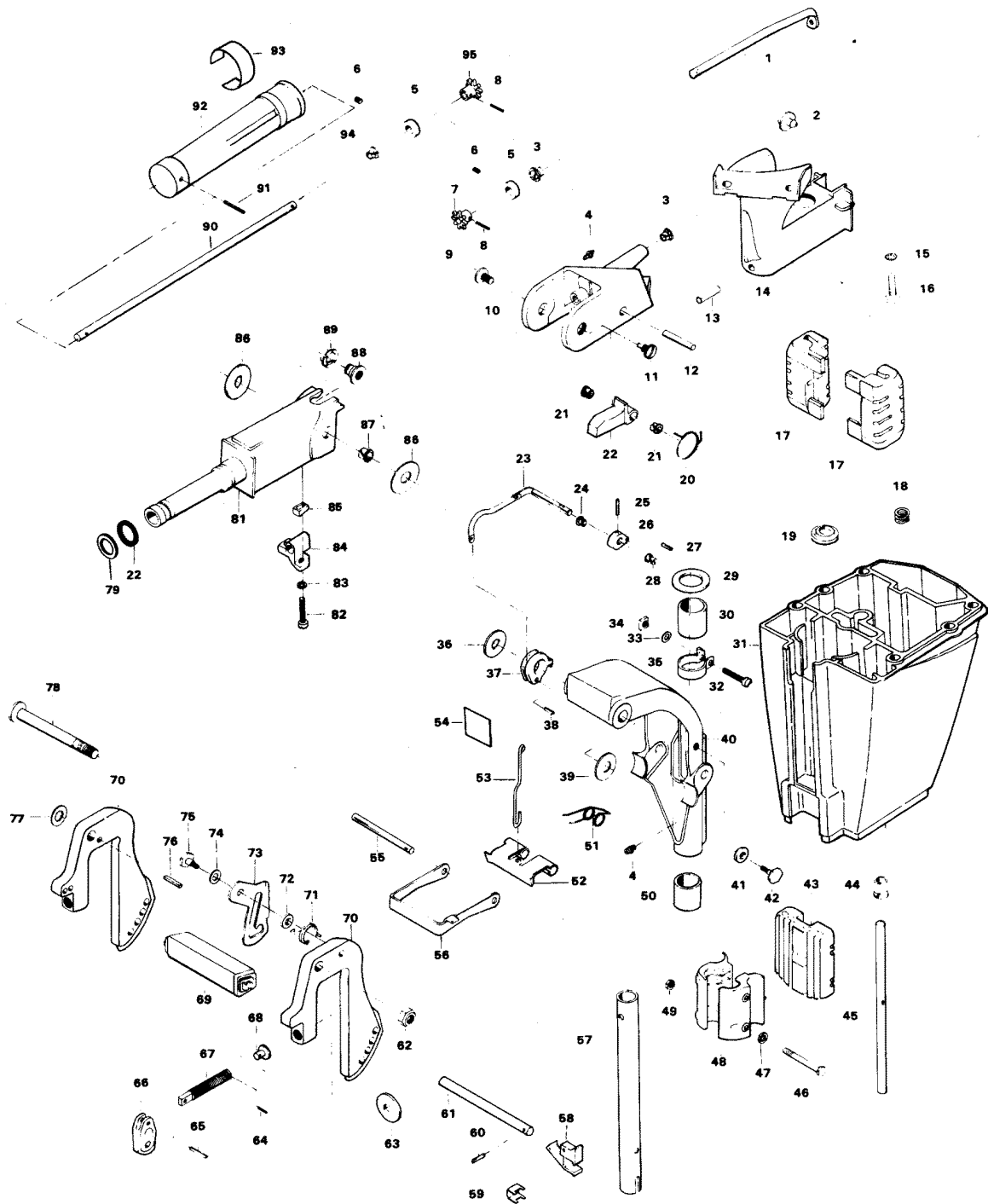
POWER HEAD



POWER HEAD

REF. NO.	PART NO.	SYM.	QTY.	DESCRIPTION
31	F286282		1	WASHER
32	F286445		1	LINK, MAGNETO SHAFT
33	817971A3		1	LEVER, MAGNETO CONTROL
34	F183813		1	BEARING, MAGNETO CONTROL LEVER
35	F1504		1	FILL HD SCREW, 1/4 - 20 X 1 1/4
36	F286509		1	LINK, THROTTLE CAM
37	F1107		8	FILL HD SCREW, 1/4 - 20 X 3/4
38	F1335		4	FILL HD SCREW, 5/16 - 18 X 1 1/4
39	F286440		1	STUD, MAGNETO CONTROL LEVER
40	F141118		1	SEAL, CRANKSHAFT LOWER
41	F343014		1	BEARING, CRANKSHAFT LOWER MAIN
42	F461342		1	SEAL, DRIVESHAFT SPLINE
43	F286634-1		4	SCREW, CONNECTING ROD
44	817755A1		2	LINER, CONNECTING ROD (2 PER SET)
45	F517228		2	ROLLER SET, CONNECTING ROD (26 PER SET)
46	FA286155		1	MAIN BEARING LINER SET (2 PER SET) W/LITERATURE
47	F286571		1	ROLLER SET, MAIN BEARING (26 PER SET)
48	F286028		1	BEARING, CRANKSHAFT UPPER MAIN
49	400-818047A3		1	CRANKSHAFT W/ILLUS. 48 ORIGINAL FORCE P/N 2A 286018-3
50	F73082		1	RING, MAGNETO STATOR
51	FG1005-1		1	GASKET SET INCLUDES ITEMS LISTED BELOW:
-	F18906		1	GASKET, CARBURETOR
-	F286154		2	GASKET, EXHAUST
-	F286159-1		1	GASKET, REED PLATE
-	F286223		1	GASKET, TRANSFER PORT
-	F286277		1	GASKET, CRANKSHAFT BEARING CAGE
-	F286279-2		1	GASKET CYLINDER MOUNTING
-	F286529-3		1	GASKET, CYLINDER HEAD
-	F424168-1		1	GASKET, MANIFOLD
-	F429472		1	GASKET, CYLINDER DRAIN COVER
52	F286277		1	GASKET, CRANKSHAFT BEARING CAGE
53	1100-817753A1		1	CAGE, CRANKSHAFT BEARING W/SEAL
54	F346146		1	SEAL, CRANKSHAFT UPPER
55	F1111		4	FILL HD SCREW, 1/4 - 20 X 7/8
56	F84026		2	SWIVEL, INTERLOCK ROD BEARING (98H2C, 98B2C)
57	F84035-2		2	BEARING, INTERLOCK ROD (98H2C, 98B2C)
58	F1339		1	HEX NUT, 10 - 24 (98H2C, 98B2C)
59	F510531		1	INTERLOCK ROD (98H2C, 98B2C)
60	F7008		1	STOP NUT, 1/4 - 20 (98H2C, 98B2C)
61	F510977-1		1	INTERLOCK LEVER (98H2C, 98B2C)
62	F197813		1	BEARING, INTERLOCK LEVER (98H2C, 98B2C)

MOTOR LEG

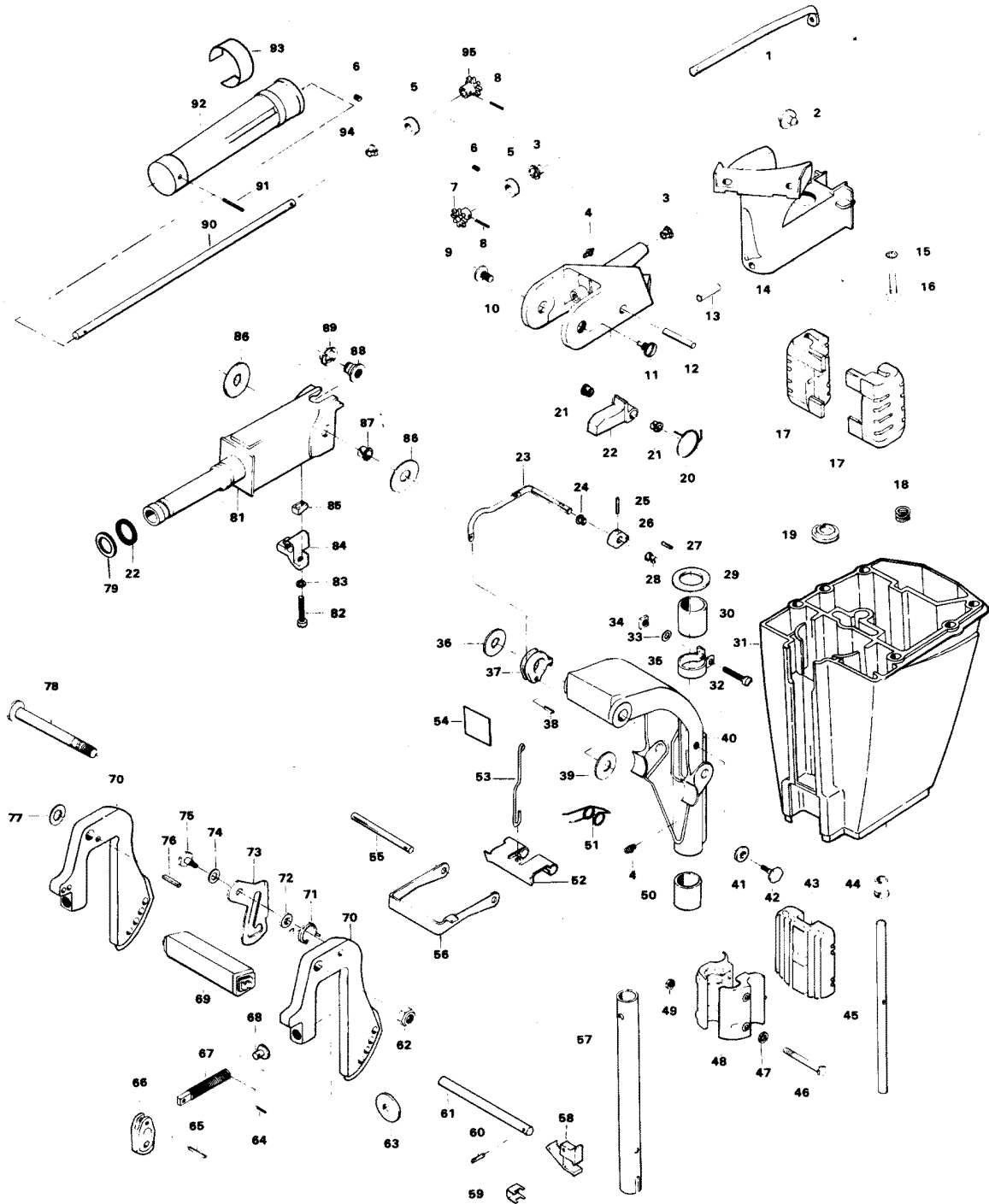


MOTOR LEG

REF. NO.	PART NO.	SYM.	QTY.	DESCRIPTION
1	F431838		1	MAGNETO CONTROL SHAFT
2	F286539		1	BUMPER
3	F307818		2	BEARING
4	F213274		3	GREASE FITTING
5	FA343178		2	RETAINER W/ILLUS. 6
6	F1859		2	HEX SOCKET HEADLESS SET SCREW
7	43-818009--1		1	GEAR, MAGNETO CONTROL SHAFT
8	F1978		2	SPRING PIN
9	F1799		1	TRUSS HD SCREW, 5/16 - 18 X 5/8
10	817751A3		1	STEERING HANDLE BRACKET W/GREASE FITTING
11	F286080		1	SCREW, STEERING HANDLE PIVOT
12	F1807		1	GROOVE PIN
13	F1805		1	SPRING PIN
14	FA286582		1	STEERING ARM W/ILLUS. 7 AND 93
15	F8060		2	EXTERNAL TOOTH LOCKWASHER
16	F1922		2	HEX CAP SCREW, 1/4 - 20 X 5/8
17	F286347		2	SHOCK MOUNT UPPER
18	F286414		1	SPRING, LEG WATER BRACKET
19	F901307-2		1	SEAL, DRIVESHAFT
20	F286868		1	SPRING, STEERING HANDLE STOP
21	F197813		2	BEARING, STEERING HANDLE STOP
22	F286490		1	STEERING HANDLE STOP
23	FA387742		1	LEVER, REVERSE LOCK INTERMEDIATE
24	F536813		1	BEARING, REVERSE LOCK INTERMEDIATE LEVER
25	F8538		1	SPRING PIN
26	F286364		1	LEVER, REVERSE LOCK
27	F1794		1	SPRING PIN
28	F197813		1	BEARING
29	F286011		1	WASHER, SWIVEL BRACKET
30	F286169		1	BEARING, SWIVEL BRACKET
31	F2A477133		1	MOTOR LEG W/ITEMS 64, 65 & 88
32	F1034		1	FILL HD SCREW, 1/4 - 20 X 1 3/8
33	F1907		1	WASHER
34	F1608		1	SQUARE NUT, 1/4 - 20
35	F286573-1		1	CLAMP, STEERING FRICTION
36	F525286		1	WASHER
37	F286827		1	REVERSE LOCK RELEASE LEVER
38	F1794		1	SPRING PIN
39	F286286-1		1	WASHER, STERN BRACKET
40	1400-817750A4		1	SWIVEL BRACKET W/ILLUS. 54 ORIGINAL FORCE P/N A 286072-2
41	F286451		1	SPACER, TILT LOCK
42	F286422-1		1	TILT LOCK PIVOT

CONTINUED ON NEXT PAGE ➡

MOTOR LEG

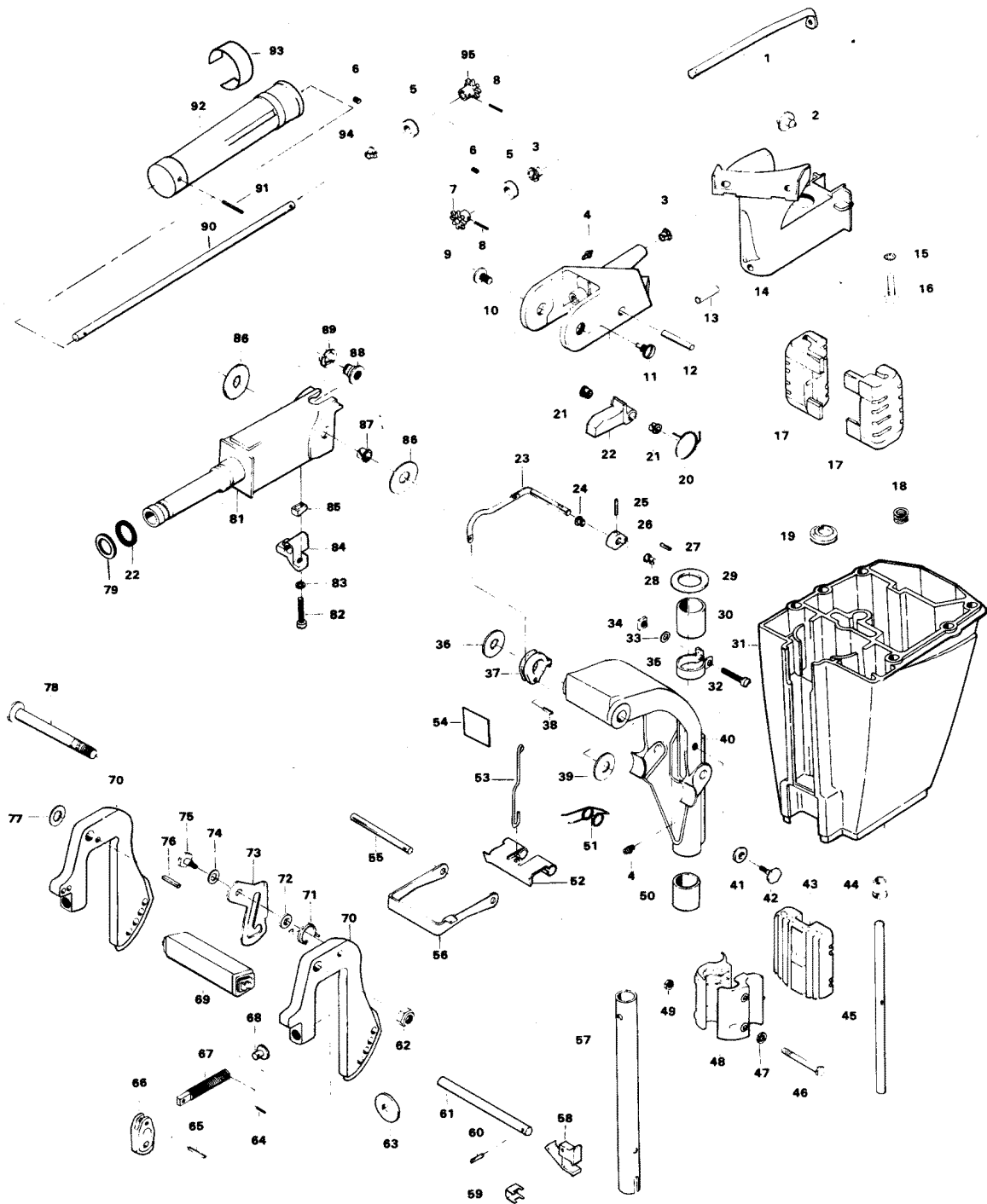


MOTOR LEG

REF. NO.	PART NO.	SYM.	QTY.	DESCRIPTION
43	F286346		1	SHOCK MOUNT LOWER
44	F286914		1	SLEEVE WATER LINE
45	F286244		1	WATER LINE
46	FA1844		2	HEX BOLT, 1/4 - 20 X 2 3/8 W/ILLUS. 47
47	F8083		2	SPRING LOCKWASHER
48	F286956		2	BRACKET, SHOCK MOUNT LOWER
49	F1341		2	HEX NUT, 1/4 - 20
50	F286169		1	BEARING, SWIVEL BRACKET
51	F286300		1	SPRING, REVERSE LOCK
52	F286349		1	REVERSE LOCK
53	FA341510		1	LINK, REVERSE LOCK LEVER W/LITERATURE
54	F286585-1		1	DECAL, TILT RELEASE
-	37-F286585-2		1	DECAL, TILT RELEASE - CANADA
55	F1806		1	GROOVE PIN
56	F286433		1	BRACKET SHALLOW WATER DRIVE
57	F286019		1	KING PIN
58	F286114		1	LOCK BAR HANDLE
59	F286461		1	SPRING, LOCK BAR HANDLE
60	F8540		1	SPRING PIN
61	FA286113		1	LOCK BAR W/ILLUS. 42 AND 43
62	F7026		1	STOP NUT, 3/8 - 16
63	F24074		2	CLAMP SCREW FOOT
64	F8537		2	SPRING PIN
65	F8554		2	SPRING PIN
66	F424075		2	HANDLE, CLAMP SCREW
67	817761A2		2	CLAMP SCREW W/ILLUS. 63, 64 AND 68 ORIGINAL FORCE P/N A 298073-2
68	F66480		2	STUD CLAMP SCREW
69	F286647		1	CARRYING HANDLE
70	FS567532		2	STERN BRACKET PORT W/ILLUS. 67
71	F286544-1		1	SPRING, TILT STOP
72	F286451		1	SPACER, TILT LOCK
73	F429541		1	TILT LOCK
74	F1666		1	BOWED SPRING WASHER
75	F286422-1		1	TILT LOCK PIVOT
76	F8538		1	SPRING PIN
77	F8039		1	PLAIN WASHER
78	F286037		1	STERN BRACKET PIVOT BOLT
79	F215795		1	SEAL, STEERING HANDLE GRIP DAMPENER (SMALL)
80	F53795-1		1	SEAL, STEERING HANDLE GRIP DAMPENER (LARGE)
81	F286079-1		1	STEERING HANDLE
82	F1829		2	FILL HD SCREW, 10 - 24 X 7/8
83	F8058		2	INTERNAL TOOTH LOCKWASHER

CONTINUED ON NEXT PAGE ➡

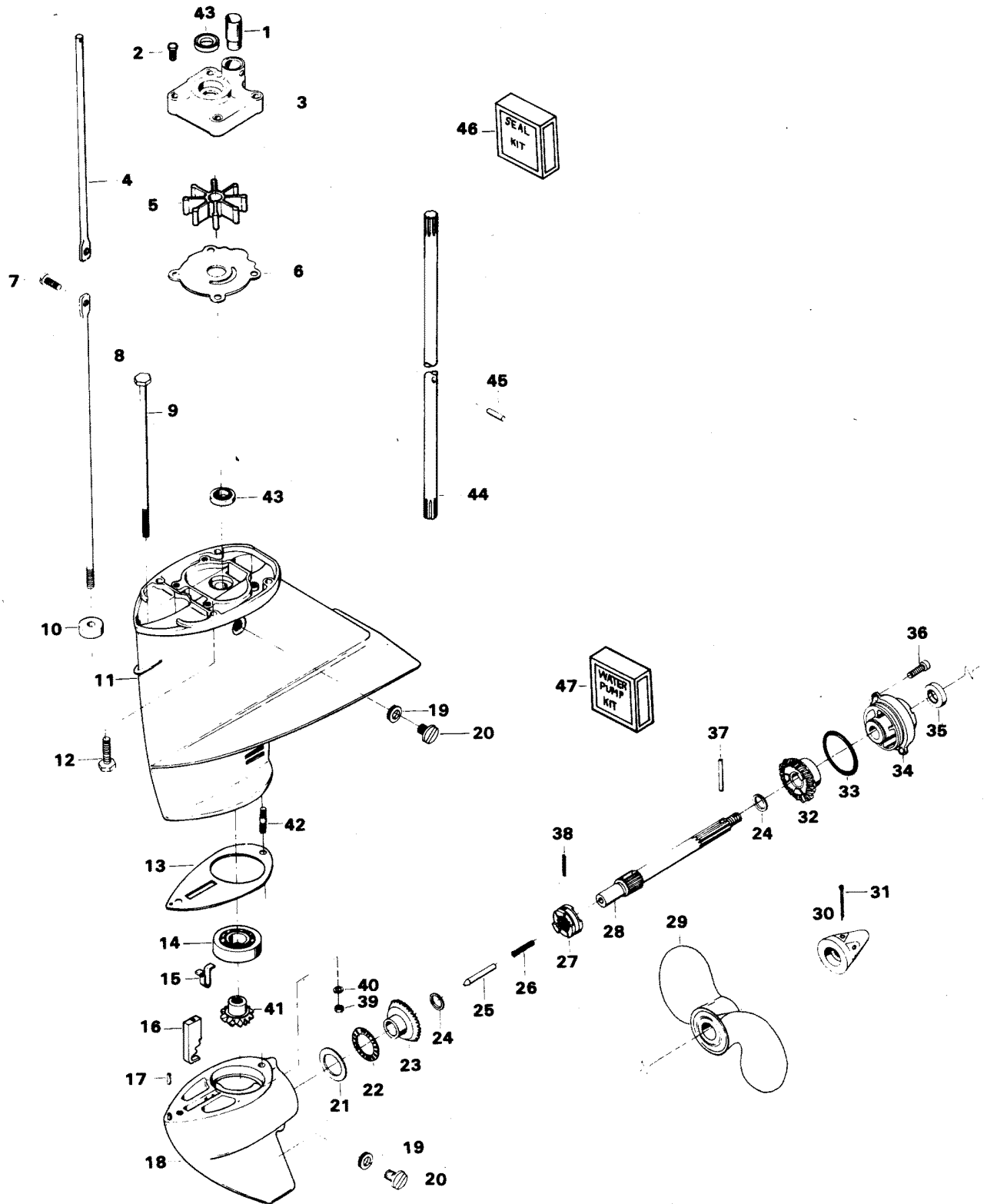
MOTOR LEG



MOTOR LEG

REF. NO.	PART NO.	SYM.	QTY.	DESCRIPTION
84	F487816		1	BEARING, STEERING HANDLE
85	F341693		1	WEDGE, STEERING HANDLE
86	F286220		2	WASHER, STEERING HANDLE
87	F197813		1	BEARING
88	F286224		1	INSERT, STEERING HANDLE PIVOT
89	F286818		1	BEARING
90	F429688		1	SHAFT, STEERING HANDLE
91	F8548		1	SPRING PIN
92	F429137		1	GRIP, STEERING HANDLE
93	F286894-3		1	STEERING HANDLE INDICATOR
-	37-F286894-3		1	STEERING HANDLE INDICATOR - CANADA
94	F85610		1	BEARING
95	43-818009--1		1	GEAR, STEERING HANDLE SHAFT

GEAR HOUSING

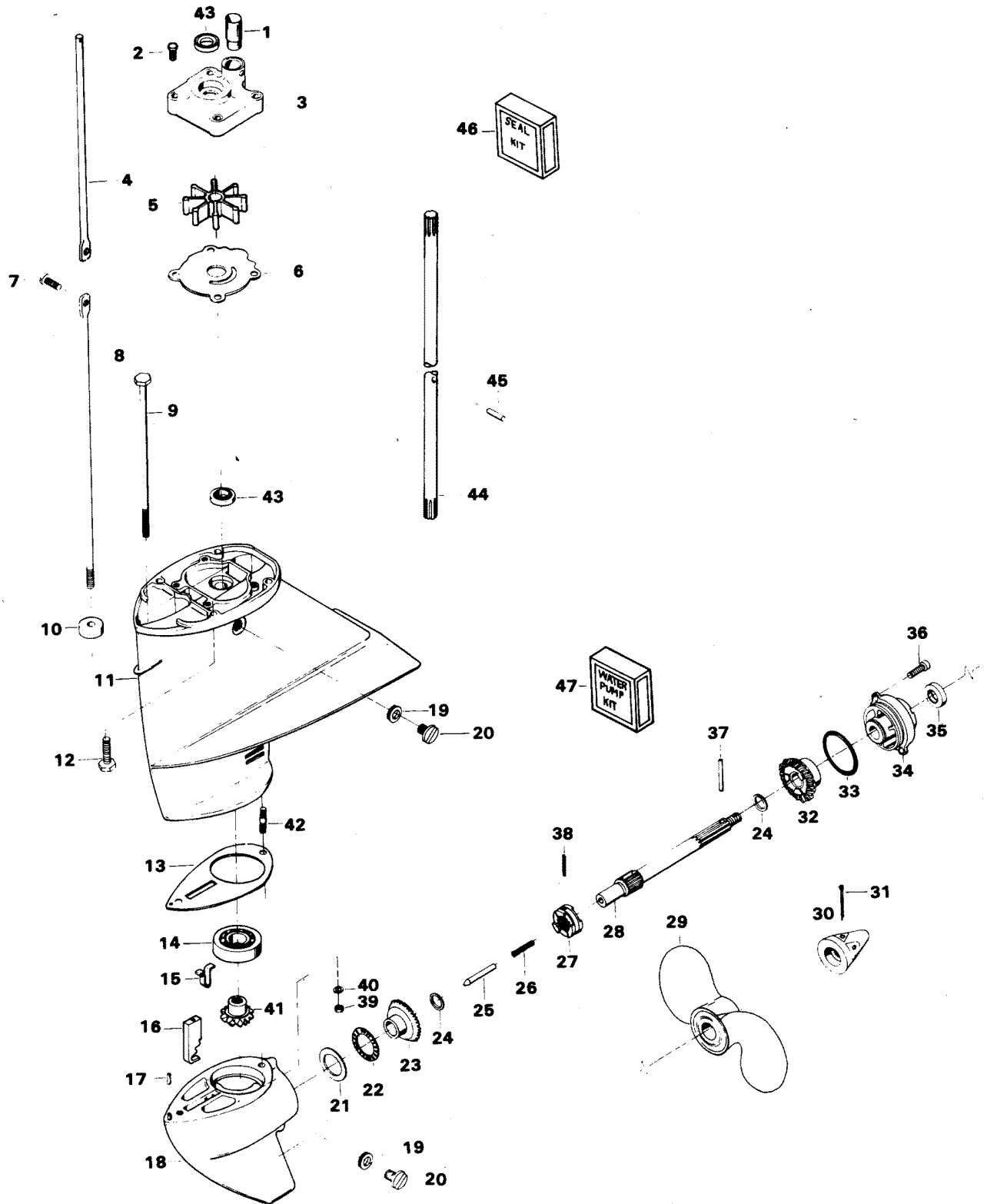


GEAR HOUSING

REF. NO.	PART NO.	SYM.	QTY.	DESCRIPTION
1	FA510914		1	SEAL, INLET WATER LINE W/LITERATURE
2	F2030		4	HEX HD SCREW, 1/4 - 20 X 1 1/4
3	FA504060		1	WATER PUMP BODY W/ILLUS. 43
4	F286615		1	GEAR SHIFT ROD UPPER
5	F436065-1		1	WATER PUMP IMPELLER
6	F341562		1	WATER PUMP BACK PLATE
7	F1976		1	SOCKET HD SCREW W/LOCKWASHER, 10 - 24 X 1/2
8	F286705		1	GEAR SHIFT ROD LOWER, FOR STANDARD SHAFT MODELS
9	F1800		1	HEX BOLT, 1/4 - 20 X 7
10	F338618-1		1	SEAL, GEAR SHIFT ROD LOWER
11	1600-824916A1		1	GEAR HOUSING UPPER W/BEARING AND ITEMS 10, 19, 20, 42 AND 43 ORIGINAL FORCE P/N A 456554-1
12	F430732		4	HEX HD SCREW, 5/16 - 18 X 1-1/4
13	F286555		1	GASKET, GEAR HOUSING
14	F127910-2		1	BALL BEARING
15	F286895		1	SPRING, CAM DETENT
16	F286721		1	CLUTCH, SHIFT CAM
17	F8553		1	SPRING PIN
18	FA286054		1	GEAR HOUSING LOWER W/ILLUS. 17, 19 AND 30
-	FC456054		1	LOWER GEAR HOUSING COMPLETE (NOT SHOWN) INCLUDES ALL ITEMS MARKED WITH AN ASTERISK (*)
19	F8077		2	NYLTITE WASHER * **
20	F50109		2	GEAR HOUSING PLUG
21	F286903		1	RACE, PROPELLER SHAFT BEARING
22	F286901		1	BEARING, RADIAL, PROPELLER SHAFT
23	FA456023		1	BEVEL GEAR FRONT W/BEARING
24	F456717		2	THRUST WASHER
25	F286728		1	CLUTCH SHIFT PIN
26	F409719		1	CLUTCH SPRING
27	FA456521		1	CLUTCH W/LITERATURE
28	F456098		1	PROPELLER SHAFT
29	FP430		1	PROPELLER (ACCESSORY ITEM)
30	11-817752A1		1	PROPELLER NUT W/ILLUS. 31 ORIGINAL FORCE P/N A 286094-1
31	F1846		1	COTTER PIN
32	FA456662		1	BEVEL GEAR REAR W/BEARING
33	F455305		1	SEAL, PROP SHAFT BEARING CAGE
34	31-817756A2		1	PROPELLER SHAFT BEARING CAGE W/BEARING AND ITEMS 33 AND 35 ORIGINAL FORCE P/N A 286298-1
35	F346118		1	SEAL, PROPELLER SHAFT
36	F1493		2	FILL HD SCREW, 1/4 - 20 X 9/16
37	FA324101		1	PROPELLER PIN, PACK OF 3 W/ILLUS. 31
38	F8564		1	SPRING PIN
39	F1490		1	HEX NUT, 1/4 - 20

CONTINUED ON NEXT PAGE ➡

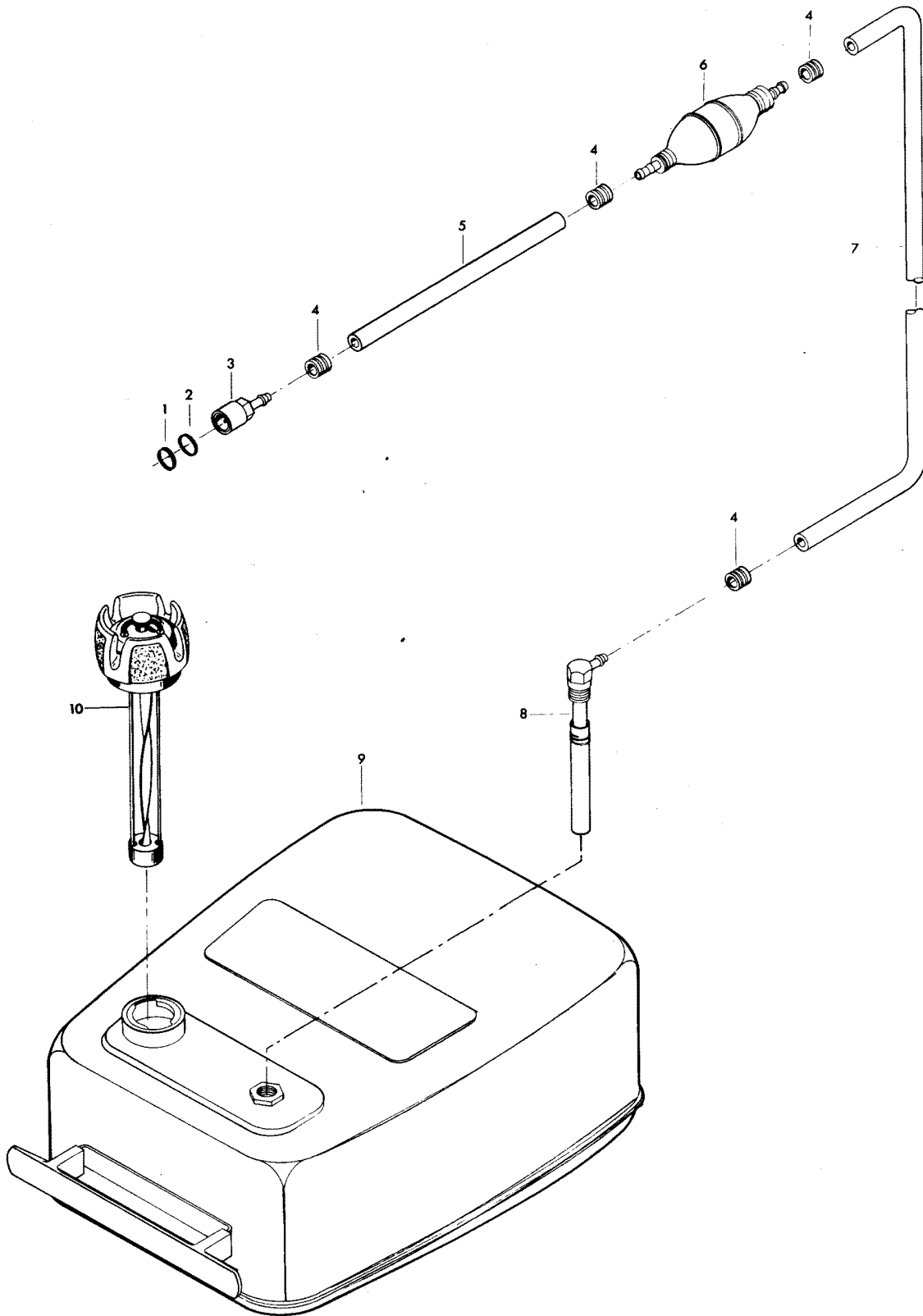
GEAR HOUSING



GEAR HOUSING

REF. NO.	PART NO.	SYM.	QTY.	DESCRIPTION
40	F8063		1	SPRING LOCKWASHER
41	FA286266		1	GEAR, BEVEL PINION W/ITEMS 14
42	F286008		1	STUD, GEAR HOUSING REAR
43	F901307-2		2	SEAL, DRIVESHAFT AND WATER PUMP
44	F343128		1	DRIVESHAFT, FOR STANDARD SHAFT MODELS
45	F901563		1	WATER PUMP IMPELLER DRIVE PIN
46	FK1065		1	GEAR HOUSING SEAL KIT. INCLUDES ALL ITEMS MARKED WITH A DOUBLE ASTERISK (*)
47	FK1031-1		1	WATER PUMP KIT
-	F2030		4	SCREW, 1/4 - 20 X 1-1/4
-	F341562		1	BACK PLATE, WATER PUMP
-	F436065-1		1	IMPELLER
-	F510914		1	SEAL, WATERLINE
-	F901563		1	DRIVE PIN, WATER PUMP
-	FA504060		1	BODY, WATER PUMP

FUEL TANK AND LINE



FUEL TANK AND LINE

REF. NO.	PART NO.	SYM.	QTY.	DESCRIPTION
1	F17816		1	SEAL, FUEL LINE COUPLER
2	F17815		1	SEAL, FUEL LINE COUPLER
3	F197787-3		1	FUEL LINE COUPLER
4	F298788		4	FERRULE
5	FA84754-1		1	FUEL LINE, SHORT W/ILLUS. 4
6	89396A38		1	PRIME BULB W/LITERATURE ORIGINAL FORCE P/N S 387766-1
7	32-817738A1		1	FUEL LINE, LONG W/CLAMP AND ILLUS. 4 ORIGINAL FORCE P/N A 197752-1
8	F487755		1	FUEL TANK ADAPTER
9	F5H026		1	FUEL TANK (ACCESSORY ITEM)
10	F409251-1		1	GAUGE CAP
-	FS409752		1	FUEL LINE COMPLETE (NOT SHOWN). INCLUDES ALL ITEMS MARKED WITH AN ASTERISK (*)
-	FC409398		1	DECAL TOTE TANK - CANADA (NOT SHOWN)

SPECIAL TOOLS - TUNE-UP

REF. NO.	PART NO.	SYM.	QTY.	DESCRIPTION
-	FT2989		0	FLYWHEEL WEDGE TO REMOVE FLYWHEEL.
-	FT2909		0	KNOCK-OFF NUT TO REMOVE FLYWHEEL.
-	FT8930-1		0	FEELER GAUGE TO ADJUST BREAKER POINTS.

SPECIAL TOOLS - MANUAL STARTER

REF. NO.	PART NO.	SYM.	QTY.	DESCRIPTION
-	FT2985		0	STARTER REWIND KEY TO REWIND STARTER SPRING.

SPECIAL TOOLS - POWER HEAD

REF. NO.	PART NO.	SYM.	QTY.	DESCRIPTION
-	FT2998		0	TORQUE WRENCH (0 - 100 LBS./FT.) TO PROPERLY SECURE FASTENERS.
-	FT2999		0	TORQUE WRENCH (0 - 600 LBS./IN.) TO PROPERLY SECURE FASTENERS.
-	FT2991		0	CARBON BRUSH TO REMOVE CARBON FROM INSIDE OF POWER HEAD.
-	FT8900		0	HOSE CLAMP PLIERS TO REMOVE AND INSTALL FUEL HOSE CLAMPS.
-	FT11202		0	SEAL INSTALLER TO INSTALL CRANKSHAFT SEALS.
-	FT3012		0	SEAL INSTALLER TO INSTALL UPPER CRANKSHAFT BEARING CAGE SEAL.
-	FT2908		0	SEAL SLEEVE TO INSTALL UPPER CRANKSHAFT BEARING CAGE SEAL.
-	FT8929		0	ADAPTER AND HEX BIT TO TORQUE CONNECTING ROD SCREWS.
-	FT1749		0	SNAP RING PLIERS TO REMOVE AND INSTALL PISTON PIN RETAINING RINGS.
-	FT2997		0	RING COMPRESSOR TO INSTALL PISTONS.
-	FT8926		0	RING EXPANDER TO INSTALL PISTON RINGS.
-	FT8993		0	TORQUE WRENCH ADAPTER TO TORQUE LOWER CYLINDER HEAD BOLTS.

SPECIAL TOOLS - LOWER UNIT

REF. NO.	PART NO.	SYM.	QTY.	DESCRIPTION
-	FT8948-1		0	PULLER TO REMOVE PROPELLER SHAFT BEARING CAGE.
-	FT8957		0	SEAL INSTALLER TO INSTALL SHIFT ROD SEAL.
-	FT2907		0	SEAL INSTALLER TO INSTALL DRIVESHAFT SEAL IN GEAR HOUSING UPPER, PROPELLER SHAFT SEAL AND WATER PUMP SEAL.

SPECIAL TOOLS - TEST EQUIPMENT

REF. NO.	PART NO.	SYM.	QTY.	DESCRIPTION
-	FT2938-1		0	BATTERY POWERED TEST LIGHT TO TEST FOR CONTINUITY IN WIRES.
-	FT8342		0	TEST WHEEL TO TEST MOTOR IN TEST TANK.
-	FT8950		0	LEAKAGE TESTER TO TEST GEAR HOUSING SEALS FOR LEAKS.
-	FT8996		0	IGNITION TESTER TO TEST TRIGGER OUTPUT.
-	FT8953		0	C-D TESTER TO TEST STATOR OUTPUT AND SECONDARY VOLTAGE.
-	FT2951		0	CIRCUIT TRACER TO TEST 12 VOLT CIRCUITS FOR CONTINUITY.

SPECIAL TOOLS - LUBRICANTS AND SEALANTS

REF. NO.	PART NO.	SYM.	QTY.	DESCRIPTION
-	FT2961		0	LUBRICANT - RYKON GREASE #2EP
-	FT2987-1		0	LUBRICANT - ANTI-SEIZE
-	FT8969		0	LUBRICANT - 7 OZ. 2 LSI LUBRICANT
-	FT8983		0	SEALANT - RTV
-	FT8936-1		0	SEALANT - 2 CC LOCTITE RETAINING COMPOUND #75
-	FT2962-1		0	SEALANT - 50 CC LOCTITE H, NON-HARDENING GRADE
-	FT2963-2		0	SEALANT - 2 OZ. LOCTITE D, HARDENING GRADE
-	FT8935		0	SEALANT PRIMER - 6 OZ

ACCESSORIES

REF. NO.	PART NO.	SYM.	QTY.	DESCRIPTION
-	FK1019-1		0	5" LONG LEG CONVERSION KIT CONVERTS 15" STANDARD SHAFT MODEL TO 20" LONG SHAFT MODEL.
-	F5H057		0	15" LONG LEG CONVERSION KIT CONVERTS 15" STANDARD SHAFT OR 20" LONG SHAFT MODEL TO 30" LONG SHAFT MODEL.
-	F5H041		0	BATTERY TERMINAL KIT FITS STANDARD POSITIVE AND NEGATIVE BATTERY POSTS.
-	F588		0	FLUSHING ADAPTER PERMITS FRESH WATER FLUSHING OF WATER PASSAGES WITH STANDARD GARDEN HOSE.
-	F5H062		0	WATER PUMP KIT HEAVY DUTY WATER PUMP RECOMMENDED FOR CONTINUED OPERATION IN SANDY OR SALT WATER.
-	F5H021		0	BATTERY EXTENSION CABLE - 6-1/2 FT. ADAPTS TO ENGINE'S BATTERY CABLE.
-	F5H088		0	REMOTE CONTROL CONVERSION KIT PERMITS REMOTE CONTROL OF THROTTLE AND GEAR SHIFT FROM FRONT OF BOAT.
-	F5H025		0	ANTI-CORROSION ANODE PROTECTS ENGINE FROM ELECTROLYSIS CORROSION - MOUNTS ON CAVITATION PLATE.
-	F5H090		0	REMOTE ELECTRIC START KIT PROVIDES REMOTE ELECTRIC START AND CHOKE.
-	F5H081		0	BATTERY CABLE - 15 FT. PROVIDES DISCONNECT PLUG AT ENGINE.
-	F5H130		0	SNYCHRO-DRIVE CONTROL BOX (SINGLE LEVER) PERMITS REMOTE CONTROL OF THROTTLE AND GEAR SHIFT FROM STARBOARD SIDE OF BOAT.
-	F5H131		0	PORT SIDE DECAL KIT CONVERTS 5H130 CONTROL BOX TO PORT SIDE MOUNTING.
-	F866		0	DUO-DRIVE CONTROL BOX (TWIN LEVER) PERMITS REMOTE CONTROL OF THROTTLE AND GEAR SHIFT. MAY BE MOUNTED ON PORT OR STARBOARD SIDE OF BOAT.
-	F137		0	STEERING CONNECTOR WIRE FORM WITH LATCH.
-	167		0	IGNITION CUT-OFF KIT PERMITS STOPPING OF ENGINE FROM OPERATOR'S SEAT.
-	F195/___		0	REMOTE CONTROL CABLES CONNECTS REMOTE CONTROL BOX TO THROTTLE AND GEAR SHIFT ON MOTOR. AVAILABLE IN 6 THROUGH 40 LENGTHS.
-	F5H040		0	STEEL, 12 GALLON FUEL TANK AUXILIARY TANK.
-	F5H027		0	STEEL, 6 GALLON FUEL TANK AUXILIARY TANK.
-	F5H029		0	FUEL TANK ANCHOR SECURES TOTE TANK TO BOAT FLOOR.
-	F476		0	FUEL LINE ADAPTION KIT ADAPTS MODEL 5H027 TANK FOR DISCONNECT AT TANK.
-	72H03		0	CARRYING BAG CANVAS BAG FOR TRANSPORTING AND STORING ENGINE.
-	F5H054		0	REMOTE STEERING BRACKET MOUNTS IN PLACE OF STEERING HANDLE.

CONTINUED ON NEXT PAGE ➡

ACCESSORIES

REF. NO.	PART NO.	SYM.	QTY.	DESCRIPTION
-	F5H134		0	BOAT WHITE LACQUER ENGINE TOUCH-UP PAINT IN 12 3/4 OZ. SPRAY BOMBS (6 CANS PER CASE).
-	F596		0	CHRYSLER OUTBOARD OIL SEE BLOCK COMMENT 1.
-	F597		0	CHRYSLER OUTBOARD GEAR LUBE SEE BLOCK COMMENT 2.
-	F5H059		0	CHRYSLER OUTBOARD MULTI-PURPOSE GREASE LUBRICATES BEARINGS AND OTHER MOVING PARTS. AVAILABLE IN 8 OZ. TUBES AND 12 TUBE CASES.
-	F5H060		0	CHRYSLER OUTBOARD GREASE GUN

PARTS INDEX

Part Number	Description	Pg.	Ref. No.	Part Number	Description	Pg.	Ref. No.
167	IGNITION CUT-OFF KIT	44	-	F1090	FILL HD SCREW W/SPRING		
2C610712	COVER, ENGINE COMPLETE.	5	-		LOCKWASHER, 10 - 24 X 9/16	15	26
72H03	CARRYING BAG	44	-	F1107	FILL HD SCREW, 1/4 - 20 X 3/4	25	37
817751A3	STEERING HANDLE BRACKET W/GREASE FITTING	27	10	F1111	FILL HD SCREW, 1/4 - 20 X 7/8	25	55
817755A1	LINER, CONNECTING ROD (2 PER SET)	25	44	F12083	CONDENSER SCREW W/LOCKWASHER	7	7
817757A4	PLATE, FRONT SUPPORT	3	25	F12088	GROMMET	7	18
817758A1	BRACKET, COVER LATCH	3	9	F12091	LEAD WIRE MARKER TOP (NOT SHOWN)	7	-
817761A2	CLAMP SCREW	29	67	F12114	COIL GROUND TERMINAL SCREW	7	20
817971A3	LEVER, MAGNETO CONTROL	25	33	F12141	HIGH TENSION LEAD SLEEVE	7	21
89396A38	PRIME BULB	37	6	F12146	COIL WEDGE SPRING	7	15
F10058	BOWL, FUEL	19	15	F12153-1	BREAKER POINT SET	7	6
F10060	VALVE, THROTTLE	19	23	F12170	CONTACT SCREW W/LOCKWASHER	7	4
F10063	FLOAT ASSY.	19	17	F12181-1	CONDENSER	7	8
F10064	SHAFT, FLOAT	19	19	F12186-1	PRIMARY TERMINAL WIRE	7	22
F10066	GASKET, VALVE SEAT	19	22	F12343	STATOR PLATE W/LAMINATIONS	7	9
F10068	GASKET, BOWL	19	16	F12360	CAM WIPER FELT	7	5
F10069	GASKET SET	19	11	F127910-2	BALL BEARING	33	14
F10071	SCREW, CHOKE AND THROTTLE VALVE	19	24	F1286	PAN HD SCREW, 4 - 40 X 3/16	11	5
F10072	SPRING, CHOKE STOP	19	27	F1286	PAN HD SCREW, 4 - 40 X 3/16	21	49
F10073	SPRING, IDLE NEEDLE	19	30	F1303	SLOTTED PAN HD M. SCREW, 8/32 X 3/4	15	24
F10075	SPRING, THROTTLE RETURN	19	25	F1335	FILL HD SCREW, 5/16 - 18 X 1 1/4	25	38
F10077	NEEDLE, IDLE	19	29	F1337	HEX NUT, 6 - 32	15	5
F10084	SPRING, FLOAT SUPPORT	19	18	F1339	HEX NUT, 10 - 24 (98H2C, 98B2C)	25	58
F10088	NOZZLE	19	32	F1341	HEX NUT, 1/4 - 20	29	49
F10090	GASKET, BOWL RETAINER	19	14	F137	STEERING CONNECTOR	44	-
F10101	KIT, VALVE SEAT ASSEMBLY	19	21	F141118	SEAL, CRANKSHAFT LOWER	25	40
F10110	SHAFT ASSY., THROTTLE	19	26	F1490	HEX NUT, 1/4 - 20	19	34
F10111	SHAFT ASSY., CHOKE	19	28	F1490	HEX NUT, 1/4 - 20	33	39
F10112	VALVE, CHOKE	19	31	F1493	FILL HD SCREW, 1/4 - 20 X 9/16	33	36
F10115	KIT, PLUG (NOT SHOWN)	19	-	F1504	FILL HD SCREW, 1/4 - 20 X 1 1/4	25	35
F10125	JET ASSY., MAIN FUEL (.049)	19	13	F15127	CAP ASSEMBLY, COMMUTATOR END.	13	10
F1014	COTTER PIN (CHOKE ARM SWIVEL TO CARB)	21	45	F15129	NUT W/LOCKWASHER	13	15
F1034	FILL HD SCREW, 1/4 - 20 X 1 3/8	27	32	F1513	HEX NUT, 10 - 32	17	42
F1059	FILL HD M. SC., 6 - 32 X 1/4	19	42	F15130	NUT	13	16
F1069	FILL HD SCREW, 10 - 24 X 1 1/16	11	14	F15132	WASHER, FIBER	13	18
F1069	FILL HD SCREW, 10 - 24 X 1-1/16	21	46	F15134	ARMATURE	13	8
F1075	FILL HD SCREW, 10 - 24 X 1/2	7	12	F15135	CAP ASSEMBLY, DRIVE END	13	5
F1075	FILL HD SCREW, 10 - 24 X 1/2	15	36	F15136	HOUSING ASSEMBLY	13	9
F1087	FILL HD SCREW, 10 - 24 X 13/16	15	32	F15137	WASHER	13	6
F1089	FILL HD SCREW, 10 - 24 X 9/16	9	1	F15138	SPRING, BRUSH	13	12
F1090	FILL HD SCREW W/LOCKWASHER, 10 - 24 X 9/16	7	16	F15139	PINION ASSEMBLY	13	4
				F15140	SPRING	13	3

PARTS INDEX

Part Number	Description	Pg.	Ref. No.	Part Number	Description	Pg.	Ref. No.
F15141	PINION STOP	13	2	F1846	COTTER PIN	33	31
F15142	STOP NUT	13	1	F1859	HEX SOCKET HEADLESS SET SC. 1/4 - 28 X 3/16	23	-
F15143	DISC	13	11	F1859	HEX SOCKET HEADLESS SET SCREW	27	6
F15144	SCREW, THRU BOLT	13	14	F1875	SPRING PIN, STARTER BRACKET	9	17
F15145	GASKET	13	7	F1876	SPRING PIN (92H2J, 92B2J)	21	58
F15146	WASHER	13	13	F18906	GASKET, CARBURETOR	19	8
F1533	WASHER	13	17	F18906	GASKET, CARBURETOR	25	-
F1556	FILL HD M. SCREW W/SPRING LOCKWASHER, 10 - 24 X 3/8	15	18	F1907	WASHER	27	33
F1577	FILL HD SCREW, 1/4 - 20 X 3/4	11	3	F1914	HEX HD SCREW, 1/4 - 20 X 3/4	9	11
F1577	FILL HD SCREW, 1/4 - 20 X 3/4	15	9	F1915	HEX HD SCREW, 1/4 - 20 X 7/8	23	28
F1608	SQUARE NUT, 1/4 - 20	27	34	F1922	HEX CAP SCREW, 1/4 - 20 X 5/8	27	16
F1645	RD HD THREAD CUTTING SCREW, 6 - 32 X 1/4	15	25	F1922	HEX CAP SCREW, 1/4 - 20 X 5/8, (92H2J, 92B2J)	23	5
F1646	HEX SOCKET HD CAP SCREW, 3/8 - 16 X 2 1/4	15	8	F1922	HEX HD SCREW, 1/4 - 20 X 5/8	23	8
F1648	PAN HD SCREW, 10 - 24 X 3/4	15	13	F195/_	REMOTE CONTROL CABLES	44	-
F1666	BOWED SPRING WASHER	29	74	F197319	BEARING, CHOKE ROD	3	20
F1704	INTERNAL TOOTH LOCKWASHER	15	4	F1975	SPRING LOCKWASHER	15	2
F174017	PIN, PISTON	23	19	F1976	SOCKET HD SCREW W/LOCKWASHER, 10 - 24 X 1/2	33	7
F1753	FASTENER	3	3	F197767-1	BUSHING, FUEL LINE	3	27
F1755	RD HD SCREW W/LOCKWASHER, 6 - 32 X 5/16	19	1	F197787-3	FUEL LINE COUPLER	37	3
F17815	SEAL, FUEL LINE COUPLER	37	2	F1978	SPRING PIN	27	8
F17816	SEAL, FUEL LINE COUPLER	37	1	F197813	BEARING	27	28
F1794	SPRING PIN	27	27	F197813	BEARING	31	87
F1794	SPRING PIN	27	38	F197813	BEARING, INTERLOCK LEVER (98H2C, 98B2C)	25	62
F1799	TRUSS HD SCREW, 5/16 - 18 X 5/8	27	9	F197813	BEARING, STEERING HANDLE STOP	27	21
F1800	HEX BOLT, 1/4 - 20 X 7	33	9	F1979	SCREW PAN HD, 10 - 24 X 1/2	3	5
F1802	FILL HD SCREW, 1/4 - 20 X 9/16	15	20	F1997	LOCK NUT, 8 - 32	19	41
F1803	STOP NUT, 5/16 - 24	23	30	F1999	HEX CAP SCREW, 1/4 - 20 X 7/8	17	43
F1804	STOP NUT	9	8	F2008	HEX HD SCREW, 1/4 - 20 X 7/8	19	10
F1804	STOP NUT, 10 - 32	3	10	F2030	HEX HD SCREW, 1/4 - 20 X 1 1/4	33	2
F1805	SPRING PIN	27	13	F2030	SCREW, 1/4 - 20 X 1-1/4	35	-
F1806	GROOVE PIN	29	55	F2040	HEX WASHER HD M. SCREW, 1/4 - 20 X 5/8	23	24
F1807	GROOVE PIN	27	12	F2042	PLAIN WASHER	9	20
F1809	HEX NUT	15	29	F2042	PLAIN WASHER (THROTTLE ROLLER SHAFT)	19	43
F1809	HEX NUT, 1/2 - 20	7	1	F213274	GREASE FITTING	27	4
F18160-2	REED FUEL PUMP	21	51	F215795	SEAL, STEERING HANDLE GRIP DAMPENER (SMALL)	29	79
F18160-2	REED, FUEL PUMP	11	7	F217002	MAGNETO BREAKER CAM	7	13
F1823	HEX CAP SCREW, 5/16 - 18 X 1	23	16	F24074	CLAMP SCREW FOOT	29	63
F1829	FILL HD M. SCREW, 10 - 24 X 7/8	15	1	F24748-2	GASKET, FUEL PUMP	11	9
F1829	FILL HD SCREW, 10 - 24 X 7/8	29	82	F24748-2	GASKET, FUEL PUMP	21	48
F183813	BEARING, MAGNETO CONTROL LEVER	25	34	F269316	ROLLER SHAFT	3	7
F184033-1	SWIVEL, CHOKE ARM	19	40	F2706772	HOSE CLAMP	11	12
F1845	TY-RAP	17	49				
F184579	SEAL (92H2J, 92B2J)	3	15				
F184579	SEAL, CHOKE ARM SWIVEL	19	39				

PARTS INDEX

Part Number	Description	Pg.	Ref. No.	Part Number	Description	Pg.	Ref. No.
F2706772	HOSE CLAMP	21	54	F286422-1	TILT LOCK PIVOT	29	75
F2752253	HOSE, FUEL PUMP TO BUSHING - U.S.A.	11	15	F286433	BRACKET SHALLOW WATER DRIVE	29	56
F2788004	STUD, CARBURETOR	19	9	F286440	STUD, MAGNETO CONTROL LEVER	25	39
F28004	STUD, INTERLOCK LEVER (98H2C, 98B2C)	23	13	F286445	LINK, MAGNETO SHAFT	25	32
F286008	STUD, GEAR HOUSING REAR	35	42	F286451	SPACER, TILT LOCK	27	41
F286011	WASHER, SWIVEL BRACKET	27	29	F286451	SPACER, TILT LOCK	29	72
F286015-3	PISTONS	23	21	F286461	SPRING, LOCK BAR HANDLE	29	59
F286019	KING PIN	29	57	F286490	STEERING HANDLE STOP	27	22
F286028	BEARING, CRANKSHAFT UPPER MAIN	25	48	F286509	LINK, THROTTLE CAM	25	36
F286037	STERN BRACKET PIVOT BOLT	29	78	F286529-3	GASKET, CYLINDER HEAD	23	4
F286079-1	STEERING HANDLE	29	81	F286529-3	GASKET, CYLINDER HEAD	25	-
F286080	SCREW, STEERING HANDLE PIVOT	27	11	F286539	BUMPER	27	2
F286114	LOCK BAR HANDLE	29	58	F286544-1	SPRING, TILT STOP	29	71
F286132	HANDLE, STARTER ROPE	9	19	F286555	GASKET, GEAR HOUSING	33	13
F286134	STUD	9	5	F286571	ROLLER SET, MAIN BEARING (26 PER SET)	25	47
F286134	STUD, GEAR SHIFT LEVER	3	13	F286573-1	CLAMP, STEERING FRICTION	27	35
F286151	PLATE, EXHAUST	23	26	F286585-1	DECAL, TILT RELEASE	29	54
F286152	COVER, EXHAUST	23	27	F286611-1	ROD, GEAR SHIFT	3	11
F286154	GASKET, EXHAUST	25	-	F286614	HANDLE, GEAR SHIFT	3	29
F286154	GASKET, EXHAUST COVER	23	25	F286615	GEAR SHIFT ROD UPPER	33	4
F286159-1	GASKET, REED PLATE	19	5	F286634-1	SCREW, CONNECTING ROD	25	43
F286159-1	GASKET, REED PLATE	25	-	F286647	CARRYING HANDLE	29	69
F286169	BEARING, SWIVEL BRACKET	27	30	F286685	CONNECTOR, GEAR SHIFT ROD	5	41
F286169	BEARING, SWIVEL BRACKET	29	50	F286705	GEAR SHIFT ROD LOWER, FOR STANDARD SHAFT MODELS	33	8
F286220	WASHER, STEERING HANDLE	31	86	F286710	ARBOR, STARTER SPRING	9	9
F286222	COVER, TRANSFER PORT (92H2J, 92B2J)	23	6	F286721	CLUTCH, SHIFT CAM	33	16
F286223	GASKET, TRANSFER PORT	25	-	F286728	CLUTCH SHIFT PIN	33	25
F286223	GASKET, TRANSFER PORT COVER	23	7	F286737-1	RETAINER, STARTER REWIND SPRING	9	13
F286224	INSERT, STEERING HANDLE PIVOT	31	88	F286772-1	HOSE CLAMP (92H2J, 92B2J)	23	9
F286244	WATER LINE	29	45	F286777	CAM, COVER LATCH	3	34
F286277	GASKET, CRANKSHAFT BEARING CAGE	25	-	F286818	BEARING	31	89
F286277	GASKET, CRANKSHAFT BEARING CAGE	25	52	F286827	REVERSE LOCK RELEASE LEVER	27	37
F286279-2	GASKET CYLINDER MOUNTING	25	-	F286868	SPRING, STEERING HANDLE STOP	27	20
F286279-2	GASKET, CYLINDER MOUNTING	23	29	F286871	PIN, GEAR SHIFT LEVER	3	36
F286282	WASHER	25	31	F286876	LEVER, GEAR SHIFT	3	38
F286286-1	WASHER, STERN BRACKET	27	39	F286894-3	STEERING HANDLE INDICATOR	31	93
F286300	SPRING, REVERSE LOCK	29	51	F286895	SPRING, CAM DETENT	33	15
F286346	SHOCK MOUNT LOWER	29	43	F286901	BEARING, RADIAL, PROPELLER SHAFT	33	22
F286347	SHOCK MOUNT UPPER	27	17	F286903	RACE, PROPELLER SHAFT BEARING	33	21
F286349	REVERSE LOCK	29	52	F286914	SLEEVE WATER LINE	29	44
F286364	LEVER, REVERSE LOCK	27	26	F286930	END, STARTER SPRING	9	14
F286414	SPRING, LEG WATER BRACKET	27	18	F286956	BRACKET, SHOCK MOUNT LOWER	29	48
F286422-1	TILT LOCK PIVOT	27	42	F286989-2	SEAL, SUPPORT PLATE	3	31
				F289664	WIRE, STATOR GROUND	7	11

PARTS INDEX

Part Number	Description	Pg.	Ref. No.	Part Number	Description	Pg.	Ref. No.
F298788	FERRULE	37	4	F456098	PROPELLER SHAFT	33	28
F2A24757	FUEL PUMP REED PLATE	11	8	F456717	THRUST WASHER	33	24
F2A24757	FUEL PUMP REED PLATE	21	52	F458498	KEY, FLYWHEEL	17	48
F2A286016	ROD, CONNECTING	23	22	F458498	MAGNETO KEY	7	14
F2A424167	MANIFOLD	19	7	F458677	INSERT, CHOKE KNOB	3	23
F2A459239	STARTER SPOOL W/SHAFT	9	15	F461342	SEAL, DRIVESHAFT SPLINE	25	42
F2A477133	MOTOR LEG	27	31	F476	FUEL LINE ADAPTION KIT	44	-
F302097	FLYWHEEL	7	3	F487424-1	STARTER PINION SPRING	9	3
F307317	CLIP, TERMINAL BLOCK			F487427-1	BRACKET, STARTER UPPER	9	4
	GROUND	15	14	F487660-1	EXHAUST TUBE	23	23
F307818	BEARING	3	19	F487674	GEAR, STARTER PINION	9	2
F307818	BEARING	27	3	F487727	BALL, INTERLOCK DETENT	9	21
F31160-1	REED	19	3	F487755	FUEL TANK ADAPTER	37	8
F31410	RETAINING RING, PISTON			F487781-3	STARTER INTERLOCK	9	7
	PIN	23	18	F487816	BEARING, STEERING		
F333316	SHAFT, THROTTLE CAM				HANDLE	31	84
	ROLLER	19	38	F487895	SPRING, INTERLOCK		
F338618-1	SEAL, GEAR SHIFT ROD				DENTENT	9	22
	LOWER	33	10	F492263	LINK, STARTER INTERLOCK		
F341562	BACK PLATE, WATER PUMP	35	-		(92H2J, 92B2J)	3	16
F341562	WATER PUMP BACK PLATE	33	6	F492417	SHAFT, GEAR SHIFT		
F341693	WEDGE, STEERING HANDLE	31	85		HANDLE	3	30
F343014	BEARING, CRANKSHAFT			F492518	HEAD, CYLINDER	23	3
	LOWER MAIN	25	41	F492619	LEVER, GEAR SHIFT SHAFT	3	17
F343128	DRIVESHAFT, FOR			F493683	WIRE	15	40
	STANDARD SHAFT			F50109	GEAR HOUSING PLUG	33	20
	MODELS	35	44	F510029	STATOR, TRIGGER	15	34
F343226-1	PLUG	3	26	F510095	STATOR, ALTERNATOR	15	33
F346118	SEAL, PROPELLER SHAFT	33	35	F510097	FLYWHEEL	15	31
F346146	SEAL, CRANKSHAFT UPPER	25	54	F510165	SCREW, (98H2C, 98B2C)	23	-
F392756	PACKING, SUPPORT PLATE	3	35	F510222	COVER, TRANSFER PORT		
F40253-1	FUEL LINE (FUEL PUMP TO				(98H2C, 98B2C)	23	-
	BUSHING) (92H2J, 92B2J)	21	57	F510288	NUT, SHORTING SWITCH	15	16
F40425	STARTER PINION PIN	9	10	F510301	C-D MODULE	17	45
F404908	GROUND WIRE	15	35	F510374	DECAL, CIRCUIT BREAKER	15	28
F409232	STARTER ROPE	9	18	F510398	DECAL, WIRING	15	7
F409251-1	GAUGE CAP	37	10	F510427	BRACKET, STARTER		
F409719	CLUTCH SPRING	33	26		SUPPORT	11	2
F424075	HANDLE, CLAMP SCREW	29	66	F510446	CLAMP, BATTERY CABLE	15	38
F424161	REED STOP	19	2	F510449	NEUTRAL INTERLOCK		
F424168-1	GASKET, MANIFOLD	19	6		SWITCH	17	46
F424168-1	GASKET, MANIFOLD	25	-	F510450-1	RECTIFIER	15	23
F429137	GRIP, STEERING HANDLE	31	92	F510460	CIRCUIT BREAKER	15	27
F429472	GASKET, CYLINDER DRAIN			F510475	IGNITION COIL	15	3
	COVER	23	12	F510531	INTERLOCK ROD (98H2C,		
F429472	GASKET, CYLINDER DRAIN				98B2C)	25	59
	COVER	25	-	F510540	BRACKET, STARTER		
F429541	TILT LOCK	29	73		SWITCH	15	21
F429688	SHAFT, STEERING HANDLE	31	90	F510595	INSULATOR, CIRCUIT		
F429811	SCREEN	23	10		BREAKER	17	41
F430732	HEX HD SCREW, 5/16 - 18 X			F510661	PAD, STARTER (98H2C,		
	1-1/4	33	12		98B2C)	5	46
F431838	MAGNETO CONTROL SHAFT	27	1	F510669	NUT, INTERLOCK SWITCH		
F436065-1	IMPELLER	35	-		AND STARTER SWITCH	15	22
F436065-1	WATER PUMP IMPELLER	33	5	F510675-1	STARTER SUPPORT	15	10
F436449	SHORTING SWITCH	7	23	F510683	WIRE, RECTIFIER - CIRCUIT		
F436449	SHORTING SWITCH	15	17		BREAKER	17	47
F455118	SEAL, FUEL PUMP			F510746	FUEL PUMP COVER	11	10
	BRACKET	11	1	F510811	FILTER, FUEL PUMP	11	16

PARTS INDEX

Part Number	Description	Pg.	Ref. No.	Part Number	Description	Pg.	Ref. No.
F510896	BATTERY CABLE	15	39	F7011	ELASTIC STOP NUT, 10 - 24	3	6
F510908	WIRE, GROUND	15	15	F7026	STOP NUT, 3/8 - 16	29	62
F510914	SEAL, WATERLINE	35	-	F73082	RING, MAGNETO STATOR	25	50
F510918	STARTER SWITCH	15	19	F8003	PLAIN WASHER	11	6
F510955	STARTER MOTOR - COMPLETE.	13	-	F8003	PLAIN WASHER	21	50
F510977-1	INTERLOCK LEVER (98H2C, 98B2C)	25	61	F8011	PLAIN WASHER	9	6
F517228	ROLLER SET, CONNECTING ROD (26 PER SET)	25	45	F8011	PLAIN WASHER (92H2J, 92B2J)	3	14
F517846	SPRING, REMOTE CHOKE	19	35	F8025	PLAIN WASHER	23	2
F525286	WASHER	27	36	F8039	PLAIN WASHER	29	77
F536813	BEARING, REVERSE LOCK INTERMEDIATE LEVER	27	24	F8048	BOWED SPRING WASHER	3	12
F53795-1	SEAL, STEERING HANDLE GRIP DAMPENER (LARGE)	29	80	F8058	INTERNAL TOOTH LOCKWASHER	3	39
F588	FLUSHING ADAPTER	44	-	F8058	INTERNAL TOOTH LOCKWASHER	29	83
F596	CHRYSLER OUTBOARD OIL	45	-	F8060	EXTERNAL TOOTH LOCKWASHER	27	15
F597	CHRYSLER OUTBOARD GEAR LUBE	45	-	F8063	SPRING LOCKWASHER	35	40
F5H021	BATTERY EXTENSION CABLE - 6-1/2 FT.	44	-	F8077	NYLTITE WASHER	33	19
F5H025	ANTI-CORROSION ANODE	44	-	F8083	SPRING LOCKWASHER	17	44
F5H026	FUEL TANK (ACCESSORY ITEM)	37	9	F8083	SPRING LOCKWASHER	29	47
F5H027	STEEL, 6 GALLON FUEL TANK	44	-	F8088	PLAIN WASHER (CHOKE ARM SWIVEL)	21	44
F5H029	FUEL TANK ANCHOR	44	-	F84026	SWIVEL, INTERLOCK ROD BEARING (98H2C, 98B2C)	25	56
F5H040	STEEL, 12 GALLON FUEL TANK	44	-	F84035-2	BEARING, INTERLOCK ROD (98H2C, 98B2C)	25	57
F5H041	BATTERY TERMINAL KIT	44	-	F8537	SPRING PIN	29	64
F5H054	REMOTE STEERING BRACKET	44	-	F8538	SPRING PIN	27	25
F5H057	15" LONG LEG CONVERSION KIT	44	-	F8538	SPRING PIN	29	76
F5H059	CHRYSLER OUTBOARD MULTI-PURPOSE GREASE	45	-	F8540	SPRING PIN	3	18
F5H060	CHRYSLER OUTBOARD GREASE GUN	45	-	F8540	SPRING PIN	29	60
F5H062	WATER PUMP KIT	44	-	F8542	SPRING PIN	3	37
F5H081	BATTERY CABLE - 15 FT.	44	-	F8548	SPRING PIN	31	91
F5H088	REMOTE CONTROL CONVERSION KIT	44	-	F8553	SPRING PIN	33	17
F5H090	REMOTE ELECTRIC START KIT	44	-	F8554	SPRING PIN	29	65
F5H130	SNYCHRO-DRIVE CONTROL BOX (SINGLE LEVER)	44	-	F8559	DOWEL PIN	23	17
F5H131	PORT SIDE DECAL KIT	44	-	F85610	BEARING	31	94
F5H134	BOAT WHITE LACQUER	44	-	F8564	SPRING PIN	33	38
F610711	PLATE, ENGINE COVER	3	1	F85735-1	SEAL	3	2
F617061	CARBURETOR COMPLETE (LMB-228)	19	33	F866	DUO-DRIVE CONTROL BOX (TWIN LEVER)	44	-
F617192	THROTTLE CAM	15	37	F901307-2	SEAL, DRIVESHAFT	27	19
F617192	THROTTLE CAM PLATE	7	10	F901307-2	SEAL, DRIVESHAFT AND WATER PUMP	35	43
F617503	ROD, CHOKE KNOB	3	21	F901456-1	EMERGENCY STARTER COLLAR	7	2
F66480	STUD CLAMP SCREW	29	68	F901456-1	EMERGENCY STARTER COLLAR	15	30
F7006	STOP NUT, 5/16 - 18	3	33	F901563	DRIVE PIN, WATER PUMP	35	-
F7008	STOP NUT, 1/4 - 20 (98H2C, 98B2C)	25	60	F901563	WATER PUMP IMPELLER DRIVE PIN	35	45
				F901746-2	FUEL PUMP COVER (92H2J, 92B2J)	21	47
				F901811	FUEL PUMP FILTER (92H2J, 92B2J)	21	55
				F901938-1	SCREW, CYLINDER HEAD	23	1
				F92759	ROLLER	3	8
				F92759	ROLLER, THROTTLE CAM	19	37

PARTS INDEX

Part Number	Description	Pg.	Ref. No.	Part Number	Description	Pg.	Ref. No.
F98273	STUD, GEAR SHIFT ROD CONNECTOR	5	40	FC510398	DECAL, WIRING - CANADA	15	-
FA12370	COIL W/LEAD WIRE AND WEDGE SPRING	7	17	FC516400	DECAL, SHIFT - CANADA (92B2J)	3	28
FA174260	PISTON RING SET (2 PER SET)	23	20	FC520390	DECAL, STARTER CANADA (NOT SHOWN)	13	-
FA1844	HEX BOLT, 1/4 - 20 X 2 3/8	29	46	FG1005-1	GASKET SET	25	51
FA286054	GEAR HOUSING LOWER	33	18	FK10114	REPAIR KIT	19	12
FA286113	LOCK BAR	29	61	FK1019-1	5" LONG LEG CONVERSION KIT	44	-
FA286155	MAIN BEARING LINER SET (2 PER SET)	25	46	FK1031-1	WATER PUMP KIT	35	47
FA286266	GEAR, BEVEL PINION	35	41	FK1065	GEAR HOUSING SEAL KIT	35	46
FA286469	KNOB, COVER LATCH	3	24	FK1066	TUNE UP KIT	7	24
FA286547	KNOB, CHOKE	3	22	FK1123	SPARKIE W/SPRING	7	19
FA286582	STEERING ARM	27	14	FK1123	SPARKIE W/SPRING	15	6
FA286970	STARTER REWIND SPRING	9	12	FK317427	BRACKET, STARTER LOWER	9	16
FA324101	PROPELLER PIN, PACK OF 3	33	37	FP430	PROPELLER (ACCESSORY ITEM)	33	29
FA341510	LINK, REVERSE LOCK LEVER	29	53	FS174227	PLUG, SPARK, CHAMPION (L-4-J)	23	14
FA343178	RETAINER	27	5	FS409752	FUEL LINE COMPLETE (NOT SHOWN)	37	-
FA387742	LEVER, REVERSE LOCK INTERMEDIATE	27	23	FS567532	STERN BRACKET PORT	29	70
FA424158	REED PLATE	19	4	FT11202	SEAL INSTALLER	40	-
FA429471	COVER, CYLINDER DRAIN	23	11	FT1749	SNAP RING PLIERS	40	-
FA456023	BEVEL GEAR FRONT W/BEARING	33	23	FT2907	SEAL INSTALLER	41	-
FA456521	CLUTCH	33	27	FT2908	SEAL SLEEVE	40	-
FA456662	BEVEL GEAR REAR W/BEARING	33	32	FT2909	KNOCK-OFF NUT	38	-
FA492038	PLATE, SUPPORT W/PLUGS (92H2J, 92B2J)	3	32	FT2938-1	BATTERY POWERED TEST LIGHT	42	-
FA504060	BODY, WATER PUMP	35	-	FT2951	CIRCUIT TRACER	42	-
FA504060	WATER PUMP BODY	33	3	FT2961	LUBRICANT - RYKON GREASE #2EP	43	-
FA510010	CYLINDER	23	-	FT2962-1	SEALANT - 50 CC LOCTITE H, NON-HARDENING GRADE	43	-
FA510038	PLATE, SUPPORT W/PLUGS (98H2C, 98B2C)	3	-	FT2963-2	SEALANT - 2 OZ. LOCTITE D, HARDENING GRADE	43	-
FA510497	TERMINAL BLOCK	15	11	FT2985	STARTER REWIND KEY	39	-
FA510711	PLATE, FRONT SUPPORT	3	-	FT2987-1	LUBRICANT - ANTI-SEIZE	43	-
FA510914	SEAL, INLET WATER LINE	33	1	FT2989	FLYWHEEL WEDGE	38	-
FA610386	DECAL, NUMERAL	5	43	FT2991	CARBON BRUSH	40	-
FA610396	DECAL, "CHRYSLER" STARBOARD	5	44	FT2997	RING COMPRESSOR	40	-
FA610397	DECAL, "CHRYSLER" PORT	5	-	FT2998	TORQUE WRENCH (0 - 100 LBS./FT.)	40	-
FA610480	RETAINER, ENGINE COVER	5	42	FT2999	TORQUE WRENCH (0 - 600 LBS./IN.)	40	-
FA610892	DECAL, ENGINE COVER, FRONT	3	4	FT3012	SEAL INSTALLER	40	-
FA617925	ROD AND PLUNGER, CHOKE SOLENOID	19	36	FT8342	TEST WHEEL	42	-
FA84754-1	FUEL LINE, SHORT	37	5	FT8900	HOSE CLAMP PLIERS	40	-
FA901753	HOSE, FUEL PUMP TO CARBURETOR	11	13	FT8926	RING EXPANDER	40	-
FC235227	PLUG, SPARK CHAMPION (RL-4-J), FOR CANADA	23	-	FT8929	ADAPTER AND HEX BIT	40	-
FC409398	DECAL TOTE TANK - CANADA (NOT SHOWN)	37	-	FT8930-1	FEELER GAUGE	38	-
FC456054	LOWER GEAR HOUSING COMPLETE (NOT SHOWN)	33	-	FT8935	SEALANT PRIMER - 6 OZ	43	-
FC510374	DECAL, CIRCUIT BREAKER - CANADA	15	-	FT8936-1	SEALANT - 2 CC LOCTITE RETAINING COMPOUND #75	43	-
				FT8948-1	PULLER	41	-
				FT8950	LEAKAGE TESTER	42	-
				FT8953	C-D TESTER	42	-

PARTS INDEX

Part Number	Description	Pg.	Ref. No.	Part Number	Description	Pg.	Ref. No.
FT8957	SEAL INSTALLER	41	-				
FT8969	LUBRICANT - 7 OZ. 2 LSI LUBRICANT	43	-				
FT8983	SEALANT - RTV	43	-				
FT8993	TORQUE WRENCH ADAPTER	40	-				
FT8996	IGNITION TESTER	42	-				
11-817752A1	PROPELLER NUT	33	30				
22-818103--1	FITTING, FUEL PUMP	11	11				
27-818043A1	FUEL PUMP DIAPHRAGM W/GASKETS	11	4				
27-818043A1	FUEL PUMP DIAPHRAGM W/GASKETS	21	53				
31-817756A2	PROPELLER SHAFT BEARING CAGE	33	34				
32-817738A1	FUEL LINE, LONG	37	7				
32-F40253-1	FUEL LINE W/CLAMPS (FUEL PUMP TO CARBURETOR)	21	56				
37-F286585-2	DECAL, TILT RELEASE - CANADA	29	-				
37-F286894-3	STEERING HANDLE INDICATOR - CANADA	31	-				
43-818009--1	GEAR, MAGNETO CONTROL SHAFT	27	7				
43-818009--1	GEAR, STEERING HANDLE SHAFT	31	95				
100-FS666712T	COVER, ENGINE	5	45				
400-818047A3	CRANKSHAFT	25	49				
800-817801A2	CYLINDER W/CRANKCASE COVER	23	15				
800-817893A3	SHORT BLOCK (NOT SHOWN).	23	-				
800-817904A1	SHORT BLOCK (NOT SHOWN).	23	-				
1100-817753A1	CAGE, CRANKSHAFT BEARING W/SEAL	25	53				
1400-817750A4	SWIVEL BRACKET	27	40				
1600-824916A1	GEAR HOUSING UPPER	33	11				