



PARTS CATALOG

55 H.P.

SERIAL NUMBER

55 (1980)	559H0N
55 (1981)	559B1N
55 (1981)	559H1N

TABLE OF CONTENTS:

ACCESSORIES	49
CARBURETOR	10
CRANKSHAFT AND PISTON GROUP	20
ELECTRICAL COMPONENTS	6
ENGINE COVER AND SUPPORT PLATE	2
FUEL PUMP	16
FUEL TANK AND LINE	38
GEAR HOUSING	34
MOTOR LEG	28
PARTS INDEX	52
POWER HEAD	22
REED PLATE	14
REMOTE CONTROL	40
SPECIAL TOOLS - LOWER UNIT	46
SPECIAL TOOLS - LUBRICANTS AND SEALANTS	48
SPECIAL TOOLS - POWER HEAD	45
SPECIAL TOOLS - TEST EQUIPMENT	47
SPECIAL TOOLS - TUNE-UP	44
STARTER	18

NOTE: Indented description indicate that these parts are included in preceeding assembly.

AR = As Required

NSS = Not Sold Separate

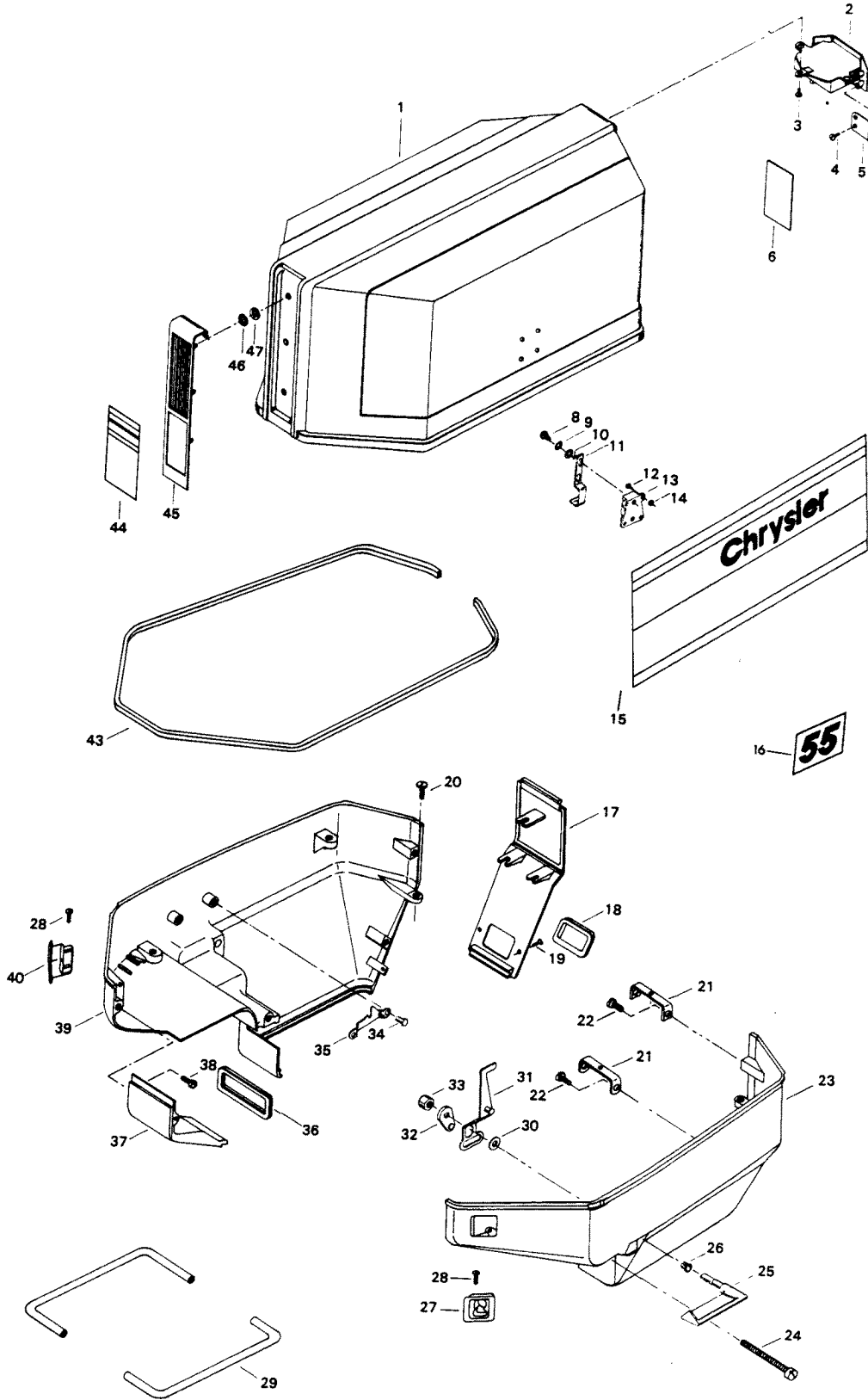
OPT = Optional

NS = Not Shown

THESE PARTS BOOKS/FICHE CARD ARE COPYRIGHTED AND MAY NOT BE DISTRIBUTED OR REPRODUCED IN ANY OTHER FORMAT BY ANYONE OTHER THAN MERCURY MARINE WITHOUT THE PRIOR WRITTEN CONSENT OF MERCURY MARINE.

THIS PAGE INTENTIONALLY LEFT BLANK

ENGINE COVER AND SUPPORT PLATE

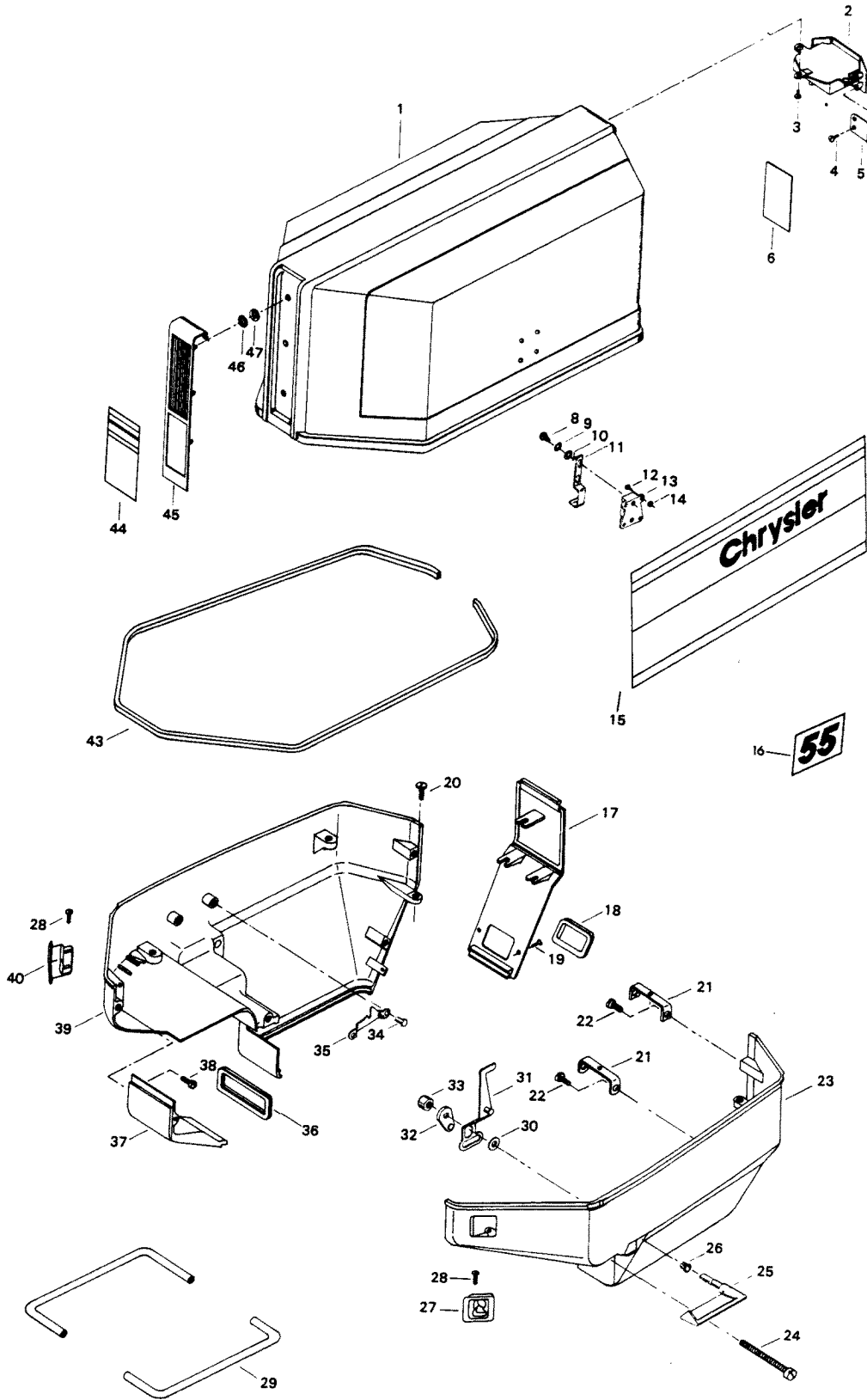


ENGINE COVER AND SUPPORT PLATE

REF. NO.	PART NO.	SYM.	QTY.	DESCRIPTION
1	100-818016A2		1	ENGINE COVER W/ILLUS. 12, 13, 48, 49 AND 50 ORIGINAL FORCE P/N S 547712-1
-	2C577712		1	ENGINE COVER COMPLETE (559H0N). INCLUDES ITEMS MARKED WITH AN ASTERISK (*).
-	2C607712		1	ENGINE COVER COMPLETE (559H1N, 559B1N). INCLUDES ITEMS MARKED WITH AN ASTERISK (*). THIS COVER DOES NOT INCLUDE ITEM 16. ORDER NUMERAL SEPARATE
2	FA474269		1	TILT HANDLE W/LITERATURE
3	F2025		1	PAN HD SCREW, #10 X 5/8
4	F2066		4	PAN HD SCREW, #10 - 7/16
5	F463864		2	RETAINER, TILT HANDLE
6	FA486528		1	DECAL, REAR (559H0N) W/LITERATURE
8	F1854		4	HEX CAP SCREW, 1/4 - 20 X 5/8
9	F8083		4	LOCKWASHER
10	F8094		4	PLAIN WASHER
11	F474864		2	RETAINER, COVER LATCH
12	F1979		8	PAN HD SCREW, 10 - 24 X 1/2
13	FA474774		2	BRACKET, COVER LATCH W/ILLUS. 12 AND 14
14	F7011		8	STOP NUT
15	FA577397		1	DECAL, PORT (559H0N) W/LITERATURE
-	FA577396		1	DECAL, STARBOARD (559H0N) W/LITERATURE
-	FA607397		1	DECAL, PORT (559H1N, 559B1N) W/LITERATURE
-	FA607396		1	DECAL, STARBOARD (559H1N, 559B1N) W/LITERATURE
16	FA577386		2	DECAL, NUMERAL (559H0N) W/LITERATURE
-	FA607386		2	DECAL, NUMERAL (559H1N, 559B1N) W/LITERATURE
17	F547156		1	COVER, SUPPORT PLATE REAR
18	F474991		1	GROMMET
19	F2072		2	OVAL COUNTERSUNK HD M. SCREW 10 - 24 X 3/8
20	F2017		3	PAN HD SCREW W/PLAIN WASHER, 10 - 24 X 3/8
21	F474817		2	RETAINER, SUPPORT PLATE
22	F1689		4	HEX CAP SCREW, 1/4 - 20 X 1/2
23	FA474038		1	SUPPORT PLATE PORT W/LOWER PACKING
24	F2075		1	SLOTTED HD SCREW, S.S., 1/4 - 20 X 2 1/2
25	FA474469		1	HANDLE, COVER LATCH PORT ASSY.
-	FA474499		1	HANDLE, COVER LATCH STARBOARD ASSY.
26	F390689		2	BEARING, LATCH SHAFT
27	F549189		1	BUSHING, ELECTRIC CABLE ENTRY
28	F1733		3	PAN HD SCREW, 10 - 24 X 9/16
29	F474315		2	PACKING, SUPPORT PLATE LOWER
30	F269052		2	BEARING, LATCH CAM
31	FA474777		1	CAM, PORT LATCH ASSY.
-	FA474780		1	CAM, STARBOARD LATCH ASSY. (NOT SHOWN)
32	F474377		1	LEVER, COVER LATCH PORT
-	F474378		1	LEVER, COVER LATCH STARBOARD (NOT SHOWN)

CONTINUED ON NEXT PAGE ➡

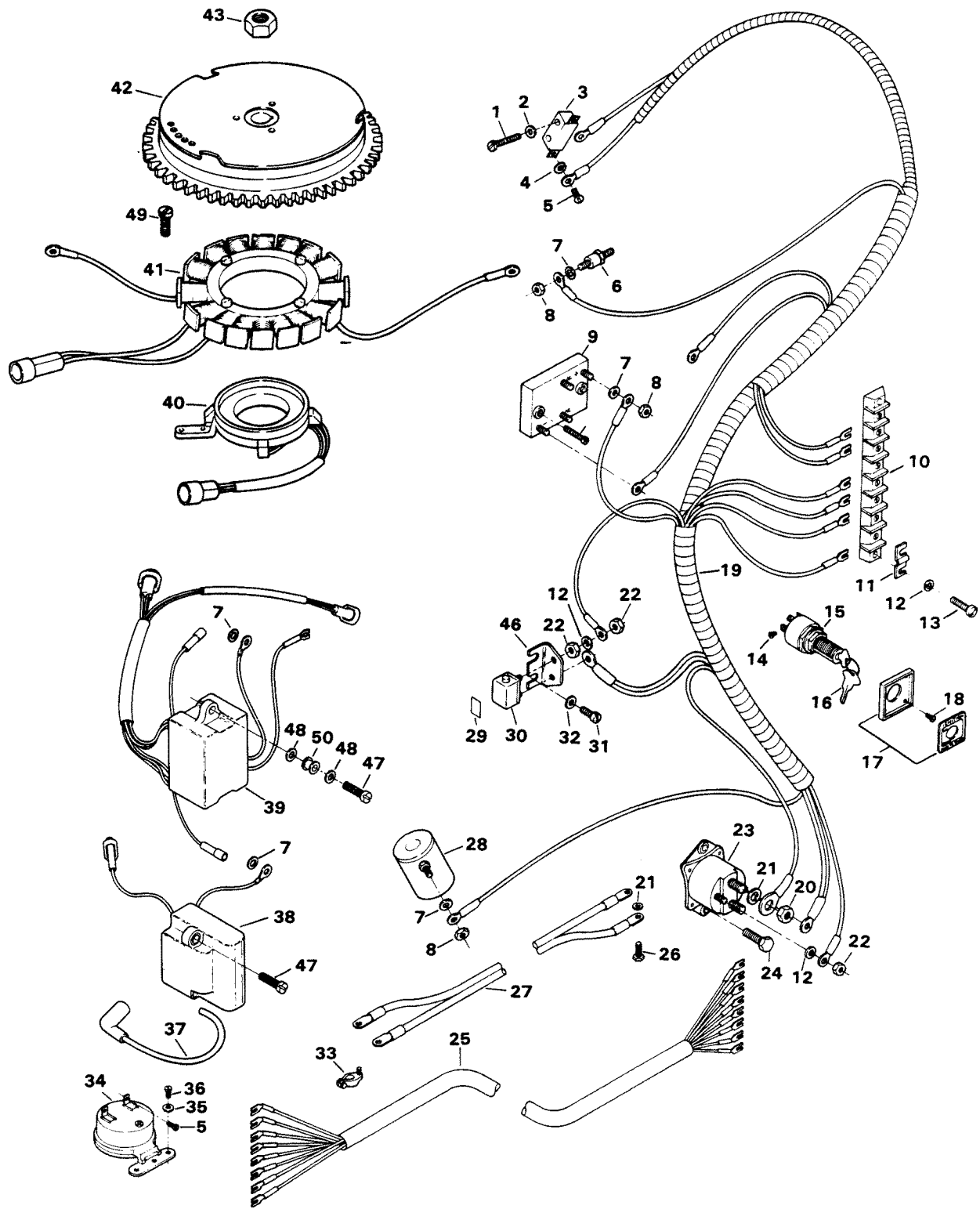
ENGINE COVER AND SUPPORT PLATE



ENGINE COVER AND SUPPORT PLATE

REF. NO.	PART NO.	SYM.	QTY.	DESCRIPTION
33	F7025		2	LOCKNUT, 3/8 - 16
34	F1689		4	HEX CAP SCREW, 1/4 - 20 X 1/2
35	F474897		1	GUIDE, COVER LATCH STARBOARD
-	F474487		1	GUIDE, COVER LATCH PORT (NOT SHOWN)
36	FA475913		1	GROMMET (2 PER SET)
37	F474163		1	COVER, SUPPORT PLATE FRONT
38	F1854		2	HEX SLOTTED HD M. SCREW, 1/4 - 20 X 5/8
39	FA474088		1	SUPPORT PLATE STARBOARD W/LOWER PACKING
40	F545189		1	BUSHING, CABLE ENTRY
43	F474756		1	PACKING, SUPPORT PLATE FRONT
44	FA575892		1	DECAL, FRONT (559H0N) W/LITERATURE
-	FA605892		1	DECAL, FRONT (559H1N, 559B1N) W/LITERATURE
45	F575711		1	FRONT PLATE (559H0N)
-	F605711		1	FRONT PLATE (559H1N, 559B1N)
46	F85735-1		3	SEAL
47	F1753		3	FASTENER
48	F474985		2	BLANKET, SILENCER, SIDE (NOT SHOWN)
49	F474984		1	BLANKET, SILENCER, TOP (NOT SHOWN)
50	F474992		1	BLANKET, SILENCER, FRONT (NOT SHOWN)

ELECTRICAL COMPONENTS

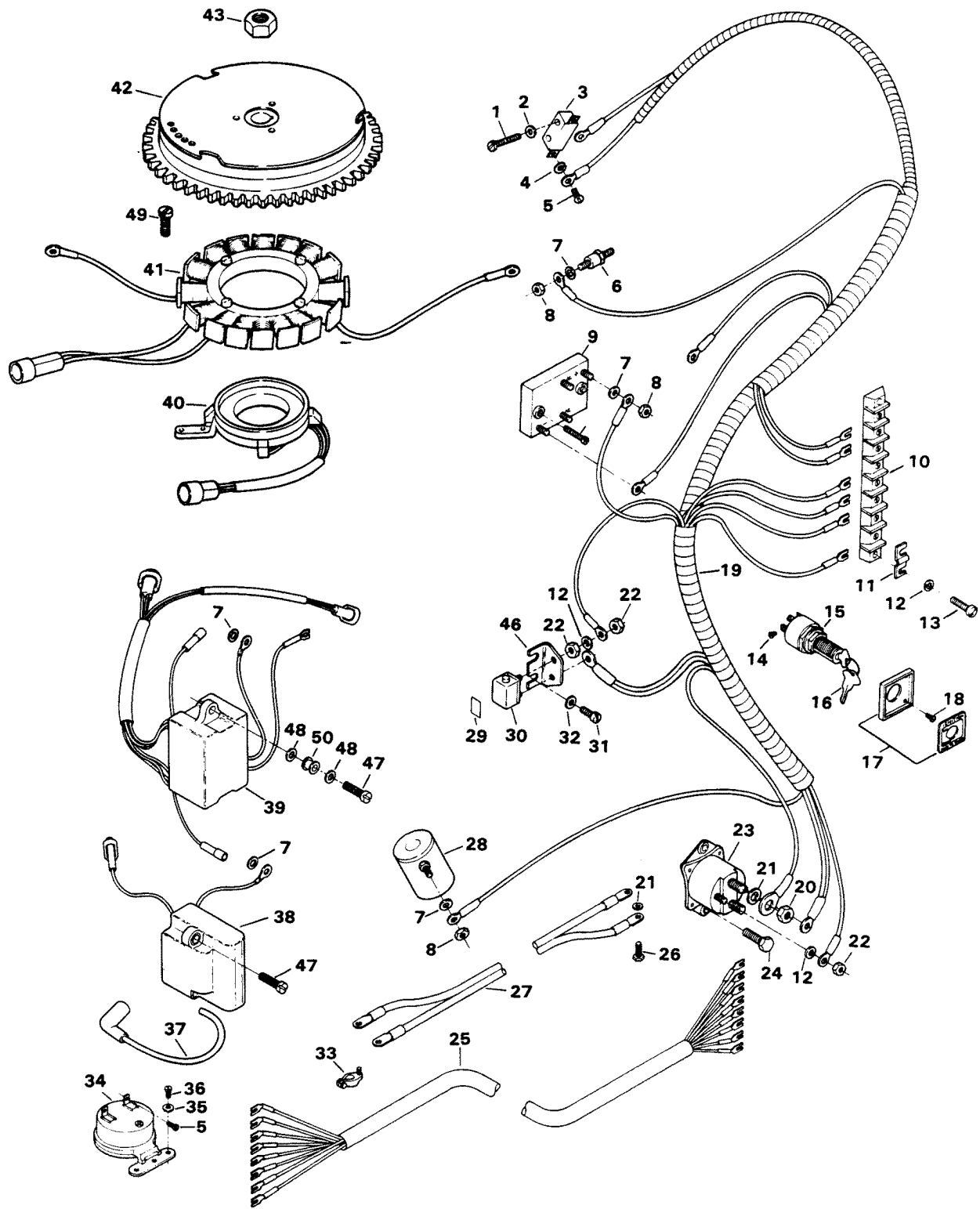


ELECTRICAL COMPONENTS

REF. NO.	PART NO.	SYM.	QTY.	DESCRIPTION
1	F2016		2	SLOTTED FILL HD SCREW, 6 - 32 X 7/8
2	F8088		2	PLAIN WASHER
3	F84449		1	NEUTRAL INTERLOCK SWITCH
4	F1704		2	INTERNAL TOOTH LOCKWASHER
5	F1645		4	RD HD SCREW, 6 - 32 X 1/4
6	F404449		1	THERMOSWITCH
7	F8056		8	SPRING LOCKWASHER
8	F1647		6	HEX NUT, 8 - 32
9	F369450		1	RECTIFIER
10	FA510497		1	TERMINAL BLOCK W/ILLUSTRATION 13 ORIGINAL FORCE P/N K 289497-2
11	F307317		2	CLIP, TERMINAL BLOCK GROUND
12	F1975		6	LOCKWASHER
13	F1974		2	PAN HD SCREW, 10 - 24 X 3/4
14	F1280		5	SLOTTED PAN HD SCREW, 8 - 32 X 1/4
15	F5H078		1	SWITCH, IGNITION (ACCESSORY ITEM) LONG BARREL W/KEYS AND SCREWS
16	FA368700		-	KEY IGNITION - NO LETTER OR STAMPED A
-	FB368700		-	KEY IGNITION - STAMPED B
-	FC368700		-	KEY IGNITION - STAMPED C
-	FD368700		-	KEY IGNITION - STAMPED D
-	FE368700		-	KEY IGNITION - STAMPED E
-	FA27232		1	EMERGENCY STARTER ROPE (NOT SHOWN)
17	F5H038		1	IGNITION SWITCH MOUNTING KIT (ACCESSORY ITEM)
-	817892--1		1	IGNITION SWITCH PLATE - CANADA (NOT SHOWN)
18	F1934		4	FLAT HD SCREW, 6 X 1/2
19	F475744		1	WIRING HARNESS
20	F1515		2	HEX NUT, S.S., 5/16 - 18
21	F8096		3	SPRING LOCKWASHER
22	F1513		6	HEX NUT, 10 - 32
23	F460917		1	STARTER RELAY
24	F1705		2	HEX CAP SCREW, 1/4 - 20 X 3/4
25	F85843-1		1	ELECTRIC CONTROL CABLE, 18 FEET
26	F1857		1	HEX CAP SCREW, 5/16 - 18 X 5/8
27	F381896-4		1	BATTERY CABLE
28	F85924		1	CHOKE SOLENOID
29	F510374		1	DECAL, CIRCUIT BREAKER - USA
-	FC510374		1	DECAL, CIRCUIT BREAKER - CANADA
30	F510460		1	CIRCUIT BREAKER
31	F1733		2	SLOTTED PAN HD SCREW, 10 - 24 X 9/16
32	F8011		2	PLAIN WASHER
33	F71H26		1	BATTERY TERMINAL KIT (ACCESSORY ITEM)
34	F5H043		1	BUZZER, HEAT INDICATOR, (ACCESSORY ITEM)
35	F8011		2	PLAIN WASHER

CONTINUED ON NEXT PAGE ➡

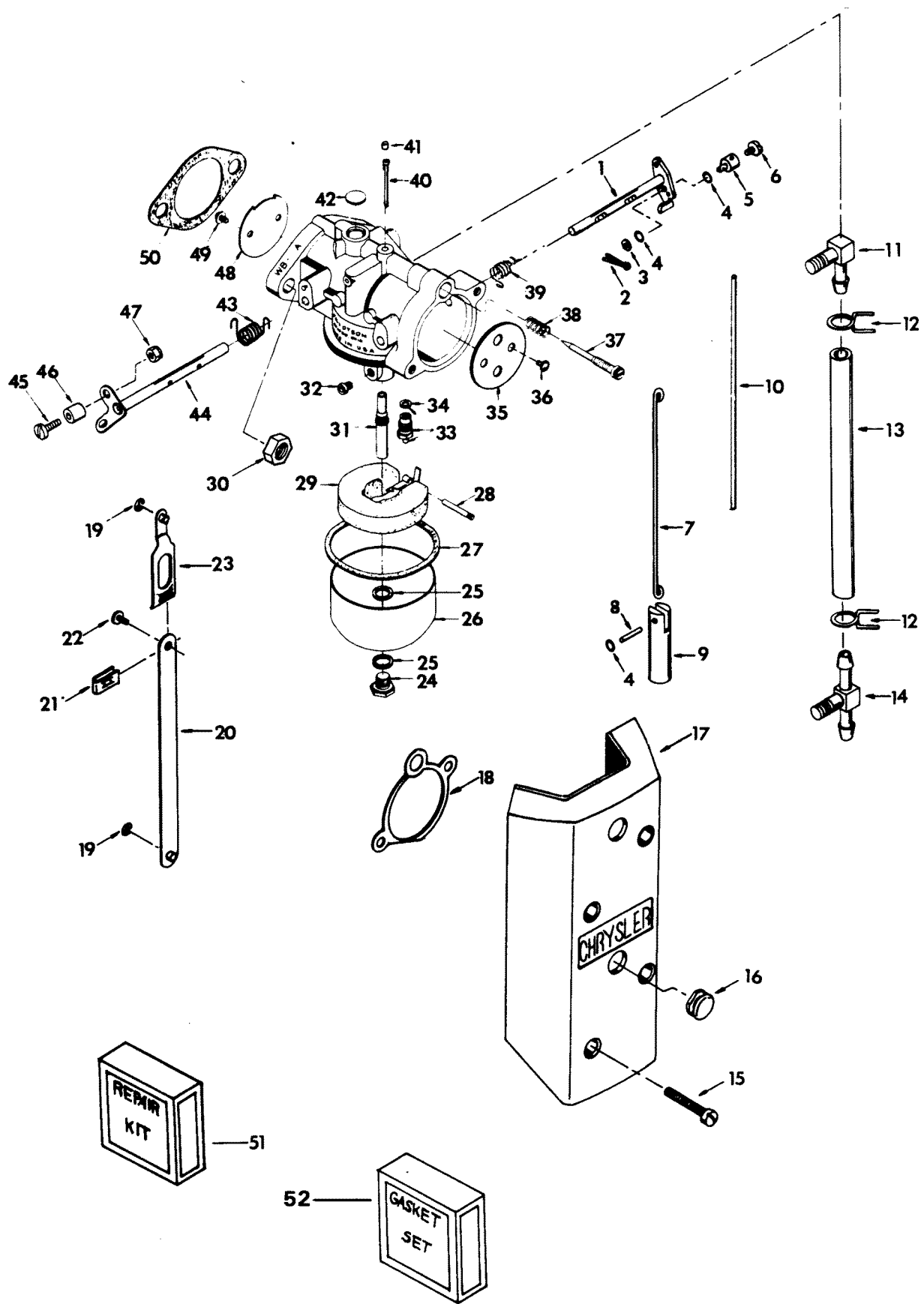
ELECTRICAL COMPONENTS



ELECTRICAL COMPONENTS

REF. NO.	PART NO.	SYM.	QTY.	DESCRIPTION
36	F1741		2	PAN HD SCREW, 8 X 3/4
37	F475841		2	HI-TENSION WIRE
38	F475475		2	IGNITION COIL
39	F475301		1	MODULE
40	F475029		2	TRIGGER ASSY.
41	F475095		1	ALTERNATOR STATOR
42	F475097		1	FLYWHEEL
43	F1968		1	HEX NUT, 3/4 - 16
46	F91446-1		1	CIRCUIT BREAKER BRACKET
47	F1038		6	SLOTTED PAN HD. SCREW 1/4 - 20 X 3/4
48	F8030		4	PLAIN WASHER
49	F1550		4	SLOTTED PAN HD. SCREW #12 - 24 X 1
50	F475504		2	BUSHING

CARBURETOR

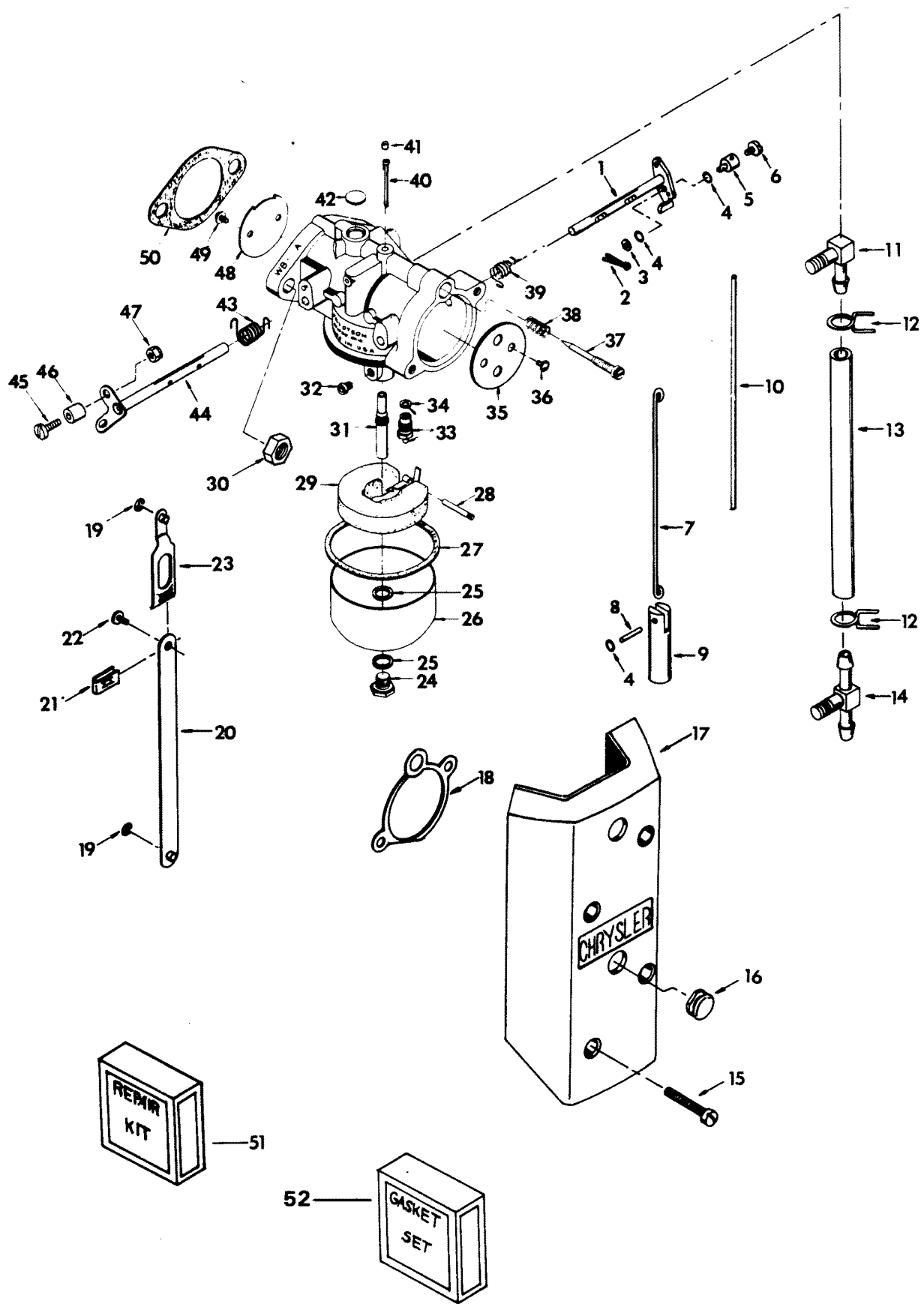


CARBURETOR

REF. NO.	PART NO.	SYM.	QTY.	DESCRIPTION
1	FO16850		1	CHOKE SHAFT AND LEVER
2	F1014		3	COTTER PIN
3	F8088		3	PLAIN WASHER
4	F184579		7	SEAL, CHOKE ARM SWIVEL
5	F184033-1		2	SWIVEL, CHOKE ROD
-	F522033		1	SWIVEL, CHOKE ROD FOR TOP CARB (NOT SHOWN)
6	F1059		2	FILL HD SCREW, 6 - 32 X 1/4
7	F85925		1	CHOKE SOLENOID ROD
8	F2033		1	GROOVE PIN
9	F391926-1		1	PLUNGER, CHOKE SOLENOID
10	F474509		1	CHOKE LINK
11	F84314-2		1	ELBOW, FUEL LINE
12	F97772		2	HOSE CLAMP
13	F474253		1	FUEL LINE
14	F85314-1		1	ELBOW, FUEL LINE FOR BOTTOM CARB.
15	F1034		4	FILL HD SCREW, 1/4 - 20 X 1 3/8
16	F53504		2	GROMMET
17	F522826		1	SILENCER, CARB AIR
18	F481836		2	GASKET
19	F90807		2	RETAINING RING
20	FA474511		1	TIE BAR W/SWIVEL
21	F1693		1	TIE BAR RETAINER
22	F1064		1	SLOTTED HD SCREW, 8 - 32 X 3/8
23	FA85193		1	TIE BAR END W/SWIVEL
24	FO13945		1	FUEL BOWL RETAINING SCREW
25	FO2510		2	GASKET, FUEL BOWL RETAINING SCREW
26	FO13552		1	FUEL BOWL
27	FO15623		1	FUEL BOWL GASKET
28	FO13944		1	FLOAT LEVER PIN
20	FO13554		1	FLOAT
30	F1515		4	HEX NUT, 5/16 - 18
31	FO15217		1	MAIN NOZZLE
32	FO14188		1	MAIN FUEL JET (.066) STD. SEAL LEVEL - 3000 FT.
-	FO14108		-	MAIN FUEL JET (.064) OPT. 3000 - 4500 FT.
-	FO14187		-	MAIN FUEL JET (.062) OPT. 4500 - 6000 FT.
-	FO14186		-	MAIN FUEL JET (.060) OPT. 6000 FT. & UP OPTIONAL SIZE MAIN FUEL JET, USE ONLY AT ALTITUDES AS INDICATED
33	FO10790		1	INLET NEEDLE, SEAT AND GASKET
34	FO10165		1	INLET SEAT GASKET
35	FO13555		1	CHOKE SHUTTER
36	FO8942		2	SHUTTER SCREW W/LOCKWASHER
37	FO13946		1	IDLE SCREW
38	FO11103		1	IDLE SCREW SPRING

CONTINUED ON NEXT PAGE ➡

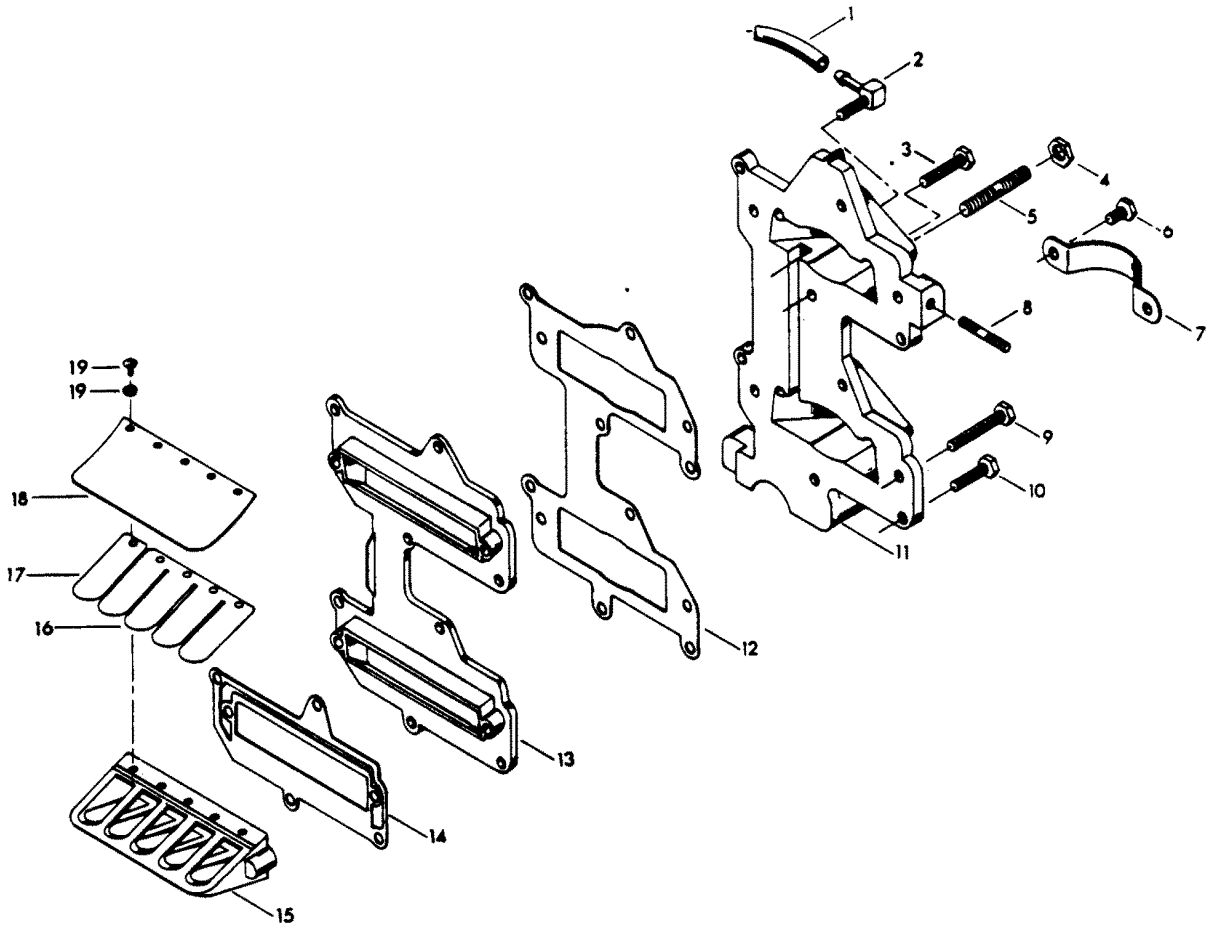
CARBURETOR



CARBURETOR

REF. NO.	PART NO.	SYM.	QTY.	DESCRIPTION
39	FO13947		1	CHOKE SHAFT RETURN SPRING
40	FO17181		1	IDLE TUBE
41	FO10588		1	BODY CHANNEL CUP PLUG
42	FO4326		1	BODY CHANNEL WELCH PLUG
43	FO16008		1	THROTTLE SHAFT RETURN SPRING
44	FO15230		1	THROTTLE SHAFT AND LEVER
45	F333316		1	THROTTLE ROLLER SHAFT
46	F92759		1	THROTTLE ROLLER
47	F1997		1	LOCK NUT, 8 - 32
48	FO16851		1	THROTTLE SHUTTER
49	FO8942		2	THROTTLE SHUTTER SCREW W/LOCKWASHER
50	F40906-1		2	CARBURETOR GASKET
-	F475061-1		2	CARBURETOR COMPLETE (WB27B) (NOT SHOWN)
51	F10053		1	REPAIR PARTS KIT. INCLUDES ALL ITEMS MARKED WITH AN ASTERISK (*)
52	FK10000		1	GASKET SET. INCLUDES ALL ITEMS MARKED WITH A DOUBLE ASTERISK (**)

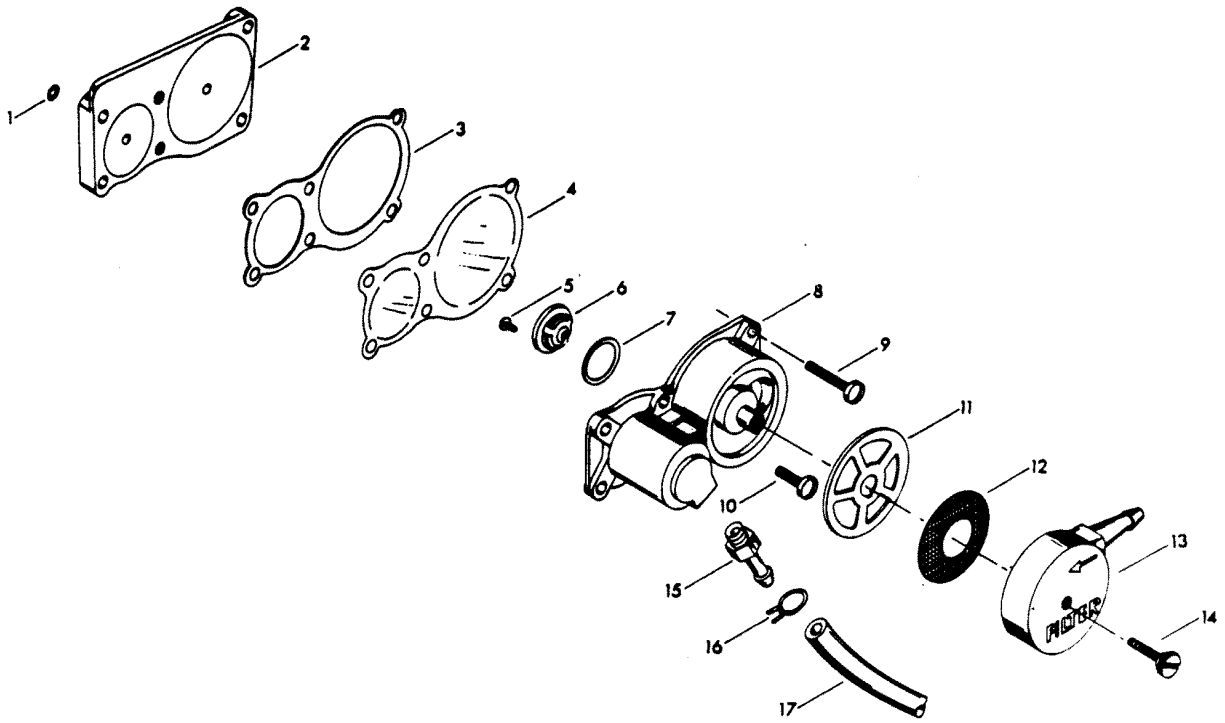
REED PLATE



REED PLATE

REF. NO.	PART NO.	SYM.	QTY.	DESCRIPTION
1	F406754-1		1	DRAIN HOSE
2	22-817740A1		1	PUDDLE DRAIN FITTING W/METERING CUP
3	F1916		1	HEX HD M. SCREW, 1/4 - 20 X 1/8
4	F1515		4	HEX NUT, 5/16 - 18
5	F40209		4	CARBURETOR STUD
6	F1236		2	HEX CAP SCREW, 1/4 - 20 X 1/2
7	F85317-1		1	SOLENOID CLAMP
8	F433209-1		1	STUD
9	F1708		4	HEX HD M. SCREW, 1/4 - 20 X 1 3/8
10	F2008		7	HEX HD M. SCREW, 1/4 X 20 X 7/8
11	F474167		1	CARBURETOR ADAPTER
12	F474168		1	CARBURETOR ADAPTER GASKET
13	F474162		1	REED PLATE ADAPTER
14	F85168		2	REED PLATE ADAPTER GASKET
15	F2A335158		2	REED PLATE W/ILLUS. 16, 17, 18 AND 19
16	F335160		4	REED (4 PETAL)
17	F335164		4	REED (1 PETAL)
18	F85161-1		4	REED STOP
19	F1755		20	ROUND HD SCREW W/LOCKWASHER, 6 - 32 X 5/16

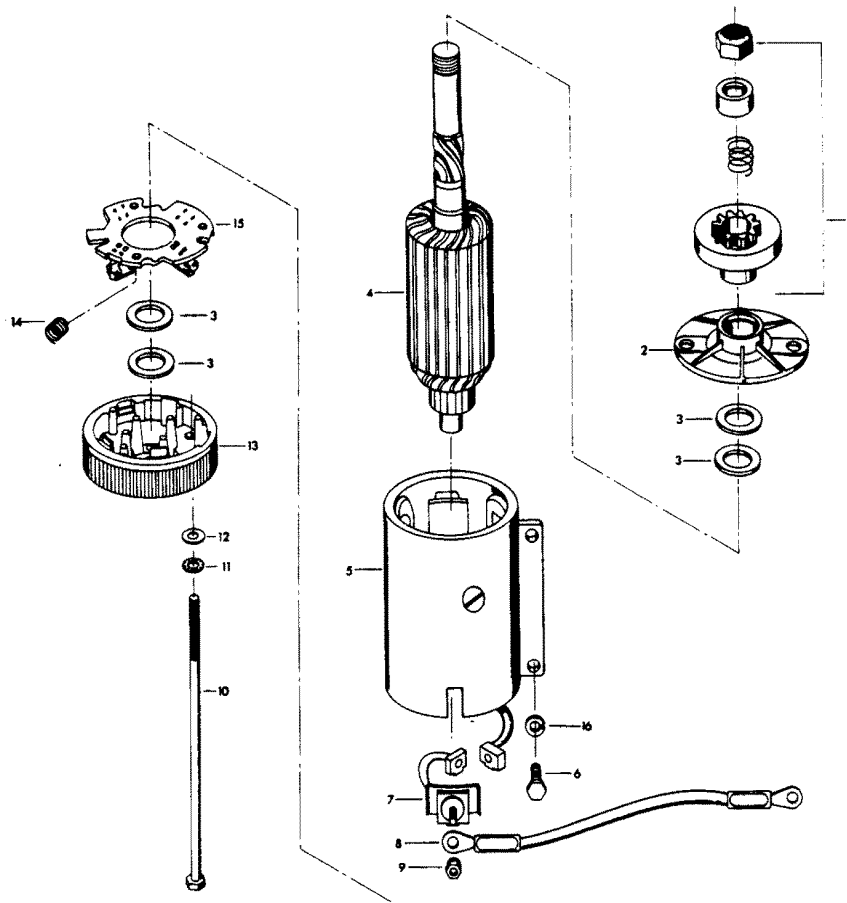
FUEL PUMP



FUEL PUMP

REF. NO.	PART NO.	SYM.	QTY.	DESCRIPTION
1	F50342-1		2	SEAL
2	F474746		1	FUEL PUMP COVER
3	F438760		1	FUEL PUMP GASKET
4	F438747		1	FUEL PUMP DIAPHRAGM
5	F1860		2	SLOTTED HD M. SCREW, 6 - 32 X 1/4
6	F177330		3	FUEL PUMP VALVE
7	F84792		1	FUEL PUMP VALVE GASKET (CENTER VALVE)
8	FA438431		1	FUEL PUMP BODY W/ILLUS. 5, 6 AND 7
9	F1889		4	FILL HD SCREW, 1/4 - 20 X 1/4
10	F1108		2	FILL HD SCREW, 1/4 - 20 X 3/4
11	F438617		1	FUEL SEDIMENT BOWL GASKET
12	F438653		1	FUEL PUMP SCREEN
13	F438500		1	FUEL SEDIMENT BOWL
14	F438165		1	SCREW, FUEL BOWL
15	F438801		1	FITTING
16	F97772		3	FUEL LINE CLAMPS
17	F438754		1	FUEL LINE, PUMP TO CARBURETOR

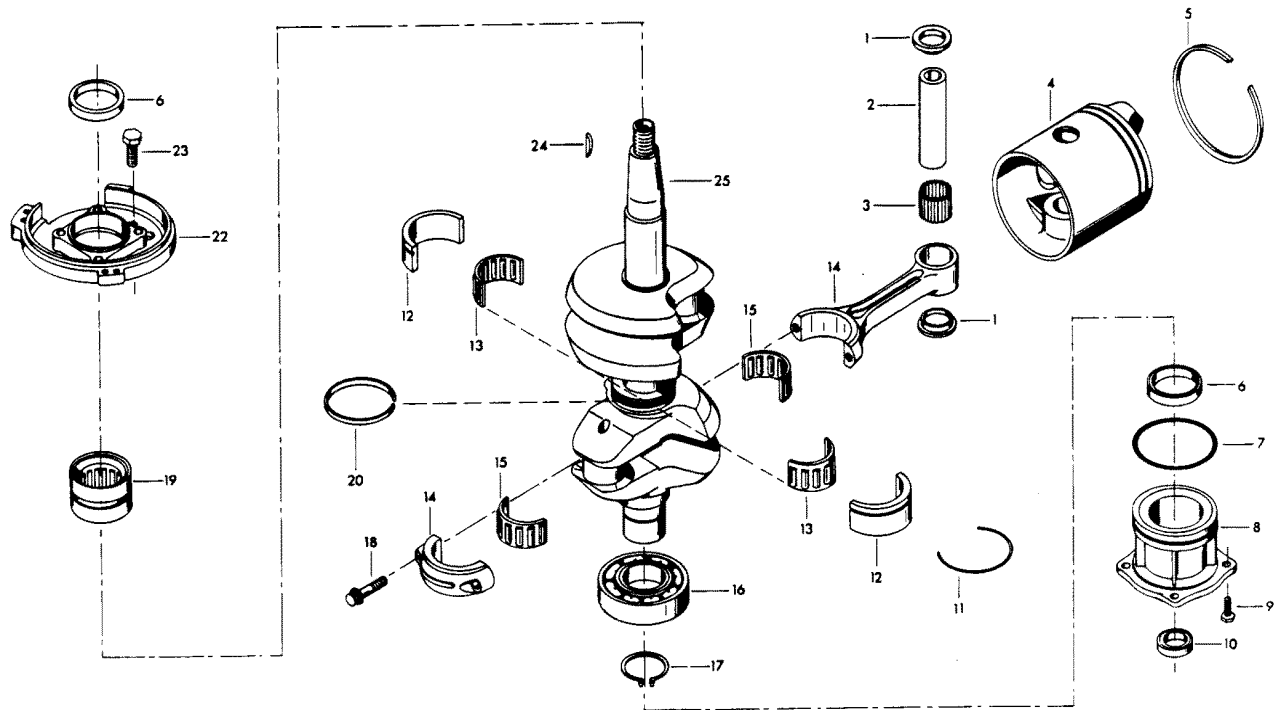
STARTER



STARTER

REF. NO.	PART NO.	SYM.	QTY.	DESCRIPTION
1	F15100		1	BENDIX DRIVE
2	F15120		1	HEAD ASSEMBLY, DRIVE END
3	F15126		1	THRUST WASHER PACKAGE
4	F15099		1	ARMATURE
5	F15119		1	FRAME AND FIELD ASSEMBLY
6	F1822		3	HEX CAP SCREW, 5/16 - 18 X 7/8
7	F15165		1	BRUSH AND TERMINAL SET
8	F307908		1	STARTER WIRE
9	FA15072		1	HEX LOCK NUT AND WASHER ASSEMBLY, 1/4 - 20
10	F15123		1	THRU BOLT PACKAGE
11	F8060		2	LOCKWASHER
12	F8028		2	PLAIN WASHER
13	F15125		1	HEAD ASSEMBLY, COMMUTATOR END
14	F15034		1	SPRING SET
15	F15057		1	BRUSH PLATE AND HOLDER
16	F8096		3	SPRING LOCKWASHER
-	F475955		1	STARTER COMPLETE. INCLUDES ITEMS MARKED WITH AN ASTERISK (*).
-	FC522390		1	DECAL, STARTER - CANADA (NOT SHOWN)

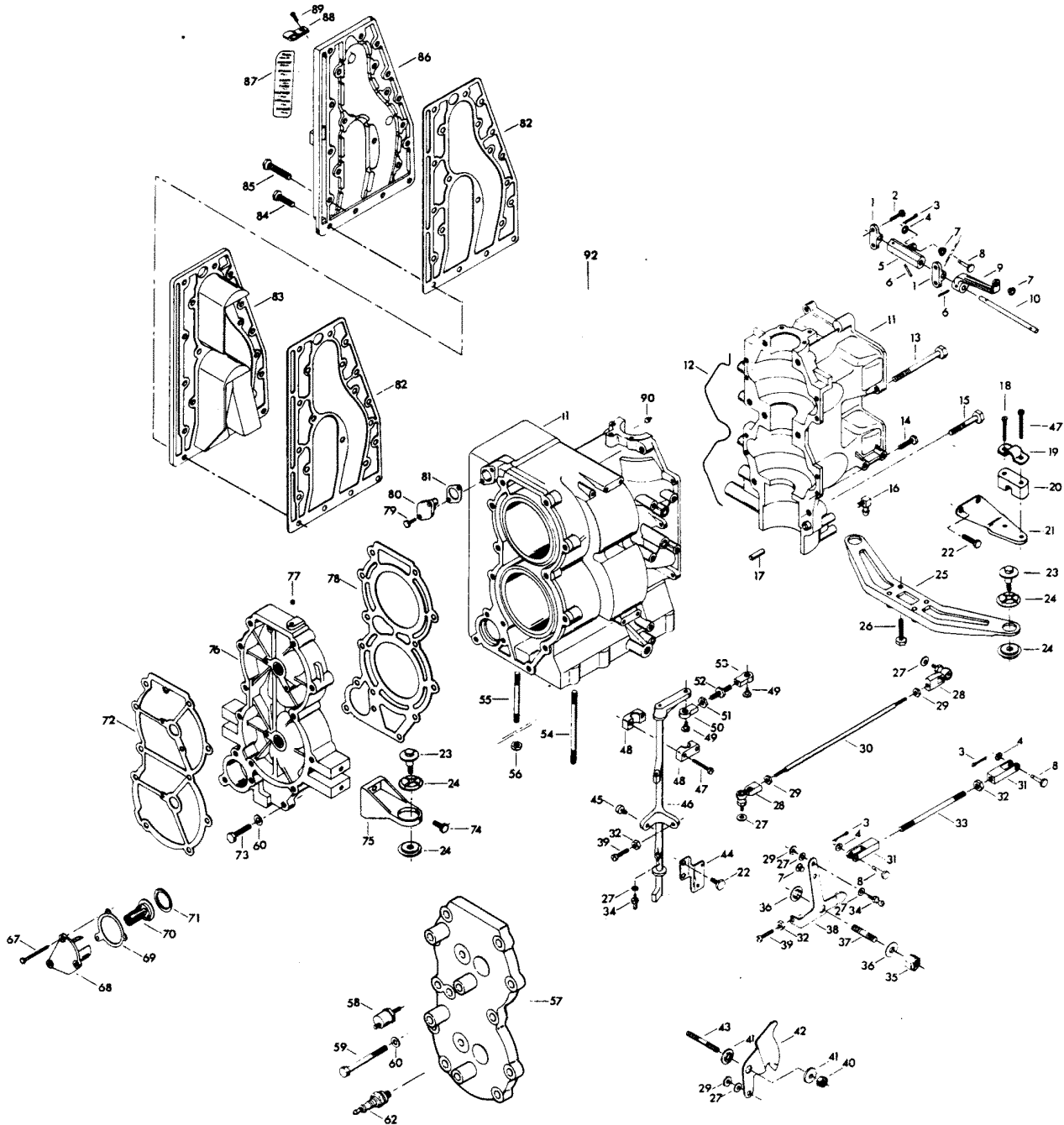
CRANKSHAFT AND PISTON GROUP



CRANKSHAFT AND PISTON GROUP

REF. NO.	PART NO.	SYM.	QTY.	DESCRIPTION
1	F522215		4	SPACER (2 PER PISTON)
2	F522017		2	PISTON PIN
3	F522217		2	BEARING
4	F522015		2	PISTON (STANDARD)
-	FSA522015		2	PISTON (.010 OVERSIZE)
-	700-818127A1		2	PISTON (.030 OVERSIZE)
5	39-817820A1		1	PISTON RING SET (4 PER SET) - (STANDARD)
-	FSA474260		1	PISTON RING SET (4 PER SET - .010 OVERSIZE)
-	39-818122A1		1	PISTON RING SET (4 PER SET - .030 OVERSIZE)
6	F474146		2	SEAL, CRANKSHAFT
7	F84278		1	SEAL
8	31-818060A1		1	BEARING CAGE LOWER W/SEALS (ITEMS 6, 7 & 10) ORIGINAL FORCE P/N 2A 474644-1
9	F1864		3	HEX CAP SCREW, 1/4 - 20 X 3/4
10	F474278		1	SEAL
11	F85410		1	SNAP RING
12	FA85655-1		1	CRANKSHAFT CENTER MAIN BEARING RACE W/ILLUS. 11
13	F85571		1	CENTER MAIN BEARING CAGE W/ROLLERS
14	FA522016		2	CONNECTING ROD W/ILLUS. 18
15	FA474228		2	BEARING CAGE W/ROLLERS (SPLIT HALF)
16	F284659-2		1	CRANKSHAFT LOWER MAIN BEARING
17	F2045		1	RETAINING RING
18	F435634		4	CONNECTING ROD SCREW
19	F474013		1	CRANKSHAFT UPPER MAIN BEARING
20	F316579		1	SEAL, CRANKCASE
22	F2A522144		1	CRANKSHAFT UPPER BEARING CAGE W/ILLUS. 6
23	F1136		6	SCREW, 1/4 - 20 X 1
24	F85498		1	FLYWHEEL KEY
25	FA547018		1	CRANKSHAFT W/ILLUS. 16 AND 17
-	F2067		1	PLASTISOL CAP (NOT SHOWN)

POWER HEAD

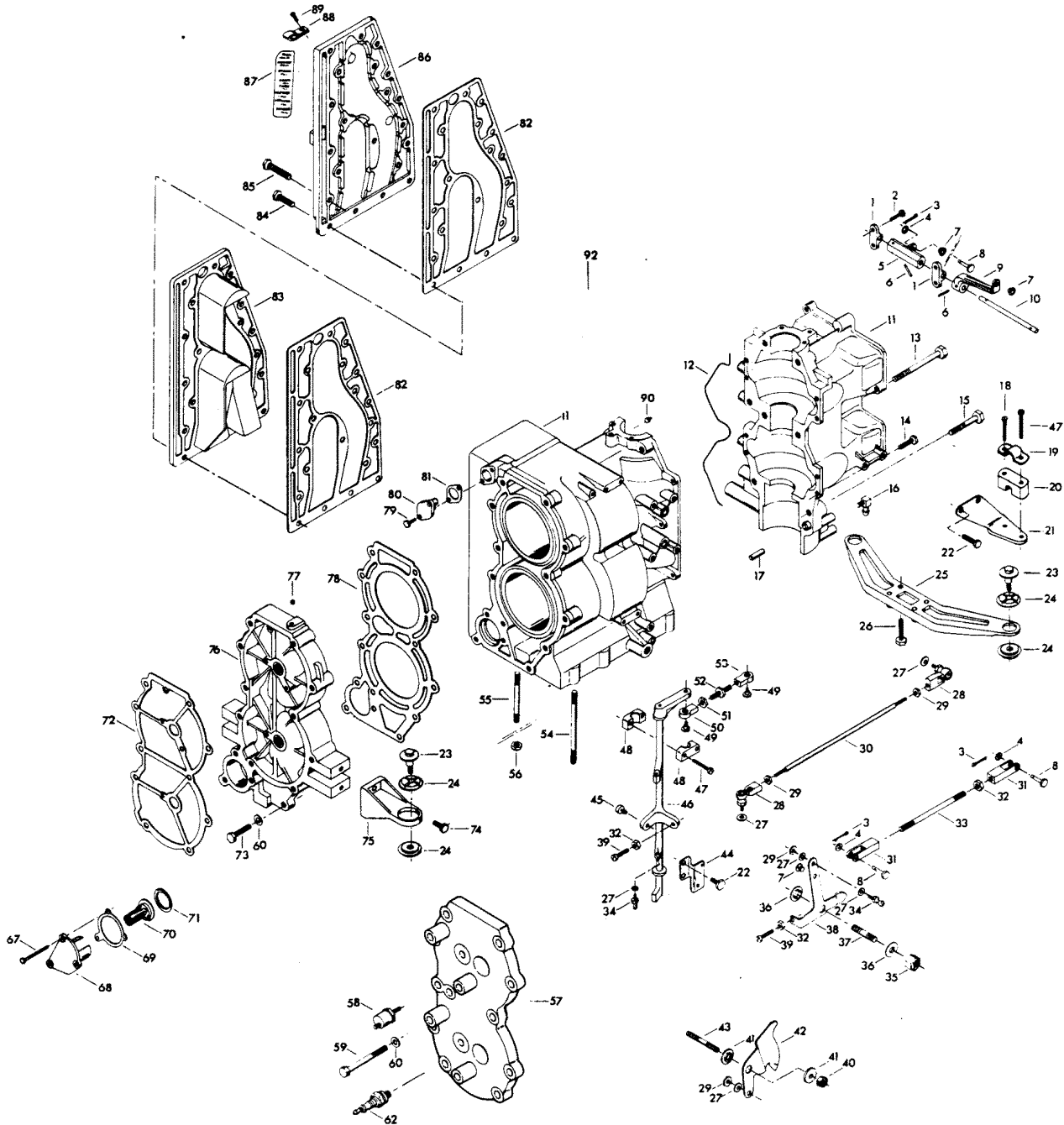


POWER HEAD

REF. NO.	PART NO.	SYM.	QTY.	DESCRIPTION
1	F85689-1		2	BEARING
2	F1475		4	SLOTTED FILL HD SCREW, 10 - 24 X 1/2
3	F1017		3	COTTER PIN
4	F8094		3	PLAIN WASHER
5	F474640		1	PIVOT, GEAR SHIFT
6	F8547		2	SPRING PIN
7	F183818		3	BEARING, GEAR SHIFT COUPLER
8	F474620		3	PIN, GEAR SHIFT
9	F474621		1	LEVER, GEAR SHIFT
10	F474871		1	SHAFT, GEAR SHIFT
11	800-817860A1		1	CYLINDER W/CRANKCASE COVER AND ILLUS. 12, 13, 15, 17, 54, 55 AND 90 ORIGINAL FORCE P/N A 547010-1
-	800-817911A1		1	SHORT BLOCK (NOT SHOWN). INCLUDES ALL ITEMS MARKED WITH AN ASTERISK (*). ALSO REFER TO CRANKSHAFT AND PISTON PAGE. ORIGINAL FORCE P/N C 547010-1
12	F269122-1		1	CRANKCASE PARTING LINE SEAL
13	F1873		2	HEX CAP SCREW, 3/8 - 16 X 3
14	F1864		12	HEX HD SCREW, 1/4 - 20 X 3/4
15	F1872		4	HEX CAP SCREW, 3/8 - 16 X 1 3/4
16	22-817740A1		1	FITTING, PUDDLE DRAIN W/METERING CAP
17	F8563		2	DOWEL PIN
18	F1829		1	SLOTTED FILL HD SCREW, 10 - 24 X 7/8
19	F154317		1	CABLE CLAMP
20	F474932		1	SPACER, CONTROL CABLE
21	F474371		1	REMOTE CABLE BRACKET
22	F1922		4	HEX CAP SCREW, 1/4 - 20 X 5/8
23	F458887		4	FASTENER, SUPPORT PLATE MOUNT
24	F458347		8	MOUNT
25	F474980-1		1	STABILIZER, FRONT
26	F2071		4	HEX CAP SCREW, 5/16 - 18 X 1 3/8
27	F8058		6	INTERNAL TOOTH LOCKWASHER
28	817747--1		2	BALL JOINT W/BEARING
29	F1513		4	HEX NUT, 10 - 32
30	F474193		1	THROTTLE LINK
31	F474704		3	COUPLER
32	F1341		3	HEX NUT, 1/4 - 20
33	F474881		1	LINK, GEAR SHIFT
34	F98273		2	ROD END CONNECTOR STUD
35	F7025		1	STOP NUT, S.S., 3/8 - 16
36	F269052		2	SHIFT ARM BEARING
37	F474859		1	STUD, SHIFT ARM
38	F522876		1	SHIFT ARM
39	F1052		2	FILL HD M. SCREW, 1/4 - 20 X 1

CONTINUED ON NEXT PAGE ➡

POWER HEAD

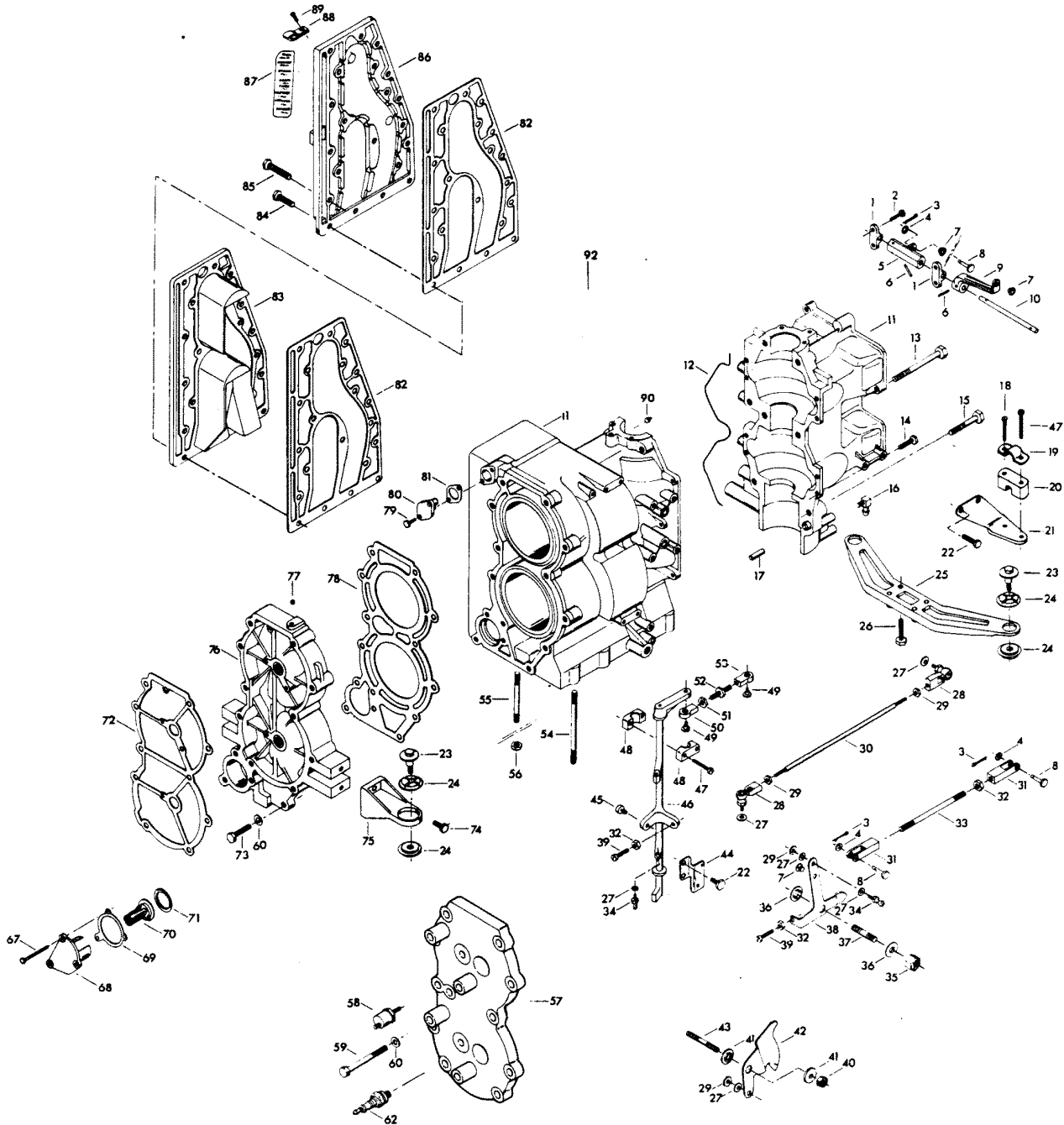


POWER HEAD

REF. NO.	PART NO.	SYM.	QTY.	DESCRIPTION
40	F1910		1	ELASTIC STOP NUT, 1/4 - 20
41	F269319		2	THROTTLE CAM BEARING
42	F474192		1	THROTTLE CAM
43	F433209-1		1	STUD, THROTTLE CAM
44	F474551		1	BRACKET, INTERLOCK SWITCH
45	F1727		1	PLASTIC RIVET
46	F474838-1		1	TOWERSHAFT
47	F1995		5	FILL HD SCREW, 10 - 24 X 1
48	F433689		4	TOWERSHAFT BEARING
49	F84026		2	SPARK CONTROL SWIVEL
50	F84035-2		1	SPARK CONTROL BEARING, R.H.
51	F1473		1	HEX NUT, 10 - 24
52	F474445		1	SPARK CONTROL LINK
53	F84036		1	SPARK CONTROL BEARING, L.H.
54	F474211		8	STUD, CYLINDER
55	F474210		1	STUD, CYLINDER
56	F7006		9	LOCK NUT
57	F522995		1	CYLINDER HEAD COVER
58	F404449		1	THERMOSWITCH
59	F2049		10	HEX CAP SCREW, 5/16 - 18 X 2 5/8
60	F1987		11	PLAINWASHER
62	33-97180		2	SPARK PLUG (L-20V) - USA
-	FC522227		2	SPARK PLUG (QUL-77V)
67	F2051		3	HEX CAP SCREW, 1/4 - 20 X 2 1/4
68	F474066		1	THERMOSTAT COVER
69	F474067		1	THERMOSTAT COVER GASKET
70	F84068-2		1	THERMOSTAT
71	F84504		1	THERMOSTAT GROMMET
72	F474996-1		1	CYLINDER HEAD COVER GASKET
73	F2076		1	HEX CAP SCREW, 5/16 - 18 X 1/8
74	F1902		4	HEX CAP SCREW, 5/16 - 18 X 3/4
75	F474982		2	STABILIZER, REAR
76	FA547518		1	CYLINDER HEAD WILLUS. 77
77	F19109		1	PLUG, CYLINDER HEAD
78	F474529-1		1	CYLINDER HEAD GASKET
79	F1913		2	HEX CAP SCREW, 10 - 24 X 5/8
80	F438066		1	COVER, BY-PASS VALVE
81	F85762		1	GASKET, BY-PASS VALVE COVER
82	F474154		2	EXHAUST PORT PLATE GASKET
83	F474151		1	EXHAUST PORT PLATE
84	F1532		4	HEX CAP SCREW, 1/4 - 20 X 1
85	F1581		17	HEX CAP SCREW, 1/4 - 20 X 1/4
86	F474152		1	EXHAUST PORT COVER

CONTINUED ON NEXT PAGE ➡

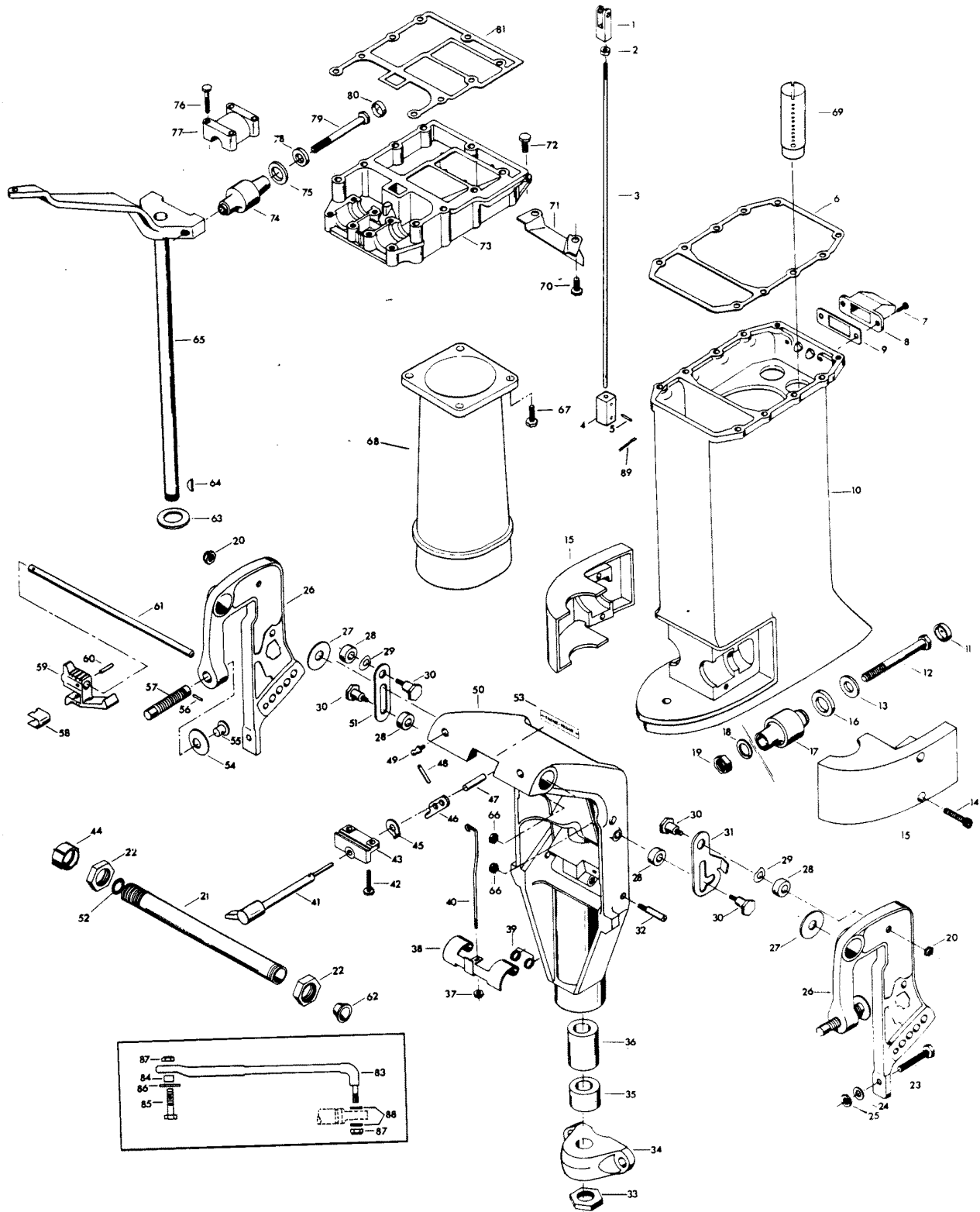
POWER HEAD



POWER HEAD

REF. NO.	PART NO.	SYM.	QTY.	DESCRIPTION
87	FC474398		1	DECAL, WIRING
88	F289446-1		1	CLAMP
89	F1734		1	SLOTTED FILL HD SCREW & LOCKWASHER, 1/4 - 20 X 1/2
90	F474909		2	LOCATING PIN
92	FG1013-1		1	GASKET SET. INCLUDES THE FOLLOWING
-	F40906-1		2	CARBURETOR GASKET
-	F85168		2	REED PLATE ADAPTER GASKET
-	F85762		1	BY-PASS VALVE COVER GASKET
-	F474067		1	THERMOSTAT COVER GASKET
-	F474154		2	EXHAUST PORT COVER GASKET
-	F474168		1	CARBURETOR ADAPTER GASKET
-	F474279		1	CYLINDER EXHAUST GASKET
-	F474529-1		1	CYLINDER HEAD GASKET
-	F474867		1	EXHAUST TUBE GASKET
-	F474996-1		1	CYLINDER HEAD COVER GASKET
-	F522279		1	CYLINDER EXHAUST GASKET
-	F522867		1	EXHAUST TUBE GASKET

MOTOR LEG

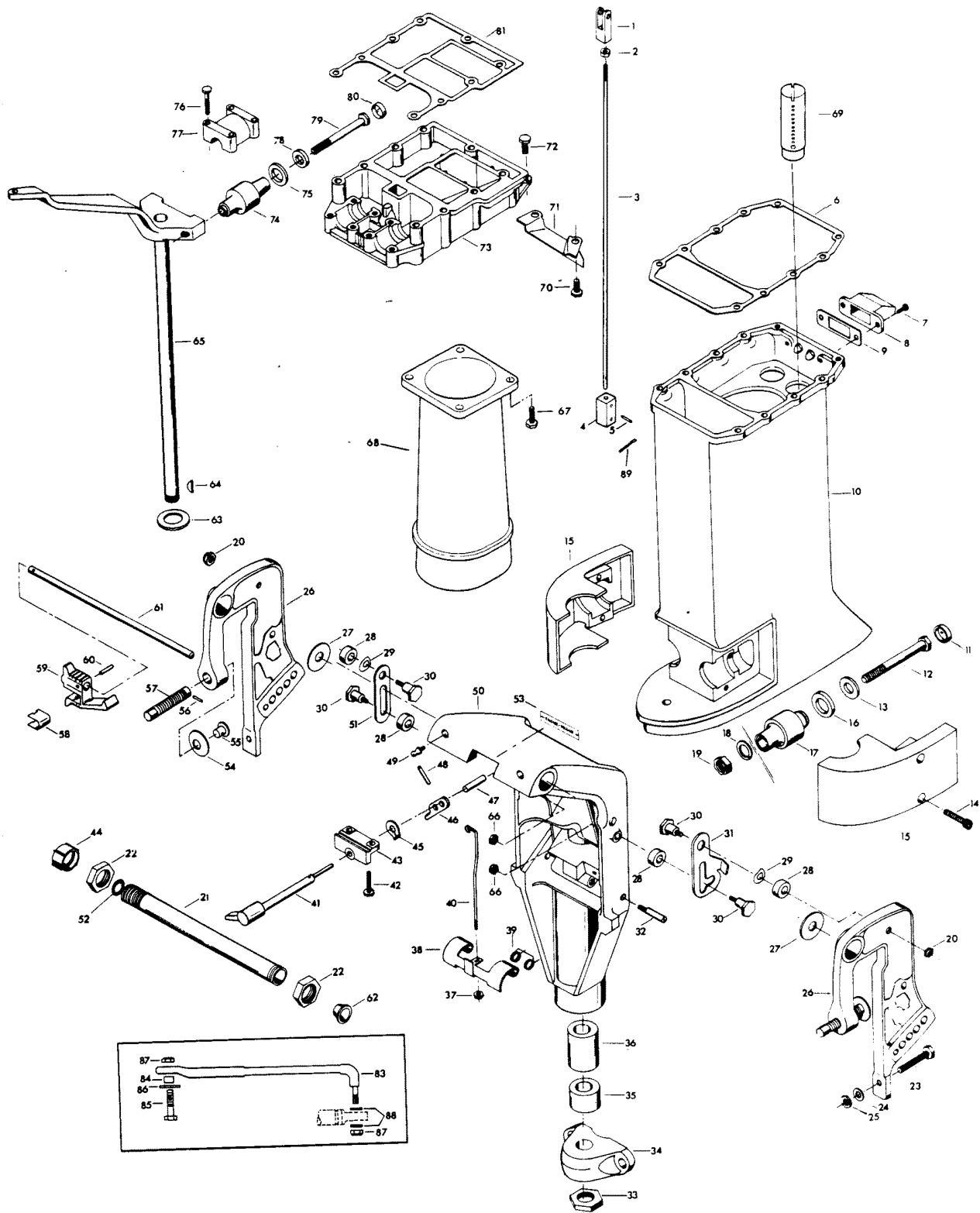


MOTOR LEG

REF. NO.	PART NO.	SYM.	QTY.	DESCRIPTION
1	F474704		1	COUPLER, SHIFT ROD
2	F1341		1	HEX NUT, 1/4 - 20
3	F522615		1	ROD, GEAR SHIFT - UPPER
4	F522704		1	COUPLING, GEAR SHIFT ROD
5	F85372		1	SPRING PIN
6	F522453		1	LEG EXHAUST GASKET
7	F1705		2	HEX CAP SCREW, 1/4 - 20 X 3/4
8	F474832-1		1	IDLE RELIEF COVER
9	F474833		1	GASKET, IDLE RELIEF COVER
10	F522133		1	MOTOR LEG
11	F474539		2	BUMPER
12	F2069		2	HEX CAP SCREW, 7/16 - 14 X 4
13	F474359		2	WASHER
14	F1257		4	HEX SOCKET HD CAP SCREW, S.S., 5/16 - 18 X 1/4
15	F522707		2	SHOCK MOUNT COVER, LOWER
16	F474847		2	WASHER
17	F474346-2		2	SHOCK MOUNT LOWER
18	F8067		2	SPRING LOCKWASHER
19	F2065		2	HEX NUT, 7/16 - 14
20	F7007		2	STOP NUT, 5/16 - 18
21	F522125-1		1	TUBE, STEERING SUPPORT
22	F1600		2	LOCK NUT
23	F1593		2	HEX HD SCREW, S.S., 3/8 - 16 X 3
24	F1904		2	PLAIN WASHER
25	F1346		2	HEX NUT, 3/8 - 16
26	F522032		1	STERN BRACKET - STARBOARD
-	F522532		1	STERN BRACKET - PORT
27	F522286		2	STERN BRACKET FRICTION WASHER
28	F269929		4	SPACER, TILT STOP
29	F1666		2	BOWED SPRING WASHER
30	F366350		4	TILT STOP PIVOT
31	F366426		1	TILT STOP - PORT
32	F366886		2	PIN
33	F84280		1	KING PIN NUT
34	F474607		1	KING PIN YOKE
35	F474990		1	SPACER
36	F191169-1		2	SWIVEL BRACKET BEARING
37	F1669		1	LOCK NUT
38	F366349		1	REVERSE LOCK
39	F366300		2	REVERSE LOCK SPRING
40	F474510		1	LINK
41	FA522827		1	HANDLE AND SHAFT
42	F1733		2	PAN HD SCREW, 10 - 24 X 9/16

CONTINUED ON NEXT PAGE ➡

MOTOR LEG

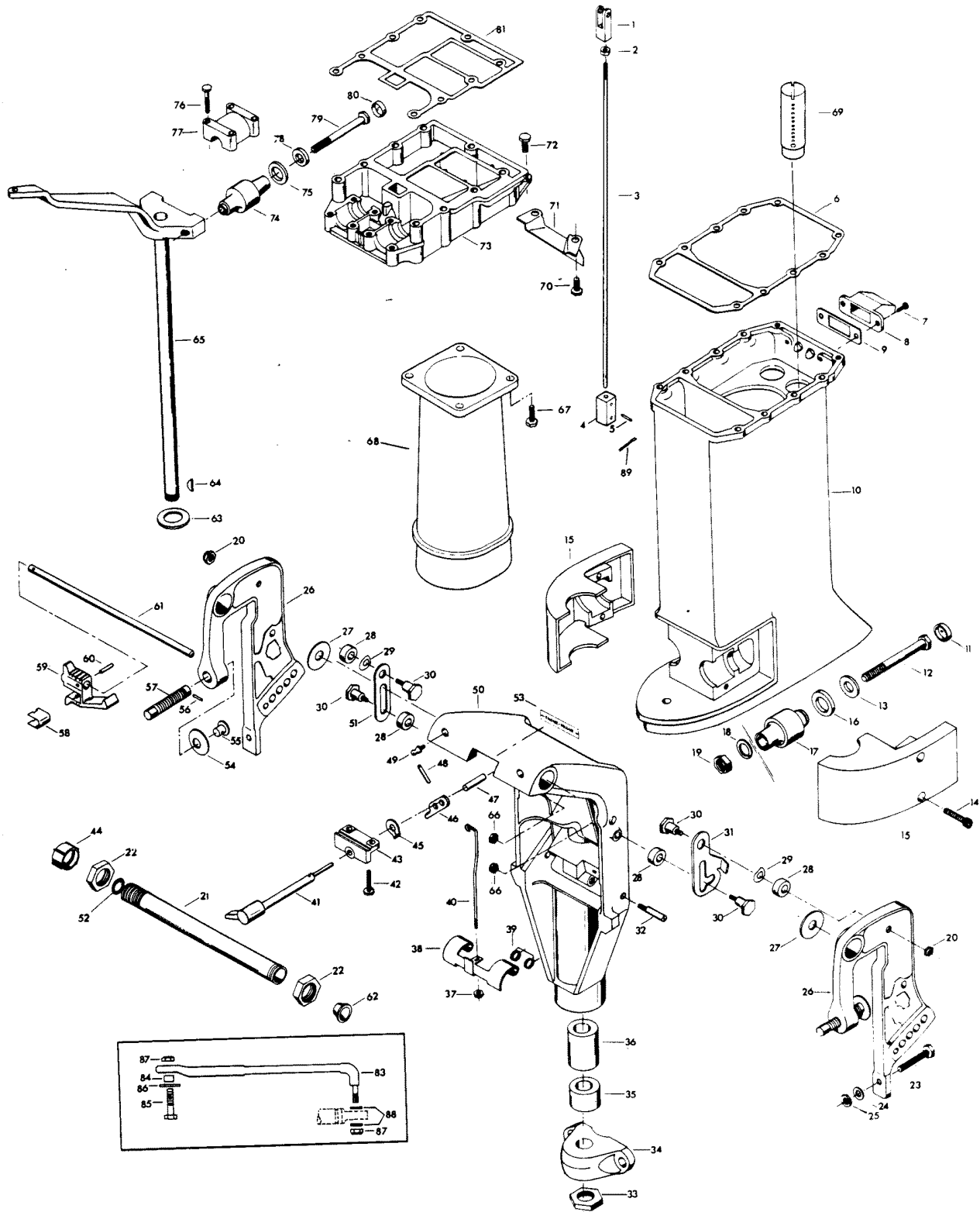


MOTOR LEG

REF. NO.	PART NO.	SYM.	QTY.	DESCRIPTION
43	F522884		1	BEARING
44	F9018		1	CAP
45	F522741		1	RETAINING RING
46	F366364		1	ARM, REVERSE LOCK
47	F483884		1	BEARING
48	F1836		1	SPRING PIN
49	F213274		3	GREASE FITTING
50	FA522072		1	SWIVEL BRACKET W/ILLUS. 36 AND 49
51	F366433		1	TILT STOP, STARBOARD
52	F316599		1	SEAL, PIVOT TUBE
53	F529390-1		1	DECAL, REVERSE LOCK - USA
-	FC529390		1	DECAL, REVERSE LOCK - CANADA
54	F24074		2	CLAMP SCREW FOOT
55	F353480		2	STUD
56	F8538		2	SPRING PIN
57	F474073-1		2	CLAMP SCREW
58	F286461		1	SPRING, LOCK BAR HANDLE
59	F433114		1	HANDLE, LOCK BAR
60	F1744		1	SPRING PIN
61	FA433113		1	STERN BRACKET LOCK BAR W/ILLUS. 58, 59 AND 60
62	F9052		1	PLUG
63	F89011		1	SWIVEL BRACKET WASHER
64	F458498		1	KEY
65	FA522019		1	KING PIN ASSEMBLY
66	F7007		2	LOCK NUT, 5/16 - 18
67	F1864		4	HEX CAP SCREW, 1/4 - 20 X 3/4
68	F522660		1	LEG EXHAUST TUBE
69	F522779		2	BAFFLE, IDLE RELIEF
70	F1689		2	HEX CAP SCREW, 1/4 - 20 X 1/2
71	F474106-3		1	DEFLECTOR, WATER DISCHARGE
72	F1902		2	HEX CAP SCREW, 5/16 - 18 X 3/4
73	F522680		1	SPACER PLATE
74	F474965-1		2	SHOCK MOUNT UPPER
75	F474849		2	WASHER
76	F1581		8	HEX CAP SCREW, 1/4 - 20 X 1/4
77	F474946		2	SHOCK MOUNT COVER UPPER
78	F474355		2	WASHER
79	F1430		2	HEX CAP SCREW, 3/8 - 24 X 4
80	F474942		2	BUMPER
81	F522279		1	CYLINDER EXHAUST GASKET
83	F522881		1	LINK STEERING
84	F522359		1	SPACER STEERING LINK
85	F1469		1	SCREW 3/8 - 24 X 1-1/4

CONTINUED ON NEXT PAGE ➡

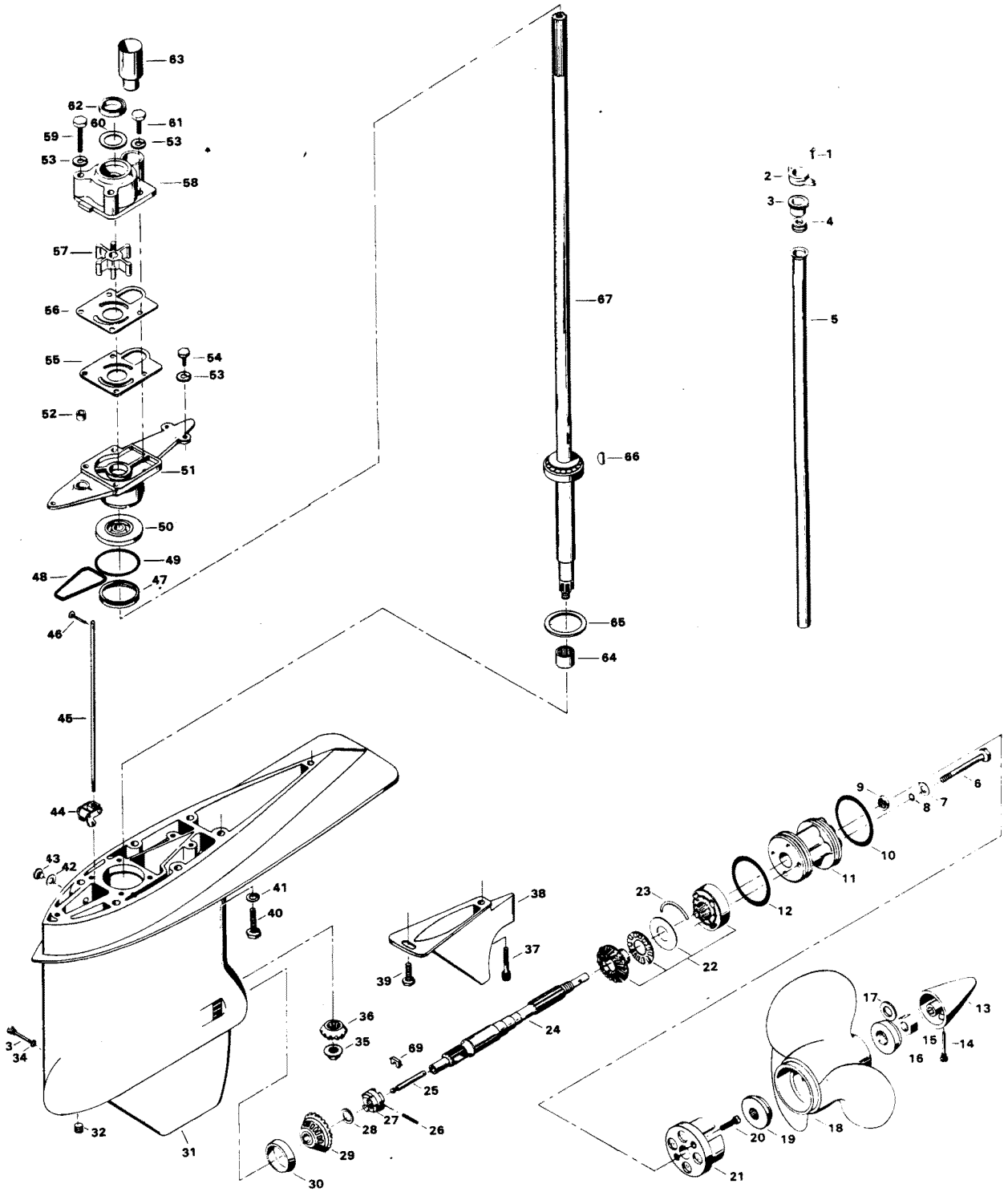
MOTOR LEG



MOTOR LEG

REF. NO.	PART NO.	SYM.	QTY.	DESCRIPTION
86	F2014		1	PLAIN WASHER, 3/8
87	F2093		2	STOP NUT, 3/8 - 24
88	F8038		2	PLAIN WASHER
-	FOB2464		1	LITERATURE (INSTALLATION INSTRUCTIONS FOR STEERING LINK) NOT SHOWN
89	F1015		1	COTTER PIN

GEAR HOUSING

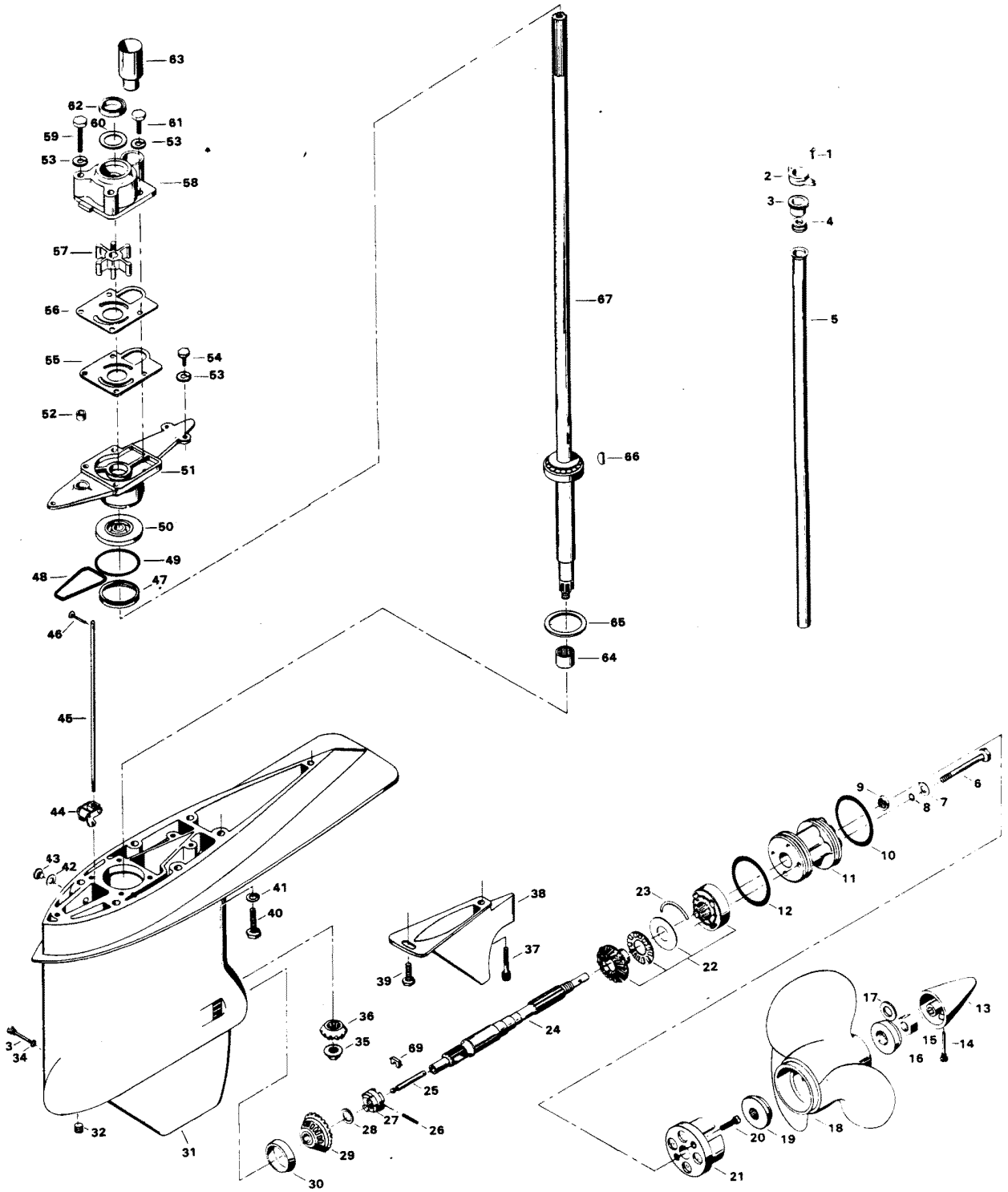


GEAR HOUSING

REF. NO.	PART NO.	SYM.	QTY.	DESCRIPTION
1	F1733		2	HEX HD SCREW, 10 - 24 X 9/16
2	F474117		1	WATER LINE BRACKET
3	F474830		1	WATER LINE BRACKET GASKET
4	F474342		1	SEAL
5	F522244		1	INLET WATER LINE
6	F1417		2	HEX CAP SCREW, 5/16 - 18 X 3-1/2
7	F1907		4	PLAIN WASHER
8	F50342-1		4	SEAL
9	F522118		1	SEAL, PROPELLER SHAFT
10	F522305		1	SEAL, O-RING
11	F2A522239		1	SPOOL, PROP SHAFT BEARING W/BEARING AND ILLUS. 9
12	F141305		1	SEAL, O-RING
13	F522094-1		1	PROPELLER NUT
14	F498891		1	PIN
15	F1788		1	STOP NUT
16	F5H118		1	WASHER
17	F1866		1	PLAIN WASHER
18	FP486		1	PROPELLER (ACCESSORY ITEM)
19	F522099		1	SPACER, PROPELLER
20	F1577		2	FILL HD SCREW, 1/4 - 20 X 3/4
21	FA522485		1	ANTI-CORROSION ANODE W/LITERATURE
22	FA522662		1	BEVEL GEAR REAR W/BEARING CAGE
23	F522411		2	RETAINING RING, BEARING CAGE
24	FA522098		1	PROPELLER SHAFT ASSEMBLY
25	F522871		1	GEAR SHIFT ARM PIN W/YOKE
26	F2097		1	SPRING PIN
27	F99521-1		1	CLUTCH
28	F2087		A/R	SPACER, BEVEL GEAR FRONT, SIZE .056
-	F2055		A/R	SPACER, BEVEL GEAR FRONT, SIZE .059
-	F2056		A/R	SPACER, BEVEL GEAR FRONT, SIZE .062
-	F2057		A/R	SPACER, BEVEL GEAR FRONT, SIZE .065
-	F2058		A/R	SPACER, BEVEL GEAR FRONT, SIZE .068
-	F2059		A/R	SPACER, BEVEL GEAR FRONT, SIZE .071
-	F2060		A/R	SPACER, BEVEL GEAR FRONT, SIZE .074
-	F2061		A/R	SPACER, BEVEL GEAR FRONT, SIZE .077
-	F2062		A/R	SPACER, BEVEL GEAR FRONT, SIZE .080
-	F2063		A/R	SPACER, BEVEL GEAR FRONT, SIZE .083
-	F2064		A/R	SPACER, BEVEL GEAR FRONT, SIZE .086
-	F2123		A/R	SPACER, BEVEL GEAR FRONT, SIZE .053
-	F2124		A/R	SPACER, BEVEL GEAR FRONT, SIZE .050
29	F2A522023		1	BEVEL GEAR FRONT W/BEARING AND SHIMS
30	F506250		1	BEARING CUP
31	FA522054		1	GEAR HOUSING WILLUS. 30, 32, 42, 43 AND 64

CONTINUED ON NEXT PAGE ➡

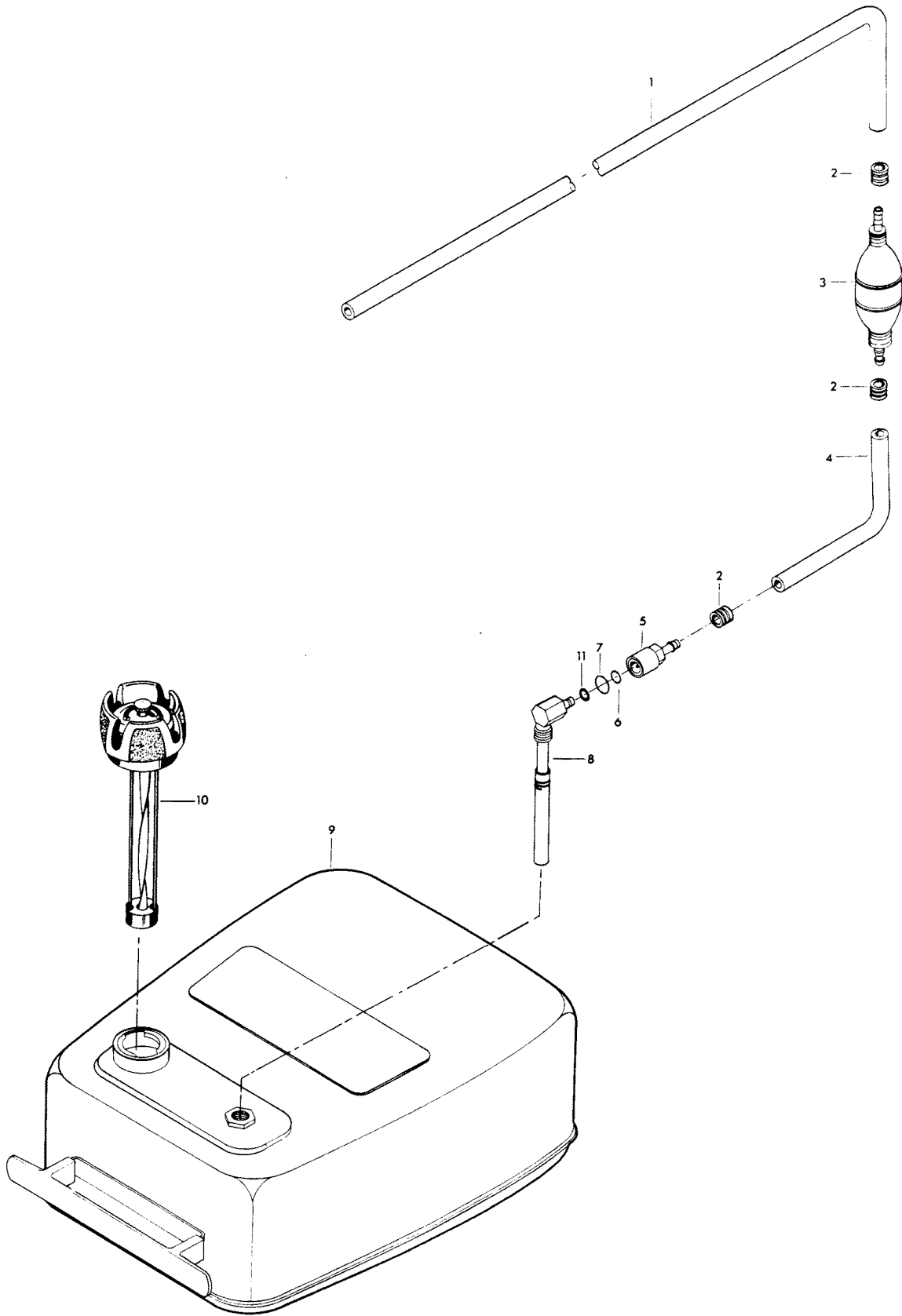
GEAR HOUSING



GEAR HOUSING

REF. NO.	PART NO.	SYM.	QTY.	DESCRIPTION
-	FC522054		1	GEAR HOUSING COMPLETE INCLUDES ALL ITEMS MARKED WITH AN ASTERISK (*)
32	F19109		1	PLUG
33	F498891		1	GEAR SHIFT ARM PIN
34	F498618		1	NYLTITE WASHER
35	F522188-1		1	NUT, BEVEL PINION RETAINING
36	FA522266		1	BEVEL PINION GEAR WILLUS. 47 AND 65
37	F2031		1	HEX SOCKET HD CAP SCREW, 1/4 - 20 X 3/4
38	F522116-1		1	SNOUT
39	F438930		1	RETAINER, SNOUT
40	F2079		6	HEX CAP SCREW, 5/16 - 18 X 2-1/4
41	F8096		6	SPRING LOCKWASHER
42	F8077		2	WASHER, GEAR HOUSING PLUG
43	F50109		2	PLUG, GEAR HOUSING
44	817796A2		1	GEAR SHIFT ARM ASSY.
45	F522705		1	GEAR SHIFT ROD LOWER
46	F8547		1	PIN, GEAR SHIFT ROD LOWER
47	F523961		1	CRUSH RING
48	F522555		1	SEAL, GEAR HOUSING COVER
49	F74305		6	SEAL, DRIVESHAFT BEARING CAGE
50	F474307		1	SEAL, DRIVESHAFT
51	FA522706		1	GEAR HOUSING COVER WILLUS. 50 AND 52
52	F338618-1		1	SEAL, SHIFT ROD LOWER
53	F8083		7	SPRING, LOCKWASHER
54	F1705		3	HEX CAP SCREW, 1/4 - 20 X 3/4
55	F522031		1	GASKET, WATER PUMP
56	F522562		1	WATER PUMP BACK PLATE
57	F474065-1		1	WATER PUMP IMPELLER
58	FA522060		1	WATER PUMP BODY WILLUS. 60, 62 AND 63
59	F1175		2	HEX CAP SCREW, 1/4 - 20 X 1-7/8
60	F474388		1	DISC, WATER PUMP
61	F1849		2	HEX CAP SCREW, 1/4 - 20 X 1-3/8
62	F474736		1	SEAL, DRIVESHAFT - WATER PUMP
63	FA523735		1	SEAL, INLET WATER LINE LOWER W/LITERATURE
64	F522057		1	BEARING, DRIVESHAFT LOWER
65	F9106		A/R	SHIM, DRIVESHAFT BEARING - UPPER, SIZE .003
-	F9095		A/R	SHIM, DRIVESHAFT BEARING - UPPER, SIZE .005
-	F9096		A/R	SHIM, DRIVESHAFT BEARING - UPPER, SIZE .007
-	F9097		A/R	SHIM, DRIVESHAFT BEARING - UPPER, SIZE .010
66	F9038		1	WOODRUFF KEY
67	FS577128		1	DRIVESHAFT WILLUS. 47, 65 AND LITERATURE. ORIGINAL FORCE P/N K 522128-1
69	F90619-1		1	YOKE, GEARSHIFT ARM

FUEL TANK AND LINE

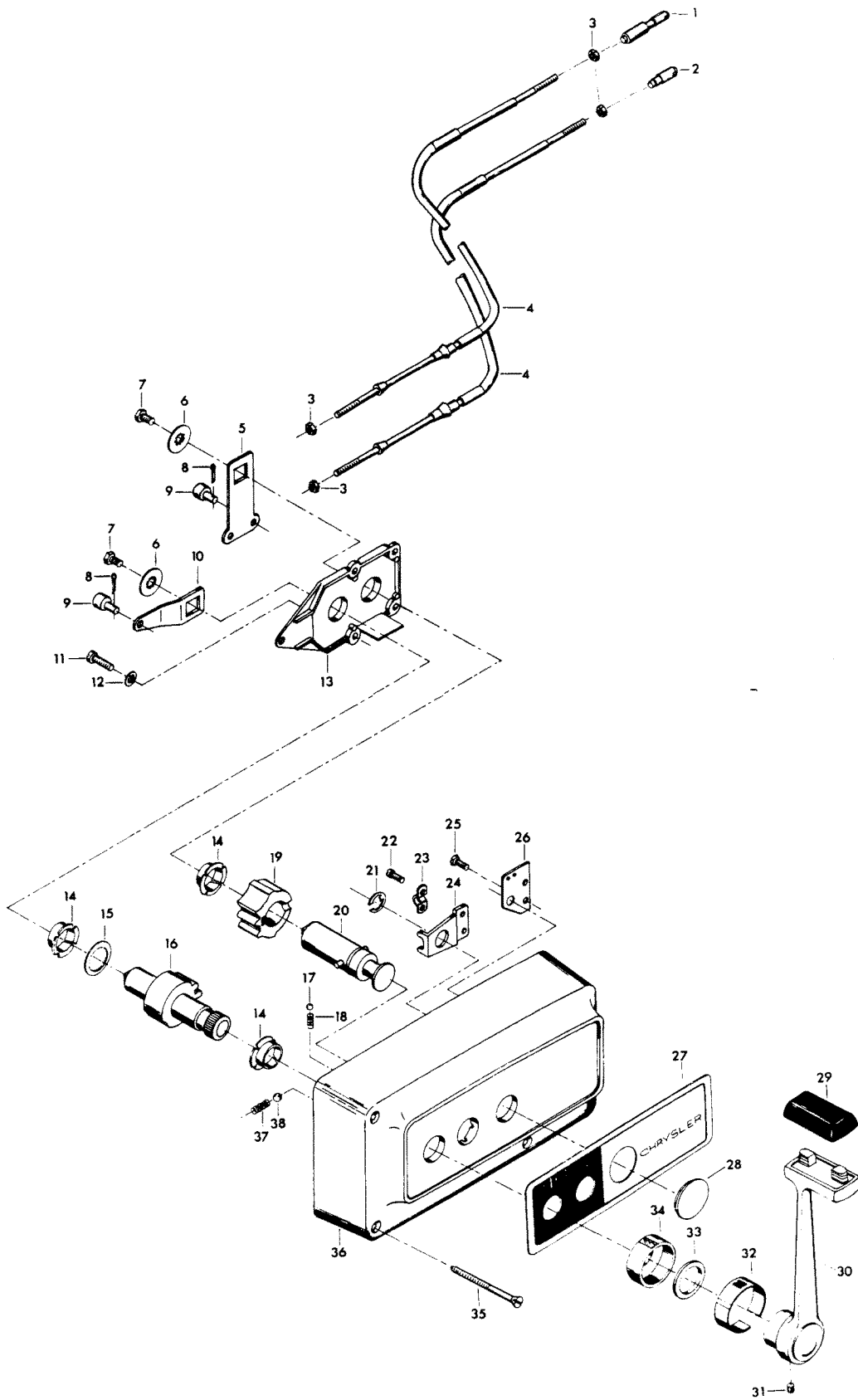


25

FUEL TANK AND LINE

REF. NO.	PART NO.	SYM.	QTY.	DESCRIPTION
1	32-817738A1		1	FUEL LINE, LONG W/CLAMP AND FERRULE
2	F298788		3	FERRULE
3	89396A38		1	PRIME BULB
4	FA84754-1		1	FUEL LINE SHORT W/ILLUS. 2
5	F197787-3		1	FUEL LINE COUPLER
6	F213735		1	SEAL, FUEL LINE COUPLER - SMALL
7	F213342		1	SEAL, FUEL LINE COUPLER - LARGE
8	F485755-1		1	FUEL TANK ADAPTER
9	F5H026		1	FUEL TANK (ACCESSORY ITEM)
10	F409251-1		1	GAUGE CAP
11	F17932		1	SEAL, FUEL TANK ADAPTER
-	FS409752		1	FUEL LINE - COMPLETE. INCLUDES ITEMS MARKED WITH AN ASTERISK (*).
-	FC409398		1	DECAL, TOTE TANK - CANADA (NOT SHOWN)

REMOTE CONTROL

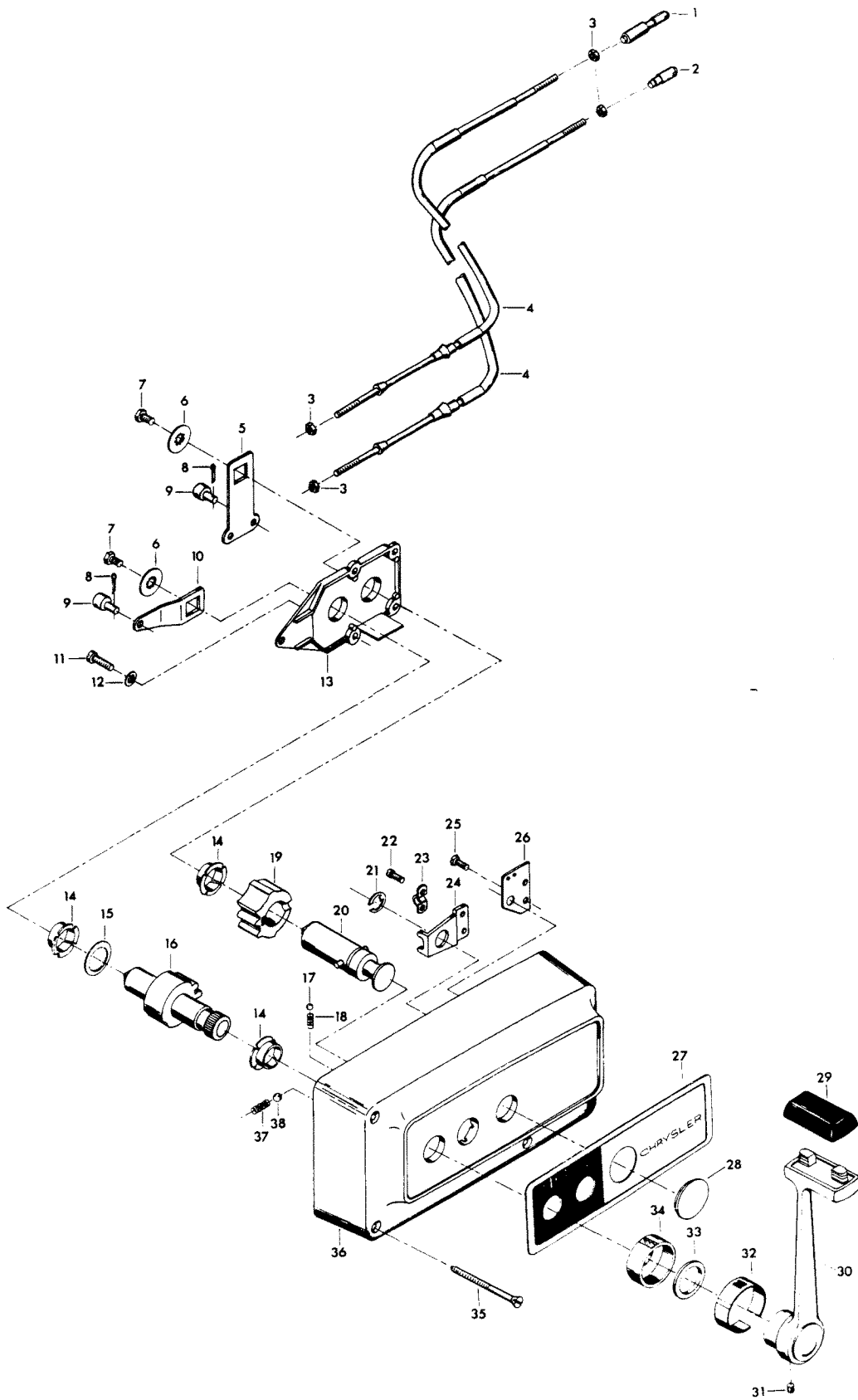


REMOTE CONTROL

REF. NO.	PART NO.	SYM.	QTY.	DESCRIPTION
1	FA58976-1		1	CONNECTOR, THROTTLE CABLE
2	F58685-2		1	CONNECTOR, SHIFT CABLE
3	F1513		4	HEX NUT
4	ÄF58356//		2	REMOTE CONTROL CABLE (SPECIFY LENGTH)
5	F17019		1	CLUTCH ARM
6	F17036		2	INTERNAL TOOTH LOCKWASHER
7	F1715		2	HEX BOLT, 1/4 - 28 X 9/16
8	F17149		2	COTTER PIN
9	F17016		2	CABLE TERMINAL
10	F17014		1	THROTTLE ARM
11	F17013		2	FILL HD SCREW, 1/4 - 20 X 1/2
12	F17147		2	INTERNAL TOOTH LOCKWASHER
13	F17012		1	RETAINING PLATE
14	F17009		3	BEARING
15	F17011		1	BOWED WASHER
16	F17010-1		1	THROTTLE GEAR
17	F17111		1	DETENT BALL
18	F17006		1	DETENT SPRING
19	F17021		1	CLUTCH GEAR
20	F17100		1	CLUTCH SHAFT
21	F17092		1	SNAP RING
22	F17071		2	FILL HD SCREW, 10 - 24 X 5/16
23	F154317		1	CABLE CLAMP
24	F17026		1	SWIVEL
25	F1557		2	FLAT HD SCREW, 10 - 24 X 3/8
26	F17112		1	JUNCTION BOARD - STARBOARD
-	F17113		1	JUNCTION BOARD - PORT
27	F17148		1	DECAL - STARBOARD
-	F531892		1	DECAL - PORT
28	F17031-1		1	SNAP CAP
29	F17116		1	KNOB
30	F17115-1		1	HANDLE
31	F17030-1		1	SET SCREW
32	FK17114-1		1	INDICATOR
33	F17105		1	FELT WASHER
34	F17106		1	COLLAR
35	F17146		3	WOOD SCREW
36	F17099		1	HOUSING

CONTINUED ON NEXT PAGE ➡

REMOTE CONTROL



REMOTE CONTROL

REF. NO.	PART NO.	SYM.	QTY.	DESCRIPTION
37	F17068		1	DETENT SPRING
38	F17082-1		1	DETENT BALL
-	F1280		2	PAN HD SCREW, 8 - 32 X 1/4 (TERMINAL BOARD) (NOT SHOWN)
-	F17103		1	BAG ASSEMBLY. (NOT SHOWN) INCLUDES ALL ITEMS MARKED WITH AN ASTERISK (*)
-	OB3062		1	LITERATURE (NOT SHOWN) 5H130

SPECIAL TOOLS - TUNE-UP

REF. NO.	PART NO.	SYM.	QTY.	DESCRIPTION
-	FTA2937-1		0	TIMING TOOL TO LOCATE TIMING DECAL.
-	FT2951		0	CIRCUIT TRACER TO TROUBLESHOOT ELECTRICAL SYSTEM.
-	FT8978		0	POWER TIMING LIGHT TO TIME ENGINE.

SPECIAL TOOLS - POWER HEAD

REF. NO.	PART NO.	SYM.	QTY.	DESCRIPTION
-	FT2998		0	TORQUE WRENCH (0 - 100 LBS./FT.) TO INSURE FLYWHEEL NUT IS PROPERLY TORQUED.
-	FT2999		0	TORQUE WRENCH (0 - 600 LBS./IN.) TO INSURE FLYWHEEL NUT IS PROPERLY TORQUED.
-	FT2991		0	CARBON BRUSH TO REMOVE CARBON DEPOSITS FROM POWER HEAD.
-	FT8900		0	HOSE CLAMP PLIERS TO REMOVE CLAMPS FROM FUEL HOSE.
-	FTA8994		0	PISTON PIN TOOL TO INSTALL PISTON PINS - USE W/T 2990.
-	T8984		0	SEAL INSTALLER TO INSTALL UPPER AND LOWER CRANKSHAFT SEALS - USE WITH T 8907.
-	FT2990		0	PISTON PIN TOOL TO REMOVE AND INSTALL PISTON PINS.
-	FT2996		0	RING COMPRESSOR TO INSTALL PISTONS IN CYLINDER.
-	FT8926		0	RING EXPANDER TO INSTALL RINGS ON PISTON.
-	FT8933		0	LIFTING HOOK TO PROVIDE SAFE METHOD OF LIFTING ENGINE.

SPECIAL TOOLS - LOWER UNIT

REF. NO.	PART NO.	SYM.	QTY.	DESCRIPTION
-	FT11206		0	DRIVESHAFT BEARING INSTALLER/REMOVER TO SERVICE DRIVESHAFT BEARING.
-	FT11208		0	TORQUE ADAPTER TO HOLD D/S SPLINE WHILE INSTALLING PINION NUT.
-	FT8930-1		0	FEELER GAUGE TO SHIM LOWER UNIT.
-	FT8948-1		0	PULLER TO REMOVE PROPELLER SHAFT BEARING CAGE FROM LOWER GEAR HOUSING.
-	FT8918		0	BUSHING GUIDE SET TO REMOVE.
-	FT8957		0	SEAL INSTALLER TO INSTALL SHIFT ROD SEAL.
-	FT3012		0	SEAL INSTALLER TO INSTALL DRIVESHAFT SEAL IN WATER PUMP.
-	FT8901		0	INDICATOR HOLDER TO USE WITH CHECKING GAUGE.
-	FT8902		0	DIAL INDICATOR TO USE WITH CHECKING GAUGE.
-	FT3431		0	SEAL INSTALLER TO INSTALL REAR PROP SHAFT SEAL AND DRIVESHAFT SEAL.
-	FT2995		0	CUP REMOVER TO REMOVE FORWARD BEARING CUP.
-	FT8997		0	SHIM TOOL TO SHIM GEAR HOUSING.
-	FT11203		0	CUP INSTALLER TO INSTALL FORWARD BEARING CUP.
-	FT8985		0	SEAL INSTALLER TO INSTALL DRIVESHAFT SEAL.
-	FT8907		0	DRIVE HANDLE TO INSTALL FORWARD BEARING CUP.
-	FT8919		0	SPRING PIN PUNCH TO REMOVE SPRING PIN FROM CLUTCH.

SPECIAL TOOLS - TEST EQUIPMENT

REF. NO.	PART NO.	SYM.	QTY.	DESCRIPTION
-	FT2938-1		0	BATTERY POWERED TEST LIGHT FOR CHECKING CONTINUITY IN CIRCUITS.
-	FT11238		0	TEST WHEEL TO TEST MOTOR IN TEST TANK.
-	FT8950		0	LEAKAGE TESTER TO TEST LOWER UNIT FOR LEAKS.
-	FT8953		0	IGNITION TESTER TO TEST IGNITION SYSTEM.
-	FT11237		0	HARNES ADAPTER TO USE W/T 8953 AND T 8996 IGNITION TESTERS.
-	FT8996		0	IGNITION TESTER TO TEST IGNITION SYSTEM.

SPECIAL TOOLS - LUBRICANTS AND SEALANTS

REF. NO.	PART NO.	SYM.	QTY.	DESCRIPTION
-	FT2961		0	LUBRICANT - RYKON #2EP
-	FT2987-1		0	LUBRICANT - ANTI-SEIZE
-	FT8969		0	LUBRICANT - 7 OZ. LPSI LUBRICANT
-	FT8955		0	SEALANT - 5 OZ. EC-750 INDUSTRIAL SEALANT
-	FT8983		0	SEALANT - 3 OZ. RTV SEALANT FROM IN PLACE GASKETS
-	FT8936-1		0	SEALANT - 2 CC LOCTITE RETAINING COMPOUND #75
-	FT2962-1		0	SEALANT - 50 CC LOCTITE H, NON-HARDENING GRADE
-	FT2963-1		0	SEALANT - 2 OZ. LOCTITE D, HARDENING GRADE
-	FT8935		0	SEALANT PRIMER - 6 OZ.

ACCESSORIES

REF. NO.	PART NO.	SYM.	QTY.	DESCRIPTION
-	F5H014		0	FLUSHING ADAPTER PERMITS FRESH WATER FLUSHING OF WATER PASSAGES WITH STANDARD GARDEN HOSE.
-	F5H130		0	REMOTE CONTROL - SURFACE MOUNT PERMITS REMOTE CONTROL OF THROTTLE AND GEAR SHIFT FROM STARBOARD SIDE OF BOAT.
-	F5H120		0	REMOTE CONTROL BACK PLATE TO PREVENT INTERFERENCE WITH PADDED SIDE OF BOAT.
-	F5H131		0	PORT SIDE DECAL KIT CONVERTS 5H130 CONTROL BOX TO PORT SIDE MOUNTING.
-	F590		0	REMOTE CONTROL - FLUSH MOUNT FLUSH MOUNT CONTROL UNIT PERMITS REMOTE CONTROL OF THROTTLE AND GEAR SHIFT. MAY BE MOUNTED ON PORT OR STARBOARD SIDE OF BOAT.
-	865		0	REMOTE CONTROL - SURFACE MOUNT PERMITS REMOTE CONTROL OF THROTTLE AND GEAR SHIFT ON TWIN ENGINE INSTALLATIONS. MAY BE MOUNTED ON PORT OR STARBOARD SIDE OF BOAT.
-	F5H079		0	SINGLE REMOTE CONTROL BOX PERMITS REMOTE CONTROL OF THROTTLE AND GEAR SHIFT. CONSOLE MOUNTED.
-	F5H080		0	TWIN REMOTE CONTROL BOX PERMITS REMOTE CONTROL OF THROTTLE AND GEAR SHIFT - TWO ENGINES. CONSOLE MOUNTED.
-	F195/___		0	REMOTE CONTROL CABLES CONNECTS REMOTE CONTROL BOX TO THROTTLE AND GEAR SHIFT ON ENGINE. AVAILABLE IN 6 THROUGH 40 FOOT LENGTHS.
-	F5H132		0	REMOTE CONTROL HANDLE TRIM SWITCH HAS POWER TRIM CONTROL SWITCH IN HANDLE. REPLACES STANDARD CONTROL LEVER ON 5H130 CONTROL BOX.
-	F5H108		0	STEERING CONNECTOR CLEVIS TYPE FOR BOAT MOUNTED STEERING AND NONTHREADED CABLE END.
-	F5H001		0	STEERING LINK KIT CONNECTS STEERING CABLE TO ENGINE WHEN USING ENGINE MOUNTED STEERING SYSTEM.
-	5H139		0	SWITCH KIT - LIVEWELL FOR OPERATING LIVEWELL PUMP.
-	F5H109		0	DUAL STEERING CONNECTOR PERMITS DUAL ENGINE INSTALLATIONS.
-	F5H026		0	STEEL, 6 GALLON FUEL TANK (TOTE TANK) AUXILIARY TANK.
-	F5H029		0	TANK ANCHOR SECURES 5H026 TO BOAT.
-	F5H040		0	STEEL, 12 GALLON FUEL TANK AUXILIARY TANK.
-	5H111		0	INSTRUMENT ADAPTER - 2" PROVIDES SURFACE MOUNTING OF INSTRUMENTS.
-	F5H112		0	INSTRUMENT ADAPTER - 3 1/2" PROVIDES SURFACE MOUNTING OF INSTRUMENTS.
-	F5H019		0	ANTI-CORROSION KIT ELECTRICAL KIT FOR MOUNTING ON BOAT (12V) TO REDUCE CORROSION.
-	F5H025		0	ANTI-CORROSION SACRIFICIAL ANODE KIT USED TO REDUCE CORROSION.
-	F5H160		0	POWER TRIM INDICATOR INDICATES ENGINE TRIM ANGLE. (FLUSH MOUNT).

CONTINUED ON NEXT PAGE ➡

ACCESSORIES

REF. NO.	PART NO.	SYM.	QTY.	DESCRIPTION
-	F5H134		0	BOAT WHITE LACQUER ENGINE TOUCH-UP PAINT IN 12 3/4 OZ. SPRAY BOMBS (6 CANS PER CASE).
-	F5H081		0	BATTERY CABLE LONGER LENGTH - 15 FEET. DISCONNECT PLUG AT ENGINE.
-	F5H006		0	VOLTMETER - FLUSH MOUNT INDICATES BATTERY CONDITION.
-	5H046		0	CANVAS HOOD PROTECTION FOR ENGINE COVER.
-	5H051		0	BATTERY, 74 AMP 12 VOLT HEAVY DUTY BATTERY.
-	F5H021		0	EXTENSION CABLE FOR LENGTHENING BATTERY CABLE 6 1/2 FEET.
-	F5H041		0	BATTERY TERMINAL KIT ADAPTS MODEL 5H051 BATTERY TERMINALS FOR CONNECTIONS TO BATTERY CABLE ON ENGINE.
-	71H25		0	CHARGE INDICATOR LAMP GLOWS GREEN WHEN ALTERNATOR IS RECHARGING BATTERY. DO NOT USE INDICATOR LAMP AND AMMETER IN SAME INSTALLATION.
-	F5H037		0	CIGAR LIGHTER FOR USE AS CONVENIENCE OUTLET.
-	F5H008		0	FUEL GAUGE FLUSH MOUNT MONITORS FUEL SUPPLY.
-	F5H144		0	HYDRAULIC TILT HYDRAULIC UNIT TO RAISE AND LOWER THE LOWER UNIT WHEN BEACHING OR TRAILERING BOAT.
-	479		0	HEAT LAMP KIT GLOWS RED IF ENGINE OVERHEATS. DO NOT USE HEAT LAMP AND TEMPERATURE GAUGE IN SAME INSTALLATION.
-	F5H007		0	HOURLY METER RECORDS ENGINE RUNNING TIME.
-	F5H118		0	PROPELLER SPACER REDUCES VENTILATION/CAVITATION.
-	F5H077		0	IGNITION KEY SWITCH SHORT BARREL WITH KEYS.
-	F5H078		0	IGNITION KEY SWITCH LONG BARREL WITH KEYS.
-	F762		0	REMOTE ELECTRIC CABLE 25 FOOT CABLE FOR LARGE BOATS.
-	F5H070		0	REMOTE ELECTRIC CABLE 21 FOOT CABLE FOR LARGE BOATS.
-	5H082		0	REMOTE ELECTRIC CABLE 35 FOOT CABLE FOR LARGE BOATS.
-	F5H028		0	SENDING UNIT FOR USE WITH 5H008 FUEL GAUGE.
-	F5H005		0	TEMPERATURE GAUGE FLUSH MOUNT MONITORS ENGINE TEMPERATURE. DO NOT USE TEMPERATURE GAUGE AND HEAT LAMP IN SAME INSTALLATION.
-	F5H084		0	TRAILERING TILT LOCK SECURES ENGINE IN TILTED POSITION FOR TRAILERING.
-	F5H167		0	TACHOMETER FLUSH MOUNT MONITORS ENGINE R.P.M. TO PROVIDE CHECK OF ENGINE PERFORMANCE.
-	F5H148		0	POWER TRIM ADJUSTS ENGINE TRIM AND TILTS ENGINE.
-	F5H002		0	SPEEDOMETER FLUSH MOUNT MONITORS BOAT SPEED (10 - 65 M.P.H.).
-	F5H004		0	SPEEDOMETER FLUSH MOUNT MONITORS BOAT SPEED (10 - 50 M.P.H.).
-	F5H003		0	SPEEDOMETER FLUSH MOUNT MONITORS BOAT SPEED (20 - 100 KM/H).

CONTINUED ON NEXT PAGE ➡

ACCESSORIES

REF. NO.	PART NO.	SYM.	QTY.	DESCRIPTION
-	F5H115		0	TRAILERING TILT LOCK SECURES ENGINE IN HALF TILT POSITION FOR TRAILERING.
-	F5H076		0	SWITCH EXTENSION CABLE ALLOWS INSTALLATION OF IGNITION SWITCH IN 5H130 CONTROL BOX WITH 563 TERMINAL BLOCK.
-	F5H030		0	SWITCH KIT - RUNNING LIGHTS DASH MOUNTED TOGGLE SWITCH.
-	F5H031		0	SWITCH KIT - SPOT LIGHT DASH MOUNTED TOGGLE SWITCH.
-	F5H032		0	SWITCH KIT - WIPER DASH MOUNTED TOGGLE SWITCH.
-	F5H034		0	SWITCH KIT - BILGE PUMP DASH MOUNTED TOGGLE SWITCH.
-	F5H035		0	SWITCH KIT - HORN DASH MOUNTED TOGGLE SWITCH (MOMENTARY).
-	F5H036		0	SWITCH KIT - TACHOMETER TRANSFER DASH MOUNTED TOGGLE SWITCH FOR ONE TACHOMETER ON DUAL ENGINE INSTALLATION.
-	F5H038		0	SWITCH KIT - IGNITION SWITCH TO MOUNT IGNITION SWITCH ON DASH.
-	F5H039		0	SWITCH KIT - INSTRUMENT LIGHT DASH MOUNTED TOGGLE SWITCH.
-	F563		0	TERMINAL BLOCK KIT DOUBLE ROW 10 SECTION TO SIMPLIFY ACCESSORY INSTALLATION.
-	F5H075		0	WIRING HARNESS - IGNITION SWITCH (24") USE WITH 563 TERMINAL BLOCK.
-	F596		0	CHRYSLER OUTBOARD OIL SEE BLOCK COMMENT 1.
-	F597		0	CHRYSLER OUTBOARD GEAR LUBE SEE BLOCK COMMENT 2.
-	F5H059		0	CHRYSLER OUTBOARD MULTI-PURPOSE GREASE LUBRICATES BEARINGS AND OTHER MOVING PARTS. AVAILABLE IN 8 OZ. TUBES AND 12 TUBE CASES.
-	F5H060		0	CHRYSLER OUTBOARD GREASE GUN

PARTS INDEX

Part Number	Description	Pg.	Ref. No.	Part Number	Description	Pg.	Ref. No.
ÄF58356//	REMOTE CONTROL CABLE (SPECIFY LENGTH)	41	4	F15034	SPRING SET	19	14
2C577712	ENGINE COVER COMPLETE (559H0N).	3	-	F15057	BRUSH PLATE AND HOLDER	19	15
2C607712	ENGINE COVER COMPLETE (559H1N, 559B1N).	3	-	F15099	ARMATURE	19	4
479	HEAT LAMP KIT	50	-	F15100	BENDIX DRIVE	19	1
5H046	CANVAS HOOD	50	-	F15119	FRAME AND FIELD ASSEMBLY	19	5
5H051	BATTERY, 74 AMP	50	-	F15120	HEAD ASSEMBLY, DRIVE END	19	2
5H082	REMOTE ELECTRIC CABLE	50	-	F15123	THRU BOLT PACKAGE	19	10
5H111	INSTRUMENT ADAPTER - 2"	49	-	F15125	HEAD ASSEMBLY, COMMUTATOR END	19	13
5H139	SWITCH KIT - LIVEWELL	49	-	F15126	THRUST WASHER PACKAGE	19	3
71H25	CHARGE INDICATOR LAMP	50	-	F1513	HEX NUT	41	3
817747--1	BALL JOINT W/BEARING	23	28	F1513	HEX NUT, 10 - 32	7	22
817796A2	GEAR SHIFT ARM ASSY.	37	44	F1513	HEX NUT, 10 - 32	23	29
817892--1	IGNITION SWITCH PLATE - CANADA (NOT SHOWN)	7	-	F1515	HEX NUT, 5/16 - 18	11	30
865	REMOTE CONTROL - SURFACE MOUNT	49	-	F1515	HEX NUT, 5/16 - 18	15	4
89396A38	PRIME BULB	39	3	F1515	HEX NUT, S.S., 5/16 - 18	7	20
F10053	REPAIR PARTS KIT.	13	51	F15165	BRUSH AND TERMINAL SET	19	7
F1014	COTTER PIN	11	2	F1532	HEX CAP SCREW, 1/4 - 20 X 1	25	84
F1015	COTTER PIN	33	89	F154317	CABLE CLAMP	23	19
F1017	COTTER PIN	23	3	F154317	CABLE CLAMP	41	23
F1034	FILL HD SCREW, 1/4 - 20 X 1 3/8	11	15	F1550	SLOTTED PAN HD. SCREW #12 - 24 X 1	9	49
F1038	SLOTTED PAN HD. SCREW 1/4 - 20 X 3/4	9	47	F1557	FLAT HD SCREW, 10 - 24 X 3/8	41	25
F1052	FILL HD M. SCREW, 1/4 - 20 X 1	23	39	F1577	FILL HD SCREW, 1/4 - 20 X 3/4	35	20
F1059	FILL HD SCREW, 6 - 32 X 1/4	11	6	F1581	HEX CAP SCREW, 1/4 - 20 X 1/4	25	85
F1064	SLOTTED HD SCREW, 8 - 32 X 3/8	11	22	F1581	HEX CAP SCREW, 1/4 - 20 X 1/4	31	76
F1108	FILL HD SCREW, 1/4 - 20 X 3/4	17	10	F1593	HEX HD SCREW, S.S., 3/8 - 16 X 3	29	23
F1136	SCREW, 1/4 - 20 X 1	21	23	F1600	LOCK NUT	29	22
F1175	HEX CAP SCREW, 1/4 - 20 X 1-7/8	37	59	F1645	RD HD SCREW, 6 - 32 X 1/4	7	5
F1236	HEX CAP SCREW, 1/4 - 20 X 1/2	15	6	F1647	HEX NUT, 8 - 32	7	8
F1257	HEX SOCKET HD CAP SCREW, S.S., 5/16 - 18 X 1/4	29	14	F1666	BOWED SPRING WASHER	29	29
F1280	PAN HD SCREW, 8 - 32 X 1/4 (TERMINAL BOARD) (NOT SHOWN)	43	-	F1669	LOCK NUT	29	37
F1280	SLOTTED PAN HD SCREW, 8 - 32 X 1/4	7	14	F1689	HEX CAP SCREW, 1/4 - 20 X 1/2	3	22
F1341	HEX NUT, 1/4 - 20	23	32	F1689	HEX CAP SCREW, 1/4 - 20 X 1/2	5	34
F1341	HEX NUT, 1/4 - 20	29	2	F1689	HEX CAP SCREW, 1/4 - 20 X 1/2	31	70
F1346	HEX NUT, 3/8 - 16	29	25	F1693	TIE BAR RETAINER	11	21
F141305	SEAL, O-RING	35	12	F17006	DETENT SPRING	41	18
F1417	HEX CAP SCREW, 5/16 - 18 X 3-1/2	35	6	F17009	BEARING	41	14
F1430	HEX CAP SCREW, 3/8 - 24 X 4	31	79	F17010-1	THROTTLE GEAR	41	16
F1469	SCREW 3/8 - 24 X 1-1/4	31	85	F17011	BOWED WASHER	41	15
F1473	HEX NUT, 10 - 24	25	51	F17012	RETAINING PLATE	41	13
F1475	SLOTTED FILL HD SCREW, 10 - 24 X 1/2	23	2	F17013	FILL HD SCREW, 1/4 - 20 X 1/2	41	11
				F17014	THROTTLE ARM	41	10
				F17016	CABLE TERMINAL	41	9
				F17019	CLUTCH ARM	41	5
				F17021	CLUTCH GEAR	41	19

PARTS INDEX

Part Number	Description	Pg.	Ref. No.	Part Number	Description	Pg.	Ref. No.
F17026	SWIVEL	41	24	F1829	SLOTTED FILL HD SCREW,		
F17030-1	SET SCREW	41	31		10 - 24 X 7/8	23	18
F17031-1	SNAP CAP	41	28	F1836	SPRING PIN	31	48
F17036	INTERNAL TOOTH LOCKWASHER	41	6	F183818	BEARING, GEAR SHIFT COUPLER	23	7
F1704	INTERNAL TOOTH LOCKWASHER	7	4	F184033-1	SWIVEL, CHOKE ROD	11	5
F1705	HEX CAP SCREW, 1/4 - 20 X 3/4	7	24	F184579	SEAL, CHOKE ARM SWIVEL	11	4
F1705	HEX CAP SCREW, 1/4 - 20 X 3/4	29	7	F1849	HEX CAP SCREW, 1/4 - 20 X 1-3/8	37	61
F1705	HEX CAP SCREW, 1/4 - 20 X 3/4	37	54	F1854	HEX CAP SCREW, 1/4 - 20 X 5/8	3	8
F17068	DETENT SPRING	43	37	F1854	HEX SLOTTED HD M. SCREW, 1/4 - 20 X 5/8 ...	5	38
F17071	FILL HD SCREW, 10 - 24 X 5/16	41	22	F1857	HEX CAP SCREW, 5/16 - 18 X 5/8	7	26
F1708	HEX HD M. SCREW, 1/4 - 20 X 1 3/8	15	9	F1860	SLOTTED HD M. SCREW, 6 - 32 X 1/4	17	5
F17082-1	DETENT BALL	43	38	F1864	HEX CAP SCREW, 1/4 - 20 X 3/4	21	9
F17092	SNAP RING	41	21	F1864	HEX CAP SCREW, 1/4 - 20 X 3/4	31	67
F17099	HOUSING	41	36	F1864	HEX HD SCREW, 1/4 - 20 X 3/4	23	14
F17100	CLUTCH SHAFT	41	20	F1866	PLAIN WASHER	35	17
F17103	BAG ASSEMBLY. (NOT SHOWN)	43	-	F1872	HEX CAP SCREW, 3/8 - 16 X 1 3/4	23	15
F17105	FELT WASHER	41	33	F1873	HEX CAP SCREW, 3/8 - 16 X 3	23	13
F17106	COLLAR	41	34	F1889	FILL HD SCREW, 1/4 - 20 X 1/4	17	9
F17111	DETENT BALL	41	17	F1902	HEX CAP SCREW, 5/16 - 18 X 3/4	25	74
F17112	JUNCTION BOARD - STARBOARD	41	26	F1902	HEX CAP SCREW, 5/16 - 18 X 3/4	31	72
F17113	JUNCTION BOARD - PORT ..	41	-	F1904	PLAIN WASHER	29	24
F17115-1	HANDLE	41	30	F1907	PLAIN WASHER	35	7
F17116	KNOB	41	29	F1910	ELASTIC STOP NUT, 1/4 - 20	25	40
F17146	WOOD SCREW	41	35	F19109	PLUG	37	32
F17147	INTERNAL TOOTH LOCKWASHER	41	12	F19109	PLUG, CYLINDER HEAD ...	25	77
F17148	DECAL - STARBOARD	41	27	F191169-1	SWIVEL BRACKET BEARING	29	36
F17149	COTTER PIN	41	8	F1913	HEX CAP SCREW, 10 - 24 X 5/8	25	79
F1715	HEX BOLT, 1/4 - 28 X 9/16 ..	41	7	F1916	HEX HD M. SCREW, 1/4 - 20 X 1/8	15	3
F1727	PLASTIC RIVET	25	45	F1922	HEX CAP SCREW, 1/4 - 20 X 5/8	23	22
F1733	HEX HD SCREW, 10 - 24 X 9/16	35	1	F1934	FLAT HD SCREW, 6 X 1/2 ..	7	18
F1733	PAN HD SCREW, 10 - 24 X 9/16	3	28	F195/_	REMOTE CONTROL CABLES	49	-
F1733	PAN HD SCREW, 10 - 24 X 9/16	29	42	F1968	HEX NUT, 3/4 - 16	9	43
F1733	SLOTTED PAN HD SCREW, 10 - 24 X 9/16	7	31	F1974	PAN HD SCREW, 10 - 24 X 3/4	7	13
F1734	SLOTTED FILL HD SCREW & LOCKWASHER, 1/4 - 20 X 1/2	27	89	F1975	LOCKWASHER	7	12
F1741	PAN HD SCREW, 8 X 3/4 ...	9	36	F197787-3	FUEL LINE COUPLER	39	5
F1744	SPRING PIN	31	60	F1979	PAN HD SCREW, 10 - 24 X 1/2	3	12
F1753	FASTENER	5	47	F1987	PLAINWASHER	25	60
F1755	ROUND HD SCREW W/LOCKWASHER, 6 - 32 X 5/16	15	19	F1995	FILL HD SCREW, 10 - 24 X 1	25	47
F177330	FUEL PUMP VALVE	17	6	F1997	LOCK NUT, 8 - 32	13	47
F1788	STOP NUT	35	15	F2008	HEX HD M. SCREW, 1/4 X 20 X 7/8	15	10
F17932	SEAL, FUEL TANK ADAPTER	39	11				

PARTS INDEX

Part Number	Description	Pg.	Ref. No.	Part Number	Description	Pg.	Ref. No.
F2014	PLAIN WASHER, 3/8	33	86	F213735	SEAL, FUEL LINE COUPLER		
F2016	SLOTTED FILL HD SCREW, 6 - 32 X 7/8	7	1	F24074	- SMALL	39	6
F2017	PAN HD SCREW W/PLAIN WASHER, 10 - 24 X 3/8	3	20	F269052	CLAMP SCREW FOOT	31	54
F2025	PAN HD SCREW, #10 X 5/8	3	3	F269052	BEARING, LATCH CAM	3	30
F2031	HEX SOCKET HD CAP SCREW, 1/4 - 20 X 3/4	37	37	F269122-1	SHIFT ARM BEARING	23	36
F2033	GROOVE PIN	11	8		CRANKCASE PARTING LINE SEAL	23	12
F2045	RETAINING RING	21	17	F269319	THROTTLE CAM BEARING	25	41
F2049	HEX CAP SCREW, 5/16 - 18 X 2 5/8	25	59	F269929	SPACER, TILT STOP	29	28
F2051	HEX CAP SCREW, 1/4 - 20 X 2 1/4	25	67	F284659-2	CRANKSHAFT LOWER MAIN BEARING	21	16
F2055	SPACER, BEVEL GEAR FRONT, SIZE .059	35	-	F286461	SPRING, LOCK BAR HANDLE	31	58
F2056	SPACER, BEVEL GEAR FRONT, SIZE .062	35	-	F289446-1	CLAMP	27	88
F2057	SPACER, BEVEL GEAR FRONT, SIZE .065	35	-	F298788	FERRULE	39	2
F2058	SPACER, BEVEL GEAR FRONT, SIZE .068	35	-	F2A335158	REED PLATE	15	15
F2059	SPACER, BEVEL GEAR FRONT, SIZE .071	35	-	F2A522023	BEVEL GEAR FRONT W/BEARING AND SHIMS	35	29
F2060	SPACER, BEVEL GEAR FRONT, SIZE .074	35	-	F2A522144	CRANKSHAFT UPPER BEARING CAGE	21	22
F2061	SPACER, BEVEL GEAR FRONT, SIZE .077	35	-	F2A522239	SPOOL, PROP SHAFT BEARING W/BEARING AND ILLUS. 9	35	11
F2062	SPACER, BEVEL GEAR FRONT, SIZE .080	35	-	F307317	CLIP, TERMINAL BLOCK GROUND	7	11
F2063	SPACER, BEVEL GEAR FRONT, SIZE .083	35	-	F307908	STARTER WIRE	19	8
F2064	SPACER, BEVEL GEAR FRONT, SIZE .086	35	-	F316579	SEAL, CRANKCASE	21	20
F2065	HEX NUT, 7/16 - 14	29	19	F316599	SEAL, PIVOT TUBE	31	52
F2066	PAN HD SCREW, #10 - 7/16	3	4	F333316	THROTTLE ROLLER SHAFT	13	45
F2067	PLASTISOL CAP (NOT SHOWN)	21	-	F335160	REED (4 PETAL)	15	16
F2069	HEX CAP SCREW, 7/16 - 14 X 4	29	12	F335164	REED (1 PETAL)	15	17
F2071	HEX CAP SCREW, 5/16 - 18 X 1 3/8	23	26	F338618-1	SEAL, SHIFT ROD LOWER	37	52
F2072	OVAL COUNTERSUNK HD M. SCREW 10 - 24 X 3/8	3	19	F353480	STUD	31	55
F2075	SLOTTED HD SCREW, S.S., 1/4 - 20 X 2 1/2	3	24	F366300	REVERSE LOCK SPRING	29	39
F2076	HEX CAP SCREW, 5/16 - 18 X 1/8	25	73	F366349	REVERSE LOCK	29	38
F2079	HEX CAP SCREW, 5/16 - 18 X 2-1/4	37	40	F366350	TILT STOP PIVOT	29	30
F2087	SPACER, BEVEL GEAR FRONT, SIZE .056	35	28	F366364	ARM, REVERSE LOCK	31	46
F2093	STOP NUT, 3/8 - 24	33	87	F366426	TILT STOP - PORT	29	31
F2097	SPRING PIN	35	26	F366433	TILT STOP, STARBOARD	31	51
F2123	SPACER, BEVEL GEAR FRONT, SIZE .053	35	-	F366886	PIN	29	32
F2124	SPACER, BEVEL GEAR FRONT, SIZE .050	35	-	F369450	RECTIFIER	7	9
F213274	GREASE FITTING	31	49	F381896-4	BATTERY CABLE	7	27
				F390689	BEARING, LATCH SHAFT	3	26
				F391926-1	PLUNGER, CHOKE SOLENOID	11	9
				F40209	CARBURETOR STUD	15	5
				F404449	THERMOSWITCH	7	6
				F404449	THERMOSWITCH	25	58
				F406754-1	DRAIN HOSE	15	1
				F40906-1	CARBURETOR GASKET	13	50
				F40906-1	CARBURETOR GASKET	27	-
				F409251-1	GAUGE CAP	39	10
				F433114	HANDLE, LOCK BAR	31	59
				F433209-1	STUD	15	8
				F433209-1	STUD, THROTTLE CAM	25	43
				F433689	TOWERSHAFT BEARING	25	48
				F435634	CONNECTING ROD SCREW	21	18
				F438066	COVER, BY-PASS VALVE	25	80
				F438165	SCREW, FUEL BOWL	17	14
				F438500	FUEL SEDIMENT BOWL	17	13

PARTS INDEX

Part Number	Description	Pg.	Ref. No.	Part Number	Description	Pg.	Ref. No.
F438617	FUEL SEDIMENT BOWL			F474378	LEVER, COVER LATCH		
	GASKET	17	11		STARBOARD (NOT SHOWN)	3	-
F438653	FUEL PUMP SCREEN	17	12	F474388	DISC, WATER PUMP	37	60
F438747	FUEL PUMP DIAPHRAGM	17	4	F474445	SPARK CONTROL LINK	25	52
F438754	FUEL LINE, PUMP TO			F474487	GUIDE, COVER LATCH		
	CARBURETOR	17	17		PORT (NOT SHOWN)	5	-
F438760	FUEL PUMP GASKET	17	3	F474509	CHOKE LINK	11	10
F438801	FITTING	17	15	F474510	LINK	29	40
F438930	RETAINER, SNOOT	37	39	F474529-1	CYLINDER HEAD GASKET	25	78
F458347	MOUNT	23	24	F474529-1	CYLINDER HEAD GASKET	27	-
F458498	KEY	31	64	F474539	BUMPER	29	11
F458887	FASTENER, SUPPORT			F474551	BRACKET, INTERLOCK		
	PLATE MOUNT	23	23		SWITCH	25	44
F460917	STARTER RELAY	7	23	F474607	KING PIN YOKE	29	34
F463864	RETAINER, TILT HANDLE	3	5	F474620	PIN, GEAR SHIFT	23	8
F474013	CRANKSHAFT UPPER MAIN			F474621	LEVER, GEAR SHIFT	23	9
	BEARING	21	19	F474640	PIVOT, GEAR SHIFT	23	5
F474065-1	WATER PUMP IMPELLER	37	57	F474704	COUPLER	23	31
F474066	THERMOSTAT COVER	25	68	F474704	COUPLER, SHIFT ROD	29	1
F474067	THERMOSTAT COVER			F474736	SEAL, DRIVESHAFT -		
	GASKET	25	69		WATER PUMP	37	62
F474067	THERMOSTAT COVER			F474746	FUEL PUMP COVER	17	2
	GASKET	27	-	F474756	PACKING, SUPPORT PLATE		
F474073-1	CLAMP SCREW	31	57		FRONT	5	43
F474106-3	DEFLECTOR, WATER			F474817	RETAINER, SUPPORT		
	DISCHARGE	31	71		PLATE	3	21
F474117	WATER LINE BRACKET	35	2	F474830	WATER LINE BRACKET		
F474146	SEAL, CRANKSHAFT	21	6		GASKET	35	3
F474151	EXHAUST PORT PLATE	25	83	F474832-1	IDLE RELIEF COVER	29	8
F474152	EXHAUST PORT COVER	25	86	F474833	GASKET, IDLE RELIEF		
F474154	EXHAUST PORT COVER				COVER	29	9
	GASKET	27	-	F474838-1	TOWERSHAFT	25	46
F474154	EXHAUST PORT PLATE			F474847	WASHER	29	16
	GASKET	25	82	F474849	WASHER	31	75
F474162	REED PLATE ADAPTER	15	13	F474859	STUD, SHIFT ARM	23	37
F474163	COVER, SUPPORT PLATE			F474864	RETAINER, COVER LATCH	3	11
	FRONT	5	37	F474867	EXHAUST TUBE GASKET	27	-
F474167	CARBURETOR ADAPTER	15	11	F474871	SHAFT, GEAR SHIFT	23	10
F474168	CARBURETOR ADAPTER			F474881	LINK, GEAR SHIFT	23	33
	GASKET	15	12	F474897	GUIDE, COVER LATCH		
F474168	CARBURETOR ADAPTER				STARBOARD	5	35
	GASKET	27	-	F474909	LOCATING PIN	27	90
F474192	THROTTLE CAM	25	42	F474932	SPACER, CONTROL CABLE	23	20
F474193	THROTTLE LINK	23	30	F474942	BUMPER	31	80
F474210	STUD, CYLINDER	25	55	F474946	SHOCK MOUNT COVER		
F474211	STUD, CYLINDER	25	54		UPPER	31	77
F474253	FUEL LINE	11	13	F474965-1	SHOCK MOUNT UPPER	31	74
F474278	SEAL	21	10	F474980-1	STABILIZER, FRONT	23	25
F474279	CYLINDER EXHAUST			F474982	STABILIZER, REAR	25	75
	GASKET	27	-	F474984	BLANKET, SILENCER, TOP		
F474307	SEAL, DRIVESHAFT	37	50		(NOT SHOWN)	5	49
F474315	PACKING, SUPPORT PLATE			F474985	BLANKET, SILENCER, SIDE		
	LOWER	3	29		(NOT SHOWN)	5	48
F474342	SEAL	35	4	F474990	SPACER	29	35
F474346-2	SHOCK MOUNT LOWER	29	17	F474991	GROMMET	3	18
F474355	WASHER	31	78	F474992	BLANKET, SILENCER,		
F474359	WASHER	29	13		FRONT (NOT SHOWN)	5	50
F474371	REMOTE CABLE BRACKET	23	21	F474996-1	CYLINDER HEAD COVER		
F474377	LEVER, COVER LATCH				GASKET	25	72
	PORT	3	32				

PARTS INDEX

Part Number	Description	Pg.	Ref. No.	Part Number	Description	Pg.	Ref. No.
F474996-1	CYLINDER HEAD COVER			F522562	WATER PUMP BACK PLATE	37	56
	GASKET	27	-	F522615	ROD, GEAR SHIFT - UPPER	29	3
F475029	TRIGGER ASSY.	9	40	F522660	LEG EXHAUST TUBE	31	68
F475061-1	CARBURETOR COMPLETE (WB27B) (NOT SHOWN)	13	-	F522680	SPACER PLATE	31	73
F475095	ALTERNATOR STATOR	9	41	F522704	COUPLING, GEAR SHIFT ROD	29	4
F475097	FLYWHEEL	9	42	F522705	GEAR SHIFT ROD LOWER	37	45
F475301	MODULE	9	39	F522707	SHOCK MOUNT COVER, LOWER	29	15
F475475	IGNITION COIL	9	38	F522741	RETAINING RING	31	45
F475504	BUSHING	9	50	F522779	BAFFLE, IDLE RELIEF	31	69
F475744	WIRING HARNESS	7	19	F522826	SILENCER, CARB AIR	11	17
F475841	HI-TENSION WIRE	9	37	F522867	EXHAUST TUBE GASKET	27	-
F475955	STARTER COMPLETE.	19	-	F522871	GEAR SHIFT ARM PIN W/YOKE	35	25
F481836	GASKET	11	18	F522876	SHIFT ARM	23	38
F483884	BEARING	31	47	F522881	LINK STEERING	31	83
F485755-1	FUEL TANK ADAPTER	39	8	F522884	BEARING	31	43
F498618	NYLTITE WASHER	37	34	F522995	CYLINDER HEAD COVER	25	57
F498891	GEAR SHIFT ARM PIN	37	33	F523961	CRUSH RING	37	47
F498891	PIN	35	14	F529390-1	DECAL, REVERSE LOCK - USA	31	53
F50109	PLUG, GEAR HOUSING	37	43	F531892	DECAL - PORT	41	-
F50342-1	SEAL	17	1	F53504	GROMMET	11	16
F50342-1	SEAL	35	8	F545189	BUSHING, CABLE ENTRY	5	40
F506250	BEARING CUP	35	30	F547156	COVER, SUPPORT PLATE REAR	3	17
F510374	DECAL, CIRCUIT BREAKER - USA	7	29	F549189	BUSHING, ELECTRIC CABLE ENTRY	3	27
F510460	CIRCUIT BREAKER	7	30	F563	TERMINAL BLOCK KIT	51	-
F522015	PISTON (STANDARD)	21	4	F575711	FRONT PLATE (559H0N)	5	45
F522017	PISTON PIN	21	2	F58685-2	CONNECTOR, SHIFT CABLE	41	2
F522031	GASKET, WATER PUMP	37	55	F590	REMOTE CONTROL - FLUSH MOUNT	49	-
F522032	STERN BRACKET - STARBOARD	29	26	F596	CHRYSLER OUTBOARD OIL	51	-
F522033	SWIVEL, CHOKE ROD FOR TOP CARB (NOT SHOWN)	11	-	F597	CHRYSLER OUTBOARD GEAR LUBE	51	-
F522057	BEARING, DRIVESHAFT LOWER	37	64	F5H001	STEERING LINK KIT	49	-
F522094-1	PROPELLER NUT	35	13	F5H002	SPEEDOMETER FLUSH MOUNT	50	-
F522099	SPACER, PROPELLER	35	19	F5H003	SPEEDOMETER FLUSH MOUNT	50	-
F522116-1	SNOUT	37	38	F5H004	SPEEDOMETER FLUSH MOUNT	50	-
F522118	SEAL, PROPELLER SHAFT	35	9	F5H005	TEMPERATURE GAUGE FLUSH MOUNT	50	-
F522125-1	TUBE, STEERING SUPPORT	29	21	F5H006	VOLTMETER - FLUSH MOUNT	50	-
F522133	MOTOR LEG	29	10	F5H007	HOURLY METER	50	-
F522188-1	NUT, BEVEL PINION RETAINING	37	35	F5H008	FUEL GAUGE FLUSH MOUNT	50	-
F522215	SPACER (2 PER PISTON)	21	1	F5H014	FLUSHING ADAPTER	49	-
F522217	BEARING	21	3	F5H019	ANTI-CORROSION KIT	49	-
F522244	INLET WATER LINE	35	5	F5H021	EXTENSION CABLE	50	-
F522279	CYLINDER EXHAUST GASKET	27	-	F5H025	ANTI-CORROSION SACRIFICIAL ANODE	49	-
F522279	CYLINDER EXHAUST GASKET	31	81	F5H026	FUEL TANK (ACCESSORY ITEM)	39	9
F522286	STERN BRACKET FRICTION WASHER	29	27	F5H026	STEEL, 6 GALLON FUEL TANK (TOTE TANK)	49	-
F522305	SEAL, O-RING	35	10				
F522359	SPACER STEERING LINK	31	84				
F522411	RETAINING RING, BEARING CAGE	35	23				
F522453	LEG EXHAUST GASKET	29	6				
F522532	STERN BRACKET - PORT	29	-				
F522555	SEAL, GEAR HOUSING COVER	37	48				

PARTS INDEX

Part Number	Description	Pg.	Ref. No.	Part Number	Description	Pg.	Ref. No.
F5H028	SENDING UNIT	50	-	F5H167	TACHOMETER FLUSH		
F5H029	TANK ANCHOR	49	-		MOUNT	50	-
F5H030	SWITCH KIT - RUNNING LIGHTS	51	-	F605711	FRONT PLATE (559H1N, 559B1N)	5	-
F5H031	SWITCH KIT - SPOT LIGHT ..	51	-	F7006	LOCK NUT	25	56
F5H032	SWITCH KIT - WIPER	51	-	F7007	LOCK NUT, 5/16 - 18	31	66
F5H034	SWITCH KIT - BILGE PUMP ..	51	-	F7007	STOP NUT, 5/16 - 18	29	20
F5H035	SWITCH KIT - HORN	51	-	F7011	STOP NUT	3	14
F5H036	SWITCH KIT - TACHOMETER TRANSFER	51	-	F7025	LOCKNUT, 3/8 - 16	5	33
F5H037	CIGAR LIGHTER	50	-	F7025	STOP NUT, S.S., 3/8 - 16 ...	23	35
F5H038	IGNITION SWITCH MOUNTING KIT (ACCESSORY ITEM)	7	17	F71H26	BATTERY TERMINAL KIT (ACCESSORY ITEM)	7	33
F5H038	SWITCH KIT - IGNITION SWITCH	51	-	F74305	SEAL, DRIVESHAFT BEARING CAGE	37	49
F5H039	SWITCH KIT - INSTRUMENT LIGHT	51	-	F762	REMOTE ELECTRIC CABLE	50	-
F5H040	STEEL, 12 GALLON FUEL TANK	49	-	F8011	PLAIN WASHER	7	32
F5H041	BATTERY TERMINAL KIT ..	50	-	F8011	PLAIN WASHER	7	35
F5H043	BUZZER, HEAT INDICATOR, (ACCESSORY ITEM)	7	34	F8028	PLAIN WASHER	19	12
F5H059	CHRYSLER OUTBOARD MULTI-PURPOSE GREASE ..	51	-	F8030	PLAIN WASHER	9	48
F5H060	CHRYSLER OUTBOARD GREASE GUN	51	-	F8038	PLAIN WASHER	33	88
F5H070	REMOTE ELECTRIC CABLE ..	50	-	F8056	SPRING LOCKWASHER ...	7	7
F5H075	WIRING HARNESS - IGNITION SWITCH (24") ..	51	-	F8058	INTERNAL TOOTH LOCKWASHER	23	27
F5H076	SWITCH EXTENSION CABLE ..	51	-	F8060	LOCKWASHER	19	11
F5H077	IGNITION KEY SWITCH	50	-	F8067	SPRING LOCKWASHER ...	29	18
F5H078	IGNITION KEY SWITCH	50	-	F8077	WASHER, GEAR HOUSING PLUG	37	42
F5H078	SWITCH, IGNITION (ACCESSORY ITEM)	7	15	F8083	LOCKWASHER	3	9
F5H079	SINGLE REMOTE CONTROL BOX	49	-	F8083	SPRING, LOCKWASHER ...	37	53
F5H080	TWIN REMOTE CONTROL BOX	49	-	F8088	PLAIN WASHER	7	2
F5H081	BATTERY CABLE	50	-	F8088	PLAIN WASHER	11	3
F5H084	TRAILERING TILT LOCK ...	50	-	F8094	PLAIN WASHER	3	10
F5H108	STEERING CONNECTOR ...	49	-	F8094	PLAIN WASHER	23	4
F5H109	DUAL STEERING CONNECTOR	49	-	F8096	SPRING LOCKWASHER ...	7	21
F5H112	INSTRUMENT ADAPTER - 3 1/2"	49	-	F8096	SPRING LOCKWASHER ...	19	16
F5H115	TRAILERING TILT LOCK ...	51	-	F8096	SPRING LOCKWASHER ...	37	41
F5H118	PROPELLER SPACER	50	-	F84026	SPARK CONTROL SWIVEL ..	25	49
F5H118	WASHER	35	16	F84035-2	SPARK CONTROL BEARING, R.H.	25	50
F5H120	REMOTE CONTROL BACK PLATE	49	-	F84036	SPARK CONTROL BEARING, L.H.	25	53
F5H130	REMOTE CONTROL - SURFACE MOUNT	49	-	F84068-2	THERMOSTAT	25	70
F5H131	PORT SIDE DECAL KIT	49	-	F84278	SEAL	21	7
F5H132	REMOTE CONTROL HANDLE TRIM SWITCH	49	-	F84280	KING PIN NUT	29	33
F5H134	BOAT WHITE LACQUER ...	50	-	F84314-2	ELBOW, FUEL LINE	11	11
F5H144	HYDRAULIC TILT	50	-	F84449	NEUTRAL INTERLOCK SWITCH	7	3
F5H148	POWER TRIM	50	-	F84504	THERMOSTAT GROMMET ..	25	71
F5H160	POWER TRIM INDICATOR ..	49	-	F84792	FUEL PUMP VALVE GASKET (CENTER VALVE)	17	7
				F85161-1	REED STOP	15	18
				F85168	REED PLATE ADAPTER GASKET	15	14
				F85168	REED PLATE ADAPTER GASKET	27	-
				F85314-1	ELBOW, FUEL LINE FOR BOTTOM CARB.	11	14
				F85317-1	SOLENOID CLAMP	15	7
				F85372	SPRING PIN	29	5
				F8538	SPRING PIN	31	56

PARTS INDEX

Part Number	Description	Pg.	Ref. No.	Part Number	Description	Pg.	Ref. No.
F85410	SNAP RING	21	11	FA474269	TILT HANDLE	3	2
F8547	PIN, GEAR SHIFT ROD LOWER	37	46	FA474469	HANDLE, COVER LATCH PORT ASSY.	3	25
F8547	SPRING PIN	23	6	FA474499	HANDLE, COVER LATCH STARBOARD ASSY.	3	-
F85498	FLYWHEEL KEY	21	24	FA474511	TIE BAR W/SWIVEL	11	20
F85571	CENTER MAIN BEARING CAGE W/ROLLERS	21	13	FA474774	BRACKET, COVER LATCH	3	13
F8563	DOWEL PIN	23	17	FA474777	CAM, PORT LATCH ASSY.	3	31
F85689-1	BEARING	23	1	FA474780	CAM, STARBOARD LATCH ASSY. (NOT SHOWN)	3	-
F85735-1	SEAL	5	46	FA475913	GROMMET (2 PER SET)	5	36
F85762	BY-PASS VALVE COVER GASKET	27	-	FA486528	DECAL, REAR (559H0N)	3	6
F85762	GASKET, BY-PASS VALVE COVER	25	81	FA510497	TERMINAL BLOCK	7	10
F85843-1	ELECTRIC CONTROL CABLE, 18 FEET	7	25	FA522016	CONNECTING ROD	21	14
F85924	CHOKE SOLENOID	7	28	FA522019	KING PIN ASSEMBLY	31	65
F85925	CHOKE SOLENOID ROD	11	7	FA522054	GEAR HOUSING	35	31
F89011	SWIVEL BRACKET WASHER	31	63	FA522060	WATER PUMP BODY	37	58
F9018	CAP	31	44	FA522072	SWIVEL BRACKET	31	50
F9038	WOODRUFF KEY	37	66	FA522098	PROPELLER SHAFT ASSEMBLY	35	24
F9052	PLUG	31	62	FA522266	BEVEL PINION GEAR	37	36
F90619-1	YOKE, GEARSHIFT ARM	37	69	FA522485	ANTI-CORROSION ANODE	35	21
F90807	RETAINING RING	11	19	FA522662	BEVEL GEAR REAR W/BEARING CAGE	35	22
F9095	SHIM, DRIVESHAFT BEARING - UPPER, SIZE .005	37	-	FA522706	GEAR HOUSING COVER	37	51
F9096	SHIM, DRIVESHAFT BEARING - UPPER, SIZE .007	37	-	FA522827	HANDLE AND SHAFT	29	41
F9097	SHIM, DRIVESHAFT BEARING - UPPER, SIZE .010	37	-	FA523735	SEAL, INLET WATER LINE LOWER	37	63
F9106	SHIM, DRIVESHAFT BEARING - UPPER, SIZE .003	37	65	FA547018	CRANKSHAFT	21	25
F91446-1	CIRCUIT BREAKER BRACKET	9	46	FA547518	CYLINDER HEAD	25	76
F92759	THROTTLE ROLLER	13	46	FA575892	DECAL, FRONT (559H0N)	5	44
F97772	FUEL LINE CLAMPS	17	16	FA577386	DECAL, NUMERAL (559H0N)	3	16
F97772	HOSE CLAMP	11	12	FA577396	DECAL, STARBOARD (559H0N)	3	-
F98273	ROD END CONNECTOR STUD	23	34	FA577397	DECAL, PORT (559H0N)	3	15
F99521-1	CLUTCH	35	27	FA58976-1	CONNECTOR, THROTTLE CABLE	41	1
FA15072	HEX LOCK NUT AND WASHER ASSEMBLY, 1/4 - 20	19	9	FA605892	DECAL, FRONT (559H1N, 559B1N)	5	-
FA27232	EMERGENCY STARTER ROPE (NOT SHOWN)	7	-	FA607386	DECAL, NUMERAL (559H1N, 559B1N)	3	-
FA368700	KEY IGNITION - NO LETTER OR STAMPED A	7	16	FA607396	DECAL, STARBOARD (559H1N, 559B1N)	3	-
FA433113	STERN BRACKET LOCK BAR	31	61	FA607397	DECAL, PORT (559H1N, 559B1N)	3	-
FA438431	FUEL PUMP BODY	17	8	FA84754-1	FUEL LINE SHORT	39	4
FA474038	SUPPORT PLATE PORT W/LOWER PACKING	3	23	FA85193	TIE BAR END W/SWIVEL	11	23
FA474088	SUPPORT PLATE STARBOARD W/LOWER PACKING	5	39	FA85655-1	CRANKSHAFT CENTER MAIN BEARING RACE	21	12
FA474228	BEARING CAGE W/ROLLERS (SPLIT HALF)	21	15	FB368700	KEY IGNITION - STAMPED B	7	-
				FC368700	KEY IGNITION - STAMPED C	7	-
				FC409398	DECAL, TOTE TANK - CANADA (NOT SHOWN)	39	-
				FC474398	DECAL, WIRING	27	87
				FC510374	DECAL, CIRCUIT BREAKER - CANADA	7	-
				FC522054	GEAR HOUSING COMPLETE	37	-
				FC522227	SPARK PLUG (QUL-77V)	25	-
				FC522390	DECAL, STARTER - CANADA (NOT SHOWN)	19	-

PARTS INDEX

Part Number	Description	Pg.	Ref. No.	Part Number	Description	Pg.	Ref. No.
FC529390	DECAL, REVERSE LOCK - CANADA	31	-	FT11208	TORQUE ADAPTER	46	-
FD368700	KEY IGNITION - STAMPED D	7	-	FT11237	HARNES ADAPTER	47	-
FE368700	KEY IGNITION - STAMPED E	7	-	FT11238	TEST WHEEL	47	-
FG1013-1	GASKET SET.	27	92	FT2938-1	BATTERY POWERED TEST LIGHT	47	-
FK10000	GASKET SET.	13	52	FT2951	CIRCUIT TRACER	44	-
FK17114-1	INDICATOR	41	32	FT2961	LUBRICANT - RYKON #2EP	48	-
FO10165	INLET SEAT GASKET	11	34	FT2962-1	SEALANT - 50 CC LOCTITE H, NON-HARDENING GRADE	48	-
FO10588	BODY CHANNEL CUP PLUG	13	41	FT2963-1	SEALANT - 2 OZ. LOCTITE D, HARDENING GRADE	48	-
FO10790	INLET NEEDLE, SEAT AND GASKET	11	33	FT2987-1	LUBRICANT - ANTI-SEIZE	48	-
FO11103	IDLE SCREW SPRING	11	38	FT2990	PISTON PIN TOOL	45	-
FO13552	FUEL BOWL	11	26	FT2991	CARBON BRUSH	45	-
FO13554	FLOAT	11	20	FT2995	CUP REMOVER	46	-
FO13555	CHOKE SHUTTER	11	35	FT2996	RING COMPRESSOR	45	-
FO13944	FLOAT LEVER PIN	11	28	FT2998	TORQUE WRENCH (0 - 100 LBS./FT.)	45	-
FO13945	FUEL BOWL RETAINING SCREW	11	24	FT2999	TORQUE WRENCH (0 - 600 LBS./IN.)	45	-
FO13946	IDLE SCREW	11	37	FT3012	SEAL INSTALLER	46	-
FO13947	CHOKE SHAFT RETURN SPRING	13	39	FT3431	SEAL INSTALLER	46	-
FO14108	MAIN FUEL JET (.064) OPT. 3000 - 4500 FT.	11	-	FT8900	HOSE CLAMP PLIERS	45	-
FO14186	MAIN FUEL JET (.060) OPT. 6000 FT. & UP	11	-	FT8901	INDICATOR HOLDER	46	-
FO14187	MAIN FUEL JET (.062) OPT. 4500 - 6000 FT.	11	-	FT8902	DIAL INDICATOR	46	-
FO14188	MAIN FUEL JET (.066) STD. SEAL LEVEL - 3000 FT.	11	32	FT8907	DRIVE HANDLE	46	-
FO15217	MAIN NOZZLE	11	31	FT8918	BUSHING GUIDE SET	46	-
FO15230	THROTTLE SHAFT AND LEVER	13	44	FT8919	SPRING PIN PUNCH	46	-
FO15623	FUEL BOWL GASKET	11	27	FT8926	RING EXPANDER	45	-
FO16008	THROTTLE SHAFT RETURN SPRING	13	43	FT8930-1	FEELER GAUGE	46	-
FO16850	CHOKE SHAFT AND LEVER	11	1	FT8933	LIFTING HOOK	45	-
FO16851	THROTTLE SHUTTER	13	48	FT8935	SEALANT PRIMER - 6 OZ.	48	-
FO17181	IDLE TUBE	13	40	FT8936-1	SEALANT - 2 CC LOCTITE RETAINING COMPOUND #75	48	-
FO2510	GASKET, FUEL BOWL RETAINING SCREW	11	25	FT8948-1	PULLER	46	-
FO4326	BODY CHANNEL WELCH PLUG	13	42	FT8950	LEAKAGE TESTER	47	-
FO8942	SHUTTER SCREW W/LOCKWASHER	11	36	FT8953	IGNITION TESTER	47	-
FO8942	THROTTLE SHUTTER SCREW W/LOCKWASHER	13	49	FT8955	SEALANT - 5 OZ. EC-750 INDUSTRIAL SEALANT	48	-
FOB2464	LITERATURE (INSTALLATION INSTRUCTIONS FOR STEERING LINK)	33	-	FT8957	SEAL INSTALLER	46	-
FP486	PROPELLER (ACCESSORY ITEM)	35	18	FT8969	LUBRICANT - 7 OZ. LPSI LUBRICANT	48	-
FS409752	FUEL LINE - COMPLETE.	39	-	FT8978	POWER TIMING LIGHT	44	-
FS577128	DRIVESHAFT	37	67	FT8983	SEALANT - 3 OZ. RTV SEALANT FROM IN PLACE GASKETS	48	-
FSA474260	PISTON RING SET (4 PER SET - .010 OVERSIZE)	21	-	FT8985	SEAL INSTALLER	46	-
FSA522015	PISTON (.010 OVERSIZE)	21	-	FT8996	IGNITION TESTER	47	-
FT11203	CUP INSTALLER	46	-	FT8997	SHIM TOOL	46	-
FT11206	DRIVESHAFT BEARING INSTALLER/REMOVER	46	-	FTA2937-1	TIMING TOOL	44	-
				FTA8994	PISTON PIN TOOL	45	-
				OB3062	LITERATURE (NOT SHOWN) 5H130	43	-
				T8984	SEAL INSTALLER	45	-
				22-817740A1	FITTING, PUDDLE DRAIN W/METERING CAP	23	16
				22-817740A1	PUDDLE DRAIN FITTING W/METERING CUP	15	2

PARTS INDEX

Part Number	Description	Pg.	Ref. No.	Part Number	Description	Pg.	Ref. No.
31-818060A1	BEARING CAGE LOWER . . .	21	8				
32-817738A1	FUEL LINE, LONG W/CLAMP AND FERRULE	39	1				
33-97180	SPARK PLUG (L-20V) - USA	25	62				
39-817820A1	PISTON RING SET (4 PER SET) - (STANDARD)	21	5				
39-818122A1	PISTON RING SET (4 PER SET - .030 OVERSIZE) . . .	21	-				
100-818016A2	ENGINE COVER	3	1				
700-818127A1	PISTON (.030 OVERSIZE) . .	21	-				
800-817860A1	CYLINDER	23	11				
800-817911A1	SHORT BLOCK (NOT SHOWN).	23	-				