



PARTS CATALOG

7.5 HP

SERIAL NUMBER

7.5 (1981)	72B1D
7.5 (1981)	72H1D
7.5 (1981)	77BIC
7.5 (1981)	77HIC

TABLE OF CONTENTS:

ACCESSORIES	38
ELECTRICAL COMPONENTS	6
ENGINE COVER AND SUPPORT PLATE	2
FUEL SYSTEM	14
FUEL TANK AND LINE	30
GEAR HOUSING	26
MOTOR LEG	22
PARTS INDEX	39
POWER HEAD	18
SPECIAL TOOLS - LOWER UNIT	35
SPECIAL TOOLS - LUBRICANTS AND SEALANTS	37
SPECIAL TOOLS - POWER HEAD	34
SPECIAL TOOLS - STARTER	33
SPECIAL TOOLS - TEST EQUIPMENT	36
SPECIAL TOOLS - TUNE-UP	32
STARTER	12
STEERING ARM	8

NOTE: Indented description indicate that these parts are included in preceding assembly.

AR = As Required

NSS = Not Sold Separate

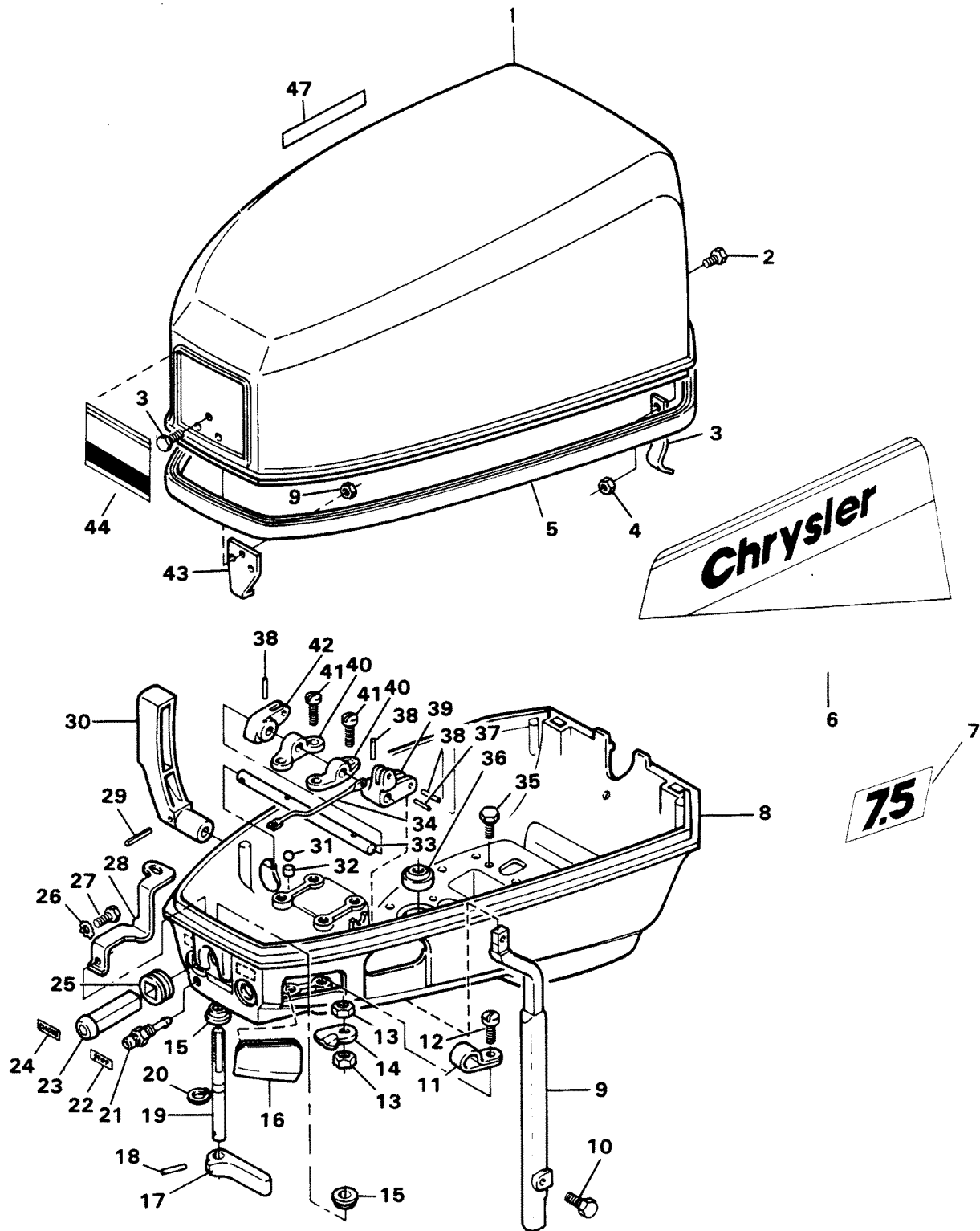
OPT = Optional

NS = Not Shown

THESE PARTS BOOKS/FICHE CARD ARE COPYRIGHTED AND MAY NOT BE DISTRIBUTED OR REPRODUCED IN ANY OTHER FORMAT BY ANYONE OTHER THAN MERCURY MARINE WITHOUT THE PRIOR WRITTEN CONSENT OF MERCURY MARINE.

THIS PAGE INTENTIONALLY LEFT BLANK

ENGINE COVER AND SUPPORT PLATE

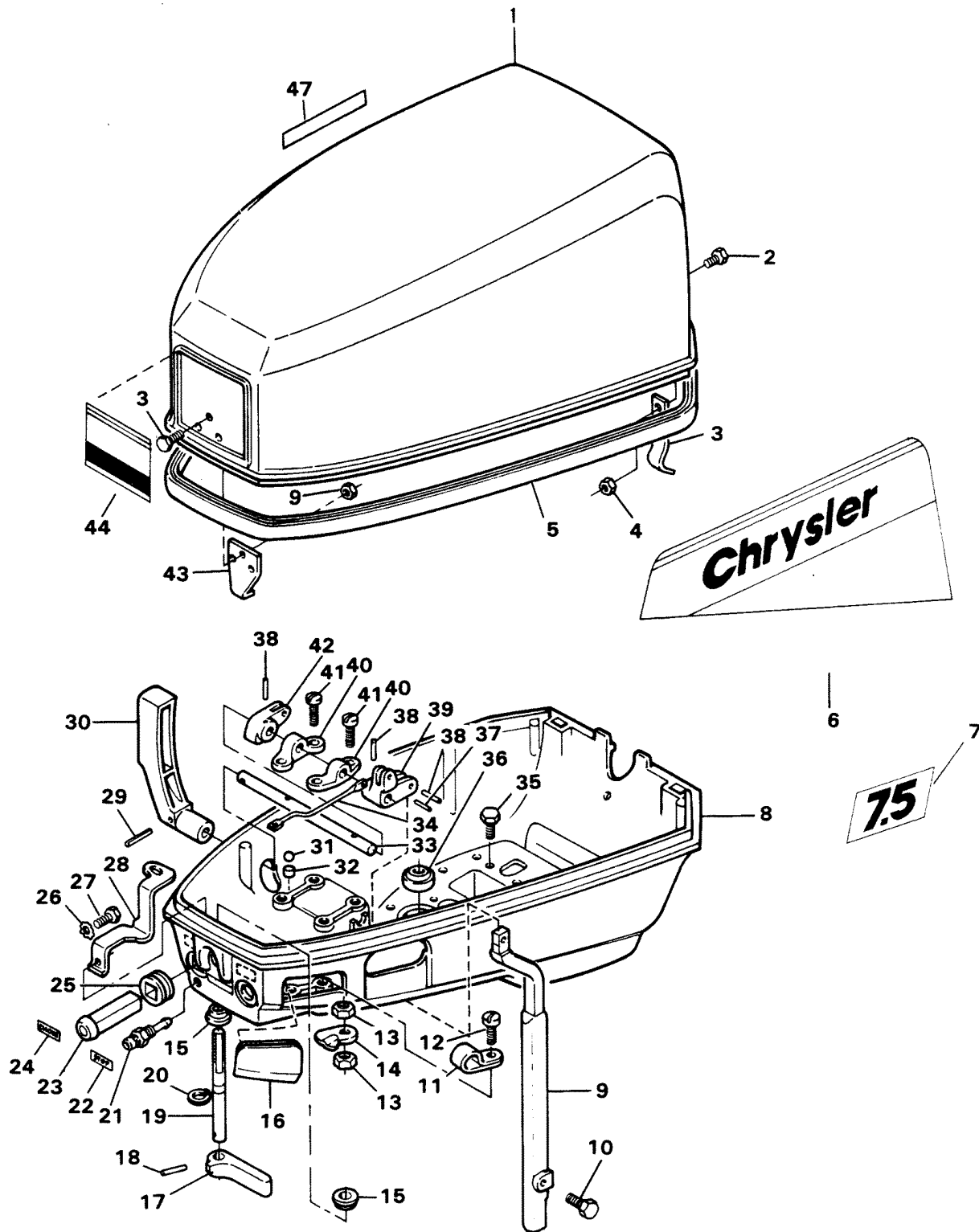


ENGINE COVER AND SUPPORT PLATE

REF. NO.	PART NO.	SYM.	QTY.	DESCRIPTION
1	FS537712		1	ENGINE COVER W/PACKING, REAR RETAINER AND LATCH BRACKET
-	2C609712		1	ENGINE COVER COMPLETE. INCLUDES ALL ITEMS MARKED WITH AN ASTERISK (*) ORDER NUMERAL SEPARATE
2	F1475		7	FILL HD SCREW, 10 - 24 X 1/2
3	817858A1		2	RETAINER ENGINE COVER W/ILLUS. 2 AND 4 ORIGINAL FORCE P/N A5 25480-1
4	F7011		7	ELASTIC STOP NUT, 10 - 24
5	FK525713		1	ENGINE COVER PACKING W/LITERATURE
6	FA609397		1	DECAL ENGINE COVER PORT W/LITERATURE
-	FA609396		1	DECAL ENGINE COVER STARBOARD W/LITERATURE
7	FA609386		2	DECAL, NUMERAL 7.5 W/LITERATURE
8	FA525038		1	SUPPORT PLATE W/EYELET (72H1D AND 72B1D)
-	FA526038		1	SUPPORT PLATE W/EYELET (77H1C AND & 77B1C)
9	F525615		1	ROD GEAR SHIFT UPPER
10	F1950		1	HEX HD SCREW, 10 - 24 X 5/8
11	F178446		1	CLAMP LEAD WIRE
12	F1734		1	SLOTTED FILL HD SCREW, 1/4 - 20 X 1/2
13	F1515		2	NUT, 5/16 - 18
14	F392777		1	CAM COVER LATCH
15	F307818		2	BEARING (NYLINER)
16	F525840		1	GROMMET REMOTE THROTTLE CABLE
-	F84991-1		1	GROMMET (77H1C & 77B1C) LIGHTING COIL WIRE
17	F525469		1	HANDLE LATCH
18	F8547		1	SPRING PIN, 1/8 X 5/8
19	F525763		1	SHAFT COVER LATCH
20	F73741-1		1	RING
21	F197767-1		1	BUSHING FUEL LINE
22	F525390		1	DECAL STOP - USA
-	FC525390		1	DECAL STOP - CANADA
23	F521547		1	CHOKE KNOB
24	F525394		1	DECAL CHOKE - USA
-	FC525394		1	DECAL CHOKE - CANADA
25	F525504		1	GROMMET, CHOKE ROD
26	F1975		1	LOCKWASHER, #10
27	F2041		1	HEX HD SCREW, 10 - 24 X 3/8
28	F525925		1	LINK CHOKE KNOB
29	F8567		1	SPRING PIN, 1/8 X 13/16
30	F525614		1	HANDLE GEAR SHIFT
31	F409740		1	BALL CHECK
32	F525025		1	PAD SHIFT DETENT
33	F525871		1	SHAFT GEAR SHIFT LEVER
34	F525263		1	LINK STARTER INTERLOCK
35	F1689		2	HEX HD SCREW, 1/4 - 20 X 1/2

CONTINUED ON NEXT PAGE ➡

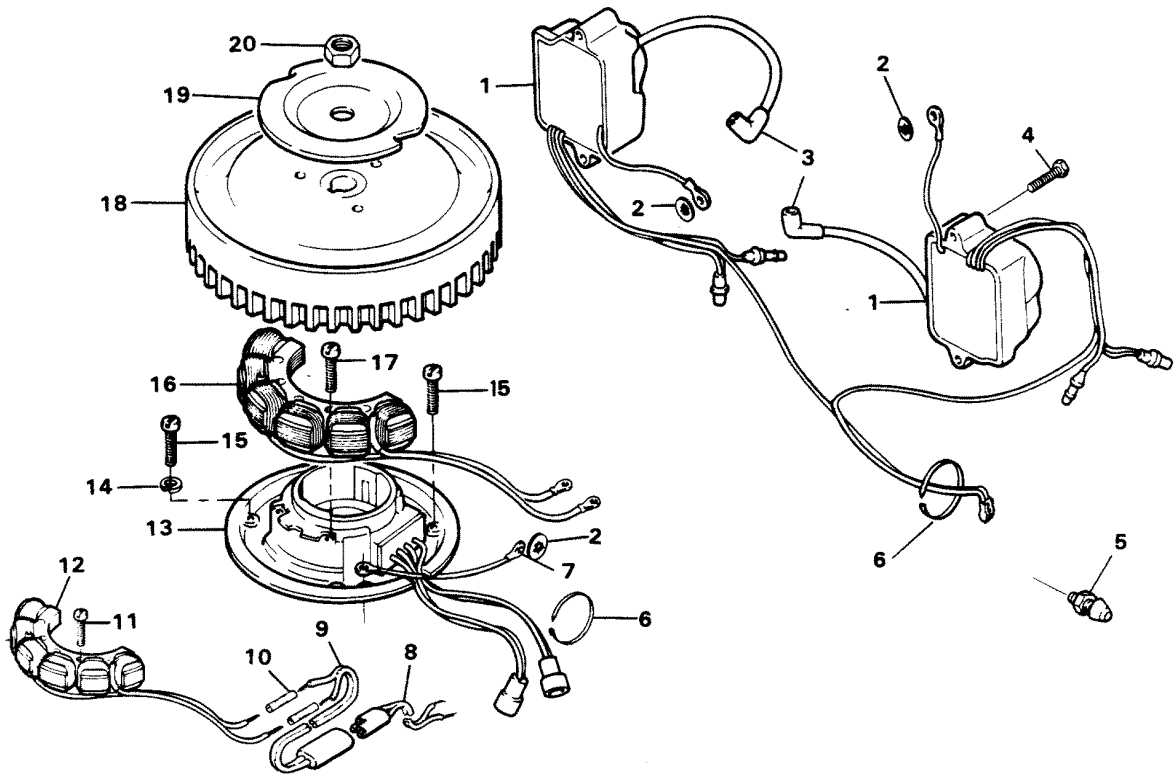
ENGINE COVER AND SUPPORT PLATE



ENGINE COVER AND SUPPORT PLATE

REF. NO.	PART NO.	SYM.	QTY.	DESCRIPTION
36	F318307		1	SEAL, DRIVESHAFT
37	F8538		1	SPRING PIN, 3/32 X 1/2
38	F8547		3	SPRING PIN, 1/8 X 5/8
39	F525876		1	LEVER GEAR SHIFT
40	F318818		2	BEARING, SHIFT LEVER SHAFT
41	F1573		4	FILL HD SCREW, 1/4 - 20 X 1/2
42	F525977		1	LEVER SHIFT INTERLOCK
43	FA525774		1	BRACKET COVER LATCH W/ILLUS. 2 AND 4
44	FA609892		1	DECAL ENGINE COVER FRONT
-	F8049		1	WASHER BOWED SPRING

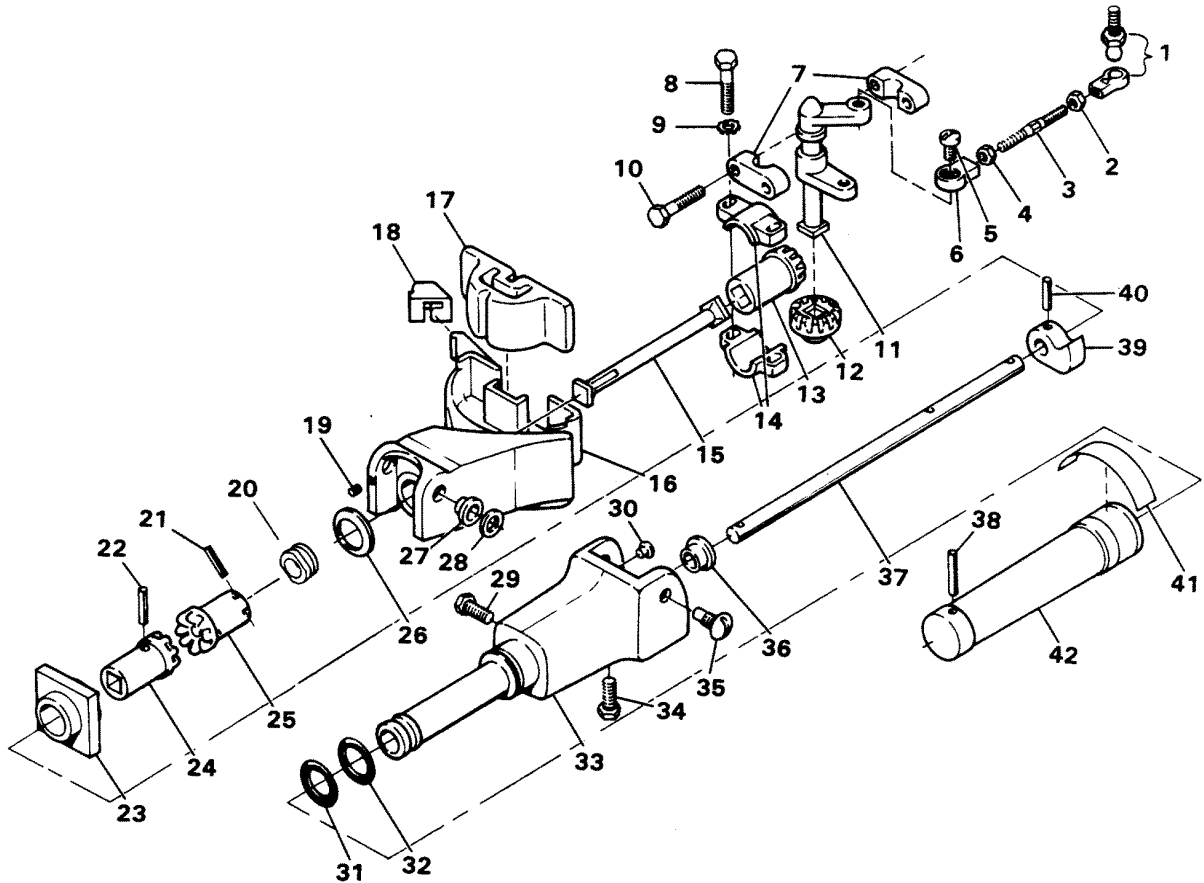
ELECTRICAL COMPONENTS



ELECTRICAL COMPONENTS

REF. NO.	PART NO.	SYM.	QTY.	DESCRIPTION
1	F525475		2	C-D MODULE COIL
2	F2106		3	LOCKWASHER
3	FK750-2		2	SPARKIE KIT
4	F525064		4	SCREW - C-D COIL
5	F436449		1	SHORTING SWITCH
6	F1877		2	TY-RAP
7	F404908		1	WIRE, STATOR GROUND
8	FA521841		1	CABLE LIGHTING COIL (77H1C, 77B1C ONLY) W/ILLUS. 10
9	F521843		1	CABLE LIGHTING COIL EXT, (77H1C, 77B1C ONLY)
10	F448874		2	SPLICE (77H1C, 77B1C ONLY)
11	F1087		2	SLOTTED FILL HD SCREW, 10 - 24 X 7/8 (77H1C, 77B1C ONLY)
12	F525095		1	STATOR ALTERNATOR (77H1C, 77B1C ONLY)
13	F525029		1	STATOR - TRIGGER
14	F1975		1	SPRING WASHER
15	F2010		4	FILL HD SCREW, 10 - 32 X 9/16
16	F525301		1	STATOR - C-D
17	F1087		2	FILL HD SCREW, 10 - 24 X 7/8
18	F525097		1	FLYWHEEL
19	F901456-1		1	COLLAR, EMERGENCY START
20	F1809		1	FLYWHEEL NUT

STEERING ARM

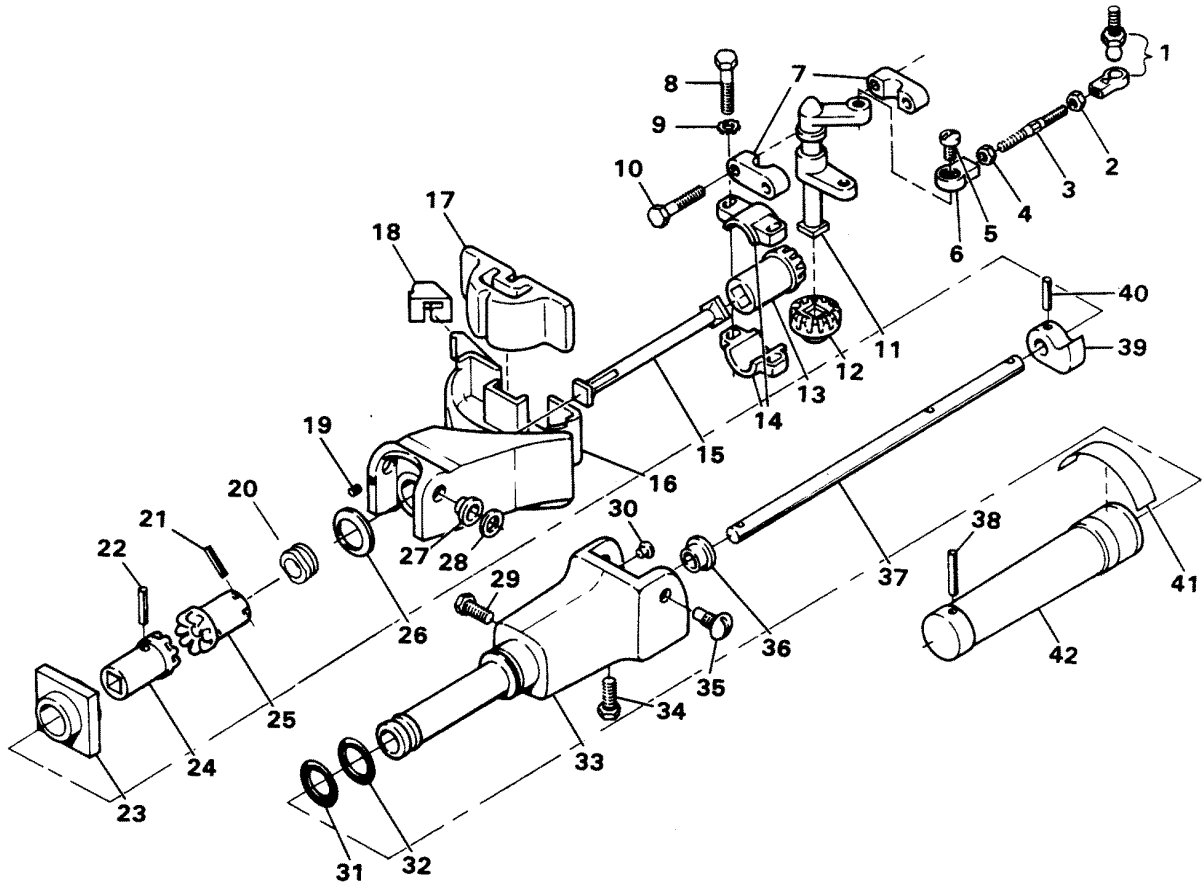


STEERING ARM

REF. NO.	PART NO.	SYM.	QTY.	DESCRIPTION
1	817747--1		1	JOINT, BALL ASSEMBLY
2	F1513		1	NUT, 10 - 32
3	F525445		1	LINK, MAGNETO STATOR CONTROL
4	F7027		1	NUT (LEFT HAND), 10 - 24
5	F84026		1	SHOULDER SCREW
6	F84036		1	BEARING, SPARK CONTROL
7	F525689		2	TOWERSHAFT BEARING
8	F525751		2	SCREW
9	F8060		2	LOCKWASHER
10	F1699		2	HEX HD SCREW, 1/4 - 20 X 1 1/8
11	F525838		1	TOWERSHAFT
12	F525605		1	GEAR, TOWERSHAFT
13	F525627		1	GEAR, TOWERSHAFT PINION
14	F525665		2	BEARING, GEAR PINION TOWERSHAFT
15	F525877		1	SHAFT, MAGNETO CONTROL
16	F525582-1		1	STEERING ARM
17	F318539		1	BUMPER
18	F318347-1		1	UPPER MOUNT
19	F1471		1	HEX SET SCREW, 10 - 24 X 1/4
20	F318504		1	GROMMET
21	F8540		1	SPRING PIN, 3/32 X 5/8
22	F8567		1	SPRING PIN, 1/8 X 13/16
23	F525816-1		1	BEARING, STEERING HANDLE GEAR
24	F525815		1	GEAR, STEERING HANDLE
25	F525691		1	GEAR, STEERING ARM
26	F8043		1	WAVE WASHER
27	F390689		2	BEARING, STEERING ARM PIVOT SCREW
28	F525220		2	WASHER, STEERING HANDLE
29	F458519		1	SCREW, IDLE STOP
30	F525524		1	RIVET, STEERING HANDLE
31	F215795		1	SEAL O-RING STEERING HANDLE DAMPENER
32	F53795-1		1	SEAL, STEERING HANDLE DAMPENER
33	F525079		1	HANDLE - STEERING
34	F1974		1	SCREW, STEERING HANDLE BEARING
35	F525080		2	SCREW, STEERING HANDLE PIVOT
36	F307818		1	BEARING, STEERING HANDLE SHAFT
37	F525688-1		1	SHAFT, STEERING HANDLE
38	F8548		1	SPRING PIN, 1/8 X 1

CONTINUED ON NEXT PAGE ➡

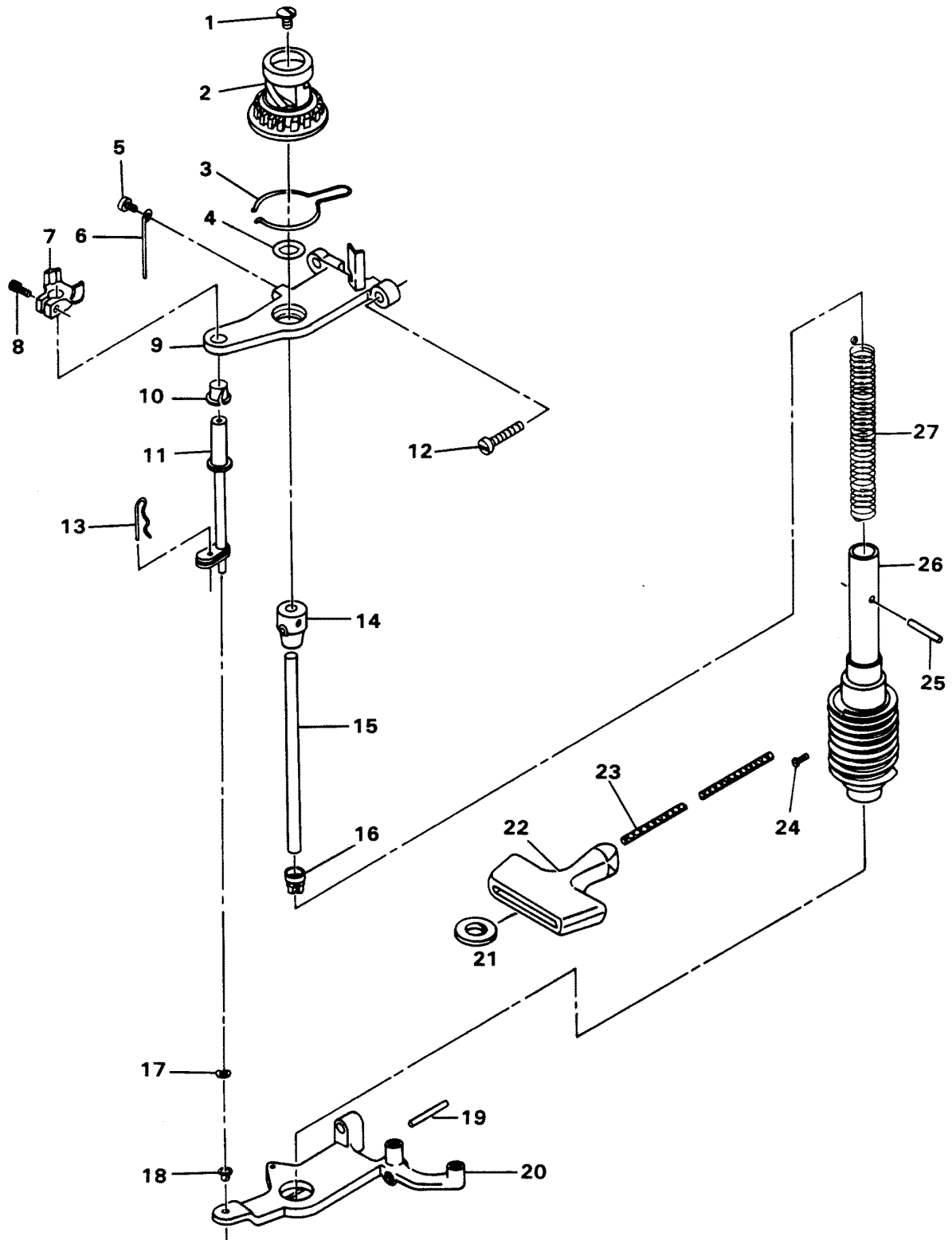
STEERING ARM



STEERING ARM

REF. NO.	PART NO.	SYM.	QTY.	DESCRIPTION
39	F525198		1	THROTTLE STOP
40	F8547		1	SPRING PIN, 1/8 X 5/8
41	F286894-3		1	INDICATOR STEERING HANDLE - USA
-	37-F286894-3		1	INDICATOR STEERING HANDLE - CANADA
42	F429137		1	GRIP, STEERING HANDLE W/SLEEVE

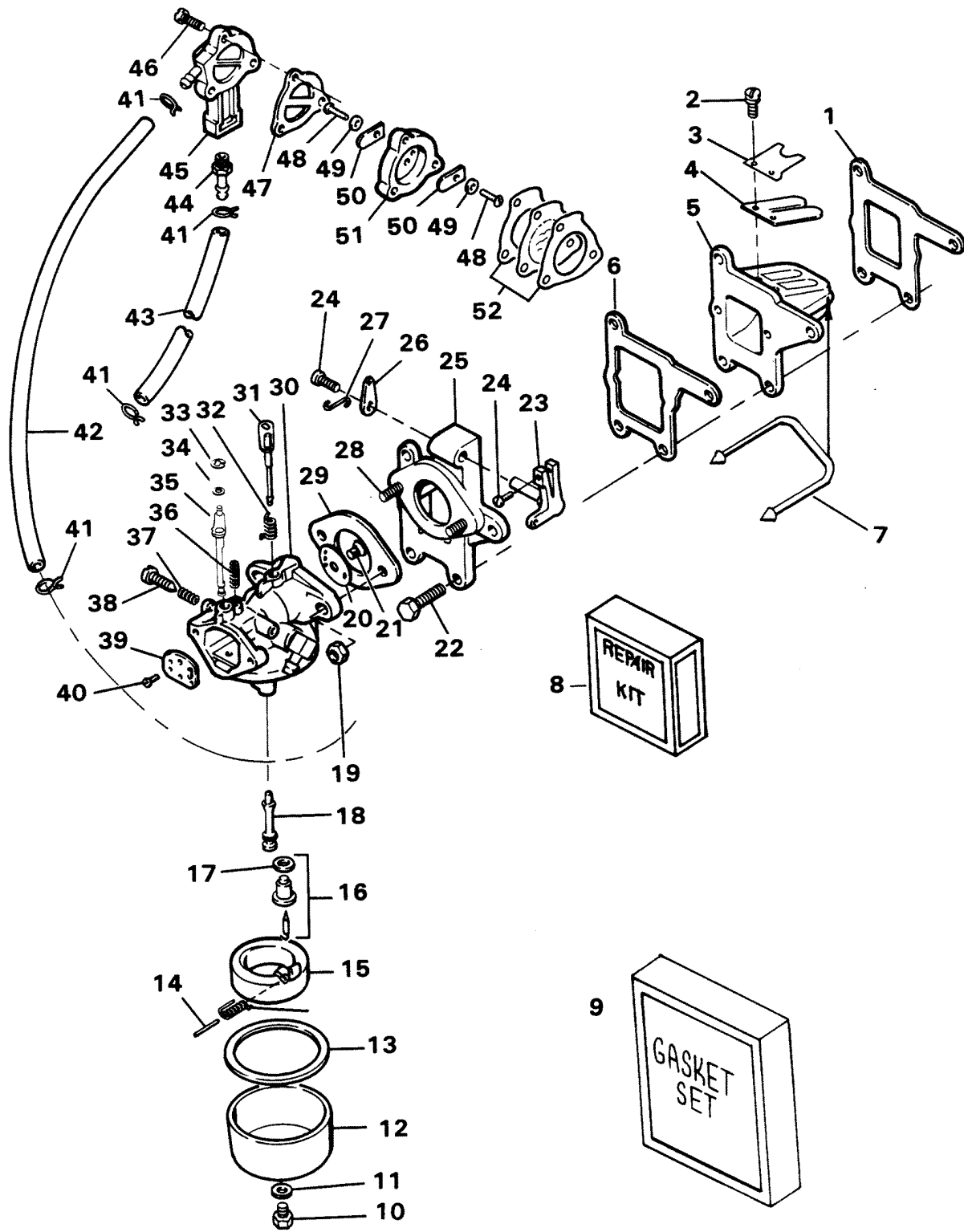
STARTER



STARTER

REF. NO.	PART NO.	SYM.	QTY.	DESCRIPTION
1	F525457		1	SCREW
2	F525674-1		1	GEAR STARTER PINION
3	F525424		1	SPRING STARTER PINION
4	F53795-1		1	O-RING
5	F1760		1	PAN HD SCREW, 10 - 24 X 3/8
6	F525455		1	GUIDE STARTER ROPE
7	F525781		1	INTERLOCK STARTER
8	F2031		1	HEX HD SCREW, 1/4 - 20 X 3/4
9	F525427-1		1	BRACKET STARTER UPPER
10	F269689		1	BEARING STARTER BRACKET UPPER
11	F525105		1	SHAFT INTERLOCK
12	F1052		4	FILL HD SCREW, 1/4 - 20 X 1
13	F525629		1	COTTER PIN
14	F901739		1	DRIVE STARTER REWIND SPRING
15	F901710		1	POST STARTER SPRING GUIDE
16	F525737		1	RETAINER STARTER REWIND SPRING
17	F8070		1	BOWED SPRING WASHER
18	F197813		1	BEARING STARTER BRACKET LOWER
19	F8571		1	SPRING PIN, 1/8 X 1 3/4
20	F525675		1	BRACKET STARTER LOWER
21	F2042		1	WASHER
22	F286132		1	HANDLE STARTER ROPE
23	F409232		1	ROPE STARTER
24	F1500		1	RD HD SHEET METAL SCREW #4 X 1/4
25	F40425		1	PIN STARTER PINION
26	817856A1		1	SPOOL STARTER W/ILLUS. 24 AND LITERATURE ORIGINAL FORCE P/N A 525239-1
27	F901970		1	SPRING STARTER REWIND

FUEL SYSTEM

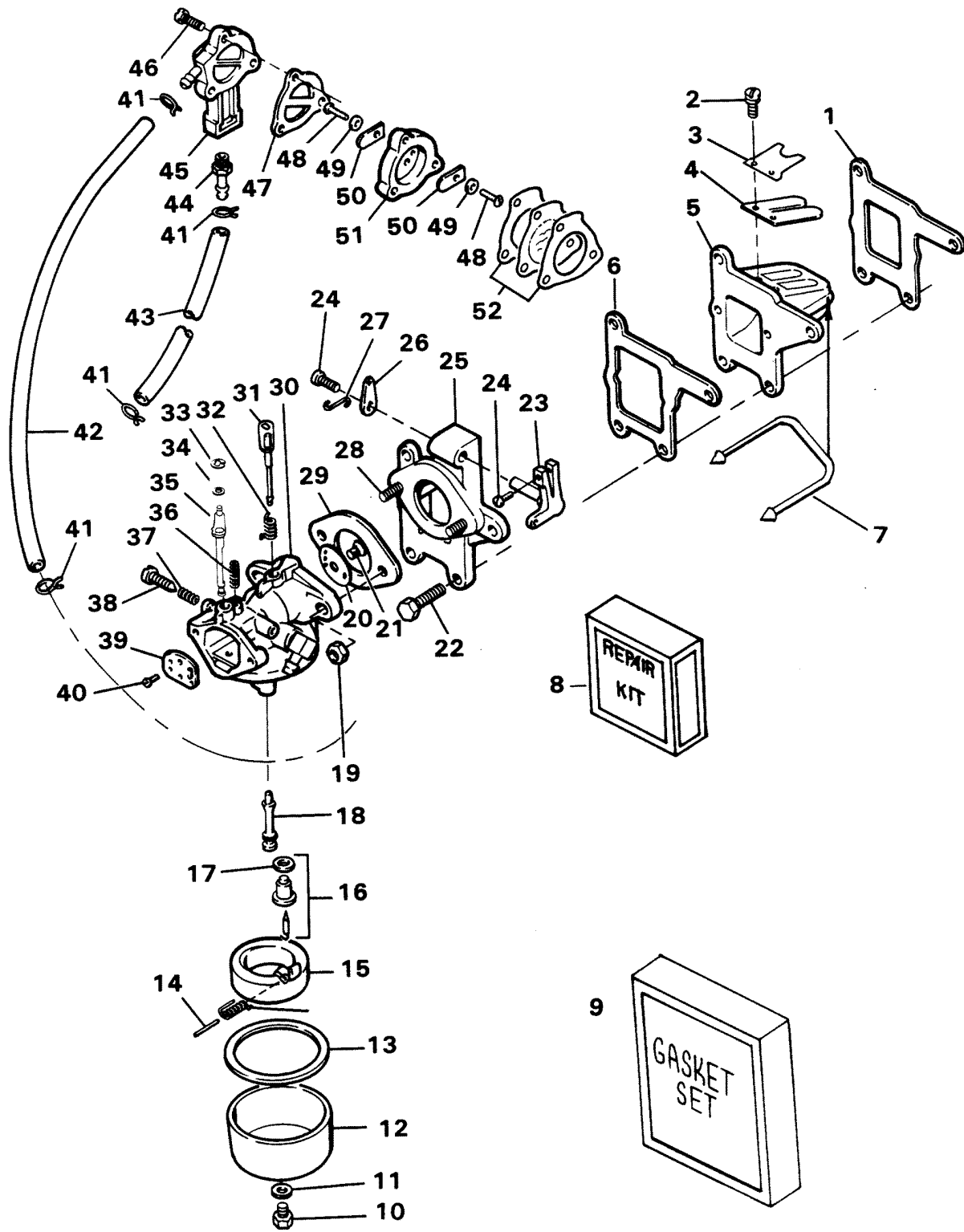


FUEL SYSTEM

REF. NO.	PART NO.	SYM.	QTY.	DESCRIPTION
1	F525159		1	GASKET, REED PLATE
2	F1755		4	RD HD SCREW & SPRING LOCKWASHER ASSEMBLY, 60-32 X 5/16
3	F525161		2	REED STOP
4	F31160-1		2	REED
5	F2A525158		1	PLATE REED W/ILLUS. 7
6	F525168		1	GASKET MANIFOLD
7	F525984		1	SEAL, REED PLATE
8	F10083		1	REPAIR KIT. INCLUDES ALL ITEMS MARKED WITH DOUBLE ASTERISKS(**)
9	F10069		1	GASKET KIT. INCLUDES ALL ITEMS MARKED WITH AN ASTERISK(*)
10	F10089		1	JET ASSEMBLY, STD. .041 SEA LEVEL - 3000 FT.
-	F10097		-	JET ASSEMBLY, OPT. .040 3000 - 5000 FT.
-	F10096		-	JET ASSEMBLY, OPT. .039 5100 - 7000 FT.
-	F10093		-	JET ASSEMBLY, OPT. .038 7000 FT. & UP OPTIONAL SIZE JET ASSEMBLIES ARE TO BE USED ONLY AT ALTITUDES INDICATED.
11	F10090		1	GASKET FUEL BOWL RETAINER
12	F10058		1	FUEL BOWL
13	F10068		1	GASKET BODY TO BOWL
14	F10064		1	SHAFT - FLOAT
15	F10063		1	FLOAT W/ILLUS. 14
15A	F10084		1	FLOAT SUPPORT SPRING
16	F10101		1	KIT - VALVE, SEAT, SPRING & GASKET
17	F10066		1	GASKET VALVE SEAT
18	F10088		1	NOZZLE
19	F1490		2	NUT, 1/4 - 20
20	F10091		1	VALVE THROTTLE
21	F10071		1	SCREW, THROTTLE VALVE
22	F1532		4	HEX HD SCREW, 1/4 - 20 X 1
23	F525316-1		1	FOLLOWER THROTTLE CAM
24	F1772		2	HEX HD SCREW, 8 - 32 X 1/2
25	FA525167		1	MANIFOLD W/ILLUS. 28
26	F525081-1		1	LEVER THROTTLE
27	F525193		1	LINK THROTTLE
28	F2788004		2	STUD CARBURETOR
29	F18906		1	GASKET CARBURETOR
30	1300-817966A4		1	CARBURETOR W/ILLUS. 33 AND LITERATURE ORIGINAL FORCE P/N K 526061-4
31	F10081		1	SHAFT ASSEMBLY - THROTTLE
32	F10085		1	SPRING THROTTLE RETURN
33	F90807		1	RETAINING RING
34	F2042		1	WASHER
35	F10061		1	CHOKE SHAFT ASSEMBLY

CONTINUED ON NEXT PAGE ➡

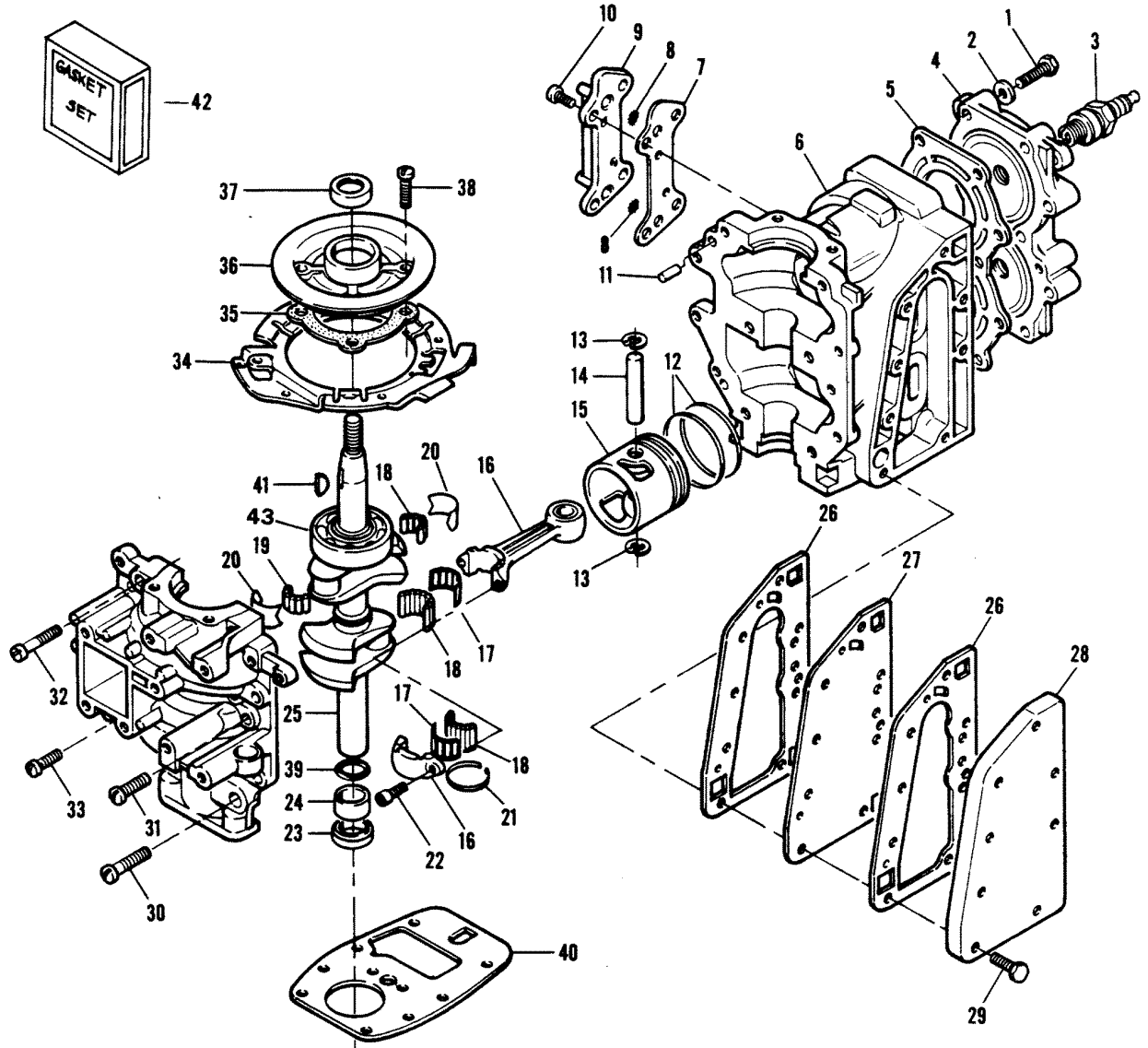
FUEL SYSTEM



FUEL SYSTEM

REF. NO.	PART NO.	SYM.	QTY.	DESCRIPTION
36	F10072		1	SPRING CHOKE STOP
37	F10073		1	SPRING IDLE NEEDLE
38	F10077		1	NEEDLE - IDLE
39	F10062		1	CHOKE VALVE ASSEMBLY
40	F10070		2	SCREW ASSEMBLY - CHOKE VALVE
41	F2706772		4	CLAMP HOSE
42	FA84253		1	HOSE WILLUS. 41
43	FA84253		1	HOSE WILLUS. 41
44	F901811		1	FILTER FUEL PUMP
45	F901746-2		1	COVER FUEL PUMP
46	F1069		3	FILL HD SCREW, 10 - 24 X 1 1/16
47	F24748-2		1	GASKET FUEL PUMP
48	F1286		2	PAN HD SCREW, #4 - 40 X 3/16
49	F8003		2	PLAIN WASHER
50	F18160-2		2	REED FUEL PUMP
51	F2A24757		1	PLATE FUEL PUMP REED WILLUS. 48, 49 AND 50
52	27-818043A1		1	DIAPHRAGM, FUEL PUMP W/GASKETS

POWER HEAD

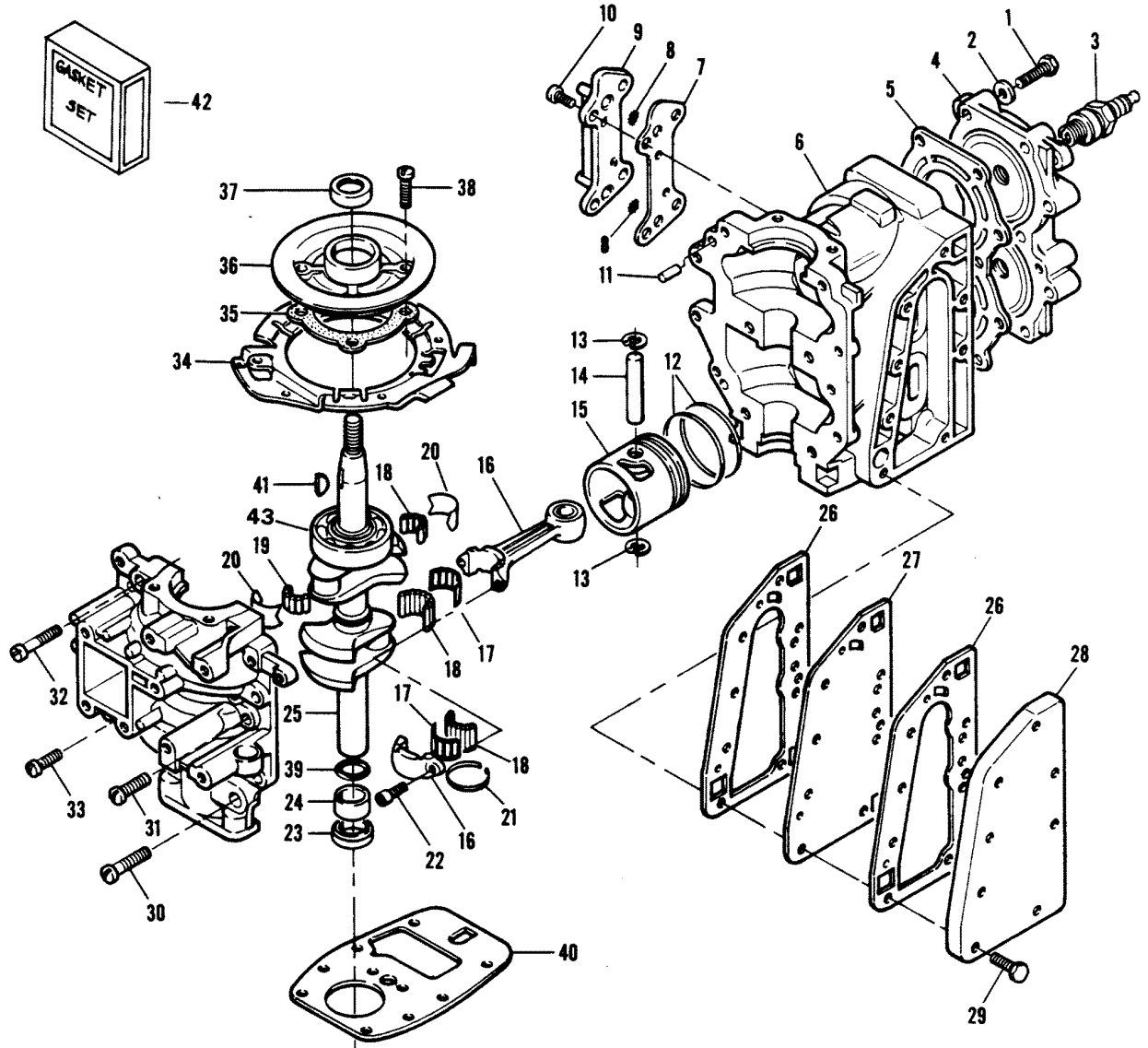


POWER HEAD

REF. NO.	PART NO.	SYM.	QTY.	DESCRIPTION
1	F901938-1		10	SCREW, CYLINDER HEAD
2	F8025		10	PLAIN WASHER
3	33-82370M		2	SPARK PLUG (L-86)
-	C341227		2	SPARK PLUG (QL-86) CANADA ONLY
4	F525518		1	CYLINDER HEAD
5	F525529		1	GASKET, CYLINDER HEAD
6	F2A525010		1	CYLINDER W/ILLUS. 11, 30 AND 32
-	FC525010		1	CYLINDER COMPLETE (NOT SHOWN). INCLUDES ALL ITEMS MARKED WITH AN ASTERISK (*)
7	F525472		1	GASKET, CYLINDER DRAIN COVER
8	F429811		2	SCREEN, CYLINDER DRAIN
9	FA525471		1	COVER, CYLINDER DRAIN W/CHECK VALVE AND ILLUS. 8
10	F1110		4	SCREW, 1/4 - 20 X 5/8
11	F8559		2	DOWEL PIN
12	39-818038A1		2	PISTON RING (2 RINGS PER SET)
13	F250410		4	PISTON PIN RETAINING RING
14	F250017		2	PISTON PIN
15	F525015		2	PISTON
16	F2A521016		2	CONNECTING ROD W/ITEM 22
17	FA525241		2	CRANKPIN ROLLER CAGE (ONE SET)
18	FA525228		2	ROLLER CRANKPIN (16 ROLLERS)
19	F286571		1	ROLLER ASSEMBLY, CENTER MAIN BEARING
20	FA286155		1	LINER, CENTER MAIN
21	F525579		1	CRANKCASE SEAL
22	F36634		4	CONNECTING ROD SCREW
23	F141118		1	SEAL, CRANKSHAFT LOWER
24	F343014		1	BEARING, CRANKSHAFT LOWER MAIN
25	F2A525018		1	CRANKSHAFT W/ILLUS. 43
26	F525154		2	GASKET EXHAUST
27	F525151		1	PLATE EXHAUST
28	F525152		1	COVER EXHAUST
29	F1532		8	SCREW, 1/4 - 20 X 1
30	F1257		2	SCREW, 5/16 - 18 X 1 1/4
31	F1994		2	SCREW, 5/16 - 18 X 1
32	F1044		2	SCREW, 1/4 - 20 X 1 3/8
33	F1107		6	SCREW, 1/4 - 20 X 3/4
34	F525082		1	RING STATOR
35	F286277		1	GASKET, CRANKSHAFT BEARING CAGE
36	1100-817753A1		1	CAGE, CRANKSHAFT BEARING W/ILLUS. 37 ORIGINAL FORCE P/N A 286144-1
37	F346146		1	SEAL, CRANKSHAFT UPPER
38	F1111		4	FILL HD SCREW, 1/4 - 20 X 7/8
39	F468342		1	SEAL, CRANKSHAFT SPLINE
40	F525279		1	GASKET, CYLINDER MOUNTING

CONTINUED ON NEXT PAGE ➡

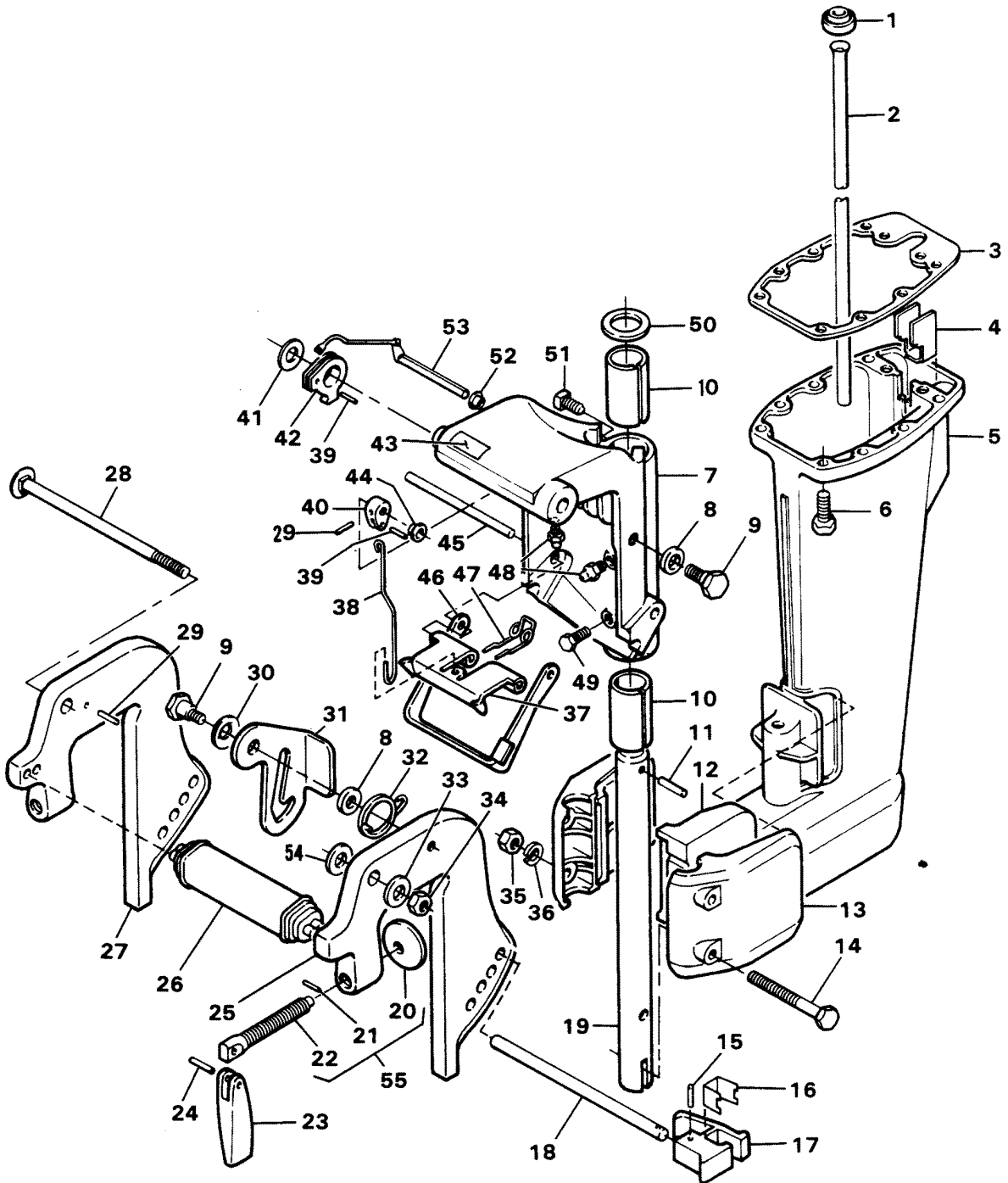
POWER HEAD



POWER HEAD

REF. NO.	PART NO.	SYM.	QTY.	DESCRIPTION
41	F458498		1	MAGNETO KEY
42	FG1018		1	GASKET SET. INCLUDES ITEMS LISTED BELOW
-	F18906		1	GASKET, CARBURETOR
-	F286277		1	GASKET, CRANKSHAFT BEARING CAGE
-	F525154		2	GASKET, EXHAUST
-	F525159		1	GASKET, REED PLATE
-	F525168		1	GASKET, MANIFOLD
-	F525279		1	GASKET, CYLINDER MOUNTING
-	F525453		1	GASKET, LEG MOUNTING
-	F525529		1	GASKET, CYLINDER HEAD
-	F525472		1	GASKET, CYLINDER DRAIN COVER
43	F286028		1	BEARING, CRANKSHAFT UPPER

MOTOR LEG

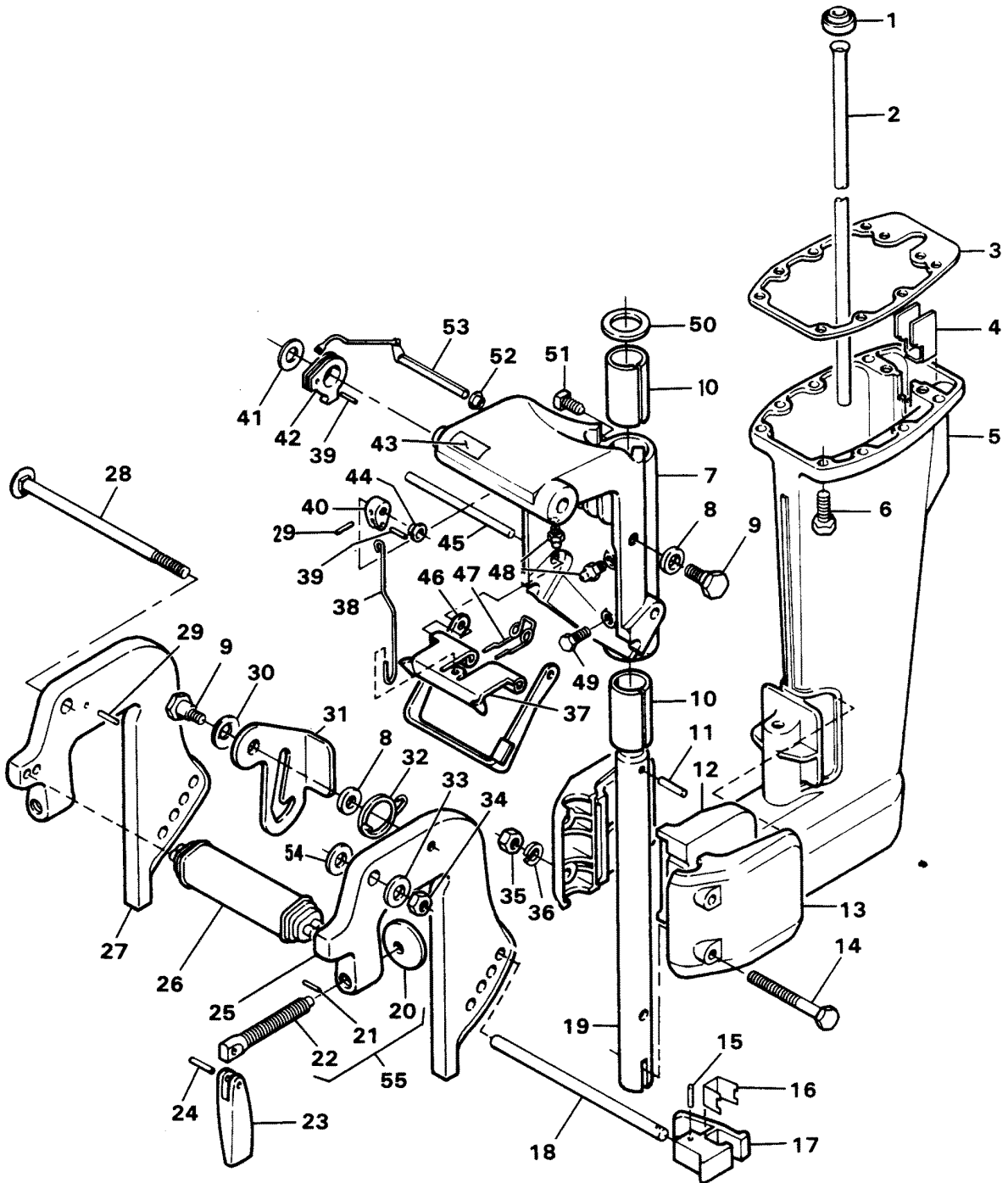


MOTOR LEG

REF. NO.	PART NO.	SYM.	QTY.	DESCRIPTION
1	F318342		1	SEAL, WATERLINE INLET UPPER
2	F525244		1	WATERLINE (STD. LEG)
-	F526244		1	WATERLINE (LONG LEG)
3	F525453		1	GASKET LEG MOUNTING
4	F525779		1	BAFFLE IDLE RELIEF
5	F525133		1	MOTOR LEG
6	F1532		8	HEX CAP SCREW, 1/4 - 20 X 1
7	1400-817964A2		1	SWIVEL BRACKET W/ILLUS. 10 AND 48 ORIGINAL FORCE P/N K 525072-2
8	F286451		2	SPACER TILT LOCK
9	F286422-1		2	PIVOT TILT LOCK
10	F286169		2	BEARING SWIVEL BRACKET
11	F1805		1	SPRING PIN, 1/4 X 1-3/8
12	F525346		2	MOUNT LOWER SHOCK
13	F525707		2	COVER, SHOCK MOUNT LOWER
14	F1972		2	HEX HD SCREW, 1/4 - 20 X 2 1/2
15	F8540		1	SPRING PIN, 3/32 X 5/8
16	F286461		1	SPRING LOCK BAR HANDLE
17	F286114		1	HANDLE LOCK BAR
18	FA286113		1	BAR LOCK W/ILLUS. 15, 16 AND 17
19	F525019		1	KINGPIN
20	F24074		2	FOOT CLAMP SCREW
21	F8537		2	SPRING PIN
22	F66480		2	STUD CLAMP SCREW
23	F424075		2	HANDLE CLAMP SCREW
24	F8554		2	SPRING PIN, 3/16 X 3/4
25	FS567532		1	BRACKET STERN PORT, W/SCREW CLAMP
26	F286647		1	HANDLE CARRYING
27	FS567532		1	BRACKET STERN STARBOARD W/SCREW CLAMP
28	F286037		1	BOLT STERN BRACKET
29	F8538		2	SPRING PIN, 3/32 X 1/2
30	F1666		1	WAVE WASHER
31	F429541		1	LOCK TILT
32	F286544-1		1	SPRING TILT LOCK
33	F2014		1	PLAIN WASHER
34	F7026		1	NUT, 3/8 - 16
35	F1341		2	NUT, 1/4 - 20
36	F8083		2	LOCKWASHER
37	F286349		1	LOCK REVERSE
38	FA341510		1	LINK REVERSE LOCK LEVER W/LITERATURE
39	F1794		2	SPRING PIN, 3/32 X 3/8
40	F286364		1	LEVER REVERSE LOCK
41	F525286		1	WASHER

CONTINUED ON NEXT PAGE ➡

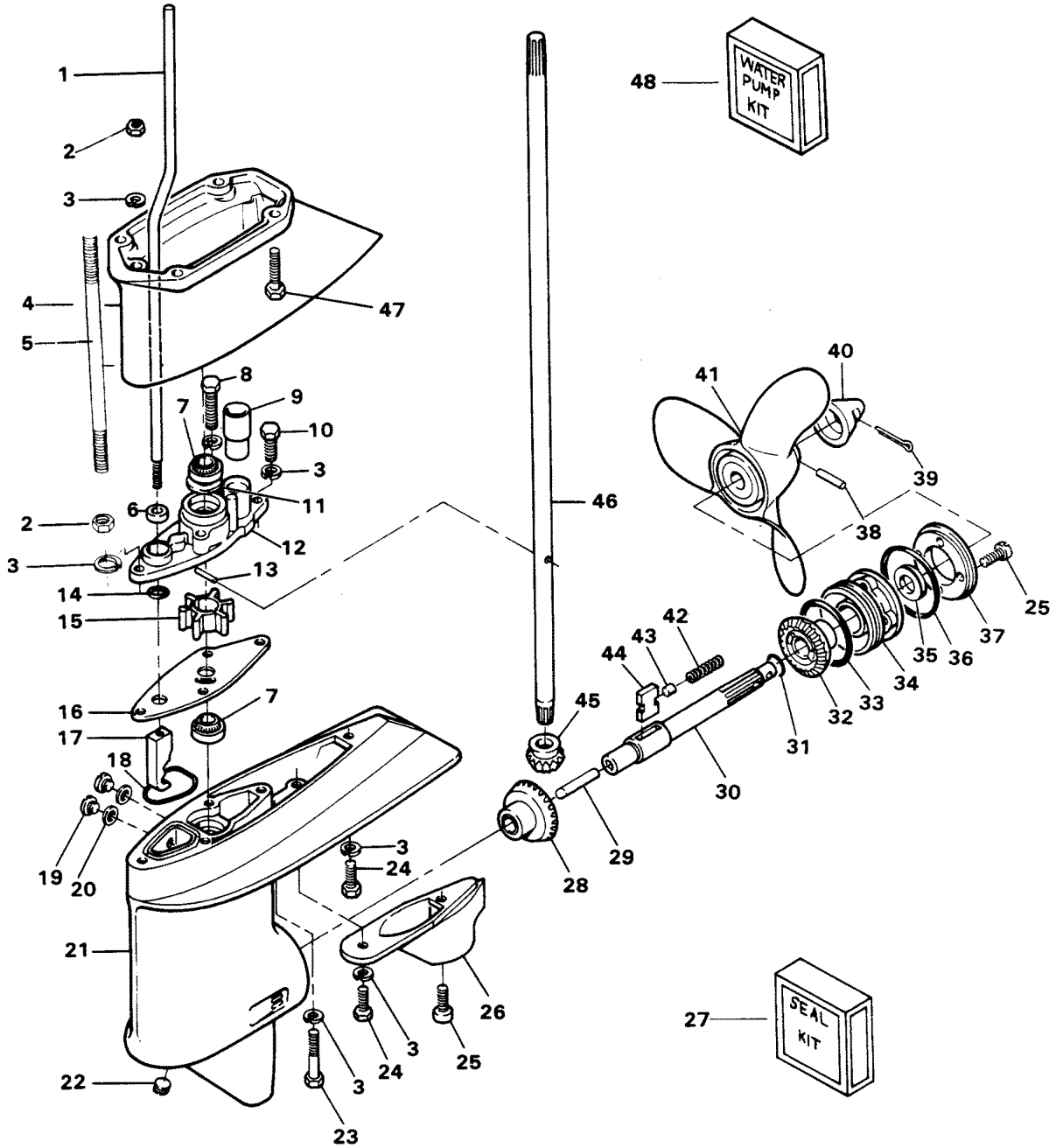
MOTOR LEG



MOTOR LEG

REF. NO.	PART NO.	SYM.	QTY.	DESCRIPTION
42	F286827		1	LEVER REVERSE LOCK RELEASE
43	F286585-1		1	DECAL, TILT RELEASE - USA
-	37-F286585-2		1	DECAL, TILT RELEASE - CANADA
44	F197813		1	BEARING
45	F1806		1	GROOVE PIN, 5/16 - 3 3/4
46	F286433		1	BRACKET SHALLOW WATER DRIVE
47	F286300		1	SPRING REVERSE LOCK
48	F213274		2	FITTING GREASE
49	F1467		1	SCREW SWIVEL BRACKET
50	F286011		1	WASHER SWIVEL BRACKET
51	F525839		1	SCREW, STEERING FRICTION
52	F536813		1	BEARING
53	FA387742		1	LEVER REVERSE LOCK INTERMEDIATE
54	F286286-1		1	WASHER
55	817761A2		2	SCREW CLAMP WILLUS. 20, 21 AND 22 ORIGINAL FORCE P/N A 298073-2

GEAR HOUSING

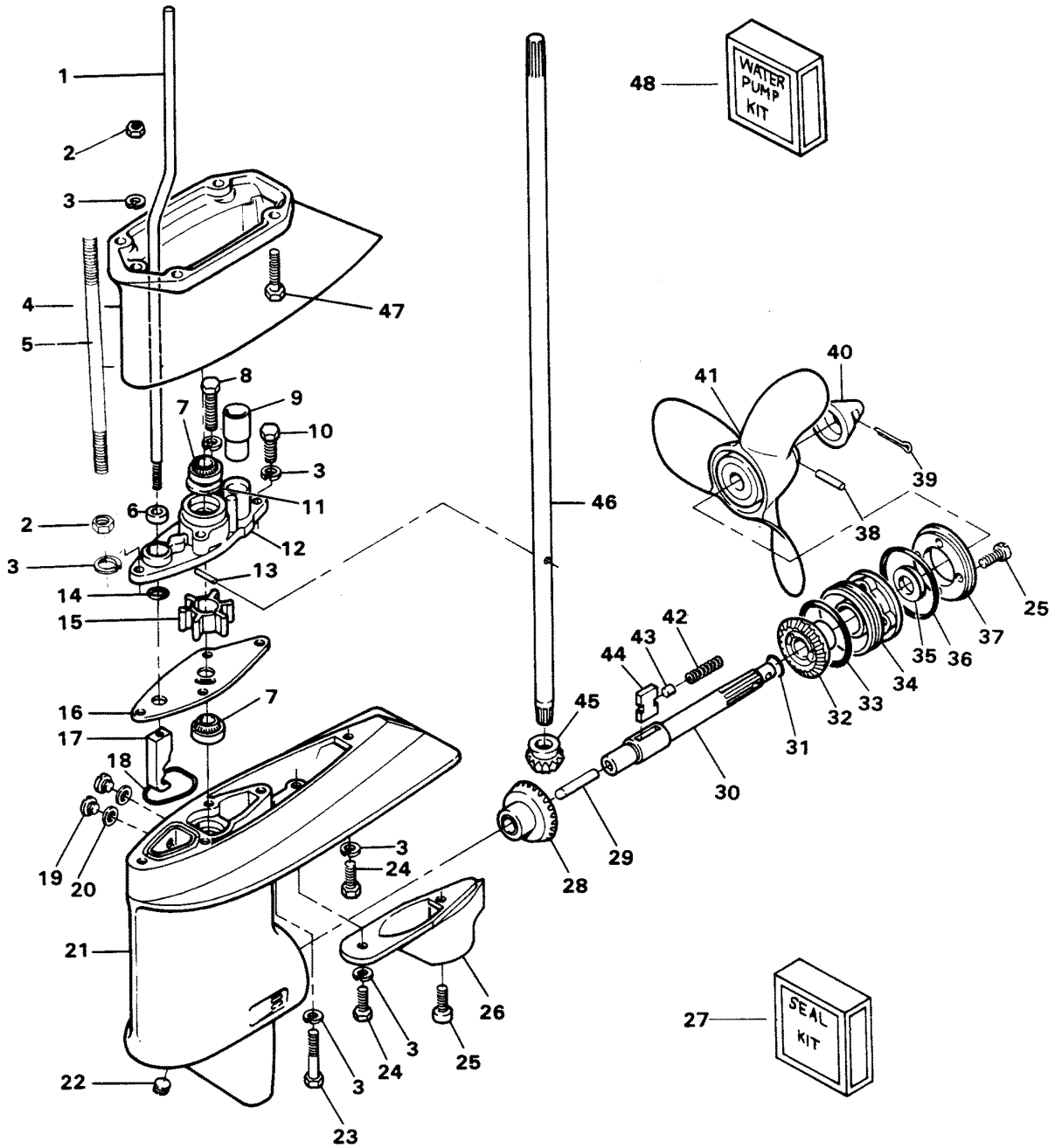


GEAR HOUSING

REF. NO.	PART NO.	SYM.	QTY.	DESCRIPTION
1	F525705		1	ROD, GEAR SHIFT (STD. LEG)
-	F526705		1	ROD, GEAR SHIFT (LONG LEG)
2	F1341		2	NUT, 1/4 - 20
3	F8083		8	SPRING LOCKWASHER
4	F525845		1	EXTENSION MOTOR LEG
-	F526845		1	EXTENSION MOTOR LEG (77H1C, 77B1C)
5	F601006		1	STUD, GEAR HOUSING FRONT (72H1D, 77B1D)
-	F535006		1	STUD, GEAR HOUSING FRONT (77H1C, 7B1C)
6	F338618-1		1	SEAL, GEAR SHIFT ROD LOWER
7	F318307		2	SEAL
8	F1891		2	HEX HD SCREW, 1/4 - 20 X 1 1/2
9	FA510914		1	SEAL, WATERLINE
10	F2008		1	HEX HD SCREW, 1/4 - 20 X 7/8
11	525388		1	DISC, WATER PUMP LOCATING
12	FA525060		1	WATER PUMP BODY W/ILLUS. 6, 7, 9 AND 11
13	F390563		1	PIN, WATER PUMP IMPELLER DRIVE
14	F474342		1	SEAL, WATER PUMP GEAR SHIFT ROD
15	F525065-1		1	IMPELLER
16	F525562		1	PLATE, WATER PUMP BACK
17	F459721-1		1	CLUTCH SHIFT CAM
18	F525555		1	SEAL, SHIFT ROD CAVITY
19	F50109		2	PLUG, GEAR HOUSING
20	F8077		2	WASHER
21	FA525054		1	GEAR HOUSING W/ILLUS. 7, 19, 20 AND 22, PROP SHAFT BEARING, DRIVESHAFT SEAL, BEVEL PINION BEARING
-	FC536054		1	GEAR HOUSING COMPLETE (NOT SHOWN). INCLUDES ALL ITEMS MARKED WITH AN ASTERISK (*)
22	F19109		1	PLUG
23	F1990		2	HEX HD SCREW, 1/4 - 20 X 1 5/8
24	F1705		2	HEX CAP SCREW, 1/4 - 20 X 3/4
25	F525457		5	SCREW
26	FA525116		1	SNOUT
27	FK1062		1	GEAR HOUSING SEAL KIT. INCLUDES ALL ITEMS MARKED WITH A DOUBLE ASTERISK (**)
28	FA521023		1	BEVEL GEAR W/BEARING
29	F901728		1	PIN CLUTCH SHIFT
30	F536098		1	PROPELLER SHAFT
31	F317717		1	WASHER, BEVEL GEAR THRUST
32	F525662		1	BEVEL GEAR - REAR
33	F525305		1	SEAL, PROP SHAFT
34	FA525298		1	PROP SHAFT CAGE W/PROP SHAFT THRUST BEARING, PROP SHAFT BEARING, AND ILLUS. 35
35	F521307		1	PROP SHAFT SEAL
36	F521305		1	SEAL, PROP SHAFT BEARING CAGE

CONTINUED ON NEXT PAGE ➡

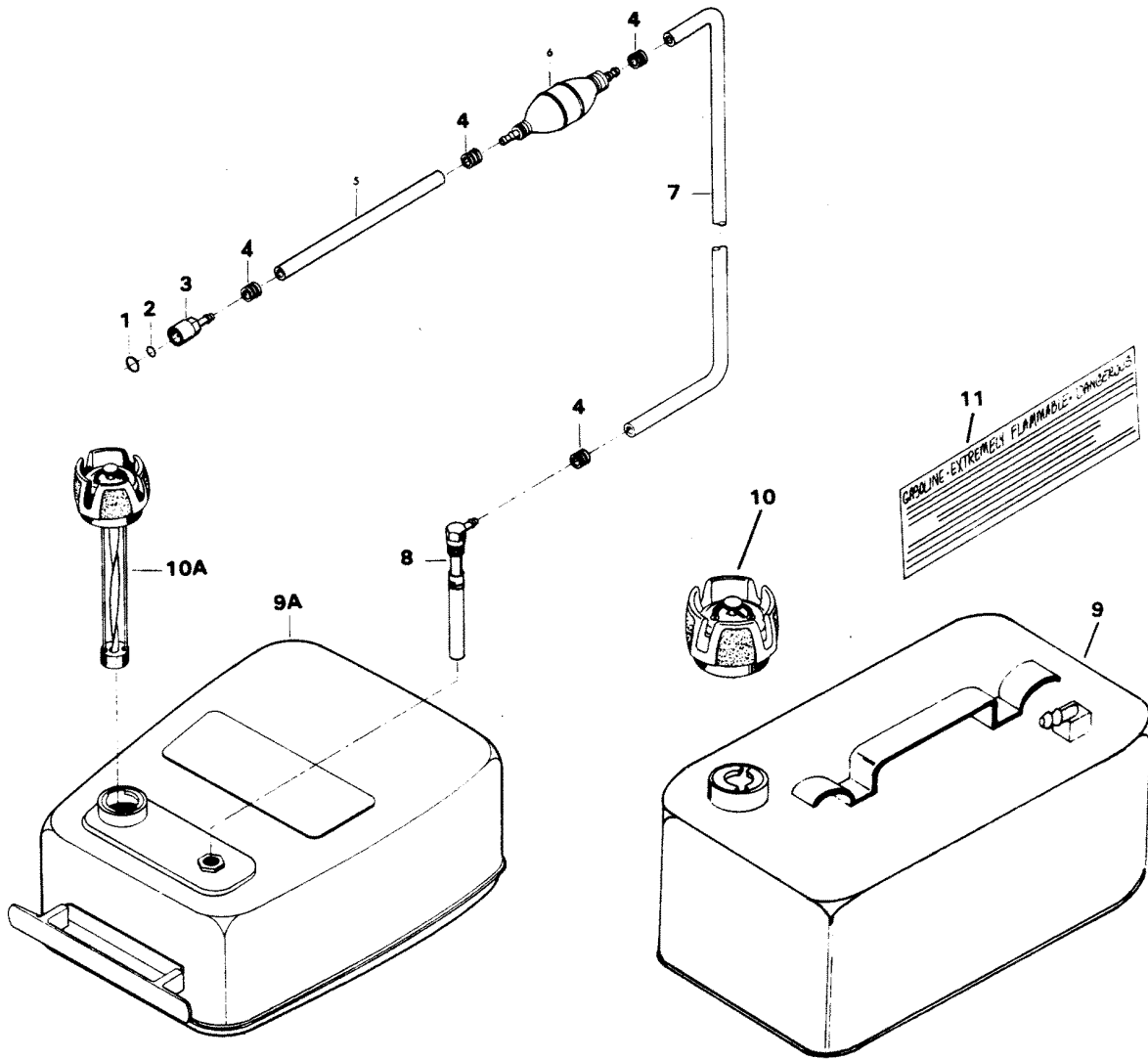
GEAR HOUSING



GEAR HOUSING

REF. NO.	PART NO.	SYM.	QTY.	DESCRIPTION
37	F521296		1	RETAINER, PROP SHAFT BEARING CAGE
38	FA324101		1	PROPELLER PIN (3 PINS) W/ILLUS. 39
39	F1846		1	COTTER PIN
40	11-817752A1		1	PROPELLER NUT W/ILLUS. 39 ORIGINAL FORCE P/N A286094-1
41	FP477		1	PROPELLER
42	F409719		1	CLUTCH SPRING
43	F318372		1	CLUTCH PIN GUIDE
44	F409521		1	CLUTCH SHIFT
45	F521266		1	GEAR, BEVEL PINION
46	F525128		1	DRIVESHAFT (72H1D, 72B1D)
-	F526128		1	DRIVESHAFT (77H1C, 77B1C)
47	F430732		4	MOTOR LEG EXTENSION TO GEAR HOUSING SCREWS
48	FK1067		1	WATER PUMP KIT
-	F390563		1	PIN, WATER PUMP IMPELLER
-	F525065-1		1	IMPELLER, WATER PUMP
-	F525562		1	PLATE, WATER PUMP
-	FA525060		1	BODY, WATER PUMP

FUEL TANK AND LINE



FUEL TANK AND LINE

REF. NO.	PART NO.	SYM.	QTY.	DESCRIPTION
1	F213342		1	SEAL, FUEL LINE COUPLER
2	F213735		1	SEAL, FUEL LINE COUPLER
3	F197787-3		1	FUEL LINE COUPLER
4	F298788		4	FERRULE
5	FA84754-1		1	FUEL LINE SHORT W/ILLUS. 4
6	89396A38		1	PRIME BULB
7	32-817738A1		1	FUEL LINE, LONG W/CLAMP AND ILLUS. 4
8	F487755		1	FUEL TANK ADAPTER (CANADA)
9	F5H163		1	FUEL TANK (ACCESSORY ITEM) U.S.A.
9A	F5H207		1	FUEL TANK (ACCESSORY ITEM) CANADA
10	F538251		1	CAP, FUEL TANK (U.S.A.)
10A	F409251-1		1	GAUGE CAP (CANADA)
11	F567398		1	DECAL FUEL TANK U.S.A.
-	FS409752		1	FUEL LINE - COMPLETE (NOT SHOWN). INCLUDES ALL ITEMS MARKED WITH AN ASTERISK (*)
-	FC409398		1	DECAL, TOTE TANK - CANADA (NOT SHOWN)

SPECIAL TOOLS - TUNE-UP

REF. NO.	PART NO.	SYM.	QTY.	DESCRIPTION
-	FT2909		0	KNOCK-OFF NUT TO REMOVE FLYWHEEL
-	FT2989		0	FLYWHEEL WEDGE TO REMOVE FLYWHEEL

SPECIAL TOOLS - STARTER

REF. NO.	PART NO.	SYM.	QTY.	DESCRIPTION
-	FT3139-1		0	STARTER REWIND KEY TO REWIND STARTER SPRING

SPECIAL TOOLS - POWER HEAD

REF. NO.	PART NO.	SYM.	QTY.	DESCRIPTION
-	FT3012		0	SEAL INSTALLER TO INSTALL UPPER CRANKSHAFT BEARING CAGE SEAL
-	FT8929		0	ADAPTER AND HEX BIT TO TORQUE CONNECTING ROD SCREWS
-	FT2997		0	RING COMPRESSOR TO INSTALL PISTONS IN CYLINDERS
-	FT1749		0	SNAP RING PLIERS TO REMOVE AND INSTALL PISTON PIN RETAINING RINGS
-	FT8926		0	PISTON RING EXPANDER TO INSTALL RINGS ON PISTONS
-	FT11202		0	SEAL INSTALLER TO INSTALL LOWER CRANKSHAFT SEAL
-	FT8919		0	PIN PUNCH TO REMOVE AND INSTALL PISTON PIN
-	FT2998		0	TORQUE WRENCH (0-100 LBS./FT.) TO PROPERLY TIGHTEN FASTENERS
-	FT2999		0	TORQUE WRENCH (0-600 LBS./IN.) TO PROPERLY TIGHTEN FASTENERS ORIGINAL FORCE P/N T 2899
-	FT2991		0	CARBON BRUSH TO REMOVE CARBON FROM INSIDE POWERHEAD
-	FT8900		0	HOSE CLAMP PLIERS TO REMOVE AND INSTALL FUEL HOSE CLAMPS

SPECIAL TOOLS - LOWER UNIT

REF. NO.	PART NO.	SYM.	QTY.	DESCRIPTION
-	FT2915		0	SEAL INSTALLER TO INSTALL DRIVESHAFT SEAL - UPPER AND LOWER AND PROPELLER SHAFT SEAL
-	FT8957		0	SEAL INSTALLER TO INSTALL SHIFT ROD SEAL
-	FT8948-1		0	BEARING CAGE PULLER TO REMOVE PROPELLER SHAFT BEARING CAGE

SPECIAL TOOLS - TEST EQUIPMENT

REF. NO.	PART NO.	SYM.	QTY.	DESCRIPTION
-	FT8950		0	LEAKAGE TESTER TO TEST LOWER UNIT SEALS FOR LEAKS
-	FT8996		0	IGNITION TESTER TO TEST TRIGGER OUTPUT
-	FT8953		0	C-D TESTER TO TEST STATOR OUTPUT AND SECONDARY VOLTAGE
-	FT11201		0	HARNESS ADAPTER TO TEST IGNITION SYSTEM, USE WITH T 8953 AND T 8996

SPECIAL TOOLS - LUBRICANTS AND SEALANTS

REF. NO.	PART NO.	SYM.	QTY.	DESCRIPTION
-	FT2961		0	LUBRICANT - RYKON #2EP
-	FT2987-1		0	LUBRICANT - ANTI-SEIZE
-	FT8969		0	LUBRICANT - 7 OZ. L PSI LUBRICANT
-	FT8983		0	SEALANT - 3 OZ RTV SEALANT
-	FT8936		0	SEALANT - 2 CC LOCTITE RETAINING COMPOUND #75
-	FT2962-1		0	SEALANT - 50 CC LOCTITE H, NON-HARDENING GRADE
-	FT2963-1		0	SEALANT - 2 OZ. LOCTITE D, HARDENING GRADE
-	FT8935		0	SEALANT PRIMER - 6 OZ.

ACCESSORIES

REF. NO.	PART NO.	SYM.	QTY.	DESCRIPTION
-	F5H104		0	LIGHTING COIL PROVIDES 12 VOLT, 60 WATT OUTPUT FOR OUTBOARD RUNNING LIGHTS.
-	F5H105		0	BATTERY CHARGING SYSTEM USED IN CONJUNCTION WITH 5H104 LIGHTING COIL KIT.
-	F5H113		0	REMOTE CONTROL KIT PERMITS REMOTE CONTROL OF THROTTLE, GEAR SHIFT AND STEERING FROM FRONT OF BOAT.
-	F5H165		0	LEG EXTENSION KIT (5") CONVERTS 15" MODEL TO 20" MODEL
-	F5H114		0	REMOTE STEERING BRACKET ADAPTS MOTOR TO CABLE TYPE REMOTE STEERING.
-	F5H027		0	STEEL 6 GALLON FUEL TANK AUXILIARY TANK.
-	F5H029		0	FUEL TANK ANCHOR RETAINS TOTE TANK ON BOAT FLOOR.
-	F5H040		0	STEEL 12 GALLON FUEL TANK AUXILIARY TANK.
-	F5H163		0	STEEL 3-1/4 GALLON FUEL TANK AUXILIARY TANK.
-	F5H134		0	BOAT WHITE LACQUER ENGINE TOUCH-UP PAINT IN 12 3/4 OZ. SPRAY BOMBS (6 CANS PER CASE).
-	F5H130		0	REMOTE CONTROL BOX SINGLE LEVER SURFACE MOUNT - STARBOARD.
-	F866		0	REMOTE CONTROL BOX TWO LEVER SURFACE MOUNT - SEPARATE THROTTLE AND GEAR SHIFT LEVERS.
-	F5H131		0	REMOTE CONTROL DECAL KIT DECAL FOR PORT SIDE MOUNTING OF 5H130 CONTROL BOX.
-	F195/___		0	REMOTE CONTROL CABLES CONNECTS REMOTE CONTROL BOX TO THROTTLE AND GEAR SHIFT ON MOTOR. AVAILABLE IN 6 THRU 40 FOOT LENGTHS.
-	F165		0	REMOTE STEERING CONNECTOR HAS BUILT-IN PULLEYS
-	F596		0	CHRYSLER OUTBOARD OIL SEE BLOCK COMMENT 1.
-	F597		0	CHRYSLER OUTBOARD GEAR LUBE SEE BLOCK COMMENT 2.
-	F5H059		0	CHRYSLER OUTBOARD MULTI-PURPOSE GREASE LUBRICATES BEARINGS AND OTHER MOVING PARTS. AVAILABLE IN 8 OZ. TUBES AND 12 TUBE CASES.
-	F5H060		0	CHRYSLER OUTBOARD GREASE GUN

PARTS INDEX

Part Number	Description	Pg.	Ref. No.	Part Number	Description	Pg.	Ref. No.
2C609712	ENGINE COVER COMPLETE.	3	-	F1341	NUT, 1/4 - 20	23	35
525388	DISC, WATER PUMP LOCATING	27	11	F1341	NUT, 1/4 - 20	27	2
817747--1	JOINT, BALL ASSEMBLY	9	1	F141118	SEAL, CRANKSHAFT LOWER	19	23
817761A2	SCREW CLAMP	25	55	F1467	SCREW SWIVEL BRACKET	25	49
817856A1	SPOOL STARTER	13	26	F1471	HEX SET SCREW, 10 - 24 X 1/4	9	19
817858A1	RETAINER ENGINE COVER	3	3	F1475	FILL HD SCREW, 10 - 24 X 1/2	3	2
89396A38	PRIME BULB	31	6	F1490	NUT, 1/4 - 20	15	19
C341227	SPARK PLUG (QL-86) CANADA ONLY	19	-	F1500	RD HD SHEET METAL SCREW #4 X 1/4	13	24
F10058	FUEL BOWL	15	12	F1513	NUT, 10 - 32	9	2
F10061	CHOKE SHAFT ASSEMBLY	15	35	F1515	NUT, 5/16 - 18	3	13
F10062	CHOKE VALVE ASSEMBLY	17	39	F1532	HEX CAP SCREW, 1/4 - 20 X 1	23	6
F10063	FLOAT	15	15	F1532	HEX HD SCREW, 1/4 - 20 X 1	15	22
F10064	SHAFT - FLOAT	15	14	F1532	SCREW, 1/4 - 20 X 1	19	29
F10066	GASKET VALVE SEAT	15	17	F1573	FILL HD SCREW, 1/4 - 20 X 1/2	5	41
F10068	GASKET BODY TO BOWL	15	13	F165	REMOTE STEERING CONNECTOR	38	-
F10069	GASKET KIT.	15	9	F1666	WAVE WASHER	23	30
F10070	SCREW ASSEMBLY - CHOKE VALVE	17	40	F1689	HEX HD SCREW, 1/4 - 20 X 1/2	3	35
F10071	SCREW, THROTTLE VALVE	15	21	F1699	HEX HD SCREW, 1/4 - 20 X 1 1/8	9	10
F10072	SPRING CHOKE STOP	17	36	F1705	HEX CAP SCREW, 1/4 - 20 X 3/4	27	24
F10073	SPRING IDLE NEEDLE	17	37	F1734	SLOTTED FILL HD SCREW, 1/4 - 20 X 1/2	3	12
F10077	NEEDLE - IDLE	17	38	F1755	RD HD SCREW & SPRING LOCKWASHER	15	2
F10081	SHAFT ASSEMBLY - THROTTLE	15	31	F1760	PAN HD SCREW, 10 - 24 X 3/8	13	5
F10083	REPAIR KIT.	15	8	F1772	HEX HD SCREW, 8 - 32 X 1/2	15	24
F10084	FLOAT SUPPORT SPRING	15	15A	F178446	CLAMP LEAD WIRE	3	11
F10085	SPRING THROTTLE RETURN	15	32	F1794	SPRING PIN, 3/32 X 3/8	23	39
F10088	NOZZLE	15	18	F1805	SPRING PIN, 1/4 X 1-3/8	23	11
F10089	JET ASSEMBLY, STD. .041 SEA LEVEL - 3000 FT.	15	10	F1806	GROOVE PIN, 5/16 - 3 3/4	25	45
F10090	GASKET FUEL BOWL RETAINER	15	11	F1809	FLYWHEEL NUT	7	20
F10091	VALVE THROTTLE	15	20	F18160-2	REED FUEL PUMP	17	50
F10093	JET ASSEMBLY, OPT. .038 7000 FT. & UP	15	-	F1846	COTTER PIN	29	39
F10096	JET ASSEMBLY, OPT. .039 5100 - 7000 FT.	15	-	F1877	TY-RAP	7	6
F10097	JET ASSEMBLY, OPT. .040 3000 - 5000 FT.	15	-	F18906	GASKET CARBURETOR	15	29
F10101	KIT - VALVE, SEAT, SPRING & GASKET	15	16	F18906	GASKET, CARBURETOR	21	-
F1044	SCREW, 1/4 - 20 X 1 3/8	19	32	F1891	HEX HD SCREW, 1/4 - 20 X 1 1/2	27	8
F1052	FILL HD SCREW, 1/4 - 20 X 1	13	12	F19109	PLUG	27	22
F1069	FILL HD SCREW, 10 - 24 X 1 1/16	17	46	F195/_	REMOTE CONTROL CABLES	38	-
F1087	FILL HD SCREW, 10 - 24 X 7/8	7	17	F1950	HEX HD SCREW, 10 - 24 X 5/8	3	10
F1087	SLOTTED FILL HD SCREW, 10 - 24 X 7/8 (77H1C, 77B1C ONLY)	7	11	F1972	HEX HD SCREW, 1/4 - 20 X 2 1/2	23	14
F1107	SCREW, 1/4 - 20 X 3/4	19	33	F1974	SCREW, STEERING HANDLE BEARING	9	34
F1110	SCREW, 1/4 - 20 X 5/8	19	10	F1975	LOCKWASHER, #10	3	26
F1111	FILL HD SCREW, 1/4 - 20 X 7/8	19	38	F1975	SPRING WASHER	7	14
F1257	SCREW, 5/16 - 18 X 1 1/4	19	30	F197767-1	BUSHING FUEL LINE	3	21
F1286	PAN HD SCREW, #4 - 40 X 3/16	17	48				

PARTS INDEX

Part Number	Description	Pg.	Ref. No.	Part Number	Description	Pg.	Ref. No.
F197787-3	FUEL LINE COUPLER	31	3	F286894-3	INDICATOR STEERING HANDLE - USA	11	41
F197813	BEARING	25	44	F298788	FERRULE	31	4
F197813	BEARING STARTER BRACKET LOWER	13	18	F2A24757	PLATE FUEL PUMP REED	17	51
F1990	HEX HD SCREW, 1/4 - 20 X 1 5/8	27	23	F2A521016	CONNECTING ROD	19	16
F1994	SCREW, 5/16 - 18 X 1	19	31	F2A525010	CYLINDER	19	6
F2008	HEX HD SCREW, 1/4 - 20 X 7/8	27	10	F2A525018	CRANKSHAFT W/ILLUS. 43	19	25
F2010	FILL HD SCREW, 10 - 32 X 9/16	7	15	F2A525158	PLATE REED	15	5
F2014	PLAIN WASHER	23	33	F307818	BEARING (NYLINER)	3	15
F2031	HEX HD SCREW, 1/4 - 20 X 3/4	13	8	F307818	BEARING, STEERING HANDLE SHAFT	9	36
F2041	HEX HD SCREW, 10 - 24 X 3/8	3	27	F31160-1	REED	15	4
F2042	WASHER	13	21	F317717	WASHER, BEVEL GEAR THRUST	27	31
F2042	WASHER	15	34	F318307	SEAL	27	7
F2106	LOCKWASHER	7	2	F318307	SEAL, DRIVESHAFT	5	36
F213274	FITTING GREASE	25	48	F318342	SEAL, WATERLINE INLET UPPER	23	1
F213342	SEAL, FUEL LINE COUPLER	31	1	F318347-1	UPPER MOUNT	9	18
F213735	SEAL, FUEL LINE COUPLER	31	2	F318372	CLUTCH PIN GUIDE	29	43
F215795	SEAL O-RING STEERING HANDLE DAMPENER	9	31	F318504	GROMMET	9	20
F24074	FOOT CLAMP SCREW	23	20	F318539	BUMPER	9	17
F24748-2	GASKET FUEL PUMP	17	47	F318818	BEARING, SHIFT LEVER SHAFT	5	40
F250017	PISTON PIN	19	14	F338618-1	SEAL, GEAR SHIFT ROD LOWER	27	6
F250410	PISTON PIN RETAINING RING	19	13	F343014	BEARING, CRANKSHAFT LOWER MAIN	19	24
F269689	BEARING STARTER BRACKET UPPER	13	10	F346146	SEAL, CRANKSHAFT UPPER	19	37
F2706772	CLAMP HOSE	17	41	F36634	CONNECTING ROD SCREW	19	22
F2788004	STUD CARBURETOR	15	28	F390563		27	13
F286011	WASHER SWIVEL BRACKET	25	50	F390563	PIN, WATER PUMP IMPELLER	29	-
F286028	BEARING, CRANKSHAFT UPPER	21	43	F390689	BEARING, STEERING ARM PIVOT SCREW	9	27
F286037	BOLT STERN BRACKET	23	28	F392777	CAM COVER LATCH	3	14
F286114	HANDLE LOCK BAR	23	17	F40425	PIN STARTER PINION	13	25
F286132	HANDLE STARTER ROPE	13	22	F404908	WIRE, STATOR GROUND	7	7
F286169	BEARING SWIVEL BRACKET	23	10	F409232	ROPE STARTER	13	23
F286277	GASKET, CRANKSHAFT BEARING CAGE	19	35	F409251-1	GAUGE CAP (CANADA)	31	10A
F286277	GASKET, CRANKSHAFT BEARING CAGE	21	-	F409521	CLUTCH SHIFT	29	44
F286286-1	WASHER	25	54	F409719	CLUTCH SPRING	29	42
F286300	SPRING REVERSE LOCK	25	47	F409740	BALL CHECK	3	31
F286349	LOCK REVERSE	23	37	F424075	HANDLE CLAMP SCREW	23	23
F286364	LEVER REVERSE LOCK	23	40	F429137	GRIP, STEERING HANDLE W/SLEEVE	11	42
F286422-1	PIVOT TILT LOCK	23	9	F429541	LOCK TILT	23	31
F286433	BRACKET SHALLOW WATER DRIVE	25	46	F429811	SCREEN, CYLINDER DRAIN	19	8
F286451	SPACER TILT LOCK	23	8	F430732	MOTOR LEG EXTENSION TO GEAR HOUSING SCREWS	29	47
F286461	SPRING LOCK BAR HANDLE	23	16	F436449	SHORTING SWITCH	7	5
F286544-1	SPRING TILT LOCK	23	32	F448874	SPLICE (77H1C, 77B1C ONLY)	7	10
F286571	ROLLER ASSEMBLY, CENTER MAIN BEARING	19	19	F458498	MAGNETO KEY	21	41
F286585-1	DECAL, TILT RELEASE - USA	25	43	F458519	SCREW, IDLE STOP	9	29
F286647	HANDLE CARRYING	23	26	F459721-1	CLUTCH SHIFT CAM	27	17
				F468342	SEAL, CRANKSHAFT SPLINE	19	39
				F474342	SEAL, WATER PUMP GEAR SHIFT ROD	27	14

PARTS INDEX

Part Number	Description	Pg.	Ref. No.	Part Number	Description	Pg.	Ref. No.
F50109	PLUG, GEAR HOUSING	27	19	F525453	GASKET, LEG MOUNTING . .	21	-
F521266	GEAR, BEVEL PINION	29	45	F525455	GUIDE STARTER ROPE . . .	13	6
F521296	RETAINER, PROP SHAFT BEARING CAGE	29	37	F525457	SCREW	13	1
F521305	SEAL, PROP SHAFT BEARING CAGE	27	36	F525457	SCREW	27	25
F521307	PROP SHAFT SEAL	27	35	F525469	HANDLE LATCH	3	17
F521547	CHOKE KNOB	3	23	F525472	GASKET, CYLINDER DRAIN COVER	19	7
F521843	CABLE LIGHTING COIL EXT, (77H1C, 77B1C ONLY) . . .	7	9	F525472	GASKET, CYLINDER DRAIN COVER	21	-
F525015	PISTON	19	15	F525475	C-D MODULE COIL	7	1
F525019	KINGPIN	23	19	F525504	GROMMET, CHOKE ROD . .	3	25
F525025	PAD SHIFT DETENT	3	32	F525518	CYLINDER HEAD	19	4
F525029	STATOR - TRIGGER	7	13	F525524	RIVET, STEERING HANDLE	9	30
F525064	SCREW - C-D COIL	7	4	F525529	GASKET, CYLINDER HEAD .	19	5
F525065-1	IMPELLER	27	15	F525529	GASKET, CYLINDER HEAD .	21	-
F525065-1	IMPELLER, WATER PUMP .	29	-	F525555	SEAL, SHIFT ROD CAVITY .	27	18
F525079	HANDLE - STEERING	9	33	F525562	PLATE, WATER PUMP	29	-
F525080	SCREW, STEERING HANDLE PIVOT	9	35	F525562	PLATE, WATER PUMP BACK	27	16
F525081-1	LEVER THROTTLE	15	26	F525579	CRANKCASE SEAL	19	21
F525082	RING STATOR	19	34	F525582-1	STEERING ARM	9	16
F525095	STATOR ALTERNATOR (77H1C, 77B1C ONLY) . . .	7	12	F525605	GEAR, TOWERSHAFT	9	12
F525097	FLYWHEEL	7	18	F525614	HANDLE GEAR SHIFT	3	30
F525105	SHAFT INTERLOCK	13	11	F525615	ROD GEAR SHIFT UPPER . .	3	9
F525128	DRIVESHAFT (72H1D, 72B1D)	29	46	F525627	GEAR, TOWERSHAFT PINION	9	13
F525133	MOTOR LEG	23	5	F525629	COTTER PIN	13	13
F525151	PLATE EXHAUST	19	27	F525662	BEVEL GEAR - REAR	27	32
F525152	COVER EXHAUST	19	28	F525665	BEARING, GEAR PINION TOWERSHAFT	9	14
F525154	GASKET EXHAUST	19	26	F525674-1	GEAR STARTER PINION . . .	13	2
F525154	GASKET, EXHAUST	21	-	F525675	BRACKET STARTER LOWER	13	20
F525159	GASKET, REED PLATE	15	1	F525688-1	SHAFT, STEERING HANDLE	9	37
F525159	GASKET, REED PLATE	21	-	F525689	TOWERSHAFT BEARING . .	9	7
F525161	REED STOP	15	3	F525691	GEAR, STEERING ARM	9	25
F525168	GASKET MANIFOLD	15	6	F525705	ROD, GEAR SHIFT (STD. LEG)	27	1
F525168	GASKET, MANIFOLD	21	-	F525707	COVER, SHOCK MOUNT LOWER	23	13
F525193	LINK THROTTLE	15	27	F525737	RETAINER STARTER REWIND SPRING	13	16
F525198	THROTTLE STOP	11	39	F525751	SCREW	9	8
F525220	WASHER, STEERING HANDLE	9	28	F525763	SHAFT COVER LATCH	3	19
F525244	WATERLINE (STD. LEG) . . .	23	2	F525779	BAFFLE IDLE RELIEF	23	4
F525263	LINK STARTER INTERLOCK	3	34	F525781	INTERLOCK STARTER	13	7
F525279	GASKET, CYLINDER MOUNTING	19	40	F525815	GEAR, STEERING HANDLE .	9	24
F525279	GASKET, CYLINDER MOUNTING	21	-	F525816-1	BEARING, STEERING HANDLE GEAR	9	23
F525286	WASHER	23	41	F525838	TOWERSHAFT	9	11
F525301	STATOR - C-D	7	16	F525839	SCREW, STEERING FRICTION	25	51
F525305	SEAL, PROP SHAFT	27	33	F525840	GROMMET REMOTE THROTTLE CABLE	3	16
F525316-1	FOLLOWER THROTTLE CAM	15	23	F525845	EXTENSION MOTOR LEG . .	27	4
F525346	MOUNT LOWER SHOCK . . .	23	12	F525871	SHAFT GEAR SHIFT LEVER	3	33
F525390	DECAL STOP - USA	3	22	F525876	LEVER GEAR SHIFT	5	39
F525394	DECAL CHOKE - USA	3	24	F525877	SHAFT, MAGNETO CONTROL	9	15
F525424	SPRING STARTER PINION .	13	3	F525925	LINK CHOKE KNOB	3	28
F525427-1	BRACKET STARTER UPPER	13	9	F525977	LEVER SHIFT INTERLOCK .	5	42
F525445	LINK, MAGNETO STATOR CONTROL	9	3	F525984	SEAL, REED PLATE	15	7
F525453	GASKET LEG MOUNTING . .	23	3				

PARTS INDEX

Part Number	Description	Pg.	Ref. No.	Part Number	Description	Pg.	Ref. No.
F526128	DRIVESHAFT (77H1C, 77B1C)	29	-	F8083	SPRING LOCKWASHER ...	27	3
F526244	WATERLINE (LONG LEG) ..	23	-	F84026	SHOULDER SCREW	9	5
F526705	ROD, GEAR SHIFT (LONG LEG)	27	-	F84036	BEARING, SPARK CONTROL	9	6
F526845	EXTENSION MOTOR LEG (77H1C, 77B1C)	27	-	F84991-1	GROMMET (77H1C & 77B1C) LIGHTING COIL WIRE ...	3	-
F535006	STUD, GEAR HOUSING FRONT (77H1C, 7B1C) ...	27	-	F8537	SPRING PIN	23	21
F536098	PROPELLER SHAFT	27	30	F8538	SPRING PIN, 3/32 X 1/2	5	37
F536813	BEARING	25	52	F8538	SPRING PIN, 3/32 X 1/2	23	29
F53795-1	O-RING	13	4	F8540	SPRING PIN, 3/32 X 5/8	9	21
F53795-1	SEAL, STEERING HANDLE DAMPENER	9	32	F8540	SPRING PIN, 3/32 X 5/8	23	15
F538251	CAP, FUEL TANK (U.S.A.) ..	31	10	F8547	SPRING PIN, 1/8 X 5/8	3	18
F567398	DECAL FUEL TANK U.S.A. .	31	11	F8547	SPRING PIN, 1/8 X 5/8	5	38
F596	CHRYSLER OUTBOARD OIL	38	-	F8547	SPRING PIN, 1/8 X 5/8	11	40
F597	CHRYSLER OUTBOARD GEAR LUBE	38	-	F8548	SPRING PIN, 1/8 X 1	9	38
F5H027	STEEL 6 GALLON FUEL TANK	38	-	F8554	SPRING PIN, 3/16 X 3/4	23	24
F5H029	FUEL TANK ANCHOR	38	-	F8559	DOWEL PIN	19	11
F5H040	STEEL 12 GALLON FUEL TANK	38	-	F8567	SPRING PIN, 1/8 X 13/16 ...	3	29
F5H059	CHRYSLER OUTBOARD MULTI-PURPOSE GREASE	38	-	F8567	SPRING PIN, 1/8 X 13/16 ...	9	22
F5H060	CHRYSLER OUTBOARD GREASE GUN	38	-	F8571	SPRING PIN, 1/8 X 1 3/4 ...	13	19
F5H104	LIGHTING COIL	38	-	F866	REMOTE CONTROL BOX ..	38	-
F5H105	BATTERY CHARGING SYSTEM	38	-	F901456-1	COLLAR, EMERGENCY START	7	19
F5H113	REMOTE CONTROL KIT ...	38	-	F901710	POST STARTER SPRING GUIDE	13	15
F5H114	REMOTE STEERING BRACKET	38	-	F901728	PIN CLUTCH SHIFT	27	29
F5H130	REMOTE CONTROL BOX ..	38	-	F901739	DRIVE STARTER REWIND SPRING	13	14
F5H131	REMOTE CONTROL DECAL KIT	38	-	F901746-2	COVER FUEL PUMP	17	45
F5H134	BOAT WHITE LACQUER ...	38	-	F901811	FILTER FUEL PUMP	17	44
F5H163	FUEL TANK (ACCESSORY ITEM) U.S.A.	31	9	F901938-1	SCREW, CYLINDER HEAD .	19	1
F5H163	STEEL 3-1/4 GALLON FUEL TANK	38	-	F901970	SPRING STARTER REWIND	13	27
F5H165	LEG EXTENSION KIT (5") ..	38	-	F90807	RETAINING RING	15	33
F5H207	FUEL TANK (ACCESSORY ITEM) CANADA	31	9A	FA286113	BAR LOCK	23	18
F601006	STUD, GEAR HOUSING FRONT (72H1D, 77B1D) ..	27	5	FA286155	LINER, CENTER MAIN	19	20
F66480	STUD CLAMP SCREW	23	22	FA324101	PROPELLER PIN (3 PINS) ..	29	38
F7011	ELASTIC STOP NUT, 10 - 24	3	4	FA341510	LINK REVERSE LOCK LEVER	23	38
F7026	NUT, 3/8 - 16	23	34	FA387742	LEVER REVERSE LOCK INTERMEDIATE	25	53
F7027	NUT (LEFT HAND), 10 - 24	9	4	FA510914	SEAL, WATERLINE	27	9
F73741-1	RING	3	20	FA521023	BEVEL GEAR W/BEARING .	27	28
F8003	PLAIN WASHER	17	49	FA521841	CABLE LIGHTING COIL (77H1C, 77B1C ONLY) ...	7	8
F8025	PLAIN WASHER	19	2	FA525038	SUPPORT PLATE W/EYELET (72H1D AND 72B1D)	3	8
F8043	WAVE WASHER	9	26	FA525054	GEAR HOUSING	27	21
F8049	WASHER BOWED SPRING .	5	-	FA525060	BODY, WATER PUMP	29	-
F8060	LOCKWASHER	9	9	FA525060	WATER PUMP BODY	27	12
F8070	BOWED SPRING WASHER .	13	17	FA525116	SNOUT	27	26
F8077	WASHER	27	20	FA525167	MANIFOLD	15	25
F8083	LOCKWASHER	23	36	FA525228	ROLLER CRANKPIN (16 ROLLERS)	19	18
				FA525241	CRANKPIN ROLLER CAGE (ONE SET)	19	17
				FA525298	PROP SHAFT CAGE	27	34
				FA525471	COVER, CYLINDER DRAIN W/CHECK VALVE AND ILLUS. 8	19	9
				FA525774	BRACKET COVER LATCH ..	5	43

PARTS INDEX

Part Number	Description	Pg.	Ref. No.	Part Number	Description	Pg.	Ref. No.
FA609386	DECAL, NUMERAL 7.5	3	7	FT8935	SEALANT PRIMER - 6 OZ. . .	37	-
FA609396	DECAL ENGINE COVER STARBOARD	3	-	FT8936	SEALANT - 2 CC LOCTITE RETAINING COMPOUND #75	37	-
FA609397	DECAL ENGINE COVER PORT	3	6	FT8948-1	BEARING CAGE PULLER . .	35	-
FA609892	DECAL ENGINE COVER FRONT	5	44	FT8950	LEAKAGE TESTER	36	-
FA84253	HOSE	17	42	FT8953	C-D TESTER	36	-
FA84253	HOSE	17	43	FT8957	SEAL INSTALLER	35	-
FA84754-1	FUEL LINE SHORT	31	5	FT8969	LUBRICANT - 7 OZ. L PSI LUBRICANT	37	-
FC409398	DECAL, TOTE TANK - CANADA (NOT SHOWN) .	31	-	FT8983	SEALANT - 3 OZ RTV SEALANT	37	-
FC525010	CYLINDER COMPLETE (NOT SHOWN).	19	-	FT8996	IGNITION TESTER	36	-
FC525390	DECAL STOP - CANADA . . .	3	-	11-817752A1	PROPELLER NUT	29	40
FC525394	DECAL CHOKE - CANADA . .	3	-	27-818043A1	DIAPHRAGM, FUEL PUMP W/GASKETS	17	52
FC536054	GEAR HOUSING COMPLETE (NOT SHOWN).	27	-	32-817738A1	FUEL LINE, LONG W/CLAMP AND ILLUS. 4	31	7
FG1018	GASKET SET.	21	42	33-82370M	SPARK PLUG (L-86)	19	3
FK1062	GEAR HOUSING SEAL KIT. .	27	27	37-F286585-2	DECAL, TILT RELEASE - CANADA	25	-
FK1067	WATER PUMP KIT	29	48	37-F286894-3	INDICATOR STEERING HANDLE - CANADA	11	-
FK525713	ENGINE COVER PACKING . .	3	5	39-818038A1	PISTON RING (2 RINGS PER SET)	19	12
FK750-2	SPARKIE KIT	7	3	1100-817753A1	CAGE, CRANKSHAFT BEARING	19	36
FP477	PROPELLER	29	41	1300-817966A4	CARBURETOR	15	30
FS409752	FUEL LINE - COMPLETE (NOT SHOWN).	31	-	1400-817964A2	SWIVEL BRACKET	23	7
FS537712	ENGINE COVER W/PACKING, REAR RETAINER AND LATCH BRACKET	3	1				
FS567532	BRACKET STERN PORT, W/SCREW CLAMP	23	25				
FS567532	BRACKET STERN STARBOARD W/SCREW CLAMP	23	27				
FT11201	HARNESS ADAPTER	36	-				
FT11202	SEAL INSTALLER	34	-				
FT1749	SNAP RING PLIERS	34	-				
FT2909	KNOCK-OFF NUT	32	-				
FT2915	SEAL INSTALLER	35	-				
FT2961	LUBRICANT - RYKON #2EP	37	-				
FT2962-1	SEALANT - 50 CC LOCTITE H, NON-HARDENING GRADE	37	-				
FT2963-1	SEALANT - 2 OZ. LOCTITE D, HARDENING GRADE . .	37	-				
FT2987-1	LUBRICANT - ANTI-SEIZE . .	37	-				
FT2989	FLYWHEEL WEDGE	32	-				
FT2991	CARBON BRUSH	34	-				
FT2997	RING COMPRESSOR	34	-				
FT2998	TORQUE WRENCH (0-100 LBS./FT.)	34	-				
FT2999	TORQUE WRENCH (0-600 LBS./IN.)	34	-				
FT3012	SEAL INSTALLER	34	-				
FT3139-1	STARTER REWIND KEY . . .	33	-				
FT8900	HOSE CLAMP PLIERS	34	-				
FT8919	PIN PUNCH	34	-				
FT8926	PISTON RING EXPANDER . .	34	-				
FT8929	ADAPTER AND HEX BIT . . .	34	-				