



PARTS CATALOG

6 HP SPECIAL

SERIAL NUMBER

6 (1981)64BIG
6 (1981)64HIG

TABLE OF CONTENTS:

ACCESSORIES	36
ENGINE COVER AND SUPPORT PLATE	2
FUEL SYSTEM	12
FUEL TANK AND LINE	28
GEAR HOUSING	24
MAGNETO	6
MOTOR LEG	20
PARTS INDEX	37
POWER HEAD	16
SPECIAL TOOLS - LOWER UNIT	33
SPECIAL TOOLS - LUBRICANTS AND SEALANTS	35
SPECIAL TOOLS - POWER HEAD	32
SPECIAL TOOLS - STARTER	31
SPECIAL TOOLS - TEST EQUIPMENT	34
SPECIAL TOOLS - TUNE-UP	30
STARTER	10
STEERING ARM	8

NOTE: Indented description indicate that these parts are included in preceeding assembly.

AR = As Required

NSS = Not Sold Separate

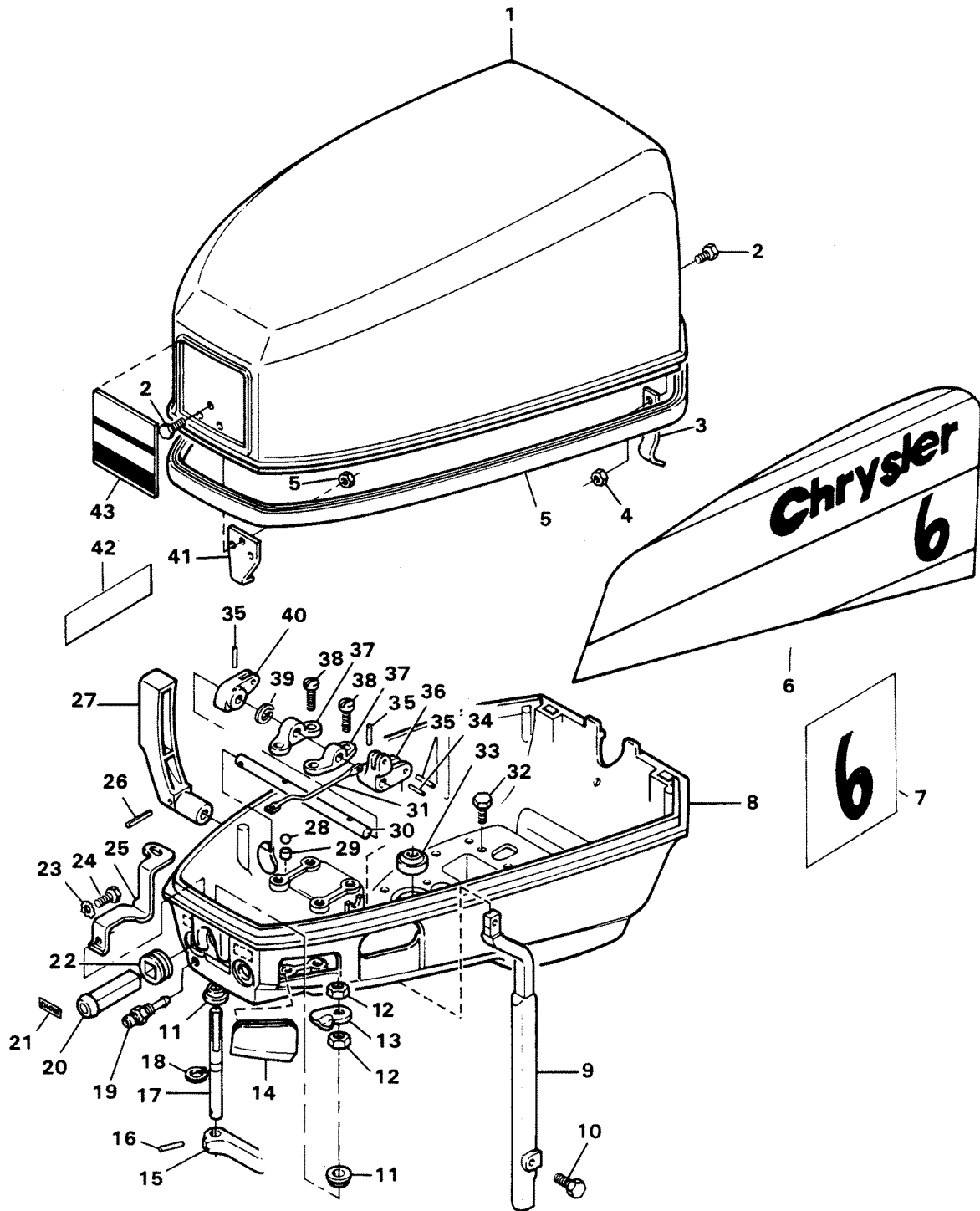
OPT = Optional

NS = Not Shown

THESE PARTS BOOKS/FICHE CARD ARE COPYRIGHTED AND MAY NOT BE DISTRIBUTED OR REPRODUCED IN ANY OTHER FORMAT BY ANYONE OTHER THAN MERCURY MARINE WITHOUT THE PRIOR WRITTEN CONSENT OF MERCURY MARINE.

THIS PAGE INTENTIONALLY LEFT BLANK

ENGINE COVER AND SUPPORT PLATE

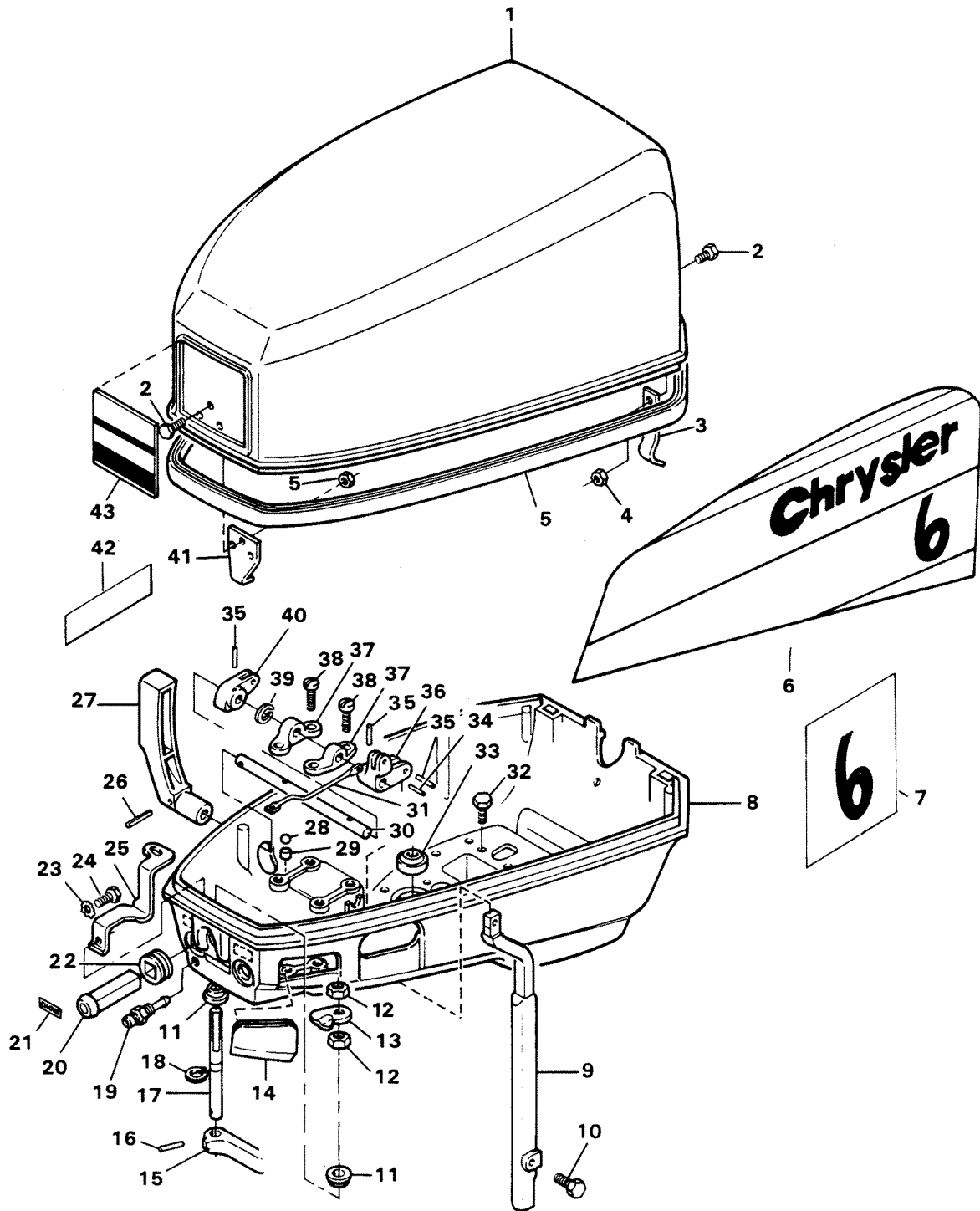


ENGINE COVER AND SUPPORT PLATE

REF. NO.	PART NO.	SYM.	QTY.	DESCRIPTION
1	FS537712		1	ENGINE COVER W/ILLUS. 2, 3, 4, 5 AND 41
-	2C609712		1	ENGINE COVER - COMPLETE. INCLUDES ALL ITEMS MARKED WITH AN ASTERISK (*). ORDER NUMERAL DECAL SEPARATE.
2	F1475		7	FILL HD SCREW, 10 - 24 X 1/2
3	817858A1		2	RETAINER ENGINE COVER W/ILLUS. 2 AND 4 ORIGINAL FORCE P/N A 525480-1
4	F7011		7	ELASTIC STOP NUT, 10 - 24
5	FK525713		1	ENGINE COVER PACKING W/LITERATURE
6	FA609396		1	DECAL ENGINE COVER - STARBOARD W/LITERATURE
-	FA609397		1	DECAL ENGINE COVER - PORT W/LITERATURE
7	FA608386		2	DECAL, NUMERAL W/LITERATURE
8	FA536038		1	SUPPORT PLATE W/EYELET
9	F525615		1	ROD GEAR SHIFT UPPER
10	F1950		1	HEX HD SCREW, 10 - 24 X 5/8
11	F307818		2	BEARING (NYLINER)
12	F1515		2	NUT, 5/16 - 18
13	F392777		1	CAM COVER LATCH
14	F525840		1	GROMMET
15	F525469		1	HANDLE LATCH
16	F8547		1	SPRING PIN, 1/8 X 5/8
17	F525763		1	SHAFT COVER LATCH
18	F73741-1		1	RING
19	F197767-1		1	BUSHING FUEL LINE
20	F521547		1	CHOKE KNOB
21	F525394		1	DECAL CHOKE
-	FC525394		1	DECAL CHOKE, CANADA
22	F525504		1	GROMMET, CHOKE ROD
23	F1975		1	LOCKWASHER, #10
24	F2041		1	HEX HD SCREW, 10 - 24 X 3/8
25	F525925		1	LINK CHOKE KNOB
26	F8567		1	SPRING PIN, 1/8 X 13/16
27	F525614		1	HANDLE GEAR SHIFT
28	F409740		1	BALL CHECK
29	F525025		1	PAD SHIFT DETENT
30	F525871		1	SHAFT GEAR SHIFT LEVER
31	F525263		1	LINK STATOR INTERLOCK
32	F1689		2	HEX HD SCREW, 1/4 - 20 X 1/2
33	F318307		1	SEAL, DRIVESHAFT
34	F8538		1	SPRING PIN, 3/32 X 1/2
35	F8547		3	SPRING PIN, 1/8 X 5/8
36	F525876		1	LEVER GEAR SHIFT
37	F318818		2	BEARING, SHIFT LEVER SHAFT

CONTINUED ON NEXT PAGE ➡

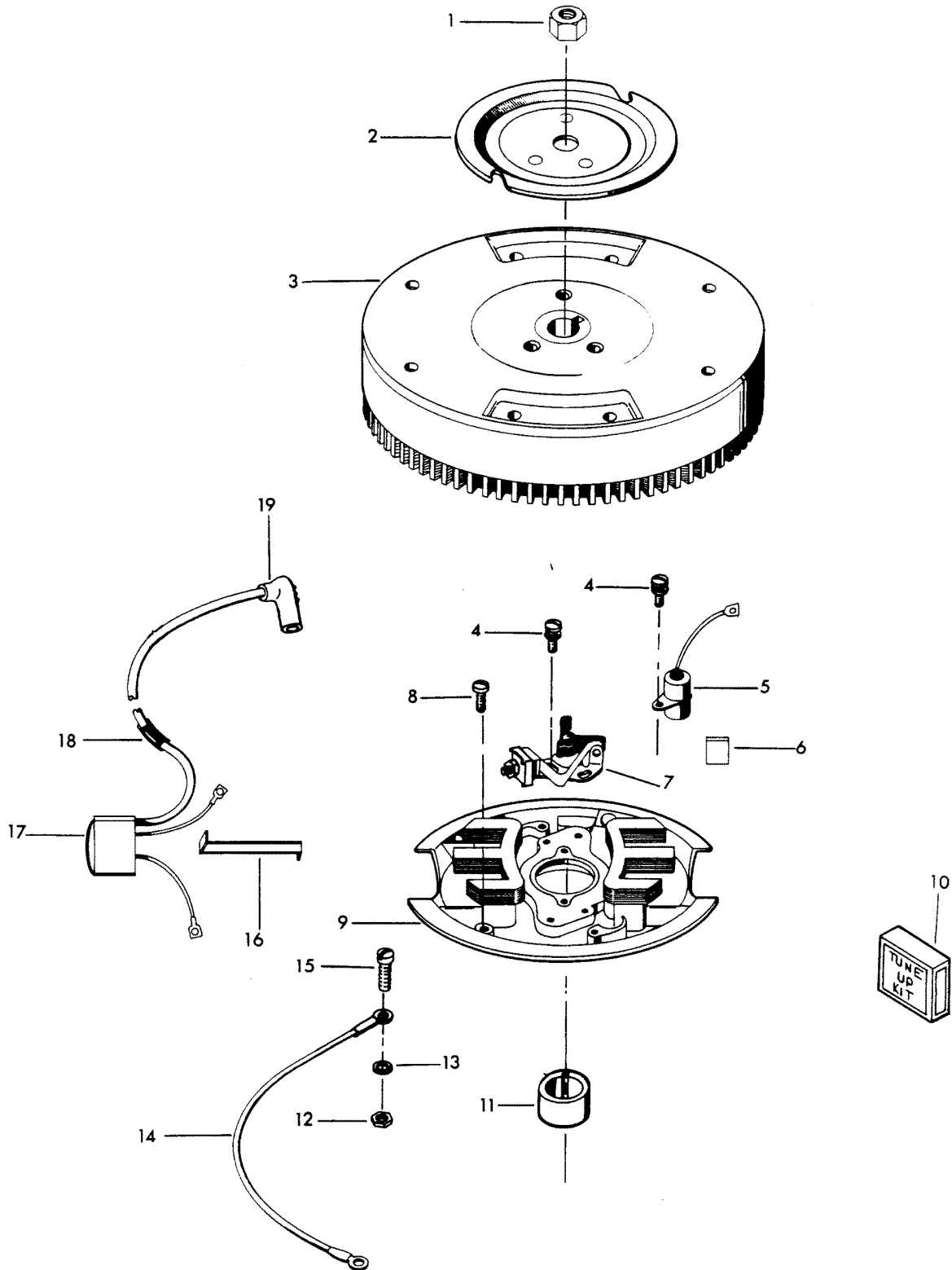
ENGINE COVER AND SUPPORT PLATE



ENGINE COVER AND SUPPORT PLATE

REF. NO.	PART NO.	SYM.	QTY.	DESCRIPTION
38	F1573		4	FILL HD SCREW, 1/4 - 20 X 1/2
39	F8049		1	BOWED SPRING WASHER
40	F525977		1	LEVER SHIFT INTERLOCK
41	FA525774		1	BRACKET COVER LATCH W/ILLUS. 2 AND 4
43	FA609892		1	INSERT PLATE FRONT W/LITERATURE

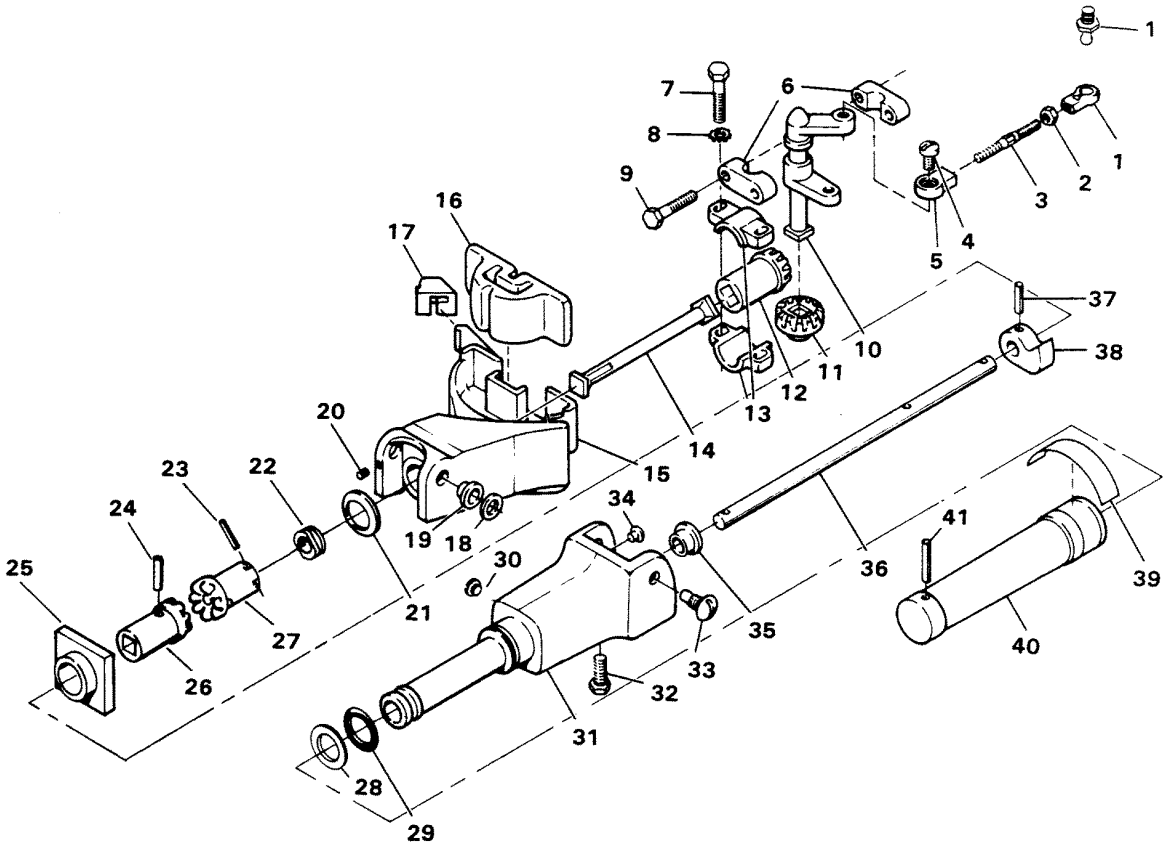
MAGNETO



MAGNETO

REF. NO.	PART NO.	SYM.	QTY.	DESCRIPTION
1	F1809		1	FLYWHEEL NUT
2	F901456-1		1	COLLAR, EMERGENCY START
3	F302097		1	FLYWHEEL
4	F12170		6	CONTACT AND CONDENSER MOUNTING SCREWS
5	F12181-1		2	CONDENSER
6	F12360		1	CAM WIPER FELT
7	F12153-1		2	BREAKER POINT SET
8	F2010		3	FILL HD SCREW W/LOCKWASHER, 10 - 32 X 9/16
9	F12371		1	STATOR PLATE W/LAMINATIONS
10	FK1066		1	TUNE UP KIT. INCLUDES ALL ITEMS MARKED WITH AN ASTERISK (*)
11	F217002		1	MAGNETO BREAKER CAM
12	F1513		1	HEX NUT
13	F1975		1	LOCKWASHER
14	F404908		1	GROUND WIRE
15	F1567		1	FILL HD SCREW, 10 - 32 X 1
16	F12146		2	WEDGE SPRING
17	FA12370		2	COIL W/LEAD WIRE AND WEDGE SPRING
18	F12141		1	MARKER HIGH TENSION LEAD WIRE
19	FK750-2		2	SPARKIE KIT

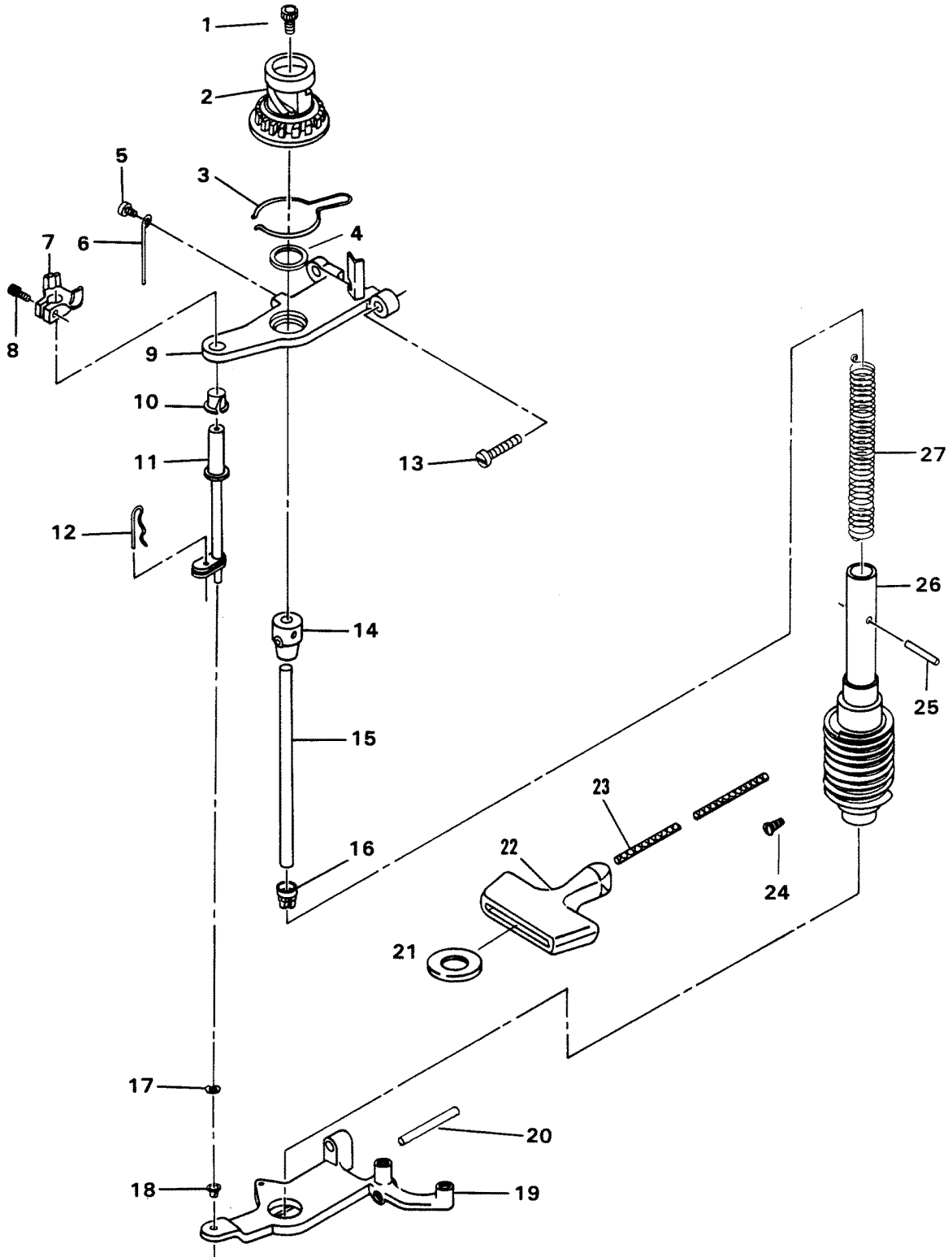
STEERING ARM



STEERING ARM

REF. NO.	PART NO.	SYM.	QTY.	DESCRIPTION
1	817747--1		1	JOINT, BALL ASSEMBLY
2	F1513		1	NUT, 10 - 32
3	F525445		1	LINK, MAGNETO STATOR CONTROL
4	F84026		1	SHOULDER SCREW
5	F84036		1	BEARING, SPARK CONTROL
6	F525689		2	TOWERSHAFT BEARING
7	F525751		2	SCREW
8	F8060		2	LOCKWASHER
9	F1699		2	HEX HD SCREW, 1/4 - 20 X 1 1/8
10	F525838		1	TOWERSHAFT
11	F525605		1	GEAR, TOWERSHAFT
12	F525627		1	GEAR, TOWERSHAFT PINION
13	F525665		2	BEARING, GEAR PINION TOWERSHAFT
14	F525877		1	SHAFT, MAGNETO CONTROL
15	F525582-1		1	STEERING ARM
16	F318347-1		1	UPPER MOUNT
17	F318539		1	BUMPER
18	F525220		2	WASHER, STEERING HANDLE
19	F390689		2	BEARING, STEERING ARM PIVOT SCREW
20	F1471		1	HEX SET SCREW, 10 - 24 X 1/4
21	F8043		1	WAVE WASHER
22	F318504		1	GROMMET STEERING HANDLE GEAR
23	F8540		1	SPRING PIN, 3/32 X 5/8
24	F8567		1	SPRING PIN, 1/8 X 13/16
25	F525816-1		1	BEARING, STEERING HANDLE GEAR
26	F525815		1	GEAR, STEERING HANDLE
27	F525691		1	GEAR, STEERING ARM
28	F215795		1	SEAL STEERING HANDLE DAMPENER
29	F53795-1		1	SEAL, STEERING HANDLE DAMPENER
30	F525524		1	RIVET STEERING HANDLE
31	F525079		1	HANDLE - STEERING
32	F1974		1	PAN HD. SCREW, 10 - 24 X 5/8
33	F525080		2	SCREW, STEERING HANDLE PIVOT
34	F525524		1	RIVET, STEERING HANDLE
35	F307818		1	BEARING, STEERING HANDLE SHAFT
36	F525688-1		1	SHAFT, STEERING HANDLE
37	F8547		1	SPRING PIN, 1/8 X 5/8
38	F525198		1	THROTTLE STOP
39	F324894		1	INDICATOR, STEERING HANDLE
-	FC324894		1	INDICATOR, STEERING HANDLE (CANADA)
40	F429137		1	GRIP, STEERING HANDLE W/SLEEVE
41	F8548		1	SPRING PIN, 1/8 X 1

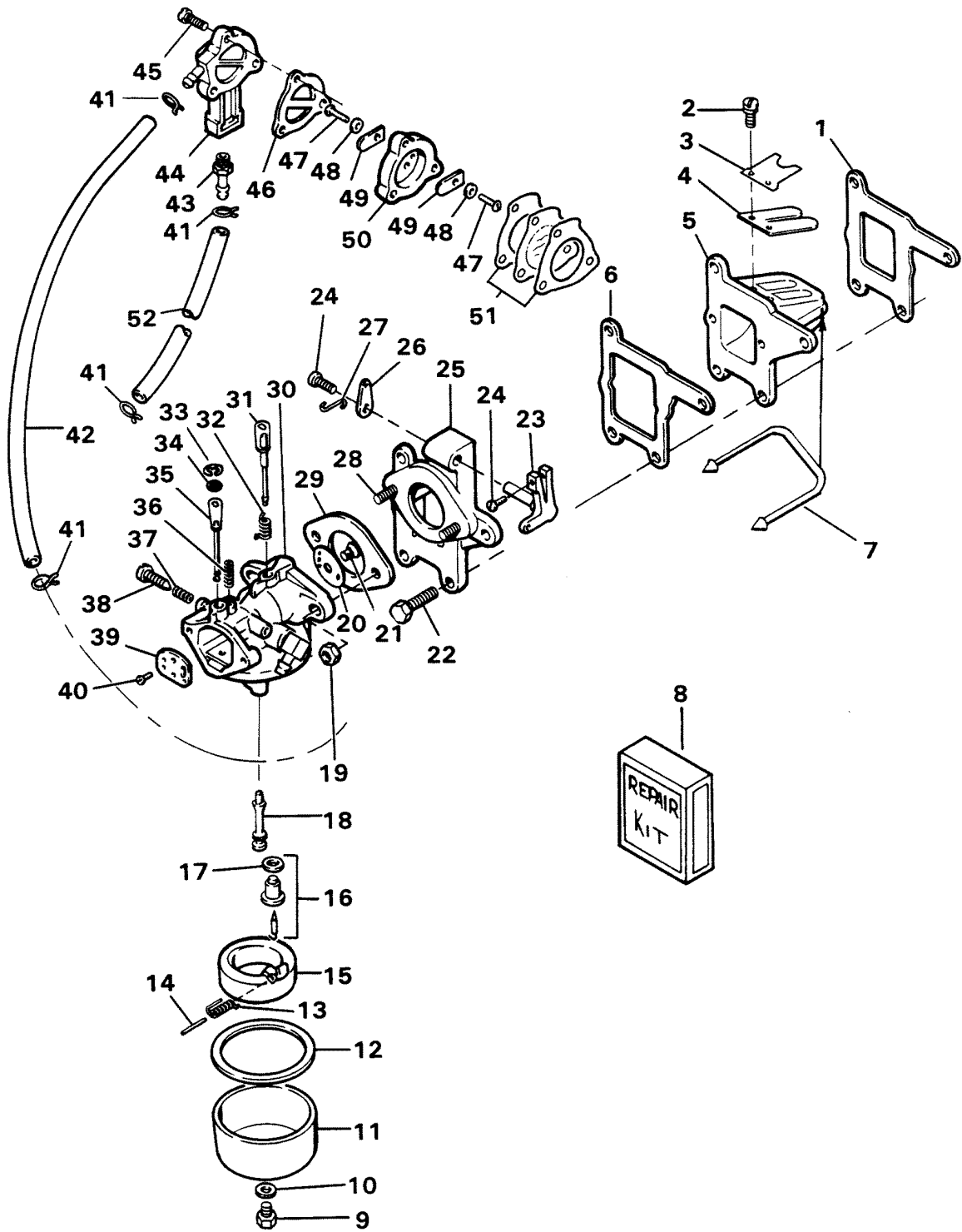
STARTER



STARTER

REF. NO.	PART NO.	SYM.	QTY.	DESCRIPTION
1	F525457		1	SCREW, STARTER SPRING DRIVE
2	F525674-1		1	GEAR STARTER PINION
3	F525424		1	SPRING STARTER PINION
4	F53795-1		1	SEAL
5	F1760		1	PAN HD SCREW, 10 - 24 X 3/8
6	F525455		1	GUIDE STARTER ROPE
7	F525781		1	INTERLOCK STARTER
8	F2031		1	HEX HD SCREW, 1/4 - 20 X 3/4
9	F525427-1		1	BRACKET STARTER UPPER
10	F269689		1	BEARING STARTER BRACKET UPPER
11	F525105		1	SHAFT INTERLOCK
12	F525629		1	COTTER PIN
13	F1052		4	FILL HD SCREW, 1/4 - 20 X 1
14	F901739		1	DRIVE STARTER REWIND SPRING
15	F901710		1	POST STARTER SPRING GUIDE
16	F525737		1	RETAINER STARTER REWIND SPRING
17	F8070		1	BOWED SPRING WASHER
18	F197813		1	BEARING STARTER BRACKET LOWER
19	F525675		1	BRACKET STARTER LOWER
20	F8571		1	SPRING PIN, 1/8 X 1 3/4
21	F2042		1	PLAIN WASHER
22	F286132		1	HANDLE STARTER ROPE
23	F409232		1	ROPE STARTER
24	F1500		1	ROUND HD SHEET METAL SCREW, #4 X 1/4
25	F40425		1	PIN STARTER PINION
26	817856A1		1	SPOOL STARTER W/ILLUS. 24 AND LITERATURE ORIGINAL FORCE P/N A 525239-1
27	F901970		1	SPRING STARTER REWIND

FUEL SYSTEM

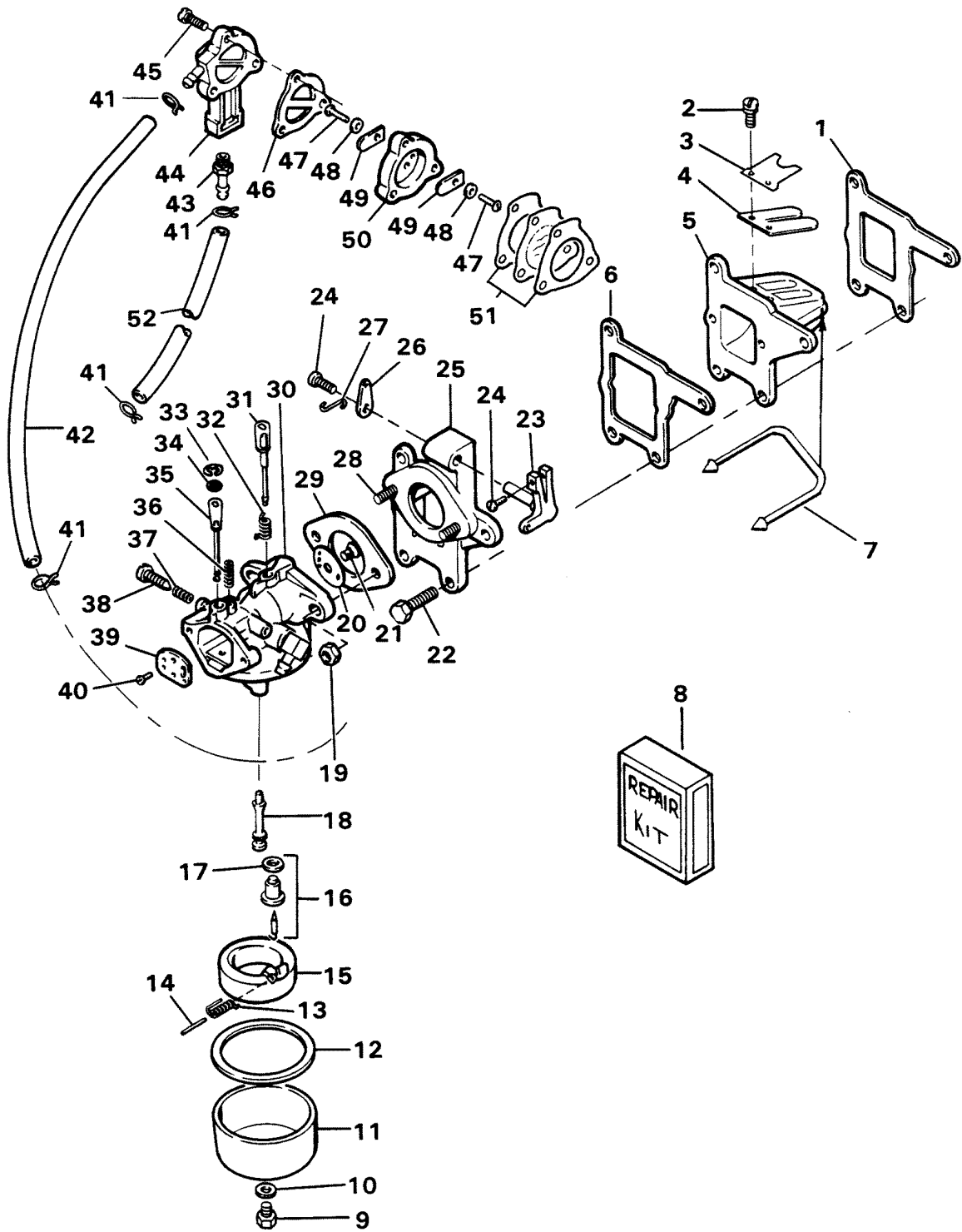


FUEL SYSTEM

REF. NO.	PART NO.	SYM.	QTY.	DESCRIPTION
1	F525159		1	GASKET, REED PLATE
2	F1755		4	RD HD SCREW & SPRING LOCKWASHER ASSEMBLY, 6 - 32 X 5/16
3	F525161		2	REED STOP
4	F31160-1		2	REED
5	F2A525158		1	PLATE REED W/ILLUS. 7
6	F525168		1	GASKET MANIFOLD
7	F525984		1	SEAL, REED PLATE
8	F10087		1	REPAIR KIT. INCLUDES ALL ITEMS MARKED WITH DOUBLE ASTERISKS (**)
-	F10069		1	GASKET KIT. INCLUDES ALL ITEMS MARKED WITH AN ASTERISK (*)
9	F10096		1	JET ASSEMBLY (.039) STANDARD (FOR OTHER THAN STANDARD)
-	F10093		-	JET ASSEMBLIES .038 SEA LEVEL - 3000 - 5000 FT (OPT.)
-	F10086		-	JET ASSEMBLIES .037 SEA LEVEL - 5000 - 7000 FT (OPT.)
-	F10094		-	JET ASSEMBLIES .036 SEA LEVEL - 7000 FT. AND UP (OPT.)
10	F10090		1	GASKET FUEL BOWL RETAINER
11	F10058		1	FUEL BOWL
12	F10068		1	GASKET BODY TO BOWL
13	F10084		1	FLOAT SUPPORT SPRING
14	F10064		1	SHAFT - FLOAT
15	F10063		1	FLOAT
16	F10101		1	KIT - VALVE, SEAT, SPRING & GASKET
17	F10066		1	GASKET VALVE SEAT
18	F10104		1	NOZZLE
19	F1490		2	NUT, 1/4 - 20
20	F10091		1	VALVE THROTTLE
21	F10071		1	SCREW, THROTTLE VALVE
22	F1532		4	HEX HD SCREW, 1/4 - 20 X 1
23	F525316-1		1	FOLLOWER THROTTLE CAM
24	F1772		2	HEX HD SCREW, 8 - 32 X 1/2
25	FA525167		1	MANIFOLD W/ILLUS. 28
26	F525081-1		1	LEVER THROTTLE
27	F525193		1	LINK THROTTLE
28	F2788004		2	STUD CARBURETOR
29	F18906		1	GASKET CARBURETOR
30	1300-817963A4		1	CARBURETOR W/ILLUS. 33 AND LITERATURE ORIGINAL FORCE P/N K 525061-4
31	F10081		1	SHAFT ASSEMBLY - THROTTLE
32	F10085		1	SPRING THROTTLE RETURN
33	F90807		1	RETAINING RING

CONTINUED ON NEXT PAGE ➡

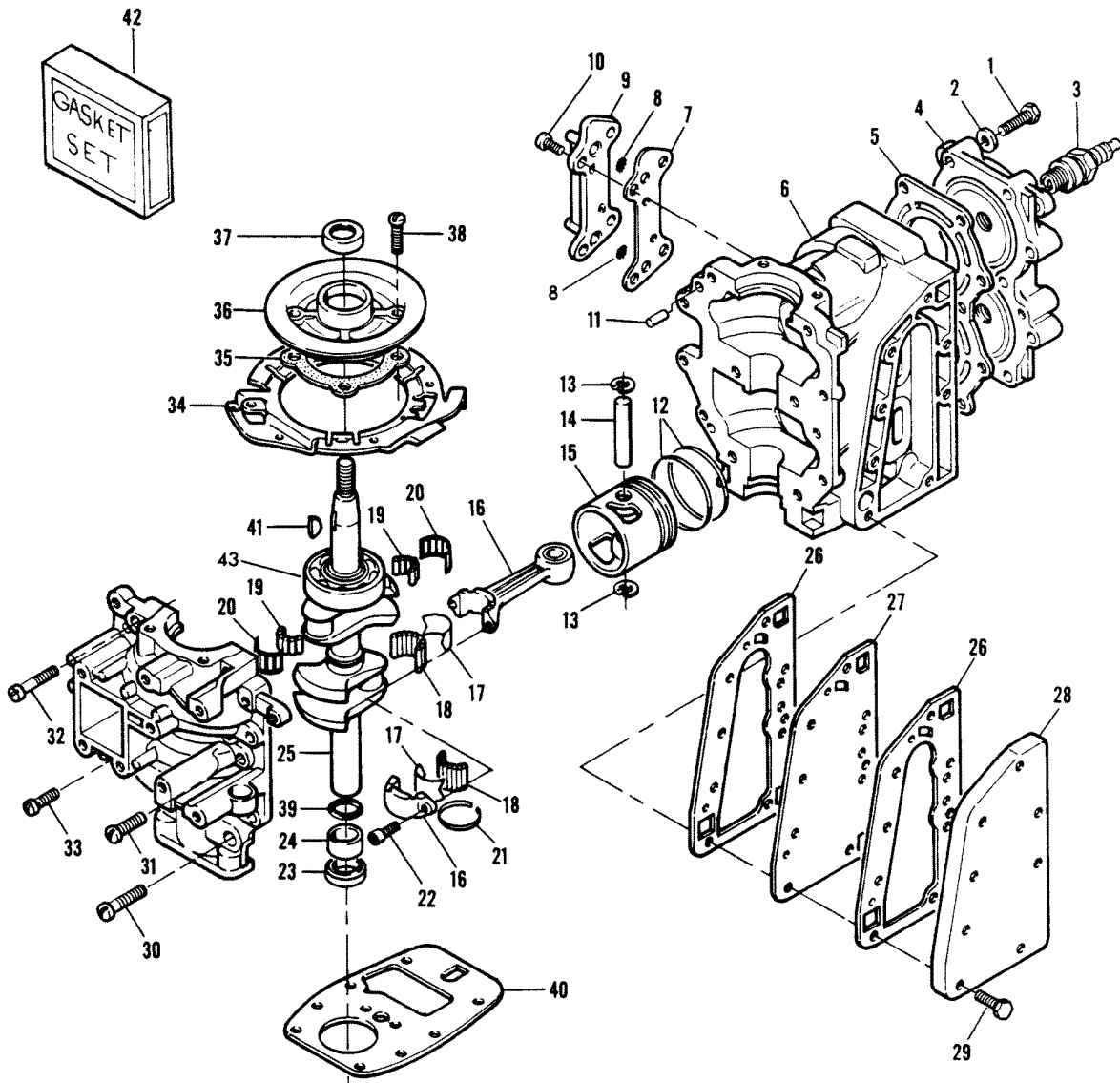
FUEL SYSTEM



FUEL SYSTEM

REF. NO.	PART NO.	SYM.	QTY.	DESCRIPTION
34	F2042		1	WASHER
35	F10061		1	CHOKE SHAFT ASSEMBLY
36	F10072		1	SPRING CHOKE STOP
37	F10073		1	SPRING IDLE NEEDLE
38	F10077		1	NEEDLE - IDLE
39	F10062		1	CHOKE VALVE ASSEMBLY
40	F10070		2	SCREW ASSEMBLY - CHOKE VALVE
41	F2706772		4	CLAMP HOSE
42	FA84253		1	HOSE WILLUS. 41
43	F901811		1	FILTER FUEL PUMP
44	F901746-2		1	COVER FUEL PUMP
45	F1069		3	FILL HD SCREW, 10 - 24 X 1 1/16
46	F24748-2		1	GASKET FUEL PUMP
47	F1286		2	PAN HD SCREW, #4 - 40 X 3/16
48	F8003		2	PLAIN WASHER
49	F18160-2		2	REED FUEL PUMP
50	F2A24757		1	PLATE FUEL PUMP REED WILLUS. 47 48, 49
51	27-818043A1		1	DIAPHRAGM, FUEL PUMP W/GASKETS
52	FA84253		1	HOSE WILLUS. 41

POWER HEAD

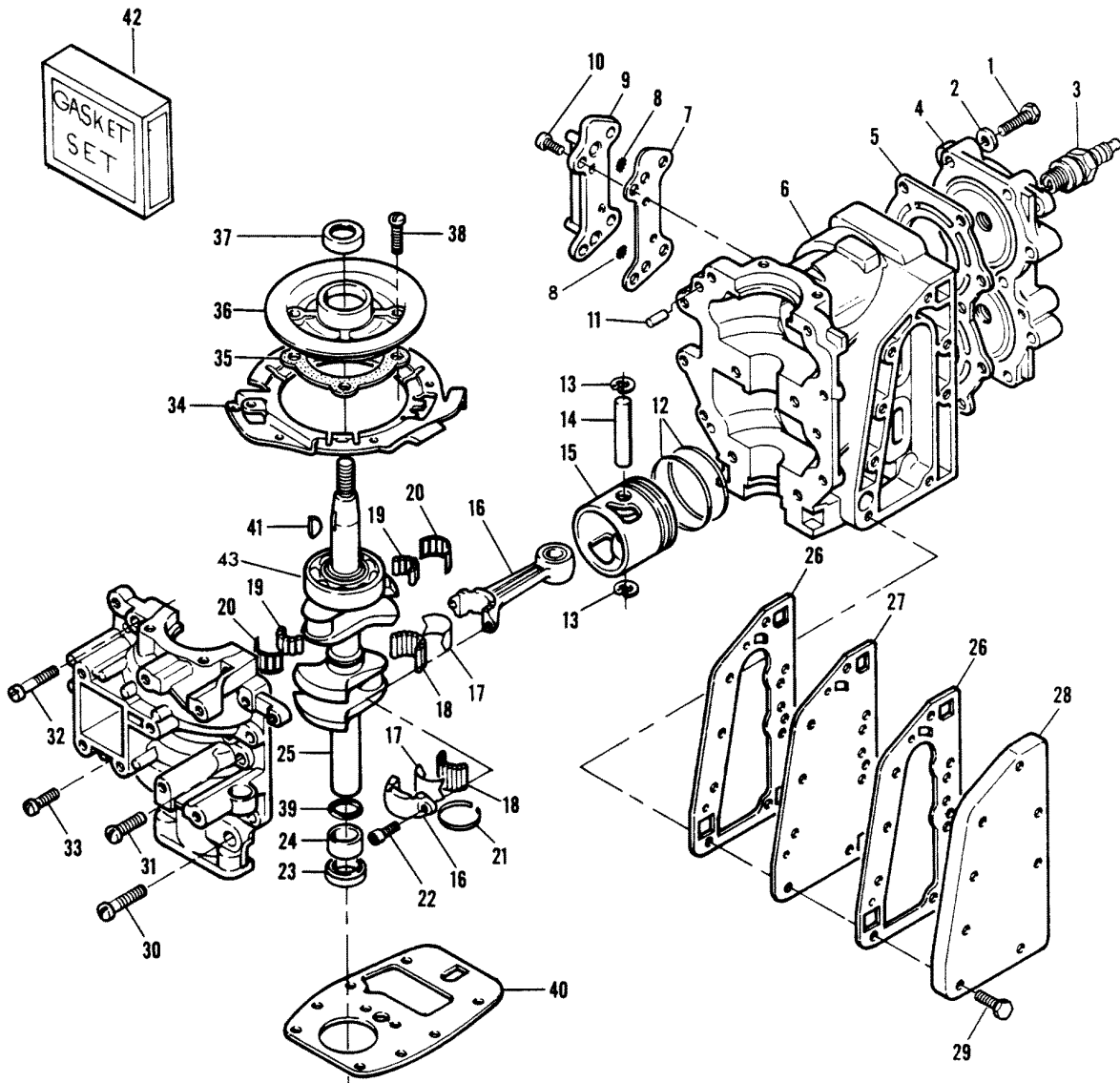


POWER HEAD

REF. NO.	PART NO.	SYM.	QTY.	DESCRIPTION
1	F901938-1		10	SCREW, CYLINDER HEAD
2	F8025		10	PLAIN WASHER
3	33-82370M		2	SPARK PLUG (L-86)
-	C247227		2	SPARK PLUG (RL-86) CANADA
4	F536518		1	CYLINDER HEAD
5	F525529		1	GASKET, CYLINDER HEAD
6	F2A525010		1	CYLINDER W/ILLUS. 11, 30 AND 32
-	FC525010		1	CYLINDER COMPLETE. (NOT SHOWN). INCLUDES ALL ITEMS MARKED WITH AN ASTERISK (*)
7	F525472		1	GASKET, CYLINDER DRAIN COVER
8	F429811		2	SCREEN, CYLINDER DRAIN
9	FA525471		1	COVER, CYLINDER DRAIN W/ILLUS. 8
10	F1110		4	SCREW, 1/4 - 20 X 5/8
11	F8559		2	DOWEL PIN
12	39-818038A1		2	PISTON RING (2 RINGS PER SET)
13	F250410		4	PISTON PIN RETAINING RING
14	F250017		2	PISTON PIN
15	F525015		2	PISTON
16	F2A521016		2	CONNECTING ROD W/ITEM 22
17	FA525241		2	CRANKPIN ROLLER CAGE
18	FA525228		2	ROLLER CRANKPIN (16 ROLLERS)
19	F286571		1	ROLLER ASSEMBLY, CENTER MAIN BEARING
20	FA286155		1	LINER, CENTER MAIN W/LITERATURE
21	F525579		1	CRANKCASE SEAL
22	F36634		4	CONNECTING ROD SCREW
23	F141118		1	SEAL, CRANKSHAFT LOWER
24	F343014		1	BEARING, CRANKSHAFT LOWER MAIN
25	F2A525018		1	CRANKSHAFT W/ILLUS. 43
26	F525154		2	GASKET EXHAUST
27	F525151		1	PLATE EXHAUST
28	F525152		1	COVER EXHAUST
29	F1532		8	SCREW, 1/4 - 20 X 1
30	F1257		2	SCREW, 5/16 - 18 X 1 1/4
31	F1994		2	SCREW, 5/16 - 18 X 1
32	F1044		2	SCREW, 1/4 - 20 X 1 3/8
33	F1107		6	SCREW, 1/4 - 20 X 3/4
34	F525082		1	RING STATOR
35	F286277		1	GASKET, CRANKSHAFT BEARING CAGE
36	1100-817753A1		1	CAGE, CRANKSHAFT BEARING W/ILLUS. 37 ORIGINAL FORCE P/N A 286144-1
37	F346146		1	SEAL, CRANKSHAFT UPPER
38	F1111		4	FILL HD SCREW, 1/4 - 20 X 7/8
39	F468342		1	SEAL, CRANKSHAFT SPLINE
40	F525279		1	GASKET, CYLINDER MOUNTING

CONTINUED ON NEXT PAGE ➡

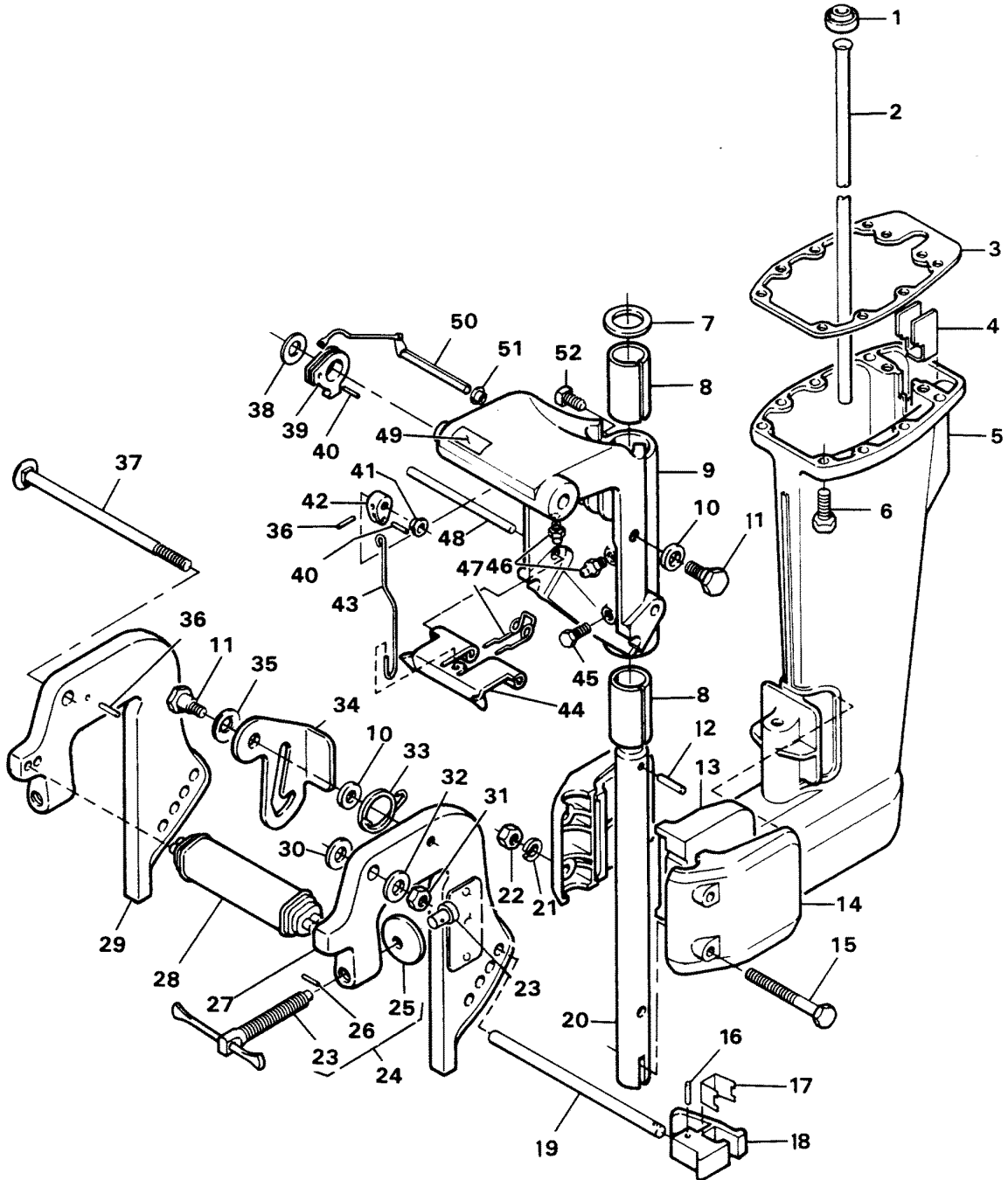
POWER HEAD



POWER HEAD

REF. NO.	PART NO.	SYM.	QTY.	DESCRIPTION
41	F458498		1	MAGNETO KEY
42	FG1018		1	GASKET SET. INCLUDES ITEMS LISTED BELOW
-	F18906		1	GASKET, CARBURETOR
-	F286277		1	GASKET, CRANKSHAFT BEARING CAGE
-	F525154		2	GASKET, EXHAUST
-	F525159		1	GASKET, REED PLATE
-	F525168		1	GASKET, MANIFOLD
-	F525279		1	GASKET, CYLINDER MOUNTING
-	F525453		1	GASKET, LEG MOUNTING
-	F525529		1	GASKET, CYLINDER HEAD
-	F525472		1	GASKET, CYLINDER DRAIN COVER
43	F286028		1	BEARING, CRANKSHAFT

MOTOR LEG

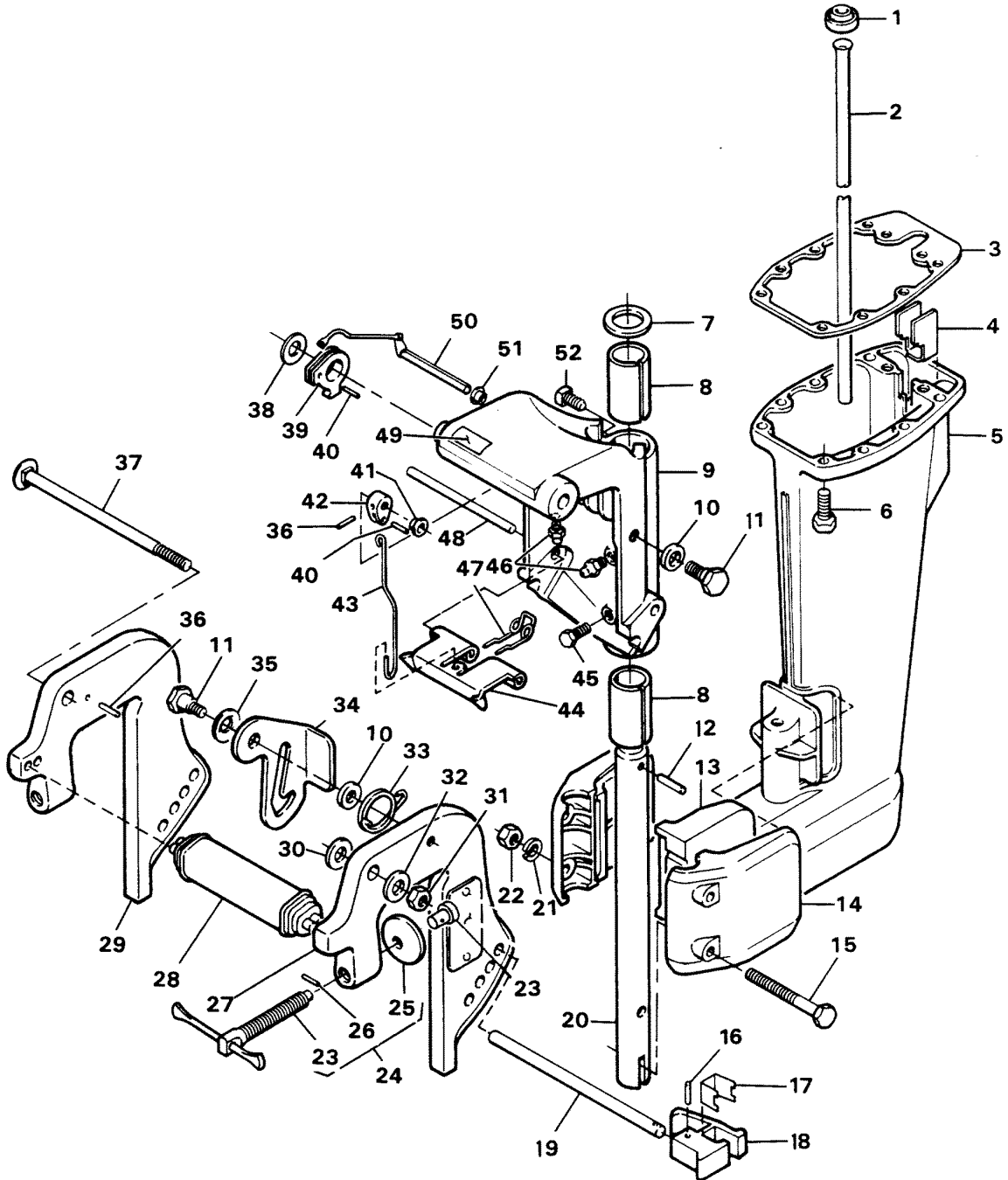


MOTOR LEG

REF. NO.	PART NO.	SYM.	QTY.	DESCRIPTION
1	F318342		1	SEAL, WATERLINE INLET UPPER
2	F525244		1	WATERLINE
3	F525453		1	GASKET LEG MOUNTING
4	F525779		1	BAFFLE IDLE RELIEF
5	F525133		1	MOTOR LEG
6	F1532		8	HEX CAP SCREW, 1/4 - 20 X 1
7	F286011		1	WASHER SWIVEL BRACKET
8	F286169		2	BEARING SWIVEL BRACKET
9	1400-817964A2		1	SWIVEL BRACKET W/ILLUSTRATIONS 8 AND 46 ORIGINAL FORCE P/N K 525072-2
10	F286451		2	SPACER TILT LOCK
11	F286422-1		2	PIVOT TILT LOCK
12	F1805		1	SPRING PIN, 1/4 X 1-3/8
13	F525346		2	MOUNT LOWER SHOCK
14	F525707		2	COVER, SHOCK MOUNT LOWER
15	F1972		2	HEX HD SCREW, 1/4 - 20 X 2 1/2
16	F8540		1	SPRING PIN, 3/32 X 5/8
17	F286461		1	SPRING LOCK BAR HANDLE
18	F286114		1	HANDLE LOCK BAR
19	FA286113		1	BAR LOCK W/ILLUSTRATIONS 16, 17 AND 18
20	F525019		1	KINGPIN
21	F8083		2	LOCKWASHER
22	F1341		2	NUT, 1/4 - 20
23	F66480		2	STUD CLAMP SCREW
24	FA28073-1		2	CLAMP SCREW W/ILLUS. 23, 25 AND 26
25	F24074		2	FOOT CLAMP SCREW
26	F1794		2	SPRING PIN
27	FS567532		1	BRACKET STERN PORT W/ILLUS. 23, 24, 25 AND 26 ORIGINAL FORCE P/N S 286532-3
28	F286647		1	HANDLE CARRYING
29	FS567532		1	BRACKET STERN STARBOARD W/ILLUS. 23, 24, 25 AND 26 ORIGINAL FORCE P/N S 286032-2
30	F286286-1		1	WASHER
31	F7026		1	NUT, 3/8 - 16
32	F2014		1	PLAIN WASHER
33	F286544-1		1	SPRING TILT LOCK
34	F429541		1	LOCK TILT
35	F1666		1	WAVE WASHER
36	F8538		2	SPRING PIN, 3/32 X 1/2
37	F286037		1	BOLT STERN BRACKET
38	F525286		1	WASHER
39	F286827		1	LEVER REVERSE LOCK RELEASE
40	F1794		2	SPRING PIN, 3/32 X 3/8
41	F197813		1	BEARING

CONTINUED ON NEXT PAGE ➡

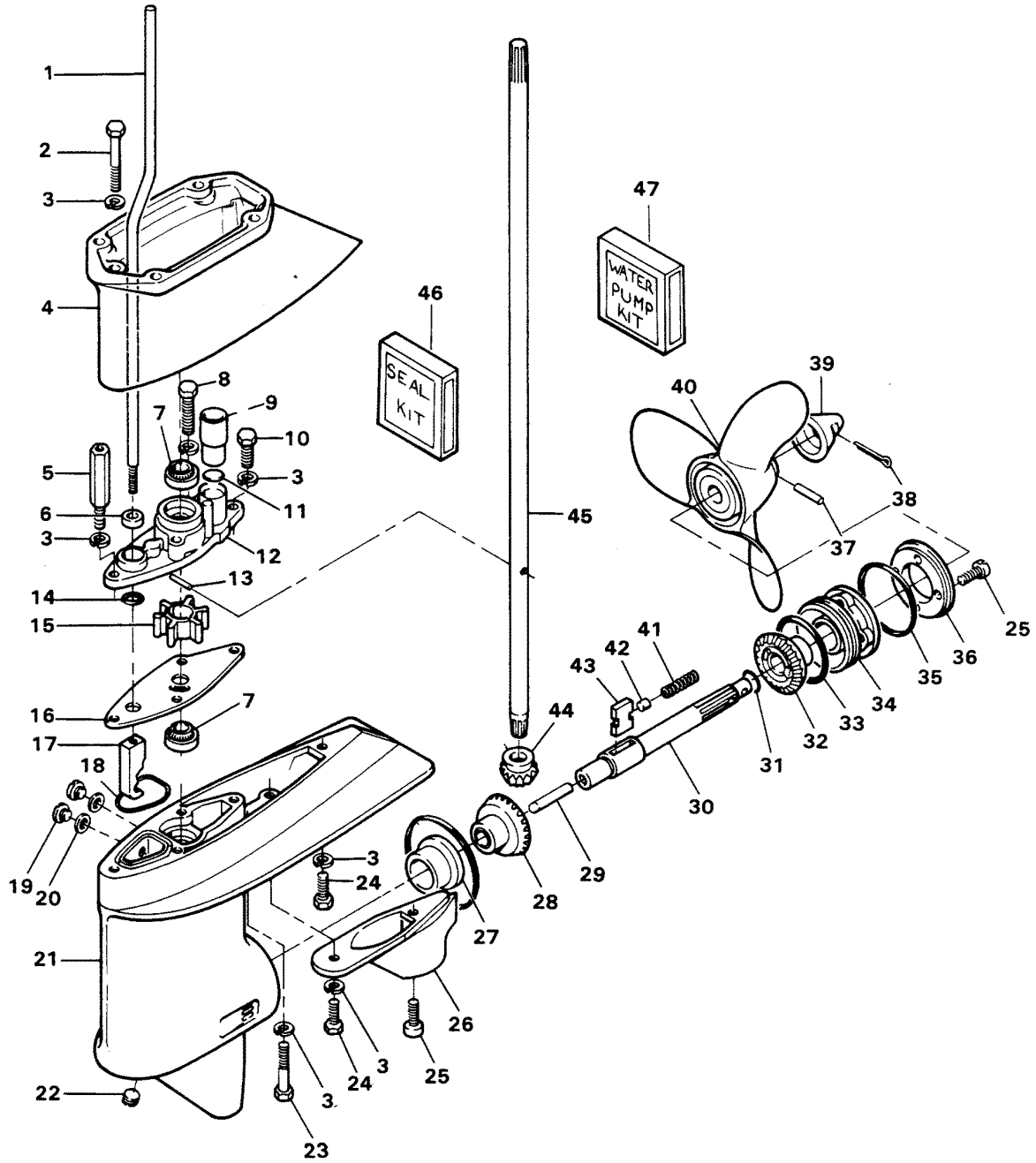
MOTOR LEG



MOTOR LEG

REF. NO.	PART NO.	SYM.	QTY.	DESCRIPTION
42	F286364		1	LEVER REVERSE LOCK
43	FA341510		1	LINK REVERSE LOCK LEVER W/LITERATURE
44	F286349		1	LOCK REVERSE
45	F1467		1	SCREW SWIVEL BRACKET
46	F213274		2	FITTING GREASE
47	F286300		1	SPRING REVERSE LOCK
48	F1806		1	GROOVE PIN, 5/16 - 3 3/4
49	F286585-1		1	DECAL, TILT RELEASE
50	FA387742		1	LEVER REVERSE LOCK INTERMEDIATE ASSEMBLY
51	F536813		1	BEARING
52	F525839		1	SCREW, STEERING FRICTION

GEAR HOUSING

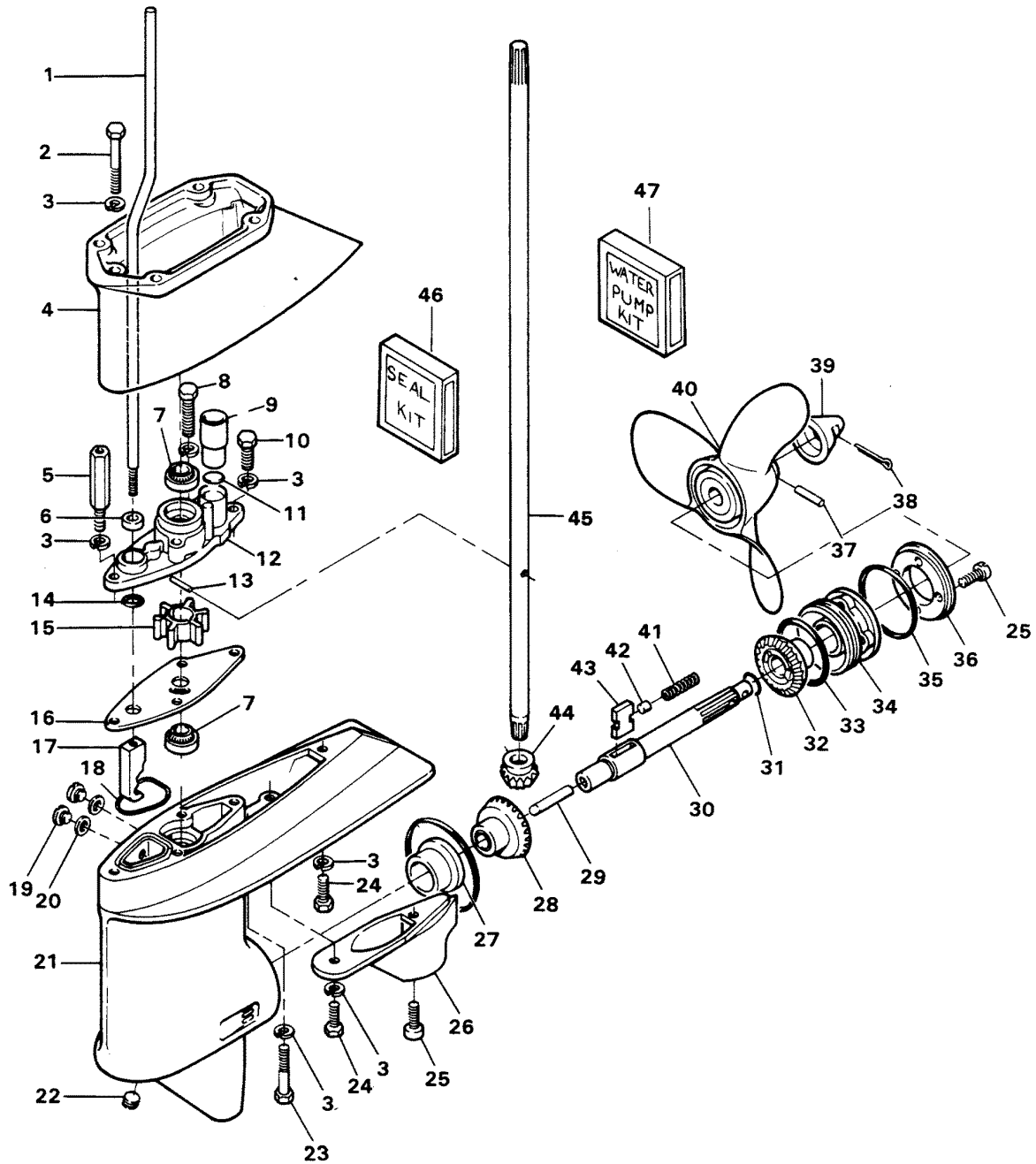


GEAR HOUSING

REF. NO.	PART NO.	SYM.	QTY.	DESCRIPTION
1	F525705		1	ROD, GEAR SHIFT
2	F1175		1	HEX HD CAP SCREW, 1/4 - 20 X 1 7/8
3	F8083		8	SPRING LOCKWASHER
4	F525845		1	EXTENSION MOTOR LEG
5	F521006		1	STUD, GEAR HOUSING FRONT
6	F338618-1		1	SEAL, GEAR SHIFT ROD LOWER
7	F318307		2	SEAL
8	F1891		2	HEX HD SCREW, 1/4 - 20 X 1 1/2
9	FA510914		1	SEAL, WATERLINE W/LITERATURE
10	F2008		1	HEX HD SCREW, 1/4 - 20 X 7/8
11	525388		1	DISC, WATER PUMP LOCATING
12	FA525060		1	WATER PUMP BODY W/ILLUS. 6, 7, 9 AND 11
13	F390563		1	PIN, WATER PUMP IMPELLER DRIVE
14	F474342		1	SEAL, WATER PUMP GEAR SHIFT ROD
15	F525065-1		1	IMPELLER
16	F525562		1	PLATE, WATER PUMP BACK
17	F459721-1		1	CLUTCH SHIFT CAM
18	F525555		1	SEAL, SHIFT ROD CAVITY
19	F50109		2	PLUG, GEAR HOUSING
20	F8077		2	WASHER
21	FA525054		1	GEAR HOUSING W/DRIVESHAFT UPPER 7, 19, 20 AND 22
-	FC536054		1	GEAR HOUSING COMPLETE (NOT SHOWN). INCLUDES ALL ITEMS MARKED WITH AN ASTERISK (*)
22	F19109		1	PLUG
23	F1990		2	HEX HD SCREW, 1/4 - 20 X 1 5/8
24	F1705		2	HEX CAP SCREW, 1/4 - 20 X 3/4
25	F525457		5	SCREW
26	FA525116		1	SNOUT W/LITERATURE
27	F521307		1	PROPSHAFT SEAL
28	FA521023		1	BEVEL GEAR W/BEARING
29	F901728		1	PIN CLUTCH SHIFT
30	F536098		1	PROPELLER SHAFT
31	F317717		1	WASHER, BEVEL GEAR THRUST
32	F525662		1	BEVEL GEAR - REAR
33	F525305		1	SEAL, PROP SHAFT
34	FA525298		1	PROP SHAFT CAGE W/PROP SHAFT THRUST BEARING, PROP SHAFT BEARING, PROP SHAFT BEARING, ILLUS. 27
35	F521305		1	SEAL, PROP SHAFT BEARING CAGE
36	F521296		1	RETAINER, PROP SHAFT BEARING CAGE
37	FA324101		1	PROPELLER PIN W/ITEM 38 (3 PROP PINS PER UNIT)
38	F1846		1	COTTER PIN
39	11-817752A1		1	PROPELLER NUT W/ILLUS. 38 ORIGINAL FORCE P/N A 286094-1
40	FP430		1	PROPELLER

CONTINUED ON NEXT PAGE ➡

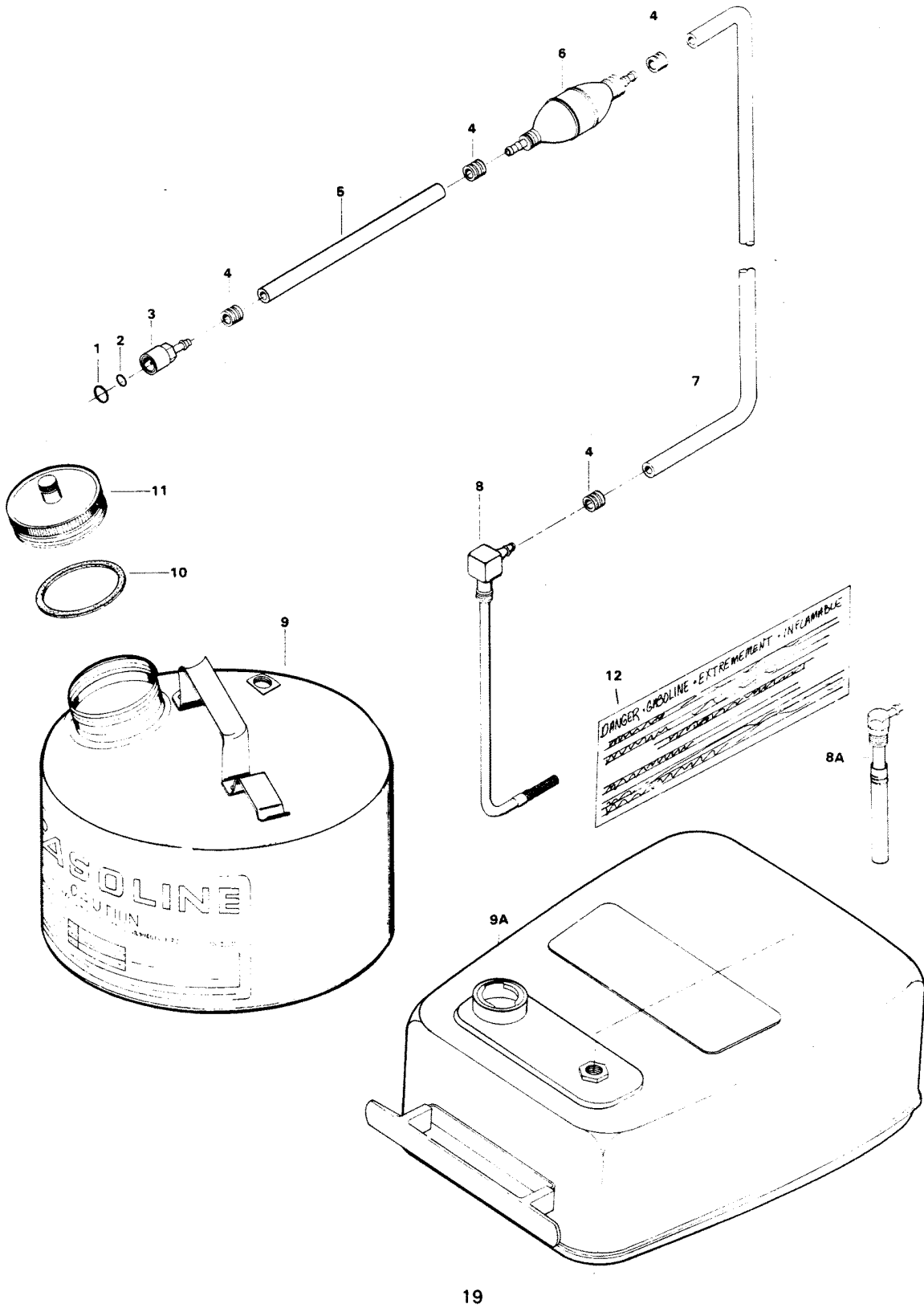
GEAR HOUSING



GEAR HOUSING

REF. NO.	PART NO.	SYM.	QTY.	DESCRIPTION
41	F409719		1	CLUTCH SPRING
42	F318372		1	CLUTCH PIN GUIDE
43	F409521		1	CLUTCH SHIFT
44	F521266		1	GEAR, BEVEL PINION
45	F525128		1	DRIVESHAFT
46	FK1062		1	GEAR HOUSING SEAL KIT. INCLUDES ALL ITEMS MARKED WITH A DOUBLE ASTERISK (**)
47	FK1067		1	WATER PUMP KIT (INCLUDES THE FOLLOWING)
-	F390563		1	PIN, WATER PUMP IMPELLER
-	F525065-1		1	IMPELLER, WATER PUMP
-	F525562		1	PLATE, WATER PUMP
-	FA525060		1	BODY, WATER PUMP

FUEL TANK AND LINE



FUEL TANK AND LINE

REF. NO.	PART NO.	SYM.	QTY.	DESCRIPTION
1	F213342		1	SEAL, FUEL LINE COUPLER
2	F213735		1	SEAL, FUEL LINE COUPLER
3	F197787-3		1	FUEL LINE COUPLER
4	F298788		4	FERRULE
5	FA84754-1		1	FUEL LINE SHORT W/ILLUS. 4
6	89396A38		1	PRIME BULB W/LITERATURE ORIGINAL FORCE P/N S 387766-1
7	32-817738A1		1	FUEL LINE, LONG W/CLAMP AND ILLUS. 4
8	FS459755		1	FUEL TANK ADAPTER U.S.A.
8A	F487755		1	FUEL TANK ADAPTER (CANADA)
9	F459034-1		1	FUEL TANK U.S.A.
9A	F5H026		1	FUEL TANK (CANADA)
10	F66252		1	GASKET
11	FS459251		1	FUEL TANK CAP
-	FS409752		1	FUEL LINE COMPLETE. (NOT SHOWN) INCLUDES ALL ITEMS MARKED WITH AN ASTERISK(*)
12	FC409398		1	DECAL, TOTE TANK (CANADA)

SPECIAL TOOLS - TUNE-UP

REF. NO.	PART NO.	SYM.	QTY.	DESCRIPTION
-	FT2909		0	KNOCK-OFF NUT TO REMOVE FLYWHEEL
-	FT2989		0	FLYWHEEL WEDGE TO REMOVE FLYWHEEL
-	FT8930-1		0	FEELER GAUGE TO ADJUST BREAKER POINTS

SPECIAL TOOLS - STARTER

REF. NO.	PART NO.	SYM.	QTY.	DESCRIPTION
-	FT3139-1		0	STARTER REWIND KEY TO REWIND STARTER SPRING

SPECIAL TOOLS - POWER HEAD

REF. NO.	PART NO.	SYM.	QTY.	DESCRIPTION
-	FT2998		0	TORQUE WRENCH (0 - 100 LBS./FT.) TO PROPERLY SECURE FASTENERS
-	FT2999		0	TORQUE WRENCH (0 - 600 LBS./IN.) TO PROPERLY SECURE FASTENERS
-	FT2991		0	CARBON BRUSH TO REMOVE CARBON FROM INSIDE POWER HEAD
-	FT8900		0	HOSE CLAMP PLIERS TO REMOVE AND INSTALL FUEL HOSE CLAMPS
-	FT3012		0	SEAL INSTALLER TO INSTALL UPPER CRANKSHAFT BEARING CAGE SEAL
-	FT8929		0	ADAPTER AND HEX BIT TO TORQUE CONNECTING ROD SCREWS
-	FT2997		0	RING COMPRESSOR TO INSTALL PISTONS IN CYLINDERS
-	FT1749		0	SNAP RING PLIERS TO REMOVE AND INSTALL PISTON PIN RETAINING RINGS
-	FT8926		0	PISTON RING EXPANDER TO INSTALL RINGS ON PISTONS
-	FT11202		0	SEAL INSTALLER TO INSTALL LOWER CRANKSHAFT SEAL

SPECIAL TOOLS - LOWER UNIT

REF. NO.	PART NO.	SYM.	QTY.	DESCRIPTION
-	FT2915		0	SEAL INSTALLER TO INSTALL DRIVESHAFT SEAL - UPPER AND LOWER AND PROPELLER SHAFT SEAL
-	FT8957		0	SEAL INSTALLER TO INSTALL SHIFT ROD SEAL
-	FT8948-1		0	BEARING CAGE PULLER TO REMOVE PROPELLER SHAFT BEARING CAGE

SPECIAL TOOLS - TEST EQUIPMENT

REF. NO.	PART NO.	SYM.	QTY.	DESCRIPTION
-	FT8950		0	LEAKAGE TESTER TO TEST LOWER UNIT SEALS FOR LEAKS

SPECIAL TOOLS - LUBRICANTS AND SEALANTS

REF. NO.	PART NO.	SYM.	QTY.	DESCRIPTION
-	FT2961		0	LUBRICANT - RYKON #2EP
-	FT2987-1		0	LUBRICANT - ANTI-SEIZE
-	FT8969		0	LUBRICANT - 7 OZ. LPSI LUBRICANT
-	FT8983		0	SEALANT - RTV SILMATE
-	FT8936-1		0	SEALANT - 2 CC LOCTITE RETAINING COMPOUND #75
-	FT2962-1		0	SEALANT - 50 CC LOCTITE H, NON-HARDENING GRADE
-	FT2963-1		0	SEALANT - 2 OZ. LOCTITE D, HARDENING GRADE
-	FT8935		0	SEALANT PRIMER - 6 OZ.

ACCESSORIES

REF. NO.	PART NO.	SYM.	QTY.	DESCRIPTION
-	F5H113		0	REMOTE CONTROL KIT PERMITS REMOTE CONTROL OF THROTTLE, GEAR SHIFT FROM FRONT OF BOAT.
-	F5H165		0	LONG LEG EXTENSION KIT CONVERTS 15" MODEL TO 20" MODEL.
-	F5H114		0	REMOTE STEERING BRACKET ADAPTS MOTOR TO CABLE TYPE REMOTE STEERING.
-	F5H026		0	STEEL 6 GALLON FUEL TANK AUXILIARY TANK.
-	F5H163		0	STEEL 3-1/4 GALLON FUEL TANK AUXILIARY TANK.
-	F5H029		0	FUEL TANK ANCHOR RETAINS TOTE TANK ON BOAT FLOOR.
-	F5H040		0	STEEL 12 GALLON FUEL TANK AUXILIARY TANK.
-	F5H134		0	BOAT WHITE LACQUER ENGINE TOUCH-UP PAINT IN 12 3/4 OZ. SPRAY BOMBS (6 CANS PER CASE).
-	F5H130		0	REMOTE CONTROL BOX SINGLE LEVER SURFACE MOUNT - STARBOARD.
-	F5H131		0	REMOTE CONTROL DECAL KIT DECAL FOR PORT SIDE MOUNTING OF 5H130 CONTROL BOX.
-	F195/___		0	REMOTE CONTROL CABLES SHIFT AND THROTTLE HEAVY-DUTY LENGTHS 6-40'.
-	167		0	IGNITION CUT-OFF SWITCH ALLOWS STOPPING OF ENGINE FROM REMOTE LOCATION.
-	F596		0	CHRYSLER OUTBOARD OIL SEE BLOCK COMMENT 1.
-	F597		0	CHRYSLER OUTBOARD GEAR LUBE SEE BLOCK COMMENT 2.
-	F5H059		0	CHRYSLER OUTBOARD MULTI-PURPOSE GREASE LUBRICATES BEARINGS AND OTHER MOVING PARTS. AVAILABLE IN 8 OZ. TUBES AND 12 TUBE CASES.
-	F5H069		0	CHRYSLER OUTBOARD GREASE GUN

PARTS INDEX

Part Number	Description	Pg.	Ref. No.	Part Number	Description	Pg.	Ref. No.
167	IGNITION CUT-OFF SWITCH	36	-	F12146	WEDGE SPRING	7	16
2C609712	ENGINE COVER - COMPLETE.	3	-	F12153-1	BREAKER POINT SET	7	7
525388	DISC, WATER PUMP LOCATING	25	11	F12170	CONTACT AND CONDENSER MOUNTING SCREWS	7	4
817747--1	JOINT, BALL ASSEMBLY . . .	9	1	F12181-1	CONDENSER	7	5
817856A1	SPOOL STARTER	11	26	F12360	CAM WIPER FELT	7	6
817858A1	RETAINER ENGINE COVER	3	3	F12371	STATOR PLATE W/LAMINATIONS	7	9
89396A38	PRIME BULB	29	6	F1257	SCREW, 5/16 - 18 X 1 1/4 . .	17	30
C247227	SPARK PLUG (RL-86) CANADA	17	-	F1286	PAN HD SCREW, #4 - 40 X 3/16	15	47
F10058	FUEL BOWL	13	11	F1341	NUT, 1/4 - 20	21	22
F10061	CHOKE SHAFT ASSEMBLY .	15	35	F141118	SEAL, CRANKSHAFT LOWER	17	23
F10062	CHOKE VALVE ASSEMBLY .	15	39	F1467	SCREW SWIVEL BRACKET .	23	45
F10063	FLOAT	13	15	F1471	HEX SET SCREW, 10 - 24 X 1/4	9	20
F10064	SHAFT - FLOAT	13	14	F1475	FILL HD SCREW, 10 - 24 X 1/2	3	2
F10066	GASKET VALVE SEAT	13	17	F1490	NUT, 1/4 - 20	13	19
F10068	GASKET BODY TO BOWL . .	13	12	F1500	ROUND HD SHEET METAL SCREW, #4 X 1/4	11	24
F10069	GASKET KIT.	13	-	F1513	HEX NUT	7	12
F10070	SCREW ASSEMBLY - CHOKE VALVE	15	40	F1513	NUT, 10 - 32	9	2
F10071	SCREW, THROTTLE VALVE	13	21	F1515	NUT, 5/16 - 18	3	12
F10072	SPRING CHOKE STOP	15	36	F1532	HEX CAP SCREW, 1/4 - 20 X 1	21	6
F10073	SPRING IDLE NEEDLE	15	37	F1532	HEX HD SCREW, 1/4 - 20 X 1 SCREW, 1/4 - 20 X 1	17	29
F10077	NEEDLE - IDLE	15	38	F1567	FILL HD SCREW, 10 - 32 X 1	7	15
F10081	SHAFT ASSEMBLY - THROTTLE	13	31	F1573	FILL HD SCREW, 1/4 - 20 X 1/2	3	38
F10084	FLOAT SUPPORT SPRING .	13	13	F1666	WAVE WASHER	21	35
F10085	SPRING THROTTLE RETURN	13	32	F1689	HEX HD SCREW, 1/4 - 20 X 1/2	3	32
F10086	JET ASSEMBLIES .037 SEA LEVEL - 5000 - 7000 FT (OPT.)	13	-	F1699	HEX HD SCREW, 1/4 - 20 X 1 1/8	9	9
F10087	REPAIR KIT.	13	8	F1705	HEX CAP SCREW, 1/4 - 20 X 3/4	25	24
F10090	GASKET FUEL BOWL RETAINER	13	10	F1755	RD HD SCREW & SPRING LOCKWASHER ASSEMBLY, 6 - 32 X 5/16	13	2
F10091	VALVE THROTTLE	13	20	F1760	PAN HD SCREW, 10 - 24 X 3/8	11	5
F10093	JET ASSEMBLIES .038 SEA LEVEL - 3000 - 5000 FT (OPT.)	13	-	F1772	HEX HD SCREW, 8 - 32 X 1/2	13	24
F10094	JET ASSEMBLIES .036 SEA LEVEL - 7000 FT. AND UP (OPT.)	13	-	F1794	SPRING PIN	21	26
F10096	JET ASSEMBLY (.039) STANDARD (FOR OTHER THAN STANDARD)	13	9	F1794	SPRING PIN, 3/32 X 3/8	21	40
F10101	KIT - VALVE, SEAT, SPRING & GASKET	13	16	F1805	SPRING PIN, 1/4 X 1-3/8	21	12
F10104	NOZZLE	13	18	F1806	GROOVE PIN, 5/16 - 3 3/4 . . .	23	48
F1044	SCREW, 1/4 - 20 X 1 3/8 . . .	17	32	F1809	FLYWHEEL NUT	7	1
F1052	FILL HD SCREW, 1/4 - 20 X 1	11	13	F18160-2	REED FUEL PUMP	15	49
F1069	FILL HD SCREW, 10 - 24 X 1 1/16	15	45	F1846	COTTER PIN	25	38
F1107	SCREW, 1/4 - 20 X 3/4	17	33	F18906	GASKET CARBURETOR	13	29
F1110	SCREW, 1/4 - 20 X 5/8	17	10	F18906	GASKET, CARBURETOR	19	-
F1111	FILL HD SCREW, 1/4 - 20 X 7/8	17	38	F1891	HEX HD SCREW, 1/4 - 20 X 1 1/2	25	8
F1175	HEX HD CAP SCREW, 1/4 - 20 X 1 7/8	25	2	F19109	PLUG	25	22
				F195/_	REMOTE CONTROL CABLES	36	-

PARTS INDEX

Part Number	Description	Pg.	Ref. No.	Part Number	Description	Pg.	Ref. No.
F1972	HEX HD SCREW, 1/4 - 20 X 2 1/2	21	15	F286585-1	DECAL, TILT RELEASE	23	49
F1974	PAN HD. SCREW, 10 - 24 X 5/8	9	32	F286647	HANDLE CARRYING	21	28
F1975	LOCKWASHER	7	13	F286827	LEVER REVERSE LOCK RELEASE	21	39
F1975	LOCKWASHER, #10	3	23	F298788	FERRULE	29	4
F197767-1	BUSHING FUEL LINE	3	19	F2A24757	PLATE FUEL PUMP REED	15	50
F197787-3	FUEL LINE COUPLER	29	3	F2A521016	CONNECTING ROD	17	16
F197813	BEARING	21	41	F2A525010	CYLINDER	17	6
F197813	BEARING STARTER BRACKET LOWER	11	18	F2A525018	CRANKSHAFT	17	25
F1990	HEX HD SCREW, 1/4 - 20 X 1 5/8	25	23	F2A525158	PLATE REED	13	5
F1994	SCREW, 5/16 - 18 X 1	17	31	F302097	FLYWHEEL	7	3
F2008	HEX HD SCREW, 1/4 - 20 X 7/8	25	10	F307818	BEARING (NYLINER)	3	11
F2010	FILL HD SCREW W/LOCKWASHER, 10 - 32 X 9/16	7	8	F307818	BEARING, STEERING HANDLE SHAFT	9	35
F2014	PLAIN WASHER	21	32	F31160-1	REED	13	4
F2031	HEX HD SCREW, 1/4 - 20 X 3/4	11	8	F317717	WASHER, BEVEL GEAR THRUST	25	31
F2041	HEX HD SCREW, 10 - 24 X 3/8	3	24	F318307	SEAL	25	7
F2042	PLAIN WASHER	11	21	F318307	SEAL, DRIVESHAFT	3	33
F2042	WASHER	15	34	F318342	SEAL, WATERLINE INLET UPPER	21	1
F213274	FITTING GREASE	23	46	F318347-1	UPPER MOUNT	9	16
F213342	SEAL, FUEL LINE COUPLER	29	1	F318372	CLUTCH PIN GUIDE	27	42
F213735	SEAL, FUEL LINE COUPLER	29	2	F318504	GROMMET STEERING HANDLE GEAR	9	22
F215795	SEAL STEERING HANDLE DAMPENER	9	28	F318539	BUMPER	9	17
F217002	MAGNETO BREAKER CAM	7	11	F318818	BEARING, SHIFT LEVER SHAFT	3	37
F24074	FOOT CLAMP SCREW	21	25	F324894	INDICATOR, STEERING HANDLE	9	39
F24748-2	GASKET FUEL PUMP	15	46	F338618-1	SEAL, GEAR SHIFT ROD LOWER	25	6
F250017	PISTON PIN	17	14	F343014	BEARING, CRANKSHAFT LOWER MAIN	17	24
F250410	PISTON PIN RETAINING RING	17	13	F346146	SEAL, CRANKSHAFT UPPER	17	37
F269689	BEARING STARTER BRACKET UPPER	11	10	F36634	CONNECTING ROD SCREW	17	22
F2706772	CLAMP HOSE	15	41	F390563	PIN, WATER PUMP IMPELLER	27	-
F2788004	STUD CARBURETOR	13	28	F390563	PIN, WATER PUMP IMPELLER DRIVE	25	13
F286011	WASHER SWIVEL BRACKET	21	7	F390689	BEARING, STEERING ARM PIVOT SCREW	9	19
F286028	BEARING, CRANKSHAFT	19	43	F392777	CAM COVER LATCH	3	13
F286037	BOLT STERN BRACKET	21	37	F40425	PIN STARTER PINION	11	25
F286114	HANDLE LOCK BAR	21	18	F404908	GROUND WIRE	7	14
F286132	HANDLE STARTER ROPE	11	22	F409232	ROPE STARTER	11	23
F286169	BEARING SWIVEL BRACKET	21	8	F409521	CLUTCH SHIFT	27	43
F286277	GASKET, CRANKSHAFT BEARING CAGE	17	35	F409719	CLUTCH SPRING	27	41
F286277	GASKET, CRANKSHAFT BEARING CAGE	19	-	F409740	BALL CHECK	3	28
F286286-1	WASHER	21	30	F429137	GRIP, STEERING HANDLE W/SLEEVE	9	40
F286300	SPRING REVERSE LOCK	23	47	F429541	LOCK TILT	21	34
F286349	LOCK REVERSE	23	44	F429811	SCREEN, CYLINDER DRAIN	17	8
F286364	LEVER REVERSE LOCK	23	42	F458498	MAGNETO KEY	19	41
F286422-1	PIVOT TILT LOCK	21	11	F459034-1	FUEL TANK U.S.A.	29	9
F286451	SPACER TILT LOCK	21	10	F459721-1	CLUTCH SHIFT CAM	25	17
F286461	SPRING LOCK BAR HANDLE	21	17	F468342	SEAL, CRANKSHAFT SPLINE	17	39
F286544-1	SPRING TILT LOCK	21	33	F474342	SEAL, WATER PUMP GEAR SHIFT ROD	25	14

PARTS INDEX

Part Number	Description	Pg.	Ref. No.	Part Number	Description	Pg.	Ref. No.
F50109	PLUG, GEAR HOUSING	25	19	F525472	GASKET, CYLINDER DRAIN COVER	19	-
F521006	STUD, GEAR HOUSING FRONT	25	5	F525504	GROMMET, CHOKE ROD	3	22
F521266	GEAR, BEVEL PINION	27	44	F525524	RIVET, STEERING HANDLE	9	30
F521296	RETAINER, PROP SHAFT BEARING CAGE	25	36	F525524	RIVET, STEERING HANDLE	9	34
F521305	SEAL, PROP SHAFT BEARING CAGE	25	35	F525529	GASKET, CYLINDER HEAD	17	5
F521307	PROPSHAFT SEAL	25	27	F525529	GASKET, CYLINDER HEAD	19	-
F521547	CHOKE KNOB	3	20	F525555	SEAL, SHIFT ROD CAVITY	25	18
F525015	PISTON	17	15	F525562	PLATE, WATER PUMP	27	-
F525019	KINGPIN	21	20	F525562	PLATE, WATER PUMP BACK	25	16
F525025	PAD SHIFT DETENT	3	29	F525579	CRANKCASE SEAL	17	21
F525065-1	IMPELLER	25	15	F525582-1	STEERING ARM	9	15
F525065-1	IMPELLER, WATER PUMP	27	-	F525605	GEAR, TOWERSHAFT	9	11
F525079	HANDLE - STEERING	9	31	F525614	HANDLE GEAR SHIFT	3	27
F525080	SCREW, STEERING HANDLE PIVOT	9	33	F525615	ROD GEAR SHIFT UPPER	3	9
F525081-1	LEVER THROTTLE	13	26	F525627	GEAR, TOWERSHAFT PINION	9	12
F525082	RING STATOR	17	34	F525629	COTTER PIN	11	12
F525105	SHAFT INTERLOCK	11	11	F525662	BEVEL GEAR - REAR	25	32
F525128	DRIVESHAFT	27	45	F525665	BEARING, GEAR PINION TOWERSHAFT	9	13
F525133	MOTOR LEG	21	5	F525674-1	GEAR STARTER PINION	11	2
F525151	PLATE EXHAUST	17	27	F525675	BRACKET STARTER LOWER	11	19
F525152	COVER EXHAUST	17	28	F525688-1	SHAFT, STEERING HANDLE	9	36
F525154	GASKET EXHAUST	17	26	F525689	TOWERSHAFT BEARING	9	6
F525154	GASKET, EXHAUST	19	-	F525691	GEAR, STEERING ARM	9	27
F525159	GASKET, REED PLATE	13	1	F525705	ROD, GEAR SHIFT	25	1
F525159	GASKET, REED PLATE	19	-	F525707	COVER, SHOCK MOUNT LOWER	21	14
F525161	REED STOP	13	3	F525737	RETAINER STARTER REWIND SPRING	11	16
F525168	GASKET MANIFOLD	13	6	F525751	SCREW	9	7
F525168	GASKET, MANIFOLD	19	-	F525763	SHAFT COVER LATCH	3	17
F525193	LINK THROTTLE	13	27	F525779	BAFFLE IDLE RELIEF	21	4
F525198	THROTTLE STOP	9	38	F525781	INTERLOCK STARTER	11	7
F525220	WASHER, STEERING HANDLE	9	18	F525815	GEAR, STEERING HANDLE	9	26
F525244	WATERLINE	21	2	F525816-1	BEARING, STEERING HANDLE GEAR	9	25
F525263	LINK STATOR INTERLOCK	3	31	F525838	TOWERSHAFT	9	10
F525279	GASKET, CYLINDER MOUNTING	17	40	F525839	SCREW, STEERING FRICTION	23	52
F525279	GASKET, CYLINDER MOUNTING	19	-	F525840	GROMMET	3	14
F525286	WASHER	21	38	F525845	EXTENSION MOTOR LEG	25	4
F525305	SEAL, PROP SHAFT	25	33	F525871	SHAFT GEAR SHIFT LEVER	3	30
F525316-1	FOLLOWER THROTTLE CAM	13	23	F525876	LEVER GEAR SHIFT	3	36
F525346	MOUNT LOWER SHOCK	21	13	F525877	SHAFT, MAGNETO CONTROL	9	14
F525394	DECAL CHOKE	3	21	F525925	LINK CHOKE KNOB	3	25
F525424	SPRING STARTER PINION	11	3	F525977	LEVER SHIFT INTERLOCK	5	40
F525427-1	BRACKET STARTER UPPER	11	9	F525984	SEAL, REED PLATE	13	7
F525445	LINK, MAGNETO STATOR CONTROL	9	3	F536098	PROPELLER SHAFT	25	30
F525453	GASKET LEG MOUNTING	21	3	F536518	CYLINDER HEAD	17	4
F525453	GASKET, LEG MOUNTING	19	-	F536813	BEARING	23	51
F525455	GUIDE STARTER ROPE	11	6	F53795-1	SEAL	11	4
F525457	SCREW	25	25	F53795-1	SEAL, STEERING HANDLE DAMPENER	9	29
F525457	SCREW, STARTER SPRING DRIVE	11	1	F596	CHRYSLER OUTBOARD OIL	36	-
F525469	HANDLE LATCH	3	15	F597	CHRYSLER OUTBOARD GEAR LUBE	36	-
F525472	GASKET, CYLINDER DRAIN COVER	17	7	F5H026	FUEL TANK (CANADA)	29	9A

PARTS INDEX

Part Number	Description	Pg.	Ref. No.	Part Number	Description	Pg.	Ref. No.
F5H026	STEEL 6 GALLON FUEL TANK	36	-	FA28073-1	CLAMP SCREW	21	24
F5H029	FUEL TANK ANCHOR	36	-	FA286113	BAR LOCK	21	19
F5H040	STEEL 12 GALLON FUEL TANK	36	-	FA286155	LINER, CENTER MAIN	17	20
F5H059	CHRYSLER OUTBOARD MULTI-PURPOSE GREASE	36	-	FA324101	PROPELLER PIN	25	37
F5H069	CHRYSLER OUTBOARD GREASE GUN	36	-	FA341510	LINK REVERSE LOCK LEVER	23	43
F5H113	REMOTE CONTROL KIT	36	-	FA387742	LEVER REVERSE LOCK INTERMEDIATE ASSEMBLY	23	50
F5H114	REMOTE STEERING BRACKET	36	-	FA510914	SEAL, WATERLINE	25	9
F5H130	REMOTE CONTROL BOX	36	-	FA521023	BEVEL GEAR W/BEARING	25	28
F5H131	REMOTE CONTROL DECAL KIT	36	-	FA525054	GEAR HOUSING W/DRIVESHAFT UPPER 7, 19, 20 AND 22	25	21
F5H134	BOAT WHITE LACQUER	36	-	FA525060	BODY, WATER PUMP	27	-
F5H163	STEEL 3-1/4 GALLON FUEL TANK	36	-	FA525060	WATER PUMP BODY	25	12
F5H165	LONG LEG EXTENSION KIT	36	-	FA525116	SNOUT	25	26
F66252	GASKET	29	10	FA525167	MANIFOLD	13	25
F66480	STUD CLAMP SCREW	21	23	FA525228	ROLLER CRANKPIN (16 ROLLERS)	17	18
F7011	ELASTIC STOP NUT, 10 - 24	3	4	FA525241	CRANKPIN ROLLER CAGE	17	17
F7026	NUT, 3/8 - 16	21	31	FA525298	PROP SHAFT CAGE	25	34
F73741-1	RING	3	18	FA525471	COVER, CYLINDER DRAIN	17	9
F8003	PLAIN WASHER	15	48	FA525774	BRACKET COVER LATCH	5	41
F8025	PLAIN WASHER	17	2	FA536038	SUPPORT PLATE W/EYELET	3	8
F8043	WAVE WASHER	9	21	FA608386	DECAL, NUMERAL	3	7
F8049	BOWED SPRING WASHER	5	39	FA609396	DECAL ENGINE COVER - STARBOARD	3	6
F8060	LOCKWASHER	9	8	FA609397	DECAL ENGINE COVER - PORT	3	-
F8070	BOWED SPRING WASHER	11	17	FA609892	INSERT PLATE FRONT	5	43
F8077	WASHER	25	20	FA84253	HOSE	15	42
F8083	LOCKWASHER	21	21	FA84253	HOSE	15	52
F8083	SPRING LOCKWASHER	25	3	FA84754-1	FUEL LINE SHORT	29	5
F84026	SHOULDER SCREW	9	4	FC324894	INDICATOR, STEERING HANDLE (CANADA)	9	-
F84036	BEARING, SPARK CONTROL	9	5	FC409398	DECAL, TOTE TANK (CANADA)	29	12
F8538	SPRING PIN, 3/32 X 1/2	3	34	FC525010	CYLINDER COMPLETE. (NOT SHOWN).	17	-
F8538	SPRING PIN, 3/32 X 1/2	21	36	FC525394	DECAL CHOKE, CANADA	3	-
F8540	SPRING PIN, 3/32 X 5/8	9	23	FC536054	GEAR HOUSING COMPLETE (NOT SHOWN).	25	-
F8540	SPRING PIN, 3/32 X 5/8	21	16	FG1018	GASKET SET.	19	42
F8547	SPRING PIN, 1/8 X 5/8	3	16	FK1062	GEAR HOUSING SEAL KIT.	27	46
F8547	SPRING PIN, 1/8 X 5/8	3	35	FK1066	TUNE UP KIT.	7	10
F8547	SPRING PIN, 1/8 X 5/8	9	37	FK1067	WATER PUMP KIT	27	47
F8548	SPRING PIN, 1/8 X 1	9	41	FK525713	ENGINE COVER PACKING	3	5
F8559	DOWEL PIN	17	11	FK750-2	SPARKIE KIT	7	19
F8567	SPRING PIN, 1/8 X 13/16	3	26	FP430	PROPELLER	25	40
F8567	SPRING PIN, 1/8 X 13/16	9	24	FS409752	FUEL LINE COMPLETE. (NOT SHOWN)	29	-
F8571	SPRING PIN, 1/8 X 1 3/4	11	20	FS459251	FUEL TANK CAP	29	11
F901456-1	COLLAR, EMERGENCY START	7	2	FS459755	FUEL TANK ADAPTER U.S.A.	29	8
F901710	POST STARTER SPRING GUIDE	11	15	FS537712	ENGINE COVER	3	1
F901728	PIN CLUTCH SHIFT	25	29	FS567532	BRACKET STERN PORT	21	27
F901739	DRIVE STARTER REWIND SPRING	11	14	FS567532	BRACKET STERN STARBOARD	21	29
F901746-2	COVER FUEL PUMP	15	44	FT11202	SEAL INSTALLER	32	-
F901811	FILTER FUEL PUMP	15	43	FT1749	SNAP RING PLIERS	32	-
F901938-1	SCREW, CYLINDER HEAD	17	1				
F901970	SPRING STARTER REWIND	11	27				
F90807	RETAINING RING	13	33				

PARTS INDEX

Part Number	Description	Pg.	Ref. No.	Part Number	Description	Pg.	Ref. No.
FT2909	KNOCK-OFF NUT	30	-				
FT2915	SEAL INSTALLER	33	-				
FT2961	LUBRICANT - RYKON #2EP	35	-				
FT2962-1	SEALANT - 50 CC LOCTITE H, NON-HARDENING GRADE	35	-				
FT2963-1	SEALANT - 2 OZ. LOCTITE D, HARDENING GRADE . .	35	-				
FT2987-1	LUBRICANT - ANTI-SEIZE . .	35	-				
FT2989	FLYWHEEL WEDGE	30	-				
FT2991	CARBON BRUSH	32	-				
FT2997	RING COMPRESSOR	32	-				
FT2998	TORQUE WRENCH (0 - 100 LBS./FT.)	32	-				
FT2999	TORQUE WRENCH (0 - 600 LBS./IN.)	32	-				
FT3012	SEAL INSTALLER	32	-				
FT3139-1	STARTER REWIND KEY . . .	31	-				
FT8900	HOSE CLAMP PLIERS	32	-				
FT8926	PISTON RING EXPANDER . .	32	-				
FT8929	ADAPTER AND HEX BIT . . .	32	-				
FT8930-1	FEELER GAUGE	30	-				
FT8935	SEALANT PRIMER - 6 OZ. . .	35	-				
FT8936-1	SEALANT - 2 CC LOCTITE RETAINING COMPOUND #75	35	-				
FT8948-1	BEARING CAGE PULLER . . .	33	-				
FT8950	LEAKAGE TESTER	34	-				
FT8957	SEAL INSTALLER	33	-				
FT8969	LUBRICANT - 7 OZ. LPSI LUBRICANT	35	-				
FT8983	SEALANT - RTV SILMATE . .	35	-				
11-817752A1	PROPELLER NUT	25	39				
27-818043A1	DIAPHRAGM, FUEL PUMP W/GASKETS	15	51				
32-817738A1	FUEL LINE, LONG W/CLAMP AND ILLUS. 4	29	7				
33-82370M	SPARK PLUG (L-86)	17	3				
39-818038A1	PISTON RING (2 RINGS PER SET)	17	12				
1100-817753A1	CAGE, CRANKSHAFT BEARING	17	36				
1300-817963A4	CARBURETOR	13	30				
1400-817964A2	SWIVEL BRACKET	21	9				