



PARTS CATALOG

6 H.P. SPECIAL

SERIAL NUMBER

6 (1980)64H0F

TABLE OF CONTENTS:

ACCESSORIES	37
ENGINE COVER AND SUPPORT PLATE	2
FUEL SYSTEM	12
FUEL TANK AND LINE	28
GEAR HOUSING	24
MAGNETO	6
MOTOR LEG	20
PARTS INDEX	38
POWER HEAD	16
SPECIAL TOOLS - LOWER UNIT	33
SPECIAL TOOLS - LUBRICANTS AND SEALANTS	35
SPECIAL TOOLS - POWER HEAD	32
SPECIAL TOOLS - REPAIR DECALS - ENGINE COVERS	36
SPECIAL TOOLS - STARTER	31
SPECIAL TOOLS - TEST EQUIPMENT	34
SPECIAL TOOLS - TUNE-UP	30
STARTER	10
STEERING ARM	8

NOTE: Indented description indicate that these parts are included in preceeding assembly.

AR = As Required

NSS = Not Sold Separate

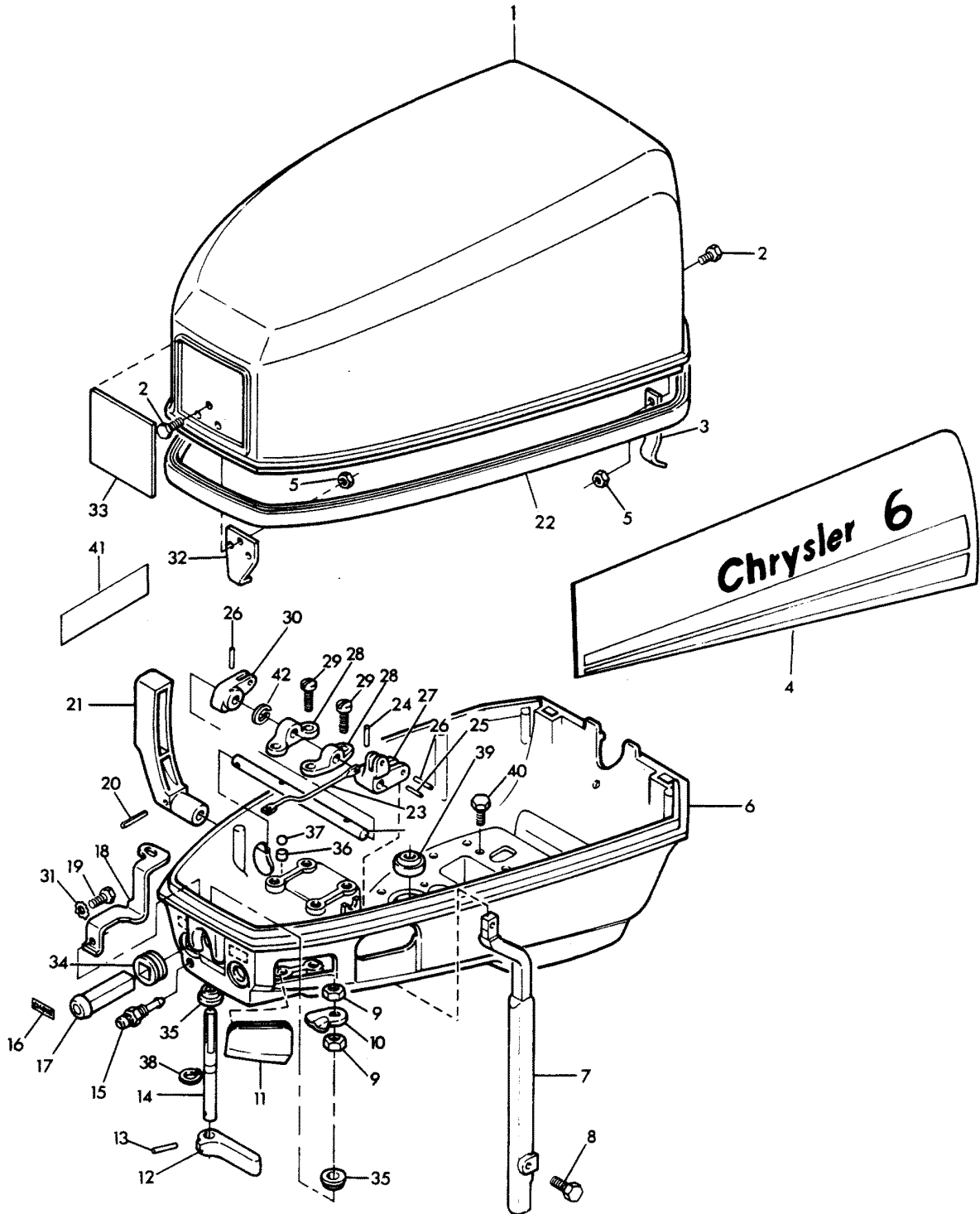
OPT = Optional

NS = Not Shown

THESE PARTS BOOKS/FICHE CARD ARE COPYRIGHTED AND MAY NOT BE DISTRIBUTED OR REPRODUCED IN ANY OTHER FORMAT BY ANYONE OTHER THAN MERCURY MARINE WITHOUT THE PRIOR WRITTEN CONSENT OF MERCURY MARINE.

THIS PAGE INTENTIONALLY LEFT BLANK

ENGINE COVER AND SUPPORT PLATE

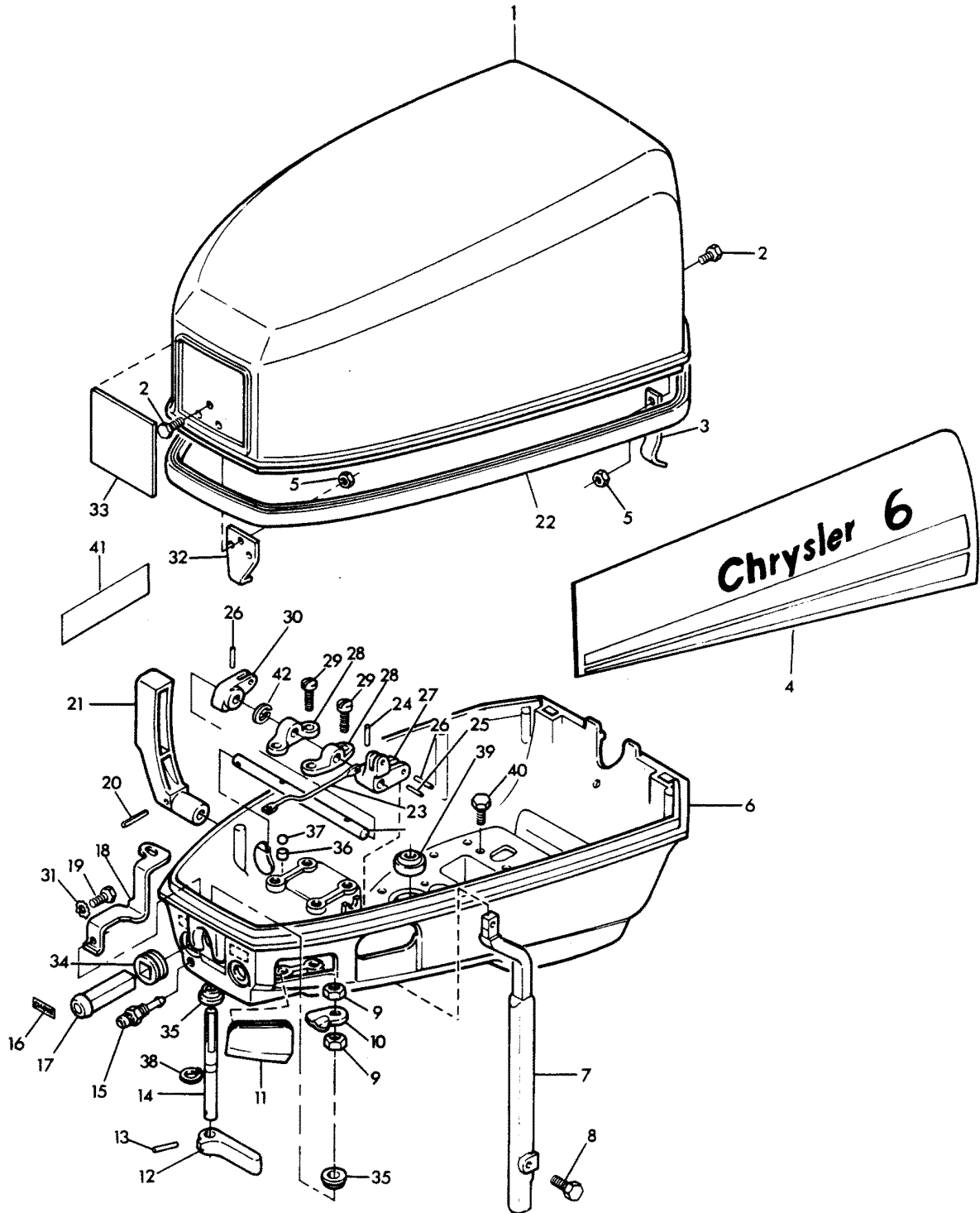


ENGINE COVER AND SUPPORT PLATE

REF. NO.	PART NO.	SYM.	QTY.	DESCRIPTION
1	FS537712		1	ENGINE COVER W/PACKING, REAR RETAINER AND LATCH BRACKET
-	2C566712		1	ENGINE COVER - COMPLETE. INCLUDES ALL ITEMS MARKED WITH AN ASTERISK (*)
2	F1475		7	FILL HD SCREW, 10 - 24 X 1/2
3	FA525480		2	RETAINER ENGINE COVER W/NUTS & SCREWS
4	FA566396		1	DECAL ENGINE COVER - STARBOARD W/LITERATURE
-	FA566397		1	DECAL ENGINE COVER - PORT W/LITERATURE
5	F7011		7	ELASTIC STOP NUT, 10 - 24
6	FA536038		1	SUPPORT PLATE W/EYELET
7	F525615		1	ROD GEAR SHIFT UPPER
8	F1950		1	HEX HD SCREW, 10 - 24 X 5/8
9	F1518		2	NUT, 5/16 - 18
10	F392777		1	CAM COVER LATCH
11	F525840		1	GROMMET
12	F525469		1	HANDLE LATCH
13	F8547		1	SPRING PIN, 1/8 X 5/8
14	F525763		1	SHAFT COVER LATCH
15	F197767-1		1	BUSHING FUEL LINE
16	F525394		1	DECAL CHOKE
17	F521547		1	CHOKE KNOB
18	F525925		1	LINK CHOKE KNOB
19	F2041		1	HEX HD SCREW, 10 - 24 X 3/8
20	F8567		1	SPRING PIN, 1/8 X 13/16
21	F525614		1	HANDLE GEAR SHIFT
22	FK525713		1	ENGINE COVER PACKING W/LITERATURE
23	F525263		1	LINK STATOR INTERLOCK
24	F525871		1	SHAFT GEAR SHIFT LEVER
25	F8538		1	SPRING PIN, 3/32 X 1/2
26	F8547		3	SPRING PIN, 1/8 X 5/8
27	F525876		1	LEVER GEAR SHIFT
28	F318818		2	BEARING, SHIFT LEVER SHAFT
29	F1573		4	FILL HD SCREW, 1/4 - 20 X 1/2
30	F525977		1	LEVER SHIFT INTERLOCK
31	F1975		1	LOCKWASHER, #10
32	FA525774		1	BRACKET COVER LATCH W/SCREWS & NUTS
33	FA566892		1	INSERT PLATE FRONT W/LITERATURE
34	F525504		1	GROMMET, CHOKE ROD
35	F307818		2	BEARING (NYLINER)
36	F525025		1	PAD SHIFT DETENT
37	F409740		1	BALL CHECK

CONTINUED ON NEXT PAGE ➡

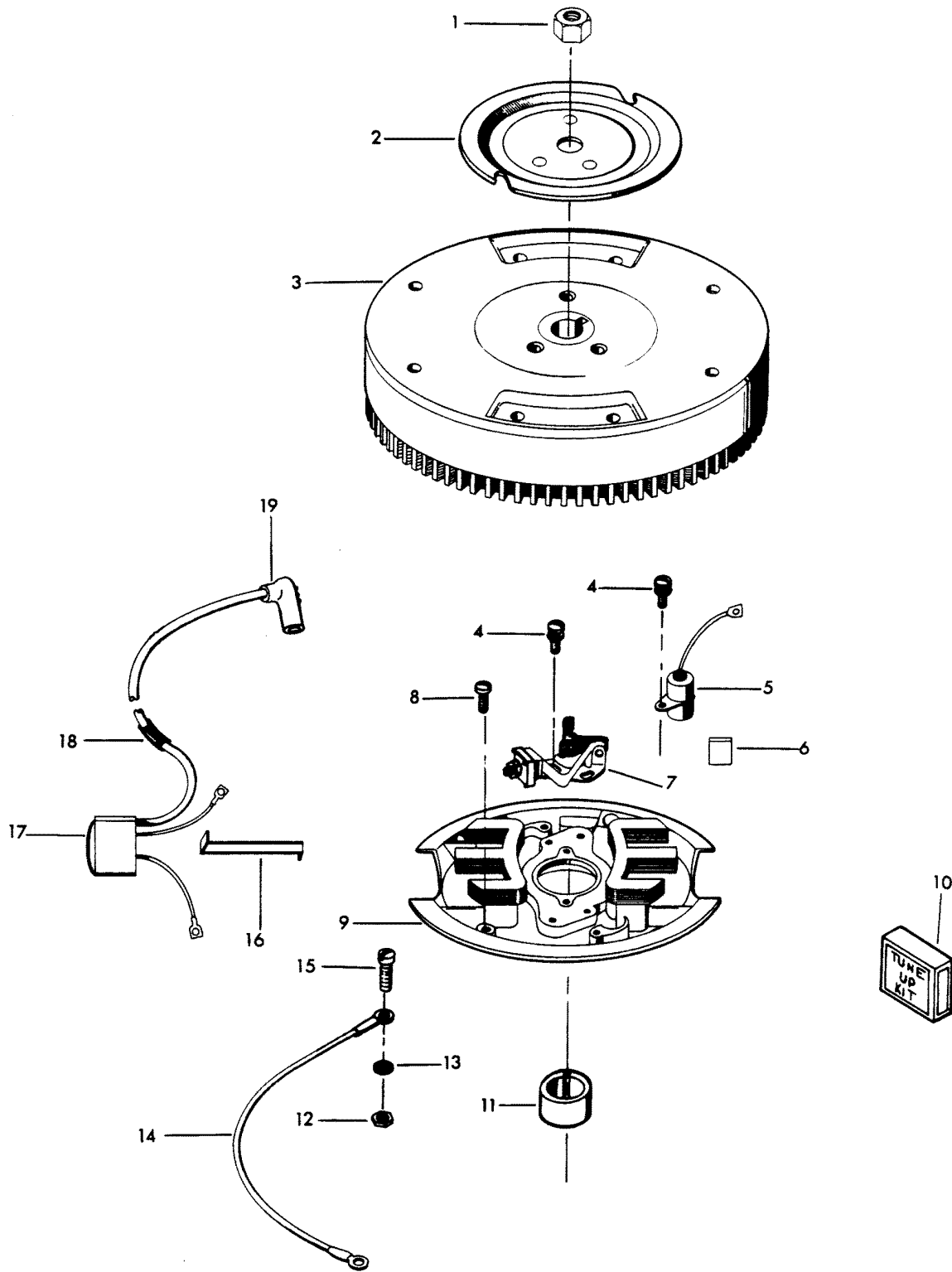
ENGINE COVER AND SUPPORT PLATE



ENGINE COVER AND SUPPORT PLATE

REF. NO.	PART NO.	SYM.	QTY.	DESCRIPTION
38	F73741-1		1	RING
39	F318307		1	SEAL, DRIVESHAFT
40	F1200		2	HEX HD SCREW, 1/4 - 20 X 1/2
41	F566400		1	DECAL, SHIFT
42	F8049		1	BOWED SPRING WASHER

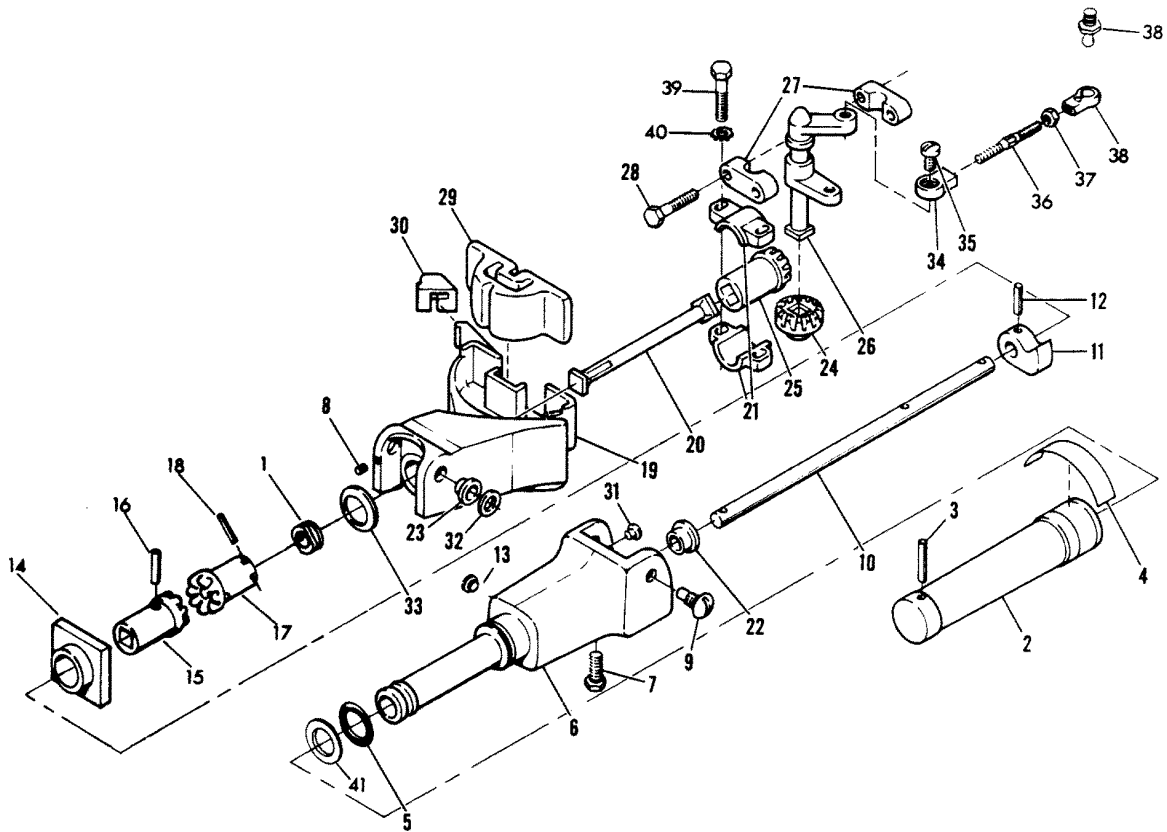
MAGNETO



MAGNETO

REF. NO.	PART NO.	SYM.	QTY.	DESCRIPTION
1	F1809		1	FLYWHEEL NUT
2	F901456-1		1	COLLAR, EMERGENCY START
3	F302097		1	FLYWHEEL
4	F12170		6	CONTACT AND CONDENSER MOUNTING SCREWS
5	F12181-1		2	CONDENSER
6	F12228		1	CAM WIPER FELT
7	F12153		2	BREAKER POINT SET
8	F2010		3	FILL HD SCREW W/LOCKWASHER, 10 - 32 X 9/16
9	F12371		1	STATOR PLATE W/LAMINATIONS
10	FK1066		1	TUNE UP KIT. INCLUDES ALL ITEMS MARKED WITH AN ASTERISK (*)
11	F217002		1	MAGNETO BREAKER CAM
12	F1513		1	HEX NUT
13	F1975		1	LOCKWASHER
14	F404908		1	GROUND WIRE
15	F1567		1	FILL HD SCREW, 10 - 32 X 1
16	F12146		2	WEDGE SPRING
17	FA12345		2	COIL W/LEAD WIRE AND WEDGE SPRING
18	F12141		1	MARKER HIGH TENSION LEAD WIRE
19	FK750-3		2	SPARKIE KIT

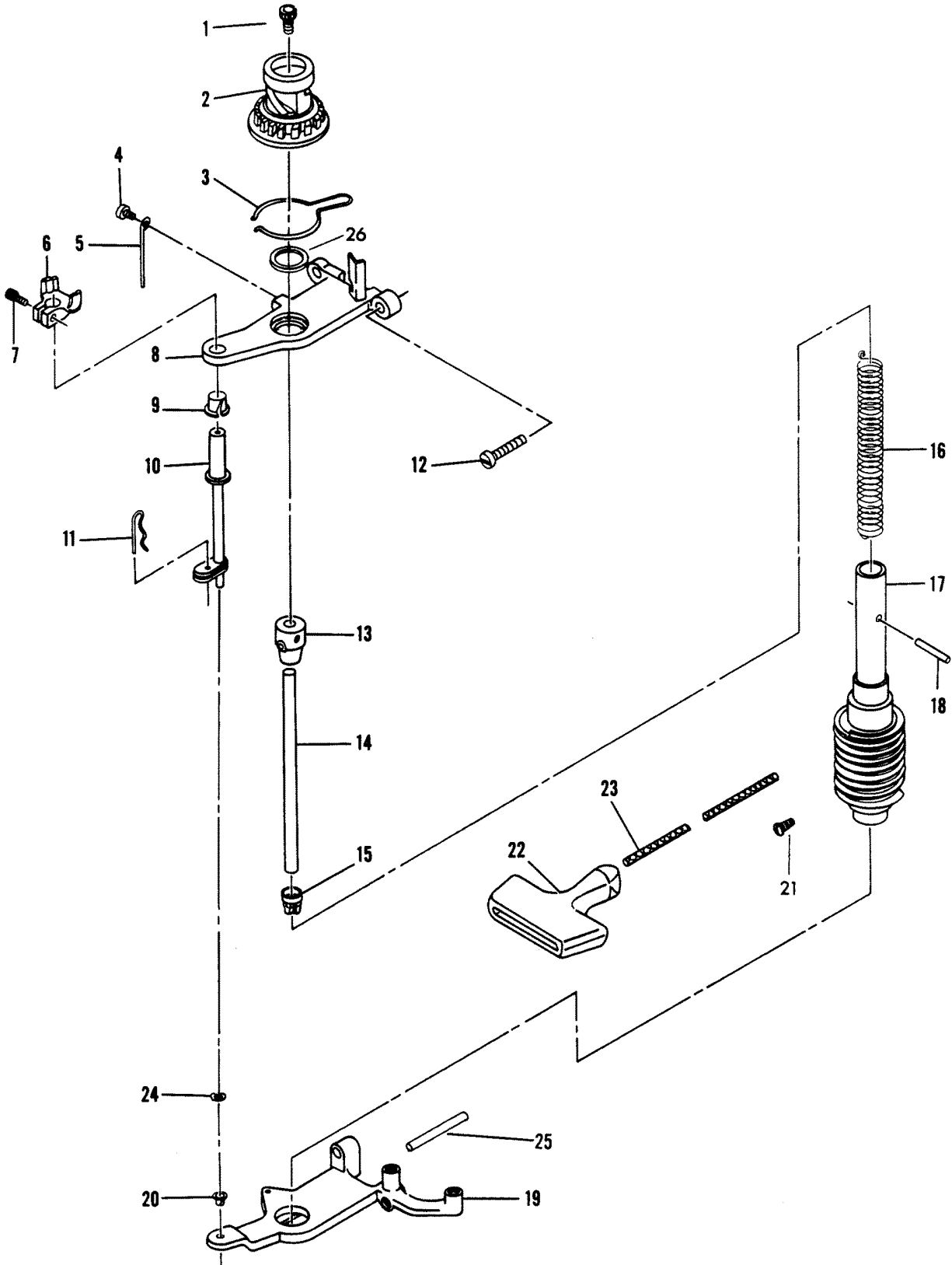
STEERING ARM



STEERING ARM

REF. NO.	PART NO.	SYM.	QTY.	DESCRIPTION
1	F318504		1	GROMMET STEERING HANDLE GEAR
2	F429137		1	GRIP, STEERING HANDLE W/SLEEVE
3	F8548		1	SPRING PIN, 1/8 X 1
4	F324894		1	INDICATOR STEERING HANDLE
5	F53795-1		1	SEAL, STEERING HANDLE DAMPENER
6	F525079		1	HANDLE - STEERING
7	F525552		1	SCREW, STEERING HANDLE BEARING
8	F1471		1	HEX SET SCREW, 10 - 24 X 1/4
9	F525080		2	SCREW, STEERING HANDLE PIVOT
10	F525688		1	SHAFT, STEERING HANDLE
11	F525198		1	THROTTLE STOP
12	F8547		1	SPRING PIN, 1/8 X 5/8
13	F526524		1	RIVET STEERING HANDLE
14	F525816-1		1	BEARING, STEERING HANDLE GEAR
15	F525815		1	GEAR, STEERING HANDLE
16	F8567		1	SPRING PIN, 1/8 X 13/16
17	F525691		1	GEAR, STEERING ARM
18	F8540		1	SPRING PIN, 3/32 X 5/8
19	F525582-1		1	STEERING ARM
20	F525877		1	SHAFT, MAGNETO CONTROL
21	F525665		2	BEARING, GEAR PINION TOWERSHAFT
22	F307818		1	BEARING, STEERING HANDLE SHAFT
23	F390689		2	BEARING, STEERING ARM PIVOT SCREW
24	F525605		1	GEAR, TOWERSHAFT
25	F525627		1	GEAR, TOWERSHAFT PINION
26	F525838		1	TOWERSHAFT
27	F525689		2	TOWERSHAFT BEARING
28	F1699		2	HEX HD SCREW, 1/4 - 20 X 1 1/8
29	F318347-1		1	UPPER MOUNT
30	F318539		1	BUMPER
31	F525524		1	RIVET, STEERING HANDLE
32	F525220		2	WASHER, STEERING HANDLE
33	F8043		1	WAVE WASHER
34	F84036		1	BEARING, SPARK CONTROL
35	F84026		1	SHOULDER SCREW
36	F525445		1	LINK, MAGNETO STATOR CONTROL
37	F1513		1	NUT, 10 - 32
38	817747--1		1	JOINT, BALL ASSEMBLY
39	F525751		2	SCREW
40	F8060		2	LOCKWASHER
41	F215795		1	SEAL STEERING HANDLE DAMPENER

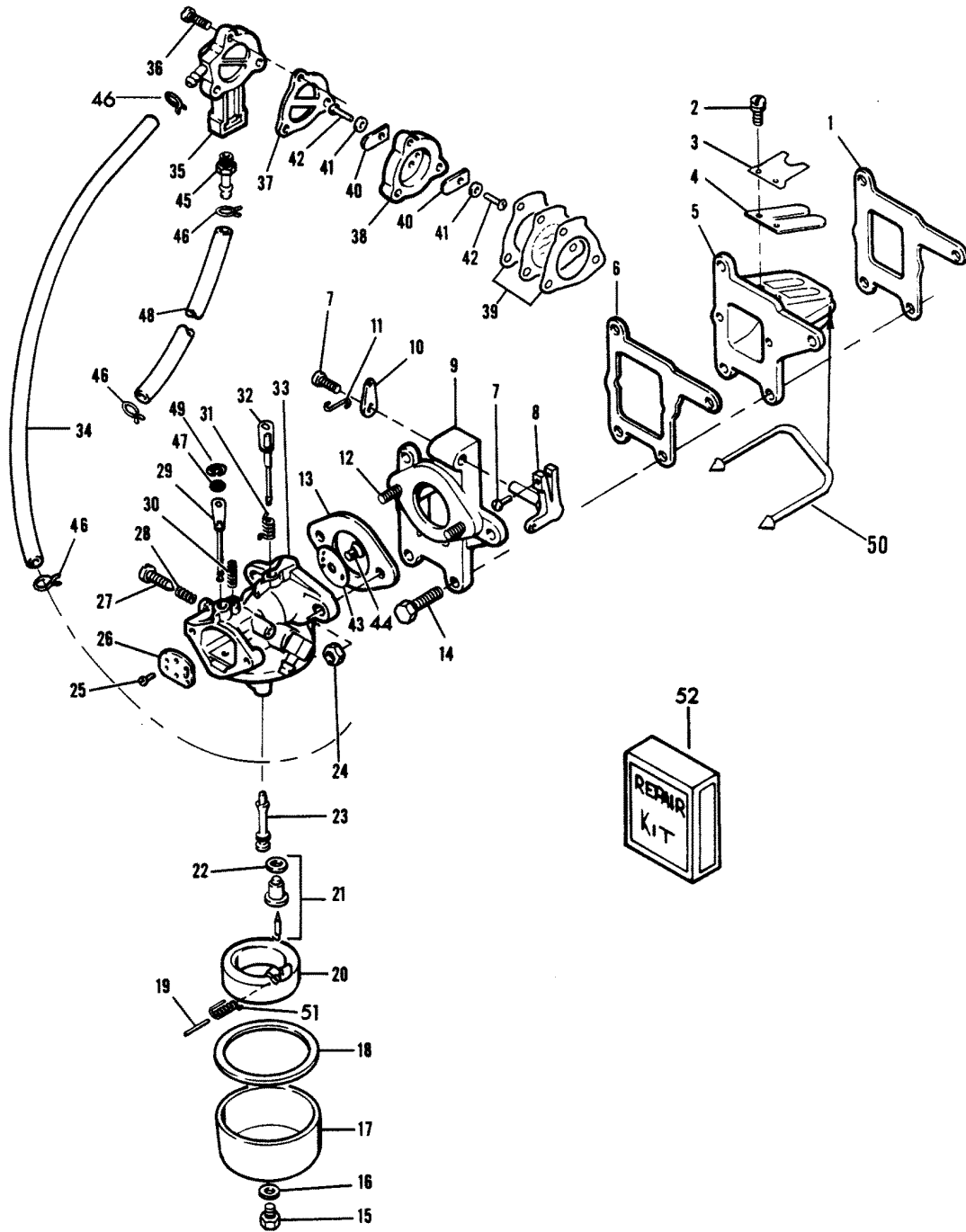
STARTER



STARTER

REF. NO.	PART NO.	SYM.	QTY.	DESCRIPTION
1	F525457		1	SCREW, STARTER SPRING DRIVE
2	F525674-1		1	GEAR STARTER PINION
3	F525424		1	SPRING STARTER PINION
4	F1760		1	PAN HD SCREW, 10 - 24 X 3/8
5	F525455		1	GUIDE STARTER ROPE
6	F525781		1	INTERLOCK STARTER
7	F2031		1	HEX HD SCREW, 1/4 - 20 X 3/4
8	F525427-1		1	BRACKET STARTER UPPER
9	F269689		1	BEARING STARTER BRACKET UPPER
10	F525105		1	SHAFT INTERLOCK
11	F525629		1	COTTER PIN
12	F1052		4	FILL HD SCREW, 1/4 - 20 X 1
13	F901739		1	DRIVE STARTER REWIND SPRING
14	F901710		1	POST STARTER SPRING GUIDE
15	F525737		1	RETAINER STARTER REWIND SPRING
16	F901970		1	SPRING STARTER REWIND
17	817856A1		1	SPOOL STARTER W/SCREW
18	F40425		1	PIN STARTER PINION
19	F525675		1	BRACKET STARTER LOWER
20	F197813		1	BEARING STARTER BRACKET LOWER
21	F1500		1	ROUND HD SHEET METAL SCREW, #4 X 1/4
22	F286132		1	HANDLE STARTER ROPE
23	F409232		1	ROPE STARTER
24	F8070		1	BOWED SPRING WASHER
25	F8571		1	SPRING PIN, 1/8 X 1 3/4
26	F53795-1		1	SEAL

FUEL SYSTEM

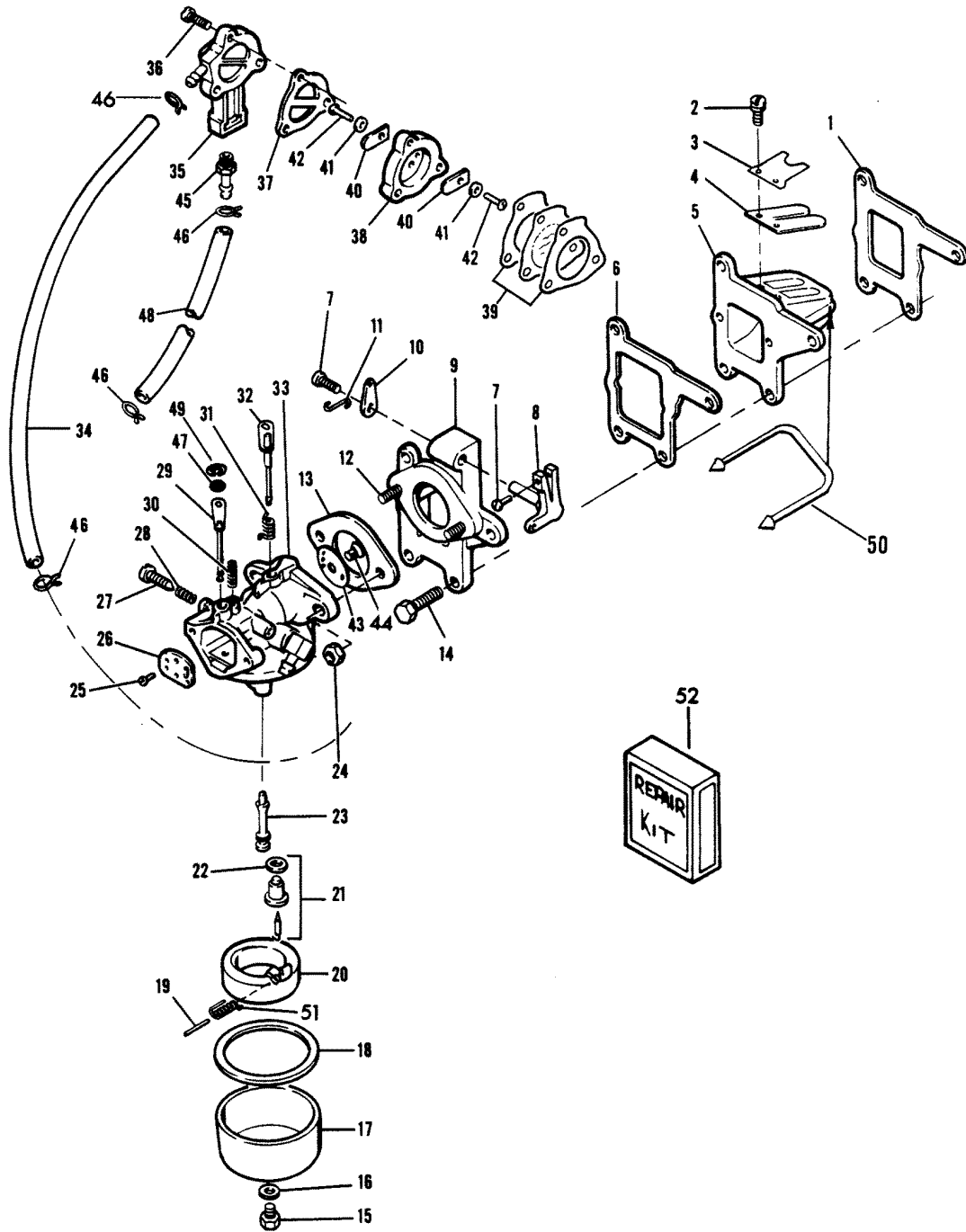


FUEL SYSTEM

REF. NO.	PART NO.	SYM.	QTY.	DESCRIPTION
1	F525159		1	GASKET, REED PLATE
2	F1755		4	RD HD SCREW & SPRING LOCKWASHER ASSEMBLY, 6 - 32 X 5/16
3	F525161		2	REED STOP
4	F31160-1		2	REED
5	F2A525158		1	PLATE REED W/SEAL
6	F525168		1	GASKET MANIFOLD
7	F1772		2	HEX HD SCREW, 8 - 32 X 1/2
8	F525316-1		1	FOLLOWER THROTTLE CAM
9	FA525167		1	MANIFOLD W/STUDS
10	F525081		1	LEVER THROTTLE
11	F525193		1	LINK THROTTLE
12	F2788004		2	STUD CARBURETOR
13	F18906		1	GASKET CARBURETOR
14	F1953		4	HEX HD SCREW, 1/4 - 20 X 1
15	F10096		1	JET ASSEMBLY (.039) STANDARD (FOR OTHER THAN STANDARD)
-	F10093		-	MAIN FUEL JET .038 - SEA LEVEL - 3000 - 5000 FT. (OPT.)
-	F10086		-	MAIN FUEL JET .037 - SEA LEVEL - 5000 - 7000 FT. (OPT.)
-	F10094		-	MAIN FUEL JET .036 - SEA LEVEL - 7000 FT. & UP (OPT.)
16	F10090		1	GASKET FUEL BOWL RETAINER
17	F10058		1	FUEL BOWL
18	F10068		1	GASKET BODY TO BOWL
19	F10064		1	SHAFT - FLOAT
20	F10063		1	FLOAT
21	F10101		1	KIT - VALVE, SEAT, SPRING & GASKET
22	F10066		1	GASKET VALVE SEAT
23	F10104		1	NOZZLE
24	F1490		2	NUT, 1/4 - 20
25	F10070		2	SCREW ASSEMBLY - CHOKE VALVE
26	F10062		1	CHOKE VALVE ASSEMBLY
27	F10077		1	NEEDLE - IDLE
28	F10073		1	SPRING IDLE NEEDLE
29	F10061		1	CHOKE SHAFT ASSEMBLY
30	F10072		1	SPRING CHOKE STOP
31	F10085		1	SPRING THROTTLE RETURN
32	F10081		1	SHAFT ASSEMBLY - THROTTLE
33	817963A4		1	CARBURETOR
34	F84253		1	HOSE
35	F901746-2		1	COVER FUEL PUMP
36	F1069		3	FILL HD SCREW, 10 - 24 X 1 1/16
37	F24748-2		1	GASKET FUEL PUMP
38	FA24757-3		1	PLATE FUEL PUMP REED W/REEDS & SCREWS
39	27-818043A1		1	DIAPHRAGM, FUEL PUMP W/GASKETS

CONTINUED ON NEXT PAGE ➡

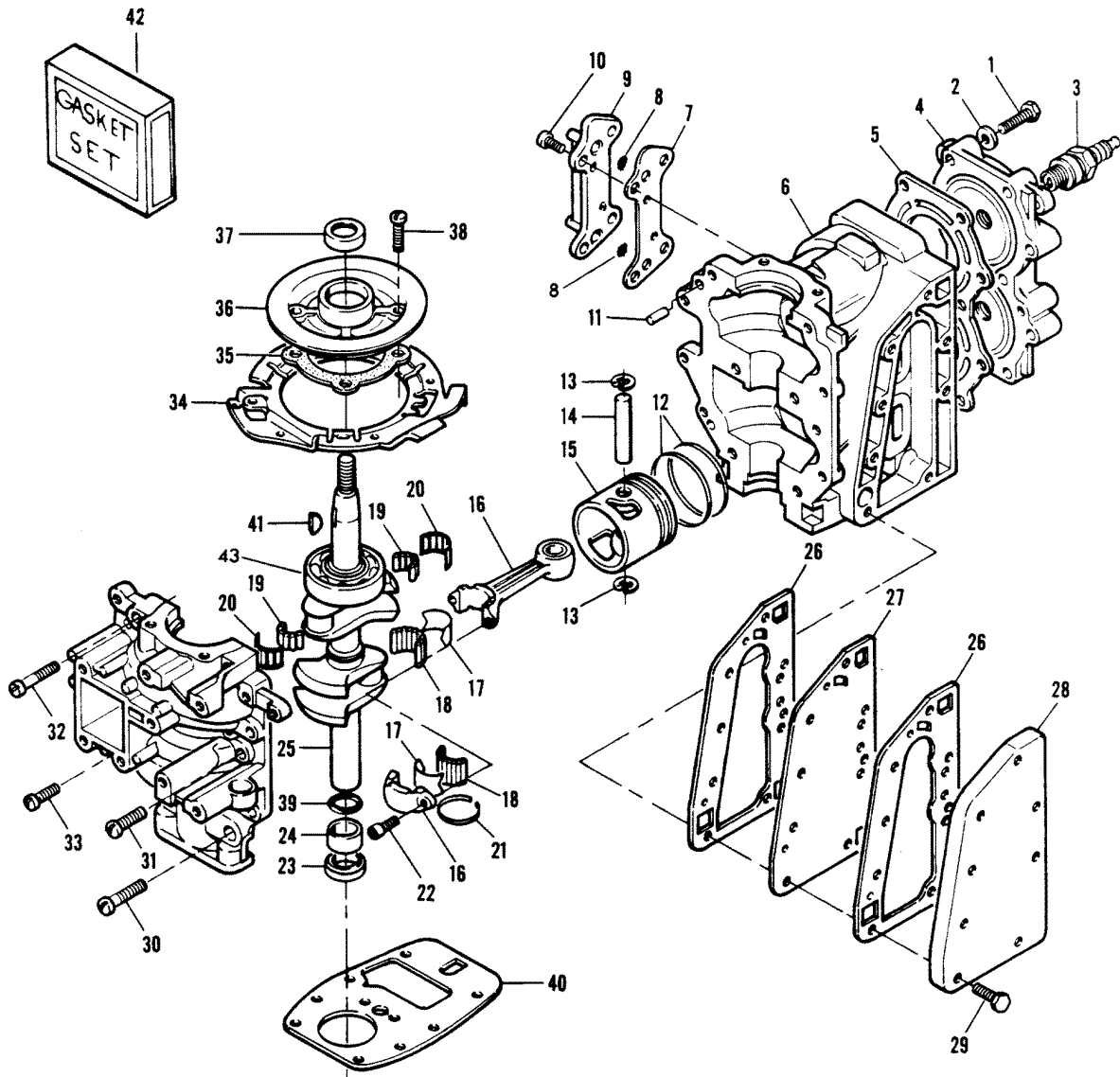
FUEL SYSTEM



FUEL SYSTEM

REF. NO.	PART NO.	SYM.	QTY.	DESCRIPTION
40	F18160-2		2	REED FUEL PUMP
41	F8003		2	PLAIN WASHER
42	F1286		2	PAN HD SCREW, #4 - 40 X 3/16
43	F10091		1	VALVE THROTTLE
44	F10071		1	SCREW, THROTTLE VALVE
45	F901811		1	FILTER FUEL PUMP
46	F2706772		4	CLAMP HOSE
47	F2042		1	WASHER
48	F84253		1	HOSE
49	F90807		1	RETAINING RING
50	F525984		1	SEAL, REED PLATE
51	F10084		1	FLOAT SUPPORT SPRING
52	F10087		1	REPAIR KIT. INCLUDES ALL ITEMS MARKED WITH DOUBLE ASTERISKS (**)
-	F10069		1	GASKET KIT. INCLUDES ALL ITEMS MARKED WITH AN ASTERISK (*)

POWER HEAD

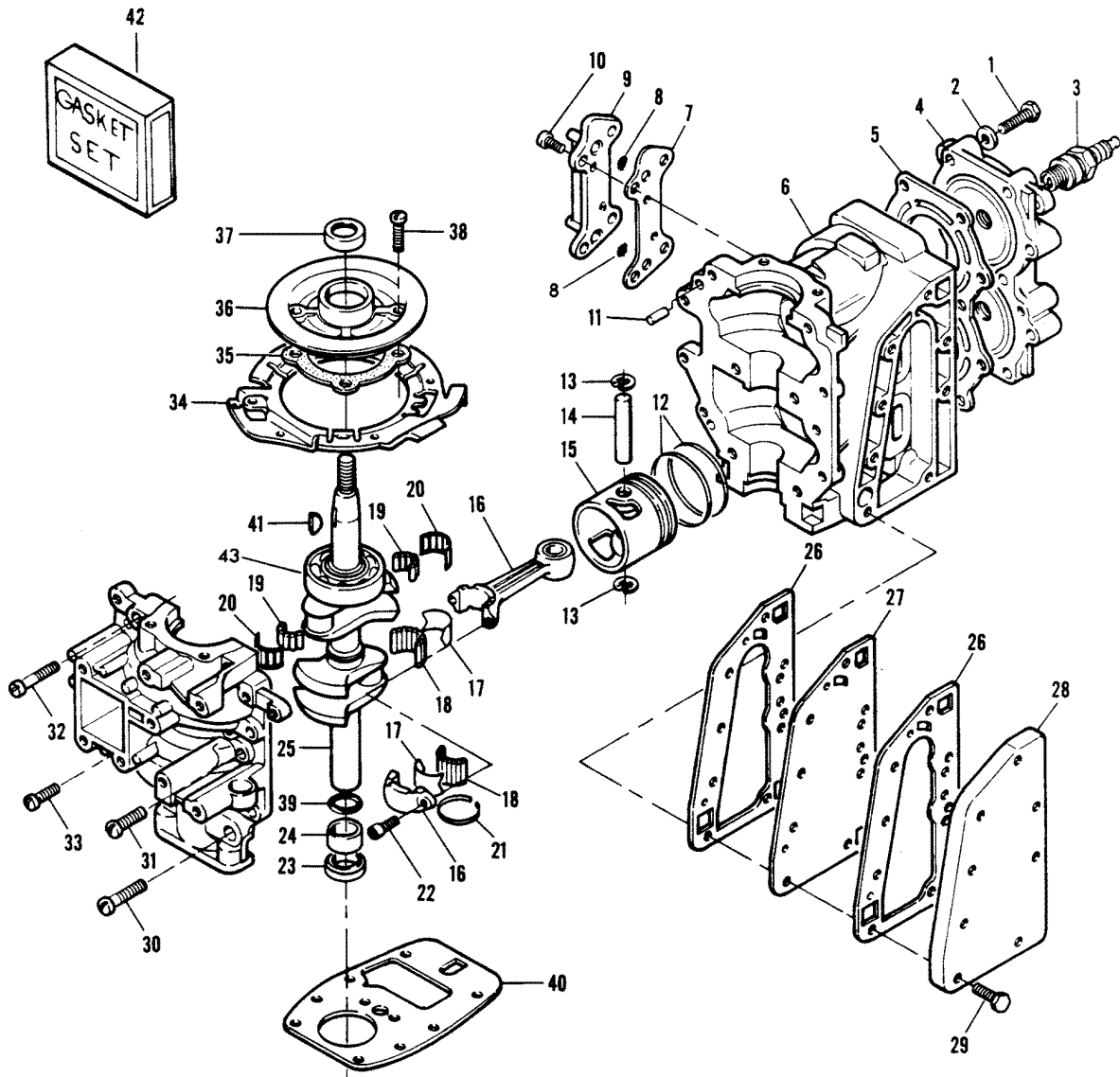


POWER HEAD

REF. NO.	PART NO.	SYM.	QTY.	DESCRIPTION
1	F901938-1		10	SCREW, CYLINDER HEAD
2	F8025		10	PLAIN WASHER
3	33-82370M		2	SPARK PLUG (L-86)
4	F536518		1	CYLINDER HEAD
5	F525529		1	GASKET, CYLINDER HEAD
6	F2A525010		1	CYLINDER
-	FC525010		1	CYLINDER COMPLETE. (NOT SHOWN). INCLUDES ALL ITEMS MARKED WITH AN ASTERISK (*)
7	F525472		1	GASKET, CYLINDER DRAIN COVER
8	F429811		2	SCREEN, CYLINDER DRAIN
9	FA525471		1	COVER, CYLINDER DRAIN W/SCREEN
10	F1110		4	SCREW, 1/4 - 20 X 5/8
11	F8559		2	DOWEL PIN
12	39-818038A1		2	PISTON RING (2 RINGS PER SET)
13	F250410		4	PISTON PIN RETAINING RING
14	F250017		2	PISTON PIN
15	F525015		2	PISTON
16	F2A521016		2	CONNECTING ROD W/ITEM 22
17	FA525241		2	CRANKPIN ROLLER CAGE
18	FA525228		2	ROLLER CRANKPIN (16 ROLLERS)
19	F286571		1	ROLLER ASSEMBLY, CENTER MAIN BEARING
20	FA286155		1	LINER, CENTER MAIN W/LITERATURE
21	F525579		1	CRANKCASE SEAL
22	F36634		4	CONNECTING ROD SCREW
23	F141118		1	SEAL, CRANKSHAFT LOWER
24	F343014		1	BEARING, CRANKSHAFT LOWER MAIN
25	FA525018		1	CRANKSHAFT W/UPPER BEARING
26	F525154		2	GASKET EXHAUST
27	F525151		1	PLATE EXHAUST
28	F525152		1	COVER EXHAUST
29	F1953		8	SCREW, 1/4 - 20 X 1
30	F1257		2	SCREW, 5/16 - 18 X 1 1/4
31	F1994		2	SCREW, 5/16 - 18 X 1
32	F1044		2	SCREW, 1/4 - 20 X 1 3/8
33	F1107		6	SCREW, 1/4 - 20 X 3/4
34	F525082		1	RING STATOR
35	F286277		1	GASKET, CRANKSHAFT BEARING CAGE
36	1100-817753A1		1	CAGE, CRANKSHAFT BEARING W/UPPER CRANKSHAFT SEAL
37	F346146		1	SEAL, CRANKSHAFT UPPER
38	F1111		4	FILL HD SCREW, 1/4 - 20 X 7/8
39	F468342		1	SEAL, CRANKSHAFT SPLINE
40	F525279		1	GASKET, CYLINDER MOUNTING
41	F458498		1	MAGNETO KEY

CONTINUED ON NEXT PAGE ➡

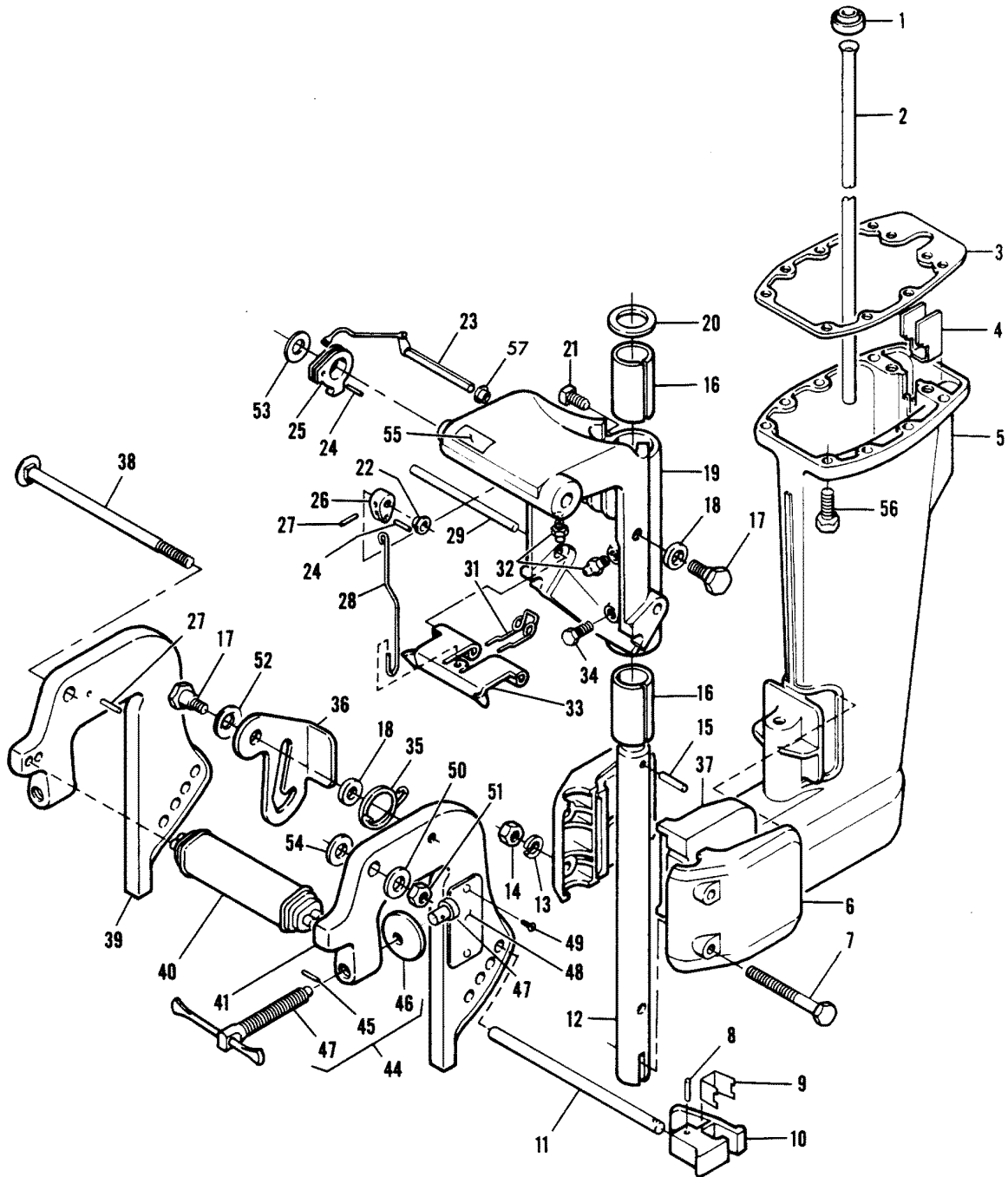
POWER HEAD



POWER HEAD

REF. NO.	PART NO.	SYM.	QTY.	DESCRIPTION
42	FG1018		1	GASKET SET. INCLUDES ITEMS LISTED BELOW
-	F18906		1	GASKET, CARBURETOR
-	F286277		1	GASKET, CRANKSHAFT BEARING CAGE
-	F525154		2	GASKET, EXHAUST
-	F525159		1	GASKET, REED PLATE
-	F525168		1	GASKET, MANIFOLD
-	F525279		1	GASKET, CYLINDER MOUNTING
-	F525453		1	GASKET, LEG MOUNTING
-	F525529		1	GASKET, CYLINDER HEAD
-	F525472		1	GASKET, CYLINDER DRAIN COVER
43	F286028		1	BEARING, CRANKSHAFT

MOTOR LEG

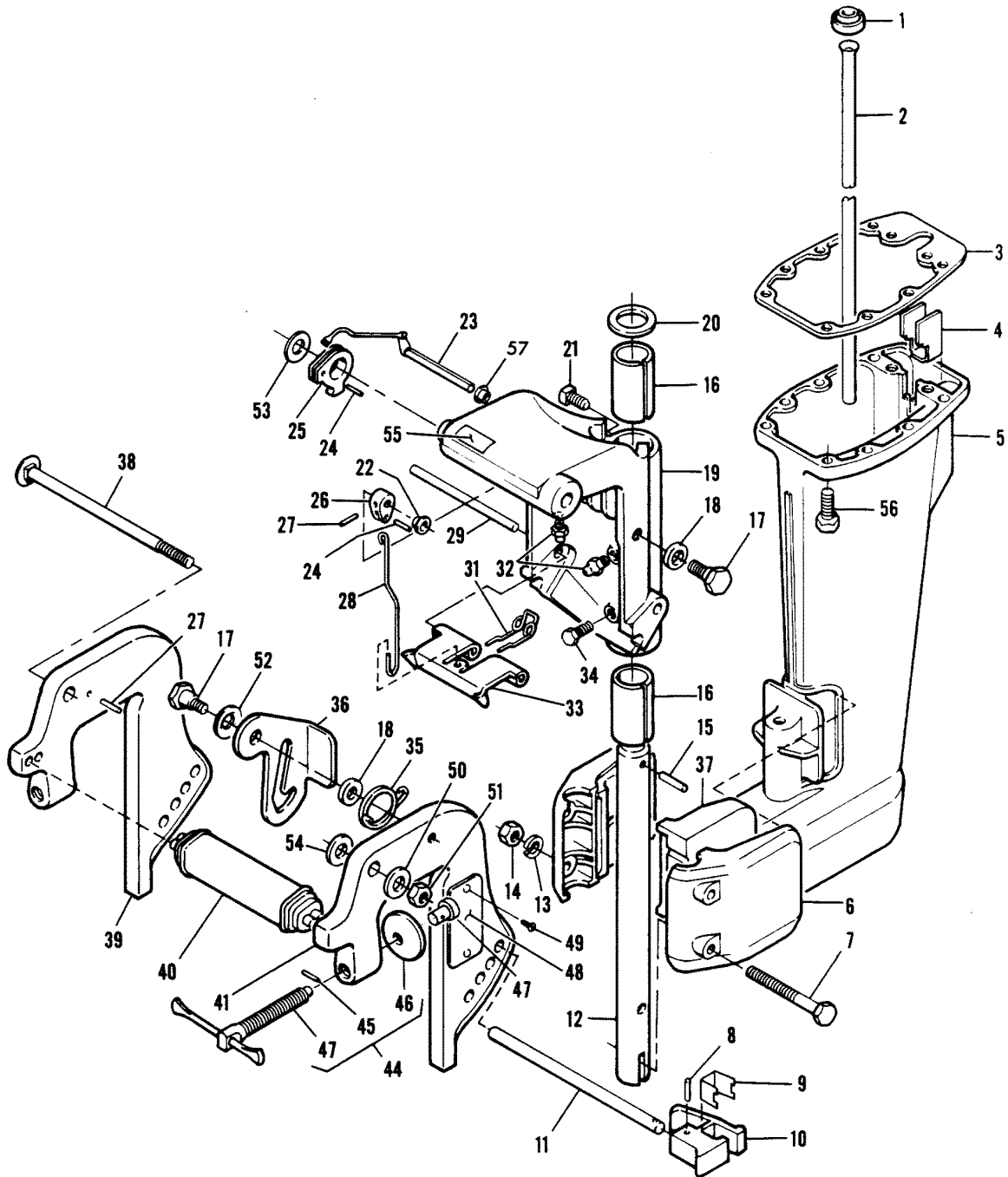


MOTOR LEG

REF. NO.	PART NO.	SYM.	QTY.	DESCRIPTION
1	F318342		1	SEAL, WATERLINE INLET UPPER
2	F525244		1	WATERLINE
3	F525453		1	GASKET LEG MOUNTING
4	F525779		1	BAFFLE IDLE RELIEF
5	F525133		1	MOTOR LEG
6	F525707		2	COVER, SHOCK MOUNT LOWER
7	F1972		2	HEX HD SCREW, 1/4 - 20 X 2 1/2
8	F8540		1	SPRING PIN, 3/32 X 5/8
9	F286461		1	SPRING LOCK BAR HANDLE
10	F286114		1	HANDLE LOCK BAR
11	FA286113		1	BAR LOCK W/ILLUSTRATIONS 8, 9, 10
12	F525019		1	KINGPIN
13	F8083		2	LOCKWASHER
14	F1341		2	NUT, 1/4 - 20
15	F1805		1	SPRING PIN, 1/4 X 3/8
16	F286169		2	BEARING SWIVEL BRACKET
17	F286422-1		2	PIVOT TILT LOCK
18	F286451		2	SPACER TILT LOCK
19	1400-817964A2		1	SWIVEL BRACKET W/ILLUSTRATIONS 16, 32 ORIGINAL FORCE P/N K 525072-1
20	F286011		1	WASHER SWIVEL BRACKET
21	F525839		1	SCREW, STEERING FRICTION
22	F197813		1	BEARING
23	FA387742		1	LEVER REVERSE LOCK INTERMEDIATE ASSY
24	F1794		2	SPRING PIN, 3/32 X 3/8
25	F286827		1	LEVER REVERSE LOCK RELEASE
26	F286364		1	LEVER REVERSE LOCK
27	F8538		2	SPRING PIN, 3/32 X 1/2
28	F341510		1	LINK REVERSE LOCK LEVER
29	F1806		1	GROOVE PIN, 5/16 - 3 3/4
31	F286300		1	SPRING REVERSE LOCK
32	F213274		2	FITTING GREASE
33	F286349		1	LOCK REVERSE
34	F1467		1	SCREW SWIVEL BRACKET
35	F286544-1		1	SPRING TILT LOCK
36	F429541		1	LOCK TILT
37	F525346		2	MOUNT LOWER SHOCK
38	F286037		1	BOLT STERN BRACKET
39	FS567532		1	BRACKET STERN STARBOARD W/SCREW CLAMP
40	F286647		1	HANDLE CARRYING
41	FS567532		1	BRACKET STERN PORT, W/SCREW CLAMP
44	FA28073-1		2	CLAMP SCREW WITH FOOT AND STUD
45	F1794		2	SPRING PIN

CONTINUED ON NEXT PAGE ➡

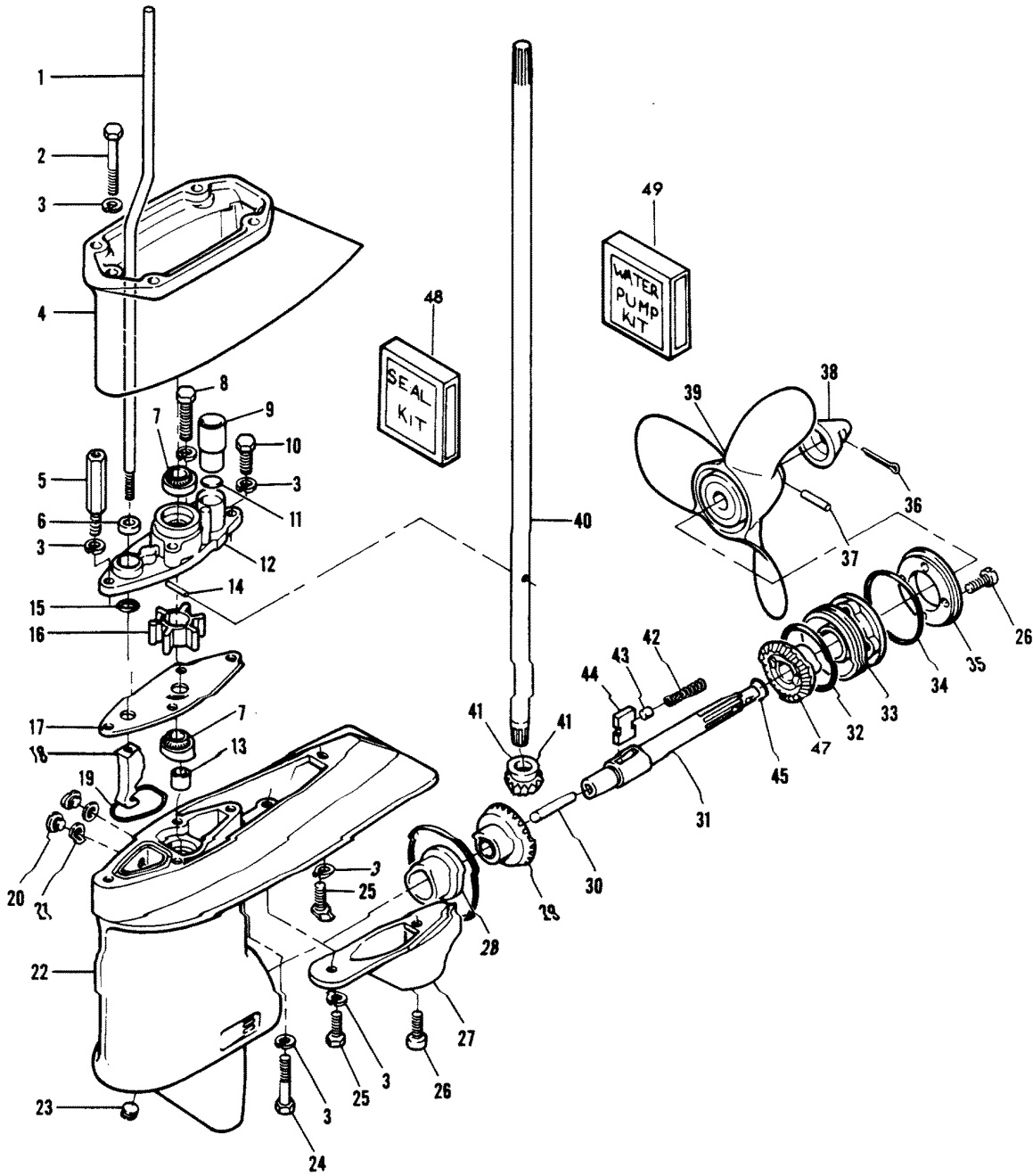
MOTOR LEG



MOTOR LEG

REF. NO.	PART NO.	SYM.	QTY.	DESCRIPTION
46	F24074		2	FOOT CLAMP SCREW
47	F66480		2	STUD CLAMP SCREW
48	FA538395		1	IDENTIFICATION PLATE W/SCREWS
49	F1447		2	RD HD DRIVE SCREW, #2 X 3/16
50	F8039		1	PLAIN WASHER
51	F7005		1	NUT, 3/8 - 16
52	F1666		1	WAVE WASHER
53	F525286		1	WASHER
54	F286286-1		1	WASHER
55	F286585-1		1	DECAL, TILT RELEASE
56	F1833		8	HEX CAP SCREW, 1/4 - 20 X 1
57	F536813		1	BEARING

GEAR HOUSING

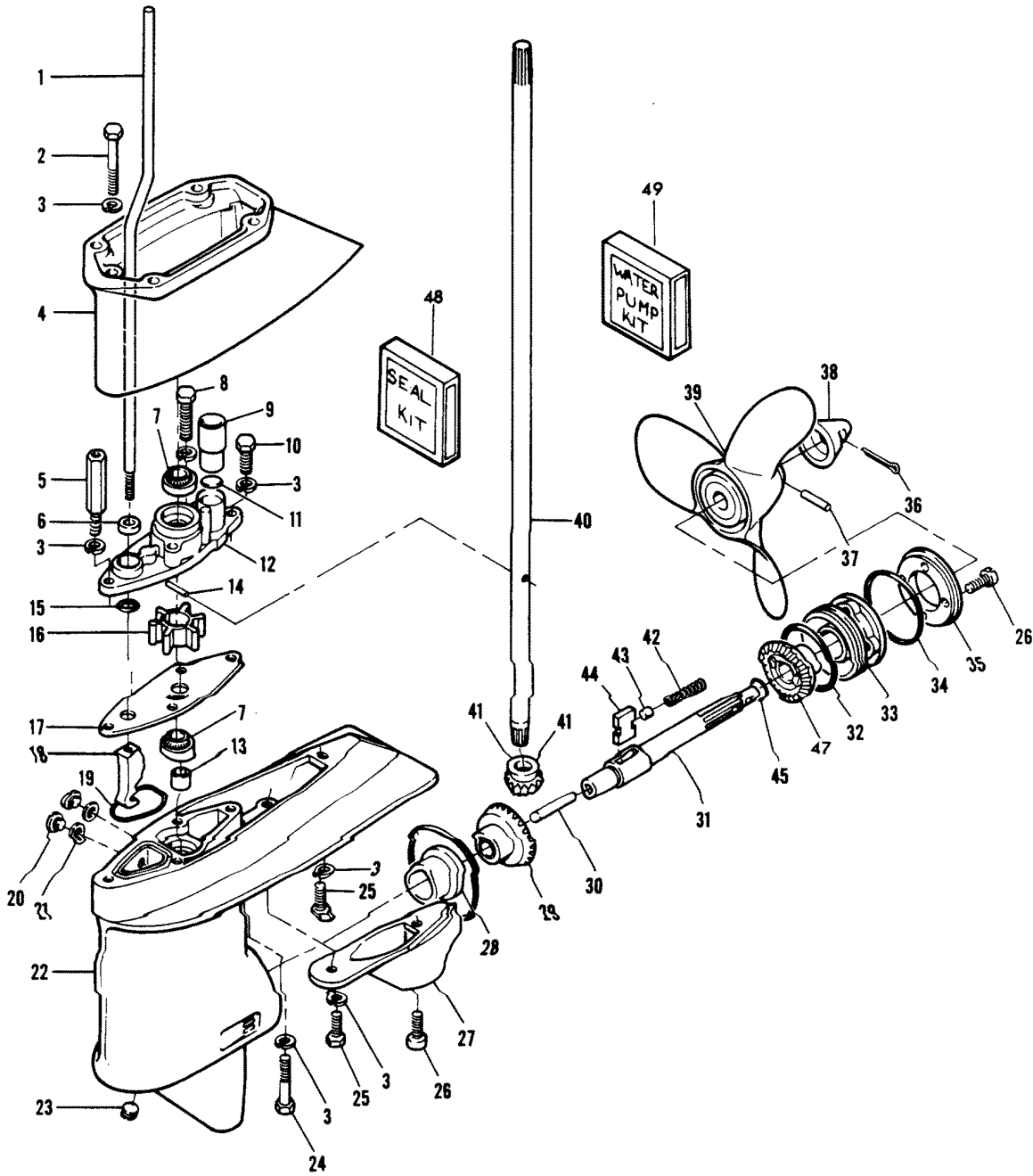


GEAR HOUSING

REF. NO.	PART NO.	SYM.	QTY.	DESCRIPTION
1	F525705		1	ROD, GEAR SHIFT
2	F1175		1	HEX HD CAP SCREW, 1/4 - 20 X 1 7/8
3	F8083		8	SPRING LOCKWASHER
4	F525845		1	EXTENSION MOTOR LEG
5	F521006		1	STUD, GEAR HOUSING FRONT
6	F338618-1		1	SEAL, GEAR SHIFT ROD LOWER
7	F318307		2	SEAL
8	F1891		2	HEX HD SCREW, 1/4 - 20 X 1 1/2
9	FA510914		1	SEAL, WATERLINE W/LITERATURE
10	F2008		1	HEX HD SCREW, 1/4 - 20 X 7/8
11	525388		1	DISC, WATER PUMP LOCATING
12	FA525060		1	WATER PUMP BODY W/GEAR SHIFT ROD SEAL, WATERLINE SEAL, LOCATING DISC, DRIVESHAFT SEAL.
14	F390563		1	PIN, WATER PUMP IMPELLER DRIVE
15	F474342		1	SEAL, WATER PUMP GEAR SHIFT ROD
16	F525065-1		1	IMPELLER
17	F525562		1	PLATE, WATER PUMP BACK
18	F459721-1		1	CLUTCH SHIFT CAM
19	F525555		1	SEAL, SHIFT ROD CAVITY
20	F50109		2	PLUG, GEAR HOUSING
21	F8077		2	WASHER
22	FA525054		1	GEAR HOUSING W/PLUGS, WASHERS, DRIVESHAFT UPPER BEARING, PROP SHAFT BEARING, DRIVESHAFT SEAL, BEVEL PINION BEARING.
-	FC525054		1	GEAR HOUSING COMPLETE (NOT SHOWN). INCLUDES ALL ITEMS MARKED WITH AN ASTERISK (*)
23	F19109		1	PLUG
24	F1990		2	HEX HD SCREW, 1/4 - 20 X 1 5/8
25	F1705		2	HEX CAP SCREW, 1/4 - 20 X 3/4
26	F525457		5	SCREW
27	FA525116		1	SNOUT W/LITERATURE
28	F521307		1	PROPSHAFT SEAL
29	FA521023		1	BEVEL GEAR W/BEARING
30	F901728		1	PIN CLUTCH SHIFT
31	F536098		1	PROPELLER SHAFT
32	F525305		1	SEAL, PROP SHAFT
33	FA525298		1	PROP SHAFT CAGE W/PROP SHAFT THRUST BEARING, PROP SHAFT BEARING, PROP SHAFT SEAL
34	F521305		1	SEAL, PROP SHAFT BEARING CAGE
35	F521296		1	RETAINER, PROP SHAFT BEARING CAGE
36	F1846		1	COTTER PIN
37	FA324101		1	PROPELLER PIN W/ITEM 36
38	11-817752A1		1	PROPELLER NUT W/COTTER PIN
39	FP342		1	PROPELLER

CONTINUED ON NEXT PAGE ➡

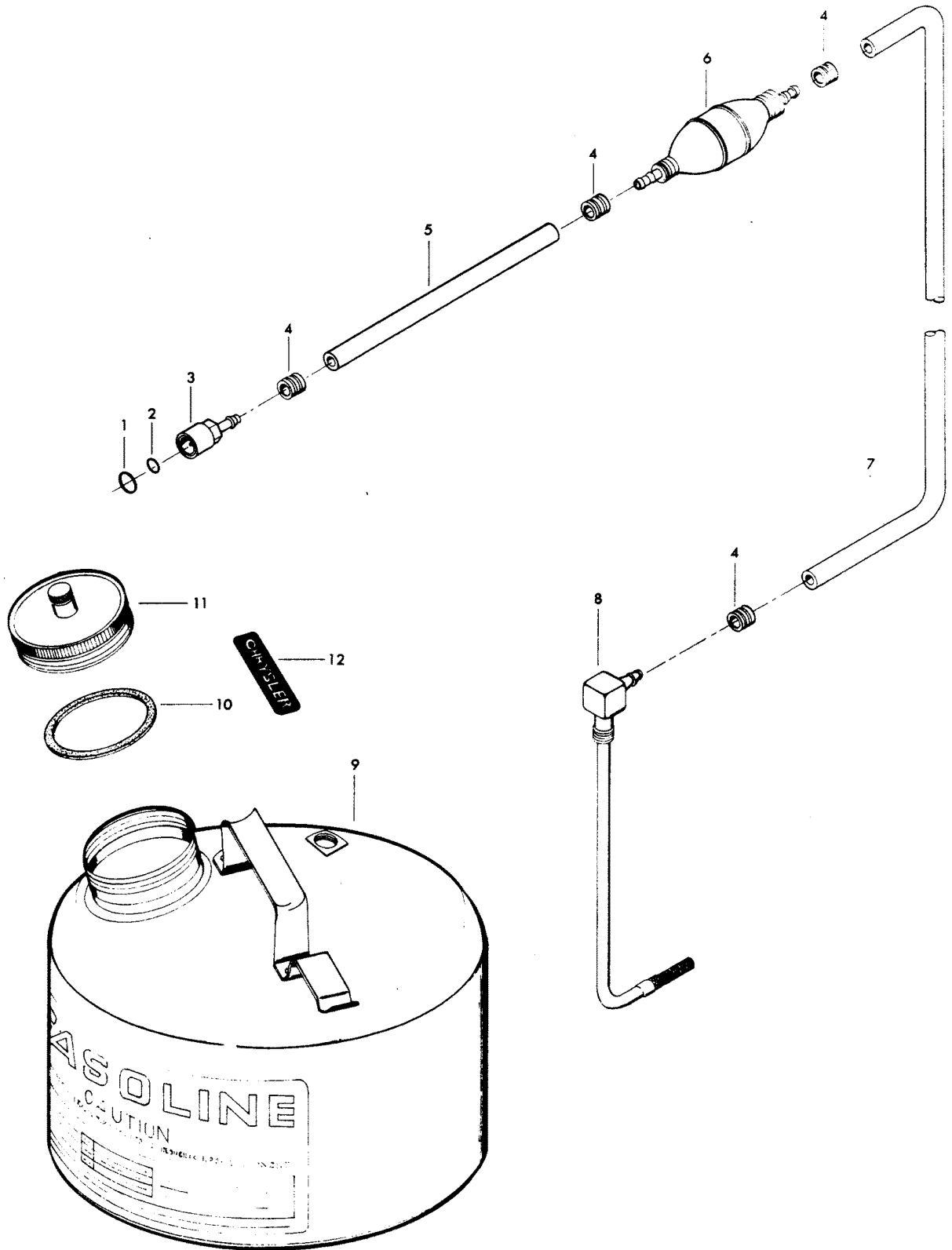
GEAR HOUSING



GEAR HOUSING

REF. NO.	PART NO.	SYM.	QTY.	DESCRIPTION
40	F525128		1	DRIVESHAFT
41	F521266		1	GEAR, BEVEL PINION
42	F409719		1	CLUTCH SPRING
43	F318372		1	CLUTCH PIN GUIDE
44	F409521		1	CLUTCH SHIFT
45	F317717		1	WASHER, BEVEL GEAR THRUST
46	F430732		4	MOTOR LEG EXTENSION TO GEAR HOUSING SCREWS
47	F525662		1	BEVEL GEAR - REAR
48	FK1062		1	GEAR HOUSING SEAL KIT. INCLUDES ALL ITEMS MARKED WITH A DOUBLE ASTERISK (**)
49	FK1067		1	WATER PUMP KIT. INCLUDES THE FOLLOWING.
-	F390563		1	PIN, WATER PUMP IMPELLER
-	F525065		1	IMPELLER, WATER PUMP
-	F525562		1	PLATE, WATER PUMP
-	FA525060		1	BODY, WATER PUMP

FUEL TANK AND LINE



FUEL TANK AND LINE

REF. NO.	PART NO.	SYM.	QTY.	DESCRIPTION
1	F213342		1	SEAL, FUEL LINE COUPLER
2	F213735		1	SEAL, FUEL LINE COUPLER
3	F197787-3		1	FUEL LINE COUPLER
4	F298788		4	FERRULE
5	FA84754-1		1	FUEL LINE SHORT W/FERRULES
6	89396A38		1	PRIME BULB W/LITERATURE ORIGINAL FORCE P/N S 387766-1
7	32-817738A1		1	FUEL LINE, LONG W/CLAMP AND FERRULE
8	FS459755		1	FUEL TANK ADAPTER
9	F459034-1		1	FUEL TANK
10	F66252		1	GASKET
11	FS459251		1	FUEL TANK CAP
12	F459366		1	DECAL, CHRYSLER
-	FS409752		1	FUEL LINE - COMPLETE. (NOT SHOWN) INCLUDES ALL ITEMS MARKED WITH AN ASTERISK (*)

SPECIAL TOOLS - TUNE-UP

REF. NO.	PART NO.	SYM.	QTY.	DESCRIPTION
-	FT2909		0	KNOCK-OFF NUT TO REMOVE FLYWHEEL
-	FT2989		0	FLYWHEEL WEDGE TO REMOVE FLYWHEEL

SPECIAL TOOLS - STARTER

REF. NO.	PART NO.	SYM.	QTY.	DESCRIPTION
-	FT3139-1		0	STARTER REWIND KEY TO REWIND STARTER SPRING

SPECIAL TOOLS - POWER HEAD

REF. NO.	PART NO.	SYM.	QTY.	DESCRIPTION
-	FT3012		0	SEAL INSTALLER TO INSTALL UPPER CRANKSHAFT BEARING CAGE SEAL
-	FT8929		0	ADAPTER AND HEX BIT TO TORQUE CONNECTING ROD SCREWS
-	FT2997		0	RING COMPRESSOR TO INSTALL PISTONS IN CYLINDERS
-	FT1749		0	SNAP RING PLIERS TO REMOVE AND INSTALL PISTON PIN RETAINING RINGS
-	FT8926		0	PISTON RING EXPANDER TO INSTALL RINGS ON PISTONS
-	FT11202		0	SEAL INSTALLER TO INSTALL LOWER CRANKSHAFT SEAL

SPECIAL TOOLS - LOWER UNIT

REF. NO.	PART NO.	SYM.	QTY.	DESCRIPTION
-	FT2915		0	SEAL INSTALLER TO INSTALL DRIVESHAFT SEAL - UPPER AND LOWER AND PROPELLER SHAFT SEAL
-	FT8957		0	SEAL INSTALLER TO INSTALL SHIFT ROD SEAL
-	FT8948-1		0	BEARING CAGE PULLER TO REMOVE PROPELLER SHAFT BEARING CAGE

SPECIAL TOOLS - TEST EQUIPMENT

REF. NO.	PART NO.	SYM.	QTY.	DESCRIPTION
-	FT8950		0	LEAKAGE TESTER TO TEST LOWER UNIT SEALS FOR LEAKS
-	T8974		0	BREAKER POINT TENSION GAUGE FOR CHECKING BREAKER POINT SPRING TENSION

SPECIAL TOOLS - LUBRICANTS AND SEALANTS

REF. NO.	PART NO.	SYM.	QTY.	DESCRIPTION
-	FT2961		0	LUBRICANT - RYKON #2EP
-	FT2987-1		0	LUBRICANT - ANTI-SEIZE
-	FT8969		0	LUBRICANT - 7 OZ. 2 PSI LUBRICANT
-	FT8983		0	SEALANT - 5 OZ EC-750 INDUSTRIAL SEALANT
-	FT8936		0	SEALANT - 2 CC LOCTITE RETAINING COMPOUND #75
-	FT2962-1		0	SEALANT - 50 CC LOCTITE H, NON-HARDENING GRADE
-	FT2963-1		0	SEALANT - 2 OZ. LOCTITE D, HARDENING GRADE
-	FT8935		0	SEALANT PRIMER - 6 OZ.

SPECIAL TOOLS - REPAIR DECALS - ENGINE COVERS

REF. NO.	PART NO.	SYM.	QTY.	DESCRIPTION
-	T11212		0	BOAT BLACK
-	T11230		0	ORANGE
-	T11211		0	BOAT WHITE

ACCESSORIES

REF. NO.	PART NO.	SYM.	QTY.	DESCRIPTION
-	F5H113		0	REMOTE CONTROL KIT PERMITS REMOTE CONTROL OF THROTTLE, GEAR SHIFT AND STEERING FROM FRONT OF BOAT.
-	F5H114		0	REMOTE STEERING BRACKET ADAPTS MOTOR TO CABLE TYPE REMOTE STEERING.
-	F5H027		0	STEEL 6 GALLON FUEL TANK AUXILIARY TANK.
-	F5H029		0	FUEL TANK ANCHOR RETAINS TOTE TANK ON BOAT FLOOR.
-	F5H040		0	STEEL 12 GALLON FUEL TANK AUXILIARY TANK.
-	F5H134		0	BOAT WHITE LACQUER ENGINE TOUCH-UP PAINT IN 12 3/4 OZ. SPRAY BOMBS (6 CANS PER CASE).
-	F588		0	FLUSHING ADAPTER FOR CLEANING COOLING SYSTEM.
-	F5H130		0	REMOTE CONTROL BOX SINGLE LEVER SURFACE MOUNT - STARBOARD.
-	F5H131		0	REMOTE CONTROL DECAL KIT DECAL FOR PORT SIDE MOUNTING OF 5H130 CONTROL BOX.
-	F195-6		0	REMOTE CONTROL CABLES SHIFT AND THROTTLE HEAVY DUTY LENGTHS 6-40".
-	F195/40		0	
-	F596		0	CHRYSLER OUTBOARD OIL SEE BLOCK COMMENT 1.
-	F597		0	CHRYSLER OUTBOARD GEAR LUBE SEE BLOCK COMMENT 2.
-	72H26		0	CHRYSLER OUTBOARD FUEL AID REMOVES MOISTURE. PREVENTS SLUDGE AND VARNISH AND STABILIZES GAS. AVAILABLE IN 16 OZ. CANS AND 12 CAN CASES.
-	72H27		0	CHRYSLER OUTBOARD STORAGE LUBRICANT WORKS AS A CORROSION INHIBITOR AND PROTECTS INTERNAL ENGINE PARTS DURING STORAGE. AVAILABLE IN 16 OZ. CANS AND 12 CAN CASES.
-	72H28		0	CHRYSLER OUTBOARD MULTI-PURPOSE SPRAY LUBE WORKS AS A LUBRICANT, CLEANER, MOISTURE REMOVER AND ELECTRIC INSULATOR. AVAILABLE IN 9 OZ. CANS AND 12 CAN CASES.
-	F72H29		0	CHRYSLER OUTBOARD MULTI-PURPOSE GREASE LUBRICATES BEARINGS AND OTHER MOVING PARTS. AVAILABLE IN 8 OZ. TUBES AND 12 TUBE CASES.
-	F72H30		0	CHRYSLER OUTBOARD GREASE GUN USED WITH CHRYSLER OUTBOARD MULTI-PURPOSE GREASE TUBES FOR PRESSURE FITTINGS.
-	72H34		0	CHRYSLER OUTBOARD MULTI-PURPOSE CLEANER

PARTS INDEX

Part Number	Description	Pg.	Ref. No.	Part Number	Description	Pg.	Ref. No.
2C566712	ENGINE COVER - COMPLETE.	3	-	F1107	SCREW, 1/4 - 20 X 3/4	17	33
525388	DISC, WATER PUMP LOCATING	25	11	F1110	SCREW, 1/4 - 20 X 5/8	17	10
72H26	CHRYSLER OUTBOARD FUEL AID	37	-	F1111	FILL HD SCREW, 1/4 - 20 X 7/8	17	38
72H27	CHRYSLER OUTBOARD STORAGE LUBRICANT	37	-	F1175	HEX HD CAP SCREW, 1/4 - 20 X 1 7/8	25	2
72H28	CHRYSLER OUTBOARD MULTI-PURPOSE SPRAY LUBE	37	-	F1200	HEX HD SCREW, 1/4 - 20 X 1/2	5	40
72H34	CHRYSLER OUTBOARD MULTI-PURPOSE CLEANER	37	-	F12141	MARKER HIGH TENSION LEAD WIRE	7	18
817747--1	JOINT, BALL ASSEMBLY	9	38	F12146	WEDGE SPRING	7	16
817856A1	SPOOL STARTER W/SCREW	11	17	F12153	BREAKER POINT SET	7	7
817963A4	CARBURETOR	13	33	F12170	CONTACT AND CONDENSER MOUNTING SCREWS	7	4
89396A38	PRIME BULB	29	6	F12181-1	CONDENSER	7	5
F10058	FUEL BOWL	13	17	F12228	CAM WIPER FELT	7	6
F10061	CHOKE SHAFT ASSEMBLY	13	29	F12371	STATOR PLATE W/LAMINATIONS	7	9
F10062	CHOKE VALVE ASSEMBLY	13	26	F1257	SCREW, 5/16 - 18 X 1 1/4	17	30
F10063	FLOAT	13	20	F1286	PAN HD SCREW, #4 - 40 X 3/16	15	42
F10064	SHAFT - FLOAT	13	19	F1341	NUT, 1/4 - 20	21	14
F10066	GASKET VALVE SEAT	13	22	F141118	SEAL, CRANKSHAFT LOWER	17	23
F10068	GASKET BODY TO BOWL	13	18	F1447	RD HD DRIVE SCREW, #2 X 3/16	23	49
F10069	GASKET KIT.	15	-	F1467	SCREW SWIVEL BRACKET	21	34
F10070	SCREW ASSEMBLY - CHOKE VALVE	13	25	F1471	HEX SET SCREW, 10 - 24 X 1/4	9	8
F10071	SCREW, THROTTLE VALVE	15	44	F1475	FILL HD SCREW, 10 - 24 X 1/2	3	2
F10072	SPRING CHOKE STOP	13	30	F1490	NUT, 1/4 - 20	13	24
F10073	SPRING IDLE NEEDLE	13	28	F1500	ROUND HD SHEET METAL SCREW, #4 X 1/4	11	21
F10077	NEEDLE - IDLE	13	27	F1513	HEX NUT	7	12
F10081	SHAFT ASSEMBLY - THROTTLE	13	32	F1513	NUT, 10 - 32	9	37
F10084	FLOAT SUPPORT SPRING	15	51	F1518	NUT, 5/16 - 18	3	9
F10085	SPRING THROTTLE RETURN	13	31	F1567	FILL HD SCREW, 10 - 32 X 1	7	15
F10086	MAIN FUEL JET .037 - SEA LEVEL - 5000 - 7000 FT. (OPT.)	13	-	F1573	FILL HD SCREW, 1/4 - 20 X 1/2	3	29
F10087	REPAIR KIT.	15	52	F1666	WAVE WASHER	23	52
F10090	GASKET FUEL BOWL RETAINER	13	16	F1699	HEX HD SCREW, 1/4 - 20 X 1 1/8	9	28
F10091	VALVE THROTTLE	15	43	F1705	HEX CAP SCREW, 1/4 - 20 X 3/4	25	25
F10093	MAIN FUEL JET .038 - SEA LEVEL - 3000 - 5000 FT. (OPT.)	13	-	F1755	RD HD SCREW & SPRING LOCKWASHER ASSEMBLY, 6 - 32 X 5/16	13	2
F10094	MAIN FUEL JET .036 - SEA LEVEL - 7000 FT. & UP (OPT.)	13	-	F1760	PAN HD SCREW, 10 - 24 X 3/8	11	4
F10096	JET ASSEMBLY (.039) STANDARD (FOR OTHER THAN STANDARD)	13	15	F1772	HEX HD SCREW, 8 - 32 X 1/2	13	7
F10101	KIT - VALVE, SEAT, SPRING & GASKET	13	21	F1794	SPRING PIN	21	45
F10104	NOZZLE	13	23	F1794	SPRING PIN, 3/32 X 3/8	21	24
F1044	SCREW, 1/4 - 20 X 1 3/8	17	32	F1805	SPRING PIN, 1/4 X 3/8	21	15
F1052	FILL HD SCREW, 1/4 - 20 X 1	11	12	F1806	GROOVE PIN, 5/16 - 3 3/4	21	29
F1069	FILL HD SCREW, 10 - 24 X 1 1/16	13	36	F1809	FLYWHEEL NUT	7	1
				F18160-2	REED FUEL PUMP	15	40
				F1833	HEX CAP SCREW, 1/4 - 20 X 1	23	56

PARTS INDEX

Part Number	Description	Pg.	Ref. No.	Part Number	Description	Pg.	Ref. No.
F1846	COTTER PIN	25	36	F286364	LEVER REVERSE LOCK	21	26
F18906	GASKET CARBURETOR	13	13	F286422-1	PIVOT TILT LOCK	21	17
F18906	GASKET, CARBURETOR	19	-	F286451	SPACER TILT LOCK	21	18
F1891	HEX HD SCREW, 1/4 - 20 X 1 1/2	25	8	F286461	SPRING LOCK BAR HANDLE	21	9
F19109	PLUG	25	23	F286544-1	SPRING TILT LOCK	21	35
F1950	HEX HD SCREW, 10 - 24 X 5/8	3	8	F286571	ROLLER ASSEMBLY, CENTER MAIN BEARING	17	19
F1953	HEX HD SCREW, 1/4 - 20 X 1	13	14	F286585-1	DECAL, TILT RELEASE	23	55
F1953	SCREW, 1/4 - 20 X 1	17	29	F286647	HANDLE CARRYING	21	40
F1972	HEX HD SCREW, 1/4 - 20 X 2 1/2	21	7	F286827	LEVER REVERSE LOCK RELEASE	21	25
F1975	LOCKWASHER	7	13	F298788	FERRULE	29	4
F1975	LOCKWASHER, #10	3	31	F2A521016	CONNECTING ROD	17	16
F197767-1	BUSHING FUEL LINE	3	15	F2A525010	CYLINDER	17	6
F197787-3	FUEL LINE COUPLER	29	3	F2A525158	PLATE REED W/SEAL	13	5
F197813	BEARING	21	22	F302097	FLYWHEEL	7	3
F197813	BEARING STARTER BRACKET LOWER	11	20	F307818	BEARING (NYLINER)	3	35
F1990	HEX HD SCREW, 1/4 - 20 X 1 5/8	25	24	F307818	BEARING, STEERING HANDLE SHAFT	9	22
F1994	SCREW, 5/16 - 18 X 1	17	31	F31160-1	REED	13	4
F2008	HEX HD SCREW, 1/4 - 20 X 7/8	25	10	F317717	WASHER, BEVEL GEAR THRUST	27	45
F2010	FILL HD SCREW W/LOCKWASHER, 10 - 32 X 9/16	7	8	F318307	SEAL	25	7
F2031	HEX HD SCREW, 1/4 - 20 X 3/4	11	7	F318307	SEAL, DRIVESHAFT	5	39
F2041	HEX HD SCREW, 10 - 24 X 3/8	3	19	F318342	SEAL, WATERLINE INLET UPPER	21	1
F2042	WASHER	15	47	F318347-1	UPPER MOUNT	9	29
F213274	FITTING GREASE	21	32	F318372	CLUTCH PIN GUIDE	27	43
F213342	SEAL, FUEL LINE COUPLER	29	1	F318504	GROMMET STEERING HANDLE GEAR	9	1
F213735	SEAL, FUEL LINE COUPLER	29	2	F318539	BUMPER	9	30
F215795	SEAL STEERING HANDLE DAMPENER	9	41	F318818	BEARING, SHIFT LEVER SHAFT	3	28
F217002	MAGNETO BREAKER CAM	7	11	F324894	INDICATOR STEERING HANDLE	9	4
F24074	FOOT CLAMP SCREW	23	46	F338618-1	SEAL, GEAR SHIFT ROD LOWER	25	6
F24748-2	GASKET FUEL PUMP	13	37	F341510	LINK REVERSE LOCK LEVER	21	28
F250017	PISTON PIN	17	14	F343014	BEARING, CRANKSHAFT LOWER MAIN	17	24
F250410	PISTON PIN RETAINING RING	17	13	F346146	SEAL, CRANKSHAFT UPPER	17	37
F269689	BEARING STARTER BRACKET UPPER	11	9	F36634	CONNECTING ROD SCREW	17	22
F2706772	CLAMP HOSE	15	46	F390563	PIN, WATER PUMP IMPELLER	27	-
F2788004	STUD CARBURETOR	13	12	F390563	PIN, WATER PUMP IMPELLER DRIVE	25	14
F286011	WASHER SWIVEL BRACKET	21	20	F390689	BEARING, STEERING ARM PIVOT SCREW	9	23
F286028	BEARING, CRANKSHAFT	19	43	F392777	CAM COVER LATCH	3	10
F286037	BOLT STERN BRACKET	21	38	F40425	PIN STARTER PINION	11	18
F286114	HANDLE LOCK BAR	21	10	F404908	GROUND WIRE	7	14
F286132	HANDLE STARTER ROPE	11	22	F409232	ROPE STARTER	11	23
F286169	BEARING SWIVEL BRACKET	21	16	F409521	CLUTCH SHIFT	27	44
F286277	GASKET, CRANKSHAFT BEARING CAGE	17	35	F409719	CLUTCH SPRING	27	42
F286277	GASKET, CRANKSHAFT BEARING CAGE	19	-	F409740	BALL CHECK	3	37
F286286-1	WASHER	23	54	F429137	GRIP, STEERING HANDLE W/SLEEVE	9	2
F286300	SPRING REVERSE LOCK	21	31	F429541	LOCK TILT	21	36
F286349	LOCK REVERSE	21	33	F429811	SCREEN, CYLINDER DRAIN	17	8

PARTS INDEX

Part Number	Description	Pg.	Ref. No.	Part Number	Description	Pg.	Ref. No.
F430732	MOTOR LEG EXTENSION TO GEAR HOUSING SCREWS	27	46	F525453	GASKET LEG MOUNTING	21	3
F458498	MAGNETO KEY	17	41	F525453	GASKET, LEG MOUNTING	19	-
F459034-1	FUEL TANK	29	9	F525455	GUIDE STARTER ROPE	11	5
F459366	DECAL, CHRYSLER	29	12	F525457	SCREW	25	26
F459721-1	CLUTCH SHIFT CAM	25	18	F525457	SCREW, STARTER SPRING DRIVE	11	1
F468342	SEAL, CRANKSHAFT SPLINE	17	39	F525469	HANDLE LATCH	3	12
F474342	SEAL, WATER PUMP GEAR SHIFT ROD	25	15	F525472	GASKET, CYLINDER DRAIN COVER	17	7
F50109	PLUG, GEAR HOUSING	25	20	F525472	GASKET, CYLINDER DRAIN COVER	19	-
F521006	STUD, GEAR HOUSING FRONT	25	5	F525504	GROMMET, CHOKE ROD	3	34
F521266	GEAR, BEVEL PINION	27	41	F525524	RIVET, STEERING HANDLE	9	31
F521296	RETAINER, PROP SHAFT BEARING CAGE	25	35	F525529	GASKET, CYLINDER HEAD	17	5
F521305	SEAL, PROP SHAFT BEARING CAGE	25	34	F525529	GASKET, CYLINDER HEAD	19	-
F521307	PROPSHAFT SEAL	25	28	F525552	SCREW, STEERING HANDLE BEARING	9	7
F521547	CHOKE KNOB	3	17	F525555	SEAL, SHIFT ROD CAVITY	25	19
F525015	PISTON	17	15	F525562	PLATE, WATER PUMP	27	-
F525019	KINGPIN	21	12	F525562	PLATE, WATER PUMP BACK	25	17
F525025	PAD SHIFT DETENT	3	36	F525579	CRANKCASE SEAL	17	21
F525065	IMPELLER, WATER PUMP	27	-	F525582-1	STEERING ARM	9	19
F525065-1	IMPELLER	25	16	F525605	GEAR, TOWERSHAFT	9	24
F525079	HANDLE - STEERING	9	6	F525614	HANDLE GEAR SHIFT	3	21
F525080	SCREW, STEERING HANDLE PIVOT	9	9	F525615	ROD GEAR SHIFT UPPER	3	7
F525081	LEVER THROTTLE	13	10	F525627	GEAR, TOWERSHAFT PINION	9	25
F525082	RING STATOR	17	34	F525629	COTTER PIN	11	11
F525105	SHAFT INTERLOCK	11	10	F525662	BEVEL GEAR - REAR	27	47
F525128	DRIVESHAFT	27	40	F525665	BEARING, GEAR PINION TOWERSHAFT	9	21
F525133	MOTOR LEG	21	5	F525674-1	GEAR STARTER PINION	11	2
F525151	PLATE EXHAUST	17	27	F525675	BRACKET STARTER LOWER	11	19
F525152	COVER EXHAUST	17	28	F525688	SHAFT, STEERING HANDLE	9	10
F525154	GASKET EXHAUST	17	26	F525689	TOWERSHAFT BEARING	9	27
F525154	GASKET, EXHAUST	19	-	F525691	GEAR, STEERING ARM	9	17
F525159	GASKET, REED PLATE	13	1	F525705	ROD, GEAR SHIFT	25	1
F525159	GASKET, REED PLATE	19	-	F525707	COVER, SHOCK MOUNT LOWER	21	6
F525161	REED STOP	13	3	F525737	RETAINER STARTER REWIND SPRING	11	15
F525168	GASKET MANIFOLD	13	6	F525751	SCREW	9	39
F525168	GASKET, MANIFOLD	19	-	F525763	SHAFT COVER LATCH	3	14
F525193	LINK THROTTLE	13	11	F525779	BAFFLE IDLE RELIEF	21	4
F525198	THROTTLE STOP	9	11	F525781	INTERLOCK STARTER	11	6
F525220	WASHER, STEERING HANDLE	9	32	F525815	GEAR, STEERING HANDLE	9	15
F525244	WATERLINE	21	2	F525816-1	BEARING, STEERING HANDLE GEAR	9	14
F525263	LINK STATOR INTERLOCK	3	23	F525838	TOWERSHAFT	9	26
F525279	GASKET, CYLINDER MOUNTING	17	40	F525839	SCREW, STEERING FRICTION	21	21
F525279	GASKET, CYLINDER MOUNTING	19	-	F525840	GROMMET	3	11
F525286	WASHER	23	53	F525845	EXTENSION MOTOR LEG	25	4
F525305	SEAL, PROP SHAFT	25	32	F525871	SHAFT GEAR SHIFT LEVER	3	24
F525316-1	FOLLOWER THROTTLE CAM	13	8	F525876	LEVER GEAR SHIFT	3	27
F525346	MOUNT LOWER SHOCK	21	37	F525877	SHAFT, MAGNETO CONTROL	9	20
F525394	DECAL CHOKE	3	16	F525925	LINK CHOKE KNOB	3	18
F525424	SPRING STARTER PINION	11	3	F525977	LEVER SHIFT INTERLOCK	3	30
F525427-1	BRACKET STARTER UPPER	11	8	F525984	SEAL, REED PLATE	15	50
F525445	LINK, MAGNETO STATOR CONTROL	9	36				

PARTS INDEX

Part Number	Description	Pg.	Ref. No.	Part Number	Description	Pg.	Ref. No.
F526524	RIVET STEERING HANDLE	9	13	F901710	POST STARTER SPRING		
F536098	PROPELLER SHAFT	25	31		GUIDE	11	14
F536518	CYLINDER HEAD	17	4	F901728	PIN CLUTCH SHIFT	25	30
F536813	BEARING	23	57	F901739	DRIVE STARTER REWIND		
F53795-1	SEAL	11	26		SPRING	11	13
F53795-1	SEAL, STEERING HANDLE			F901746-2	COVER FUEL PUMP	13	35
	DAMPENER	9	5	F901811	FILTER FUEL PUMP	15	45
F566400	DECAL, SHIFT	5	41	F901938-1	SCREW, CYLINDER HEAD	17	1
F588	FLUSHING ADAPTER	37	-	F901970	SPRING STARTER REWIND	11	16
F596/40	CHRYSLER OUTBOARD OIL	37	-	F90807	RETAINING RING	15	49
F597	CHRYSLER OUTBOARD			FA12345	COIL W/LEAD WIRE AND		
	GEAR LUBE	37	-		WEDGE SPRING	7	17
F5H027	STEEL 6 GALLON FUEL			FA24757-3	PLATE FUEL PUMP REED		
	TANK	37	-		W/REEDS & SCREWS	13	38
F5H029	FUEL TANK ANCHOR	37	-	FA28073-1	CLAMP SCREW WITH FOOT		
F5H040	STEEL 12 GALLON FUEL				AND STUD	21	44
	TANK	37	-	FA286113	BAR LOCK	21	11
F5H113	REMOTE CONTROL KIT	37	-	FA286155	LINER, CENTER MAIN	17	20
F5H114	REMOTE STEERING			FA324101	PROPELLER PIN	25	37
	BRACKET	37	-	FA387742	LEVER REVERSE LOCK		
F5H130	REMOTE CONTROL BOX	37	-		INTERMEDIATE ASSY	21	23
F5H131	REMOTE CONTROL DECAL			FA510914	SEAL, WATERLINE	25	9
	KIT	37	-	FA521023	BEVEL GEAR W/BEARING	25	29
F5H134	BOAT WHITE LACQUER	37	-	FA525018	CRANKSHAFT W/UPPER		
F66252	GASKET	29	10		BEARING	17	25
F66480	STUD CLAMP SCREW	23	47	FA525054	GEAR HOUSING	25	22
F7005	NUT, 3/8 - 16	23	51	FA525060	BODY, WATER PUMP	27	-
F7011	ELASTIC STOP NUT, 10 - 24	3	5	FA525060	WATER PUMP BODY	25	12
F72H29	CHRYSLER OUTBOARD			FA525116	SNOUT	25	27
	MULTI-PURPOSE GREASE	37	-	FA525167	MANIFOLD W/STUDS	13	9
F72H30	CHRYSLER OUTBOARD			FA525228	ROLLER CRANKPIN (16		
	GREASE GUN	37	-		ROLLERS)	17	18
F73741-1	RING	5	38	FA525241	CRANKPIN ROLLER CAGE	17	17
F8003	PLAIN WASHER	15	41	FA525298	PROP SHAFT CAGE	25	33
F8025	PLAIN WASHER	17	2	FA525471	COVER, CYLINDER DRAIN		
F8039	PLAIN WASHER	23	50		W/SCREEN	17	9
F8043	WAVE WASHER	9	33	FA525480	RETAINER ENGINE COVER		
F8049	BOWED SPRING WASHER	5	42		W/NUTS & SCREWS	3	3
F8060	LOCKWASHER	9	40	FA525774	BRACKET COVER LATCH		
F8070	BOWED SPRING WASHER	11	24		W/SCREWS & NUTS	3	32
F8077	WASHER	25	21	FA536038	SUPPORT PLATE W/EYELET	3	6
F8083	LOCKWASHER	21	13	FA538395	IDENTIFICATION PLATE		
F8083	SPRING LOCKWASHER	25	3		W/SCREWS	23	48
F84026	SHOULDER SCREW	9	35	FA566396	DECAL ENGINE COVER -		
F84036	BEARING, SPARK CONTROL	9	34		STARBOARD	3	4
F84253	HOSE	13	34	FA566397	DECAL ENGINE COVER -		
F84253	HOSE	15	48		PORT	3	-
F8538	SPRING PIN, 3/32 X 1/2	3	25	FA566892	INSERT PLATE FRONT	3	33
F8538	SPRING PIN, 3/32 X 1/2	21	27	FA84754-1	FUEL LINE SHORT		
F8540	SPRING PIN, 3/32 X 5/8	9	18		W/FERRULES	29	5
F8540	SPRING PIN, 3/32 X 5/8	21	8	FC525010	CYLINDER COMPLETE.		
F8547	SPRING PIN, 1/8 X 5/8	3	13		(NOT SHOWN).	17	-
F8547	SPRING PIN, 1/8 X 5/8	3	26	FC525054	GEAR HOUSING COMPLETE		
F8547	SPRING PIN, 1/8 X 5/8	9	12		(NOT SHOWN).	25	-
F8548	SPRING PIN, 1/8 X 1	9	3	FG1018	GASKET SET.	19	42
F8559	DOWEL PIN	17	11	FK1062	GEAR HOUSING SEAL KIT.	27	48
F8567	SPRING PIN, 1/8 X 13/16	3	20	FK1066	TUNE UP KIT.	7	10
F8567	SPRING PIN, 1/8 X 13/16	9	16	FK1067	WATER PUMP KIT.	27	49
F8571	SPRING PIN, 1/8 X 1 3/4	11	25	FK525713	ENGINE COVER PACKING	3	22
				FK750-3	SPARKIE KIT	7	19

PARTS INDEX

Part Number	Description	Pg.	Ref. No.	Part Number	Description	Pg.	Ref. No.
FP342	PROPELLER	25	39	F195-6	REMOTE CONTROL CABLES	37	-
FS409752	FUEL LINE - COMPLETE. (NOT SHOWN)	29	-				
FS459251	FUEL TANK CAP	29	11				
FS459755	FUEL TANK ADAPTER	29	8				
FS537712	ENGINE COVER W/PACKING, REAR RETAINER AND LATCH BRACKET	3	1				
FS567532	BRACKET STERN PORT, W/SCREW CLAMP	21	41				
FS567532	BRACKET STERN STARBOARD W/SCREW CLAMP	21	39				
FT11202	SEAL INSTALLER	32	-				
FT1749	SNAP RING PLIERS	32	-				
FT2909	KNOCK-OFF NUT	30	-				
FT2915	SEAL INSTALLER	33	-				
FT2961	LUBRICANT - RYKON #2EP	35	-				
FT2962-1	SEALANT - 50 CC LOCTITE H, NON-HARDENING GRADE	35	-				
FT2963-1	SEALANT - 2 OZ. LOCTITE D, HARDENING GRADE	35	-				
FT2987-1	LUBRICANT - ANTI-SEIZE	35	-				
FT2989	FLYWHEEL WEDGE	30	-				
FT2997	RING COMPRESSOR	32	-				
FT3012	SEAL INSTALLER	32	-				
FT3139-1	STARTER REWIND KEY	31	-				
FT8926	PISTON RING EXPANDER	32	-				
FT8929	ADAPTER AND HEX BIT	32	-				
FT8935	SEALANT PRIMER - 6 OZ.	35	-				
FT8936	SEALANT - 2 CC LOCTITE RETAINING COMPOUND #75	35	-				
FT8948-1	BEARING CAGE PULLER	33	-				
FT8950	LEAKAGE TESTER	34	-				
FT8957	SEAL INSTALLER	33	-				
FT8969	LUBRICANT - 7 OZ. 2 PSI LUBRICANT	35	-				
FT8983	SEALANT - 5 OZ EC-750 INDUSTRIAL SEALANT	35	-				
T11211	BOAT WHITE	36	-				
T11212	BOAT BLACK	36	-				
T11230	ORANGE	36	-				
T8974	BREAKER POINT TENSION GAUGE	34	-				
11-817752A1	PROPELLER NUT W/COTTER PIN	25	38				
27-818043A1	DIAPHRAGM, FUEL PUMP W/GASKETS	13	39				
32-817738A1	FUEL LINE, LONG W/CLAMP AND FERRULE	29	7				
33-82370M	SPARK PLUG (L-86)	17	3				
39-818038A1	PISTON RING (2 RINGS PER SET)	17	12				
1100-817753A1	CAGE, CRANKSHAFT BEARING W/UPPER CRANKSHAFT SEAL	17	36				
1400-817964A2	SWIVEL BRACKET	21	19				