



PARTS CATALOG

70 H.P.

SERIAL NUMBER

70 (1979)	T700B9A
70 (1979)	T700B9AN
70 (1979)	T700H9A
70 (1979)	T700H9AN

TABLE OF CONTENTS:

ACCESSORIES	55
CARBURETOR	16
CRANKSHAFT AND PISTON GROUP	28
DISTRIBUTOR	10
ELECTRIC STARTER	14
ELECTRICAL COMPONENTS	6
ENGINE COVER AND SUPPORT PLATE	2
FUEL TANK AND LINE	40
GEAR HOUSING	34
MOTOR LEG	30
PARTS INDEX	59
POWER TRIM UNIT	46
POWERHEAD	22
REMOTE CONTROL	42
SPECIAL TOOLS - GEAR HOUSING	52
SPECIAL TOOLS - LUBRICANTS AND SEALANTS	54
SPECIAL TOOLS - POWER HEAD	51
SPECIAL TOOLS - TEST EQUIPMENT	53
SPECIAL TOOLS - TUNE-UP	50

NOTE: Indented description indicate that these parts are included in preceeding assembly.

AR = As Required

NSS = Not Sold Separate

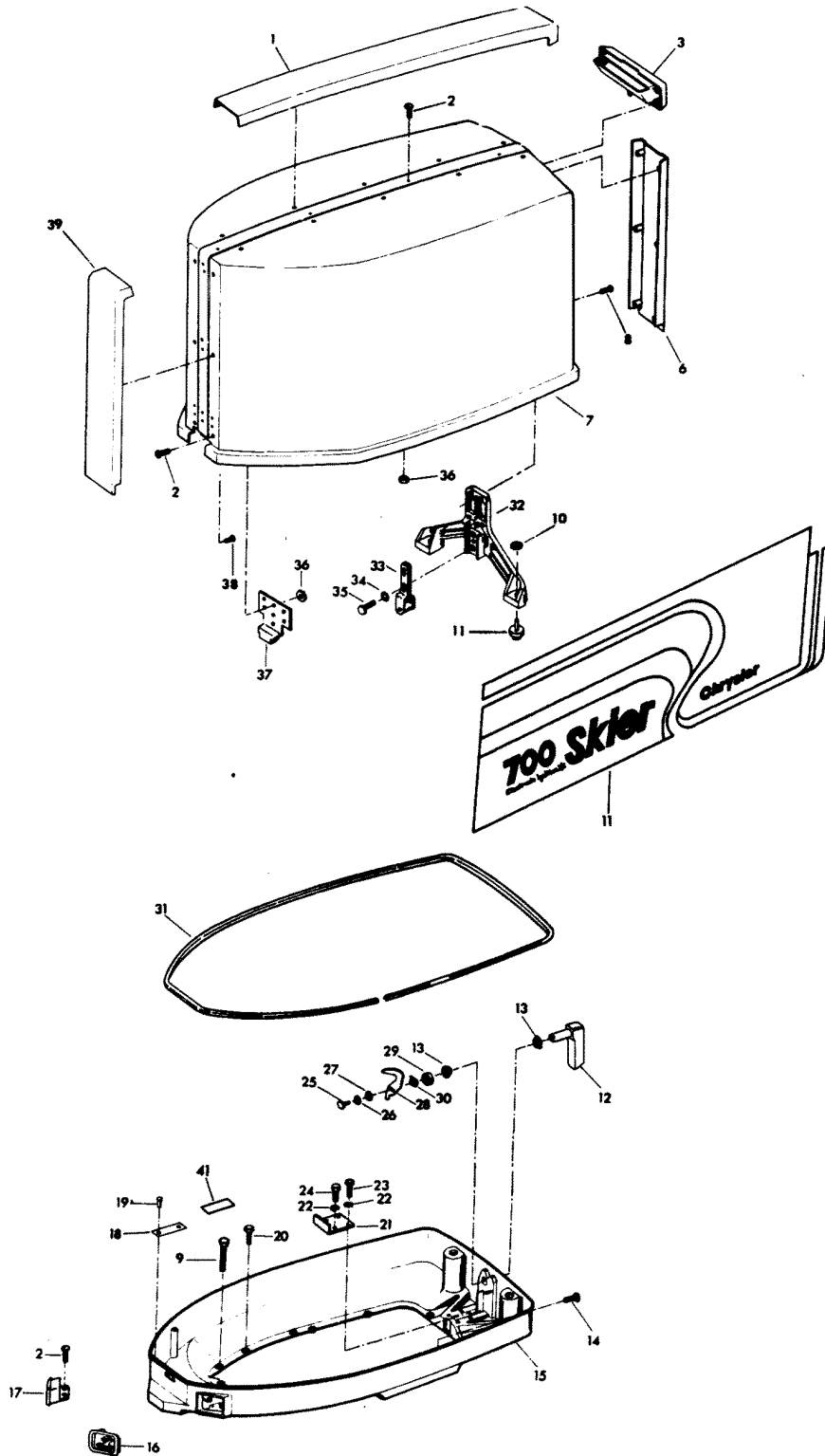
OPT = Optional

NS = Not Shown

THESE PARTS BOOKS/FICHE CARD ARE COPYRIGHTED AND MAY NOT BE DISTRIBUTED OR REPRODUCED IN ANY OTHER FORMAT BY ANYONE OTHER THAN MERCURY MARINE WITHOUT THE PRIOR WRITTEN CONSENT OF MERCURY MARINE.

THIS PAGE INTENTIONALLY LEFT BLANK

ENGINE COVER AND SUPPORT PLATE

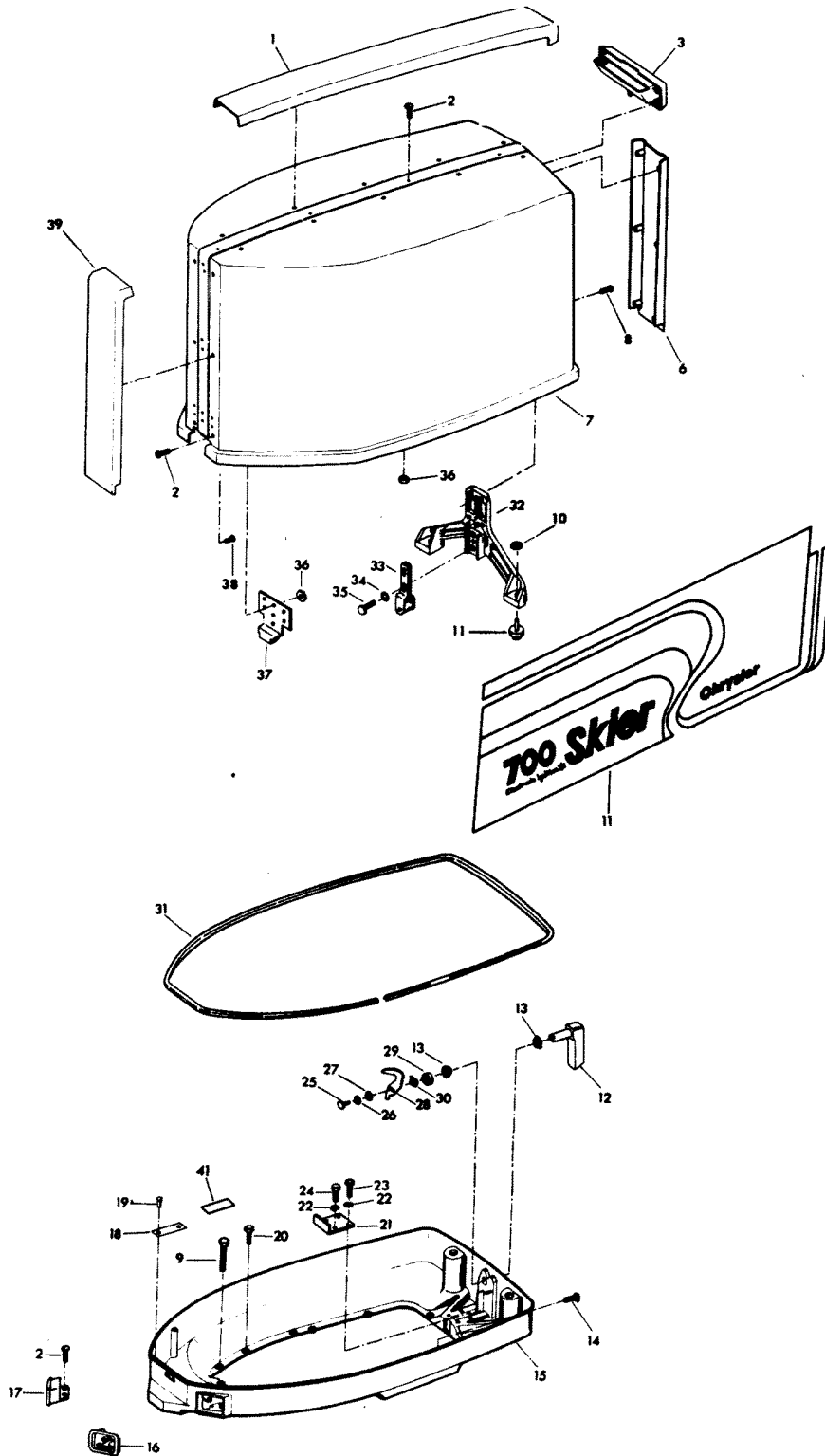


ENGINE COVER AND SUPPORT PLATE

REF. NO.	PART NO.	SYM.	QTY.	DESCRIPTION
1	FS548179		1	TRIM, TOP
2	F1733		10	SCREW, PAN HD., 10 - 24 X 9/16
3	FS548269		1	HANDLE, TILT
4	F1730		3	SCREW, PAN HD., W/SPRING LOCKWASHER 1/4 - 20 X 5/8
5	FS548180		1	TRIM, REAR
6	FA549944		1	COVER, ENGINE W/RETAINER
-	3C548944		1	COVER, ENGINE - COMPLETE INCLUDES ITEMS MARKED WITH AN ASTERISK (*)
7	F2088		2	FASTENER
8	F481434		2	GUIDE, ENGINE COVER
9	F481774		1	BRACKET, ENGINE COVER LATCH
11	FA548397		1	DECAL, ENGINE COVER - PORT
-	FA548396		1	DECAL, ENGINE COVER - STARBOARD
12	FA481469		1	LATCH HANDLE, ENGINE COVER W/SHAFT
13	F480818		2	BEARING, LATCH SHAFT
14	F1238		6	HEX CAP SCREW, 1/4 - 20 X 3/4
15	F480038-2		1	PLATE, SUPPORT
16	F549189		1	BUSHING, ELECTRIC CABLE
17	F545189		1	BUSHING, CABLE ENTRY
18	FA535395		1	IDENTIFICATION PLATE, W/SCREWS - USA
-	FAC535395		1	IDENTIFICATION PLATE, W/SCREWS - CANADA
19	F1447		2	ROUND HD SCREW, 2 X 3/16
20	F1502		5	HEX SLOT HD SCREW 1/4 - 20 X 5/8
21	F335654-1		1	STOP, DEFLECTION
22	F8096		4	LOCKWASHER
23	F1857		2	HEX CAP SCREW, 5/16 - 18 X 5/8
24	F1858		2	HEX CAP SCREW, 5/16 - 18 X 1
25	F1854		1	HEX CAP SCREW, 1/4 - 20 X 5/8
26	F8083		1	LOCKWASHER
27	F8094		1	WASHER, PLAIN
28	F481777		1	CAM, LATCH SHAFT
29	F481382-1		1	SPACER, LATCH SHAFT
30	F2047		1	WAVE WASHER
31	F321756		1	PACKING
32	F1849		2	HEX HD CAP SCREW, 1/4 - 20 X 1 3/8
33	FA481743		1	LATCH, ROLLER BRACKET
34	F8096		2	LOCK WASHER
35	F1857		2	HEX CAPSCREW, 5/16 - 18 X 5/8
36	F1473		7	HEX NUT, 10 - 24
37	F333480-1		1	RETAINER, ENGINE COVER

CONTINUED ON NEXT PAGE ➡

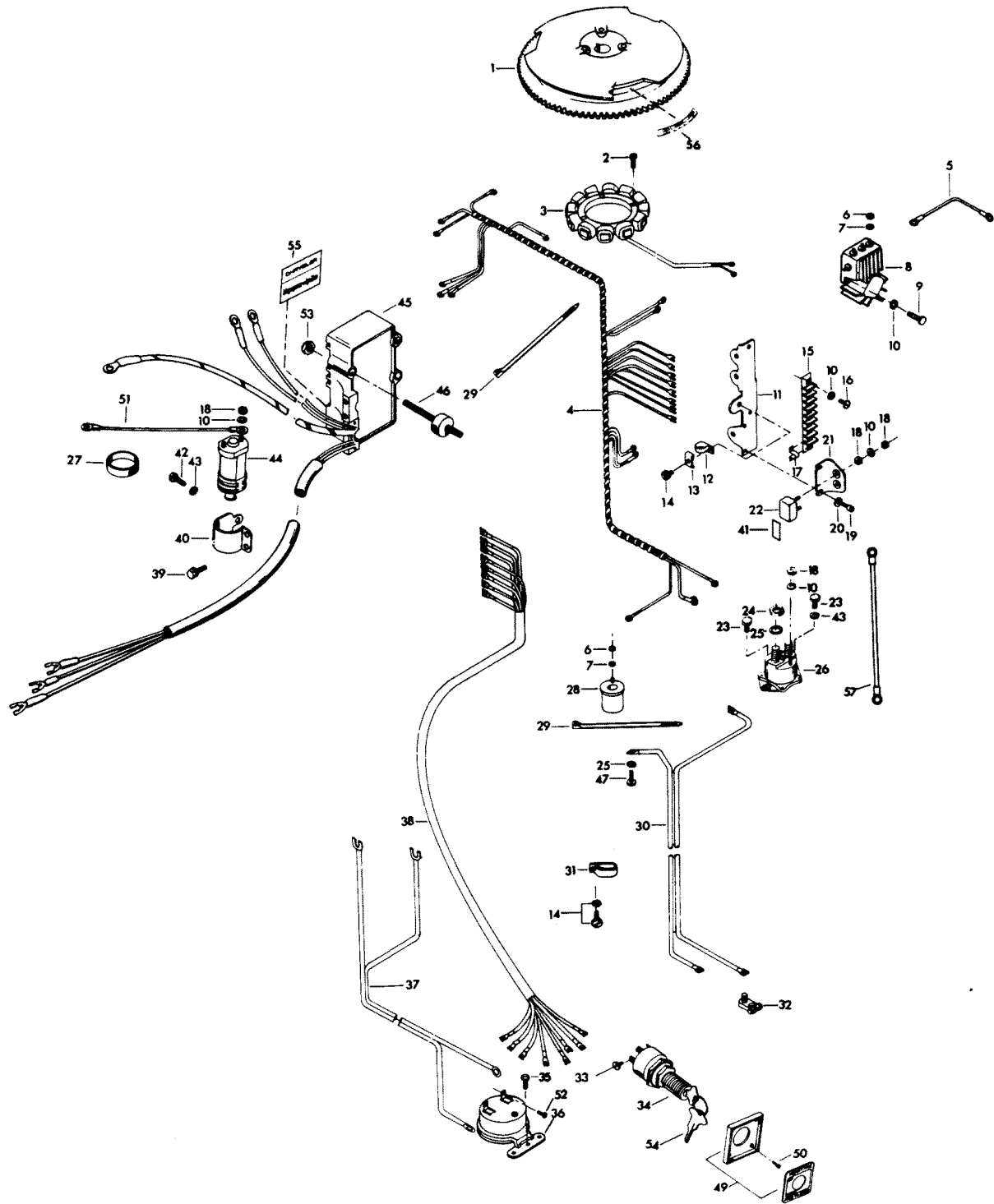
ENGINE COVER AND SUPPORT PLATE



ENGINE COVER AND SUPPORT PLATE

REF. NO.	PART NO.	SYM.	QTY.	DESCRIPTION
38	F2066		26	PAN HEAD TAPPING SCREW, 10 X 7/16
40	FS548888		1	TRIM, FRONT
-	F548984		1	BLANKET, SILENCER - TOP (NOT SHOWN)
-	F548985		2	BLANKET, SILENCER - SIDE (NOT SHOWN)
41	F235785		1	DECAL, COMPLIANCE (CANADA)

ELECTRICAL COMPONENTS

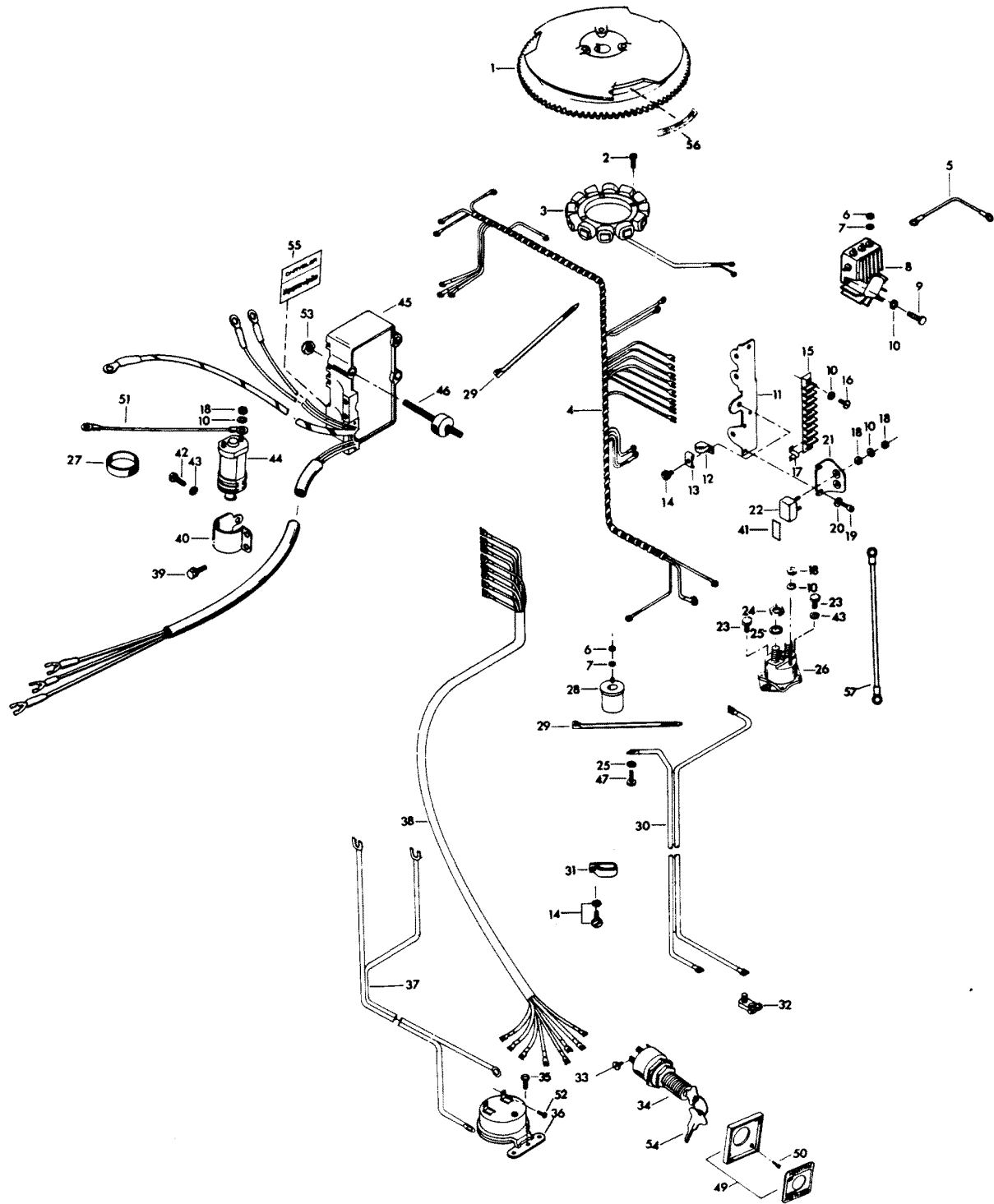


ELECTRICAL COMPONENTS

REF. NO.	PART NO.	SYM.	QTY.	DESCRIPTION
1	F404097		1	FLYWHEEL
2	F1678		6	FILL HD SCREW, 10 - 24 X 13/16
3	F85095-2		1	STATOR
4	F438744-1		1	WIRING HARNESS
5	F345683		1	WIRE, REGULATOR-RECTIFIER GROUND
6	F1647		5	HEX NUT, 8 - 32
7	F8056		5	SPRING LOCKWASHER
8	F404470-1		1	REGULATOR-RECTIFIER
9	F2001		3	FILL HD SCREW, 10 - 24 X 5/8
10	F1975		11	SPRING LOCKWASHER
11	FA438493		1	TERMINAL BLOCK BRACKET
12	F289446-1		1	CLAMP
13	F438668		1	RETAINER, CABLE CLAMP
14	F1734		2	FILL HD SCREW W/LOCKWASHER 1/4 - 20 X 1/2
15	FA510497		1	TERMINAL BLOCK
16	F1648		2	PAN HD SCREW, 10 - 24 X 3/4
17	F307317		1	CLIP, TERMINAL BLOCK
18	F1513		8	HEX NUT
19	F1760		2	PAN HD SCREW, 10 - 24 X 3/8
20	F8011		2	PLAIN WASHER
21	F91446-1		1	CIRCUIT BREAKER BRACKET
22	F510460		1	CIRCUIT BREAKER
23	F1705		2	HEX CAP SCREW, 1/4 - 20 X 3/4
24	F1515		2	HEX NUT
25	F8096		3	SPRING LOCKWASHER
26	F460917		1	STARTER RELAY
27	F391983		2	RETAINING BAND
28	F85924		1	CHOKE SOLENOID
29	F1877		2	TY-RAP
30	F381896-4		1	BATTERY CABLE
31	F407446		1	CLAMP
32	F5H041		1	BATTERY CABLE KIT, (ACCESSORY ITEM)
33	F1280		5	PAN HD SCREW, 8 - 32 X 1/4
34	F5H078		1	IGNITION SWITCH (LONG BARREL) W/KEYS AND SCREWS (ACCESSORY ITEM)
35	F1741		2	PAN HD SCREW, 8 X 3/4
36	F5H043		1	OVERHEAT BUZZER (ACCESSORY ITEM) W/#37
37	F404841		1	CABLE, HEAT INDICATOR
38	F85843-1		1	REMOTE ELECTRIC CABLE, 18 FEET
39	F1851		2	FILL HD SCREW W/LOCKWASHER, 10 - 24 X 1/2
40	F404513		1	COIL CLAMP
41	F510374		1	DECAL, CIRCUIT BREAKER - U.S.A.
-	FC510374		1	DECAL, CIRCUIT BREAKER - CANADA

CONTINUED ON NEXT PAGE ➡

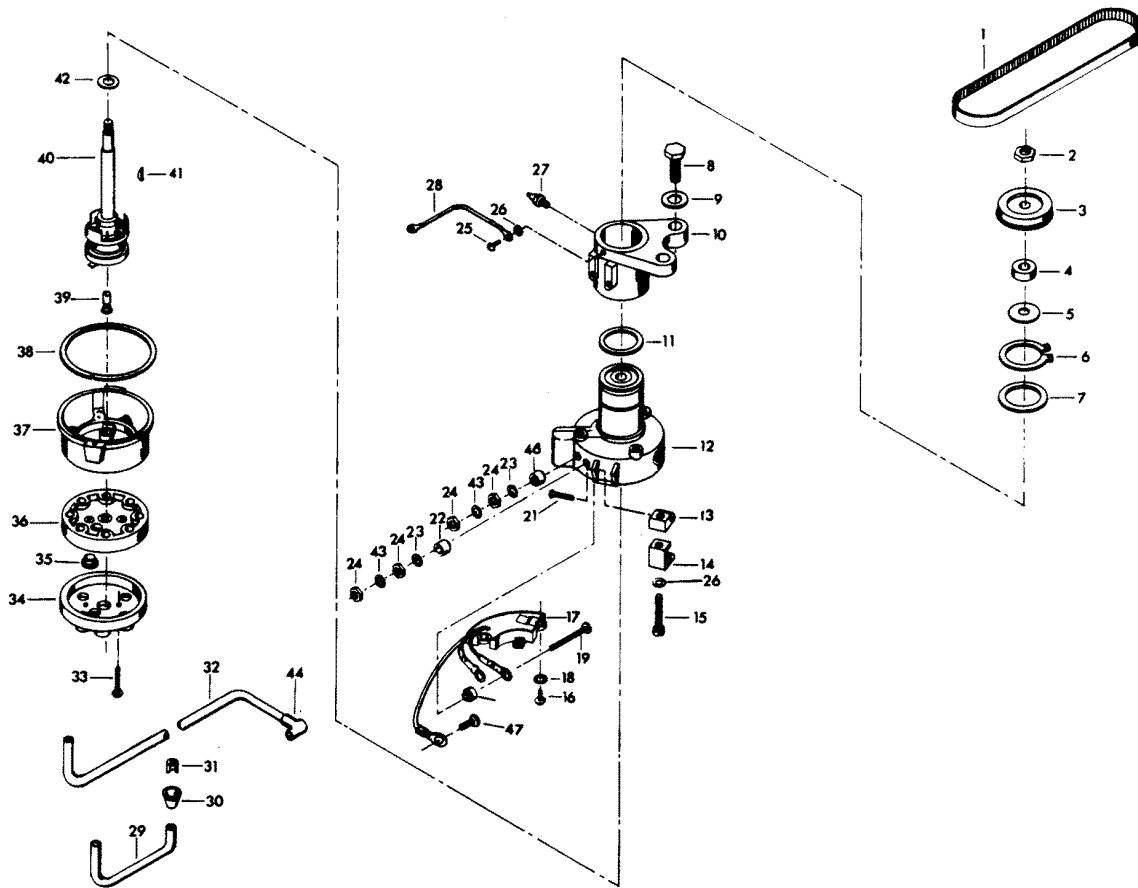
ELECTRICAL COMPONENTS



ELECTRICAL COMPONENTS

REF. NO.	PART NO.	SYM.	QTY.	DESCRIPTION
42	F1689		1	HEX HD CAP SCREW, 1/4 - 20 X 1/2
43	F8083		2	SPRING LOCKWASHER
44	F345475-1		1	COIL
45	300-817855A1		1	UNIT W/DECAL (ORIGINAL FORCE P/N A 523301-1)(Does not include Coil & Clamp)
46	F523962		3	SHOCK MOUNT - C.D. UNIT
47	F2000		1	HEX CAP SCREW, 5/16 - 18 X 3/4
49	F5H038		1	IGNITION SWITCH MOUNTING KIT (ACCESSORY ITEM)
-	FC412181		1	IGNITION SWITCH PLATE - CANADA (NOT SHOWN)
50	F1934		4	FLAT HD SLOTTED SCREW, 6 X 1/2
51	F85664		1	WIRE, DISTRIBUTOR GROUND
52	F1645		2	RD HD SCREW, 6 - 32 X 1/4
53	F1892		3	STOP NUT
54	FA368700		-	KEY, IGNITION - NO LETTER OR STAMPED A
-	FB368700		-	KEY, IGNITION - STAMPED B
-	FC368700		-	KEY, IGNITION - STAMPED C
-	FD368700		-	KEY, IGNITION - STAMPED D
-	FE368700		-	KEY, IGNITION - STAMPED E
55	480373		1	DECAL, MAGNAPOWER IGNITION
56	F474387		1	TIMING DECAL, U.S.A.
-	FC474387		1	TIMING DECAL, CANADA
57	F319908		1	WIRE, GROUND

DISTRIBUTOR

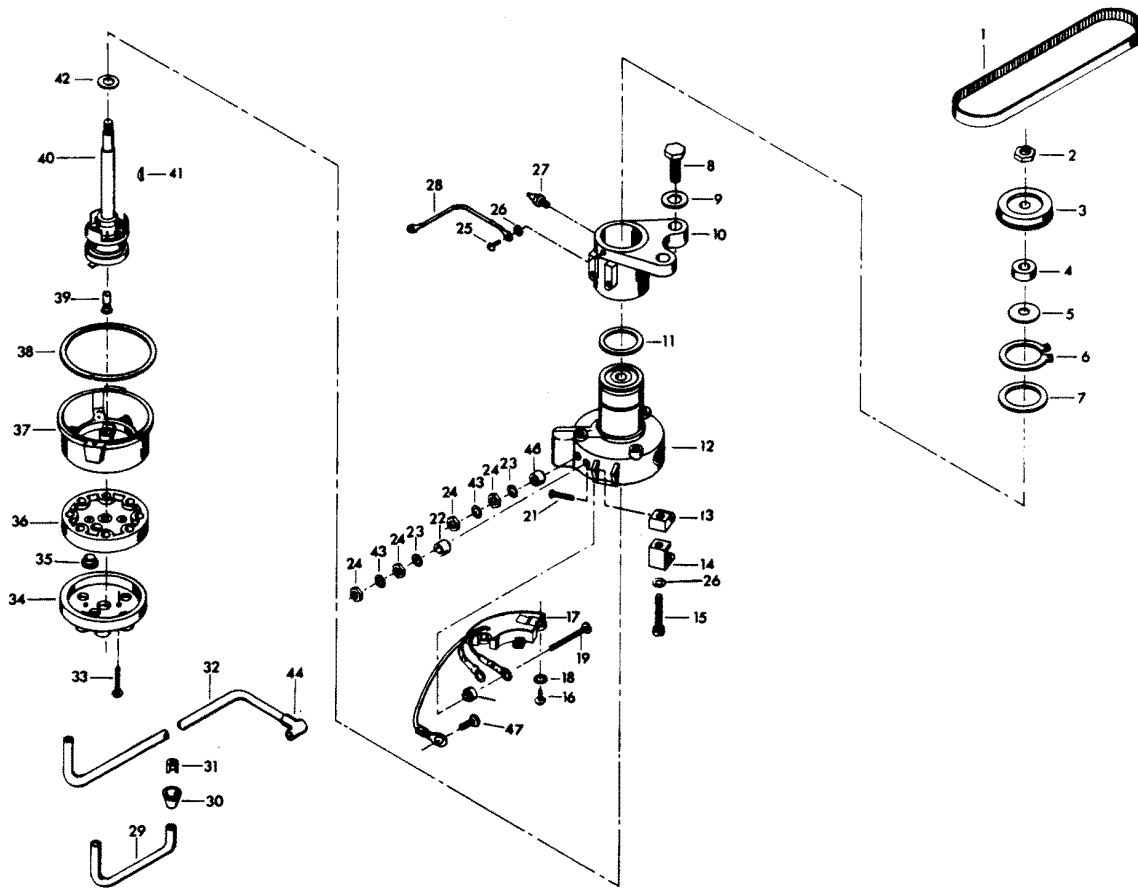


DISTRIBUTOR

REF. NO.	PART NO.	SYM.	QTY.	DESCRIPTION
1	F85311		1	DISTRIBUTOR BELT
2	F7013		1	STOP NUT
3	817786A1		1	DISTRIBUTOR PULLEY
4	F14025		1	SPACER
5	F14028		1	THRUST WASHER
6	F85173		1	RETAINING RING
7	F14029		1	THRUST WASHER
8	F1612		2	HEX CAP SCREW, 3/8 - 16 X 1 1/4
9	F1778		2	PLAIN WASHER
10	FA321574		1	DISTRIBUTOR BRACKET
11	F1759		2	SHIM, DISTRIBUTOR (QTY. AS REQUIRED)
12	F14042		1	DISTRIBUTOR HOUSING W/BEARINGS
-	817822A1		1	DISTRIBUTOR, COMPLETE
-	481373-1		1	DECAL, "ELECTRONIC" (NOT SHOWN)
13	F14036		2	SWIVEL
14	F14037		2	CAP CLIPS
15	F14038		2	CAP CLIP SCREWS
16	F14045		2	SCREW
17	FA14048-2		1	PREAMPLIFIER
18	F8056		2	LOCKWASHER
19	F14046		2	TERMINAL SCREW
20	F14047		2	TERMINAL INSULATOR (INSIDE)
21	F14015		2	CAP CLIP RIVET
22	F14049		1	TERMINAL INSULATOR (OUTSIDE)
23	F14041		2	EXTERNAL TOOTH LOCKWASHER
24	F1647		4	HEX NUT, 8 - 32
25	F1760		2	PAN HD SCREW - 10 - 24 X 3/8
26	F1975		2	SPRING LOCKWASHER
27	F213274		1	GREASE FITTING
28	F85664		1	DISTRIBUTOR GROUND
29	84-817775A1		1	COIL WIRE W/TERMINAL CLIP - U.S.A.
-	F438905		1	COIL WIRE - CANADA
30	F203276		1	BOOT
31	F203673		1	TERMINAL CLIP
32	F321841-3		3	LEAD WIRE
-	F438841-1		3	LEAD WIRE - CANADA
33	F14007		2	CAP SCREW
34	F14011-1		1	CAP COVER
35	F14040		2	VENT
36	F14020-1		1	CAP SEAL
37	F14006-2		1	CAP BASE
38	F14030		1	CAP GASKET
39	F14012-1		1	BRUSH

CONTINUED ON NEXT PAGE ➡

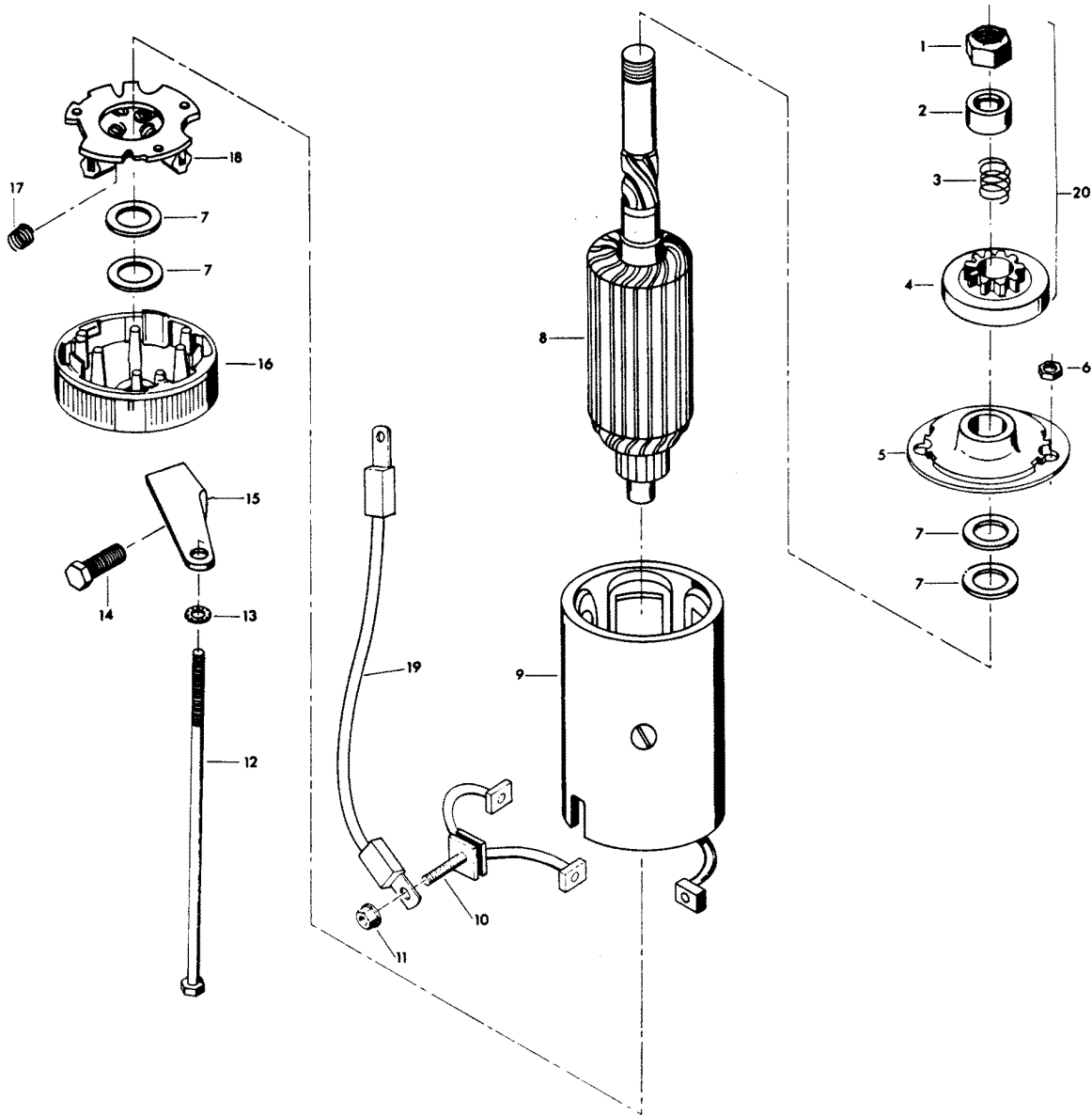
DISTRIBUTOR



DISTRIBUTOR

REF. NO.	PART NO.	SYM.	QTY.	DESCRIPTION
40	F14043		1	DISTRIBUTOR SHAFT
41	F1692		1	WOODRUFF KEY
42	F14024		1	SPACER
43	F8056		2	LOCKWASHER
44	FK750-1		3	SPARKIE W/SPRING
46	F14017		1	TERMINAL INSULATOR (OUTSIDE)
47	F14056		1	SCREW

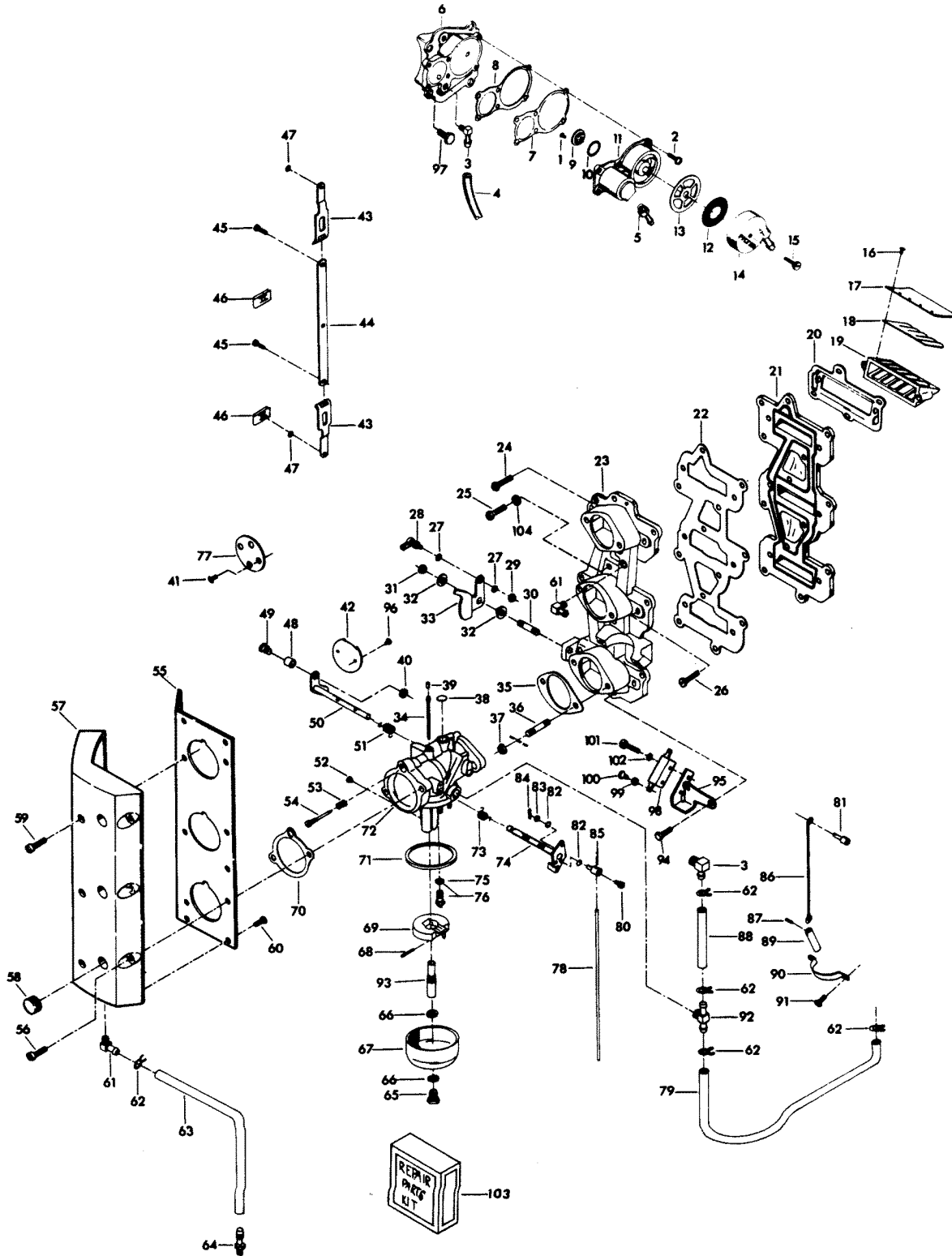
ELECTRIC STARTER



ELECTRIC STARTER

REF. NO.	PART NO.	SYM.	QTY.	DESCRIPTION
1	F15111		1	NUT, STOP RETAINING
2	F15112		1	STOP, PINION
3	F15080		1	SPRING
4	F15110		1	CLUTCH ASSEMBLY
5	F15167		1	HEAD ASSEMBLY DRIVE END
6	F1641		2	LOCK NUT
7	F15126		1	THRUST WASHER PACKAGE
8	F15099		1	ARMATURE
9	15169		1	FRAME AND FIELD ASSEMBLY
10	F15165		1	BRUSH TERMINAL SET
11	FA15072		1	HEX LOCK NUT, 1/4 - 20
12	F15168		1	THRU BOLT PACKAGE
13	F8028		2	PLAIN WASHER
14	F1502		1	HEX HD SCREW, 1/4 - 20 X 5/8
15	F511675		1	STARTER BRACKET, LOWER
16	F15125		1	HEAD ASSEMBLY, COMMUTATOR END
17	F15034		1	SPRING SET
18	F15057		1	BRUSH PLATE AND HOLDER
19	F85908		1	STARTER LEAD WIRE
20	F15100		1	BENDIX
-	FS480955		1	STARTER COMPLETE
-	FC499390		1	DECAL, STARTER (CANADA) NOT SHOWN

CARBURETOR

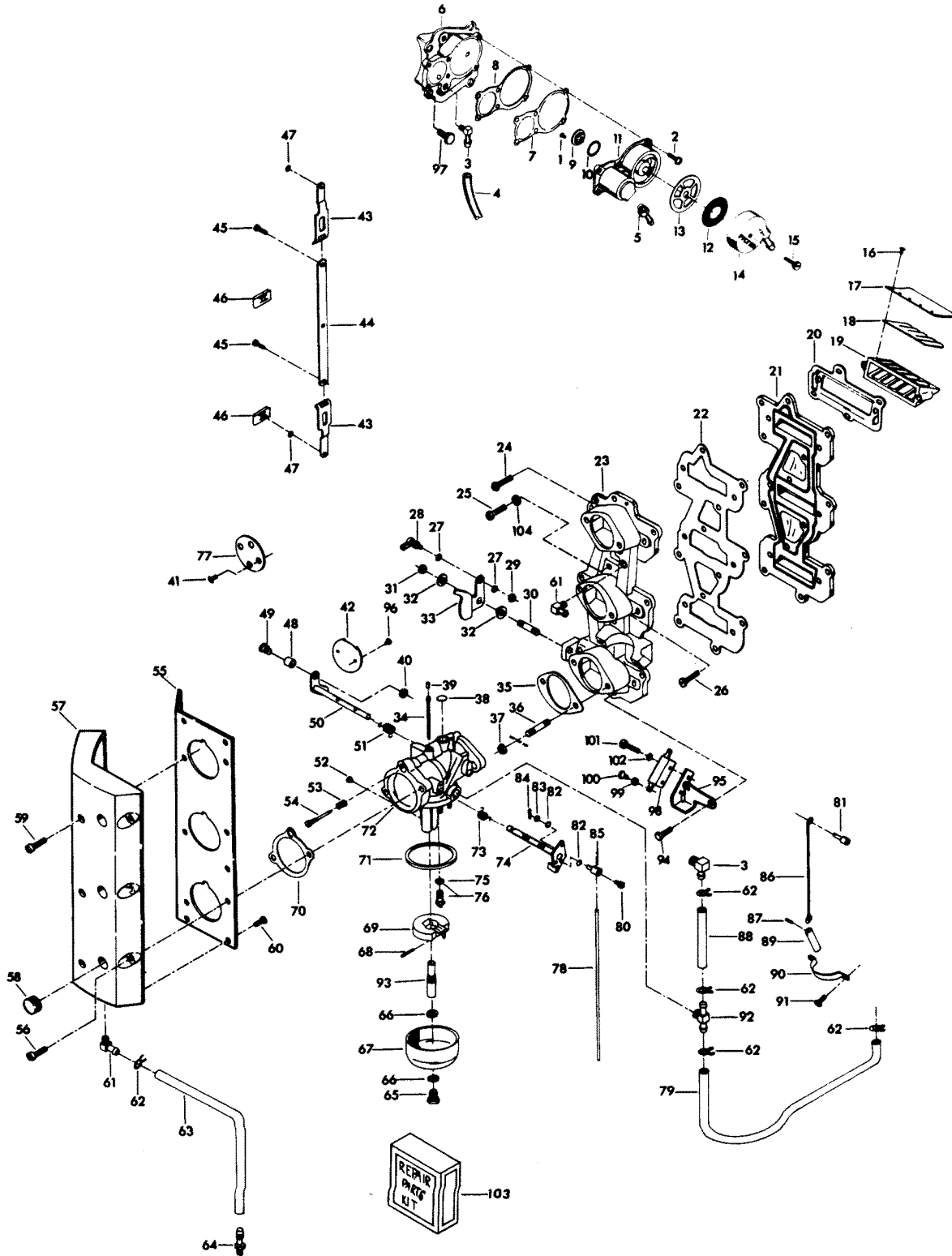


CARBURETOR

REF. NO.	PART NO.	SYM.	QTY.	DESCRIPTION
1	F1860		2	SLOTTED BINDING HD SCREW, 6 - 32 X 1/4
2	F1108		6	FILL HD SCREW W/LOCKWASHER, 1/4 - 20 X 3/4
3	F84314-2		2	ELBOW
4	F89758		1	FUEL PUMP AIR HOSE, TOP
5	F438801		1	FITTING
6	FA439746		1	FUEL PUMP COVER
7	F438747		1	FUEL PUMP DIAPHRAGM
8	F438760		1	FUEL PUMP GASKET
9	F177330		3	FUEL PUMP VALVE
10	F84792		1	GASKET, FUEL PUMP VALVE
11	FA438431		1	FUEL PUMP BODY W/VALVES
12	F438653		1	FUEL SEDIMENT BOWL SCREEN
13	F438617		1	FUEL SEDIMENT BOWL GASKET
14	F438500		1	FUEL SEDIMENT BOWL
15	F438165		1	SCREW, FUEL PUMP BOWL
16	F1755		30	RD HD SCREW W/LOCKWASHER, 6 - 32 X 5/16
17	F85161-1		6	REED STOP
18	F530160		6	REED (5 PETAL)
19	F2A321158		3	REED PLATE W/REEDS, REED STOP AND SCREW
20	F85168		3	GASKET REED PLATE ADAPTER
21	F85168		1	REED PLATE ADAPTER
22	F85159		1	GASKET, INTAKE MANIFOLD
23	817959A3		1	INTAKE MANIFOLD
24	F2008		8	HEX HD SCREW, 1/4 - 20 X 7/8
25	F1916		2	HEX HD SCREW, 1/4 - 20 X 1 1/8
26	F1773		6	HEX HD SCREW, 1/4 - 20 X 1 1/2
27	F8058		2	INTERNAL TOOTH LOCKWASHER
28	817747--1		1	BALL JOINT W/STUD
29	F1513		1	HEX NUT, 10 - 32
30	F433209-1		1	STUD
31	F1910		1	STOP NUT, 1/4 - 20
32	F269319		2	BEARING
33	F85192-1		1	THROTTLE CAM
34	FO13966		1	IDLE TUBE
35	F85906		3	CARBURETOR GASKET
36	F40209		6	CARBURETOR STUD
37	F1515		6	HEX NUT, 5/16 - 18
38	FO4326		1	BODY CHANNEL WELCH PLUG
39	FO10588		1	BODY CHANNEL CUP PLUG
40	F1997		1	STOP NUT, 8 - 32
41	FO8942		2	SHUTTER SCREW W/LOCKWASHER
42	FO14167		1	THROTTLE SHUTTER
43	FA85193		2	TIE BAR END W/SWIVEL

CONTINUED ON NEXT PAGE ➡

CARBURETOR

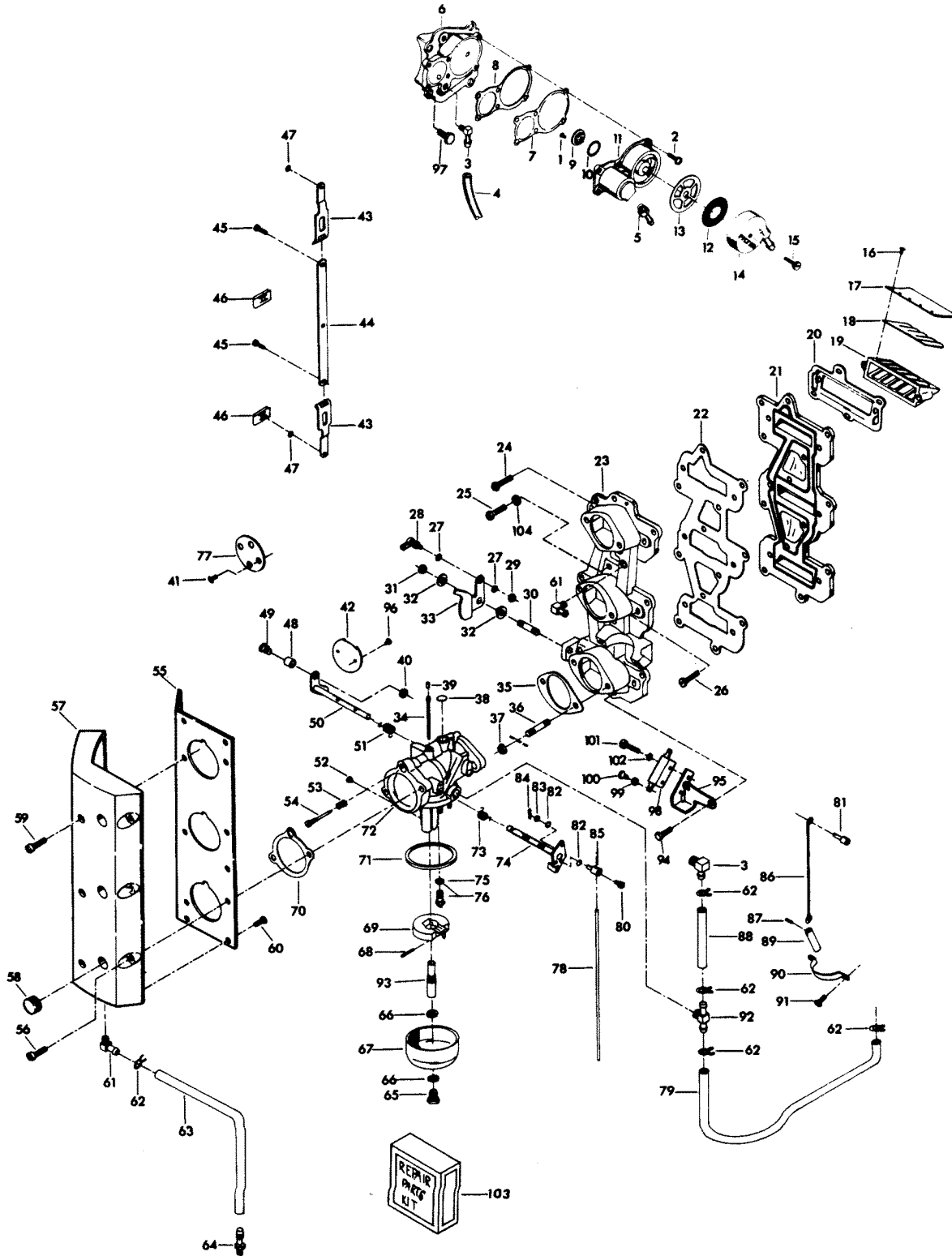


CARBURETOR

REF. NO.	PART NO.	SYM.	QTY.	DESCRIPTION
44	FA85511		1	THROTTLE TIE BAR W/SWIVEL
45	F1064		2	FILL HD SCREWS, S.S., 8 - 32 X 3/8
46	F1693		2	TIE BAR RETAINER
47	F90807		3	RETAINING RING
48	F92759		1	THROTTLE ROLLER
49	F333316		1	THROTTLE ROLLER SHAFT
50	FO15230		1	THROTTLE SHAFT AND LEVER
51	FO16008		1	THROTTLE SHAFT RETURN SPRING
52	FO14187		1	MAIN FUEL JET (.062) STD. SEA LEVEL - 1500 FT.
-	FO14186		-	MAIN FUEL JET (.060) OPT. 1500 FT - 3000 FT.
-	FO15337		-	MAIN FUEL JET (.058) OPT. 3000 FT. - 4500 FT.
-	FO15338		-	MAIN FUEL JET (.056) OPT. 4500 FT. - 6000 FT.
-	FO15339		-	MAIN FUEL JET (.054) OPT. 6000 FT. & UP. OPTIONAL SIZE MAIN FUEL JETS (USE ONLY AT ALTITUDES INDICATED)
53	FO11103		1	IDLE SCREW SPRING
54	FO14166		1	IDLE SCREW
55	F481567		1	CARBURETOR INTAKE ADAPTER
56	F1504		3	FILL HD SCREW, 1/4 - 20 X 1 1/4
57	F481860-1		1	CARBURETOR, INTAKE
58	F53504		3	GROMMET
59	F1072		3	FILL HD SCREW, 1/4 - 20 X 1 3/4
60	F1760		6	PAN HD SCREW, 10 - 24 X 3/8
61	22-818103--1		2	ELBOW
62	F97772		6	HOSE CLAMP
63	F63754		1	HOSE INTAKE DRAIN
64	22-817789A1		1	DRAIN FITTING
65	FO13945		1	FUEL BOWL RETAINING SCREW
66	FO2510		2	GASKET, FUEL BOWL RETAINING SCREW
67	FO13552		1	FUEL BOWL
68	FO13944		1	FLOAT LEVER PIN
69	FO13554		1	FLOAT
70	F481836		3	INTAKE GASKET
71	FO15623		1	FUEL BOWL GASKET
72	F549061		3	CARBURETOR COMPLETE (WB-31A)
73	FO16397		1	CHOKE SHAFT RETURN SPRING
74	FO16850		1	CHOKE SHAFT AND LEVER
75	FO10165		1	INLET SEAT GASKET
76	FO10790		1	INLET NEEDLE, SEAT AND GASKET
77	FO14471		1	CHOKE SHUTTER
78	F85509-1		1	CHOKE LINK
79	F438754		1	FUEL LINE
80	F1059		3	FILL HD SCREWS, S.S., 6 - 32 X 1/4
81	F85033		1	CHOKE ROD SWIVEL

CONTINUED ON NEXT PAGE ➡

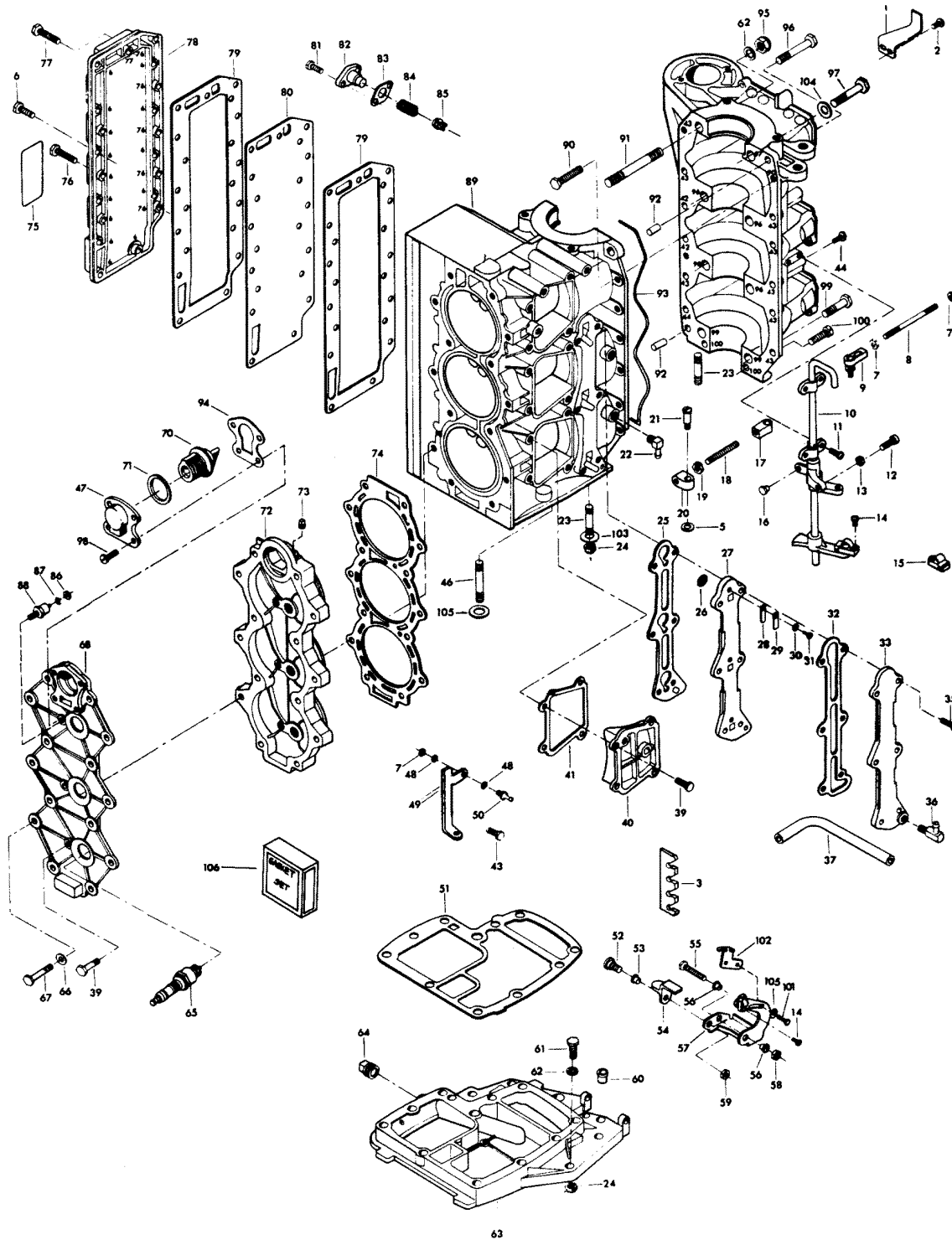
CARBURETOR



CARBURETOR

REF. NO.	PART NO.	SYM.	QTY.	DESCRIPTION
82	F184579		6	SEAL, CHOKE ARM SWIVEL
83	F8088		3	PLAIN WASHER
84	F1014		3	COTTER PIN
85	F184033-1		2	CHOKE ARM SWIVEL
86	F85925		1	CHOKE ROD
87	F2033		1	GROOVE PIN
88	F85253-1		2	FUEL LINE
89	F391926-1		1	CHOKE SOLENOID PLUNGER
90	F85317-1		1	CLAMP
91	F1236		2	HEX HD SCREW, 1/4 - 20 X 1/2
92	F85314-1		2	FUEL FITTING
93	FO15209		1	MAIN NOZZLE
94	F1953		2	HEX HD SCREW, 1/4 - 20 X 1
95	F480551-1		1	BRACKET INTERLOCK SWITCH
96	FO8942		2	THROTTLE SHUTTER SCREW AND LOCKWASHER
97	F1502		4	HEX CAP SCREW, 1/4 - 20 X 5/8
98	F84449		1	INTERLOCK SWITCH
99	F1704		2	INTERNAL TOOTH LOCKWASHER
100	F1645		2	RD HD SCREW, 6 - 32 X 1/4
101	F2016		2	FILL HD SCREW, 6 - 32 X 7/8
102	F8088		2	PLAIN WASHER
-	F10000		1	GASKET SET (NOT SHOWN)
103	F10055		1	REPAIR PARTS KIT INCLUDES ALL ITEMS MARKED WITH AN ASTERISK (*)
104	F8026		1	PLAIN WASHER

POWERHEAD

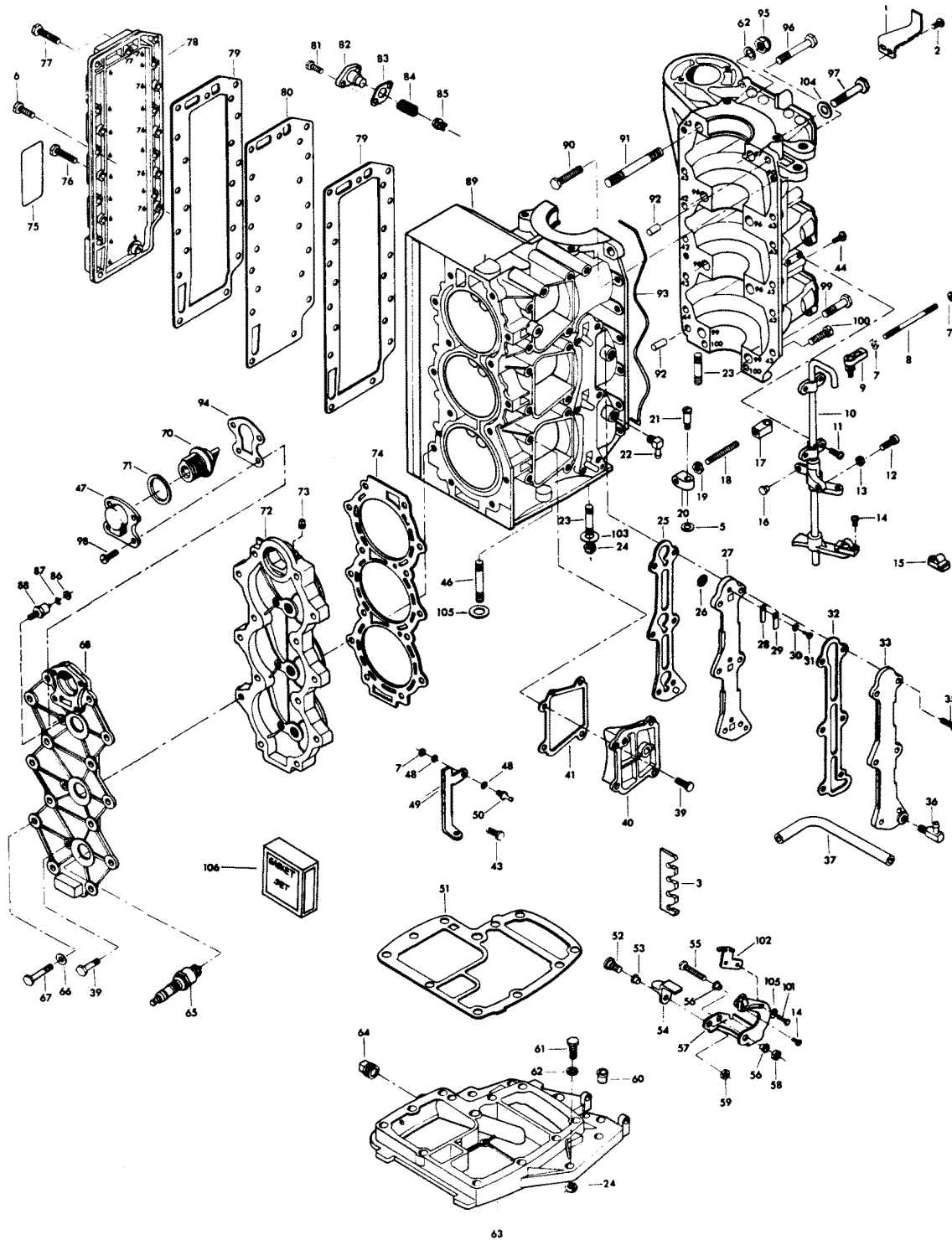


POWERHEAD

REF. NO.	PART NO.	SYM.	QTY.	DESCRIPTION
1	FA480894		1	TIMING POINTER
2	F1760		2	PAN HD SCREW, 10 - 24 X 3/8
3	F523834		1	CLIP, SPARK PLUG WIRE
5	F2042		1	PLAIN WASHER
6	F1203		14	HEX BOLT, 1/4 - 20 X 7/8
7	F1513		4	HEX NUT, 10 - 32
8	F85502		1	THROTTLE LINK
9	817747--1		1	BALL JOINT W/STUD
10	FA85838-5		1	TOWERSHAFT W/BEARINGS, SWIVEL, ARMS AND SCREWS
11	F1475		4	FILL HD SCREW, 10 - 24 X 1/2
12	F1504		1	FILL HD SCREW, 1/4 - 20 X 1 1/4
13	F1341		1	HEX NUT, 1/4 - 20
14	F1556		2	FILL HD SCREW W/LOCKWASHER, 10 - 24 X 3/8
15	FK405020		2	SWIVEL W/PIVOT SCREW AND NUT
16	F1727		1	PLASTIC RIVET
17	F85036		1	TOWERSHAFT CONTROL ROD END
18	F85445		1	DISTRIBUTOR CONTROL ROD
19	F2015		1	HEX NUT, 1/4 - 28
20	F85035		1	DISTRIBUTOR CONTROL ROD END
21	F85026		1	SWIVEL
22	F84314-2		1	ELBOW
23	F85859		4	STUD, FORWARD
24	F7004		10	STOP NUT, 3/18 - 16
25	F85748-2		1	GASKET, CYLINDER DRAIN REED PLATE
26	F93811		3	SCREEN
27	F2A404757		1	CYLINDER DRAIN REED PLATE W/REEDS, STOPS, METERING CUP AND SCREWS ORIGINAL FORCE P/N A404757-1
28	F18160-2		3	REED
29	F93920		3	REED STOP
30	F8003		3	PLAIN WASHER
31	F1286		3	PAN HD SCREW, 4 - 40 X 3/16
32	F85472-2		1	GASKET, CYLINDER DRAIN COVER
33	817787A1		1	CYLINDER DRAIN COVER
35	F1187		6	HEX HD SCREW, 1/4 - 20 X 1
36	F404801		1	FITTING
37	F433253		1	HOSE
39	F1502		8	HEX HD SCREW, 1/4 - 20 X 5/8
40	FA411222		2	TRANSFER PORT COVER W/PLUG
41	F40223		3	GASKET, TRANSFER PORT COVER
42	F1999		2	HEX CAP SCREW, 1/4 - 20 X 7/8
43	F1238		10	HEX HD SCREW, 1/4 - 20 X 3/4
44	F1199		1	HEX CAP SCREW, 1/4 - 20 X 1
46	F85211		6	STUD, REAR

CONTINUED ON NEXT PAGE ➡

POWERHEAD

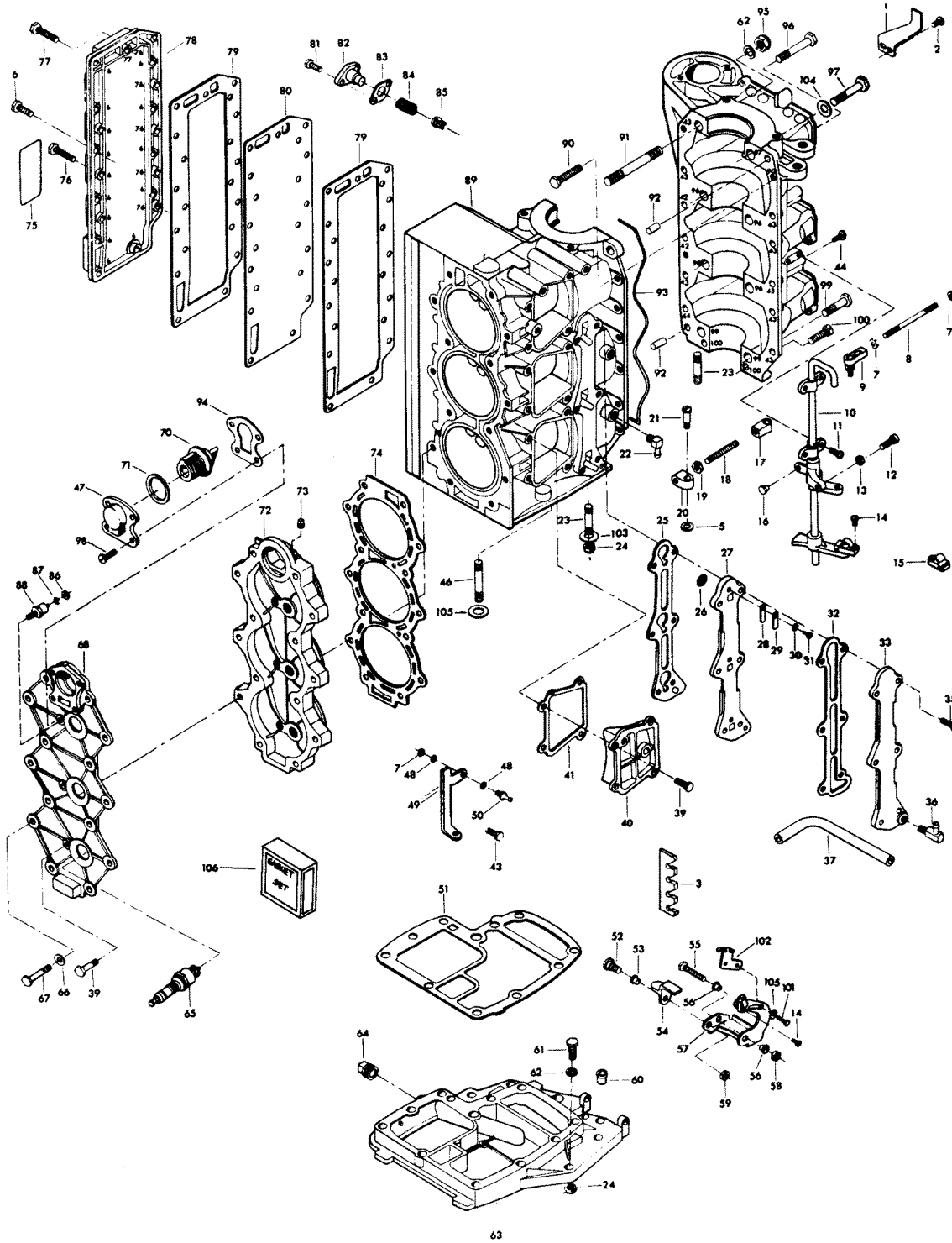


POWERHEAD

REF. NO.	PART NO.	SYM.	QTY.	DESCRIPTION
47	F476066-1		1	COVER, THERMOSTAT
48	F8058		4	INTERNAL TOOTH LOCKWASHER
49	85872-1		1	BRACKET
50	F98273		2	ROD END CONNECTOR STUD
51	F85279-2		1	CYLINDER EXHAUST GASKET, UPPER
52	F369887		1	SHOULDER SCREW
53	F369610		1	BEARING
54	F369977-1		1	INTERLOCK ARM
55	F1885		1	HEX BOLT, 5/16 - 18 X 4 1/4
56	F85610		2	BEARING
57	FA480876		1	GEAR SHIFT ARM W/SWIVEL, INTERLOCK ARM AND BEARINGS
58	F2108		1	STOP NUT, 5/16 - 18
59	F1832		1	STOP NUT, 1/4 - 20
60	F40689-1		1	BEARING, TOWERSHAFT
61	F1869		6	HEX BOLT, 3/8 - 16 X 1 1/4
62	F1703		6	SPRING LOCKWASHER
63	817788A3		1	SPACER PLATE W/PLUGS
64	F2090		1	PLUG
65	33-97180		3	SPARK PLUG (CHAMPION L-20-V)
-	FC522227		3	SPARK PLUG (CHAMPION QUL-77V) FOR MODEL 757B9E
66	F1987		14	PLAIN WASHER
67	F1883		14	HEX BOLT, 5/16 - 18 X 2 3/8
68	F499995		1	CYLINDER HEAD COVER
70	F528068		1	THERMOSTAT
71	F84504		1	GROMMET
72	F480518		1	CYLINDER HEAD
73	F19109		1	PLUG
74	F369529-1		1	CYLINDER HEAD GASKET
75	F438398		1	DECAL, WIRING - U.S.A.
-	FC438398		1	DECAL, WIRING - CANADA
76	F1709		5	HEX HD SCREW, 1/4 - 20 X 1 1/8
77	F1849		1	HEX HD SCREW, 1/4 - 20 X 1 3/8
78	F85152-4		1	EXHAUST PORT COVER
79	F85154-1		2	GASKET, EXHAUST PORT PLATE
80	F85151-1		1	EXHAUST PORT PLATE
81	F1950		2	HEX HD SCREW, 10 - 24 X 5/8
82	F438066		1	BY-PASS VALVE COVER
83	F85762		1	GASKET, BY-PASS VALVE
84	F404268		1	SPRING, BY-PASS VALVE
85	F85916-1		1	BY-PASS VALVE
86	F1647		1	HEX NUT, 10 - 32
87	F8056		1	SPRING LOCKWASHER

CONTINUED ON NEXT PAGE ➡

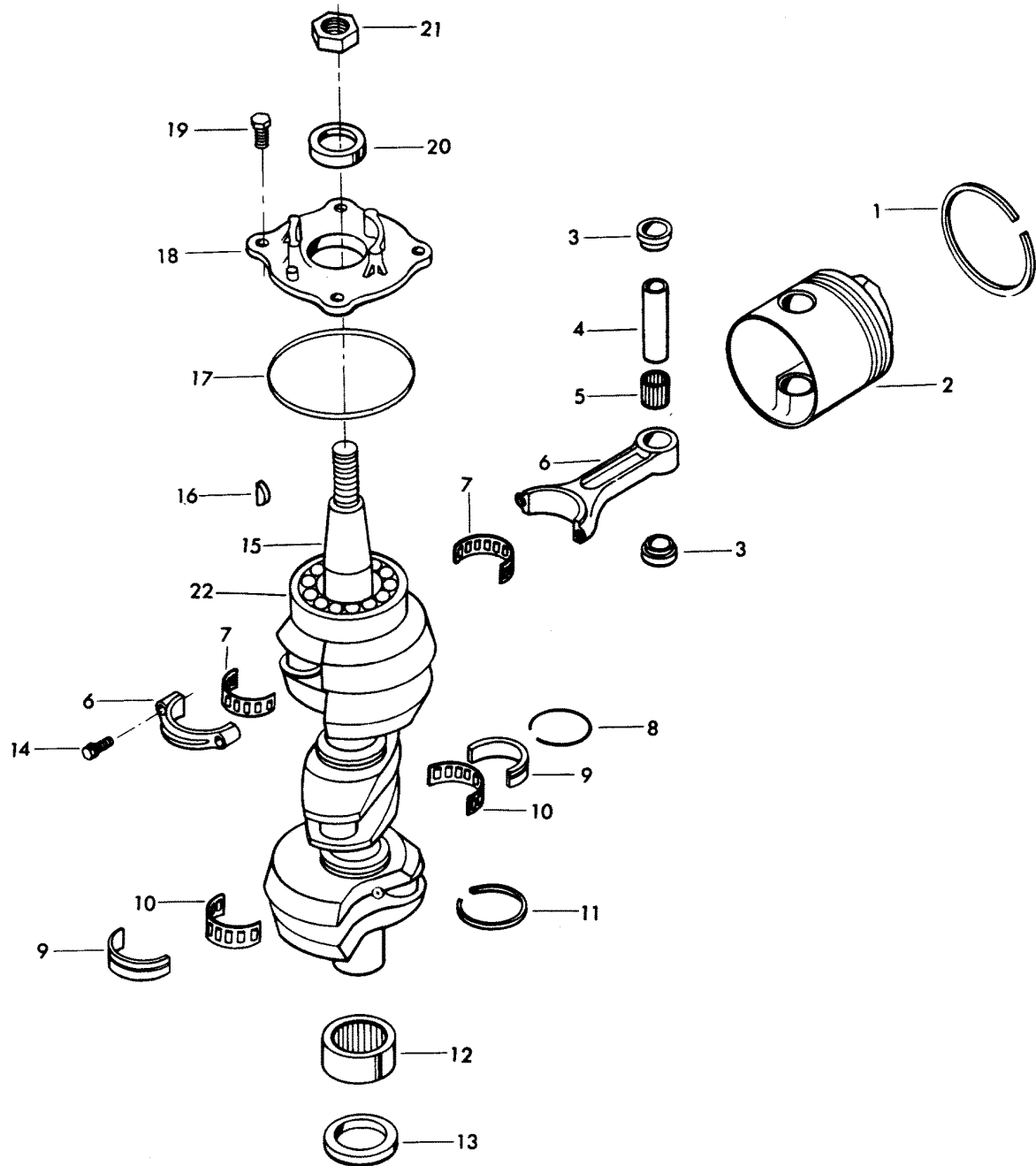
POWERHEAD



POWERHEAD

REF. NO.	PART NO.	SYM.	QTY.	DESCRIPTION
88	87-817778A1		1	THERMOSWITCH
89	FA480010		1	CYLNDR ASS'Y W/PARTING LINE SEAL & LOWER MAIN BEARING ASS'Y
-	FC548010		1	SHORT BLOCK INCLUDES ALL ITEMS MARKED WITH AN ASTERISK (*). ALSO REFER TO CRANKSHAFT PAGE.
90	F1864		1	HEX HD SCREW, 1/4 - 20 X 3/4
91	F85210		1	STUD
92	F8563		2	DOWEL PIN
93	F85122		1	PARTING LINE SEAL
94	F476067		1	GASKET, THERMOSTAT COVER
95	F1347		1	HEX NUT, 3/8 - 16
96	F1873		4	HEX BOLT, 3/8 - 16 X 3
97	F1009		1	HEX BOLT, 3/8 - 16 X 2 3/4
98	F1110		4	FILL HD SCREW, 1/4 - 20 X 5/8
99	F1872		2	HEX BOLT, 3/8 - 16 X 1 3/4
100	F1099		2	FILL HD SCREW, 1/4 - 20 X 1 1/4
101	F2089		2	SLOTTED PAN HD MACHINE SCREW, 10 - 24 X 5/16
102	F480107-1		1	CAM, STARTER INTERLOCK
103	F8038		4	PLAIN WASHER
104	F8095		14	PLAIN WASHER
105	F2042		2	PLAIN WASHER
106	FG460-1		1	GASKET SET (INCLUDES THE FOLLOWING)
-	F40223		3	TRANSFER PORT COVER GASKET
-	F84031		1	WATER PUMP GASKET
-	F84278		1	CRANKSHAFT BRG. CAGE SEAL
-	F84504		1	THERMOSTAT GROMMET
-	F85122		1	CRANKCASE SEAL
-	F85154-1		2	EXHAUST PORT PLATE GASKET
-	F85159		1	MANIFOLD GASKET
-	F85168		3	CARBURETOR ADAPTER FLANGE GASKET
-	F85279-2		1	CYLINDER, EXHAUST - UPPER GASKET
-	F85453-1		1	CYLINDER, EXHAUST - LOWER GASKET
-	F85472-2		1	CYLINDER DRAIN COVER GASKET
-	F85748-2		1	CYLINDER DRAIN REED PLATE GASKET
-	F85762		1	BY-PASS VALVE GASKET
-	F85836-1		3	INTAKE GASKET
-	F85906		3	CARBURETOR GASKET
-	F316555		1	GEAR HOUSING SEAL
-	F369529-1		1	CYLINDER HEAD GASKET
-	F476067		1	THERMOSTAT COVER GASKET
-	F481836		3	INTAKE GASKET

CRANKSHAFT AND PISTON GROUP



CRANKSHAFT AND PISTON GROUP

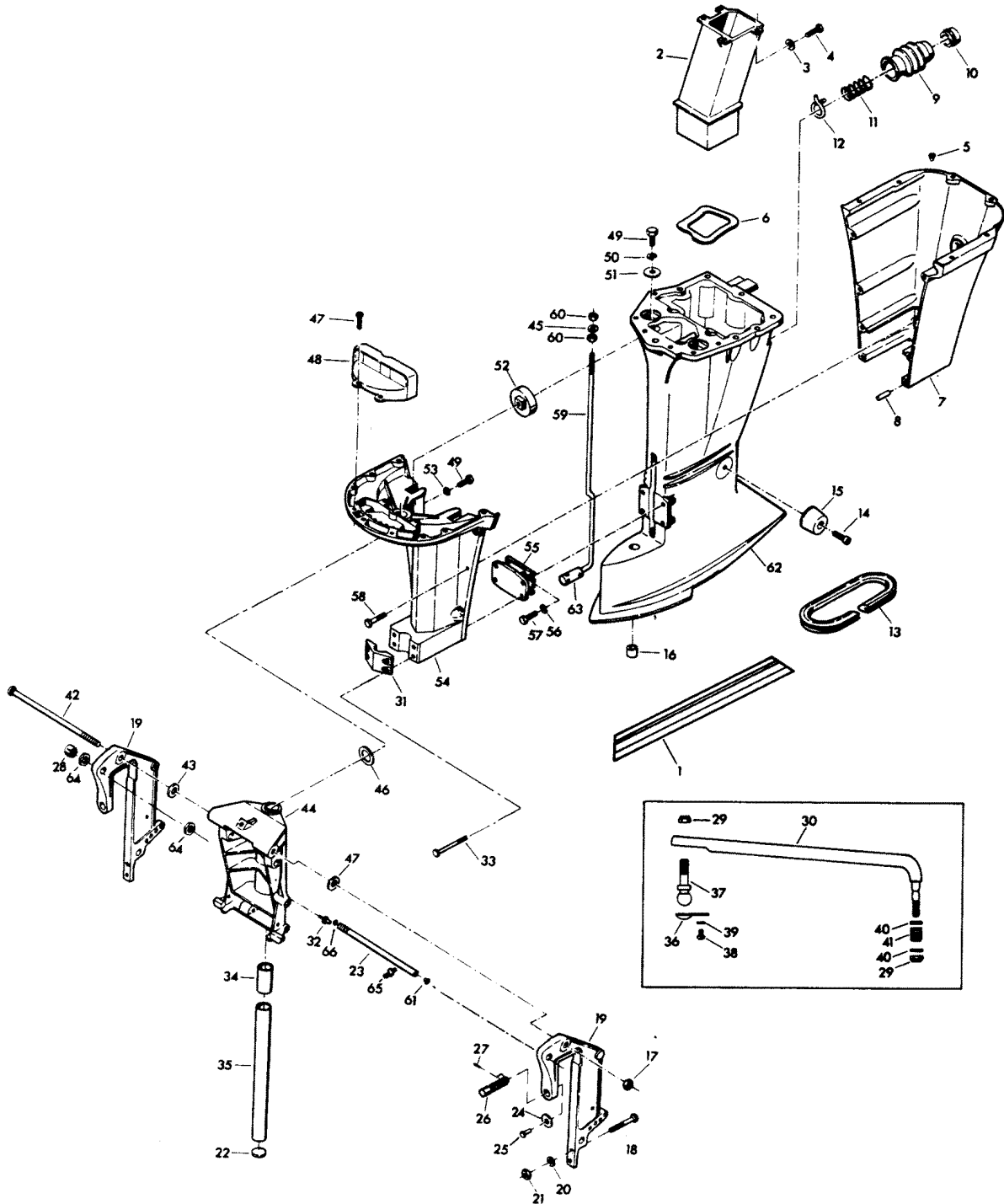
REF. NO.	PART NO.	SYM.	QTY.	DESCRIPTION
1	FA335260		3	PISTON RING SET (3 PER SET) STANDARD
-	FSA335260		3	PISTON RINGS (3 PER SET) .010 OVERSIZE
-	39-818110A1		3	PISTON RINGS (3 PER SET) .030 OVERSIZE
2	700-F372015-3		3	PISTON (STANDARD)
-	700-817988A2		3	PISTON .010 OVERSIZE
-	700-818111A2		3	PISTON .030 OVERSIZE
3	F335215		6	SPACER, PISTON PIN (2 PER PISTON)
4	F85017		3	PISTON PIN
5	F335217-1		3	BEARING PISTON PIN (26 PER SET)
6	600-818052A4		3	CONNECTING ROD W/CAP AND SCREWS
7	FK85228		3	BEARING CAGE W/ROLLER
8	F85410		2	SNAP RING
9	FA85655-1		2	CRANKSHAFT MAIN BEARING RACE W/SNAP RING
10	F85571		2	BEARING CAGE W/ROLLER
11	F316579		2	SEAL, CRANKCASE
12	FA523014		1	CRANKSHAFT LOWER MAIN BEARING W/SEAL
13	F523146		1	SEAL, CRANKSHAFT LOWER
14	F85634-2		6	CONNECTING ROD SCREW
15	FA85018-2		1	CRANKSHAFT W/BEARING
16	F85498		1	FLYWHEEL KEY
17	F84278		1	SEAL, CRANKSHAFT BEARING CAGE
18	31-817785A2		1	CRANKSHAFT BEARING CAGE W/SEAL
19	F1867		4	HEX CAP SCREW, 3/8 - 16 X 1
20	F84146-2		1	SEAL
21	F1968		1	FLYWHEEL NUT
22	F284659-2		1	CRANKSHAFT THRUST BEARING UPPER
-	F2067		1	PLASTISOL CAP (NOT SHOWN)

MOTOR LEG

REF. NO.	PART NO.	SYM.	QTY.	DESCRIPTION
1	A548392		1	DECAL, LEG - PORT
-	A548391		1	DECAL, LEG - STARBOARD
2	F85660-1		1	EXHAUST TUBE
3	F8083		4	SPRING LOCKWASHER
4	F1864		4	HEX SLOT HD SCREW 1/4 - 20 X 3/4
5	F1729		2	PLUG
6	F439736		1	SEAL EXHAUST TUBE
7	817931A7		1	MOTOR LEG COVER REAR
8	F1664		2	SPRING PIN
9	F85130		1	BOOT, IDLE EXHAUST
10	F85258		1	INSERT
11	F85380		1	SPRING
12	F85772		1	CLAMP
13	F178323		1	SEAL, MOTOR LEG
14	F1263		2	HEX SOCKET HD CAP SCREW 5/16 - 18 X 9/16
15	F438962		2	SHOCK MOUNT SLIDE
16	F338618-1		1	SEAL, GEAR SHIFT ROD
17	F7012		1	LOCK NUT, 1/2 - 20
18	F1593		2	HEX HD SCREW 3/8 - 16 X 3
19	1400-817958A6		2	STERN BRACKET
20	F1904		2	PLAIN WASHER
21	F1346		2	HEX NUT 3/8 - 16
22	F1528		1	WELCH PLUG
23	F511125-2		1	TUBE, STEERING SUPPORT
24	F84074		2	CLAMP SCREW FOOT
25	F353480		2	STUD
26	F474073-1		2	CLAMP SCREW
27	F8538		2	SPRING PIN
28	F9018		1	CAP
29	F2093		2	STOP NUT 3/8 - 24
30	F523881-2		1	STEERING LINK
31	F85606		1	KINGPIN CAP
32	F213274		3	GREASE FITTING
33	F1696		4	HEX BOLT 5/16 - 18 X 1 3/4
34	F438169		2	BEARING
35	FA85019		1	KINGPIN W/PLUG
36	F523930		1	RETAINER
37	F523273		1	STEERING BALL STUD
38	F1280		1	PAN HD SCREW, 8 - 32 X 1/4
39	F8080		1	SPRING LOCKWASHER
40	F8038		2	PLAIN WASHER
41	F523300-1		1	SPRING, STEERING LINK
42	F85037-1		1	STERN BRACKET PIVOT BOLT

CONTINUED ON NEXT PAGE ➡

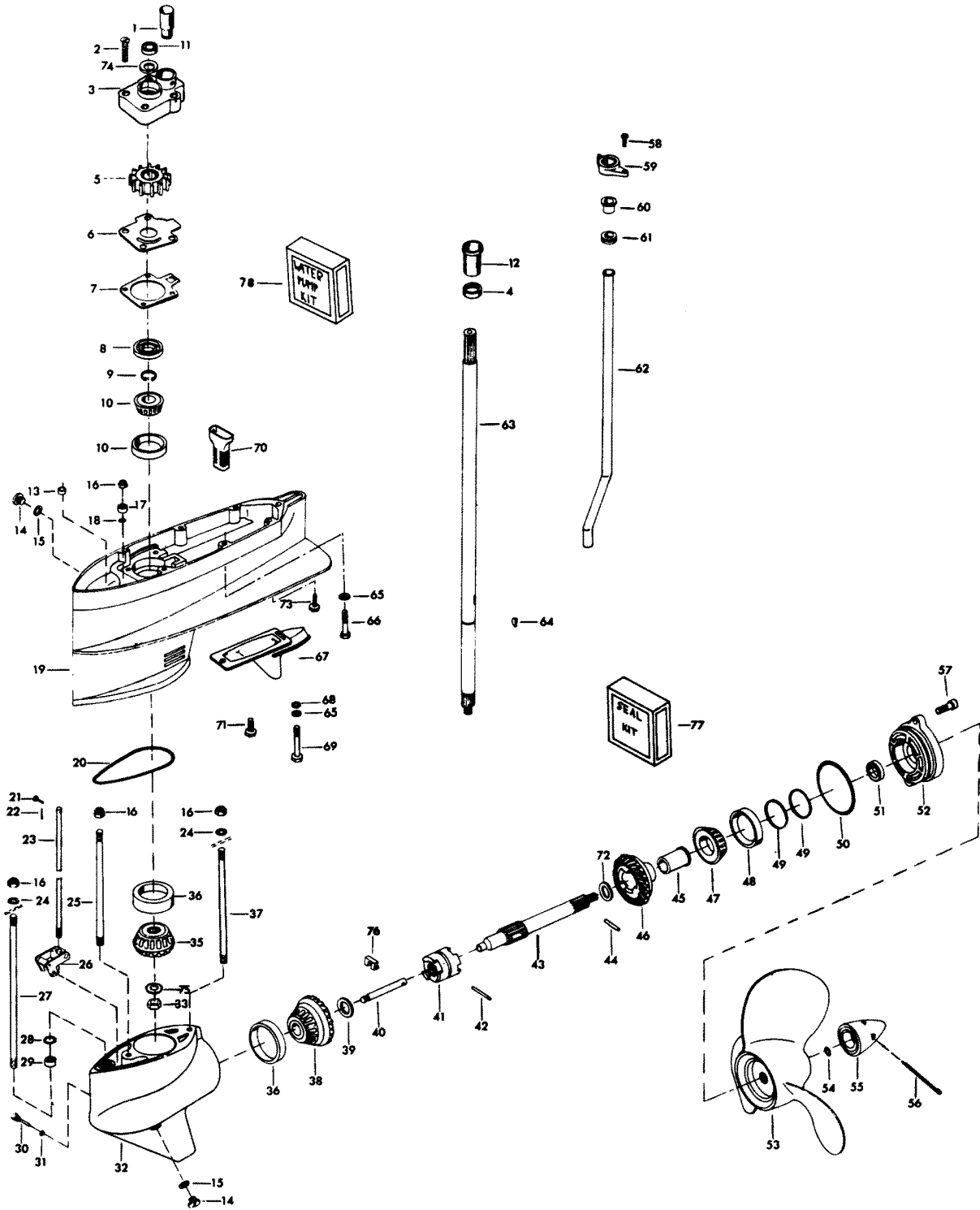
MOTOR LEG



MOTOR LEG

REF. NO.	PART NO.	SYM.	QTY.	DESCRIPTION
43	F84286-1		4	FRICTION WASHER
44	817783A5		1	SWIVEL BRACKET W/BEARING AND GREASE FITTING
45	F1987		1	PLAIN WASHER
46	F84011		1	WASHER
47	F1912		4	HEX HD SCREW 10 - 24 X 1/2
48	F85779-1		1	BAFFLE, AIR INTAKE
49	F1871		4	HEX HD SCREW 3/8 - 16 X 3/4
50	F2014		2	PLAIN WASHER
51	FA85355-1		2	WASHER SHOCK MOUNT UPPER (TWO SHOCK MOUNT & ONE PLAIN WASHER)
52	F85965		2	SHOCK MOUNT, UPPER
53	F1703		2	SPRING LOCKWASHER
54	A85135-3		1	LEG COVER, FRONT
55	F438346		1	SHOCK MOUNT, LOWER
56	F8096		4	SPRING LOCKWASHER
57	F1822		4	HEX BOLT 5/16 - 18 X 7/8
58	F2030		6	HEX HD SCREW 1/4 - 20 X 1 1/4
59	F85615		1	GEAR SHIFT ROD - UPPER
60	F2108		2	LOCK NUT 5/16 - 18
61	F9052		1	PLUG
62	A438133-1		1	MOTOR LEG
63	F85704		1	COUPLER, GEARSHIFT ROD - UPPER
64	F523280		2	NUT, STEERING SUPPORT TUBE
65	F523274		1	GREASE FITTING
66	F316599		1	SEAL, STEERING SUPPORT TUBE

GEAR HOUSING

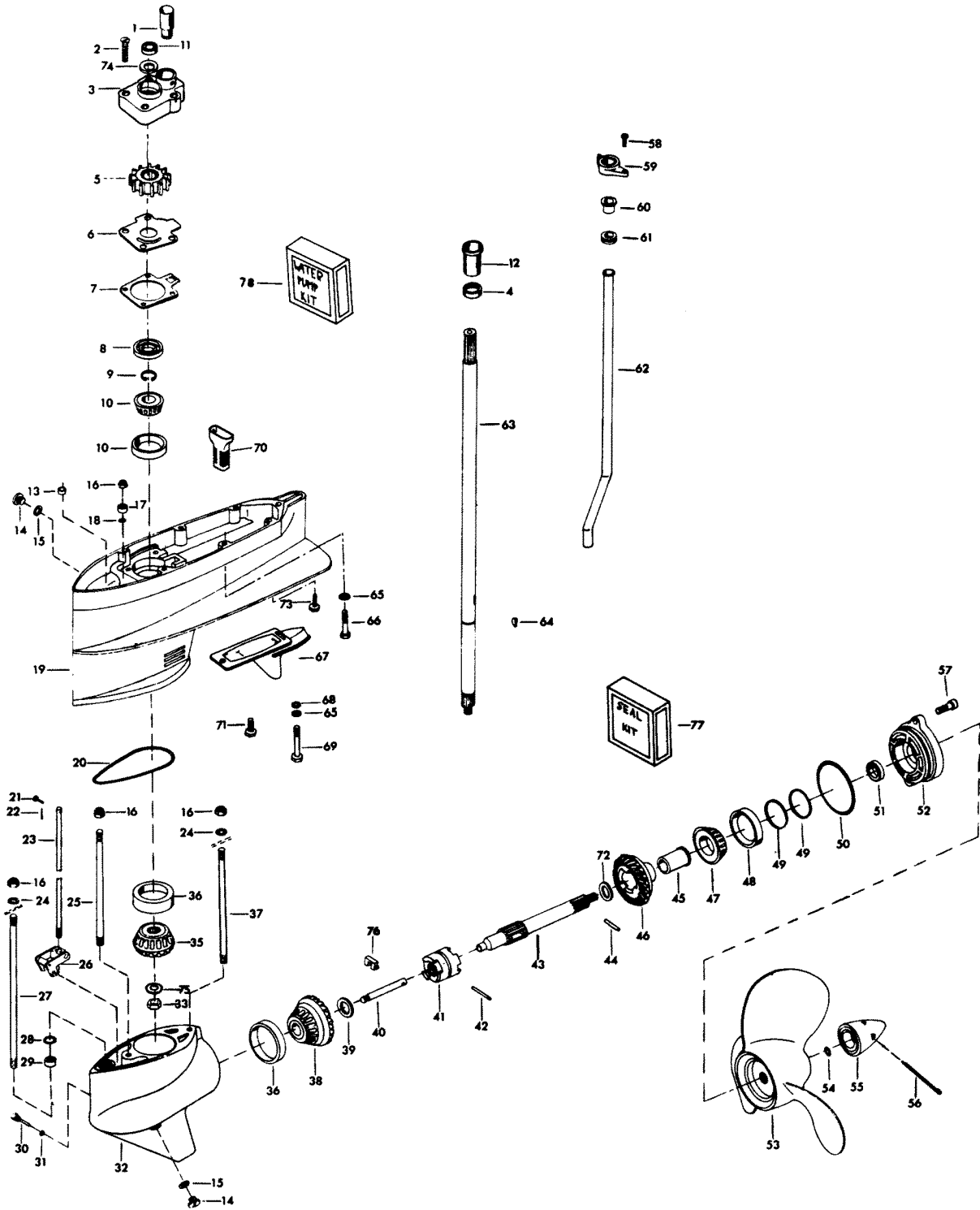


GEAR HOUSING

REF. NO.	PART NO.	SYM.	QTY.	DESCRIPTION
1	FA523735		1	SEAL, INLET WATER LINE, LOWER
2	F1849		4	FLAT HD SCREWS, S.S., 1/4 - 20 X 1 3/8
3	FK500060		1	WATER PUMP BODY W/ITEMS 1, 2, 11 & 74
4	F438271		1	RETAINER, CRANKSHAFT SPLINE SEAL
5	F84065		1	WATER PUMP IMPELLER
6	F369562		1	WATER PUMP BACK PLATE
7	F84031		1	GASKET, WATER PUMP
8	F84307-1		1	SEAL, DRIVESHAFT
9	F84173		1	RETAINING RING
10	FA40901		1	BEARING, DRIVESHAFT W/CUP
11	F351307		1	SEAL, WATER PUMP
12	F438129		1	SEAL, DRIVESHAFT SPLINE
13	F338618-1		1	SEAL, GEAR SHIFT ROD
14	F50109		2	PLUG, GEAR HOUSING
15	F8077		2	WASHER, GEAR HOUSING PLUG
16	F7025		3	HEX NUT, 3/8 - 16
17	F84215		1	SPACER
18	F19342		1	SEAL
19	A316554-2		1	GEAR HOUSING UPPER W/PLUG AND WASHER
20	F316555		1	SEAL
21	F85372		1	PIN, GEAR SHIFT ROD LOWER
22	F1015		1	COTTER PIN, S.S.
23	F85705-1		1	GEAR SHIFT ROD LOWER
24	F1778		2	PLAIN WASHER
25	F316165		1	STUD, GEAR HOUSING CENTER
26	FA84621-1		1	COUPLING, GEAR SHIFT ARM W/BUSHING
27	F85006-1		1	STUD, GEAR HOUSING, FRONT
28	F316599		1	SEAL, GEAR HOUSING STUD, FRONT
29	F85012		1	PILOT, GEAR HOUSING
30	F498891		1	PIN, GEAR SHIFT ARM
31	F498618		1	SEAL
32	1600-817767A2		1	GEAR HOUSING LOWER W/PLUG AND WASHER
-	FC481054		-	GEAR HOUSING COMPLETE. INCLUDES ALL ITEMS MARKED WITH AN ASTERISK (*)
33	FA511188		1	NUT, BEVEL PINION RETAINING
35	FA481266		1	BEVEL PINION GEAR W/BEARING AND CUP
36	84903		2	BEARING CUP
37	F84008-4		1	STUD, GEAR HOUSING, REAR
38	F2A481023		1	BEVEL GEAR FRONT W/BEARINGS
39	F1936		A/R	SPACER .059"
-	F1937		A/4	SPACER .062"
-	F1938		A/R	SPACER .065"
-	F1939		A/R	SPACER .068"

CONTINUED ON NEXT PAGE ➡

GEAR HOUSING

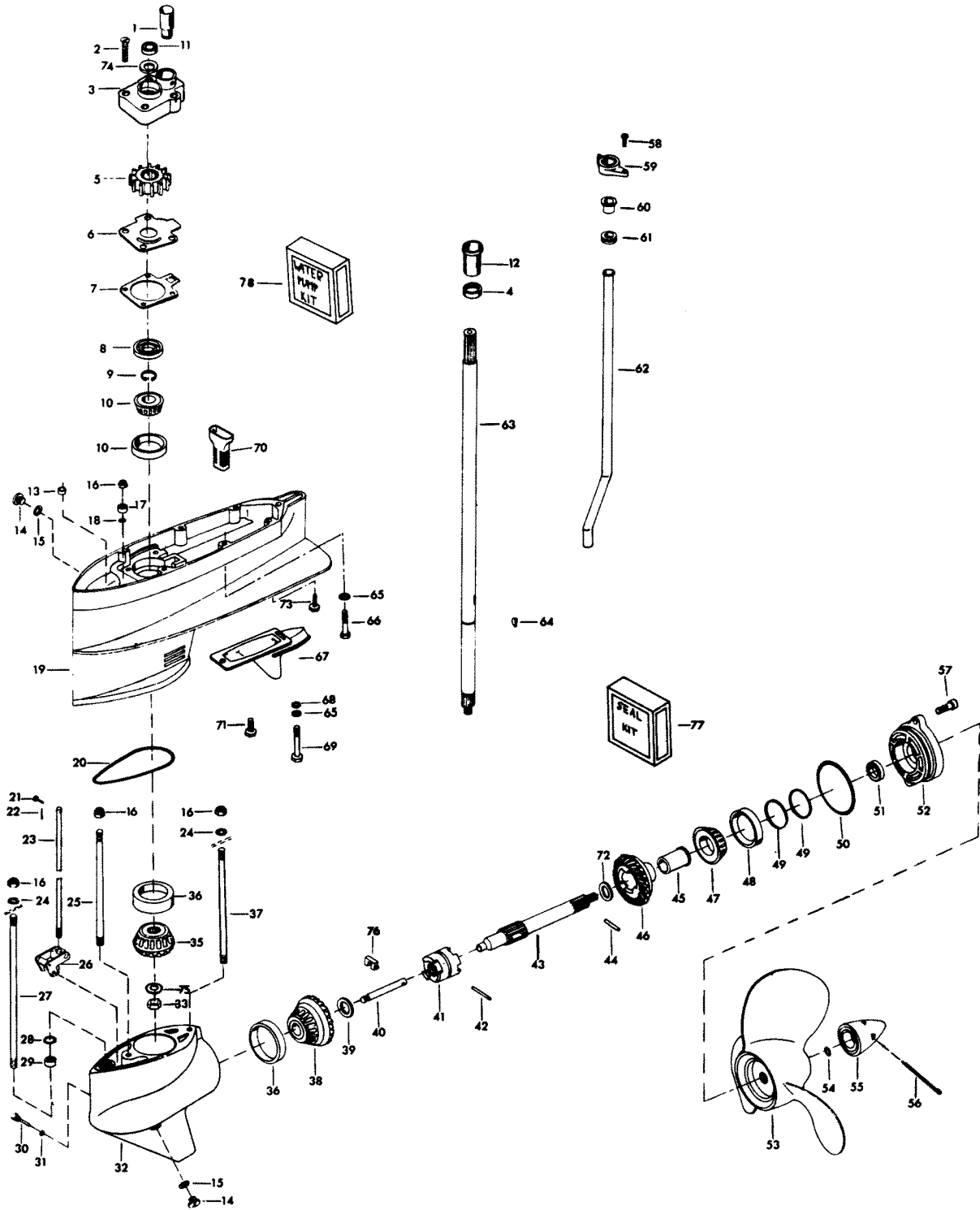


GEAR HOUSING

REF. NO.	PART NO.	SYM.	QTY.	DESCRIPTION
-	F1940		A/R	SPACER .071"
-	F1941		A/R	SPACER .074"
-	F1942		A/R	SPACER .077"
40	F84871-1		1	PIN, GEAR SHIFT
41	F84521-1		1	CLUTCH
42	F1713		1	SPRING PIN
43	A85098-2		1	PROPELLER SHAFT
44	FK280		1	PROPELLER PIN
45	F384143		1	BEARING, BEVEL GEAR REAR
46	F481662		1	BEVEL GEAR, REAR
47	FA84225		1	BEARING W/CUP
48	84250		1	BEARING CUP
49	F9022		A/R	SHIM, PROPELLER SHAFT BEARING CAGE .006" (SILVER)
-	F9023		A/R	SHIM, PROPELLER SHAFT BEARING CAGE .007" (BRASS)
-	F9024		A/R	SHIM, PROPELLER SHAFT BEARING CAGE .010" (BLACK)
50	F84305		1	SEAL, PROPELLER SHAFT BEARING CAGE
51	F84118		1	SEAL, PROPELLER SHAFT
52	FA84298-3		1	PROPELLER SHAFT BEARING CAGE W/ITEM 51
53	FP372		1	PROPELLER (ACCESSORY ITEM)
54	F40342		1	SEAL, PROPELLER NUT
55	11-817784A1		1	PROPELLER NUT W/COTTER PIN AND SEAL
56	F1028		1	COTTER PIN, S.S.
57	F1252		2	HEX SOCKET HD CAP SCREW, S.S., 3/8 - 16 X 1
58	F1705		2	HEX CAP SCREW, S.S., 1/4 - 20 X 3/4
59	F85117		1	BRACKET, WATER LINE
60	F84342		1	SEAL, INLET WATER LINE, UPPER
61	F381899		1	GROMMET, WATER LINE
62	F85244		1	INLET WATER LINE
63	FK85128-1		1	DRIVESHAFT
64	F9038		1	DRIVE KEY, WATER PUMP
65	F8096		7	SPRING LOCKWASHER, S.S.
66	F1696		6	HEX BOLT, S.S., 5/16 - 18 X 1 3/4
67	817797A2		1	EXHAUST OUTLET, GEAR HOUSING UPPER
68	F1907		1	PLAIN WASHER
69	F1994		1	HEX SOCKET HD CAP SCREW, 5/16 - 18 X 1
70	F438077		1	SCREEN, WATER INLET
71	F438930		1	RETAINER, SNOUT
72	F84717		1	THRUST WASHER, BEVEL GEAR, REAR
73	F1213		1	HEX CAP SCREW, 5/16 - 18 X 1 1/8
74	F480388		1	DISC, WATER PUMP LOCATING
75	F136717		1	WASHER, BEVEL GEAR THRUST
76	F90619-1		1	YOKE
77	FK1061		1	SEAL KIT (INCLUDES THE FOLLOWING)

CONTINUED ON NEXT PAGE ➡

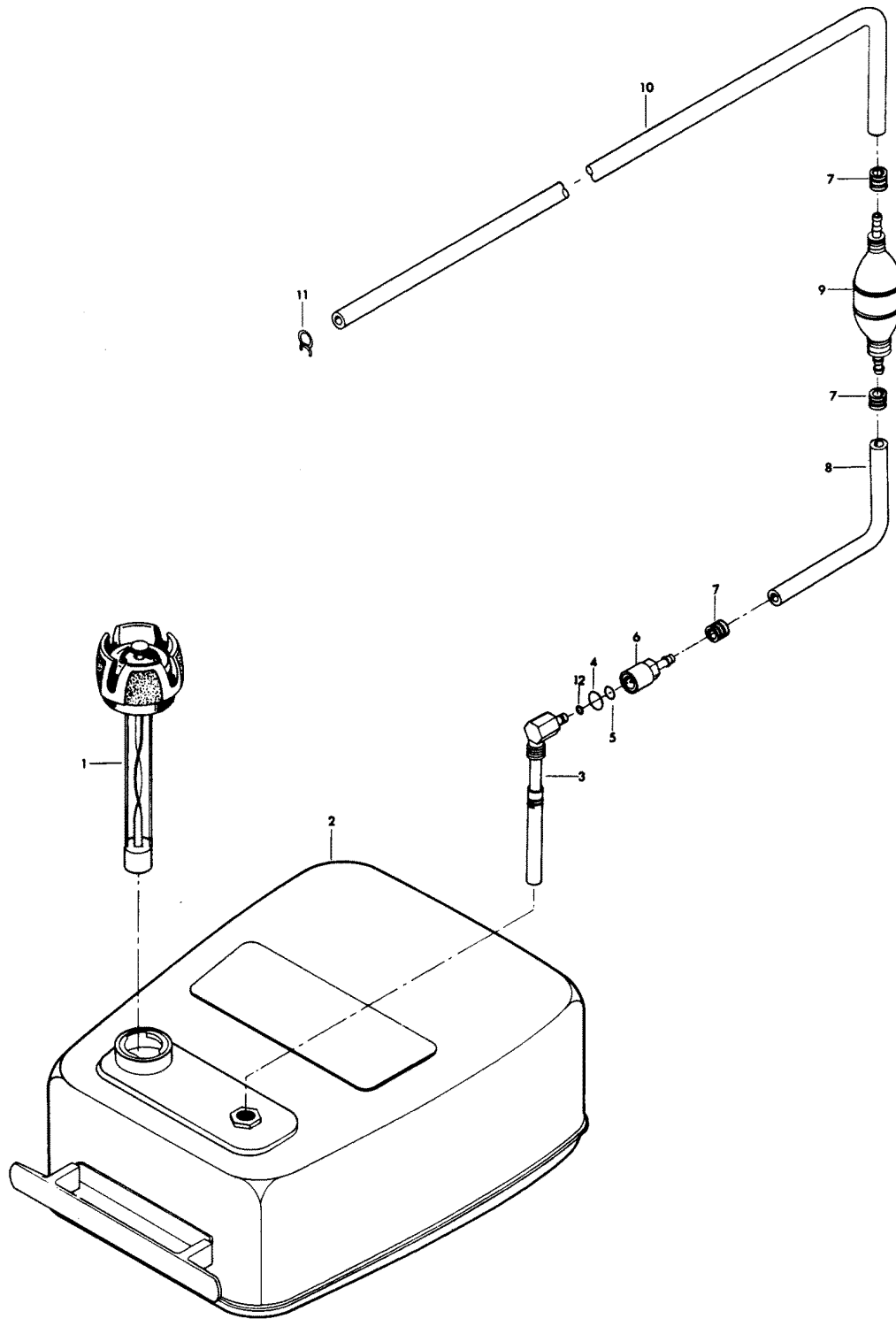
GEAR HOUSING



GEAR HOUSING

REF. NO.	PART NO.	SYM.	QTY.	DESCRIPTION
-	F84307-1		1	DRIVESHAFT SEAL
-	F19342		1	GEAR HOUSING STUD SEAL
-	F338618-1		1	GEAR SHIFT ROD SEAL
-	F8077		2	GEAR HOUSING SEAL
-	F498618		1	GEAR SHIFT ARM PIN SEAL
-	F316555		1	GEAR HOUSING SEAL
-	F316599		1	GEAR HOUSING STUD SEAL
-	F84305		1	PROPSHAFT BEARING CAGE SEAL
-	F84118		1	PROPSHAFT SEAL
78	FK1033-1		0	WATER PUMP KIT

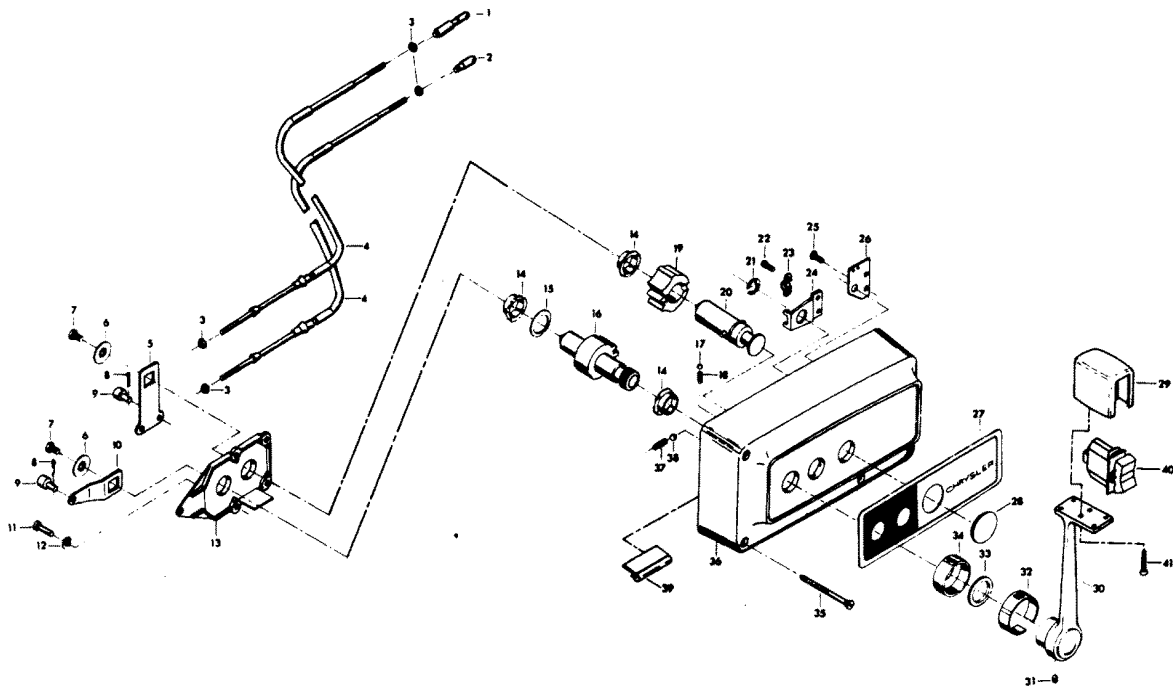
FUEL TANK AND LINE



FUEL TANK AND LINE

REF. NO.	PART NO.	SYM.	QTY.	DESCRIPTION
1	F409251-1		1	GAUGE CAP
2	F5H026		1	FUEL TANK (ACCESSORY ITEM)
3	F485755-1		1	FUEL TANK ADAPTER
4	F213342		1	SEAL, FUEL LINE COUPLER (LARGE)
5	F213735		1	SEAL, FUEL LINE COUPLER (SMALL)
6	F197787-3		1	FUEL LINE COUPLER
7	F298788		3	FERRULE
8	FA84754-1		1	FUEL LINE SHORT W/FERRULES
9	89396A38		1	PRIME BULB
10	32-817738A1		1	FUEL LINE LONG W/CLAMP AND FERRULE
11	F97772		1	FUEL LINE CLAMP
12	F17932		1	SEAL, FUEL TANK ADAPTER
-	FS409752		1	FUEL LINE COMPLETE
-	FC409398		1	DECAL, TOTE TANK CANADA (NOT SHOWN)

REMOTE CONTROL

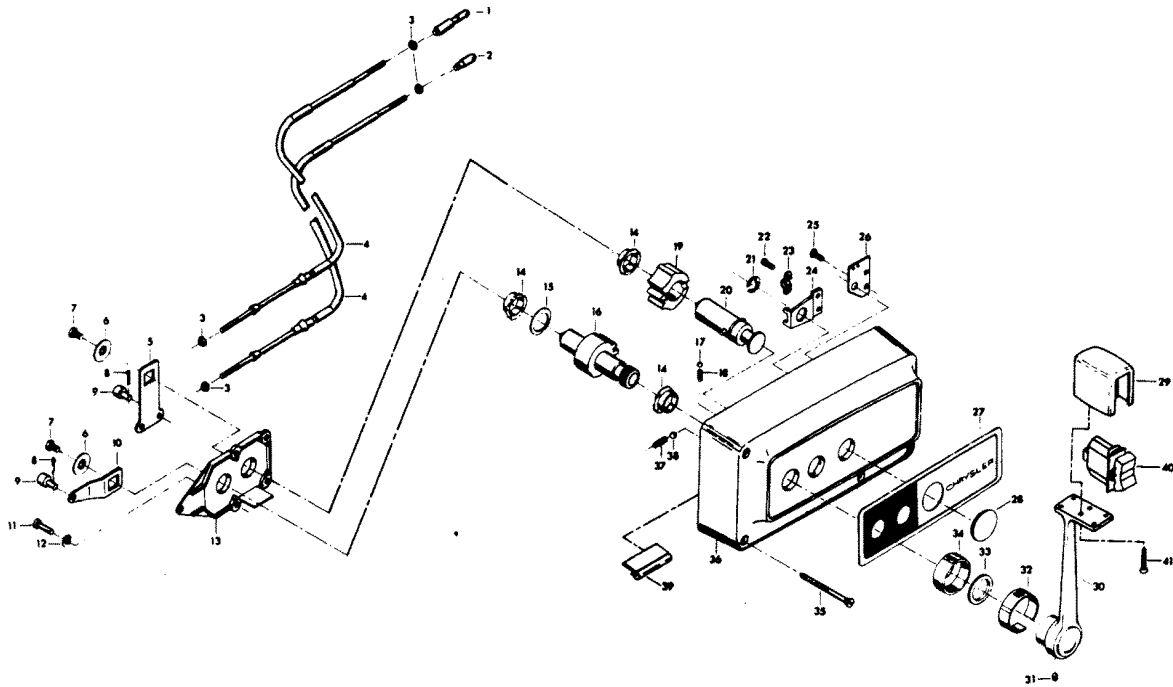


REMOTE CONTROL

REF. NO.	PART NO.	SYM.	QTY.	DESCRIPTION
1	FA58976-1		1	CONNECTOR, THROTTLE CABLE
2	F58685-2		1	CONNECTOR, SHIFT CABLE
3	F1513		4	HEX NUT
4	ÄF58356//		2	REMOTE CONTROL CABLE (SPECIFY LENGTH)
5	F17019		1	CLUTCH ARM
6	F17036		2	INTERNAL TOOTH LOCKWASHER
7	F1715		2	HEX BOLT, 1/4 - 28 X 9/16
8	F17149		2	COTTER PIN
9	F17016		2	CABLE TERMINAL
10	F17014		1	THROTTLE ARM
11	F17013		2	FILL HD SCREW, 1/4 - 20 X 1/2
12	F17147		2	INTERNAL TOOTH LOCKWASHER
13	F17012		1	RETAINING PLATE
14	F17009		3	BEARING
15	F17011		1	BOWED WASHER
16	F17010-1		1	THROTTLE GEAR
17	F17111		1	DETENT BALL
18	F17006		1	DETENT SPRING
19	F17021		1	CLUTCH GEAR
20	F17100		1	CLUTCH SHAFT
21	F17092		1	SNAP RING
22	F17071		2	FILL HD SCREW, 10 - 24 X 5/16
23	F154317		1	CABLE CLAMP
24	F17026		1	SWIVEL
25	F1557		2	FLAT HD SCREW, 10 - 24 X 3/8
26	F17112		1	JUNCTION BOARD, STARBOARD
-	F17113		1	JUNCTION BOARD, PORT
27	F17148		1	DECAL, STARBOARD
-	F531892		1	DECAL, PORT
28	F17031-1		1	SNAP CAP
29	F448543		1	KNOB
30	F448611-1		1	HANDLE
31	F455690		1	SET SCREW
32	FK17114-1		1	INDICATOR
33	F17105		1	FELT WASHER
34	F17106		1	COLLAR
35	F17146		3	WOOD SCREW
36	F17099-1		1	HOUSING
37	F17068		1	DETENT SPRING
38	F17082-1		1	DETENT BALL
-	F1280		2	PAN HD SCREW, 8 - 32 X 1/4 (TERMINAL BOARD) (NOT SHOWN)

CONTINUED ON NEXT PAGE ➡

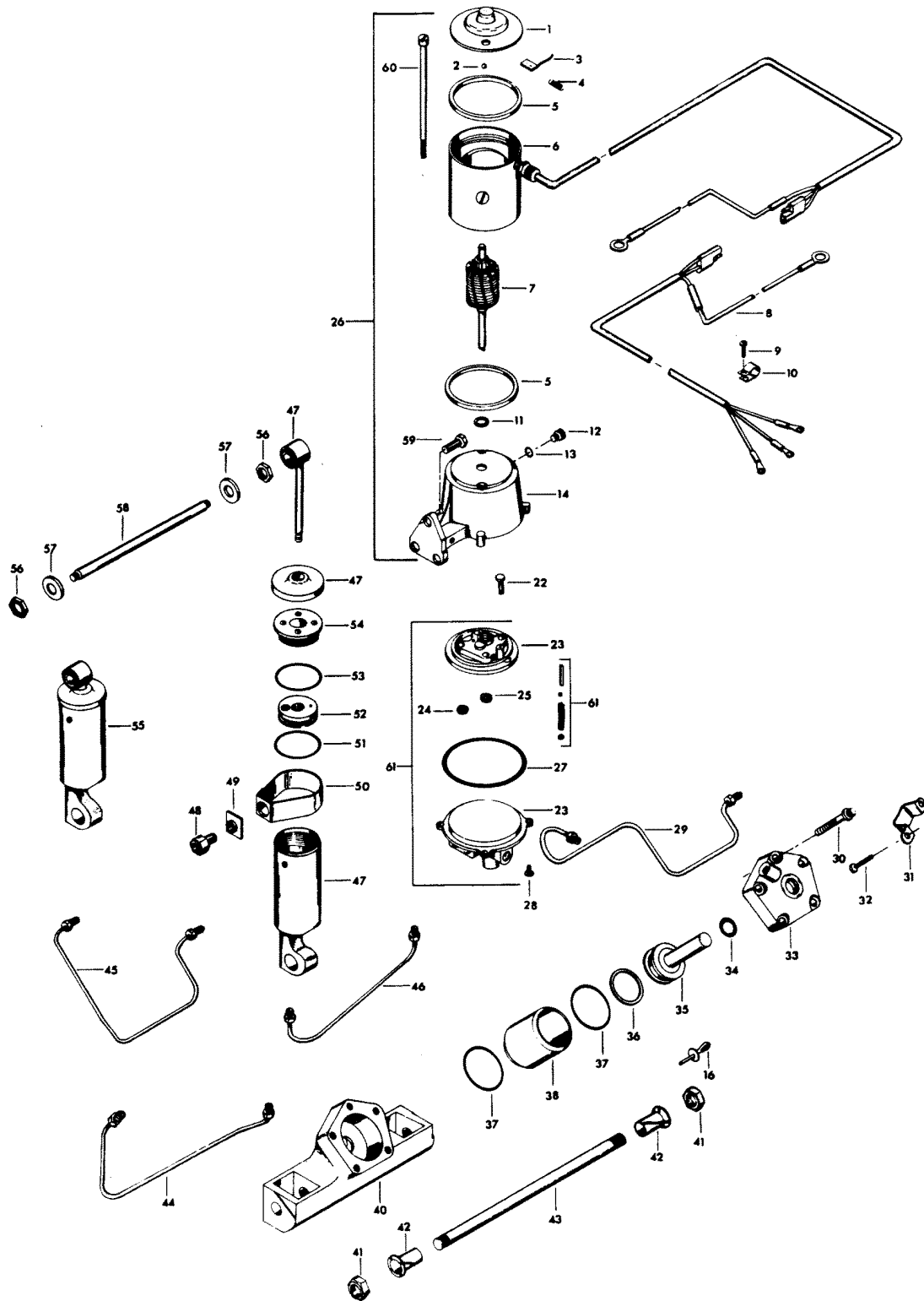
REMOTE CONTROL



REMOTE CONTROL

REF. NO.	PART NO.	SYM.	QTY.	DESCRIPTION
-	OB3061		1	LITERATURE (NOT SHOWN)
-	F17103-1		1	BAG ASSEMBLY (NOT SHOWN) INCLUDES ITEMS MARKED WITH AN ASTERISK (*)
39	F448446		1	CLAMP, CABLE TRIM SWITCH
40	F455449		1	SWITCH
41	F1461		2	#6 X 7/8 TAPPING SCREW

POWER TRIM UNIT

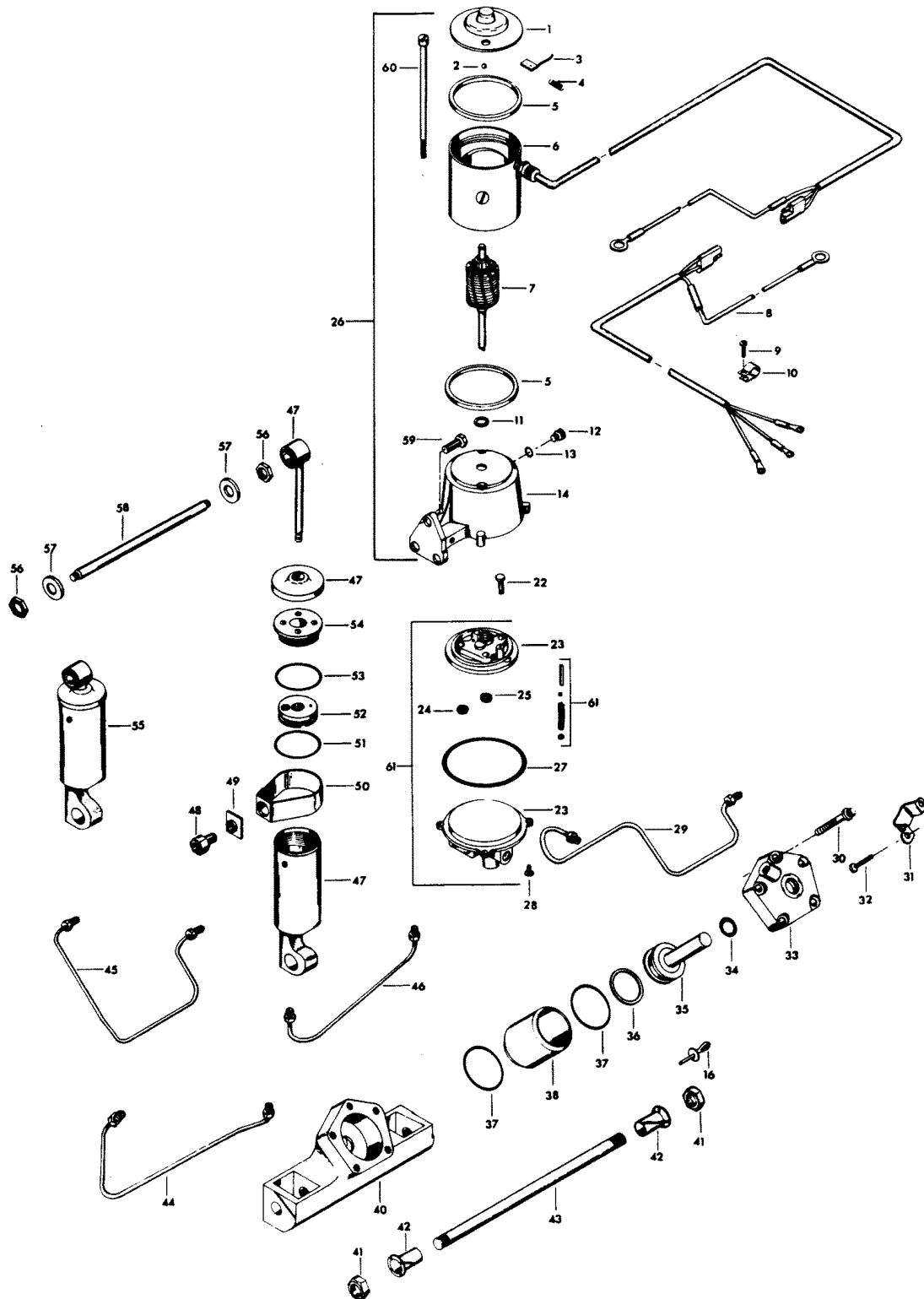


POWER TRIM UNIT

REF. NO.	PART NO.	SYM.	QTY.	DESCRIPTION
1	F17543		1	HEAD ASSEMBLY, COMMUTATOR END
2	F17539		1	BALL
3	F17504		1	BRUSH SET
4	F17500		1	SPRING SET
5	F17557		2	GASKET
6	F17556		1	FIELD AND FRAME ASSEMBLY
7	F17555		1	ARMATURE
8	F500843		1	CABLE
9	F1741		2	THREAD FORMING SCREW, 8 X 3/4
10	F178446		2	CLAMP
11	F17508		A/R	THRUST WASHER
12	F17518		1	FILTER CAP
13	F17510		1	"O" RING
14	F17505		1	RESERVOIR AND BRACKET W/SEAL
15	F1966		1	PLUG, SWIVEL BRACKET
22	F1203		1	HEX CAP SCREW, 1/4 - 20 X 7/8
23	F17564		1	VALVE BODY AND PUMP
24	F17566		1	IDLE GEAR
25	F17565		1	DRIVE GEAR
26	F17563		1	MOTOR AND RESERVOIR
27	F17522		1	"O" RING
28	F1310		4	ROUND HD SCREW, 10 - 24 X 5/8
29	F449254		1	HYDRAULIC LINE, TRIM CYLINDER, UPPER
30	F1959		5	FERRY HD CAP SCREW, 1/4 - 20 X 1 3/4, STAINLESS STEEL
31	F449354		1	THRUST BRACKET
32	F1734		2	FILL HD MOUNTING SCREW AND LOCKWASHER, 1/4 - 20 X 1/2
33	FA449149		1	COVER W/SEALS AND RETAINER
34	F448342		1	SEAL, PISTON SHAFT
35	FA449015		1	PISTON
36	F449278		1	PISTON SEAL
37	F40278		2	SEAL, CYLINDER
38	F449010		1	CYLINDER
40	F449545-2		1	CYLINDER HOUSING
41	F1953		2	ELASTIC STOP NUT, 5/8 - 18
42	F178362		2	BEARING
43	F449632		1	SHAFT
44	F449253-1		1	HYDRAULIC LINE, TRIM CYLINDER, LOWER
45	F449758		1	HYDRAULIC LINE, LIFT CYLINDER, UPPER
46	F449754-1		1	HYDRAULIC LINE, LIFT CYLINDER, LOWER
47	FA17559		1	LIFT CYLINDER COMPLETE
48	F17577		1	ADAPTER FITTING PACKAGE
49	F17577		1	ADAPTER FITTING PACKAGE

CONTINUED ON NEXT PAGE ➡

POWER TRIM UNIT



POWER TRIM UNIT

REF. NO.	PART NO.	SYM.	QTY.	DESCRIPTION
50	F17577		1	ADAPTER FITTING PACKAGE
51	F17561-1		1	"O" RING
52	F17562-1		1	PISTON ASSEMBLY
53	F17528		1	"O" RING
54	F17560		1	HEAD ASSEMBLY
55	FA178962		1	SHOCK ABSORBER W/BUSHING
56	F1931		2	STOP NUT, 1/2 - 20, STAINLESS STEEL
57	F1950		2	PLAIN WASHER
58	F449889		1	SHAFT, UPPER
59	F1822		3	HEX CAP SCREW, 5/16 - 18 X 7/8, STAINLESS STEEL
60	F17558		1	THRU-BOLT PACKAGE
61	F17568		1	HYDRAULIC PUMP AND VALVE ASSEMBLY
-	F1877		2	TY-RAP (NOT SHOWN)

SPECIAL TOOLS - TUNE-UP

REF. NO.	PART NO.	SYM.	QTY.	DESCRIPTION
-	FT8948-1		0	PULLER TO REMOVE FLYWHEEL.
-	FTA2937-1		0	TIMING TOOL TO ADJUST TIMING POINTER.
-	FT2951		0	CIRCUIT TRACER TO TROUBLESHOOT ELECTRICAL SYSTEM
-	FT8978		0	TIMING LIGHT FOR ADJUSTING IGNITION TIMING.

SPECIAL TOOLS - POWER HEAD

REF. NO.	PART NO.	SYM.	QTY.	DESCRIPTION
-	FT8914		0	SEAL REMOVER TO REMOVE UPPER CRANKSHAFT BEARING CAGE SEAL.
-	FT8903		0	SEAL INSTALLER TO INSTALL UPPER CRANKSHAFT BEARING CAGE SEAL.
-	FT8927		0	SEAL PROTECTOR TO INSTALL UPPER CRANKSHAFT BEARING CAGE.
-	FT8907		0	DRIVE HANDLE USED WITH T8903.
-	FT8925		0	SEAL INSTALLER TO INSTALL LOWER CRANKSHAFT SEAL.
-	FT2953		0	SOCKET TO TORQUE CONNECTING ROD SCREWS.
-	FT2990		0	PISTON PIN TOOL TO REMOVE AND INSTALL PISTON PINS.
-	FT2996		0	RING COMPRESSOR TO INSTALL PISTONS IN CYLINDER.
-	FT8926		0	RING EXPANDER TO INSTALL PISTON RINGS.
-	FT1082		0	SNAP RING PLIER TO REMOVE AND INSTALL DISTRIBUTOR RETAINING RING.

SPECIAL TOOLS - GEAR HOUSING

REF. NO.	PART NO.	SYM.	QTY.	DESCRIPTION
-	FT8948-1		0	PULLER TO REMOVE PROPELLER SHAFT BEARING CAGE FROM GEAR HOUSING.
-	FT8918		0	BEARING GUIDE SET TO REMOVE AND INSTALL BEARING CUP IN LOWER GEAR HOUSING.
-	FT2995		0	BEARING CUP INSTALLER TO INSTALL FORWARD BEARING CUP IN LOWER GEAR HOUSING.
-	FT8917		0	BEARING CUP REMOVER TO REMOVE REAR BEARING CUP FROM PROPELLER SHAFT BEARING CAGE.
-	FT8909		0	BEARING CUP INSTALLER TO INSTALL FORWARD BEARING CUP IN LOWER GEAR HOUSING.
-	FT8922		0	SLIDE HAMMER USED WITH T8917
-	FT8910		0	BEARING CUP INSTALLER TO INSTALL REAR BEARING CUP IN PROPELLER SHAFT BEARING CAGE.
-	FT8957		0	SEAL INSTALLER TO INSTALL SHIFT ROD SEAL.
-	FT8908		0	SEAL INSTALLER TO INSTALL PROPELLER SHAFT SEAL IN PROPELLER SHAFT BEARING CAGE.
-	FT8915		0	SEAL PROTECTOR TO INSTALL BEARING CAGE ON PROPELLER SHAFT.
-	FT8916		0	BEARING INSTALLER TO INSTALL REVERSE GEAR AND BEARING ON PROPELLER SHAFT.
-	FT8906		0	BEARING SUPPORT TO INSTALL REVERSE GEAR AND BEARING ON PROPELLER SHAFT.
-	FT8911		0	DRIVESHAFT KNOCK-OFF NUT TO REMOVE DRIVESHAFT FROM UPPER GEAR HOUSING.
-	FT8905		0	BEARING REMOVER TO REMOVE BEARING FROM DRIVESHAFT.
-	FT8920		0	BEARING INSTALLER TO INSTALL BEARING ON DRIVESHAFT.
-	FT8925		0	SEAL INSTALLER TO INSTALL DRIVESHAFT SEAL IN UPPER HOUSING.
-	FT3012		0	SEAL INSTALLER TO INSTALL DRIVESHAFT SEAL IN WATER PUMP.
-	FT8924-1		0	CHECKING GAUGE TO MEASURE PROPELLER SHAFT END PLAY AND END FLOAT.
-	FTA8991		0	SPACER KIT TO SHIM LOWER UNIT - USE WITH T8924-1.
-	FT8901		0	INDICATOR HOLDER USED IN CONJUNCTION WITH T8924-1.
-	FT8902		0	DIAL INDICATOR USED IN CONJUNCTION WITH T8924-1.
-	FT8907		0	DRIVER HANDLE USED WITH T8910, T8909, T8908.
-	FT8919		0	SPRING PIN PUNCH TO REMOVE CLUTCH SPRING PIN.
-	FT1081		0	SNAP RING PLIER TO REMOVE AND INSTALL DRIVESHAFT BEARING RETAINING RING.

SPECIAL TOOLS - TEST EQUIPMENT

REF. NO.	PART NO.	SYM.	QTY.	DESCRIPTION
-	FTA8991		0	TEST WHEEL TO TEST MOTOR IN TEST TANK.
-	FT8933		0	LIFTING HOOK TO LIFT ENGINE.
-	FT8950		0	LEAKAGE TESTER TO TEST LOWER UNIT SEALS FOR LEAKAGE.
-	FT8953		0	IGNITION TESTER TO TEST OUTPUT OF C-D UNIT.

SPECIAL TOOLS - LUBRICANTS AND SEALANTS

REF. NO.	PART NO.	SYM.	QTY.	DESCRIPTION
-	FT2961		0	LUBRICANT
-	FT2987-1		0	LUBRICANT
-	FT8969		0	LUBRICANT
-	FT8955		0	SEALANT
-	FT8993		0	SEALANT
-	FT8936		0	SEALANT
-	FT2962-1		0	SEALANT
-	FT2963-1		0	SEALANT
-	FT8935		0	SEALANT PRIMER

ACCESSORIES

REF. NO.	PART NO.	SYM.	QTY.	DESCRIPTION
-	F861		0	FLUSHING ADAPTER PERMITS FRESH WATER FLUSHING OF WATER PASSAGES WITH STANDARD GARDEN HOSE.
-	F5H130		0	REMOTE CONTROL - SURFACE MOUNT (SINGLE LEVER) PERMITS REMOTE CONTROL OF THROTTLE AND GEAR SHIFT FROM STARBOARD SIDE OF BOAT.
-	F5H120		0	REMOTE CONTROL BACK PLATE TO PREVENT INTERFERENCE WITH PADDED SIDE OF BOAT.
-	F5H131		0	PORT SIDE DECAL KIT CONVERTS 5H130 CONTROL BOX TO PORT SIDE MOUNTING.
-	F590		0	REMOTE CONTROL - FLUSH MOUNT (SINGLE LEVER) FLUSH MOUNT CONTROL UNIT PERMITS REMOTE CONTROL OF THROTTLE AND GEAR SHIFT. MAY BE MOUNTED ON PORT OR STARBOARD SIDE OF BOAT.
-	865		0	REMOTE CONTROL - SURFACE MOUNT (SINGLE LEVER PER ENGINE) PERMITS REMOTE CONTROL OF THROTTLE AND GEAR SHIFT ON TWIN ENGINE INSTALLATIONS. MAY BE MOUNTED ON PORT OR STARBOARD SIDE OF BOAT.
-	F5H079		0	SINGLE REMOTE CONTROL BOX PERMITS REMOTE CONTROL OF THROTTLE AND GEAR SHIFT. CONSOLE MOUNTED.
-	F5H080		0	TWIN REMOTE CONTROL BOX PERMITS REMOTE CONTROL OF THROTTLE AND GEAR SHIFT - TWO ENGINES. CONSOLE MOUNTED.
-	F195/___		0	REMOTE CONTROL CABLES CONNECTS REMOTE CONTROL BOX TO THROTTLE AND GEAR SHIFT ON ENGINE. AVAILABLE IN 6 THROUGH 40 FOOT LENGTHS.
-	F5H132		0	REMOTE CONTROL HANDLE TRIM SWITCH HAS POWER TRIM CONTROL SWITCH IN HANDLE. REPLACES STANDARD CONTROL LEVER ON 5H130 CONTROL BOX.
-	F5H108		0	STEERING CONNECTOR CLEVIS TYPE FOR BOAT MOUNTED STEERING AND NONTHEADED CABLE END.
-	F5H094		0	STEERING LINK KIT CONNECTS STEERING CABLE TO ENGINE WHEN USING ENGINE MOUNTED STEERING SYSTEM.
-	F5H018		0	DUAL STEERING CONNECTOR PERMITS DUAL ENGINE INSTALLATIONS.
-	F5H026		0	STEEL, 6 GALLON FUEL TANK (LOW PROFILE) AUXILIARY TANK.
-	F5H029		0	TANK ANCHOR SECURES 5H026 TO BOAT.
-	F5H040		0	STEEL, 12 GALLON FUEL TANK AUXILIARY TANK.
-	5H111		0	INSTRUMENT ADAPTER - 2" PROVIDES SURFACE MOUNTING OF INSTRUMENTS.
-	F5H112		0	INSTRUMENT ADAPTER - 3 1/2" PROVIDES SURFACE MOUNTING OF INSTRUMENTS.
-	71H06		0	AMMETER FLUSH MOUNT MONITORS OUTPUT OF ALTERNATOR.
-	F5H019		0	ANTI-CORROSION KIT ELECTRICAL KIT FOR MOUNTING ON BOAT (12V) TO REDUCE CORROSION.
-	F5H025		0	ANTI-CORROSION SACRIFICIAL ANODE KIT USED TO REDUCE CORROSION.

CONTINUED ON NEXT PAGE ➡

ACCESSORIES

REF. NO.	PART NO.	SYM.	QTY.	DESCRIPTION
-	F5H043		0	OVERHEAT BUZZER SOUNDS WARNING BUZZER IF ENGINE OVERHEATS.
-	F5H010		0	POWER TRIM INDICATOR INDICATES ENGINE TRIM ANGLE. (FLUSH MOUNT).
-	F5H134		0	BOAT WHITE LACQUER ENGINE TOUCH-UP PAINT IN 12 3/4 OZ. SPRAY BOMBS (6 CANS PER CASE).
-	F5H135		0	SAND TAN LACQUER ENGINE TOUCH-UP PAINT IN 12 3/4 OZ. SPRAY BOMBS (6 CANS PER CASE).
-	F5H044		0	TILT STOP KIT LIMITS TILTING ANGLE.
-	F5H068		0	RFI SUPPRESSION KIT PROVIDES RADIO NOISE SUPPRESSION.
-	F5H129		0	SHOCK ABSORBER KIT
-	F5H064		0	EXHAUST SNOOT FOR UNUSUAL BOAT COMBINATIONS AND MORE CLEARANCE.
-	F5H081		0	BATTERY CABLE LONGER LENGTH - 15 FEET.
-	F5H006		0	VOLTMETER - FLUSH MOUNT INDICATES BATTERY CONDITION.
-	5H047		0	CANVAS HOOD PROTECTION FOR ENGINE COVER.
-	5H051		0	BATTERY, 74 AMP 12 VOLT HEAVY DUTY BATTERY.
-	F5H021		0	EXTENSION CABLE FOR LENGTHENING BATTERY CABLE 6 1/2 FEET.
-	F5H041		0	BATTERY TERMINAL KIT ADAPTS MODEL 5H051 BATTERY TERMINALS FOR CONNECTIONS TO BATTERY CABLE ON ENGINE.
-	71H25		0	CHARGE INDICATOR LAMP GLOWS GREEN WHEN ALTERNATOR IS RECHARGING BATTERY. DO NOT USE INDICATOR LAMP AND AMMETER IN SAME INSTALLATION.
-	F5H037		0	CIGAR LIGHTER FOR USE AS CONVENIENCE OUTLET.
-	168		0	CONTROL PANEL FOR MOUNTING LAMPS, SWITCHES, ETC.
-	F5H008		0	FUEL GAUGE FLUSH MOUNT MONITORS FUEL SUPPLY.
-	F5H123		0	HYDRAULIC TILT HYDRAULIC UNIT TO RAISE AND LOWER THE LOWER UNIT WHEN BEACHING OR TRAILERING BOAT.
-	479		0	HEAT LAMP KIT GLOWS RED IF ENGINE OVERHEATS. DO NOT USE HEAT LAMP AND TEMPERATURE GAUGE IN SAME INSTALLATION.
-	F5H007		0	HOURLY METER RECORDS ENGINE RUNNING TIME.
-	478		0	IGNITION LAMP KIT GLOWS ORANGE WHEN IGNITION SWITCH IS IN "ON" POSITION.
-	F5H077		0	IGNITION KEY SWITCH SHORT BARREL WITH KEYS.
-	F5H078		0	IGNITION KEY SWITCH LONG BARREL WITH KEYS.
-	F762		0	REMOTE ELECTRIC CABLE 25 FOOT CABLE FOR LARGE BOATS.
-	F5H070		0	REMOTE ELECTRIC CABLE 21 FOOT CABLE FOR LARGE BOATS.
-	5H082		0	REMOTE ELECTRIC CABLE 35 FOOT CABLE FOR LARGE BOATS.
-	F5H028		0	SENDING UNIT FOR USE WITH 5H008 FUEL GAUGE.

CONTINUED ON NEXT PAGE ➡

ACCESSORIES

REF. NO.	PART NO.	SYM.	QTY.	DESCRIPTION
-	F5H005		0	TEMPERATURE GAUGE FLUSH MOUNT MONITORS ENGINE TEMPERATURE. DO NOT USE TEMPERATURE GAUGE AND HEAT LAMP IN SAME INSTALLATION.
-	F5H012		0	TACHOMETER FLUSH MOUNT MONITORS ENGINE R.P.M. TO PROVIDE CHECK OF ENGINE PERFORMANCE.
-	F5H074		0	WATER PUMP KIT HEAVY DUTY WATER PUMP KIT.
-	F5H127		0	POWER TRIM ADJUSTS ENGINE TRIM AND TILTS ENGINE.
-	F5H002		0	SPEEDOMETER FLUSH MOUNT MONITORS BOAT SPEED (0 - 65 M.P.H.).
-	F5H004		0	SPEEDOMETER FLUSH MOUNT MONITORS BOAT SPEED (0 - 65 M.P.H.).
-	F5H115		0	TRAILERING TILT LOCK SECURES ENGINE IN HALF TILT POSITION FOR TRAILERING.
-	F5H076		0	SWITCH EXTENSION CABLE ALLOWS INSTALLATION OF IGNITION SWITCH IN 5H130 CONTROL BOX WITH 563 TERMINAL BLOCK.
-	F5H030		0	SWITCH KIT - RUNNING LIGHTS DASH MOUNTED TOGGLE SWITCH.
-	F5H031		0	SWITCH KIT - SPOT LIGHT DASH MOUNTED TOGGLE SWITCH.
-	F5H032		0	SWITCH KIT - WIPER DASH MOUNTED TOGGLE SWITCH.
-	F5H034		0	SWITCH KIT - BILGE PUMP DASH MOUNTED TOGGLE SWITCH.
-	F5H035		0	SWITCH KIT - HORN DASH MOUNTED TOGGLE SWITCH (MOMENTARY).
-	F5H036		0	SWITCH KIT - TACHOMETER TRANSFER DASH MOUNTED TOGGLE SWITCH FOR ONE TACHOMETER ON DUAL ENGINE INSTALLATION.
-	F5H038		0	SWITCH KIT - IGNITION SWITCH TO MOUNT IGNITION SWITCH ON DASH.
-	F5H039		0	SWITCH KIT - INSTRUMENT LIGHT DASH MOUNTED TOGGLE SWITCH.
-	F563		0	TERMINAL BLOCK KIT DOUBLE ROW 10 SECTION TO SIMPLIFY ACCESSORY INSTALLATION.
-	479		0	UNIMOUNT UNDER DASH MOUNT FOR INDICATORS, LAMPS AND IGNITION SWITCHES.
-	F5H075		0	WIRING HARNESS - IGNITION SWITCH (24") USE WITH 563 TERMINAL BLOCK.
-			0	CHRYSLER OUTBOARD OIL SEE BLOCK COMMENT 1.
-			0	CHRYSLER OUTBOARD GEAR LUBE SEE BLOCK COMMENT 2.
-			0	CHRYSLER OUTBOARD FUEL AID REMOVES MOISTURE, PREVENTS SLUDGE AND VARNISH AND STABILIZES GAS. AVAILABLE IN 16 OZ. CANS AND 12 CAN CASES.
-			0	CHRYSLER OUTBOARD STORAGE LUBRICANT WORKS AS A CORROSION INHIBITOR AND PROTECTS INTERNAL ENGINE PARTS DURING STORAGE. AVAILABLE IN 16 OZ. CANS AND 12 CAN CASES.

CONTINUED ON NEXT PAGE ➡

ACCESSORIES

REF. NO.	PART NO.	SYM.	QTY.	DESCRIPTION
-			0	CHRYSLER OUTBOARD MULTI-PURPOSE SPRAY LUBE WORKS AS A LUBRICANT, CLEANER, MOISTURE REMOVER AND ELECTRIC INSULATOR. AVAILABLE IN 9 OZ. CANS AND 12 CAN CASES.
-			0	CHRYSLER OUTBOARD MULTI-PURPOSE GREASE LUBRICATES BEARINGS AND OTHER MOVING PARTS. AVAILABLE IN 8 OZ. TUBES AND 12 TUBE CASES.
-			0	CHRYSLER OUTBOARD GREASE GUN USED WITH CHRYSLER OUTBOARD MULTI-PURPOSE GREASE TUBES FOR PRESSURE FITTINGS.
-			0	CHRYSLER OUTBOARD MULTI-PURPOSE CLEANER

PARTS INDEX

Part Number	Description	Pg.	Ref. No.	Part Number	Description	Pg.	Ref. No.
ÄF58356//	REMOTE CONTROL CABLE (SPECIFY LENGTH)	43	4	F1099	FILL HD SCREW, 1/4 - 20 X 1 1/4	27	100
15169	FRAME AND FIELD ASSEMBLY	15	9	F1108	FILL HD SCREW W/LOCKWASHER, 1/4 - 20 X 3/4	17	2
168	CONTROL PANEL	56	-	F1110	FILL HD SCREW, 1/4 - 20 X 5/8	27	98
3C548944	COVER, ENGINE - COMPLETE	3	-	F1187	HEX HD SCREW, 1/4 - 20 X 1	23	35
478	IGNITION LAMP KIT	56	-	F1199	HEX CAP SCREW, 1/4 - 20 X 1	23	44
479	HEAT LAMP KIT	56	-	F1203	HEX BOLT, 1/4 - 20 X 7/8 . .	23	6
479	UNIMOUNT	57	-	F1203	HEX CAP SCREW, 1/4 - 20 X 7/8	47	22
480373	DECAL, MAGNAPOWER IGNITION	9	55	F1213	HEX CAP SCREW, 5/16 - 18 X 1 1/8	37	73
481373-1	DECAL, "ELECTRONIC" (NOT SHOWN)	11	-	F1236	HEX HD SCREW, 1/4 - 20 X 1/2	21	91
5H047	CANVAS HOOD	56	-	F1238	HEX CAP SCREW, 1/4 - 20 X 3/4	3	14
5H051	BATTERY, 74 AMP	56	-	F1238	HEX HD SCREW, 1/4 - 20 X 3/4	23	43
5H082	REMOTE ELECTRIC CABLE	56	-	F1252	HEX SOCKET HD CAP SCREW, S.S., 3/8 - 16 X 1	37	57
5H111	INSTRUMENT ADAPTER - 2"	55	-	F1263	HEX SOCKET HD CAP SCREW 5/16 - 18 X 9/16 . .	31	14
71H06	AMMETER FLUSH MOUNT	55	-	F1280	PAN HD SCREW, 8 - 32 X 1/4	7	33
71H25	CHARGE INDICATOR LAMP	56	-	F1280	PAN HD SCREW, 8 - 32 X 1/4	31	38
817747--1	BALL JOINT W/STUD	17	28	F1280	PAN HD SCREW, 8 - 32 X 1/4 (TERMINAL BOARD) (NOT SHOWN)	43	-
817747--1	BALL JOINT W/STUD	23	9	F1286	PAN HD SCREW, 4 - 40 X 3/16	23	31
817783A5	SWIVEL BRACKET W/BEARING AND GREASE FITTING	33	44	F1310	ROUND HD SCREW, 10 - 24 X 5/8	47	28
817786A1	DISTRIBUTOR PULLEY	11	3	F1341	HEX NUT, 1/4 - 20	23	13
817787A1	CYLINDER DRAIN COVER	23	33	F1346	HEX NUT 3/8 - 16	31	21
817788A3	SPACER PLATE W/PLUGS	25	63	F1347	HEX NUT, 3/8 - 16	27	95
817797A2	EXHAUST OUTLET, GEAR HOUSING UPPER	37	67	F136717	WASHER, BEVEL GEAR THRUST	37	75
817822A1	DISTRIBUTOR, COMPLETE	11	-	F14006-2	CAP BASE	11	37
817931A7	MOTOR LEG COVER REAR	31	7	F14007	CAP SCREW	11	33
817959A3	INTAKE MANIFOLD	17	23	F14011-1	CAP COVER	11	34
84250	BEARING CUP	37	48	F14012-1	BRUSH	11	39
84903	BEARING CUP	35	36	F14015	CAP CLIP RIVET	11	21
85872-1	BRACKET	25	49	F14017	TERMINAL INSULATOR (OUTSIDE)	13	46
865	REMOTE CONTROL - SURFACE MOUNT (SINGLE LEVER PER ENGINE)	55	-	F14020-1	CAP SEAL	11	36
89396A38	PRIME BULB	41	9	F14024	SPACER	13	42
A316554-2	GEAR HOUSING UPPER W/PLUG AND WASHER	35	19	F14025	SPACER	11	4
A438133-1	MOTOR LEG	33	62	F14028	THRUST WASHER	11	5
A548391	DECAL, LEG - STARBOARD	31	-	F14029	THRUST WASHER	11	7
A548392	DECAL, LEG - PORT	31	1	F14030	CAP GASKET	11	38
A85098-2	PROPELLER SHAFT	37	43	F14036	SWIVEL	11	13
A85135-3	LEG COVER, FRONT	33	54	F14037	CAP CLIPS	11	14
F10000	GASKET SET (NOT SHOWN)	21	-	F14038	CAP CLIP SCREWS	11	15
F10055	REPAIR PARTS KIT	21	103	F14040	VENT	11	35
F1009	HEX BOLT, 3/8 - 16 X 2 3/4	27	97	F14041	EXTERNAL TOOTH LOCKWASHER	11	23
F1014	COTTER PIN	21	84	F14042	DISTRIBUTOR HOUSING W/BEARINGS	11	12
F1015	COTTER PIN, S.S.	35	22				
F1028	COTTER PIN, S.S.	37	56				
F1059	FILL HD SCREWS, S.S., 6 - 32 X 1/4	19	80				
F1064	FILL HD SCREWS, S.S., 8 - 32 X 3/8	19	45				
F1072	FILL HD SCREW, 1/4 - 20 X 1 3/4	19	59				

PARTS INDEX

Part Number	Description	Pg.	Ref. No.	Part Number	Description	Pg.	Ref. No.
F14043	DISTRIBUTOR SHAFT	13	40	F1645	RD HD SCREW, 6 - 32 X 1/4	9	52
F14045	SCREW	11	16	F1645	RD HD SCREW, 6 - 32 X 1/4	21	100
F14046	TERMINAL SCREW	11	19	F1647	HEX NUT, 10 - 32	25	86
F14047	TERMINAL INSULATOR (INSIDE)	11	20	F1647	HEX NUT, 8 - 32	7	6
F14049	TERMINAL INSULATOR (OUTSIDE)	11	22	F1647	HEX NUT, 8 - 32	11	24
F14056	SCREW	13	47	F1648	PAN HD SCREW, 10 - 24 X 3/4	7	16
F1447	ROUND HD SCREW, 2 X 3/16	3	19	F1664	SPRING PIN	31	8
F1461	#6 X 7/8 TAPPING SCREW	45	41	F1678	FILL HD SCREW, 10 - 24 X 13/16	7	2
F1473	HEX NUT, 10 - 24	3	36	F1689	HEX HD CAP SCREW, 1/4 - 20 X 1/2	9	42
F1475	FILL HD SCREW, 10 - 24 X 1/2	23	11	F1692	WOODRUFF KEY	13	41
F1502	HEX CAP SCREW, 1/4 - 20 X 5/8	21	97	F1693	TIE BAR RETAINER	19	46
F1502	HEX HD SCREW, 1/4 - 20 X 5/8	15	14	F1696	HEX BOLT 5/16 - 18 X 1 3/4	31	33
F1502	HEX HD SCREW, 1/4 - 20 X 5/8	23	39	F1696	HEX BOLT, S.S., 5/16 - 18 X 1 3/4	37	66
F1502	HEX SLOT HD SCREW 1/4 - 20 X 5/8	3	20	F17006	DETENT SPRING	43	18
F15034	SPRING SET	15	17	F17009	BEARING	43	14
F1504	FILL HD SCREW, 1/4 - 20 X 1 1/4	19	56	F17010-1	THROTTLE GEAR	43	16
F1504	FILL HD SCREW, 1/4 - 20 X 1 1/4	23	12	F17011	BOWED WASHER	43	15
F15057	BRUSH PLATE AND HOLDER	15	18	F17012	RETAINING PLATE	43	13
F15080	SPRING	15	3	F17013	FILL HD SCREW, 1/4 - 20 X 1/2	43	11
F15099	ARMATURE	15	8	F17014	THROTTLE ARM	43	10
F15100	BENDIX	15	20	F17016	CABLE TERMINAL	43	9
F15110	CLUTCH ASSEMBLY	15	4	F17019	CLUTCH ARM	43	5
F15111	NUT, STOP RETAINING	15	1	F17021	CLUTCH GEAR	43	19
F15112	STOP, PINION	15	2	F17026	SWIVEL	43	24
F15125	HEAD ASSEMBLY, COMMUTATOR END	15	16	F1703	SPRING LOCKWASHER	25	62
F15126	THRUST WASHER PACKAGE	15	7	F1703	SPRING LOCKWASHER	33	53
F1513	HEX NUT	7	18	F17031-1	SNAP CAP	43	28
F1513	HEX NUT	43	3	F17036	INTERNAL TOOTH LOCKWASHER	43	6
F1513	HEX NUT, 10 - 32	17	29	F1704	INTERNAL TOOTH LOCKWASHER	21	99
F1513	HEX NUT, 10 - 32	23	7	F1705	HEX CAP SCREW, 1/4 - 20 X 3/4	7	23
F1515	HEX NUT	7	24	F1705	HEX CAP SCREW, S.S., 1/4 - 20 X 3/4	37	58
F1515	HEX NUT, 5/16 - 18	17	37	F17068	DETENT SPRING	43	37
F15165	BRUSH TERMINAL SET	15	10	F17071	FILL HD SCREW, 10 - 24 X 5/16	43	22
F15167	HEAD ASSEMBLY DRIVE END	15	5	F17082-1	DETENT BALL	43	38
F15168	THRU BOLT PACKAGE	15	12	F1709	HEX HD SCREW, 1/4 - 20 X 1 1/8	25	76
F1528	WELCH PLUG	31	22	F17092	SNAP RING	43	21
F154317	CABLE CLAMP	43	23	F17099-1	HOUSING	43	36
F1556	FILL HD SCREW W/LOCKWASHER, 10 - 24 X 3/8	23	14	F17100	CLUTCH SHAFT	43	20
F1557	FLAT HD SCREW, 10 - 24 X 3/8	43	25	F17103-1	BAG ASSEMBLY (NOT SHOWN)	45	-
F1593	HEX HD SCREW 3/8 - 16 X 3	31	18	F17105	FELT WASHER	43	33
F1612	HEX CAP SCREW, 3/8 - 16 X 1 1/4	11	8	F17106	COLLAR	43	34
F1641	LOCK NUT	15	6	F17111	DETENT BALL	43	17
				F17112	JUNCTION BOARD, STARBOARD	43	26
				F17113	JUNCTION BOARD, PORT	43	-
				F1713	SPRING PIN	37	42
				F17146	WOOD SCREW	43	35

PARTS INDEX

Part Number	Description	Pg.	Ref. No.	Part Number	Description	Pg.	Ref. No.
F17148	DECAL, STARBOARD	43	27	F1760	PAN HD SCREW, 10 - 24 X		
F17149	COTTER PIN	43	8		3/8	19	60
F1715	HEX BOLT, 1/4 - 28 X 9/16	43	7	F1760	PAN HD SCREW, 10 - 24 X		
F1727	PLASTIC RIVET	23	16		3/8	23	2
F1729	PLUG	31	5	F1773	HEX HD SCREW, 1/4 - 20 X 1		
F1730	SCREW, PAN HD.,				1/2	17	26
	W/SPRING LOCKWASHER			F177330	FUEL PUMP VALVE	17	9
	1/4 - 20 X 5/8	3	4	F1778	PLAIN WASHER	11	9
F1733	SCREW, PAN HD., 10 - 24 X			F1778	PLAIN WASHER	35	24
	9/16	3	2	F178323	SEAL, MOTOR LEG	31	13
F1734	FILL HD MOUNTING SCREW			F178362	BEARING	47	42
	AND LOCKWASHER, 1/4 -			F178446	CLAMP	47	10
	20 X 1/2	47	32	F17932	SEAL, FUEL TANK ADAPTER	41	12
F1734	FILL HD SCREW			F18160-2	REED	23	28
	W/LOCKWASHER 1/4 - 20			F1822	HEX BOLT 5/16 - 18 X 7/8	33	57
	X 1/2	7	14	F1822	HEX CAP SCREW, 5/16 - 18		
F1741	PAN HD SCREW, 8 X 3/4	7	35		X 7/8, STAINLESS STEEL	49	59
F1741	THREAD FORMING SCREW,			F1832	STOP NUT, 1/4 - 20	25	59
	8 X 3/4	47	9	F184033-1	CHOKE ARM SWIVEL	21	85
F17500	SPRING SET	47	4	F184579	SEAL, CHOKE ARM SWIVEL	21	82
F17504	BRUSH SET	47	3	F1849	FLAT HD SCREWS, S.S., 1/4		
F17505	RESERVOIR AND BRACKET				- 20 X 1 3/8	35	2
	W/SEAL	47	14	F1849	HEX HD CAP SCREW, 1/4 -		
F17508	THRUST WASHER	47	11		20 X 1 3/8	3	32
F17510	"O" RING	47	13	F1849	HEX HD SCREW, 1/4 - 20 X 1		
F17518	FILTER CAP	47	12		3/8	25	77
F17522	"O" RING	47	27	F1851	FILL HD SCREW		
F17528	"O" RING	49	53		W/LOCKWASHER, 10 - 24		
F17539	BALL	47	2		X 1/2	7	39
F17543	HEAD ASSEMBLY,			F1854	HEX CAP SCREW, 1/4 - 20 X		
	COMMUTATOR END	47	1		5/8	3	25
F1755	RD HD SCREW			F1857	HEX CAP SCREW, 5/16 - 18		
	W/LOCKWASHER, 6 - 32 X				X 5/8	3	23
	5/16	17	16	F1857	HEX CAPSCREW, 5/16 - 18 X		
F17555	ARMATURE	47	7		5/8	3	35
F17556	FIELD AND FRAME			F1858	HEX CAP SCREW, 5/16 - 18		
	ASSEMBLY	47	6		X 1	3	24
F17557	GASKET	47	5	F1860	SLOTTED BINDING HD		
F17558	THRU-BOLT PACKAGE	49	60		SCREW, 6 - 32 X 1/4	17	1
F17560	HEAD ASSEMBLY	49	54	F1864	HEX HD SCREW, 1/4 - 20 X		
F17561-1	"O" RING	49	51		3/4	27	90
F17562-1	PISTON ASSEMBLY	49	52	F1864	HEX SLOT HD SCREW 1/4 -		
F17563	MOTOR AND RESERVOIR	47	26		20 X 3/4	31	4
F17564	VALVE BODY AND PUMP	47	23	F1867	HEX CAP SCREW, 3/8 - 16 X		
F17565	DRIVE GEAR	47	25		1	29	19
F17566	IDLE GEAR	47	24	F1869	HEX BOLT, 3/8 - 16 X 1 1/4	25	61
F17568	HYDRAULIC PUMP AND			F1871	HEX HD SCREW 3/8 - 16 X		
	VALVE ASSEMBLY	49	61		3/4	33	49
F17577	ADAPTER FITTING			F1872	HEX BOLT, 3/8 - 16 X 1 3/4	27	99
	PACKAGE	47	48	F1873	HEX BOLT, 3/8 - 16 X 3	27	96
F17577	ADAPTER FITTING			F1877	TY-RAP	7	29
	PACKAGE	47	49	F1877	TY-RAP (NOT SHOWN)	49	-
F17577	ADAPTER FITTING			F1883	HEX BOLT, 5/16 - 18 X 2 3/8	25	67
	PACKAGE	49	50	F1885	HEX BOLT, 5/16 - 18 X 4 1/4	25	55
F1759	SHIM, DISTRIBUTOR (QTY.			F1892	STOP NUT	9	53
	AS REQUIRED)	11	11	F1904	PLAIN WASHER	31	20
F1760	PAN HD SCREW - 10 - 24 X			F1907	PLAIN WASHER	37	68
	3/8	11	25	F1910	STOP NUT, 1/4 - 20	17	31
F1760	PAN HD SCREW, 10 - 24 X			F19109	PLUG	25	73
	3/8	7	19				

PARTS INDEX

Part Number	Description	Pg.	Ref. No.	Part Number	Description	Pg.	Ref. No.
F1916	HEX HD SCREW, 1/4 - 20 X 1 1/8	17	25	F2090	PLUG	25	64
F1931	STOP NUT, 1/2 - 20, STAINLESS STEEL	49	56	F2093	STOP NUT 3/8 - 24	31	29
F1934	FLAT HD SLOTTED SCREW, 6 X 1/2	9	50	F2108	LOCK NUT 5/16 - 18	33	60
F19342	GEAR HOUSING STUD SEAL	39	-	F2108	STOP NUT, 5/16 - 18	25	58
F19342	SEAL	35	18	F213274	GREASE FITTING	11	27
F1936	SPACER .059"	35	39	F213274	GREASE FITTING	31	32
F1937	SPACER .062"	35	-	F213342	SEAL, FUEL LINE COUPLER (LARGE)	41	4
F1938	SPACER .065"	35	-	F213735	SEAL, FUEL LINE COUPLER (SMALL)	41	5
F1939	SPACER .068"	35	-	F235785	DECAL, COMPLIANCE (CANADA)	5	41
F1940	SPACER .071"	37	-	F269319	BEARING	17	32
F1941	SPACER .074"	37	-	F284659-2	CRANKSHAFT THRUST BEARING UPPER	29	22
F1942	SPACER .077"	37	-	F289446-1	CLAMP	7	12
F195/	REMOTE CONTROL CABLES	55	-	F298788	FERRULE	41	7
F1950	HEX HD SCREW, 10 - 24 X 5/8	25	81	F2A321158	REED PLATE W/REEDS, REED STOP AND SCREW	17	19
F1950	PLAIN WASHER	49	57	F2A404757	CYLINDER DRAIN REED PLATE	23	27
F1953	ELASTIC STOP NUT, 5/8 - 18	47	41	F2A481023	BEVEL GEAR FRONT W/BEARINGS	35	38
F1953	HEX HD SCREW, 1/4 - 20 X 1	21	94	F307317	CLIP, TERMINAL BLOCK	7	17
F1959	FERRY HD CAP SCREW, 1/4 - 20 X 1 3/4, STAINLESS STEEL	47	30	F316165	STUD, GEAR HOUSING CENTER	35	25
F1966	PLUG, SWIVEL BRACKET	47	15	F316555	GEAR HOUSING SEAL	27	-
F1968	FLYWHEEL NUT	29	21	F316555	GEAR HOUSING SEAL	39	-
F1975	SPRING LOCKWASHER	7	10	F316555	SEAL	35	20
F1975	SPRING LOCKWASHER	11	26	F316579	SEAL, CRANKCASE	29	11
F197787-3	FUEL LINE COUPLER	41	6	F316599	GEAR HOUSING STUD SEAL	39	-
F1987	PLAIN WASHER	25	66	F316599	SEAL, GEAR HOUSING STUD, FRONT	35	28
F1987	PLAIN WASHER	33	45	F316599	SEAL, STEERING SUPPORT TUBE	33	66
F1994	HEX SOCKET HD CAP SCREW, 5/16 - 18 X 1	37	69	F319908	WIRE, GROUND	9	57
F1997	STOP NUT, 8 - 32	17	40	F321756	PACKING	3	31
F1999	HEX CAP SCREW, 1/4 - 20 X 7/8	23	42	F321841-3	LEAD WIRE	11	32
F2000	HEX CAP SCREW, 5/16 - 18 X 3/4	9	47	F333316	THROTTLE ROLLER SHAFT	19	49
F2001	FILL HD SCREW, 10 - 24 X 5/8	7	9	F333480-1	RETAINER, ENGINE COVER	3	37
F2008	HEX HD SCREW, 1/4 - 20 X 7/8	17	24	F335215	SPACER, PISTON PIN (2 PER PISTON)	29	3
F2014	PLAIN WASHER	33	50	F335217-1	BEARING PISTON PIN (26 PER SET)	29	5
F2015	HEX NUT, 1/4 - 28	23	19	F335654-1	STOP, DEFLECTION	3	21
F2016	FILL HD SCREW, 6 - 32 X 7/8	21	101	F338618-1	GEAR SHIFT ROD SEAL	39	-
F2030	HEX HD SCREW 1/4 - 20 X 1 1/4	33	58	F338618-1	SEAL, GEAR SHIFT ROD	31	16
F203276	BOOT	11	30	F338618-1	SEAL, GEAR SHIFT ROD	35	13
F2033	GROOVE PIN	21	87	F345475-1	COIL	9	44
F203673	TERMINAL CLIP	11	31	F345683	WIRE, REGULATOR- RECTIFIER GROUND	7	5
F2042	PLAIN WASHER	23	5	F351307	SEAL, WATER PUMP	35	11
F2042	PLAIN WASHER	27	105	F353480	STUD	31	25
F2047	WAVE WASHER	3	30	F369529-1	CYLINDER HEAD GASKET	25	74
F2066	PAN HEAD TAPPING SCREW, 10 X 7/16	5	38	F369529-1	CYLINDER HEAD GASKET	27	-
F2067	PLASTISOL CAP (NOT SHOWN)	29	-	F369562	WATER PUMP BACK PLATE	35	6
F2088		3	7	F369610	BEARING	25	53
F2089	SLOTTED PAN HD MACHINE SCREW, 10 - 24 X 5/16	27	101	F369887	SHOULDER SCREW	25	52
				F369977-1	INTERLOCK ARM	25	54
				F381896-4	BATTERY CABLE	7	30

PARTS INDEX

Part Number	Description	Pg.	Ref. No.	Part Number	Description	Pg.	Ref. No.
F381899	GROMMET, WATER LINE ..	37	61	F449354	THRUST BRACKET	47	31
F384143	BEARING, BEVEL GEAR REAR	37	45	F449545-2	CYLINDER HOUSING	47	40
F391926-1	CHOKESOLENOID PLUNGER	21	89	F449632	SHAFT	47	43
F391983	RETAINING BAND	7	27	F449754-1	HYDRAULIC LINE, LIFT CYLINDER, LOWER	47	46
F40209	CARBURETOR STUD	17	36	F449758	HYDRAULIC LINE, LIFT CYLINDER, UPPER	47	45
F40223	GASKET, TRANSFER PORT COVER	23	41	F449889	SHAFT, UPPER	49	58
F40223	TRANSFER PORT COVER GASKET	27	-	F455449	SWITCH	45	40
F40278	SEAL, CYLINDER	47	37	F455690	SET SCREW	43	31
F40342	SEAL, PROPELLER NUT ...	37	54	F460917	STARTER RELAY	7	26
F404097	FLYWHEEL	7	1	F474073-1	CLAMP SCREW	31	26
F404268	SPRING, BY-PASS VALVE ..	25	84	F474387	TIMING DECAL, U.S.A.	9	56
F404470-1	REGULATOR-RECTIFIER ..	7	8	F476066-1	COVER, THERMOSTAT	25	47
F404513	COIL CLAMP	7	40	F476067	GASKET, THERMOSTAT COVER	27	94
F404801	FITTING	23	36	F476067	THERMOSTAT COVER GASKET	27	-
F404841	CABLE, HEAT INDICATOR ..	7	37	F480038-2	PLATE, SUPPORT	3	15
F40689-1	BEARING, TOWERSHAFT ..	25	60	F480107-1	CAM, STARTER INTERLOCK	27	102
F407446	CLAMP	7	31	F480388	DISC, WATER PUMP LOCATING	37	74
F409251-1	GAUGE CAP	41	1	F480518	CYLINDER HEAD	25	72
F433209-1	STUD	17	30	F480551-1	BRACKET INTERLOCK SWITCH	21	95
F433253	HOSE	23	37	F480818	BEARING, LATCH SHAFT ..	3	13
F438066	BY-PASS VALVE COVER ...	25	82	F481382-1	SPACER, LATCH SHAFT ...	3	29
F438077	SCREEN, WATER INLET ...	37	70	F481434	GUIDE, ENGINE COVER ...	3	8
F438129	SEAL, DRIVESHAFT SPLINE	35	12	F481567	CARBURETOR INTAKE ADAPTER	19	55
F438165	SCREW, FUEL PUMP BOWL	17	15	F481662	BEVEL GEAR, REAR	37	46
F438169	BEARING	31	34	F481774	BRACKET, ENGINE COVER LATCH	3	9
F438271	RETAINER, CRANKSHAFT SPLINE SEAL	35	4	F481777	CAM, LATCH SHAFT	3	28
F438346	SHOCK MOUNT, LOWER ..	33	55	F481836	INTAKE GASKET	19	70
F438398	DECAL, WIRING - U.S.A. ...	25	75	F481836	INTAKE GASKET	27	-
F438500	FUEL SEDIMENT BOWL ...	17	14	F481860-1	CARBURETOR, INTAKE ...	19	57
F438617	FUEL SEDIMENT BOWL GASKET	17	13	F485755-1	FUEL TANK ADAPTER	41	3
F438653	FUEL SEDIMENT BOWL SCREEN	17	12	F498618	GEAR SHIFT ARM PIN SEAL	39	-
F438668	RETAINER, CABLE CLAMP .	7	13	F498618	SEAL	35	31
F438744-1	WIRING HARNESS	7	4	F498891	PIN, GEAR SHIFT ARM	35	30
F438747	FUEL PUMP DIAPHRAGM ..	17	7	F499995	CYLINDER HEAD COVER ..	25	68
F438754	FUEL LINE	19	79	F500843	CABLE	47	8
F438760	FUEL PUMP GASKET	17	8	F50109	PLUG, GEAR HOUSING	35	14
F438801	FITTING	17	5	F510374	DECAL, CIRCUIT BREAKER - U.S.A.	7	41
F438841-1	LEAD WIRE - CANADA	11	-	F510460	CIRCUIT BREAKER	7	22
F438905	COIL WIRE - CANADA	11	-	F511125-2	TUBE, STEERING SUPPORT	31	23
F438930	RETAINER, SNOUT	37	71	F511675	STARTER BRACKET, LOWER	15	15
F438962	SHOCK MOUNT SLIDE	31	15	F523146	SEAL, CRANKSHAFT LOWER	29	13
F439736	SEAL EXHAUST TUBE	31	6	F523273	STEERING BALL STUD	31	37
F448342	SEAL, PISTON SHAFT	47	34	F523274	GREASE FITTING	33	65
F448446	CLAMP, CABLE TRIM SWITCH	45	39	F523280	NUT, STEERING SUPPORT TUBE	33	64
F448543	KNOB	43	29	F523300-1	SPRING, STEERING LINK ..	31	41
F448611-1	HANDLE	43	30	F523834	CLIP, SPARK PLUG WIRE ..	23	3
F449010	CYLINDER	47	38	F523881-2	STEERING LINK	31	30
F449253-1	HYDRAULIC LINE, TRIM CYLINDER, LOWER	47	44	F523930	RETAINER	31	36
F449254	HYDRAULIC LINE, TRIM CYLINDER, UPPER	47	29				
F449278	PISTON SEAL	47	36				

PARTS INDEX

Part Number	Description	Pg.	Ref. No.	Part Number	Description	Pg.	Ref. No.
F523962	SHOCK MOUNT - C.D. UNIT	9	46	F5H041	BATTERY CABLE KIT, (ACCESSORY ITEM)	7	32
F528068	THERMOSTAT	25	70	F5H041	BATTERY TERMINAL KIT	56	-
F530160	REED (5 PETAL)	17	18	F5H043	OVERHEAT BUZZER	56	-
F531892	DECAL, PORT	43	-	F5H043	OVERHEAT BUZZER (ACCESSORY ITEM) W/#37	7	36
F53504	GROMMET	19	58	F5H044	TILT STOP KIT	56	-
F545189	BUSHING, CABLE ENTRY	3	17	F5H064	EXHAUST SNOUT	56	-
F548984	BLANKET, SILENCER - TOP (NOT SHOWN)	5	-	F5H068	RFI SUPPRESSION KIT	56	-
F548985	BLANKET, SILENCER - SIDE (NOT SHOWN)	5	-	F5H070	REMOTE ELECTRIC CABLE	56	-
F549061	CARBURETOR COMPLETE (WB-31A)	19	72	F5H074	WATER PUMP KIT	57	-
F549189	BUSHING, ELECTRIC CABLE	3	16	F5H075	WIRING HARNESS - IGNITION SWITCH (24")	57	-
F563	TERMINAL BLOCK KIT	57	-	F5H076	SWITCH EXTENSION CABLE	57	-
F58685-2	CONNECTOR, SHIFT CABLE	43	2	F5H077	IGNITION KEY SWITCH	56	-
F590	REMOTE CONTROL - FLUSH MOUNT (SINGLE LEVER)	55	-	F5H078	IGNITION KEY SWITCH	56	-
F5H002	SPEEDOMETER FLUSH MOUNT	57	-	F5H078	IGNITION SWITCH (LONG BARREL) W/KEYS AND SCREWS	7	34
F5H004	SPEEDOMETER FLUSH MOUNT	57	-	F5H079	SINGLE REMOTE CONTROL BOX	55	-
F5H005	TEMPERATURE GAUGE FLUSH MOUNT	57	-	F5H080	TWIN REMOTE CONTROL BOX	55	-
F5H006	VOLTMETER - FLUSH MOUNT	56	-	F5H081	BATTERY CABLE	56	-
F5H007	HOURMETER	56	-	F5H094	STEERING LINK KIT	55	-
F5H008	FUEL GAUGE FLUSH MOUNT	56	-	F5H108	STEERING CONNECTOR	55	-
F5H010	POWER TRIM INDICATOR	56	-	F5H112	INSTRUMENT ADAPTER - 3 1/2"	55	-
F5H012	TACHOMETER FLUSH MOUNT	57	-	F5H115	TRAILERING TILT LOCK	57	-
F5H018	DUAL STEERING CONNECTOR	55	-	F5H120	REMOTE CONTROL BACK PLATE	55	-
F5H019	ANTI-CORROSION KIT	55	-	F5H123	HYDRAULIC TILT	56	-
F5H021	EXTENSION CABLE	56	-	F5H127	POWER TRIM	57	-
F5H025	ANTI-CORROSION SACRIFICIAL ANODE	55	-	F5H129	SHOCK ABSORBER KIT	56	-
F5H026	FUEL TANK (ACCESSORY ITEM)	41	2	F5H130	REMOTE CONTROL - SURFACE MOUNT (SINGLE LEVER)	55	-
F5H026	STEEL, 6 GALLON FUEL TANK (LOW PROFILE)	55	-	F5H131	PORT SIDE DECAL KIT	55	-
F5H028	SENDING UNIT	56	-	F5H132	REMOTE CONTROL HANDLE TRIM SWITCH	55	-
F5H029	TANK ANCHOR	55	-	F5H134	BOAT WHITE LACQUER	56	-
F5H030	SWITCH KIT - RUNNING LIGHTS	57	-	F5H135	SAND TAN LACQUER	56	-
F5H031	SWITCH KIT - SPOT LIGHT	57	-	F63754	HOSE INTAKE DRAIN	19	63
F5H032	SWITCH KIT - WIPER	57	-	F7004	STOP NUT, 3/18 - 16	23	24
F5H034	SWITCH KIT - BILGE PUMP	57	-	F7012	LOCK NUT, 1/2 - 20	31	17
F5H035	SWITCH KIT - HORN	57	-	F7013	STOP NUT	11	2
F5H036	SWITCH KIT - TACHOMETER TRANSFER	57	-	F7025	HEX NUT, 3/8 - 16	35	16
F5H037	CIGAR LIGHTER	56	-	F762	REMOTE ELECTRIC CABLE	56	-
F5H038	IGNITION SWITCH MOUNTING KIT (ACCESSORY ITEM)	9	49	F8003	PLAIN WASHER	23	30
F5H038	SWITCH KIT - IGNITION SWITCH	57	-	F8011	PLAIN WASHER	7	20
F5H039	SWITCH KIT - INSTRUMENT LIGHT	57	-	F8026	PLAIN WASHER	21	104
				F8028	PLAIN WASHER	15	13
				F8038	PLAIN WASHER	27	103
				F8038	PLAIN WASHER	31	40
				F8056	LOCKWASHER	11	18
				F8056	LOCKWASHER	13	43
				F8056	SPRING LOCKWASHER	7	7
				F8056	SPRING LOCKWASHER	25	87

PARTS INDEX

Part Number	Description	Pg.	Ref. No.	Part Number	Description	Pg.	Ref. No.
F8058	INTERNAL TOOTH LOCKWASHER	25	48	F85035	DISTRIBUTOR CONTROL ROD END	23	20
F8077	GEAR HOUSING SEAL	39	-	F85036	TOWERSHAFT CONTROL ROD END	23	17
F8077	WASHER, GEAR HOUSING PLUG	35	15	F85037-1	STERN BRACKET PIVOT BOLT	31	42
F8080	SPRING LOCKWASHER	31	39	F85095-2	STATOR	7	3
F8083	LOCKWASHER	3	26	F85117	BRACKET, WATER LINE	37	59
F8083	SPRING LOCKWASHER	9	43	F85122	CRANKCASE SEAL	27	-
F8083	SPRING LOCKWASHER	31	3	F85122	PARTING LINE SEAL	27	93
F8088	PLAIN WASHER	21	102	F85130	BOOT, IDLE EXHAUST	31	9
F8088	PLAIN WASHER	21	83	F85151-1	EXHAUST PORT PLATE	25	80
F8094	WASHER, PLAIN	3	27	F85152-4	EXHAUST PORT COVER	25	78
F8095	PLAIN WASHER	27	104	F85154-1	EXHAUST PORT PLATE GASKET	27	-
F8096	LOCK WASHER	3	34	F85154-1	GASKET, EXHAUST PORT PLATE	25	79
F8096	LOCKWASHER	3	22	F85159	GASKET, INTAKE MANIFOLD	17	22
F8096	SPRING LOCKWASHER	7	25	F85159	MANIFOLD GASKET	27	-
F8096	SPRING LOCKWASHER	33	56	F85161-1	REED STOP	17	17
F8096	SPRING LOCKWASHER, S.S.	37	65	F85168	CARBURETOR ADAPTER FLANGE GASKET	27	-
F84008-4	STUD, GEAR HOUSING, REAR	35	37	F85168	GASKET REED PLATE ADAPTER	17	20
F84011	WASHER	33	46	F85168	REED PLATE ADAPTER	17	21
F84031	GASKET, WATER PUMP	35	7	F85173	RETAINING RING	11	6
F84031	WATER PUMP GASKET	27	-	F85192-1	THROTTLE CAM	17	33
F84065	WATER PUMP IMPELLER	35	5	F85210	STUD	27	91
F84074	CLAMP SCREW FOOT	31	24	F85211	STUD, REAR	23	46
F84118	PROPSHAFT SEAL	39	-	F85244	INLET WATER LINE	37	62
F84118	SEAL, PROPELLER SHAFT	37	51	F85253-1	FUEL LINE	21	88
F84146-2	SEAL	29	20	F85258	INSERT	31	10
F84173	RETAINING RING	35	9	F85279-2	CYLINDER EXHAUST GASKET, UPPER	25	51
F84215	SPACER	35	17	F85279-2	CYLINDER, EXHAUST - UPPER GASKET	27	-
F84278	CRANKSHAFT BRG. CAGE SEAL	27	-	F85311	DISTRIBUTOR BELT	11	1
F84278	SEAL, CRANKSHAFT BEARING CAGE	29	17	F85314-1	FUEL FITTING	21	92
F84286-1	FRICITION WASHER	33	43	F85317-1	CLAMP	21	90
F84305	PROPSHAFT BEARING CAGE SEAL	39	-	F85372	PIN, GEAR SHIFT ROD LOWER	35	21
F84305	SEAL, PROPELLER SHAFT BEARING CAGE	37	50	F8538	SPRING PIN	31	27
F84307-1	DRIVESHAFT SEAL	39	-	F85380	SPRING	31	11
F84307-1	SEAL, DRIVESHAFT	35	8	F85410	SNAP RING	29	8
F84314-2	ELBOW	17	3	F85445	DISTRIBUTOR CONTROL ROD	23	18
F84314-2	ELBOW	23	22	F85453-1	CYLINDER, EXHAUST - LOWER GASKET	27	-
F84342	SEAL, INLET WATER LINE, UPPER	37	60	F85472-2	CYLINDER DRAIN COVER GASKET	27	-
F84449	INTERLOCK SWITCH	21	98	F85472-2	GASKET, CYLINDER DRAIN COVER	23	32
F84504	GROMMET	25	71	F85498	FLYWHEEL KEY	29	16
F84504	THERMOSTAT GROMMET	27	-	F85502	THROTTLE LINK	23	8
F84521-1	CLUTCH	37	41	F85509-1	CHOKE LINK	19	78
F84717	THRUST WASHER, BEVEL GEAR, REAR	37	72	F85571	BEARING CAGE W/ROLLER	29	10
F84792	GASKET, FUEL PUMP VALVE	17	10	F85606	KINGPIN CAP	31	31
F84871-1	PIN, GEAR SHIFT	37	40	F85610	BEARING	25	56
F85006-1	STUD, GEAR HOUSING, FRONT	35	27	F85615	GEAR SHIFT ROD - UPPER	33	59
F85012	PILOT, GEAR HOUSING	35	29	F8563	DOWEL PIN	27	92
F85017	PISTON PIN	29	4				
F85026	SWIVEL	23	21				
F85033	CHOKE ROD SWIVEL	19	81				

PARTS INDEX

Part Number	Description	Pg.	Ref. No.	Part Number	Description	Pg.	Ref. No.
F85634-2	CONNECTING ROD SCREW	29	14	FA368700	KEY, IGNITION - NO LETTER OR STAMPED A	9	54
F85660-1	EXHAUST TUBE	31	2	FA40901	BEARING, DRIVESHAFT W/CUP	35	10
F85664	DISTRIBUTOR GROUND	11	28	FA411222	TRANSFER PORT COVER W/PLUG	23	40
F85664	WIRE, DISTRIBUTOR GROUND	9	51	FA438431	FUEL PUMP BODY W/VALVES	17	11
F85704	COUPLER, GEARSHIFT ROD - UPPER	33	63	FA438493	TERMINAL BLOCK BRACKET	7	11
F85705-1	GEAR SHIFT ROD LOWER	35	23	FA439746	FUEL PUMP COVER	17	6
F85748-2	CYLINDER DRAIN REED PLATE GASKET	27	-	FA449015	PISTON	47	35
F85748-2	GASKET, CYLINDER DRAIN REED PLATE	23	25	FA449149	COVER W/SEALS AND RETAINER	47	33
F85762	BY-PASS VALVE GASKET	27	-	FA480010	CYLINDR ASS'Y W/PARTING LINE SEAL & LOWER MAIN BEARING ASS'Y	27	89
F85762	GASKET, BY-PASS VALVE	25	83	FA480876	GEAR SHIFT ARM W/SWIVEL, INTERLOCK ARM AND BEARINGS	25	57
F85772	CLAMP	31	12	FA480894	TIMING POINTER	23	1
F85779-1	BAFFLE, AIR INTAKE	33	48	FA481266	BEVEL PINION GEAR W/BEARING AND CUP	35	35
F85836-1	INTAKE GASKET	27	-	FA481469	LATCH HANDLE, ENGINE COVER W/SHAFT	3	12
F85843-1	REMOTE ELECTRIC CABLE, 18 FEET	7	38	FA481743	LATCH, ROLLER BRACKET	3	33
F85859	STUD, FORWARD	23	23	FA510497	TERMINAL BLOCK	7	15
F85906	CARBURETOR GASKET	17	35	FA511188	NUT, BEVEL PINION RETAINING	35	33
F85906	CARBURETOR GASKET	27	-	FA523014	CRANKSHAFT LOWER MAIN BEARING W/SEAL	29	12
F85908	STARTER LEAD WIRE	15	19	FA523735	SEAL, INLET WATER LINE, LOWER	35	1
F85916-1	BY-PASS VALVE	25	85	FA535395	IDENTIFICATION PLATE, W/SCREWS - USA	3	18
F85924	CHOKE SOLENOID	7	28	FA548396	DECAL, ENGINE COVER - STARBOARD	3	-
F85925	CHOKE ROD	21	86	FA548397	DECAL, ENGINE COVER - PORT	3	11
F85965	SHOCK MOUNT, UPPER	33	52	FA549944	COVER, ENGINE W/RETAINER	3	6
F861	FLUSHING ADAPTER	55	-	FA58976-1	CONNECTOR, THROTTLE CABLE	43	1
F89758	FUEL PUMP AIR HOSE, TOP CAP	17	4	FA84225	BEARING W/CUP	37	47
F9018	CAP	31	28	FA84298-3	PROPELLER SHAFT BEARING CAGE	37	52
F9022	SHIM, PROPELLER SHAFT BEARING CAGE .006" (SILVER)	37	49	FA84621-1	COUPLING, GEAR SHIFT ARM W/BUSHING	35	26
F9023	SHIM, PROPELLER SHAFT BEARING CAGE .007" (BRASS)	37	-	FA84754-1	FUEL LINE SHORT W/FERRULES	41	8
F9024	SHIM, PROPELLER SHAFT BEARING CAGE .010" (BLACK)	37	-	FA85018-2	CRANKSHAFT W/BEARING	29	15
F9038	DRIVE KEY, WATER PUMP	37	64	FA85019	KINGPIN W/PLUG	31	35
F9052	PLUG	33	61	FA85193	TIE BAR END W/SWIVEL	17	43
F90619-1	YOKE	37	76	FA85355-1	WASHER SHOCK MOUNT UPPER	33	51
F90807	RETAINING RING	19	47	FA85511	THROTTLE TIE BAR W/SWIVEL	19	44
F91446-1	CIRCUIT BREAKER BRACKET	7	21	FA85655-1	CRANKSHAFT MAIN BEARING RACE W/SNAP RING	29	9
F92759	THROTTLE ROLLER	19	48				
F93811	SCREEN	23	26				
F93920	REED STOP	23	29				
F97772	FUEL LINE CLAMP	41	11				
F97772	HOSE CLAMP	19	62				
F98273	ROD END CONNECTOR STUD	25	50				
FA14048-2	PREAMPLIFIER	11	17				
FA15072	HEX LOCK NUT, 1/4 - 20	15	11				
FA17559	LIFT CYLINDER COMPLETE	47	47				
FA178962	SHOCK ABSORBER W/BUSHING	49	55				
FA321574	DISTRIBUTOR BRACKET	11	10				
FA335260	PISTON RING SET (3 PER SET) STANDARD	29	1				

PARTS INDEX

Part Number	Description	Pg.	Ref. No.	Part Number	Description	Pg.	Ref. No.
FAC535395	IDENTIFICATION PLATE, W/SCREWS - CANADA ..	3	-	FO15339	MAIN FUEL JET (.054) OPT. 6000 FT. & UP.	19	-
FB368700	KEY, IGNITION - STAMPED B	9	-	FO15623	FUEL BOWL GASKET	19	71
FC368700	KEY, IGNITION - STAMPED C	9	-	FO16008	THROTTLE SHAFT RETURN SPRING	19	51
FC409398	DECAL, TOTE TANK CANADA (NOT SHOWN) ..	41	-	FO16397	CHOKE SHAFT RETURN SPRING	19	73
FC412181	IGNITION SWITCH PLATE - CANADA (NOT SHOWN) ..	9	-	FO16850	CHOKE SHAFT AND LEVER	19	74
FC438398	DECAL, WIRING - CANADA ..	25	-	FO2510	GASKET, FUEL BOWL RETAINING SCREW	19	66
FC474387	TIMING DECAL, CANADA ..	9	-	FO4326	BODY CHANNEL WELCH PLUG	17	38
FC481054	GEAR HOUSING COMPLETE.	35	-	FO8942	SHUTTER SCREW W/LOCKWASHER	17	41
FC499390	DECAL, STARTER (CANADA) NOT SHOWN	15	-	FO8942	THROTTLE SHUTTER SCREW AND LOCKWASHER	21	96
FC510374	DECAL, CIRCUIT BREAKER - CANADA	7	-	FP372	PROPELLER (ACCESSORY ITEM)	37	53
FC522227	SPARK PLUG (CHAMPION QUL-77V) FOR MODEL 757B9E	25	-	FS409752	FUEL LINE COMPLETE	41	-
FC548010	SHORT BLOCK	27	-	FS480955	STARTER COMPLETE	15	-
FD368700	KEY, IGNITION - STAMPED D	9	-	FS548179	TRIM, TOP	3	1
FE368700	KEY, IGNITION - STAMPED E	9	-	FS548180	TRIM, REAR	3	5
FG460-1	GASKET SET	27	106	FS548269	HANDLE, TILT	3	3
FK1033-1	WATER PUMP KIT	39	78	FS548888	TRIM, FRONT	5	40
FK1061	SEAL KIT	37	77	FSA335260	PISTON RINGS (3 PER SET) .010 OVERSIZE	29	-
FK17114-1	INDICATOR	43	32	FT1081	SNAP RING PLIER	52	-
FK280	PROPELLER PIN	37	44	FT1082	SNAP RING PLIER	51	-
FK405020	SWIVEL W/PIVOT SCREW AND NUT	23	15	FT2951	CIRCUIT TRACER	50	-
FK500060	WATER PUMP BODY	35	3	FT2953	SOCKET	51	-
FK750-1	SPARKIE W/SPRING	13	44	FT2961	LUBRICANT	54	-
FK85128-1	DRIVESHAFT	37	63	FT2962-1	SEALANT	54	-
FK85228	BEARING CAGE W/ROLLER	29	7	FT2963-1	SEALANT	54	-
FO10165	INLET SEAT GASKET	19	75	FT2987-1	LUBRICANT	54	-
FO10588	BODY CHANNEL CUP PLUG	17	39	FT2990	PISTON PIN TOOL	51	-
FO10790	INLET NEEDLE, SEAT AND GASKET	19	76	FT2995	BEARING CUP INSTALLER ..	52	-
FO11103	IDLE SCREW SPRING	19	53	FT2996	RING COMPRESSOR	51	-
FO13552	FUEL BOWL	19	67	FT3012	SEAL INSTALLER	52	-
FO13554	FLOAT	19	69	FT8901	INDICATOR HOLDER	52	-
FO13944	FLOAT LEVER PIN	19	68	FT8902	DIAL INDICATOR	52	-
FO13945	FUEL BOWL RETAINING SCREW	19	65	FT8903	SEAL INSTALLER	51	-
FO13966	IDLE TUBE	17	34	FT8905	BEARING REMOVER	52	-
FO14166	IDLE SCREW	19	54	FT8906	BEARING SUPPORT	52	-
FO14167	THROTTLE SHUTTER	17	42	FT8907	DRIVE HANDLE	51	-
FO14186	MAIN FUEL JET (.060) OPT. 1500 FT - 3000 FT.	19	-	FT8907	DRIVER HANDLE	52	-
FO14187	MAIN FUEL JET (.062) STD. SEA LEVEL - 1500 FT. ...	19	52	FT8908	SEAL INSTALLER	52	-
FO14471	CHOKE SHUTTER	19	77	FT8909	BEARING CUP INSTALLER ..	52	-
FO15209	MAIN NOZZLE	21	93	FT8910	BEARING CUP INSTALLER ..	52	-
FO15230	THROTTLE SHAFT AND LEVER	19	50	FT8911	DRIVESHAFT KNOCK-OFF NUT	52	-
FO15337	MAIN FUEL JET (.058) OPT. 3000 FT. - 4500 FT.	19	-	FT8914	SEAL REMOVER	51	-
FO15338	MAIN FUEL JET (.056) OPT. 4500 FT. - 6000 FT.	19	-	FT8915	SEAL PROTECTOR	52	-
				FT8916	BEARING INSTALLER	52	-
				FT8917	BEARING CUP REMOVER ..	52	-
				FT8918	BEARING GUIDE SET	52	-
				FT8919	SPRING PIN PUNCH	52	-
				FT8920	BEARING INSTALLER	52	-
				FT8922	SLIDE HAMMER	52	-
				FT8924-1	CHECKING GAUGE	52	-

PARTS INDEX

Part Number	Description	Pg.	Ref. No.	Part Number	Description	Pg.	Ref. No.
FT8925	SEAL INSTALLER	51	-				
FT8925	SEAL INSTALLER	52	-				
FT8926	RING EXPANDER	51	-				
FT8927	SEAL PROTECTOR	51	-				
FT8933	LIFTING HOOK	53	-				
FT8935	SEALANT PRIMER	54	-				
FT8936	SEALANT	54	-				
FT8948-1	PULLER	50	-				
FT8948-1	PULLER	52	-				
FT8950	LEAKAGE TESTER	53	-				
FT8953	IGNITION TESTER	53	-				
FT8955	SEALANT	54	-				
FT8957	SEAL INSTALLER	52	-				
FT8969	LUBRICANT	54	-				
FT8978	TIMING LIGHT	50	-				
FT8993	SEALANT	54	-				
FTA2937-1	TIMING TOOL	50	-				
FTA8991	SPACER KIT	52	-				
FTA8991	TEST WHEEL	53	-				
OB3061	LITERATURE (NOT SHOWN)	43	-				
11-817784A1	PROPELLER NUT						
	W/COTTER PIN AND SEAL	37	55				
22-817789A1	DRAIN FITTING	19	64				
22-818103--1	ELBOW	19	61				
31-817785A2	CRANKSHAFT BEARING						
	CAGE W/SEAL	29	18				
32-817738A1	FUEL LINE LONG W/CLAMP						
	AND FERRULE	41	10				
33-97180	SPARK PLUG (CHAMPION L-						
	20-V)	25	65				
39-818110A1	PISTON RINGS (3 PER SET)						
	.030 OVERSIZE	29	-				
84-817775A1	COIL WIRE W/TERMINAL						
	CLIP - U.S.A.	11	29				
87-817778A1	THERMOSWITCH	27	88				
300-817855A1	UNIT W/DECAL	9	45				
600-818052A4	CONNECTING ROD W/CAP						
	AND SCREWS	29	6				
700-817988A2	PISTON .010 OVERSIZE ...	29	-				
700-818111A2	PISTON .030 OVERSIZE ...	29	-				
700-F372015-3	PISTON (STANDARD)	29	2				
1400-817958A6	STERN BRACKET	31	19				
1600-817767A2	GEAR HOUSING LOWER						
	W/PLUG AND WASHER ..	35	32				