



PARTS CATALOG

100 H.P.

SERIAL NUMBER

100 (1980)	1002H0AN
100 (1980)1004B0B
100 (1980)1004H0B

TABLE OF CONTENTS:

ACCESSORIES	56
CARBURETOR	16
CRANKSHAFT AND PISTON GROUP	30
DISTRIBUTOR	12
ELECTRICAL COMPONENTS	6
ENGINE COVER AND SUPPORT PLATE	2
FUEL PUMP AND REED PLATE	20
FUEL TANK AND LINE	44
GEAR HOUSING	38
MOTOR LEG	32
PARTS INDEX	59
POWER HEAD	24
REMOTE CONTROL	46
SPECIAL TOOLS - GEAR HOUSING	52
SPECIAL TOOLS - LUBRICANTS AND SEALANTS	54
SPECIAL TOOLS - POWER HEAD	51
SPECIAL TOOLS - REPAIR DECALS - ENGINE COVERS	55
SPECIAL TOOLS - TEST EQUIPMENT	53
SPECIAL TOOLS - TUNE-UP	50
STARTER	10

NOTE: Indented description indicate that these parts are included in preceeding assembly.

AR = As Required

NSS = Not Sold Separate

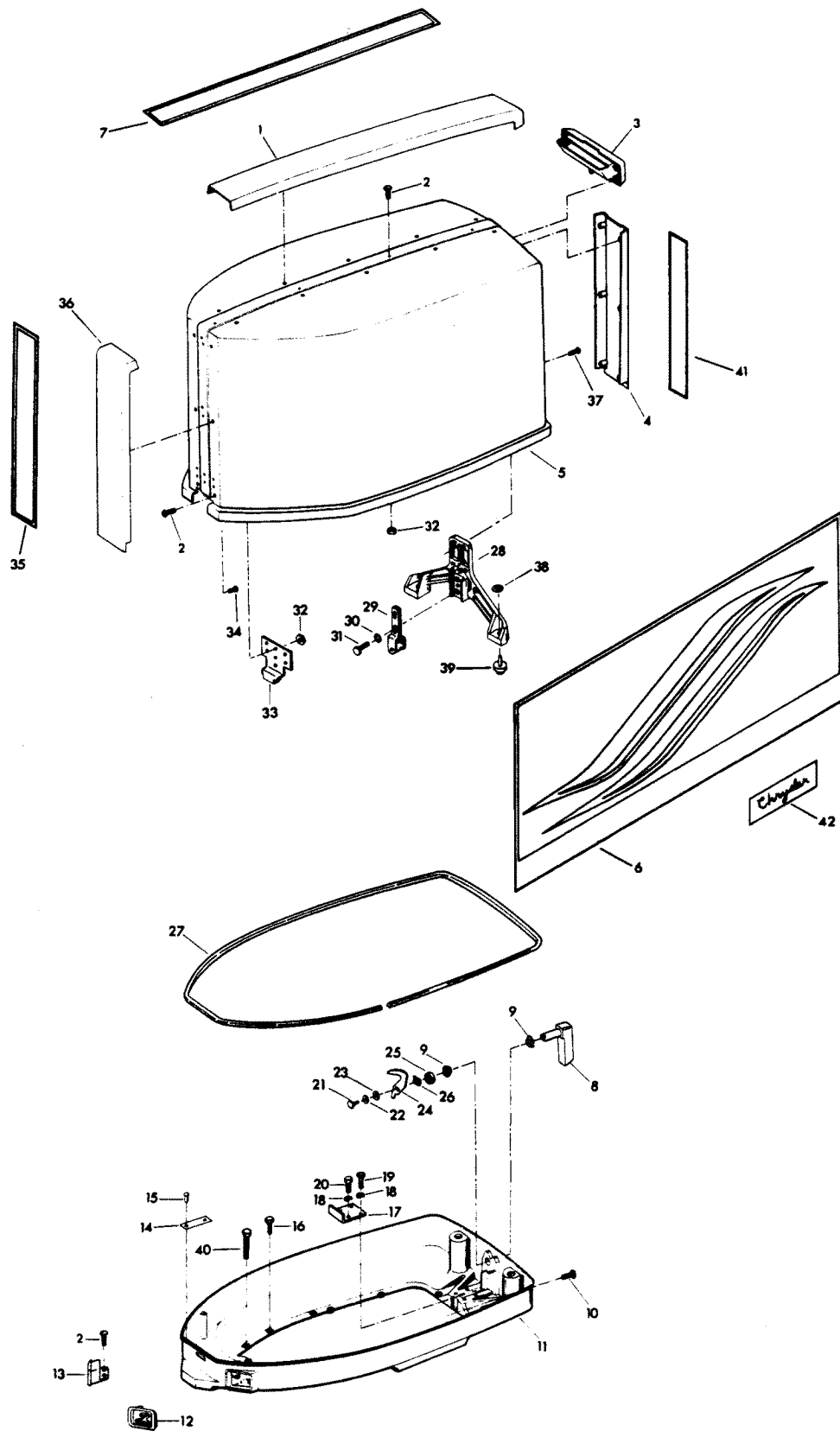
OPT = Optional

NS = Not Shown

THESE PARTS BOOKS/FICHE CARD ARE COPYRIGHTED AND MAY NOT BE DISTRIBUTED OR REPRODUCED IN ANY OTHER FORMAT BY ANYONE OTHER THAN MERCURY MARINE WITHOUT THE PRIOR WRITTEN CONSENT OF MERCURY MARINE.

THIS PAGE INTENTIONALLY LEFT BLANK

ENGINE COVER AND SUPPORT PLATE

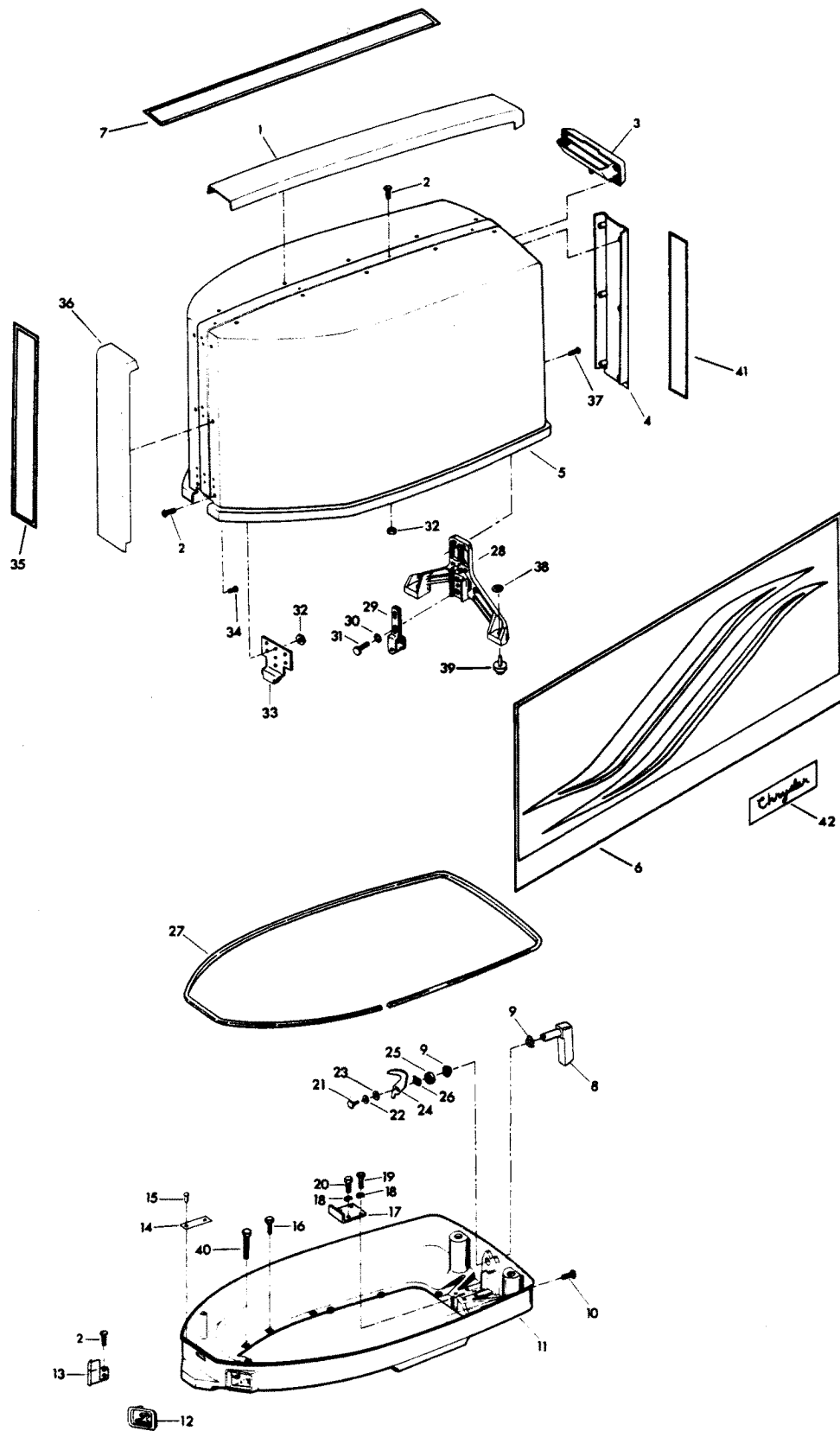


ENGINE COVER AND SUPPORT PLATE

REF. NO.	PART NO.	SYM.	QTY.	DESCRIPTION
1	FA480179		1	TRIM TOP W/LITERATURE
2	F1733		10	PAN HD MACHINE SCREW, 10 - 24 X 9/16
3	FA480269		1	TILT HANDLE W/LITERATURE
4	FA552180		1	TRIM, REAR W/LITERATURE ORIGINAL FORCE P/N 552180
5	FA552944		1	ENGINE COVER W/RETAINER, SCREWS AND NUTS
-	5C553944		1	ENGINE COVER, COMPLETE INCLUDES ALL ITEMS MARKED WITH AN ASTERISK (*)
6	FA553397		1	DECAL, PORT W/LITERATURE
-	FA553396		1	DECAL, STARBOARD W/LITERATURE
7	FA553785		1	DECAL, ENGINE COVER TOP W/LITERATURE
8	FA481469		1	HANDLE W/SHAFT
9	F480818		2	BEARING
10	F1535		6	HEX CAP SCREW, 1/4 - 20 X 3/4
11	F480038-2		1	SUPPORT PLATE
12	F549189		1	BUSHING, ELECTRIC CABLE
13	F545189		1	BUSHING, CABLE ENTRY
14	FA538395		1	IDENTIFICATION PLATE W/SCREWS
15	F1447		2	ROUND HD SCREWS, 2 X 3/16
16	F1540		5	HEX CAP SCREW, 1/4 - 20 X 5/8
17	F335654-1		1	DEFLECTION STOP
18	F8096		4	SPRING LOCKWASHER
19	F1857		2	HEX CAP SCREW, 5/16 - 18 X 5/8
20	F1858		2	HEX CAP SCREW, 5/16 - 18 X 1
21	F1541		1	HEX CAP SCREW, 1/4 - 20 X 5/8
22	F8083		1	SPRING LOCKWASHER
23	F8094		1	PLAIN WASHER
24	F481777		1	CAM, LATCH
25	F481382-1		1	SPACER, LATCH SHAFT
26	F2047		1	WAVE SPRING LOCKWASHER
27	F321756		1	PACKING, COVER
28	F481774		1	BRACKET, COVER LATCH
29	FA481743		1	ROLLER BRACKET W/ROLLER
30	F8096		2	SPRING LOCKWASHER
31	F1857		2	HEX CAP SCREW, 5/16 - 18 X 5/8
32	F1473		7	HEX NUT
33	F373778-1		1	RETAINER, ENGINE COVER
34	F2066		30	PAN HD TAPPING SCREW, 10 X 7/16 (TRIM TO COVER)
35	FA553892		1	DECAL, FRONT ENGINE COVER W/LITERATURE
36	FA552888		1	TRIM FRONT W/LITERATURE
37	F1730		3	PAN HD SCREW W/SPRING LOCKWASHER, 1/4 - 20 X 5/8
38	F2088		2	FASTENER
39	F481434		2	GUIDE, ENGINE COVER

CONTINUED ON NEXT PAGE ➡

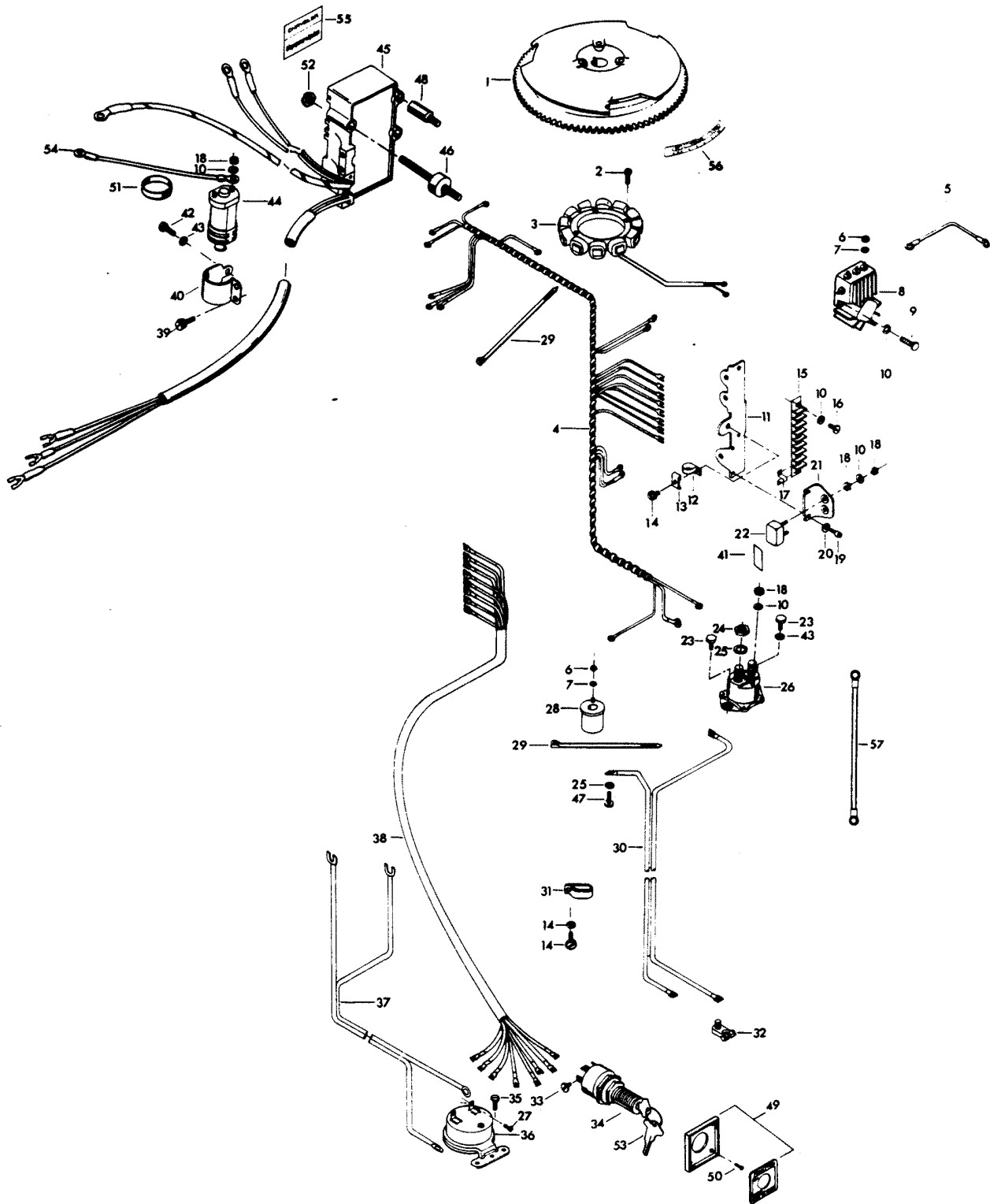
ENGINE COVER AND SUPPORT PLATE



ENGINE COVER AND SUPPORT PLATE

REF. NO.	PART NO.	SYM.	QTY.	DESCRIPTION
40	F1708		2	HEX HD CAP SCREW, 1/4 - 20 X 1 3/8
41	FA553528		1	DECAL ENGINE COVER, REAR W/LITERATURE
42	FA552392		2	DECAL, CHRYSLER W/LITERATURE
-	F548984		1	BLANKET, SILENCER TOP (NOT SHOWN)
-	F552985		2	BLANKET, SILENCER SIDE (NOT SHOWN)

ELECTRICAL COMPONENTS

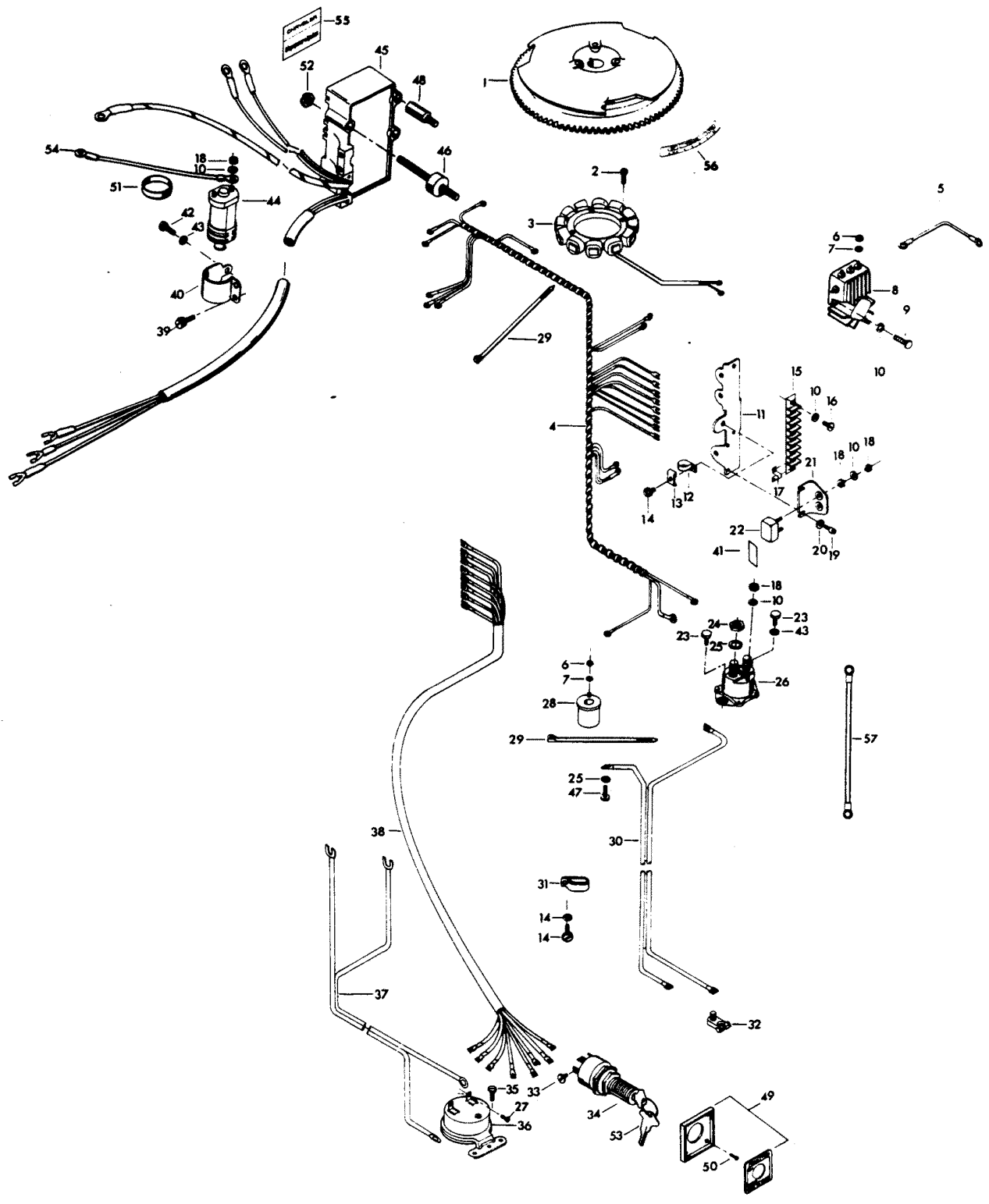


ELECTRICAL COMPONENTS

REF. NO.	PART NO.	SYM.	QTY.	DESCRIPTION
1	F404097		1	FLYWHEEL
2	F1087		6	FILL HD SCREW, 10 - 24 X 13/16
3	F85095-2		1	STATOR
4	F438744-1		1	WIRING HARNESS
5	F345683		1	WIRE, REGULATOR-RECTIFIER GROUND
6	F1647		5	HEX NUT, 8 - 32
7	F8056		5	SPRING LOCKWASHER
8	F404470-1		1	REGULATOR-RECTIFIER
9	F2107		3	FILL HD SCREW, 10 - 24 X 5/8
10	F1975		9	SPRING LOCKWASHER
11	FA439493		1	TERMINAL BLOCK BRACKET W/ILLUS. 13, 14 AND ON PAGE 16 ILLUS. 87
12	F289446-1		1	CLAMP
13	F438668		1	RETAINER, CABLE CLAMP
14	F1734		2	FILL HD SCREW W/LOCKWASHER, 1/4 - 20 X 1/2
15	FA510497		1	TERMINAL BLOCK W/ILLUS. 16 ORIGINAL FORCE P/N K 289497 - 2
16	F1648		2	PAN HD SCREW, 10 - 24 X 3/4
17	F307317		1	CLIP, TERMINAL BLOCK
18	F1513		8	HEX NUT
19	F1760		2	PAN HD SCREW, 10 - 24 X 3/8
20	F8011		2	PLAIN WASHER
21	F91446-1		1	CIRCUIT BREAKER BRACKET
22	F510460		1	CIRCUIT BREAKER
23	F1536		2	HEX CAP SCREW, 1/4 - 20 X 3/4
24	F1515		2	HEX NUT
25	F8096		3	SPRING LOCKWASHER
26	F460917		1	STARTER RELAY
27	F1645		2	RD HD SCREW, 6 - 32 X 1/4
28	F85924		1	CHOKE SOLENOID
29	F1877		2	TY-RAP
30	F381896-4		1	BATTERY CABLE
31	F407446		1	CLAMP
32	F5H041		1	BATTERY TERMINAL KIT (ACCESSORY ITEM)
33	F1280		5	PAN HD SCREW, 8 - 32 X 1/4
34	F5H078		1	IGNITION SWITCH W/KEYS AND SCREWS (LONG BARREL) (ACCESSORY ITEM)
35	F1741		2	PAN HD SCREW, 8 X 3/4
36	F5H043		1	OVERHEAT BUZZER (ACCESSORY ITEM)
37	F404841		1	CABLE, HEAT INDICATOR
38	F85843-1		1	REMOTE ELECTRIC CABLE, 18 FEET
39	F1851		2	FILL HD SCREW W/LOCKWASHER, 10 - 24 X 1/2
40	F404513		1	COIL CLAMP
41	F510374		1	DECAL, CIRCUIT BREAKER U.S.A.

CONTINUED ON NEXT PAGE ➡

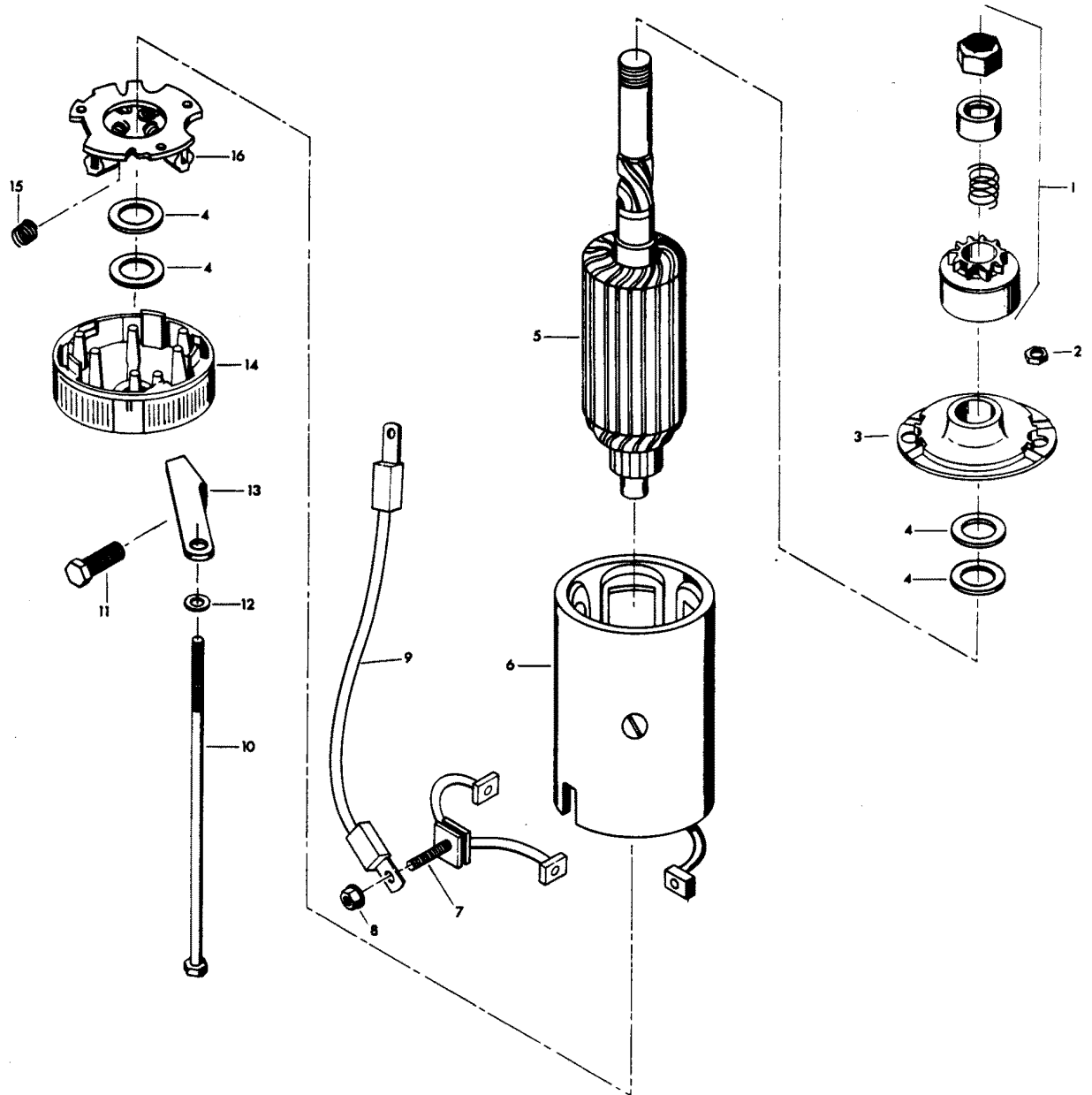
ELECTRICAL COMPONENTS



ELECTRICAL COMPONENTS

REF. NO.	PART NO.	SYM.	QTY.	DESCRIPTION
-	FC510374		1	DECAL, CIRCUIT BREAKER CANADA
42	F1546		1	HEX HD CAP SCREW, 1/4 - 20 X 1/2
43	F8083		2	SPRING LOCKWASHER
44	F345475-1		1	COIL
45	300-817855A1		1	UNIT W/DECAL (ORIGINAL FORCE P/N A 523301-1)(Does not include Coil & Clamp)
46	F523962		3	SHOCK MOUNT - C.D. UNIT
47	F2000		1	HEX CAP SCREW, 5/16 - 18 X 3/4
48	F322273		1	STUD, C.D. UNIT
49	F5H038		1	IGNITION SWITCH MOUNTING KIT (ACCESSORY ITEM)
-	817892--1		1	PLATE, IGNITION SWITCH - CANADA (NOT SHOWN)
50	F1934		4	FLAT HD SLOTTED SCREW, 6 X 12
51	F391983		2	RETAINING BAND
52	F1892		3	STOP NUT
53	FA368700		1	KEY, IGNITION - NO LETTER OR STAMPED A
-	FB368700		1	KEY, IGNITION - STAMPED B
-	FC368700		1	KEY, IGNITION - STAMPED D
-	FD368700		1	KEY, IGNITION - STAMPED D
-	FE368700		1	KEY, IGNITION - STAMPED E
54	F85664		1	GROUND WIRE
55	480373		1	DECAL, MAGNAPOWER IGNITION
56	F474387		1	TIMING DECAL - USA
-	FC474387		1	TIMING DECAL - CANADA
57	F319908		1	GROUND WIRE CANADA

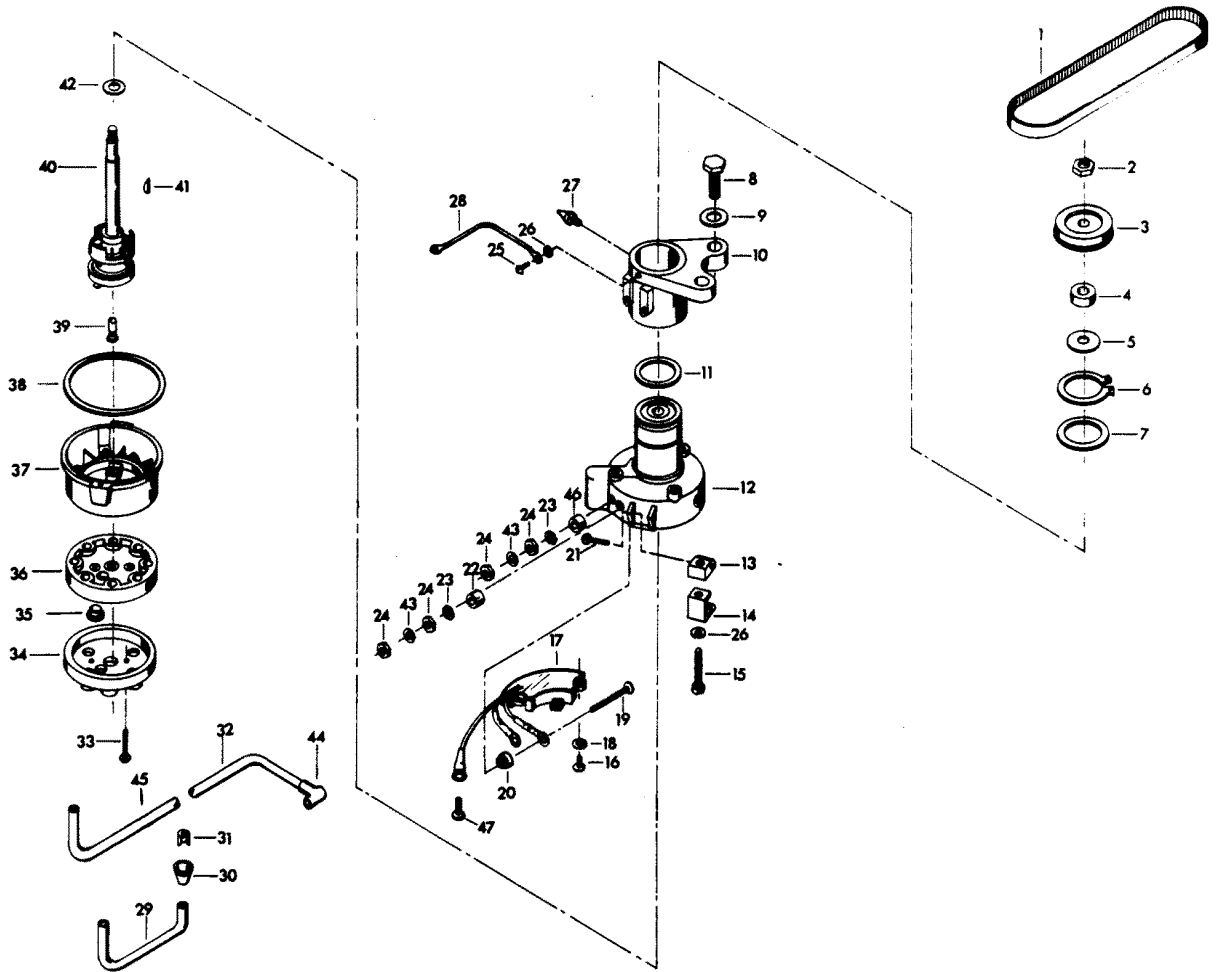
STARTER



STARTER

REF. NO.	PART NO.	SYM.	QTY.	DESCRIPTION
1	F15118		1	BENDIX DRIVE ASSEMBLY
2	F1641		2	LOCK NUT
3	F15167		1	HEAD ASSEMBLY, DRIVE END
4	F15126		1	THRUST WASHER PACKAGE
5	F15099		1	ARMATURE
6	F15166		1	FRAME AND FIELD ASSEMBLY
7	F15054		1	BRUSH AND TERMINAL SET
8	FA15072		1	HEX LOCK NUT, 1/4 - 20
9	F85908		1	STARTER LEAD WIRE
10	F15168		1	THRU BOLT PACKAGE
11	F1540		1	HEX CAP SCREW, 1/4 - 20 X 5/8
12	F8028		2	PLAIN WASHER
13	F511675		1	STARTER BRACKET, LOWER
14	F15125		1	HEAD ASSEMBLY, COMMUTATOR END
15	F15034		1	SPRING SET
16	F15057		1	BRUSH PLATE AND HOLDER ASSEMBLY
-	FS490955		1	STARTER COMPLETE INCLUDES ALL ITEMS MARKED WITH AN (*) ASTERISK
-	FC500390		1	DECAL, STARTER - CANADA (NOT SHOWN)

DISTRIBUTOR

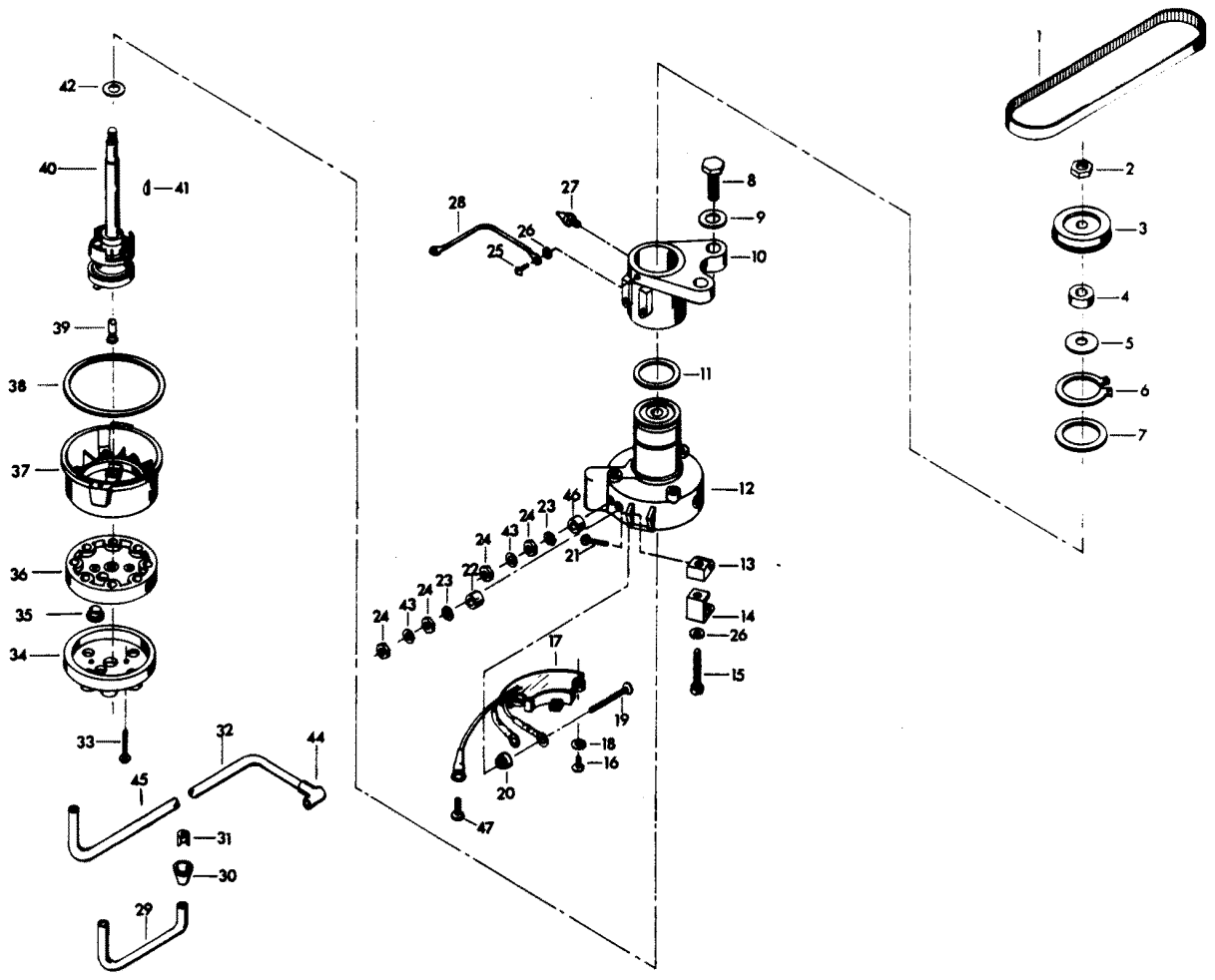


DISTRIBUTOR

REF. NO.	PART NO.	SYM.	QTY.	DESCRIPTION
1	F85311		1	DISTRIBUTOR BELT
2	F7013		1	STOP NUT
3	817786A1		1	DISTRIBUTOR PULLEY W/STOP NUT AND WASHER
4	F14025		1	SPACER
5	F14028		1	THRUST WASHER
6	F85173		1	RETAINING RING
7	F14029		1	THRUST WASHER
8	F1612		2	HEX CAP SCREW, 3/8 - 16 X 1 1/4
9	F1778		2	PLAIN WASHER
10	FA321574		1	DISTRIBUTOR BRACKET W/ILLUS. 25, 26 AND 27
11	F1759		2	SHIM, DISTRIBUTOR (QTY. AS REQUIRED)
12	F14042		1	DISTRIBUTOR HOUSING W/BEARINGS
13	F14036		2	SWIVEL
14	F14037		2	CAP CLIPS
15	F14038		2	CAP CLIP SCREWS
16	F14045		2	SCREW
17	FA14048-2		1	PREAMPLIFIER
18	F8056		2	LOCKWASHER
19	F14046		2	TERMINAL SCREW
20	F14047		2	TERMINAL INSULATOR (INSIDE)
21	F14015		2	CAP CLIP RIVET
22	F14049		1	TERMINAL INSULATOR (OUTSIDE)
23	F14041		2	EXTERNAL TOOTH LOCKWASHER
24	F1647		4	HEX NUT, 8 - 32
25	F1760		2	PAN HD SCREW, 10 - 24 X 3/8
26	F1975		2	SPRING LOCKWASHER
27	F213274		1	GREASE FITTING
28	F85664		1	DISTRIBUTOR GROUND
29	84-817775A1		1	COIL WIRE W/TERMINAL CLIP - USA
-	F438905		1	COIL WIRE - CANADA
30	F203276		1	BOOT
31	F203673		1	TERMINAL CLIP
32	F321841-3		4	LEAD WIRE - USA
-	F438841-1		4	LEAD WIRE - CANADA
33	F14007		2	CAP SCREW
34	F14010-1		1	CAP COVER
35	F14040		2	VENT
36	F14021-1		1	CAP SEAL
37	F14005-2		1	CAP BASE
38	F14030		1	CAP GASKET
39	F14012-1		1	BRUSH
40	F14044		1	DISTRIBUTOR SHAFT
41	F1692		1	WOODRUFF KEY

CONTINUED ON NEXT PAGE ➡

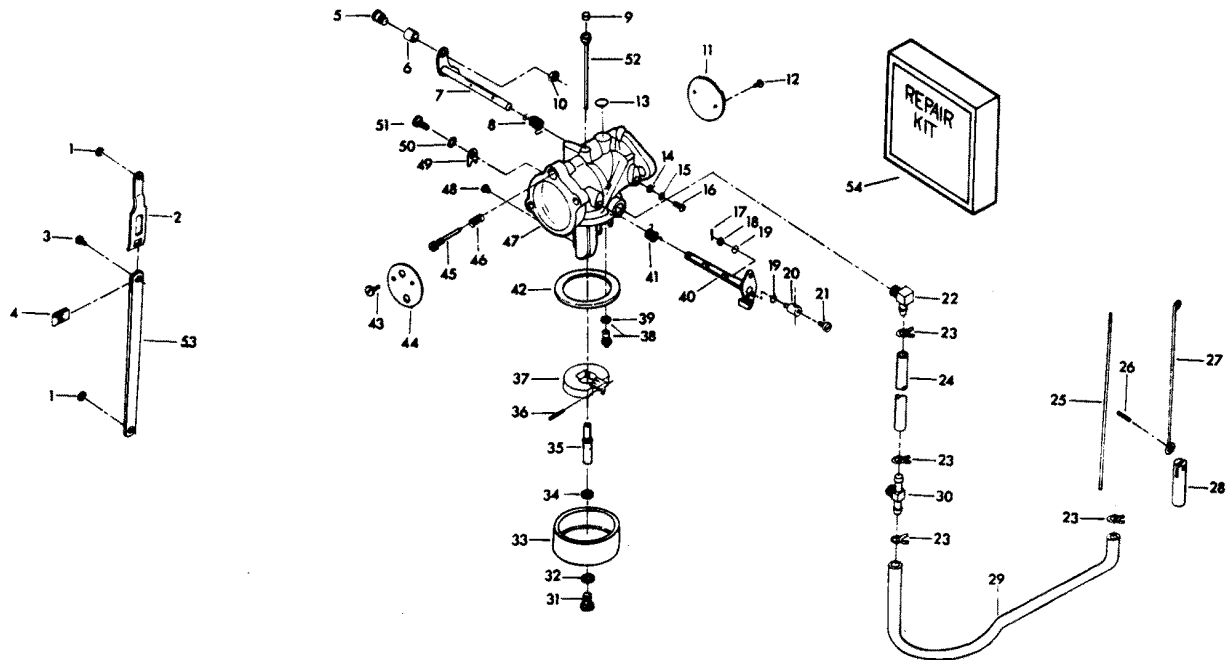
DISTRIBUTOR



DISTRIBUTOR

REF. NO.	PART NO.	SYM.	QTY.	DESCRIPTION
42	F14024		1	SPACER
43	F8056		2	LOCKWASHER
44	FK750-2		4	SPARKIE
45	F84991-1		3	GROMMET
46	F14017		1	TERMINAL INSULATOR (OUTSIDE)
47	F14056		1	SCREW
-	817828A1		1	DISTRIBUTOR COMPLETE INCLUDES ALL ITEMS MARKED WITH AN (*) ASTERISK ORIGINAL FORCE P/N A 489309 - 1
-	481373		1	DECAL, "ELECTRONIC" (NOT SHOWN)

CARBURETOR

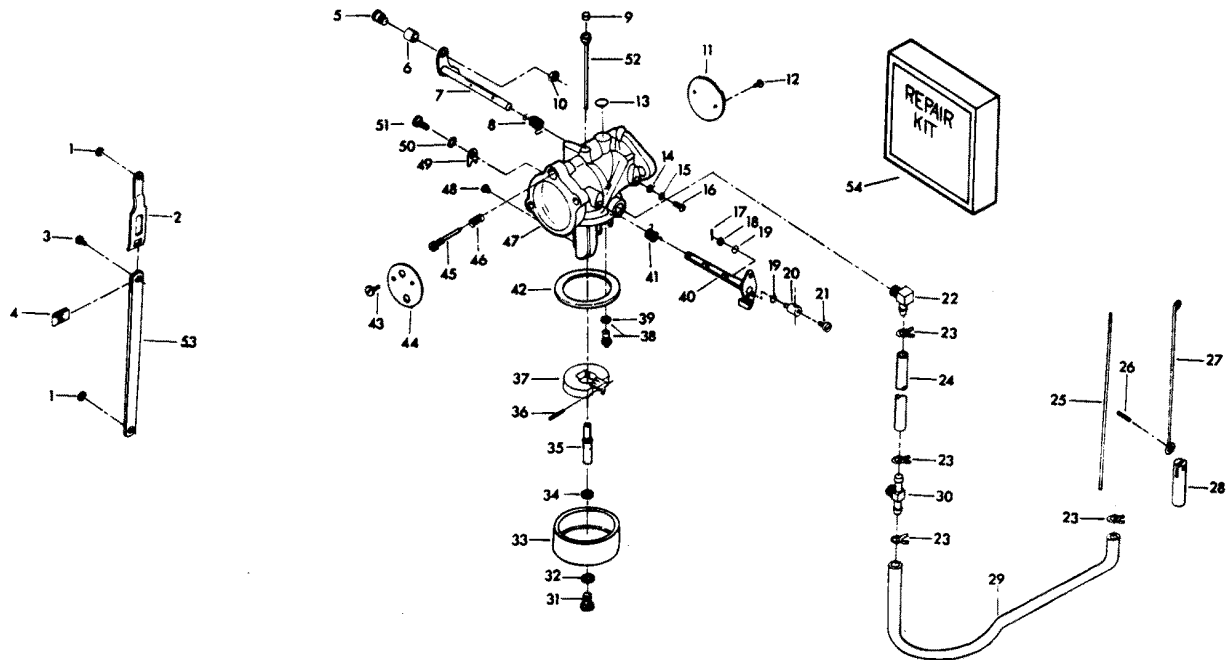


CARBURETOR

REF. NO.	PART NO.	SYM.	QTY.	DESCRIPTION
1	F90807		2	RETAINING RING
2	FA85193		1	TIE BAR END W/SWIVEL
3	F1064		1	FILL HD SCREW, 8 - 32 X 3/8
4	F1693		1	TIE BAR RETAINER
5	F333316		1	THROTTLE ROLLER SHAFT
6	F92759		1	THROTTLE ROLLER
7	FO15231		1	THROTTLE SHAFT AND LEVER
8	FO16008		1	THROTTLE SHAFT RETURN SPRING
9	FO10588		1	BODY CHANNEL CUP PLUG
10	F1997		1	STOP NUT, 8 - 32
11	FO13942		1	THROTTLE SHUTTER
12	FO8942		2	THROTTLE SHUTTER RETAINING SCREW AND LOCKWASHER
13	FO4326		1	BODY CHANNEL WELCH PLUG
14	FO3804		1	RETAINING SCREW WASHER
15	FO6396		1	RETAINING SCREW LOCKWASHER
16	FO6393		1	RETAINING SCREW
17	F1014		2	COTTER PIN
18	F8088		3	PLAIN WASHER
19	F184579		5	"O" RING SEAL
20	F184033-1		1	SWIVEL, TOP CARBURETOR
21	F1059		2	FILL HD SCREW, 6 - 32 X 1/4
22	F84314-2		1	ELBOW
23	F97772		4	CLAMP
24	F178754-1		1	FUEL LINE
25	F85509-1		1	LINK, CHOKE
26	F2033		1	GROOVE PIN
27	F372925		1	CHOKE ROD
28	F391926-1		1	PLUNGER
29	F438754		1	FUEL LINE
30	F85314-1		1	FUEL FITTING
31	FO13945		1	FUEL BOWL RETAINING SCREW
32	FO2510		2	FUEL BOWL RETAINING SCREW GASKET
33	FO13552		1	FUEL BOWL
35	FO15217		1	MAIN NOZZLE
36	FO13944		1	FLOAT LEVER PIN
37	FO13554		1	FLOAT
38	FO10790		1	INLET NEEDLE, SEAT AND GASKET
39	FO10165		1	INLET SEAT GASKET
40	FO17241		1	CHOKE SHAFT AND LEVER
41	FO13947		1	CHOKE SHAFT RETURN SPRING
	FO15623		1	FUEL BOWL GASKET
43	FO8942		2	CHOKE SHUTTER RETAINING SCREW AND LOCKWASHER
44	FO13555		1	CHOKE SHUTTER

CONTINUED ON NEXT PAGE ➡

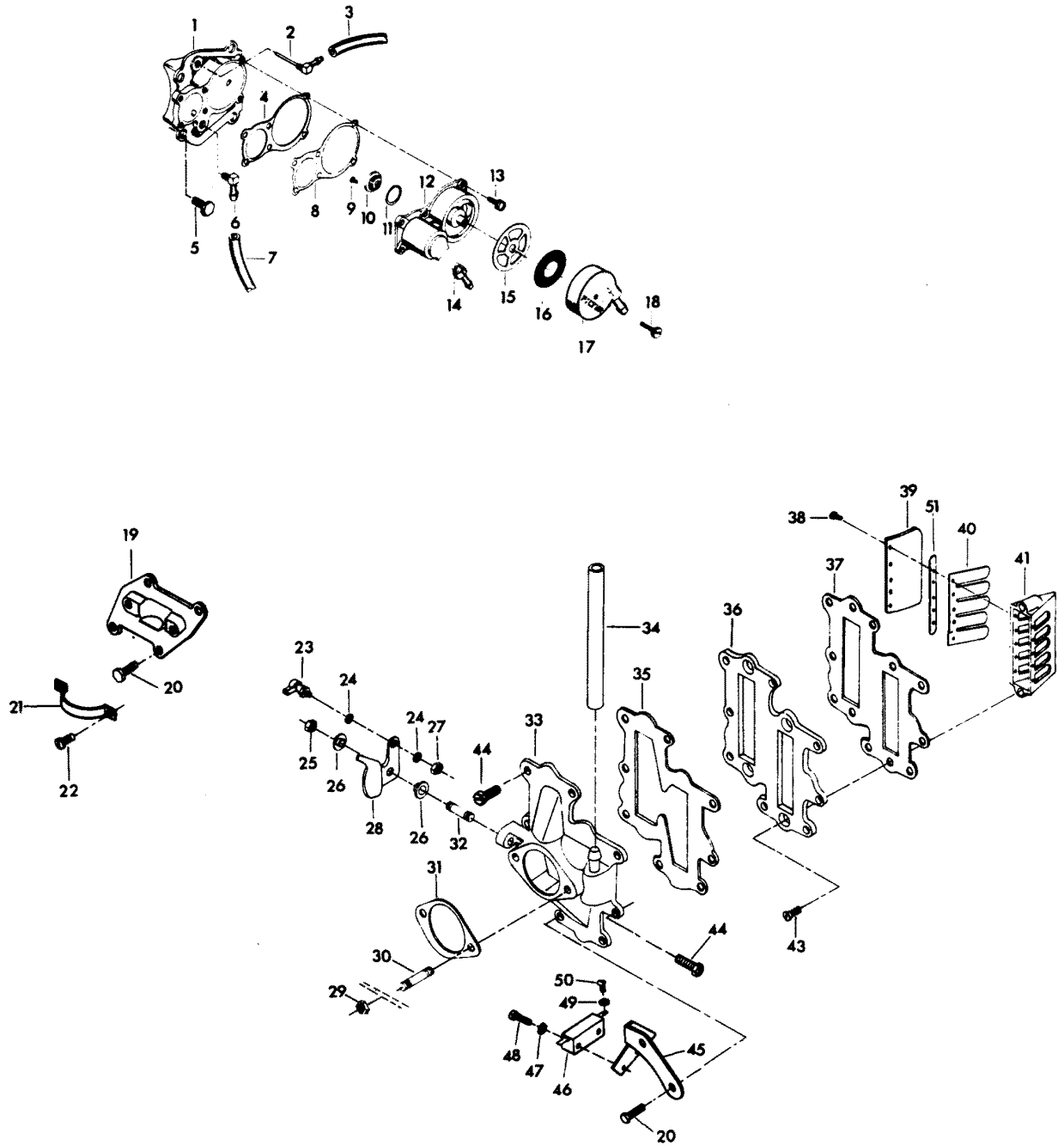
CARBURETOR



CARBURETOR

REF. NO.	PART NO.	SYM.	QTY.	DESCRIPTION
45	FO13946		1	IDLE MIXTURE SCREW
46	FO11103		1	IDLE MIXTURE SCREW SPRING
47	F500061-1		2	CARBURETOR COMPLETE (WB24B)
48	FO13194		1	MAIN FUEL JET. STD. .080 SEA LEVEL - 1500 FT.
-	FO14306		-	MAIN FUEL JET. OPT. .0785 1500 FT. - 3000 FT.
-	FO13191		-	MAIN FUEL JET. OPT. .076 3000 FT. - 4500 FT.
-	FO14303		-	MAIN FUEL JET OPT. .074 4500 FT. - 6000 FT.
-	FO15026		-	MAIN FUEL JET. OPT. .072 6000 FT. & UP.
49	FO9678		1	CLIP, CHOKE SHAFT
50	FO992		1	LOCKWASHER
51	FO1974		1	SCREW
52	FO17181		1	IDLE TUBE
53	FA178233		1	THROTTLE TIE BAR W/SWIVEL
-	F85033		1	SWIVEL, CHOKE ROD (BOTTOM CARBURETOR) (NOT SHOWN)
-	F10000		1	GASKET SET (NOT SHOWN)
54	F10005		1	REPAIR PARTS KIT. INCLUDES ALL ITEMS MARKED WITH AN ASTERISK (*).

FUEL PUMP AND REED PLATE

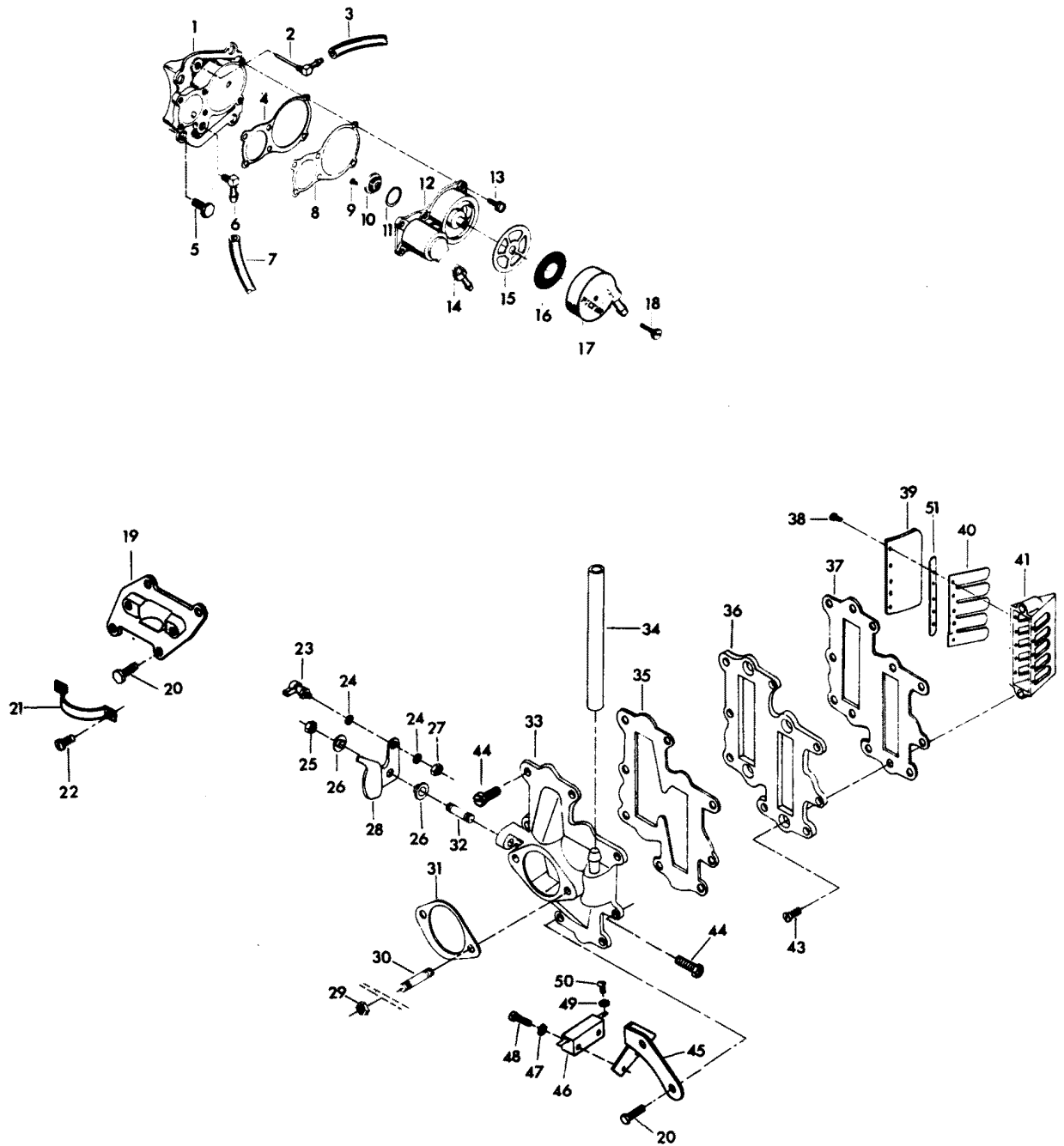


FUEL PUMP AND REED PLATE

REF. NO.	PART NO.	SYM.	QTY.	DESCRIPTION
1	FA439746		1	FUEL PUMP COVER W/PLUG
2	F404314		1	ELBOW, FUEL PUMP COVER
3	F441754-1		1	HOSE
4	F438760		1	FUEL PUMP GASKET
5	F1540		4	HEX CAP SCREW, 1/4 - 20 X 5/8
6	F84314-2		1	ELBOW
7	F89758		-	FUEL PUMP AIR HOSE - TOP
8	F438747		1	FUEL PUMP DIAPHRAGM
9	F1860		2	RD HD SCREW, 6 - 32 X 1/4
10	F177330		3	FUEL PUMP VALVE
11	F84792		1	GASKET, CENTER FUEL PUMP VALVE
12	FA438431		1	FUEL PUMP BODY W/VALVES
13	F1108		6	FILL HD SCREW, 1/4 - 20 X 3/4
14	F438801		1	FITTING
15	F438617		1	FUEL SEDIMENT BOWL GASKET
16	F438653		1	FUEL SEDIMENT BOWL SCREEN
17	F438500		1	FUEL SEDIMENT BOWL
18	F438165		1	SCREW, FUEL PUMP BOWL
19	F372958		1	CHOKE BRACKET
20	F1532		6	HEX HD SCREW, 1/4 - 20 X 1
21	F85317-1		1	SOLENOID CLAMP
22	F1545		2	SCREW, 1/4 - 20 X 1/2
23	817747--1		1	BALL JOINT W/STUD
24	F8058		2	INTERNAL TOOTH LOCKWASHER
25	F1910		1	STOP NUT, 1/4 - 20
26	F269319		2	THROTTLE CAM BEARING
27	F1513		1	HEX NUT, 10 - 32
28	F85192-1		1	THROTTLE CAM
29	F1515		4	HEX NUT, 5/16 - 18
30	F40209		4	CARBURETOR STUD
31	F85906		2	CARBURETOR GASKET
32	F433209-1		1	THROTTLE CAM STUD
33	FA178167		1	CARBURETOR ADAPTER, LOWER W/FITTING AND STUDS
-	FA178157		1	CARBURETOR ADAPTER, UPPER W/FITTING AND STUDS (NOT SHOWN)
34	32-77653-77		1	BALANCE TUBE W/LITERATURE ORIGINAL FORCE P/N A 178254 - 1
35	F178168-1		2	GASKET, CARBURETOR ADAPTER
36	F178404-1		2	DEFLECTOR PLATE
37	F406406		2	GASKET DEFLECTOR PLATE
38	F1755		40	ROUND HD SCREW W/LOCKWASHER, 6 - 32 X 1/4
39	F85161-1		8	REED STOP
40	F530160		8	REED (5 PETAL)
41	F3A523158		4	REED PLATE W/REEDS, REED STOPS AND SCREWS

CONTINUED ON NEXT PAGE ➡

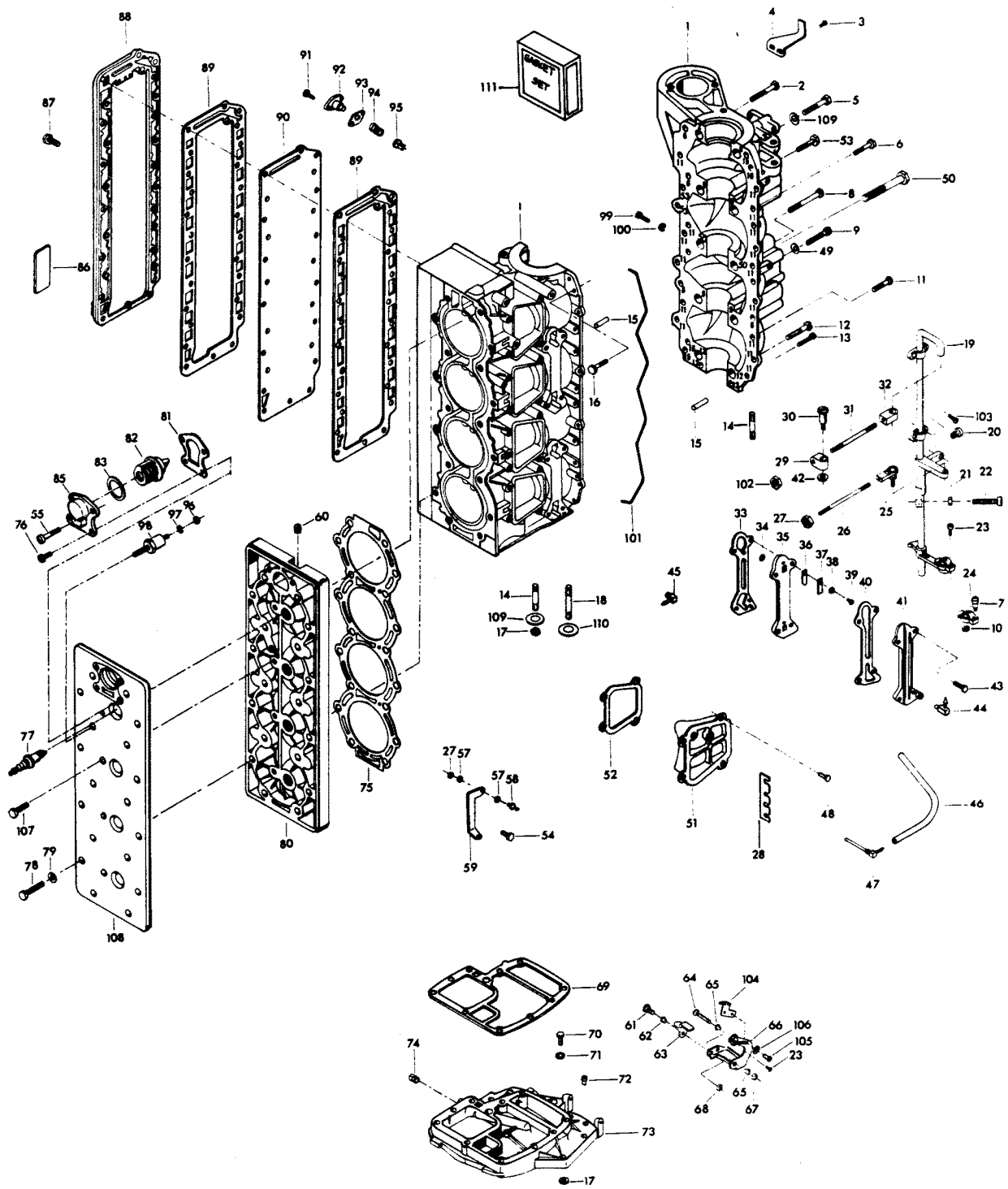
FUEL PUMP AND REED PLATE



FUEL PUMP AND REED PLATE

REF. NO.	PART NO.	SYM.	QTY.	DESCRIPTION
43	F1831		8	FLAT HD SCREW, 1/4 - 20 X 5/8
44	F1533		10	HEX HD SCREW, 1/4 - 20 X 7/8
45	F489551		1	BRACKET NEUTRAL INTERLOCK SWITCH
46	F84449		1	INTERLOCK SWITCH
47	F8088		2	PLAIN WASHER
48	F2016		2	FILL HD SCREW, 6 - 32 X 7/8
49	F1704		2	INTERNAL TOOTH LOCKWASHER
50	F1645		2	RD HD SCREW, 6 - 32 X 1/4
51	F523451		8	SPACER, REED STOP

POWER HEAD

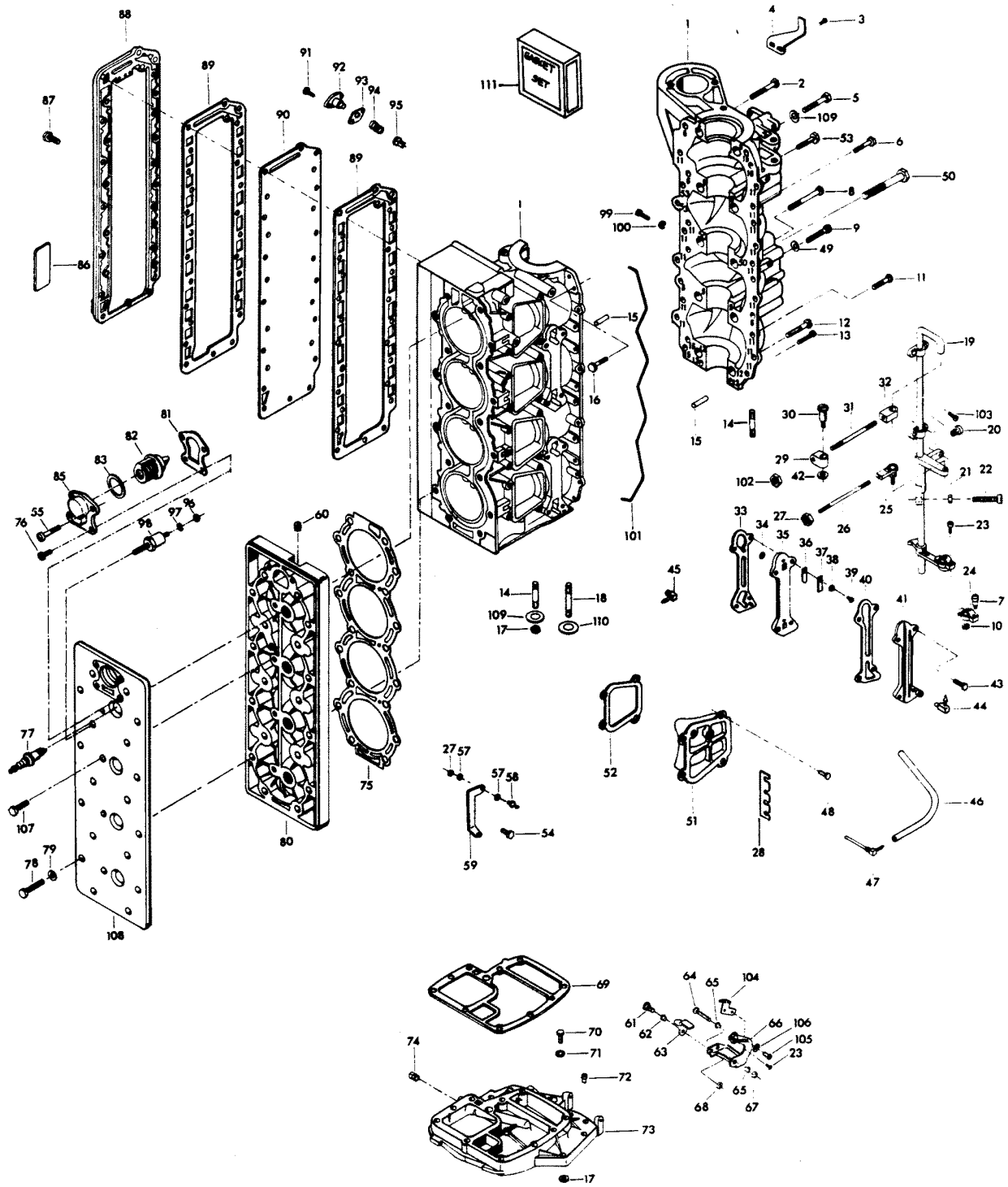


POWER HEAD

REF. NO.	PART NO.	SYM.	QTY.	DESCRIPTION
1	A523010-1		1	CYLINDER W/CRANKCASE COVER, PARTING LINE SEAL, SCREWS & DOWEL PINS. ORIGINAL FORCE P/N A 523010 - 1
-	FC552010		1	SHORT BLOCK. INCLUDES ALL ITEMS MARKED WITH AN ASTERISK (*). ALSO REFER TO CRANKSHAFT PAGE.
2	F1874		1	HEX HD SCREW, 3/8 - 16 X 3 1/8
3	F1760		2	PAN HD SCREW, 10 - 24 X 3/8
4	FA480894		1	TIMING POINTER W/ILLUS. 56 ON PAGE 4
5	F1009		1	HEX HD SCREW, 3/8 - 16 X 2 3/4
6	F1533		3	HEX HD SCREW, 1/4 - 20 X 7/8
7	F405457		1	PIVOT SCREW
8	F1699		1	HEX HD SCREW, 1/4 - 20 X 1 1/8
9	F1253		4	HEX SOCKET HD CAP SCREW, 3/8 - 16 X 2
10	F7008		1	ELASTIC STOP NUT
11	F1535		16	HEX HD SCREW, 1/4 - 20 X 3/4
12	F1872		2	HEX CAP SCREW, 3/8 - 16 X 1 3/4
13	F1099		2	FILL HD SCREW, 1/4 - 20 X 1 1/4
14	F85859		4	STUD
15	F8563		2	DOWEL PIN
16	F1532		2	HEX HD SCREW, 1/4 - 20 X 1
17	F7004		10	STOP NUT, 3/8 - 16
18	F85211		6	STUD
19	817932A6		1	TOWERSHAFT W/SWIVEL, BEARINGS AND SCREWS
20	F1727		1	PLASTIC RIVET
21	F1341		1	HEX NUT, 1/4 - 20
22	F1052		1	FILL HD SCREW, 1/4 - 20 X 1
23	F1556		2	FILL HD SCREW W/LOCKWASHER, 10 - 24 X 3/8
24	FK405020		2	SWIVEL W/CLAMP, SHOULDER SCREW AND NUT
25	817747--1		1	BALL JOINT W/STUD
26	F85502		1	THROTTLE LINK
27	F1513		4	HEX NUT, 10 - 32
28	F523834		1	CLIP, SPARK PLUG WIRE
29	F85035		1	DISTRIBUTOR, CONTROL ROD END
30	F85026		1	SWIVEL
31	F85445		1	CONTROL ROD
32	F85036		1	TOWERSHAFT CONTROL ROD END
33	F84748-3		2	GASKET
34	F93811		4	SCREEN
35	F2A476757		2	CYLINDER DRAIN REED PLATE W/REEDS, STOPS AND SCREWS
36	F18160-2		4	CYLINDER DRAIN REED
37	F93920		4	REED STOP
38	F8003		4	PLAIN WASHER
39	F1285		4	PAN HD SCREW, 4 - 40 X 3/16
40	F84472-5		2	GASKET, CYLINDER DRAIN COVER

CONTINUED ON NEXT PAGE ➡

POWER HEAD

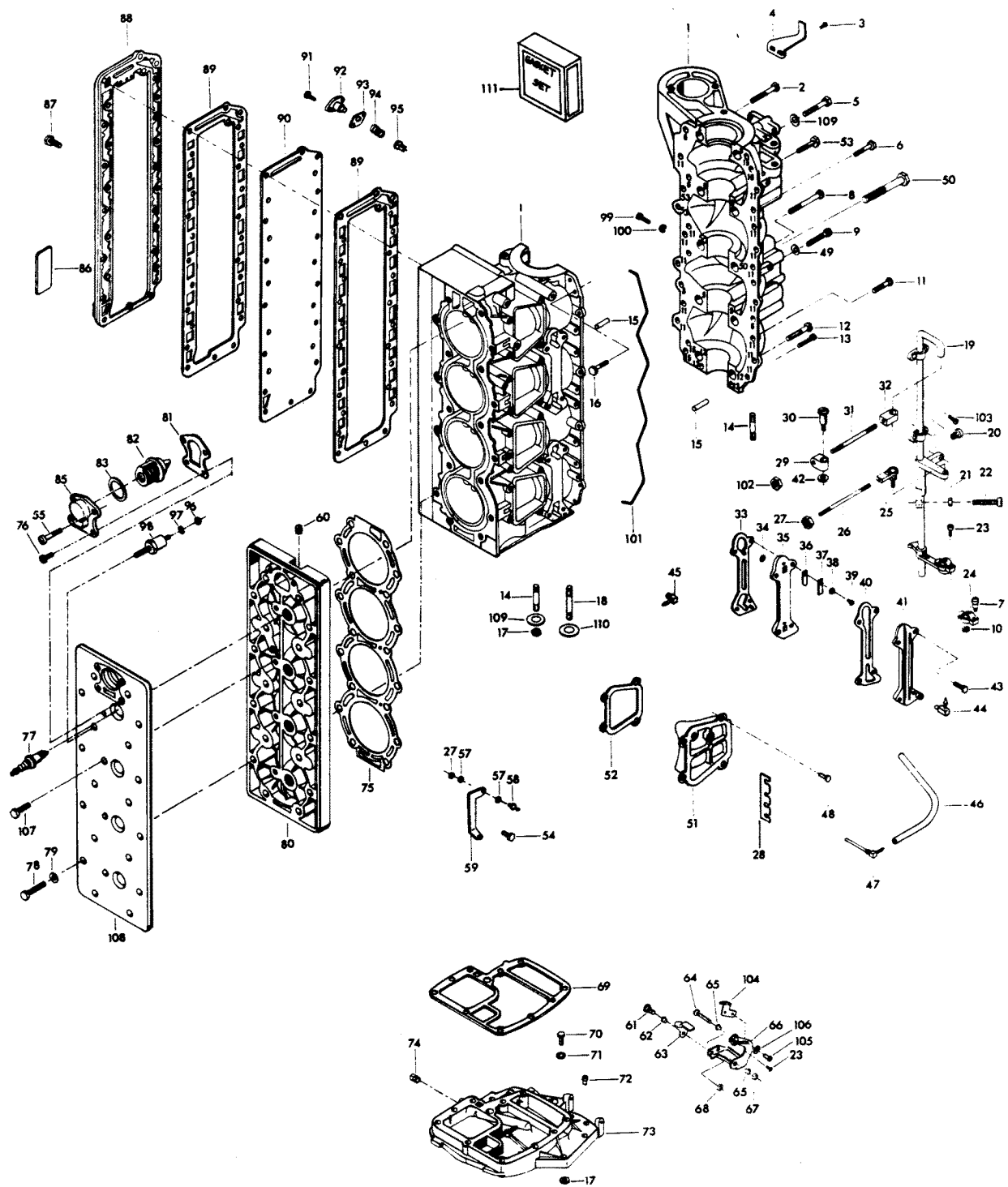


POWER HEAD

REF. NO.	PART NO.	SYM.	QTY.	DESCRIPTION
41	F406471-1		2	CYLINDER DRAIN COVER
42	F1935		1	PLAIN WASHER
43	F1532		8	HEX HD SCREW, 1/4 - 20 X 1
44	22-818103--1		1	ELBOW, CYLINDER DRAIN LOWER
-	F404801		1	ELBOW, CYLINDER DRAIN UPPER (NOT SHOWN)
45	F84314-2		1	ELBOW
46	F406754-1		1	HOSE
47	F404314		1	FITTING
48	F1540		10	HEX CAP SCREW, 1/4 - 20 X 5/8
49	F8104		4	PLAIN WASHER
50	F1873		2	HEX CAP SCREW, 3/8 - 16 X 3
51	FA411222		3	TRANSFER PORT COVER
52	F40223		4	GASKET, TRANSFER PORT COVER
53	F1534		2	HEX HD SCREW, 1/4 - 20 X 7/8
54	F1535		2	HEX CAP SCREW, 1/4 - 20 X 3/4
55	F1099		2	FILL HD SCREW, 1/4 - 20 X 1 1/4
57	F8058		4	INTERNAL TOOTH LOCKWASHER
58	F98273		2	ROD END CONNECTOR STUD
59	85872---1		1	BRACKET
60	F19109		1	PLUG
61	F369887		1	SHOULDER SCREW
62	F369610		1	BEARING
63	F369977-1		1	INTERLOCK ARM
64	F1885		1	HEX BOLTS, S.S., 5/16 - 18 X 4 1/4
65	F85610		2	BEARING
66	FA480876		1	GEAR SHIFT ARM W/SWIVL, BEARGS, INTRLOCK ARM & SHLDR SCREW
67	F2108		1	STOP NUT, 5/16 - 18
68	F1832		1	STOP NUT, 1/4 - 20
69	F85279-2		1	GASKET, CYLINDER EXHAUST UPPER
70	F1869		6	HEX CAP SCREW, 3/8 - 16 X 1 1/4
71	F1703		6	LOCKWASHER
72	F40689-1		1	BEARING
73	817788A3		1	SPACER PLATE W/PLUG
74	F2090		1	PLUG
75	F476529-1		1	CYLINDER HEAD GASKET
76	F1107		2	SLOTTED FILL HD CAP SCREW, 1/4 - 20 X 3/4
77	33-97180		4	SPARK PLUG (CHAMPION L20V) - USA
-	C523227		4	SPARK PLUG (CHAMPION QL-76V) - CANADA
78	F1049		18	HEX CAP SCREW, 5/16 - 18 X 2 5/8
79	F1987		18	PLAIN WASHER
80	900-817832A2		1	CYLINDER HEAD WILLUS. 60 ON PAGE 14 ORIGINAL FORCE P/N A 501518 - 1
81	F476067		1	GASKET

CONTINUED ON NEXT PAGE ➡

POWER HEAD



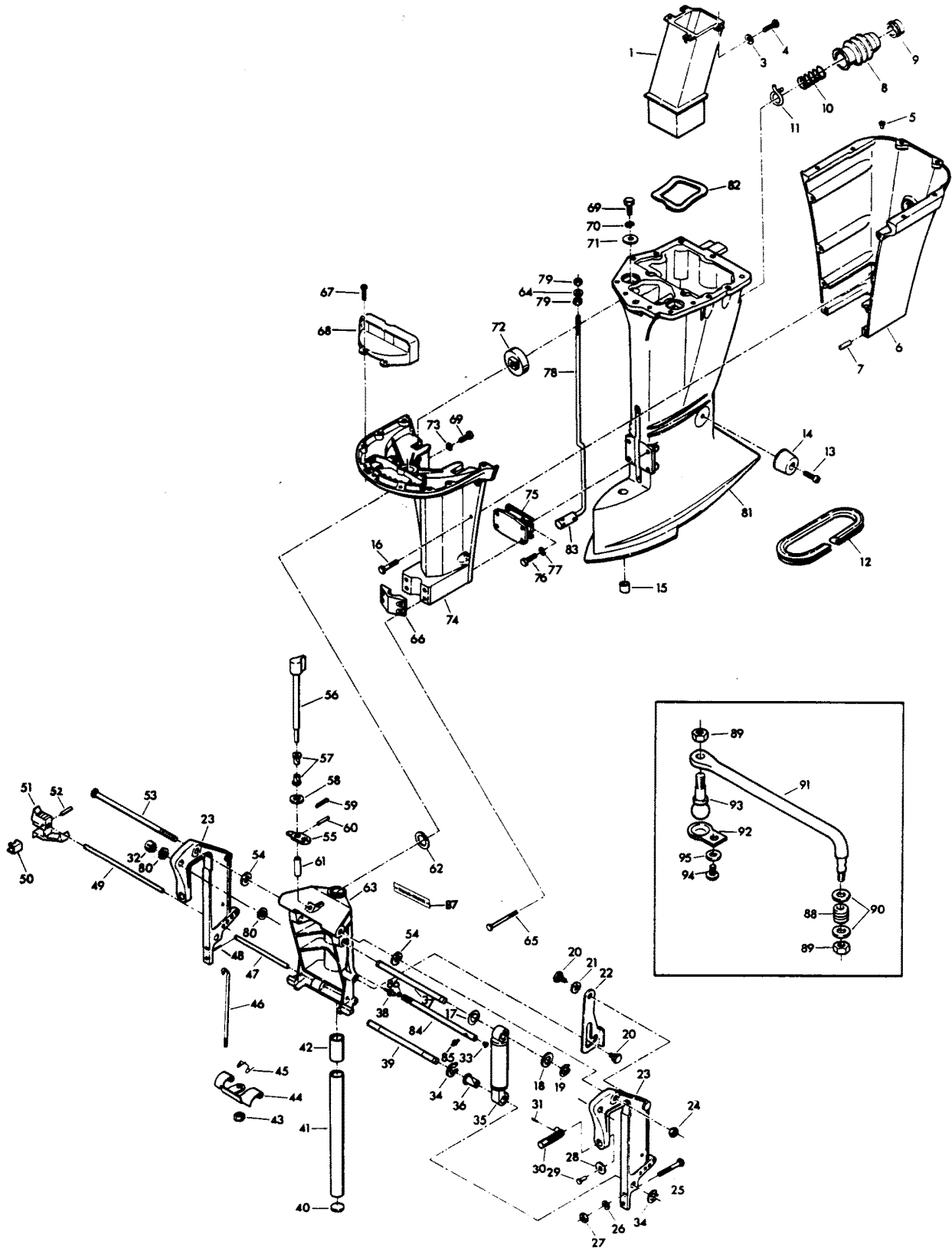
POWER HEAD

REF. NO.	PART NO.	SYM.	QTY.	DESCRIPTION
82	F528068		1	THERMOSTAT
83	F84504		1	GROMMET (THERMOSTAT)
85	F476066-1		1	THERMOSTAT COVER
86	F438398		1	DECAL, WIRING - USA
-	FC438398		1	DECAL WIRING - CANADA
87	F1916		27	HEX BOLT, 1/4 - 20 X 1 1/8
88	F372152-1		1	EXHAUST PORT COVER
89	F372154-1		2	GASKET, EXHAUST PORT PLATE
90	F372151-1		1	EXHAUST PORT PLATE
91	F1950		2	HEX CAP SCREW, 10 - 24 X 5/8
92	F438066		1	BY-PASS VALVE COVER
93	F85762		1	BY-PASS VALVE COVER GASKET
94	F404268		1	BY-PASS VALVE SPRING
95	F85916-1		1	BY-PASS VALVE
96	F1647		1	HEX NUT, 8 - 32
97	F8056		1	LOCKWASHER
98	87-817778A1		1	THERMOSWITCH WILLUS. 96, 97 ORIGINAL FORCE P/N A 335449 - 1
99	F2000		1	HEX CAP SCREW, 5/16 - 18 X 3/4
100	F8096		1	SPRING LOCKWASHER
101	F184122-1		1	SEAL, PARTING LINE
102	F2015		1	HEX NUT, 1/4 - 28
103	F1475		4	FILL HD SCREW, 10 - 24 X 1/2
104	F480107-1		1	CAM STARTER INTERLOCK
105	F2089		2	SLOTTED PAN HD M. SCREW, 10 - 24 X 5/16
106	F2042		2	PLAIN WASHER
107	F1533		4	HEX CAP SCREW, 1/4 - 20 X 7/8
108	F528995		1	COVER, CYLINDER HEAD
109	F8095		6	PLAIN WASHER
110	F8038		4	PLAIN WASHER
111	FG1019		1	GASKET SET INCLUDE ITEMS BELOW
-	F40223		4	GASKET, TRANSFER PORT COVER
-	F84472-5		2	GASKET, CYLINDER DRAIN COVER
-	F84748-3		2	GASKET, CYLINDER DRAIN REED PLATE
-	F85279-2		1	GASKET, CYLINDER EXHAUST, UPPER
-	F85762		1	GASKET, BY-PASS VALVE
-	F85906		2	GASKET, CARBURETOR
-	F178168-1		2	GASKET, CARBURETOR ADAPTER
-	F184122-1		1	PARTING LINE SEAL
-	F372154-1		2	GASKET, EXHAUST PORT PLATE
-	F406406		2	GASKET, DEFLECTOR PLATE
-	F476067		1	GASKET, THERMOSTAT COVER
-	F476529-1		1	GASKET, CYLINDER HEAD

CRANKSHAFT AND PISTON GROUP

REF. NO.	PART NO.	SYM.	QTY.	DESCRIPTION
1	FA335260		4	PISTON RING SET (3 PER SET)
-	FSA335260		4	PISTON RING (3 PER SET) .010 OVERSIZE (NOT SHOWN)
-	FSA335260		4	PISTON RING (3 PER SET) .030 OVERSIZE (NOT SHOWN)
2	818110A1		4	PISTON
-	700-F372015-3		4	PISTON .010 OVERSIZE (NOT SHOWN)
-	700-817988A2		4	PISTON .030 OVERSIZE (NOT SHOWN)
3	700-818111A2		8	SPACER, PISTON PIN (2 PER PISTON)
4	F85017		4	PISTON PIN
5	F335217-1		4	BEARING, PISTON PIN (26 PER SET)
6	600-818052A4		4	CONNECTING ROD W/CAP AND SCREWS
7	FK85228-1		4	BEARING CAGE W/ROLLER
8	F85410		3	SNAP RING
9	FA85655-1		3	CRANKSHAFT MAIN BEARING RACE W/SNAP RING
10	F85571		3	BEARING CAGE W/ROLLER
11	F316579		3	SEAL, CRANKCASE
12	FA523014		1	CRANKSHAFT LOWER MAIN BEARING W/ITEM 13
13	F523146		1	SEAL, CRANKSHAFT LOWER
14	F85634-2		8	CONNECTING ROD SCREW
15	400-817735A4		1	CRANKSHAFT W/BEARING
16	F85498		1	FLYWHEEL KEY
18	31-817785A2		1	CRANKSHAFT BEARING CAGE W/SEAL
19	F1867		4	HEX CAP SCREW, 3/8 - 16 X 1
20	F84146-2		1	SEAL
21	F1968		1	FLYWHEEL NUT
22	F284659-2		1	BEARING, CRANKSHAFT UPPER MAIN
23	F84278		1	SEAL
-	F2067		1	PLASTISOL CAP (NOT SHOWN) FOR EXPOSED THREADS OF CRANKSHAFT

MOTOR LEG

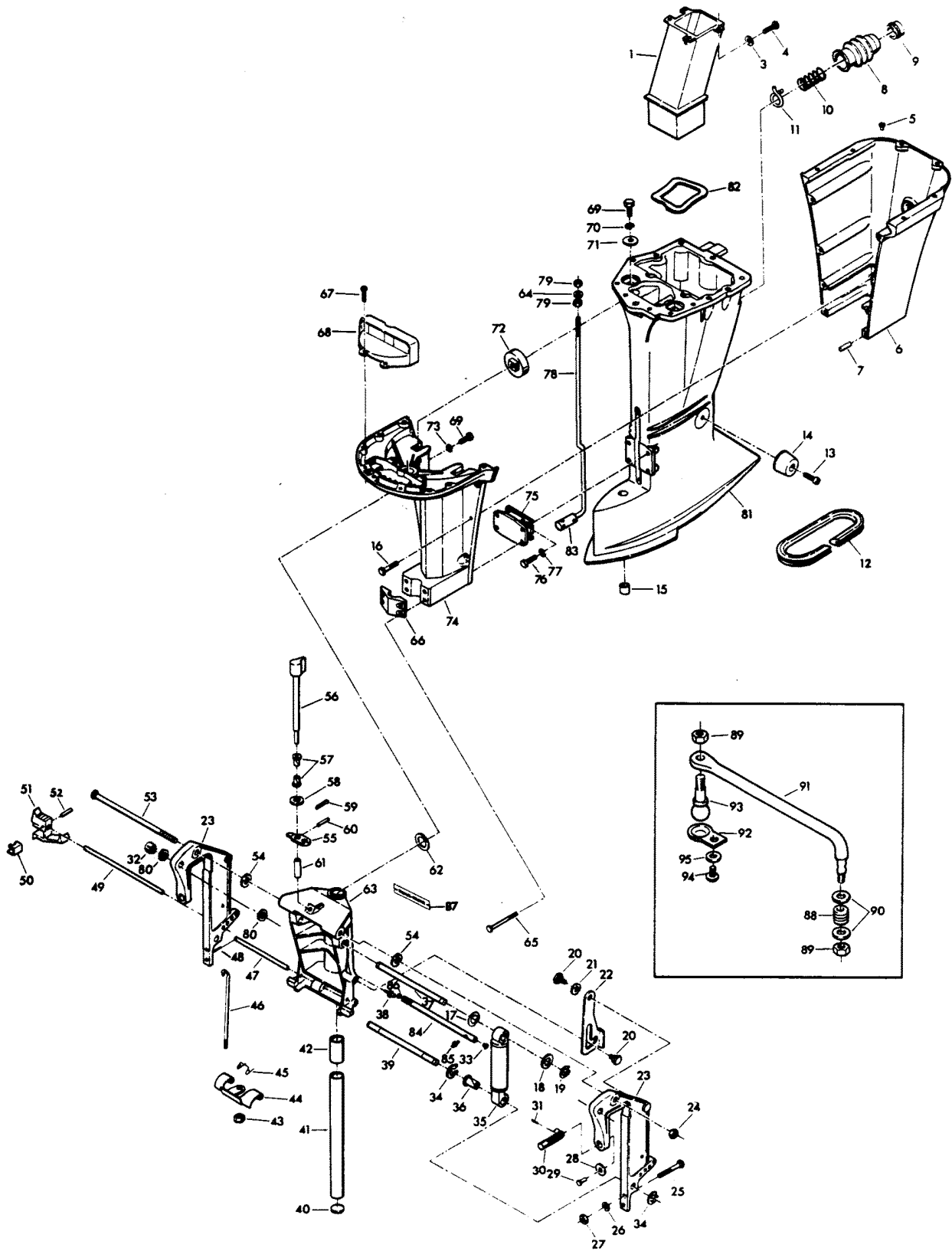


MOTOR LEG

REF. NO.	PART NO.	SYM.	QTY.	DESCRIPTION
2	F85660-1		1	EXHAUST TUBE
3	F8083		4	SPRING LOCKWASHER
4	F1536		4	HEX SLOT HD SCREW, 1/4 - 20 X 3/4
5	F1729		2	PLUG
6	817931A7		1	MOTOR LEG COVER REAR
7	F1664		2	SPRING PIN
8	F85130		1	BOOT IDLE EXHAUST
9	F85258		1	INSERT
10	F85380		1	SPRING
11	F85772		1	CLAMP
12	F178323		1	SEAL, MOTOR LEG
13	F1263		2	HEX SOCKET HD CAP SCREWS, 5/16 - 18 X 9/16
14	F438962		2	SHOCK MOUNT LOWER REAR
15	F338618-1		1	SEAL GEAR SHIFT ROD
16	F2030		6	HEX HD M. SCREW, 1/4 - 20 X 1-1/4
17	F1711		2	SPRING BOWED WASHER
18	F1710		2	PLAIN WASHER
19	F178208		2	RETAINING RING
20	F85350-1		2	TILT STOP PIVOT
21	F1666		1	SPRING BOWED WASHER
22	F85541-1		1	TILT LOCK
23	1400-817958A6		2	STERN BRACKET
24	F7012		1	STOP NUT
25	F1593		2	HEX HD SCREW, 3/8 - 16 X 3
26	F1904		2	PLAIN WASHER
27	F1346		2	HEX NUT
28	F84074		2	CLAMP SCREW FOOT
29	F353480		2	STUD
30	F474073-1		2	CLAMP SCREW
31	F8538		2	SPRING PIN
32	F9018		1	CAP
33	F9052		1	PLUG
34	F178173		4	RETAINING RING
35	FA178962		2	SHOCK ABSORBER W/BUSHING
36	F178362		2	BEARING
37	F178889		1	SHAFT, SHOCK MOUNT UPPER
38	F213274		3	GREASE FITTING
39	F178632		1	SHAFT, SHOCK MOUNT LOWER
40	F1528		1	WELCH PLUG
41	FA85019		1	KINGPIN W/PLUG
42	F438169		2	BEARING
43	F1669		1	LOCK NUT
44	F369349		1	REVERSE LOCK

CONTINUED ON NEXT PAGE ➡

MOTOR LEG

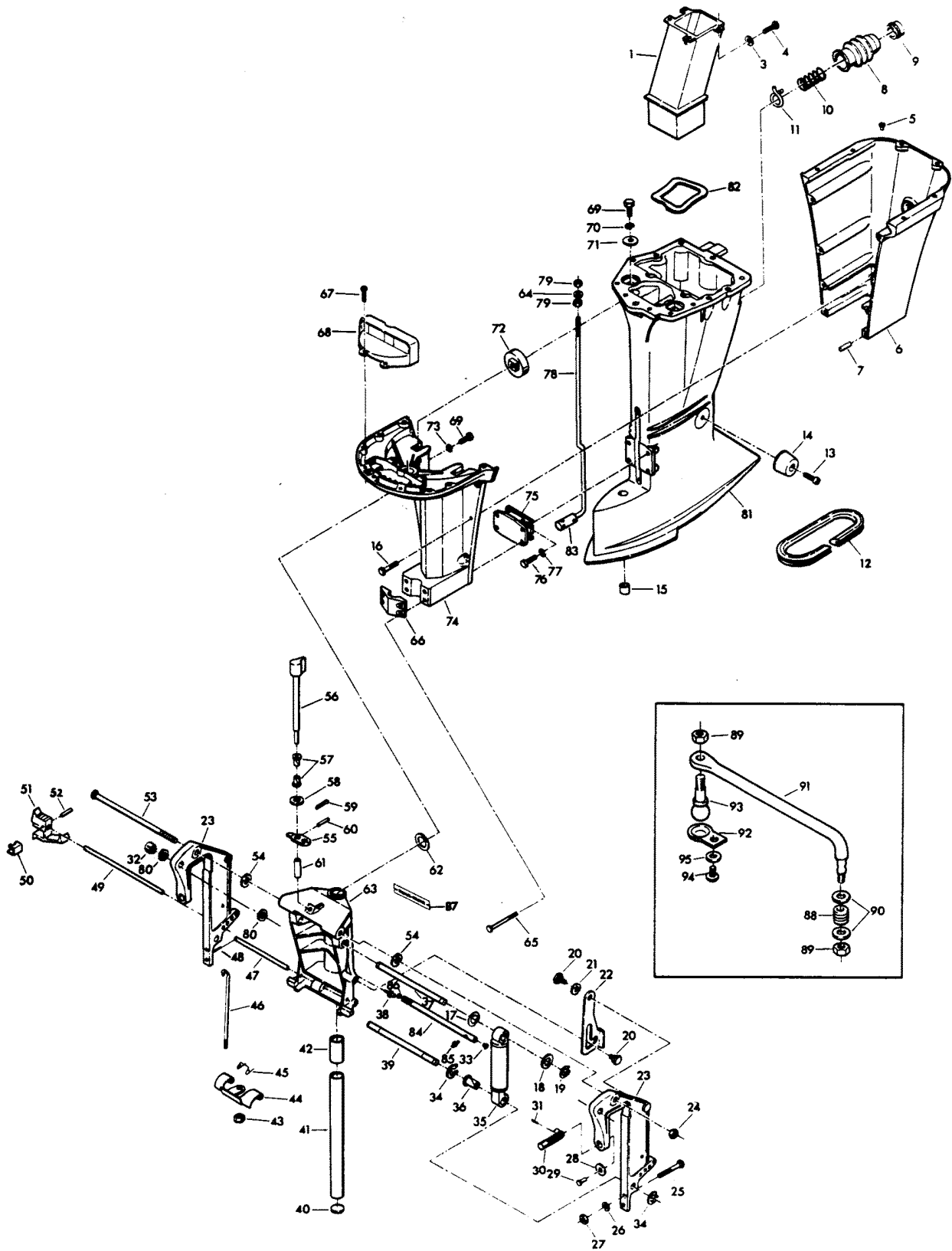


MOTOR LEG

REF. NO.	PART NO.	SYM.	QTY.	DESCRIPTION
45	F85300		1	REVERSE LOCK SPRING
46	F369510		1	LINK REVERSE LOCK
47	F177350		1	REVERSE LOCK PIN
48	F1744		1	SPRING PIN
49	FA438113		1	STERN BRACKET LOCK BAR W/HANDLE
50	F286461		1	SPRING, LOCK BAR HANDLE
51	F433114		1	HANDLE, LOCK BAR
52	F1744		1	SPRING PIN
53	F85037-1		0	STERN BRACKET PIVOT BOLT
54	F84286-1		4	FRICTION WASHER
55	F369364		1	REVERSE LOCK ARM
56	F369827		1	HANDLE AND SHAFT
57	F197813		2	BEARING
58	F8094		1	PLAIN WASHER
59	F1014		1	COTTER PIN
60	F1836		1	SPRING PIN
61	F483884		1	BEARING
62	F84011		1	WASHER
63	817783A5		1	SWIVEL BRACKET W/BEARINGS AND GREASE FITTINGS
64	F1987		1	PLAIN WASHER
65	F1696		4	HEX BOLT, 5/16 - 18 X 1 3/4
66	F85606		1	KINGPIN CAP
67	F1912		4	HEX HD SCREW, 10 - 24 X 1/2
68	F85779-1		1	BAFFLE, AIR INTAKE
69	F1871		4	HEX HD SCREW, 3/8 - 16 X 3/4
70	F8039		2	PLAIN WASHER
71	FA85355-1		2	WASHER
72	F85965		2	SPRING MOUNT UPPER
73	F1703		2	SPRING LOCKWASHER
74	A85135		1	LEG COVER FRONT
75	F438346		1	SHOCK MOUNT LOWER
76	F1822		4	HEX BOLT, 5/16 - 18 X 7/8
77	F8096		4	SPRING LOCKWASHER
78	F85615		1	GEAR SHIFT ROD UPPER
79	F2108		2	LOCK NUT
80	F523280		1	NUT, STEERING SUPPORT TUBE
81	F523133-2		1	MOTOR LEG
82	F439736		1	SEAL, EXHAUST TUBE
83	F85704		1	COUPLER, GEAR SHIFT ROD
84	F511125-2		1	TUBE, STEERING SUPPORT
85	F523274		1	GREASE FITTING
86	F316599		1	SEAL, STEERING SUPPORT TUBE
87	F529390		1	DECAL, REVERSE LOCK - USA

CONTINUED ON NEXT PAGE ➡

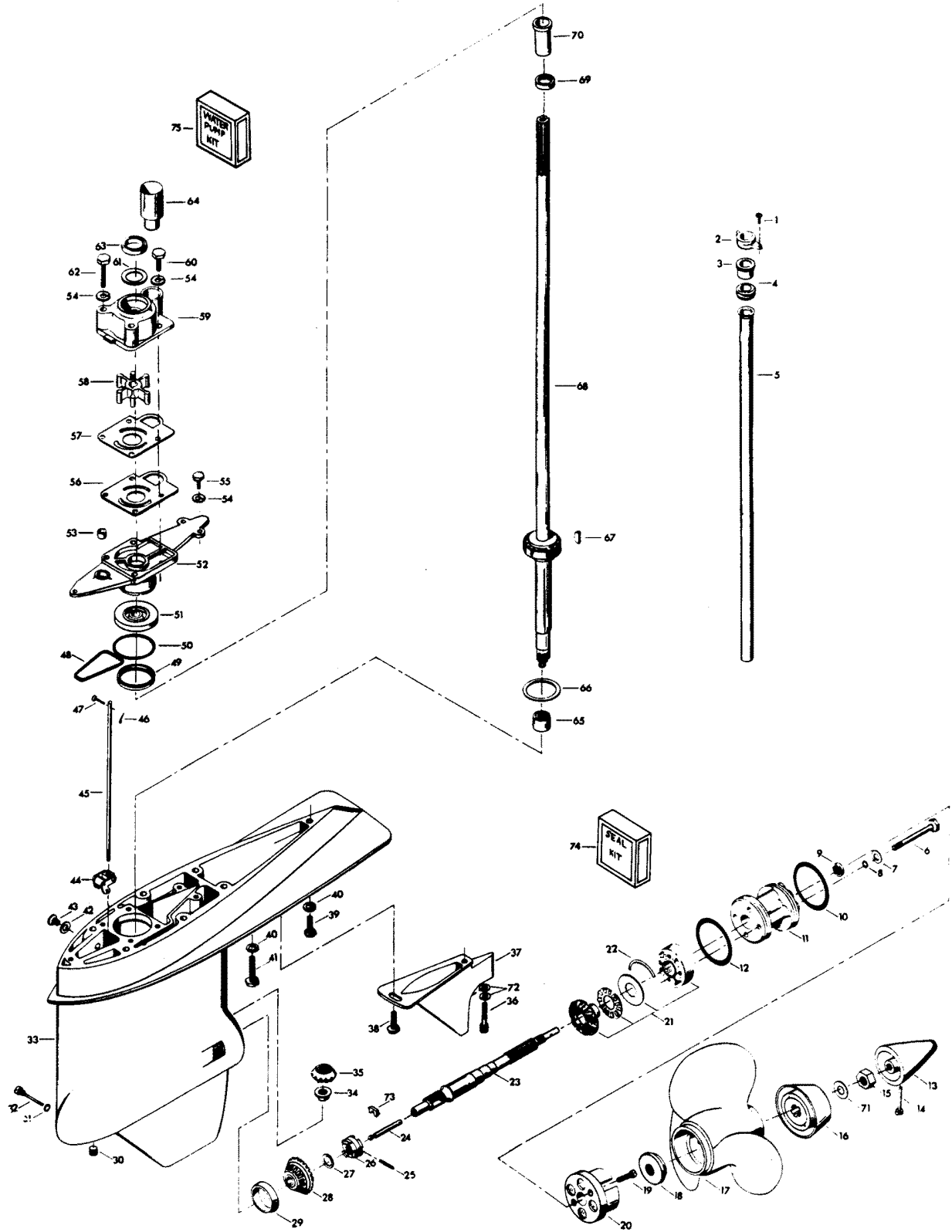
MOTOR LEG



MOTOR LEG

REF. NO.	PART NO.	SYM.	QTY.	DESCRIPTION
-	FC529390		1	DECAL, REVERSE LOCK - CANADA (NOT SHOWN)
88	F523300-1		1	SPRING STR LINK
89	F2093		2	STOP NUT
90	F8038		2	PLAIN WASHER
91	F523881-2		1	LINK STEERING
92	F523930		1	RETAINER STUD
93	F523273		1	STUD STEERING BALL
94	F1280		1	PAN HD SCREW
95	F8080		1	HELICAL SPRING LOCKWASHER

GEAR HOUSING

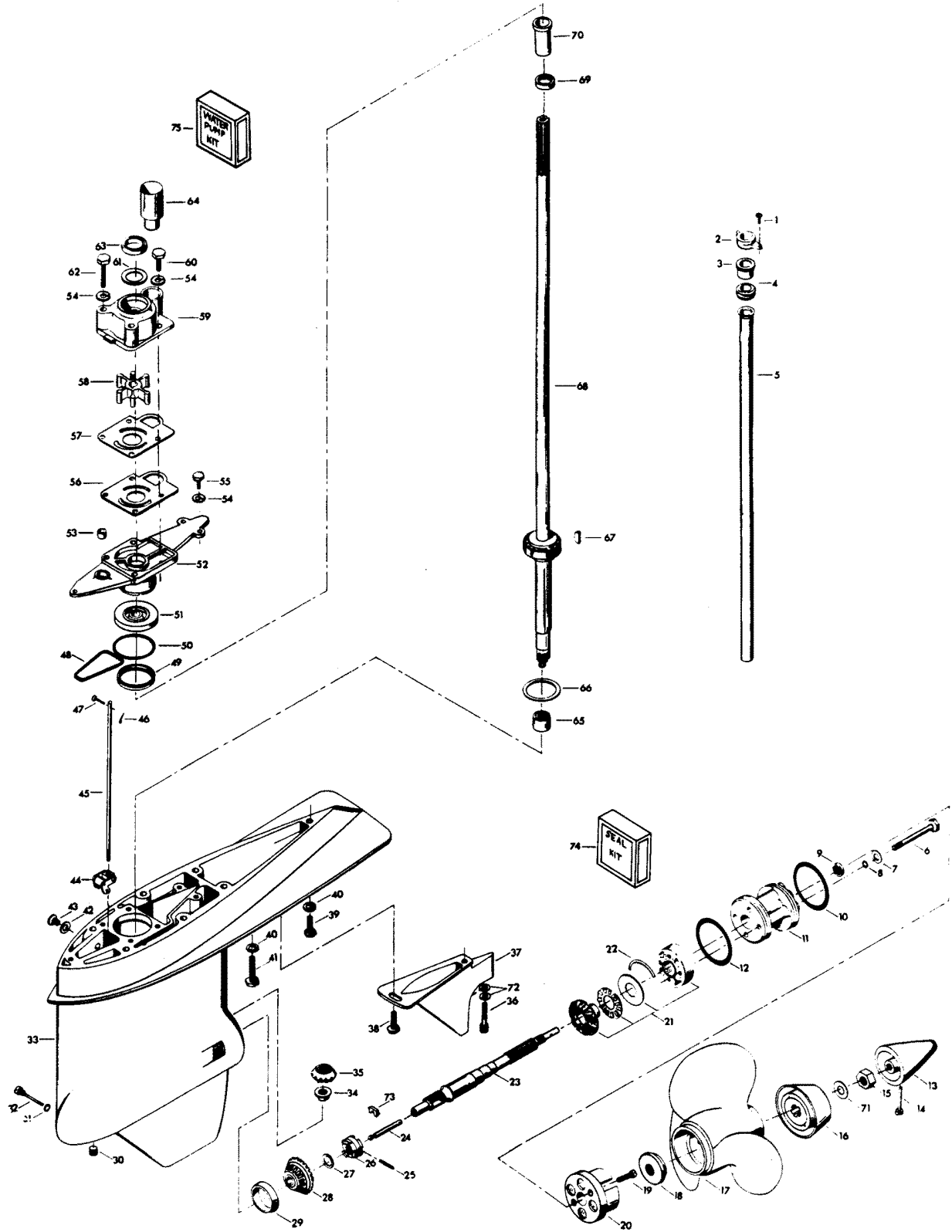


GEAR HOUSING

REF. NO.	PART NO.	SYM.	QTY.	DESCRIPTION
1	F1536		2	HEX CAP SCREW, 1/4 - 20 X 3/4
2	F85117		1	BRACKET, WATER LINE
3	F84342		1	SEAL, INLET WATER LINE, UPPER
4	F523899		1	GROMMET, WATER LINE
5	F523244		1	INLET WATER LINE
6	F1885		4	HEX CAP SCREW, 5/16 - 18 X 4 1/4
7	F1907		4	PLAIN WASHER
8	F50342-1		4	SEAL, "O" RING
9	F506118		1	SEAL, PROPELLER SHAFT
10	F24278		1	SEAL, "O" RING PROPELLER SHAFT SPOOL
11	F2A523239		1	SPOOL, PROPELLER SHAFT BEARING W/SEALS
12	F84305		1	SEAL, "O" RING PROPELLER SHAFT SPOOL
13	F523094-2		1	PROPELLER NUT
14	F498891		1	PIN, PROPELLER NUT RETAINING
15	F1788		1	STOP NUT
16	F532299		1	WASHER
17	FPS526		1	PROPELLER (ACCESSORY ITEM)
18	F523099-1		1	SPACER, PROPELLER
19	F1577		2	FILL HD SCREW, 1/4 - 20 X 3/4
20	FA523485		1	ANTICORROSION ANODE W/LITERATURE
21	F2A498662		1	BEVEL GEAR REAR W/BEARING CAGE SPACER AND BEARING
22	F523411		2	RETAINING RING, BEARING CAGE
23	FA523098		1	PROPELLER SHAFT
24	F84871-1		1	PIN, GEAR SHIFT W/YOKE
25	F1713		1	SPRING PIN
26	F84521-1		1	CLUTCH
27	F1936		A/R	SPACER, BEVEL GEAR FRONT .059
-	F1937		A/R	SPACER, BEVEL GEAR FRONT .062
-	F1938		A/R	SPACER, BEVEL GEAR FRONT .065
-	F1939		A/R	SPACER, BEVEL GEAR FRONT .068
-	F1940		A/R	SPACER, BEVEL GEAR FRONT .071
-	F1941		A/R	SPACER, BEVEL GEAR FRONT .074
-	F1942		A/R	SPACER, BEVEL GEAR FRONT .077
-	F2113		A/R	SPACER, BEVEL GEAR FRONT .080
-	F2114		A/R	SPACER, BEVEL GEAR FRONT .083
-	F2115		A/R	SPACER, BEVEL GEAR FRONT .086
-	F2116		A/R	SPACER, BEVEL GEAR FRONT .089
-	F2121		A/R	SPACER, BEVEL GEAR FRONT .057
-	F2122		A/R	SPACER, BEVEL GEAR FRONT .054
28	F2A498023		1	BEVEL GEAR FRONT W/BEARING
29	F523813		1	BEARING CUP
30	F19109		1	PLUG

CONTINUED ON NEXT PAGE ➡

GEAR HOUSING

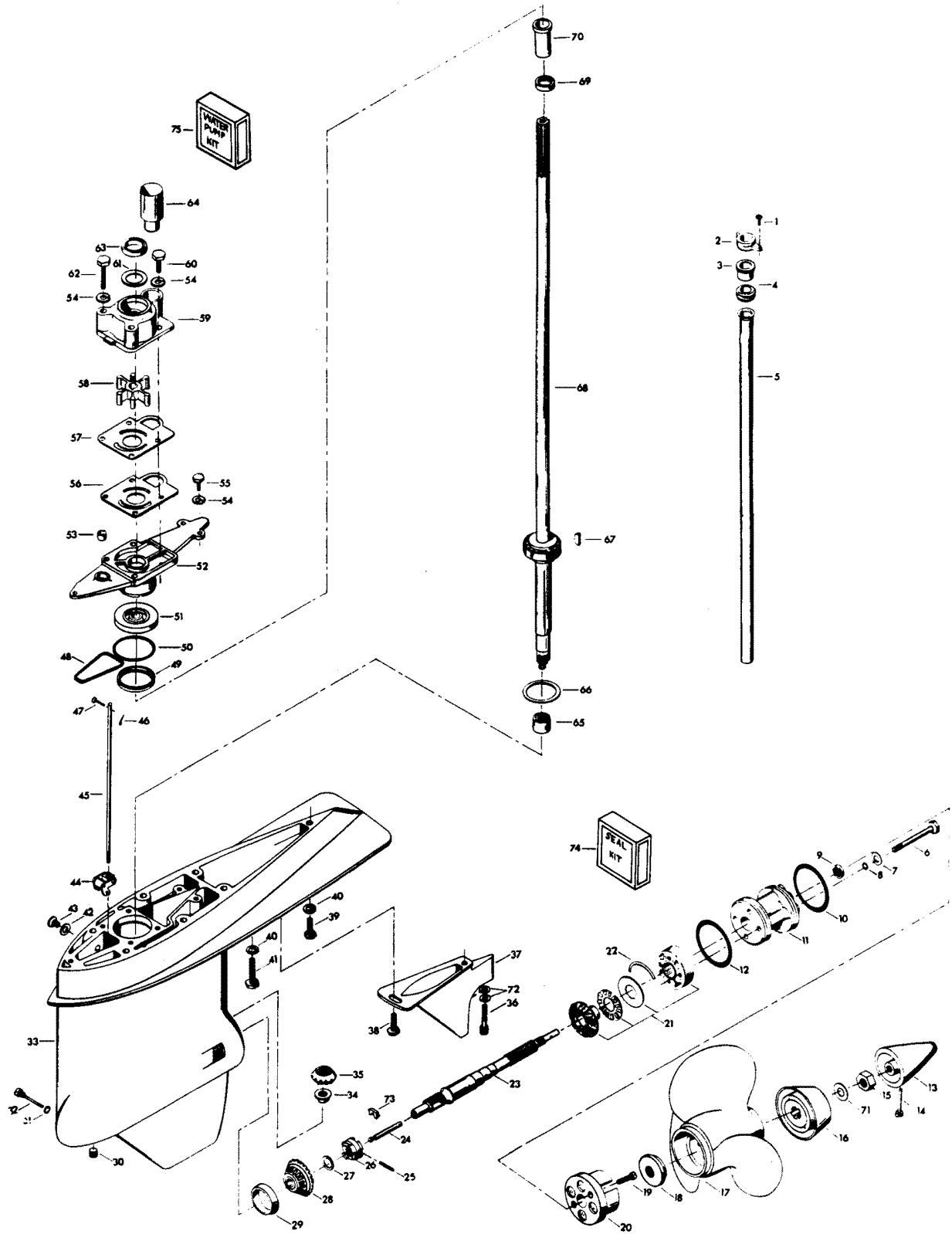


GEAR HOUSING

REF. NO.	PART NO.	SYM.	QTY.	DESCRIPTION
30	F498618		1	SEAL
32	F498891		1	PIN, GEAR SHIFT ARM
33	FA523054		1	GEAR HOUSING W/BEARING CUP, DRIVESHAFT BEARING LOWER, PLUGS AND WASHERS
-	FC550054		1	GEAR HOUSING COMPLETE (INCLUDES ALL ITEMS MARKED WITH AN ASTERISK (*)).
34	F523188		1	NUT, BEVEL PINION
35	FA498266		1	BEVEL PINION GEAR W/CRUSH RING AND SHIMS
36	F1994		1	HEX SOCKET HD CAP SCREW, 5/16 - 18 X 1
37	F523116		1	EXHAUST SNOUT
38	F438930		1	RETAINER, SNOUT
39	F1858		1	HEX CAP SCREW, 5/16 - 18 X 1
40	F8096		7	SPRING LOCKWASHER
41	F1491		6	HEX HD SCREW, 5/16 - 18 X 3/4
42	F8077		2	WASHER, GEAR HOUSING PLUG
43	F50109		2	PLUG, GEAR HOUSING
44	FA84621-1		1	COUPLING, GEAR SHIFT ARM W/BUSHING
45	F523705		1	GEAR SHIFT ROD LOWER
46	F1015		1	COTTER PIN
47	F85372		1	PIN, GEAR SHIFT ROD LOWER
48	F523555		1	SEAL, "O" RING, GEAR HOUSING COVER
49	F523961		1	CRUSH RING
50	F74305		1	SEAL, DRIVESHAFT BEARING CAGE
51	F84307-1		1	SEAL, DRIVESHAFT
52	FA550706		1	GEAR HOUSING COVER W/SEALS
53	F338618-1		1	SEAL, GEAR SHIFT ROD
54	F8083		7	SPRING LOCKWASHER
55	F1534		3	HEX CAP SCREW, 1/4 - 20 X 7/8
56	F523031		1	GASKET, WATER PUMP
57	F523562		1	PLATE, WATER PUMP
58	F523065		1	IMPELLER, WATER PUMP
59	46-817853A1		1	WATER PUMP BODY W/DRIVESHAFT SEAL, DISC AND WATERLINE SEAL
60	F1990		2	HEX CAP SCREW, 1/4 - 20 X 1 5/8
61	F480388		1	DISC, WATER PUMP LOCATING
62	F1425		2	HEX CAP SCREW, 1/4 - 20 X 2 5/8
63	F351307		1	SEAL, DRIVESHAFT - WATER PUMP
64	FA523735		1	SEAL, INLET WATER LINE, LOWER W/LITERATURE
65	F523057		1	BEARING, DRIVESHAFT LOWER
66	F9106		A/R	SHIM, DRIVESHAFT BEARING, UPPER .003 BRASS
-	F9095		A/R	SHIM, DRIVESHAFT BEARING UPPER .005 SILVER
-	F9097		A/R	SHIM, DRIVESHAFT BEARING, UPPER .010 BLACK
67	F523498		1	DRIVE KEY, WATER PUMP
68	FK550128		1	DRIVESHAFT W/BEARING, SHIMS AND CRUSH RING

CONTINUED ON NEXT PAGE ➡

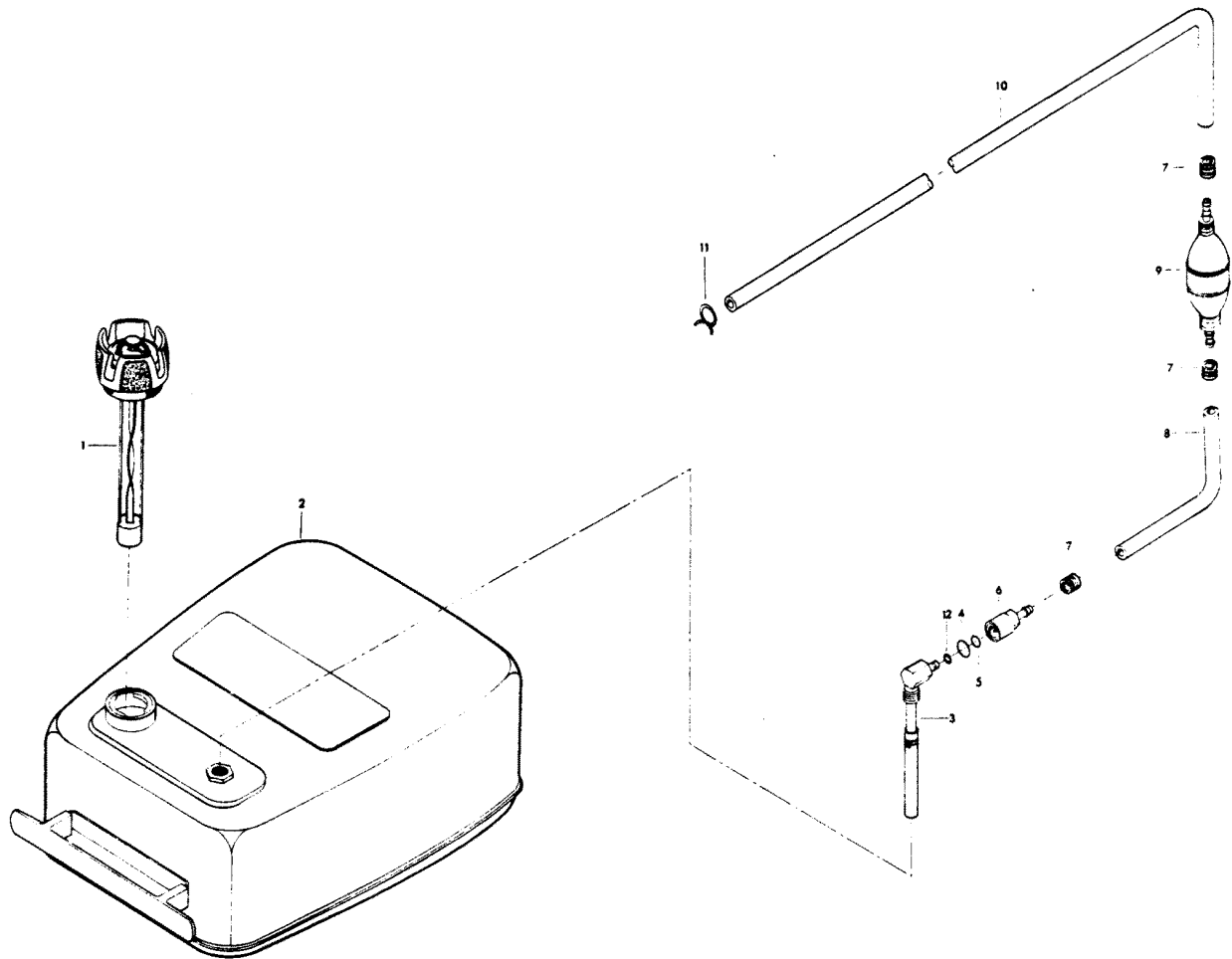
GEAR HOUSING



GEAR HOUSING

REF. NO.	PART NO.	SYM.	QTY.	DESCRIPTION
69	F438271		1	RETAINER, CRANKSHAFT SPLINE SEAL
70	F438129		1	SEAL, DRIVESHAFT SPLINE
71	F1866		1	PLAIN WASHER
72	F1856		2	PLAIN WASHER
73	F90619-1		1	YOKE
74	FK1063		1	SEAL KIT (INCLUDES ITEMS BELOW)
-	F50342-1		4	SEAL, BEARING CAGE BOLT
-	F506118		1	SEAL, PROPELLER SHAFT
-	F24278		1	SEAL, PROPELLER SHAFT SPOOL
-	F84305		1	SEAL, PROPELLER SHAFT SPOOL
-	F498618		1	SEAL, GEARSHIFT ARM PIN
-	F8077		2	WASHER
-	F523555		1	SEAL, GEAR HOUSING COVER
-	F74305		1	SEAL, GEAR HOUSING COVER
-	F84307-1		1	SEAL, DRIVESHAFT
-	F338618-1		1	SEAL, GEAR SHIFT ROD
75	FK1069		1	WATER PUMP KIT
-	F1425		2	HEX CAP SC, 1/4 - 20 X 5/8
-	F1990		2	HEX CAP SCREW
-	F8083		4	SPRING LOCKWASHER
-	F523031		1	GASKET, WATER PUMP
-	F523065		1	IMPELLER
-	F523498		1	KEY
-	F523562		1	PLATE, WATER PUMP
-	46-817853A1		1	WATER PUMP

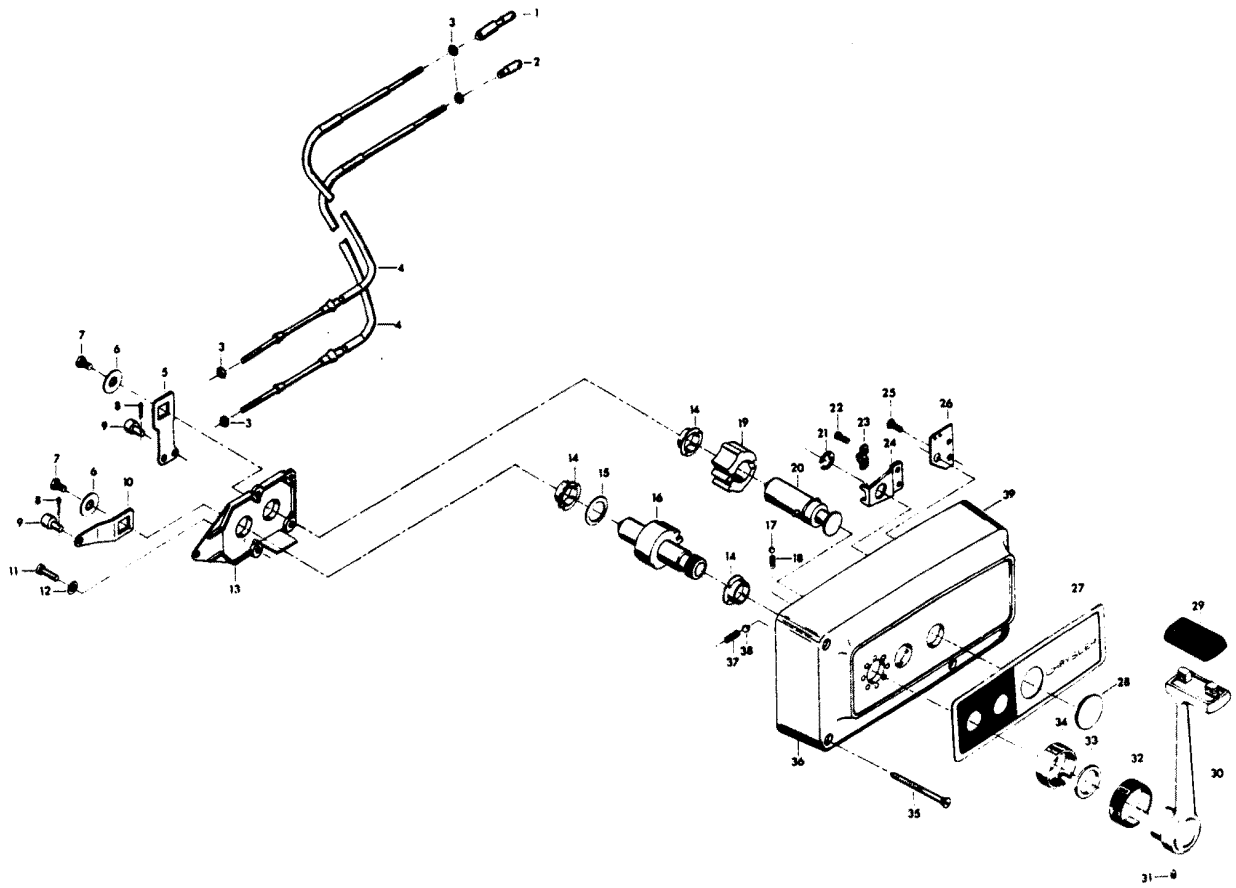
FUEL TANK AND LINE



FUEL TANK AND LINE

REF. NO.	PART NO.	SYM.	QTY.	DESCRIPTION
1	F409251-1		1	GAUGE CAP
2	F5H026		1	FUEL TANK (ACCESSORY ITEM)
3	F485755-1		1	FUEL TANK ADAPTER
4	F213342		1	SEAL, FUEL LINE COUPLER (LARGE)
5	F213735		1	SEAL, FUEL LINE COUPLER (SMALL)
6	F197787-3		1	FUEL LINE COUPLER
7	F298788		3	FERRULE
8	FA84754-1		1	FUEL LINE SHORT W/FERRULES
9	89396A38		1	PRIME BULB
10	32-817738A1		1	FUEL LINE LONG W/CLAMP AND FERRULE
11	F97772		1	FUEL LINE CLAMP
12	F17932		1	SEAL, FUEL LINE COUPLER
-	FS409752		1	FUEL LINE COMPLETE INCLUDES ALL ITEMS MARKED WITH AN (*) ASTERISK
-	FC409398		1	DECAL, TOTE TANK - CANADA (NOT SHOWN)

REMOTE CONTROL

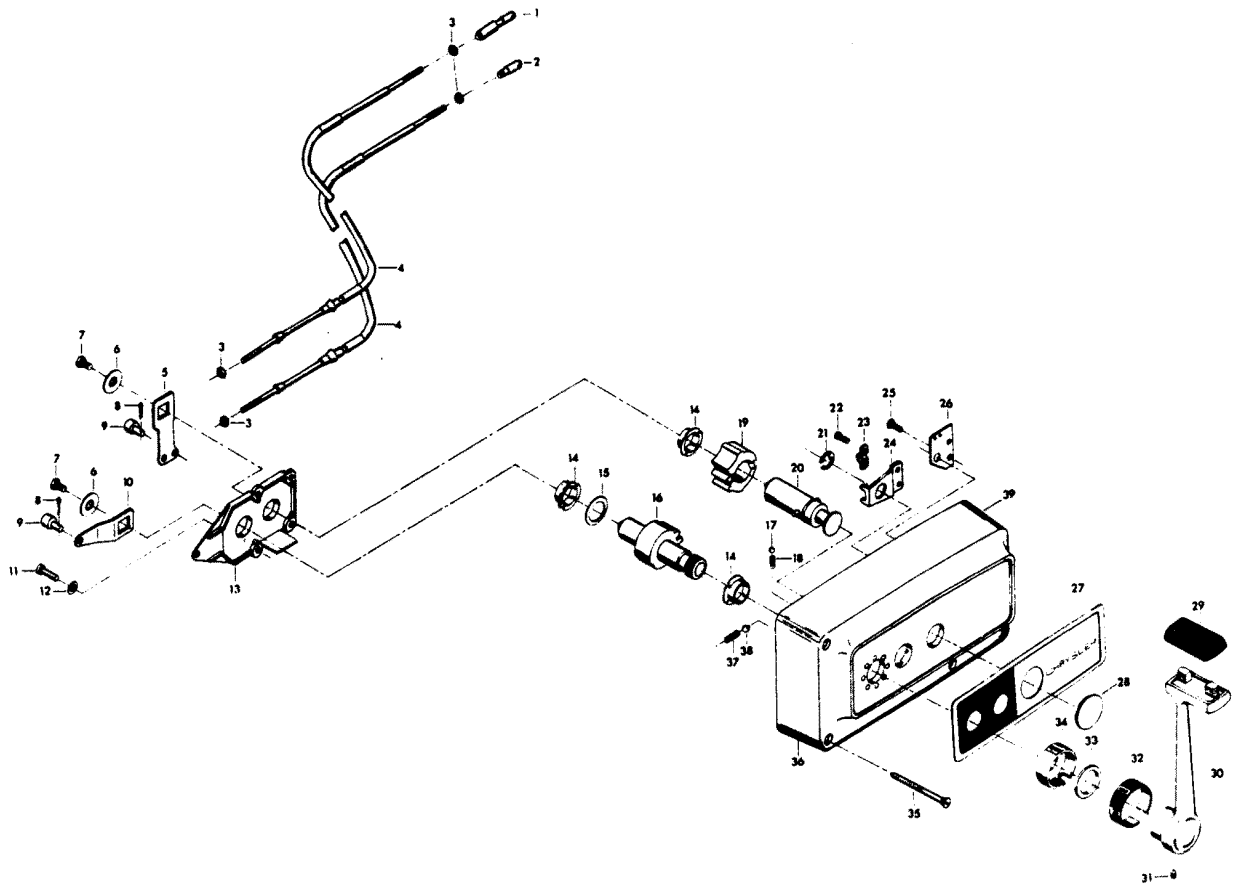


REMOTE CONTROL

REF. NO.	PART NO.	SYM.	QTY.	DESCRIPTION
1	FA58976-1		1	CONNECTOR, THROTTLE CABLE
2	F58685-2		1	CONNECTOR, SHIFT CABLE
3	F1513		4	HEX NUT
4	ÄF58356//		2	REMOTE CONTROL CABLE (SPECIFY LENGTH)
5	F17019		1	CLUTCH ARM
6	F17036		2	INTERNAL TOOTH LOCKWASHER
7	F1715		2	HEX BOLT, 1/4 - 28 X 9/16
8	F17149		2	COTTER PIN
9	F17016		2	CABLE TERMINAL
10	F17014		1	THROTTLE ARM
11	F17013		2	FILL HD SCREW, 1/4 - 20 X 1/2
12	F17147		2	INTERNAL TOOTH LOCKWASHER
13	F17012		1	RETAINING PLATE
14	F17009		3	BEARING
15	F17011		1	BOWED WASHER
16	F17010-1		1	THROTTLE GEAR
17	F17111		1	DETENT BALL
18	F17006		1	DETENT SPRING
19	F17021		1	CLUTCH GEAR
20	F17100		1	CLUTCH SHAFT
21	F17092		1	SNAP RING
22	F17071		2	FILL HD SCREW, 10 - 24 X 5/16
23	F154317		1	CABLE CLAMP
24	F17026		1	SWIVEL
25	F1557		2	FLAT HD SCREW, 10 - 24 X 3/8
26	F17112		1	JUNCTION BOARD, STARBOARD
-	F17113		1	JUNCTION BOARD, PORT
27	F17148		1	DECAL, STARBOARD
-	F531892		1	DECAL, PORT
28	F17031-1		1	SNAP CAP
29	F17116		1	KNOB
30	F17115-1		1	HANDLE
31	F17030-1		1	SET SCREW
32	FK17114-1		1	INDICATOR
33	F17105		1	FELT WASHER
34	F17106		1	COLLAR
35	F17146		3	WOOD SCREW
36	F17099-1		1	HOUSING

CONTINUED ON NEXT PAGE ➡

REMOTE CONTROL



REMOTE CONTROL

REF. NO.	PART NO.	SYM.	QTY.	DESCRIPTION
37	F17068		1	DETENT SPRING
38	F17082-1		1	DETENT BALL
-	F1280		2	PAN HD SCREW, 8 - 32 X 1/4 (TERMINAL BOARD) (NOT SHOWN)
-	OB3061		1	LITERATURE INSTALLATION INSTRUCTIONS, REMOTE CONTROL (NOT SHOWN)
-	F17103-1		1	BAG ASSEMBLY (NOT SHOWN). INCLUDES ALL ITEMS MARKED WITH AN ASTERISK (*).

SPECIAL TOOLS - TUNE-UP

REF. NO.	PART NO.	SYM.	QTY.	DESCRIPTION
-	FT8948-1		0	PULLER TO REMOVE FLYWHEEL.
-	FTA2937-1		0	TIMING TOOL TO ADJUST TIMING POINTER.
-	FT8978		0	POWER TIMING LIGHT FOR ADJUSTMENT OF ENGINE TIMING.
-	FT2951		0	CIRCUIT TRACER TO TROUBLESHOOT ELECTRICAL SYSTEM.

SPECIAL TOOLS - POWER HEAD

REF. NO.	PART NO.	SYM.	QTY.	DESCRIPTION
-	FT8914		0	SEAL REMOVER TO REMOVE UPPER CRANKSHAFT BEARING CAGE SEAL.
-	FT8903		0	SEAL INSTALLER TO INSTALL UPPER CRANKSHAFT BEARING CAGE SEAL.
-	FT8927		0	SEAL PROTECTOR TO INSTALL UPPER CRANKSHAFT BEARING CAGE.
-	FT8907		0	DRIVE HANDLE USED WITH T 8903.
-	FT8925		0	SEAL INSTALLER TO INSTALL LOWER CRANKSHAFT SEAL.
-	FT2953		0	SOCKET TO TORQUE CONNECTING ROD SCREWS.
-	FT2990		0	PISTON PIN TOOL TO REMOVE AND INSTALL PISTON PINS.
-	FT2996		0	RING COMPRESSOR TO INSTALL PISTON IN CYLINDER.
-	FT8926		0	RING EXPANDER TO INSTALL PISTON RINGS.
-	FT1082		0	SNAP RING PLIER TO REMOVE AND INSTALL DISTRIBUTOR RETAINING RING.
-	FT7848		0	TORQUING ADAPTER HOLD DRIVESHAFT WHILE INSTALLING OR REMOVING PINION NUT.
-	FT8933		0	LIFTING HOOK TO LIFT ENGINE.

SPECIAL TOOLS - GEAR HOUSING

REF. NO.	PART NO.	SYM.	QTY.	DESCRIPTION
-	FT8948-1		0	PULLER TO REMOVE SPOOL FROM GEAR HOUSING.
-	FT8985		0	SEAL INSTALLER TO INSTALL PROPELLER SHAFT SEAL IN PROPELLER SHAFT BEARING SPOOL.
-	FT8925		0	SEAL INSTALLER TO INSTALL DRIVESHAFT SEAL IN GEAR HOUSING COVER.
-	FT8907		0	DRIVER HANDLE TO INSTALL BEARING CUPS AND SEALS.
-	FT8901		0	INDICATOR HOLDER USED IN CONJUNCTION WITH T 8997.
-	FT8902		0	DIAL INDICATOR USED IN CONJUNCTION WITH T 8997.
-	FT8919		0	SPRING PIN PUNCH TO REMOVE CLUTCH SPRING PIN.
-	FT8957		0	SEAL INSTALLER TO INSTALL SHIFT ROD SEAL.
-	FT8997		0	SHIMMING TOOL TO SHIM LOWER UNIT.
-	FT8918		0	BEARING GUIDE SET TO REMOVE FORWARD BEARING CUP IN GEAR HOUSING.
-	FT11209		0	BEARING GUIDE SET USE WITH T 8918.
-	FT11207		0	BEARING CUP REMOVER TO REMOVE FORWARD BEARING CUP IN GEAR HOUSING.
-	FT11204		0	BEARING CUP INSTALLER TO INSTALL FORWARD BEARING CUP IN GEAR HOUSING.
-	FT3012		0	SEAL INSTALLER TO INSTALL WATER PUMP SEAL.
-	FT11205		0	BEARING INSTALLER/REMOVER TO INSTALL AND REMOVE LOWER DRIVESHAFT BEARING IN GEAR HOUSING.

SPECIAL TOOLS - TEST EQUIPMENT

REF. NO.	PART NO.	SYM.	QTY.	DESCRIPTION
-	FT8950		0	LEAKAGE TESTER TO TEST LOWER UNIT SEALS FOR LEAKAGE.
-	FTK8999		0	TEST WHEEL TO TEST MOTOR IN TEST TANK. ORIGINAL FORCE P/N TA 8999
-	FT8953		0	IGNITION TESTER TO TEST OUTPUT OF C-D UNIT.

SPECIAL TOOLS - LUBRICANTS AND SEALANTS

REF. NO.	PART NO.	SYM.	QTY.	DESCRIPTION
-	FT2961		0	LUBRICANT - RYKON #2EP
-	FT2987-1		0	LUBRICANT - ANTI-SEIZE
-	FT8969		0	LUBRICANT - 7 OZ. 2 PSI LUBRICANT
-	FT8955		0	SEALANT - 5 OZ. EC-750 INDUSTRIAL SEALANT
-	FT8993		0	SEALANT - 3 OZ. RTV SEALANT FROM IN PLACE GASKETS
-	FT8936		0	SEALANT - 2 CC LOCTITE RETAINING COMPOUND #75
-	FT2962-1		0	SEALANT - 50 CC LOCTITE H, NON-HARDENING GRADE
-	FT2963-1		0	SEALANT - 2 OZ. LOCTITE D, HARDENING GRADE
-	FT8935		0	SEALANT PRIMER - 6 OZ.

SPECIAL TOOLS - REPAIR DECALS - ENGINE COVERS

REF. NO.	PART NO.	SYM.	QTY.	DESCRIPTION
-	T11231		0	GOLD

ACCESSORIES

REF. NO.	PART NO.	SYM.	QTY.	DESCRIPTION
-	F5H014		0	FLUSHING ADAPTER PERMITS FRESH WATER FLUSHING OF WATER PASSAGES WITH STANDARD GARDEN HOSE.
-	F5H130		0	REMOTE CONTROL BOX (SINGLE LEVER) (SURFACE MOUNT) PERMITS REMOTE CONTROL OF THROTTLE AND GEAR SHIFT FROM STARBOARD SIDE OF BOAT.
-	F5H120		0	REMOTE CONTROL BACK PLATE PROTECTS CONTROL MECHANISM FROM PADDED BOAT SURFACES.
-	F5H131		0	PORT SIDE DECAL KIT CONVERTS 5H130 CONTROL BOX TO PORT SIDE MOUNTING.
-	F590		0	REMOTE CONTROL HEAD (SINGLE LEVER) FLUSH MOUNT CONTROL UNIT PERMITS REMOTE CONTROL OF THROTTLE AND GEAR SHIFT. MAY BE MOUNTED ON PORT OR STARBOARD SIDE OF BOAT.
-	865		0	TWIN REMOTE CONTROL BOX PERMITS REMOTE CONTROL OF THROTTLE, AND GEAR SHIFT ON TWIN ENGINE INSTALLATIONS. MAY BE MOUNTED ON PORT OR STARBOARD SIDE OF BOAT.
-	F5H079		0	REMOTE CONTROL BOX FOR MOUNTING ON CONSOLE OF BOAT.
-	F5H080		0	TWIN REMOTE CONTROL BOX FOR MOUNTING ON CONSOLE OF BOAT.
-	F195/___		0	REMOTE CONTROL CABLES CONNECTS REMOTE CONTROL BOX TO THROTTLE AND GEAR SHIFT ON ENGINE. AVAILABLE IN 6 THROUGH 40 FOOT LENGTHS.
-	F5H108		0	STEERING CONNECTOR CLEVIS TYPE FOR BOAT MOUNTED STEERING AND NON THREADED CABLE END.
-	F5H018		0	DUAL ENGINE TIE BAR PERMITS DUAL ENGINE INSTALLATIONS.
-	F5H094		0	STEERING LINK CONNECTS ENGINE TO REMOTE STEERING CABLE.
-	F5H026		0	STEEL, 6 GALLON FUEL TANK (LOW PROFILE) AUXILIARY TANK.
-	F5H029		0	TANK ANCHOR SECURES 5H026 TO BOAT.
-	F5H040		0	STEEL, 12 GALLON FUEL TANK AUXILIARY TANK.
-	F5H019		0	ANTI-CORROSION KIT ELECTRICAL KIT FOR MOUNTING ON BOAT (12V) TO REDUCE CORROSION.
-	F5H025		0	ANTI-CORROSION SACRIFICIAL ANODE KIT USED TO REDUCE CORROSION.
-	F5H043		0	OVERHEAT BUZZER SOUNDS WARNING BUZZER IF ENGINE OVERHEATS.
-	479		0	OVERHEAT LAMP WARNS OF ENGINE OVERHEATING. DO NOT USE GAUGE AND LAMP IN SAME INSTALLATION.
-	F5H010		0	POWER TRIM INDICATOR INDICATES ENGINE TRIM ANGLE. (FLUSH MOUNT).
-	F5H081		0	BATTERY CABLE LONGER LENGTH - 15 FEET.
-	71H06		0	AMMETER - FLUSH MOUNT INDICATES ALTERNATOR OUTPUT.
-	F5H006		0	VOLTMETER - FLUSH MOUNT INDICATES BATTERY CONDITION.

CONTINUED ON NEXT PAGE ➡

ACCESSORIES

REF. NO.	PART NO.	SYM.	QTY.	DESCRIPTION
-	71H25		0	CHARGE INDICATOR LAMP INDICATES ALTERNATOR OUTPUT.
-	F5H007		0	HOURMETER - FLUSH MOUNT RECORDS ENGINE RUNNING TIME.
-	5H111		0	INSTRUMENT ADAPTER - 2" PROVIDES SURFACE MOUNTING OF INSTRUMENTS.
-	F5H112		0	INSTRUMENT ADAPTER - 3-1/2" PROVIDES SURFACE MOUNTING OF INSTRUMENTS.
-	F5H119		0	PROPELLER SPACER - FLARED REDUCES PROPELLER VENTILATION ON SOME BOAT APPLICATIONS.
-	F5H069		0	RFI SUPPRESSION KIT PROVIDES RADIO NOISE SUPPRESSION.
-	5H048		0	CANVAS HOOD PROTECTION FOR ENGINE COVER.
-	5H051		0	BATTERY, 74 AMP. 12 VOLT HEAVY DUTY BATTERY.
-	F5H041		0	BATTERY TERMINAL KIT ADAPTS MODEL 5H051 BATTERY TERMINALS FOR CONNECTIONS TO CABLE ON ENGINE.
-	F5H021		0	EXTENSION CABLE FOR LENGTHENING BATTERY CABLE 6-1/2 FEET.
-	F5H037		0	CIGAR LIGHTER FOR USE AS CONVENIENCE OUTLET.
-	F5H008		0	FUEL GAUGE FLUSH MOUNT MONITORS FUEL SUPPLY.
-	F5H076		0	SWITCH EXTENSION CABLE 5 FOOT LONG SWITCH WIRING HARNESS.
-	F5H077		0	IGNITION KEY SWITCH SHORT BARREL WITH KEYS.
-	F5H078		0	IGNITION KEY SWITCH LONG BARREL WITH KEYS.
-	478		0	IGNITION LAMP INDICATES WHEN IGNITION SWITCH IS "ON".
-	F762		0	REMOTE ELECTRIC CABLE 25 FOOT CABLE FOR LARGE BOATS.
-	5H082		0	REMOTE ELECTRIC CABLE 35 FOOT CABLE FOR LARGE BOATS.
-	F5H115		0	TRAILERING TILT LOCK SECURES ENGINE IN HALF-TILT POSITION FOR TRAILERING
-	F71H32		0	TILT STOP KIT SHORTER TILT STOP FOR SHORT TRANSON WELL
-	F5H070		0	REMOTE ELECTRIC CABLE 21 FOOT CABLE FOR LARGE BOATS.
-	F5H028		0	SENDING UNIT FOR USE WITH FUEL GAUGE.
-	F5H005		0	TEMPERATURE GAUGE - FLUSH MOUNT MONITORS ENGINE TEMPERATURE. DO NOT USE TEMPERATURE GAUGE AND HEAT LAMP IN SAME INSTALLATION.
-	F5H012		0	TACHOMETER FLUSH MOUNT MONITORS ENGINE R.P.M. TO PROVIDE CHECK OF ENGINE PERFORMANCE.
-	F5H150		0	POWER TRIM ADJUSTS ENGINE TRIM AND TILTS ENGINE.
-	F5H004		0	SPEEDOMETER FLUSH MOUNT MONITORS BOAT SPEED (0-50 M.P.H.)
-	F5H002		0	SPEEDOMETER - FLUSH MOUNT MONITORS BOAT SPEED (0-65 M.P.H.)
-	F5H076		0	SWITCH EXTENSION CABLE 5 FOOT LONG SWITCH WIRING HARNESS.

CONTINUED ON NEXT PAGE ➡

ACCESSORIES

REF. NO.	PART NO.	SYM.	QTY.	DESCRIPTION
-	F5H003		0	SPEEDOMETER FLUSH MOUNT MONITORS BOAT SPEED (TO 100 KM/H).
-	F5H030		0	SWITCH KIT - RUNNING LIGHTS DASH MOUNTED TOGGLE SWITCH
-	F5H031		0	SWITCH KIT - SPOT LIGHT DASH MOUNTED TOGGLE SWITCH
-	F5H032		0	SWITCH KIT - WIPER DASH MOUNTED TOGGLE SWITCH
-	F5H034		0	SWITCH KIT - BILGE PUMP DASH MOUNTED TOGGLE SWITCH
-	F5H035		0	SWITCH KIT - HORN DASH MOUNTED TOGGLE SWITCH
-	F5H039		0	SWITCH KIT - INSTRUMENT LIGHTS DASH MOUNTED TOGGLE SWITCH
-	F5H036		0	SWITCH KIT - TACHOMETER TRANSFER FOR ONE TACHOMETER ON DUAL ENGINE INSTALLATION.
-	F5H038		0	SWITCH KIT - IGNITION SWITCH TO MOUNT IGNITION SWITCH IN DASH.
-	5H139		0	SWITCH KIT - LIVWELL TO OPERATE LIVWELL PUMP IN BASS BOAT
-	F563		0	TERMINAL BLOCK KIT DOUBLE ROW 10 SECTION, TO SIMPLIFY ACCESSORY INSTALLATION.
-	479		0	UNIMOUNT UNDER DASH MOUNT FOR INDICATOR LIGHTS AND IGNITION SWITCH.
-	F5H075		0	WIRING HARNESS - IGNITION SWITCH - 24" USE WITH 563 TERMINAL BLOCK.
-	F596		0	CHRYSLER OUTBOARD OIL SEE BLOCK COMMENT 1.
-	F597		0	CHRYSLER OUTBOARD GEAR LUBE SEE BLOCK COMMENT 2.
-	72H26		0	CHRYSLER OUTBOARD FUEL AID REMOVES MOISTURE, PREVENTS SLUDGE AND VARNISH AND STABILIZES GAS. AVAILABLE IN 16 OZ. CANS AND 12 CAN CASES.
-	72H27		0	CHRYSLER OUTBOARD STORAGE LUBRICANT WORKS AS A CORROSION INHIBITOR AND PROTECTS INTERNAL ENGINE PARTS DURING STORAGE. AVAILABLE IN 16 OZ. CANS AND 12 CAN CASES.
-	72H28		0	CHRYSLER OUTBOARD MULTI-PURPOSE SPRAY LUBE WORKS AS A LUBRICANT, CLEANER, MOISTURE REMOVER AND ELECTRIC INSULATOR. AVAILABLE IN 9 OZ. CANS AND 12 CAN CASES.
-	F72H29		0	CHRYSLER OUTBOARD MULTI-PURPOSE GREASE LUBRICATES BEARINGS AND OTHER MOVING PARTS. AVAILABLE IN 8 OZ. TUBES AND 12 TUBE CASES.
-	F72H30		0	CHRYSLER OUTBOARD GREASE GUN USED WITH CHRYSLER OUTBOARD MULTI-PURPOSE GREASE TUBES FOR PRESSURE FITTINGS.
-	72H34		0	CHRYSLER OUTBOARD MULTI-PURPOSE CLEANER

PARTS INDEX

Part Number	Description	Pg.	Ref. No.	Part Number	Description	Pg.	Ref. No.
ÄF58356//	REMOTE CONTROL CABLE (SPECIFY LENGTH)	47	4	F1052	FILL HD SCREW, 1/4 - 20 X 1	25	22
478	IGNITION LAMP	57	-	F1059	FILL HD SCREW, 6 - 32 X 1/4	17	21
479	OVERHEAT LAMP	56	-	F1064	FILL HD SCREW, 8 - 32 X 3/8	17	3
479	UNIMOUNT	58	-	F1087	FILL HD SCREW, 10 - 24 X 13/16	7	2
480373	DECAL, MAGNAPOWER IGNITION	9	55	F1099	FILL HD SCREW, 1/4 - 20 X 1 1/4	25	13
481373	DECAL, "ELECTRONIC" (NOT SHOWN)	15	-	F1099	FILL HD SCREW, 1/4 - 20 X 1 1/4	27	55
5C553944	ENGINE COVER, COMPLETE	3	-	F1107	SLOTTED FILL HD CAP SCREW, 1/4 - 20 X 3/4 . . .	27	76
5H048	CANVAS HOOD	57	-	F1108	FILL HD SCREW, 1/4 - 20 X 3/4	21	13
5H051	BATTERY, 74 AMP.	57	-	F1253	HEX SOCKET HD CAP SCREW, 3/8 - 16 X 2	25	9
5H082	REMOTE ELECTRIC CABLE	57	-	F1263	HEX SOCKET HD CAP SCREWS, 5/16 - 18 X 9/16	33	13
5H111	INSTRUMENT ADAPTER - 2"	57	-	F1280	PAN HD SCREW	37	94
5H139	SWITCH KIT - LIVEWELL . . .	58	-	F1280	PAN HD SCREW, 8 - 32 X 1/4	7	33
71H06	AMMETER - FLUSH MOUNT	56	-	F1280	PAN HD SCREW, 8 - 32 X 1/4 (TERMINAL BOARD) (NOT SHOWN)	49	-
71H25	CHARGE INDICATOR LAMP	57	-	F1285	PAN HD SCREW, 4 - 40 X 3/16	25	39
72H26	CHRYSLER OUTBOARD FUEL AID	58	-	F1341	HEX NUT, 1/4 - 20	25	21
72H27	CHRYSLER OUTBOARD STORAGE LUBRICANT . .	58	-	F1346	HEX NUT	33	27
72H28	CHRYSLER OUTBOARD MULTI-PURPOSE SPRAY LUBE	58	-	F14005-2	CAP BASE	13	37
72H34	CHRYSLER OUTBOARD MULTI-PURPOSE CLEANER	58	-	F14007	CAP SCREW	13	33
817747--1	BALL JOINT W/STUD	21	23	F14010-1	CAP COVER	13	34
817747--1	BALL JOINT W/STUD	25	25	F14012-1	BRUSH	13	39
817783A5	SWIVEL BRACKET W/BEARINGS AND GREASE FITTINGS	35	63	F14015	CAP CLIP RIVET	13	21
817786A1	DISTRIBUTOR PULLEY W/STOP NUT AND WASHER	13	3	F14017	TERMINAL INSULATOR (OUTSIDE)	15	46
817788A3	SPACER PLATE W/PLUG . .	27	73	F14021-1	CAP SEAL	13	36
817828A1	DISTRIBUTOR COMPLETE .	15	-	F14024	SPACER	15	42
817892--1	PLATE, IGNITION SWITCH - CANADA (NOT SHOWN) .	9	-	F14025	SPACER	13	4
817931A7	MOTOR LEG COVER REAR	33	6	F14028	THRUST WASHER	13	5
817932A6	TOWERSHAFT W/SWIVEL, BEARINGS AND SCREWS	25	19	F14029	THRUST WASHER	13	7
818110A1	PISTON	31	2	F14030	CAP GASKET	13	38
85872---1	BRACKET	27	59	F14036	SWIVEL	13	13
865	TWIN REMOTE CONTROL BOX	56	-	F14037	CAP CLIPS	13	14
89396A38	PRIME BULB	45	9	F14038	CAP CLIP SCREWS	13	15
A523010-1	CYLINDER	25	1	F14040	VENT	13	35
A85135	LEG COVER FRONT	35	74	F14041	EXTERNAL TOOTH LOCKWASHER	13	23
C523227	SPARK PLUG (CHAMPION QL-76V) - CANADA	27	-	F14042	DISTRIBUTOR HOUSING W/BEARINGS	13	12
F10000	GASKET SET (NOT SHOWN)	19	-	F14044	DISTRIBUTOR SHAFT	13	40
F10005	REPAIR PARTS KIT.	19	54	F14045	SCREW	13	16
F1009	HEX HD SCREW, 3/8 - 16 X 2 3/4	25	5	F14046	TERMINAL SCREW	13	19
F1014	COTTER PIN	17	17	F14047	TERMINAL INSULATOR (INSIDE)	13	20
F1014	COTTER PIN	35	59	F14049	TERMINAL INSULATOR (OUTSIDE)	13	22
F1015	COTTER PIN	41	46	F14056	SCREW	15	47
F1049	HEX CAP SCREW, 5/16 - 18 X 2 5/8	27	78	F1425	HEX CAP SC, 1/4 - 20 X 5/8 .	43	-
				F1425	HEX CAP SCREW, 1/4 - 20 X 2 5/8	41	62
				F1447	ROUND HD SCREWS, 2 X 3/16	3	15

PARTS INDEX

Part Number	Description	Pg.	Ref. No.	Part Number	Description	Pg.	Ref. No.
F1473	HEX NUT	3	32	F1541	HEX CAP SCREW, 1/4 - 20 X 5/8	3	21
F1475	FILL HD SCREW, 10 - 24 X 1/2	29	103	F154317	CABLE CLAMP	47	23
F1491	HEX HD SCREW, 5/16 - 18 X 3/4	41	41	F1545	SCREW, 1/4 - 20 X 1/2	21	22
F15034	SPRING SET	11	15	F1546	HEX HD CAP SCREW, 1/4 - 20 X 1/2	9	42
F15054	BRUSH AND TERMINAL SET	11	7	F1556	FILL HD SCREW W/LOCKWASHER, 10 - 24 X 3/8	25	23
F15057	BRUSH PLATE AND HOLDER ASSEMBLY	11	16	F1557	FLAT HD SCREW, 10 - 24 X 3/8	47	25
F15099	ARMATURE	11	5	F1577	FILL HD SCREW, 1/4 - 20 X 3/4	39	19
F15118	BENDIX DRIVE ASSEMBLY	11	1	F1593	HEX HD SCREW, 3/8 - 16 X 3	33	25
F15125	HEAD ASSEMBLY, COMMUTATOR END	11	14	F1612	HEX CAP SCREW, 3/8 - 16 X 1 1/4	13	8
F15126	THRUST WASHER PACKAGE	11	4	F1641	LOCK NUT	11	2
F1513	HEX NUT	7	18	F1645	RD HD SCREW, 6 - 32 X 1/4	7	27
F1513	HEX NUT	47	3	F1645	RD HD SCREW, 6 - 32 X 1/4	23	50
F1513	HEX NUT, 10 - 32	21	27	F1647	HEX NUT, 8 - 32	7	6
F1513	HEX NUT, 10 - 32	25	27	F1647	HEX NUT, 8 - 32	13	24
F1515	HEX NUT	7	24	F1647	HEX NUT, 8 - 32	29	96
F1515	HEX NUT, 5/16 - 18	21	29	F1648	PAN HD SCREW, 10 - 24 X 3/4	7	16
F15166	FRAME AND FIELD ASSEMBLY	11	6	F1664	SPRING PIN	33	7
F15167	HEAD ASSEMBLY, DRIVE END	11	3	F1666	SPRING BOWED WASHER	33	21
F15168	THRU BOLT PACKAGE	11	10	F1669	LOCK NUT	33	43
F1528	WELCH PLUG	33	40	F1692	WOODRUFF KEY	13	41
F1532	HEX HD SCREW, 1/4 - 20 X 1	21	20	F1693	TIE BAR RETAINER	17	4
F1532	HEX HD SCREW, 1/4 - 20 X 1	25	16	F1696	HEX BOLT, 5/16 - 18 X 1 3/4	35	65
F1532	HEX HD SCREW, 1/4 - 20 X 1	27	43	F1699	HEX HD SCREW, 1/4 - 20 X 1 1/8	25	8
F1533	HEX CAP SCREW, 1/4 - 20 X 7/8	29	107	F17006	DETENT SPRING	47	18
F1533	HEX HD SCREW, 1/4 - 20 X 7/8	23	44	F17009	BEARING	47	14
F1533	HEX HD SCREW, 1/4 - 20 X 7/8	25	6	F17010-1	THROTTLE GEAR	47	16
F1534	HEX CAP SCREW, 1/4 - 20 X 7/8	41	55	F17011	BOWED WASHER	47	15
F1534	HEX HD SCREW, 1/4 - 20 X 7/8	27	53	F17012	RETAINING PLATE	47	13
F1535	HEX CAP SCREW, 1/4 - 20 X 3/4	3	10	F17013	FILL HD SCREW, 1/4 - 20 X 1/2	47	11
F1535	HEX CAP SCREW, 1/4 - 20 X 3/4	27	54	F17014	THROTTLE ARM	47	10
F1535	HEX HD SCREW, 1/4 - 20 X 3/4	25	11	F17016	CABLE TERMINAL	47	9
F1536	HEX CAP SCREW, 1/4 - 20 X 3/4	7	23	F17019	CLUTCH ARM	47	5
F1536	HEX CAP SCREW, 1/4 - 20 X 3/4	39	1	F17021	CLUTCH GEAR	47	19
F1536	HEX SLOT HD SCREW, 1/4 - 20 X 3/4	33	4	F17026	SWIVEL	47	24
F1540	HEX CAP SCREW, 1/4 - 20 X 5/8	3	16	F1703	LOCKWASHER	27	71
F1540	HEX CAP SCREW, 1/4 - 20 X 5/8	11	11	F1703	SPRING LOCKWASHER	35	73
F1540	HEX CAP SCREW, 1/4 - 20 X 5/8	21	5	F17030-1	SET SCREW	47	31
F1540	HEX CAP SCREW, 1/4 - 20 X 5/8	27	48	F17031-1	SNAP CAP	47	28
				F17036	INTERNAL TOOTH LOCKWASHER	47	6
				F1704	INTERNAL TOOTH LOCKWASHER	23	49
				F17068	DETENT SPRING	49	37
				F17071	FILL HD SCREW, 10 - 24 X 5/16	47	22
				F1708	HEX HD CAP SCREW, 1/4 - 20 X 1 3/8	3	40
				F17082-1	DETENT BALL	49	38
				F17092	SNAP RING	47	21
				F17099-1	HOUSING	47	36

PARTS INDEX

Part Number	Description	Pg.	Ref. No.	Part Number	Description	Pg.	Ref. No.
F1710	PLAIN WASHER	33	18	F178889	SHAFT, SHOCK MOUNT		
F17100	CLUTCH SHAFT	47	20		UPPER	33	37
F17103-1	BAG ASSEMBLY (NOT SHOWN).	49	-	F17932	SEAL, FUEL LINE COUPLER	45	12
F17105	FELT WASHER	47	33	F18160-2	CYLINDER DRAIN REED	25	36
F17106	COLLAR	47	34	F1822	HEX BOLT, 5/16 - 18 X 7/8	35	76
F17111	SPRING BOWED WASHER	33	17	F1831	FLAT HD SCREW, 1/4 - 20 X 5/8	23	43
F171111	DETENT BALL	47	17	F1832	STOP NUT, 1/4 - 20	27	68
F17112	JUNCTION BOARD, STARBOARD	47	26	F1836	SPRING PIN	35	60
F17113	JUNCTION BOARD, PORT	47	-	F184033-1	SWIVEL, TOP CARBURETOR	17	20
F17115-1	HANDLE	47	30	F184122-1	PARTING LINE SEAL	29	-
F17116	KNOB	47	29	F184122-1	SEAL, PARTING LINE	29	101
F1713	SPRING PIN	39	25	F184579	"O" RING SEAL	17	19
F17146	WOOD SCREW	47	35	F1851	FILL HD SCREW W/LOCKWASHER, 10 - 24 X 1/2	7	39
F17147	INTERNAL TOOTH LOCKWASHER	47	12	F1856	PLAIN WASHER	43	72
F17148	DECAL, STARBOARD	47	27	F1857	HEX CAP SCREW, 5/16 - 18 X 5/8	3	19
F17149	COTTER PIN	47	8	F1857	HEX CAP SCREW, 5/16 - 18 X 5/8	3	31
F1715	HEX BOLT, 1/4 - 28 X 9/16	47	7	F1858	HEX CAP SCREW, 5/16 - 18 X 1	3	20
F1727	PLASTIC RIVET	25	20	F1858	HEX CAP SCREW, 5/16 - 18 X 1	41	39
F1729	PLUG	33	5	F1860	RD HD SCREW, 6 - 32 X 1/4	21	9
F1730	PAN HD SCREW W/SPRING LOCKWASHER, 1/4 - 20 X 5/8	3	37	F1866	PLAIN WASHER	43	71
F1733	PAN HD MACHINE SCREW, 10 - 24 X 9/16	3	2	F1867	HEX CAP SCREW, 3/8 - 16 X 1	31	19
F1734	FILL HD SCREW W/LOCKWASHER, 1/4 - 20 X 1/2	7	14	F1869	HEX CAP SCREW, 3/8 - 16 X 1 1/4	27	70
F1741	PAN HD SCREW, 8 X 3/4	7	35	F1871	HEX HD SCREW, 3/8 - 16 X 3/4	35	69
F1744	SPRING PIN	35	48	F1872	HEX CAP SCREW, 3/8 - 16 X 1 3/4	25	12
F1744	SPRING PIN	35	52	F1873	HEX CAP SCREW, 3/8 - 16 X 3	27	50
F1755	ROUND HD SCREW W/LOCKWASHER, 6 - 32 X 1/4	21	38	F1874	HEX HD SCREW, 3/8 - 16 X 3 1/8	25	2
F1759	SHIM, DISTRIBUTOR (QTY. AS REQUIRED)	13	11	F1877	TY-RAP	7	29
F1760	PAN HD SCREW, 10 - 24 X 3/8	7	19	F1885	HEX BOLTS, S.S., 5/16 - 18 X 4 1/4	27	64
F1760	PAN HD SCREW, 10 - 24 X 3/8	13	25	F1885	HEX CAP SCREW, 5/16 - 18 X 4 1/4	39	6
F1760	PAN HD SCREW, 10 - 24 X 3/8	25	3	F1892	STOP NUT	9	52
F177330	FUEL PUMP VALVE	21	10	F1904	PLAIN WASHER	33	26
F177350	REVERSE LOCK PIN	35	47	F1907	PLAIN WASHER	39	7
F1778	PLAIN WASHER	13	9	F1910	STOP NUT, 1/4 - 20	21	25
F178168-1	GASKET, CARBURETOR ADAPTER	21	35	F19109	PLUG	27	60
F178168-1	GASKET, CARBURETOR ADAPTER	29	-	F19109	PLUG	39	30
F178173	RETAINING RING	33	34	F1912	HEX HD SCREW, 10 - 24 X 1/2	35	67
F178208	RETAINING RING	33	19	F1916	HEX BOLT, 1/4 - 20 X 1 1/8	29	87
F178323	SEAL, MOTOR LEG	33	12	F1934	FLAT HD SLOTTED SCREW, 6 X 12	9	50
F178362	BEARING	33	36	F1935	PLAIN WASHER	27	42
F178404-1	DEFLECTOR PLATE	21	36	F1936	SPACER, BEVEL GEAR FRONT .059	39	27
F178632	SHAFT, SHOCK MOUNT LOWER	33	39	F1937	SPACER, BEVEL GEAR FRONT .062	39	-
F178754-1	FUEL LINE	17	24				
F1788	STOP NUT	39	15				

PARTS INDEX

Part Number	Description	Pg.	Ref. No.	Part Number	Description	Pg.	Ref. No.
F1938	SPACER, BEVEL GEAR FRONT .065	39	-	F2115	SPACER, BEVEL GEAR FRONT .086	39	-
F1939	SPACER, BEVEL GEAR FRONT .068	39	-	F2116	SPACER, BEVEL GEAR FRONT .089	39	-
F1940	SPACER, BEVEL GEAR FRONT .071	39	-	F2121	SPACER, BEVEL GEAR FRONT .057	39	-
F1941	SPACER, BEVEL GEAR FRONT .074	39	-	F2122	SPACER, BEVEL GEAR FRONT .054	39	-
F1942	SPACER, BEVEL GEAR FRONT .077	39	-	F213274	GREASE FITTING	13	27
F195/___	REMOTE CONTROL CABLES	56	-	F213274	GREASE FITTING	33	38
F1950	HEX CAP SCREW, 10 - 24 X 5/8	29	91	F213342	SEAL, FUEL LINE COUPLER (LARGE)	45	4
F1968	FLYWHEEL NUT	31	21	F213735	SEAL, FUEL LINE COUPLER (SMALL)	45	5
F1975	SPRING LOCKWASHER	7	10	F24278	SEAL, "O" RING PROPELLER SHAFT SPOOL	39	10
F1975	SPRING LOCKWASHER	13	26	F24278	SEAL, PROPELLER SHAFT SPOOL	43	-
F197787-3	FUEL LINE COUPLER	45	6	F269319	THROTTLE CAM BEARING	21	26
F197813	BEARING	35	57	F284659-2	BEARING, CRANKSHAFT UPPER MAIN	31	22
F1987	PLAIN WASHER	27	79	F286461	SPRING, LOCK BAR HANDLE	35	50
F1987	PLAIN WASHER	35	64	F289446-1	CLAMP	7	12
F1990	HEX CAP SCREW	43	-	F298788	FERRULE	45	7
F1990	HEX CAP SCREW, 1/4 - 20 X 1 5/8	41	60	F2A476757	CYLINDER DRAIN REED PLATE W/REEDS, STOPS AND SCREWS	25	35
F1994	HEX SOCKET HD CAP SCREW, 5/16 - 18 X 1	41	36	F2A498023	BEVEL GEAR FRONT W/BEARING	39	28
F1997	STOP NUT, 8 - 32	17	10	F2A498662	BEVEL GEAR REAR W/BEARING CAGE	39	21
F2000	HEX CAP SCREW, 5/16 - 18 X 3/4	9	47	F2A523239	SPOOL, PROPELLER SHAFT BEARING W/SEALS	39	11
F2000	HEX CAP SCREW, 5/16 - 18 X 3/4	29	99	F307317	CLIP, TERMINAL BLOCK	7	17
F2015	HEX NUT, 1/4 - 28	29	102	F316579	SEAL, CRANKCASE	31	11
F2016	FILL HD SCREW, 6 - 32 X 7/8	23	48	F316599	SEAL, STEERING SUPPORT TUBE	35	86
F2030	HEX HD M. SCREW, 1/4 - 20 X 1-1/4	33	16	F319908	GROUND WIRE	9	57
F203276	BOOT	13	30	F321756	PACKING, COVER	3	27
F2033	GROOVE PIN	17	26	F321841-3	LEAD WIRE - USA	13	32
F203673	TERMINAL CLIP	13	31	F322273	STUD, C.D. UNIT	9	48
F2042	PLAIN WASHER	29	106	F333316	THROTTLE ROLLER SHAFT	17	5
F2047	WAVE SPRING LOCKWASHER	3	26	F335217-1	BEARING, PISTON PIN (26 PER SET)	31	5
F2066	PAN HD TAPPING SCREW, 10 X 7/16 (TRIM TO COVER)	3	34	F335654-1	DEFLECTION STOP	3	17
F2067	PLASTISOL CAP (NOT SHOWN) FOR EXPOSED THREADS OF CRANKSHAFT	31	-	F338618-1	SEAL GEAR SHIFT ROD	33	15
F2088	FASTENER	3	38	F338618-1	SEAL, GEAR SHIFT ROD	41	53
F2089	SLOTTED PAN HD M. SCREW, 10 - 24 X 5/16	29	105	F338618-1	SEAL, GEAR SHIFT ROD	43	-
F2090	PLUG	27	74	F345475-1	COIL	9	44
F2093	STOP NUT	37	89	F345683	WIRE, REGULATOR- RECTIFIER GROUND	7	5
F2107	FILL HD SCREW, 10 - 24 X 5/8	7	9	F351307	SEAL, DRIVESHAFT - WATER PUMP	41	63
F2108	LOCK NUT	35	79	F353480	STUD	33	29
F2108	STOP NUT, 5/16 - 18	27	67	F369349	REVERSE LOCK	33	44
F2113	SPACER, BEVEL GEAR FRONT .080	39	-	F369364	REVERSE LOCK ARM	35	55
F2114	SPACER, BEVEL GEAR FRONT .083	39	-	F369510	LINK REVERSE LOCK	35	46
				F369610	BEARING	27	62

PARTS INDEX

Part Number	Description	Pg.	Ref. No.	Part Number	Description	Pg.	Ref. No.
F369827	HANDLE AND SHAFT	35	56	F438754	FUEL LINE	17	29
F369887	SHOULDER SCREW	27	61	F438760	FUEL PUMP GASKET	21	4
F369977-1	INTERLOCK ARM	27	63	F438801	FITTING	21	14
F372151-1	EXHAUST PORT PLATE	29	90	F438841-1	LEAD WIRE - CANADA	13	-
F372152-1	EXHAUST PORT COVER	29	88	F438905	COIL WIRE - CANADA	13	-
F372154-1	GASKET, EXHAUST PORT PLATE	29	-	F438930	RETAINER, SNOUT	41	38
F372154-1	GASKET, EXHAUST PORT PLATE	29	89	F438962	SHOCK MOUNT LOWER REAR	33	14
F372925	CHOKE ROD	17	27	F439736	SEAL, EXHAUST TUBE	35	82
F372958	CHOKE BRACKET	21	19	F441754-1	HOSE	21	3
F373778-1	RETAINER, ENGINE COVER	3	33	F460917	STARTER RELAY	7	26
F381896-4	BATTERY CABLE	7	30	F474073-1	CLAMP SCREW	33	30
F391926-1	PLUNGER	17	28	F474387	TIMING DECAL - USA	9	56
F391983	RETAINING BAND	9	51	F476066-1	THERMOSTAT COVER	29	85
F3A523158	REED PLATE W/REEDS, REED STOPS AND SCREWS	21	41	F476067	GASKET	27	81
F40209	CARBURETOR STUD	21	30	F476067	GASKET, THERMOSTAT COVER	29	-
F40223	GASKET, TRANSFER PORT COVER	27	52	F476529-1	CYLINDER HEAD GASKET	27	75
F40223	GASKET, TRANSFER PORT COVER	29	-	F476529-1	GASKET, CYLINDER HEAD	29	-
F404097	FLYWHEEL	7	1	F480038-2	SUPPORT PLATE	3	11
F404268	BY-PASS VALVE SPRING	29	94	F480107-1	CAM STARTER INTERLOCK	29	104
F404314	ELBOW, FUEL PUMP COVER	21	2	F480388	DISC, WATER PUMP LOCATING	41	61
F404314	FITTING	27	47	F480818	BEARING	3	9
F404470-1	REGULATOR-RECTIFIER	7	8	F481382-1	SPACER, LATCH SHAFT	3	25
F404513	COIL CLAMP	7	40	F481434	GUIDE, ENGINE COVER	3	39
F404801	ELBOW, CYLINDER DRAIN UPPER (NOT SHOWN)	27	-	F481774	BRACKET, COVER LATCH	3	28
F404841	CABLE, HEAT INDICATOR	7	37	F481777	CAM, LATCH	3	24
F405457	PIVOT SCREW	25	7	F483884	BEARING	35	61
F406406	GASKET DEFLECTOR PLATE	21	37	F485755-1	FUEL TANK ADAPTER	45	3
F406406	GASKET, DEFLECTOR PLATE	29	-	F489551	BRACKET NEUTRAL INTERLOCK SWITCH	23	45
F406471-1	CYLINDER DRAIN COVER	27	41	F498618	SEAL	41	30
F406754-1	HOSE	27	46	F498618	SEAL, GEARSHIFT ARM PIN	43	-
F40689-1	BEARING	27	72	F498891	PIN, GEAR SHIFT ARM	41	32
F407446	CLAMP	7	31	F498891	PIN, PROPELLER NUT RETAINING	39	14
F409251-1	GAUGE CAP	45	1	F500061-1	CARBURETOR COMPLETE (WB24B)	19	47
F433114	HANDLE, LOCK BAR	35	51	F50109	PLUG, GEAR HOUSING	41	43
F433209-1	THROTTLE CAM STUD	21	32	F50342-1	SEAL, "O" RING	39	8
F438066	BY-PASS VALVE COVER	29	92	F50342-1	SEAL, BEARING CAGE BOLT	43	-
F438129	SEAL, DRIVESHAFT SPLINE	43	70	F506118	SEAL, PROPELLER SHAFT	39	9
F438165	SCREW, FUEL PUMP BOWL	21	18	F506118	SEAL, PROPELLER SHAFT	43	-
F438169	BEARING	33	42	F510374	DECAL, CIRCUIT BREAKER U.S.A.	7	41
F438271	RETAINER, CRANKSHAFT SPLINE SEAL	43	69	F510460	CIRCUIT BREAKER	7	22
F438346	SHOCK MOUNT LOWER	35	75	F511125-2	TUBE, STEERING SUPPORT	35	84
F438398	DECAL, WIRING - USA	29	86	F511675	STARTER BRACKET, LOWER	11	13
F438500	FUEL SEDIMENT BOWL	21	17	F523031	GASKET, WATER PUMP	41	56
F438617	FUEL SEDIMENT BOWL GASKET	21	15	F523031	GASKET, WATER PUMP	43	-
F438653	FUEL SEDIMENT BOWL SCREEN	21	16	F523057	BEARING, DRIVESHAFT LOWER	41	65
F438668	RETAINER, CABLE CLAMP	7	13	F523065	IMPELLER	43	-
F438744-1	WIRING HARNESS	7	4	F523065	IMPELLER, WATER PUMP	41	58
F438747	FUEL PUMP DIAPHRAGM	21	8	F523094-2	PROPELLER NUT	39	13
				F523099-1	SPACER, PROPELLER	39	18
				F523116	EXHAUST SNOUT	41	37
				F523133-2	MOTOR LEG	35	81

PARTS INDEX

Part Number	Description	Pg.	Ref. No.	Part Number	Description	Pg.	Ref. No.
F523146	SEAL, CRANKSHAFT LOWER	31	13	F5H008	FUEL GAUGE FLUSH MOUNT	57	-
F523188	NUT, BEVEL PINION	41	34	F5H010	POWER TRIM INDICATOR	56	-
F523244	INLET WATER LINE	39	5	F5H012	TACHOMETER FLUSH MOUNT	57	-
F523273	STUD STEERING BALL	37	93	F5H014	FLUSHING ADAPTER	56	-
F523274	GREASE FITTING	35	85	F5H018	DUAL ENGINE TIE BAR	56	-
F523280	NUT, STEERING SUPPORT TUBE	35	80	F5H019	ANTI-CORROSION KIT	56	-
F523300-1	SPRING STR LINK	37	88	F5H021	EXTENSION CABLE	57	-
F523411	RETAINING RING, BEARING CAGE	39	22	F5H025	ANTI-CORROSION SACRIFICIAL ANODE	56	-
F523451	SPACER, REED STOP	23	51	F5H026	FUEL TANK (ACCESSORY ITEM)	45	2
F523498	DRIVE KEY, WATER PUMP	41	67	F5H026	STEEL, 6 GALLON FUEL TANK (LOW PROFILE)	56	-
F523498	KEY	43	-	F5H028	SENDING UNIT	57	-
F523555	SEAL, "O" RING, GEAR HOUSING COVER	41	48	F5H029	TANK ANCHOR	56	-
F523555	SEAL, GEAR HOUSING COVER	43	-	F5H030	SWITCH KIT - RUNNING LIGHTS	58	-
F523562	PLATE, WATER PUMP	41	57	F5H031	SWITCH KIT - SPOT LIGHT	58	-
F523562	PLATE, WATER PUMP	43	-	F5H032	SWITCH KIT - WIPER	58	-
F523705	GEAR SHIFT ROD LOWER	41	45	F5H034	SWITCH KIT - BILGE PUMP	58	-
F523813	BEARING CUP	39	29	F5H035	SWITCH KIT - HORN	58	-
F523834	CLIP, SPARK PLUG WIRE	25	28	F5H036	SWITCH KIT - TACHOMETER TRANSFER	58	-
F523881-2	LINK STEERING	37	91	F5H037	CIGAR LIGHTER	57	-
F523899	GROMMET, WATER LINE	39	4	F5H038	IGNITION SWITCH MOUNTING KIT (ACCESSORY ITEM)	9	49
F523930	RETAINER STUD	37	92	F5H038	SWITCH KIT - IGNITION SWITCH	58	-
F523961	CRUSH RING	41	49	F5H039	SWITCH KIT - INSTRUMENT LIGHTS	58	-
F523962	SHOCK MOUNT - C.D. UNIT	9	46	F5H040	STEEL, 12 GALLON FUEL TANK	56	-
F528068	THERMOSTAT	29	82	F5H041	BATTERY TERMINAL KIT	57	-
F528995	COVER, CYLINDER HEAD	29	108	F5H041	BATTERY TERMINAL KIT (ACCESSORY ITEM)	7	32
F529390	DECAL, REVERSE LOCK - USA	35	87	F5H043	OVERHEAT BUZZER	56	-
F530160	REED (5 PETAL)	21	40	F5H043	OVERHEAT BUZZER (ACCESSORY ITEM)	7	36
F531892	DECAL, PORT	47	-	F5H069	RFI SUPPRESSION KIT	57	-
F532299	WASHER	39	16	F5H070	REMOTE ELECTRIC CABLE	57	-
F545189	BUSHING, CABLE ENTRY	3	13	F5H075	WIRING HARNESS - IGNITION SWITCH - 24"	58	-
F548984	BLANKET, SILENCER TOP (NOT SHOWN)	5	-	F5H076	SWITCH EXTENSION CABLE	57	-
F549189	BUSHING, ELECTRIC CABLE	3	12	F5H076	SWITCH EXTENSION CABLE	57	-
F552985	BLANKET, SILENCER SIDE (NOT SHOWN)	5	-	F5H077	IGNITION KEY SWITCH	57	-
F563	TERMINAL BLOCK KIT	58	-	F5H078	IGNITION KEY SWITCH	57	-
F58685-2	CONNECTOR, SHIFT CABLE	47	2	F5H078	IGNITION SWITCH W/KEYS AND SCREWS	7	34
F590	REMOTE CONTROL HEAD (SINGLE LEVER)	56	-	F5H079	REMOTE CONTROL BOX	56	-
F596	CHRYSLER OUTBOARD OIL	58	-	F5H080	TWIN REMOTE CONTROL BOX	56	-
F597	CHRYSLER OUTBOARD GEAR LUBE	58	-	F5H081	BATTERY CABLE	56	-
F5H002	SPEEDOMETER - FLUSH MOUNT	57	-	F5H094	STEERING LINK	56	-
F5H003	SPEEDOMETER FLUSH MOUNT	58	-	F5H108	STEERING CONNECTOR	56	-
F5H004	SPEEDOMETER FLUSH MOUNT	57	-	F5H112	INSTRUMENT ADAPTER - 3-1/2"	57	-
F5H005	TEMPERATURE GAUGE - FLUSH MOUNT	57	-	F5H115	TRAILERING TILT LOCK	57	-
F5H006	VOLTMETER - FLUSH MOUNT	56	-				
F5H007	HOURMETER - FLUSH MOUNT	57	-				

PARTS INDEX

Part Number	Description	Pg.	Ref. No.	Part Number	Description	Pg.	Ref. No.
F5H119	PROPELLER SPACER - FLARED	57	-	F84074	CLAMP SCREW FOOT	33	28
F5H120	REMOTE CONTROL BACK PLATE	56	-	F84146-2	SEAL	31	20
F5H130	REMOTE CONTROL BOX (SINGLE LEVER) (SURFACE MOUNT)	56	-	F84278	SEAL	31	23
F5H131	PORT SIDE DECAL KIT	56	-	F84286-1	FRICTION WASHER	35	54
F5H150	POWER TRIM	57	-	F84305	SEAL, "O" RING PROPELLER SHAFT SPOOL	39	12
F7004	STOP NUT, 3/8 - 16	25	17	F84305	SEAL, PROPELLER SHAFT SPOOL	43	-
F7008	ELASTIC STOP NUT	25	10	F84307-1	SEAL, DRIVESHAFT	41	51
F7012	STOP NUT	33	24	F84307-1	SEAL, DRIVESHAFT	43	-
F7013	STOP NUT	13	2	F84314-2	ELBOW	17	22
F71H32	TILT STOP KIT	57	-	F84314-2	ELBOW	21	6
F72H29	CHRYSLER OUTBOARD MULTI-PURPOSE GREASE	58	-	F84314-2	ELBOW	27	45
F72H30	CHRYSLER OUTBOARD GREASE GUN	58	-	F84342	SEAL, INLET WATER LINE, UPPER	39	3
F74305	SEAL, DRIVESHAFT BEARING CAGE	41	50	F84449	INTERLOCK SWITCH	23	46
F74305	SEAL, GEAR HOUSING COVER	43	-	F84472-5	GASKET, CYLINDER DRAIN COVER	25	40
F762	REMOTE ELECTRIC CABLE	57	-	F84472-5	GASKET, CYLINDER DRAIN COVER	29	-
F8003	PLAIN WASHER	25	38	F84504	GROMMET (THERMOSTAT)	29	83
F8011	PLAIN WASHER	7	20	F84521-1	CLUTCH	39	26
F8028	PLAIN WASHER	11	12	F84748-3	GASKET	25	33
F8038	PLAIN WASHER	29	110	F84748-3	GASKET, CYLINDER DRAIN REED PLATE	29	-
F8038	PLAIN WASHER	37	90	F84792	GASKET, CENTER FUEL PUMP VALVE	21	11
F8039	PLAIN WASHER	35	70	F84871-1	PIN, GEAR SHIFT W/YOKE ..	39	24
F8056	LOCKWASHER	13	18	F84991-1	GROMMET	15	45
F8056	LOCKWASHER	15	43	F85017	PISTON PIN	31	4
F8056	LOCKWASHER	29	97	F85026	SWIVEL	25	30
F8056	SPRING LOCKWASHER ...	7	7	F85033	SWIVEL, CHOKE ROD (BOTTOM CARBURETOR) (NOT SHOWN)	19	-
F8058	INTERNAL TOOTH LOCKWASHER	21	24	F85035	DISTRIBUTOR, CONTROL ROD END	25	29
F8058	INTERNAL TOOTH LOCKWASHER	27	57	F85036	TOWERSHAFT CONTROL ROD END	25	32
F8077	WASHER	43	-	F85037-1	STERN BRACKET PIVOT BOLT	35	53
F8077	WASHER, GEAR HOUSING PLUG	41	42	F85095-2	STATOR	7	3
F8080	HELICAL SPRING LOCKWASHER	37	95	F85117	BRACKET, WATER LINE ...	39	2
F8083	SPRING LOCKWASHER ...	3	22	F85130	BOOT IDLE EXHAUST	33	8
F8083	SPRING LOCKWASHER ...	9	43	F85161-1	REED STOP	21	39
F8083	SPRING LOCKWASHER ...	33	3	F85173	RETAINING RING	13	6
F8083	SPRING LOCKWASHER ...	41	54	F85192-1	THROTTLE CAM	21	28
F8083	SPRING LOCKWASHER ...	43	-	F85211	STUD	25	18
F8088	PLAIN WASHER	17	18	F85258	INSERT	33	9
F8088	PLAIN WASHER	23	47	F85279-2	GASKET, CYLINDER EXHAUST UPPER	27	69
F8094	PLAIN WASHER	3	23	F85279-2	GASKET, CYLINDER EXHAUST, UPPER	29	-
F8094	PLAIN WASHER	35	58	F85300	REVERSE LOCK SPRING ..	35	45
F8095	PLAIN WASHER	29	109	F85311	DISTRIBUTOR BELT	13	1
F8096	SPRING LOCKWASHER ...	3	18	F85314-1	FUEL FITTING	17	30
F8096	SPRING LOCKWASHER ...	3	30	F85317-1	SOLENOID CLAMP	21	21
F8096	SPRING LOCKWASHER ...	7	25	F85350-1	TILT STOP PIVOT	33	20
F8096	SPRING LOCKWASHER ...	29	100	F85372	PIN, GEAR SHIFT ROD LOWER	41	47
F8096	SPRING LOCKWASHER ...	35	77	F8538	SPRING PIN	33	31
F8096	SPRING LOCKWASHER ...	41	40				
F8104	PLAIN WASHER	27	49				
F84011	WASHER	35	62				

PARTS INDEX

Part Number	Description	Pg.	Ref. No.	Part Number	Description	Pg.	Ref. No.
F85380	SPRING	33	10	FA178167	CARBURETOR ADAPTER, LOWER W/FITTING AND STUDS	21	33
F85410	SNAP RING	31	8				
F85445	CONTROL ROD	25	31	FA178233	THROTTLE TIE BAR W/SWIVEL	19	53
F85498	FLYWHEEL KEY	31	16				
F85502	THROTTLE LINK	25	26	FA178962	SHOCK ABSORBER W/BUSHING	33	35
F85509-1	LINK, CHOKE	17	25	FA321574	DISTRIBUTOR BRACKET	13	10
F85541-1	TILT LOCK	33	22	FA335260	PISTON RING SET (3 PER SET)	31	1
F85571	BEARING CAGE W/ROLLER	31	10	FA368700	KEY, IGNITION - NO LETTER OR STAMPED A	9	53
F85606	KINGPIN CAP	35	66	FA411222	TRANSFER PORT COVER	27	51
F85610	BEARING	27	65	FA438113	STERN BRACKET LOCK BAR W/HANDLE	35	49
F85615	GEAR SHIFT ROD UPPER	35	78	FA438431	FUEL PUMP BODY W/VALVES	21	12
F8563	DOWEL PIN	25	15	FA439493	TERMINAL BLOCK BRACKET	7	11
F85634-2	CONNECTING ROD SCREW	31	14	FA439746	FUEL PUMP COVER W/PLUG	21	1
F85660-1	EXHAUST TUBE	33	2	FA480179	TRIM TOP	3	1
F85664	DISTRIBUTOR GROUND	13	28	FA480269	TILT HANDLE	3	3
F85664	GROUND WIRE	9	54	FA480876	GEAR SHIFT ARM W/SWIVL, BEARGS, INTRLOCK ARM & SHLDR SCREW	27	66
F85704	COUPLER, GEAR SHIFT ROD	35	83	FA480894	TIMING POINTER	25	4
F85762	BY-PASS VALVE COVER GASKET	29	93	FA481469	HANDLE W/SHAFT	3	8
F85762	GASKET, BY-PASS VALVE	29	-	FA481743	ROLLER BRACKET W/ROLLER	3	29
F85772	CLAMP	33	11	FA498266	BEVEL PINION GEAR W/CRUSH RING AND SHIMS	41	35
F85779-1	BAFFLE, AIR INTAKE	35	68	FA510497	TERMINAL BLOCK	7	15
F85843-1	REMOTE ELECTRIC CABLE, 18 FEET	7	38	FA523014	CRANKSHAFT LOWER MAIN BEARING	31	12
F85859	STUD	25	14	FA523054	GEAR HOUSING	41	33
F85906	CARBURETOR GASKET	21	31	FA523098	PROPELLER SHAFT	39	23
F85906	GASKET, CARBURETOR	29	-	FA523485	ANTICORROSION ANODE	39	20
F85908	STARTER LEAD WIRE	11	9	FA523735	SEAL, INLET WATER LINE, LOWER	41	64
F85916-1	BY-PASS VALVE	29	95	FA538395	IDENTIFICATION PLATE W/SCREWS	3	14
F85924	CHOKE SOLENOID	7	28	FA550706	GEAR HOUSING COVER W/SEALS	41	52
F85965	SPRING MOUNT UPPER	35	72	FA552180	TRIM, REAR	3	4
F89758	FUEL PUMP AIR HOSE - TOP	21	7	FA552392	DECAL, CHRYSLER	5	42
F9018	CAP	33	32	FA552888	TRIM FRONT	3	36
F9052	PLUG	33	33	FA552944	ENGINE COVER W/RETAINER, SCREWS AND NUTS	3	5
F90619-1	YOKE	43	73	FA553396	DECAL, STARBOARD	3	-
F90807	RETAINING RING	17	1	FA553397	DECAL, PORT	3	6
F9095	SHIM, DRIVESHAFT BEARING UPPER .005 SILVER	41	-	FA553528	DECAL ENGINE COVER, REAR	5	41
F9097	SHIM, DRIVESHAFT BEARING, UPPER .010 BLACK	41	-	FA553785	DECAL, ENGINE COVER TOP	3	7
F9106	SHIM, DRIVESHAFT BEARING, UPPER .003 BRASS	41	66	FA553892	DECAL, FRONT ENGINE COVER	3	35
F91446-1	CIRCUIT BREAKER BRACKET	7	21	FA58976-1	CONNECTOR, THROTTLE CABLE	47	1
F92759	THROTTLE ROLLER	17	6				
F93811	SCREEN	25	34				
F93920	REED STOP	25	37				
F97772	CLAMP	17	23				
F97772	FUEL LINE CLAMP	45	11				
F98273	ROD END CONNECTOR STUD	27	58				
FA14048-2	PREAMPLIFIER	13	17				
FA15072	HEX LOCK NUT, 1/4 - 20	11	8				

PARTS INDEX

Part Number	Description	Pg.	Ref. No.	Part Number	Description	Pg.	Ref. No.
FA84621-1	COUPLING, GEAR SHIFT			FO14303	MAIN FUEL JET OPT. .074		
	ARM W/BUSHING	41	44		4500 FT. - 6000 FT.	19	-
FA84754-1	FUEL LINE SHORT			FO14306	MAIN FUEL JET. OPT. .0785		
	W/FERRULES	45	8		1500 FT. - 3000 FT.	19	-
FA85019	KINGPIN W/PLUG	33	41	FO15026	MAIN FUEL JET. OPT. .072		
FA85193	TIE BAR END W/SWIVEL	17	2		6000 FT. & UP.	19	-
FA85355-1	WASHER	35	71	FO15217	MAIN NOZZLE	17	35
FA85655-1	CRANKSHAFT MAIN			FO15231	THROTTLE SHAFT AND		
	BEARING RACE W/SNAP				LEVER	17	7
	RING	31	9	FO15623	FUEL BOWL GASKET	17	41
FB368700	KEY, IGNITION - STAMPED B	9	-	FO16008	THROTTLE SHAFT RETURN		
FC368700	KEY, IGNITION - STAMPED				SPRING	17	8
	D	9	-	FO17181	IDLE TUBE	19	52
FC409398	DECAL, TOTE TANK -			FO17241	CHOKE SHAFT AND LEVER	17	40
	CANADA (NOT SHOWN)	45	-	FO1974	SCREW	19	51
FC438398	DECAL WIRING - CANADA	29	-	FO2510	FUEL BOWL RETAINING		
FC474387	TIMING DECAL - CANADA	9	-		SCREW GASKET	17	32
FC500390	DECAL, STARTER - CANADA			FO3804	RETAINING SCREW		
	(NOT SHOWN)	11	-		WASHER	17	14
FC510374	DECAL, CIRCUIT BREAKER			FO4326	BODY CHANNEL WELCH		
	CANADA	9	-		PLUG	17	13
FC529390	DECAL, REVERSE LOCK -			FO6393	RETAINING SCREW	17	16
	CANADA (NOT SHOWN)	37	-	FO6396	RETAINING SCREW		
FC550054	GEAR HOUSING COMPLETE	41	-		LOCKWASHER	17	15
FC552010	SHORT BLOCK.	25	-	FO8942	CHOKE SHUTTER		
FD368700	KEY, IGNITION - STAMPED				RETAINING SCREW AND		
	D	9	-	FO8942	LOCKWASHER	17	43
FE368700	KEY, IGNITION - STAMPED E	9	-		THROTTLE SHUTTER		
FG1019	GASKET SET INCLUDE				RETAINING SCREW AND		
	ITEMS BELOW	29	111		LOCKWASHER	17	12
FK1063	SEAL KIT	43	74	FO9678	CLIP, CHOKE SHAFT	19	49
FK1069	WATER PUMP KIT	43	75	FO992	LOCKWASHER	19	50
FK17114-1	INDICATOR	47	32	FPS526	PROPELLER (ACCESSORY		
FK405020	SWIVEL W/CLAMP,				ITEM)	39	17
	SHOULDER SCREW AND			FS409752	FUEL LINE COMPLETE	45	-
	NUT	25	24	FS490955	STARTER COMPLETE	11	-
FK550128	DRIVESHAFT W/BEARING,			FSA335260	PISTON RING (3 PER SET)		
	SHIMS AND CRUSH RING	41	68		.010 OVERSIZE (NOT		
FK750-2	SPARKIE	15	44		SHOWN)	31	-
FK85228-1	BEARING CAGE W/ROLLER	31	7	FSA335260	PISTON RING (3 PER SET)		
FO10165	INLET SEAT GASKET	17	39		.030 OVERSIZE (NOT		
FO10588	BODY CHANNEL CUP PLUG	17	9		SHOWN)	31	-
FO10790	INLET NEEDLE, SEAT AND			FT1082	SNAP RING PLIER	51	-
	GASKET	17	38	FT11204	BEARING CUP INSTALLER	52	-
FO11103	IDLE MIXTURE SCREW			FT11205	BEARING		
	SPRING	19	46		INSTALLER/REMOVER	52	-
FO13191	MAIN FUEL JET. OPT. .076			FT11207	BEARING CUP REMOVER	52	-
	3000 FT. - 4500 FT.	19	-	FT11209	BEARING GUIDE SET	52	-
FO13194	MAIN FUEL JET. STD. .080			FT2951	CIRCUIT TRACER	50	-
	SEA LEVEL - 1500 FT.	19	48	FT2953	SOCKET	51	-
FO13552	FUEL BOWL	17	33	FT2961	LUBRICANT - RYKON #2EP	54	-
FO13554	FLOAT	17	37	FT2962-1	SEALANT - 50 CC LOCTITE		
FO13555	CHOKE SHUTTER	17	44		H, NON-HARDENING		
FO13942	THROTTLE SHUTTER	17	11		GRADE	54	-
FO13944	FLOAT LEVER PIN	17	36	FT2963-1	SEALANT - 2 OZ. LOCTITE		
FO13945	FUEL BOWL RETAINING				D, HARDENING GRADE	54	-
	SCREW	17	31	FT2987-1	LUBRICANT - ANTI-SEIZE	54	-
FO13946	IDLE MIXTURE SCREW	19	45	FT2990	PISTON PIN TOOL	51	-
FO13947	CHOKE SHAFT RETURN			FT2996	RING COMPRESSOR	51	-
	SPRING	17	41	FT3012	SEAL INSTALLER	52	-

PARTS INDEX

Part Number	Description	Pg.	Ref. No.	Part Number	Description	Pg.	Ref. No.
FT7848	TORQUING ADAPTER	51	-	700-817988A2	PISTON .030 OVERSIZE		
FT8901	INDICATOR HOLDER	52	-		(NOT SHOWN)	31	-
FT8902	DIAL INDICATOR	52	-	700-818111A2	SPACER, PISTON PIN (2		
FT8903	SEAL INSTALLER	51	-		PER PISTON)	31	3
FT8907	DRIVE HANDLE	51	-	700-F372015-3	PISTON .010 OVERSIZE		
FT8907	DRIVER HANDLE	52	-		(NOT SHOWN)	31	-
FT8914	SEAL REMOVER	51	-	900-817832A2	CYLINDER HEAD	27	80
FT8918	BEARING GUIDE SET	52	-	1400-817958A6	STERN BRACKET	33	23
FT8919	SPRING PIN PUNCH	52	-				
FT8925	SEAL INSTALLER	51	-				
FT8925	SEAL INSTALLER	52	-				
FT8926	RING EXPANDER	51	-				
FT8927	SEAL PROTECTOR	51	-				
FT8933	LIFTING HOOK	51	-				
FT8935	SEALANT PRIMER - 6 OZ.	54	-				
FT8936	SEALANT - 2 CC LOCTITE						
	RETAINING COMPOUND						
	#75	54	-				
FT8948-1	PULLER	50	-				
FT8948-1	PULLER	52	-				
FT8950	LEAKAGE TESTER	53	-				
FT8953	IGNITION TESTER	53	-				
FT8955	SEALANT - 5 OZ. EC-750						
	INDUSTRIAL SEALANT	54	-				
FT8957	SEAL INSTALLER	52	-				
FT8969	LUBRICANT - 7 OZ. 2 PSI						
	LUBRICANT	54	-				
FT8978	POWER TIMING LIGHT	50	-				
FT8985	SEAL INSTALLER	52	-				
FT8993	SEALANT - 3 OZ. RTV						
	SEALANT FROM IN PLACE						
	GASKETS	54	-				
FT8997	SHIMMING TOOL	52	-				
FTA2937-1	TIMING TOOL	50	-				
FTK8999	TEST WHEEL	53	-				
OB3061	LITERATURE INSTALLATION						
	INSTRUCTIONS, REMOTE						
	CONTROL	49	-				
T11231	GOLD	55	-				
22-818103--1	ELBOW, CYLINDER DRAIN						
	LOWER	27	44				
31-817785A2	CRANKSHAFT BEARING						
	CAGE W/SEAL	31	18				
32-77653-77	BALANCE TUBE	21	34				
32-817738A1	FUEL LINE LONG W/CLAMP						
	AND FERRULE	45	10				
33-97180	SPARK PLUG (CHAMPION						
	L20V) - USA	27	77				
46-817853A1	WATER PUMP	43	-				
46-817853A1	WATER PUMP BODY						
	W/DRIVESHAFT SEAL,						
	DISC AND WATERLINE						
	SEAL	41	59				
84-817775A1	COIL WIRE W/TERMINAL						
	CLIP - USA	13	29				
87-817778A1	THERMOSWITCH	29	98				
300-817855A1	UNIT W/DECAL	9	45				
400-817735A4	CRANKSHAFT W/BEARING	31	15				
600-818052A4	CONNECTING ROD W/CAP						
	AND SCREWS	31	6				