



PARTS CATALOG

12 H.P. SAILOR

SERIAL NUMBER

12 (1979)125B95
12 (1979)125H9E

TABLE OF CONTENTS:

ACCESSORIES	37
ELECTRIC STARTER	8
ELECTRICAL COMPONENTS	10
ENGINE COVER AND SUPPORT PLATE	2
FUEL PUMP	6
FUEL SYSTEM	14
FUEL TANK AND LINE	30
GEAR HOUSING	26
MOTOR LEG	22
PARTS INDEX	39
POWER HEAD	18
SPECIAL TOOLS - LOWER UNIT	34
SPECIAL TOOLS - LUBRICANTS AND SEALANTS	36
SPECIAL TOOLS - POWER HEAD	33
SPECIAL TOOLS - TEST EQUIPMENT	35
SPECIAL TOOLS - TUNE-UP	32

NOTE: *Indented description indicate that these parts are included in preceeding assembly.*

AR = As Required

NSS = Not Sold Separate

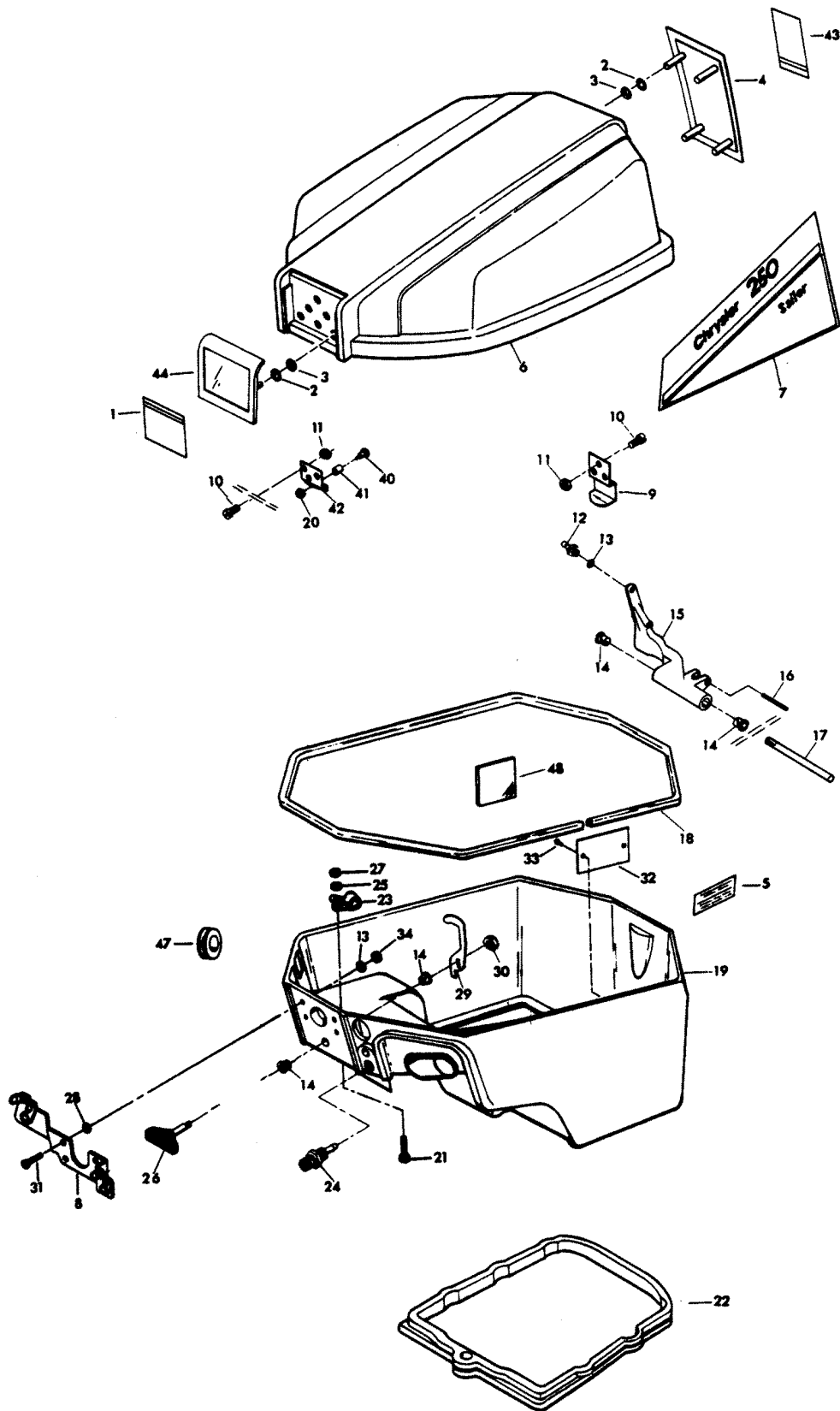
OPT = Optional

NS = Not Shown

THESE PARTS BOOKS/FICHE CARD ARE COPYRIGHTED AND MAY NOT BE DISTRIBUTED OR REPRODUCED IN ANY OTHER FORMAT BY ANYONE OTHER THAN MERCURY MARINE WITHOUT THE PRIOR WRITTEN CONSENT OF MERCURY MARINE.

THIS PAGE INTENTIONALLY LEFT BLANK

ENGINE COVER AND SUPPORT PLATE

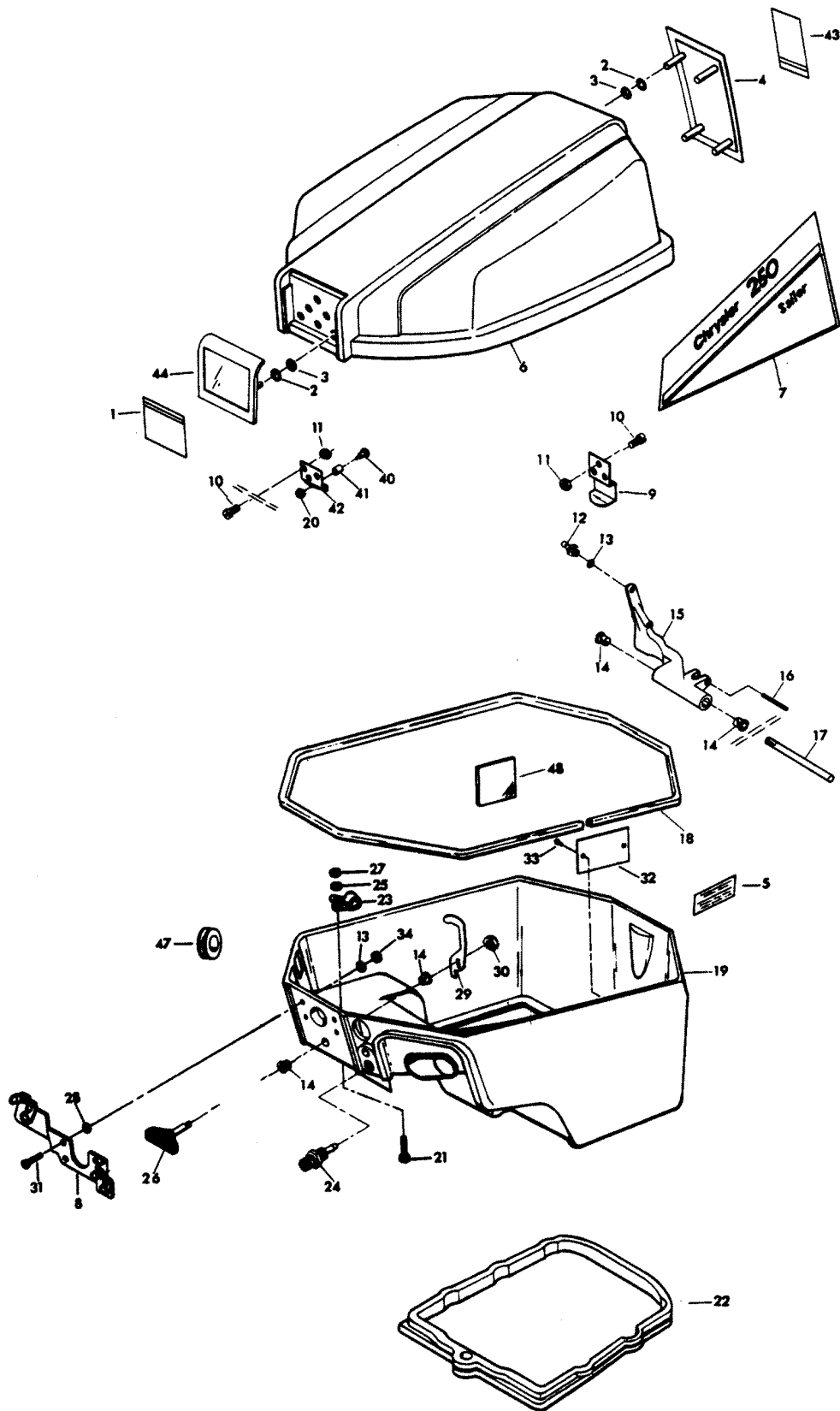


ENGINE COVER AND SUPPORT PLATE

REF. NO.	PART NO.	SYM.	QTY.	DESCRIPTION
1	FA540892		1	DECAL, ENGINE COVER, FRONT
2	F85735-1		7	SEAL
3	F1753		7	FASTENER
4	F540180		1	TRIM, ENGINE COVER, REAR
5	F235785		1	DECAL, COMPLIANCE - CANADA
6	FS541712		1	COVER, ENGINE, W/BACKET, RETAINER AND TILT HANDLE
-	2C540712		1	COVER, ENGINE - COMPLETE INCLUDES ALL ITEMS MARKED WITH AN ASTERISK (*).
7	FA540397		1	DECAL "CHRYSLER", PORT
-	FA540396		1	DECAL, "CHRYSLER", STARBOARD
8	FA343612		1	BRACKET, REMOTE CONTROL
9	FA286480		1	RETAINER, ENGINE COVER INCL. SCREWS AND NUTS
10	F1979		6	SCREW PAN HD., 10 - 24 X 1/2
11	F7011		6	NUT, ELASTIC STOP, 10 - 24
12	F98273		1	STUD, GEAR SHIFT ROD CONNECTOR
13	F8058		5	LOCKWASHER, INTERNAL TOOTH
14	F307818		4	BEARING
15	F286876		1	LEVER, GEAR SHIFT
16	F8542		1	SPRING PIN
17	F286871		1	PIN, GEAR SHIFT LEVER
18	F392756		1	PACKING, SUPPORT PLATE
19	F540038		1	PLATE, SUPPORT INCL. PLUGS
20	F7011		1	NUT, STOP, 10 - 24
21	F1971		1	HEX CAP SC. 1/4 - 20 X 2-1/8
22	F286989-2		1	SEAL, SUPPORT PLATE
23	F404446		1	CLAMP, CABLE
24	F197767-1		1	BUSHING, FUEL LINE
25	F2012		1	PLAIN WASHER
26	FA286469		1	KNOB, COVER LATCH
27	F1341		1	HEX NUT 1/4-20
28	F8011		4	PLAIN WASHER
29	F286777		1	CAM, COVER LATCH
30	F2002		1	NUT, STOP, 5/16 - 18
31	F1733		4	PAN HD M.S. 10-24 X 9/16
32	FA535395		1	PLATE, IDENTIFICATION INCL. SCREWS - U.S.A.
-	FAC535395		1	PLATE, IDENTIFICATION INCL. SCREWS - CANADA
33	F1447		2	SCREW, DRIVE
34	F1473		4	HEX NUT 10-24
40	F269316		1	SHAFT, ROLLER
41	F92759		1	ROLLER

CONTINUED ON NEXT PAGE ➡

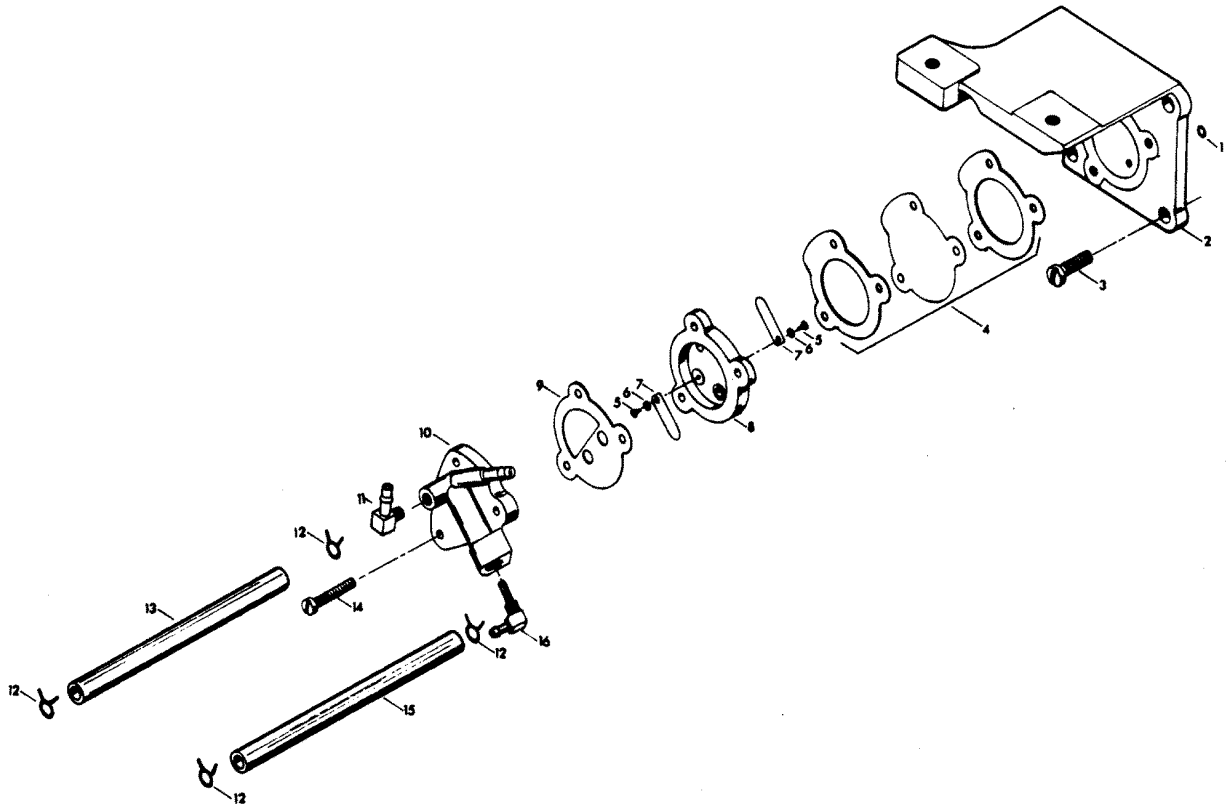
ENGINE COVER AND SUPPORT PLATE



ENGINE COVER AND SUPPORT PLATE

REF. NO.	PART NO.	SYM.	QTY.	DESCRIPTION
42	817758A1		1	BRACKET, COVER LATCH INCL. SCREWS, NUTS AND ROLLERS ORIGINAL FORCE P/N A286774-1
43	FA540528		1	DECAL, ENGINE COVER, REAR
44	F487711		1	PLATE, ENGINE COVER
47	F94840		1	GROMMET, BATTERY CABLE
48	F510661		1	PAD, STARTER MOTOR

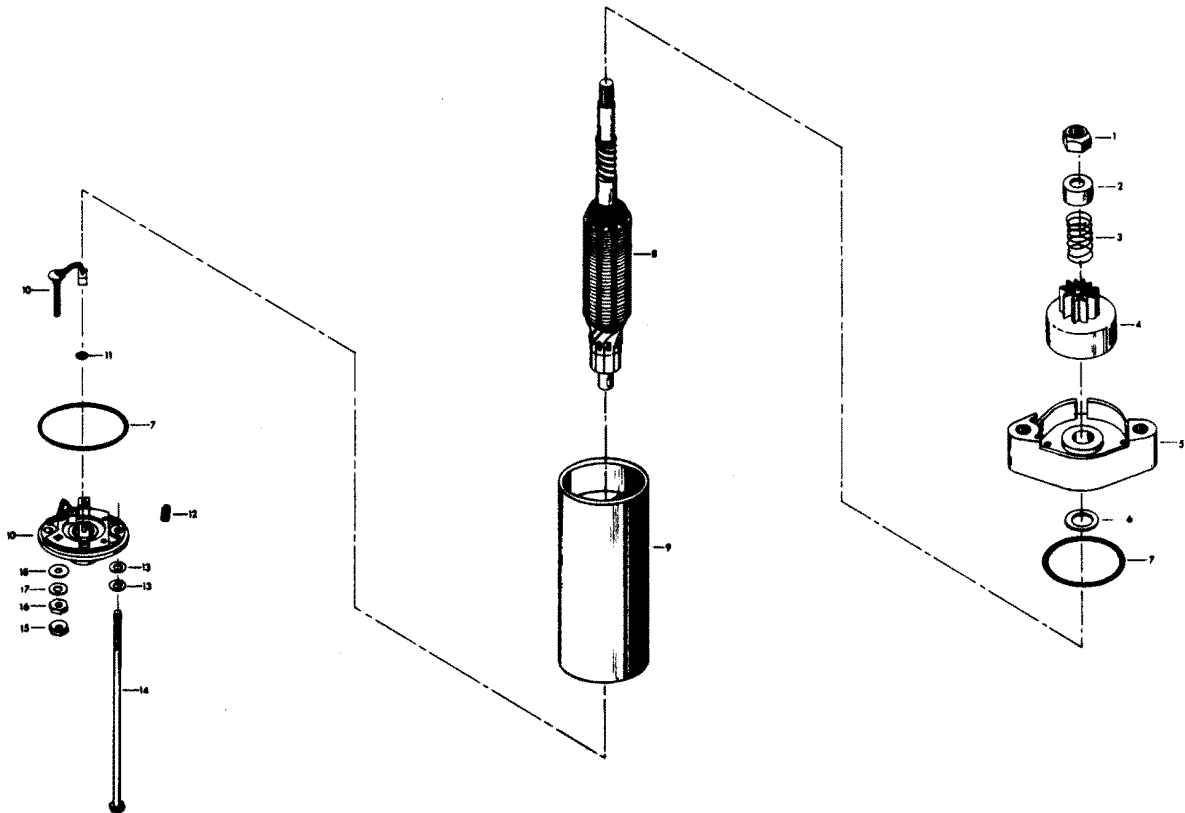
FUEL PUMP



FUEL PUMP

REF. NO.	PART NO.	SYM.	QTY.	DESCRIPTION
1	F455118		1	SEAL, FUEL PUMP BRACKET
2	F510427		1	BRACKET, STARTER SUPPORT
3	F1577		4	FILL HD SCREW, 1/4 - 20 X 3/4
4	27-818043A1		1	FUEL PUMP DIAPHRAGM W/GASKETS
5	F1286		2	PAN HD SCREW, 4 - 40 X 3/16
6	F8003		2	PLAIN WASHER
7	F18160-2		2	REED, FUEL PUMP
8	FA24757-3		1	FUEL PUMP REED PLATE W/REEDS AND SCREWS
9	F24748-2		1	GASKET, FUEL PUMP
10	F510746		1	FUEL PUMP COVER
11	22-818103--1		1	FITTING, FUEL PUMP
12	F2706772		4	HOSE CLAMP
13	F2771254		1	HOSE, FUEL PUMP TO CARBURETOR
14	F1069		3	FILL HD SCREW, 10 - 24 X 1 1/16
15	F2752253		1	HOSE, FUEL PUMP TO BUSHING
16	F510811		1	FILTER, FUEL PUMP

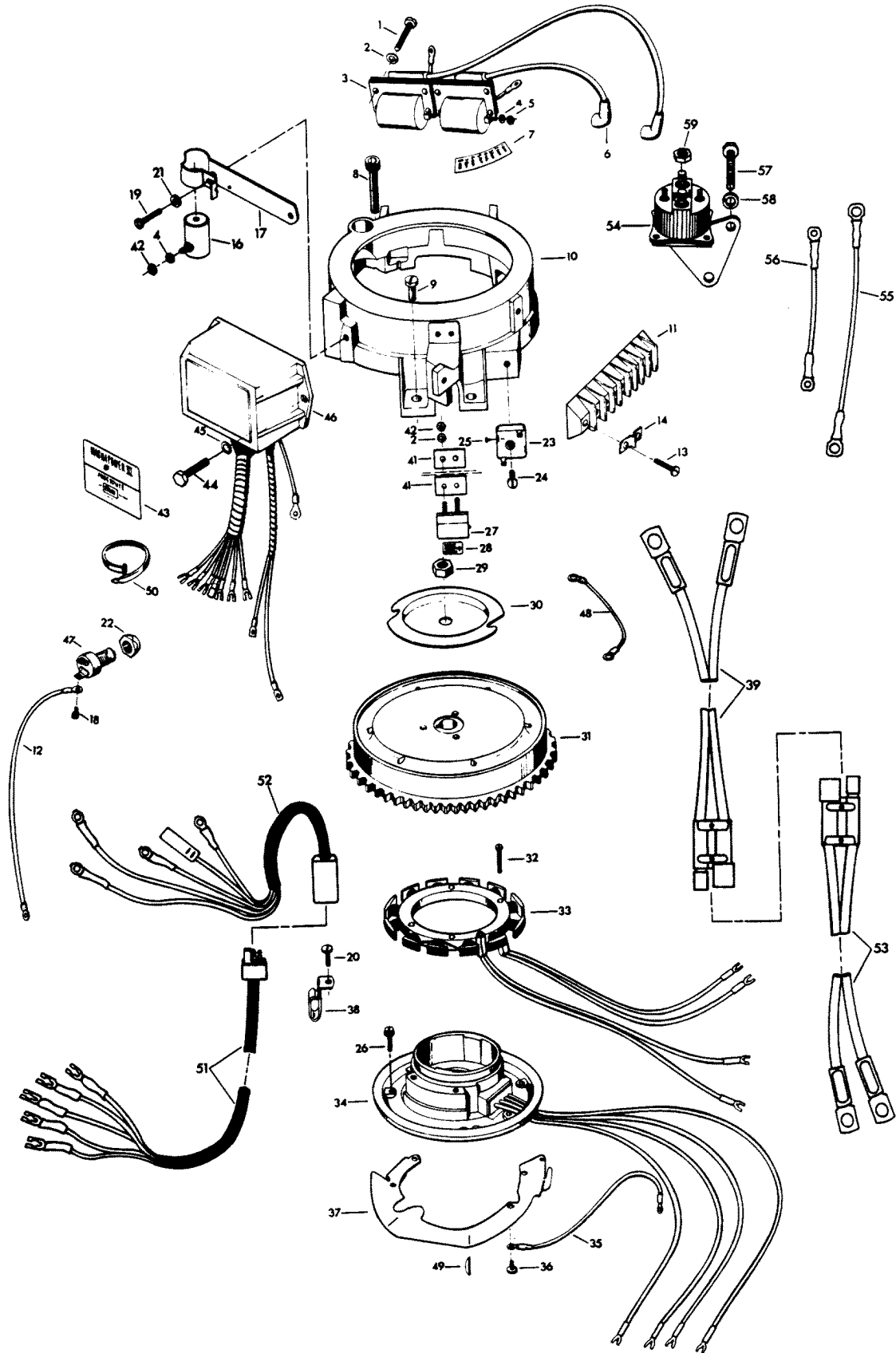
ELECTRIC STARTER



ELECTRIC STARTER

REF. NO.	PART NO.	SYM.	QTY.	DESCRIPTION
1	F15142		1	STOP NUT
2	F15141		1	PINION STOP
3	F15140		1	SPRING
4	F15139		1	PINION ASSEMBLY
5	F15135		1	CAP ASSEMBLY, DRIVE END
6	F15137		1	WASHER
7	F15145		2	GASKET
8	F15134		1	ARMATURE
9	F15136		1	HOUSING ASSEMBLY
10	F15127		1	CAP ASSEMBLY, COMMUTATOR END INCLUDES ITEMS 15, 16, 17 AND 18
11	F15143		1	DISC
12	F15138		2	SPRING, BRUSH
13	F15146		4	WASHER
14	F15144		2	SCREW, THRU BOLT
15	F15129		1	NUT W/LOCKWASHER
16	F15130		1	NUT
17	F15133		1	WASHER
18	F15132		1	WASHER, FIBER
-	F510955		1	STARTER MOTOR COMPLETE
-	FC520390		1	DECAL, STARTER - CANADA (NOT SHOWN)

ELECTRICAL COMPONENTS

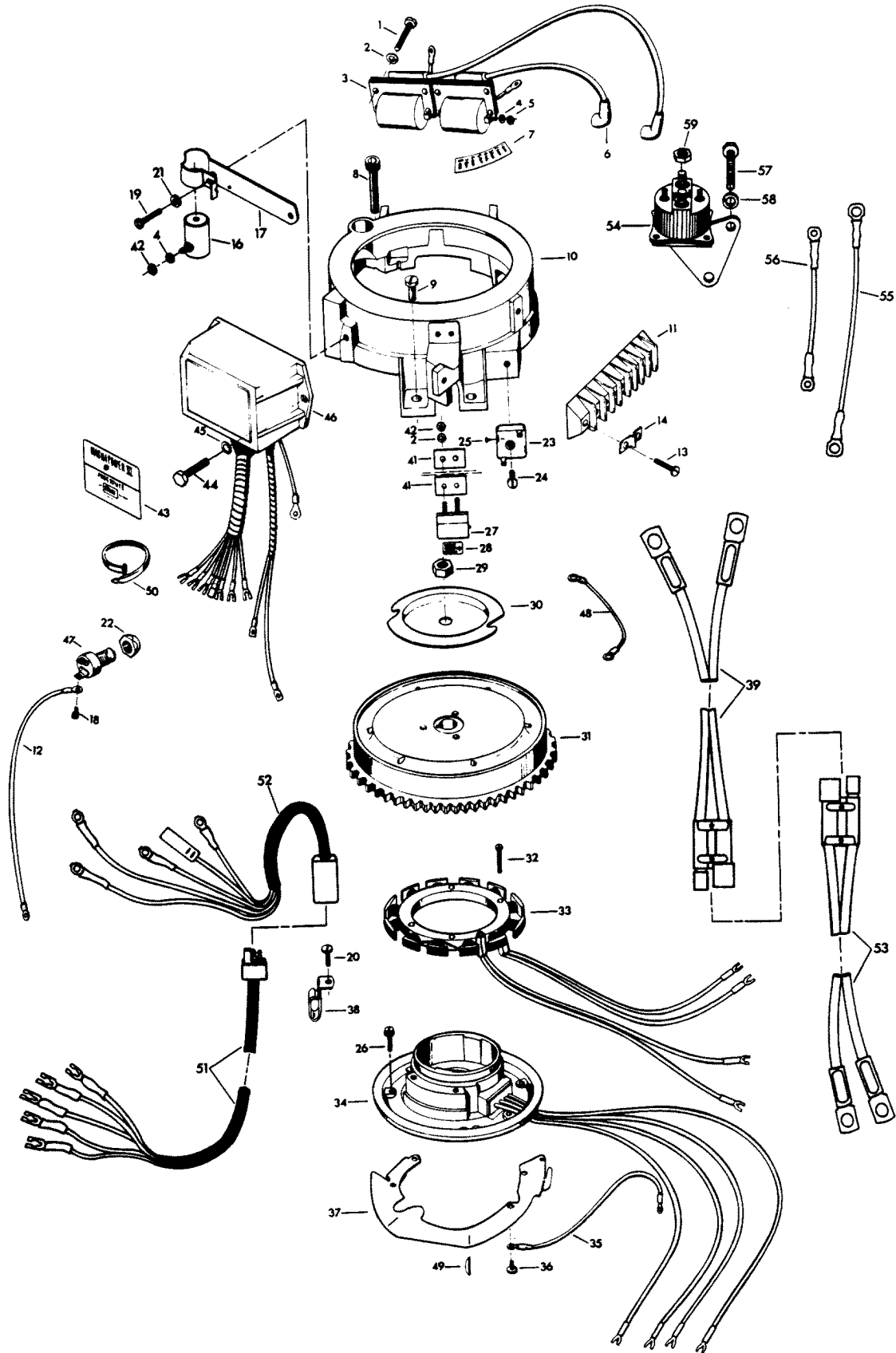


ELECTRICAL COMPONENTS

REF. NO.	PART NO.	SYM.	QTY.	DESCRIPTION
1	F1829		8	FILL HD M. SCREW, 10 - 24 X 7/8
2	F1975		15	SPRING LOCKWASHER
3	F510475		2	IGNITION COIL
4	F1704		2	INTERNAL TOOTH LOCKWASHER
5	F1337		2	HEX NUT, 6 - 32
6	FK750-2		2	SPARKIE W/SPRING
7	F510398		1	DECAL, WIRING
-	FC510398		1	DECAL, WIRING - CANADA
8	F1646		2	HEX SOCKET HD CAP SCREW, 3/8 - 16 X 2 1/4
9	F1577		4	FILL HD SCREW, 1/4 - 20 X 3/4
10	F510675-1		1	STARTER SUPPORT
11	FA510497		1	TERMINAL BLOCK
12	F510841		1	WIRE, STARTER INTERLOCK SWITCH
13	F1648		2	PAN HD SCREW, 10 - 24 X 3/4
14	F307317		1	CLIP, TERMINAL BLOCK GROUND
15	F540908		1	WIRE, GROUND RECTIFIER TO TERM. & LOCK
16	F517924		1	CHOKE SOLENOID
17	F517317		1	CLAMP, CHOKE SOLENOID
18	F1556		2	FILL HD M. SCREW W. SPRING LOCKWASHER, 10 - 24 X 3/8
19	F1112		1	SLOTTED FILL HD. M.S. 1/4 - 20 X 7/8
20	F1802		2	FILL HD SCREW, 1/4 - 20 X 9/16
21	F2012		1	PLAIN WASHER
23	F510450-1		1	RECTIFIER
24	F1303		1	SLOTTED PAN HD M. SCREW, 8/32 X 3/4
25	F1645		4	RD HD THREAD CUTTING SCREW, 6 - 32 X 1/4
26	F1090		4	FILL HD SCREW W/SPRING LOCKWASHER, 10 - 24 X 9/16
27	F510460		1	CIRCUIT BREAKER
28	F510374		1	DECAL, CIRCUIT BREAKER
-	FC510374		1	DECAL, CIRCUIT BREAKER - CANADA
29	F1809		1	HEX NUT
30	F901456-1		1	EMERGENCY STARTER COLLAR
31	F510097		1	FLYWHEEL
32	F1678		4	FILL HD SCREW, 10 - 24 X 13/16
33	F510095		1	STATOR, ALTERNATOR
34	F510029		1	STATOR, TRIGGER
35	F404908		1	GROUND WIRE
36	F1075		4	FILL HD SCREW, 10 - 24 X 1/2
37	F286192		1	THROTTLE CAM
38	F510446		1	CLAMP, BATTERY CABLE
39	F540896		1	BATTERY CABLE
40	F517683		1	WIRE, STARTER INT. SW. TO STARTER RELAY
41	F510595		2	INSULATOR, CIRCUIT BREAKER
42	F1513		5	HEX NUT, 10 - 32

CONTINUED ON NEXT PAGE ➡

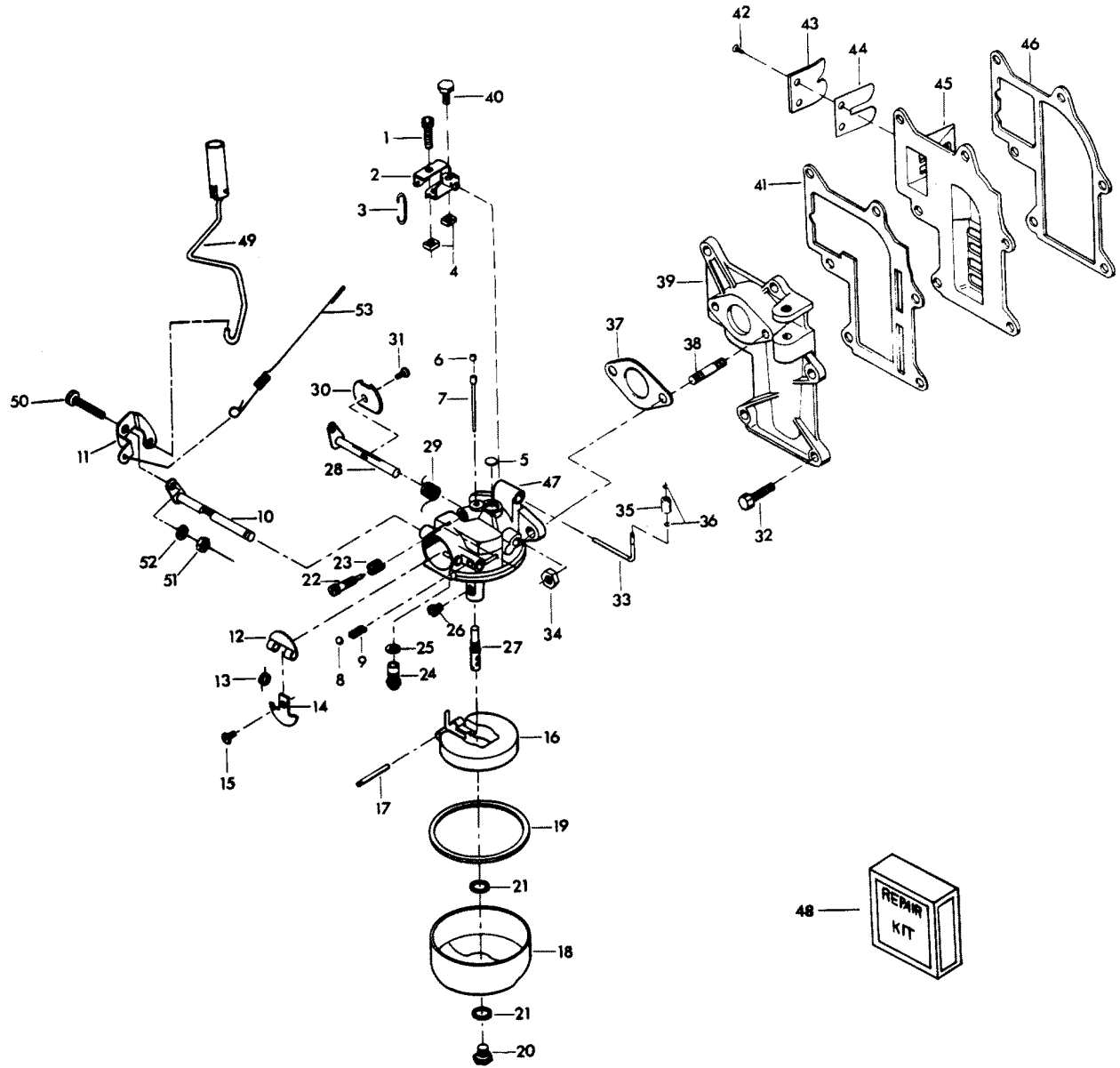
ELECTRICAL COMPONENTS



ELECTRICAL COMPONENTS

REF. NO.	PART NO.	SYM.	QTY.	DESCRIPTION
43	510373-1		1	DECAL, MAGNAPOWER III
44	F1999		1	HEX SCREW, 1/4 - 20 X 7/8
45	F8083		1	SPRING LOCKWASHER
46	F510301		1	C-D MODULE
47	F510449		1	NEUTRAL INTERLOCK SWITCH
48	F510683		1	WIRE, RECTIFIER - CIRCUIT BREAKER
49	F458498		1	KEY, FLYWHEEL
50	F1845		5	TY-RAP
51	F539843		1	CABLE, ELECTRIC REMOTE EXTENSION
52	F540843		1	CABLE, ELECTRIC REMOTE
53	F539896		1	CABLE, BATTERY EXTENSION
54	F517917		1	RELAY STARTER
55	F321908		1	WIRE, GROUND STARTER RELAY
56	F540683		1	WIRE STARTER TO STARTER RELAY
57	F2050		2	HEX CAP SC. 1/4 - 20 X 1 1/2
58	F8096		2	SPRING LOCKWASHER
59	F1515		2	HEX NUT 5/16 - 18

FUEL SYSTEM

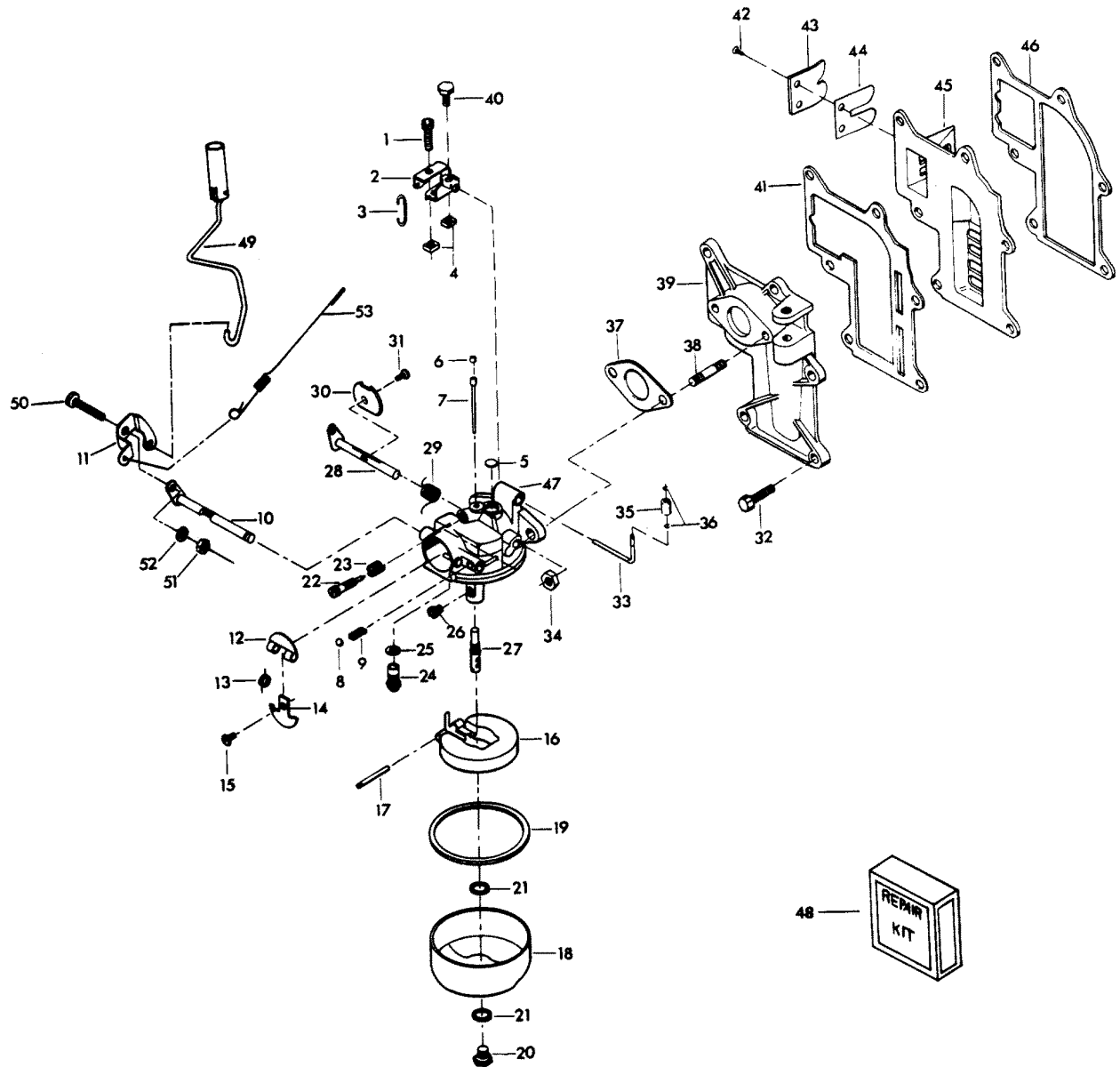


FUEL SYSTEM

REF. NO.	PART NO.	SYM.	QTY.	DESCRIPTION
1	F1834		1	FILL HD SCREW, 10 - 24 X 7/8
2	817754A1		1	ARM, CARBURETOR FOLLOWER
3	F66193		1	THROTTLE LINK
4	F1365		2	SQUARE NUT, 10 - 24
5	FO2531		1	BODY CHANNEL WELCH PLUG
6	FO10588		1	BODY CHANNEL CUP PLUG
7	FO15522		2	BYPASS TUBE
8	FO4784		1	CHOKE FRICTION BALL
9	FO8805		1	CHOKE FRICTION SPRING
10	FO15736		1	CHOKE SHAFT AND LEVER
11	F517502		1	LEVER, REMOTE CHOKE
12	FO15368		1	CHOKE RELIEF VALVE
13	FO15783		1	CHOKE RELIEF VALVE SPRING
14	FO15367		1	CHOKE SHUTTER
15	FO10280		1	CHOKE SHUTTER RETAINER SCREW AND LOCKWASHER
16	FO13554		1	FLOAT
17	FO13944		1	FLOAT LEVER PIN
18	FO15366		1	FUEL BOWL
19	FO15623		1	FUEL BOWL GASKET
20	FO13945		1	FUEL BOWL RETAINING SCREW
21	FO2510		2	FUEL BOWL RETAINING SCREW GASKET
22	FO15520		1	IDLE MIXTURE SCREW
23	FO11103		1	IDLE MIXTURE SCREW SPRING
24	FO10790		1	INLET NEEDLE, SEAT AND GASKET
25	FO10165		1	INLET SEAT GASKET
26	FO11722		1	JET MAIN FUEL JET STD. .055 SEA LEVEL - 3000 FT.
-	FO11765		-	MAIN FUEL JET OPT. .053 3000 FT. - 6000 FT.
-	FO11764		-	MAIN FUEL JET OPT. .051 6000 FT & UP OPTIONAL SIZE MAIN FUEL JET ARAE TO BE USED ONLY AT ALTITUDES INDICATED.
27	FO15525		1	MAIN NOZZLE
28	FO15757		1	THROTTLE SHAFT AND LEVER
29	FO15526		1	THROTTLE SHAFT RETURN SPRING
30	FO16878		1	THROTTLE SHUTTER
31	FO10280		1	THROTTLE SHUTTER RETAINING SCREW AND LOCKWASHER
32	F1914		4	HEX HD SCREW, 1/4 - 20 X 3/4
33	F286316		1	THROTTLE CAM FOLLOWER
34	F1490		2	HEX NUT, 1/4 - 20
35	F78318		1	ROLLER, THROTTLE CAM FOLLOWER
36	F78410		2	RETAINER
37	F18906		1	CARBURETOR GASKET
38	F2788004		2	STUD, CARBURETOR
39	F2A424167		1	MANIFOLD W/STUDS AND PULLEY
40	F1912		1	HEX HD SCREW, 10 - 24 X 1/2

CONTINUED ON NEXT PAGE ➡

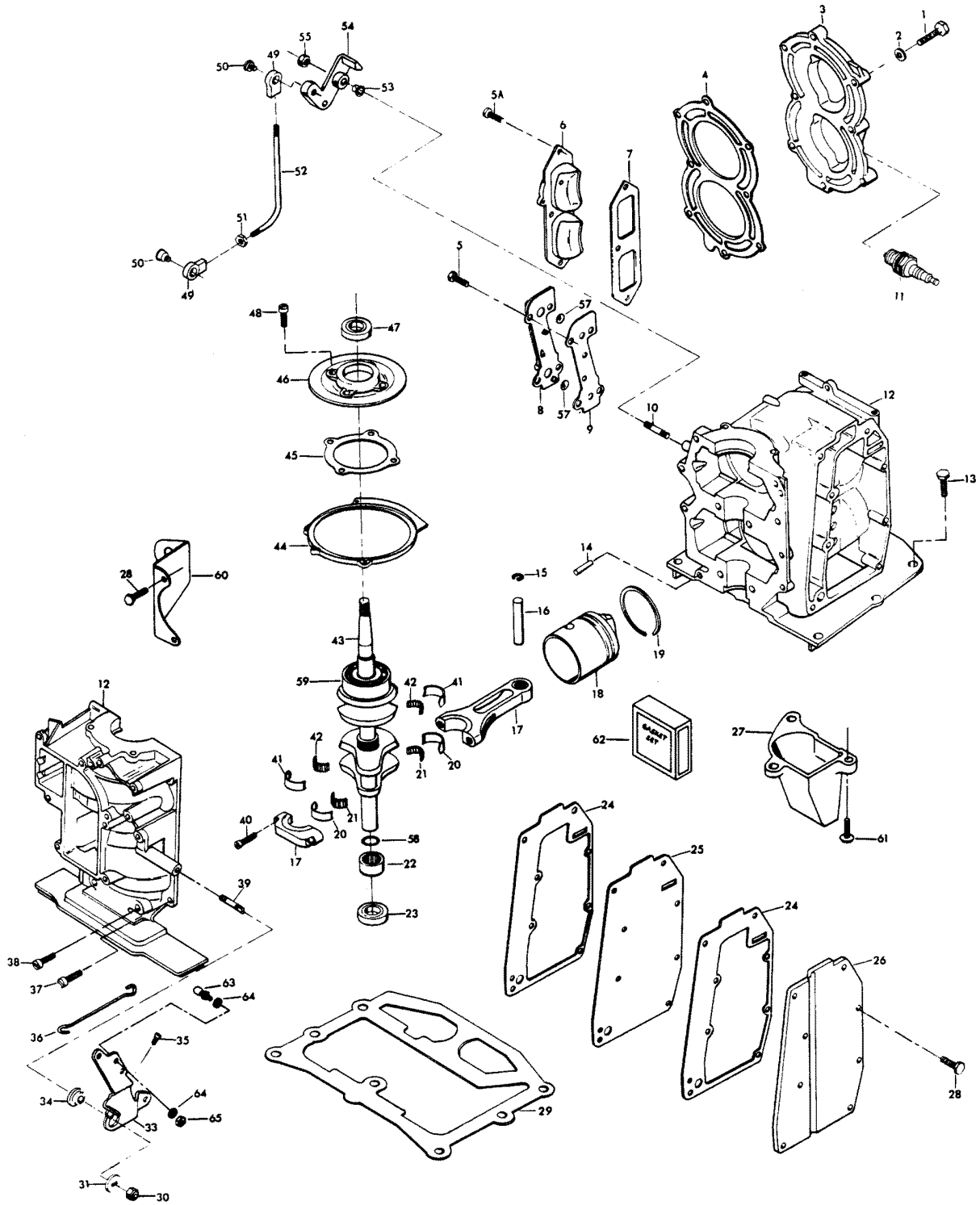
FUEL SYSTEM



FUEL SYSTEM

REF. NO.	PART NO.	SYM.	QTY.	DESCRIPTION
41	F424168-1		1	GASKET, MANIFOLD
42	F1755		8	HD SCREW W/LOCKWASHER, 6 - 32 X 5/16
43	F424161		4	REED STOP
44	F31160-1		4	REED
45	FA424158		1	REED PLATE W/REEDS, STOPS AND SCREWS
46	F286159-1		1	GASKET, REED PLATE
47	F540061		1	CARBURETOR COMPLETE (CO-10B)
-	F10006		1	GASKET SET, CARBURETOR (NOT SHOWN)
48	F10007		1	REPAIR PARTS KIT, CARBURETOR. INCLUDES ALL ITEMS MARKED WITH AN ASTERISK (*) .
49	FA517925		1	ROD, CHOKE SOLENOID
50	F1558		1	SLOTTED HD. M.S. 10 - 24 X 3/8
51	F1473		1	HEX NUT 10 - 24
52	F8058		1	TOOTH LOCKWASHER
53	F517846		1	SPRING, REMOTE CHOKE

POWER HEAD

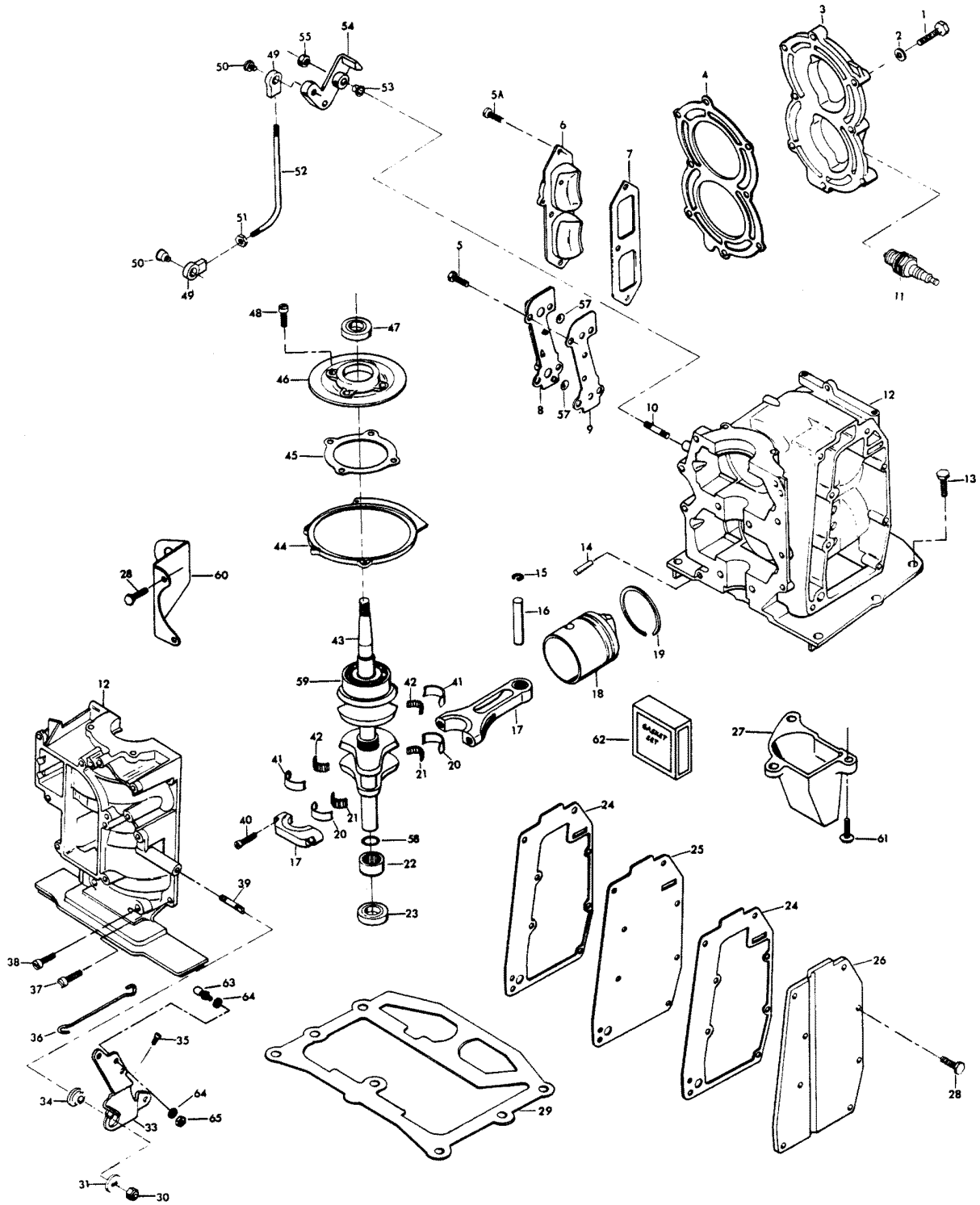


POWER HEAD

REF. NO.	PART NO.	SYM.	QTY.	DESCRIPTION
1	F901938-1		6	SCREW, CYLINDER HEAD
2	F8025		8	PLAIN WASHER
3	F286518		1	HEAD CYLINDER
4	F286529-3		1	GASKET, CYLINDER HEAD
5	F1922		4	HEX HD SCREW, 1/4 - 20 X 5/8
5A	F510165		3	SCREW
-	F1859		1	HEX SOCKET HEADLESS SET SCREW, 1/4 - 28 X 3/16 (TRANSFER PORT COVER)
6	F510222		1	COVER, TRANSFER PORT
7	F286223		1	GASKET, TRANSFER PORT COVER
8	FA429471		1	COVER, CYLINDER DRAIN W/CHECK VALVES AND SCREWS
9	F429472		1	GASKET, CYLINDER DRAIN COVER
10	F28004		1	STUD, INTERLOCK LEVER
11	FS174227		2	PLUG, SPARK, L-4-J
-	FC503227		2	SPARK PLUG (QL77J4)
12	FA520010		1	CYLINDER W/CRANKCASE COVER, CYLINDER DRAIN COVER, DOWEL PINS, SCREW & STUDS.
-	FC520010		1	SHORT BLOCK (NOT SHOWN) INCLUDES ALL ITEMS MARKED WITH AN ASTERISK (*)
13	F1823		6	HEX CAP SCREW, 5/16 - 18 X 1
14	F8559		2	DOWEL PIN
15	F31410		4	RETAINING RING, PISTON PIN
16	F174017		2	PIN, PISTON
17	FS36016-5		2	ROD, CONNECTING W/CAP AND SCREWS
18	F472015-2		2	PISTON
19	FA472260		2	PISTON RING SET (2 PER SET)
20	FA525241		2	CRANKPIN ROLLER BEARING CAGE
21	FA525228		2	ROLLER SET, CONNECTING ROD (16 PER SET)
22	F343014		1	BEARING, CRANKSHAFT LOWER MAIN
23	F141118		1	SEAL, CRANKSHAFT LOWER
24	F286154		2	GASKET, EXHAUST COVER
25	F286151		1	PLATE, EXHAUST
26	F286152		1	COVER, EXHAUST
27	F487660-1		1	EXHAUST TUBE
28	F1915		10	HEX HD SCREW, 1/4 - 20 X 7/8
29	F286279-2		1	GASKET, CYLINDER MOUNTING
30	F1803		1	STOP NUT, 5/16 - 24
31	F286282		1	WASHER
33	817971A3		1	LEVER, MAGNETO CONTROL
34	F183813		1	BEARING, MAGNETO CONTROL LEVER
35	F1504		1	FILL HD SCREW, 1/4 - 20 X 1 1/4
36	F286509		1	LINK, THROTTLE CAM
37	F1107		8	FILL HD SCREW, 1/4 - 20 X 3/4
38	F1335		4	FILL HD SCREW, 5/16 - 18 X 1 1/4

CONTINUED ON NEXT PAGE ➡

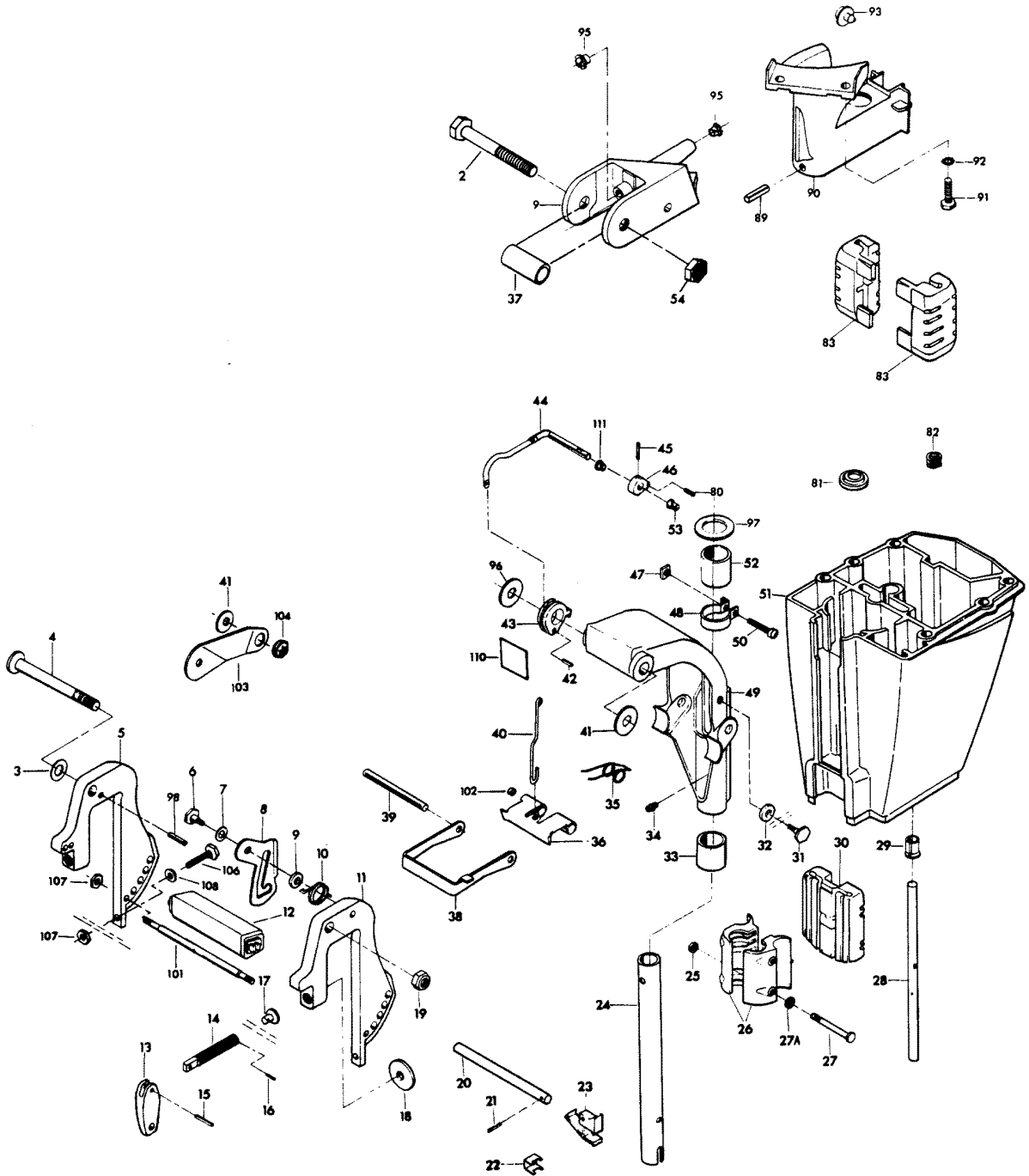
POWER HEAD



POWER HEAD

REF. NO.	PART NO.	SYM.	QTY.	DESCRIPTION
39	F286440		1	STUD, MAGNETO CONTROL LEVER
40	F36634		4	SCREW, CONNECTING ROD
41	FA286155		1	MAIN BEARING LINER SET (2 PER SET)
42	F286571		1	ROLLER SET, MAIN BEARING (26 PER SET)
43	A492018		1	CRANKSHAFT W/UPPER MAIN BEARING
44	F73082		1	RING, MAGNETO STATOR
45	F286277		1	GASKET, CRANKSHAFT BEARING CAGE
46	1100-817753A1		1	CAGE, CRANKSHAFT BEARING W/SEAL
47	F346146		1	SEAL, CRANKSHAFT UPPER
48	F1111		4	FILL HD SCREW, 1/4 - 20 X 7/8
49	F84035-2		2	BEARING, INTERLOCK ROD
50	F84026		2	SWIVEL, INTERLOCK ROD BEARING
51	F1339		1	HEX NUT, 10 - 24
52	F510531		1	ROD, INTERLOCK
53	F197813		1	BEARING, INTERLOCK LEVER
54	F517977-1		1	LEVER, INTERLOCK
55	F7008		1	STOP NUT, 1/4 - 20
57	F429811		2	SCREEN
58	F461342		1	SEAL, DRIVESHAFT SPLINE
59	F286028		1	BEARING, CRANKSHAFT UPPER MAIN
60	F510551		1	BRACKET, INTERLOCK SWITCH
61	F2040		3	TAPTITE HEX WASHER HD SCREW, 1/4 - 20 X 5/8
62	FG1005-1		1	GASKET SET INCLUDES ITEMS LISTED BELOW
-	F18906		1	CARBURETOR GASKET
-	F286154		2	GASKET EXHAUST COVER
-	F286159-1		1	GASKET, REED PLATE
-	F286223		1	GASKET, TRANSFER PORT COVER
-	F286277		1	GASKET, CRANKSHAFT BEARING CAGE
-	F286279-2		1	GASKET CYLINDER MOUNTING
-	F286529-3		1	GASKET, CYLINDER HEAD
-	F424168-1		1	GASKET, MANIFOLD
-	F429472		1	GASKET, CYLINDER DRAIN COVER
63	F98278		1	STUD, REMOTE THROTTLE CONNECTOR
64	F8058		2	INTERNAL TOOTH LOCK WASHER
65	F1513		1	HEX NUT 10 - 32

MOTOR LEG

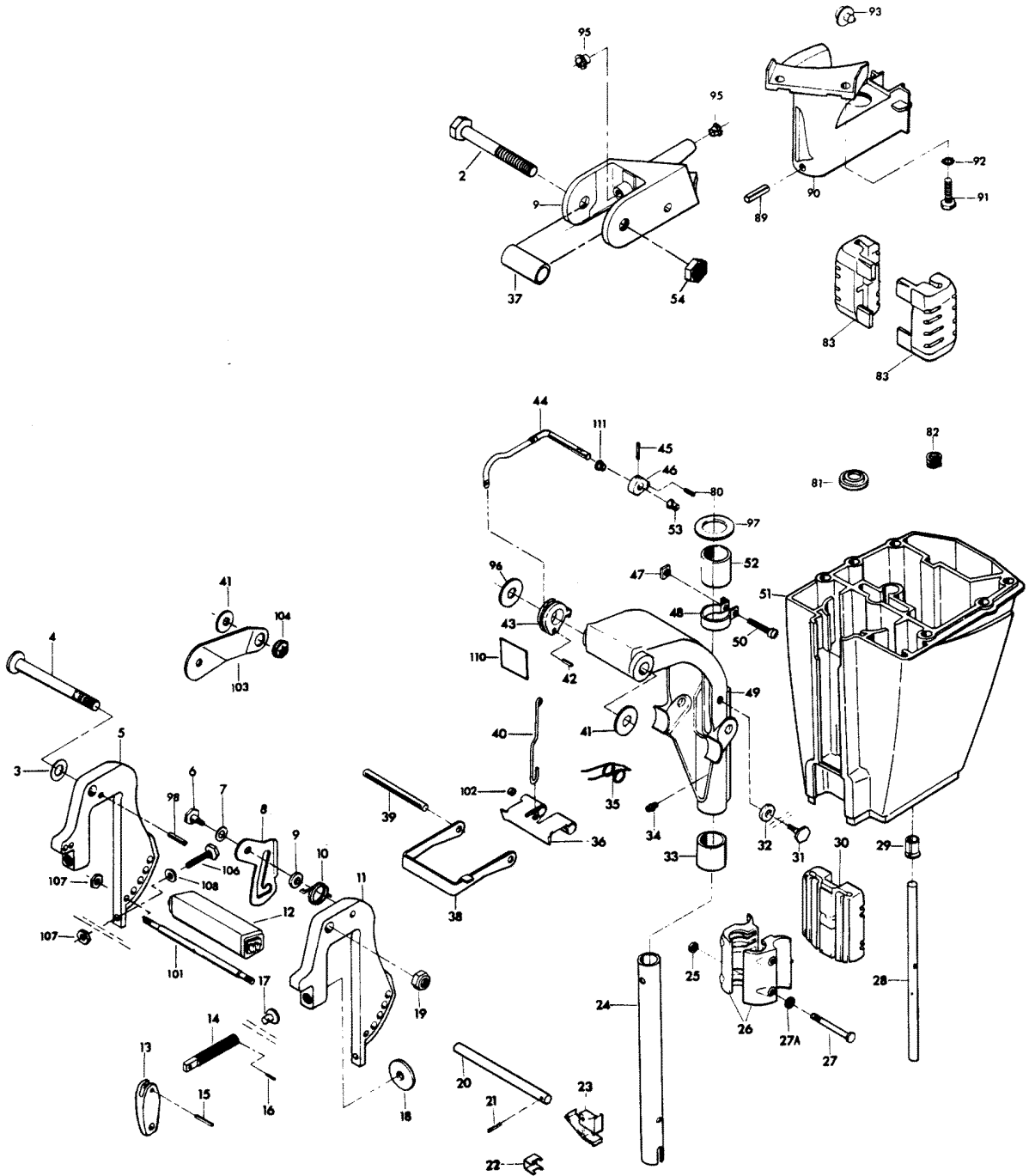


MOTOR LEG

REF. NO.	PART NO.	SYM.	QTY.	DESCRIPTION
1	817751A3		1	STEERING HANDLE BRACKET W/GREASE FITTING
2	F517552		1	SCREW, STEERING HDL. BRKT.
3	F8039		1	PLAIN WASHER
4	F286037		1	STERN BRACKET PIVOT BOLT
5	FK517032		1	STERN BRACKET W/CLAMP SCREW AND FOOT
6	F286422-1		1	TILT LOCK PIVOT
7	F1666		1	BOWED SPRING WASHER
8	F429541		1	TILT LOCK
9	F286451		1	SPACER, TILT LOCK
10	F286544-1		1	SPRING, TILT STOP
11	FK567532		1	STERN BRACKET PORT W/CLAMP SCREW AND FOOT
12	F286647		1	CARRYING HANDLE
13	F424075		2	HANDLE, CLAMP SCREW
14	817761A2		2	CLAMP SCREW W/FOOT AND STUD
15	F8554		2	SPRING PIN
16	F8537		2	SPRING PIN
17	F66480		2	STUD CLAMP SCREW
18	F24074		2	CLAMP SCREW FOOT
19	F7005		1	STOP NUT, 3/8 - 16
20	FA286113		1	LOCK BAR W/HANDLE AND SPRING
21	F8540		1	SPRING PIN
22	F286461		1	SPRING, LOCK BAR HANDLE
23	F286114		1	LOCK BAR HANDLE
24	F286019		1	KING PIN
25	F1341		2	HES NUT, 1/4 - 20
26	F286956		2	BRACKET, SHOCK MOUNT LOWER
27	FA1844		2	HEX BOLT, 1/4 - 20 X 2 3/8
27A	F8083		2	SPRING LOCKWASHER
28	F286244		1	WATER LINE
29	F286914		1	SLEEVE WATER LINE
30	F286346		1	SHOCK MOUNT LOWER
31	F286422-1		1	TILT LOCK PIVOT
32	F286451		1	SPACER, TILT LOCK
33	F286169		1	BEARING, SWIVEL BRACKET
34	F213274		2	GREASE FITTING
35	F286300		1	SPRING, REVERSE LOCK
36	F516349		1	REVERSE LOCK
37	F516451		1	SPACER, STEERING HDL. BRKT.
38	F286433		1	BRACKET SHALLOW WATER DRIVE
39	F1806		1	GROOVE PIN
40	FA341510		1	LINK, REVERSE LOCK LEVER
41	F286286-1		2	WASHER, STERN BRACKET
42	F1794		1	SPRING PIN

CONTINUED ON NEXT PAGE ➡

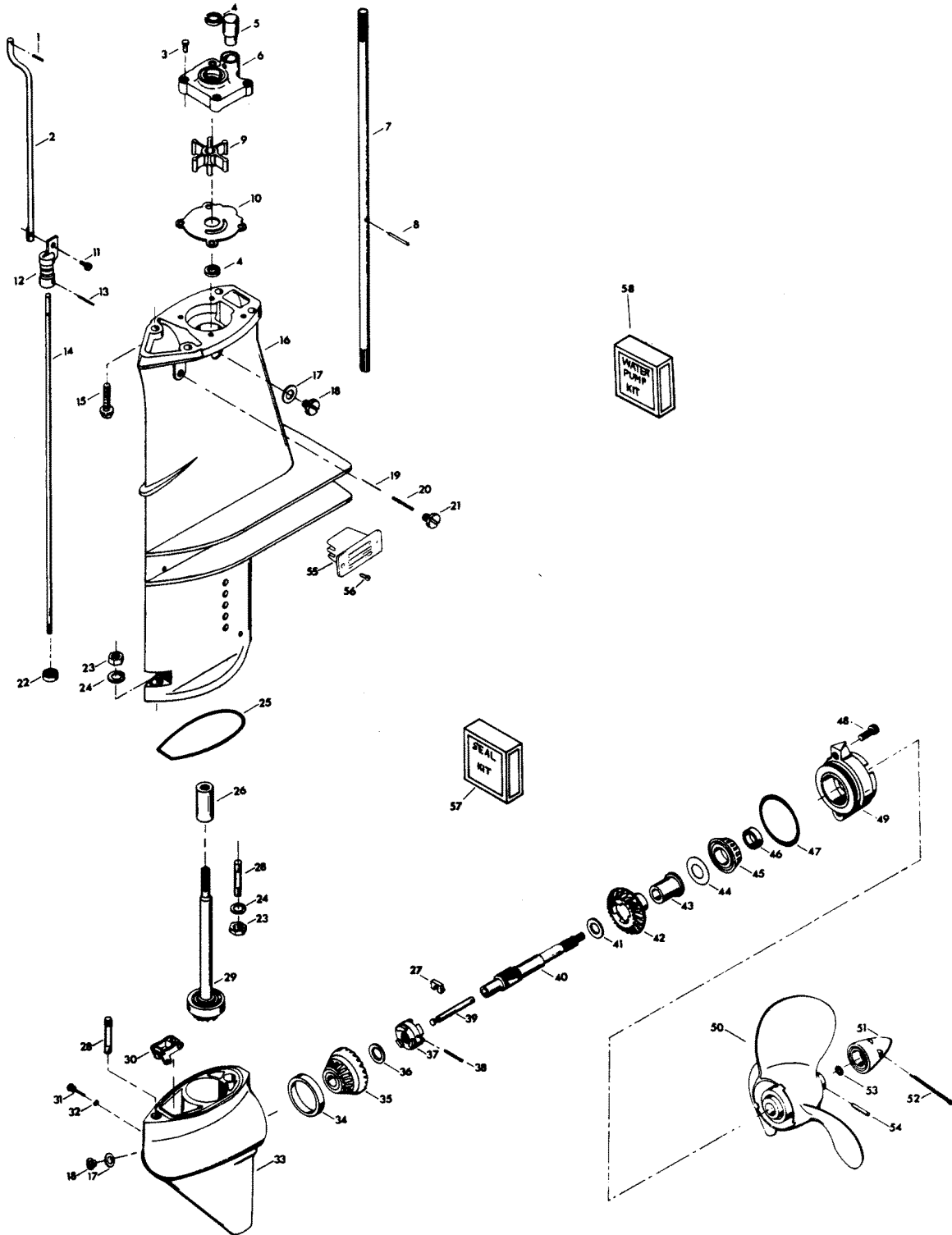
MOTOR LEG



MOTOR LEG

REF. NO.	PART NO.	SYM.	QTY.	DESCRIPTION
43	F286827		1	REVERSE LOCK RELEASE LEVER
44	FA387742		1	LEVER, REVERSE LOCK INTERMEDIATE
45	F8538		1	SPRING PIN
46	F286364		1	LEVER, REVERSE LOCK
47	F1608		1	SQUARE NUT, 1/4 - 20
48	F286573-1		1	CLAMP, STEERING HANDLE
49	1400-817750A4		1	SWIVEL BRACKET W/GREASE FITTING
50	F1820		1	FILL HD SCREWS, 1/4 - 20 X 1 3/8
51	F2A477133		1	MOTOR LEG W/ITEMS 48,49 & 81
52	F286169		1	BEARING, SWIVEL BRACKET
53	F197813		2	BEARING
54	F7025		1	LOCK NUT 3/8 - 16
80	F1794		1	SPRING PIN
81	F901307-2		1	SEAL, DRIVESHAFT
82	F286414		1	SPRING, LEG WATER BRACKET
83	F517347		2	SHOCK MOUNT UPPER
89	F1805		1	SPRING PIN
90	FA286582		1	STEERING ARM W/SPRING PIN & BUMPER
91	F1502		2	HEX CAP SCREW, 1/4 - 20 X 5/8
92	F8060		2	EXTERNAL TOOTH LOCKWASHER
93	F286539		1	BUMPER
96	F525286		1	WASHER
97	F286011		1	WASHER, SWIVEL BRACKET
98	F8538		1	SPRING PIN
101	F517273		1	TIE BAR
102	F516677		2	SPACER, REVERSE LOCK
103	F517078		1	BRACKET, LOCK STEERING
104	F516697		1	NUT, STEERING LOCK BRACKET
106	F1887		2	HEX SLOTTED HD SCREW, 1/4 - 20 X 3 3/16
107	F7024		4	LOCK NUT
108	F2012		2	PLAIN WASHER
110	F286585-1		1	DECAL, TILT RELEASE
-	37-F286585-2		1	DECAL, TILT RELEASE - CANADA

GEAR HOUSING

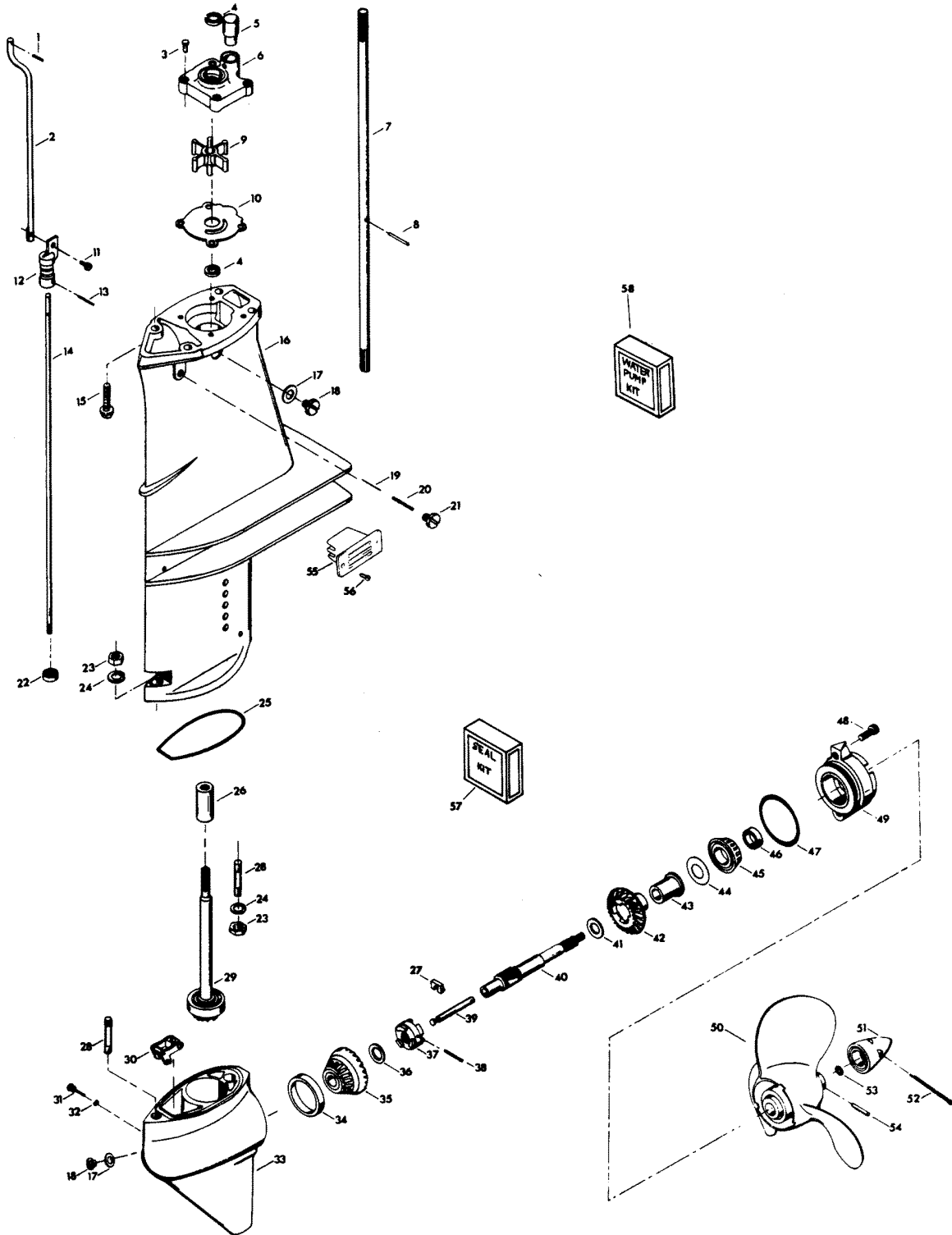


GEAR HOUSING

REF. NO.	PART NO.	SYM.	QTY.	DESCRIPTION
1	F8542		1	SPRING PIN
2	F286615		1	GEAR SHIFT ROD UPPER
3	F2030		4	HEX HD SCREW, 1/4 - 20 X 1 1/4
4	F901307-2		2	SEAL
5	FA510914		1	SEAL, INLET WATER LINE
6	FA504060		1	WATER PUMP BODY W/WATER PUMP SEAL
7	F343128		1	DRIVESHAFT
8	F901563		1	WATER PUMP IMPELLER DRIVE PIN
9	F436065		1	WATER PUMP IMPELLER
10	F341562		1	WATER PUMP BACK PLATE
11	F1976		1	SOCKET HD SCREW W/WASHER, 10 - 24 X 1/2
12	F516704-1		1	COUPLING SHIFT ROD
13	F8540		1	SPRING PIN
14	F516705		1	GEAR SHIFT ROD LOWER
15	F430732		4	HEX HD SCREW, 5/16 - 18 X 1 1/4
16	1600-817844A3		1	GEAR HOUSING UPPER W/BEARING, SEALS, WASHER AND PLUG
17	F8077		2	NYLTITE WASHER
18	F50109		2	GEAR HOUSING PLUG
19	F516584		1	GUIDE, SPRING DETENT
20	F516895		1	SPRING SHIFT DETENT
21	F516885		1	PLUG, SPRING HOLDING
22	F338618-1		1	SEAL, SHIFT ROD LOWER
23	F1346		2	HEX NUT, S.S., 3/8 -16
24	F8065		2	LOCKWASHER
25	F435555		1	SEAL, GEAR HOUSING LOWER
26	F517125		1	COUPLING, DRIVESHAFT
27	F90619-1		1	YOKE
28	F40008		2	STUD
29	F2A516266		1	PINION SHAFT W/BEARING
30	817796A2		1	GEAR SHIFT ARM
31	F498891		1	GEAR SHIFT ARM PIN
32	F498618		1	SEAL "O" RING
33	FA516054		1	GEAR HOUSING LOWER W/PLUG, WASHER AND BEARING CUP
-	FC516054		1	GEAR HOUSING COMPLETE (NOT SHOWN). INCLUDES ALL ITEMS MARKED WITH AN ASTERISK(*).
34	F458250		1	BEARING CUP
35	F2A516023		1	BEVEL GEAR FORWARD W/BEARING
36	F2087		A/R	SPACER, BEVEL GEAR FRONT .056
-	F2055		A/R	SPACER, BEVEL GEAR FRONT .059
-	F2056		A/R	SPACER, BEVEL GEAR FRONT .062
-	F2057		A/R	SPACER, BEVEL GEAR FRONT .065
-	F2058		A/R	SPACER, BEVEL GEAR FRONT .068

CONTINUED ON NEXT PAGE ➡

GEAR HOUSING

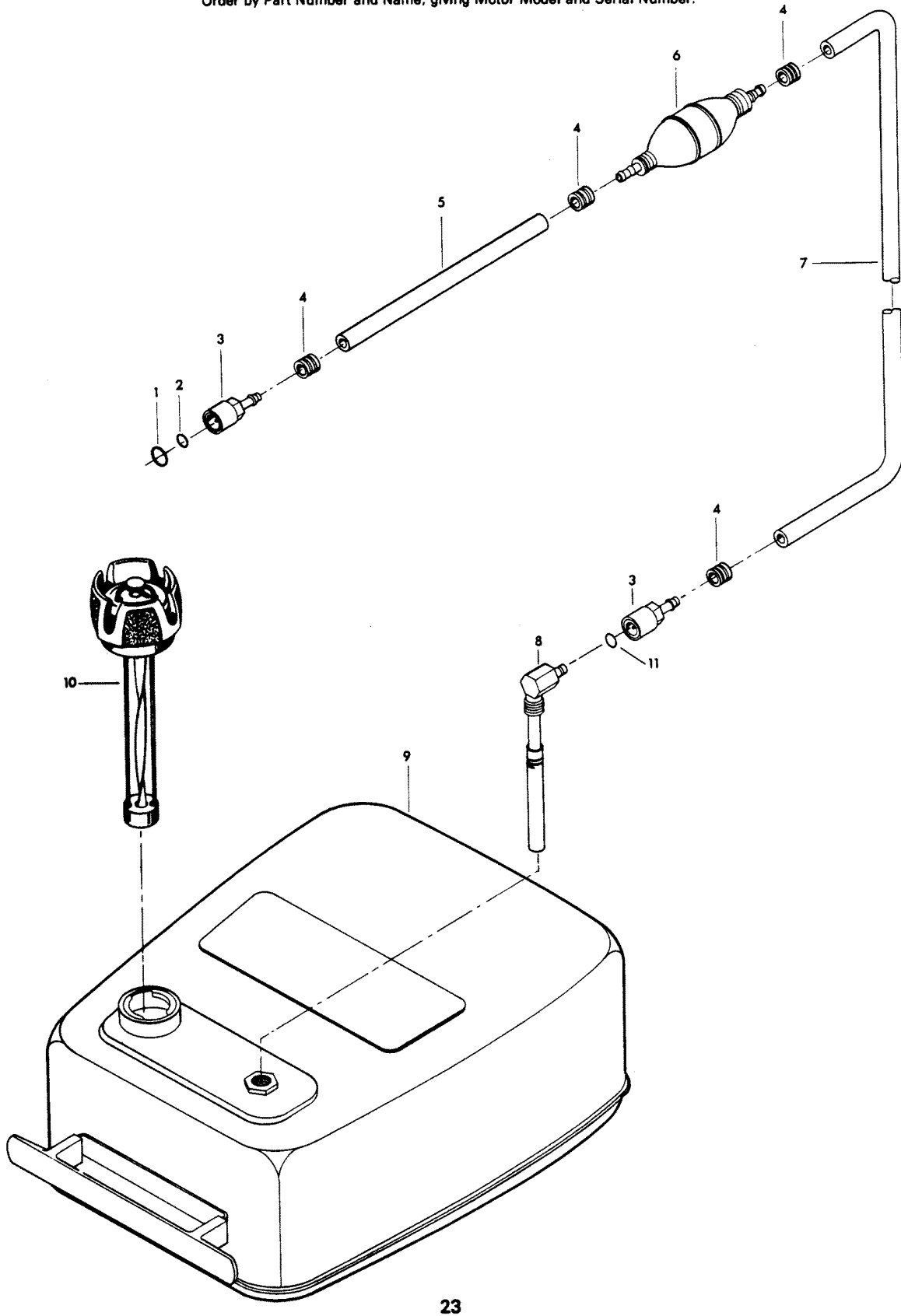


GEAR HOUSING

REF. NO.	PART NO.	SYM.	QTY.	DESCRIPTION
-	F2059		A/R	SPACER, BEVEL GEAR FRONT .071
-	F2060		A/R	SPACER, BEVEL GEAR FRONT .074
-	F2061		A/R	SPACER, BEVEL GEAR FRONT .077
-	F2062		A/R	SPACER, BEVEL GEAR FRONT .080
-	F2063		A/R	SPACER, BEVEL GEAR FRONT .083
-	F2064		A/R	SPACER, BEVEL GEAR FRONT .086
37	F99521-1		1	CLUTCH
38	F2097		1	SPRING CLUTCH
39	F90871-3		1	GEAR SHIFT ARM PIN
40	FA474098		1	PROPELLER SHAFT
41	F40717		1	THRUST WASHER BEVEL GEAR
42	F516662		1	GEAR, BEVEL REAR
43	F474143		1	BEARING, BEVEL GEAR REAR
44	F2052		A/R	SHIM PROPELLER SHAFT BEARING .005 (SILVER)
-	F2053		A/R	SHIM PROPELLER SHAFT BEARING .006 (RED)
-	F2054		A/R	SHIM PROPELLER SHAFT BEARING .008 (BLACK)
45	F474225		1	BEARING, PROPELLER SHAFT REVERSE THRUST
46	F141118		1	SEAL, PROPELLER SHAFT
47	F141305		1	SEAL, PROPELLER SHAFT BEARING CAGE
48	F1994		2	HEX SOCKET HD CAP SCREW, 5/16 - 18 X 1
49	F2A474298		1	PROPELLER SHAFT BEARING CAGE W/SEALS AND BEARING CUP
50	FP278		1	PROPELLER NUT W/SEAL & COTTER PIN
51	FA94094-2		1	PROPELLER NUT W/SEAL & COTTER PIN
52	F1027		1	COTTER PIN
53	F40342		1	SEAL, PROPELLER NUT
54	FK247		1	PROPELLER PIN (PACK OF 6 W/COTTER PIN)
55	FA516485		1	ANTICORROSION ANODE
56	F1733		2	PAN HD SCREW 10 - 24 X 9/16
57	FK1064		1	GEAR HOUSING SEAL KIT. INCLUDES ALL ITEMS MARKED WITH A DOUBLE ASTERISK (**)
58	FK1031-1		1	WATER PUMP KIT

FUEL TANK AND LINE

Order by Part Number and Name, giving Motor Model and Serial Number.



FUEL TANK AND LINE

REF. NO.	PART NO.	SYM.	QTY.	DESCRIPTION
1	F213342		1	SEAL, FUEL LINE COUPLER
2	F213735		1	SEAL, FUEL LINE COUPLER
3	F197787-3		2	FUEL LINE COUPLER
4	F298788		4	FERRULE
5	FA84754-1		1	FUEL LINE SHORT W/FERRULES
6	89396A38		1	PRIME BULB
7	32-817738A1		1	FUEL LINE, LONG W/CLAMP AND FERRULE
8	F485755-1		1	FUEL TANK ADAPTER
9	F5H027		1	FUEL TANK (ACCESSORY ITEM)
10	F409251-1		1	GAUGE CAP
11	F17932		1	SEAL
-	FS409752		1	FUEL LINE COMPLETE (NOT SHOWN)
-	FC409398		1	DECAL, TOTE TANK - CANADA (NOT SHOWN)

SPECIAL TOOLS - TUNE-UP

REF. NO.	PART NO.	SYM.	QTY.	DESCRIPTION
-	FT2909		0	KNOCK-OFF NUT TO REMOVE FLYWHEEL
-	FT2989		0	FLYWHEEL WEDGE TO REMOVE FLYWHEEL

SPECIAL TOOLS - POWER HEAD

REF. NO.	PART NO.	SYM.	QTY.	DESCRIPTION
-	FT2908		0	SEAL SLEEVE TO INSTALL UPPER CRANKSHAFT BEARING CAGE SEAL
-	FT8929		0	ADAPTER AND HEX BIT TO TORQUE CONNECTING ROD SCREWS
-	FT8949		0	SEAL INSTALLER TO INSTALL LOWER CRANKSHAFT SEAL
-	FT2997		0	RING COMPRESSOR TO INSTALL PISTONS
-	FT8926		0	RING EXPANDER TO INSTALL RINGS ON PISTONS
-	FT3012		0	SEAL INSTALLER TO REMOVE AND INSTALL CRANKSHAFT BEARING CAGE SEAL

SPECIAL TOOLS - LOWER UNIT

REF. NO.	PART NO.	SYM.	QTY.	DESCRIPTION
-	FT8904		0	FORWARD CUP INSTALLER TO INSTALL FORWARD BEARING CUP
-	FT8907		0	DRIVER HANDLE TO INSTALL FORWARD BEARING CUP
-	FT8921		0	CUP REMOVER TO REMOVE FORWARD BEARING CUP
-	FT8918		0	BEARING GUIDE SET TO REMOVE FORWARD BEARING CUP
-	T3413		0	SEAL INSTALLER TO INSTALL PROPELLER SHAFT SEAL
-	FT8919		0	SPRING PIN PUNCH TO REMOVE CLUTCH PIN
-	FT2907		0	SEAL INSTALLER TO INSTALL DRIVESHAFT SEAL - WATER PUMP AND GEAR HOUSING
-	FT8948-1		0	PULLER TO REMOVE PROPELLER SHAFT BEARING CAGE
-	FT8985		0	SEAL INSTALLER TO INSTALL PROPELLER SHAFT SEAL
-	FT8957		0	SEAL INSTALLER TO INSTALL SHIFT ROD SEAL
-	FT8920		0	BEARING INSTALLER TO INSTALL PROPELLER SHAFT BEARING
-	FT8924-1		0	CHECKING GAUGE TO SHIM LOWER UNIT
-	FT8982		0	SHIM ADAPTER TO USE WITH CHECKING GAUGE (T8924-1)
-	FT8995		0	SHIM SPACER TO USE WITH CHECKING GAUGE (T8924-1)
-	FT8901		0	INDICATOR HOLDER TO USE WITH CHECKING GAUGE T8924-1
-	FT8902		0	DIAL INDICATOR TO USE WITH CHECKING GAUGE T8924-1

SPECIAL TOOLS - TEST EQUIPMENT

REF. NO.	PART NO.	SYM.	QTY.	DESCRIPTION
-	FT2954A		0	TEST WHEEL TO TEST MOTOR IN TEST RANK
-	FT8950		0	LEAKAGE TESTER TO TEST LOWER UNIT SEAL FOR LEAKS
-	FT8996		0	IGNITION TESTER TO TEST TRIGGER OUTPUT
-	FT8953		0	C-D TESTER TO TEST STARTOR OUTPUT AND SECONDARY VOLTAGE

SPECIAL TOOLS - LUBRICANTS AND SEALANTS

REF. NO.	PART NO.	SYM.	QTY.	DESCRIPTION
-	FT2961		0	LUBRICANT
-	FT2987		0	LUBRICANT
-	FT8969		0	LUBRICANT
-	FT8983		0	SEALANT
-	FT8936		0	SEALANT
-	FT2962-1		0	SEALANT
-	FT2963-1		0	SEALANT
-	FT8935		0	SEALANT PRIMER

ACCESSORIES

REF. NO.	PART NO.	SYM.	QTY.	DESCRIPTION
-	F5H013		0	FLUSHING ADAPTER PERMITS FRESH WATER FLUSHING OF WATER PASSAGES WITH STANDARD GARDEN HOSE.
-	F5H062		0	WATER PUMP KIT HEAVY DUTY WATER PUMP RECOMMENDED FOR CONTINUED OPERATION IN SANDY OR SALT WATER.
-	F5H088		0	REMOTE CONTROL CONVERSION KIT PERMITS REMOTE CONTROL OF THROTTLE AND GEAR SHIFT FROM FRONT OF BOAT.
-	F5H130		0	SYNCHRO-DRIVE CONTROL BOX (SINGLE LEVER) PERMITS REMOTE CONTROL OF THROTTLE AND GEAR SHIFT FROM STARBOARD SIDE OF BOAT.
-	F5H131		0	PORT SIDE DECAL KIT CONVERTS 5H130 CONTROL BOX TO PORT SIDE MOUNTING.
-	167		0	IGNITION CUT-OFF KIT PERMITS STOPPING OF ENGINE FROM OPERATORS SEAT.
-	F195/___		0	REMOTE CONTROL CABLES CONNECTS REMOTE CONTROL BOX TO THROTTLE AND GEAR SHIFT ON MOTOR. AVAILABLE IN 6 THROUGH 40 FOOT LENGTHS.
-	F5H054		0	REMOTE STEERING BRACKET ADAPTS MOTOR TO REMOTE STEERING.
-	F5H027		0	STEEL, 6 GALLON FUEL TANK W/HOSE AUXILIARY TANK.
-	F476		0	FUEL LINE ADAPTION KIT ADAPTS MODEL 583 AND 5H027 TANKS FOR DISCONNECT AT TANK.
-	491		0	CARRYING HANDLE PROVIDES CARRYING HANDLE ON REAR OF ENGINE.
-	F5H090		0	REMOTE START KIT PERMITS STARTING OF ENGINE FROM FRONT OF BOAT.
-	F5H134		0	BOAT WHITE LACQUER ENGINE TOUCH-UP PAINT IN 12 3/4 OZ. SPRAY BOMBS (12 CANS PER CASE).
-	F5H135		0	SAND TAN LACQUER ENGINE TOUCH-UP PAINT IN 12 3/4 OZ. SPRAY BOMBS (6 CANS PER CASE).
-			0	CHRYSLER OUTBOARD OIL SEE BLOCK COMMENT 1.
-			0	CHRYSLER OUTBOARD GEAR LUBE SEE BLOCK COMMENT 2.
-			0	CHRYSLER OUTBOARD FUEL AID REMOVES MOISTURE, PREVENTS SLUDGE AND VARNISH AND STABILIZES GAS. AVAILABLE IN 16 OZ. CANS AND 12 CAN CASES.

CONTINUED ON NEXT PAGE ➡

ACCESSORIES

REF. NO.	PART NO.	SYM.	QTY.	DESCRIPTION
-			0	CHRYSLER OUTBOARD STORAGE LUBRICANT WORKS AS A CORROSION INHIBITOR AND PROTECTS INTERNAL ENGINE PARTS DURING STORAGE. AVAILABLE IN 8 OZ. CANS AND 12 CAN CASES.
-			0	CHRYSLER OUTBOARD MULTI-PURPOSE SPRAY LUBE WORKS AS A LUBRICANT, CLEANER MOISTURE REMOVER AND ELECTRIC INSULATOR. AVAILABLE IN 9 OZ. CANS AND 12 CAN CASES.
-			0	CHRYSLER OUTBOARD MULTI-PURPOSE GREASE LUBRICATES BEARINGS AND OTHER MOVING PARTS. AVAILABLE IN 8 OZ. TUBES AND 12 TUBE CASES.
-			0	CHRYSLER OUTBOARD GREASE GUN USED WITH CHRYSLER OUTBOARD MULTI-PURPOSE GREASE TUBES FOR PRESSURE FITTINGS.
-			0	CHRYSLER OUTBOARD MULTI-PURPOSE CLEANER

PARTS INDEX

Part Number	Description	Pg.	Ref. No.	Part Number	Description	Pg.	Ref. No.
167	IGNITION CUT-OFF KIT	37	-	F1504	FILL HD SCREW, 1/4 - 20 X 1		
2C540712	COVER, ENGINE - COMPLETE	3	-	F15127	1/4 CAP ASSEMBLY, COMMUTATOR END	19	35
491	CARRYING HANDLE	37	-	F15129	NUT W/LOCKWASHER	9	10
510373-1	DECAL, MAGNAPOWER III	13	43	F1513	HEX NUT 10 - 32	9	15
817751A3	STEERING HANDLE BRACKET W/GREASE FITTING	23	1	F1513	HEX NUT, 10 - 32	21	65
817754A1	ARM, CARBURETOR FOLLOWER	15	2	F15130	NUT	11	42
817758A1	BRACKET, COVER LATCH	5	42	F15132	WASHER, FIBER	9	16
817761A2	CLAMP SCREW W/FOOT AND STUD	23	14	F15133	WASHER	9	18
817796A2	GEAR SHIFT ARM	27	30	F15134	ARMATURE	9	17
817971A3	LEVER, MAGNETO CONTROL	19	33	F15134	ARMATURE	9	8
89396A38	PRIME BULB	31	6	F15135	CAP ASSEMBLY, DRIVE END	9	5
A492018	CRANKSHAFT W/UPPER MAIN BEARING	21	43	F15135	CAP ASSEMBLY, DRIVE END	9	5
F10006	GASKET SET, CARBURETOR (NOT SHOWN)	17	-	F15136	HOUSING ASSEMBLY	9	9
F10007	REPAIR PARTS KIT, CARBURETOR.	17	48	F15137	WASHER	9	6
F1027	COTTER PIN	29	52	F15138	SPRING, BRUSH	9	12
F1069	FILL HD SCREW, 10 - 24 X 1/16	7	14	F15139	PINION ASSEMBLY	9	4
F1075	FILL HD SCREW, 10 - 24 X 1/2	11	36	F15140	SPRING	9	3
F1090	FILL HD SCREW W/SPRING LOCKWASHER, 10 - 24 X 9/16	11	26	F15141	PINION STOP	9	2
F1107	FILL HD SCREW, 1/4 - 20 X 3/4	19	37	F15142	STOP NUT	9	1
F1111	FILL HD SCREW, 1/4 - 20 X 7/8	21	48	F15143	DISC	9	11
F1112	SLOTTED FILL HD. M.S. 1/4 - 20 X 7/8	11	19	F15144	SCREW, THRU BOLT	9	14
F1286	PAN HD SCREW, 4 - 40 X 3/16	7	5	F15145	GASKET	9	7
F1303	SLOTTED PAN HD M. SCREW, 8/32 X 3/4	11	24	F15146	WASHER	9	13
F1335	FILL HD SCREW, 5/16 - 18 X 1 1/4	19	38	F1515	HEX NUT 5/16 - 18	13	59
F1337	HEX NUT, 6 - 32	11	5	F1556	FILL HD M. SCREW W. SPRING LOCKWASHER, 10 - 24 X 3/8	11	18
F1339	HEX NUT, 10 - 24	21	51	F1558	SLOTTED HD. M.S. 10 - 24 X 3/8	17	50
F1341	HEX NUT, 1/4 - 20	23	25	F1577	FILL HD SCREW, 1/4 - 20 X 3/4	7	3
F1341	HEX NUT 1/4-20	3	27	F1577	FILL HD SCREW, 1/4 - 20 X 3/4	11	9
F1346	HEX NUT, S.S., 3/8 -16	27	23	F1608	SQUARE NUT, 1/4 - 20	25	47
F1365	SQUARE NUT, 10 - 24	15	4	F1645	RD HD THREAD CUTTING SCREW, 6 - 32 X 1/4	11	25
F141118	SEAL, CRANKSHAFT LOWER	19	23	F1646	HEX SOCKET HD CAP SCREW, 3/8 - 16 X 2 1/4	11	8
F141118	SEAL, PROPELLER SHAFT	29	46	F1648	PAN HD SCREW, 10 - 24 X 3/4	11	13
F141305	SEAL, PROPELLER SHAFT BEARING CAGE	29	47	F1666	BOWED SPRING WASHER	23	7
F1447	SCREW, DRIVE	3	33	F1678	FILL HD SCREW, 10 - 24 X 13/16	11	32
F1473	HEX NUT 10 - 24	17	51	F1704	INTERNAL TOOTH LOCKWASHER	11	4
F1473	HEX NUT 10-24	3	34	F1733	PAN HD M.S. 10-24 X 9/16	3	31
F1490	HEX NUT, 1/4 - 20	15	34	F1733	PAN HD SCREW 10 - 24 X 9/16	29	56
				F174017	PIN, PISTON	19	16
				F1753	FASTENER	3	3
				F1755	HD SCREW W/LOCKWASHER, 6 - 32 X 5/16	17	42
				F17932	SEAL	31	11
				F1794	SPRING PIN	23	42
				F1794	SPRING PIN	25	80
				F1802	FILL HD SCREW, 1/4 - 20 X 9/16	11	20
				F1803	STOP NUT, 5/16 - 24	19	30
				F1805	SPRING PIN	25	89

PARTS INDEX

Part Number	Description	Pg.	Ref. No.	Part Number	Description	Pg.	Ref. No.
F1806	GROOVE PIN	23	39	F2056	SPACER, BEVEL GEAR		
F1809	HEX NUT	11	29		FRONT .062	27	-
F18160-2	REED, FUEL PUMP	7	7	F2057	SPACER, BEVEL GEAR		
F1820	FILL HD SCREWS, 1/4 - 20 X 1 3/8	25	50		FRONT .065	27	-
F1823	HEX CAP SCREW, 5/16 - 18 X 1	19	13	F2058	SPACER, BEVEL GEAR		
F1829	FILL HD M. SCREW, 10 - 24 X 7/8	11	1		FRONT .068	27	-
F1834	FILL HD SCREW, 10 - 24 X 7/8	15	1	F2059	SPACER, BEVEL GEAR		
F183813	BEARING, MAGNETO CONTROL LEVER	19	34		FRONT .071	29	-
F1845	TY-RAP	13	50	F2060	SPACER, BEVEL GEAR		
F1859	HEX SOCKET HEADLESS SET SCREW, 1/4 - 28 X 3/16	19	-		FRONT .074	29	-
F1887	HEX SLOTTED HD SCREW, 1/4 - 20 X 3 3/16	25	106	F2061	SPACER, BEVEL GEAR		
F18906	CARBURETOR GASKET	15	37		FRONT .077	29	-
F18906	CARBURETOR GASKET	21	-	F2062	SPACER, BEVEL GEAR		
F1912	HEX HD SCREW, 10 - 24 X 1/2	15	40		FRONT .080	29	-
F1914	HEX HD SCREW, 1/4 - 20 X 3/4	15	32	F2063	SPACER, BEVEL GEAR		
F1915	HEX HD SCREW, 1/4 - 20 X 7/8	19	28		FRONT .083	29	-
F1922	HEX HD SCREW, 1/4 - 20 X 5/8	19	5	F2064	SPACER, BEVEL GEAR		
F195/_	REMOTE CONTROL CABLES	37	-		FRONT .086	29	-
F1971	HEX CAP SC. 1/4 - 20 X 2-1/8	3	21	F2087	SPACER, BEVEL GEAR		
F1975	SPRING LOCKWASHER	11	2		FRONT .056	27	36
F1976	SOCKET HD SCREW W/WASHER, 10 - 24 X 1/2	27	11	F2097	SPRING CLUTCH	29	38
F197767-1	BUSHING, FUEL LINE	3	24	F213274	GREASE FITTING	23	34
F197787-3	FUEL LINE COUPLER	31	3	F213342	SEAL, FUEL LINE COUPLER	31	1
F197813	BEARING	25	53	F213735	SEAL, FUEL LINE COUPLER	31	2
F197813	BEARING, INTERLOCK LEVER	21	53	F235785	DECAL, COMPLIANCE - CANADA	3	5
F1979	SCREW PAN HD., 10 - 24 X 1/2	3	10	F24074	CLAMP SCREW FOOT	23	18
F1994	HEX SOCKET HD CAP SCREW, 5/16 - 18 X 1	29	48	F24748-2	GASKET, FUEL PUMP	7	9
F1999	HEX SCREW, 1/4 - 20 X 7/8	13	44	F269316	SHAFT, ROLLER	3	40
F2002	NUT, STOP, 5/16 - 18	3	30	F2706772	HOSE CLAMP	7	12
F2012	PLAIN WASHER	3	25	F2752253	HOSE, FUEL PUMP TO BUSHING	7	15
F2012	PLAIN WASHER	11	21	F2771254	HOSE, FUEL PUMP TO CARBURETOR	7	13
F2012	PLAIN WASHER	25	108	F2788004	STUD, CARBURETOR	15	38
F2030	HEX HD SCREW, 1/4 - 20 X 1 1/4	27	3	F28004	STUD, INTERLOCK LEVER	19	10
F2040	TAPTITE HEX WASHER HD SCREW, 1/4 - 20 X 5/8	21	61	F286011	WASHER, SWIVEL BRACKET	25	97
F2050	HEX CAP SC. 1/4 - 20 X 1 1/2	13	57	F286019	KING PIN	23	24
F2052	SHIM PROPELLER SHAFT BEARING .005 (SILVER)	29	44	F286028	BEARING, CRANKSHAFT UPPER MAIN	21	59
F2053	SHIM PROPELLER SHAFT BEARING .006 (RED)	29	-	F286037	STERN BRACKET PIVOT BOLT	23	4
F2054	SHIM PROPELLER SHAFT BEARING .008 (BLACK)	29	-	F286114	LOCK BAR HANDLE	23	23
				F286151	PLATE, EXHAUST	19	25
				F286152	COVER, EXHAUST	19	26
				F286154	GASKET EXHAUST COVER	21	-
				F286154	GASKET, EXHAUST COVER	19	24
				F286159-1	GASKET, REED PLATE	17	46
				F286159-1	GASKET, REED PLATE	21	-
				F286169	BEARING, SWIVEL BRACKET	23	33
				F286169	BEARING, SWIVEL BRACKET	25	52
				F286192	THROTTLE CAM	11	37
				F286223	GASKET, TRANSFER PORT COVER	19	7
				F286223	GASKET, TRANSFER PORT COVER	21	-
				F286244	WATER LINE	23	28

PARTS INDEX

Part Number	Description	Pg.	Ref. No.	Part Number	Description	Pg.	Ref. No.
F286277	GASKET, CRANKSHAFT BEARING CAGE	21	45	F321908	WIRE, GROUND STARTER RELAY	13	55
F286279-2	GASKET CYLINDER MOUNTING	21	-	F338618-1	SEAL, SHIFT ROD LOWER	27	22
F286279-2	GASKET, CYLINDER MOUNTING	19	29	F341562	WATER PUMP BACK PLATE	27	10
F286282	WASHER	19	31	F343014	BEARING, CRANKSHAFT LOWER MAIN	19	22
F286286-1	WASHER, STERN BRACKET	23	41	F343128	DRIVESHAFT	27	7
F286300	SPRING, REVERSE LOCK	23	35	F346146	SEAL, CRANKSHAFT UPPER	21	47
F286316	THROTTLE CAM FOLLOWER	15	33	F36634	SCREW, CONNECTING ROD	21	40
F286346	SHOCK MOUNT LOWER	23	30	F392756	PACKING, SUPPORT PLATE	3	18
F286364	LEVER, REVERSE LOCK	25	46	F40008	STUD	27	28
F286414	SPRING, LEG WATER BRACKET	25	82	F40342	SEAL, PROPELLER NUT	29	53
F286422-1	TILT LOCK PIVOT	23	31	F404446	CLAMP, CABLE	3	23
F286422-1	TILT LOCK PIVOT	23	6	F404908	GROUND WIRE	11	35
F286433	BRACKET SHALLOW WATER DRIVE	23	38	F40717	THRUST WASHER BEVEL GEAR	29	41
F286440	STUD, MAGNETO CONTROL LEVER	21	39	F409251-1	GAUGE CAP	31	10
F286451	SPACER, TILT LOCK	23	32	F424075	HANDLE, CLAMP SCREW	23	13
F286451	SPACER, TILT LOCK	23	9	F424161	REED STOP	17	43
F286461	SPRING, LOCK BAR HANDLE	23	22	F424168-1	GASKET, MANIFOLD	17	41
F286509	LINK, THROTTLE CAM	19	36	F424168-1	GASKET, MANIFOLD	21	-
F286518	HEAD CYLINDER	19	3	F429472	GASKET, CYLINDER DRAIN COVER	19	9
F286529-3	GASKET, CYLINDER HEAD	19	4	F429472	GASKET, CYLINDER DRAIN COVER	21	-
F286529-3	GASKET, CYLINDER HEAD	21	-	F429541	TILT LOCK	23	8
F286539	BUMPER	25	93	F429811	SCREEN	21	57
F286544-1	SPRING, TILT STOP	23	10	F430732	HEX HD SCREW, 5/16 - 18 X 1 1/4	27	15
F286571	ROLLER SET, MAIN BEARING (26 PER SET)	21	42	F435555	SEAL, GEAR HOUSING LOWER	27	25
F286573-1	CLAMP, STEERING HANDLE	25	48	F436065	WATER PUMP IMPELLER	27	9
F286585-1	DECAL, TILT RELEASE	25	110	F455118	SEAL, FUEL PUMP BRACKET	7	1
F286615	GEAR SHIFT ROD UPPER	27	2	F458250	BEARING CUP	27	34
F286647	CARRYING HANDLE	23	12	F458498	KEY, FLYWHEEL	13	49
F286777	CAM, COVER LATCH	3	29	F461342	SEAL, DRIVESHAFT SPLINE	21	58
F286827	REVERSE LOCK RELEASE LEVER	25	43	F472015-2	PISTON	19	18
F286871	PIN, GEAR SHIFT LEVER	3	17	F474143	BEARING, BEVEL GEAR REAR	29	43
F286876	LEVER, GEAR SHIFT	3	15	F474225	BEARING, PROPELLER SHAFT REVERSE THRUST	29	45
F286914	SLEEVE WATER LINE	23	29	F476	FUEL LINE ADAPTION KIT	37	-
F286956	BRACKET, SHOCK MOUNT LOWER	23	26	F485755-1	FUEL TANK ADAPTER	31	8
F286989-2	SEAL, SUPPORT PLATE	3	22	F487660-1	EXHAUST TUBE	19	27
F298788	FERRULE	31	4	F487711	PLATE, ENGINE COVER	5	44
F2A424167	MANIFOLD W/STUDS AND PULLEY	15	39	F498618	SEAL "O" RING	27	32
F2A474298	PROPELLER SHAFT BEARING CAGE W/SEALS AND BEARING CUP	29	49	F498891	GEAR SHIFT ARM PIN	27	31
F2A477133	MOTOR LEG	25	51	F50109	GEAR HOUSING PLUG	27	18
F2A516023	BEVEL GEAR FORWARD W/BEARING	27	35	F510029	STATOR, TRIGGER	11	34
F2A516266	PINION SHAFT W/BEARING	27	29	F510095	STATOR, ALTERNATOR	11	33
F307317	CLIP, TERMINAL BLOCK GROUND	11	14	F510097	FLYWHEEL	11	31
F307818	BEARING	3	14	F510165	SCREW	19	5A
F31160-1	REED	17	44	F510222	COVER, TRANSFER PORT	19	6
				F510301	C-D MODULE	13	46
				F510374	DECAL, CIRCUIT BREAKER	11	28
				F510398	DECAL, WIRING	11	7
				F510427	BRACKET, STARTER SUPPORT	7	2
				F510446	CLAMP, BATTERY CABLE	11	38

PARTS INDEX

Part Number	Description	Pg.	Ref. No.	Part Number	Description	Pg.	Ref. No.
F510449	NEUTRAL INTERLOCK SWITCH	13	47	F540908	WIRE, GROUND RECTIFIER TO TERM. & LOCK	11	15
F510450-1	RECTIFIER	11	23	F5H013	FLUSHING ADAPTER	37	-
F510460	CIRCUIT BREAKER	11	27	F5H027	FUEL TANK (ACCESSORY ITEM)	31	9
F510475	IGNITION COIL	11	3	F5H027	STEEL, 6 GALLON FUEL TANK W/HOSE	37	-
F510531	ROD, INTERLOCK	21	52	F5H054	REMOTE STEERING BRACKET	37	-
F510551	BRACKET, INTERLOCK SWITCH	21	60	F5H062	WATER PUMP KIT	37	-
F510595	INSULATOR, CIRCUIT BREAKER	11	41	F5H088	REMOTE CONTROL CONVERSION KIT	37	-
F510661	PAD, STARTER MOTOR	5	48	F5H090	REMOTE START KIT	37	-
F510675-1	STARTER SUPPORT	11	10	F5H130	SYNCHRO-DRIVE CONTROL BOX (SINGLE LEVER)	37	-
F510683	WIRE, RECTIFIER - CIRCUIT BREAKER	13	48	F5H131	PORT SIDE DECAL KIT	37	-
F510746	FUEL PUMP COVER	7	10	F5H134	BOAT WHITE LACQUER	37	-
F510811	FILTER, FUEL PUMP	7	16	F5H135	SAND TAN LACQUER	37	-
F510841	WIRE, STARTER INTERLOCK SWITCH	11	12	F66193	THROTTLE LINK	15	3
F510955	STARTER MOTOR COMPLETE	9	-	F66480	STUD CLAMP SCREW	23	17
F516349	REVERSE LOCK	23	36	F7005	STOP NUT, 3/8 - 16	23	19
F516451	SPACER, STEERING HDL. BRKT.	23	37	F7008	STOP NUT, 1/4 - 20	21	55
F516584	GUIDE, SPRING DETENT	27	19	F7011	NUT, ELASTIC STOP, 10 - 24	3	11
F516662	GEAR, BEVEL REAR	29	42	F7011	NUT, STOP, 10 - 24	3	20
F516677	SPACER, REVERSE LOCK	25	102	F7024	LOCK NUT	25	107
F516697	NUT, STEERING LOCK BRACKET	25	104	F7025	LOCK NUT 3/8 - 16	25	54
F516704-1	COUPLING SHIFT ROD	27	12	F73082	RING, MAGNETO STATOR	21	44
F516705	GEAR SHIFT ROD LOWER	27	14	F78318	ROLLER, THROTTLE CAM FOLLOWER	15	35
F516885	PLUG, SPRING HOLDING	27	21	F78410	RETAINER	15	36
F516895	SPRING SHIFT DETENT	27	20	F8003	PLAIN WASHER	7	6
F517078	BRACKET, LOCK STEERING	25	103	F8011	PLAIN WASHER	3	28
F517125	COUPLING, DRIVESHAFT	27	26	F8025	PLAIN WASHER	19	2
F517273	TIE BAR	25	101	F8039	PLAIN WASHER	23	3
F517317	CLAMP, CHOKE SOLENOID	11	17	F8058	INTERNAL TOOTH LOCK WASHER	21	64
F517347	SHOCK MOUNT UPPER	25	83	F8058	LOCKWASHER, INTERNAL TOOTH	3	13
F517502	LEVER, REMOTE CHOKE	15	11	F8058	TOOTH LOCKWASHER	17	52
F517552	SCREW, STEERING HDL. BRKT.	23	2	F8060	EXTERNAL TOOTH LOCKWASHER	25	92
F517683	WIRE, STARTER INT. SW. TO STARTER RELAY	11	40	F8065	LOCKWASHER	27	24
F517846	SPRING, REMOTE CHOKE	17	53	F8077	NYLTITE WASHER	27	17
F517917	RELAY STARTER	13	54	F8083	SPRING LOCKWASHER	13	45
F517924	CHOKE SOLENOID	11	16	F8083	SPRING LOCKWASHER	23	27A
F517977-1	LEVER, INTERLOCK	21	54	F8096	SPRING LOCKWASHER	13	58
F525286	WASHER	25	96	F84026	SWIVEL, INTERLOCK ROD BEARING	21	50
F539843	CABLE, ELECTRIC REMOTE EXTENSION	13	51	F84035-2	BEARING, INTERLOCK ROD	21	49
F539896	CABLE, BATTERY EXTENSION	13	53	F8537	SPRING PIN	23	16
F540038	PLATE, SUPPORT	3	19	F8538	SPRING PIN	25	45
F540061	CARBURETOR COMPLETE (CO-10B)	17	47	F8538	SPRING PIN	25	98
F540180	TRIM, ENGINE COVER, REAR	3	4	F8540	SPRING PIN	23	21
F540683	WIRE STARTER TO STARTER RELAY	13	56	F8540	SPRING PIN	27	13
F540843	CABLE, ELECTRIC REMOTE	13	52	F8542	SPRING PIN	3	16
F540896	BATTERY CABLE	11	39	F8542	SPRING PIN	27	1
				F8554	SPRING PIN	23	15
				F8559	DOWEL PIN	19	14
				F85735-1	SEAL	3	2
				F901307-2	SEAL	27	4

PARTS INDEX

Part Number	Description	Pg.	Ref. No.	Part Number	Description	Pg.	Ref. No.
F901307-2	SEAL, DRIVESHAFT	25	81	FA540892	DECAL, ENGINE COVER, FRONT	3	1
F901456-1	EMERGENCY STARTER COLLAR	11	30	FA84754-1	FUEL LINE SHORT W/FERRULES	31	5
F901563	WATER PUMP IMPELLER DRIVE PIN	27	8	FA94094-2	PROPELLER NUT W/SEAL & COTTER PIN	29	51
F901938-1	SCREW, CYLINDER HEAD	19	1	FAC535395	PLATE, IDENTIFICATION	3	-
F90619-1	YOKE	27	27	FC409398	DECAL, TOTE TANK - CANADA (NOT SHOWN)	31	-
F90871-3	GEAR SHIFT ARM PIN	29	39	FC503227	SPARK PLUG (QL77J4)	19	-
F92759	ROLLER	3	41	FC510374	DECAL, CIRCUIT BREAKER - CANADA	11	-
F94840	GROMMET, BATTERY CABLE	5	47	FC510398	DECAL, WIRING - CANADA	11	-
F98273	STUD, GEAR SHIFT ROD CONNECTOR	3	12	FC516054	GEAR HOUSING COMPLETE (NOT SHOWN).	27	-
F98278	STUD, REMOTE THROTTLE CONNECTOR	21	63	FC520010	SHORT BLOCK (NOT SHOWN)	19	-
F99521-1	CLUTCH	29	37	FC520390	DECAL, STARTER - CANADA (NOT SHOWN)	9	-
FA1844	HEX BOLT, 1/4 - 20 X 2 3/8	23	27	FG1005-1	GASKET SET	21	62
FA24757-3	FUEL PUMP REED PLATE W/REEDS AND SCREWS	7	8	FK1031-1	WATER PUMP KIT	29	58
FA286113	LOCK BAR W/HANDLE AND SPRING	23	20	FK1064	GEAR HOUSING SEAL KIT.	29	57
FA286155	MAIN BEARING LINER SET (2 PER SET)	21	41	FK247	PROPELLER PIN (PACK OF 6 W/COTTER PIN)	29	54
FA286469	KNOB, COVER LATCH	3	26	FK517032	STERN BRACKET W/CLAMP SCREW AND FOOT	23	5
FA286480	RETAINER, ENGINE COVER	3	9	FK567532	STERN BRACKET PORT W/CLAMP SCREW AND FOOT	23	11
FA286582	STEERING ARM W/SPRING PIN & BUMPER	25	90	FK750-2	SPARKIE W/SPRING	11	6
FA341510	LINK, REVERSE LOCK LEVER	23	40	FO10165	INLET SEAT GASKET	15	25
FA343612	BRACKET, REMOTE CONTROL	3	8	FO10280	CHOKE SHUTTER RETAINER SCREW AND LOCKWASHER	15	15
FA387742	LEVER, REVERSE LOCK INTERMEDIATE	25	44	FO10280	THROTTLE SHUTTER RETAINING SCREW AND LOCKWASHER	15	31
FA424158	REED PLATE W/REEDS, STOPS AND SCREWS	17	45	FO10588	BODY CHANNEL CUP PLUG	15	6
FA429471	COVER, CYLINDER DRAIN W/CHECK VALVES AND SCREWS	19	8	FO10790	INLET NEEDLE, SEAT AND GASKET	15	24
FA472260	PISTON RING SET (2 PER SET)	19	19	FO11103	IDLE MIXTURE SCREW SPRING	15	23
FA474098	PROPELLER SHAFT	29	40	FO11722	JET MAIN FUEL JET STD. .055 SEA LEVEL - 3000 FT.	15	26
FA504060	WATER PUMP BODY W/WATER PUMP SEAL	27	6	FO11764	MAIN FUEL JET OPT. .051 6000 FT & UP	15	-
FA510497	TERMINAL BLOCK	11	11	FO11765	MAIN FUEL JET OPT. .053 3000 FT. - 6000 FT.	15	-
FA510914	SEAL, INLET WATER LINE	27	5	FO13554	FLOAT	15	16
FA516054	GEAR HOUSING LOWER W/PLUG, WASHER AND BEARING CUP	27	33	FO13944	FLOAT LEVER PIN	15	17
FA516485	ANTICORROSION ANODE	29	55	FO13945	FUEL BOWL RETAINING SCREW	15	20
FA517925	ROD, CHOKE SOLENOID	17	49	FO15366	FUEL BOWL	15	18
FA520010	CYLINDER	19	12	FO15367	CHOKE SHUTTER	15	14
FA525228	ROLLER SET, CONNECTING ROD (16 PER SET)	19	21	FO15368	CHOKE RELIEF VALVE	15	12
FA525241	CRANKPIN ROLLER BEARING CAGE	19	20	FO15520	IDLE MIXTURE SCREW	15	22
FA535395	PLATE, IDENTIFICATION	3	32	FO15522	BYPASS TUBE	15	7
FA540396	DECAL, "CHRYSLER", STARBOARD	3	-	FO15525	MAIN NOZZLE	15	27
FA540397	DECAL "CHRYSLER", PORT	3	7	FO15526	THROTTLE SHAFT RETURN SPRING	15	29

PARTS INDEX

Part Number	Description	Pg.	Ref. No.	Part Number	Description	Pg.	Ref. No.
FO15623	FUEL BOWL GASKET	15	19	27-818043A1	FUEL PUMP DIAPHRAGM W/GASKETS	7	4
FO15736	CHOKE SHAFT AND LEVER	15	10				
FO15757	THROTTLE SHAFT AND LEVER	15	28	32-817738A1	FUEL LINE, LONG W/CLAMP AND FERRULE	31	7
FO15783	CHOKE RELIEF VALVE SPRING	15	13	37-F286585-2	DECAL, TILT RELEASE - CANADA	25	-
FO16878	THROTTLE SHUTTER	15	30	1100-817753A1	CAGE, CRANKSHAFT BEARING W/SEAL	21	46
FO2510	FUEL BOWL RETAINING SCREW GASKET	15	21	1400-817750A4	SWIVEL BRACKET W/GREASE FITTING	25	49
FO2531	BODY CHANNEL WELCH PLUG	15	5	1600-817844A3	GEAR HOUSING UPPER W/BEARING, SEALS, WASHER AND PLUG	27	16
FO4784	CHOKE FRICTION BALL	15	8				
FO8805	CHOKE FRICTION SPRING	15	9				
FP278	PROPELLER NUT W/SEAL & COTTER PIN	29	50				
FS174227	PLUG, SPARK, L-4-J	19	11				
FS36016-5	ROD, CONNECTING W/CAP AND SCREWS	19	17				
FS409752	FUEL LINE COMPLETE (NOT SHOWN)	31	-				
FS541712	COVER, ENGINE, W/BRACKET, RETAINER AND TILT HANDLE	3	6				
FT2907	SEAL INSTALLER	34	-				
FT2908	SEAL SLEEVE	33	-				
FT2909	KNOCK-OFF NUT	32	-				
FT2954A	TEST WHEEL	35	-				
FT2961	LUBRICANT	36	-				
FT2962-1	SEALANT	36	-				
FT2963-1	SEALANT	36	-				
FT2987	LUBRICANT	36	-				
FT2989	FLYWHEEL WEDGE	32	-				
FT2997	RING COMPRESSOR	33	-				
FT3012	SEAL INSTALLER	33	-				
FT8901	INDICATOR HOLDER	34	-				
FT8902	DIAL INDICATOR	34	-				
FT8904	FORWARD CUP INSTALLER	34	-				
FT8907	DRIVER HANDLE	34	-				
FT8918	BEARING GUIDE SET	34	-				
FT8919	SPRING PIN PUNCH	34	-				
FT8920	BEARING INSTALLER	34	-				
FT8921	CUP REMOVER	34	-				
FT8924-1	CHECKING GAUGE	34	-				
FT8926	RING EXPANDER	33	-				
FT8929	ADAPTER AND HEX BIT	33	-				
FT8935	SEALANT PRIMER	36	-				
FT8936	SEALANT	36	-				
FT8948-1	PULLER	34	-				
FT8949	SEAL INSTALLER	33	-				
FT8950	LEAKAGE TESTER	35	-				
FT8953	C-D TESTER	35	-				
FT8957	SEAL INSTALLER	34	-				
FT8969	LUBRICANT	36	-				
FT8982	SHIM ADAPTER	34	-				
FT8983	SEALANT	36	-				
FT8985	SEAL INSTALLER	34	-				
FT8995	SHIM SPACER	34	-				
FT8996	IGNITION TESTER	35	-				
T3413	SEAL INSTALLER	34	-				
22-818103--1	FITTING, FUEL PUMP	7	11				