



# PARTS CATALOG

## 20 H.P.

### SERIAL NUMBER

20 (1979) .....	202B9K
20 (1979) .....	202H9K
20 (1979) .....	203B9K
20 (1979) .....	203H9K
20 (1979) .....	206B9B
20 (1979) .....	206H9B
20 (1979) .....	207B9B
20 (1979) .....	207H9B

# TABLE OF CONTENTS:

ACCESSORIES .....	59
ALTERNATOR .....	20
CARBURETOR .....	22
CRANKSHAFT AND PISTON GROUP .....	28
ELECTRIC STARTER .....	12
ELECTRICAL COMPONENTS .....	16
ENGINE COVER AND SUPPORT PLATE .....	2
ENGINE COVER AND SUPPORT PLATE .....	6
FUEL PUMP .....	30
FUEL TANK AND LINE .....	52
GEAR HOUSING .....	48
HAND STARTER .....	10
MAGNETO .....	14
MOTOR LEG .....	42
PARTS INDEX .....	61
POWER HEAD .....	32
REED PLATE .....	26
SPECIAL TOOLS - LOWER UNIT .....	56
SPECIAL TOOLS - LUBRICANTS AND SEALANTS .....	58
SPECIAL TOOLS - POWER HEAD .....	55
SPECIAL TOOLS - TEST EQUIPMENT .....	57
SPECIAL TOOLS - TUNE-UP .....	54
SWIVEL BRACKET GROUP .....	38

**NOTE:** Indented description indicate that these parts are included in preceeding assembly.

**AR** = As Required

**NSS** = Not Sold Separate

**OPT** = Optional

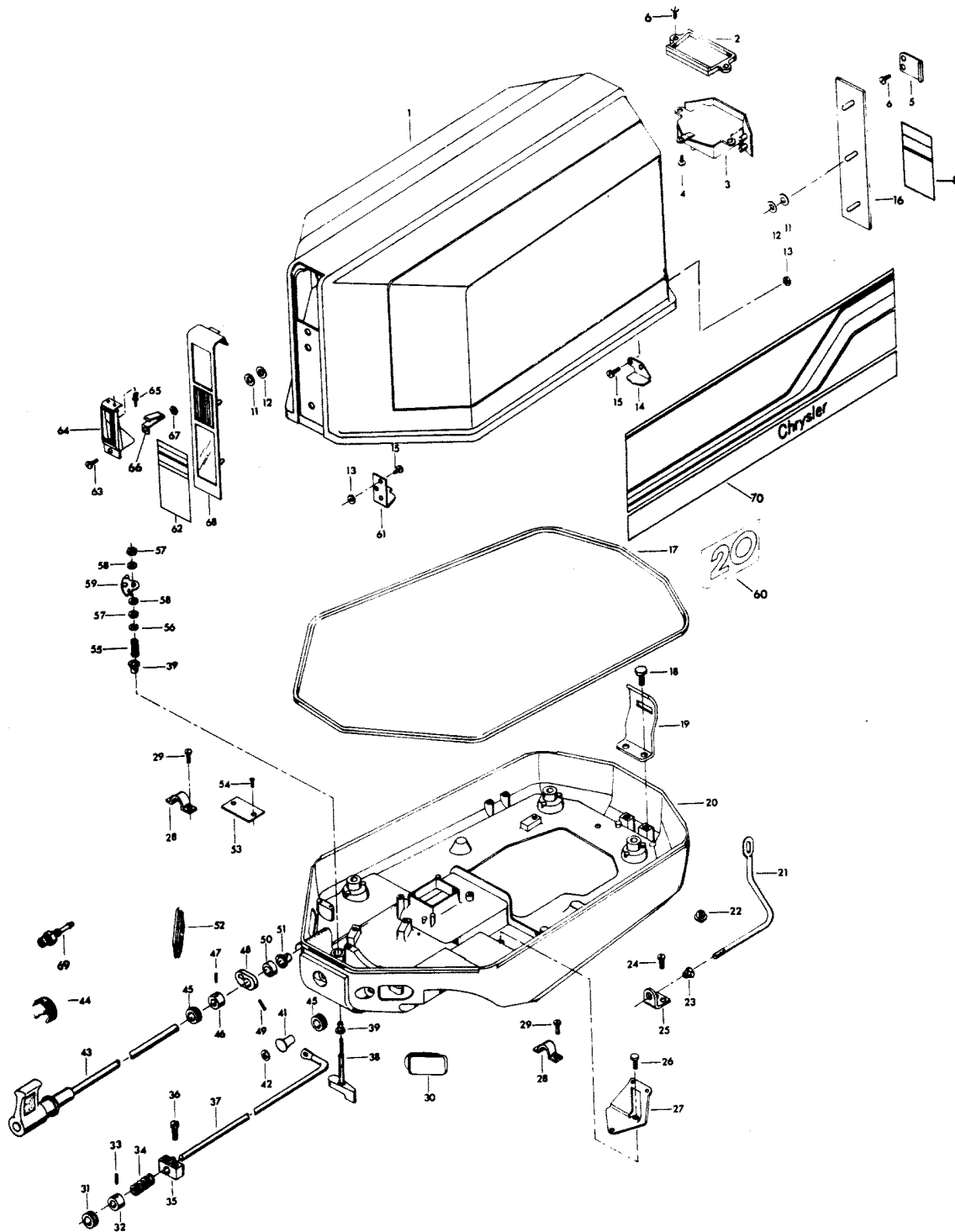
**NS** = Not Shown

**THESE PARTS BOOKS/FICHE CARD ARE COPYRIGHTED AND MAY NOT BE DISTRIBUTED OR REPRODUCED IN ANY OTHER FORMAT BY ANYONE OTHER THAN MERCURY MARINE WITHOUT THE PRIOR WRITTEN CONSENT OF MERCURY MARINE.**

THIS PAGE INTENTIONALLY LEFT BLANK

# ENGINE COVER AND SUPPORT PLATE

Order by Part Number and Name, giving Motor Model and Serial Number.



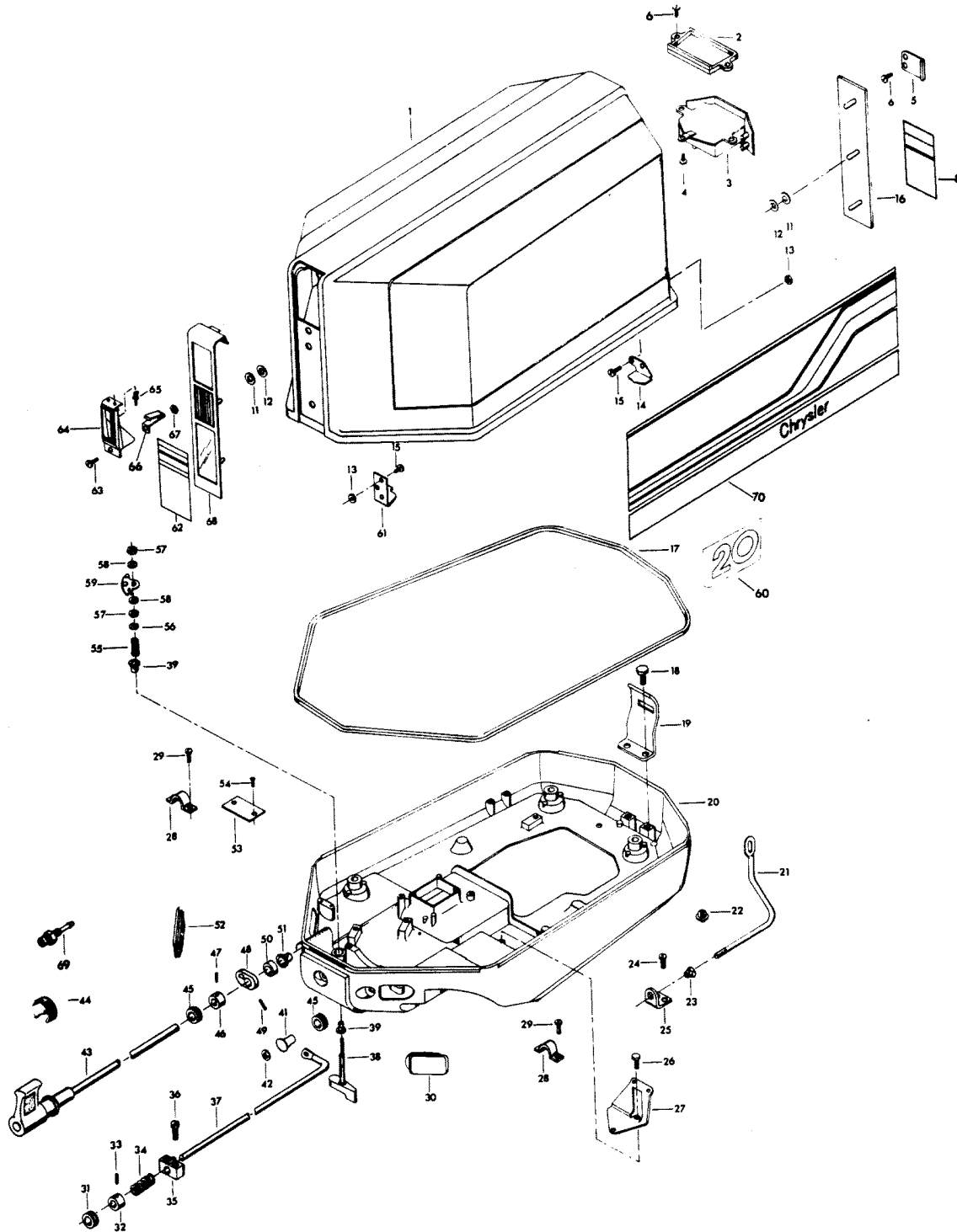
# ENGINE COVER AND SUPPORT PLATE

REF. NO.	PART NO.	SYM.	QTY.	DESCRIPTION
1	FS529712		1	ENGINE COVER W/FRONT AND REAR RETAINERS
-	<b>2C542712</b>		1	<b>ENGINE COVER COMPLETE INCLUDES ALL ITEMS MARKED WITH AN ASTERISK (*).</b>
2	F458245		1	BAFFLE, TILT HANDLE
3	F542269		1	TILT HANDLE
4	F2025		1	PAN HD SCREW, 10 X 5/8
5	F463864		2	RETAINER, TILT HANDLE
6	F2066		6	PAN HD SCREW, 10 X 7/16
8	FA542528		1	DECAL ENGINE COVER REAR
11	F85735-1		5	SEAL
12	F1753		5	FASTENER
13	F7011		4	HEX NUT
14	FA458480		1	RETAINER, ENGINE COVER REAR W/SCREWS AND NUTS
15	F1475		4	FILL HD SCREW, 10 - 24 X 1/2
16	F542180		1	TRIM REAR
17	F85756		1	PACKING, ENGINE COVER
18	F1502		2	HEX HD SCREW, 1/4 - 20 5/8
19	F461774		1	BRACKET, RETAINER REAR
20	F458038-2		1	SUPPORT PLATE
21	F458503		1	CHOKE ROD
22	F1632		1	PLASTI-PLUG
23	F183818		1	BEARING, CHOKE ROD
24	F1760		2	PAN HD SCREW, 10 - 24 X 3/8
25	F324993		1	BRACKET, CHOKE ROD BEARING
26	F1236		2	HEX CAP SCREW, 1/4 - 20 X 1/2
27	F458371		1	BRACKET, REMOTE THROTTLE CABLE
28	F154317		2	CLAMP, REMOTE CABLE
29	F2107		4	SLOTTED FILL HD SCREW W/SPRING LOCKWASHER, 10 - 24 X 5/8
30	F324840-1		1	GROMMET, REMOTE THROTTLE CABLE
31	F183504		1	GROMMET, MAGNETO CONTROL SHAFT
32	FA343178		1	RETAINER, MAGNETO CONTROL SHAFT W/SET SCREW
33	F1859		1	HEX SOCKET HEADLESS SET SCREW, 1/4 - 28 X 3/16
34	F183300		1	SPRING, MAGNETO CONTROL SHAFT
35	F324689		1	BEARING, MAGNETO CONTROL SHAFT
36	F1087		2	FILL HD SCREW, 10 - 24 X 7/8
37	FA458838		1	MAGNETO CONTROL SHAFT
38	FA413469		1	COVER LATCH HANDLE W/SHAFT
39	F307818		2	BEARING LATCH SHAFT
41	F286547		1	CHOKE KNOB
42	F458677		1	INSER, CHOKE KNOB
43	F2A504614		1	KNOB, GEAR SHIFT W/SHAFT AND INDICATOR
44	F461400		1	INDICATOR, GEAR SHIFT
-	<b>FC461400</b>		1	<b>INDICATOR, GEAR SHIFT - CANADA</b>

CONTINUED ON NEXT PAGE ➡

# ENGINE COVER AND SUPPORT PLATE

Order by Part Number and Name, giving Motor Model and Serial Number.

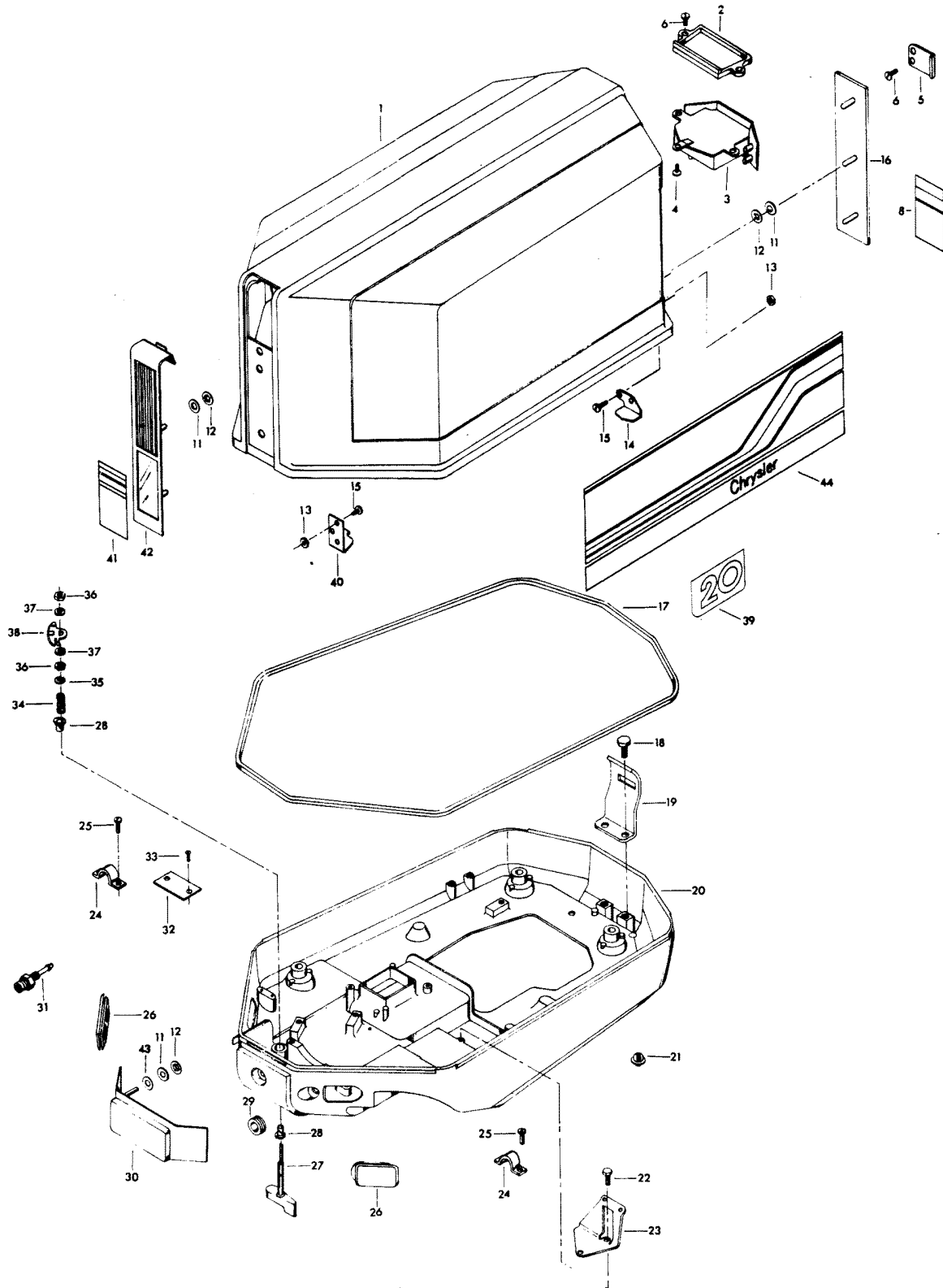


# ENGINE COVER AND SUPPORT PLATE

REF. NO.	PART NO.	SYM.	QTY.	DESCRIPTION
45	F24623-1		2	GROMMET, GEAR SHIFT, CHOKE ROD
46	FA343178		1	RETAINER, GEAR SHIFT SHAFT W/SET SCREW
47	F1859		1	HES SOCKET HEADLESS SET SCREW, 1/4 - 28 X 3/16
48	F504621		1	LEVER, GEAR SHIFT CONTROL
49	F1836		1	SPRING PIN
50	F504836		1	SPACER, GEAR SHIFT SHAFT
51	F307818		1	BEARING
52	F324840-1		1	GROMMET, REMOTE SHIFT CABLE
53	FA535395		1	PLATE, IDENTIFICATION W/SCREWS, U.S.A.
-	<b>FAC535395</b>		<b>1</b>	<b>PLATE W/SCREWS - CANADA</b>
54	F1447		22	DRIVE SCREWS
55	F183300		1	SPRING, LATCH SHAFT
56	F185764		1	RETAINING RING
57	F1515		2	HEX JAM NUT, 5/16 - 18
58	F8096		2	SPRING LOCKWASHER
59	F89777-1		1	CAM, ENGINE COVER LATCH
60	FA542386		2	DECAL NUMERAL 20
61	FA458778		1	RETAINER, ENGINE COVER FRONT W/SCREWS AND NUTS
62	FA542892		1	DECAL ENGINE COVER FRONT
63	F1760		1	PAN HD SCREW, 10 - 24 X 3/8
64	F458888-1		1	TRIM, STARTER HANDLE GUIDE
65	F2026		2	PLASTIC RIVET
66	F458880		1	CLIP, STARTER GUIDE
67	F1473		1	HEX NUT, 10 - 24
68	F542711		1	PLATE, FRONT
69	F434767		1	BUSHING, FUEL LINE
70	FA542397		1	DECAL, ENGINE COVER PORT
-	<b>FA542396</b>		<b>1</b>	<b>DECAL, ENGINE COVER STARBOARD</b>

# ENGINE COVER AND SUPPORT PLATE

Order by Part Number and Name, giving Motor Model and Serial Number.





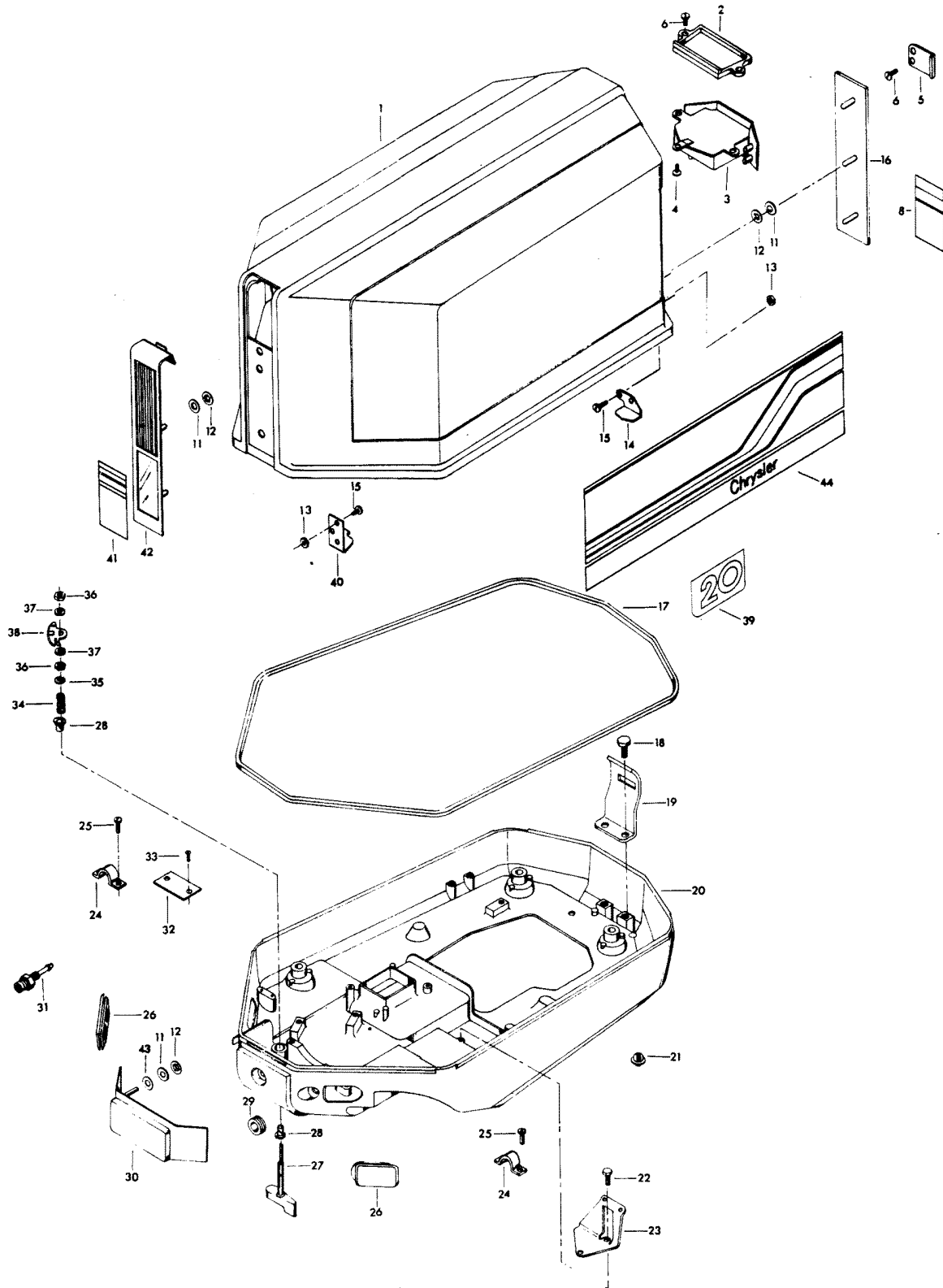
# ENGINE COVER AND SUPPORT PLATE

REF. NO.	PART NO.	SYM.	QTY.	DESCRIPTION
1	FS529712		1	ENGINE COVER W/FRONT AND REAR RETAINERS
-	<b>2C543712</b>		1	<b>ENGINE COVER COMPLETE INCLUDES ALL ITEMS MARKED WITH AN ASTERISK(*).</b>
2	F458245		1	BAFFLE, TILT HANDLE
3	F542269		1	TILT HANDLE
4	F2025		1	PAN HD SCREW, 10 X 5/8
5	F463864		2	RETAINER, TILT HANDLE
6	F2066		6	PAN HD SCREW, 10 X 7/16
8	FA542528		1	DECAL ENGINE COVER REAR
11	F85735-1		7	SEAL
12	F1753		7	FASTENER
13	F7011		4	HEX NUT, 10 - 24
14	FA458480		1	RETAINER, ENGINE COVER REAR W/SCREWS AND NUTS
15	F1475		4	FILL HD SCREW, 10 - 24 X 1/2
16	F542180		1	TRIM REAR
17	F85756		1	PACKING, ENGINE COVER
18	F1502		2	HEX HD MACHINE SCREW, 1/4 - 20 X 5/8
19	F461774		1	BRACKET, RETAINER SCREW
20	F458038-2		1	SUPPORT PLATE
21	F1632		1	PLASTI-PLUG
22	F1236		2	HEX CAP SCREW, 1/4 - 20 X 1/2
23	F458371		1	BRACKET, REMOTE THROTTLE CABLE
24	F154317		2	CLAMP, REMOTE CABLE
25	F2107		4	SLOTTED FILL HD SCREW W/SPRING LOCKWASHER
26	F462840		2	GROMMET
27	FA413469		1	COVER LATCH HANDLE W/SHAFT
28	F307818		2	BEARING LATCH SHAFT
29	F53504		1	GROMMET, SUPPORT PLATE
30	F542163		1	COVER, SUPPORT PLATE
31	F434767		1	BUSHING, FUEL LINE
32	FA535395		1	PLATE, IDENTIFICATION W/SCREWS, U.S.A.
-	<b>FAC535395</b>		1	<b>PLATE IDENTIFICATION WITH SCREWS - CANADA</b>
33	F1447		2	DRIVE SCREWS
34	F183300		1	SPRING, LATCH SHAFT
35	F185764		1	RETAINING RING
36	F1515		2	HEX JAM NUT, 5/16 - 18
37	F8096		2	SPRING LOCKWASHER
38	F89777-1		1	CAM, ENGINE COVER LATCH
39	FA542386		2	DECAL, NUMERAL 20
40	FA458778		1	RETAINER, ENGINE COVER FRONT W/SCREWS AND NUTS

CONTINUED ON NEXT PAGE ➡

# ENGINE COVER AND SUPPORT PLATE

Order by Part Number and Name, giving Motor Model and Serial Number.

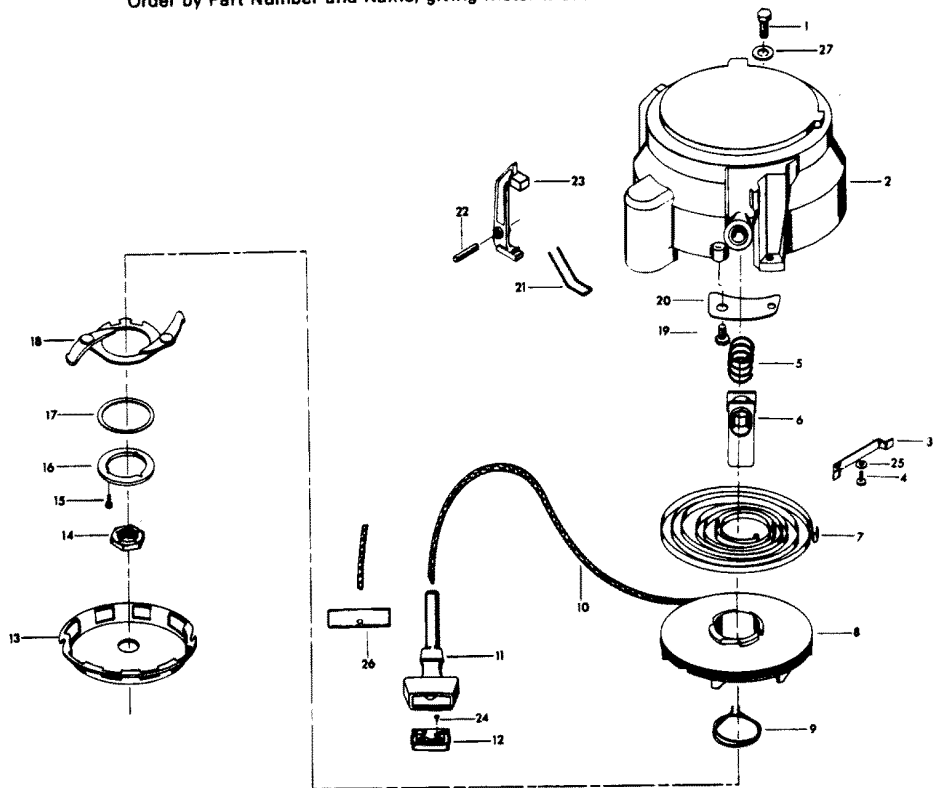


## ENGINE COVER AND SUPPORT PLATE

REF. NO.	PART NO.	SYM.	QTY.	DESCRIPTION
41	FA542892		1	DECAL ENGINE COVER FRONT
42	F543711		1	PLATE, FRONT
43	F8011		2	PLAIN WASHER
44	FA542397		1	DECAL ENGINE COVER PORT
-	<b>FA542396</b>		<b>1</b>	<b>DECAL ENGINE COVER STARBOARD</b>

# HAND STARTER

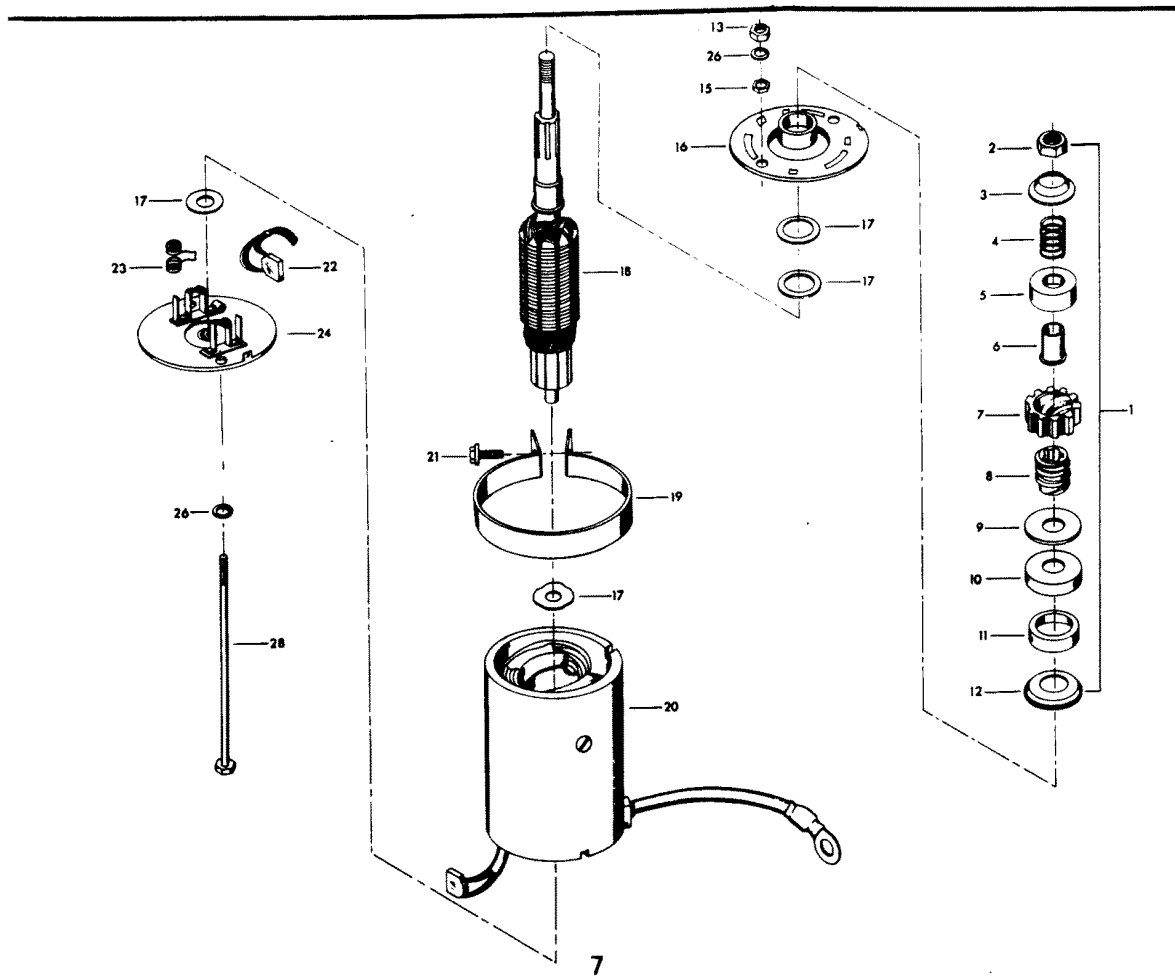
Order by Part Number and Name, giving Motor Model and Serial Number.



# HAND STARTER

REF. NO.	PART NO.	SYM.	QTY.	DESCRIPTION
1	F1864		3	SLOTTED HEX HD SCREW, 1/4 - 20 X 3/4 (MANUAL START MODELS)
-	<b>F1864</b>		<b>1</b>	<b>SLOTTED HEX HD SCREW, 1/4 - 20 X 3/4 (ELECTRIC START MODELS)</b>
2	817955A1		1	HOUSING, HAND STARTER
3	F458937		1	LINER, STARTER HOUSING
4	F1927		1	PAN HD SCREW, 10 - 32 X 3/8
5	F458071		1	SPRING, STARTER HANDLE GUIDE FOR MANUAL START MODELS
6	F458953-1		1	GUIDE, STARTER HANDLE FOR MANUAL START MODELS
7	F458970		1	SPRING, STARTER REWIND
8	F458239		1	STARTER PULLEY
9	F458424		1	SPRING, STARTER PAWL PLATE
10	F458232		1	STARTER ROPE
11	F458132		1	HANDLE, STARTER ROPE FOR MANUAL START MODELS
12	817938A1		1	RETAINER, STARTER ROPE HANDLE FOR MANUAL START MODELS
13	F458456		1	HAND STARTER COLLAR
14	F2021		1	FLYWHEEL NUT
15	F2004		3	FILL HD SCREW, 8 - 32 X 3/8
16	F458592		1	RETAINER, STARTER PULLEY
17	F9022		0	SHIM .006 (SILVER)
-	<b>F9023</b>		<b>0</b>	<b>SHIM .007 (BRASS)</b>
-	<b>F9024</b>		<b>0</b>	<b>SHIM .010 (BLACK)</b>
18	FA460423		1	STARTER PAWL PLATE ASSEMBLY
19	F2040		1	HEX HD MACHINE SCREW, 1/4 - 20 X 5/8
20	F461952		1	STRAP, HAND STARTER HOUSING
21	F458846		1	SPRING, STARTER INTERLOCK LEVER
22	F1638		1	SPRING PIN
23	F458003		1	STARTER INTERLOCK LEVER
24	F1500		1	RD HD SHEET METAL SCREW, 4 X 1/4 FOR (MANUAL START MODELS)
25	F8011		1	PLAIN WASHER
26	F18132-1		1	HANDLE, STARTER ROPE (ELEC. START MODELS)
27	F2012		3	PLAIN WASHER (MANUAL START MODELS)
-	<b>F2012</b>		<b>1</b>	<b>PLAIN WASHER (ELECTRIC START MODELS)</b>

# ELECTRIC STARTER

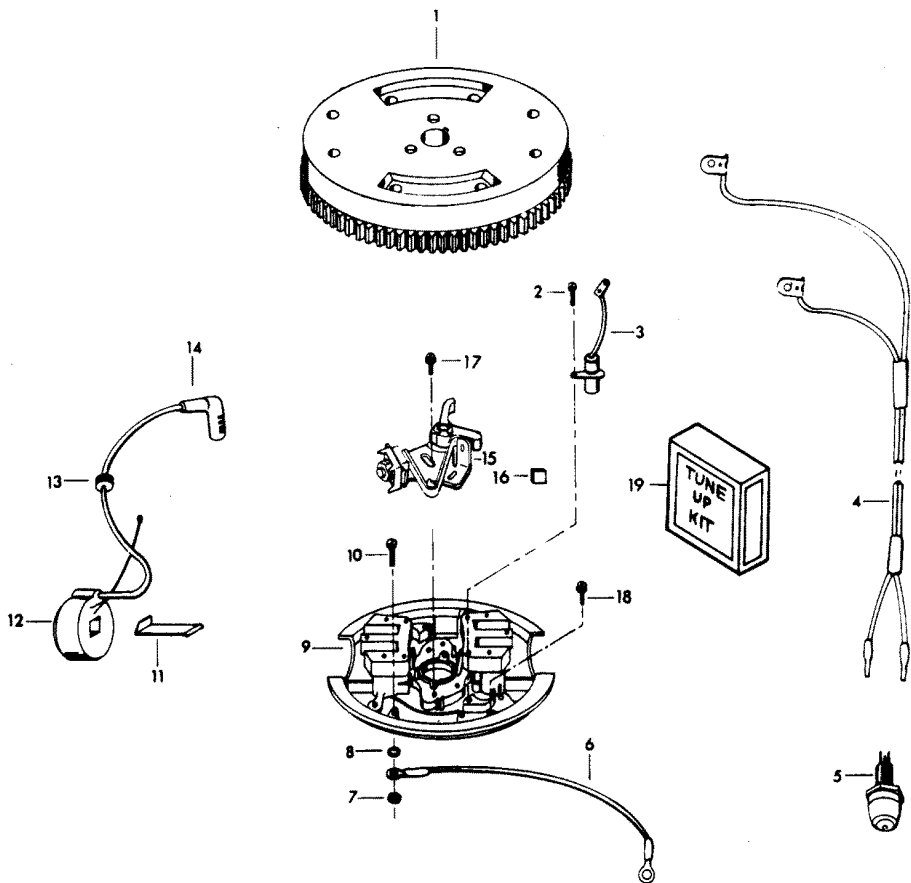


# ELECTRIC STARTER

REF. NO.	PART NO.	SYM.	QTY.	DESCRIPTION
1	F15095		1	BENDIX DRIVE
2	F15087		1	HEX NUT
3	F15109		1	CUP, STOP
4	F15102		1	SPRING, ANTI-DRIFT
5	F15107		1	CUP, PINION
6	F15108		1	SLEEVE
7	F15103		1	PINION
8	F15084		1	SCREW SHAFT
9	F15091		1	WASHER
10	F15105		1	CUP, CUSHION
11	F15106		1	CUSHION
12	F15104		1	CUP, CUSHION THRUST
13	F1514		1	HEX JAM NUT, 1/4 - 20
15	F1341		1	HEX NUT, 1/4 - 20
16	F15021-1		1	HEAD ASSEMBLY DRIVE END
17	F15098		1	THRUST WASHER PACKAGE
18	F15010		1	ARMATURE
19	F460573		1	CLAMP, STARTER MOTOR
20	F15117		1	FRAME AND FIELD ASSEMBLY
21	F1705		1	HEX CAP SCREW, 1/4 - 20 X 3/4
22	F15015		1	BRUSH SET
23	F15002		1	SPRING SET
24	F15019-1		1	HEAD ASSEMBLY COMMUTATOR END
26	F8083		2	SPRING LOCKWASHER
28	F15097		1	THRU BOLT PACKAGE
-	<b>FS460955</b>		<b>1</b>	<b>STARTER MOTOR COMPLETE</b>
-	<b>FC497390</b>		<b>1</b>	<b>DECAL STARTER - CANADA (NOT SHOWN)</b>

# MAGNETO

Order by Part Number and Name, giving Motor Model and Serial Number.

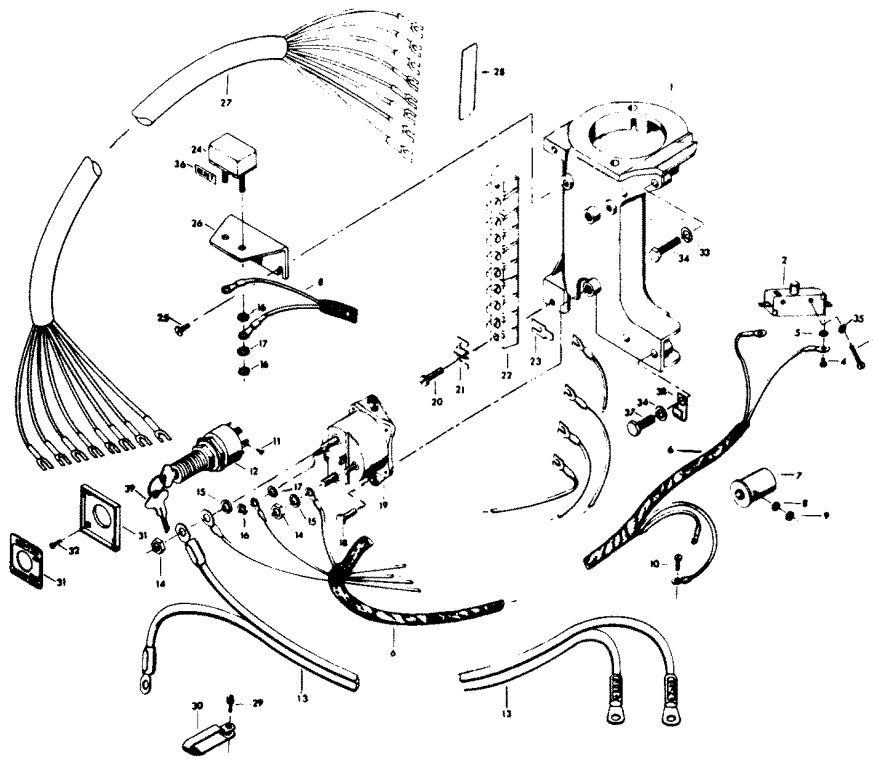




# MAGNETO

REF. NO.	PART NO.	SYM.	QTY.	DESCRIPTION
1	F460097-1		1	FLYWHEEL
2	F12170		2	CONDENSER MOUNTING SCREW
3	F12181-1		2	CONDENSER
4	F12186-1		1	GROUND LEAD
5	F436449		1	SHORTING SWITCH FOR MANUAL START MODELS
6	F460664		1	STATOR GROUND WIRE
7	F1513		1	HEX NUT
8	F8059		1	SPRING LOCKWASHER
9	F12346		1	STATOR PLATE W/LAMINATIONS (MANUAL START MODELS)
10	F1092		1	FILL HD SCREW, 10 - 32 X 5/8
11	F12146		2	COIL WEDGE SPRING
12	FA12370		2	COIL W/LEAD WIRE
13	F12088		2	GROMMET, LEAD WIRE
14	FK750-2		2	SPARKIE W/SPRING
15	F12153		2	BREAKER POINT SET
16	F12228		1	CAM WIPER FELT
17	F12170		4	CONTACT SCREW W/LOCKWASHER
18	F2010		1	FILL HD SCREW W/SPRING LOCKWASHER, 10 - 32 X 9/16
19	FK1066		1	TUNE UP KIT <b>INCLUDES ALL ITEMS MARKED WITH AN ASTERISK (*)</b> .

# ELECTRICAL COMPONENTS



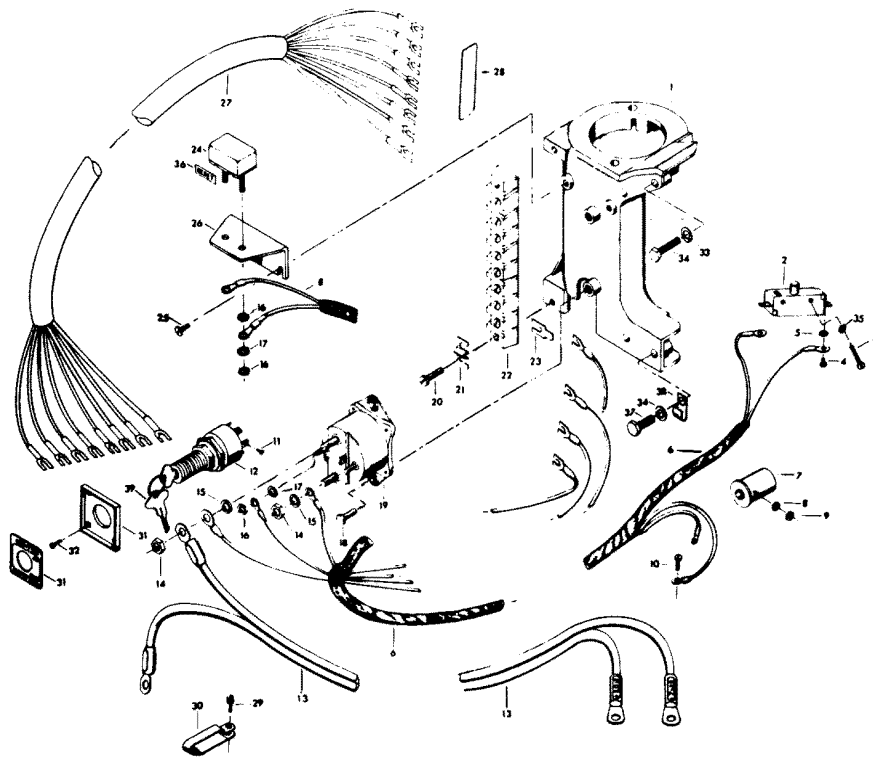
9

# ELECTRICAL COMPONENTS

REF. NO.	PART NO.	SYM.	QTY.	DESCRIPTION
1	F460427		1	BRACKET, STARTER MOTOR
2	F84449		1	SWITCH, STARTER INTERLOCK
3	F2016		2	FILL HD MACHINE SCREW, 6 - 32 X 7/8
4	F1645		2	ROUND HD SCREW, 6 - 32 X 1/4
5	F1704		2	INTERNAL TOOTH LOCKWASHER
6	F529744		1	WIRING HARNESS
7	F85924		1	CHOKE SOLENOID
8	F8056		1	SPRING LOCKWASHER
9	F1647		1	HEX NUT
10	F1077		1	FILL HD SCREW, 10 - 24 X 1/4
11	F1280		5	PAN HD SCREW, 8 - 32 X 1/4
12	F5H078		1	IGNITION SWITCH (ACCESSORY ITEM)
13	F381896-4		1	CABLE BATTERY ENTRY
14	F1515		2	HEX NUT
15	F8096		2	SPRING LOCKWASHER
16	F1513		6	HEX NUT, 10 - 32
17	F1975		4	SPRING LOCKWASHER
18	F1854		2	HEX CAP SCREW, 1/4 - 20 X 5/8
19	F460917		1	STARTER RELAY
20	F1648		2	SLOTTED PAN HD SCREW, 10 - 24 X 3/4
21	F307317		1	CLIP, TERMINAL BLOCK GROUND
22	FA510497		1	TERMINAL BLOCK
23	F296898		1	TERMINAL
24	F510460		1	CIRCUIT BREAKER
25	F1979		2	SLOTTED PAN HD SCREW, 10 - 24 X 3/4
26	F91446-1		1	BRACKET, CIRCUIT BREAKER
27	F85843-1		1	CABLE, ELECTRIC CONTROL
28	F529398		1	DECAL, WIRING
-	<b>FC529398</b>		<b>1</b>	<b>DECAL, WIRING - CANADA</b>
29	F1734		1	FILL HD MACHINE SCREW W/SPRING LOCKWASHER, 1/4 - 20 X 1/2
30	F407446		1	CLAMP, BATTERY CABLE
31	F5H038		1	IGNITION SWITCH MOUNTING KIT (ACCESSORY ITEM)
32	F1934		4	FLAT HD SCREW, 6 X 1/2
33	F8083		4	SPRING LOCKWASHER
34	F1916		3	HEX HD SCREW, 1/4 - 20 X 1 1/8
35	F8088		2	PLAIN WASHER
36	F510374		1	DECAL, CIRCUIT BREAKER - U.S.A.
-	<b>FC529398</b>		<b>1</b>	<b>DECAL, CIRCUIT BREAKER - CANADA</b>
37	F1100		1	SLOTTED FILL HD SCREW, 1/4 - 20 X 1 1/2
38	F286772-1		1	CLAMP, FUEL PUMP TO CARBURETOR HOSE

CONTINUED ON NEXT PAGE ➡

# ELECTRICAL COMPONENTS

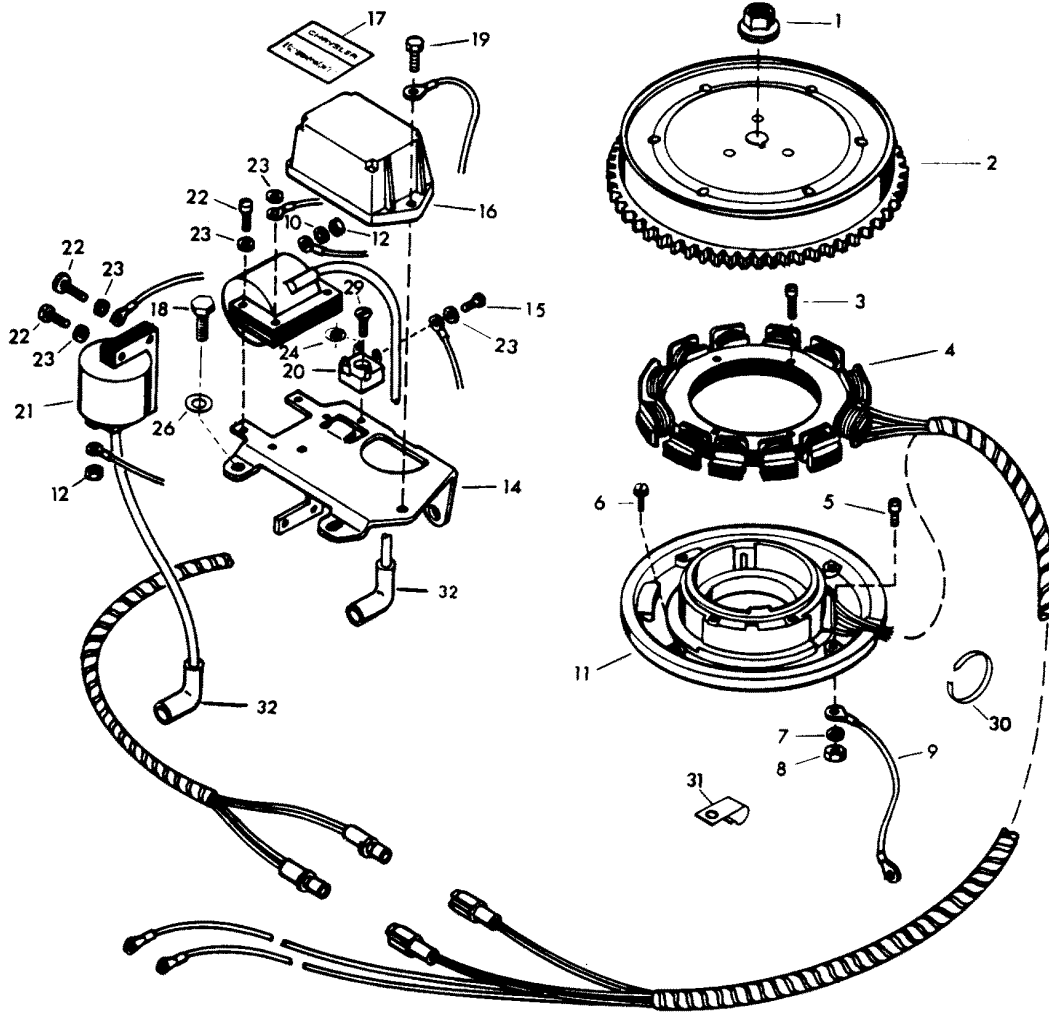


9

# ELECTRICAL COMPONENTS

REF. NO.	PART NO.	SYM.	QTY.	DESCRIPTION
39	FA368700		1	IGNITION KEY NO LETTER OR STAMPED A
-	FB368700		1	IGNITION KEY STAMPED B
-	FC368700		1	IGNITION KEY STAMPED C
-	FD368700		1	IGNITION KEY STAMPED D
-	FE368700		1	IGNITION KEY STAMPED E

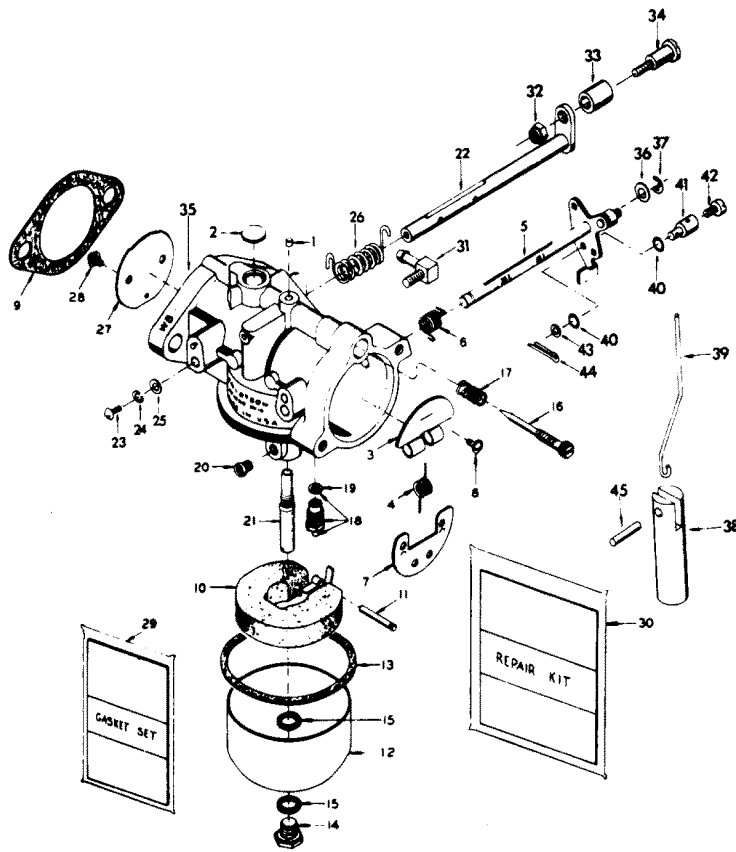
# ALTERNATOR



# ALTERNATOR

REF. NO.	PART NO.	SYM.	QTY.	DESCRIPTION
1	F2021		1	FLYWHEEL NUT, 5/8 - 18
2	F529097		1	FLYWHEEL
3	F1050		4	SLOTTED FILL HD SCREW, 10 - 24 X 1
4	F529095		1	STATOR, ALTERNATOR
5	F1092		1	FILL HD SCREW, 10 - 32 X 5/8
6	F2010		3	FILL HD SCREW W/SPRING LOCKWASHER, 10 - 32 X 9/16
7	F8059		1	SPRING LOCKWASHER
8	F1513		1	HEX NUT
9	F460664		1	WIRE, STATOR GROUND FOR ELECTRIC START MODELS
10	F1704		2	INTERNAL TOOTH LOCKWASHER
11	F529029		1	TRIGGER STATOR
12	F1337		2	NUT, 6 - 32
14	F529358		1	BRACKET, ELECTRICAL COMPONENTS
15	F1645		4	RD HD SCREW, 6 - 32 X 1/4
16	F529301		1	C-D MODULE
17	510373-1		1	DECAL, MAGNAPOWER
18	F2008		2	HEX HD SCREW, 1/4 - 20 X 7/8
19	F1746		2	HEX CAP SCREW, 1/4 - 28 X 5/8
20	F510450-1		1	RECTIFIER
21	F510475		2	IGNITION COIL
22	F1648		8	SLOTTED PAN HD SCREW, 10 - 24 X 3/4
23	F1975		8	LOCKWASHER
24	F8078		1	INTERNAL TOOTH LOCKWASHER
26	F2012		2	PLAIN WASHER
29	F1552		1	PAN HD SCREW, 8 - 32 X 1/2 STATOR PLATE COMPLETE, ORDER COMP
-	<b>F235785</b>		<b>1</b>	<b>DECAL COMPLIANCE - CANADA (NOT SHOWN)</b>
30	F1877		1	TY-RAP
31	F286772-1		1	CLAMP
32	FK750-2		2	SPARKIE KIT

# CARBURETOR



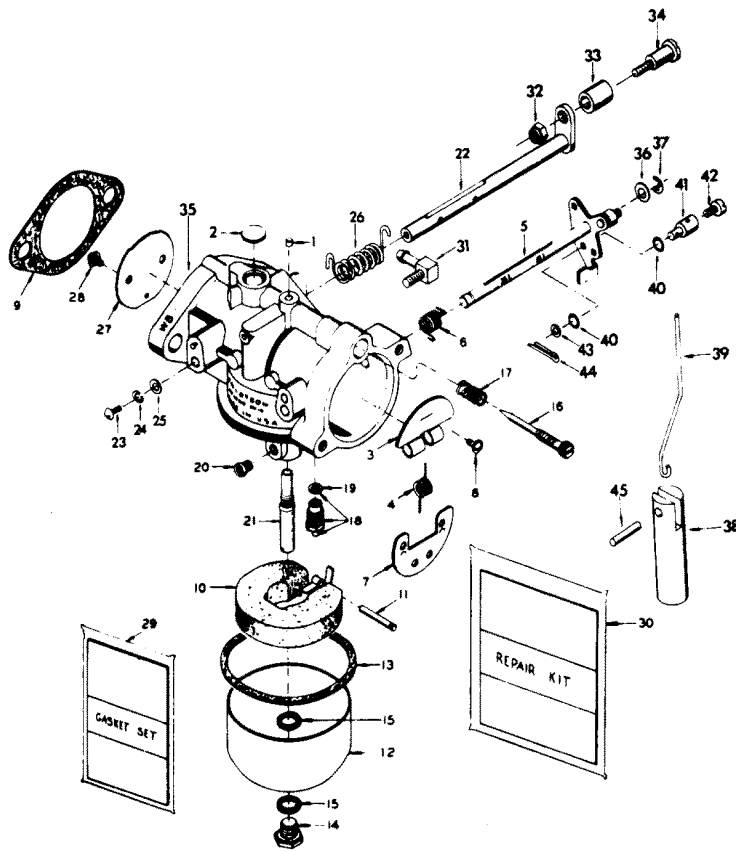


# CARBURETOR

REF. NO.	PART NO.	SYM.	QTY.	DESCRIPTION
1	FO10588		1	BODY CHANNEL CUP PLUG
2	FO4326		1	BODY CHANNEL WELCH PLUG
3	FO12251		1	CHOKE RELIEF VALVE
4	FO10883		1	CHOKE RELIEF VALVE SPRING
5	FO16562		1	CHOKE SHAFT AND LEVER
6	FO16397		1	CHOKE SHAFT RETURN SPRING
7	FO12250		1	CHOKE SHUTTER
8	FO10280		2	CHOKE SHUTTER RETAINING SCREW AND LOCKWASHER
9	F40906-1		1	FLANGE GASKET
10	FO13554		1	FLOAT
11	FO13944		1	FLOAT LEVER PIN
12	FO13552		1	FUEL BOWL
13	FO15623		1	FUEL BOWL GASKET
14	FO13945		1	FUEL BOWL RETAINING SCREW
15	FO2510		2	FUEL BOWL RETAINING SCREW GASKET
16	FO14166		1	IDLE MIXTURE SCREW
17	FO11103		1	IDLE MIXTURE SCREW SPRING
18	FO10790		1	INLET NEEDLE, SEAT AND GASKET
19	FO10165		1	INLET SEAT GASKET
20	FO14188		1	MAIN FUEL JET STD. .066 SEA LEVEL 1250 FT.
-	<b>FO14108</b>		-	<b>MAIN FUEL JET OPT. .064 1250-3750 FT.</b>
-	<b>FO14187</b>		-	<b>MAIN FUEL JET OPT. .062 3750-6250 FT.</b>
-	<b>FO14186</b>		-	<b>MAIN FUEL JET OPT. .060 6250-8250 FT. OPTIONAL SIZE MAIN FUEL JETS ARE TO BE USED ONLY AT ALTITUDES INDICATED</b>
21	FO15213		1	MAIN NOZZLE
22	FO16561		1	THROTTLE SHAFT AND LEVER
23	FO6393		1	THROTTLE SHAFT POSITION RETAINING SCREW
24	FO6396		1	THROTTLE SHAFT POSITION RETAINING SCREW LOCKWASHER
25	FO3804		1	THROTTLE SHAFT POSITION RETAINING SCREW WASHER
26	FO16563		1	THROTTLE SHAFT RETURN SPRING
27	FO17639		1	THROTTLE SHUTTER
28	FO8942		2	THROTTLE SHUTTER RETAINING SCREW AND LOCKWASHER
29	F10025		1	GASKET SET
30	F10027		1	REPAIR PARTS KIT <b>INCLUDES ALL ITEMS MARKED WITH AN ASTERISK (*)</b> .
31	F84314-2		1	ELBOW
32	F1997		1	LOCK NUT
33	F92759		1	ROLLER, THROTTLE CAM FOLLOWER
34	F333316		1	SHAFT, THROTTLE ROLLER
35	F461061-2		1	CARBURETOR COMPLETE (WB19C)
36	F8011		1	PLAIN WASHER
37	F90807		1	RETAINER, CHOKE ROD FOR MANUAL START MODELS

CONTINUED ON NEXT PAGE ➡

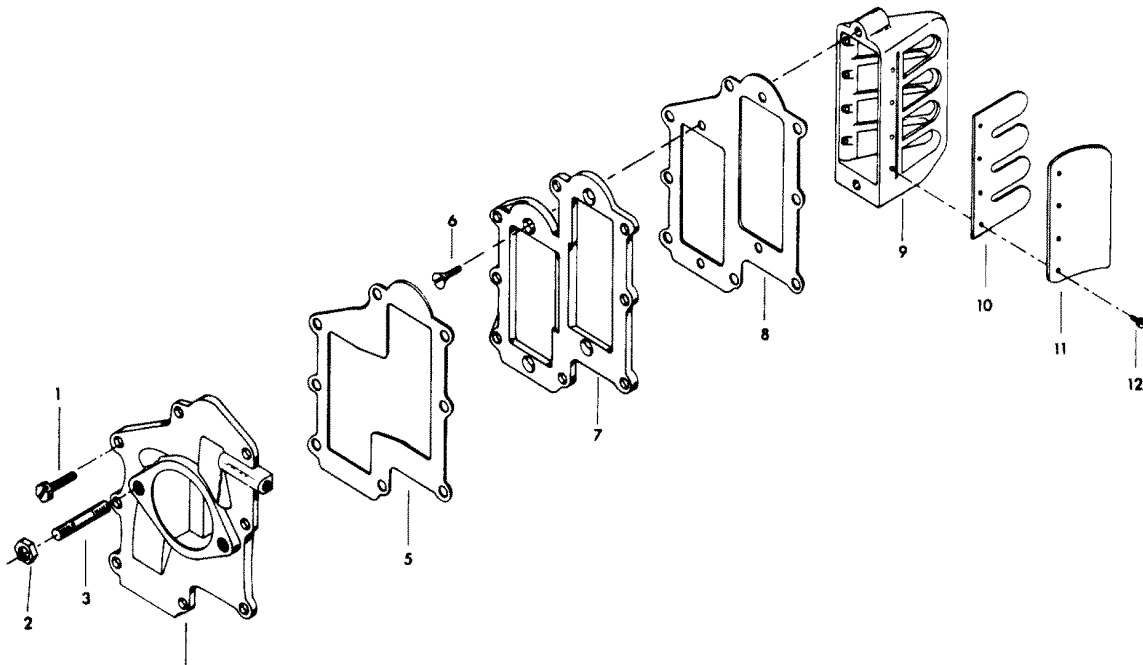
# CARBURETOR



# CARBURETOR

REF. NO.	PART NO.	SYM.	QTY.	DESCRIPTION
38	F391926-1		1	PLUNGER, CHOKE SOLENOID FOR ELECTRIC START MODELS
39	F460925		1	ROD, CHOKE SOLENOID FOR ELECTRIC START MODELS
40	F184579		2	SEAL, CHOKE ARM SWIVEL FOR ELECTRIC START MODELS
41	F184033-1		1	SWIVEL, CHOKE ARM FOR ELECTRIC START MODELS
42	F1059		1	FILL HD SCREW, 6 - 32 X 1/4 FOR ELECTRIC START MODELS
43	F8088		1	PLAIN WASHER FOR ELECTRIC START MODELS
44	F1014		1	COTTER PIN FOR ELECTRIC START MODELS
45	F2033		1	GROOVE PIN FOR ELECTRIC START MODELS

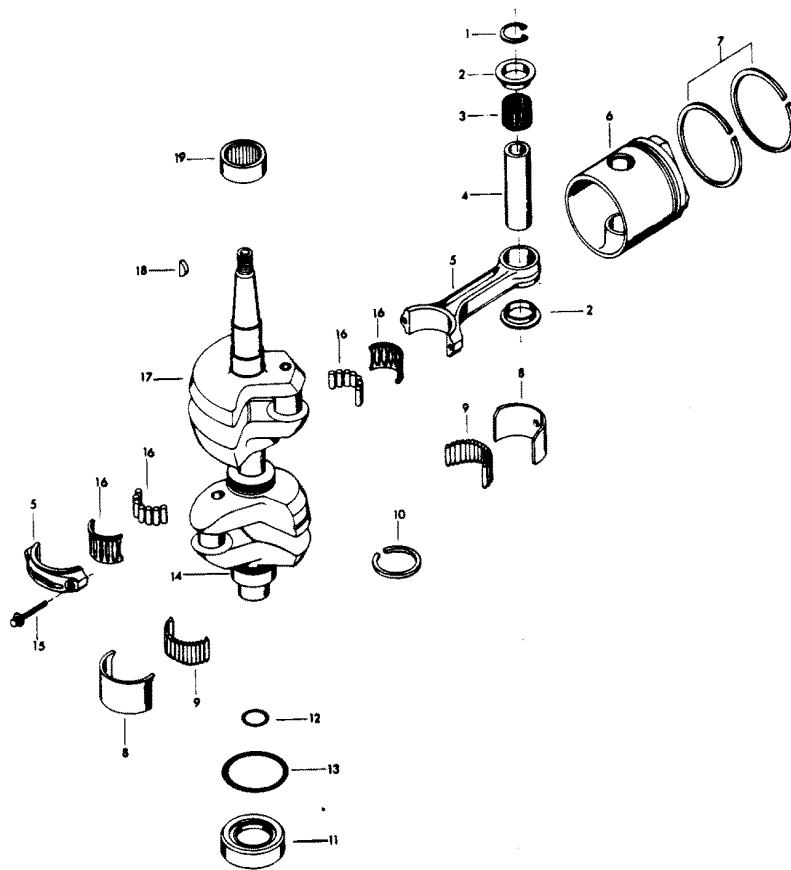
# REED PLATE



# REED PLATE

REF. NO.	PART NO.	SYM.	QTY.	DESCRIPTION
1	F2008		8	HEX HD SCREW, 1/4 - 20 X 7/8
2	F1515		2	HEX NUT, 5/16 - 18
3	F40209		2	CARBURETOR STUD
4	FA458167		1	CARBURETOR ADAPTER
5	F433168		1	GASKET, CARBURETOR ADAPTER W/STUDS
6	F1141		4	FLAT HD SCREW, 10 - 24 X 1/2
7	F433404		1	DEFLECTOR PLATE
8	F433406		1	GASKET, DEFLECTOR PLATE
9	FA458158		2	REED PLATE W/REEDS, STOPS AND SCREWS
10	F316160		4	REED
11	F502161		4	REED STOP
12	F1755		16	ROUND HD SCREW W/LOCKWASHER, 6 - 32 X 5/16

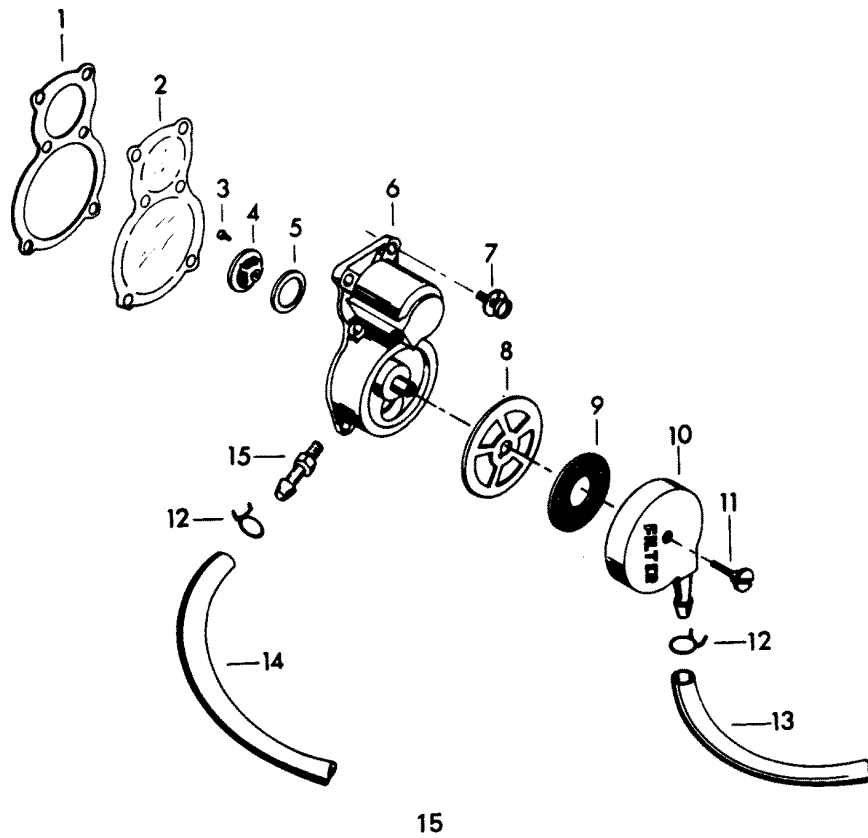
# CRANKSHAFT AND PISTON GROUP



# CRANKSHAFT AND PISTON GROUP

REF. NO.	PART NO.	SYM.	QTY.	DESCRIPTION
1	F90096		4	RETAINER, PISTON PIN
2	F366215		4	SPACER, PISTON PIN
3	F335217-1		2	BEARING, PISTON PIN
4	F458017		2	PISTON PIN
5	600-818052A4		2	CONNECTING ROD W/CAP AND SCREWS
6	F458015-1		2	PISTON
7	FA458260		1	PISTON RING SET (4 PER SET)
8	FA458655		1	LINER, CENTER MAIN
9	FA458571		1	ROLLER, CENTER MAIN
10	F458579		1	SEAL, CRANKCASE
11	F2A458581		1	COLLAR W/LOWER CRANKCASE SEAL
12	F458342		1	SEAL, DRIVESHAFT SPLINE
13	F455305		1	SEAL, CRANKSHAFT COLLAR
14	F286028-1		1	CRANKSHAFT LOWER MAIN BEARING
15	F85634-2		4	SCREW, CONNECTING ROD
16	FK85228		2	BEARING CAGE W/ROLLERS (16 PER SET)
17	400-818058A1		1	CRANKSHAFT W/LOWER MAIN BEARING (MANUAL START MODELS)
-	<b>400-818063A1</b>		<b>1</b>	<b>CRANKSHAFT W/LOWER MAIN BEARING (ELECTRIC START MODELS)</b>
18	F458498		1	FLYWHEEL KEY (MANUAL START MODELS)
-	<b>F85498</b>		<b>1</b>	<b>FLYWHEEL KEY (ELECTRIC START MODELS)</b>
19	F458028		1	BEARING, CRANKSHAFT UPPER MAIN
-	<b>FSA458260</b>		<b>1</b>	<b>PISTON RINGS (4 PER SET) .010 OVERSIZE (NOT SHOWN)</b>
-	<b>39-818119A1</b>		<b>1</b>	<b>PISTON RINGS (4 PER SET) .030 OVERSIZE (NOT SHOWN)</b>
-	<b>FSA458015</b>		<b>2</b>	<b>PISTON .010 OVERSIZE (NOT SHOWN)</b>
-	<b>700-818118A1</b>		<b>2</b>	<b>PISTON .030 OVERSIZE (NOT SHOWN)</b>

# FUEL PUMP



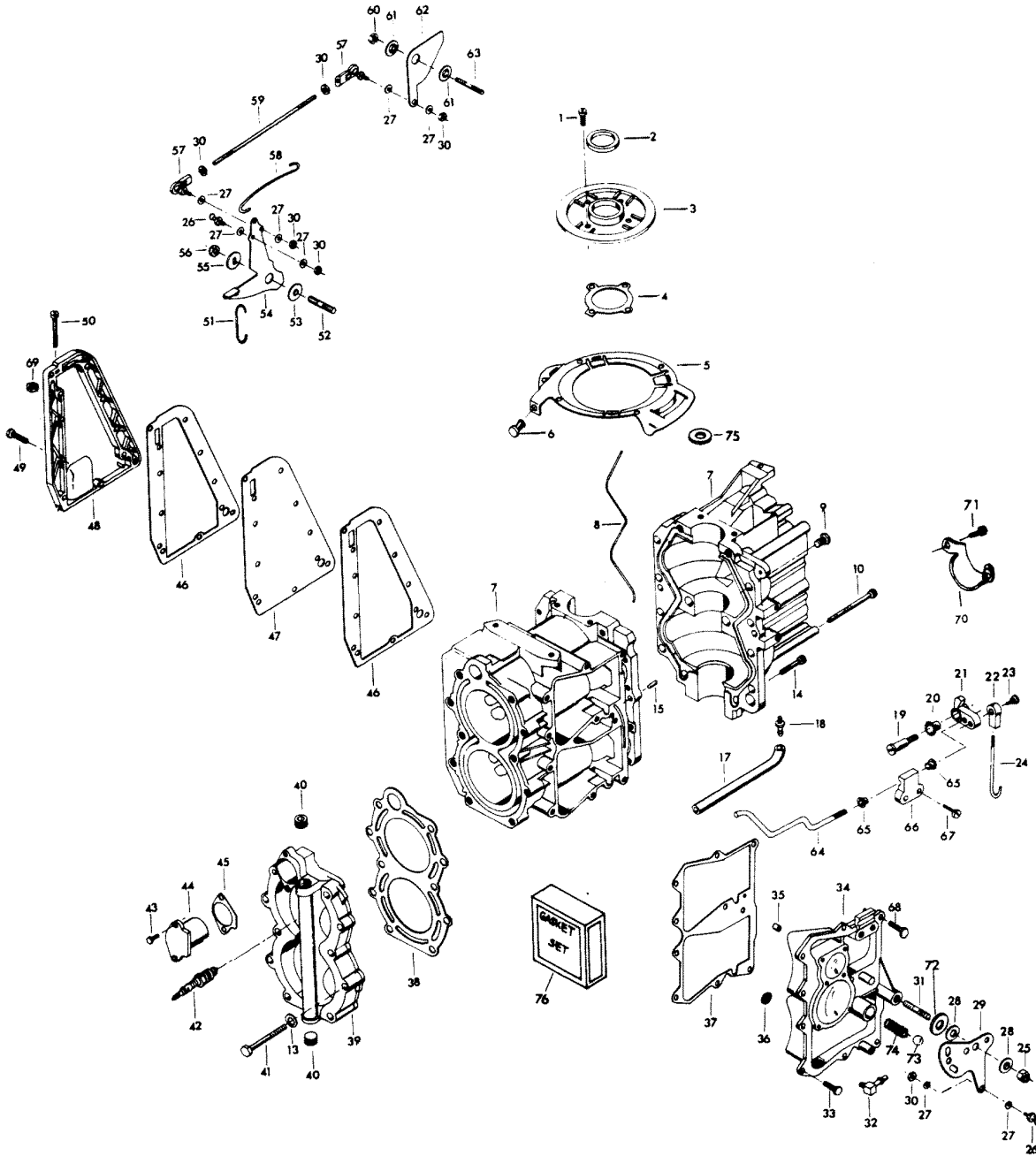


# FUEL PUMP

REF. NO.	PART NO.	SYM.	QTY.	DESCRIPTION
1	F438760		1	FUEL PUMP GASKET
2	F438747		1	FUEL PUMP DIAPHRAGM
3	F1860		2	BINDING HD MACHINE SCREW, 6 - 32 X 1/4
4	F177330		3	FUEL PUMP VALVE
5	F84792		3	FUEL PUMP VALVE GASKET
6	FA438431		1	FUEL PUMP BODY W/VALVES
7	F1108		6	FILL HD MACHINE SCREW W/LOCKWASHER, 1/4 - 20 X 3/4
8	F438617		1	GASKET, FUEL PUMP BOWL
9	F438653		1	SCREEN, FUEL PUMP
10	F438500		1	FUEL PUMP BOWL
11	F438165		1	SCREW, FUEL PUMP BOWL
12	F97772		4	FUEL LINE CLAMP
13	FA85754-1		1	HOSE, FUEL PUMP TO BUSHING
14	F458754		1	HOSE, FUEL PUMP TO CARBURETOR
15	F438801		1	FITTING, FUEL PUMP BODY

# POWER HEAD

Order by Part Number and Name, giving Motor Model and Serial Number.



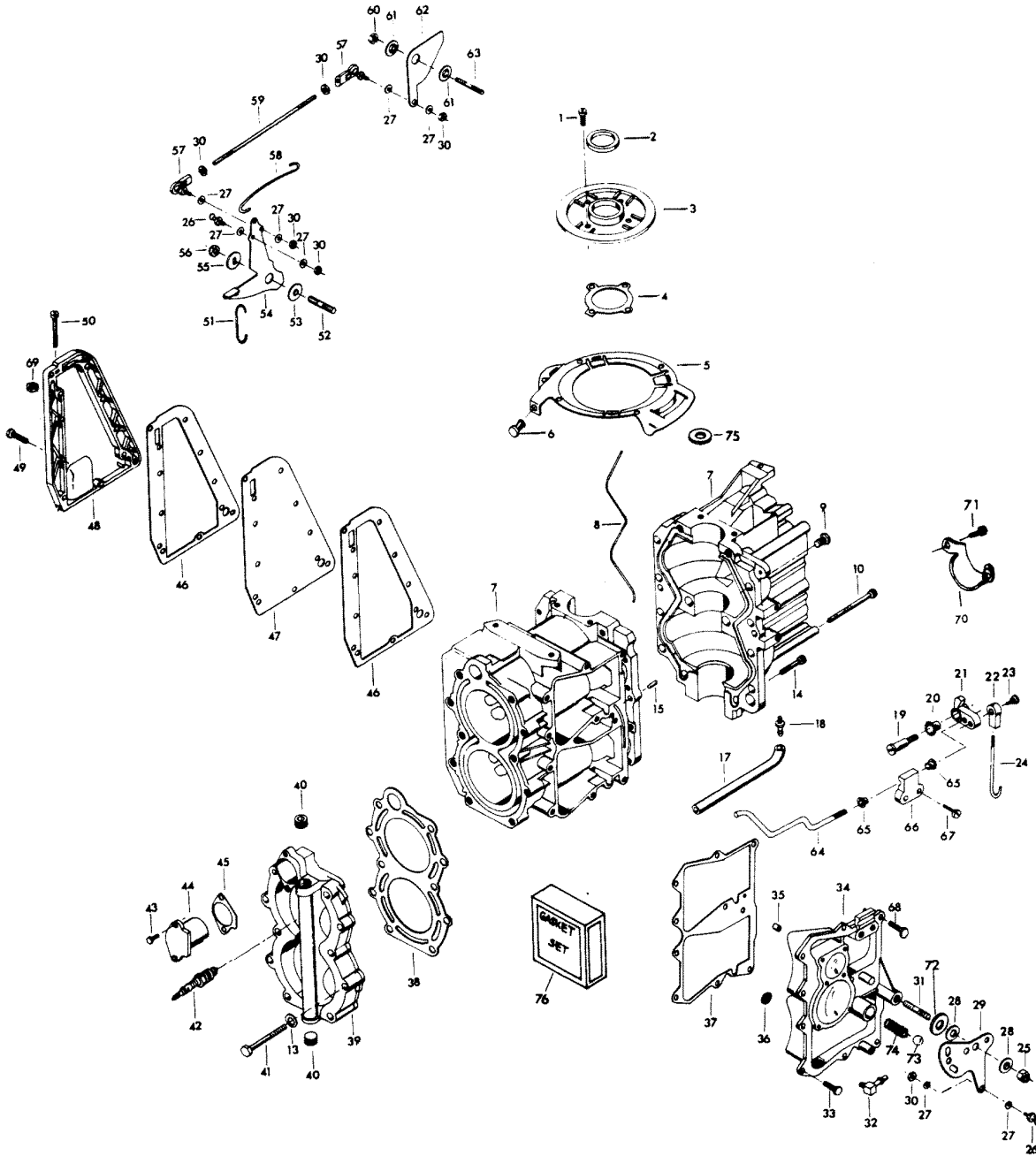
# POWER HEAD

REF. NO.	PART NO.	SYM.	QTY.	DESCRIPTION
1	F1107		4	FILL HD SCREW, 1/4 - 20 X 3/4
2	F458146		1	SEAL, CRANKSHAFT UPPER MAIN
3	FA458144		1	CRANKSHAFT BEARING CAGE
4	F458277		1	GASKET, CRANKSHAFT BEARING CAGE
5	FA504082		1	MAGNETO STATOR RING
6	F1727		1	PLASTI-RIVET
7	A458010-1		1	CYLINDER W/CRANKCASE COVER, SCREWS AND DOWEL PINS
-	<b>C461010-1</b>		<b>1</b>	<b>SHORT BLOCK FOR HAND START MODELS (NOT SHOWN)</b>
-	<b>FC505010</b>		<b>1</b>	<b>SHORT BLOCK FOR ALTERNATOR MODELS (NOT SHOWN) (SHORT BLOCK INCLUDES ALL ITEMS MARKED WITH AN ASTERISK (*). ALSO REFER TO CRANKSHAFT PAGE.</b>
8	F269122-1		1	SEAL, CRANKCASE PARTING LINE
9	F1864		8	HEX SLOTTED HD SCREW, 1/4 - 20 X 3/4
10	F2005		2	HEX SOCKET HD CAP SCREW, 5/16 - 18 X 2 3/4
13	F1739		10	PLAIN WASHER, FOR HAND START MODELS
-	<b>F1739</b>		<b>7</b>	<b>PLAIN WASHER, FOR ELECTRIC START MODELS</b>
14	F2013		4	HEX SOCKET HD CAP SCREW, 5/16 - 18 X 1 1/4
15	F8559		1	DOWEL PIN
17	FA458254		1	HOSE, DRAIN
18	F366801		1	FITTING
19	F85026		1	SWIVEL, SHIFT INTERLOCK LEVER
20	F307818		1	BEARING
21	F458977-3		1	LEVER, SHIFT INTERLOCK
22	F84035-2		1	BEARING, SHIFT INTERLOCK ROD
23	F84026		1	SWIVEL, SHIFT INTERLOCK BEARING
24	F458531		1	ROD, SHIFT INTERLOCK
25	F7004		1	LOCK NUT, 3/8 - 16
26	F98273		2	ROD END CONNECTOR STUD
27	F8058		8	INTERNAL TOOTH LOCKWASHER
28	F269052		2	BEARING, SHIFT LEVER
29	817808A2		1	LEVER, GEAR SHIFT
30	F1513		6	HEX NUT, 10 - 32
31	F440209		1	STUD, GEAR SHIFT LEVER
32	F436314-1		1	ELBOW, DRAIN HOSE
33	F1922		1	HEX HD SCREW, 1/4 - 20 X 5/8
34	FA504222		1	TRANSFER PORT COVER <b>W/ITEM 35</b>
35	21-817741A1		2	CHECK VALUE
36	F429811		2	SCREEN, CYLINDER DRAIN
37	F458223		1	GASKET, TRANSFER PORT COVER
38	F458529		1	GASKET, CYLINDER HEAD
39	FA458518		1	CYLINDER HEAD W/PLUGS
40	F458109		2	PLUG, CYLINDER HEAD
41	F458936		10	SCREW, CYLINDER HEAD

CONTINUED ON NEXT PAGE ➡

# POWER HEAD

Order by Part Number and Name, giving Motor Model and Serial Number.



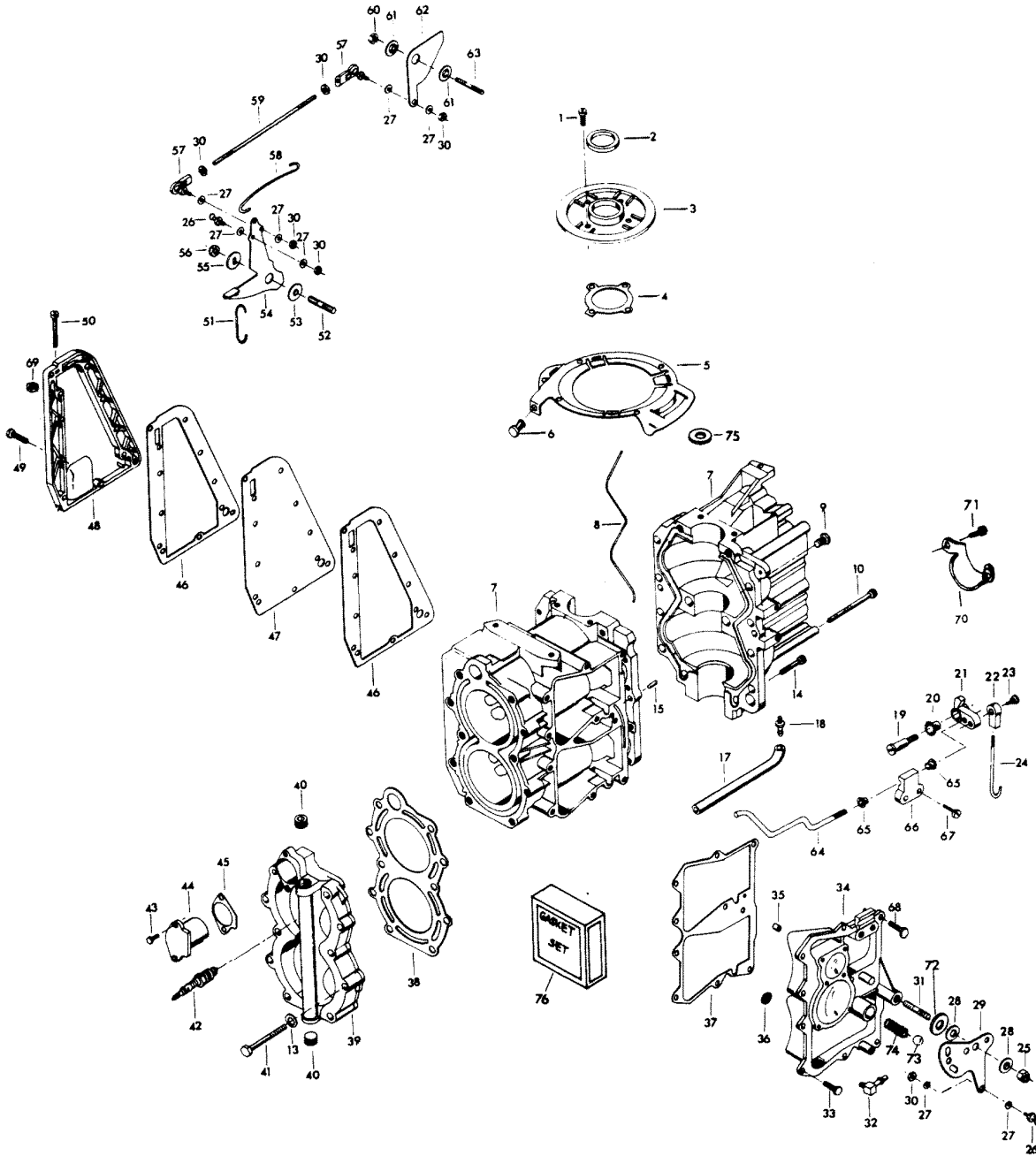
# POWER HEAD

REF. NO.	PART NO.	SYM.	QTY.	DESCRIPTION
42	FS174227		2	SPARK PLUG (L-4-J)
-	<b>FC235227</b>		<b>2</b>	<b>SPARK PLUG - CANADA (RL-4J) HAND START MODELS</b>
-	<b>FC503227</b>		<b>2</b>	<b>SPARK PLUG - CANADA QL-77J4 FOR ELECTRIC START MODELS</b>
43	F1854		2	HEX CAP SCREW, 1/4 - 20 X 5/8
44	F458066		1	THERMOSTAT COVER
45	F458067		1	GASKET, THERMOSTAT COVER
46	F458154		2	GASKET, EXHAUST PORT PLATE
47	F458151		1	EXHAUST PORT PLATE
48	F458152		1	EXHAUST PORT COVER
49	F1833		10	HEX HD SCREW, 1/4 - 20 X 1
50	F1072		1	FILL HD SCREW, 1/4 - 20 X 1 3/4
51	F458445		1	LINK, MAGNETO CONTROL SHAFT (MANUAL START MODELS)
52	F286440		1	STUD, MAGNETO CONTROL LEVER
53	F183813		1	BEARING
54	F2A458081		1	MAGNETO CONTROL LEVER W/CONNECTOR STUD
55	F286282		1	WASHER
56	F1803		1	STOP NUT
57	817747--1		2	JOINT BALL ASSEMBLY
58	F458509		1	LINK, MAGNETO STATOR
59	F458502		1	ROD, THROTTLE CAM
60	F1910		1	LOCK NUT
61	F269319		2	BEARING, THROTTLE CAM
62	F458192		1	THROTTLE CAM
63	F433209		1	STUD, THROTTLE CAM
64	F504809		1	ROD, STARTER INTERLOCK
65	F504052		2	BEARING
66	F504527		1	CAP, INTERLOCK
67	F1075		2	FILL HD M. SCREW, 10 - 24 X 1/2
68	F1502		9	HEX CAP SCREW, 1/4 - 20 X 5/8
69	F1341		1	HEX NUT
70	F460317		1	CLAMP, CHOKE SOLENOID ELECTRIC START MODELS
71	F1689		2	HEX CAP SCREW, 1/4 - 20 X 1/2 ELECTRIC START MODELS
72	F2014		1	PLAIN WASHER
73	F458727		1	BALL SHIFT LEVER DETENT
74	F183300		1	SPRING, SHIFT DETENT
75	F8000		1	PLAIN WASHER
76	FG1010		1	GASKET SET (INCLUDES THE FOLLOWING ITEMS)
-	<b>F40906-1</b>		<b>1</b>	<b>GASKET, CARBURETOR</b>
-	<b>F433168</b>		<b>1</b>	<b>GASKET, CARBURETOR ADAPTER</b>
-	<b>F433406</b>		<b>1</b>	<b>DEFLECTOR PLATE GASKET</b>
-	<b>F438617</b>		<b>1</b>	<b>FUEL PUMP BOWL GASKET</b>
-	<b>F438760</b>		<b>1</b>	<b>FUEL PUMP GASKET</b>

CONTINUED ON NEXT PAGE ➡

# POWER HEAD

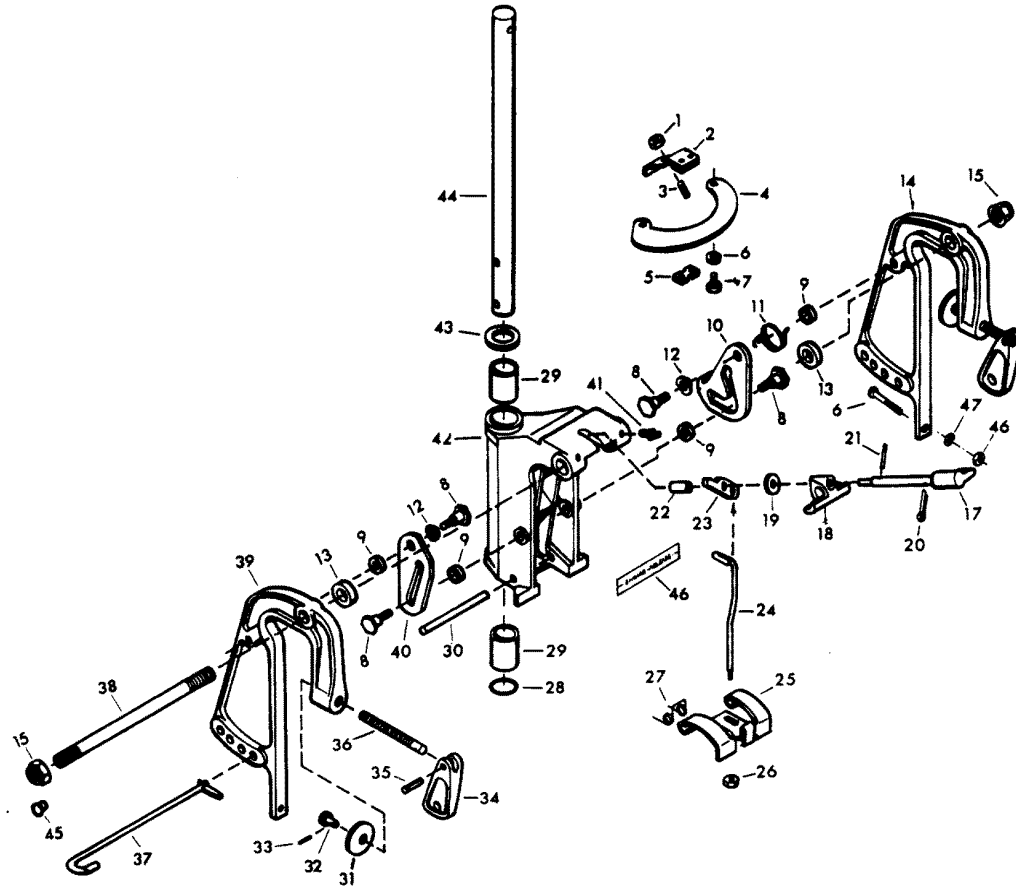
Order by Part Number and Name, giving Motor Model and Serial Number.



# POWER HEAD

REF. NO.	PART NO.	SYM.	QTY.	DESCRIPTION
-	F458067		1	THERMOSTAT COVER GASKET
-	F458154		2	EXHAUST PORT PLATE
-	F458223		1	TRANSFER PORT COVER GASKET
-	F458277		1	CRANKSHAFT BEARING CAGE GASKET
-	F458279		1	CYLINDER EXHAUST GASKET
-	F458453		1	LEG EXHAUST GASKET
-	F458529		1	CYLINDER HEAD GASKET

# SWIVEL BRACKET GROUP



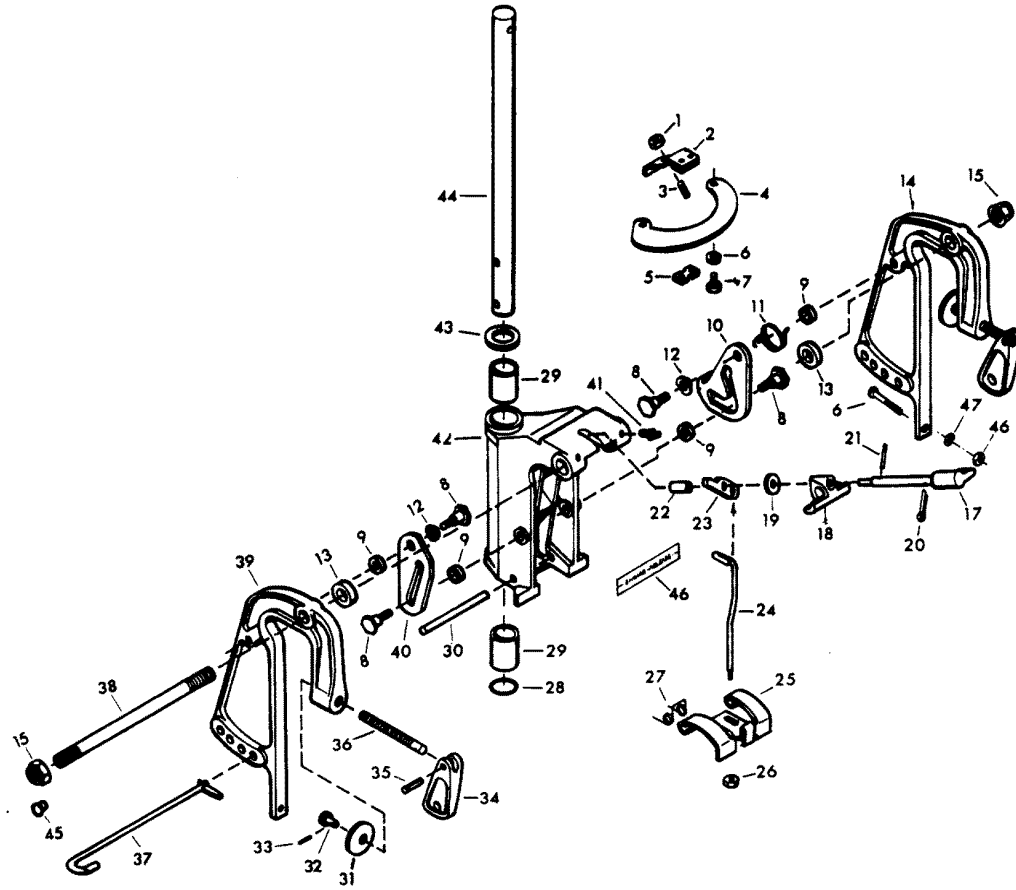


# SWIVEL BRACKET GROUP

REF. NO.	PART NO.	SYM.	QTY.	DESCRIPTION
1	F7024		1	STOP NUT
2	817882A1		1	FRICTION SHOE ADJUSTING ARM
3	F901822-1		1	STUD, SWIVEL BRACKET
4	F901775		1	PLATE, FRICTION SHOE
5	F901631-1		1	FRICTION SHOE
6	F8083		2	SPRING LOCKWASHER
7	F1689		2	HEX CAP SCREW, 1/4 - 20 X 1/2
8	F286422-1		4	PIVOT, TILT LOCK
9	F286451		4	SPACER, TILT LOCK
10	F436541		1	TILT LOCK (PORT)
11	F286544-1		1	SPRING, TILT LOCK
12	F1666		2	BOWED SPRING LOCKWASHER
13	F529286		2	WASHER, SWIVEL BRACKET FRICTION
14	FS529532		1	STERN BRACKET PORT W/CLAMP SCREW AND FOOT
15	F1600		2	LOCK NUT, 7/8 - 14
17	F483827		1	LEVER, REVERSE LOCK
18	F529726		1	BEARING
19	F8094		1	PLAIN WASHER
20	F1014		1	COTTER PIN
21	F1836		1	SPRING PIN
22	F483884		1	BEARING
23	F366364		1	ARM, REVERSE LOCK
24	F483510-1		1	LINK, REVERSE LOCK
25	F483349-1		1	REVERSE LOCK
26	F1669		1	NUT
27	F483300		1	SPRING
28	458983		1	SEAL, SWIVEL BRACKET
29	F901169-1		2	BEARING, SWIVEL BRACKET
30	F2095		1	SPRING PIN
31	F24074		2	CLAMP SCREW FOOT
32	F66480		2	STUD
33	F8537		2	SPRING PIN
34	F288075		2	HANDLE, STERN BRACKET CLAMP SCREW
35	F1638		2	SPRING PIN
36	817776A3		2	STERN BRACKET CLAMP SCREW W/FOOT, STUD AND HANDLE
37	FA324113		1	STERN BRACKET LOCK BAR W/END
38	F529125		1	TUBE, PIVOT STEERING
39	FS529032		1	STERN BRACKET STARBOARD W/CLAMP SCREW AND FOOT
40	F385433		1	TILT STOP
41	F213274		3	GREASE FITTING
42	FA529072		1	SWIVEL BRACKET W/BEARINGS AND GREASE FITTINGS

CONTINUED ON NEXT PAGE ➡

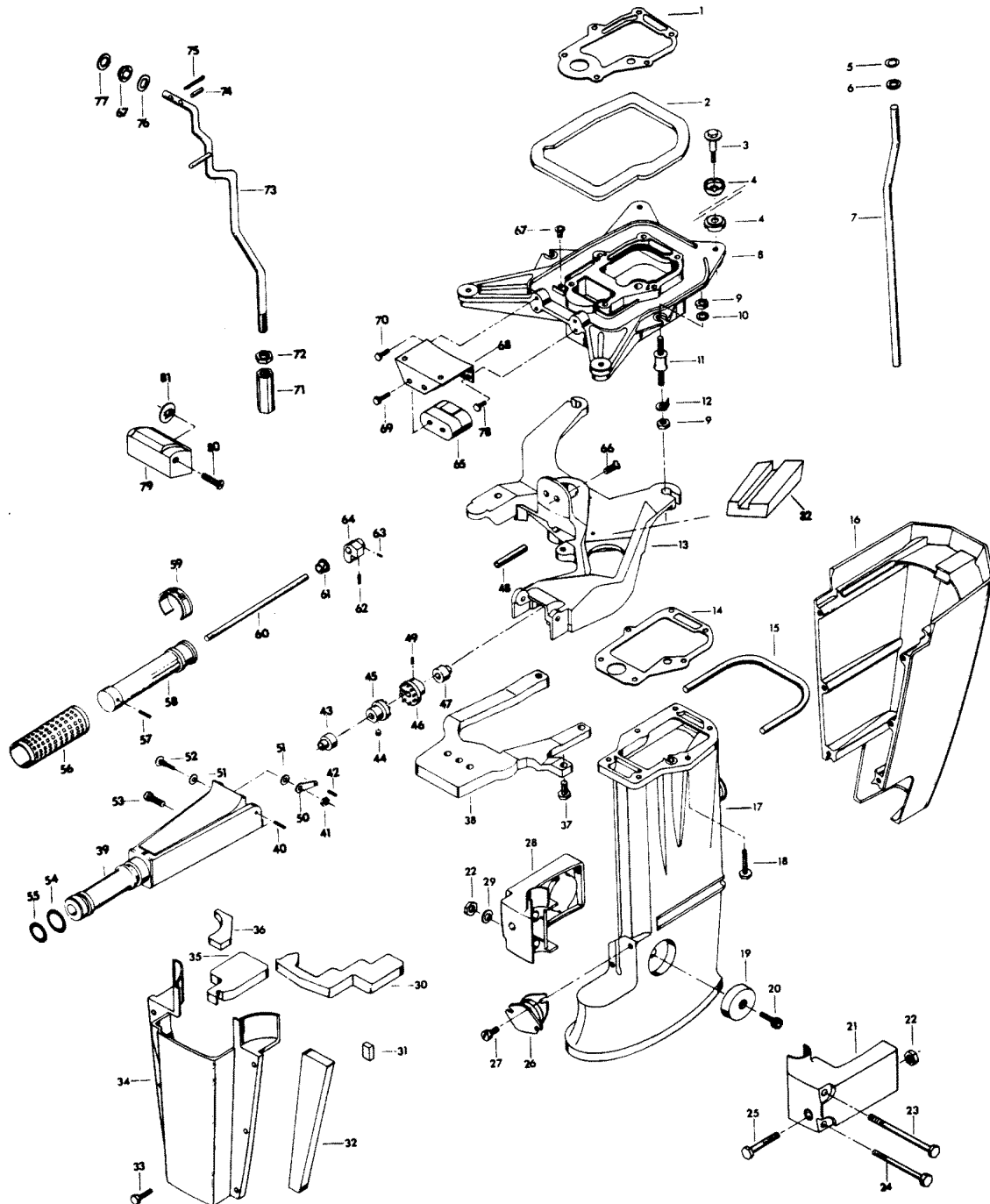
# SWIVEL BRACKET GROUP



## SWIVEL BRACKET GROUP

REF. NO.	PART NO.	SYM.	QTY.	DESCRIPTION
43	F901011		1	WASHER, SWIVEL BRACKET
44	F458019		1	KINGPIN
45	F9018		2	CAP, PIVOT STEERING TUBE
46	F529390		1	DECAL, REVERSE LOCK - U.S.A.
-	<b>FC529390</b>		<b>1</b>	<b>DECAL, REVERSE LOCK - CANADA</b>

# MOTOR LEG

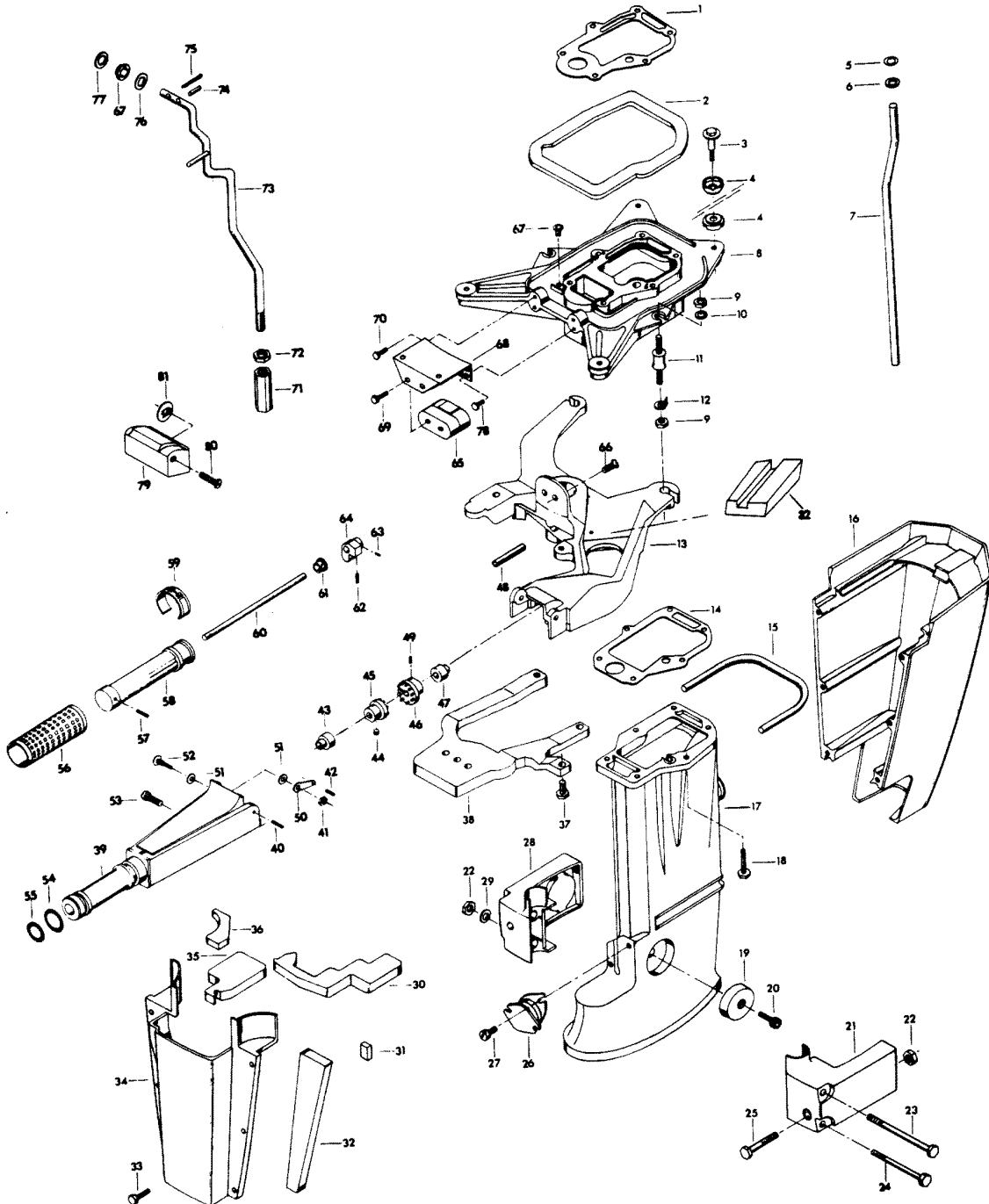


# MOTOR LEG

REF. NO.	PART NO.	SYM.	QTY.	DESCRIPTION
1	F458279		1	GASKET, CYLINDER EXHAUST
2	F183756-1		1	PACKING, SUPPORT PLATE
3	F458887		4	FASTENER, SUPPORT PLATE MOUNT
4	F458347		8	MOUNT, SUPPORT PLATE
5	F24342		1	SEAL, WATER LINE UPPER
6	F8039		1	PLAIN WASHER
7	F458244-1		1	INLET WATER LINE
8	F458963		1	PLATE, SHOCK MOUNT
9	F1347		4	HEX NUT, 3/8 - 16
10	F1778		2	PLAIN WASHER
11	F458962		2	MOUNT, SIDE UPPER
12	F458076		2	TAB, SHOCK MOUNT SIDE
13	817809A1		1	PLATE, KINGPIN MOUNTING
14	F458453		1	GASKET, LEG EXHAUST
15	F458322		2	PACKING, LEG COVER REAR
16	818057A1		1	LEG COVER REAR W/PACKING
17	F458133		1	MOTOR LEG
18	F458166-2		6	SCREW, MOTOR LEG TO CYLINDER
19	F462962		2	SHOCK MOUNT LOWER SIDE
20	F1263		2	HEX SOCKET HD CAP SCREW, 5/16 - 18 X 9/16
21	F458973-1		1	COVER, SHOCK MOUNT PORT
22	F1515		4	HEX NUT, 5/16 - 18
23	F2006		1	HEX CAP SCREW, 5/16 - 18 X 4 3/4
24	F2007		1	HEX CAP SCREW, 5/16 - 18 X 4
25	F1696		2	HEX CAP SCREW, 5/16 - 18 X 1 3/4
26	F183346-1		1	SHOCK MOUNT LOWER THRUST
27	F1129		2	FILL HD SCREW, 5/16 - 18 X 1/2
28	F458972-1		1	COVER, SHOCK MOUNT STARBOARD
29	F8096		2	SPRING LOCKWASHER
30	F458320		1	PACKING, LEG COVER FRONT UPPER PORT
31	F458323-1		3	PACKING, LEG COVER FRONT
32	F458312		2	PACKING, LEG COVER SIDE
33	F1705		6	HEX CAP SCREW, 1/4 - 20 X 3/4
34	818056A2		1	LEG COVER FRONT W/PACKING
35	F458324		1	PACKING, LEG COVER FRONT UPPER STARBOARD
36	F458315		2	PACKING, LEG COVER SIDE UPPER
37	F1745		3	HEX HD SCREW W/SPRING LOCKWASHER, 5/16 - 18 X 1
38	F385647		1	CARRYING HANDLE
39	F458079		1	STEERING HANDLE FOR MANUAL START MODELS
40	F1664		1	SPRING PIN FOR MANUAL START MODELS
41	F1832		1	HEX LOCK NUT FOR MANUAL START MODELS
42	F8550		1	SPRING PIN FOR MANUAL START MODELS

CONTINUED ON NEXT PAGE ➡

# MOTOR LEG

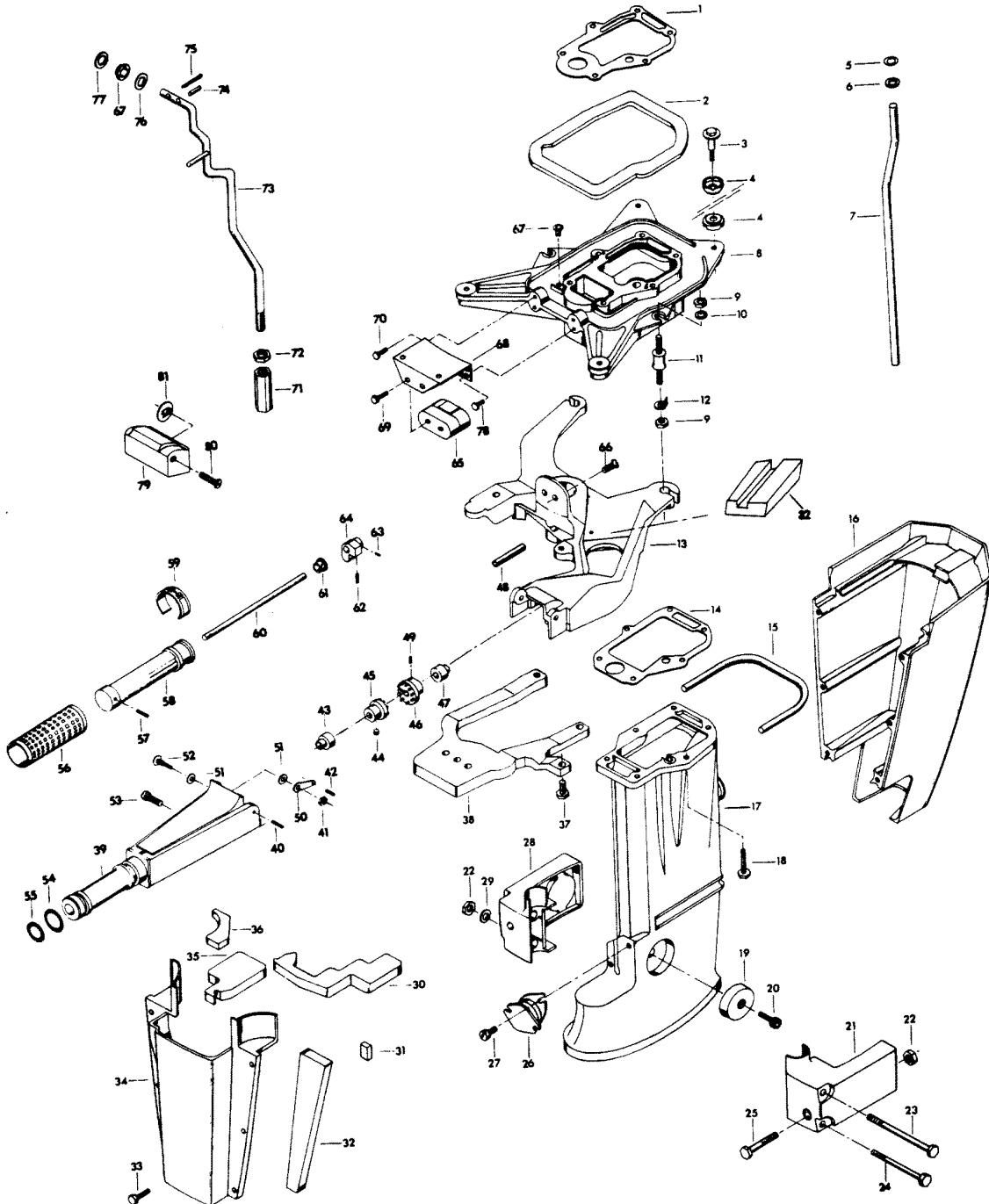


# MOTOR LEG

REF. NO.	PART NO.	SYM.	QTY.	DESCRIPTION
43	F295689		1	BEARING, STEERING HANDLE GEARFOR MANUAL START MODELS
44	F1954		1	HEX SOCKET HEADLESS SET SCREW, 5/16 - 24 X 1/4 <b>FOR MANUAL START MODELS</b>
45	F413815		1	GEAR, STEERING HANDLE FOR MANUAL START MODELS
46	F288691		1	GEAR, MAGNETO CONTROL SHAFT FOR MANUAL START MODELS
47	F288689		1	BEARING, MAGNETO CONTROL SHAFT FOR MANUAL START MODELS
48	F1663		1	SPRING PIN
49	F1642		1	SOCKET HD CAP SCREW, 10 - 24 X 3/4 FOR MANUAL START MODELS
50	F295457		1	RETAINING WASHER STEERING HANDLE PIVOT <b>FOR MANUAL START MODELS</b>
51	F295175		2	WASHER, STEERING HANDLE PIVOT BOLT FOR MANUAL START MODELS
52	F295080		1	STEERING HANDLE PIVOT BOLT FOR MANUAL START MODELS
53	F458519		1	SCREW, TILLER IDLE STOP FOR MANUAL START MODELS
54	F53795-1		1	SEAL, STEERING HANDLE GRIP FOR MANUAL START MODELS
55	F215795		1	SEAL, STEERING HANDLE GRIP FOR MANUAL START MODELS
56	F458695		1	SLEEVE FOR MANUAL START MODELS
57	F8548		1	SPRING PIN FOR MANUAL START MODELS
58	FA456137		1	GRIP, STEERING HANDLE W/SLEEVE FOR MANUAL START MODELS
59	F286894-3		1	INDICATOR, SPEED CONTROL FOR MANUAL START MODELS
-	<b>37-F286894-3</b>		<b>1</b>	<b>INDICATOR SPEED CONTROL - CANADA FOR MANUAL START MODELS</b>
60	F458688		1	SHAFT, STEERING HANDLE FOR MANUAL START MODELS
61	F85610		1	BEARING, STEERING HANDLE SHAFT FOR MANUAL START MODELS
62	F458690		1	SCREW, THROTTLE STOP FOR MANUAL START MODELS
63	F1978		1	SPRING PIN FOR MANUAL START MODELS
64	F458198		1	THROTTLE STOP FOR MANUAL START MODELS
65	F203965		1	SHOCK MOUNT UPPER THRUST
66	F1160		2	FLAT HD SCREW, 1/4 - 28 X 5/8
67	F85610		2	BEARING
68	F40956		1	BRACKET, SHOCK MOUNT UPPER THRUST
69	F1211		2	HEX HD SCREW W/SPRING LOCKWASHER, 1/4 - 28 X 5/8
70	F1472		2	HEX SLOT HD SCREW W/LOCKWASHER, 1/4 - 20 X 3/4
71	F141704		1	COUPLING, GEAR SHIFT ROD
72	F1349		1	HEX NUT
73	F458615		1	GEAR SHIFT ROD UPPER
74	F1978		1	SPRING PIN
75	F1020		1	COTTER PIN

CONTINUED ON NEXT PAGE ➡

# MOTOR LEG

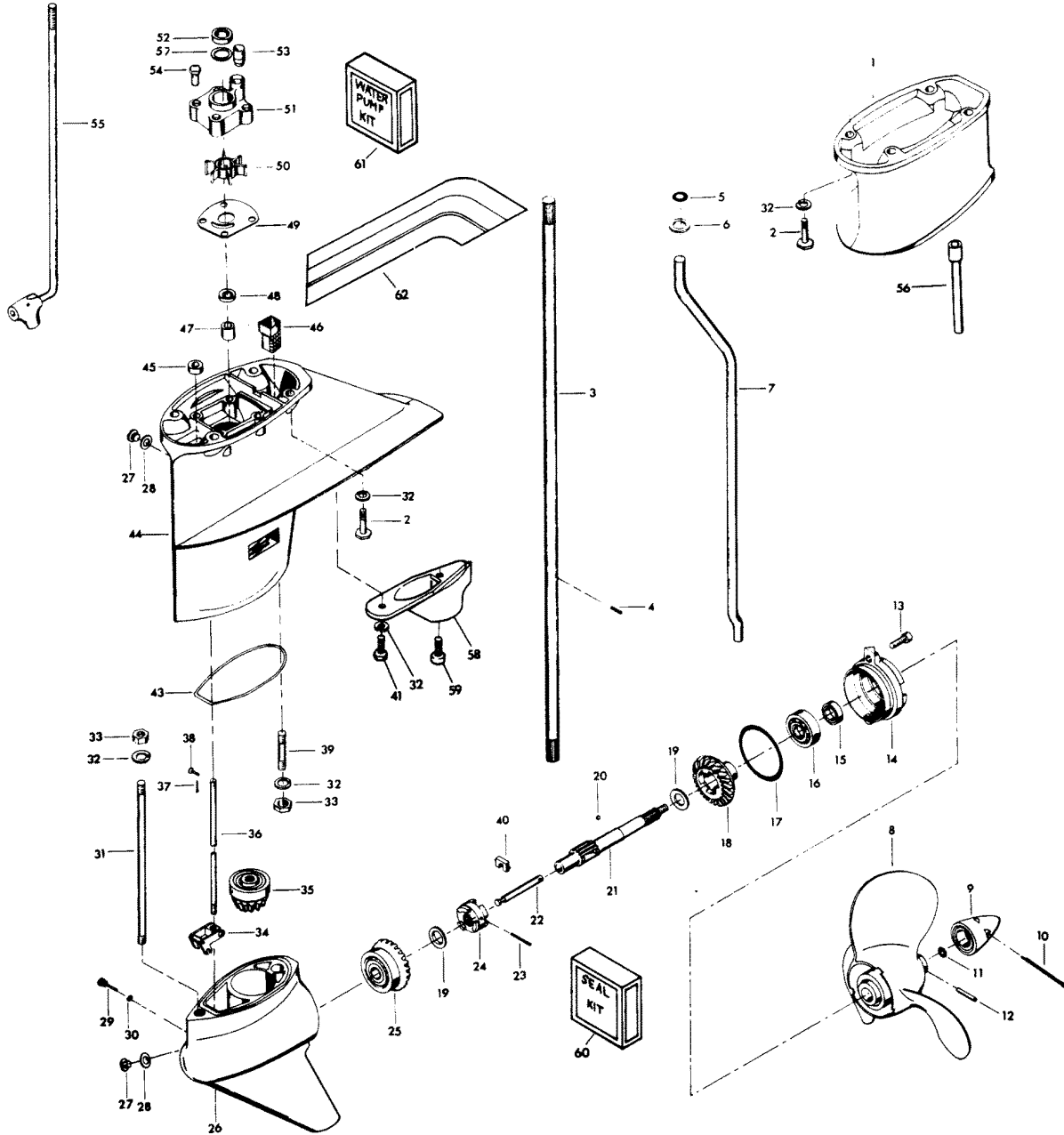




# MOTOR LEG

REF. NO.	PART NO.	SYM.	QTY.	DESCRIPTION
76	F8049		1	BOWED SPRING WASHER
77	F1739		1	PLAIN WASHER
78	F1502		2	HEX CAP SCREW, 1/4 - 20 X 5/8
79	F542686		1	COVER, KING PIN MOUNTING PLATE FOR ELECTRIC START MODELS
80	F2011		2	PAN HD SCREW, 1/4 - 20 X 1 1/4 FOR ELECTRIC START MODELS
81	F2018		2	SPEED NUT, 1/4 - 20 FOR ELECTRIC START MODELS
82	F458345		1	PAD, KING PIN MOUNTING

# GEAR HOUSING

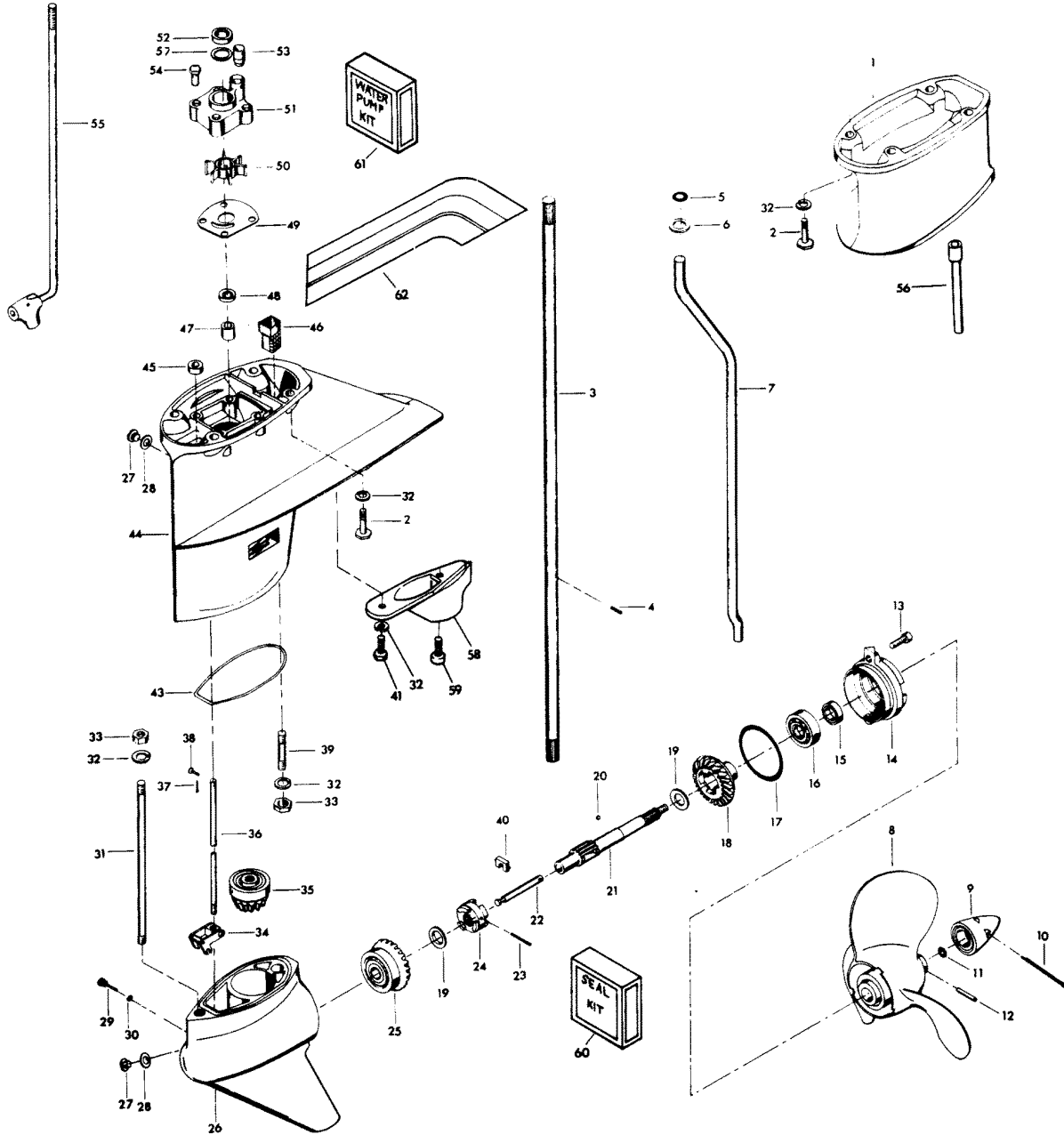


# GEAR HOUSING

REF. NO.	PART NO.	SYM.	QTY.	DESCRIPTION
1	F458845		1	EXTENSION, MOTOR LEG
2	F1929		8	HEX CAP SCREW, 3/8 - 16 X 1 1/8
3	F502128		1	DRIVESHAFT FOR STANDARD SHAFT MODELS
-	<b>F503128</b>		<b>1</b>	<b>DRIVESHAFT FOR LONG SHAFT MODELS</b>
4	F901563		1	DRIVE PIN, WATER PUMP IMPELLER
5	F24342		1	SEAL, INLET WATER LINE UPPER
6	F8039		1	PLAIN WASHER
7	F458244-1		1	INLET WATER LINE FOR STANDARD SHAFT MODELS
8	FP293		1	PROPELLER (ACCESSORY ITEM)
9	FA94094-2		1	PROP NUT W/SEAL AND COTTER PIN
10	F1027		1	COTTER PIN
11	F40342		1	SEAL, PROPELLER NUT
12	FK247		1	PROPELLER PIN, PACK OF 6 W/COTTER PIN
13	F1263		2	HEX SOCKET HD CAP SCREW, 5/16 - 18 X 9/16
14	F2A366298		1	PROP SHAFT BEARING CAGE <b>W/ITEMS 15 &amp; 16</b>
15	F141118		1	SEAL, PROPELLER SHAFT
16	F366058		1	BALL BEARING, PROPELLER SHAFT
17	F141305		1	SEAL, PROPELLER SHAFT BEARING CAGE
18	FA458662		1	BEVEL GEAR REAR W/BUSHING
19	F40717		2	THRUST WASHER
20	F366727		1	BALL, PROPELLER SHAFT
21	44-819500A3		1	PROPELLER SHAFT
22	F90871-3		1	GEAR SHIFT ARM PIN
23	F2097		1	SPRING PIN
24	F99521-1		1	CLUTCH
25	FS458023		1	BEVEL GEAR FRONT W/BEARING
26	1600-817804A3		1	GEAR HOUSING LOWER W/PLUG, WASHER AND THRUST BEARING CUP
-	<b>1600-817896A2</b>		<b>1</b>	<b>LOWER GEAR HOUSING COMPLETE (NOT SHOWN) INCLUDES ALL ITEMS MARKED WITH AN ASTERISK (*). ORIGINAL FORCE P/N C458054-1</b>
27	F50109		2	PLUG, GEAR HOUSING
28	F8077		2	WASHER, GEAR HOUSING PLUG
29	F498891		1	GEAR SHIFT ARM PIN
30	F498618		1	SEAL, "O" RING
31	F97008-1		1	STUD, LONG
32	F8065		10	SPRING LOCKWASHER
33	F1346		2	HEX NUT
34	817796A2		1	GEAR SHIFT ARM
35	F2A458266		1	BEVEL PINION W/BEARING
36	F435705		1	GEAR SHIFT ROD LOWER
37	F1015		1	COTTER PIN
38	F85372		1	PIN, GEAR SHIFT ROD LOWER
39	F40008		1	STUD, SHORT

CONTINUED ON NEXT PAGE ➡

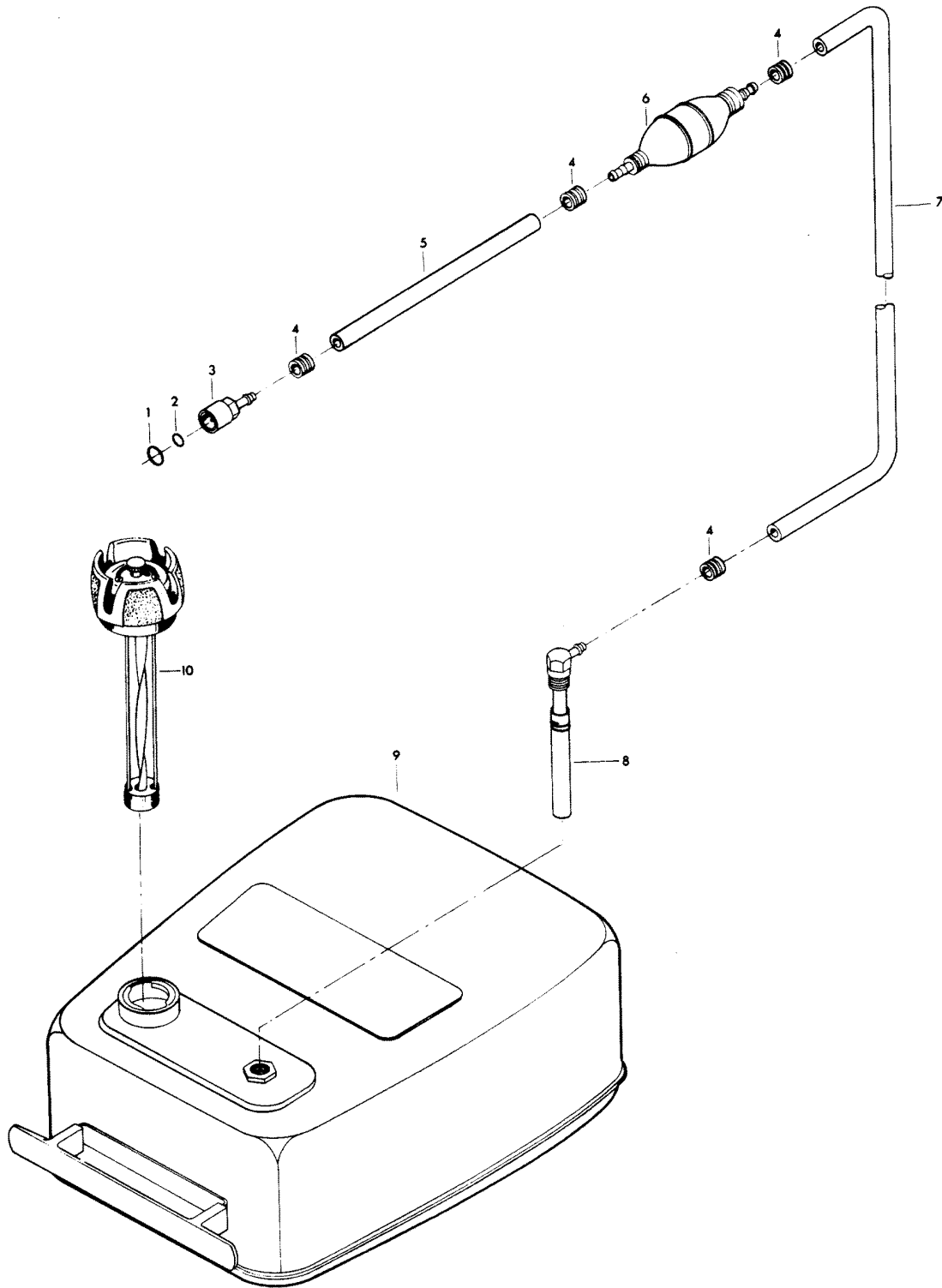
# GEAR HOUSING



# GEAR HOUSING

REF. NO.	PART NO.	SYM.	QTY.	DESCRIPTION
40	F90619-1		1	YOKE, SHIFT ARM
41	F438930		1	RETAINER, SNOUT
43	F435555		1	SEAL, GEAR HOUSING
44	FA502554		1	GEAR HOUSING UPPER <b>W/ITEMS 27, 28, 41, 45, 46, 47 AND 48</b>
45	F338618-1		1	SEAL, SHIFT ROD LOWER
46	F435077		1	SCREEN, WATER INLET
47	F458057		1	BEARING, DRIVESHAFT UPPER
48	F458307		1	SEAL, DRIVESHAFT
49	F435562		1	WATER PUMP BACK PLATE
50	F458065		1	WATER PUMP IMPELLER
51	FA504060		1	WATER PUMP BODY <b>W/ITEM 52</b>
52	F458736		1	SEAL, WATER PUMP
53	FA510914		1	SEAL, INLET WATER LINE LOWER
54	F2030		4	HEX HD CAP SCREW, 1/4 - 20 X 1 1/4
55	FA434616		1	GEAR SHIFT ROD INTERMEDIATE FOR STANDARD SHAFT MODELS
-	<b>FA435616</b>		<b>1</b>	<b>GEAR SHIFT ROD INTERMEDIATE FOR LONG SHAFT MODELS</b>
56	FS901244		1	EXTENSION, INLET WATER LINE
57	F513388		1	DISC, WATER PUMP LOCATING
58	FA435116		1	EXHAUST SNOUT
59	F1994		1	HEX SOCKET HD CAP SCREW, 5/16 - 18 X 1
60	FK1068		1	GEAR HOUSING SEAL KIT <b>INCLUDES ALL ITEMS MARKED WITH A DOUBLE ASTERISK (**)</b>
61	FK1053		1	WATER PUMP KIT
62	A467392		1	DECAL, LEG - PORT
-	<b>A467391</b>		<b>1</b>	<b>DECAL, LEG - STANDARD</b>

# FUEL TANK AND LINE



## FUEL TANK AND LINE

REF. NO.	PART NO.	SYM.	QTY.	DESCRIPTION
1	F213342		1	SEAL, FUEL LINE COUPLER
2	F213735		1	SEAL, FUEL LINE COUPLER
3	F197787-3		1	FUEL LINE COUPLER
4	F298788		4	FERRULE
5	FA84754-1		1	FUEL LINE SHORT W/CLAMPS
6	89396A38		1	PRIME BULB
7	32-817738A1		1	FUEL LINE LONG W/CLAMPS AND FERRULE
8	F487755		1	FUEL TANK ADAPTER
9	F5H027		1	FUEL TANK (ACCESSORY ITEM)
10	F409251-1		1	GAUGE CAP
-	<b>FS409752</b>		<b>1</b>	<b>FUEL LINE COMPLETE (NOT SHOWN)</b>
-	<b>FC409398</b>		<b>1</b>	<b>DECAL, TOTE TANK - CANADA (NOT SHOWN)</b>

## SPECIAL TOOLS - TUNE-UP

REF. NO.	PART NO.	SYM.	QTY.	DESCRIPTION
-	FT2910		0	KNOCK-OFF NUT TO REMOVE FLYWHEEL
-	FT2989		0	FLYWHEEL WEDGE TO REMOVE FLYWHEEL



## SPECIAL TOOLS - POWER HEAD

REF. NO.	PART NO.	SYM.	QTY.	DESCRIPTION
-	FT8971		0	SEAL INSTALLER TO INSTALL UPPER CRANKSHAFT BEARING CAGE SEAL.
-	FT8967		0	SEAL PROTECTOR TO PROTECT UPPER CRANKSHAFT BEARING CAGE SEAL DURING INSTALLATION.
-	FT2953		0	SOCKET TO TORQUE CONNECTING ROD SCREWS.
-	FT2990		0	PISTON PIN REMOVER TO REMOVE AND INSTALL PISTON PIN IN PISTON.
-	FT8926		0	RING EXPANDER TO INSTALL RINGS ON PISTONS.
-	FT2996		0	RING COMPRESSOR TO INSTALL PISTONS IN CYLINDERS.
-	FT8977		0	SEAL COLLAR INSTALLER TO INSTALL CRANKSHAFT LOWER SEAL COLLAR.
-	FT8976		0	SEAL PROTECTOR TO PROTECT CRANKSHAFT LOWER SEAL DURING INSTALLATION.

## SPECIAL TOOLS - LOWER UNIT

REF. NO.	PART NO.	SYM.	QTY.	DESCRIPTION
-	FT3431		0	SEAL INSTALLER TO INSTALL PROPELLER SHAFT SEAL.
-	FT8948-1		0	PROPELLER SHAFT BEARING CAGE PULLER TO REMOVE PROPELLER SHAFT BEARING CAGE FROM LOWER GEAR HOUSING.
-	FT8972		0	SEAL INSTALLER TO INSTALL DRIVESHAFT - WATER PUMP SEAL.
-	FT8919		0	SPRING PIN PUNCH TO REMOVE CLUTCH SPRING PIN.
-	FT8921		0	CUP REMOVER TO REMOVE FORWARD BEARING CUP.
-	FT8918		0	BEARING GUIDE SET TO REMOVE FORWARD BEARING CUP.
-	FT8957		0	SEAL INSTALLER TO INSTALL SHIFT ROD SEAL.
-	FT8963		0	BEARING INSTALLER TO INSTALL DRIVESHAFT BEARING.
-	FT8907		0	DRIVER HANDLE TO INSTAL FORWARD BEARING CUP.
-	FT8904		0	CUP INSTALLER TO INSTALL FORWARD BEARING CUP.

## SPECIAL TOOLS - TEST EQUIPMENT

REF. NO.	PART NO.	SYM.	QTY.	DESCRIPTION
-	FT2955A		0	TEST WHEEL TO TEST MOTOR IN TEST TANK.
-	FT8932		0	LIFTING HOOK TO LIFT ENGINE.
-	FT8950		0	LEAKAGE TESTER TO TEST LOWER UNIT FOR LEAKAGE.
-	FT8953		0	C-D TESTER TO TEST C-D UNIT.
-	FT8996		0	IGNITION TEST TO TEST IGNITION SYSTEM.
-	T8974		0	POINT TENSION GAUGE TO MEASURE BREAKER POINT SPRING TENSION.

# SPECIAL TOOLS - LUBRICANTS AND SEALANTS

REF. NO.	PART NO.	SYM.	QTY.	DESCRIPTION
-	FT2961		0	LUBRICANT
-	FT2987-1		0	LUBRICANT
-	FT8969		0	LUBRICANT
-	FT8983		0	SEALANT
-	FT8936		0	SEALANT
-	FT2962-1		0	SEALANT
-	FT2963-1		0	SEALANT
-	FT8935		0	SEALANT PRIMER

# ACCESSORIES

REF. NO.	PART NO.	SYM.	QTY.	DESCRIPTION
-	F5H081		0	BATTERY CABLE LONG LENGTH - 15 FEET.
-	F5H019		0	ANTI-CORROSION KIT ELECTRICAL UNIT USED TO HELP PREVENT CORROSION.
-	F5H025		0	ANTI-CORROSION SACRIFICIAL ANODE USED TO PREVENT CORROSION.
-	5H051		0	BATTERY, 74 AMP. TWELVE VOLT HEAVY DUTY BATTERY TO OPERATE STARTER AND ELECTRICAL ACCESSORIES.
-	F5H021		0	BATTERY EXTENSION CABLE USED TO EXTEND BATTERY CABLE 6-1/2 FEET.
-	493		0	HANDLE PROVIDES REAR HANDLE AND REST PADS.
-	F5H020		0	CARRYING HANDLE PERMITS EASIER TRANSPORTATION OF ENGINE TO AND FROM BOAT (2 MAN).
-	F588		0	FLUSHING ADAPTER PERMITS FRESH WATER FLUSHING OF WATER PASSAGES WITH STANDARD GARDEN HOSE.
-	F5H008		0	FUEL GAUGE FLUSH MOUNT MONITORS FUEL SUPPLY. ELECTRIC START MODELS.
-	F5H028		0	SENDING UNIT FOR USE WITH ABOVE FUEL GAUGES.
-	F5H062		0	WATER PUMP HEAVY DUTY WATER PUMP RECOMMENDED FOR CONTINUED OPERATION IN SANDY OR SALT WATER.
-	F5H134		0	BOAT WHITE LACQUER ENGINE TOUCH-UP PAINT IN 12-3/4 OZ. SPRAY BOMBS (6 CANS PER CASE).
-	F5H135		0	SAND TAN LACQUER ENGINE TOUCH-UP PAINT IN 12-3/4 OZ. SPRAY BOMBS (6 CANS PER CASE).
-	F476		0	FUEL LINE ADAPTION KIT ADAPTS MODEL 5H027 FUEL TANK FOR DISCONNECT TANK.
-	F5H027		0	STEEL, 6 GALLON FUEL TANK AUXILIARY TANK.
-	F5H029		0	FUEL TANK ANCHOR SECURES 5H027 TO DECK.
-	5H065		0	CANVAS HOOD PROTECTION FOR ENGINE COVER.
-	F5H070		0	REMOTE ELECTRIC CABLE. 21 FEET.
-	F5H004		0	SPEEDOMETER FLUSH MOUNT 0 TO 50 M.P.H.
-	F5H072		0	OVERHEAT BUZZER KIT FOR ELECTRICAL START MODELS. WARNS OF ENGINE OVERHEATING.
-	167		0	IGNITION CUT-OFF KIT ALLOWS STOPPING OF ALL MAGNETO ENGINES FROM DASH.
-	F5H077		0	IGNITION KEY SWITCH FOR ELECTRIC START MODELS SHORT BARREL.
-	F5H078		0	IGNITION KEY SWITCH FOR ELECTRIC START MODELS LONG BARREL.
-	F195/___		0	REMOTE CONTROL CABLE CONNECTS REMOTE CONTROL BOX TO THROTTLE AND GEAR SHIFT ON MOTOR. AVAILABLE IN 6 THROUGH 40 FOOT LENGTHS.
-	F5H130		0	REMOTE CONTROL SURFACE MOUNT PERMITS REMOTE CONTROL OF THROTTLE AND GEAR SHIFT FROM STARBOARD SIDE OF BOAT.
-	F5H131		0	PORT SIDE DECAL KIT CONVERTS 5H130 CONTROL BOX TO PORT SIDE MOUNTING.

CONTINUED ON NEXT PAGE ➡

# ACCESSORIES

REF. NO.	PART NO.	SYM.	QTY.	DESCRIPTION
-	F590		0	REMOTE CONTROL FLUSH MOUNT (SINGLE LEVER) PERMITS REMOTE CONTROL OF THROTTLE AND GEAR SHIFT. MAY BE MOUNTED ON PORT OR STARBOARD SIDE OF BOAT.
-	865		0	REMOTE CONTROL SURFACE MOUNT (SINGLE LEVER) PERMITS REMOTE CONTROL OF THROTTLE AND GEAR SHIFT ON TWIN ENGINE INSTALLATION. MAY BE MOUNTED ON PORT OR STARBOARD SIDE OF BOAT.
-	F866		0	REMOTE CONTROL (TWIN LEVER) TWIN LEVER SURFACE MOUNT SEPARATE THROTTLE AND GEAR SHIFT
-	F137		0	REMOTE STEERING BRACKET ADAPTS MOTOR TO CABLE TYPE REMOTE STEERING.
-	F165		0	REMOTE STEERING BRACKET ADAPTS MOTOR TO CABLE TYPE REMOTE STEERING.
-	F5H086		0	STARTER CONVERSION CONVERTS HAND START MODELS TO ELECTRIC START.
-	F5H006		0	VOLTMETER MODELS. FLUSH MOUNT - INDICATES BATTERY CONDITION. ELECTRIC
-			0	CHRYSLER OUTBOARD OIL SEE BLOCK COMMENT 1.
-			0	CHRYSLER OUTBOARD GEAR LUBE SEE BLOCK COMMENT 2.
-			0	CHRYSLER OUTBOARD FUEL AID REMOVES MOISTURE, PREVENTS SLUDGE AND VARNISH AND STABILIZES GAS. AVAILABLE IN 16 OZ. CANS AND 12 CAN CASES.
-			0	CHRYSLER OUTBOARD STORAGE LUBRICANT WORKS AS A CORROSION INHIBITOR AND PROTECTS INTERNAL ENGINE PARTS DURING STORAGE. AVAILABLE IN 16 OZ. CANS 12 CAN CASES.
-			0	CHRYSLER OUTBOARD MULTI-PURPOSE SPRAY LUBE WORKS AS A LUBRICANT, CLEANER MOISTURE REMOVER AND ELECTRIC INSULATOR. AVAILABLE IN 9 OZ. CANS AND 12 CAN CASES.
-			0	CHRYSLER OUTBOARD MULTI-PURPOSE GREASE LUBRICATES BEARINGS AND OTHER MOVING PARTS. AVAILABLE IN 8 OZ. TUBES AND 12 TUBE CASES.
-			0	CHRYSLER OUTBOARD GREASE GUN USED WITH CHRYSLER OUTBOARD MULTI-PURPOSE GREASE TUBES FOR PRESSURE FITTINGS.
-			0	CHRYSLER OUTBOARD MULTI-PURPOSE CLEANER

# PARTS INDEX

Part Number	Description	Pg.	Ref. No.	Part Number	Description	Pg.	Ref. No.
167	IGNITION CUT-OFF KIT . . . . .	59	-	F1092	FILL HD SCREW, 10 - 32 X 5/8 . . . . .	21	5
2C542712	ENGINE COVER COMPLETE	3	-	F1100	SLOTTED FILL HD SCREW, 1/4 - 20 X 1 1/2 . . . . .	17	37
2C543712	ENGINE COVER COMPLETE	7	-	F1107	FILL HD SCREW, 1/4 - 20 X 3/4 . . . . .	33	1
458983	SEAL, SWIVEL BRACKET . . .	39	28	F1108	FILL HD MACHINE SCREW W/LOCKWASHER, 1/4 - 20 X 3/4 . . . . .	31	7
493	HANDLE . . . . .	59	-	F1129	FILL HD SCREW, 5/16 - 18 X 1/2 . . . . .	43	27
510373-1	DECAL, MAGNAPOWER . . . . .	21	17	F1141	FLAT HD SCREW, 10 - 24 X 1/2 . . . . .	27	6
5H051	BATTERY, 74 AMP. . . . .	59	-	F1160	FLAT HD SCREW, 1/4 - 28 X 5/8 . . . . .	45	66
5H065	CANVAS HOOD . . . . .	59	-	F12088	GROMMET, LEAD WIRE . . .	15	13
817747--1	JOINT BALL ASSEMBLY . . .	35	57	F1211	HEX HD SCREW W/SPRING LOCKWASHER, 1/4 - 28 X 5/8 . . . . .	45	69
817776A3	STERN BRACKET CLAMP SCREW W/FOOT, STUD AND HANDLE . . . . .	39	36	F12146	COIL WEDGE SPRING . . . . .	15	11
817796A2	GEAR SHIFT ARM . . . . .	49	34	F12153	BREAKER POINT SET . . . . .	15	15
817808A2	LEVER, GEAR SHIFT . . . . .	33	29	F12170	CONDENSER MOUNTING SCREW . . . . .	15	2
817809A1	PLATE, KINGPIN MOUNTING	43	13	F12170	CONTACT SCREW W/LOCKWASHER . . . . .	15	17
817882A1	FRICTION SHOE ADJUSTING ARM . . . . .	39	2	F12181-1	CONDENSER . . . . .	15	3
817938A1	RETAINER, STARTER ROPE HANDLE FOR MANUAL START MODELS . . . . .	11	12	F12186-1	GROUND LEAD . . . . .	15	4
817955A1	HOUSING, HAND STARTER	11	2	F12228	CAM WIPER FELT . . . . .	15	16
818056A2	LEG COVER FRONT W/PACKING . . . . .	43	34	F12346	STATOR PLATE W/LAMINATIONS (MANUAL START MODELS) . . . . .	15	9
818057A1	LEG COVER REAR W/PACKING . . . . .	43	16	F1236	HEX CAP SCREW, 1/4 - 20 X 1/2 . . . . .	3	26
865	REMOTE CONTROL SURFACE MOUNT (SINGLE LEVER) . . . . .	60	-	F1236	HEX CAP SCREW, 1/4 - 20 X 1/2 . . . . .	7	22
89396A38	PRIME BULB . . . . .	53	6	F1263	HEX SOCKET HD CAP SCREW, 5/16 - 18 X 9/16 . . . . .	43	20
A458010-1	CYLINDER W/CRANKCASE COVER, SCREWS AND DOWEL PINS . . . . .	33	7	F1263	HEX SOCKET HD CAP SCREW, 5/16 - 18 X 9/16 . . . . .	49	13
A467391	DECAL, LEG - STANDARD . . .	51	-	F1280	PAN HD SCREW, 8 - 32 X 1/4	21	12
A467392	DECAL, LEG - PORT . . . . .	51	62	F1337	NUT, 6 - 32 . . . . .	35	69
C461010-1	SHORT BLOCK FOR HAND START MODELS (NOT SHOWN) . . . . .	33	-	F1341	HEX NUT . . . . .	13	15
F10025	GASKET SET . . . . .	23	29	F1341	HEX NUT, 1/4 - 20 . . . . .	49	33
F10027	REPAIR PARTS KIT . . . . .	23	30	F1346	HEX NUT . . . . .	43	9
F1014	COTTER PIN . . . . .	39	20	F1347	HEX NUT, 3/8 - 16 . . . . .	45	72
F1014	COTTER PIN FOR ELECTRIC START MODELS . . . . .	25	44	F1349	HEX NUT . . . . .	60	-
F1015	COTTER PIN . . . . .	49	37	F137	REMOTE STEERING BRACKET . . . . .	49	15
F1020	COTTER PIN . . . . .	45	75	F141118	SEAL, PROPELLER SHAFT . .	49	17
F1027	COTTER PIN . . . . .	49	10	F141305	SEAL, PROPELLER SHAFT BEARING CAGE . . . . .	49	17
F1050	SLOTTED FILL HD SCREW, 10 - 24 X 1 . . . . .	21	3	F141704	COUPLING, GEAR SHIFT ROD . . . . .	45	71
F1059	FILL HD SCREW, 6 - 32 X 1/4 FOR ELECTRIC START MODELS . . . . .	25	42	F1447	DRIVE SCREWS . . . . .	5	54
F1072	FILL HD SCREW, 1/4 - 20 X 1 3/4 . . . . .	35	50	F1447	DRIVE SCREWS . . . . .	7	33
F1075	FILL HD M. SCREW, 10 - 24 X 1/2 . . . . .	35	67	F1472	HEX SLOT HD SCREW W/LOCKWASHER, 1/4 - 20 X 3/4 . . . . .	45	70
F1077	FILL HD SCREW, 10 - 24 X 1/4 . . . . .	17	10	F1473	HEX NUT, 10 - 24 . . . . .	5	67
F1087	FILL HD SCREW, 10 - 24 X 7/8 . . . . .	3	36				
F1092	FILL HD SCREW, 10 - 32 X 5/8 . . . . .	15	10				

# PARTS INDEX

Part Number	Description	Pg.	Ref. No.	Part Number	Description	Pg.	Ref. No.
F1475	FILL HD SCREW, 10 - 24 X 1/2	3	15	F1642	SOCKET HD CAP SCREW, 10 - 24 X 3/4 FOR MANUAL START MODELS	45	49
F1475	FILL HD SCREW, 10 - 24 X 1/2	7	15	F1645	RD HD SCREW, 6 - 32 X 1/4	21	15
F1500	RD HD SHEET METAL SCREW, 4 X 1/4 FOR (MANUAL START MODELS)	11	24	F1645	ROUND HD SCREW, 6 - 32 X 1/4	17	4
F15002	SPRING SET	13	23	F1647	HEX NUT	17	9
F15010	ARMATURE	13	18	F1648	SLOTTED PAN HD SCREW, 10 - 24 X 3/4	17	20
F15015	BRUSH SET	13	22	F1648	SLOTTED PAN HD SCREW, 10 - 24 X 3/4	21	22
F15019-1	HEAD ASSEMBLY COMMUTATOR END	13	24	F165	REMOTE STEERING BRACKET	60	-
F1502	HEX CAP SCREW, 1/4 - 20 X 5/8	35	68	F1663	SPRING PIN	45	48
F1502	HEX CAP SCREW, 1/4 - 20 X 5/8	47	78	F1664	SPRING PIN FOR MANUAL START MODELS	43	40
F1502	HEX HD MACHINE SCREW, 1/4 - 20 X 5/8	7	18	F1666	BOWED SPRING LOCKWASHER	39	12
F1502	HEX HD SCREW, 1/4 - 20 5/8	3	18	F1669	NUT	39	26
F15021-1	HEAD ASSEMBLY DRIVE END	13	16	F1689	HEX CAP SCREW, 1/4 - 20 X 1/2	39	7
F15084	SCREW SHAFT	13	8	F1689	HEX CAP SCREW, 1/4 - 20 X 1/2 ELECTRIC START MODELS	35	71
F15087	HEX NUT	13	2	F1696	HEX CAP SCREW, 5/16 - 18 X 1 3/4	43	25
F15091	WASHER	13	9	F1704	INTERNAL TOOTH LOCKWASHER	17	5
F15095	BENDIX DRIVE	13	1	F1704	INTERNAL TOOTH LOCKWASHER	21	10
F15097	THRU BOLT PACKAGE	13	28	F1705	HEX CAP SCREW, 1/4 - 20 X 3/4	13	21
F15098	THRUST WASHER PACKAGE	13	17	F1705	HEX CAP SCREW, 1/4 - 20 X 3/4	43	33
F15102	SPRING, ANTI-DRIFT	13	4	F1727	PLASTI-RIVET	33	6
F15103	PINION	13	7	F1734	FILL HD MACHINE SCREW W/SPRING LOCKWASHER, 1/4 - 20 X 1/2	17	29
F15104	CUP, CUSHION THRUST	13	12	F1739	PLAIN WASHER	47	77
F15105	CUP, CUSHION	13	10	F1739	PLAIN WASHER, FOR ELECTRIC START MODELS	33	-
F15106	CUSHION	13	11	F1739	PLAIN WASHER, FOR HAND START MODELS	33	13
F15107	CUP, PINION	13	5	F1745	HEX HD SCREW W/SPRING LOCKWASHER, 5/16 - 18 X 1	43	37
F15108	SLEEVE	13	6	F1746	HEX CAP SCREW, 1/4 - 28 X 5/8	21	19
F15109	CUP, STOP	13	3	F1753	FASTENER	3	12
F15117	FRAME AND FIELD ASSEMBLY	13	20	F1753	FASTENER	7	12
F1513	HEX NUT	15	7	F1755	ROUND HD SCREW W/LOCKWASHER, 6 - 32 X 5/16	27	12
F1513	HEX NUT	21	8	F1760	PAN HD SCREW, 10 - 24 X 3/8	3	24
F1513	HEX NUT, 10 - 32	17	16	F1760	PAN HD SCREW, 10 - 24 X 3/8	5	63
F1513	HEX NUT, 10 - 32	33	30	F177330	FUEL PUMP VALVE	31	4
F1514	HEX JAM NUT, 1/4 - 20	13	13	F1778	PLAIN WASHER	43	10
F1515	HEX JAM NUT, 5/16 - 18	5	57				
F1515	HEX JAM NUT, 5/16 - 18	7	36				
F1515	HEX NUT	17	14				
F1515	HEX NUT, 5/16 - 18	27	2				
F1515	HEX NUT, 5/16 - 18	43	22				
F154317	CLAMP, REMOTE CABLE	3	28				
F154317	CLAMP, REMOTE CABLE	7	24				
F1552	PAN HD SCREW, 8 - 32 X 1/2 STATOR PLATE COMPLETE, ORDER COMP	21	29				
F1600	LOCK NUT, 7/8 - 14	39	15				
F1632	PLASTI-PLUG	3	22				
F1632	PLASTI-PLUG	7	21				
F1638	SPRING PIN	11	22				
F1638	SPRING PIN	39	35				



# PARTS INDEX

Part Number	Description	Pg.	Ref. No.	Part Number	Description	Pg.	Ref. No.
F1803	STOP NUT	35	56	F1954	HEX SOCKET HEADLESS SET SCREW, 5/16 - 24 X 1/4	45	44
F18132-1	HANDLE, STARTER ROPE (ELEC. START MODELS)	11	26	F1975	LOCKWASHER	21	23
F1832	HEX LOCK NUT FOR MANUAL START MODELS	43	41	F1975	SPRING LOCKWASHER	17	17
F1833	HEX HD SCREW, 1/4 - 20 X 1	35	49	F197787-3	FUEL LINE COUPLER	53	3
F183300	SPRING, LATCH SHAFT	5	55	F1978	SPRING PIN	45	74
F183300	SPRING, LATCH SHAFT	7	34	F1978	SPRING PIN FOR MANUAL START MODELS	45	63
F183300	SPRING, MAGNETO CONTROL SHAFT	3	34	F1979	SLOTTED PAN HD SCREW, 10 - 24 X 3/4	17	25
F183300	SPRING, SHIFT DETENT	35	74	F1994	HEX SOCKET HD CAP SCREW, 5/16 - 18 X 1	51	59
F183346-1	SHOCK MOUNT LOWER THRUST	43	26	F1997	LOCK NUT	23	32
F183504	GROMMET, MAGNETO CONTROL SHAFT	3	31	F2004	FILL HD SCREW, 8 - 32 X 3/8	11	15
F1836	SPRING PIN	5	49	F2005	HEX SOCKET HD CAP SCREW, 5/16 - 18 X 2 3/4	33	10
F1836	SPRING PIN	39	21	F2006	HEX CAP SCREW, 5/16 - 18 X 4 3/4	43	23
F183756-1	PACKING, SUPPORT PLATE	43	2	F2007	HEX CAP SCREW, 5/16 - 18 X 4	43	24
F183813	BEARING	35	53	F2008	HEX HD SCREW, 1/4 - 20 X 7/8	21	18
F183818	BEARING, CHOKE ROD	3	23	F2008	HEX HD SCREW, 1/4 - 20 X 7/8	27	1
F184033-1	SWIVEL, CHOKE ARM FOR ELECTRIC START MODELS	25	41	F2010	FILL HD SCREW W/SPRING LOCKWASHER, 10 - 32 X 9/16	15	18
F184579	SEAL, CHOKE ARM SWIVEL FOR ELECTRIC START MODELS	25	40	F2010	FILL HD SCREW W/SPRING LOCKWASHER, 10 - 32 X 9/16	21	6
F1854	HEX CAP SCREW, 1/4 - 20 X 5/8	17	18	F2011	PAN HD SCREW, 1/4 - 20 X 1 1/4 FOR ELECTRIC START MODELS	47	80
F1854	HEX CAP SCREW, 1/4 - 20 X 5/8	35	43	F2012	PLAIN WASHER	21	26
F185764	RETAINING RING	5	56	F2012	PLAIN WASHER (ELECTRIC START MODELS)	11	-
F185764	RETAINING RING	7	35	F2012	PLAIN WASHER (MANUAL START MODELS)	11	27
F1859	HES SOCKET HEADLESS SET SCREW, 1/4 - 28 X 3/16	5	47	F2013	HEX SOCKET HD CAP SCREW, 5/16 - 18 X 1 1/4	33	14
F1859	HEX SOCKET HEADLESS SET SCREW, 1/4 - 28 X 3/16	3	33	F2014	PLAIN WASHER	35	72
F1860	BINDING HD MACHINE SCREW, 6 - 32 X 1/4	31	3	F2016	FILL HD MACHINE SCREW, 6 - 32 X 7/8	17	3
F1864	HEX SLOTTED HD SCREW, 1/4 - 20 X 3/4	33	9	F2018	SPEED NUT, 1/4 - 20 FOR ELECTRIC START MODELS	47	81
F1864	SLOTTED HEX HD SCREW, 1/4 - 20 X 3/4 (ELECTRIC START MODELS)	11	-	F2021	FLYWHEEL NUT	11	14
F1864	SLOTTED HEX HD SCREW, 1/4 - 20 X 3/4 (MANUAL START MODELS)	11	1	F2021	FLYWHEEL NUT, 5/8 - 18	21	1
F1877	TY-RAP	21	30	F2025	PAN HD SCREW, 10 X 5/8	3	4
F1910	LOCK NUT	35	60	F2025	PAN HD SCREW, 10 X 5/8	7	4
F1916	HEX HD SCREW, 1/4 - 20 X 1 1/8	17	34	F2026	PLASTIC RIVET	5	65
F1922	HEX HD SCREW, 1/4 - 20 X 5/8	33	33	F2030	HEX HD CAP SCREW, 1/4 - 20 X 1 1/4	51	54
F1927	PAN HD SCREW, 10 - 32 X 3/8	11	4	F2033	GROOVE PIN FOR ELECTRIC START MODELS	25	45
F1929	HEX CAP SCREW, 3/8 - 16 X 1 1/8	49	2	F203965	SHOCK MOUNT UPPER THRUST	45	65
F1934	FLAT HD SCREW, 6 X 1/2	17	32				
F195/___	REMOTE CONTROL CABLE	59	-				

# PARTS INDEX

Part Number	Description	Pg.	Ref. No.	Part Number	Description	Pg.	Ref. No.
F2066	PAN HD SCREW, 10 X 7/16 .	3	6	F296898	TERMINAL . . . . .	17	23
F2066	PAN HD SCREW, 10 X 7/16 .	7	6	F298788	FERRULE . . . . .	53	4
F2095	SPRING PIN . . . . .	39	30	F2A366298	PROP SHAFT BEARING CAGE . . . . .	49	14
F2097	SPRING PIN . . . . .	49	23	F2A458081	MAGNETO CONTROL LEVER W/CONNECTOR STUD . .	35	54
F2107	SLOTTED FILL HD SCREW W/SPRING LOCKWASHER	7	25	F2A458266	BEVEL PINION W/BEARING	49	35
F2107	SLOTTED FILL HD SCREW W/SPRING LOCKWASHER, 10 - 24 X 5/8 . . . . .	3	29	F2A458581	COLLAR W/LOWER CRANKCASE SEAL . . . . .	29	11
F213274	GREASE FITTING . . . . .	39	41	F2A504614	KNOB, GEAR SHIFT W/SHAFT AND INDICATOR	3	43
F213342	SEAL, FUEL LINE COUPLER	53	1	F307317	CLIP, TERMINAL BLOCK GROUND . . . . .	17	21
F213735	SEAL, FUEL LINE COUPLER	53	2	F307818	BEARING . . . . .	5	51
F215795	SEAL, STEERING HANDLE GRIP FOR MANUAL START MODELS . . . . .	45	55	F307818	BEARING . . . . .	33	20
F235785	DECAL COMPLIANCE - CANADA (NOT SHOWN) .	21	-	F307818	BEARING LATCH SHAFT . . .	3	39
F24074	CLAMP SCREW FOOT . . . .	39	31	F307818	BEARING LATCH SHAFT . . .	7	28
F24342	SEAL, INLET WATER LINE UPPER . . . . .	49	5	F316160	REED . . . . .	27	10
F24342	SEAL, WATER LINE UPPER	43	5	F324689	BEARING, MAGNETO CONTROL SHAFT . . . . .	3	35
F24623-1	GROMMET, GEAR SHIFT, CHOKE ROD . . . . .	5	45	F324840-1	GROMMET, REMOTE SHIFT CABLE . . . . .	5	52
F269052	BEARING, SHIFT LEVER . . .	33	28	F324840-1	GROMMET, REMOTE THROTTLE CABLE . . . . .	3	30
F269122-1	SEAL, CRANKCASE PARTING LINE . . . . .	33	8	F324993	BRACKET, CHOKE ROD BEARING . . . . .	3	25
F269319	BEARING, THROTTLE CAM .	35	61	F333316	SHAFT, THROTTLE ROLLER	23	34
F286028-1	CRANKSHAFT LOWER MAIN BEARING . . . . .	29	14	F335217-1	BEARING, PISTON PIN . . . .	29	3
F286282	WASHER . . . . .	35	55	F338618-1	SEAL, SHIFT ROD LOWER .	51	45
F286422-1	PIVOT, TILT LOCK . . . . .	39	8	F366058	BALL BEARING, PROPELLER SHAFT . . . . .	49	16
F286440	STUD, MAGNETO CONTROL LEVER . . . . .	35	52	F366215	SPACER, PISTON PIN . . . . .	29	2
F286451	SPACER, TILT LOCK . . . . .	39	9	F366364	ARM, REVERSE LOCK . . . . .	39	23
F286544-1	SPRING, TILT LOCK . . . . .	39	11	F366727	BALL, PROPELLER SHAFT .	49	20
F286547	CHOKE KNOB . . . . .	3	41	F366801	FITTING . . . . .	33	18
F286772-1	CLAMP . . . . .	21	31	F381896-4	CABLE BATTERY ENTRY . .	17	13
F286772-1	CLAMP, FUEL PUMP TO CARBURETOR HOSE . . . .	17	38	F385433	TILT STOP . . . . .	39	40
F286894-3	INDICATOR, SPEED CONTROL FOR MANUAL START MODELS . . . . .	45	59	F385647	CARRYING HANDLE . . . . .	43	38
F288075	HANDLE, STERN BRACKET CLAMP SCREW . . . . .	39	34	F391926-1	PLUNGER, CHOKE SOLENOID FOR ELECTRIC START MODELS . . . . .	25	38
F288689	BEARING, MAGNETO CONTROL SHAFT FOR MANUAL START MODELS	45	47	F40008	STUD, SHORT . . . . .	49	39
F288691	GEAR, MAGNETO CONTROL SHAFT FOR MANUAL START MODELS . . . . .	45	46	F40209	CARBURETOR STUD . . . . .	27	3
F295080	STEERING HANDLE PIVOT BOLT FOR MANUAL START MODELS . . . . .	45	52	F40342	SEAL, PROPELLER NUT . . .	49	11
F295175	WASHER, STEERING HANDLE PIVOT BOLT FOR MANUAL START MODELS	45	51	F40717	THRUST WASHER . . . . .	49	19
F295457	RETAINING WASHER STEERING HANDLE PIVOT . . . . .	45	50	F407446	CLAMP, BATTERY CABLE . .	17	30
				F40906-1	FLANGE GASKET . . . . .	23	9
				F40906-1	GASKET, CARBURETOR . . .	35	-
				F409251-1	GAUGE CAP . . . . .	53	10
				F40956	BRACKET, SHOCK MOUNT UPPER THRUST . . . . .	45	68
				F413815	GEAR, STEERING HANDLE FOR MANUAL START MODELS . . . . .	45	45
				F429811	SCREEN, CYLINDER DRAIN	33	36
				F433168	GASKET, CARBURETOR ADAPTER . . . . .	35	-
				F433168	GASKET, CARBURETOR ADAPTER W/STUDS . . . .	27	5

# PARTS INDEX

Part Number	Description	Pg.	Ref. No.	Part Number	Description	Pg.	Ref. No.
F433209	STUD, THROTTLE CAM . . . .	35	63	F458152	EXHAUST PORT COVER . . .	35	48
F433404	DEFLECTOR PLATE . . . . .	27	7	F458154	EXHAUST PORT PLATE . . .	37	-
F433406	DEFLECTOR PLATE GASKET . . . . .	35	-	F458154	GASKET, EXHAUST PORT PLATE . . . . .	35	46
F433406	GASKET, DEFLECTOR PLATE . . . . .	27	8	F458166-2	SCREW, MOTOR LEG TO CYLINDER . . . . .	43	18
F434767	BUSHING, FUEL LINE . . . . .	5	69	F458192	THROTTLE CAM . . . . .	35	62
F434767	BUSHING, FUEL LINE . . . . .	7	31	F458198	THROTTLE STOP FOR MANUAL START MODELS	45	64
F435077	SCREEN, WATER INLET . . .	51	46	F458223	GASKET, TRANSFER PORT COVER . . . . .	33	37
F435555	SEAL, GEAR HOUSING . . . .	51	43	F458223	TRANSFER PORT COVER GASKET . . . . .	37	-
F435562	WATER PUMP BACK PLATE	51	49	F458232	STARTER ROPE . . . . .	11	10
F435705	GEAR SHIFT ROD LOWER .	49	36	F458239	STARTER PULLEY . . . . .	11	8
F436314-1	ELBOW, DRAIN HOSE . . . .	33	32	F458244-1	INLET WATER LINE . . . . .	43	7
F436449	SHORTING SWITCH FOR MANUAL START MODELS	15	5	F458244-1	INLET WATER LINE FOR STANDARD SHAFT MODELS . . . . .	49	7
F436541	TILT LOCK (PORT) . . . . .	39	10	F458245	BAFFLE, TILT HANDLE . . . .	3	2
F438165	SCREW, FUEL PUMP BOWL	31	11	F458245	BAFFLE, TILT HANDLE . . . .	7	2
F438500	FUEL PUMP BOWL . . . . .	31	10	F458277	CRANKSHAFT BEARING CAGE GASKET . . . . .	37	-
F438617	FUEL PUMP BOWL GASKET	35	-	F458277	GASKET, CRANKSHAFT BEARING CAGE . . . . .	33	4
F438617	GASKET, FUEL PUMP BOWL	31	8	F458279	CYLINDER EXHAUST GASKET . . . . .	37	-
F438653	SCREEN, FUEL PUMP . . . . .	31	9	F458279	GASKET, CYLINDER EXHAUST . . . . .	43	1
F438747	FUEL PUMP DIAPHRAGM . .	31	2	F458307	SEAL, DRIVESHAFT . . . . .	51	48
F438760	FUEL PUMP GASKET . . . . .	31	1	F458312	PACKING, LEG COVER SIDE	43	32
F438760	FUEL PUMP GASKET . . . . .	35	-	F458315	PACKING, LEG COVER SIDE UPPER . . . . .	43	36
F438801	FITTING, FUEL PUMP BODY	31	15	F458320	PACKING, LEG COVER FRONT UPPER PORT . . .	43	30
F438930	RETAINER, SNOUT . . . . .	51	41	F458322	PACKING, LEG COVER REAR . . . . .	43	15
F440209	STUD, GEAR SHIFT LEVER	33	31	F458323-1	PACKING, LEG COVER FRONT . . . . .	43	31
F455305	SEAL, CRANKSHAFT COLLAR . . . . .	29	13	F458324	PACKING, LEG COVER FRONT UPPER STARBOARD . . . . .	43	35
F458003	STARTER INTERLOCK LEVER . . . . .	11	23	F458342	SEAL, DRIVESHAFT SPLINE	29	12
F458015-1	PISTON . . . . .	29	6	F458345	PAD, KING PIN MOUNTING .	47	82
F458017	PISTON PIN . . . . .	29	4	F458347	MOUNT, SUPPORT PLATE .	43	4
F458019	KINGPIN . . . . .	41	44	F458371	BRACKET, REMOTE THROTTLE CABLE . . . . .	3	27
F458028	BEARING, CRANKSHAFT UPPER MAIN . . . . .	29	19	F458371	BRACKET, REMOTE THROTTLE CABLE . . . . .	7	23
F458038-2	SUPPORT PLATE . . . . .	3	20	F458424	SPRING, STARTER PAWL PLATE . . . . .	11	9
F458038-2	SUPPORT PLATE . . . . .	7	20	F458445	LINK, MAGNETO CONTROL SHAFT (MANUAL START MODELS) . . . . .	35	51
F458057	BEARING, DRIVESHAFT UPPER . . . . .	51	47	F458453	GASKET, LEG EXHAUST . . .	43	14
F458065	WATER PUMP IMPELLER . .	51	50	F458453	LEG EXHAUST GASKET . . .	37	-
F458066	THERMOSTAT COVER . . . .	35	44	F458456	HAND STARTER COLLAR . .	11	13
F458067	GASKET, THERMOSTAT COVER . . . . .	35	45	F458498	FLYWHEEL KEY (MANUAL START MODELS) . . . . .	29	18
F458067	THERMOSTAT COVER GASKET . . . . .	37	-	F458502	ROD, THROTTLE CAM . . . .	35	59
F458071	SPRING, STARTER HANDLE GUIDE FOR MANUAL START MODELS . . . . .	11	5				
F458076	TAB, SHOCK MOUNT SIDE .	43	12				
F458079	STEERING HANDLE FOR MANUAL START MODELS	43	39				
F458109	PLUG, CYLINDER HEAD . . .	33	40				
F458132	HANDLE, STARTER ROPE FOR MANUAL START MODELS . . . . .	11	11				
F458133	MOTOR LEG . . . . .	43	17				
F458146	SEAL, CRANKSHAFT UPPER MAIN . . . . .	33	2				
F458151	EXHAUST PORT PLATE . . .	35	47				

# PARTS INDEX

Part Number	Description	Pg.	Ref. No.	Part Number	Description	Pg.	Ref. No.
F458503	CHOKE ROD . . . . .	3	21	F461061-2	CARBURETOR COMPLETE		
F458509	LINK, MAGNETO STATOR . .	35	58		(WB19C) . . . . .	23	35
F458519	SCREW, TILLER IDLE STOP			F461400	INDICATOR, GEAR SHIFT . .	3	44
	FOR MANUAL START			F461774	BRACKET, RETAINER REAR	3	19
	MODELS . . . . .	45	53	F461774	BRACKET, RETAINER		
F458529	CYLINDER HEAD GASKET .	37	-		SCREW . . . . .	7	19
F458529	GASKET, CYLINDER HEAD .	33	38	F461952	STRAP, HAND STARTER		
F458531	ROD, SHIFT INTERLOCK . . .	33	24		HOUSING . . . . .	11	20
F458579	SEAL, CRANKCASE . . . . .	29	10	F462840	GROMMET . . . . .	7	26
F458592	RETAINER, STARTER			F462962	SHOCK MOUNT LOWER		
	PULLEY . . . . .	11	16		SIDE . . . . .	43	19
F458615	GEAR SHIFT ROD UPPER . .	45	73	F463864	RETAINER, TILT HANDLE . .	3	5
F458677	INSERT, CHOKE KNOB . . . .	3	42	F463864	RETAINER, TILT HANDLE . .	7	5
F458688	SHAFT, STEERING HANDLE			F476	FUEL LINE ADAPTION KIT .	59	-
	FOR MANUAL START			F483300	SPRING . . . . .	39	27
	MODELS . . . . .	45	60	F483349-1	REVERSE LOCK . . . . .	39	25
F458690	SCREW, THROTTLE STOP			F483510-1	LINK, REVERSE LOCK . . . .	39	24
	FOR MANUAL START			F483827	LEVER, REVERSE LOCK . . .	39	17
	MODELS . . . . .	45	62	F483884	BEARING . . . . .	39	22
F458695	SLEEVE FOR MANUAL			F487755	FUEL TANK ADAPTER . . . .	53	8
	START MODELS . . . . .	45	56	F498618	SEAL, "O" RING . . . . .	49	30
F458727	BALL SHIFT LEVER DETENT	35	73	F498891	GEAR SHIFT ARM PIN . . . .	49	29
F458736	SEAL, WATER PUMP . . . . .	51	52	F50109	PLUG, GEAR HOUSING . . . .	49	27
F458754	HOSE, FUEL PUMP TO			F502128	DRIVESHAFT FOR		
	CARBURETOR . . . . .	31	14		STANDARD SHAFT		
F458845	EXTENSION, MOTOR LEG .	49	1		MODELS . . . . .	49	3
F458846	SPRING, STARTER			F502161	REED STOP . . . . .	27	11
	INTERLOCK LEVER . . . . .	11	21	F503128	DRIVESHAFT FOR LONG		
F458880	CLIP, STARTER GUIDE . . . .	5	66		SHAFT MODELS . . . . .	49	-
F458887	FASTENER, SUPPORT			F504052	BEARING . . . . .	35	65
	PLATE MOUNT . . . . .	43	3	F504527	CAP, INTERLOCK . . . . .	35	66
F458888-1	TRIM, STARTER HANDLE			F504621	LEVER, GEAR SHIFT		
	GUIDE . . . . .	5	64		CONTROL . . . . .	5	48
F458936	SCREW, CYLINDER HEAD .	33	41	F504809	ROD, STARTER INTERLOCK	35	64
F458937	LINER, STARTER HOUSING	11	3	F504836	SPACER, GEAR SHIFT		
F458953-1	GUIDE, STARTER HANDLE				SHAFT . . . . .	5	50
	FOR MANUAL START			F510374	DECAL, CIRCUIT BREAKER -		
	MODELS . . . . .	11	6		U.S.A. . . . .	17	36
F458962	MOUNT, SIDE UPPER . . . .	43	11	F510450-1	RECTIFIER . . . . .	21	20
F458963	PLATE, SHOCK MOUNT . . .	43	8	F510460	CIRCUIT BREAKER . . . . .	17	24
F458970	SPRING, STARTER REWIND	11	7	F510475	IGNITION COIL . . . . .	21	21
F458972-1	COVER, SHOCK MOUNT			F513388	DISC, WATER PUMP		
	STARBOARD . . . . .	43	28		LOCATING . . . . .	51	57
F458973-1	COVER, SHOCK MOUNT			F529029	TRIGGER STATOR . . . . .	21	11
	PORT . . . . .	43	21	F529095	STATOR, ALTERNATOR . . .	21	4
F458977-3	LEVER, SHIFT INTERLOCK .	33	21	F529097	FLYWHEEL . . . . .	21	2
F460097-1	FLYWHEEL . . . . .	15	1	F529125	TUBE, PIVOT STEERING . . .	39	38
F460317	CLAMP, CHOKE SOLENOID			F529286	WASHER, SWIVEL BRACKET		
	ELECTRIC START				FRICTION . . . . .	39	13
	MODELS . . . . .	35	70	F529301	C-D MODULE . . . . .	21	16
F460427	BRACKET, STARTER			F529358	BRACKET, ELECTRICAL		
	MOTOR . . . . .	17	1		COMPONENTS . . . . .	21	14
F460573	CLAMP, STARTER MOTOR .	13	19	F529390	DECAL, REVERSE LOCK -		
F460664	STATOR GROUND WIRE . . .	15	6		U.S.A. . . . .	41	46
F460664	WIRE, STATOR GROUND			F529398	DECAL, WIRING . . . . .	17	28
	FOR ELECTRIC START			F529726	BEARING . . . . .	39	18
	MODELS . . . . .	21	9	F529744	WIRING HARNESS . . . . .	17	6
F460917	STARTER RELAY . . . . .	17	19	F53504	GROMMET, SUPPORT		
					PLATE . . . . .	7	29

# PARTS INDEX

Part Number	Description	Pg.	Ref. No.	Part Number	Description	Pg.	Ref. No.
F542163	COVER, SUPPORT PLATE . . . . .	7	30	F8058	INTERNAL TOOTH LOCKWASHER . . . . .	33	27
F542180	TRIM REAR . . . . .	3	16	F8059	SPRING LOCKWASHER . . . . .	15	8
F542180	TRIM REAR . . . . .	7	16	F8059	SPRING LOCKWASHER . . . . .	21	7
F542269	TILT HANDLE . . . . .	3	3	F8065	SPRING LOCKWASHER . . . . .	49	32
F542269	TILT HANDLE . . . . .	7	3	F8077	WASHER, GEAR HOUSING PLUG . . . . .	49	28
F542686	COVER, KING PIN MOUNTING PLATE FOR ELECTRIC START MODELS . . . . .	47	79	F8078	INTERNAL TOOTH LOCKWASHER . . . . .	21	24
F542711	PLATE, FRONT . . . . .	5	68	F8083	SPRING LOCKWASHER . . . . .	13	26
F543711	PLATE, FRONT . . . . .	9	42	F8083	SPRING LOCKWASHER . . . . .	17	33
F588	FLUSHING ADAPTER . . . . .	59	-	F8083	SPRING LOCKWASHER . . . . .	39	6
F590	REMOTE CONTROL FLUSH MOUNT (SINGLE LEVER) . . . . .	60	-	F8088	PLAIN WASHER . . . . .	17	35
F5H004	SPEEDOMETER . . . . .	59	-	F8088	PLAIN WASHER FOR ELECTRIC START MODELS . . . . .	25	43
F5H006	VOLTMETER MODELS. . . . .	60	-	F8094	PLAIN WASHER . . . . .	39	19
F5H008	FUEL GAUGE FLUSH MOUNT . . . . .	59	-	F8096	SPRING LOCKWASHER . . . . .	5	58
F5H019	ANTI-CORROSION KIT . . . . .	59	-	F8096	SPRING LOCKWASHER . . . . .	7	37
F5H020	CARRYING HANDLE . . . . .	59	-	F8096	SPRING LOCKWASHER . . . . .	17	15
F5H021	BATTERY EXTENSION CABLE . . . . .	59	-	F8096	SPRING LOCKWASHER . . . . .	43	29
F5H025	ANTI-CORROSION SACRIFICIAL ANODE . . . . .	59	-	F84026	SWIVEL, SHIFT INTERLOCK BEARING . . . . .	33	23
F5H027	FUEL TANK (ACCESSORY ITEM) . . . . .	53	9	F84035-2	BEARING, SHIFT INTERLOCK ROD . . . . .	33	22
F5H027	STEEL, 6 GALLON FUEL TANK . . . . .	59	-	F84314-2	ELBOW . . . . .	23	31
F5H028	SENDING UNIT . . . . .	59	-	F84449	SWITCH, STARTER INTERLOCK . . . . .	17	2
F5H029	FUEL TANK ANCHOR . . . . .	59	-	F84792	FUEL PUMP VALVE GASKET . . . . .	31	5
F5H038	IGNITION SWITCH MOUNTING KIT (ACCESSORY ITEM) . . . . .	17	31	F85026	SWIVEL, SHIFT INTERLOCK LEVER . . . . .	33	19
F5H062	WATER PUMP . . . . .	59	-	F8537	SPRING PIN . . . . .	39	33
F5H070	REMOTE ELECTRIC CABLE. . . . .	59	-	F85372	PIN, GEAR SHIFT ROD LOWER . . . . .	49	38
F5H072	OVERHEAT BUZZER KIT . . . . .	59	-	F8548	SPRING PIN FOR MANUAL START MODELS . . . . .	45	57
F5H077	IGNITION KEY SWITCH . . . . .	59	-	F85498	FLYWHEEL KEY (ELECTRIC START MODELS) . . . . .	29	-
F5H078	IGNITION KEY SWITCH . . . . .	59	-	F8550	SPRING PIN FOR MANUAL START MODELS . . . . .	43	42
F5H078	IGNITION SWITCH (ACCESSORY ITEM) . . . . .	17	12	F8559	DOWEL PIN . . . . .	33	15
F5H081	BATTERY CABLE . . . . .	59	-	F85610	BEARING . . . . .	45	67
F5H086	STARTER CONVERSION . . . . .	60	-	F85610	BEARING, STEERING HANDLE SHAFT FOR MANUAL START MODELS . . . . .	45	61
F5H130	REMOTE CONTROL SURFACE MOUNT . . . . .	59	-	F85634-2	SCREW, CONNECTING ROD . . . . .	29	15
F5H131	PORT SIDE DECAL KIT . . . . .	59	-	F85735-1	SEAL . . . . .	3	11
F5H134	BOAT WHITE LACQUER . . . . .	59	-	F85735-1	SEAL . . . . .	7	11
F5H135	SAND TAN LACQUER . . . . .	59	-	F85756	PACKING, ENGINE COVER . . . . .	3	17
F66480	STUD . . . . .	39	32	F85756	PACKING, ENGINE COVER . . . . .	7	17
F7004	LOCK NUT, 3/8 - 16 . . . . .	33	25	F85843-1	CABLE, ELECTRIC CONTROL . . . . .	17	27
F7011	HEX NUT . . . . .	3	13	F85924	CHOKE SOLENOID . . . . .	17	7
F7011	HEX NUT, 10 - 24 . . . . .	7	13	F866	REMOTE CONTROL (TWIN LEVER) . . . . .	60	-
F7024	STOP NUT . . . . .	39	1	F89777-1	CAM, ENGINE COVER LATCH . . . . .	5	59
F8000	PLAIN WASHER . . . . .	35	75	F89777-1	CAM, ENGINE COVER LATCH . . . . .	7	38
F8011	PLAIN WASHER . . . . .	9	43	F90096	RETAINER, PISTON PIN . . . . .	29	1
F8011	PLAIN WASHER . . . . .	11	25				
F8011	PLAIN WASHER . . . . .	23	36				
F8039	PLAIN WASHER . . . . .	43	6				
F8039	PLAIN WASHER . . . . .	49	6				
F8049	BOWED SPRING WASHER . . . . .	47	76				
F8056	SPRING LOCKWASHER . . . . .	17	8				

# PARTS INDEX

Part Number	Description	Pg.	Ref. No.	Part Number	Description	Pg.	Ref. No.
F901011	WASHER, SWIVEL BRACKET	39	43	FA458260	PISTON RING SET (4 PER SET)	29	7
F901169-1	BEARING, SWIVEL BRACKET	39	29	FA458480	RETAINER, ENGINE COVER REAR W/SCREWS AND NUTS	3	14
F901563	DRIVE PIN, WATER PUMP IMPELLER	49	4	FA458480	RETAINER, ENGINE COVER REAR W/SCREWS AND NUTS	7	14
F901631-1	FRICTION SHOE	39	5	FA458518	CYLINDER HEAD W/PLUGS	33	39
F901775	PLATE, FRICTION SHOE	39	4	FA458571	ROLLER, CENTER MAIN	29	9
F9018	CAP, PIVOT STEERING TUBE	41	45	FA458655	LINER, CENTER MAIN	29	8
F901822-1	STUD, SWIVEL BRACKET	39	3	FA458662	BEVEL GEAR REAR W/BUSHING	49	18
F9022	SHIM .006 (SILVER)	11	17	FA458778	RETAINER, ENGINE COVER FRONT W/SCREWS AND NUTS	5	61
F9023	SHIM .007 (BRASS)	11	-	FA458778	RETAINER, ENGINE COVER FRONT W/SCREWS AND NUTS	7	40
F9024	SHIM .010 (BLACK)	11	-	FA458838	MAGNETO CONTROL SHAFT	3	37
F90619-1	YOKE, SHIFT ARM	51	40	FA460423	STARTER PAWL PLATE ASSEMBLY	11	18
F90807	RETAINER, CHOKE ROD FOR MANUAL START MODELS	23	37	FA502554	GEAR HOUSING UPPER	51	44
F90871-3	GEAR SHIFT ARM PIN	49	22	FA504060	WATER PUMP BODY	51	51
F91446-1	BRACKET, CIRCUIT BREAKER	17	26	FA504082	MAGNETO STATOR RING	33	5
F92759	ROLLER, THROTTLE CAM FOLLOWER	23	33	FA504222	TRANSFER PORT COVER	33	34
F97008-1	STUD, LONG	49	31	FA510497	TERMINAL BLOCK	17	22
F97772	FUEL LINE CLAMP	31	12	FA510914	SEAL, INLET WATER LINE LOWER	51	53
F98273	ROD END CONNECTOR STUD	33	26	FA529072	SWIVEL BRACKET W/BEARINGS AND GREASE FITTINGS	39	42
F99521-1	CLUTCH	49	24	FA535395	PLATE, IDENTIFICATION W/SCREWS, U.S.A.	5	53
FA12370	COIL W/LEAD WIRE	15	12	FA535395	PLATE, IDENTIFICATION W/SCREWS, U.S.A.	7	32
FA324113	STERN BRACKET LOCK BAR W/END	39	37	FA542386	DECAL NUMERAL 20	5	60
FA343178	RETAINER, GEAR SHIFT SHAFT W/SET SCREW	5	46	FA542386	DECAL, NUMERAL 20	7	39
FA343178	RETAINER, MAGNETO CONTROL SHAFT W/SET SCREW	3	32	FA542396	DECAL ENGINE COVER STARBOARD	9	-
FA368700	IGNITION KEY NO LETTER OR STAMPED A	19	39	FA542396	DECAL, ENGINE COVER STARBOARD	5	-
FA413469	COVER LATCH HANDLE W/SHAFT	3	38	FA542397	DECAL ENGINE COVER PORT	9	44
FA413469	COVER LATCH HANDLE W/SHAFT	7	27	FA542397	DECAL, ENGINE COVER PORT	5	70
FA434616	GEAR SHIFT ROD INTERMEDIATE FOR STANDARD SHAFT MODELS	51	55	FA542528	DECAL ENGINE COVER REAR	3	8
FA435116	EXHAUST SNOUT	51	58	FA542528	DECAL ENGINE COVER REAR	7	8
FA435616	GEAR SHIFT ROD INTERMEDIATE FOR LONG SHAFT MODELS	51	-	FA542892	DECAL ENGINE COVER FRONT	5	62
FA438431	FUEL PUMP BODY W/VALVES	31	6	FA542892	DECAL ENGINE COVER FRONT	9	41
FA456137	GRIP, STEERING HANDLE W/SLEEVE FOR MANUAL START MODELS	45	58	FA84754-1	FUEL LINE SHORT W/CLAMPS	53	5
FA458144	CRANKSHAFT BEARING CAGE	33	3	FA85754-1	HOSE, FUEL PUMP TO BUSHING	31	13
FA458158	REED PLATE W/REEDS, STOPS AND SCREWS	27	9	FA94094-2	PROP NUT W/SEAL AND COTTER PIN	49	9
FA458167	CARBURETOR ADAPTER	27	4				
FA458254	HOSE, DRAIN	33	17				

# PARTS INDEX

Part Number	Description	Pg.	Ref. No.	Part Number	Description	Pg.	Ref. No.
FAC535395	PLATE IDENTIFICATION WITH SCREWS - CANADA	7	-	FO14187	MAIN FUEL JET OPT. .062 3750-6250 FT. ....	23	-
FAC535395	PLATE W/SCREWS - CANADA .....	5	-	FO14188	MAIN FUEL JET STD. .066 SEA LEVEL 1250 FT. ....	23	20
FB368700	IGNITION KEY STAMPED B	19	-	FO15213	MAIN NOZZLE .....	23	21
FC235227	SPARK PLUG - CANADA (RL-4J) HAND START MODELS	35	-	FO15623	FUEL BOWL GASKET .....	23	13
FC368700	IGNITION KEY STAMPED C	19	-	FO16397	CHOKE SHAFT RETURN SPRING .....	23	6
FC409398	DECAL, TOTE TANK - CANADA (NOT SHOWN)	53	-	FO16561	THROTTLE SHAFT AND LEVER .....	23	22
FC461400	INDICATOR, GEAR SHIFT - CANADA .....	3	-	FO16562	CHOKE SHAFT AND LEVER	23	5
FC497390	DECAL STARTER - CANADA (NOT SHOWN) .....	13	-	FO16563	THROTTLE SHAFT RETURN SPRING .....	23	26
FC503227	SPARK PLUG - CANADA QL-77J4 FOR ELECTRIC START MODELS .....	35	-	FO17639	THROTTLE SHUTTER .....	23	27
FC505010	SHORT BLOCK FOR ALTERNATOR MODELS (NOT SHOWN) .....	33	-	FO2510	FUEL BOWL RETAINING SCREW GASKET .....	23	15
FC529390	DECAL, REVERSE LOCK - CANADA .....	41	-	FO3804	THROTTLE SHAFT POSITION RETAINING SCREW WASHER .....	23	25
FC529398	DECAL, CIRCUIT BREAKER - CANADA .....	17	-	FO4326	BODY CHANNEL WELCH PLUG .....	23	2
FC529398	DECAL, WIRING - CANADA	17	-	FO6393	THROTTLE SHAFT POSITION RETAINING SCREW .....	23	23
FD368700	IGNITION KEY STAMPED D	19	-	FO6396	THROTTLE SHAFT POSITION RETAINING SCREW LOCKWASHER ..	23	24
FE368700	IGNITION KEY STAMPED E	19	-	FO8942	THROTTLE SHUTTER RETAINING SCREW AND LOCKWASHER .....	23	28
FG1010	GASKET SET .....	35	76	FP293	PROPELLER (ACCESSORY ITEM) .....	49	8
FK1053	WATER PUMP KIT .....	51	61	FS174227	SPARK PLUG (L-4-J) .....	35	42
FK1066	TUNE UP KIT .....	15	19	FS409752	FUEL LINE COMPLETE (NOT SHOWN) .....	53	-
FK1068	GEAR HOUSING SEAL KIT	51	60	FS458023	BEVEL GEAR FRONT W/BEARING .....	49	25
FK247	PROPELLER PIN, PACK OF 6 W/COTTER PIN .....	49	12	FS460955	STARTER MOTOR COMPLETE .....	13	-
FK750-2	SPARKIE KIT .....	21	32	FS529032	STERN BRACKET STARBOARD W/CLAMP SCREW AND FOOT .....	39	39
FK750-2	SPARKIE W/SPRING .....	15	14	FS529532	STERN BRACKET PORT W/CLAMP SCREW AND FOOT .....	39	14
FK85228	BEARING CAGE W/ROLLERS (16 PER SET) .....	29	16	FS529712	ENGINE COVER W/FRONT AND REAR RETAINERS	3	1
FO10165	INLET SEAT GASKET .....	23	19	FS529712	ENGINE COVER W/FRONT AND REAR RETAINERS	7	1
FO10280	CHOKE SHUTTER RETAINING SCREW AND LOCKWASHER .....	23	8	FS901244	EXTENSION, INLET WATER LINE .....	51	56
FO10588	BODY CHANNEL CUP PLUG	23	1	FSA458015	PISTON .010 OVERSIZE (NOT SHOWN) .....	29	-
FO10790	INLET NEEDLE, SEAT AND GASKET .....	23	18	FSA458260	PISTON RINGS (4 PER SET) .010 OVERSIZE (NOT SHOWN) .....	29	-
FO10883	CHOKE RELIEF VALVE SPRING .....	23	4	FT2910	KNOCK-OFF NUT .....	54	-
FO11103	IDLE MIXTURE SCREW SPRING .....	23	17	FT2953	SOCKET .....	55	-
FO12250	CHOKE SHUTTER .....	23	7	FT2955A	TEST WHEEL .....	57	-
FO12251	CHOKE RELIEF VALVE .....	23	3	FT2961	LUBRICANT .....	58	-
FO13552	FUEL BOWL .....	23	12				
FO13554	FLOAT .....	23	10				
FO13944	FLOAT LEVER PIN .....	23	11				
FO13945	FUEL BOWL RETAINING SCREW .....	23	14				
FO14108	MAIN FUEL JET OPT. .064 1250-3750 FT. ....	23	-				
FO14166	IDLE MIXTURE SCREW .....	23	16				
FO14186	MAIN FUEL JET OPT. .060 6250-8250 FT. ....	23	-				

# PARTS INDEX

Part Number	Description	Pg.	Ref. No.	Part Number	Description	Pg.	Ref. No.
FT2962-1	SEALANT .....	58	-				
FT2963-1	SEALANT .....	58	-				
FT2987-1	LUBRICANT .....	58	-				
FT2989	FLYWHEEL WEDGE .....	54	-				
FT2990	PISTON PIN REMOVER .....	55	-				
FT2996	RING COMPRESSOR .....	55	-				
FT3431	SEAL INSTALLER .....	56	-				
FT8904	CUP INSTALLER .....	56	-				
FT8907	DRIVER HANDLE .....	56	-				
FT8918	BEARING GUIDE SET .....	56	-				
FT8919	SPRING PIN PUNCH .....	56	-				
FT8921	CUP REMOVER .....	56	-				
FT8926	RING EXPANDER .....	55	-				
FT8932	LIFTING HOOK .....	57	-				
FT8935	SEALANT PRIMER .....	58	-				
FT8936	SEALANT .....	58	-				
FT8948-1	PROPELLER SHAFT BEARING CAGE PULLER	56	-				
FT8950	LEAKAGE TESTER .....	57	-				
FT8953	C-D TESTER .....	57	-				
FT8957	SEAL INSTALLER .....	56	-				
FT8963	BEARING INSTALLER .....	56	-				
FT8967	SEAL PROTECTOR .....	55	-				
FT8969	LUBRICANT .....	58	-				
FT8971	SEAL INSTALLER .....	55	-				
FT8972	SEAL INSTALLER .....	56	-				
FT8976	SEAL PROTECTOR .....	55	-				
FT8977	SEAL COLLAR INSTALLER	55	-				
FT8983	SEALANT .....	58	-				
FT8996	IGNITION TEST .....	57	-				
T8974	POINT TENSION GAUGE ...	57	-				
21-817741A1	CHECK VALVE .....	33	35				
32-817738A1	FUEL LINE LONG W/CLAMPS AND FERRULE	53	7				
37-F286894-3	INDICATOR SPEED CONTROL - CANADA FOR MANUAL START MODELS	45	-				
39-818119A1	PISTON RINGS (4 PER SET) .030 OVERSIZE (NOT SHOWN) .....	29	-				
44-819500A3	PROPELLER SHAFT .....	49	21				
400-818058A1	CRANKSHAFT W/LOWER MAIN BEARING (MANUAL START MODELS) .....	29	17				
400-818063A1	CRANKSHAFT W/LOWER MAIN BEARING (ELECTRIC START MODELS) .....	29	-				
600-818052A4	CONNECTING ROD W/CAP AND SCREWS .....	29	5				
700-818118A1	PISTON .030 OVERSIZE (NOT SHOWN) .....	29	-				
1600-817804A3	GEAR HOUSING LOWER W/PLUG, WASHER AND THRUST BEARING CUP	49	26				
1600-817896A2	LOWER GEAR HOUSING COMPLETE (NOT SHOWN)	49	-				