



PARTS CATALOG

6 H.P. EXPORT

SERIAL NUMBER

6 (1978) 64H8D

TABLE OF CONTENTS:

ACCESSORIES	29
ENGINE COVER AND SUPPORT PLATE	2
FUEL SYSTEM	8
FUEL TANK AND LINE	22
GEAR HOUSING	20
LUBRICATION CHART	31
MAGNETO	4
MOTOR LEG	16
PARTS INDEX	33
POWER HEAD	12
SPECIAL ADJUSTMENTS	32
SPECIAL TOOLS - LOWER UNIT	27
SPECIAL TOOLS - POWER HEAD	26
SPECIAL TOOLS - STARTER	25
SPECIAL TOOLS - TEST EQUIPMENT	28
SPECIAL TOOLS - TUNE-UP	24
SPECIFICATIONS	30
STARTER	6

NOTE: Indented description indicate that these parts are included in preceeding assembly.

AR = As Required

NSS = Not Sold Separate

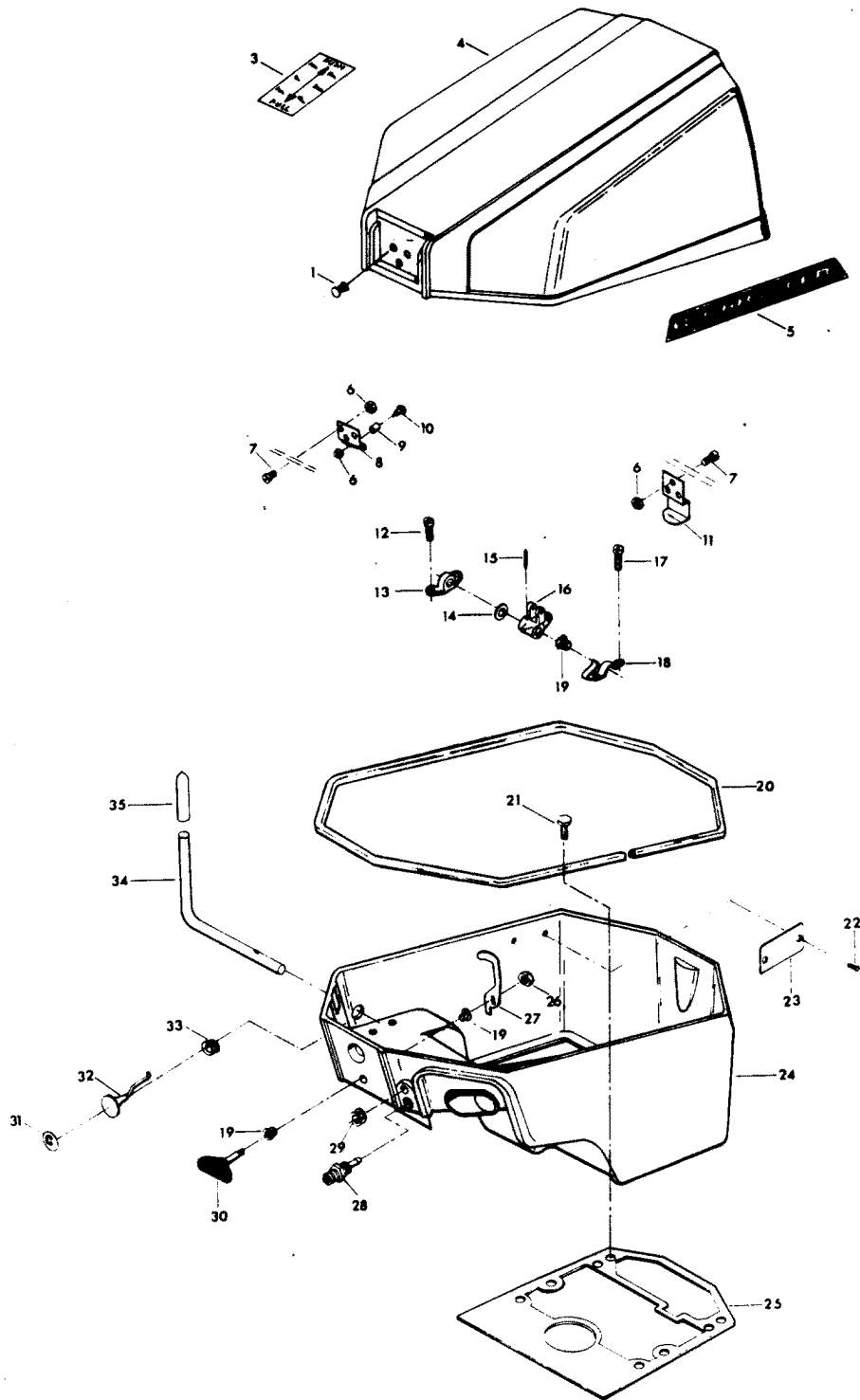
OPT = Optional

NS = Not Shown

THESE PARTS BOOKS/FICHE CARD ARE COPYRIGHTED AND MAY NOT BE DISTRIBUTED OR REPRODUCED IN ANY OTHER FORMAT BY ANYONE OTHER THAN MERCURY MARINE WITHOUT THE PRIOR WRITTEN CONSENT OF MERCURY MARINE.

THIS PAGE INTENTIONALLY LEFT BLANK

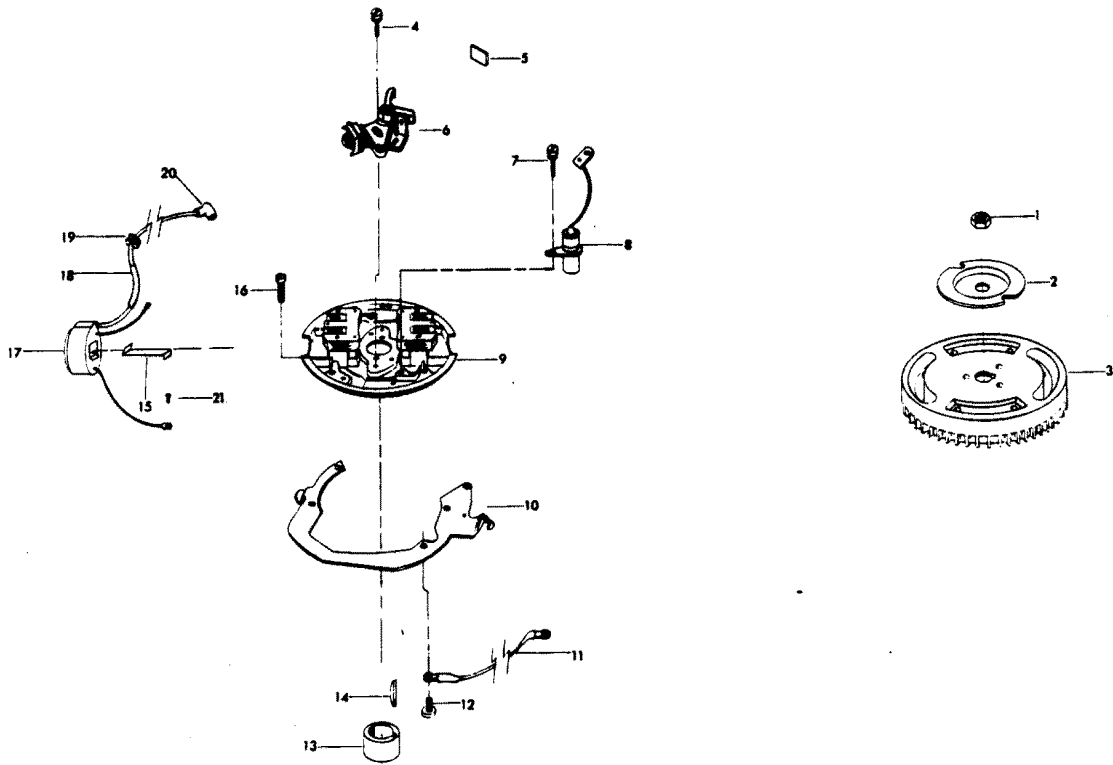
ENGINE COVER AND SUPPORT PLATE



ENGINE COVER AND SUPPORT PLATE

REF. NO.	PART NO.	SYM.	QTY.	DESCRIPTION
1	F2044		3	PLUG
3	F459894		1	INDICATOR, SPEED CONTROL
4	FS487712		1	ENGINE COVER W/BACKET, RETAINER & TILT HANDLE
5	F487392		1	DECAL, PORT, "CHRYSLER"
-	F487396		1	DECAL, STARBOARD, "CHRYSLER"
6	F7011		6	ELASTIC STOP NUT, 10 - 24
7	F1475		6	FILL HD SCREW, 10 - 24 X 1/2
8	817758A1		1	BRACKET, COVER LATCH W/SCREWS, NUTS AND ROLLER
9	F92759		1	ROLLER
10	F269316		1	ROLLER SHAFT
11	FA286480		1	RETAINER, ENGINE COVER W/SCREWS AND NUTS
12	F1574		2	FILL HD SCREW, 1/4 - 20 X 9/16
13	F318818		1	BEARING
14	F154415		1	WASHER
15	F8547		1	SPRING PIN
16	F318876-1		1	GEAR SHIFT LEVER
17	F1068		2	FILL HD SCREW, 10 - 24 X 7/16
18	F318895		1	SPRING SHIFT DETENT
19	F307818		3	BEARING
20	F392756		1	PACKING, SUPPORT PLATE
21	F1689		2	HEX CAP SCREW, 1/4 - 20 X 1/2
22	F1293		2	DRIVE SCREW, 2 X 3/16
24	A459038-1		1	SUPPORT PLATE W/EYELET
25	F318453-1		1	GASKET, LEG MOUNTING
26	F7006		1	STOP NUT, 5/16 - 18
27	F286777		1	CAM, COVER LATCH
28	F197767-1		1	BUSHING, FUEL LINE
29	F471504		1	GROMMET, THROTTLE ROD
30	FA286469		1	KNOB, COVER LATCH
31	F458677		1	INSERT, CHOKE KNOB
32	FA318503		1	CHOKE ROD W/KNOB AND INSERT
33	F318504		1	GROMMET, CHOKE ROD
34	F459876		1	HANDLE, GEAR SHIFT LEVER
35	F459137		1	GRIP

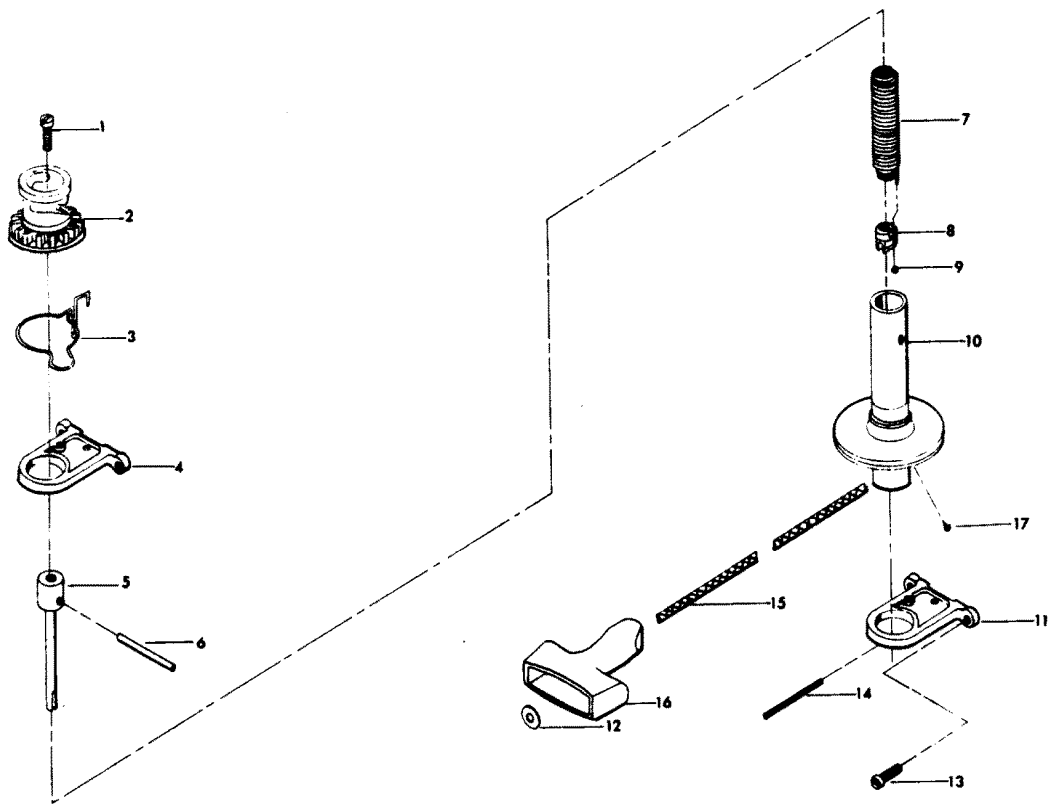
MAGNETO



MAGNETO

REF. NO.	PART NO.	SYM.	QTY.	DESCRIPTION
1	F1352		1	HEX NUT, 7/16 - 20
2	F901456-1		1	EMERGENCY STARTER COLLAR
3	F318097		1	FLYWHEEL
4	F12170		4	CONTACT SCREW W/LOCKWASHER
5	F12228		1	CAM WIPER FELT
6	F12153		2	BREAKER POINT SET
7	F12083		2	CONDENSER SCREW W/LOCKWASHER
8	F12181-1		2	CONDENSER
9	F12343		1	STATOR PLATE W/LAMINATIONS
10	F459192		1	THROTTLE CAM PLATE
11	F289664		1	WIRE, STATOR GROUND
12	F1075		4	FILL HD SCREW, 10 - 24 X 1/2
13	F59002		1	MAGNETO BREAKER CAM
14	F458498		1	MAGNETO KEY
15	F12146		2	COIL WEDGE SPRING
16	F1090		4	FILL HD SCREW W/LOCKWASHER, 10 - 24 X 9/16
17	FA12345		2	COIL W/LEAD WIRE
18	F12141		1	SLEEVE, HIGH TENSION LEAD
19	F12088		4	GROMMET
20	FK750-2		2	SPARKIE W/SPRING
21	F12114		2	SCREW, COIL GROUND TERMINAL
-	F12091		1	LEAD WIRE MARKER, TOP (NOT SHOWN)

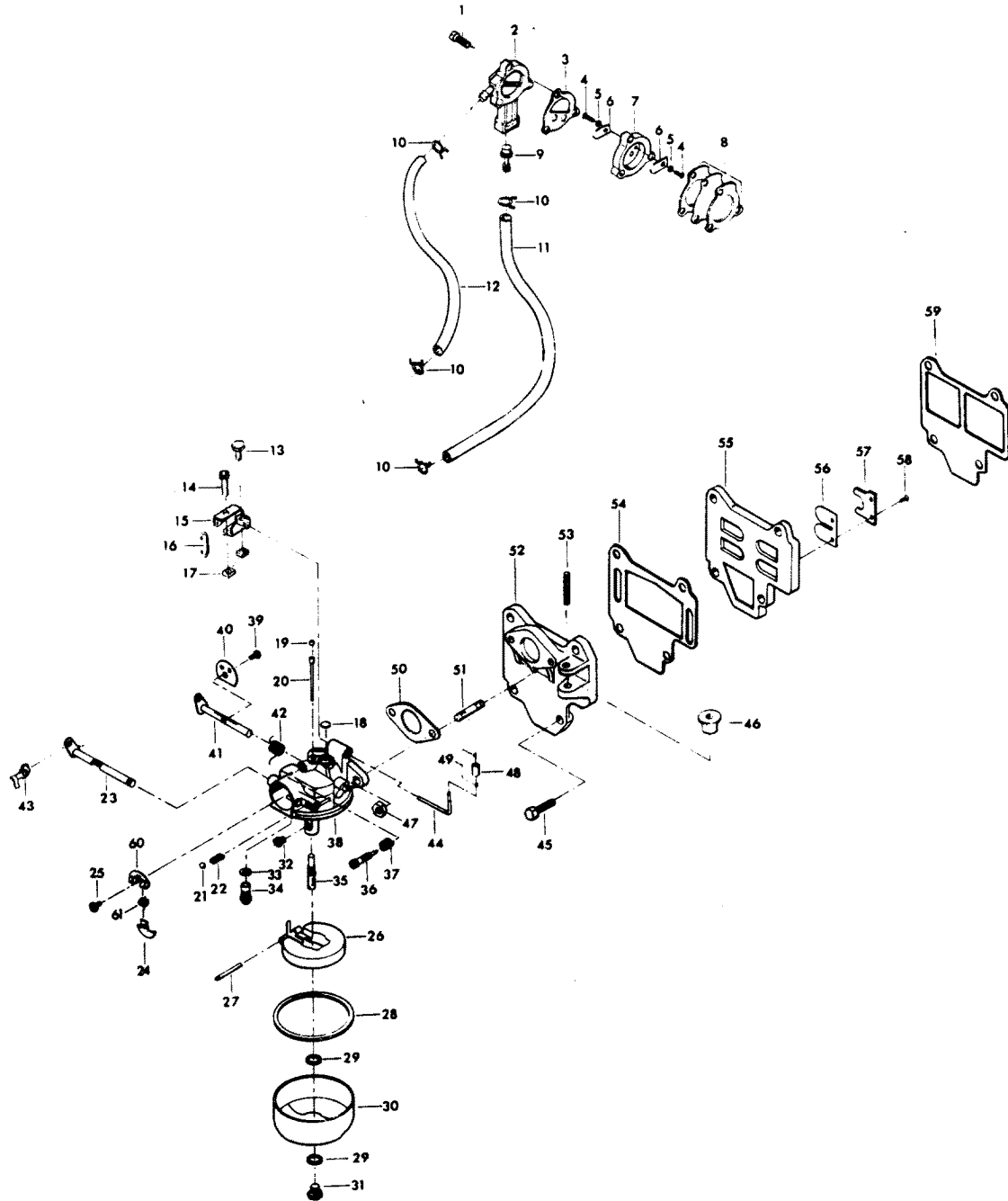
STARTER



STARTER

REF. NO.	PART NO.	SYM.	QTY.	DESCRIPTION
1	F1089		1	FILL HD SCREW, 10 - 24 X 9/16
2	F456674		1	GEAR, STARTER PINION
3	F901424-1		1	STARTER PINION SPRING
4	FK317427		1	BRACKET, STARTER UPPER
5	F286710		1	ARBOR, STARTER SPRING
6	F40425		1	STARTER PINION PIN
7	FA286970		1	STARTER REWIND SPRING W/END AND RETAINER
8	F286930		1	END, STARTER SPRING
9	F286737-1		1	RETAINER, STARTER REWIND SPRING
10	F2A459239		1	STARTER SPOOL W/SHAFT
11	FK317427		1	BRACKET, STARTER LOWER W/SPRING PIN
12	F8018		1	PLAIN WASHER
13	F1107		4	FILL HD SCREW, 1/4 - 20 X 3/4
14	F1875		1	SPRING PIN, STARTER BRACKET
15	F409232		1	STARTER ROPE
16	F286132		1	HANDLE, STARTER ROPE
17	F1500		1	ROUND HD SCREW, 4 - 1/4

FUEL SYSTEM

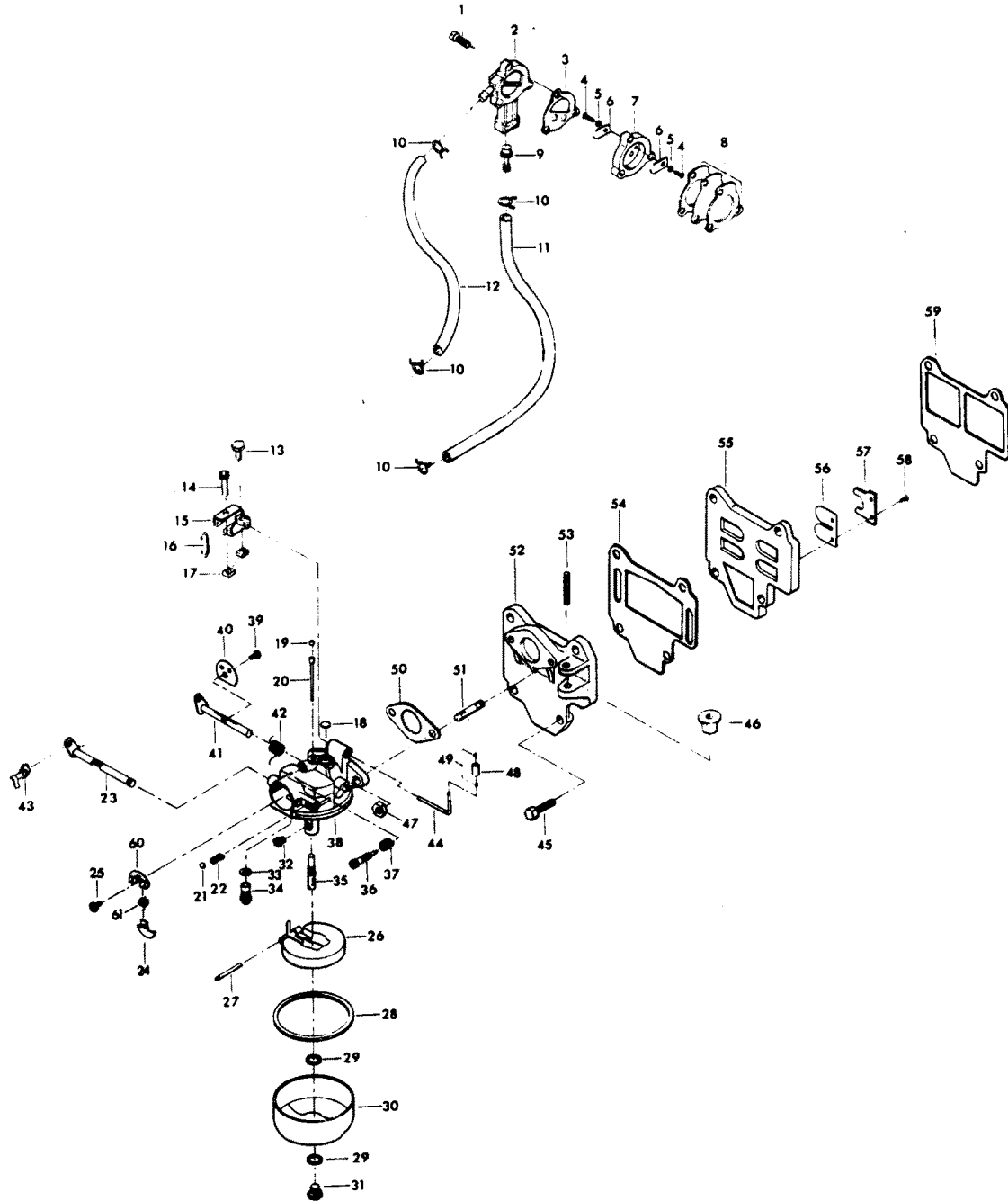


FUEL SYSTEM

REF. NO.	PART NO.	SYM.	QTY.	DESCRIPTION
1	F1069		3	FILL HD SCREW, 10 - 24 X 1 1/16
2	F901746-2		1	FUEL PUMP COVER
3	F24748-2		1	GASKET, FUEL PUMP COVER
4	F1286		2	PAN HD SCREW, 4 - 40 X 3/16
5	F8003		2	PLAIN WASHER
6	F18160-1		2	REED FUEL PUMP
7	FA24757-3		1	FUEL PUMP REED PLATE W/REEDS AND SCREWS
8	27-818043A1		1	FUEL PUMP DIAPHRAGM W/GASKET
9	F901811		1	FUEL PUMP FILTER
10	F2706772		4	HOSE CLAMP
11	F516754		1	FUEL LINE
12	FA24754-1		1	FUEL LINE W/CLAMPS
13	F1912		1	HEX HD SCREW, 10 - 24 X 1/2
14	F1834		1	FILL HD SCREW, 10 - 24 X 7/8
15	817754A1		1	ARM, CARBURETOR FOLLOWER
16	F66193		1	THROTTLE LINK
17	F1365		2	SQUARE NUT, 10 - 24
18	FO2531		1	BODY CHANNEL WELCH PLUG
19	FO10588		1	BODY CHANNEL CUP PLUG
20	FO16120		1	BYPASS TUBE
21	FO4784		1	CHOKE FRICTION BALL
22	FO8805		1	CHOKE FRICTION SPRING
23	FO17362		1	CHOKE SHAFT AND LEVER
24	FO15367		1	CHOKE SHUTTER
25	FO10280		1	CHOKE SHUTTER RETAINING SCREW AND LOCKWASHER
26	FO13554		1	FLOAT
27	FO13944		1	FLOAT LEVER PIN
28	FO15623		1	FUEL BOWL GASKET
29	FO2510		2	FUEL BOWL RETAINING SCREW GASKET
30	FO15366		1	FUEL BOWL
31	FO13945		1	FUEL BOWL RETAINING SCREW
32	FO13630		1	MAIN FUEL JET (.033)
33	FO10165		1	INLET SEAT GASKET
34	FO10790		1	INLET NEEDLE, SEAT AND GASKET
35	FO15722		1	MAIN NOZZLE
36	FO15520		1	IDLE MIXTURE SCREW
37	FO11103		1	IDLE MIXTURE SCREW SPRING
39	FO8942		1	THROTTLE SHUTTER RETAINING SCREW AND LOCKWASHER
40	FO8502		1	THROTTLE SHUTTER
41	FO15718		1	THROTTLE SHAFT AND LEVER
42	FO15526		1	THROTTLE SHAFT RETURN SPRING
43	F341384		1	RETAINER, CHOKE ROD
44	F318316-1		1	THROTTLE CAM FOLLOWER

CONTINUED ON NEXT PAGE ➡

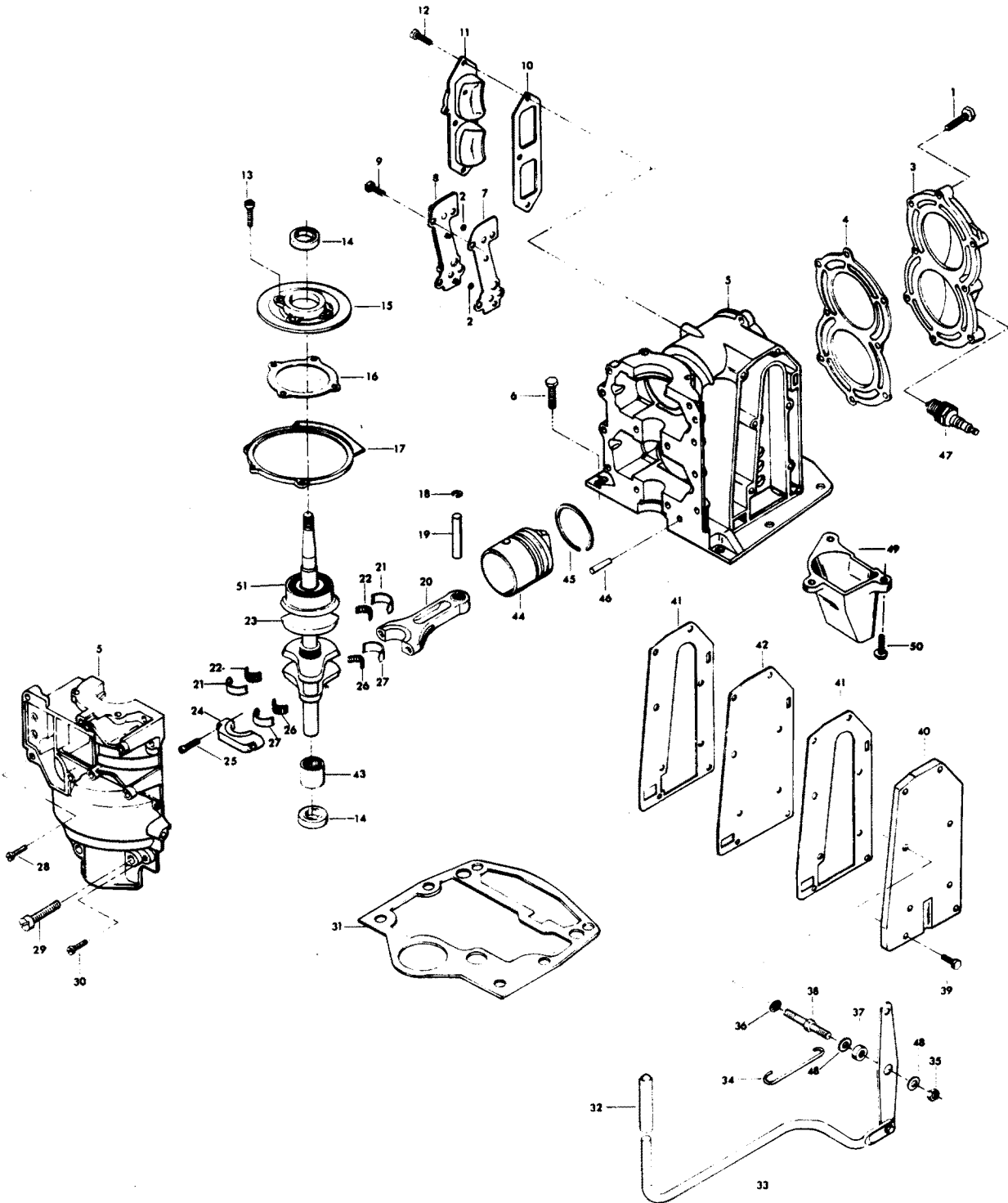
FUEL SYSTEM



FUEL SYSTEM

REF. NO.	PART NO.	SYM.	QTY.	DESCRIPTION
45	F1914		4	HEX HD SCREW, 1/4 - 20 X 3/4
46	F487435		1	PULLEY STARTER ROPE
47	F1490		2	HEX NUT, 1/4 - 20
48	318318		1	ROLLER, THROTTLE CAM FOLLOWER
49	F78410		1	RETAINER
50	F18906		1	CARBURETOR GASKET
51	F2788004		2	STUD, CARBURETOR
52	2A341167		1	MANIFOLD W/STUDS, PULLEY AND SPRING PIN
53	F1876		1	SPRING PIN
54	F318168		1	GASKET, MANIFOLD
55	FA387158		1	REED PLATE W/REEDS, STOPS & SCREWS
56	F31160-1		2	REED
57	F424161		2	REED STOP
58	F1298		4	ROUND HD SCREW, 6 - 32 X 1/4
59	F318159		1	GASKET, REED PLATE
60	FO15368		1	CHOKE RELIEF VALVE
61	FO15783		1	CHOKE RELIEF VALVE SPRING
-	F429061-2		1	CARBURETOR COMPLETE, CO6B
-	F10006		1	GASKET SET (NOT SHOWN)
-	F10008		1	REPAIR PARTS KIT (NOT SHOWN). ASTERISK (*) INDICATES CONTENTS OF REPAIR PARTS KIT.

POWER HEAD

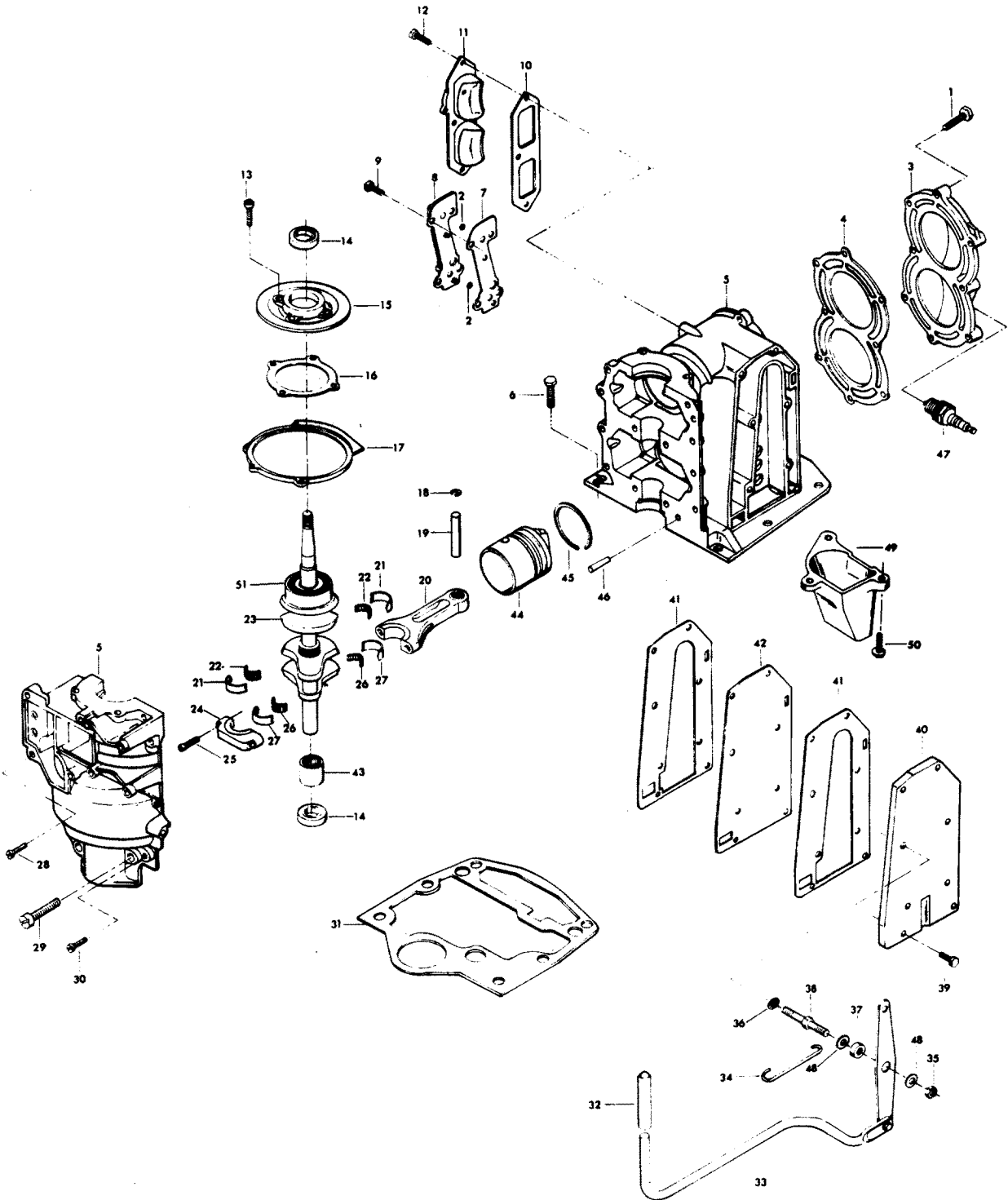


POWER HEAD

REF. NO.	PART NO.	SYM.	QTY.	DESCRIPTION
1	F901938-1		8	SCREW, CYLINDER HEAD
2	F429811		2	SCREENS, CYLINDER DRAIN
3	F318518-4		1	CYLINDER HEAD
4	F318529		1	CYLINDER HEAD GASKET
5	A487010-1		1	CYLINDER, DOWEL PINS, SCREWS, STUD & DRAIN COVER. W/CRANKCASE COVER
6	F1823		6	HEX HD CAP SCREW, 5/16 - 18 X 1
7	F429472		1	GASKET, CYLINDER DRAIN COVER
8	FA429471		1	CYLINDER DRAIN COVER W/CHECK VALVES AND SCREENS
9	F1922		4	HEX SLOT HD SCREW, 1/4 - 20 X 5/8
10	F318223-1		1	GASKET, TRANSFER PORT COVER
11	F318222-1		1	TRANSFER PORT COVER
12	F1502		3	HEX HD SCREW, 1/4 - 20 X 5/8
13	F1111		4	FILL HD SCREW, 1/4 - 20 X 7/8
14	F141118		2	SEAL, CRANKSHAFT
15	FA318144		1	CAGE, CRANKSHAFT BEARING W/SEAL
16	F286277		1	GASKET, CRANKSHAFT BEARING CAGE
17	F73082		1	MAGNETO STATOR RING
18	F31410		4	RETAINING RING, PISTON PIN
19	F7017		2	PISTON PIN
20	F2A430016		2	CONNECTING ROD W/CAP AND SCREWS
21	FA286655		1	MAIN BEARING LINER SET (2 PER SET)
22	F286571		1	CENTER MAIN BEARING ROLLERS (26 PER SET)
23	A318018-1		1	CRANKSHAFT W/UPPER MAIN BEARING
25	F286634-1		4	CONNECTING ROD SCREW
26	F318228		2	CONNECTING ROD, ROLLER SET (24 PER SET)
27	A318229-1		2	CONNECTING ROD LINER SET (2 PER SET)
28	F1672		2	FILL HD SCREW, 1/4 - 20 X 1
29	F1335		4	FILL HD SCREW, 5/16 - 18 X 1 1/4
30	F1107		6	FILL HD SCREW, 1/4 - 20 X 3/4
31	F318279-1		1	GASKET, CYLINDER MOUNTING
32	F459137		1	GRIP, THROTTLE ROD
33	F2A459688		1	THROTTLE ROD W/RIVET, WAVE WASHER AND LEVER
34	318509-2		1	LINK, THROTTLE CAM
35	F7023		1	HEX LOCK NUT, 1/4 - 20
36	F8061		1	INTERNAL TOOTH LOCKWASHER
37	F269319		1	BEARING, THROTTLE ROD
38	F459822		1	STUD, THROTTLE LEVER
39	F1915		7	HEX SLOT HD SCREW, 1/4 - 20 X 7/8
40	F318152		1	COVER, EXHAUST
41	F318154		2	GASKET, EXHAUST COVER
42	F318151		1	PLATE, EXHAUST
43	F343014		1	BEARING, CRANKSHAFT LOWER MAIN

CONTINUED ON NEXT PAGE ➡

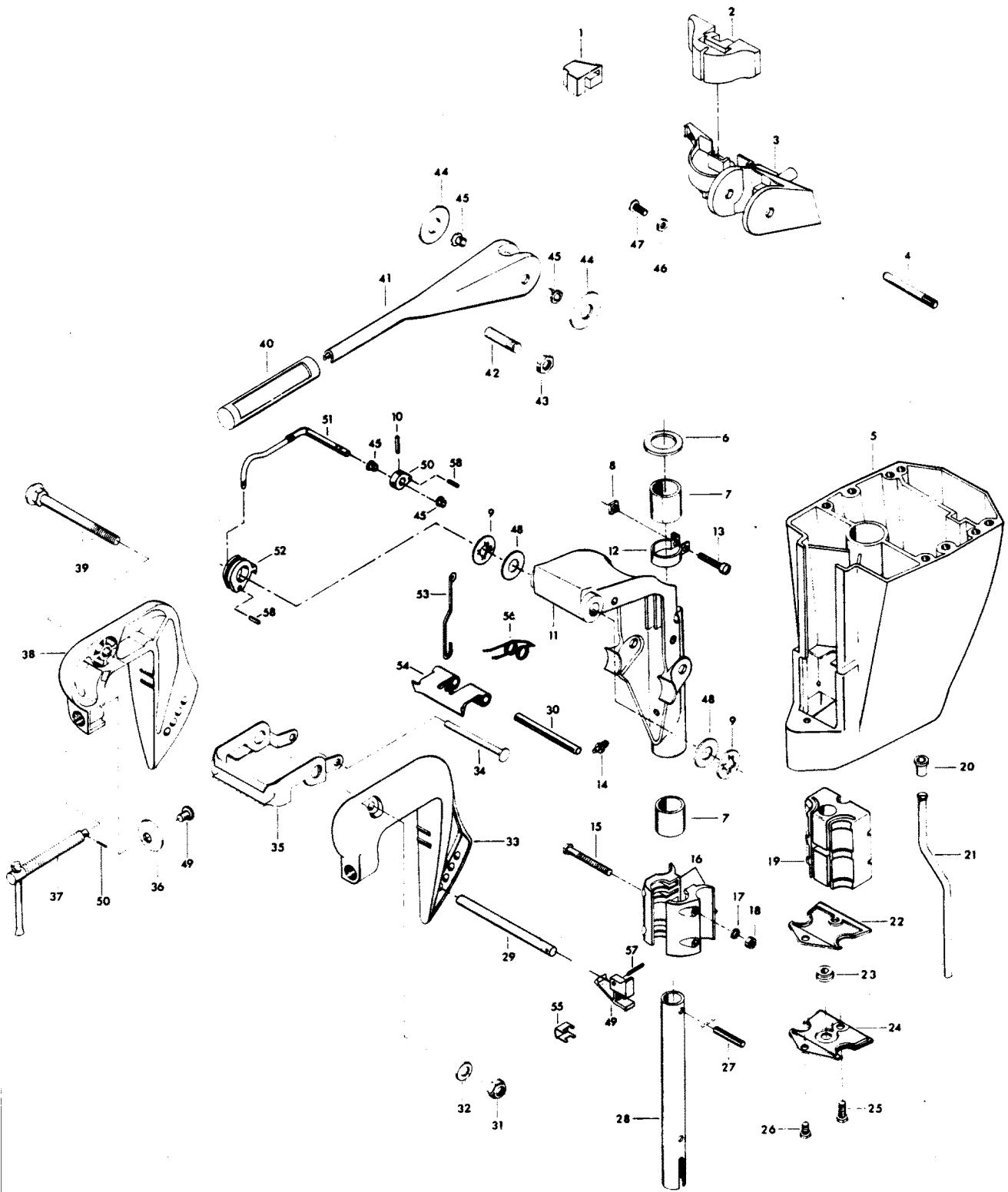
POWER HEAD



POWER HEAD

REF. NO.	PART NO.	SYM.	QTY.	DESCRIPTION
44	FA429015		2	PISTON
45	FA317260		2	PISTON RING SET (3 PER SET)
46	F8559		2	DOWEL PIN
47	FS174227		2	SPARK PLUG (L-4-J)
48	F8028		2	PLAIN WASHER
49	F487660-1		1	EXHAUST TUBE
50	F2040		3	TAPTITE HEX WASHER HD SCREW, 1/4 - 20 X 5/8
51	F318028-1		1	BEARING, CRANKSHAFT UPPER MAIN
-	FG1004-1		1	GASKET SET (NOT SHOWN)
-	72H31		1	ENGINE TOUCH-UP PAINT SPRAY BOMB FROST WHITE FLAT
-	C487010		1	SHORT BLOCK (NOT SHOWN) INCLUDES ALL ITEMS MARKED WITH AN ASTERISKS (*)

MOTOR LEG

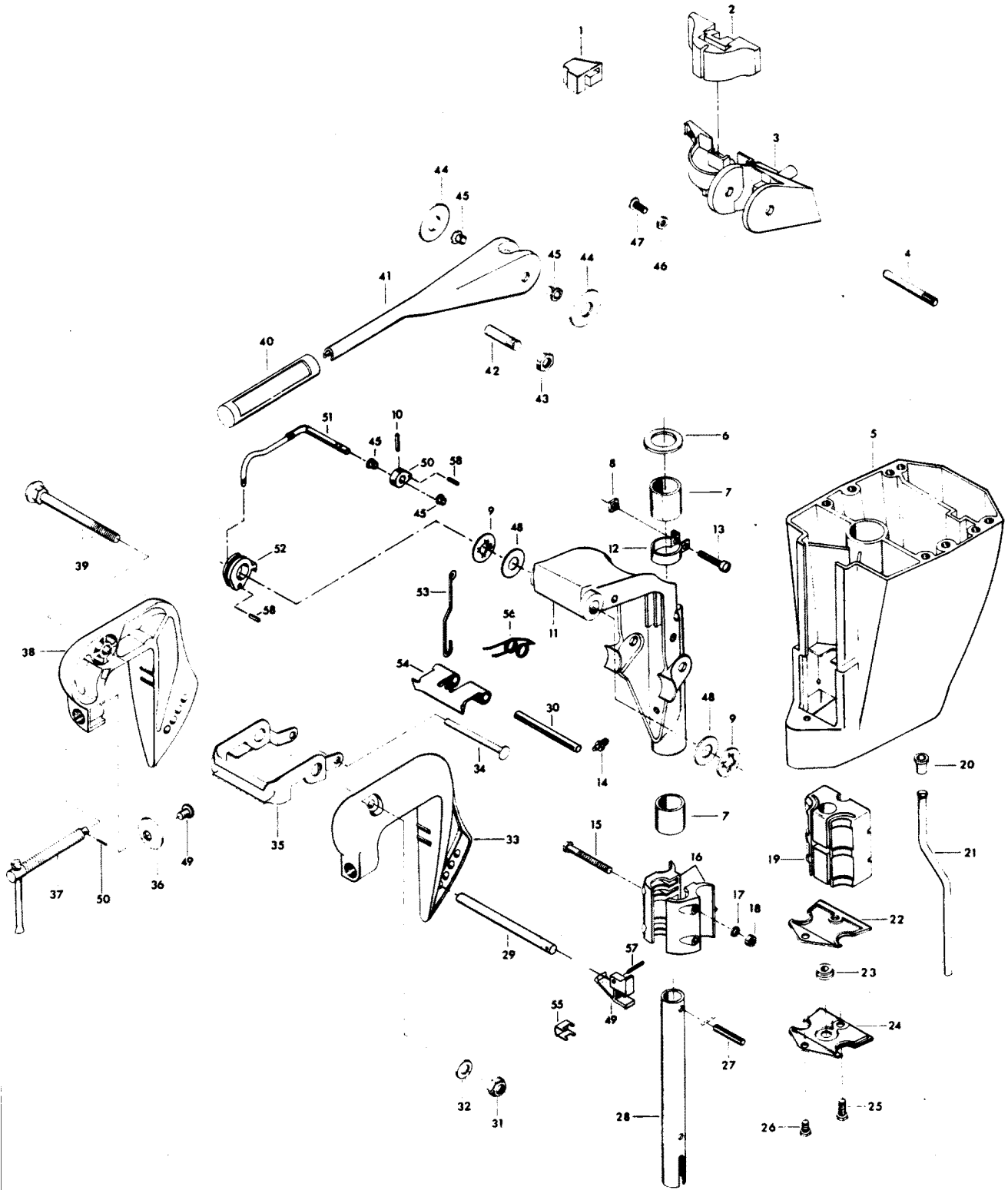


MOTOR LEG

REF. NO.	PART NO.	SYM.	QTY.	DESCRIPTION
1	F318539		1	BUMPER
2	F318347		1	SHOCK MOUNT UPPER
3	F459582		1	STEERING ARM
4	F459369		1	PIN, STEERING HANDLE
5	K429133-1		1	MOTOR LEG W/SCREWS
6	F286011		1	WASHER, SWIVEL BRACKET
7	F286169		2	BEARING, SWIVEL BRACKET
8	F1608		1	SQUARE NUT, 1/4 - 20
9	F459286		2	WASHER, STERN BRACKET
10	F8538		1	SPRING PIN
11	A459072-3		1	SWIVEL BRACKET W/GREASE FITTING
12	F286573-1		1	STEERING FRICTION CLAMP
13	F1820		1	FILL HD SCREW, 1/4 - 20 X 1 3/8
14	F213274		2	GREASE FITTING
15	FA1844		2	HEX BOLT, 1/4 - 20 X 2 3/8
16	F318956		2	BRACKET, SHOCK MOUNT LOWER
17	F8083		2	SPRING LOCKWASHER
18	F1341		2	HEX NUT, 1/4 - 20
19	F318346		1	SHOCK MOUNT LOWER
20	F318342		1	SEAL, INLET WATER LINE UPPER
21	F409244		1	INLET WATER LINE
22	F318967		1	GASKET, SHOCK MOUNT PLATE
23	F318861		1	SEAL, SHOCK MOUNT PLATE
24	F318963		1	PLATE, SHOCK MOUNT LOWER
25	F1689		1	FINISHED HEX BOLT, 1/4 - 20 X 1/2
26	F1689		1	FINISHED HEX BOLT, 1/4 - 20 X 1/2
27	F1805		1	SPRING PIN
28	F318019		1	KINGPIN
29	FA318113		1	LOCK BAR
30	F1839		1	GROOVE PIN
31	F1631		1	STOP NUT, 3/8 - 16
32	F8075		1	PLAIN WASHER
33	F197532-2		1	STERN BRACKET, PORT
34	F459620		1	PIN, CARRYING HANDLE
35	F459647-1		1	CARRYING HANDLE
36	F24074		2	CLAMP SCREW FOOT
37	FA28073-1		2	CLAMP SCREW W/FOOT
38	F459032-1		1	STERN BRACKET, STARBOARD
39	F459037		1	STERN BRACKET PIVOT BOLT
40	F390137		1	GRIP, STEERING HANDLE
41	F459079		1	STEERING HANDLE
42	F459695		1	SLEEVE, STEERING HANDLE
43	F1354		1	HEX NUT, 1/2 - 20

CONTINUED ON NEXT PAGE ➡

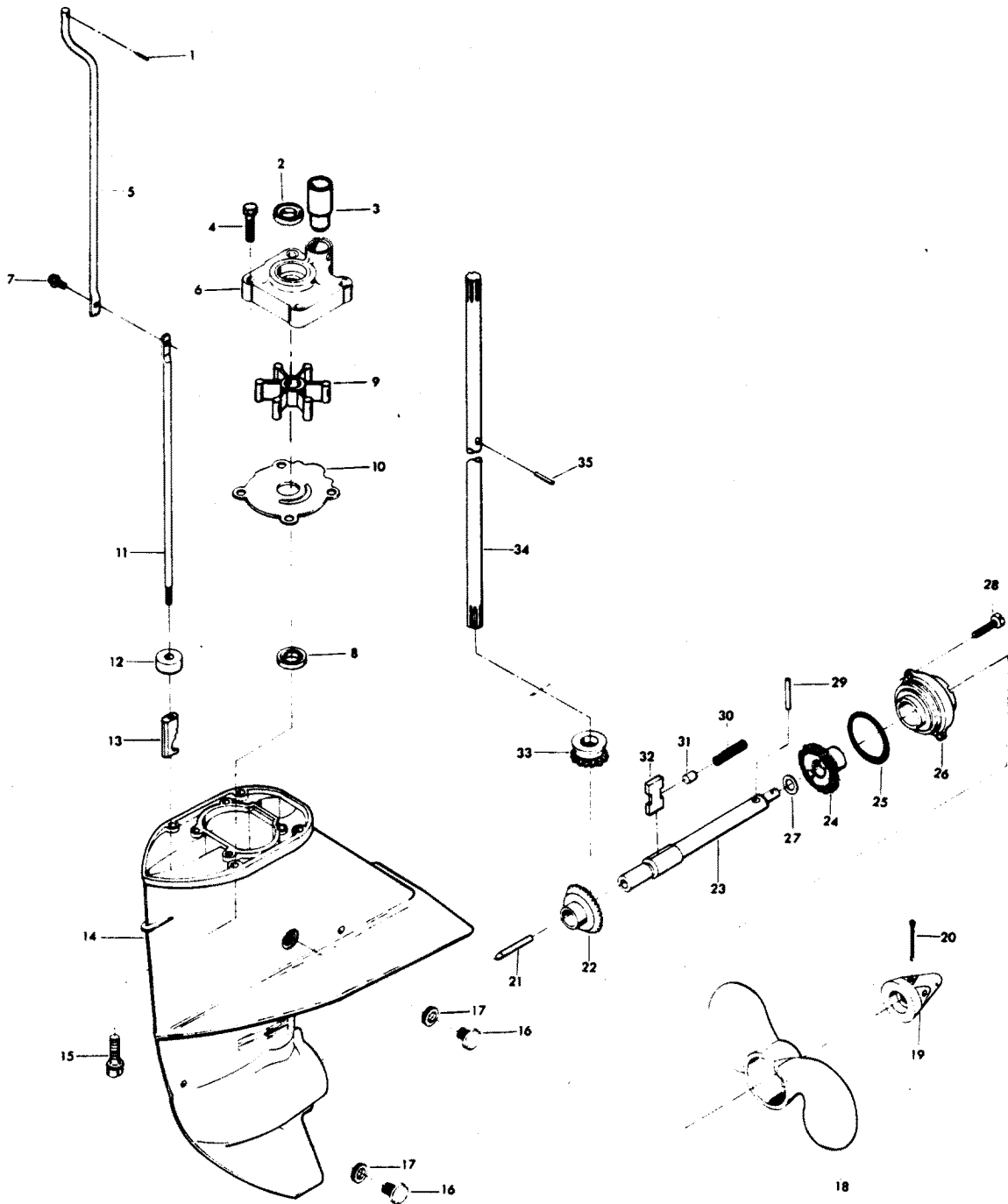
MOTOR LEG



MOTOR LEG

REF. NO.	PART NO.	SYM.	QTY.	DESCRIPTION
44	F286220		1	WASHER, STEERING HANDLE
45	F197813		4	BEARING
46	F7011		1	STOP NUT, 10 - 24
47	F1089		1	FILL HD SCREW, 10 - 24 X 9/16
48	1989		2	PLAIN WASHER
49	F286114		1	HANDLE, LOCK BAR
50	F286364		1	LEVER, REVERSE LOCK
51	FA387742		1	LEVER, REVERSE LOCK INTERMEDIATE
52	F286827		1	LEVER, REVERSE LOCK RELEASE
53	FA341510		1	LINK, REVERSE LOCK
54	F318349		1	REVERSE LOCK
55	F286461		1	SPRING LOCK BAR HANDLE
56	F286300		1	SPRING REVERSE LOCK
57	F8540		1	SPRING PIN
58	F1794		1	SPRING PIN

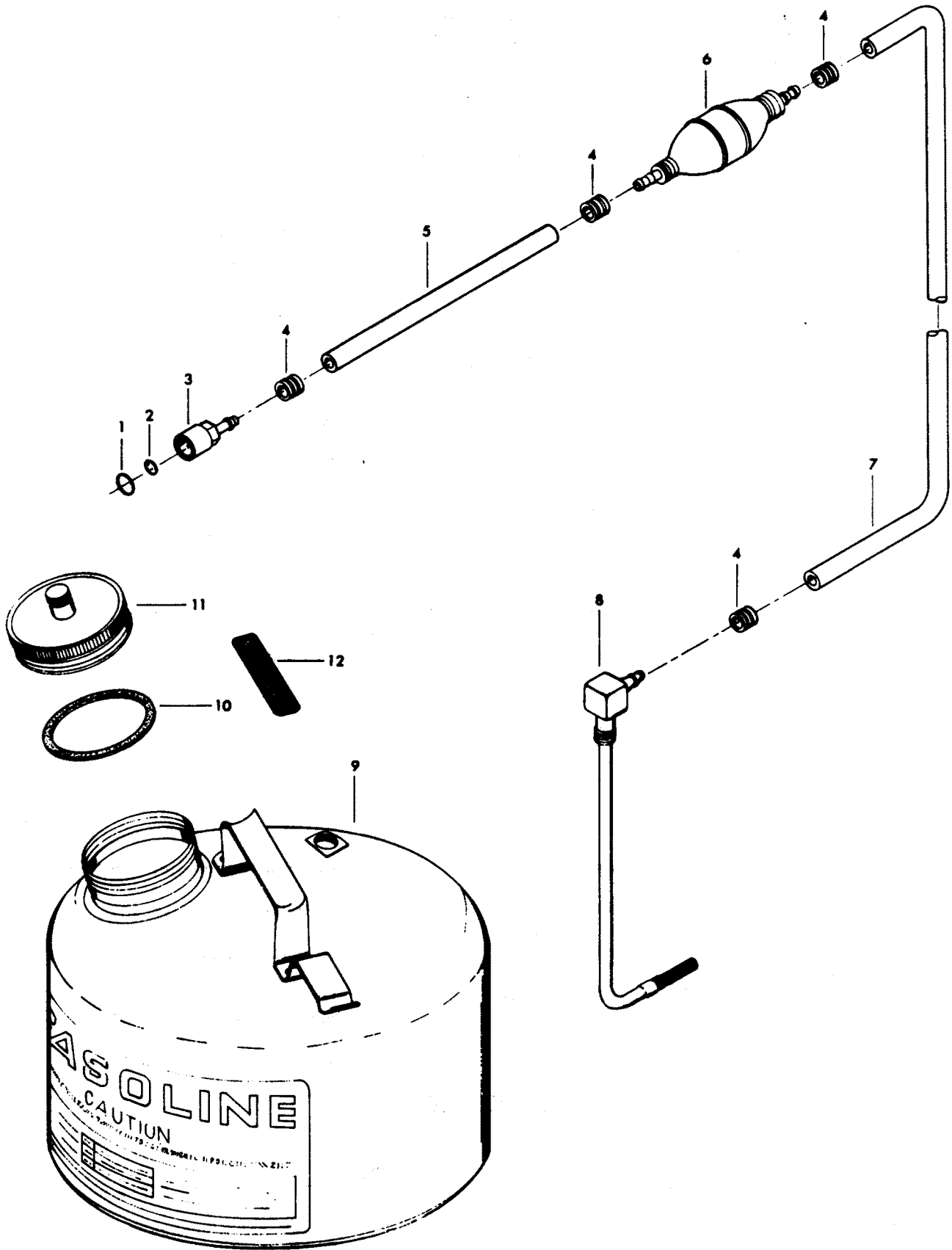
GEAR HOUSING



GEAR HOUSING

REF. NO.	PART NO.	SYM.	QTY.	DESCRIPTION
1	F1850		1	SPRING PIN
2	F318307		1	SEAL, WATER PUMP
3	FA510914		1	SEAL, INLET WATER LINE
4	F2030		4	HEX HD SCREW, 1/4 - 20 X 1 1/4
5	F318615		1	GEAR SHIFT ROD UPPER
6	FA488060		1	WATER PUMP BODY W/SEAL
7	F1976		1	SOCKET HD SCREW W/LOCKWASHER, 10 - 24 X 1/2
8	F318307		1	SEAL, DRIVESHAFT
9	F429065		1	WATER PUMP IMPELLER
10	F341562		1	WATER PUMP BACK PLATE
11	F286705		1	GEAR SHIFT ROD LOWER
12	318618		1	SEAL, GEAR SHIFT ROD LOWER
13	F459721-1		1	CLUTCH SHIFT CAM
14	FA459054		1	GEAR HOUSING W/BEARINGS & ITEMS 8, 12, 13, 16 & 17
15	F430732		4	HEX CAP SCREW, 1/4 - 20 X 1
16	F50109		2	GEAR HOUSING PLUG
17	F8077		2	NYLTITE WASHER
18	FP471		1	PROPELLER (ACCESSORY ITEM)
19	FA286094		1	PROPELLER NUT W/COTTER PIN
20	F1846		1	COTTER PIN
21	F901728		1	CLUTCH SHIFT PIN
22	43-817770A3		1	BEVEL GEAR W/BEARING
23	F459098		1	PROPELLER SHAFT
24	43-817770A3		1	BEVEL GEAR W/BEARING
25	F286305		1	SEAL, PROPELLER SHAFT BEARING CAGE
26	31-818051A1		1	PROPELLER SHAFT BEARING CAGE W/BEARING AND SEAL
27	F317717		1	WASHER
28	F1802		2	FILL HD SCREW, 1/4 - 20 X 9/16
29	FA459101		1	PROPELLER PIN, PACK OF 3
30	F409719		1	CLUTCH SPRING
31	F318372		1	PIN, CLUTCH GUIDE
32	F409521		1	CLUTCH
33	F318266		1	GEAR, BEVEL PINION
34	F318128		1	DRIVESHAFT
35	F50563		1	WATER PUMP IMPELLER DRIVE PIN
-	FC459054		1	GEAR HOUSING COMPLETE (NOT SHOWN)

FUEL TANK AND LINE



FUEL TANK AND LINE

REF. NO.	PART NO.	SYM.	QTY.	DESCRIPTION
1	F213342		1	SEAL, FUEL LINE COUPLER
2	F213735		1	SEAL, FUEL LINE COUPLER
3	F197787-2		1	FUEL LINE COUPLER
4	F298788		4	FERRULE
5	FA84754-1		1	FUEL LINE SHORT W/FERRULES
6	89396A38		1	PRIME BULB
7	32-817738A1		1	FUEL LINE LONG W/CLAMP AND FERRULE
8	FS459755		1	FUEL TANK ADAPTER
9	F459034-1		1	FUEL TANK
10	F66252		1	GASKET
11	FS459251		1	FUEL TANK CAP W/VENT SCREW
12	F459366		1	DECAL, "CHRYSLER"
-	FS409752		1	FUEL LINE, COMPLETE

SPECIAL TOOLS - TUNE-UP

REF. NO.	PART NO.	SYM.	QTY.	DESCRIPTION
-	FT8965		0	KNOCK-OFF NUT TO REMOVE FLYWHEEL
-	FT2989		0	FLYWHEEL WEDGE TO REMOVE FLYWHEEL

SPECIAL TOOLS - STARTER

REF. NO.	PART NO.	SYM.	QTY.	DESCRIPTION
-	FT2985		0	STARTER REWIND KEY TO REWIND STARTER SPRING

SPECIAL TOOLS - POWER HEAD

REF. NO.	PART NO.	SYM.	QTY.	DESCRIPTION
-	FT8949		0	SEAL INSTALLER TO INSTALL UPPER CRANKSHAFT BEARING CAGE SEAL
-	FT2908		0	SEAL PROTECTOR TO PROTECT CRANKSHAFT SEALS
-	FT8929		0	ADAPTER AND HEX BIT TO TORQUE CONNECTING ROD SCREWS
-	FT8993		0	TORQUE WRENCH ADAPTER TO TORQUE CYLINDER HEAD BOLTS
-	FT2997		0	RING COMPRESSOR TO INSTALL PISTONS IN CYLINDERS
-	FT8926		0	PISTON RING EXPANDER TO INSTALL RINGS ON PISTONS
-	FT2998		0	TORQUE WRENCH TO TORQUE 0 - 100 FT. LBS.
-	FT2999		0	TORQUE WRENCH TO TORQUE 0 - 600 IN. LBS.
-	FT2993		0	SPANNER WRENCH

SPECIAL TOOLS - LOWER UNIT

REF. NO.	PART NO.	SYM.	QTY.	DESCRIPTION
-	T2917		0	SEAL PROTECTOR TO PROTECT PROPELLER SHAFT SEAL
-	FT2915		0	SEAL INSTALLER TO INSTALL DRIVESHAFT SEAL
-	FT8957		0	SEAL INSTALLER TO INSTALL SHIFT ROD SEAL
-	FT2993		0	BEARING CAGE PULLER TO REMOVE PROPELLER SHAFT BEARING CAGE
-	FT8948-1		0	BEARING CAGE PULLER TO REMOVE PROPELLER SHAFT BEARING CAGE
-	FT2907		0	SEAL INSTALLER TO INSTALL PROPELLER SHAFT SEAL

SPECIAL TOOLS - TEST EQUIPMENT

REF. NO.	PART NO.	SYM.	QTY.	DESCRIPTION
-	FT8950		0	LEAKAGE TESTER TO TEST LOWER UNIT SEALS FOR LEAKS
-	FT8930-1		0	FEELER GAUGE SETTING POINTS AND SPARK PLUGS
-	T8974		0	BREAKER POINT TENSION GAUGE FOR CHECKING BREAKER POINT SPRING TENSION
-	FT8438		0	TEST WHEEL TO TEST MOTOR IN TEST TANK

ACCESSORIES

REF. NO.	PART NO.	SYM.	QTY.	DESCRIPTION
-			0	CHRYSLER OUTBOARD OIL SEE BLOCK COMMENT 1.
-			0	CHRYSLER OUTBOARD GEAR LUBE SEE BLOCK COMMENT 2.
-	FK1018		0	5" LONG LEG CONVERSION KIT CONVERTS 15" STANDARD SHAFT MODEL TO 20" LONG SHAFT MODEL.
-	F588		0	FLUSHING ADAPTER PERMITS FRESH WATER FLUSHING OF WATER PASSAGES WITH STANDARD GARDEN HOSE.
-	491		0	CARRYING HANDLE CARRYING HANDLE FOR MOUNTING ON REAR OF SUPPORT PLATE.

SPECIFICATIONS

REF. NO.	PART NO.	SYM.	QTY.	DESCRIPTION
-			0	HORSEPOWER 6 B.I.A. CERTIFIED BRAKE H.P. AT 5000 R.P.M.
-			0	ENGINE TWO-CYCLE, TWIN CYLINDER, ALTERNATE FIRING.
-			0	BORE AND STROKE 1 7/8" X 1 5/8".
-			0	DISPLACEMENT 8.99 CUBIC INCHES.
-			0	CARBURETOR FLOAT FEED.
-			0	CONNECTING ROD DIE CAST ALUMINUM - STEEL LINERS WITH NEEDLE BEARINGS AT CRANKSHAFT.
-			0	RECOMMENDED OPERATING RANGE 4500-5500 R.P.M.
-			0	FUEL TANK SEPARATE STEEL TANK.
-			0	PROPELLER SHAFT AND DRIVESHAFT STAINLESS STEEL, HARDENED, GROUND AND POLISHED.
-			0	PROPELLER ALUMINUM ALLOY - 7" DIAMETER, 4 3/4" PITCH, RIGHT HAND ROTATION.
-			0	COOLING WATER COOLED - POSITIVE DISPLACEMENT TYPE WATER PUMP.
-			0	CRANKSHAFT FORGED NICKEL STEEL. BALL BEARINGS AT UPPER MAIN. FULL COMPLEMENT NEEDLE ROLLERS AT CENTER MAIN.
-			0	TRANSOM HEIGHT 15".

LUBRICATION CHART

REF. NO.	PART NO.	SYM.	QTY.	DESCRIPTION
-			0	STARTER PINION GEAR SAE 30 MOTOR OIL, IF STARTER OPERATION BECOMES SLUGGISH
-			0	STARTER SPOOL BEARINGS SAE 30 MOTOR OIL, IF STARTER OPERATION BECOMES SLUGGISH
-			0	THROTTLE CAM FOLLOWER SAE 30 MOTOR OIL, TWICE EACH SEASON, OFTENER IF REQUIRED
-			0	MAGNETO CONTROL SHAFT BEARINGS SAE 30 MOTOR OIL, TWICE EACH SEASON, OFTENER IF REQUIRED
-			0	CLAMP SCREWS SAE 30 MOTOR OIL, TWICE EACH SEASON, OFTENER IF REQUIRED
-			0	STERN BRACKET PIVOT BOLT SAE 30 MOTOR OIL, TWICE EACH SEASON, OFTENER IF REQUIRED
-			0	GEAR HOUSING CHRYSLER OUTBOARD GEAR LUBE, EVERY 30 HOURS, OFTENER IF REQUIRED
-			0	FUEL LINE COUPLER RELEASE RING SAE 30 MOTOR OIL, TWICE EACH SEASON, OFTENER IF REQUIRED
-			0	GREASE FITTINGS GREASE FITTINGS ARE PROVIDED AT CRITICAL POINTS WHERE BEARING SURFACES ARE NOT EXPOSED EXTERNALLY. USING AN AUTOMOTIVE TYPE GREASE GUN AND LUBRICANT, GREASE TWICE EACH SEASON OR OFTENER IF REQUIRED.

SPECIAL ADJUSTMENTS

REF. NO.	PART NO.	SYM.	QTY.	DESCRIPTION
-			0	BREAKER POINT GAP .020".
-			0	SPARK PLUG CHAMPION L-4-J, GAP .030".
-			0	ADJUSTING STEERING TENSION STEERING TENSION CAN BE ADJUSTED BY TURNING THE ONE (1) STEERING FRICTION ADJUSTING SCREW, ILLUSTRATION 13, PAGE 13, IN THE DIRECTION REQUIRED.
-			0	POINT OF THROTTLE OPENING SEE BLOCK COMMENT 1.
-			0	FLYWHEEL NUT

PARTS INDEX

Part Number	Description	Pg.	Ref. No.	Part Number	Description	Pg.	Ref. No.
1989	PLAIN WASHER	19	48	F12146	COIL WEDGE SPRING	5	15
2A341167	MANIFOLD W/STUDS, PULLEY AND SPRING PIN	11	52	F12153	BREAKER POINT SET	5	6
318318	ROLLER, THROTTLE CAM FOLLOWER	11	48	F12170	CONTACT SCREW W/LOCKWASHER	5	4
318509-2	LINK, THROTTLE CAM	13	34	F12181-1	CONDENSER	5	8
318618	SEAL, GEAR SHIFT ROD LOWER	21	12	F12228	CAM WIPER FELT	5	5
491	CARRYING HANDLE	29	-	F12343	STATOR PLATE W/LAMINATIONS	5	9
72H31	ENGINE TOUCH-UP PAINT SPRAY BOMB FROST WHITE FLAT	15	-	F1286	PAN HD SCREW, 4 - 40 X 3/16	9	4
817754A1	ARM, CARBURETOR FOLLOWER	9	15	F1293	DRIVE SCREW, 2 X 3/16	3	22
817758A1	BRACKET, COVER LATCH W/SCREWS, NUTS AND ROLLER	3	8	F1298	ROUND HD SCREW, 6 - 32 X 1/4	11	58
89396A38	PRIME BULB	23	6	F1335	FILL HD SCREW, 5/16 - 18 X 1 1/4	13	29
A318018-1	CRANKSHAFT W/UPPER MAIN BEARING	13	23	F1341	HEX NUT, 1/4 - 20	17	18
A318229-1	CONNECTING ROD LINER SET (2 PER SET)	13	27	F1352	HEX NUT, 7/16 - 20	5	1
A459038-1	SUPPORT PLATE W/EYELET	3	24	F1354	HEX NUT, 1/2 - 20	17	43
A459072-3	SWIVEL BRACKET W/GREASE FITTING	17	11	F1365	SQUARE NUT, 10 - 24	9	17
A487010-1	CYLINDER, DOWEL PINS, SCREWS, STUD & DRAIN COVER	13	5	F141118	SEAL, CRANKSHAFT	13	14
C487010	SHORT BLOCK (NOT SHOWN)	15	-	F1475	FILL HD SCREW, 10 - 24 X 1/2	3	7
F10006	GASKET SET (NOT SHOWN)	11	-	F1490	HEX NUT, 1/4 - 20	11	47
F10008	REPAIR PARTS KIT (NOT SHOWN)	11	-	F1500	ROUND HD SCREW, 4 - 1/4	7	17
F1068	FILL HD SCREW, 10 - 24 X 7/16	3	17	F1502	HEX HD SCREW, 1/4 - 20 X 5/8	13	12
F1069	FILL HD SCREW, 10 - 24 X 1 1/16	9	1	F154415	WASHER	3	14
F1075	FILL HD SCREW, 10 - 24 X 1/2	5	12	F1574	FILL HD SCREW, 1/4 - 20 X 9/16	3	12
F1089	FILL HD SCREW, 10 - 24 X 9/16	7	1	F1608	SQUARE NUT, 1/4 - 20	17	8
F1089	FILL HD SCREW, 10 - 24 X 9/16	19	47	F1631	STOP NUT, 3/8 - 16	17	31
F1090	FILL HD SCREW W/LOCKWASHER, 10 - 24 X 9/16	5	16	F1672	FILL HD SCREW, 1/4 - 20 X 1	13	28
F1107	FILL HD SCREW, 1/4 - 20 X 3/4	7	13	F1689	FINISHED HEX BOLT, 1/4 - 20 X 1/2	17	25
F1107	FILL HD SCREW, 1/4 - 20 X 3/4	13	30	F1689	FINISHED HEX BOLT, 1/4 - 20 X 1/2	17	26
F1111	FILL HD SCREW, 1/4 - 20 X 7/8	13	13	F1689	HEX CAP SCREW, 1/4 - 20 X 1/2	3	21
F12083	CONDENSER SCREW W/LOCKWASHER	5	7	F1794	SPRING PIN	19	58
F12088	GROMMET	5	19	F1802	FILL HD SCREW, 1/4 - 20 X 9/16	21	28
F12091	LEAD WIRE MARKER, TOP (NOT SHOWN)	5	-	F1805	SPRING PIN	17	27
F12114	SCREW, COIL GROUND TERMINAL	5	21	F18160-1	REED FUEL PUMP	9	6
				F1820	FILL HD SCREW, 1/4 - 20 X 1 3/8	17	13
				F1823	HEX HD CAP SCREW, 5/16 - 18 X 1	13	6
				F1834	FILL HD SCREW, 10 - 24 X 7/8	9	14
				F1839	GROOVE PIN	17	30
				F1846	COTTER PIN	21	20
				F1850	SPRING PIN	21	1
				F1875	SPRING PIN, STARTER BRACKET	7	14
				F1876	SPRING PIN	11	53
				F18906	CARBURETOR GASKET	11	50
				F1912	HEX HD SCREW, 10 - 24 X 1/2	9	13
				F1914	HEX HD SCREW, 1/4 - 20 X 3/4	11	45

PARTS INDEX

Part Number	Description	Pg.	Ref. No.	Part Number	Description	Pg.	Ref. No.
F1915	HEX SLOT HD SCREW, 1/4 - 20 X 7/8	13	39	F307818	BEARING	3	19
F1922	HEX SLOT HD SCREW, 1/4 - 20 X 5/8	13	9	F31160-1	REED	11	56
F197532-2	STERN BRACKET, PORT	17	33	F31410	RETAINING RING, PISTON PIN	13	18
F1976	SOCKET HD SCREW W/LOCKWASHER, 10 - 24 X 1/2	21	7	F317717	WASHER	21	27
F197767-1	BUSHING, FUEL LINE	3	28	F318019	KINGPIN	17	28
F197787-2	FUEL LINE COUPLER	23	3	F318028-1	BEARING, CRANKSHAFT UPPER MAIN	15	51
F197813	BEARING	19	45	F318097	FLYWHEEL	5	3
F2030	HEX HD SCREW, 1/4 - 20 X 1 1/4	21	4	F318128	DRIVESHAFT	21	34
F2040	TAPTITE HEX WASHER HD SCREW, 1/4 - 20 X 5/8	15	50	F318151	PLATE, EXHAUST	13	42
F2044	PLUG	3	1	F318152	COVER, EXHAUST	13	40
F213274	GREASE FITTING	17	14	F318154	GASKET, EXHAUST COVER	13	41
F213342	SEAL, FUEL LINE COUPLER	23	1	F318159	GASKET, REED PLATE	11	59
F213735	SEAL, FUEL LINE COUPLER	23	2	F318168	GASKET, MANIFOLD	11	54
F24074	CLAMP SCREW FOOT	17	36	F318222-1	TRANSFER PORT COVER	13	11
F24748-2	GASKET, FUEL PUMP COVER	9	3	F318223-1	GASKET, TRANSFER PORT COVER	13	10
F269316	ROLLER SHAFT	3	10	F318228	CONNECTING ROD, ROLLER SET (24 PER SET)	13	26
F269319	BEARING, THROTTLE ROD	13	37	F318266	GEAR, BEVEL PINION	21	33
F2706772	HOSE CLAMP	9	10	F318279-1	GASKET, CYLINDER MOUNTING	13	31
F2788004	STUD, CARBURETOR	11	51	F318307	SEAL, DRIVESHAFT	21	8
F286011	WASHER, SWIVEL BRACKET	17	6	F318307	SEAL, WATER PUMP	21	2
F286114	HANDLE, LOCK BAR	19	49	F318316-1	THROTTLE CAM FOLLOWER	9	44
F286132	HANDLE, STARTER ROPE	7	16	F318342	SEAL, INLET WATER LINE UPPER	17	20
F286169	BEARING, SWIVEL BRACKET	17	7	F318346	SHOCK MOUNT LOWER	17	19
F286220	WASHER, STEERING HANDLE	19	44	F318347	SHOCK MOUNT UPPER	17	2
F286277	GASKET, CRANKSHAFT BEARING CAGE	13	16	F318349	REVERSE LOCK	19	54
F286300	SPRING REVERSE LOCK	19	56	F318372	PIN, CLUTCH GUIDE	21	31
F286305	SEAL, PROPELLER SHAFT BEARING CAGE	21	25	F318453-1	GASKET, LEG MOUNTING	3	25
F286364	LEVER, REVERSE LOCK	19	50	F318504	GROMMET, CHOKE ROD	3	33
F286461	SPRING LOCK BAR HANDLE	19	55	F318518-4	CYLINDER HEAD	13	3
F286571	CENTER MAIN BEARING ROLLERS (26 PER SET)	13	22	F318529	CYLINDER HEAD GASKET	13	4
F286573-1	STEERING FRICTION CLAMP	17	12	F318539	BUMPER	17	1
F286634-1	CONNECTING ROD SCREW	13	25	F318615	GEAR SHIFT ROD UPPER	21	5
F286705	GEAR SHIFT ROD LOWER	21	11	F318818	BEARING	3	13
F286710	ARBOR, STARTER SPRING	7	5	F318861	SEAL, SHOCK MOUNT PLATE	17	23
F286737-1	RETAINER, STARTER REWIND SPRING	7	9	F318876-1	GEAR SHIFT LEVER	3	16
F286777	CAM, COVER LATCH	3	27	F318895	SPRING SHIFT DETENT	3	18
F286827	LEVER, REVERSE LOCK RELEASE	19	52	F318956	BRACKET, SHOCK MOUNT LOWER	17	16
F286930	END, STARTER SPRING	7	8	F318963	PLATE, SHOCK MOUNT LOWER	17	24
F289664	WIRE, STATOR GROUND	5	11	F318967	GASKET, SHOCK MOUNT PLATE	17	22
F298788	FERRULE	23	4	F341384	RETAINER, CHOKE ROD	9	43
F2A430016	CONNECTING ROD W/CAP AND SCREWS	13	20	F341562	WATER PUMP BACK PLATE	21	10
F2A459239	STARTER SPOOL W/SHAFT	7	10	F343014	BEARING, CRANKSHAFT LOWER MAIN	13	43
				F390137	GRIP, STEERING HANDLE	17	40
				F392756	PACKING, SUPPORT PLATE	3	20
				F40425	STARTER PINION PIN	7	6
				F409232	STARTER ROPE	7	15
				F409244	INLET WATER LINE	17	21
				F409521	CLUTCH	21	32
				F409719	CLUTCH SPRING	21	30

PARTS INDEX

Part Number	Description	Pg.	Ref. No.	Part Number	Description	Pg.	Ref. No.
F424161	REED STOP	11	57	F8028	PLAIN WASHER	15	48
F429061-2	CARBURETOR COMPLETE, CO6B	11	-	F8061	INTERNAL TOOTH LOCKWASHER	13	36
F429065	WATER PUMP IMPELLER	21	9	F8075	PLAIN WASHER	17	32
F429472	GASKET, CYLINDER DRAIN COVER	13	7	F8077	NYLTITE WASHER	21	17
F429811	SCREENS, CYLINDER DRAIN	13	2	F8083	SPRING LOCKWASHER	17	17
F430732	HEX CAP SCREW, 1/4 - 20 X 1	21	15	F8538	SPRING PIN	17	10
F456674	GEAR, STARTER PINION	7	2	F8540	SPRING PIN	19	57
F458498	MAGNETO KEY	5	14	F8547	SPRING PIN	3	15
F458677	INSERT, CHOKE KNOB	3	31	F8559	DOWEL PIN	15	46
F459032-1	STERN BRACKET, STARBOARD	17	38	F901424-1	STARTER PINION SPRING	7	3
F459034-1	FUEL TANK	23	9	F901456-1	EMERGENCY STARTER COLLAR	5	2
F459037	STERN BRACKET PIVOT BOLT	17	39	F901728	CLUTCH SHIFT PIN	21	21
F459079	STEERING HANDLE	17	41	F901746-2	FUEL PUMP COVER	9	2
F459098	PROPELLER SHAFT	21	23	F901811	FUEL PUMP FILTER	9	9
F459137	GRIP	3	35	F901938-1	SCREW, CYLINDER HEAD	13	1
F459137	GRIP, THROTTLE ROD	13	32	F92759	ROLLER	3	9
F459192	THROTTLE CAM PLATE	5	10	FA12345	COIL W/LEAD WIRE	5	17
F459286	WASHER, STERN BRACKET	17	9	FA1844	HEX BOLT, 1/4 - 20 X 2 3/8	17	15
F459366	DECAL, "CHRYSLER"	23	12	FA24754-1	FUEL LINE W/CLAMPS	9	12
F459369	PIN, STEERING HANDLE	17	4	FA24757-3	FUEL PUMP REED PLATE W/REEDS AND SCREWS	9	7
F459582	STEERING ARM	17	3	FA28073-1	CLAMP SCREW W/FOOT	17	37
F459620	PIN, CARRYING HANDLE	17	34	FA286094	PROPELLER NUT W/COTTER PIN	21	19
F459647-1	CARRYING HANDLE	17	35	FA286469	KNOB, COVER LATCH	3	30
F459695	SLEEVE, STEERING HANDLE	17	42	FA286480	RETAINER, ENGINE COVER W/SCREWS AND NUTS	3	11
F459721-1	CLUTCH SHIFT CAM	21	13	FA286655	MAIN BEARING LINER SET (2 PER SET)	13	21
F459822	STUD, THROTTLE LEVER	13	38	FA286970	STARTER REWIND SPRING W/END AND RETAINER	7	7
F459876	HANDLE, GEAR SHIFT LEVER	3	34	FA317260	PISTON RING SET (3 PER SET)	15	45
F459894	INDICATOR, SPEED CONTROL	3	3	FA318113	LOCK BAR	17	29
F471504	GROMMET, THROTTLE ROD	3	29	FA318144	CAGE, CRANKSHAFT BEARING W/SEAL	13	15
F487392	DECAL, PORT, "CHRYSLER"	3	5	FA318503	CHOKE ROD W/KNOB AND INSERT	3	32
F487396	DECAL, STARBOARD, "CHRYSLER"	3	-	FA341510	LINK, REVERSE LOCK	19	53
F487435	PULLEY STARTER ROPE	11	46	FA387158	REED PLATE W/REEDS, STOPS & SCREWS	11	55
F487660-1	EXHAUST TUBE	15	49	FA387742	LEVER, REVERSE LOCK INTERMEDIATE	19	51
F50109	GEAR HOUSING PLUG	21	16	FA429015	PISTON	15	44
F50563	WATER PUMP IMPELLER DRIVE PIN	21	35	FA429471	CYLINDER DRAIN COVER W/CHECK VALVES AND SCREENS	13	8
F516754	FUEL LINE	9	11	FA459054	GEAR HOUSING	21	14
F588	FLUSHING ADAPTER	29	-	FA459101	PROPELLER PIN, PACK OF 3	21	29
F59002	MAGNETO BREAKER CAM	5	13	FA488060	WATER PUMP BODY W/SEAL	21	6
F66193	THROTTLE LINK	9	16	FA510914	SEAL, INLET WATER LINE	21	3
F66252	GASKET	23	10	FA84754-1	FUEL LINE SHORT W/FERRULES	23	5
F7006	STOP NUT, 5/16 - 18	3	26	FC459054	GEAR HOUSING COMPLETE (NOT SHOWN)	21	-
F7011	ELASTIC STOP NUT, 10 - 24	3	6	FG1004-1	GASKET SET (NOT SHOWN)	15	-
F7011	STOP NUT, 10 - 24	19	46				
F7017	PISTON PIN	13	19				
F7023	HEX LOCK NUT, 1/4 - 20	13	35				
F73082	MAGNETO STATOR RING	13	17				
F78410	RETAINER	11	49				
F8003	PLAIN WASHER	9	5				
F8018	PLAIN WASHER	7	12				

PARTS INDEX

Part Number	Description	Pg.	Ref. No.	Part Number	Description	Pg.	Ref. No.
FK1018	5" LONG LEG CONVERSION KIT	29	-	FT2993	SPANNER WRENCH	26	-
FK317427	BRACKET, STARTER LOWER W/SPRING PIN	7	11	FT2997	RING COMPRESSOR	26	-
FK317427	BRACKET, STARTER UPPER	7	4	FT2998	TORQUE WRENCH	26	-
FK750-2	SPARKIE W/SPRING	5	20	FT2999	TORQUE WRENCH	26	-
FO10165	INLET SEAT GASKET	9	33	FT8438	TEST WHEEL	28	-
FO10280	CHOKE SHUTTER			FT8926	PISTON RING EXPANDER	26	-
	RETAINING SCREW AND LOCKWASHER	9	25	FT8929	ADAPTER AND HEX BIT	26	-
FO10588	BODY CHANNEL CUP PLUG	9	19	FT8930-1	FEELER GAUGE	28	-
FO10790	INLET NEEDLE, SEAT AND GASKET	9	34	FT8948-1	BEARING CAGE PULLER	27	-
FO11103	IDLE MIXTURE SCREW			FT8949	SEAL INSTALLER	26	-
	SPRING	9	37	FT8950	LEAKAGE TESTER	28	-
FO13554	FLOAT	9	26	FT8957	SEAL INSTALLER	27	-
FO13630	MAIN FUEL JET (.033)	9	32	FT8965	KNOCK-OFF NUT	24	-
FO13944	FLOAT LEVER PIN	9	27	FT8993	TORQUE WRENCH		
FO13945	FUEL BOWL RETAINING SCREW	9	31		ADAPTER	26	-
FO15366	FUEL BOWL	9	30	K429133-1	MOTOR LEG W/SCREWS	17	5
FO15367	CHOKE SHUTTER	9	24	T2917	SEAL PROTECTOR	27	-
FO15368	CHOKE RELIEF VALVE	11	60	T8974	BREAKER POINT TENSION GAUGE	28	-
FO15520	IDLE MIXTURE SCREW	9	36	27-818043A1	FUEL PUMP DIAPHRAGM W/GASKET	9	8
FO15526	THROTTLE SHAFT RETURN SPRING	9	42	31-818051A1	PROPELLER SHAFT BEARING CAGE		
FO15623	FUEL BOWL GASKET	9	28		W/BEARING AND SEAL	21	26
FO15718	THROTTLE SHAFT AND LEVER	9	41	32-817738A1	FUEL LINE LONG W/CLAMP AND FERRULE	23	7
FO15722	MAIN NOZZLE	9	35	43-817770A3	BEVEL GEAR W/BEARING	21	22
FO15783	CHOKE RELIEF VALVE			43-817770A3	BEVEL GEAR W/BEARING	21	24
	SPRING	11	61				
FO16120	BYPASS TUBE	9	20				
FO17362	CHOKE SHAFT AND LEVER	9	23				
FO2510	FUEL BOWL RETAINING SCREW GASKET	9	29				
FO2531	BODY CHANNEL WELCH PLUG	9	18				
FO4784	CHOKE FRICTION BALL	9	21				
FO8502	THROTTLE SHUTTER	9	40				
FO8805	CHOKE FRICTION SPRING	9	22				
FO8942	THROTTLE SHUTTER						
	RETAINING SCREW AND LOCKWASHER	9	39				
FP471	PROPELLER (ACCESSORY ITEM)	21	18				
FS174227	SPARK PLUG (L-4-J)	15	47				
FS409752	FUEL LINE, COMPLETE	23	-				
FS459251	FUEL TANK CAP W/VENT SCREW	23	11				
FS459755	FUEL TANK ADAPTER	23	8				
FS487712	ENGINE COVER						
	W/BRACKET, RETAINER & TILT HANDLE	3	4				
FT2907	SEAL INSTALLER	27	-				
FT2908	SEAL PROTECTOR	26	-				
FT2915	SEAL INSTALLER	27	-				
FT2985	STARTER REWIND KEY	25	-				
FT2989	FLYWHEEL WEDGE	24	-				
FT2993	BEARING CAGE PULLER	27	-				