



# PARTS CATALOG

## 4 H.P.

### SERIAL NUMBER

4 (1978) .....	42B8E
4 (1978) .....	42H8E
4 (1978) .....	47B8E
4 (1978) .....	47H8E

# TABLE OF CONTENTS:

ACCESSORIES .....	24
CARBURETOR AND REED PLATE .....	10
ENGINE COVER AND FUEL TANK .....	2
GEAR HOUSING .....	20
LUBRICATION CHART .....	26
MAGNETO .....	8
MOTOR LEG .....	16
PARTS INDEX .....	28
POWER HEAD AND SUPPORT PLATE .....	12
SPECIAL ADJUSTMENTS .....	27
SPECIFICATIONS .....	25
STARTER .....	6

**NOTE:** *Indented description indicate that these parts are included in preceeding assembly.*

**AR** = As Required

**NSS** = Not Sold Separate

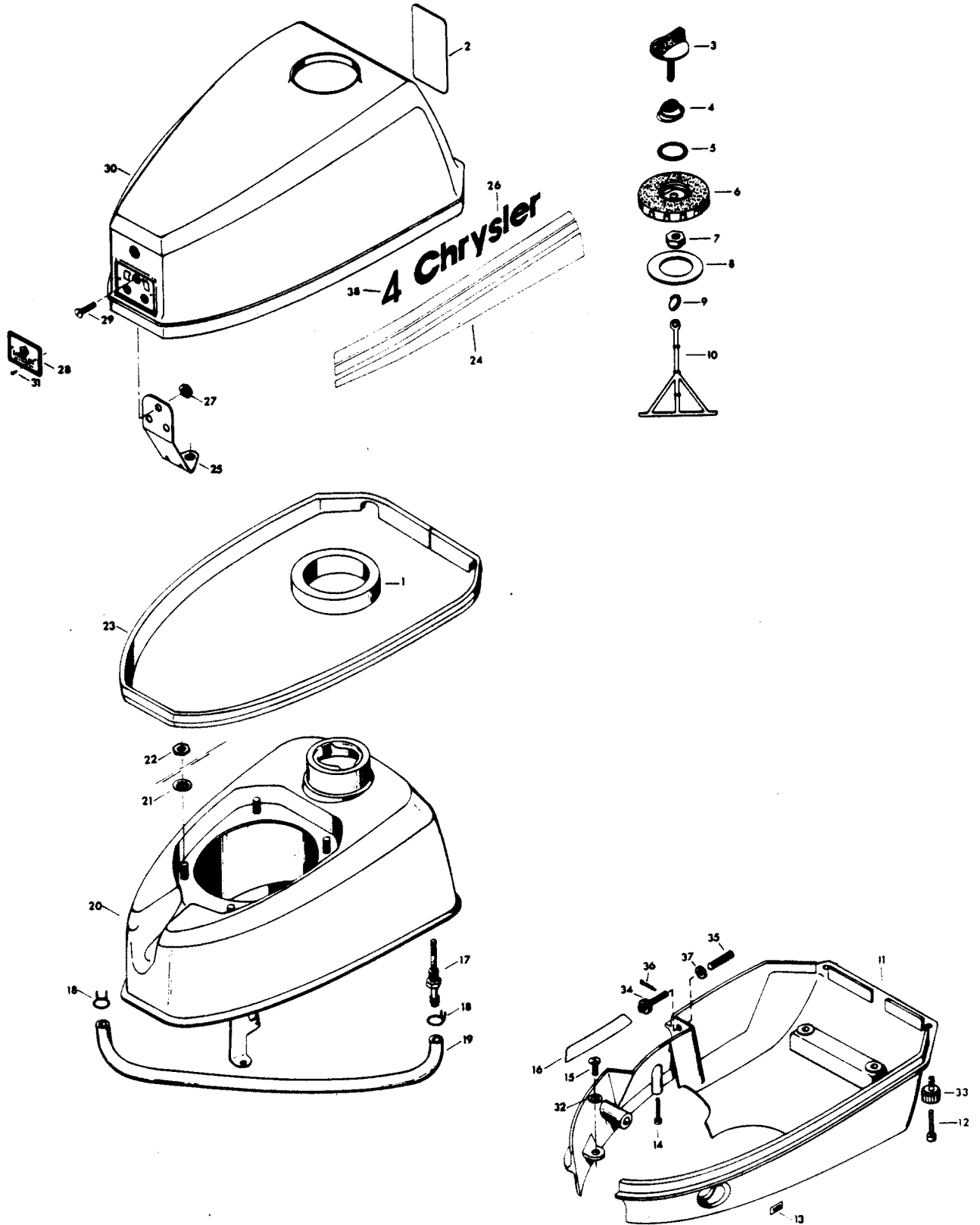
**OPT** = Optional

**NS** = Not Shown

**THESE PARTS BOOKS/FICHE CARD ARE COPYRIGHTED AND MAY NOT BE DISTRIBUTED OR REPRODUCED IN ANY OTHER FORMAT BY ANYONE OTHER THAN MERCURY MARINE WITHOUT THE PRIOR WRITTEN CONSENT OF MERCURY MARINE.**

THIS PAGE INTENTIONALLY LEFT BLANK

# ENGINE COVER AND FUEL TANK

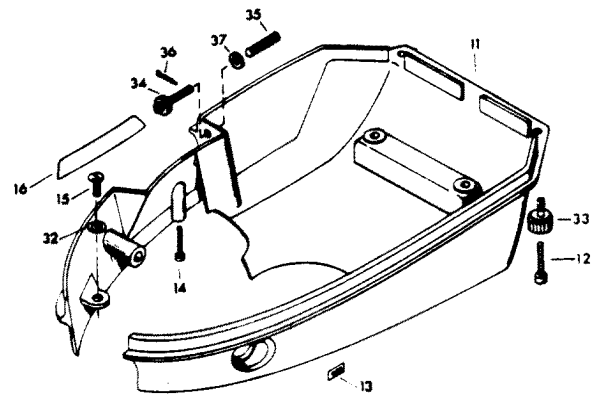
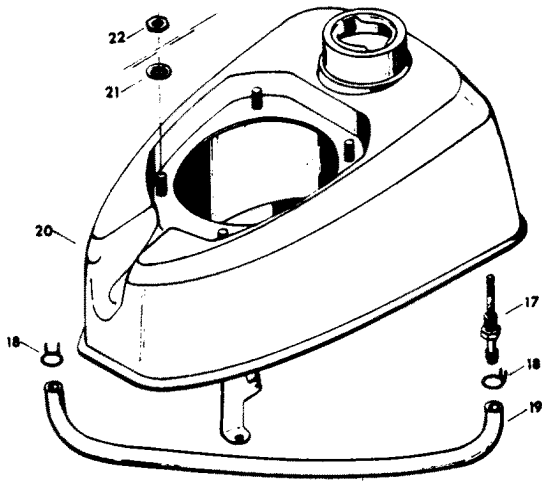
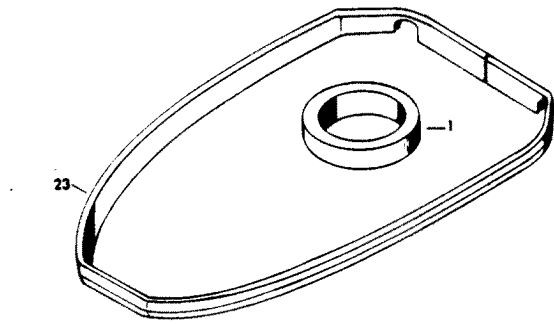
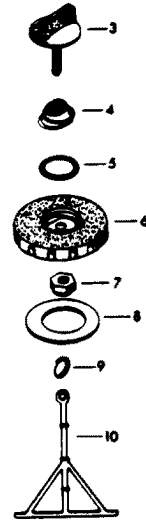
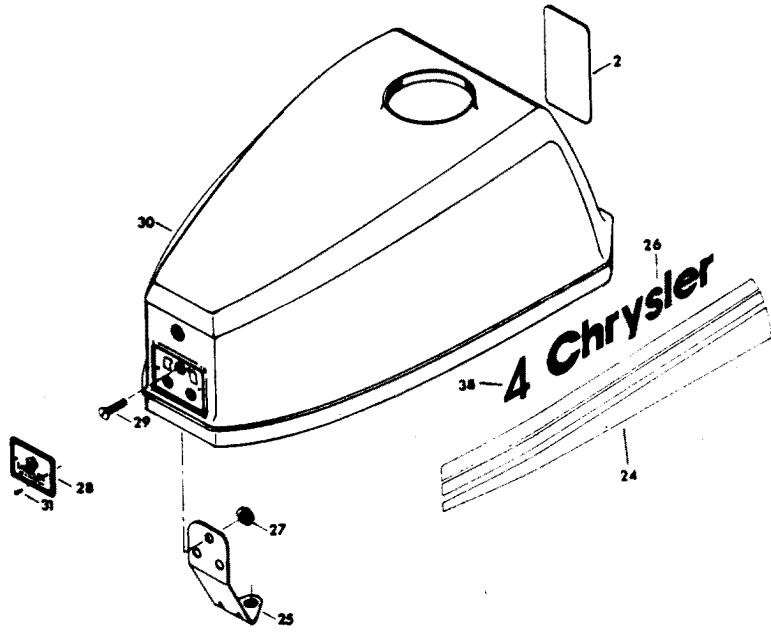


# ENGINE COVER AND FUEL TANK

REF. NO.	PART NO.	SYM.	QTY.	DESCRIPTION
1	F459186		1	COLLAR, FUEL TANK
2	527528		1	DECAL, TRIM REAR
3	F17940		1	VENT CAP
4	F17942		1	CAP, TENSION SPRING
5	F17935		1	GASKET, "O" RING
6	F17936		1	FUEL CAP
7	F17941		1	NUT, VENT SCREW
8	F17943-1		1	FUEL CAP GASKET
9	F427249		1	RETAINING RING
10	F17938		1	ANCHOR
11	341944-1		1	ENGINE COVER, BOTTOM
12	F1995		2	SLOTTED FILL HD SCREW, 10 - 24 X 1
13	F521894		1	DECAL, "OFF" (U. S. A.)
-	<b>FC521894</b>		<b>1</b>	<b>DECAL, "OFF" (CANADA)</b>
14	F1829		1	FILL HD M. SCREW, 10 - 24 X 7/8
15	F1035		3	SLOTTED FILL HD SCREW, 1/4 - 20 X 5/8
16	F521391-1		1	DECAL, SPEED RANGE (U. S. A.)
-	<b>37-817908--3</b>		<b>1</b>	<b>DECAL, SPEED RANGE (CANADA)</b>
17	F521811		1	FITTING, GAS TANK
18	F2706772		2	HOSE CLAMP
19	F901754		1	HOSE
20	F521034-1		1	FUEL TANK
21	F8061		4	INTERNAL TOOTH LOCKWASHER
22	F1896		4	HEX NUT
23	FK525713		1	PACKING, TOP COVER TRIM
24	F527397		1	DECAL, STRIPE - PORT
-	<b>F527396</b>		<b>1</b>	<b>DECAL, STRIPE - STARBOARD</b>
25	FA521778		1	RETAINER, ENGINE COVER FRONT W/SCREWS AND NUTS
26	F527392		2	DECAL, CHRYSLER
27	F7009		3	HEX NUT
28	FA521892		1	INSERT, PLATE FRONT - U. S. A.
-	<b>FA521893</b>		<b>1</b>	<b>INSERT, PLATE FRONT - CANADA</b>
29	F1979		3	PAN HD SCREW, 10 - 24 X 1/2
30	100-FS665712		1	ENGINE COVER TOP W/RETAINER & PACKING
31	F1447		2	ROUND HD DRIVE SCREW, #2 X 3/16
32	F8008		3	PLAIN WASHER
33	F521284		2	KNOB, ENGINE COVER RETAINER
34	F521690		1	SCREW, THROTTLE LEVER ADJUSTMENT
35	F521199		1	SPRING, THROTTLE LEVER ADJUSTMENT

CONTINUED ON NEXT PAGE ➡

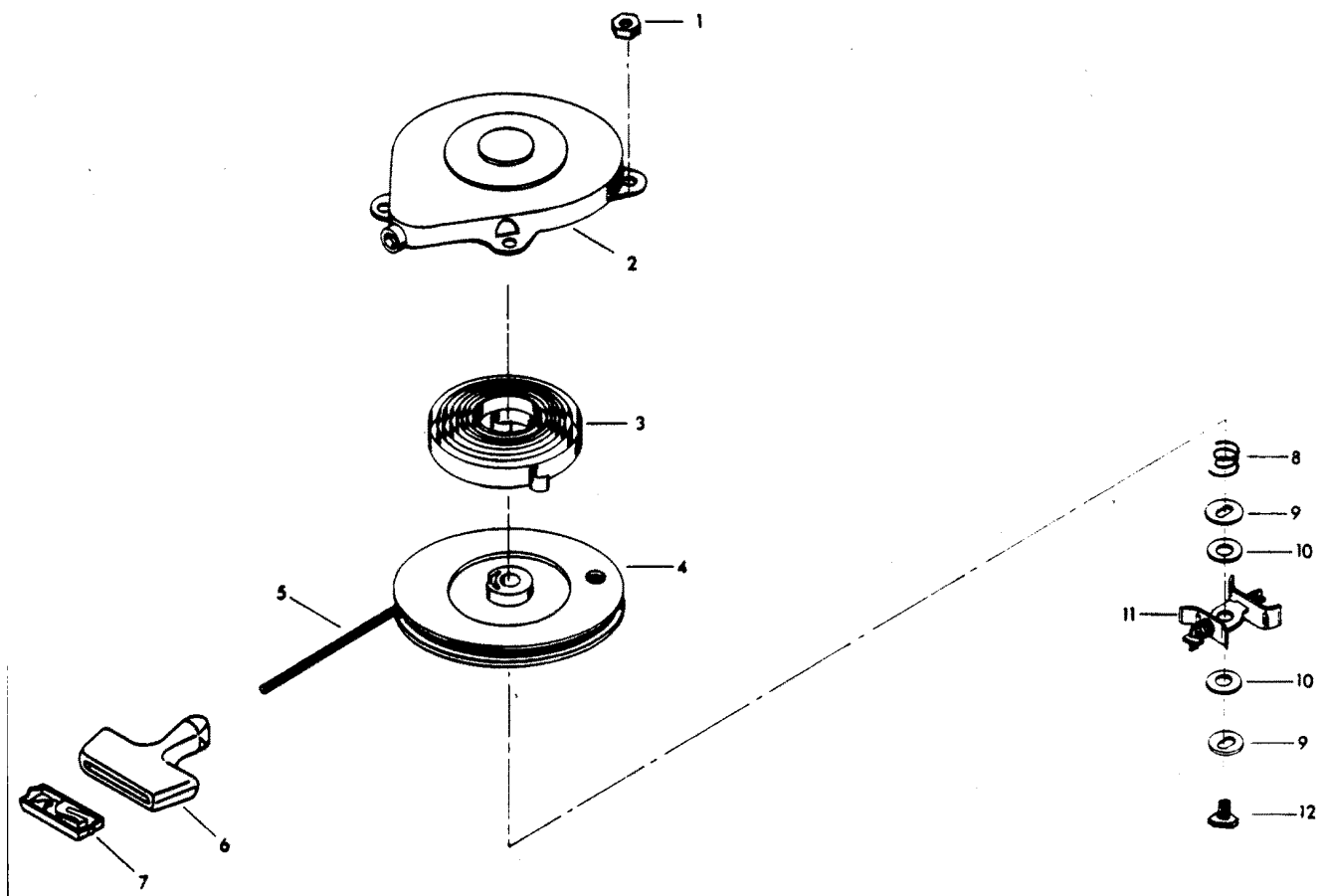
# ENGINE COVER AND FUEL TANK



## ENGINE COVER AND FUEL TANK

REF. NO.	PART NO.	SYM.	QTY.	DESCRIPTION
36	F1015		1	COTTER PIN, 3/64 X 3/8
37	F2042		1	PLAIN WASHER, #10 NARROW
38	F521386-1		1	DECAL, NUMERICAL
-	<b>F521251-2</b>		<b>1</b>	<b>GAS CAP COMPLETE (NOT SHOWN)</b>
-	<b>F521984</b>		<b>1</b>	<b>ENG COVER PACKING (NOT SHOWN)</b>

# STARTER





# STARTER

REF. NO.	PART NO.	SYM.	QTY.	DESCRIPTION
1	F1896		4	HEX NUT
2	F15592		1	COVER
3	F15570		1	SPRING
4	F15591		1	ROTOR
5	F15582		1	STARTER ROPE
6	F286132		1	HANDLE, STARTER ROPE
7	817938A1		1	RETAINER, STARTER ROPE HANDLE
8	F15576		1	SPRING
9	F15510		2	WASHER
10	F15574		2	FIBER WASHER
11	F15575		1	FRICITION SHOE ASSEMBLY
12	F15597		1	SCREW
-	<b>F521063-1</b>		<b>1</b>	<b>STARTER COMPLETE</b>

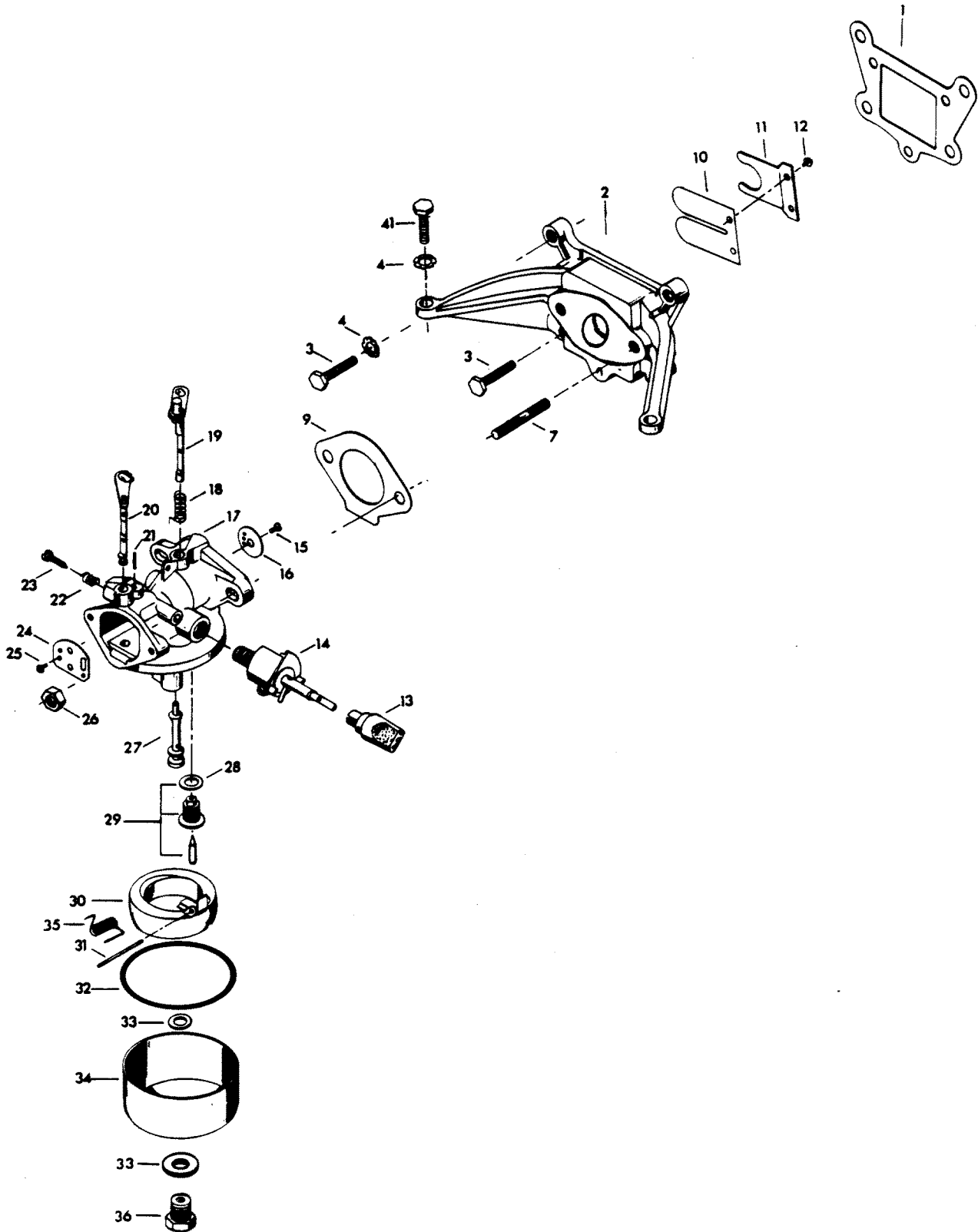
# MAGNETO



# MAGNETO

REF. NO.	PART NO.	SYM.	QTY.	DESCRIPTION
1	F521552		1	SCREW, FLYWHEEL
2	F521097-1		1	FLYWHEEL
3	F521498		1	KEY, FLYWHEEL
4	F521002		1	CAM
5	F12090		2	MOUNTING SCREW
6	F12357		1	CONDENSER W/CLAMP
7	F12359		1	CONTACT SET
8	F12360		1	FELT CAM
9	F12362		1	STATOR PLATE W/CORE
10	F12363		1	WEDGE SPRING
11	F12358		1	COIL W/LEAD WIRE AND WEDGE SPRING
12	FK750-2		1	SPARKIE KIT
13	F12361		1	LEAD WIRE AND GROMMET PACKAGE
14	F521549-2		1	THROTTLE LEVER
15	F1655		1	HEX HD SCREW W/SPRING LOCKWASHER, 1/4 - 20 X 3/8
16	F521192		1	THROTTLE CAM
17	F521908		1	GROUND WIRE
18	F12066		1	FRICTION SCREW
19	F436449		1	SHORTING SWITCH
20	F1298		1	ROUND HD SCREW W/LOCKWASHER
21	F1829		4	FILL HD SCREW, 10 - 24 X 7/8, FOR MODELS 47H8B, 47B8B
22	F1876		2	SPRING PIN FOR MODELS 47H8B, 47B8B
23	FA523095		1	STATOR, ALTERNATOR FOR MODELS 47H8B, 47B8B
24	F448874		1	PARALLEL SPLICE FOR MODELS 47H8B, 47B8B
25	F521843		1	CABLE LIGHTING COIL EXTENSION, FOR MODELS 47H8B, 47B8B
26	FA521841		1	CABLE, LIGHTING COIL, FOR MODELS 47H8B, 47B8B
27	F1734		1	SLOTTED FILL HD SCREW, 1/4 - 20 X 1/2

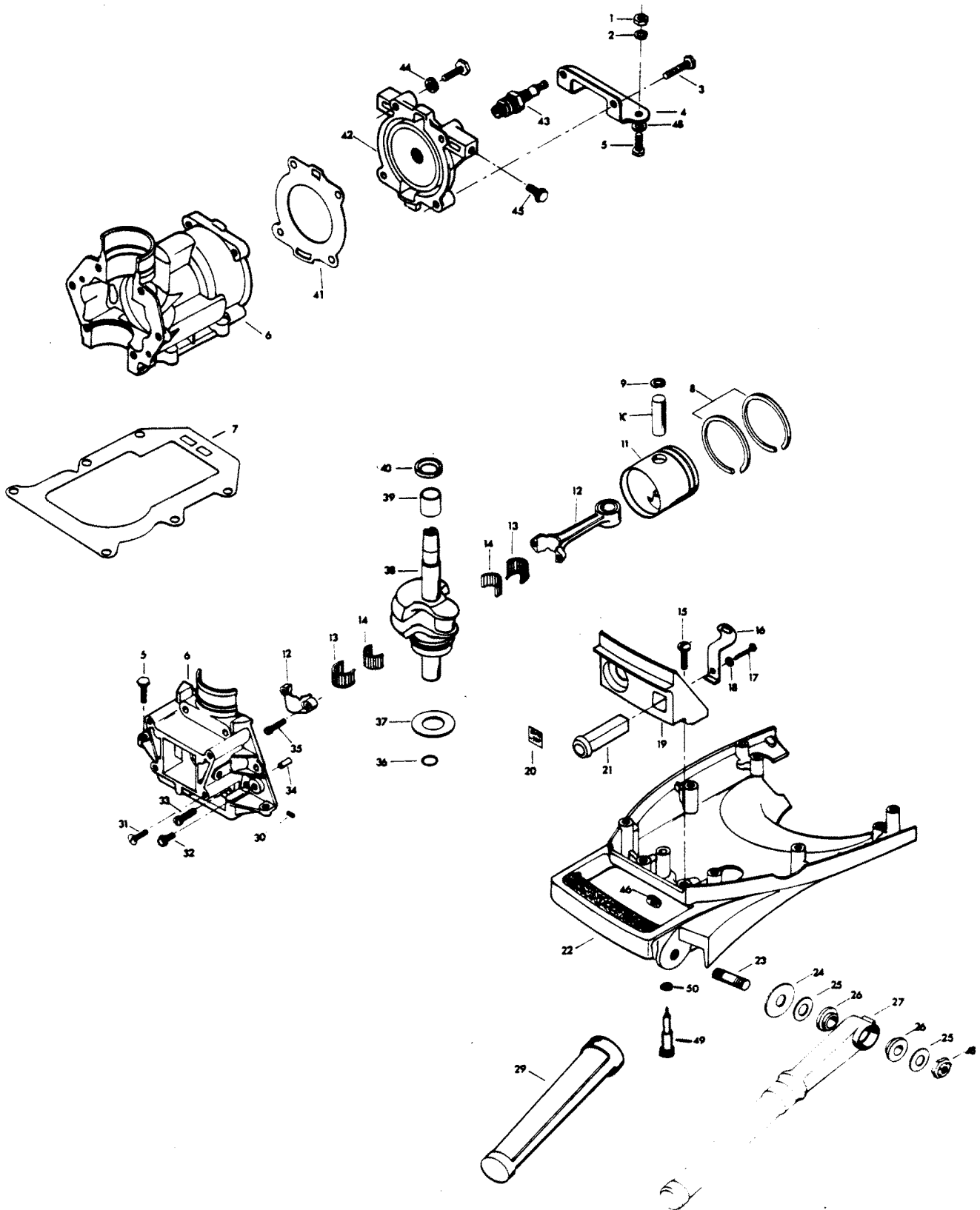
# CARBURETOR AND REED PLATE



# CARBURETOR AND REED PLATE

REF. NO.	PART NO.	SYM.	QTY.	DESCRIPTION
1	F521168		1	GASKET, CARBURETOR ADAPTER
2	F2A332167		1	CARBURETOR ADAPTER W/STUDS, REED AND STOP
3	F1833		4	HEX CAP SCREW, 1/4 - 20 X 1
4	F8060		4	INTERNAL TOOTH LOCKWASHER
7	F27209-1		1	STUD, CARBURETOR
9	F521906		1	GASKET, CARBURETOR
10	F31160-1		1	REED
11	F424161		1	REED STOP
12	F1755		2	ROUND HD SCREW W/LOCKWASHER, 6 - 32 X 5/16
13	F521550		1	KNOB, FUEL SHUT-OFF
14	F521489		1	VALVE, FUEL SHUT-OFF
15	F10071		1	SCREW
16	F10060		1	THROTTLE VALVE
17	F521061-4		1	CARBURETOR COMPLETE
18	F10075		1	SPRING, THROTTLE RETURN
19	F10059		1	THROTTLE SHAFT
20	F10061		1	CHOKE SHAFT
21	F10072		1	SPRING, CHOKE STOP
22	F10073		1	SPRING, IDLE ADJUSTMENT NEEDLE
23	F10077		1	NEEDLE, IDLE
24	F10062		1	CHOKE VALVE
25	F10070		2	SCREW, CHOKE VALVE
26	F1490		2	HEX NUT, 1/4 - 20
27	F10065		1	NOZZLE
28	F10066		1	GASKET, VALVE SEAT
29	F10092		1	VALVE, SEAT AND GASKET ASSEMBLY
30	F10063		1	FLOAT
31	F10064		1	FLOAT PIN
32	F10068		1	GASKET, FUEL BOWL
33	F10067		2	GASKET, BOWL RETAINER
34	F10058		1	FUEL BOWL
35	F10084		1	SPRING, FLOAT SUPPORT
36	F10093		1	NEEDLE ASSEMBLY
41	F2008		2	HEX CAP SCREW, 1/4 - 20 X 7/8
-	<b>F10098</b>		1	<b>REPAIR KIT INCLUDES ALL ITEMS MARKED WITH AN ASTERISK (*).</b>
-	<b>F10069</b>		1	<b>GASKET SET INCLUDES ALL ITEMS MARKED WITH A DOUBLE ASTERISK (**).</b>

# POWER HEAD AND SUPPORT PLATE

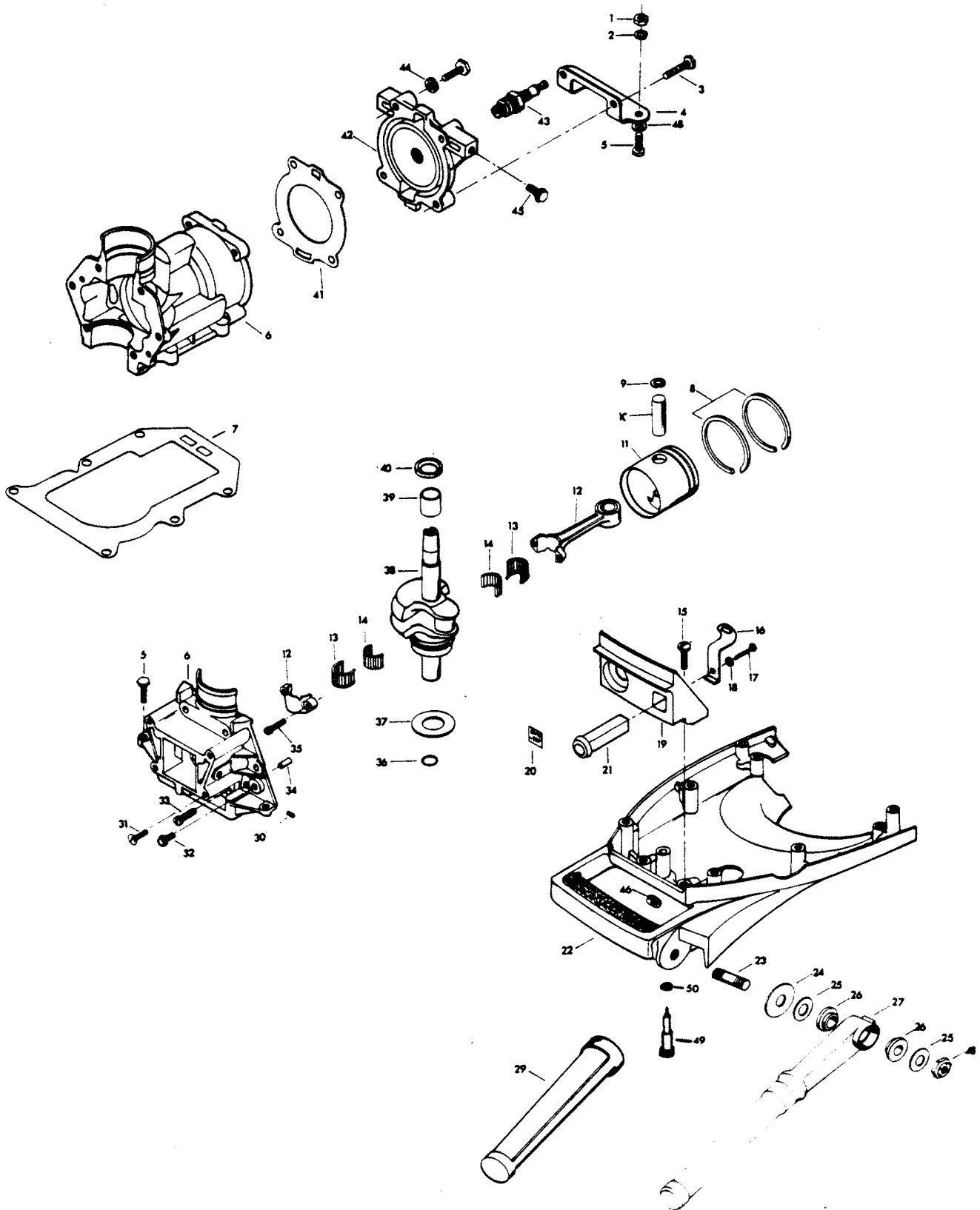


# POWER HEAD AND SUPPORT PLATE

REF. NO.	PART NO.	SYM.	QTY.	DESCRIPTION
1	F1341		2	HEX NUT
2	F8083		2	SPRING LOCKWASHER
3	F901938-1		4	SCREW, CYLINDER HEAD
4	F521774		1	BRACKET, ENGINE COVER LOWER MOUNTING
5	F1705		2	HEX HD CAP SCREW, 1/4 - 20 X 3/4
6	F2A521010		1	CYLINDER W/CRANKCASE COVER, DOWEL PINS AND SCREWS
7	F521279		1	GASKET, CYLINDER EXHAUST
8	39-818038A1		2	PISTON RING SET
9	F250410		2	PISTON PIN RETAINING RING
10	F250017		1	PISTON PIN
11	F521015		1	PISTON
12	F2A521016		1	CONNECTING ROD W/SCREWS AND BEARING
13	FA525241		2	CAGE, CRANKPIN ROLLER
14	FA525228		1	CRANKPIN ROLLER SET
15	F1493		2	PAN HD SCREW, 1/4 - 20 X 5/8
16	F521925		1	LINK, CHOKE KNOB
17	F2041		1	HEX HD M. SCREW, 10 - 24 X 3/8
18	F1975		1	SPRING LOCKWASHER
19	F521163		1	COVER, SUPPORT PLATE
20	F521248		1	DECAL, CHOKE (U. S. A.)
-	<b>FC521248</b>		<b>1</b>	<b>DECAL, CHOKE (CANADA)</b>
21	F521547		1	CHOKE KNOB
22	F270038		1	SUPPORT PLATE (42H8E, 42B8E)
-	<b>F226038</b>		<b>1</b>	<b>SUPPORT PLATE (47H8E, 47B8E)</b>
23	F521004		1	STUD
24	F286286-1		1	WASHER, NYLON
25	F8015		2	PLAIN WASHER
26	F521319		2	BUSHING, STEERING HANDLE
27	F521079		1	STEERING HANDLE
28	F1756		1	STOP NUT
29	F390137		1	GRIP, STEERING HANDLE
30	F1789		1	PIPE PLUG
31	F1107		2	FILL HD M. SCREW, 1/4 - 20 X 3/4
32	F2040		1	HEX WASHER HD TAPTITE SCREW, 1/4 - 20 X 5/8
33	F1099		4	SLOTTED FILL HD SCREW, 1/4 - 20 X 1 1/4
34	F8559		2	DOWEL PIN
35	F36634		2	SCREW, CONNECTING ROD
36	F521579		1	SEAL, CRANKSHAFT SPLINE
37	F521118-1		1	SEAL, CRANKSHAFT LOWER
38	F2A521018		1	CRANKSHAFT W/SLINGER AND LOWER BEARING
39	F521013		1	BEARING, CRANKSHAFT UPPER
40	F521146		1	SEAL, CRANKSHAFT UPPER

CONTINUED ON NEXT PAGE ➡

# POWER HEAD AND SUPPORT PLATE

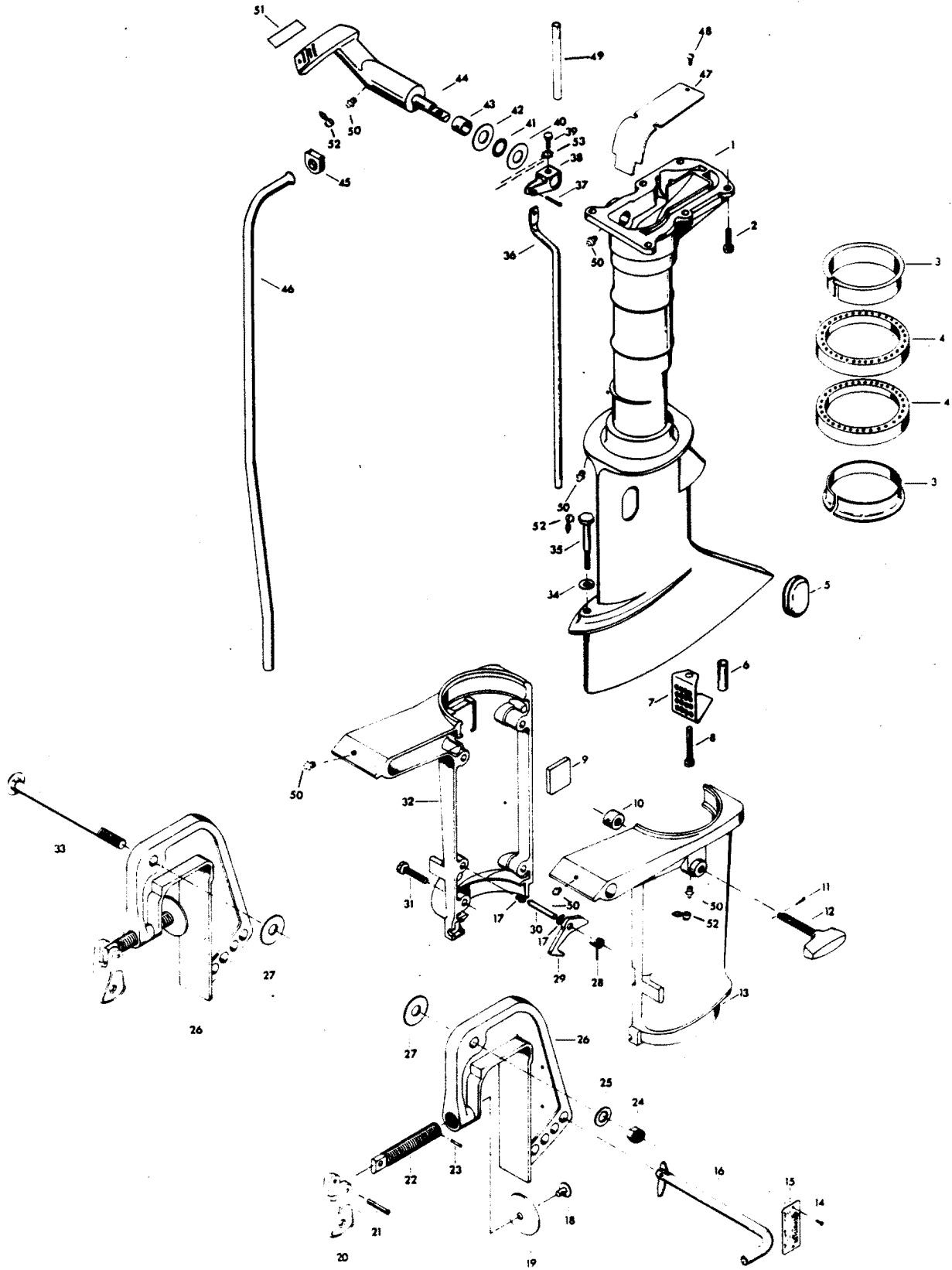




## POWER HEAD AND SUPPORT PLATE

REF. NO.	PART NO.	SYM.	QTY.	DESCRIPTION
41	F521529		1	GASKET, CYLINDER HEAD
42	F521518		1	CYLINDER HEAD
43	33-82370M		1	SPARK PLUG (L-86)
-	<b>C247227-1</b>		<b>1</b>	<b>SPARK PLUG (RL-86) FOR MODELS 42H8E, 47H8E</b>
44	F8028		2	PLAIN WASHER
45	F1426		2	HEX HD SCREW W/LOCKWASHER, 1/4 - 20 X 7/16
46	F84991-1		1	GROMMET FOR MODELS 47H8E, 47B8E
48	F8008		2	PLAIN WASHER
49	F341284		1	KNOB, ENGINE COVER RETAINER
50	F9102		1	RETAINING RING
-	<b>FC521010</b>		<b>1</b>	<b>SHORT BLOCK (NOT SHOWN) INCLUDES ALL ITEMS MARKED WITH AN ASTERISK (*).</b>
-	<b>FG1015</b>		<b>1</b>	<b>GASKET SET (SEE BELOW)</b>
-	<b>F521159</b>		<b>2</b>	<b>REED PLATE</b>
-	<b>F521168</b>		<b>1</b>	<b>CARBURETOR ADAPTER</b>
-	<b>F521279</b>		<b>1</b>	<b>CYLINDER EXHAUST</b>
-	<b>F521529</b>		<b>1</b>	<b>CYLINDER HEAD</b>
-	<b>F521906</b>		<b>1</b>	<b>CARBURETOR</b>

# MOTOR LEG

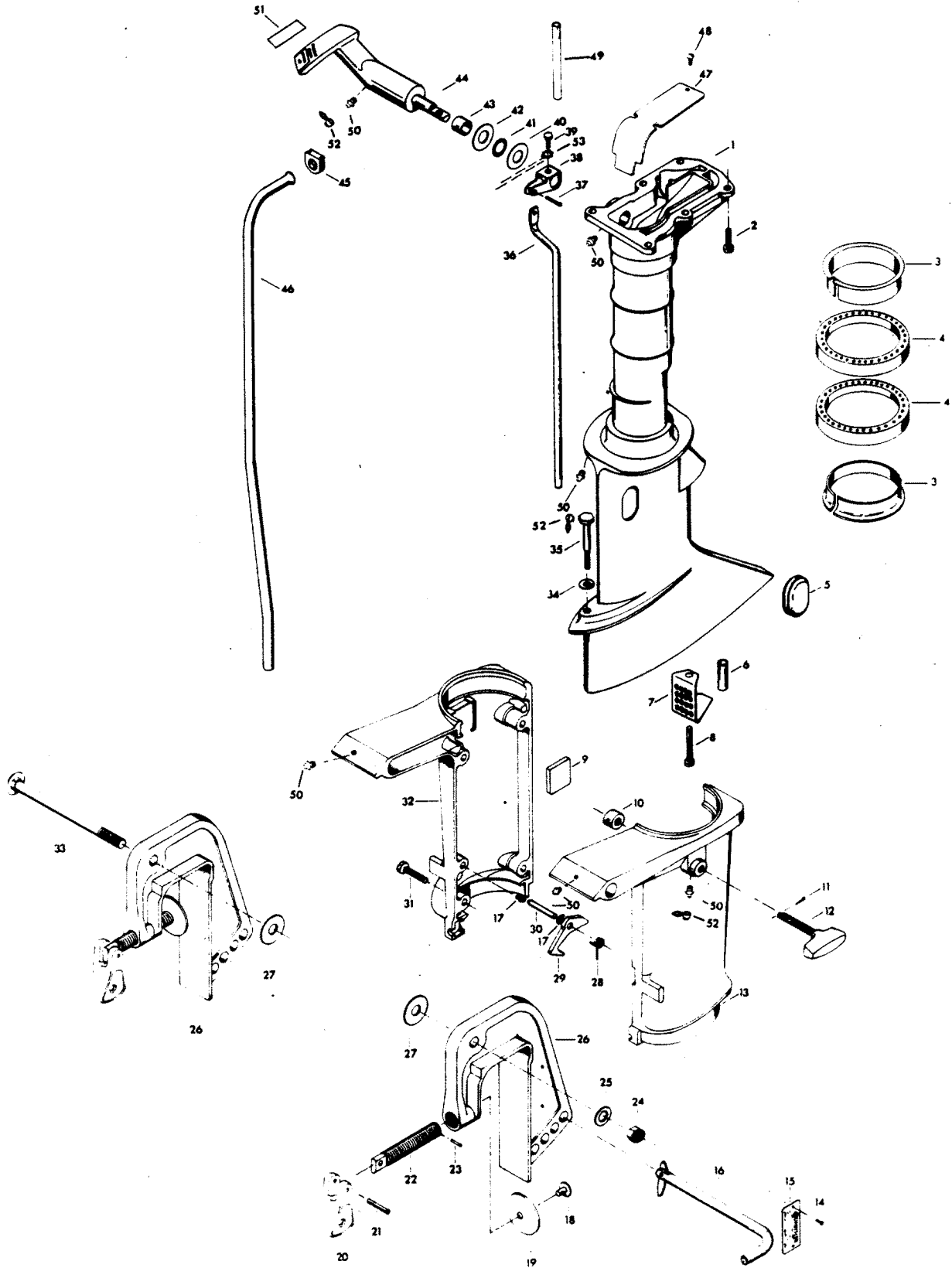


# MOTOR LEG

REF. NO.	PART NO.	SYM.	QTY.	DESCRIPTION
1	1500-817940A6		1	MOTOR LEG W/ITEMS 47, 48, 43, 49 AND 50 ORIGINAL FORCE P/N K341133-2
2	F1922		6	HEX HD SCREW, 1/4 - 20 X 5/8
3	F468169		2	BEARING, SWIVEL BRACKET
4	F468346		2	SHOCK MOUNT
5	F46899-1		1	COVER, SHIFT COUPLING
6	F521727		1	SLEEVE, IDLE BAFFLE
7	F521779		1	BAFFLE, IDLE RELIEF
8	F1747		1	FILL HD SCREW, 10 - 24 X 1 11/16
9	F521661-1		1	PAD, SWIVEL FRICTION
10	F521631		1	SHOE, SWIVEL FRICTION
11	F1014		1	COTTER PIN
12	F521514		1	KNOB, STEERING FRICTION W/SCREW
13	817815A4		1	SWIVEL BRACKET - PORT
14	F1293		2	DRIVE SCREW, 2 X 3/16
15	FA77395-5		0	PLATE, IDENTIFICATION W/SCREWS - USA
-	<b>AC16395-8</b>		<b>0</b>	<b>PLATE, IDENTIFICATION W/SCREWS - CANADA</b>
16	817810A1		1	LOCK BAR
17	F197813		2	BEARING
18	F66480		2	STUD
19	F24074		2	CLAMP SCREW FOOT
20	F298075		2	HANDLE, CLAMP SCREW
21	F8554		2	SPRING PIN
22	817761A2		2	CLAMP SCREW W/FOOT AND STUD
23	F8537		2	SPRING PIN
24	F7005		1	STOP NUT
25	F8039		1	PLAIN WASHER
26	1400-817850A4		2	STERN BRACKET W/CLAMP SCREW & FOOT
27	F2037		2	PLAIN WASHER
28	F468300		1	SPRING, REVERSE LOCK
29	F468349		1	REVERSE LOCK
30	F468350		1	PIN, REVERSE LOCK
31	F2035		4	PHILLIPS FILL HD SCREW, 1/4 - 20 X 1
32	817816A6		1	SWIVEL BRACKET - STARBOARD
33	F468037-1		1	PIVOT BOLT
34	F8083		1	SPRING LOCKWASHER
35	F1175		1	HEX CAP SCREW, 1/4 - 20 X 1 7/8, FOR MODELS 42H8B, 42B8B
36	F521615		1	ROD, GEAR SHIFT UPPER
37	F1406		1	COTTER PIN
38	F521621		1	LEVER, GEAR SHIFT
39	F2041		1	HEX M. SCREW, 10 - 24 X 3/8
40	F2014		1	PLAIN WASHER
41	F19342		1	SEAL, SHIFT LEVER SHAFT

CONTINUED ON NEXT PAGE ➡

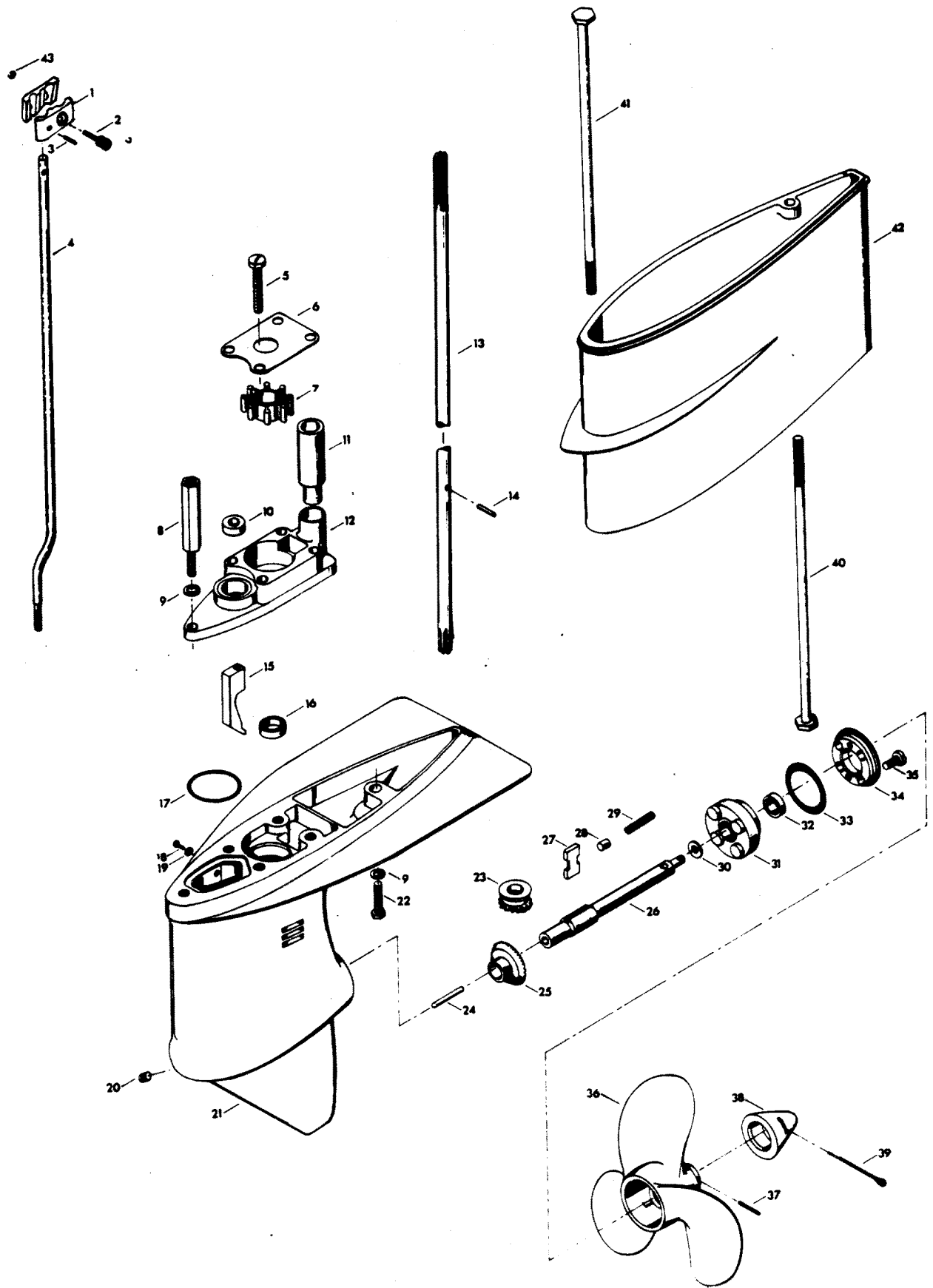
# MOTOR LEG



# MOTOR LEG

REF. NO.	PART NO.	SYM.	QTY.	DESCRIPTION
42	F521415		1	WASHER, GEAR SHIFT HANDLE
43	F341610		1	BEARING, GEAR SHIFT SHAFT
44	820433T		1	HANDLE, GEAR SHIFT W/SHAFT
45	F521342-1		1	SEAL, WATER LINE
46	F521244		1	WATER LINE (42H8E, 42B8E)
-	<b>F341244</b>		<b>1</b>	<b>WATER LINE (47H8E, 47B8E)</b>
47	FA341151		1	PLATE, EXHAUST
48	F1645		3	RD HD THD. CUTTING, 6 - 32 X 1/4
49	F521261		1	LINE, WATER OUTLET
50	F213274		6	FITTING, GREASE
51	FC521400		1	DECAL, GEAR SHIFT HANDLE (CANADA)
52	F521569		3	CAP, GREASE FITTING
53	F1975		1	LOCKWASHER, #10

# GEAR HOUSING

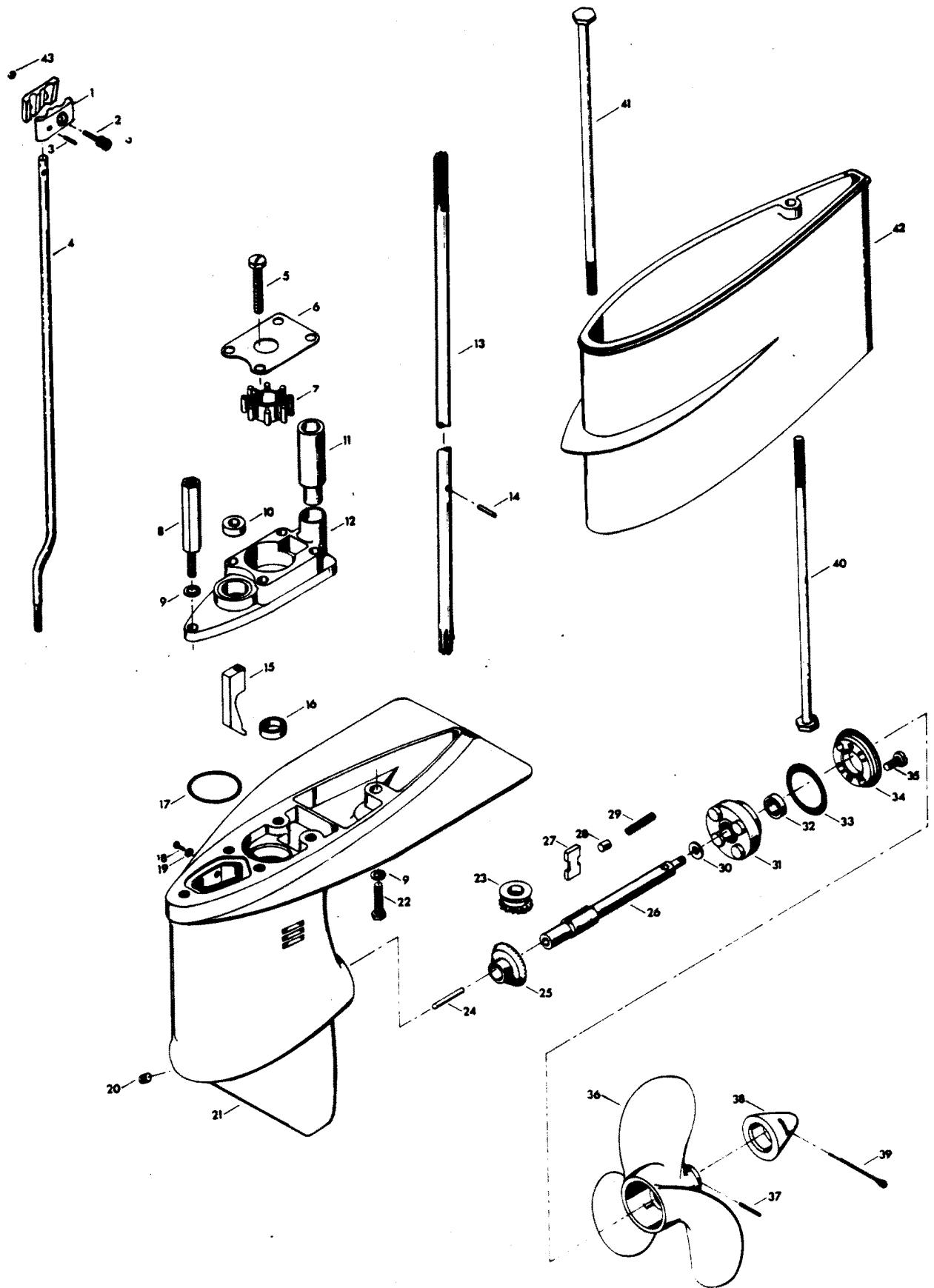


# GEAR HOUSING

REF. NO.	PART NO.	SYM.	QTY.	DESCRIPTION
1	F341704		2	COUPLING, GEAR SHIFT ROD
2	F1371		1	SOCKET HD SCREW W/LOCKWASHER, 10 - 24 X 5/8
3	F8538		1	SPRING PIN
4	F521705		1	ROD, GEAR SHIFT LOWER (42H8E, 42B8E)
-	<b>F332705</b>		<b>1</b>	<b>GEAR SHIFT ROD LOWER, FOR MODELS (47H8E, 47B8E)</b>
5	F1504		4	FILL HD SCREW, 1/4 - 20 X 1 1/4
6	F521537		1	PLATE, WATER PUMP
7	F521065		1	IMPELLER
8	F521006		1	STUD
9	F8083		2	SPRING LOCKWASHER
10	F338618-1		1	SEAL, SHIFT ROD
11	FA521735		1	SEAL, WATERLINE
12	FA735060		1	WATER PUMP BODY
13	F521128		1	DRIVESHAFT
-	<b>F341128</b>		<b>1</b>	<b>DRIVESHAFT FOR MODELS 47HB, 47BB</b>
14	F390563		1	PIN, WATER PUMP IMPELLER DRIVE
15	F521721		1	CAM, CLUTCH SHIFT
16	F318307		1	SEAL, DRIVESHAFT
17	F521783		1	SEAL
18	F1077		1	FILL HD SCREW, 10 - 24 X 1/4
19	F8074		1	WASHER
20	F19109		1	PLUG, GEAR HOUSING
21	F2A521054		1	GEAR HOUSING, WASHER, DRIVESHAFT BEARING & SEAL <b>W/PLUG VENT SCREW</b>
22	F1199		1	HEX CAP SCREW, 1/4 - 20 X 1, FOR MODELS (42H8B, 42B8B)
23	F521266		1	BEVEL PINION GEAR
24	F521728		1	CLUTCH SHIFT PIN
25	FA521023		1	BEVEL GEAR W/BEARING
26	F409098		1	PROPELLER SHAFT (42H8E, 42B8E)
-	<b>F459098</b>		<b>1</b>	<b>PROPELLER SHAFT (47H8E, 47B8E)</b>
27	F409521		1	CLUTCH
28	F318372		1	PIN, CLUTCH GUIDE
29	F409719		1	CLUTCH SPRING
30	F521099		1	SPACER
31	FA521298		1	BEARING CAGE W/BEARING AND SEAL
32	F521307		1	SEAL, PROPELLER SHAFT
33	F521305		1	SEAL, "O" RING
34	F521296		1	RETAINER, PROPELLER SHAFT BEARING CAGE
35	F525457		4	FILL HD SCREW, 1/4 - 20 X 5/8
36	FP341		1	PROPELLER (47H8E, 47B8E)
-	<b>FP332</b>		<b>1</b>	<b>PROPELLER (42H8E, 42B8E)</b>
37	FA459101		1	PROPELLER PIN, PACK OF 3 (47H8E, 47B8E)
-	<b>FA324101</b>		<b>1</b>	<b>PROPELLER PIN, PACK OF 3 (42H8E, 42B8E)</b>

CONTINUED ON NEXT PAGE ➡

# GEAR HOUSING





# GEAR HOUSING

REF. NO.	PART NO.	SYM.	QTY.	DESCRIPTION
38	11-817752A1		1	PROPELLER NUT W/COTTER PIN
39	F1846		1	COTTER PIN
40	F1808		1	HEX CAP SCREW, 1/4 - 20 X 7, FOR MODELS 47HB, 47BB
41	F1825		1	HEX CAP SCREW, 1/4 - 20 X 6, FOR MODELS 47H8B, 47B8B
42	F521845		1	EXTENSION, MOTOR - FOR MODELS 47H8E, 47B8E
43	F7009		1	LOCK NUT, 10 - 24
-	<b>FC521054</b>		<b>1</b>	<b>GEAR HOUSING COMPLETE (NOT SHOWN) (47H8E) (INCLUDES ALL ITEMS MARKED WITH AN ASTERISK (*), W/459098 PROP SHAFT</b>
-	<b>FC341054</b>		<b>1</b>	<b>GEAR HOUSING COMPLETE (NOT SHOWN) (42H8E) (INCLUDES ALL ITEMS MARKED WITH AN ASTERISK (*), W/409098 PROP SHAFT</b>

# ACCESSORIES

REF. NO.	PART NO.	SYM.	QTY.	DESCRIPTION
-	F5H089		0	A-C LIGHTING COIL KIT PROVIDES 12 VOLT, 60 WATT OUTPUT FOR OUTBOARD RUNNING LIGHTS.
-	F5H091		0	BATTERY CHARGING SYSTEM USED IN CONJUNCTION WITH 5H089 LIGHTING COIL KIT OR 47H8B, 47B8B MODEL ENGINES.
-	5H092		0	FUEL PUMP KIT ADAPTS ENGINE TO USE WITH REMOTE FUEL TANK.
-	F5H027		0	6 GALLON FUEL TANK USED IN CONJUNCTION WITH 5H092 FUEL PUMP KIT TO PERMIT EXTENDED CRUISING RANGE.
-	760		0	4 1/4 GALLON FUEL TANK USED IN CONJUNCTION WITH 5H092 FUEL PUMP KIT TO PERMIT EXTENDED CRUISING RANGE.
-	F5H093		0	LEG EXTENSION KIT CONVERTS 15 INCH STANDARD SHAFT MODEL TO 20 INCH LONG SHAFT MODEL.

# SPECIFICATIONS

REF. NO.	PART NO.	SYM.	QTY.	DESCRIPTION
-			0	HORSEPOWER 4 B. I. A. CERTIFIED BRAKE H. P. AT 5500 R. P. M.
-			0	ENGINE TWO-CYCLE, SINGLE CYLINDER.
-			0	BORE AND STROKE 2.0" BORE X 1 9/16" STROKE.
-			0	PISTON DISPLACEMENT 5.00 CUBIC INCHES.
-			0	FUEL SYSTEM FLOAT FEED CARBURETOR.
-			0	CONNECTING ROD ALLOY STEEL FORGING.
-			0	CRANKSHAFT STEEL FORGING - MOLDED NODULAR IRON, GROUND FINISH.
-			0	FUEL TANK STEEL TANK, CAPACITY 4 U. S. PINTS OR 2 LITERS.
-			0	PROPELLER SHAFT AND DRIVESHAFT STAINLESS STEEL, HARDENED GROUND AND POLISHED.
-			0	PROPELLER ALUMINUM, DIAMETER 7 1/4", PITCH 5 1/2" LEFT HAND ROTATION.
-			0	COOLING SYSTEM WATER COOLED -- POSITIVE DISPLACEMENT TYPE WATER PUMP.
-			0	TRANSOM HEIGHT 15"
-			0	WEIGHT 38 POUNDS

# LUBRICATION CHART

REF. NO.	PART NO.	SYM.	QTY.	DESCRIPTION
-			0	CLAMP SCREWS SAE 30 MOTOR OIL, TWICE EACH SEASON
-			0	SWIVEL BRACKET BEARING GRAPHITE GREASE, TWICE EACH SEASON
-			0	CONTACT SURFACE BETWEEN MAGNETO STATOR PLATE & UPR BEARG CAGE EP - ALL PURPOSE CHASSIS LUBRICANT, IF MAGNETO CONTROL LEVER BECOMES HARD TO MOVE
-			0	GEAR HOUSING CHRYSLER OUTBOARD GEAR LUBE, EVERY 30 HOURS, OFTENER IF REQUIRED
-			0	PROPELLER SHAFT ANTI-SEIZE (SPECIAL TOOL T2987-1), TWICE EACH SEASON
-			0	GREASE FITTINGS HIGH TEMPERATURE GREASE, TWICE EACH SEASON

## SPECIAL ADJUSTMENTS

REF. NO.	PART NO.	SYM.	QTY.	DESCRIPTION
-			0	STEERING TENSION IF MOTOR STEERS TOO HARD, LOOSEN THE STEERING FRICTION SCREW, ILLUSTRATION 12, PAGE 11. IF MOTOR TURNS TOO EASILY, TIGHTEN THE SCREW.
-			0	MAGNETO BREAKER POINT GAP SPACING .020".
-			0	SPARK PLUG CHAMPION L-86 FOR MODELS 42H8E AND 47H8E
-			0	SPARK PLUG

# PARTS INDEX

Part Number	Description	Pg.	Ref. No.	Part Number	Description	Pg.	Ref. No.
341944-1	ENGINE COVER, BOTTOM	3	11	F12090	MOUNTING SCREW	9	5
527528	DECAL, TRIM REAR	3	2	F12357	CONDENSER W/CLAMP	9	6
5H092	FUEL PUMP KIT	24	-	F12358	COIL W/LEAD WIRE AND WEDGE SPRING	9	11
760	4 1/4 GALLON FUEL TANK	24	-	F12359	CONTACT SET	9	7
817761A2	CLAMP SCREW W/FOOT AND STUD	17	22	F12360	FELT CAM	9	8
817810A1	LOCK BAR	17	16	F12361	LEAD WIRE AND GROMMET PACKAGE	9	13
817815A4	SWIVEL BRACKET - PORT	17	13	F12362	STATOR PLATE W/CORE	9	9
817816A6	SWIVEL BRACKET - STARBOARD	17	32	F12363	WEDGE SPRING	9	10
817938A1	RETAINER, STARTER ROPE HANDLE	7	7	F1293	DRIVE SCREW, 2 X 3/16	17	14
820433T	HANDLE, GEAR SHIFT W/SHAFT	19	44	F1298	ROUND HD SCREW W/LOCKWASHER	9	20
AC16395-8	PLATE, IDENTIFICATION W/SCREWS - CANADA	17	-	F1341	HEX NUT	13	1
C247227-1	SPARK PLUG (RL-86) FOR MODELS 42H8E, 47H8E	15	-	F1371	SOCKET HD SCREW W/LOCKWASHER, 10 - 24 X 5/8	21	2
F10058	FUEL BOWL	11	34	F1406	COTTER PIN	17	37
F10059	THROTTLE SHAFT	11	19	F1426	HEX HD SCREW W/LOCKWASHER, 1/4 - 20 X 7/16	15	45
F10060	THROTTLE VALVE	11	16	F1447	ROUND HD DRIVE SCREW, #2 X 3/16	3	31
F10061	CHOKE SHAFT	11	20	F1490	HEX NUT, 1/4 - 20	11	26
F10062	CHOKE VALVE	11	24	F1493	PAN HD SCREW, 1/4 - 20 X 5/8	13	15
F10063	FLOAT	11	30	F1504	FILL HD SCREW, 1/4 - 20 X 1 1/4	21	5
F10064	FLOAT PIN	11	31	F15510	WASHER	7	9
F10065	NOZZLE	11	27	F15570	SPRING	7	3
F10066	GASKET, VALVE SEAT	11	28	F15574	FIBER WASHER	7	10
F10067	GASKET, BOWL RETAINER	11	33	F15575	FRICITION SHOE ASSEMBLY	7	11
F10068	GASKET, FUEL BOWL	11	32	F15576	SPRING	7	8
F10069	GASKET SET	11	-	F15582	STARTER ROPE	7	5
F10070	SCREW, CHOKE VALVE	11	25	F15591	ROTOR	7	4
F10071	SCREW	11	15	F15592	COVER	7	2
F10072	SPRING, CHOKE STOP	11	21	F15597	SCREW	7	12
F10073	SPRING, IDLE ADJUSTMENT NEEDLE	11	22	F1645	RD HD THD. CUTTING, 6 - 32 X 1/4	19	48
F10075	SPRING, THROTTLE RETURN	11	18	F1655	HEX HD SCREW W/SPRING LOCKWASHER, 1/4 - 20 X 3/8	9	15
F10077	NEEDLE, IDLE	11	23	F1705	HEX HD CAP SCREW, 1/4 - 20 X 3/4	13	5
F10084	SPRING, FLOAT SUPPORT	11	35	F1734	SLOTTED FILL HD SCREW, 1/4 - 20 X 1/2	9	27
F10092	VALVE, SEAT AND GASKET ASSEMBLY	11	29	F1747	FILL HD SCREW, 10 - 24 X 1 11/16	17	8
F10093	NEEDLE ASSEMBLY	11	36	F1755	ROUND HD SCREW W/LOCKWASHER, 6 - 32 X 5/16	11	12
F10098	REPAIR KIT	11	-	F1756	STOP NUT	13	28
F1014	COTTER PIN	17	11	F1789	PIPE PLUG	13	30
F1015	COTTER PIN, 3/64 X 3/8	5	36	F17935	GASKET, "O" RING	3	5
F1035	SLOTTED FILL HD SCREW, 1/4 - 20 X 5/8	3	15	F17936	FUEL CAP	3	6
F1077	FILL HD SCREW, 10 - 24 X 1/4	21	18	F17938	ANCHOR	3	10
F1099	SLOTTED FILL HD SCREW, 1/4 - 20 X 1 1/4	13	33	F17940	VENT CAP	3	3
F1107	FILL HD M. SCREW, 1/4 - 20 X 3/4	13	31	F17941	NUT, VENT SCREW	3	7
F1175	HEX CAP SCREW, 1/4 - 20 X 1 7/8, FOR MODELS 42H8B, 42B8B	17	35	F17942	CAP, TENSION SPRING	3	4
F1199	HEX CAP SCREW, 1/4 - 20 X 1, FOR MODELS (42H8B, 42B8B)	21	22	F17943-1	FUEL CAP GASKET	3	8
F12066	FRICITION SCREW	9	18				

# PARTS INDEX

Part Number	Description	Pg.	Ref. No.	Part Number	Description	Pg.	Ref. No.
F1808	HEX CAP SCREW, 1/4 - 20 X 7, FOR MODELS 47HB, 47BB	23	40	F2A521010	CYLINDER W/CRANKCASE COVER, DOWEL PINS AND SCREWS	13	6
F1825	HEX CAP SCREW, 1/4 - 20 X 6, FOR MODELS 47H8B, 47B8B	23	41	F2A521016	CONNECTING ROD W/SCREWS AND BEARING	13	12
F1829	FILL HD M. SCREW, 10 - 24 X 7/8	3	14	F2A521018	CRANKSHAFT W/SLINGER AND LOWER BEARING	13	38
F1829	FILL HD SCREW, 10 - 24 X 7/8, FOR MODELS 47H8B, 47B8B	9	21	F2A521054	GEAR HOUSING, WASHER, DRIVESHAFT BEARING & SEAL	21	21
F1833	HEX CAP SCREW, 1/4 - 20 X 1	11	3	F31160-1	REED	11	10
F1846	COTTER PIN	23	39	F318307	SEAL, DRIVESHAFT	21	16
F1876	SPRING PIN FOR MODELS 47H8B, 47B8B	9	22	F318372	PIN, CLUTCH GUIDE	21	28
F1896	HEX NUT	3	22	F332705	GEAR SHIFT ROD LOWER, FOR MODELS (47H8E, 47B8E)	21	-
F1896	HEX NUT	7	1	F338618-1	SEAL, SHIFT ROD	21	10
F19109	PLUG, GEAR HOUSING	21	20	F341128	DRIVESHAFT FOR MODELS 47HB, 47BB	21	-
F1922	HEX HD SCREW, 1/4 - 20 X 5/8	17	2	F341244	WATER LINE (47H8E, 47B8E)	19	-
F19342	SEAL, SHIFT LEVER SHAFT	17	41	F341284	KNOB, ENGINE COVER RETAINER	15	49
F1975	LOCKWASHER, #10	19	53	F341610	BEARING, GEAR SHIFT SHAFT	19	43
F1975	SPRING LOCKWASHER	13	18	F341704	COUPLING, GEAR SHIFT ROD	21	1
F197813	BEARING	17	17	F36634	SCREW, CONNECTING ROD	13	35
F1979	PAN HD SCREW, 10 - 24 X 1/2	3	29	F390137	GRIP, STEERING HANDLE	13	29
F1995	SLOTTED FILL HD SCREW, 10 - 24 X 1	3	12	F390563	PIN, WATER PUMP IMPELLER DRIVE	21	14
F2008	HEX CAP SCREW, 1/4 - 20 X 7/8	11	41	F409098	PROPELLER SHAFT (42H8E, 42B8E)	21	26
F2014	PLAIN WASHER	17	40	F409521	CLUTCH	21	27
F2035	PHILLIPS FILL HD SCREW, 1/4 - 20 X 1	17	31	F409719	CLUTCH SPRING	21	29
F2037	PLAIN WASHER	17	27	F424161	REED STOP	11	11
F2040	HEX WASHER HD TAPTITE SCREW, 1/4 - 20 X 5/8	13	32	F427249	RETAINING RING	3	9
F2041	HEX HD M. SCREW, 10 - 24 X 3/8	13	17	F436449	SHORTING SWITCH	9	19
F2041	HEX M. SCREW, 10 - 24 X 3/8	17	39	F448874	PARALLEL SPLICE FOR MODELS 47H8B, 47B8B	9	24
F2042	PLAIN WASHER, #10 NARROW	5	37	F459098	PROPELLER SHAFT (47H8E, 47B8E)	21	-
F213274	FITTING, GREASE	19	50	F459186	COLLAR, FUEL TANK	3	1
F226038	SUPPORT PLATE (47H8E, 47B8E)	13	-	F468037-1	PIVOT BOLT	17	33
F24074	CLAMP SCREW FOOT	17	19	F468169	BEARING, SWIVEL BRACKET	17	3
F250017	PISTON PIN	13	10	F468300	SPRING, REVERSE LOCK	17	28
F250410	PISTON PIN RETAINING RING	13	9	F468346	SHOCK MOUNT	17	4
F270038	SUPPORT PLATE (42H8E, 42B8E)	13	22	F468349	REVERSE LOCK	17	29
F2706772	HOSE CLAMP	3	18	F468350	PIN, REVERSE LOCK	17	30
F27209-1	STUD, CARBURETOR	11	7	F46899-1	COVER, SHIFT COUPLING	17	5
F286132	HANDLE, STARTER ROPE	7	6	F521002	CAM	9	4
F286286-1	WASHER, NYLON	13	24	F521004	STUD	13	23
F298075	HANDLE, CLAMP SCREW	17	20	F521006	STUD	21	8
F2A332167	CARBURETOR ADAPTER W/STUDS, REED AND STOP	11	2	F521013	BEARING, CRANKSHAFT UPPER	13	39
				F521015	PISTON	13	11
				F521034-1	FUEL TANK	3	20
				F521061-4	CARBURETOR COMPLETE	11	17
				F521063-1	STARTER COMPLETE	7	-

# PARTS INDEX

Part Number	Description	Pg.	Ref. No.	Part Number	Description	Pg.	Ref. No.
F521065	IMPELLER	21	7	F521721	CAM, CLUTCH SHIFT	21	15
F521079	STEERING HANDLE	13	27	F521727	SLEEVE, IDLE BAFFLE	17	6
F521097-1	FLYWHEEL	9	2	F521728	CLUTCH SHIFT PIN	21	24
F521099	SPACER	21	30	F521774	BRACKET, ENGINE COVER LOWER MOUNTING	13	4
F521118-1	SEAL, CRANKSHAFT LOWER	13	37	F521779	BAFFLE, IDLE RELIEF	17	7
F521128	DRIVESHAFT	21	13	F521783	SEAL	21	17
F521146	SEAL, CRANKSHAFT UPPER	13	40	F521811	FITTING, GAS TANK	3	17
F521159	REED PLATE	15	-	F521843	CABLE LIGHTING COIL EXTENSION, FOR MODELS 47H8B, 47B8B	9	25
F521163	COVER, SUPPORT PLATE	13	19	F521845	EXTENSION, MOTOR - FOR MODELS 47H8E, 47B8E	23	42
F521168	CARBURETOR ADAPTER	15	-	F521894	DECAL, "OFF" (U. S. A.)	3	13
F521168	GASKET, CARBURETOR ADAPTER	11	1	F521906	CARBURETOR	15	-
F521192	THROTTLE CAM	9	16	F521906	GASKET, CARBURETOR	11	9
F521199	SPRING, THROTTLE LEVER ADJUSTMENT	3	35	F521908	GROUND WIRE	9	17
F521244	WATER LINE (42H8E, 42B8E)	19	46	F521925	LINK, CHOKE KNOB	13	16
F521248	DECAL, CHOKE (U. S. A.)	13	20	F521984	ENG COVER PACKING (NOT SHOWN)	5	-
F521251-2	GAS CAP COMPLETE (NOT SHOWN)	5	-	F525457	FILL HD SCREW, 1/4 - 20 X 5/8	21	35
F521261	LINE, WATER OUTLET	19	49	F527392	DECAL, CHRYSLER	3	26
F521266	BEVEL PINION GEAR	21	23	F527396	DECAL, STRIPE - STARBOARD	3	-
F521279	CYLINDER EXHAUST	15	-	F527397	DECAL, STRIPE - PORT	3	24
F521279	GASKET, CYLINDER EXHAUST	13	7	F5H027	6 GALLON FUEL TANK	24	-
F521284	KNOB, ENGINE COVER RETAINER	3	33	F5H089	A-C LIGHTING COIL KIT	24	-
F521296	RETAINER, PROPELLER SHAFT BEARING CAGE	21	34	F5H091	BATTERY CHARGING SYSTEM	24	-
F521305	SEAL, "O" RING	21	33	F5H093	LEG EXTENSION KIT	24	-
F521307	SEAL, PROPELLER SHAFT	21	32	F66480	STUD	17	18
F521319	BUSHING, STEERING HANDLE	13	26	F7005	STOP NUT	17	24
F521342-1	SEAL, WATER LINE	19	45	F7009	HEX NUT	3	27
F521386-1	DECAL, NUMERICAL	5	38	F7009	LOCK NUT, 10 - 24	23	43
F521391-1	DECAL, SPEED RANGE (U. S. A.)	3	16	F8008	PLAIN WASHER	3	32
F521415	WASHER, GEAR SHIFT HANDLE	19	42	F8008	PLAIN WASHER	15	48
F521489	VALVE, FUEL SHUT-OFF	11	14	F8015	PLAIN WASHER	13	25
F521498	KEY, FLYWHEEL	9	3	F8028	PLAIN WASHER	15	44
F521514	KNOB, STEERING FRICTION W/SCREW	17	12	F8039	PLAIN WASHER	17	25
F521518	CYLINDER HEAD	15	42	F8060	INTERNAL TOOTH LOCKWASHER	11	4
F521529	CYLINDER HEAD	15	-	F8061	INTERNAL TOOTH LOCKWASHER	3	21
F521529	GASKET, CYLINDER HEAD	15	41	F8074	WASHER	21	19
F521537	PLATE, WATER PUMP	21	6	F8083	SPRING LOCKWASHER	13	2
F521547	CHOKE KNOB	13	21	F8083	SPRING LOCKWASHER	17	34
F521549-2	THROTTLE LEVER	9	14	F8083	SPRING LOCKWASHER	21	9
F521550	KNOB, FUEL SHUT-OFF	11	13	F84991-1	GROMMET FOR MODELS 47H8E, 47B8E	15	46
F521552	SCREW, FLYWHEEL	9	1	F8537	SPRING PIN	17	23
F521569	CAP, GREASE FITTING	19	52	F8538	SPRING PIN	21	3
F521579	SEAL, CRANKSHAFT SPLINE	13	36	F8554	SPRING PIN	17	21
F521615	ROD, GEAR SHIFT UPPER	17	36	F8559	DOWEL PIN	13	34
F521621	LEVER, GEAR SHIFT	17	38	F901754	HOSE	3	19
F521631	SHOE, SWIVEL FRICTION	17	10	F901938-1	SCREW, CYLINDER HEAD	13	3
F521661-1	PAD, SWIVEL FRICTION	17	9	F9102	RETAINING RING	15	50
F521690	SCREW, THROTTLE LEVER ADJUSTMENT	3	34	FA324101	PROPELLER PIN, PACK OF 3 (42H8E, 42B8E)	21	-
				FA341151	PLATE, EXHAUST	19	47



# PARTS INDEX

Part Number	Description	Pg.	Ref. No.	Part Number	Description	Pg.	Ref. No.
FA459101	PROPELLER PIN, PACK OF 3 (47H8E, 47B8E) . . . . .	21	37				
FA521023	BEVEL GEAR W/BEARING .	21	25				
FA521298	BEARING CAGE W/BEARING AND SEAL . . . . .	21	31				
FA521735	SEAL, WATERLINE . . . . .	21	11				
FA521778	RETAINER, ENGINE COVER FRONT W/SCREWS AND NUTS . . . . .	3	25				
FA521841	CABLE, LIGHTING COIL, FOR MODELS 47H8B, 47B8B . . . . .	9	26				
FA521892	INSERT, PLATE FRONT - U. S. A. . . . .	3	28				
FA521893	INSERT, PLATE FRONT - CANADA . . . . .	3	-				
FA523095	STATOR, ALTERNATOR FOR MODELS 47H8B, 47B8B . .	9	23				
FA525228	CRANKPIN ROLLER SET . . .	13	14				
FA525241	CAGE, CRANKPIN ROLLER .	13	13				
FA735060	WATER PUMP BODY . . . . .	21	12				
FA77395-5	PLATE, IDENTIFICATION W/SCREWS - USA . . . . .	17	15				
FC341054	GEAR HOUSING COMPLETE (NOT SHOWN) (42H8E) . .	23	-				
FC521010	SHORT BLOCK (NOT SHOWN) . . . . .	15	-				
FC521054	GEAR HOUSING COMPLETE (NOT SHOWN) (47H8E) . .	23	-				
FC521248	DECAL, CHOKE (CANADA) .	13	-				
FC521400	DECAL, GEAR SHIFT HANDLE (CANADA) . . . . .	19	51				
FC521894	DECAL, "OFF" (CANADA) . .	3	-				
FG1015	GASKET SET (SEE BELOW)	15	-				
FK525713	PACKING, TOP COVER TRIM	3	23				
FK750-2	SPARKIE KIT . . . . .	9	12				
FP332	PROPELLER (42H8E, 42B8E)	21	-				
FP341	PROPELLER (47H8E, 47B8E)	21	36				
11-817752A1	PROPELLER NUT W/COTTER PIN . . . . .	23	38				
33-82370M	SPARK PLUG (L-86) . . . . .	15	43				
37-817908--3	DECAL, SPEED RANGE (CANADA) . . . . .	3	-				
39-818038A1	PISTON RING SET . . . . .	13	8				
100-FS665712	ENGINE COVER TOP W/RETAINER & PACKING	3	30				
1400-817850A4	STERN BRACKET W/CLAMP SCREW & FOOT . . . . .	17	26				
1500-817940A6	MOTOR LEG . . . . .	17	1				