



PARTS CATALOG

55 H.P.

SERIAL NUMBER

55 (1977)558BJ
55 (1977)558HJ
55 (1977)559BJ
55 (1977)559HJ

TABLE OF CONTENTS:

ACCESSORIES	46
CARBURETOR	10
CRANKSHAFT AND PISTON GROUP	20
ELECTRICAL COMPONENTS	6
ENGINE COVER AND SUPPORT PLATE	2
FUEL PUMP	16
FUEL TANK AND LINE	38
GEAR HOUSING	34
LUBRICATION CHART	49
MOTOR LEG	28
PARTS INDEX	51
POWER HEAD	22
REED PLATE	14
REMOTE CONTROL	40
SPECIAL ADJUSTMENTS	50
SPECIAL TOOLS - LOWER UNIT	44
SPECIAL TOOLS - POWERHEAD	43
SPECIAL TOOLS - TEST EQUIPMENT	45
SPECIAL TOOLS - TUNE-UP	42
SPECIFICATIONS	48
STARTER	18

NOTE: *Indented description indicate that these parts are included in preceeding assembly.*

AR = As Required

NSS = Not Sold Separate

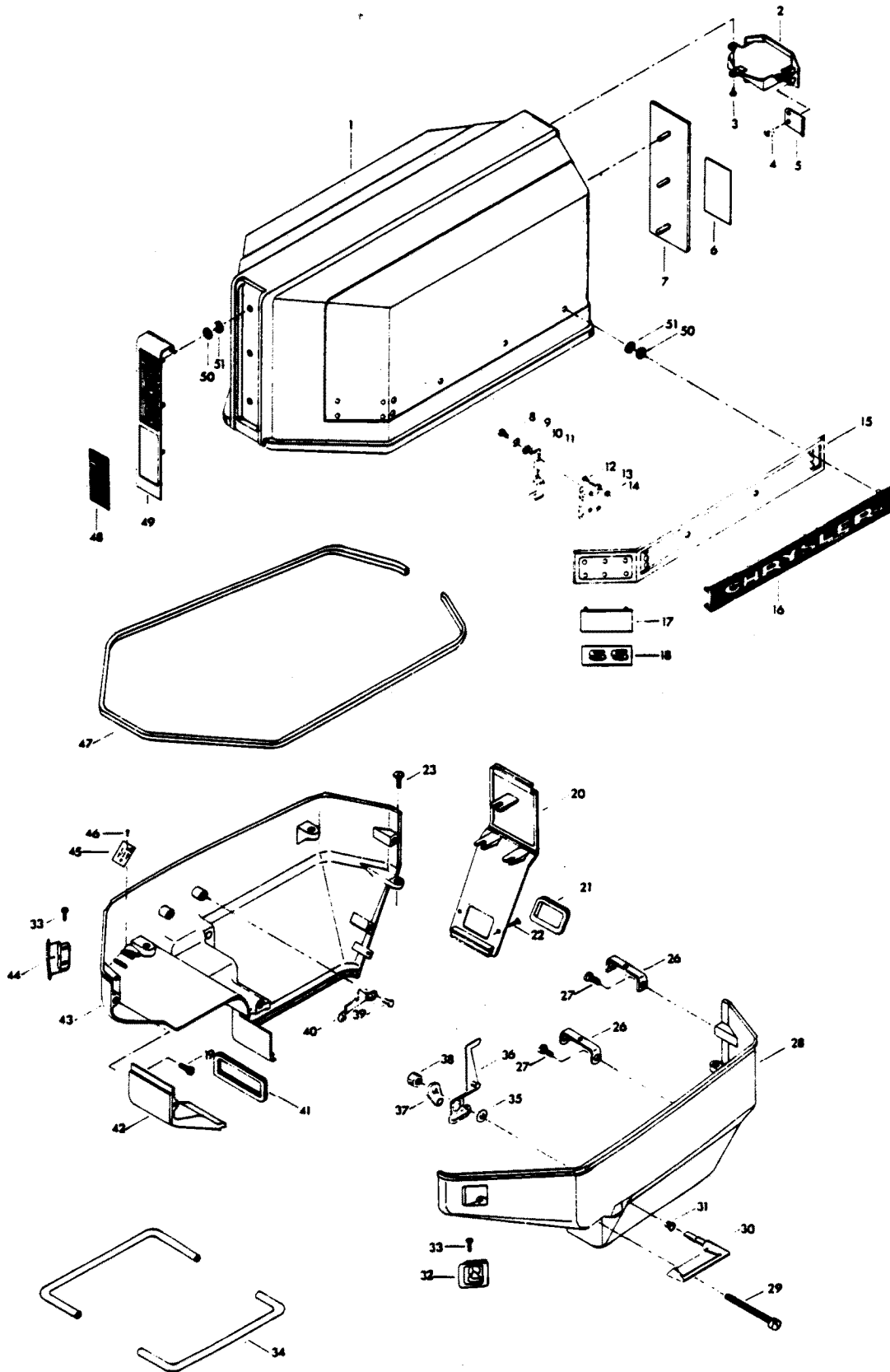
OPT = Optional

NS = Not Shown

THESE PARTS BOOKS/FICHE CARD ARE COPYRIGHTED AND MAY NOT BE DISTRIBUTED OR REPRODUCED IN ANY OTHER FORMAT BY ANYONE OTHER THAN MERCURY MARINE WITHOUT THE PRIOR WRITTEN CONSENT OF MERCURY MARINE.

THIS PAGE INTENTIONALLY LEFT BLANK

ENGINE COVER AND SUPPORT PLATE

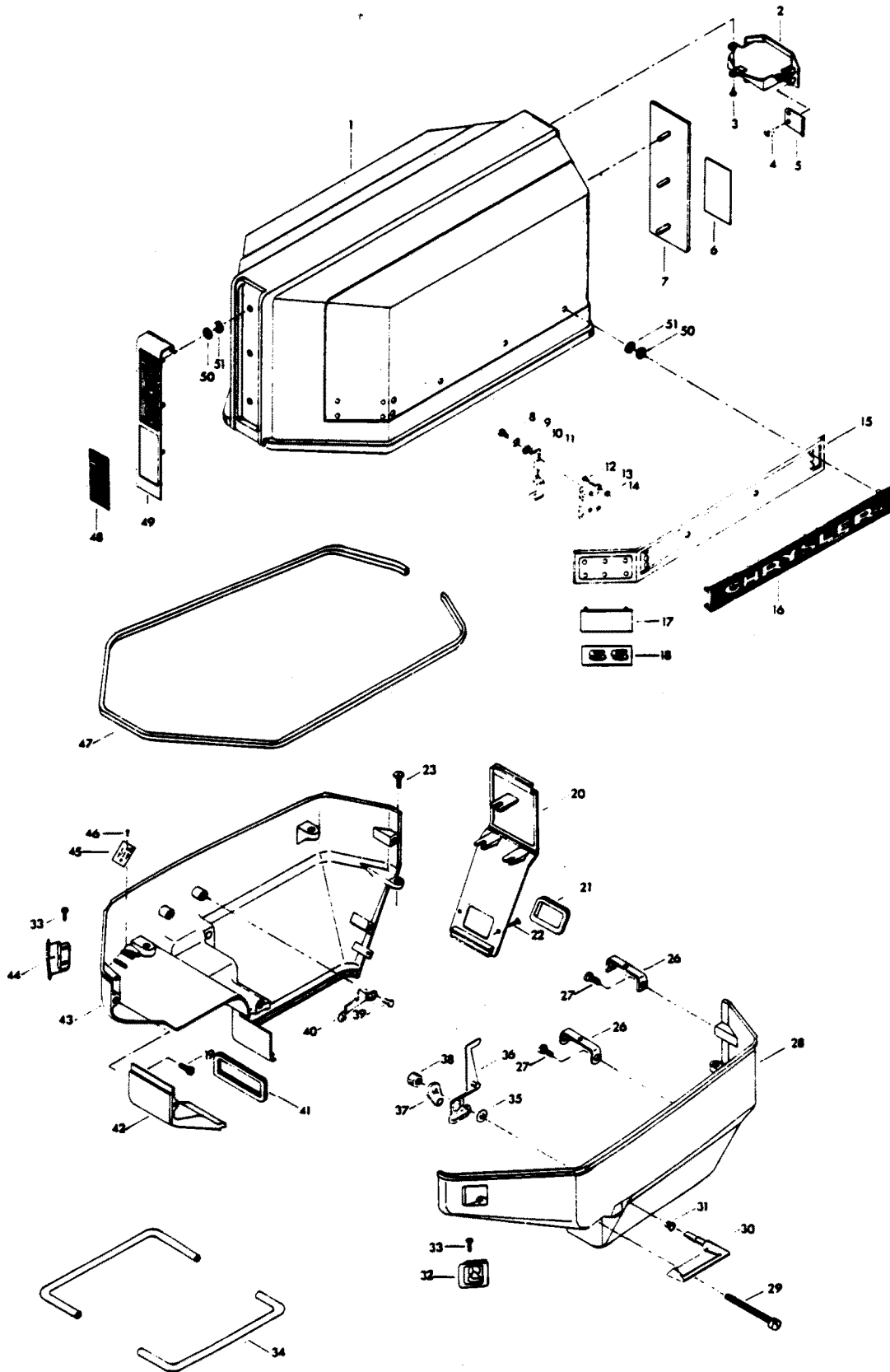


ENGINE COVER AND SUPPORT PLATE

REF. NO.	PART NO.	SYM.	QTY.	DESCRIPTION
1	FS474712		1	ENGINE COVER W/BRACKETS AND RETAINERS
2	F522269		1	TILT HANDLE
3	F2025		1	PAN HD SCREW, 10 X 5/8
4	F1728		4	PAN HD SCREW, 10 - 3/8
5	F463864		2	RETAINER, TILT HANDLE
6	A465528-1		1	INSERT, TRIM REAR
7	F433180-1		1	REAR TRIM
8	F1854		4	HEX CAP SCREW, 1/4 - 20 X 5/8
9	F8083		4	LOCKWASHER
10	F8094		4	PLAIN WASHER
11	F474864		2	RETAINER, COVER LATCH
12	F1979		8	PAN HD SCREW, 10 - 24 X 1/2
13	FA474774		2	BRACKET, COVER LATCH W/SCREWS & NUTS
14	F7011		8	STOP NUT
15	F366392		2	SIDE PLATE
16	F463366		2	NAME PLATE, "CHRYSLER"
17	F485512		2	INSERT PLATE
18	FA465385		2	INSERT, NUMERAL
19	F1993		2	HEX SLOTTED HD M. SCREW, 1/4 - 20 X 5/8
20	F474156		1	COVER, SUPPORT PLATE REAR
21	F474991		1	GROMMET
22	F2072		2	OVAL COUNTERSUNK HD M. SCREW, 10 - 24 X 3/8
23	F2017		3	PAN HD SCREW W/PLAIN WASHER, 10 - 24 X 3/8
26	F474817		2	RETAINER, SUPPORT PLATE
27	F1689		4	HEX CAP SCREW, 1/4 - 20 X 1/2
28	FA474038		1	SUPPORT PLATE PORT W/LOWER PACKING
29	F2075		1	SLOTTED HD SCREW, S.S., 1/4 - 20 X 2 1/2
30	FA474469		1	HANDLE, COVER LATCH PORT W/SHAFT & PIN
-	FA474499		1	HANDLE, COVER LATCH STARBOARD W/SHAFT AND PIN (NOT SHOWN)
31	F390689		2	BEARING, LATCH SHAFT
32	F310189		1	BUSHING, ELECTRIC CABLE ENTRY
33	F1733		3	PAN HD SCREW, 10 - 24 X 9/16
34	F474315		2	PACKING, SUPPORT PLATE LOWER
35	F269052		2	BEARING, LATCH CAM
36	FA474777		1	CAM, PORT LATCH W/PIN
-	FA474780		1	CAM, STARBOARD LATCH W/PIN (NOT SHOWN)
37	F474377		1	LEVER, COVER LATCH PORT
-	F474378		1	LEVER, COVER LATCH STARBOARD (NOT SHOWN)
38	F7025		2	LOCKNUT, 3/8 - 16
39	F1689		4	HEX CAP SCREW, 1/4 - 20 X 1/2
40	F474897		1	GUIDE, COVER LATCH STARBOARD
-	F474487		1	GUIDE, COVER LATCH PORT (NOT SHOWN)

CONTINUED ON NEXT PAGE ➡

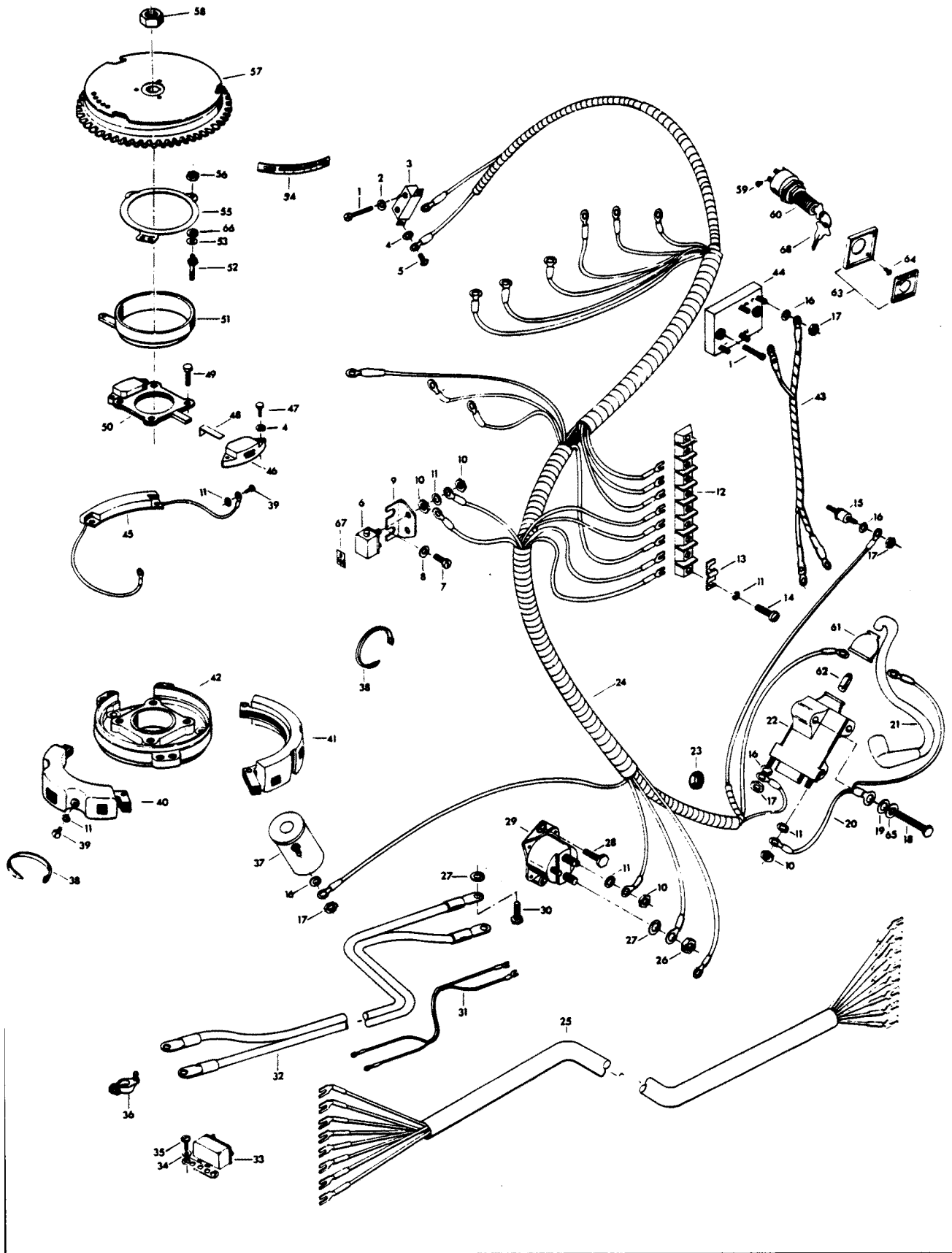
ENGINE COVER AND SUPPORT PLATE



ENGINE COVER AND SUPPORT PLATE

REF. NO.	PART NO.	SYM.	QTY.	DESCRIPTION
41	F474913		1	GROMMET
42	F474163		1	COVER, SUPPORT PLATE FRONT
43	FA474088		1	SUPPORT PLATE STARBOARD W/LOWER PACKING
44	F311189-1		1	BUSHING, CABLE ENTRY
45	FA77395-5		1	IDENT. PLATE W/SCREWS, (USA)
-	AC16395-7		1	IDENT. PLATE W/SCREWS, (CANADA)
46	F1293		2	DRIVE SCREW, 2 X 3/16
47	F474756		1	PACKING, SUPPORT PLATE FRONT
48	FA474892		1	INSERT FRONT PLATE, USA
-	FA474893		1	INSERT FRONT PLATE, CANADA
49	F463711-1		1	FRONT PLATE
50	F85735-1		24	SEAL, MEDALLION
51	F1753		24	FASTENER
-	F474985		2	BLANKET, SILENCER, SIDE (NOT SHOWN)
-	F474984		1	BLANKET, SILENCER, TOP (NOT SHOWN)
-	F474992		1	BLANKET, SILENCER, FRONT, (NOT SHOWN)

ELECTRICAL COMPONENTS

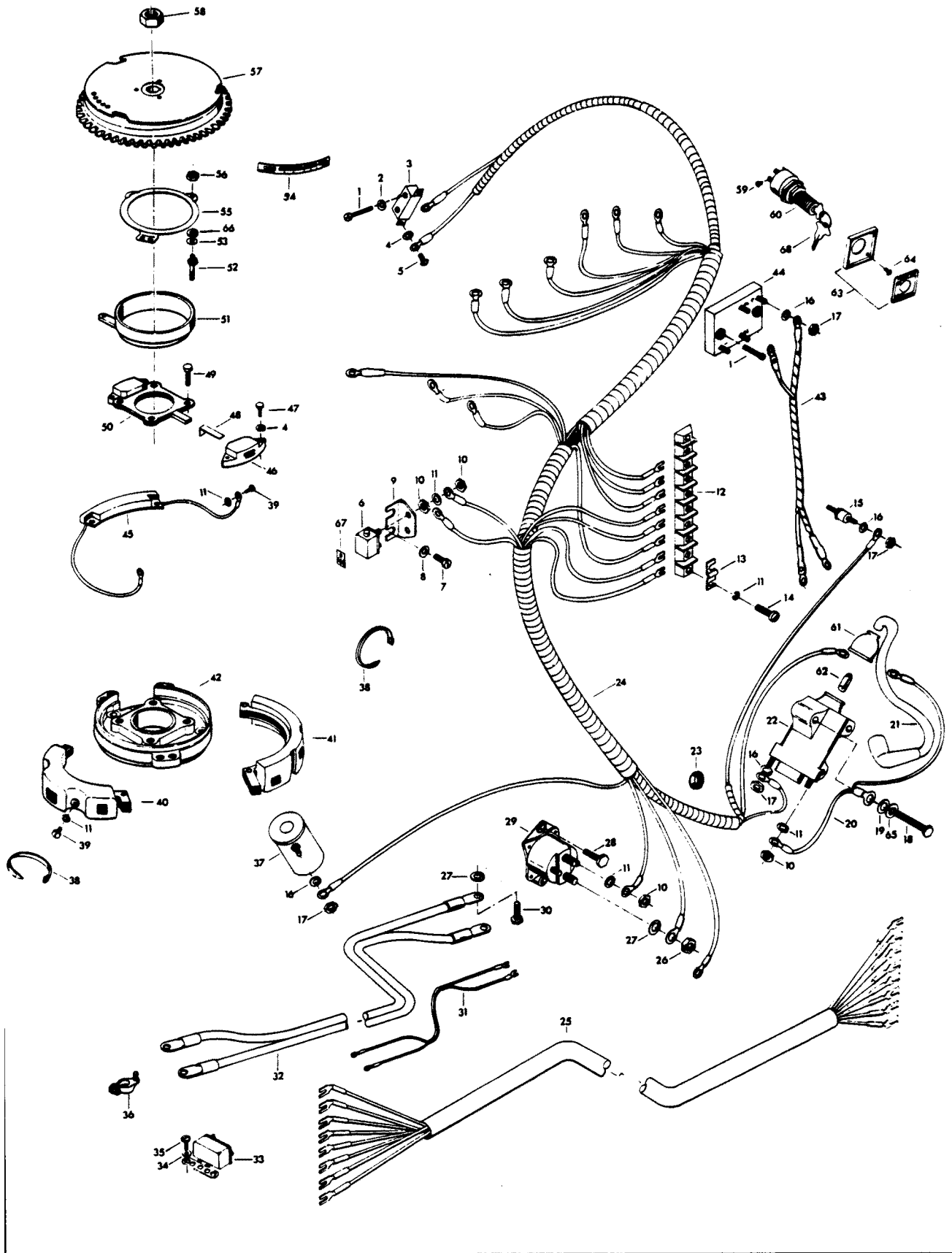


ELECTRICAL COMPONENTS

REF. NO.	PART NO.	SYM.	QTY.	DESCRIPTION
1	F2016		4	SLOTTED FILL HD SCREW, 6 - 32 X 7/8
2	F8088		2	PLAIN WASHER
3	F84449		1	NEUTRAL INTERLOCK SWITCH
4	F1704		2	INTERNAL TOOTH LOCKWASHER
5	F1645		2	RD HD SCREW, 6 - 32 X 1 1/4
6	F510460		1	CIRCUIT BREAKER
7	F1733		2	SLOTTED PAN HD SCREW, 10 - 24 X 9/16
8	F8011		2	PLAIN WASHER
9	F91446-1		1	CIRCUIT BREAKER BRACKET
10	F1513		8	HEX NUT, 10 - 32
11	F1975		15	LOCKWASHER
12	FA510497		1	TERMINAL BLOCK
13	F307317		1	CLIP, TERMINAL BLOCK GROUND
14	F1648		2	PAN HD SCREW, 10 - 24 X 3/4
15	F404449		1	THERMOSWITCH
16	F8056		8	SPRING LOCKWASHER
17	F1647		8	HEX NUT, 8 - 32
18	F1891		6	HEX HD M. SCREW, 1/4 - 20 X 1 1/2
19	F2012		6	PLAIN WASHER
20	F345908		1	GROUND WIRE, COIL
21	84-817821A1		2	HI-TENSION WIRE
22	FS474475		2	IGNITION COIL
23	F24623-1		1	GROMMET
24	F522744		1	WIRING HARNESS
25	F85843-1		1	ELECTRIC CONTROL CABLE, 18 FEET
26	F1515		2	HEX NUT, S.S., 5/16 - 18
27	F8096		3	SPRING LOCKWASHER
28	F1705		2	HEX CAP SCREW, 1/4 - 20 X 3/4
29	F460917		1	STARTER RELAY
30	F1857		1	HEX CAP SCREW, 5/16 - 18 X 5/8
31	F404841		1	CABLE
32	F381896-4		1	BATTERY CABLE
33	F71H30		1	BUZZER, HEAT INDICATOR, (ACCESSORY ITEM)
34	F8011		2	PLAIN WASHER
35	F1741		2	PAN HD SCREW, 8 X 3/4
36	F71H26		1	BATTERY TERMINAL KIT (ACCESSORY ITEM)
37	F85924		1	CHOKE SOLENOID
38	F1845		2	TY-RAP, REGULATOR TO POWER PACK LEADS
39	F2077		7	SLOTTED PAN HD M. SCREW, 10 - 32 X 1/4
40	FS474095		1	ALTERNATOR STATOR
41	S474301-1		1	MODULE
42	F2A474144		1	BEARING CAGE W/CRANKSHAFT SEAL
43	F522636		1	STATOR HARNESS

CONTINUED ON NEXT PAGE ➡

ELECTRICAL COMPONENTS



ELECTRICAL COMPONENTS

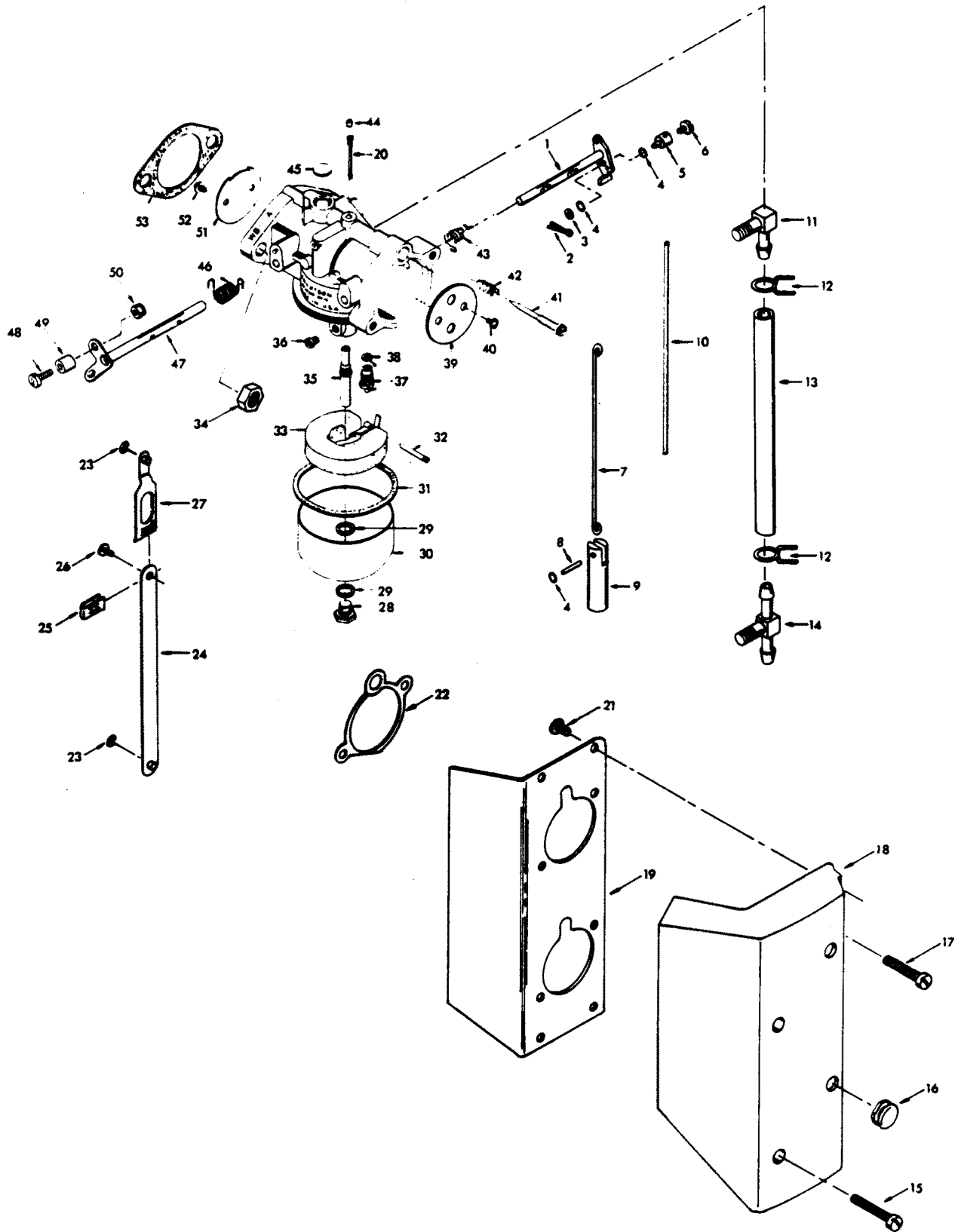
REF. NO.	PART NO.	SYM.	QTY.	DESCRIPTION
44	F369450		1	RECTIFIER
45	FS474030		1	CAPACITOR
46	F12352-1		2	TRIGGER COIL
47	F1036		4	SLOTTED FILL HD M. SCREW W/SPRING LOCKWASHER, 6 - 32 X 1/4
48	F12353		2	CLIP
49	F2050		4	HEX CAP SCREW, 1/4 - 20 X 1/2
50	F12354		1	SPIDER
51	S474082-2		1	TIMING RING
52	F474531		4	STUD, TIMING RING RETAINER
53	F8048		4	BOWED WASHER
54	F474387		1	TIMING DECAL
55	F474178		1	RETAINER, TIMING RING
56	F1804		4	STOP NUT, 10 - 22
57	FS474097		1	FLYWHEEL
58	F1968		1	HEX NUT, 3/4 - 16
59	F1280		5	SLOTTED PAN HD SCREW, 8 - 32 X 1/4, IGNITION SWITCH (NOT SHOWN)
60	F74H19		1	SWITCH, IGNITION (ACCESSORY ITEM)
61	F203276		2	BOOT, COIL
62	F203673		2	CLIP
63	F71H21		1	IGNITION SWITCH MOUNTING KIT (ACCES. ITEM)
64	F1934		4	FLAT HD SCREW, 6 X 1/2
65	F2106		1	INTERNAL TOOTH LOCKWASHER
66	F2042		4	PLAIN WASHER
67	F510374		1	DECAL, CIRCUIT BREAKER
-	FA27232		1	EMERGENCY STARTER ROPE (NOT SHOWN)

CARBURETOR

REF. NO.	PART NO.	SYM.	QTY.	DESCRIPTION
1	FO16850		1	CHOKE SHAFT AND LEVER
2	F1014		2	COTTER PIN
3	F8088		2	PLAIN WASHER
4	F184579		5	SEAL, CHOKE ARM SWIVEL
5	F85033		1	SWIVEL, CHOKE ROD FOR TOP CARB.
-	F184033-1		1	SWIVEL, CHOKE ROD FOR BOTTOM CARB. (NOT SHOWN)
6	F1059		2	FILL HD SCREW, 6 - 32 X 1/4
7	F85925		1	CHOKE SOLENOID ROD
8	F2033		1	GROOVE PIN
9	F391926-1		1	PLUNGER, CHOKE SOLENOID
10	F474509		1	CHOKE LINK
11	F84314-2		1	ELBOW, FUEL LINE
12	F97772		2	HOSE CLAMP
13	F474253		1	FUEL LINE
14	F85314-1		1	ELBOW, FUEL LINE FOR BOTTOM CARB.
15	F1820		2	FILL HD SCREW, 1/4 - 20 X 1 3/8
16	F53504		2	GROMMET
17	F1504		2	FILL HD SCREW, 1/4 - 20 X 1 1/4
18	F474860		1	CARBURETOR INTAKE
19	F474567		1	ADAPTER, CARBURETOR INTAKE
20	FO17181		1	IDLE TUBE
21	F1306		5	SLOTTED ROUND HD SCREW, 10 - 24 X 3/8
22	F481836		2	GASKET
23	F90807		2	RETAINING RING
24	FA474511		1	TIE BAR W/SWIVEL
25	F1693		1	TIE BAR RETAINER
26	F1064		1	SLOTTED HD SCREW, 8 - 32 X 3/8
27	FA85193		1	TIE BAR END W/SWIVEL
28	FO13945		1	FUEL BOWL RETAINING SCREW
29	FO2510		2	GASKET, FUEL BOWL RETAINING SCREW
30	FO13552		1	FUEL BOWL
31	FO15623		1	FUEL BOWL GASKET
32	FO13944		1	FLOAT LEVER PIN
33	FO13554		1	FLOAT
34	F1515		4	HEX NUT, 5/16 - 18
35	FO15217		1	MAIN NOZZLE
36	FO14188		1	MAIN FUEL JET (.066)
37	FO10790		1	INLET NEEDLE, SEAT AND GASKET
38	FO10165		1	INLET SEAT GASKET
39	FO13555		1	CHOKE SHUTTER
40	FO8942		2	SHUTTER SCREW W/LOCKWASHER
41	FO13946		1	IDLE SCREW
42	FO11103		1	IDLE SCREW SPRING

CONTINUED ON NEXT PAGE ➡

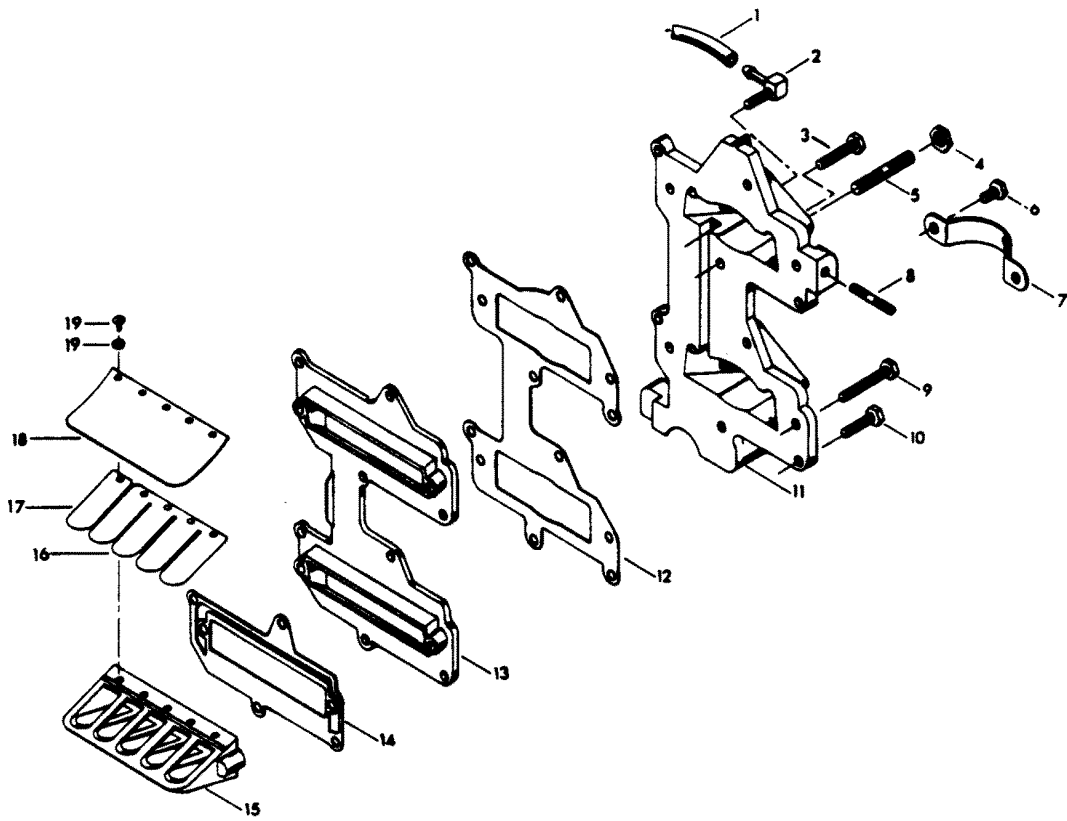
CARBURETOR



CARBURETOR

REF. NO.	PART NO.	SYM.	QTY.	DESCRIPTION
43	FO13947		1	CHOKE SHAFT RETURN SPRING
44	FO10588		1	BODY CHANNEL CUP PLUG
45	FO4326		1	BODY CHANNEL WELCH PLUG
46	FO16008		1	THROTTLE SHAFT RETURN SPRING
47	FO15230		1	THROTTLE SHAFT AND LEVER
48	F333316		1	THROTTLE ROLLER SHAFT
49	F92759		1	THROTTLE ROLLER
50	F1997		1	LOCK NUT, 8 - 32
51	FO16851		1	THROTTLE SHUTTER
52	FO8942		2	THROTTLE SHUTTER SCREW W/LOCKWASHER
53	F40906-1		2	CARBURETOR GASKET
-	F475061-1		2	CARBURETOR COMPLETE (WB27B) (NOT SHOWN)
-	F10053		1	REPAIR PARTS KIT INCLUDES ALL ITEMS MARKED WITH AN ASTERISK (*) (NOT SHOWN)
-	F10000		1	GASKET SET (NOT SHOWN)

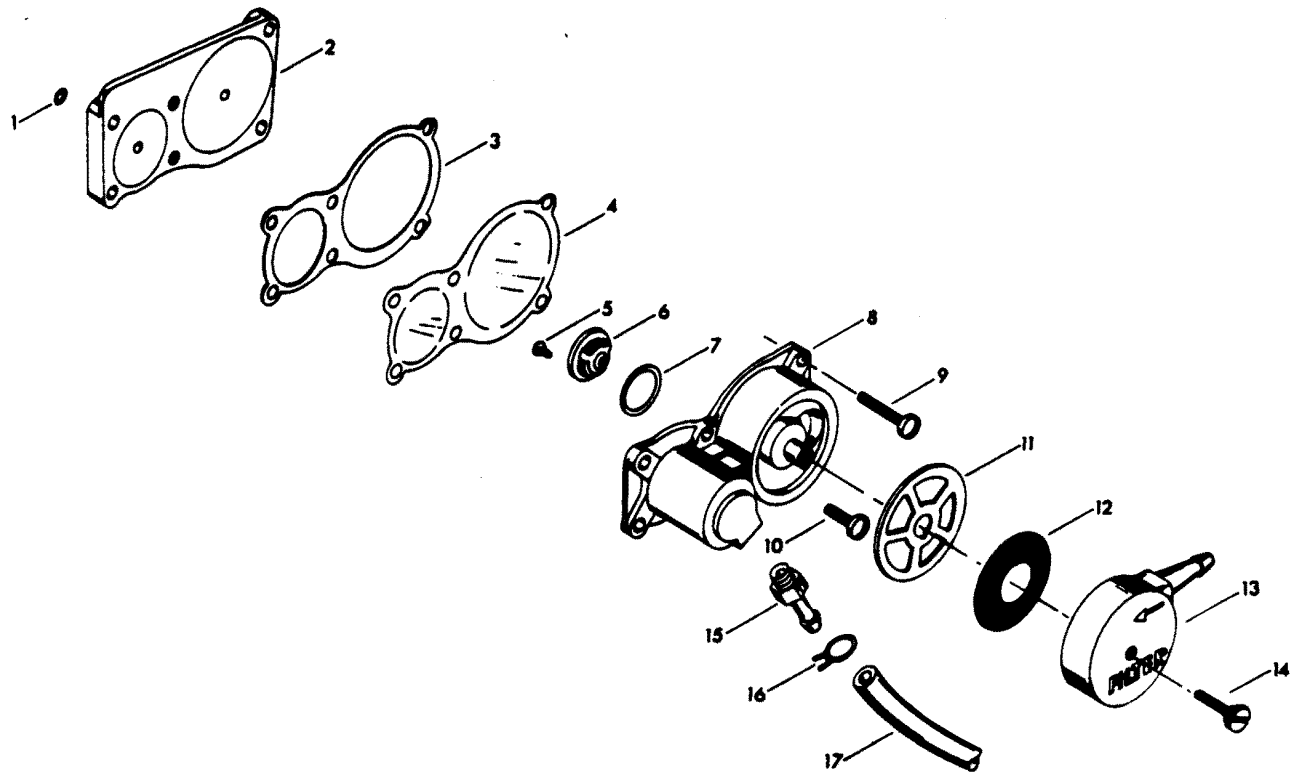
REED PLATE



REED PLATE

REF. NO.	PART NO.	SYM.	QTY.	DESCRIPTION
1	F406754-1		1	DRAIN HOSE
2	22-817740A1		1	PUDDLE DRAIN FITTING W/METERING CUP
3	F1916		1	HEX HD M. SCREW, 1/4 - 20 X 1 1/8
4	F1515		4	HEX NUT, 5/16 - 18
5	F40209		4	CARBURETOR STUD
6	F1236		2	HEX CAP SCREW, 1/4 - 20 X 1/2
7	F85317-1		1	SOLENOID CLAMP
8	F433209		1	STUD
9	F1708		4	HEX HD M. SCREW, 1/4 - 20 X 1 3/8
10	F1915		7	HEX HD M. SCREW, 1/4 - 20 X 7/8
11	F474167		1	CARBURETOR ADAPTER
12	F474168		1	CARBURETOR ADAPTER GASKET
13	F474162		1	REED PLATE ADAPTER
14	F85168		2	REED PLATE ADAPTER GASKET
15	F2A321158		2	REED PLATE W/REEDS, STOPS AND SCREWS
16	F335160		4	REED (4 PETAL)
17	F335164		4	REED (1 PETAL)
18	F85161-1		4	REED STOP
19	F1298		20	ROUND HD SCREW W/LOCKWASHER, 6 - 32 X 1/4

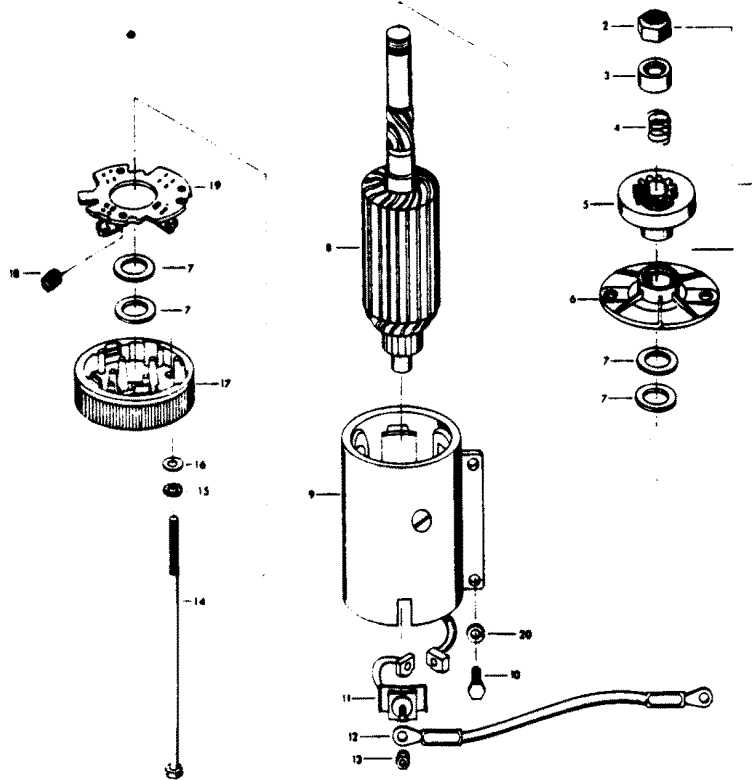
FUEL PUMP



FUEL PUMP

REF. NO.	PART NO.	SYM.	QTY.	DESCRIPTION
1	F50342-1		2	SEAL
2	F474746		1	FUEL PUMP COVER
3	F438760		1	FUEL PUMP GASKET
4	F438747		1	FUEL PUMP DIAPHRAGM
5	F1860		2	SLOTTED HD M. SCREW, 6 - 32 X 1/4
6	F177330		3	FUEL PUMP VALVE
7	F84792		3	FUEL PUMP VALVE GASKET
8	FA438431		1	FUEL PUMP BODY W/VALVES
9	F1889		4	FILL HD SCREW, 1/4 - 20 X 1 1/4
10	F1108		2	FILL HD SCREW, 1/4 - 20 X 3/4
11	F438617		1	FUEL SEDIMENT BOWL GASKET
12	F438653		1	FUEL PUMP SCREEN
13	F438500		1	FUEL SEDIMENT BOWL
14	F438165		1	SCREW, FUEL BOWL
15	F438801		1	FITTING
16	F97772		3	FUEL LINE CLAMPS
17	F438754		1	FUEL LINE, PUMP TO CARBURETOR

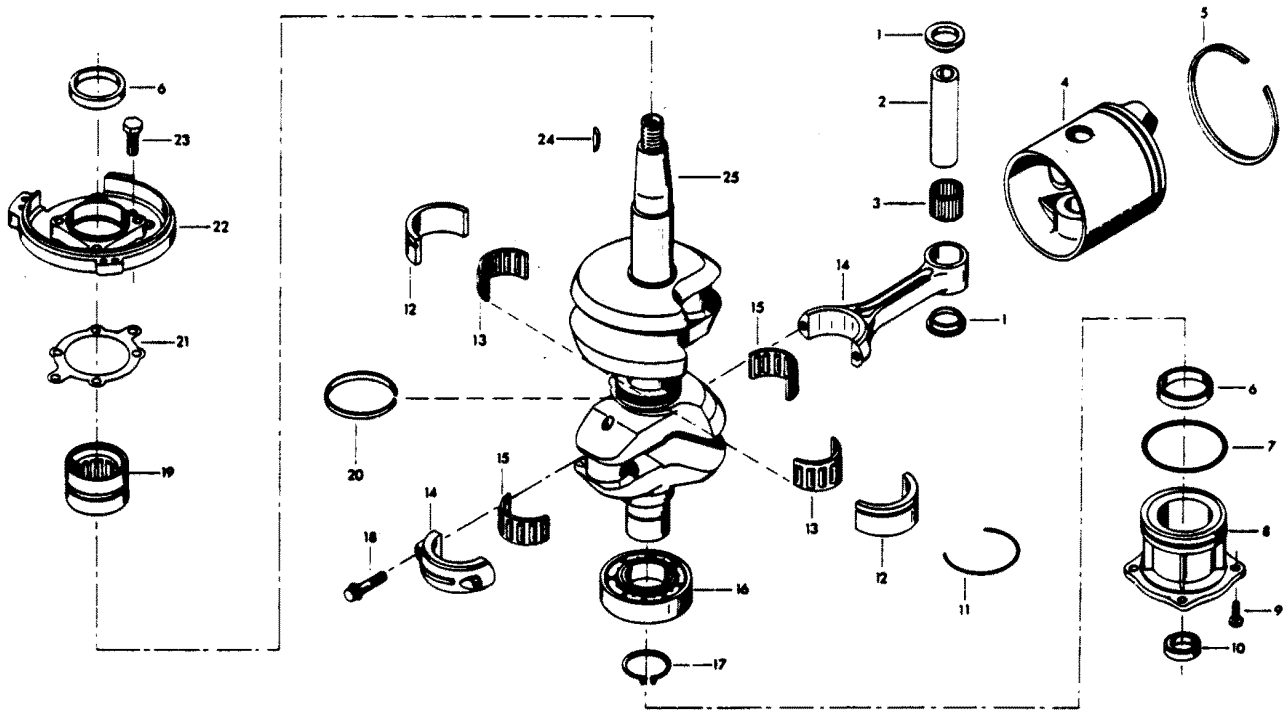
STARTER



STARTER

REF. NO.	PART NO.	SYM.	QTY.	DESCRIPTION
1	F15100		1	BENDIX DRIVE
6	F15120		1	HEAD ASSEMBLY, DRIVE END
7	F15126		1	THRUST WASHER PACKAGE
8	F15099		1	ARMATURE
9	F15119		1	FRAME AND FIELD ASSEMBLY
10	F1822		3	HEX CAP SCREW, 5/16 - 18 X 7/8
11	F15165		1	BRUSH AND TERMINAL SET
12	F307908		1	STARTER WIRE
13	FA15072		1	HEX LOCK NUT AND WASHER ASSEMBLY, 1/4 - 20
14	F15123		1	THRU BOLT PACKAGE
15	F8060		2	LOCKWASHER
16	F8028		2	PLAIN WASHER
17	F15125		1	HEAD ASSEMBLY, COMMUTATOR END
18	F15034		1	SPRING SET
19	F15057		1	BRUSH PLATE AND HOLDER
20	F8096		3	SPRING LOCKWASHER
-	S474955-2		1	STARTER COMPLETE

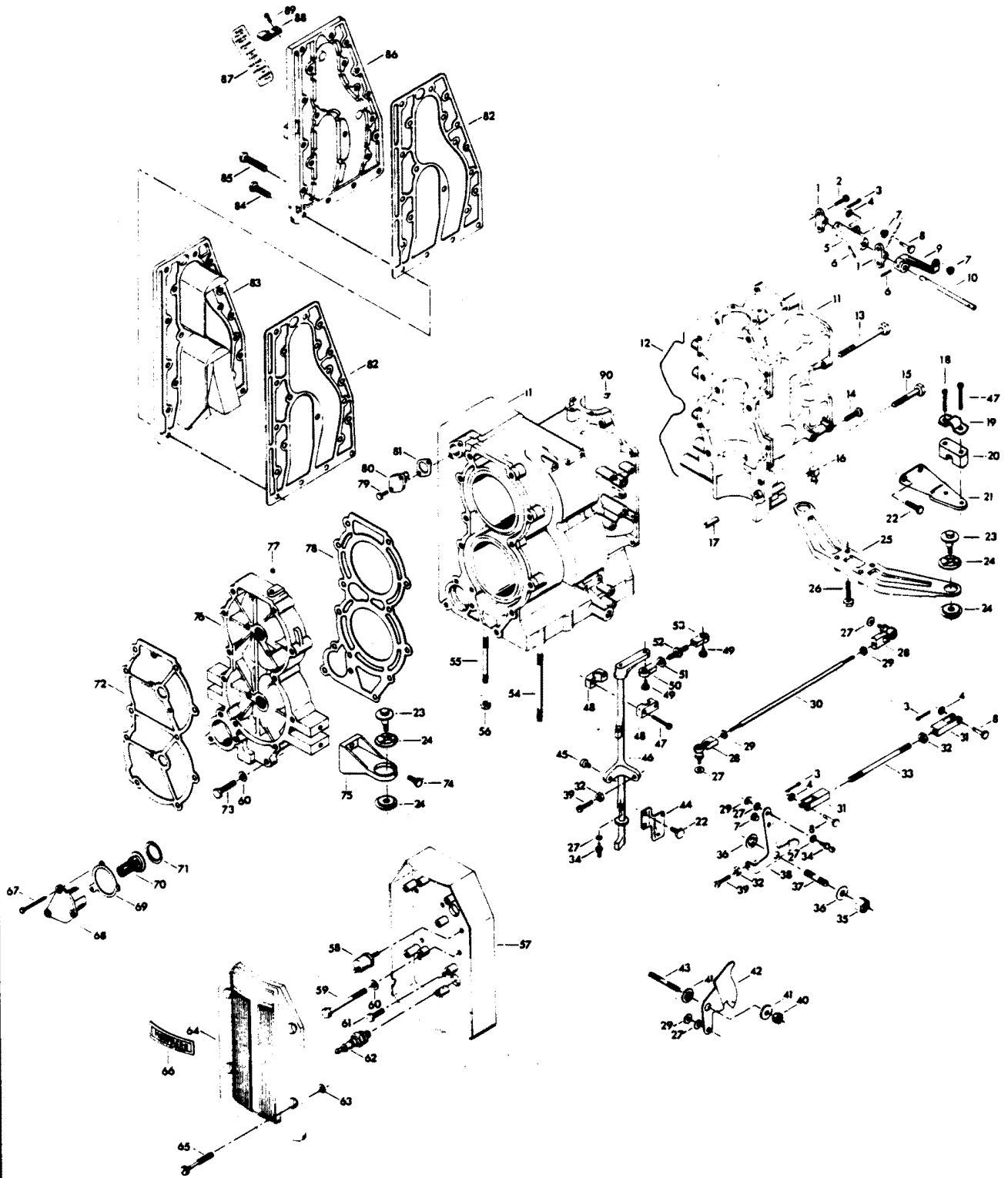
CRANKSHAFT AND PISTON GROUP



CRANKSHAFT AND PISTON GROUP

REF. NO.	PART NO.	SYM.	QTY.	DESCRIPTION
1	F335215		4	SPACER (2 PER PISTON)
2	F85017		2	PISTON PIN
3	F335217-1		2	BEARING
4	F474015-3		2	PISTON
5	FA474260		1	PISTON RING SET (4 PER SET)
6	F474146		2	SEAL, CRANKSHAFT
7	F84278		1	SEAL
8	31-818060A1		1	BEARING CAGE LOWER W/SEALS (ITEMS 6, 7 & 10) ORIGINAL FORCE P/N 2A474644-1
9	F1238		4	HEX CAP SCREW, 1/4 - 20 X 3/4
10	F474278		1	SEAL
11	F85410		1	SNAP RING
12	FA85655-1		1	CRANKSHAFT CENTER MAIN BEARING RACE W/SNAP RING
13	F85571		1	CENTER MAIN BEARING CAGE W/ROLLERS
14	FA435016		2	CONNECTING ROD W/CAP AND SCREWS
15	FA474228		2	BEARING CAGE W/ROLLERS (SPLIT HALF)
16	30-F284659-2		1	CRANKSHAFT LOWER MAIN BEARING
17	F2045		1	RETAINING RING
18	F435634		4	CONNECTING ROD SCREW
19	F474013		1	CRANKSHAFT UPPER MAIN BEARING
20	F316579		1	SEAL, CRANKCASE
22	F2A474144		1	CRANKSHAFT UPPER BEARING CAGE W/SEAL
23	F1238		2	HEX CAP SCREW, 1/4 - 20 X 3/4
24	F85498		1	FLYWHEEL KEY
25	F3A474018		1	CRANKSHAFT W/LOWER MAIN BEARING AND RETAINING RING

POWER HEAD

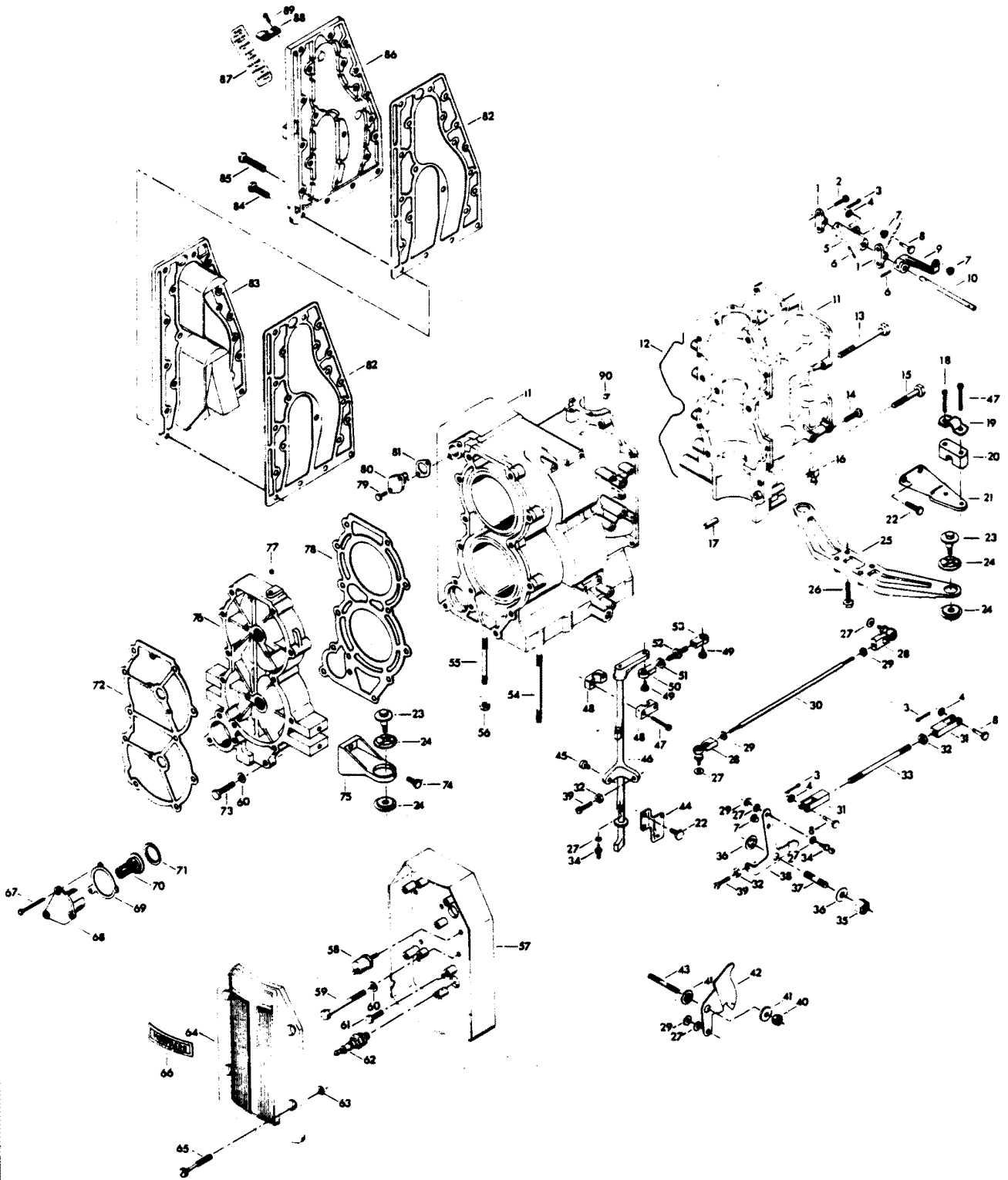


POWER HEAD

REF. NO.	PART NO.	SYM.	QTY.	DESCRIPTION
1	F85689		2	BEARING
2	F1475		4	SLOTTED FILL HD SCREW, 10 - 24 X 1/2
3	F1017		3	COTTER PIN
4	F8094		3	PLAIN WASHER
5	F474640		1	PIVOT, GEAR SHIFT
6	F8547		2	SPRING PIN
7	F183818		3	BEARING, GEAR SHIFT COUPLER
8	F474620		3	PIN, GEAR SHIFT
9	F474621		1	LEVER, GEAR SHIFT
10	F474871		1	SHAFT, GEAR SHIFT
11	A474010-1		1	CYLINDER W/CRANKCASE COVER, STUDS, SCREWS AND DOWEL PINS
12	F269122-1		1	CRANKCASE PARTING LINE SEAL
13	F1873		2	HEX CAP SCREW, 3/8 - 16 X 3
14	F1914		8	HEX HD SCREW, 1/4 - 20 X 3/4
15	F1872		4	HEX CAP SCREW, 3/8 - 16 X 1 3/4
16	22-817740A1		1	FITTING, PUDDLE DRAIN W/METERING CUP
17	F8563		2	DOWEL PIN
18	F1829		1	SLOTTED FILL HD SCREW, 10 - 24 X 7/8
19	F154317		1	CABLE CLAMP
20	F474932		1	SPACER, CONTROL CABLE
21	F474371		1	REMOTE CABLE BRACKET
22	F1502		4	HEX CAP SCREW, 1/4 - 20 X 5/8
23	F458887		4	FASTENER, SUPPORT PLATE MOUNT
24	F458347		8	MOUNT
25	F474980-1		1	STABILIZER, FRONT
26	F2071		4	HEX CAP SCREW, 5/16 - 18 X 1 3/8
27	F8058		6	INTERNAL TOOTH LOCKWASHER
28	817747--1		2	BALL JOINT W/BEARING
29	F1513		4	HEX NUT, 10 - 32
30	F474193		1	THROTTLE LINK
31	F474704		2	COUPLER
32	F1341		3	HEX NUT, 1/4 - 20
33	F474881		1	LINK, GEAR SHIFT
34	F98273		2	ROD END CONNECTOR STUD
35	F7025		1	STOP NUT, S.S., 3/8 - 16
36	F269052		2	SHIFT ARM BEARING
37	F474859		1	STUD, SHIFT ARM
38	F474876		1	SHIFT ARM
39	F1052		2	FILL HD M. SCREW, 1/4 - 20 X 1
40	F1910		1	ELASTIC STOP NUT, 1/4 - 20
41	F269319		2	THROTTLE CAM BEARING
42	F474192		1	THROTTLE CAM

CONTINUED ON NEXT PAGE ➡

POWER HEAD

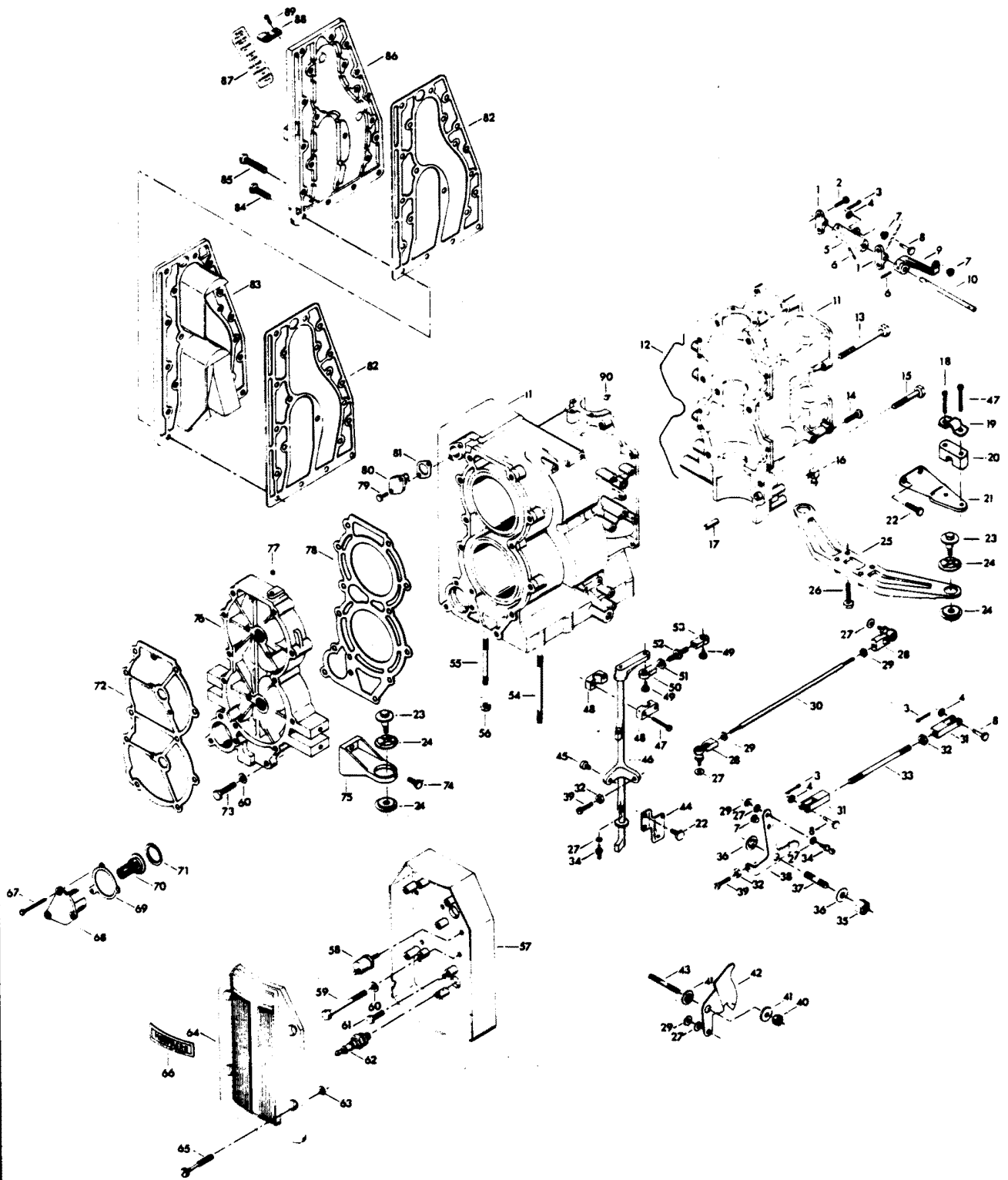


POWER HEAD

REF. NO.	PART NO.	SYM.	QTY.	DESCRIPTION
43	F433209		1	STUD, THROTTLE CAM
44	F474551		1	BRACKET, INTERLOCK SWITCH
45	F1727		1	PLASTIC RIVET
46	F474838		1	TOWERSHAFT
47	F1995		5	FILL HD SCREW, 10 - 24 X 1
48	F433689		4	TOWERSHAFT BEARING
49	F84026		2	SPARK CONTROL SWIVEL
50	F84035-2		1	SPARK CONTROL BEARING, R.H.
51	F1473		1	HEX NUT, 10 - 24
52	F474445		1	SPARK, CONTROL LINK
53	F84036		1	SPARK CONTROL BEARING, L.H.
54	F474211		8	STUD, CYLINDER
55	F474210		1	STUD, CYLINDER
56	F2002		9	LOCK NUT
57	F474995		1	CYLINDER HEAD COVER
58	F404449		1	THERMOSWITCH
59	F2049		10	HEX CAP SCREW, 5/16 - 18 X 2 5/8
60	F1987		11	PLAIN WASHER
61	F1238		3	HEX CAP SCREW, 1/4 - 20 X 3/4
62	33-818007--1		2	SPARK PLUG (UL-18V)
-	FC522227		2	SPARK PLUG (QUL-77V), MODELS 558BJ, 559BJ
63	F85735-1		4	SEAL
64	F474648		1	SPARK PLUG COVER
65	F474751		4	SCREW, SPARK PLUG COVER
66	474373		1	DECAL, MAGNAPOWER II
67	F2051		3	HEX CAP SCREW, 1/4 - 20 X 2 1/4
68	F474066		1	THERMOSTAT COVER
69	F474067		1	THERMOSTAT COVER GASKET
70	F84068-2		1	THERMOSTAT
71	F84504		1	THERMOSTAT GROMMET
72	F474996		1	CYLINDER HEAD COVER GASKET
73	F2076		1	HEX CAP SCREW, 5/16 - 18 X 1 1/8
74	F1902		4	HEX CAP SCREW, 5/16 - 18 X 3/4
75	F474982		2	STABILIZER, REAR
76	FA474518		1	CYLINDER HEAD W/PLUG
77	F19109		1	PLUG, CYLINDER HEAD
78	F474529		1	CYLINDER HEAD GASKET
79	F1913		2	HEX CAP SCREW, 10 - 24 X 5/8
80	F438066		1	COVER, BY-PASS VALVE
81	F85762		1	GASKET, BY-PASS VALVE COVER
82	F474154		2	EXHAUST PORT PLATE GASKET
83	F474151		1	EXHAUST PORT PLATE
84	F1833		4	HEX CAP SCREW, 1/4 - 20 X 1

CONTINUED ON NEXT PAGE ➡

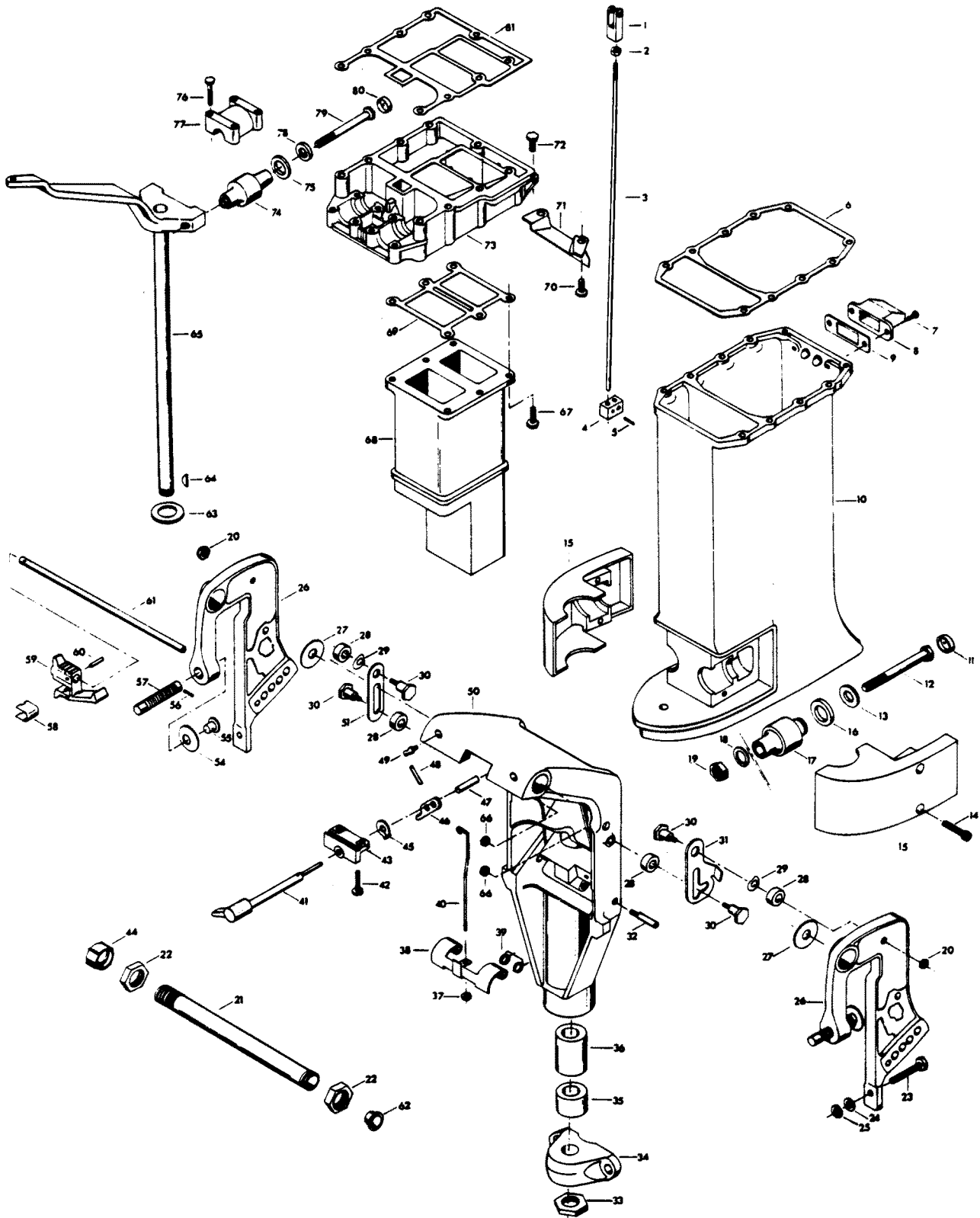
POWER HEAD



POWER HEAD

REF. NO.	PART NO.	SYM.	QTY.	DESCRIPTION
85	F1581		17	HEX CAP SCREW, 1/4 - 20 X 1 1/4
86	F474152		1	EXHAUST PORT COVER
87	F474398		1	DECAL, WIRING
88	F289446-1		1	CLAMP
89	F1734		1	SLOTTED FILL HD SCREW & LOCKWASHER, 1/4 - 20 X 1/2
90	F474909		2	LOCATING PIN
-	FG1013		1	GASKET SET (NOT SHOWN)
-	474374		1	DECAL, IGNITION (NOT SHOWN)
-	C474010-1		1	SHORT BLOCK (NOT SHOWN) INCLUDES ALL ITEMS MARKED WITH AN ASTERISK (*). ALSO REFER TO CRANKSHAFT AND PISTON PAGE.
-	K749		1	PAINT SPRAY BOMB, FLAT BLACK ENAMEL,6 OZ.

MOTOR LEG

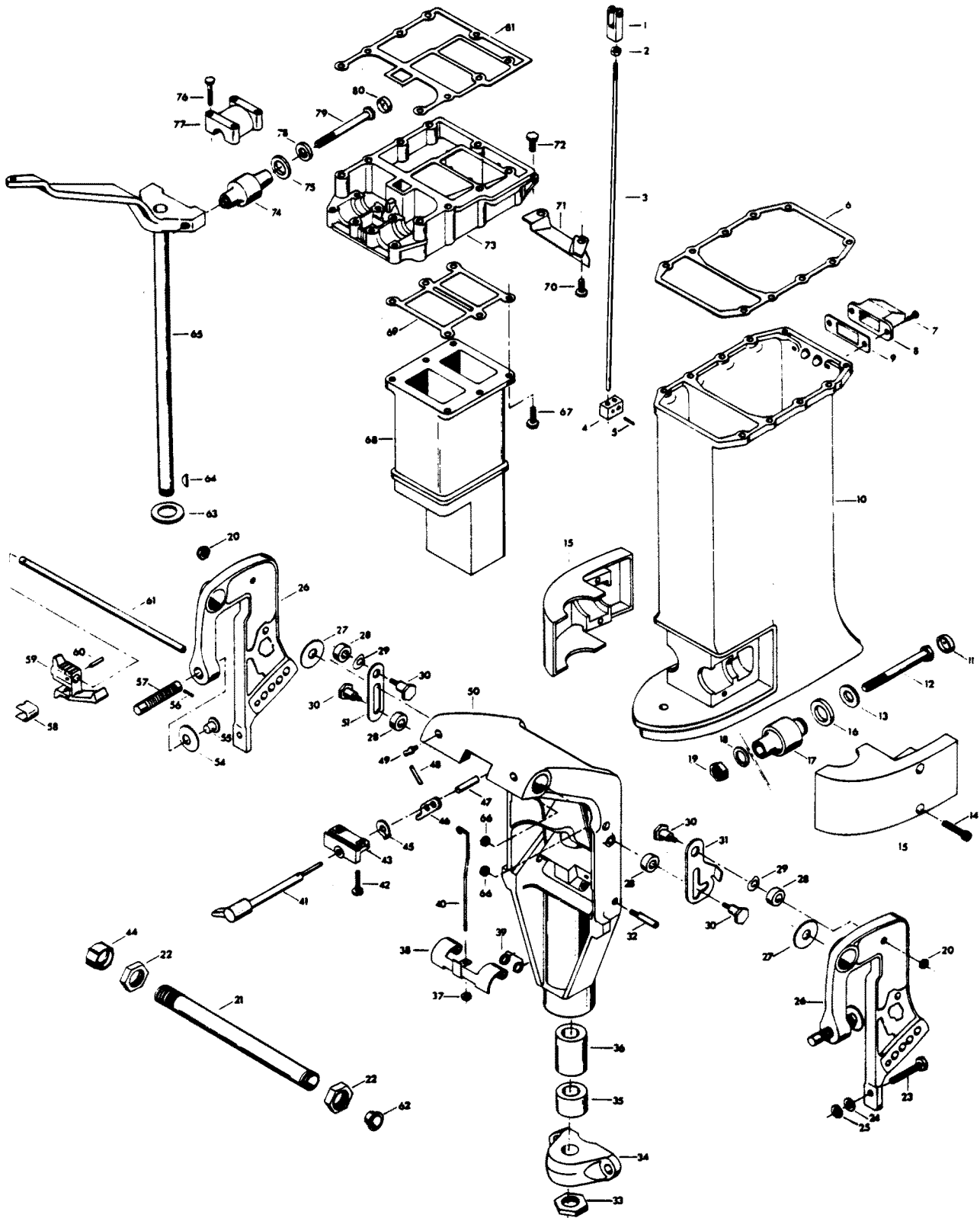


MOTOR LEG

REF. NO.	PART NO.	SYM.	QTY.	DESCRIPTION
1	F474704		1	COUPLER, SHIFT ROD
2	F1341		1	HEX NUT, 1/4 - 20
4	F474273		1	COUPLING, GEAR SHIFT ROD
5	F8547		1	SPRING PIN
6	F474453		1	LEG EXHAUST GASKET
7	F1705		2	HEX CAP SCREW, 1/4 - 20 X 3/4
8	F474832-1		1	IDLE RELIEF COVER
9	F474833		1	GASKET, IDLE RELIEF COVER
11	F474539		2	BUMPER
12	F2069		2	HEX CAP SCREW, 7/16 - 14 X 4
13	F474359		2	WASHER
14	F1257		4	HEX SOCKET HD CAP SCREW, S.S., 5/16 - 18 X 1 1/4
15	F474707		2	SHOCK MOUNT COVER LOWER
16	F474847		2	WASHER
17	F474346-2		2	SHOCK MOUNT LOWER
18	F8067		2	SPRING LOCKWASHER
19	F2065		2	HEX NUT, 7/16 - 14
20	F7007		2	STOP NUT, 5/16 - 18
21	F522125		1	TUBE, STEERING SUPPORT
22	F1600		2	LOCK NUT
23	F1593		2	HEX HD SCREW, S.S., 3/8 - 16 X 3
24	F1904		2	PLAIN WASHER
25	F1346		2	HEX NUT, 3/8 - 16
26	F522032		2	STERN BRACKET - STARBOARD
-	F522532		1	STERN BRACKET - PORT
27	F522286		2	STERN BRACKET FRICTION WASHER
28	F269929		4	SPACER, TILT STOP
29	F1666		2	BOWED SPRING WASHER
30	F366350		4	TILT STOP PIVOT
31	F366426		1	TILT STOP, PORT
32	F366886		2	PIN
33	F84280		1	KING PIN NUT
34	F474607		1	KING PIN YOKE
35	F474990		1	SPACER
36	F191169-1		2	SWIVEL BRACKET BEARING
37	F1669		1	LOCK NUT
38	F366349		1	REVERSE LOCK
39	F366300		2	REVERSE LOCK SPRING
40	F474510		1	LINK
41	FA522827		1	HANDLE AND SHAFT
42	F1733		2	PAN HD SCREW, 10 - 24 X 9/16
43	F522884		1	BEARING
44	F9018		1	CAP

CONTINUED ON NEXT PAGE ➡

MOTOR LEG

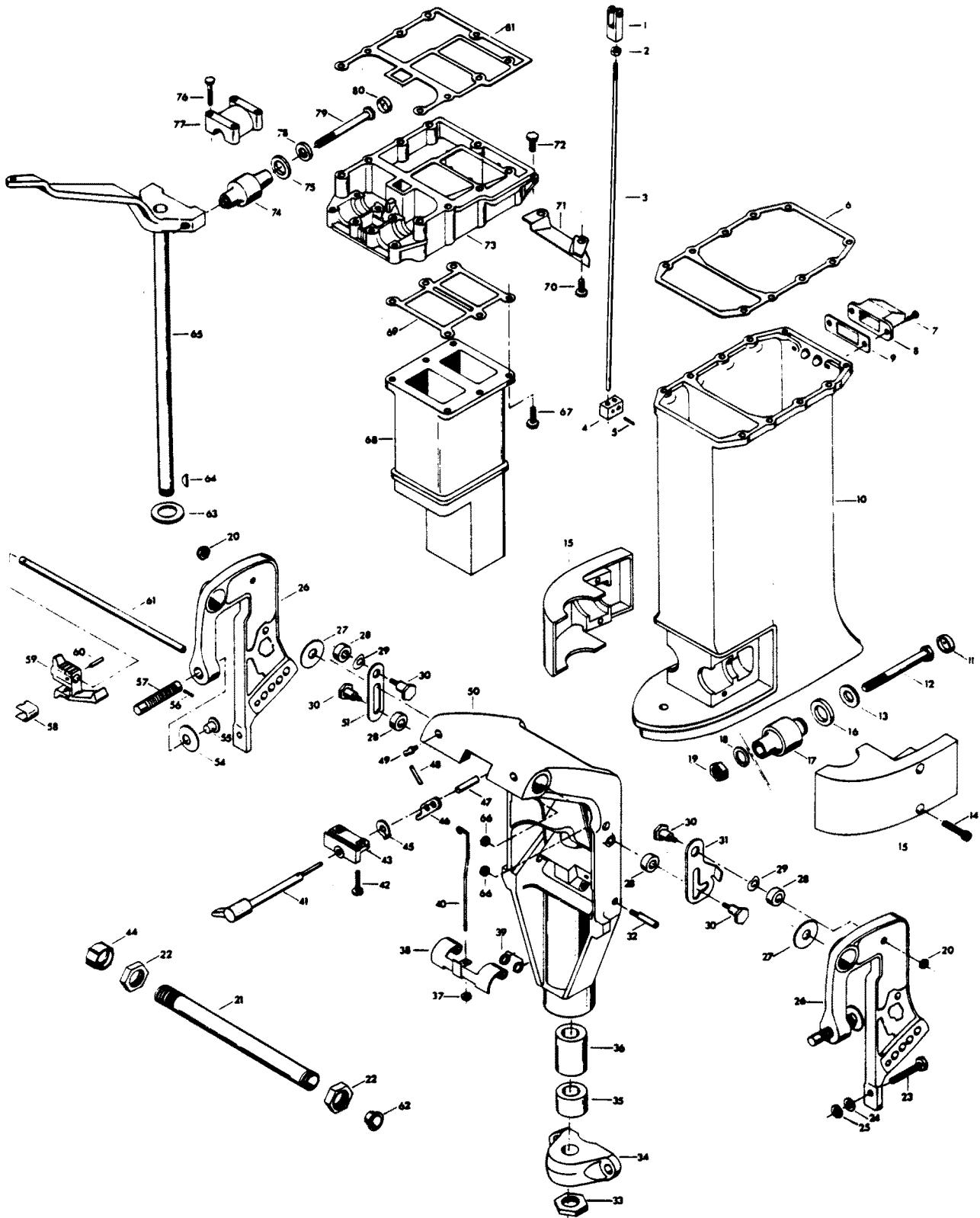


MOTOR LEG

REF. NO.	PART NO.	SYM.	QTY.	DESCRIPTION
45	F522741		1	RETAINING RING
46	F366364		1	ARM, REVERSE LOCK
47	F369884		1	BEARING
48	F1836		1	SPRING PIN
49	F213274		3	GREASE FITTING
51	F366433		1	TILT STOP, STARBOARD
52	F288075		2	CLAMP SCREW HANDLE
53	F1638		2	SPRING PIN
54	F24074		2	CLAMP SCREW FOOT
55	F353480		2	STUD
56	F8538		2	SPRING PIN
57	F474073-1		2	CLAMP SCREW
58	F286461		1	SPRING, LOCK BAR HANDLE
59	F433114		1	HANDLE, LOCK BAR
60	F1744		1	SPRING PIN
61	FA433113		1	STERN BRACKET LOCK BAR W/HANDLE
62	F9052		1	PLUG
63	F89011		1	SWIVEL BRACKET WASHER
64	F458498		1	KEY
66	F7007		2	LOCK NUT, 5/16 - 18
67	F1914		4	HEX CAP SCREW, 1/4 - 20 X 3/4
68	F474660		1	LEG EXHAUST TUBE
69	F474867		1	UPPER EXHAUST TUBE GASKET
70	F1689		2	HEX CAP SCREW, 1/4 - 20 X 1/2
71	F474106-2		1	DEFLECTOR, DISCHARGE WATER
72	F1902		2	HEX CAP SCREW, 5/16 - 18 X 3/4
73	F474680		1	SPACER PLATE
74	F474965-1		2	SHOCK MOUNT UPPER
75	F474849		2	WASHER
76	F1581		8	HEX CAP SCREW, 1/4 - 20 X 1 1/4
77	F474946		2	SHOCK MOUNT COVER UPPER
78	F474355		2	WASHER
79	F1430		2	HEX CAP SCREW, 3/8 - 24 X 4
80	F474942		2	BUMPER
81	F474279		1	CYLINDER EXHAUST GASKET
-	F474390-1		1	DECAL, REVERSE LOCK (NOT SHOWN)
3	F474615		0	GEAR SHIFT ROD UPPER
10	F474133		0	MOTOR LEG
50	FA524072		0	SWIVEL BRACKET
65	A474019		0	KING PIN ASSEMBLY
3	F475615		0	GEAR SHIFT ROD UPPER
10	F475133		0	MOTOR LEG
50	FA465072		0	SWIVEL BRACKET

CONTINUED ON NEXT PAGE ➡

MOTOR LEG



MOTOR LEG

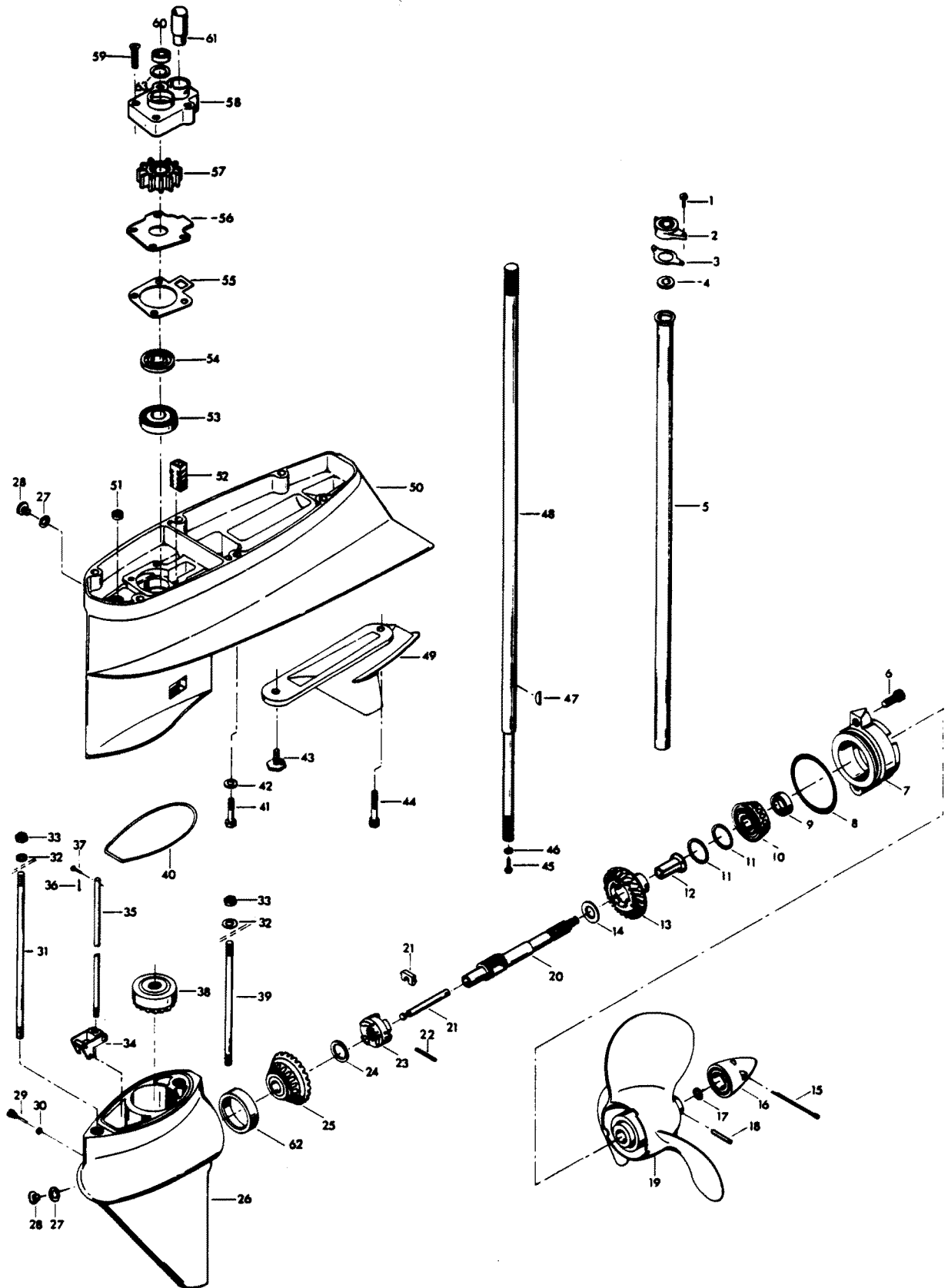
REF. NO.	PART NO.	SYM.	QTY.	DESCRIPTION
65	FA475019		0	KING PIN ASSEMBLY

GEAR HOUSING

REF. NO.	PART NO.	SYM.	QTY.	DESCRIPTION
1	F2074		2	HEX HD SCREW, 10 - 24 X 9/16
2	F474117		1	WATER LINE BRACKET
3	F474830		1	WATER LINE BRACKET GASKET
4	F474342		1	SEAL
6	F1994		2	HEX SOCKET HD CAP SCREW, S.S. 5/16 - 18 X 1
7	F2A474298		1	PROP SHAFT BRG. CAGE W/SEALS & BRG. CUP
8	F141305		1	SEAL, PROPELLER SHAFT BEARING CAGE
9	F141118		1	SEAL, PROPELLER SHAFT
10	F474225		1	BEARING, PROPELLER SHAFT REVERSE THRUST
12	F474143		1	BEARING, BEVEL GEAR REAR
13	F474662		1	BEVEL GEAR REAR
14	F40717		1	THRUST WASHER, BEVEL GEAR
15	F1027		1	COTTER PIN, S.S., 1/8 - 1/2
16	FA94094-2		1	PROPELLER NUT W/SEAL AND COTTER PIN
17	F40342		1	SEAL, PROPELLER NUT
18	FK247		1	PROPELLER PIN, PACK OF 6 W/COTTER PIN
19	FP475		1	PROPELLER, (ACCESSORY ITEM)
20	FA474098		1	PROPELLER SHAFT
21	FA90871-3		1	GEAR SHIFT ARM PIN W/YOKE
22	F2097		1	SPRING PIN
23	F99521-1		1	CLUTCH
25	F2A474023		1	BEVEL GEAR FRONT W/BEARING
26	1600-817819A1		1	GEAR HOUSING LOWER W/PLUG, WASHER AND THRUST BEARING CUP
27	F8077		2	WASHER, GEAR HOUSING PLUG
28	F50109		2	PLUG, GEAR HOUSING
29	F90891		1	GEAR SHIFT ARM PIN
30	F8001		1	NYLTITE WASHER
31	F474006		1	STUD, LONG
32	F8065		2	LOCKWASHER
33	F1346		2	HEX NUT, S.S., 3/8 - 16
34	817796A2		1	GEAR SHIFT ARM
35	F474705		1	GEAR SHIFT ROD LOWER
36	F1015		1	COTTER PIN
37	F85372		1	PIN, GEAR SHIFT ROD LOWER
38	F2A474266		1	BEVEL PINION GEAR W/BEARING AND CUP
39	F40008		1	STUD, SHORT
40	F435555		1	SEAL, GEAR HOUSING
41	F1696		6	HEX CAP SCREW, S.S., 5/16 - 18 X 1 3/4
42	F8096		6	SPRING LOCKWASHER
43	F438930		1	RETAINER, SNOUT
44	F1994		1	HEX SOCKET HD CAP SCREW, 5/16 - 18 X 1
45	F474165-1		1	SCREW, BEVEL PINION RETAINING

CONTINUED ON NEXT PAGE ➡

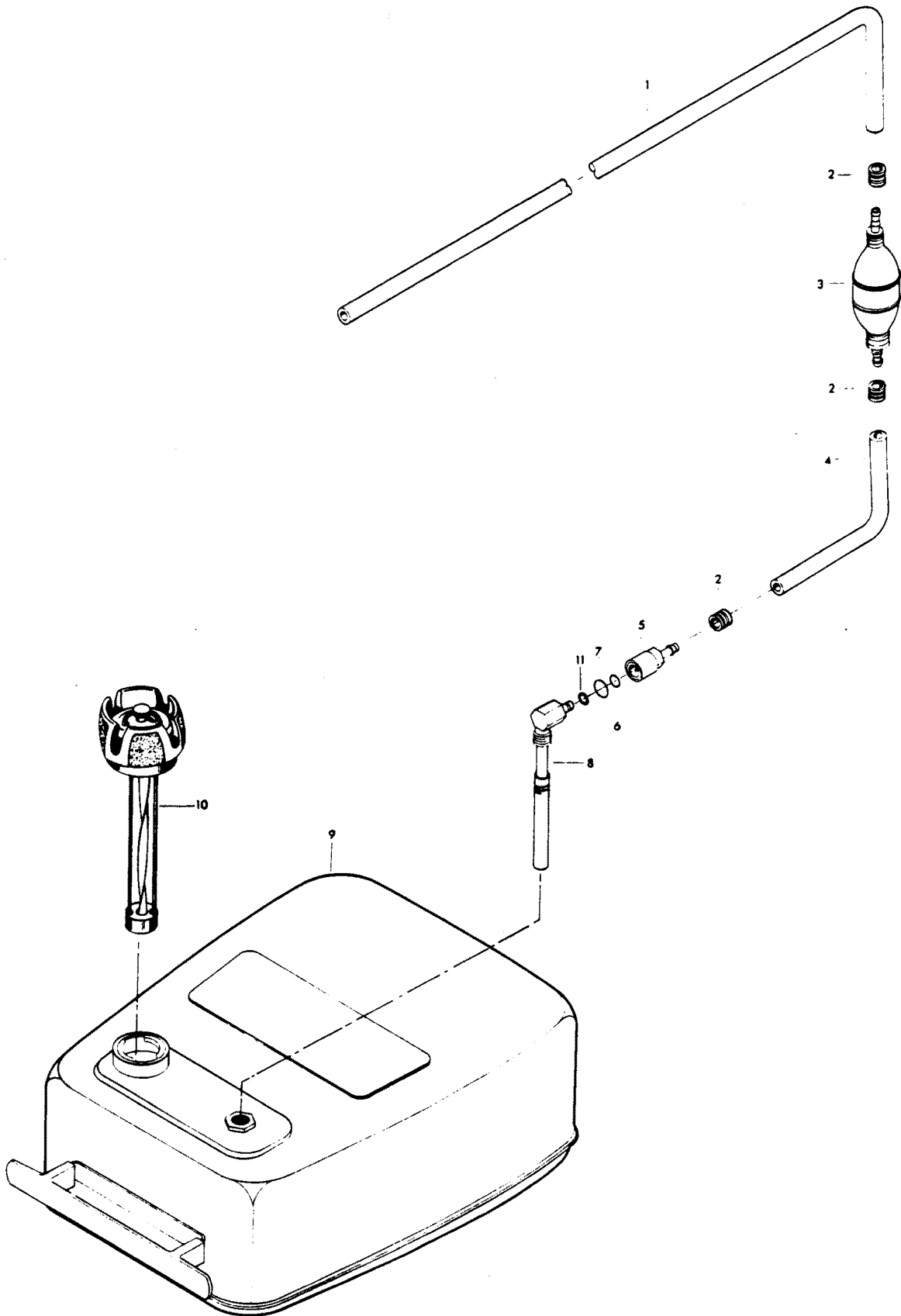
GEAR HOUSING



GEAR HOUSING

REF. NO.	PART NO.	SYM.	QTY.	DESCRIPTION
46	F474717		1	WASHER, BEVEL PINION RETAINING
47	F9038		1	WOODRUFF KEY
49	F474116-1		1	SNOUT
50	FA474554		1	GEAR HOUSING UPPER, W/SHIFT ROD SEAL, WASHER AND PLUG
51	F338618-1		1	SEAL, SHIFT ROD LOWER
52	F474077		1	SCREEN, WATER INLET
53	FA474901		1	BEARING, DRIVESHAFT UPPER W/CUP
54	F474307		1	SEAL, DRIVESHAFT
55	F84031		1	WATER PUMP GASKET
56	F369562		1	WATER PUMP BACK PLATE
57	F474065		1	WATER PUMP IMPELLER
58	FA474060		1	WATER PUMP BODY W/DRIVESHAFT SEAL
59	F1584		4	FLAT HD SCREW, S.S., 1/4 - 20 X 1 3/8
60	F474736		1	DRIVESHAFT SEAL
61	FA523735		1	SEAL, INLET WATER LINE LOWER
62	F458250		1	BEARING CUP
63	F474388		1	DISC, WATER PUMP
-	1600-817900A1		1	GEAR HOUSING COMPLETE INCLUDES ALL ITEMS MARKED WITH AN ASTERISK (*). ORIGINAL FORCE P/N C474054-1
5	F474244		0	INLET WATER LINE
48	FA474128		0	DRIVESHAFT W/BEARING, SCREW AND WASHER
5	F475244		0	INLET WATER LINE
48	FA475128		0	DRIVESHAFT W/BEARING, SCREW AND WASHER

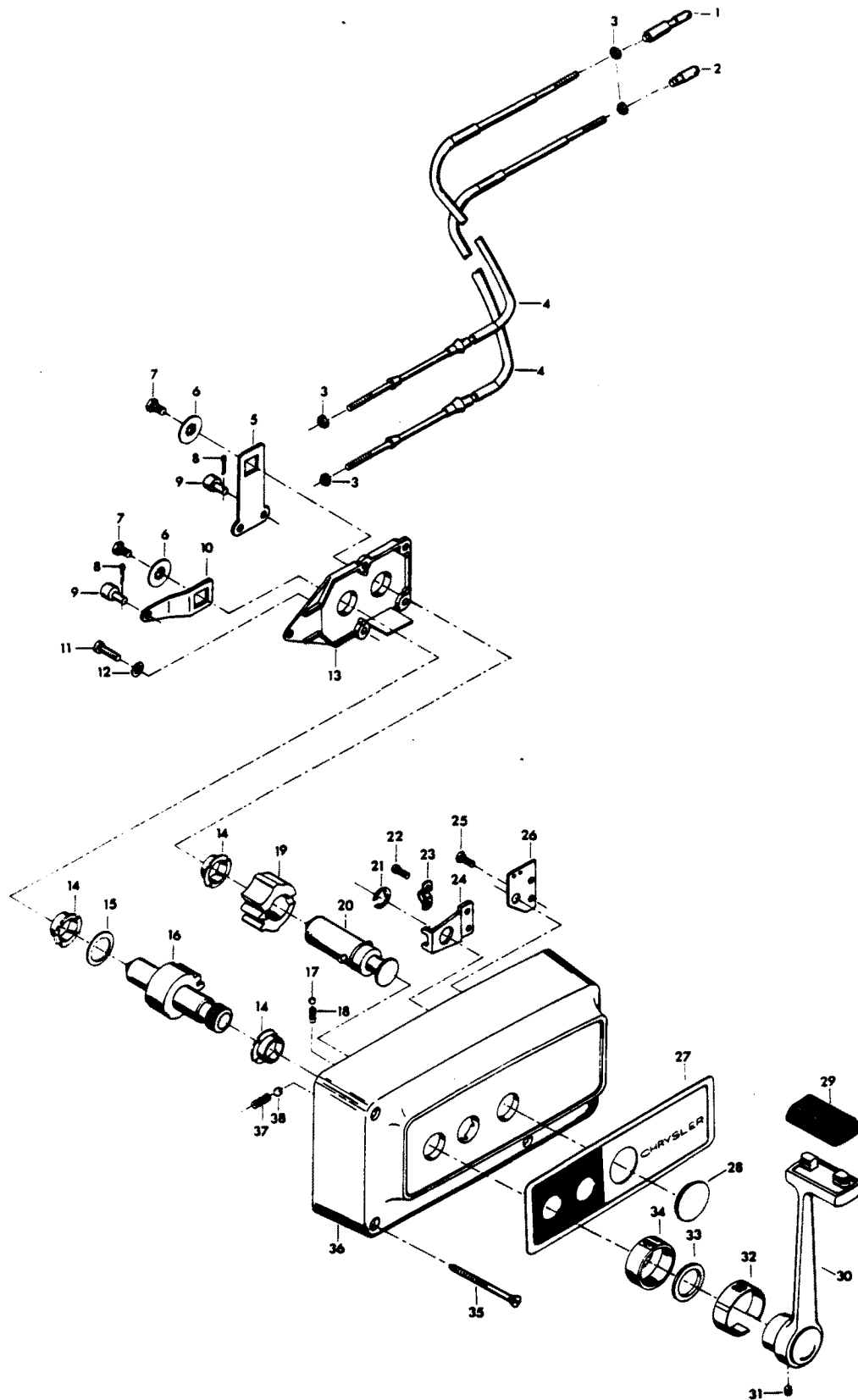
FUEL TANK AND LINE



FUEL TANK AND LINE

REF. NO.	PART NO.	SYM.	QTY.	DESCRIPTION
1	32-817738A1		1	FUEL LINE, LONG W/CLAMP AND FERRULE
2	F298788		3	FERRULE
3	89396A38		1	PRIME BULB
4	FA84754-1		1	FUEL LINE SHORT W/FERRULES
5	F197787-2		1	FUEL LINE COUPLER
6	F213735		1	SEAL, FUEL LINE COUPLER (SMALL)
7	F213342		1	SEAL, FUEL LINE COUPLER (LARGE)
8	F485755		1	FUEL TANK ADAPTER
9	F71H08		1	FUEL TANK (ACCESSORY ITEM)
10	F409251-1		1	GAUGE CAP
11	F17932		1	SEAL, FUEL TANK ADAPTER
-	FS409752		1	FUEL LINE, COMPLETE

REMOTE CONTROL



REMOTE CONTROL

REF. NO.	PART NO.	SYM.	QTY.	DESCRIPTION
1	FA58976-1		1	CONNECTOR, THROTTLE CABLE
2	F58685-2		1	CONNECTOR, SHIFT CABLE
3	F1513		4	HEX NUT
4	ÄF58356//		2	REMOTE CONTROL CABLE (SPECIFY LENGTH)
5	F17019		1	CLUTCH ARM
6	F17036		2	INTERNAL TOOTH LOCKWASHER
7	F1715		2	HEX BOLT, 1/4 - 28 X 9/16
8	F17015		2	COTTER PIN
9	F17016		2	CABLE TERMINAL
10	F17014		1	THROTTLE ARM
11	F17013		2	FILL HD SCREW, 1/4 - 20 X 1/2
12	F17020		2	INTERNAL TOOTH LOCKWASHER
13	F17012		1	RETAINING PLATE
14	F17009		3	BEARING
15	F17011		1	BOWED WASHER
16	F17010-1		1	THROTTLE GEAR
17	F17111		1	DETENT BALL
18	F17006		1	DETENT SPRING
19	F17021		1	CLUTCH GEAR
20	F17100		1	CLUTCH SHAFT
21	F17092		1	SNAP RING
22	F17107		2	FILL HD SCREW, 10 - 24 X 5/16
23	F154317		1	CABLE CLAMP
24	F17026		1	SWIVEL
25	F1557		2	FLAT HD SCREW, 10 - 24 X 3/8
26	F17112		1	JUNCTION BOARD, STARBOARD
-	F17113		1	JUNCTION BOARD, PORT
27	F17101		1	DECAL, STARBOARD
-	17102		1	DECAL, PORT
28	F17031		1	SNAP CAP
29	F17116		1	KNOB
30	F17115		1	HANDLE
31	F17030-1		1	SET SCREW
32	FK17114-1		1	INDICATOR
33	F17105		1	FELT WASHER
34	F17106		1	COLLAR
35	17108		3	WOOD SCREW
36	F17099		1	HOUSING
37	F17068		1	DETENT SPRING
38	F17082-1		1	DETENT BALL
-	F1280		2	PAN HD SCREW, 8 - 32 X 1/4 (TERMINAL BOARD) (NOT SHOWN)

SPECIAL TOOLS - TUNE-UP

REF. NO.	PART NO.	SYM.	QTY.	DESCRIPTION
-	FT8948-1		0	FLYWHEEL PULLER TO REMOVE FLYWHEEL
-	FTA2937-1		0	TIMING TOOL TO LOCATE TIMING DECAL
-	FT8978		0	POWER TIMING LIGHT TO TIME ENGINE
-	FT2951		0	CIRCUIT TRACER TO TROUBLE SHOOT ELECTRICAL SYSTEM

SPECIAL TOOLS - POWERHEAD

REF. NO.	PART NO.	SYM.	QTY.	DESCRIPTION
-	T8984		0	INSTALLER TO INSTALL UPPER AND LOWER CRANKSHAFT SEALS
-	FT8907		0	DRIVER HANDLE TO USE WITH SEAL INSTALLER T8984
-	FT8983		0	SEALANT TO FORM GASKET BETWEEN AIR INTAKE COVER HALVES
-	FT8926		0	RING EXPANDER TO INSTALL RINGS ON PISTONS
-	FT2996		0	RING COMPRESSOR TO INSTALL PISTONS IN CYLINDERS
-	FT8933		0	LIFTING HOOK TO PROVIDE SAFE METHOD OF LIFTING ENGINE
-	FTA8994		0	PISTON PIN TOOL REMOVE AND INSTALL PISTON PINS

SPECIAL TOOLS - LOWER UNIT

REF. NO.	PART NO.	SYM.	QTY.	DESCRIPTION
-	FT8948-1		0	PROPELLER SHAFT BEARING CAGE PULLER AND FLYWHEEL PULLER TO REMOVE PROPELLER SHAFT BEARING CAGE FROM LOWER GEAR HOUSING
-	FT8901		0	INDICATOR HOLDER TO USE WITH CHECKING GAUGE (T8924-1)
-	FT8902		0	DIAL INDICATOR TO USE WITH CHECKING GAUGE (T8924-1)
-	FT8979		0	WATER PUMP CENTERING TOOL TO CENTER WATER PUMP
-	FT8957		0	SEAL INSTALLER TO INSTALL SHIFT ROD SEAL
-	FT8924-1		0	CHECKING GAUGE TO SHIM LOWER UNIT
-	FT8982		0	SHIM ADAPTER TO USE WITH CHECKING GAUGE (T8924-1)
-	FT8985		0	SEAL INSTALLER TO INSTALL PROPELLER SHAFT SEAL

SPECIAL TOOLS - TEST EQUIPMENT

REF. NO.	PART NO.	SYM.	QTY.	DESCRIPTION
-	FT8950		0	LEAKAGE TESTER TO TEST LOWER UNIT FOR LEAKS
-	T8974		0	BREAKER POINT TENSION GAUGE FOR CHECKING BREAKER POINT SPRING TENSION
-	FT8986A		0	TEST WHEEL TO TEST MOTOR IN TEST TANK

ACCESSORIES

REF. NO.	PART NO.	SYM.	QTY.	DESCRIPTION
-			0	CHRYSLER OUTBOARD OIL SEE BLOCK COMMENT 1.
-			0	CHRYSLER OUTBOARD GEAR LUBE SEE BLOCK COMMENT 2.
-	F74H07		0	WATER PUMP KIT HEAVY DUTY WATER PUMP RECOMMENDED FOR CONTINUED OPERATION IN SANDY OR SALT WATER.
-	F70H01		0	ANTI-CORROSION KIT ELECTRICAL UNIT USED TO HELP PREVENT CORROSION.
-	F71H02		0	ANTI-CORROSION SACRIFICIAL ANODE USED TO HELP PREVENT CORROSION.
-	72H13		0	BATTERY, 74 AMP TWELVE VOLT HEAVY DUTY BATTERY TO OPERATE STARTER AND ELECTRICAL ACCESSORIES
-	172		0	BATTERY CASE HEAVY PLASTIC CASE WITH TIE DOWN STRAPS. PROTECTS BATTERY FROM DAMAGE.
-	F70H05		0	BATTERY EXTENSION CABLE USED TO EXTEND BATTERY CABLE 6 1/2 FEET.
-	F71H26		0	BATTERY TERMINAL KIT ADAPTS MODEL 72H13 BATTERY TERMINALS FOR CONNECTION TO BATTERY CABLES ON ENGINES.
-	74H11		0	FUEL GAUGE FLUSH MONITORS FUEL SUPPLY.
-	74H15		0	FUEL GAUGE SURFACE MOUNT MONITORS FUEL SUPPLY.
-	F71H10		0	SENDING UNIT FOR USE WITH ABOVE FUEL GAUGE.
-	74H14		0	TEMPERATURE GAUGE (SURFACE MOUNT) MONITORS ENGINE TEMPERATURE. DO NOT USE TEMPERATURE GAUGE AND HEAT LAMP IN THE SAME INSTALLATION.
-	F74H10		0	TEMPERATURE GAUGE (FLUSH MOUNT) MONITORS ENGINE TEMPERATURE. DO NOT USE TEMPERATURE GAUGE AND HEAT LAMP IN THE SAME INSTALLATION.
-	72H31		0	FROST WHITE LACQUER ENGINE TOUCH-UP PAINT IN 16 OZ. SPRAY BOMBS (12 CANS PER CASE).
-	72H32		0	GOLD LACQUER ENGINE TOUCH-UP PAINT IN 16 OZ. SPRAY BOMBS (12 CANS PER CASE).
-	72H05		0	CANVAS HOOD PROTECTION FOR ENGINE COVER.
-	F71H08		0	STEEL, 6 GALLON FUEL TANK AUXILIARY TANK.
-	F71H12		0	FUEL TANK ANCHOR SECURES 71H08 TO DECK.
-	F71H23		0	STEEL, 12 GALLON FUEL TANK AUXILIARY TANK.
-	479		0	HEAT LAMP KIT FOR ELECTRIC START MODELS. WARNS OF ENGINE OVERHEATING.
-	F74H19		0	IGNITION KEY SWITCH FOR ELECTRIC START MODELS (SHORT BARREL)
-	F74H20		0	IGNITION KEY SWITCH FOR ELECTRIC START MODELS (LONG BARREL)
-	70H24		0	RACING STRIPE KIT ORANGE STRIPING FOR ENGINE COVER.
-	70H25		0	RACING STRIPE KIT BLUE STRIPING FOR ENGINE COVER.

CONTINUED ON NEXT PAGE ➡

ACCESSORIES

REF. NO.	PART NO.	SYM.	QTY.	DESCRIPTION
-	F195/___		0	REMOTE CONTROL CABLES CONNECTS REMOTE CONTROL BOX TO THROTTLE AND GEAR SHIFT ON MOTOR. AVAILABLE IN 6 THROUGH 30 FOOT LENGTHS (IN 1 FOOT INCREMENTS) (30 THROUGH 40 FOOT IN 2 FOOT INCREMENTS.)
-	F72H36		0	REMOTE CONTROL SURFACE MOUNT (SINGLE LEVER) PERMITS REMOTE CONTROL OF THROTTLE AND GEAR SHIFT FROM STARBOARD SIDE OF BOAT.
-	73H08		0	PORT SIDE DECAL KIT CONVERTS 72H36 CONTROL BOX TO PORT SIDE MOUNTING.
-	F590		0	REMOTE CONTROL FLUSH MOUNT (SINGLE LEVER) PERMITS REMOTE CONTROL OF THROTTLE AND GEAR SHIFT. MAY BE MOUNTED ON PORT OR STARBOARD SIDE OF BOAT.
-	865		0	REMOTE CONTROL SURFACE MOUNT (SINGLE LEVER) PERMITS REMOTE CONTROL OF THROTTLE AND GEAR SHIFT ON TWIN ENGINE INSTALLATION. MAY BE MOUNTED ON PORT OR STARBOARD SIDE OF BOAT.
-	F165		0	REMOTE STEERING BRACKET ADAPT MOTOR TO CABLE TYPE REMOTE STEERING.
-	F74H21		0	REMOTE STEERING CONNECTOR CONNECTS ENGINE TO MECHANICAL STEERING CABLE.
-	176		0	SPEEDOMETER SURFACE MOUNT 0 TO 50 M.P.H.
-	F71H04		0	SPEEDOMETER FLUSH MOUNT 0 TO 50 M.P.H.
-	74H13		0	TACHOMETER (SURFACE MOUNT) MONITORS ENGINE R.P.M. TO PROVIDE CHECK OF ENGINE PERFORMANCE.
-	F74H09		0	TACHOMETER (SURFACE MOUNT) MONITORS ENGINE R.P.M. TO PROVIDE CHECK OF ENGINE PERFORMANCE.
-	F74H04		0	POWER TRIM ADJUSTS ENGINE TRIM AND TILTS ENGINE.
-	F74H12		0	POWER TRIM INDICATOR (FLUSH MOUNT) INDICATES ENGINE TRIM ANGLE.
-	74H16		0	POWER TRIM INDICATOR (FLUSH MOUNT) INDICATES ENGINE TRIM ANGLE.

SPECIFICATIONS

REF. NO.	PART NO.	SYM.	QTY.	DESCRIPTION
-			0	HORSEPOWER 55 B.I.A. CERTIFIED BRAKE H.P. AT 5250 R.P.M.
-			0	MOTOR TWO-CYCLE, TWIN CYLINDER ALTERNATE FIRING.
-			0	BORE AND STROKE 3/8" BORE X 2.80" STROKE.
-			0	DISPLACEMENT 49.9 CUBIC INCHES.
-			0	CONNECTING RODS FORGED NICKEL STEEL. CAGED ROLLER BEARINGS AT CRANKSHAFT.
-			0	CRANKSHAFT FORGED NICKEL STEEL. BALL BEARINGS AT LOWER MAIN. CAGED ROLLER BEARINGS AT CENTER AND UPPER MAINS.
-			0	CORROSION PROTECTION ALODINE TREATED CASTINGS, STAINLESS STEEL DRIVE SHAFT, PROPELLER SHAFT, GEAR SHIFT ROD AND UNDERWATER FASTENERS.
-			0	FUEL TANK SEPARATE STEEL TANK, 6 U.S. GALLON, 5 IMPERIAL GALLON CAPACITY.
-			0	FUEL SYSTEM VACUUM-TYPE FUEL PUMP, FLOAT FEED CARBURETOR WITH FIXED HIGH SPEED JET AND ADJUSTABLE LOW SPEED JET.
-			0	FUEL FILTERS FILTER SCREENS IN FUEL TANK AND FUEL PUMP.
-			0	COOLING WATER COOLED, POSITIVE DISPLACEMENT TYPE WATER PUMP.
-			0	TRANSOM HEIGHT 15" OR 20" DEPENDING ON MODEL.
-			0	WEIGHT FROM 179 POUNDS FOR STANDARD SHAFT MODELS.
-			0	TILT LOCK POSITIVE TILT LOCK PERMITS ENGINE TO REMAIN IN TILTED POSITION WHEN NOT IN USE.
-			0	RECOMMENDED OPERATING RANGE 5000 - 5500 R.P.M.

LUBRICATION CHART

REF. NO.	PART NO.	SYM.	QTY.	DESCRIPTION
-			0	UPPER AND LOWER GEAR HOUSING CHECK AFTER EVERY THIRTY HOURS OF OPERATION AND REPLACE AFTER EVERY 100 HOURS WITH A NON-CORROSIVE LEADED OUTBOARD GEAR OIL -- CHRYSLER OUTBOARD GEAR LUBE. DO NOT USE CORROSIVE HYPOID OIL UNDER ANY CIRCUMSTANCES.
-			0	CONTROL LINKAGE LUBRICATE ALL MOVING PARTS AND CONTROL LINKAGE WITH RYKON #2EP, PART NO. T - 2961, TWICE EACH SEASON OR OFTENER IF REQUIRED.
-			0	STERN BRACKET LUBRICATE STERN BRACKET AND ASSOCIATED PARTS WITH RYKON #2EP, PART NO. T - 2961, TWICE EACH SEASON OR OFTENER IF REQUIRED.
-			0	STARTER PINION GEAR LUBRICATE WITH RYKON #2EP PART NO. T - 2961, TWICE EACH SEASON OR OFTENER IF REQUIRED.

SPECIAL ADJUSTMENTS

REF. NO.	PART NO.	SYM.	QTY.	DESCRIPTION
-			0	SPARK PLUG CHAMPION UL18V.
-			0	SPARK PLUG CHAMPION QUL-77V FOR MODELS 558BJ, 559BJ
-			0	FLYWHEEL NUT TORQUE TO 90 FOOT POUNDS
-			0	CYLINDER HEAD BOLT TORQUE TO 225 INCH POUNDS
-			0	POINT OF THROTTLE OPENING 1. UNSNAP BALL JOINT CONNECTOR FROM THROTTLE TOWER SHAFT.
-			0	POINT OF THROTTLE OPENING 2. WITH THROTTLE SHUTTER IN CARBURETOR CLOSED, ADJUST ECCENTRIC SCREW HOLDING THROTTLE ROLLER TO THROTTLE SHAFT SO THAT PICK-UP LINE ON LOWER END OF THROTTLE CAM IS EXACTLY CENTERED ON THROTTLE ROLLER.
-			0	POINT OF THROTTLE OPENING 3. ADVANCE THROTTLE TOWER SHAFT AND THROTTLE CAM TO FULL ADVANCE POSITION. (THROTTLE SHUTTER HORIZONTAL.)
-			0	POINT OF THROTTLE OPENING 4. ADJUST BALL JOINT CONNECTORS UNTIL SPACING IS IDENTICAL TO SPACING BETWEEN CONNECTOR STUD ON THROTTLE CAM AND THROTTLE TOWER SHAFT.
-			0	POINT OF THROTTLE OPENING

PARTS INDEX

Part Number	Description	Pg.	Ref. No.	Part Number	Description	Pg.	Ref. No.
ÄF58356//	REMOTE CONTROL CABLE (SPECIFY LENGTH)	41	4	F12354	SPIDER	9	50
17102	DECAL, PORT	41	-	F1236	HEX CAP SCREW, 1/4 - 20 X 1/2	15	6
17108	WOOD SCREW	41	35	F1238	HEX CAP SCREW, 1/4 - 20 X 3/4	21	23
172	BATTERY CASE	46	-	F1238	HEX CAP SCREW, 1/4 - 20 X 3/4	21	9
176	SPEEDOMETER	47	-	F1238	HEX CAP SCREW, 1/4 - 20 X 3/4	25	61
474373	DECAL, MAGNAPOWER II	25	66	F1238	HEX CAP SCREW, 1/4 - 20 X 3/4	29	14
474374	DECAL, IGNITION (NOT SHOWN)	27	-	F1257	HEX SOCKET HD CAP SCREW, S.S., 5/16 - 18 X 1 1/4	41	-
479	HEAT LAMP KIT	46	-	F1280	PAN HD SCREW, 8 - 32 X 1/4 (TERMINAL BOARD) (NOT SHOWN)	9	59
70H24	RACING STRIPE KIT	46	-	F1280	SLOTTED PAN HD SCREW, 8 - 32 X 1/4, IGNITION SWITCH	5	46
70H25	RACING STRIPE KIT	46	-	F1293	DRIVE SCREW, 2 X 3/16	5	46
72H05	CANVAS HOOD	46	-	F1298	ROUND HD SCREW W/LOCKWASHER, 6 - 32 X 1/4	15	19
72H13	BATTERY, 74 AMP	46	-	F1306	SLOTTED ROUND HD SCREW, 10 - 24 X 3/8	11	21
72H31	FROST WHITE LACQUER	46	-	F1341	HEX NUT, 1/4 - 20	23	32
72H32	GOLD LACQUER	46	-	F1341	HEX NUT, 1/4 - 20	29	2
73H08	PORT SIDE DECAL KIT	47	-	F1346	HEX NUT, 3/8 - 16	29	25
74H11	FUEL GAUGE FLUSH	46	-	F1346	HEX NUT, S.S., 3/8 - 16	35	33
74H13	TACHOMETER (SURFACE MOUNT)	47	-	F141118	SEAL, PROPELLER SHAFT	35	9
74H14	TEMPERATURE GAUGE (SURFACE MOUNT)	46	-	F141305	SEAL, PROPELLER SHAFT BEARING CAGE	35	8
74H15	FUEL GAUGE SURFACE MOUNT	46	-	F1430	HEX CAP SCREW, 3/8 - 24 X 4	31	79
74H16	POWER TRIM INDICATOR (FLUSH MOUNT)	47	-	F1473	HEX NUT, 10 - 24	25	51
817747--1	BALL JOINT W/BEARING	23	28	F1475	SLOTTED FILL HD SCREW, 10 - 24 X 1/2	23	2
817796A2	GEAR SHIFT ARM	35	34	F1502	HEX CAP SCREW, 1/4 - 20 X 5/8	23	22
865	REMOTE CONTROL SURFACE MOUNT (SINGLE LEVER)	47	-	F15034	SPRING SET	19	18
89396A38	PRIME BULB	39	3	F1504	FILL HD SCREW, 1/4 - 20 X 1 1/4	11	17
A465528-1	INSERT, TRIM REAR	3	6	F15057	BRUSH PLATE AND HOLDER	19	19
A474010-1	CYLINDER W/CRANKCASE COVER, STUDS, SCREWS AND DOWEL PINS	23	11	F15099	ARMATURE	19	8
A474019	KING PIN ASSEMBLY	31	65	F15100	BENDIX DRIVE	19	1
AC16395-7	IDENT. PLATE W/SCREWS, (CANADA)	5	-	F15119	FRAME AND FIELD ASSEMBLY	19	9
C474010-1	SHORT BLOCK (NOT SHOWN)	27	-	F15120	HEAD ASSEMBLY, DRIVE END	19	6
F10000	GASKET SET (NOT SHOWN)	13	-	F15123	THRU BOLT PACKAGE	19	14
F10053	REPAIR PARTS KIT	13	-	F15125	HEAD ASSEMBLY, COMMUTATOR END	19	17
F1014	COTTER PIN	11	2	F15126	THRUST WASHER PACKAGE	19	7
F1015	COTTER PIN	35	36	F1513	HEX NUT	41	3
F1017	COTTER PIN	23	3	F1513	HEX NUT, 10 - 32	7	10
F1027	COTTER PIN, S.S., 1/8 - 1/2	35	15	F1513	HEX NUT, 10 - 32	23	29
F1036	SLOTTED FILL HD M. SCREW W/SPRING LOCKWASHER, 6 - 32 X 1/4	9	47	F1515	HEX NUT, 5/16 - 18	11	34
F1052	FILL HD M. SCREW, 1/4 - 20 X 1	23	39	F1515	HEX NUT, 5/16 - 18	15	4
F1059	FILL HD SCREW, 6 - 32 X 1/4	11	6	F1515	HEX NUT, S.S., 5/16 - 18	7	26
F1064	SLOTTED HD SCREW, 8 - 32 X 3/8	11	26				
F1108	FILL HD SCREW, 1/4 - 20 X 3/4	17	10				
F12352-1	TRIGGER COIL	9	46				
F12353	CLIP	9	48				

PARTS INDEX

Part Number	Description	Pg.	Ref. No.	Part Number	Description	Pg.	Ref. No.
F15165	BRUSH AND TERMINAL SET	19	11	F17082-1	DETENT BALL	41	38
F154317	CABLE CLAMP	23	19	F17092	SNAP RING	41	21
F154317	CABLE CLAMP	41	23	F17099	HOUSING	41	36
F1557	FLAT HD SCREW, 10 - 24 X 3/8	41	25	F17100	CLUTCH SHAFT	41	20
F1581	HEX CAP SCREW, 1/4 - 20 X 1 1/4	27	85	F17101	DECAL, STARBOARD	41	27
F1581	HEX CAP SCREW, 1/4 - 20 X 1 1/4	31	76	F17105	FELT WASHER	41	33
F1584	FLAT HD SCREW, S.S., 1/4 - 20 X 1 3/8	37	59	F17106	COLLAR	41	34
F1593	HEX HD SCREW, S.S., 3/8 - 16 X 3	29	23	F17107	FILL HD SCREW, 10 - 24 X 5/16	41	22
F1600	LOCK NUT	29	22	F17111	DETENT BALL	41	17
F1638	SPRING PIN	31	53	F17112	JUNCTION BOARD, STARBOARD	41	26
F1645	RD HD SCREW, 6 - 32 X 1 1/4	7	5	F17113	JUNCTION BOARD, PORT	41	-
F1647	HEX NUT, 8 - 32	7	17	F17115	HANDLE	41	30
F1648	PAN HD SCREW, 10 - 24 X 3/4	7	14	F17116	KNOB	41	29
F165	REMOTE STEERING BRACKET	47	-	F1715	HEX BOLT, 1/4 - 28 X 9/16	41	7
F1666	BOWED SPRING WASHER	29	29	F1727	PLASTIC RIVET	25	45
F1669	LOCK NUT	29	37	F1728	PAN HD SCREW, 10 - 3/8	3	4
F1689	HEX CAP SCREW, 1/4 - 20 X 1/2	3	27	F1733	PAN HD SCREW, 10 - 24 X 9/16	3	33
F1689	HEX CAP SCREW, 1/4 - 20 X 1/2	3	39	F1733	PAN HD SCREW, 10 - 24 X 9/16	29	42
F1689	HEX CAP SCREW, 1/4 - 20 X 1/2	31	70	F1733	SLOTTED PAN HD SCREW, 10 - 24 X 9/16	7	7
F1693	TIE BAR RETAINER	11	25	F1734	SLOTTED FILL HD SCREW & LOCKWASHER, 1/4 - 20 X 1/2	27	89
F1696	HEX CAP SCREW, S.S., 5/16 - 18 X 1 3/4	35	41	F1741	PAN HD SCREW, 8 X 3/4	7	35
F17006	DETENT SPRING	41	18	F1744	SPRING PIN	31	60
F17009	BEARING	41	14	F1753	FASTENER	5	51
F17010-1	THROTTLE GEAR	41	16	F177330	FUEL PUMP VALVE	17	6
F17011	BOWED WASHER	41	15	F17932	SEAL, FUEL TANK ADAPTER	39	11
F17012	RETAINING PLATE	41	13	F1804	STOP NUT, 10 - 22	9	56
F17013	FILL HD SCREW, 1/4 - 20 X 1/2	41	11	F1820	FILL HD SCREW, 1/4 - 20 X 1 3/8	11	15
F17014	THROTTLE ARM	41	10	F1822	HEX CAP SCREW, 5/16 - 18 X 7/8	19	10
F17015	COTTER PIN	41	8	F1829	SLOTTED FILL HD SCREW, 10 - 24 X 7/8	23	18
F17016	CABLE TERMINAL	41	9	F1833	HEX CAP SCREW, 1/4 - 20 X 1	25	84
F17019	CLUTCH ARM	41	5	F1836	SPRING PIN	31	48
F17020	INTERNAL TOOTH LOCKWASHER	41	12	F183818	BEARING, GEAR SHIFT COUPLER	23	7
F17021	CLUTCH GEAR	41	19	F184033-1	SWIVEL, CHOKE ROD FOR BOTTOM CARB. (NOT SHOWN)	11	-
F17026	SWIVEL	41	24	F1845	TY-RAP, REGULATOR TO POWER PACK LEADS	7	38
F17030-1	SET SCREW	41	31	F184579	SEAL, CHOKE ARM SWIVEL	11	4
F17031	SNAP CAP	41	28	F1854	HEX CAP SCREW, 1/4 - 20 X 5/8	3	8
F17036	INTERNAL TOOTH LOCKWASHER	41	6	F1857	HEX CAP SCREW, 5/16 - 18 X 5/8	7	30
F1704	INTERNAL TOOTH LOCKWASHER	7	4	F1860	SLOTTED HD M. SCREW, 6 - 32 X 1/4	17	5
F1705	HEX CAP SCREW, 1/4 - 20 X 3/4	7	28	F1872	HEX CAP SCREW, 3/8 - 16 X 1 3/4	23	15
F1705	HEX CAP SCREW, 1/4 - 20 X 3/4	29	7	F1873	HEX CAP SCREW, 3/8 - 16 X 3	23	13
F17068	DETENT SPRING	41	37				

PARTS INDEX

Part Number	Description	Pg.	Ref. No.	Part Number	Description	Pg.	Ref. No.
F1889	FILL HD SCREW, 1/4 - 20 X 1 1/4	17	9	F2072	OVAL COUNTERSUNK HD M. SCREW, 10 - 24 X 3/8	3	22
F1891	HEX HD M. SCREW, 1/4 - 20 X 1 1/2	7	18	F2074	HEX HD SCREW, 10 - 24 X 9/16	35	1
F1902	HEX CAP SCREW, 5/16 - 18 X 3/4	25	74	F2075	SLOTTED HD SCREW, S.S., 1/4 - 20 X 2 1/2	3	29
F1902	HEX CAP SCREW, 5/16 - 18 X 3/4	31	72	F2076	HEX CAP SCREW, 5/16 - 18 X 1 1/8	25	73
F1904	PLAIN WASHER	29	24	F2077	SLOTTED PAN HD M. SCREW, 10 - 32 X 1/4	7	39
F1910	ELASTIC STOP NUT, 1/4 - 20	23	40	F2097	SPRING PIN	35	22
F19109	PLUG, CYLINDER HEAD	25	77	F2106	INTERNAL TOOTH LOCKWASHER	9	65
F191169-1	SWIVEL BRACKET BEARING	29	36	F213274	GREASE FITTING	31	49
F1913	HEX CAP SCREW, 10 - 24 X 5/8	25	79	F213342	SEAL, FUEL LINE COUPLER (LARGE)	39	7
F1914	HEX CAP SCREW, 1/4 - 20 X 3/4	31	67	F213735	SEAL, FUEL LINE COUPLER (SMALL)	39	6
F1914	HEX HD SCREW, 1/4 - 20 X 3/4	23	14	F24074	CLAMP SCREW FOOT	31	54
F1915	HEX HD M. SCREW, 1/4 - 20 X 7/8	15	10	F24623-1	GROMMET	7	23
F1916	HEX HD M. SCREW, 1/4 - 20 X 1 1/8	15	3	F269052	BEARING, LATCH CAM	3	35
F1934	FLAT HD SCREW, 6 X 1/2	9	64	F269052	SHIFT ARM BEARING	23	36
F195/___	REMOTE CONTROL CABLES	47	-	F269122-1	CRANKCASE PARTING LINE SEAL	23	12
F1968	HEX NUT, 3/4 - 16	9	58	F269319	THROTTLE CAM BEARING	23	41
F1975	LOCKWASHER	7	11	F269929	SPACER, TILT STOP	29	28
F197787-2	FUEL LINE COUPLER	39	5	F286461	SPRING, LOCK BAR HANDLE	31	58
F1979	PAN HD SCREW, 10 - 24 X 1/2	3	12	F288075	CLAMP SCREW HANDLE	31	52
F1987	PLAIN WASHER	25	60	F289446-1	CLAMP	27	88
F1993	HEX SLOTTED HD M. SCREW, 1/4 - 20 X 5/8	3	19	F298788	FERRULE	39	2
F1994	HEX SOCKET HD CAP SCREW, 5/16 - 18 X 1	35	44	F2A321158	REED PLATE W/REEDS, STOPS AND SCREWS	15	15
F1994	HEX SOCKET HD CAP SCREW, S.S. 5/16 - 18 X 1	35	6	F2A474023	BEVEL GEAR FRONT W/BEARING	35	25
F1995	FILL HD SCREW, 10 - 24 X 1	25	47	F2A474144	BEARING CAGE W/CRANKSHAFT SEAL	7	42
F1997	LOCK NUT, 8 - 32	13	50	F2A474144	CRANKSHAFT UPPER BEARING CAGE W/SEAL	21	22
F2002	LOCK NUT	25	56	F2A474266	BEVEL PINION GEAR W/BEARING AND CUP	35	38
F2012	PLAIN WASHER	7	19	F2A474298	PROP SHAFT BRG. CAGE W/SEALS & BRG. CUP	35	7
F2016	SLOTTED FILL HD SCREW, 6 - 32 X 7/8	7	1	F307317	CLIP, TERMINAL BLOCK GROUND	7	13
F2017	PAN HD SCREW W/PLAIN WASHER, 10 - 24 X 3/8	3	23	F307908	STARTER WIRE	19	12
F2025	PAN HD SCREW, 10 X 5/8	3	3	F310189	BUSHING, ELECTRIC CABLE ENTRY	3	32
F203276	BOOT, COIL	9	61	F311189-1	BUSHING, CABLE ENTRY	5	44
F2033	GROOVE PIN	11	8	F316579	SEAL, CRANKCASE	21	20
F203673	CLIP	9	62	F333316	THROTTLE ROLLER SHAFT	13	48
F2042	PLAIN WASHER	9	66	F335160	REED (4 PETAL)	15	16
F2045	RETAINING RING	21	17	F335164	REED (1 PETAL)	15	17
F2049	HEX CAP SCREW, 5/16 - 18 X 2 5/8	25	59	F335215	SPACER (2 PER PISTON)	21	1
F2050	HEX CAP SCREW, 1/4 - 20 X 1/2	9	49	F335217-1	BEARING	21	3
F2051	HEX CAP SCREW, 1/4 - 20 X 2 1/4	25	67	F338618-1	SEAL, SHIFT ROD LOWER	37	51
F2065	HEX NUT, 7/16 - 14	29	19	F345908	GROUND WIRE, COIL	7	20
F2069	HEX CAP SCREW, 7/16 - 14 X 4	29	12	F353480	STUD	31	55
				F366300	REVERSE LOCK SPRING	29	39
				F366349	REVERSE LOCK	29	38

PARTS INDEX

Part Number	Description	Pg.	Ref. No.	Part Number	Description	Pg.	Ref. No.
F366350	TILT STOP PIVOT	29	30	F474066	THERMOSTAT COVER	25	68
F366364	ARM, REVERSE LOCK	31	46	F474067	THERMOSTAT COVER		
F366392	SIDE PLATE	3	15		GASKET	25	69
F366426	TILT STOP, PORT	29	31	F474073-1	CLAMP SCREW	31	57
F366433	TILT STOP, STARBOARD	31	51	F474077	SCREEN, WATER INLET	37	52
F366886	PIN	29	32	F474106-2	DEFLECTOR, DISCHARGE		
F369450	RECTIFIER	9	44		WATER	31	71
F369562	WATER PUMP BACK PLATE	37	56	F474116-1	SNOUT	37	49
F369884	BEARING	31	47	F474117	WATER LINE BRACKET	35	2
F381896-4	BATTERY CABLE	7	32	F474133	MOTOR LEG	31	10
F390689	BEARING, LATCH SHAFT	3	31	F474143	BEARING, BEVEL GEAR		
F391926-1	PLUNGER, CHOKE				REAR	35	12
	SOLENOID	11	9	F474146	SEAL, CRANKSHAFT	21	6
F3A474018	CRANKSHAFT W/LOWER			F474151	EXHAUST PORT PLATE	25	83
	MAIN BEARING AND			F474152	EXHAUST PORT COVER	27	86
	RETAINING RING	21	25	F474154	EXHAUST PORT PLATE		
F40008	STUD, SHORT	35	39		GASKET	25	82
F40209	CARBURETOR STUD	15	5	F474156	COVER, SUPPORT PLATE		
F40342	SEAL, PROPELLER NUT	35	17		REAR	3	20
F404449	THERMOSWITCH	7	15	F474162	REED PLATE ADAPTER	15	13
F404449	THERMOSWITCH	25	58	F474163	COVER, SUPPORT PLATE		
F404841	CABLE	7	31		FRONT	5	42
F406754-1	DRAIN HOSE	15	1	F474165-1	SCREW, BEVEL PINION		
F40717	THRUST WASHER, BEVEL				RETAINING	35	45
	GEAR	35	14	F474167	CARBURETOR ADAPTER	15	11
F40906-1	CARBURETOR GASKET	13	53	F474168	CARBURETOR ADAPTER		
F409251-1	GAUGE CAP	39	10		GASKET	15	12
F433114	HANDLE, LOCK BAR	31	59	F474178	RETAINER, TIMING RING	9	55
F433180-1	REAR TRIM	3	7	F474192	THROTTLE CAM	23	42
F433209	STUD	15	8	F474193	THROTTLE LINK	23	30
F433209	STUD, THROTTLE CAM	25	43	F474210	STUD, CYLINDER	25	55
F433689	TOWERSHAFT BEARING	25	48	F474211	STUD, CYLINDER	25	54
F435555	SEAL, GEAR HOUSING	35	40	F474225	BEARING, PROPELLER		
F435634	CONNECTING ROD SCREW	21	18		SHAFT REVERSE THRUST	35	10
F438066	COVER, BY-PASS VALVE	25	80	F474244	INLET WATER LINE	37	5
F438165	SCREW, FUEL BOWL	17	14	F474253	FUEL LINE	11	13
F438500	FUEL SEDIMENT BOWL	17	13	F474273	COUPLING, GEAR SHIFT		
F438617	FUEL SEDIMENT BOWL				ROD	29	4
	GASKET	17	11	F474278	SEAL	21	10
F438653	FUEL PUMP SCREEN	17	12	F474279	CYLINDER EXHAUST		
F438747	FUEL PUMP DIAPHRAGM	17	4		GASKET	31	81
F438754	FUEL LINE, PUMP TO			F474307	SEAL, DRIVESHAFT	37	54
	CARBURETOR	17	17	F474315	PACKING, SUPPORT PLATE		
F438760	FUEL PUMP GASKET	17	3		LOWER	3	34
F438801	FITTING	17	15	F474342	SEAL	35	4
F438930	RETAINER, SNOUT	35	43	F474346-2	SHOCK MOUNT LOWER	29	17
F458250	BEARING CUP	37	62	F474355	WASHER	31	78
F458347	MOUNT	23	24	F474359	WASHER	29	13
F458498	KEY	31	64	F474371	REMOTE CABLE BRACKET	23	21
F458887	FASTENER, SUPPORT			F474377	LEVER, COVER LATCH		
	PLATE MOUNT	23	23		PORT	3	37
F460917	STARTER RELAY	7	29	F474378	LEVER, COVER LATCH		
F463366	NAME PLATE, "CHRYSLER"	3	16		STARBOARD (NOT		
F463711-1	FRONT PLATE	5	49		SHOWN)	3	-
F463864	RETAINER, TILT HANDLE	3	5	F474387	TIMING DECAL	9	54
F474006	STUD, LONG	35	31	F474388	DISC, WATER PUMP	37	63
F474013	CRANKSHAFT UPPER MAIN			F474390-1	DECAL, REVERSE LOCK		
	BEARING	21	19		(NOT SHOWN)	31	-
F474015-3	PISTON	21	4	F474398	DECAL, WIRING	27	87
F474065	WATER PUMP IMPELLER	37	57	F474445	SPARK, CONTROL LINK	25	52

PARTS INDEX

Part Number	Description	Pg.	Ref. No.	Part Number	Description	Pg.	Ref. No.
F474453	LEG EXHAUST GASKET	29	6	F474965-1	SHOCK MOUNT UPPER	31	74
F474487	GUIDE, COVER LATCH PORT (NOT SHOWN)	3	-	F474980-1	STABILIZER, FRONT	23	25
F474509	CHOKE LINK	11	10	F474982	STABILIZER, REAR	25	75
F474510	LINK	29	40	F474984	BLANKET, SILENCER, TOP (NOT SHOWN)	5	-
F474529	CYLINDER HEAD GASKET	25	78	F474985	BLANKET, SILENCER, SIDE (NOT SHOWN)	5	-
F474531	STUD, TIMING RING RETAINER	9	52	F474990	SPACER	29	35
F474539	BUMPER	29	11	F474991	GROMMET	3	21
F474551	BRACKET, INTERLOCK SWITCH	25	44	F474992	BLANKET, SILENCER, FRONT, (NOT SHOWN)	5	-
F474567	ADAPTER, CARBURETOR INTAKE	11	19	F474995	CYLINDER HEAD COVER	25	57
F474607	KING PIN YOKE	29	34	F474996	CYLINDER HEAD COVER GASKET	25	72
F474615	GEAR SHIFT ROD UPPER	31	3	F475061-1	CARBURETOR COMPLETE (WB27B) (NOT SHOWN)	13	-
F474620	PIN, GEAR SHIFT	23	8	F475133	MOTOR LEG	31	10
F474621	LEVER, GEAR SHIFT	23	9	F475244	INLET WATER LINE	37	5
F474640	PIVOT, GEAR SHIFT	23	5	F475615	GEAR SHIFT ROD UPPER	31	3
F474648	SPARK PLUG COVER	25	64	F481836	GASKET	11	22
F474660	LEG EXHAUST TUBE	31	68	F485512	INSERT PLATE	3	17
F474662	BEVEL GEAR REAR	35	13	F485755	FUEL TANK ADAPTER	39	8
F474680	SPACER PLATE	31	73	F50109	PLUG, GEAR HOUSING	35	28
F474704	COUPLER	23	31	F50342-1	SEAL	17	1
F474704	COUPLER, SHIFT ROD	29	1	F510374	DECAL, CIRCUIT BREAKER	9	67
F474705	GEAR SHIFT ROD LOWER	35	35	F510460	CIRCUIT BREAKER	7	6
F474707	SHOCK MOUNT COVER LOWER	29	15	F522032	STERN BRACKET - STARBOARD	29	26
F474717	WASHER, BEVEL PINION RETAINING	37	46	F522125	TUBE, STEERING SUPPORT	29	21
F474736	DRIVESHAFT SEAL	37	60	F522269	TILT HANDLE	3	2
F474746	FUEL PUMP COVER	17	2	F522286	STERN BRACKET FRICTION WASHER	29	27
F474751	SCREW, SPARK PLUG COVER	25	65	F522532	STERN BRACKET - PORT	29	-
F474756	PACKING, SUPPORT PLATE FRONT	5	47	F522636	STATOR HARNESS	7	43
F474817	RETAINER, SUPPORT PLATE	3	26	F522741	RETAINING RING	31	45
F474830	WATER LINE BRACKET GASKET	35	3	F522744	WIRING HARNESS	7	24
F474832-1	IDLE RELIEF COVER	29	8	F522884	BEARING	29	43
F474833	GASKET, IDLE RELIEF COVER	29	9	F53504	GROMMET	11	16
F474838	TOWERSHAFT	25	46	F58685-2	CONNECTOR, SHIFT CABLE	41	2
F474847	WASHER	29	16	F590	REMOTE CONTROL FLUSH MOUNT (SINGLE LEVER)	47	-
F474849	WASHER	31	75	F7007	LOCK NUT, 5/16 - 18	31	66
F474859	STUD, SHIFT ARM	23	37	F7007	STOP NUT, 5/16 - 18	29	20
F474860	CARBURETOR INTAKE	11	18	F7011	STOP NUT	3	14
F474864	RETAINER, COVER LATCH	3	11	F7025	LOCKNUT, 3/8 - 16	3	38
F474867	UPPER EXHAUST TUBE GASKET	31	69	F7025	STOP NUT, S.S., 3/8 - 16	23	35
F474871	SHAFT, GEAR SHIFT	23	10	F70H01	ANTI-CORROSION KIT	46	-
F474876	SHIFT ARM	23	38	F70H05	BATTERY EXTENSION CABLE	46	-
F474881	LINK, GEAR SHIFT	23	33	F71H02	ANTI-CORROSION SACRIFICIAL ANODE	46	-
F474897	GUIDE, COVER LATCH STARBOARD	3	40	F71H04	SPEEDOMETER	47	-
F474909	LOCATING PIN	27	90	F71H08	FUEL TANK (ACCESSORY ITEM)	39	9
F474913	GROMMET	5	41	F71H08	STEEL, 6 GALLON FUEL TANK	46	-
F474932	SPACER, CONTROL CABLE	23	20	F71H10	SENDING UNIT	46	-
F474942	BUMPER	31	80	F71H12	FUEL TANK ANCHOR	46	-

PARTS INDEX

Part Number	Description	Pg.	Ref. No.	Part Number	Description	Pg.	Ref. No.
F71H23	STEEL, 12 GALLON FUEL TANK	46	-	F85033	SWIVEL, CHOKE ROD FOR TOP CARB.	11	5
F71H26	BATTERY TERMINAL KIT	46	-	F85161-1	REED STOP	15	18
F71H26	BATTERY TERMINAL KIT (ACCESSORY ITEM)	7	36	F85168	REED PLATE ADAPTER GASKET	15	14
F71H30	BUZZER, HEAT INDICATOR, (ACCESSORY ITEM)	7	33	F85314-1	ELBOW, FUEL LINE FOR BOTTOM CARB.	11	14
F72H36	REMOTE CONTROL SURFACE MOUNT (SINGLE LEVER)	47	-	F85317-1	SOLENOID CLAMP	15	7
F74H04	POWER TRIM	47	-	F85372	PIN, GEAR SHIFT ROD LOWER	35	37
F74H07	WATER PUMP KIT	46	-	F8538	SPRING PIN	31	56
F74H09	TACHOMETER (SURFACE MOUNT)	47	-	F85410	SNAP RING	21	11
F74H10	TEMPERATURE GAUGE (FLUSH MOUNT)	46	-	F8547	SPRING PIN	23	6
F74H12	POWER TRIM INDICATOR (FLUSH MOUNT)	47	-	F8547	SPRING PIN	29	5
F74H19	IGNITION KEY SWITCH	46	-	F85498	FLYWHEEL KEY	21	24
F74H19	SWITCH, IGNITION (ACCESSORY ITEM)	9	60	F85571	CENTER MAIN BEARING CAGE W/ROLLERS	21	13
F74H20	IGNITION KEY SWITCH	46	-	F8563	DOWEL PIN	23	17
F74H21	REMOTE STEERING CONNECTOR	47	-	F85689	BEARING	23	1
F8001	NYLTITE WASHER	35	30	F85735-1	SEAL	25	63
F8011	PLAIN WASHER	7	34	F85735-1	SEAL, MEDALLION	5	50
F8011	PLAIN WASHER	7	8	F85762	GASKET, BY-PASS VALVE COVER	25	81
F8028	PLAIN WASHER	19	16	F85843-1	ELECTRIC CONTROL CABLE, 18 FEET	7	25
F8048	BOWED WASHER	9	53	F85924	CHOKE SOLENOID	7	37
F8056	SPRING LOCKWASHER	7	16	F85925	CHOKE SOLENOID ROD	11	7
F8058	INTERNAL TOOTH LOCKWASHER	23	27	F89011	SWIVEL BRACKET WASHER	31	63
F8060	LOCKWASHER	19	15	F9018	CAP	29	44
F8065	LOCKWASHER	35	32	F9038	WOODRUFF KEY	37	47
F8067	SPRING LOCKWASHER	29	18	F9052	PLUG	31	62
F8077	WASHER, GEAR HOUSING PLUG	35	27	F90807	RETAINING RING	11	23
F8083	LOCKWASHER	3	9	F90891	GEAR SHIFT ARM PIN	35	29
F8088	PLAIN WASHER	7	2	F91446-1	CIRCUIT BREAKER BRACKET	7	9
F8088	PLAIN WASHER	11	3	F92759	THROTTLE ROLLER	13	49
F8094	PLAIN WASHER	3	10	F97772	FUEL LINE CLAMPS	17	16
F8094	PLAIN WASHER	23	4	F97772	HOSE CLAMP	11	12
F8096	SPRING LOCKWASHER	7	27	F98273	ROD END CONNECTOR STUD	23	34
F8096	SPRING LOCKWASHER	19	20	F99521-1	CLUTCH	35	23
F8096	SPRING LOCKWASHER	35	42	FA15072	HEX LOCK NUT AND WASHER ASSEMBLY, 1/4 - 20	19	13
F84026	SPARK CONTROL SWIVEL	25	49	FA27232	EMERGENCY STARTER ROPE (NOT SHOWN)	9	-
F84031	WATER PUMP GASKET	37	55	FA433113	STERN BRACKET LOCK BAR W/HANDLE	31	61
F84035-2	SPARK CONTROL BEARING, R.H.	25	50	FA435016	CONNECTING ROD W/CAP AND SCREWS	21	14
F84036	SPARK CONTROL BEARING, L.H.	25	53	FA438431	FUEL PUMP BODY W/VALVES	17	8
F84068-2	THERMOSTAT	25	70	FA465072	SWIVEL BRACKET	31	50
F84278	SEAL	21	7	FA465385	INSERT, NUMERAL	3	18
F84280	KING PIN NUT	29	33	FA474038	SUPPORT PLATE PORT W/LOWER PACKING	3	28
F84314-2	ELBOW, FUEL LINE	11	11	FA474060	WATER PUMP BODY W/DRIVESHAFT SEAL	37	58
F84449	NEUTRAL INTERLOCK SWITCH	7	3				
F84504	THERMOSTAT GROMMET	25	71				
F84792	FUEL PUMP VALVE GASKET	17	7				
F85017	PISTON PIN	21	2				

PARTS INDEX

Part Number	Description	Pg.	Ref. No.	Part Number	Description	Pg.	Ref. No.
FA474098	PROPELLER SHAFT	35	20	FO13552	FUEL BOWL	11	30
FA474128	DRIVESHAFT W/BEARING, SCREW AND WASHER	37	48	FO13554	FLOAT	11	33
FA474228	BEARING CAGE W/ROLLERS (SPLIT HALF)	21	15	FO13555	CHOKE SHUTTER	11	39
FA474260	PISTON RING SET (4 PER SET)	21	5	FO13944	FLOAT LEVER PIN	11	32
FA474469	HANDLE, COVER LATCH PORT W/SHAFT & PIN	3	30	FO13945	FUEL BOWL RETAINING SCREW	11	28
FA474499	HANDLE, COVER LATCH STARBOARD W/SHAFT AND PIN (NOT SHOWN)	3	-	FO13946	IDLE SCREW	11	41
FA474511	TIE BAR W/SWIVEL	11	24	FO13947	CHOKE SHAFT RETURN SPRING	13	43
FA474518	CYLINDER HEAD W/PLUG	25	76	FO14188	MAIN FUEL JET (.066)	11	36
FA474554	GEAR HOUSING UPPER, W/SHIFT ROD SEAL, WASHER AND PLUG	37	50	FO15217	MAIN NOZZLE	11	35
FA474774	BRACKET, COVER LATCH W/SCREWS & NUTS	3	13	FO15230	THROTTLE SHAFT AND LEVER	13	47
FA474777	CAM, PORT LATCH W/PIN	3	36	FO15623	FUEL BOWL GASKET	11	31
FA474780	CAM, STARBOARD LATCH W/PIN (NOT SHOWN)	3	-	FO16008	THROTTLE SHAFT RETURN SPRING	13	46
FA474892	INSERT FRONT PLATE, USA	5	48	FO16850	CHOKE SHAFT AND LEVER	11	1
FA474893	INSERT FRONT PLATE, CANADA	5	-	FO16851	THROTTLE SHUTTER	13	51
FA474901	BEARING, DRIVESHAFT UPPER W/CUP	37	53	FO17181	IDLE TUBE	11	20
FA475019	KING PIN ASSEMBLY	33	65	FO2510	GASKET, FUEL BOWL RETAINING SCREW	11	29
FA475128	DRIVESHAFT W/BEARING, SCREW AND WASHER	37	48	FO4326	BODY CHANNEL WELCH PLUG	13	45
FA510497	TERMINAL BLOCK	7	12	FO8942	SHUTTER SCREW W/LOCKWASHER	11	40
FA522827	HANDLE AND SHAFT	29	41	FO8942	THROTTLE SHUTTER SCREW W/LOCKWASHER	13	52
FA523735	SEAL, INLET WATER LINE LOWER	37	61	FP475	PROPELLER, (ACCESSORY ITEM)	35	19
FA524072	SWIVEL BRACKET	31	50	FS409752	FUEL LINE, COMPLETE	39	-
FA58976-1	CONNECTOR, THROTTLE CABLE	41	1	FS474030	CAPACITOR	9	45
FA77395-5	IDENT. PLATE W/SCREWS, (USA)	5	45	FS474095	ALTERNATOR STATOR	7	40
FA84754-1	FUEL LINE SHORT W/FERRULES	39	4	FS474097	FLYWHEEL	9	57
FA85193	TIE BAR END W/SWIVEL	11	27	FS474475	IGNITION COIL	7	22
FA85655-1	CRANKSHAFT CENTER MAIN BEARING RACE W/SNAP RING	21	12	FS474712	ENGINE COVER W/BRACKETS AND RETAINERS	3	1
FA90871-3	GEAR SHIFT ARM PIN W/YOKE	35	21	FT2951	CIRCUIT TRACER	42	-
FA94094-2	PROPELLER NUT W/SEAL AND COTTER PIN	35	16	FT2996	RING COMPRESSOR	43	-
FC522227	SPARK PLUG (QUL-77V), MODELS 558BJ, 559BJ	25	-	FT8901	INDICATOR HOLDER	44	-
FG1013	GASKET SET (NOT SHOWN)	27	-	FT8902	DIAL INDICATOR	44	-
FK17114-1	INDICATOR	41	32	FT8907	DRIVER HANDLE	43	-
FK247	PROPELLER PIN, PACK OF 6 W/COTTER PIN	35	18	FT8924-1	CHECKING GAUGE	44	-
FO10165	INLET SEAT GASKET	11	38	FT8926	RING EXPANDER	43	-
FO10588	BODY CHANNEL CUP PLUG	13	44	FT8933	LIFTING HOOK	43	-
FO10790	INLET NEEDLE, SEAT AND GASKET	11	37	FT8948-1	FLYWHEEL PULLER	42	-
FO11103	IDLE SCREW SPRING	11	42	FT8948-1	PROPELLER SHAFT BEARING CAGE PULLER AND FLYWHEEL PULLER	44	-
				FT8950	LEAKAGE TESTER	45	-
				FT8957	SEAL INSTALLER	44	-
				FT8978	POWER TIMING LIGHT	42	-
				FT8979	WATER PUMP CENTERING TOOL	44	-
				FT8982	SHIM ADAPTER	44	-
				FT8983	SEALANT	43	-
				FT8985	SEAL INSTALLER	44	-
				FT8986A	TEST WHEEL	45	-
				FTA2937-1	TIMING TOOL	42	-
				FTA8994	PISTON PIN TOOL	43	-

PARTS INDEX

Part Number	Description	Pg.	Ref. No.	Part Number	Description	Pg.	Ref. No.
K749	PAINT SPRAY BOMB, FLAT BLACK ENAMEL,6 OZ. . . .	27	-				
S474082-2	TIMING RING	9	51				
S474301-1	MODULE	7	41				
S474955-2	STARTER COMPLETE	19	-				
T8974	BREAKER POINT TENSION GAUGE	45	-				
T8984	INSTALLER	43	-				
22-817740A1	FITTING, PUDDLE DRAIN W/METERING CUP	23	16				
22-817740A1	PUDDLE DRAIN FITTING W/METERING CUP	15	2				
30-F284659-2	CRANKSHAFT LOWER MAIN BEARING	21	16				
31-818060A1	BEARING CAGE LOWER W/SEALS	21	8				
32-817738A1	FUEL LINE, LONG W/CLAMP AND FERRULE	39	1				
33-818007--1	SPARK PLUG (UL-18V)	25	62				
84-817821A1	HI-TENSION WIRE	7	21				
1600-817819A1	GEAR HOUSING LOWER W/PLUG, WASHER AND THRUST BEARING CUP .	35	26				
1600-817900A1	GEAR HOUSING COMPLETE	37	-				