



PARTS CATALOG

65 H.P.

SERIAL NUMBER

65 (1978) 659B8B
65 (1978) 659HB

TABLE OF CONTENTS:

ACCESSORIES	44
CARBURETOR	10
CRANKSHAFT AND PISTON GROUP	20
ELECTRICAL COMPONENTS	6
ENGINE COVER AND SUPPORT PLATE	2
FUEL PUMP	16
FUEL TANK AND LINE	36
GEAR HOUSING	32
LUBRICATION CHART	47
MOTOR LEG	28
PARTS INDEX	49
POWER HEAD	22
REED PLATE	14
REMOTE CONTROL	38
SPECIAL ADJUSTMENTS	48
SPECIAL TOOLS - LOWER UNIT	42
SPECIAL TOOLS - POWERHEAD	41
SPECIAL TOOLS - TEST EQUIPMENT	43
SPECIAL TOOLS - TUNE-UP	40
SPECIFICATIONS	46
STARTER	18

NOTE: *Indented description indicate that these parts are included in preceding assembly.*

AR = As Required

NSS = Not Sold Separate

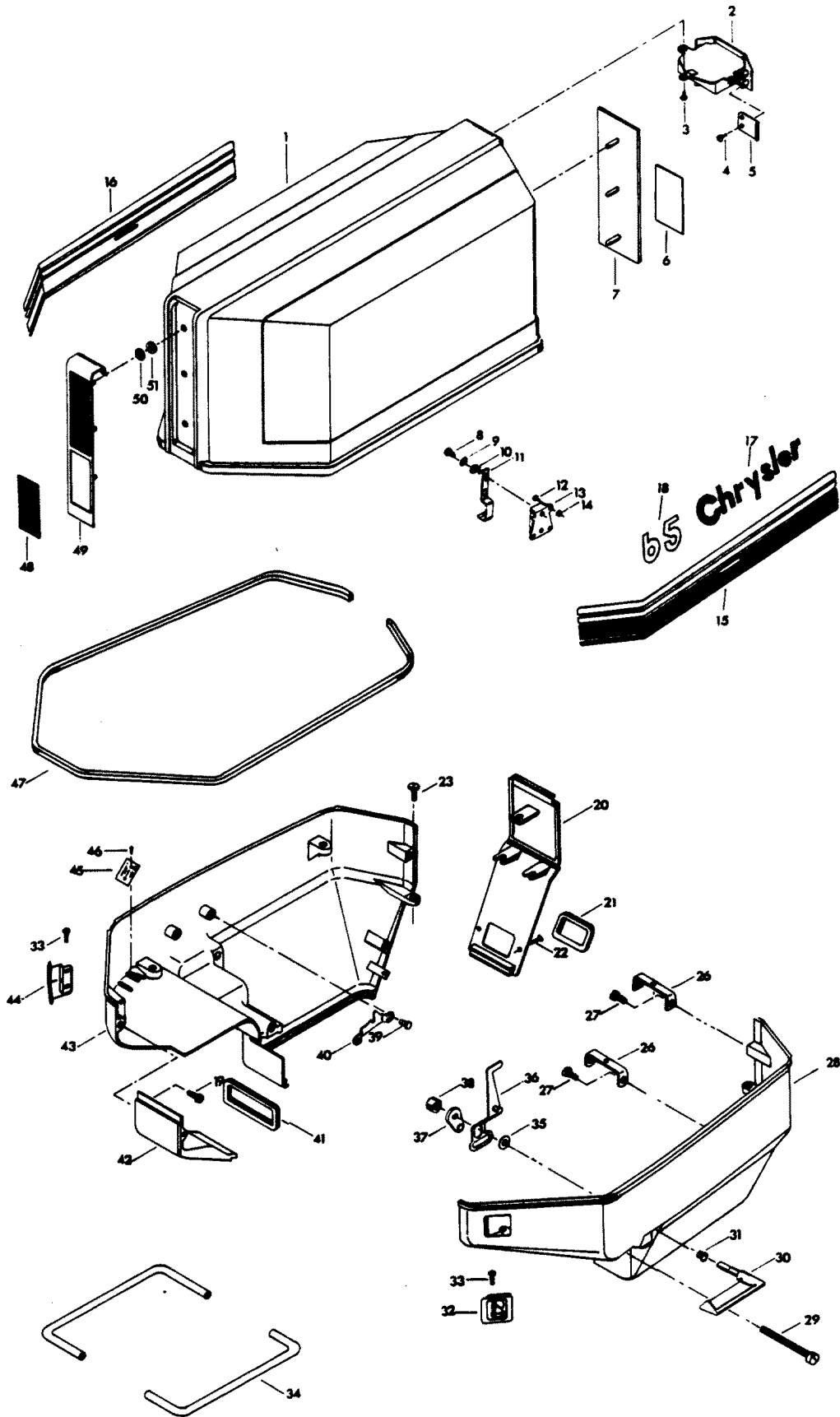
OPT = Optional

NS = Not Shown

THESE PARTS BOOKS/FICHE CARD ARE COPYRIGHTED AND MAY NOT BE DISTRIBUTED OR REPRODUCED IN ANY OTHER FORMAT BY ANYONE OTHER THAN MERCURY MARINE WITHOUT THE PRIOR WRITTEN CONSENT OF MERCURY MARINE.

THIS PAGE INTENTIONALLY LEFT BLANK

ENGINE COVER AND SUPPORT PLATE

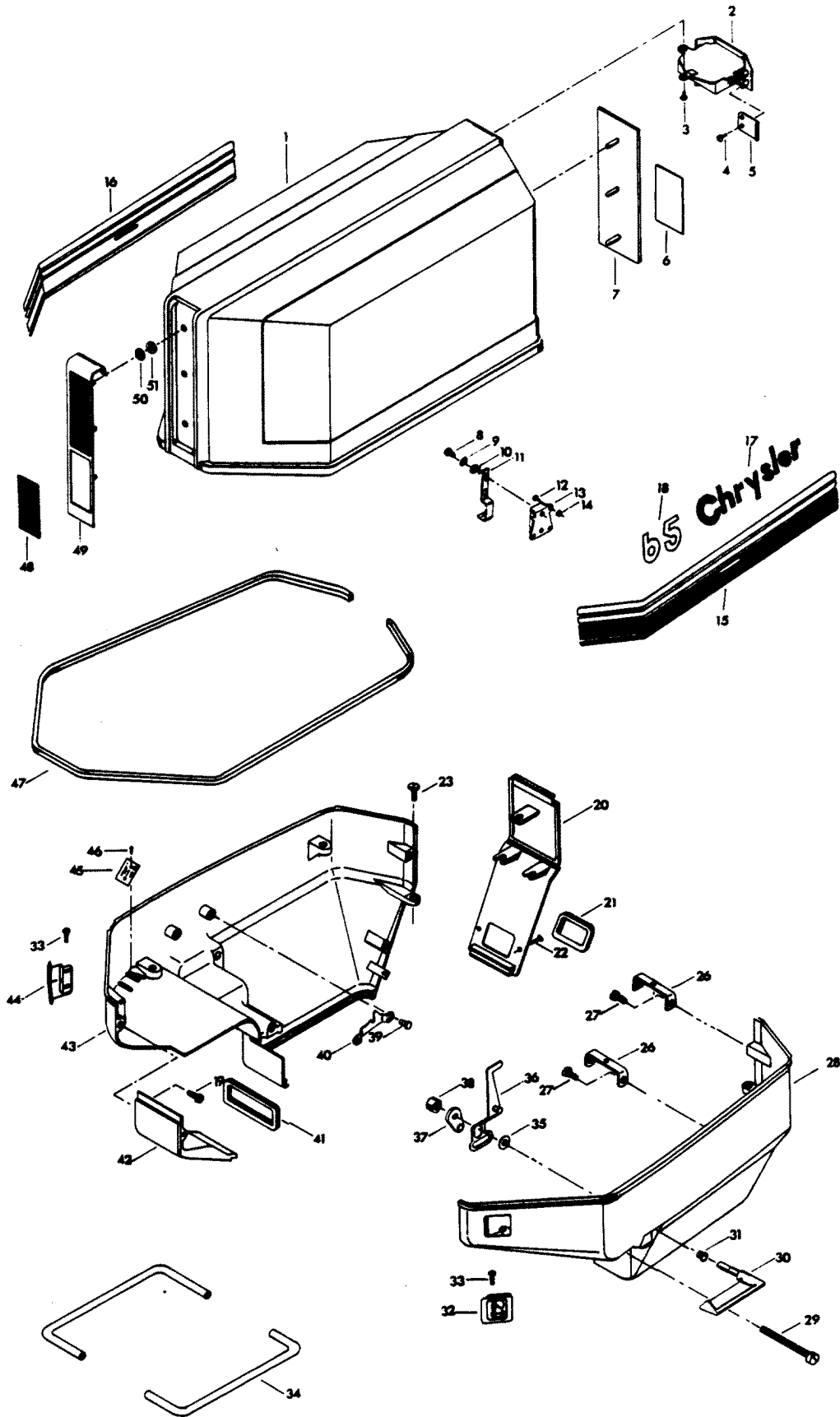


ENGINE COVER AND SUPPORT PLATE

REF. NO.	PART NO.	SYM.	QTY.	DESCRIPTION
1	FS522712		1	ENGINE COVER W/BACKET AND RETAINERS
2	F524269		1	TILT HANDLE
3	F2025		1	PAN HD SCREW, 10 X 5/8
4	F2066		4	PAN HD SCREW, 10 X 7/16
5	F463864		2	RETAINER, TILT HANDLE
6	FA524528		1	INSERT, TRIM REAR
7	F486180		1	REAR TRIM
8	F1854		4	HEX CAP SCREW, 1/4 - 20 X 5/8
9	F8083		4	LOCKWASHER
10	F8094		4	PLAIN WASHER
11	F474864		2	RETAINER, COVER LATCH
12	F1979		8	PAN HD SCREW, 10 - 24 X 1/2
13	FA474774		2	BRACKET, COVER LATCH W/SCREWS & NUTS
14	F7011		8	STOP NUT
15	524396		1	DECAL, STRIPE (PORT)
16	524397		1	DECAL, STRIPE (STARBOARD)
17	F522392		2	DECAL - CHRYSLER
18	522386		2	INSERT, NUMERAL
19	F1993		2	HEX SLOTTED HD M. SCREW, 1/4 - 20 X 5/8
20	F474156		1	COVER, SUPPORT PLATE REAR
21	F474991		1	GROMMET
22	F2072		2	OVAL COUNTERSUNK HD M. SCREW, 10 - 24 X 3/8
23	F2017		3	PAN HD SCREW W/PLAIN WASHER, 10 - 24 X 3/8
26	F474817		2	RETAINER, SUPPORT PLATE
27	F1689		4	HEX CAP SCREW, 1/4 - 20 X 1/2
28	FA474038		1	SUPPORT PLATE PORT W/LOWER PACKING
29	F2075		1	SLOTTED HD SCREW, S.S., 1/4 - 20 X 2 1/2
30	FA474469		1	HANDLE, COVER LATCH PORT W/SHAFT & PIN
-	FA474499		1	HANDLE, COVER LATCH STARBOARD W/SHAFT AND PIN (NOT SHOWN)
31	F390689		2	BEARING, LATCH SHAFT
32	F310189		1	BUSHING, ELECTRIC CABLE ENTRY
33	F1733		3	PAN HD SCREW, 10 - 24 X 9/16
34	F474315		2	PACKING, SUPPORT PLATE LOWER
35	F269052		2	BEARING, LATCH CAM
36	FA474777		1	CAM, PORT LATCH W/PIN
-	FA474780		1	CAM, STARBOARD LATCH W/PIN (NOT SHOWN)
37	F474377		1	LEVER, COVER LATCH PORT
-	F474378		1	LEVER, COVER LATCH STARBOARD (NOT SHOWN)
38	F7025		2	LOCKNUT, 3/8 - 16
39	F1689		4	HEX CAP SCREW, 1/4 - 20 X 1/2
40	F474897		1	GUIDE, COVER LATCH STARBOARD
-	F474487		1	GUIDE, COVER LATCH PORT (NOT SHOWN)

CONTINUED ON NEXT PAGE ➡

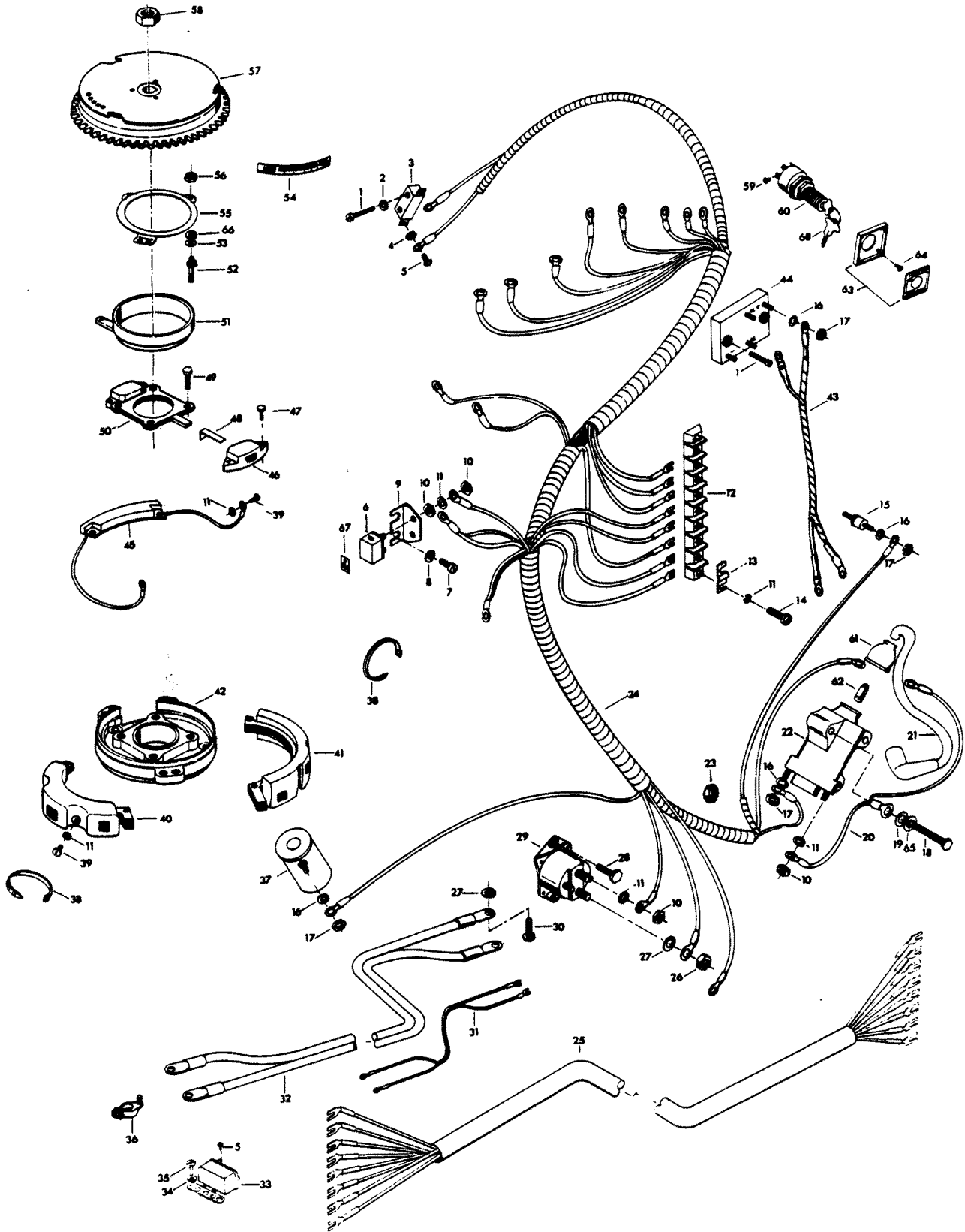
ENGINE COVER AND SUPPORT PLATE



ENGINE COVER AND SUPPORT PLATE

REF. NO.	PART NO.	SYM.	QTY.	DESCRIPTION
41	F474913		1	GROMMET
42	F474163		1	COVER, SUPPORT PLATE FRONT
43	FA474088		1	SUPPORT PLATE STARBOARD W/LOWER PACKING
44	F311189-1		1	BUSHING, CABLE ENTRY
45	FA77395-5		1	IDENT. PLATE W/SCREWS, (USA)
-	AC16395-8		1	IDENT. PLATE W/SCREWS, (CANADA)
46	F1447		2	DRIVE SCREW, 2 X 3/16
47	F474756		1	PACKING, SUPPORT PLATE FRONT
48	FA467892		1	INSERT FRONT PLATE, USA
-	FA467893		1	INSERT FRONT PLATE, CANADA
49	F486711		1	FRONT PLATE
50	F85735-1		6	SEAL, MEDALLION
51	F1753		6	FASTENER
-	F474985		2	BLANKET, SILENCER, SIDE (NOT SHOWN)
-	F474984		1	BLANKET, SILENCER, TOP (NOT SHOWN)
-	F474992		1	BLANKET, SILENCER, FRONT, (NOT SHOWN)

ELECTRICAL COMPONENTS

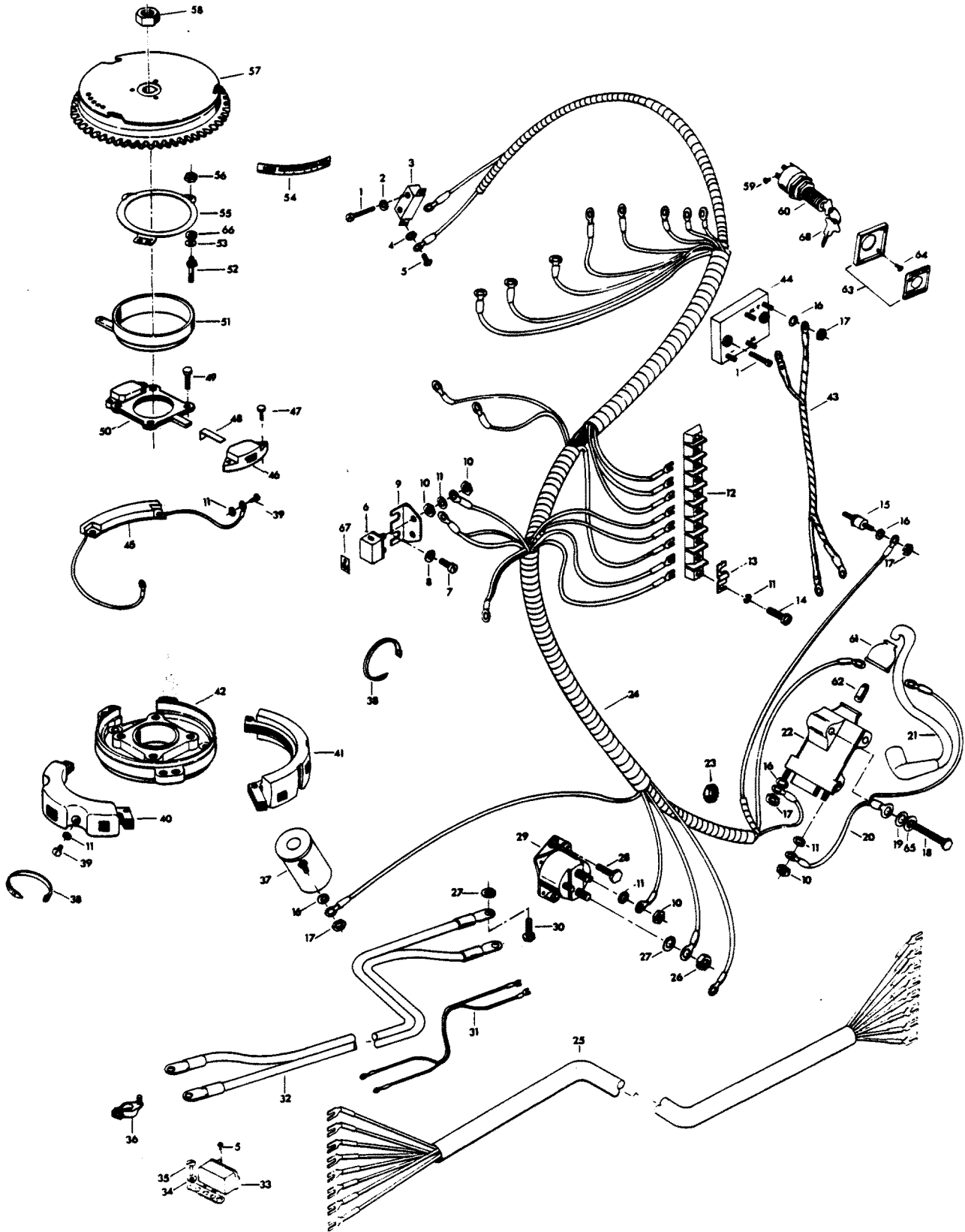


ELECTRICAL COMPONENTS

REF. NO.	PART NO.	SYM.	QTY.	DESCRIPTION
1	F2016		4	SLOTTED FILL HD SCREW, 6 - 32 X 7/8
2	F8088		2	PLAIN WASHER
3	F84449		1	NEUTRAL INTERLOCK SWITCH
4	F1704		2	INTERNAL TOOTH LOCKWASHER
5	F1645		2	RD HD SCREW, 6 - 32 X 1 1/4
6	F510460		1	CIRCUIT BREAKER
7	F1733		2	SLOTTED PAN HD SCREW, 10 - 24 X 9/16
8	F8011		2	PLAIN WASHER
9	F91446-1		1	CIRCUIT BREAKER BRACKET
10	F1513		8	HEX NUT, 10 - 32
11	F1975		15	LOCKWASHER
12	FA510497		1	TERMINAL BLOCK
13	F307317		1	CLIP, TERMINAL BLOCK GROUND
14	F1648		2	PAN HD SCREW, 10 - 24 X 3/4
15	F404449		1	THERMOSWITCH
16	F8056		8	SPRING LOCKWASHER
17	F1647		8	HEX NUT, 8 - 32
18	F1891		6	HEX HD M. SCREW, 1/4 - 20 X 1 1/2
19	F2012		6	PLAIN WASHER
20	F345908		1	GROUND WIRE, COIL
21	F474841		2	HI-TENSION WIRE
22	FS474475		2	IGNITION COIL
23	F24623-1		1	GROMMET
24	F522744		1	WIRING HARNESS
25	F85843-1		1	ELECTRIC CONTROL CABLE, 18 FEET
26	F1515		2	HEX NUT, S.S., 5/16 - 18
27	F8096		3	SPRING LOCKWASHER
28	F1705		2	HEX CAP SCREW, 1/4 - 20 X 3/4
29	F460917		1	STARTER RELAY
30	F1857		1	HEX CAP SCREW, 5/16 - 18 X 5/8
31	F404841		1	CABLE
32	F381896-4		1	BATTERY CABLE
33	F71H30		1	BUZZER, HEAT INDICATOR, (ACCESSORY ITEM)
34	F8011		2	PLAIN WASHER
35	F1741		2	PAN HD SCREW, 8 X 3/4
36	F71H26		1	BATTERY TERMINAL KIT (ACCESSORY ITEM)
37	F85924		1	CHOKE SOLENOID
38	F1845		2	TY-RAP, REGULATOR TO POWER PACK LEADS
39	F2077		7	SLOTTED PAN HD M. SCREW, 10 - 32 X 1/4
40	FS474095		1	ALTERNATOR STATOR
41	S474301-1		1	C-D MODULE
42	F2A474144		1	BEARING CAGE W/CRANKSHAFT SEAL
43	F522636		1	HARNESS, STATOR

CONTINUED ON NEXT PAGE ➡

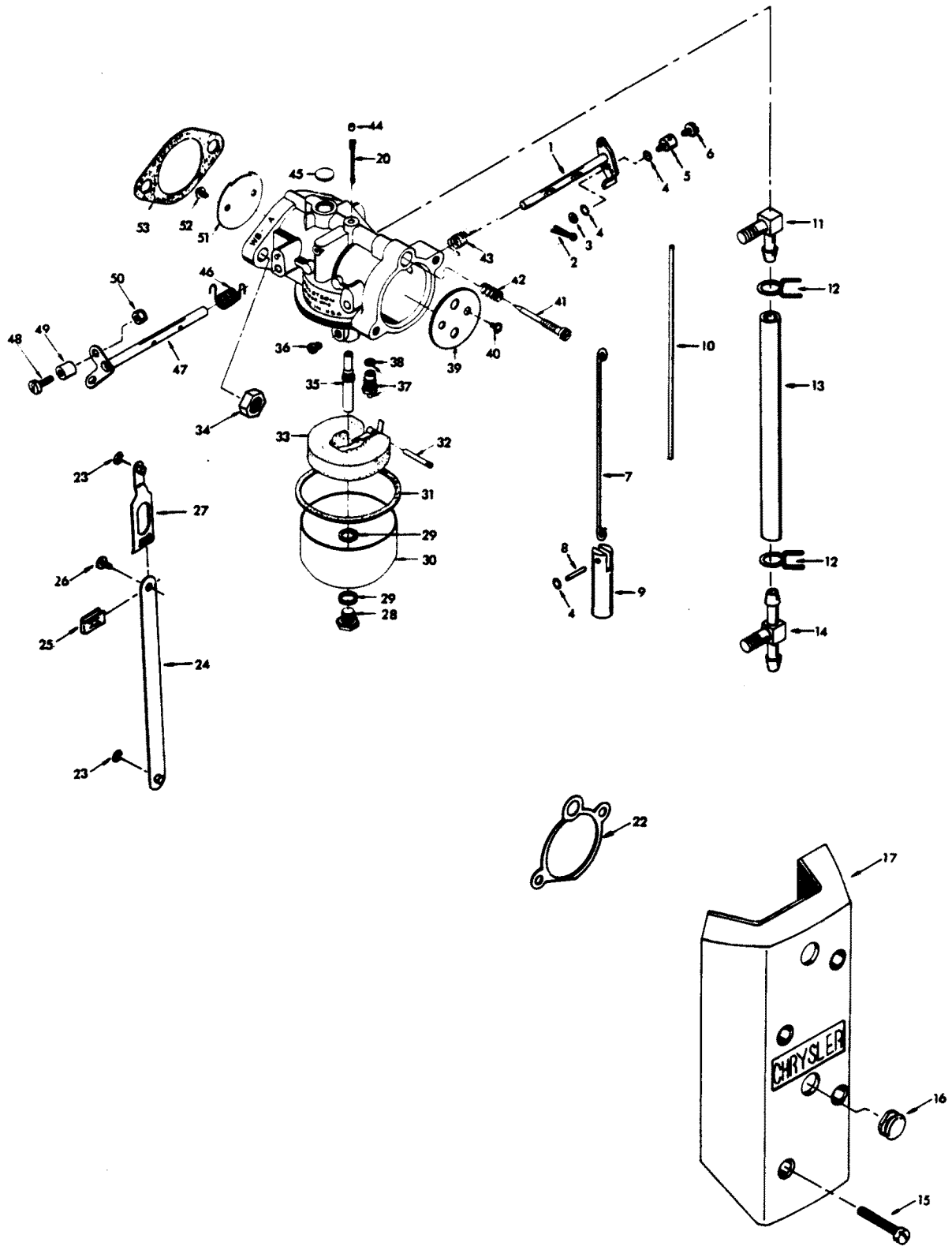
ELECTRICAL COMPONENTS



ELECTRICAL COMPONENTS

REF. NO.	PART NO.	SYM.	QTY.	DESCRIPTION
44	F369450		1	RECTIFIER
45	FS474030		1	CAPACITOR
46	F12352-1		2	TRIGGER COIL
47	F1036		4	SLOTTED FILL HD M. SCREW W/SPRING LOCKWASHER, 6 - 32 X 1/4
48	F12353		2	CLIP
49	F2050		4	HEX CAP SCREW, 1/4 - 20 X 1/2
50	F12354		1	SPIDER
51	S474082-2		1	TIMING RING
52	F474531		4	STUD, TIMING RING RETAINER
53	F8048		4	BOWED WASHER
54	F474387		1	TIMING DECAL
-	FC474387		1	DECAL, TIMING - CANADA (NOT SHOWN)
55	F474178		1	RETAINER, TIMING RING
56	F1804		4	STOP NUT, 10 - 22
57	FS474097		1	FLYWHEEL
58	F1968		1	HEX NUT, 3/4 - 16
59	F1280		5	SLOTTED PAN HD SCREW, 8 - 32 X 1/4, IGNITION SWITCH
60	F74H20		1	SWITCH, IGNITION (ACCESSORY ITEM)
61	F203276		2	BOOT, COIL
62	F203673		2	CLIP
63	F71H21		1	IGNITION SWITCH MOUNTING KIT (ACCESSORY ITEM)
64	F1934		4	FLAT HD SCREW, 6 X 1/2
65	F2106		1	INTERNAL TOOTH LOCKWASHER
66	F2042		4	PLAIN WASHER
67	F510374		1	DECAL, CIRCUIT BREAKER
-	FC510374		1	DECAL, CIRCUIT BREAKER - CANADA
-	FA27232		1	EMERGENCY STARTER ROPE (NOT SHOWN)
-	F235785		1	DECAL, COMPLIANCE - CANADA (NOT SHOWN)

CARBURETOR

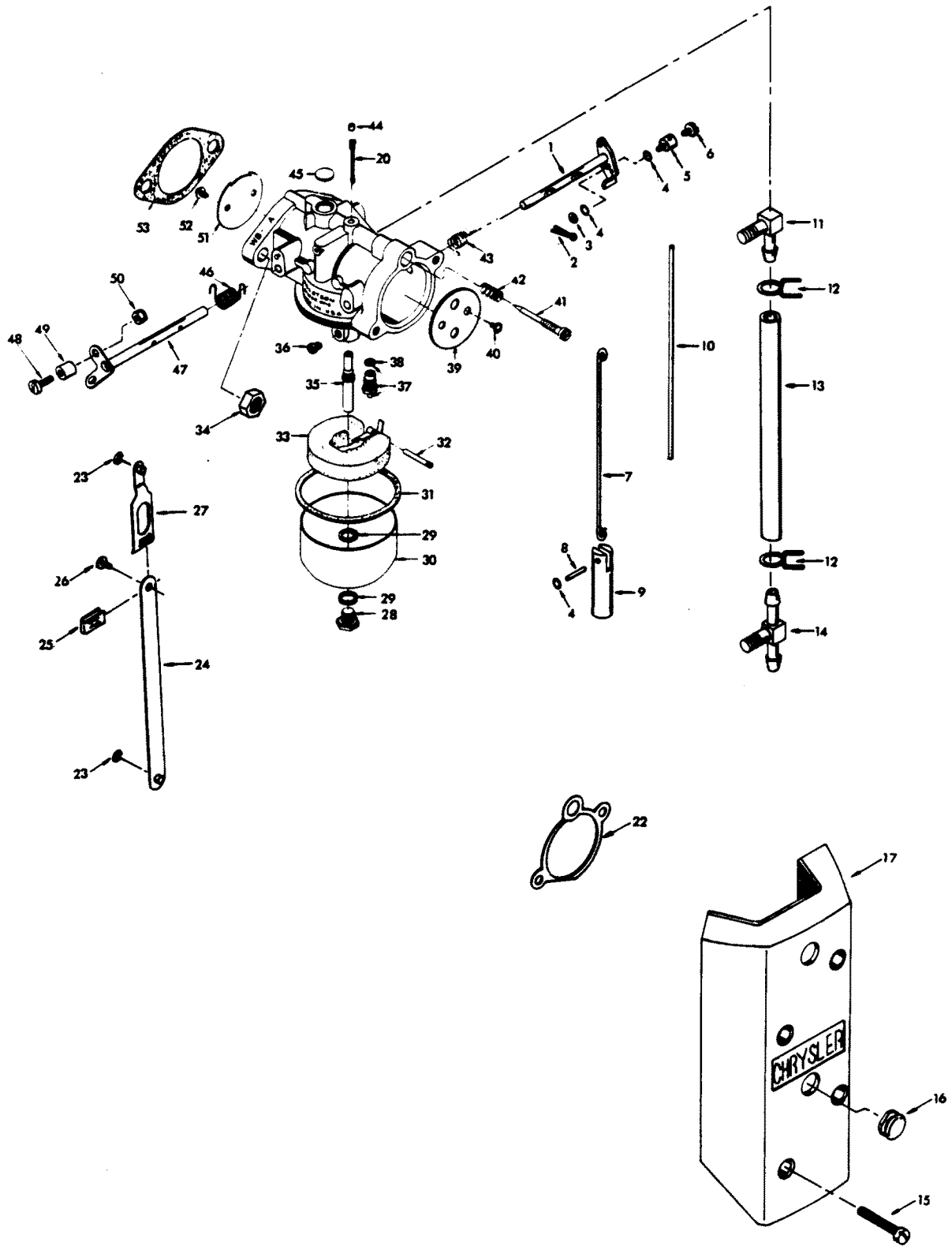


CARBURETOR

REF. NO.	PART NO.	SYM.	QTY.	DESCRIPTION
1	FO16850		1	CHOKE SHAFT AND LEVER
2	F1014		2	COTTER PIN
3	F8088		2	PLAIN WASHER
4	F184579		7	SEAL, CHOKE ARM SWIVEL
5	F522033		1	SWIVEL, CHOKE ROD FOR TOP CARB.
-	F184033-1		1	SWIVEL, CHOKE ROD FOR BOTTOM CARB. (NOT SHOWN)
6	F1059		2	FILL HD SCREW, 6 - 32 X 1/4
7	F85925		1	CHOKE SOLENOID ROD
8	F2033		1	GROOVE PIN
9	F391926-1		1	PLUNGER, CHOKE SOLENOID
10	F474509		1	CHOKE LINK
11	F84314-2		1	ELBOW, FUEL LINE
12	F97772		2	HOSE CLAMP
13	F474253		1	FUEL LINE
14	F85314-1		1	ELBOW, FUEL LINE FOR BOTTOM CARB.
15	F1820		4	FILL HD SCREW, 1/4 - 20 X 1 3/8
16	F53504		2	GROMMET
17	F522826		1	SILENCER, CARB. AIR ASSEMBLY
20	FO17181		1	IDLE TUBE
22	F481836		2	GASKET
23	F90807		2	RETAINING RING
24	FA474511		1	TIE BAR W/SWIVEL
25	F1693		1	TIE BAR RETAINER
26	F1064		1	SLOTTED HD SCREW, 8 - 32 X 3/8
27	FA85193		1	TIE BAR END W/SWIVEL
28	FO13945		1	FUEL BOWL RETAINING SCREW
29	FO2510		2	GASKET, FUEL BOWL RETAINING SCREW
30	FO13552		1	FUEL BOWL
31	FO15623		1	FUEL BOWL GASKET
32	FO13944		1	FLOAT LEVER PIN
33	FO13554		1	FLOAT
34	F1515		4	HEX NUT, 5/16 - 18
35	FO15217		1	MAIN NOZZLE
36	FO13967		1	MAIN FUEL JET (.068)
37	FO10790		1	INLET NEEDLE, SEAT AND GASKET
38	FO10165		1	INLET SEAT GASKET
39	FO13555		1	CHOKE SHUTTER
40	FO8942		2	SHUTTER SCREW W/LOCKWASHER
41	FO13946		1	IDLE SCREW
42	FO11103		1	IDLE SCREW SPRING
43	FO13947		1	CHOKE SHAFT RETURN SPRING
44	FO10588		1	BODY CHANNEL CUP PLUG
45	FO4326		1	BODY CHANNEL WELCH PLUG

CONTINUED ON NEXT PAGE ➡

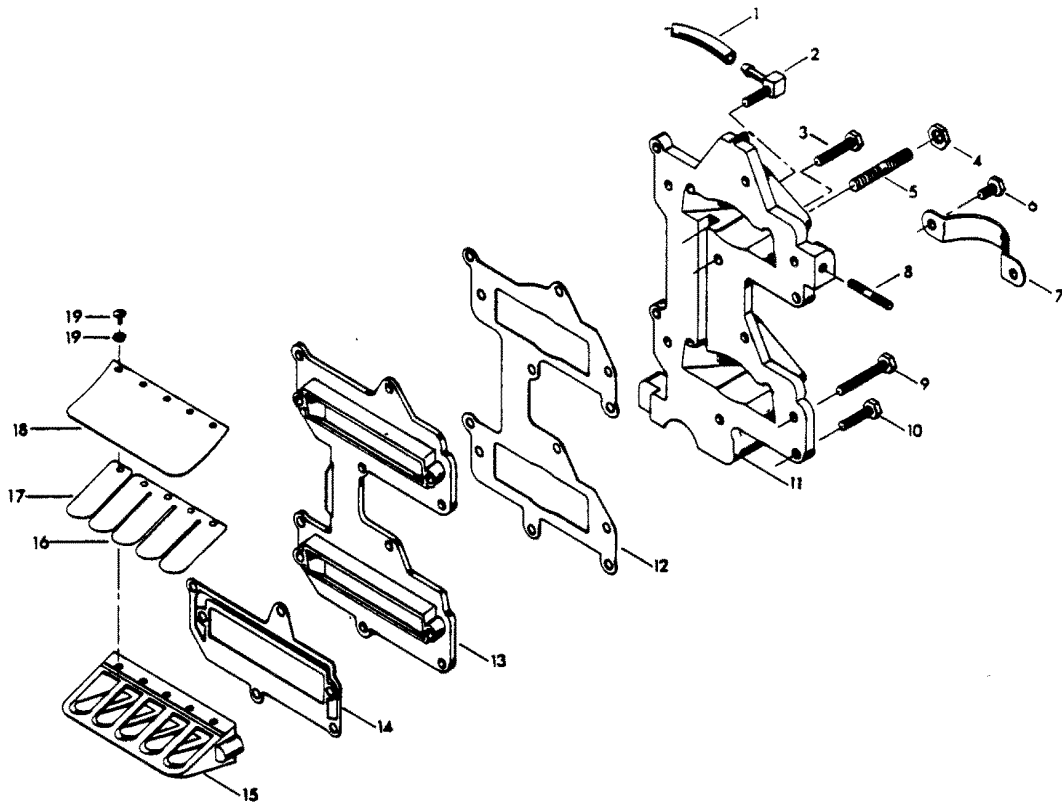
CARBURETOR



CARBURETOR

REF. NO.	PART NO.	SYM.	QTY.	DESCRIPTION
46	FO16008		1	THROTTLE SHAFT RETURN SPRING
47	FO15230		1	THROTTLE SHAFT AND LEVER
48	F333316		1	THROTTLE ROLLER SHAFT
49	F92759		1	THROTTLE ROLLER
50	F1997		1	LOCK NUT, 8 - 32
51	FO16851		1	THROTTLE SHUTTER
52	FO8942		2	THROTTLE SHUTTER SCREW W/LOCKWASHER
53	F40906-1		2	CARBURETOR GASKET
-	F522061		2	CARBURETOR COMPLETE (WB29A) (NOT SHOWN)
-	F10005		1	REPAIR PARTS KIT INCLUDES ALL ITEMS MARKED WITH AN ASTERISK (*) (NOT SHOWN)
-	F10000		1	GASKET SET (NOT SHOWN)

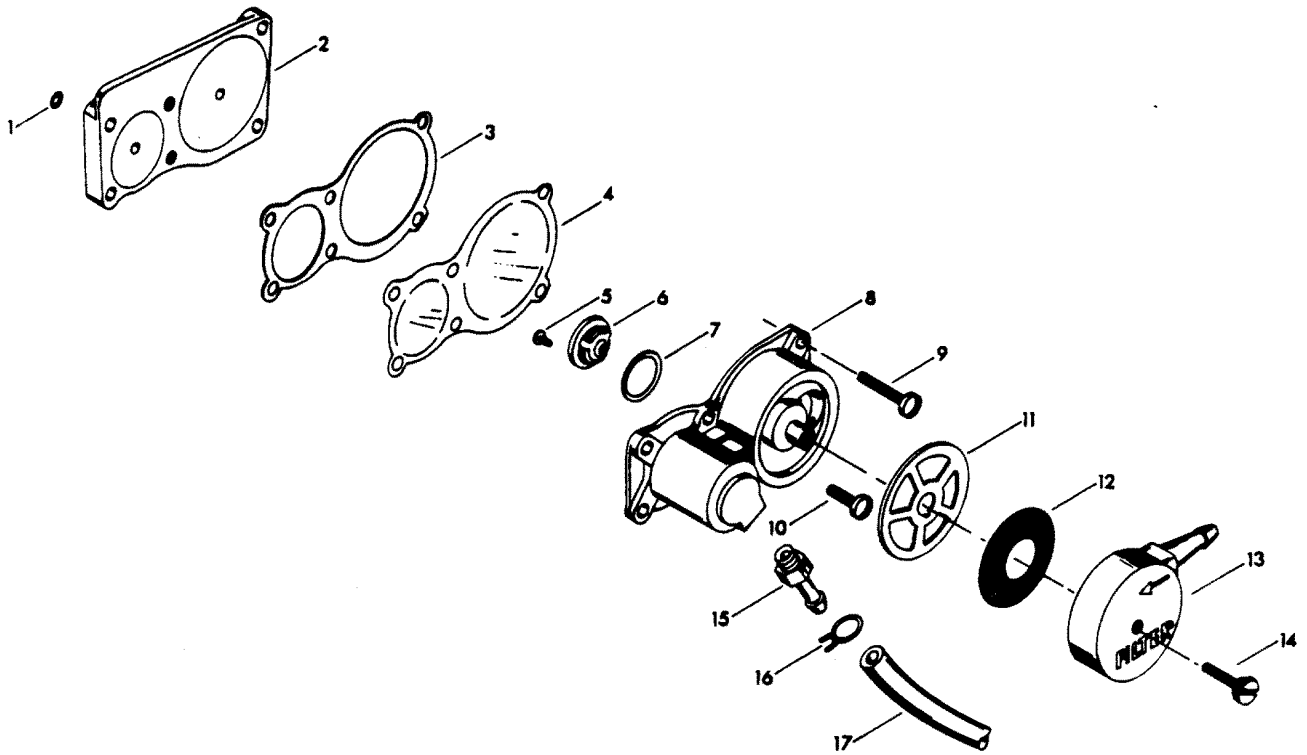
REED PLATE



REED PLATE

REF. NO.	PART NO.	SYM.	QTY.	DESCRIPTION
1	F406754-1		1	DRAIN HOSE
2	22-817740A1		2	PUDDLE DRAIN FITTING W/METERING CUP
3	F1916		1	HEX HD M. SCREW, 1/4 - 20 X 1 1/8
4	F1515		4	HEX NUT, 5/16 - 18
5	F40209		4	CARBURETOR STUD
6	F1236		2	HEX CAP SCREW, 1/4 - 20 X 1/2
7	F85317-1		1	SOLENOID CLAMP
8	F433209-1		1	STUD
9	F1708		4	HEX HD M. SCREW, 1/4 - 20 X 1 3/8
10	F1915		7	HEX HD M. SCREW, 1/4 - 20 X 7/8
11	F474167		1	CARBURETOR ADAPTER
12	F474168		1	CARBURETOR ADAPTER GASKET
13	F474162		1	REED PLATE ADAPTER
14	F85168		2	REED PLATE ADAPTER GASKET
15	F2A321158		2	REED PLATE W/REEDS, STOPS AND SCREWS
16	F335160		4	REED (4 PETAL)
17	F335164		4	REED (1 PETAL)
18	F85161-1		4	REED STOP
19	F1755		20	ROUND HD SCREW W/LOCKWASHER, 6 - 32 X 1/4

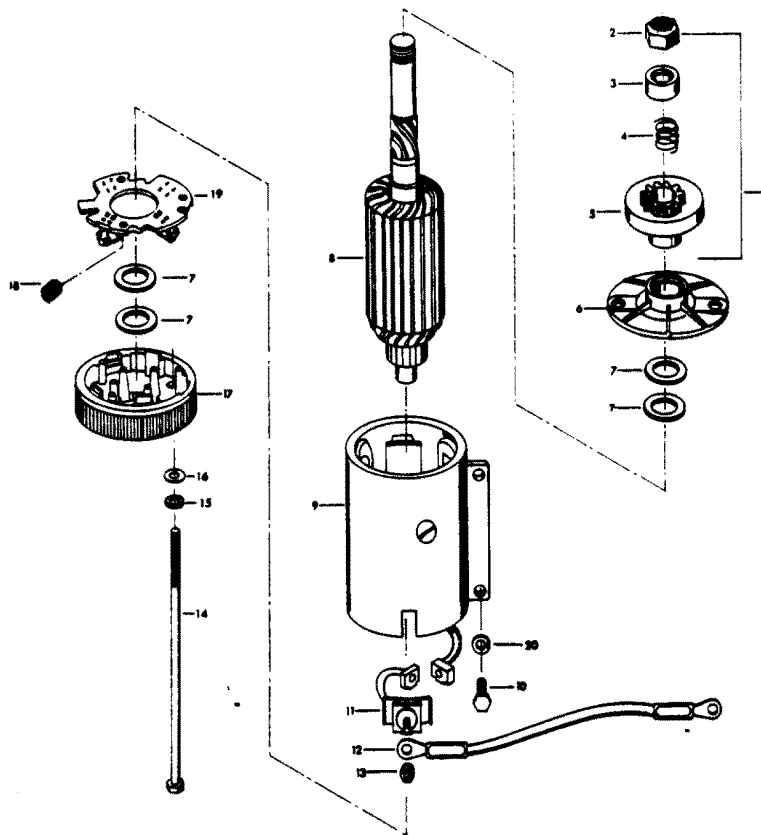
FUEL PUMP



FUEL PUMP

REF. NO.	PART NO.	SYM.	QTY.	DESCRIPTION
1	F50342-1		2	SEAL
2	F474746		1	FUEL PUMP COVER
3	F438760		1	FUEL PUMP GASKET
4	F438747		1	FUEL PUMP DIAPHRAGM
5	F1860		2	SLOTTED HD M. SCREW, 6 - 32 X 1/4
6	F177330		3	FUEL PUMP VALVE
7	F84792		3	FUEL PUMP VALVE GASKET
8	FA438431		1	FUEL PUMP BODY W/VALVES
9	F1889		4	FILL HD SCREW, 1/4 - 20 X 1 1/4
10	F1108		2	FILL HD SCREW, 1/4 - 20 X 3/4
11	F438617		1	FUEL SEDIMENT BOWL GASKET
12	F438653		1	FUEL PUMP SCREEN
13	F438500		1	FUEL SEDIMENT BOWL
14	F438165		1	SCREW, FUEL BOWL
15	F438801		1	FITTING
16	F97772		3	FUEL LINE CLAMPS
17	F438754		1	FUEL LINE, PUMP TO CARBURETOR

STARTER



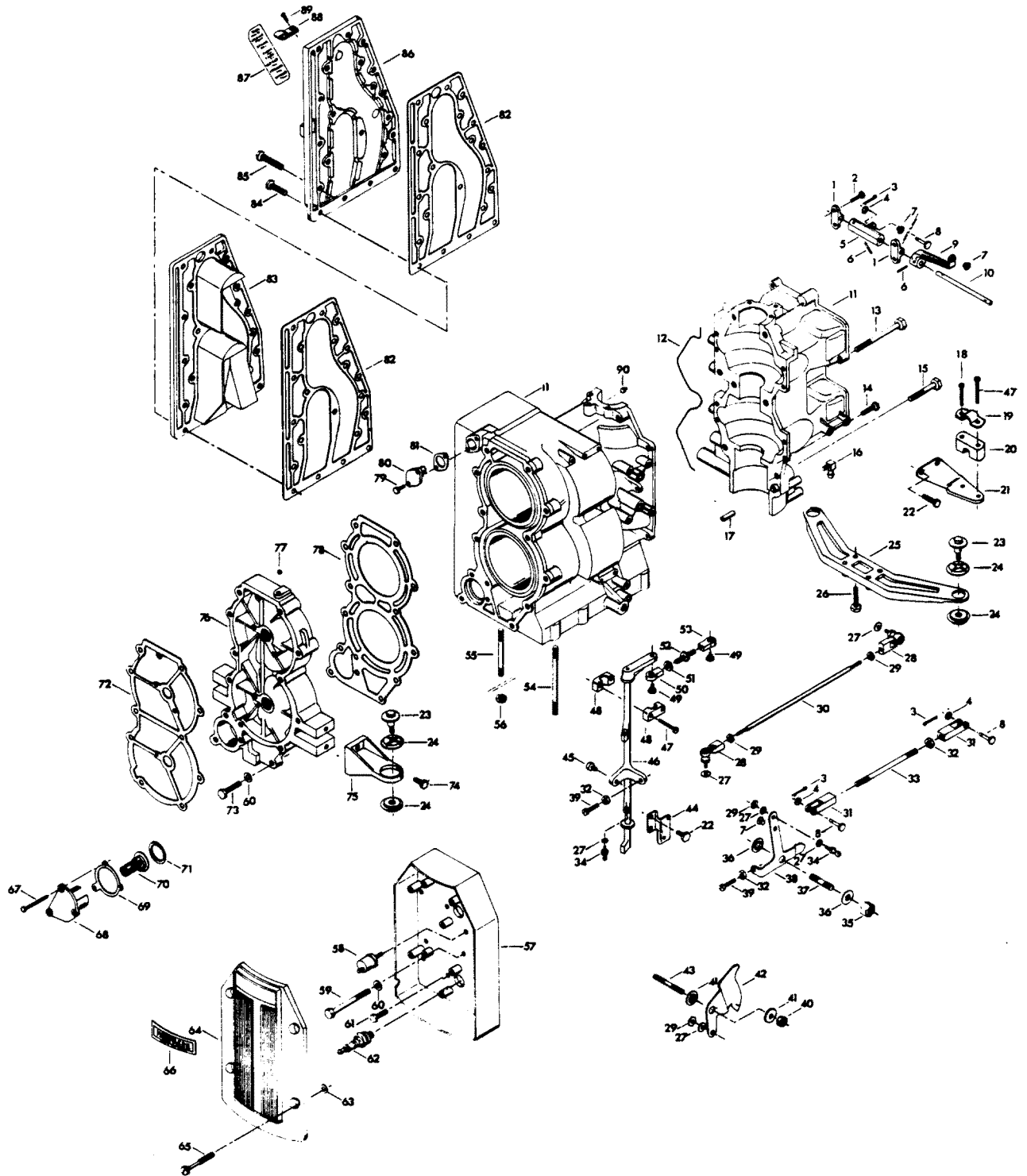
STARTER

REF. NO.	PART NO.	SYM.	QTY.	DESCRIPTION
1	F15100		1	BENDIX DRIVE
6	F15120		1	HEAD ASSEMBLY, DRIVE END
7	F15126		1	THRUST WASHER PACKAGE
8	F15099		1	ARMATURE
9	F15119		1	FRAME AND FIELD ASSEMBLY
10	F1822		3	HEX CAP SCREW, 5/16 - 18 X 7/8
11	F15165		1	BRUSH AND TERMINAL SET
12	F307908		1	STARTER WIRE
13	FA15072		1	HEX LOCK NUT AND WASHER ASSEMBLY, 1/4 - 20
14	F15123		1	THRU BOLT PACKAGE
15	F8060		2	LOCKWASHER
16	F8028		2	PLAIN WASHER
17	F15125		1	HEAD ASSEMBLY, COMMUTATOR END
18	F15034		1	SPRING SET
19	F15057		1	BRUSH PLATE AND HOLDER
20	F8096		3	SPRING LOCKWASHER
-	S474955-2		1	STARTER COMPLETE
-	FC522390		1	DECAL, STARTER (NOT SHOWN)

CRANKSHAFT AND PISTON GROUP

REF. NO.	PART NO.	SYM.	QTY.	DESCRIPTION
1	F335215		4	SPACER (2 PER PISTON)
2	F85017		2	PISTON PIN
3	F335217-1		2	BEARING
4	F474015-4		2	PISTON
5	39-817820A1		1	PISTON RING SET (4 PER SET)
6	F474146		2	SEAL, CRANKSHAFT
7	F84278		1	SEAL
8	31-818060A1		1	BEARING CAGE LOWER W/SEALS (ITEMS 6, 7 & 10) ORIGINAL FORCE P/N 2A474644-1
9	F1238		4	HEX CAP SCREW, 1/4 - 20 X 3/4
10	F474278		1	SEAL
11	F85410		1	SNAP RING
12	FA85655-1		2	CRANKSHAFT CENTER MAIN BEARING RACE W/SNAP RING
13	F85571		1	CENTER MAIN BEARING CAGE W/ROLLERS
14	FA435016		2	CONNECTING ROD W/CAP AND SCREWS
15	FA474228		2	BEARING CAGE W/ROLLERS (SPLIT HALF)
16	30-F284659-2		1	CRANKSHAFT LOWER MAIN BEARING
17	F2045		1	RETAINING RING
18	F435634		4	CONNECTING ROD SCREW
19	F474013		1	CRANKSHAFT UPPER MAIN BEARING
20	F316579		1	SEAL, CRANKCASE
22	F2A474144		1	CRANKSHAFT UPPER BEARING CAGE W/SEAL
23	F1238		2	HEX CAP SCREW, 1/4 - 20 X 3/4
24	F85498		1	FLYWHEEL KEY
25	F2A522018		1	CRANKSHAFT W/LOWER MAIN BEARING AND RETAINING RING
-	F2067		1	PLASTISOL CAP (NOT SHOWN)

POWER HEAD

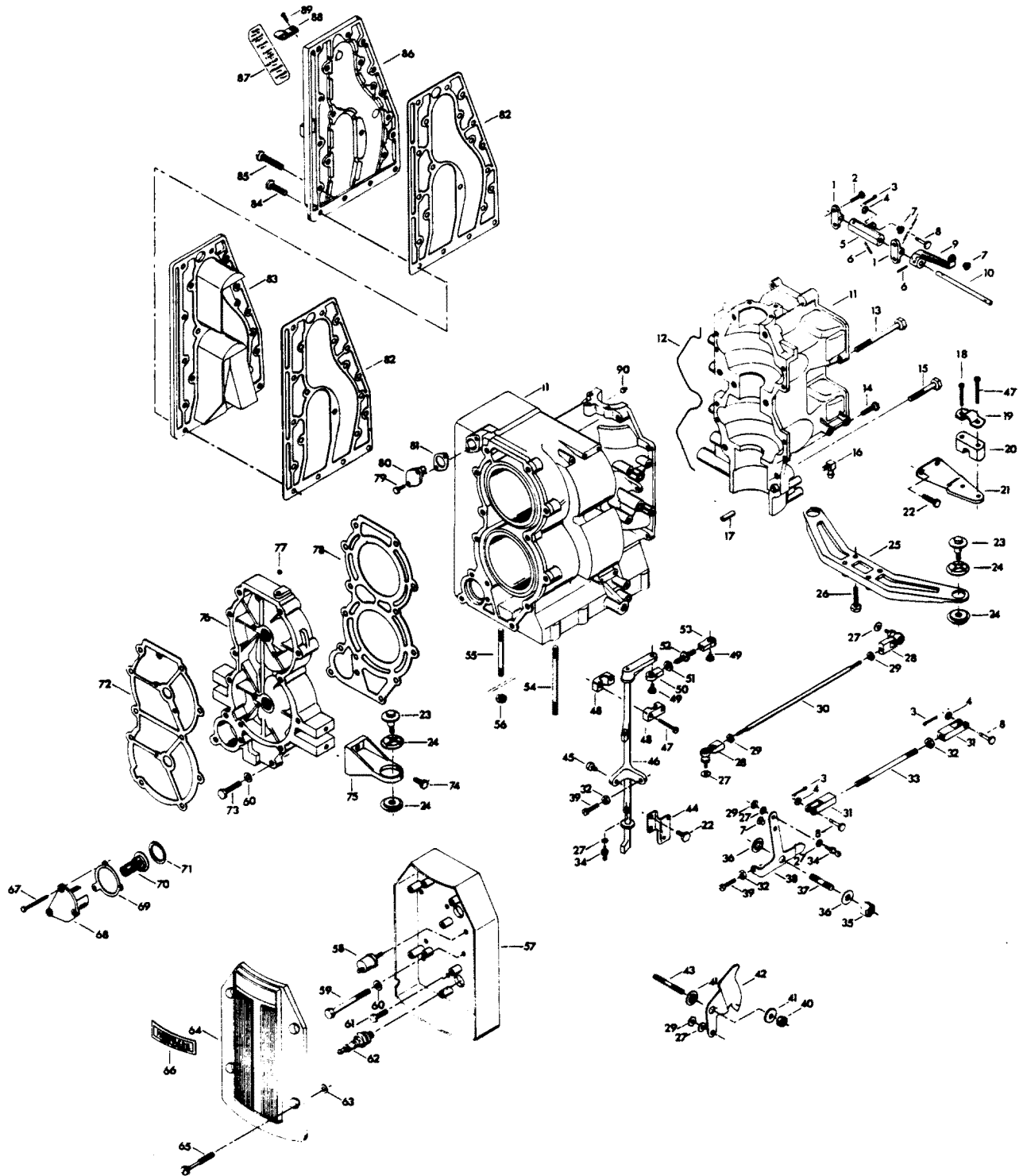


POWER HEAD

REF. NO.	PART NO.	SYM.	QTY.	DESCRIPTION
1	F85689-1		2	BEARING
2	F1475		4	SLOTTED FILL HD SCREW, 10 - 24 X 1/2
3	F1017		3	COTTER PIN
4	F8094		3	PLAIN WASHER
5	F474640		1	PIVOT, GEAR SHIFT
6	F8547		2	SPRING PIN
7	F183818		3	BEARING, GEAR SHIFT COUPLER
8	F474620		3	PIN, GEAR SHIFT
9	F474621		1	LEVER, GEAR SHIFT
10	F474871		1	SHAFT, GEAR SHIFT
11	A522010-1		1	CYLINDER W/CRANKCASE COVER, STUDS, SCREWS AND DOWEL PINS
12	F269122-1		1	CRANKCASE PARTING LINE SEAL
13	F1873		2	HEX CAP SCREW, 3/8 - 16 X 3
14	F1914		8	HEX HD SCREW, 1/4 - 20 X 3/4
15	F1872		4	HEX CAP SCREW, 3/8 - 16 X 1 3/4
16	22-817740A1		1	FITTING, PUDDLE DRAIN W/METERING CUP
17	F8563		2	DOWEL PIN
18	F1829		1	SLOTTED FILL HD SCREW, 10 - 24 X 7/8
19	F154317		1	CABLE CLAMP
20	F474932		1	SPACER, CONTROL CABLE
21	F474371		1	REMOTE CABLE BRACKET
22	F1502		4	HEX CAP SCREW, 1/4 - 20 X 5/8
23	F458887		4	FASTENER, SUPPORT PLATE MOUNT
24	F458347		8	MOUNT
25	F474980-1		1	STABILIZER, FRONT
26	F2071		4	HEX CAP SCREW, 5/16 - 18 X 1 3/8
27	F8058		6	INTERNAL TOOTH LOCKWASHER
28	817747--1		2	BALL JOINT W/BEARING
29	F1513		4	HEX NUT, 10 - 32
30	F474193		1	THROTTLE LINK
31	F474704		2	COUPLER
32	F1341		3	HEX NUT, 1/4 - 20
33	F474881		1	LINK, GEAR SHIFT
34	F98273		2	ROD END CONNECTOR STUD
35	F7025		1	STOP NUT, S.S., 3/8 - 16
36	F269052		2	SHIFT ARM BEARING
37	F474859		1	STUD, SHIFT ARM
38	F522876		1	SHIFT ARM
39	F1052		2	FILL HD M. SCREW, 1/4 - 20 X 1
40	F1910		1	ELASTIC STOP NUT, 1/4 - 20
41	F269319		2	THROTTLE CAM BEARING
42	F474192		1	THROTTLE CAM

CONTINUED ON NEXT PAGE ➡

POWER HEAD

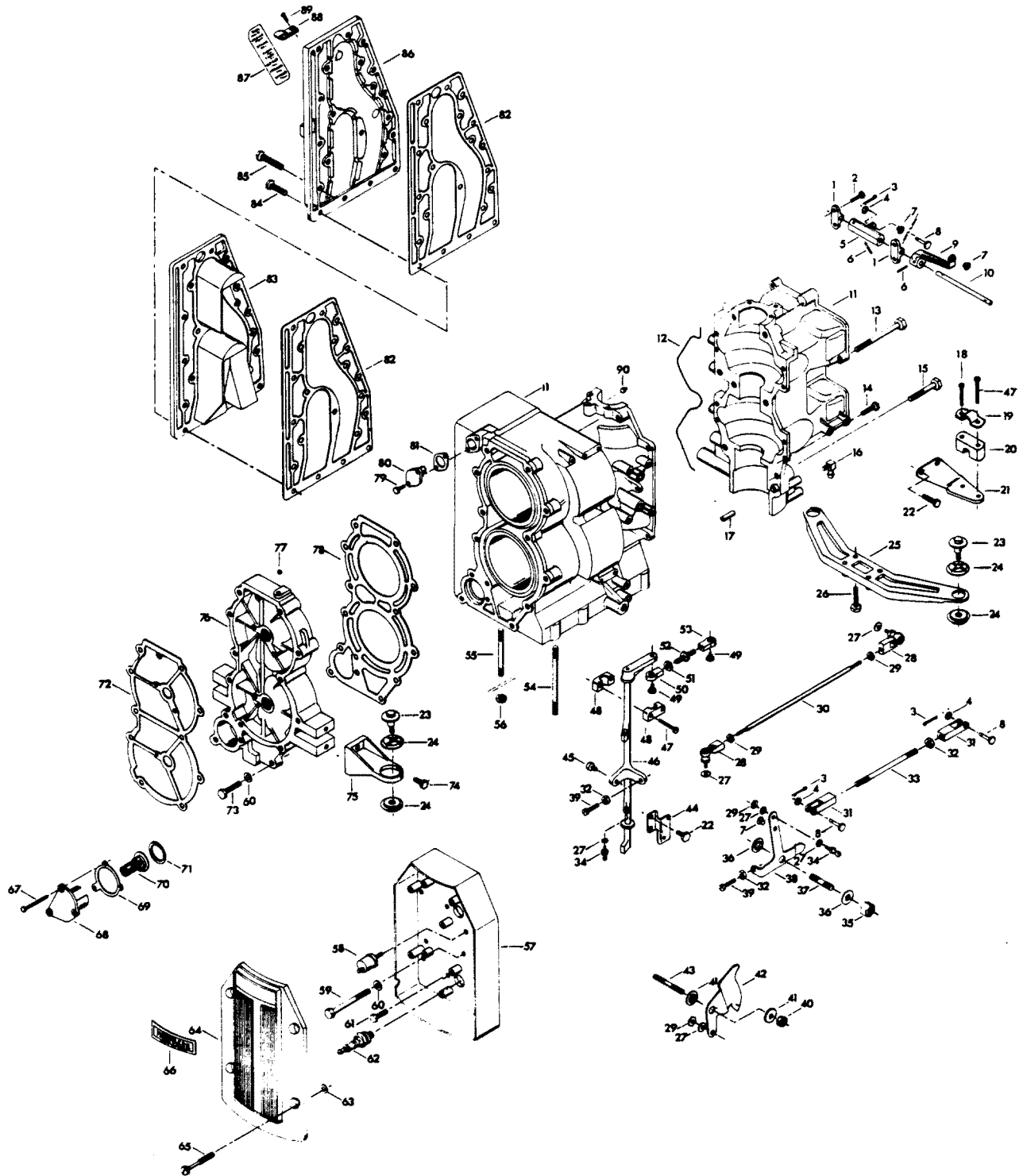


POWER HEAD

REF. NO.	PART NO.	SYM.	QTY.	DESCRIPTION
43	F433209-1		1	STUD, THROTTLE CAM
44	F474551		1	BRACKET, INTERLOCK SWITCH
45	F1727		1	PLASTIC RIVET
46	F474838		1	TOWERSHAFT
47	F1995		5	FILL HD SCREW, 10 - 24 X 1
48	F433689		4	TOWERSHAFT BEARING
49	F84026		2	SPARK CONTROL SWIVEL
50	F84035-2		1	SPARK CONTROL BEARING, R. H.
51	F1473		1	HEX NUT, 10 - 24
52	F474445		1	SPARK, CONTROL LINK
53	F84036		1	SPARK CONTROL BEARING, L. H.
54	F474211		8	STUD, CYLINDER
55	F474210		1	STUD, CYLINDER
56	F2002		9	LOCK NUT
57	F474995		1	CYLINDER HEAD COVER
58	F404449		1	THERMOSWITCH
59	F2049		10	HEX CAP SCREW, 5/16 - 18 X 2 5/8
60	F1987		11	PLAIN WASHER
61	F1238		3	HEX CAP SCREW, 1/4 - 20 X 3/4
62	33-818007--1		2	SPARK PLUG (UL-18V)
-	FC522227		2	SPARK PLUG - QUL-77V FOR MODEL 659BB
63	F85735-1		4	SEAL
64	F474648		1	SPARK PLUG COVER
65	F474751		4	SCREW, SPARK PLUG COVER
66	474373-1		1	DECAL, MAGNAPOWER
67	F2051		3	HEX CAP SCREW, 1/4 - 20 X 2 1/4
68	F474066		1	THERMOSTAT COVER
69	F474067		1	THERMOSTAT COVER GASKET
70	F84068-2		1	THERMOSTAT
71	F84504		1	THERMOSTAT GROMMET
72	F474996		1	CYLINDER HEAD COVER GASKET
73	F2076		1	HEX CAP SCREW, 5/16 - 18 X 1 1/8
74	F1902		4	HEX CAP SCREW, 5/16 - 18 X 3/4
75	F474982		2	STABILIZER, REAR
76	FA474518		1	CYLINDER HEAD W/PLUG
77	F19109		1	PLUG, CYLINDER HEAD
78	F474529		1	CYLINDER HEAD GASKET
79	F1913		2	HEX CAP SCREW, 10 - 24 X 5/8
80	F438066		1	COVER, BY-PASS VALVE
81	F85762		1	GASKET, BY-PASS VALVE COVER
82	F474154		2	EXHAUST PORT PLATE GASKET
83	F474151		1	EXHAUST PORT PLATE
84	F1833		4	HEX CAP SCREW, 1/4 - 20 X 1

CONTINUED ON NEXT PAGE ➡

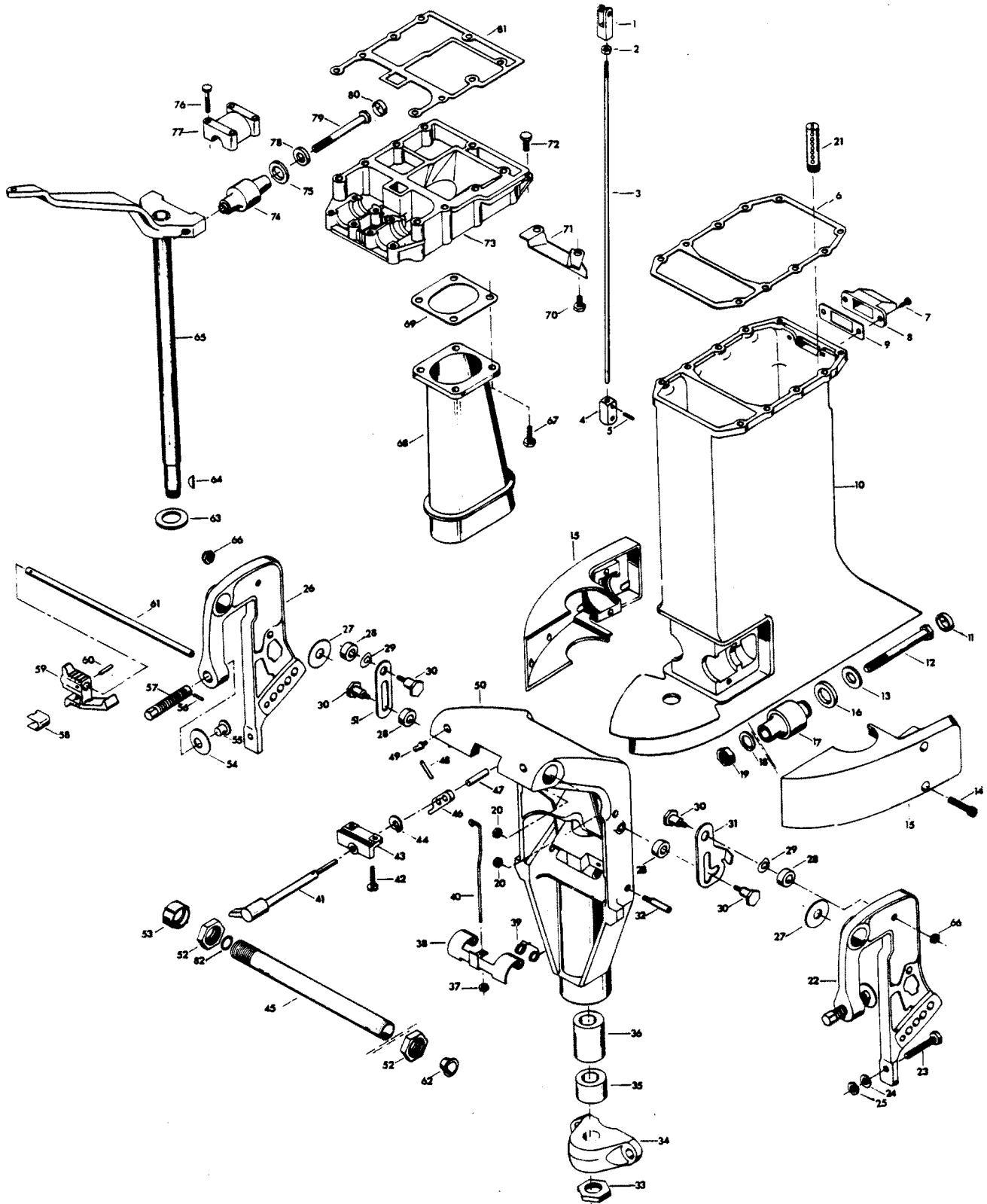
POWER HEAD



POWER HEAD

REF. NO.	PART NO.	SYM.	QTY.	DESCRIPTION
85	F1581		17	HEX CAP SCREW, 1/4 - 20 X 1 1/4
86	F474152		1	EXHAUST PORT COVER
87	F474398		1	DECAL, WIRING
-	FC474398		1	DECAL, WIRING - CANADA (NOT SHOWN)
88	F289446-1		1	CLAMP
89	F1734		1	SLOTTED FILL HD SCREW & LOCKWASHER 1/4 - 20 X 1/2
90	F474909		2	LOCATING PIN
-	FG1013-1		1	GASKET SET (NOT SHOWN)
-	F474374-1		1	DECAL, IGNITION (NOT SHOWN)
-	FC474374		1	DECAL, IGNITION - CANADA (NOT SHOWN)
-	C522010-1		1	SHORT BLOCK (NOT SHOWN) INCLUDES ALL ITEMS MARKED WITH AN ASTERISK (*). ALSO REFER TO CRANKSHAFT AND PISTON PAGE.
-	K749		1	PAINT SPRAY BOMB - FLAT BLACK ENAMEL, (6 OUNCE)

MOTOR LEG

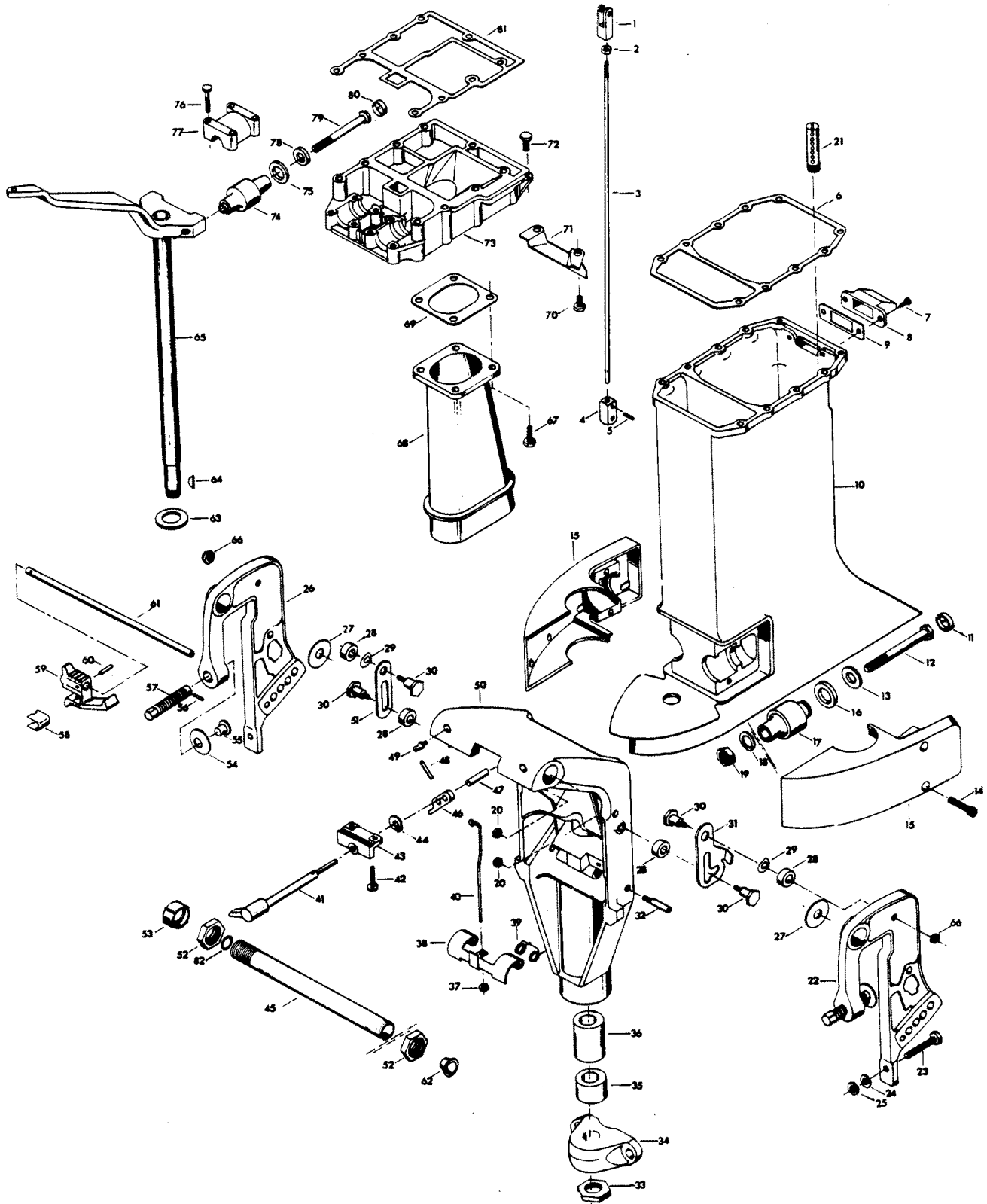


MOTOR LEG

REF. NO.	PART NO.	SYM.	QTY.	DESCRIPTION
1	F474704		1	COUPLER, SHIFT ROD
2	F1341		1	HEX NUT, 1/4 - 20
3	F522615		1	GEAR SHIFT ROD UPPER
4	F522704		1	COUPLING, GEAR SHIFT ROD
5	F8547		1	SPRING PIN
6	F522453		1	LEG EXHAUST GASKET
7	F1705		2	HEX CAP SCREW, 1/4 - 20 X 3/4
8	F474832-1		1	IDLE RELIEF COVER
9	F474833		1	GASKET, IDLE RELIEF COVER
10	F522133		1	MOTOR LEG
11	F474539		2	BUMPER
12	F2069		2	HEX CAP SCREW, 7/16 - 14 X 4
13	F474359		2	WASHER
14	F1257		4	HEX SOCKET HD CAP SCREW, S.S., 5/16 - 18 X 1 1/4
15	F522707		2	SHOCK MOUNT COVER LOWER
16	F474847		2	WASHER
17	F474346-2		2	SHOCK MOUNT LOWER
18	F8067		2	SPRING LOCKWASHER
19	F2065		2	HEX NUT, 7/16 - 14
20	F7007		2	STOP NUT, 5/16 - 18
21	F522779		2	IDLE RELIEF BAFFLE
22	F522532		1	STERN BRACKET PORT
23	F1593		2	HEX HD SCREW, S.S., 3/8 - 16 X 3
24	F1904		2	PLAIN WASHER
25	F1346		2	HEX NUT, 3/8 - 16
26	F522032		1	STERN BRACKET, STARBOARD
27	F522286		2	STERN BRACKET FRICTION WASHER
28	F269929		4	SPACER, TILT STOP
29	F1666		2	BOWED SPRING WASHER
30	F366350		4	TILT STOP PIVOT
31	F366426		1	TILT STOP, PORT
32	F366886		2	PIN
33	F84280		1	KING PIN NUT
34	F474607		1	KING PIN YOKE
35	F474990		1	SPACER
36	F191169-1		2	SWIVEL BRACKET BEARING
37	F1669		1	LOCK NUT
38	F366349		1	REVERSE LOCK
39	F366300		2	REVERSE LOCK SPRING
40	F474510		1	LINK
41	FA522827		1	HANDLE AND SHAFT
42	F1733		2	PAN HD SCREW, 10 - 24 X 9/16
43	F522884		1	BEARING

CONTINUED ON NEXT PAGE ➡

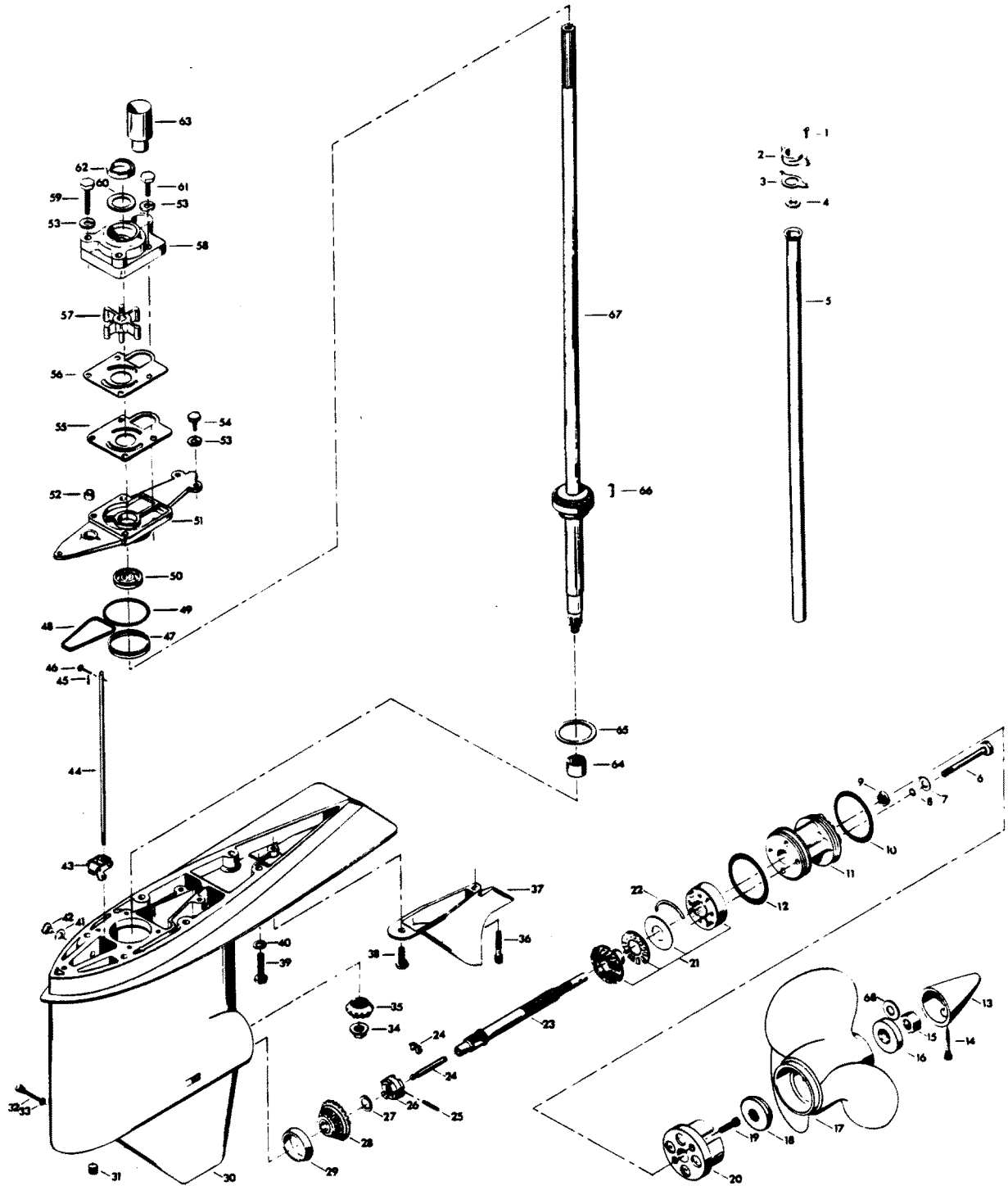
MOTOR LEG



MOTOR LEG

REF. NO.	PART NO.	SYM.	QTY.	DESCRIPTION
44	F522741		1	RETAINING RING
45	F522125-1		1	TUBE, PIVOT STEERING
46	F366364		1	ARM, REVERSE LOCK
47	F483884		1	BEARING
48	F1836		1	SPRING PIN
49	F213274		3	GREASE FITTING
50	FA522072		1	SWIVEL BRACKET W/BEARINGS AND GREASE FITTINGS
51	F366433		1	TILT STOP, STARBOARD
52	F1600		2	LOCK NUT
53	F9018		1	CAP
54	F24074		2	CLAMP SCREW FOOT
55	F353480		2	STUD
56	F8538		2	SPRING PIN
57	F474073-1		2	CLAMP SCREW
58	F286461		1	SPRING, LOCK BAR HANDLE
59	F433114		1	HANDLE, LOCK BAR
60	F1744		1	SPRING PIN
61	FA433113		1	STERN BRACKET LOCK BAR W/HANDLE
62	F9052		1	PLUG
63	F89011		1	SWIVEL BRACKET WASHER
64	F458498		1	KEY
65	FA522019		1	KING PIN ASSEMBLY
66	F7007		2	STOP NUT, 5/16 - 18
67	F1914		4	HEX CAP SCREW, 1/4 - 20 X 3/4
68	F522660		1	LEG EXHAUST TUBE
69	F522867		1	UPPER EXHAUST TUBE GASKET
70	F1689		1	HEX CAP SCREW, 1/4 - 20 X 1/2
71	F474106-3		1	DEFLECTOR, DISCHARGE WATER
72	F1902		2	HEX CAP SCREW, 5/16 - 18 X 3/4
73	F522680		1	SPACER PLATE
74	F474965-1		2	SHOCK MOUNT UPPER
75	F474849		2	WASHER
76	F1581		8	HEX CAP SCREW, 1/4 - 20 X 1 1/4
77	F474946		2	SHOCK MOUNT COVER UPPER
78	F474355		2	WASHER
79	F1430		2	HEX CAP SCREW, 7/16 - 14 X 4
80	F474942		2	BUMPER
81	F522279		1	CYLINDER EXHAUST GASKET
82	F316599		1	SEAL, PIVOT TUBE
-	F474390-1		1	DECAL, REVERSE LOCK (NOT SHOWN)
-	37-819450		1	DECAL, REVERSE LOCK - CANADA (NOT SHOWN)

GEAR HOUSING

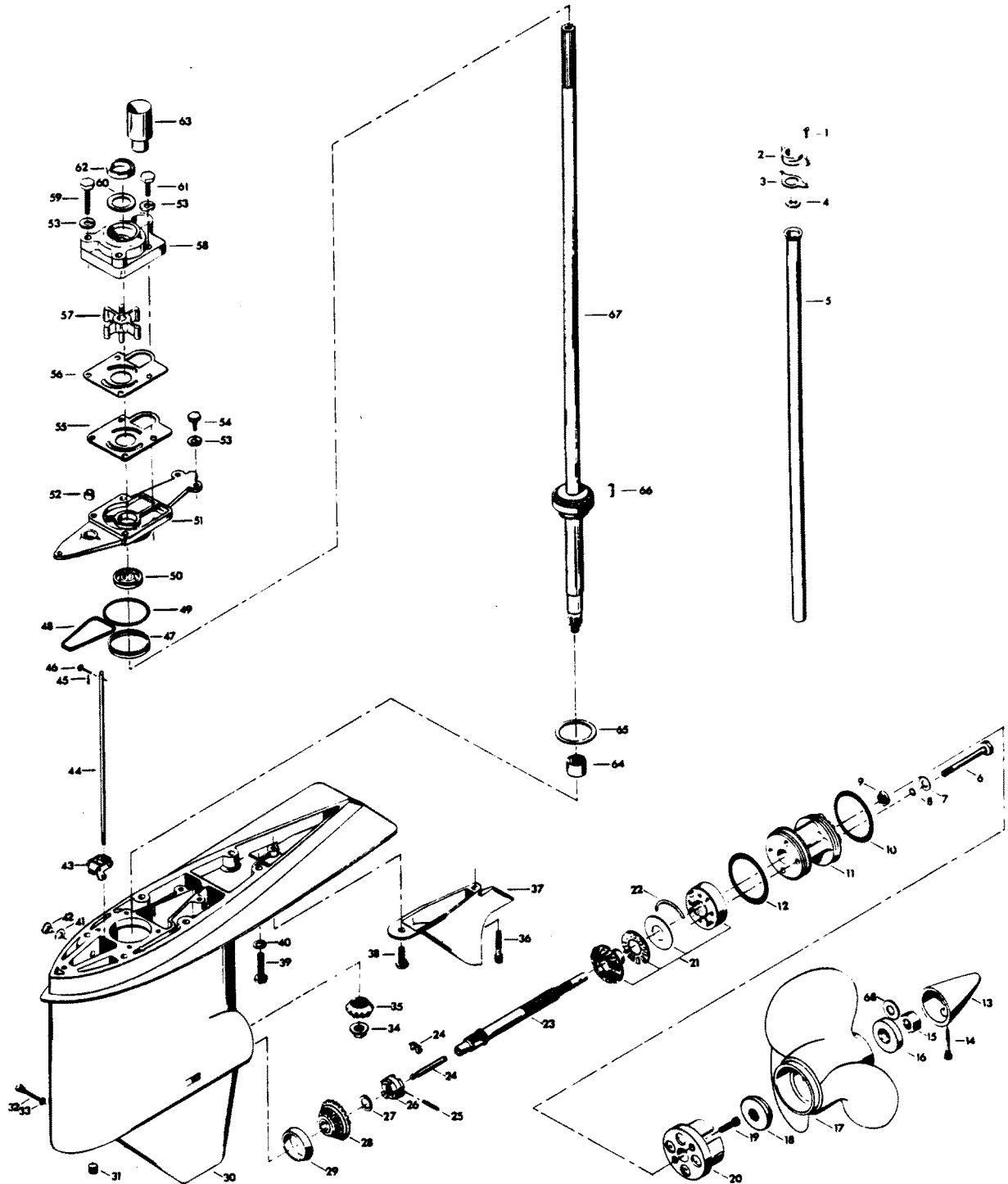


GEAR HOUSING

REF. NO.	PART NO.	SYM.	QTY.	DESCRIPTION
1	F2074		2	HEX HD SCREW, 10 - 24 X 9/16
2	F474117		1	WATER LINE BRACKET
3	F474830		1	WATER LINE BRACKET GASKET
4	F474342		1	SEAL
5	F522244		1	INLET WATER LINE
6	F1417		4	HEX CAP SCREW, 5/16 - 18 X 3 1/2
7	F1907		4	PLAIN WASHER
8	F50342-1		4	SEAL
9	F522118		1	SEAL, PROPELLER SHAFT
10	F522305		1	SEAL, "O" RING
11	F2A522239		1	SPOOL, PROP SHAFT BEARING W/SEALS
12	F141305		1	SEAL, "O" RING
13	F522094-1		1	PROPELLER NUT
14	F90891		1	PIN
15	F1788		1	STOP NUT
16	F522299		1	WASHER
17	FP493		1	PROPELLER (ACCESSORY ITEM)
18	F522099		1	SPACER, PROPELLER
19	F1577		2	FILL HD SCREW, 1/4 - 20 X 3/4
20	FA522485		1	ANTI-CORROSION ANODE
21	FA522662		1	BEVEL GEAR REAR W/BEARING CAGE, SPACER AND BEARING
22	F522411		2	RETAINING RING, BEARING CAGE
23	FA522098		1	PROPELLER SHAFT
24	FA522871		1	GEAR SHIFT ARM PIN W/YOKE
25	F2097		1	SPRING PIN
26	F99521-1		1	CLUTCH
28	F2A522023		1	BEVEL GEAR FRONT W/BEARING
29	F506250		1	BEARING CUP
30	FA522054		1	GEAR HOUSING, DRIVESHAFT BEARING LOWER, PLUGS & WASHERS W/BEARING CUP
31	F19109		1	PLUG
32	F90891		1	GEAR SHIFT ARM PIN
33	F8001		1	NYLTITE WASHER
34	F522188-1		1	NUT, BEVEL PINION RETAINING
35	FA522266		1	BEVEL PINION GEAR W/CRUSH RING AND SHIMS
36	F2031		1	HEX SOCKET HD CAP SCREW, 1/4 - 20 X 3/4
37	F522116-1		1	SNOUT
38	F438930		1	RETAINER, SNOUT
39	F2079		6	HEX CAP SCREW, 5/16 - 18 X 2 1/4
40	F8096		6	SPRING LOCKWASHER
41	F8077		2	WASHER, GEAR HOUSING PLUG
42	F50109		2	PLUG, GEAR HOUSING
43	817796A2		1	GEAR SHIFT ARM

CONTINUED ON NEXT PAGE ➡

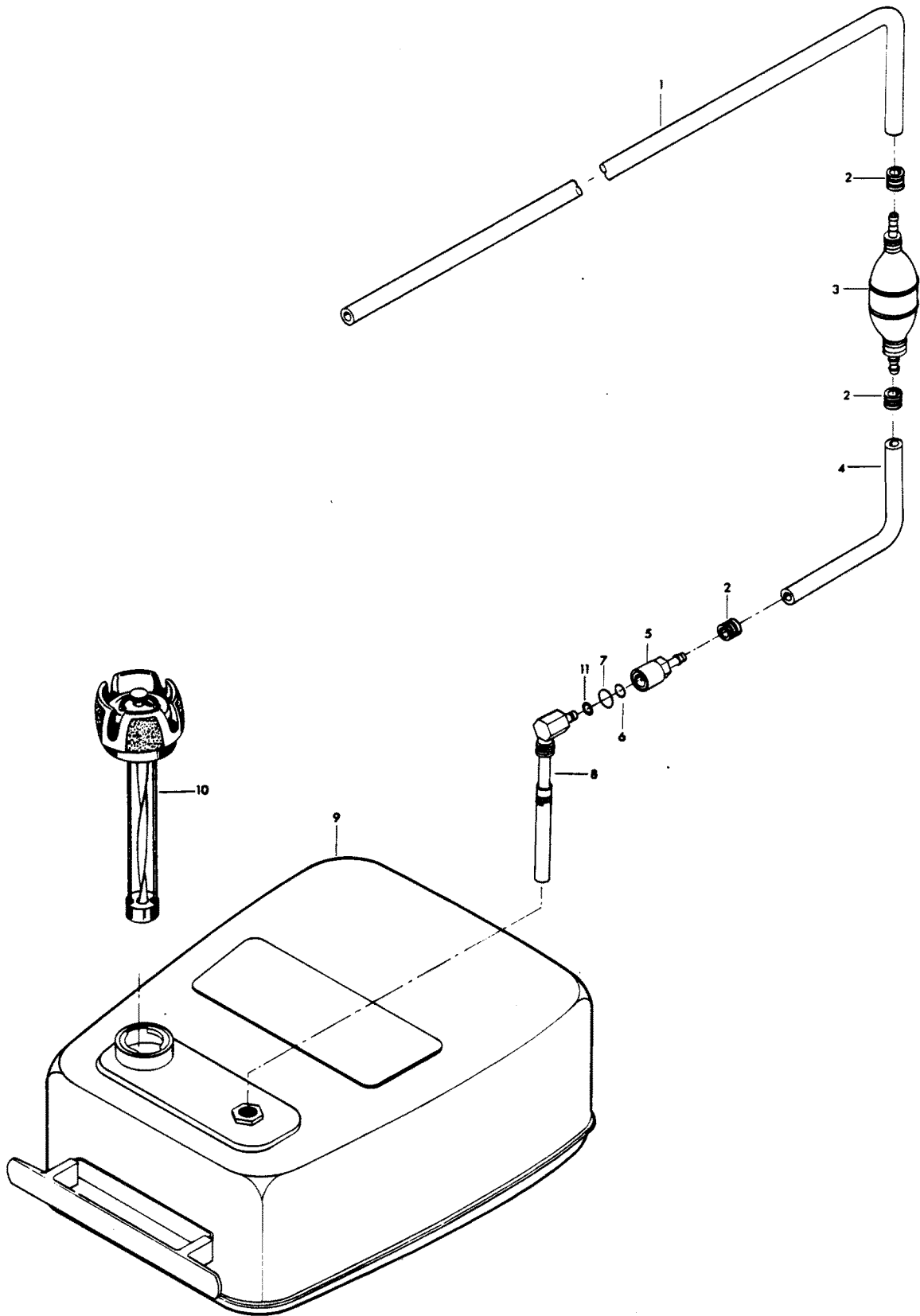
GEAR HOUSING



GEAR HOUSING

REF. NO.	PART NO.	SYM.	QTY.	DESCRIPTION
44	F522705		1	GEAR SHIFT ROD LOWER
45	F1015		1	COTTER PIN
46	F85372		1	PIN, GEAR SHIFT ROD LOWER
47	F523961		1	CRUSH RING
48	F522555		1	SEAL, GEAR HOUSING COVER
49	F74305		1	SEAL, DRIVESHAFT BEARING CAGE
50	F474307		1	SEAL, DRIVESHAFT
51	FA522706		1	GEAR HOUSING COVER W/SEALS
52	F338618-1		1	SEAL, SHIFT ROD LOWER
53	F8083		7	SPRING LOCKWASHER
54	F1705		3	HEX CAP SCREW, 1/4 - 20 X 3/4
55	F522031		1	GASKET, WATER PUMP
56	F522562		1	WATER PUMP BACK PLATE
57	F474065		1	WATER PUMP IMPELLER
58	FA522060		1	WATER PUMP BODY W/DRIVESHAFT SEAL, DISC AND WATERLINE SEAL
59	F1175		2	HEX CAP SCREW, 1/4 - 20 X 1 7/8
60	F474388		1	DISC, WATER PUMP
61	F1849		2	HEX CAP SCREW, 1/4 - 20 X 1 3/8
62	F474736		1	SEAL, DRIVESHAFT - WATER PUMP
63	FA523735		1	SEAL, INLET WATER LINE LOWER
64	F522057		1	BEARING, DRIVESHAFT LOWER
66	F9038		1	WOODRUFF KEY
67	FS577128		1	DRIVESHAFT W/BEARING SHIMS AND CRUSH RING
68	F1866		1	PLAIN WASHER
-	FC522054		1	GEAR HOUSING COMPLETE INCLUDES ALL ITEMS MARKED WITH AN ASTERISK (*).

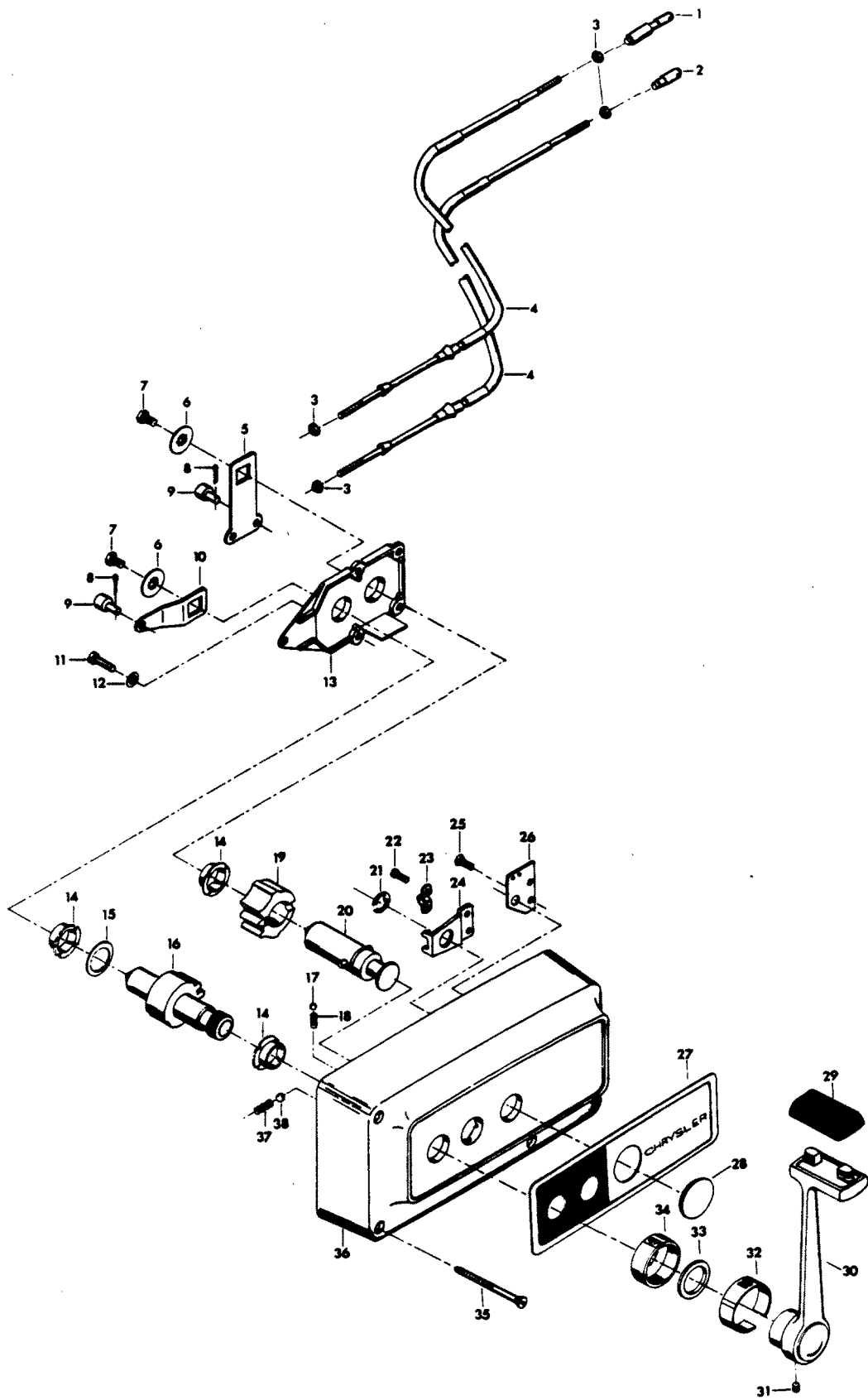
FUEL TANK AND LINE



FUEL TANK AND LINE

REF. NO.	PART NO.	SYM.	QTY.	DESCRIPTION
1	32-817738A1		1	FUEL LINE, LONG W/CLAMP AND FERRULE
2	F298788		3	FERRULE
3	89396A38		1	PRIME BULB
4	FA84754-1		1	FUEL LINE SHORT W/FERRULES
5	F197787-3		1	FUEL LINE COUPLER
6	F213735		1	SEAL, FUEL LINE COUPLER (SMALL)
7	F213342		1	SEAL, FUEL LINE COUPLER (LARGE)
8	F485755-1		1	FUEL TANK ADAPTER
9	F71H08		1	FUEL TANK (ACCESSORY ITEM)
10	F409251-1		1	GAUGE CAP
11	F17932		1	SEAL, FUEL TANK ADAPTER
-	FS409752		1	FUEL LINE, COMPLETE
-	FC409398		1	DECAL, TOTE TANK - CANADA (NOT SHOWN)

REMOTE CONTROL



REMOTE CONTROL

REF. NO.	PART NO.	SYM.	QTY.	DESCRIPTION
1	FA58976-1		1	CONNECTOR, THROTTLE CABLE
2	F58685-2		1	CONNECTOR, SHIFT CABLE
3	F1513		4	HEX NUT
4	ÄF58356//		2	REMOTE CONTROL CABLE (SPECIFY LENGTH)
5	F17019		1	CLUTCH ARM
6	F17036		2	INTERNAL TOOTH LOCKWASHER
7	F1715		2	HEX BOLT, 1/4 - 28 X 9/16
8	F17015		2	COTTER PIN
9	F17016		2	CABLE TERMINAL
10	F17014		1	THROTTLE ARM
11	F17013		2	FILL HD SCREW, 1/4 - 20 X 1/2
12	F17020		2	INTERNAL TOOTH LOCKWASHER
13	F17012		1	RETAINING PLATE
14	F17009		3	BEARING
15	F17011		1	BOWED WASHER
16	F17010-1		1	THROTTLE GEAR
17	F17111		1	DETENT BALL
18	F17006		1	DETENT SPRING
19	F17021		1	CLUTCH GEAR
20	F17100		1	CLUTCH SHAFT
21	F17092		1	SNAP RING
22	F17107		2	FILL HD SCREW, 10 - 24 X 5/16
23	F154317		1	CABLE CLAMP
24	F17026		1	SWIVEL
25	F1557		2	FLAT HD SCREW, 10 - 24 X 3/8
26	F17112		1	JUNCTION BOARD, STARBOARD
-	F17113		1	JUNCTION BOARD, PORT
27	F17101		1	DECAL, STARBOARD
-	17102		1	DECAL, PORT
28	F17031		1	SNAP CAP
29	F17116		1	KNOB
30	F17115		1	HANDLE
31	F17030-1		1	SET SCREW
32	FK17114-1		1	INDICATOR
33	F17105		1	FELT WASHER
34	F17106		1	COLLAR
35	17109		3	WOOD SCREW
36	F17099		1	HOUSING
37	F17068		1	DETENT SPRING
38	F17082-1		1	DETENT BALL
-	F1280		2	PAN HD SCREW, 8 - 32 X 1/4 (TERMINAL BOARD) (NOT SHOWN)

SPECIAL TOOLS - TUNE-UP

REF. NO.	PART NO.	SYM.	QTY.	DESCRIPTION
-	FT8948-1		0	FLYWHEEL PULLER TO REMOVE FLYWHEEL
-	FTA2937-1		0	TIMING TOOL TO LOCATE TIMING DECAL
-	FT8978		0	POWER TIMING LIGHT TO TIME ENGINE
-	FT2951		0	CIRCUIT TRACER TO TROUBLE SHOOT ELECTRICAL SYSTEM

SPECIAL TOOLS - POWERHEAD

REF. NO.	PART NO.	SYM.	QTY.	DESCRIPTION
-	T8984		0	INSTALLER TO INSTALL UPPER AND LOWER CRANKSHAFT SEALS
-	FT8907		0	DRIVER HANDLE TO USE WITH SEAL INSTALLER T8984
-	FT8983		0	SEALANT TO FORM GASKET BETWEEN AIR INTAKE COVER HALVES
-	FT8926		0	RING EXPANDER TO INSTALL RINGS ON PISTONS
-	FT2996		0	RING COMPRESSOR TO INSTALL PISTONS IN CYLINDERS
-	FT8933		0	LIFTING HOOK TO PROVIDE SAFE METHOD OF LIFTING ENGINE
-	FTA8994		0	PISTON PIN TOOL REMOVE AND INSTALL PISTON PINS

SPECIAL TOOLS - LOWER UNIT

REF. NO.	PART NO.	SYM.	QTY.	DESCRIPTION
-	FT8901		0	INDICATOR HOLDER TO USE WITH CHECKING GAUGE
-	FT8902		0	DIAL INDICATOR TO USE WITH CHECKING GAUGE
-	FT8997		0	SHIMMING TOOL TO SHIM LOWER UNIT
-	FT8957		0	SEAL INSTALLER TO INSTALL SHIFT ROD SEAL

SPECIAL TOOLS - TEST EQUIPMENT

REF. NO.	PART NO.	SYM.	QTY.	DESCRIPTION
-	FT8950		0	LEAKAGE TESTER TO TEST LOWER UNIT FOR LEAKS

ACCESSORIES

REF. NO.	PART NO.	SYM.	QTY.	DESCRIPTION
-			0	CHRYSLER OUTBOARD OIL SEE BLOCK COMMENT 1.
-			0	CHRYSLER OUTBOARD GEAR LUBE SEE BLOCK COMMENT 2.
-	F74H07		0	WATER PUMP KIT HEAVY DUTY WATER PUMP RECOMMENDED FOR CONTINUED OPERATION IN SANDY OR SALT WATER.
-	F70H01		0	ANTI CORROSION KIT ELECTRICAL UNIT USED TO HELP PREVENT CORROSION.
-	F71H02		0	ANTI CORROSION SACRIFICIAL ANODE USED TO HELP PREVENT CORROSION.
-	72H13		0	BATTERY, 74 AMP TWELVE VOLT HEAVY DUTY BATTERY TO OPERATE STARTER AND ELECTRICAL ACCESSORIES
-	172		0	BATTERY CASE HEAVY PLASTIC CASE WITH TIE DOWN STRAPS. PROTECTS BATTERY FROM DAMAGE.
-	F70H05		0	BATTERY EXTENSION CABLE USED TO EXTEND BATTERY CABLE 6 1/2 FEET.
-	F71H26		0	BATTERY TERMINAL KIT ADAPTS MODEL 72H13 BATTERY TERMINALS FOR CONNECTION TO BATTERY CABLES ON ENGINES.
-	74H11		0	FUEL GAUGE FLUSH MONITORS FUEL SUPPLY.
-	74H15		0	FUEL GAUGE SURFACE MOUNT MONITORS FUEL SUPPLY.
-	F71H10		0	SENDING UNIT FOR USE WITH ABOVE FUEL GAUGE.
-	74H14		0	TEMPERATURE GAUGE (SURFACE MOUNT) MONITORS ENGINE TEMPERATURE. DO NOT USE TEMPERATURE GAUGE AND HEAT LAMP IN THE SAME INSTALLATION.
-	F74H10		0	TEMPERATURE GAUGE (FLUSH MOUNT) MONITORS ENGINE TEMPERATURE. DO NOT USE TEMPERATURE GAUGE AND HEAT LAMP IN THE SAME INSTALLATION.
-	72H31		0	FROST WHITE LACQUER ENGINE TOUCH-UP PAINT IN 16 OZ. SPRAY BOMBS (12 CANS PER CASE).
-	72H32		0	GOLD LACQUER ENGINE TOUCH-UP PAINT IN 16 OZ. SPRAY BOMBS (12 CANS PER CASE).
-	72H05		0	CANVAS HOOD PROTECTION FOR ENGINE COVER.
-	F71H08		0	STEEL, 6 GALLON FUEL TANK AUXILIARY TANK.
-	F71H12		0	FUEL TANK ANCHOR SECURES 71H08 TO DECK.
-	F71H23		0	STEEL, 12 GALLON FUEL TANK AUXILIARY TANK.
-	479		0	HEAT LAMP KIT FOR ELECTRIC START MODELS. WARNS OF ENGINE OVERHEATING.
-	F74H19		0	IGNITION KEY SWITCH FOR ELECTRIC START MODELS (SHORT BARREL)
-	F74H20		0	IGNITION KEY SWITCH FOR ELECTRIC START MODELS (LONG BARREL)
-	70H24		0	RACING STRIPE KIT ORANGE STRIPING FOR ENGINE COVER.
-	70H25		0	RACING STRIPE KIT BLUE STRIPING FOR ENGINE COVER.

CONTINUED ON NEXT PAGE ➡

ACCESSORIES

REF. NO.	PART NO.	SYM.	QTY.	DESCRIPTION
-	F195/___		0	REMOTE CONTROL CABLES CONNECTS REMOTE CONTROL BOX TO THROTTLE AND GEAR SHIFT ON MOTOR. AVAILABLE IN 6 THROUGH 30 FOOT LENGTHS (IN 1 FOOT INCREMENTS) (30 THROUGH 40 FOOT IN 2 FOOT INCREMENTS.)
-	F72H36		0	REMOTE CONTROL SURFACE MOUNT (SINGLE LEVER) PERMITS REMOTE CONTROL OF THROTTLE AND GEAR SHIFT FROM STARBOARD SIDE OF BOAT.
-	73H08		0	PORT SIDE DECAL KIT CONVERTS 72H36 CONTROL BOX TO PORT SIDE MOUNTING.
-	F590		0	REMOTE CONTROL FLUSH MOUNT (SINGLE LEVER) PERMITS REMOTE CONTROL OF THROTTLE AND GEAR SHIFT. MAY BE MOUNTED ON PORT OR STARBOARD SIDE OF BOAT.
-	865		0	REMOTE CONTROL SURFACE MOUNT (SINGLE LEVER) PERMITS REMOTE CONTROL OF THROTTLE AND GEAR SHIFT ON TWIN ENGINE INSTALLATION. MAY BE MOUNTED ON PORT OR STARBOARD SIDE OF BOAT.
-	F165		0	REMOTE STEERING BRACKET ADAPT MOTOR TO CABLE TYPE REMOTE STEERING.
-	F74H21		0	REMOTE STEERING CONNECTOR CONNECTS ENGINE TO MECHANICAL STEERING CABLE.
-	176		0	SPEEDOMETER SURFACE MOUNT 0 TO 50 M. P. H.
-	F71H04		0	SPEEDOMETER FLUSH MOUNT 0 TO 50 M. P. H.
-	74H13		0	TACHOMETER (SURFACE MOUNT) MONITORS ENGINE R. P. M. TO PROVIDE CHECK OF ENGINE PERFORMANCE.
-	F74H09		0	TACHOMETER (FLUSH MOUNT) MONITORS ENGINE R. P. M. TO PROVIDE CHECK OF ENGINE PERFORMANCE.
-	F74H04		0	POWER TRIM ADJUSTS ENGINE TRIM AND TILTS ENGINE.
-	F74H12		0	POWER TRIM INDICATOR (FLUSH MOUNT) INDICATES ENGINE TRIM ANGLE.
-	74H16		0	POWER TRIM INDICATOR (FLUSH MOUNT) INDICATES ENGINE TRIM ANGLE.

SPECIFICATIONS

REF. NO.	PART NO.	SYM.	QTY.	DESCRIPTION
-			0	HORSEPOWER 65 B. I. A. CERTIFIED BRAKE H. P. AT 5250 R. P. M.
-			0	MOTOR TWO-CYCLE, TWIN CYLINDER ALTERNATE FIRING.
-			0	BORE AND STROKE 3 3/8" BORE X 2.80" STROKE.
-			0	DISPLACEMENT 49.9 CUBIC INCHES.
-			0	CONNECTING RODS FORGED NICKEL STEEL. CAGED ROLLER BEARINGS AT CRANKSHAFT.
-			0	CRANKSHAFT FORGED NICKEL STEEL. BALL BEARINGS AT LOWER MAIN. CAGED ROLLER BEARINGS AT CENTER AND UPPER MAINS.
-			0	CORROSION PROTECTION ALODINE TREATED CASTINGS, STAINLESS STEEL DRIVE SHAFT, PROPELLER SHAFT, GEAR SHIFT ROD AND UNDERWATER FASTENERS.
-			0	FUEL TANK SEPARATE STEEL TANK, 6 U. S. GALLON, 5 IMPERIAL GALLON CAPACITY.
-			0	FUEL SYSTEM VACUUM-TYPE FUEL PUMP, FLOAT FEED CARBURETOR WITH FIXED HIGH SPEED JET AND ADJUSTABLE LOW SPEED JET.
-			0	FUEL FILTERS FILTER SCREENS IN FUEL TANK AND FUEL PUMP.
-			0	COOLING WATER COOLED, POSITIVE DISPLACEMENT TYPE WATER PUMP.
-			0	TRANSOM HEIGHT 20"
-			0	WEIGHT 185 POUNDS.
-			0	TILT LOCK POSITIVE TILT LOCK PERMITS ENGINE TO REMAIN IN TILTED POSITION WHEN NOT IN USE.
-			0	RECOMMENDED OPERATING RANGE 5000 - 5500 R. P. M.

LUBRICATION CHART

REF. NO.	PART NO.	SYM.	QTY.	DESCRIPTION
-			0	GEAR HOUSING CHECK AFTER EVERY THIRTY HOURS OF OPERATION AND REPLACE AFTER EVERY 100 HOURS WITH A NON-CORROSIVE LEADED OUTBOARD GEAR OIL -- CHRYSLER OUTBOARD GEAR LUBE. DO NOT USE CORROSIVE HYPOID OIL UNDER ANY CIRCUMSTANCES.
-			0	CONTROL LINKAGE LUBRICATE ALL MOVING PARTS AND CONTROL LINKAGE WITH RYKON #2EP, PART NO. T - 2961, TWICE EACH SEASON OR OFTENER IF REQUIRED.
-			0	STERN BRACKET LUBRICATE STERN BRACKET AND ASSOCIATED PARTS WITH RYKON #2EP, PART NO. T - 2961, TWICE EACH SEASON OR OFTENER IF REQUIRED.
-			0	STARTER PINION GEAR LUBRICATE WITH RYKON #2EP PART NO. T - 2961, TWICE EACH SEASON OR OFTENER IF REQUIRED.

SPECIAL ADJUSTMENTS

REF. NO.	PART NO.	SYM.	QTY.	DESCRIPTION
-			0	SPARK PLUG CHAMPION UL18V. CHAMPION QUL-77V FOR MODEL 659BB.
-			0	FLYWHEEL NUT TORQUE TO 90 FOOT POUNDS.
-			0	CYLINDER HEAD BOLT TORQUE TO 225 INCH POUNDS.
-			0	POINT OF THROTTLE OPENING 1. UNSNAP BALL JOINT CONNECTOR FROM THROTTLE TOWER SHAFT.
-			0	POINT OF THROTTLE OPENING 2. WITH THROTTLE SHUTTER IN CARBURETOR CLOSED, ADJUST ECCENTRIC SCREW HOLDING THROTTLE ROLLER TO THROTTLE SHAFT SO THAT PICK-UP LINE ON LOWER END OF THROTTLE CAM IS EXACTLY CENTERED ON THROTTLE ROLLER.
-			0	POINT OF THROTTLE OPENING 3. ADVANCE THROTTLE TOWER SHAFT AND THROTTLE CAM TO FULL ADVANCE POSITION. (THROTTLE SHUTTER HORIZONTAL.)
-			0	POINT OF THROTTLE OPENING 4. ADJUST BALL JOINT CONNECTORS UNTIL SPACING IS IDENTICAL TO SPACING BETWEEN CONNECTOR STUD ON THROTTLE CAM AND THROTTLE TOWER SHAFT.
-			0	POINT OF THROTTLE OPENING

PARTS INDEX

Part Number	Description	Pg.	Ref. No.	Part Number	Description	Pg.	Ref. No.
ÄF58356//	REMOTE CONTROL CABLE (SPECIFY LENGTH)	39	4	F12353	CLIP	9	48
17102	DECAL, PORT	39	-	F12354	SPIDER	9	50
17109	WOOD SCREW	39	35	F1236	HEX CAP SCREW, 1/4 - 20 X 1/2	15	6
172	BATTERY CASE	44	-	F1238	HEX CAP SCREW, 1/4 - 20 X 3/4	21	23
176	SPEEDOMETER	45	-	F1238	HEX CAP SCREW, 1/4 - 20 X 3/4	21	9
474373-1	DECAL, MAGNAPOWER	25	66	F1238	HEX CAP SCREW, 1/4 - 20 X 3/4	25	61
479	HEAT LAMP KIT	44	-	F1257	HEX SOCKET HD CAP SCREW, S.S., 5/16 - 18 X 1 1/4	29	14
522386	INSERT, NUMERAL	3	18	F1280	PAN HD SCREW, 8 - 32 X 1/4 (TERMINAL BOARD) (NOT SHOWN)	39	-
524396	DECAL, STRIPE (PORT)	3	15	F1280	SLOTTED PAN HD SCREW, 8 - 32 X 1/4, IGNITION SWITCH	9	59
524397	DECAL, STRIPE (STARBOARD)	3	16	F1341	HEX NUT, 1/4 - 20	23	32
70H24	RACING STRIPE KIT	44	-	F1341	HEX NUT, 1/4 - 20	29	2
70H25	RACING STRIPE KIT	44	-	F1346	HEX NUT, 3/8 - 16	29	25
72H05	CANVAS HOOD	44	-	F141305	SEAL, "O" RING	33	12
72H13	BATTERY, 74 AMP	44	-	F1417	HEX CAP SCREW, 5/16 - 18 X 3 1/2	33	6
72H31	FROST WHITE LACQUER	44	-	F1430	HEX CAP SCREW, 7/16 - 14 X 4	31	79
72H32	GOLD LACQUER	44	-	F1447	DRIVE SCREW, 2 X 3/16	5	46
73H08	PORT SIDE DECAL KIT	45	-	F1473	HEX NUT, 10 - 24	25	51
74H11	FUEL GAUGE FLUSH	44	-	F1475	SLOTTED FILL HD SCREW, 10 - 24 X 1/2	23	2
74H13	TACHOMETER (SURFACE MOUNT)	45	-	F1502	HEX CAP SCREW, 1/4 - 20 X 5/8	23	22
74H14	TEMPERATURE GAUGE (SURFACE MOUNT)	44	-	F15034	SPRING SET	19	18
74H15	FUEL GAUGE SURFACE MOUNT	44	-	F15057	BRUSH PLATE AND HOLDER	19	19
74H16	POWER TRIM INDICATOR (FLUSH MOUNT)	45	-	F15099	ARMATURE	19	8
817747--1	BALL JOINT W/BEARING	23	28	F15100	BENDIX DRIVE	19	1
817796A2	GEAR SHIFT ARM	33	43	F15119	FRAME AND FIELD ASSEMBLY	19	9
865	REMOTE CONTROL SURFACE MOUNT (SINGLE LEVER)	45	-	F15120	HEAD ASSEMBLY, DRIVE END	19	6
89396A38	PRIME BULB	37	3	F15123	THRU BOLT PACKAGE	19	14
A522010-1	CYLINDER W/CRANKCASE COVER, STUDS, SCREWS AND DOWEL PINS	23	11	F15125	HEAD ASSEMBLY, COMMUTATOR END	19	17
AC16395-8	IDENT. PLATE W/SCREWS, (CANADA)	5	-	F15126	THRUST WASHER PACKAGE	19	7
C522010-1	SHORT BLOCK (NOT SHOWN)	27	-	F1513	HEX NUT	39	3
F10000	GASKET SET (NOT SHOWN)	13	-	F1513	HEX NUT, 10 - 32	7	10
F10005	REPAIR PARTS KIT	13	-	F1513	HEX NUT, 10 - 32	23	29
F1014	COTTER PIN	11	2	F1515	HEX NUT, 5/16 - 18	11	34
F1015	COTTER PIN	35	45	F1515	HEX NUT, 5/16 - 18	15	4
F1017	COTTER PIN	23	3	F1515	HEX NUT, S.S., 5/16 - 18	7	26
F1036	SLOTTED FILL HD M. SCREW W/SPRING LOCKWASHER, 6 - 32 X 1/4	9	47	F15165	BRUSH AND TERMINAL SET	19	11
F1052	FILL HD M. SCREW, 1/4 - 20 X 1	23	39	F154317	CABLE CLAMP	23	19
F1059	FILL HD SCREW, 6 - 32 X 1/4	11	6	F154317	CABLE CLAMP	39	23
F1064	SLOTTED HD SCREW, 8 - 32 X 3/8	11	26	F1557	FLAT HD SCREW, 10 - 24 X 3/8	39	25
F1108	FILL HD SCREW, 1/4 - 20 X 3/4	17	10	F1577	FILL HD SCREW, 1/4 - 20 X 3/4	33	19
F1175	HEX CAP SCREW, 1/4 - 20 X 1 7/8	35	59				
F12352-1	TRIGGER COIL	9	46				

PARTS INDEX

Part Number	Description	Pg.	Ref. No.	Part Number	Description	Pg.	Ref. No.
F1581	HEX CAP SCREW, 1/4 - 20 X 1 1/4	27	85	F17107	FILL HD SCREW, 10 - 24 X 5/16	39	22
F1581	HEX CAP SCREW, 1/4 - 20 X 1 1/4	31	76	F17111	DETENT BALL	39	17
F1593	HEX HD SCREW, S.S., 3/8 - 16 X 3	29	23	F17112	JUNCTION BOARD, STARBOARD	39	26
F1600	LOCK NUT	31	52	F17113	JUNCTION BOARD, PORT	39	-
F1645	RD HD SCREW, 6 - 32 X 1 1/4	7	5	F17115	HANDLE	39	30
F1647	HEX NUT, 8 - 32	7	17	F17116	KNOB	39	29
F1648	PAN HD SCREW, 10 - 24 X 3/4	7	14	F1715	HEX BOLT, 1/4 - 28 X 9/16	39	7
F165	REMOTE STEERING BRACKET	45	-	F1727	PLASTIC RIVET	25	45
F1666	BOWED SPRING WASHER	29	29	F1733	PAN HD SCREW, 10 - 24 X 9/16	3	33
F1669	LOCK NUT	29	37	F1733	PAN HD SCREW, 10 - 24 X 9/16	29	42
F1689	HEX CAP SCREW, 1/4 - 20 X 1/2	3	27	F1733	SLOTTED PAN HD SCREW, 10 - 24 X 9/16	7	7
F1689	HEX CAP SCREW, 1/4 - 20 X 1/2	3	39	F1734	SLOTTED FILL HD SCREW & LOCKWASHER 1/4 - 20 X 1/2	27	89
F1689	HEX CAP SCREW, 1/4 - 20 X 1/2	31	70	F1741	PAN HD SCREW, 8 X 3/4	7	35
F1693	TIE BAR RETAINER	11	25	F1744	SPRING PIN	31	60
F17006	DETENT SPRING	39	18	F1753	FASTENER	5	51
F17009	BEARING	39	14	F1755	ROUND HD SCREW W/LOCKWASHER, 6 - 32 X 1/4	15	19
F17010-1	THROTTLE GEAR	39	16	F177330	FUEL PUMP VALVE	17	6
F17011	BOWED WASHER	39	15	F1788	STOP NUT	33	15
F17012	RETAINING PLATE	39	13	F17932	SEAL, FUEL TANK ADAPTER	37	11
F17013	FILL HD SCREW, 1/4 - 20 X 1/2	39	11	F1804	STOP NUT, 10 - 22	9	56
F17014	THROTTLE ARM	39	10	F1820	FILL HD SCREW, 1/4 - 20 X 1 3/8	11	15
F17015	COTTER PIN	39	8	F1822	HEX CAP SCREW, 5/16 - 18 X 7/8	19	10
F17016	CABLE TERMINAL	39	9	F1829	SLOTTED FILL HD SCREW, 10 - 24 X 7/8	23	18
F17019	CLUTCH ARM	39	5	F1833	HEX CAP SCREW, 1/4 - 20 X 1	25	84
F17020	INTERNAL TOOTH LOCKWASHER	39	12	F1836	SPRING PIN	31	48
F17021	CLUTCH GEAR	39	19	F183818	BEARING, GEAR SHIFT COUPLER	23	7
F17026	SWIVEL	39	24	F184033-1	SWIVEL, CHOKE ROD FOR BOTTOM CARB. (NOT SHOWN)	11	-
F17030-1	SET SCREW	39	31	F1845	TY-RAP, REGULATOR TO POWER PACK LEADS	7	38
F17031	SNAP CAP	39	28	F184579	SEAL, CHOKE ARM SWIVEL	11	4
F17036	INTERNAL TOOTH LOCKWASHER	39	6	F1849	HEX CAP SCREW, 1/4 - 20 X 1 3/8	35	61
F1704	INTERNAL TOOTH LOCKWASHER	7	4	F1854	HEX CAP SCREW, 1/4 - 20 X 5/8	3	8
F1705	HEX CAP SCREW, 1/4 - 20 X 3/4	7	28	F1857	HEX CAP SCREW, 5/16 - 18 X 5/8	7	30
F1705	HEX CAP SCREW, 1/4 - 20 X 3/4	29	7	F1860	SLOTTED HD M. SCREW, 6 - 32 X 1/4	17	5
F1705	HEX CAP SCREW, 1/4 - 20 X 3/4	35	54	F1866	PLAIN WASHER	35	68
F17068	DETENT SPRING	39	37	F1872	HEX CAP SCREW, 3/8 - 16 X 1 3/4	23	15
F1708	HEX HD M. SCREW, 1/4 - 20 X 1 3/8	15	9	F1873	HEX CAP SCREW, 3/8 - 16 X 3	23	13
F17082-1	DETENT BALL	39	38				
F17092	SNAP RING	39	21				
F17099	HOUSING	39	36				
F17100	CLUTCH SHAFT	39	20				
F17101	DECAL, STARBOARD	39	27				
F17105	FELT WASHER	39	33				
F17106	COLLAR	39	34				

PARTS INDEX

Part Number	Description	Pg.	Ref. No.	Part Number	Description	Pg.	Ref. No.
F1891	HEX HD M. SCREW, 1/4 - 20 X 1 1/2	7	18	F2071	HEX CAP SCREW, 5/16 - 18 X 1 3/8	23	26
F1902	HEX CAP SCREW, 5/16 - 18 X 3/4	25	74	F2072	OVAL COUNTERSUNK HD M. SCREW, 10 - 24 X 3/8	3	22
F1902	HEX CAP SCREW, 5/16 - 18 X 3/4	31	72	F2074	HEX HD SCREW, 10 - 24 X 9/16	33	1
F1904	PLAIN WASHER	29	24	F2075	SLOTTED HD SCREW, S.S., 1/4 - 20 X 2 1/2	3	29
F1907	PLAIN WASHER	33	7	F2076	HEX CAP SCREW, 5/16 - 18 X 1 1/8	25	73
F1910	ELASTIC STOP NUT, 1/4 - 20	23	40	F2077	SLOTTED PAN HD M. SCREW, 10 - 32 X 1/4	7	39
F19109	PLUG	33	31	F2079	HEX CAP SCREW, 5/16 - 18 X 2 1/4	33	39
F19109	PLUG, CYLINDER HEAD	25	77	F2097	SPRING PIN	33	25
F191169-1	SWIVEL BRACKET BEARING	29	36	F2106	INTERNAL TOOTH LOCKWASHER	9	65
F1913	HEX CAP SCREW, 10 - 24 X 5/8	25	79	F213274	GREASE FITTING	31	49
F1914	HEX CAP SCREW, 1/4 - 20 X 3/4	31	67	F213342	SEAL, FUEL LINE COUPLER (LARGE)	37	7
F1914	HEX HD SCREW, 1/4 - 20 X 3/4	23	14	F213735	SEAL, FUEL LINE COUPLER (SMALL)	37	6
F1915	HEX HD M. SCREW, 1/4 - 20 X 7/8	15	10	F235785	DECAL, COMPLIANCE - CANADA (NOT SHOWN)	9	-
F1916	HEX HD M. SCREW, 1/4 - 20 X 1 1/8	15	3	F24074	CLAMP SCREW FOOT	31	54
F1934	FLAT HD SCREW, 6 X 1/2	9	64	F24623-1	GROMMET	7	23
F195/___	REMOTE CONTROL CABLES	45	-	F269052	BEARING, LATCH CAM	3	35
F1968	HEX NUT, 3/4 - 16	9	58	F269052	SHIFT ARM BEARING	23	36
F1975	LOCKWASHER	7	11	F269122-1	CRANKCASE PARTING LINE SEAL	23	12
F197787-3	FUEL LINE COUPLER	37	5	F269319	THROTTLE CAM BEARING	23	41
F1979	PAN HD SCREW, 10 - 24 X 1/2	3	12	F269929	SPACER, TILT STOP	29	28
F1987	PLAIN WASHER	25	60	F286461	SPRING, LOCK BAR HANDLE	31	58
F1993	HEX SLOTTED HD M. SCREW, 1/4 - 20 X 5/8	3	19	F289446-1	CLAMP	27	88
F1995	FILL HD SCREW, 10 - 24 X 1	25	47	F298788	FERRULE	37	2
F1997	LOCK NUT, 8 - 32	13	50	F2A321158	REED PLATE W/REEDS, STOPS AND SCREWS	15	15
F2002	LOCK NUT	25	56	F2A474144	BEARING CAGE W/CRANKSHAFT SEAL	7	42
F2012	PLAIN WASHER	7	19	F2A474144	CRANKSHAFT UPPER BEARING CAGE W/SEAL	21	22
F2016	SLOTTED FILL HD SCREW, 6 - 32 X 7/8	7	1	F2A522018	CRANKSHAFT W/LOWER MAIN BEARING AND RETAINING RING	21	25
F2017	PAN HD SCREW W/PLAIN WASHER, 10 - 24 X 3/8	3	23	F2A522023	BEVEL GEAR FRONT W/BEARING	33	28
F2025	PAN HD SCREW, 10 X 5/8	3	3	F2A522239	SPOOL, PROP SHAFT BEARING W/SEALS	33	11
F2031	HEX SOCKET HD CAP SCREW, 1/4 - 20 X 3/4	33	36	F307317	CLIP, TERMINAL BLOCK GROUND	7	13
F203276	BOOT, COIL	9	61	F307908	STARTER WIRE	19	12
F2033	GROOVE PIN	11	8	F310189	BUSHING, ELECTRIC CABLE ENTRY	3	32
F203673	CLIP	9	62	F311189-1	BUSHING, CABLE ENTRY	5	44
F2042	PLAIN WASHER	9	66	F316579	SEAL, CRANKCASE	21	20
F2045	RETAINING RING	21	17	F316599	SEAL, PIVOT TUBE	31	82
F2049	HEX CAP SCREW, 5/16 - 18 X 2 5/8	25	59	F333316	THROTTLE ROLLER SHAFT	13	48
F2050	HEX CAP SCREW, 1/4 - 20 X 1/2	9	49	F335160	REED (4 PETAL)	15	16
F2051	HEX CAP SCREW, 1/4 - 20 X 2 1/4	25	67	F335164	REED (1 PETAL)	15	17
F2065	HEX NUT, 7/16 - 14	29	19				
F2066	PAN HD SCREW, 10 X 7/16	3	4				
F2067	PLASTISOL CAP (NOT SHOWN)	21	-				
F2069	HEX CAP SCREW, 7/16 - 14 X 4	29	12				

PARTS INDEX

Part Number	Description	Pg.	Ref. No.	Part Number	Description	Pg.	Ref. No.
F335215	SPACER (2 PER PISTON) ..	21	1	F474152	EXHAUST PORT COVER ...	27	86
F335217-1	BEARING	21	3	F474154	EXHAUST PORT PLATE		
F338618-1	SEAL, SHIFT ROD LOWER .	35	52		GASKET	25	82
F345908	GROUND WIRE, COIL	7	20	F474156	COVER, SUPPORT PLATE		
F353480	STUD	31	55		REAR	3	20
F366300	REVERSE LOCK SPRING ..	29	39	F474162	REED PLATE ADAPTER ...	15	13
F366349	REVERSE LOCK	29	38	F474163	COVER, SUPPORT PLATE		
F366350	TILT STOP PIVOT	29	30		FRONT	5	42
F366364	ARM, REVERSE LOCK	31	46	F474167	CARBURETOR ADAPTER ..	15	11
F366426	TILT STOP, PORT	29	31	F474168	CARBURETOR ADAPTER		
F366433	TILT STOP, STARBOARD ..	31	51		GASKET	15	12
F366886	PIN	29	32	F474178	RETAINER, TIMING RING ..	9	55
F369450	RECTIFIER	9	44	F474192	THROTTLE CAM	23	42
F381896-4	BATTERY CABLE	7	32	F474193	THROTTLE LINK	23	30
F390689	BEARING, LATCH SHAFT ..	3	31	F474210	STUD, CYLINDER	25	55
F391926-1	PLUNGER, CHOKE			F474211	STUD, CYLINDER	25	54
	SOLENOID	11	9	F474253	FUEL LINE	11	13
F40209	CARBURETOR STUD	15	5	F474278	SEAL	21	10
F404449	THERMOSWITCH	7	15	F474307	SEAL, DRIVESHAFT	35	50
F404449	THERMOSWITCH	25	58	F474315	PACKING, SUPPORT PLATE		
F404841	CABLE	7	31		LOWER	3	34
F406754-1	DRAIN HOSE	15	1	F474342	SEAL	33	4
F40906-1	CARBURETOR GASKET ...	13	53	F474346-2	SHOCK MOUNT LOWER ...	29	17
F409251-1	GAUGE CAP	37	10	F474355	WASHER	31	78
F433114	HANDLE, LOCK BAR	31	59	F474359	WASHER	29	13
F433209-1	STUD	15	8	F474371	REMOTE CABLE BRACKET .	23	21
F433209-1	STUD, THROTTLE CAM	25	43	F474374-1	DECAL, IGNITION (NOT		
F433689	TOWERSHAFT BEARING ..	25	48		SHOWN)	27	-
F435634	CONNECTING ROD SCREW	21	18	F474377	LEVER, COVER LATCH		
F438066	COVER, BY-PASS VALVE ..	25	80		PORT	3	37
F438165	SCREW, FUEL BOWL	17	14	F474378	LEVER, COVER LATCH		
F438500	FUEL SEDIMENT BOWL ...	17	13		STARBOARD (NOT		
F438617	FUEL SEDIMENT BOWL				SHOWN)	3	-
	GASKET	17	11	F474387	TIMING DECAL	9	54
F438653	FUEL PUMP SCREEN	17	12	F474388	DISC, WATER PUMP	35	60
F438747	FUEL PUMP DIAPHRAGM ..	17	4	F474390-1	DECAL, REVERSE LOCK		
F438754	FUEL LINE, PUMP TO				(NOT SHOWN)	31	-
	CARBURETOR	17	17	F474398	DECAL, WIRING	27	87
F438760	FUEL PUMP GASKET	17	3	F474445	SPARK, CONTROL LINK ...	25	52
F438801	FITTING	17	15	F474487	GUIDE, COVER LATCH		
F438930	RETAINER, SNOUT	33	38		PORT (NOT SHOWN)	3	-
F458347	MOUNT	23	24	F474509	CHOKE LINK	11	10
F458498	KEY	31	64	F474510	LINK	29	40
F458887	FASTENER, SUPPORT			F474529	CYLINDER HEAD GASKET .	25	78
	PLATE MOUNT	23	23	F474531	STUD, TIMING RING		
F460917	STARTER RELAY	7	29		RETAINER	9	52
F463864	RETAINER, TILT HANDLE ..	3	5	F474539	BUMPER	29	11
F474013	CRANKSHAFT UPPER MAIN			F474551	BRACKET, INTERLOCK		
	BEARING	21	19		SWITCH	25	44
F474015-4	PISTON	21	4	F474607	KING PIN YOKE	29	34
F474065	WATER PUMP IMPELLER ..	35	57	F474620	PIN, GEAR SHIFT	23	8
F474066	THERMOSTAT COVER	25	68	F474621	LEVER, GEAR SHIFT	23	9
F474067	THERMOSTAT COVER			F474640	PIVOT, GEAR SHIFT	23	5
	GASKET	25	69	F474648	SPARK PLUG COVER	25	64
F474073-1	CLAMP SCREW	31	57	F474704	COUPLER	23	31
F474106-3	DEFLECTOR, DISCHARGE			F474704	COUPLER, SHIFT ROD	29	1
	WATER	31	71	F474736	SEAL, DRIVESHAFT -		
F474117	WATER LINE BRACKET ...	33	2		WATER PUMP	35	62
F474146	SEAL, CRANKSHAFT	21	6	F474746	FUEL PUMP COVER	17	2
F474151	EXHAUST PORT PLATE ...	25	83				

PARTS INDEX

Part Number	Description	Pg.	Ref. No.	Part Number	Description	Pg.	Ref. No.
F474756	PACKING, SUPPORT PLATE			F522099	SPACER, PROPELLER	33	18
	FRONT	5	47	F522116-1	SNOUT	33	37
F474817	RETAINER, SUPPORT			F522118	SEAL, PROPELLER SHAFT	33	9
	PLATE	3	26	F522125-1	TUBE, PIVOT STEERING	31	45
F474830	WATER LINE BRACKET			F522133	MOTOR LEG	29	10
	GASKET	33	3	F522188-1	NUT, BEVEL PINION		
F474832-1	IDLE RELIEF COVER	29	8		RETAINING	33	34
F474833	GASKET, IDLE RELIEF			F522244	INLET WATER LINE	33	5
	COVER	29	9	F522279	CYLINDER EXHAUST		
F474838	TOWERSHAFT	25	46		GASKET	31	81
F474841	HI-TENSION WIRE	7	21	F522286	STERN BRACKET FRICTION		
F474847	WASHER	29	16		WASHER	29	27
F474849	WASHER	31	75	F522299	WASHER	33	16
F474859	STUD, SHIFT ARM	23	37	F522305	SEAL, "O" RING	33	10
F474864	RETAINER, COVER LATCH	3	11	F522392	DECAL - CHRYSLER	3	17
F474871	SHAFT, GEAR SHIFT	23	10	F522411	RETAINING RING, BEARING		
F474881	LINK, GEAR SHIFT	23	33		CAGE	33	22
F474897	GUIDE, COVER LATCH			F522453	LEG EXHAUST GASKET	29	6
	STARBOARD	3	40	F522532	STERN BRACKET PORT	29	22
F474909	LOCATING PIN	27	90	F522555	SEAL, GEAR HOUSING		
F474913	GROMMET	5	41		COVER	35	48
F474932	SPACER, CONTROL CABLE	23	20	F522562	WATER PUMP BACK PLATE	35	56
F474942	BUMPER	31	80	F522615	GEAR SHIFT ROD UPPER	29	3
F474946	SHOCK MOUNT COVER			F522636	HARNESS, STATOR	7	43
	UPPER	31	77	F522660	LEG EXHAUST TUBE	31	68
F474965-1	SHOCK MOUNT UPPER	31	74	F522680	SPACER PLATE	31	73
F474980-1	STABILIZER, FRONT	23	25	F522704	COUPLING, GEAR SHIFT		
F474982	STABILIZER, REAR	25	75		ROD	29	4
F474984	BLANKET, SILENCER, TOP			F522705	GEAR SHIFT ROD LOWER	35	44
	(NOT SHOWN)	5	-	F522707	SHOCK MOUNT COVER		
F474985	BLANKET, SILENCER, SIDE				LOWER	29	15
	(NOT SHOWN)	5	-	F522741	RETAINING RING	31	44
F474990	SPACER	29	35	F522744	WIRING HARNESS	7	24
F474991	GROMMET	3	21	F522779	IDLE RELIEF BAFFLE	29	21
F474992	BLANKET, SILENCER,			F522826	SILENCER, CARB. AIR		
	FRONT, (NOT SHOWN)	5	-		ASSEMBLY	11	17
F474995	CYLINDER HEAD COVER	25	57	F522867	UPPER EXHAUST TUBE		
F474996	CYLINDER HEAD COVER				GASKET	31	69
	GASKET	25	72	F522876	SHIFT ARM	23	38
F481836	GASKET	11	22	F522884	BEARING	29	43
F483884	BEARING	31	47	F523961	CRUSH RING	35	47
F485755-1	FUEL TANK ADAPTER	37	8	F524269	TILT HANDLE	3	2
F486180	REAR TRIM	3	7	F53504	GROMMET	11	16
F486711	FRONT PLATE	5	49	F58685-2	CONNECTOR, SHIFT CABLE	39	2
F50109	PLUG, GEAR HOUSING	33	42	F590	REMOTE CONTROL FLUSH		
F50342-1	SEAL	17	1		MOUNT (SINGLE LEVER)	45	-
F50342-1	SEAL	33	8	F7007	STOP NUT, 5/16 - 18	29	20
F506250	BEARING CUP	33	29	F7007	STOP NUT, 5/16 - 18	31	66
F510374	DECAL, CIRCUIT BREAKER	9	67	F7011	STOP NUT	3	14
F510460	CIRCUIT BREAKER	7	6	F7025	LOCKNUT, 3/8 - 16	3	38
F522031	GASKET, WATER PUMP	35	55	F7025	STOP NUT, S.S., 3/8 - 16	23	35
F522032	STERN BRACKET,			F70H01	ANTI CORROSION KIT	44	-
	STARBOARD	29	26	F70H05	BATTERY EXTENSION		
F522033	SWIVEL, CHOKE ROD FOR				CABLE	44	-
	TOP CARB.	11	5	F71H02	ANTI CORROSION		
F522057	BEARING, DRIVESHAFT				SACRIFICIAL ANODE	44	-
	LOWER	35	64	F71H04	SPEEDOMETER	45	-
F522061	CARBURETOR COMPLETE			F71H08	FUEL TANK (ACCESSORY		
	(WB29A) (NOT SHOWN)	13	-		ITEM)	37	9
F522094-1	PROPELLER NUT	33	13				

PARTS INDEX

Part Number	Description	Pg.	Ref. No.	Part Number	Description	Pg.	Ref. No.
F71H10	SENDING UNIT	44	-	F84314-2	ELBOW, FUEL LINE	11	11
F71H12	FUEL TANK ANCHOR	44	-	F84449	NEUTRAL INTERLOCK SWITCH	7	3
F71H21	IGNITION SWITCH MOUNTING KIT (ACCESSORY ITEM)	9	63	F84504	THERMOSTAT GROMMET	25	71
F71H23	STEEL, 12 GALLON FUEL TANK	44	-	F84792	FUEL PUMP VALVE GASKET	17	7
F71H26	BATTERY TERMINAL KIT	44	-	F85017	PISTON PIN	21	2
F71H26	BATTERY TERMINAL KIT (ACCESSORY ITEM)	7	36	F85161-1	REED STOP	15	18
F71H30	BUZZER, HEAT INDICATOR, (ACCESSORY ITEM)	7	33	F85168	REED PLATE ADAPTER GASKET	15	14
F72H36	REMOTE CONTROL SURFACE MOUNT (SINGLE LEVER)	45	-	F85314-1	ELBOW, FUEL LINE FOR BOTTOM CARB.	11	14
F74305	SEAL, DRIVESHAFT BEARING CAGE	35	49	F85317-1	SOLENOID CLAMP	15	7
F74H04	POWER TRIM	45	-	F85372	PIN, GEAR SHIFT ROD LOWER	35	46
F74H07	WATER PUMP KIT	44	-	F8538	SPRING PIN	31	56
F74H09	TACHOMETER (FLUSH MOUNT)	45	-	F85410	SNAP RING	21	11
F74H10	TEMPERATURE GAUGE (FLUSH MOUNT)	44	-	F8547	SPRING PIN	23	6
F74H12	POWER TRIM INDICATOR (FLUSH MOUNT)	45	-	F8547	SPRING PIN	29	5
F74H19	IGNITION KEY SWITCH	44	-	F85498	FLYWHEEL KEY	21	24
F74H20	IGNITION KEY SWITCH	44	-	F85571	CENTER MAIN BEARING CAGE W/ROLLERS	21	13
F74H20	SWITCH, IGNITION (ACCESSORY ITEM)	9	60	F8563	DOWEL PIN	23	17
F74H21	REMOTE STEERING CONNECTOR	45	-	F85689-1	BEARING	23	1
F8001	NYLTITE WASHER	33	33	F85735-1	SEAL	25	63
F8011	PLAIN WASHER	7	34	F85735-1	SEAL, MEDALLION	5	50
F8011	PLAIN WASHER	7	8	F85762	GASKET, BY-PASS VALVE COVER	25	81
F8028	PLAIN WASHER	19	16	F85843-1	ELECTRIC CONTROL CABLE, 18 FEET	7	25
F8048	BOWED WASHER	9	53	F85924	CHOKE SOLENOID	7	37
F8056	SPRING LOCKWASHER	7	16	F85925	CHOKE SOLENOID ROD	11	7
F8058	INTERNAL TOOTH LOCKWASHER	23	27	F89011	SWIVEL BRACKET WASHER	31	63
F8060	LOCKWASHER	19	15	F9018	CAP	31	53
F8067	SPRING LOCKWASHER	29	18	F9038	WOODRUFF KEY	35	66
F8077	WASHER, GEAR HOUSING PLUG	33	41	F9052	PLUG	31	62
F8083	LOCKWASHER	3	9	F90807	RETAINING RING	11	23
F8083	SPRING LOCKWASHER	35	53	F90891	GEAR SHIFT ARM PIN	33	32
F8088	PLAIN WASHER	7	2	F90891	PIN	33	14
F8088	PLAIN WASHER	11	3	F91446-1	CIRCUIT BREAKER BRACKET	7	9
F8094	PLAIN WASHER	3	10	F92759	THROTTLE ROLLER	13	49
F8094	PLAIN WASHER	23	4	F97772	FUEL LINE CLAMPS	17	16
F8096	SPRING LOCKWASHER	7	27	F97772	HOSE CLAMP	11	12
F8096	SPRING LOCKWASHER	19	20	F98273	ROD END CONNECTOR STUD	23	34
F8096	SPRING LOCKWASHER	33	40	F99521-1	CLUTCH	33	26
F84026	SPARK CONTROL SWIVEL	25	49	FA15072	HEX LOCK NUT AND WASHER ASSEMBLY, 1/4 - 20	19	13
F84035-2	SPARK CONTROL BEARING, R. H.	25	50	FA27232	EMERGENCY STARTER ROPE (NOT SHOWN)	9	-
F84036	SPARK CONTROL BEARING, L. H.	25	53	FA433113	STERN BRACKET LOCK BAR W/HANDLE	31	61
F84068-2	THERMOSTAT	25	70	FA435016	CONNECTING ROD W/CAP AND SCREWS	21	14
F84278	SEAL	21	7	FA438431	FUEL PUMP BODY W/VALVES	17	8
F84280	KING PIN NUT	29	33	FA467892	INSERT FRONT PLATE, USA	5	48
				FA467893	INSERT FRONT PLATE, CANADA	5	-

PARTS INDEX

Part Number	Description	Pg.	Ref. No.	Part Number	Description	Pg.	Ref. No.
FA474038	SUPPORT PLATE PORT W/LOWER PACKING	3	28	FC474374	DECAL, IGNITION - CANADA (NOT SHOWN)	27	-
FA474088	SUPPORT PLATE STARBOARD W/LOWER PACKING	5	43	FC474387	DECAL, TIMING - CANADA (NOT SHOWN)	9	-
FA474228	BEARING CAGE W/ROLLERS (SPLIT HALF)	21	15	FC474398	DECAL, WIRING - CANADA (NOT SHOWN)	27	-
FA474469	HANDLE, COVER LATCH PORT W/SHAFT & PIN . . .	3	30	FC510374	DECAL, CIRCUIT BREAKER - CANADA	9	-
FA474499	HANDLE, COVER LATCH STARBOARD W/SHAFT AND PIN (NOT SHOWN) . .	3	-	FC522054	GEAR HOUSING COMPLETE	35	-
FA474511	TIE BAR W/SWIVEL	11	24	FC522227	SPARK PLUG - QUL-77V FOR MODEL 659BB	25	-
FA474518	CYLINDER HEAD W/PLUG . .	25	76	FC522390	DECAL, STARTER (NOT SHOWN)	19	-
FA474774	BRACKET, COVER LATCH W/SCREWS & NUTS	3	13	FG1013-1	GASKET SET (NOT SHOWN)	27	-
FA474777	CAM, PORT LATCH W/PIN . .	3	36	FK17114-1	INDICATOR	39	32
FA474780	CAM, STARBOARD LATCH W/PIN (NOT SHOWN) . . .	3	-	FO10165	INLET SEAT GASKET	11	38
FA510497	TERMINAL BLOCK	7	12	FO10588	BODY CHANNEL CUP PLUG	11	44
FA522019	KING PIN ASSEMBLY	31	65	FO10790	INLET NEEDLE, SEAT AND GASKET	11	37
FA522054	GEAR HOUSING, DRIVESHAFT BEARING LOWER, PLUGS & WASHERS	33	30	FO11103	IDLE SCREW SPRING	11	42
FA522060	WATER PUMP BODY W/DRIVESHAFT SEAL, DISC AND WATERLINE SEAL	35	58	FO13552	FUEL BOWL	11	30
FA522072	SWIVEL BRACKET W/BEARINGS AND GREASE FITTINGS	31	50	FO13554	FLOAT	11	33
FA522098	PROPELLER SHAFT	33	23	FO13555	CHOKE SHUTTER	11	39
FA522266	BEVEL PINION GEAR W/CRUSH RING AND SHIMS	33	35	FO13944	FLOAT LEVER PIN	11	32
FA522485	ANTI-CORROSION ANODE . .	33	20	FO13945	FUEL BOWL RETAINING SCREW	11	28
FA522662	BEVEL GEAR REAR W/BEARING CAGE, SPACER AND BEARING . .	33	21	FO13946	IDLE SCREW	11	41
FA522706	GEAR HOUSING COVER W/SEALS	35	51	FO13947	CHOKE SHAFT RETURN SPRING	11	43
FA522827	HANDLE AND SHAFT	29	41	FO13967	MAIN FUEL JET (.068)	11	36
FA522871	GEAR SHIFT ARM PIN W/YOKE	33	24	FO15217	MAIN NOZZLE	11	35
FA523735	SEAL, INLET WATER LINE LOWER	35	63	FO15230	THROTTLE SHAFT AND LEVER	13	47
FA524528	INSERT, TRIM REAR	3	6	FO15623	FUEL BOWL GASKET	11	31
FA58976-1	CONNECTOR, THROTTLE CABLE	39	1	FO16008	THROTTLE SHAFT RETURN SPRING	13	46
FA77395-5	IDENT. PLATE W/SCREWS, (USA)	5	45	FO16850	CHOKE SHAFT AND LEVER	11	1
FA84754-1	FUEL LINE SHORT W/FERRULES	37	4	FO16851	THROTTLE SHUTTER	13	51
FA85193	TIE BAR END W/SWIVEL . . .	11	27	FO17181	IDLE TUBE	11	20
FA85655-1	CRANKSHAFT CENTER MAIN BEARING RACE W/SNAP RING	21	12	FO2510	GASKET, FUEL BOWL RETAINING SCREW	11	29
FC409398	DECAL, TOTE TANK - CANADA (NOT SHOWN) . .	37	-	FO4326	BODY CHANNEL WELCH PLUG	11	45
				FO8942	SHUTTER SCREW W/LOCKWASHER	11	40
				FO8942	THROTTLE SHUTTER SCREW W/LOCKWASHER	13	52
				FP493	PROPELLER (ACCESSORY ITEM)	33	17
				FS409752	FUEL LINE, COMPLETE . . .	37	-
				FS474030	CAPACITOR	9	45
				FS474095	ALTERNATOR STATOR	7	40
				FS474097	FLYWHEEL	9	57
				FS474475	IGNITION COIL	7	22
				FS522712	ENGINE COVER W/BRACKET AND RETAINERS	3	1
				FS577128	DRIVESHAFT W/BEARING SHIMS AND CRUSH RING	35	67
				FT2951	CIRCUIT TRACER	40	-

PARTS INDEX

Part Number	Description	Pg.	Ref. No.	Part Number	Description	Pg.	Ref. No.
FT2996	RING COMPRESSOR	41	-				
FT8901	INDICATOR HOLDER	42	-				
FT8902	DIAL INDICATOR	42	-				
FT8907	DRIVER HANDLE	41	-				
FT8926	RING EXPANDER	41	-				
FT8933	LIFTING HOOK	41	-				
FT8948-1	FLYWHEEL PULLER	40	-				
FT8950	LEAKAGE TESTER	43	-				
FT8957	SEAL INSTALLER	42	-				
FT8978	POWER TIMING LIGHT	40	-				
FT8983	SEALANT	41	-				
FT8997	SHIMMING TOOL	42	-				
FTA2937-1	TIMING TOOL	40	-				
FTA8994	PISTON PIN TOOL	41	-				
K749	PAINT SPRAY BOMB - FLAT BLACK ENAMEL, (6 OUNCE)	27	-				
S474082-2	TIMING RING	9	51				
S474301-1	C-D MODULE	7	41				
S474955-2	STARTER COMPLETE	19	-				
T8984	INSTALLER	41	-				
22-817740A1	FITTING, PUDDLE DRAIN W/METERING CUP	23	16				
22-817740A1	PUDDLE DRAIN FITTING W/METERING CUP	15	2				
30-F284659-2	CRANKSHAFT LOWER MAIN BEARING	21	16				
31-818060A1	BEARING CAGE LOWER W/SEALS	21	8				
32-817738A1	FUEL LINE, LONG W/CLAMP AND FERRULE	37	1				
33-818007--1	SPARK PLUG (UL-18V)	25	62				
37-819450	DECAL, REVERSE LOCK - CANADA (NOT SHOWN)	31	-				
39-817820A1	PISTON RING SET (4 PER SET)	21	5				