



PARTS CATALOG

10 H.P. SAILOR

SERIAL NUMBER

10 (1978)	101B8A
10 (1978)	101H8A

TABLE OF CONTENTS:

ACCESSORIES	39
ELECTRIC STARTER	8
ELECTRICAL COMPONENTS	10
ENGINE COVER AND SUPPORT PLATE	2
FUEL PUMP	6
FUEL SYSTEM	14
FUEL TANK AND LINE	32
GEAR HOUSING	28
LUBRICATION CHART	41
LUBRICATION CHART	42
MOTOR LEG	22
PARTS INDEX	44
POWER HEAD	18
SPECIAL ADJUSTMENTS	43
SPECIAL TOOLS - LOWER UNIT	37
SPECIAL TOOLS - POWER HEAD	36
SPECIAL TOOLS - STARTER	35
SPECIAL TOOLS - TEST EQUIPMENT	38
SPECIAL TOOLS - TUNE-UP	34
SPECIFICATIONS	40

NOTE: Indented description indicate that these parts are included in preceding assembly.

AR = As Required

NSS = Not Sold Separate

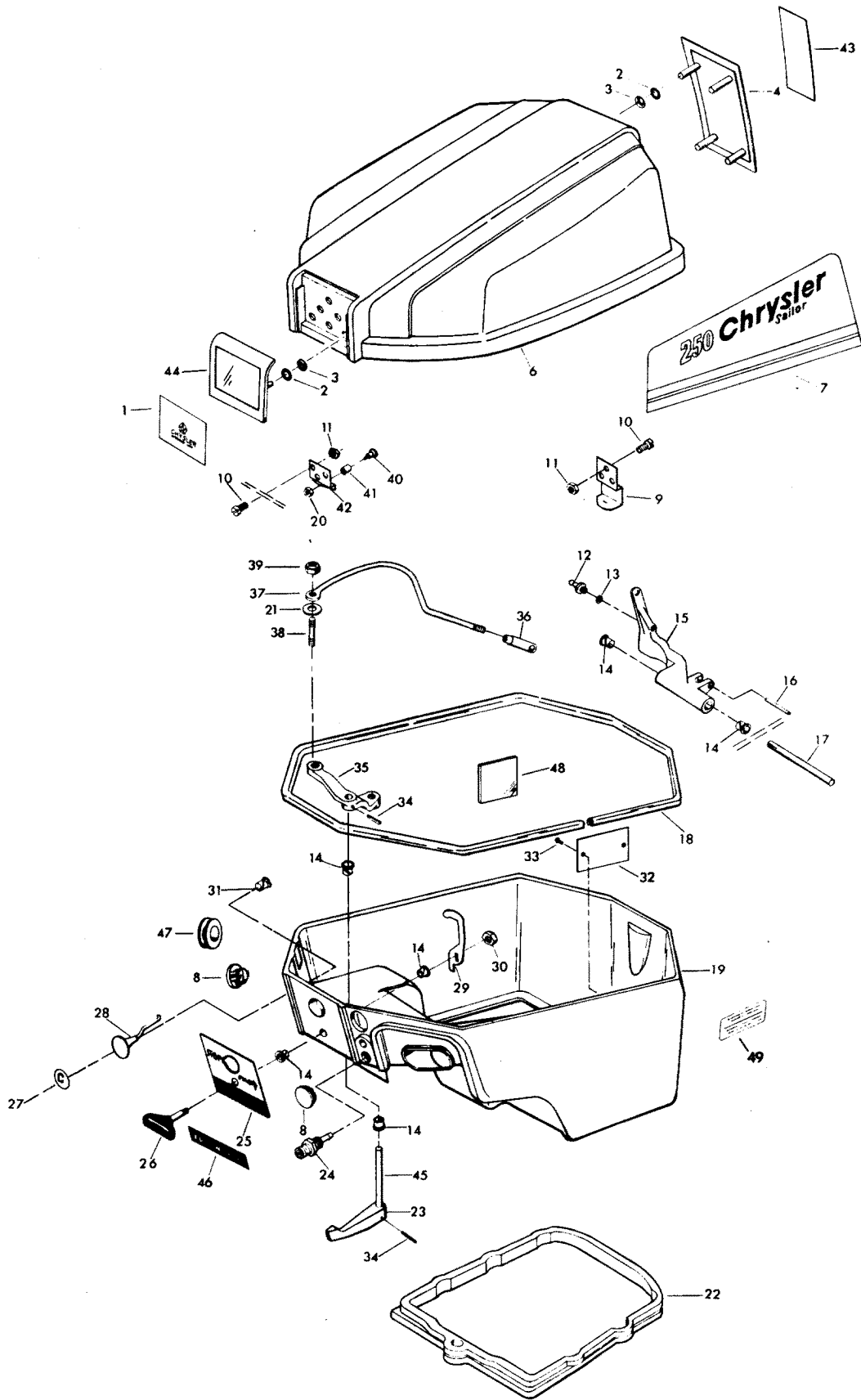
OPT = Optional

NS = Not Shown

THESE PARTS BOOKS/FICHE CARD ARE COPYRIGHTED AND MAY NOT BE DISTRIBUTED OR REPRODUCED IN ANY OTHER FORMAT BY ANYONE OTHER THAN MERCURY MARINE WITHOUT THE PRIOR WRITTEN CONSENT OF MERCURY MARINE.

THIS PAGE INTENTIONALLY LEFT BLANK

ENGINE COVER AND SUPPORT PLATE

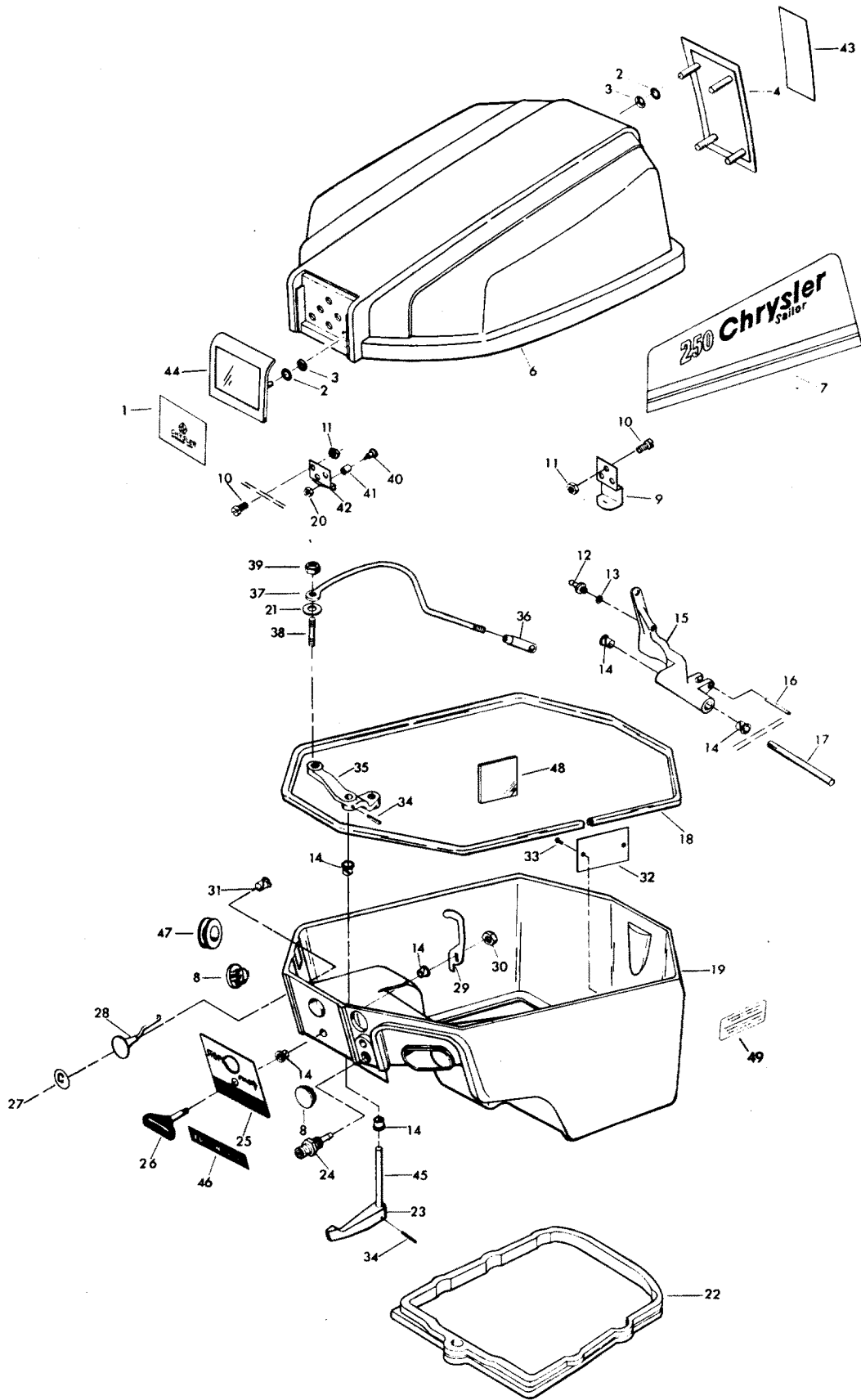


ENGINE COVER AND SUPPORT PLATE

REF. NO.	PART NO.	SYM.	QTY.	DESCRIPTION
1	FA487892		1	INSERT, PLATE FRONT - U.S.A.
-	FA487893		1	INSERT, PLATE FRONT - CANADA
2	F85735-1		7	SEAL
3	F1753		7	FASTENER
4	F510180		1	TRIM, ENGINE COVER, REAR
6	FS472712		1	COVER, ENGINE W/BACKET, RETAINER AND TILT HANDLE
7	A517397		1	DECAL, PORT "CHRYSLER"
-	A517396		1	DECAL, STARBOARD, "CHRYSLER"
8	F343226-1		2	PLUG
9	FA286480		1	RETAINER, ENGINE COVER W/SCREWS AND NUTS
10	F1979		6	PAN HD SCREW, 10 - 24 X 1/2
11	F7011		6	ELASTIC STOP NUT, 10 - 24
12	F98273		1	STUD, GEAR SHIFT ROD CONNECTOR
13	F8058		1	INTERNAL TOOTH LOCKWASHER
14	F307818		6	BEARING
15	F286876		1	LEVER, GEAR SHIFT
16	F8542		1	SPRING PIN
17	F286871		1	PIN, GEAR SHIFT LEVER
18	F392756		1	PACKING, SUPPORT PLATE
19	FA510038		1	PLATE, SUPPORT W/PLUGS
20	F7011		1	STOP NUT, 10 - 24
21	F8048		1	BOWED SPRING WASHER
22	F286989-2		1	SEAL, SUPPORT PLATE
23	F286614		1	HANDLE, GEAR SHIFT
24	F197767-1		1	BUSHING, FUEL LINE
25	FA510711		1	PLATE FRONT
-	FAC510711		1	PLATE, FRONT (CANADA) NOT SHOWN
26	FA286469		1	KNOB, COVER LATCH
27	F458677		1	INSERT, CHOKE KNOB
28	FA286547		1	KNOB, CHOKE W/INSERT AND CHOKE ROD
29	F286777		1	CAM, COVER LATCH
30	F2002		1	STOP NUT, 5/16 - 18
31	F197319		1	BEARING, CHOKE ROD
32	FA77395-5		1	PLATE, IDENTIFICATION W/SCREWS, U.S.A.
-	AC16395-8		1	PLATE, IDENTIFICATION W/SCREWS, CANADA
33	F1293		2	DRIVE SCREW
34	F8540		2	SPRING PIN
35	F492619		1	LEVER, GEAR SHIFT SHAFT
36	F286685		1	CONNECTOR, GEAR SHIFT ROD
37	F286611-1		1	ROD, GEAR SHIFT
38	F286134		1	STUD, GEAR SHIFT LEVER
39	F1804		1	STOP NUT, 10 - 32
40	F269316		1	ROLLER SHAFT

CONTINUED ON NEXT PAGE ➡

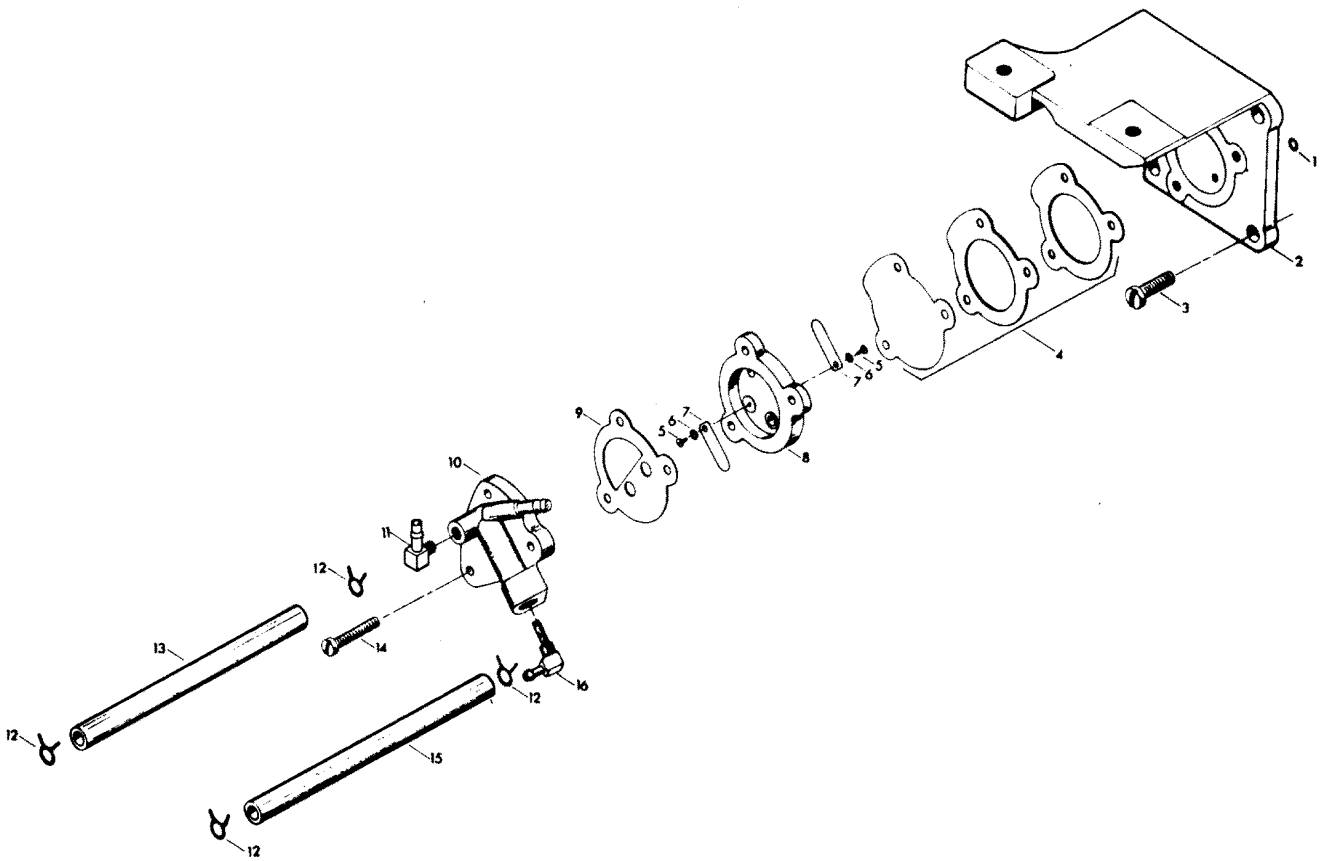
ENGINE COVER AND SUPPORT PLATE



ENGINE COVER AND SUPPORT PLATE

REF. NO.	PART NO.	SYM.	QTY.	DESCRIPTION
41	F92759		1	ROLLER
42	817758A1		1	BRACKET, COVER LATCH W/SCREWS, NUTS AND ROLLERS
43	F517528		1	DECAL, TRIM REAR
44	F487711		1	PLATE, ENGINE COVER
45	F492417		1	SHAFT, GEAR SHIFT HANDLE
46	F517400		1	DECAL, SHIFT
-	FC517400		1	DECAL, SHIFT (CANADA)
47	F94840		1	GROMMET, BATTERY CABLE
48	F510661		1	PAD, STARTER MOTOR
49	F235785		1	DECAL, COMPLIANCE, (CANADA)

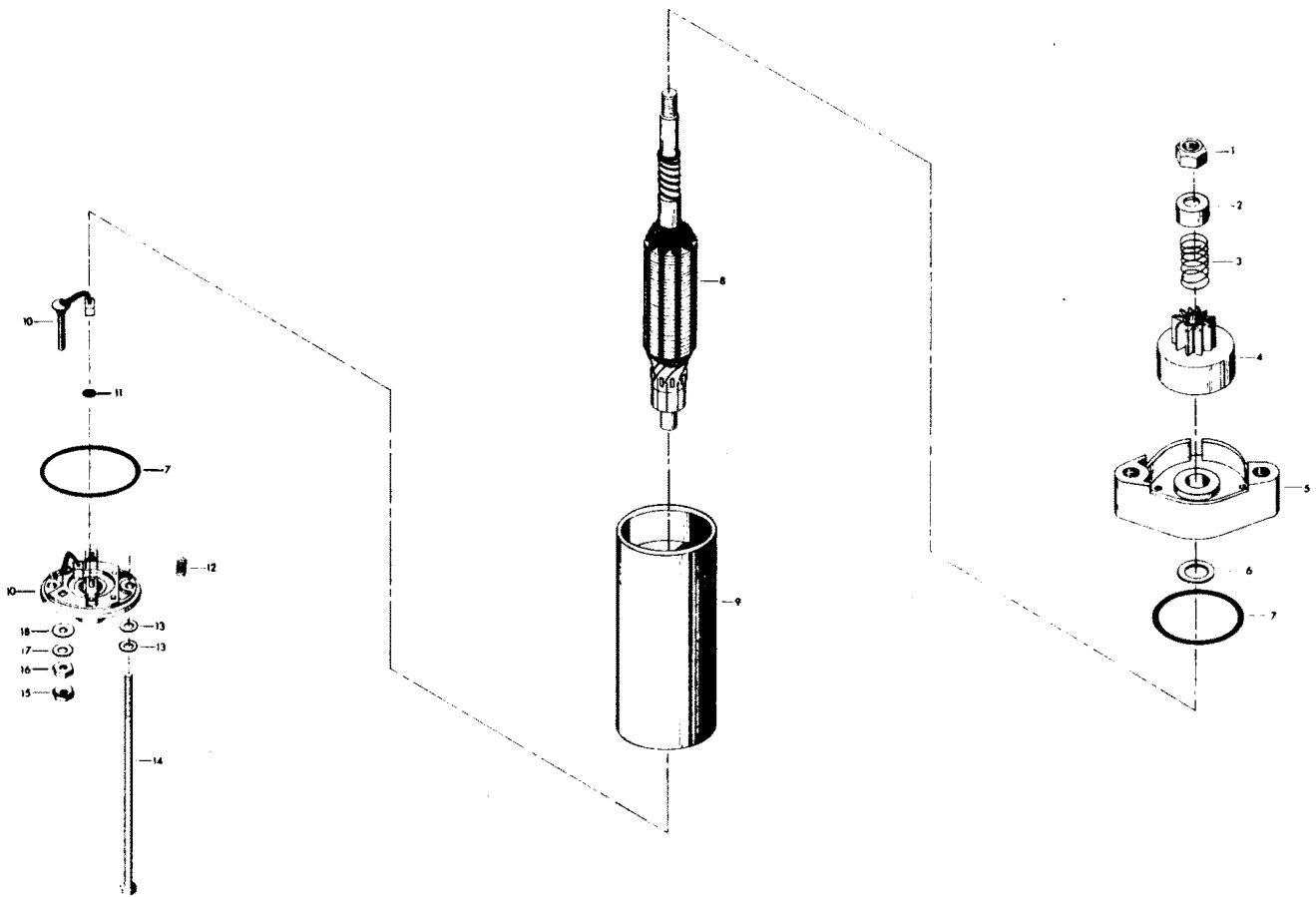
FUEL PUMP



FUEL PUMP

REF. NO.	PART NO.	SYM.	QTY.	DESCRIPTION
1	F455118		1	SEAL, FUEL PUMP BRACKET
2	F510427		1	BRACKET, STARTER SUPPORT
3	F1577		4	FILL HD SCREW, 1/4 - 20 X 3/4
4	27-818043A1		1	FUEL PUMP DIAPHRAGM W/GASKETS
5	F1286		2	PAN HD SCREW, 4 - 40 X 3/16
6	F8003		2	PLAIN WASHER
7	F18160-2		2	REED, FUEL PUMP
8	FA24757-3		1	FUEL PUMP REED PLATE W/REEDS AND SCREWS
9	F24748-2		1	GASKET, FUEL PUMP
10	F510746		1	FUEL PUMP COVER
11	22-818103--1		1	FITTING, FUEL PUMP
12	F2706772		4	HOSE CLAMP
13	F2771254		1	HOSE, FUEL PUMP TO CARBURETOR
14	F1069		3	FILL HD SCREW, 10 - 24 X 1/16
15	F2752253		1	HOSE, FUEL PUMP TO BUSHING
16	F510811		1	FILTER, FUEL PUMP

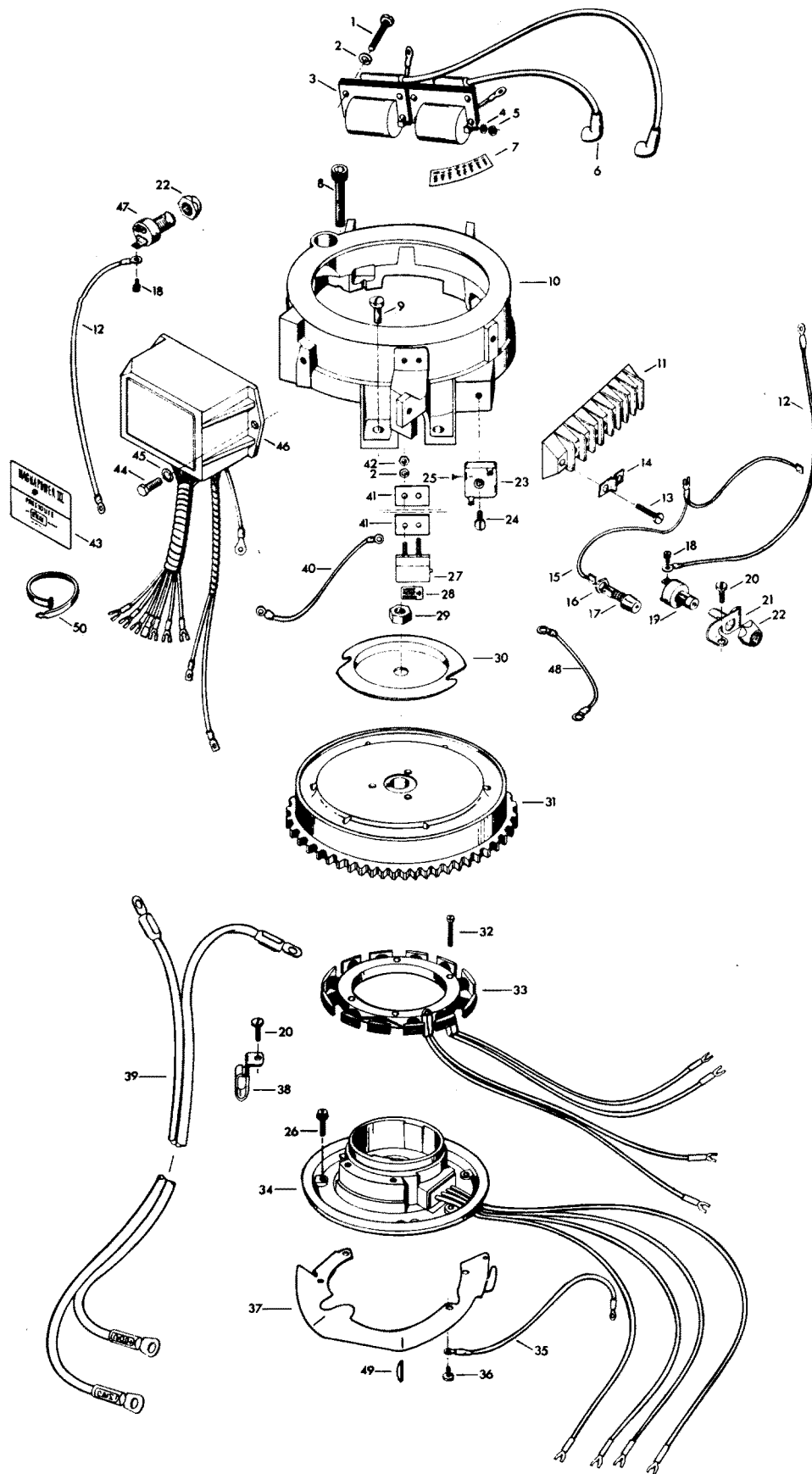
ELECTRIC STARTER



ELECTRIC STARTER

REF. NO.	PART NO.	SYM.	QTY.	DESCRIPTION
1	F15142		1	STOP NUT
2	F15141		1	PINION STOP
3	F15140		1	SPRING
4	F15139		1	PINION ASSEMBLY
5	F15135		1	CAP ASSEMBLY, DRIVE END
6	F15137		1	WASHER
7	F15145		2	GASKET
8	F15134		1	ARMATURE
9	F15136		1	HOUSING ASSEMBLY
10	F15127		1	CAP ASSEMBLY, COMMUTATOR END INCLUDES ITEMS 15, 16, 17 AND 18
11	F15143		1	DISC
12	F15138		2	SPRING, BRUSH
13	F15146		4	WASHER
14	F15144		2	SCREW, THRU BOLT
15	F15129		1	NUT W/LOCKWASHER
16	F15130		1	NUT
17	F15133		1	WASHER
18	F15132		1	WASHER, FIBER
-	F510955		1	STARTER MOTOR COMPLETE
-	FC520390		1	DECAL, STARTER (CANADA)

ELECTRICAL COMPONENTS

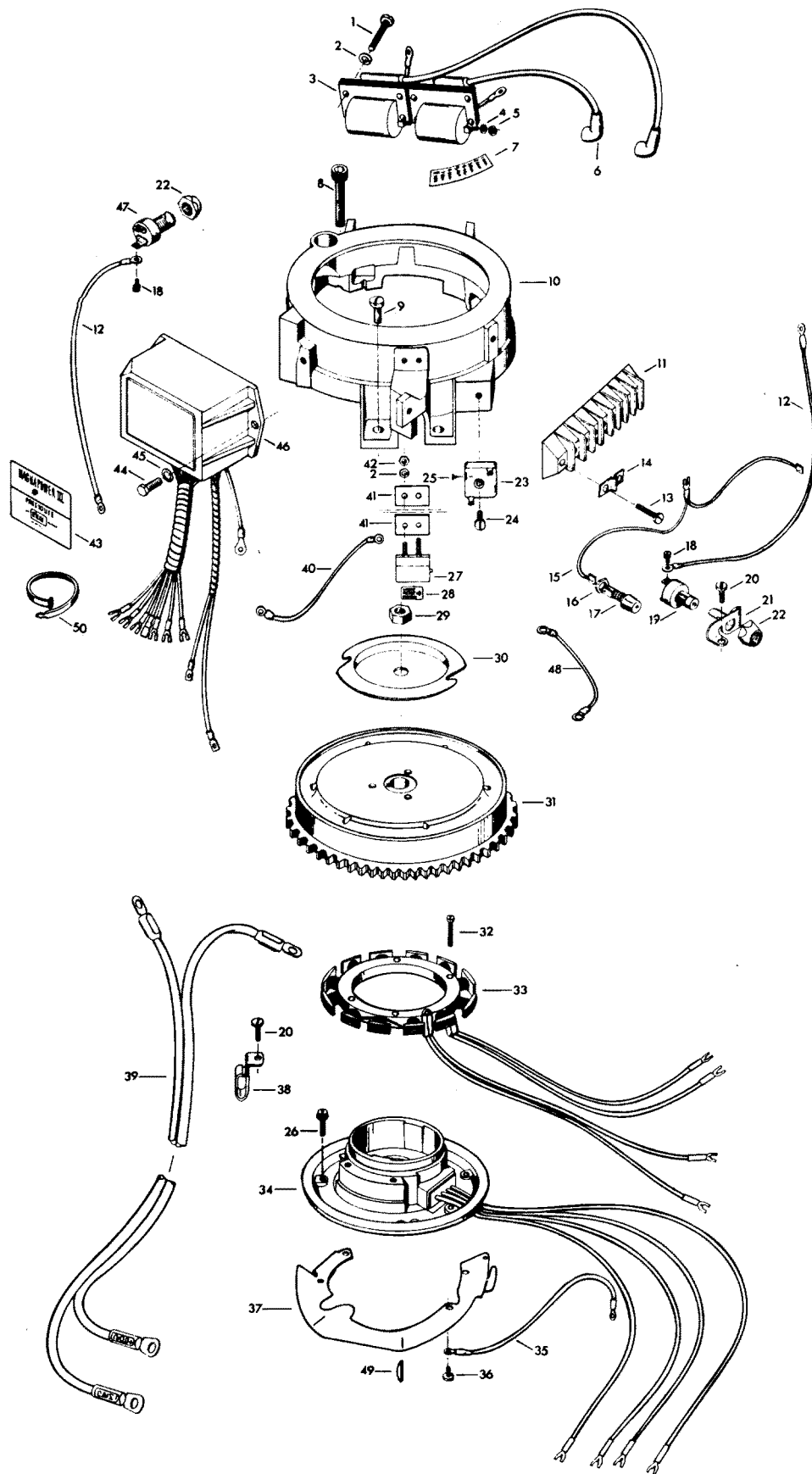


ELECTRICAL COMPONENTS

REF. NO.	PART NO.	SYM.	QTY.	DESCRIPTION
1	F1829		8	FILL HD M. SCREW, 10 - 24 X 7/8
2	F1975		12	SPRING LOCKWASHER
3	F510475		2	IGNITION COIL
4	F1704		2	INTERNAL TOOTH LOCKWASHER
5	F1337		2	HEX NUT, 6 - 32
6	FK750-2		2	SPARKIE W/SPRING
7	F510398		1	DECAL, WIRING
-	FC510398		1	DECAL, WIRING (CANADA)
8	F1646		2	HEX SOCKET HD CAP SCREW, 3/8 - 16 X 2 1/4
9	F1577		4	FILL HD SCREW, 1/4 - 20 X 3/4
10	F510675-1		1	STARTER SUPPORT
11	FA510497		1	TERMINAL BLOCK
12	F510841		2	WIRE, STARTER INTERLOCK SWITCH
13	F1648		2	PAN HD SCREW, 10 - 24 X 3/4
14	F307317		1	CLIP, TERMINAL BLOCK GROUND
15	F510908		1	WIRE, GROUND
16	F510288		1	NUT, SHORTING SWITCH
17	F436449		1	SHORTING SWITCH
18	F1556		4	FILL HD M. SCREW W/SPRING LOCKWASHER, 10 - 24 X 3/8
19	F510918		1	STARTER SWITCH
20	F1802		3	FILL HD SCREW, 1/4 - 20 X 9/16
21	F510540		1	BRACKET, STARTER SWITCH
22	F510669		2	NUT, INTERLOCK SWITCH AND STARTER SWITCH
23	F510450-1		1	RECTIFIER
24	F1303		1	SLOTTED PAN HD M. SCREW, 8/32 X 3/4
25	F1645		4	RD HD THREAD CUTTING SCREW, 6 - 32 X 1/4
26	F1090		4	FILL HD SCREW W/SPRING LOCKWASHER, 10 - 24 X 9/16
27	F510460		1	CIRCUIT BREAKER
28	F510374		1	DECAL, CIRCUIT BREAKER
-	FC510374		1	DECAL, CIRCUIT BREAKER (CANADA)
29	F1809		1	HEX NUT
30	F901456-1		1	EMERGENCY STARTER COLLAR
31	F510097		1	FLYWHEEL
32	F1678		4	FILL HD SCREW, 10 - 24 X 13/16
33	F510095		1	STATOR, ALTERNATOR
34	F510029		1	STATOR, TRIGGER
35	F404908		1	GROUND WIRE
36	F1075		4	FILL HD SCREW, 10 - 24 X 1/2
37	F286192		1	THROTTLE CAM
38	F510446		1	CLAMP, BATTERY CABLE
39	F517896		1	BATTERY CABLE
40	F493683		1	WIRE
41	F510595		2	INSULATOR, CIRCUIT BREAKER

CONTINUED ON NEXT PAGE ➡

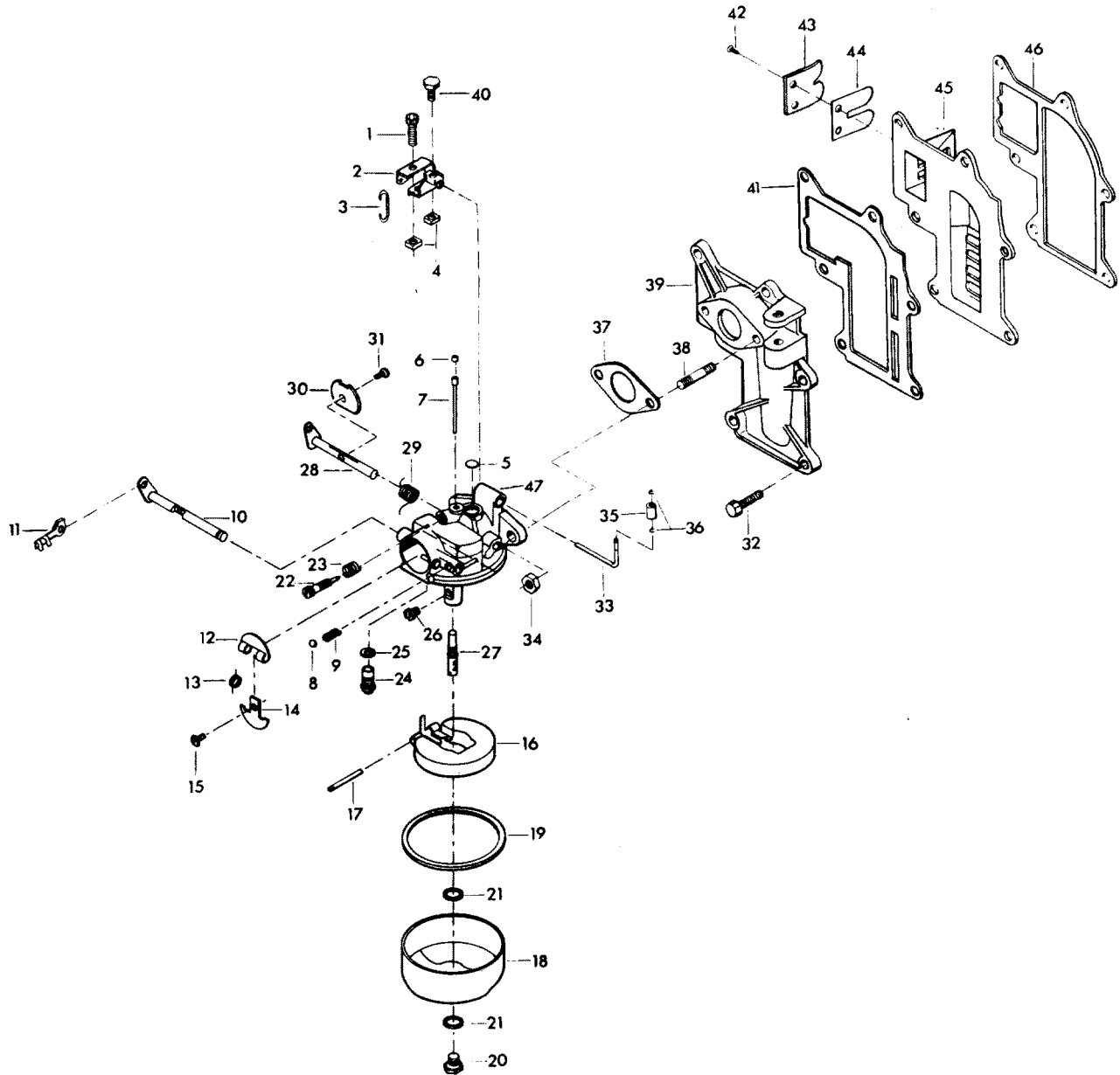
ELECTRICAL COMPONENTS



ELECTRICAL COMPONENTS

REF. NO.	PART NO.	SYM.	QTY.	DESCRIPTION
42	F1513		2	HEX NUT, 10 - 32
43	510373-1		1	DECAL, MAGNAPOWER III
44	F1999		2	HEX CAP SCREW, 1/4 - 20 X 7/8
45	F8083		1	SPRING LOCKWASHER
46	F510301		1	C-D MODULE
47	F510449		1	NEUTRAL INTERLOCK SWITCH
48	F510683		1	WIRE, RECTIFIER - CIRCUIT BREAKER
49	F458498		1	KEY, FLYWHEEL
50	F1845		5	TY-RAP

FUEL SYSTEM

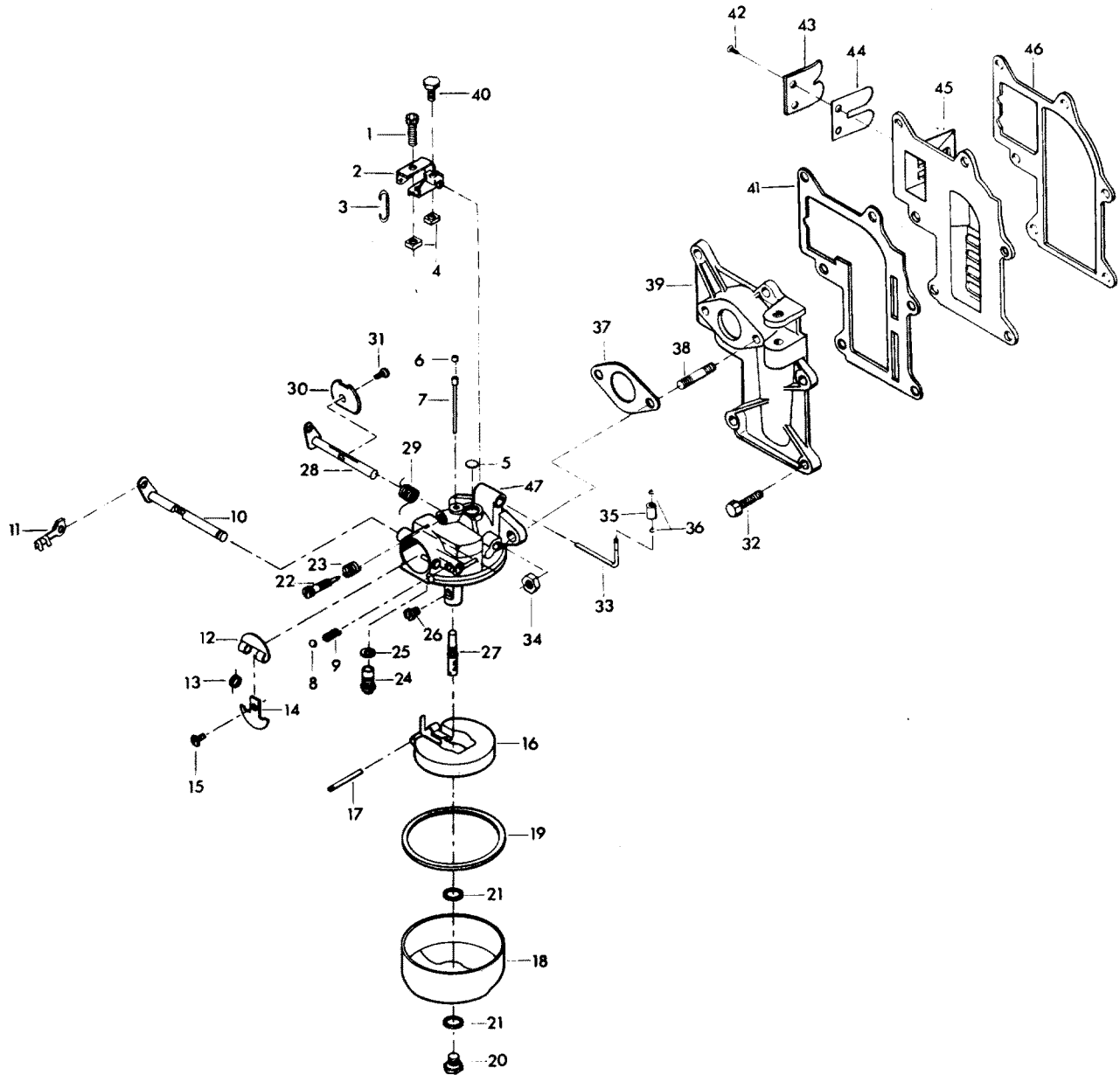


FUEL SYSTEM

REF. NO.	PART NO.	SYM.	QTY.	DESCRIPTION
1	F1834		1	FILL HD SCREW, 10 - 24 X 7/8
2	817754A1		1	ARM, CARBURETOR FOLLOWER
3	F66193		1	THROTTLE LINK
4	F1365		2	SQUARE NUT, 10 - 24
5	FO2531		1	BODY CHANNEL WELCH PLUG
6	FO10588		1	BODY CHANNEL CUP PLUG
7	FO16027		1	BYPASS TUBE
8	FO4784		1	CHOKE FRICTION BALL
9	FO8805		1	CHOKE FRICTION SPRING
10	FO15736		1	CHOKE SHAFT AND LEVER
11	F341384		1	RETAINER, CHOKE ROD
12	FO15368		1	CHOKE RELIEF VALVE
13	FO15783		1	CHOKE RELIEF VALVE SPRING
14	FO15367		1	CHOKE SHUTTER
15	FO10280		1	CHOKE SHUTTER RETAINER SCREW AND LOCKWASHER
16	FO13554		1	FLOAT
17	FO13944		1	FLOAT LEVER PIN
18	FO15366		1	FUEL BOWL
19	FO15623		1	FUEL BOWL GASKET
20	FO13945		1	FUEL BOWL RETAINING SCREW
21	FO2510		2	FUEL BOWL RETAINING SCREW GASKET
22	FO15520		1	IDLE MIXTURE SCREW
23	FO11103		1	IDLE MIXTURE SCREW SPRING
24	FO10790		1	INLET NEEDLE, SEAT AND GASKET
25	FO10165		1	INLET SEAT GASKET
26	FO12101		1	MAIN FUEL JET (.045)
27	FO15525		1	MAIN NOZZLE
28	FO15718		1	THROTTLE SHAFT AND LEVER
29	FO15526		1	THROTTLE SHAFT RETURN SPRING
30	FO16098		1	THROTTLE SHUTTER
31	FO8942		1	THROTTLE SHUTTER RETAINING SCREW AND LOCKWASHER
32	F1914		4	HEX HD SCREW, 1/4 - 20 X 3/4
33	F286316		1	THROTTLE CAM FOLLOWER
34	F1490		2	HEX NUT, 1/4 - 20
35	F78318		1	ROLLER, THROTTLE CAM FOLLOWER
36	F78410		2	RETAINER
37	F18906		1	CARBURETOR GASKET
38	F2788004		2	STUD, CARBURETOR
39	F2A424167		1	MANIFOLD W/STUDS AND PULLEY
40	F1912		1	HEX HD SCREW, 10 - 24 X 1/2
41	F424168-1		1	GASKET, MANIFOLD
42	F1755		8	HD SCREW W/LOCKWASHER, 6 - 32 X 5/16
43	F424161		4	REED STOP

CONTINUED ON NEXT PAGE ➡

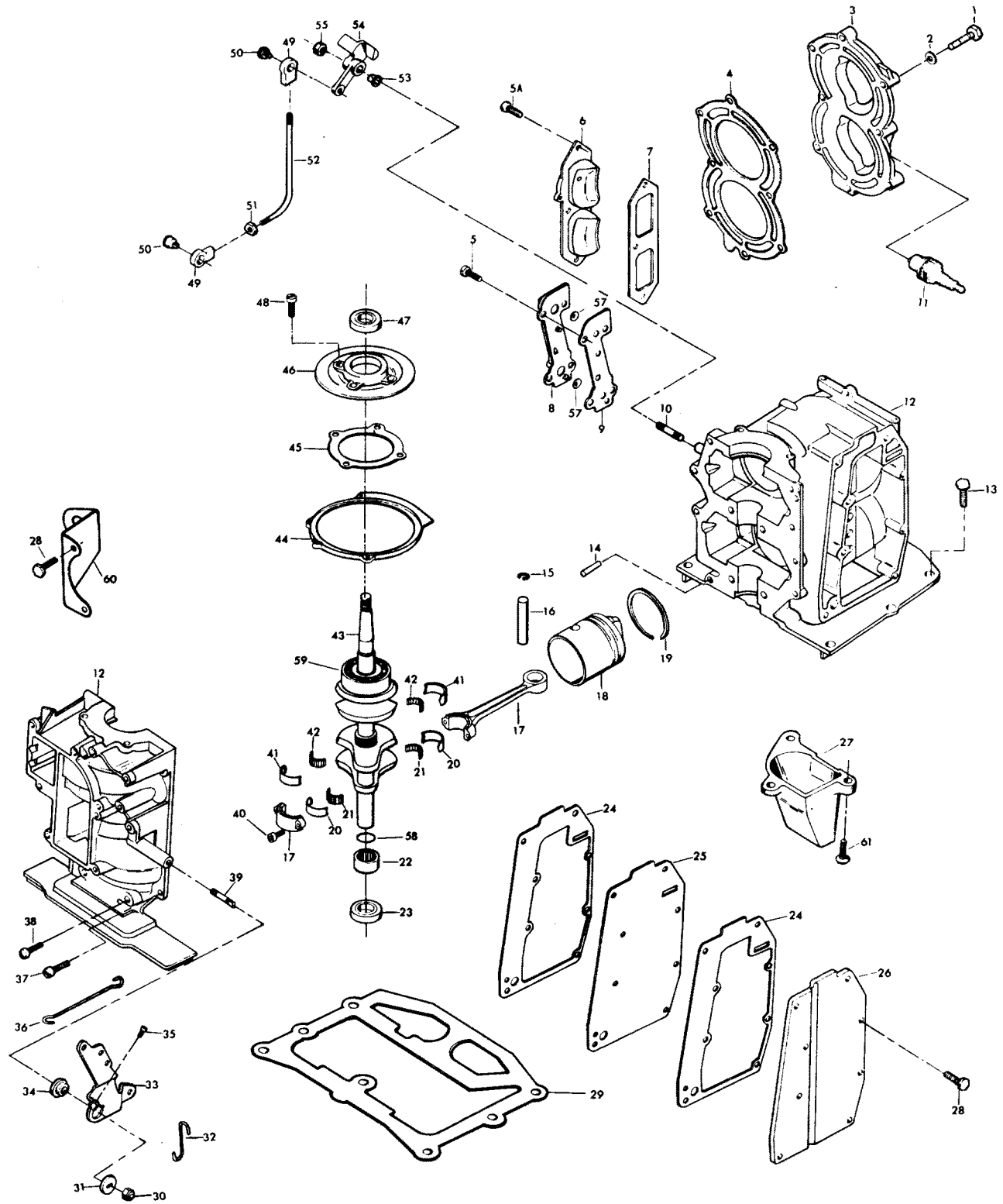
FUEL SYSTEM



FUEL SYSTEM

REF. NO.	PART NO.	SYM.	QTY.	DESCRIPTION
44	F31160-1		4	REED
45	FA424158		1	REED PLATE W/REEDS, STOPS AND SCREWS
46	F286159-1		1	GASKET, REED PLATE
47	F431061-2		1	CARBURETOR COMPLETE (CO7C)
-	F10006		1	GASKET SET, CARBURETOR (NOT SHOWN)
-			1	REPAIR PARTS KIT, CARBURETOR (NOT SHOWN)

POWER HEAD

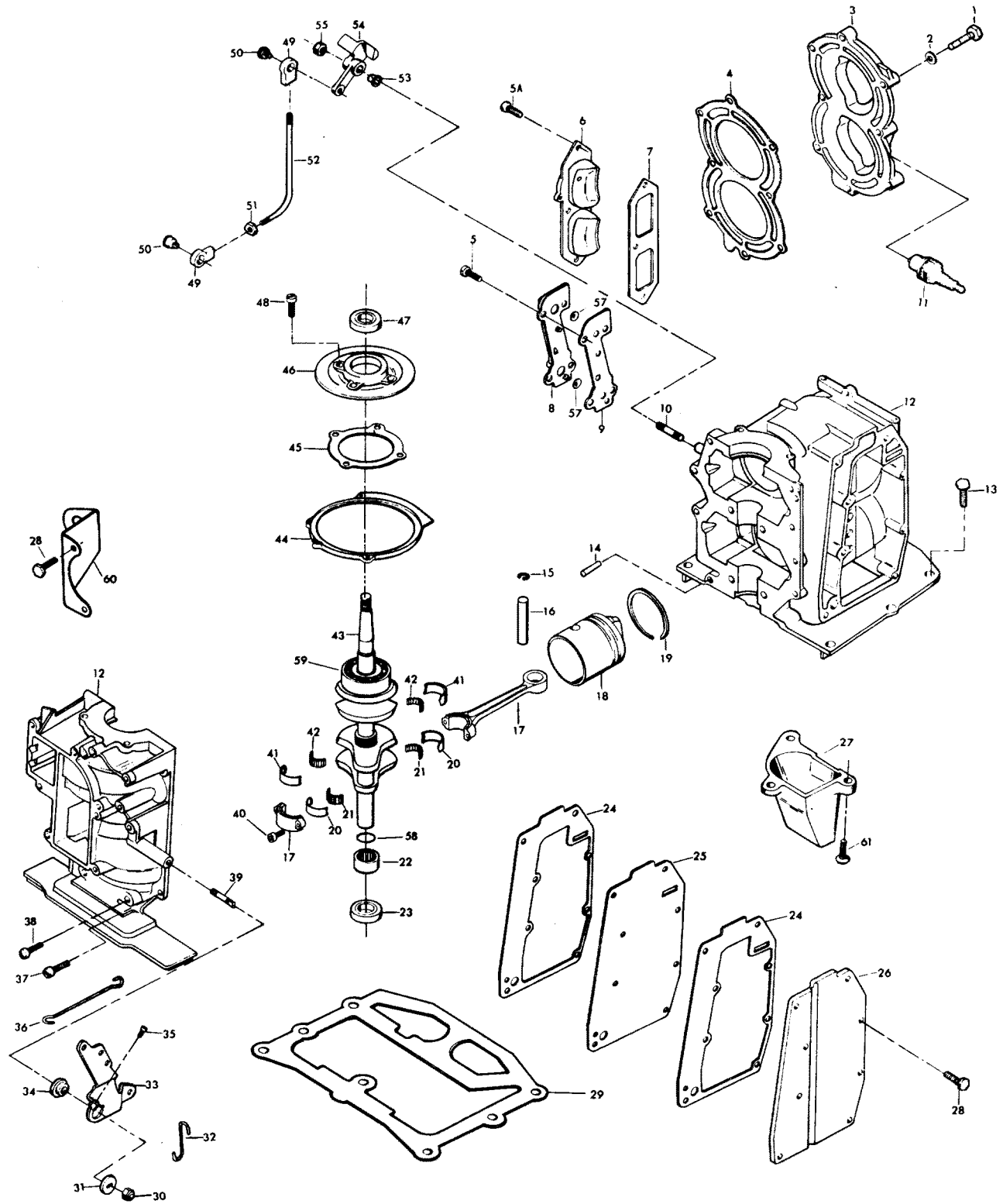


POWER HEAD

REF. NO.	PART NO.	SYM.	QTY.	DESCRIPTION
1	F901938-1		8	SCREW, CYLINDER HEAD
2	F8025		8	PLAIN WASHER
3	F492518		1	HEAD, CYLINDER
4	F286529-3		1	GASKET, CYLINDER HEAD
5	F1922		4	HEX HD SCREW, 1/4 - 20 X 5/8
5A	F510165		3	SCREW
-	F1859		1	HEX SOCKET HEADLESS SET SCREW, 1/4 - 28 X 3/16 (TRANSFER PORT COVER)
6	F510222		1	COVER, TRANSFER PORT
7	F286223		1	GASKET, TRANSFER PORT COVER
8	FA429471		1	COVER, CYLINDER DRAIN W/CHECK VALVES AND SCREWS
9	F429472		1	GASKET, CYLINDER DRAIN COVER
10	F28004		1	STUD, INTERLOCK LEVER
11	FS174227		2	PLUG, SPARK, L-4-J
-	FC310227		2	SPARK PLUG (QL-4-J) FOR MODEL 101B8
12	FA510010		0	CYLINDER , CYLINDER DRAIN COVER, DOWEL PINS, SCREW & STUDS W/CRANKCASE COVER.
13	F1823		6	HEX CAP SCREW, 5/16 - 18 X 1
14	F8559		2	DOWEL PIN
15	F31410		4	RETAINING RING, PISTON PIN
16	F174017		2	PIN, PISTON
17	600-FS715016		2	ROD, CONNECTING W/CAP AND SCREWS
18	F286015-3		2	PISTON
19	FA174260		2	PISTON RING SET (2 PER SET)
20	FA525241		2	CONNECTING ROD LINER SET (2 PER SET)
21	525228		2	ROLLER SET, CONNECTING ROD (16 PER SET)
22	F343014		1	BEARING, CRANKSHAFT LOWER MAIN
23	F141118		1	SEAL, CRANKSHAFT LOWER
24	F286154		2	GASKET, EXHAUST COVER
25	F286151		1	PLATE, EXHAUST
26	F286152		1	COVER, EXHAUST
27	F487660-1		1	EXHAUST TUBE
28	F1915		10	HEX HD SCREW, 1/4 - 20 X 7/8
29	F286279-2		1	GASKET, CYLINDER MOUNTING
30	F1803		1	STOP NUT, 5/16 - 24
31	F286282		1	WASHER
32	F286445		1	LINK, MAGNETO SHAFT
33	817971A3		1	LEVER, MAGNETO CONTROL
34	F183813		1	BEARING, MAGNETO CONTROL LEVER
35	F1504		1	FILL HD SCREW, 1/4 - 20 X 1/4
36	F286509		1	LINK, THROTTLE CAM
37	F1107		8	FILL HD SCREW, 1/4 - 20 X 3/4
38	F1335		4	FILL HD SCREW, 5/16 - 18 X 1/4
39	F286440		1	STUD, MAGNETO CONTROL LEVER

CONTINUED ON NEXT PAGE ➡

POWER HEAD



POWER HEAD

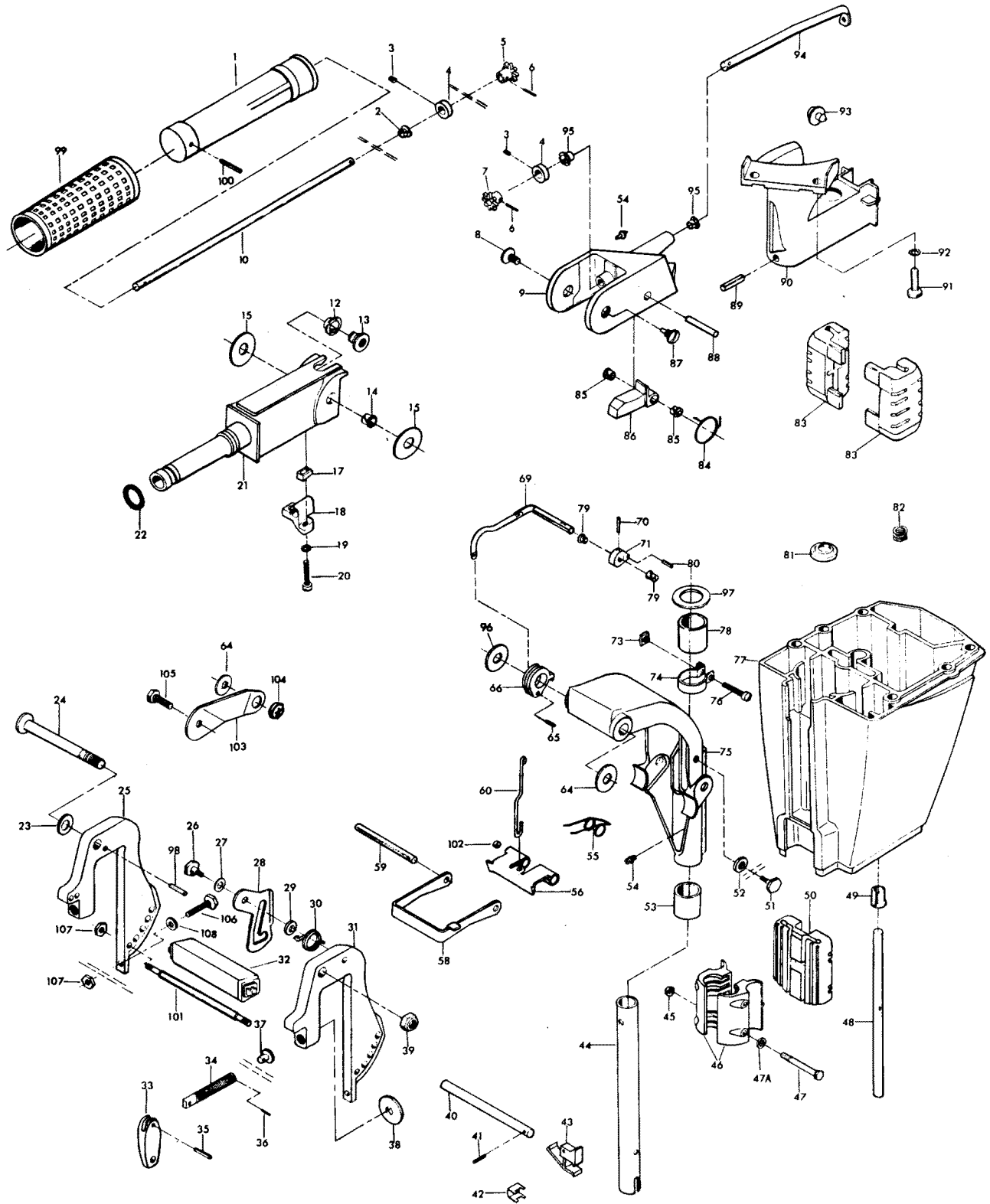
REF. NO.	PART NO.	SYM.	QTY.	DESCRIPTION
40	F36634		4	SCREW, CONNECTING ROD
41	FA286155		1	MAIN BEARING LINER SET (2 PER SET)
42	F286571		1	ROLLER SET, MAIN BEARING (26 PER SET)
43	400-818047A3		1	CRANKSHAFT W/UPPER MAIN BEARING
44	F73082		1	RING, MAGNETO STATOR
45	F286277		1	GASKET, CRANKSHAFT BEARING CAGE
46	1100-817753A1		1	CAGE, CRANKSHAFT BEARING W/SEAL
47	F346146		1	SEAL, CRANKSHAFT UPPER
48	F1111		4	FILL HD SCREW, 1/4 - 20 X 7/8
49	F84035-2		2	BEARING, INTERLOCK ROD
50	F84026		2	SWIVEL, INTERLOCK ROD BEARING
51	F1339		1	HEX NUT, 10 - 24
52	F510531		1	ROD, INTERLOCK
53	F197813		1	BEARING, INTERLOCK LEVER
54	F517977-1		1	LEVER, INTERLOCK
55	F7008		1	STOP NUT, 1/4 - 20
57	F429811		2	SCREEN
58	F461342		1	SEAL, DRIVESHAFT SPLINE
59	F286028		1	BEARING, CRANKSHAFT UPPER MAIN
60	F510551		1	BRACKET, INTERLOCK SWITCH
61	F2040		3	TAPTITE HEX WASHER HD SCREW, 1/4 - 20 X 5/8
-	FG1005-1		1	GASKET SET (SEE BELOW)
-	FC510010		1	SHORT BLOCK (NOT SHOWN) INCLUDES ALL ITEMS MARKED WITH AN ASTERISK (*)

MOTOR LEG

REF. NO.	PART NO.	SYM.	QTY.	DESCRIPTION
1	FA456137		1	GRIP, STEERING HANDLE W/SLEEVE
2	F85610		1	BEARING
3	F1859		2	HEX SOCKET HEADLESS SET SCREW
4	FA343178		2	RETAINER W/SET SCREW
5	43-818009--1		1	GEAR, STEERING HANDLE SHAFT
6	F1978		2	SPRING PIN
7	43-818009--1		1	GEAR, MAGNETO CONTROL SHAFT
8	F1799		1	TRUSS HD SCREW, 5/16 - 18 X 5/8
9	817751A3		1	STEERING HANDLE BRACKET W/GREASE FITTING
10	F429688		1	SHAFT, STEERING HANDLE
12	F286818		1	BEARING
13	F286224		1	INSERT, STEERING HANDLE PIVOT
14	F197813		1	BEARING
15	F286220		2	WASHER, STEERING HANDLE
17	F341693		1	WEDGE, STEERING HANDLE
18	F487816		1	BEARING, STEERING HANDLE
19	F8058		2	INTERNAL TOOTH LOCKWASHER
20	F1829		2	FILL HD SCREW, 10 - 24 X 7/8
21	F286079-1		1	STEERING HANDLE
22	F53795-1		1	SEAL, STEERING HANDLE GRIP DAMPENER
23	F8039		1	PLAIN WASHER
24	F286037		1	STERN BRACKET PIVOT BOLT
25	FK517032		1	STERN BRACKET W/CLAMP SCREW AND FOOT
26	F286422-1		1	TILT LOCK PIVOT
27	F1666		1	BOWED SPRING WASHER
28	F429541		1	TILT LOCK
29	F286451		1	SPACER, TILT LOCK
30	F286544-1		1	SPRING, TILT STOP
31	FK567532		1	STERN BRACKET PORT W/CLAMP SCREW AND FOOT
32	F286647		1	CARRYING HANDLE
33	F424075		2	HANDLE, CLAMP SCREW
34	817761A2		2	CLAMP SCREW W/FOOT AND STUD
35	F8554		2	SPRING PIN
36	F8537		2	SPRING PIN
37	F66480		2	STUD CLAMP SCREW
38	F24074		2	CLAMP SCREW FOOT
39	F7005		1	STOP NUT, 3/8 - 16
40	FA286113		1	LOCK BAR W/HANDLE AND SPRING
41	F8540		1	SPRING PIN
42	F286461		1	SPRING, LOCK BAR HANDLE
43	F286114		1	LOCK BAR HANDLE
44	F286019		1	KING PIN
45	F1341		2	HEX NUT, 1/4 - 20

CONTINUED ON NEXT PAGE ➡

MOTOR LEG

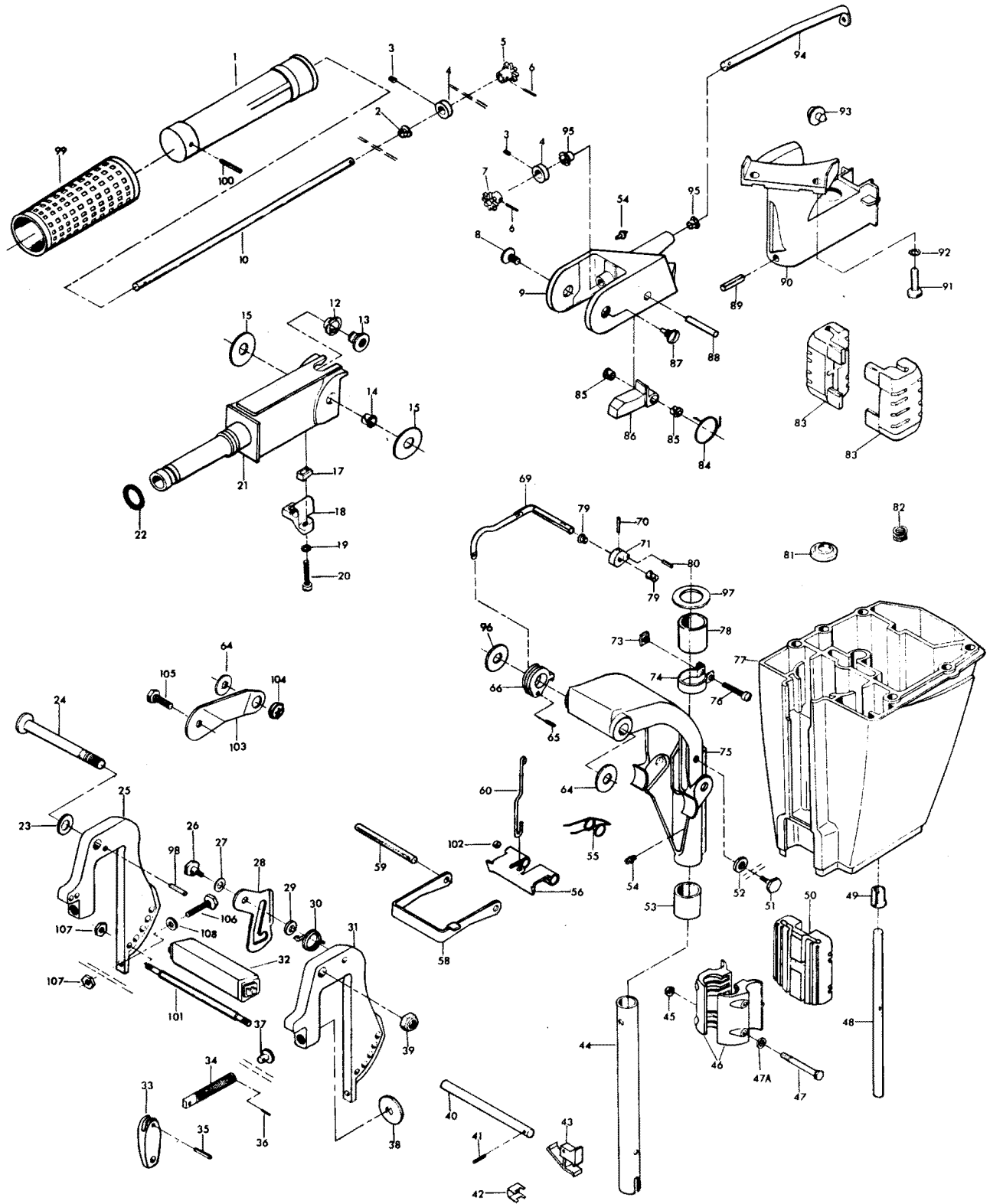


MOTOR LEG

REF. NO.	PART NO.	SYM.	QTY.	DESCRIPTION
46	F286956		2	BRACKET, SHOCK MOUNT LOWER
47	FA1844		2	HEX BOLT, 1/4 - 20 X 2 3/8
47A	F8083		2	SPRING LOCKWASHER
48	F286244		1	WATER LINE
49	F286914		1	SLEEVE WATER LINE
50	F286346		1	SHOCK MOUNT LOWER
51	F286422-1		1	TILT LOCK PIVOT
52	F286451		1	SPACER, TILT LOCK
53	F286169		1	BEARING, SWIVEL BRACKET
54	F213274		3	GREASE FITTING
55	F286300		1	SPRING, REVERSE LOCK
56	F516349		1	REVERSE LOCK
58	F286433		1	BRACKET SHALLOW WATER DRIVE
59	F1806		1	GROOVE PIN
60	FA341510		1	LINK, REVERSE LOCK LEVER
64	F286286-1		2	WASHER, STERN BRACKET
65	F1794		1	SPRING PIN
66	F286827		1	REVERSE LOCK RELEASE LEVER
69	FA387742		1	LEVER, REVERSE LOCK INTERMEDIATE
70	F8538		1	SPRING PIN
71	F286364		1	LEVER, REVERSE LOCK
73	F1608		1	SQUARE NUT, 1/4 - 20
74	F286573-1		1	CLAMP, STEERING HANDLE
75	1400-817750A4		1	SWIVEL BRACKET W/GREASE FITTING
76	F1820		1	FILL HD SCREW, 1/4 - 20 X 1 3/8
77	F2A477133		1	MOTOR LEG W/ITEMS 48, 49 & 81
78	F286169		1	BEARING, SWIVEL BRACKET
79	F197813		2	BEARING
80	F1794		1	SPRING PIN
81	F901307-2		1	SEAL, DRIVESHAFT
82	F286414		1	SPRING, LEG WATER BRACKET
83	F517347		2	SHOCK MOUNT UPPER
84	F286868		1	SPRING, STEERING HANDLE STOP
85	F197813		2	BEARING, STEERING HANDLE STOP
86	F286490		1	STEERING HANDLE STOP
87	F286080		1	SCREW, STEERING HANDLE PIVOT
88	F1807		1	GROOVE PIN
89	F1805		1	SPRING PIN
90	FA286582		1	STEERING ARM W/SPRING & BUMPER
91	F1502		2	HEX CAP SCREW, 1/4 - 20 X 5/8
92	F8060		2	EXTERNAL TOOTH LOCKWASHER
93	F286539		1	BUMPER
94	F431838		1	MAGNETO CONTROL SHAFT

CONTINUED ON NEXT PAGE ➡

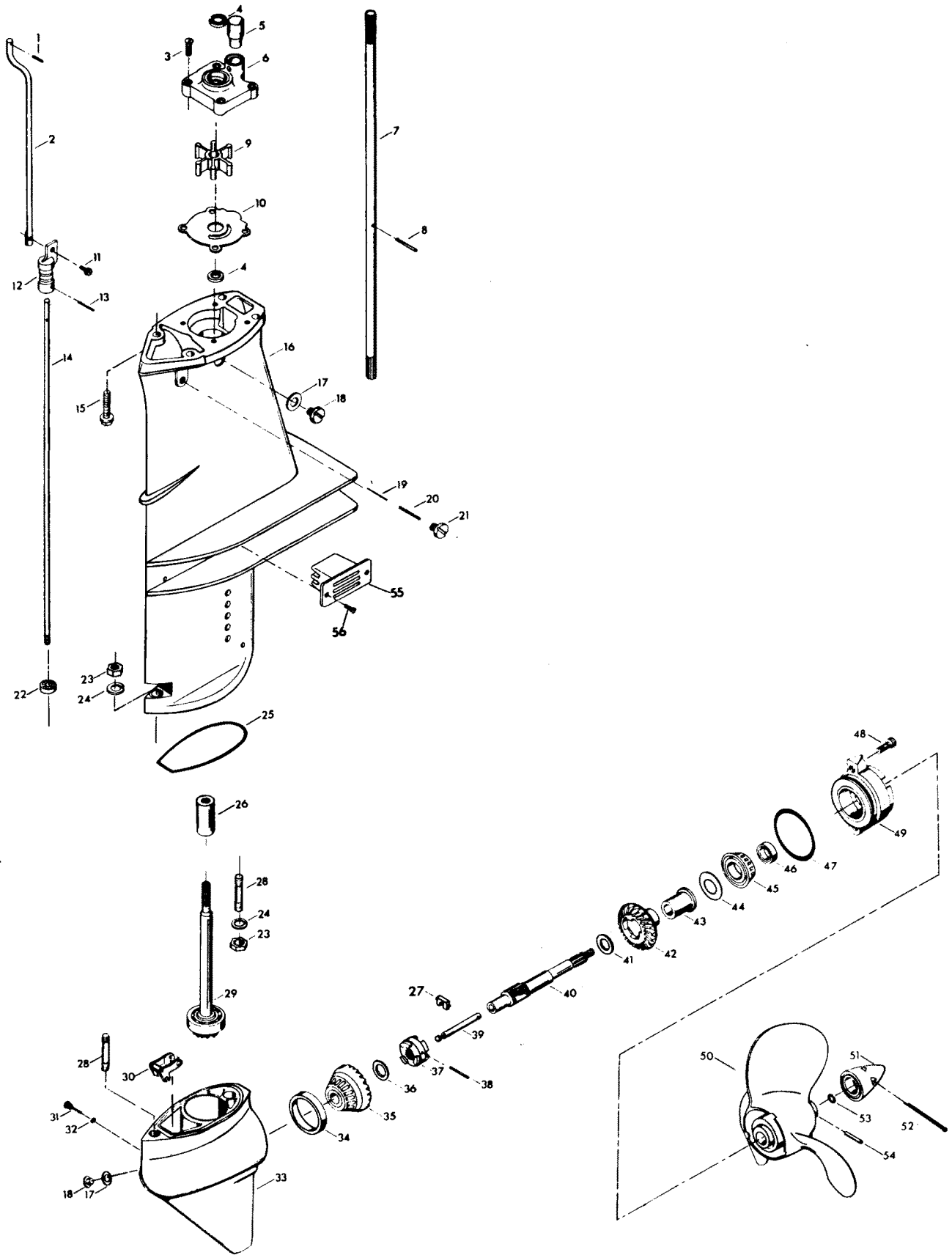
MOTOR LEG



MOTOR LEG

REF. NO.	PART NO.	SYM.	QTY.	DESCRIPTION
95	F307818		2	BEARING
96	F525286		1	WASHER
97	F286011		1	WASHER, SWIVEL BRACKET
98	F8538		1	SPRING PIN
99	F458695		1	SLEEVE
100	F8548		1	SPRING PIN
101	F517273		1	TIE BAR
102	F516677		2	SPACER, REVERSE LOCK
103	F517078		1	BRACKET, LOCK STEERING
104	F516697		1	NUT, STEERING LOCK BRACKET
105	F516552		1	SCREW, STEERING LOCK BRACKET
106	F1887		2	HEX SLOTTED HD SCREW, 1/4 - 20 X 3/16
107	F7024		4	LOCK NUT
108	F2012		2	PLAIN WASHER
-	F286894-3		1	STEERING HANDLE INDICATOR (NOT SHOWN)
-	37-F286894-3		1	STEERING HANDLE INDICATOR (CANADA)
-	F286585-1		1	DECAL, TILT RELEASE (NOT SHOWN)
-	37-F286585-2		1	DECAL, TILT RELEASE (CANADA)

GEAR HOUSING



GEAR HOUSING

REF. NO.	PART NO.	SYM.	QTY.	DESCRIPTION
1	F8542		1	SPRING PIN
2	F286615		1	GEAR SHIFT ROD UPPER
3	F2030		4	FLAT HD SCREW, 1/4 - 20 X 1/4
4	F901307-2		2	SEAL
5	FA510914		1	SEAL, INLET WATER LINE
6	FA504060		1	WATER PUMP BODY W/WATER PUMP SEAL
7	F343128		1	DRIVESHAFT
8	F901563		1	WATER PUMP IMPELLER DRIVE PIN
9	F436065		1	WATER PUMP IMPELLER
10	F341562		1	WATER PUMP BACK PLATE
11	F1976		1	SOCKET HD SCREW W/WASHER, 10 - 24 X 1/2
12	F516704-1		1	COUPLING SHIFT ROD
13	F8540		1	SPRING PIN
14	F516705		1	GEAR SHIFT ROD LOWER
15	F430732		4	HEX HD SCREW, 5/16 - 18 X 1/4
16	1600-817844A3		1	GEAR HOUSING UPPER W/BEARING, SEALS, WASHER AND PLUG
17	F8077		2	NYLTITE WASHER
18	F50109		2	GEAR HOUSING PLUG
19	F516584		1	GUIDE, SPRING DETENT
20	F516895		1	SPRING, SHIFT DETENT
21	F516885		1	PLUG, SPRING HOLDING
22	F338618-1		1	SEAL, SHIFT ROD LOWER
23	F1346		2	HEX NUT, S.S., 3/8 - 16
24	F8065		2	LOCKWASHER
25	F435555		1	SEAL, GEAR HOUSING LOWER
26	F517125		1	COUPLING, DRIVESHAFT
27	F90619-1		1	YOKE
28	F40008		2	STUD
29	F2A516266		1	PINION SHAFT W/BEARING
30	817796A2		1	GEAR SHIFT ARM
31	F498891		1	GEAR SHIFT ARM PIN
32	F498618		1	NYLTITE WASHER
33	FA516054		1	GEAR HOUSING LOWER W/PLUG, WASHER AND BEARING CUP
34	F458250		1	BEARING CUP
35	F2A516023		1	BEVEL GEAR FORWARD W/BEARING
37	F99521-1		1	CLUTCH
38	F2097		1	SPRING PIN
39	F90871-3		1	GEAR SHIFT ARM PIN
40	FA474098		1	PROPELLER SHAFT
41	F40717		1	THRUST WASHER BEVEL GEAR
42	F516662		1	GEAR, BEVEL REAR
43	F474143		1	BEARING, BEVEL GEAR REAR

CONTINUED ON NEXT PAGE ➡

GEAR HOUSING

REF. NO.	PART NO.	SYM.	QTY.	DESCRIPTION
45	F474225		1	BEARING, PROPELLER SHAFT REVERSE THRUST
46	F141118		1	SEAL, PROPELLER SHAFT
47	F141305		1	SEAL, PROPELLER SHAFT BEARING CAGE
48	F1994		2	HEX SOCKET HD CAP SCREW, 5/16 - 18 X 1
49	F2A474298		1	PROPELLER SHAFT BEARING CAGE W/SEALS AND BEARING CUP
50	FP278		1	PROPELLER
51	FA94094-2		1	PROPELLER NUT W/SEAL & COTTER PIN
52	F1027		1	COTTER PIN
53	F40342		1	SEAL, PROPELLER NUT
54	FK247		1	PROPELLER PIN (PACK OF 6 W/COTTER PIN)
55	FA516485		1	ANODE, ANTI-CORROSION
56	F1733		2	PAN HD SC. 10 - 24 X 9/16
-	FC516054		0	GEAR HOUSING COMPLETE (NOT SHOWN) INCLUDES ALL ITEMS MARKED WITH AN ASTERISK (*)

FUEL TANK AND LINE

REF. NO.	PART NO.	SYM.	QTY.	DESCRIPTION
1	F213342		1	SEAL, FUEL LINE COUPLER
2	F213735		1	SEAL, FUEL LINE COUPLER
3	F197787-3		2	FUEL LINE COUPLER
4	F298788		4	FERRULE
5	FA84754-1		1	FUEL LINE SHORT W/FERRULES
6	89396A38		1	PRIME BULB
7	32-817738A1		1	FUEL LINE, LONG W/CLAMP AND FERRULE
8	F485755-1		1	FUEL TANK ADAPTER
9	F5H027		1	FUEL TANK (ACCESSORY ITEM)
10	F409251-1		1	GAUGE CAP
11	F17932		1	SEAL
-	FS409752		1	FUEL LINE COMPLETE (NOT SHOWN)
-	FC409398		1	DECAL, TOTE TANK (CANADA) (NOT SHOWN)

SPECIAL TOOLS - TUNE-UP

REF. NO.	PART NO.	SYM.	QTY.	DESCRIPTION
-	FT2909		0	KNOCK-OFF NUT TO REMOVE FLYWHEEL
-	FT2989		0	FLYWHEEL WEDGE TO REMOVE FLYWHEEL

SPECIAL TOOLS - STARTER

REF. NO.	PART NO.	SYM.	QTY.	DESCRIPTION
-	FT2985		0	STARTER REWIND KEY TO REWIND STARTER SPRING
-	FT2984		0	ARMATURE PULLER TO REMOVE ARMATURE
-	FT8937		0	BEARING INSTALLER TO REMOVE AND INSTALL STARTER - GENERATOR BEARING

SPECIAL TOOLS - POWER HEAD

REF. NO.	PART NO.	SYM.	QTY.	DESCRIPTION
-	FT8949		0	SEAL INSTALLER TO INSTALL UPPER CRANKSHAFT BEARING CAGE SEAL
-	FT8900		0	HOSE CLAMP PLIERS TO REMOVE AND INSTALL HOSE CLAMPS
-	FT2908		0	SEAL SLEEVE TO INSTALL UPPER CRANKSHAFT BEARING CAGE
-	FT8929		0	ADAPTER AND HEX BIT TO TORQUE CONNECTING ROD SCREWS
-	FT1749		0	SNAP RING PLIERS TO REMOVE & INSTALL PISTON RETAINING RINGS
-	FT2997		0	RING COMPRESSOR TO INSTALL PISTONS
-	FT2999		0	TORQUE WRENCH USED WITH T8929
-	FT8926		0	RING EXPANDER TO INSTALL RINGS ON PISTONS
-	FT3012		0	SEAL INSTALLER TO INSTALL BEARING CAGE SEAL

SPECIAL TOOLS - LOWER UNIT

REF. NO.	PART NO.	SYM.	QTY.	DESCRIPTION
-	FT8904		0	FORWARD CUP INSTALLER TO INSTALL FORWARD BEARING CUP
-	FT2907		0	SEAL INSTALLER TO INSTALL WATER PUMP SEAL
-	FT8907		0	DRIVER HANDLE TO INSTALL FORWARD BEARING CUP
-	FT3431		0	SEAL INSTALLER TO INSTALL PROPELLER SHAFT SEAL
-	FT8921		0	CUP REMOVER TO REMOVE FORWARD BEARING CUP
-	FT8918		0	BEARING GUIDE SET TO REMOVE FORWARD BEARING CUP
-	FT8919		0	SPRING PIN PUNCH TO REMOVE CLUTCH PIN
-	FT8948-1		0	PULLER TO REMOVE PROPELLER SHAFT BEARING CAGE.
-	FT8957		0	SEAL INSTALLER TO INSTALL SHIFT ROD SEAL
-	FT8920		0	BEARING INSTALLER TO INSTALL PROPELLER SHAFT BEARING
-	FT8924-1		0	CHECKING GAUGE TO SHIM LOWER UNIT
-	FT8982		0	SHIM ADAPTER TO USE WITH CHECKING GAUGE (T8924-1)
-	FT8901		0	INDICATOR HOLDER TO BE USED WITH T8924-1
-	FT8995		0	SHIM SPACER TO USE WITH CHECKING GAUGE (T8924-1)
-	FT8902		0	DIAL INDICATOR TO BE USED WITH T8924-1
-	FT8982		0	DIAL INDICATOR POST TO BE USED WITH T8924-1 ORIGINAL FORCE P/N T8982C

SPECIAL TOOLS - TEST EQUIPMENT

REF. NO.	PART NO.	SYM.	QTY.	DESCRIPTION
-	FT2955A		0	TEST WHEEL TO TEST MOTOR IN TEST TANK
-	FT8950		0	LEAKAGE TESTER TO TEST LOWER UNIT SEAL FOR LEAKS

ACCESSORIES

REF. NO.	PART NO.	SYM.	QTY.	DESCRIPTION
-	F596		0	CHRYSLER OUTBOARD OIL SEE BLOCK COMMENT 1.
-	F597		0	CHRYSLER OUTBOARD GEAR LUBE SEE BLOCK COMMENT 2.
-	F5H013		0	FLUSHING ADAPTER PERMITS FRESH WATER FLUSHING OF WATER PASSAGES WITH STANDARD GARDEN HOSE.
-	F5H062		0	WATER PUMP KIT HEAVY DUTY WATER PUMP RECOMMENDED FOR CONTINUED OPERATION IN SANDY OR SALT WATER.
-	F5H088		0	REMOTE CONTROL CONVERSION KIT PERMITS REMOTE CONTROL OF THROTTLE AND GEAR SHIFT FROM FRONT OF BOAT.
-	F5H130		0	SYNCHRO-DRIVE CONTROL BOX (SINGLE LEVER) PERMITS REMOTE CONTROL OF THROTTLE AND GEAR SHIFT FROM STARBOARD SIDE OF BOAT.
-	F5H131		0	PORT SIDE DECAL KIT CONVERTS 5H130 CONTROL BOX TO PORT SIDE MOUNTING.
-	F866		0	DUO-DRIVE CONTROL BOX (TWIN LEVER) PERMITS REMOTE CONTROL OF THROTTLE AND GEAR SHIFT. MAY BE MOUNTED ON PORT OR STARBOARD SIDE OF BOAT.
-	865		0	TWIN SYNCHRO-DRIVE CONTROL BOX PERMITS REMOTE CONTROL OF THROTTLE AND GEAR SHIFT ON TWIN ENGINE INSTALLATIONS. MAY BE MOUNTED ON PORT OR STARBOARD SIDE OF BOAT.
-	167		0	IGNITION CUT-OFF KIT PERMITS STOPPING OF ENGINE FROM OPERATORS SEAT.
-	F195/___		0	REMOTE CONTROL CABLES CONNECTS REMOTE CONTROL BOX TO THROTTLE AND GEAR SHIFT ON MOTOR. AVAILABLE IN 6 THROUGH 40 FOOT LENGTHS.
-	F5H054		0	REMOTE STEERING BRACKET ADAPTS MOTOR TO REMOTE STEERING.
-	F5H027		0	STEEL, 6 GALLON FUEL TANK W/HOSE
-	F476		0	FUEL LINE ADAPTION KIT ADAPTS MODEL 5H027 TANKS FOR DISCONNECT AT TANK.
-	491		0	CARRYING HANDLE PROVIDES CARRYING HANDLE ON REAR OF ENGINE.
-	F5H090		0	REMOTE START KIT PERMITS STARTING OF ENGINE FROM FRONT OF BOAT.
-	5H061		0	FROST WHITE LACQUER ENGINE TOUCH-UP PAINT IN 16 OZ. SPRAY BOMBS (12 CANS PER CASE).
-	72H32		0	GOLD LACQUER ENGINE TOUCH-UP PAINT IN 16 OZ. SPRAY BOMBS (12 CANS PER CASE).

SPECIFICATIONS

REF. NO.	PART NO.	SYM.	QTY.	DESCRIPTION
-			0	HORSEPOWER 10 B.I.A. CERTIFIED BRAKE H.P. AT 4750 R.P.M.
-			0	ENGINE TWO-CYCLE, TWIN CYLINDER, ALTERNATE FIRING.
-			0	BORE AND STROKE 2 3/16" X 1 3/4".
-			0	DISPLACEMENT 13.15 CUBIC INCHES.
-			0	CARBURETOR FLOAT FEED.
-			0	CONNECTING ROD STEEL FORGING - STEEL CAGES WITH NEEDLE BEARINGS AT CRANKSHAFT.
-			0	CRANKSHAFT FORGED NICKEL STEEL - BALL BEARING AT UPPER MAIN. UNCASSED NEEDLE BEARING WITH STEEL LINES AT CENTER MAIN.
-			0	FUEL TANK SEPARATE STEEL 6 U.S. GALLON, 5 IMPERIAL GALLON CAPACITY.
-			0	PROPELLER SHAFT AND DRIVESHAFT STAINLESS STEEL, HARDENED, GROUND AND POLISHED.
-			0	PROPELLER ALUMINUM ALLOY - 10 3/8" DIAMETER X 10" PITCH, RIGHT HAND ROTATION.
-			0	COOLING WATER COOLED POSITIVE DISPLACEMENT TYPE WATER PUMP.
-			0	TRANSOM HEIGHT 15" OR 20".
-			0	WEIGHT 79 LBS.
-			0	TILT LOCK POSITIVE TILT LOCK, PERMITS ENGINE TO REMAIN IN TILTED POSITION WHEN NOT IN USE.
-			0	RECOMMENDED OPERATING RANGE 4300 - 5200 R.P.M.

LUBRICATION CHART

REF. NO.	PART NO.	SYM.	QTY.	DESCRIPTION
-			0	STARTER PINION GEAR SAE 30 MOTOR OIL, IF STARTER OPERATION BECOMES SLUGGISH
-			0	STARTER SPOOL BEARINGS SAE 30 MOTOR OIL IF STARTER OPERATION BECOMES SLUGGISH
-			0	THROTTLE CAM FOLLOWER SAE 30 MOTOR OIL TWICE EACH SEASON, OFTENER IF REQUIRED
-			0	MAGNETO CONTROL SHAFT BEARINGS SAE 30 MOTOR OIL TWICE EACH SEASON, OFTENER IF REQUIRED
-			0	STEERING HANDLE PINION GEAR EP - ALL PURPOSE CHASSIS LUBRICANT TWICE EACH SEASON, OFTENER IF REQUIRED
-			0	STEERING HANDLE BEVEL GEAR EP - ALL PURPOSE CHASSIS LUBRICANT TWICE EACH SEASON, OFTENER IF REQUIRED
-			0	REVERSE LOCK SAE 30 MOTOR OIL TWICE EACH SEASON, OFTENER IF REQUIRED
-			0	CLAMP SCREWS SAE 30 MOTOR OIL TWICE EACH SEASON, OFTENER IF REQUIRED
-			0	STERN BRACKET PIVOT BOLT SAE 30 MOTOR OIL TWICE EACH SEASON, OFTENER IF REQUIRED
-			0	GEAR HOUSING CHRYSLER OUTBOARD GEAR LUBE EVERY 30 HOURS, OFTENER IF REQUIRED.
-			0	FUEL LINE COUPLER RELEASE RING SAE 30 MOTOR OIL TWICE EACH SEASON, OFTENER IF REQUIRED

LUBRICATION CHART

REF. NO.	PART NO.	SYM.	QTY.	DESCRIPTION
-			0	GREASE FITTINGS GREASE FITTINGS ARE PROVIDED AT CRITICAL POINTS WHERE BEARING SURFACES ARE NOT EXPOSED EXTERNALLY. USING AN AUTOMOTIVE TYPE GREASE GUN AND LUBRICANT, GREASE TWICE EACH SEASON OR OFTENER IF REQUIRED.

SPECIAL ADJUSTMENTS

REF. NO.	PART NO.	SYM.	QTY.	DESCRIPTION
-			0	BREAKER POINT GAP .020"
-			0	SPARK PLUG CHAMPION L-4-J, GAP .030".
-			0	SPARK PLUG CHAMPION QL-4J FOR MODEL 101B8A
-			0	ADJUSTING STEERING TENSION STEERING TENSION CAN BE ADJUSTED BY TURNING THE STEERING FRICTION ADJUSTING SCREW, ILLUSTRATION 76, PAGE 13 IN THE DIRECTION REQUIRED.
-			0	POINT OF THROTTLE OPENING SEE BLOCK COMMENT 1.
-			0	FLYWHEEL NUT

PARTS INDEX

Part Number	Description	Pg.	Ref. No.	Part Number	Description	Pg.	Ref. No.
167	IGNITION CUT-OFF KIT	39	-	F1490	HEX NUT, 1/4 - 20	15	34
491	CARRYING HANDLE	39	-	F1502	HEX CAP SCREW, 1/4 - 20 X 5/8	25	91
510373-1	DECAL, MAGNAPOWER III	13	43	F1504	FILL HD SCREW, 1/4 - 20 X 1/4	19	35
525228	ROLLER SET, CONNECTING ROD (16 PER SET)	19	21	F15127	CAP ASSEMBLY, COMMUTATOR END	9	10
5H061	FROST WHITE LACQUER	39	-	F15129	NUT W/LOCKWASHER	9	15
72H32	GOLD LACQUER	39	-	F1513	HEX NUT, 10 - 32	13	42
817751A3	STEERING HANDLE BRACKET W/GREASE FITTING	23	9	F15130	NUT	9	16
817754A1	ARM, CARBURETOR FOLLOWER	15	2	F15132	WASHER, FIBER	9	18
817758A1	BRACKET, COVER LATCH W/SCREWS, NUTS AND ROLLERS	5	42	F15133	WASHER	9	17
817761A2	CLAMP SCREW W/FOOT AND STUD	23	34	F15134	ARMATURE	9	8
817796A2	GEAR SHIFT ARM	29	30	F15135	CAP ASSEMBLY, DRIVE END	9	5
817971A3	LEVER, MAGNETO CONTROL	19	33	F15136	HOUSING ASSEMBLY	9	9
865	TWIN SYNCHRO-DRIVE CONTROL BOX	39	-	F15137	WASHER	9	6
89396A38	PRIME BULB	33	6	F15138	SPRING, BRUSH	9	12
A517396	DECAL, STARBOARD, "CHRYSLER"	3	-	F15139	PINION ASSEMBLY	9	4
A517397	DECAL, PORT "CHRYSLER"	3	7	F15140	SPRING	9	3
AC16395-8	PLATE, IDENTIFICATION W/SCREWS, CANADA	3	-	F15141	PINION STOP	9	2
F10006	GASKET SET, CARBURETOR (NOT SHOWN)	17	-	F15142	STOP NUT	9	1
F1027	COTTER PIN	31	52	F15143	DISC	9	11
F1069	FILL HD SCREW, 10 - 24 X 1/16	7	14	F15144	SCREW, THRU BOLT	9	14
F1075	FILL HD SCREW, 10 - 24 X 1/2	11	36	F15145	GASKET	9	7
F1090	FILL HD SCREW W/SPRING LOCKWASHER, 10 - 24 X 9/16	11	26	F15146	WASHER	9	13
F1107	FILL HD SCREW, 1/4 - 20 X 3/4	19	37	F1556	FILL HD M. SCREW W/SPRING LOCKWASHER, 10 - 24 X 3/8	11	18
F1111	FILL HD SCREW, 1/4 - 20 X 7/8	21	48	F1577	FILL HD SCREW, 1/4 - 20 X 3/4	7	3
F1286	PAN HD SCREW, 4 - 40 X 3/16	7	5	F1577	FILL HD SCREW, 1/4 - 20 X 3/4	11	9
F1293	DRIVE SCREW	3	33	F1608	SQUARE NUT, 1/4 - 20	25	73
F1303	SLOTTED PAN HD M. SCREW, 8/32 X 3/4	11	24	F1645	RD HD THREAD CUTTING SCREW, 6 - 32 X 1/4	11	25
F1335	FILL HD SCREW, 5/16 - 18 X 1/4	19	38	F1646	HEX SOCKET HD CAP SCREW, 3/8 - 16 X 2 1/4	11	8
F1337	HEX NUT, 6 - 32	11	5	F1648	PAN HD SCREW, 10 - 24 X 3/4	11	13
F1339	HEX NUT, 10 - 24	21	51	F1666	BOWED SPRING WASHER	23	27
F1341	HEX NUT, 1/4 - 20	23	45	F1678	FILL HD SCREW, 10 - 24 X 13/16	11	32
F1346	HEX NUT, S.S., 3/8 - 16	29	23	F1704	INTERNAL TOOTH LOCKWASHER	11	4
F1365	SQUARE NUT, 10 - 24	15	4	F1733	PAN HD SC. 10 - 24 X 9/16	31	56
F141118	SEAL, CRANKSHAFT LOWER	19	23	F174017	PIN, PISTON	19	16
F141118	SEAL, PROPELLER SHAFT	31	46	F1753	FASTENER	3	3
F141305	SEAL, PROPELLER SHAFT BEARING CAGE	31	47	F1755	HD SCREW W/LOCKWASHER, 6 - 32 X 5/16	15	42
				F17932	SEAL	33	11
				F1794	SPRING PIN	25	65
				F1794	SPRING PIN	25	80
				F1799	TRUSS HD SCREW, 5/16 - 18 X 5/8	23	8
				F1802	FILL HD SCREW, 1/4 - 20 X 9/16	11	20
				F1803	STOP NUT, 5/16 - 24	19	30
				F1804	STOP NUT, 10 - 32	3	39
				F1805	SPRING PIN	25	89

PARTS INDEX

Part Number	Description	Pg.	Ref. No.	Part Number	Description	Pg.	Ref. No.
F1806	GROOVE PIN	25	59	F213274	GREASE FITTING	25	54
F1807	GROOVE PIN	25	88	F213342	SEAL, FUEL LINE COUPLER	33	1
F1809	HEX NUT	11	29	F213735	SEAL, FUEL LINE COUPLER	33	2
F18160-2	REED, FUEL PUMP	7	7	F235785	DECAL, COMPLIANCE, (CANADA)	5	49
F1820	FILL HD SCREW, 1/4 - 20 X 1 3/8	25	76	F24074	CLAMP SCREW FOOT	23	38
F1823	HEX CAP SCREW, 5/16 - 18 X 1	19	13	F24748-2	GASKET, FUEL PUMP	7	9
F1829	FILL HD M. SCREW, 10 - 24 X 7/8	11	1	F269316	ROLLER SHAFT	3	40
F1829	FILL HD SCREW, 10 - 24 X 7/8	23	20	F2706772	HOSE CLAMP	7	12
F1834	FILL HD SCREW, 10 - 24 X 7/8	15	1	F2752253	HOSE, FUEL PUMP TO BUSHING	7	15
F183813	BEARING, MAGNETO CONTROL LEVER	19	34	F2771254	HOSE, FUEL PUMP TO CARBURETOR	7	13
F1845	TY-RAP	13	50	F2788004	STUD, CARBURETOR	15	38
F1859	HEX SOCKET HEADLESS SET SCREW	23	3	F28004	STUD, INTERLOCK LEVER	19	10
F1859	HEX SOCKET HEADLESS SET SCREW, 1/4 - 28 X 3/16	19	-	F286011	WASHER, SWIVEL BRACKET	27	97
F1887	HEX SLOTTED HD SCREW, 1/4 - 20 X 3/16	27	106	F286015-3	PISTON	19	18
F18906	CARBURETOR GASKET	15	37	F286019	KING PIN	23	44
F1912	HEX HD SCREW, 10 - 24 X 1/2	15	40	F286028	BEARING, CRANKSHAFT UPPER MAIN	21	59
F1914	HEX HD SCREW, 1/4 - 20 X 3/4	15	32	F286037	STERN BRACKET PIVOT BOLT	23	24
F1915	HEX HD SCREW, 1/4 - 20 X 7/8	19	28	F286079-1	STEERING HANDLE	23	21
F1922	HEX HD SCREW, 1/4 - 20 X 5/8	19	5	F286080	SCREW, STEERING HANDLE PIVOT	25	87
F195/	REMOTE CONTROL CABLES	39	-	F286114	LOCK BAR HANDLE	23	43
F197319	BEARING, CHOKE ROD	3	31	F286134	STUD, GEAR SHIFT LEVER	3	38
F1975	SPRING LOCKWASHER	11	2	F286151	PLATE, EXHAUST	19	25
F1976	SOCKET HD SCREW W/WASHER, 10 - 24 X 1/2	29	11	F286152	COVER, EXHAUST	19	26
F197767-1	BUSHING, FUEL LINE	3	24	F286154	GASKET, EXHAUST COVER	19	24
F197787-3	FUEL LINE COUPLER	33	3	F286159-1	GASKET, REED PLATE	17	46
F1978	SPRING PIN	23	6	F286169	BEARING, SWIVEL BRACKET	25	53
F197813	BEARING	23	14	F286169	BEARING, SWIVEL BRACKET	25	78
F197813	BEARING	25	79	F286192	THROTTLE CAM	11	37
F197813	BEARING, INTERLOCK LEVER	21	53	F286220	WASHER, STEERING HANDLE	23	15
F197813	BEARING, STEERING HANDLE STOP	25	85	F286223	GASKET, TRANSFER PORT COVER	19	7
F1979	PAN HD SCREW, 10 - 24 X 1/2	3	10	F286224	INSERT, STEERING HANDLE PIVOT	23	13
F1994	HEX SOCKET HD CAP SCREW, 5/16 - 18 X 1	31	48	F286244	WATER LINE	25	48
F1999	HEX CAP SCREW, 1/4 - 20 X 7/8	13	44	F286277	GASKET, CRANKSHAFT BEARING CAGE	21	45
F2002	STOP NUT, 5/16 - 18	3	30	F286279-2	GASKET, CYLINDER MOUNTING	19	29
F2012	PLAIN WASHER	27	108	F286282	WASHER	19	31
F2030	FLAT HD SCREW, 1/4 - 20 X 1/4	29	3	F286286-1	WASHER, STERN BRACKET	25	64
F2040	TAPTITE HEX WASHER HD SCREW, 1/4 - 20 X 5/8	21	61	F286300	SPRING, REVERSE LOCK	25	55
F2097	SPRING PIN	29	38	F286316	THROTTLE CAM FOLLOWER	15	33
				F286346	SHOCK MOUNT LOWER	25	50
				F286364	LEVER, REVERSE LOCK	25	71
				F286414	SPRING, LEG WATER BRACKET	25	82
				F286422-1	TILT LOCK PIVOT	23	26
				F286422-1	TILT LOCK PIVOT	25	51
				F286433	BRACKET SHALLOW WATER DRIVE	25	58

PARTS INDEX

Part Number	Description	Pg.	Ref. No.	Part Number	Description	Pg.	Ref. No.
F286445	LINK, MAGNETO SHAFT . . .	19	32	F346146	SEAL, CRANKSHAFT UPPER	21	47
F286451	SPACER, TILT LOCK	23	29	F36634	SCREW, CONNECTING ROD	21	40
F286451	SPACER, TILT LOCK	25	52	F392756	PACKING, SUPPORT PLATE	3	18
F286461	SPRING, LOCK BAR HANDLE	23	42	F40008	STUD	29	28
F286490	STEERING HANDLE STOP . . .	25	86	F40342	SEAL, PROPELLER NUT . . .	31	53
F286509	LINK, THROTTLE CAM	19	36	F404908	GROUND WIRE	11	35
F286529-3	GASKET, CYLINDER HEAD . .	19	4	F40717	THRUST WASHER BEVEL GEAR	29	41
F286539	BUMPER	25	93	F409251-1	GAUGE CAP	33	10
F286544-1	SPRING, TILT STOP	23	30	F424075	HANDLE, CLAMP SCREW . .	23	33
F286571	ROLLER SET, MAIN BEARING (26 PER SET) . .	21	42	F424161	REED STOP	15	43
F286573-1	CLAMP, STEERING HANDLE	25	74	F424168-1	GASKET, MANIFOLD	15	41
F286585-1	DECAL, TILT RELEASE (NOT SHOWN)	27	-	F429472	GASKET, CYLINDER DRAIN COVER	19	9
F286611-1	ROD, GEAR SHIFT	3	37	F429541	TILT LOCK	23	28
F286614	HANDLE, GEAR SHIFT	3	23	F429688	SHAFT, STEERING HANDLE	23	10
F286615	GEAR SHIFT ROD UPPER . .	29	2	F429811	SCREEN	21	57
F286647	CARRYING HANDLE	23	32	F430732	HEX HD SCREW, 5/16 - 18 X 1/4	29	15
F286685	CONNECTOR, GEAR SHIFT ROD	3	36	F431061-2	CARBURETOR COMPLETE (CO7C)	17	47
F286777	CAM, COVER LATCH	3	29	F431838	MAGNETO CONTROL SHAFT	25	94
F286818	BEARING	23	12	F435555	SEAL, GEAR HOUSING LOWER	29	25
F286827	REVERSE LOCK RELEASE LEVER	25	66	F436065	WATER PUMP IMPELLER . .	29	9
F286868	SPRING, STEERING HANDLE STOP	25	84	F436449	SHORTING SWITCH	11	17
F286871	PIN, GEAR SHIFT LEVER . .	3	17	F455118	SEAL, FUEL PUMP BRACKET	7	1
F286876	LEVER, GEAR SHIFT	3	15	F458250	BEARING CUP	29	34
F286894-3	STEERING HANDLE INDICATOR (NOT SHOWN)	27	-	F458498	KEY, FLYWHEEL	13	49
F286914	SLEEVE WATER LINE	25	49	F458677	INSERT, CHOKE KNOB	3	27
F286956	BRACKET, SHOCK MOUNT LOWER	25	46	F458695	SLEEVE	27	99
F286989-2	SEAL, SUPPORT PLATE	3	22	F461342	SEAL, DRIVESHAFT SPLINE	21	58
F298788	FERRULE	33	4	F474143	BEARING, BEVEL GEAR REAR	29	43
F2A424167	MANIFOLD W/STUDS AND PULLEY	15	39	F474225	BEARING, PROPELLER SHAFT REVERSE THRUST	31	45
F2A474298	PROPELLER SHAFT BEARING CAGE W/SEALS AND BEARING CUP	31	49	F476	FUEL LINE ADAPTION KIT . .	39	-
F2A477133	MOTOR LEG	25	77	F485755-1	FUEL TANK ADAPTER	33	8
F2A516023	BEVEL GEAR FORWARD W/BEARING	29	35	F487660-1	EXHAUST TUBE	19	27
F2A516266	PINION SHAFT W/BEARING	29	29	F487711	PLATE, ENGINE COVER	5	44
F307317	CLIP, TERMINAL BLOCK GROUND	11	14	F487816	BEARING, STEERING HANDLE	23	18
F307818	BEARING	3	14	F492417	SHAFT, GEAR SHIFT HANDLE	5	45
F307818	BEARING	27	95	F492518	HEAD, CYLINDER	19	3
F31160-1	REED	17	44	F492619	LEVER, GEAR SHIFT SHAFT	3	35
F31410	RETAINING RING, PISTON PIN	19	15	F493683	WIRE	11	40
F338618-1	SEAL, SHIFT ROD LOWER . .	29	22	F498618	NYLTITE WASHER	29	32
F341384	RETAINER, CHOKE ROD . . .	15	11	F498891	GEAR SHIFT ARM PIN	29	31
F341562	WATER PUMP BACK PLATE	29	10	F50109	GEAR HOUSING PLUG	29	18
F341693	WEDGE, STEERING HANDLE	23	17	F510029	STATOR, TRIGGER	11	34
F343014	BEARING, CRANKSHAFT LOWER MAIN	19	22	F510095	STATOR, ALTERNATOR	11	33
F343128	DRIVESHAFT	29	7	F510097	FLYWHEEL	11	31
F343226-1	PLUG	3	8	F510165	SCREW	19	5A
				F510180	TRIM, ENGINE COVER, REAR	3	4
				F510222	COVER, TRANSFER PORT . .	19	6
				F510288	NUT, SHORTING SWITCH . .	11	16
				F510301	C-D MODULE	13	46

PARTS INDEX

Part Number	Description	Pg.	Ref. No.	Part Number	Description	Pg.	Ref. No.
F510374	DECAL, CIRCUIT BREAKER	11	28	F5H027	STEEL, 6 GALLON FUEL TANK W/HOSE	39	-
F510398	DECAL, WIRING	11	7	F5H054	REMOTE STEERING BRACKET	39	-
F510427	BRACKET, STARTER SUPPORT	7	2	F5H062	WATER PUMP KIT	39	-
F510446	CLAMP, BATTERY CABLE	11	38	F5H088	REMOTE CONTROL CONVERSION KIT	39	-
F510449	NEUTRAL INTERLOCK SWITCH	13	47	F5H090	REMOTE START KIT	39	-
F510450-1	RECTIFIER	11	23	F5H130	SYNCHRO-DRIVE CONTROL BOX (SINGLE LEVER)	39	-
F510460	CIRCUIT BREAKER	11	27	F5H131	PORT SIDE DECAL KIT	39	-
F510475	IGNITION COIL	11	3	F66193	THROTTLE LINK	15	3
F510531	ROD, INTERLOCK	21	52	F66480	STUD CLAMP SCREW	23	37
F510540	BRACKET, STARTER SWITCH	11	21	F7005	STOP NUT, 3/8 - 16	23	39
F510551	BRACKET, INTERLOCK SWITCH	21	60	F7008	STOP NUT, 1/4 - 20	21	55
F510595	INSULATOR, CIRCUIT BREAKER	11	41	F7011	ELASTIC STOP NUT, 10 - 24	3	11
F510661	PAD, STARTER MOTOR	5	48	F7011	STOP NUT, 10 - 24	3	20
F510669	NUT, INTERLOCK SWITCH AND STARTER SWITCH	11	22	F7024	LOCK NUT	27	107
F510675-1	STARTER SUPPORT	11	10	F73082	RING, MAGNETO STATOR	21	44
F510683	WIRE, RECTIFIER - CIRCUIT BREAKER	13	48	F78318	ROLLER, THROTTLE CAM FOLLOWER	15	35
F510746	FUEL PUMP COVER	7	10	F78410	RETAINER	15	36
F510811	FILTER, FUEL PUMP	7	16	F8003	PLAIN WASHER	7	6
F510841	WIRE, STARTER INTERLOCK SWITCH	11	12	F8025	PLAIN WASHER	19	2
F510908	WIRE, GROUND	11	15	F8039	PLAIN WASHER	23	23
F510918	STARTER SWITCH	11	19	F8048	BOWED SPRING WASHER	3	21
F510955	STARTER MOTOR COMPLETE	9	-	F8058	INTERNAL TOOTH LOCKWASHER	3	13
F516349	REVERSE LOCK	25	56	F8058	INTERNAL TOOTH LOCKWASHER	23	19
F516552	SCREW, STEERING LOCK BRACKET	27	105	F8060	EXTERNAL TOOTH LOCKWASHER	25	92
F516584	GUIDE, SPRING DETENT	29	19	F8065	LOCKWASHER	29	24
F516662	GEAR, BEVEL REAR	29	42	F8077	NYLTITE WASHER	29	17
F516677	SPACER, REVERSE LOCK	27	102	F8083	SPRING LOCKWASHER	13	45
F516697	NUT, STEERING LOCK BRACKET	27	104	F8083	SPRING LOCKWASHER	25	47A
F516704-1	COUPLING SHIFT ROD	29	12	F84026	SWIVEL, INTERLOCK ROD BEARING	21	50
F516705	GEAR SHIFT ROD LOWER	29	14	F84035-2	BEARING, INTERLOCK ROD	21	49
F516885	PLUG, SPRING HOLDING	29	21	F8537	SPRING PIN	23	36
F516895	SPRING, SHIFT DETENT	29	20	F8538	SPRING PIN	25	70
F517078	BRACKET, LOCK STEERING	27	103	F8538	SPRING PIN	27	98
F517125	COUPLING, DRIVESHAFT	29	26	F8540	SPRING PIN	3	34
F517273	TIE BAR	27	101	F8540	SPRING PIN	23	41
F517347	SHOCK MOUNT UPPER	25	83	F8540	SPRING PIN	29	13
F517400	DECAL, SHIFT	5	46	F8542	SPRING PIN	3	16
F517528	DECAL, TRIM REAR	5	43	F8542	SPRING PIN	29	1
F517896	BATTERY CABLE	11	39	F8548	SPRING PIN	27	100
F517977-1	LEVER, INTERLOCK	21	54	F8554	SPRING PIN	23	35
F525286	WASHER	27	96	F8559	DOWEL PIN	19	14
F53795-1	SEAL, STEERING HANDLE GRIP DAMPENER	23	22	F85610	BEARING	23	2
F596	CHRYSLER OUTBOARD OIL	39	-	F85735-1	SEAL	3	2
F597	CHRYSLER OUTBOARD GEAR LUBE	39	-	F866	DUO-DRIVE CONTROL BOX (TWIN LEVER)	39	-
F5H013	FLUSHING ADAPTER	39	-	F901307-2	SEAL	29	4
F5H027	FUEL TANK (ACCESSORY ITEM)	33	9	F901307-2	SEAL, DRIVESHAFT	25	81
				F901456-1	EMERGENCY STARTER COLLAR	11	30
				F901563	WATER PUMP IMPELLER DRIVE PIN	29	8

PARTS INDEX

Part Number	Description	Pg.	Ref. No.	Part Number	Description	Pg.	Ref. No.
F901938-1	SCREW, CYLINDER HEAD	19	1	FA94094-2	PROPELLER NUT W/SEAL & COTTER PIN	31	51
F90619-1	YOKE	29	27	FAC510711	PLATE, FRONT (CANADA) NOT SHOWN	3	-
F90871-3	GEAR SHIFT ARM PIN	29	39	FC310227	SPARK PLUG (QL-4-J) FOR MODEL 101B8	19	-
F92759	ROLLER	5	41	FC409398	DECAL, TOTE TANK (CANADA) (NOT SHOWN)	33	-
F94840	GROMMET, BATTERY CABLE	5	47	FC510010	SHORT BLOCK (NOT SHOWN)	21	-
F98273	STUD, GEAR SHIFT ROD CONNECTOR	3	12	FC510374	DECAL, CIRCUIT BREAKER (CANADA)	11	-
F99521-1	CLUTCH	29	37	FC510398	DECAL, WIRING (CANADA)	11	-
FA174260	PISTON RING SET (2 PER SET)	19	19	FC516054	GEAR HOUSING COMPLETE (NOT SHOWN)	31	-
FA1844	HEX BOLT, 1/4 - 20 X 2 3/8	25	47	FC517400	DECAL, SHIFT (CANADA)	5	-
FA24757-3	FUEL PUMP REED PLATE W/REEDS AND SCREWS	7	8	FC520390	DECAL, STARTER (CANADA)	9	-
FA286113	LOCK BAR W/HANDLE AND SPRING	23	40	FG1005-1	GASKET SET (SEE BELOW)	21	-
FA286155	MAIN BEARING LINER SET (2 PER SET)	21	41	FK247	PROPELLER PIN (PACK OF 6 W/COTTER PIN)	31	54
FA286469	KNOB, COVER LATCH	3	26	FK517032	STERN BRACKET W/CLAMP SCREW AND FOOT	23	25
FA286480	RETAINER, ENGINE COVER W/SCREWS AND NUTS	3	9	FK567532	STERN BRACKET PORT W/CLAMP SCREW AND FOOT	23	31
FA286547	KNOB, CHOKE W/INSERT AND CHOKE ROD	3	28	FK750-2	SPARKIE W/SPRING	11	6
FA286582	STEERING ARM W/SPRING & BUMPER	25	90	FO10165	INLET SEAT GASKET	15	25
FA341510	LINK, REVERSE LOCK LEVER	25	60	FO10280	CHOKE SHUTTER RETAINER SCREW AND LOCKWASHER	15	15
FA343178	RETAINER W/SET SCREW	23	4	FO10588	BODY CHANNEL CUP PLUG	15	6
FA387742	LEVER, REVERSE LOCK INTERMEDIATE	25	69	FO10790	INLET NEEDLE, SEAT AND GASKET	15	24
FA424158	REED PLATE W/REEDS, STOPS AND SCREWS	17	45	FO11103	IDLE MIXTURE SCREW SPRING	15	23
FA429471	COVER, CYLINDER DRAIN W/CHECK VALVES AND SCREWS	19	8	FO12101	MAIN FUEL JET (.045)	15	26
FA456137	GRIP, STEERING HANDLE W/SLEEVE	23	1	FO13554	FLOAT	15	16
FA474098	PROPELLER SHAFT	29	40	FO13944	FLOAT LEVER PIN	15	17
FA487892	INSERT, PLATE FRONT - U.S.A.	3	1	FO13945	FUEL BOWL RETAINING SCREW	15	20
FA487893	INSERT, PLATE FRONT - CANADA	3	-	FO15366	FUEL BOWL	15	18
FA504060	WATER PUMP BODY W/WATER PUMP SEAL	29	6	FO15367	CHOKE SHUTTER	15	14
FA510010	CYLINDER, CYLINDER DRAIN COVER, DOWEL PINS, SCREW & STUDS	19	12	FO15368	CHOKE RELIEF VALVE	15	12
FA510038	PLATE, SUPPORT W/PLUGS	3	19	FO15520	IDLE MIXTURE SCREW	15	22
FA510497	TERMINAL BLOCK	11	11	FO15525	MAIN NOZZLE	15	27
FA510711	PLATE FRONT	3	25	FO15526	THROTTLE SHAFT RETURN SPRING	15	29
FA510914	SEAL, INLET WATER LINE	29	5	FO15623	FUEL BOWL GASKET	15	19
FA516054	GEAR HOUSING LOWER W/PLUG, WASHER AND BEARING CUP	29	33	FO15718	THROTTLE SHAFT AND LEVER	15	28
FA516485	ANODE, ANTI-CORROSION	31	55	FO15736	CHOKE SHAFT AND LEVER	15	10
FA525241	CONNECTING ROD LINER SET (2 PER SET)	19	20	FO15783	CHOKE RELIEF VALVE SPRING	15	13
FA77395-5	PLATE, IDENTIFICATION W/SCREWS, U.S.A.	3	32	FO16027	BYPASS TUBE	15	7
				FO16098	THROTTLE SHUTTER	15	30
				FO2510	FUEL BOWL RETAINING SCREW GASKET	15	21
				FO2531	BODY CHANNEL WELCH PLUG	15	5
				FO4784	CHOKE FRICTION BALL	15	8

PARTS INDEX

Part Number	Description	Pg.	Ref. No.	Part Number	Description	Pg.	Ref. No.
FO8805	CHOKE FRICTION SPRING	15	9	1100-817753A1	CAGE, CRANKSHAFT		
FO8942	THROTTLE SHUTTER				BEARING W/SEAL	21	46
	RETAINING SCREW AND			1400-817750A4	SWIVEL BRACKET		
	LOCKWASHER	15	31		W/GREASE FITTING	25	75
FP278	PROPELLER	31	50	1600-817844A3	GEAR HOUSING UPPER		
FS174227	PLUG, SPARK, L-4-J	19	11		W/BEARING, SEALS,		
FS409752	FUEL LINE COMPLETE (NOT				WASHER AND PLUG	29	16
	SHOWN)	33	-				
FS472712	COVER, ENGINE						
	W/BRACKET, RETAINER						
	AND TILT HANDLE	3	6				
FT1749	SNAP RING PLIERS	36	-				
FT2907	SEAL INSTALLER	37	-				
FT2908	SEAL SLEEVE	36	-				
FT2909	KNOCK-OFF NUT	34	-				
FT2955A	TEST WHEEL	38	-				
FT2984	ARMATURE PULLER	35	-				
FT2985	STARTER REWIND KEY	35	-				
FT2989	FLYWHEEL WEDGE	34	-				
FT2997	RING COMPRESSOR	36	-				
FT2999	TORQUE WRENCH	36	-				
FT3012	SEAL INSTALLER	36	-				
FT3431	SEAL INSTALLER	37	-				
FT8900	HOSE CLAMP PLIERS	36	-				
FT8901	INDICATOR HOLDER	37	-				
FT8902	DIAL INDICATOR	37	-				
FT8904	FORWARD CUP INSTALLER	37	-				
FT8907	DRIVER HANDLE	37	-				
FT8918	BEARING GUIDE SET	37	-				
FT8919	SPRING PIN PUNCH	37	-				
FT8920	BEARING INSTALLER	37	-				
FT8921	CUP REMOVER	37	-				
FT8924-1	CHECKING GAUGE	37	-				
FT8926	RING EXPANDER	36	-				
FT8929	ADAPTER AND HEX BIT	36	-				
FT8937	BEARING INSTALLER	35	-				
FT8948-1	PULLER	37	-				
FT8949	SEAL INSTALLER	36	-				
FT8950	LEAKAGE TESTER	38	-				
FT8957	SEAL INSTALLER	37	-				
FT8982	DIAL INDICATOR POST	37	-				
FT8982	SHIM ADAPTER	37	-				
FT8995	SHIM SPACER	37	-				
22-818103--1	FITTING, FUEL PUMP	7	11				
27-818043A1	FUEL PUMP DIAPHRAGM						
	W/GASKETS	7	4				
32-817738A1	FUEL LINE, LONG W/CLAMP						
	AND FERRULE	33	7				
37-F286585-2	DECAL, TILT RELEASE						
	(CANADA)	27	-				
37-F286894-3	STEERING HANDLE						
	INDICATOR (CANADA)	27	-				
43-818009--1	GEAR, MAGNETO CONTROL						
	SHAFT	23	7				
43-818009--1	GEAR, STEERING HANDLE						
	SHAFT	23	5				
400-818047A3	CRANKSHAFT W/UPPER						
	MAIN BEARING	21	43				
600-FS715016	ROD, CONNECTING W/CAP						
	AND SCREWS	19	17				