



PARTS CATALOG

105 H.P. 120 H.P. 135 H.P.

SERIAL NUMBER

105 (1976)1058BF
105 (1976)1058HF
105 (1976)1059BF
105 (1976)1059HF
120 (1976)1208BF
120 (1976)1208HF
120 (1976)1209BF
120 (1976)1209HF
135 (1976)1358BF
135 (1976)1358HF
135 (1976)1359BF
135 (1976)1359HF

TABLE OF CONTENTS:

ACCESSORIES	56
CARBURETOR	16
CARBURETOR 135 H.P. ENGINES	20
CRANKSHAFT AND PISTON GROUP	34
DISTRIBUTOR	12
ELECTRICAL COMPONENTS	6
ENGINE COVER AND SUPPORT PLATE	2
FUEL PUMP AND REED PLATE	24
FUEL TANK AND LINE	46
GEAR HOUSING	42
LUBRICATION CHART	60
MOTOR LEG	36
PARTS INDEX	62
POWER HEAD	28
REMOTE CONTROL	48
SPECIAL ADJUSTMENTS	61
SPECIAL TOOLS - GEAR HOUSING	54
SPECIAL TOOLS - POWER HEAD	53
SPECIAL TOOLS - TEST EQUIPMENT	55
SPECIAL TOOLS - TUNE UP	52
SPECIFICATIONS	59
STARTER	10

NOTE: Indented description indicate that these parts are included in preceeding assembly.

AR = As Required

NSS = Not Sold Separate

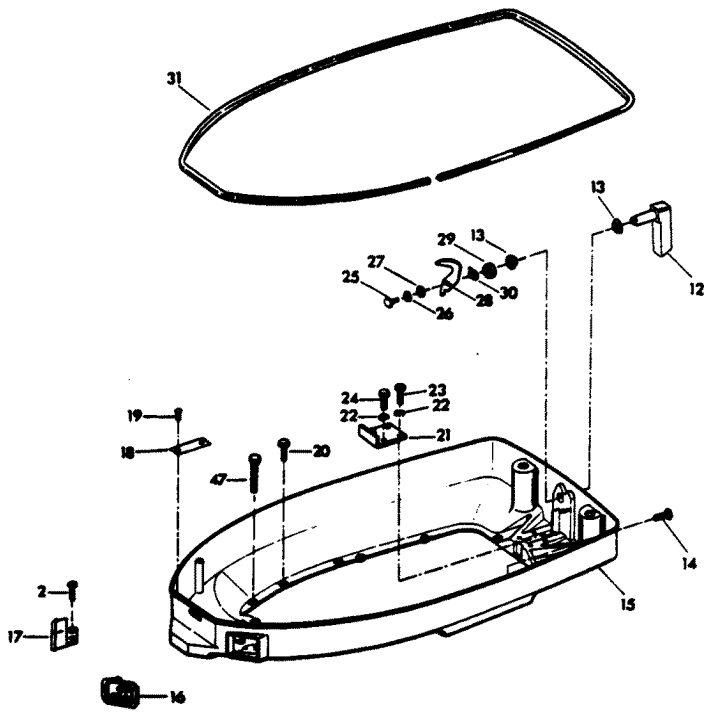
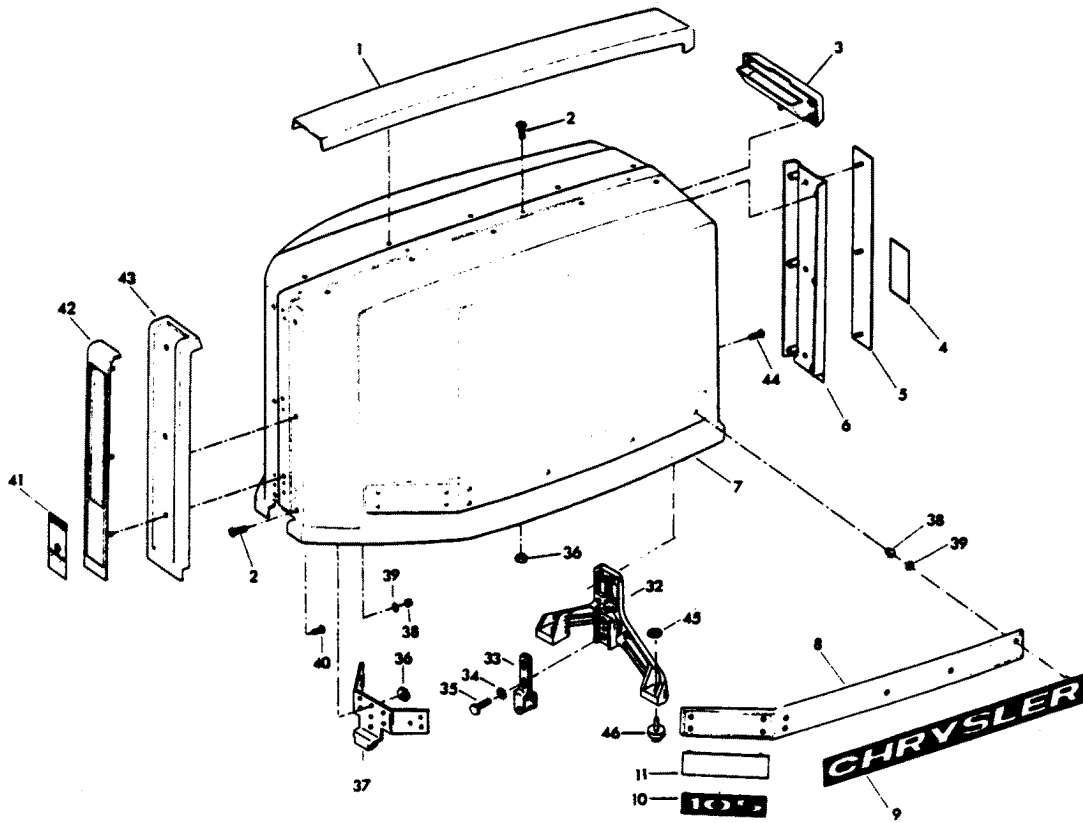
OPT = Optional

NS = Not Shown

THESE PARTS BOOKS/FICHE CARD ARE COPYRIGHTED AND MAY NOT BE DISTRIBUTED OR REPRODUCED IN ANY OTHER FORMAT BY ANYONE OTHER THAN MERCURY MARINE WITHOUT THE PRIOR WRITTEN CONSENT OF MERCURY MARINE.

THIS PAGE INTENTIONALLY LEFT BLANK

ENGINE COVER AND SUPPORT PLATE

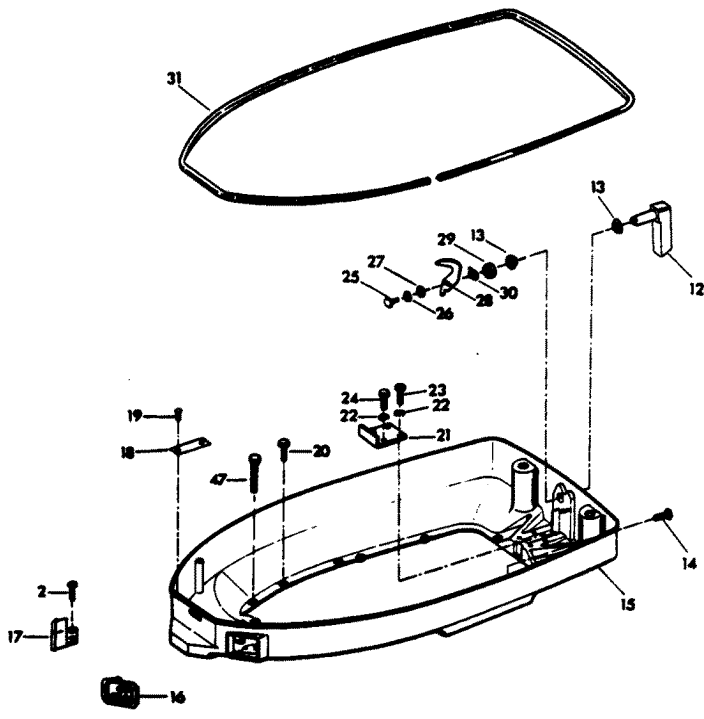
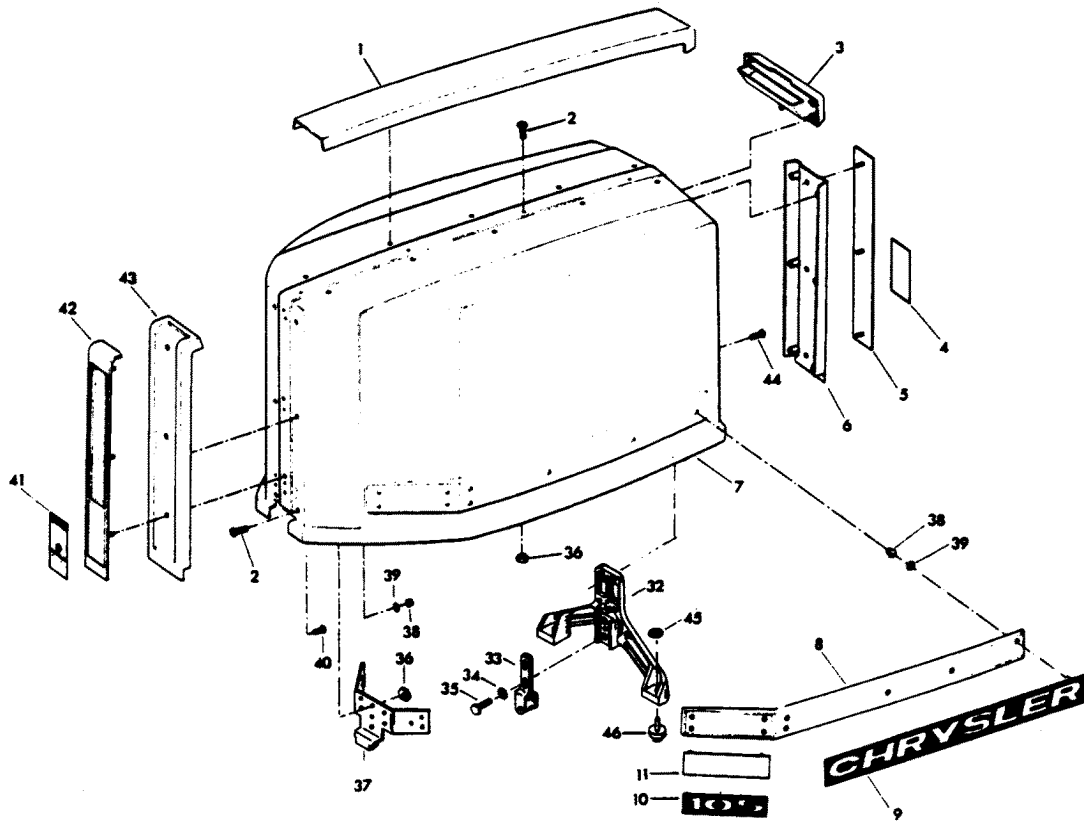


ENGINE COVER AND SUPPORT PLATE

REF. NO.	PART NO.	SYM.	QTY.	DESCRIPTION
1	FS480179		1	TRIM TOP
2	F1733		6	PAN HD MACHINE SCREW, 10 - 24 X 9/16
3	FS480269		1	TILT HANDLE
5	F489386		1	PLATE REAR
6	FS489180		1	TRIM REAR
7	FA489944		1	ENGINE COVER W/RETAINER, SCREWS AND NUTS
8	F333392		2	PLATE SIDE
9	F463366		2	NAME "CHRYSLER"
11	F373512		2	PLATE INSERT
12	FA481469		1	HANDLE W/SHAFT
13	F480818		2	BEARING
14	F1238		6	HEX CAP SCREW, 1/4 - 20 X 3/4
15	F480038-2		1	SUPPORT PLATE
16	F310189		1	BUSHING, ELECTRIC CABLE
17	F311189-1		1	BUSHING, CABLE ENTRY
18	FA77395-5		1	IDENTIFICATION PLATE W/SCREWS FOR U.S.A. MODELS
-	AC16395-7		1	IDENTIFICATION PLATE W/SCREWS FOR CANADA MODELS
19	F1293		2	ROUND HD SCREWS, 2 X 3/16
20	F1502		5	HEX CAP SCREW, 1/4 - 20 X 5/8
21	F335654-1		1	DEFLECTION STOP
22	F8096		4	SPRING LOCKWASHER
23	F1857		2	HEX CAP SCREW, 5/16 - 18 X 5/8
24	F1858		2	HEX CAP SCREW, 5/16 - 18 X 1
25	F1854		1	HEX CAP SCREW, 1/4 - 20 X 5/8
26	F8083		1	SPRING LOCKWASHER
27	F8094		1	PLAIN WASHER
28	F481777		1	CAM, LATCH
29	F481382-1		1	SPACER, LATCH SHAFT
30	F2047		1	WAVE SPRING LOCKWASHER
31	F321756		1	PACKING, COVER
32	F481774		1	BRACKET, COVER LATCH
33	FA481743		1	ROLLER BRACKET
34	F8096		2	SPRING LOCKWASHER
35	F1857		2	HEX CAP SCREW, 5/16 - 18 X 5/8
36	F1473		7	HEX NUT
37	F373778-1		1	RETAINER, ENGINE COVER
38	F1753		25	FASTENER
39	F85735-1		25	SEAL
40	F2066		30	PAN HD TAPPING SCREW, 10 X 7/16 (TRIM TO COVER)
41	FA467892		1	INSERT PLATE FRONT - U.S.A.
-	FA467893		1	INSERT PLATE FRONT - CANADA
42	F489711		1	PLATE, ENGINE COVER FRONT
43	FS489888		1	TRIM FRONT

CONTINUED ON NEXT PAGE ➡

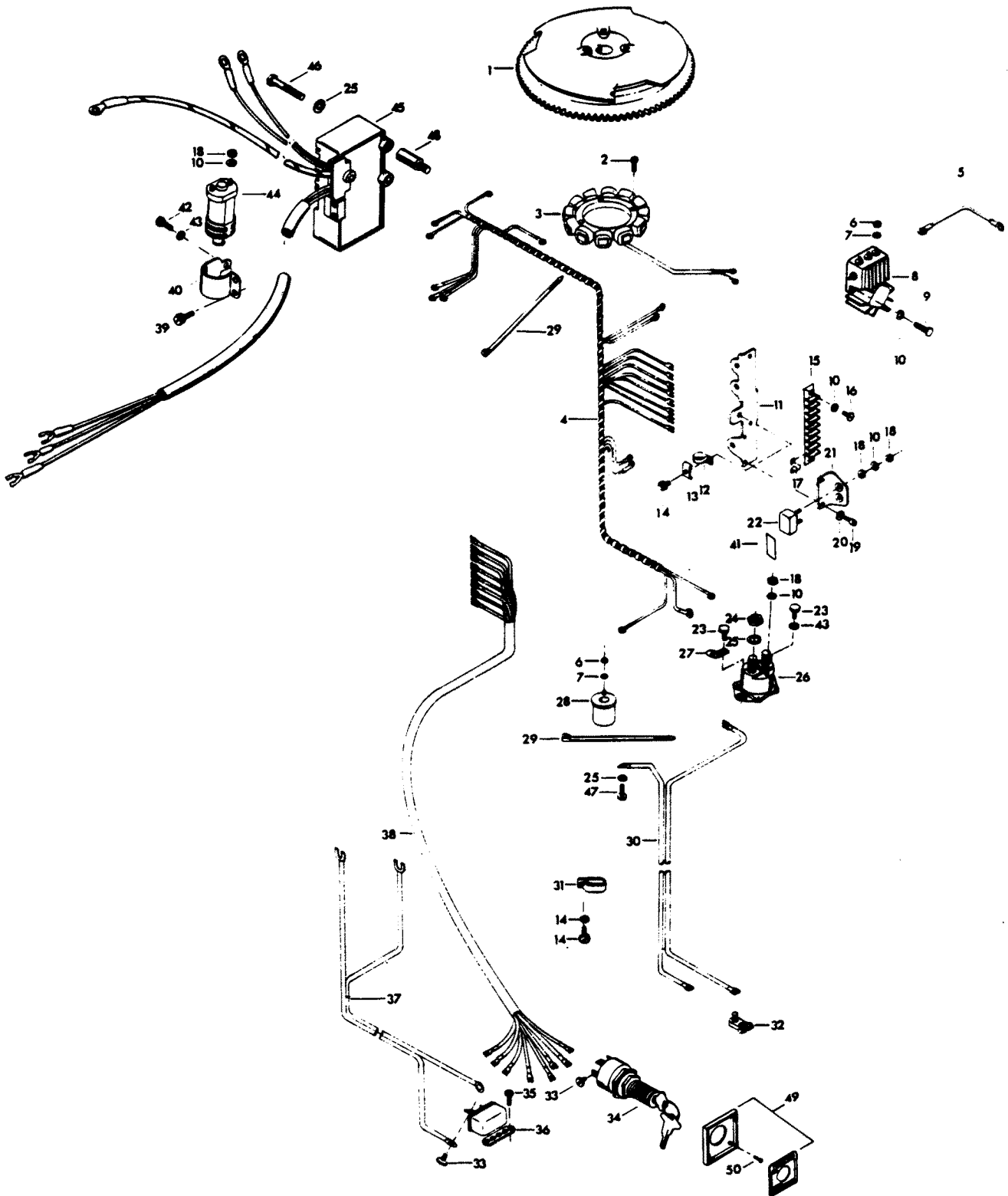
ENGINE COVER AND SUPPORT PLATE



ENGINE COVER AND SUPPORT PLATE

REF. NO.	PART NO.	SYM.	QTY.	DESCRIPTION
44	F1730		4	PAN HD SCREW W/SPRING LOCKWASHER, 1/4 - 20 X 5/8
45	F2088		2	FASTENER
46	F481434		2	GUIDE, ENGINE COVER
47	F1849		2	HEX HD CAP SCREW, 1/4 - 20 X 1 3/8
-	F438984-1		1	BLANKET, SILENCER TOP (NOT SHOWN)
-	F489985		2	BLANKET, SILENCER SIDE (NOT SHOWN)
4	FA489528		1	INSERT, PLATE REAR
10	FA489385		2	INSERT, PLATE SIDE
4	FA490528		1	INSERT, PLATE REAR
10	FA490385		2	INSERT, PLATE SIDE
4	FA491528		1	INSERT, PLATE REAR
10	FA491385		2	INSERT, PLATE SIDE

ELECTRICAL COMPONENTS

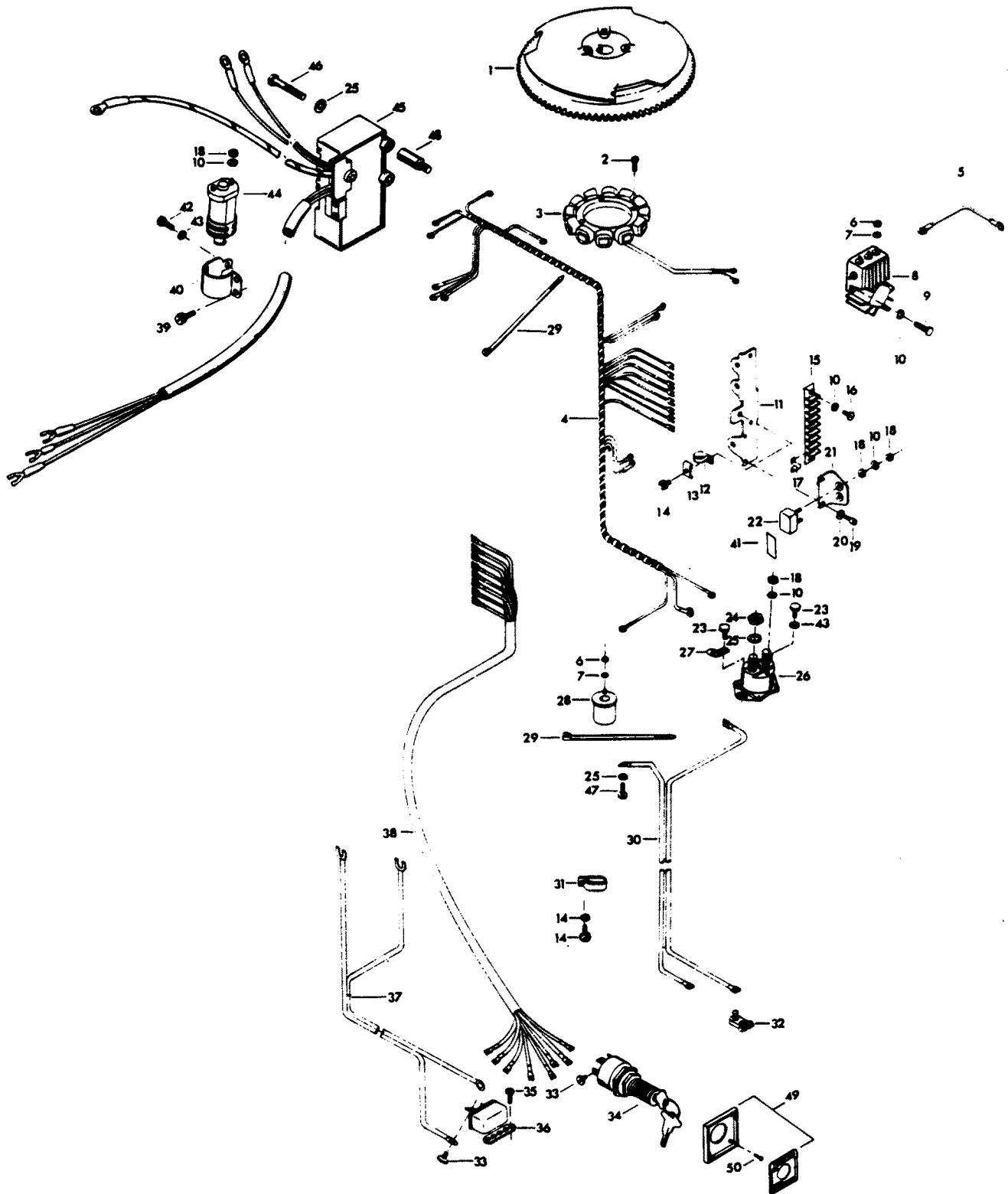


ELECTRICAL COMPONENTS

REF. NO.	PART NO.	SYM.	QTY.	DESCRIPTION
1	F404097		1	FLYWHEEL
2	F1678		6	FILL HD SCREW, 10 - 24 X 13/16
3	F85095-2		1	STATOR
4	F438744-1		1	WIRING HARNESS
5	F345683		1	WIRE, REGULATOR-RECTIFIER GROUND
6	F1647		5	HEX NUT, 8 - 32
7	F8056		7	SPRING LOCKWASHER
8	F404470-1		1	REGULATOR-RECTIFIER
9	F2001		3	FILL HD SCREW, 10 - 24 X 5/8
10	F1975		11	SPRING LOCKWASHER
11	FA438493		1	TERMINAL BLOCK BRACKET
12	F289446-1		1	CLAMP
13	F438668		1	RETAINER, CABLE CLAMP
14	F1734		2	FILL HD SCREW W/LOCKWASHER, 1/4 - 20 X 1/2
15	FA510497		1	TERMINAL BLOCK
16	F1648		2	PAN HD SCREW, 10 - 24 X 3/4
17	F307317		1	CLIP, TERMINAL BLOCK
18	F1513		8	HEX NUT
19	F1760		2	PAN HD SCREW, 10 - 24 X 3/8
20	F8011		2	PLAIN WASHER
21	F91446-1		1	CIRCUIT BREAKER BRACKET
22	F510460		1	CIRCUIT BREAKER
23	F1705		2	HEX CAP SCREW, 1/4 - 20 X 3/4
24	F1615		2	HEX NUT
25	F8094		6	SPRING LOCKWASHER
26	F460917		1	STARTER RELAY
27	F404446		1	CLAMP
28	F85924		1	CHOKE SOLENOID
29	F1877		2	TY-RAP
30	F381896-4		1	BATTERY CABLE
31	F407446		1	CLAMP
32	F71H26		1	BATTERY CABLE CLAMP KIT (ACCESSORY ITEM)
33	F1280		7	PAN HD SCREW, 8 - 32 X 1/4
34	F74H20		1	IGNITION SWITCH (LONG BARREL) W/KEYS AND SCREWS (ACCESSORY ITEM)
35	F1741		2	PAN HD SCREW, 8 X 3/4
36	F71H30		1	OVERHEAT BUZZER (ACCESSORY ITEM)
37	F404841		1	CABLE, HEAT INDICATOR
38	F85843-1		1	REMOTE ELECTRIC CABLE, 18 FEET
39	F1851		2	FILL HD SCREW W/LOCKWASHER, 10 - 24 X 1/2
40	F404513		1	COIL CLAMP
41	F510374		1	DECAL, CIRCUIT BREAKER
42	F1689		1	HEX HD CAP SCREW, 1/4 - 20 X 1/2

CONTINUED ON NEXT PAGE ➡

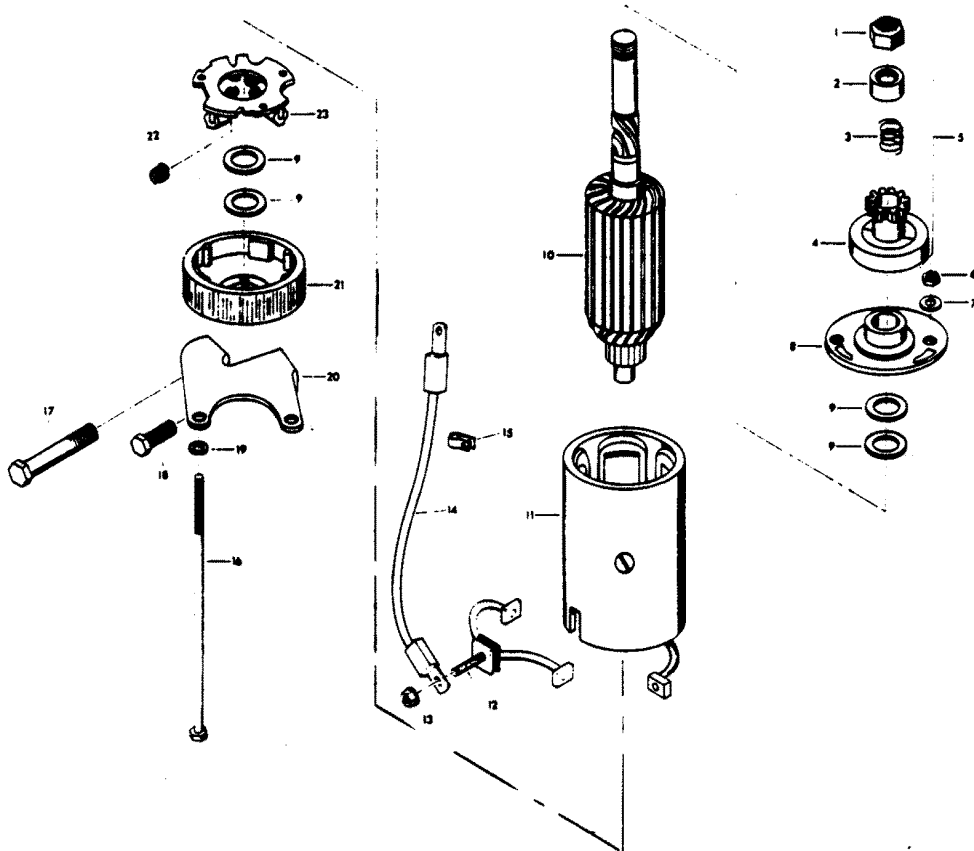
ELECTRICAL COMPONENTS



ELECTRICAL COMPONENTS

REF. NO.	PART NO.	SYM.	QTY.	DESCRIPTION
43	F8083		2	SPRING LOCKWASHER
44	F345475-1		1	COIL
45	817855A1		1	UNIT (ORIGINAL FORCE P/N A 523301-1)(Does not include Coil & Clamp)
46	F2027		3	HEX CAP SCREW, 5/16 - 18 X 3
47	F2000		1	HEX CAP SCREW, 5/16 - 18 X 3/4
48	F322273		1	STUD, C. D. UNIT
49	F71H21		1	IGNITION SWITCH MOUNTING KIT (ACCESSORY ITEM)
50	F1934		4	FLAT HD SLOTTED SCREW, 6 X 12
-	480373		1	DECAL, MAGNAPOWER IGNITION (NOT SHOWN)
-	F474387		1	TIMING DECAL (NOT SHOWN)

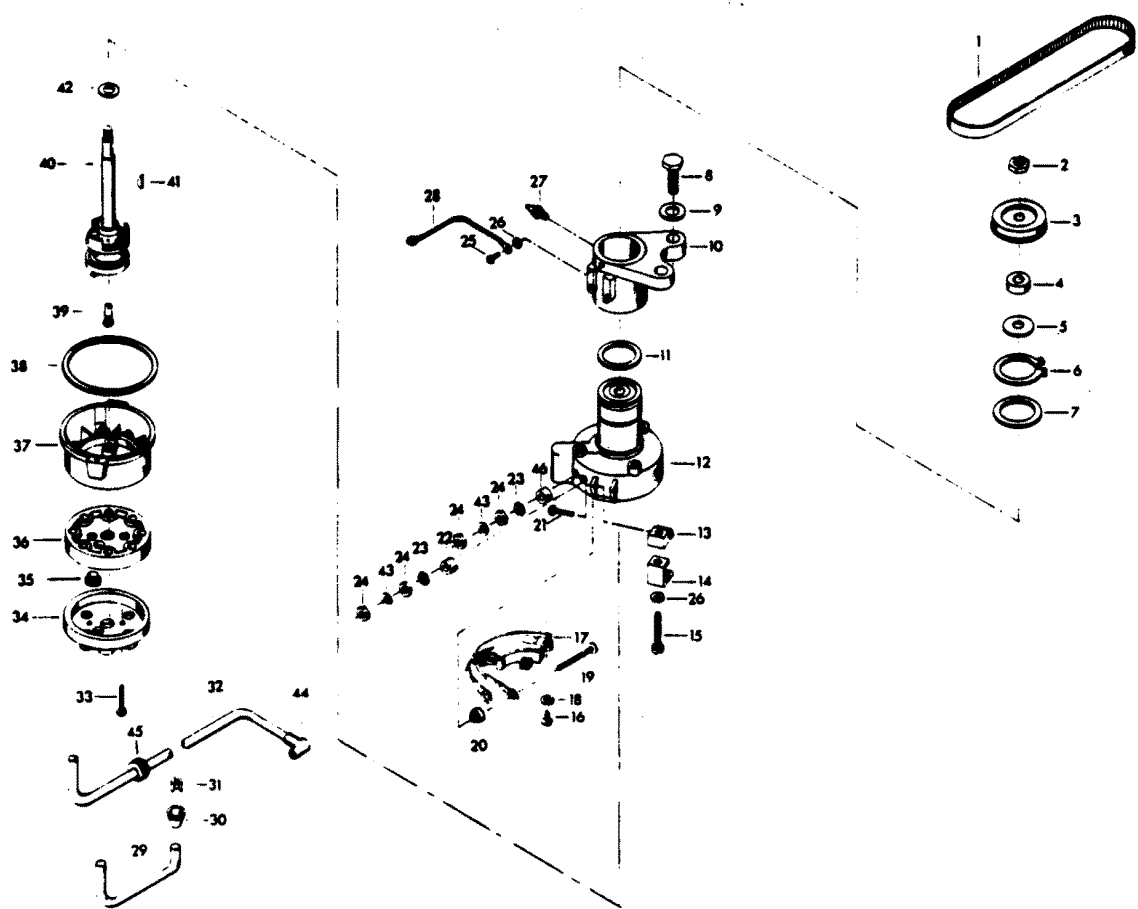
STARTER



STARTER

REF. NO.	PART NO.	SYM.	QTY.	DESCRIPTION
5	F15118		1	BENDIX DRIVE ASSEMBLY
6	F1514		2	HEX NUT, 1/4 - 20
7	F8028		2	PLAIN WASHER
8	F15021-1		1	HEAD ASSEMBLY, DRIVE END
9	F15073		1	THRUST WASHER PACKAGE
10	F15099		1	ARMATURE
11	F15124		1	FRAME AND FIELD ASSEMBLY
12	F15054		1	BRUSH AND TERMINAL SET
13	FA15072		1	HEX LOCK NUT, 1/4 - 20
14	F178908		1	STARTER LEAD WIRE
15	F404446		1	CLAMP
16	F15035		1	THRU BOLT PACKAGE
17	F1868		1	HEX BOLT, 3/8 - 16 X 3 1/4
18	F1502		1	HEX CAP SCREW, 1/4 - 20 X 5/8
19	F8060		2	LOCKWASHER
20	F373675-1		1	STARTER BRACKET, LOWER
21	15037		1	HEAD ASSEMBLY, COMMUTATOR END
22	F15034		1	SPRING SET
23	F15057		1	BRUSH PLATE AND HOLDER ASSEMBLY
-	FS489955		1	STARTER COMPLETE

DISTRIBUTOR

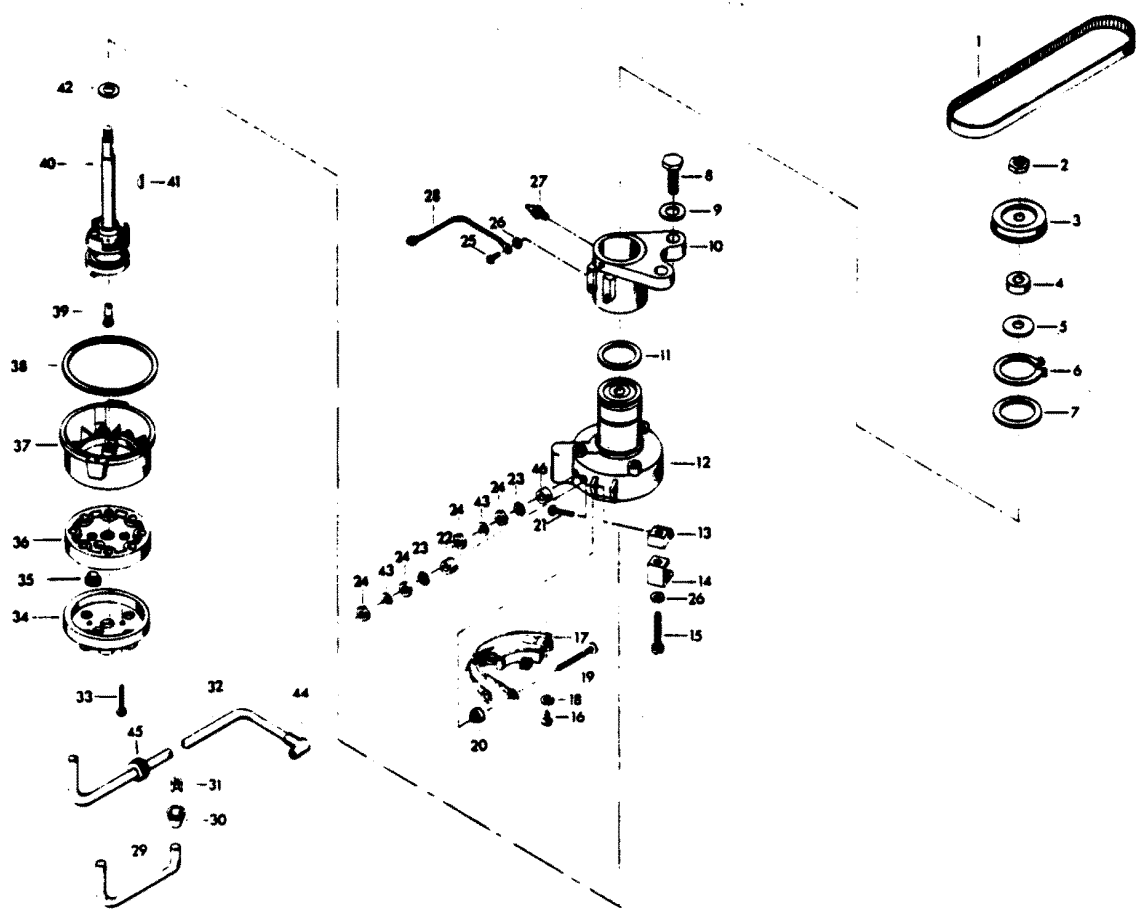


DISTRIBUTOR

REF. NO.	PART NO.	SYM.	QTY.	DESCRIPTION
1	F85311		1	DISTRIBUTOR BELT
2	F7013		1	STOP NUT
3	817786A1		1	DISTRIBUTOR PULLEY
4	F14025		1	SPACER
5	F14028		1	THRUST WASHER
6	F85173		1	RETAINING RING
7	F14029		1	THRUST WASHER
8	F1612		2	HEX CAP SCREW, 3/8 - 16 X 1 1/4
9	F2014		2	PLAIN WASHER
10	FA321574		1	DISTRIBUTOR BRACKET
11	F1759		2	SHIM, DISTRIBUTOR (QTY. AS REQUIRED)
12	F14042		1	DISTRIBUTOR HOUSING W/BEARINGS
13	F14036		2	SWIVEL
14	F14037		2	CAP CLIPS
15	F14038		2	CAP CLIP SCREWS
16	F14045		2	SCREW
17	F14048		1	PREAMPLIFIER
18	F8056		2	LOCKWASHER
19	F14046		2	TERMINAL SCREW
20	F14047		2	TERMINAL INSULATOR (INSIDE)
21	F14015		2	CAP CLIP RIVET
22	F14049		1	TERMINAL INSULATOR (OUTSIDE)
23	F14041		2	EXTERNAL TOOTH LOCKWASHER
24	F1647		4	HEX NUT, 8 - 32
25	F1760		2	PAN HD SCREW, 10 - 24 X 3/8
26	F1975		4	SPRING LOCKWASHER
27	F213274		1	GREASE FITTING
28	F85664		1	DISTRIBUTOR GROUND
29	84-817775A1		1	COIL WIRE W/TERMINAL CLIP
30	F203276		1	BOOT
31	F203673		1	TERMINAL CLIP
32	F321841-2		4	LEAD WIRE W/GROMMET
33	F14007		2	CAP SCREW
34	F14010-1		1	CAP COVER
35	F14040		2	VENT
36	F14021-1		1	CAP SEAL
37	F14005-2		1	CAP BASE
38	F14030		1	CAP GASKET
39	F14012-1		1	BRUSH
40	F14044		1	DISTRIBUTOR SHAFT
41	F1692		1	WOODRUFF KEY
42	F14024		1	SPACER
43	F8056		2	LOCKWASHER

CONTINUED ON NEXT PAGE ➡

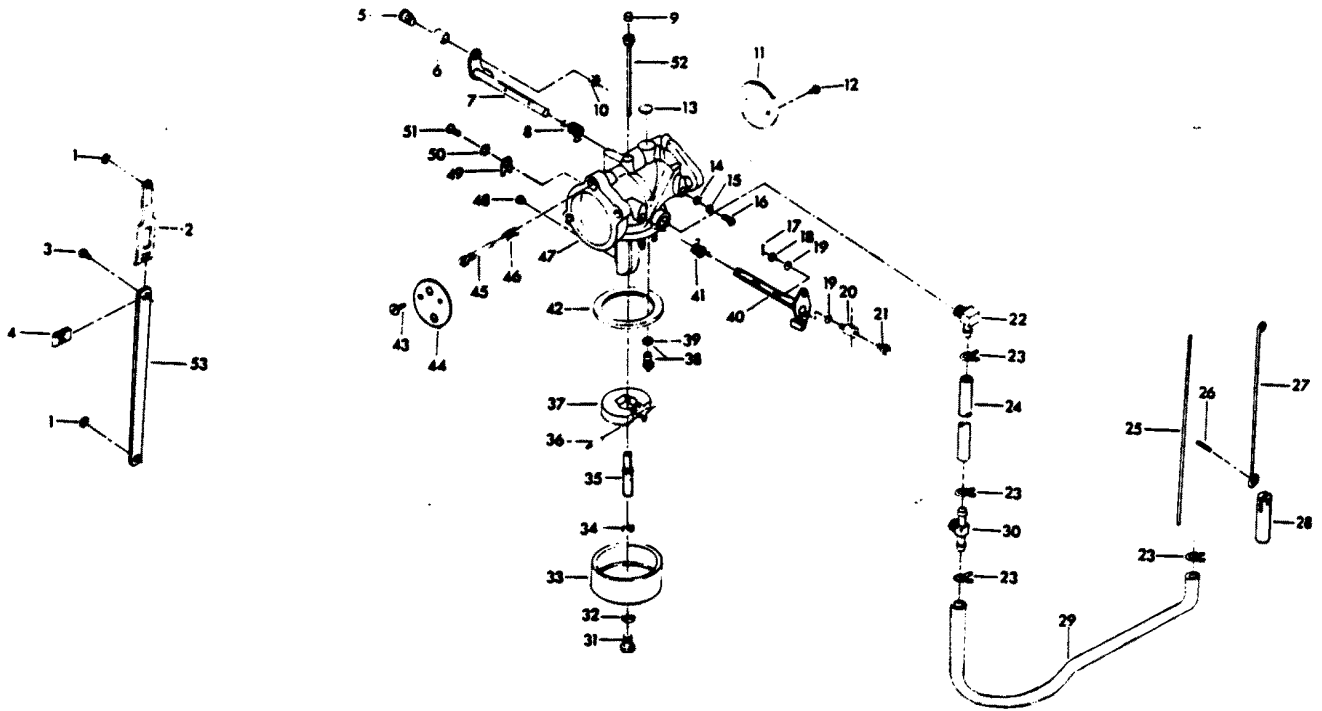
DISTRIBUTOR



DISTRIBUTOR

REF. NO.	PART NO.	SYM.	QTY.	DESCRIPTION
44	FK750-1		3	SPARKIE W/SPRING
45	F84991-1		3	GROMMET
46	F14017		1	TERMINAL INSULATOR (OUTSIDE)
-	FA489309		1	DISTRIBUTOR
-	481373		1	DECAL, "ELECTRONIC" (NOT SHOWN)

CARBURETOR

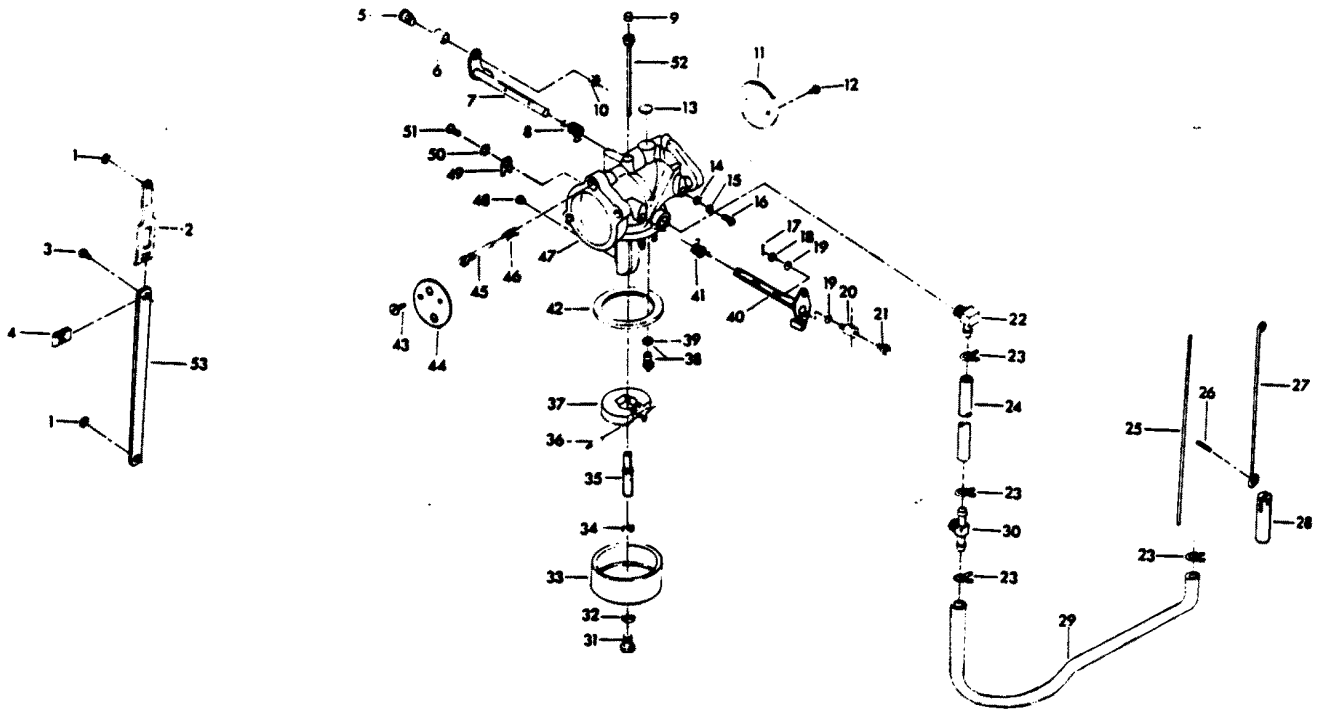


CARBURETOR

REF. NO.	PART NO.	SYM.	QTY.	DESCRIPTION
1	90607		2	RETAINING RING
2	A65193		1	TIE BAR END W/SWIVEL
3	F1064		1	FILL HD SCREW, 8 - 32 X 3/8
4	F1693		1	TIE BAR RETAINER
5	F333316		1	THROTTLE ROLLER SHAFT
6	F92759		1	THROTTLE ROLLER
7	FO15231		1	THROTTLE SHAFT AND LEVER
8	FO16008		1	THROTTLE SHAFT RETURN SPRING
9	FO10588		1	BODY CHANNEL CUP PLUG
10	F1997		1	STOP NUT, 8 - 32
11	FO13942		1	THROTTLE SHUTTER
12	06942		2	THROTTLE SHUTTER RETAINING SCREW AND LOCKWASHER
13	FO4326		1	BODY CHANNEL WELCH PLUG
14	FO3804		1	RETAINING SCREW WASHER
15	FO6396		1	RETAINING SCREW LOCKWASHER
16	FO6393		1	RETAINING SCREW
17	F1014		2	COTTER PIN
18	F8088		3	PLAIN WASHER
19	F184579		5	"O" RING SEAL
20	F184033-1		1	SWIVEL, TOP CARBURETOR
21	F1059		2	FILL HD SCREW, 6 - 32 X 1/4
22	F84314-2		1	ELBOW
23	F97772		4	CLAMP
24	F178754-1		1	FUEL LINE
25	F85509-1		1	LINK, CHOKE
26	F2033		1	GROOVE PIN
27	F372925		1	CHOKE ROD
28	F391926-1		1	PLUNGER
29	F438754		1	FUEL LINE W/CLAMP, PUMP TO CARBURETOR
30	F85314-1		1	FUEL FITTING
31	FO13945		1	FUEL BOWL RETAINING SCREW
32	FO2510		2	FUEL BOWL RETAINING SCREW GASKET
33	FO13552		1	FUEL BOWL
34	FO2510		1	FUEL BOWL RETAINING SCREW WASHER
35	FO15217		1	MAIN NOZZLE
36	FO13944		1	FLOAT LEVER PIN
37	FO13554		1	FLOAT
38	FO10790		1	INLET NEEDLE, SEAT AND GASKET
39	FO10165		1	INLET SEAT GASKET
40	FO17241		1	CHOKE SHAFT AND LEVER
41	FO13947		1	CHOKE SHAFT RETURN SPRING
42	FO15623		1	FUEL BOWL GASKET
43	FO8942		2	CHOKE SHUTTER RETAINING SCREW AND LOCKWASHER

CONTINUED ON NEXT PAGE ➡

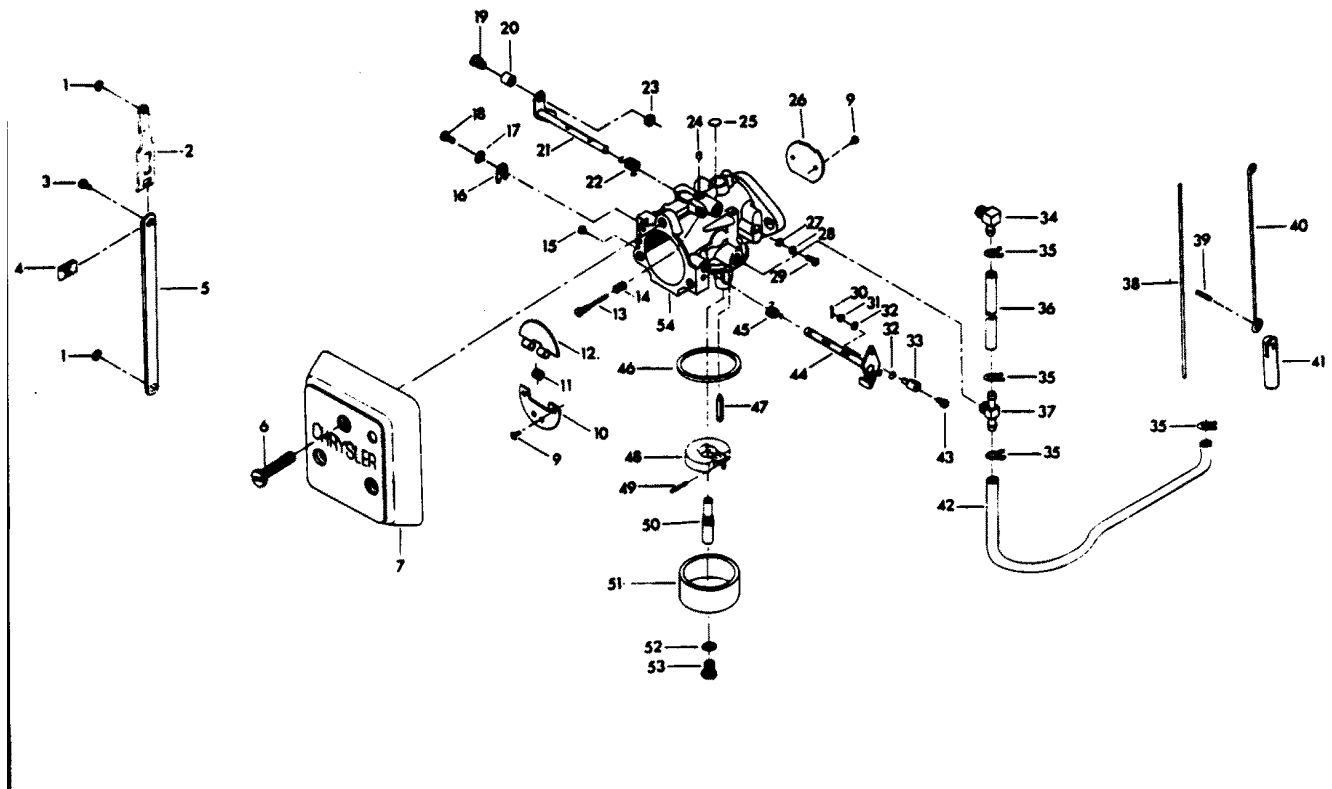
CARBURETOR



CARBURETOR

REF. NO.	PART NO.	SYM.	QTY.	DESCRIPTION
44	FO13555		1	CHOKE SHUTTER
45	FO13946		1	IDLE MIXTURE SCREW
46	FO11103		1	IDLE MIXTURE SCREW SPRING
49	FO9678		1	CLIP, CHOKE SHAFT
50	FO992		1	LOCKWASHER
51	FO1974		1	SCREW
52	FO17181		1	IDLE TUBE
53	FA178233		1	THROTTLE TIE BAR W/SWIVEL
-	F85033		1	SWIVEL, CHOKE ROD (BOTTOM CARBURETOR) (NOT SHOWN)
-	F10000		1	GASKET SET (NOT SHOWN)
-	F10005		1	REPAIR PARTS KIT (NOT SHOWN). INCLUDES ALL ITEMS MARKED WITH AN ASTERISK (*).
47	F500061-1		1	CARBURETOR COMPLETE (WB24B)
48	FO13194		1	MAIN FUEL JET (.080)
47	F501061-1		1	CARBURETOR COMPLETE (WB25B)
48	FO13949		1	MAIN FUEL JET (.086)

CARBURETOR 135 H.P. ENGINES

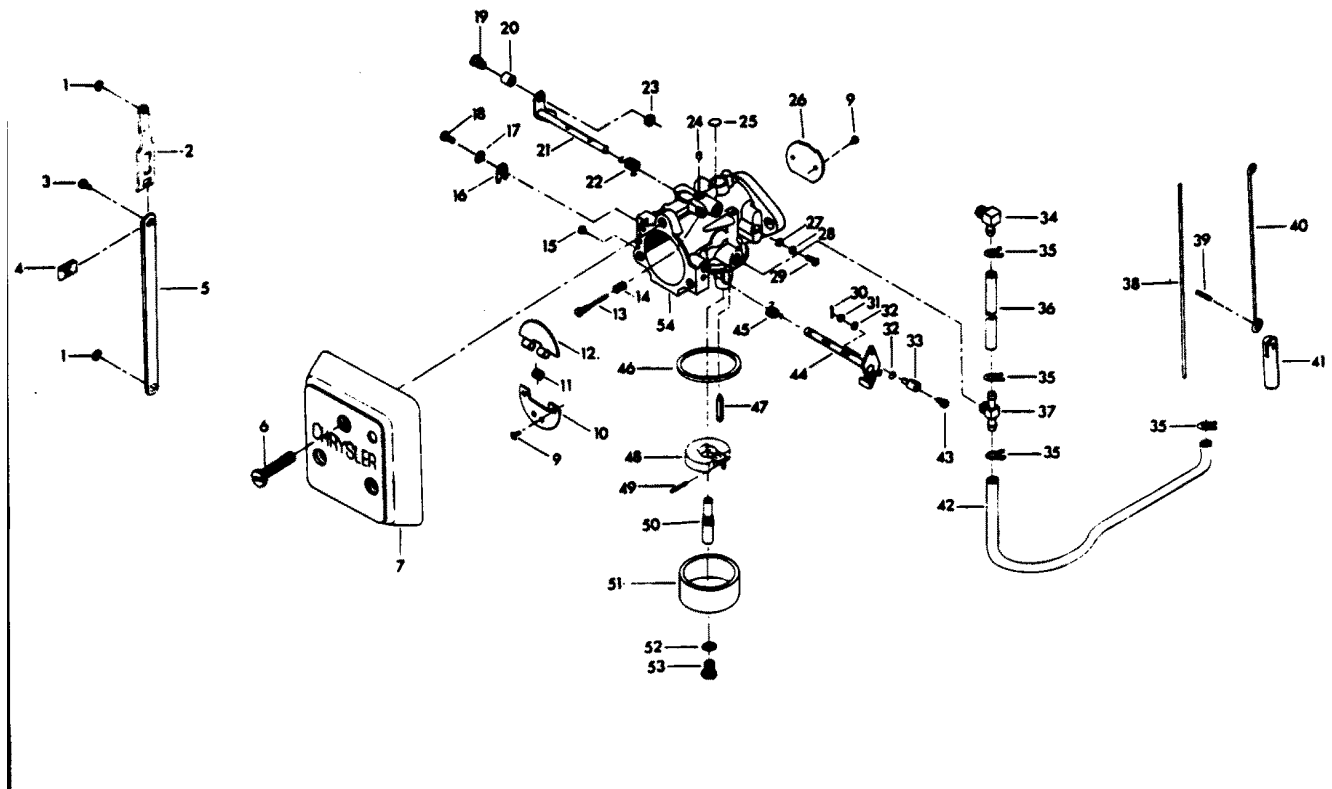


CARBURETOR 135 H.P. ENGINES

REF. NO.	PART NO.	SYM.	QTY.	DESCRIPTION
1	F90807		2	RETAINING RING
2	FA85193		1	TIE BAR END W/SWIVEL
3	F1064		1	FILL HD SCREW, 8 - 32 X 3/8
4	F1693		1	TIE BAR RETAINER
5	FA178233		1	THROTTLE TIE BAR W/SWIVEL
6	F1134		6	PAN HD SCREW, 1/4 - 20 X 1 3/8
7	F511708		2	COVER, CARBURETOR
9	FO15912		4	CHOKE AND THROTTLE SHUTTER SCREW
10	FO16137		1	CHOKE SHUTTER
11	016139		1	CHOKE RELIEF VALVE SPRING
12	FO16138		1	CHOKE RELIEF VALVE
13	FO14166		1	IDLE MIXTURE SCREW
14	FO11103		1	IDLE MIXTURE SCREW SPRING
15	FO12947		1	MAIN FUEL JET, .096 STANDARD
16	FO9678		1	CLIP, CHOKE SHAFT
17	FO992		1	LOCKWASHER
18	FO1974		1	SCREW
19	F333316		1	THROTTLE ROLLER SHAFT
20	F92759		1	THROTTLE ROLLER
21	FO16145		1	THROTTLE SHAFT AND LEVER
22	FO16143		1	THROTTLE SHAFT RETURN SPRING
23	F1997		1	STOP NUT, 8 - 32
24	FO10588		5	BODY CHANNEL CUP PLUG
25	FO16128		1	BODY CHANNEL WELCH PLUG
26	FO16142		1	THROTTLE SHUTTER
27	FO12400		1	RETAINING SCREW WASHER
28	FO6396		1	RETAINING SCREW LOCKWASHER
29	FO6393		1	RETAINING SCREW
30	F1014		2	COTTER PIN
31	F8088		3	PLAIN WASHER
32	F184579		5	"O" RING SEAL
33	F184033-1		1	SWIVEL, TOP CARBURETOR
34	F84314-2		1	ELBOW
35	F97772		4	CLAMP
36	F178754-1		1	FUEL LINE
37	F85314-1		1	FUEL FITTING
38	F85509-1		1	LINK, CHOKE
39	F2033		1	GROOVE PIN
40	F440925		1	CHOKE ROD
41	F391926-1		1	PLUNGER
42	F438754		1	FUEL LINE W/CLAMP, PUMP TO CARBURETOR
43	F1059		2	FILL HD SCREW, 6 - 32 X 1/4
44	FO16301		1	CHOKE SHAFT AND LEVER

CONTINUED ON NEXT PAGE ➡

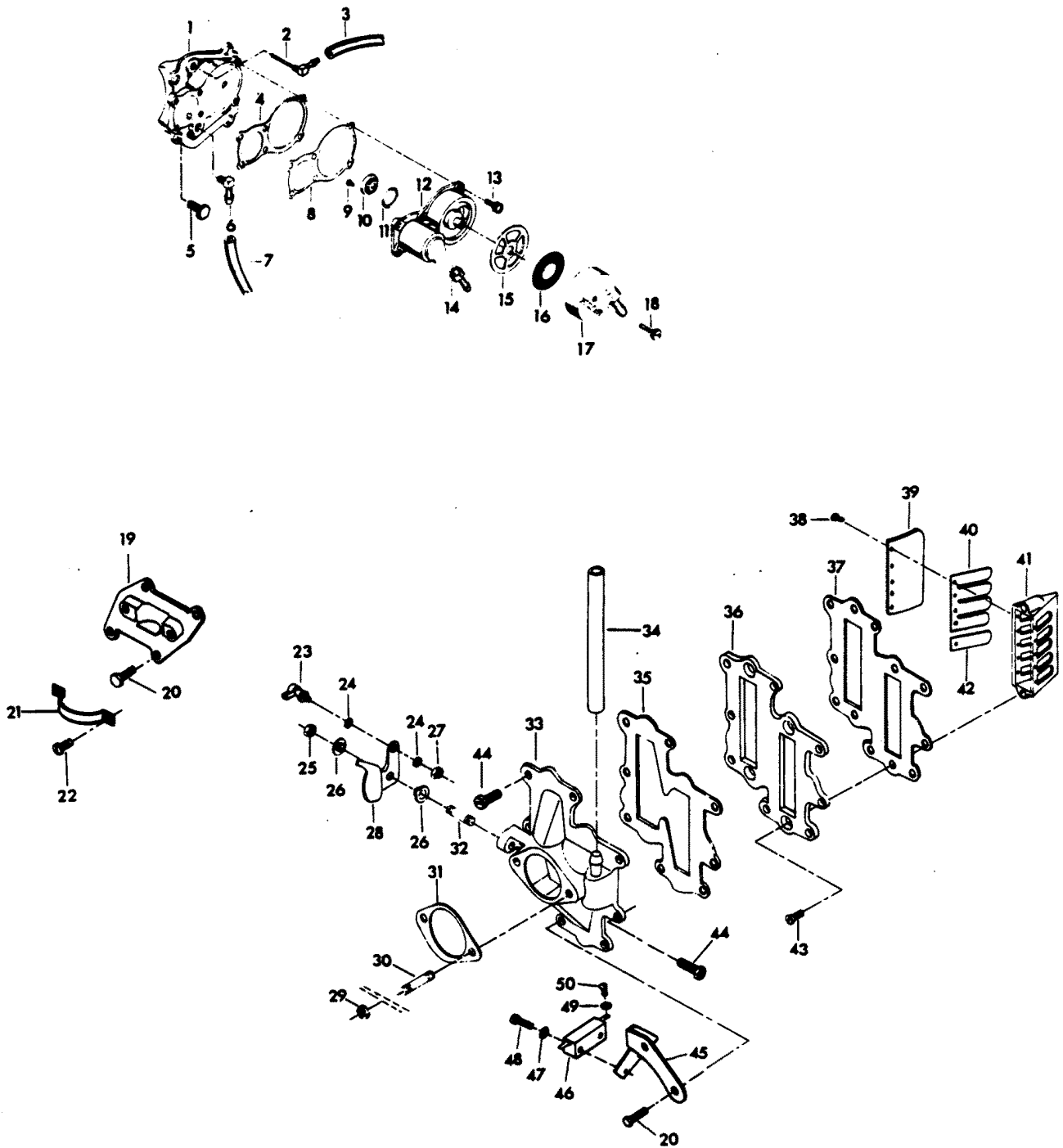
CARBURETOR 135 H.P. ENGINES



CARBURETOR 135 H.P. ENGINES

REF. NO.	PART NO.	SYM.	QTY.	DESCRIPTION
45	FO16136		1	CHOKE SHAFT RETURN SPRING
46	FO15623		1	FUEL BOWL GASKET
47	FO16697		1	INLET NEEDLE
48	FO13554		1	FLOAT
49	FO13944		1	FLOAT LEVER PIN
50	FO16133		1	MAIN NOZZLE
51	FO16130		1	FUEL BOWL
52	FO5323		1	FUEL BOWL RETAINING SCREW GASKET
53	FO16132		1	FUEL BOWL RETAINING SCREW
-	F85033		1	SWIVEL, CHOKE ROD (BOTTOM CARBURETOR) (NOT SHOWN)
-	F10023		1	GASKET SET (NOT SHOWN)
-	F10051		1	REPAIR PARTS KIT (NOT SHOWN) INCLUDES ALL ITEMS MARKED WITH AN ASTERISK (*).
-	F476061-2		1	CARBURETOR COMPLETE (TC-5C)

FUEL PUMP AND REED PLATE

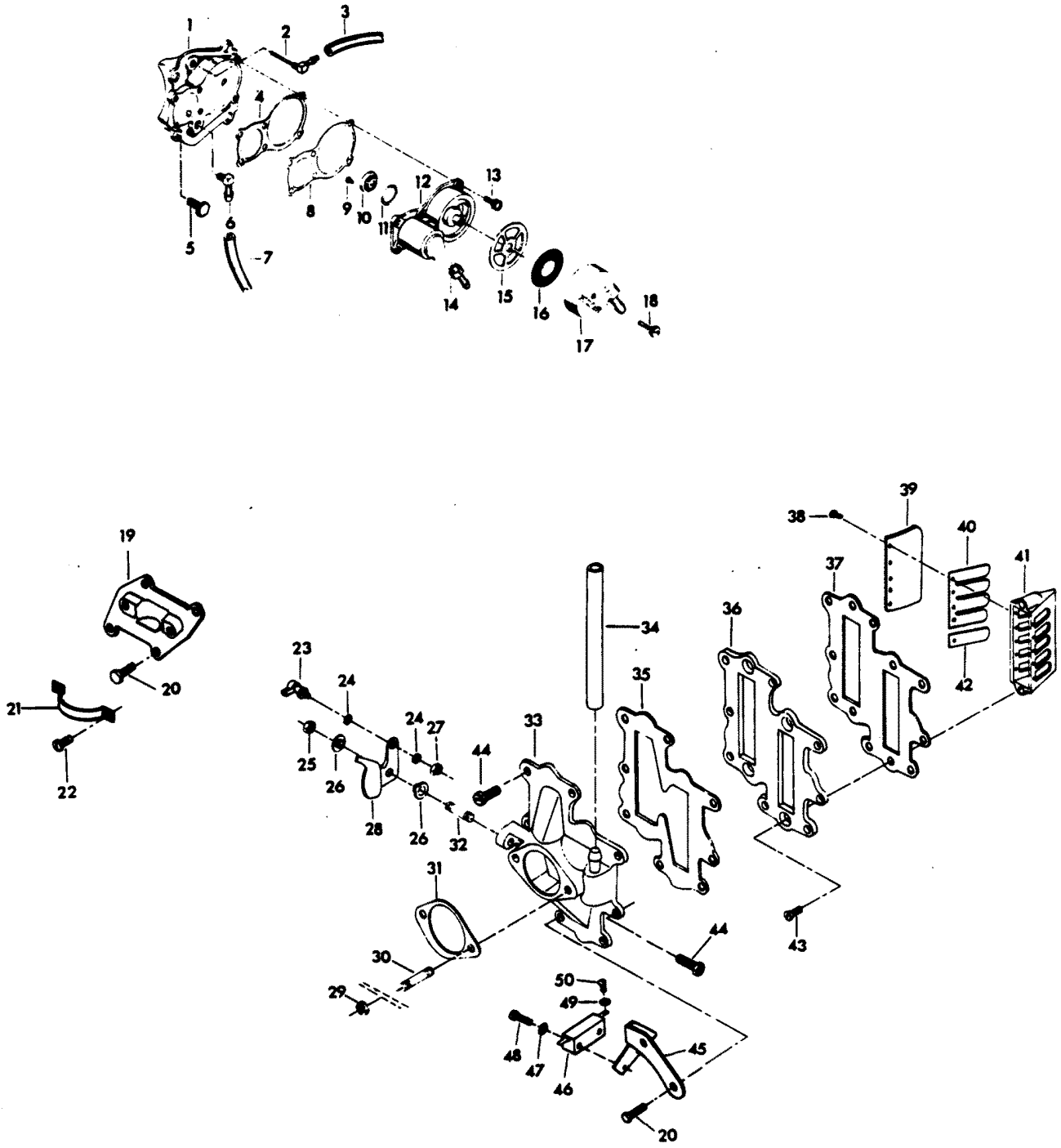


FUEL PUMP AND REED PLATE

REF. NO.	PART NO.	SYM.	QTY.	DESCRIPTION
1	FA439746		1	FUEL PUMP COVER
2	F404314		1	ELBOW, FUEL PUMP COVER
3	F441754-1		1	HOSE
4	F438760		1	FUEL PUMP GASKET
5	F1502		4	HEX CAP SCREW, 1/4 - 20 X 5/8
6	F84314-2		1	ELBOW
7	F89758		1	FUEL PUMP AIR HOSE - TOP
8	F438747		1	FUEL PUMP DIAPHRAGM W/GASKET
9	F1860		2	RD HD SCREW, 6 - 32 X 1/4
10	F177330		3	FUEL PUMP VALVE
11	F84792		1	GASKET, CENTER FUEL PUMP VALVE
12	FA438431		1	FUEL PUMP BODY W/VALVES
13	F1108		6	FILL HD SCREW, 1/4 - 20 X 3/4
14	F438801		1	FITTING
15	F438617		1	FUEL SEDIMENT BOWL GASKET
16	F438653		1	FUEL SEDIMENT BOWL SCREEN
17	F438500		1	FUEL SEDIMENT BOWL
18	F438165		1	SCREW, FUEL PUMP BOWL
19	F372958		1	CHOKE BRACKET
20	F1953		6	HEX HD SCREW, 1/4 - 20 X 1
21	F85317-1		1	SOLENOID CLAMP
22	F1236		2	SCREW, 1/4 - 20 X 1/2
23	817747--1		1	BALL JOINT W/STUD
24	F8058		2	INTERNAL TOOTH LOCKWASHER
25	F1910		1	STOP NUT, 1/4 - 20
26	F269319		2	THROTTLE CAM BEARING
27	F1513		1	HEX NUT, 10 - 32
32	F433209		1	THROTTLE CAM STUD
35	F178168-1		2	GASKET, CARBURETOR ADAPTER
36	F178404-1		2	DEFLECTOR PLATE
37	F406406		2	GASKET, DEFLECTOR PLATE
38	F1298		40	RD HD SCREW W/LOCKWASHER, 6 - 32 X 1/4
39	F85161-1		8	REED STOP
40	F335160		8	REED (4 PETAL)
41	F2A335158		4	REED PLATE W/REEDS, REED STOPS AND SCREWS
42	F335164		8	REED (1 PETAL)
43	F1831		8	FLAT HD SCREW, 1/4 - 20 X 5/8
44	F1915		10	HEX HD SCREW, 1/4 - 20 X 7/8
45	F489551		1	BRACKET NEUTRAL INTERLOCK SWITCH
46	F84449		1	INTERLOCK SWITCH
47	F8088		2	PLAIN WASHER
48	F2016		2	FILL HD SCREW, 6 - 32 X 7/8
49	F1704		2	INTERNAL TOOTH LOCKWASHER

CONTINUED ON NEXT PAGE ➡

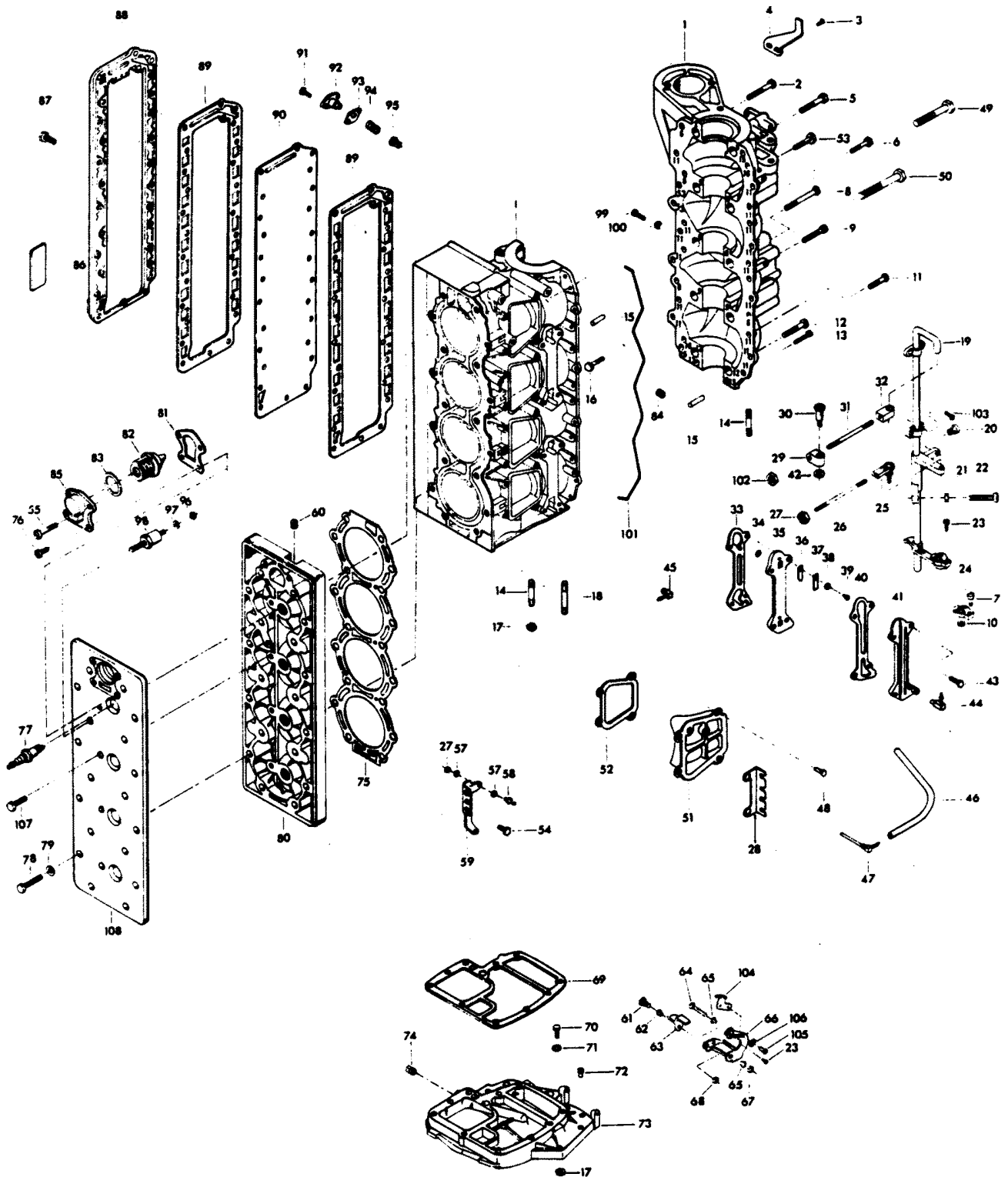
FUEL PUMP AND REED PLATE



FUEL PUMP AND REED PLATE

REF. NO.	PART NO.	SYM.	QTY.	DESCRIPTION
50	F1645		2	RD HD SCREW, 6 - 32 X 1/4
28	F85192-1		1	THROTTLE CAM
29	F1515		4	HEX NUT, 5/16 - 18
30	F40209		4	CARBURETOR STUD
31	F85906		2	CARBURETOR GASKET
33	FA178167		1	CARBURETOR ADAPTER LOWER, W/FITTING AND STUDS
-	FA178157		1	CARBURETOR ADAPTER UPPER, W/FITTING AND STUDS
34	32-77653-77		1	BALANCE TUBE
28	F440192		1	THROTTLE CAM
29	F1346		4	HEX NUT, 3/8 - 16
30	F440209		4	CARBURETOR STUD
31	F440906		2	CARBURETOR GASKET
33	FA440167		1	CARBURETOR ADAPTER LOWER, W/FITTING AND STUDS
-	FA440157		1	CARBURETOR ADAPTER UPPER, W/FITTING AND STUDS
34	F440254		1	BALANCE TUBE

POWER HEAD

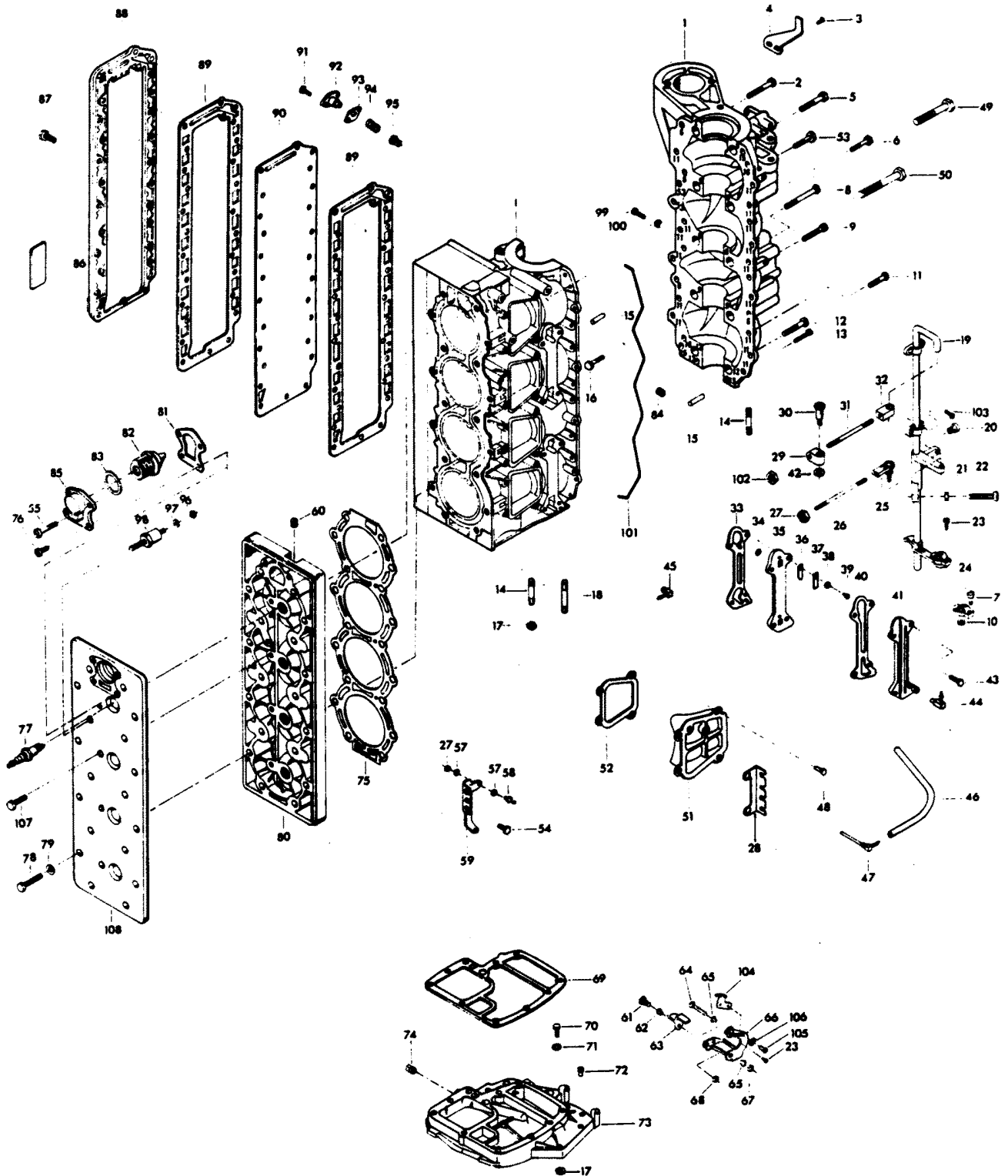


POWER HEAD

REF. NO.	PART NO.	SYM.	QTY.	DESCRIPTION
2	F1874		1	HEX HD SCREW, 3/8 - 16 X 3 1/8
3	F1760		2	PAN HD SCREW, 10 - 24 X 3/8
4	FA480894		1	TIMING POINTER
5	F1009		1	HEX HD SCREW, 3/8 - 16 X 2 3/4
6	F1915		3	HEX HD SCREW, 1/4 - 20 X 7/8
7	F405457		1	PIVOT SCREW
8	F1699		1	HEX HD SCREW, 1/4 - 20 X 1 1/8
9	F1253		4	HEX SOCKET HD CAP SCREW, 3/8 - 16 X 2
10	F7008		1	ELASTIC STOP NUT
11	F1914		16	HEX HD SCREW, 1/4 - 20 X 3/4
12	F1872		2	HEX CAP SCREW, 3/8 - 16 X 1 3/4
13	F1099		2	FILL HD SCREW, 1/4 - 20 X 1 1/4
14	F85859		4	STUD
15	F8563		2	DOWEL PIN
16	F1953		2	HEX HD SCREW, 1/4 - 20 X 1
17	F7004		10	STOP NUT, 3/8 - 16
18	F85211		6	STUD
19	817932A6		1	TOWERSHAFT W/SWIVEL, BEARINGS AND SCREWS
20	F1727		1	PLASTIC RIVET
21	F1341		1	HEX NUT, 1/4 - 20
22	F1052		1	FILL HD SCREW, 1/4 - 20 X 1
23	F1556		2	FILL HD SCREW W/LOCKWASHER, 10 - 24 X 3/8
24	FK405020		2	SWIVEL W/CLAMP, SHOULDER SCREW AND NUT
25	817747--1		1	BALL JOINT W/STUD
26	F85502		1	THROTTLE LINK
27	F1513		4	HEX NUT, 10 - 32
28	F439834		1	CLIP, SPARK PLUG WIRE
29	F85035		1	DISTRIBUTOR, CONTROL ROD END
30	F85026		1	SWIVEL
31	F85445		1	CONTROL ROD
32	F85036		1	TOWERSHAFT CONTROL ROD END
33	F84748-3		2	GASKET
34	F93811		4	SCREEN
35	F2A476757		2	CYLINDER DRAIN REED PLATE W/REEDS, STOPS AND SCREWS
36	F18160-1		4	CYLINDER DRAIN REED
37	F93920		4	REED STOP
38	F8003		4	PLAIN WASHER
39	F1286		4	PAN HD SCREW, 4 - 40 X 3/16
40	F84472-5		2	GASKET, CYLINDER DRAIN COVER
41	F406471-1		2	CYLINDER DRAIN COVER
42	F1935		1	PLAIN WASHER
43	F1187		8	HEX HD SCREW, 1/4 - 20 X 1

CONTINUED ON NEXT PAGE ➡

POWER HEAD

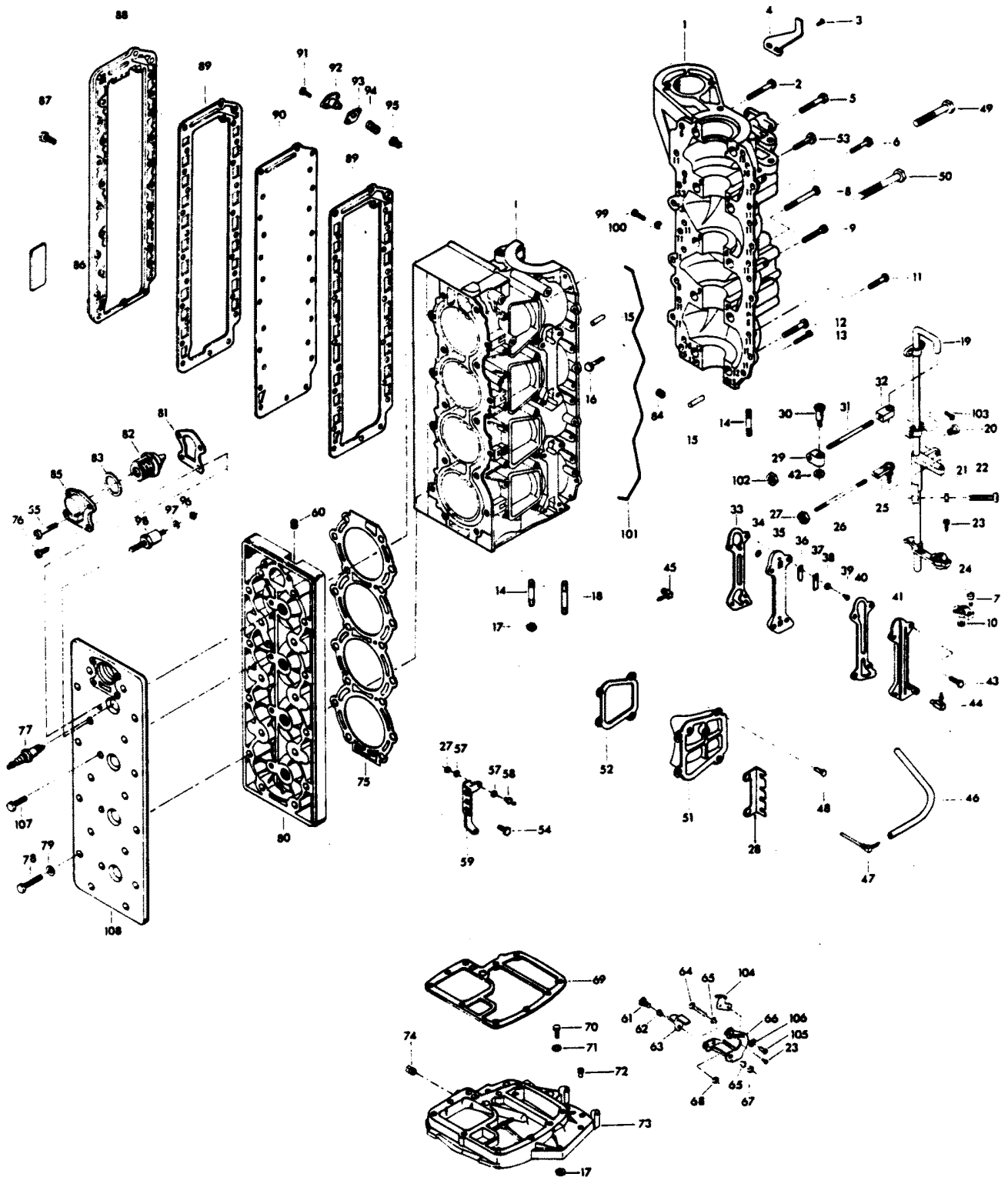


POWER HEAD

REF. NO.	PART NO.	SYM.	QTY.	DESCRIPTION
44	22-818103--1		1	ELBOW, CYLINDER DRAIN LOWER
-	F404801		1	ELBOW, CYLINDER DRAIN UPPER
45	F84314-2		1	ELBOW
46	F406754-1		1	HOSE
47	F404314		2	FITTING
48	F1502		8	HEX CAP SCREW, 1/4 - 20 X 5/8
49	F1868		1	HEX CAP SCREW, 3/8 - 16 X 3 1/4
50	F1873		1	HEX CAP SCREW, 3/8 - 16 X 3
51	FA411222		3	TRANSFER PORT COVER
52	F40223		4	GASKET, TRANSFER PORT COVER
53	F2008		2	HEX HD SCREW, 1/4 - 20 X 7/8
54	F1238		4	HEX CAP SCREW, 1/4 - 20 X 3/4
55	F1099		2	FILL HD SCREW, 1/4 - 20 X 1 1/4
57	F8058		4	INTERNAL TOOTH LOCKWASHER
58	F98273		2	ROD END CONNECTOR STUD
59	F321872		1	BRACKET
60	F19109		1	PLUG
61	F369887		1	SHOULDER SCREW
62	F369610		1	BEARING
63	F369977-1		1	INTERLOCK ARM
64	F1885		1	HEX BOLTS, S.S., 5/16 - 18 X 4 1/4
65	F85610		2	BEARING
66	FA480876		1	GEAR SHIFT ARM W/SWIVEL, BEARINGS, INTERLOCK ARM AND SHOULDER SCREW
67	F2108		1	STOP NUT, 5/16 - 18
68	F1832		1	STOP NUT, 1/4 - 20
69	F85279-2		1	GASKET, CYLINDER EXHAUST UPPER
70	F1869		6	HEX CAP SCREW, 3/8 - 16 X 1 1/4
71	F1703		6	LOCKWASHER
72	FA98689		1	BEARING
73	817788A3		1	SPACER PLATE W/PLUGS
74	F2090		1	PLUG
75	F476529		1	CYLINDER HEAD GASKET
76	F1107		2	SLOTTED FILL HD CAP SCREW, 1/4 - 20 X 3/4
77	33-97180		4	SPARK PLUG (CHAMPION L20V)
78	F2049		18	HEX CAP SCREW, 5/16 - 18 X 2 5/8
79	F1987		18	PLAIN WASHER
81	F476067		1	GASKET
82	F335068		1	THERMOSTAT
83	F84504		1	GROMMET (THERMOSTAT)
85	F476066-1		1	THERMOSTAT COVER
86	F438398		1	DECAL, WIRING
87	F1709		27	HEX BOLT, 1/4 - 20 X 1 1/8

CONTINUED ON NEXT PAGE ➡

POWER HEAD



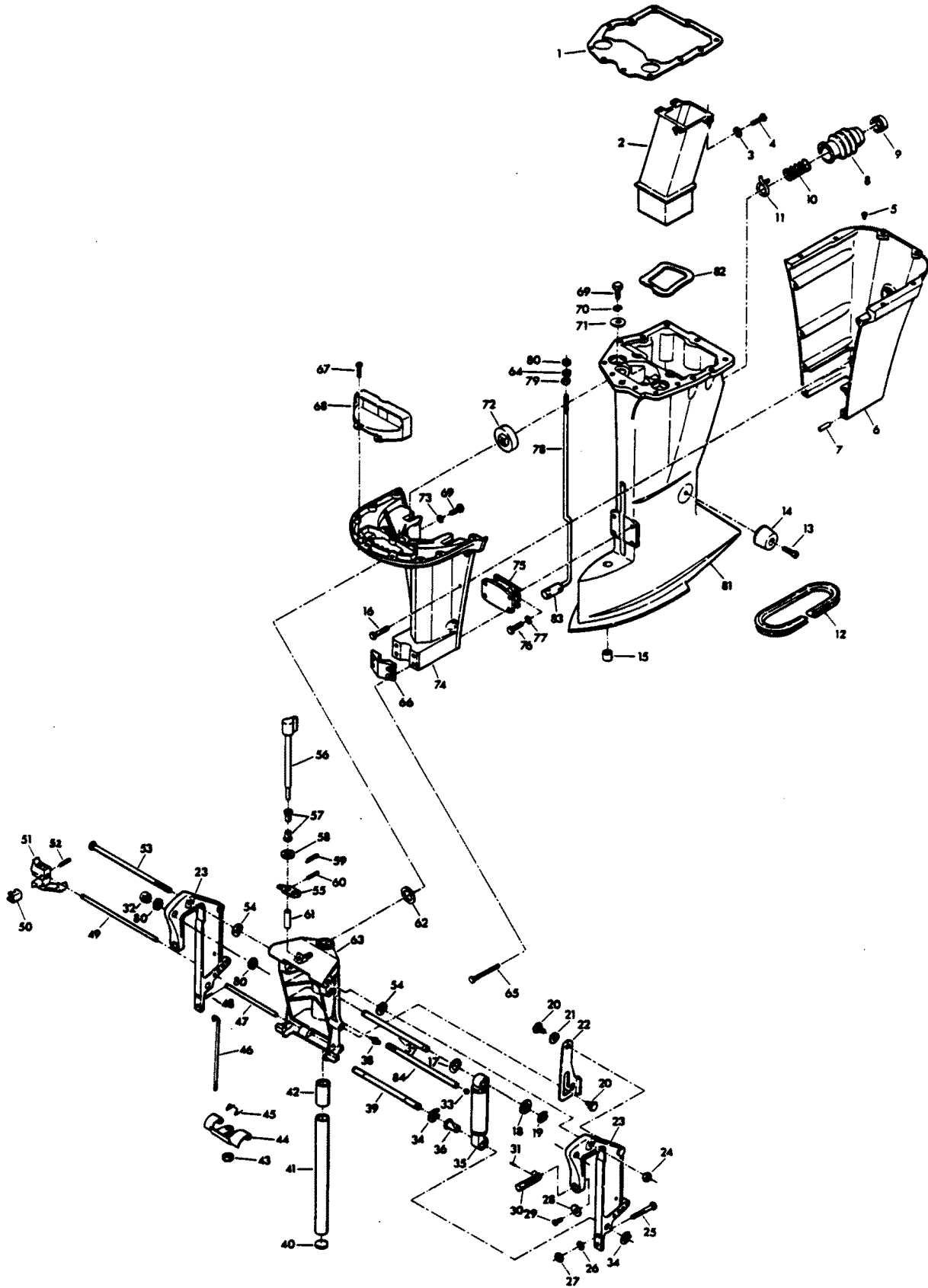
POWER HEAD

REF. NO.	PART NO.	SYM.	QTY.	DESCRIPTION
88	F372152-1		1	EXHAUST PORT COVER
89	F372154-1		2	GASKET, EXHAUST PORT PLATE
90	F372151-1		1	EXHAUST PORT PLATE
91	F1950		2	HEX CAP SCREW, 10 - 24 X 5/8
92	F438066		1	BY-PASS VALVE COVER
93	F85762		1	BY-PASS VALVE COVER GASKET
94	F404268		1	BY-PASS VALVE SPRING
95	F85916-1		1	BY-PASS VALVE
96	F1647		1	HEX NUT, 8 - 32
97	F8056		1	LOCKWASHER
98	87-817778A1		1	THERMOSWITCH
99	F2000		1	HEX CAP SCREW, 5/16 - 18 X 3/4
100	F8096		1	SPRING LOCKWASHER
101	F184122-1		1	SEAL, PARTING LINE
102	F2015		1	HEX NUT, 1/4 - 28
103	F1475		4	FILL HD SCREW, 10 - 24 X 1/2
104	F480107-1		1	CAM STARTER INTERLOCK
105	F2089		2	SLOTTED PAN HD M. SCREW, 10 - 24 X 5/16
106	F2042		2	PLAIN WASHER
107	F1203		4	HEX CAP SCREW, 1/4 - 20 X 7/8
108	523995		1	COVER CYLINDER HEAD
-	FG1003-1		1	GASKET SET (NOT SHOWN)
1	FA523010		1	CYLINDER W/CRANKSHAFT COVER, PARTING LINE SEAL, W/SCREWS & DOWEL PINS
80	FA501518		1	CYLINDER HEAD
-	FC523010		1	SHORT BLOCK CONTAINS ALL ITEMS MARKED WITH AN ASTERISK. ALSO REFER TO CRANKSHAFT PAGE.
1	A476010		1	CYLINDER W/CRANKCASE COVER, PARTING LINE SEAL, W/SCREWS & DOWEL PINS
80	A511518		1	CYLINDER HEAD
-	C476010-1		1	SHORT BLOCK CONTAINS ALL ITEMS MARKED WITH AN ASTERISK. ALSO REFER TO CRANKSHAFT PAGE.
1	A512010		1	CYLINDER W/CRANKCASE COVER, PARTING LINE SEAL, W/SCREWS & DOWEL PINS
80	FA501518		1	CYLINDER HEAD
-	C512010		1	SHORT BLOCK CONTAINS ALL ITEMS MARKED WITH AN ASTERISK. ALSO REFER TO CRANKSHAFT PAGE.

CRANKSHAFT AND PISTON GROUP

REF. NO.	PART NO.	SYM.	QTY.	DESCRIPTION
3	F335215		8	SPACER, PISTON PIN (2 PER PISTON)
4	F85017		4	PISTON PIN
5	F335217-1		4	BEARING, PISTON PIN (26 PER SET)
6	600-818052A4		4	CONNECTING ROD W/CAP AND SCREWS
7	FK85228		4	BEARING CAGE W/ROLLER
8	F85410		3	SNAP RING
9	FA85655-1		3	CRANKSHAFT MAIN BEARING RACE W/SNAP RING
10	F85571		3	BEARING CAGE W/ROLLER
11	F316579		3	SEAL, CRANKCASE
12	31-FA523014		1	CRANKSHAFT LOWER MAIN BEARING W/ITEM 13 ORIGINAL FORCE P/N A373014-1
13	F84146-2		1	SEAL
14	F85634-1		8	CONNECTING ROD SCREW
15	400-817735A4		1	CRANKSHAFT W/BEARING
16	F85498		1	FLYWHEEL KEY
18	31-817785A2		1	CRANKSHAFT BEARING CAGE W/SEAL
19	F1867		4	HEX CAP SCREW, 3/8 - 16 X 1
20	F84146-2		1	SEAL
21	F1968		1	FLYWHEEL NUT
22	30-F284659-2		1	BEARING, CRANKSHAFT UPPER MAIN
23	F84278		1	SEAL
-	F2067		1	PLASTISOL CAP (NOT SHOWN)
1	FA335260		2	PISTON RING SET (4 PER SET)
2	700-F372015-3		4	PISTON
-	FSA335260		2	PISTON RING (4 PER SET) .010 OVERSIZE (NOT SHOWN)
-	39-818110A1		2	PISTON RING (4 PER SET) .030 OVERSIZE (NOT SHOWN)
-	700-817988A2		4	PISTON .010 OVERSIZE (NOT SHOWN)
-	700-818111A2		4	PISTON .030 OVERSIZE (NOT SHOWN)
1	FA474260		2	PISTON RING SET FOR 2 PISTONS
2	F475015-3		4	PISTON
-	FSA474260		2	PISTON RING SET FOR 2 PISTONS .010 OVERSIZE (NOT SHOWN)
-	39-818122A1		2	PISTON RING SET FOR 2 PISTONS .030 OVERSIZE (NOT SHOWN)
-	SA475015		4	PISTON .010 OVERSIZE (NOT SHOWN)
-	3SA475015		4	PISTON .030 OVERSIZE (NOT SHOWN)

MOTOR LEG

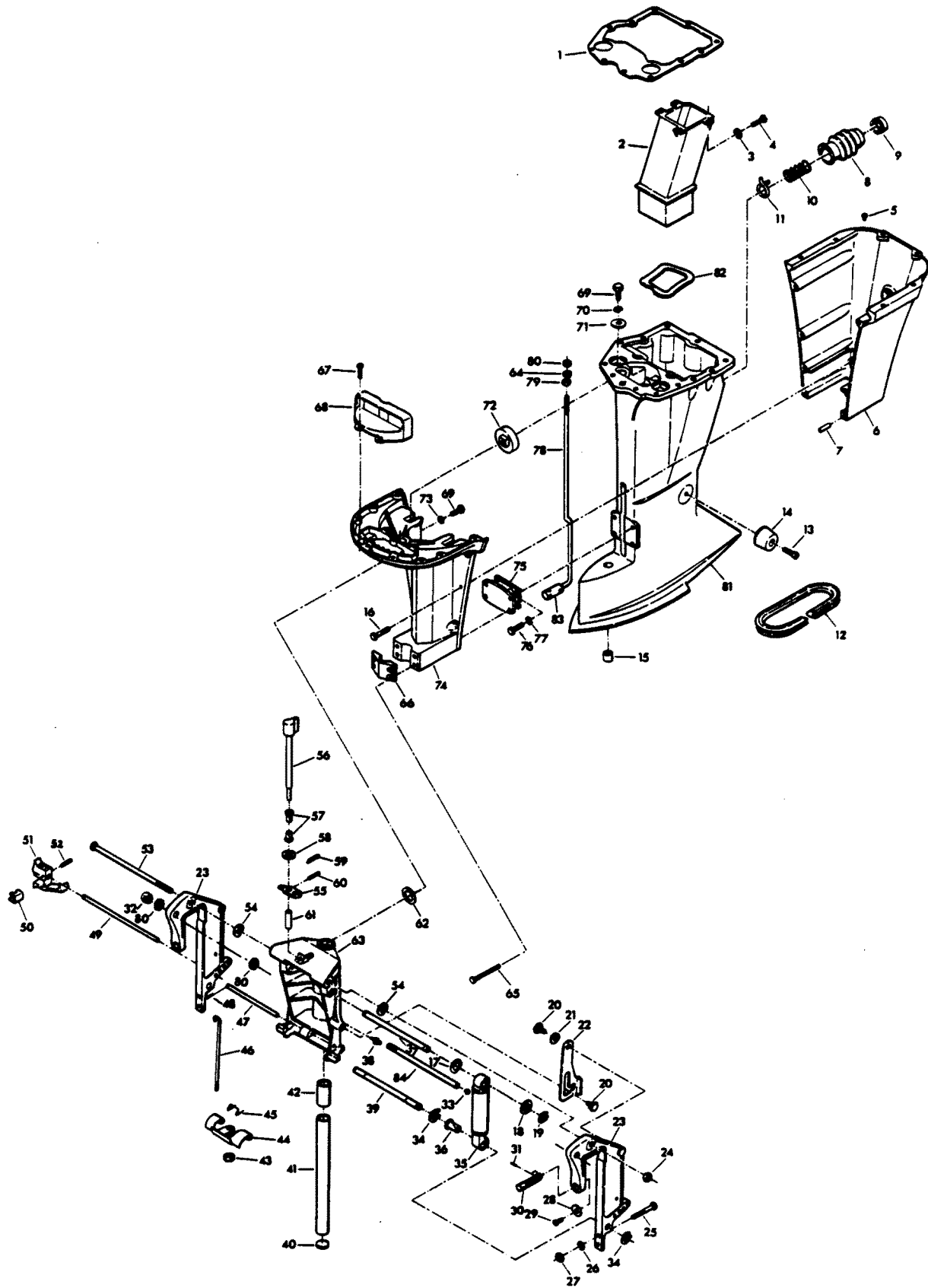


MOTOR LEG

REF. NO.	PART NO.	SYM.	QTY.	DESCRIPTION
1	F85453-1		1	GASKET EXHAUST LOWER
2	F85660-1		1	EXHAUST TUBE
3	F8083		4	SPRING LOCKWASHER
4	F1864		4	HEX SLOT HD SCREW 1/4 - 20 X 3/4
5	F1729		2	PLUG
7	F1664		2	SPRING PIN
8	F85130		1	BOOT IDLE EXHAUST
9	F85258		1	INSERT
10	F85380		1	SPRING
11	F85772		1	CLAMP
12	F178323		1	SEAL, MOTOR LEG
13	F1263		2	HEX SOCKET HD CAP SCREW 5/16 - 18 X 9/16
14	F438962		2	SHOCK MOUNT LOWER REAR
15	F338618-1		1	SEAL GEAR SHIFT ROD
16	F2030		6	HEX HD M. SCREW 1/4 - 20 X 1-1/4
17	F1711		2	SPRING BOWED WASHER
18	F1710		2	PLAIN WASHER
19	F178208		2	RETAINING RING
20	F85350-1		2	TILT STOP PIVOT
21	F1666		1	SPRING BOWED WASHER
22	F85541-1		1	TILT LOCK
23	1400-817958A6		2	STERN BRACKET
24	F7012		1	STOP NUT
25	F1593		2	HEX HD SCREW 3/8 - 16 X 3
26	F1904		2	PLAIN WASHER
27	F1346		2	HEX NUT
28	F84074		2	CLAMP SCREW FOOT
29	F353480		2	STUD
30	F474073		2	CLAMP SCREW
31	F8537		2	SPRING PIN
32	F9018		1	CAP
33	F9052		1	PLUG
34	F178173		4	RETAINING RING
35	FA178962		2	SHOCK ABSORBER W/BUSHING
36	F178362		2	BEARING
37	F178889		1	SHAFT, SHOCK MOUNT UPPER
38	F213274		3	GREASE FITTING
39	F178632		1	SHAFT, SHOCK MOUNT LOWER
40	F1528		1	WELCH PLUG
41	FA85019		1	KINGPIN W/PLUG
42	F438169		2	BEARING
43	F1669		1	LOCK NUT
44	F369349		1	REVERSE LOCK

CONTINUED ON NEXT PAGE ➡

MOTOR LEG

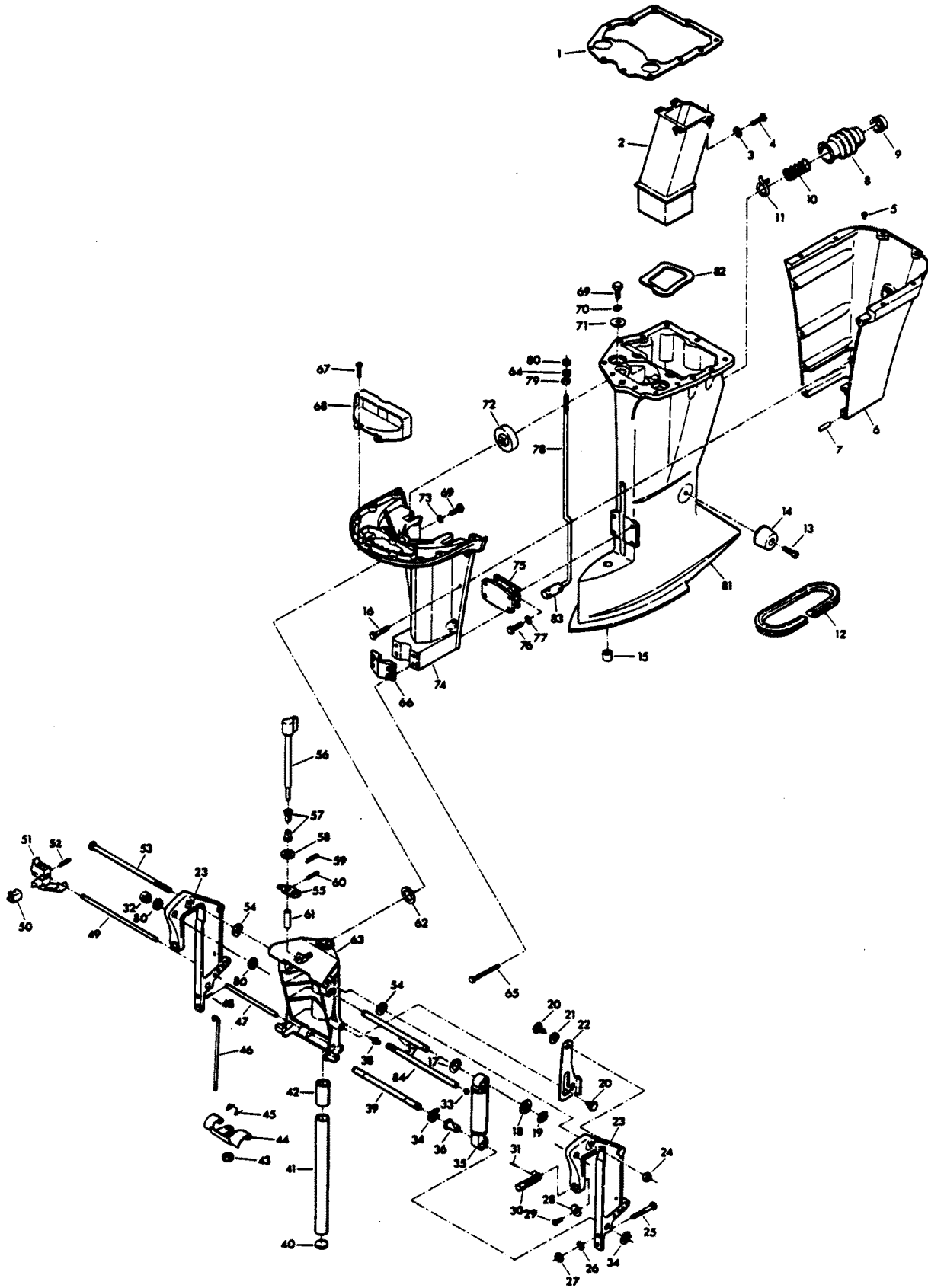


MOTOR LEG

REF. NO.	PART NO.	SYM.	QTY.	DESCRIPTION
45	F85300		1	REVERSE LOCK SPRING
46	F369510		1	LINK REVERSE LOCK
47	F177350		1	REVERSE LOCK PIN
48	F1744		1	SPRING PIN
49	FA438113		1	STERN BRACKET LOCK BAR W/HANDLE
50	F286461		1	SPRING, LOCK BAR HANDLE
51	F433114		1	HANDLE, LOCK BAR
52	F1744		1	SPRING PIN
53	F85037-1		1	STERN BRACKET PIVOT BOLT
54	F84286-1		4	FRICTION WASHER
55	F369364		1	REVERSE LOCK ARM
56	F369827		1	HANDLE AND SHAFT
57	F197813		2	BEARING
58	F8094		1	PLAIN WASHER
59	F1014		1	COTTER PIN
60	F1836		1	SPRING PIN
61	F369884		1	BEARING
62	F84011		1	WASHER
63	817783A5		1	SWIVEL BRACKET W/BEARINGS AND GREASE FITTINGS
64	F1987		1	PLAIN WASHER
65	F1696		4	HEX BOLT 5/16 - 18 X 1 3/4
66	F85606		1	KINGPIN CAP
67	F1912		4	HEX HD SCREW 10 - 24 X 1/2
68	F85779-1		1	BAFFLE, AIR INTAKE
69	F1871		4	HEX HD SCREW 3/8 - 16 X 3/4
70	F2014		2	PLAIN WASHER
71	FA85355-1		2	WASHER
72	F85965		2	SHOCK MOUNT UPPER
73	F1703		2	SPRING LOCKWASHER
74	A85135-3		1	LEG COVER FRONT
75	F438346		1	SHOCK MOUNT LOWER
76	F1822		4	HEX BOLT 5/16 - 18 X 7/8
77	F8096		4	SPRING LOCKWASHER
78	F85615		1	GEAR SHIFT ROD UPPER
79	F2108		2	LOCK NUT
80	F523280		1	NUT, STEERING SUPPORT TUBE
82	F439736		1	SEAL, EXHAUST TUBE
83	F85704		1	COUPLER, GEAR SHIFT ROD
84	F511125-1		1	TUBE, STEERING SUPPORT
-	F474390-1		1	DECAL, REVERSE LOCK (NOT SHOWN)
81	A438133-1		0	MOTOR LEG
6	817931A7		0	MOTOR LEG COVER, REAR
81	A383133-3		0	MOTOR LEG

CONTINUED ON NEXT PAGE ➡

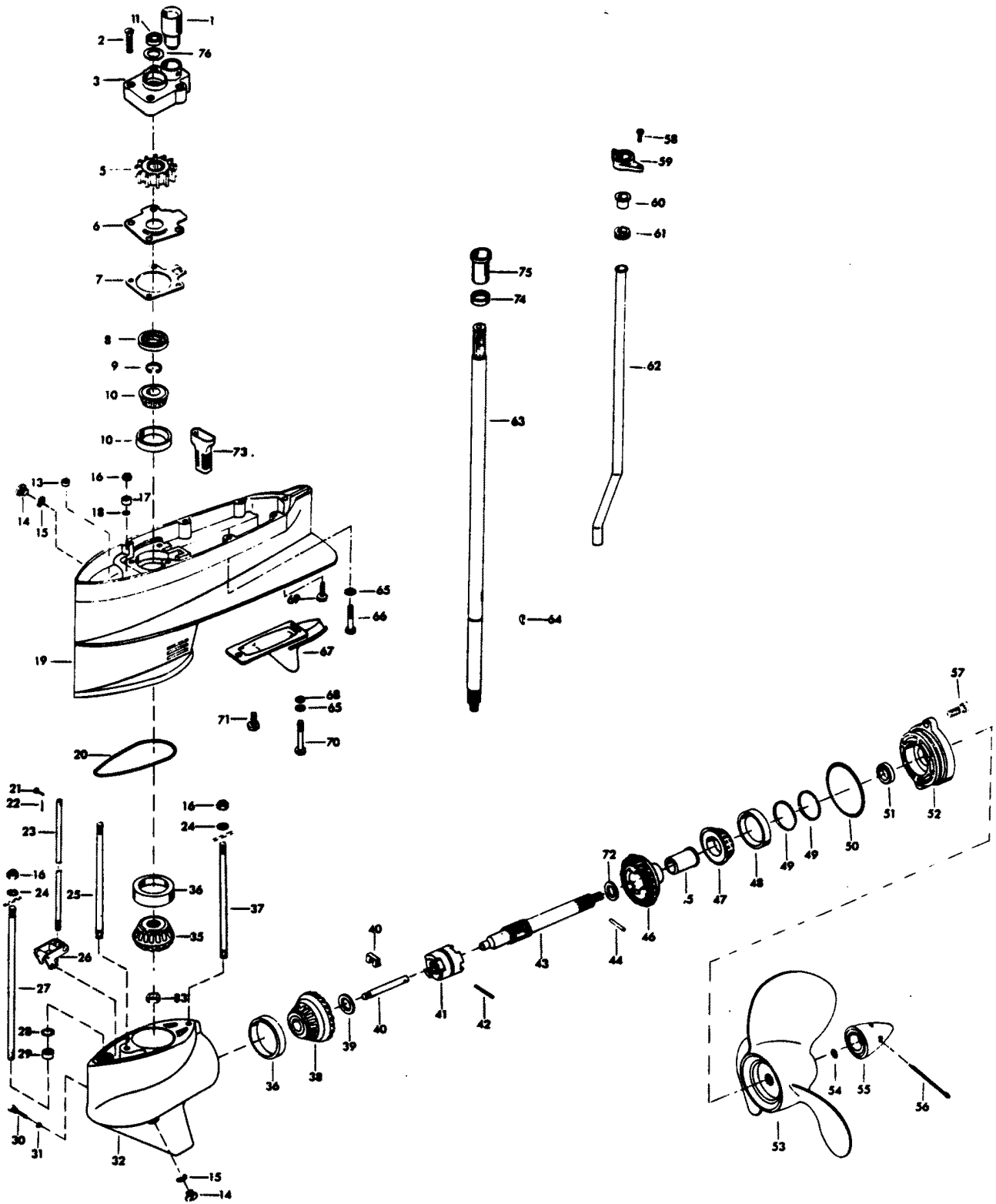
MOTOR LEG



MOTOR LEG

REF. NO.	PART NO.	SYM.	QTY.	DESCRIPTION
6	F304145-4		0	MOTOR LEG COVER, REAR

GEAR HOUSING

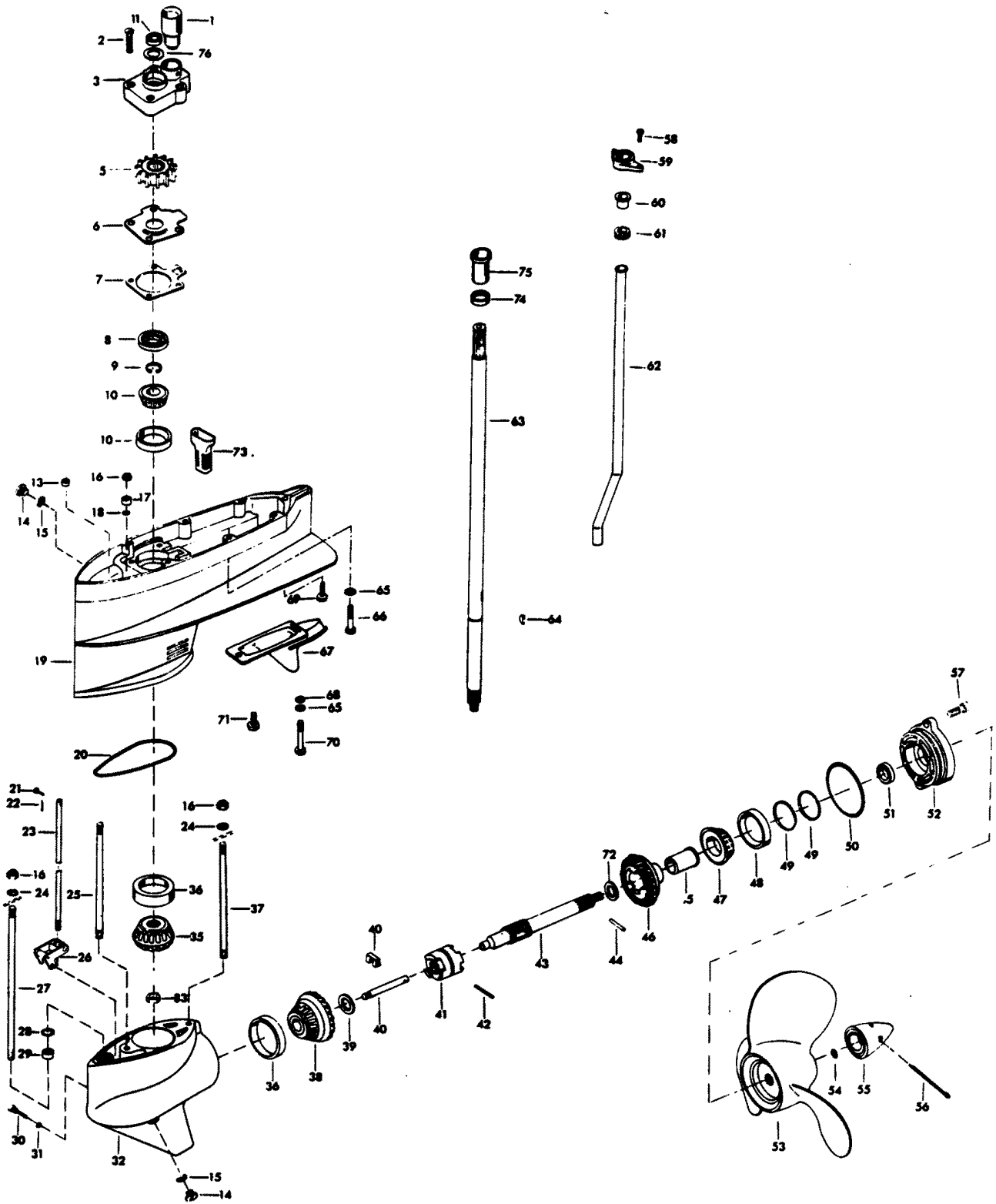


GEAR HOUSING

REF. NO.	PART NO.	SYM.	QTY.	DESCRIPTION
1	FA523735		1	SEAL, INLET WATER LINE, LOWER
2	F1584		4	FLAT HD SCREW, S.S., 1/4 - 20 X 1 3/8
3	FK500060		1	WATER PUMP BODY W/ITEMS 1 AND 11 ORIGINAL FORCE P/N A369060-1
5	F438065		1	WATER PUMP IMPELLER
6	F369562		1	WATER PUMP BACK PLATE
7	F84031		1	GASKET, WATER PUMP
8	F84307-1		1	SEAL, DRIVESHAFT
9	F84173		1	RETAINING RING
10	FA40901		1	BEARING, DRIVESHAFT W/CUP
11	F351307		1	SEAL, WATER PUMP
13	F338618-1		1	SEAL, GEAR SHIFT ROD
14	F50109		2	PLUG, GEAR HOUSING
15	F8077		2	WASHER, GEAR HOUSING PLUG
16	F1346		3	STOP NUT, 3/8 - 16
17	F84215		1	SPACER
18	F19342		1	SEAL
19	A316554-2		1	GEAR HOUSING UPPER W/PLUG & WASHER
20	F316555		1	SEAL
21	F85372		1	PIN, GEAR SHIFT ROD LOWER
22	F1015		1	COTTER PIN, S.S.
24	F1778		2	PLAIN WASHER
25	F316165		1	STUD, GEAR HOUSING CENTER
26	FA84621-1		1	COUPLING, GEAR SHIFT ARM W/BUSHING
27	F85006-1		1	STUD, GEAR HOUSING, FRONT
28	F316599		1	SEAL, GEAR HOUSING STUD, FRONT
29	F85012		1	PILOT, GEAR HOUSING
30	F90891		1	PIN, GEAR SHIFT ARM
31	F8001		1	WASHER
32	1600-817767A2		1	GEAR HOUSING LOWER W/PLUG AND WASHER
33	FA480188		1	NUT, BEVEL PINION RETAINING
35	FA321266		1	BEVEL PINION GEAR W/BEARING & SHIMS
36	84903		2	BEARING CUP
37	F84008-3		1	STUD, GEAR HOUSING, REAR
38	F2A321023		1	BEVEL GEAR FRONT W/BEARINGS & SHIMS
40	FA84871-1		1	PIN, GEAR SHIFT W/YOKE
41	F84521-1		1	CLUTCH
42	F1713		1	SPRING PIN
43	A85098-2		1	PROPELLER SHAFT
44	FK280		1	PROPELLER PIN
45	F384143		1	BEARING, BEVEL GEAR REAR
46	F321662		1	BEVEL GEAR, REAR
47	FA84225		1	BEARING W/CUP

CONTINUED ON NEXT PAGE ➡

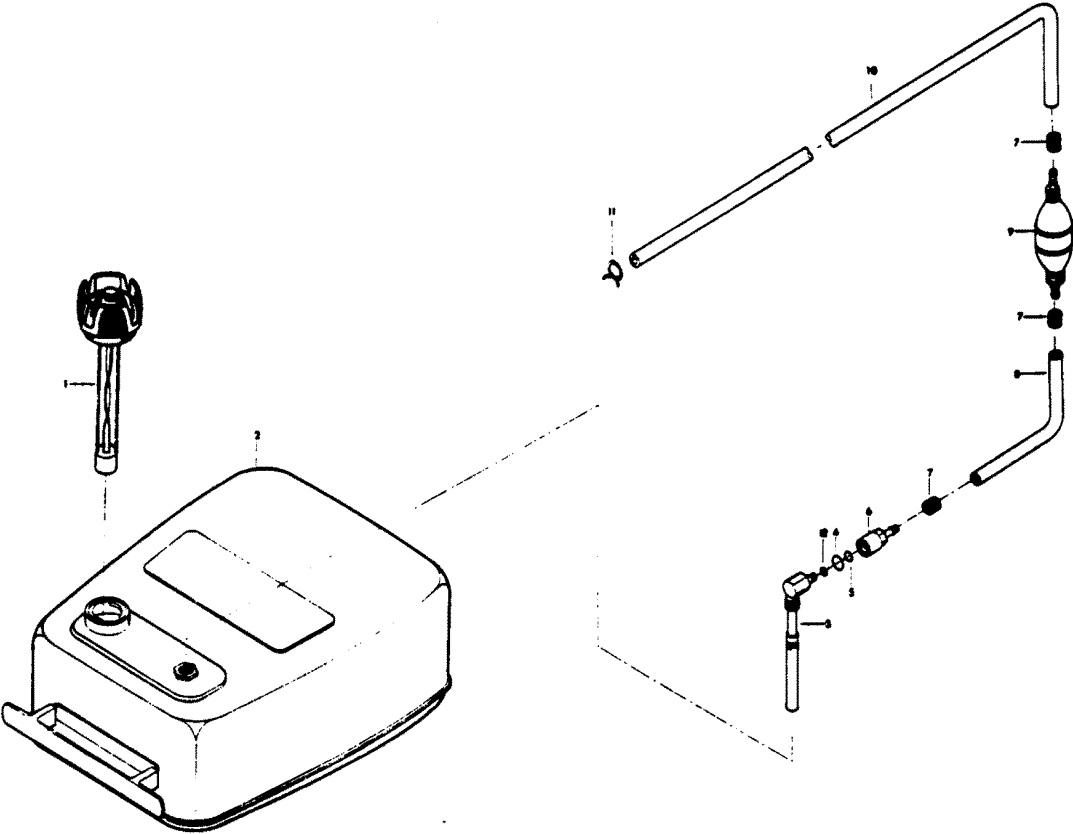
GEAR HOUSING



GEAR HOUSING

REF. NO.	PART NO.	SYM.	QTY.	DESCRIPTION
48	84250		1	BEARING CUP
50	F84305		1	SEAL, PROPELLER SHAFT BEARING CAGE
51	F84118		1	SEAL, PROPELLER SHAFT
52	FA84298-3		1	PROPELLER SHAFT BEARING CAGE W/SEAL
53	FP372		1	PROPELLER (ACCESSORY ITEM) FOR 105 & 120 H.P. ENGINES ONLY
-	FP383		1	PROPELLER (ACCESSORY ITEM) FOR 135 H.P. ENGINES ONLY
54	F40342		1	SEAL, PROPELLER NUT
55	11-817784A1		1	PROPELLER NUT W/COTTER PIN & SEAL
56	F1028		1	COTTER PIN, S.S.
57	F1252		2	HEX SOCKET HD CAP SCREW, S.S., 3/8 - 16 X 1
58	F1705		2	HEX CAP SCREW, S.S., 1/4 - 20 X 3/4
59	F85117		1	BRACKET, WATER LINE
60	F84342		1	SEAL, INLET WATER LINE, UPPER
61	F381899		1	GROMMET, WATER LINE
64	F9038		1	DRIVE KEY, WATER PUMP
65	F8096		7	SPRING LOCKWASHER, S.S.
66	F1696		6	HEX BOLT, S.S., 5/16 - 18 X 1 3/4
67	817797A2		1	EXHAUST OUTLET, GEAR HOUSING UPPER W/SCREW
68	F1907		1	PLAIN WASHER
69	F1213		1	HEX CAP SCREW, 5/16 - 18 X 1 1/8
70	F1994		1	HEX SOCKET HD CAP SCREW, 5/16 - 18 X 1
71	F438930		1	RETAINER, SNOUT
72	F84717		1	THRUST WASHER, BEVEL GEAR REAR
73	F438077		1	SCREEN, WATER INLET
74	F438271		1	RETAINER, CRANKSHAFT SPLINE SEAL
75	F438129		1	SEAL, DRIVESHAFT SPLINE
76	F480388		1	DISC, WATER PUMP LOCATING
-	1600-817888A2		1	GEAR HOUSING COMPLETE. INCLUDES ALL ITEMS MARKED WITH AN ASTERISK (*). ORIGINAL FORCE P/N C321054-2
23	F85705-1		0	GEAR SHAFT ROD LOWER
62	F85244		0	INLET WATER LINE
63	FK85128-1		0	DRIVESHAFT W/ITEMS 33, 74 AND 75
23	F304705-1		0	GEAR SHIFT ROD LOWER
62	F304244		0	INLET WATER LINE
63	K304128-1		0	DRIVESHAFT W/ITEMS 33, 74 AND 75

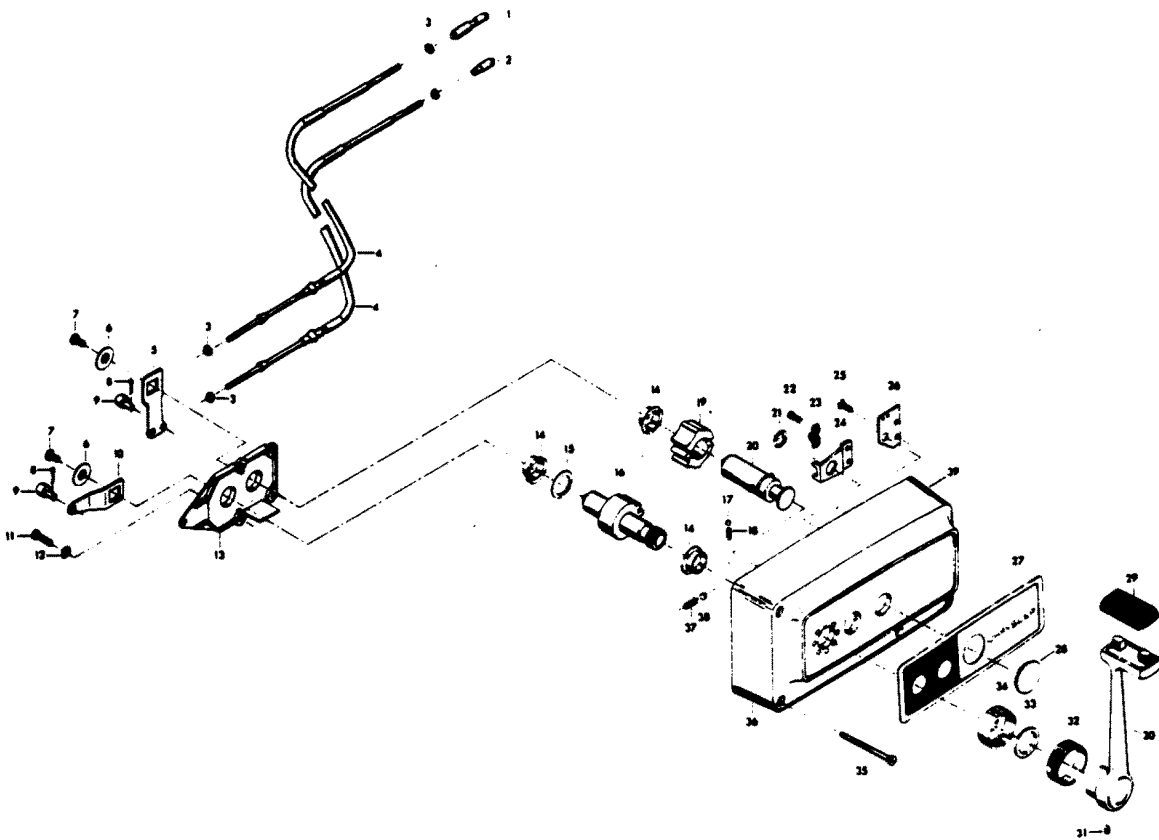
FUEL TANK AND LINE



FUEL TANK AND LINE

REF. NO.	PART NO.	SYM.	QTY.	DESCRIPTION
1	F409251-1		1	GAUGE CAP
2	F71H08		1	FUEL TANK (ACCESSORY ITEM)
3	F485755		1	FUEL TANK ADAPTER
4	F213342		1	SEAL, FUEL LINE COUPLER (LARGE)
5	F213735		1	SEAL, FUEL LINE COUPLER (SMALL)
6	F197787-2		1	FUEL LINE COUPLER
7	F298788		3	FERRULE
8	FA84754-1		1	FUEL LINE SHORT W/FERRULES
9	89396A38		1	PRIME BULB
10	32-817738A1		1	FUEL LINE LONG W/CLAMP AND FERRULE
11	F97772		1	FUEL LINE CLAMP
12	F17932		1	SEAL, FUEL LINE COUPLER
-	FS409752		1	FUEL LINE COMPLETE (NOT SHOWN)

REMOTE CONTROL

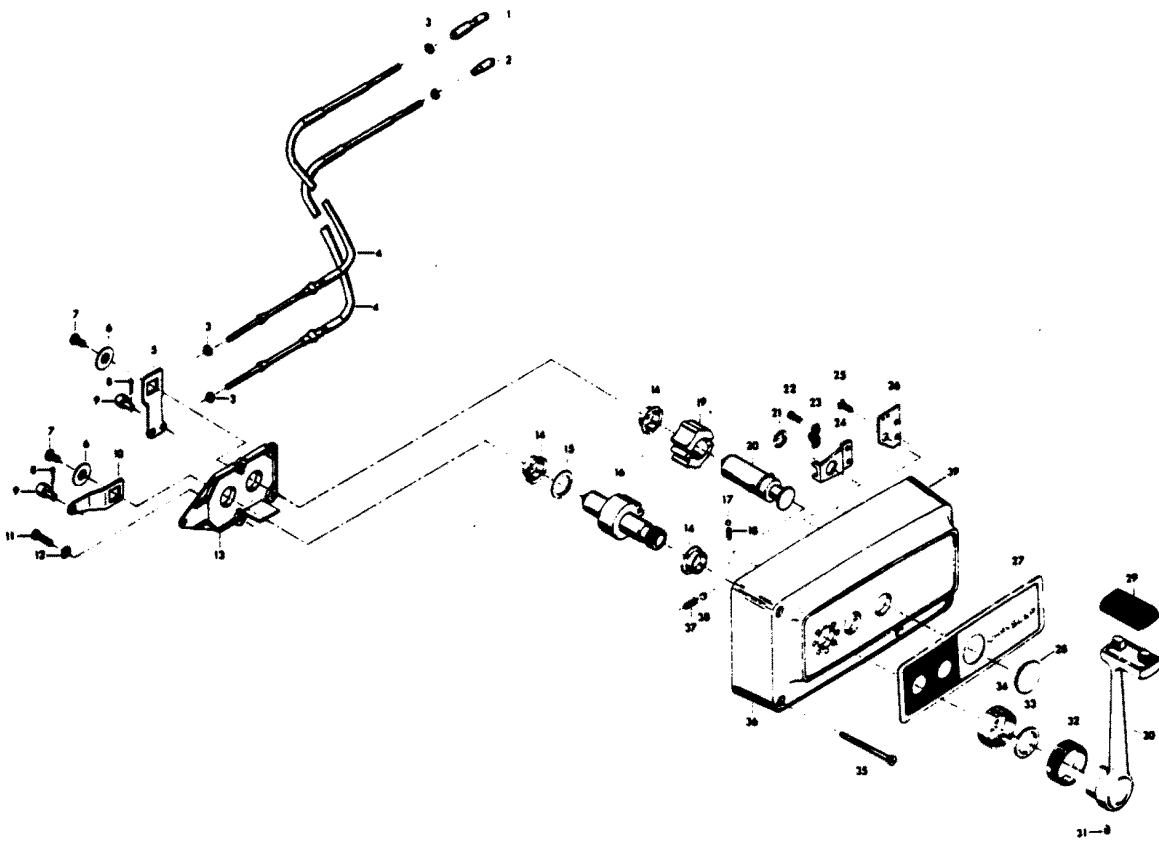


REMOTE CONTROL

REF. NO.	PART NO.	SYM.	QTY.	DESCRIPTION
1	FA58976-1		1	CONNECTOR, THROTTLE CABLE
2	F58685-2		1	CONNECTOR, SHIFT CABLE
3	F1513		4	HEX NUT
4	ÄF58356//		2	REMOTE CONTROL CABLE (SPECIFY LENGTH)
5	F17019		1	CLUTCH ARM
6	F17036		2	INTERNAL TOOTH LOCKWASHER
7	F1715		2	HEX BOLT, 1/4 - 28 X 9/16
8	F17015		2	COTTER PIN
9	F17016		2	CABLE TERMINAL
10	F17014		1	THROTTLE ARM
11	F17013		2	FILL HD SCREW, 1/4 - 20 X 1/2
12	F17020		2	INTERNAL TOOTH LOCKWASHER
13	F17012		1	RETAINING PLATE
14	F17009		3	BEARING
15	F17011		1	BOWED WASHER
16	F17010-1		1	THROTTLE GEAR
17	F17111		1	DETENT BALL
18	F17006		1	DETENT SPRING
19	F17021		1	CLUTCH GEAR
20	F17100		1	CLUTCH SHAFT
21	F17092		1	SNAP RING
22	F17107		2	FILL HD SCREW, 10 - 24 X 5/16
23	F154317		1	CABLE CLAMP
24	F17026		1	SWIVEL
25	F1557		2	FLAT HD SCREW, 10 - 24 X 3/8
26	F17112		1	JUNCTION BOARD, STARBOARD
-	F17113		1	JUNCTION BOARD, PORT
27	F17101		1	DECAL, STARBOARD
-	17102		1	DECAL, PORT
28	F17031		1	SNAP CAP
29	F17116		1	KNOB
30	F17115		1	HANDLE
31	F17030-1		1	SET SCREW
32	FK17114-1		1	INDICATOR
33	F17105		1	FELT WASHER
34	F17106		1	COLLAR
35	17108		3	WOOD SCREW

CONTINUED ON NEXT PAGE ➡

REMOTE CONTROL



REMOTE CONTROL

REF. NO.	PART NO.	SYM.	QTY.	DESCRIPTION
36	F17068		1	HOUSING
37	F17008		1	DETENT SPRING
38	F17082-1		1	DETENT BALL
39	F72H36		1	REMOTE CONTROL UNIT, SINGLE LEVER STARBOARD MOUNT (ACCESSORY ITEM)
-	F1280		2	PAN HD SCREW, 8 - 32 X 1/4 (TERMINAL BOARD) (NOT SHOWN)

SPECIAL TOOLS - TUNE UP

REF. NO.	PART NO.	SYM.	QTY.	DESCRIPTION
-	FT8948-1		0	FLYWHEEL PULLER TO REMOVE FLYWHEEL.
-	FTA2937-1		0	TIMING TOOL TO SET INITIAL SPARK ADVANCE.
-	FT8978		0	POWER TIMING LIGHT FOR FINAL ADJUSTMENT OF SPARK ADVANCE.

SPECIAL TOOLS - POWER HEAD

REF. NO.	PART NO.	SYM.	QTY.	DESCRIPTION
-	FT8914		0	SEAL REMOVER TO REMOVE UPPER CRANKSHAFT BEARING CAGE SEAL.
-	FT8903		0	SEAL INSTALLER TO INSTALL UPPER CRANKSHAFT BEARING CAGE SEAL.
-	FT8927		0	SEAL PROTECTOR TO INSTALL UPPER CRANKSHAFT BEARING CAGE SEAL.
-	FT8907		0	DRIVE HANDLE USED WITH T8910, T8909, T8908 AND T8903.
-	FT8922		0	SLIDE HAMMER TO REMOVE UPPER CRANKSHAFT BEARING CAGE SEAL. ALSO USED TO REMOVE BEARING CUPS FROM PROPELLER SHAFT BEARING CAGE.
-	FT2953		0	SOCKET TO TORQUE CONNECTING ROD SCREWS.
-	FT2990		0	PISTON PIN TOOL TO REMOVE AND INSTALL PISTON PINS (105 - 120).
-	FTA8994		0	PISTON PIN TOOL TO REMOVE AND INSTALL PISTON PINS (135).
-	FT2996		0	RING COMPRESSOR TO INSTALL PISTON RINGS.
-	FT8926		0	RING EXPANDER TO INSTALL PISTON RINGS.

SPECIAL TOOLS - GEAR HOUSING

REF. NO.	PART NO.	SYM.	QTY.	DESCRIPTION
-	FT8948-1		0	PROPELLER SHAFT BEARING CAGE PULLER TO REMOVE PROPELLER SHAFT BEARING CAGE FROM GEAR HOUSING.
-	FT8918		0	BEARING GUIDE SET TO REMOVE AND INSTALL BEARING CUP IN LOWER GEAR HOUSING.
-	FT2995		0	FORWARD BEARING CUP REMOVER TO REMOVE FORWARD BEARING CUP IN LOWER GEAR HOUSING.
-	FT8909		0	FORWARD BEARING CUP INSTALLER TO INSTALL FORWARD BEARING CUP IN LOWER GEAR HOUSING.
-	FT8917		0	REAR BEARING CUP REMOVER TO REMOVE REAR BEARING CUP FROM PROPELLER SHAFT BEARING CAGE.
-	FT8910		0	REAR BEARING CUP INSTALLER TO INSTALL REAR BEARING CUP IN PROPELLER SHAFT BEARING CAGE.
-	FT8908		0	PROPELLER SHAFT SEAL INSTALLER TO INSTALL PROPELLER SHAFT SEAL IN PROPELLER SHAFT BEARING CAGE.
-	FT8915		0	PROPELLER SHAFT SEAL PROTECTOR TO INSTALL PROPELLER SHAFT SEAL IN PROPELLER SHAFT BEARING CAGE.
-	FT8916		0	PROPELLER SHAFT BEARING INSTALLER TO INSTALL REVERSE GEAR AND BEARING ON PROPELLER SHAFT.
-	FT8906		0	PROPELLER SHAFT BEARING SUPPORT TO INSTALL REVERSE GEAR AND BEARING ON PROPELLER SHAFT.
-	FT8911		0	DRIVESHAFT KNOCK-OFF NUT TO REMOVE DRIVESHAFT FROM UPPER GEAR HOUSING.
-	FT8905		0	DRIVESHAFT BEARING REMOVER TO REMOVE BEARING FROM DRIVESHAFT.
-	FT8920		0	DRIVESHAFT BEARING INSTALLER TO INSTALL BEARING ON DRIVESHAFT.
-	FT8925		0	DRIVESHAFT SEAL INSTALLER TO INSTALL DRIVESHAFT AND IN UPPER HOUSING.
-	FT8924-1		0	CHECKING GAUGE TO MEASURE PROPELLER SHAFT END PLAY AND END FLOAT.
-	FT8907		0	DRIVER HANDLE TO INSTALL BEARING CUPS AND SEALS.
-	FT8901		0	INDICATOR HOLDER USED IN CONJUNCTION WITH T8924-1.
-	FT8902		0	DIAL INDICATOR USED IN CONJUNCTION WITH T8924-1.
-	FT8970		0	CENTERING TOOL TO CENTER WATER PUMP BODY.
-	FT8919		0	SPRING PIN PUNCH TO REMOVE CLUTCH SPRING PIN.
-	FT8957		0	SEAL INSTALLER TO INSTALL SHIFT ROD SEAL.

SPECIAL TOOLS - TEST EQUIPMENT

REF. NO.	PART NO.	SYM.	QTY.	DESCRIPTION
-	FT2981A		0	TEST WHEEL (105 H.P.) TO TEST MOTOR IN TEST TANK.
-	FT8961A		0	TEST WHEEL (120 AND 135 H.P.) TO TEST MOTOR IN TEST TANK.
-	FT8933		0	LIFTING HOOK TO LIFT ENGINE.
-	FT8950		0	LEAKAGE TESTER TO TEST LOWER UNIT SEALS FOR LEAKAGE.

ACCESSORIES

REF. NO.	PART NO.	SYM.	QTY.	DESCRIPTION
-	F861		0	FLUSHING ADAPTER PERMITS FRESH WATER FLUSHING OF WATER PASSAGES WITH STANDARD GARDEN HOSE.
-	F72H36		0	SYNCHRO-DRIVE CONTROL BOX (SINGLE LEVER) PERMITS REMOTE CONTROL OF THROTTLE AND GEAR SHIFT FROM STARBOARD SIDE OF BOAT.
-	73H08		0	PORT SIDE DECAL KIT CONVERTS 72H36 CONTROL BOX TO PORT SIDE MOUNTING.
-	F590		0	SYNCHRO-DRIVE CONTROL HEAD (SINGLE LEVER) FLUSH MOUNT CONTROL UNIT PERMITS REMOTE CONTROL OF THROTTLE AND GEAR SHIFT. MAY BE MOUNTED ON PORT OR STARBOARD SIDE OF BOAT.
-	865		0	TWIN SYNCHRO-DRIVE CONTROL BOX PERMITS REMOTE CONTROL OF THROTTLE AND GEAR SHIFT ON TWIN ENGINE INSTALLATIONS. MAY BE MOUNTED ON PORT OR STARBOARD SIDE OF BOAT.
-	F75H07		0	SYNCHRO-DRIVE CONTROL BOX FOR MOUNTING ON CONSOLE OF BOAT.
-	F75H08		0	TWIN SYNCHRO-DRIVE CONTROL BOX FOR MOUNTING ON CONSOLE OF BOAT.
-	F195/___		0	REMOTE CONTROL CABLES CONNECTS REMOTE CONTROL BOX TO THROTTLE AND GEAR SHIFT ON ENGINE. AVAILABLE IN 6 THROUGH 20 FOOT LENGTHS.
-	F165		0	REMOTE STEERING BRACKET ADAPTS ENGINE TO CABLE TYPE REMOTE STEERING.
-	F166		0	DUAL ENGINE TIE BAR PERMITS DUAL ENGINE INSTALLATIONS.
-	F862		0	STEEL, 6 GALLON FUEL TANK ADDITIONAL TANK TO CARRY FUEL RESERVE.
-	F71H08		0	STEEL, 6 GALLON FUEL TANK (LOW PROFILE)
-	F71H12		0	TANK ANCHOR SECURES 71H08 TO BOAT.
-	F71H23		0	STEEL, 12 GALLON FUEL TANK
-	F70H01		0	ANTI-CORROSION KIT ELECTRICAL KIT FOR MOUNTING ON BOAT (12V) TO REDUCE CORROSION.
-	F71H02		0	ANTI-CORROSION SACRIFICIAL ANODE KIT USED TO REDUCE CORROSION.
-	F71H30		0	OVERHEAT BUZZER SOUNDS WARNING BUZZER IF ENGINE OVERHEATS.
-	F75H16		0	POWER TRIM INDICATOR INDICATES ENGINE TRIM ANGLE. (FLUSH MOUNT)
-	75H19		0	POWER TRIM INDICATOR INDICATES ENGINE TRIM ANGLE. (SURFACE MOUNT)
-	72H31		0	FROST WHITE LACQUER ENGINE TOUCH-UP PAINT IN 16 OZ. SPRAY BOMBS (12 CANS PER CASE).
-	72H32		0	GOLD LACQUER ENGINE TOUCH-UP PAINT IN 6 OZ. SPRAY BOMBS (12 CANS PER CASE).
-	F71H32		0	TILT STOP KIT LIMITS TILTING ANGLE.
-	F72H66		0	EXHAUST SNOOT
-	F75H09		0	BATTERY CABLE LONGER LENGTH - 15 FEET.
-	F74H01		0	VOLTMETER - FLUSH MOUNT INDICATES BATTERY CONDITION.

CONTINUED ON NEXT PAGE ➡

ACCESSORIES

REF. NO.	PART NO.	SYM.	QTY.	DESCRIPTION
-	74H02		0	VOLTMETER - SURFACE MOUNT INDICATES BATTERY CONDITION.
-	72H07		0	CANVAS HOOD PROTECTION FOR ENGINE COVER.
-	72H13		0	BATTERY, 74 AMP 12 VOLT HEAVY DUTY BATTERY.
-	172		0	BATTERY CASE HEAVY PLASTIC CASE WITH TIE DOWN STRAPS. PROTECTS BATTERY FROM DAMAGE.
-	F70H05		0	EXTENSION CABLE FOR LENGTHENING BATTERY CABLE 6 1/2 FEET.
-	F71H20		0	CIGAR LIGHTER FOR USE AS CONVENIENCE OUTLET.
-	168		0	CONTROL PANEL FOR MOUNTING LAMPS, SWITCHES, ETC.
-	877		0	DECAL SET FOR RACING ENGINE IDENTIFICATION.
-	75H20		0	FUEL GAUGE SURFACE MOUNT MONITORS FUEL SUPPLY.
-	75H17		0	FUEL GAUGE FLUSH MOUNT MONITORS FUEL SUPPLY.
-	F72H09		0	HYDRAULIC TILT HYDRAULIC UNIT TO RAISE AND LOWER THE LOWER UNIT WHEN BEACHING OR TRAILERING BOAT.
-	479		0	HEAT LAMP KIT GLOWS RED IF ENGINE OVERHEATS. DO NOT USE HEAT LAMP AND TEMPERATURE GAUGE IN SAME INSTALLATION.
-	478		0	IGNITION LAMP KIT GLOWS ORANGE WHEN IGNITION SWITCH IS IN "ON" POSITION.
-	F74H19		0	IGNITION KEY SWITCH SHORT BARREL WITH KEYS.
-	F74H20		0	IGNITION KEY SWITCH LONG BARREL WITH KEYS.
-	71H11		0	RACING LOWER UNIT (15") FOR RACING APPLICATIONS.
-	72H19		0	RACING LOWER UNIT (17 1/4") FOR RACING APPLICATIONS.
-	70H24		0	RACING STRIPE KIT ORANGE STRIPING FOR ENGINE COVER.
-	70H25		0	RACING STRIPE KIT BLUE STRIPING FOR ENGINE COVER.
-	F762		0	REMOTE ELECTRIC CABLE 25 FOOT CABLE FOR LARGE BOATS.
-	F73H11		0	REMOTE ELECTRIC CABLE 21 FOOT CABLE FOR LARGE BOATS.
-	F71H10		0	SENDING UNIT FOR USE WITH FUEL GAUGE.
-	F74H10		0	TEMPERATURE GAUGE FLUSH MOUNT MONITORS ENGINE TEMPERATURE. DO NOT USE TEMPERATURE GAUGE AND HEAT LAMP IN SAME INSTALLATION.
-	74H14		0	TEMPERATURE GAUGE SURFACE MOUNT MONITORS ENGINE TEMPERATURE. DO NOT USE TEMPERATURE GAUGE AND HEAT LAMP IN SAME INSTALLATION.
-	75H18		0	TACHOMETER SURFACE MOUNT MONITORS ENGINE R.P.M. TO PROVIDE CHECK OF ENGINE PERFORMANCE.
-	75H15		0	TACHOMETER FLUSH MOUNT MONITORS ENGINE R.P.M. TO PROVIDE CHECK OF ENGINE PERFORMANCE.
-	F74H07		0	WATER PUMP KIT HEAVY DUTY WATER PUMP KIT.
-	F71H27		0	POWER TRIM ADJUSTS ENGINE TRIM AND TILTS ENGINE.
-	176		0	SPEEDOMETER SURFACE MOUNT MONITORS BOAT SPEED (0 - 50 M.P.H.)
-	F71H04		0	SPEEDOMETER FLUSH MOUNT MONITORS BOAT SPEED (0 - 50 M.P.H.)

CONTINUED ON NEXT PAGE ➡

ACCESSORIES

REF. NO.	PART NO.	SYM.	QTY.	DESCRIPTION
-	F74H18		0	SWITCH EXTENSION CABLE 5 FOOT LONG SWITCH WIRING HARNESS.

SPECIFICATIONS

REF. NO.	PART NO.	SYM.	QTY.	DESCRIPTION
-			0	HORSEPOWER 105 B.I.A. CERTIFIED BRAKE H.P. AT 5000 R.P.M.
-			0	HORSEPOWER 120 B.I.A. CERTIFIED BRAKE H.P. AT 5250 R.P.M.
-			0	HORSEPOWER 135 B.I.A. CERTIFIED BRAKE H.P. AT 5000 R.P.M.
-			0	MOTOR TWO-CYCLE, FOUR CYLINDER ALTERNATE FIRING.
-			0	BORE AND STROKE 105 H.P. - 3 5/16" BORE X 2.8" STROKE.
-			0	BORE AND STROKE 120 H.P. - 3 5/16" BORE X 2.8" STROKE.
-			0	BORE AND STROKE 135 H.P. - 3 3/8" BORE X 2.8" STROKE.
-			0	DISPLACEMENT 105 H.P. - 96.55 CUBIC INCHES.
-			0	DISPLACEMENT 120 H.P. - 96.55 CUBIC INCHES.
-			0	DISPLACEMENT 135 H.P. - 96.8 CUBIC INCHES.
-			0	CONNECTING RODS NICKEL STEEL. CAGED NEEDLE BEARINGS AT CRANKSHAFT. FULL COMPLIMENT NEEDLE BEARINGS AT PISTON PIN.
-			0	CRANKSHAFT NICKEL STEEL. BALL BEARINGS AT UPPER MAIN. CAGED NEEDLE BEARINGS AT CENTER MAIN AND CASED NEEDLE BEARINGS AT LOWER MAIN.
-			0	CORROSION PROTECTION ALODINE TREATED CASTINGS, STAINLESS STEEL DRIVE SHAFT, PROPELLER SHAFT, GEAR SHIFT ROD AND UNDERWATER FASTENERS.
-			0	FUEL SYSTEM VACUUM TYPE FUEL PUMP. FLOAT FEED CARBURETOR WITH FIXED HIGH SPEED JET AND ADJUSTABLE LOW SPEED JET.
-			0	FUEL FILTERS FILTERS SCREENS IN FUEL TANK AND FUEL PUMP.
-			0	STARTER ELECTRIC.
-			0	COOLING WATER COOLED, THERMOSTATICALLY CONTROLLED. POSITIVE DISPLACEMENT TYPE WATER PUMP.
-			0	TRANSOM HEIGHT 15" OR 20", DEPENDING ON MODEL.
-			0	WEIGHT 248 LBS. - 250 LBS. FOR SHORT SHAFT MODELS.
-			0	TILT LOCK POSITIVE TILT LOCK PERMITS ENGINE TO REMAIN IN TILTED POSITION WHEN NOT IN USE.
-			0	RECOMMENDED OPERATING RANGE 105 H.P. - 4500-5500 R.P.M.
-			0	RECOMMENDED OPERATING RANGE 120 H.P. - 5000-5500 R.P.M.
-			0	RECOMMENDED OPERATING RANGE 135 H.P. - 4500-5500 R.P.M.
-			0	FUEL TANK SEPARATE STEEL, 6 U.S. GALLON, 5 IMPERIAL GALLON CAPACITY

LUBRICATION CHART

REF. NO.	PART NO.	SYM.	QTY.	DESCRIPTION
-			0	UPPER AND LOWER GEAR HOUSINGS SEE BLOCK COMMENT 1.
-			0	CONTROL LINKAGE LUBRICATE ALL MOVING PARTS AND CONTROL LINKAGE WITH RYKON #2 EP, PART #T-2961 TWICE EACH SEASON OR OFTENER IF REQUIRED.
-			0	STERN BRACKET LUBRICATE STERN BRACKET AND ASSOCIATED PARTS WITH RYKON #2 EP, PART #T-2961 TWICE EACH SEASON OR OFTENER IF REQUIRED.
-			0	GREASE FITTINGS GREASE FITTINGS ARE PROVIDED AT CRITICAL POINTS WHERE BEARING SURFACES ARE NOT EXPOSES EXTERNALLY. USING AN AUTOMOTIVE - TYPE GREASE GUN AND LUBRICANT, GREASE TWICE EACH SEASON OR OFTENER IF REQUIRED.
-			0	STARTER PINION GEAR LUBRICATE WITH RYKON #2 EP, PART NO. T2961, TWICE EACH SEASON OR OFTENER IF REQUIRED.

SPECIAL ADJUSTMENTS

REF. NO.	PART NO.	SYM.	QTY.	DESCRIPTION
-			0	SPARK PLUG CHAMPION (L20V)
-			0	FLYWHEEL NUT TORQUE TO 90 FOOT POUNDS.
-			0	CYLINDER HEAD BOLT

PARTS INDEX

Part Number	Description	Pg.	Ref. No.	Part Number	Description	Pg.	Ref. No.
ÄF58356//	REMOTE CONTROL CABLE (SPECIFY LENGTH)	49	4	84250	BEARING CUP	45	48
016139	CHOKE RELIEF VALVE SPRING	21	11	84903	BEARING CUP	43	36
06942	THROTTLE SHUTTER RETAINING SCREW AND LOCKWASHER	17	12	865	TWIN SYNCHRO-DRIVE CONTROL BOX	56	-
15037	HEAD ASSEMBLY, COMMUTATOR END	11	21	877	DECAL SET	57	-
168	CONTROL PANEL	57	-	89396A38	PRIME BULB	47	9
17102	DECAL, PORT	49	-	90607	RETAINING RING	17	1
17108	WOOD SCREW	49	35	A316554-2	GEAR HOUSING UPPER W/PLUG & WASHER	43	19
172	BATTERY CASE	57	-	A383133-3	MOTOR LEG	39	81
176	SPEEDOMETER SURFACE MOUNT	57	-	A438133-1	MOTOR LEG	39	81
3SA475015	PISTON .030 OVERSIZE (NOT SHOWN)	35	-	A476010	CYLINDER W/CRANKCASE COVER, PARTING LINE SEAL,	33	1
478	IGNITION LAMP KIT	57	-	A511518	CYLINDER HEAD	33	80
479	HEAT LAMP KIT	57	-	A512010	CYLINDER W/CRANKCASE COVER, PARTING LINE SEAL,	33	1
480373	DECAL, MAGNAPOWER IGNITION (NOT SHOWN) .	9	-	A65193	TIE BAR END W/SWIVEL . . .	17	2
481373	DECAL, "ELECTRONIC" (NOT SHOWN)	15	-	A85098-2	PROPELLER SHAFT	43	43
523995	COVER CYLINDER HEAD . .	33	108	A85135-3	LEG COVER FRONT	39	74
70H24	RACING STRIPE KIT	57	-	AC16395-7	IDENTIFICATION PLATE W/SCREWS FOR CANADA MODELS	3	-
70H25	RACING STRIPE KIT	57	-	C476010-1	SHORT BLOCK	33	-
71H11	RACING LOWER UNIT	57	-	C512010	SHORT BLOCK	33	-
72H07	CANVAS HOOD	57	-	F10000	GASKET SET (NOT SHOWN)	19	-
72H13	BATTERY, 74 AMP	57	-	F10005	REPAIR PARTS KIT (NOT SHOWN).	19	-
72H19	RACING LOWER UNIT	57	-	F10023	GASKET SET (NOT SHOWN)	23	-
72H31	FROST WHITE LACQUER . .	56	-	F10051	REPAIR PARTS KIT (NOT SHOWN)	23	-
72H32	GOLD LACQUER	56	-	F1009	HEX HD SCREW, 3/8 - 16 X 2 3/4	29	5
73H08	PORT SIDE DECAL KIT	56	-	F1014	COTTER PIN	17	17
74H02	VOLTMETER - SURFACE MOUNT	57	-	F1014	COTTER PIN	21	30
74H14	TEMPERATURE GAUGE SURFACE MOUNT	57	-	F1014	COTTER PIN	39	59
75H15	TACHOMETER FLUSH MOUNT	57	-	F1015	COTTER PIN, S.S.	43	22
75H17	FUEL GAUGE FLUSH MOUNT	57	-	F1028	COTTER PIN, S.S.	45	56
75H18	TACHOMETER SURFACE MOUNT	57	-	F1052	FILL HD SCREW, 1/4 - 20 X 1	29	22
75H19	POWER TRIM INDICATOR . .	56	-	F1059	FILL HD SCREW, 6 - 32 X 1/4	17	21
75H20	FUEL GAUGE SURFACE MOUNT	57	-	F1059	FILL HD SCREW, 6 - 32 X 1/4	21	43
817747--1	BALL JOINT W/STUD	25	23	F1064	FILL HD SCREW, 8 - 32 X 3/8	17	3
817747--1	BALL JOINT W/STUD	29	25	F1064	FILL HD SCREW, 8 - 32 X 3/8	21	3
817783A5	SWIVEL BRACKET W/BEARINGS AND GREASE FITTINGS	39	63	F1099	FILL HD SCREW, 1/4 - 20 X 1 1/4	29	13
817786A1	DISTRIBUTOR PULLEY	13	3	F1099	FILL HD SCREW, 1/4 - 20 X 1 1/4	31	55
817788A3	SPACER PLATE W/PLUGS . .	31	73	F1107	SLOTTED FILL HD CAP SCREW, 1/4 - 20 X 3/4 . . .	31	76
817797A2	EXHAUST OUTLET, GEAR HOUSING UPPER W/SCREW	45	67	F1108	FILL HD SCREW, 1/4 - 20 X 3/4	25	13
817855A1	UNIT	9	45	F1134	PAN HD SCREW, 1/4 - 20 X 1 3/8	21	6
817931A7	MOTOR LEG COVER, REAR . .	39	6	F1187	HEX HD SCREW, 1/4 - 20 X 1	29	43
817932A6	TOWERSHAFT W/SWIVEL, BEARINGS AND SCREWS . .	29	19	F1203	HEX CAP SCREW, 1/4 - 20 X 7/8	33	107
				F1213	HEX CAP SCREW, 5/16 - 18 X 1 1/8	45	69
				F1236	SCREW, 1/4 - 20 X 1/2	25	22

PARTS INDEX

Part Number	Description	Pg.	Ref. No.	Part Number	Description	Pg.	Ref. No.
F1238	HEX CAP SCREW, 1/4 - 20 X 3/4	3	14	F1502	HEX CAP SCREW, 1/4 - 20 X 5/8	25	5
F1238	HEX CAP SCREW, 1/4 - 20 X 3/4	31	54	F1502	HEX CAP SCREW, 1/4 - 20 X 5/8	31	48
F1252	HEX SOCKET HD CAP SCREW, S.S., 3/8 - 16 X 1	45	57	F15021-1	HEAD ASSEMBLY, DRIVE END	11	8
F1253	HEX SOCKET HD CAP SCREW, 3/8 - 16 X 2	29	9	F15034	SPRING SET	11	22
F1263	HEX SOCKET HD CAP SCREW 5/16 - 18 X 9/16	37	13	F15035	THRU BOLT PACKAGE	11	16
F1280	PAN HD SCREW, 8 - 32 X 1/4	7	33	F15054	BRUSH AND TERMINAL SET	11	12
F1280	PAN HD SCREW, 8 - 32 X 1/4 (TERMINAL BOARD) (NOT SHOWN)	51	-	F15057	BRUSH PLATE AND HOLDER ASSEMBLY	11	23
F1286	PAN HD SCREW, 4 - 40 X 3/16	29	39	F15073	THRUST WASHER PACKAGE	11	9
F1293	ROUND HD SCREWS, 2 X 3/16	3	19	F15099	ARMATURE	11	10
F1298	RD HD SCREW W/LOCKWASHER, 6 - 32 X 1/4	25	38	F15118	BENDIX DRIVE ASSEMBLY	11	5
F1341	HEX NUT, 1/4 - 20	29	21	F15124	FRAME AND FIELD ASSEMBLY	11	11
F1346	HEX NUT	37	27	F1513	HEX NUT	7	18
F1346	HEX NUT, 3/8 - 16	27	29	F1513	HEX NUT	49	3
F1346	STOP NUT, 3/8 - 16	43	16	F1513	HEX NUT, 10 - 32	25	27
F14005-2	CAP BASE	13	37	F1513	HEX NUT, 10 - 32	29	27
F14007	CAP SCREW	13	33	F1514	HEX NUT, 1/4 - 20	11	6
F14010-1	CAP COVER	13	34	F1515	HEX NUT, 5/16 - 18	27	29
F14012-1	BRUSH	13	39	F1528	WELCH PLUG	37	40
F14015	CAP CLIP RIVET	13	21	F154317	CABLE CLAMP	49	23
F14017	TERMINAL INSULATOR (OUTSIDE)	15	46	F1556	FILL HD SCREW W/LOCKWASHER, 10 - 24 X 3/8	29	23
F14021-1	CAP SEAL	13	36	F1557	FLAT HD SCREW, 10 - 24 X 3/8	49	25
F14024	SPACER	13	42	F1584	FLAT HD SCREW, S.S., 1/4 - 20 X 1 3/8	43	2
F14025	SPACER	13	4	F1593	HEX HD SCREW 3/8 - 16 X 3	37	25
F14028	THRUST WASHER	13	5	F1612	HEX CAP SCREW, 3/8 - 16 X 1 1/4	13	8
F14029	THRUST WASHER	13	7	F1615	HEX NUT	7	24
F14030	CAP GASKET	13	38	F1645	RD HD SCREW, 6 - 32 X 1/4	27	50
F14036	SWIVEL	13	13	F1647	HEX NUT, 8 - 32	7	6
F14037	CAP CLIPS	13	14	F1647	HEX NUT, 8 - 32	13	24
F14038	CAP CLIP SCREWS	13	15	F1647	HEX NUT, 8 - 32	33	96
F14040	VENT	13	35	F1648	PAN HD SCREW, 10 - 24 X 3/4	7	16
F14041	EXTERNAL TOOTH LOCKWASHER	13	23	F165	REMOTE STEERING BRACKET	56	-
F14042	DISTRIBUTOR HOUSING W/BEARINGS	13	12	F166	DUAL ENGINE TIE BAR	56	-
F14044	DISTRIBUTOR SHAFT	13	40	F1664	SPRING PIN	37	7
F14045	SCREW	13	16	F1666	SPRING BOWED WASHER	37	21
F14046	TERMINAL SCREW	13	19	F1669	LOCK NUT	37	43
F14047	TERMINAL INSULATOR (INSIDE)	13	20	F1678	FILL HD SCREW, 10 - 24 X 13/16	7	2
F14048	PREAMPLIFIER	13	17	F1689	HEX HD CAP SCREW, 1/4 - 20 X 1/2	7	42
F14049	TERMINAL INSULATOR (OUTSIDE)	13	22	F1692	WOODRUFF KEY	13	41
F1473	HEX NUT	3	36	F1693	TIE BAR RETAINER	17	4
F1475	FILL HD SCREW, 10 - 24 X 1/2	33	103	F1693	TIE BAR RETAINER	21	4
F1502	HEX CAP SCREW, 1/4 - 20 X 5/8	3	20	F1696	HEX BOLT 5/16 - 18 X 1 3/4	39	65
				F1696	HEX BOLT, S.S., 5/16 - 18 X 1 3/4	45	66
				F1699	HEX HD SCREW, 1/4 - 20 X 1 1/8	29	8

PARTS INDEX

Part Number	Description	Pg.	Ref. No.	Part Number	Description	Pg.	Ref. No.
F17006	DETENT SPRING	49	18	F1744	SPRING PIN	39	52
F17008	DETENT SPRING	51	37	F1753	FASTENER	3	38
F17009	BEARING	49	14	F1759	SHIM, DISTRIBUTOR (QTY. AS REQUIRED)	13	11
F17010-1	THROTTLE GEAR	49	16	F1760	PAN HD SCREW, 10 - 24 X 3/8	7	19
F17011	BOWED WASHER	49	15	F1760	PAN HD SCREW, 10 - 24 X 3/8	13	25
F17012	RETAINING PLATE	49	13	F1760	PAN HD SCREW, 10 - 24 X 3/8	29	3
F17013	FILL HD SCREW, 1/4 - 20 X 1/2	49	11	F177330	FUEL PUMP VALVE	25	10
F17014	THROTTLE ARM	49	10	F177350	REVERSE LOCK PIN	39	47
F17015	COTTER PIN	49	8	F1778	PLAIN WASHER	43	24
F17016	CABLE TERMINAL	49	9	F178168-1	GASKET, CARBURETOR ADAPTER	25	35
F17019	CLUTCH ARM	49	5	F178173	RETAINING RING	37	34
F17020	INTERNAL TOOTH LOCKWASHER	49	12	F178208	RETAINING RING	37	19
F17021	CLUTCH GEAR	49	19	F178323	SEAL, MOTOR LEG	37	12
F17026	SWIVEL	49	24	F178362	BEARING	37	36
F1703	LOCKWASHER	31	71	F178404-1	DEFLECTOR PLATE	25	36
F1703	SPRING LOCKWASHER	39	73	F178632	SHAFT, SHOCK MOUNT LOWER	37	39
F17030-1	SET SCREW	49	31	F178754-1	FUEL LINE	17	24
F17031	SNAP CAP	49	28	F178754-1	FUEL LINE	21	36
F17036	INTERNAL TOOTH LOCKWASHER	49	6	F178889	SHAFT, SHOCK MOUNT UPPER	37	37
F1704	INTERNAL TOOTH LOCKWASHER	25	49	F178908	STARTER LEAD WIRE	11	14
F1705	HEX CAP SCREW, 1/4 - 20 X 3/4	7	23	F17932	SEAL, FUEL LINE COUPLER	47	12
F1705	HEX CAP SCREW, S.S., 1/4 - 20 X 3/4	45	58	F18160-1	CYLINDER DRAIN REED	29	36
F17068	HOUSING	51	36	F1822	HEX BOLT 5/16 - 18 X 7/8	39	76
F17082-1	DETENT BALL	51	38	F1831	FLAT HD SCREW, 1/4 - 20 X 5/8	25	43
F1709	HEX BOLT, 1/4 - 20 X 1 1/8	31	87	F1832	STOP NUT, 1/4 - 20	31	68
F17092	SNAP RING	49	21	F1836	SPRING PIN	39	60
F1710	PLAIN WASHER	37	18	F184033-1	SWIVEL, TOP CARBURETOR	17	20
F17100	CLUTCH SHAFT	49	20	F184033-1	SWIVEL, TOP CARBURETOR	21	33
F17101	DECAL, STARBOARD	49	27	F184122-1	SEAL, PARTING LINE	33	101
F17105	FELT WASHER	49	33	F184579	"O" RING SEAL	17	19
F17106	COLLAR	49	34	F184579	"O" RING SEAL	21	32
F17107	FILL HD SCREW, 10 - 24 X 5/16	49	22	F1849	HEX HD CAP SCREW, 1/4 - 20 X 1 3/8	5	47
F1711	SPRING BOWED WASHER	37	17	F1851	FILL HD SCREW W/LOCKWASHER, 10 - 24 X 1/2	7	39
F17111	DETENT BALL	49	17	F1854	HEX CAP SCREW, 1/4 - 20 X 5/8	3	25
F17112	JUNCTION BOARD, STARBOARD	49	26	F1857	HEX CAP SCREW, 5/16 - 18 X 5/8	3	23
F17113	JUNCTION BOARD, PORT	49	-	F1857	HEX CAP SCREW, 5/16 - 18 X 5/8	3	35
F17115	HANDLE	49	30	F1858	HEX CAP SCREW, 5/16 - 18 X 1	3	24
F17116	KNOB	49	29	F1860	RD HD SCREW, 6 - 32 X 1/4	25	9
F1713	SPRING PIN	43	42	F1864	HEX SLOT HD SCREW 1/4 - 20 X 3/4	37	4
F1715	HEX BOLT, 1/4 - 28 X 9/16	49	7	F1867	HEX CAP SCREW, 3/8 - 16 X 1	35	19
F1727	PLASTIC RIVET	29	20	F1868	HEX BOLT, 3/8 - 16 X 3 1/4	11	17
F1729	PLUG	37	5	F1868	HEX CAP SCREW, 3/8 - 16 X 3 1/4	31	49
F1730	PAN HD SCREW W/SPRING LOCKWASHER, 1/4 - 20 X 5/8	5	44				
F1733	PAN HD MACHINE SCREW, 10 - 24 X 9/16	3	2				
F1734	FILL HD SCREW W/LOCKWASHER, 1/4 - 20 X 1/2	7	14				
F1741	PAN HD SCREW, 8 X 3/4	7	35				
F1744	SPRING PIN	39	48				

PARTS INDEX

Part Number	Description	Pg.	Ref. No.	Part Number	Description	Pg.	Ref. No.
F1869	HEX CAP SCREW, 3/8 - 16 X 1 1/4	31	70	F203276	BOOT	13	30
F1871	HEX HD SCREW 3/8 - 16 X 3/4	39	69	F2033	GROOVE PIN	17	26
F1872	HEX CAP SCREW, 3/8 - 16 X 1 3/4	29	12	F2033	GROOVE PIN	21	39
F1873	HEX CAP SCREW, 3/8 - 16 X 3	31	50	F203673	TERMINAL CLIP	13	31
F1874	HEX HD SCREW, 3/8 - 16 X 3 1/8	29	2	F2042	PLAIN WASHER	33	106
F1877	TY-RAP	7	29	F2047	WAVE SPRING LOCKWASHER	3	30
F1885	HEX BOLTS, S.S., 5/16 - 18 X 4 1/4	31	64	F2049	HEX CAP SCREW, 5/16 - 18 X 2 5/8	31	78
F1904	PLAIN WASHER	37	26	F2066	PAN HD TAPPING SCREW, 10 X 7/16 (TRIM TO COVER)	3	40
F1907	PLAIN WASHER	45	68	F2067	PLASTISOL CAP (NOT SHOWN)	35	-
F1910	STOP NUT, 1/4 - 20	25	25	F2088	FASTENER	5	45
F19109	PLUG	31	60	F2089	SLOTTED PAN HD M. SCREW, 10 - 24 X 5/16	33	105
F1912	HEX HD SCREW 10 - 24 X 1/2	39	67	F2090	PLUG	31	74
F1914	HEX HD SCREW, 1/4 - 20 X 3/4	29	11	F2108	LOCK NUT	39	79
F1915	HEX HD SCREW, 1/4 - 20 X 7/8	25	44	F2108	STOP NUT, 5/16 - 18	31	67
F1915	HEX HD SCREW, 1/4 - 20 X 7/8	29	6	F213274	GREASE FITTING	13	27
F1934	FLAT HD SLOTTED SCREW, 6 X 12	9	50	F213274	GREASE FITTING	37	38
F19342	SEAL	43	18	F213342	SEAL, FUEL LINE COUPLER (LARGE)	47	4
F1935	PLAIN WASHER	29	42	F213735	SEAL, FUEL LINE COUPLER (SMALL)	47	5
F195/	REMOTE CONTROL CABLES	56	-	F269319	THROTTLE CAM BEARING	25	26
F1950	HEX CAP SCREW, 10 - 24 X 5/8	33	91	F286461	SPRING, LOCK BAR HANDLE	39	50
F1953	HEX HD SCREW, 1/4 - 20 X 1	25	20	F289446-1	CLAMP	7	12
F1953	HEX HD SCREW, 1/4 - 20 X 1	29	16	F298788	FERRULE	47	7
F1968	FLYWHEEL NUT	35	21	F2A321023	BEVEL GEAR FRONT W/BEARINGS & SHIMS	43	38
F1975	SPRING LOCKWASHER	7	10	F2A335158	REED PLATE W/REEDS, REED STOPS AND SCREWS	25	41
F1975	SPRING LOCKWASHER	13	26	F2A476757	CYLINDER DRAIN REED PLATE W/REEDS, STOPS AND SCREWS	29	35
F197787-2	FUEL LINE COUPLER	47	6	F304145-4	MOTOR LEG COVER, REAR	41	6
F197813	BEARING	39	57	F304244	INLET WATER LINE	45	62
F1987	PLAIN WASHER	31	79	F304705-1	GEAR SHIFT ROD LOWER	45	23
F1987	PLAIN WASHER	39	64	F307317	CLIP, TERMINAL BLOCK	7	17
F1994	HEX SOCKET HD CAP SCREW, 5/16 - 18 X 1	45	70	F310189	BUSHING, ELECTRIC CABLE	3	16
F1997	STOP NUT, 8 - 32	17	10	F311189-1	BUSHING, CABLE ENTRY	3	17
F1997	STOP NUT, 8 - 32	21	23	F316165	STUD, GEAR HOUSING CENTER	43	25
F2000	HEX CAP SCREW, 5/16 - 18 X 3/4	9	47	F316555	SEAL	43	20
F2000	HEX CAP SCREW, 5/16 - 18 X 3/4	33	99	F316579	SEAL, CRANKCASE	35	11
F2001	FILL HD SCREW, 10 - 24 X 5/8	7	9	F316599	SEAL, GEAR HOUSING STUD, FRONT	43	28
F2008	HEX HD SCREW, 1/4 - 20 X 7/8	31	53	F321662	BEVEL GEAR, REAR	43	46
F2014	PLAIN WASHER	13	9	F321756	PACKING, COVER	3	31
F2014	PLAIN WASHER	39	70	F321841-2	LEAD WIRE W/GROMMET	13	32
F2015	HEX NUT, 1/4 - 28	33	102	F321872	BRACKET	31	59
F2016	FILL HD SCREW, 6 - 32 X 7/8	25	48	F322273	STUD, C. D. UNIT	9	48
F2027	HEX CAP SCREW, 5/16 - 18 X 3	9	46	F333316	THROTTLE ROLLER SHAFT	17	5
				F333316	THROTTLE ROLLER SHAFT	21	19
				F333392	PLATE SIDE	3	8
				F335068	THERMOSTAT	31	82

PARTS INDEX

Part Number	Description	Pg.	Ref. No.	Part Number	Description	Pg.	Ref. No.
F335160	REED (4 PETAL)	25	40	F409251-1	GAUGE CAP	47	1
F335164	REED (1 PETAL)	25	42	F433114	HANDLE, LOCK BAR	39	51
F335215	SPACER, PISTON PIN (2 PER PISTON)	35	3	F433209	THROTTLE CAM STUD	25	32
F335217-1	BEARING, PISTON PIN (26 PER SET)	35	5	F438065	WATER PUMP IMPELLER	43	5
F335654-1	DEFLECTION STOP	3	21	F438066	BY-PASS VALVE COVER	33	92
F338618-1	SEAL GEAR SHIFT ROD	37	15	F438077	SCREEN, WATER INLET	45	73
F338618-1	SEAL, GEAR SHIFT ROD	43	13	F438129	SEAL, DRIVESHAFT SPLINE	45	75
F345475-1	COIL	9	44	F438165	SCREW, FUEL PUMP BOWL	25	18
F345683	WIRE, REGULATOR- RECTIFIER GROUND	7	5	F438169	BEARING	37	42
F351307	SEAL, WATER PUMP	43	11	F438271	RETAINER, CRANKSHAFT SPLINE SEAL	45	74
F353480	STUD	37	29	F438346	SHOCK MOUNT LOWER	39	75
F369349	REVERSE LOCK	37	44	F438398	DECAL, WIRING	31	86
F369364	REVERSE LOCK ARM	39	55	F438500	FUEL SEDIMENT BOWL	25	17
F369510	LINK REVERSE LOCK	39	46	F438617	FUEL SEDIMENT BOWL GASKET	25	15
F369562	WATER PUMP BACK PLATE	43	6	F438653	FUEL SEDIMENT BOWL SCREEN	25	16
F369610	BEARING	31	62	F438668	RETAINER, CABLE CLAMP	7	13
F369827	HANDLE AND SHAFT	39	56	F438744-1	WIRING HARNESS	7	4
F369884	BEARING	39	61	F438747	FUEL PUMP DIAPHRAGM W/GASKET	25	8
F369887	SHOULDER SCREW	31	61	F438754	FUEL LINE W/CLAMP, PUMP TO CARBURETOR	17	29
F369977-1	INTERLOCK ARM	31	63	F438754	FUEL LINE W/CLAMP, PUMP TO CARBURETOR	21	42
F372151-1	EXHAUST PORT PLATE	33	90	F438760	FUEL PUMP GASKET	25	4
F372152-1	EXHAUST PORT COVER	33	88	F438801	FITTING	25	14
F372154-1	GASKET, EXHAUST PORT PLATE	33	89	F438930	RETAINER, SNOUT	45	71
F372925	CHOKE ROD	17	27	F438962	SHOCK MOUNT LOWER REAR	37	14
F372958	CHOKE BRACKET	25	19	F438984-1	BLANKET, SILENCER TOP (NOT SHOWN)	5	-
F373512	PLATE INSERT	3	11	F439736	SEAL, EXHAUST TUBE	39	82
F373675-1	STARTER BRACKET, LOWER	11	20	F439834	CLIP, SPARK PLUG WIRE	29	28
F373778-1	RETAINER, ENGINE COVER	3	37	F440192	THROTTLE CAM	27	28
F381896-4	BATTERY CABLE	7	30	F440209	CARBURETOR STUD	27	30
F381899	GROMMET, WATER LINE	45	61	F440254	BALANCE TUBE	27	34
F384143	BEARING, BEVEL GEAR REAR	43	45	F440906	CARBURETOR GASKET	27	31
F391926-1	PLUNGER	17	28	F440925	CHOKE ROD	21	40
F391926-1	PLUNGER	21	41	F441754-1	HOSE	25	3
F40209	CARBURETOR STUD	27	30	F460917	STARTER RELAY	7	26
F40223	GASKET, TRANSFER PORT COVER	31	52	F463366	NAME "CHRYSLER"	3	9
F40342	SEAL, PROPELLER NUT	45	54	F474073	CLAMP SCREW	37	30
F404097	FLYWHEEL	7	1	F474387	TIMING DECAL (NOT SHOWN)	9	-
F404268	BY-PASS VALVE SPRING	33	94	F474390-1	DECAL, REVERSE LOCK (NOT SHOWN)	39	-
F404314	ELBOW, FUEL PUMP COVER	25	2	F475015-3	PISTON	35	2
F404314	FITTING	31	47	F476061-2	CARBURETOR COMPLETE (TC-5C)	23	-
F404446	CLAMP	7	27	F476066-1	THERMOSTAT COVER	31	85
F404446	CLAMP	11	15	F476067	GASKET	31	81
F404470-1	REGULATOR-RECTIFIER	7	8	F476529	CYLINDER HEAD GASKET	31	75
F404513	COIL CLAMP	7	40	F480038-2	SUPPORT PLATE	3	15
F404801	ELBOW, CYLINDER DRAIN UPPER	31	-	F480107-1	CAM STARTER INTERLOCK	33	104
F404841	CABLE, HEAT INDICATOR	7	37	F480388	DISC, WATER PUMP LOCATING	45	76
F405457	PIVOT SCREW	29	7	F480818	BEARING	3	13
F406406	GASKET, DEFLECTOR PLATE	25	37	F481382-1	SPACER, LATCH SHAFT	3	29
F406471-1	CYLINDER DRAIN COVER	29	41				
F406754-1	HOSE	31	46				
F407446	CLAMP	7	31				

PARTS INDEX

Part Number	Description	Pg.	Ref. No.	Part Number	Description	Pg.	Ref. No.
F481434	GUIDE, ENGINE COVER . . .	5	46	F72H66	EXHAUST SNOOT	56	-
F481774	BRACKET, COVER LATCH . .	3	32	F73H11	REMOTE ELECTRIC CABLE	57	-
F481777	CAM, LATCH	3	28	F74H01	VOLTMETER - FLUSH		
F485755	FUEL TANK ADAPTER	47	3		MOUNT	56	-
F489386	PLATE REAR	3	5	F74H07	WATER PUMP KIT	57	-
F489551	BRACKET NEUTRAL			F74H10	TEMPERATURE GAUGE		
	INTERLOCK SWITCH	25	45		FLUSH MOUNT	57	-
F489711	PLATE, ENGINE COVER			F74H18	SWITCH EXTENSION CABLE	58	-
	FRONT	3	42	F74H19	IGNITION KEY SWITCH	57	-
F489985	BLANKET, SILENCER SIDE			F74H20	IGNITION KEY SWITCH	57	-
	(NOT SHOWN)	5	-	F74H20	IGNITION SWITCH (LONG		
F500061-1	CARBURETOR COMPLETE				BARREL) W/KEYS AND		
	(WB24B)	19	47		SCREWS	7	34
F501061-1	CARBURETOR COMPLETE			F75H07	SYNCHRO-DRIVE CONTROL		
	(WB25B)	19	47		BOX	56	-
F50109	PLUG, GEAR HOUSING	43	14	F75H08	TWIN SYNCHRO-DRIVE		
F510374	DECAL, CIRCUIT BREAKER	7	41		CONTROL BOX	56	-
F510460	CIRCUIT BREAKER	7	22	F75H09	BATTERY CABLE	56	-
F511125-1	TUBE, STEERING SUPPORT	39	84	F75H16	POWER TRIM INDICATOR . .	56	-
F511708	COVER, CARBURETOR	21	7	F762	REMOTE ELECTRIC CABLE	57	-
F523280	NUT, STEERING SUPPORT			F8001	WASHER	43	31
	TUBE	39	80	F8003	PLAIN WASHER	29	38
F58685-2	CONNECTOR, SHIFT CABLE	49	2	F8011	PLAIN WASHER	7	20
F590	SYNCHRO-DRIVE CONTROL			F8028	PLAIN WASHER	11	7
	HEAD (SINGLE LEVER) . .	56	-	F8056	LOCKWASHER	13	18
F7004	STOP NUT, 3/8 - 16	29	17	F8056	LOCKWASHER	13	43
F7008	ELASTIC STOP NUT	29	10	F8056	LOCKWASHER	33	97
F7012	STOP NUT	37	24	F8056	SPRING LOCKWASHER	7	7
F7013	STOP NUT	13	2	F8058	INTERNAL TOOTH		
F70H01	ANTI-CORROSION KIT	56	-		LOCKWASHER	25	24
F70H05	EXTENSION CABLE	57	-	F8058	INTERNAL TOOTH		
F71H02	ANTI-CORROSION				LOCKWASHER	31	57
	SACRIFICIAL ANODE	56	-	F8060	LOCKWASHER	11	19
F71H04	SPEEDOMETER FLUSH			F8077	WASHER, GEAR HOUSING		
	MOUNT	57	-		PLUG	43	15
F71H08	FUEL TANK (ACCESSORY			F8083	SPRING LOCKWASHER	3	26
	ITEM)	47	2	F8083	SPRING LOCKWASHER	9	43
F71H08	STEEL, 6 GALLON FUEL			F8083	SPRING LOCKWASHER	37	3
	TANK (LOW PROFILE)	56	-	F8088	PLAIN WASHER	17	18
F71H10	SENDING UNIT	57	-	F8088	PLAIN WASHER	21	31
F71H12	TANK ANCHOR	56	-	F8088	PLAIN WASHER	25	47
F71H20	CIGAR LIGHTER	57	-	F8094	PLAIN WASHER	3	27
F71H21	IGNITION SWITCH			F8094	PLAIN WASHER	39	58
	MOUNTING KIT			F8094	SPRING LOCKWASHER	7	25
	(ACCESSORY ITEM)	9	49	F8096	SPRING LOCKWASHER	3	22
F71H23	STEEL, 12 GALLON FUEL			F8096	SPRING LOCKWASHER	3	34
	TANK	56	-	F8096	SPRING LOCKWASHER	33	100
F71H26	BATTERY CABLE CLAMP KIT			F8096	SPRING LOCKWASHER	39	77
	(ACCESSORY ITEM)	7	32	F8096	SPRING LOCKWASHER, S.S.	45	65
F71H27	POWER TRIM	57	-	F84008-3	STUD, GEAR HOUSING,		
F71H30	OVERHEAT BUZZER	56	-		REAR	43	37
F71H30	OVERHEAT BUZZER			F84011	WASHER	39	62
	(ACCESSORY ITEM)	7	36	F84031	GASKET, WATER PUMP	43	7
F71H32	TILT STOP KIT	56	-	F84074	CLAMP SCREW FOOT	37	28
F72H09	HYDRAULIC TILT	57	-	F84118	SEAL, PROPELLER SHAFT . .	45	51
F72H36	REMOTE CONTROL UNIT,			F84146-2	SEAL	35	13
	SINGLE LEVER			F84146-2	SEAL	35	20
	STARBOARD MOUNT	51	39	F84173	RETAINING RING	43	9
F72H36	SYNCHRO-DRIVE CONTROL			F84215	SPACER	43	17
	BOX (SINGLE LEVER)	56	-	F84278	SEAL	35	23

PARTS INDEX

Part Number	Description	Pg.	Ref. No.	Part Number	Description	Pg.	Ref. No.
F84286-1	FRICITION WASHER	39	54	F85445	CONTROL ROD	29	31
F84305	SEAL, PROPELLER SHAFT BEARING CAGE	45	50	F85453-1	GASKET EXHAUST LOWER	37	1
F84307-1	SEAL, DRIVESHAFT	43	8	F85498	FLYWHEEL KEY	35	16
F84314-2	ELBOW	17	22	F85502	THROTTLE LINK	29	26
F84314-2	ELBOW	21	34	F85509-1	LINK, CHOKE	17	25
F84314-2	ELBOW	25	6	F85509-1	LINK, CHOKE	21	38
F84314-2	ELBOW	31	45	F85541-1	TILT LOCK	37	22
F84342	SEAL, INLET WATER LINE, UPPER	45	60	F85571	BEARING CAGE W/ROLLER	35	10
F84449	INTERLOCK SWITCH	25	46	F85606	KINGPIN CAP	39	66
F84472-5	GASKET, CYLINDER DRAIN COVER	29	40	F85610	BEARING	31	65
F84504	GROMMET (THERMOSTAT)	31	83	F85615	GEAR SHIFT ROD UPPER	39	78
F84521-1	CLUTCH	43	41	F8563	DOWEL PIN	29	15
F84717	THRUST WASHER, BEVEL GEAR REAR	45	72	F85634-1	CONNECTING ROD SCREW	35	14
F84748-3	GASKET	29	33	F85660-1	EXHAUST TUBE	37	2
F84792	GASKET, CENTER FUEL PUMP VALVE	25	11	F85664	DISTRIBUTOR GROUND	13	28
F84991-1	GROMMET	15	45	F85704	COUPLER, GEAR SHIFT ROD	39	83
F85006-1	STUD, GEAR HOUSING, FRONT	43	27	F85705-1	GEAR SHAFT ROD LOWER	45	23
F85012	PILOT, GEAR HOUSING	43	29	F85735-1	SEAL	3	39
F85017	PISTON PIN	35	4	F85762	BY-PASS VALVE COVER GASKET	33	93
F85026	SWIVEL	29	30	F85772	CLAMP	37	11
F85033	SWIVEL, CHOKE ROD (BOTTOM CARBURETOR) (NOT SHOWN)	19	-	F85779-1	BAFFLE, AIR INTAKE	39	68
F85033	SWIVEL, CHOKE ROD (BOTTOM CARBURETOR) (NOT SHOWN)	23	-	F85843-1	REMOTE ELECTRIC CABLE, 18 FEET	7	38
F85035	DISTRIBUTOR, CONTROL ROD END	29	29	F85859	STUD	29	14
F85036	TOWERSHAFT CONTROL ROD END	29	32	F85906	CARBURETOR GASKET	27	31
F85037-1	STERN BRACKET PIVOT BOLT	39	53	F85916-1	BY-PASS VALVE	33	95
F85095-2	STATOR	7	3	F85924	CHOKE SOLENOID	7	28
F85117	BRACKET, WATER LINE	45	59	F85965	SHOCK MOUNT UPPER	39	72
F85130	BOOT IDLE EXHAUST	37	8	F861	FLUSHING ADAPTER	56	-
F85161-1	REED STOP	25	39	F862	STEEL, 6 GALLON FUEL TANK	56	-
F85173	RETAINING RING	13	6	F89758	FUEL PUMP AIR HOSE - TOP	25	7
F85192-1	THROTTLE CAM	27	28	F9018	CAP	37	32
F85211	STUD	29	18	F9038	DRIVE KEY, WATER PUMP	45	64
F85244	INLET WATER LINE	45	62	F9052	PLUG	37	33
F85258	INSERT	37	9	F90807	RETAINING RING	21	1
F85279-2	GASKET, CYLINDER EXHAUST UPPER	31	69	F90891	PIN, GEAR SHIFT ARM	43	30
F85300	REVERSE LOCK SPRING	39	45	F91446-1	CIRCUIT BREAKER BRACKET	7	21
F85311	DISTRIBUTOR BELT	13	1	F92759	THROTTLE ROLLER	17	6
F85314-1	FUEL FITTING	17	30	F92759	THROTTLE ROLLER	21	20
F85314-1	FUEL FITTING	21	37	F93811	SCREEN	29	34
F85317-1	SOLENOID CLAMP	25	21	F93920	REED STOP	29	37
F85350-1	TILT STOP PIVOT	37	20	F97772	CLAMP	17	23
F8537	SPRING PIN	37	31	F97772	CLAMP	21	35
F85372	PIN, GEAR SHIFT ROD LOWER	43	21	F97772	FUEL LINE CLAMP	47	11
F85380	SPRING	37	10	F98273	ROD END CONNECTOR STUD	31	58
F85410	SNAP RING	35	8	FA15072	HEX LOCK NUT, 1/4 - 20	11	13
				FA178157	CARBURETOR ADAPTER UPPER, W/FITTING AND STUDS	27	-
				FA178167	CARBURETOR ADAPTER LOWER, W/FITTING AND STUDS	27	33
				FA178233	THROTTLE TIE BAR W/SWIVEL	19	53

PARTS INDEX

Part Number	Description	Pg.	Ref. No.	Part Number	Description	Pg.	Ref. No.
FA178233	THROTTLE TIE BAR W/SWIVEL	21	5	FA84298-3	PROPELLER SHAFT BEARING CAGE W/SEAL	45	52
FA178962	SHOCK ABSORBER W/BUSHING	37	35	FA84621-1	COUPLING, GEAR SHIFT ARM W/BUSHING	43	26
FA321266	BEVEL PINION GEAR W/BEARING & SHIMS	43	35	FA84754-1	FUEL LINE SHORT W/FERRULES	47	8
FA321574	DISTRIBUTOR BRACKET	13	10	FA84871-1	PIN, GEAR SHIFT W/YOKE	43	40
FA335260	PISTON RING SET (4 PER SET)	35	1	FA85019	KINGPIN W/PLUG	37	41
FA40901	BEARING, DRIVESHAFT W/CUP	43	10	FA85193	TIE BAR END W/SWIVEL	21	2
FA411222	TRANSFER PORT COVER	31	51	FA85355-1	WASHER	39	71
FA438113	STERN BRACKET LOCK BAR W/HANDLE	39	49	FA85655-1	CRANKSHAFT MAIN BEARING RACE W/SNAP RING	35	9
FA438431	FUEL PUMP BODY W/VALVES	25	12	FA98689	BEARING	31	72
FA438493	TERMINAL BLOCK BRACKET	7	11	FC523010	SHORT BLOCK	33	-
FA439746	FUEL PUMP COVER	25	1	FG1003-1	GASKET SET (NOT SHOWN)	33	-
FA440157	CARBURETOR ADAPTER UPPER, W/FITTING AND STUDS	27	-	FK17114-1	INDICATOR	49	32
FA440167	CARBURETOR ADAPTER LOWER, W/FITTING AND STUDS	27	33	FK280	PROPELLER PIN	43	44
FA467892	INSERT PLATE FRONT - U.S.A.	3	41	FK405020	SWIVEL W/CLAMP, SHOULDER SCREW AND NUT	29	24
FA467893	INSERT PLATE FRONT - CANADA	3	-	FK500060	WATER PUMP BODY	43	3
FA474260	PISTON RING SET FOR 2 PISTONS	35	1	FK750-1	SPARKIE W/SPRING	15	44
FA480188	NUT, BEVEL PINION RETAINING	43	33	FK85128-1	DRIVESHAFT	45	63
FA480876	GEAR SHIFT ARM	31	66	FK85228	BEARING CAGE W/ROLLER	35	7
FA480894	TIMING POINTER	29	4	FO10165	INLET SEAT GASKET	17	39
FA481469	HANDLE W/SHAFT	3	12	FO10588	BODY CHANNEL CUP PLUG	17	9
FA481743	ROLLER BRACKET	3	33	FO10588	BODY CHANNEL CUP PLUG	21	24
FA489309	DISTRIBUTOR	15	-	FO10790	INLET NEEDLE, SEAT AND GASKET	17	38
FA489385	INSERT, PLATE SIDE	5	10	FO11103	IDLE MIXTURE SCREW SPRING	19	46
FA489528	INSERT, PLATE REAR	5	4	FO11103	IDLE MIXTURE SCREW SPRING	21	14
FA489944	ENGINE COVER W/RETAINER, SCREWS AND NUTS	3	7	FO12400	RETAINING SCREW WASHER	21	27
FA490385	INSERT, PLATE SIDE	5	10	FO12947	MAIN FUEL JET, .096 STANDARD	21	15
FA490528	INSERT, PLATE REAR	5	4	FO13194	MAIN FUEL JET (.080)	19	48
FA491385	INSERT, PLATE SIDE	5	10	FO13552	FUEL BOWL	17	33
FA491528	INSERT, PLATE REAR	5	4	FO13554	FLOAT	17	37
FA501518	CYLINDER HEAD	33	80	FO13554	FLOAT	23	48
FA501518	CYLINDER HEAD	33	80	FO13555	CHOKE SHUTTER	19	44
FA510497	TERMINAL BLOCK	7	15	FO13942	THROTTLE SHUTTER	17	11
FA523010	CYLINDER W/CRANKSHAFT COVER, PARTING LINE SEAL	33	1	FO13944	FLOAT LEVER PIN	17	36
FA523735	SEAL, INLET WATER LINE, LOWER	43	1	FO13944	FLOAT LEVER PIN	23	49
FA58976-1	CONNECTOR, THROTTLE CABLE	49	1	FO13945	FUEL BOWL RETAINING SCREW	17	31
FA77395-5	IDENTIFICATION PLATE W/SCREWS FOR U.S.A. MODELS	3	18	FO13946	IDLE MIXTURE SCREW	19	45
FA84225	BEARING W/CUP	43	47	FO13947	CHOKE SHAFT RETURN SPRING	17	41
				FO13949	MAIN FUEL JET (.086)	19	48
				FO14166	IDLE MIXTURE SCREW	21	13
				FO15217	MAIN NOZZLE	17	35
				FO15231	THROTTLE SHAFT AND LEVER	17	7
				FO15623	FUEL BOWL GASKET	17	42
				FO15623	FUEL BOWL GASKET	23	46
				FO15912	CHOKE AND THROTTLE SHUTTER SCREW	21	9

PARTS INDEX

Part Number	Description	Pg.	Ref. No.	Part Number	Description	Pg.	Ref. No.
FO16008	THROTTLE SHAFT RETURN SPRING	17	8	FSA474260	PISTON RING SET FOR 2 PISTONS .010 OVERSIZE (NOT SHOWN)	35	-
FO16128	BODY CHANNEL WELCH PLUG	21	25	FT2953	SOCKET	53	-
FO16130	FUEL BOWL	23	51	FT2981A	TEST WHEEL (105 H.P.)	55	-
FO16132	FUEL BOWL RETAINING SCREW	23	53	FT2990	PISTON PIN TOOL	53	-
FO16133	MAIN NOZZLE	23	50	FT2995	FORWARD BEARING CUP REMOVER	54	-
FO16136	CHOKE SHAFT RETURN SPRING	23	45	FT2996	RING COMPRESSOR	53	-
FO16137	CHOKE SHUTTER	21	10	FT8901	INDICATOR HOLDER	54	-
FO16138	CHOKE RELIEF VALVE	21	12	FT8902	DIAL INDICATOR	54	-
FO16142	THROTTLE SHUTTER	21	26	FT8903	SEAL INSTALLER	53	-
FO16143	THROTTLE SHAFT RETURN SPRING	21	22	FT8905	DRIVESHAFT BEARING REMOVER	54	-
FO16145	THROTTLE SHAFT AND LEVER	21	21	FT8906	PROPELLER SHAFT BEARING SUPPORT	54	-
FO16301	CHOKE SHAFT AND LEVER	21	44	FT8907	DRIVE HANDLE	53	-
FO16697	INLET NEEDLE	23	47	FT8907	DRIVER HANDLE	54	-
FO17181	IDLE TUBE	19	52	FT8908	PROPELLER SHAFT SEAL INSTALLER	54	-
FO17241	CHOKE SHAFT AND LEVER	17	40	FT8909	FORWARD BEARING CUP INSTALLER	54	-
FO1974	SCREW	19	51	FT8910	REAR BEARING CUP INSTALLER	54	-
FO1974	SCREW	21	18	FT8911	DRIVESHAFT KNOCK-OFF NUT	54	-
FO2510	FUEL BOWL RETAINING SCREW GASKET	17	32	FT8914	SEAL REMOVER	53	-
FO2510	FUEL BOWL RETAINING SCREW WASHER	17	34	FT8915	PROPELLER SHAFT SEAL PROTECTOR	54	-
FO3804	RETAINING SCREW WASHER	17	14	FT8916	PROPELLER SHAFT BEARING INSTALLER	54	-
FO4326	BODY CHANNEL WELCH PLUG	17	13	FT8917	REAR BEARING CUP REMOVER	54	-
FO5323	FUEL BOWL RETAINING SCREW GASKET	23	52	FT8918	BEARING GUIDE SET	54	-
FO6393	RETAINING SCREW	17	16	FT8919	SPRING PIN PUNCH	54	-
FO6393	RETAINING SCREW	21	29	FT8920	DRIVESHAFT BEARING INSTALLER	54	-
FO6396	RETAINING SCREW LOCKWASHER	17	15	FT8922	SLIDE HAMMER	53	-
FO6396	RETAINING SCREW LOCKWASHER	21	28	FT8924-1	CHECKING GAUGE	54	-
FO8942	CHOKE SHUTTER RETAINING SCREW AND LOCKWASHER	17	43	FT8925	DRIVESHAFT SEAL INSTALLER	54	-
FO9678	CLIP, CHOKE SHAFT	19	49	FT8926	RING EXPANDER	53	-
FO9678	CLIP, CHOKE SHAFT	21	16	FT8927	SEAL PROTECTOR	53	-
FO992	LOCKWASHER	19	50	FT8933	LIFTING HOOK	55	-
FO992	LOCKWASHER	21	17	FT8948-1	FLYWHEEL PULLER	52	-
FP372	PROPELLER (ACCESSORY ITEM) FOR 105 & 120 H.P. ENGINES ONLY	45	53	FT8948-1	PROPELLER SHAFT BEARING CAGE PULLER	54	-
FP383	PROPELLER (ACCESSORY ITEM) FOR 135 H.P. ENGINES ONLY	45	-	FT8950	LEAKAGE TESTER	55	-
FS409752	FUEL LINE COMPLETE (NOT SHOWN)	47	-	FT8957	SEAL INSTALLER	54	-
FS480179	TRIM TOP	3	1	FT8961A	TEST WHEEL (120 AND 135 H.P.)	55	-
FS480269	TILT HANDLE	3	3	FT8970	CENTERING TOOL	54	-
FS489180	TRIM REAR	3	6	FT8978	POWER TIMING LIGHT	52	-
FS489888	TRIM FRONT	3	43	FTA2937-1	TIMING TOOL	52	-
FS489955	STARTER COMPLETE	11	-	FTA8994	PISTON PIN TOOL	53	-
				K304128-1	DRIVESHAFT	45	63
				SA475015	PISTON .010 OVERSIZE (NOT SHOWN)	35	-
				11-817784A1	PROPELLER NUT W/COTTER PIN & SEAL	45	55

PARTS INDEX

Part Number	Description	Pg.	Ref. No.	Part Number	Description	Pg.	Ref. No.
22-818103--1	ELBOW, CYLINDER DRAIN LOWER	31	44				
30-F284659-2	BEARING, CRANKSHAFT UPPER MAIN	35	22				
31-817785A2	CRANKSHAFT BEARING CAGE W/SEAL	35	18				
31-FA523014	CRANKSHAFT LOWER MAIN BEARING	35	12				
32-77653-77	BALANCE TUBE	27	34				
32-817738A1	FUEL LINE LONG W/CLAMP AND FERRULE	47	10				
33-97180	SPARK PLUG (CHAMPION L20V)	31	77				
39-818110A1	PISTON RING (4 PER SET) .030 OVERSIZE (NOT SHOWN)	35	-				
39-818122A1	PISTON RING SET FOR 2 PISTONS .030 OVERSIZE (NOT SHOWN)	35	-				
84-817775A1	COIL WIRE W/TERMINAL CLIP	13	29				
87-817778A1	THERMOSWITCH	33	98				
400-817735A4	CRANKSHAFT W/BEARING .	35	15				
600-818052A4	CONNECTING ROD W/CAP AND SCREWS	35	6				
700-817988A2	PISTON .010 OVERSIZE (NOT SHOWN)	35	-				
700-818111A2	PISTON .030 OVERSIZE (NOT SHOWN)	35	-				
700-F372015-3	PISTON	35	2				
1400-817958A6	STERN BRACKET	37	23				
1600-817767A2	GEAR HOUSING LOWER W/PLUG AND WASHER ..	43	32				
1600-817888A2	GEAR HOUSING COMPLETE.	45	-				