



PARTS CATALOG

105/120/135 H.P.

SERIAL NUMBER

105 (1976)	1058BD
105 (1976)	1058BE
105 (1976)	1058HE
105 (1976)	1059BD
105 (1976)	1059BE
105 (1976)	1059HD
105 (1976)	1059HE
120 (1976)	1208BD
120 (1976)	1208BE
120 (1976)	1208HD
120 (1976)	1208HE
120 (1976)	1209BD
120 (1976)	1209BE
120 (1976)	1209HD
120 (1976)	1209HE
135 (1976)	1358BD
135 (1976)	1358BE
135 (1976)	1358HD
135 (1976)	1358HE
135 (1976)	1359BD
135 (1976)	1359BE
135 (1976)	1359HD
135 (1976)	1359HE

TABLE OF CONTENTS:

ACCESSORIES	50
CARBURETOR	10
CARBURETOR 135 H.P. ENGINE	14
CRANKSHAFT AND PISTON GROUP	30
ELECTRICAL COMPONENTS	6
ENGINE COVER AND SUPPORT PLATE	2
FUEL PUMP AND REED PLATE	18
FUEL TANK AND LINE	40
GEAR HOUSING	36
LUBRICATION CHART	54
MOTOR LEG	32
PARTS INDEX	56
POWER HEAD	24
REMOTE CONTROL	42
SPECIAL ADJUSTMENTS	55
SPECIAL TOOLS - GEAR HOUSING	48
SPECIAL TOOLS - POWER HEAD	47
SPECIAL TOOLS - TEST EQUIPMENT	49
SPECIAL TOOLS - TUNE-UP	46
SPECIFICATIONS	53
STARTER	22

NOTE: *Indented description indicate that these parts are included in preceding assembly.*

AR = As Required

NSS = Not Sold Separate

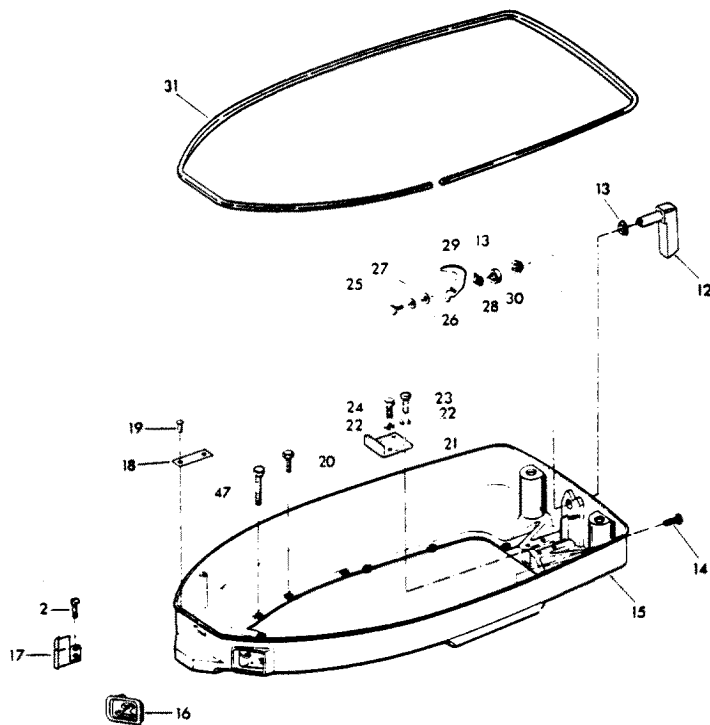
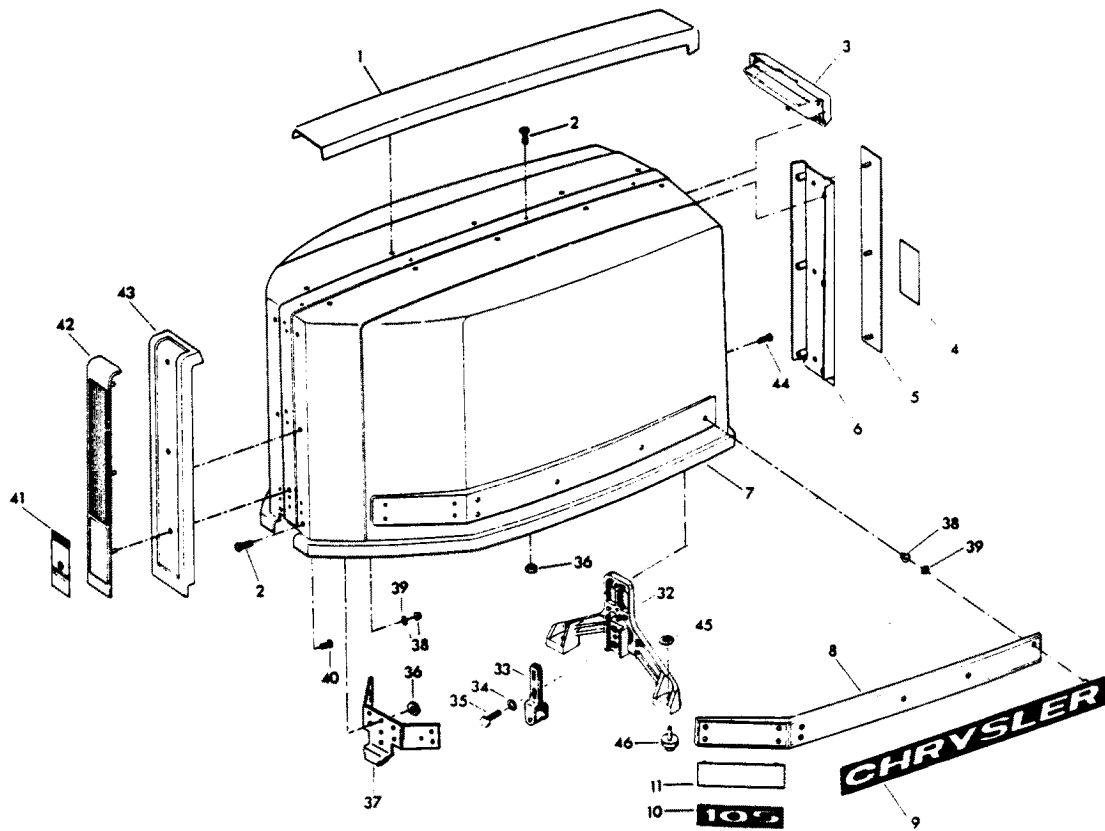
OPT = Optional

NS = Not Shown

THESE PARTS BOOKS/FICHE CARD ARE COPYRIGHTED AND MAY NOT BE DISTRIBUTED OR REPRODUCED IN ANY OTHER FORMAT BY ANYONE OTHER THAN MERCURY MARINE WITHOUT THE PRIOR WRITTEN CONSENT OF MERCURY MARINE.

THIS PAGE INTENTIONALLY LEFT BLANK

ENGINE COVER AND SUPPORT PLATE

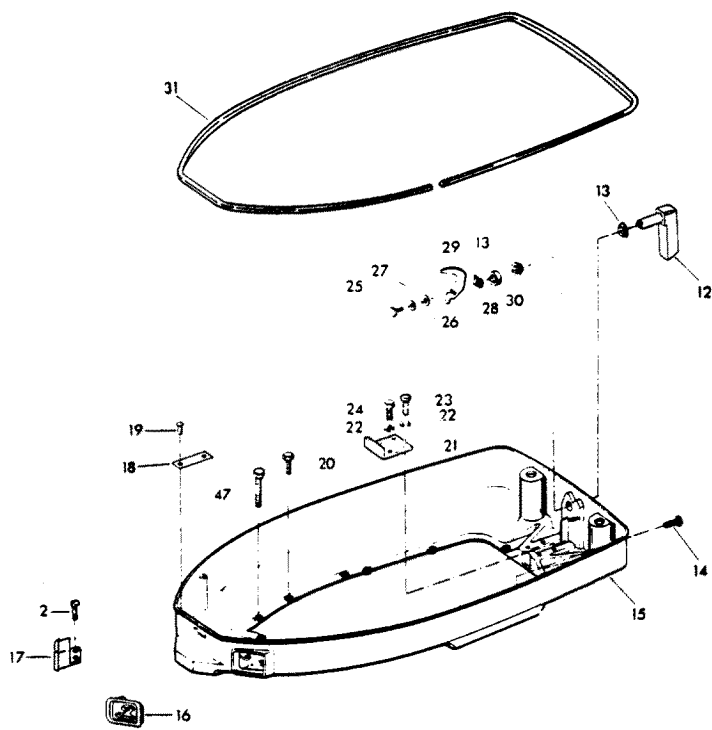
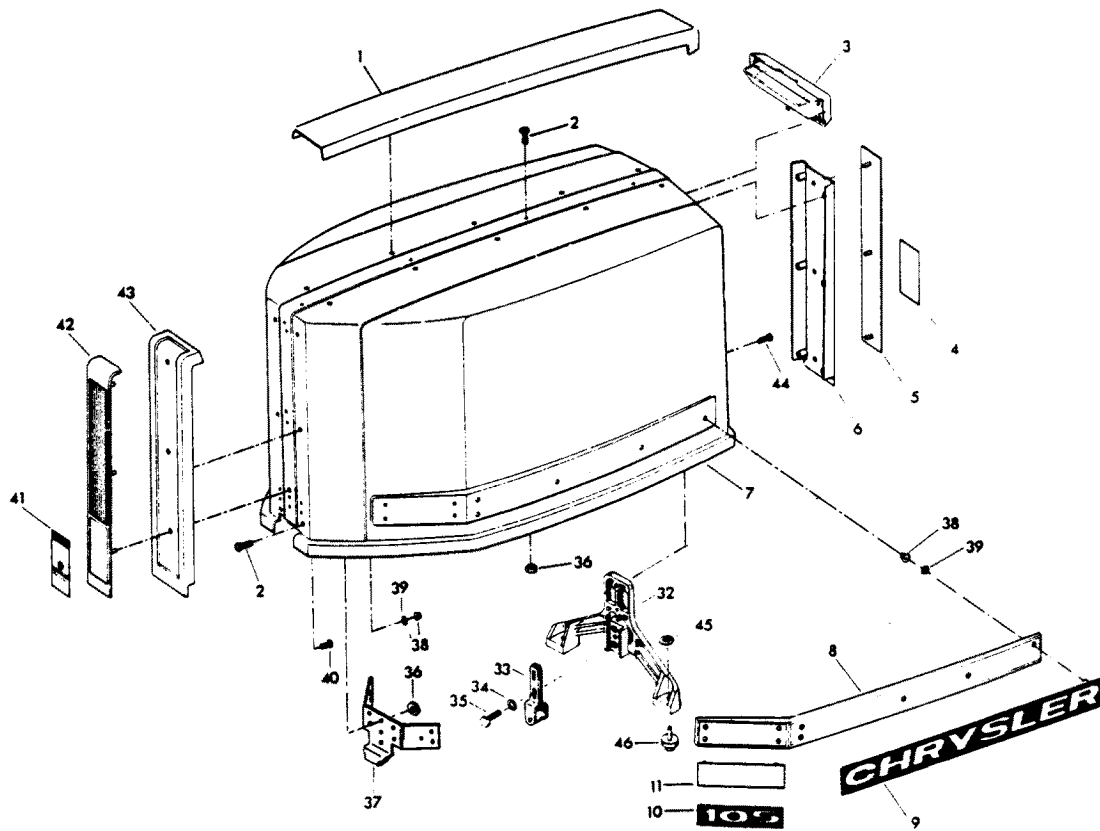


ENGINE COVER AND SUPPORT PLATE

REF. NO.	PART NO.	SYM.	QTY.	DESCRIPTION
1	FS480179		1	TRIM TOP
2	F1733		10	PAN HD MACHINE SCREW, 10 - 24 X 9/16
3	FS480269		1	TILT HANDLE
5	F489386		1	PLATE REAR
6	FS489180		1	TRIM REAR
7	FA489944		1	ENGINE COVER W/RETAINER, SCREWS AND NUTS
8	F333392		2	PLATE SIDE
9	F463366		2	NAME "CHRYSLER"
11	F373512		2	PLATE INSERT
12	FA481469		1	HANDLE W/SHAFT
13	F480818		2	BEARING
14	F1238		6	HEX CAP SCREW, 1/4 - 20 X 3/4
15	F480038-2		1	SUPPORT PLATE
16	F310189		1	BUSHING, ELECTRIC CABLE
17	F311189-1		1	BUSHING, CABLE ENTRY
18	FA77395-5		1	IDENTIFICATION PLATE W/SCREWS FOR U.S.A. MODELS
-	AC16395-7		1	IDENTIFICATION PLATE W/SCREWS FOR CANADA MODELS
19	F1293		2	ROUND HD SCREWS, 2 X 3/16
20	F1502		5	HEX CAP SCREW, 1/4 - 20 X 5/8
21	F335654-1		1	DEFLECTION STOP
22	F8096		4	SPRING LOCKWASHER
23	F1857		2	HEX CAP SCREW, 5/16 - 18 X 5/8
24	F1858		2	HEX CAP SCREW, 5/16 - 18 X 1
25	F1854		1	HEX CAP SCREW, 1/4 - 20 X 5/8
26	F8083		1	SPRING LOCKWASHER
27	F8094		1	PLAIN WASHER
28	F481777		1	CAM, LATCH
29	F481382-1		1	SPACER, LATCH SHAFT
30	F2047		1	WAVE SPRING LOCKWASHER
31	F321756		1	PACKING, COVER
32	F481774		1	BRACKET, COVER LATCH
33	FA481743		1	ROLLER BRACKET
34	F8096		2	SPRING LOCKWASHER
35	F1857		2	HEX CAP SCREW, 5/16 - 18 X 5/8
36	F1473		7	HEX NUT
37	F373778-1		1	RETAINER, ENGINE COVER
38	F1753		25	FASTENER
39	F85735		25	SEAL
40	F2066		30	PAN HD TAPPING SCREW, 10 X 7/16 (TRIM TO COVER)
41	FA474892		1	INSERT PLATE FRONT - U.S.A.
-	FA474893		1	INSERT PLATE FRONT - CANADA
42	F489711		1	PLATE, ENGINE COVER FRONT
43	FS489888		1	TRIM FRONT

CONTINUED ON NEXT PAGE ➡

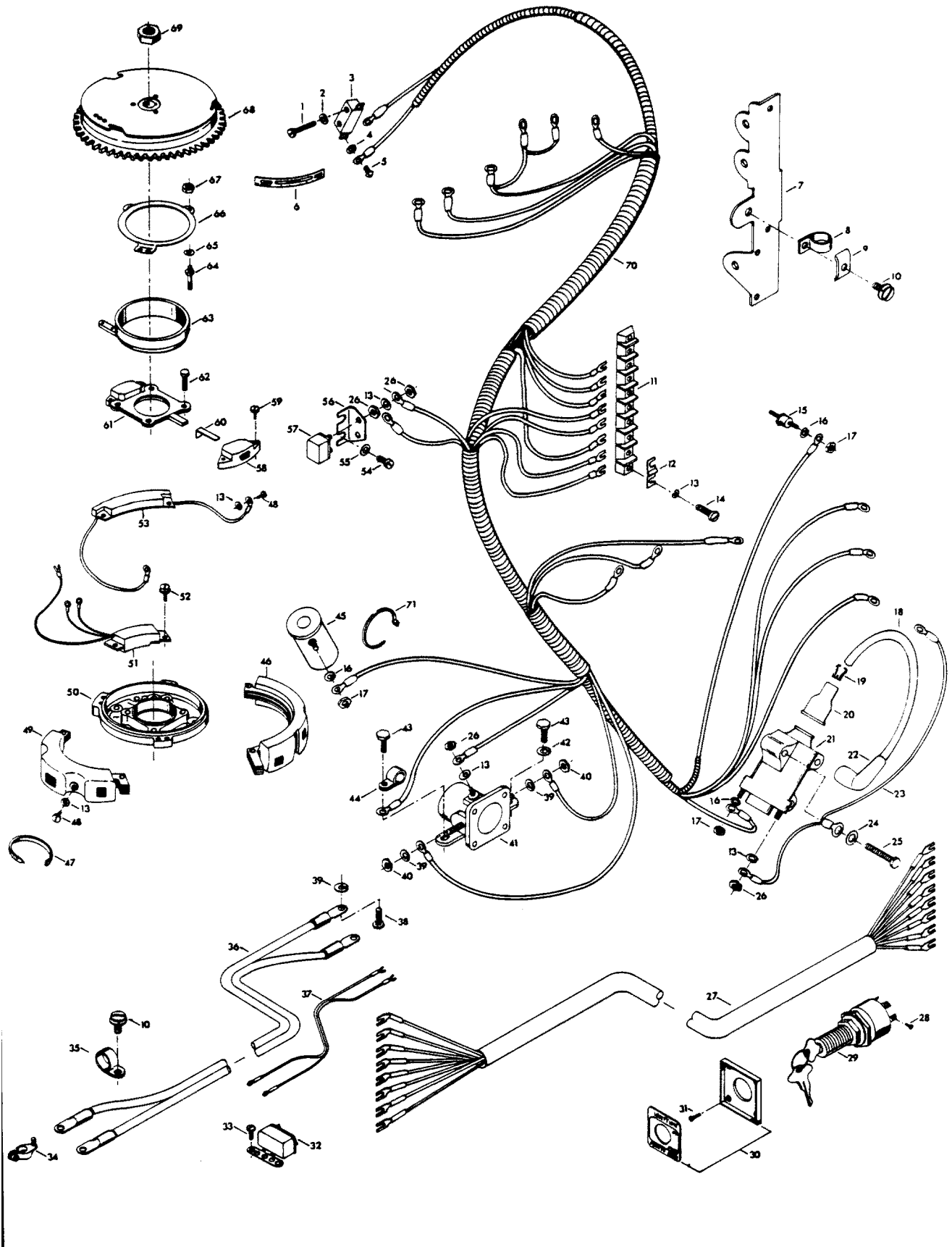
ENGINE COVER AND SUPPORT PLATE



ENGINE COVER AND SUPPORT PLATE

REF. NO.	PART NO.	SYM.	QTY.	DESCRIPTION
44	F1730		4	PAN HD SCREW W/SPRING LOCKWASHER, 1/4 - 20 X 5/8
45	F2088		2	FASTENER
46	F481434		2	GUIDE, ENGINE COVER
47	F1849		2	HEX HD CAP SCREW, 1/4 - 20 X 1 3/8
-	F438984-1		1	BLANKET, SILENCER TOP (NOT SHOWN)
-	F489985		2	BLANKET, SILENCER SIDE (NOT SHOWN)
4	FA489528		1	INSERT, PLATE REAR
10	FA489385		2	INSERT, PLATE SIDE
4	FA490528		1	INSERT, PLATE REAR
10	FA490385		2	INSERT, PLATE SIDE
4	FA491528		1	INSERT, PLATE REAR
10	FA491385		2	INSERT, PLATE SIDE

ELECTRICAL COMPONENTS

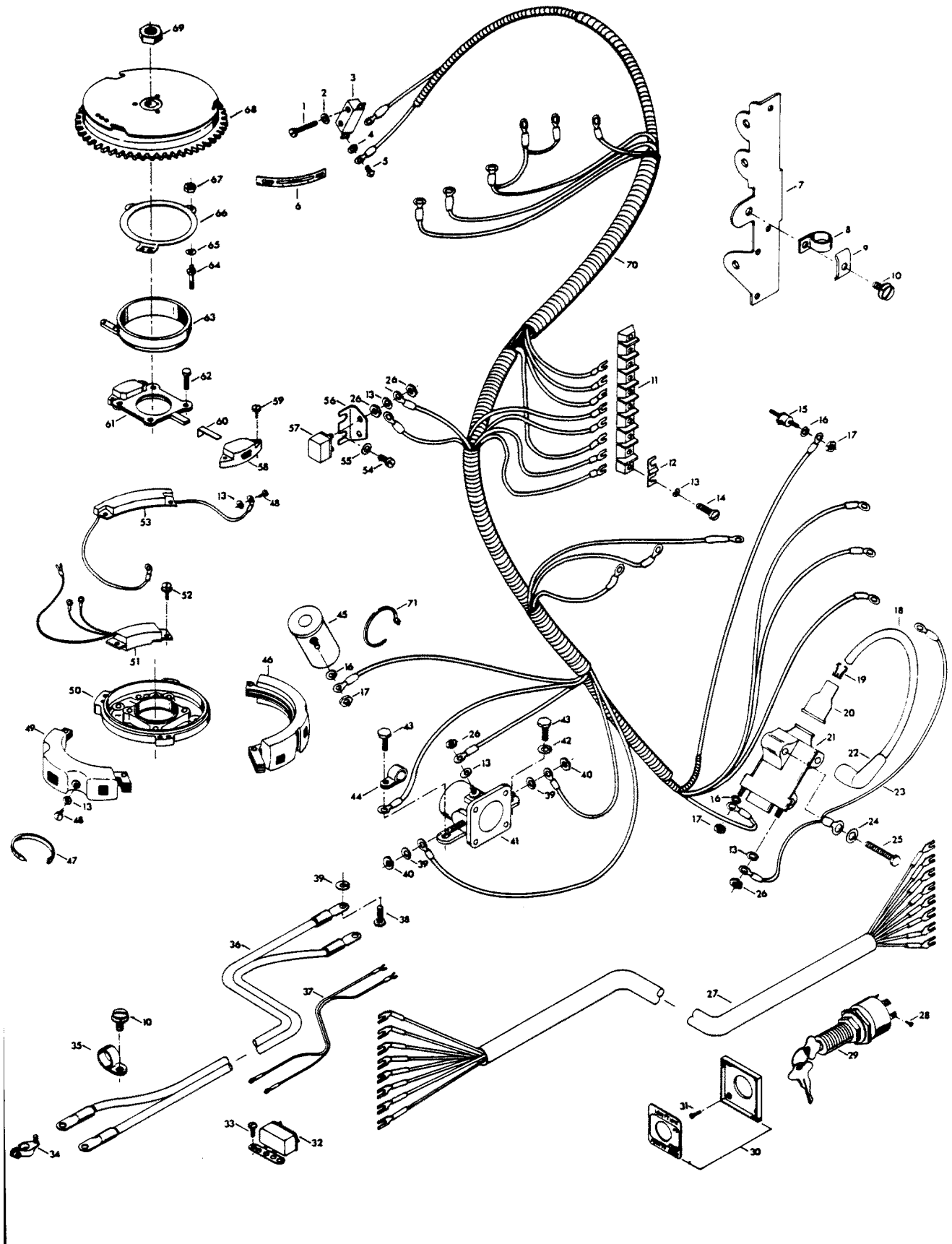


ELECTRICAL COMPONENTS

REF. NO.	PART NO.	SYM.	QTY.	DESCRIPTION
1	F2016		2	SLOTTED FILL HD SCREW, 6 - 32 X 7/8
2	F8088		2	PLAIN WASHER
3	F84449		1	NEUTRAL INTERLOCK SWITCH
4	F1704		2	INTERNAL TOOTH LOCKWASHER
5	F1645		2	RD HD SCREW, 6 - 32 X 1/4
6	F474387		1	TIMING DECAL
7	FA439493		1	TERMINAL BLOCK BRACKET
8	F289446-1		1	CLAMP
9	F438668		1	RETAINER, CABLE CLAMP
10	F1734		2	FILL HD SCREW W/LOCKWASHER, 1/4 - 20 X 1/2
11	FA510497		1	TERMINAL BLOCK
12	F307317		1	CLIP, TERMINAL BLOCK GROUND
13	F1975		17	LOCKWASHER
14	F1648		2	PAN HD SCREW, 10 - 24 X 3/4
15	87-817778A1		1	THERMOSWITCH
16	F8056		6	SPRING LOCKWASHER
17	F1647		6	HEX NUT, 8 - 32
18	84-817821A1		4	HI-TENSION WIRE W/ITEM ORIGINAL FORCE P/N A474841-1
19	F203673		4	CLIP, HI-TENSION TERMINAL
20	F203276		4	BOOT, SECONDARY COIL
21	FS474475		4	IGNITION COIL
22	FK750-1		1	SPARKIE KIT
23	F345908		2	GROUND WIRE, COIL
24	F2012		12	PLAIN WASHER
25	F1849		12	HEX CAP SCREW, 1/4 - 20 X 1 3/8
26	F1513		10	HEX NUT, 10 - 32
27	F85843-1		1	ELECTRIC CONTROL CABLE, 18 FT.
28	F1280		5	SLOTTED PAN HD SCREW, 8 - 32 X 1/4
29	F74H20		1	IGNITION SWITCH (ACCESSORY ITEM)
30	F71H21		1	IGNITION SWITCH MOUNTING KIT (ACCESSORY ITEM)
31	F1934		4	FLAT HD SLOTTED SCREW, 6 X 1/2
32	F71H30		1	BUZZER, HEAT INDICATOR (ACCESSORY ITEM)
33	F1741		2	PAN HD SCREW, 8 X 3/4
34	F71H26		1	BATTERY TERMINAL KIT (ACCESSORY ITEM)
35	F407446		1	CLAMP
36	F381896-4		1	BATTERY CABLE
37	F404841		1	CABLE
38	F2000		1	HEX CAP SCREW, 5/16 - 18 X 3/4
39	F8096		3	SPRING LOCKWASHER
40	F1615		2	HEX NUT, S.S., 5/16 - 24
41	F460917		1	STARTER RELAY
42	F8083		1	SPRING LOCKWASHER
43	F1854		2	HEX CAP SCREW, 1/4 - 20 X 5/8

CONTINUED ON NEXT PAGE ➡

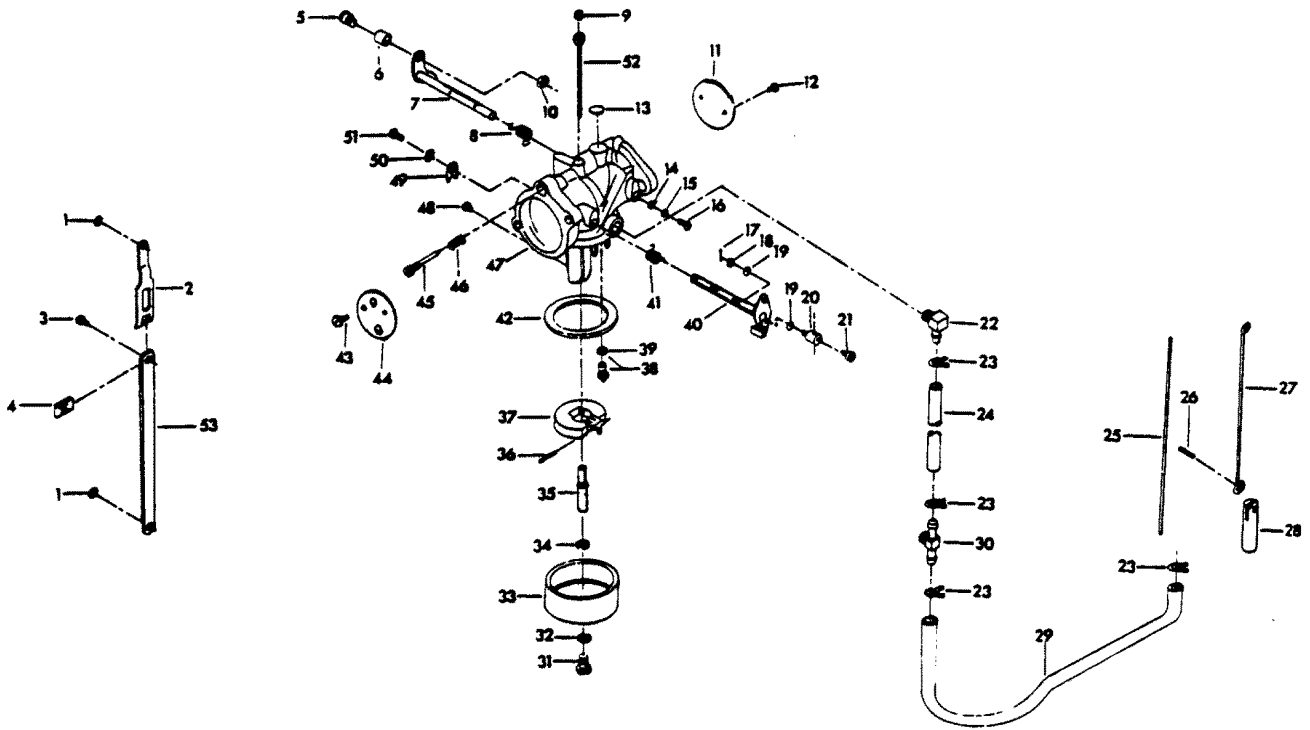
ELECTRICAL COMPONENTS



ELECTRICAL COMPONENTS

REF. NO.	PART NO.	SYM.	QTY.	DESCRIPTION
44	F404446		1	CLAMP
45	F85924		1	CHOKE SOLENOID
46	S474301-1		1	MODULE
47	F1845		2	TY-RAP, REGULATOR TO POWER PACK LEADS
48	F2077		7	SLOTTED PAN HD M. SCREW, 10 - 32 X 1/4
49	FS474095		1	ALTERNATOR STATOR
50	FA489144		1	BEARING CAGE W/CRANKSHAFT SEAL
51	FS474470		1	REGULATOR-RECTIFIER
52	F1734		2	SLOTTED FILL HD SCREW W/LOCKWASHER, 1/4 - 20 X 1/2
53	F474030		1	CAPACITOR
54	F1760		2	SLOTTED PAN HD SCREW, 10 - 24 X 3/8
55	F8011		2	PLAIN WASHER
56	F91446-1		1	CIRCUIT BREAKER BRACKET
57	F91460-2		1	CIRCUIT BREAKER
58	F12352-1		4	TRIGGER COIL
59	F1036		8	SLOTTED FILL HD M. SCREW, 6 - 32 X 1/4
60	F12353		4	CLIP
61	F12356		1	SPIDER
62	F1854		4	HEX CAP SCREW, 1/4 - 20 X 5/8
63	S474082-1		1	TIMING RING
64	F474531		4	STUD, TIMING RING RETAINER
65	F8048		4	BOWED WASHER
66	F474178		1	RETAINER, TIMING RING
67	F1804		4	STOP NUT, 10 - 32
68	FS489097		1	FLYWHEEL
69	F1968		1	HEX NUT, 3/4 - 16
70	F500744		1	WIRING HARNESS
71	F1877		1	TY-RAP

CARBURETOR

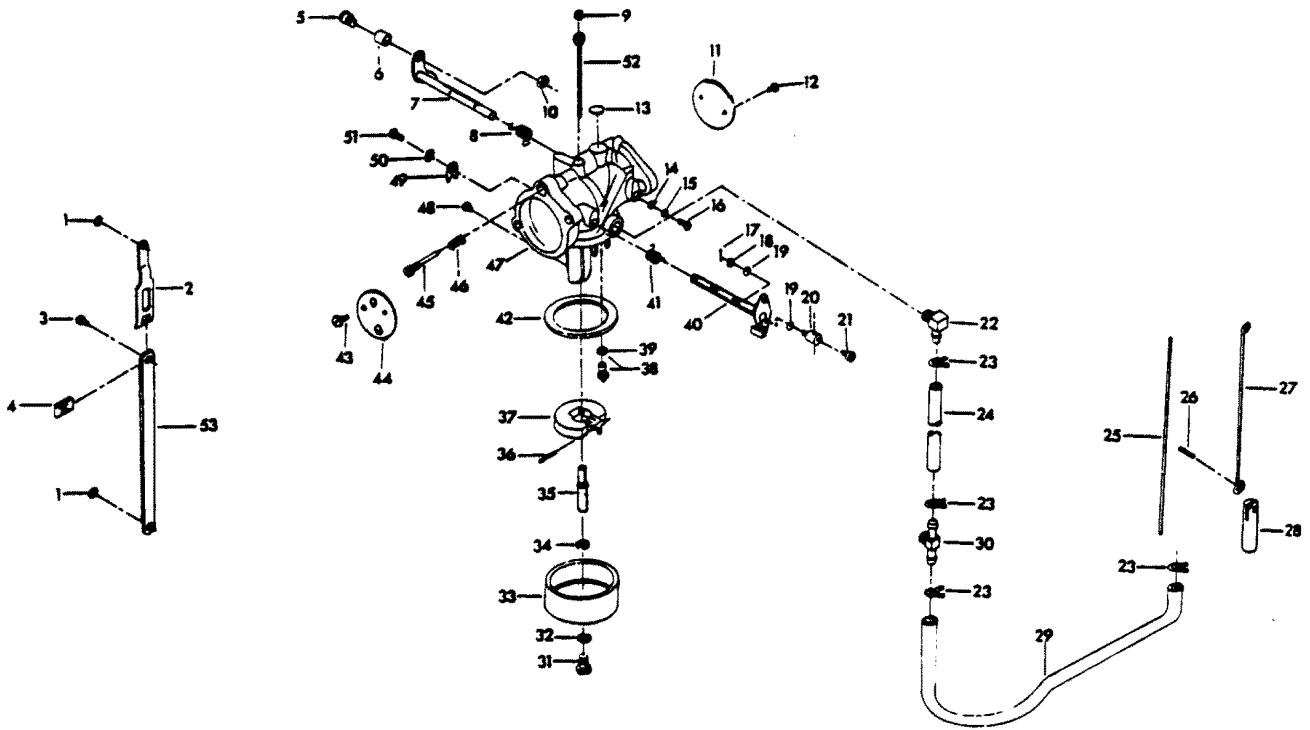


CARBURETOR

REF. NO.	PART NO.	SYM.	QTY.	DESCRIPTION
1	F90807		2	RETAINING RING
2	FA85193		1	TIE BAR END W/SWIVEL
3	F1064		1	FILL HD SCREW, 8 - 32 X 3/8
4	F1693		1	TIE BAR RETAINER
5	F333316		1	THROTTLE ROLLER SHAFT
6	F92759		1	THROTTLE ROLLER
7	FO15231		1	THROTTLE SHAFT AND LEVER
8	FO16008		1	THROTTLE SHAFT RETURN SPRING
9	FO10588		1	BODY CHANNEL CUP PLUG
10	F1997		1	STOP NUT, 8 - 32
11	FO13942		1	THROTTLE SHUTTER
12	FO8942		2	THROTTLE SHUTTER RETAINING SCREW AND LOCKWASHER
13	FO4326		1	BODY CHANNEL WELCH PLUG
14	FO3804		1	RETAINING SCREW WASHER
15	FO6396		1	RETAINING SCREW LOCKWASHER
16	FO6393		1	RETAINING SCREW
17	F1014		2	COTTER PIN
18	F8088		3	PLAIN WASHER
19	F184579		5	"O" RING SEAL
20	F184033-1		1	SWIVEL, TOP CARBURETOR
21	F1059		2	FILL HD SCREW, 6 - 32 X 1/4
22	F84314-2		1	ELBOW
23	F97772		4	CLAMP
24	F178754-1		1	FUEL LINE
25	F85509-1		1	LINK, CHOKE
26	F2033		1	GROVE PIN
27	F372925		1	CHOKE ROD
28	F391926-1		1	PLUNGER
29	F438754		1	FUEL LINE W/CLAMP, PUMP TO CARBURETOR
30	F85314-1		1	FUEL FITTING
31	FO13945		1	FUEL BOWL RETAINING SCREW
32	FO2510		2	FUEL BOWL RETAINING SCREW GASKET
33	FO13552		1	FUEL BOWL
34	FO2510		1	FUEL BOWL RETAINING SCREW WASHER
35	FO15217		1	MAIN NOZZLE
36	FO13944		1	FLOAT LEVER PIN
37	FO13554		1	FLOAT
38	FO10790		1	INLET NEEDLE, SEAT AND GASKET
39	FO10165		1	INLET SEAT GASKET
40	FO17241		1	CHOKE SHAFT AND LEVER
41	FO13947		1	CHOKE SHAFT RETURN SPRING
42	FO15623		1	FUEL BOWL GASKET
43	FO8942		2	CHOKE SHUTTER RETAINING SCREW AND LOCKWASHER

CONTINUED ON NEXT PAGE ➡

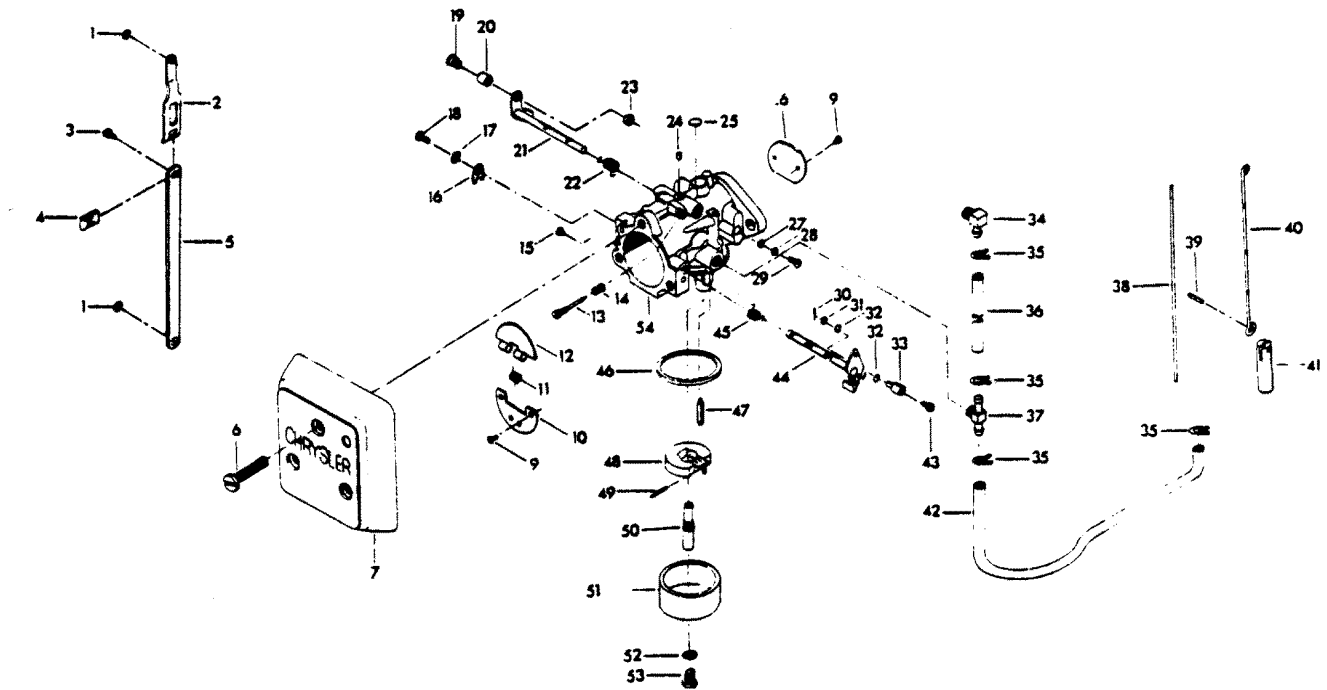
CARBURETOR



CARBURETOR

REF. NO.	PART NO.	SYM.	QTY.	DESCRIPTION
44	FO13555		1	CHOKE SHUTTER
45	FO13946		1	IDLE MIXTURE SCREW
46	FO11103		1	IDLE MIXTURE SCREW SPRING
49	FO9678		1	CLIP, CHOKE SHAFT
50	FO992		1	LOCKWASHER
51	FO1974		1	SCREW
52	FO17181		1	IDLE TUBE
53	FA178233		1	THROTTLE TIE BAR W/SWIVEL
-	F85033		1	SWIVEL, CHOKE ROD (BOTTOM CARBURETOR) (NOT SHOWN)
-	F10000		1	GASKET SET (NOT SHOWN)
-	F10005		1	REPAIR PARTS KIT (NOT SHOWN). INCLUDES ALL ITEMS MARKED WITH AN ASTERISK (*).
47	500061		1	CARBURETOR COMPLETE (WB24A)
48	FO14306		1	MAIN FUEL JET (.078)
47	501061		1	CARBURETOR COMPLETE (WB25A)
48	FO14302		1	MAIN FUEL JET (.084)

CARBURETOR 135 H.P. ENGINE

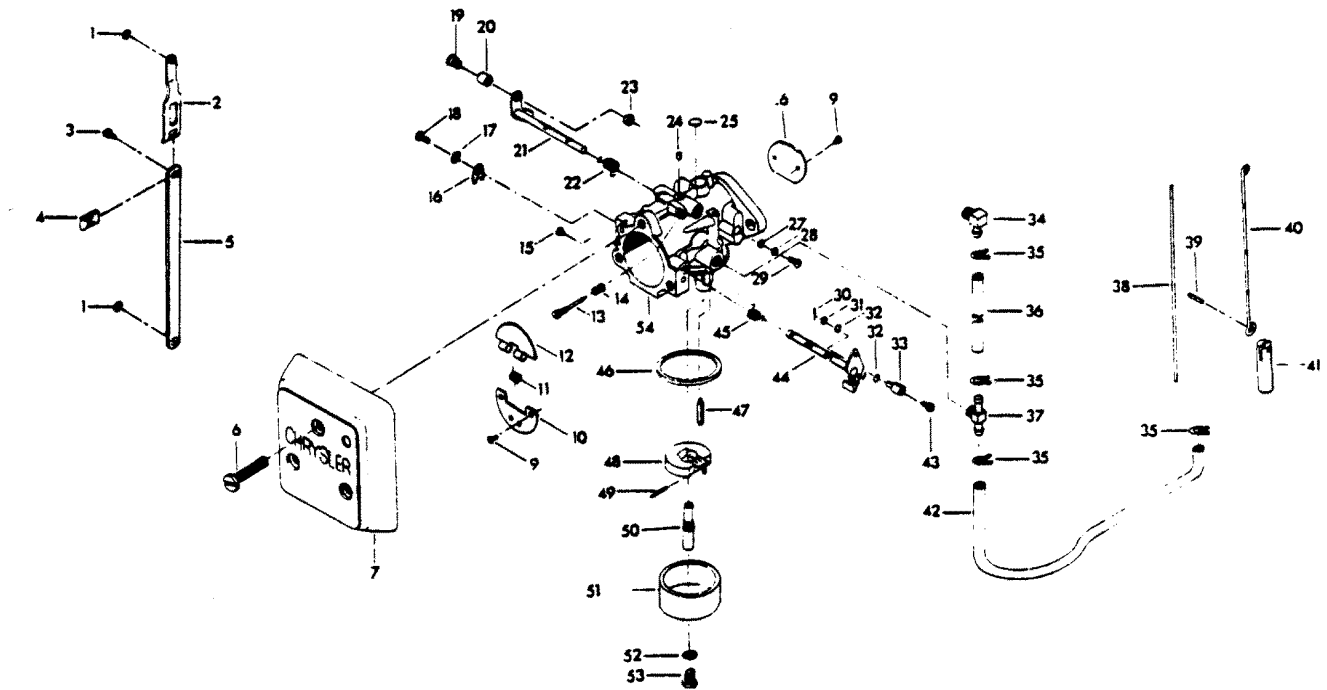


CARBURETOR 135 H.P. ENGINE

REF. NO.	PART NO.	SYM.	QTY.	DESCRIPTION
1	F90807		2	RETAINING RING
2	FA85193		1	TIE BAR END W/SWIVEL
3	F1064		1	FILL HD SCREW, 8 - 32 X 3/8
4	F1693		1	TIE BAR RETAINER
5	FA178233		1	THROTTLE TIE BAR W/SWIVEL
6	F1134		6	PAN HD SCREW, 1/4 - 20 X 1 3/8
7	F511708		2	COVER, CARBURETOR
9	FO15912		4	CHOKE AND THROTTLE SHUTTER SCREW
10	FO16137		1	CHOKE SHUTTER
11	016139		1	CHOKE RELIEF VALVE SPRING
12	FO16138		1	CHOKE RELIEF VALVE
13	FO14166		1	IDLE MIXTURE SCREW
14	FO11103		1	IDLE MIXTURE SCREW SPRING
15	FO14191		1	MAIN FUEL JET, .0937 STANDARD
16	FO9678		1	CLIP, CHOKE SHAFT
17	FO992		1	LOCKWASHER
18	FO1974		1	SCREW
19	F333316		1	THROTTLE ROLLER SHAFT
20	F92759		1	THROTTLE ROLLER
21	FO16145		1	THROTTLE SHAFT AND LEVER
22	FO16143		1	THROTTLE SHAFT RETURN SPRING
23	F1997		1	STOP NUT, 8 - 32
24	FO10588		5	BODY CHANNEL CUP PLUG
25	FO16128		1	BODY CHANNEL WELCH PLUG
26	FO16142		1	THROTTLE SHUTTER
27	FO12400		1	RETAINING SCREW WASHER
28	FO6396		1	RETAINING SCREW LOCKWASHER
29	FO6393		1	RETAINING SCREW
30	F1014		2	COTTER PIN
31	F8088		3	PLAIN WASHER
32	F184579		5	"O" RING SEAL
33	F184033-1		1	SWIVEL, TOP CARBURETOR
34	F84314-2		1	ELBOW
35	F97772		4	CLAMP
36	F178754-1		1	FUEL LINE
37	F85314-1		1	FUEL FITTING
38	F85509-1		1	LINK, CHOKE
39	F2033		1	GROOVE PIN
40	F440925		1	CHOKE ROD
41	F391926-1		1	PLUNGER
42	F438754		1	FUEL LINE W/CLAMP, PUMP TO CARBURETOR
43	F1059		2	FILL HD SCREW, 6 - 32 X 1/4
44	FO16301		1	CHOKE SHAFT AND LEVER

CONTINUED ON NEXT PAGE ➡

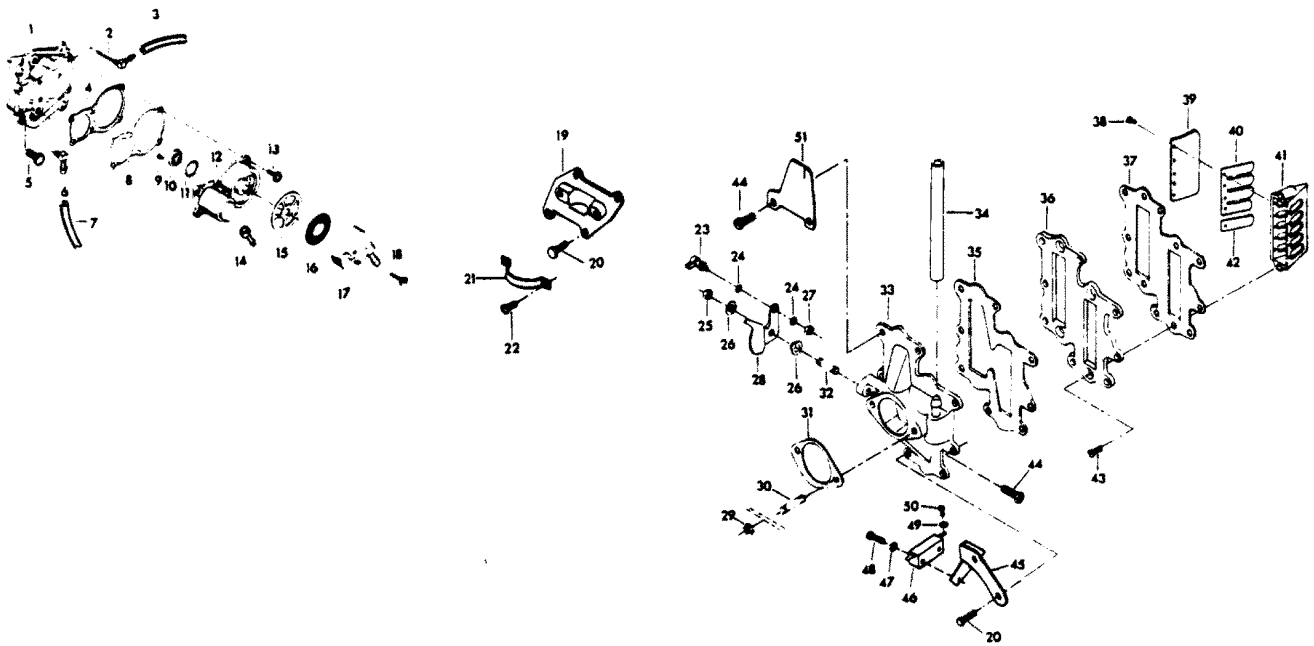
CARBURETOR 135 H.P. ENGINE



CARBURETOR 135 H.P. ENGINE

REF. NO.	PART NO.	SYM.	QTY.	DESCRIPTION
45	FO16136		1	CHOKE SHAFT RETURN SPRING
46	FO15623		1	FUEL BOWL GASKET
47	FO16697		1	INLET NEEDLE
48	FO13554		1	FLOAT
49	FO13944		1	FLOAT LEVER PIN
50	FO16133		1	MAIN NOZZLE
51	FO16130		1	FUEL BOWL
52	FO5323		1	FUEL BOWL RETAINING SCREW GASKET
53	FO16132		1	FUEL BOWL RETAINING SCREW
-	F85033		1	SWIVEL, CHOKE ROD (BOTTOM CARBURETOR) (NOT SHOWN)
-	F10023		1	GASKET SET (NOT SHOWN)
-	F10051		1	REPAIR PARTS KIT (NOT SHOWN) INCLUDES ALL ITEMS MARKED WITH AN ASTERISK (*).
-	F476061		1	CARBURETOR COMPLETE (TC5A)

FUEL PUMP AND REED PLATE

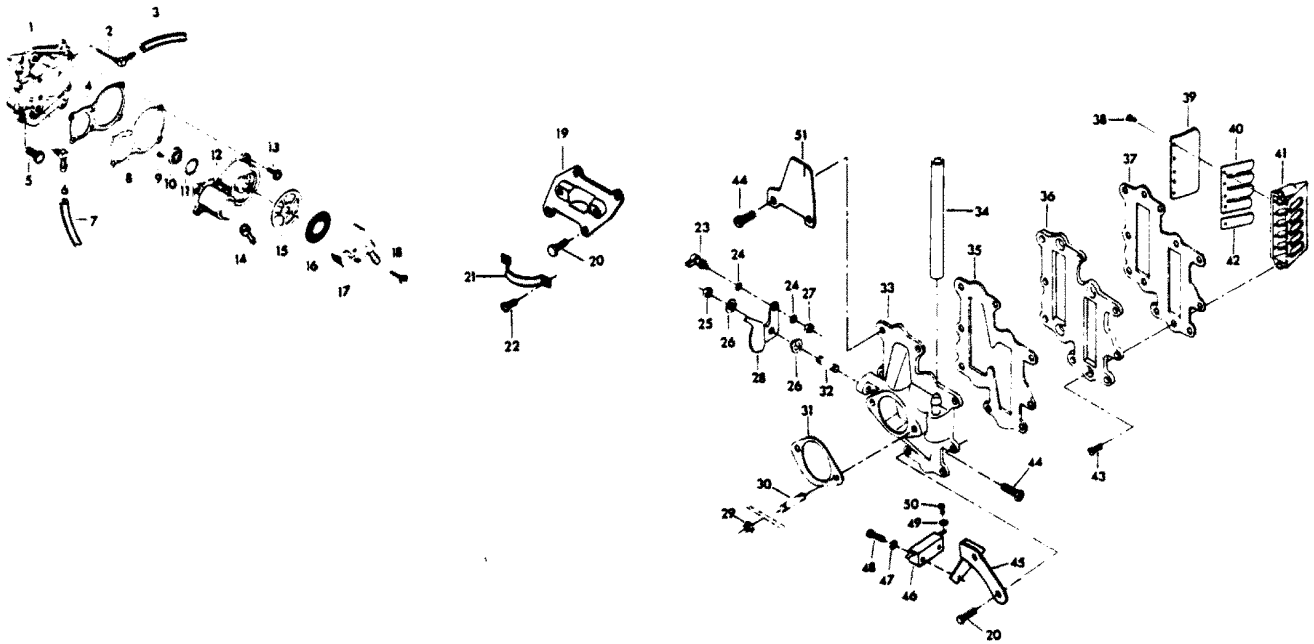


FUEL PUMP AND REED PLATE

REF. NO.	PART NO.	SYM.	QTY.	DESCRIPTION
1	FA439746		1	FUEL PUMP COVER
2	F404314		1	ELBOW, FUEL PUMP COVER
3	F441754-1		1	HOSE
4	F438760		1	FUEL PUMP GASKET
5	F1502		4	HEX CAP SCREW, 1/4 - 20 X 5/8
6	F84314-2		1	ELBOW
7	F89758		1	FUEL PUMP AIR HOSE - TOP
8	F438747		1	FUEL PUMP DIAPHRAGM W/GASKET
9	F1860		2	RD HD SCREW, 6 - 32 X 1/4
10	F177330		3	FUEL PUMP VALVE
11	F84792		1	GASKET, CENTER FUEL PUMP VALVE
12	FA438431		1	FUEL PUMP BODY W/VALVES
13	F1108		6	FILL HD SCREW, 1/4 - 20 X 3/4
14	F438801		1	FITTING
15	F438617		1	FUEL SEDIMENT BOWL GASKET
16	F438653		1	FUEL SEDIMENT BOWL SCREEN
17	F438500		1	FUEL SEDIMENT BOWL
18	F438165		1	SCREW, FUEL PUMP BOWL
19	F372958		1	CHOKE BRACKET
20	F1953		6	HEX HD SCREW, 1/4 - 20 X 1
21	F85317-1		1	SOLENOID CLAMP
22	F1236		1	SCREW, 1/4 - 20 X 1/2
23	817747--1		1	BALL JOINT W/STUD
24	F8058		2	INTERNAL TOOTH LOCKWASHER
25	F1910		1	STOP NUT, 1/4 - 20
26	F269319		2	THROTTLE CAM BEARING
27	F1513		1	HEX NUT, 10 - 32
32	F433209		1	THROTTLE CAM STUD
35	F178168-1		2	GASKET, CARBURETOR ADAPTER
36	F178404-1		2	DEFLECTOR PLATE
37	F406406		2	GASKET, DEFLECTOR PLATE
38	F1298		40	RD HD SCREW W/LOCKWASHER, 6 - 32 X 1/4
39	F85161-1		8	REED STOP
40	F335160		8	REED (4 PETAL)
41	F2A335158		4	REED PLATE W/REEDS, REED STOPS AND SCREWS
42	F335164		8	REED (1 PETAL)
43	F1831		8	FLAT HD SCREW, 1/4 - 20 X 5/8
44	F1915		10	HEX HD SCREW, 1/4 - 20 X 7/8
45	F489551		1	BRACKET NEUTRAL INTERLOCK SWITCH
46	F84449		1	INTERLOCK SWITCH
47	F8088		2	PLAIN WASHER
48	F2016		2	FILL HD SCREW, 6 - 32 X 7/8
49	F1704		2	INTERNAL TOOTH LOCKWASHER

CONTINUED ON NEXT PAGE ➡

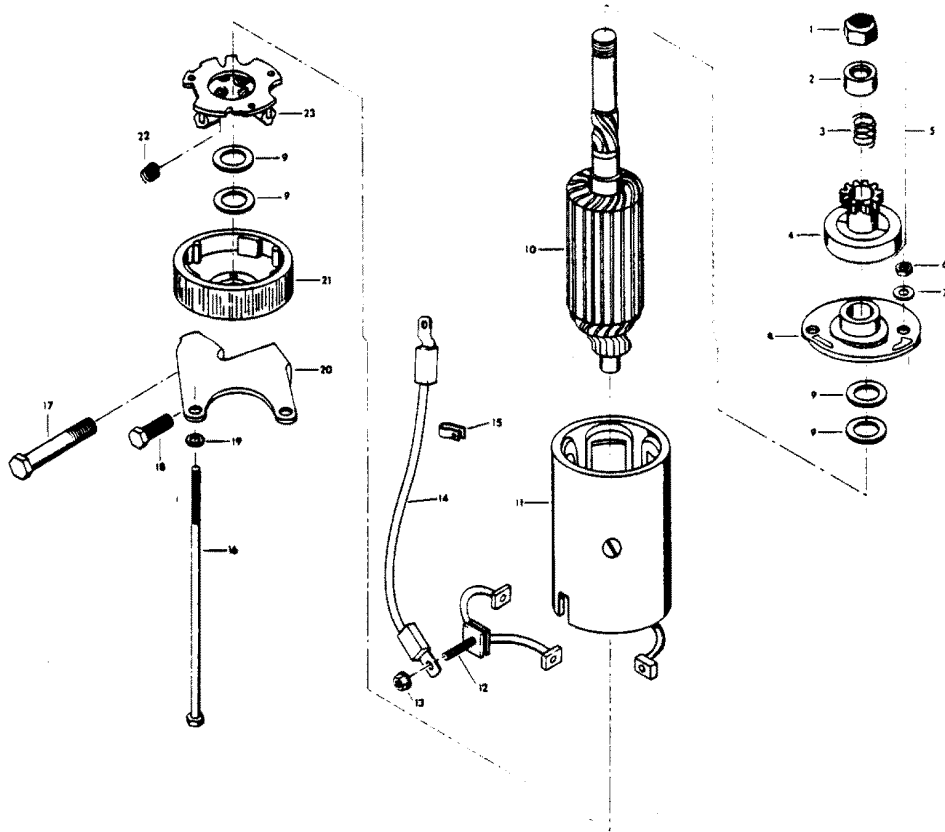
FUEL PUMP AND REED PLATE



FUEL PUMP AND REED PLATE

REF. NO.	PART NO.	SYM.	QTY.	DESCRIPTION
50	F1645		2	RD HD SCREW, 6 - 32 X 1/4
51	F500894		1	TIMING POINTER
28	F85192-1		1	THROTTLE CAM
29	F1515		4	HEX NUT, 5/16 - 18
30	F40209		4	CARBURETOR STUD
31	F85906		2	CARBURETOR GASKET
33	FA178167		1	CARBURETOR ADAPTER LOWER, W/FITTING AND STUDS
-	FA178157		1	CARBURETOR ADAPTER UPPER, W/FITTING AND STUDS
34	32-77653-77		1	BALANCE TUBE
28	F440192		1	THROTTLE CAM
29	F1346		4	HEX NUT, 3/8 - 16
30	F440209		4	CARBURETOR STUD
31	F440906		2	CARBURETOR GASKET
33	FA440167		1	CARBURETOR ADAPTER LOWER, W/FITTING AND STUDS
-	FA440157		1	CARBURETOR ADAPTER UPPER, W/FITTING AND STUDS
34	FA440254		1	BALANCE TUBE

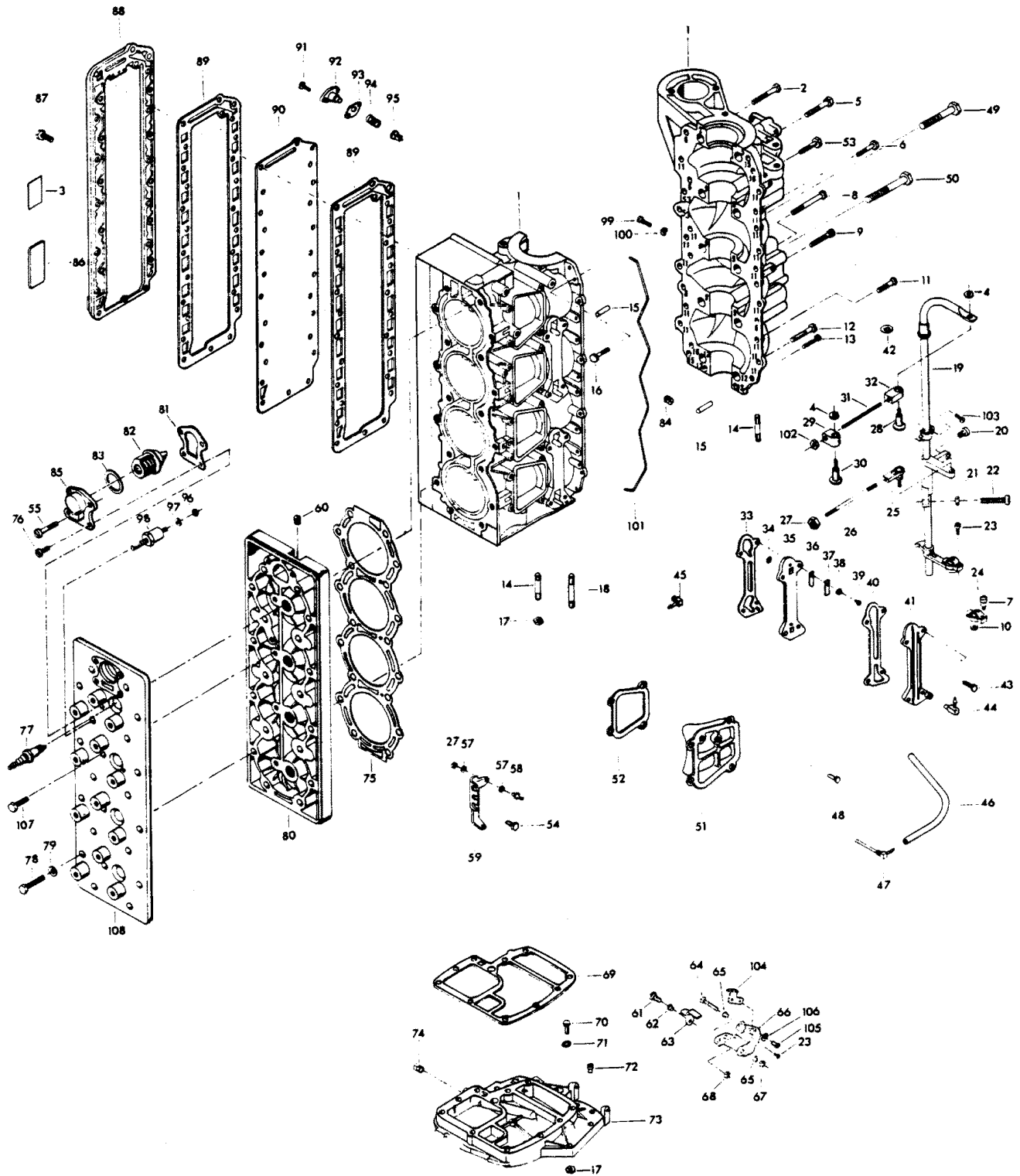
STARTER



STARTER

REF. NO.	PART NO.	SYM.	QTY.	DESCRIPTION
5	F15118		1	BENDIX DRIVE ASSEMBLY
6	F1514		2	HEX NUT, 1/4 - 20
7	F8028		2	PLAIN WASHER
8	F15021-1		1	HEAD ASSEMBLY, DRIVE END
9	F15073		1	THRUST WASHER PACKAGE
10	F15099		1	ARMATURE
11	F15124		1	FRAME AND FIELD ASSEMBLY
12	F15054		1	BRUSH AND TERMINAL SET
13	FA15072		1	HEX LOCK NUT, 1/4 - 20
14	F178908		1	STARTER LEAD WIRE
15	F404446		1	CLAMP
16	F15035		1	THRU BOLT PACKAGE
17	F1868		1	HEX BOLT, 3/8 - 16 X 3 1/4
18	F1502		1	HEX CAP SCREW, 1/4 - 20 X 5/8
19	F8060		2	LOCKWASHER
20	F373675-1		1	STARTER BRACKET, LOWER
21	15037		1	HEAD ASSEMBLY, COMMUTATOR END
22	F15034		1	SPRING SET
23	F15057		1	BRUSH PLATE AND HOLDER ASSEMBLY
-	FS489955		1	STARTER COMPLETE

POWER HEAD

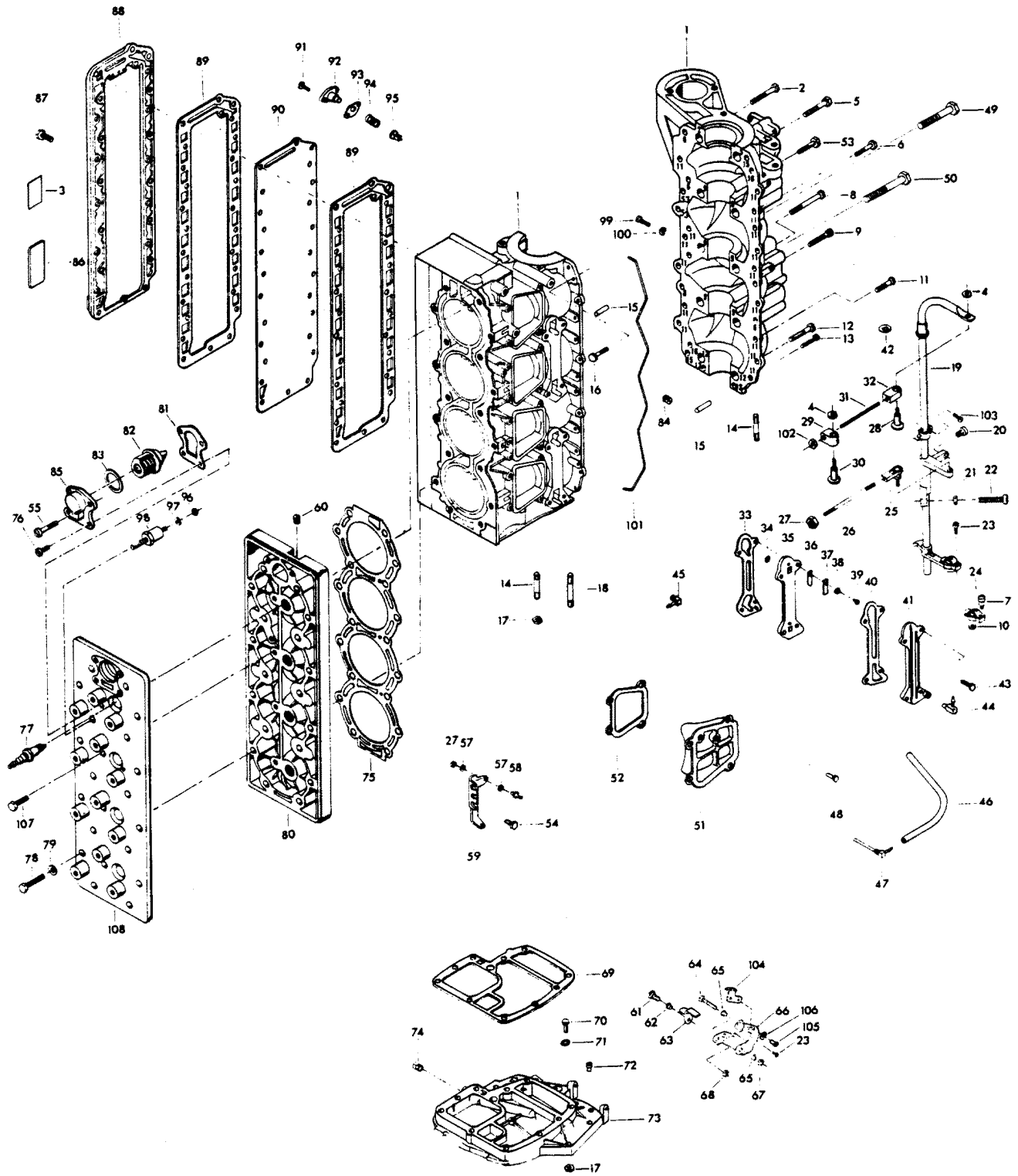


POWER HEAD

REF. NO.	PART NO.	SYM.	QTY.	DESCRIPTION
2	F1874		1	HEX HD SCREW, 3/8 - 16 X 3 1/8
3	474374		1	DECAL, IGNITION
4	F7009		2	LOCK NUT, 10 - 24
5	F1009		1	HEX HD SCREW, 3/8 - 16 X 2 3/4
6	F1915		3	HEX HD SCREW, 1/4 - 20 X 7/8
7	F405457		1	PIVOT SCREW
8	F1699		1	HEX HD SCREW, 1/4 - 20 X 1/8
9	F1253		4	HEX SOCKET HD CAP SCREW, 3/8 - 16 X 2
10	F7008		1	ELASTIC STOP NUT
11	F1914		16	HEX HD SCREW, 1/4 - 20 X 3/4
12	F1872		2	HEX CAP SCREW, 3/8 - 16 X 1 3/4
13	F1099		2	FILL HD SCREW, 1/4 - 20 X 1/4
14	F85859		4	STUD
15	F8563		2	DOWEL PIN
16	F1953		2	HEX HD SCREW, 1/4 - 20 X 1
17	F7004		10	STOP NUT, 3/8 - 16
18	F85211		6	STUD
19	FA491838		1	TOWERSHAFT W/SWIVEL, BEARINGS AND SCREWS
20	F1727		1	PLASTIC RIVET
21	F1341		1	HEX NUT, 1/4 - 20
22	F1052		1	FILL HD SCREW, 1/4 - 20 X 1
23	F1556		2	FILL HD SCREW W/LOCKWASHER, 10 - 24 X 3/8
24	FK405020		2	SWIVEL W/CLAMP, SHOULDER SCREW AND NUT
25	817747--1		1	BALL JOINT W/STUD
26	F85502		1	THROTTLE LINK
27	F1513		4	HEX NUT, 10 - 32
28	F499026		1	SWIVEL, TOWERSHAFT
29	F499035		1	TIMING RING, CONTROL ROD END
30	F500026		1	SWIVEL, TIMING RING
31	F85445		1	CONTROL ROD
32	F499036		1	TOWERSHAFT CONTROL ROD END
33	F84748-3		2	GASKET
34	F93811		4	SCREEN
35	F2A476757		2	CYLINDER DRAIN REED PLATE W/REEDS, STOPS AND SCREWS
36	F18160-1		4	CYLINDER DRAIN REED
37	F93920		4	REED STOP
38	F8003		4	PLAIN WASHER
39	F1286		4	PAN HD SCREW, 4 - 40 X 3/16
40	F84472-5		2	GASKET, CYLINDER DRAIN COVER
41	F406471-1		2	CYLINDER DRAIN COVER
42	F185764		1	RETAINING RING
43	F1187		8	HEX HD SCREW, 1/4 - 20 X 1

CONTINUED ON NEXT PAGE ➡

POWER HEAD

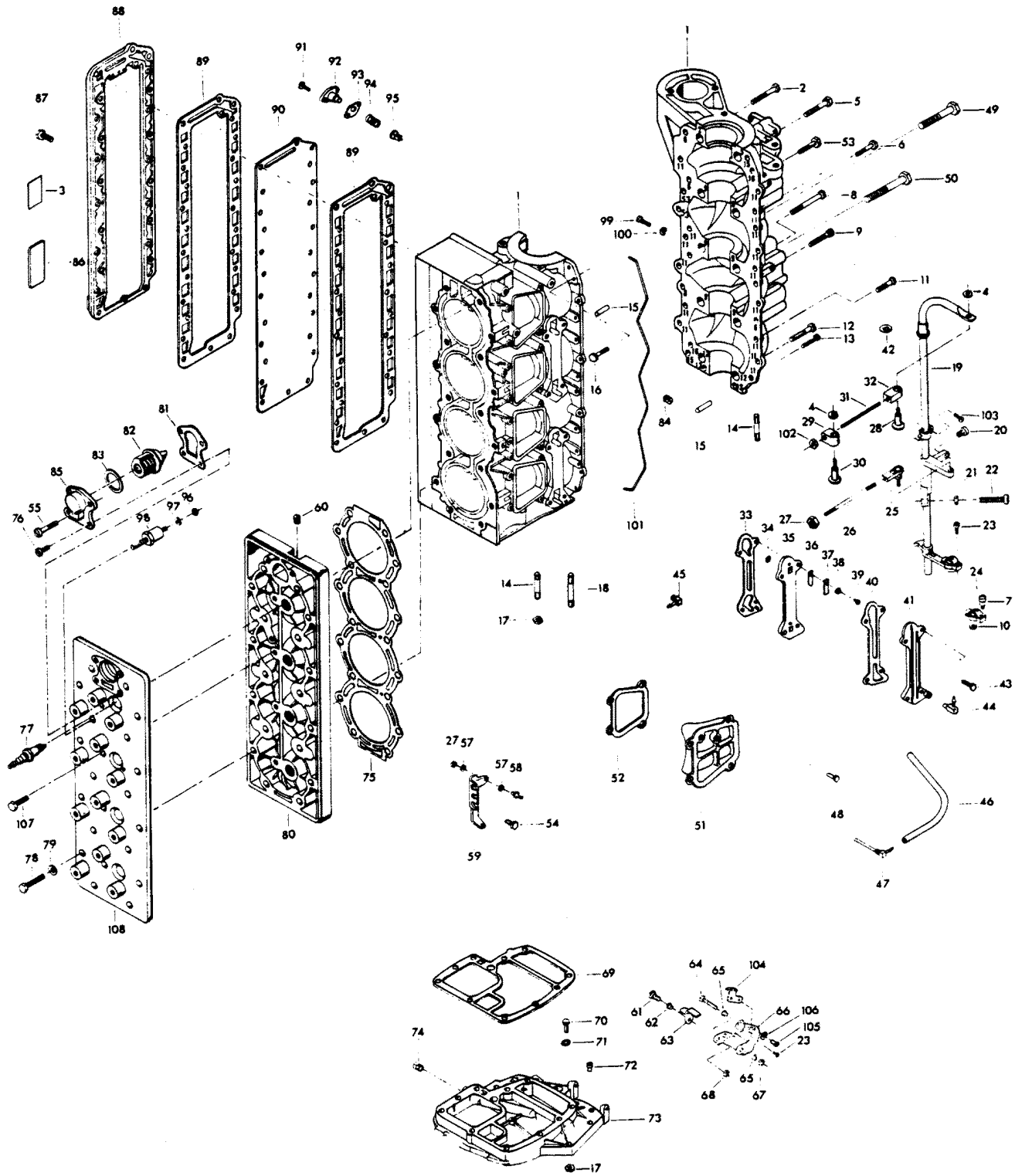


POWER HEAD

REF. NO.	PART NO.	SYM.	QTY.	DESCRIPTION
44	22-818103--1		1	ELBOW, CYLINDER DRAIN LOWER
-	F404801		1	ELBOW, CYLINDER DRAIN UPPER
45	F84314-2		1	ELBOW
46	F406754-1		1	HOSE
47	F404314		2	FITTING
48	F1502		10	HEX CAP SCREW, 1/4 - 20 X 5/8
49	F1868		1	HEX CAP SCREW, 3/8 - 16 X 3 1/4
50	F1873		1	HEX CAP SCREW, 3/8 - 16 X 3
51	FA411222		3	TRANSFER PORT COVER
52	F40223		4	GASKET, TRANSFER PORT COVER
53	F2008		2	HEX HD SCREW, 1/4 - 20 X 7/8
54	F1238		2	HEX CAP SCREW, 1/4 - 20 X 3/4
55	F1099		2	FILL HD SCREW, 1/4 - 20 X 1/4
57	F8058		4	INTERNAL TOOTH LOCKWASHER
58	F98273		2	ROD END CONNECTOR STUD
59	F321872		1	BRACKET
60	F19109		1	PLUG
61	F369887		1	SHOULDER SCREW
62	F369610		1	BEARING
63	F369977-1		1	INTERLOCK ARM
64	F1885		1	HEX BOLTS, S.S., 5/16 - 18 X 4 1/4
65	F85610		2	BEARING
66	FA480876		1	GEAR SHIFT ARM W/SWIVEL, BEARINGS, INTERLOCK ARM & SHOULDER SCREW
67	F2108		1	STOP NUT, 5/16 - 18
68	F1832		1	STOP NUT, 1/4 - 20
69	F85279-2		1	GASKET, CYLINDER EXHAUST UPPER
70	F1869		6	HEX CAP SCREW, 3/8 - 16 X 1/4
71	F1703		6	LOCKWASHER
72	FA98689		1	BEARING
73	FA404680		1	SPACER PLATE W/PLUGS
74	F2090		1	PLUG
75	F476529		1	CYLINDER HEAD GASKET
76	F1107		2	SLOTTED FILL HD CAP SCREW, 1/4 - 20 X 3/4
77	33-818007--1		4	SPARK PLUG (CHAMPION UL-18-V)
78	F2049		18	HEX CAP SCREW, 5/16 - 18 X 2 5/8
79	F1987		18	PLAIN WASHER
81	F476067		1	GASKET
82	F335068		1	THERMOSTAT
83	F84504		1	GROMMET (THERMOSTAT)
85	F476066-1		1	THERMOSTAT COVER
86	F499398		1	DECAL, WIRING
87	F1709		27	HEX BOLT, 1/4 - 20 X 1/8

CONTINUED ON NEXT PAGE ➡

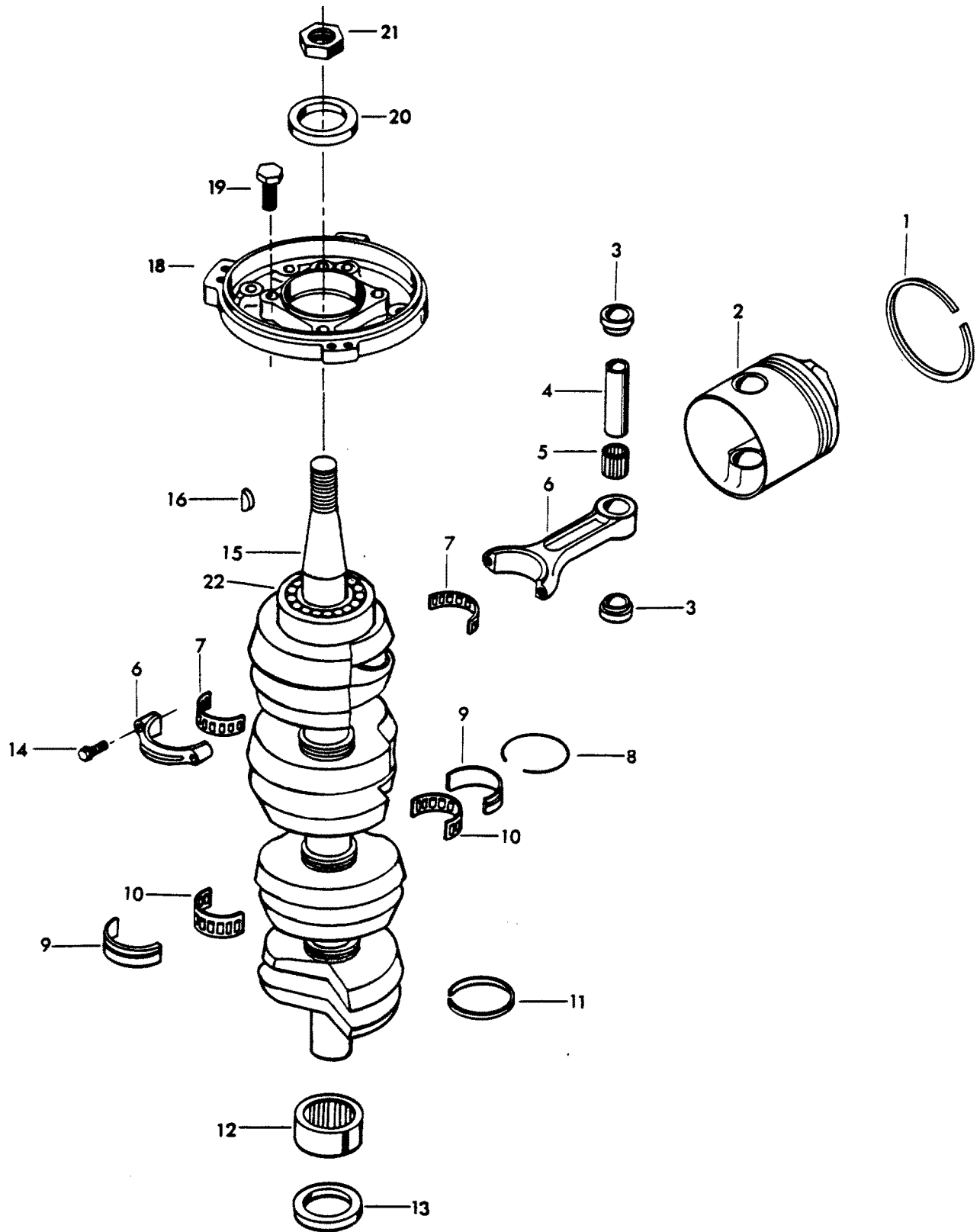
POWER HEAD



POWER HEAD

REF. NO.	PART NO.	SYM.	QTY.	DESCRIPTION
88	F372152-1		1	EXHAUST PORT COVER
89	F372154-1		2	GASKET, EXHAUST PORT PLATE
90	F372151-1		1	EXHAUST PORT PLATE
91	F1950		2	HEX CAP SCREW, 10 - 24 X 5/8
92	F438066		1	BY-PASS VALVE COVER
93	F85762		1	BY-PASS VALVE COVER GASKET
94	F404268		1	BY-PASS VALVE SPRING
95	F85916-1		1	BY-PASS VALVE
96	F1647		1	HEX NUT, 8 - 32
97	F8056		1	LOCKWASHER
98	87-817778A1		1	THERMOSWITCH
99	F2000		1	HEX CAP SCREW, 5/16 - 18 X 3/4
100	F8096		1	SPRING LOCKWASHER
101	F184122-1		1	SEAL, PARTING LINE
102	F2015		1	HEX NUT, 1/4 - 28
103	F1475		2	FILL HD SCREW, 10 - 24 X 1/2
104	F480107-1		1	CAM STARTER INTERLOCK
105	F2089		2	SLOTTED PAN HD M. SCREW, 10 - 24 X 5/16
106	F2042		2	PLAIN WASHER
107	F1203		4	HEX CAP SCREW, 1/4 - 20 X 7/8
108	F491995		1	COVER CYLINDER HEAD
-	FG1003-1		1	GASKET SET (NOT SHOWN)
-	499373		1	DECAL, MAGNAPOWER II (NOT SHOWN)
1	FA500010		1	CYLINDER W/CRANKCASE COVER, PARTING LINE SEAL, W/SCREWS & DOWEL PINS
80	FA500518		1	CYLINDER HEAD
-	FC500010		1	SHORT BLOCK CONTAINS ALL ITEMS MARKED WITH AN ASTERISK. ALSO REFER TO CRANKSHAFT PAGE.
1	FA491010		1	CYLINDER W/CRANKCASE COVER, PARTING LINE SEAL, W/SCREWS & DOWEL PINS
80	A511518		1	CYLINDER HEAD
-	C491010		1	SHORT BLOCK CONTAINS ALL ITEMS MARKED WITH AN ASTERISK. ALSO REFER TO CRANKSHAFT PAGE.
1	FA501010		1	CYLINDER W/CRANKCASE COVER, PARTING LINE SEAL, W/SCREWS & DOWEL PINS
80	FA501518		1	CYLINDER HEAD
-	C501010		1	SHORT BLOCK CONTAINS ALL ITEMS MARKED WITH AN ASTERISK. ALSO REFER TO CRANKSHAFT PAGE.

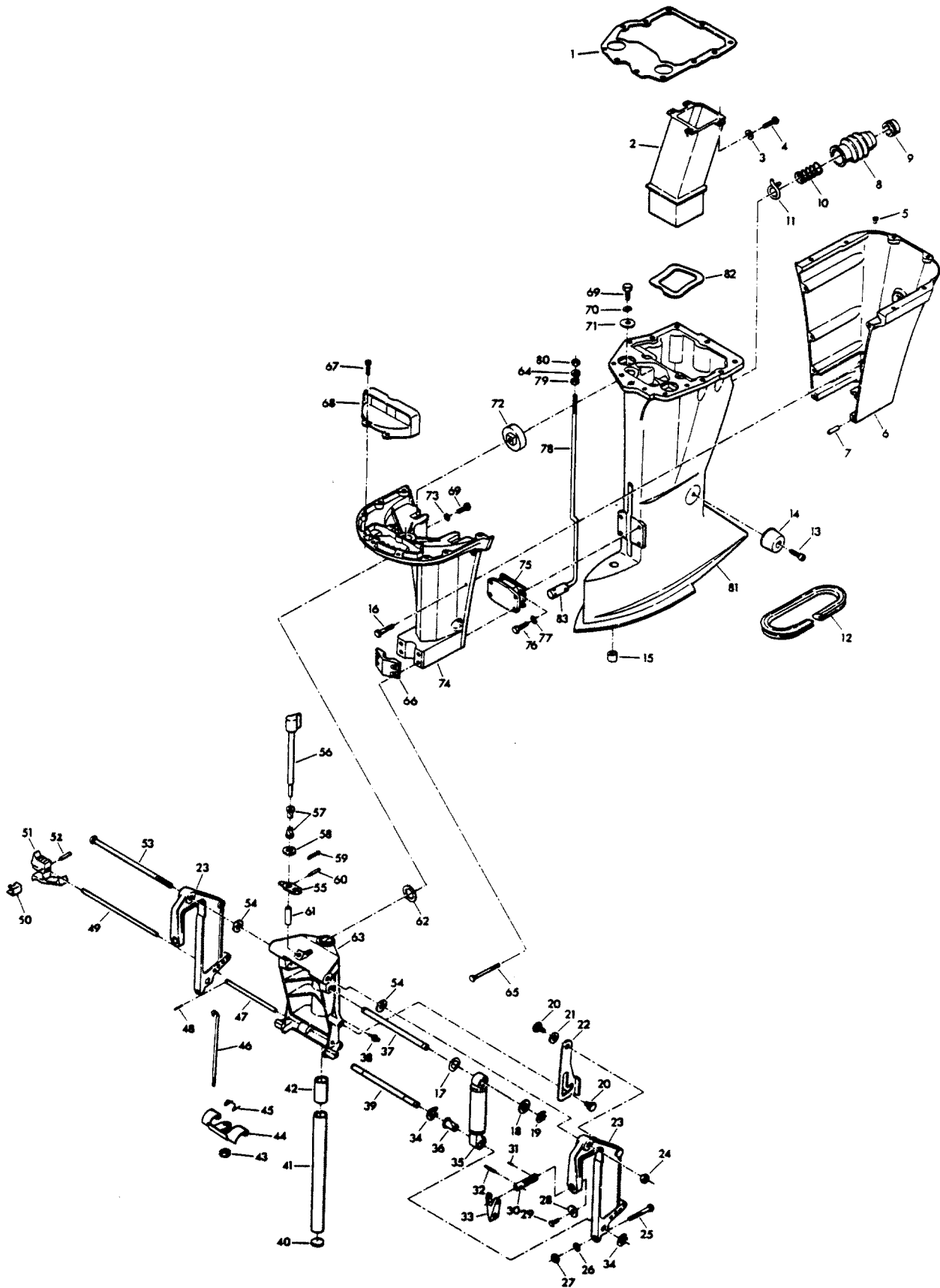
CRANKSHAFT AND PISTON GROUP



CRANKSHAFT AND PISTON GROUP

REF. NO.	PART NO.	SYM.	QTY.	DESCRIPTION
3	F335215		8	SPACER, PISTON PIN (2 PER PISTON)
4	F85017		4	PISTON PIN
5	F335217-1		4	BEARING, PISTON PIN (26 PER SET)
6	600-818052A4		4	CONNECTING ROD W/CAP AND SCREWS
7	FK85228		4	BEARING CAGE W/ROLLER
8	F85410		3	SNAP RING
9	FA85655-1		3	CRANKSHAFT MAIN BEARING RACE W/SNAP RING
10	F85571		3	BEARING CAGE W/ROLLER
11	F316579		3	SEAL, CRANKCASE
12	31-FA523014		1	CRANKSHAFT LOWER MAIN BEARING W/ITEM 13 ORIGINAL FORCE P/N A373014-1
13	F84146-1		1	SEAL
14	F85634-1		8	CONNECTING ROD SCREW
15	400-817735A4		1	CRANKSHAFT W/BEARING
16	F85498		1	FLYWHEEL KEY
18	FA489144		1	CRANKSHAFT BEARING CAGE W/SEAL
19	F1493		5	SLOTTED PAN HD SCREW, 1/4 - 20 X 5/8
20	F84146-1		1	SEAL
21	F1968		1	FLYWHEEL NUT
22	30-F284659-2		1	BEARING, CRANKSHAFT UPPER MAIN
-	F2067		1	PLASTISOL CAP (NOT SHOWN)
1	FA440260		2	PISTON RING SET (4 PER SET)
2	F440015-1		4	PISTON
-	FS440260		2	PISTON RING (4 PER SET) .010 OVERSIZE (NOT SHOWN)
-	39-818117A1		2	PISTON RING (4 PER SET) .030 OVERSIZE (NOT SHOWN)
-	FSA440015		4	PISTON .010 OVERSIZE (NOT SHOWN)
-	700-818116A2		4	PISTON .030 OVERSIZE (NOT SHOWN)
1	FA474260		2	PISTON RING SET FOR 2 PISTONS
2	F475015-2		4	PISTON
-	FSA474260		2	PISTON RING SET FOR 2 PISTONS .010 OVERSIZE (NOT SHOWN)
-	39-818122A1		2	PISTON RING SET FOR 2 PISTONS .030 OVERSIZE (NOT SHOWN)
-	SA475015		4	PISTON .010 OVERSIZE (NOT SHOWN)
-	3SA475015		4	PISTON .030 OVERSIZE (NOT SHOWN)

MOTOR LEG

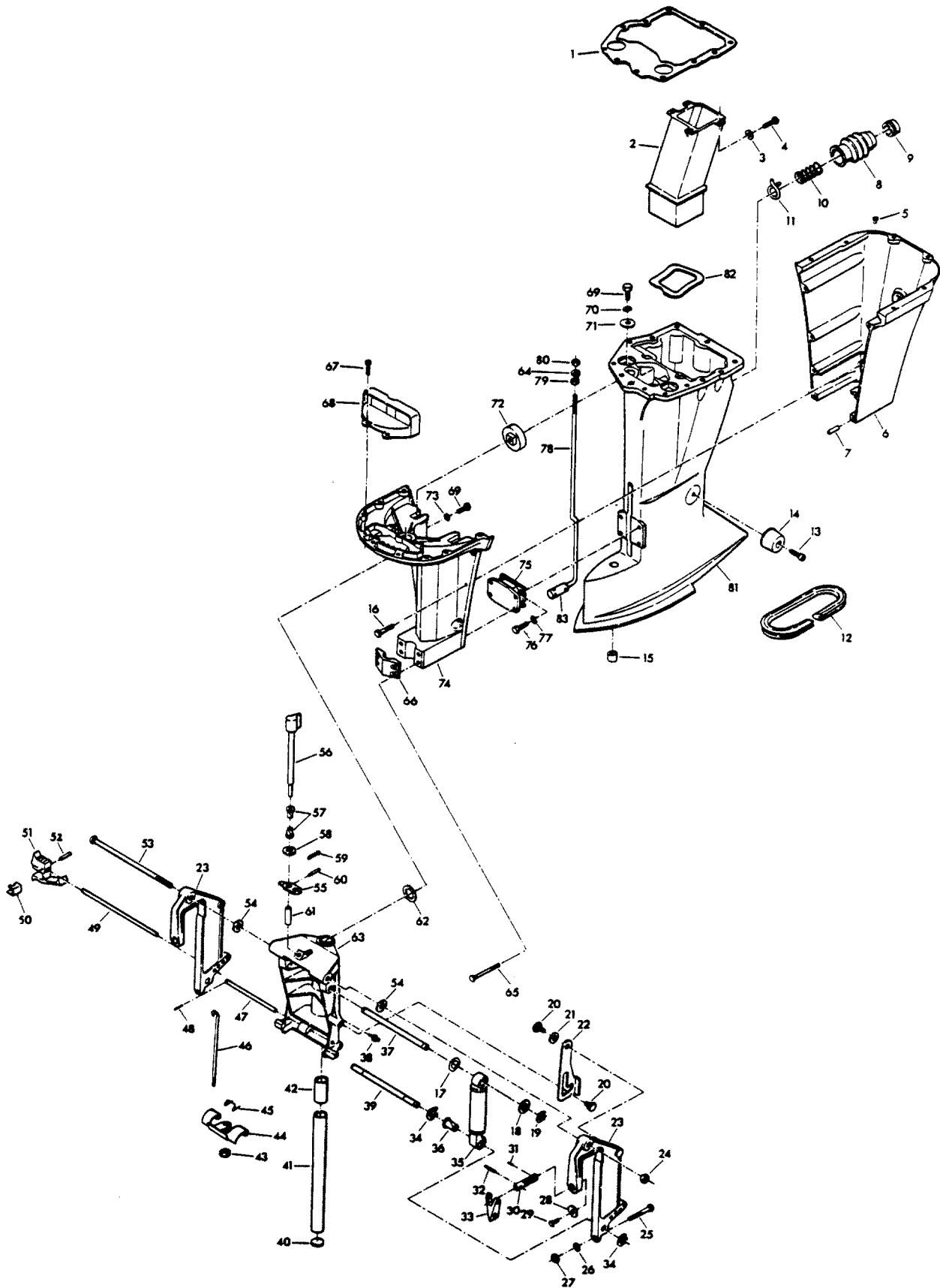


MOTOR LEG

REF. NO.	PART NO.	SYM.	QTY.	DESCRIPTION
1	F85453-1		1	GASKET EXHAUST LOWER
2	F85660		1	EXHAUST TUBE
3	F8083		4	SPRING LOCKWASHER
4	F1864		4	HEX SLOT HD SCREW 1/4 - 20 X 3/4
5	F1729		2	PLUG
7	F1664		2	SPRING PIN
8	F85130		1	BOOT IDLE EXHAUST
9	F85258		1	INSERT
10	F85380		1	SPRING
11	F85772		1	CLAMP
12	F178323		1	SEAL, MOTOR LEG
13	F1263		2	HEX SOCKET HD CAP SCREW 5/16 - 18 X 9/16
14	F438962		2	SHOCK MOUNT LOWER REAR
15	F338618-1		1	SEAL GEAR SHIFT ROD
16	F2030		6	HEX HD M. SCREW 1/4 - 20 X 1-1/4
17	F1711		2	SPRING BOWED WASHER
18	F1710		2	PLAIN WASHER
19	F178208		2	RETAINING RING
20	F85350-1		2	TILT STOP PIVOT
21	F1666		1	SPRING BOWED WASHER
22	F85541-1		1	TILT LOCK
23	1400-817958A6		2	STERN BRACKET
24	F7012		1	STOP NUT
25	F1593		2	HEX HD SCREW 3/8 - 16 X 3
26	F1904		2	PLAIN WASHER
27	F1346		2	HEX NUT
28	F84074		2	CLAMP SCREW FOOT
29	F66480		2	STUD
30	F85073		2	CLAMP SCREW
31	F8537		2	SPRING PIN
32	F1638		2	SPRING PIN
33	F288075		2	CLAMP SCREW HANDLE
34	F178173		4	RETAINING RING
35	FA178962		2	SHOCK ABSORBER W/BUSHING
36	F178362		2	BEARING
37	F178889		1	SHAFT, SHOCK MOUNT UPPER
38	F213274		3	GREASE FITTING
39	F178632		1	SHAFT, SHOCK MOUNT LOWER
40	F1528		1	WELCH PLUG
41	FA85019		1	KINGPIN W/PLUG
42	F438169		2	BEARING
43	F1669		1	LOCK NUT
44	F369349		1	REVERSE LOCK

CONTINUED ON NEXT PAGE ➡

MOTOR LEG

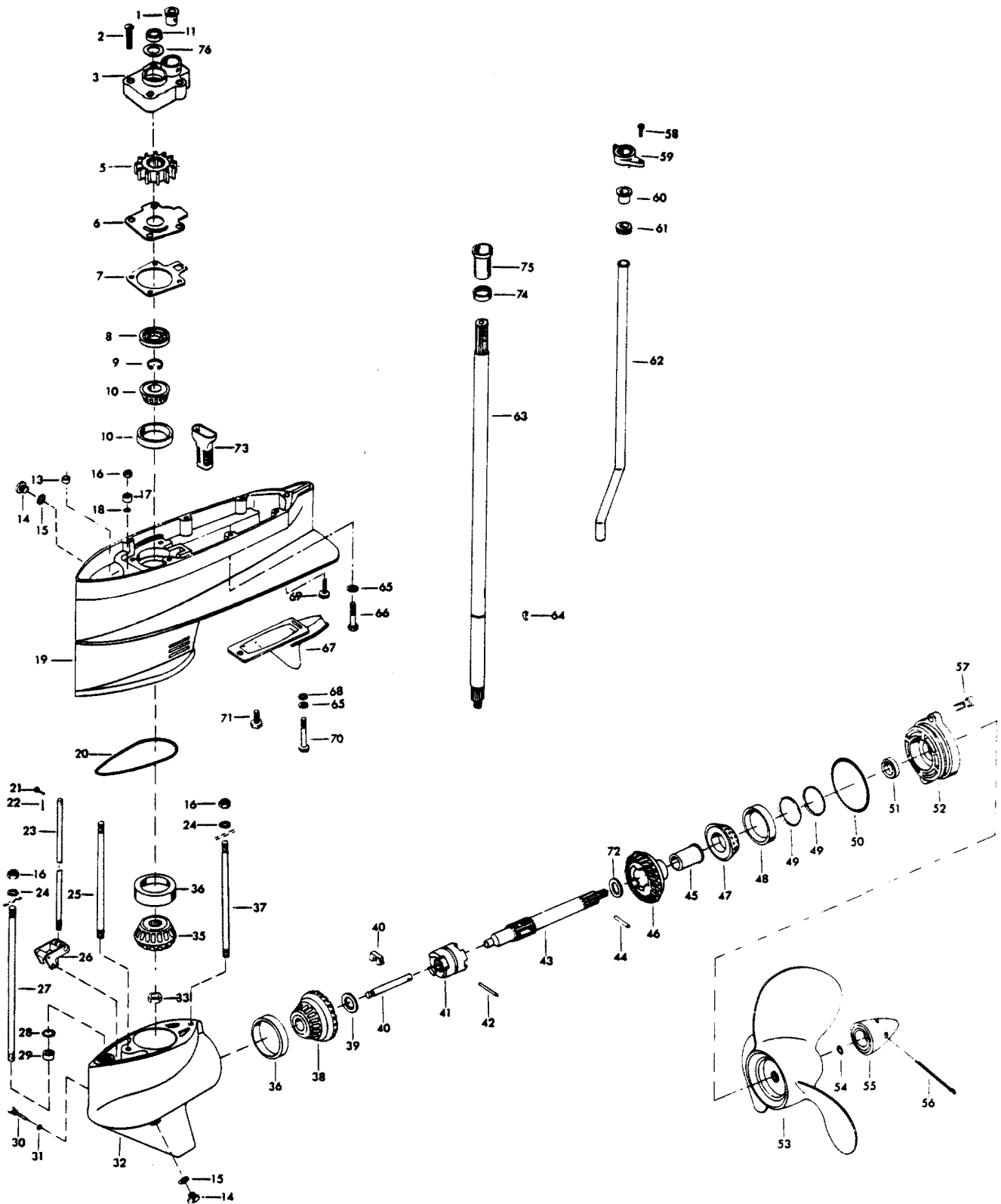


MOTOR LEG

REF. NO.	PART NO.	SYM.	QTY.	DESCRIPTION
45	F85300		1	REVERSE LOCK SPRING
46	F369510		1	LINK REVERSE LOCK
47	F177350		1	REVERSE LOCK PIN
48	F8547		1	SPRING PIN
49	FA438113		1	STERN BRACKET LOCK BAR W/HANDLE
50	F286461		1	SPRING, LOCK BAR HANDLE
51	F433114		1	HANDLE, LOCK BAR
52	F1744		1	SPRING PIN
53	F85037-1		1	STERN BRACKET PIVOT BOLT
54	F84286-1		4	FRICTION WASHER
55	F369364		1	REVERSE LOCK ARM
56	F369827		1	HANDLE AND SHAFT
57	F197813		2	BEARING
58	F8094		1	PLAIN WASHER
59	F1014		1	COTTER PIN
60	F1836		1	SPRING PIN
61	F369884		1	BEARING
62	F84011		1	WASHER
63	817783A5		1	SWIVEL BRACKET W/BEARINGS AND GREASE FITTINGS
64	F1987		1	PLAIN WASHER
65	F1696		4	HEX BOLT 5/16 - 18 X 1 3/4
66	F85606		1	KINGPIN CAP
67	F1912		4	HEX HD SCREW 10 - 24 X 1/2
68	F85779-1		1	BAFFLE, AIR INTAKE
69	F1871		4	HEX HD SCREW 3/8 - 16 X 3/4
70	F2014		2	PLAIN WASHER
71	FA85355-1		2	WASHER
72	F85965		2	SHOCK MOUNT UPPER
73	F1703		2	SPRING LOCKWASHER
74	A85135-3		1	LEG COVER FRONT
75	F438346		1	SHOCK MOUNT LOWER
76	F1822		4	HEX BOLT 5/16 - 18 X 7/8
77	F8096		4	SPRING LOCKWASHER
78	F85615		1	GEAR SHIFT ROD UPPER
79	F2108		1	LOCK NUT
80	F2108		1	LOCK NUT
82	F439736		1	SEAL, EXHAUST TUBE
83	F85704		1	COUPLER, GEAR SHIFT ROD
-	F369390-1		1	DECAL, REVERSE LOCK (NOT SHOWN)
81	A438133-1		0	MOTOR LEG
6	817931A7		0	MOTOR LEG COVER, REAR
81	A383133-3		0	MOTOR LEG
6	F304145-4		0	MOTOR LEG COVER, REAR

CONTINUED ON NEXT PAGE ➡

GEAR HOUSING

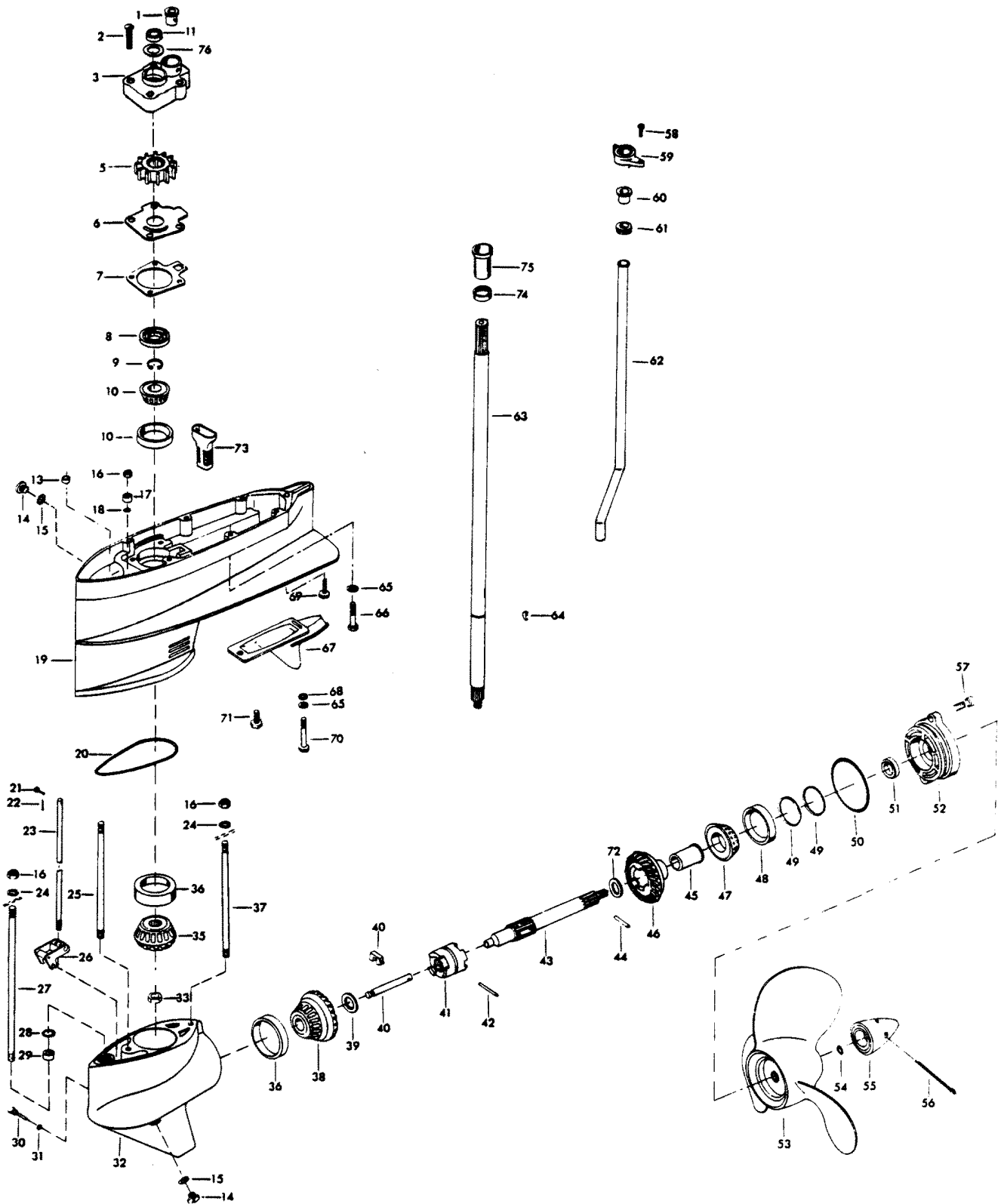


GEAR HOUSING

REF. NO.	PART NO.	SYM.	QTY.	DESCRIPTION
1	F84735		1	SEAL, INLET WATER LINE, LOWER
2	F1584		4	FLAT HD SCREW, S.S., 1/4 - 20 X 1 3/8
3	FK500060		1	WATER PUMP BODY W/ITEMS 1 AND 11 ORIGINAL FORCE P/N A369060-1
5	F438065		1	WATER PUMP IMPELLER
6	F369562		1	WATER PUMP BACK PLATE
7	F84031		1	GASKET, WATER PUMP
8	F84307-1		1	SEAL, DRIVESHAFT
9	F84173		1	RETAINING RING
10	FA40901		1	BEARING, DRIVESHAFT W/CUP
11	F351307		1	SEAL, WATER PUMP
13	F338618-1		1	SEAL, GEAR SHIFT ROD
14	F50109		2	PLUG, GEAR HOUSING
15	F8077		2	WASHER, GEAR HOUSING PLUG
16	F7025		3	STOP NUT, 3/8 - 16
17	F84215		1	SPACER
18	F19342		1	SEAL
19	A316554-2		1	GEAR HOUSING UPPER W/PLUG & WASHER
20	F316555		1	SEAL
21	F85372		1	PIN, GEAR SHIFT ROD LOWER
22	F1015		1	COTTER PIN, S.S.
24	F1778		2	PLAIN WASHER
25	F316165		1	STUD, GEAR HOUSING CENTER
26	FA84621-1		1	COUPLING, GEAR SHIFT ARM W/BUSHING
27	F85006-1		1	STUD, GEAR HOUSING, FRONT
28	F316599		1	SEAL, GEAR HOUSING STUD, FRONT
29	F85012		1	PILOT, GEAR HOUSING
30	F90891		1	PIN, GEAR SHIFT ARM
31	F8001		1	WASHER
32	1600-817767A2		1	GEAR HOUSING LOWER W/PLUG AND WASHER
33	FA480188		1	NUT, BEVEL PINION RETAINING
35	FA321266		1	BEVEL PINION GEAR W/BEARING & SHIMS
36	84903		2	BEARING CUP
37	F84008-3		1	STUD, GEAR HOUSING, REAR
38	F2A321023		1	BEVEL GEAR FRONT W/BEARINGS & SHIMS
40	FA84871		1	PIN, GEAR SHIFT W/YOKE
41	F84521-1		1	CLUTCH
42	F1713		1	SPRING PIN
43	A85098-2		1	PROPELLER SHAFT
44	FK280		1	PROPELLER PIN
45	F384143		1	BEARING, BEVEL GEAR REAR
46	F321662		1	BEVEL GEAR, REAR
47	FA84225		1	BEARING W/CUP

CONTINUED ON NEXT PAGE ➡

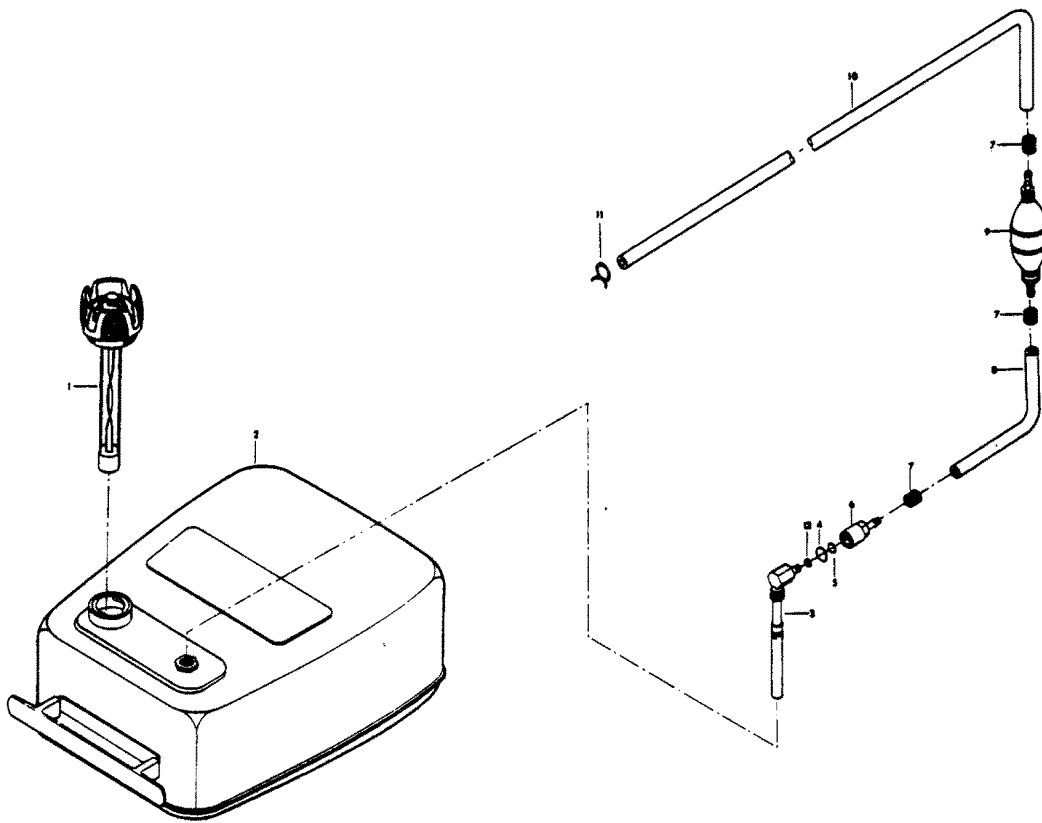
GEAR HOUSING



GEAR HOUSING

REF. NO.	PART NO.	SYM.	QTY.	DESCRIPTION
48	84250		1	BEARING CUP
50	F84305		1	SEAL, PROPELLER SHAFT BEARING CAGE
51	F84118		1	SEAL, PROPELLER SHAFT
52	FA84298-3		1	PROPELLER SHAFT BEARING CAGE W/SEAL
53	FP372		1	PROPELLER (ACCESSORY ITEM) FOR 105 & 120 H.P. ENGINES ONLY
-	FP383		1	PROPELLER (ACCESSORY ITEM) FOR 135 H.P. ENGINES ONLY
54	F40342		1	SEAL, PROPELLER NUT
55	11-817784A1		1	PROPELLER NUT W/COTTER PIN & SEAL
56	F1028		1	COTTER PIN, S.S.
57	F1252		2	HEX SOCKET HD CAP SCREW, S.S., 3/8 - 16 X 1
58	F1705		2	HEX CAP SCREW, S.S., 1/4 - 20 X 3/4
59	F85117		1	BRACKET, WATER LINE
60	F84342		1	SEAL, INLET WATER LINE, UPPER
61	F381899		1	GROMMET, WATER LINE
64	F9038		1	DRIVE KEY, WATER PUMP
65	F8096		7	SPRING LOCKWASHER, S.S.
66	F1696		6	HEX BOLT, S.S., 5/16 - 18 X 1 3/4
67	F438116-1		1	EXHAUST OUTLET, GEAR HOUSING UPPER W/SCREW
68	F1907		1	PLAIN WASHER
69	F1213		1	HEX CAP SCREW, 5/16 - 18 X 1/8
70	F1994		1	HEX SOCKET HD CAP SCREW, 5/16 - 18 X 1
71	F438930		1	RETAINER, SNOUT
72	F84717		1	THRUST WASHER, BEVEL GEAR REAR
73	F438077		1	SCREEN, WATER INLET
74	F438271		1	RETAINER, CRANKSHAFT SPLINE SEAL
75	F438129		1	SEAL, DRIVESHAFT SPLINE
76	F480388		1	DISC, WATER PUMP LOCATING
-	1600-817888A2		1	GEAR HOUSING COMPLETE. INCLUDES ALL ITEMS MARKED WITH AN ASTERISK (*). ORIGINAL FORCE P/N C321054-2
23	F85705-1		0	GEAR SHIFT ROD LOWER
62	F85244		0	INLET WATER LINE
63	FK85128-1		0	DRIVESHAFT W/ITEMS 33, 74 AND 75
23	F304705-1		0	GEAR SHIFT ROD LOWER
62	F304244		0	INLET WATER LINE
63	K304128-1		0	DRIVESHAFT W/ITEMS 33, 74 AND 75

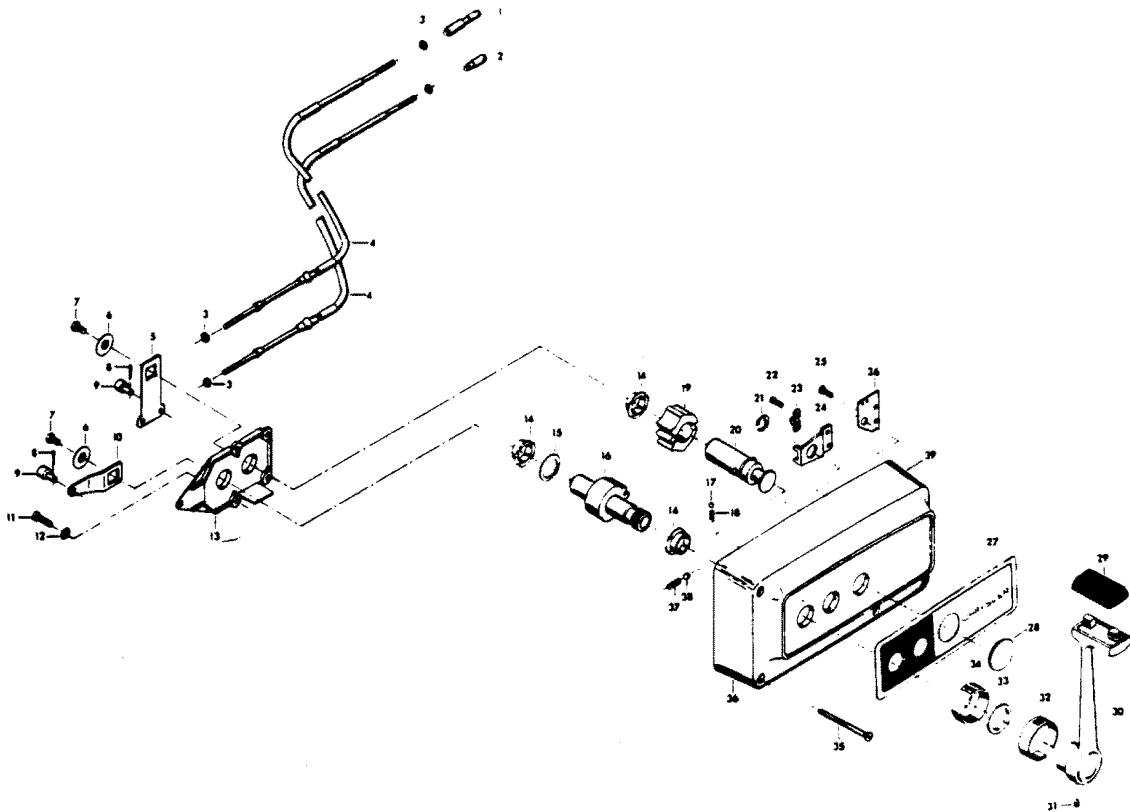
FUEL TANK AND LINE



FUEL TANK AND LINE

REF. NO.	PART NO.	SYM.	QTY.	DESCRIPTION
1	F409251-1		1	GAUGE CAP
2	F71H08		1	FUEL TANK (ACCESSORY ITEM)
3	F485755		1	FUEL TANK ADAPTER
4	F213342		1	SEAL, FUEL LINE COUPLER (LARGE)
5	F213735		1	SEAL, FUEL LINE COUPLER (SMALL)
6	F197787-2		1	FUEL LINE COUPLER
7	F298788		3	FERRULE
8	FA84754-1		1	FUEL LINE SHORT W/FERRULES
9	89396A38		1	PRIME BULB
10	32-817738A1		1	FUEL LINE LONG W/CLAMP AND FERRULE
11	F97772		1	FUEL LINE CLAMP
12	F17932		1	SEAL, FUEL LINE COUPLER
-	FS409752		1	FUEL LINE COMPLETE (NOT SHOWN)

REMOTE CONTROL

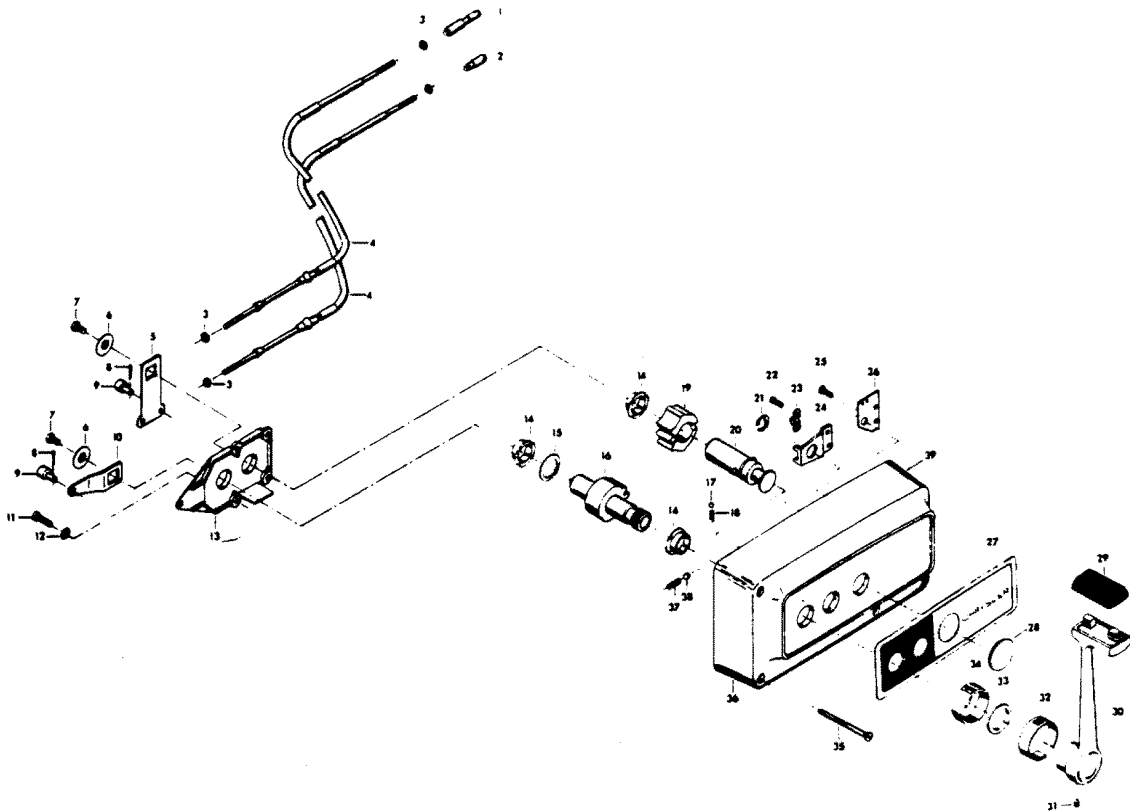


REMOTE CONTROL

REF. NO.	PART NO.	SYM.	QTY.	DESCRIPTION
1	FA58976-1		1	CONNECTOR, THROTTLE CABLE
2	F58685-2		1	CONNECTOR, SHIFT CABLE
3	F1513		4	HEX NUT
4	ÄF58356//		2	REMOTE CONTROL CABLE (SPECIFY LENGTH)
5	F17019		1	CLUTCH ARM
6	F17036		2	INTERNAL TOOTH LOCKWASHER
7	F1715		2	HEX BOLT, 1/4 - 28 X 9/16
8	F17015		2	COTTER PIN
9	F17016		2	CABLE TERMINAL
10	F17014		1	THROTTLE ARM
11	F17013		2	FILL HD SCREW, 1/4 - 20 X 1/2
12	F17020		2	INTERNAL TOOTH LOCKWASHER
13	F17012		1	RETAINING PLATE
14	F17009		3	BEARING
15	F17011		1	BOWED WASHER
16	F17010-1		1	THROTTLE GEAR
17	F17111		1	DETENT BALL
18	F17006		1	DETENT SPRING
19	F17021		1	CLUTCH GEAR
20	F17100		1	CLUTCH SHAFT
21	F17092		1	SNAP RING
22	F17107		2	FILL HD SCREW, 10 - 24 X 5/16
23	F154317		1	CABLE CLAMP
24	F17026		1	SWIVEL
25	F1557		2	FLAT HD SCREW, 10 - 24 X 3/8
26	F17112		1	JUNCTION BOARD, STARBOARD
-	F17113		1	JUNCTION BOARD, PORT
27	F17101		1	DECAL, STARBOARD
-	17102		1	DECAL, PORT
28	F17031		1	SNAP CAP
29	F17116		1	KNOB
30	F17115		1	HANDLE
31	F17030-1		1	SET SCREW
32	F17114		1	INDICATOR
33	F17105		1	FELT WASHER
34	F17106		1	COLLAR
35	17108		3	WOOD SCREW

CONTINUED ON NEXT PAGE ➡

REMOTE CONTROL



REMOTE CONTROL

REF. NO.	PART NO.	SYM.	QTY.	DESCRIPTION
36	F17068		1	HOUSING
37	F17008		1	DETENT SPRING
38	F17082-1		1	DETENT BALL
39	F72H36		1	REMOTE CONTROL UNIT, SINGLE LEVER STARBOARD MOUNT (ACCESSORY ITEM)
-	F1280		2	PAN HD SCREW, 8 - 32 X 1/4 (TERMINAL BOARD) (NOT SHOWN)

SPECIAL TOOLS - TUNE-UP

REF. NO.	PART NO.	SYM.	QTY.	DESCRIPTION
-	FT8948-1		0	FLYWHEEL PULLER TO REMOVE FLYWHEEL.
-	FTA2937-1		0	TIMING TOOL TO SET INITIAL SPARK ADVANCE.
-	FT8978		0	POWER TIMING LIGHT FOR FINAL ADJUSTMENT OF SPARK ADVANCE.

SPECIAL TOOLS - POWER HEAD

REF. NO.	PART NO.	SYM.	QTY.	DESCRIPTION
-	FT8914		0	SEAL REMOVER TO REMOVE UPPER CRANKSHAFT BEARING CAGE SEAL.
-	FT8903		0	SEAL INSTALLER TO INSTALL UPPER CRANKSHAFT BEARING CAGE SEAL.
-	FT8927		0	SEAL PROTECTOR TO INSTALL UPPER CRANKSHAFT BEARING CAGE SEAL.
-	FT8907		0	DRIVE HANDLE USED WITH T8910, T8909, T8908 AND T8903.
-	FT8922		0	SLIDE HAMMER TO REMOVE UPPER CRANKSHAFT BEARING CAGE SEAL. ALSO USED TO REMOVE BEARING CUPS FROM PROPELLER SHAFT BEARING CAGE.
-	FT2953		0	SOCKET TO TORQUE CONNECTING ROD SCREWS.
-	FT2990		0	PISTON PIN TOOL TO REMOVE AND INSTALL PISTON PINS.
-	FT2996		0	RING COMPRESSOR TO INSTALL PISTON RINGS.
-	FT8926		0	RING EXPANDER TO INSTALL PISTON RINGS.

SPECIAL TOOLS - GEAR HOUSING

REF. NO.	PART NO.	SYM.	QTY.	DESCRIPTION
-	FT8948-1		0	PROPELLER SHAFT BEARING CAGE PULLER TO REMOVE PROPELLER SHAFT BEARING CAGE FROM GEAR HOUSING.
-	FT8918		0	BEARING GUIDE SET TO REMOVE AND INSTALL BEARING CUP IN LOWER GEAR HOUSING.
-	FT2995		0	FORWARD BEARING CUP REMOVER TO REMOVE FORWARD BEARING CUP IN LOWER GEAR HOUSING.
-	FT8909		0	FORWARD BEARING CUP INSTALLER TO INSTALL FORWARD BEARING CUP IN LOWER GEAR HOUSING.
-	FT8917		0	REAR BEARING CUP REMOVER TO REMOVE REAR BEARING CUP FROM PROPELLER SHAFT BEARING CAGE.
-	FT8910		0	REAR BEARING CUP INSTALLER TO INSTALL REAR BEARING CUP IN PROPELLER SHAFT BEARING CAGE.
-	FT8908		0	PROPELLER SHAFT SEAL INSTALLER TO INSTALL PROPELLER SHAFT SEAL IN PROPELLER SHAFT BEARING CAGE.
-	FT8915		0	PROPELLER SHAFT SEAL PROTECTOR TO INSTALL PROPELLER SHAFT SEAL IN PROPELLER SHAFT BEARING CAGE.
-	FT8916		0	PROPELLER SHAFT BEARING INSTALLER TO INSTALL REVERSE GEAR AND BEARING ON PROPELLER SHAFT.
-	FT8906		0	PROPELLER SHAFT BEARING SUPPORT TO INSTALL REVERSE GEAR AND BEARING ON PROPELLER SHAFT.
-	FT8911		0	DRIVESHAFT KNOCK-OFF NUT TO REMOVE DRIVESHAFT FROM UPPER GEAR HOUSING.
-	FT8905		0	DRIVESHAFT BEARING REMOVER TO REMOVE BEARING FROM DRIVESHAFT.
-	FT8920		0	DRIVESHAFT BEARING INSTALLER TO INSTALL BEARING ON DRIVESHAFT.
-	FT8925		0	DRIVESHAFT SEAL INSTALLER TO INSTALL DRIVESHAFT AND IN UPPER HOUSING.
-	FT8924-1		0	CHECKING GAUGE TO MEASURE PROPELLER SHAFT END PLAY AND END FLOAT.
-	FT8907		0	DRIVER HANDLE TO INSTALL BEARING CUPS AND SEALS.
-	FT8901		0	INDICATOR HOLDER USED IN CONJUNCTION WITH T8924.
-	FT8902		0	DIAL INDICATOR USED IN CONJUNCTION WITH T8924.
-	FT8970		0	CENTERING TOOL TO CENTER WATER PUMP BODY.
-	FT8919		0	SPRING PIN PUNCH TO REMOVE CLUTCH SPRING PIN.
-	FT8957		0	SEAL INSTALLER TO INSTALL SHIFT ROD SEAL.

SPECIAL TOOLS - TEST EQUIPMENT

REF. NO.	PART NO.	SYM.	QTY.	DESCRIPTION
-	FT2981A		0	TEST WHEEL (105 H.P.) TO TEST MOTOR IN TEST TANK.
-	FT8961A		0	TEST WHEEL (120 AND 135 H.P.) TO TEST MOTOR IN TEST TANK.
-	FT8933		0	LIFTING HOOK TO LIFT ENGINE.
-	FT8950		0	LEAKAGE TESTER TO TEST LOWER UNIT SEALS FOR LEAKAGE.

ACCESSORIES

REF. NO.	PART NO.	SYM.	QTY.	DESCRIPTION
-	F861		0	FLUSHING ADAPTER PERMITS FRESH WATER FLUSHING OF WATER PASSAGES WITH STANDARD GARDEN HOSE.
-	F72H36		0	SYNCHRO-DRIVE CONTROL BOX (SINGLE LEVER) PERMITS REMOTE CONTROL OF THROTTLE AND GEAR SHIFT FROM STARBOARD SIDE OF BOAT.
-	73H08		0	PORT SIDE DECAL KIT CONVERTS 72H36 CONTROL BOX TO PORT SIDE MOUNTING.
-	F590		0	SYNCHRO-DRIVE CONTROL HEAD (SINGLE LEVER) FLUSH MOUNT CONTROL UNIT PERMITS REMOTE CONTROL OF THROTTLE AND GEAR SHIFT. MAY BE MOUNTED ON PORT OR STARBOARD SIDE OF BOAT.
-	865		0	TWIN SYNCHRO-DRIVE CONTROL BOX PERMITS REMOTE CONTROL OF THROTTLE AND GEAR SHIFT ON TWIN ENGINE INSTALLATIONS. MAY BE MOUNTED ON PORT OR STARBOARD SIDE OF BOAT.
-	F75H07		0	SYNCHRO-DRIVE CONTROL BOX FOR MOUNTING ON CONSOLE OF BOAT.
-	F75H08		0	TWIN SYNCHRO-DRIVE CONTROL BOX FOR MOUNTING ON CONSOLE OF BOAT.
-	F195/___		0	REMOTE CONTROL CABLES CONNECTS REMOTE CONTROL BOX TO THROTTLE AND GEAR SHIFT ON ENGINE. AVAILABLE IN 6 THROUGH 20 FOOT LENGTHS.
-	F165		0	REMOTE STEERING BRACKET ADAPTS ENGINE TO CABLE TYPE REMOTE STEERING.
-	F166		0	DUAL ENGINE TIE BAR PERMITS DUAL ENGINE INSTALLATIONS.
-	F862		0	STEEL, 6 GALLON FUEL TANK ADDITIONAL TANK TO CARRY FUEL RESERVE.
-	F71H08		0	STEEL, 6 GALLON FUEL TANK (LOW PROFILE)
-	F71H12		0	TANK ANCHOR SECURES 71H08 TO BOAT.
-	F71H23		0	STEEL, 12 GALLON FUEL TANK
-	F70H01		0	ANTI-CORROSION KIT ELECTRICAL KIT FOR MOUNTING ON BOAT (12V) TO REDUCE CORROSION.
-	F71H02		0	ANTI-CORROSION SACRIFICIAL ANODE KIT USED TO REDUCE CORROSION.
-	F71H30		0	OVERHEAT BUZZER SOUNDS WARNING BUZZER IF ENGINE OVERHEATS.
-	F75H16		0	POWER TRIM INDICATOR INDICATES ENGINE TRIM ANGLE, (FLUSH MOUNT)
-	75H19		0	POWER TRIM INDICATOR INDICATES ENGINE TRIM ANGLE, (SURFACE MOUNT)
-	72H31		0	FROST WHITE LACQUER ENGINE TOUCH-UP PAINT IN 16 OZ. SPRAY BOMBS (12 CANS PER CASE).
-	72H32		0	GOLD LACQUER ENGINE TOUCH-UP PAINT IN 6 OZ. SPRAY BOMBS (12 CANS PER CASE).
-	F71H32		0	TILT STOP KIT LIMITS TILTING ANGLE.
-	F72H66		0	EXHAUST SNOOT
-	F75H09		0	BATTERY CABLE LONGER LENGTH - 15 FEET.
-	F74H01		0	VOLTMETER - FLUSH MOUNT INDICATES BATTERY CONDITION.

CONTINUED ON NEXT PAGE ➡

ACCESSORIES

REF. NO.	PART NO.	SYM.	QTY.	DESCRIPTION
-	74H02		0	VOLTMETER - SURFACE MOUNT INDICATES BATTERY CONDITION.
-	72H07		0	CANVAS HOOD PROTECTION FOR ENGINE COVER.
-	72H13		0	BATTERY, 74 AMP 12 VOLT HEAVY DUTY BATTERY.
-	172		0	BATTERY CASE HEAVY PLASTIC CASE WITH TIE DOWN STRAPS. PROTECTS BATTERY FROM DAMAGE.
-	F70H05		0	EXTENSION CABLE FOR LENGTHENING BATTERY CABLE 6 1/2 FEET.
-	F71H20		0	CIGAR LIGHTER FOR USE AS CONVENIENCE OUTLET.
-	168		0	CONTROL PANEL FOR MOUNTING LAMPS, SWITCHES, ETC.
-	877		0	DECAL SET FOR RACING ENGINE IDENTIFICATION.
-	75H20		0	FUEL GAUGE SURFACE MOUNT MONITORS FUEL SUPPLY.
-	75H17		0	FUEL GAUGE FLUSH MOUNT MONITORS FUEL SUPPLY.
-	F72H09		0	HYDRAULIC TILT HYDRAULIC UNIT TO RAISE AND LOWER THE LOWER UNIT WHEN BEACHING OR TRAILERING BOAT.
-	479		0	HEAT LAMP KIT GLOWS RED IF ENGINE OVERHEATS. DO NOT USE HEAT LAMP AND TEMPERATURE GAUGE IN SAME INSTALLATION.
-	478		0	IGNITION LAMP KIT GLOWS ORANGE WHEN IGNITION SWITCH IS IN "ON" POSITION.
-	F74H19		0	IGNITION KEY SWITCH SHORT BARREL WITH KEYS.
-	F74H20		0	IGNITION KEY SWITCH LONG BARREL WITH KEYS.
-	71H11		0	RACING LOWER UNIT (15") FOR RACING APPLICATIONS.
-	72H19		0	RACING LOWER UNIT (17 1/4") FOR RACING APPLICATIONS.
-	70H24		0	RACING STRIPE KIT ORANGE STRIPING FOR ENGINE COVER.
-	70H25		0	RACING STRIPE KIT BLUE STRIPING FOR ENGINE COVER.
-	F762		0	REMOTE ELECTRIC CABLE 25 FOOT CABLE FOR LARGE BOATS.
-	F73H11		0	REMOTE ELECTRIC CABLE 21 FOOT CABLE FOR LARGE BOATS.
-	F71H10		0	SENDING UNIT FOR USE WITH FUEL GAUGE.
-	F74H10		0	TEMPERATURE GAUGE FLUSH MOUNT MONITORS ENGINE TEMPERATURE. DO NOT USE TEMPERATURE GAUGE AND HEAT LAMP IN SAME INSTALLATION.
-	74H14		0	TEMPERATURE GAUGE SURFACE MOUNT MONITORS ENGINE TEMPERATURE. DO NOT USE TEMPERATURE GAUGE AND HEAT LAMP IN SAME INSTALLATION.
-	75H18		0	TACHOMETER SURFACE MOUNT MONITORS ENGINE R.P.M. TO PROVIDE CHECK OF ENGINE PERFORMANCE.
-	75H15		0	TACHOMETER FLUSH MOUNT MONITORS ENGINE R.P.M. TO PROVIDE CHECK OF ENGINE PERFORMANCE.
-	F74H07		0	WATER PUMP KIT HEAVY DUTY WATER PUMP KIT.
-	F71H27		0	POWER TRIM ADJUSTS ENGINE TRIM AND TILTS ENGINE.
-	176		0	SPEEDOMETER SURFACE MOUNT MONITORS BOAT SPEED (0 - 50 M.P.H.)
-	F71H04		0	SPEEDOMETER FLUSH MOUNT MONITORS BOAT SPEED (0 - 50 M.P.H.)

CONTINUED ON NEXT PAGE ➡

ACCESSORIES

REF. NO.	PART NO.	SYM.	QTY.	DESCRIPTION
-	F74H18		0	SWITCH EXTENSION CABLE 5 FOOT LONG SWITCH WIRING HARNESS.

SPECIFICATIONS

REF. NO.	PART NO.	SYM.	QTY.	DESCRIPTION
-			0	HORSEPOWER 105 B.I.A. CERTIFIED BRAKE H.P. AT 5000 R.P.M.
-			0	HORSEPOWER 120 B.I.A. CERTIFIED BRAKE H.P. AT 5250 R.P.M.
-			0	HORSEPOWER 135 B.I.A. CERTIFIED BRAKE H.P. AT 5000 R.P.M.
-			0	MOTOR TWO-CYCLE, FOUR CYLINDER ALTERNATE FIRING.
-			0	BORE AND STROKE 105 H.P. - 3 5/16" BORE X 2.8" STROKE.
-			0	BORE AND STROKE 120 H.P. - 3 5/16" BORE X 2.8" STROKE.
-			0	BORE AND STROKE 135 H.P. - 3/8" BORE X 2.8" STROKE.
-			0	DISPLACEMENT 105 H.P. - 96.55 CUBIC INCHES.
-			0	DISPLACEMENT 120 H.P. - 96.55 CUBIC INCHES
-			0	DISPLACEMENT 135 H.P. - 99.8 CUBIC INCHES
-			0	CONNECTING RODS NICKEL STEEL. CAGED NEEDLE BEARINGS AT CRANKSHAFT. FULL COMPLIMENT NEEDLE BEARINGS AT PISTON PIN.
-			0	CRANKSHAFT NICKEL STEEL. BALL BEARINGS AT UPPER MAIN. CAGED NEEDLE BEARINGS AT CENTER MAIN AND CASED NEEDLE BEARINGS AT LOWER MAIN.
-			0	CORROSION PROTECTION ALODINE TREATED CASTINGS, STAINLESS STEEL DRIVE SHAFT, PROPELLER SHAFT, GEAR SHIFT ROD AND UNDERWATER FASTENERS.
-			0	FUEL SYSTEM VACUUM TYPE FUEL PUMP. FLOAT FEED CARBURETOR WITH FIXED HIGH SPEED JET AND ADJUSTABLE LOW SPEED JET.
-			0	FUEL FILTERS FILTER SCREENS IN FUEL TANK AND FUEL PUMP.
-			0	STARTER ELECTRIC.
-			0	COOLING WATER COOLED, THERMOSTATICALLY CONTROLLED. POSITIVE DISPLACEMENT TYPE WATER PUMP.
-			0	TRANSOM HEIGHT 15" OR 20", DEPENDING ON MODEL.
-			0	WEIGHT 248 LBS. - 250 LBS. FOR SHORT SHAFT MODELS.
-			0	TILT LOCK POSITIVE TILT LOCK PERMITS ENGINE TO REMAIN IN TILTED POSITION WHEN NOT IN USE.
-			0	RECOMMENDED OPERATING RANGE 105 H.P. - 4500-5500 R.P.M.
-			0	RECOMMENDED OPERATING RANGE 120 H.P. - 5000-5500 R.P.M.
-			0	RECOMMENDED OPERATING RANGE 135 H.P. - 4500-5500 R.P.M.
-			0	FUEL TANK SEPARATE STEEL, 6 U.S. GALLON, 5 IMPERIAL GALLON CAPACITY.

LUBRICATION CHART

REF. NO.	PART NO.	SYM.	QTY.	DESCRIPTION
-			0	UPPER AND LOWER GEAR HOUSINGS SEE BLOCK COMMENT 1.
-			0	CONTROL LINKAGE LUBRICATE ALL MOVING PARTS AND CONTROL LINKAGE WITH RYKON #2 EP, PART #T-2961 TWICE EACH SEASON OR OFTENER IF REQUIRED.
-			0	STERN BRACKET LUBRICATE STERN BRACKET AND ASSOCIATED PARTS WITH RYKON #2 EP, PART #T-2961 TWICE EACH SEASON OR OFTENER IF REQUIRED.
-			0	GREASE FITTINGS GREASE FITTINGS ARE PROVIDED AT CRITICAL POINTS WHERE BEARING SURFACES ARE NOT EXPOSES EXTERNALLY. USING AN AUTOMOTIVE - TYPE GREASE GUN AND LUBRICANT, GREASE TWICE EACH SEASON OR OFTENER IF REQUIRED.
-			0	STARTER PINION GEAR LUBRICATE WITH RYKON #2 EP, PART NO. T2961, TWICE EACH SEASON OR OFTENER IF REQUIRED.

SPECIAL ADJUSTMENTS

REF. NO.	PART NO.	SYM.	QTY.	DESCRIPTION
-			0	SPARK PLUG CHAMPION (UL18V)
-			0	FLYWHEEL NUT TORQUE TO 90 FOOT POUNDS.
-			0	CYLINDER HEAD BOLT

PARTS INDEX

Part Number	Description	Pg.	Ref. No.	Part Number	Description	Pg.	Ref. No.
ÄF58356//	REMOTE CONTROL CABLE (SPECIFY LENGTH)	43	4	A438133-1	MOTOR LEG	35	81
016139	CHOKE RELIEF VALVE SPRING	15	11	A511518	CYLINDER HEAD	29	80
15037	HEAD ASSEMBLY, COMMUTATOR END	23	21	A85098-2	PROPELLER SHAFT	37	43
168	CONTROL PANEL	51	-	A85135-3	LEG COVER FRONT	35	74
17102	DECAL, PORT	43	-	AC16395-7	IDENTIFICATION PLATE W/SCREWS FOR CANADA MODELS	3	-
17108	WOOD SCREW	43	35	C491010	SHORT BLOCK	29	-
172	BATTERY CASE	51	-	C501010	SHORT BLOCK	29	-
176	SPEEDOMETER SURFACE MOUNT	51	-	F10000	GASKET SET (NOT SHOWN)	13	-
3SA475015	PISTON .030 OVERSIZE (NOT SHOWN)	31	-	F10005	REPAIR PARTS KIT (NOT SHOWN).	13	-
474374	DECAL, IGNITION	25	3	F10023	GASKET SET (NOT SHOWN)	17	-
478	IGNITION LAMP KIT	51	-	F10051	REPAIR PARTS KIT (NOT SHOWN)	17	-
479	HEAT LAMP KIT	51	-	F1009	HEX HD SCREW, 3/8 - 16 X 2 3/4	25	5
499373	DECAL, MAGNAPOWER II (NOT SHOWN)	29	-	F1014	COTTER PIN	11	17
500061	CARBURETOR COMPLETE (WB24A)	13	47	F1014	COTTER PIN	15	30
501061	CARBURETOR COMPLETE (WB25A)	13	47	F1014	COTTER PIN	35	59
70H24	RACING STRIPE KIT	51	-	F1015	COTTER PIN, S.S.	37	22
70H25	RACING STRIPE KIT	51	-	F1028	COTTER PIN, S.S.	39	56
71H11	RACING LOWER UNIT	51	-	F1036	SLOTTED FILL HD M. SCREW, 6 - 32 X 1/4	9	59
72H07	CANVAS HOOD	51	-	F1052	FILL HD SCREW, 1/4 - 20 X 1	25	22
72H13	BATTERY, 74 AMP	51	-	F1059	FILL HD SCREW, 6 - 32 X 1/4	11	21
72H19	RACING LOWER UNIT	51	-	F1059	FILL HD SCREW, 6 - 32 X 1/4	15	43
72H31	FROST WHITE LACQUER	50	-	F1064	FILL HD SCREW, 8 - 32 X 3/8	11	3
72H32	GOLD LACQUER	50	-	F1064	FILL HD SCREW, 8 - 32 X 3/8	15	3
73H08	PORT SIDE DECAL KIT	50	-	F1099	FILL HD SCREW, 1/4 - 20 X 1/4	25	13
74H02	VOLTMETER - SURFACE MOUNT	51	-	F1099	FILL HD SCREW, 1/4 - 20 X 1/4	27	55
74H14	TEMPERATURE GAUGE SURFACE MOUNT	51	-	F1107	SLOTTED FILL HD CAP SCREW, 1/4 - 20 X 3/4	27	76
75H15	TACHOMETER FLUSH MOUNT	51	-	F1108	FILL HD SCREW, 1/4 - 20 X 3/4	19	13
75H17	FUEL GAUGE FLUSH MOUNT	51	-	F1134	PAN HD SCREW, 1/4 - 20 X 1 3/8	15	6
75H18	TACHOMETER SURFACE MOUNT	51	-	F1187	HEX HD SCREW, 1/4 - 20 X 1	25	43
75H19	POWER TRIM INDICATOR	50	-	F1203	HEX CAP SCREW, 1/4 - 20 X 7/8	29	107
75H20	FUEL GAUGE SURFACE MOUNT	51	-	F1213	HEX CAP SCREW, 5/16 - 18 X 1/8	39	69
817747--1	BALL JOINT W/STUD	19	23	F12352-1	TRIGGER COIL	9	58
817747--1	BALL JOINT W/STUD	25	25	F12353	CLIP	9	60
817783A5	SWIVEL BRACKET W/BEARINGS AND GREASE FITTINGS	35	63	F12356	SPIDER	9	61
817931A7	MOTOR LEG COVER, REAR	35	6	F1236	SCREW, 1/4 - 20 X 1/2	19	22
84250	BEARING CUP	39	48	F1238	HEX CAP SCREW, 1/4 - 20 X 3/4	3	14
84903	BEARING CUP	37	36	F1238	HEX CAP SCREW, 1/4 - 20 X 3/4	27	54
865	TWIN SYNCHRO-DRIVE CONTROL BOX	50	-	F1252	HEX SOCKET HD CAP SCREW, S.S., 3/8 - 16 X 1	39	57
877	DECAL SET	51	-	F1253	HEX SOCKET HD CAP SCREW, 3/8 - 16 X 2	25	9
89396A38	PRIME BULB	41	9	F1263	HEX SOCKET HD CAP SCREW 5/16 - 18 X 9/16	33	13
A316554-2	GEAR HOUSING UPPER W/PLUG & WASHER	37	19				
A383133-3	MOTOR LEG	35	81				

PARTS INDEX

Part Number	Description	Pg.	Ref. No.	Part Number	Description	Pg.	Ref. No.
F1280	SLOTTED PAN HD SCREW, 8 - 32 X 1/4	7	28	F1648	PAN HD SCREW, 10 - 24 X 3/4	7	14
F1286	PAN HD SCREW, 4 - 40 X 3/16	25	39	F165	REMOTE STEERING BRACKET	50	-
F1293	ROUND HD SCREWS, 2 X 3/16	3	19	F166	DUAL ENGINE TIE BAR	50	-
F1298	RD HD SCREW W/LOCKWASHER, 6 - 32 X 1/4	19	38	F1664	SPRING PIN	33	7
F1341	HEX NUT, 1/4 - 20	25	21	F1666	SPRING BOWED WASHER	33	21
F1346	HEX NUT	33	27	F1669	LOCK NUT	33	43
F1346	HEX NUT, 3/8 - 16	21	29	F1693	TIE BAR RETAINER	11	4
F1473	HEX NUT	3	36	F1693	TIE BAR RETAINER	15	4
F1475	FILL HD SCREW, 10 - 24 X 1/2	29	103	F1696	HEX BOLT 5/16 - 18 X 1 3/4	35	65
F1493	SLOTTED PAN HD SCREW, 1/4 - 20 X 5/8	31	19	F1696	HEX BOLT, S.S., 5/16 - 18 X 1 3/4	39	66
F1502	HEX CAP SCREW, 1/4 - 20 X 5/8	3	20	F1699	HEX HD SCREW, 1/4 - 20 X 1/8	25	8
F1502	HEX CAP SCREW, 1/4 - 20 X 5/8	19	5	F17006	DETENT SPRING	43	18
F1502	HEX CAP SCREW, 1/4 - 20 X 5/8	23	18	F17008	DETENT SPRING	45	37
F1502	HEX CAP SCREW, 1/4 - 20 X 5/8	27	48	F17009	BEARING	43	14
F15021-1	HEAD ASSEMBLY, DRIVE END	23	8	F17010-1	THROTTLE GEAR	43	16
F15034	SPRING SET	23	22	F17011	BOWED WASHER	43	15
F15035	THRU BOLT PACKAGE	23	16	F17012	RETAINING PLATE	43	13
F15054	BRUSH AND TERMINAL SET	23	12	F17013	FILL HD SCREW, 1/4 - 20 X 1/2	43	11
F15057	BRUSH PLATE AND HOLDER ASSEMBLY	23	23	F17014	THROTTLE ARM	43	10
F15073	THRUST WASHER PACKAGE	23	9	F17015	COTTER PIN	43	8
F15099	ARMATURE	23	10	F17016	CABLE TERMINAL	43	9
F15118	BENDIX DRIVE ASSEMBLY	23	5	F17019	CLUTCH ARM	43	5
F15124	FRAME AND FIELD ASSEMBLY	23	11	F17020	INTERNAL TOOTH LOCKWASHER	43	12
F1513	HEX NUT	43	3	F17021	CLUTCH GEAR	43	19
F1513	HEX NUT, 10 - 32	7	26	F17026	SWIVEL	43	24
F1513	HEX NUT, 10 - 32	19	27	F1703	LOCKWASHER	27	71
F1513	HEX NUT, 10 - 32	25	27	F1703	SPRING LOCKWASHER	35	73
F1514	HEX NUT, 1/4 - 20	23	6	F17030-1	SET SCREW	43	31
F1515	HEX NUT, 5/16 - 18	21	29	F17031	SNAP CAP	43	28
F1528	WELCH PLUG	33	40	F17036	INTERNAL TOOTH LOCKWASHER	43	6
F154317	CABLE CLAMP	43	23	F1704	INTERNAL TOOTH LOCKWASHER	7	4
F1556	FILL HD SCREW W/LOCKWASHER, 10 - 24 X 3/8	25	23	F1704	INTERNAL TOOTH LOCKWASHER	19	49
F1557	FLAT HD SCREW, 10 - 24 X 3/8	43	25	F1705	HEX CAP SCREW, S.S., 1/4 - 20 X 3/4	39	58
F1584	FLAT HD SCREW, S.S., 1/4 - 20 X 1 3/8	37	2	F17068	HOUSING	45	36
F1593	HEX HD SCREW 3/8 - 16 X 3	33	25	F17082-1	DETENT BALL	45	38
F1615	HEX NUT, S.S., 5/16 - 24	7	40	F1709	HEX BOLT, 1/4 - 20 X 1/8	27	87
F1638	SPRING PIN	33	32	F17092	SNAP RING	43	21
F1645	RD HD SCREW, 6 - 32 X 1/4	7	5	F1710	PLAIN WASHER	33	18
F1645	RD HD SCREW, 6 - 32 X 1/4	21	50	F17100	CLUTCH SHAFT	43	20
F1647	HEX NUT, 8 - 32	7	17	F17101	DECAL, STARBOARD	43	27
F1647	HEX NUT, 8 - 32	29	96	F17105	FELT WASHER	43	33
				F17106	COLLAR	43	34
				F17107	FILL HD SCREW, 10 - 24 X 5/16	43	22
				F1711	SPRING BOWED WASHER	33	17
				F17111	DETENT BALL	43	17
				F17112	JUNCTION BOARD, STARBOARD	43	26
				F17113	JUNCTION BOARD, PORT	43	-
				F17114	INDICATOR	43	32

PARTS INDEX

Part Number	Description	Pg.	Ref. No.	Part Number	Description	Pg.	Ref. No.
F17115	HANDLE	43	30	F1854	HEX CAP SCREW, 1/4 - 20 X 5/8	7	43
F17116	KNOB	43	29	F1854	HEX CAP SCREW, 1/4 - 20 X 5/8	9	62
F1713	SPRING PIN	37	42	F1857	HEX CAP SCREW, 5/16 - 18 X 5/8	3	23
F1715	HEX BOLT, 1/4 - 28 X 9/16	43	7	F1857	HEX CAP SCREW, 5/16 - 18 X 5/8	3	35
F1727	PLASTIC RIVET	25	20	F185764	RETAINING RING	25	42
F1729	PLUG	33	5	F1858	HEX CAP SCREW, 5/16 - 18 X 1	3	24
F1730	PAN HD SCREW W/SPRING LOCKWASHER, 1/4 - 20 X 5/8	5	44	F1860	RD HD SCREW, 6 - 32 X 1/4	19	9
F1733	PAN HD MACHINE SCREW, 10 - 24 X 9/16	3	2	F1864	HEX SLOT HD SCREW 1/4 - 20 X 3/4	33	4
F1734	FILL HD SCREW W/LOCKWASHER, 1/4 - 20 X 1/2	7	10	F1868	HEX BOLT, 3/8 - 16 X 3 1/4	23	17
F1734	SLOTTED FILL HD SCREW W/LOCKWASHER, 1/4 - 20 X 1/2	9	52	F1868	HEX CAP SCREW, 3/8 - 16 X 3 1/4	27	49
F1741	PAN HD SCREW, 8 X 3/4	7	33	F1869	HEX CAP SCREW, 3/8 - 16 X 1/4	27	70
F1744	SPRING PIN	35	52	F1871	HEX HD SCREW 3/8 - 16 X 3/4	35	69
F1753	FASTENER	3	38	F1872	HEX CAP SCREW, 3/8 - 16 X 1 3/4	25	12
F1760	SLOTTED PAN HD SCREW, 10 - 24 X 3/8	9	54	F1873	HEX CAP SCREW, 3/8 - 16 X 3	27	50
F177330	FUEL PUMP VALVE	19	10	F1874	HEX HD SCREW, 3/8 - 16 X 3 1/8	25	2
F177350	REVERSE LOCK PIN	35	47	F1877	TY-RAP	9	71
F1778	PLAIN WASHER	37	24	F1885	HEX BOLTS, S.S., 5/16 - 18 X 4 1/4	27	64
F178168-1	GASKET, CARBURETOR ADAPTER	19	35	F1904	PLAIN WASHER	33	26
F178173	RETAINING RING	33	34	F1907	PLAIN WASHER	39	68
F178208	RETAINING RING	33	19	F1910	STOP NUT, 1/4 - 20	19	25
F178323	SEAL, MOTOR LEG	33	12	F19109	PLUG	27	60
F178362	BEARING	33	36	F1912	HEX HD SCREW 10 - 24 X 1/2	35	67
F178404-1	DEFLECTOR PLATE	19	36	F1914	HEX HD SCREW, 1/4 - 20 X 3/4	25	11
F178632	SHAFT, SHOCK MOUNT LOWER	33	39	F1915	HEX HD SCREW, 1/4 - 20 X 7/8	19	44
F178754-1	FUEL LINE	11	24	F1915	HEX HD SCREW, 1/4 - 20 X 7/8	25	6
F178754-1	FUEL LINE	15	36	F1934	FLAT HD SLOTTED SCREW, 6 X 1/2	7	31
F178889	SHAFT, SHOCK MOUNT UPPER	33	37	F19342	SEAL	37	18
F178908	STARTER LEAD WIRE	23	14	F195/_	REMOTE CONTROL CABLES	50	-
F17932	SEAL, FUEL LINE COUPLER	41	12	F1950	HEX CAP SCREW, 10 - 24 X 5/8	29	91
F1804	STOP NUT, 10 - 32	9	67	F1953	HEX HD SCREW, 1/4 - 20 X 1	19	20
F18160-1	CYLINDER DRAIN REED	25	36	F1953	HEX HD SCREW, 1/4 - 20 X 1	25	16
F1822	HEX BOLT 5/16 - 18 X 7/8	35	76	F1968	FLYWHEEL NUT	31	21
F1831	FLAT HD SCREW, 1/4 - 20 X 5/8	19	43	F1968	HEX NUT, 3/4 - 16	9	69
F1832	STOP NUT, 1/4 - 20	27	68	F1975	LOCKWASHER	7	13
F1836	SPRING PIN	35	60	F197787-2	FUEL LINE COUPLER	41	6
F184033-1	SWIVEL, TOP CARBURETOR	11	20	F197813	BEARING	35	57
F184033-1	SWIVEL, TOP CARBURETOR	15	33	F1987	PLAIN WASHER	27	79
F184122-1	SEAL, PARTING LINE	29	101	F1987	PLAIN WASHER	35	64
F1845	TY-RAP, REGULATOR TO POWER PACK LEADS	9	47	F1994	HEX SOCKET HD CAP SCREW, 5/16 - 18 X 1	39	70
F184579	"O" RING SEAL	11	19	F1997	STOP NUT, 8 - 32	11	10
F184579	"O" RING SEAL	15	32				
F1849	HEX CAP SCREW, 1/4 - 20 X 1 3/8	7	25				
F1849	HEX HD CAP SCREW, 1/4 - 20 X 1 3/8	5	47				
F1854	HEX CAP SCREW, 1/4 - 20 X 5/8	3	25				

PARTS INDEX

Part Number	Description	Pg.	Ref. No.	Part Number	Description	Pg.	Ref. No.
F1997	STOP NUT, 8 - 32	15	23	F304705-1	GEAR SHIFT ROD LOWER	39	23
F2000	HEX CAP SCREW, 5/16 - 18 X 3/4	7	38	F307317	CLIP, TERMINAL BLOCK GROUND	7	12
F2000	HEX CAP SCREW, 5/16 - 18 X 3/4	29	99	F310189	BUSHING, ELECTRIC CABLE	3	16
F2008	HEX HD SCREW, 1/4 - 20 X 7/8	27	53	F311189-1	BUSHING, CABLE ENTRY	3	17
F2012	PLAIN WASHER	7	24	F316165	STUD, GEAR HOUSING CENTER	37	25
F2014	PLAIN WASHER	35	70	F316555	SEAL	37	20
F2015	HEX NUT, 1/4 - 28	29	102	F316579	SEAL, CRANKCASE	31	11
F2016	FILL HD SCREW, 6 - 32 X 7/8	19	48	F316599	SEAL, GEAR HOUSING STUD, FRONT	37	28
F2016	SLOTTED FILL HD SCREW, 6 - 32 X 7/8	7	1	F321662	BEVEL GEAR, REAR	37	46
F2030	HEX HD M. SCREW 1/4 - 20 X 1-1/4	33	16	F321756	PACKING, COVER	3	31
F203276	BOOT, SECONDARY COIL	7	20	F321872	BRACKET	27	59
F2033	GROOVE PIN	15	39	F333316	THROTTLE ROLLER SHAFT	11	5
F2033	GROVE PIN	11	26	F333316	THROTTLE ROLLER SHAFT	15	19
F203673	CLIP, HI-TENSION TERMINAL	7	19	F333392	PLATE SIDE	3	8
F2042	PLAIN WASHER	29	106	F335068	THERMOSTAT	27	82
F2047	WAVE SPRING LOCKWASHER	3	30	F335160	REED (4 PETAL)	19	40
F2049	HEX CAP SCREW, 5/16 - 18 X 2 5/8	27	78	F335164	REED (1 PETAL)	19	42
F2066	PAN HD TAPPING SCREW, 10 X 7/16 (TRIM TO COVER)	3	40	F335215	SPACER, PISTON PIN (2 PER PISTON)	31	3
F2067	PLASTISOL CAP (NOT SHOWN)	31	-	F335217-1	BEARING, PISTON PIN (26 PER SET)	31	5
F2077	SLOTTED PAN HD M. SCREW, 10 - 32 X 1/4	9	48	F335654-1	DEFLECTION STOP	3	21
F2088	FASTENER	5	45	F338618-1	SEAL GEAR SHIFT ROD	33	15
F2089	SLOTTED PAN HD M. SCREW, 10 - 24 X 5/16	29	105	F338618-1	SEAL, GEAR SHIFT ROD	37	13
F2090	PLUG	27	74	F345908	GROUND WIRE, COIL	7	23
F2108	LOCK NUT	35	79	F351307	SEAL, WATER PUMP	37	11
F2108	LOCK NUT	35	80	F369349	REVERSE LOCK	33	44
F2108	STOP NUT, 5/16 - 18	27	67	F369364	REVERSE LOCK ARM	35	55
F213274	GREASE FITTING	33	38	F369390-1	DECAL, REVERSE LOCK (NOT SHOWN)	35	-
F213342	SEAL, FUEL LINE COUPLER (LARGE)	41	4	F369510	LINK REVERSE LOCK	35	46
F213735	SEAL, FUEL LINE COUPLER (SMALL)	41	5	F369562	WATER PUMP BACK PLATE	37	6
F269319	THROTTLE CAM BEARING	19	26	F369610	BEARING	27	62
F286461	SPRING, LOCK BAR HANDLE	35	50	F369827	HANDLE AND SHAFT	35	56
F288075	CLAMP SCREW HANDLE	33	33	F369884	BEARING	35	61
F289446-1	CLAMP	7	8	F369887	SHOULDER SCREW	27	61
F298788	FERRULE	41	7	F369977-1	INTERLOCK ARM	27	63
F2A321023	BEVEL GEAR FRONT W/BEARINGS & SHIMS	37	38	F372151-1	EXHAUST PORT PLATE	29	90
F2A335158	REED PLATE W/REEDS, REED STOPS AND SCREWS	19	41	F372152-1	EXHAUST PORT COVER	29	88
F2A476757	CYLINDER DRAIN REED PLATE W/REEDS, STOPS AND SCREWS	25	35	F372154-1	GASKET, EXHAUST PORT PLATE	29	89
F304145-4	MOTOR LEG COVER, REAR	35	6	F372925	CHOKE ROD	11	27
F304244	INLET WATER LINE	39	62	F372958	CHOKE BRACKET	19	19
				F373512	PLATE INSERT	3	11
				F373675-1	STARTER BRACKET, LOWER	23	20
				F373778-1	RETAINER, ENGINE COVER	3	37
				F381896-4	BATTERY CABLE	7	36
				F381899	GROMMET, WATER LINE	39	61
				F384143	BEARING, BEVEL GEAR REAR	37	45
				F391926-1	PLUNGER	11	28
				F391926-1	PLUNGER	15	41
				F40209	CARBURETOR STUD	21	30
				F40223	GASKET, TRANSFER PORT COVER	27	52
				F40342	SEAL, PROPELLER NUT	39	54

PARTS INDEX

Part Number	Description	Pg.	Ref. No.	Part Number	Description	Pg.	Ref. No.
F404268	BY-PASS VALVE SPRING ..	29	94	F474531	STUD, TIMING RING		
F404314	ELBOW, FUEL PUMP COVER	19	2		RETAINER	9	64
F404314	FITTING	27	47	F475015-2	PISTON	31	2
F404446	CLAMP	9	44	F476061	CARBURETOR COMPLETE		
F404446	CLAMP	23	15		(TC5A)	17	-
F404801	ELBOW, CYLINDER DRAIN			F476066-1	THERMOSTAT COVER	27	85
	UPPER	27	-	F476067	GASKET	27	81
F404841	CABLE	7	37	F476529	CYLINDER HEAD GASKET .	27	75
F405457	PIVOT SCREW	25	7	F480038-2	SUPPORT PLATE	3	15
F406406	GASKET, DEFLECTOR			F480107-1	CAM STARTER INTERLOCK	29	104
	PLATE	19	37	F480388	DISC, WATER PUMP		
F406471-1	CYLINDER DRAIN COVER .	25	41		LOCATING	39	76
F406754-1	HOSE	27	46	F480818	BEARING	3	13
F407446	CLAMP	7	35	F481382-1	SPACER, LATCH SHAFT ...	3	29
F409251-1	GAUGE CAP	41	1	F481434	GUIDE, ENGINE COVER ...	5	46
F433114	HANDLE, LOCK BAR	35	51	F481774	BRACKET, COVER LATCH .	3	32
F433209	THROTTLE CAM STUD	19	32	F481777	CAM, LATCH	3	28
F438065	WATER PUMP IMPELLER ..	37	5	F485755	FUEL TANK ADAPTER	41	3
F438066	BY-PASS VALVE COVER ...	29	92	F489386	PLATE REAR	3	5
F438077	SCREEN, WATER INLET ...	39	73	F489551	BRACKET NEUTRAL		
F438116-1	EXHAUST OUTLET, GEAR				INTERLOCK SWITCH	19	45
	HOUSING UPPER			F489711	PLATE, ENGINE COVER		
	W/SCREW	39	67		FRONT	3	42
F438129	SEAL, DRIVESHAFT SPLINE	39	75	F489985	BLANKET, SILENCER SIDE		
F438165	SCREW, FUEL PUMP BOWL	19	18		(NOT SHOWN)	5	-
F438169	BEARING	33	42	F491995	COVER CYLINDER HEAD ..	29	108
F438271	RETAINER, CRANKSHAFT			F499026	SWIVEL, TOWERSHAFT ...	25	28
	SPLINE SEAL	39	74	F499035	TIMING RING, CONTROL		
F438346	SHOCK MOUNT LOWER ...	35	75		ROD END	25	29
F438500	FUEL SEDIMENT BOWL ...	19	17	F499036	TOWERSHAFT CONTROL		
F438617	FUEL SEDIMENT BOWL				ROD END	25	32
	GASKET	19	15	F499398	DECAL, WIRING	27	86
F438653	FUEL SEDIMENT BOWL			F500026	SWIVEL, TIMING RING	25	30
	SCREEN	19	16	F500744	WIRING HARNESS	9	70
F438668	RETAINER, CABLE CLAMP .	7	9	F500894	TIMING POINTER	21	51
F438747	FUEL PUMP DIAPHRAGM			F50109	PLUG, GEAR HOUSING	37	14
	W/GASKET	19	8	F511708	COVER, CARBURETOR	15	7
F438754	FUEL LINE W/CLAMP, PUMP			F58685-2	CONNECTOR, SHIFT CABLE	43	2
	TO CARBURETOR	11	29	F590	SYNCHRO-DRIVE CONTROL		
F438754	FUEL LINE W/CLAMP, PUMP				HEAD (SINGLE LEVER) ..	50	-
	TO CARBURETOR	15	42	F66480	STUD	33	29
F438760	FUEL PUMP GASKET	19	4	F7004	STOP NUT, 3/8 - 16	25	17
F438801	FITTING	19	14	F7008	ELASTIC STOP NUT	25	10
F438930	RETAINER, SNOOT	39	71	F7009	LOCK NUT, 10 - 24	25	4
F438962	SHOCK MOUNT LOWER			F7012	STOP NUT	33	24
	REAR	33	14	F7025	STOP NUT, 3/8 - 16	37	16
F438984-1	BLANKET, SILENCER TOP			F70H01	ANTI-CORROSION KIT	50	-
	(NOT SHOWN)	5	-	F70H05	EXTENSION CABLE	51	-
F439736	SEAL, EXHAUST TUBE	35	82	F71H02	ANTI-CORROSION		
F440015-1	PISTON	31	2		SACRIFICIAL ANODE	50	-
F440192	THROTTLE CAM	21	28	F71H04	SPEEDOMETER FLUSH		
F440209	CARBURETOR STUD	21	30		MOUNT	51	-
F440906	CARBURETOR GASKET ...	21	31	F71H08	FUEL TANK (ACCESSORY		
F440925	CHOKE ROD	15	40		ITEM)	41	2
F441754-1	HOSE	19	3	F71H08	STEEL, 6 GALLON FUEL		
F460917	STARTER RELAY	7	41		TANK (LOW PROFILE) ...	50	-
F463366	NAME "CHRYSLER"	3	9	F71H10	SENDING UNIT	51	-
F474030	CAPACITOR	9	53	F71H12	TANK ANCHOR	50	-
F474178	RETAINER, TIMING RING ..	9	66	F71H20	CIGAR LIGHTER	51	-
F474387	TIMING DECAL	7	6				

PARTS INDEX

Part Number	Description	Pg.	Ref. No.	Part Number	Description	Pg.	Ref. No.
F71H23	STEEL, 12 GALLON FUEL TANK	50	-	F8096	SPRING LOCKWASHER	29	100
F71H26	BATTERY TERMINAL KIT (ACCESSORY ITEM)	7	34	F8096	SPRING LOCKWASHER	35	77
F71H27	POWER TRIM	51	-	F8096	SPRING LOCKWASHER, S.S.	39	65
F71H30	BUZZER, HEAT INDICATOR (ACCESSORY ITEM)	7	32	F84008-3	STUD, GEAR HOUSING, REAR	37	37
F71H30	OVERHEAT BUZZER	50	-	F84011	WASHER	35	62
F71H32	TILT STOP KIT	50	-	F84031	GASKET, WATER PUMP	37	7
F72H09	HYDRAULIC TILT	51	-	F84074	CLAMP SCREW FOOT	33	28
F72H36	REMOTE CONTROL UNIT, SINGLE LEVER STARBOARD MOUNT	45	39	F84118	SEAL, PROPELLER SHAFT	39	51
F72H36	SYNCHRO-DRIVE CONTROL BOX (SINGLE LEVER)	50	-	F84146-1	SEAL	31	13
F72H66	EXHAUST SNOOT	50	-	F84146-1	SEAL	31	20
F73H11	REMOTE ELECTRIC CABLE	51	-	F84173	RETAINING RING	37	9
F74H01	VOLTMETER - FLUSH MOUNT	50	-	F84215	SPACER	37	17
F74H07	WATER PUMP KIT	51	-	F84286-1	FRICITION WASHER	35	54
F74H10	TEMPERATURE GAUGE FLUSH MOUNT	51	-	F84305	SEAL, PROPELLER SHAFT BEARING CAGE	39	50
F74H18	SWITCH EXTENSION CABLE	52	-	F84307-1	SEAL, DRIVESHAFT	37	8
F74H19	IGNITION KEY SWITCH	51	-	F84314-2	ELBOW	11	22
F74H20	IGNITION KEY SWITCH	51	-	F84314-2	ELBOW	15	34
F74H20	IGNITION SWITCH (ACCESSORY ITEM)	7	29	F84314-2	ELBOW	19	6
F75H07	SYNCHRO-DRIVE CONTROL BOX	50	-	F84314-2	ELBOW	27	45
F75H08	TWIN SYNCHRO-DRIVE CONTROL BOX	50	-	F84342	SEAL, INLET WATER LINE, UPPER	39	60
F75H09	BATTERY CABLE	50	-	F84449	INTERLOCK SWITCH	19	46
F75H16	POWER TRIM INDICATOR	50	-	F84449	NEUTRAL INTERLOCK SWITCH	7	3
F762	REMOTE ELECTRIC CABLE	51	-	F84472-5	GASKET, CYLINDER DRAIN COVER	25	40
F8001	WASHER	37	31	F84504	GROMMET (THERMOSTAT)	27	83
F8003	PLAIN WASHER	25	38	F84521-1	CLUTCH	37	41
F8011	PLAIN WASHER	9	55	F84717	THRUST WASHER, BEVEL GEAR REAR	39	72
F8028	PLAIN WASHER	23	7	F84735	SEAL, INLET WATER LINE, LOWER	37	1
F8048	BOWED WASHER	9	65	F84748-3	GASKET	25	33
F8056	LOCKWASHER	29	97	F84792	GASKET, CENTER FUEL PUMP VALVE	19	11
F8056	SPRING LOCKWASHER	7	16	F85006-1	STUD, GEAR HOUSING, FRONT	37	27
F8058	INTERNAL TOOTH LOCKWASHER	19	24	F85012	PILOT, GEAR HOUSING	37	29
F8058	INTERNAL TOOTH LOCKWASHER	27	57	F85017	PISTON PIN	31	4
F8060	LOCKWASHER	23	19	F85033	SWIVEL, CHOKE ROD (BOTTOM CARBURETOR) (NOT SHOWN)	13	-
F8077	WASHER, GEAR HOUSING PLUG	37	15	F85033	SWIVEL, CHOKE ROD (BOTTOM CARBURETOR) (NOT SHOWN)	17	-
F8083	SPRING LOCKWASHER	3	26	F85037-1	STERN BRACKET PIVOT BOLT	35	53
F8083	SPRING LOCKWASHER	7	42	F85073	CLAMP SCREW	33	30
F8083	SPRING LOCKWASHER	33	3	F85117	BRACKET, WATER LINE	39	59
F8088	PLAIN WASHER	7	2	F85130	BOOT IDLE EXHAUST	33	8
F8088	PLAIN WASHER	11	18	F85161-1	REED STOP	19	39
F8088	PLAIN WASHER	15	31	F85192-1	THROTTLE CAM	21	28
F8088	PLAIN WASHER	19	47	F85211	STUD	25	18
F8094	PLAIN WASHER	3	27	F85244	INLET WATER LINE	39	62
F8094	PLAIN WASHER	35	58	F85258	INSERT	33	9
F8096	SPRING LOCKWASHER	3	22	F85279-2	GASKET, CYLINDER EXHAUST UPPER	27	69
F8096	SPRING LOCKWASHER	3	34	F85300	REVERSE LOCK SPRING	35	45
F8096	SPRING LOCKWASHER	7	39				

PARTS INDEX

Part Number	Description	Pg.	Ref. No.	Part Number	Description	Pg.	Ref. No.
F85314-1	FUEL FITTING	11	30	FA15072	HEX LOCK NUT, 1/4 - 20	23	13
F85314-1	FUEL FITTING	15	37	FA178157	CARBURETOR ADAPTER UPPER, W/FITTING AND STUDS	21	-
F85317-1	SOLENOID CLAMP	19	21	FA178167	CARBURETOR ADAPTER LOWER, W/FITTING AND STUDS	21	33
F85350-1	TILT STOP PIVOT	33	20	FA178233	THROTTLE TIE BAR W/SWIVEL	13	53
F8537	SPRING PIN	33	31	FA178233	THROTTLE TIE BAR W/SWIVEL	15	5
F85372	PIN, GEAR SHIFT ROD LOWER	37	21	FA178962	SHOCK ABSORBER W/BUSHING	33	35
F85380	SPRING	33	10	FA321266	BEVEL PINION GEAR W/BEARING & SHIMS	37	35
F85410	SNAP RING	31	8	FA404680	SPACER PLATE W/PLUGS	27	73
F85445	CONTROL ROD	25	31	FA40901	BEARING, DRIVESHAFT W/CUP	37	10
F85453-1	GASKET EXHAUST LOWER	33	1	FA411222	TRANSFER PORT COVER	27	51
F8547	SPRING PIN	35	48	FA438113	STERN BRACKET LOCK BAR W/HANDLE	35	49
F85498	FLYWHEEL KEY	31	16	FA438431	FUEL PUMP BODY W/VALVES	19	12
F85502	THROTTLE LINK	25	26	FA439493	TERMINAL BLOCK BRACKET	7	7
F85509-1	LINK, CHOKE	11	25	FA439746	FUEL PUMP COVER	19	1
F85509-1	LINK, CHOKE	15	38	FA440157	CARBURETOR ADAPTER UPPER, W/FITTING AND STUDS	21	-
F85541-1	TILT LOCK	33	22	FA440167	CARBURETOR ADAPTER LOWER, W/FITTING AND STUDS	21	33
F85571	BEARING CAGE W/ROLLER	31	10	FA440254	BALANCE TUBE	21	34
F85606	KINGPIN CAP	35	66	FA440260	PISTON RING SET (4 PER SET)	31	1
F85610	BEARING	27	65	FA474260	PISTON RING SET FOR 2 PISTONS	31	1
F85615	GEAR SHIFT ROD UPPER	35	78	FA474892	INSERT PLATE FRONT - U.S.A.	3	41
F8563	DOWEL PIN	25	15	FA474893	INSERT PLATE FRONT - CANADA	3	-
F85634-1	CONNECTING ROD SCREW	31	14	FA480188	NUT, BEVEL PINION RETAINING	37	33
F85660	EXHAUST TUBE	33	2	FA480876	GEAR SHIFT ARM	27	66
F85704	COUPLER, GEAR SHIFT ROD	35	83	FA481469	HANDLE W/SHAFT	3	12
F85705-1	GEAR SHIFT ROD LOWER	39	23	FA481743	ROLLER BRACKET	3	33
F85735	SEAL	3	39	FA489144	BEARING CAGE W/CRANKSHAFT SEAL	9	50
F85762	BY-PASS VALVE COVER GASKET	29	93	FA489144	CRANKSHAFT BEARING CAGE W/SEAL	31	18
F85772	CLAMP	33	11	FA489385	INSERT, PLATE SIDE	5	10
F85779-1	BAFFLE, AIR INTAKE	35	68	FA489528	INSERT, PLATE REAR	5	4
F85843-1	ELECTRIC CONTROL CABLE, 18 FT.	7	27	FA489944	ENGINE COVER W/RETAINER, SCREWS AND NUTS	3	7
F85859	STUD	25	14	FA490385	INSERT, PLATE SIDE	5	10
F85906	CARBURETOR GASKET	21	31	FA490528	INSERT, PLATE REAR	5	4
F85916-1	BY-PASS VALVE	29	95	FA491010	CYLINDER W/CRANKCASE COVER, PARTING LINE SEAL	29	1
F85924	CHOKE SOLENOID	9	45	FA491385	INSERT, PLATE SIDE	5	10
F85965	SHOCK MOUNT UPPER	35	72				
F861	FLUSHING ADAPTER	50	-				
F862	STEEL, 6 GALLON FUEL TANK	50	-				
F89758	FUEL PUMP AIR HOSE - TOP	19	7				
F9038	DRIVE KEY, WATER PUMP	39	64				
F90807	RETAINING RING	11	1				
F90807	RETAINING RING	15	1				
F90891	PIN, GEAR SHIFT ARM	37	30				
F91446-1	CIRCUIT BREAKER BRACKET	9	56				
F91460-2	CIRCUIT BREAKER	9	57				
F92759	THROTTLE ROLLER	11	6				
F92759	THROTTLE ROLLER	15	20				
F93811	SCREEN	25	34				
F93920	REED STOP	25	37				
F97772	CLAMP	11	23				
F97772	CLAMP	15	35				
F97772	FUEL LINE CLAMP	41	11				
F98273	ROD END CONNECTOR STUD	27	58				

PARTS INDEX

Part Number	Description	Pg.	Ref. No.	Part Number	Description	Pg.	Ref. No.
FA491528	INSERT, PLATE REAR	5	4	FO13944	FLOAT LEVER PIN	17	49
FA491838	TOWERSHAFT W/SWIVEL, BEARINGS AND SCREWS	25	19	FO13945	FUEL BOWL RETAINING SCREW	11	31
FA500010	CYLINDER W/CRANKCASE COVER, PARTING LINE SEAL,	29	1	FO13946	IDLE MIXTURE SCREW	13	45
FA500518	CYLINDER HEAD	29	80	FO13947	CHOKE SHAFT RETURN SPRING	11	41
FA501010	CYLINDER W/CRANKCASE COVER, PARTING LINE SEAL,	29	1	FO14166	IDLE MIXTURE SCREW	15	13
FA501518	CYLINDER HEAD	29	80	FO14191	MAIN FUEL JET, .0937 STANDARD	15	15
FA510497	TERMINAL BLOCK	7	11	FO14302	MAIN FUEL JET (.084)	13	48
FA58976-1	CONNECTOR, THROTTLE CABLE	43	1	FO14306	MAIN FUEL JET (.078)	13	48
FA77395-5	IDENTIFICATION PLATE W/SCREWS FOR U.S.A. MODELS	3	18	FO15217	MAIN NOZZLE	11	35
FA84225	BEARING W/CUP	37	47	FO15231	THROTTLE SHAFT AND LEVER	11	7
FA84298-3	PROPELLER SHAFT BEARING CAGE W/SEAL .	39	52	FO15623	FUEL BOWL GASKET	11	42
FA84621-1	COUPLING, GEAR SHIFT ARM W/BUSHING	37	26	FO15623	FUEL BOWL GASKET	17	46
FA84754-1	FUEL LINE SHORT W/FERRULES	41	8	FO15912	CHOKE AND THROTTLE SHUTTER SCREW	15	9
FA84871	PIN, GEAR SHIFT W/YOKE .	37	40	FO16008	THROTTLE SHAFT RETURN SPRING	11	8
FA85019	KINGPIN W/PLUG	33	41	FO16128	BODY CHANNEL WELCH PLUG	15	25
FA85193	TIE BAR END W/SWIVEL . . .	11	2	FO16130	FUEL BOWL	17	51
FA85193	TIE BAR END W/SWIVEL . . .	15	2	FO16132	FUEL BOWL RETAINING SCREW	17	53
FA85355-1	WASHER	35	71	FO16133	MAIN NOZZLE	17	50
FA85655-1	CRANKSHAFT MAIN BEARING RACE W/SNAP RING	31	9	FO16136	CHOKE SHAFT RETURN SPRING	17	45
FA98689	BEARING	27	72	FO16137	CHOKE SHUTTER	15	10
FC500010	SHORT BLOCK	29	-	FO16138	CHOKE RELIEF VALVE	15	12
FG1003-1	GASKET SET (NOT SHOWN)	29	-	FO16142	THROTTLE SHUTTER	15	26
FK280	PROPELLER PIN	37	44	FO16143	THROTTLE SHAFT RETURN SPRING	15	22
FK405020	SWIVEL W/CLAMP, SHOULDER SCREW AND NUT	25	24	FO16145	THROTTLE SHAFT AND LEVER	15	21
FK500060	WATER PUMP BODY	37	3	FO16301	CHOKE SHAFT AND LEVER	15	44
FK750-1	SPARKIE KIT	7	22	FO16697	INLET NEEDLE	17	47
FK85128-1	DRIVESHAFT	39	63	FO17181	IDLE TUBE	13	52
FK85228	BEARING CAGE W/ROLLER	31	7	FO17241	CHOKE SHAFT AND LEVER	11	40
FO10165	INLET SEAT GASKET	11	39	FO1974	SCREW	13	51
FO10588	BODY CHANNEL CUP PLUG	11	9	FO1974	SCREW	15	18
FO10588	BODY CHANNEL CUP PLUG	15	24	FO2510	FUEL BOWL RETAINING SCREW GASKET	11	32
FO10790	INLET NEEDLE, SEAT AND GASKET	11	38	FO2510	FUEL BOWL RETAINING SCREW WASHER	11	34
FO11103	IDLE MIXTURE SCREW SPRING	13	46	FO3804	RETAINING SCREW WASHER	11	14
FO11103	IDLE MIXTURE SCREW SPRING	15	14	FO4326	BODY CHANNEL WELCH PLUG	11	13
FO12400	RETAINING SCREW WASHER	15	27	FO5323	FUEL BOWL RETAINING SCREW GASKET	17	52
FO13552	FUEL BOWL	11	33	FO6393	RETAINING SCREW	11	16
FO13554	FLOAT	11	37	FO6393	RETAINING SCREW	15	29
FO13554	FLOAT	17	48	FO6396	RETAINING SCREW LOCKWASHER	11	15
FO13555	CHOKE SHUTTER	13	44	FO6396	RETAINING SCREW LOCKWASHER	15	28
FO13942	THROTTLE SHUTTER	11	11	FO8942	CHOKE SHUTTER RETAINING SCREW AND LOCKWASHER	11	43
FO13944	FLOAT LEVER PIN	11	36				

PARTS INDEX

Part Number	Description	Pg.	Ref. No.	Part Number	Description	Pg.	Ref. No.
FO8942	THROTTLE SHUTTER RETAINING SCREW AND LOCKWASHER	11	12	FT8917	REAR BEARING CUP REMOVER	48	-
FO9678	CLIP, CHOKE SHAFT	13	49	FT8918	BEARING GUIDE SET	48	-
FO9678	CLIP, CHOKE SHAFT	15	16	FT8919	SPRING PIN PUNCH	48	-
FO992	LOCKWASHER	13	50	FT8920	DRIVESHAFT BEARING INSTALLER	48	-
FO992	LOCKWASHER	15	17	FT8922	SLIDE HAMMER	47	-
FP372	PROPELLER (ACCESSORY ITEM) FOR 105 & 120 H.P. ENGINES ONLY	39	53	FT8924-1	CHECKING GAUGE	48	-
FP383	PROPELLER (ACCESSORY ITEM) FOR 135 H.P. ENGINES ONLY	39	-	FT8925	DRIVESHAFT SEAL INSTALLER	48	-
FS409752	FUEL LINE COMPLETE (NOT SHOWN)	41	-	FT8926	RING EXPANDER	47	-
FS440260	PISTON RING (4 PER SET) .010 OVERSIZE (NOT SHOWN)	31	-	FT8927	SEAL PROTECTOR	47	-
FS474095	ALTERNATOR STATOR	9	49	FT8933	LIFTING HOOK	49	-
FS474470	REGULATOR-RECTIFIER	9	51	FT8948-1	FLYWHEEL PULLER	46	-
FS474475	IGNITION COIL	7	21	FT8948-1	PROPELLER SHAFT BEARING CAGE PULLER	48	-
FS480179	TRIM TOP	3	1	FT8950	LEAKAGE TESTER	49	-
FS480269	TILT HANDLE	3	3	FT8957	SEAL INSTALLER	48	-
FS489097	FLYWHEEL	9	68	FT8961A	TEST WHEEL (120 AND 135 H.P.)	49	-
FS489180	TRIM REAR	3	6	FT8970	CENTERING TOOL	48	-
FS489888	TRIM FRONT	3	43	FT8978	POWER TIMING LIGHT	46	-
FS489955	STARTER COMPLETE	23	-	FTA2937-1	TIMING TOOL	46	-
FSA440015	PISTON .010 OVERSIZE (NOT SHOWN)	31	-	K304128-1	DRIVESHAFT	39	63
FSA474260	PISTON RING SET FOR 2 PISTONS .010 OVERSIZE (NOT SHOWN)	31	-	S474082-1	TIMING RING	9	63
FT2953	SOCKET	47	-	S474301-1	MODULE	9	46
FT2981A	TEST WHEEL (105 H.P.)	49	-	SA475015	PISTON .010 OVERSIZE (NOT SHOWN)	31	-
FT2990	PISTON PIN TOOL	47	-	11-817784A1	PROPELLER NUT		
FT2995	FORWARD BEARING CUP REMOVER	48	-	22-818103--1	W/COTTER PIN & SEAL	39	55
FT2996	RING COMPRESSOR	47	-	30-F284659-2	ELBOW, CYLINDER DRAIN LOWER	27	44
FT8901	INDICATOR HOLDER	48	-	31-FA523014	BEARING, CRANKSHAFT UPPER MAIN	31	22
FT8902	DIAL INDICATOR	48	-	32-77653-77	CRANKSHAFT LOWER MAIN BEARING	31	12
FT8903	SEAL INSTALLER	47	-	32-817738A1	BALANCE TUBE	21	34
FT8905	DRIVESHAFT BEARING REMOVER	48	-	33-818007--1	FUEL LINE LONG W/CLAMP AND FERRULE	41	10
FT8906	PROPELLER SHAFT BEARING SUPPORT	48	-	39-818007--1	SPARK PLUG (CHAMPION UL-18-V)	27	77
FT8907	DRIVE HANDLE	47	-	39-818117A1	PISTON RING (4 PER SET) .030 OVERSIZE (NOT SHOWN)	31	-
FT8907	DRIVER HANDLE	48	-	39-818122A1	PISTON RING SET FOR 2 PISTONS .030 OVERSIZE (NOT SHOWN)	31	-
FT8908	PROPELLER SHAFT SEAL INSTALLER	48	-	84-817821A1	HI-TENSION WIRE	7	18
FT8909	FORWARD BEARING CUP INSTALLER	48	-	87-817778A1	THERMOSWITCH	7	15
FT8910	REAR BEARING CUP INSTALLER	48	-	87-817778A1	THERMOSWITCH	29	98
FT8911	DRIVESHAFT KNOCK-OFF NUT	48	-	400-817735A4	CRANKSHAFT W/BEARING	31	15
FT8914	SEAL REMOVER	47	-	600-818052A4	CONNECTING ROD W/CAP AND SCREWS	31	6
FT8915	PROPELLER SHAFT SEAL PROTECTOR	48	-	700-818116A2	PISTON .030 OVERSIZE (NOT SHOWN)	31	-
FT8916	PROPELLER SHAFT BEARING INSTALLER	48	-	1400-817958A6	STERN BRACKET	33	23
				1600-817767A2	GEAR HOUSING LOWER W/PLUG AND WASHER	37	32
				1600-817888A2	GEAR HOUSING COMPLETE.	39	-

PARTS INDEX

Part Number	Description	Pg.	Ref. No.	Part Number	Description	Pg.	Ref. No.
-------------	-------------	-----	----------	-------------	-------------	-----	----------