



PARTS CATALOG

6 H.P. SAILOR

SERIAL NUMBER

6 (1976)	60BA
6 (1976)	60HA
6 (1976)	62BG
6 (1976)	62BH
6 (1976)	62HG
6 (1976)	62HH
6 (1976)	63BG
6 (1976)	63BH
6 (1976)	63HG
6 (1976)	63HH
6 (1977)	60BA
6 (1977)	60HA

TABLE OF CONTENTS:

ACCESSORIES	35
ENGINE COVER AND SUPPORT PLATE	2
FUEL SYSTEM	10
FUEL TANK AND LINE	28
GEAR HOUSING	24
LUBRICATION CHART	37
MAGNETO	6
MOTOR LEG	18
PARTS INDEX	39
POWER HEAD	14
SPECIAL ADJUSTMENTS	38
SPECIAL TOOLS - LOWER UNIT	33
SPECIAL TOOLS - POWER HEAD	32
SPECIAL TOOLS - STARTER	31
SPECIAL TOOLS - TEST EQUIPMENT	34
SPECIAL TOOLS - TUNE-UP	30
SPECIFICATIONS	36
STARTER	8

NOTE: *Indented description indicate that these parts are included in preceeding assembly.*

AR = As Required

NSS = Not Sold Separate

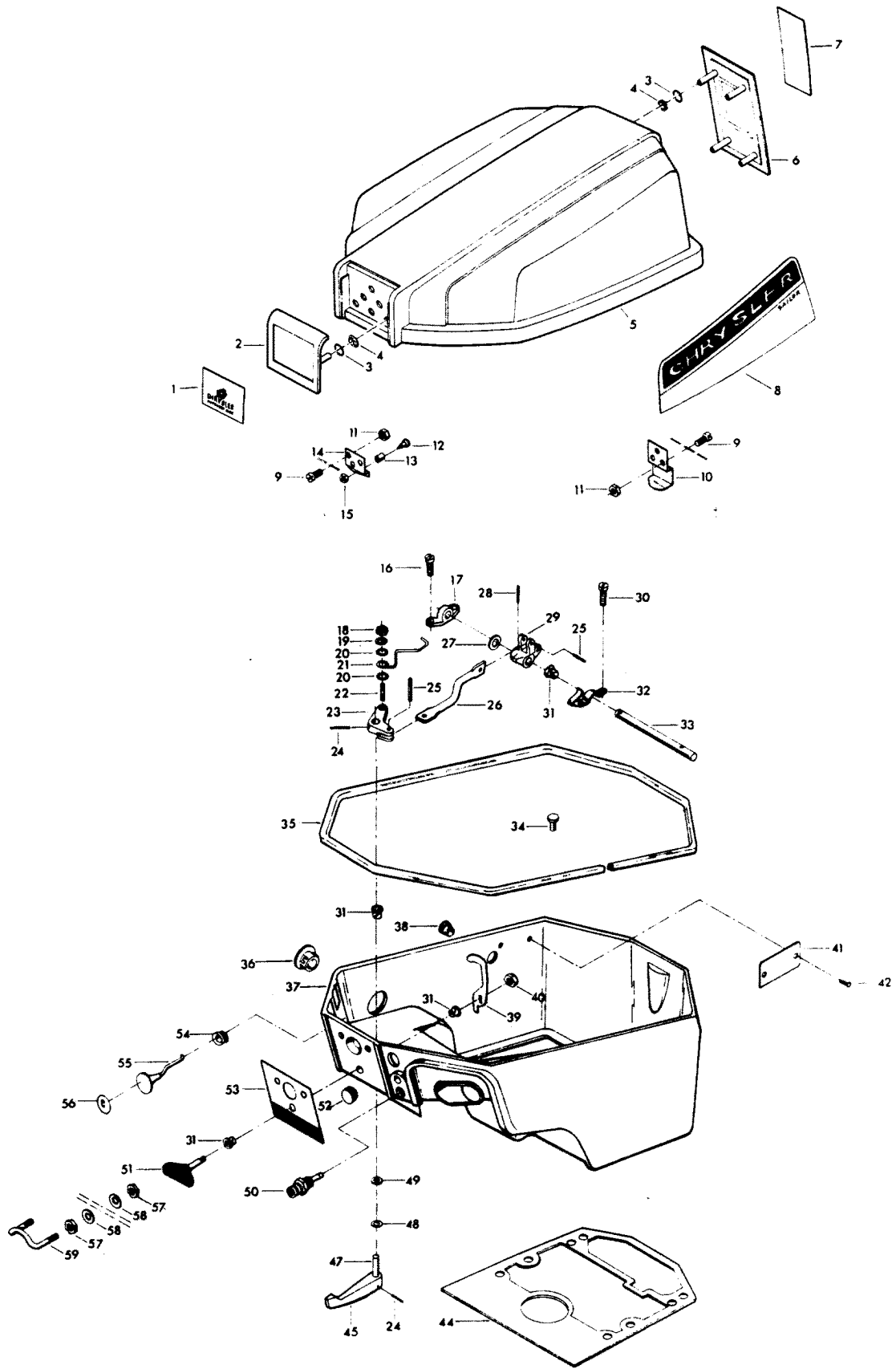
OPT = Optional

NS = Not Shown

THESE PARTS BOOKS/FICHE CARD ARE COPYRIGHTED AND MAY NOT BE DISTRIBUTED OR REPRODUCED IN ANY OTHER FORMAT BY ANYONE OTHER THAN MERCURY MARINE WITHOUT THE PRIOR WRITTEN CONSENT OF MERCURY MARINE.

THIS PAGE INTENTIONALLY LEFT BLANK

ENGINE COVER AND SUPPORT PLATE

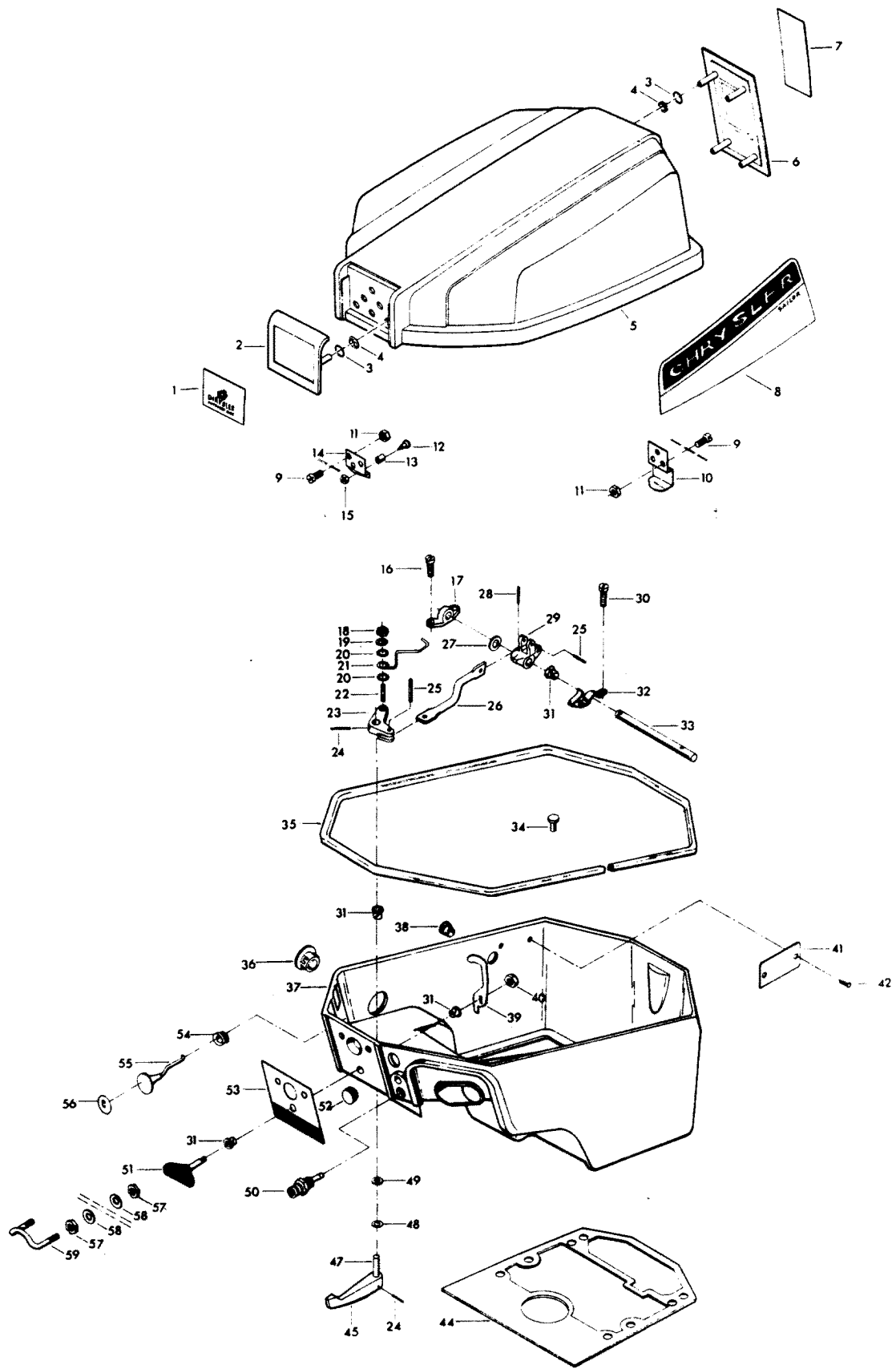


ENGINE COVER AND SUPPORT PLATE

REF. NO.	PART NO.	SYM.	QTY.	DESCRIPTION
1	FA487892		1	INSERT, PLATE FRONT - U.S.A.
-	FA487893		1	INSERT, PLATE FRONT - CANADA
2	F487711		1	PLATE, ENGINE COVER
3	F85735-1		7	SEAL
4	F1753		7	FASTENER
5	FS487712		1	ENGINE COVER W/BRACKET AND RETAINER
6	F487180		1	TRIM, ENGINE COVER, REAR
7	FA487528		1	INSERT, TRIM REAR
8	F516392		1	DECAL, PORT, "CHRYSLER"
-	F516396		1	DECAL, STARBOARD, "CHRYSLER"
9	F1475		6	FILL HD SCREW, 10 - 24 X 1/2
10	FA286480		1	RETAINER, ENGINE COVER W/SCREWS AND NUTS
11	F7011		6	ELASTIC STOP NUT, 10 - 24
12	F269316		1	ROLLER SHAFT
13	F92759		1	ROLLER
14	817758A1		1	BRACKET, COVER LATCH W/SCREWS, NUTS AND ROLLERS
15	F7011		1	STOP NUT, 10 - 24
16	F1574		2	FILL HD SCREW, 1/4 - 20 X 9/16
17	F318818		1	BEARING
18	F1804		1	STOP NUT
19	F8011		1	PLAIN WASHER
20	F184579		2	SEAL
21	F487263		1	LINK, STARTER INTERLOCK
22	F286134		1	STUD
23	F487619		1	LEVER, GEAR SHIFT SHAFT
24	F8540		2	SPRING PIN
25	F8537		2	SPRING PIN
26	F318611-1		1	GEAR SHIFT ROD
27	F154415		2	WASHER
28	F8547		1	SPRING PIN
29	F318876-1		1	GEAR SHIFT LEVER
30	F1068		2	FILL HD SCREW, 10 - 24 X 7/16
31	F307818		4	BEARING
32	F318895		1	SPRING, SHIFT DETENT
33	F318871		1	SHAFT, GEAR SHIFT LEVER
34	F1689		2	HEX CAP SCREW, 1/4 - 20 X 1/2
35	F318756		1	PACKING, SUPPORT PLATE
36	F388226-1		1	PLUG
37	A318038-4		1	SUPPORT PLATE W/EYELET AND PLUGS
38	F387226-1		1	PLUG
39	F286777		1	CAM, COVER LATCH
40	F2002		1	STOP NUT, 5/16 - 18
41	FA77395-5		1	PLATE, IDENTIFICATION W/SCREWS FOR U.S.A. MODELS

CONTINUED ON NEXT PAGE ➡

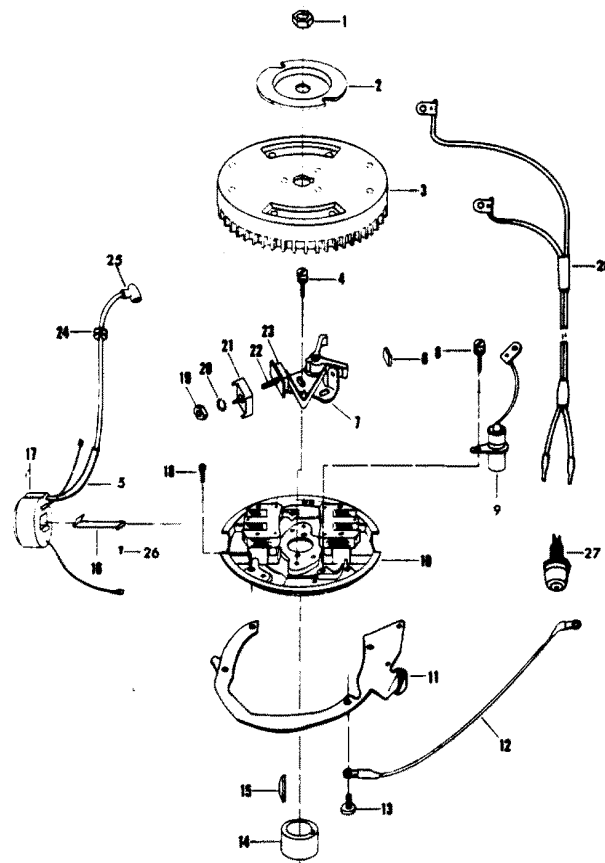
ENGINE COVER AND SUPPORT PLATE



ENGINE COVER AND SUPPORT PLATE

REF. NO.	PART NO.	SYM.	QTY.	DESCRIPTION
-	AC16395-7		1	PLATE, IDENTIFICATION W/SCREWS FOR CANADA MODELS
42	F1293		2	HD. DRIVE SCREW, 2 X 3/16
44	F318453-1		1	GASKET, LEG MOUNTING
45	F286614		1	GEAR SHIFT HANDLE
47	F487417		1	GEAR SHIFT HANDLE SHAFT
48	F8049		1	BOWED WASHER
49	F154415		1	WASHER
50	F197767-1		1	BUSHING, FUEL LINE
51	FA286469		1	KNOB, COVER LATCH
52	F343226-1		1	PLUG
53	FA516711		1	PLATE, FRONT
54	F318504		1	GROMMET, CHOKE ROD
55	FA318503		1	CHOKE ROD W/KNOB AND INSERT
56	F458677		1	INSERT, CHOKE KNOB
57	F1513		4	HEX M. SCREW NUT, 10 - 32
58	F2042		4	PLAIN WASHER
59	F516455		1	GUIDE, STARTER ROPE

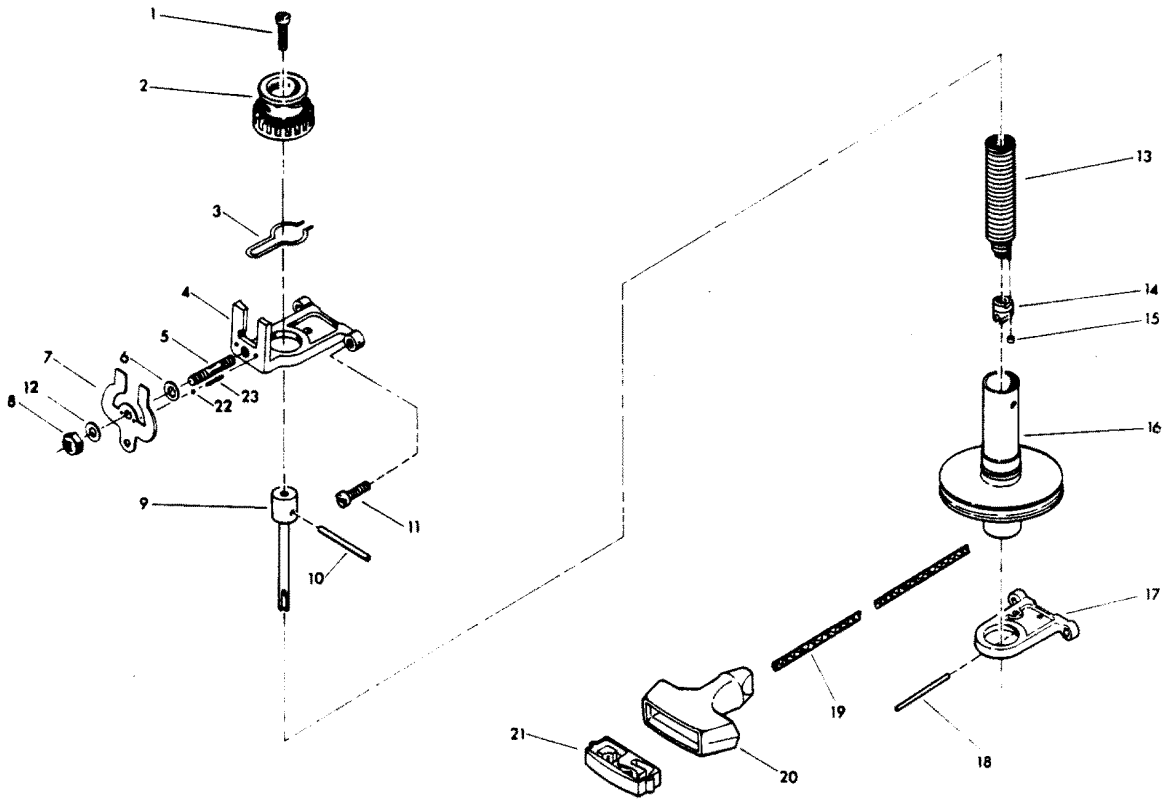
MAGNETO



MAGNETO

REF. NO.	PART NO.	SYM.	QTY.	DESCRIPTION
1	F1352		1	HEX NUT, 7/16 - 20
2	F901456-1		1	EMERGENCY STARTER COLLAR
3	F318097		1	FLYWHEEL
4	F12170		4	CONTACT SCREW W/LOCKWASHER
5	F12141		1	SLEEVE, HIGH TENSION LEAD
6	F12228		1	CAM WIPER FELT
7	F12153		2	BREAKER POINT SET
8	F12083		2	CONDENSER SCREW W/LOCKWASHER
9	F12181-1		2	CONDENSER
10	F12343		1	STATOR PLATE W/LAMINATIONS
11	F516192		1	THROTTLE CAM PLATE
12	F289664		1	WIRE, STATOR GROUND
13	F1075		4	FILL HD SCREW, 10 - 24 X 1/2
14	F59002		1	MAGNETO BREAKER CAM,
15	F458498		1	MAGNETO KEY
16	F12146		2	COIL WEDGE SPRING
17	FA12345		2	COIL W/LEAD WIRE
18	F1090		4	FILL HD SCREW W/LOCKWASHER, 10 - 24 X 9/16
19	F12127		2	STUD NUT
20	F8055		2	LOCKWASHER
21	F12128		2	INSULATOR, OUTSIDE
22	F12142		2	CONNECTION STUD
23	F12129		2	INSULATOR, INSIDE
24	F12088		4	GROMMET
25	FK750-1		2	SPARKIE W/SPRING
26	F12114		2	SCREW, COIL GROUND TERMINAL
27	F436449		4	SHORTING SWITCH
28	F12186		1	GROUND LEAD
-	F12091		1	LEAD WIRE MARKER, TOP (NOT SHOWN)

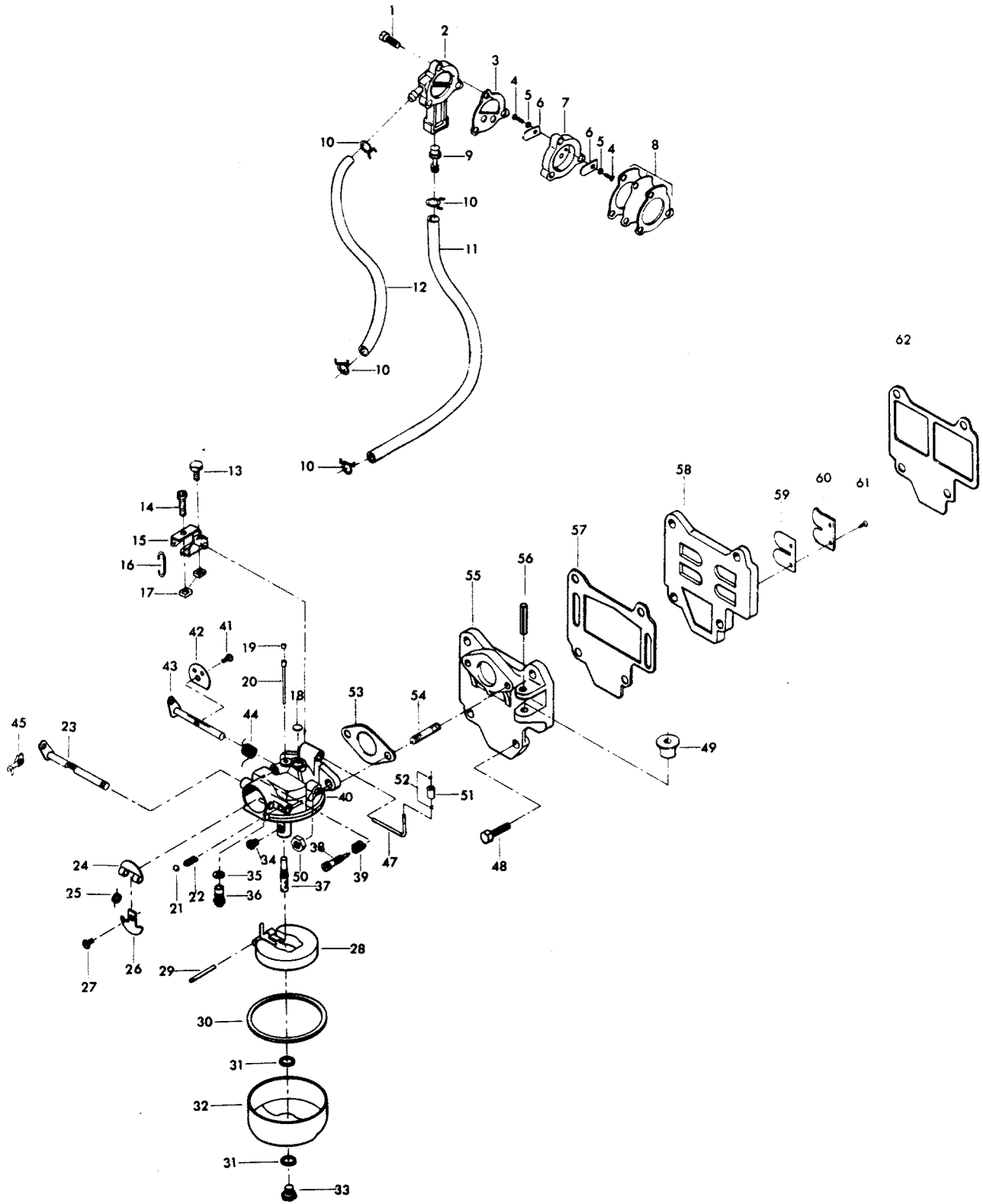
STARTER



STARTER

REF. NO.	PART NO.	SYM.	QTY.	DESCRIPTION
1	F1089		1	FILL HD SCREW, 10 - 24 X 9/16
2	F487674		1	GEAR, STARTER PINION
3	F487424-1		1	STARTER PINION SPRING
4	F487427-1		1	BRACKET, STARTER UPPER
5	F286134		1	STUD
6	F8011		1	PLAIN WASHER
7	F487781-3		1	STARTER INTERLOCK
8	F1804		1	STOP NUT
9	F286710		1	ARBOR, STARTER SPRING
10	F40425		1	STARTER, PINION PIN
11	F1107		4	FILL HD SCREW, 1/4 - 20 X 3/4
12	F2042		1	PLAIN WASHER
13	FA286970		1	STARTER REWIND SPRING W/END AND RETAINER
14	F286737-1		1	RETAINER, STARTER REWIND SPRING
15	F286930		1	END, STARTER SPRING
16	F2A459239		1	STARTER SPOOL W/SHAFT
17	FK317427		1	BRACKET, STARTER LOWER W/SPRING PIN
18	F1875		1	SPRING PIN, STARTER BRACKET
19	F409232		1	STARTER ROPE
20	F286132		1	HANDLE, STARTER ROPE
21	817938A1		1	RETAINER, STARTER ROPE HANDLE
22	F487727		2	BALL, INTERLOCK DETENT
23	F487895		2	SPRING INTERLOCK DETENT

FUEL SYSTEM

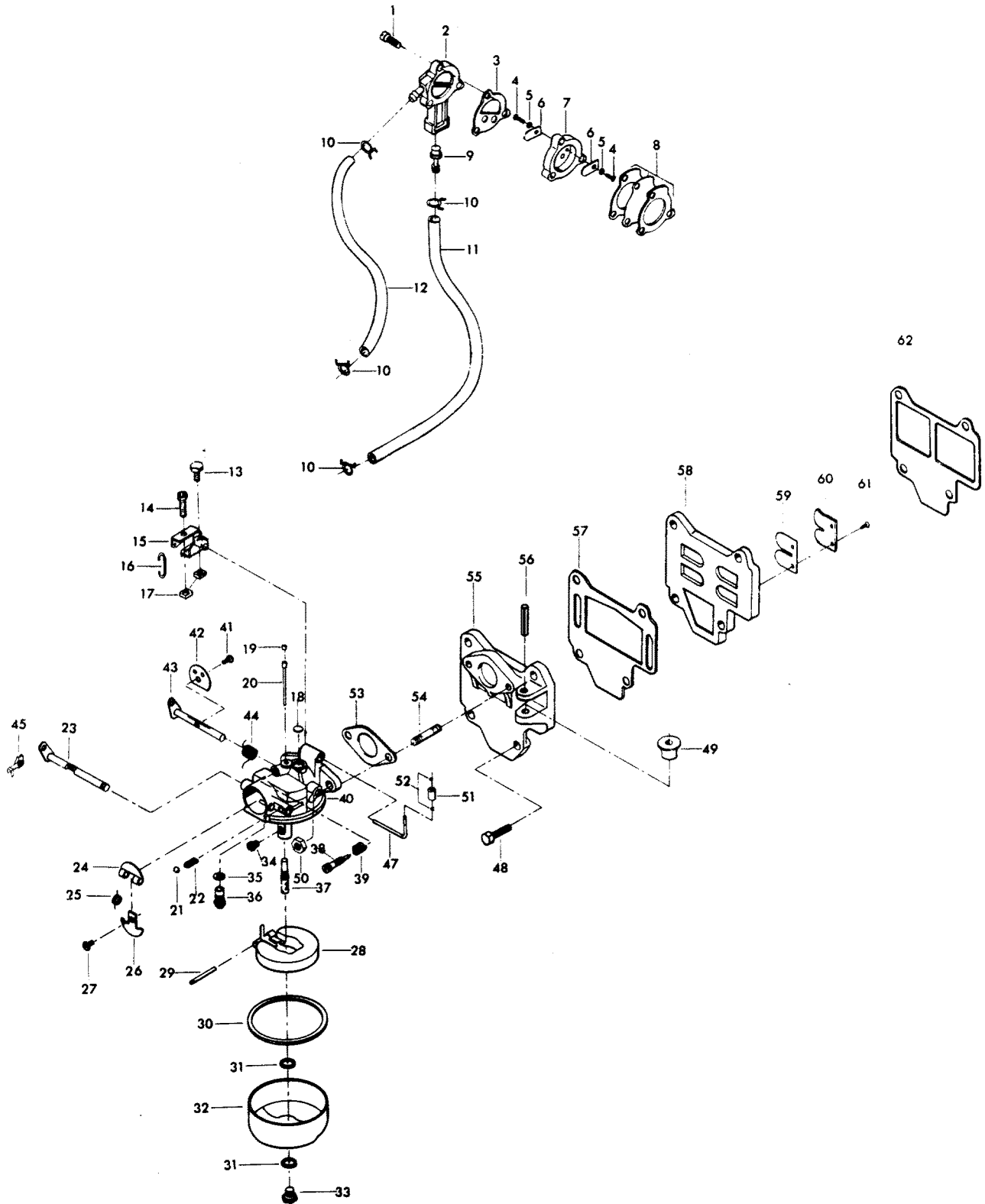


FUEL SYSTEM

REF. NO.	PART NO.	SYM.	QTY.	DESCRIPTION
1	F1069		3	FILL HD SCREW, 10 - 24 X 1 1/16
2	F901746-1		1	FUEL PUMP COVER
3	F24748-2		1	GASKET, FUEL PUMP COVER
4	F1286		2	PAN HD SCREW, 4 - 40 X 3/16
5	F8003		2	PLAIN WASHER
6	F18160-1		2	REED, FUEL PUMP
7	FA24757-3		1	FUEL PUMP REED PLATE W/REEDS AND SCREWS
8	27-818043A1		1	FUEL PUMP DIAPHRAGM W/GASKETS
9	F901811		1	FUEL PUMP FILTER
10	F2706772		4	HOSE CLAMP
11	F516754		1	FUEL LINE
12	FA24754-1		1	FUEL LINE W/CLAMPS
13	F1912		1	HEX HD SCREW, 10 - 24 X 1/2
14	F1834		1	FILL HD SCREW, 10 - 24 X 7/8
15	817754A1		1	ARM, CARBURETOR ADJUSTING
16	F66193		1	THROTTLE LINK
17	F1365		2	SQUARE NUT, 10 - 24
18	FO2531		1	BODY CHANNEL WELCH PLUG
19	FO10588		1	BODY CHANNEL CUP PLUG
20	FO16120		1	BYPASS TUBE
21	FO4784		1	CHOKE FRICTION BALL
22	FO8805		1	CHOKE FRICTION SPRING
23	FO17362		1	CHOKE SHAFT AND LEVER
24	FO15368		1	CHOKE RELIEF VALVE
25	FO15783		1	CHOKE RELIEF VALVE SPRING
26	FO15367		1	CHOKE SHUTTER
27	FO10280		1	CHOKE SHUTTER RETAINING SCREW AND LOCKWASHER
28	FO13554		1	FLOAT
29	FO13944		1	FLOAT LEVER PIN
30	FO15623		1	FUEL BOWL GASKET
31	FO2510		2	FUEL BOWL RETAINING SCREW GASKET
32	FO15366		1	FUEL BOWL
33	FO13945		1	FUEL BOWL RETAINING SCREW
34	FO13630		1	MAIN FUEL JET (0.33)
35	FO10165		1	INLET SEAT GASKET
36	FO10790		1	INLET NEEDLE, SEAT AND GASKET
37	FO15722		1	MAIN NOZZLE
38	FO15520		1	IDLE MIXTURE SCREW
39	FO11103		1	IDLE MIXTURE SCREW SPRING
40	F429061-2		1	CARBURETOR COMPLETE (CO6C)
41	FO8942		1	THROTTLE SHUTTER RETAINING SCREW AND LOCKWASHER
42	FO8502		1	THROTTLE SHUTTER
43	FO15718		1	THROTTLE SHAFT AND LEVER

CONTINUED ON NEXT PAGE ➡

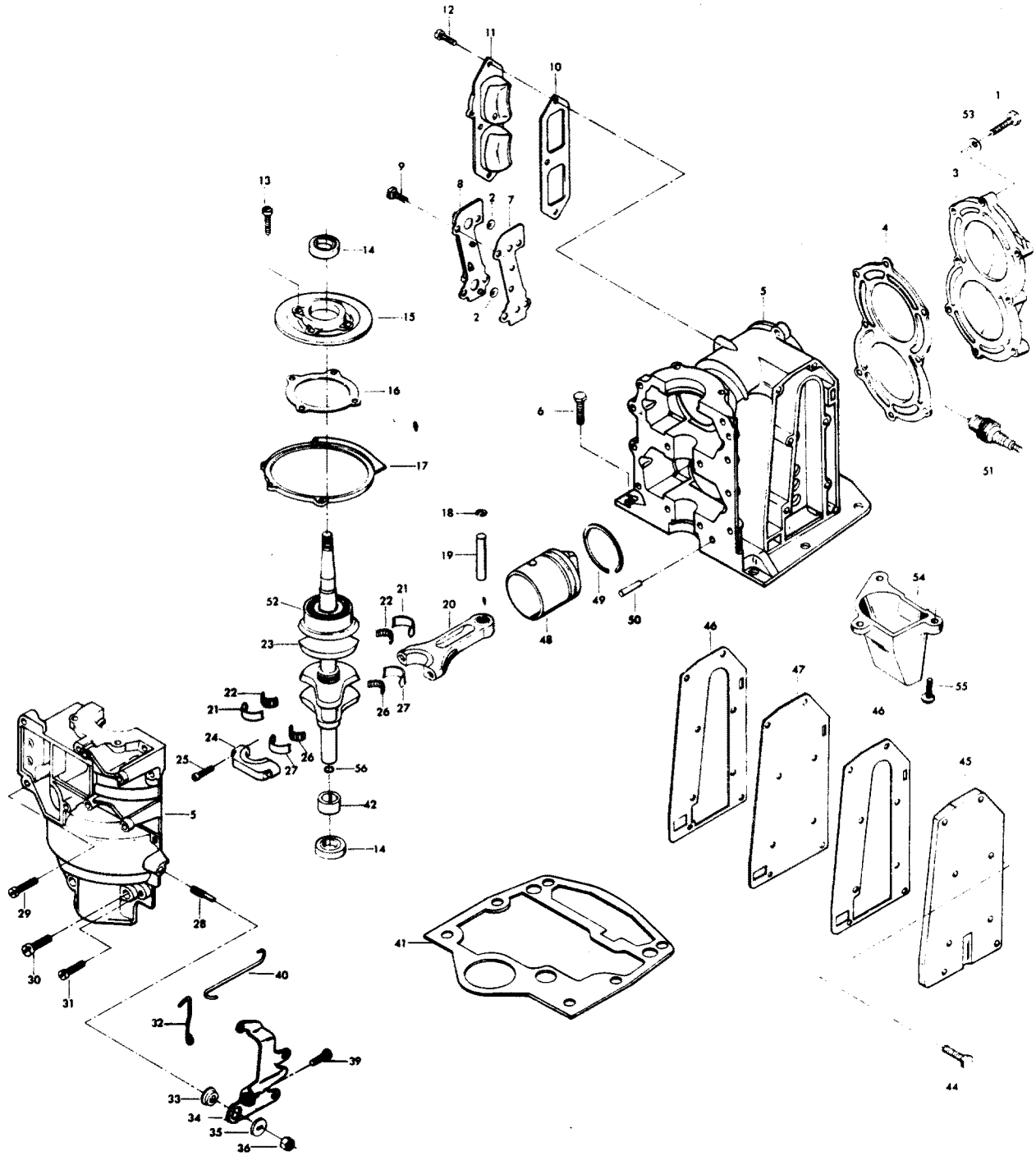
FUEL SYSTEM



FUEL SYSTEM

REF. NO.	PART NO.	SYM.	QTY.	DESCRIPTION
44	FO15526		1	THROTTLE SHAFT RETURN SPRING
45	F341384		1	RETAINER, CHOKE ROD
47	F318316		1	THROTTLE CAM FOLLOWER
48	F1914		4	HEX HD SCREW, 1/4 - 20 X 3/4
49	F487435		1	PULLEY, STARTER ROPE
50	F1490		2	HEX NUT, 1/4 - 20
51	318318		1	ROLLER, THROTTLE CAM FOLLOWER
52	F78410		1	RETAINER
53	F18906		1	CARBURETOR GASKET
54	F2788004		2	STUD, CARBURETOR
55	2A341167		1	MANIFOLD W/STUDS, PULLEY AND SPRING PIN
56	F1876		1	SPRING PIN
57	F318168		1	GASKET, MANIFOLD
58	FA387158		1	REED PLATE W/REEDS, STOPS AND SCREWS
59	F31160-1		1	REED
60	F424161		2	REED STOP
61	F1298		4	ROUND HD SCREW W/LOCKWASHER, 6 - 32 X 1/4
62	F318159		1	GASKET, REED PLATE
-	F10006		1	GASKET SET
-	F10008		1	REPAIR PARTS KIT (NOT SHOWN) ASTERISK (*) INDICATES CONTENTS OF REPAIR PARTS KIT

POWER HEAD

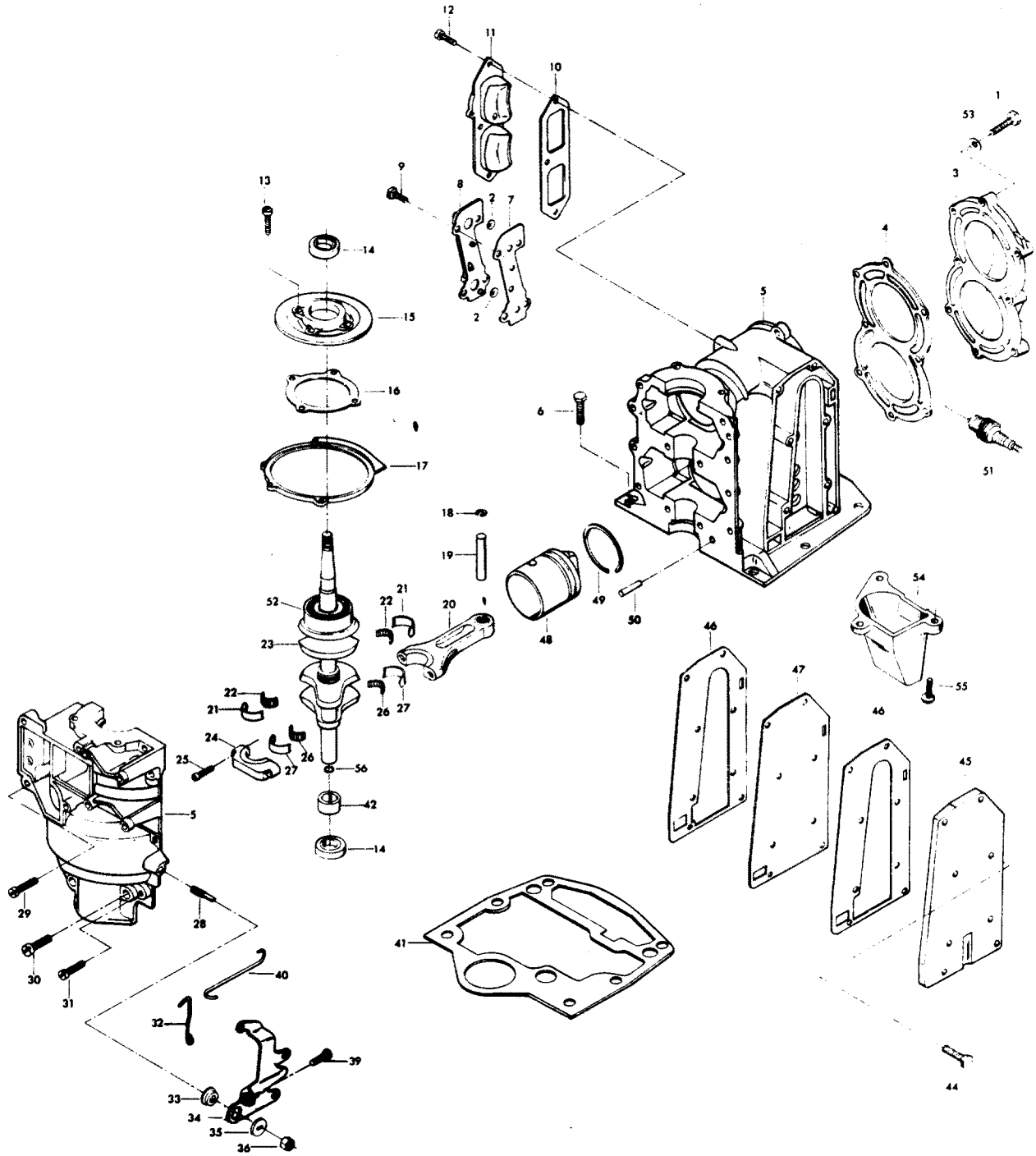


POWER HEAD

REF. NO.	PART NO.	SYM.	QTY.	DESCRIPTION
1	F901938-1		8	SCREW, CYLINDER HEAD
2	F429811		2	SCREENS, CYLINDER DRAIN
3	F318518-4		1	CYLINDER HEAD
4	F318529		1	CYLINDER HEAD GASKET
5	A487010-1		1	CYLNR W/CRANKCASE COVER, DOWEL PINS, SCREWS, STUD & CYLNR
6	F1823		6	HEX HD CAP SCREW, 5/16 - 18 X 1
7	F429472		1	GASKET, CYLINDER DRAIN COVER
8	FA429471		1	CYLINDER DRAIN COVER W/CHECK
9	F1922		4	HEX HD SCREW, 1/4 - 20 X 5/8
10	F318223-1		1	GASKET, TRANSFER PORT COVER
11	F318222-1		1	TRANSFER PORT COVER
12	F1502		4	HEX CAP SCREW, 1/4 - 20 X 5/8
13	F1111		4	FILL HD SCREW, 1/4 - 20 X 1
14	F141118		2	SEAL, CRANKSHAFT
15	FA318144		1	CAGE, CRANKSHAFT BEARING W/SEAL (ITEM 14)
16	F286277		1	GASKET, CRANKSHAFT BEARING CAGE
17	F73082		1	MAGNETO STATOR RING
18	F31410		4	RETAINING RING, PISTON PIN
19	F7017		2	PISTON PIN
20	F2A430016		2	CONNECTING ROD W/CAP AND SCREWS
21	FA286655		1	MAIN BEARING LINER SET (2 PER SET)
22	F286571		1	CENTER MAIN BEARING ROLLERS (26 PER SET)
23	A318018-2		1	CRANKSHAFT W/UPPER MAIN BEARING
25	F286634-1		4	CONNECTING ROD SCREW
26	F318228		2	CONNECTING ROD, ROLLER SET (24 PER SET)
27	A318229-1		2	CONNECTING ROD LINER (2 PER SET)
28	F286440		1	STUD, MAGNETO CONTROL LEVER
29	F1111		2	FILL HD SCREW, 1/4 - 20 X 1
30	F1335		4	FILL HD SCREW, 5/16 - 18 X 1 1/4
31	F1107		6	FILL HD SCREW, 1/4 - 20 X 3/4
32	F387445-1		1	LINK, MAGNETO CONTROL ROD
33	F183813		1	BEARING, MAGNETO CONTROL LEVER
34	FA387081		1	LEVER, MAGNETO CONTROL
35	F286282		1	WASHER
36	F1803		0	1 STOP NUT, 5/16 - 24
39	F1052		1	FILL HD SCREW, 1/4 - 20 X 1
40	F318509-3		1	LINK, THROTTLE CAM
41	F318279-1		1	GASKET, CYLINDER MOUNTING
42	F343014		1	BEARING, CRANKSHAFT LOWER MAIN
44	F1915		8	HEX HD SCREW, 1/4 - 20 X 7/8
45	F318152		1	COVER, EXHAUST
46	F318154		2	GASKET, EXHAUST COVER

CONTINUED ON NEXT PAGE ➡

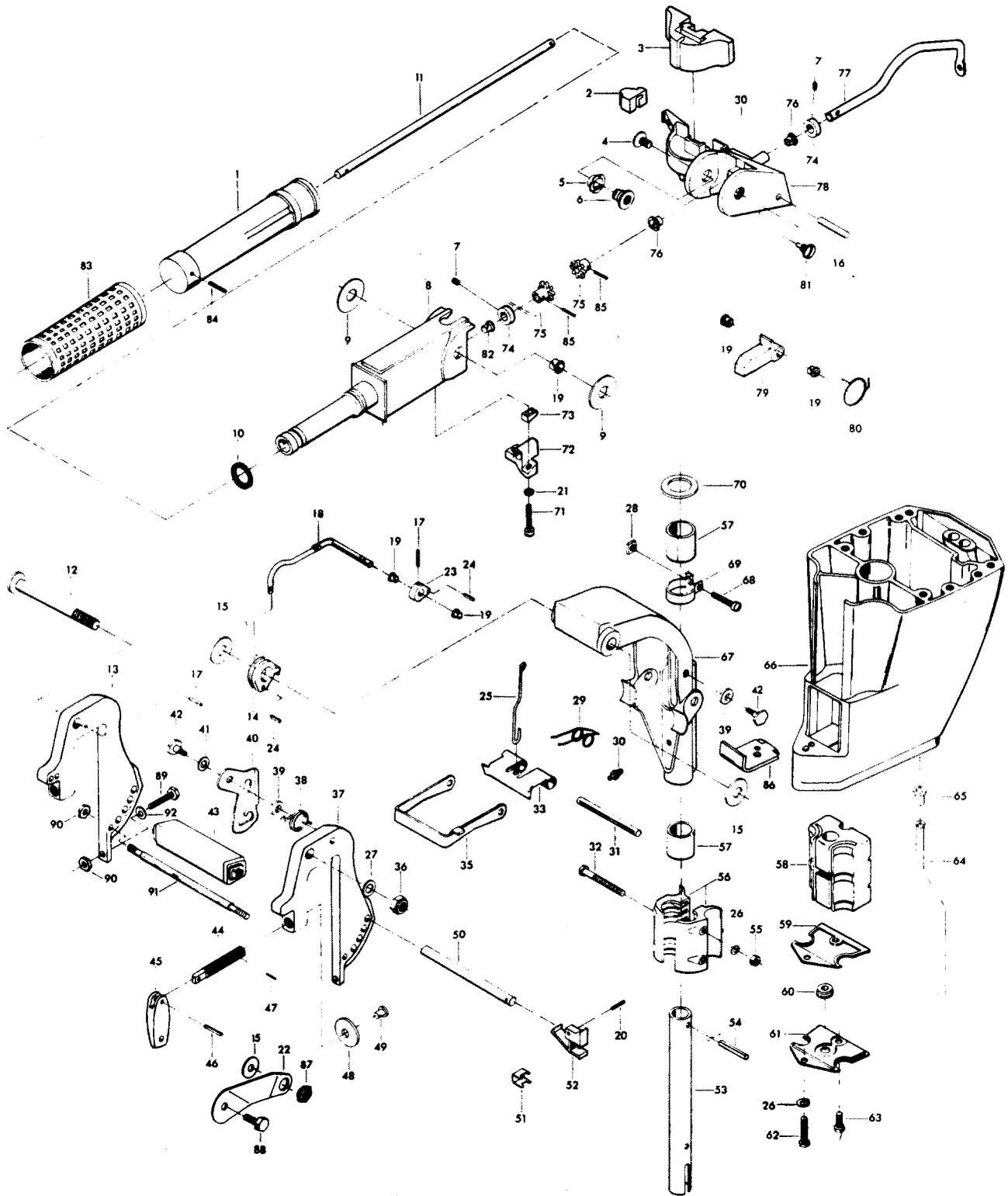
POWER HEAD



POWER HEAD

REF. NO.	PART NO.	SYM.	QTY.	DESCRIPTION
47	F318151		1	PLATE, EXHAUST
48	FA429015		2	PISTON
49	FA317260		2	PISTON RING SET (3 PER SET)
50	F8559		2	DOWEL PIN
51	FS174227		2	SPARK PLUG (L-4-J)
-	FC310227		2	SPARK PLUG (QL-4-J) FOR MODEL 60BA
52	A318028-1		1	BEARING, CRANKSHAFT UPPER MAIN
53	F8025		8	PLAIN WASHER
54	F487660-1		1	EXHAUST TUBE
55	F2040		3	HEX HD SCREW, 1/4 - 20 X 5/8
56	F468342		1	SEAL
-	FG1004-1		1	GASKET SET (NOT SHOWN)
-	C487010-1		1	SHORT BLOCK (NOT SHOWN) INCLUDES ALL ITEMS MARKED WITH AN ASTERISK (*).

MOTOR LEG

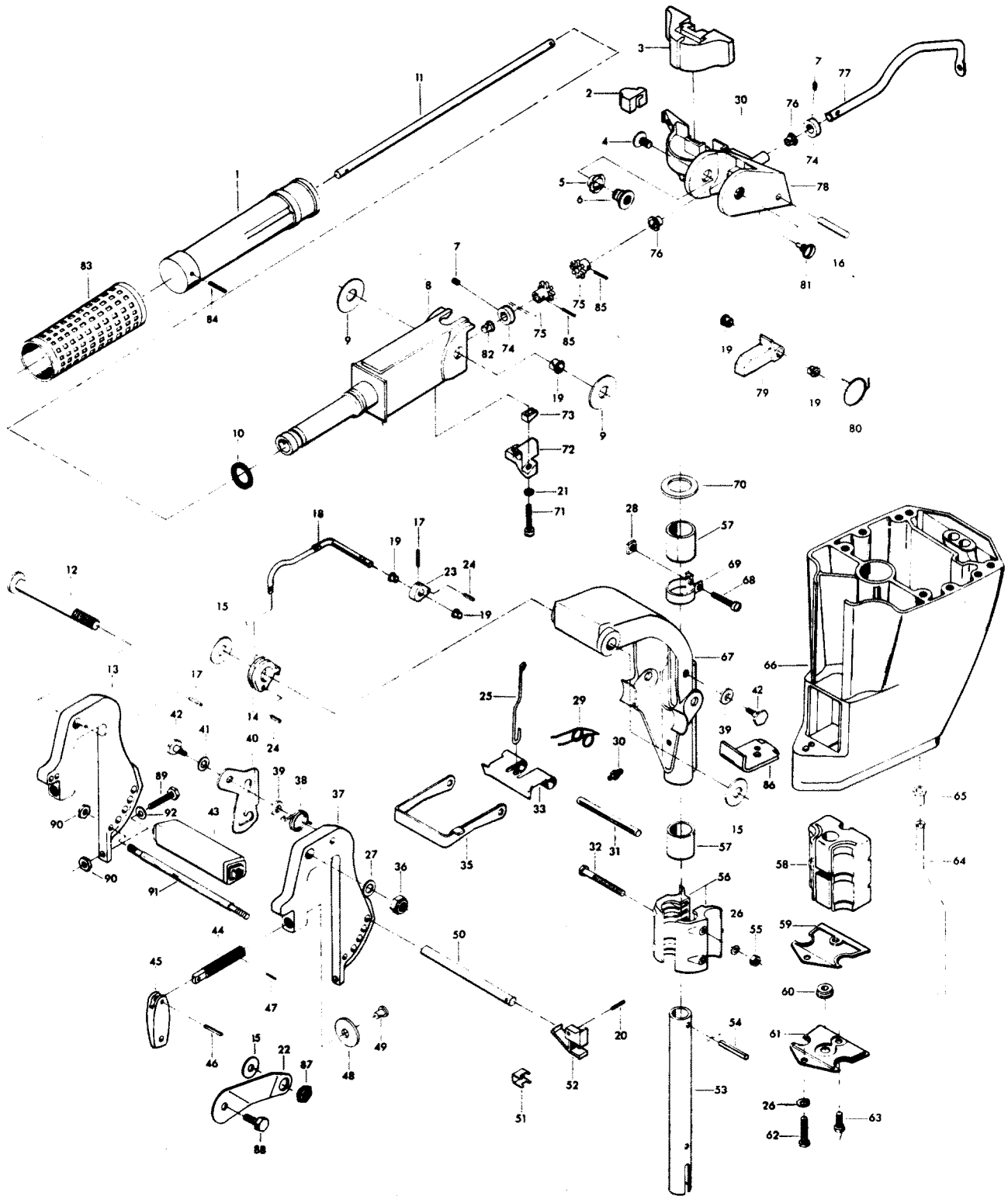


MOTOR LEG

REF. NO.	PART NO.	SYM.	QTY.	DESCRIPTION
1	FA456137		1	GRIP, STEERING HANDLE W/SLEEVE
2	F318539		1	BUMPER
3	F318347		1	SHOCK MOUNT UPPER
4	F1799		1	TRUSS HD SCREW, 5/16 - 18 X 5/8
5	F286818		1	BEARING, STEERING HANDLE INSERT
6	F286224		1	INSERT, STEERING HANDLE
7	F1859		2	SOCKET HD SET SCREW, 1/4 - 28 X 3/16
8	F286079-1		1	STEERING HANDLE
9	F286220		2	WASHER
10	F53795-1		1	STEERING HANDLE GRIP DAMPENER
11	F429688		1	SHAFT, STEERING HANDLE
12	F318037		1	STERN BRACKET PIVOT BOLT
13	FK517032		1	STERN BRACKET STARBOARD W/CLAMP SCREW, AND FOOT
14	F286827		1	LEVER, REVERSE LOCK RELEASE
15	F286286-1		3	WASHER, STERN BRACKET
16	F1807		1	GROOVE PIN
17	F8538		2	SPRING PIN
18	FA387742		1	LEVER REVERSE LOCK INTERMEDIATE
19	F197813		5	BEARING
20	F8540		1	SPRING PIN
21	F8058		2	INTERNAL TOOTH LOCKWASHER
22	F516078		1	BRACKET, LOCK STEERING
23	F286364		1	LEVER, REVERSE LOCK
24	F1794		2	SPRING PIN
25	FA341510		1	LINK, REVERSE LOCK LEVER
26	F8083		3	SPRING LOCKWASHER
27	F8039		1	PLAIN WASHER
28	F1608		1	NUT, 1/4 - 20
29	F286300		1	SPRING, REVERSE LOCK
30	F213274		3	GREASE FITTING
31	F1839		1	GROOVE PIN
32	FA1844		2	HEX BOLT, 1/4 - 20 X 2 3/8
33	F516349		1	REVERSE LOCK
35	F318433		1	BRACKET SHALLOW WATER DRIVE
36	F7005		1	STOP NUT, 3/8 - 16
37	FK517532		1	STERN BRACKET PORT W/CLAMP SCREW, AND FOOT
38	F286544-1		1	SPRING, TILT LOCK
39	F286451		2	SPACER, TILT LOCK
40	F429541		1	TILT LOCK
41	F1666		1	BOWED SPRING WASHER
42	F286422-1		2	TILT LOCK PIVOT
43	F318647		1	CARRYING HANDLE

CONTINUED ON NEXT PAGE ➡

MOTOR LEG

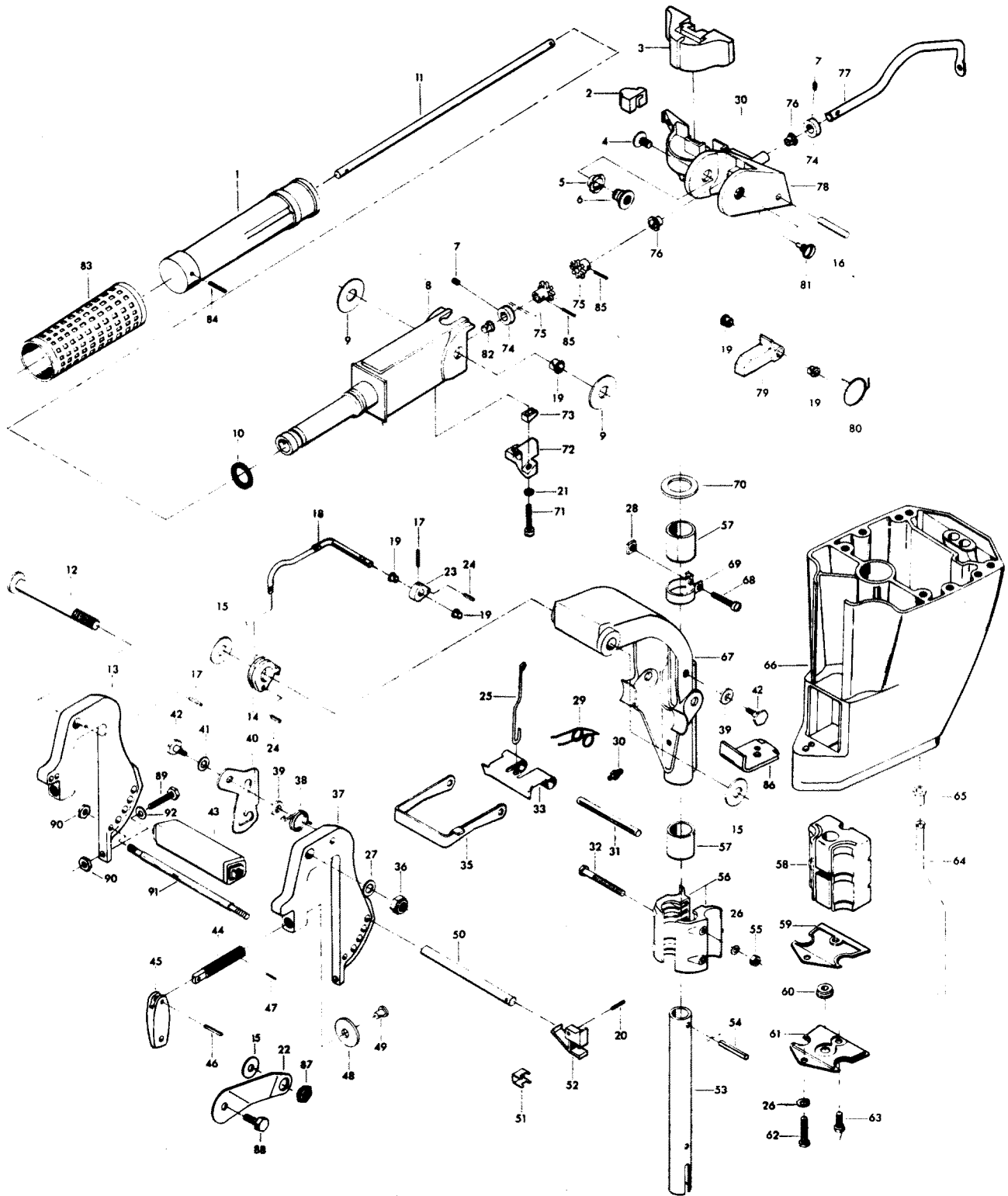


MOTOR LEG

REF. NO.	PART NO.	SYM.	QTY.	DESCRIPTION
44	817761A2		2	CLAMP SCREW W/ITEMS 47, 48 & 49 ORIGINAL FORCE P/N A298073-1
45	F424075		2	HANDLE, CLAMP SCREW
46	F8554		2	SPRING PIN
47	F8537		2	SPRING PIN
48	F24074		2	CLAMP SCREW FOOT
49	F66480		2	STUD CLAMP SCREW
50	FA318113		1	LOCK BAR W/HANDLE AND SPRING
51	F286461		1	SPRING, LOCK BAR HANDLE
52	F286114		1	LOCK BAR HANDLE
53	F318019		1	KING PIN
54	F1805		1	SPRING PIN
55	F1341		2	HEX NUT, 1/4 - 20
56	F318956		2	BRACKET SHOCK MOUNT LOWER
57	F286169		2	BEARING, SWIVEL BRACKET
58	F318346		1	SHOCK MOUNT LOWER
59	F318967		1	GASKET, SHOCK MOUNT PLATE
60	F318861		1	SEAL, SHOCK MOUNT PLATE
61	F318963		1	PLATE, SHOCK MOUNT LOWER
62	F1746		1	HEX CAP SCREW, 1/4 - 28 X 5/8
63	F1689		1	HEX CAP SCREW, 1/4 - 20 X 1/2
64	F409244		1	WATER LINE
65	F318342		1	SEAL, INLET WATER LINE UPPER
66	F516133		1	MOTOR LEG
67	A318072-3		1	SWIVEL BRACKET W/ITEMS 30 AND 57
68	F1820		2	FILL HD SCREW, 1/4 - 20 X 1 3/8
69	F286573-1		1	STEERING FRICTION LAMP
70	F286011		1	WASHER, SWIVEL BRACKET
71	F1829		1	FILL HD SCREW, 10 - 24 X 7/8
72	F487816		1	BEARING, STEERING HANDLE
73	F341693		1	WEDGE, STEERING HANDLE
74	FA343178		2	RETAINER W/SET SCREW
75	43-818009--1		2	STEERING HANDLE GEAR
76	F307818		2	BEARING
77	F429838		1	SHAFT, MAGNETO CONTROL
78	817779A1		1	STEERING ARM W/ITEMS 2 AND 30 ORIGINAL FORCE P/N A341582-1
79	F286490		1	STOP, STEERING HANDLE
80	F286868		1	SPRING, STEERING HANDLE STOP
81	F286080		1	SCREW, STEERING HANDLE PIVOT
82	F85610		1	BEARING
83	F458695		1	SLEEVE
84	F8548		1	SPRING PIN
85	F1978		2	SPRING PIN

CONTINUED ON NEXT PAGE ➡

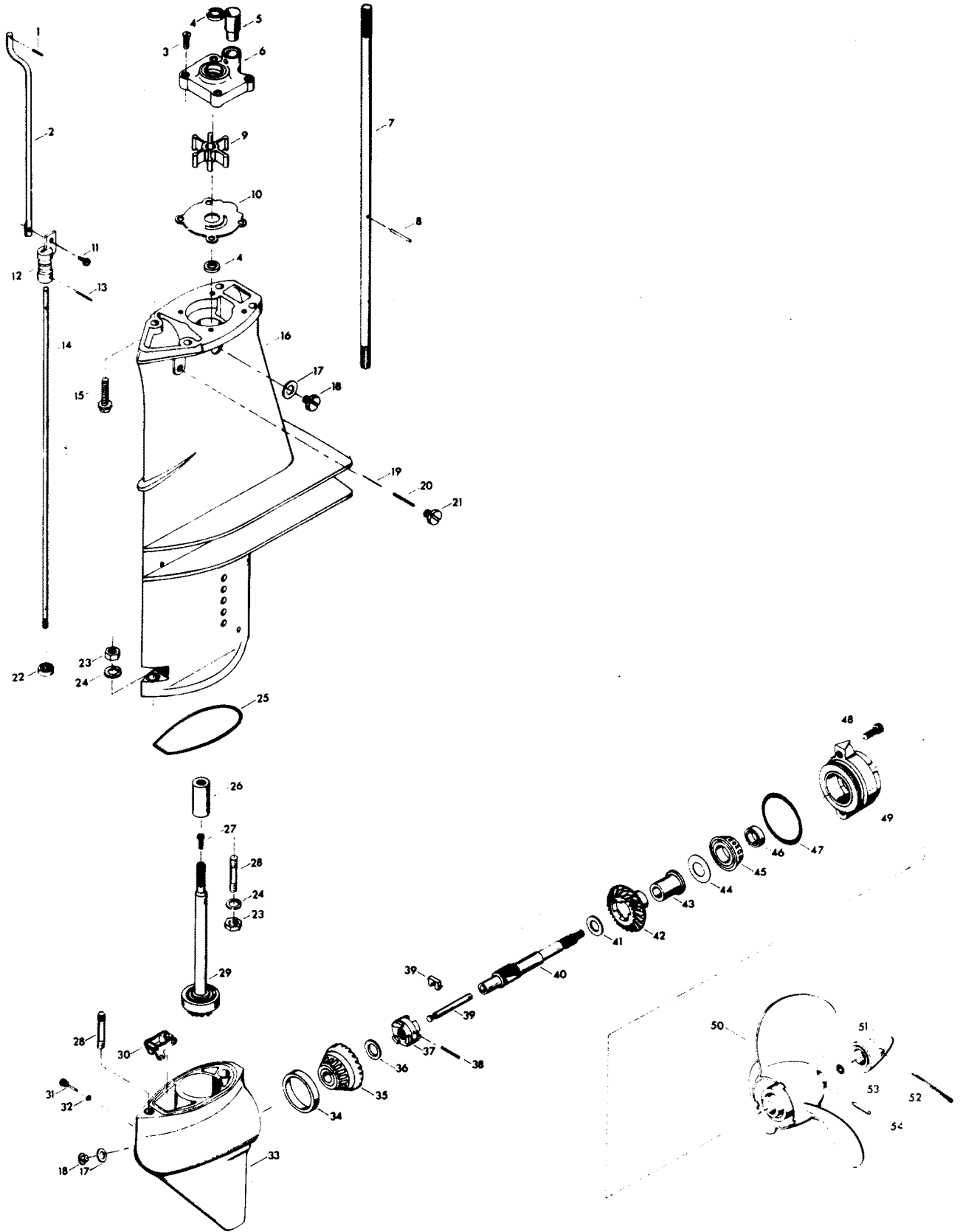
MOTOR LEG



MOTOR LEG

REF. NO.	PART NO.	SYM.	QTY.	DESCRIPTION
86	F516835		1	STRAP, REVERSE THRUST
87	F516697		1	NUT, STEERING LOCK BRACKET
88	F516552		1	SCREW, STEERING LOCK BRACKET
89	F1887		2	HEX SLOTTED HD SCREW, 1/4 - 20 X 3 3/16
90	F7024		4	LOCK NUT
91	F516273		1	TIE BAR
92	F2012		2	PLAIN WASHER
-	F286894-3		1	STEERING HANDLE INDICATOR (NOT SHOWN)
-	F286585-1		1	DECAL, TILT RELEASE (NOT SHOWN)

GEAR HOUSING

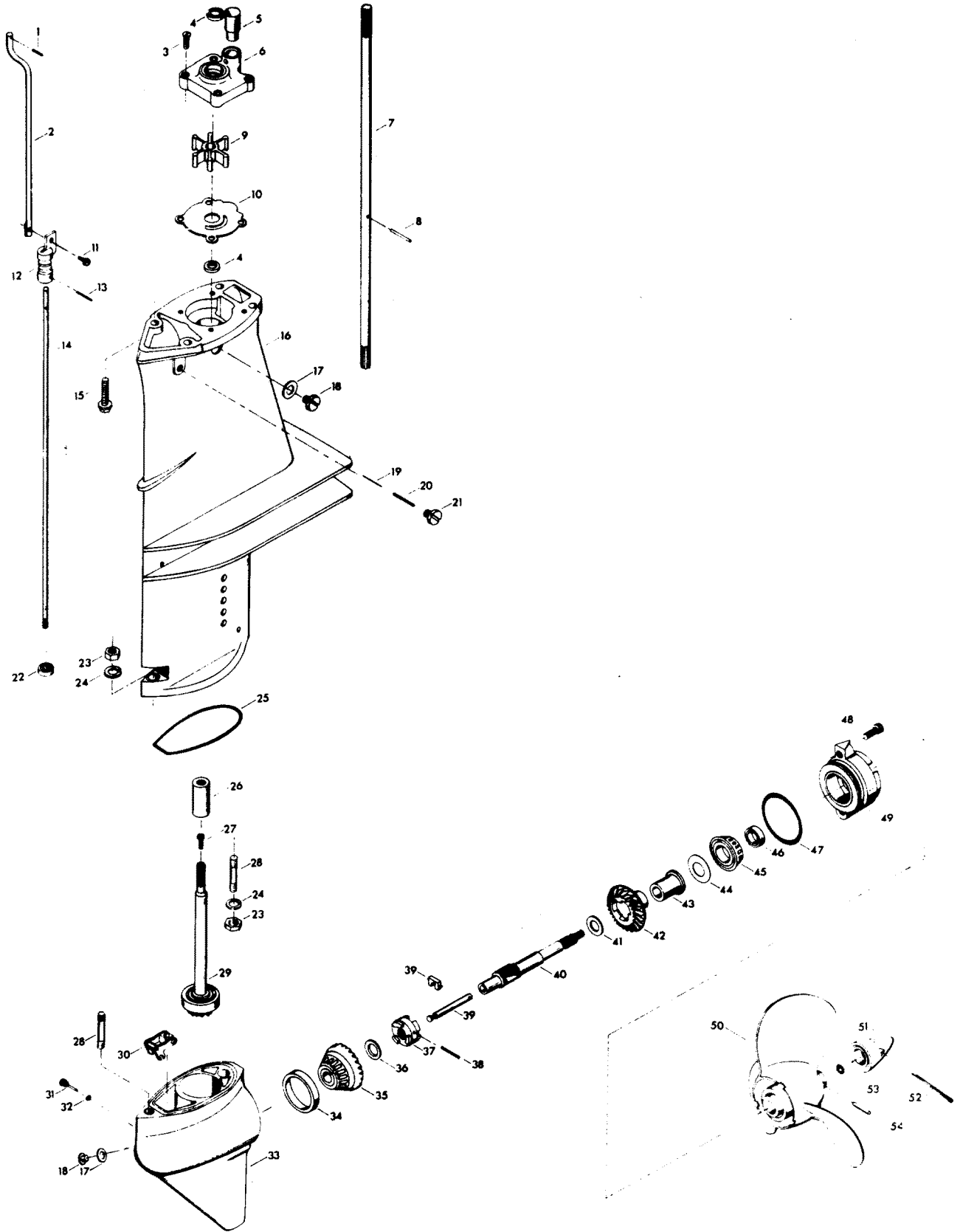


GEAR HOUSING

REF. NO.	PART NO.	SYM.	QTY.	DESCRIPTION
1	F1850		1	SPRING PIN
2	F318615		1	GEAR SHIFT ROD UPPER
3	F1150		4	FLAT HD SCREW, 1/4 - 20 X 1 1/8
4	F318307		2	SEAL
5	FA510914		1	SEAL, INLET WATER LINE
6	46-818010A1		1	WATER PUMP BODY W/WATER PUMP SEAL
7	F516128		1	DRIVESHAFT
8	F50563		1	WATER PUMP IMPELLER DRIVE PIN
9	F429065		1	WATER PUMP IMPELLER
10	F341562		1	WATER PUMP BACK PLATE
11	F1976		1	SOCKET HD SCREW W/WASHER, 10 - 24 X 1/2
12	F516704-1		1	COUPLING, SHIFT ROD
13	F8540		1	SPRING PIN
14	F516705		1	GEAR SHIFT ROD LOWER
15	F430732		4	HEX HD SCREW, 5/16 - 18 X 1 1/4
16	1600-817817A3		1	GEAR HOUSING UPPER W/BEARING, SEALS, WASHER AND PLUG
17	F8077		2	NYLTITE WASHER
18	F50109		2	GEAR HOUSING PLUG
19	F516584		1	GUIDE, SPRING DETENT
20	F516895		1	SPRING, SHIFT DETENT
21	F516885		1	PLUG, SPRING HOLDING
22	F338618-1		1	SEAL, SHIFT ROD LOWER
23	F1346		2	HEX NUT, S.S., 3/8 - 16
24	F8065		2	LOCKWASHER
25	F435555		1	SEAL, GEAR HOUSING LOWER
26	F516125		1	COUPLING, DRIVESHAFT
27	F1035		1	FILL HD SCREW, 1/4 - 20 X 5/8
28	F40008		2	STUD
29	F2A516266		1	PINION SHAFT W/BEARING
30	817796A2		1	GEAR SHIFT ARM
31	F90891		1	GEAR SHIFT ARM PIN
32	F8001		1	NYLTITE WASHER
33	FA516054		1	GEAR HOUSING LOWER W/PLUG, WASHER AND BEARING CUP
34	F458250		1	BEARING CUP
35	F2A516023		1	BEVEL GEAR FORWARD W/BEARING
37	F99521-1		1	CLUTCH
38	F2097		1	SPRING PIN
39	FA90871-2		1	GEAR SHIFT ARM PIN W/YOKE
40	FA474098		1	PROPELLER SHAFT
41	F40717		1	THRUST WASHER BEVEL GEAR
42	F516662		1	GEAR, BEVEL REAR
43	F474143		1	BEARING, BEVEL GEAR REAR

CONTINUED ON NEXT PAGE ➡

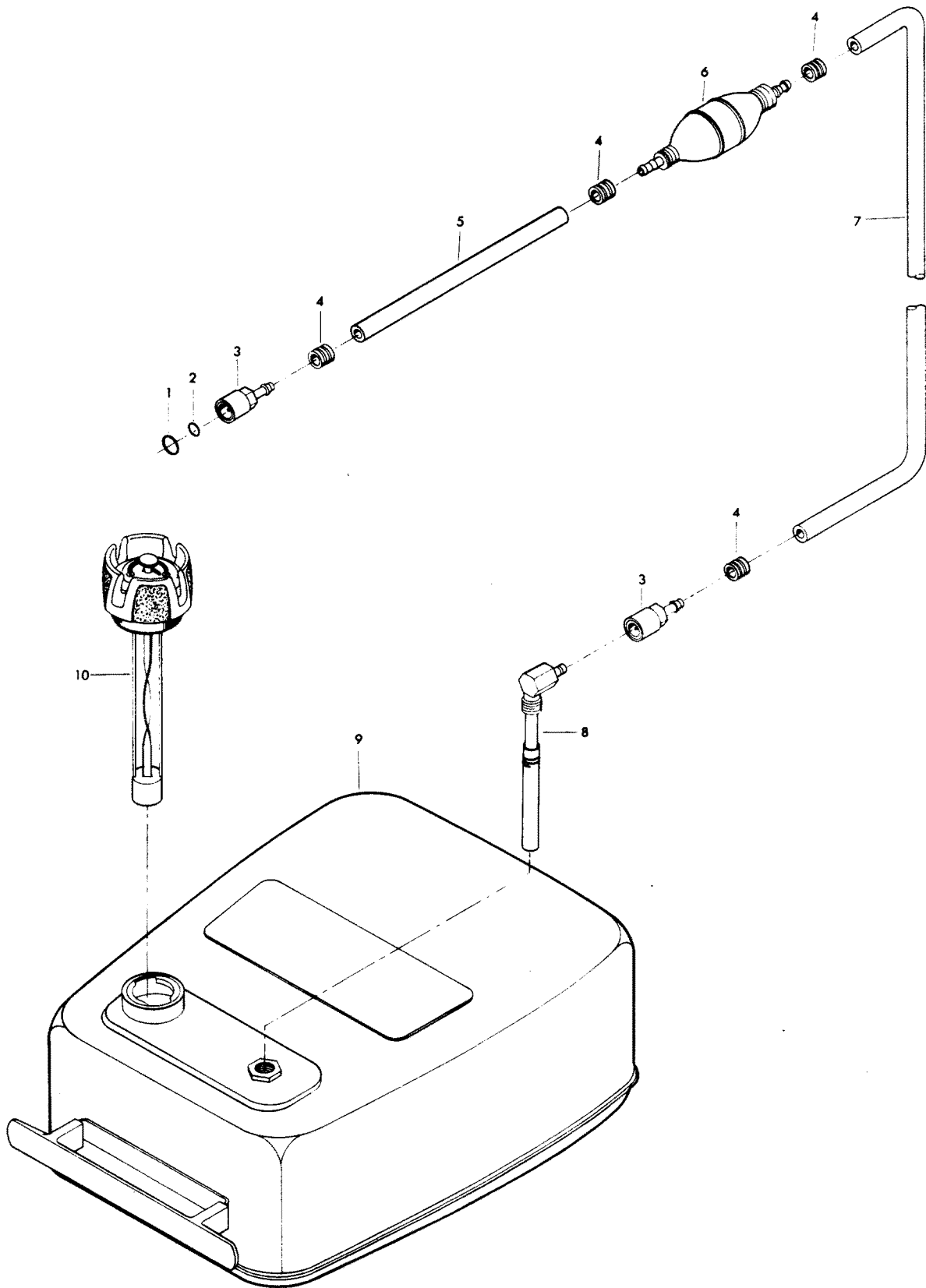
GEAR HOUSING



GEAR HOUSING

REF. NO.	PART NO.	SYM.	QTY.	DESCRIPTION
45	F474225		1	BEARING, PROPELLER SHAFT REVERSE THRUST
46	F141118		1	SEAL, PROPELLER SHAFT
47	F141305		1	SEAL, PROPELLER SHAFT BEARING CAGE
48	F1994		2	HEX SOCKET HD CAP SCREW, 5/16 - 18 X 1
49	F2A474298		1	PROPELLER SHAFT BEARING CAGE W/SEALS AND BEARING CUP
50	FP296		1	PROPELLER
51	FA94094-2		1	PROPELLER NUT W/SEAL & COTTER PIN
52	F1027		1	COTTER PIN
53	F40342		1	SEAL, PROPELLER NUT
54	FK247		1	PROPELLER PIN (PACK OF 6 W/COTTER PIN)
-	FC516054		0	GEAR HOUSING COMPLETE (NOT SHOWN) INCLUDES ALL ITEMS MARKED WITH AN ASTERISK (*).

FUEL TANK AND LINE



FUEL TANK AND LINE

REF. NO.	PART NO.	SYM.	QTY.	DESCRIPTION
1	F213342		1	SEAL, FUEL LINE COUPLER
2	F213735		1	SEAL, FUEL LINE COUPLER
3	F197787-2		2	FUEL LINE COUPLER
4	F298788		4	FERRULE
5	FA84754-1		1	FUEL LINE SHORT W/FERRULES
6	89396A38		1	PRIME BULB
7	32-817738A1		1	FUEL LINE, LONG W/CLAMP AND FERRULE
8	F485755		1	FUEL TANK ADAPTER
9	F71H09		1	FUEL TANK (ACCESSORY ITEM)
10	F409251-1		1	GAUGE CAP
-	FS409752		1	FUEL LINE COMPLETE (NOT SHOWN)

SPECIAL TOOLS - TUNE-UP

REF. NO.	PART NO.	SYM.	QTY.	DESCRIPTION
-	FT8965		0	KNOCK-OFF NUT TO REMOVE FLYWHEEL
-	FT2989		0	FLYWHEEL WEDGE TO REMOVE FLYWHEEL

SPECIAL TOOLS - STARTER

REF. NO.	PART NO.	SYM.	QTY.	DESCRIPTION
-	FT2985		0	STARTER REWIND KEY TO REWIND STARTER SPRING

SPECIAL TOOLS - POWER HEAD

REF. NO.	PART NO.	SYM.	QTY.	DESCRIPTION
-	FT8949		0	SEAL INSTALLER TO INSTALL UPPER CRANKSHAFT BEARING CAGE SEAL
-	FT8929		0	ADAPTER & HEX BIT TO TORQUE CONNECTING ROD SCREWS
-	FT2997		0	RING COMPRESSOR TO INSTALL PISTONS IN CYLINDERS
-	FT8926		0	PISTON RING EXPANDER TO INSTALL RINGS ON PISTONS

SPECIAL TOOLS - LOWER UNIT

REF. NO.	PART NO.	SYM.	QTY.	DESCRIPTION
-	FT8904		0	FORWARD CUP INSTALLER TO INSTALL FORWARD BEARING CUP
-	FT8907		0	DRIVER HANDLE TO INSTALL FORWARD BEARING CUP
-	FT8921		0	CUP REMOVER TO REMOVE FORWARD BEARING CUP
-	FT8918		0	BEARING GUIDE SET TO REMOVE FORWARD BEARING CUP
-	FT8919		0	SPRING PIN PUNCH TO REMOVE CLUTCH PIN
-	FT2915		0	SEAL INSTALLER TO INSTALL DRIVESHAFT SEAL
-	FT8948-1		0	PULLER TO REMOVE PROPELLER SHAFT BEARING CAGE
-	FT8985		0	SEAL INSTALLER TO INSTALL PROPELLER SHAFT SEAL
-	FT8957		0	SEAL INSTALLER TO INSTALL SHIFT ROD SEAL
-	FT8920		0	BEARING INSTALLER TO INSTALL PROPELLER SHAFT BEARING
-	FT8924-1		0	CHECKING GAUGE TO SHIM LOWER UNIT
-	FT8982		0	SHIM ADAPTER TO USE WITH CHECKING GAUGE (T8924-1)
-	FT8995		0	SHIM SPACER TO USE WITH CHECKING GAUGE (T8924-1)

SPECIAL TOOLS - TEST EQUIPMENT

REF. NO.	PART NO.	SYM.	QTY.	DESCRIPTION
-	FT2955A		0	TEST WHEEL TO TEST MOTOR IN TEST TANK
-	FT8950		0	LEAKAGE TESTER TO TEST LOWER UNIT SEALS FOR LEAKS
-	T8974		0	BREAKER POINT TENSION GAUGE FOR CHECKING BREAKER POINT SPRING TENSION

ACCESSORIES

REF. NO.	PART NO.	SYM.	QTY.	DESCRIPTION
-	F71H02		0	ANTI-CORROSION SACRIFICIAL ANODE USED TO HELP PREVENT CORROSION.
-	F72H35		0	WATER PUMP KIT HEAVY DUTY WATER PUMP RECOMMENDED FOR CONTINUED OPERATION IN SANDY OR SALT WATER.
-	F72H16		0	REMOTE CONTROL CONVERSION KIT PERMITS REMOTE CONTROL OF THROTTLE, GEAR SHIFT AND STEERING FROM FRONT OF BOAT.
-	F72H36		0	SYNCHRO-DRIVE CONTROL BOX PERMITS REMOTE CONTROL OF THROTTLE AND GEAR SHIFT FROM STARBOARD SIDE OF BOAT.
-	73H08		0	PORT SIDE DECAL KIT CONVERTS 72H36 CONTROL BOX TO PORT SIDE MOUNTING.
-	F866		0	DUO-DRIVE CONTROL BOX (TWIN LEVER) PERMITS REMOTE CONTROL OF THROTTLE AND GEAR SHIFT. MAY BE MOUNTED ON PORT OR STARBOARD SIDE OF BOAT.
-	865		0	TWIN SYNCHRO-DRIVE CONTROL BOX PERMITS REMOTE CONTROL OF THROTTLE AND GEAR SHIFT ON TWIN ENGINE INSTALLATIONS. MAY BE MOUNTED ON PORT OR STARBOARD SIDE OF BOAT.
-	F137		0	REMOTE STEERING BRACKET ADAPTS MOTOR TO CABLE TYPE REMOTE STEERING.
-	F165		0	REMOTE STEERING BRACKET W/PULLEYS ADAPTS MOTOR TO CABLE TYPE REMOTE STEERING.
-	F195/___		0	REMOTE CONTROL CABLES CONNECTS REMOTE CONTROL BOX TO THROTTLE AND GEAR SHIFT ON MOTOR. AVAILABLE IN 6 THROUGH 26 FOOT LENGTHS.
-	F72H18		0	REMOTE STEERING BRACKET ADAPTS MOTOR TO REMOTE STEERING.
-	760		0	STEEL, 4 1/4 GALLON FUEL TANK ADDITIONAL TANKS TO CARRY FUEL RESERVE.
-	F71H09		0	STEEL, 6 GALLON FUEL TANK W/HOSE
-	F71H12		0	FUEL TANK ANCHOR RETAINS MODEL 71H09 TANK TO BOAT FLOOR.
-	F476		0	FUEL LINE ADAPTION KIT ADAPTS MODEL 583 TANK FOR AUTOMATIC VENT AND DISCONNECT AT TANK.
-	491		0	CARRYING HANDLE CARRYING HANDLE FOR MOUNTING ON REAR OF SUPPORT PLATE.
-	72H31		0	FROST WHITE LACQUER ENGINE TOUCH-UP PAINT IN 16 OZ. SPRAY BOMBS (12 CANS PER CASE).
-	72H32		0	GOLD LACQUER ENGINE TOUCH-UP PAINT IN 16 OZ. SPRAY BOMBS (12 CANS PER CASE).

SPECIFICATIONS

REF. NO.	PART NO.	SYM.	QTY.	DESCRIPTION
-			0	HORSEPOWER 6 B.I.A. CERTIFIED BRAKE H.P. AT 5000 R.P.M.
-			0	ENGINE TWO-CYCLE, TWIN CYLINDER, ALTERNATE FIRING.
-			0	BORE AND STROKE 1 7/8" X 1 5/8"
-			0	DISPLACEMENT 8.99 CUBIC INCHES.
-			0	CARBURETOR FLOAT FEED.
-			0	CONNECTING ROD DIE CAST ALUMINUM - STEEL LINERS WITH NEEDLE BEARINGS AT CRANKSHAFT.
-			0	CRANKSHAFT FORGED NICKEL STEEL. BALL BEARINGS AT UPPER MAIN. FULL COMPLEMENT NEEDLE ROLLERS AT CENTER MAIN.
-			0	RECOMMENDED OPERATING RANGE 4500-5500 R. P. M.
-			0	FUEL TANK SEPARATE STEEL TANK - 6 U.S. GALLONS, 5 IMPERIAL GALLONS.
-			0	PROPELLER SHAFT AND DRIVESHAFT STAINLESS STEEL, HARDENED, GROUND AND POLISHED.
-			0	PROPELLER ALUMINUM ALLOY - 10 1/2" DIAMETER, 7" PITCH, RIGHT HAND ROTATION.
-			0	COOLING WATER COOLED - POSITIVE DISPLACEMENT TYPE WATER PUMP.
-			0	WEIGHT 61.5 POUNDS FOR STANDARD SHAFT MODELS.
-			0	TILT LOCK POSITIVE TILT LOCK PERMITS ENGINE TO REMAIN IN TILTED POSITION WHEN NOT IN USE.

LUBRICATION CHART

REF. NO.	PART NO.	SYM.	QTY.	DESCRIPTION
-			0	STARTER PINION GEAR SAE 30 MOTOR OIL, IF STARTER OPERATION BECOMES SLUGGISH
-			0	STARTER SPOOL BEARINGS SAE 30 MOTOR OIL, IF STARTER OPERATION BECOMES SLUGGISH
-			0	THROTTLE CAM FOLLOWER SAE 30 MOTOR OIL, TWICE EACH SEASON, OFTENER IF REQUIRED
-			0	MAGNETO CONTROL SHAFT BEARINGS SAE 30 MOTOR OIL, TWICE EACH SEASON, OFTENER IF REQUIRED
-			0	STEERING HANDLE PINION GEAR EP-ALL PURPOSE CHASSIS LUBRICANT, TWICE EACH SEASON, OFTENER IF REQUIRED
-			0	STEERING HANDLE BEVEL GEAR EP-ALL PURPOSE CHASSIS LUBRICANT, TWICE EACH SEASON, OFTENER IF REQUIRED
-			0	REVERSE LOCK SAE 30 MOTOR OIL, TWICE EACH SEASON, OFTENER IF REQUIRED
-			0	CLAMP SCREWS SAE 30 MOTOR OIL, TWICE EACH SEASON, OFTENER IF REQUIRED
-			0	STERN BRACKET PIVOT BOLT SAE 30 MOTOR OIL, TWICE EACH SEASON, OFTENER IF REQUIRED
-			0	GEAR HOUSING CHRYSLER OUTBOARD GEAR LUBE, EVERY 30 HOURS, OFTENER IF REQUIRED
-			0	FUEL LINE COUPLER RELEASE RING SAE 30 MOTOR OIL, TWICE EACH SEASON, OFTENER IF REQUIRED
-			0	GREASE FITTINGS GREASE FITTINGS ARE PROVIDED AT CRITICAL POINTS WHERE BEARING SURFACES ARE NOT EXPOSED EXTERNALLY. USING ON AUTOMOTIVE TYPE GREASE GUN AND LUBRICANT, GREASE TWICE EACH SEASON OR OFTENER IF REQUIRED.

SPECIAL ADJUSTMENTS

REF. NO.	PART NO.	SYM.	QTY.	DESCRIPTION
-			0	BREAK POINT GAP . 020".
-			0	SPARK PLUG CHAMPION L-4-J, GAP . 030".
-			0	ADJUSTING STEERING TENSION STEERING TENSION CAN BE ADJUSTED BY TURNING THE ONE (1) STEERING FRICTION ADJUSTING SCREW, ILLUSTRATION 68, PAGE 13, IN THE DIRECTION REQUIRED.
-			0	POINT OF THROTTLE OPENING SEE BLOCK COMMENT 1.
-			0	FLYWHEEL NUT

PARTS INDEX

Part Number	Description	Pg.	Ref. No.	Part Number	Description	Pg.	Ref. No.
2A341167	MANIFOLD W/STUDS, PULLEY AND SPRING PIN	13	55	F1107	FILL HD SCREW, 1/4 - 20 X 3/4	15	31
318318	ROLLER, THROTTLE CAM FOLLOWER	13	51	F1111	FILL HD SCREW, 1/4 - 20 X 1	15	13
491	CARRYING HANDLE	35	-	F1111	FILL HD SCREW, 1/4 - 20 X 1	15	29
72H31	FROST WHITE LACQUER	35	-	F1150	FLAT HD SCREW, 1/4 - 20 X 1 1/8	25	3
72H32	GOLD LACQUER	35	-	F12083	CONDENSER SCREW W/LOCKWASHER	7	8
73H08	PORT SIDE DECAL KIT	35	-	F12088	GROMMET	7	24
760	STEEL, 4 1/4 GALLON FUEL TANK	35	-	F12091	LEAD WIRE MARKER, TOP (NOT SHOWN)	7	-
817754A1	ARM, CARBURETOR ADJUSTING	11	15	F12114	SCREW, COIL GROUND TERMINAL	7	26
817758A1	BRACKET, COVER LATCH W/SCREWS, NUTS AND ROLLERS	3	14	F12127	STUD NUT	7	19
817761A2	CLAMP SCREW	21	44	F12128	INSULATOR, OUTSIDE	7	21
817779A1	STEERING ARM	21	78	F12129	INSULATOR, INSIDE	7	23
817796A2	GEAR SHIFT ARM	25	30	F12141	SLEEVE, HIGH TENSION LEAD	7	5
817938A1	RETAINER, STARTER ROPE HANDLE	9	21	F12142	CONNECTION STUD	7	22
865	TWIN SYNCHRO-DRIVE CONTROL BOX	35	-	F12146	COIL WEDGE SPRING	7	16
89396A38	PRIME BULB	29	6	F12153	BREAKER POINT SET	7	7
A318018-2	CRANKSHAFT W/UPPER MAIN BEARING	15	23	F12170	CONTACT SCREW W/LOCKWASHER	7	4
A318028-1	BEARING, CRANKSHAFT UPPER MAIN	17	52	F12181-1	CONDENSER	7	9
A318038-4	SUPPORT PLATE W/EYELET AND PLUGS	3	37	F12186	GROUND LEAD	7	28
A318072-3	SWIVEL BRACKET	21	67	F12228	CAM WIPER FELT	7	6
A318229-1	CONNECTING ROD LINER (2 PER SET)	15	27	F12343	STATOR PLATE W/LAMINATIONS	7	10
A487010-1	CYLNDR W/CRANKCASE COVER, DOWEL PINS, SCREWS, STUD & CYLNDR	15	5	F1286	PAN HD SCREW, 4 - 40 X 3/16	11	4
AC16395-7	PLATE, IDENTIFICATION W/SCREWS FOR CANADA MODELS	5	-	F1293	HD. DRIVE SCREW, 2 X 3/16	5	42
C487010-1	SHORT BLOCK (NOT SHOWN)	17	-	F1298	ROUND HD SCREW W/LOCKWASHER, 6 - 32 X 1/4	13	61
F10006	GASKET SET	13	-	F1335	FILL HD SCREW, 5/16 - 18 X 1 1/4	15	30
F10008	REPAIR PARTS KIT (NOT SHOWN)	13	-	F1341	HEX NUT, 1/4 - 20	21	55
F1027	COTTER PIN	27	52	F1346	HEX NUT, S.S., 3/8 - 16	25	23
F1035	FILL HD SCREW, 1/4 - 20 X 5/8	25	27	F1352	HEX NUT, 7/16 - 20	7	1
F1052	FILL HD SCREW, 1/4 - 20 X 1	15	39	F1365	SQUARE NUT, 10 - 24	11	17
F1068	FILL HD SCREW, 10 - 24 X 7/16	3	30	F137	REMOTE STEERING BRACKET	35	-
F1069	FILL HD SCREW, 10 - 24 X 1 1/16	11	1	F141118	SEAL, CRANKSHAFT	15	14
F1075	FILL HD SCREW, 10 - 24 X 1/2	7	13	F141118	SEAL, PROPELLER SHAFT	27	46
F1089	FILL HD SCREW, 10 - 24 X 9/16	9	1	F141305	SEAL, PROPELLER SHAFT BEARING CAGE	27	47
F1090	FILL HD SCREW W/LOCKWASHER, 10 - 24 X 9/16	7	18	F1475	FILL HD SCREW, 10 - 24 X 1/2	3	9
				F1490	HEX NUT, 1/4 - 20	13	50
				F1502	HEX CAP SCREW, 1/4 - 20 X 5/8	15	12
				F1513	HEX M. SCREW NUT, 10 - 32	5	57
				F154415	WASHER	3	27
				F154415	WASHER	5	49
				F1574	FILL HD SCREW, 1/4 - 20 X 9/16	3	16
				F1608	NUT, 1/4 - 20	19	28
				F165	REMOTE STEERING BRACKET W/PULLEYS	35	-
				F1666	BOWED SPRING WASHER	19	41

PARTS INDEX

Part Number	Description	Pg.	Ref. No.	Part Number	Description	Pg.	Ref. No.
F1689	HEX CAP SCREW, 1/4 - 20 X 1/2	3	34	F2097	SPRING PIN	25	38
F1689	HEX CAP SCREW, 1/4 - 20 X 1/2	21	63	F213274	GREASE FITTING	19	30
F1746	HEX CAP SCREW, 1/4 - 28 X 5/8	21	62	F213342	SEAL, FUEL LINE COUPLER	29	1
F1753	FASTENER	3	4	F213735	SEAL, FUEL LINE COUPLER	29	2
F1794	SPRING PIN	19	24	F24074	CLAMP SCREW FOOT	21	48
F1799	TRUSS HD SCREW, 5/16 - 18 X 5/8	19	4	F24748-2	GASKET, FUEL PUMP COVER	11	3
F1803	1	15	36	F269316	ROLLER SHAFT	3	12
F1804	STOP NUT	3	18	F2706772	HOSE CLAMP	11	10
F1804	STOP NUT	9	8	F2788004	STUD, CARBURETOR	13	54
F1805	SPRING PIN	21	54	F286011	WASHER, SWIVEL BRACKET	21	70
F1807	GROOVE PIN	19	16	F286079-1	STEERING HANDLE	19	8
F18160-1	REED, FUEL PUMP	11	6	F286080	SCREW, STEERING HANDLE PIVOT	21	81
F1820	FILL HD SCREW, 1/4 - 20 X 1 3/8	21	68	F286114	LOCK BAR HANDLE	21	52
F1823	HEX HD CAP SCREW, 5/16 - 18 X 1	15	6	F286132	HANDLE, STARTER ROPE	9	20
F1829	FILL HD SCREW, 10 - 24 X 7/8	21	71	F286134	STUD	3	22
F1834	FILL HD SCREW, 10 - 24 X 7/8	11	14	F286134	STUD	9	5
F183813	BEARING, MAGNETO CONTROL LEVER	15	33	F286169	BEARING, SWIVEL BRACKET	21	57
F1839	GROOVE PIN	19	31	F286220	WASHER	19	9
F184579	SEAL	3	20	F286224	INSERT, STEERING HANDLE	19	6
F1850	SPRING PIN	25	1	F286277	GASKET, CRANKSHAFT BEARING CAGE	15	16
F1859	SOCKET HD SET SCREW, 1/4 - 28 X 3/16	19	7	F286282	WASHER	15	35
F1875	SPRING PIN, STARTER BRACKET	9	18	F286286-1	WASHER, STERN BRACKET	19	15
F1876	SPRING PIN	13	56	F286300	SPRING, REVERSE LOCK	19	29
F1887	HEX SLOTTED HD SCREW, 1/4 - 20 X 3 3/16	23	89	F286364	LEVER, REVERSE LOCK	19	23
F18906	CARBURETOR GASKET	13	53	F286422-1	TILT LOCK PIVOT	19	42
F1912	HEX HD SCREW, 10 - 24 X 1/2	11	13	F286440	STUD, MAGNETO CONTROL LEVER	15	28
F1914	HEX HD SCREW, 1/4 - 20 X 3/4	13	48	F286451	SPACER, TILT LOCK	19	39
F1915	HEX HD SCREW, 1/4 - 20 X 7/8	15	44	F286461	SPRING, LOCK BAR HANDLE	21	51
F1922	HEX HD SCREW, 1/4 - 20 X 5/8	15	9	F286490	STOP, STEERING HANDLE	21	79
F195/_	REMOTE CONTROL CABLES	35	-	F286544-1	SPRING, TILT LOCK	19	38
F1976	SOCKET HD SCREW W/WASHER, 10 - 24 X 1/2	25	11	F286571	CENTER MAIN BEARING ROLLERS (26 PER SET)	15	22
F197767-1	BUSHING, FUEL LINE	5	50	F286573-1	STEERING FRICTION LAMP	21	69
F197787-2	FUEL LINE COUPLER	29	3	F286585-1	DECAL, TILT RELEASE (NOT SHOWN)	23	-
F1978	SPRING PIN	21	85	F286614	GEAR SHIFT HANDLE	5	45
F197813	BEARING	19	19	F286634-1	CONNECTING ROD SCREW	15	25
F1994	HEX SOCKET HD CAP SCREW, 5/16 - 18 X 1	27	48	F286710	ARBOR, STARTER SPRING	9	9
F2002	STOP NUT, 5/16 - 18	3	40	F286737-1	RETAINER, STARTER REWIND SPRING	9	14
F2012	PLAIN WASHER	23	92	F286777	CAM, COVER LATCH	3	39
F2040	HEX HD SCREW, 1/4 - 20 X 5/8	17	55	F286818	BEARING, STEERING HANDLE INSERT	19	5
F2042	PLAIN WASHER	5	58	F286827	LEVER, REVERSE LOCK RELEASE	19	14
F2042	PLAIN WASHER	9	12	F286868	SPRING, STEERING HANDLE STOP	21	80
				F286894-3	STEERING HANDLE INDICATOR (NOT SHOWN)	23	-
				F286930	END, STARTER SPRING	9	15
				F289664	WIRE, STATOR GROUND	7	12
				F298788	FERRULE	29	4
				F2A430016	CONNECTING ROD W/CAP AND SCREWS	15	20

PARTS INDEX

Part Number	Description	Pg.	Ref. No.	Part Number	Description	Pg.	Ref. No.
F2A459239	STARTER SPOOL W/SHAFT	9	16	F341562	WATER PUMP BACK PLATE	25	10
F2A474298	PROPELLER SHAFT			F341693	WEDGE, STEERING HANDLE	21	73
	BEARING CAGE W/SEALS			F343014	BEARING, CRANKSHAFT		
	AND BEARING CUP	27	49		LOWER MAIN	15	42
F2A516023	BEVEL GEAR FORWARD			F343226-1	PLUG	5	52
	W/BEARING	25	35	F387226-1	PLUG	3	38
F2A516266	PINION SHAFT W/BEARING	25	29	F387445-1	LINK, MAGNETO CONTROL		
F307818	BEARING	3	31		ROD	15	32
F307818	BEARING	21	76	F388226-1	PLUG	3	36
F31160-1	REED	13	59	F40008	STUD	25	28
F31410	RETAINING RING, PISTON			F40342	SEAL, PROPELLER NUT . . .	27	53
	PIN	15	18	F40425	STARTER, PINION PIN	9	10
F318019	KING PIN	21	53	F40717	THRUST WASHER BEVEL		
F318037	STERN BRACKET PIVOT				GEAR	25	41
	BOLT	19	12	F409232	STARTER ROPE	9	19
F318097	FLYWHEEL	7	3	F409244	WATER LINE	21	64
F318151	PLATE, EXHAUST	17	47	F409251-1	GAUGE CAP	29	10
F318152	COVER, EXHAUST	15	45	F424075	HANDLE, CLAMP SCREW . . .	21	45
F318154	GASKET, EXHAUST COVER	15	46	F424161	REED STOP	13	60
F318159	GASKET, REED PLATE	13	62	F429061-2	CARBURETOR COMPLETE . . .	11	40
F318168	GASKET, MANIFOLD	13	57	F429065	WATER PUMP IMPELLER . . .	25	9
F318222-1	TRANSFER PORT COVER . . .	15	11	F429472	GASKET, CYLINDER DRAIN		
F318223-1	GASKET, TRANSFER PORT				COVER	15	7
	COVER	15	10	F429541	TILT LOCK	19	40
F318228	CONNECTING ROD, ROLLER			F429688	SHAFT, STEERING HANDLE	19	11
	SET (24 PER SET)	15	26	F429811	SCREENS, CYLINDER		
F318279-1	GASKET, CYLINDER				DRAIN	15	2
	MOUNTING	15	41	F429838	SHAFT, MAGNETO		
F318307	SEAL	25	4		CONTROL	21	77
F318316	THROTTLE CAM FOLLOWER	13	47	F430732	HEX HD SCREW, 5/16 - 18 X		
F318342	SEAL, INLET WATER LINE				1 1/4	25	15
	UPPER	21	65	F435555	SEAL, GEAR HOUSING		
F318346	SHOCK MOUNT LOWER	21	58		LOWER	25	25
F318347	SHOCK MOUNT UPPER	19	3	F436449	SHORTING SWITCH	7	27
F318433	BRACKET SHALLOW WATER			F458250	BEARING CUP	25	34
	DRIVE	19	35	F458498	MAGNETO KEY	7	15
F318453-1	GASKET, LEG MOUNTING . . .	5	44	F458677	INSERT, CHOKE KNOB	5	56
F318504	GROMMET, CHOKE ROD	5	54	F458695	SLEEVE	21	83
F318509-3	LINK, THROTTLE CAM	15	40	F468342	SEAL	17	56
F318518-4	CYLINDER HEAD	15	3	F474143	BEARING, BEVEL GEAR		
F318529	CYLINDER HEAD GASKET . . .	15	4		REAR	25	43
F318539	BUMPER	19	2	F474225	BEARING, PROPELLER		
F318611-1	GEAR SHIFT ROD	3	26		SHAFT REVERSE THRUST	27	45
F318615	GEAR SHIFT ROD UPPER . . .	25	2	F476	FUEL LINE ADAPTION KIT . . .	35	-
F318647	CARRYING HANDLE	19	43	F485755	FUEL TANK ADAPTER	29	8
F318756	PACKING, SUPPORT PLATE	3	35	F487180	TRIM, ENGINE COVER,		
F318818	BEARING	3	17		REAR	3	6
F318861	SEAL, SHOCK MOUNT			F487263	LINK, STARTER INTERLOCK	3	21
	PLATE	21	60	F487417	GEAR SHIFT HANDLE		
F318871	SHAFT, GEAR SHIFT LEVER	3	33		SHAFT	5	47
F318876-1	GEAR SHIFT LEVER	3	29	F487424-1	STARTER PINION SPRING . . .	9	3
F318895	SPRING, SHIFT DETENT	3	32	F487427-1	BRACKET, STARTER UPPER	9	4
F318956	BRACKET SHOCK MOUNT			F487435	PULLEY, STARTER ROPE . . .	13	49
	LOWER	21	56	F487619	LEVER, GEAR SHIFT SHAFT	3	23
F318963	PLATE, SHOCK MOUNT			F487660-1	EXHAUST TUBE	17	54
	LOWER	21	61	F487674	GEAR, STARTER PINION . . .	9	2
F318967	GASKET, SHOCK MOUNT			F487711	PLATE, ENGINE COVER	3	2
	PLATE	21	59	F487727	BALL, INTERLOCK DETENT	9	22
F338618-1	SEAL, SHIFT ROD LOWER . . .	25	22	F487781-3	STARTER INTERLOCK	9	7
F341384	RETAINER, CHOKE ROD	13	45				

PARTS INDEX

Part Number	Description	Pg.	Ref. No.	Part Number	Description	Pg.	Ref. No.
F487895	SPRING INTERLOCK			F8049	BOWED WASHER	5	48
	DETENT	9	23	F8055	LOCKWASHER	7	20
F50109	GEAR HOUSING PLUG	25	18	F8058	INTERNAL TOOTH		
F50563	WATER PUMP IMPELLER				LOCKWASHER	19	21
	DRIVE PIN	25	8	F8065	LOCKWASHER	25	24
F516078	BRACKET, LOCK STEERING	19	22	F8077	NYLTITE WASHER	25	17
F516125	COUPLING, DRIVESHAFT	25	26	F8083	SPRING LOCKWASHER	19	26
F516128	DRIVESHAFT	25	7	F8537	SPRING PIN	3	25
F516133	MOTOR LEG	21	66	F8537	SPRING PIN	21	47
F516192	THROTTLE CAM PLATE	7	11	F8538	SPRING PIN	19	17
F516273	TIE BAR	23	91	F8540	SPRING PIN	3	24
F516349	REVERSE LOCK	19	33	F8540	SPRING PIN	19	20
F516392	DECAL, PORT, "CHRYSLER"	3	8	F8540	SPRING PIN	25	13
F516396	DECAL, STARBOARD,			F8547	SPRING PIN	3	28
	"CHRYSLER"	3	-	F8548	SPRING PIN	21	84
F516455	GUIDE, STARTER ROPE	5	59	F8554	SPRING PIN	21	46
F516552	SCREW, STEERING LOCK			F8559	DOWEL PIN	17	50
	BRACKET	23	88	F85610	BEARING	21	82
F516584	GUIDE, SPRING DETENT	25	19	F85735-1	SEAL	3	3
F516662	GEAR, BEVEL REAR	25	42	F866	DUO-DRIVE CONTROL BOX		
F516697	NUT, STEERING LOCK				(TWIN LEVER)	35	-
	BRACKET	23	87	F901456-1	EMERGENCY STARTER		
F516704-1	COUPLING, SHIFT ROD	25	12		COLLAR	7	2
F516705	GEAR SHIFT ROD LOWER	25	14	F901746-1	FUEL PUMP COVER	11	2
F516754	FUEL LINE	11	11	F901811	FUEL PUMP FILTER	11	9
F516835	STRAP, REVERSE THRUST	23	86	F901938-1	SCREW, CYLINDER HEAD	15	1
F516885	PLUG, SPRING HOLDING	25	21	F90891	GEAR SHIFT ARM PIN	25	31
F516895	SPRING, SHIFT DETENT	25	20	F92759	ROLLER	3	13
F53795-1	STEERING HANDLE GRIP			F99521-1	CLUTCH	25	37
	DAMPENER	19	10	FA12345	COIL W/LEAD WIRE	7	17
F59002	MAGNETO BREAKER CAM,	7	14	FA1844	HEX BOLT, 1/4 - 20 X 2 3/8	19	32
F66193	THROTTLE LINK	11	16	FA24754-1	FUEL LINE W/CLAMPS	11	12
F66480	STUD CLAMP SCREW	21	49	FA24757-3	FUEL PUMP REED PLATE		
F7005	STOP NUT, 3/8 - 16	19	36		W/REEDS AND SCREWS	11	7
F7011	ELASTIC STOP NUT, 10 - 24	3	11	FA286469	KNOB, COVER LATCH	5	51
F7011	STOP NUT, 10 - 24	3	15	FA286480	RETAINER, ENGINE COVER		
F7017	PISTON PIN	15	19		W/SCREWS AND NUTS	3	10
F7024	LOCK NUT	23	90	FA286655	MAIN BEARING LINER SET		
F71H02	ANTI-CORROSION				(2 PER SET)	15	21
	SACRIFICIAL ANODE	35	-	FA286970	STARTER REWIND SPRING		
F71H09	FUEL TANK (ACCESSORY				W/END AND RETAINER	9	13
	ITEM)	29	9	FA317260	PISTON RING SET (3 PER		
F71H09	STEEL, 6 GALLON FUEL				SET)	17	49
	TANK W/HOSE	35	-	FA318113	LOCK BAR W/HANDLE AND		
F71H12	FUEL TANK ANCHOR	35	-		SPRING	21	50
F72H16	REMOTE CONTROL			FA318144	CAGE, CRANKSHAFT		
	CONVERSION KIT	35	-		BEARING W/SEAL (ITEM		
F72H18	REMOTE STEERING				14)	15	15
	BRACKET	35	-	FA318503	CHOKE ROD W/KNOB AND		
F72H35	WATER PUMP KIT	35	-		INSERT	5	55
F72H36	SYNCHRO-DRIVE CONTROL			FA341510	LINK, REVERSE LOCK		
	BOX	35	-		LEVER	19	25
F73082	MAGNETO STATOR RING	15	17	FA343178	RETAINER W/SET SCREW	21	74
F78410	RETAINER	13	52	FA387081	LEVER, MAGNETO		
F8001	NYLTITE WASHER	25	32		CONTROL	15	34
F8003	PLAIN WASHER	11	5	FA387158	REED PLATE W/REEDS,		
F8011	PLAIN WASHER	3	19		STOPS AND SCREWS	13	58
F8011	PLAIN WASHER	9	6	FA387742	LEVER REVERSE LOCK		
F8025	PLAIN WASHER	17	53		INTERMEDIATE	19	18
F8039	PLAIN WASHER	19	27	FA429015	PISTON	17	48

PARTS INDEX

Part Number	Description	Pg.	Ref. No.	Part Number	Description	Pg.	Ref. No.
FA429471	CYLINDER DRAIN COVER			FO15623	FUEL BOWL GASKET	11	30
	W/CHECK	15	8	FO15718	THROTTLE SHAFT AND		
FA456137	GRIP, STEERING HANDLE				LEVER	11	43
	W/SLEEVE	19	1	FO15722	MAIN NOZZLE	11	37
FA474098	PROPELLER SHAFT	25	40	FO15783	CHOKE RELIEF VALVE		
FA487528	INSERT, TRIM REAR	3	7		SPRING	11	25
FA487892	INSERT, PLATE FRONT -			FO16120	BYPASS TUBE	11	20
	U.S.A.	3	1	FO17362	CHOKE SHAFT AND LEVER	11	23
FA487893	INSERT, PLATE FRONT -			FO2510	FUEL BOWL RETAINING		
	CANADA	3	-		SCREW GASKET	11	31
FA510914	SEAL, INLET WATER LINE .	25	5	FO2531	BODY CHANNEL WELCH		
FA516054	GEAR HOUSING LOWER				PLUG	11	18
	W/PLUG, WASHER AND			FO4784	CHOKE FRICTION BALL . . .	11	21
	BEARING CUP	25	33	FO8502	THROTTLE SHUTTER	11	42
FA516711	PLATE, FRONT	5	53	FO8805	CHOKE FRICTION SPRING .	11	22
FA77395-5	PLATE, IDENTIFICATION			FO8942	THROTTLE SHUTTER		
	W/SCREWS FOR U.S.A.				RETAINING SCREW AND		
	MODELS	3	41		LOCKWASHER	11	41
FA84754-1	FUEL LINE SHORT			FP296	PROPELLER	27	50
	W/FERRULES	29	5	FS174227	SPARK PLUG (L-4-J)	17	51
FA90871-2	GEAR SHIFT ARM PIN			FS409752	FUEL LINE COMPLETE (NOT		
	W/YOKE	25	39		SHOWN)	29	-
FA94094-2	PROPELLER NUT W/SEAL &			FS487712	ENGINE COVER		
	COTTER PIN	27	51		W/BRACKET AND		
FC310227	SPARK PLUG (QL-4-J) FOR				RETAINER	3	5
	MODEL 60BA	17	-	FT2915	SEAL INSTALLER	33	-
FC516054	GEAR HOUSING COMPLETE			FT2955A	TEST WHEEL	34	-
	(NOT SHOWN)	27	-	FT2985	STARTER REWIND KEY . . .	31	-
FG1004-1	GASKET SET (NOT SHOWN)	17	-	FT2989	FLYWHEEL WEDGE	30	-
FK247	PROPELLER PIN (PACK OF			FT2997	RING COMPRESSOR	32	-
	6 W/COTTER PIN)	27	54	FT8904	FORWARD CUP INSTALLER	33	-
FK317427	BRACKET, STARTER			FT8907	DRIVER HANDLE	33	-
	LOWER W/SPRING PIN . .	9	17	FT8918	BEARING GUIDE SET	33	-
FK517032	STERN BRACKET			FT8919	SPRING PIN PUNCH	33	-
	STARBOARD W/CLAMP			FT8920	BEARING INSTALLER	33	-
	SCREW, AND FOOT	19	13	FT8921	CUP REMOVER	33	-
FK517532	STERN BRACKET PORT			FT8924-1	CHECKING GAUGE	33	-
	W/CLAMP SCREW, AND			FT8926	PISTON RING EXPANDER .	32	-
	FOOT	19	37	FT8929	ADAPTER & HEX BIT	32	-
FK750-1	SPARKIE W/SPRING	7	25	FT8948-1	PULLER	33	-
FO10165	INLET SEAT GASKET	11	35	FT8949	SEAL INSTALLER	32	-
FO10280	CHOKE SHUTTER			FT8950	LEAKAGE TESTER	34	-
	RETAINING SCREW AND			FT8957	SEAL INSTALLER	33	-
	LOCKWASHER	11	27	FT8965	KNOCK-OFF NUT	30	-
FO10588	BODY CHANNEL CUP PLUG	11	19	FT8982	SHIM ADAPTER	33	-
FO10790	INLET NEEDLE, SEAT AND			FT8985	SEAL INSTALLER	33	-
	GASKET	11	36	FT8995	SHIM SPACER	33	-
FO11103	IDLE MIXTURE SCREW			T8974	BREAKER POINT TENSION		
	SPRING	11	39		GAUGE	34	-
FO13554	FLOAT	11	28	27-818043A1	FUEL PUMP DIAPHRAGM		
FO13630	MAIN FUEL JET (0.33)	11	34		W/GASKETS	11	8
FO13944	FLOAT LEVER PIN	11	29	32-817738A1	FUEL LINE, LONG W/CLAMP		
FO13945	FUEL BOWL RETAINING				AND FERRULE	29	7
	SCREW	11	33	43-818009--1	STEERING HANDLE GEAR .	21	75
FO15366	FUEL BOWL	11	32	46-818010A1	WATER PUMP BODY		
FO15367	CHOKE SHUTTER	11	26		W/WATER PUMP SEAL . .	25	6
FO15368	CHOKE RELIEF VALVE	11	24	1600-817817A3	GEAR HOUSING UPPER		
FO15520	IDLE MIXTURE SCREW	11	38		W/BEARING, SEALS,		
FO15526	THROTTLE SHAFT RETURN				WASHER AND PLUG	25	16
	SPRING	13	44				