



PARTS CATALOG

4 H.P.

SERIAL NUMBER

4AM 6E0-001011 AND UP
4AML 6E0-300101 AND UP

TABLE OF CONTENTS:

C.D.I. MAGNETO	10
CARBURETOR	22
COWLING	4
CRANKCASE AND CYLINDER HEAD	14
CRANKSHAFT AND PISTON	18
DRIVESHAFT HOUSING/CLAMP AND SWIVEL BRACKET	32
FUEL TANK (PLASTIC-6.6 GALLON) (NOT ORIGINAL EQUIPMENT TANK)	46
GEAR SHIFT LINKAGE	28
GEARHOUSING ASSEMBLY	36
INTAKE MANIFOLD	20
OPTIONAL FUEL TANK ASSEMBLY	44
OPTIONAL PARTS	30
OPTIONAL REMOTE FUEL TANK PARTS	42
PARTS INDEX	48
PROP CHART	2
RECOIL STARTER	8
THROTTLE CONTROL	26

NOTE: Indented description indicate that these parts are included in preceeding assembly.

AR = As Required

NSS = Not Sold Separate

OPT = Optional

NS = Not Shown

NOTE: Following symbols are located in **SYM** column.

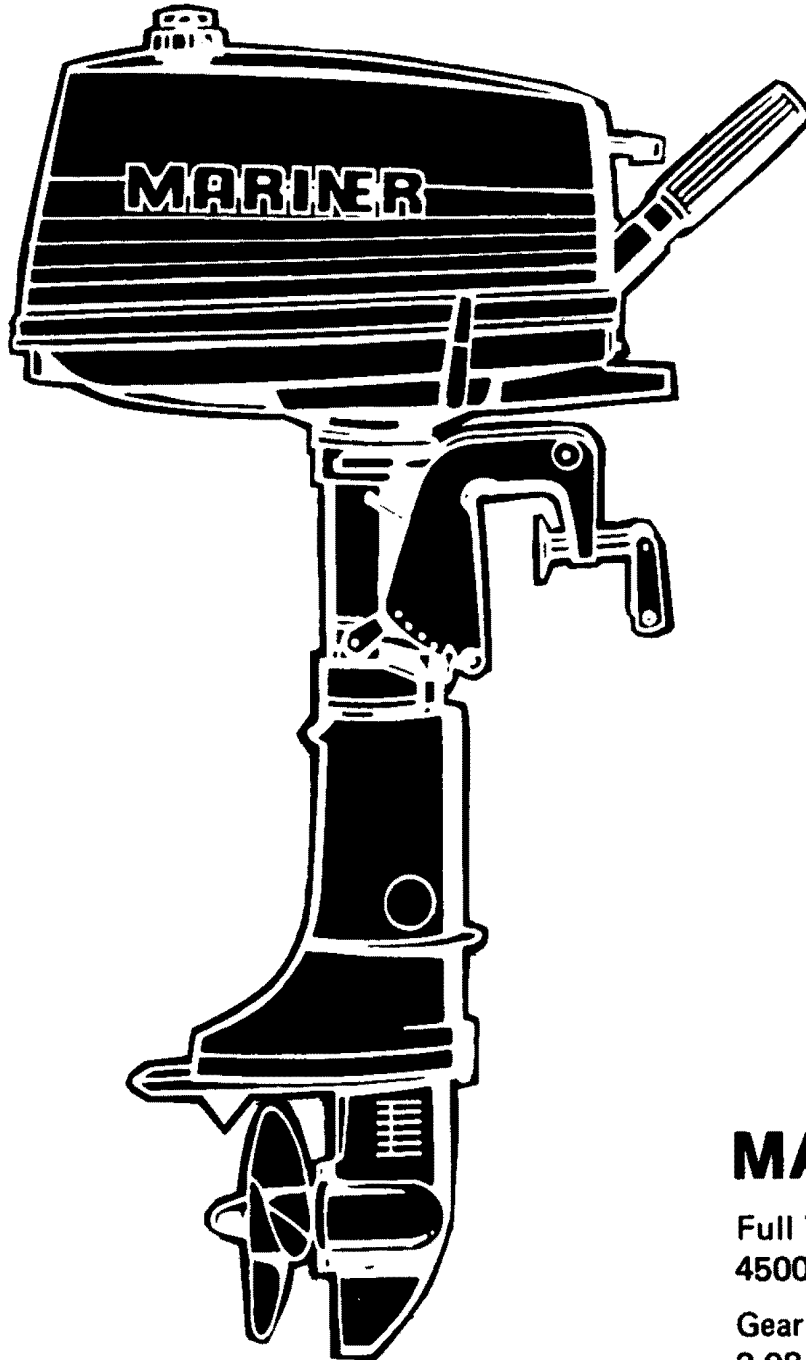
- = CONTENTS OF POWERHEAD GASKET SET [27-99997M].
- = CONTENTS OF POWERHEAD GASKET SET [27-14188M].
- ▣ = CONTENTS OF CARBURETOR REPAIR KIT [14184M].
- ◇ = CONTENTS OF CARBURETOR REPAIR KIT [91755M].

- ▲ = CONTENTS OF POWERHEAD GASKET SET [27-91719M].
- ⊕ = CONTENTS OF LOWER UNIT GASKET SET [27-96324M].
- = CONTENTS OF WATER PUMP REPAIR KIT [96325M].
- ❖ = CONTENTS OF CHROME PUMP KIT [96326M].

THESE PARTS BOOKS/FICHE CARD ARE COPYRIGHTED AND MAY NOT BE DISTRIBUTED OR REPRODUCED IN ANY OTHER FORMAT BY ANYONE OTHER THAN MERCURY MARINE WITHOUT THE PRIOR WRITTEN CONSENT OF MERCURY MARINE.

THIS PAGE INTENTIONALLY LEFT BLANK

PROP CHART



MARINER 4 H.P.

Full Throttle RPM:
4500-5500

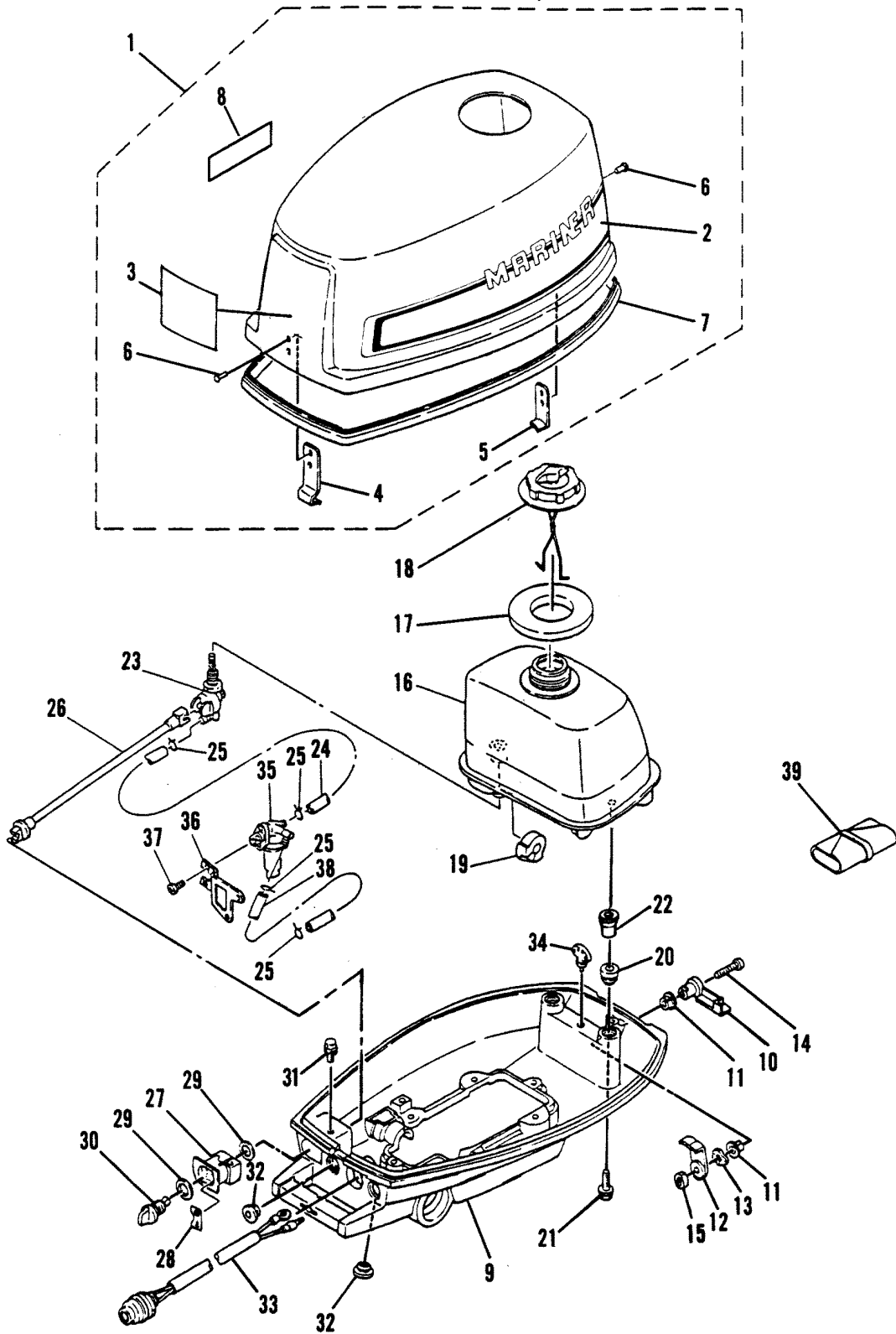
Gear Ratio:
2.08:1

PROP CHART

REF. NO.	PART NO.	SYM.	QTY.	DESCRIPTION
-	48-96590M		1	PROPELLER (PITCH 8") (ALUMINUM) (3 BLADES)
-	48-96591M		1	PROPELLER (PITCH 7") (ALUMINUM) (3 BLADES) (STANDARD PROPELLER FURNISHED WITH ENGINE)
-	48-96592M		1	PROPELLER (PITCH 7-1/4") (ALUMINUM) (3 BLADES) (WEEDLESS PROPELLER)
-	48-96592M		1	PROPELLER (PITCH 8-1/4") (ALUMINUM) (3 BLADES) (WEEDLESS PROPELLER)

RECOMMENDED TRANSOM HEIGHT: LONG SHAFT 20", STANDARD 15".

COWLING

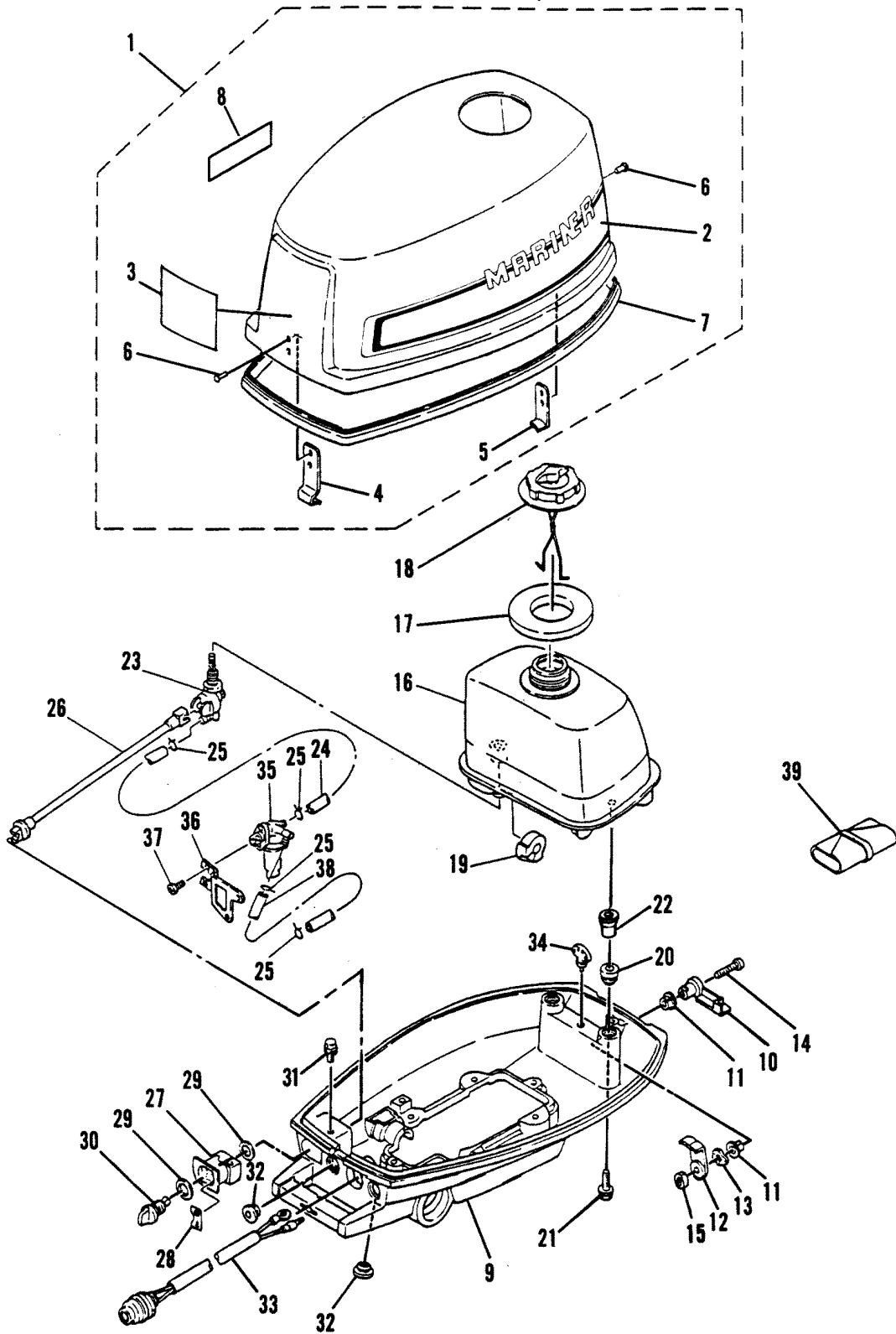


COWLING

REF. NO.	PART NO.	SYM.	QTY.	DESCRIPTION
1	2168-9339M		1	TOP COWLING ASS'Y
2	37-810932A90		1	DECAL, SIDE SET SERIAL (M-114253 ML-338166) AND ABOVE
	37-11913M		1	DECAL, SIDE SET SERIAL (M-114252 ML-338165) AND BELOW
3	NSS-N.S.S.		1	DECAL, FRONT (PART OF 37-810932A90) SERIAL (M-114253 ML-338166) AND ABOVE
	37-11914M		1	DECAL, FRONT SERIAL (M-114252 ML-338165) AND BELOW
4	814454M		1	HOOK SERIAL (M-103611 ML-335565) AND ABOVE
	91656M		1	HOOK SERIAL (M-103610 ML-335564) AND BELOW
5	98957M		1	HOLDER, CLAMP BAND
6	17-83140M		4	RIVET
7	91658M		1	SEAL
8	37-81202M		1	INDICATOR, SHIFT SERIAL (M-070824 ML-325784) AND ABOVE
9	2168-9790M		1	COWLING, BOTTOM SERIAL (M-093348 ML-332748) AND ABOVE
	2168-9340M		1	COWLING, BOTTOM SERIAL (M-093347 ML-332747) AND BELOW
10	91659M		1	LEVER, CLAMP
11	23-81949M		2	BUSHING
12	91660M		1	LEVER, CLAMP
13	13-81869M		1	WASHER, WAVE
14	10-814482M		1	SCREW SERIAL (M-114253 ML-338166) AND ABOVE
	10-82179M		1	SCREW SERIAL (M-114252 ML-338165) AND BELOW
15	11-82381M		1	NUT
16	1252-8249M		1	FUEL TANK
17	27-91662M		1	GASKET, CAP
18	36-91663M		1	CAP ASS'Y
19	25-91664M		2	GROMMET
20	25-91665M		2	GROMMET
21	10-91666M		2	BOLT
22	23-95466M		2	COLLAR SERIAL (M-043239 ML-212355) AND ABOVE
	22-82851M		2	COLLAR SERIAL (M-043238 ML-212354) AND BELOW
23	35-91667M		1	FUEL COCK ASS'Y
24	32-91668M		1	HOSE SERIAL (M-082241 ML-329127) AND ABOVE
	32-82007M		1	HOSE SERIAL (M-055886 THRU 082240 ML-321427 THRU 329126)
	32-91668M		1	HOSE SERIAL (M-055885 ML-321426) AND BELOW
25	54-82047M		AR	CLAMP
26	91669M		1	SHAFT, FUEL SHUT OFF
27	23-91670M		1	BUSHING
28	37-91671M		1	GRAPHIC, FUEL SHUT OFF
29	12-91672M		2	WASHER

CONTINUED ON NEXT PAGE ➡

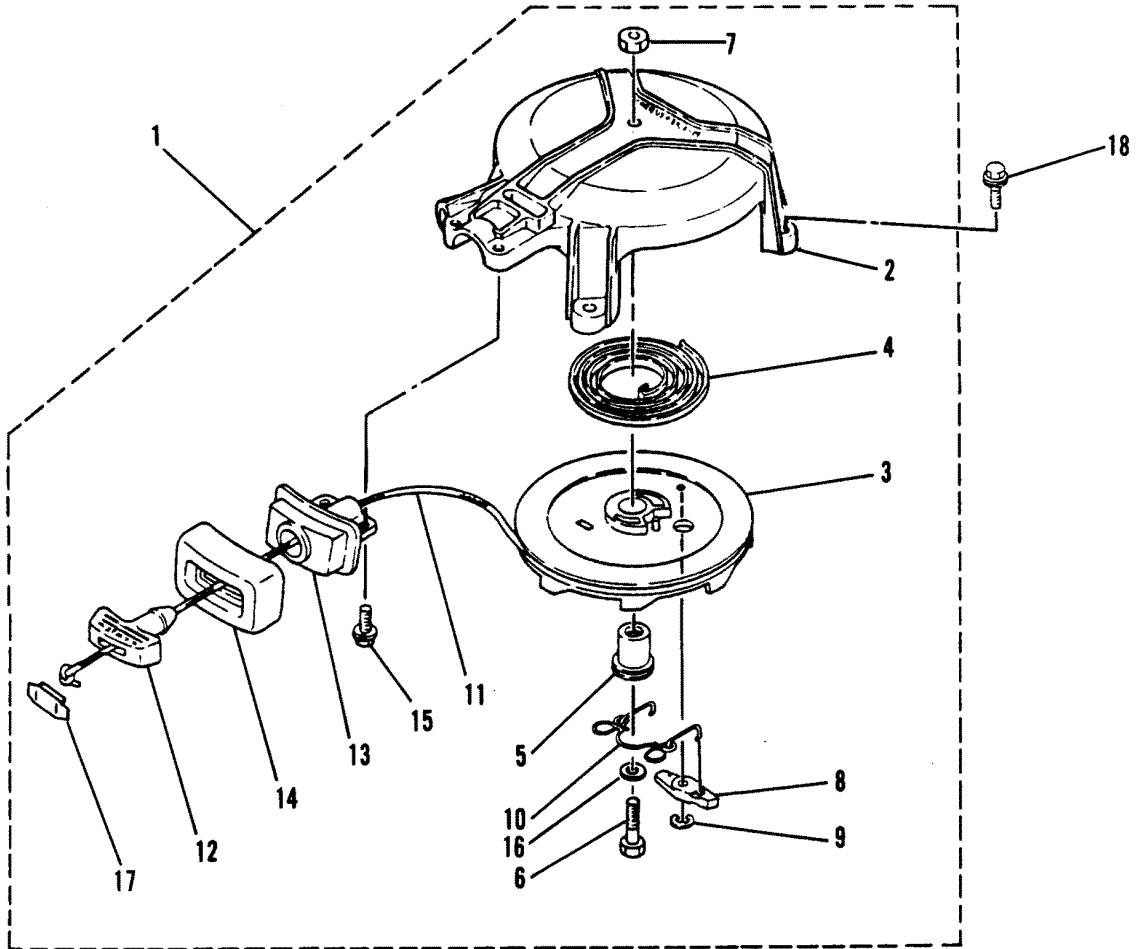
COWLING



COWLING

REF. NO.	PART NO.	SYM.	QTY.	DESCRIPTION
30	41249M		1	LEVER, FUEL SHUT OFF
31	10-91779M		1	BOLT, FLANGE SERIAL (M-114253 ML-338166) AND ABOVE
	10-91674M		1	BOLT SERIAL (M-114252 ML-338165) AND BELOW
32	25-91675M		2	GROMMET
33	87-91676M		1	STOP SWITCH ASS'Y
34	80033M		1	HOLDER,PIN
35	35-11916M		1	FUEL FILTER ASS'Y SERIAL (M-055886 THRU 082240 ML-321427 THRU 329126)
36	11917M		1	BRACKET, FUEL FILTER SERIAL (M-055886 THRU 082240 ML-321427 THRU 329126)
37	10-83509M		2	SCREW SERIAL (M-055886 THRU 082240 ML-321427 THRU 329126)
38	32-11918M		1	HOSE SERIAL (M-055886 THRU 082240 ML-321427 THRU 329126)
39	91-80277M		1	TOOL KIT

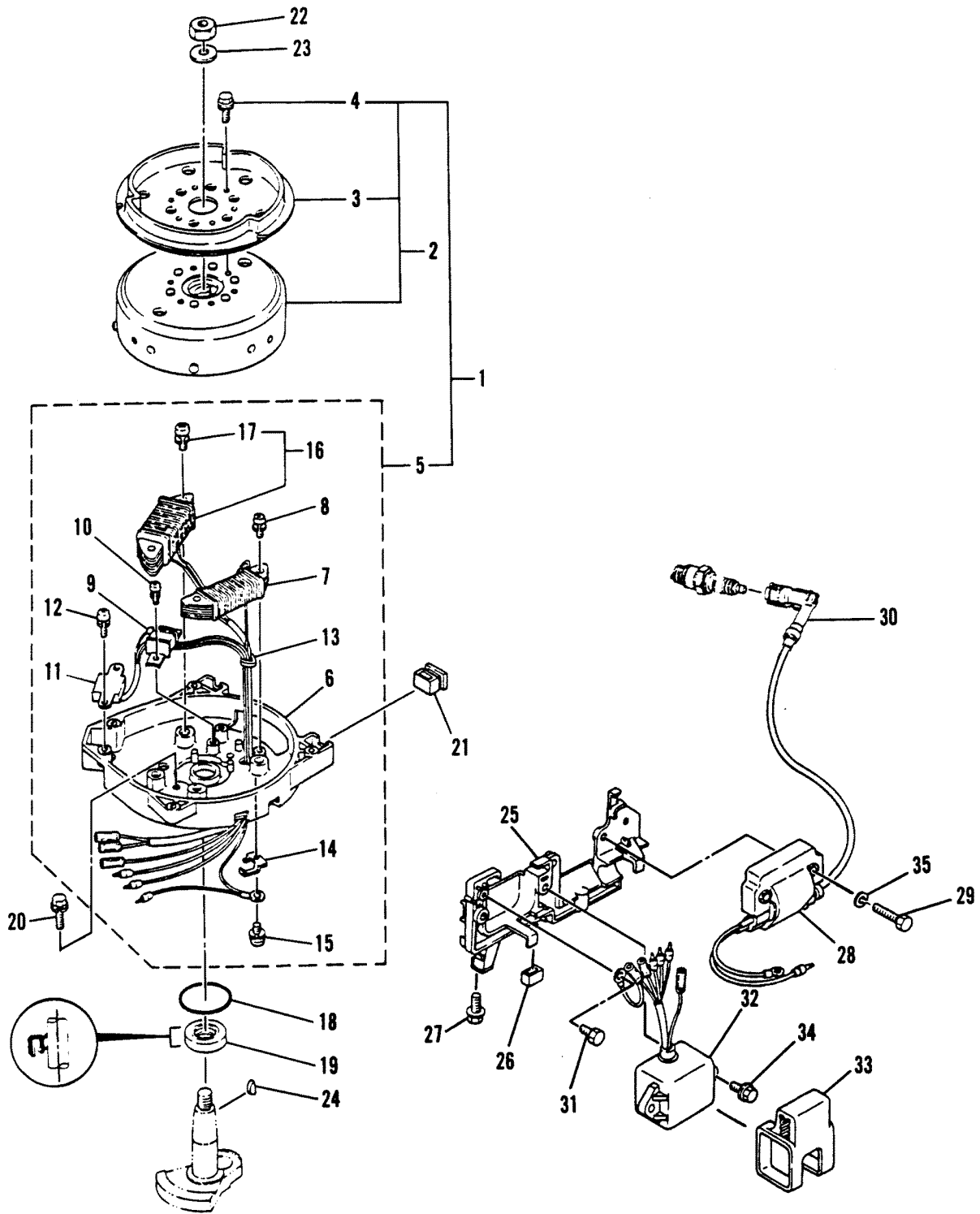
RECOIL STARTER



RECOIL STARTER

REF. NO.	PART NO.	SYM.	QTY.	DESCRIPTION
1	2169-9774M		1	STARTER ASS'Y
2	2169-9218M		1	CASE, STARTER
3	50-99986M		1	SHEAVE, STARTER
4	24-95484M		1	SPRING, SPIRAL
5	91680M		1	SHAFT
6	10-83285M		1	BOLT SERIAL (M-013401 ML-306026) AND ABOVE
	10-91681M		1	BOLT SERIAL (M-013400 ML-306025) AND BELOW
7	11-82380M		1	NUT
8	83252M		1	PAWL, DRIVE
9	53-84895M		1	SNAP RING
10	24-91682M		1	SPRING, DRIVE PAWL
11	50-12066A9		1	STARTER ROPE
12	95468M		1	HANDLE, STARTER
13	41250M		1	GUIDE, ROPE
14	91685M		1	SEAL, RUBBER
15	10-91705M		2	BOLT, FLANGE SERIAL (M-114253 ML-338166) AND ABOVE
	10-91686M		2	BOLT SERIAL (M-114252 ML-338165) AND BELOW
16	12-92564M		1	WASHER SERIAL (M-013401 ML-306026) AND ABOVE
17	18841M		1	COVER SERIAL (M-093348 ML-332748) AND ABOVE
	41882M		1	COVER SERIAL (M-043239 THRU 093347 ML-212355 THRU 332747)
18	10-91779M		3	BOLT, FLANGE SERIAL (M-114253 ML-338166) AND ABOVE
	10-91674M		3	BOLT SERIAL (M-114252 ML-338165) AND BELOW

C.D.I. MAGNETO



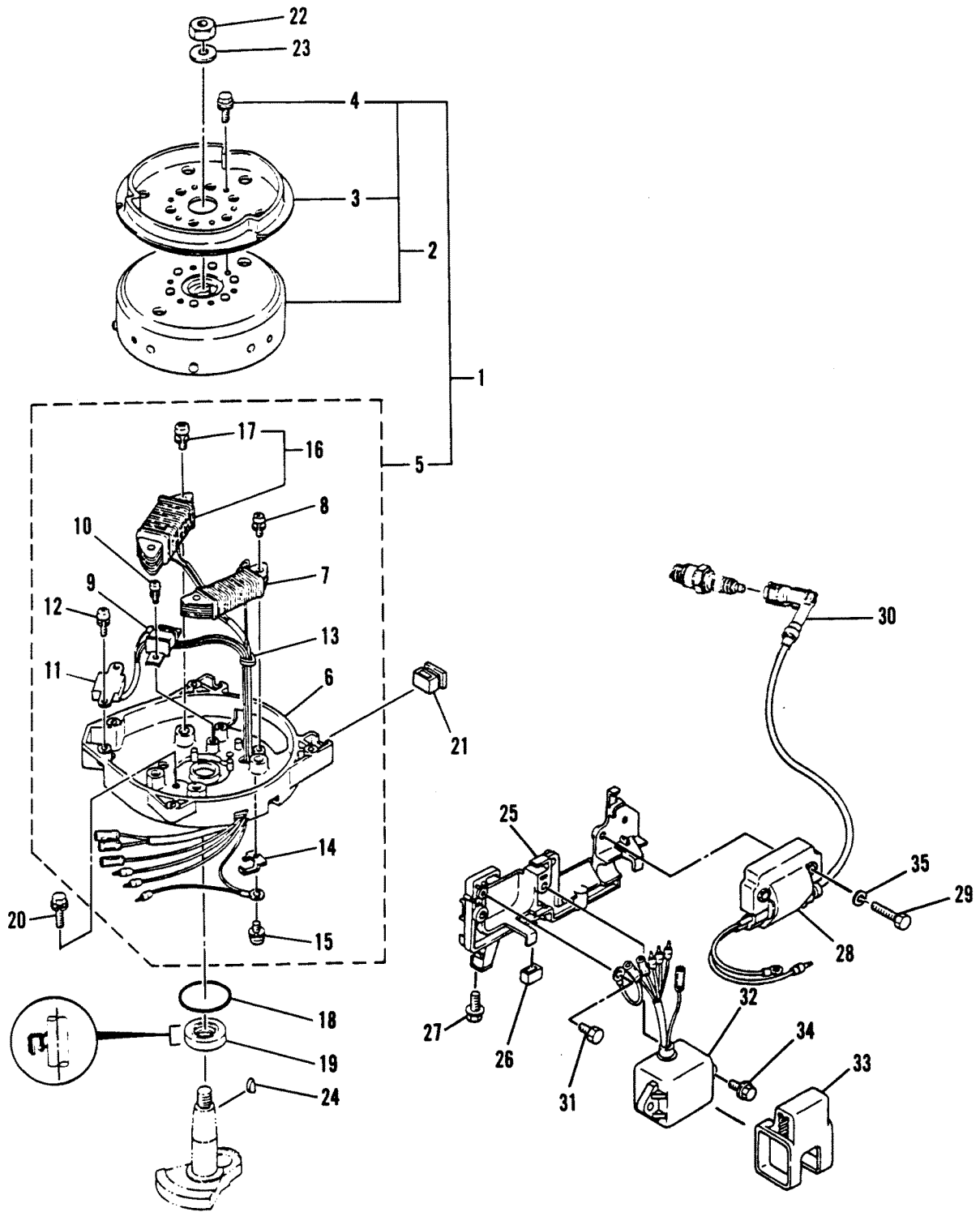
C.D.I. MAGNETO

REF. NO.	PART NO.	SYM.	QTY.	DESCRIPTION
1	253-8252M		1	C.D.I. MAGNETO ASS'Y SERIAL (M-103610 ML-335564) AND BELOW
2	253-9775M		1	FLYWHEEL ASS'Y SERIAL (M-093348 ML-332748) AND ABOVE
	253-8253M		1	FLYWHEEL ASS'Y SERIAL (M-093347 ML-332747) AND BELOW
3	50-91687M		1	RATCHET, STARTER
4	10-91686M		3	BOLT
5	95469M		1	BASE ASS'Y
6	91689M		1	HOUSING, OIL SEAL
7	91690M		1	COIL ASS'Y
8	10-91691M		2	SCREW, WITH WASHER
9	91692M		1	PULSER COIL ASS'Y
10	10-91693M		2	SCREW, WITH WASHER
11	91694M		1	PULSER COIL ASS'Y
12	10-91695M		2	SCREW, WITH WASHER
13	25-91696M		1	GROMMET
14	54-91698M		1	CLAMP
15	10-91699M		1	SCREW, WITH WASHER
16	91697M		1	LIGHTING COIL ASS'Y (60W) (OPT)
17	10-97803M		2	SCREW, WITH WASHER (OPT)
18	25-82276M	●▲■	1	O-RING
19	26-14195M	●▲■	1	OIL SEAL
20	10-91686M		2	BOLT SERIAL (M-055886 ML-321427) AND ABOVE
	10-91681M		2	BOLT SERIAL (M-055885 ML-321426) AND BELOW
21	25-91702M		2	GROMMET
22	11-81769M		1	NUT
23	12-81805M		1	WASHER
24	28-18856M		1	KEY
25	91703M		1	BRACKET, IGNITION COIL
26	25-91704M		2	GROMMET
27	10-91705M		2	BOLT
28	95470M		1	IGNITION COIL ASS'Y
29	10-84237M		2	BOLT
30	80935M		1	PLUG CAP ASS'Y (STD-NOISE SUPPRESSOR)
	82788M		1	PLUG CAP ASS'Y (OPT)
	84319M		1	PLUG CAP ASS'Y (HEAT PROOF)
31	10-84315M		1	BOLT
32	91707M		1	C.D.I. UNIT ASS'Y
33	91708M		1	HOLDER, WIRE HARNESS
34	10-91779M		2	BOLT, FLANGE SERIAL (M-114253 ML-338166) AND ABOVE

- = CONTENTS OF POWERHEAD GASKET SET [27-99997M].
- = CONTENTS OF POWERHEAD GASKET SET [27-14188M].
- ▲ = CONTENTS OF POWERHEAD GASKET SET [27-91719M].

CONTINUED ON NEXT PAGE ➡

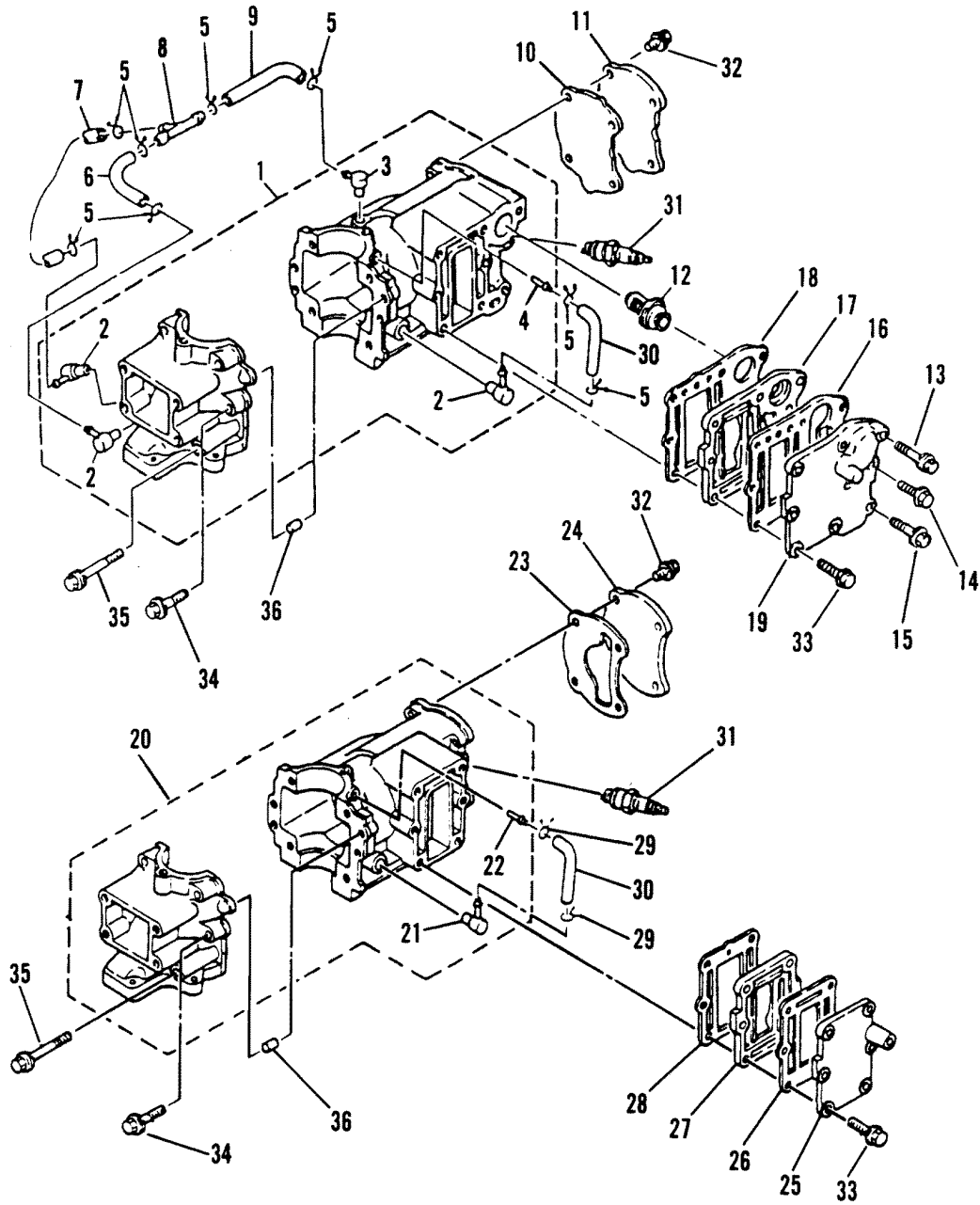
C.D.I. MAGNETO



C.D.I. MAGNETO

REF. NO.	PART NO.	SYM.	QTY.	DESCRIPTION
34	10-91674M		2	BOLT SERIAL (M-114252 ML-338165) AND BELOW
35	12-82214M		2	WASHER
36	27-99997M		1	POWERHEAD GASKET SET CONTENTS INDICATED BY FOOTNOTE 11.
-	27-91719M		1	POWERHEAD GASKET SET CONTENTS INDICATED BY FOOTNOTE 12.
-	27-17188M		1	POWERHEAD GASKET SET CONTENTS INDICATED BY FOOTNOTE 13.

CRANKCASE AND CYLINDER HEAD



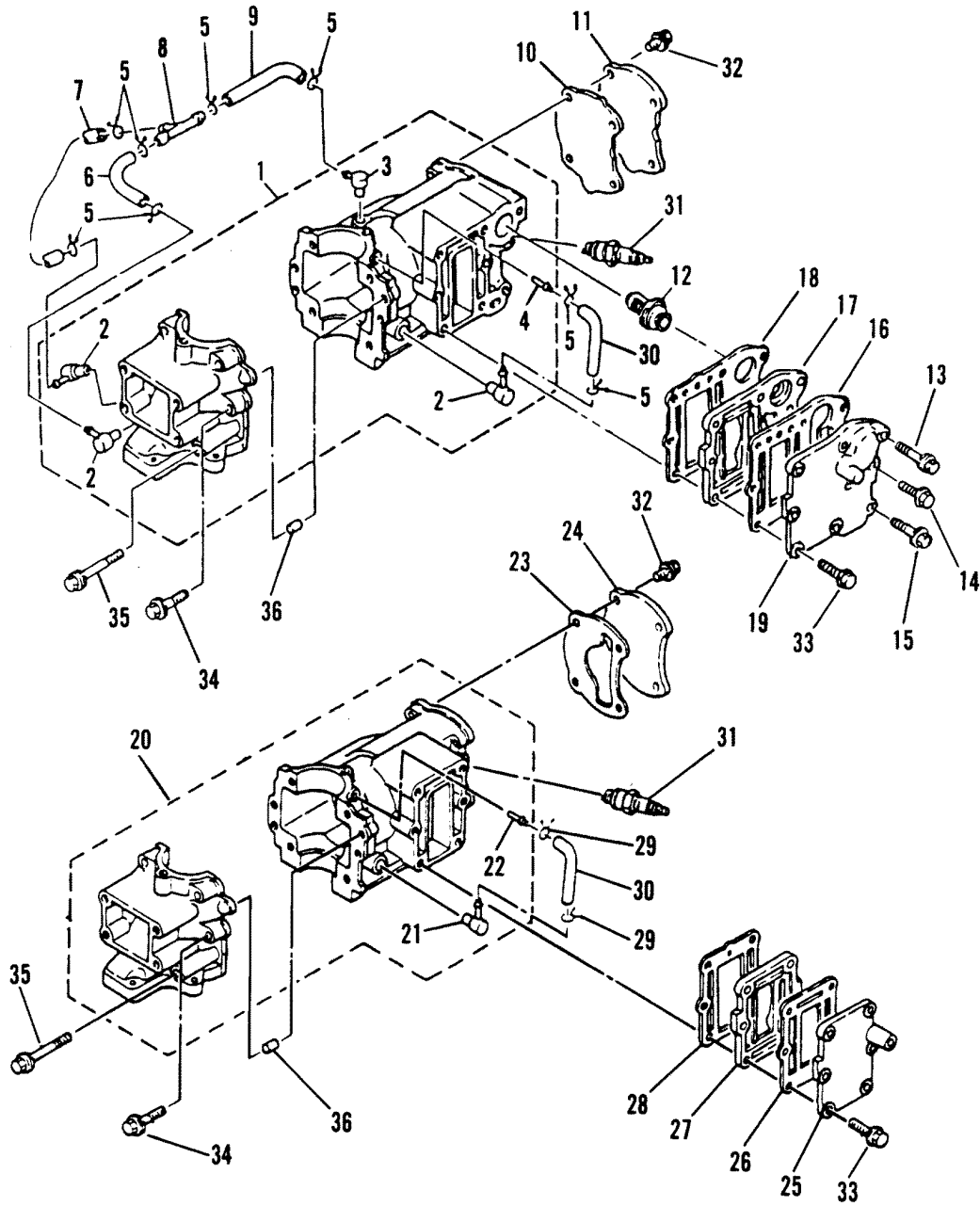
CRANKCASE AND CYLINDER HEAD

REF. NO.	PART NO.	SYM.	QTY.	DESCRIPTION
1	968-8805M		1	CRANKCASE ASS'Y SERIAL (M-013401 ML-306026) AND ABOVE
2	21-80727M		3	CHECK VALVE ASS'Y SERIAL (M-013401 ML-306026) AND ABOVE
3	22-99988M		1	NIPPLE, HOSE SERIAL (M-013401 ML-306026) AND ABOVE
4	22-80122M		1	FITTING SERIAL (M-013401 ML-306026) AND ABOVE
5	54-82046M		8	CLAMP SERIAL (M-013401 ML-306026) AND ABOVE
6	32-83088M		1	HOSE SERIAL (M-013401 ML-306026) AND ABOVE
7	32-91709M		2	HOSE SERIAL (M-013401 ML-306026) AND ABOVE
8	22-99989M		1	FITTING SERIAL (M-013401 ML-306026) AND ABOVE
9	32-99990M		1	HOSE SERIAL (M-013401 ML-306026) AND ABOVE
10	27-99991M	●■	1	GASKET, HEAD COVER SERIAL (M-013401 ML-306026) AND ABOVE
11	99992M		1	COVER, CYLINDER HEAD SERIAL (M-013401 ML-306026) AND ABOVE
12	11919M		1	THERMOSTAT SERIAL (M-055886 ML-321427) AND ABOVE
	83282M		1	THERMOSTAT SERIAL (M-013401 THRU 055885 ML-306026 THRU 321426)
13	10-11945M		1	BOLT SERIAL (M-082241 ML-329127) AND ABOVE
	10-91666M		1	BOLT SERIAL (M-013401 THRU 082240 ML-306026 THRU 329126)
14	10-91681M		1	BOLT SERIAL (M-013401 ML-306026) AND ABOVE
15	10-91686M		1	BOLT SERIAL (M-013401 ML-306026) AND ABOVE
16	27-99993M	●■	1	GASKET, OUTER COVER SERIAL (M-013401 ML-306026) AND ABOVE
17	99994M		1	INNER COVER, EXHAUST SERIAL (M-013401 ML-306026) AND ABOVE
18	27-99995M	●■	1	GASKET, INNER COVER SERIAL (M-013401 ML-306026) AND ABOVE
19	11920M		1	OUTER COVER, EXHAUST SERIAL (M-013401 ML-306026) AND ABOVE
	91713M		1	OUTER COVER, EXHAUST SERIAL (M-013401 THRU 055885 ML-306026 THRU 321426)
20	968-8254M		1	CRANKCASE ASS'Y SERIAL (M-013400 ML-306025) AND BELOW
21	21-80727M		1	CHECK VALVE ASS'Y SERIAL (M-013400 ML-306025) AND BELOW
22	22-80122M		1	FITTING SERIAL (M-013400 ML-306025) AND BELOW
23	27-91717M	▲	1	GASKET, HEAD COVER SERIAL (M-013400 ML-306025) AND BELOW
24	99992M		1	COVER, CYLINDER HEAD SERIAL (M-013400 ML-306025) AND BELOW
25	91713M		1	OUTER COVER, EXHAUST SERIAL (M-013400 ML-306025) AND BELOW

- = CONTENTS OF POWERHEAD GASKET SET [27-99997M].
- = CONTENTS OF POWERHEAD GASKET SET [27-14188M].
- ▲ = CONTENTS OF POWERHEAD GASKET SET [27-91719M].

CONTINUED ON NEXT PAGE ➡

CRANKCASE AND CYLINDER HEAD

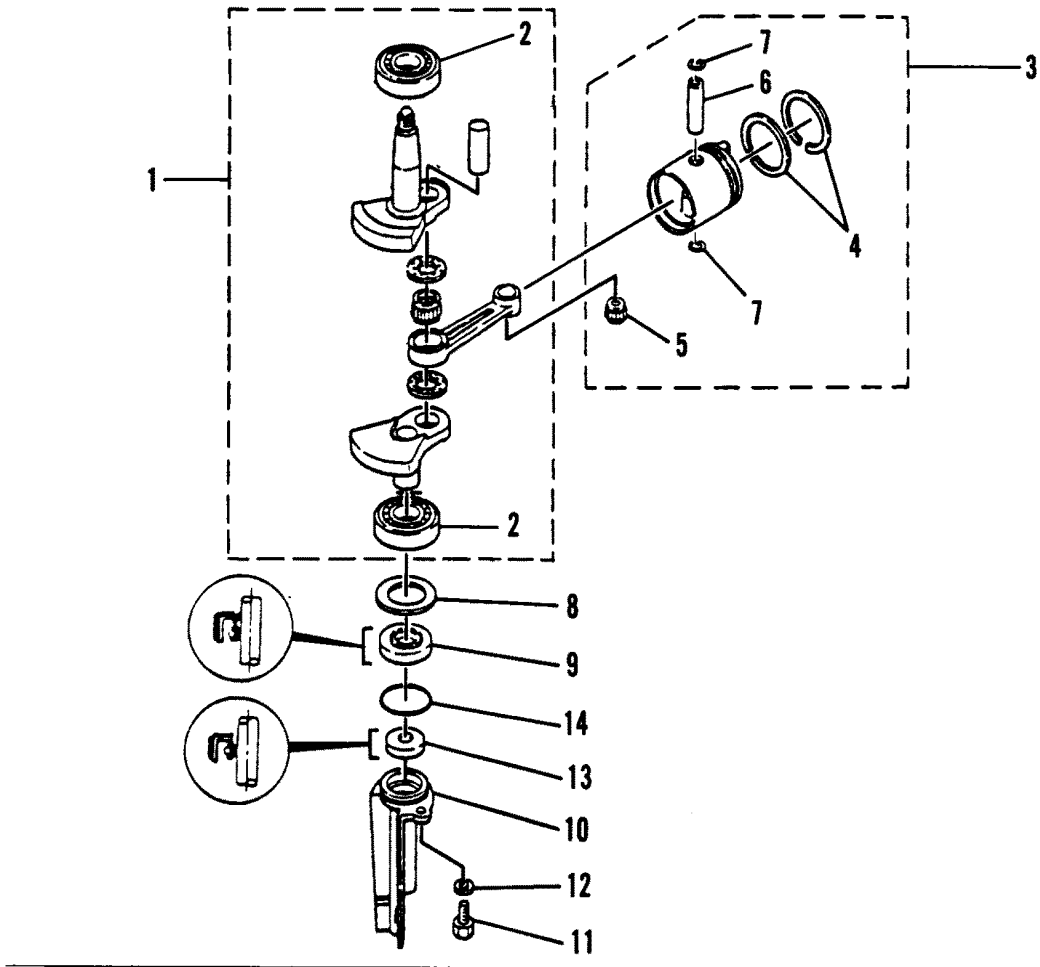


CRANKCASE AND CYLINDER HEAD

REF. NO.	PART NO.	SYM.	QTY.	DESCRIPTION
26	27-91714M	▲	1	GASKET, OUTER COVER SERIAL (M-013400 ML-306025) AND BELOW
27	91711M		1	INNER COVER, EXHAUST SERIAL (M-013400 ML-306025) AND BELOW
28	27-91712M	▲	1	GASKET, INNER COVER SERIAL (M-013400 ML-306025) AND BELOW
29	54-82046M		2	CLAMP SERIAL (M-013400 ML-306025) AND BELOW
30	32-91709M		1	HOSE SERIAL (M-013400 ML-306025) AND BELOW
31	33-53098		1	SPARK PLUG STANDARD PART
32	10-91686M		4	BOLT STANDARD PART
33	10-11945M		6	BOLT STANDARD PART SERIAL (M-082241 ML-329127) AND ABOVE
	10-91666M		6	BOLT STANDARD PART SERIAL (M-082240 ML-329126) AND BELOW
34	10-91681M		4	BOLT STANDARD PART
35	10-91710M		2	BOLT STANDARD PART
36	17-82354M		2	PIN STANDARD PART SERIAL (M-093348 ML-332748) AND ABOVE
	17-82364M		2	PIN STANDARD PART SERIAL (M-093347 ML-332747) AND BELOW
	18842M		1	POWERHEAD ASS'Y, COMPLETE REPLACEMENT PART SERIAL (M-093348 ML-332748) AND ABOVE
	11915M		1	POWERHEAD ASS'Y, COMPLETE REPLACEMENT PART SERIAL (M-093347 ML-332747) AND BELOW
	27-14188M		1	GASKET SET, POWERHEAD REPLACEMENT PART SERIAL (M-070824 ML-325784) AND ABOVE. CONTENTS INDICATED BY FOOTNOTE 13.
	27-99997M		1	GASKET SET, POWERHEAD REPLACEMENT PART SERIAL (M-013401 THRU 070823 ML-306026 THRU 325783). CONTENTS INDICATED BY FOOTNOTE 11.
	27-91719M		1	GASKET SET, POWERHEAD REPLACEMENT PART SERIAL (M-0013400 ML-306025) AND BELOW. CONTENTS INDICATED BY FOOTNOTE 12.

▲ = CONTENTS OF POWERHEAD GASKET SET [27-91719M].

CRANKSHAFT AND PISTON

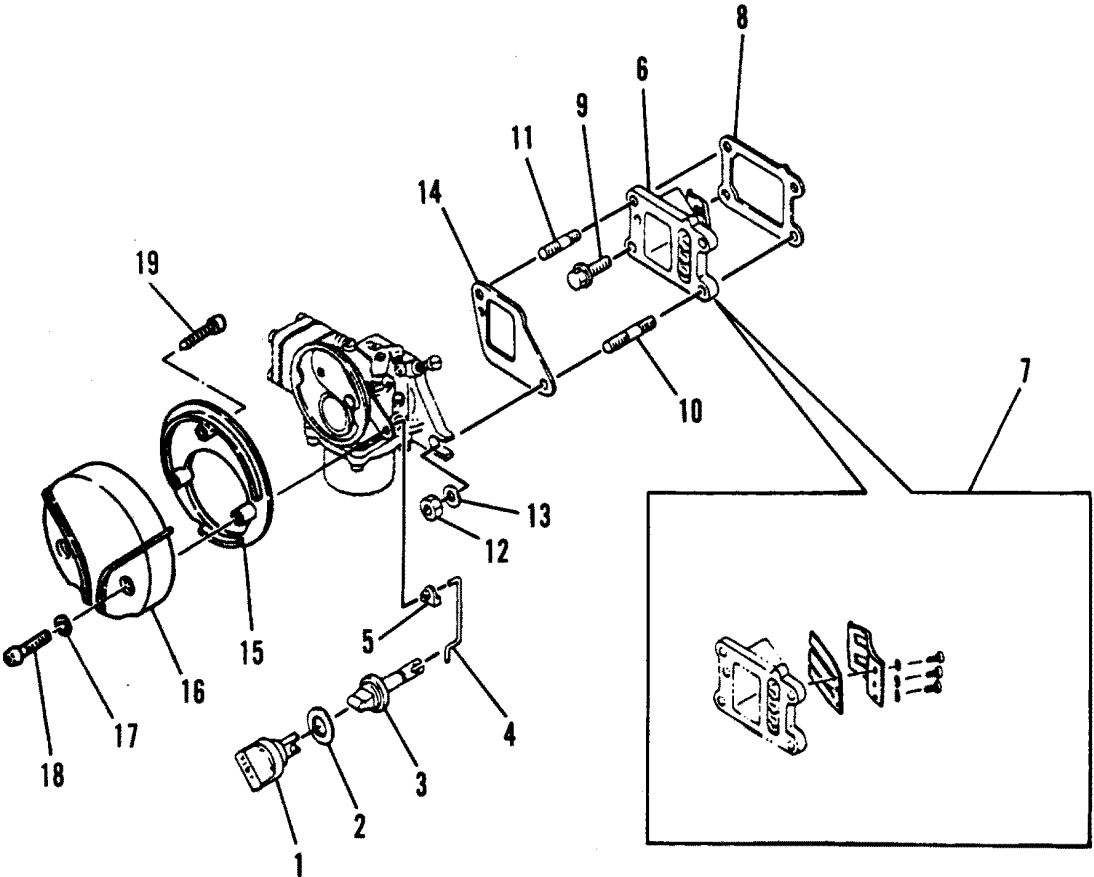


CRANKSHAFT AND PISTON

REF. NO.	PART NO.	SYM.	QTY.	DESCRIPTION
1	463-8255M		1	CRANKSHAFT ASS'Y
2	30-18859M		2	BEARING
3	761-8256M		1	PISTON ASS'Y (STD) SERIAL (M-103610 ML-335564) AND BELOW
4	39-11462M		1	POSTON RING SET (STD)
5	31-91721M		1	BEARING
6	41-95601M		1	PIN SERIAL (M-005886 ML-321427) AND ABOVE
	41-80005M		1	PIN SERIAL (M-055885 ML-321426) AND BELOW
7	53-82342M		2	SNAP RING
8	12-91723M		1	WASHER
9	26-18843M	■	1	OIL SEAL SERIAL (M-093348 ML-332748) AND ABOVE
	26-18941M	●▲■	1	OIL SEAL SERIAL (M-093347 ML-332747) AND BELOW
10	814455M		1	HOUSING, OIL SEAL SERIAL (M-103611 ML-335565) AND ABOVE
	18844M		1	HOUSING, OIL SEAL SERIAL (M-093348 THRU 103610 ML-332748 THRU 335564)
	14177M		1	HOUSING, OIL SEAL SERIAL (M-093347 ML-332747) AND BELOW
11	10-91725M		1	BOLT
12	12-82214M		1	WASHER
13	26-95472M	●▲■	1	OIL SEAL SERIAL (M-043239 ML-212355) AND ABOVE
	26-91726M	●▲■	1	OIL SEAL SERIAL (M-043238 ML-212354) AND BELOW
14	25-91727M	●▲■	1	O-RING
-	27-99997M		1	POWERHEAD GASKET SET CONTENTS INDICATED BY FOOTNOTE 11.
-	27-91719M		1	POWERHEAD GASKET SET CONTENTS INDICATED BY FOOTNOTE 12.
-	27-14188M		1	POWERHEAD GASKET SET CONTENTS INDICATED BY FOOTNOTE 13.

- = CONTENTS OF POWERHEAD GASKET SET [27-99997M].
- = CONTENTS OF POWERHEAD GASKET SET [27-14188M].
- ▲ = CONTENTS OF POWERHEAD GASKET SET [27-91719M].

INTAKE MANIFOLD

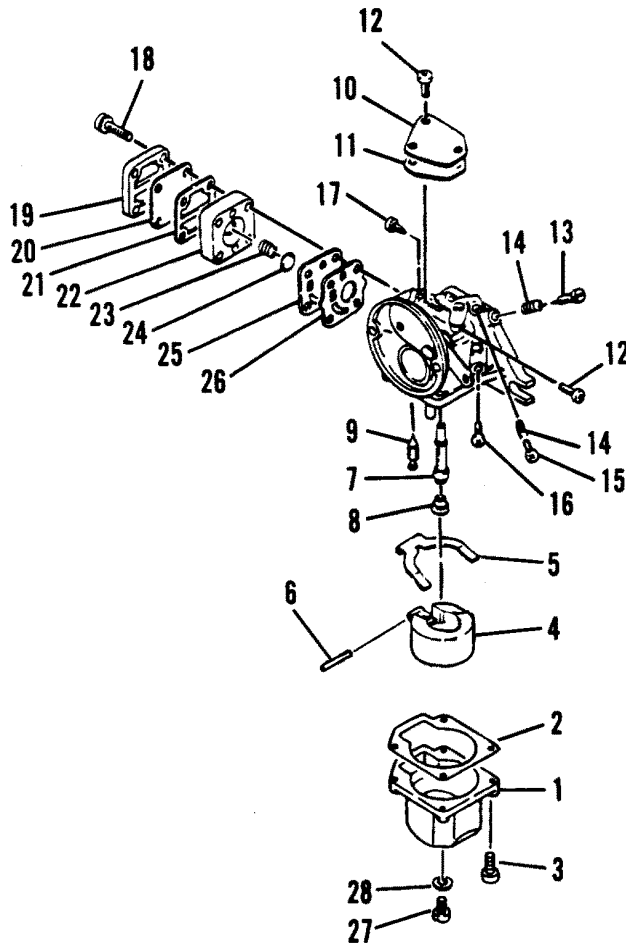


INTAKE MANIFOLD

REF. NO.	PART NO.	SYM.	QTY.	DESCRIPTION
1	91728M		1	KNOB, CHOKE
2	12-91729M		1	WASHER
3	91730M		1	KNOB, CHOKE
4	91731M		1	ROD, CHOKE LINK
5	81191M		1	RETAINER, CHOKE LEVER
6	91732M		1	REED VALVE ASS'Y
7	34-91733M		1	REED SET
8	27-91734M	●▲■	1	GASKET, VALVE SEAT
9	10-91686M		2	BOLT
10	16-80232M		1	STUD
11	16-91735M		1	STUD
12	11-82390M		2	NUT SERIAL (M-114253 ML-338166) AND ABOVE
	11-82381M		2	NUT SERIAL (M-114252 ML-338165) AND BELOW
13	12-82214M		2	WASHER
14	27-91736M	●■	1	GASKET
15	96553M		1	COVER
16	96554M		1	COVER
17	12-82211M		2	WASHER
18	10-83108M		2	SCREW SERIAL (M-114253 ML-338166) AND ABOVE
	10-82521M		2	SCREW SERIAL (M-114252 ML-338165) AND BELOW
19	10-96555M		1	SCREW
-	27-99997M		1	POWERHEAD GASKET SET CONTENTS INDICATED BY FOOTNOTE 11.
-	27-91719M		1	POWERHEAD GASKET SET CONTENTS INDICATED BY FOOTNOTE 12.
-	27-14188M		1	POWERHEAD GASKET SET CONTENTS INDICATED BY FOOTNOTE 13.
-	27-14184M		1	CARBURETOR REPAIR KIT CONTENTS INDICATED BY FOOTNOTE 14.

- = CONTENTS OF POWERHEAD GASKET SET [27-99997M].
- = CONTENTS OF POWERHEAD GASKET SET [27-14188M].
- = CONTENTS OF CARBURETOR REPAIR KIT [14184M].
- ▲ = CONTENTS OF POWERHEAD GASKET SET [27-91719M].

CARBURETOR



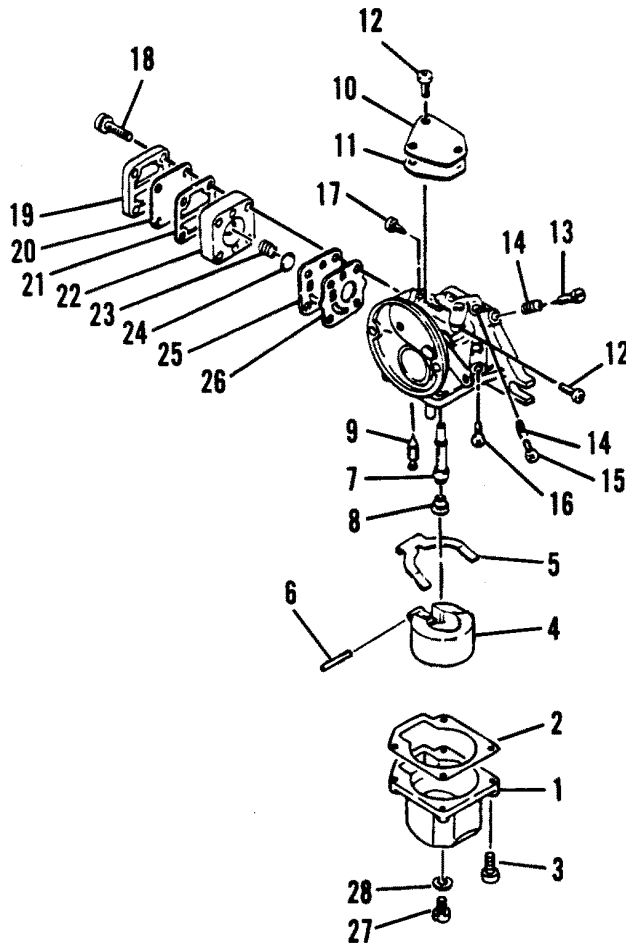
CARBURETOR

REF. NO.	PART NO.	SYM.	QTY.	DESCRIPTION
0-1	1383-9505M		1	CARBURETOR ASS'Y SERIAL (M-070824 ML-325784) AND ABOVE
	1383-8887M		1	CARBURETOR ASS'Y SERIAL (M-070823 ML-325783) AND BELOW
1	14178M		1	BODY, FLOAT CHAMBER SERIAL (M-070824 ML-325784) AND ABOVE
	91737M		1	BODY, FLOAT CHAMBER SERIAL (M-070823 ML-325783) AND BELOW
2	27-14179M	●■	1	GASKET, FLOAT CHAMBER SERIAL (M-070824 ML-325784) AND ABOVE
	27-80972M	◇●■	1	GASKET, FLOAT CHAMBER SERIAL (M-070823 ML-325783) AND BELOW
3	10-91738M	◇■	4	SCREW
4	14180M	■	1	FLOAT SERIAL (M-070824 ML-325784) AND ABOVE
	80450M	◇	1	FLOAT SERIAL (M-070823 ML-325783) AND BELOW
5	91739M	◇	1	ARM SERIAL (M-070823 ML-325783) AND BELOW
6	17-80451M	◇■	1	PIN, FLOAT
7	14181M		1	NOZZLE, MAIN
8	80579M		1	JET, MAIN (#80) SERIAL (M-013401 ML-306026) AND ABOVE
	91741M		1	JET, MAIN (#86) SERIAL (M-013400 ML-306025) AND BELOW
9	91742M	■	1	VALVE, NEEDLE SERIAL (M-114253 ML-338166) AND ABOVE
	14182M	■	1	VALVE, NEEDLE SERIAL (M-070824 THRU 114252 ML-325784 THRU 338165)
	91742M	◇	1	VALVE, NEEDLE SERIAL (M-070823 ML-325783) AND BELOW
10	91743M		1	COVER, PLATE
11	27-91744M	◇■	1	GASKET
12	10-82513M		4	SCREW
13	10-80573M	◇■	1	SCREW, AIR ADJUSTING
14	24-80329M		2	SPRING, PILOT ADJUSTING
15	10-814463M		1	SCREW, IDLE SERIAL (M-103611 ML-335565) AND ABOVE
	10-82623M		1	SCREW, IDLE SERIAL (M-103610 ML-335564) AND BELOW
16	91746M		1	JET, PILOT (#46)
17	10-80434M		1	SCREW, GUIDE
18	10-80738M		4	SCREW
19	91747M		1	COVER, PUMP
20	91748M	◇■	1	DIAPHRAGM
21	27-91749M		1	GASKET, PUMP COVER
22	91750M		1	BODY, PUMP
23	24-91751M		1	SPRING

- = CONTENTS OF POWERHEAD GASKET SET [27-99997M].
- = CONTENTS OF POWERHEAD GASKET SET [27-14188M].
- = CONTENTS OF CARBURETOR REPAIR KIT [14184M].
- ◇ = CONTENTS OF CARBURETOR REPAIR KIT [91755M].

CONTINUED ON NEXT PAGE ➡

CARBURETOR



CARBURETOR

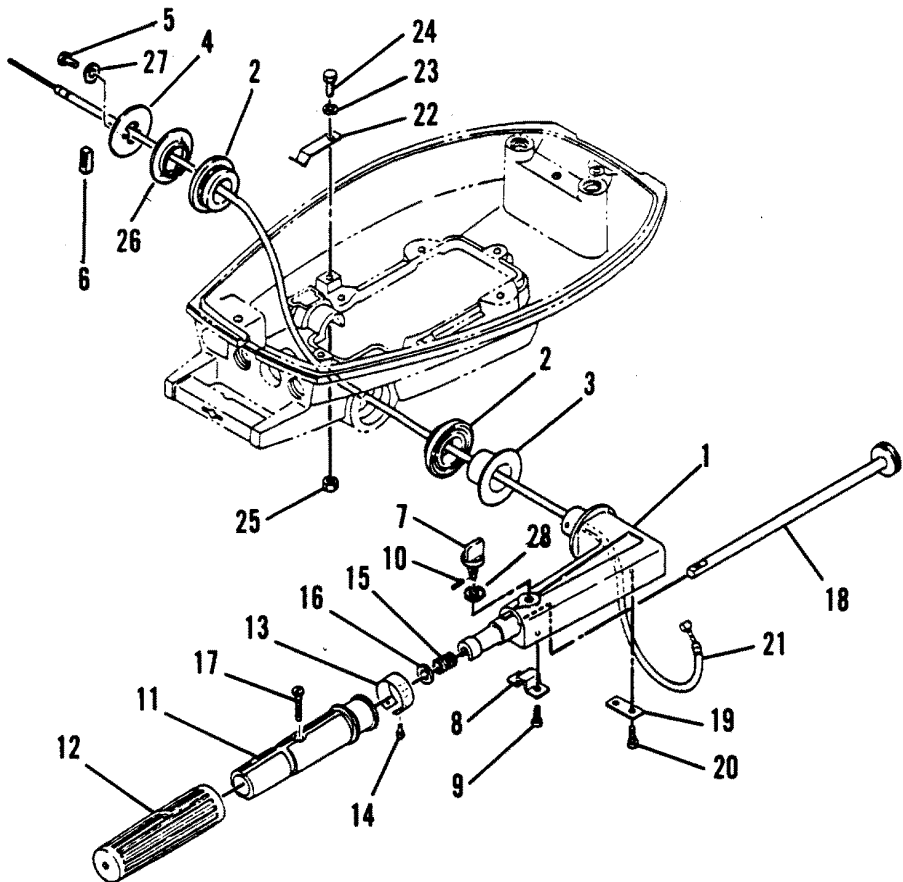
REF. NO.	PART NO.	SYM.	QTY.	DESCRIPTION
24	91752M		1	PLATE
25	91753M	◇ ■	1	DIAPHRAGM
26	27-91754M		1	GASKET, PUMP BODY
27	22-14183M		1	SCREW, DRAIN SERIAL (M-070824 ML-325784) AND ABOVE
28	27-13999M	■ ■	1	GASKET SERIAL (M-070824 ML-325784) AND ABOVE
	14184M		1	REPAIR KIT, CARBURETOR SERIAL (M-070824 ML-325784) AND ABOVE. CONTENTS INDICATED BY FOOTNOTE 14.
	91755M		1	REPAIR KIT, CARBURETOR SERIAL (M-070823 ML-325783) AND BELOW. CONTENTS INDICATED BY FOOTNOTE 15.
-	27-99997M		1	POWERHEAD GASKET SET CONTENTS INDICATED BY FOOTNOTE 11.
-	27-91719M		1	POWERHEAD GASKET SET CONTENTS INDICATED BY FOOTNOTE 12.
-	27-14188M		1	POWERHEAD GASKET SET CONTENTS INDICATED BY FOOTNOTE 13.

■ = CONTENTS OF POWERHEAD GASKET SET [27-14188M].

■ = CONTENTS OF CARBURETOR REPAIR KIT [14184M].

◇ = CONTENTS OF CARBURETOR REPAIR KIT [91755M].

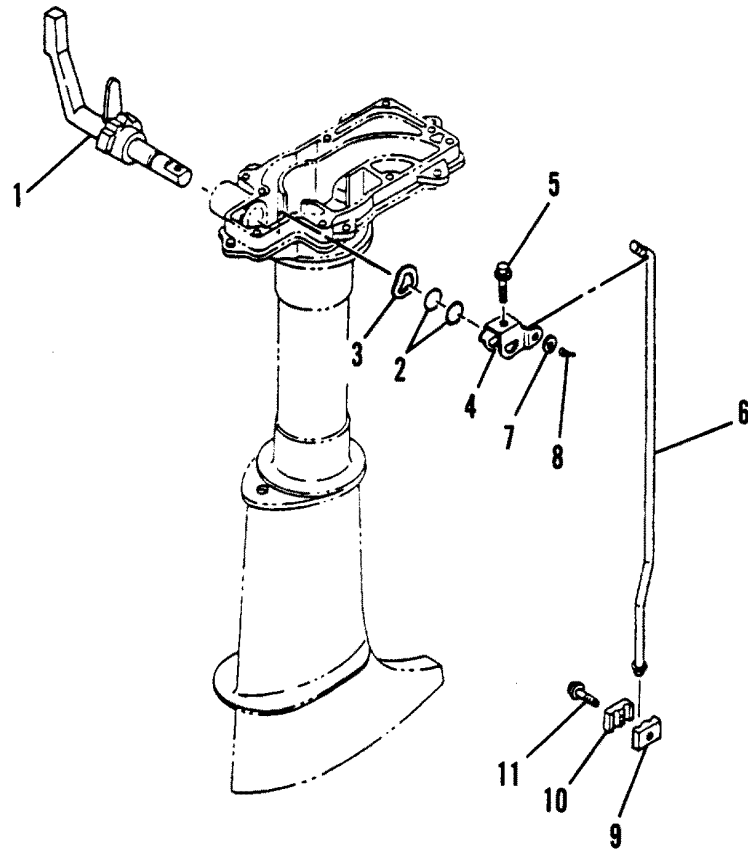
THROTTLE CONTROL



THROTTLE CONTROL

REF. NO.	PART NO.	SYM.	QTY.	DESCRIPTION
1	91756M		1	HANDLE, STEERING
2	23-17657M		2	BUSHING, RUBBER
3	23-91758M		1	BUSHING
4	18845M		1	COVER, STEERING HANDLE SERIAL (M-093348 ML-332748) AND ABOVE
	43112M		1	COVER, STEERING HANDLE SERIAL (M-093347 ML-332747) AND BELOW
5	10-82419M		2	BOLT SERIAL (M-070824 ML-325784) AND ABOVE
	10-95473M		2	BOLT SERIAL (M-043239-070823 ML-212355 THRU 325783)
	10-82417M		2	BOLT SERIAL (M-043238 ML-212354) AND BELOW
6	23-91760M		1	BUSHING, RUBBER SERIAL (M-043238 ML-212354) AND BELOW
7	10-91761M		1	BOLT, FRICTION ADJUSTING
8	18846M		1	COVER SERIAL (M-093348 ML-332748) AND ABOVE
	91762M		1	COVER SERIAL (M-093347 ML-332747) AND BELOW
9	10-14232M		2	SCREW
10	18-82124M		1	PIN
11	91764M		1	HANDLE
12	91765M		1	GRIP, HANDLE
13	16632M		1	INDICATOR, THROTTLE SERIAL (M-082241 ML-329127) AND ABOVE
	98958M		1	INDICATOR, THROTTLE SERIAL (M-082240 ML-329126) AND BELOW
14	17-81907M		1	RIVET
15	24-82095M		1	SPRING
16	12-91767M		1	WASHER
17	10-18847M		1	SCREW SERIAL (M-093348 ML-332748) AND ABOVE
	10-84300M		1	SCREW SERIAL (M-093347 ML-332747) AND BELOW
18	41252M		1	SHAFT
19	18848M		1	PLATE SERIAL (M-093348 ML-332748) AND ABOVE
	91769M		1	PLATE SERIAL (M-093347 ML-332747) AND BELOW
20	10-14232M		2	SCREW
21	21-11921M		1	THROTTLE WIRE ASS'Y
22	24-91771M		1	SPRING
23	12-82214M		1	WASHER
24	10-91772M		1	BOLT
25	11-82390M		1	NUT
26	23-96558M		1	BUSHING SERIAL (M-013401 ML-306026) AND ABOVE
27	12-82211M		2	WASHER SERIAL (M-013401 ML-306026) AND ABOVE
28	12-41290M		1	WASHER SERIAL (M-013401 ML-306026) AND ABOVE

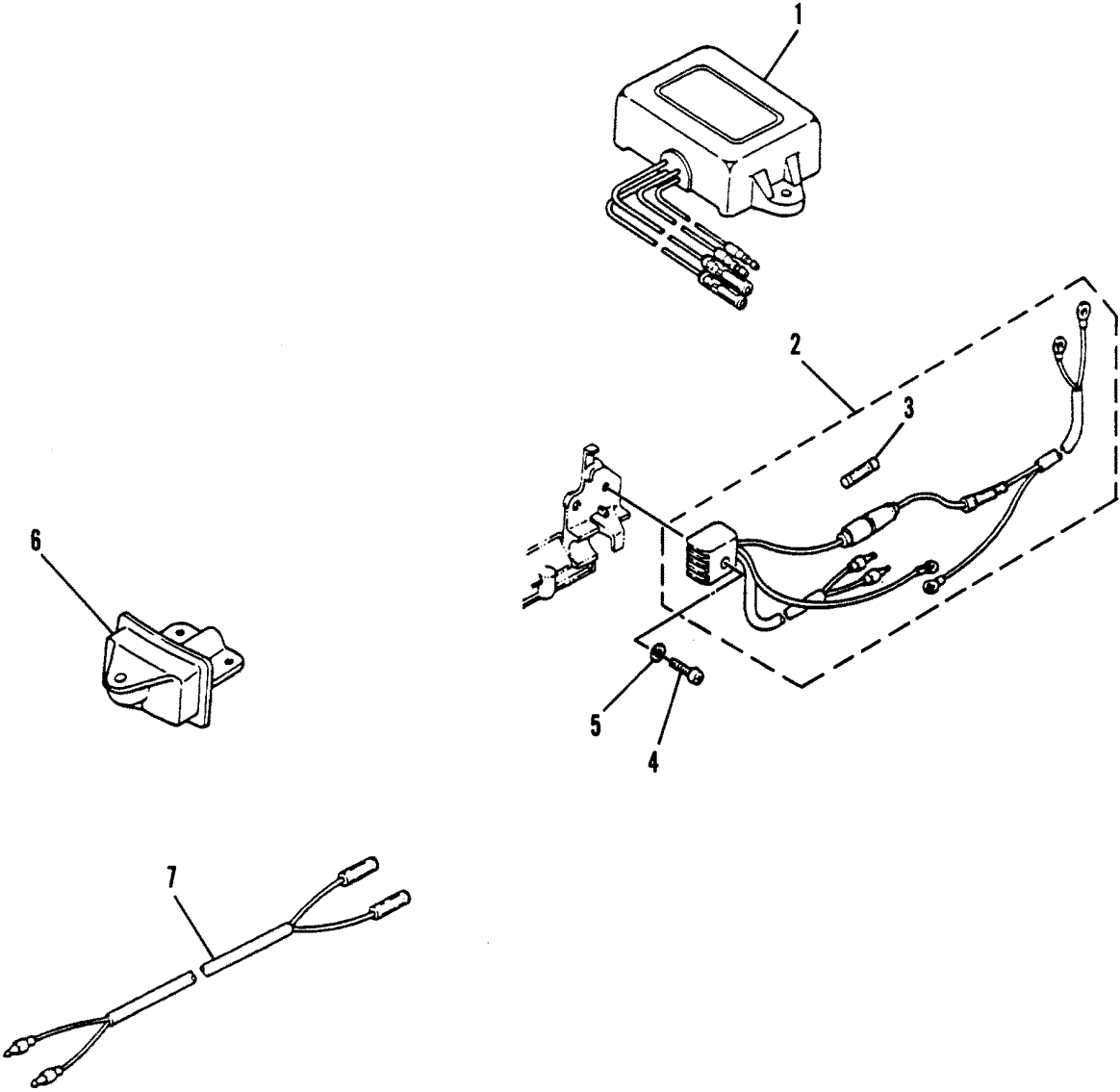
GEAR SHIFT LINKAGE



GEAR SHIFT LINKAGE

REF. NO.	PART NO.	SYM.	QTY.	DESCRIPTION
1	91773M		1	HANDLE, GEAR SHIFT
2	25-91774M		2	O-RING
3	13-91775M		1	WASHER, WAVE
4	91776M		1	LEVER, SHIFT ROD
5	10-91666M		1	BOLT
6	91777M		1	ROD, SHIFT (SHORT)
	91778M		1	ROD, SHIFT (LONG)
7	12-82211M		1	WASHER
8	18-82125M		1	PIN, COTTER
9	98959M		1	CONNECTOR, SHIFT ROD SERIAL (M-004021 ML-302046) AND ABOVE
	80049M		1	CONNECTOR, SHIFT ROD SERIAL (M-004020 ML-302045) AND BELOW
10	98960M		1	CONNECTOR SHIFT ROD SERIAL (M-004021 ML-302046) AND ABOVE
	80050M		1	CONNECTOR, SHIFT ROD SERIAL (M-004020 ML-302045) AND BELOW
11	10-91779M		1	BOLT

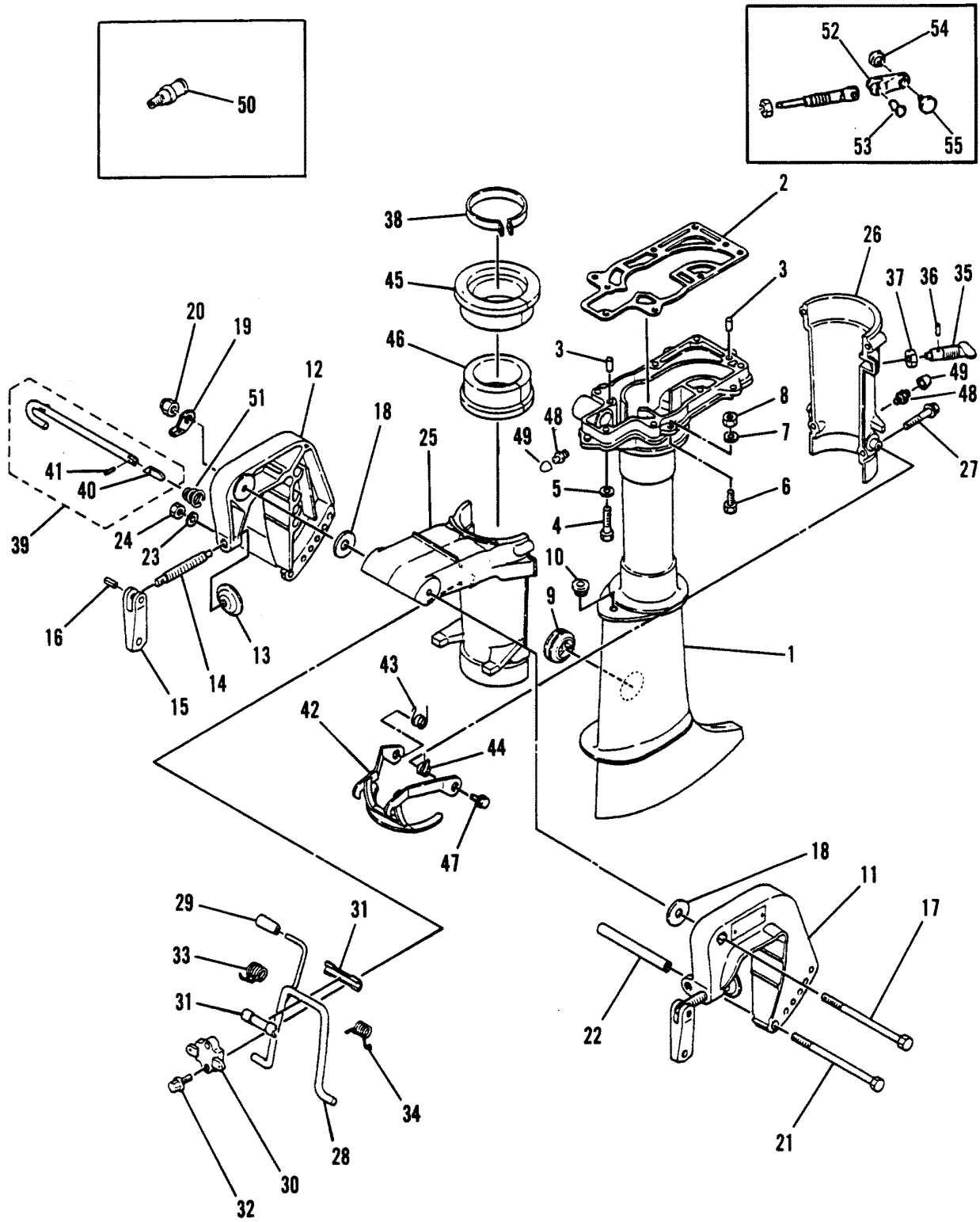
OPTIONAL PARTS



OPTIONAL PARTS

REF. NO.	PART NO.	SYM.	QTY.	DESCRIPTION
1	84125M		1	VOLTAGE REGULATOR ASS'Y
2	84329M		1	RECTIFIER ASS'Y
3	88-81522M		1	FUSE (12V-20A)
4	10-82521M		1	SCREW
5	12-82211M		1	WASHER
6	96328M		1	GUIDE, VERTICAL START
7	84-96329M		1	WIRE, LEAD

DRIVESHAFT HOUSING/CLAMP AND SWIVEL BRACKET



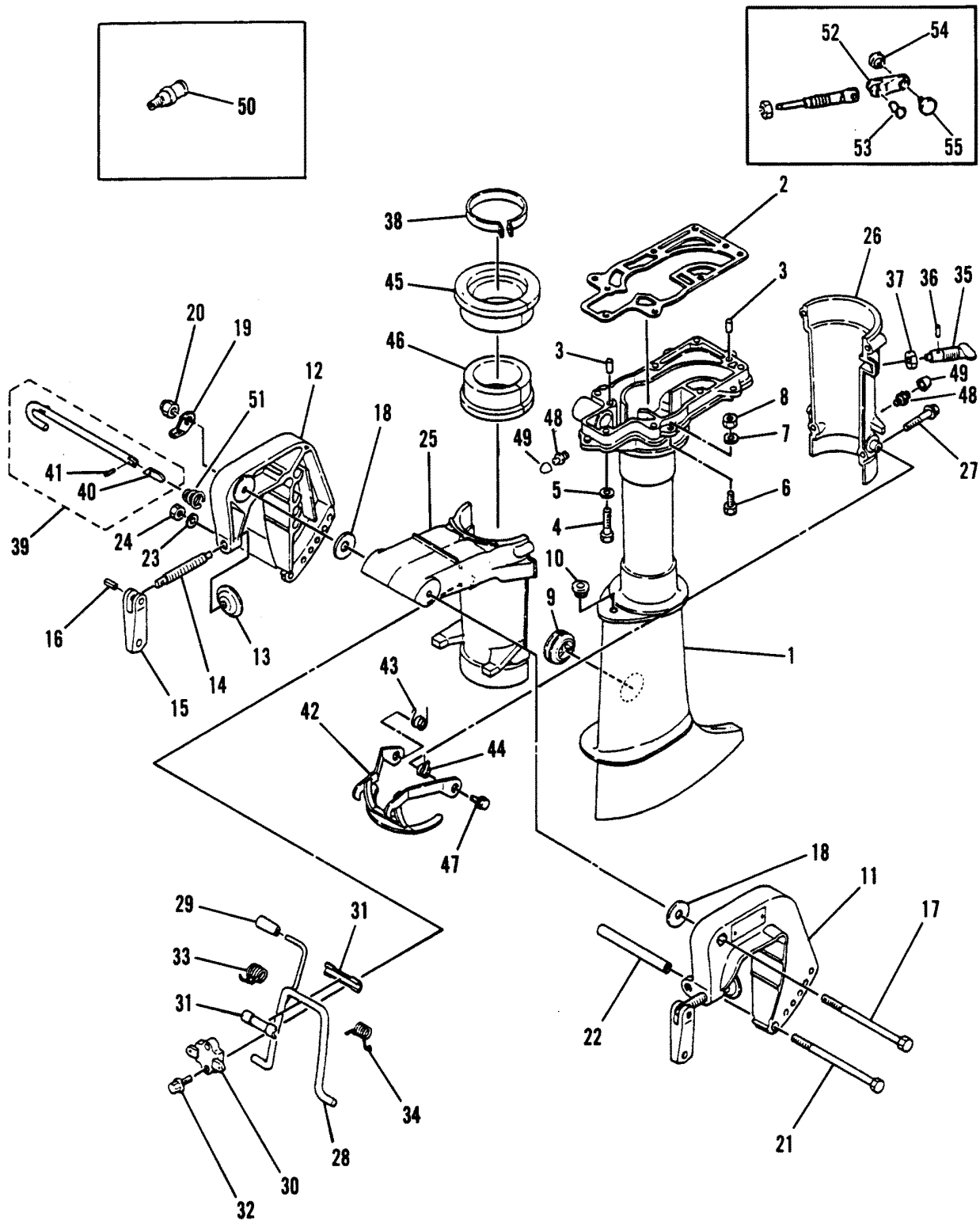
DRIVESHAFT HOUSING/CLAMP AND SWIVEL BRACKET

REF. NO.	PART NO.	SYM.	QTY.	DESCRIPTION
1	1587-9777M		1	DRIVESHAFT HOUSING (SHORT) SERIAL (M-093348 ML-332748) AND ABOVE
	1587-9213M		1	DRIVESHAFT HOUSING (SHORT) SERIAL (M-043239 THRU 093347 ML-212355 THRU 332747)
	1587-8347M		1	DRIVESHAFT HOUSING (SHORT) SERIAL (M-043238 ML-212354) AND BELOW
	1587-9777M		1	DRIVESHAFT HOUSING (LONG) SERIAL (M-093348 ML-332748) AND ABOVE
	1587-9214M		1	DRIVESHAFT HOUSING (LONG) SERIAL (M-043239 THRU 093347 ML-212355 THRU 332747)
	1587-8348M		1	DRIVESHAFT HOUSING (LONG) SERIAL (M-043238 ML-212354) AND BELOW
2	27-91780M	▲●■	1	GASKET
3	17-82364M		2	PIN, DOWEL
4	10-84237M		7	BOLT
5	12-82214M		7	WASHER
6	10-91725M		4	BOLT
7	12-82214M		4	WASHER
8	11-82390M		4	NUT
9	80533M		1	COVER, DRIVESHAFT HOUSING
10	25-91782M		1	GROMMET
11	1484-9778M		1	BRACKET, CLAMP (PORT) SERIAL (M-093348 ML-332748) AND ABOVE
	1484-8349M		1	BRACKET, CLAMP (PORT) SERIAL (M-093347 ML-332747) AND BELOW
12	1484-9779M		1	BRACKET, CLAMP (STARBOARD) SERIAL (M-093348 ML-332748) AND ABOVE
	1484-8350M		1	BRACKET, CLAMP (STARBOARD) SERIAL (M-093347 ML-332747) AND BELOW
13	12-80638M		2	PAD, TRANSOM CLAMP
14	10-91783M		2	SCREW, TRANSOM CLAMP
15	91784M		2	HANDLE, TRANSOM CLAMP
16	17-41267M		2	PIN
17	10-18849M		1	BOLT SERIAL (M-093348 ML-332748) AND ABOVE
	10-98961M		1	BOLT SERIAL (M-093347 ML-332747) AND BELOW
18	12-18850M		2	WASHER
19	18840M		1	PLATE, CLAMP BRACKET SERIAL (M-093348 ML-332748) AND ABOVE
	12-82217M		1	WASHER SERIAL (M-093347 ML-332747) AND BELOW
20	11-84295M		1	NUT
21	10-82858M		1	BOLT
22	23-82116M		1	SPACER
23	12-82214M		1	WASHER
24	11-82389M		1	NUT

- = CONTENTS OF POWERHEAD GASKET SET [27-99997M].
- = CONTENTS OF POWERHEAD GASKET SET [27-14188M].
- ▲ = CONTENTS OF POWERHEAD GASKET SET [27-91719M].

CONTINUED ON NEXT PAGE ➡

DRIVESHAFT HOUSING/CLAMP AND SWIVEL BRACKET

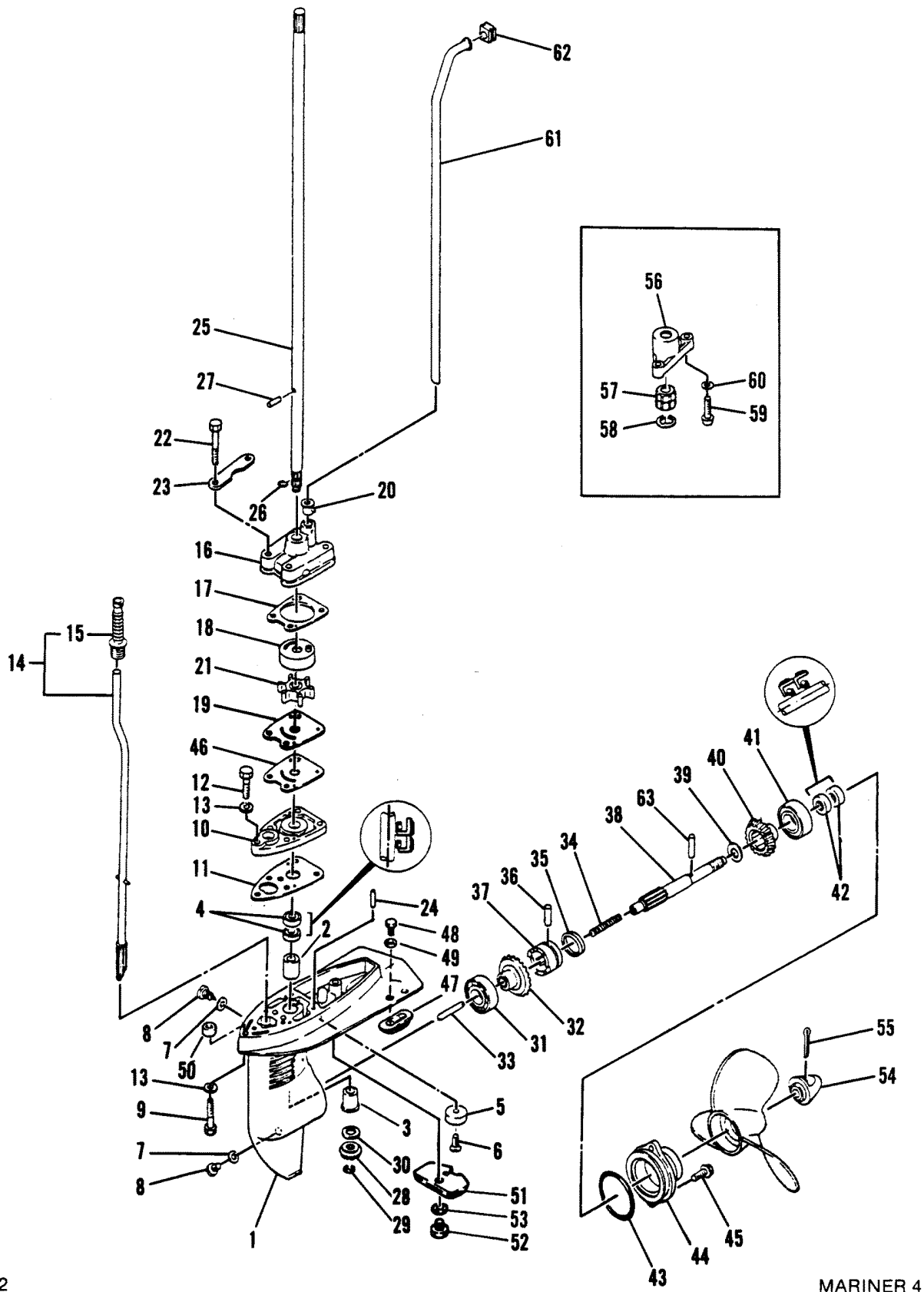


DRIVESHAFT HOUSING/CLAMP AND SWIVEL BRACKET

REF. NO.	PART NO.	SYM.	QTY.	DESCRIPTION
25	1485-811997M		1	BRACKET, SWIVEL SERIAL (M-114253 ML-338166) AND ABOVE
	1485-9705M		1	BRACKET, SWIVEL SERIAL (M-114252 ML-338165) AND BELOW
26	1485-9342M		1	BRACKET, SWIVEL SERIAL (M-055886 ML-321427) AND ABOVE
	1485-9216M		1	BRACKET, SWIVEL SERIAL (M-055885 ML-321426) AND BELOW
27	10-91788M		4	BOLT
28	91789M		1	LEVER, TILT STOP
29	91790M		1	KNOB, TILT
30	91791M		1	BRACKET, SWIVEL
31	23-80097M		2	BUSING
32	10-91779M		2	BOLT
33	24-82110M		1	SPRING
34	24-82111M		1	SPRING
35	10-810947M		1	SCREW, FRICTION PIECE SERIAL (M-114253 ML-338166) AND ABOVE
	10-17496M		1	SCREW, FRICTION PIECE SERIAL (M-093348 THRU 114252 ML-332748 THRU 338165)
	10-98962M		1	SCREW, FRICTION PIECE SERIAL (M-093347 ML-332747) AND BELOW
36	17-91793M		1	PIN SERIAL (M-093347 ML-332747) AND BELOW
37	11-82392M		1	NUT
38	17497M		1	PIECE, FRICTION
39	17-91795M		1	TILT ROD ASS'Y
40	82857M		1	STOPPER PLATE
41	17-82144M		1	PIN
42	91796M		1	PLATE, TILT LOCK
43	24-91797M		1	SPRING
44	24-91798M		1	SPRING
45	23-41258M		1	BUSHING, PIVOT SHAFT
46	23-41821M		1	BUSHING, PIVOT SHAFT
47	10-96292M		2	BOLT
48	22-82369M		2	FITTING, GREASE SERIAL (M-055886 ML-321427) AND ABOVE
49	81439M		1	CAP, GREASE FITTING SERIAL (M-055886 THRU 103610 ML-341427 THRU 335564)
50	22-80218M		1	PLUG, WATER CHECK (OPT) SERIAL (M-055886 ML-341427) AND ABOVE
	22-80218M		1	PLUG, WATER CHECK (OPT) SERIAL (M-055885 ML-321426) AND BELOW
51	24-814456M		1	SPRING, CONICAL SERIAL (M-103611 ML-335565) AND ABOVE
52	810948M		1	KNOB SERIAL (M-114253 ML-338166) AND ABOVE
53	17-810951M		1	RIVET SERIAL (M-114253 ML-338166) AND ABOVE
54	810949M		1	INDICATOR SERIAL (M-114253 ML-338166) AND ABOVE
55	810950M		1	INDICATOR SERIAL (M-114253 ML-338166) AND ABOVE

CONTINUED ON NEXT PAGE ➡

GEARHOUSING ASSEMBLY



22

MARINER 4

GEARHOUSING ASSEMBLY

REF. NO.	PART NO.	SYM.	QTY.	DESCRIPTION
0-1	1651-810952M		1	GEARHOUSING ASS'Y (SHORT) SERIAL (M-114253 ML-338166) AND ABOVE
	1651-9780M		1	GEARHOUSING ASS'Y (SHORT) SERIAL (M-114252 ML-338165) AND BELOW
	1651-810953M		1	GEARHOUSING ASS'Y (LONG) SERIAL (M-114253 ML-338166) AND ABOVE
	1651-9781M		1	GEARHOUSING ASS'Y (LONG) SERIAL (M-093348 THRU 114252 ML-332748 THRU 338165)
	1651-8258M		1	GEARHOUSING ASS'Y (LONG) SERIAL (M-093347 ML-332747) AND BELOW
1	1651-810954M		1	GEARHOUSING SERIAL (M-114253 ML-338166) AND ABOVE
	1651-9782M		1	GEARHOUSING SERIAL (M-093348 THRU 114252 NL-332748 THRU 338165)
	1651-8259M		1	GEARHOUSING SERIAL (M-093347 ML-332747) AND BELOW
2	23-95476M	▲	1	BUSHING SERIAL (M-043239 ML-212355) AND ABOVE
3	23-95477M	▲	1	BUSHING SERIAL (M-043239 ML-212355) AND ABOVE
4	26-91726M	+	2	OIL SEAL
5	11922M		1	ANODE SERIAL (M-055866 THRU 114252 ML-321427 THRU 338165)
	43107M		1	ANODE SERIAL (M-055885 ML-321425) AND BELOW
6	10-91772M		1	SCREW SERIAL (M-055886 THRU 114252 ML-321427 THRU 338165)
	10-84367M		1	SCREW SERIAL (M-055885 ML-321426) AND BELOW
7	27-81987M	+	3	GASKET
8	22-81924M		3	PLUG
9	10-18851M		2	BOLT, W/WASHER SERIAL (M-093348 ML-332748) AND ABOVE
	10-14185M		2	BOLT, W/WASHER SERIAL (M-103610 ML-335564) AND BELOW
	10-96293M		2	BOLT SERIAL (M-070823 ML-325783) AND BELOW
10	814457M		1	PLATE SERIAL (M-103611 ML-335565) AND ABOVE
	11923M		1	PLATE SERIAL (M-103610 ML-335564) AND BELOW
	96294M		1	PLATE SERIAL (M-055885 ML-321426) AND BELOW
11	27-96295M	+	1	GASKET
12	10-82405M		1	BOLT
13	12-82214M		1	WASHER
14	96297M		1	SHIFT CAM ASS'Y (SHORT)
	96298M		1	SHIFT CAM ASS'Y (LONG)
15	15304M		1	BOOT, SHIFT ROD
16	46-96299M	○	1	HOUSING, WATER PUMP
17	27-96300M	+○	1	GASKET, WATER PUMP
18	96301M	○	1	INSERT, CARTRIDGE

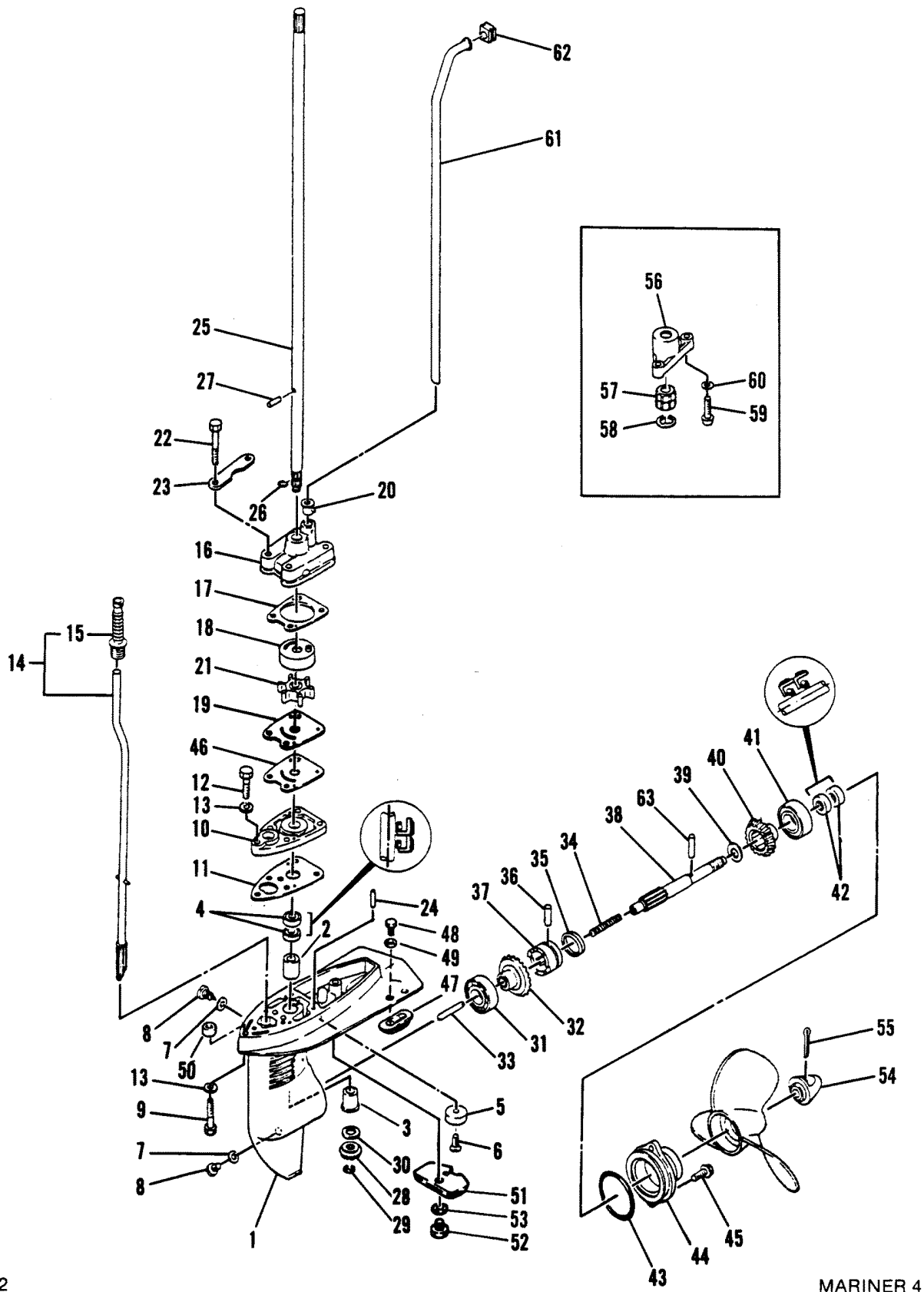
▲ = CONTENTS OF POWERHEAD GASKET SET [27-91719M].

⊕ = CONTENTS OF LOWER UNIT GASKET SET [27-96324M].

○ = CONTENTS OF WATER PUMP REPAIR KIT [96325M].

CONTINUED ON NEXT PAGE ➡

GEARHOUSING ASSEMBLY



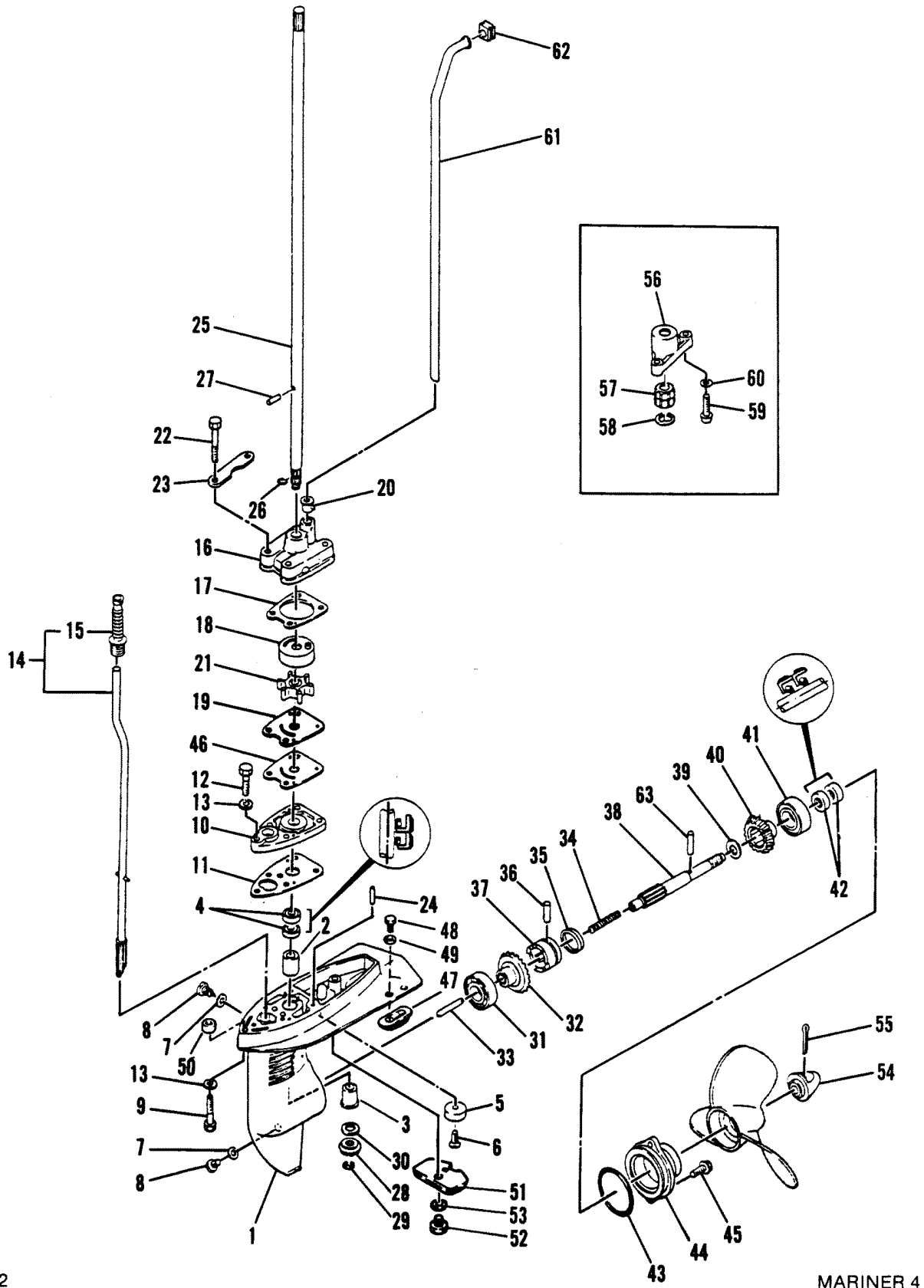
GEARHOUSING ASSEMBLY

REF. NO.	PART NO.	SYM.	QTY.	DESCRIPTION
18	96302M	❖	1	INSERT, CHROME (OPT)
19	96303M	○	1	OUTER PLATE, CARTRIDGE
	96304M	❖	1	OUTER PLATE, CHROME (OPT)
20	26-14186M	○	1	SEAL SERIAL (M-070824 ML-325784) AND ABOVE
	26-80398M	○	1	SEAL SERIAL (M-070823 ML-325783) AND BELOW
21	47-96305M	○	1	IMPELLER
22	10-92536M	○	4	BOLT
23	96306M		2	PLATE
24	17-82357M		2	PIN
25	45-96307M		1	DRIVESHAFT (SHORT)
	45-96308M		1	DRIVESHAFT (LONG)
26	53-96309M		1	CLIP
27	17-82355M	○	1	PIN
28	43-96310M		1	PINION
29	53-82331M		1	SNAP RING
30	12-96311M		1	WASHER
31	30-95475M		1	BEARING SERIAL (M-070824 ML-325784) AND ABOVE
	30-82291M		1	BEARING SERIAL (M-070823 ML-325783) AND BELOW
32	43-96312M		1	GEAR, FORWARD
33	81014M		1	PLUNGER, SHIFT
34	24-82077M		1	SPRING
35	83-81013M		1	RING, CROSS PIN
36	17-81902M		1	PIN, CROSS
37	52-96313M		1	CLUTCH, DOG
38	44-96314M		1	SHAFT, PROPELLER
39	12-96315M		1	WASHER
40	43-96316M		1	GEAR, REVERSE
41	30-95475M		1	BEARING SERIAL (M-043239 ML-212355) AND ABOVE
	30-82291M		1	BEARING SERIAL (M-043238 ML-212354) AND BELOW
42	26-96317M	+	2	OIL SEAL
43	25-82280M	+	1	O-RING
44	96318M		1	CAP, GEARHOUSING
45	10-91705M	▲	2	BOLT
46	27-41822M	○	1	GASKET, WATER PUMP SERIAL (M-013401 THRU 055885 ML-306026 THRU 321426)
47	18852M		1	ANODE SERIAL (M-093348 THRU 114252 ML-332748 THRU 338165)
48	10-91725M		2	BOLT SERIAL (M-093348 THRU 114252 ML-332748 THRU 338165)
49	12-82214M		2	WASHER SERIAL (M-093348 THRU 114252 ML-332748 THRU 338165)

- ▲ = CONTENTS OF POWERHEAD GASKET SET [27-91719M].
- +
- = CONTENTS OF WATER PUMP REPAIR KIT [96325M].
- ❖ = CONTENTS OF CHROME PUMP KIT [96326M].

CONTINUED ON NEXT PAGE ➡

GEARHOUSING ASSEMBLY

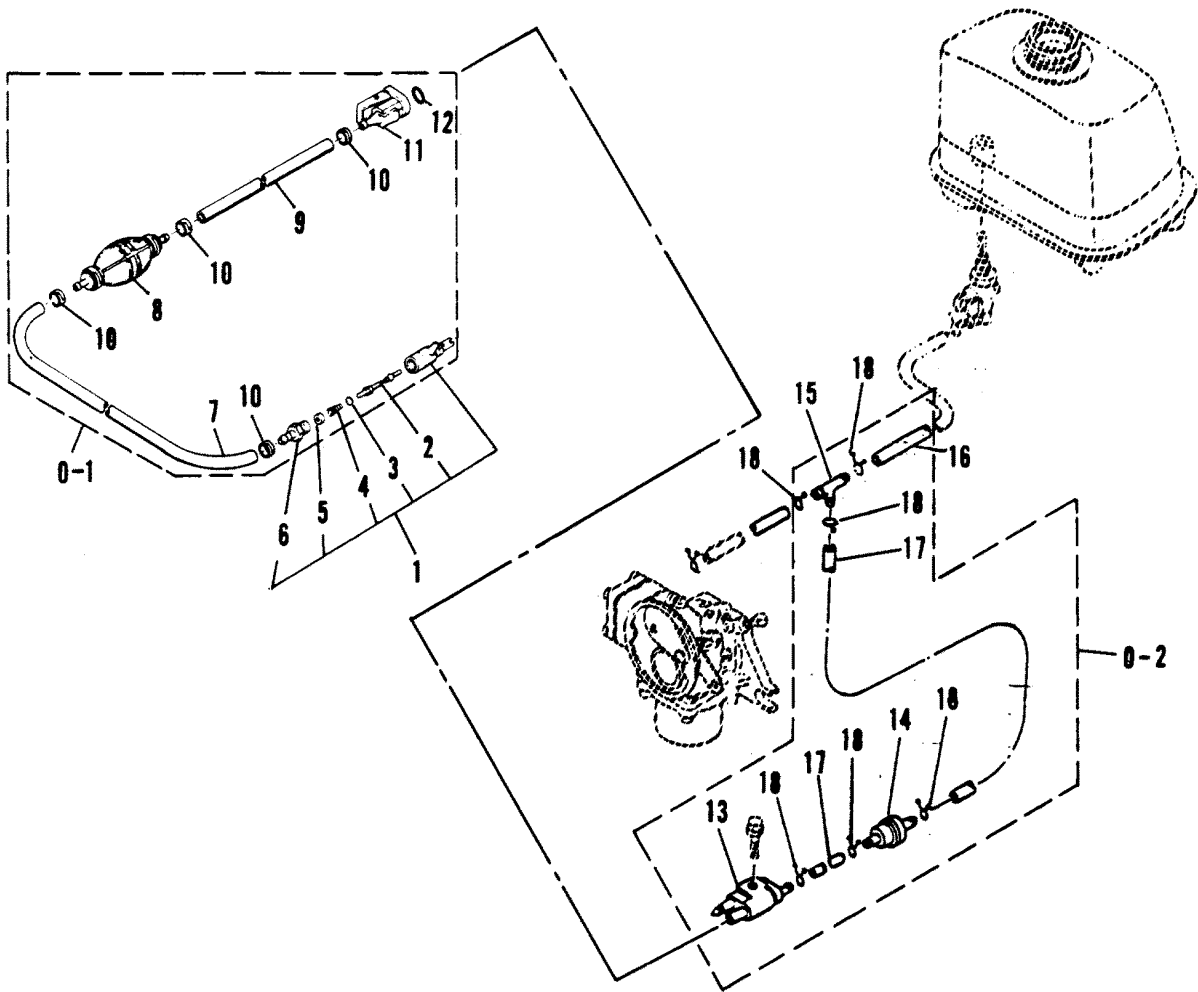


GEARHOUSING ASSEMBLY

REF. NO.	PART NO.	SYM.	QTY.	DESCRIPTION
50	18853M		2	COLLAR SERIAL (M-093348 ML-332748) AND ABOVE
51	810945M		1	ANODE SERIAL (M-114253 ML-338166) AND ABOVE
52	10-91772M		1	SCREW SERIAL (M-114253 ML-338166) AND ABOVE
53	12-82214M		1	WASHER SERIAL (M-114253 ML-338166) AND ABOVE
54	11-80545M		1	NUT, PROPELLER
55	18-82132M		1	PIN,C OTTER
56	96321M		1	HOUSING, BEARING (LONG)
57	232-96322M		1	BUSHING, DRIVE SHAFT (LONG)
58	53-96323M		1	SNAP RING (LONG)
59	10-83108M		2	SCREW (LONG)
60	12-82211M		2	WASHER (LONG)
61	32-96319M		1	TUBE, WATER (SHORT)
	32-96320M		1	TUBE, WATER (LONG)
62	26-80397M	▲●■	1	SEAL
63	17-17554M		1	PIN, DRIVE
	27-96324M		1	LOWER UNIT GASKET SET CONTENTS INDICATED BY FOOTNOTE 16.
	96325M		1	WATER PUMP REPAIR KIT CONTENTS INDICATED BY FOOTNOTE 17.
	96326M		1	CHROME PUMP KIT (OPT) CONTENTS INDICATED BY FOOTNOTE 18.
-	27-99997M		1	POWERHEAD GASKET SET CONTENTS INDICATED BY FOOTNOTE 11.
-	27-91719M		1	POWERHEAD GASKET SET CONTENTS INDICATED BY FOOTNOTE 12.
-	27-14188M		1	POWERHEAD GASKET SET CONTENTS INDICATED BY FOOTNOTE 13.

- = CONTENTS OF POWERHEAD GASKET SET [27-99997M].
- = CONTENTS OF POWERHEAD GASKET SET [27-14188M].
- ▲ = CONTENTS OF POWERHEAD GASKET SET [27-91719M].

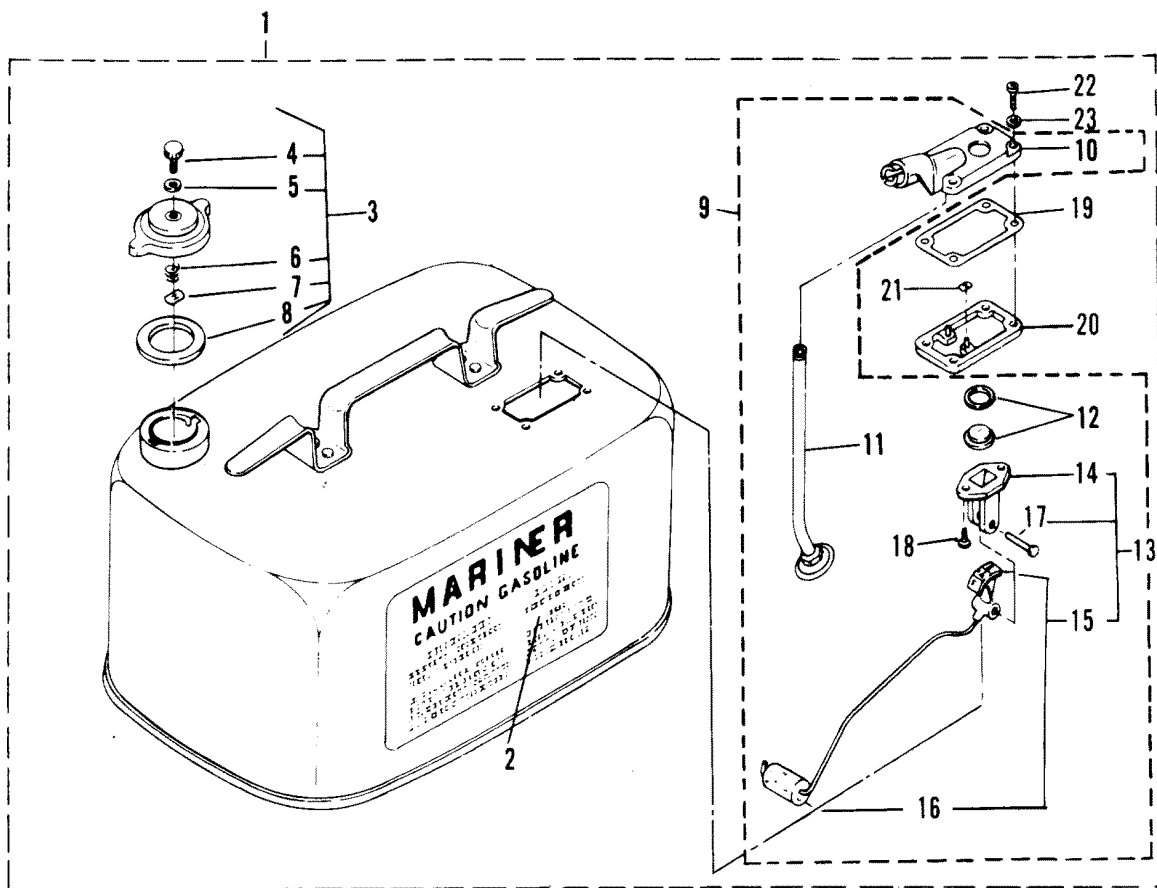
OPTIONAL REMOTE FUEL TANK PARTS



OPTIONAL REMOTE FUEL TANK PARTS

REF. NO.	PART NO.	SYM.	QTY.	DESCRIPTION
0-1	32-16570M		1	FUEL LINE ASS'Y
1	30185A3		1	BAYONET BODY ASS'Y
2	30187		1	STEM, BAYONET BODY
3	25-20415		1	O-RING, BAYONET BODY STEM
4	24-30189		1	SPRING, BAYONET BODY STEM
5	30188		1	WASHER, CAP
6	22-63187		1	FITTING, FUEL LINE
	22-63187		1	FITTING, FUEL LINE
7	32-82024M		1	HOSE, FUEL TANK TO PRIMER BULB
8	14211M		1	PRIMER BULB
9	32-82023M		1	HOSE, PRIMER BULB TO FUEL CONNECTOR
10	54-80752M		4	CLAMP, HOSE
11	22-14213M		1	HOUSING ASS'Y, FUEL CONNECTOR
12	25-82789M		1	O-RING
0-2	97127A1		1	REMOTE FUEL TANK ADAPTOR KIT
13	14187M		1	CONNECTOR, FUEL
14	35-80365M		1	FILTER, FUEL
15	22-97083M		1	TEE FITTING, FUEL LINE
16	32-83772M		1	HOSE, FUEL CONNECTOR TO FUEL FILTER
17	32-97129M		2	HOSE, FUEL FILTER TO TEE FITTING
18	54-82047M		6	CLAMP, HOSE

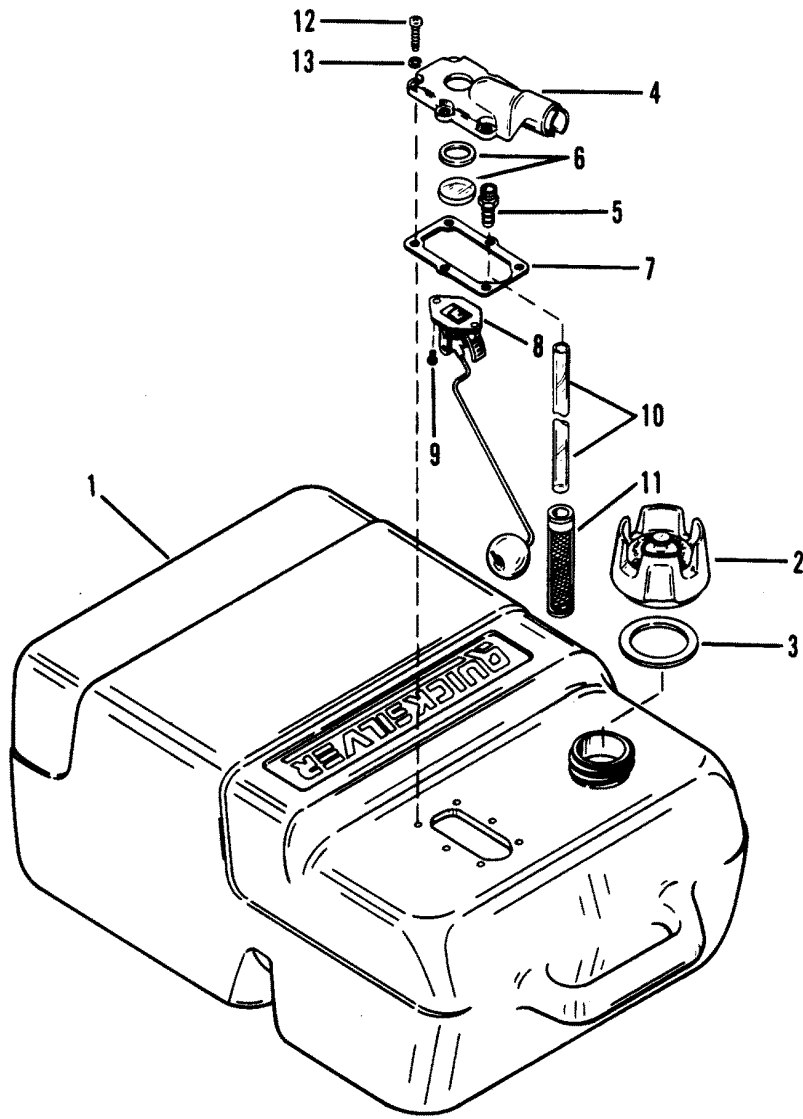
OPTIONAL FUEL TANK ASSEMBLY



OPTIONAL FUEL TANK ASSEMBLY

REF. NO.	PART NO.	SYM.	QTY.	DESCRIPTION
1	1225-1529A26		1	FUEL TANK, COMPLETE
2	37-13921		1	DECAL, FUEL TANK
3	36-14223M		1	FILLER CAP ASSEMBLY
4	10-25575		1	SCREW, VENT-FILLER CAP
5	12-49221--1		1	WASHER, VENT SCREW
6	24-22227		1	SPRING, TENSION-VENT SCREW
7	11-28587		1	NUT, SPEED-SPRING RETAINER
8	27-41065		1	GASKET, FILLER CAP TO FUEL TANK
9	64841A1		1	CONNECTOR/GAUGE ASS'Y, COMPLETE
10	64841A3		1	COVER, FUEL TANK
11	32-75239		1	TUBE
12	98542A1		1	LENS ASSEMBLY, FUEL GAUGE
13	28897A2		1	FUEL GAUGE ASSEMBLY, COMPLETE
16	99274		1	FLOAT, FUEL GAUGE
17	17-20426		1	RIVET, INDICATOR TO RETAINER
18	10-62568		2	SCREW, RETAINER TU FUEL TANK COVER
19	27-28862		1	GASKET, COVER ASSEMBLY TO FRAME
20	28860		1	FRAME, RETAINING-FUEL TANK COVER
21	11-28903		2	FASTENER, RETAINING TO FUEL TANK
22	10-20411		4	SCREW, FUEL TANK COVER TO FUEL TANK
23	12-29070		4	WASHER, FUEL TANK COVER FASTENING SCREW

FUEL TANK (PLASTIC-6.6 GALLON) (NOT ORIGINAL EQUIPMENT TANK)



FUEL TANK (PLASTIC-6.6 GALLON) (NOT ORIGINAL EQUIPMENT TANK)

REF. NO.	PART NO.	SYM.	QTY.	DESCRIPTION
1	1259-9728		1	FUEL TANK ASSEMBLY (PLASTIC - 6.6 GAL.)
2	36-18031A1		1	FILLER CAP
3	27-18032		1	GASKET, FILLER CAP
4	17792A1		1	PICK-UP BODY ASSEMBLY
5	18030		1	ADAPTOR
6	98542A1		1	WINDOW ASSEMBLY
7	27-18026		1	GASKET, PICK-UP BODY
8	17971A2		1	FUEL GAUGE ASSEMBLY
9	10-62568		2	SCREW, FUEL GAUGE
10	32-18028		1	HOSE
11	35-18029		1	FILTER
12	10-18027		6	SCREW, PICK-UP BODY
13	12-29070		6	WASHER, PICK-UP BODY SCREW

PARTS INDEX

Part Number	Description	Pg.	Ref. No.	Part Number	Description	Pg.	Ref. No.
11915M	POWERHEAD ASS'Y, COMPLETE	17	36	810950M	INDICATOR	35	55
11917M	BRACKET, FUEL FILTER	7	36	81191M	RETAINER, CHOKE LEVER	21	5
11919M	THERMOSTAT	15	12	81439M	CAP, GREASE FITTING	35	49
11920M	OUTER COVER, EXHAUST	15	19	814454M	HOOK	5	4
11922M	ANODE	37	5	814455M	HOUSING, OIL SEAL	19	10
11923M	PLATE	37	10	814457M	PLATE	37	10
14177M	HOUSING, OIL SEAL	19	10	82788M	PLUG CAP ASS'Y (OPT)	11	30
14178M	BODY, FLOAT CHAMBER	23	1	82857M	STOPPER PLATE	35	40
14180M	FLOAT	23	4	83252M	PAWL, DRIVE	9	8
14181M	NOZZLE, MAIN	23	7	83282M	THERMOSTAT	15	12
14182M	VALVE, NEEDLE	23	9	84125M	VOLTAGE REGULATOR ASS'Y	31	1
14184M	REPAIR KIT, CARBURETOR	25	28	84319M	PLUG CAP ASS'Y (HEAT PROOF)	11	30
14187M	CONNECTOR, FUEL	43	13	84329M	RECTIFIER ASS'Y	31	2
14211M	PRIMER BULB	43	8	91656M	HOOK	5	4
15304M	BOOT, SHIFT ROD	37	15	91658M	SEAL	5	7
16632M	INDICATOR, THROTTLE	27	13	91659M	LEVER, CLAMP	5	10
17497M	PIECE, FRICTION	35	38	91660M	LEVER, CLAMP	5	12
17792A1	PICK-UP BODY ASSEMBLY	47	4	91669M	SHAFT, FUEL SHUT OFF	5	26
17971A2	FUEL GAUGE ASSEMBLY	47	8	91680M	SHAFT	9	5
18030	ADAPTOR	47	5	91685M	SEAL, RUBBER	9	14
18840M	PLATE, CLAMP BRACKET	33	19	91689M	HOUSING, OIL SEAL	11	6
18841M	COVER	9	17	91690M	COIL ASS'Y	11	7
18842M	POWERHEAD ASS'Y, COMPLETE	17	36	91692M	PULSER COIL ASS'Y	11	9
18844M	HOUSING, OIL SEAL	19	10	91694M	PULSER COIL ASS'Y	11	11
18845M	COVER, STEERING HANDLE	27	4	91697M	LIGHTING COIL ASS'Y (60W) (OPT)	11	16
18846M	COVER	27	8	91703M	BRACKET, IGNITION COIL	11	25
18848M	PLATE	27	19	91707M	C.D.I. UNIT ASS'Y	11	32
18852M	ANODE	39	47	91708M	HOLDER, WIRE HARNESS	11	33
18853M	COLLAR	41	50	91711M	INNER COVER, EXHAUST	17	27
28860	FRAME, RETAINING-FUEL TANK COVER	45	20	91713M	OUTER COVER, EXHAUST	15	19
28897A2	FUEL GAUGE ASSEMBLY, COMPLETE	45	13	91713M	OUTER COVER, EXHAUST	15	25
30185A3	BAYONET BODY ASS'Y	43	1	91728M	KNOB, CHOKE	21	1
30187	STEM, BAYONET BODY	43	2	91730M	KNOB, CHOKE	21	3
30188	WASHER, CAP	43	5	91731M	ROD, CHOKE LINK	21	4
41249M	LEVER, FUEL SHUT OFF	7	30	91732M	REED VALVE ASS'Y	21	6
41250M	GUIDE, ROPE	9	13	91737M	BODY, FLOAT CHAMBER	23	1
41252M	SHAFT	27	18	91739M	ARM	23	5
41882M	COVER	9	17	91741M	JET, MAIN (#86)	23	8
43107M	ANODE	37	5	91742M	VALVE, NEEDLE	23	9
43112M	COVER, STEERING HANDLE	27	4	91742M	VALVE, NEEDLE	23	9
64841A1	CONNECTOR/GAUGE ASS'Y, COMPLETE	45	9	91743M	COVER, PLATE	23	10
64841A3	COVER, FUEL TANK	45	10	91746M	JET, PILOT (#46)	23	16
80033M	HOLDER, PIN	7	34	91747M	COVER, PUMP	23	19
80049M	CONNECTOR, SHIFT ROD	29	9	91748M	DIAPHRAGM	23	20
80050M	CONNECTOR, SHIFT ROD	29	10	91750M	BODY, PUMP	23	22
80450M	FLOAT	23	4	91752M	PLATE	25	24
80533M	COVER, DRIVESHAFT HOUSING	33	9	91753M	DIAPHRAGM	25	25
80579M	JET, MAIN (#80)	23	8	91755M	REPAIR KIT, CARBURETOR	25	28
80935M	PLUG CAP ASS'Y (STD- NOISE SUPPRESSOR)	11	30	91756M	HANDLE, STEERING	27	1
81014M	PLUNGER, SHIFT	39	33	91762M	COVER	27	8
810945M	ANODE	41	51	91764M	HANDLE	27	11
810948M	KNOB	35	52	91765M	GRIP, HANDLE	27	12
810949M	INDICATOR	35	54	91769M	PLATE	27	19
				91773M	HANDLE, GEAR SHIFT	29	1
				91776M	LEVER, SHIFT ROD	29	4
				91777M	ROD, SHIFT (SHORT)	29	6
				91778M	ROD, SHIFT (LONG)	29	6

PARTS INDEX

Part Number	Description	Pg.	Ref. No.	Part Number	Description	Pg.	Ref. No.
91784M	HANDLE, TRANSOM CLAMP	33	15	10-82405M	BOLT	37	12
91789M	LEVER, TILT STOP	35	28	10-82417M	BOLT	27	5
91790M	KNOB, TILT	35	29	10-82419M	BOLT	27	5
91791M	BRACKET, SWIVEL	35	30	10-82513M	SCREW	23	12
91796M	PLATE, TILT LOCK	35	42	10-82521M	SCREW	21	18
95468M	HANDLE, STARTER	9	12	10-82521M	SCREW	31	4
95469M	BASE ASS'Y	11	5	10-82623M	SCREW, IDLE	23	15
95470M	IGNITION COIL ASS'Y	11	28	10-82858M	BOLT	33	21
96294M	PLATE	37	10	10-83108M	SCREW	21	18
96297M	SHIFT CAM ASS'Y (SHORT)	37	14	10-83108M	SCREW (LONG)	41	59
96298M	SHIFT CAM ASS'Y (LONG)	37	14	10-83285M	BOLT	9	6
96301M	INSERT, CARTRIDGE	37	18	10-83509M	SCREW	7	37
96302M	INSERT, CHROME (OPT)	39	18	10-84237M	BOLT	11	29
96303M	OUTER PLATE, CARTRIDGE	39	19	10-84237M	BOLT	33	4
96304M	OUTER PLATE, CHROME (OPT)	39	19	10-84300M	SCREW	27	17
96306M	PLATE	39	23	10-84315M	BOLT	11	31
96318M	CAP, GEARHOUSING	39	44	10-84367M	SCREW	37	6
96321M	HOUSING, BEARING (LONG)	41	56	10-91666M	BOLT	5	21
96325M	WATER PUMP REPAIR KIT	41	63	10-91666M	BOLT	15	13
96326M	CHROME PUMP KIT (OPT)	41	63	10-91666M	BOLT	17	33
96328M	GUIDE, VERTICAL START	31	6	10-91666M	BOLT	29	5
96553M	COVER	21	15	10-91674M	BOLT	7	31
96554M	COVER	21	16	10-91674M	BOLT	9	18
97127A1	REMOTE FUEL TANK ADAPTOR KIT	43	0-2	10-91674M	BOLT	11	34
98542A1	LENS ASSEMBLY, FUEL GAUGE	45	12	10-91681M	BOLT	9	6
98542A1	WINDOW ASSEMBLY	47	6	10-91681M	BOLT	11	20
98957M	HOLDER, CLAMP BAND	5	5	10-91681M	BOLT	15	14
98958M	INDICATOR, THROTTLE	27	13	10-91681M	BOLT	17	34
98959M	CONNECTOR, SHIFT ROD	29	9	10-91686M	BOLT	9	15
98960M	CONNECTOR SHIFT ROD	29	10	10-91686M	BOLT	11	20
99274	FLOAT, FUEL GAUGE	45	16	10-91686M	BOLT	11	4
99992M	COVER, CYLINDER HEAD	15	11	10-91686M	BOLT	15	15
99992M	COVER, CYLINDER HEAD	15	24	10-91686M	BOLT	17	32
99994M	INNER COVER, EXHAUST	15	17	10-91686M	BOLT	21	9
10-11945M	BOLT	15	13	10-91686M	SCREW, WITH WASHER	11	8
10-11945M	BOLT	17	33	10-91691M	SCREW, WITH WASHER	11	10
10-14185M	BOLT, W/WASHER	37	9	10-91693M	SCREW, WITH WASHER	11	12
10-14232M	SCREW	27	20	10-91695M	SCREW, WITH WASHER	11	15
10-14232M	SCREW	27	9	10-91699M	BOLT	11	27
10-17496M	SCREW, FRICTION PIECE	35	35	10-91705M	BOLT	11	27
10-18027	SCREW, PICK-UP BODY	47	12	10-91705M	BOLT	39	45
10-18847M	SCREW	27	17	10-91705M	BOLT, FLANGE	9	15
10-18849M	BOLT	33	17	10-91710M	BOLT	17	35
10-18851M	BOLT, W/WASHER	37	9	10-91725M	BOLT	19	11
10-20411	SCREW, FUEL TANK COVER TO FUEL TANK	45	22	10-91725M	BOLT	33	6
10-25575	SCREW, VENT-FILLER CAP	45	4	10-91725M	BOLT	39	48
10-62568	SCREW, FUEL GAUGE	47	9	10-91738M	SCREW	23	3
10-62568	SCREW, RETAINER TU FUEL TANK COVER	45	18	10-91761M	BOLT, FRICTION ADJUSTING	27	7
10-80434M	SCREW, GUIDE	23	17	10-91772M	BOLT	27	24
10-80573M	SCREW, AIR ADJUSTING	23	13	10-91772M	SCREW	37	6
10-80738M	SCREW	23	18	10-91772M	SCREW	41	52
10-810947M	SCREW, FRICTION PIECE	35	35	10-91779M	BOLT	29	11
10-814463M	SCREW, IDLE	23	15	10-91779M	BOLT	35	32
10-814482M	SCREW	5	14	10-91779M	BOLT, FLANGE	7	31
10-82179M	SCREW	5	14	10-91779M	BOLT, FLANGE	9	18
				10-91779M	BOLT, FLANGE	11	34
				10-91783M	SCREW, TRANSOM CLAMP	33	14
				10-91788M	BOLT	35	27
				10-92536M	BOLT	39	22
				10-95473M	BOLT	27	5

PARTS INDEX

Part Number	Description	Pg.	Ref. No.	Part Number	Description	Pg.	Ref. No.
10-96292M	BOLT	35	47	17-20426	RIVET, INDICATOR TO		
10-96293M	BOLT	37	9		RETAINER	45	17
10-96555M	SCREW	21	19	17-41267M	PIN	33	16
10-97803M	SCREW, WITH WASHER (OPT)	11	17	17-80451M	PIN, FLOAT	23	6
10-98961M	BOLT	33	17	17-810951M	RIVET	35	53
10-98962M	SCREW, FRICTION PIECE	35	35	17-81902M	PIN, CROSS	39	36
11-28587	NUT, SPEED-SPRING RETAINER	45	7	17-81907M	RIVET	27	14
11-28903	FASTENER, RETAINING TO FUEL TANK	45	21	17-82144M	PIN	35	41
11-80545M	NUT, PROPELLER	41	54	17-82354M	PIN	17	36
11-81769M	NUT	11	22	17-82355M	PIN	39	27
11-82380M	NUT	9	7	17-82357M	PIN	39	24
11-82381M	NUT	5	15	17-82364M	PIN	17	36
11-82381M	NUT	21	12	17-82364M	PIN, DOWEL	33	3
11-82389M	NUT	33	24	17-83140M	RIVET	5	6
11-82390M	NUT	21	12	17-91793M	PIN	35	36
11-82390M	NUT	27	25	17-91795M	TILT ROD ASS'Y	35	39
11-82390M	NUT	33	8	18-82124M	PIN	27	10
11-82392M	NUT	35	37	18-82125M	PIN, COTTER	29	8
11-84295M	NUT	33	20	18-82132M	PIN, C OTTER	41	55
12-18850M	WASHER	33	18	21-11921M	THROTTLE WIRE ASS'Y	27	21
12-29070	WASHER, FUEL TANK COVER FASTENING SCREW	45	23	21-80727M	CHECK VALVE ASS'Y	15	2
12-29070	WASHER, PICK-UP BODY SCREW	47	13	21-80727M	CHECK VALVE ASS'Y	15	21
12-41290M	WASHER	27	28	22-14183M	SCREW, DRAIN	25	27
12-49221--1	WASHER, VENT SCREW	45	5	22-14213M	HOUISNG ASS'Y, FUEL CONNECTOR	43	11
12-80638M	PAD, TRANSOM CLAMP	33	13	22-63187	FITTING, FUEL LINE	43	6
12-81805M	WASHER	11	23	22-63187	FITTING, FUEL LINE	43	6
12-82211M	WASHER	21	17	22-80122M	FITTING	15	22
12-82211M	WASHER	27	27	22-80122M	FITTING	15	4
12-82211M	WASHER	29	7	22-80218M	PLUG, WATER CHECK (OPT)	35	50
12-82211M	WASHER	31	5	22-80218M	PLUG, WATER CHECK (OPT)	35	50
12-82211M	WASHER (LONG)	41	60	22-81924M	PLUG	37	8
12-82214M	WASHER	13	35	22-82369M	FITTING, GREASE	35	48
12-82214M	WASHER	19	12	22-82851M	COLLAR	5	22
12-82214M	WASHER	21	13	22-97083M	TEE FITTING, FUEL LINE	43	15
12-82214M	WASHER	27	23	22-99988M	NIPPLE, HOSE	15	3
12-82214M	WASHER	33	23	22-99989M	FITTING	15	8
12-82214M	WASHER	33	5	23-17657M	BUSHING, RUBBER	27	2
12-82214M	WASHER	33	7	23-41258M	BUSHING, PIVOT SHAFT	35	45
12-82214M	WASHER	37	13	23-41821M	BUSHING, PIVOT SHAFT	35	46
12-82214M	WASHER	39	49	23-80097M	BUSING	35	31
12-82214M	WASHER	41	53	23-81949M	BUSHING	5	11
12-82217M	WASHER	33	19	23-82116M	SPACER	33	22
12-91672M	WASHER	5	29	23-91670M	BUSHING	5	27
12-91723M	WASHER	19	8	23-91758M	BUSHING	27	3
12-91729M	WASHER	21	2	23-91760M	BUSHING, RUBBER	27	6
12-91767M	WASHER	27	16	23-95466M	COLLAR	5	22
12-92564M	WASHER	9	16	23-95476M	BUSHING	37	2
12-96311M	WASHER	39	30	23-95477M	BUSHING	37	3
12-96315M	WASHER	39	39	23-96558M	BUSHING	27	26
13-81869M	WASHER, WAVE	5	13	24-22227	SPRING, TENSION-VENT SCREW	45	6
13-91775M	WASHER, WAVE	29	3	24-30189	SPRING, BAYONET BODY STEM	43	4
16-80232M	STUD	21	10	24-80329M	SPRING, PILOT ADJUSTING	23	14
16-91735M	STUD	21	11	24-814456M	SPRING, CONICAL	35	51
17-17554M	PIN, DRIVE	41	63	24-82077M	SPRING	39	34
				24-82095M	SPRING	27	15
				24-82110M	SPRING	35	33
				24-82111M	SPRING	35	34

PARTS INDEX

Part Number	Description	Pg.	Ref. No.	Part Number	Description	Pg.	Ref. No.
24-91682M	SPRING, DRIVE PAWL	9	10	27-91744M	GASKET	23	11
24-91751M	SPRING	23	23	27-91749M	GASKET, PUMP COVER	23	21
24-91771M	SPRING	27	22	27-91754M	GASKET, PUMP BODY	25	26
24-91797M	SPRING	35	43	27-91780M	GASKET	33	2
24-91798M	SPRING	35	44	27-96295M	GASKET	37	11
24-95484M	SPRING, SPIRAL	9	4	27-96300M	GASKET, WATER PUMP	37	17
25-20415	O-RING, BAYONET BODY STEM	43	3	27-96324M	LOWER UNIT GASKET SET	41	63
25-82276M	O-RING	11	18	27-99991M	GASKET, HEAD COVER	15	10
25-82280M	O-RING	39	43	27-99993M	GASKET, OUTER COVER	15	16
25-82789M	O-RING	43	12	27-99995M	GASKET, INNER COVER	15	18
25-91664M	GROMMET	5	19	27-99997M	GASKET SET, POWERHEAD	17	36
25-91665M	GROMMET	5	20	27-99997M	POWERHEAD GASKET SET	13	36
25-91675M	GROMMET	7	32	27-99997M	POWERHEAD GASKET SET	19	--
25-91696M	GROMMET	11	13	27-99997M	POWERHEAD GASKET SET	21	--
25-91702M	GROMMET	11	21	27-99997M	POWERHEAD GASKET SET	25	--
25-91704M	GROMMET	11	26	27-99997M	POWERHEAD GASKET SET	41	--
25-91727M	O-RING	19	14	28-18856M	KEY	11	24
25-91774M	O-RING	29	2	30-18859M	BEARING	19	2
25-91782M	GROMMET	33	10	30-82291M	BEARING	39	31
26-14186M	SEAL	39	20	30-82291M	BEARING	39	41
26-14195M	OIL SEAL	11	19	30-95475M	BEARING	39	31
26-18843M	OIL SEAL	19	9	30-95475M	BEARING	39	41
26-18941M	OIL SEAL	19	9	31-91721M	BEARING	19	5
26-80397M	SEAL	41	62	32-11918M	HOSE	7	38
26-80398M	SEAL	39	20	32-16570M	FUEL LINE ASS'Y	43	0-1
26-91726M	OIL SEAL	19	13	32-18028	HOSE	47	10
26-91726M	OIL SEAL	37	4	32-75239	TUBE	45	11
26-95472M	OIL SEAL	19	13	32-82007M	HOSE	5	24
26-96317M	OIL SEAL	39	42	32-82023M	HOSE, PRIMER BULB TO FUEL CONNECTOR	43	9
27-13999M	GASKET	25	28	32-82024M	HOSE, FUEL TANK TO PRIMER BULB	43	7
27-14179M	GASKET, FLOAT CHAMBER	23	2	32-83088M	HOSE	15	6
27-14184M	CARBURETOR REPAIR KIT	21	--	32-83772M	HOSE, FUEL CONNECTOR TO FUEL FILTER	43	16
27-14188M	GASKET SET, POWERHEAD	17	36	32-91668M	HOSE	5	24
27-14188M	POWERHEAD GASKET SET	19	--	32-91668M	HOSE	5	24
27-14188M	POWERHEAD GASKET SET	21	--	32-91709M	HOSE	15	7
27-14188M	POWERHEAD GASKET SET	25	--	32-91709M	HOSE	17	30
27-14188M	POWERHEAD GASKET SET	41	--	32-96319M	TUBE, WATER (SHORT)	41	61
27-17188M	POWERHEAD GASKET SET	13	--	32-96320M	TUBE, WATER (LONG)	41	61
27-18026	GASKET, PICK-UP BODY	47	7	32-97129M	HOSE, FUEL FILTER TO TEE FITTING	43	17
27-18032	GASKET, FILLER CAP	47	3	32-99990M	HOSE	15	9
27-28862	GASKET, COVER ASSEMBLY TO FRAME	45	19	33-53098	SPARK PLUG	17	31
27-41065	GASKET, FILLER CAP TO FUEL TANK	45	8	34-91733M	REED SET	21	7
27-41822M	GASKET, WATER PUMP	39	46	35-11916M	FUEL FILTER ASS'Y	7	35
27-80972M	GASKET, FLOAT CHAMBER	23	2	35-18029	FILTER	47	11
27-81987M	GASKET	37	7	35-80365M	FILTER, FUEL	43	14
27-91662M	GASKET, CAP	5	17	35-91667M	FUEL COCK ASS'Y	5	23
27-91712M	GASKET, INNER COVER	17	28	36-14223M	FILLER CAP ASSEMBLY	45	3
27-91714M	GASKET, OUTER COVER	17	26	36-18031A1	FILLER CAP	47	2
27-91717M	GASKET, HEAD COVER	15	23	36-91663M	CAP ASS'Y	5	18
27-91719M	GASKET SET, POWERHEAD	17	36	37-11913M	DECAL, SIDE SET	5	2
27-91719M	POWERHEAD GASKET SET	13	--	37-11914M	DECAL, FRONT	5	3
27-91719M	POWERHEAD GASKET SET	19	--	37-13921	DECAL, FUEL TANK	45	2
27-91719M	POWERHEAD GASKET SET	21	--	37-810932A90	DECAL, SIDE SET	5	2
27-91719M	POWERHEAD GASKET SET	25	--	37-81202M	INDICATOR, SHIFT	5	8
27-91719M	POWERHEAD GASKET SET	41	--	37-91671M	GRAPHIC, FUEL SHUT OFF	5	28
27-91734M	GASKET, VALVE SEAT	21	8	39-11462M	POSTON RING SET (STD)	19	4
27-91736M	GASKET	21	14				

PARTS INDEX

Part Number	Description	Pg.	Ref. No.	Part Number	Description	Pg.	Ref. No.
41-80005M	PIN	19	6	1485-9216M	BRACKET, SWIVEL	35	26
41-95601M	PIN	19	6	1485-9342M	BRACKET, SWIVEL	35	26
43-96310M	PINION	39	28	1485-9705M	BRACKET, SWIVEL	35	25
43-96312M	GEAR, FORWARD	39	32	1587-8347M	DRIVESHAFT HOUSING (SHORT)	33	1
43-96316M	GEAR, REVERSE	39	40	1587-8348M	DRIVESHAFT HOUSING (LONG)	33	1
44-96314M	SHAFT, PROPELLER	39	38	1587-9213M	DRIVESHAFT HOUSING (SHORT)	33	1
45-96307M	DRIVESHAFT (SHORT)	39	25	1587-9214M	DRIVESHAFT HOUSING (LONG)	33	1
45-96308M	DRIVESHAFT (LONG)	39	25	1587-9777M	DRIVESHAFT HOUSING (LONG)	33	1
46-96299M	HOUSING, WATER PUMP ..	37	16	1587-9777M	DRIVESHAFT HOUSING (SHORT)	33	1
47-96305M	IMPELLER	39	21	1651-810952M	GEARHOUSING ASS'Y (SHORT)	37	0-1
48-96590M	PROPELLER (PITCH 8") (ALUMINUM)	3	--	1651-810953M	GEARHOUSING ASS'Y (LONG)	37	0-1
48-96591M	PROPELLER (PITCH 7") (ALUMINUM)	3	--	1651-810954M	GEARHOUSING	37	1
48-96592M	PROPELLER (PITCH 7-1/4") (ALUMINUM)	3	--	1651-8258M	GEARHOUSING ASS'Y (LONG)	37	0-1
48-96592M	PROPELLER (PITCH 8-1/4") (ALUMINUM)	3	--	1651-8259M	GEARHOUSING	37	1
50-12066A9	STARTER ROPE	9	11	1651-9780M	GEARHOUSING ASS'Y (SHORT)	37	0-1
50-91687M	RATCHET, STARTER	11	3	1651-9781M	GEARHOUSING ASS'Y (LONG)	37	0-1
50-99986M	SHEAVE, STARTER	9	3	1651-9782M	GEARHOUSING	37	1
52-96313M	CLUTCH, DOG	39	37	2168-9339M	TOP COWLING ASS'Y	5	1
53-82331M	SNAP RING	39	29	2168-9340M	COWLING, BOTTOM	5	9
53-82342M	SNAP RING	19	7	2168-9790M	COWLING, BOTTOM	5	9
53-84895M	SNAP RING	9	9	2169-9218M	CASE, STARTER	9	2
53-96309M	CLIP	39	26	2169-9774M	STARTER ASS'Y	9	1
53-96323M	SNAP RING (LONG)	41	58				
54-80752M	CLAMP, HOSE	43	10				
54-82046M	CLAMP	15	5				
54-82046M	CLAMP	17	29				
54-82047M	CLAMP	5	25				
54-82047M	CLAMP, HOSE	43	18				
54-91698M	CLAMP	11	14				
83-81013M	RING, CROSS PIN	39	35				
84-96329M	WIRE, LEAD	31	7				
87-91676M	STOP SWITCH ASS'Y	7	33				
88-81522M	FUSE (12V-20A)	31	3				
91-80277M	TOOL KIT	7	39				
232-96322M	BUSHING, DRIVE SHAFT (LONG)	41	57				
253-8252M	C.D.I. MAGNETO ASS'Y	11	1				
253-8253M	FLYWHEEL ASS'Y	11	2				
253-9775M	FLYWHEEL ASS'Y	11	2				
463-8255M	CRANKSHAFT ASS'Y	19	1				
761-8256M	PISTON ASS'Y (STD)	19	3				
968-8254M	CRANKCASE ASS'Y	15	20				
968-8805M	CRANKCASE ASS'Y	15	1				
1225-1529A26	FUEL TANK, COMPLETE ...	45	1				
1252-8249M	FUEL TANK	5	16				
1259-9728	FUEL TANK ASSEMBLY (PLASTIC - 6.6 GAL.)	47	1				
1383-8887M	CARBURETOR ASS'Y	23	0-1				
1383-9505M	CARBURETOR ASS'Y	23	0-1				
1484-8349M	BRACKET, CLAMP (PORT) .	33	11				
1484-8350M	BRACKET, CLAMP (STARBOARD)	33	12				
1484-9778M	BRACKET, CLAMP (PORT) .	33	11				
1484-9779M	BRACKET, CLAMP (STARBOARD)	33	12				
1485-811997M	BRACKET, SWIVEL	35	25				