



# PARTS CATALOG

## MARINER 8

SERIAL NUMBER

8B ..... 677-000101 AND UP  
8B ..... 677-300101 AND UP

# TABLE OF CONTENTS:

CARBURETOR .....	18
CARBURETOR .....	20
CLAMP AND SWIVEL BRACKET .....	30
COWLING .....	2
CRANKCASE AND CYLINDER HEAD .....	12
CRANKSHAFT AND PISTON .....	14
DRIVESHAFT HOUSING .....	34
FLYWHEEL MAGNETO .....	8
FUEL LINES AND FILTER .....	22
FUEL TANK AND FUEL LINE ASSEMBLY .....	42
FUEL TANK ASSEMBLY .....	44
GEAR SHIFT LINKAGE .....	26
GEARHOUSING ASSEMBLY .....	36
INTAKE MANIFOLD .....	16
OPTIONAL PARTS .....	48
PARTS INDEX .....	50
RECOIL STARTER .....	4
REMOTE CONTROL ATTACHING KIT - OPTIONAL .....	46
REVERSE LOCK .....	28
STEERING HANDLE .....	32
THROTTLE LINKAGE .....	24

**NOTE:** Indented description indicate that these parts are included in preceding assembly.

**AR** = As Required

**NSS** = Not Sold Separate

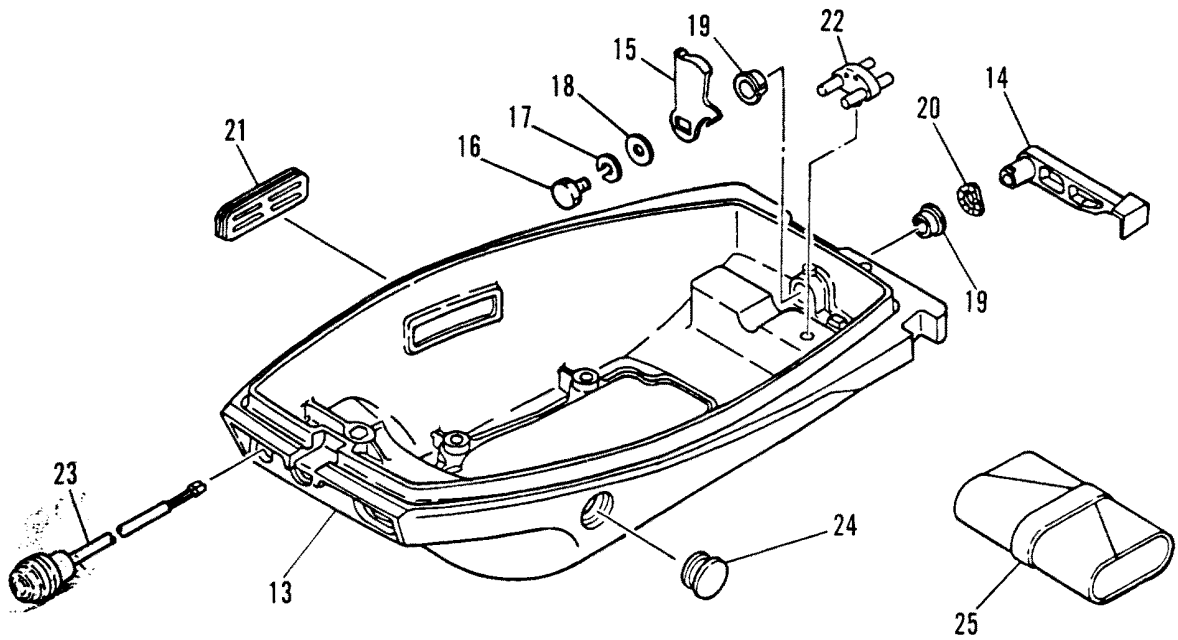
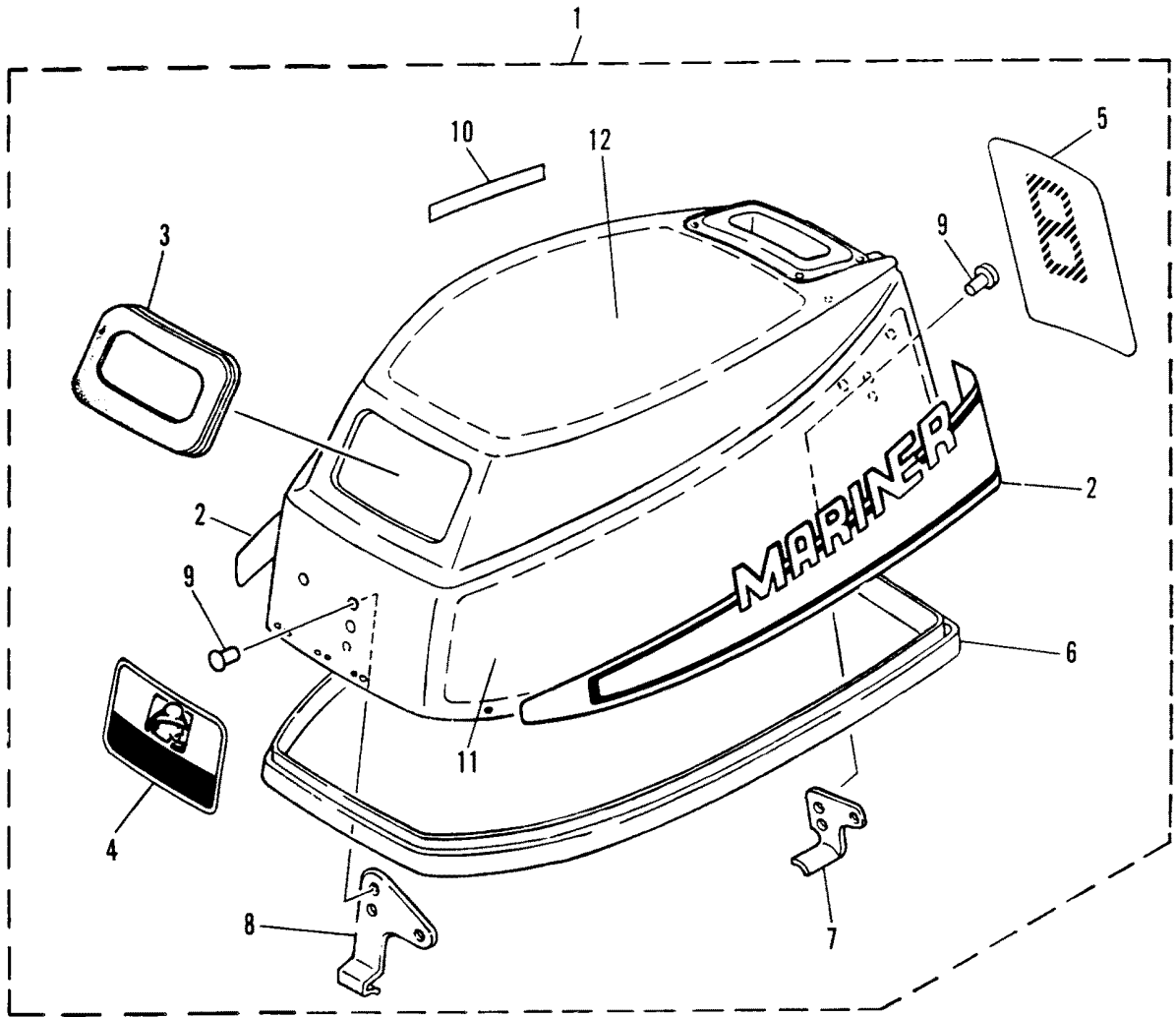
**OPT** = Optional

**NS** = Not Shown

**THESE PARTS BOOKS/FICHE CARD ARE COPYRIGHTED AND MAY NOT BE DISTRIBUTED OR REPRODUCED IN ANY OTHER FORMAT BY ANYONE OTHER THAN MERCURY MARINE WITHOUT THE PRIOR WRITTEN CONSENT OF MERCURY MARINE.**

THIS PAGE INTENTIONALLY LEFT BLANK

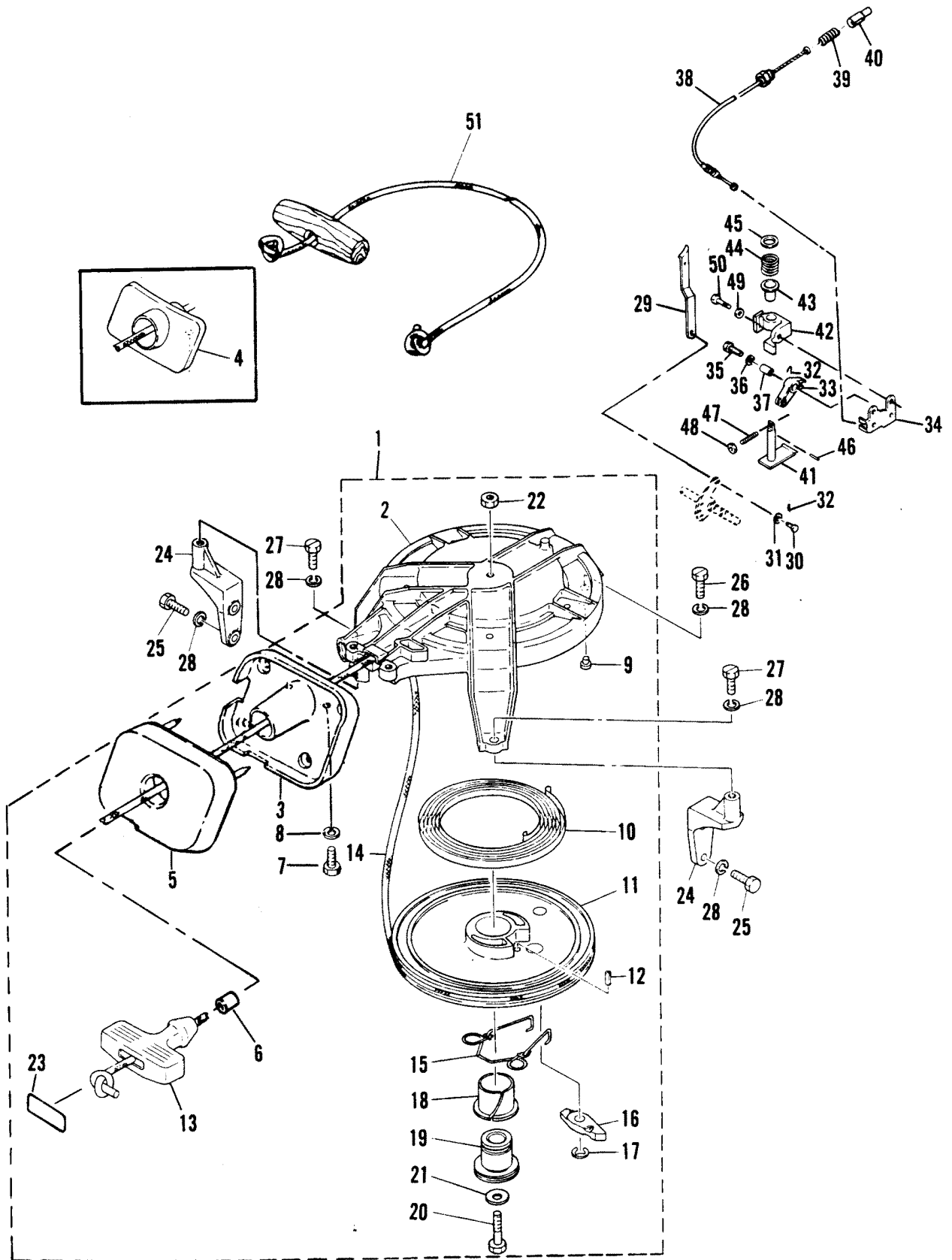
# COWLING



# COWLING

REF. NO.	PART NO.	SYM.	QTY.	DESCRIPTION
1	2168-8396M		1	TOP COWLING ASS'Y SERIAL 00020251-09999999
	2168-8029M		1	TOP COWLING ASS'Y SERIAL 00000000-00020250
2	37-98972M		1	DECAL, SIDE SET SERIAL 00039056-09999999
	37-83061M		1	DECAL, SIDE SET SERIAL 00000000-00039055
3	26-91653M		1	SEAL SERIAL 00020251-09999999
	26-83256M		1	SEAL SERIAL 00000000-00020250
4	37-98966M		1	DECAL, FRONT SERIAL 00039056-09999999
	37-83275M		1	DECAL, FRONT SERIAL 00000000-00039055
5	37-83276M		1	DECAL, REAR
6	83271M		1	SEAL
7	94655M		1	HOLDER, CLAMP BAND SERIAL 00020251-09999999
	83212M		1	HOLDER, CLAMP BAND SERIAL 00000000-00020250
8	94656M		1	HOOK
9	17-83599M		4	RIVET
10	37-81202M		1	INDICATOR, SHIFT
11	83273M		2	SOUND BLANKET
12	83274M		1	SOUND BLANKET
13	2168-7188M		1	COWLING, BOTTOM SERIAL 00012921-09999999
	2168-6977M		1	COWLING, BOTTOM SERIAL 00000000-00012920
14	83278M		1	LEVER, CLAMP
15	54-84914M		1	HOOK, CLAMP
16	10-84303M		1	BOLT
17	13-82197M		1	WASHER, LOCK
18	12-81794M		1	WASHER
19	23-81949M		2	BUSHING
20	13-81869M		1	WASHER, WAVE
21	25-83277M		1	GROMMET
22	80033M		1	HOLDER, DRIVE PIN
23	87-94657M		1	STOP SWITCH ASS'Y SERIAL 00020251-09999999
	87-80563M		1	STOP SWITCH ASS'Y SERIAL 00000000-00020250
24	25-84669M		1	GROMMET (SEE NOTE) SERIAL 00000000-00012920
25	91-80277M		1	TOOL KIT
32	10-94801M		2	SCREW SERIAL 00039056-09999999

# RECOIL STARTER

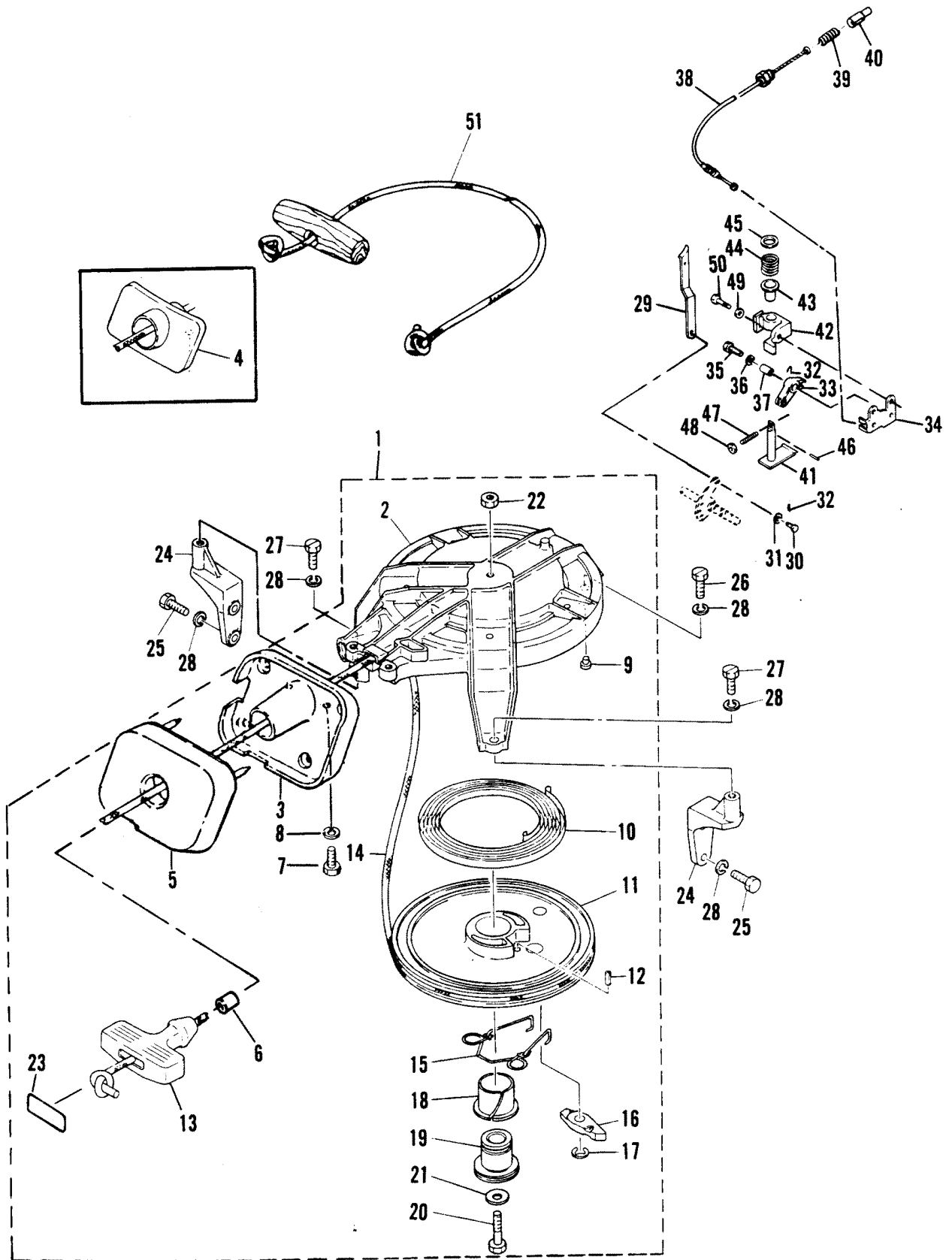


# RECOIL STARTER

REF. NO.	PART NO.	SYM.	QTY.	DESCRIPTION
1	2169-8397M		1	STARTER ASS'Y SERIAL 00030636-09999999
	2169-6974M		1	STARTER ASS'Y SERIAL 00000000-00030635
2	2169-8398M		1	CASE, STARTER SERIAL 00030636-09999999
	2169-6975M		1	CASE, STARTER SERIAL 00000000-00030635
3	96567M		1	GUIDE, STARTER ROPE SERIAL 00030636-09999999
4	83255M		1	GUIDE, STARTER ROPE SERIAL 00000000-00030635
5	98967M		1	SEAL SERIAL 00030636-09999999
6	25-98968M		1	GROMMET SERIAL 00030636-09999999
7	10-84247M		2	BOLT
8	13-82197M		2	WASHER, LOCK
9	19-80604M		1	STAY
10	24-82115M		1	SPRING
11	50-83250M		1	DRUM, SHEAVE
12	17-82157M		1	PIN, ROLL
13	80063M		1	HANDLE, STARTER
14	79629A1		1	STARTER ROPE
15	24-83947M		1	SPRING, PAWL DRIVE
16	83252M		1	PAWL, DRIVE
17	53-84895M		1	SNAP RING
18	23-82687M		1	BUSHING
19	83251M		1	SHAFT
20	10-83539M		1	BOLT
21	12-81557M		1	WASHER
22	11-82380M		1	NUT
23	84892M		1	COVER
24	83258M		2	BRACKET
25	10-82423M		4	BOLT
26	10-83285M		1	BOLT
27	10-83539M		2	BOLT
28	13-82197M		7	WASHER, LOCK
29	83254M		1	LINK
30	17-80501M		1	SET PIN, MAGNETO CONTROL LEVER
31	12-83768M		1	WASHER
32	18-82051M		2	CLIP
33	96578M		1	ARM
34	96571M		1	BRACKET
35	10-83539M		1	BOLT
36	12-83769M		1	WASHER
37	23-81974M		1	COLLAR
38	83257M		1	WIRE COMPLETE, STARTER LOCKOUT SERIAL 00030636-09999999
	96568M		1	WIRE COMPLETE, STARTER LOCKOUT SERIAL 00000000-00030635
39	24-82079M		1	SPRING

CONTINUED ON NEXT PAGE ➡

# RECOIL STARTER





# RECOIL STARTER

REF. NO.	PART NO.	SYM.	QTY.	DESCRIPTION
40	81106M		1	PLUNGER, STARTER LOCKOUT
41	96572M		1	LEVER, MAGNETO CONTROL
42	96573M		1	BRACKET
43	23-96574M		1	BUSHING
44	24-96575M		1	SPRING
45	12-96576M		1	WASHER
46	17-96577M		1	PIN
47	10-84314M		1	STUD
48	11-83763M		1	NUT
49	13-82199M		1	WASHER
50	10-83539M		1	BOLT
51	47341A1		1	EMERGENCY STARTER ROPE



# FLYWHEEL MAGNETO

REF. NO.	PART NO.	SYM.	QTY.	DESCRIPTION
1	253-8051M		1	FLYWHEEL MAGNETO ASS'Y W/LIGHTING COIL SERIAL <b>00020251-09999999</b>
	253-8034M		1	FLYWHEEL MAGNETO ASS'Y W/O LIGHTING COIL SERIAL <b>00020251-09999999</b>
	253-6979M		1	FLYWHEEL MAGNETO ASS'Y SERIAL <b>00000000-00020250</b>
2	94659M		1	FLYWHEEL ASS'Y
3	94658M		1	BASE, MAGNETO SERIAL <b>00020251-09999999</b>
	80928M		1	BASE, MAGNETO SERIAL <b>00000000-00020250</b>
4	80930M		2	BREAKER POINT ASS'Y
5	80025M		2	LUBRICATOR
6	80558M		2	CONDENSER
7	10-80023M		4	SCREW W/WASHER
8	83281M		1	COIL, PRIMARY IGNITION
9	10-80557M		2	SCREW W/WASHER
10	23-80555M		2	SPACER
11	84-84660M		1	LEAD WIRE ASS'Y SERIAL <b>00020251-09999999</b>
	84-80929M		1	LEAD WIRE ASS'Y SERIAL <b>00000000-00020250</b>
12	83315M		1	LIGHTING COIL ASS'Y (80W) SEE NOTE
13	10-80557M		2	SCREW W/WASHER
14	82877M		1	COVER
15	10-84303M		3	BOLT
16	13-82197M		3	WASHER, LOCK
17	11-81769M		1	NUT
18	12-81805M		1	WASHER
19	84667M		1	RETAINER, MAGNETO BASE SERIAL <b>00012921-09999999</b>
	81047M		1	RETAINER, MAGNETO BASE SERIAL <b>00000000-00012920</b>
20	84668M		1	RETAINER, MAGNETO BASE SERIAL <b>00012921-09999999</b>
	81048M		1	RETAINER, MAGNETO BASE SERIAL <b>00000000-00012920</b>
21	10-82490M		3	SCREW
22	13-82193M		3	WASHER, LOCK
23	83266M		1	STOPPER, MAGNETO BASE
24	10-84247M		2	BOLT
25	13-82199M		2	WASHER, LOCK
26	83264M		1	CAM, ACCEL
27	10-82879M		2	BOLT
28	12-82196M		2	WASHER
29	96569M		1	IGNITION COIL ASS'Y, SECONDARY SERIAL <b>00030636-09999999</b>
	84068M		1	IGNITION COIL ASS'Y, SECONDARY SERIAL <b>00000000-00030635</b>
30	96570M		1	IGNITION COIL ASS'Y, SECONDARY SERIAL <b>00030636-09999999</b>
	84069M		1	IGNITION COIL ASS'Y, SECONDARY SERIAL <b>00000000-00030635</b>

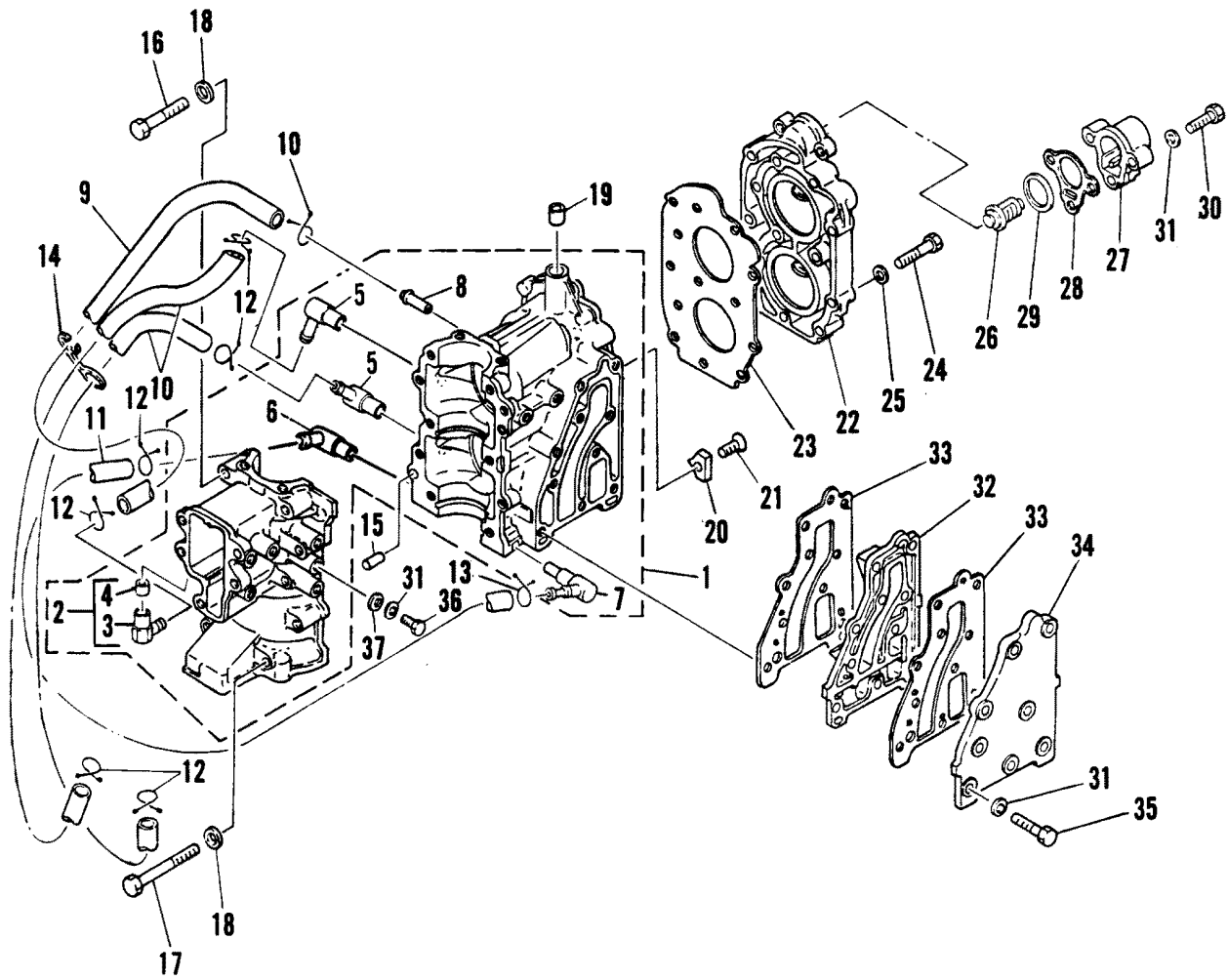
CONTINUED ON NEXT PAGE ➡



# FLYWHEEL MAGNETO

REF. NO.	PART NO.	SYM.	QTY.	DESCRIPTION
31	10-84237M		4	BOLT
32	13-82199M		4	WASHER, LOCK
33	80935M		2	PLUG CAP ASS'Y (STD)
	82788M		2	PLUG CAP ASS'Y (OPT)
34	33-82371M		2	SPARK PLUG (B-7HS, NGK)

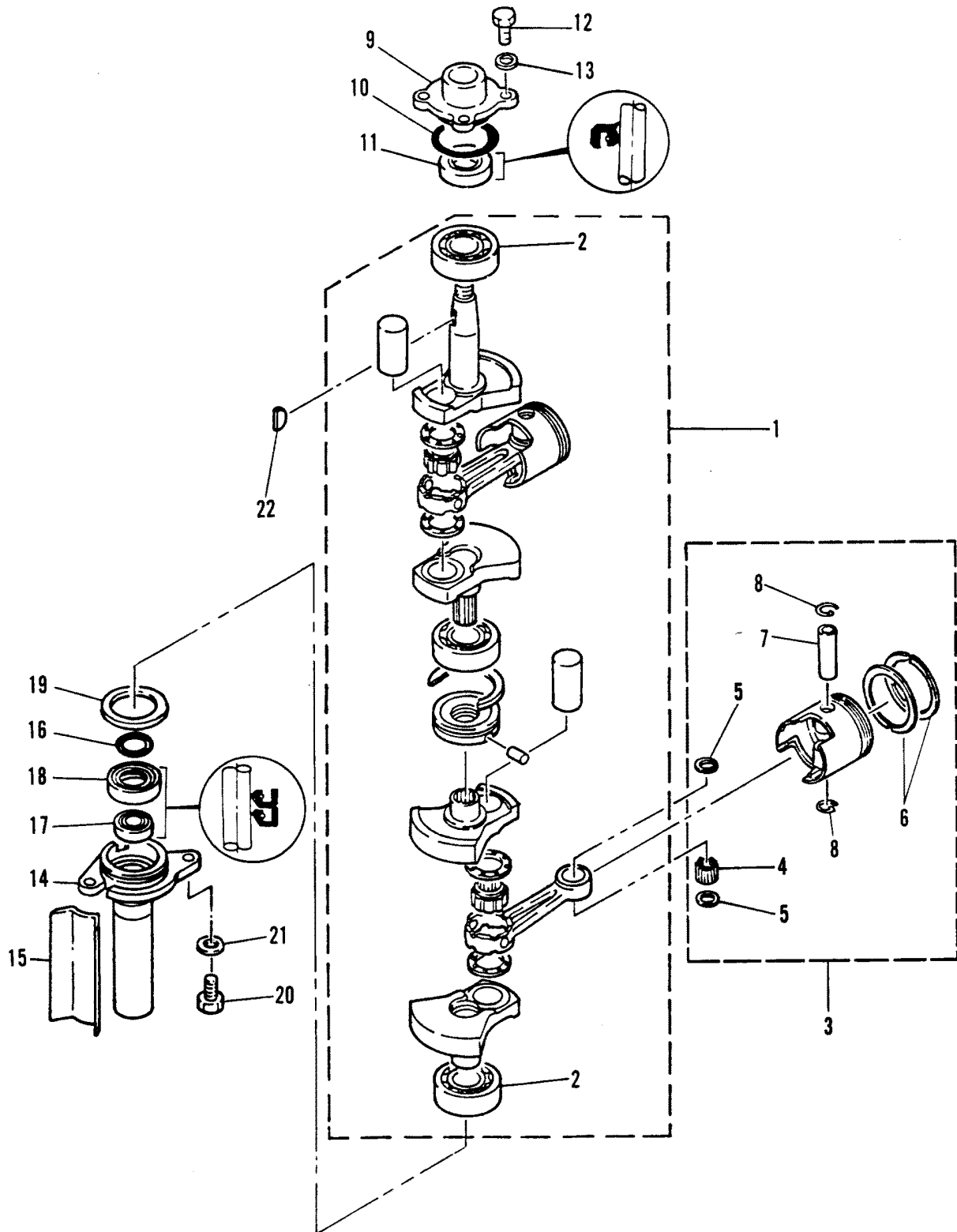
# CRANKCASE AND CYLINDER HEAD



## CRANKCASE AND CYLINDER HEAD

REF. NO.	PART NO.	SYM.	QTY.	DESCRIPTION
1	968-6973M		1	CRANKCASE ASS'Y
2	21-80727M		1	CHECK VALVE ASS'Y
3	22-82975M		1	FITTING, DRAIN
4	21-80107M		1	VALVE, CHECK
5	21-82692M		2	CHECK VALVE ASS'Y
6	22-84661M		1	FITTING, DRAIN <b>SERIAL 00012921-09999999</b>
	22-83326M		1	FITTING, DRAIN <b>SERIAL 00000000-00012920</b>
7	22-83326M		1	FITTING, DRAIN
8	22-80122M		1	FITTING, DRAIN
9	32-81658M		1	HOSE
10	32-81999M		2	HOSE
11	32-82992M		1	HOSE
12	54-82046M		6	CLAMP
13	54-84656M		2	CLAMP
14	82038M		1	CLAMP
15	17-82359M		2	PIN, DOWEL
16	10-84657M		8	BOLT
17	10-84658M		2	BOLT
18	12-81792M		10	WASHER
19	17-82161M		1	PIN, DOWEL
20	81556M		1	ANODE
21	10-83286M		1	SCREW
22	968-6964M		1	HEAD, CYLINDER
23	27-83239M		1	GASKET, CYLINDER HEAD
24	10-83285M		13	BOLT
25	12-81792M		13	WASHER
26	83282M		1	THERMOSTAT
27	83241M		1	COVER, THERMOSTAT
28	27-83242M		1	GASKET, THERMOSTAT COVER
29	12-81835M		1	WASHER
30	10-82405M		3	BOLT
31	13-82199M		14	WASHER, LOCK
32	83261M		1	INNER COVER, EXHAUST
33	27-83262M		2	GASKET, EXHAUST COVER
34	83263M		1	OUTER COVER, EXHAUST
35	10-92523M		10	BOLT
36	10-84303M		1	BOLT
37	27-81986M		1	GASKET
	83783M		1	POWERHEAD ASS'Y, COMPLETE (SEE NOTE) <b>REPLACEMENT PARTS</b>
	27-84161M		1	GASKET SET, POWERHEAD <b>REPLACEMENT PARTS</b>

# CRANKSHAFT AND PISTON

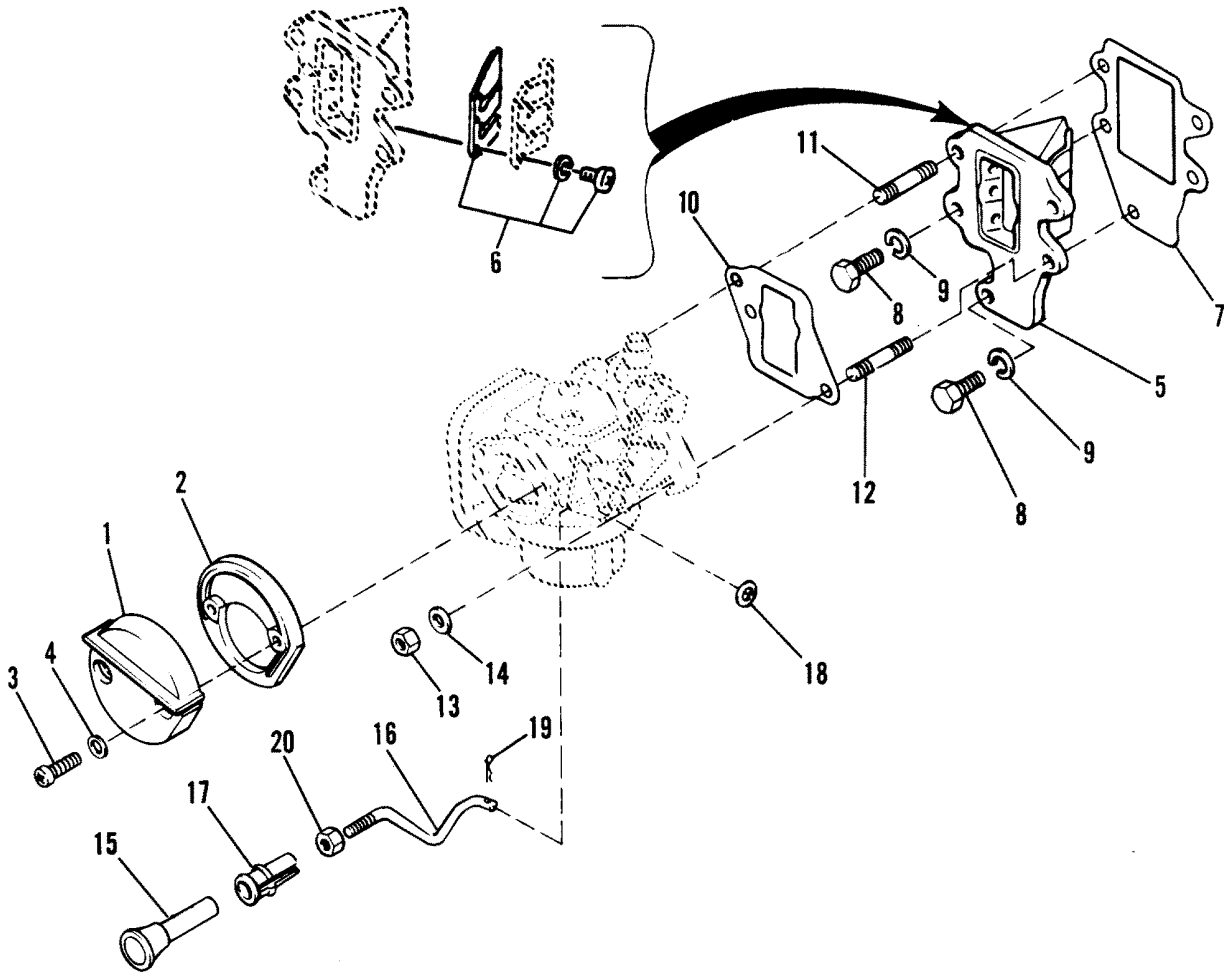




# CRANKSHAFT AND PISTON

REF. NO.	PART NO.	SYM.	QTY.	DESCRIPTION
1	463-6965M		1	CRANKSHAFT ASS'Y
2	30-82299M		2	BEARING
3	761-8224M		2	PISTON ASS'Y (STANDARD)
	761-8225M		AR	PISTON ASS'Y (1ST O.S. 51.25 MM)
	761-8226M		AR	PISTON ASS'Y (2ND O.S. 51.50 MM)
4	29-82350M		56	BEARING, NEEDLE
5	12-81816M		4	WASHER
6	39-80422M		2	PISTON RING SET (STANDARD)
	39-80423M		2	PISTON RING SET (1ST O.S. 51.25MM)
	39-80424M		2	PISTON RING SET (2ND O.S. 51.50MM)
7	41-80005M		2	PIN, PISTON
8	53-82342M		4	CLIP, PISTON PIN
9	83246M		1	HOUSING, OIL SEAL UPPER
10	25-82276M		1	O-RING
11	26-82243M		1	OIL SEAL, UPPER
12	10-82423M		4	BOLT
13	13-82199M		4	WASHER, LOCK
14	94661M		1	HOUSING, OIL SEAL LOWER <b>SERIAL 00020251-09999999</b>
	83248M		1	HOUSING, OIL SEAL LOWER <b>SERIAL 00000000-00020250</b>
15	26-94662M		1	SEAL
16	25-82277M		1	O-RING
17	26-82165M		1	OIL SEAL
18	26-94663M		1	OIL SEAL, LOWER
19	23-81841M		1	WASHER
20	10-91725M		2	BOLT
21	12-82214M		2	WASHER
22	28-81913M		1	KEY, FLYWHEEL

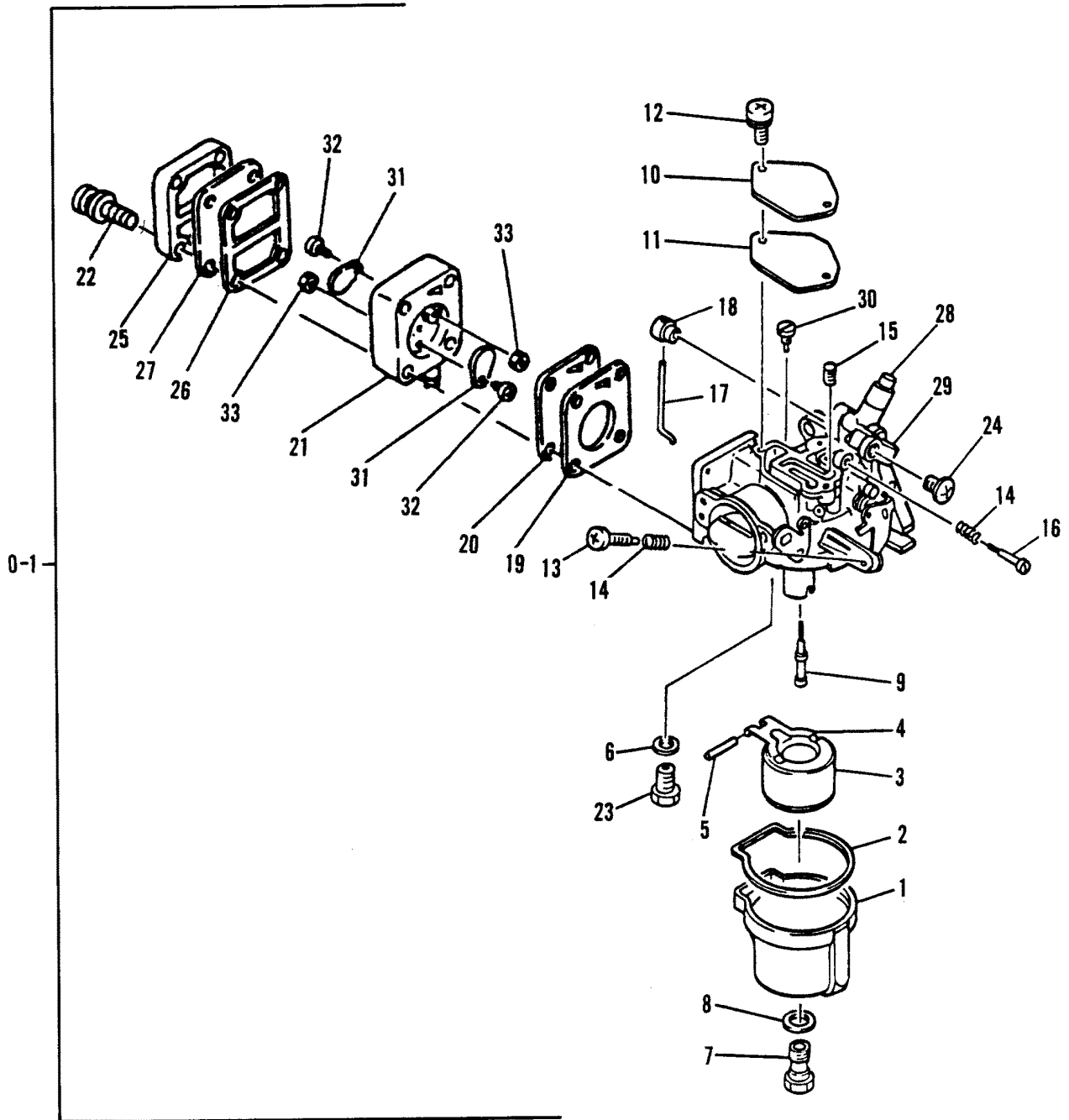
# INTAKE MANIFOLD



# INTAKE MANIFOLD

REF. NO.	PART NO.	SYM.	QTY.	DESCRIPTION
1	82864M		1	COVER, AIR INTAKE (OUTER)
2	35-80154M		1	COVER, AIR INTAKE (INNER)
3	10-81703M		2	SCREW
4	12-82196M		2	WASHER
5	34-83243M		1	REED VALVE ASS'Y
6	34-84662M		1	REED SET (REED STOPS NOT INCLUDED)
7	27-83244M		1	GASKET, REED VALVE
8	10-82423M		3	BOLT
9	13-82197M		3	WASHER, LOCK
10	27-83245M		1	GASKET, CARBURETOR
11	16-80232M		1	STUD
12	16-84249M		1	STUD
13	11-82381M		2	NUT
14	13-82199M		2	WASHER
15	83287M		1	KNOB, CHOKE
16	83265M		1	ROD, CHOKE LINK
17	25-80231M		1	GROMMET
18	12-82799M		1	WASHER
19	18-82050M		1	CLIP
20	11-80245M		1	NUT

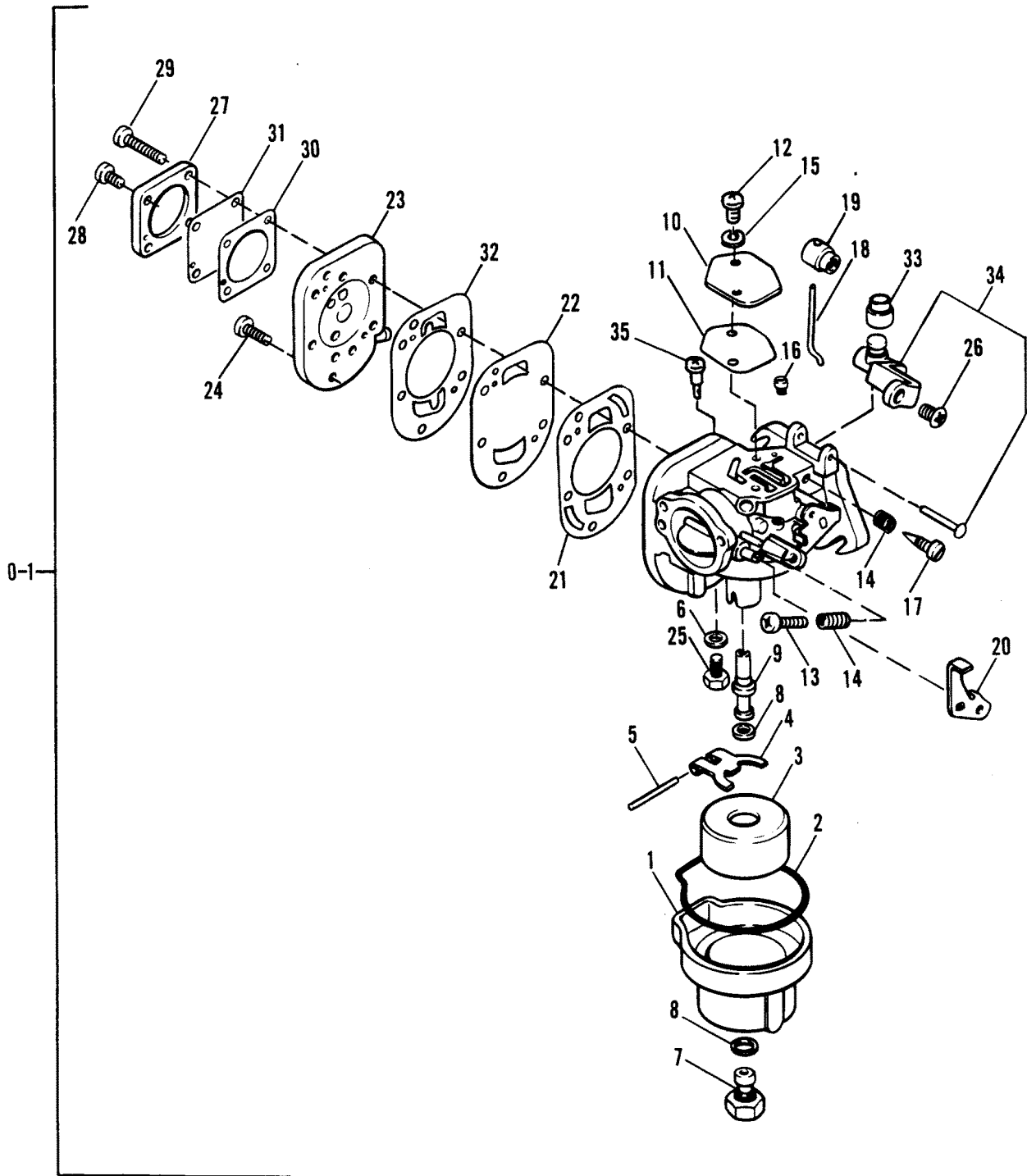
# CARBURETOR



# CARBURETOR

REF. NO.	PART NO.	SYM.	QTY.	DESCRIPTION
0-1	1383-7189M		1	CARBURETOR ASS'Y
1	84252M		1	BODY, FLOAT CHAMBER
2	27-83292M		1	GASKET, FLOAT CHAMBER
3	80450M		1	FLOAT
4	80202M		1	ARM
5	17-80201M		1	PIN, FLOAT
6	12-80261M		1	WASHER, VALVE SEAT
7	10-84670M		1	JET, MAIN (#78)
8	27-80267M		1	GASKET
9	94664M		1	NOZZLE, MAIN (#66) <b>SERIAL 00019831-09999999</b>
	83288M		1	NOZZLE, MAIN (#98) <b>SERIAL 00012921-00019830</b>
10	84258M		1	PLATE
11	27-84259M		1	GASKET
12	10-84260M		2	SCREW
13	10-82623M		2	SCREW, IDLE SPEED
14	24-80329M		2	SPRING
15	94665M		1	JET, PILOT (#42) <b>SERIAL 00019831-09999999</b>
	82600M		1	JET, PILOT (#46) <b>SERIAL 00012921-00019830</b>
16	10-80573M		1	SCREW, IDLE MIXTURE
17	83299M		1	ROD
18	83300M		1	THROTTLE, LEVER END
19	27-84261M		1	GASKET, PUMP
20	84262M		1	DIAPHRAGM, PUMP
21	99966M		1	COVER, PUMP <b>SERIAL 00039056-09999999</b>
	94666M		1	COVER, PUMP <b>SERIAL 00019831-00039055</b>
	83296M		1	COVER, PUMP <b>SERIAL 00012921-00019830</b>
22	10-82661M		4	SCREW
23	80447M		1	VALVE SEAT ASS'Y
24	10-80091M		1	SCREW
25	84266M		1	COVER, PUMP
26	27-84264M		1	GASKET, COVER
27	84265M		1	DIAPHRAGM, PUMP
28	23-80227M		1	COLLAR, GUIDE PIN
29	81148M		1	THROTTLE ARM ASS'Y
30	10-80434M		1	SCREW
31	21-94800M		2	CHECK VALVE <b>SERIAL 00039056-09999999</b>
	21-84650M		2	CHECK VALVE <b>SERIAL 00000000-00039055</b>
33	11-82537M		2	NUT <b>SERIAL 00039056-09999999</b>
	84473M		1	REPAIR KIT, CARBURETOR REPLACEMENT PARTS

# CARBURETOR



# CARBURETOR

REF. NO.	PART NO.	SYM.	QTY.	DESCRIPTION
0-1	1383-6972M		1	CARBURETOR ASS'Y
1	84252M		1	BODY, FLOAT CHAMBER
2	27-83292M		1	GASKET, FLOAT CHAMBER
3	80450M		1	FLOAT
4	80202M		1	ARM
5	17-80201M		1	PIN, FLOAT
6	12-80261M		1	WASHER, VALVE SEAT
7	10-83289M		1	JET, MAIN (#80)
8	27-80267M		1	GASKET
9	83288M		1	NOZZLE, MAIN
10	83294M		1	PLATE
11	27-83295M		1	GASKET
12	10-82513M		2	SCREW
13	10-82623M		2	SCREW, IDLE SPEED
14	24-80329M		1	SPRING
15	13-82184M		2	WASHER, LOCK
16	82600M		1	JET, PILOT (#46)
17	10-80573M		1	SCREW, IDLE MIXTURE
18	83299M		1	ROD
19	83300M		1	THROTTLE, LEVER END
20	83302M		1	LEVER CHOKE ASS'Y
21	27-83298M		1	GASKET, PUMP
22	83297M		1	DIAPHRAGM, PUMP
23	83296M		1	COVER, PUMP
24	10-82606M		4	SCREW
25	80447M		1	VALVE SEAT ASS'Y
26	10-80091M		1	SCREW
27	82638M		1	COVER, PUMP
28	10-80954M		1	SCREW
29	10-82661M		2	SCREW
30	27-83627M		1	GASKET, COVER
31	83614M		1	DIAPHRAGM, PUMP
32	82671M		1	DIAPHRAGM, PUMP
33	23-80227M		1	COLLAR, GUIDE PIN
34	81148M		1	THROTTLE ARM ASS'Y
35	10-80434M		1	SCREW

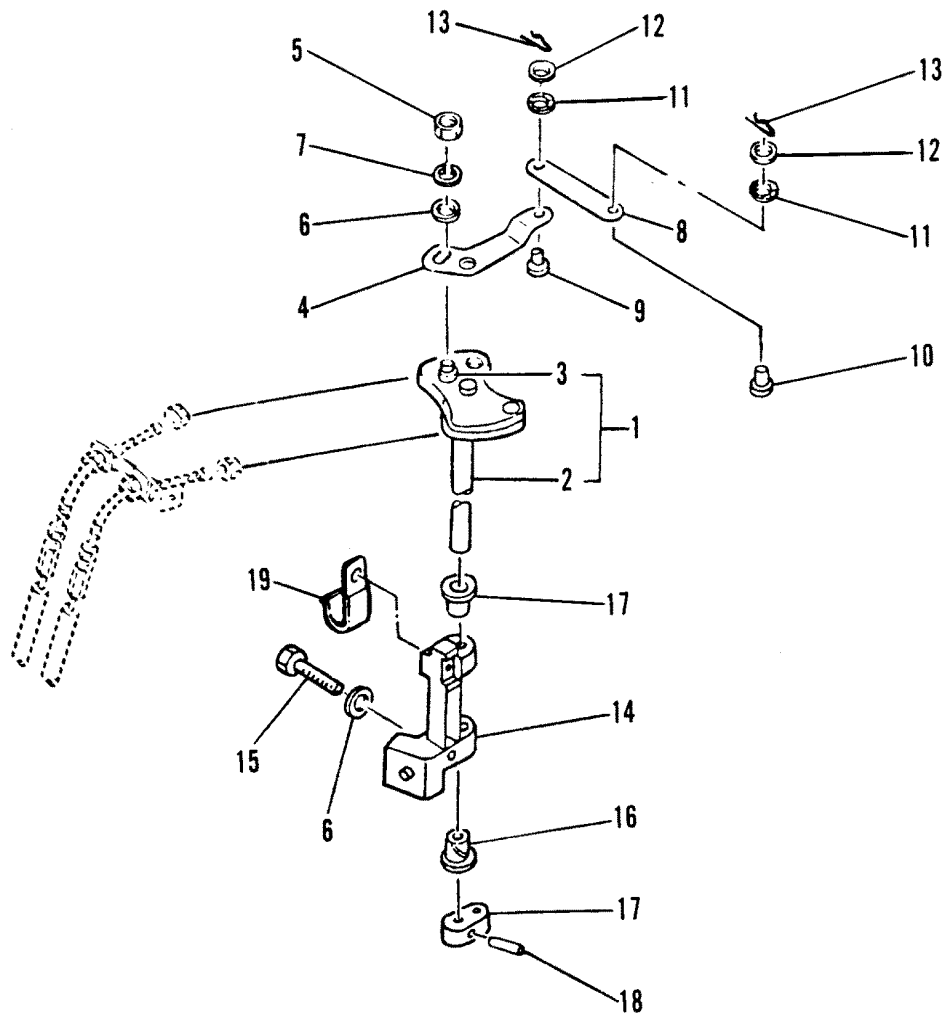




## FUEL LINES AND FILTER

REF. NO.	PART NO.	SYM.	QTY.	DESCRIPTION
1	93099M		1	HOUSING ASS'Y, FUEL CONNECTOR
2	10-83539M		1	BOLT
3	13-82197M		2	WASHER, LOCK <b>SERIAL 00000000-00039055</b>
4	54-82047M		4	CLIP
5	32-83772M		1	HOSE, CONNECTOR TO FILTER
6	32-83219M		1	HOSE, FILTER TO CARBURETOR
7	35-80617M		1	FILTER ASS'Y
8	27-82790M		1	PACKING, FILTER
9	35-82783M		1	ELEMENT, FILTER
10	25-84957M		1	O-RING
11	82784M		1	CUP, FILTER
12	80620M		1	BRACKET, FILTER
13	11-82382M		1	NUT
14	13-82197M		1	WASHER, LOCK <b>SERIAL 00039056-09999999</b>
	13-82200M		1	WASHER, LOCK <b>SERIAL 00000000-00039055</b>
15	10-84315M		1	BOLT <b>SERIAL 00039056-09999999</b>
	10-84303M		1	BOLT <b>SERIAL 00000000-00039055</b>

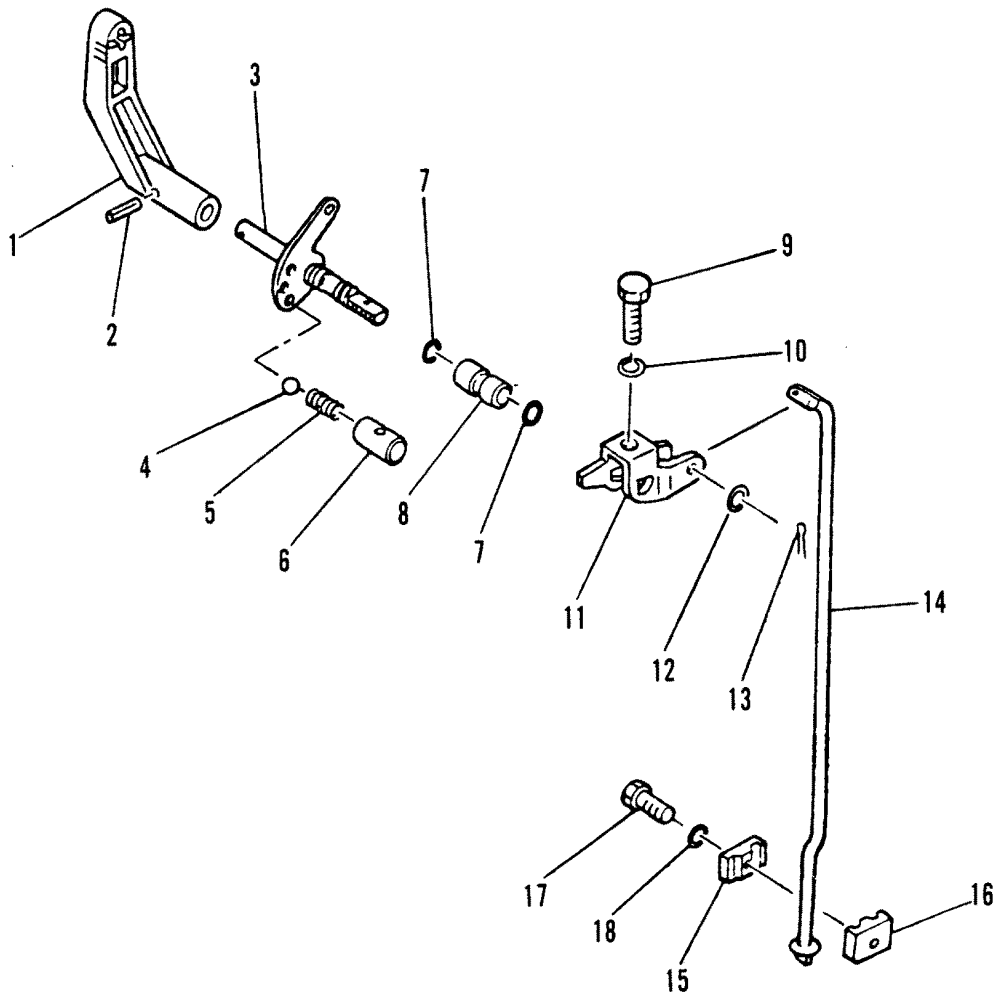
# THROTTLE LINKAGE



# THROTTLE LINKAGE

REF. NO.	PART NO.	SYM.	QTY.	DESCRIPTION
1	83070M		1	PULLEY
2	82888M		1	SHAFT, LINK CONNECTOR
3	10-82872M		1	BOSS, LEVER
4	83267M		1	LEVER, MAGNETO CONTROL
5	11-82380M		1	NUT
6	13-82199M		3	WASHER, LOCK
7	13-82197M		1	WASHER, LOCK
8	83268M		1	LEVER, MAGNETO CONTROL
9	17-80501M		1	SET PIN, MAGNETO CONTROL
10	17-81878M		1	PIN
11	13-81865M		2	WASHER, WAVE
12	12-82209M		2	WASHER
13	18-82051M		2	PIN
14	83269M		1	BRACKET
15	10-83285M		2	BOLT
16	23-81945M		2	BUSHING
17	81091M		1	STAY
18	17-82148M		1	PIN, ROLL
19	54-82040M		1	CLAMP

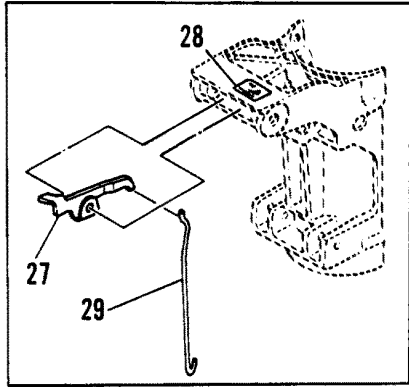
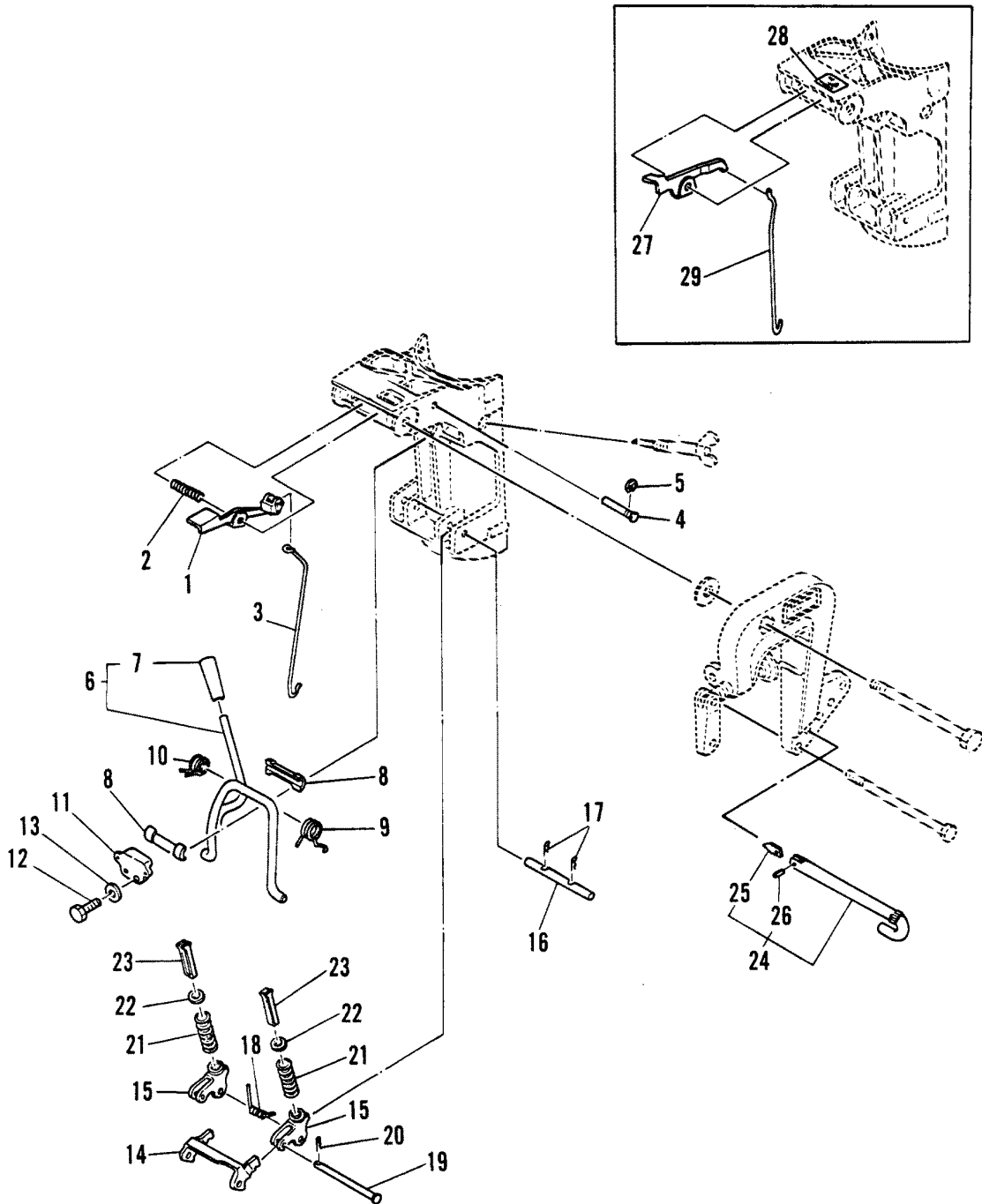
# GEAR SHIFT LINKAGE



# GEAR SHIFT LINKAGE

REF. NO.	PART NO.	SYM.	QTY.	DESCRIPTION
1	81066M		1	HANDLE, GEAR SHIFT
2	17-82155M		1	PIN, ROLL
3	83279M		1	SHAFT, CHANGE
4	82348M		1	BALL
5	24-82084M		1	SPRING
6	81061M		1	BUSHING
7	25-82263M		2	O-RING
8	23-83094M		1	BUSHING, SHIFT ROD LEVER
9	10-82447M		1	BOLT
10	13-82208M		1	WASHER, LOCK
11	81390M		1	LEVER, SHIFT ROD
12	12-82213M		1	WASHER
13	18-82125M		1	PIN, COTTER
14	82680M		1	ROD, SHIFT
15	80049M		1	CONNECTOR, SHIFT ROD
16	80050M		1	CONNECTOR, SHIFT ROD
17	10-84058M		1	BOLT
18	12-82214M		1	WASHER

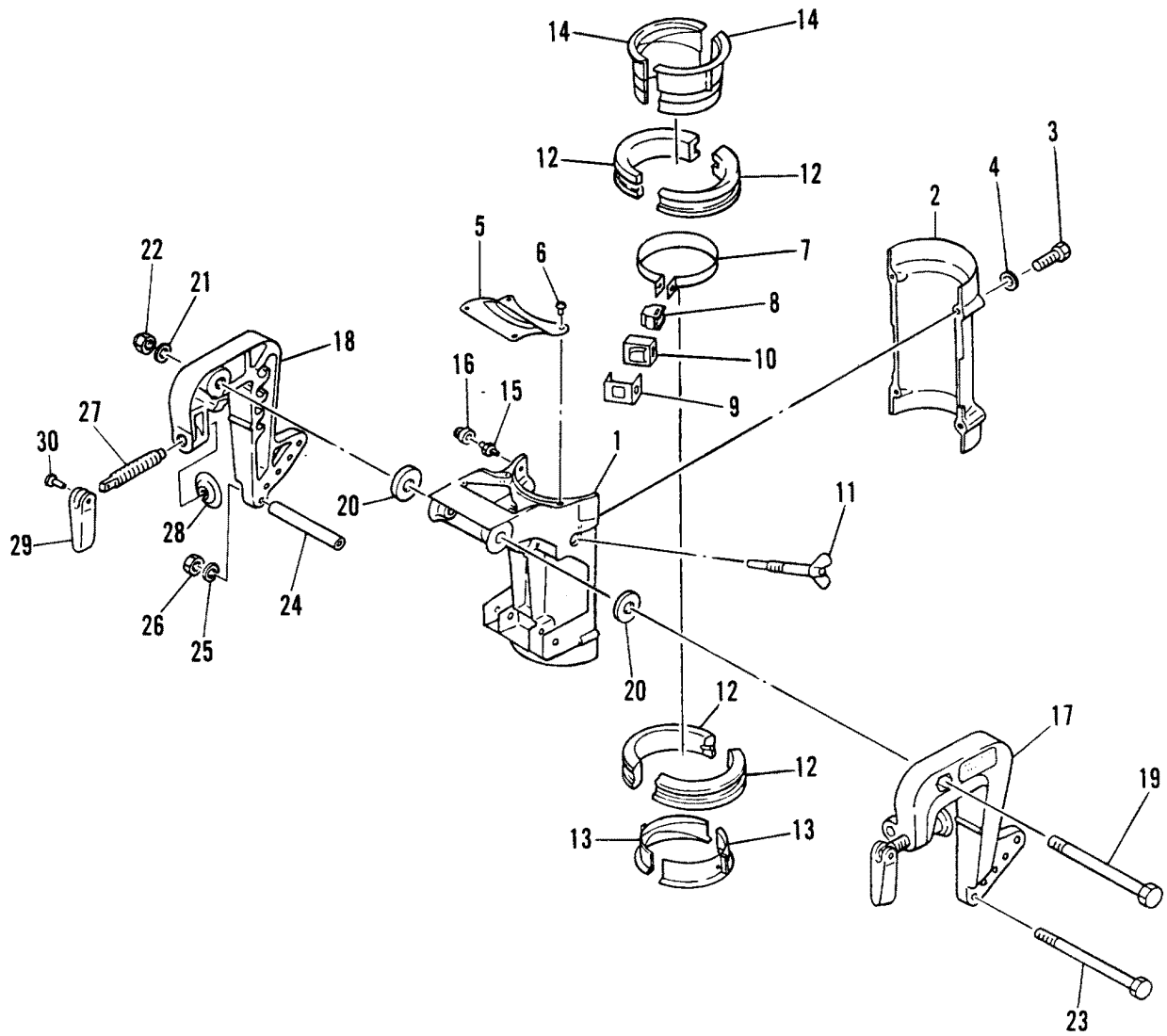
# REVERSE LOCK



# REVERSE LOCK

REF. NO.	PART NO.	SYM.	QTY.	DESCRIPTION
1	84664M		1	LEVER, TILT SERIAL 00012921-09999999
2	24-82090M		1	SPRING SERIAL 00012921-09999999
3	84665M		1	ROD, TILT LOCK SERIAL 00012921-09999999
4	17-84666M		1	PIN SERIAL 00012921-09999999
5	53-82327M		1	SNAP RING SERIAL 00012921-09999999
6	80519M		1	TILT STOP LEVER ASS'Y
7	80100M		1	KNOB, TILT
8	23-80097M		2	BUSHING
9	24-82111M		1	SPRING
10	24-82110M		1	SPRING
11	80976M		1	BRACKET, TILT
12	10-82453M		2	BOLT
13	12-82214M		2	WASHER
14	80522M		1	PLATE, TILT LOCK
15	80523M		2	PLATE, TILT LOCK
16	80527M		1	SHAFT, REVERSE LOCK
17	18-82049M		2	PIN
18	24-82112M		1	SPRING
19	17-81883M		1	PIN
20	18-82051M		1	PIN
21	24-82097M		2	SPRING (SHORT AND LONG)
	24-83749M		2	SPRING (ULTRA LONG AND SUPER ULTRA LONG)
22	80525M		2	STOP
23	80521M		2	ARM, TILT LOCK
24	17-80266M		1	TILT PIN ASS'Y
25	82857M		1	STOPPER PLATE
26	17-82144M		1	PIN, ROLL
27	83049M		1	LEVER, TILT SERIAL 00000000-00012920
28	37-83059M		1	INDICATOR, TILT SERIAL 00000000-00012920
29	80524M		1	ROD, TILT LOCK SERIAL 00000000-00012920

# CLAMP AND SWIVEL BRACKET

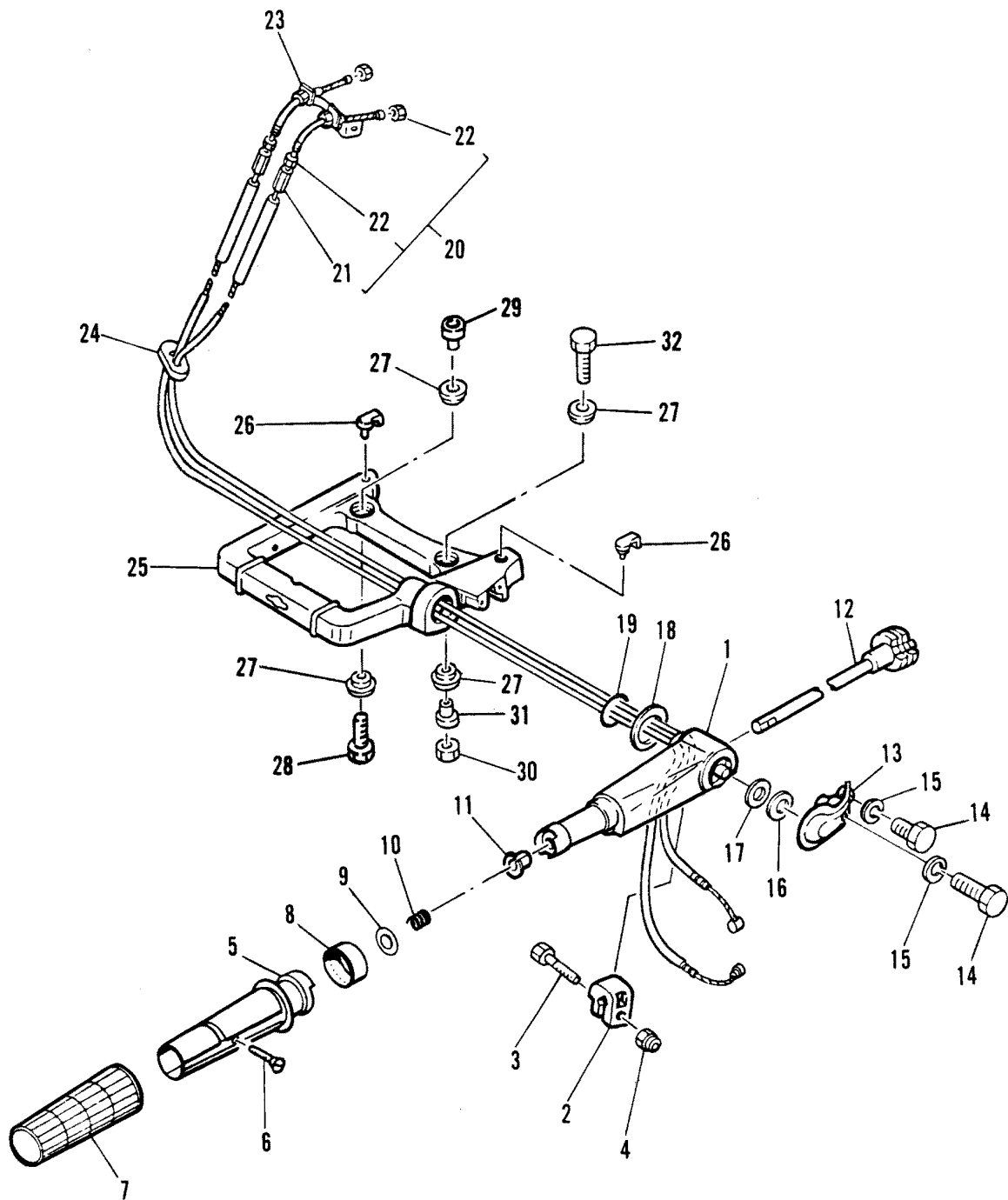




# CLAMP AND SWIVEL BRACKET

REF. NO.	PART NO.	SYM.	QTY.	DESCRIPTION
1	1485-7187M		1	BRACKET, SWIVEL (FRONT) <b>SERIAL 00012921-09999999</b>
	1485-6916M		1	BRACKET, SWIVEL (FRONT) <b>SERIAL 00000000-00012920</b>
2	80520M		1	BRACKET, SWIVEL (REAR)
3	10-82457M		4	BOLT
4	12-82214M		4	WASHER
5	81065M		1	COVER
6	10-81908M		4	RIVET
7	82889M		1	PLATE, FRICTION
8	82890M		1	PLATE, FRICTION
9	82891M		1	PLATE, FRICTION
10	82892M		1	COVER
11	10-81055M		1	SCREW, FRICTION PLATE
12	23-81056M		4	BUSHING, PIVOT SHAFT
13	80514M		2	BUSHING, PIVOT SHAFT
14	80513M		2	BUSHING, PIVOT SHAFT
15	22-82369M		2	FITTING, GREASE
16	81439M		2	CAP, GREASE FITTING
17	1484-6702M		1	BRACKET, CLAMP (PORT)
18	1484-6703M		1	BRACKET, CLAMP (STARBOARD)
19	10-98969M		1	BOLT <b>SERIAL 00039056-09999999</b>
	10-81709M		1	BOLT <b>SERIAL 00000000-00039055</b>
20	12-98970M		2	WASHER <b>SERIAL 00039056-09999999</b>
	12-81808M		2	WASHER <b>SERIAL 00000000-00039055</b>
21	12-81806M		1	WASHER
22	11-81785M		1	NUT
23	10-82921M		1	BOLT
24	23-82116M		1	SPACER
25	13-82212M		1	WASHER, LOCK
26	11-82389M		1	NUT
27	10-81755M		2	SCREW, TRANSOM CLAMP
28	12-80638M		2	PAD, TRANSOM CLAMP
29	80048M		2	HANDL, TRANSOM CLAMP
30	17-81888M		2	PIN

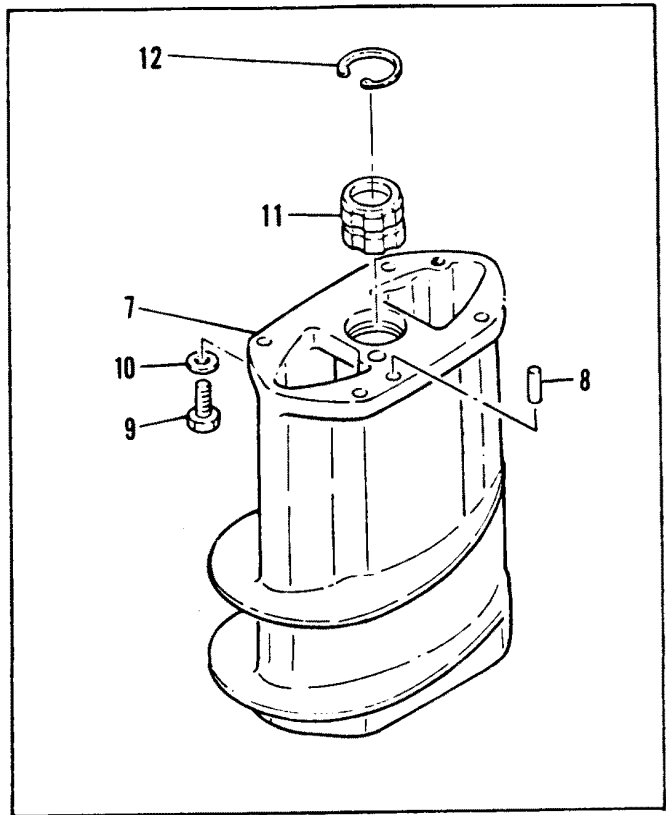
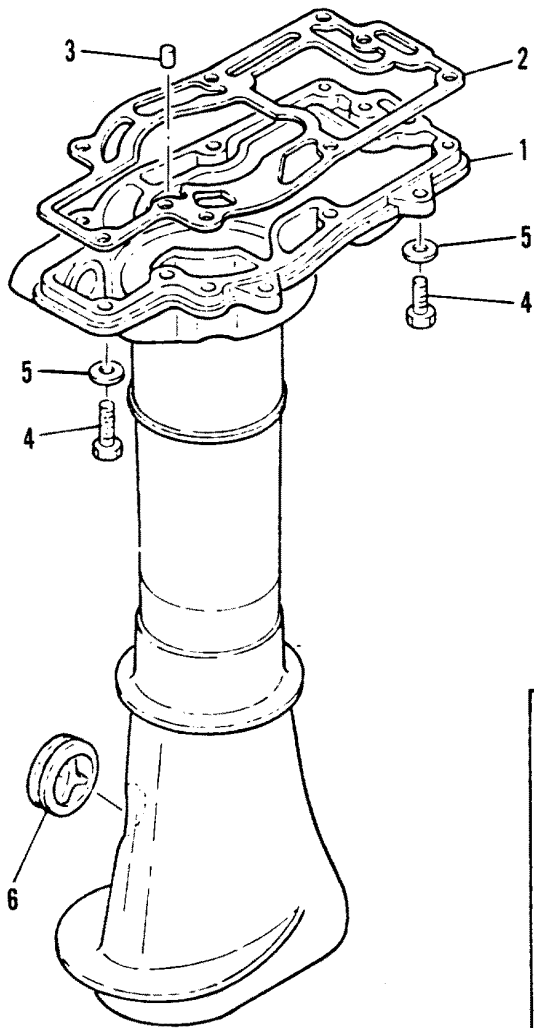
# STEERING HANDLE



# STEERING HANDLE

REF. NO.	PART NO.	SYM.	QTY.	DESCRIPTION
1	83093M		1	HANDLE, STEERING
2	82895M		1	PIECE, FRICTION
3	10-84058M		1	BOLT
4	11-83056M		1	NUT
5	80504M		1	GRIP, STEERING HANDLE
6	10-82483M		1	SCREW
7	80509M		1	RUBBER, HANDLE
8	98971M		1	INDICATOR, THROTTLE <b>SERIAL 00039056-09999999</b>
	83270M		1	INDICATOR, THROTTLE <b>SERIAL 00000000-00039055</b>
9	12-82204M		1	WASHER
10	24-82095M		1	SPRING
11	23-81945M		1	BUSHING
12	81280M		1	LEVER, THROTTLE
13	80503M		1	CAP, STEERING ARM PIVOT
14	10-82173M		2	SCREW
15	13-82212M		2	WASHER, LOCK
16	23-80506M		1	SPACER (0.5MM)
	23-80507M		1	SPACER (0.6MM)
	23-80508M		1	SPACER (0.8MM)
17	23-82118M		1	SPACER
18	23-82121M		1	SPACER
19	25-82272M		1	O-RING
20	83260M		2	THROTTLE CABLE ASS'Y
21	11-81778M		2	NUT, ADJUSTING
22	11-81761M		6	NUT
23	81037M		1	STAY, THROTTLE WIRE
24	25-81373M		1	GROMMET
25	81054M		1	BRACKET, STEERING
26	80510M		2	SPACER, FRICTION
27	25-80515M		4	GROMMET
28	10-82466M		2	BOLT <b>SERIAL 00033091-09999999</b>
29	82956M		2	BUSHING <b>SERIAL 00033091-09999999</b>
30	11-82382M		2	NUT <b>SERIAL 00000000-00033090</b>
31	82956M		2	BUSHING <b>SERIAL 00000000-00033090</b>
32	10-82466M		2	BOLT <b>SERIAL 00000000-00033090</b>

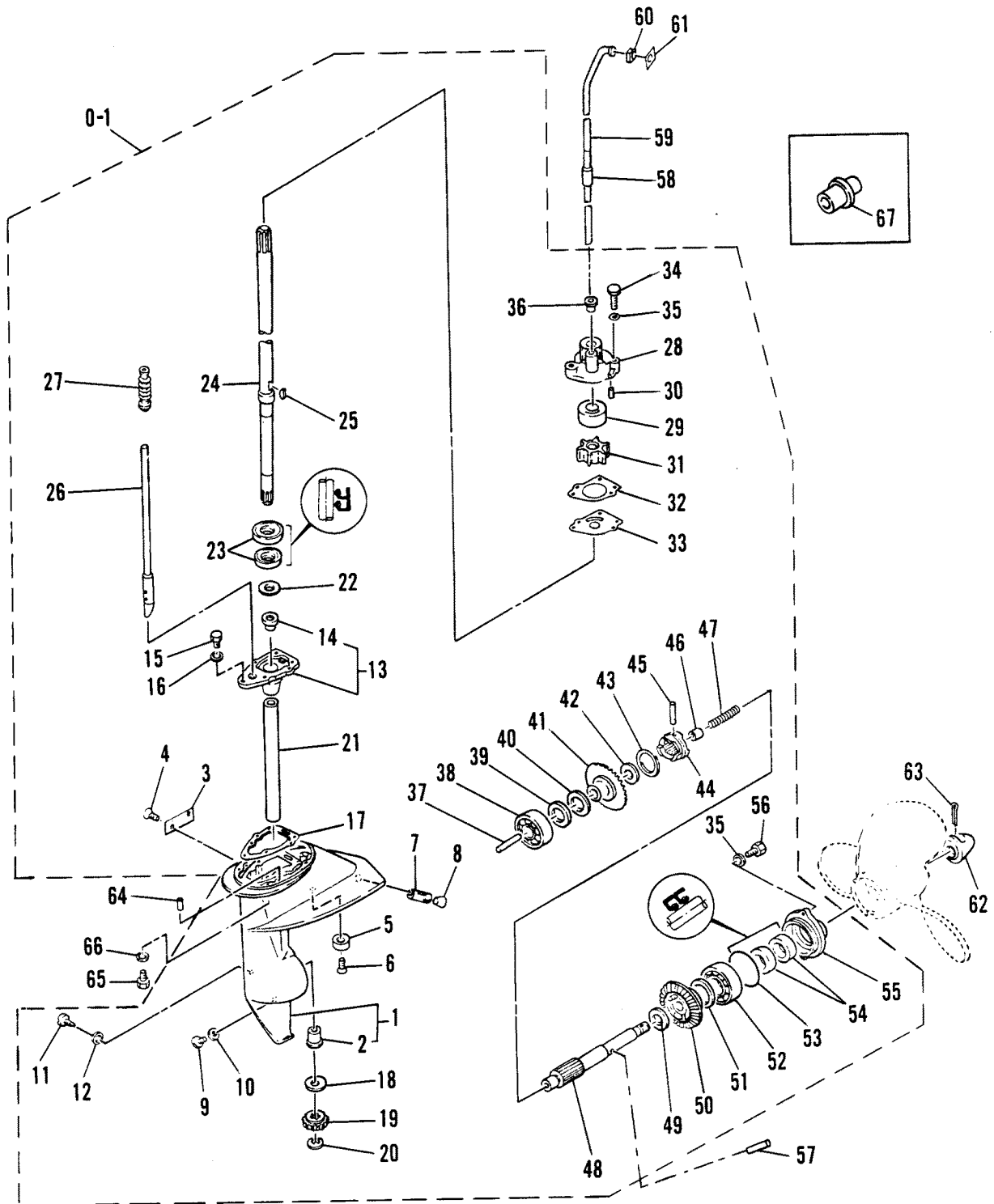
# DRIVESHAFT HOUSING



# DRIVESHAFT HOUSING

REF. NO.	PART NO.	SYM.	QTY.	DESCRIPTION
1	1587-6978M		1	DRIVESHAFT HOUSING
2	27-83280M		1	GASKET
3	17-82359M		2	PIN, DOWEL
4	10-82453M		7	BOLT
5	12-82214M		7	WASHER
6	80533M		1	COVER
7	83194M		1	EXTENSION (LONG 140MM)
	82309M		1	EXTENSION (ULTRA LONG 190MM)
	82505M		1	EXTENSION (SUPER ULTRA LONG 267MM)
8	17-82354M		2	PIN, DOWEL (LONG, ULTRA LONG, SUPER ULTRA LONG)
9	10-84058M		4	BOLT (LONG, ULTRA LONG, SUPER ULTRA LONG)
10	12-82214M		4	WASHER (LONG, ULTRA LONG, SUPER ULTRA LONG)
11	23-82574M		1	BUSHING (ULTRA LONG, SUPER ULTRA LONG)
12	53-82863M		1	SNAP RING (ULTRA LONG, SUPER ULTRA LONG)
	84223M		1	EXTENSION KIT, LONG SHAFT <b>OPTIONAL PARTS</b>
	84229M		1	EXTENSION KIT, ULTRA LONG SHAFT <b>OPTIONAL PARTS</b>
	84230M		1	EXTENSION KIT, SUPER ULTRA LONG SHAFT <b>OPTIONAL PARTS</b>

# GEARHOUSING ASSEMBLY

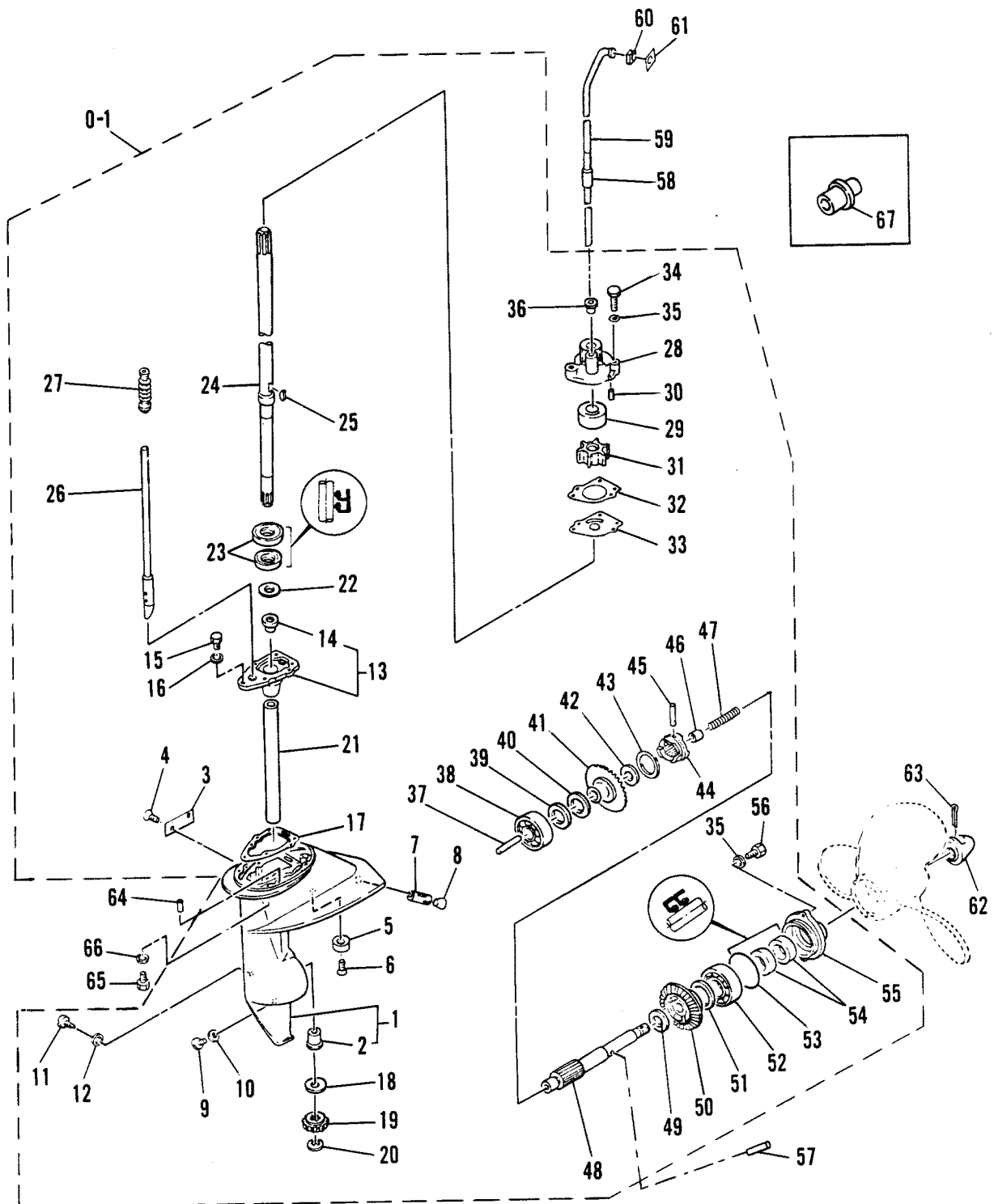


# GEARHOUSING ASSEMBLY

REF. NO.	PART NO.	SYM.	QTY.	DESCRIPTION
0-1	1651-6888M		1	GEARHOUSING ASS'Y (SHORT SHAFT)
	1651-6889M		1	GEARHOUSING ASS'Y (LONG SHAFT)
1	1651-6942M		1	GEARHOUSING
2	23-80536M		1	BUSHING, DRIVE SHAFT
3	83091M		1	COVER, WATER INLET
4	10-82482M		2	SCREW
5	80051M		1	ANODE
6	10-82791M		1	SCREW
7	35-80246M		1	COVER, WATER INLET
8	22-81920M		1	PLUG
9	22-81924M		3	SCREW
10	27-81987M		3	GASKET
11	10-81752M		1	SCREW, DETENT
12	27-81986M		1	GASKET
13	80537M		1	HOUSING, BEARING
14	23-80536M		1	BUSHING
15	10-82452M		2	BOLT
16	12-82214M		2	WASHER
17	27-80535M		1	PACKING, LOWER CASING
18	12-80538M		1	WASHER, THRUST (0.8MM)
	12-80539M		1	WASHER, THRUST (1.0MM)
	12-80540M		1	WASHER, THRUST (1.2MM)
	12-80541M		1	WASHER, THRUST (1.4MM)
19	43-82542M		1	GEAR, PINION
20	53-82332M		1	SNAP RING
21	23-81983M		1	COLLAR
22	12-81809M		AR	WASHER
23	26-82228M		2	OIL SEAL
24	45-81086M		1	DRIVE SHAFT COMP. (SHORT 644MM)
	45-81087M		1	DRIVE SHAFT COMP. (LONG 784MM)
	45-83748M		1	DRIVE SHAFT COMP. (ULTRA LONG 834MM)
	45-83753M		1	DRIVE SHAFT COMP. (SUPER ULTRA LONG 911MM)
25	28-81912M		1	KEY, WATER PUMP
26	81071M		1	SHIFT CAM ASS'Y (SHORT 311MM)
	81072M		1	SHIFT CAM ASS'Y (LONG 451MM)
	83744M		1	SHIFT CAM ASS'Y (ULTRA LONG 501MM)
	83750M		1	SHIFT CAM ASS'Y (SUPER ULTRA LONG 578MM)
27	83775M		1	BOOT, SHIFT ROD
28	46-81074M		1	HOUSING, WATER PUMP
29	80902M		1	INSERT, CARTRIDGE
	81076M		1	INSERT, CARTRIDGE (CHROME, OPT)
30	17-82357M		2	PIN, DOWEL
31	47-81242M		1	IMPELLER

CONTINUED ON NEXT PAGE ➡

# GEARHOUSING ASSEMBLY



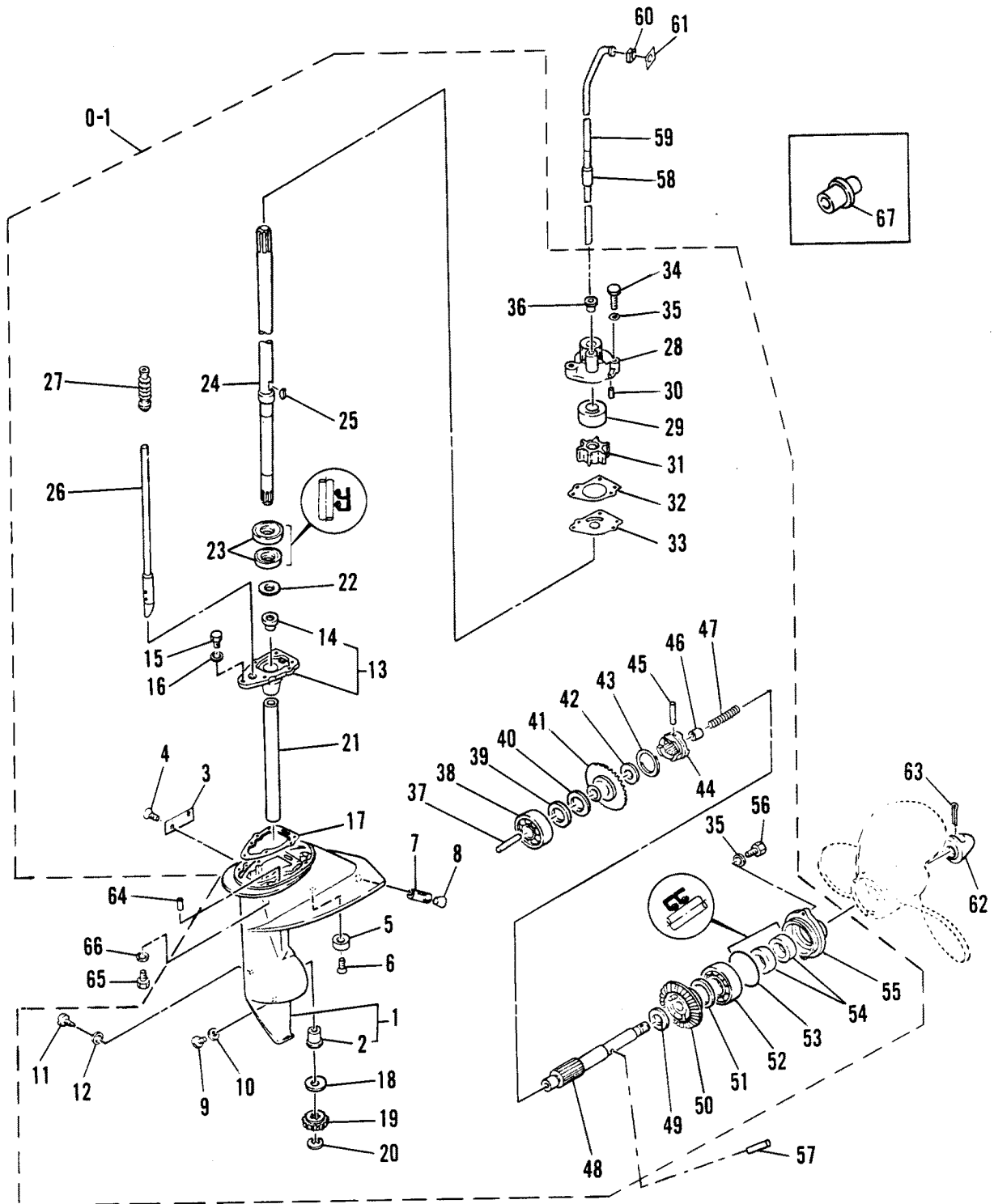


# GEARHOUSING ASSEMBLY

REF. NO.	PART NO.	SYM.	QTY.	DESCRIPTION
32	27-81075M		1	GASKET, WATER PUMP
33	81077M		1	OUTER PLATE, CARTRIDGE
	81078M		1	OUTER PLATE, CARTRIDGE (CHROME, OPT)
34	10-82457M		3	BOLT
35	12-82214M		5	WASHER
36	26-80532M		1	RUBBER, WATER SEAL
37	81014M		1	PLUNGER, SHIFT
38	30-82291M		1	BEARING, FORWARD GEAR
39	15-80543M		AR	SHIM, GEAR ADJUST (0.1MM)
40	15-80174M		AR	SHIM, GEAR ADJUST (0.3MM)
	15-80175M		AR	SHIM, GEAR ADJUST (0.5MM)
41	43-80542M		1	GEAR ASS'Y, FORWARD
42	12-82560M		1	WASHER
43	53-82339M		1	RING, CROSS PIN
44	52-81089M		1	CLUTCH, DOG
45	17-82362M		1	PIN, DOWEL
46	80679M		1	SLIDE, SHIFT
47	24-82077M		1	SPRING
48	44-81088M		1	SHAFT, PROPELLER
49	12-81824M		1	WASHER, THRUST
50	43-80544M		1	GEAR ASS'Y, REVERSE
51	15-80258M		AR	SHIM, GEAR ADJUST (0.1MM)
	15-80259M		AR	SHIM, GEAR ADJUST (0.3MM)
	15-80260M		AR	SHIM, GEAR ADJUST (0.5MM)
52	30-82294M		1	BEARING, REVERSE GEAR
53	25-82283M		1	O-RING
54	26-82226M		2	OIL SEAL
55	82548M		1	CAP, LOWER CASING
56	10-84058M		1	BOLT
57	17-81901M		1	PIN, DRIVE
58	23-82021M		1	HOSE (SHORT AND LONG)
59	32-82547M		1	TUBE, WATER (SHORT 373MM)
	32-81079M		1	TUBE, WATER (LONG 513MM)
	32-83745M		1	TUBE, WATER (ULTRA LONG 563MM)
	32-83752M		1	TUBE, WATER (SUPER ULTRA LONG 640MM)
60	26-81080M		1	RUBBER, WATER SEAL
61	81081M		1	SET PLATE, WATER TUBE
62	11-80545M		1	NUT, PROPELLER
63	18-82132M		1	PIN, COTTER
64	17-82354M		2	PIN, DOWEL
65	10-84058M		4	BOLT
66	12-82214M		4	WASHER
67	22-80218M		1	WATER FLUSH PLUG (OPT)

CONTINUED ON NEXT PAGE ➡

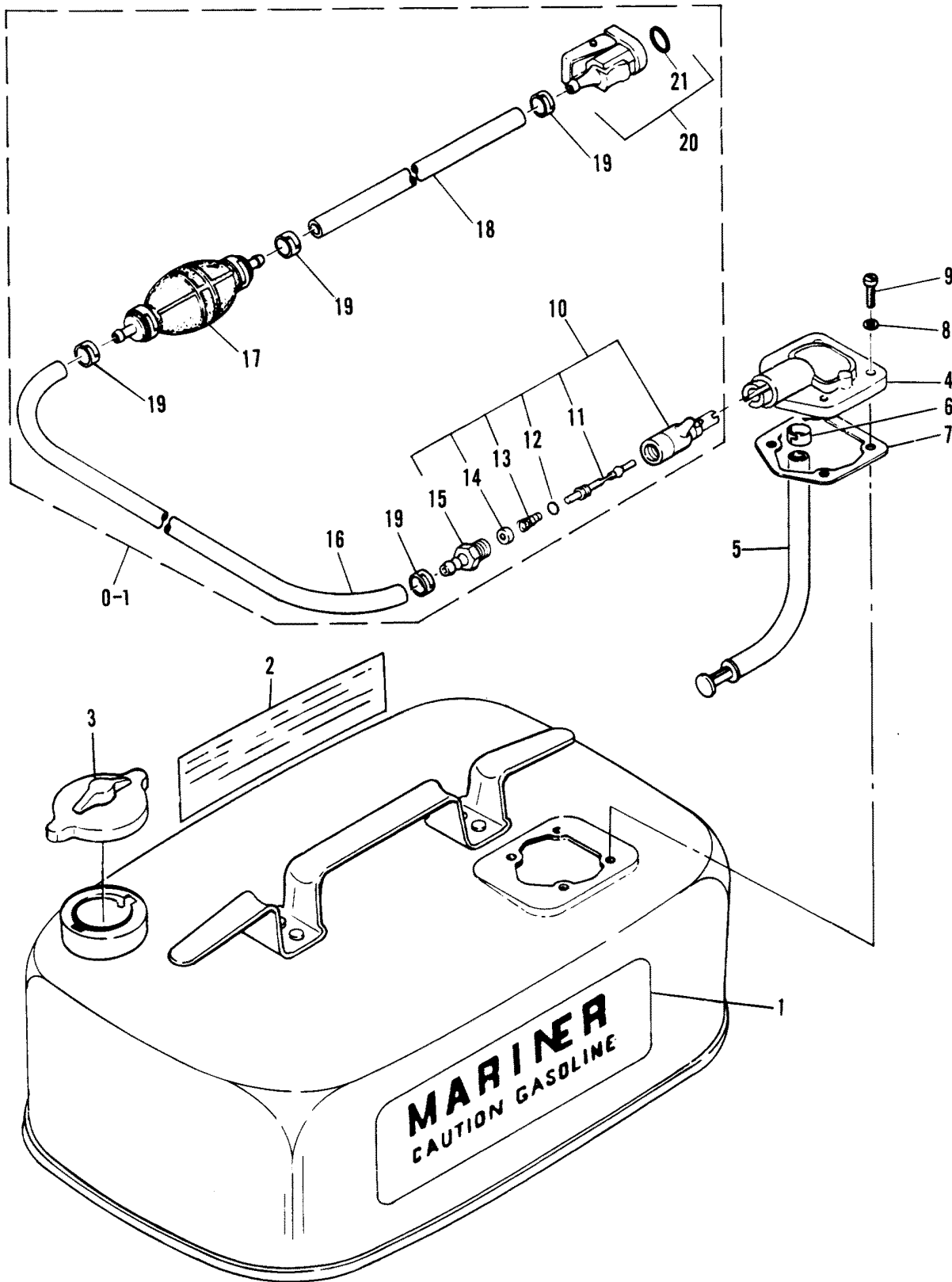
# GEARHOUSING ASSEMBLY



# GEARHOUSING ASSEMBLY

<b>REF. NO.</b>	<b>PART NO.</b>	<b>SYM.</b>	<b>QTY.</b>	<b>DESCRIPTION</b>
67	27-84172M		1	GASKET SET, LOWER UNIT REPLACEMENT PARTS
	84181M		1	REPAIR KIT, WATER PUMP REPLACEMENT PARTS

# FUEL TANK AND FUEL LINE ASSEMBLY

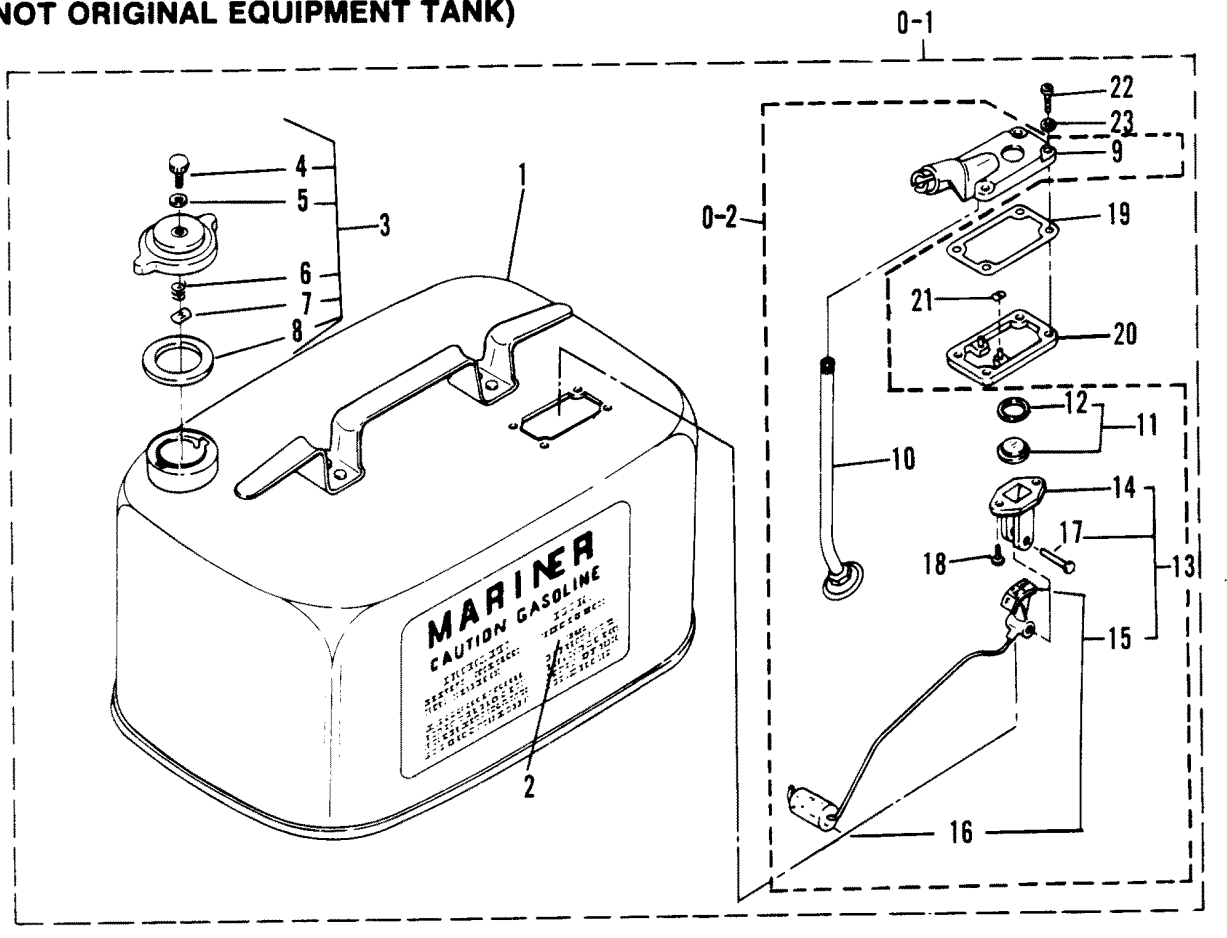


## FUEL TANK AND FUEL LINE ASSEMBLY

REF. NO.	PART NO.	SYM.	QTY.	DESCRIPTION
1	37-83057M		1	DECAL, SIDE (MARINER)
2	37-83765M		1	DECAL, SIDE (CAUTION)
3	36-83617M		1	CAP ASS'Y
4	83584M		1	HOUSING ASS'Y, FUEL CONNECTOR
5	32-83626M		1	HOSE, PICKUP
6	54-80752M		1	CLAMP, PICKUP HOSE
7	27-81320M		1	GASKET, HOUSING ASS'Y
8	12-80271M		4	SEAL
9	10-82526M		4	SCREW
0-1	32-83628M		1	FUEL LINE ASS'Y
10	30185A1		1	BAYONET BODY ASS'Y
11	30187		1	STEM, BAYONET BODY
12	25-20415		1	O-RING, BAYONET BODY STEM
13	24-30189		1	SPRING, BAYONET BODY STEM
14	30188		1	WASHER, CAP
15	22-63187		1	FITTING, FUEL LINE
16	32-82024M		1	HOSE, FUEL TANK TO PRIMER BULB
17	81325M		1	PRIMER BULB
18	32-83023M		1	HOSE, PRIMER BULB TO FUEL CONNECTOR
19	54-80752M		4	CLAMP, HOSE
20	22-81042M		1	HOUSING ASS'Y, FUEL CONNECTOR
21	25-82789M		1	O-RING

# FUEL TANK ASSEMBLY

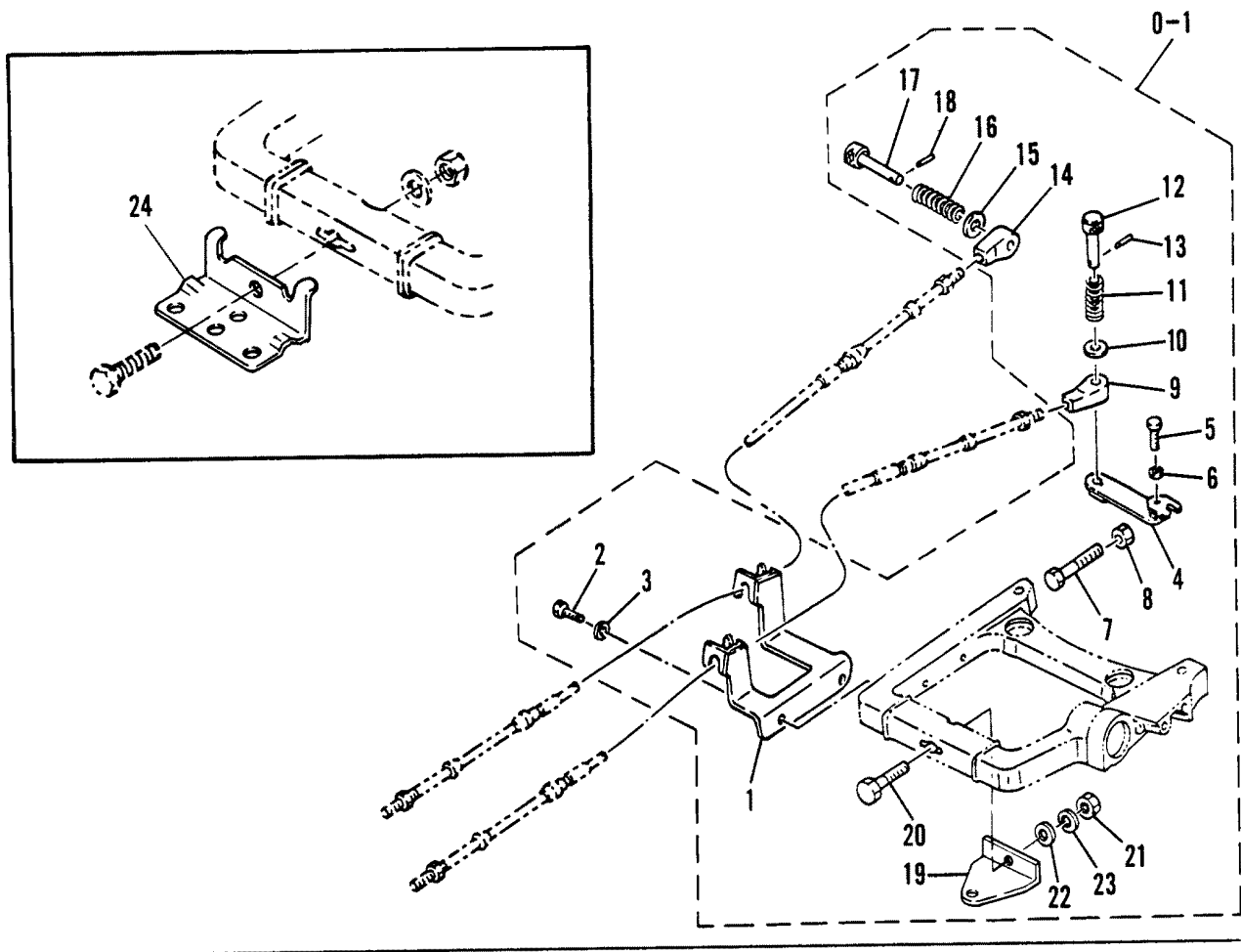
(NOT ORIGINAL EQUIPMENT TANK)



# FUEL TANK ASSEMBLY

REF. NO.	PART NO.	SYM.	QTY.	DESCRIPTION
0-1	1225-1529A21		1	FUEL TANK, COMPLETE
1	1225-1529		1	FUEL TANK
2	37-75881		1	DECAL, FUEL TANK
3	36-25392A2		1	FILLER CAP ASSEMBLY
4	10-25575		1	SCREW, VENT-FILLER CAP
5	12-49221		1	WASHER, VENT SCREW
6	24-22227		1	SPRING, TENSION-VENT SCREW
7	11-28587		1	NUT, SPEED-SPRING RETAINER
8	27-25568		1	GASKET, FILLER CAP TO FUEL TANK
0-2	64841A1		1	CONNECTOR/GAUGE ASS'Y, COMPLETE
9	64841A3		1	COVER, FUEL TANK
10	32-33909A3		1	TUBE
11	54920A1		1	LENS ASSEMBLY, FUEL GAUGE
12	27-54921		1	GASKET, FUEL GAUGE LENS
13	28897A2		1	FUEL GAUGE ASSEMBLY, COMPLETE
14	20430		1	RETAINER, FUEL GAUGE
15	28897A1		1	INDICATOR AND FLOAT ASSEMBLY
16	20427		1	FLOAT, FUEL GAUGE
17	17-20426		1	RIVET, INDICATOR TO RETAINER
18	10-62568		2	SCREW, RETAINER TO FUEL TANK COVER
19	27-28862		1	GASKET, COVER ASSEMBLY TO FRAME
20	28860		1	FRAME, RETAINING-FUEL TANK COVER
21	11-28903		2	FASTENER, RETAINING FRAME TO FUEL TANK
22	10-20411		4	SCREW, FUEL TANK COVER TO FUEL TANK
23	12-74711		4	WASHER, FUEL TANK COVER FASTENING SCREW

# REMOTE CONTROL ATTACHING KIT - OPTIONAL

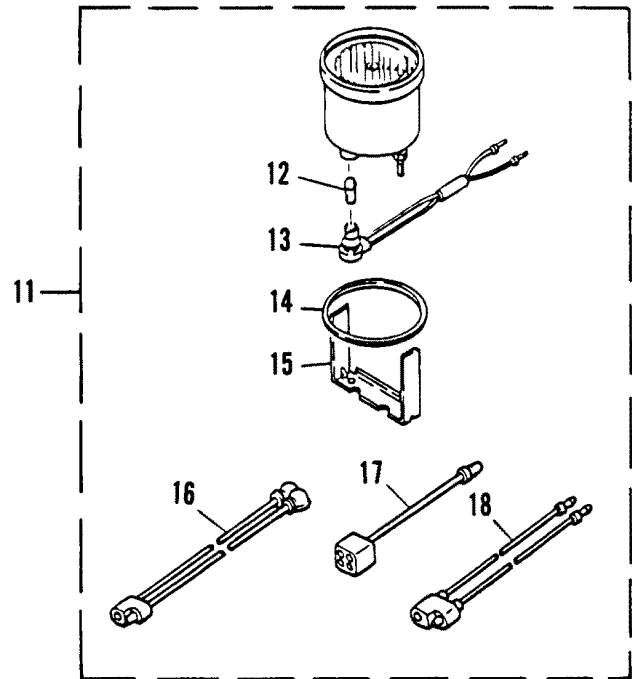
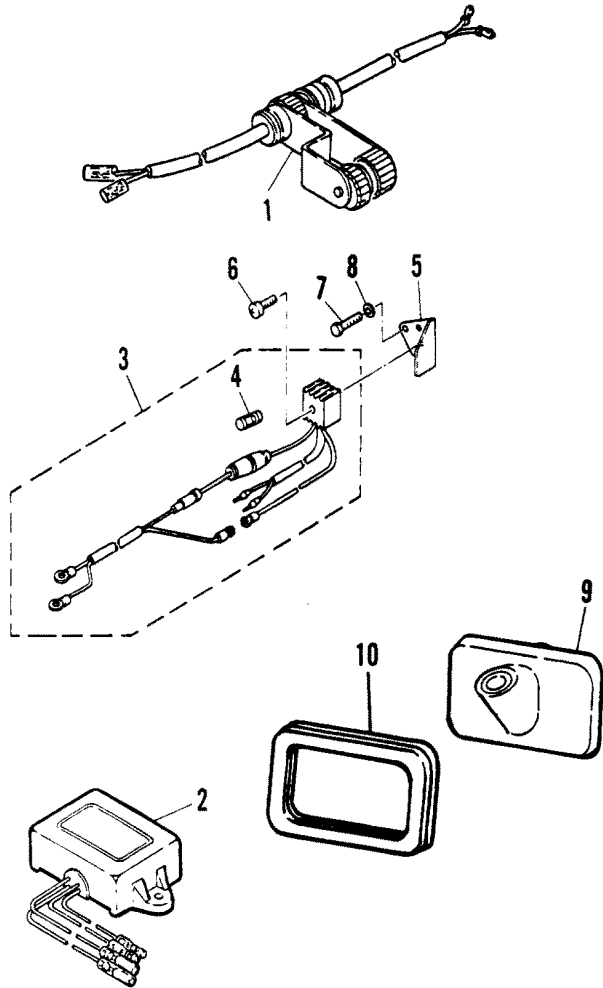




## REMOTE CONTROL ATTACHING KIT - OPTIONAL

REF. NO.	PART NO.	SYM.	QTY.	DESCRIPTION
0-1	83630M		1	REMOTE CONTROL ATTACHING KIT
1	84224M		1	BRACKET, CABLE
2	10-82451M		2	BOLT
3	12-82214M		2	WASHER
4	84225M		1	LEVER, THROTTLE CONTROL
5	10-82447M		1	BOLT
6	12-82211M		1	WASHER
7	10-84226M		1	BOLT
8	11-83611M		1	NUT
9	84227M		1	CABLE END
10	12-82217M		1	WASHER
11	24-83725M		1	SPRING
12	17-83726M		1	CABLE ANCHOR PIN
13	17-82146M		1	PIN, ROLL
14	83724M		1	CABLE END
15	12-82217M		1	WASHER
16	24-83721M		1	SPRING
17	17-83722M		1	CABLE ANCHOR PIN
18	17-82146M		1	PIN, ROLL
19	84220M		1	BRACKET, STEERING ATTACHING
20	10-91636M		1	BOLT
21	11-81785M		1	LOCKNUT <b>SERIAL 00039056-09999999</b>
	11-82395M		1	NUT <b>SERIAL 00000000-00039055</b>
22	12-82220M		1	WASHER
23	13-82218M		1	WASHER, LOCK
24	82776		1	BRACKET, STEERING ROPE/PULLEY TYPE, OPT

# OPTIONAL PARTS



## OPTIONAL PARTS

REF. NO.	PART NO.	SYM.	QTY.	DESCRIPTION
1	84-84124M		1	CONNECTOR ASS'Y (USED WITH REMOTE KILL SWITCH)
2	84125M		1	VOLTAGE REGULATOR
3	84329M		1	RECTIFIER ASS'Y - ENGINE MOUNT
4	88-81522M		1	FUSE (12V-20A)
5	84680M		1	PLATE, RECTIFIER MOUNTING
6	10-82492M		1	SCREW
7	10-84315M		1	BOLT
8	13-82199M		1	WASHER, LOCK
9	97130M		1	STARTER ROPE GUIDE - VERTICAL PULL <b>SERIAL 00030636-09999999</b>
	84126M		1	STARTER ROPE GUIDE - VERTICAL PULL <b>SERIAL 00000000-00030635</b>
10	26-83256M		1	SEAL, STARTER ROPE GUIDE - VERTICAL PULL <b>SERIAL 00030636-09999999</b>
11	79-84311M		1	TACHOMETER KIT
12	88-99055M		1	BULB
13	99056M		1	SOCKET, BULB
14	99057M		2	DAMPER
15	99058M		1	PLATE
16	84-99059M		1	WIRE
17	84-84353M		2	CONNECTOR
18	84-84352M		1	EXTENSION, LEAD

# PARTS INDEX

Part Number	Description	Pg.	Ref. No.	Part Number	Description	Pg.	Ref. No.
20427	FLOAT, FUEL GAUGE	45	16	81048M	RETAINER, MAGNETO BASE	9	20
20430	RETAINER, FUEL GAUGE	45	14	81054M	BRACKET, STEERING	33	25
28860	FRAME, RETAINING-FUEL TANK COVER	45	20	81061M	BUSHING	27	6
28897A1	INDICATOR AND FLOAT ASSEMBLY	45	15	81065M	COVER	31	5
28897A2	FUEL GAUGE ASSEMBLY, COMPLETE	45	13	81066M	HANDLE, GEAR SHIFT	27	1
30185A1	BAYONET BODY ASS'Y	43	10	81071M	SHIFT CAM ASS'Y (SHORT 311MM)	37	26
30187	STEM, BAYONET BODY	43	11	81072M	SHIFT CAM ASS'Y (LONG 451MM)	37	26
30188	WASHER, CAP	43	14	81076M	INSERT, CARTRIDGE (CHROME, OPT)	37	29
47341A1	EMERGENCY STARTER ROPE	7	51	81077M	OUTER PLATE, CARTRIDGE	39	33
54920A1	LENS ASSEMBLY, FUEL GAUGE	45	11	81078M	OUTER PLATE, CARTRIDGE (CHROME, OPT)	39	33
64841A1	CONNECTOR/GAUGE ASS'Y, COMPLETE	45	0-2	81081M	SET PLATE, WATER TUBE	39	61
64841A3	COVER, FUEL TANK	45	9	81091M	STAY	25	17
79629A1	STARTER ROPE	5	14	81106M	PLUNGER, STARTER LOCKOUT	7	40
80025M	LUBRICATOR	9	5	81148M	THROTTLE ARM ASS'Y	19	29
80033M	HOLDER, DRIVE PIN	3	22	81148M	THROTTLE ARM ASS'Y	21	34
80048M	HANDL, TRANSOM CLAMP	31	29	81280M	LEVER, THROTTLE	33	12
80049M	CONNECTOR, SHIFT ROD	27	15	81325M	PRIMER BULB	43	17
80050M	CONNECTOR, SHIFT ROD	27	16	81390M	LEVER, SHIFT ROD	27	11
80051M	ANODE	37	5	81439M	CAP, GREASE FITTING	31	16
80063M	HANDLE, STARTER	5	13	81556M	ANODE	13	20
80100M	KNOB, TILT	29	7	82038M	CLAMP	13	14
80202M	ARM	19	4	82309M	EXTENSION (ULTRA LONG 190MM)	35	7
80202M	ARM	21	4	82348M	BALL	27	4
80447M	VALVE SEAT ASS'Y	19	23	82505M	EXTENSION (SUPER ULTRA LONG 267MM)	35	7
80447M	VALVE SEAT ASS'Y	21	25	82548M	CAP, LOWER CASING	39	55
80450M	FLOAT	19	3	82600M	JET, PILOT (#46)	19	15
80450M	FLOAT	21	3	82600M	JET, PILOT (#46)	21	16
80503M	CAP, STEERING ARM PIVOT	33	13	82638M	COVER, PUMP	21	27
80504M	GRIP, STEERING HANDLE	33	5	82671M	DIAPHRAGM, PUMP	21	32
80509M	RUBBER, HANDLE	33	7	82680M	ROD, SHIFT	27	14
80510M	SPACER, FRICTION	33	26	82776	BRACKET, STEERING ROPE/PULLEY TYPE, OPT	47	24
80513M	BUSHING, PIVOT SHAFT	31	14	82784M	CUP, FILTER	23	11
80514M	BUSHING, PIVOT SHAFT	31	13	82788M	PLUG CAP ASS'Y (OPT)	11	33
80519M	TILT STOP LEVER ASS'Y	29	6	82857M	STOPPER PLATE	29	25
80520M	BRACKET, SWIVEL (REAR)	31	2	82864M	COVER, AIR INTAKE (OUTER)	17	1
80521M	ARM, TILT LOCK	29	23	82877M	COVER	9	14
80522M	PLATE, TILT LOCK	29	14	82888M	SHAFT, LINK CONNECTOR	25	2
80523M	PLATE, TILT LOCK	29	15	82889M	PLATE, FRICTION	31	7
80524M	ROD, TILT LOCK	29	29	82890M	PLATE, FRICTION	31	8
80525M	STOP	29	22	82891M	PLATE, FRICTION	31	9
80527M	SHAFT, REVERSE LOCK	29	16	82892M	COVER	31	10
80533M	COVER	35	6	82895M	PIECE, FRICTION	33	2
80537M	HOUSING, BEARING	37	13	82956M	BUSHING	33	29
80558M	CONDENSER	9	6	82956M	BUSHING	33	31
80620M	BRACKET, FILTER	23	12	83049M	LEVER, TILT	29	27
80679M	SLIDE, SHIFT	39	46	83070M	PULLEY	25	1
80902M	INSERT, CARTRIDGE	37	29	83091M	COVER, WATER INLET	37	3
80928M	BASE, MAGNETO	9	3	83093M	HANDLE, STEERING	33	1
80930M	BREAKER POINT ASS'Y	9	4	83194M	EXTENSION (LONG 140MM)	35	7
80935M	PLUG CAP ASS'Y (STD)	11	33	83212M	HOLDER, CLAMP BAND	3	7
80976M	BRACKET, TILT	29	11	83241M	COVER, THERMOSTAT	13	27
81014M	PLUNGER, SHIFT	39	37				
81037M	STAY, THROTTLE WIRE	33	23				
81047M	RETAINER, MAGNETO BASE	9	19				

# PARTS INDEX

Part Number	Description	Pg.	Ref. No.	Part Number	Description	Pg.	Ref. No.
83246M	HOUSING, OIL SEAL UPPER	15	9	84126M	STARTER ROPE GUIDE -		
83248M	HOUSING, OIL SEAL LOWER	15	14		VERTICAL PULL . . . . .	49	9
83251M	SHAFT . . . . .	5	19	84181M	REPAIR KIT, WATER PUMP	41	67
83252M	PAWL, DRIVE . . . . .	5	16	84220M	BRACKET, STEERING		
83254M	LINK . . . . .	5	29		ATTACHING . . . . .	47	19
83255M	GUIDE, STARTER ROPE . . .	5	4	84223M	EXTENSION KIT, LONG		
83257M	WIRE COMPLETE, STARTER				SHAFT . . . . .	35	12
	LOCKOUT . . . . .	5	38	84224M	BRACKET, CABLE . . . . .	47	1
83258M	BRACKET . . . . .	5	24	84225M	LEVER, THROTTLE		
83260M	THROTTLE CABLE ASS'Y . .	33	20		CONTROL . . . . .	47	4
83261M	INNER COVER, EXHAUST . .	13	32	84227M	CABLE END . . . . .	47	9
83263M	OUTER COVER, EXHAUST . .	13	34	84229M	EXTENSION KIT, ULTRA		
83264M	CAM, ACCEL . . . . .	9	26		LONG SHAFT . . . . .	35	12
83265M	ROD, CHOKE LINK . . . . .	17	16	84230M	EXTENSION KIT, SUPER		
83266M	STOPPER, MAGNETO BASE	9	23		ULTRA LONG SHAFT . . . .	35	12
83267M	LEVER, MAGNETO			84252M	BODY, FLOAT CHAMBER . .	19	1
	CONTROL . . . . .	25	4	84252M	BODY, FLOAT CHAMBER . .	21	1
83268M	LEVER, MAGNETO			84258M	PLATE . . . . .	19	10
	CONTROL . . . . .	25	8	84262M	DIAPHRAGM, PUMP . . . . .	19	20
83269M	BRACKET . . . . .	25	14	84265M	DIAPHRAGM, PUMP . . . . .	19	27
83270M	INDICATOR, THROTTLE . . .	33	8	84266M	COVER, PUMP . . . . .	19	25
83271M	SEAL . . . . .	3	6	84329M	RECTIFIER ASS'Y - ENGINE		
83273M	SOUND BLANKET . . . . .	3	11		MOUNT . . . . .	49	3
83274M	SOUND BLANKET . . . . .	3	12	84473M	REPAIR KIT, CARBURETOR	19	33
83278M	LEVER, CLAMP . . . . .	3	14	84664M	LEVER, TILT . . . . .	29	1
83279M	SHAFT, CHANGE . . . . .	27	3	84665M	ROD, TILT LOCK . . . . .	29	3
83281M	COIL, PRIMARY IGNITION . .	9	8	84667M	RETAINER, MAGNETO BASE	9	19
83282M	THERMOSTAT . . . . .	13	26	84668M	RETAINER, MAGNETO BASE	9	20
83287M	KNOB, CHOKE . . . . .	17	15	84680M	PLATE, RECTIFIER		
83288M	NOZZLE, MAIN . . . . .	21	9		MOUNTING . . . . .	49	5
83288M	NOZZLE, MAIN (#98) . . . .	19	9	84892M	COVER . . . . .	5	23
83294M	PLATE . . . . .	21	10	93099M	HOUSING ASS'Y, FUEL		
83296M	COVER, PUMP . . . . .	19	21		CONNECTOR . . . . .	23	1
83296M	COVER, PUMP . . . . .	21	23	94655M	HOLDER, CLAMP BAND . . .	3	7
83297M	DIAPHRAGM, PUMP . . . . .	21	22	94656M	HOOK . . . . .	3	8
83299M	ROD . . . . .	19	17	94658M	BASE, MAGNETO . . . . .	9	3
83299M	ROD . . . . .	21	18	94659M	FLYWHEEL ASS'Y . . . . .	9	2
83300M	THROTTLE, LEVER END . . .	19	18	94661M	HOUSING, OIL SEAL LOWER	15	14
83300M	THROTTLE, LEVER END . . .	21	19	94664M	NOZZLE, MAIN (#66) . . . .	19	9
83302M	LEVER CHOKE ASS'Y . . . .	21	20	94665M	JET, PILOT (#42) . . . . .	19	15
83315M	LIGHTING COIL ASS'Y (80W)			94666M	COVER, PUMP . . . . .	19	21
	SEE NOTE . . . . .	9	12	96567M	GUIDE, STARTER ROPE . . .	5	3
83584M	HOUSING ASS'Y, FUEL			96568M	WIRE COMPLETE, STARTER		
	CONNECTOR . . . . .	43	4		LOCKOUT . . . . .	5	38
83614M	DIAPHRAGM, PUMP . . . . .	21	31	96569M	IGNITION COIL ASS'Y,		
83630M	REMOTE CONTROL				SECONDARY . . . . .	9	29
	ATTACHING KIT . . . . .	47	0-1	96570M	IGNITION COIL ASS'Y,		
83724M	CABLE END . . . . .	47	14		SECONDARY . . . . .	9	30
83744M	SHIFT CAM ASS'Y (ULTRA			96571M	BRACKET . . . . .	5	34
	LONG 501MM) . . . . .	37	26	96572M	LEVER, MAGNETO		
83750M	SHIFT CAM ASS'Y (SUPER				CONTROL . . . . .	7	41
	ULTRA LONG 578MM) . . .	37	26	96573M	BRACKET . . . . .	7	42
83775M	BOOT, SHIFT ROD . . . . .	37	27	96578M	ARM . . . . .	5	33
83783M	POWERHEAD ASS'Y,			97130M	STARTER ROPE GUIDE -		
	COMPLETE (SEE NOTE) . .	13	37		VERTICAL PULL . . . . .	49	9
84068M	IGNITION COIL ASS'Y,			98967M	SEAL . . . . .	5	5
	SECONDARY . . . . .	9	29	98971M	INDICATOR, THROTTLE . . .	33	8
84069M	IGNITION COIL ASS'Y,			99056M	SOCKET, BULB . . . . .	49	13
	SECONDARY . . . . .	9	30	99057M	DAMPER . . . . .	49	14
84125M	VOLTAGE REGULATOR . . .	49	2	99058M	PLATE . . . . .	49	15

# PARTS INDEX

Part Number	Description	Pg.	Ref. No.	Part Number	Description	Pg.	Ref. No.
99966M	COVER, PUMP	19	21	10-83539M	BOLT	7	50
10-20411	SCREW, FUEL TANK COVER TO FUEL TANK	45	22	10-83539M	BOLT	23	2
10-25575	SCREW, VENT-FILLER CAP	45	4	10-84058M	BOLT	27	17
10-62568	SCREW, RETAINER TO FUEL TANK COVER	45	18	10-84058M	BOLT	33	3
10-80023M	SCREW W/WASHER	9	7	10-84058M	BOLT	39	56
10-80091M	SCREW	19	24	10-84058M	BOLT (LONG, ULTRA LONG, SUPER ULTRA LONG)	35	9
10-80091M	SCREW	21	26	10-84226M	BOLT	47	7
10-80434M	SCREW	19	30	10-84237M	BOLT	9	31
10-80434M	SCREW	21	35	10-84247M	BOLT	5	7
10-80557M	SCREW W/WASHER	9	13	10-84247M	BOLT	9	24
10-80557M	SCREW W/WASHER	9	9	10-84260M	SCREW	19	12
10-80573M	SCREW, IDLE MIXTURE	19	16	10-84303M	BOLT	3	16
10-80573M	SCREW, IDLE MIXTURE	21	17	10-84303M	BOLT	9	15
10-80954M	SCREW	21	28	10-84303M	BOLT	13	36
10-81055M	SCREW, FRICTION PLATE	31	11	10-84303M	BOLT	23	15
10-81703M	SCREW	17	3	10-84314M	STUD	7	47
10-81709M	BOLT	31	19	10-84315M	BOLT	23	15
10-81752M	SCREW, DETENT	37	11	10-84315M	BOLT	49	7
10-81755M	SCREW, TRANSOM CLAMP	31	27	10-84657M	BOLT	13	16
10-81908M	RIVET	31	6	10-84658M	BOLT	13	17
10-82173M	SCREW	33	14	10-84670M	JET, MAIN (#78)	19	7
10-82405M	BOLT	13	30	10-91636M	BOLT	47	20
10-82423M	BOLT	5	25	10-91725M	BOLT	15	20
10-82423M	BOLT	15	12	10-92523M	BOLT	13	35
10-82423M	BOLT	17	8	10-94801M	SCREW	3	32
10-82447M	BOLT	27	9	10-98969M	BOLT	31	19
10-82447M	BOLT	47	5	11-28587	NUT, SPEED-SPRING RETAINER	45	7
10-82451M	BOLT	47	2	11-28903	FASTENER, RETAINING FRAME TO FUEL TANK	45	21
10-82452M	BOLT	37	15	11-80245M	NUT	17	20
10-82453M	BOLT	29	12	11-80545M	NUT, PROPELLER	39	62
10-82453M	BOLT	35	4	11-81761M	NUT	33	22
10-82457M	BOLT	31	3	11-81769M	NUT	9	17
10-82457M	BOLT	39	34	11-81778M	NUT, ADJUSTING	33	21
10-82466M	BOLT	33	28	11-81785M	LOCKNUT	47	21
10-82466M	BOLT	33	32	11-81785M	NUT	31	22
10-82482M	SCREW	37	4	11-82380M	NUT	5	22
10-82483M	SCREW	33	6	11-82380M	NUT	25	5
10-82490M	SCREW	9	21	11-82381M	NUT	17	13
10-82492M	SCREW	49	6	11-82382M	NUT	23	13
10-82513M	SCREW	21	12	11-82382M	NUT	33	30
10-82526M	SCREW	43	9	11-82389M	NUT	31	26
10-82606M	SCREW	21	24	11-82395M	NUT	47	21
10-82623M	SCREW, IDLE SPEED	19	13	11-82537M	NUT	19	33
10-82623M	SCREW, IDLE SPEED	21	13	11-83056M	NUT	33	4
10-82661M	SCREW	19	22	11-83611M	NUT	47	8
10-82661M	SCREW	21	29	11-83763M	NUT	7	48
10-82791M	SCREW	37	6	12-49221	WASHER, VENT SCREW	45	5
10-82872M	BOSS, LEVER	25	3	12-74711	WASHER, FUEL TANK COVER FASTENING	45	23
10-82879M	BOLT	9	27	12-80261M	WASHER, VALVE SEAT	19	6
10-82921M	BOLT	31	23	12-80261M	WASHER, VALVE SEAT	21	6
10-83285M	BOLT	5	26	12-80271M	SEAL	43	8
10-83285M	BOLT	13	24	12-80538M	WASHER, THRUST (0.8MM)	37	18
10-83285M	BOLT	25	15	12-80539M	WASHER, THRUST (1.0MM)	37	18
10-83286M	SCREW	13	21	12-80540M	WASHER, THRUST (1.2MM)	37	18
10-83289M	JET, MAIN (#80)	21	7				
10-83539M	BOLT	5	20				
10-83539M	BOLT	5	27				
10-83539M	BOLT	5	35				

# PARTS INDEX

Part Number	Description	Pg.	Ref. No.	Part Number	Description	Pg.	Ref. No.
12-80541M	WASHER, THRUST (1.4MM)	37	18	13-82200M	WASHER, LOCK	23	14
12-80638M	PAD, TRANSOM CLAMP	31	28	13-82208M	WASHER, LOCK	27	10
12-81557M	WASHER	5	21	13-82212M	WASHER, LOCK	31	25
12-81792M	WASHER	13	18	13-82212M	WASHER, LOCK	33	15
12-81792M	WASHER	13	25	13-82218M	WASHER, LOCK	47	23
12-81794M	WASHER	3	18	15-80174M	SHIM, GEAR ADJUST (0.3MM)	39	40
12-81805M	WASHER	9	18	15-80175M	SHIM, GEAR ADJUST (0.5MM)	39	40
12-81806M	WASHER	31	21	15-80258M	SHIM, GEAR ADJUST (0.1MM)	39	51
12-81808M	WASHER	31	20	15-80259M	SHIM, GEAR ADJUST (0.3MM)	39	51
12-81809M	WASHER	37	22	15-80260M	SHIM, GEAR ADJUST (0.5MM)	39	51
12-81816M	WASHER	15	5	15-80543M	SHIM, GEAR ADJUST (0.1MM)	39	39
12-81824M	WASHER, THRUST	39	49	16-80232M	STUD	17	11
12-81835M	WASHER	13	29	16-84249M	STUD	17	12
12-82196M	WASHER	9	28	17-20426	RIVET, INDICATOR TO RETAINER	45	17
12-82196M	WASHER	17	4	17-80201M	PIN, FLOAT	19	5
12-82204M	WASHER	33	9	17-80201M	PIN, FLOAT	21	5
12-82209M	WASHER	25	12	17-80266M	TILT PIN ASS'Y	29	24
12-82211M	WASHER	47	6	17-80501M	SET PIN, MAGNETO CONTROL	25	9
12-82213M	WASHER	27	12	17-80501M	SET PIN, MAGNETO CONTROL LEVER	5	30
12-82214M	WASHER	15	21	17-81878M	PIN	25	10
12-82214M	WASHER	27	18	17-81883M	PIN	29	19
12-82214M	WASHER	29	13	17-81888M	PIN	31	30
12-82214M	WASHER	31	4	17-81901M	PIN, DRIVE	39	57
12-82214M	WASHER	35	5	17-82144M	PIN, ROLL	29	26
12-82214M	WASHER	37	16	17-82146M	PIN, ROLL	47	13
12-82214M	WASHER	39	35	17-82146M	PIN, ROLL	47	18
12-82214M	WASHER	39	66	17-82148M	PIN, ROLL	25	18
12-82214M	WASHER	47	3	17-82155M	PIN, ROLL	27	2
12-82214M	WASHER (LONG, ULTRA LONG, SUPER ULTRA LONG)	35	10	17-82157M	PIN, ROLL	5	12
12-82217M	WASHER	47	10	17-82161M	PIN, DOWEL	13	19
12-82217M	WASHER	47	15	17-82354M	PIN, DOWEL	39	64
12-82220M	WASHER	47	22	17-82354M	PIN, DOWEL (LONG, ULTRA LONG, SUPER ULTRA LONG)	35	8
12-82560M	WASHER	39	42	17-82357M	PIN, DOWEL	37	30
12-82799M	WASHER	17	18	17-82359M	PIN, DOWEL	13	15
12-83768M	WASHER	5	31	17-82359M	PIN, DOWEL	35	3
12-83769M	WASHER	5	36	17-82362M	PIN, DOWEL	39	45
12-96576M	WASHER	7	45	17-83599M	RIVET	3	9
12-98970M	WASHER	31	20	17-83722M	CABLE ANCHOR PIN	47	17
13-81865M	WASHER, WAVE	25	11	17-83726M	CABLE ANCHOR PIN	47	12
13-81869M	WASHER, WAVE	3	20	17-84666M	PIN	29	4
13-82184M	WASHER, LOCK	21	15	17-96577M	PIN	7	46
13-82193M	WASHER, LOCK	9	22	18-82049M	PIN	29	17
13-82197M	WASHER, LOCK	3	17	18-82050M	CLIP	17	19
13-82197M	WASHER, LOCK	5	28	18-82051M	CLIP	5	32
13-82197M	WASHER, LOCK	5	8	18-82051M	PIN	25	13
13-82197M	WASHER, LOCK	9	16	18-82051M	PIN	29	20
13-82197M	WASHER, LOCK	17	9	18-82125M	PIN, COTTER	27	13
13-82197M	WASHER, LOCK	23	14	18-82132M	PIN, COTTER	39	63
13-82197M	WASHER, LOCK	23	3	19-80604M	STAY	5	9
13-82197M	WASHER, LOCK	25	7				
13-82199M	WASHER	7	49				
13-82199M	WASHER	17	14				
13-82199M	WASHER, LOCK	9	25				
13-82199M	WASHER, LOCK	11	32				
13-82199M	WASHER, LOCK	13	31				
13-82199M	WASHER, LOCK	15	13				
13-82199M	WASHER, LOCK	25	6				
13-82199M	WASHER, LOCK	49	8				

# PARTS INDEX

Part Number	Description	Pg.	Ref. No.	Part Number	Description	Pg.	Ref. No.
21-80107M	VALVE, CHECK . . . . .	13	4	24-83721M	SPRING . . . . .	47	16
21-80727M	CHECK VALVE ASS'Y . . . . .	13	2	24-83725M	SPRING . . . . .	47	11
21-82692M	CHECK VALVE ASS'Y . . . . .	13	5	24-83749M	SPRING (ULTRA LONG AND SUPER ULTRA LONG) . . .	29	21
21-84650M	CHECK VALVE . . . . .	19	31	24-83947M	SPRING, PAWL DRIVE . . . .	5	15
21-94800M	CHECK VALVE . . . . .	19	31	24-96575M	SPRING . . . . .	7	44
22-63187	FITTING, FUEL LINE . . . . .	43	15	25-20415	O-RING, BAYONET BODY STEM . . . . .	43	12
22-80122M	FITTING, DRAIN . . . . .	13	8	25-80231M	GROMMET . . . . .	17	17
22-80218M	WATER FLUSH PLUG (OPT)	39	67	25-80515M	GROMMET . . . . .	33	27
22-81042M	HOUSING ASS'Y, FUEL CONNECTOR . . . . .	43	20	25-81373M	GROMMET . . . . .	33	24
22-81920M	PLUG . . . . .	37	8	25-82263M	O-RING . . . . .	27	7
22-81924M	SCREW . . . . .	37	9	25-82272M	O-RING . . . . .	33	19
22-82369M	FITTING, GREASE . . . . .	31	15	25-82276M	O-RING . . . . .	15	10
22-82975M	FITTING, DRAIN . . . . .	13	3	25-82277M	O-RING . . . . .	15	16
22-83326M	FITTING, DRAIN . . . . .	13	6	25-82283M	O-RING . . . . .	39	53
22-83326M	FITTING, DRAIN . . . . .	13	7	25-82789M	O-RING . . . . .	43	21
22-84661M	FITTING, DRAIN . . . . .	13	6	25-83277M	GROMMET . . . . .	3	21
23-80097M	BUSHING . . . . .	29	8	25-84669M	GROMMET (SEE NOTE) . . .	3	24
23-80227M	COLLAR, GUIDE PIN . . . . .	19	28	25-84957M	O-RING . . . . .	23	10
23-80227M	COLLAR, GUIDE PIN . . . . .	21	33	25-98968M	GROMMET . . . . .	5	6
23-80506M	SPACER (0.5MM) . . . . .	33	16	26-80532M	RUBBER, WATER SEAL . . .	39	36
23-80507M	SPACER (0.6MM) . . . . .	33	16	26-81080M	RUBBER, WATER SEAL . . .	39	60
23-80508M	SPACER (0.8MM) . . . . .	33	16	26-82165M	OIL SEAL . . . . .	15	17
23-80536M	BUSHING . . . . .	37	14	26-82226M	OIL SEAL . . . . .	39	54
23-80536M	BUSHING, DRIVE SHAFT . .	37	2	26-82228M	OIL SEAL . . . . .	37	23
23-80555M	SPACER . . . . .	9	10	26-82243M	OIL SEAL, UPPER . . . . .	15	11
23-81056M	BUSHING, PIVOT SHAFT . . .	31	12	26-83256M	SEAL . . . . .	3	3
23-81841M	WASHER . . . . .	15	19	26-83256M	SEAL, STARTER ROPE GUIDE - VERTICAL PULL . . .	49	10
23-81945M	BUSHING . . . . .	25	16	26-91653M	SEAL . . . . .	3	3
23-81945M	BUSHING . . . . .	33	11	26-94662M	SEAL . . . . .	15	15
23-81949M	BUSHING . . . . .	3	19	26-94663M	OIL SEAL, LOWER . . . . .	15	18
23-81974M	COLLAR . . . . .	5	37	27-25568	GASKET, FILLER CAP TO FUEL TANK . . . . .	45	8
23-81983M	COLLAR . . . . .	37	21	27-28862	GASKET, COVER ASSEMBLY TO FRAME . . .	45	19
23-82021M	HOSE (SHORT AND LONG) .	39	58	27-54921	GASKET, FUEL GAUGE LENS . . . . .	45	12
23-82116M	SPACER . . . . .	31	24	27-80267M	GASKET . . . . .	19	8
23-82118M	SPACER . . . . .	33	17	27-80267M	GASKET . . . . .	21	8
23-82121M	SPACER . . . . .	33	18	27-80535M	PACKING, LOWER CASING . .	37	17
23-82574M	BUSHING (ULTRA LONG, SUPER ULTRA LONG) . . .	35	11	27-81075M	GASKET, WATER PUMP . . .	39	32
23-82687M	BUSHING . . . . .	5	18	27-81320M	GASKET, HOUSING ASS'Y . .	43	7
23-83094M	BUSHING, SHIFT ROD LEVER . . . . .	27	8	27-81986M	GASKET . . . . .	13	37
23-96574M	BUSHING . . . . .	7	43	27-81986M	GASKET . . . . .	37	12
24-22227	SPRING, TENSION-VENT SCREW . . . . .	45	6	27-81987M	GASKET . . . . .	37	10
24-30189	SPRING, BAYONET BODY STEM . . . . .	43	13	27-82790M	PACKING, FILTER . . . . .	23	8
24-80329M	SPRING . . . . .	19	14	27-83239M	GASKET, CYLINDER HEAD . .	13	23
24-80329M	SPRING . . . . .	21	14	27-83242M	GASKET, THERMOSTAT COVER . . . . .	13	28
24-82077M	SPRING . . . . .	39	47	27-83244M	GASKET, REED VALVE . . . .	17	7
24-82079M	SPRING . . . . .	5	39	27-83245M	GASKET, CARBURETOR . . . .	17	10
24-82084M	SPRING . . . . .	27	5	27-83262M	GASKET, EXHAUST COVER . .	13	33
24-82090M	SPRING . . . . .	29	2	27-83280M	GASKET . . . . .	35	2
24-82095M	SPRING . . . . .	33	10	27-83292M	GASKET, FLOAT CHAMBER . .	19	2
24-82097M	SPRING (SHORT AND LONG) . . . . .	29	21	27-83292M	GASKET, FLOAT CHAMBER . .	21	2
24-82110M	SPRING . . . . .	29	10	27-83295M	GASKET . . . . .	21	11
24-82111M	SPRING . . . . .	29	9	27-83298M	GASKET, PUMP . . . . .	21	21
24-82112M	SPRING . . . . .	29	18	27-83627M	GASKET, COVER . . . . .	21	30
24-82115M	SPRING . . . . .	5	10				



# PARTS INDEX

Part Number	Description	Pg.	Ref. No.	Part Number	Description	Pg.	Ref. No.
27-84161M	GASKET SET, POWERHEAD	13	37	43-80542M	GEAR ASS'Y, FORWARD	39	41
27-84172M	GASKET SET, LOWER UNIT	41	67	43-80544M	GEAR ASS'Y, REVERSE	39	50
27-84259M	GASKET	19	11	43-82542M	GEAR, PINION	37	19
27-84261M	GASKET, PUMP	19	19	44-81088M	SHAFT, PROPELLER	39	48
27-84264M	GASKET, COVER	19	26	45-81086M	DRIVE SHAFT COMP. (SHORT 644MM)	37	24
28-81912M	KEY, WATER PUMP	37	25	45-81087M	DRIVE SHAFT COMP. (LONG 784MM)	37	24
28-81913M	KEY, FLYWHEEL	15	22	45-83748M	DRIVE SHAFT COMP. (ULTRA LONG 834MM)	37	24
29-82350M	BEARING, NEEDLE	15	4	45-83753M	DRIVE SHAFT COMP. (SUPER ULTRA LONG 911MM)	37	24
30-82291M	BEARING, FORWARD GEAR	39	38	46-81074M	HOUSING, WATER PUMP	37	28
30-82294M	BEARING, REVERSE GEAR	39	52	47-81242M	IMPELLER	37	31
30-82299M	BEARING	15	2	50-83250M	DRUM, SHEAVE	5	11
32-33909A3	TUBE	45	10	52-81089M	CLUTCH, DOG	39	44
32-81079M	TUBE, WATER (LONG 513MM)	39	59	53-82327M	SNAP RING	29	5
32-81658M	HOSE	13	9	53-82332M	SNAP RING	37	20
32-81999M	HOSE	13	10	53-82339M	RING, CROSS PIN	39	43
32-82024M	HOSE, FUEL TANK TO PRIMER BULB	43	16	53-82342M	CLIP, PISTON PIN	15	8
32-82547M	TUBE, WATER (SHORT 373MM)	39	59	53-82863M	SNAP RING (ULTRA LONG, SUPER ULTRA LONG)	35	12
32-82992M	HOSE	13	11	53-84895M	SNAP RING	5	17
32-83023M	HOSE, PRIMER BULB TO FUEL CONNECTOR	43	18	54-80752M	CLAMP, HOSE	43	19
32-83219M	HOSE, FILTER TO CARBURETOR	23	6	54-80752M	CLAMP, PICKUP HOSE	43	6
32-83626M	HOSE, PICKUP	43	5	54-82040M	CLAMP	25	19
32-83628M	FUEL LINE ASS'Y	43	0-1	54-82046M	CLAMP	13	12
32-83745M	TUBE, WATER (ULTRA LONG 563MM)	39	59	54-82047M	CLIP	23	4
32-83752M	TUBE, WATER (SUPER ULTRA LONG 640MM)	39	59	54-84656M	CLAMP	13	13
32-83772M	HOSE, CONNECTOR TO FILTER	23	5	54-84914M	HOOK, CLAMP	3	15
33-82371M	SPARK PLUG (B-7HS, NGK)	11	34	79-84311M	TACHOMETER KIT	49	11
34-83243M	REED VALVE ASS'Y	17	5	84-80929M	LEAD WIRE ASS'Y	9	11
34-84662M	REED SET (REED STOPS NOT INCLUDED)	17	6	84-84124M	CONNECTOR ASS'Y (USED WITH REMOTE KILL SWITCH)	49	1
35-80154M	COVER, AIR INTAKE (INNER)	17	2	84-84352M	EXTENSION, LEAD	49	18
35-80246M	COVER, WATER INLET	37	7	84-84353M	CONNECTOR	49	17
35-80617M	FILTER ASS'Y	23	7	84-84660M	LEAD WIRE ASS'Y	9	11
35-82783M	ELEMENT, FILTER	23	9	84-99059M	WIRE	49	16
36-25392A2	FILLER CAP ASSEMBLY	45	3	87-80563M	STOP SWITCH ASS'Y	3	23
36-83617M	CAP ASS'Y	43	3	87-94657M	STOP SWITCH ASS'Y	3	23
37-75881	DECAL, FUEL TANK	45	2	88-81522M	FUSE (12V-20A)	49	4
37-81202M	INDICATOR, SHIFT	3	10	88-99055M	BULB	49	12
37-83057M	DECAL, SIDE (MARINER)	43	1	91-80277M	TOOL KIT	3	25
37-83059M	INDICATOR, TILT	29	28	253-6979M	FLYWHEEL MAGNETO ASS'Y	9	1
37-83061M	DECAL, SIDE SET	3	2	253-8034M	FLYWHEEL MAGNETO ASS'Y W/O LIGHTING COIL	9	1
37-83275M	DECAL, FRONT	3	4	253-8051M	FLYWHEEL MAGNETO ASS'Y W/LIGHTING COIL	9	1
37-83276M	DECAL, REAR	3	5	463-6965M	CRANKSHAFT ASS'Y	15	1
37-83765M	DECAL, SIDE (CAUTION)	43	2	761-8224M	PISTON ASS'Y (STANDARD)	15	3
37-98966M	DECAL, FRONT	3	4	761-8225M	PISTON ASS'Y (1ST O.S. 51.25 MM)	15	3
37-98972M	DECAL, SIDE SET	3	2	761-8226M	PISTON ASS'Y (2ND O.S. 51.50 MM)	15	3
39-80422M	PISTON RING SET (STANDARD)	15	6	968-6964M	HEAD, CYLINDER	13	22
39-80423M	PISTON RING SET (1ST O.S. 51.25MM)	15	6	968-6973M	CRANKCASE ASS'Y	13	1
39-80424M	PISTON RING SET (2ND O.S. 51.50MM)	15	6				
41-80005M	PIN, PISTON	15	7				

# PARTS INDEX

Part Number	Description	Pg.	Ref. No.	Part Number	Description	Pg.	Ref. No.
1225-1529	FUEL TANK . . . . .	45	1				
1225-1529A21	FUEL TANK, COMPLETE . . .	45	0-1				
1383-6972M	CARBURETOR ASS'Y . . . . .	21	0-1				
1383-7189M	CARBURETOR ASS'Y . . . . .	19	0-1				
1484-6702M	BRACKET, CLAMP (PORT) .	31	17				
1484-6703M	BRACKET, CLAMP (STARBOARD) . . . . .	31	18				
1485-6916M	BRACKET, SWIVEL (FRONT)	31	1				
1485-7187M	BRACKET, SWIVEL (FRONT)	31	1				
1587-6978M	DRIVESHAFT HOUSING . . .	35	1				
1651-6888M	GEARHOUSING ASS'Y (SHORT SHAFT) . . . . .	37	0-1				
1651-6889M	GEARHOUSING ASS'Y (LONG SHAFT) . . . . .	37	0-1				
1651-6942M	GEARHOUSING . . . . .	37	1				
2168-6977M	COWLING, BOTTOM . . . . .	3	13				
2168-7188M	COWLING, BOTTOM . . . . .	3	13				
2168-8029M	TOP COWLING ASS'Y . . . . .	3	1				
2168-8396M	TOP COWLING ASS'Y . . . . .	3	1				
2169-6974M	STARTER ASS'Y . . . . .	5	1				
2169-6975M	CASE, STARTER . . . . .	5	2				
2169-8397M	STARTER ASS'Y . . . . .	5	1				
2169-8398M	CASE, STARTER . . . . .	5	2				