



PARTS CATALOG

15 H.P. (OB MOTOR) W/6 GAL. REMOTE TANK

SERIAL NUMBER

15 H. P. (1996-1997)	225.581498
15 H. P. (1996-1997)	225.581508

TABLE OF CONTENTS:

CARBURETOR	12
CLAMP BRACKETS (SERIAL # E127700 THRU E143887)	26
CLAMP BRACKETS (SERIAL # E143888 & UP)	28
COWL ASSEMBLY - TOP AND BOTTOM	2
CRANKSHAFT AND PISTON	16
CYLINDER BLOCK	18
FUEL AND RECIRCULATION SYSTEM	8
FUEL TANK AND LINE	34
GEAR HOUSING	30
IGNITION SYSTEM	4
MISCELLANEOUS PARTS	36
PARTS INDEX	37
SHIFT LINKAGE	6
STARTER COMPONENTS	14
STEERING HANDLE/TWIST GRIP THROTTLE	20
SWIVEL BRACKET AND DRIVESHAFT HOUSING	22

NOTE: Indented description indicate that these parts are included in preceeding assembly.

AR = As Required

NSS = Not Sold Seperate

OPT = Optional

NS = Not Shown

NOTE: Following symbols are located in **SYM** column.

■ = COMPONENT OF CARB REPAIR KIT

▣ = COMPONENT OF SHORT BLOCK ASSY

◇ = COMPONENT OF SHORT BLOCK
GASKET SET

▲ = COMPONENT OF GEAR HOUSING SEAL
KIT

⊕ = COMPONENT OF CYLINDER BLOCK
ASSY

† = COMPONENT OF CARB GASKET SET

♣ = SERIAL NUMBER AND BELOW

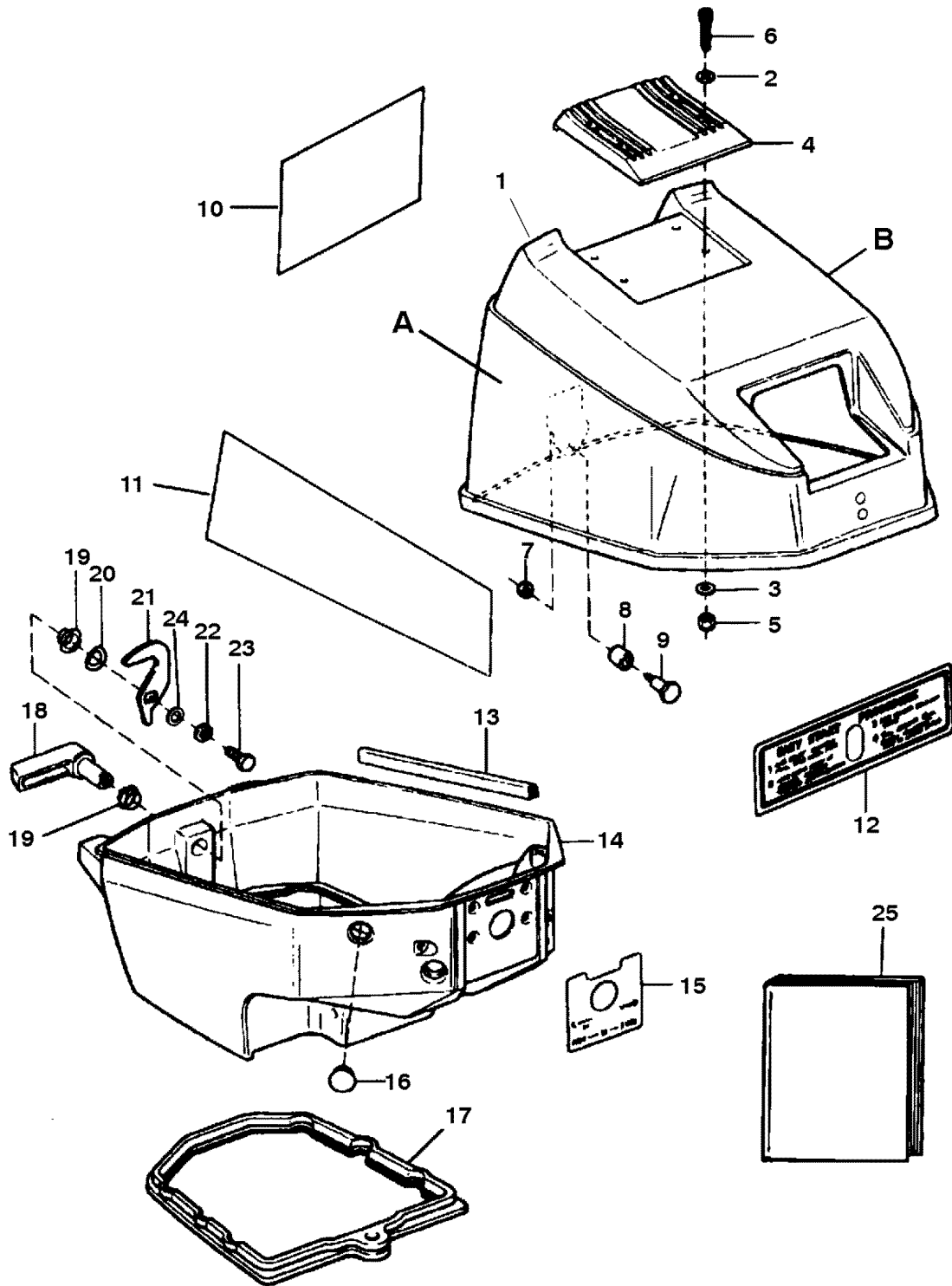
♠ = SERIAL NUMBER AND ABOVE

♥ = COMPONENT OF WATER PUMP KIT

THESE PARTS BOOKS/FICHE CARD ARE COPYRIGHTED AND MAY NOT BE DISTRIBUTED OR REPRODUCED IN ANY OTHER FORMAT BY ANYONE OTHER THAN MERCURY MARINE WITHOUT THE PRIOR WRITTEN CONSENT OF MERCURY MARINE.

THIS PAGE INTENTIONALLY LEFT BLANK

COWL ASSEMBLY - TOP AND BOTTOM

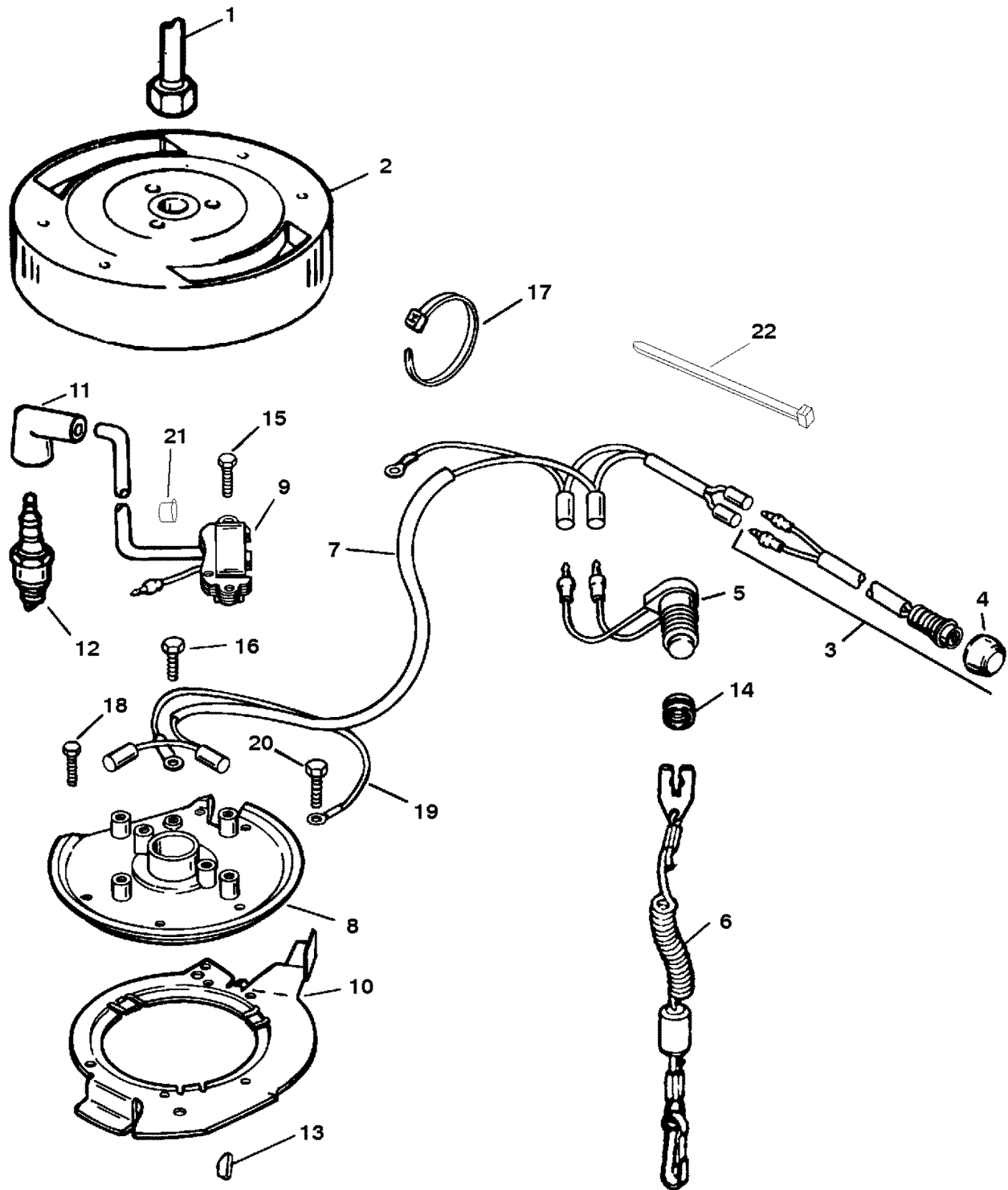


COWL ASSEMBLY - TOP AND BOTTOM

REF. NO.	PART NO.	SYM.	QTY.	DESCRIPTION
-	100-820154A6		1	COWL ASSEMBLY-TOP (WITH DECALS) (PAINTED)
1	100-820154A2		1	COWL ASSEMBLY-TOP (WITHOUT DECALS) (PAINTED)
2	12-89302		4	WASHER
3	12-F8143		4	WASHER
4	F681269		1	HANDLE-TILT
5	11-F7009		4	NUT (#10-24)
6	10-F2211		4	SCREW (#10-24 X .625)
7	11-814101		1	NUT (.250-20)
8	23-F681759		1	ROLLER-LATCH
9	10-F681026		1	SCREW-LATCH ROLLER
10	37-826342-16		1	DECAL (REAR)
11	37-826342-14		1	DECAL (STARBOARD)
	37-826342-15		1	DECAL (PORT)
12	37-826342-17		1	DECAL (FRONT)-STARTER INSTRUCTIONS
13	F392756		1	SEAL-TOP OF BOTTOM SUPPORT (4.075 FT. BULK) (CUT 3.783 FT.)
14	100-819280A2		1	PLATE KIT-BOTTOM SUPPORT (PAINTED)
15	38-819281--1		1	PLATE-FRONT-BOTTOM SUPPORT PLATE
16	19-73336		1	PLUG
17	819486		1	SEAL-SUPPORT PLATE
18	FA681469T		1	HANDLE ASSEMBLY-COWL LATCH (PAINTED)
19	23-812707		2	BUSHING
20	13-F2047		1	WASHER-WAVE
21	F481777		1	CAM-LATCH SHAFT
22	13-26992		1	LOCKWASHER (.250)
23	10-28635		1	SCREW (.250-20 X .625)
24	12-35044		1	WASHER
25	90-830211--2		1	OWNERS MANUAL/PARTS MANUAL

A = STARBOARD SIDE, B = PORT SIDE

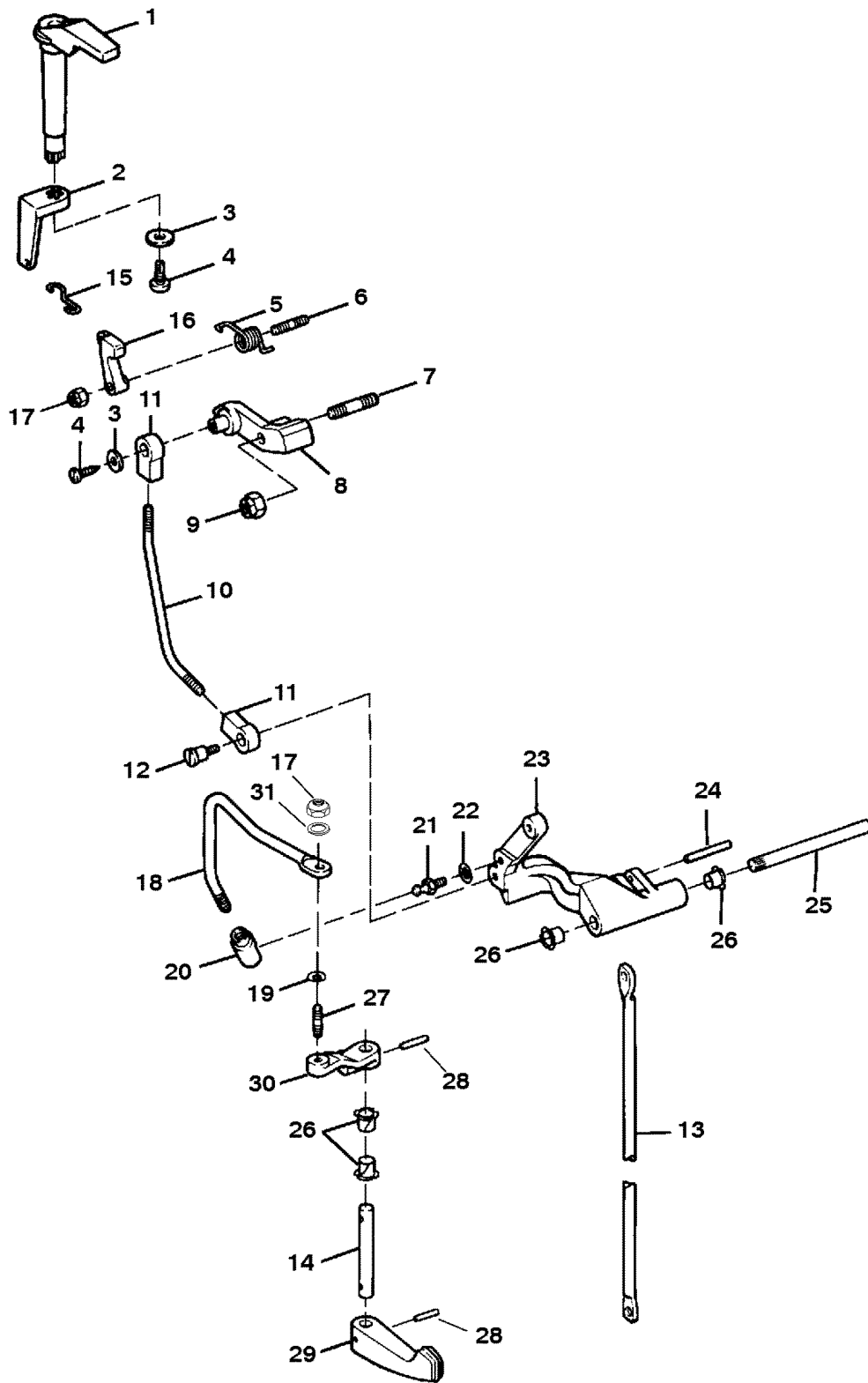
IGNITION SYSTEM



IGNITION SYSTEM

REF. NO.	PART NO.	SYM.	QTY.	DESCRIPTION
1	F681091		1	NUT-FLYWHEEL
2	200-824380T3		1	FLYWHEEL (PAINTED)
3	87-824440A9		1	SWITCH ASSEMBLY-STOP
4	824466A3		1	COVER ASSEMBLY-STOP SWITCH
5	87-826214A1		1	SWITCH ASSEMBLY-EMERGENCY STOP
6	819399A1		1	LANYARD ASSEMBLY
7	84-819379A7		1	HARNESS ASSEMBLY-ENGINE STOP
8	300-826692T		1	PLATE-STATOR
9	300-819156T		2	MODULE-IGNITION (CUT WIRE AS REQ'D)
10	826691--1		1	CAM-THROTTLE
11	FK1123		2	BOOT KIT-SPARK PLUG
12	33-328		2	SPARK PLUG (CHAMPION # L82YC)
	33-814		OPT	SPARK PLUG (RFI) (CHAMPION # RL82YC)
13	28-F458498-1		1	KEY-CRANKSHAFT/FLYWHEEL
14	22-F681188		1	NUT-STOP SWITCH SLEEVE
15	10-824353		6	SCREW (#8-32 X .750)-IGNITION MODULE
16	10-824352		1	SCREW (#10-24 X .375)-GROUND
17	56762		1	CABLE TIE (4.00 IN.)
18	10-824358		5	SCREW (#10-24 X .500)-STATOR PLATE
19	84-60466A21		1	WIRE ASSEMBLY-GROUND
20	10-824358		1	SCREW (#10-24 X .500)-GROUND
21	20117A1		1	MARKER SET-IGNITION MODULE CABLE
22	54-816311		2	CABLE TIE (8.00 IN.)

SHIFT LINKAGE

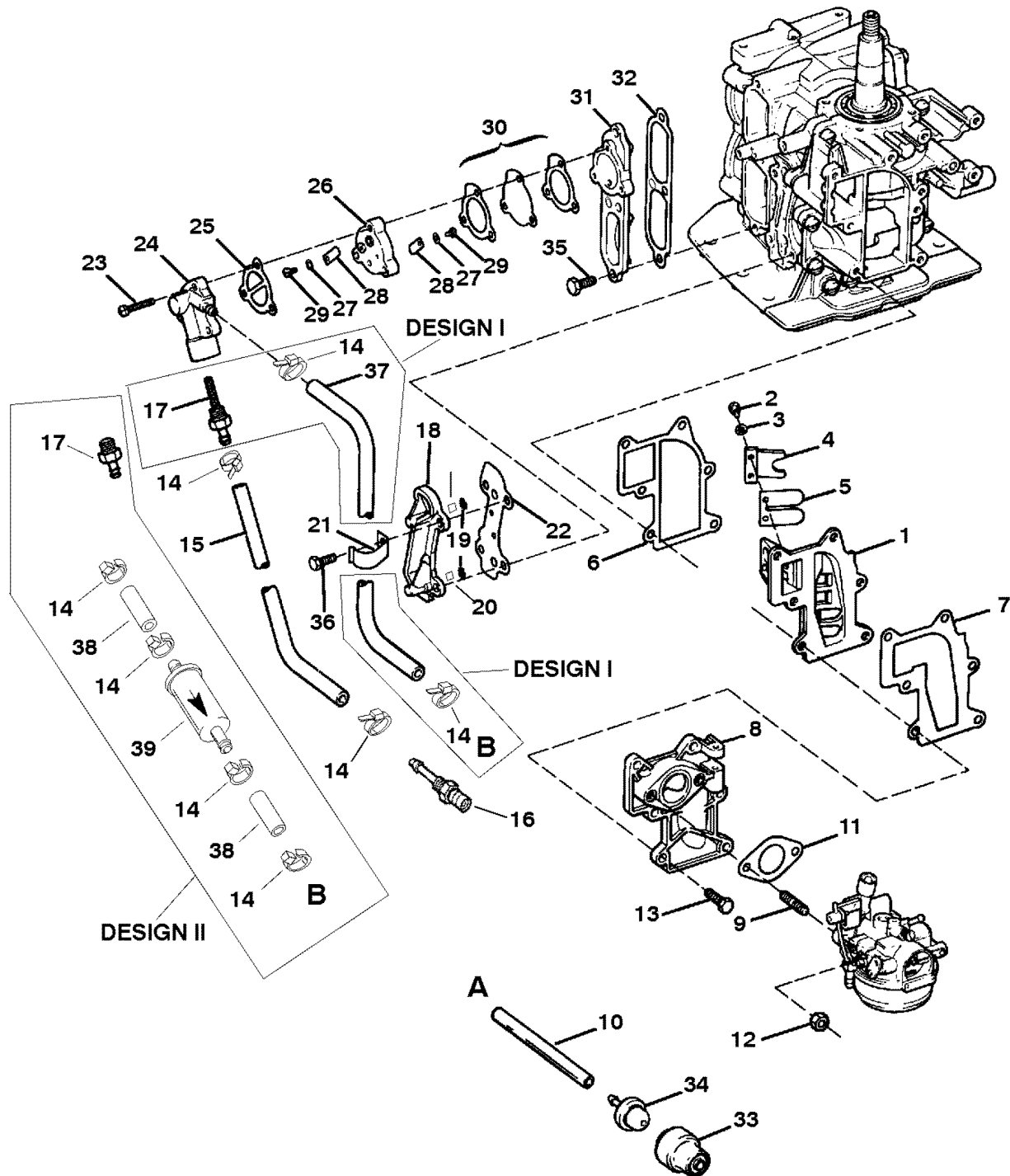


SHIFT LINKAGE

REF. NO.	PART NO.	SYM.	QTY.	DESCRIPTION
1	F681490		1	STOP-STARTER PULLEY INTERLOCK
2	F681003-1		1	ARM-STARTER INTERLOCK
3	12-F8143		2	WASHER
4	10-48408		2	SCREW (#10-16 X .500)
5	24-F681424		1	SPRING-INTERLOCK LEVER
6	16-F681134	+■	1	STUD-INTERLOCK LEVER
7	16-826590	+■	1	STUD (.250-20 X 1.690) WITH DRI LOC-NEUTRAL INTERLOCK PIVOT
8	824357		1	LEVER-NEUTRAL INTERLOCK
9	11-814101		1	NUT (.250-20)
10	F681531-1		1	ROD-INTERLOCK
11	816514		2	BEARING
12	10-819625		1	SCREW-SHOULDER
13	F286615		1	ROD-GEAR SHIFT-UPPER
14	824826		1	SHAFT-GEAR SHIFT HANDLE
15	F681263-1		1	LINK-STARTER INTERLOCK
16	F681742		1	LEVER-INTERMEDIATE INTERLOCK
17	11-20110		2	NUT (#10-32)
18	825402		1	LINK-SHIFT LEVER
19	13-26996		1	LOCKWASHER (#10)
20	F286685		1	CONNECTOR-GEAR SHIFT ROD
21	16-F98273		1	STUD-ROD END CONNECTOR
22	13-F8058		1	LOCKWASHER (#10 INTERNAL)
23	819508T		1	LEVER-GEAR SHIFT (PAINTED)
24	17-31656		1	PIN-ROLL
25	F286871T		1	PIN-GEAR SHIFT LEVER
26	23-26841		4	BUSHING
27	16-F286134		1	STUD-GEAR SHIFT LEVER
28	17-25905		2	PIN-ROLL
29	819626T		1	HANDLE-GEAR SHIFT (PAINTED)
30	820367--1		1	LEVER-SHIFT HANDLE SHAFT
31	13-F8048		1	WASHER-BOWED
-	800-819553A1		-	CYLINDER BLOCK ASSY
-	800-819553A14		-	SHORT BLOCK ASSEMBLY

■ = COMPONENT OF SHORT BLOCK ASSY
 + = COMPONENT OF CYLINDER BLOCK ASSY

FUEL AND RECIRCULATION SYSTEM



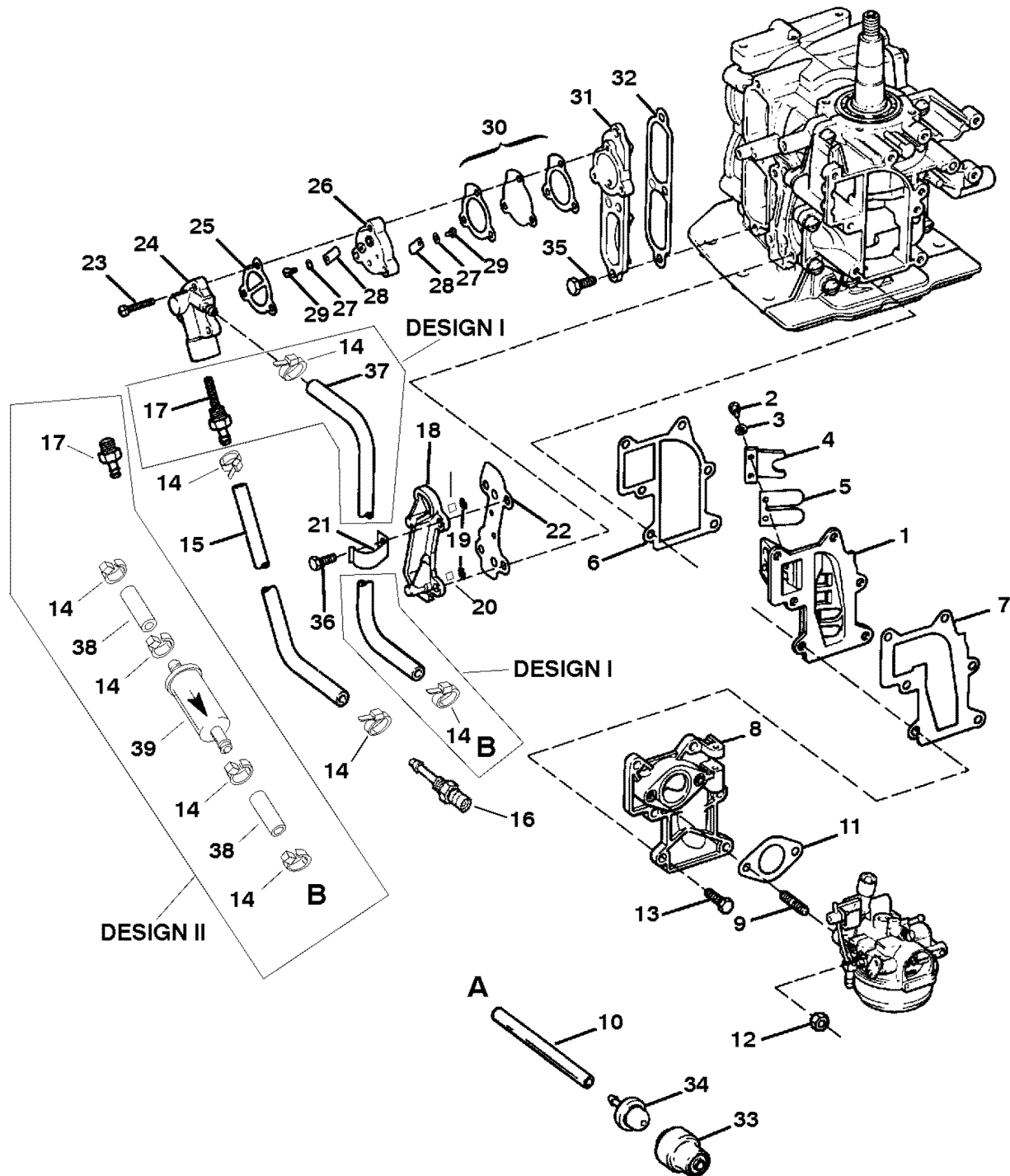
FUEL AND RECIRCULATION SYSTEM

REF. NO.	PART NO.	SYM.	QTY.	DESCRIPTION
1	34-FA715158		1	PLATE ASSEMBLY-REED
2	10-28430		8	SCREW (#6-32 X .250)
3	13-F1704		8	LOCKWASHER (#6 INTERNAL)
4	34-F715161		4	STOP-REED
5	34-F31160-2		4	REED
6	27-F286159-1	◆ ■	1	GASKET-REED PLATE
7	27-F715168	◇	1	GASKET-MANIFOLD
8	FA715167		1	MANIFOLD KIT-CARBURETOR
9	16-826622		2	STUD (.250-20 X .910) WITH DRI LOC
10	32-819398T		1	HOSE (18.00 IN. BULK) (CUT 5.750 IN.)-PRIMER BULB TO CARB
11	27-F715906	†	1	GASKET-CARBURETOR
12	11-20890		2	NUT (.250-20)
13	10-28668		6	SCREW (.250-20 X .875)
14	56762		6	CABLE TIE (4.00 IN.)
15	32-819398T		1	HOSE-FUEL (18.00 IN. BULK) (CUT 13.380 IN.)
16	22-F197767-2		1	BUSHING-FUEL
17	22-F901811		1	FILTER-FUEL PUMP (DESIGN I)
	22-850314		1	FITTING-FUEL PUMP (DESIGN II)
18	FA429471		1	COVER ASSEMBLY-CYLINDER DRAIN (PAINTED)
19	F429811		2	SCREEN
20	21-817741A1		2	VALVE KIT
21	54-F286772-1		1	CLAMP
22	27-825188	◆ ■	1	GASKET-CYLINDER DRAIN COVER
23	10-F1069		3	SCREW (#10-24 X 1.062)
24	819993T1		1	COVER-FUEL PUMP (PAINTED)
25	27-F24748-2		1	GASKET-FUEL PUMP
26	F2A24757		1	PLATE ASSEMBLY-FUEL PUMP
27	12-18552		2	WASHER
28	34-F18160-3		2	REED
29	10-F1286		2	SCREW (#4-40 X .187)
30	27-818043A1	■	1	GASKET/DIAPHRAGM SET
31	820116--2	◆ ■	1	COVER-TRANSFER PORT
32	27-825183	◆ ■	1	GASKET-TRANSFER PORT COVER
33	F681954-1		1	COVER-PRIMER BULB
34	F681046		1	BULB-PRIMER
35	10-98254	◆ ■	4	SCREW (.250-20 X .625)
36	10-F1922		4	SCREW (.250-20 X .625)
37	32-819398T	♣	1	HOSE-FUEL (18.00 IN. BULK) (CUT 8.250 IN.) (NO FILTER) (DESIGN I) (SERIAL # E163468 AND BELOW)

- = COMPONENT OF SHORT BLOCK ASSY
- ◇ = COMPONENT OF SHORT BLOCK GASKET SET
- ◆ = COMPONENT OF CYLINDER BLOCK ASSY
- † = COMPONENT OF CARB GASKET SET
- ♣ = SERIAL NUMBER AND BELOW

CONTINUED ON NEXT PAGE ➡

FUEL AND RECIRCULATION SYSTEM



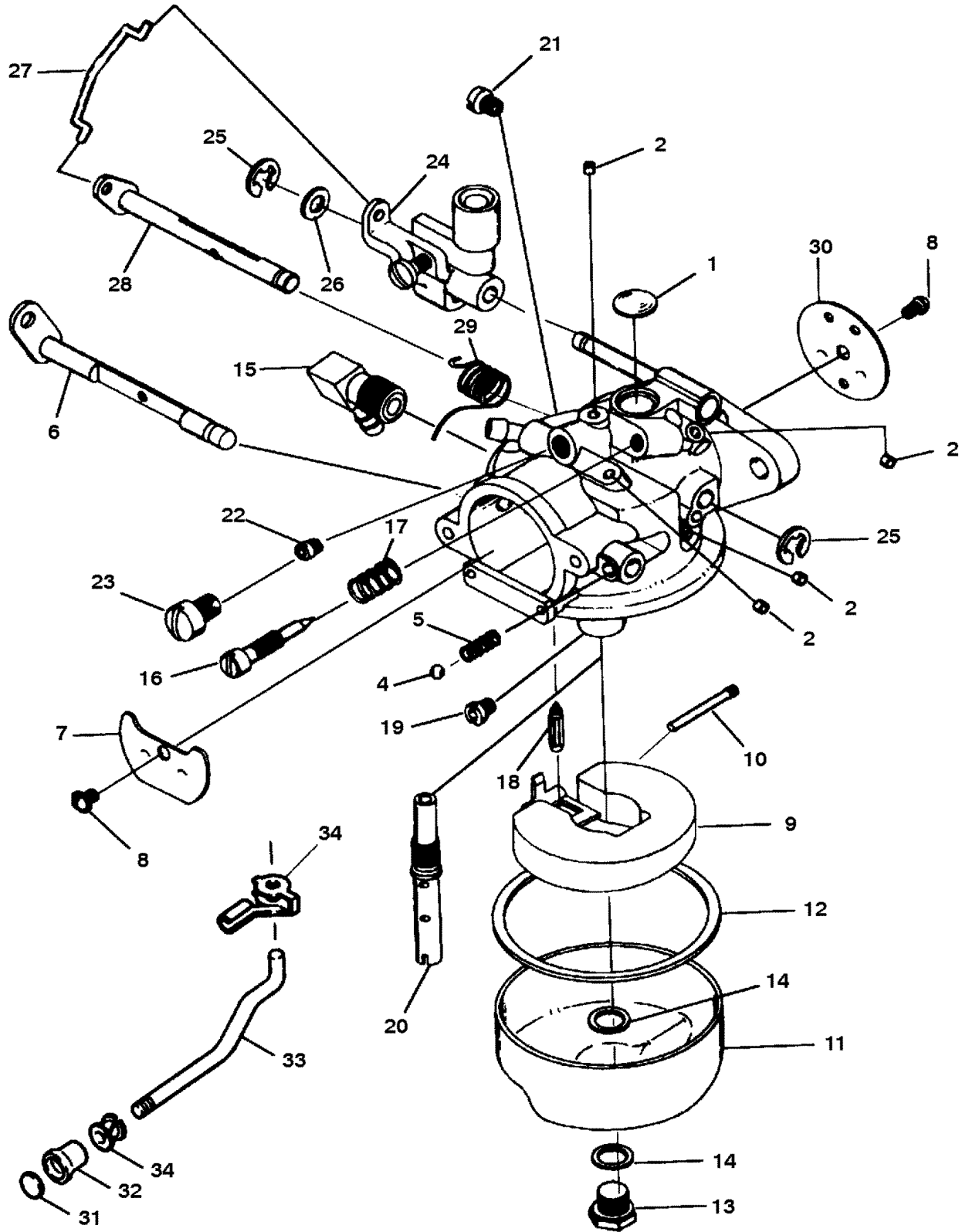
FUEL AND RECIRCULATION SYSTEM

REF. NO.	PART NO.	SYM.	QTY.	DESCRIPTION
38	32-819398T	❖	2	HOSE-FUEL (18.00 IN. BULK) (CUT 4.00 IN.) (WITH FILTER) (DESIGN II) (SERIAL # E163469 AND UP)
39	35-828998	❖	1	FILTER-FUEL (DESIGN II) (SERIAL # E163469 AND UP)
-	FK10352		-	CARBURETOR GASKET SET
-	FG1035		-	SHORT BLOCK GASKET SET
-	800-819553A1		-	CYLINDER BLOCK ASSY
-	800-819553A14		-	SHORT BLOCK ASSEMBLY

A = TO CARB TOP FITTING, B = TO CARB SIDE ELBOW

❖ = SERIAL NUMBER AND ABOVE

CARBURETOR

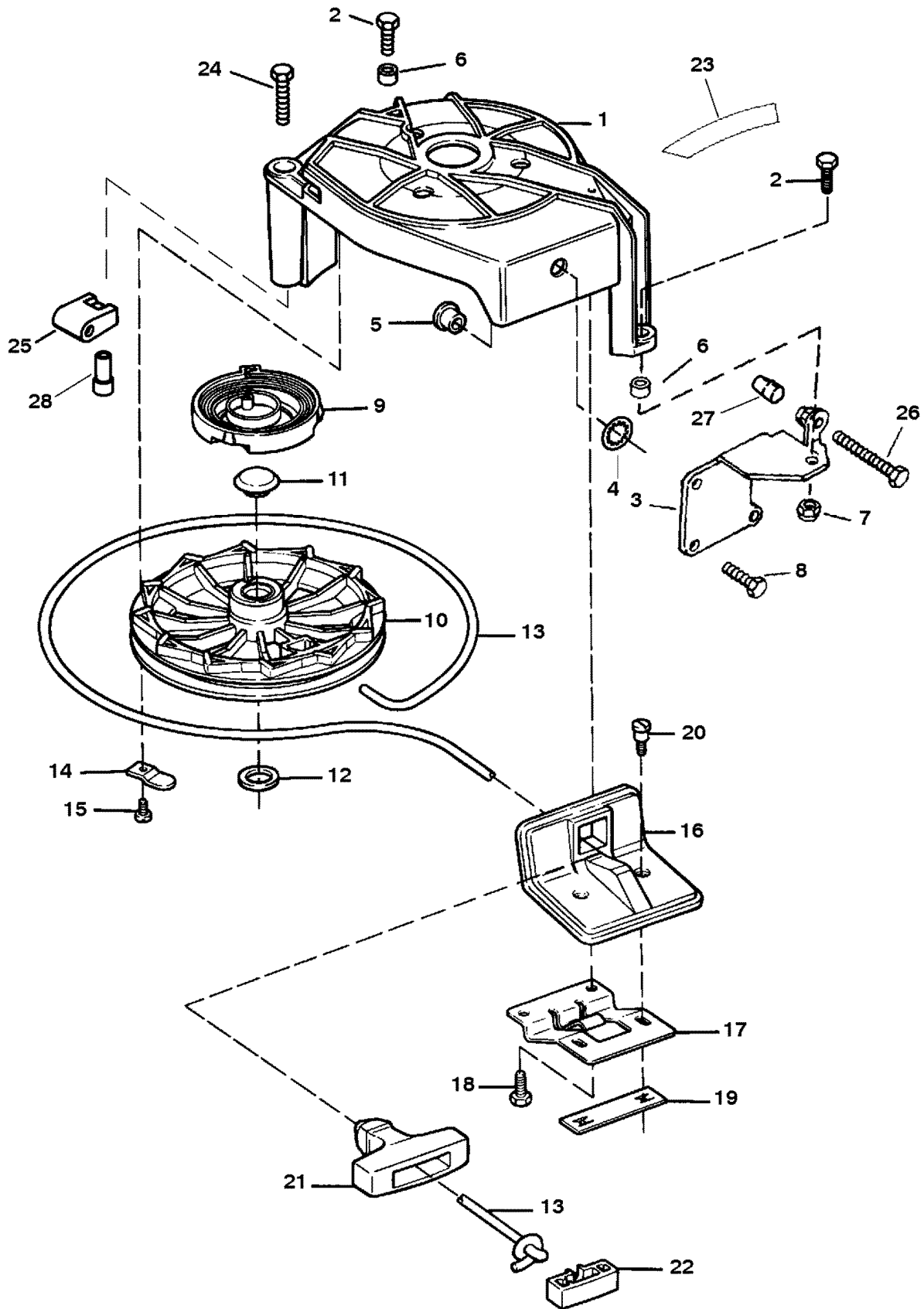


CARBURETOR

REF. NO.	PART NO.	SYM.	QTY.	DESCRIPTION
-	1300-F715061-1		1	CARBURETOR (FO-1B)
1	19-FO16128	■	1	PLUG-BY PASS CHAMBER
2	19-FO10588	■	4	PLUG-BODY CHANNEL PLUG
3	FO4784		1	BALL-CHOKE FRICTION
4	FO8805		1	SPRING
5	F10343		1	SHAFT-CHOKE
6	F10344		1	SHUTTER-CHOKE
7	10-F10345	■	2	SCREW-SHUTTER
8	F10346		1	FLOAT-FUEL BOWL
9	17-FO13944	■	1	PIN-FLOAT
10	FO15366		1	BOWL-FUEL
11	27-FO15623	■ †	1	GASKET-FUEL BOWL
12	1399-5128		1	SCREW-FUEL BOWL
13	27-FO2510	■ †	2	GASKET-FUEL BOWL SCREW
14	F10347		1	ELBOW
15	F10268		1	SCREW-IDLE MIXTURE
16	24-27160	■	1	SPRING-IDLE MIXTURE SCREW
17	F10265	■	1	NEEDLE-INLET (NOTE: DO NOT REMOVE INLET SEAT)
18	1395-6030		1	JET-MAIN (.070) (0 - 2500 FT.)
	1395-6029		OPT	JET-MAIN (.068) (2500 - 5000 FT.)
	1399-4215		OPT	JET-MAIN (.066) (5000 - 7500 FT.)
	1399-4216		OPT	JET-MAIN (.064) (7500 - 10000 FT.)
19	FO15722		1	NOZZLE-MAIN
20	820578		1	JET (.048)-IDLE AIR BLEED
21	F10273		1	JET (.047)-THROTTLE
22	F10275		1	SCREW-THROTTLE JET SEALING
23	F10290		1	LINKAGE-THROTTLE
24	F10241		2	CLIP-THROTTLE LINKAGE SHAFT
25	F10242		1	WASHER-THROTTLE LINKAGE SHAFT
26	F10338		1	LINK-THROTTLE
27	F10349		1	SHAFT-THROTTLE
28	24-F10350	■	1	SPRING-THROTTLE SHAFT
29	F10351		1	SHUTTER-THROTTLE
30	F681677		1	INSERT-CHOKE KNOB
31	F286547		1	KNOB-CHOKE
32	819348		1	ROD-CHOKE
33	F341384		1	RETAINER-CHOKE ROD
34	23-F197319		1	BUSHING-CHOKE ROD
NS	FK10352		1	GASKET SET-CARBURETOR
	FK10353		1	REPAIR KIT-CARBURETOR

■ = COMPONENT OF CARB REPAIR KIT
 † = COMPONENT OF CARB GASKET SET

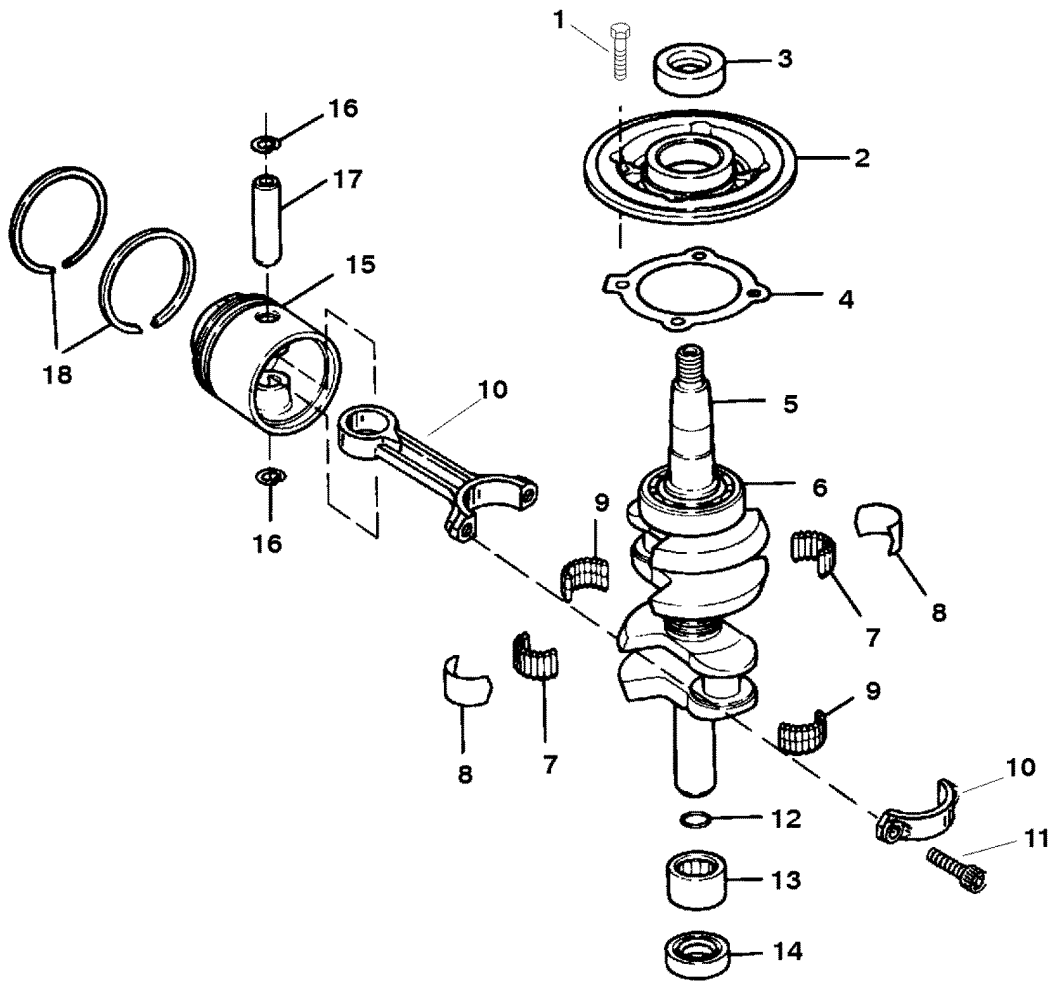
STARTER COMPONENTS



STARTER COMPONENTS

REF. NO.	PART NO.	SYM.	QTY.	DESCRIPTION
1	826693		1	HOUSING-STARTER
2	10-90192		2	SCREW (.250-20 X .750)
3	826559A2		1	BRACKET ASSEMBLY-STARTER HOUSING FRONT
4	53-818853		1	RING-RETAINING
5	F681428		1	INSERT-STARTING HOUSING ROPE
6	23-F681405		2	INSERT-STARTER HOUSING
7	11-814101		1	NUT (.250-20)
8	10-F1922		4	SCREW (.250-20 X .625)
9	24-F681970		1	SPRING-STARTER REWIND
10	42034A2		1	PULLEY ASSEMBLY-STARTER REWIND
11	19-817362		1	PLUG
12	26-12494--1		1	SEAL-PULLEY BEARING
13	F681232		1	ROPE (64/67 IN.)
14	F681592		3	RETAINER-STARTER PULLEY
15	10-48408		3	SCREW (#10-16 X .500)
16	FA681630T		1	SUPPORT ASSEMBLY-HANDLE
17	F681090		1	PLATE-HANDLE SUPPORT
18	10-F2210		2	SCREW (.250-14 X .500)
19	F681874-1		1	FASTENER-HANDLE SUPPORT PLATE
20	10-819625		2	SCREW-SHOULDER
21	F681132		1	HANDLE-STARTER ROPE
22	F681817		1	RETAINER-STARTER ROPE
23	37-825149A1		1	DECAL KIT-SHIFT TO NEUTRAL
24	10-F2030		1	SCREW (.250-20 X 1.250)
25	830265		1	RETAINER-THROTTLE CABLE
26	10-826676		1	SCREW (.250-28 X 2.00)-IDLE ADJUST
27	26852		1	CAP-NYLON-IDLE ADJUST SCREW
28	23-830196		1	SPACER-THROTTLE CABLE RETAINER

CRANKSHAFT AND PISTON

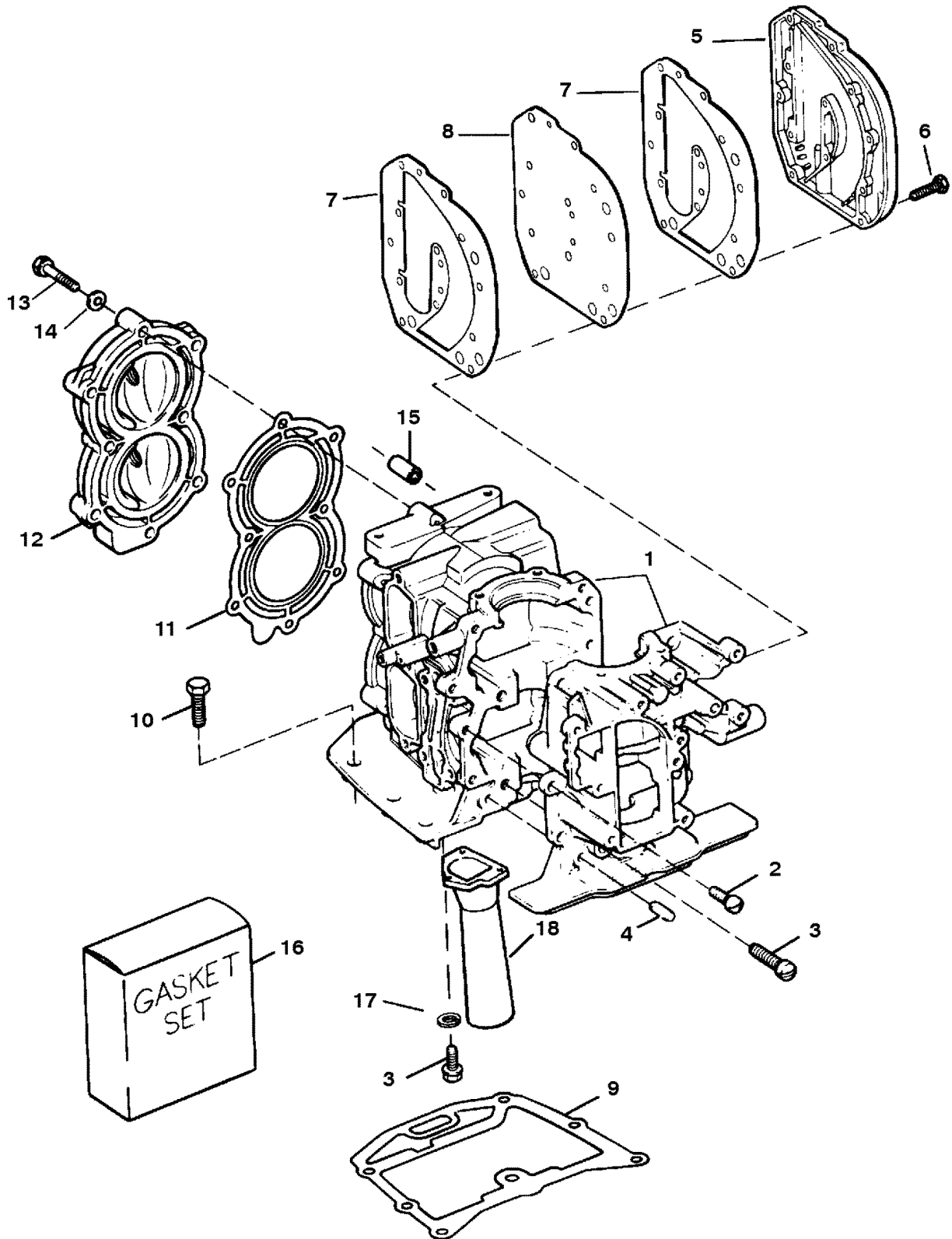


CRANKSHAFT AND PISTON

REF. NO.	PART NO.	SYM.	QTY.	DESCRIPTION
1	10-F1914		4	SCREW (.250-20 X .750)
2	1100-817753A1		1	CAGE ASSEMBLY-CRANKSHAFT BEARING
3	26-819801	◇	1	SEAL-CRANKSHAFT-UPPER
4	27-F286277	✚◇■	1	GASKET-CRANKSHAFT BEARING CAGE
5	400-819803A2	■	1	CRANKSHAFT ASSEMBLY
6	30-F286028		1	BEARING-BALL
7	29-F286571	■	1	ROLLER SET (26 PER SET)
8	FA286155	■	1	LINER SET-CENTERMAIN BEARING
9	FA712228	■	2	ROLLER SET (2 STRIPS-28 PER)
10	600-FS715016	■	2	CONNECTING ROD ASSEMBLY
11	10-F175634		4	SCREW-CONN ROD
12	25-32509	✚◇■	1	O RING
13	31-F343014	■	1	BEARING-CRANKSHAFT LOWER MAIN
14	26-819396	✚◇■	1	SEAL-CRANKSHAFT LOWER
15	700-819946A3	■	2	PISTON KIT
16	53-F31410		4	RING-RETAINING
17	41-F712017		2	PIN-PISTON
18	39-820484A1		2	RING SET-PISTON (2 RINGS)
-	FG1035		-	SHORT BLOCK GASKET SET
-	800-819553A12		-	CYLINDER BLOCK ASSY
-	800-819553A1		-	SHORT BLOCK ASSEMBLY

- = COMPONENT OF SHORT BLOCK ASSY
- ◇ = COMPONENT OF SHORT BLOCK GASKET SET
- ✚ = COMPONENT OF CYLINDER BLOCK ASSY

CYLINDER BLOCK

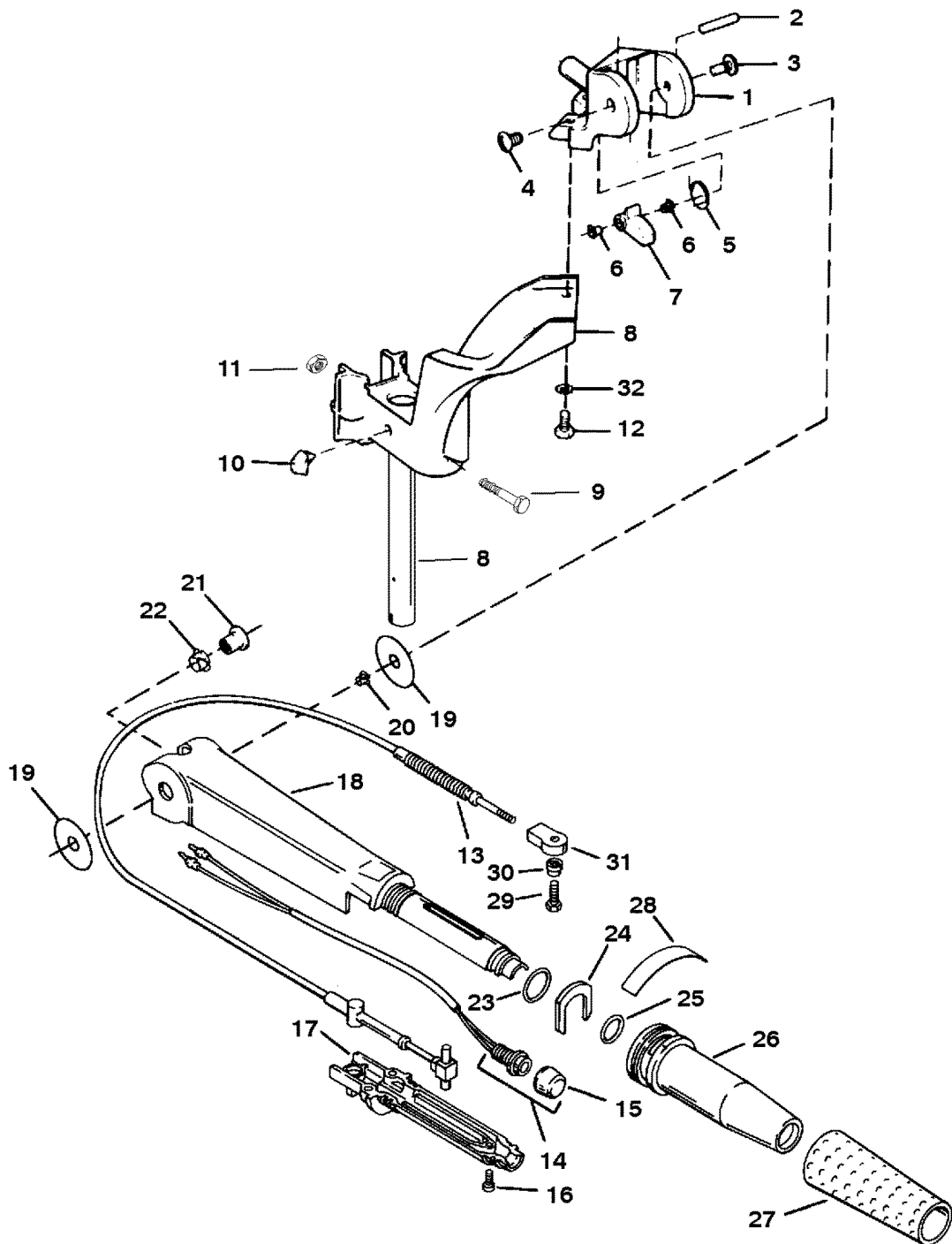


CYLINDER BLOCK

REF. NO.	PART NO.	SYM.	QTY.	DESCRIPTION
-	800-819553A14		1	SHORT BLOCK ASSEMBLY (PAINTED)
1	800-819553A12	■	1	CYLINDER KIT
2	10-F1107		8	SCREW (.250-20 X .750)
3	10-F1335		4	SCREW (.312-18 X 1.250)
4	17-F8559		2	PIN-DOWEL
5	824141T	■	1	COVER-EXHAUST (PAINTED)
6	10-28668		12	SCREW (.250-20 X .875)
7	27-F715154	+◇■	2	GASKET-EXHAUST PORT COVER
8	F715151	■	1	PLATE-EXHAUST
9	27-F715279-1	+◇■	1	GASKET-CYLINDER MOUNTING
10	10-35386		6	SCREW (.312-18 X 1.00)
11	27-F286529-3	+◇■	1	GASKET-CYLINDER HEAD
12	900-F703518T		1	HEAD-CYLINDER (PAINTED)
13	10-F901938-1		8	SCREW-CYLINDER HEAD
14	12-37998		8	WASHER
15	32-F715943		1	TUBE-CYLINDER WATER JACKET
16	10-28636		3	SCREW (.250-20 X .750)
17	13-26992		3	LOCKWASHER (.250)
18	F715660		1	TUBE-EXHAUST
19	FG1035		1	GASKET SET
-	800-819553A12		-	CYLINDER BLOCK ASSY
-	800-819553A1		-	SHORT BLOCK ASSEMBLY

- = COMPONENT OF SHORT BLOCK ASSY
- ◇ = COMPONENT OF SHORT BLOCK GASKET SET
- + = COMPONENT OF CYLINDER BLOCK ASSY

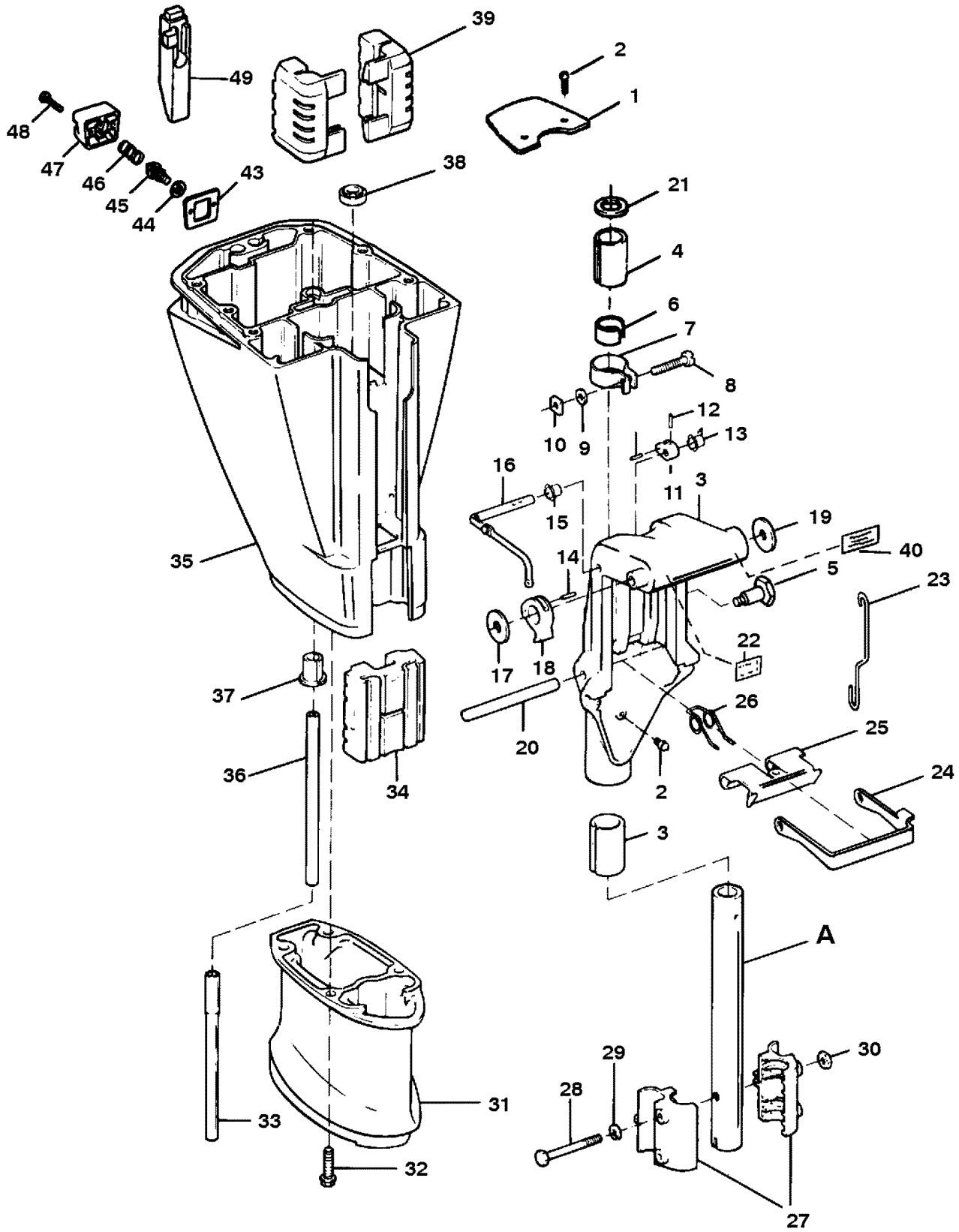
STEERING HANDLE/TWIST GRIP THROTTLE



STEERING HANDLE/TWIST GRIP THROTTLE

REF. NO.	PART NO.	SYM.	QTY.	DESCRIPTION
1	817751T1		1	BRACKET-STEERING (PAINTED)
2	17-F1807		1	PIN-GROOVE
3	10-823595		1	SCREW-STEERING HANDLE PIVOT
4	10-823594		1	SCREW-STEERING HANDLE PIVOT
5	24-F286868		1	SPRING-STEERING HANDLE STOP
6	23-26856		2	BUSHING
7	F286490		1	STOP-STEERING HANDLE
8	819914A2		1	ARM/KINGPIN ASSEMBLY-STEERING (PAINTED)
9	10-828815		1	SCREW (.250-20 X 1.750)
10	19-F286539		1	BUMPER
11	11-814101		1	NUT (.250-20)
12	10-28635		2	SCREW (.250-20 X .625)
13	826592		1	CABLE ASSEMBLY-THROTTLE
14	87-824440A9		1	SWITCH ASSEMBLY-STOP
15	824466A3		1	COVER ASSEMBLY-STOP SWITCH
16	10-826575		3	SCREW (#8-32 X .625)
17	827252		1	ARM-STEERING (LOWER)
18	826609T		1	HANDLE-STEERING (PAINTED)
19	12-F286220		2	WASHER
20	23-26856		2	BUSHING
21	F286224-1		1	INSERT-STEERING HANDLE PIVOT
22	23-812707		1	BUSHING
23	25-21836		1	O RING (LARGE)
24	F702178		1	RETAINER-GRIP
25	25-23145		1	O RING (SMALL)
26	828070		1	GRIP-STEERING HANDLE
27	828406		1	SLEEVE-STEERING HANDLE GRIP
28	37-F712894		1	DECAL-SPEED INDICATOR
29	10-824352		1	SCREW (#10-24 X .375)
30	826591		1	BUSHING
31	816514		1	BEARING-CONNECTOR
32	13-78968		2	LOCKWASHER (.250 INTERNAL)

SWIVEL BRACKET AND DRIVESHAFT HOUSING

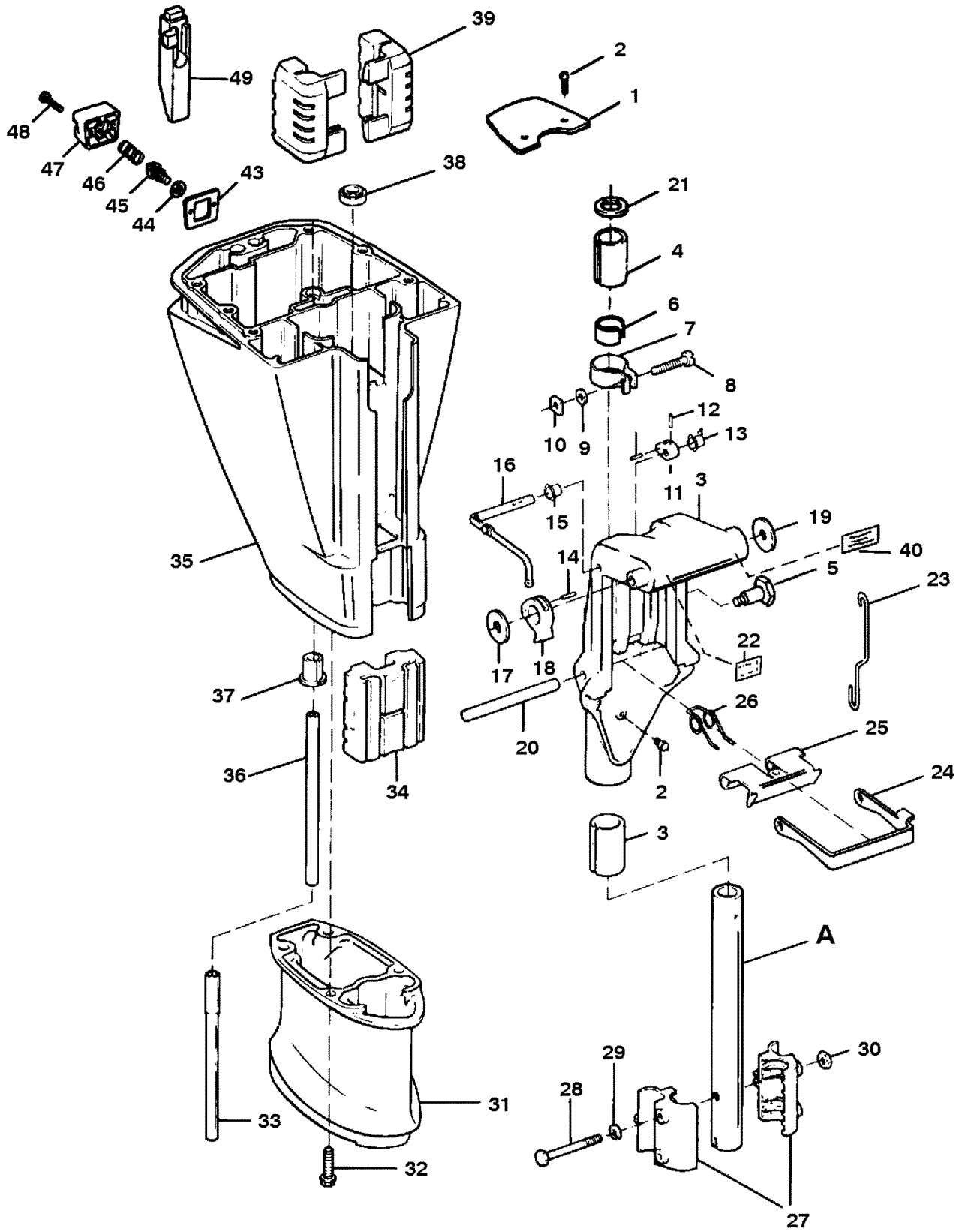


SWIVEL BRACKET AND DRIVESHAFT HOUSING

REF. NO.	PART NO.	SYM.	QTY.	DESCRIPTION
1	F715404		1	PLATE-LEG TURNER
2	10-F2417		2	SCREW (.250-20 X .375)
3	1400-817750A4		1	BRACKET KIT-SWIVEL (PAINTED)
4	22-F213274		2	FITTING-GREASE
5	23-F286169		1	BUSHING-BOTTOM (1.750 IN.)
6	23-F681169		1	BUSHING-TOP (1.125 IN.)
7	17-819707		1	PIN-TILT LOCK
8	F681631		1	SHOE-FRICTION-SWIVEL BRACKET
9	54-F286573-1		1	CLAMP-STEERING FRICTION
10	10-F1820		1	SCREW (.250-20 X 1.375)
11	12-12038		1	WASHER
12	11-F1608		1	NUT (.250-20)
13	F286364T		1	LEVER-REVERSE LOCK
14	17-F8538		1	PIN-SPRING
15	23-26856		1	BUSHING
16	17-F1794		2	PIN-SPRING
17	23-F536813		1	BUSHING
18	FA387742		1	LEVER ASSEMBLY-INTERMEDIATE
19	12-F2037		1	WASHER
20	F286827		1	LEVER-REVERSE LOCK
21	12-F286286-1		1	WASHER
22	17-F1806		1	PIN-GROOVE
23	12-F286011		1	WASHER-SWIVEL BRACKET
24	37-F688585		1	DECAL-TILT LOCK
25	FA341510		1	LINK-REVERSE LOCK
26	F286433		1	BRACKET-SHALLOW WATER DRIVE
27	F286349		1	LOCK-REVERSE
28	24-F286300		1	SPRING-REVERSE LOCK
29	819320T		2	BRACKET-SHOCK MOUNT LOWER (PAINTED)
30	FA1844		2	SCREW KIT (.250-20 X 2.375)
31	13-26992		2	LOCKWASHER (.250)
32	11-64015		2	NUT (.250-20)
33	FA492845T		1	EXTENSION KIT (PAINTED) 20 IN. FOR MODEL 225.581498
34	10-F430732		4	SCREW (.312-18 X 1.250) 20 IN. FOR MODEL 225.581498
35	32-FS901244		1	LINE-WATER-EXTENSION 20 IN. FOR MODEL 225.581498
36	F286346		1	MOUNT-SHOCK-LOWER
37	1500-819344T		1	HOUSING-DRIVESHAFT (PAINTED)
38	32-F286244		1	LINE-WATER
39	F286914-1		1	SLEEVE-WATER LINE
40	26-F901307-2		1	SEAL-DRIVESHAFT
41	F286347		2	MOUNT-SHOCK-UPPER
42	37-818029--1		1	DECAL-FUEL MIX
43	27-819669		1	GASKET-THERMOSTAT COVER

CONTINUED ON NEXT PAGE ➡

SWIVEL BRACKET AND DRIVESHAFT HOUSING

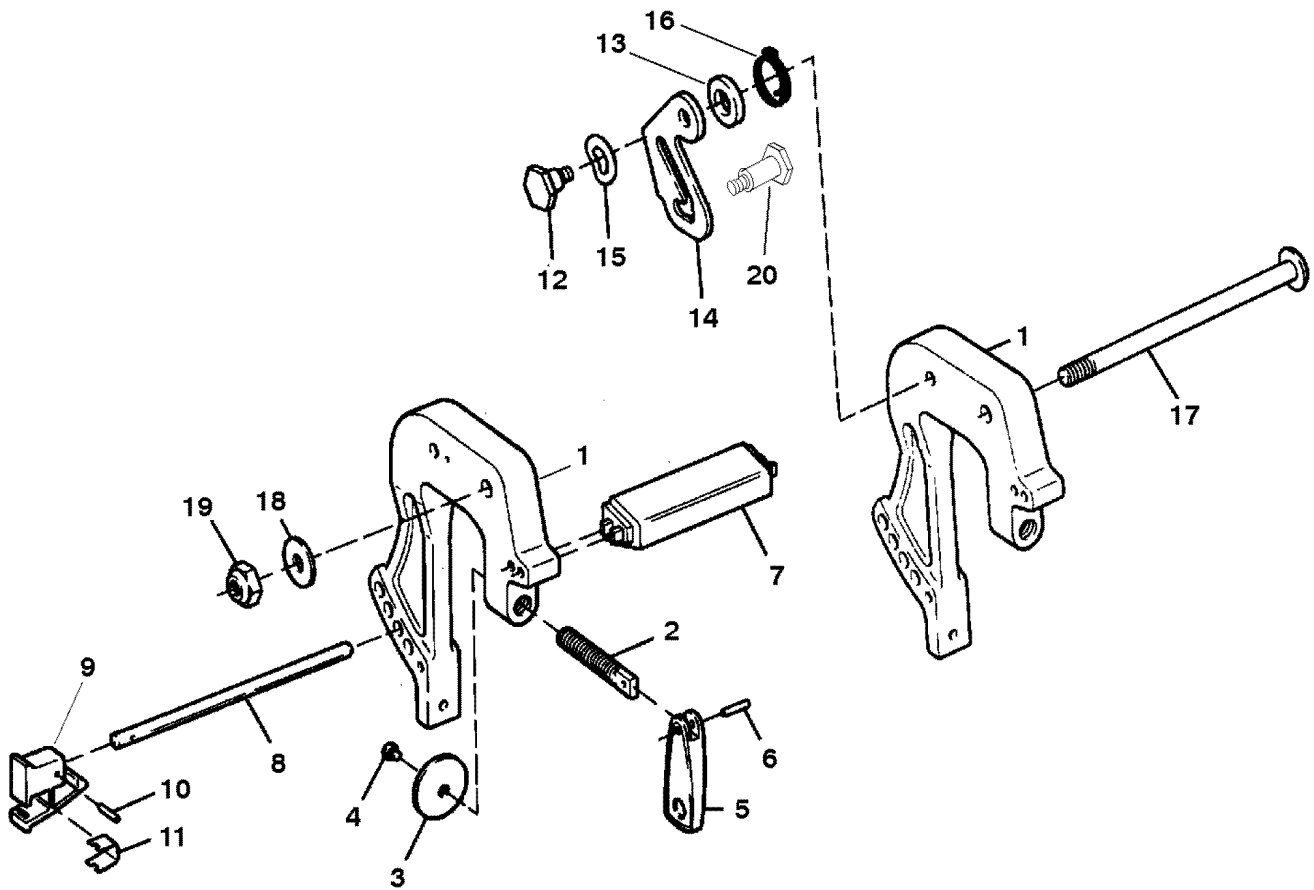


SWIVEL BRACKET AND DRIVESHAFT HOUSING

REF. NO.	PART NO.	SYM.	QTY.	DESCRIPTION
44	12-F658504		1	WASHER-THERMOSTAT
45	819550		1	THERMOSTAT (105_)
46	24-819329		1	SPRING-THERMOSTAT
47	819321		1	COVER-THERMOSTAT
48	10-819382		2	SCREW (.250-20 X 1.00)
49	823694		1	INSERT-THERMOSTAT

A = SEE PAGE 46/47 REF. #8

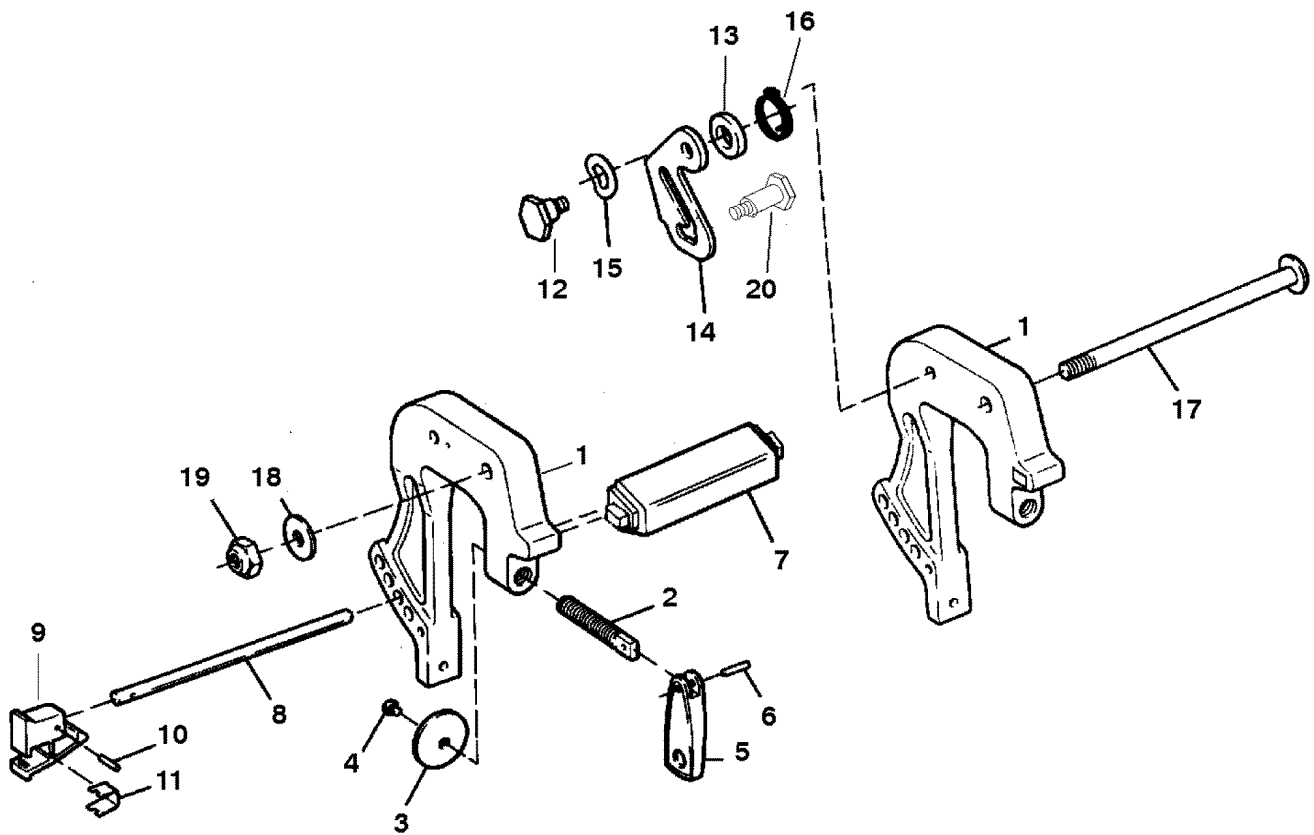
CLAMP BRACKETS (SERIAL # E127700 THRU E143887)



CLAMP BRACKETS (SERIAL # E127700 THRU E143887)

REF. NO.	PART NO.	SYM.	QTY.	DESCRIPTION
1	1400-820068T1		2	BRACKET-STERN (PAINTED)
2	10-826248		2	SCREW-STERN BRACKET
3	F24074		2	FOOT-STERN BRACKET SCREW
4	10-69022		2	SCREW (#10-32 X .500)
5	F424075T		2	HANDLE (PAINTED)
6	17-24198		2	PIN-ROLL
7	F286647		1	HANDLE-CARRYING
8	FA617113		1	BAR KIT-LOCK
9	F286114		1	HANDLE-LOCK BAR
10	17-38489		1	PIN-ROLL
11	24-F286461		1	SPRING-LOCK BAR HANDLE
12	10-F286422-1		1	SCREW-TILT LOCK (.312-18)
13	23-819226		1	SPACER-TILT LOCK
14	F429541		1	LOCK-TILT
15	13-69150		1	WASHER-WAVE
16	24-F286544-1		1	SPRING-TILT LOCK
17	10-F617037		1	BOLT-STERN BRACKET PIVOT
18	12-20553		1	WASHER
19	11-F7026		1	NUT (.375-16)
20	17-819707		1	PIN-TILT LOCK (.250-20)

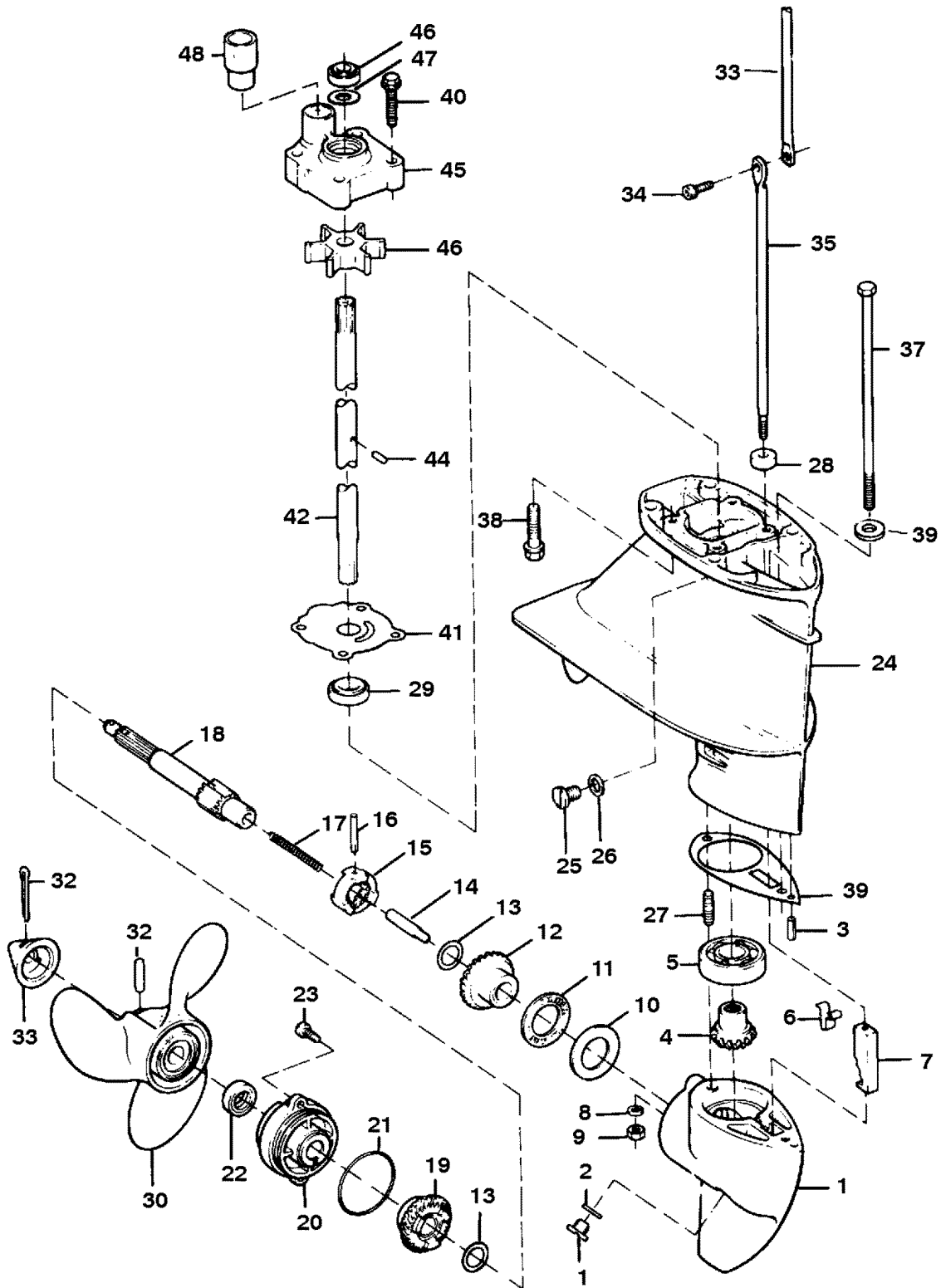
CLAMP BRACKETS (SERIAL # E143888 & UP)



CLAMP BRACKETS (SERIAL # E143888 & UP)

REF. NO.	PART NO.	SYM.	QTY.	DESCRIPTION
1	1400-830295T		2	BRACKET-STERN (PAINTED)
2	10-826248		2	SCREW-STERN BRACKET (SPECIAL)
3	F24074		2	FOOT-STERN BRACKET SCREW
4	10-69022		2	SCREW (#10-32 X .500)
5	F424075T		2	HANDLE (PAINTED)
6	17-24198		2	PIN-ROLL
7	830564		1	HANDLE-CARRYING
8	FA617113		1	BAR KIT-LOCK
9	F286114		1	HANDLE-LOCK BAR
10	17-38489		1	PIN-ROLL
11	24-F286461		1	SPRING-LOCK BAR HANDLE
12	10-F286422-1		1	SCREW-TILT LOCK (.312-18 SPECIAL)
13	23-819226		1	SPACER-TILT LOCK
14	F429541		1	LOCK-TILT
15	13-69150		1	WASHER-WAVE
16	24-F286544-1		1	SPRING-TILT LOCK
17	10-F617037		1	BOLT-STERN BRACKET PIVOT (.375-16 X 6.880)
18	12-20553		1	WASHER
19	11-F7026		1	NUT (.375-16)
20	17-819707		1	PIN-TILT LOCK (.250-20)

GEAR HOUSING



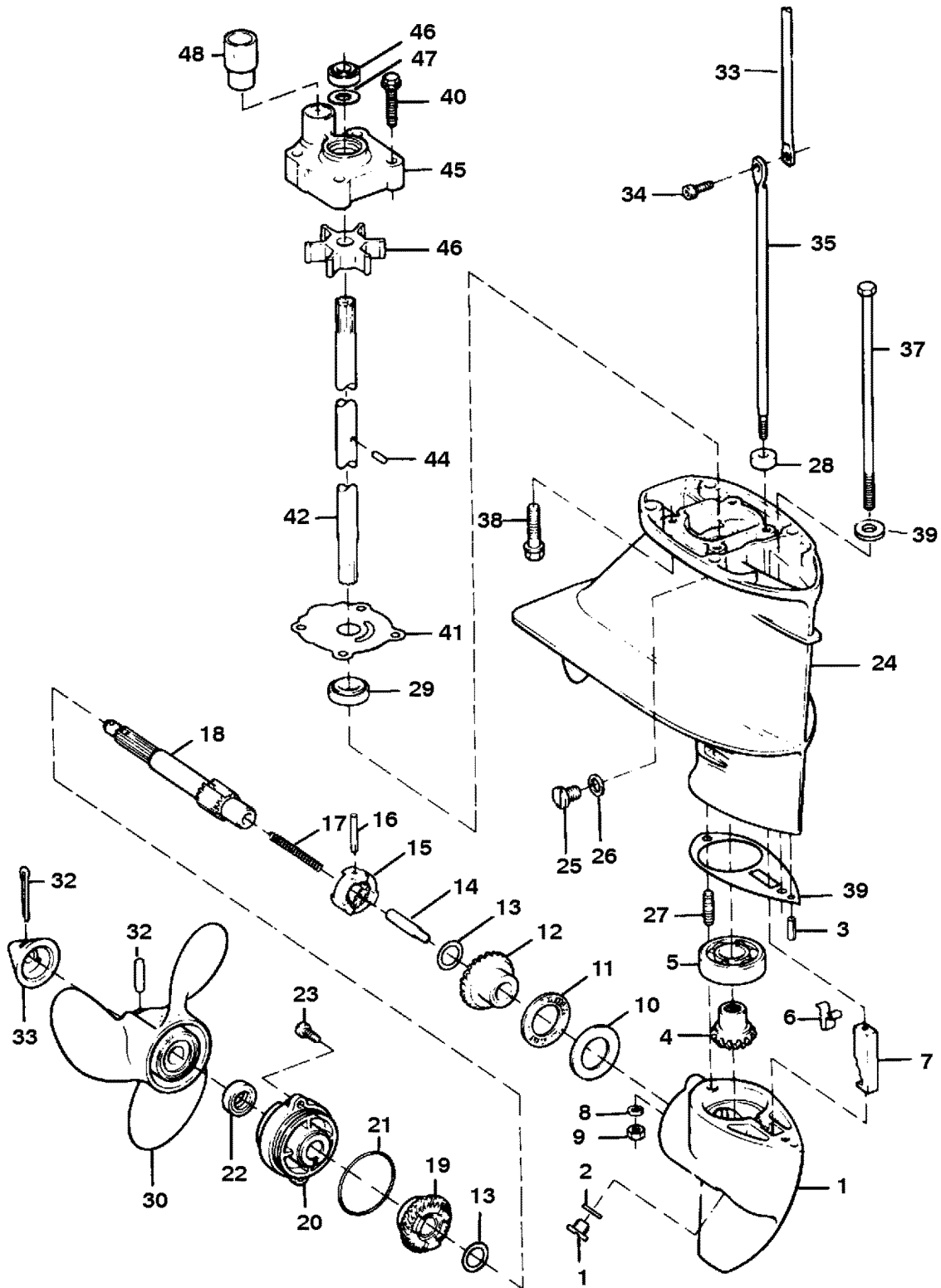
GEAR HOUSING

REF. NO.	PART NO.	SYM.	QTY.	DESCRIPTION
-	1600-819483A2		1	HOUSING KIT-GEAR (COMPLETE) (PAINTED)
1	1600-817749A2		1	HOUSING KIT-GEAR (BASIC) (PAINTED)
2	10-F50109		1	PLUG
3	12-19183	▲	1	WASHER
4	17-48450		1	PIN-DOWEL
5	43-819251A1		1	GEAR ASSEMBLY-PINION
6	30-F127910-2		1	BEARING-BALL
7	24-F286895		1	SPRING-SHIFT CAM
8	F286721		1	CAM-SHIFT
9	13-26992		1	LOCKWASHER (.250)
10	11-20890		1	NUT (.250-20)
11	12-F286903		1	WASHER
12	31-48913		1	BEARING-PROPSHAFT
13	43-819252A1		1	GEAR ASSEMBLY-FORWARD
14	12-F456717		2	WASHER-THRUST
15	17-F286728		1	PIN-SHIFT
16	52-819253		1	CLUTCH
17	17-F8564		1	PIN-SPIRAL
18	24-F409719		1	SPRING-CLUTCH
19	44-F456098		1	PROPSHAFT
20	43-819254A1		1	GEAR ASSEMBLY-REVERSE
21	31-817756A2		1	CAGE ASSEMBLY-PROPSHAFT (PAINTED)
22	25-F455305	▲	1	SEAL
23	26-66022	▲	1	SEAL
24	10-28639		2	SCREW (.250-20 X .625)
25	1500-824916A1		1	HOUSING KIT-DRIVESHAFT-UPPER (PAINTED)
26	10-F50109		1	PLUG
27	12-19183	▲	1	WASHER
28	16-826542		1	STUD (.250-20 X 1.360)
29	26-817472	▲	1	SEAL-GEAR SHIFT ROD
30	26-F901307-2	▲	1	SEAL-DRIVESHAFT
4	17-48450		1	PIN-DOWEL
31	FP6477		1	PROPELLER-NYLON (8.00 X 9.250 X 3) (STANDARD)
	FP472		OPT	PROPELLER-ALUM (8.00 X 9.00 X 3)
	48-FP70		OPT	PROPELLER-ALUM (8.125 X 8.750 X 2)
	48-FP6430		OPT	PROPELLER-NYLON (8.00 X 8.250 X 3)
	FP395		OPT	PROPELLER-ALUM (8.250 X 6.00 X 3)
	FP396		OPT	PROPELLER-ALUM (8.250 X 4.500 X 3)
	FP715		OPT	PROPELLER-ALUM (8.375 X 6.00 X 3)
32	FA324101		1	PIN KIT-PROPELLER (3 PINS WITH COTTER PIN)
33	11-817752A1		1	NUT KIT-PROPELLER
34	18-45882		1	PIN-COTTER

▲ = COMPONENT OF GEAR HOUSING SEAL KIT

CONTINUED ON NEXT PAGE ➡

GEAR HOUSING

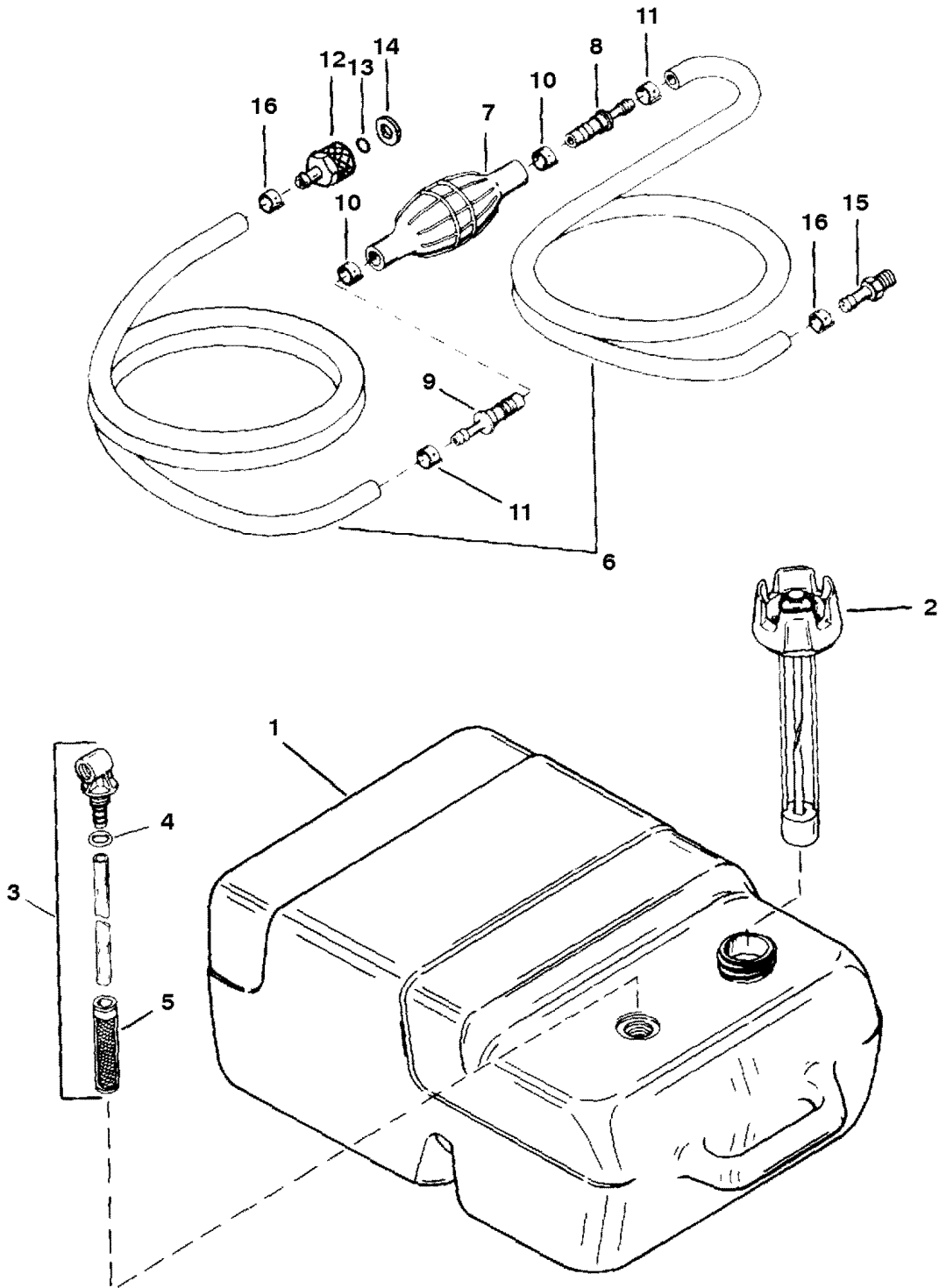


GEAR HOUSING

REF. NO.	PART NO.	SYM.	QTY.	DESCRIPTION
35	F286615		1	ROD-GEAR SHIFT-UPPER
36	10-F1976		1	SCREW (#10-24 X .500)
37	F286705-1		1	ROD-GEAR SHIFT-LOWER (15 IN.) FOR MODEL 225.581508
	819962		1	ROD-GEAR SHIFT-LOWER (20 IN.) FOR MODEL 225.581498
38	10-F1800		1	BOLT (.250-20 X 7.00)
39	12-37998		1	WASHER
40	10-F430732		4	SCREW (.312-18 X 1.250)
41	27-F286555	▲	1	GASKET-GEAR HOUSING
42	10-F2030	♥	4	SCREW (.250-20 X 1.250)
43	F341562	♥	1	PLATE-WATER PUMP
44	45-F343128		1	DRIVESHAFT (15 IN.) FOR MODEL 225.581508
	45-F344128		1	DRIVESHAFT (20 IN.) FOR MODEL 225.581498
45	17-F901563	♥	1	PIN-DRIVE
46	47-F436065-2	♥	1	IMPELLER
47	46-FA715060	♥	1	BODY ASSEMBLY-WATER PUMP
48	26-F901307-2	▲	1	SEAL-DRIVESHAFT
49	F715388		1	DISC
50	FA510914		1	SEAL-WATER LINE
NS	FK1065		1	SEAL KIT-GEAR HOUSING
	FK1031-1		1	REPAIR KIT-WATER PUMP

▲ = COMPONENT OF GEAR HOUSING SEAL KIT
♥ = COMPONENT OF WATER PUMP KIT

FUEL TANK AND LINE



FUEL TANK AND LINE

REF. NO.	PART NO.	SYM.	QTY.	DESCRIPTION
-	1259-823504A3		1	TANK ASSEMBLY-FUEL (COMPLETE)
1	1259-823504A1		1	TANK ASSEMBLY-FUEL
2	823536		1	GAUGE & CAP ASSEMBLY
3	22-823532		1	CONNECTOR ASSEMBLY-FUEL
4	25-823533		1	O RING
5	35-823534		1	SCREEN-FILTER
6	32-820572A8		1	LINE ASSEMBLY-FUEL (.312 I.D.) (8.00 FT.) (30 IN. & 60 IN.)
7	13330A3		1	BULB ASSEMBLY-PRIMER
8	21-13331A1		1	VALVE-CHECK (INLET)
9	21-13331A2		1	VALVE-CHECK (OUTLET)
10	54-41582-10		2	CLAMP (LARGE)
11	54-41582--7		2	CLAMP (SMALL)
12	F197787-3		1	CONNECTOR-FUEL-ENGINE END
13	F17815		1	SEAL (SMALL)
14	F17816		1	SEAL (LARGE)
15	22-89771--1		1	CONNECTOR-FUEL TANK END
16	54-41582--7		2	CLAMP (SMALL)
NS	32-16789-78		AR	LINE-FUEL-BULK (9.00 FT.) CUT AS REQ'D
	32-16789100		AR	LINE-FUEL-BULK (100.00 FT.) CUT AS REQ'D

MISCELLANEOUS PARTS

REF. NO.	PART NO.	SYM.	QTY.	DESCRIPTION
-	92-818252-12		AR	LACQUER-GRAPHITE GRAY ACRYLIC-SPRAY CAN (12 PER CASE)
-	92-825321-12		AR	LACQUER-GRAPHITE GRAY ACRYLIC-BRUSH BOTTLE (12 PER BOX)
-	92-819107-12		AR	LACQUER-CLEAR ACRYLIC (FOR COWL ONLY)-SPRAY CAN (12 PER CASE)

PARTS INDEX

Part Number	Description	Pg.	Ref. No.	Part Number	Description	Pg.	Ref. No.
13330A3	BULB ASSEMBLY-PRIMER	35	7	830265	RETAINER-THROTTLE		
20117A1	MARKER SET-IGNITION				CABLE	15	25
	MODULE CABLE	5	21	830564	HANDLE-CARRYING	29	7
26852	CAP-NYLON-IDLE ADJUST			F10241	CLIP-THROTTLE LINKAGE		
	SCREW	15	27		SHAFT	13	24
42034A2	PULLEY ASSEMBLY-			F10242	WASHER-THROTTLE		
	STARTER REWIND	15	10		LINKAGE SHAFT	13	25
56762	CABLE TIE (4.00 IN.)	5	17	F10265	NEEDLE-INLET	13	17
56762	CABLE TIE (4.00 IN.)	9	14	F10268	SCREW-IDLE MIXTURE	13	15
816514	BEARING	7	11	F10273	JET (.047)-THROTTLE	13	21
816514	BEARING-CONNECTOR	21	31	F10275	SCREW-THROTTLE JET		
817751T1	BRACKET-STEERING				SEALING	13	22
	(PAINTED)	21	1	F10290	LINKAGE-THROTTLE	13	23
819320T	BRACKET-SHOCK MOUNT			F10338	LINK-THROTTLE	13	26
	LOWER (PAINTED)	23	29	F10343	SHAFT-CHOKE	13	5
819321	COVER-THERMOSTAT	25	47	F10344	SHUTTER-CHOKE	13	6
819348	ROD-CHOKE	13	32	F10346	FLOAT-FUEL BOWL	13	8
819399A1	LANYARD ASSEMBLY	5	6	F10347	ELBOW	13	14
819486	SEAL-SUPPORT PLATE	3	17	F10349	SHAFT-THROTTLE	13	27
819508T	LEVER-GEAR SHIFT			F10351	SHUTTER-THROTTLE	13	29
	(PAINTED)	7	23	F17815	SEAL (SMALL)	35	13
819550	THERMOSTAT (105_)	25	45	F17816	SEAL (LARGE)	35	14
819626T	HANDLE-GEAR SHIFT			F197787-3	CONNECTOR-FUEL-ENGINE		
	(PAINTED)	7	29		END	35	12
819914A2	ARM/KINGPIN ASSEMBLY-			F24074	FOOT-STERN BRACKET		
	STEERING (PAINTED)	21	8		SCREW	27	3
819962	ROD-GEAR SHIFT-LOWER	33	37	F24074	FOOT-STERN BRACKET		
819993T1	COVER-FUEL PUMP				SCREW	29	3
	(PAINTED)	9	24	F286114	HANDLE-LOCK BAR	27	9
820116--2	COVER-TRANSFER PORT	9	31	F286114	HANDLE-LOCK BAR	29	9
820367--1	LEVER-SHIFT HANDLE			F286224-1	INSERT-STEERING HANDLE		
	SHAFT	7	30		PIVOT	21	21
820578	JET (.048)-IDLE AIR BLEED	13	20	F286346	MOUNT-SHOCK-LOWER	23	36
823536	GAUGE & CAP ASSEMBLY	35	2	F286347	MOUNT-SHOCK-UPPER	23	41
823694	INSERT-THERMOSTAT	25	49	F286349	LOCK-REVERSE	23	27
824141T	COVER-EXHAUST			F286364T	LEVER-REVERSE LOCK	23	13
	(PAINTED)	19	5	F286433	BRACKET-SHALLOW WATER		
824357	LEVER-NEUTRAL				DRIVE	23	26
	INTERLOCK	7	8	F286490	STOP-STEERING HANDLE	21	7
824466A3	COVER ASSEMBLY-STOP			F286547	KNOB-CHOKE	13	31
	SWITCH	5	4	F286615	ROD-GEAR SHIFT-UPPER	7	13
824466A3	COVER ASSEMBLY-STOP			F286615	ROD-GEAR SHIFT-UPPER	33	35
	SWITCH	21	15	F286647	HANDLE-CARRYING	27	7
824826	SHAFT-GEAR SHIFT			F286685	CONNECTOR-GEAR SHIFT		
	HANDLE	7	14		ROD	7	20
825402	LINK-SHIFT LEVER	7	18	F286705-1	ROD-GEAR SHIFT-LOWER	33	37
826559A2	BRACKET ASSEMBLY-			F286721	CAM-SHIFT	31	8
	STARTER HOUSING			F286827	LEVER-REVERSE LOCK	23	20
	FRONT	15	3	F286871T	PIN-GEAR SHIFT LEVER	7	25
826591	BUSHING	21	30	F286914-1	SLEEVE-WATER LINE	23	39
826592	CABLE ASSEMBLY-			F2A24757	PLATE ASSEMBLY-FUEL		
	THROTTLE	21	13		PUMP	9	26
826609T	HANDLE-STEERING			F341384	RETAINER-CHOKE ROD	13	33
	(PAINTED)	21	18	F341562	PLATE-WATER PUMP	33	43
826691--1	CAM-THROTTLE	5	10	F392756	SEAL-TOP OF BOTTOM		
826693	HOUSING-STARTER	15	1		SUPPORT (4.075 FT.		
827252	ARM-STEERING (LOWER)	21	17		BULK) (CUT 3.783 FT.)	3	13
828070	GRIP-STEERING HANDLE	21	26	F424075T	HANDLE (PAINTED)	27	5
828406	SLEEVE-STEERING HANDLE			F424075T	HANDLE (PAINTED)	29	5
	GRIP	21	27	F429541	LOCK-TILT	27	14

PARTS INDEX

Part Number	Description	Pg.	Ref. No.	Part Number	Description	Pg.	Ref. No.
F429541	LOCK-TILT	29	14	FK10352	GASKET SET-CARBURETOR	13	NS
F429811	SCREEN	9	19	FK10353	REPAIR KIT-CARBURETOR	13	NS
F481777	CAM-LATCH SHAFT	3	21	FK1065	SEAL KIT-GEAR HOUSING	33	NS
F681003-1	ARM-STARTER INTERLOCK	7	2	FK1123	BOOT KIT-SPARK PLUG	5	11
F681046	BULB-PRIMER	9	34	FO15366	BOWL-FUEL	13	10
F681090	PLATE-HANDLE SUPPORT	15	17	FO15722	NOZZLE-MAIN	13	19
F681091	NUT-FLYWHEEL	5	1	FO4784	BALL-CHOKE FRICTION	13	3
F681132	HANDLE-STARTER ROPE	15	21	FO8805	SPRING	13	4
F681232	ROPE (64/67 IN.)	15	13	FP395	PROPELLER-ALUM (8.250 X 6.00 X 3)	31	31
F681263-1	LINK-STARTER INTERLOCK	7	15	FP396	PROPELLER-ALUM (8.250 X 4.500 X 3)	31	31
F681269	HANDLE-TILT	3	4	FP472	PROPELLER-ALUM (8.00 X 9.00 X 3)	31	31
F681428	INSERT-STARTING HOUSING ROPE	15	5	FP6477	PROPELLER-NYLON (8.00 X 9.250 X 3) (STANDARD)	31	31
F681490	STOP-STARTER PULLEY INTERLOCK	7	1	FP715	PROPELLER-ALUM (8.375 X 6.00 X 3)	31	31
F681531-1	ROD-INTERLOCK	7	10	10-28430	SCREW (#6-32 X .250)	9	2
F681592	RETAINER-STARTER PULLEY	15	14	10-28635	SCREW (.250-20 X .625)	3	23
F681631	SHOE-FRICTION-SWIVEL BRACKET	23	8	10-28635	SCREW (.250-20 X .625)	21	12
F681677	INSERT-CHOKE KNOB	13	30	10-28636	SCREW (.250-20 X .750)	19	16
F681742	LEVER-INTERMEDIATE INTERLOCK	7	16	10-28639	SCREW (.250-20 X .625)	31	24
F681817	RETAINER-STARTER ROPE	15	22	10-28668	SCREW (.250-20 X .875)	9	13
F681874-1	FASTENER-HANDLE SUPPORT PLATE	15	19	10-28668	SCREW (.250-20 X .875)	19	6
F681954-1	COVER-PRIMER BULB	9	33	10-35386	SCREW (.312-18 X 1.00)	19	10
F702178	RETAINER-GRIP	21	24	10-48408	SCREW (#10-16 X .500)	7	4
F715151	PLATE-EXHAUST	19	8	10-48408	SCREW (#10-16 X .500)	15	15
F715388	DISC	33	49	10-69022	SCREW (#10-32 X .500)	27	4
F715404	PLATE-LEG TURNER	23	1	10-69022	SCREW (#10-32 X .500)	29	4
F715660	TUBE-EXHAUST	19	18	10-819382	SCREW (.250-20 X 1.00)	25	48
FA1844	SCREW KIT (.250-20 X 2.375)	23	30	10-819625	SCREW-SHOULDER	7	12
FA286155	LINER SET-CENTERMAIN BEARING	17	8	10-819625	SCREW-SHOULDER	15	20
FA324101	PIN KIT-PROPELLER (3 PINS WITH COTTER PIN)	31	32	10-823594	SCREW-STEERING HANDLE PIVOT	21	4
FA341510	LINK-REVERSE LOCK	23	25	10-823595	SCREW-STEERING HANDLE PIVOT	21	3
FA387742	LEVER ASSEMBLY-INTERMEDIATE	23	18	10-824352	SCREW (#10-24 X .375)	21	29
FA429471	COVER ASSEMBLY-CYLINDER DRAIN (PAINTED)	9	18	10-824352	SCREW (#10-24 X .375)-GROUND	5	16
FA492845T	EXTENSION KIT (PAINTED)	23	33	10-824353	SCREW (#8-32 X .750)-IGNITION MODULE	5	15
FA510914	SEAL-WATER LINE	33	50	10-824358	SCREW (#10-24 X .500)-GROUND	5	20
FA617113	BAR KIT-LOCK	27	8	10-824358	SCREW (#10-24 X .500)-STATOR PLATE	5	18
FA617113	BAR KIT-LOCK	29	8	10-826248	SCREW-STERN BRACKET	27	2
FA681469T	HANDLE ASSEMBLY-COWL LATCH (PAINTED)	3	18	10-826248	SCREW-STERN BRACKET (SPECIAL)	29	2
FA681630T	SUPPORT ASSEMBLY-HANDLE	15	16	10-826575	SCREW (#8-32 X .625)	21	16
FA712228	ROLLER SET (2 STRIPS-28 PER)	17	9	10-826676	SCREW (.250-28 X 2.00)-IDLE ADJUST	15	26
FA715167	MANIFOLD KIT-CARBURETOR	9	8	10-828815	SCREW (.250-20 X 1.750)	21	9
FG1035	GASKET SET	19	19	10-90192	SCREW (.250-20 X .750)	15	2
FG1035	SHORT BLOCK GASKET SET	11	-	10-98254	SCREW (.250-20 X .625)	9	35
FG1035	SHORT BLOCK GASKET SET	17	-	10-F10345	SCREW-SHUTTER	13	7
FK1031-1	REPAIR KIT-WATER PUMP	33	NS	10-F1069	SCREW (#10-24 X 1.062)	9	23
FK10352	CARBURETOR GASKET SET	11	-	10-F1107	SCREW (.250-20 X .750)	19	2
				10-F1286	SCREW (#4-40 X .187)	9	29
				10-F1335	SCREW (.312-18 X 1.250)	19	3

PARTS INDEX

Part Number	Description	Pg.	Ref. No.	Part Number	Description	Pg.	Ref. No.
10-F175634	SCREW-CONN ROD	17	11	13-26992	LOCKWASHER (.250)	31	9
10-F1800	BOLT (.250-20 X 7.00)	33	38	13-26996	LOCKWASHER (#10)	7	19
10-F1820	SCREW (.250-20 X 1.375)	23	10	13-69150	WASHER-WAVE	27	15
10-F1914	SCREW (.250-20 X .750)	17	1	13-69150	WASHER-WAVE	29	15
10-F1922	SCREW (.250-20 X .625)	9	36	13-78968	LOCKWASHER (.250		
10-F1922	SCREW (.250-20 X .625)	15	8		INTERNAL)	21	32
10-F1976	SCREW (#10-24 X .500)	33	36	13-F1704	LOCKWASHER (#6		
10-F2030	SCREW (.250-20 X 1.250)	15	24		INTERNAL)	9	3
10-F2030	SCREW (.250-20 X 1.250)	33	42	13-F2047	WASHER-WAVE	3	20
10-F2210	SCREW (.250-14 X .500)	15	18	13-F8048	WASHER-BOWED	7	31
10-F2211	SCREW (#10-24 X .625)	3	6	13-F8058	LOCKWASHER (#10		
10-F2417	SCREW (.250-20 X .375)	23	2		INTERNAL)	7	22
10-F286422-1	SCREW-TILT LOCK (.312-18			16-826542	STUD (.250-20 X 1.360)	31	28
	SPECIAL)	29	12	16-826590	STUD (.250-20 X 1.690) WITH		
10-F286422-1	SCREW-TILT LOCK (.312-18)	27	12		DRI LOC-NEUTRAL		
10-F430732	SCREW (.312-18 X 1.250)	23	34		INTERLOCK PIVOT	7	7
10-F430732	SCREW (.312-18 X 1.250)	33	40	16-826622	STUD (.250-20 X .910) WITH		
10-F50109	PLUG	31	2		DRI LOC	9	9
10-F50109	PLUG	31	26	16-F286134	STUD-GEAR SHIFT LEVER	7	27
10-F617037	BOLT-STERN BRACKET			16-F681134	STUD-INTERLOCK LEVER	7	6
	PIVOT	27	17	16-F98273	STUD-ROD END		
10-F617037	BOLT-STERN BRACKET				CONNECTOR	7	21
	PIVOT (.375-16 X 6.880)	29	17	17-24198	PIN-ROLL	27	6
10-F681026	SCREW-LATCH ROLLER	3	9	17-24198	PIN-ROLL	29	6
10-F901938-1	SCREW-CYLINDER HEAD	19	13	17-25905	PIN-ROLL	7	28
11-20110	NUT (#10-32)	7	17	17-31656	PIN-ROLL	7	24
11-20890	NUT (.250-20)	9	12	17-38489	PIN-ROLL	27	10
11-20890	NUT (.250-20)	31	10	17-38489	PIN-ROLL	29	10
11-64015	NUT (.250-20)	23	32	17-48450	PIN-DOWEL	31	4
11-814101	NUT (.250-20)	3	7	17-48450	PIN-DOWEL	31	4
11-814101	NUT (.250-20)	7	9	17-819707	PIN-TILT LOCK	23	7
11-814101	NUT (.250-20)	15	7	17-819707	PIN-TILT LOCK (.250-20)	27	20
11-814101	NUT (.250-20)	21	11	17-819707	PIN-TILT LOCK (.250-20)	29	20
11-817752A1	NUT KIT-PROPELLER	31	33	17-F1794	PIN-SPRING	23	16
11-F1608	NUT (.250-20)	23	12	17-F1806	PIN-GROOVE	23	22
11-F7009	NUT (#10-24)	3	5	17-F1807	PIN-GROOVE	21	2
11-F7026	NUT (.375-16)	27	19	17-F286728	PIN-SHIFT	31	15
11-F7026	NUT (.375-16)	29	19	17-F8538	PIN-SPRING	23	14
12-12038	WASHER	23	11	17-F8559	PIN-DOWEL	19	4
12-18552	WASHER	9	27	17-F8564	PIN-SPIRAL	31	17
12-19183	WASHER	31	27	17-F901563	PIN-DRIVE	33	45
12-19183	WASHER	31	3	17-FO13944	PIN-FLOAT	13	9
12-20553	WASHER	27	18	18-45882	PIN-COTTER	31	34
12-20553	WASHER	29	18	19-73336	PLUG	3	16
12-35044	WASHER	3	24	19-817362	PLUG	15	11
12-37998	WASHER	19	14	19-F286539	BUMPER	21	10
12-37998	WASHER	33	39	19-FO10588	PLUG-BODY CHANNEL		
12-89302	WASHER	3	2		PLUG	13	2
12-F2037	WASHER	23	19	19-FO16128	PLUG-BY PASS CHAMBER	13	1
12-F286011	WASHER-SWIVEL BRACKET	23	23	21-13331A1	VALVE-CHECK (INLET)	35	8
12-F286220	WASHER	21	19	21-13331A2	VALVE-CHECK (OUTLET)	35	9
12-F286286-1	WASHER	23	21	21-817741A1	VALVE KIT	9	20
12-F286903	WASHER	31	11	22-823532	CONNECTOR ASSEMBLY-		
12-F456717	WASHER-THRUST	31	14		FUEL	35	3
12-F658504	WASHER-THERMOSTAT	25	44	22-850314	FITTING-FUEL PUMP		
12-F8143	WASHER	3	3		(DESIGN II)	9	17
12-F8143	WASHER	7	3	22-89771--1	CONNECTOR-FUEL TANK		
13-26992	LOCKWASHER (.250)	3	22		END	35	15
13-26992	LOCKWASHER (.250)	19	17	22-F197767-2	BUSHING-FUEL	9	16
13-26992	LOCKWASHER (.250)	23	31	22-F213274	FITTING-GREASE	23	4

PARTS INDEX

Part Number	Description	Pg.	Ref. No.	Part Number	Description	Pg.	Ref. No.
22-F681188	NUT-STOP SWITCH SLEEVE	5	14	27-F286555	GASKET-GEAR HOUSING . .	33	41
22-F901811	FILTER-FUEL PUMP (DESIGN I)	9	17	27-F715154	GASKET-EXHAUST PORT COVER	19	7
23-26841	BUSHING	7	26	27-F715168	GASKET-MANIFOLD	9	7
23-26856	BUSHING	21	20	27-F715279-1	GASKET-CYLINDER MOUNTING	19	9
23-26856	BUSHING	21	6	27-F715906	GASKET-CARBURETOR . . .	9	11
23-26856	BUSHING	23	15	27-FO15623	GASKET-FUEL BOWL	13	11
23-812707	BUSHING	3	19	27-FO2510	GASKET-FUEL BOWL SCREW	13	13
23-812707	BUSHING	21	22	28-F458498-1	KEY- CRANKSHAFT/FLYWHEEL	5	13
23-819226	SPACER-TILT LOCK	27	13	29-F286571	ROLLER SET (26 PER SET)	17	7
23-819226	SPACER-TILT LOCK	29	13	30-F127910-2	BEARING-BALL	31	6
23-830196	SPACER-THROTTLE CABLE RETAINER	15	28	30-F286028	BEARING-BALL	17	6
23-F197319	BUSHING-CHOKE ROD	13	34	31-48913	BEARING-PROPSHAFT	31	12
23-F286169	BUSHING-BOTTOM (1.750 IN.)	23	5	31-817756A2	CAGE ASSEMBLY- PROPSHAFT (PAINTED) . .	31	21
23-F536813	BUSHING	23	17	31-F343014	BEARING-CRANKSHAFT LOWER MAIN	17	13
23-F681169	BUSHING-TOP (1.125 IN.) . .	23	6	32-16789-78	LINE-FUEL-BULK (9.00 FT.) CUT AS REQ'D	35	NS
23-F681405	INSERT-STARTER HOUSING	15	6	32-16789100	LINE-FUEL-BULK (100.00 FT.) CUT AS REQ'D	35	NS
23-F681759	ROLLER-LATCH	3	8	32-819398T	HOSE (18.00 IN. BULK) (CUT 5.750 IN.)-PRIMER BULB TO CARB	9	10
24-27160	SPRING-IDLE MIXTURE SCREW	13	16	32-819398T	HOSE-FUEL (18.00 IN. BULK) (CUT 13.380 IN.)	9	15
24-819329	SPRING-THERMOSTAT	25	46	32-819398T	HOSE-FUEL (18.00 IN. BULK) (CUT 4.00 IN.)	11	38
24-F10350	SPRING-THROTTLE SHAFT	13	28	32-819398T	HOSE-FUEL (18.00 IN. BULK) (CUT 8.250 IN.)	9	37
24-F286300	SPRING-REVERSE LOCK . .	23	28	32-820572A8	LINE ASSEMBLY-FUEL (.312 I.D.) (8.00 FT.) (30 IN. & 60 IN.)	35	6
24-F286461	SPRING-LOCK BAR HANDLE	27	11	32-F286244	LINE-WATER	23	38
24-F286461	SPRING-LOCK BAR HANDLE	29	11	32-F715943	TUBE-CYLINDER WATER JACKET	19	15
24-F286544-1	SPRING-TILT LOCK	27	16	32-FS901244	LINE-WATER-EXTENSION . .	23	35
24-F286544-1	SPRING-TILT LOCK	29	16	33-328	SPARK PLUG (CHAMPION # L82YC)	5	12
24-F286868	SPRING-STEERING HANDLE STOP	21	5	33-814	SPARK PLUG (RFI) (CHAMPION # RL82YC) . .	5	12
24-F286895	SPRING-SHIFT CAM	31	7	34-F18160-3	REED	9	28
24-F409719	SPRING-CLUTCH	31	18	34-F31160-2	REED	9	5
24-F681424	SPRING-INTERLOCK LEVER	7	5	34-F715161	STOP-REED	9	4
24-F681970	SPRING-STARTER REWIND	15	9	34-FA715158	PLATE ASSEMBLY-REED . .	9	1
25-21836	O RING (LARGE)	21	23	35-823534	SCREEN-FILTER	35	5
25-23145	O RING (SMALL)	21	25	35-828998	FILTER-FUEL	11	39
25-32509	O RING	17	12	37-818029--1	DECAL-FUEL MIX	23	42
25-823533	O RING	35	4	37-825149A1	DECAL KIT-SHIFT TO NEUTRAL	15	23
25-F455305	SEAL	31	22	37-826342-14	DECAL (STARBOARD)	3	11
26-12494--1	SEAL-PULLEY BEARING . . .	15	12	37-826342-15	DECAL (PORT)	3	11
26-66022	SEAL	31	23	37-826342-16	DECAL (REAR)	3	10
26-817472	SEAL-GEAR SHIFT ROD . . .	31	29	37-826342-17	DECAL (FRONT)-STARTER INSTRUCTIONS	3	12
26-819396	SEAL-CRANKSHAFT LOWER	17	14	37-F688585	DECAL-TILT LOCK	23	24
26-819801	SEAL-CRANKSHAFT-UPPER	17	3	37-F712894	DECAL-SPEED INDICATOR .	21	28
26-F901307-2	SEAL-DRIVESHAFT	23	40				
26-F901307-2	SEAL-DRIVESHAFT	31	30				
26-F901307-2	SEAL-DRIVESHAFT	33	48				
27-818043A1	GASKET/DIAPHRAGM SET . .	9	30				
27-819669	GASKET-THERMOSTAT COVER	23	43				
27-825183	GASKET-TRANSFER PORT COVER	9	32				
27-825188	GASKET-CYLINDER DRAIN COVER	9	22				
27-F24748-2	GASKET-FUEL PUMP	9	25				
27-F286159-1	GASKET-REED PLATE	9	6				
27-F286277	GASKET-CRANKSHAFT BEARING CAGE	17	4				
27-F286529-3	GASKET-CYLINDER HEAD . .	19	11				

PARTS INDEX

Part Number	Description	Pg.	Ref. No.	Part Number	Description	Pg.	Ref. No.
38-819281--1	PLATE-FRONT-BOTTOM			700-819946A3	PISTON KIT	17	15
	SUPPORT PLATE	3	15	800-819553A1	CYLINDER BLOCK ASSY . . .	7	-
39-820484A1	RING SET-PISTON (2 RINGS)	17	18	800-819553A1	CYLINDER BLOCK ASSY . . .	11	-
41-F712017	PIN-PISTON	17	17	800-819553A1	SHORT BLOCK ASSEMBLY .	17	-
43-819251A1	GEAR ASSEMBLY-PINION . .	31	5	800-819553A1	SHORT BLOCK ASSEMBLY .	19	-
43-819252A1	GEAR ASSEMBLY-			800-819553A12	CYLINDER BLOCK ASSY . . .	17	-
	FORWARD	31	13	800-819553A12	CYLINDER BLOCK ASSY . . .	19	-
43-819254A1	GEAR ASSEMBLY-REVERSE	31	20	800-819553A12	CYLINDER KIT	19	1
44-F456098	PROPSHAFT	31	19	800-819553A14	SHORT BLOCK ASSEMBLY .	7	-
45-F343128	DRIVESHAFT	33	44	800-819553A14	SHORT BLOCK ASSEMBLY .	11	-
45-F344128	DRIVESHAFT	33	44	800-819553A14	SHORT BLOCK ASSEMBLY		
46-FA715060	BODY ASSEMBLY-WATER				(PAINTED)	19	-
	PUMP	33	47	900-F703518T	HEAD-CYLINDER (PAINTED)	19	12
47-F436065-2	IMPELLER	33	46	1100-817753A1	CAGE ASSEMBLY-		
48-FP6430	PROPELLER-NYLON (8.00 X				CRANKSHAFT BEARING .	17	2
	8.250 X 3)	31	31	1259-823504A1	TANK ASSEMBLY-FUEL . . .	35	1
48-FP70	PROPELLER-ALUM (8.125 X			1259-823504A3	TANK ASSEMBLY-FUEL		
	8.750 X 2)	31	31		(COMPLETE)	35	-
52-819253	CLUTCH	31	16	1300-F715061-1	CARBURETOR (FO-1B)	13	-
53-818853	RING-RETAINING	15	4	1395-6029	JET-MAIN (.068) (2500 - 5000		
53-F31410	RING-RETAINING	17	16		FT.)	13	18
54-41582--7	CLAMP (SMALL)	35	11	1395-6030	JET-MAIN (.070) (0 - 2500		
54-41582--7	CLAMP (SMALL)	35	16		FT.)	13	18
54-41582-10	CLAMP (LARGE)	35	10	1399-4215	JET-MAIN (.066) (5000 - 7500		
54-816311	CABLE TIE (8.00 IN.)	5	22		FT.)	13	18
54-F286573-1	CLAMP-STEERING			1399-4216	JET-MAIN (.064) (7500 -		
	FRICTION	23	9		10000 FT.)	13	18
54-F286772-1	CLAMP	9	21	1399-5128	SCREW-FUEL BOWL	13	12
84-60466A21	WIRE ASSEMBLY-GROUND	5	19	1400-817750A4	BRACKET KIT-SWIVEL		
84-819379A7	HARNES ASSEMBLY-				(PAINTED)	23	3
	ENGINE STOP	5	7	1400-820068T1	BRACKET-STERN (PAINTED)	27	1
87-824440A9	SWITCH ASSEMBLY-STOP .	5	3	1400-830295T	BRACKET-STERN (PAINTED)	29	1
87-824440A9	SWITCH ASSEMBLY-STOP .	21	14	1500-819344T	HOUSING-DRIVESHAFT		
87-826214A1	SWITCH ASSEMBLY-				(PAINTED)	23	37
	EMERGENCY STOP	5	5	1500-824916A1	HOUSING KIT-DRIVESHAFT-		
90-830211--2	OWNERS MANUAL/PARTS				UPPER (PAINTED)	31	25
	MANUAL	3	25	1600-817749A2	HOUSING KIT-GEAR (BASIC)		
92-818252-12	LACQUER-GRAPHITE GRAY				(PAINTED)	31	1
	ACRYLIC-SPRAY CAN (12			1600-819483A2	HOUSING KIT-GEAR	31	-
	PER CASE)	36	-				
92-819107-12	LACQUER-CLEAR ACRYLIC						
	(FOR COWL ONLY)-						
	SPRAY CAN (12 PER						
	CASE)	36	-				
92-825321-12	LACQUER-GRAPHITE GRAY						
	ACRYLIC-BRUSH BOTTLE						
	(12 PER BOX)	36	-				
100-819280A2	PLATE KIT-BOTTOM						
	SUPPORT (PAINTED) . . .	3	14				
100-820154A2	COWL ASSEMBLY-TOP						
	(WITHOUT DECALS)						
	(PAINTED)	3	1				
100-820154A6	COWL ASSEMBLY-TOP	3	-				
200-824380T3	FLYWHEEL (PAINTED)	5	2				
300-819156T	MODULE-IGNITION (CUT						
	WIRE AS REQ'D)	5	9				
300-826692T	PLATE-STATOR	5	8				
400-819803A2	CRANKSHAFT ASSEMBLY .	17	5				
600-FS715016	CONNECTING ROD						
	ASSEMBLY	17	10				