



# PARTS CATALOG

## 28 HORSE POWER

### SERIAL NUMBER

28	.....	664-04605 AND BELOW
28	.....	664-25800 AND BELOW
28	.....	664-38145 AND BELOW
28	.....	664-56820 AND BELOW

# TABLE OF CONTENTS:

CARBURETOR .....	10
CLAMP AND SWIVEL BRACKET .....	20
COWLING .....	38
CRANKCASE AND CYLINDER HEAD .....	2
CRANKSHAFT AND PISTON .....	6
DRIVESHAFT HOUSING .....	12
ELECTRIC START COMPONENTS .....	48
ELECTRIC STARTER MOTOR .....	52
ELECTRICAL .....	54
FLYWHEEL MAGNETO .....	32
FUEL LINES AND FILTER .....	46
FUEL PUMP .....	44
FUEL TANK (INTERNATIONAL) .....	40
FUEL TANK (U.S.A.) .....	42
GEAR HOUSING ASS'Y .....	14
GEAR SHIFT LINKAGE .....	28
INTAKE MANIFOLD .....	8
MOUNTING SYSTEM .....	24
OPTIONAL PARTS (MANUAL START) .....	56
PARTS INDEX .....	58
RECOIL STARTER .....	34
REVERSE LOCK .....	22
STEERING HANDLE .....	26
THROTTLE CONTROL .....	30

**NOTE:** Indented description indicate that these parts are included in preceeding assembly.

**AR** = As Required

**NSS** = Not Sold Separate

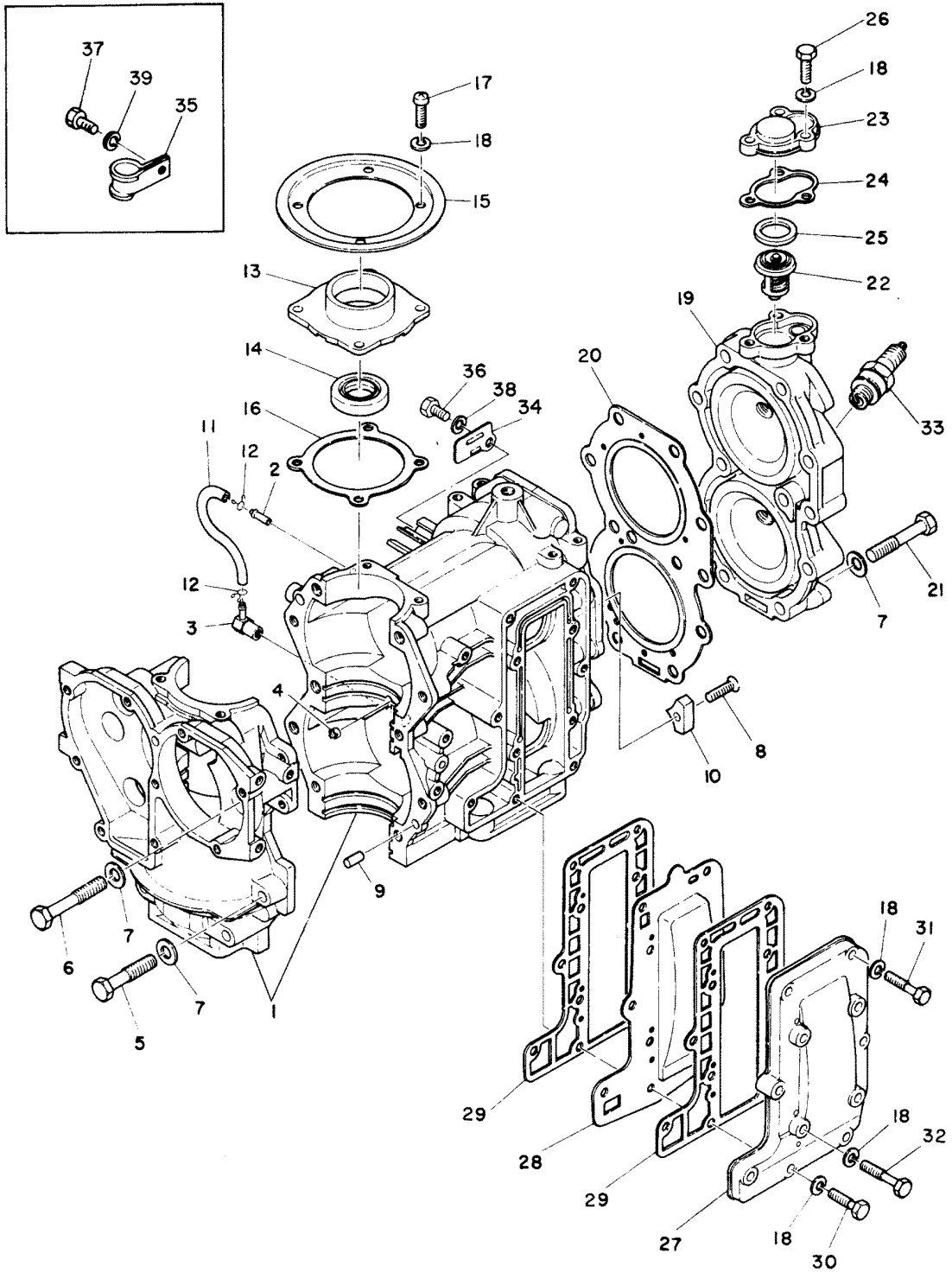
**OPT** = Optional

**NS** = Not Shown

**THESE PARTS BOOKS/FICHE CARD ARE COPYRIGHTED AND MAY NOT BE DISTRIBUTED OR REPRODUCED IN ANY OTHER FORMAT BY ANYONE OTHER THAN MERCURY MARINE WITHOUT THE PRIOR WRITTEN CONSENT OF MERCURY MARINE.**

THIS PAGE INTENTIONALLY LEFT BLANK

# CRANKCASE AND CYLINDER HEAD

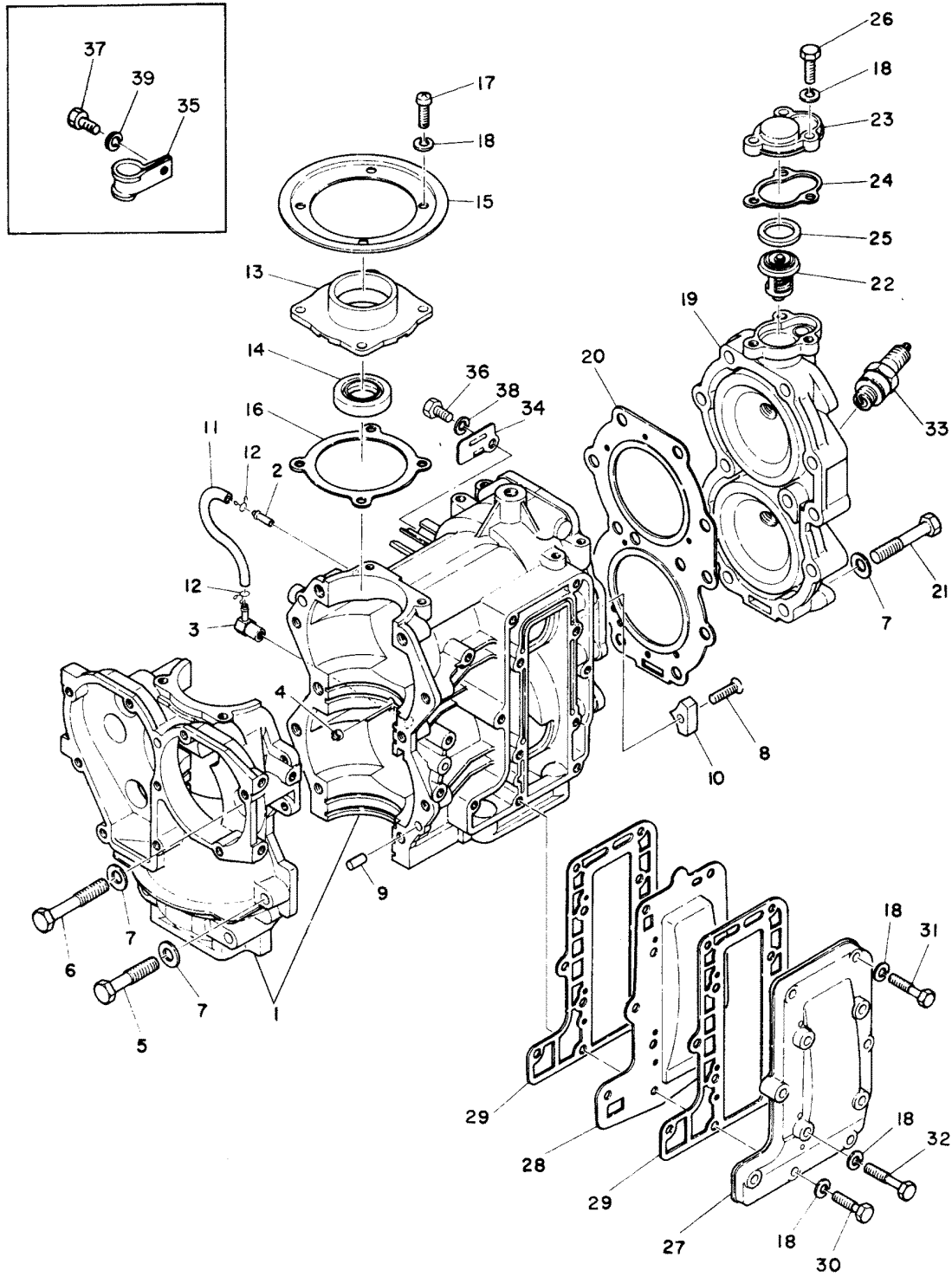


# CRANKCASE AND CYLINDER HEAD

REF. NO.	PART NO.	SYM.	QTY.	DESCRIPTION
1	870-6851M		1	CRANKCASE ASS'Y
2	22-80122M		1	FITTING, CRANKCASE DRAIN
3	21-80727M		1	CHECK VALVE ASS'Y
4	21-80107M		1	CHECK VALVE, CRANKCASE
5	10-82406M		2	BOLT, CRANKCASE ATTACHING
6	10-82408M		8	BOLT, CRANKCASE ATTACHING
7	12-80564M		21	WASHER
8	10-82167M		1	SCREW, ANODE ATTACHING
9	17-82364M		2	PIN, DOWEL-CRANKCASE
10	81556M		1	ANODE
11	32-82000M		1	HOSE, CYLINDER DRAIN
12	54-82046M		2	CLAMP, DRAIN HOSE
13	81564M		1	HOUSING, OIL SEAL
14	26-82245M		1	OIL SEAL, CRANKSHAFT AUPPPER
15	81579M		1	RETAINER, MAGNETO BASE <b>SERIAL 00000000-00004605</b>
	83199M		1	RETAINER, MAGNETO BASE . <b>SERIAL 00004606-09999999</b>
16	27-81565M		1	GASKET, OIL SEAL HOUSING
17	10-82177M		4	SCREW, MAGNETO BASSE ATTACHING
18	13-82197M		18	LOCK WASHER
19	968-6848M		1	HEAD, CYLINDER
20	27-81555M		1	GASKET, CYLINDER HEAD
21	10-82407M		11	BOLT, CYLINDER HEAD ATTACHING
22	81098M		1	THERMOSTAT
23	82658M		1	COVER, THERMOSTAT . <b>SERIAL 00000000-00001725</b>
	81030M		1	COVER, THERMOSTAT . <b>SERIAL 00001726-09999999</b>
24	27-81031M		1	GASKET, THERMOSTAT COVER
25	23-82622M		1	SPACER, THERMOSTAT . <b>SERIAL 00000000-00001725</b>
	12-81835M		1	WASHER <b>SERIAL 00001726-09999999</b>
26	10-82424M		3	BOLT, THERMOSTAT COVER ATTACHING
27	81569M		1	COVER EXHAUST-OUTER
28	81568M		1	COVER, EXHAUST-INNER
29	27-81570M		2	GASKET, EXHAUST COVER
30	10-8245M		2	BOLT8 EXHAUST COVER ATTACHING
31	10-82426M		5	BOLT, EXHAUST COVER ATTACHING
32	10-82427M		4	BOLT, EXHUAST COVER ATTACHING
33	33-82371M		2	SPARK PLUGM B-7HS (NGK)
34	81659M		2	CLAMP, WIRE . <b>SERIAL 00000000-00002010</b>
35	54-82033M		1	CLAMP . <b>SERIAL 00000000-00004605</b>

CONTINUED ON NEXT PAGE ➡

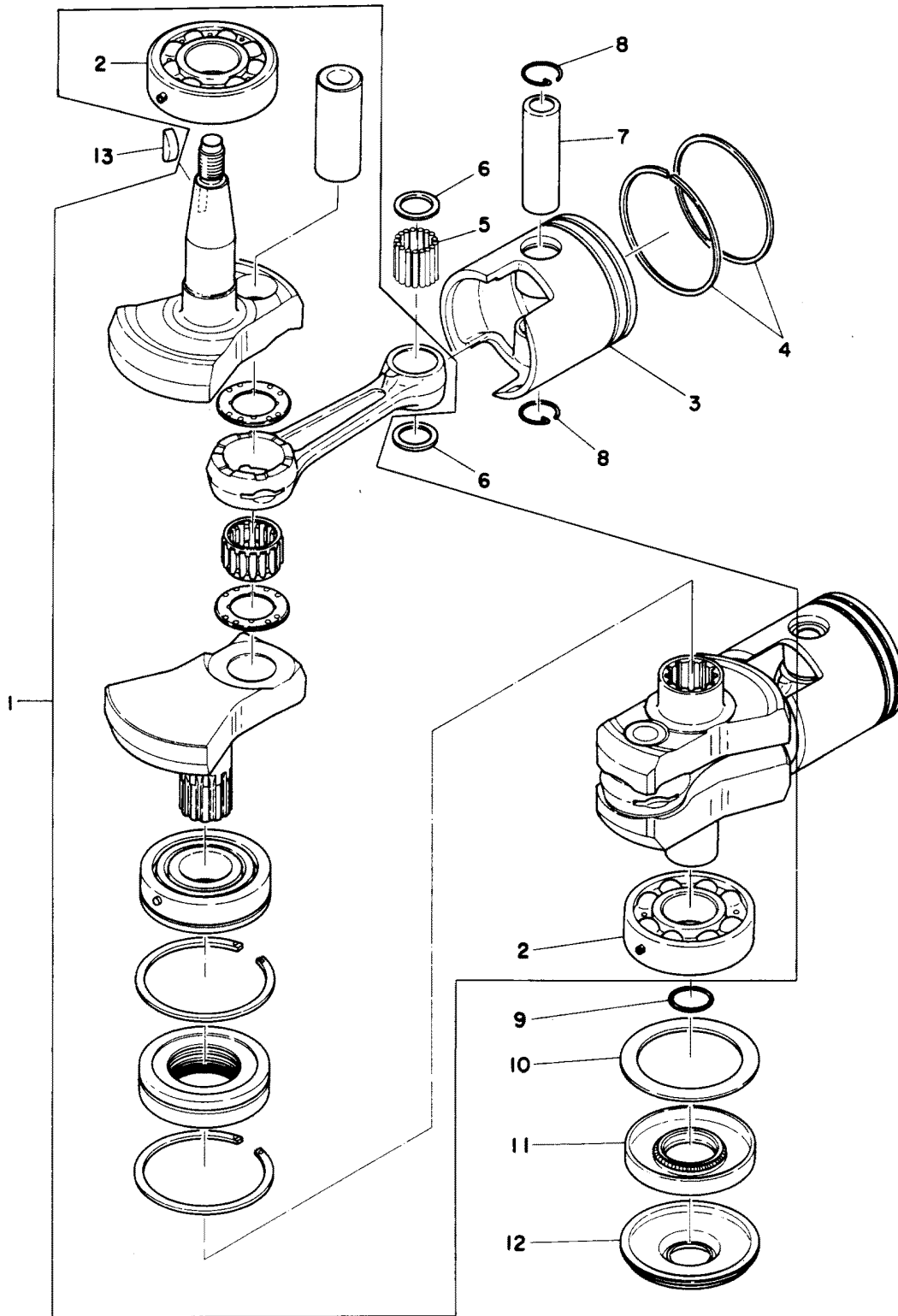
# CRANKCASE AND CYLINDER HEAD



# CRANKCASE AND CYLINDER HEAD

REF. NO.	PART NO.	SYM.	QTY.	DESCRIPTION
35	54-82034M		1	CLAMP SERIAL 00004606-09999999
36	10-82421M		2	BOLT, CLAMP ATTACHING SERIAL 00000000-00025300
37	10-82421M		1	BOLT . SERIAL 00002011-09999999
38	13-82197M		2	WASHER . SERIAL 00000000-00002010
39	13-82197M		1	WASHER SERIAL 00002011-09999999

# CRANKSHAFT AND PISTON

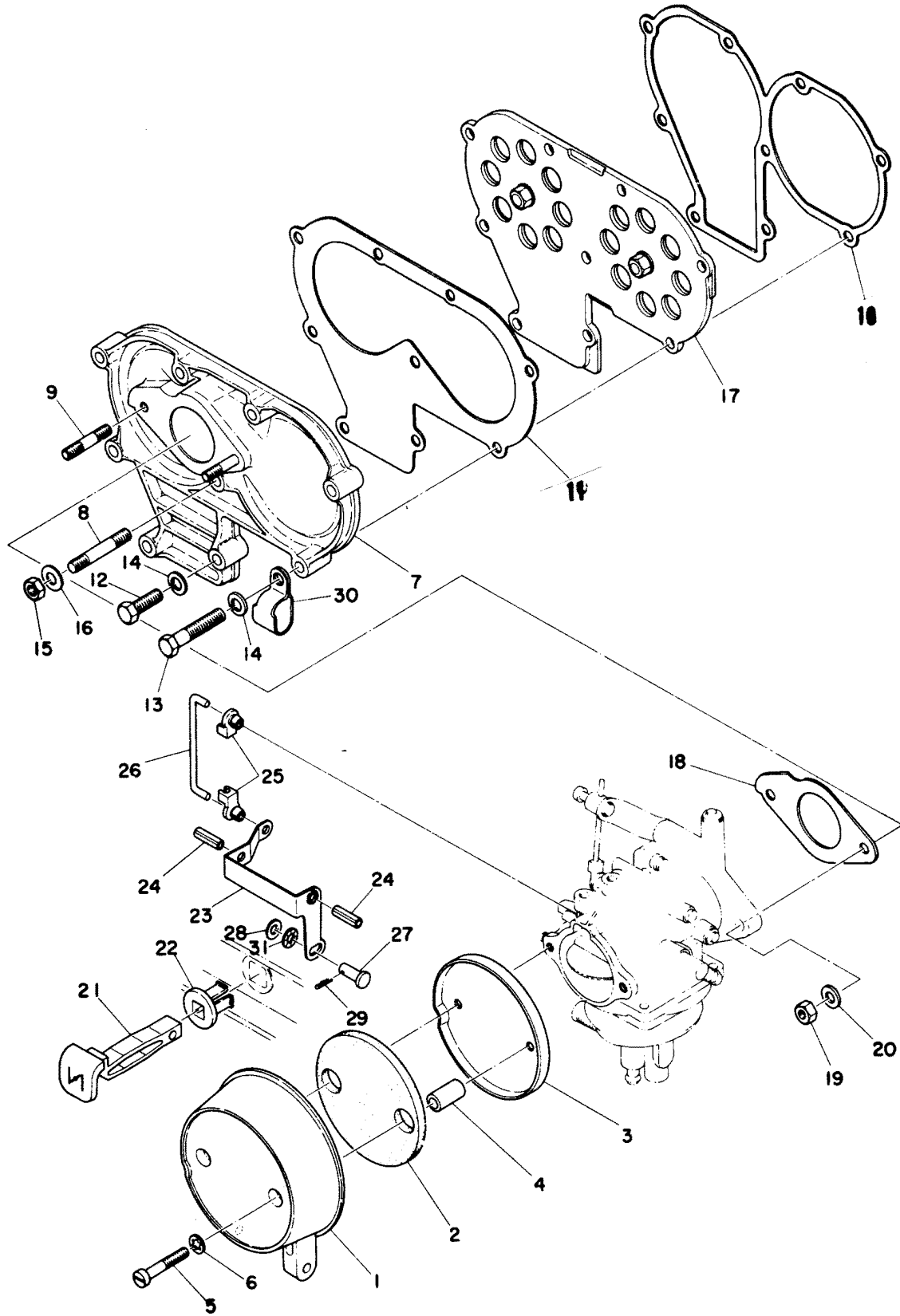




## CRANKSHAFT AND PISTON

REF. NO.	PART NO.	SYM.	QTY.	DESCRIPTION
1	463-6849M		1	CRANKSHAFT ASS'Y
2	30-82307M		2	BEARING, CRANKSHAFT
3	761-6937M		0	PISTON (STD 66.96 MM)
	761-6785M		AR	PISTON (STD 66.97 MM)
	761-6786M		2	PISTON (STD 66.98 MM)
	761-6787M		0	PISTON (1ST O.S. 67.25 MM)
	761-6788M		0	PISTON (2ND O.S. 67.50 MM)
4	39-81095M		AR	PISTON RING SET (STD)
	39-81096M		2	PISTON RING SET (1ST O.S. 67.25 MM)
	39-81097M		0	PISTON RING SET (2ND O.S. 67.50 MM)
5	29-82352M		62	BEARING, NEEDLE
6	12-81829M		4	WASHER, CONNECTING ROD BEARING
7	41-80565M		2	PIN, PISTON
8	53-82345M		4	CLIP, PISTON PIN
9	25-82268M		1	O-RING, CRANKSHAFT TO DRIVESHAFT
10	23-81842M		1	SPACER, INNER BEARING
11	26-82246M		1	OIL SEAL, CRANKSHAFT (LOWER)
12	82254M		1	RETAINER, OIL SEAL
13	28-81914M		1	KEY, CRANKSHAFT TO FLYWHEEL

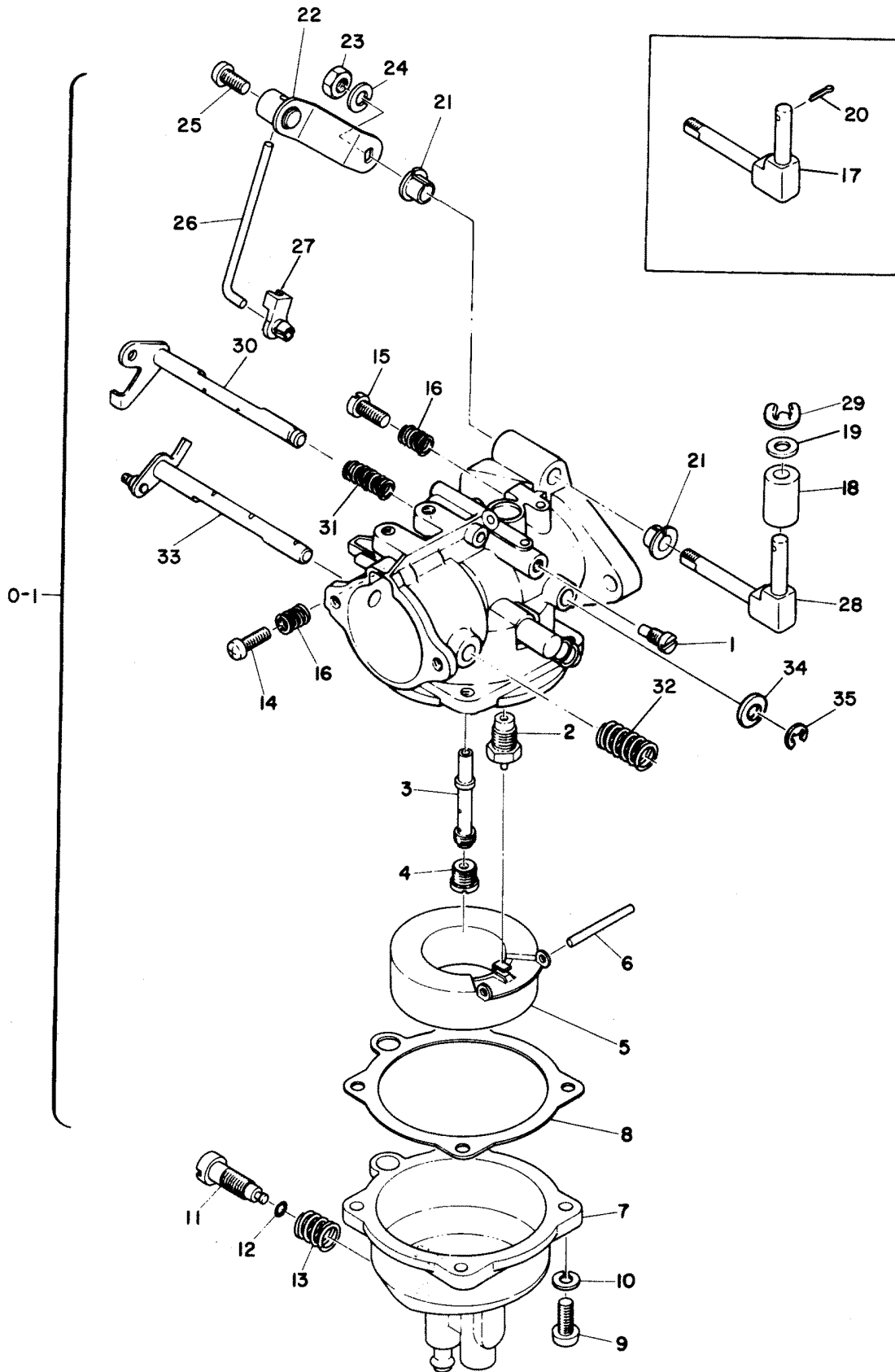
# INTAKE MANIFOLD



# INTAKE MANIFOLD

REF. NO.	PART NO.	SYM.	QTY.	DESCRIPTION
1	81562M		1	COVER, AIR INTAKE
2	35-80594M		1	AIR FILTER <b>SERIAL 00000000-00004605</b>
3	80595M		1	BASE, AIR FILTER . <b>SERIAL 00000000-00004605</b>
4	23-81972M		2	SPACER, INTAKE COVER TO BASE
5	10-82493M		2	SCREW, COVER ATTACHING
6	12-82195M		2	WASHER, COVER BOLT
7	80570M		1	MANIFOLD, INTAKE
8	16-81733M		1	STUD, MANIFOLD ATTACHING
9	16-81728M		2	STUD, CARBURETOR ATTACHING
10	27-80569M		1	GASKET, INTAKE MANIFOLD
11	27-80571M		1	GSKET, REED VALVE
12	10-82425M		2	BOLT, MANIFOLD ATTACHING
13	10-82427M		6	BOLT, MANIFOLD ATTACHING
14	13-82197M		8	LOCK WASHER, MANIFOLD BOLT
15	11-82380M		1	NUT, MANIFOLD ATTACHING
16	12-82198M		1	WASHER, MANIFOLD ATTACHING STUD
17	80568M		1	REED VALVE
18	27-80572M		1	GASKET, CARBURETOR MANIFOLD
19	11-82380M		2	NUT, CARBURETOR ATTACHING
20	13-82199M		2	WASHER, CARBURETOR ATTACHING STUD
21	81578M		1	KNOB, CHOKE
22	82063M		1	GROMMET, CHOKE KNOB
23	81576M		1	LIVER, CHOKE
24	17-82155M		2	PIN, ROLL-CHOKE LEVER
25	81191M		2	SWIVEL, LINK ROD
26	81577M		1	LINK ROD, CHOKE LEVER
27	17-81880M		1	PIN, CLEVIS-CHOKE LEVER
28	12-81790M		1	WASHER, CLEVIS PIN
29	18-82051M		1	PIN, CLEVIS
30	54-82034M		1	CLAMP, WIRE HARNESS
31	13-81865M		1	WASHER, WAVE-CLEVIS PIN

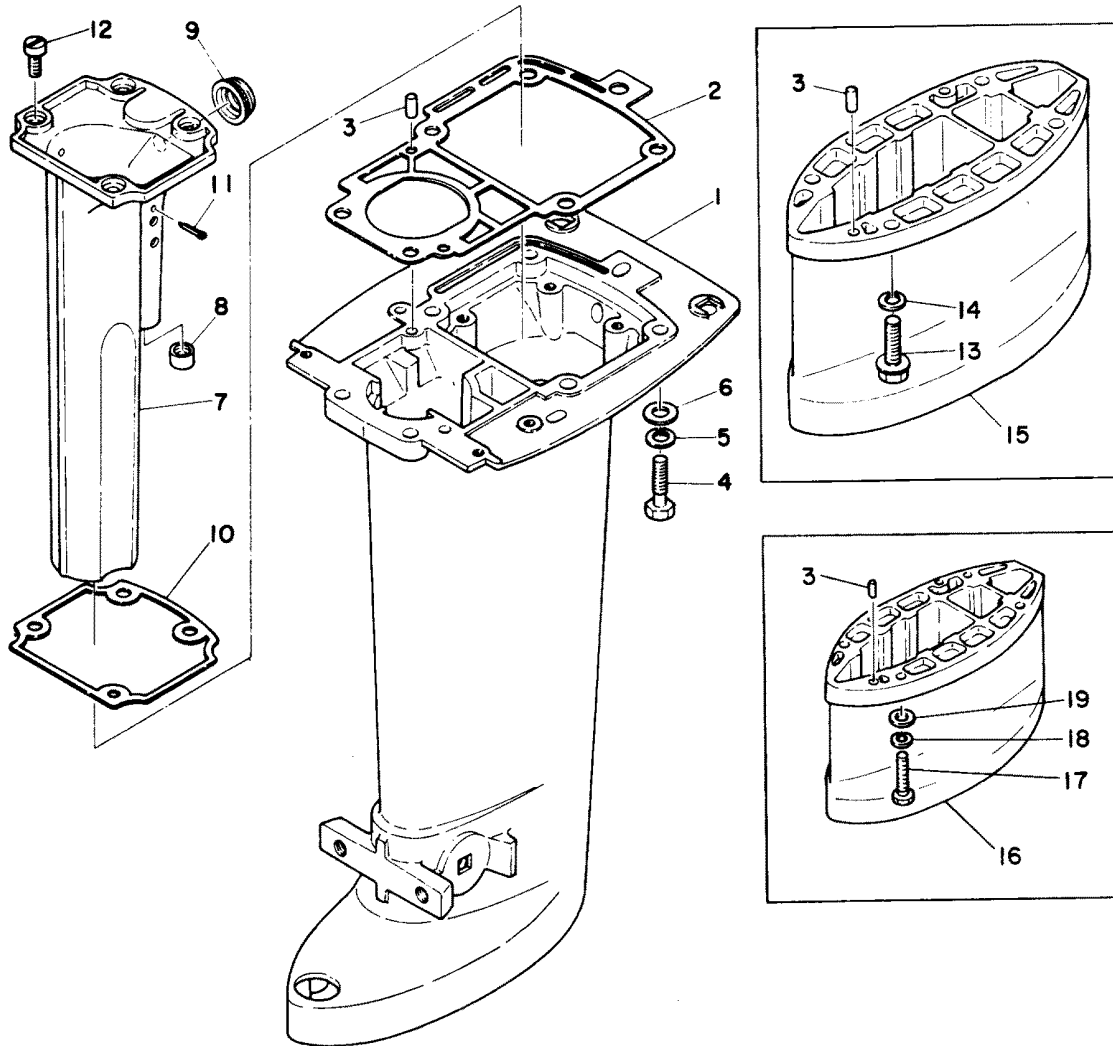
# CARBURETOR



# CARBURETOR

REF. NO.	PART NO.	SYM.	QTY.	DESCRIPTION
0-1	1383-6850M		1	CARBURETOR ASS'Y SERIAL 00000000-00005305
	1383-6959M		1	CARBURETOR ASS'Y SERIAL 00005306-09999999
1	81559M		1	JET, LOW SPEED (#60)
2	80593M		1	INLET VALVE & SEAT
3	80576M		1	NOZZLE, MAIN
4	80582M		1	JET, MAIN (#140)
5	80591M		1	FLOAT
6	17-80592M		1	PIN, FLOAT
7	81561M		1	FLOAT BOWL SERIAL 00000000-00005305
	83200M		1	FLOAT BOWL . SERIAL 00005306-09999999
8	27-80590M		1	GASKET, FLOAT BOWL
9	10-82515M		4	SCREW, BOWL ATTACHING
10	13-82206M		4	LOCK WASHER, BOWL ATTACHING SCREW
11	10-80349M		1	VALVE, DRAIN . SERIAL 00000000-00005305
12	25-80350M		1	O-RING, DRAIN VALVE . SERIAL 00000000-00005305
13	24-80331M		1	SPRING, DRAIN VALVE . SERIAL 00000000-00005305
14	10-82623M		1	SCREW, IDLE SPEED
15	10-80573M		1	SCREW, IDLE MIXTURE
16	24-80575M		2	SPRING, IDLE SCREW
17	80623M		1	SHAFT, THROTTLE . SERIAL 00000000-00004605
18	23-80220M		1	BUSHING, THROTTLE SHAFT
19	12-82209M		1	WASHER, THROTTLE SHAFT
20	18-82123M		1	PIN, THROTTLE SHAFT . SERIAL 00000000-00004605
21	23-81941M		2	BUSHING, THROTTLE SHAFT
22	80622M		1	LEVER, THROTTLE
23	11-82379M		1	NUT, THROTTLE LEVER TO SHAFT
24	13-82208M		1	LOCK WASHER, LEVER NUT
25	10-81558M		1	SET SCREW, THROTTLE LEVER
26	81119M		1	LINK ROD, THROTTLE LEVER . SERIAL 00000000-00004605
	83160M		1	LINK ROD, THROTTLE LEVER SERIAL 0L_38146-0Z999999
27	81191M		1	SWIVEL, THROTTLE
28	83113M		1	SHAFT, THROTTLE SERIAL 00004606-09999999
29	53-82328M		1	CIRCLIP SERIAL 00005606-09999999
30	83201M		1	LEVER THROTTLE . SERIAL 00004606-09999999
31	24-80574M		1	SPRING, THROTTLE VALVE SERIAL 00004606-09999999
32	24-83202M		1	SPRING, CHOKE LEVER . SERIAL 00004606-09999999
33	83203M		1	CHOKE LEVER COMP . SERIAL 00004606-09999999
34	12-83204M		2	WASHER SERIAL 00004606-09999999
35	53-83205M		1	CIRCLIP . SERIAL 00004606-09999999

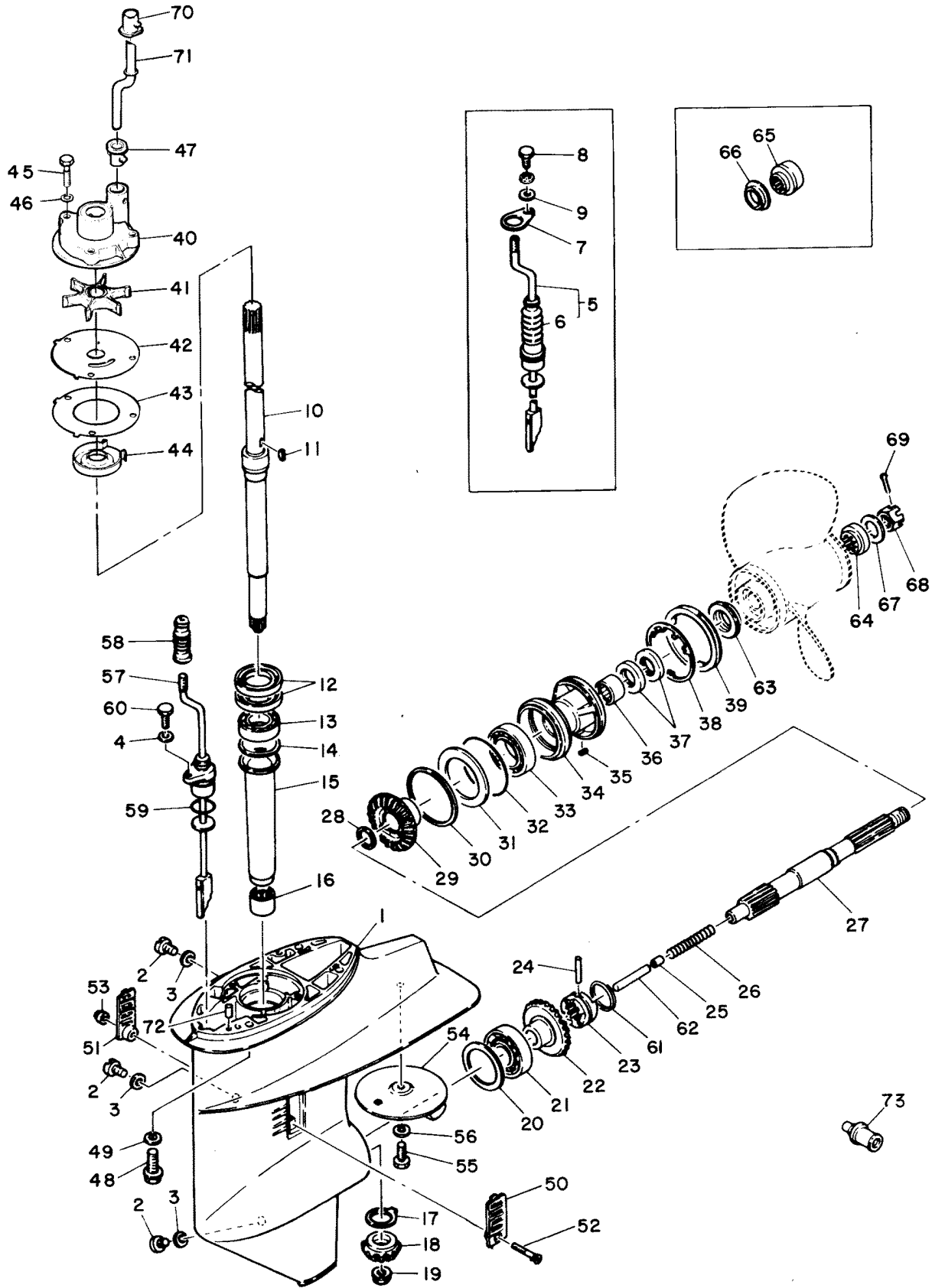
# DRIVESHAFT HOUSING



# DRIVESHAFT HOUSING

REF. NO.	PART NO.	SYM.	QTY.	DESCRIPTION
1	1587-6854M		1	DRIVESHAFT HOUSING
2	27-81613M		1	GASKET, DRIVESHAFT HOUSING
3	17-82364M		4	PIN, DOWEL
4	10-82465M		6	BOLT, DRIVESHAFT HOUSING ATTACHING
5	13-82215M		6	LOCKWASHER
6	12-82217M		6	WASHER, DRIVESHAFT HSG ATTACHING BOLT
7	81571M		1	MANIFOLD, EXHAUST <b>SERIAL 00000000-00004605</b>
	83306M		1	MANIFOLD, EXHAUST <b>SERIAL 00004606-09999999</b>
8	26-81574M		1	GASKET, EXHAUST MANIFOLD
9	26-81572M		1	GASKET, EXHAUST MANIFOLD
10	27-81573M		1	GASKET, EXHAUST MANIFOLD
11	18-82131M		1	PIN, EXHAUST MANIFOLD
12	10-82172M		4	SCREW, MANIFOLD ATTACHING
13	10-81711M		4	BOLT <b>SERIAL 00000000-00038905</b>
14	13-81862M		4	LOCK WASHER <b>SERIAL 00000000-00038905</b>
15	81614M		1	EXTENSION, <b>SERIAL 00000000-00038905</b>
16	83206M		1	EXTENSION, LONG SHAFT <b>SERIAL 00038906-09999999</b>
17	10-83207M		4	BOLT <b>SERIAL 00038906-09999999</b>
18	13-82218M		4	WASHER <b>SERIAL 00038906-09999999</b>
19	12-82220M		4	WASHER <b>SERIAL 00038906-09999999</b>

# GEAR HOUSING ASS'Y



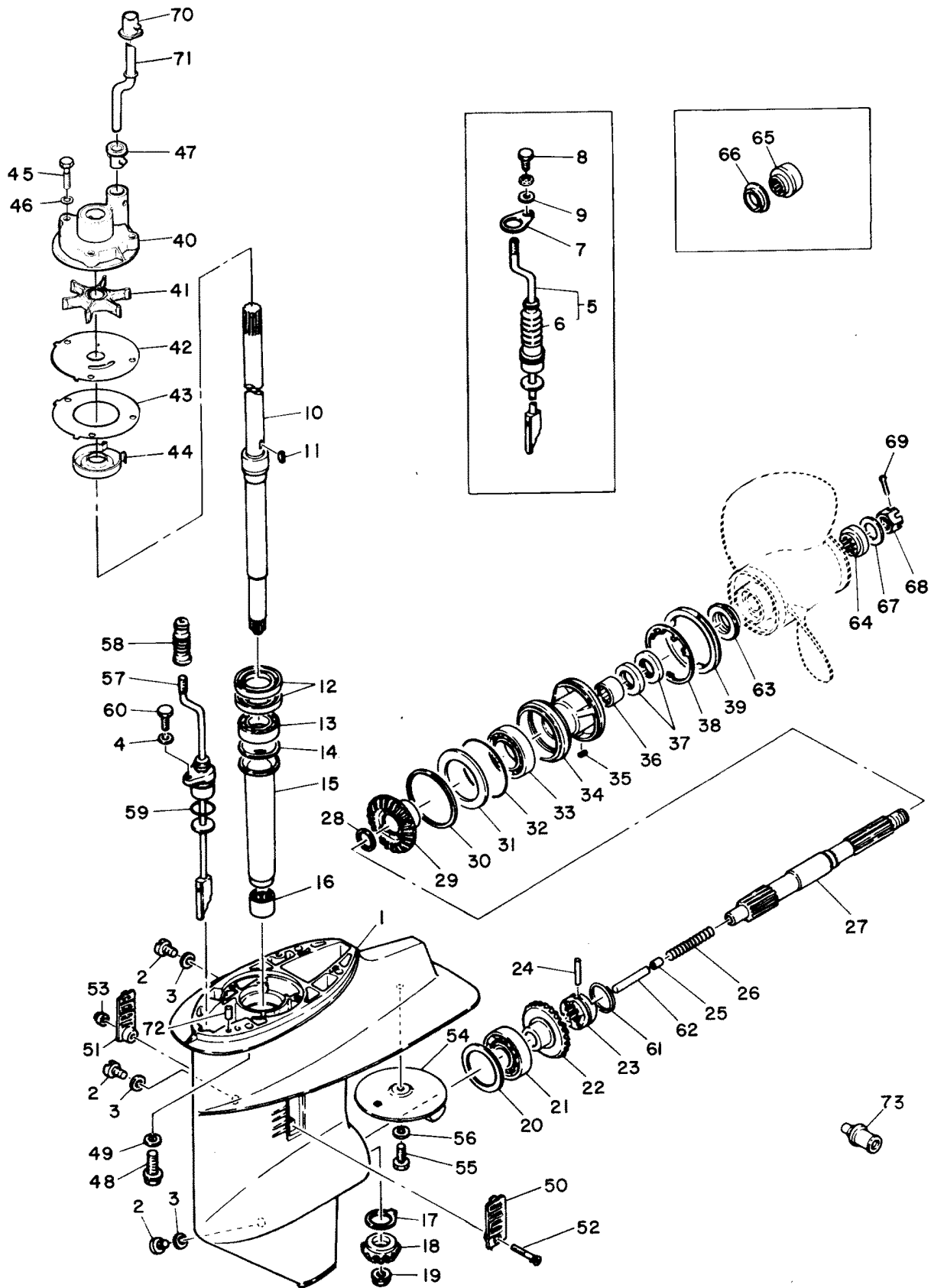


# GEAR HOUSING ASS'Y

REF. NO.	PART NO.	SYM.	QTY.	DESCRIPTION
0-1	1651-6894M		1	GEAR HOUSING ASS'Y (SHORT SHAFT)
	1651-6895M		1	GEAR HOUSING ASS'Y (LONG SHAFT)
1	1651-6855M		1	GEAR HOUSING <b>SERIAL 00004606-09999999</b>
2	22-81924M		3	SCREW, DETENT
3	27-81987M		3	GASKET, DEFENT SCREW
4	12-82214M		1	WASHER, CAN SCREW
5	83069M		1	SHIFT CAM ASS'Y (SHORT SHAFT) <b>SERIAL 00004606-09999999</b>
	83052M		1	SHIFT CAM ASS'Y (LONG SHAFT) <b>SERIAL 00004606-09999999</b>
6	82914M		1	BOOT, SHIFT ROD <b>SERIAL 0000406-09999999</b>
7	82916M		1	PLATE <b>SERIAL 00004606-09999999</b>
8	10-82938M		1	BOLT <b>SERIAL 00004606-09999999</b>
9	12-82198M		1	WASHER, PLAIN <b>SERIAL 00004606-09999999</b>
10	45-81620M		1	DRIVESHAFT, (SHORT SHAFT)
	45-81621M		1	DRIVESHAFT, (LONG SHAFT)
11	28-81603M		1	KEY, DRIVESHAFTTO IMPELLER
12	26-82235M		2	OIL SEAL, DRIVESHAFT-UPPER
13	30-82291M		1	BEARING, DRIVESHAFT-UPPER
14	15-81638M		AR	SHIM, DRIVESHAFT BEARING (.05 MM)
	15-81639M		AR	SHIM, DRIVESHAFT BEARING (.08 MM)
	15-81640M		AR	SHIM, DRIVESHAFT BEARING (.12 MM)
	15-81641M		AR	SHIM, DRIVESHAFT BEARING (.30 MM)
	15-81642M		AR	SHIM, DRIVESHAFT BEARING (.50 MM)
15	31-82314M		1	SLEEVE, DRIVESHAFT
16	31-82314M		1	BEARING, NEEDLE-DRIVESHAFT
17	12-81624M		1	THRUST WASHER, DRIVESHAFT
18	43-81623M		1	GEAR, PINION
19	11-81780M		1	NUT, DRIVESHAFT
20	15-81626M		AR	SHIM, FORWARD GEAR ADJUST (.05 MM)
	15-81627M		AR	SHIM, FORWARD GEAR ADJUST (.08 MM)
	15-81628M		AR	SHIM, FORWARD GEAR ADJUST (.12 MM)
	15-81629M		AR	SHIM, FORWARD GEAR ADJUST (.30 MM)
	15-81630M		AR	SHIM, FORWARD GEAR ADJUST (.50 MM)
21	31-82321M		1	BEARING, FORWARD GEAR
22	43-81625M		1	GEAR, FORWARD
23	52-81644M		1	CLUTCH
24	17-81899M		1	CROSS PIN, CLUTCH
25	80679M		1	SLIDE, SHIFT
26	24-82078M		1	SPRING, SHIFT
27	44-81643M		1	SHAFT, PROPELLER
28	12-81832M		1	THRUST WASHER, REVERSE GEAR
29	43-81631M		1	GEAR, REVERSE
30	15-81633M		AR	SHIM, REVERSE GEAR ADJUST (.05 MM)

CONTINUED ON NEXT PAGE ➡

# GEAR HOUSING ASS'Y

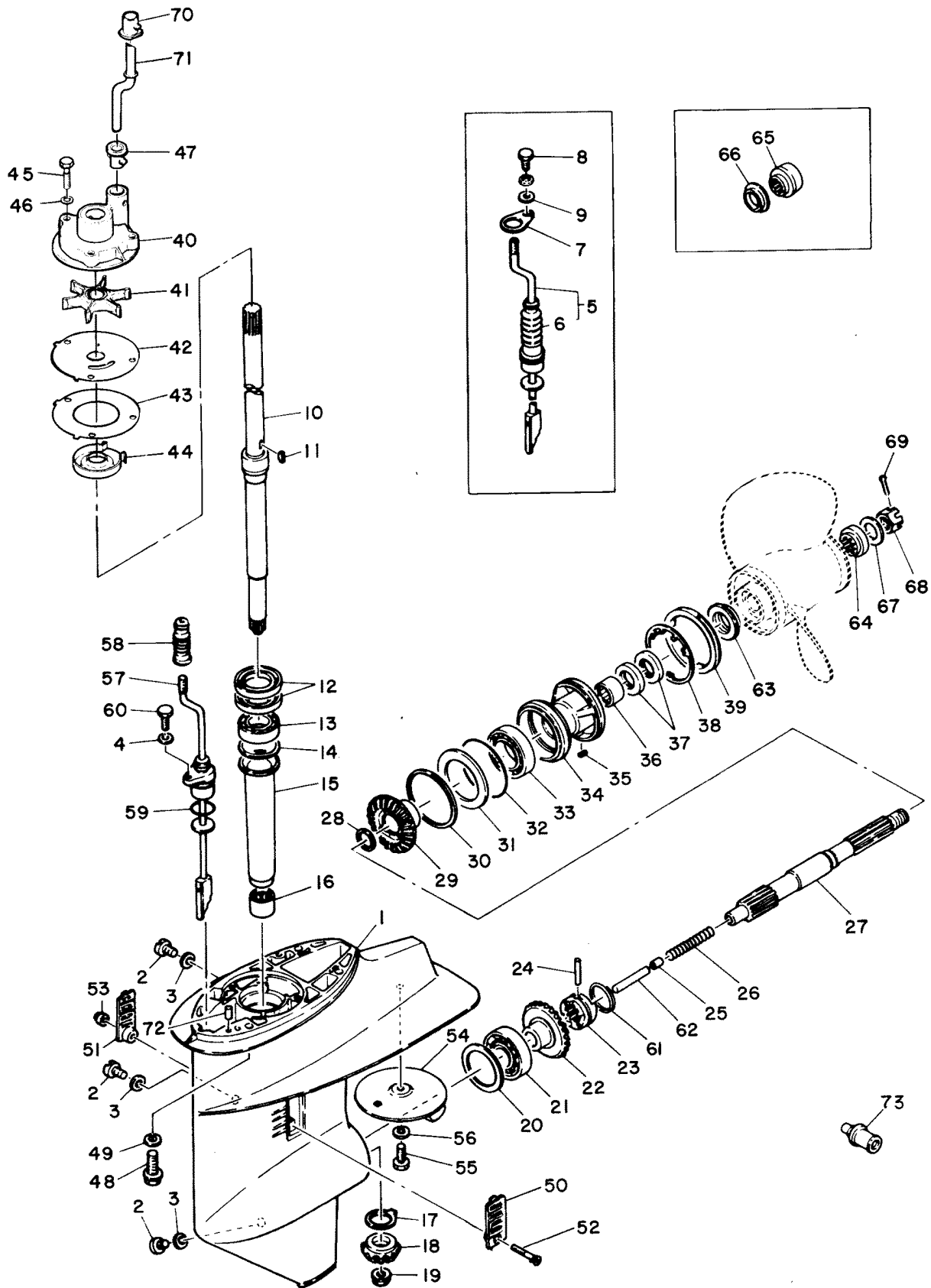


# GEAR HOUSING ASS'Y

REF. NO.	PART NO.	SYM.	QTY.	DESCRIPTION
30	15-81634M		AR	SHIM, REVERSE GEAR ADJUST (.08 MM)
	15-81635M		AR	SHIM, REVERSE GEAR ADJUST (.12 MM)
	15-81636M		AR	SHIM, REVERSE GEAR ADJUST (.30 MM)
	15-81637M		AR	SHIM, REVERSE GEAR ADJUST (.50 MM)
31	12-81632M		1	THRUST WASHER, REVERSE GEAR
32	25-82287M		1	O-RING, BEARING HOUSING
33	30-82295M		1	BALL BEARING, REVERSE GEAR
34	81617M		1	HOUSING, BEARING
35	28-81916M		1	KEY, BEARING HOUSING
36	31-82315M		1	BEARING, NEEDLE-PROPELLER SHAFT
37	26-82230M		2	OIL SEAL, PROPELLER SHAFT
38	14-81876M		1	WASHER, CLAW
39	11-81619M		1	NUT, CLAW WASHER
40	46-81599M		1	BODY, WATER PUMP (STD)
	46-83307M		1	BODY, WATER PUMP (CHROME, OPTIONAL)
41	47-81604M		1	IMPELLER, WATER PUMP
42	81601M		1	BASE, WATER PUMP (STD)
	83308M		1	BASE, WATER PUMP (CHROME, OPTIONAL)
43	27-81600M		1	GASKET, WATER PUMP
44	26-81602M		1	PROTECTOR, OIL SEAL
45	10-82454M		3	BOLT, PUMP ATTACHING
46	12-82214M		3	LOCK WASHER, PUMP BOLT
47	26-80239M		1	SEAL, WATER PUMP BODY
48	10-81711M		4	BOLT
49	13-81862M		4	LOCK WASHER
50	81615M		1	COVER, WATER INLET-PORT
51	81616M		1	COVER, WATER INLET-STARBOARD
52	10-82483M		1	SCREW, INLET COVER ATTACHING
53	11-81781M		1	NUT, INLET COVER SCREW
54	81618M		1	TRIM TAB (ANODE) <b>SERIAL 00000000-00004605</b>
	82795M		1	TRIM TAB (ANODE) <b>SERIAL 00004606-09999999</b>
55	10-82452M		1	BOLT, TRIM TAB ATTACHING <b>SERIAL 00000000-00004605</b>
	10-82477M		1	BOLT, TRIM TAB ATTACHING <b>SERIAL 00025801-09999999</b>
56	13-82212M		1	LOCK WASHER, TRIM TAB BOLT <b>SERIAL 00000000-00004605</b>
57	81597M		1	SHIFT SHAFT, LOWER (SHORT SHAFT) <b>SERIAL 00000000-00004605</b>
	81598M		1	SHIFT SHAFT, LOWER (LONGER SHAFT) <b>SERIAL 00000000-00004605</b>
58	80529M		1	BOOT, SHIFT SHAFT <b>SERIAL 00000000-00004605</b>
59	25-82270M		1	O-RING, SHIFT CAM <b>SERIAL 00000000-00004605</b>
60	10-82449M		1	BOLT, CAM ATTACHING <b>SERIAL 00000000-00004605</b>
61	53-80678M		1	RING, CROSS PIN
62	80680M		1	PLUNGER, SHIFT
63	12-81650M		1	THRUST WASHER, FORWARD GEAR

CONTINUED ON NEXT PAGE ➡

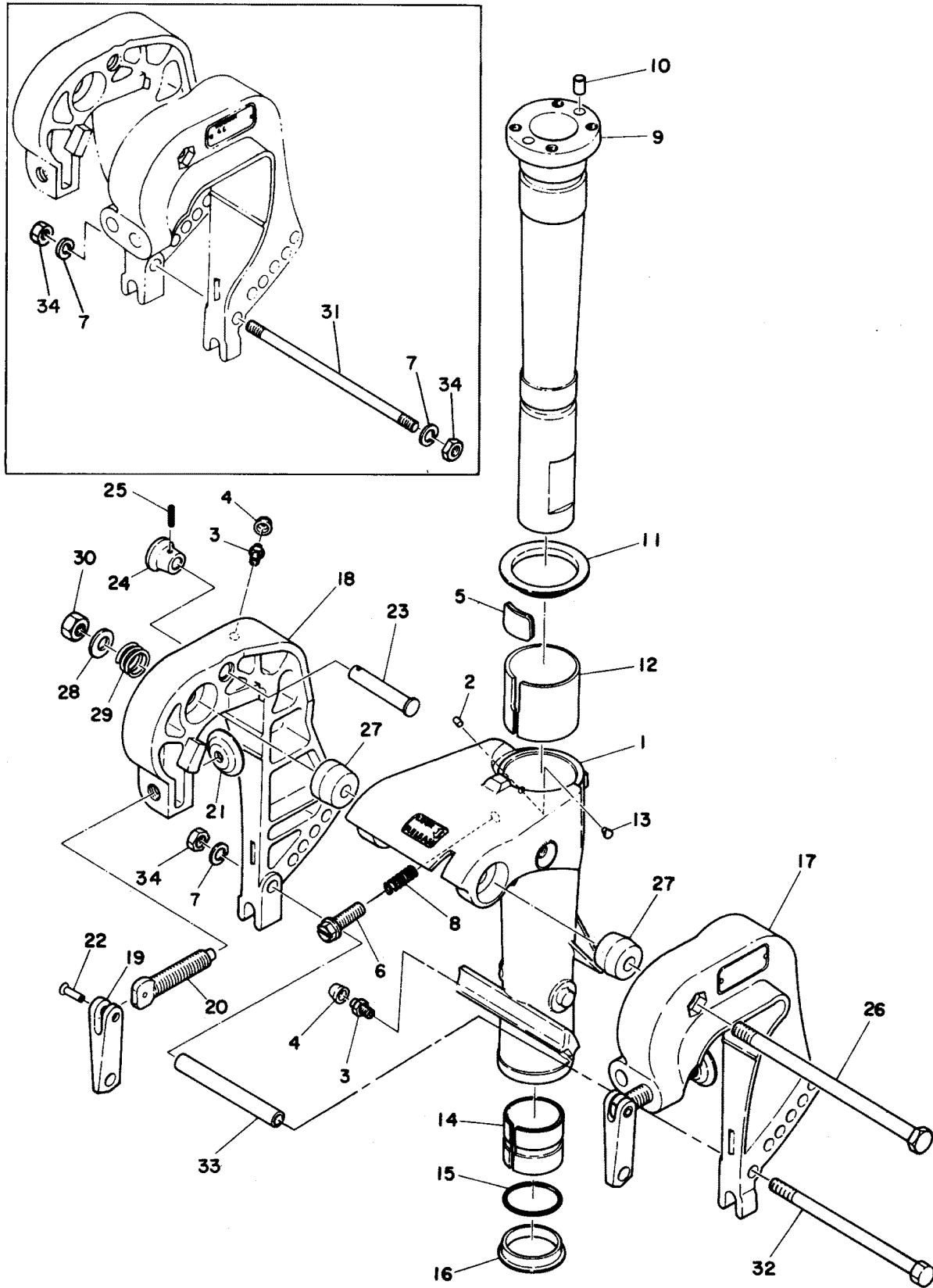
# GEAR HOUSING ASS'Y



## GEAR HOUSING ASS'Y

REF. NO.	PART NO.	SYM.	QTY.	DESCRIPTION
64	23-81651M		1	SPACER, PROPELLER NUT SERIAL 00000000-00004605
65	23-82797M		1	SPACER, PROPELLER NUT SERIAL 00004606-09999999
66	23-82796M		1	CAP, THRUST PLATE SERIAL 00004606-09999999
67	12-82222M		1	WASHER, PROPELLER NUT SERIAL 00000000-00004605
68	11-81774M		1	NUT, PROPELLER
69	18-82131M		1	PIN, PROPELLER NUT SERIAL 00000000-00004605
	18-82800M		1	PIN, PROPELLER NUT SERIAL 00004606-09999999
70	26-81607M		1	SEAL, WATER TUBE
71	32-81605M		1	TUBE, WATER (SHORT SHAFT)
	32-81606M		1	TUBE, WATER (LONG SHAFT)
72	17-82364M		2	PIN, DOWEL
73	22-80218M		1	PLUG, WATER FLUSH

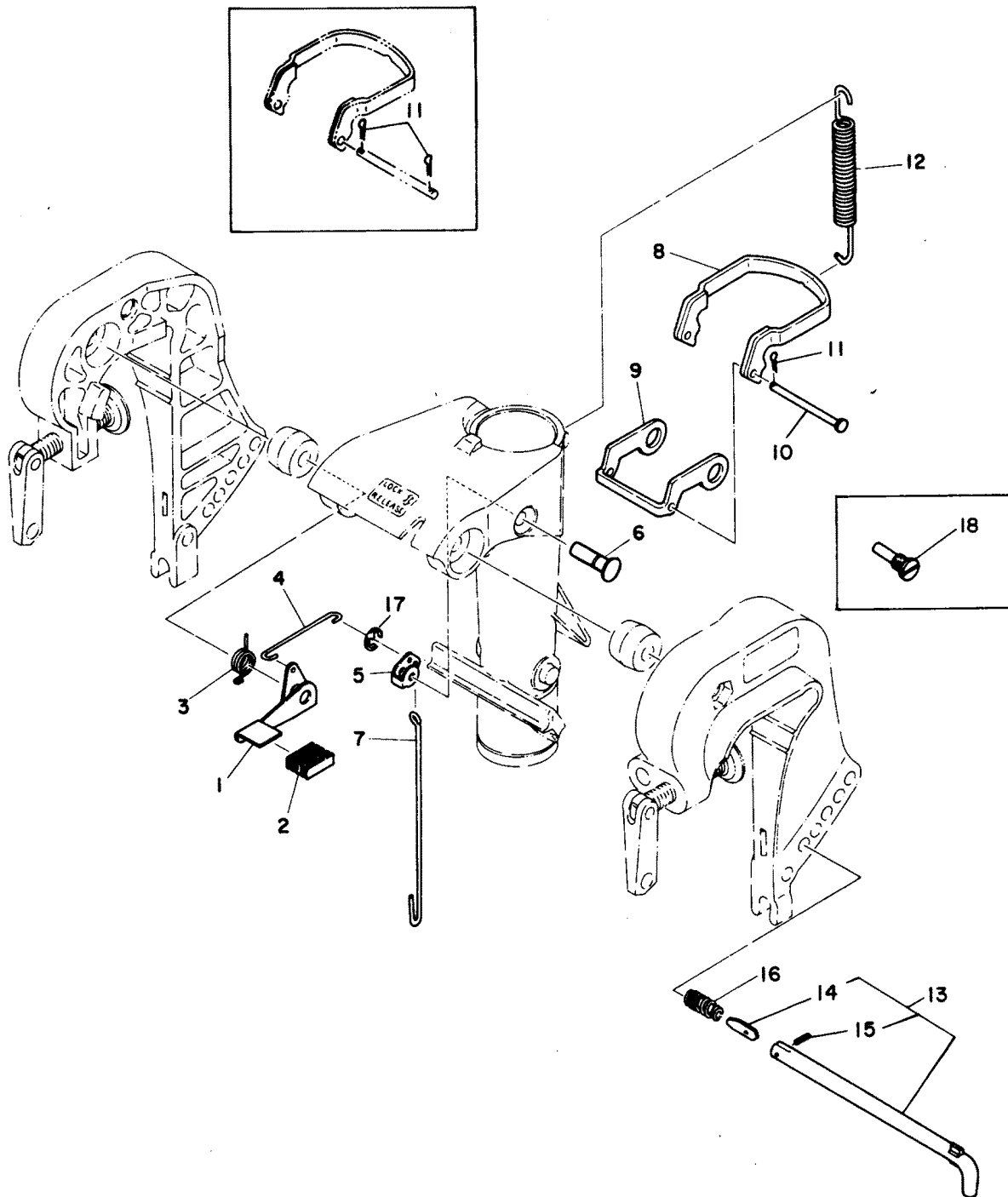
# CLAMP AND SWIVEL BRACKET



# CLAMP AND SWIVEL BRACKET

REF. NO.	PART NO.	SYM.	QTY.	DESCRIPTION
1	1485-6866M		1	SWIVEL BRACKET SERIAL 00000000-00001725
	1485-6796M		1	SWIVEL BRACKET SERIAL 00000000-00001725
2	22-81917M		1	PLUG
3	22-82369M		2	FITTING, PIVOT SHAFT BUSHING, GREASE
4	81439M		2	CAP, GREASE FITTING
5	80633M		1	PLATE, FRICTION
6	10-81754M		1	SCREW, FRICTION PLATE ADJUSTING
7	13-82215M		2	LOCK WASHER, CLAMP BRACKET STUD SERIAL 00000000-00004605
	13-82215M		1	LOCK WASHER SERIAL 00004606-09999999
8	24-82088M		1	SPRING, FRICTION PLATE SCREW
9	80632M		1	SHAFT, STEERING PIVOT
10	17-82368M		2	PIN, DOWEL-PIVOT SHAFT
11	12-81873M		1	COLLAR, THRUST & PIVOT SHAFT
12	23-81963M		1	BUSHING, PIVOT SHAFT-UPPER SERIAL 00000000-00001725
	26-81964M		1	BUSHING, PIVOT SHAFT-UPPER SERIAL 00001726-09999999
13	17-81887M		1	PIN, PIVOT SHAFT BUSHING
14	23-81959M		1	BUSHING, PIVOT SHAFT-LOWER
15	25-82274M		1	O-RING, PIVOT SHAFT BUSHING
16	23-81961M		1	COLLAR, THRUST-PIVOT SHAFT
17	1484-6794M		1	CLAMP BRACKET, PORT
18	1484-6795M		1	CLAMP BRACKET, STARBOARD
19	80048M		2	HANDLE, TRANSOM CLAMP SCREW
20	10-81756M		2	SCREW, TRANSOM CLAMP
21	12-80638M		2	PAD, TRANSOM CLAMP SCREW
22	17-81888M		2	PIN, TRANSOM CLAMP SCREW
23	17-81150M		1	SHAFT, TILT STOP
24	80641M		1	KNOB, TILT STOP SHAFT
25	17-82148M		1	PIN, TILT STOP KNOB
26	10-81146M		1	BOLT, CLAMP BRACKET
27	80639M		2	MOUNT, RUBBER CLAMP BRACKET
28	12-81806M		1	WASHER, CLAMP BRACKET BOLT
29	24-82101M		1	SPRING, CLAMP BRACKET BOLT
30	11-82395M		1	NUT, CLAMP BRACKET BOLT
31	16-81738M		1	STUD, CLAMP BRACKET SERIAL 00000000-00004605
32	10-82924M		1	BOLT, CALMP BRACKET SERIAL 00004606-09999999
33	23-81979M		1	SPACER, CLAMP BRACKET STUD
34	11-82392M		2	NUT, CLAMP BRACKET STUD SERIAL 00000000-00004605
	11-82392M		1	NUT SERIAL 00004606-09999999

# REVERSE LOCK

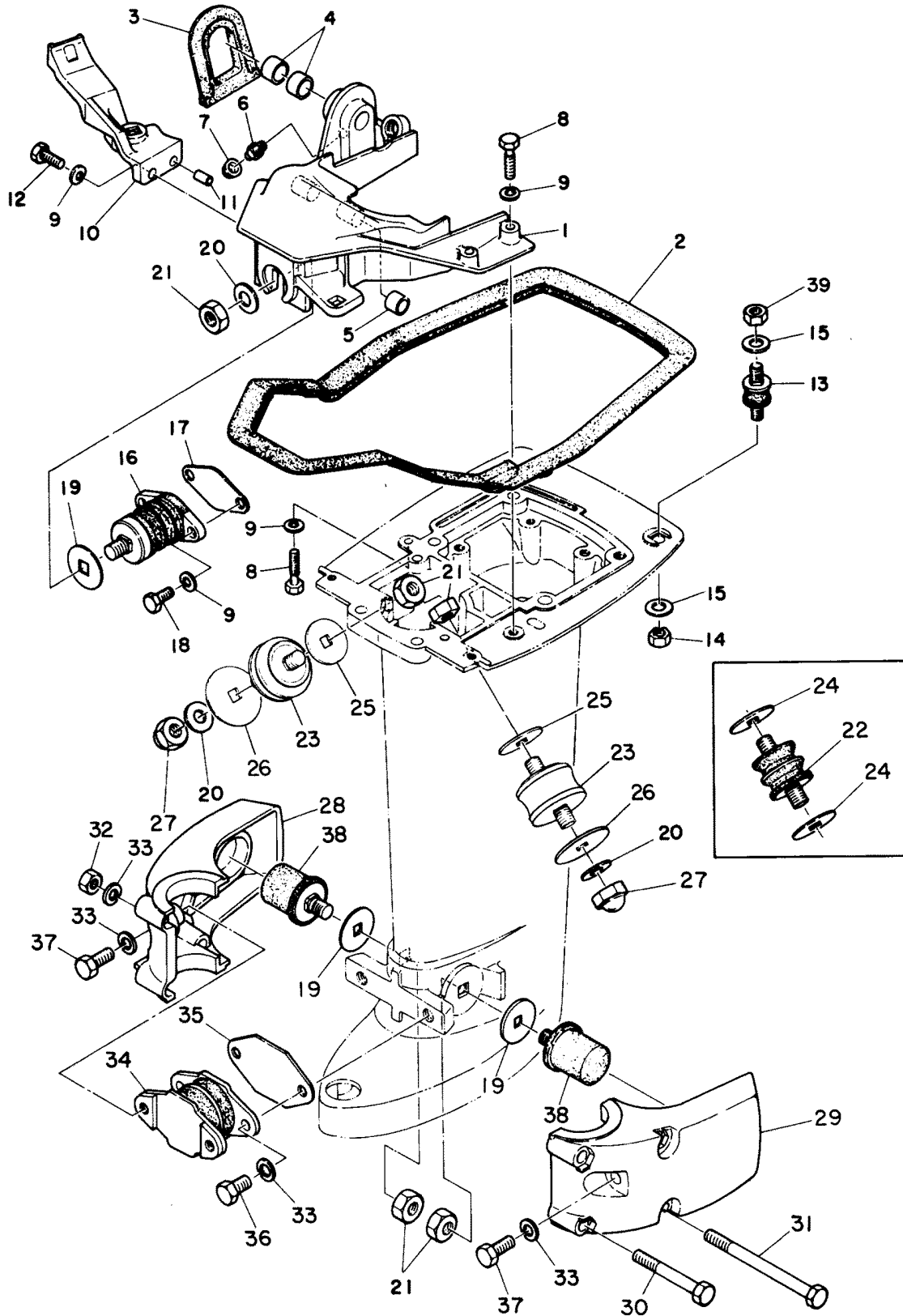




# REVERSE LOCK

REF. NO.	PART NO.	SYM.	QTY.	DESCRIPTION
1	80646M		1	LEVER, LOCK/RELEASE
2	80647M		1	COVER, LEVER
3	24-82109M		1	SPRING, TENSION
4	80644M		1	LINK, REVERSE LOCK LEVER
5	80648M		1	CAM, TILT
6	17-81895M		1	PIN <b>SERIAL 00000000-00001726</b>
7	80645M		1	ROD, REVERSE LOCK LEVER
8	80642M		1	HOOK, REVERSE LOCK-REAR
9	80643M		1	HOOK, REVERSE LOCK-FRONT
10	17-81882M		1	PIN, WITH HOLE
11	18-82125M		2	PIN, REVERSE LOCK SHAFT <b>SERIAL 00000000-00001725</b>
	18-82125M		1	PIN, REVERSE LOCK SHAFT <b>SERIAL 00001726-09999999</b>
12	24-82105M		1	SPRING, REVERSE LOCK
13	17-81147M		1	TILT LOCK PIN ASS'Y <b>SERIAL 00000000-00003675</b>
	17-82786M		1	TILT LOCK PIN ASS'Y <b>SERIAL 00003676-09999999</b>
14	81149M		1	STOPPER, PLATE <b>SERIAL 00000000-00025695</b>
	82857M		1	STOPPER, PLATE <b>SERIAL 00003676-09999999</b>
15	17-82144M		1	PIN
16	24-82100M		1	SPRING, TILT LOCK PIN
17	53-82330M		1	CIRCLIP <b>SERIAL 00001726-09999999</b>
18	10-82697M		1	SCREW, CAM PIVOT <b>SERIAL 00000000-00001725</b>

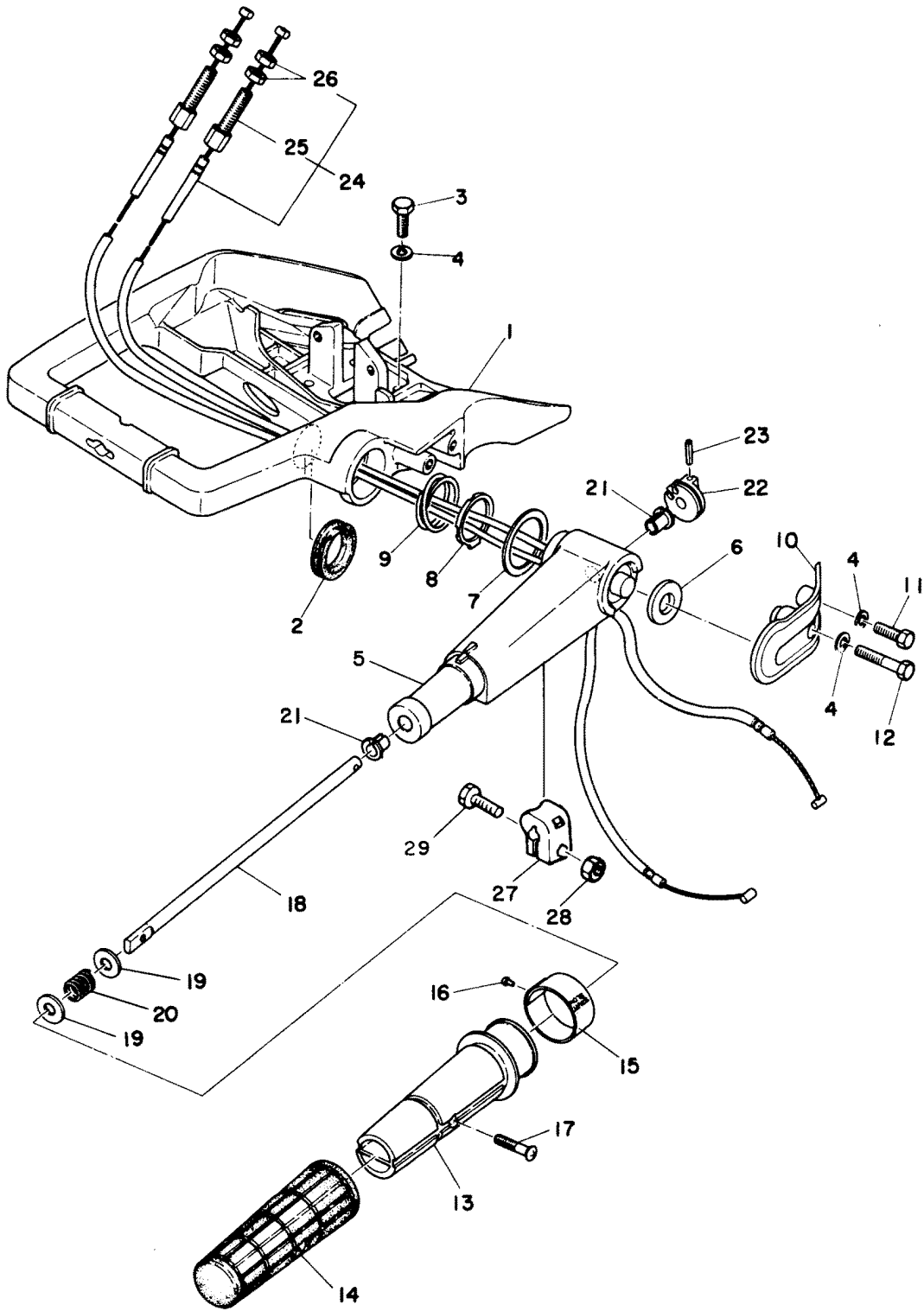
# MOUNTING SYSTEM



# MOUNTING SYSTEM

REF. NO.	PART NO.	SYM.	QTY.	DESCRIPTION
1	80654M		1	BRACKET, MOUNTING
2	27-80636M		1	GASKET, BOTTOM BOWL
3	25-80637M		1	SEAL, SHIFT BRACKET
4	23-81930M		2	BUSHING, SHIFT ROD LEVER
5	23-81929M		2	BUSHING, MOUNT <b>SERIAL 00000000-00004605</b>
	23-83309M		2	BUSHING, MOUNT <b>SERIAL 00004606-09999999</b>
6	22-82369M		1	FITTING, GREASE
7	81439M		1	CAP, GREASE FITTING
8	10-82453M		4	BOLT, BRACKET ATTACHING
9	13-82212M		7	LOCK WASHER
10	80657M		1	BRACKET, CABLE ANCHOR
11	17-82364M		1	PIN, DOWEL-ANCHOR BRACKET
12	10-82451M		1	BOLT, BRACKET ATTACHING
13	80656M		4	MOUNT, RUBBER-UPPER
14	11-82393M		4	NUT, MOUNT ATTACHING
15	12-82217M		8	WASHER, MOUNT NUT
16	81608M		1	MOUNT, RUBBER-UPPER FRONT
17	27-80663M		1	GASKET, MOUNT
18	10-82449M		2	BOLT, MOUNT ATTACHING
19	27-80662M		3	WASHER, MOUNT
20	12-82219M		3	WASHER
21	11-82182M		5	NUT
22	80660M		2	MOUNT, RUBBER-LOWER SIDE <b>SERIAL 00000000-00001725</b>
23	82557M		2	MOUNT, RUBBER-LOWER SIDE <b>SERIAL 00001726-09999999</b>
24	27-80662M		4	WASHER, MOUNT <b>SERIAL 00000000-00001725</b>
25	27-80662M		2	WASHER, MOUNT <b>SERIAL 00001726-09999999</b>
26	27-81612M		2	WASHER, MOUNT <b>SERIAL 00001726-09999999</b>
27	11-82183M		2	NUT, MOUNT ATTACHING
28	81609M		1	HOUSING, LOWER MOUNT-STARBOARD
29	81610M		1	HOUSING, LOWER MOUNT PORT
30	10-82470M		2	BOLT, HOUSING ATTACHING
31	10-82473M		2	BOLT, HOUSING ATTACHING
32	11-82392M		4	NUT, HOUSING ATTACHING BOLT
33	13-82215M		8	LOCK WASHER, HOUSING BOLT
34	80661M		1	MOUNT, RUBBER-LOWER FRONT
35	27-80664M		1	GASKET, RUBBER MOUNT
36	10-82462M		2	BOLT
37	10-82463M		2	BOLT, HOUSING ATTACHING
38	81611M		2	MOUNT, RUBBER-HOUSING
39	11-82393M		4	NUT - <b>SERIAL 00000000-00004605</b>
	11-82383M		4	NUT <b>SERIAL 00004606-09999999</b>

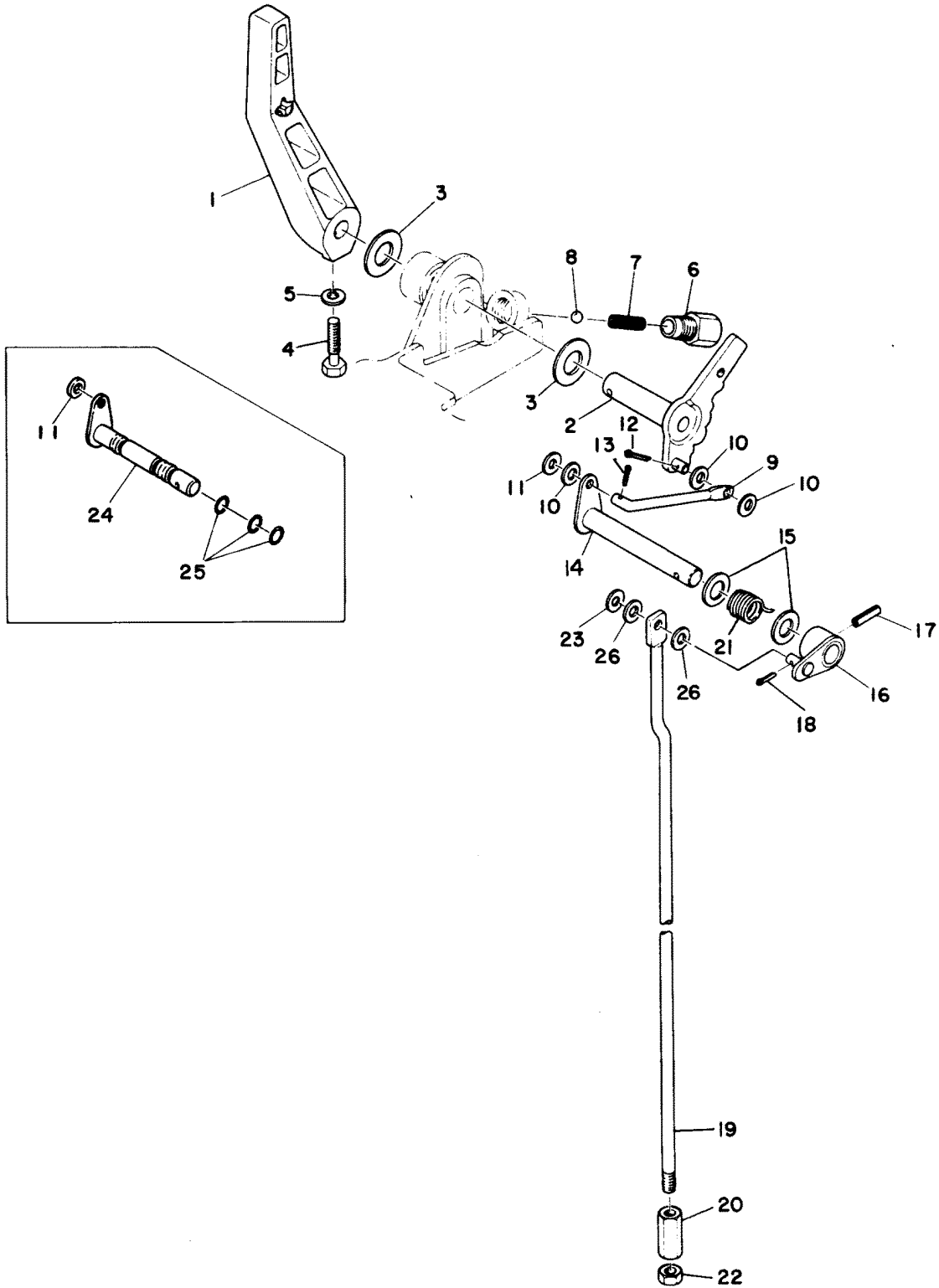
# STEERING HANDLE



# STEERING HANDLE

REF. NO.	PART NO.	SYM.	QTY.	DESCRIPTION
1	81138M		1	BRACKET, STEERING
2	25-82070M		1	GROMMET, STEERING HANDLE
3	10-82452M		4	BOLT, BRACKET ATTACHING
4	13-82212M		6	LOCK WASHER
5	81583M		1	ARM, STEERING
6	23-82119M		1	SPACER, STEERING ARM
7	23-81861M		1	SPACER, STEERING ARM
8	23-81136M		1	RETAINER, COMPRESSION SPRING
9	24-82093M		1	SPRING, COMPRESSION
10	81129M		1	RETAINER, STEERING ARM
11	10-82424M		1	BOLT, RETAINER ATTACHING
12	10-82427M		1	BOLT, RETAINER ATTACHING
13	81585M		1	HANDLE, THROTTLE
14	80509M		1	GRIP, THROTTLE HANLE
15	81586M		1	INDICATOR, THROTTLE
16	17-81907M		1	RIVET, INDICATOR
17	10-82483M		1	SCREW, HANDLE ATTACHING
18	81584M		1	SHAFT, THROTTLE
19	12-82204M		2	WASHER, THROTTLE SHAFT <b>SERIAL 00000000-00001725</b>
	12-82204M		1	WASHER, THROTTLE SHAFT <b>SERIAL 00001726-09999999</b>
20	24-82095M		1	SPRING, THROTTLE SHAFT
21	23-81945M		2	BUSHING, STEERING ARM
22	80631M		1	CAM, THROTTLE
23	17-82151M		1	PIN, THROTTLE CAM
24	81567M		2	CABLE, THROTTLE
25	10-81747M		2	ADJUSTER, CABLE
26	11-81765M		4	NUT, CABLE ADJUSTMENT
27	82895M		1	PIECE, FRICTION <b>SERIAL 00001726-09999999</b>
28	11-83056M		1	NUT <b>SERIAL 00001726-09999999</b>
29	10-82452M		1	BOLT <b>SERIAL 00001726-09999999</b>

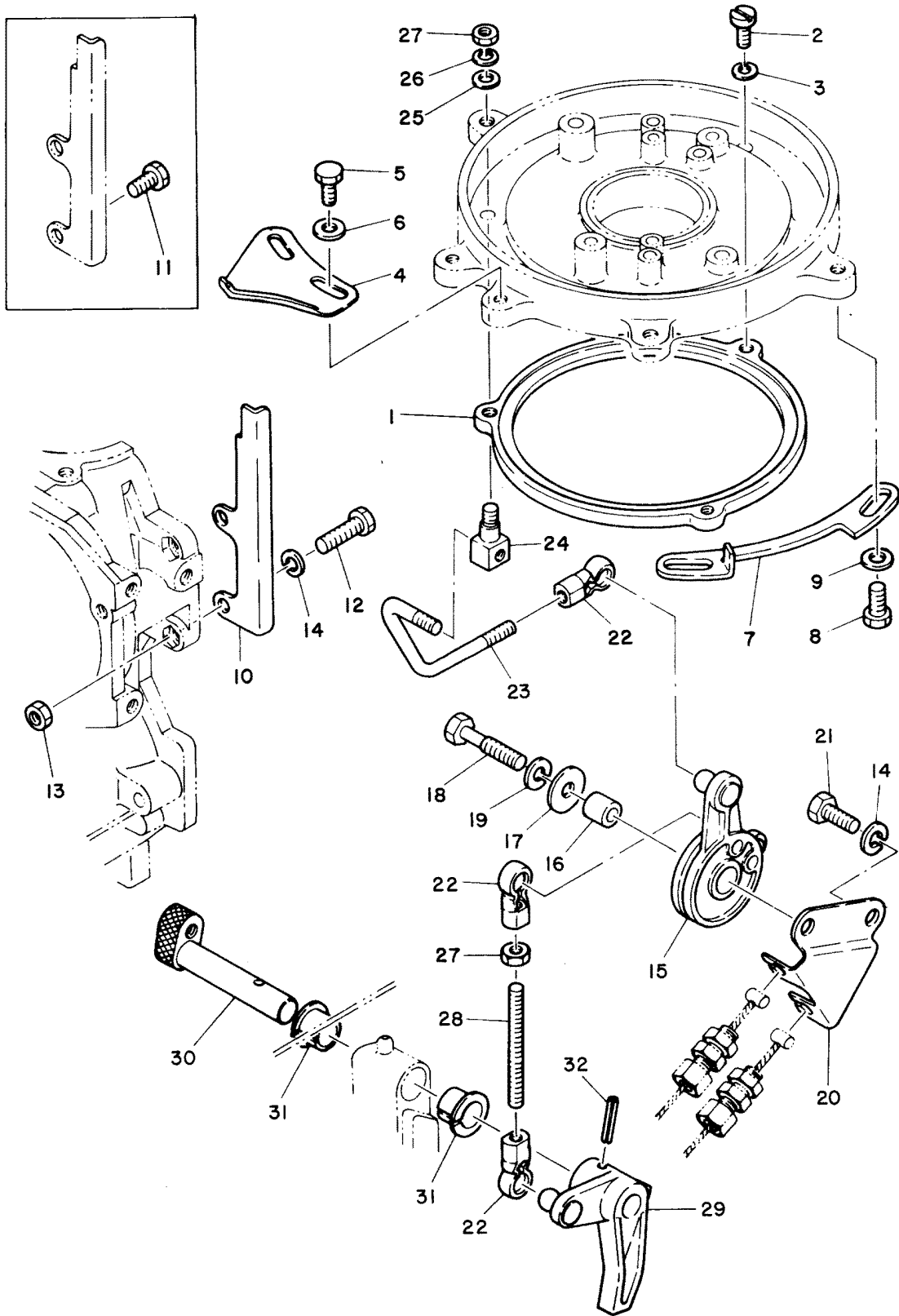
# GEAR SHIFT LINKAGE



# GEAR SHIFT LINKAGE

REF. NO.	PART NO.	SYM.	QTY.	DESCRIPTION
1	81151M		1	HANDLE, GEAR SHIFT
2	81152M		1	CAM, SHIFT
3	12-81851M		2	WASHER, SHIFT HANDLE
4	10-82453M		1	BOLT, SHIFT HANDLE ATTACHING
5	13-82212M		1	LOCK WASHER, HANDLE BOLT
6	23-80635M		1	RETAINER, SHIFT DETENT
7	24-82085M		1	SPRING, SHIFT DETENT
8	82346M		1	BALL, SHIFT DETENT
9	81595M		1	LINK ROD, SHIFT
10	12-81843M		3	WASHER <b>SERIAL 00000000-00004808</b>
	12-81843M		2	WASHER <b>SERIAL 00004606-09999999</b>
11	12-82211M		1	WASHER
12	18-82125M		1	PIN, SHIFT CAM
13	18-82125M		1	PIN (COTTER) <b>SERIAL 00000000-00001725</b>
	18-82124M		1	PIN (COTTER) <b>SERIAL 00001726-09999999</b>
14	81593M		1	LEVER, SHIFT ROD <b>SERIAL 00000000-00025800</b>
15	12-81846M		2	WASHER, SHIFT ROD
16	81594M		1	SWIVEL, SHIFT ROD
17	17-82155M		1	PIN, SWIVEL
18	18-82127M		1	PIN, SHIFT ROD SWIVEL
19	81596M		1	SHAFT, SHIFT-UPPER
20	11-82926M		1	NUT, ADJUSTING <b>SERIAL 00000000-00001725</b>
	80652M		1	CONNECTOR, SHIFT <b>SERIAL 00001726-09999999</b>
21	24-82108M		1	SPRING, TENSION
22	11-81767M		1	NUT, JAM
23	12-82211M		1	WASHER <b>SERIAL 00000000-00001725</b>
	12-82209M		1	WASHER <b>SERIAL 00001726-09999999</b>
24	83208M		1	LEVER, SHIFT ROD <b>SERIAL 00004606-09999999</b>
25	25-82260M		3	O-RING <b>SERIAL 00004606-09999999</b>
26	12-81843M		2	WASHER

# THROTTLE CONTROL

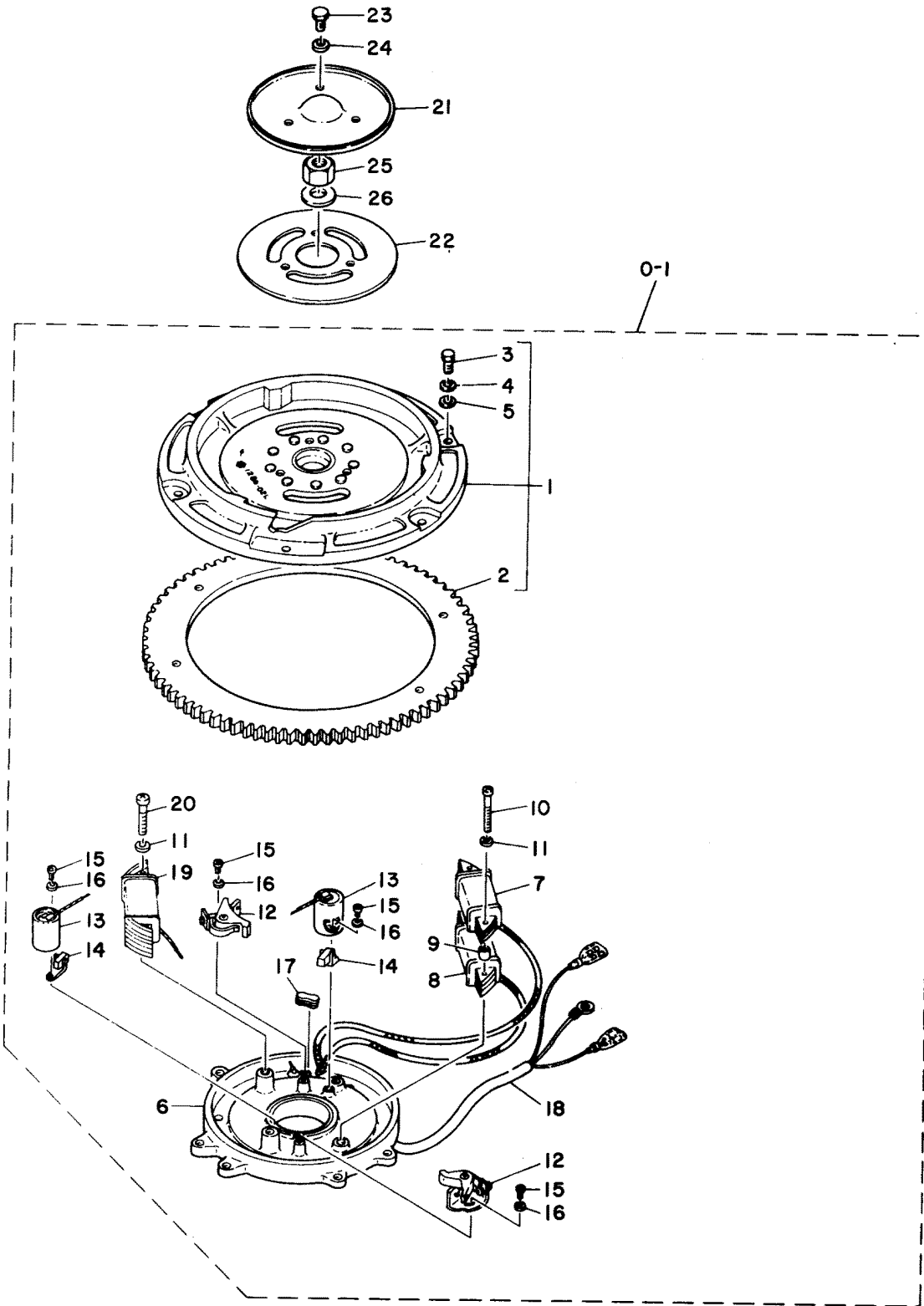




# THROTTLE CONTROL

REF. NO.	PART NO.	SYM.	QTY.	DESCRIPTION
1	80626M		1	RETAINER, MAGNETO BASE-OUTER SERIAL 00000000-00004940
	83210M		1	RETAINER, MAGNETO BASE-OUTER SERIAL 00004606-09999999
2	10-82490M		3	SCREW, BASE ATTACHING
3	13-82193M		3	LOCK WASHER, BASE SCREW
4	81575M		1	CAM, THROTTLE ADVANCE
5	10-82416M		2	BOLT, CAM ATTACHING
6	12-82196M		2	WASHER, CAM BOLT
7	81580M		1	STOP, MAGNETO BASE SERIAL 00000000-00004940
	83305M		1	STOP, MAGNETO BASE SERIAL 00004606-09999999
8	10-82421M		2	BOLT, STOP ATTACHING
9	12-82198M		2	WASHER
10	80628M		1	STOP, MAGNETO BASE
11	10-82420M		2	BOLT, STOP ATTACHING SERIAL 00000000-00001725
12	10-82424M		2	BOLT SERIAL 00001726-09999999
13	11-82380M		2	NUT SERIAL 00001726-09999999
14	13-82197M		3	WASHER
15	81581M		1	CAM, MAGNETO CONTROL
16	23-81927M		1	BUSHING, CAM BOLT SERIAL 00000000-00004605
	23-83310M		1	COLLAR SERIAL 00004606-09999999
17	23-80630M		1	WASHER, CAM BOLT
18	10-82426M		1	BOLT, CAM ATTACHING
19	13-82197M		2	LOCK WASHER
20	81563M		1	BRACKET, THROTTLE CABLE
21	10-82422M		1	BOLT, BRACKET ATTACHING
22	81225M		3	SWIVEL
23	81582M		1	LINK ROD, MAGNETO CONTROL
24	80629M		1	SWIVEL, LINK ROD
25	12-81789M		1	WASHER, SWIVEL NUT
27	11-82378M		2	NUT, SWIVEL
28	16-81722M		1	STUD, CAM TO SHAFT
29	81587M		1	LEVER, THROTTLE SHAFT SERIAL 00000000-00004940
	83209M		1	LEVER, THROTTLE SHAFT SERIAL 00004606-09999999
30	81134M		1	SHAFT, THROTTLE
31	23-81946M		2	BUSHING, THROTTLE SHAFT
32	17-82156M		1	PIN, ROLL-THROTTLE SHAFT

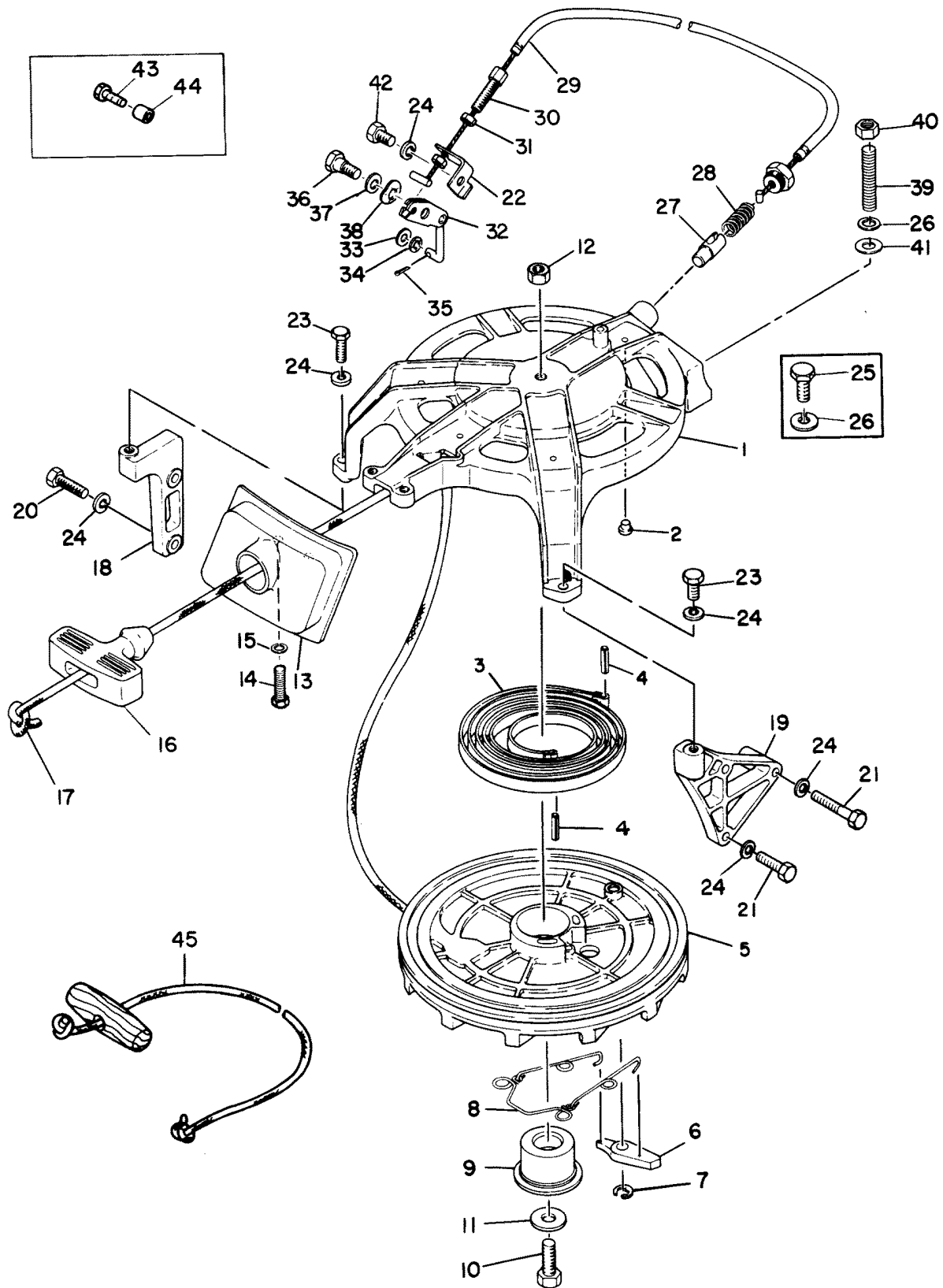
# FLYWHEEL MAGNETO



# FLYWHEEL MAGNETO

REF. NO.	PART NO.	SYM.	QTY.	DESCRIPTION
0-1	253-6799M		1	FLYWHEEL MAGNETO ASS'Y (STD-MAN)
	80683M		1	FLYWHEEL MAGNETO ASS'Y (STD-ELEC)
1	80687M		1	FLYWHEEL ASS'Y
2	43-80711M		1	RING GEAR
3	10-82404M		6	BOLT
4	13-82197M		6	WASHER
5	12-82198M		6	WASHER
6	80684M		1	BASE, MAGNETO
7	80551M		1	PRIMARY IGNITION COIL, #1 CYL
8	80552M		1	PRIMARY IGNITION COIL, #2 CYL
9	23-80555M		2	SPACER, COIL
10	10-80556M		2	SCREW, COIL ATTACHING
11	13-82186M		4	LOCK WASHER, COIL SCREW
12	80930M		2	BREAKER ASS'Y
13	80558M		2	CONDENSER
14	80025M		2	LUBRICATOR
15	10-80023M		4	SCREW
16	13-82184M		4	LOCK WASHER
17	25-83316M		1	GROMMET, MAGNETO BASE
18	84-80685M		1	LEAD WIRE
19	80553M		1	LIGHTING COIL
20	10-82503M		2	SCREW
	10-82503M		2	SCREW
21	80689M		1	COVER, FLYWHEEL
22	27-80690M		1	GASKET, FLYWHEEL COVER
23	10-82421M		3	BOLT, COVER ATTACHING
24	12-82198M		3	WASHER, COVER BOLT
25	11-81770M		1	NUT, FLYWHEEL ATTACHING
26	12-81814M		1	WASHER, FLYWHEEL NUT

# RECOIL STARTER

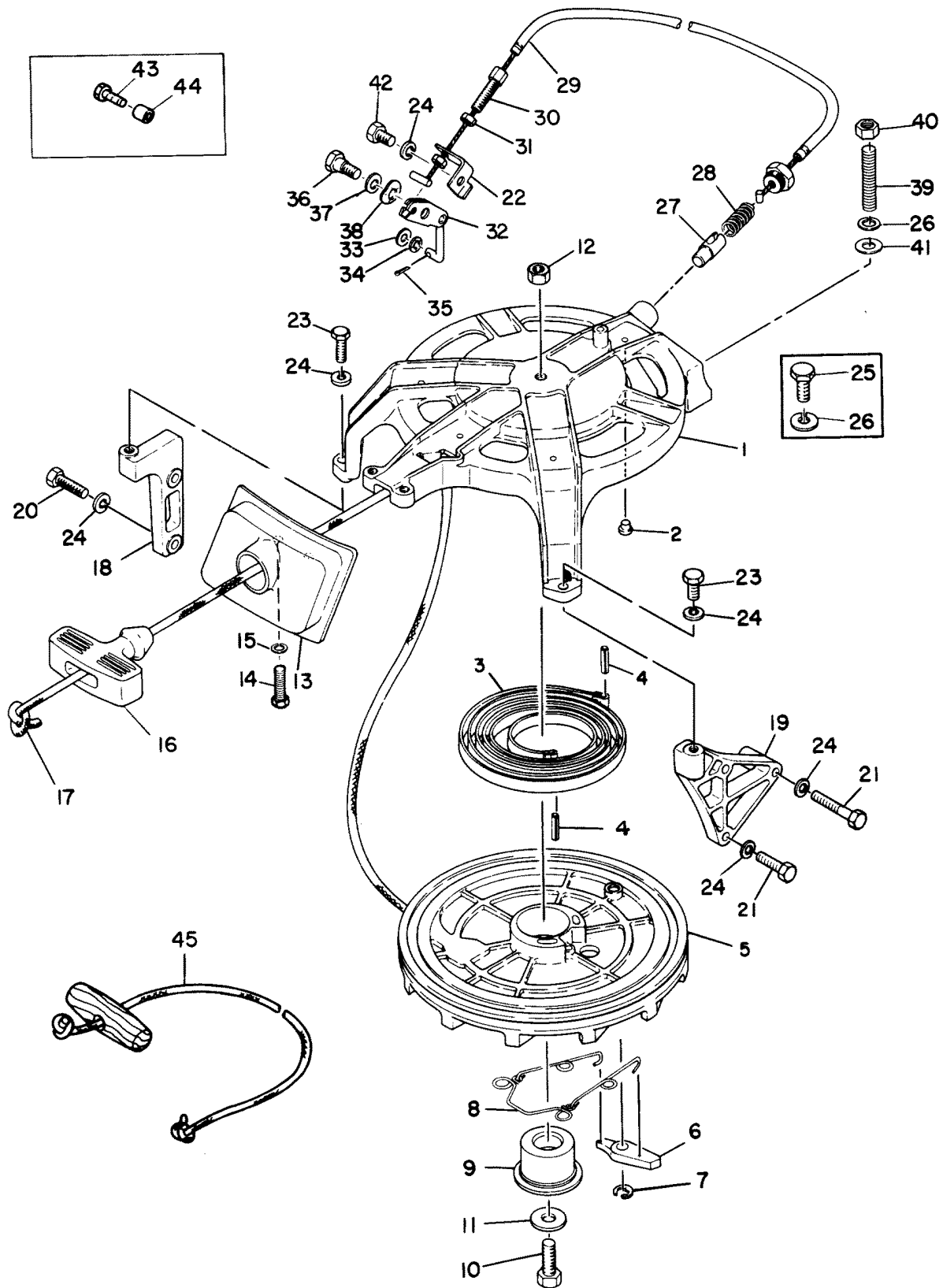


# RECOIL STARTER

REF. NO.	PART NO.	SYM.	QTY.	DESCRIPTION
0-1	50-81104M		1	STARTER ASS'Y SERIAL 00000000-00004605
	50-83211M		1	STARTER ASS'Y SERIAL 00004606-09999999
1	2169-6791M		1	HOUSING, STARTER SERIAL 00000000-00004605
	2169-6960M		1	HOUSING, STARTER SERIAL 00004606-09999999
2	19-80604M		6	PLUG, STARTER HOUSING
3	24-82115M		1	SPRING, STARTER
4	17-82157M		2	PIN, STARTER SPRING
5	50-81105M		1	STARTER SHEAVE
6	80599M		1	PAWL, STARTER
7	53-82331M		1	CIRCLIP, STARTER PAWL
8	24-81103M		1	SPRING, PAWL
9	80598M		1	SHAFT, SHEAVE
10	10-82440M		1	BOLT, SHEAVE SHAFT
11	12-81801M		1	WASHER, SHEAVE SHAFT BOLT
12	11-82382M		1	NUT, SHEAVE SHAFT BOLT
13	80600M		1	GUIDE, STARTER ROPE
14	10-82422M		2	BOLT, GUIDE ATTACHING
15	13-82197M		2	LOCK WASHER
16	80063M		1	HANDLE, STARTER
17	79629A1		1	STARTER ROPE
18	80602M		1	BRACKET, STARTER HSG. (STARBOARD)
19	80603M		1	BRACKET, STARTER HSG. (PORT MANUAL)
20	10-84237M		4	BOLT, BRACKET ATTACHING
21	10-82428M		1	BOLT, BRACKET ATTACHING
22	81109M		1	BRACKET, STARTER LOCKOUT
23	10-82424M		2	BOLT, HOUSING ATTACHING-FRONT
24	13-82197M		8	LOCK WASHER, FRONT HOUSING BOLT
25	10-82439M		1	BOLT, HOUSING ATTACHING-REAR SERIAL 00000000-00001725
26	13-82200M		1	LOCK WASHER, REAR HOUSING BOLT
27	81106M		1	PLUNGER, STARTER LOCKOUT
28	24-82079M		1	SPRING, STARTER LOCKOUT
29	81108M		1	CABLE, STARTER LOCKOUT
30	10-81747M		1	BOLT, CABLE ADJUSTING
31	11-82380M		2	NUT, JAM-ADJUSTING BOLT
32	81107M		1	LINK, STARTER LOCKOUT
33	12-82196M		1	WASHER, LINK
34	13-81865M		1	WASHER, WAVE-LINK
35	18-82124M		1	PIN, LINK SERIAL 00000000-00004605
	18-82125M		1	PIN, LINK SERIAL 00004606-09999999
36	10-81712M		1	BOLT, LINK ATTACHING SERIAL 00000000-00004605
37	13-82199M		1	WASHER, LINK BOLT
38	13-81867M		1	WASHER, WAVE-LINK BOLT

CONTINUED ON NEXT PAGE ➡

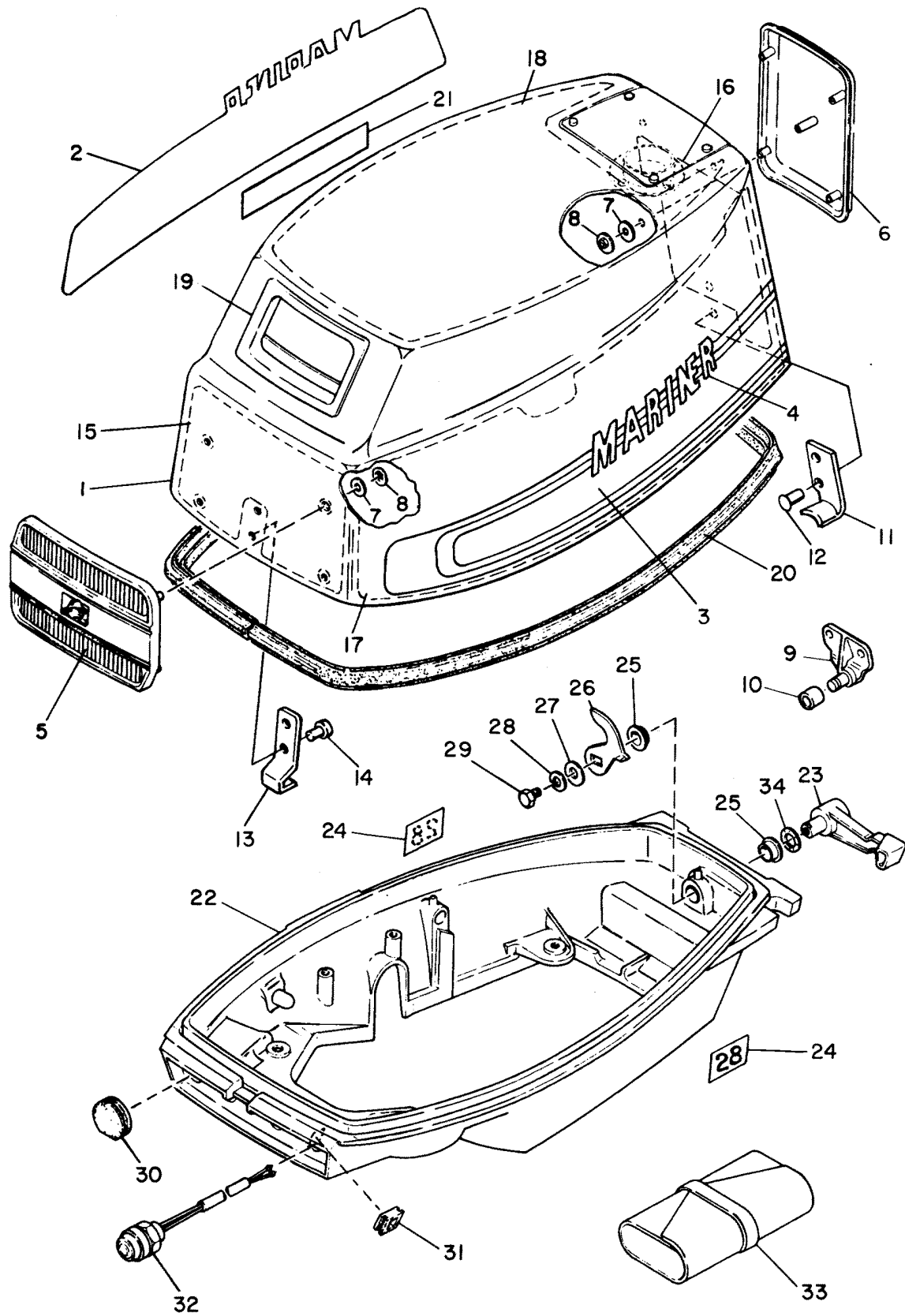
# RECOIL STARTER



# RECOIL STARTER

REF. NO.	PART NO.	SYM.	QTY.	DESCRIPTION
39	16-81741M		1	BOLT, STUD <b>SERIAL 26-04605-09999999</b>
	16-83317M		1	BOLT, STUD <b>SERIAL 00004606-09999999</b>
40	11-82382M		1	NUT <b>SERIAL 00001726-09999999</b>
41	12-82201M		1	WASHER <b>SERIAL 00001726-09999999</b>
42	10-82421M		1	BOLT, BRACKET ATTACHING
43	10-82424M		1	BOLT <b>SERIAL 00004606-09999999</b>
44	23-82929M		1	COLLAR <b>SERIAL 00004606-09999999</b>
45	47341A1		1	EMERGENCY STARTER ROPE

# COWLING

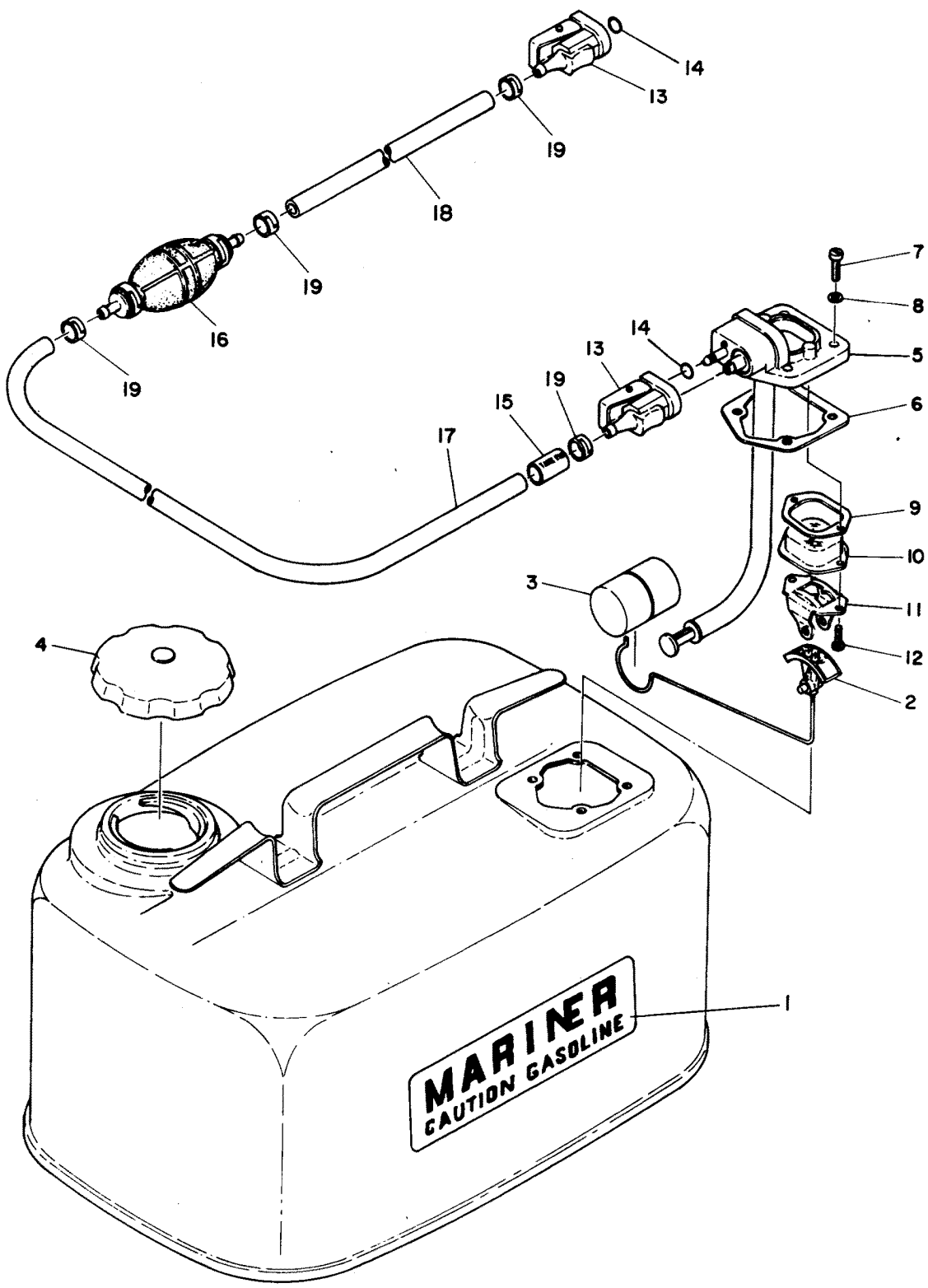




# COWLING

REF. NO.	PART NO.	SYM.	QTY.	DESCRIPTION
1	2168-6852M		1	TOP COWL ASS'Y
2	37-81139M		1	DECAL, TRIM-STARBOARD SERIAL 00000000-00004605
	37-82896M		1	DECAL, TRIM-STARBOARD SERIAL 00004606-09999999
3	37-81140M		1	DECAL, TRIM-PORT SERIAL 00000000-00004605
	37-82897M		1	DECAL, TRIM-PORT SERIAL 00004606-09999999
4	37-83325M		2	DECAL, "MARINER" SERIAL 00000000-00004605
5	81142M		1	APPLIQUE, FRONT SERIAL 00000000-00004605
	82898M		1	APPLIQUE, FRONT SERIAL 00004606-09999999
6	81588M		1	APPLIQUE, REAR SERIAL 00000000-00004605
	82913M		1	APPLIQUE, REAR SERIAL 00004606-09999999
7	12-80884M		16	WASHER, APPLIQUE NUT SERIAL 00000000-00004605
	12-80884M		10	WASHER, APPLIQUE NUT SERIAL 00004606-09999999
8	11-82927M		16	NUT, APPLIQUE ATTACHING SERIAL 00000000-00004605
	11-82927M		10	NUT, APPLIQUE ATTACHING SERIAL 00004606-09999999
9	83318M		1	HOLDER, CLAMP BAND SERIAL 00000000-00001725
10	23-80227M		1	BUSHING SERIAL 00000000-00001725
11	83212M		1	HOLDER, CLAMP BAND SERIAL 00001726-09999999
12	17-83143M		1	RIVET
13	83137M		1	HOOK
14	17-83140M		2	RIVET
15	83319M		1	SOUND BLANKET
16	83320M		1	SOUND BLANKET
17	83321M		2	SOUND BLANKET
18	83322M		1	SOUND BLANKET
19	80601M		1	SEAL, RUBBER-STARTER
20	80634M		1	SEAL, TOP COWL
21	37-81202M		1	INDICATOR, SHIFT
22	2168-6853M		1	BOTTOM COWL
23	81591M		1	LEVER, COWL CLAMP
24	37-82915M		2	GRAPHIC, SIDE SERIAL 00000000-00004606
25	23-81949M		2	BUSHING, COWL CLAMP LEVER
26	82634M		1	CLAMP, COWL SERIAL 00000000-00001725
	81145M		1	CLAMP, COWL SERIAL 00001726-09999999
27	12-81794M		1	WASHER, COWL CLAMP LEVER
28	13-82212M		1	LOCK WASHER, COWL CLAMP LEVER
29	10-82420M		1	BOLT, CLAMP LEVER ATTACHING
30	25-81589M		1	GROMMET, BOTTOM COWL (MANUAL START ONLY)
31	25-82064M		1	GROMMET, BOTTOM COWL
32	87-81662M		1	STOP SWITCH (MANUAL START ONLY)
33	91-80942M		1	TOOL KIT
34	13-81869M		1	WASHER, WAVE-COWL CLAMP LEVER

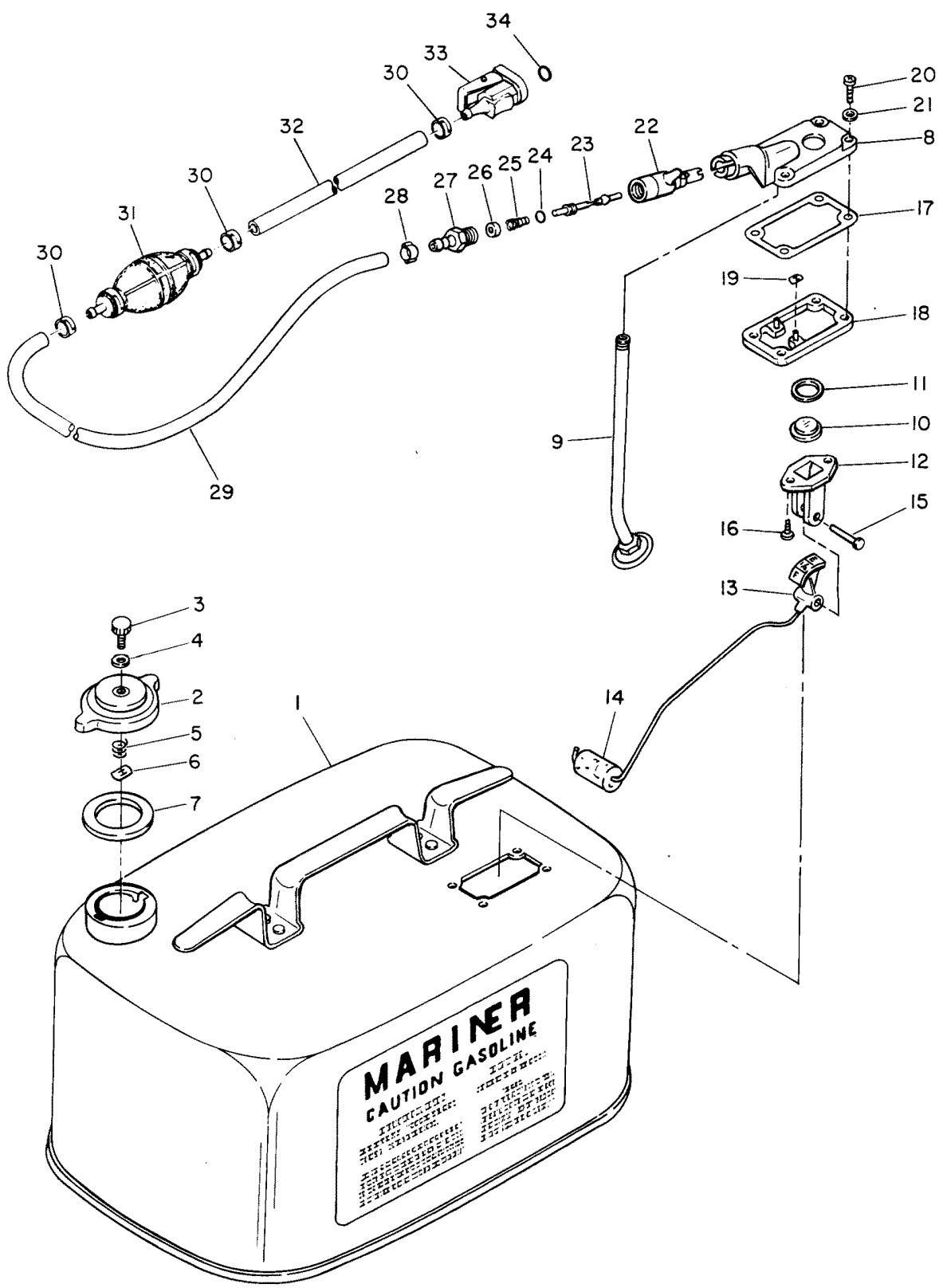
# FUEL TANK (INTERNATIONAL)



## FUEL TANK (INTERNATIONAL)

REF. NO.	PART NO.	SYM.	QTY.	DESCRIPTION
0-1	1252-6836M		1	FUEL TANK ASS'Y
1	37-83213M		2	GRAPHIC, SIDE
2	81318M		1	INDICATOR
3	81319M		1	FLOAT, INDICATOR
4	81694M		1	FUEL TANK CAP ASS'Y
5	81321M		1	HOUSING, FUEL CONNECTOR
6	27-81320M		1	GASKET, HOUSING TO TANK
7	10-82526M		4	SCREW, HOUSING ATTACHING
8	12-80271M		4	WASHER, HOUSING SCREW
9	27-80270M		1	GASKET, HOUSING TO LENS INDICATOR
10	80269M		1	LENS, INDICATOR
11	80268M		1	SUPPORT, INDICATOR
12	10-82518M		2	SCREW, SUPPORT ATTACHING
0-2	32-83192M		1	FUEL HOSE ASS'Y
13	22-81042M		2	CONNECTOR HOUSING
14	25-82789M		2	O-RING
15	23-81327M		1	SLEEVE, HOSE
16	81325M		1	BULB, PRIMER
17	32-82025M		1	HOSE (CONNECTOR HOUSING TO BULB)
18	32-82023M		1	HOSE, BULB TO CONNECTOR
19	54-80752M		4	CLAMP, HOSE

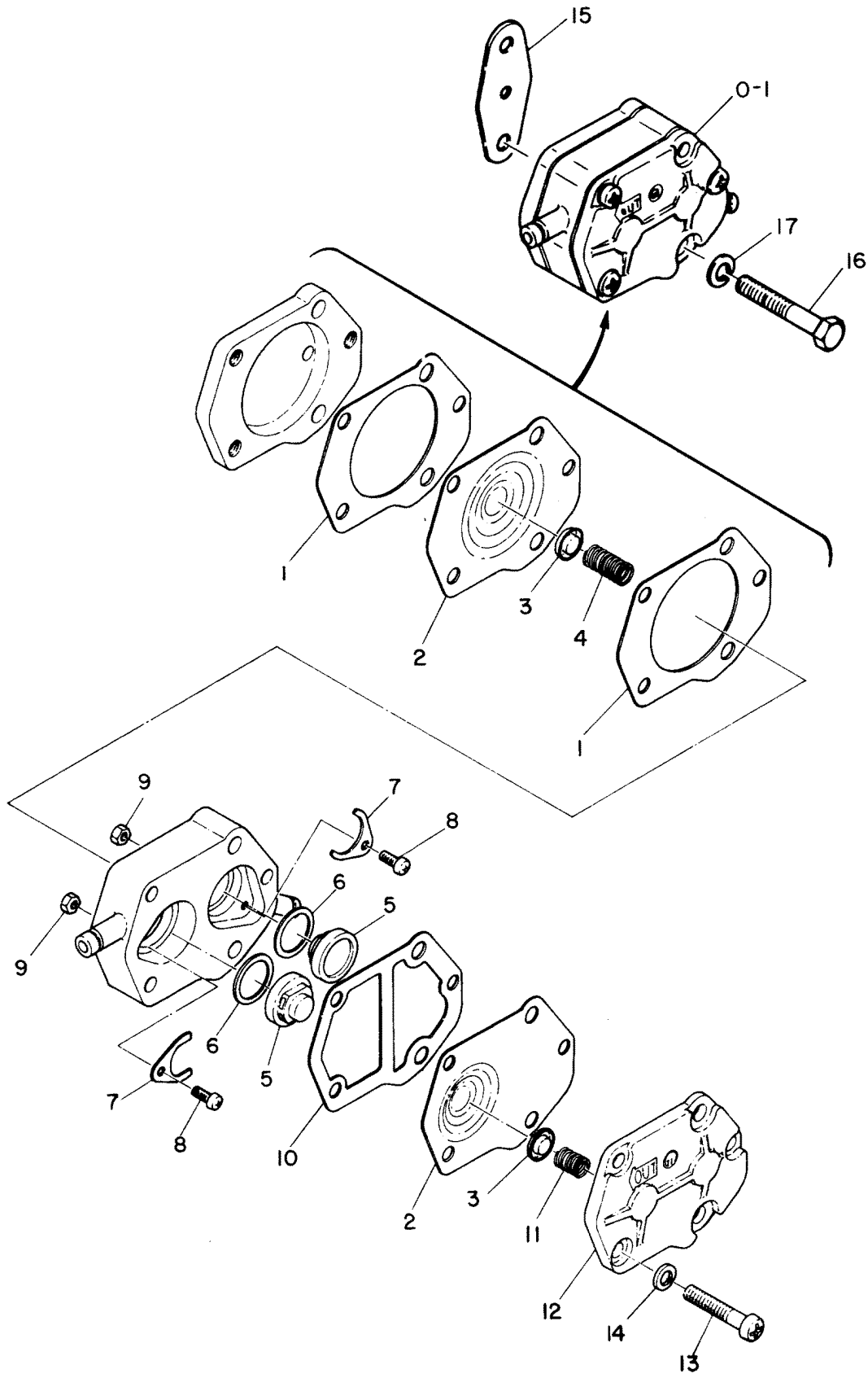
# FUEL TANK (U.S.A.)



## FUEL TANK (U.S.A.)

REF. NO.	PART NO.	SYM.	QTY.	DESCRIPTION
0-1	1225-1529A16		1	FUEL TANK COMPLETE
1	1225-1529		1	FUEL TANK, (6 GALLON)
2	36-25392A2		1	FILLER CAP ASSEMBLY
3	10-25575		1	SCREW, VENT - FILLER CAP
4	12-49221		1	WASHER, VENT SCREW
5	24-22227		1	SPRING, TENION - VENT SCREW
6	11-28587		1	NUT, SPEED - SPRING RETAINER
7	27-25568		1	GASKET, FILLER CAP TO FUEL TANK
8	64841A3		1	COVER ASS'Y, FUEL TANK (1/4-18 TAPPED HOLE)
9	32-33909A3		1	TUBE ASS'Y, (1/4-18 CONNECTOR - 1/2" TUBE)
10	54920A1		1	LENS ASSEMBLY, FUEL GAUGE
11	27-54921		1	GASKET, FUEL GAUGE LENS
12	20430		1	RETAINER, FUEL GAUGE
13	28897A1		1	INDICATOR AND FLOAT ASSEMBLY
14	20427		1	FLOAT, FUEL GAUGE
15	17-20426		1	RIVET, INDICATOR TO RETAINER
16	10-62568		2	SCREW, RETAINER TO FUEL TANK COVER (5/16")
17	27-28862		1	GASKET, COVER ASSEMBLY TO FRAME
18	28860		1	FRAME, RETAINING - FUEL TANK COVER
19	53-28903		2	FASTENER, RETAINING FRAME TO FUEL TANK
20	10-20411		4	SCREW, FUEL TANK COVER TO FUEL TANK
21	12-74711		4	WASHER, FUEL TANK COVER FASTENING SCREW
22	30185A1		1	BODY, BAYONET ASS'Y
23	30187		1	STEM, BAYONET BODY
24	25-20415		1	O-RING, BAYONET BODY STEM
25	24-30189		1	SPRING, BAYONET BODY STEM
26	30188		1	WASHER, CAP BAYONET BODY SPRING
27	22-63187		1	FITTING, FUEL LINE (TANK END)
28	54-55206		1	CLAMP, HOSE TO BAYONET BODY ASS'Y
29	32-82025M		1	HOSE, FUEL TANK TO PRIMER BULB
30	54-80752M		3	CLAMP, HOSE
31	81325M		1	PRIMER BULB, FUEL LINE
32	32-82023M		1	HOSE, PRIMER BULB TO FUEL CONNECTOR
33	22-81042M		1	HOUSING ASS'Y, FUEL CONNECTOR
34	25-82789M		1	O-RING

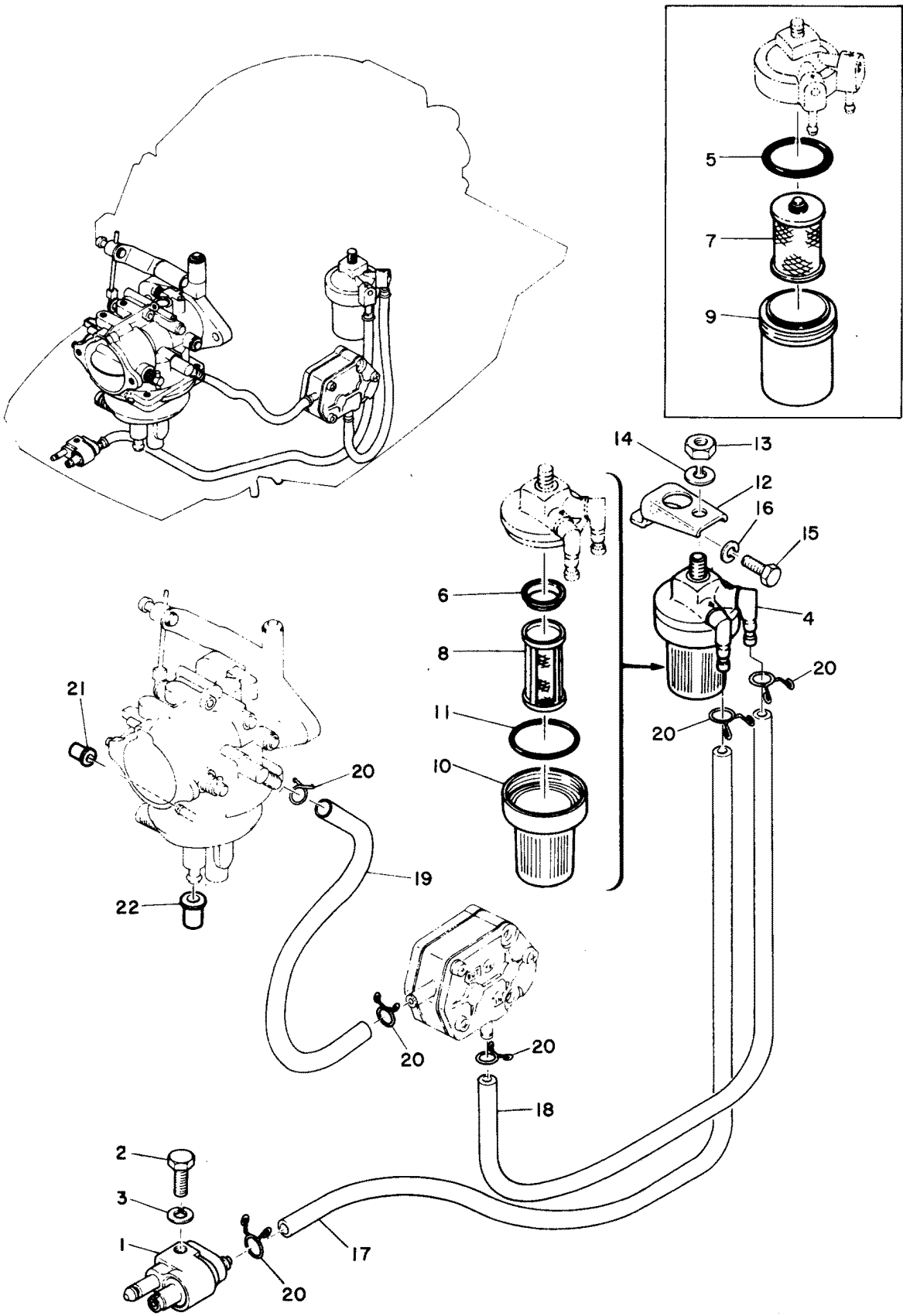
# FUEL PUMP



# FUEL PUMP

REF. NO.	PART NO.	SYM.	QTY.	DESCRIPTION
0-1	81328M		1	FUEL PUMP ASS'Y
1	27-80613M		2	GASKET, BODY TO BASE
2	80606M		2	DIAPHRAGM, FUEL PUMP
3	80611M		2	PLATE, SPRING GUIDE
4	24-80610M		1	SPRING, FUEL PUMP DIAPHRAGM
5	21-80608M		2	CHECK VALVE, FUEL PUMP
6	27-80612M		2	GASKET, CHECK VALVE
7	80609M		2	RETAINER, CHECK VALVE
8	10-82511M		2	SCREW, RETAINER ATTACHING
9	11-82537M		2	NUT, RETAINER SCREW
10	27-80614M		1	GASKET, BODY TO COVER
11	24-80615M		1	SPRING, FUEL PUMP DIAPHRAGM
12	80607M		1	COVER, FUEL PUMP
13	10-82522M		3	SCREW, COVER ATTACHING
14	13-82208M		3	LOCK WASHER, COVER SCREW
15	27-80757M		1	GASKET, FUEL PUMP TO CRANKCASE
16	10-82428M		2	BOLT, FUEL PUMP ATTACHING
17	13-82197M		2	LOCK WASHER, COVER SCREW

# FUEL LINES AND FILTER

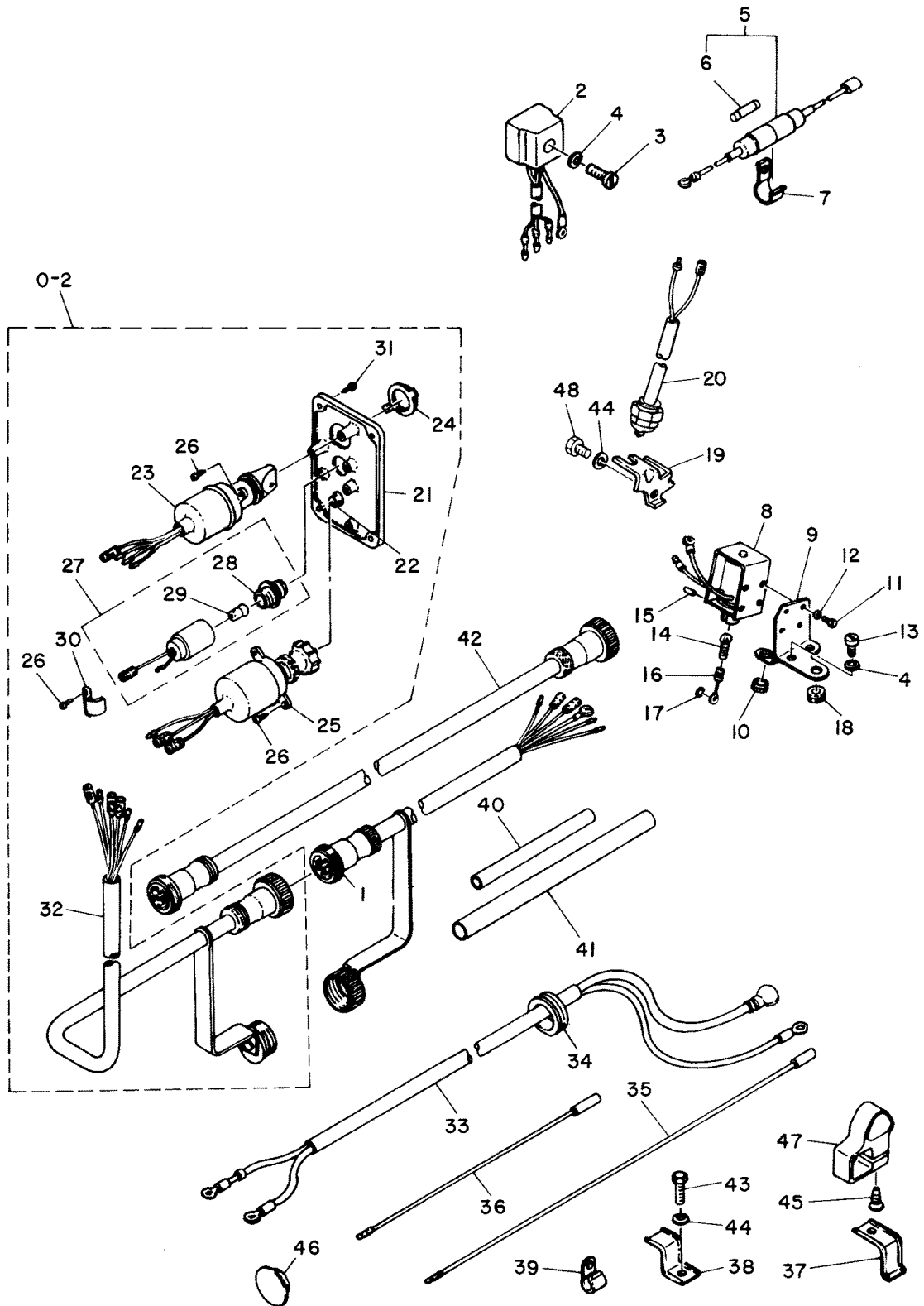




## FUEL LINES AND FILTER

REF. NO.	PART NO.	SYM.	QTY.	DESCRIPTION
1	81041M		1	FUEL LINE CONNECTOR ASS'Y
2	10-82423M		1	BOLT, CONNECTOR ATTACHING
3	13-82212M		1	LOCK WASHER, CONNECTOR BOLT
4	35-80617M		1	FILTER ASS'Y <b>SERIAL 00000000-00004605</b>
5	25-80619M		1	GASKET, FUEL BOWL <b>SERIAL 00000000-00004605</b>
6	27-82790M		1	PACKING <b>SERIAL 00004606-09999999</b>
7	35-80618M		1	CLAMP, FUSE HOLDER <b>SERIAL 00000000-00004605</b>
8	35-82783M		1	ELEMENT, FILTER <b>SERIAL 00004606-09999999</b>
9	35-80616M		1	FUEL BOWL <b>SERIAL 00000000-00004605</b>
10	82784M		1	CUP, FILTER <b>SERIAL 00004606-09999999</b>
11	25-82792M		1	O-RING <b>SERIAL 00004606-09999999</b>
12	80620M		1	BRACKET, FUEL FILTER
13	11-82382M		1	NUT, FUEL FILTER ATTACHING
14	13-82200M		1	LOCK WASHER, FUEL FILTER NUT
15	10-82422M		1	BOLT, BRACKET ATTACHING
16	13-82197M		1	LOCK WASHER, BRACKET BOWL
17	32-82014M		1	FUEL LINE, CONNECTOR TO FILTER
18	32-81566M		1	FUEL LINE, FUEL FILTER TO FUEL PUMP
19	32-80605M		1	FUEL LINE, FUEL PUMP TO CARBURETOR
20	54-82047M		6	CLAMP, FUEL LINE
21	80454M		1	CAP, OVER FLOW PIPE <b>SERIAL 00000000-00005305</b>
22	83323M		1	CAP, DRAIN PIPE <b>SERIAL 00000000-00005305</b>

# ELECTRIC START COMPONENTS

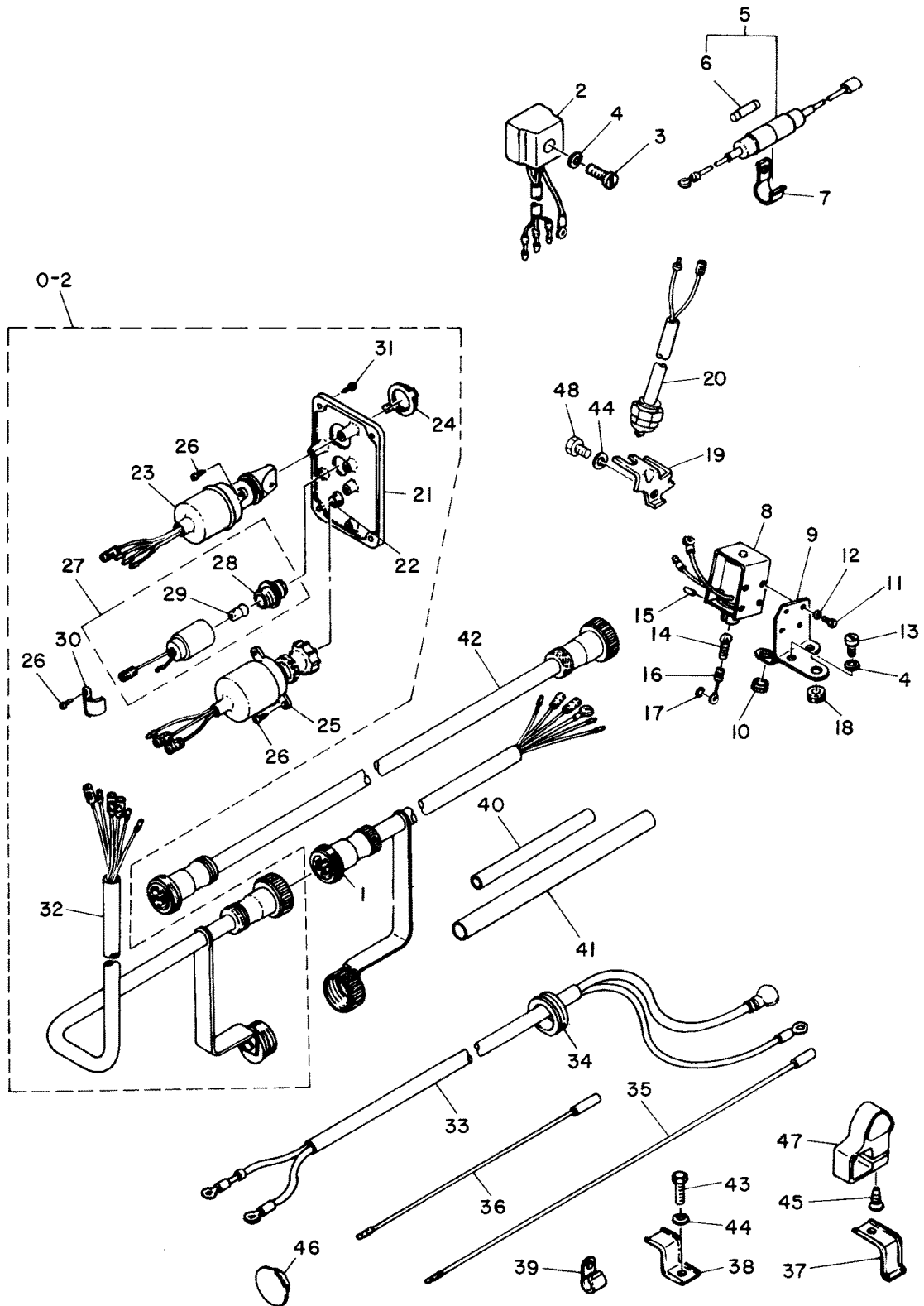


# ELECTRIC START COMPONENTS

REF. NO.	PART NO.	SYM.	QTY.	DESCRIPTION
1	84-81664M		1	WIRE HARNESS ASS'Y, ENGINE
2	81652M		1	RECTIFIER
3	10-82492M		1	SCREW, RECTIFIER ATTACHING
4	13-82193M		3	LOCK WASHER. RECTIFIER SCREW
5	88-81655M		1	FUSE HOLDER ASS'Y
6	88-81522M		1	FUSE
7	54-82036M		1	CLAMP, FUSE HOLDER
8	89-81665M		1	SOLENOID ASS'Y CHOKE
9	81666M		1	BRACKET, SOLENOID
10	25-80726M		1	GROMMET, SOLENOID BRACKET
11	10-82510M		4	SCREW, SOLENOID ATTACHING
12	13-82191M		4	LOCK WASHER, SOLENOID SCREW
13	10-82491M		2	SCREW, SOLENOID BRACKET ATTACHING
14	81553M		1	HOOK, SOLENOID PULL WIRE
15	17-82145M		1	PIN, SOLENOID HOOK
16	24-81667M		1	WIRE, SOLENOID PULL
17	25-82258M		1	O-RING, PULL WIRE
18	25-82060M		1	GROMMET
19	81110M		1	BRACKET, NEUTRAL START SWITCH
20	87-81168M		1	NEUTRAL START SWITCH ASS'Y
0-2	81169M		1	SWITCH PANEL ASS'Y <b>SERIAL 00000000-00025000</b>
	83303M		1	SWITCH PANEL ASS'Y <b>SERIAL 00025801-09999999</b>
21	81170M		1	PANEL, SWITCH
22	37-83324M		1	DECAL, SWITCH PANEL <b>SERIAL 00000000-00025800</b>
	37-83058M		1	DECAL, SWITCH PANEL <b>SERIAL 00025801-09999999</b>
23	87-80716M		1	KEY SWITCH ASS'Y
24	80721M		1	CAP, SWITCH KEY
25	87-80715M		1	IGNITION SWITCH ASS'Y
26	10-80723M		6	SCREW, HARNESS ATTACHING
27	80725M		1	CHOKE LAMP ASS'Y
28	80724M		1	LENS, CHOKE LAMP
29	88-80007M		1	BULB, CHOKE LAMP )12V-3W)
30	54-80722M		1	CLAMP, WIRE HARNESS
31	10-80719M		4	SCREW, PANEL ATTACHING
32	84-80720M		1	WIRE HARNESS ASS'Y SWITCH PANEL
33	84-81654M		1	LEAD WIRE ASS'Y CHOKE SOLENOID
34	25-81590M		1	GROMMET, LEAD WIRE
35	84-81660M		2	WIRE, LEAD
36	84-81661M		1	WIRE, LEAD
37	82044M		1	CLAMP
38	54-82035M		2	CLAMP
39	54-82034M		1	CLAMP
40	32-82032M		1	HOSE, WIRE HARNESS

CONTINUED ON NEXT PAGE ➡

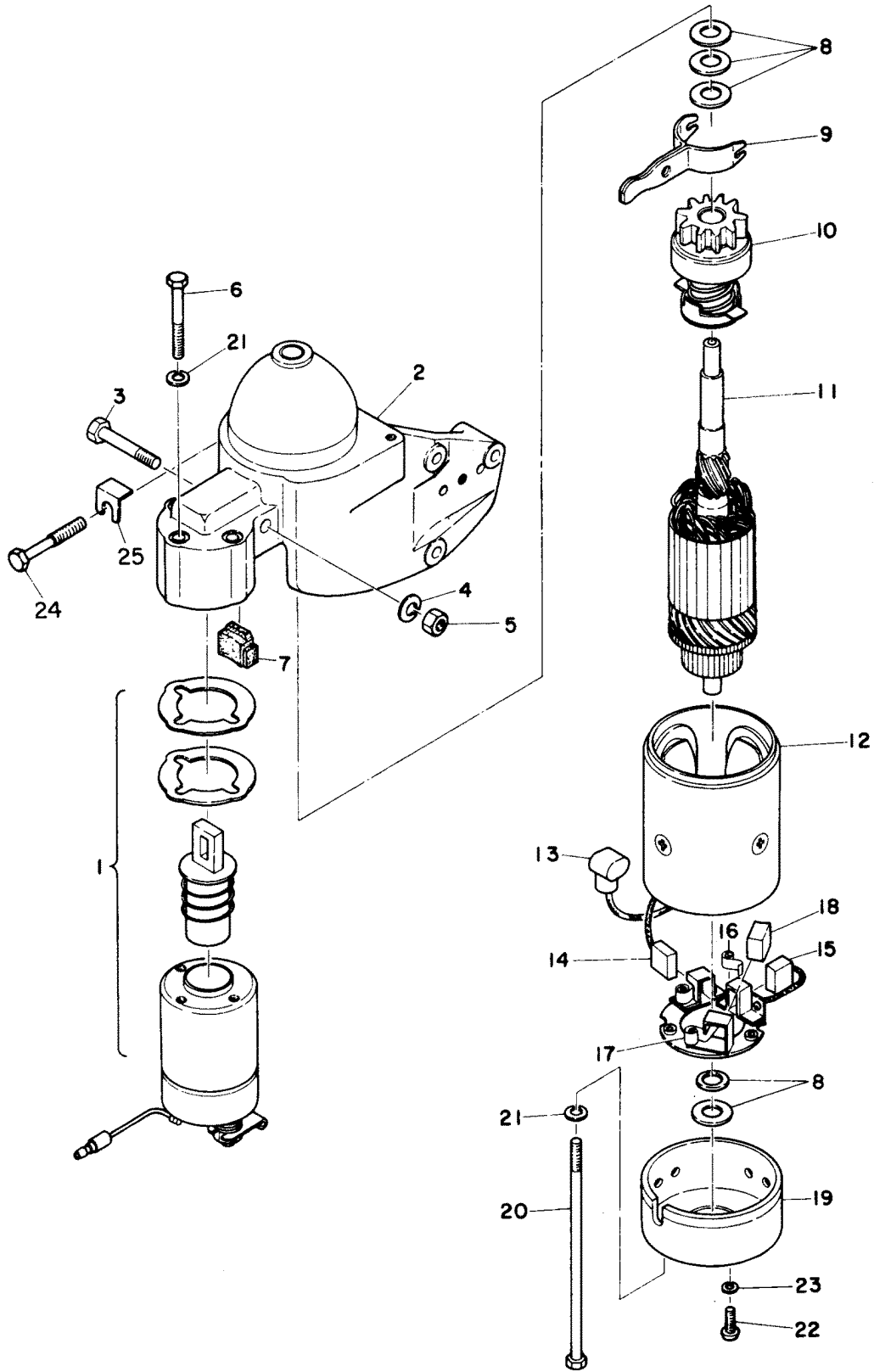
# ELECTRIC START COMPONENTS



# ELECTRIC START COMPONENTS

REF. NO.	PART NO.	SYM.	QTY.	DESCRIPTION
41	32-82031M		1	HOSE, WIRE HARNESS
42	84-81171M		1	EXTENSION, WIRE HARNESS OPTIONAL
43	10-82422M		3	BOLT
44	13-82197M		3	LOCK WASHER
45	81759M		1	TAP SCREW, CLAMP
46	82066M		1	GROMMET, BOTTOM COWL
47	82039M		1	CLAMP
	82039M		1	CLAMP
48	10-83215M		1	BOLT

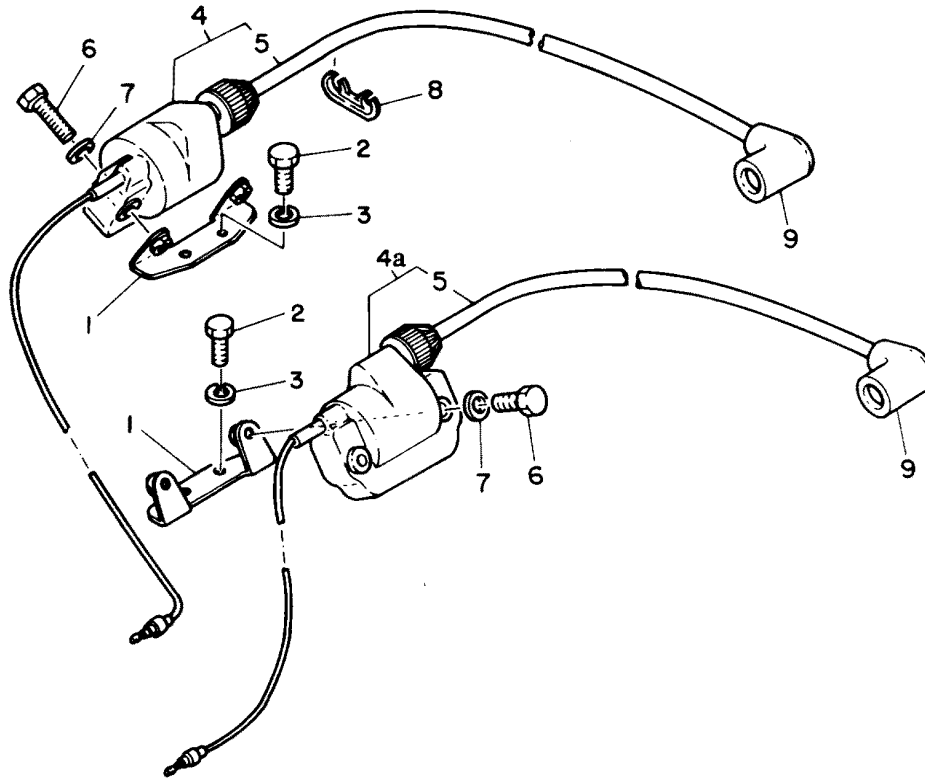
# ELECTRIC STARTER MOTOR



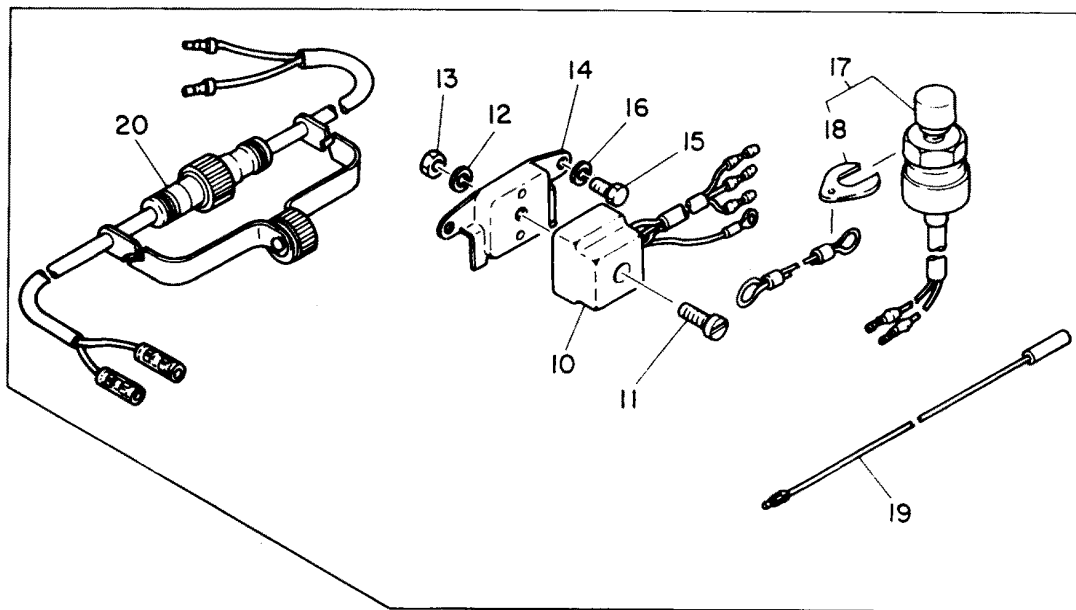
# ELECTRIC STARTER MOTOR

REF. NO.	PART NO.	SYM.	QTY.	DESCRIPTION
0-1	50-80691M		1	STARTER MOTOR ASS'Y
1	80709M		1	SOLENOID ASS'Y STARTER MOTOR
2	80703M		1	COVER, DRIVE END
3	10-80701M		1	BOLT, SOLENOID LEVER
4	13-82197M		1	LOCK WASHER, LEVER BOLT
5	11-82380M		1	NUT, LEVER BOLT
6	10-80706M		3	BOLT, SOLENOID ATTACHING
7	25-80702M		1	DAMPENER, SOLENOID
8	12-80692M		1	WASHER KIT
9	80705M		1	LEVER, SOLENOID
10	43-80704M		1	PINION, STARTER
11	80707M		1	ARMATURE ASS'Y
12	80693M		1	FRAME AND FIELD ASS'Y
13	80710M		1	CAP, FIELD LEAD
14	80694M		1	BRUSH, FIELD LEAD
15	80695M		1	BRUSH, BRUSH PLATE LEAD
16	24-80696M		2	SPRING, BRUSH
17	24-80697M		1	SPRING, BRUSH PLATE
18	12-80700M		1	PIECE, FRICTION
19	80698M		1	COVER, COMMUTATOR LEAD
20	10-80699M		2	THRUBOLT, COVER ATTACHING
21	13-82193M		3	LOCK WASHER
22	10-82515M		2	SCREW, DRIVE PLATE ATTACHING
23	13-82184M		2	LOCK WASHER, DRIVER PLATE SCREW
24	10-82428M		1	BOLT, STARTER ATTACHING
25	15-80712M		AR	SHIM, STARTER ATTACHING BOLT

# ELECTRICAL



## OPTIONAL PARTS (Manual Start)

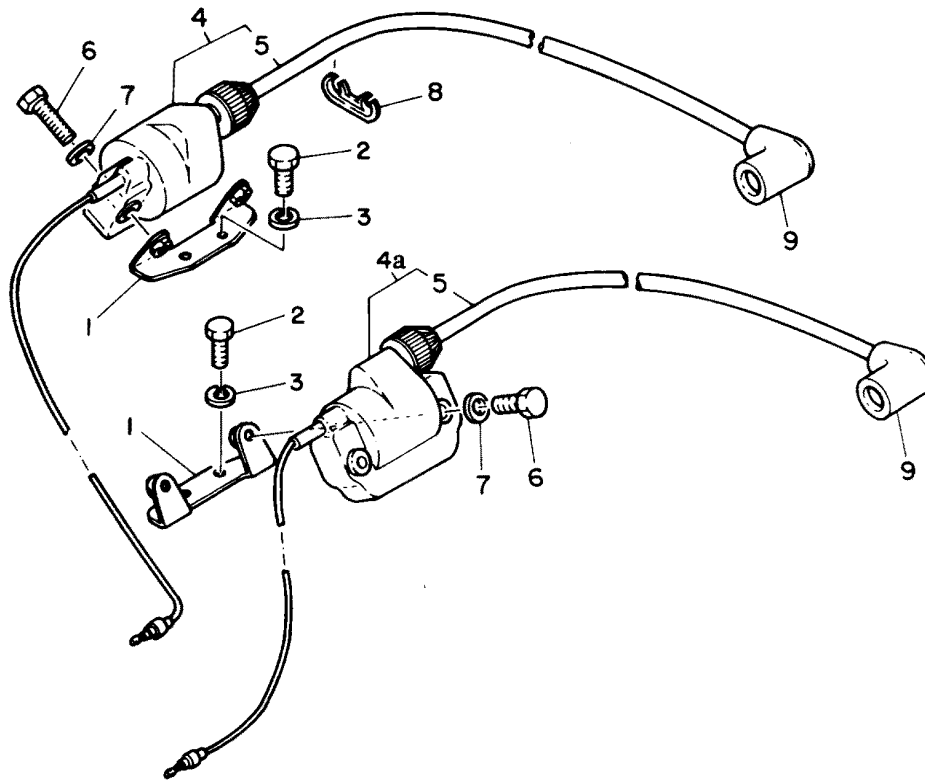




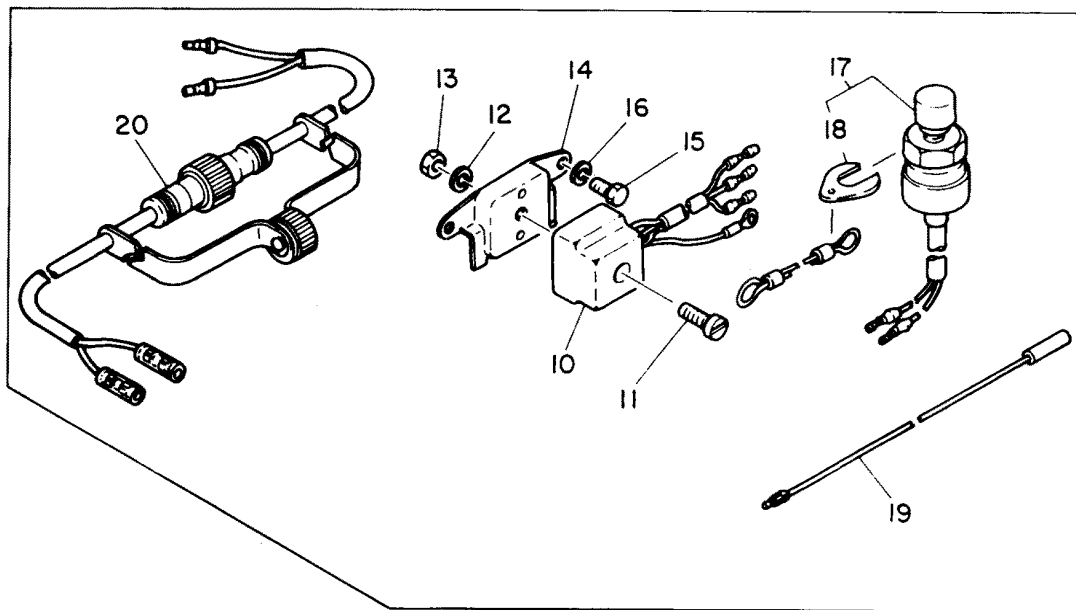
# ELECTRICAL

REF. NO.	PART NO.	SYM.	QTY.	DESCRIPTION
1	81657M		2	BRACKET, SECONDARY COIL
2	13-82197M		4	BOLT, COIL BRACKET ATTACHING
3	13-82197M		4	LOCK WASHER, COIL BRACKET BOLT
4	81656M		1	SECONDARY IGNITION BOIL (SHORT LEAD)
4A	83776M		1	SECONDARY IGNITION COIL (LONG LEAD)
5	84-82831M		2	CORD, HIGH TENSION
6	10-82425M		4	BOLT, COIL ATTACHING
7	13-82199M		4	WASHER
8	82038M		1	CLAMP, HIGH TENSION LEADS
9	81524M		2	PLUG CAP ASS'Y <b>SERIAL 00000000-00004605</b>
	82788M		2	PLUG CAP ASS'Y <b>SERIAL 00004606-09999999</b>
	80935M		2	PLUG CAP ASS'Y (NOISE SUPPRESOR) (OPT)

# OPTIONAL PARTS (MANUAL START)



# OPTIONAL PARTS (Manual Start)



## OPTIONAL PARTS (MANUAL START)

REF. NO.	PART NO.	SYM.	QTY.	DESCRIPTION
10	81652M		1	RECTIFIER
11	10-82496M		1	SCREW
12	13-82193M		1	WASHER
13	11-82388M		1	NUT
14	81653M		1	PLATE, RECTIFIER FITTING
15	10-82421M		2	BOLT
16	13-82212M		1	WASHER
17	87-81663M		1	STOP SWITCH ASS'Y
18	81531M		1	STOPPER
19	84-81660M		2	WIRE
20	84-80052M		1	WIRE HARNESS

# PARTS INDEX

Part Number	Description	Pg.	Ref. No.	Part Number	Description	Pg.	Ref. No.
20427	FLOAT, FUEL GAUGE . . . . .	43	14	80633M	PLATE, FRICTION . . . . .	21	5
20430	RETAINER, FUEL GAUGE . .	43	12	80634M	SEAL, TOP COWL . . . . .	39	20
28860	FRAME, RETAINING - FUEL TANK COVER . . . . .	43	18	80639M	MOUNT, RUBBER CLAMP BRACKET . . . . .	21	27
28897A1	INDICATOR AND FLOAT ASSEMBLY . . . . .	43	13	80641M	KNOB, TILT STOP SHAFT . .	21	24
30185A1	BODY, BAYONET ASS'Y . . . .	43	22	80642M	HOOK, REVERSE LOCK- REAR . . . . .	23	8
30187	STEM, BAYONET BODY . . .	43	23	80643M	HOOK, REVERSE LOCK- FRONT . . . . .	23	9
30188	WASHER, CAP BAYONET BODY SPRING . . . . .	43	26	80644M	LINK, REVERSE LOCK LEVER . . . . .	23	4
47341A1	EMERGENCY STARTER ROPE . . . . .	37	45	80645M	ROD, REVERSE LOCK LEVER . . . . .	23	7
54920A1	LENS ASSEMBLY, FUEL GAUGE . . . . .	43	10	80646M	LEVER, LOCK/RELEASE . . .	23	1
64841A3	COVER ASS'Y, FUEL TANK (1/4-18 TAPPED HOLE) . .	43	8	80647M	COVER, LEVER . . . . .	23	2
79629A1	STARTER ROPE . . . . .	35	17	80648M	CAM, TILT . . . . .	23	5
80025M	LUBRICATOR . . . . .	33	14	80652M	CONNECTOR, SHIFT . . . . .	29	20
80048M	HANDLE, TRANSOM CLAMP SCREW . . . . .	21	19	80654M	BRACKET, MOUNTING . . . .	25	1
80063M	HANDLE, STARTER . . . . .	35	16	80656M	MOUNT, RUBBER-UPPER . .	25	13
80268M	SUPPORT, INDICATOR . . . .	41	11	80657M	BRACKET, CABLE ANCHOR	25	10
80269M	LENS, INDICATOR . . . . .	41	10	80660M	MOUNT, RUBBER-LOWER SIDE . . . . .	25	22
80454M	CAP, OVER FLOW PIPE . . .	47	21	80661M	MOUNT, RUBBER-LOWER FRONT . . . . .	25	34
80509M	GRIP, THROTTLE HANLE . .	27	14	80679M	SLIDE, SHIFT . . . . .	15	25
80529M	BOOT, SHIFT SHAFT . . . . .	17	58	80680M	PLUNGER, SHIFT . . . . .	17	62
80551M	PRIMARY IGNITION COIL, #1 CYL . . . . .	33	7	80683M	FLYWHEEL MAGNETO ASS'Y (STD-ELEC) . . . . .	33	0-1
80552M	PRIMARY IGNITION COIL, #2 CYL . . . . .	33	8	80684M	BASE, MAGNETO . . . . .	33	6
80553M	LIGHTING COIL . . . . .	33	19	80687M	FLYWHEEL ASS'Y . . . . .	33	1
80558M	CONDENSER . . . . .	33	13	80689M	COVER, FLYWHEEL . . . . .	33	21
80568M	REED VALVE . . . . .	9	17	80693M	FRAME AND FIELD ASS'Y . .	53	12
80570M	MANIFOLD, INTAKE . . . . .	9	7	80694M	BRUSH, FIELD LEAD . . . . .	53	14
80576M	NOZZLE, MAIN . . . . .	11	3	80695M	BRUSH, BRUSH PLATE LEAD . . . . .	53	15
80582M	JET, MAIN (#140) . . . . .	11	4	80698M	COVER, COMMUTATOR LEAD . . . . .	53	19
80591M	FLOAT . . . . .	11	5	80703M	COVER, DRIVE END . . . . .	53	2
80593M	INLET VALVE & SEAT . . . . .	11	2	80705M	LEVER, SOLENOID . . . . .	53	9
80595M	BASE, AIR FILTER . . . . .	9	3	80707M	ARMATURE ASS'Y . . . . .	53	11
80598M	SHAFT, SHEAVE . . . . .	35	9	80709M	SOLENOID ASS'Y STARTER MOTOR . . . . .	53	1
80599M	PAWL, STARTER . . . . .	35	6	80710M	CAP, FIELD LEAD . . . . .	53	13
80600M	GUIDE, STARTER ROPE . . .	35	13	80721M	CAP, SWITCH KEY . . . . .	49	24
80601M	SEAL, RUBBER-STARTER . .	39	19	80724M	LENS, CHOKE LAMP . . . . .	49	28
80602M	BRACKET, STARTER HSG. (STARBOARD) . . . . .	35	18	80725M	CHOKE LAMP ASS'Y . . . . .	49	27
80603M	BRACKET, STARTER HSG. (PORT MANUAL) . . . . .	35	19	80930M	BREAKER ASS'Y . . . . .	33	12
80606M	DIAPHRAGM, FUEL PUMP . .	45	2	80935M	PLUG CAP ASS'Y (NOISE SUPPRESSOR) (OPT) . . . .	55	9
80607M	COVER, FUEL PUMP . . . . .	45	12	81030M	COVER, THERMOSTAT . . . .	3	23
80609M	RETAINER, CHECK VALVE . .	45	7	81041M	FUEL LINE CONNECTOR ASS'Y . . . . .	47	1
80611M	PLATE, SPRING GUIDE . . . .	45	3	81098M	THERMOSTAT . . . . .	3	22
80620M	BRACKET, FUEL FILTER . . .	47	12	81106M	PLUNGER, STARTER LOCKOUT . . . . .	35	27
80622M	LEVER, THROTTLE . . . . .	11	22	81107M	LINK, STARTER LOCKOUT . .	35	32
80623M	SHAFT, THROTTLE . . . . .	11	17	81108M	CABLE, STARTER LOCKOUT	35	29
80626M	RETAINER, MAGNETO BASE-OUTER . . . . .	31	1	81109M	BRACKET, STARTER LOCKOUT . . . . .	35	22
80628M	STOP, MAGNETO BASE . . .	31	10				
80629M	SWIVEL, LINK ROD . . . . .	31	24				
80631M	CAM, THROTTLE . . . . .	27	22				
80632M	SHAFT, STEERING PIVOT . .	21	9				

# PARTS INDEX

Part Number	Description	Pg.	Ref. No.	Part Number	Description	Pg.	Ref. No.
81119M	LINK ROD, THROTTLE LEVER . . . . .	11	26	81598M	SHIFT SHAFT, LOWER (LONGER SHAFT) . . . . .	17	57
81129M	RETAINER, STEERING ARM	27	10	81601M	BASE, WATER PUMP (STD)	17	42
81134M	SHAFT, THROTTLE . . . . .	31	30	81608M	MOUNT, RUBBER-UPPER FRONT . . . . .	25	16
81138M	BRACKET, STEERING . . . . .	27	1	81609M	HOUSING, LOWER MOUNT-STARBOARD . . . . .	25	28
81142M	APPLIQUE, FRONT . . . . .	39	5	81610M	HOUSING, LOWER MOUNT PORT . . . . .	25	29
81145M	CLAMP, COWL . . . . .	39	26	81611M	MOUNT, RUBBER-HOUSING	25	38
81149M	STOPPER, PLATE . . . . .	23	14	81614M	EXTENSION, . . . . .	13	15
81151M	HANDLE, GEAR SHIFT . . . . .	29	1	81615M	COVER, WATER INLET-PORT . . . . .	17	50
81152M	CAM, SHIFT . . . . .	29	2	81616M	COVER, WATER INLET-STARBOARD . . . . .	17	51
81169M	SWITCH PANEL ASS'Y . . . . .	49	0-2	81617M	HOUSING, BEARING . . . . .	17	34
81170M	PANEL, SWITCH . . . . .	49	21	81618M	TRIM TAB (ANODE) . . . . .	17	54
81191M	SWIVEL, LINK ROD . . . . .	9	25	81652M	RECTIFIER . . . . .	49	2
81191M	SWIVEL, THROTTLE . . . . .	11	27	81652M	RECTIFIER . . . . .	57	10
81225M	SWIVEL . . . . .	31	22	81653M	PLATE, RECTIFIER FITTING	57	14
81318M	INDICATOR . . . . .	41	2	81656M	SECONDARY IGNITION BOIL (SHORT LEAD) . . . . .	55	4
81319M	FLOAT, INDICATOR . . . . .	41	3	81657M	BRACKET, SECONDARY COIL . . . . .	55	1
81321M	HOUSING, FUEL CONNECTOR . . . . .	41	5	81659M	CLAMP, WIRE . . . . .	3	34
81325M	BULB, PRIMER . . . . .	41	16	81666M	BRACKET, SOLENOID . . . . .	49	9
81325M	PRIMER BULB, FUEL LINE . . . . .	43	31	81694M	FUEL TANK CAP ASS'Y . . . . .	41	4
81328M	FUEL PUMP ASS'Y . . . . .	45	0-1	81759M	TAP SCREW, CLAMP . . . . .	51	45
81439M	CAP, GREASE FITTING . . . . .	21	4	82038M	CLAMP, HIGH TENSION LEADS . . . . .	55	8
81439M	CAP, GREASE FITTING . . . . .	25	7	82039M	CLAMP . . . . .	51	47
81524M	PLUG CAP ASS'Y . . . . .	55	9	82039M	CLAMP . . . . .	51	47
81531M	STOPPER . . . . .	57	18	82044M	CLAMP . . . . .	49	37
81553M	HOOK, SOLENOID PULL WIRE . . . . .	49	14	82063M	GROMMET, CHOKE KNOB . . . . .	9	22
81556M	ANODE . . . . .	3	10	82066M	GROMMET, BOTTOM COWL	51	46
81559M	JET, LOW SPEED (#60) . . . . .	11	1	82254M	RETAINER, OIL SEAL . . . . .	7	12
81561M	FLOAT BOWL . . . . .	11	7	82346M	BALL, SHIFT DETENT . . . . .	29	8
81562M	COVER, AIR INTAKE . . . . .	9	1	82557M	MOUNT, RUBBER-LOWER SIDE . . . . .	25	23
81563M	BRACKET, THROTTLE CABLE . . . . .	31	20	82634M	CLAMP, COWL . . . . .	39	26
81564M	HOUSING, OIL SEAL . . . . .	3	13	82658M	COVER, THERMOSTAT . . . . .	3	23
81567M	CABLE, THROTTLE . . . . .	27	24	82784M	CUP, FILTER . . . . .	47	10
81568M	COVER, EXHAUST-INNER . . . . .	3	28	82788M	PLUG CAP ASS'Y . . . . .	55	9
81569M	COVER EXHAUST-OUTER . . . . .	3	27	82795M	TRIM TAB (ANODE) . . . . .	17	54
81571M	MANIFOLD, EXHAUST . . . . .	13	7	82857M	STOPPER, PLATE . . . . .	23	14
81575M	CAM, THROTTLE ADVANCE	31	4	82895M	PIECE, FRICTION . . . . .	27	27
81576M	LIVER, CHOKE . . . . .	9	23	82898M	APPLIQUE, FRONT . . . . .	39	5
81577M	LINK ROD, CHOKE LEVER . . . . .	9	26	82913M	APPLIQUE, REAR . . . . .	39	6
81578M	KNOB, CHOKE . . . . .	9	21	82914M	BOOT, SHIFT ROD . . . . .	15	6
81579M	RETAINER, MAGNETO BASE	3	15	82916M	PLATE . . . . .	15	7
81580M	STOP, MAGNETO BASE . . . . .	31	7	83052M	SHIFT CAM ASS'Y (LONG SHAFT) . . . . .	15	5
81581M	CAM, MAGNETO CONTROL	31	15	83069M	SHIFT CAM ASS'Y (SHORT SHAFT) . . . . .	15	5
81582M	LINK ROD, MAGNETO CONTROL . . . . .	31	23	83113M	SHAFT, THROTTLE . . . . .	11	28
81583M	ARM, STEERING . . . . .	27	5	83137M	HOOK . . . . .	39	13
81584M	SHAFT, THROTTLE . . . . .	27	18	83160M	LINK ROD, THROTTLE LEVER . . . . .	11	26
81585M	HANDLE, THROTTLE . . . . .	27	13	83199M	RETAINER, MAGNETO BASE . . . . .	3	15
81586M	INDICATOR, THROTTLE . . . . .	27	15				
81587M	LEVER, THROTTLE SHAFT	31	29				
81588M	APPLIQUE, REAR . . . . .	39	6				
81591M	LEVER, COWL CLAMP . . . . .	39	23				
81593M	LEVER, SHIFT ROD . . . . .	29	14				
81594M	SWIVEL, SHIFT ROD . . . . .	29	16				
81595M	LINK ROD, SHIFT . . . . .	29	9				
81596M	SHAFT, SHIFT-UPPER . . . . .	29	19				

# PARTS INDEX

Part Number	Description	Pg.	Ref. No.	Part Number	Description	Pg.	Ref. No.
83200M	FLOAT BOWL . . . . .	11	7	10-82408M	BOLT, CRANKCASE		
83201M	LEVER THROTTLE . . . . .	11	30		ATTACHING . . . . .	3	6
83203M	CHOKE LEVER COMP . . . . .	11	33	10-82416M	BOLT, CAM ATTACHING . . .	31	5
83206M	EXTENSION, LONG SHAFT . .	13	16	10-82420M	BOLT, CLAMP LEVER		
83208M	LEVER, SHIFT ROD . . . . .	29	24		ATTACHING . . . . .	39	29
83209M	LEVER, THROTTLE SHAFT . .	31	29	10-82420M	BOLT, STOP ATTACHING . .	31	11
83210M	RETAINER, MAGNETO			10-82421M	BOLT . . . . .	57	15
	BASE-OUTER . . . . .	31	1	10-82421M	BOLT . . . . .	5	37
83212M	HOLDER, CLAMP BAND . . .	39	11	10-82421M	BOLT, BRACKET		
83303M	SWITCH PANEL ASS'Y . . . .	49	0-2		ATTACHING . . . . .	37	42
83305M	STOP, MAGNETO BASE . . .	31	7	10-82421M	BOLT, CLAMP ATTACHING . .	5	36
83306M	MANIFOLD, EXHAUST . . . .	13	7	10-82421M	BOLT, COVER ATTACHING . .	33	23
83308M	BASE, WATER PUMP			10-82421M	BOLT, STOP ATTACHING . .	31	8
	(CHROME, OPTIONAL) . . .	17	42	10-82422M	BOLT . . . . .	51	43
83318M	HOLDER, CLAMP BAND . . .	39	9	10-82422M	BOLT, BRACKET		
83319M	SOUND BLANKET . . . . .	39	15		ATTACHING . . . . .	31	21
83320M	SOUND BLANKET . . . . .	39	16	10-82422M	BOLT, BRACKET		
83321M	SOUND BLANKET . . . . .	39	17		ATTACHING . . . . .	47	15
83322M	SOUND BLANKET . . . . .	39	18	10-82422M	BOLT, GUIDE ATTACHING . .	35	14
83323M	CAP, DRAIN PIPE . . . . .	47	22	10-82423M	BOLT, CONNECTOR		
83776M	SECONDARY IGNITION COIL				ATTACHING . . . . .	47	2
	(LONG LEAD) . . . . .	55	4A	10-82424M	BOLT . . . . .	31	12
10-20411	SCREW, FUEL TANK COVER			10-82424M	BOLT . . . . .	37	43
	TO FUEL TANK . . . . .	43	20	10-82424M	BOLT, HOUSING		
10-25575	SCREW, VENT - FILLER CAP	43	3		ATTACHING-FRONT . . . .	35	23
10-62568	SCREW, RETAINER TO			10-82424M	BOLT, RETAINER		
	FUEL TANK COVER (5/16")	43	16		ATTACHING . . . . .	27	11
10-80023M	SCREW . . . . .	33	15	10-82424M	BOLT, THERMOSTAT		
10-80349M	VALVE, DRAIN . . . . .	11	11		COVER ATTACHING . . . .	3	26
10-80556M	SCREW, COIL ATTACHING . .	33	10	10-82425M	BOLT, COIL ATTACHING . . .	55	6
10-80573M	SCREW, IDLE MIXTURE . . .	11	15	10-82425M	BOLT, MANIFOLD		
10-80699M	THRUBOLT, COVER				ATTACHING . . . . .	9	12
	ATTACHING . . . . .	53	20	10-82426M	BOLT, CAM ATTACHING . . .	31	18
10-80701M	BOLT, SOLENOID LEVER . .	53	3	10-82426M	BOLT, EXHAUST COVER		
10-80706M	BOLT, SOLENOID				ATTACHING . . . . .	3	31
	ATTACHING . . . . .	53	6	10-82427M	BOLT, EXHUAST COVER		
10-80719M	SCREW, PANEL ATTACHING	49	31		ATTACHING . . . . .	3	32
10-80723M	SCREW, HARNESS			10-82427M	BOLT, MANIFOLD		
	ATTACHING . . . . .	49	26		ATTACHING . . . . .	9	13
10-81146M	BOLT, CLAMP BRACKET . . .	21	26	10-82427M	BOLT, RETAINER		
10-81558M	SET SCREW, THROTTLE				ATTACHING . . . . .	27	12
	LEVER . . . . .	11	25	10-82428M	BOLT, BRACKET		
10-81711M	BOLT . . . . .	13	13		ATTACHING . . . . .	35	21
10-81711M	BOLT . . . . .	17	48	10-82428M	BOLT, FUEL PUMP		
10-81712M	BOLT, LINK ATTACHING . . .	35	36		ATTACHING . . . . .	45	16
10-81747M	ADJUSTER, CABLE . . . . .	27	25	10-82428M	BOLT, STARTER		
10-81747M	BOLT, CABLE ADJUSTING . .	35	30		ATTACHING . . . . .	53	24
10-81754M	SCREW, FRICTION PLATE			10-82439M	BOLT, HOUSING		
	ADJUSTING . . . . .	21	6		ATTACHING-REAR . . . .	35	25
10-81756M	SCREW, TRANSOM CLAMP	21	20	10-82440M	BOLT, SHEAVE SHAFT . . . .	35	10
10-82167M	SCREW, ANODE			10-82449M	BOLT, CAM ATTACHING . . .	17	60
	ATTACHING . . . . .	3	8	10-82449M	BOLT, MOUNT ATTACHING	25	18
10-82172M	SCREW, MANIFOLD			10-82451M	BOLT, BRACKET		
	ATTACHING . . . . .	13	12		ATTACHING . . . . .	25	12
10-82177M	SCREW, MAGNETO BASSE			10-82452M	BOLT . . . . .	27	29
	ATTACHING . . . . .	3	17	10-82452M	BOLT, BRACKET		
10-82404M	BOLT . . . . .	33	3		ATTACHING . . . . .	27	3
10-82406M	BOLT, CRANKCASE			10-82452M	BOLT, TRIM TAB		
	ATTACHING . . . . .	3	5		ATTACHING . . . . .	17	55

# PARTS INDEX

Part Number	Description	Pg.	Ref. No.	Part Number	Description	Pg.	Ref. No.
10-82453M	BOLT, SHIFT HANDLE			11-81781M	NUT, INLET COVER SCREW	17	53
	ATTACHING .....	29	4	11-82182M	NUT .....	25	21
10-82454M	BOLT, PUMP ATTACHING ..	17	45	11-82183M	NUT, MOUNT ATTACHING ..	25	27
10-8245M	BOLT8 EXHAUST COVER			11-82378M	NUT, SWIVEL .....	31	27
	ATTACHING .....	3	30	11-82379M	NUT, THROTTLE LEVER TO		
10-82462M	BOLT .....	25	36		SHAFT .....	11	23
10-82463M	BOLT, HOUSING			11-82380M	NUT .....	31	13
	ATTACHING .....	25	37	11-82380M	NUT, CARBURETOR		
10-82465M	BOLT, DRIVESHAFT				ATTACHING .....	9	19
	HOUSING ATTACHING ..	13	4	11-82380M	NUT, JAM-ADJUSTING BOLT	35	31
10-82470M	BOLT, HOUSING			11-82380M	NUT, LEVER BOLT .....	53	5
	ATTACHING .....	25	30	11-82380M	NUT, MANIFOLD		
10-82473M	BOLT, HOUSING				ATTACHING .....	9	15
	ATTACHING .....	25	31	11-82382M	NUT .....	37	40
10-82477M	BOLT, TRIM TAB			11-82382M	NUT, FUEL FILTER		
	ATTACHING .....	17	55		ATTACHING .....	47	13
10-82483M	SCREW, HANDLE			11-82382M	NUT, SHEAVE SHAFT BOLT	35	12
	ATTACHING .....	27	17	11-82383M	NUT .....	25	39
10-82483M	SCREW, INLET COVER			11-82388M	NUT .....	57	13
	ATTACHING .....	17	52	11-82392M	NUT .....	21	34
10-82490M	SCREW, BASE ATTACHING	31	2	11-82392M	NUT, CLAMP BRACKET		
10-82491M	SCREW, SOLENOID				STUD .....	21	34
	BRACKET ATTACHING ..	49	13	11-82392M	NUT, HOUSING ATTACHING		
10-82492M	SCREW, RECTIFIER				BOLT .....	25	32
	ATTACHING .....	49	3	11-82393M	NUT - .....	25	39
10-82493M	SCREW, COVER			11-82393M	NUT, MOUNT ATTACHING ..	25	14
	ATTACHING .....	9	5	11-82395M	NUT, CLAMP BRACKET		
10-82496M	SCREW .....	57	11		BOLT .....	21	30
10-82503M	SCREW .....	33	20	11-82537M	NUT, RETAINER SCREW ...	45	9
10-82503M	SCREW .....	33	20	11-82926M	NUT, ADJUSTING .....	29	20
10-82510M	SCREW, SOLENOID			11-82927M	NUT, APPLIQUE ATTACHING	39	8
	ATTACHING .....	49	11	11-82927M	NUT, APPLIQUE ATTACHING	39	8
10-82511M	SCREW, RETAINER			11-83056M	NUT .....	27	28
	ATTACHING .....	45	8	12-49221	WASHER, VENT SCREW ...	43	4
10-82515M	SCREW, BOWL ATTACHING	11	9	12-74711	WASHER, FUEL TANK		
10-82515M	SCREW, DRIVE PLATE				COVER FASTENING		
	ATTACHING .....	53	22		SCREW .....	43	21
10-82518M	SCREW, SUPPORT			12-80271M	WASHER, HOUSING SCREW	41	8
	ATTACHING .....	41	12	12-80564M	WASHER .....	3	7
10-82522M	SCREW, COVER			12-80638M	PAD, TRANSOM CLAMP		
	ATTACHING .....	45	13		SCREW .....	21	21
10-82526M	SCREW, HOUSING			12-80692M	WASHER KIT .....	53	8
	ATTACHING .....	41	7	12-80700M	PIECE, FRICTION .....	53	18
10-82623M	SCREW, IDLE SPEED .....	11	14	12-80884M	WASHER, APPLIQUE NUT ..	39	7
10-82697M	SCREW, CAM PIVOT .....	23	18	12-80884M	WASHER, APPLIQUE NUT ..	39	7
10-82924M	BOLT, CALMP BRACKET ...	21	32	12-81624M	THRUST WASHER,		
10-82938M	BOLT .....	15	8		DRIVESHAFT .....	15	17
10-83207M	BOLT .....	13	17	12-81632M	THRUST WASHER,		
10-83215M	BOLT .....	51	48		REVERSE GEAR .....	17	31
10-84237M	BOLT, BRACKET			12-81650M	THRUST WASHER,		
	ATTACHING .....	35	20		FORWARD GEAR .....	17	63
11-28587	NUT, SPEED - SPRING			12-81789M	WASHER, SWIVEL NUT ...	31	25
	RETAINER .....	43	6	12-81790M	WASHER, CLEVIS PIN .....	9	28
11-81619M	NUT, CLAW WASHER .....	17	39	12-81794M	WASHER, COWL CLAMP		
11-81765M	NUT, CABLE ADJUSTMENT	27	26		LEVER .....	39	27
11-81767M	NUT, JAM .....	29	22	12-81801M	WASHER, SHEAVE SHAFT		
11-81770M	NUT, FLYWHEEL				BOLT .....	35	11
	ATTACHING .....	33	25	12-81806M	WASHER, CLAMP BRACKET		
11-81774M	NUT, PROPELLER .....	19	68		BOLT .....	21	28
11-81780M	NUT, DRIVESHAFT .....	15	19	12-81814M	WASHER, FLYWHEEL NUT ..	33	26

# PARTS INDEX

Part Number	Description	Pg.	Ref. No.	Part Number	Description	Pg.	Ref. No.
12-81829M	WASHER, CONNECTING ROD BEARING .....	7	6	13-82197M	LOCK WASHER .....	31	19
12-81832M	THRUST WASHER, REVERSE GEAR .....	15	28	13-82197M	LOCK WASHER .....	35	15
12-81835M	WASHER .....	3	25	13-82197M	LOCK WASHER .....	51	44
12-81843M	WASHER .....	29	10	13-82197M	LOCK WASHER, BRACKET BOWL .....	47	16
12-81843M	WASHER .....	29	10	13-82197M	LOCK WASHER, COIL BRACKET BOLT .....	55	3
12-81843M	WASHER .....	29	26	13-82197M	LOCK WASHER, COVER SCREW .....	45	17
12-81846M	WASHER, SHIFT ROD .....	29	15	13-82197M	LOCK WASHER, FRONT HOUSING BOLT .....	35	24
12-81851M	WASHER, SHIFT HANDLE ..	29	3	13-82197M	LOCK WASHER, LEVER BOLT .....	53	4
12-81873M	COLLAR, THRUST & PIVOT SHAFT .....	21	11	13-82197M	LOCK WASHER, MANIFOLD BOLT .....	9	14
12-82195M	WASHER, COVER BOLT ...	9	6	13-82197M	WASHER .....	5	39
12-82196M	WASHER, CAM BOLT .....	31	6	13-82197M	WASHER .....	31	14
12-82196M	WASHER, LINK .....	35	33	13-82197M	WASHER .....	33	4
12-82198M	WASHER .....	31	9	13-82197M	WASHER .....	5	38
12-82198M	WASHER .....	33	5	13-82197M	WASHER .....	5	38
12-82198M	WASHER, COVER BOLT ...	33	24	13-82197M	WASHER .....	55	7
12-82198M	WASHER, MANIFOLD ATTACHING STUD .....	9	16	13-82199M	WASHER .....	55	7
12-82198M	WASHER, PLAIN .....	15	9	13-82199M	WASHER, CARBURETOR ATTACHING STUD .....	9	20
12-82201M	WASHER .....	37	41	13-82199M	WASHER, LINK BOLT .....	35	37
12-82204M	WASHER, THROTTLE SHAFT	27	19	13-82200M	LOCK WASHER, FUEL FILTER NUT .....	47	14
12-82204M	WASHER, THROTTLE SHAFT	27	19	13-82200M	LOCK WASHER, REAR HOUSING BOLT .....	35	26
12-82209M	WASHER .....	29	23	13-82200M	LOCK WASHER, BOWL ATTACHING SCREW .....	11	10
12-82209M	WASHER, THROTTLE SHAFT	11	19	13-82206M	LOCK WASHER, COVER SCREW .....	45	14
12-82211M	WASHER .....	29	11	13-82208M	LOCK WASHER, LEVER NUT	11	24
12-82211M	WASHER .....	29	23	13-82212M	LOCK WASHER .....	25	9
12-82214M	LOCK WASHER, PUMP BOLT	17	46	13-82212M	LOCK WASHER .....	27	4
12-82214M	WASHER, CAN SCREW .....	15	4	13-82212M	LOCK WASHER, CONNECTOR BOLT .....	47	3
12-82217M	WASHER, DRIVESHAFT HSG ATTACHING BOLT .....	13	6	13-82212M	LOCK WASHER, COWL CLAMP LEVER .....	39	28
12-82217M	WASHER, MOUNT NUT .....	25	15	13-82212M	LOCK WASHER, HANDLE BOLT .....	29	5
12-82219M	WASHER .....	25	20	13-82212M	LOCK WASHER, TRIM TAB BOLT .....	17	56
12-82220M	WASHER .....	13	19	13-82212M	WASHER .....	57	16
12-82222M	WASHER, PROPELLER NUT	19	67	13-82215M	LOCK WASHER .....	21	7
12-83204M	WASHER .....	11	34	13-82215M	LOCK WASHER, CLAMP BRACKET STUD .....	21	7
13-81862M	LOCK WASHER .....	13	14	13-82215M	LOCK WASHER, HOUSING BOLT .....	25	33
13-81862M	LOCK WASHER .....	17	49	13-82215M	LOCKWASHER .....	13	5
13-81865M	WASHER, WAVE-CLEVIS PIN	9	31	13-82218M	WASHER .....	13	18
13-81865M	WASHER, WAVE-LINK .....	35	34	14-81876M	WASHER, CLAW .....	17	38
13-81867M	WASHER, WAVE-LINK BOLT	35	38	15-80712M	SHIM, STARTER ATTACHING BOLT .....	53	25
13-81869M	WASHER, WAVE-COWL CLAMP LEVER .....	39	34	15-81626M	SHIM, FORWARD GEAR ADJUST (.05 MM) .....	15	20
13-82184M	LOCK WASHER .....	33	16	15-81627M	SHIM, FORWARD GEAR ADJUST (.08 MM) .....	15	20
13-82184M	LOCK WASHER, DRIVER PLATE SCREW .....	53	23	15-81628M	SHIM, FORWARD GEAR ADJUST (.12 MM) .....	15	20
13-82186M	LOCK WASHER, COIL SCREW .....	33	11				
13-82191M	LOCK WASHER, SOLENOID SCREW .....	49	12				
13-82193M	LOCK WASHER .....	53	21				
13-82193M	LOCK WASHER, BASE SCREW .....	31	3				
13-82193M	LOCK WASHER, RECTIFIER SCREW .....	49	4				
13-82193M	WASHER .....	57	12				
13-82197M	BOLT, COIL BRACKET ATTACHING .....	55	2				
13-82197M	LOCK WASHER .....	3	18				



# PARTS INDEX

Part Number	Description	Pg.	Ref. No.	Part Number	Description	Pg.	Ref. No.
15-81630M	SHIM, FORWARD GEAR			17-83143M	RIVET	39	12
	ADJUST (.50 MM)	15	20	18-82051M	PIN, CLEVIS	9	29
15-81633M	SHIM, REVERSE GEAR			18-82123M	PIN, THROTTLE SHAFT	11	20
	ADJUST (.05 MM)	15	30	18-82124M	PIN (COTTER)	29	13
15-81634M	SHIM, REVERSE GEAR			18-82124M	PIN, LINK	35	35
	ADJUST (.08 MM)	17	30	18-82125M	PIN (COTTER)	29	13
15-81635M	SHIM, REVERSE GEAR			18-82125M	PIN, LINK	35	35
	ADJUST (.12 MM)	17	30	18-82125M	PIN, REVERSE LOCK SHAFT	23	11
15-81636M	SHIM, REVERSE GEAR			18-82125M	PIN, REVERSE LOCK SHAFT	23	11
	ADJUST (.30 MM)	17	30	18-82125M	PIN, SHIFT CAM	29	12
15-81637M	SHIM, REVERSE GEAR			18-82127M	PIN, SHIFT ROD SWIVEL	29	18
	ADJUST (.50 MM)	17	30	18-82131M	PIN, EXHAUST MANIFOLD	13	11
15-81638M	SHIM, DRIVESHAFT			18-82131M	PIN, PROPELLER NUT	19	69
	BEARING (.05 MM)	15	14	18-82800M	PIN, PROPELLER NUT	19	69
15-81639M	SHIM, DRIVESHAFT			19-80604M	PLUG, STARTER HOUSING	35	2
	BEARING (.08 MM)	15	14	21-80107M	CHECK VALVE, CRANKCASE	3	4
15-81640M	SHIM, DRIVESHAFT			21-80608M	CHECK VALVE, FUEL PUMP	45	5
	BEARING (.12 MM)	15	14	21-80727M	CHECK VALVE ASS'Y	3	3
15-81641M	SHIM, DRIVESHAFT			22-63187	FITTING, FUEL LINE (TANK		
	BEARING (.30 MM)	15	14		END)	43	27
15-81642M	SHIM, DRIVESHAFT			22-80122M	FITTING, CRANKCASE		
	BEARING (.50 MM)	15	14		DRAIN	3	2
16-81722M	STUD, CAM TO SHAFT	31	28	22-80218M	PLUG, WATER FLUSH	19	73
16-81728M	STUD, CARBURETOR			22-81042M	CONNECTOR HOUSING	41	13
	ATTACHING	9	9	22-81042M	HOUSING ASS'Y, FUEL		
16-81733M	STUD, MANIFOLD				CONNECTOR	43	33
	ATTACHING	9	8	22-81917M	PLUG	21	2
16-81738M	STUD, CLAMP BRACKET	21	31	22-81924M	SCREW, DETENT	15	2
16-81741M	BOLT, STUD	37	39	22-82369M	FITTING, GREASE	25	6
16-83317M	BOLT, STUD	37	39	22-82369M	FITTING, PIVOT SHAFT		
17-20426	RIVET, INDICATOR TO				BUSHING, GREASE	21	3
	RETAINER	43	15	23-80220M	BUSHING, THROTTLE		
17-80592M	PIN, FLOAT	11	6		SHAFT	11	18
17-81147M	TILT LOCK PIN ASS'Y	23	13	23-80227M	BUSHING	39	10
17-81150M	SHAFT, TILT STOP	21	23	23-80555M	SPACER, COIL	33	9
17-81880M	PIN, CLEVIS-CHOKE LEVER	9	27	23-80630M	WASHER, CAM BOLT	31	17
17-81882M	PIN, WITH HOLE	23	10	23-80635M	RETAINER, SHIFT DETENT	29	6
17-81887M	PIN, PIVOT SHAFT BUSHING	21	13	23-81136M	RETAINER, COMPRESSION		
17-81888M	PIN, TRANSOM CLAMP				SPRING	27	8
	SCREW	21	22	23-81327M	SLEEVE, HOSE	41	15
17-81895M	PIN	23	6	23-81651M	SPACER, PROPELLER NUT	19	64
17-81899M	CROSS PIN, CLUTCH	15	24	23-81842M	SPACER, INNER BEARING	7	10
17-81907M	RIVET, INDICATOR	27	16	23-81861M	SPACER, STEERING ARM	27	7
17-82144M	PIN	23	15	23-81927M	BUSHING, CAM BOLT	31	16
17-82145M	PIN, SOLENOID HOOK	49	15	23-81929M	BUSHING, MOUNT	25	5
17-82148M	PIN, TILT STOP KNOB	21	25	23-81930M	BUSHING, SHIFT ROD		
17-82151M	PIN, THROTTLE CAM	27	23		LEVER	25	4
17-82155M	PIN, ROLL-CHOKE LEVER	9	24	23-81941M	BUSHING, THROTTLE		
17-82155M	PIN, SWIVEL	29	17		SHAFT	11	21
17-82156M	PIN, ROLL-THROTTLE			23-81945M	BUSHING, STEERING ARM	27	21
	SHAFT	31	32	23-81946M	BUSHING, THROTTLE		
17-82157M	PIN, STARTER SPRING	35	4		SHAFT	31	31
17-82364M	PIN, DOWEL	13	3	23-81949M	BUSHING, COWL CLAMP		
17-82364M	PIN, DOWEL	19	72		LEVER	39	25
17-82364M	PIN, DOWEL-ANCHOR			23-81959M	BUSHING, PIVOT SHAFT-		
	BRACKET	25	11		LOWER	21	14
17-82364M	PIN, DOWEL-CRANKCASE	3	9	23-81961M	COLLAR, THRUST-PIVOT		
17-82368M	PIN, DOWEL-PIVOT SHAFT	21	10		SHAFT	21	16
17-82786M	TILT LOCK PIN ASS'Y	23	13	23-81963M	BUSHING, PIVOT SHAFT-		
17-83140M	RIVET	39	14		UPPER	21	12

# PARTS INDEX

Part Number	Description	Pg.	Ref. No.	Part Number	Description	Pg.	Ref. No.
23-81972M	SPACER, INTAKE COVER TO BASE	9	4	25-82270M	O-RING, SHIFT CAM	17	59
23-81979M	SPACER, CLAMP BRACKET STUD	21	33	25-82274M	O-RING, PIVOT SHAFT BUSHING	21	15
23-82119M	SPACER, STEERING ARM	27	6	25-82287M	O-RING, BEARING HOUSING	17	32
23-82622M	SPACER, THERMOSTAT	3	25	25-82789M	O-RING	41	14
23-82796M	CAP, THRUST PLATE	19	66	25-82789M	O-RING	43	34
23-82797M	SPACER, PROPELLER NUT	19	65	25-82792M	O-RING	47	11
23-82929M	COLLAR	37	44	25-83316M	GROMMET, MAGNETO BASE	33	17
23-83309M	BUSHING, MOUNT	25	5	26-80239M	SEAL, WATER PUMP BODY	17	47
23-83310M	COLLAR	31	16	26-81572M	GASKET, EXHAUST MANIFOLD	13	9
24-22227	SPRING, TENION - VENT SCREW	43	5	26-81574M	GASKET, EXHAUST MANIFOLD	13	8
24-30189	SPRING, BAYONET BODY STEM	43	25	26-81602M	PROTECTOR, OIL SEAL	17	44
24-80331M	SPRING, DRAIN VALVE	11	13	26-81607M	SEAL, WATER TUBE	19	70
24-80574M	SPRING, THROTTLE VALVE	11	31	26-81964M	BUSHING, PIVOT SHAFT-UPPER	21	12
24-80575M	SPRING, IDLE SCREW	11	16	26-82230M	OIL SEAL, PROPELLER SHAFT	17	37
24-80610M	SPRING, FUEL PUMP DIAPHRAGM	45	4	26-82235M	OIL SEAL, DRIVESHAFT-UPPER	15	12
24-80615M	SPRING, FUEL PUMP DIAPHRAGM	45	11	26-82245M	OIL SEAL, CRANKSHAFT AUPPPER	3	14
24-80696M	SPRING, BRUSH	53	16	26-82246M	OIL SEAL, CRANKSHAFT (LOWER)	7	11
24-80697M	SPRING, BRUSH PLATE	53	17	27-25568	GASKET, FILLER CAP TO FUEL TANK	43	7
24-81103M	SPRING, PAWL	35	8	27-28862	GASKET, COVER ASSEMBLY TO FRAME	43	17
24-81667M	WIRE, SOLENOID PULL	49	16	27-54921	GASKET, FUEL GAUGE LENS	43	11
24-82078M	SPRING, SHIFT	15	26	27-80270M	GASKET, HOUSING TO LENS INDICATOR	41	9
24-82079M	SPRING, STARTER LOCKOUT	35	28	27-80569M	GASKET, INTAKE MANIFOLD	9	10
24-82085M	SPRING, SHIFT DETENT	29	7	27-80571M	GASKET, REED VALVE	9	11
24-82088M	SPRING, FRICTION PLATE SCREW	21	8	27-80572M	GASKET, CARBURETOR MANIFOLD	9	18
24-82093M	SPRING, COMPRESSION	27	9	27-80590M	GASKET, FLOAT BOWL	11	8
24-82095M	SPRING, THROTTLE SHAFT	27	20	27-80612M	GASKET, CHECK VALVE	45	6
24-82100M	SPRING, TILT LOCK PIN	23	16	27-80613M	GASKET, BODY TO BASE	45	1
24-82101M	SPRING, CLAMP BRACKET BOLT	21	29	27-80614M	GASKET, BODY TO COVER	45	10
24-82105M	SPRING, REVERSE LOCK	23	12	27-80636M	GASKET, BOTTOM BOWL	25	2
24-82108M	SPRING, TENSION	29	21	27-80662M	WASHER, MOUNT	25	19
24-82109M	SPRING, TENSION	23	3	27-80662M	WASHER, MOUNT	25	24
24-82115M	SPRING, STARTER	35	3	27-80662M	WASHER, MOUNT	25	25
24-83202M	SPRING, CHOKE LEVER	11	32	27-80663M	GASKET, MOUNT	25	17
25-20415	O-RING, BAYONET BODY STEM	43	24	27-80664M	GASKET, RUBBER MOUNT	25	35
25-80350M	O-RING, DRAIN VALVE	11	12	27-80690M	GASKET, FLYWHEEL COVER	33	22
25-80619M	GASKET, FUEL BOWL	47	5	27-80757M	GASKET, FUEL PUMP TO CRANKCASE	45	15
25-80637M	SEAL, SHIFT BRACKET	25	3	27-81031M	GASKET, THERMOSTAT COVER	3	24
25-80702M	DAMPENER, SOLENOID	53	7	27-81320M	GASKET, HOUSING TO TANK	41	6
25-80726M	GROMMET, SOLENOID BRACKET	49	10	27-81555M	GASKET, CYLINDER HEAD	3	20
25-81589M	GROMMET, BOTTOM COWL (MANUAL START ONLY)	39	30	27-81565M	GASKET, OIL SEAL HOUSING	3	16
25-81590M	GROMMET, LEAD WIRE	49	34	27-81570M	GASKET, EXHAUST COVER	3	29
25-82060M	GROMMET	49	18				
25-82064M	GROMMET, BOTTOM COWL	39	31				
25-82070M	GROMMET, STEERING HANDLE	27	2				
25-82258M	O-RING, PULL WIRE	49	17				
25-82260M	O-RING	29	25				

# PARTS INDEX

Part Number	Description	Pg.	Ref. No.	Part Number	Description	Pg.	Ref. No.
27-81600M	GASKET, WATER PUMP . . .	17	43	37-83058M	DECAL, SWITCH PANEL . . .	49	22
27-81612M	WASHER, MOUNT . . . . .	25	26	37-83213M	GRAPHIC, SIDE . . . . .	41	1
27-81613M	GASKET, DRIVESHAFT HOUSING . . . . .	13	2	37-83324M	DECAL, SWITCH PANEL . . .	49	22
27-81987M	GASKET, DEFENT SCREW . .	15	3	37-83325M	DECAL, "MARINER" . . . . .	39	4
27-82790M	PACKING . . . . .	47	6	39-81095M	PISTON RING SET (STD) . .	7	4
28-81603M	KEY, DRIVESHAFTTO IMPELLER . . . . .	15	11	39-81096M	PISTON RING SET (1ST O.S. 67.25 MM) . . . . .	7	4
28-81914M	KEY, CRANKSHAFT TO FLYWHEEL . . . . .	7	13	39-81097M	PISTON RING SET (2ND O.S. 67.50 MM) . . . . .	7	4
28-81916M	KEY, BEARING HOUSING . .	17	35	41-80565M	PIN, PISTON . . . . .	7	7
29-82352M	BEARING, NEEDLE . . . . .	7	5	43-80704M	PINION, STARTER . . . . .	53	10
30-82291M	BEARING, DRIVESHAFT-UPPER . . . . .	15	13	43-80711M	RING GEAR . . . . .	33	2
30-82295M	BALL BEARING, REVERSE GEAR . . . . .	17	33	43-81623M	GEAR, PINION . . . . .	15	18
30-82307M	BEARING, CRANKSHAFT . .	7	2	43-81625M	GEAR, FORWARD . . . . .	15	22
31-82314M	BEARING, NEEDLE-DRIVESHAFT . . . . .	15	16	43-81631M	GEAR, REVERSE . . . . .	15	29
31-82314M	SLEEVE, DRIVESHAFT . . .	15	15	44-81643M	SHAFT, PROPELLER . . . . .	15	27
31-82315M	BEARING, NEEDLE-PROPELLER SHAFT . . . .	17	36	45-81620M	DRIVESHAFT, (SHORT SHAFT) . . . . .	15	10
31-82321M	BEARING, FORWARD GEAR	15	21	45-81621M	DRIVESHAFT, (LONG SHAFT) . . . . .	15	10
32-33909A3	TUBE ASS'Y, (1/4-18 CONNECTOR - 1/2" TUBE)	43	9	46-81599M	BODY, WATER PUMP (STD)	17	40
32-80605M	FUEL LINE, FUEL PUMP TO CARBURETOR . . . . .	47	19	46-83307M	BODY, WATER PUMP (CHROME, OPTIONAL) . .	17	40
32-81566M	FUEL LINE, FUEL FILTER TO FUEL PUMP . . . . .	47	18	47-81604M	IMPELLER, WATER PUMP . .	17	41
32-81605M	TUBE, WATER (SHORT SHAFT) . . . . .	19	71	50-80691M	STARTER MOTOR ASS'Y . .	53	0-1
32-81606M	TUBE, WATER (LONG SHAFT) . . . . .	19	71	50-81104M	STARTER ASS'Y . . . . .	35	0-1
32-82000M	HOSE, CYLINDER DRAIN . .	3	11	50-81105M	STARTER SHEAVE . . . . .	35	5
32-82014M	FUEL LINE, CONNECTOR TO FILTER . . . . .	47	17	50-83211M	STARTER ASS'Y . . . . .	35	0-1
32-82023M	HOSE, BULB TO CONNECTOR . . . . .	41	18	52-81644M	CLUTCH . . . . .	15	23
32-82023M	HOSE, PRIMER BULB TO FUEL CONNECTOR . . . . .	43	32	53-28903	FASTENER, RETAINING FRAME TO FUEL TANK . .	43	19
32-82025M	HOSE (CONNECTOR HOUSING TO BULB) . . . .	41	17	53-80678M	RING, CROSS PIN . . . . .	17	61
32-82025M	HOSE, FUEL TANK TO PRIMER BULB . . . . .	43	29	53-82328M	CIRCLIP . . . . .	11	29
32-82031M	HOSE, WIRE HARNESS . . .	51	41	53-82330M	CIRCLIP . . . . .	23	17
32-82032M	HOSE, WIRE HARNESS . . .	49	40	53-82331M	CIRCLIP, STARTER PAWL . .	35	7
32-83192M	FUEL HOSE ASS'Y . . . . .	41	0-2	53-82345M	CLIP, PISTON PIN . . . . .	7	8
33-82371M	SPARK PLUGM B-7HS (NGK)	3	33	53-83205M	CIRCLIP . . . . .	11	35
35-80594M	AIR FILTER . . . . .	9	2	54-55206	CLAMP, HOSE TO BAYONET BODY ASS'Y . . . . .	43	28
35-80616M	FUEL BOWL . . . . .	47	9	54-80722M	CLAMP, WIRE HARNESS . .	49	30
35-80617M	FILTER ASS'Y . . . . .	47	4	54-80752M	CLAMP, HOSE . . . . .	41	19
35-80618M	CLAMP, FUSE HOLDER . . .	47	7	54-80752M	CLAMP, HOSE . . . . .	43	30
35-82783M	ELEMENT, FILTER . . . . .	47	8	54-82033M	CLAMP . . . . .	3	35
36-25392A2	FILLER CAP ASSEMBLY . . .	43	2	54-82034M	CLAMP . . . . .	5	35
37-81139M	DECAL, TRIM-STARBOARD .	39	2	54-82034M	CLAMP . . . . .	49	39
37-81140M	DECAL, TRIM-PORT . . . . .	39	3	54-82034M	CLAMP, WIRE HARNESS . .	9	30
37-81202M	INDICATOR, SHIFT . . . . .	39	21	54-82035M	CLAMP . . . . .	49	38
37-82896M	DECAL, TRIM-STARBOARD .	39	2	54-82036M	CLAMP, FUSE HOLDER . . .	49	7
37-82897M	DECAL, TRIM-PORT . . . . .	39	3	54-82046M	CLAMP, DRAIN HOSE . . . .	3	12
37-82915M	GRAPHIC, SIDE . . . . .	39	24	54-82047M	CLAMP, FUEL LINE . . . . .	47	20
				84-80052M	WIRE HARNESS . . . . .	57	20
				84-80685M	LEAD WIRE . . . . .	33	18
				84-80720M	WIRE HARNESS ASS'Y SWITCH PANEL . . . . .	49	32
				84-81171M	EXTENSION, WIRE HARNESS OPTIONAL . . .	51	42
				84-81654M	LEAD WIRE ASS'Y CHOKE SOLENOID . . . . .	49	33
				84-81660M	WIRE . . . . .	57	19
				84-81660M	WIRE, LEAD . . . . .	49	35

# PARTS INDEX

Part Number	Description	Pg.	Ref. No.	Part Number	Description	Pg.	Ref. No.
84-81661M	WIRE, LEAD . . . . .	49	36				
84-81664M	WIRE HARNESS ASS'Y, ENGINE . . . . .	49	1				
84-82831M	CORD, HIGH TENSION . . . .	55	5				
87-80715M	IGNITION SWITCH ASS'Y . .	49	25				
87-80716M	KEY SWITCH ASS'Y . . . . .	49	23				
87-81168M	NEUTRAL START SWITCH ASS'Y . . . . .	49	20				
87-81662M	STOP SWITCH (MANUAL START ONLY) . . . . .	39	32				
87-81663M	STOP SWITCH ASS'Y . . . . .	57	17				
88-80007M	BULB, CHOKE LAMP )12V- 3W) . . . . .	49	29				
88-81522M	FUSE . . . . .	49	6				
88-81655M	FUSE HOLDER ASS'Y . . . . .	49	5				
89-81665M	SOLENOID ASS'Y CHOKE . .	49	8				
91-80942M	TOOL KIT . . . . .	39	33				
253-6799M	FLYWHEEL MAGNETO ASS'Y (STD-MAN) . . . . .	33	0-1				
463-6849M	CRANKSHAFT ASS'Y . . . . .	7	1				
761-6785M	PISTON (STD 66.97 MM) . . .	7	3				
761-6786M	PISTON (STD 66.98 MM) . . .	7	3				
761-6787M	PISTON (1ST O.S. 67.25 MM)	7	3				
761-6788M	PISTON (2ND O.S. 67.50 MM)	7	3				
761-6937M	PISTON (STD 66.96 MM) . . .	7	3				
870-6851M	CRANKCASE ASS'Y . . . . .	3	1				
968-6848M	HEAD, CYLINDER . . . . .	3	19				
1225-1529	FUEL TANK, (6 GALLON) . . .	43	1				
1225-1529A16	FUEL TANK COMPLETE . . .	43	0-1				
1252-6836M	FUEL TANK ASS'Y . . . . .	41	0-1				
1383-6850M	CARBURETOR ASS'Y . . . . .	11	0-1				
1383-6959M	CARBURETOR ASS'Y . . . . .	11	0-1				
1484-6794M	CLAMP BRACKET, PORT . .	21	17				
1484-6795M	CLAMP BRACKET, STARBOARD . . . . .	21	18				
1485-6796M	SWIVEL BRACKET . . . . .	21	1				
1485-6866M	SWIVEL BRACKET . . . . .	21	1				
1587-6854M	DRIVESHAFT HOUSING . . .	13	1				
1651-6855M	GEAR HOUSING . . . . .	15	1				
1651-6894M	GEAR HOUSING ASS'Y (SHORT SHAFT) . . . . .	15	0-1				
1651-6895M	GEAR HOUSING ASS'Y (LONG SHAFT) . . . . .	15	0-1				
2168-6852M	TOP COWL ASS'Y . . . . .	39	1				
2168-6853M	BOTTOM COWL . . . . .	39	22				
2169-6791M	HOUSING, STARTER . . . . .	35	1				
2169-6960M	HOUSING, STARTER . . . . .	35	1				