



# PARTS CATALOG

## THRUSTER TROLLING MOTORS

### SERIAL NUMBER

THRUSTER ..... 0C960000 AND UP

# TABLE OF CONTENTS:

CONTROL HOUSING ("R")	16
CONTROL HOUSING (5-SPEED T33 T28-EUR T28 JAP T24)	22
CONTROL HOUSING/FOOT PLATE (5-SPEED R/RL30 R/RL25)	36
CONTROL HSG(VARIABLE SPEED DL50, T45, T33)	18
ELECTRIC MOTOR (BRUSH ASSEMBLY)	6
ELECTRIC MOTOR (HOUSING)	2
HANDLE AND FOOT PLATE ("R")	32
MISCELLANEOUS PARTS/ACCESSORIES	1
PARTS INDEX	40
SWIVEL AND CLAMP BRACKET (T-24)	14
SWIVEL AND CLAMP BRACKETS (T-45)	12
SWIVEL AND CLAMP BRACKETS (T28, T33)	10
THRUSTER 01 MOUNT ASSEMBLY (R/RL30, R/RL25)	30
THRUSTER 15 MOUNT ASS'Y(VARIABLE SPEED RL/RX35 5-SPEED RL35)	28
THRUSTER 20 MOUNT ASSEMBLY	24

**NOTE:** Indented description indicate that these parts are included in preceding assembly.

**AR** = As Required

**NSS** = Not Sold Separate

**OPT** = Optional

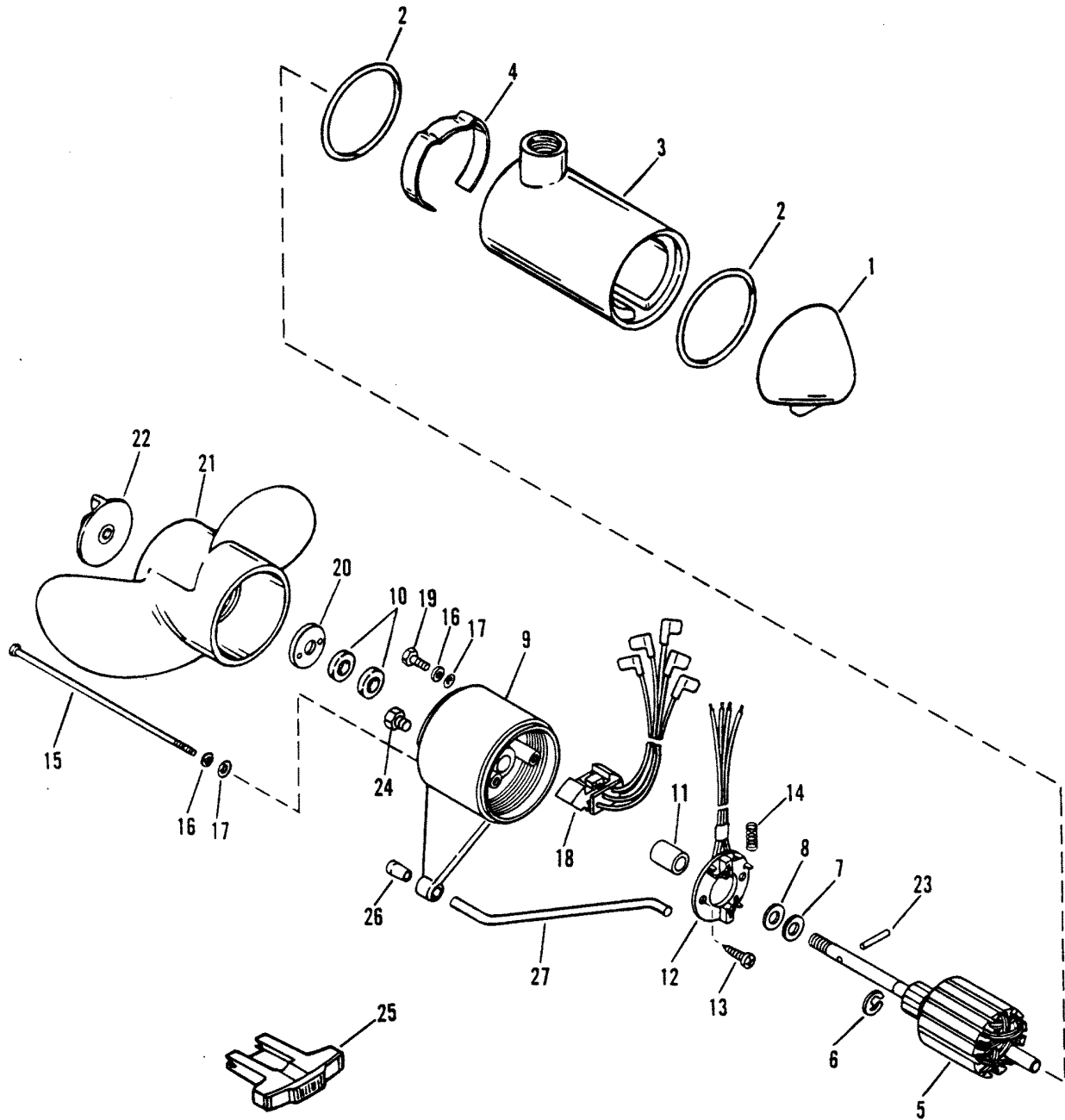
**NS** = Not Shown

**THESE PARTS BOOKS/FICHE CARD ARE COPYRIGHTED AND MAY NOT BE DISTRIBUTED OR REPRODUCED IN ANY OTHER FORMAT BY ANYONE OTHER THAN MERCURY MARINE WITHOUT THE PRIOR WRITTEN CONSENT OF MERCURY MARINE.**

## MISCELLANEOUS PARTS/ACCESSORIES

REF. NO.	PART NO.	SYM.	QTY.	DESCRIPTION
-	90-824397-93		0	PARTS MANUAL
-	90-824452		0	OWNERS GUIDE (T24/28/33/45)
-	90-824453		0	OWNERS GUIDE (R/RL25/30)
-	90-824485		0	OWNERS GUIDE (RL/RX35)
-	90-824484		0	OWNERS GUIDE (RL/RX/DL50)
-	90-824484		0	OWNERS GUIDE (RL45)
-	37-824346A93		0	DECAL SET (DL50)
-	37-824345A93		0	DECAL SET (RL30/R30/RL25/R25)
-	37-824338A93		0	DECAL SET (RL/35/RX35)
-	37-824344A93		0	DECAL SET (RL50/RX50/RL45)
-	37-817127A93		0	DECAL SET (T33/T28/T24)
-	37-816053A93		0	DECAL SET (T45/T33)

# ELECTRIC MOTOR (HOUSING)

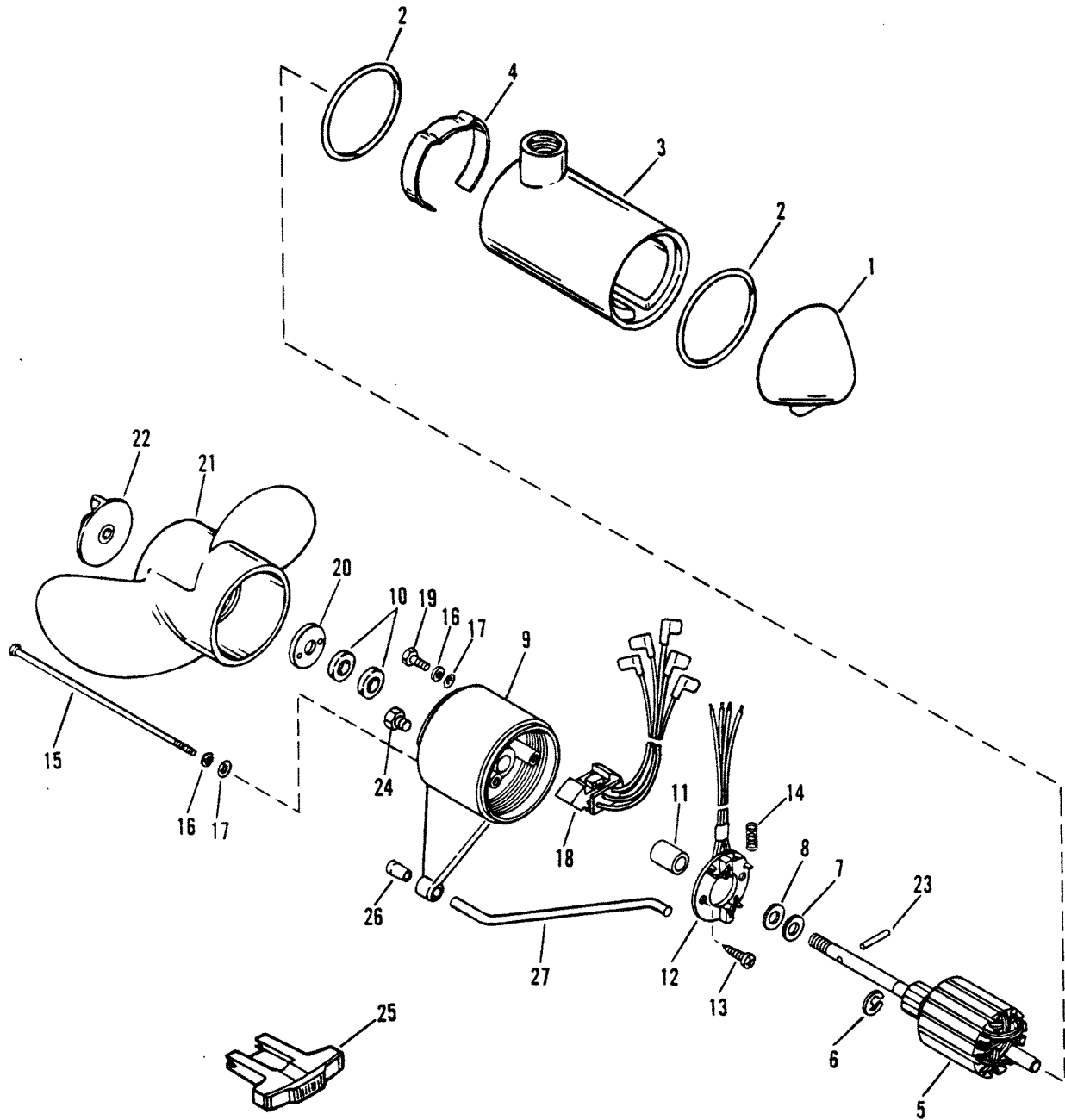


# ELECTRIC MOTOR (HOUSING)

REF. NO.	PART NO.	SYM.	QTY.	DESCRIPTION
-	824235		1	ELECTRIC MOTOR (R/RL25)
-	824166		1	ELECTRIC MOTOR (R/RL30 - 5-SPEED)
-	824191		1	ELECTRIC MOTOR (RL35 - 5-SPEED)
-	801972		1	ELECTRIC MOTOR (RL/RX35 - VARIABLE SPEED)
-	824198		1	ELECTRIC MOTOR (RL45)
-	801963		1	ELECTRIC MOTOR (DL50/RL/RX50)
-	824314		1	ELECTRIC MOTOR (T24)
-	824311		1	ELECTRIC MOTOR (T28)
-	824252		1	ELECTRIC MOTOR (T33 - VARIABLE SPEED)
-	824316		1	ELECTRIC MOTOR (T33 - 5-SPEED)
-	824262		1	ELECTRIC MOTOR (T45)
1	823301--1		1	NOSE CAP (ALL OTHERS)
	823301--3		1	NOSE CAP (R/RL25)
	823301--2		1	NOSE CAP (R/RL30)
	823301--4		1	NOSE CAP (T24)
2	25-823302		2	O-RING (ALL OTHERS)
	25-823302--1		2	O-RING (R/RL25)(T24)
3	823303--3		1	HOUSING (R/RL25)
	823303--2		1	HOUSING (R/RL30)
	823303--1		1	HOUSING (RL/RX35)(RL45)(DL/RL/RX50)
	823303--6		1	HOUSING (T24)
	823303--5		1	HOUSING (T28)
	823303--4		1	HOUSING (T33)
	823303--7		1	HOUSING (T45)
4	823313		1	RETAINER
5	823305--4		1	ARMATURE (R/RL25)
	823305--3		1	ARMATURE (R/RL30)
	823305--2		1	ARMATURE (RL/RX35)(T33 - VARIABLE SPEED)
	823305--1		1	ARMATURE (RL45)(DL/RL/RX50)
	823305--6		1	ARMATURE (T24)
	823305		1	ARMATURE (T28)
	823305--5		1	ARMATURE (T33 - 5-SPEED)
	823305--7		1	ARMATURE (T45)
6	53-823307		1	E-RING
7	12-823319		1	WASHER
8	12-823320		1	NYLATRON WASHER
9	823308--5		1	COMMUTATOR CAP (R/RL25)
	823308--4		1	COMMUTATOR CAP (R/RL30)
	823308--3		1	COMMUTATOR CAP (RL35 - 5-SPEED)
	823308--1		1	COMM. CAP (RL/RX35-VARIABLE SPEED)(DL/RL/RX50)
	823308--2		1	COMMUTATOR CAP (RL45)

CONTINUED ON NEXT PAGE ➡

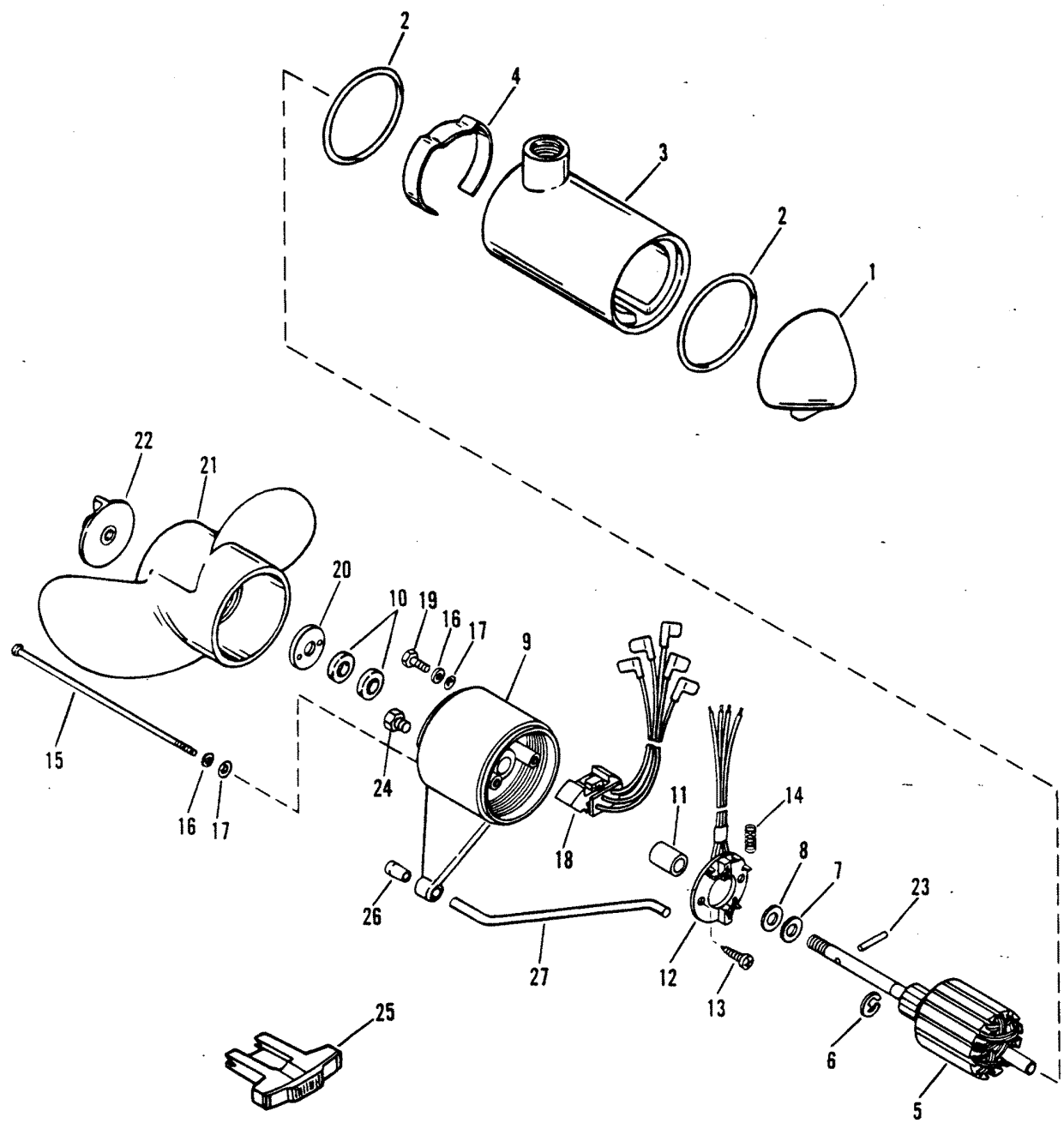
# ELECTRIC MOTOR (HOUSING)



## ELECTRIC MOTOR (HOUSING)

REF. NO.	PART NO.	SYM.	QTY.	DESCRIPTION
9	823308--8		1	COMMUTATOR CAP (T24)
	823308--7		1	COMMUTATOR CAP (T28)(T33 - 5-SPEED)
	823308--6		1	COMMUTATOR CAP (T33-VARIABLE SPEED)(T45)
10	26-823309		2	SEAL
11	23-823310		1	BEARING

# ELECTRIC MOTOR (BRUSH ASSEMBLY)



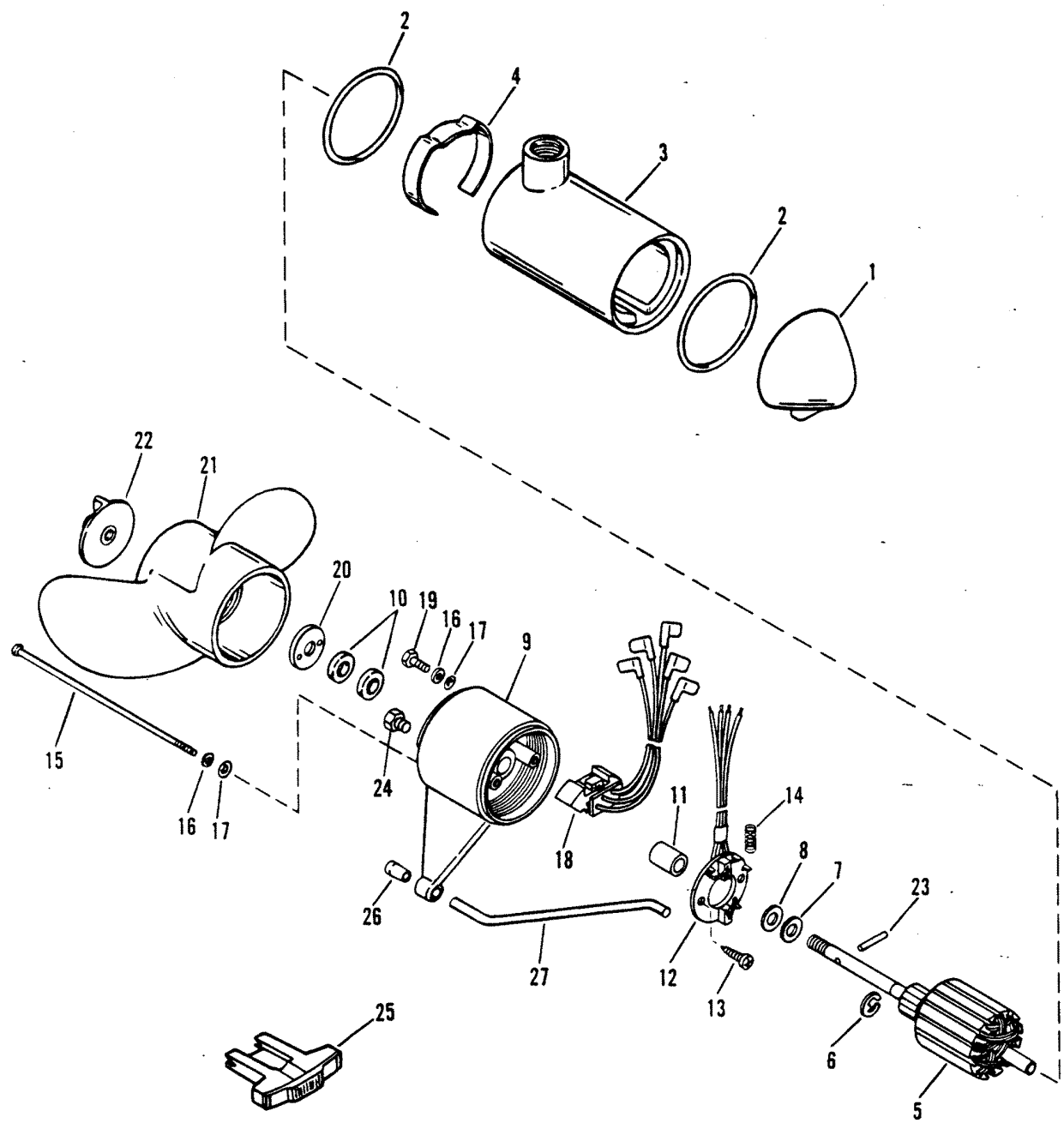


## ELECTRIC MOTOR (BRUSH ASSEMBLY)

REF. NO.	PART NO.	SYM.	QTY.	DESCRIPTION
-	824235		1	ELECTRIC MOTOR (R/RL25)
-	824166		1	ELECTRIC MOTOR (R/RL30 - 5-SPEED)
-	824191		1	ELECTRIC MOTOR (RL35 - 5-SPEED)
-	801972		1	ELECTRIC MOTOR (RL/RX35 - VARIABLE SPEED)
-	824198		1	ELECTRIC MOTOR (RL45)
-	801963		1	ELECTRIC MOTOR (DL50/RL/RX50)
-	824314		1	ELECTRIC MOTOR (T24)
-	824311		1	ELECTRIC MOTOR (T28)
-	824252		1	ELECTRIC MOTOR (T33 - VARIABLE SPEED)
-	824316		1	ELECTRIC MOTOR (T33 - 5-SPEED)
-	824262		1	ELECTRIC MOTOR (T45)
12	823312--4		1	BRUSH ASSEMBLY (R/RL25)
	823312--3		1	BRUSH ASSEMBLY (R/RL30)(RL35 - 5-SPEED)
	823312--1		1	BRUSH (RL/RX35 VARIABLE SPEED)(DL/RL/RX50)
	823312--2		1	BRUSH ASSEMBLY (RL45)
	823312--7		1	BRUSH ASSEMBLY (T24)
	823312		1	BRUSH ASSEMBLY (T28)(T33 - 5-SPEED)
	823312--6		1	BRUSH ASSEMBLY (T33 VARIABLE SPEED)
	823312--5		1	BRUSH ASSEMBLY (T45)
13	10-823311		2	SCREW
14	24-823304--1		2	BRUSH SPRING
15	10-823314--3		2	THRU BOLT (R/RL25)
	10-823314--2		2	THRU BOLT (R/RL30)
	10-823314--1		2	THRU BOLT (RL/RX35)(RL45)(DL/RL/RX50)
	10-823314--5		2	THRU BOLT (T24)
	10-823314		2	THRU BOLT (T28)
	10-823314--4		2	THRU BOLT (T33)
	10-823314--6		2	THRU BOLT (T45)
16	12-823321--1		4	WASHER
	12-823321		4	WASHER (T24)(T28)(T33)(T45)
17	25-823315		4	STATIC SEAL
18	824347		1	DURA AMP MODULE
19	10-824348--1		2	SCREW, MODULE (T33 VARIABLE SPEED)(T45)
	10-824348		2	SCREW, DURA AMP MODULE (DL/RL/RX50)
20	12-823322		1	MONOFILAMENT WASHER
21	48-801889		1	PROPELLER
	48-824236		1	PROPELLER (R/RL25)(T24)
22	11-823317		1	PROP NUT
	11-824255		1	PROP NUT (T24)(T28)(T33)(T45)
23	17-823306		1	PROP PIN
24	801892		1	SACRIFICIAL ANODE

CONTINUED ON NEXT PAGE ➡

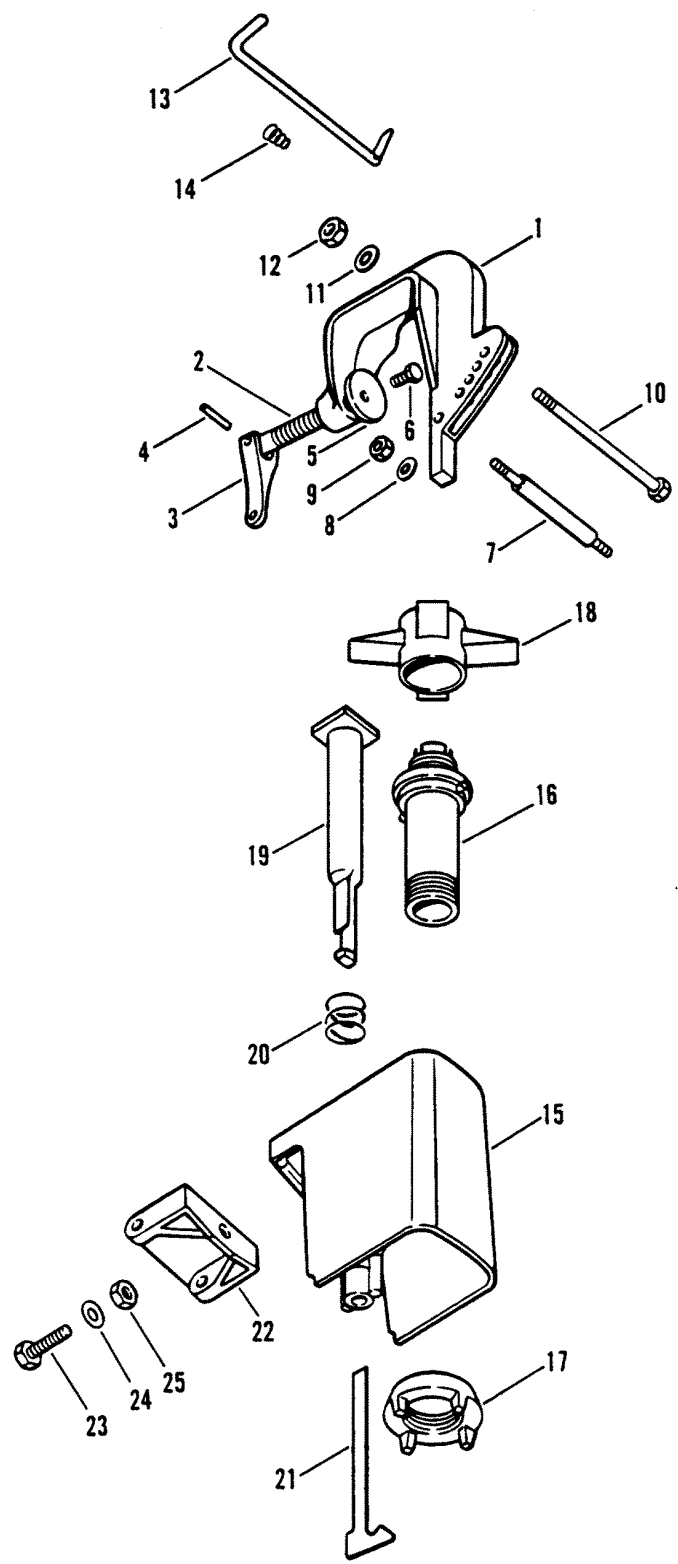
# ELECTRIC MOTOR (BRUSH ASSEMBLY)



## ELECTRIC MOTOR (BRUSH ASSEMBLY)

REF. NO.	PART NO.	SYM.	QTY.	DESCRIPTION
25	801904		1	PROP WRENCH KIT
26	19-801964		1	MOTOR PLUG
27	801965		1	SKEG ROD
	824312		1	SKEG ROD (T28)
	824312--1		1	SKEG ROD (T45)

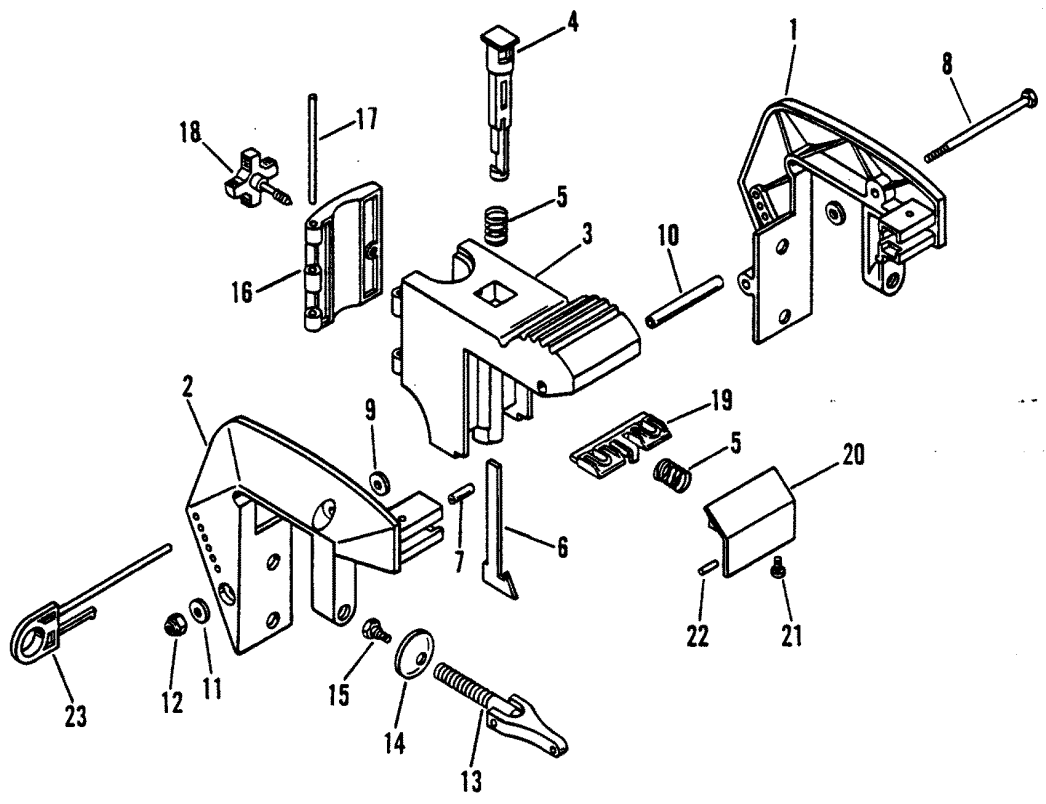
# SWIVEL AND CLAMP BRACKETS (T28, T33)



## SWIVEL AND CLAMP BRACKETS (T28, T33)

REF. NO.	PART NO.	SYM.	QTY.	DESCRIPTION
-	824264		1	SWIVEL/CLAMP KIT
1	1479-7291A1		1	CLAMP BRACKET (PORT)
	1478-7289A1		1	CLAMP BRACKET (STARBOARD)
2	10-77190A4		2	THUMB SCREW ASSEMBLY
3	78971		2	HANDLE
4	17-823401		2	GROOVE PIN
5	12-73719		2	WASHER
6	10-76804--1		2	SCREW
7	16-823342		1	STUD
8	12-823343		2	WASHER
9	11-823344		2	NUT
10	10-823345		1	SCREW
11	12-68920		2	WASHER
12	11-823346		1	NUT
13	17-68929A2		1	TILT PIN ASSEMBLY
14	24-62143		1	SPRING
15	1483-6399A3		1	SWIVEL BRACKET
16	76459		1	SWIVEL TUBE
17	76937		1	RETAINER
18	76938--1		1	ADJUSTMENT KNOB
19	815751		1	RELEASE ROD
20	24-76462		1	SPRING
21	823347		1	RELEASE HOOK
22	76463F1		1	PIVOT BRACKET
23	10-823348		1	SCREW
24	12-823349		1	WASHER
25	11-823399		1	NUT

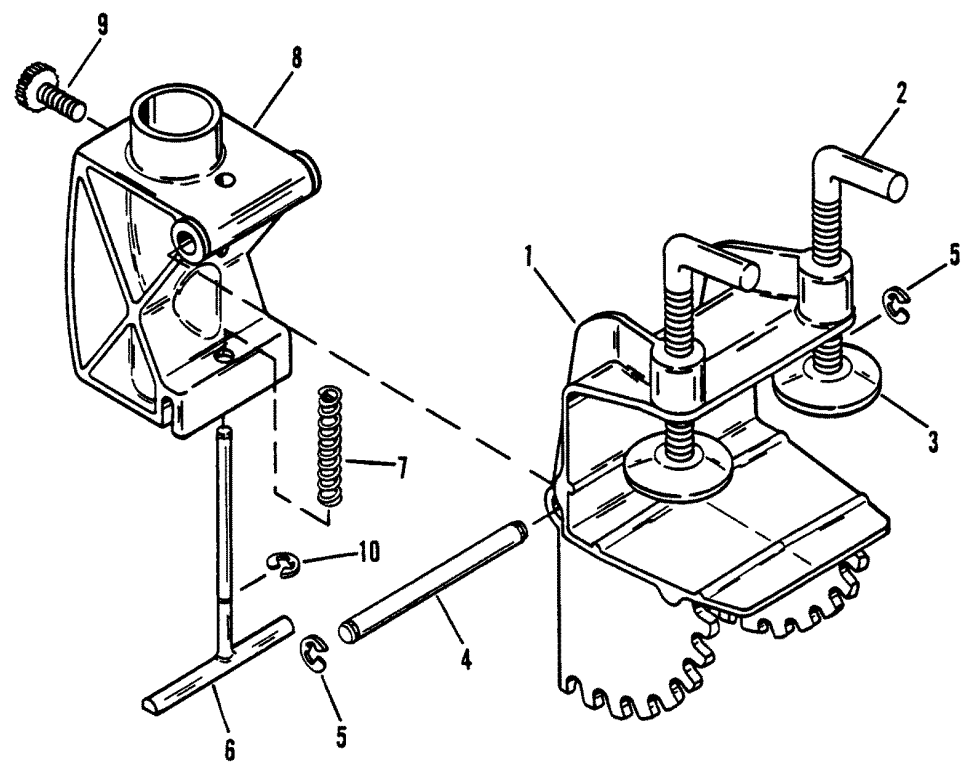
# SWIVEL AND CLAMP BRACKETS (T-45)



## SWIVEL AND CLAMP BRACKETS (T-45)

REF. NO.	PART NO.	SYM.	QTY.	DESCRIPTION
-	824259		1	SWIVEL/CLAMP KIT
1	824261		1	PORT CLAMP BRACKET
2	824260		1	STARBOARD CLAMP BRACKET
3	824257		1	SWIVEL BRACKET
4	815751		1	RELEASE HOOK ROD
5	24-76462		2	SPRING
6	815334		1	HOOK RELEASE
7	812385--1		1	PIVOT
8	10-812380		3	SCREW
9	12-812386		2	WASHER
10	812385--2		1	PIVOT
11	12-69057		3	WASHER
12	11-35045		3	NUT
13	10-77190A4		2	THUMB SCREW ASSEMBLY
14	12-73719		2	WASHER
15	10-76804--1		2	SCREW
16	824258		1	DOOR
17	17-812383--1		1	PIN
18	812469		1	DOOR KNOB
19	822227		1	T-LOCK
20	815753--2		1	T-LOCK HANDLE
21	10-815759		2	SCREW
22	17-813764		1	PIN
23	812387A2		1	TILT PIN ASSEMBLY

# SWIVEL AND CLAMP BRACKET (T-24)

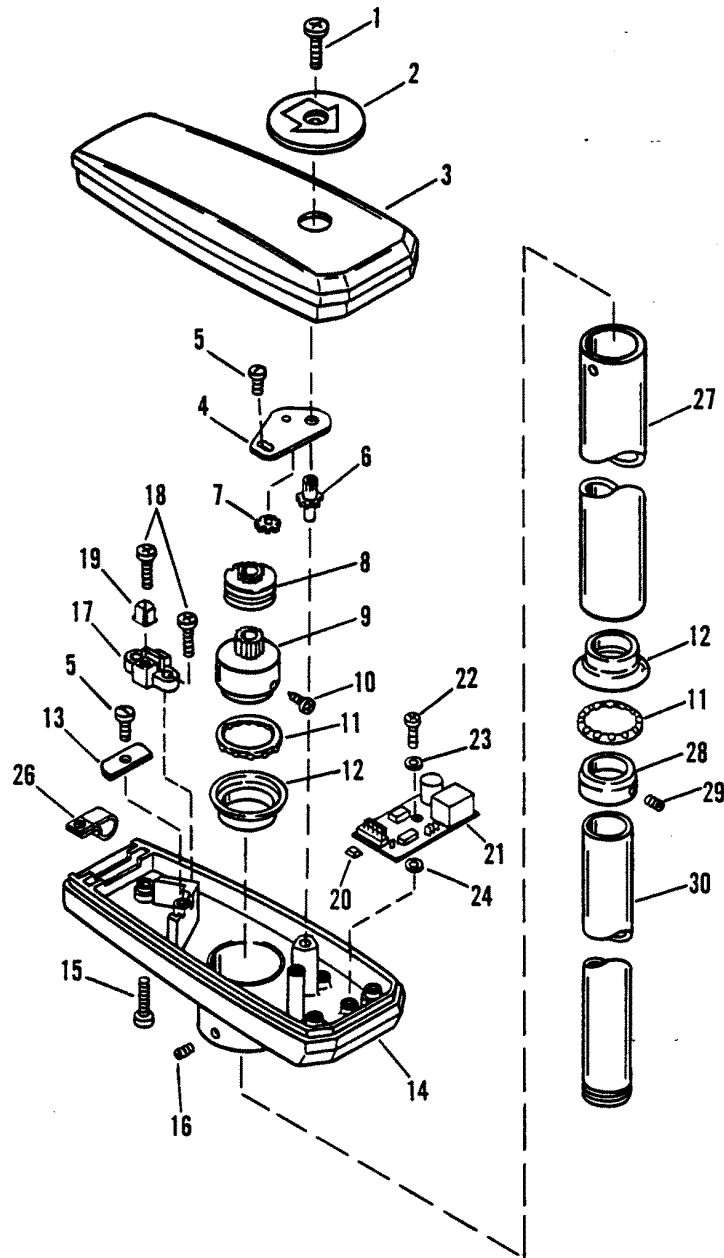




## SWIVEL AND CLAMP BRACKET (T-24)

REF. NO.	PART NO.	SYM.	QTY.	DESCRIPTION
-	824264--1		1	SWIVEL/CLAMP KIT
1	97873A4		1	CLAMP BRACKET
2	97480A1		2	CLAMP SCREW KIT
3	12-97875		2	WASHER
4	17-824315		1	MOUNT PIN KIT
5	53-27290		2	RETAINING RING
6	97869		1	LOCK PIN
7	24-97871		1	SPRING
8	97486T		1	SWIVEL BRACKET
9	10-97878		1	FRICTION SCREW
10	53-27290		1	RETAINING RING

# CONTROL HOUSING ("R")

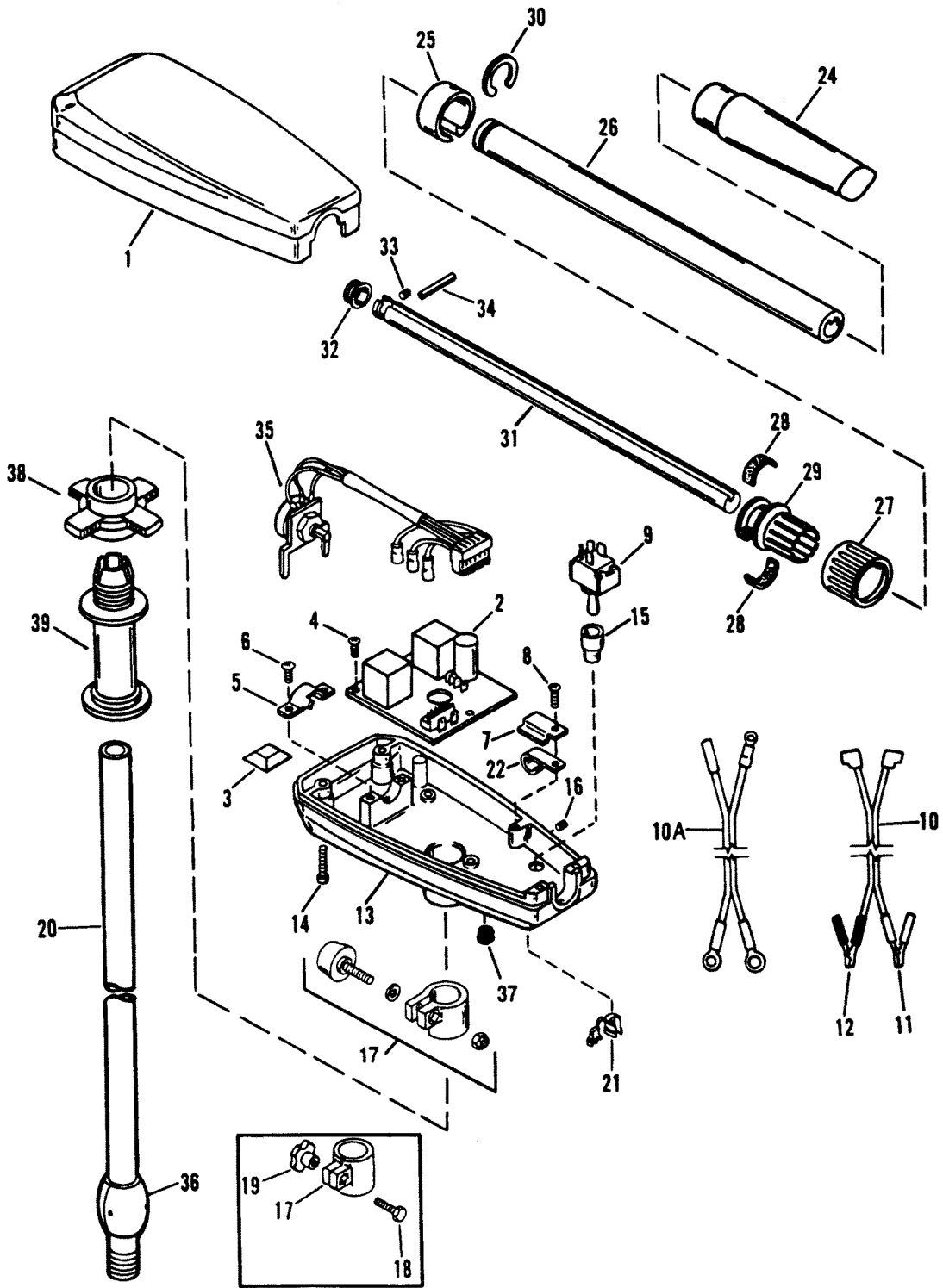


## CONTROL HOUSING ("R")

REF. NO.	PART NO.	SYM.	QTY.	DESCRIPTION
1	10-37370		1	SCREW
2	813681		1	DIRECTION INDICATOR
3	801898		1	COVER
4	801902		1	INDICATOR BRACKET
5	10-801893		2	SCREW
6	43-78413		1	GEAR, DIRECTION INDICATOR
7	43-78415		1	IDLER GEAR
8	78419		1	DRUM CONTROL
9	97908		1	COUPLING
10	10-99818		2	SCREW
11	30-72388		2	BEARING
12	72252		2	RETAINER
13	72179		1	RETAINER
14	801895		1	CONTROL HOUSING
15	10-68918		4	SCREW, BASE TO COVER
16	10-22080		2	SCREW
17	86-801896		1	TERMINAL BLOCK <b>VARIABLE SPEED</b>
18	10-42813		3	SCREW <b>VARIABLE SPEED</b>
19	86-801908		1	TERMINAL <b>VARIABLE SPEED</b>
20	801907		4	STEM BUMPER <b>VARIABLE SPEED</b>
21	801969		1	DURA AMP BOARD (12V) <b>VARIABLE SPEED</b>
	801910		1	DURA AMP BOARD (24V) <b>VARIABLE SPEED</b>
22	10-801901		1	SCREW, DURA AMP BOARD <b>VARIABLE SPEED</b>
23	12-801899		1	WASHER, DURA AMP SCREW <b>VARIABLE SPEED</b>
24	12-824272		1	WASHER <b>VARIABLE SPEED</b>
26	54-801913		1	CABLE CLAMP (RL35 - 5 SPEED)(RL45)
27	801891		1	OUTER TUBE
28	813754A1		1	RETAINER ASSEMBLY RL/RX35
29	10-22080		2	SCREW
28	31-808632A1		1	LOWER BEARING ASSY. RL45/RL/RX50
29	10-824178		2	SET SCREW
30	801897		1	42" COLUMN (RL)
	801894		1	50" COLUMN (RX)
-	<b>801998</b>		1	<b>LOCKDOWN STRAP (VELCRO) (RL/RX35 VARIABLE &amp; 5-SPEED)</b>

VARIABLE SPEED RL/RX50, RL/RX35; 5-SPEED RL45, RL35

# CONTROL HSG(VARIABLE SPEED DL50, T45, T33)

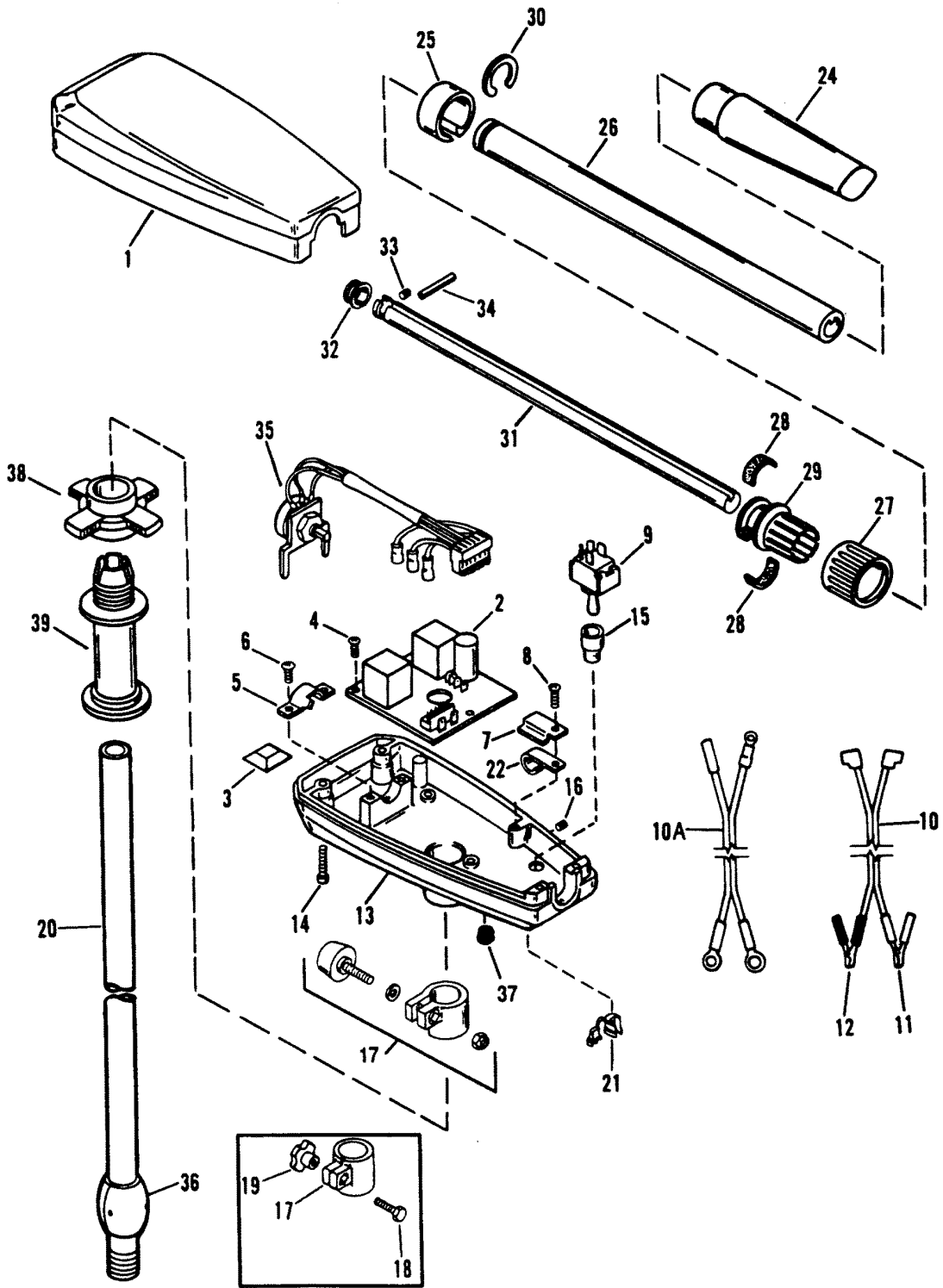


## CONTROL HSG(VARIABLE SPEED DL50, T45, T33)

REF. NO.	PART NO.	SYM.	QTY.	DESCRIPTION
1	824244		1	CONTROL COVER
2	824248		1	DURA AMP BOARD (DL50)
	824266		1	DURA AMP BOARD (T45)
	824267		1	DURA AMP BOARD (T33)
3	801907		2	STEM BUMPER
4	10-824246		3	SCREW, DURA AMP BOARD
5	54-824242		1	RETAINER CLAMP
6	10-801893		2	SCREW, RETAINER CLAMP
7	824243		1	WIRE BRACKET
8	10-42813		1	SCREW, WIRE BRACKET
9	87-824247		1	TOGGLE SWITCH
10A	84-824250		1	BATTERY CABLE (DL50)
10	84-824263		1	BATTERY CABLE (T45) (T33)
11	54-64391--4		1	POSITIVE BATTERY CLIP (T45) (T33)
12	54-64391--5		1	NEGATIVE BATTERY CLIP (T45) (T33)
13	824241		1	CONTROL HOUSING
14	10-824245		4	SCREW, COVER TO HOUSING
15	17732		1 OR 2	BOOT, TOGGLE SWITCH
16	10-22080		2	SET SCREW
17	823324A2		1	HEIGHT ADJUSTMENT COLLAR (DESIGN II)
	823324A1		1	HEIGHT ADJUSTMENT COLLAR DESIGN I
18	10-823340		1	BOLT (DESIGN I) .
19	823339		1	KNOB DESIGN I
20	824256		1	36" COLUMN (T45)(T33)
	824238		1	42" COLUMN (DL50)
21	23-823336		1	BUSHING
22	54-801913		1	CABLE CLAMP
-	<b>823326--2</b>		<b>1</b>	<b>HANDLE ASSEMBLY (DL50)</b>
-	<b>823326--3</b>		<b>1</b>	<b>HANDLE ASSEMBLY (T45)(T33)</b>
24	813762		1	HANDLE GRIP
25	824342		1	HANDLE INDICATOR (DL50)
	824343		1	HANDLE INDICATOR (T45)(T33)
26	823711		1	OUTER TUBER
27	813761		1	FRICTION KNOB
28	814066--1		2	FOAM TAPE
29	813760		1	GUIDE
30	53-813757		1	RETAINING RING
31	824251		1	INNER HANDLE
32	23-823712		1	BUSHING
33	10-99365		1	SET SCREW
34	17-824253		1	SPRING PIN
35	82-824254		1	POTENTIOMETER (DL50)

CONTINUED ON NEXT PAGE ➡

# CONTROL HSG(VARIABLE SPEED DL50, T45, T33)

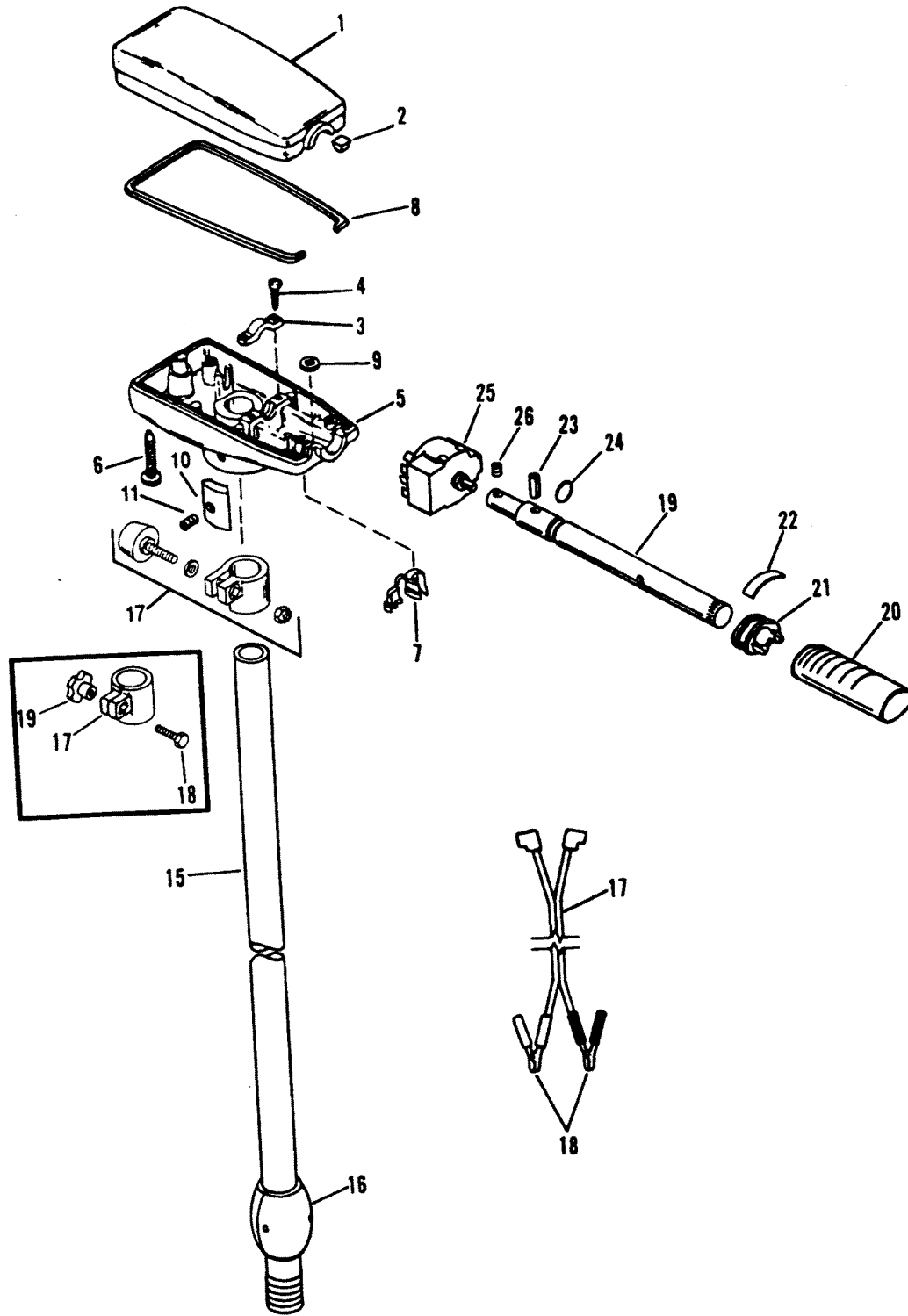


## CONTROL HSG(VARIABLE SPEED DL50, T45, T33)

REF. NO.	PART NO.	SYM.	QTY.	DESCRIPTION
35	82-824265		1	POTENTIOMETER (T45)(T33)
36	823341		1	ANODE <b>T45/733</b>
37	25-824398		1	GROMMET <b>T45/733</b>
38	76938--1		1	KNOB <b>T45</b>
39	812373--1		1	STEERING FRICTION TUBE <b>T45</b>

VARIABLE SPEED DL50, T45, T33

# CONTROL HOUSING (5-SPEED T33 T28-EUR T28 JAP T24)



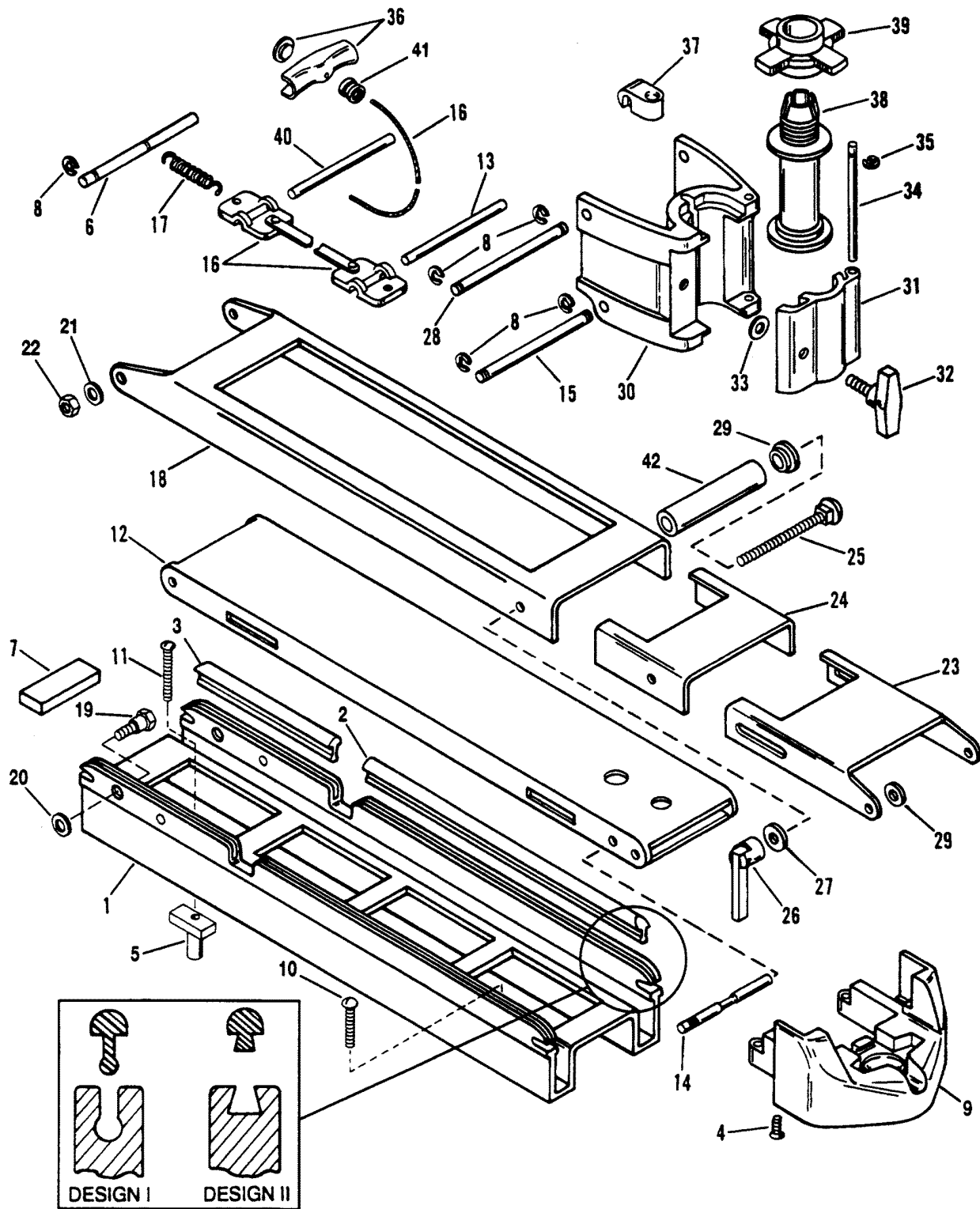


# CONTROL HOUSING (5-SPEED T33 T28-EUR T28 JAP T24)

REF. NO.	PART NO.	SYM.	QTY.	DESCRIPTION
1	824270		1	CONTROL COVER
2	823405		2	RUBBER PAD
3	97880		1	CAP
4	10-823325		2	SCREW
5	824269--1		1	CONTROL HOUSING (T33)(T28 JAPAN)
	824269		1	CONTROL HOUSING (T28 EUROPE)(T24)
6	10-823335		3	SCREW
7	23-823336		1	BUSHING (T28 - EUROPE)(T24)
	23-824268		1	BUSHING T33/T28 JAPAN
8	824271		1	INSERT GASKET <b>T33/T28 JAPAN</b>
9	824307		1	INSERT SEAL <b>T33/T28 JAPAN</b>
10	801971		2	COLLAR
11	10-824308		2	SET SCREW
12	823324A2		1	HEIGHT ADJUSTMENT COLLAR (DESIGN II)
	823324A1		1	HEIGHT ADJ. COLLAR <b>DESIGN II</b>
13	10-823340		1	<b>BOLT DESIGN II</b>
14	823339		1	<b>KNOB DESIGN II</b>
15	824256		1	36" COLUMN (T28 EUROPE)(T24)
	824238		1	42" COLUMN (T33)(T28 JAPAN)
16	823341		1	ANODE
17	84-824309		1	BATTERY CABLE (T33)(T28 JAPAN)
	84-824313		1	BATTERY CABLE (T28 - EUROPE)(T24)
18	54-64391--4		1	BATTERY CLIP (RED) <b>COPPER COATED</b>
	54-64391--5		1	BATTERY CLIP (BLACK) <b>COPPER COATED</b>
	54-64391--6		1	BATTERY CLIP (RED) <b>SOLID COPPER</b>
	54-64391--7		1	BATTERY CLIP (BLACK) <b>SOLID COPPER</b>
-	<b>823326--1</b>		1	<b>HANDLE ASSEMBLY (T33)(T28 JAPAN)</b>
-	<b>823326</b>		1	<b>HANDLE ASSEMBLY (T28 EUROPE)(T24)</b>
19	823330		1	HANDLE
20	823329		1	GRIP
21	823327		1	INDICATOR
22	37-823333		1	DECAL
23	17-72250		1	ROLL PIN
24	25-824310		1	O-RING (T33)(T28 JAPAN)
25	87-823328		1	ROTARY SWITCH
26	10-823331		1	SET SCREW

5-SPEED T33, T28 EUROPE, T28 JAPAN, T24

# THRUSTER 20 MOUNT ASSEMBLY

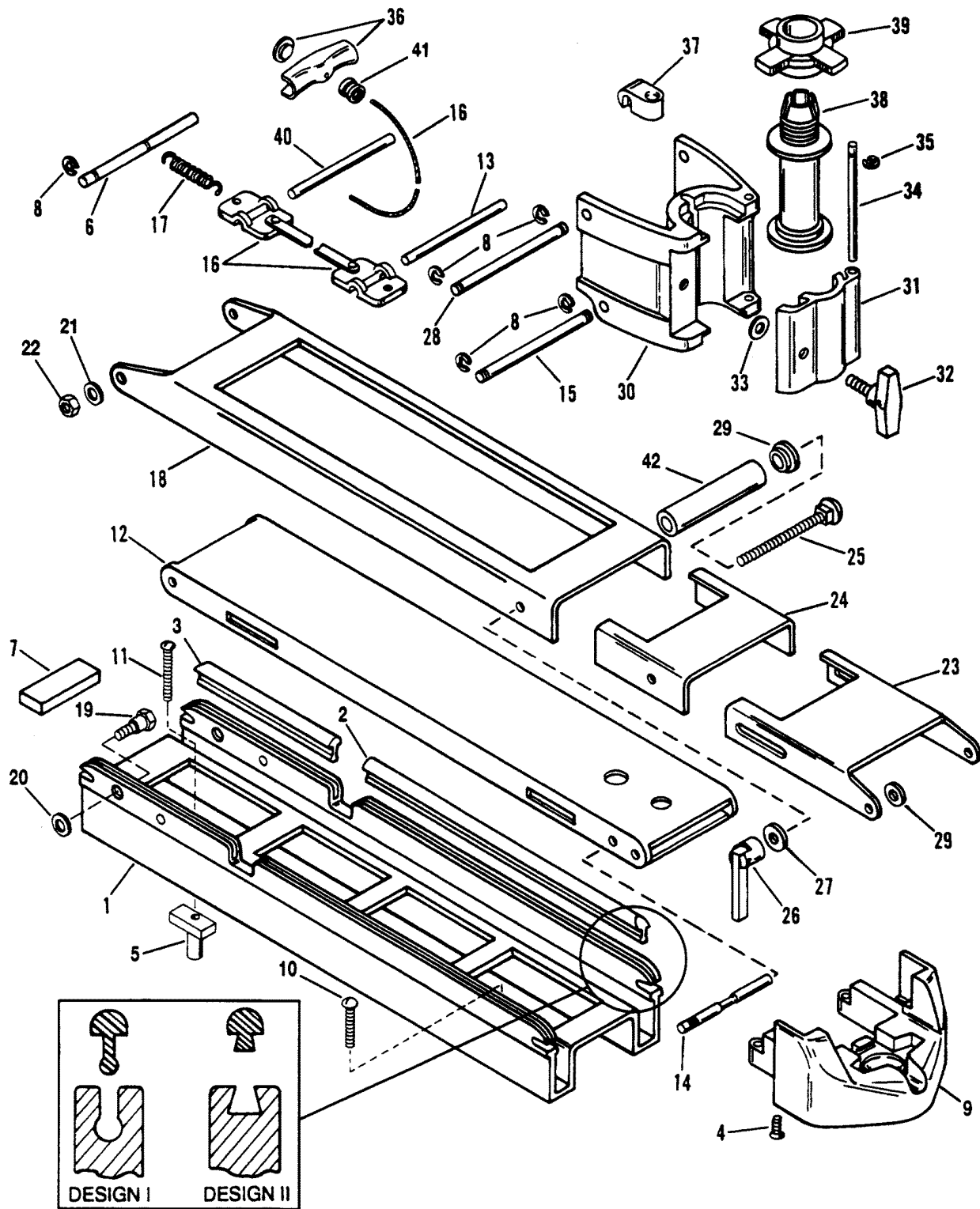


# THRUSTER 20 MOUNT ASSEMBLY

REF. NO.	PART NO.	SYM.	QTY.	DESCRIPTION
1	801932		1	DECK CHANNEL DESIGN I
2	801941		2	MOTOR PAD (13") DESIGN I
3	801942		2	MOTOR PAD (6") DESIGN I
1	801932A1		1	DECK CHANNEL DESIGN II
2	801941--1		2	MOTOR PAD DESIGN II
3	801942--2		2	MOTOR PAD DESIGN II
4	10-801962		2	SCREW, DECKET
5	801903		4	MOUNTING ISOLATOR
6	17-801947		1	PIN, BOW ARM/DECK CHANNEL
7	801936		1	RUBBER REST
8	53-801981		5	E-RING
9	801939		1	DECKET
10	10-801905		2	MOUNTING SCREW (2-1/4")
11	10-801906		1	MOUNTING SCREW (3")
12	801952		1	BOW ARM
13	17-801945		1	PIN, LOCKSLIDE
14	17-801948		1	PIN, TENSION
15	17-801946		1	PIN, BRACKET/BOW ARM
16	801953		1	LOCK SLIDE KIT
17	24-801935		1	SPRING
18	801959		1	TOP CHANNEL
19	10-801938		2	SHOULDER BOLT
20	12-801949		2	WASHER
21	12-801950		4	WASHER
22	12-823399		2	NUT
23	52-801960		1	CLUTCH CHANNEL
24	801957		1	INSERT, CLUTCH
25	10-801956		1	BOLT (6-1/2")
26	801954		1	CLAMP HANDLE
27	12-801961		1	WASHER
28	17-801943		1	PIN, BRACKET/CLUTCH CHANNEL
29	12-801950		4	WASHER
30	801933		1	BRACKET
31	801934		1	DOOR
32	801940		1	KNOB (ZINC)
33	12-801951		1	WASHER
34	17-801944		1	PIN, DOOR
35	53-801929		1	E-RING
36	801930		1	ROPE HANDLE & BUTTON
37	23-801937		1	BUSHING, ROPE

CONTINUED ON NEXT PAGE ➡

# THRUSTER 20 MOUNT ASSEMBLY

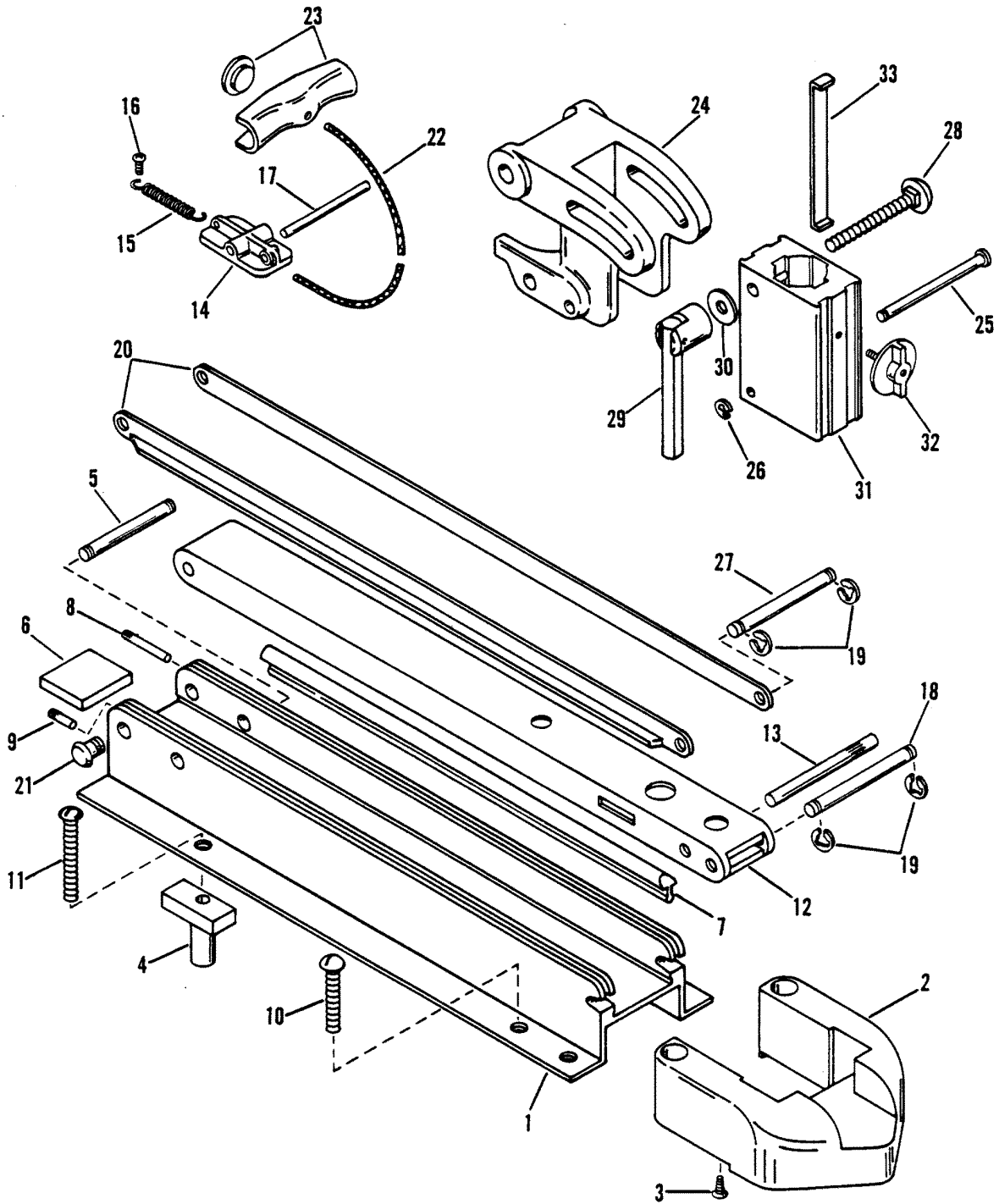


# THRUSTER 20 MOUNT ASSEMBLY

REF. NO.	PART NO.	SYM.	QTY.	DESCRIPTION
38	824388		1	STEERING FRICTION TUBE <b>DL50</b>
39	76938--1		1	SWIVEL KNOB <b>DL50</b>
40	17-801945--1		1	PIN, LOCK SLIDE
41	23-824158		1	ROPE BUSHING
42	23-801958		1	SPACER

RL/RX50, RL45, DL50 [801932A2] COMPLETE 20 MOUNT ASSEMBLY INCLUDES ALL PARTS ON THIS PAGE EXCEPT REFS. #38 AND 39

# THRUSTER 15 MOUNT ASS'Y(VARIABLE SPEED RL/RX35 5-SPEED RL35)



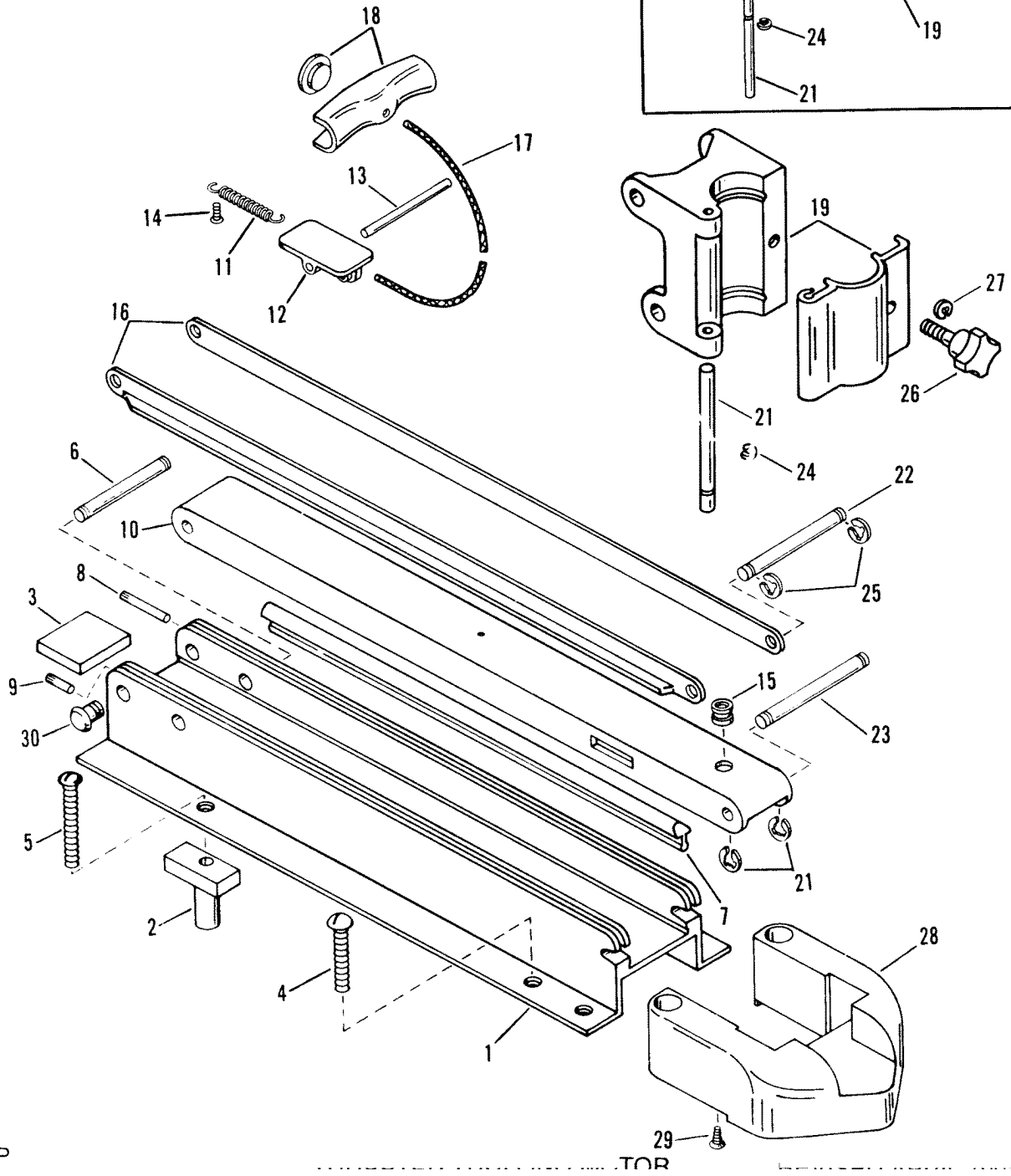
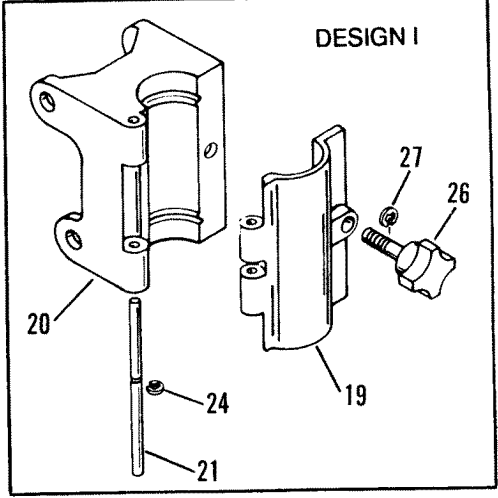
# THRUSTER 15 MOUNT ASS'Y(VARIABLE SPEED RL/RX35 5-SPEED RL35)

REF. NO.	PART NO.	SYM.	QTY.	DESCRIPTION
1	801980		1	42" DECK CHANNEL
2	801985		1	DECKET
3	10-801986		2	SCREW, DECKET
4	801903		4	MOUNTING ISOLATOR
5	17-801984		1	PIN, BOW ARM
6	801976		1	RUBBER REST
7	801982		2	MOTOR PAD
8	17-801995		1	LOCK PIN
9	17-801996		1	LCOK PIN (SHORT)
10	10-801991		2	MOUNTING SCREW (SHORT)
11	10-801968		2	MOUNTING SCREW (LONG)
12	801988		1	42" BOW ARM
13	17-801990		1	TENSION PIN
14	801997		1	LOCK SLIDE
15	24-801975		1	SPRING, LOCK SLIDE
16	10-801979		1	SCREW, LOCK SPRING
17	17-801978		1	PIN, LOCK SLIDE
18	17-801989		1	PIN, BOW ARM
19	53-801981		4	E-RING
20	824199		2	ANGLE
21	17-801983		2	PIN, ANGLE LOCK
22	50-801977		1	NYLON ROPE
23	801930		1	ROPE HANDLE & BUTTON
24	801931		1	CLUTCH BRACKET
25	17-801992		1	PIN, COLUMN SUPPORT
26	53-27290		1	E-RING
27	17-801987		1	PIN, ANGLE
28	10-801973		1	BOLT
29	801954		1	CLAMP HANDLE
30	12-801994		1	WASHER
31	801970		1	COLUMN SUPPORT
32	801974		1	KNOB
33	801993		1	FRICTION STRIP

VARIABLE SPEED RL/RX35, 5-SPEED RL35

# THRUSTER 01 MOUNT ASSEMBLY (R/RL30, R/RL25)

## THRUSTER 01 MOUNT ASSEMBLY



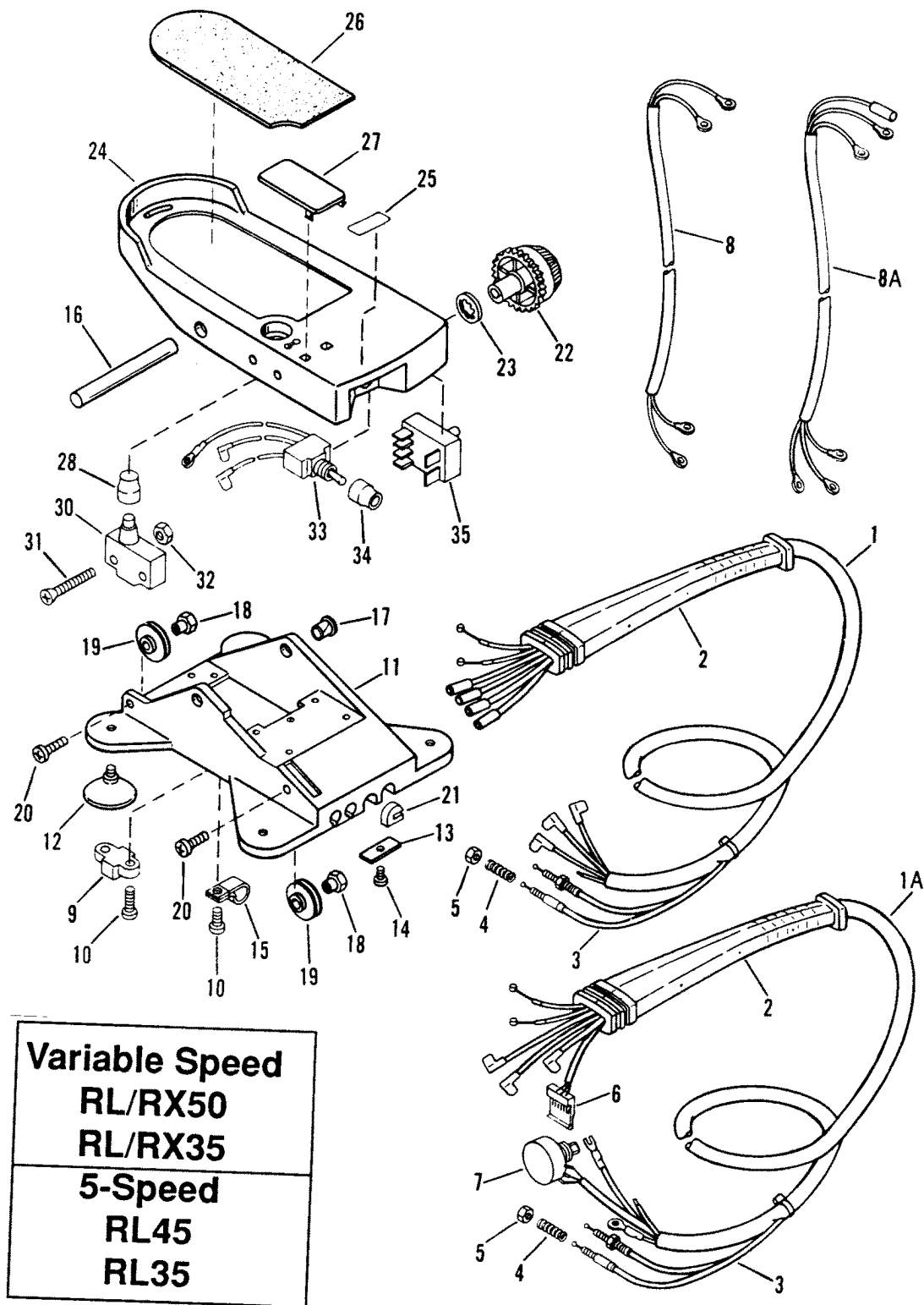


# THRUSTER 01 MOUNT ASSEMBLY (R/RL30, R/RL25)

REF. NO.	PART NO.	SYM.	QTY.	DESCRIPTION
1	824233		1	36" DECK CHANNEL (R)
	824161		1	42" DECK CHANNEL (RL)
2	801903		4	MOUNTING ISOLATOR
3	801976		1	RUBBER REST
4	10-801991		2	MOUNTING SCREW (SHORT)
5	10-801968		2	MOUNTING SCREW (LONG)
6	17-801984		1	PIN, BOW ARM
7	801982		2	MOTOR PAD
8	17-801995		1	LOCK PIN
9	17-801996		1	LOCK PIN (SHORT)
10	824232		1	36" BOW ARM (R)
	824155		1	42" BOW ARM (RL)
11	24-801975		1	SPRING, LOCK SLIDE
12	801997		1	LOCK SLIDE
13	17-801978		1	PIN, LOCK SLIDE
14	10-801979		1	SCREW, LOCK SPRING
15	23-824158		1	BUSHING, ROPE
16	824231		2	36" ANGLE, BOW ARM (R)
	824154		2	42" ANGLE, BOW ARM (RL)
17	50-801977		1	NYLON ROPE
18	801930		1	ROPE HANDLE & BUTTON
19	824157		1	BRACKET <b>DESIGN I</b>
20	824156		1	MOUNT BRACKET <b>DESIGN I</b>
21	17-824160		1	HINGE PIN <b>DESIGN I</b>
22	17-824164		1	PIN, ANGLE <b>DESIGN I</b>
19	824157A1		1	DOOR KIT <b>DESIGN II</b>
21	17-801944		1	HINGE PIN <b>DESIGN II</b>
22	17-801987		1	ANGLE PIN (3-11/16") <b>DESIGN II</b>
	17-824964--1		1	ANGLE PIN (3-9/16")
23	17-824163		1	PIN, BOW ARM
24	53-801929		1	E-RING
25	53-801981		4	E-RING
26	824159		1	KNOB
27	53-824162		1	CRESCENT RING
28	801985		1	DECKET
29	10-801986		2	SCREW, DECKET
30	17-801983		2	PIN, ANGLE LOCK

# HANDLE AND FOOT PLATE ("R")

## HANDLE AND FOOT PLATE ("R")



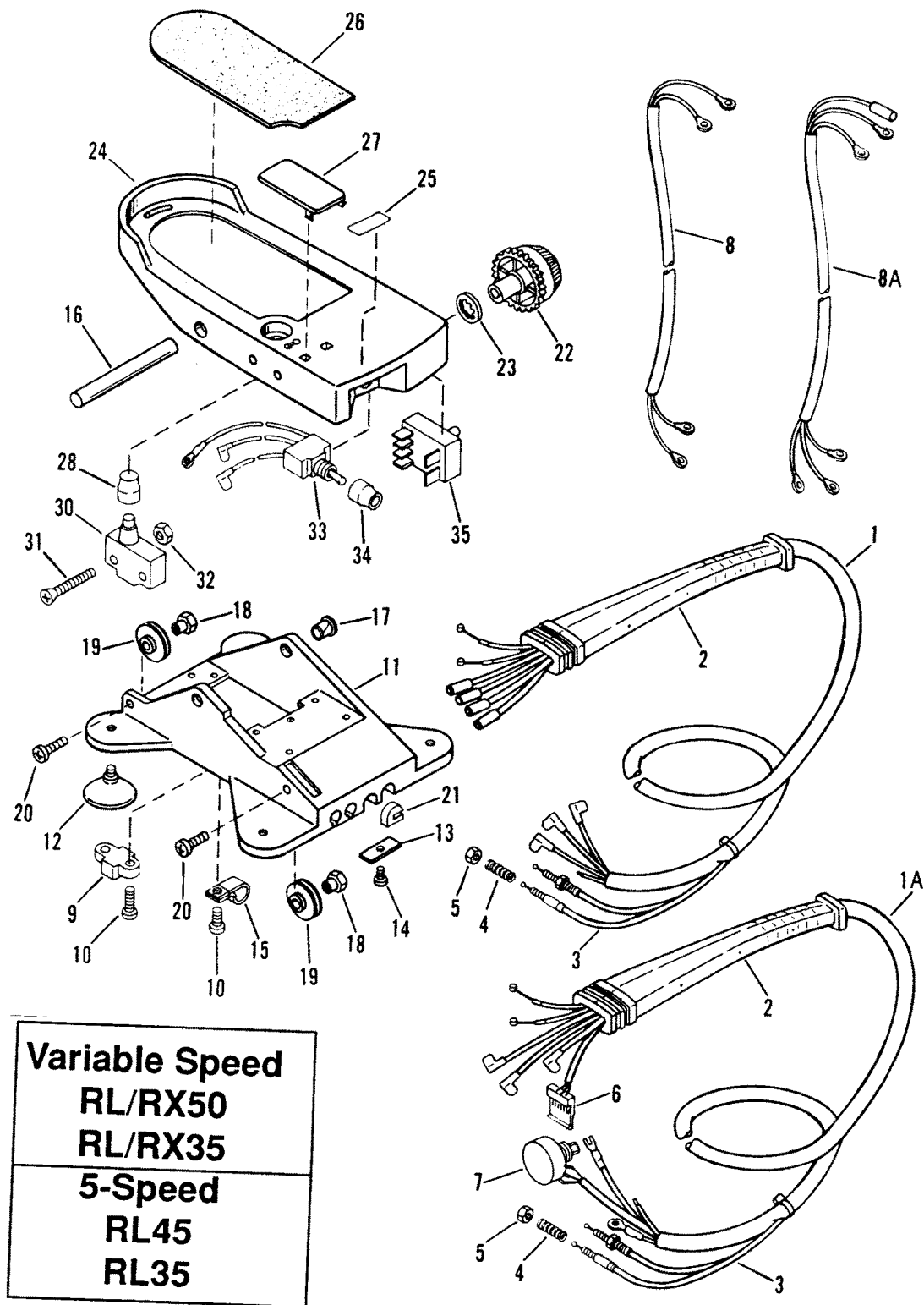
## HANDLE AND FOOT PLATE ("R")

REF. NO.	PART NO.	SYM.	QTY.	DESCRIPTION
1	824193		1	HANDLE ASSEMBLY (5')(RL45)(RL35 - 5-SPEED)
1A	801925		1	HANDLE ASSEMBLY (5')(RL/RK35/50)
	801967		1	HANDLE ASSEMBLY (6')(RL/RK35/50)
2	79710T		1	HANDLE
3	16801A2		1	CONTROL CABLE (5')
	16801A1		1	CONTROL CABLE (6')
4	24-85010		2	SPRING
5	11-28770		2	NUT
6	86-801926		1	AMP CONNECTOR <b>VARIABLE SPEED</b>
7	82-801927		1	VARIABLE POTENTIOMETER <b>VARIABLE SPEED</b>
8	84-801928		1	BATTERY CABLE (RL/RX35/50 VARIABLE SPEED)
8A	84-824192		1	BATTERY CABLE (RL45)
8	84-824189		1	BATTERY CABLE (RL35 - 5 SPEED)
9	86-67460		1	TERMINAL BLOCK
10	10-42813		4 OR 5	SCREW
11	801914		1	BASE
12	72474		4	SUCTION CUP
13	72179		1	RETAINER
14	10-801893		1	SCREW
15	54-801913		1	CABLE CLAMP
16	72423		1	PIVOT SHAFT
17	23-801912		2	BUSHING
18	78417		2	PIVOT
19	78416		2	PULLEY
20	10-37370		2	SCREW
21	25-801915		1	GROMMET (RL/RX35/50)
22	801917		1	KNOB (VARIABLE SPEED)
	824195		1	KNOB (5-SPEED)
23	11-801916		1	PUSH-ON NUT
24	801921		1	FOOT PLATE
25	37-824349		1	DECAL (C/M/H)
	37-824349--1		1	DECAL (12/24)
26	813819		1	PAD
27	85517		1	COVER
28	801919		1	BOOT
30	87-801918		1	MICRO SWITCH
31	10-801922		2	SCREW
32	11-801924		2	NUT

CONTINUED ON NEXT PAGE ➡

# HANDLE AND FOOT PLATE ("R")

## HANDLE AND FOOT PLATE ("R")

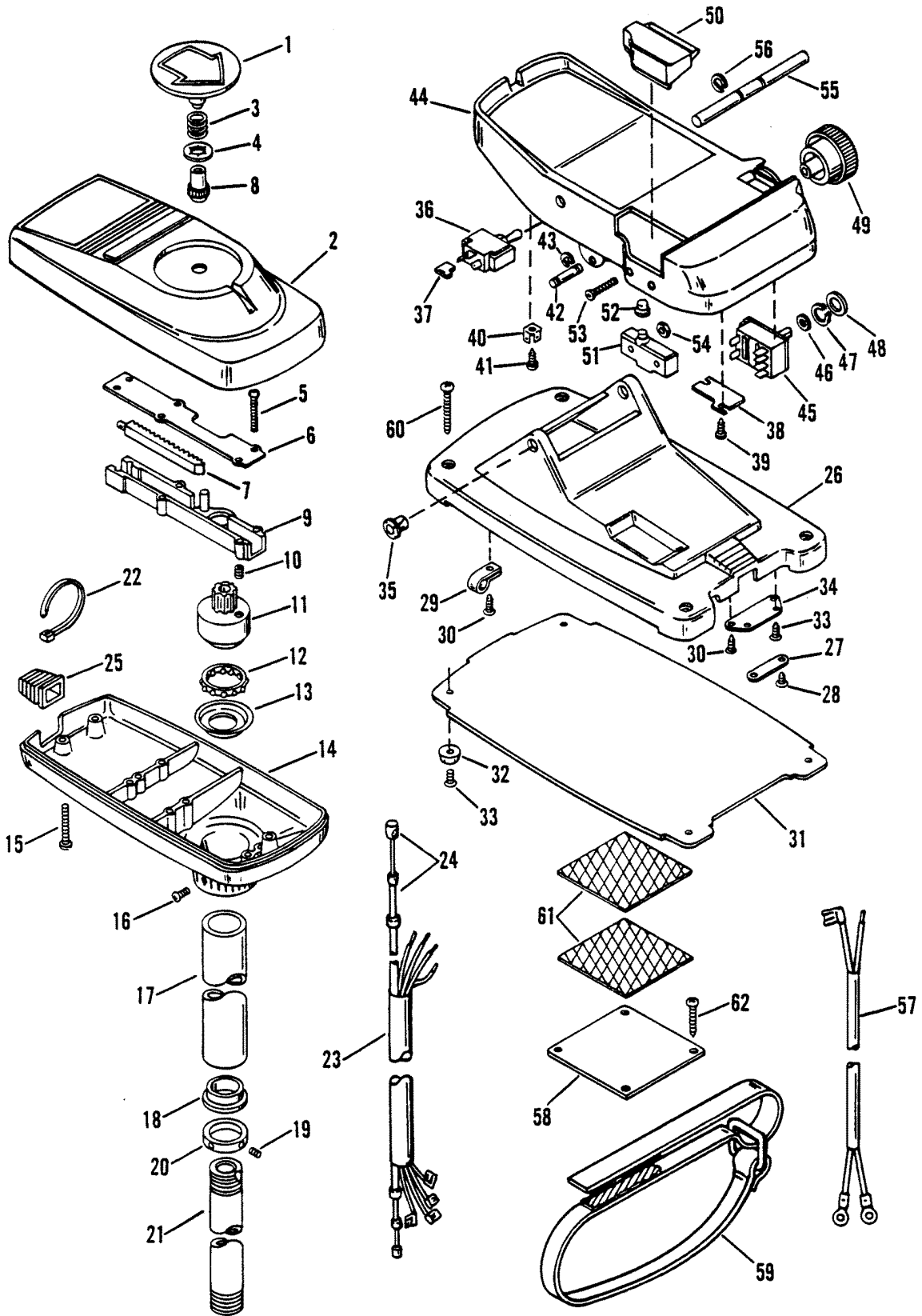


## HANDLE AND FOOT PLATE ("R")

REF. NO.	PART NO.	SYM.	QTY.	DESCRIPTION
33	87-801923		1	TOGGLE SWITCH (RL/RX35/50 VARIABLE SPEED)
	87-824194		1	TOGGLE SWITCH (RL45)
	87-824190		1	TOGGLE SWITCH (RL35 5-SPEED)
34	17732		1	BOOT
35	87-824197		1	ROTARY SWITCH (RL45)(RL35 - 5 SPEED)

VARIABLE SPEED RL/RX50, RL/RX35; 5-SPEED RL45, RL35

# CONTROL HOUSING/FOOT PLATE (5-SPEED R/RL30 R/RL25)



PAGE 26

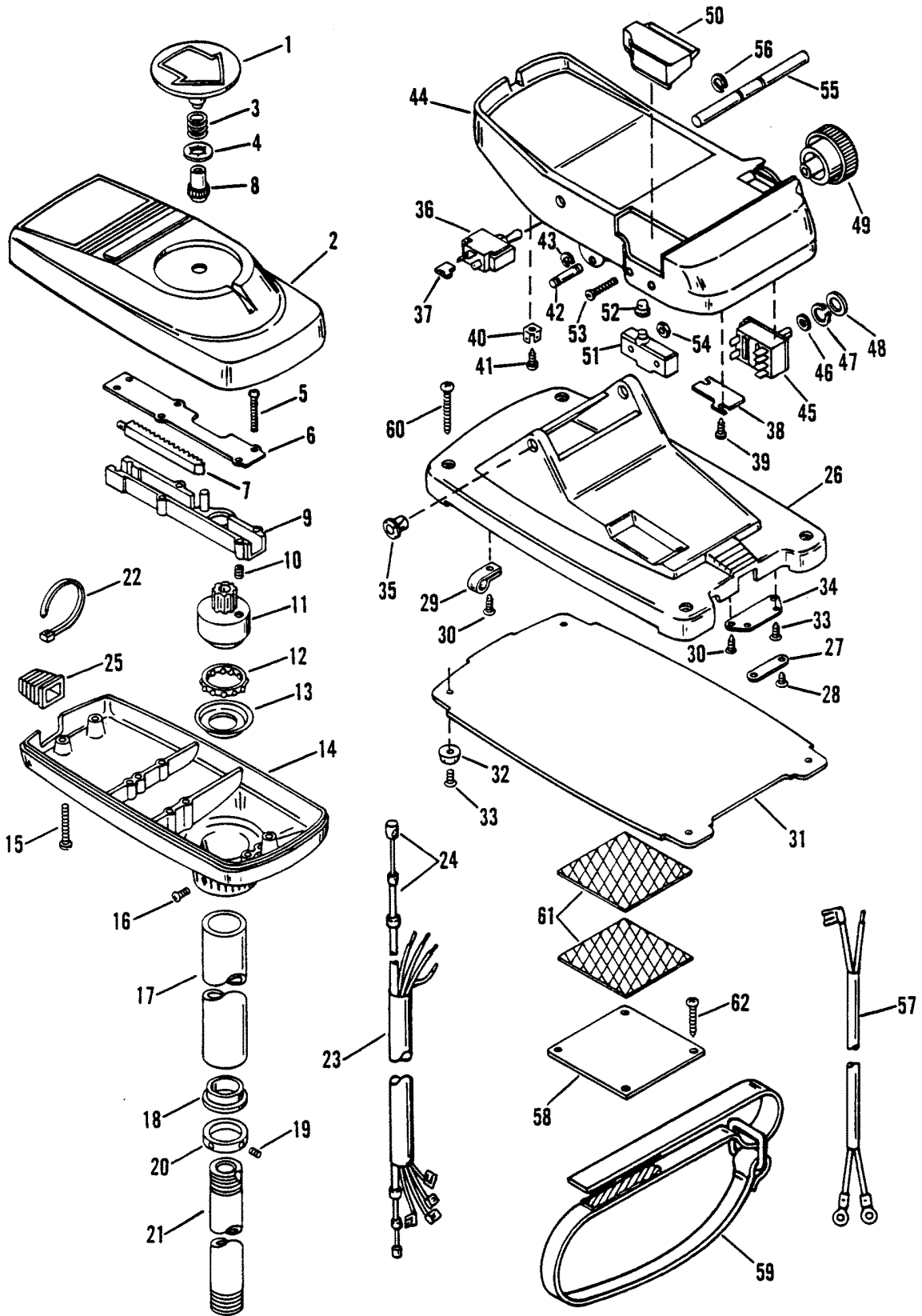
THRUSTER TROLLING MOTORS

# CONTROL HOUSING/FOOT PLATE (5-SPEED R/RL30 R/RL25)

REF. NO.	PART NO.	SYM.	QTY.	DESCRIPTION
-	54-816311		AR	STA-STRAP
1	824169		1	INDICATOR
2	824168		1	COVER
3	24-824187		1	COMPRESSION SPRING
4	54-824186		1	TINNERMAN CLIP
5	10-824180		6	SCREW, RACK GUIDE
6	824181		1	COVER, RACK GUIDE
7	824172		1	RACK
8	43-824185		1	INDICATOR GEAR
9	824182		1	RACK GUIDE
10	10-824179		1	SET SCREW
11	824177		1	PLATED NUT ASSEMBLY
12	30-824188		1	BALL BEARING
13	23-824183		1	BUSHING
14	824167		1	CONTROL HOUSING BASE
15	10-824176		3	SCREW (6 X 5/8")
16	10-824175		3	SCREW (8 X 1-3/8")
17	824230		1	36" OUTER TUBE
	801891		1	42" OUTER TUBE
18	23-824228		1	BUSHING, OUTER TUBE
19	10-824178		2	CONE SET SCREW
20	23-824184		1	SPACER
21	824165		1	42" COLUMN (RL25)(RL30)
	824237		1	36" COLUMN (R25)
	824234		1	36" COLUMN (R30)
22	54-816311		AR	STA-STRAP
23	84-824221		1	5-SPEED CONTROL CABLE
24	84-824221--1		1	CONTROL CABLE
25	25-824222		1	GROMMET
26	824208		1	FOOT PEDAL BASE
27	54-824206		1	CLAMP, BATTERY
28	10-824203		2	SCREW
29	54-824205		1	CLAMP, BATTERY CABLE
30	10-824170		7	SCREW (6 X 1/2")
31	824226		1	WEIGHT PLATE
32	824224		4	PAD, FOOT PEDAL
33	10-824174		2	SELF TAPPING SCREW
34	824207		1	CABLE PLATE
35	23-824204		2	BUSHING, INDICATOR SHAFT
36	87-824211		1	TOGGLE SWITCH
37	824399		1	INSULATING BOOT
38	824218		1	RETAINER PLATE
39	10-824170		2	SCREW (6 X 1/2")

CONTINUED ON NEXT PAGE ➡

# CONTROL HOUSING/FOOT PLATE (5-SPEED R/RL30 R/RL25)



PAGE 22

THRUSTER TROLLING MOTORS



## CONTROL HOUSING/FOOT PLATE (5-SPEED R/RL30 R/RL25)

REF. NO.	PART NO.	SYM.	QTY.	DESCRIPTION
40	86-801908		1	TERMINAL
41	10-824212		1	SCREW (#10 X 1/2")
42	17-824171		1	PIN, CABLE PIVOT
43	53-824202		2	E-RING
44	824217		1	FOOT PEDAL
45	87-824197		1	ROTARY SWITCH
46	13-824213		1	LOCKWASHER
47	54-824215		1	GRIP RING
48	12-824210		1	NYLON WASHER
49	824216		1	5-SPEED KNOB
50	824214		1	MICRO BUTTON
51	87-801918		1	MICRO SWITCH
52	801919		1	BOOT, MICRO SWITCH
53	10-824219		2	SCREW (#6-32 X 1-1/2")
54	11-801924		2	NUT (6-32)
55	17-824209		1	ROCKER PIN, FOOT PEDAL
56	53-824173		2	E-RING
57	84-824201		1	BATTERY CABLE
58	824225		1	DECK MOUNTING PLATE
59	801998		1	LOCKDOWN STRAP (VELCRO)
60	10-824227		4	SCREW (#8 X 2")
61	824229		2	DUAL LOCK
62	10-824223		4	SCREW

5-SPEED R/RL30, R/RL25

# PARTS INDEX

Part Number	Description	Pg.	Ref. No.	Part Number	Description	Pg.	Ref. No.
16801A1	CONTROL CABLE (6')	33	3	801954	CLAMP HANDLE	29	29
16801A2	CONTROL CABLE (5')	33	3	801957	INSERT, CLUTCH	25	24
17732	BOOT	35	34	801959	TOP CHANNEL	25	18
17732	BOOT, TOGGLE SWITCH	19	15	801963	ELECTRIC MOTOR (DL50/RL/RX50)	3	-
72179	RETAINER	17	13	801963	ELECTRIC MOTOR (DL50/RL/RX50)	7	-
72179	RETAINER	33	13	801965	SKEG ROD	9	27
72252	RETAINER	17	12	801967	HANDLE ASSEMBLY (6') RL/RK35/50)	33	1A
72423	PIVOT SHAFT	33	16	801969	DURA AMP BOARD (12V)	17	21
72474	SUCTION CUP	33	12	801970	COLUMN SUPPORT	29	31
76459	SWIVEL TUBE	11	16	801971	COLLAR	23	10
76463F1	PIVOT BRACKET	11	22	801972	ELECTRIC MOTOR	3	-
76937	RETAINER	11	17	801972	ELECTRIC MOTOR (RL/RX35 - VARIABLE SPEED)	7	-
76938--1	ADJUSTMENT KNOB	11	18	801974	KNOB	29	32
76938--1	KNOB	21	38	801976	RUBBER REST	29	6
76938--1	SWIVEL KNOB	27	39	801976	RUBBER REST	31	3
78416	PULLEY	33	19	801980	42" DECK CHANNEL	29	1
78417	PIVOT	33	18	801982	MOTOR PAD	29	7
78419	DRUM CONTROL	17	8	801982	MOTOR PAD	31	7
78971	HANDLE	11	3	801985	DECKET	29	2
79710T	HANDLE	33	2	801985	DECKET	31	28
801891	42" OUTER TUBE	37	17	801988	42" BOW ARM	29	12
801891	OUTER TUBE	17	27	801993	FRICTION STRIP	29	33
801892	SACRIFICIAL ANODE	7	24	801997	LOCK SLIDE	29	14
801894	50" COLUMN (RX)	17	30	801997	LOCK SLIDE	31	12
801895	CONTROL HOUSING	17	14	801998	LOCKDOWN STRAP (VELCRO)	17	-
801897	42" COLUMN (RL)	17	30	801998	LOCKDOWN STRAP (VELCRO)	39	59
801898	COVER	17	3	812373--1	STEERING FRICTION TUBE	21	39
801902	INDICATOR BRACKET	17	4	812385--1	PIVOT	13	7
801903	MOUNTING ISOLATOR	25	5	812385--2	PIVOT	13	10
801903	MOUNTING ISOLATOR	29	4	812387A2	TILT PIN ASSEMBLY	13	23
801903	MOUNTING ISOLATOR	31	2	812469	DOOR KNOB	13	18
801904	PROP WRENCH KIT	9	25	813681	DIRECTION INDICATOR	17	2
801907	STEM BUMPER	17	20	813754A1	RETAINER ASSEMBLY RL/RX35	17	28
801907	STEM BUMPER	19	3	813760	GUIDE	19	29
801910	DURA AMP BOARD (24V)	17	21	813761	FRICTION KNOB	19	27
801914	BASE	33	11	813762	HANDLE GRIP	19	24
801917	KNOB (VARIABLE SPEED)	33	22	813819	PAD	33	26
801919	BOOT	33	28	814066--1	FOAM TAPE	19	28
801919	BOOT, MICRO SWITCH	39	52	815334	HOOK RELEASE	13	6
801921	FOOT PLATE	33	24	815751	RELEASE HOOK ROD	13	4
801925	HANDLE ASSEMBLY (5') RL/RK35/50)	33	1A	815751	RELEASE ROD	11	19
801930	ROPE HANDLE & BUTTON	25	36	815753--2	T-LOCK HANDLE	13	20
801930	ROPE HANDLE & BUTTON	29	23	822227	T-LOCK	13	19
801930	ROPE HANDLE & BUTTON	31	18	823301--1	NOSE CAP (ALL OTHERS)	3	1
801931	CLUTCH BRACKET	29	24	823301--2	NOSE CAP (R/RL30)	3	1
801932	DECK CHANNEL	25	1	823301--3	NOSE CAP (R/RL25)	3	1
801932A1	DECK CHANNEL	25	1	823301--4	NOSE CAP (T24)	3	1
801933	BRACKET	25	30	823303--1	HOUSING	3	3
801934	DOOR	25	31	823303--2	HOUSING (R/RL30)	3	3
801936	RUBBER REST	25	7	823303--3	HOUSING (R/RL25)	3	3
801939	DECKET	25	9	823303--4	HOUSING (T33)	3	3
801940	KNOB (ZINC)	25	32	823303--5	HOUSING (T28)	3	3
801941	MOTOR PAD (13")	25	2	823303--6	HOUSING (T24)	3	3
801941--1	MOTOR PAD	25	2				
801942	MOTOR PAD (6")	25	3				
801942--2	MOTOR PAD	25	3				
801952	BOW ARM	25	12				
801953	LOCK SLIDE KIT	25	16				
801954	CLAMP HANDLE	25	26				

# PARTS INDEX

Part Number	Description	Pg.	Ref. No.	Part Number	Description	Pg.	Ref. No.
823303--7	HOUSING (T45)	3	3	824157	BRACKET	31	19
823305	ARMATURE (T28)	3	5	824157A1	DOOR KIT	31	19
823305--1	ARMATURE	3	5	824159	KNOB	31	26
823305--2	ARMATURE	3	5	824161	42" DECK CHANNEL (RL)	31	1
823305--3	ARMATURE (R/RL30)	3	5	824165	42" COLUMN (RL25)(RL30)	37	21
823305--4	ARMATURE (R/RL25)	3	5	824166	ELECTRIC MOTOR	3	-
823305--5	ARMATURE (T33 - 5-SPEED)	3	5	824166	ELECTRIC MOTOR (R/RL30 - 5-SPEED)	7	-
823305--6	ARMATURE (T24)	3	5	824167	CONTROL HOUSING BASE	37	14
823305--7	ARMATURE (T45)	3	5	824168	COVER	37	2
823308--1	COMM. CAP	3	9	824169	INDICATOR	37	1
823308--2	COMMUTATOR CAP (RL45)	3	9	824172	RACK	37	7
823308--3	COMMUTATOR CAP (RL35 - 5-SPEED)	3	9	824177	PLATED NUT ASSEMBLY	37	11
823308--4	COMMUTATOR CAP (R/RL30)	3	9	824181	COVER, RACK GUIDE	37	6
823308--5	COMMUTATOR CAP (R/RL25)	3	9	824182	RACK GUIDE	37	9
823308--6	COMMUTATOR CAP	5	9	824191	ELECTRIC MOTOR	3	-
823308--7	COMMUTATOR CAP	5	9	824191	ELECTRIC MOTOR (RL35 - 5-SPEED)	7	-
823308--8	COMMUTATOR CAP (T24)	5	9	824193	HANDLE ASSEMBLY (5')(RL45)(RL35 - 5-SPEED)	33	1
823312	BRUSH ASSEMBLY (T28)(T33 - 5-SPEED)	7	12	824195	KNOB (5-SPEED)	33	22
823312--1	BRUSH (RL/RX35 VARIABLE SPEED)(DL/RL/RX50)	7	12	824198	ELECTRIC MOTOR (RL45)	3	-
823312--2	BRUSH ASSEMBLY (RL45)	7	12	824198	ELECTRIC MOTOR (RL45)	7	-
823312--3	BRUSH ASSEMBLY (R/RL30)(RL35 - 5-SPEED)	7	12	824199	ANGLE	29	20
823312--4	BRUSH ASSEMBLY (R/RL25)	7	12	824207	CABLE PLATE	37	34
823312--5	BRUSH ASSEMBLY (T45)	7	12	824208	FOOT PEDAL BASE	37	26
823312--6	BRUSH ASSEMBLY (T33 VARIABLE SPEED)	7	12	824214	MICRO BUTTON	39	50
823312--7	BRUSH ASSEMBLY (T24)	7	12	824216	5-SPEED KNOB	39	49
823313	RETAINER	3	4	824217	FOOT PEDAL	39	44
823324A1	HEIGHT ADJ. COLLAR	23	12	824218	RETAINER PLATE	37	38
823324A1	HEIGHT ADJUSTMENT COLLAR	19	17	824224	PAD, FOOT PEDAL	37	32
823324A2	HEIGHT ADJUSTMENT COLLAR (DESIGN II)	19	17	824225	DECK MOUNTING PLATE	39	58
823324A2	HEIGHT ADJUSTMENT COLLAR (DESIGN II)	23	12	824226	WEIGHT PLATE	37	31
823326	HANDLE ASSEMBLY (T28 EUROPE)(T24)	23	-	824229	DUAL LOCK	39	61
823326--1	HANDLE ASSEMBLY (T33)(T28 JAPAN)	23	-	824230	36" OUTER TUBE	37	17
823326--2	HANDLE ASSEMBLY (DL50)	19	-	824231	36" ANGLE, BOW ARM (R)	31	16
823326--3	HANDLE ASSEMBLY (T45)(T33)	19	-	824232	36" BOW ARM (R)	31	10
823327	INDICATOR	23	21	824233	36" DECK CHANNEL (R)	31	1
823329	GRIP	23	20	824234	36" COLUMN (R30)	37	21
823330	HANDLE	23	19	824235	ELECTRIC MOTOR (R/RL25)	3	-
823339	KNOB	19	19	824235	ELECTRIC MOTOR (R/RL25)	7	-
823339	KNOB	23	14	824237	36" COLUMN (R25)	37	21
823341	ANODE	21	36	824238	42" COLUMN (DL50)	19	20
823341	ANODE	23	16	824238	42" COLUMN (T33)(T28 JAPAN)	23	15
823347	RELEASE HOOK	11	21	824241	CONTROL HOUSING	19	13
823405	RUBBER PAD	23	2	824243	WIRE BRACKET	19	7
823711	OUTER TUBER	19	26	824244	CONTROL COVER	19	1
824154	42" ANGLE, BOW ARM (RL)	31	16	824248	DURA AMP BOARD (DL50)	19	2
824155	42" BOW ARM (RL)	31	10	824251	INNER HANDLE	19	31
824156	MOUNT BRACKET	31	20	824252	ELECTRIC MOTOR	3	-
				824252	ELECTRIC MOTOR (T33 - VARIABLE SPEED)	7	-
				824256	36" COLUMN (T28 EUROPE)(T24)	23	15
				824256	36" COLUMN (T45)(T33)	19	20
				824257	SWIVEL BRACKET	13	3
				824258	DOOR	13	16
				824259	SWIVEL/CLAMP KIT	13	-

# PARTS INDEX

Part Number	Description	Pg.	Ref. No.	Part Number	Description	Pg.	Ref. No.
824261	PORT CLAMP BRACKET ...	13	1	10-801968	MOUNTING SCREW (LONG)	29	11
824262	ELECTRIC MOTOR (T45) ...	3	-	10-801968	MOUNTING SCREW (LONG)	31	5
824262	ELECTRIC MOTOR (T45) ...	7	-	10-801973	BOLT	29	28
824264	SWIVEL/CLAMP KIT	11	-	10-801979	SCREW, LOCK SPRING	29	16
824264--1	SWIVEL/CLAMP KIT	15	-	10-801979	SCREW, LOCK SPRING	31	14
824266	DURA AMP BOARD (T45) ..	19	2	10-801986	SCREW, DECKET	29	3
824267	DURA AMP BOARD (T33) ..	19	2	10-801986	SCREW, DECKET	31	29
824269	CONTROL HOUSING (T28			10-801991	MOUNTING SCREW		
	EUROPE)(T24) .....	23	5		(SHORT) .....	29	10
824269--1	CONTROL HOUSING (T33)(			10-801991	MOUNTING SCREW		
	T28 JAPAN) .....	23	5		(SHORT) .....	31	4
824270	CONTROL COVER .....	23	1	10-812380	SCREW .....	13	8
824271	INSERT GASKET .....	23	8	10-815759	SCREW .....	13	21
824307	INSERT SEAL .....	23	9	10-823311	SCREW .....	7	13
824311	ELECTRIC MOTOR (T28) ...	3	-	10-823314	THRU BOLT (T28) .....	7	15
824311	ELECTRIC MOTOR (T28) ...	7	-	10-823314--1	THRU BOLT (RL/RX35)(		
					RL45)(DL/RL/RX50) .....	7	15
824312	SKEG ROD (T28) .....	9	27		THRU BOLT (R/RL30) .....	7	15
824312--1	SKEG ROD (T45) .....	9	27	10-823314--2	THRU BOLT (R/RL25) .....	7	15
824314	ELECTRIC MOTOR (T24) ...	3	-	10-823314--3	THRU BOLT (T33) .....	7	15
824314	ELECTRIC MOTOR (T24) ...	7	-	10-823314--4	THRU BOLT (T24) .....	7	15
824316	ELECTRIC MOTOR (T33 - 5-			10-823314--5	THRU BOLT (T45) .....	7	15
	SPEED) .....	3	-	10-823314--6	SCREW .....	23	4
824316	ELECTRIC MOTOR (T33 - 5-			10-823325	SET SCREW .....	23	26
	SPEED) .....	7	-	10-823331	SCREW .....	23	6
824342	HANDLE INDICATOR (DL50)	19	25	10-823335	BOLT .....	23	13
824343	HANDLE INDICATOR (T45)(			10-823340	BOLT (DESIGN I) .....	19	18
	T33) .....	19	25	10-823345	SCREW .....	11	10
824347	DURA AMP MODULE .....	7	18	10-823348	SCREW .....	11	23
824388	STEERING FRICTION TUBE	27	38	10-824170	SCREW (6 X 1/2") .....	37	30
824399	INSULATING BOOT .....	37	37	10-824170	SCREW (6 X 1/2") .....	37	39
85517	COVER .....	33	27	10-824174	SELF TAPPING SCREW ...	37	33
97480A1	CLAMP SCREW KIT .....	15	2	10-824175	SCREW (8 X 1-3/8") .....	37	16
97486T	SWIVEL BRACKET .....	15	8	10-824176	SCREW (6 X 5/8") .....	37	15
97869	LOCK PIN .....	15	6	10-824178	CONE SET SCREW .....	37	19
97873A4	CLAMP BRACKET .....	15	1	10-824178	SET SCREW .....	17	29
97880	CAP .....	23	3	10-824179	SET SCREW .....	37	10
97908	COUPLING .....	17	9	10-824180	SCREW, RACK GUIDE ....	37	5
10-22080	SCREW .....	17	16	10-824203	SCREW .....	37	28
10-22080	SCREW .....	17	29	10-824212	SCREW (#10 X 1/2") .....	39	41
10-22080	SET SCREW .....	19	16	10-824219	SCREW (#6-32 X 1-1/2") ..	39	53
10-37370	SCREW .....	17	1	10-824223	SCREW .....	39	62
10-37370	SCREW .....	33	20	10-824227	SCREW (#8 X 2") .....	39	60
10-42813	SCREW .....	17	18	10-824245	SCREW, COVER TO		
10-42813	SCREW .....	33	10		HOUSING .....	19	14
10-42813	SCREW, WIRE BRACKET ..	19	8	10-824246	SCREW, DURA AMP BOARD	19	4
10-68918	SCREW, BASE TO COVER .	17	15	10-824308	SET SCREW .....	23	11
10-76804--1	SCREW .....	11	6	10-824348	SCREW, DURA AMP		
10-76804--1	SCREW .....	13	15		MODULE (DL/RL/RX50) ..	7	19
10-77190A4	THUMB SCREW ASSEMBLY	11	2	10-824348--1	SCREW, MODULE (T33		
10-77190A4	THUMB SCREW ASSEMBLY	13	13		VARIABLE SPEED)(T45) .	7	19
10-801893	SCREW .....	17	5	10-97878	FRICTION SCREW .....	15	9
10-801893	SCREW .....	33	14	10-99365	SET SCREW .....	19	33
10-801893	SCREW, RETAINER CLAMP	19	6	10-99818	SCREW .....	17	10
10-801901	SCREW, DURA AMP BOARD	17	22	11-28770	NUT .....	33	5
10-801905	MOUNTING SCREW (2-1/4")	25	10	11-35045	NUT .....	13	12
10-801906	MOUNTING SCREW (3") ...	25	11	11-801916	PUSH-ON NUT .....	33	23
10-801922	SCREW .....	33	31	11-801924	NUT .....	33	32
10-801938	SHOULDER BOLT .....	25	19	11-801924	NUT (6-32) .....	39	54
10-801956	BOLT (6-1/2") .....	25	25	11-823317	PROP NUT .....	7	22
10-801962	SCREW, DECKET .....	25	4				

# PARTS INDEX

Part Number	Description	Pg.	Ref. No.	Part Number	Description	Pg.	Ref. No.
11-823344	NUT	11	9	17-813764	PIN	13	22
11-823346	NUT	11	12	17-823306	PROP PIN	7	23
11-823399	NUT	11	25	17-823401	GROOVE PIN	11	4
11-824255	PROP NUT (T24)(T28)(T33)(T45)	7	22	17-824160	HINGE PIN	31	21
12-68920	WASHER	11	11	17-824163	PIN, BOW ARM	31	23
12-69057	WASHER	13	11	17-824164	PIN, ANGLE	31	22
12-73719	WASHER	11	5	17-824171	PIN, CABLE PIVOT	39	42
12-73719	WASHER	13	14	17-824209	ROCKER PIN, FOOT PEDAL	39	55
12-801899	WASHER, DURA AMP SCREW	17	23	17-824253	SPRING PIN	19	34
12-801949	WASHER	25	20	17-824315	MOUNT PIN KIT	15	4
12-801950	WASHER	25	21	17-824964--1	ANGLE PIN (3-9/16")	31	22
12-801950	WASHER	25	29	19-801964	MOTOR PLUG	9	26
12-801951	WASHER	25	33	23-801912	BUSHING	33	17
12-801961	WASHER	25	27	23-801937	BUSHING, ROPE	25	37
12-801994	WASHER	29	30	23-801958	SPACER	27	42
12-812386	WASHER	13	9	23-823310	BEARING	5	11
12-823319	WASHER	3	7	23-823336	BUSHING	19	21
12-823320	NYLATRON WASHER	3	8	23-823336	BUSHING (T28 - EUROPE)(T24)	23	7
12-823321	WASHER (T24)(T28)(T33)(T45)	7	16	23-823712	BUSHING	19	32
12-823321--1	WASHER	7	16	23-824158	BUSHING, ROPE	31	15
12-823322	MONOFILAMENT WASHER	7	20	23-824158	ROPE BUSHING	27	41
12-823343	WASHER	11	8	23-824183	BUSHING	37	13
12-823349	WASHER	11	24	23-824184	SPACER	37	20
12-823399	NUT	25	22	23-824204	BUSHING, INDICATOR SHAFT	37	35
12-824210	NYLON WASHER	39	48	23-824228	BUSHING, OUTER TUBE	37	18
12-824272	WASHER	17	24	23-824268	BUSHING T33/T28 JAPAN	23	7
12-97875	WASHER	15	3	24-62143	SPRING	11	14
13-824213	LOCKWASHER	39	46	24-76462	SPRING	11	20
16-823342	STUD	11	7	24-76462	SPRING	13	5
17-68929A2	TILT PIN ASSEMBLY	11	13	24-801935	SPRING	25	17
17-72250	ROLL PIN	23	23	24-801975	SPRING, LOCK SLIDE	29	15
17-801943	PIN, BRACKET/CLUTCH CHANNEL	25	28	24-801975	SPRING, LOCK SLIDE	31	11
17-801944	HINGE PIN	31	21	24-823304--1	BRUSH SPRING	7	14
17-801944	PIN, DOOR	25	34	24-824187	COMPRESSION SPRING	37	3
17-801945	PIN, LOCKSLIDE	25	13	24-85010	SPRING	33	4
17-801945--1	PIN, LOCK SLIDE	27	40	24-97871	SPRING	15	7
17-801946	PIN, BRACKET/BOW ARM	25	15	25-801915	GROMMET (RL/RX35/50)	33	21
17-801947	PIN, BOW ARM/DECK CHANNEL	25	6	25-823302--1	O-RING (ALL OTHERS)	3	2
17-801948	PIN, TENSION	25	14	25-823315	O-RING (R/RL25)(T24)	3	2
17-801978	PIN, LOCK SLIDE	29	17	25-824222	STATIC SEAL	7	17
17-801978	PIN, LOCK SLIDE	31	13	25-824310	GROMMET	37	25
17-801983	PIN, ANGLE LOCK	29	21	25-824398	O-RING (T33)(T28 JAPAN)	23	24
17-801983	PIN, ANGLE LOCK	31	30	26-823309	GROMMET	21	37
17-801984	PIN, BOW ARM	29	5	30-72388	SEAL	5	10
17-801984	PIN, BOW ARM	31	6	30-824188	BEARING	17	11
17-801987	ANGLE PIN (3-11/16")	31	22	30-824188	BALL BEARING	37	12
17-801987	PIN, ANGLE	29	27	31-808632A1	LOWER BEARING ASSY. RL45/RL/RX50	17	28
17-801989	PIN, BOW ARM	29	18	37-816053A93	DECAL SET (T45/T33)	1	-
17-801990	TENSION PIN	29	13	37-817127A93	DECAL SET (T33/T28/T24)	1	-
17-801992	PIN, COLUMN SUPPORT	29	25	37-823333	DECAL	23	22
17-801995	LOCK PIN	29	8	37-824338A93	DECAL SET (RL/35/RX35)	1	-
17-801995	LOCK PIN	31	8	37-824344A93	DECAL SET (RL50/RX50/RL45)	1	-
17-801996	LOCK PIN (SHORT)	29	9	37-824345A93	DECAL SET (RL30/R30/RL25/R25)	1	-
17-801996	LOCK PIN (SHORT)	31	9	37-824346A93	DECAL SET (DL50)	1	-
17-812383--1	PIN	13	17	37-824349	DECAL (C/M/H)	33	25

# PARTS INDEX

Part Number	Description	Pg.	Ref. No.	Part Number	Description	Pg.	Ref. No.
37-824349--1	DECAL (12/24)	33	25	86-801908	TERMINAL	17	19
43-78413	GEAR, DIRECTION INDICATOR	17	6	86-801908	TERMINAL	39	40
43-78415	IDLER GEAR	17	7	86-801926	AMP CONNECTOR	33	6
43-824185	INDICATOR GEAR	37	8	87-801918	MICRO SWITCH	33	30
48-801889	PROPELLER	7	21	87-801918	MICRO SWITCH	39	51
48-824236	PROPELLER (R/RL25)(T24)	7	21	87-801923	TOGGLE SWITCH (RL/RX35/50 VARIABLE SPEED)	35	33
50-801977	NYLON ROPE	29	22	87-823328	ROTARY SWITCH	23	25
50-801977	NYLON ROPE	31	17	87-824190	TOGGLE SWITCH (RL35 5-SPEED)	35	33
52-801960	CLUTCH CHANNEL	25	23	87-824194	TOGGLE SWITCH (RL45)	35	33
53-27290	E-RING	29	26	87-824197	ROTARY SWITCH	39	45
53-27290	RETAINING RING	15	10	87-824197	ROTARY SWITCH (RL45)(RL35 - 5 SPEED)	35	35
53-27290	RETAINING RING	15	5	87-824211	TOGGLE SWITCH	37	36
53-801929	E-RING	25	35	87-824247	TOGGLE SWITCH	19	9
53-801929	E-RING	31	24	90-824397-93	PARTS MANUAL	1	-
53-801981	E-RING	25	8	90-824452	OWNERS GUIDE (T24/28/33/45)	1	-
53-801981	E-RING	29	19	90-824453	OWNERS GUIDE (R/RL25/30)	1	-
53-801981	E-RING	31	25	90-824484	OWNERS GUIDE (RL/RX/DL50)	1	-
53-813757	RETAINING RING	19	30	90-824484	OWNERS GUIDE (RL45)	1	-
53-823307	E-RING	3	6	90-824485	OWNERS GUIDE (RL/RX35)	1	-
53-824162	CRESCENT RING	31	27	1478-7289A1	CLAMP BRACKET (STARBOARD)	11	1
53-824173	E-RING	39	56	1479-7291A1	CLAMP BRACKET (PORT)	11	1
53-824202	E-RING	39	43	1483-6399A3	SWIVEL BRACKET	11	15
54-64391--4	BATTERY CLIP (RED)	23	18				
54-64391--4	POSITIVE BATTERY CLIP	19	11				
54-64391--5	BATTERY CLIP (BLACK)	23	18				
54-64391--5	NEGATIVE BATTERY CLIP	19	12				
54-64391--6	BATTERY CLIP (RED)	23	18				
54-64391--7	BATTERY CLIP (BLACK)	23	18				
54-801913	CABLE CLAMP	19	22				
54-801913	CABLE CLAMP	33	15				
54-801913	CABLE CLAMP (RL35 - 5 SPEED)(RL45)	17	26				
54-816311	STA-STRAP	37	-				
54-816311	STA-STRAP	37	22				
54-824186	TINNERMAN CLIP	37	4				
54-824205	CLAMP, BATTERY CABLE	37	29				
54-824206	CLAMP, BATTERY	37	27				
54-824215	GRIP RING	39	47				
54-824242	RETAINER CLAMP	19	5				
82-801927	VARIABLE POTENTIOMETER	33	7				
82-824254	POTENTIOMETER (DL50)	19	35				
82-824265	POTENTIOMETER (T45)(T33)	19	35				
84-801928	BATTERY CABLE (RL/RX35/50 VARIABLE SPEED)	33	8				
84-824189	BATTERY CABLE (RL35 - 5 SPEED)	33	8				
84-824192	BATTERY CABLE (RL45)	33	8A				
84-824201	BATTERY CABLE	39	57				
84-824221	5-SPEED CONTROL CABLE	37	23				
84-824221--1	CONTROL CABLE	37	24				
84-824250	BATTERY CABLE (DL50)	19	10A				
84-824263	BATTERY CABLE	19	10				
84-824309	BATTERY CABLE (T33)(T28 JAPAN)	23	17				
84-824313	BATTERY CABLE (T28 - EUROPE)(T24)	23	17				
86-67460	TERMINAL BLOCK	33	9				
86-801896	TERMINAL BLOCK	17	17				