



# PARTS CATALOG

## 3.5 H.P.

### SERIAL NUMBER

3.5 .....	642-23740 AND BELOW
3.5 .....	642-41690 AND BELOW

# TABLE OF CONTENTS:

CARBURETOR .....	14
CLAMP AND SWIVEL BRACKET .....	24
COWLING .....	2
CRANKCASE AND CYLINDER .....	8
CRANKSHAFT AND PISTON .....	10
DRIVSHAFT HOUSING .....	30
FLYWHEEL MAGNETO .....	6
FUEL TANK .....	18
FUEL TANK CAP AND FUEL FILTER .....	16
GEAR SHIFT .....	20
GEARHOUSING ASSEMBLY .....	32
INTAKE MANIFOLD .....	12
PARTS INDEX .....	36
RECOIL STARTER .....	4
REVERSE LOCK .....	22
STEERING HANDLE .....	26

**NOTE:** Indented description indicate that these parts are included in preceeding assembly.

**AR** = As Required

**NSS** = Not Sold Separate

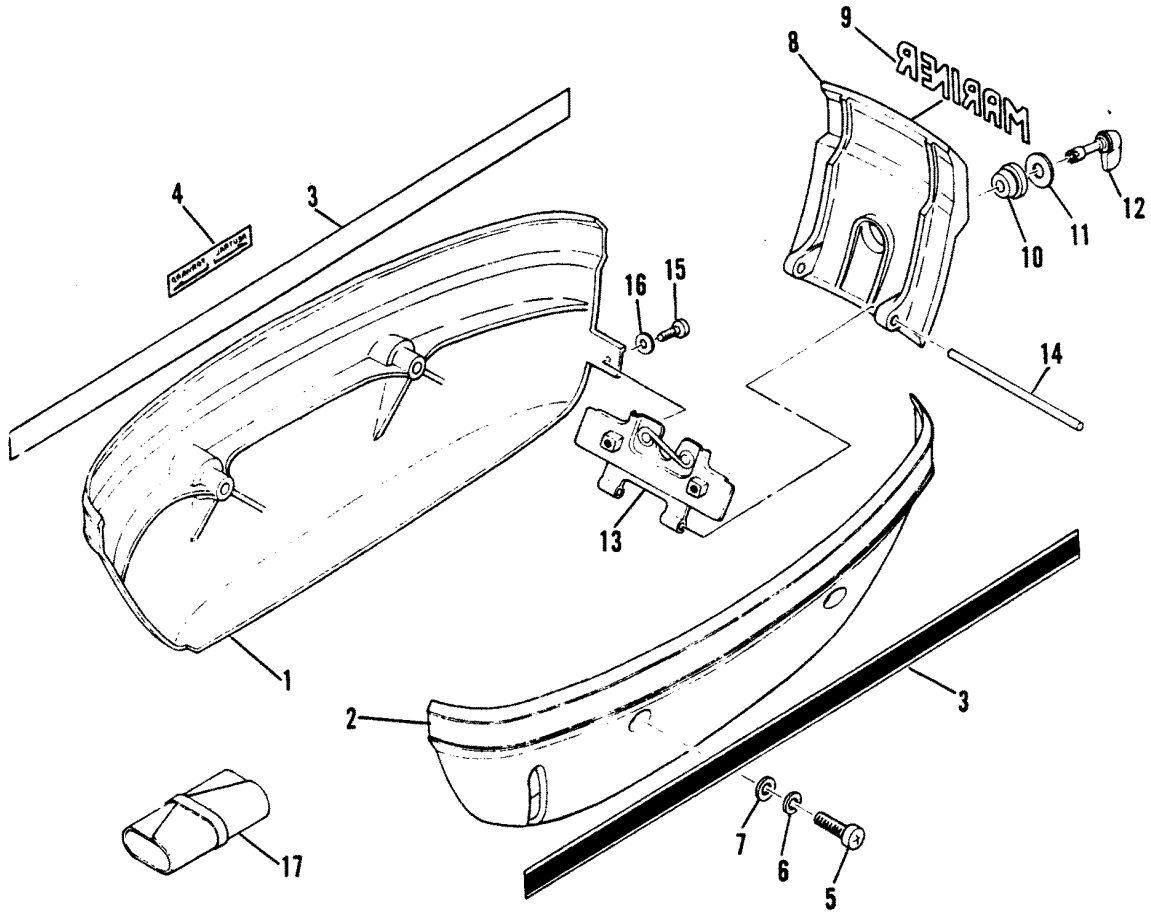
**OPT** = Optional

**NS** = Not Shown

**THESE PARTS BOOKS/FICHE CARD ARE COPYRIGHTED AND MAY NOT BE DISTRIBUTED OR REPRODUCED IN ANY OTHER FORMAT BY ANYONE OTHER THAN MERCURY MARINE WITHOUT THE PRIOR WRITTEN CONSENT OF MERCURY MARINE.**

THIS PAGE INTENTIONALLY LEFT BLANK

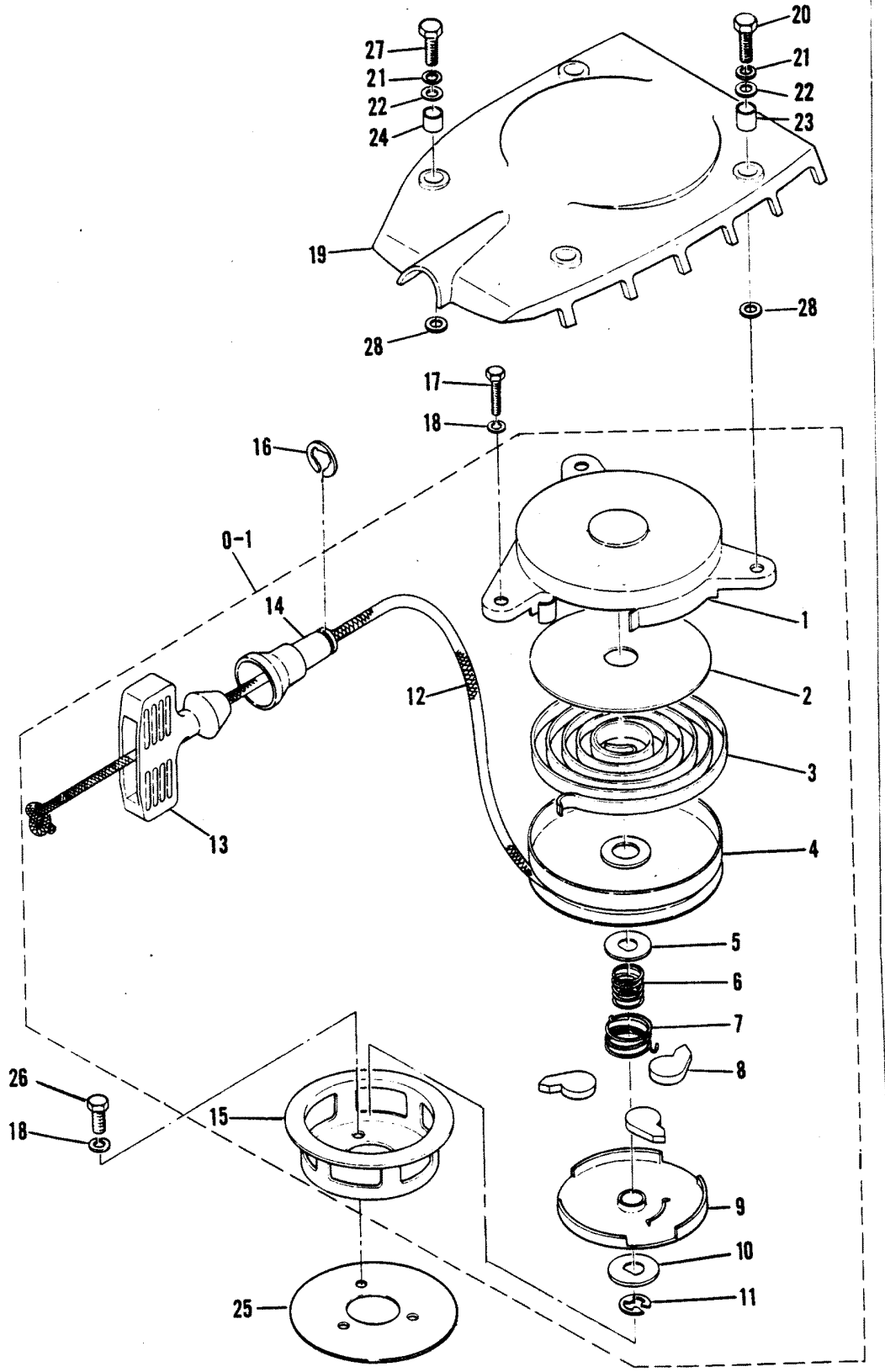
# COWLING



# COWLING

REF. NO.	PART NO.	SYM.	QTY.	DESCRIPTION
1			1	STARBOARD COWL
2	2168-7158M		1	PORT COWL
3	NLA8-		2	TRIM DECAL
4	37-80294M		1	SHIFT DECAL
5	10-82178M		4	SCREW
6	13-82212M		4	LOCKWASHER
7	12-82213M		4	WASHER
8	80283M		1	COVER
9	NLA		1	REAR DECAL
10	23-81936M		1	BUSHING
11	12-81800M		1	WASHER
12	80044M		1	LEVER
13	80161M		1	SPRING
14	NLA		1	SHAFT
15	10-83523M		2	SCREW
16	12-82211M		2	WASHER
17	91-81669M		1	TOOL KIT

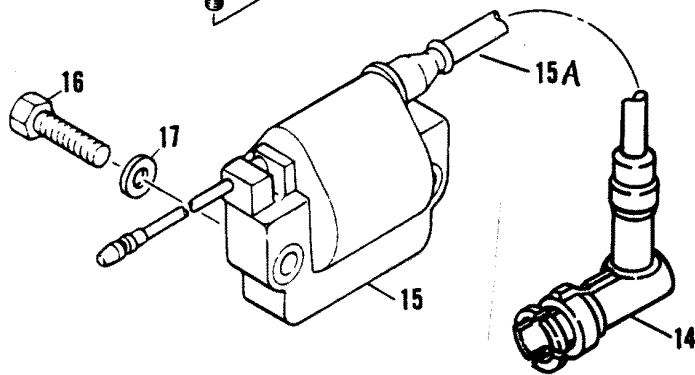
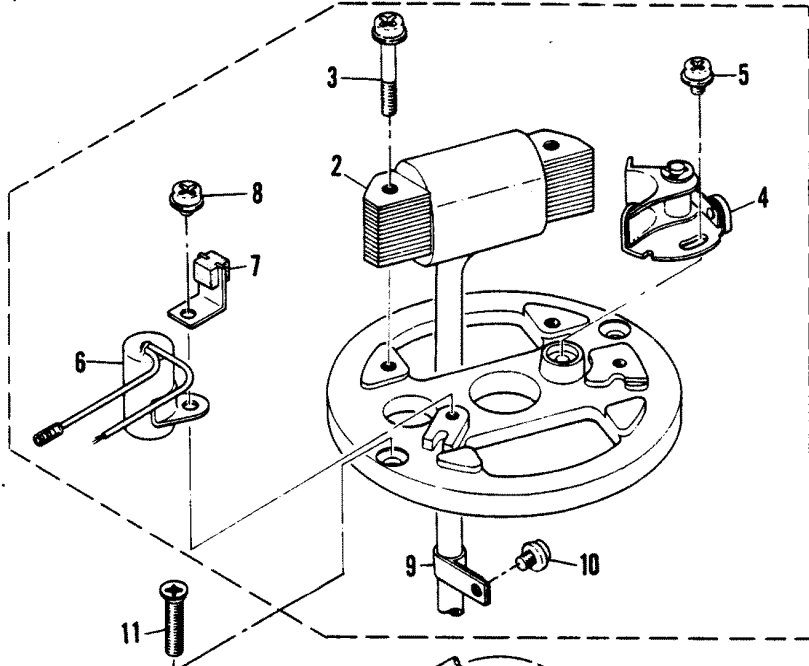
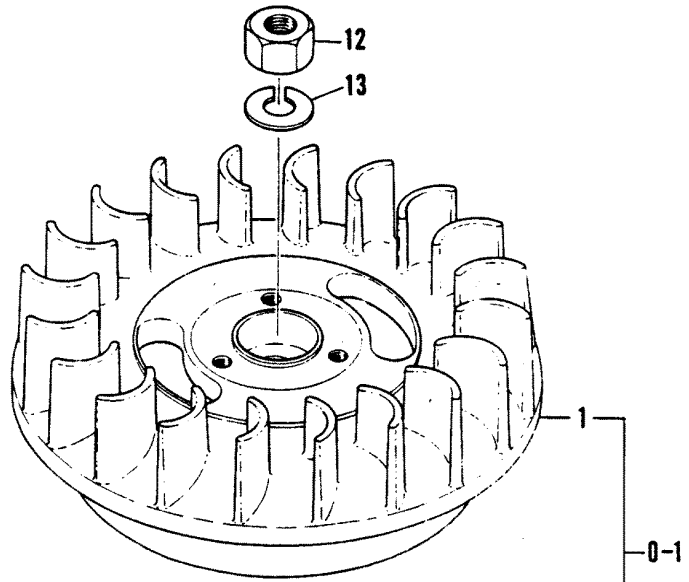
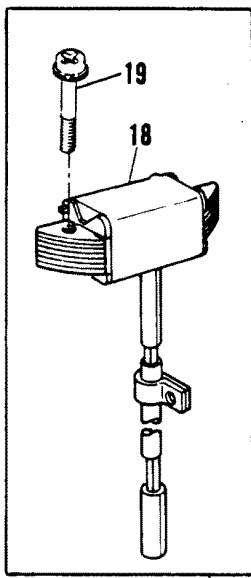
# RECOIL STARTER



# RECOIL STARTER

REF. NO.	PART NO.	SYM.	QTY.	DESCRIPTION
0-1	2169-6911M		1	STARTER ASSEMBLY
1	2169-7159M		1	STARTER HOUSING
2	80039M		1	SPACER
3	24-80056M		1	SPRING
4	50-80057M		1	STARTER SHEAVE
5	12-82782M		1	WASHER
6	24-80058M		1	SPRING
7	24-80060M		1	SPRING
8	80061M		3	PAWL
9	80036M		1	DRIVE PLATE
10	12-82782M		1	WASHER
11	54-80062M		1	SNAP RING
12	50-12066A9		1	STARTER ROPE
13	80063M		1	HANDLE
14	80125M		1	GUIDE
15	80973M		1	PULLEY <b>SERIAL 00023741-09999999</b>
	NLA		1	PULLEY <b>SERIAL 00000000-00023740</b>
16	53-82336M		1	SNAP RING
17	10-84315M		1	BOLT
18	13-82212M		4	LOCKWASHER
19	80276M		1	COVER
20	10-83539M		2	BOLT
21	13-82212M		4	LOCKWASHER
22	12-82213M		4	WASHER
23	23-81976M		2	PORT COLLAR
24	23-81975M		2	STARBOARD COLLAR
25	80032M		1	PLATE
26	10-84303M		3	BOLT
27	10-82451M		2	BOLT
28	23-82214M		4	WASHER

# FLYWHEEL MAGNETO

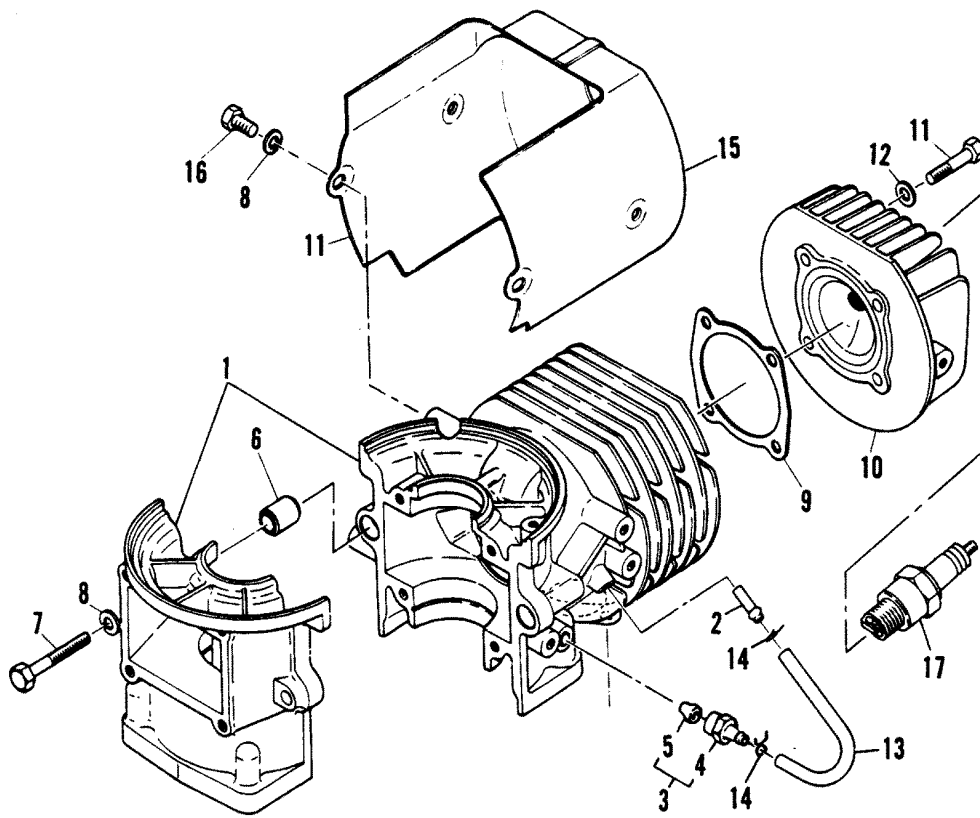




# FLYWHEEL MAGNETO

REF. NO.	PART NO.	SYM.	QTY.	DESCRIPTION
0-1	80179M		1	FLYWHEEL MAGNETO SERIAL 00016426-09999999
1	253-6717M		1	FLYWHEEL SERIAL 00016426-09999999
0-1	NLA-		1	FLYWHEEL MAGNETO SERIAL 00000000-00016425
1	NLA-		1	FLYWHEEL SERIAL 00000000-00016425
0-2	NLA-		1	MAGNETO BASE
2	82855M		1	IGNITON COIL SERIAL 00023741-09999999
	NLA		1	IGNITON COIL SERIAL 00016425-00023740
	82581M		1	IGNITION COIL SERIAL 00000000-00016425
3	10-82507M		2	SCREW
4	80181M		1	BREAKER SERIAL 00016426-09999999
	82573M		1	BREAKER SERIAL 00000000-00016425
5	10-80001M		1	SCREW
6	80055M		1	CONDENSER SERIAL 00016426-09999999
	81022M		1	CONDENSER SERIAL 00000000-00016425
7	80003M		1	LUBRICATOR
8	10-82500M		1	SCREW
9	NLA		1	CLAMP
10	10-83565M		1	SCREW
11	NLA		2	SCREW
12	11-82384M		1	NUT
13	13-82218M		1	LOCKWASHER
14	814991M		1	SPARK PLUG CAP (NOISE SUPPRESSOR)
	85-63709A1		1	SPARK PLUG CAP SERIAL 00000000-00032194
15	80182M		1	IGNITION COIL SERIAL 00023741-09999999
15A	84-82831M		1	LEAD
16	10-82405M		2	BOLT
17	12-82214M		2	WASHER
18	82856M		1	LIGHTING COIL (15 WATT) OPTIONAL PARTS
19	10-82507M		2	SCREW OPTIONAL PARTS

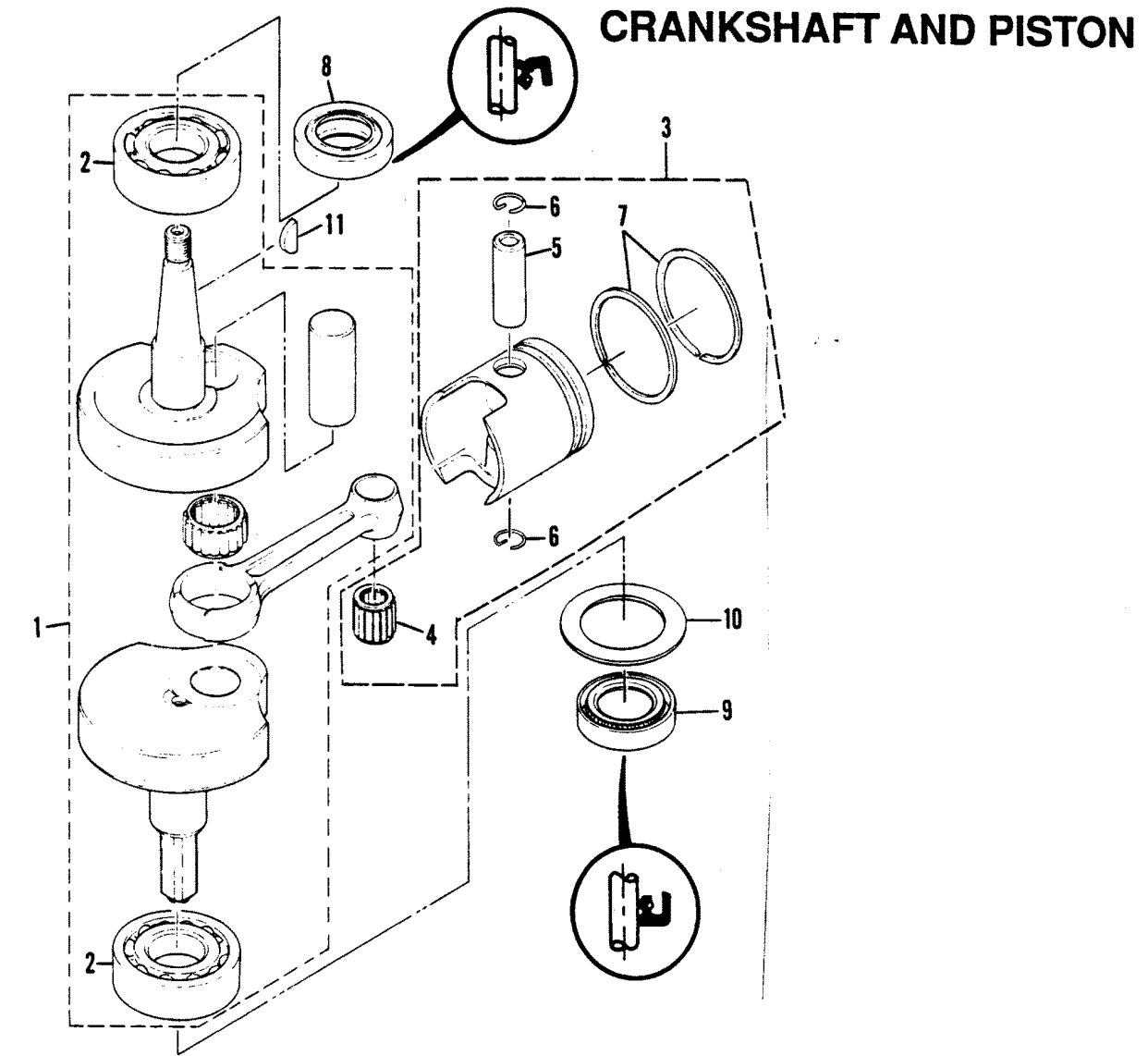
# CRANKCASE AND CYLINDER



# CRANKCASE AND CYLINDER

REF. NO.	PART NO.	SYM.	QTY.	DESCRIPTION
1	968-6712M		1	CRANKCASE ASSEMBLY
2	22-80122M		1	DRAIN FITTING
3	21-80105M		1	CHECK VALVE ASSEMBLY
4	22-80106M		1	FITTING
5	21-80107M		1	CHECK VALVE
6	17-14229M		2	DOWEL PIN
7	10-82428M		2	BOLT
8	13-82212M		6	LOCKWASHER
9	27-80028M		1	GASKET
10	968-6715M		1	HEAD
11	10-83285M		4	BOLT
12	12-82214M		4	WASHER
13	32-811045M		1	DRAIN HOSE
14	54-82046M		2	CLAMP
15	80122M		1	AIR SHROUD
16	10-84315M		4	BOLT
17	33-82370M		1	SPARK PLUG (NGK# B-6HS)
	33-82371M		1	SPARK PLUG (NGK #B-7HS)

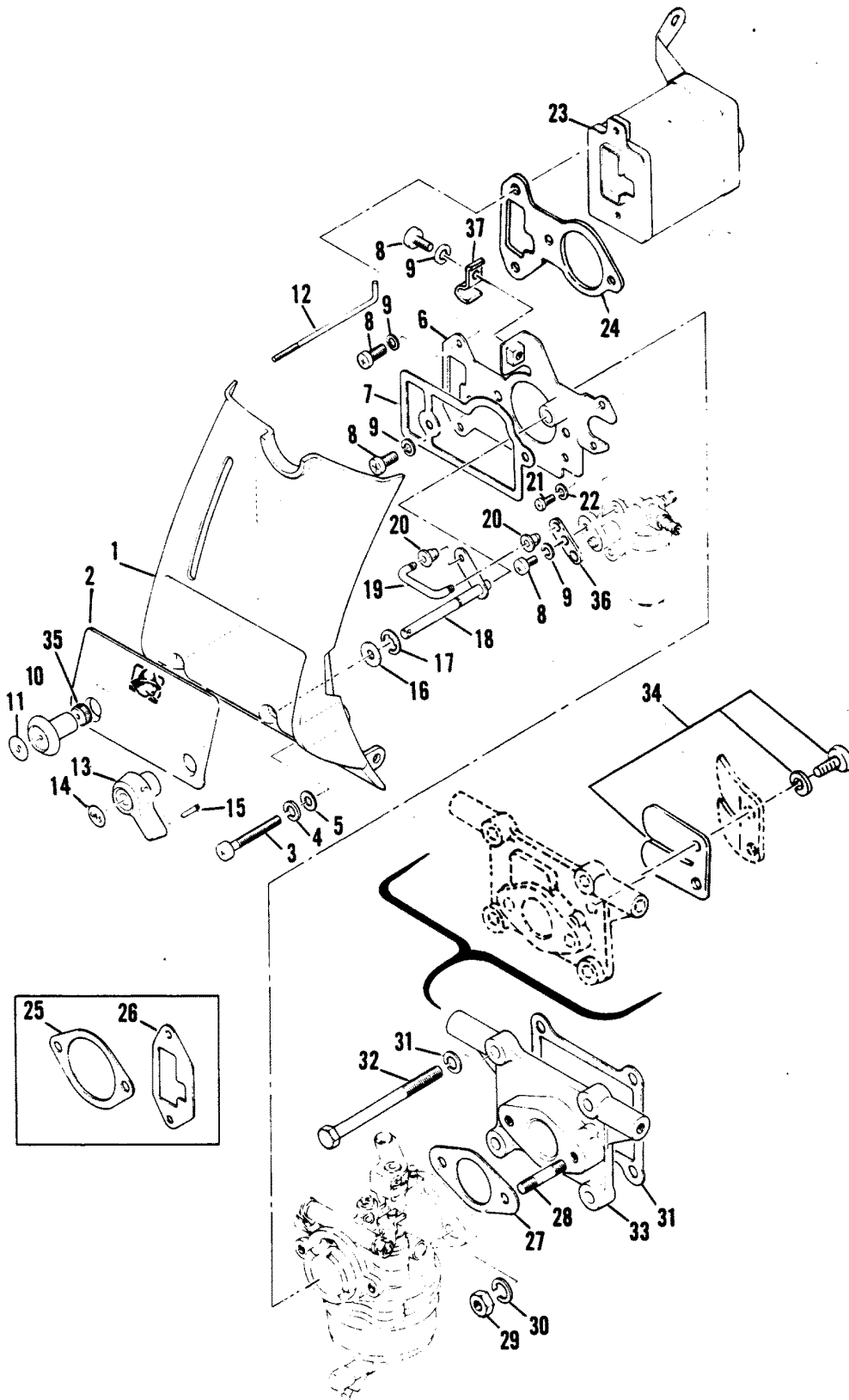
# CRANKSHAFT AND PISTON



## CRANKSHAFT AND PISTON

REF. NO.	PART NO.	SYM.	QTY.	DESCRIPTION
1	463-6706M		1	CRANKSHAFT
2	30-82292M		2	BEARING
3	NLA		1	PISTON (STANDARD)
	761-8228M		AR	PISTON (45.25 MM O.S.)
	761-8229M		AR	PISTON (45.50 MM O.S.)
4	31-82835M		1	BEARING
5	41-80029M		1	PISTON PIN
6	53-82342M		2	CLIP
7	39-80109M		1	PISTON RING SET (STANDARD)
	39-80110M		AR	PISTON RING SET (45.25 MM O.S.)
	NLA		AR	PISTON RING SET (45.50 MM O.S.)
8	26-82239M		1	UPPER OIL SEAL
9	26-82241M		1	LOWER OIL SEAL
10	80108M		1	SEAL LOCK
11	28-81911M		1	KEY

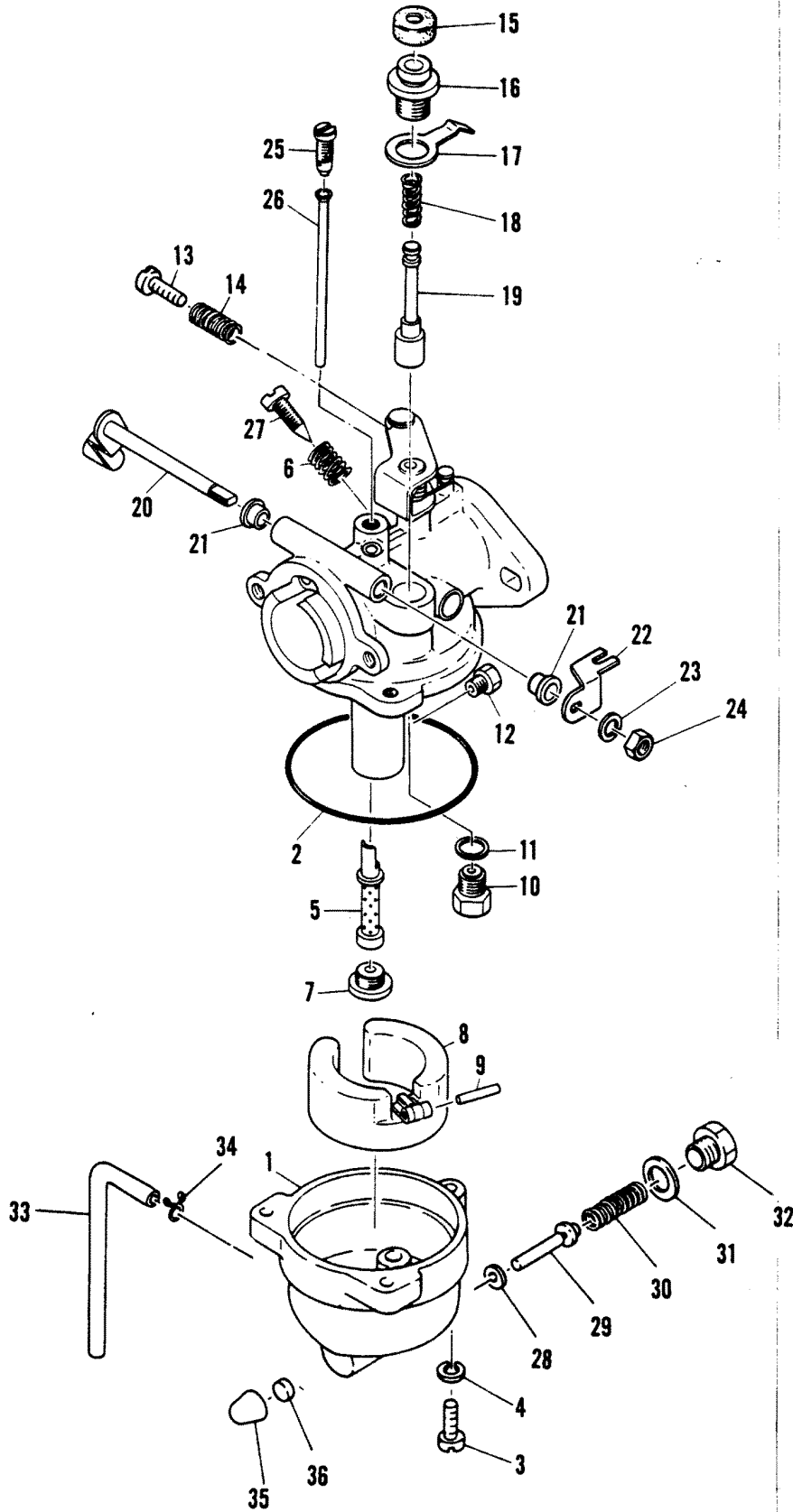
# INTAKE MANIFOLD



# INTAKE MANIFOLD

REF. NO.	PART NO.	SYM.	QTY.	DESCRIPTION
1	NLA		1	SILENCER
2	37-82838M		1	FRONT DECAL
3	10-82524M		2	SCREW
4	13-82208M		2	LOCKWASHER
5	12-82211M		2	WASHER
6	NLA		1	STAY
7	27-80121M		1	SEAL
8	10-83523M		6	SCREW
9	13-82186M		6	LOCKWASHER
10	80149M		1	CHOKE KNOB
11	80128M		1	CHOKE INDICATOR
12	80148M		1	LINK ROD
13	80142M		1	FUEL COCK
14	80127M		1	INDICATOR
15	17-82142M		1	ROLL PIN
16	12-82213M		1	WASHER
17	53-82329M		1	SNAP RING
18	80141M		1	SHAFT
19	80140M		1	LINK ROD
20	23-81940M		2	BUSHING
21	10-82513M		2	SCREW
22	13-82184M		2	LOCKWASHER
23	35-80119M		1	AIR FILTER
24	27-84360M		1	GASKET <b>SERIAL 00006601-09999999</b>
25	27-80115M		1	GASKET S-006600 L-303020 AND BELOW <b>SERIAL 00000000-00006600</b>
26	27-80120M		1	GASKET
27	27-80067M		1	GASKET
28	16-81723M		2	STUD
29	11-82389M		2	NUT
30	13-82212M		6	LOCKWASHER
31	27-80114M		1	GASKET
32	10-82434M		4	BOLT
33	80113M		1	REED VALVE ASSEMBLY
34	34-84365M		1	REED SET
35	23-80053M		1	BUSHING
36	NLA		1	FUEL SHUT-OFF LEVER
37	NLA		1	HOLDER

# CARBURETOR

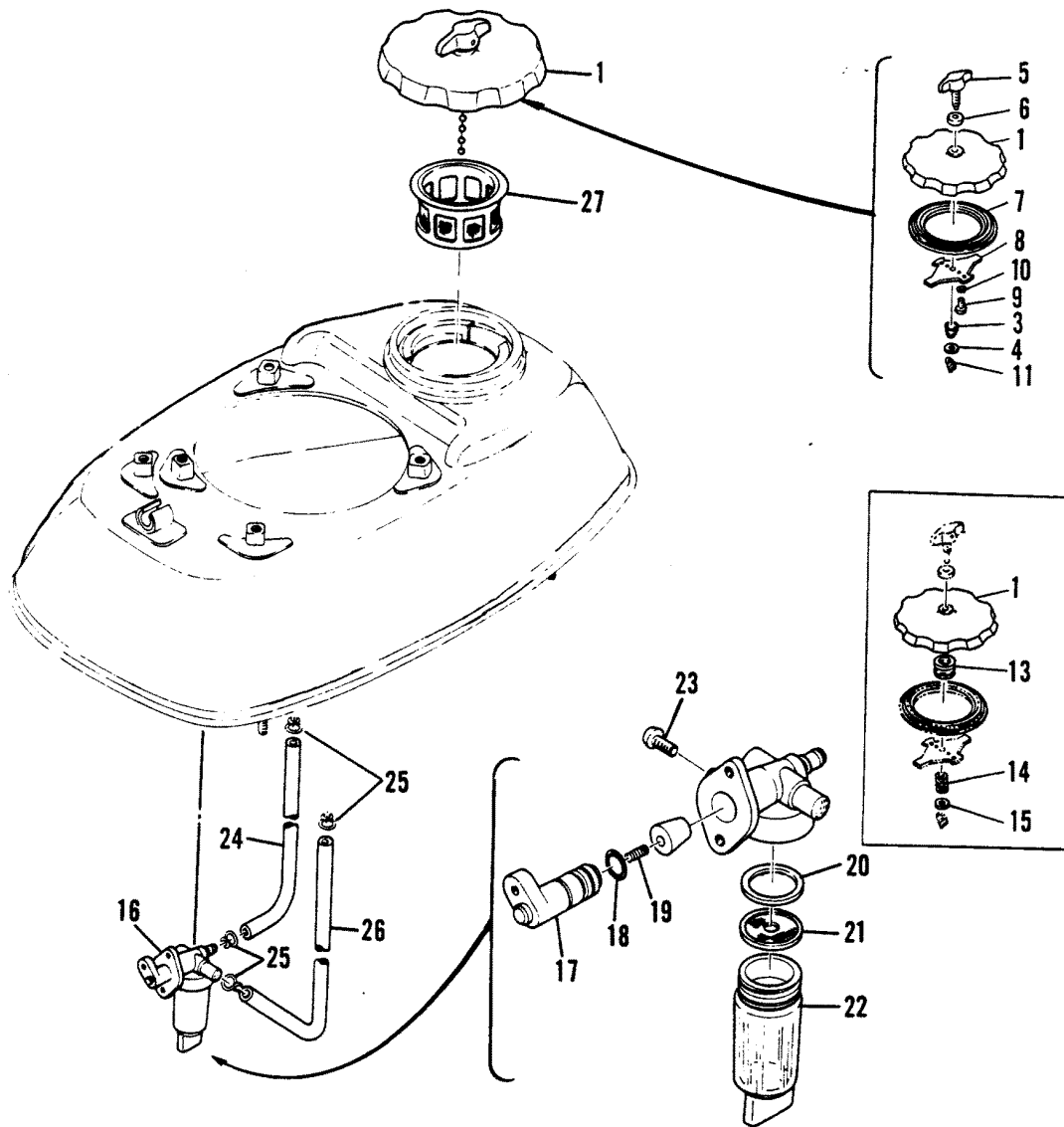




# CARBURETOR

REF. NO.	PART NO.	SYM.	QTY.	DESCRIPTION
-	<b>1383-6908M</b>		1	<b>CARBURETOR SERIAL 00025236-09999999</b>
1	82839M		1	FLOAT BOWL
-	<b>1383-6711M</b>		1	<b>CARBURETOR SERIAL 00000000-00025235</b>
	80118M		1	FLOAT BOWL
2	27-80078M		1	GASKET
3	10-82501M		3	SCREW
4	13-82184M		3	LOCKWASHER
5	NLA		1	MAIN NOZZLE
6	24-80080M		1	SPRING
7	10-80089M		1	SCREW
8	80075M		1	FLOAT
9	17-80076M		1	FLOAT PIN
10	80077M		1	INLET VALVE
11	27-80008M		1	GASKET
12	80083M		1	MAIN JET (#75)
	80082M		1	MAIN JET (#70)
	80084M		1	MAIN JET (#80)
	80085M		1	MAIN JET (#85)
13	10-82486M		1	SCREW
14	NLA		1	SPRING
15	80014M		1	COVER
16	80072M		1	CAP
17	80074M		1	PLATE
18	24-80013M		1	SPRING
19	NLA		1	PLUNGER
20	80117M		1	THROTTLE SHAFT
21	NLA		2	BUSHING
22	NLA		1	LEVER
23	13-82186M		1	LOCKWASHER
24	11-82375M		1	NUT
25	80069M		1	LOW SPEED JET (#40)
26	80070M		1	JET PIPE
27	10-80079M		1	IDLE MIXTURE SCREW
28	27-80086M		1	GASKET S-25235 L-42370 & BELOEW SERIAL 00000000-00025235
29	82540M		1	DRAIN VALVE SERIAL 00000000-00025235
30	24-80022M		1	SPRING SERIAL 00000000-00025235
31	12-81700M		1	WASHER SERIAL 00000000-00025235
32	10-81682M		1	BOLT SERIAL 00000000-00025235
33	32-81992M		1	HOSE SERIAL 00000000-00025235
34	54-82045M		1	CLAMP SERIAL 00000000-00025235
35	80081M		1	CAP SERIAL 00000000-00025235
36	80090M		1	BUTTON PUSH SERIAL 00000000-00025235

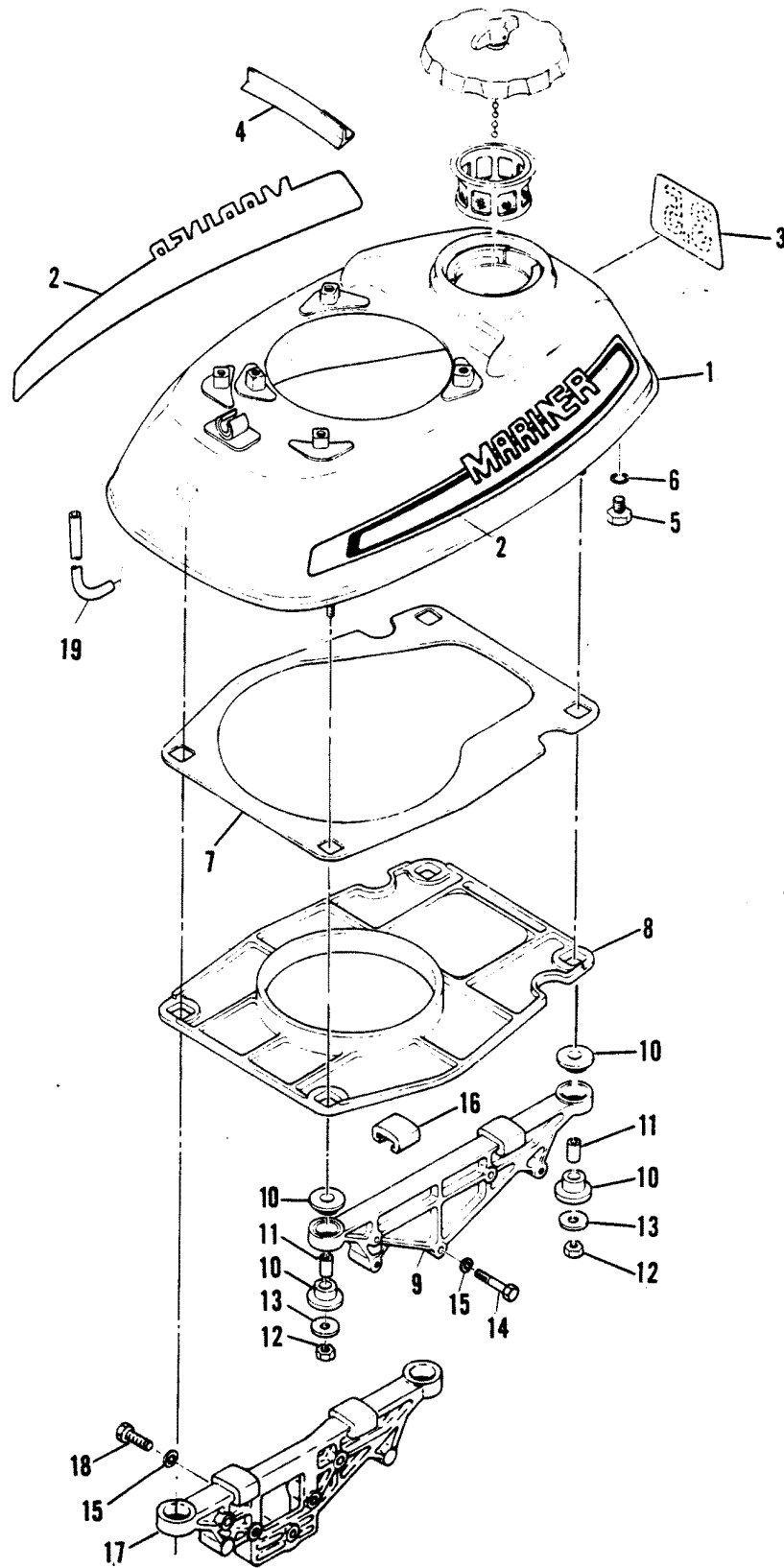
# FUEL TANK CAP AND FUEL FILTER



## FUEL TANK CAP AND FUEL FILTER

REF. NO.	PART NO.	SYM.	QTY.	DESCRIPTION
1	36-14268M		1	CAP ASSEMBLY
3	24-82819M		1	SPRING SERIAL 00009396-09999999
4	NLA		1	WASHER SERIAL 00009396-09999999
5	10-11910M		1	AIR SCREW
6	27-82814M		1	GASKET
7	27-82845M		1	GASKET
8	82846M		1	LOCK
9	10-83523M		2	SCREW
10	13-82208M		2	LOCKWASHER
11	24-82820M		1	SPRING
13	23-82844M		1	BUSHING SERIAL 00000000-00009395
14	24-82819M		1	SPRING SERIAL 00000000-00009395
15	12-82847M		1	WASHER SERIAL 00000000-00009395
16	35-80136M		1	FUEL FILTER ASSEMBLY
17	80139M		1	LEVER
18	25-80006M		1	O-RING
19	24-82071M		1	SPRING
20	27-80138M		1	GASKET
21	35-80000M		1	FUEL FILTER
22	15303M		1	BOWL
23	10-80009M		1	SCREW
24	32-82012M		1	FUEL LINE
25	54-82047M		4	CLAMP
26	32-81324M		1	FUEL LINE
27	35-80041M		1	STRAINER

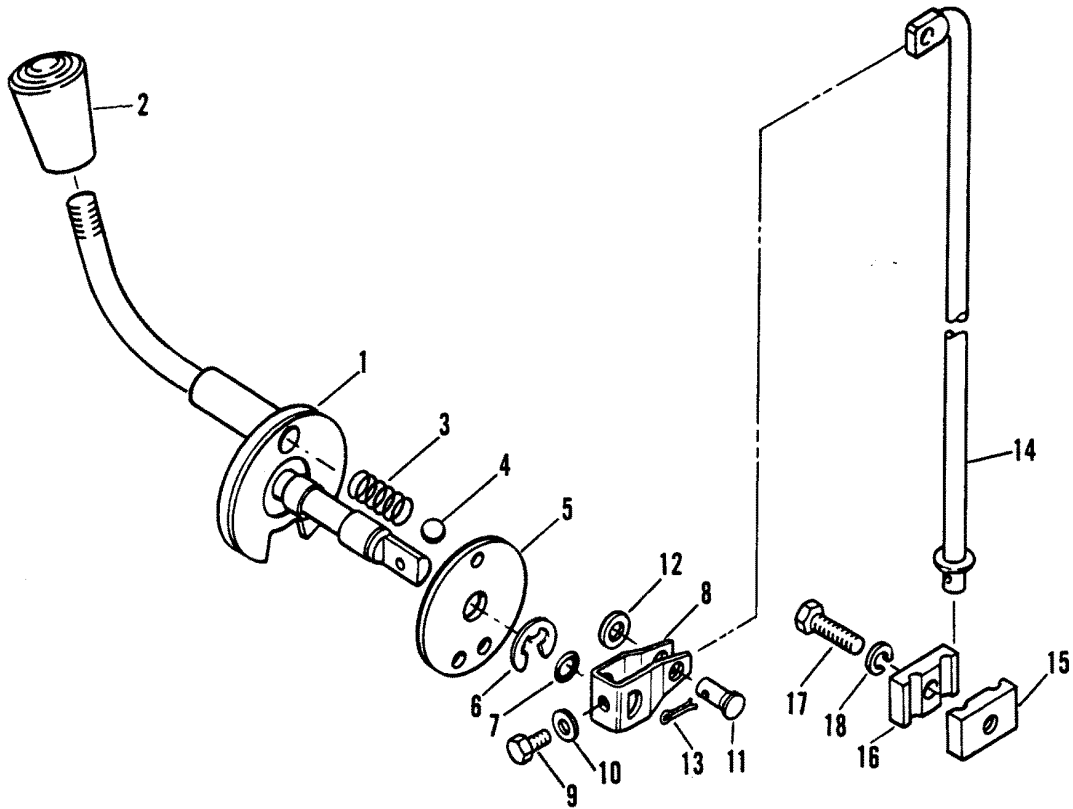
# FUEL TANK



# FUEL TANK

REF. NO.	PART NO.	SYM.	QTY.	DESCRIPTION
1	NLA		1	FUEL TANK
2	NLA		1	DECAL SET
3	NLA		1	REAR DECAL
4	80162M		1	SEAL
5	22-81925M		1	DRAIN PLUG
6	25-82262M		1	O-RING
7	27-80131M		1	GASKET
8	27-80126M		1	SEAL
9	80133M		1	PORT BRACKET <b>SERIAL 00016425-09999999</b>
	NLA		2	BRACKET <b>SERIAL 00000000-00016425</b>
10	80129M		8	MOUNT
11	23-80130M		4	SLEEVE
12	11-82389M		4	NUT
13	12-81793M		4	WASHER
14	10-83285M		5	BOLT
15	13-82212M		6	LOCKWASHER
16	80132M		4	PAD
17	80134M		1	STARBOARD BRACKET <b>SERIAL 00016426-09999999</b>
18	10-84247M		1	BOLT <b>SERIAL 00016426-09999999</b>
19	32-82026M		1	FUEL LINE

# GEAR SHIFT

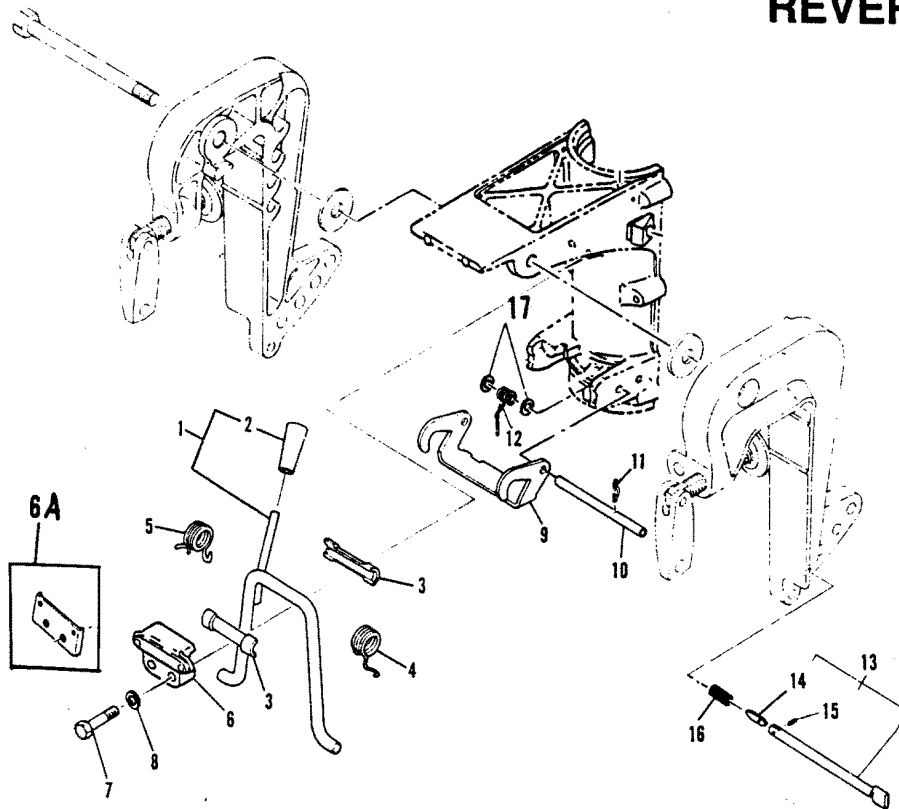


# GEAR SHIFT

REF. NO.	PART NO.	SYM.	QTY.	DESCRIPTION
1	82842M		1	HANDLE ASSEMBLY SERIAL 00007716-09999999
	80288M		1	HANDLE ASSEMBLY SERIAL 00000000-00007715
2	80286M		1	KNOB
3	24-82082M		1	SPRING
4	82347M		1	STEEL BALL
5	80287M		1	CAM PLATE
6	53-82335M		1	SNAP RING
7	25-82259M		1	O-RING
8	80988M		1	ARM
9	10-91772M		1	BOLT
10	13-82212M		1	LOCKWASHER
11	17-81879M		1	JOINT
12	12-82211M		1	WASHER
13	18-82125M		1	COTTER PIN
14	80989M		1	SHIFT ROD (SHORT)
	80990M		1	SHIFT ROD (LONG)
15	80050M		1	CONNECTOR
16	80049M		1	CONNECTOR
17	10-83539M		1	BOLT
18	13-82212M		1	WASHER

# REVERSE LOCK

## REVERSE LOCK

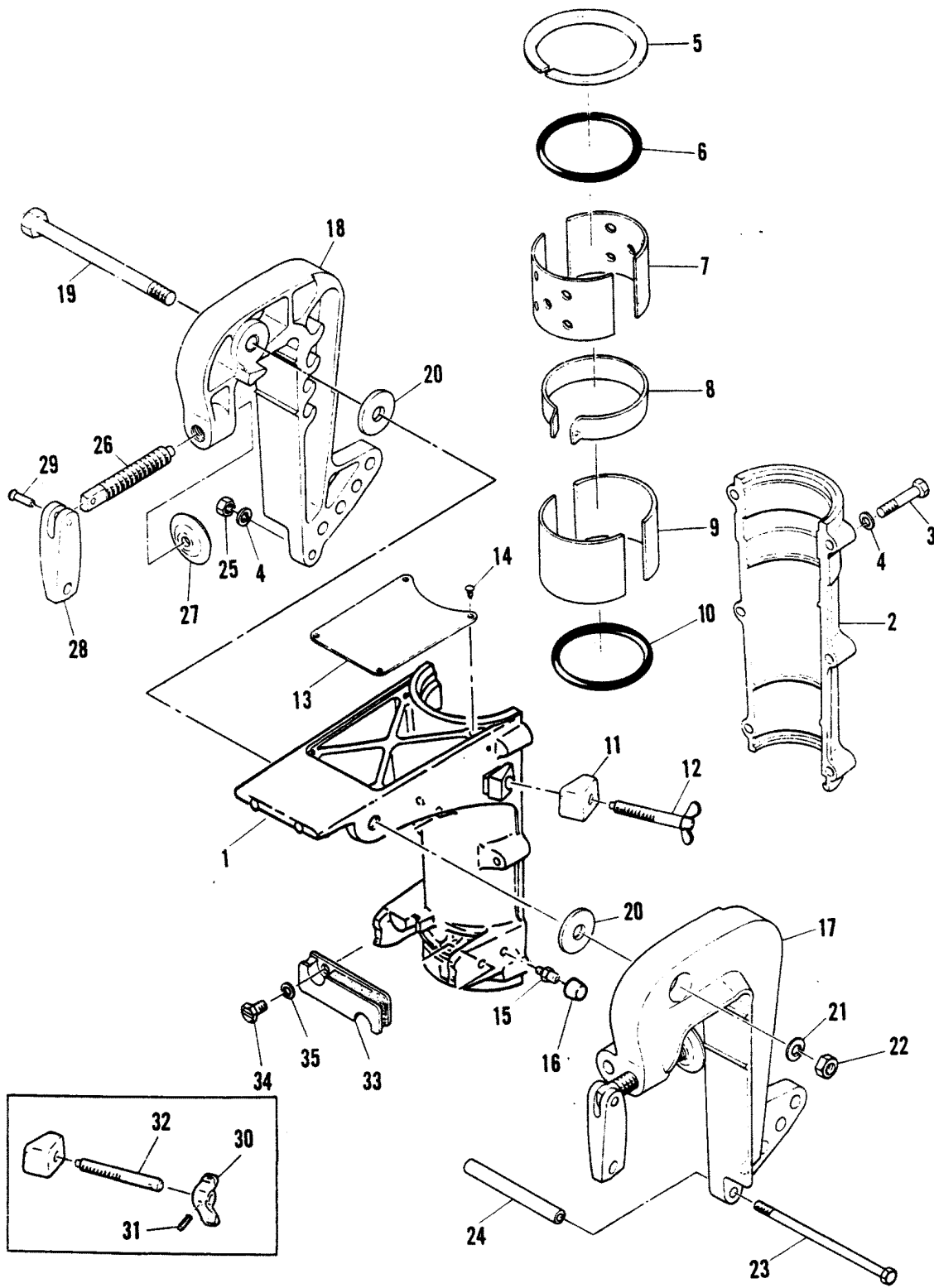




# REVERSE LOCK

REF. NO.	PART NO.	SYM.	QTY.	DESCRIPTION
1	80096M		1	TILT STOP LEVER
2	80100M		1	KNOB
3	23-80097M		2	BUSHING
4	24-82111M		1	SPRING (PORT) <b>SERIAL 00016021-09999999</b>
5	24-82110M		1	SPRING (STARBOARD) <b>SERIAL 00016021-09999999</b>
6	80976M		1	BRACKET <b>SERIAL 00016021-09999999</b>
7	10-84058M		2	BOLT <b>SERIAL 00016021-09999999</b>
4	24-82734M		1	SPRING (PORT) <b>SERIAL 00000000-00016020</b>
5	NLA		1	SPRING (STARBOARD) <b>SERIAL 00000000-00016020</b>
6	NLA		1	BRACKET <b>SERIAL 00000000-00016020</b>
6A	82580M		1	PLATE <b>SERIAL 00000000-00016020</b>
7	10-83285M		2	BOLT <b>SERIAL 00000000-00016020</b>
8	13-82212M		2	LOCKWASHER
9	80101M		1	HOOK
10	80102M		1	SHAFT
11	18-82053M		1	PIN
12	24-82112M		1	SPRING <b>SERIAL 00016021-09999999</b>
	NLA		1	SPRING <b>SERIAL 00000000-00016020</b>
13	17-80095M		1	TILT LOCK PIN
14	82857M		1	STOPPER PLATE <b>SERIAL 00023741-09999999</b>
15	17-82144M		1	ROLL PIN <b>SERIAL 00023741-09999999</b>
14	NLA		1	STOPPER PLATE <b>SERIAL 00000000-00023740</b>
15	17-82141M		1	PIN <b>SERIAL 00000000-00023740</b>
16	24-82099M		1	SPRING
17	12-81802M		2	WASHER <b>SERIAL 00000000-00016020</b>

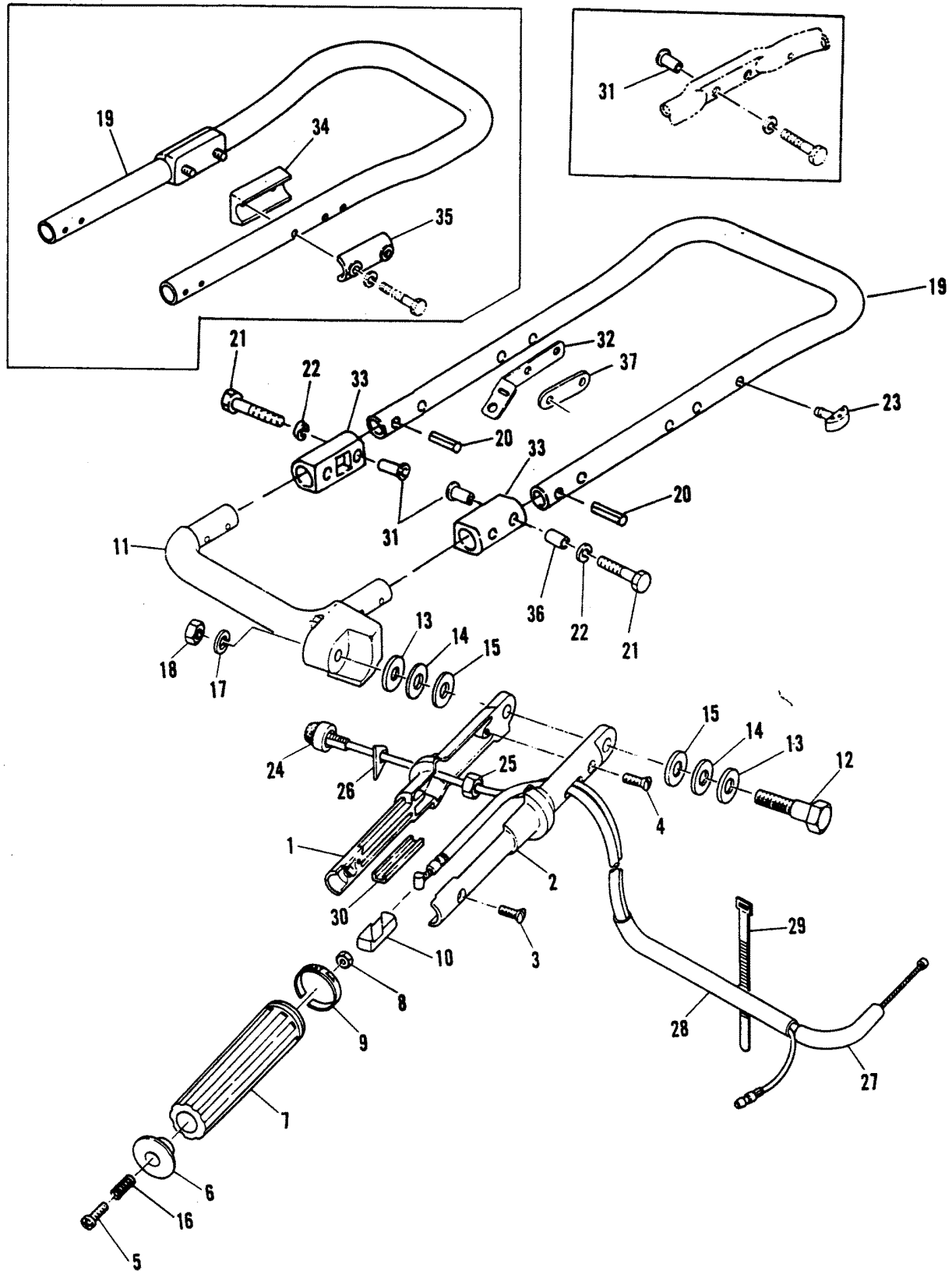
# CLAMP AND SWIVEL BRACKET



# CLAMP AND SWIVEL BRACKET

REF. NO.	PART NO.	SYM.	QTY.	DESCRIPTION
1	1485-6716M		1	FRONT SWIVEL BRACKET SERIAL 00016021-09999999
	NLA5-		1	FRONT SWIVEL BRACKET SERIAL 00000000-00016020
2	1485-6705M		1	REAR SWIVEL BRACKET
3	10-83285M		6	BOLT
4	13-82212M		7	LOCKWASHER
5	23-81874M		1	COLLAR
6	25-82284M		1	O-RING
7	23-80047M		2	BUSHING (UPPER)
8	80093M		1	CLAMP
9	23-80043M		2	BUSHING (LOWER)
10	25-82282M		1	O-RING
11	80099M		1	SEAL
12	10-80159M		1	SCREW
13	NLA		1	COVER
14	10-14265M		4	RIVET
15	22-82369M		1	GREASE FITTING
16	81439M		1	CAP
17	1484-6702M		1	PORT CLAMP BRACKET
18	1484-6703M		1	CLAMP BRACKET
19	10-81707M		1	BOLT
20	12-98970M		2	WASHER
21	13-82218M		1	LOCKWASHER
22	11-82395M		1	NUT
23	10-82858M		1	BOLT
24	23-82117M		1	SPACER
25	11-82389M		1	NUT
26	10-81755M		2	SCREW
27	12-80638M		2	PAD
28	80048M		2	HANDLE
29	17-81888M		2	PIN
30	NLA		1	WING NUT S-16020 L-38865 & BELOW SERIAL 00000000-00016020
31	17-82738M		1	ROLL PIN SERIAL 00000000-00016020
32	NLA		1	SCREW SERIAL 00000000-00016020
33	NLA		1	RECEIVER SERIAL 00000000-00016020
34	10-91772M		2	BOLT SERIAL 00000000-00016020
35	13-82212M		2	LOCKWASHER SERIAL 00000000-00016020

# STEERING HANDLE

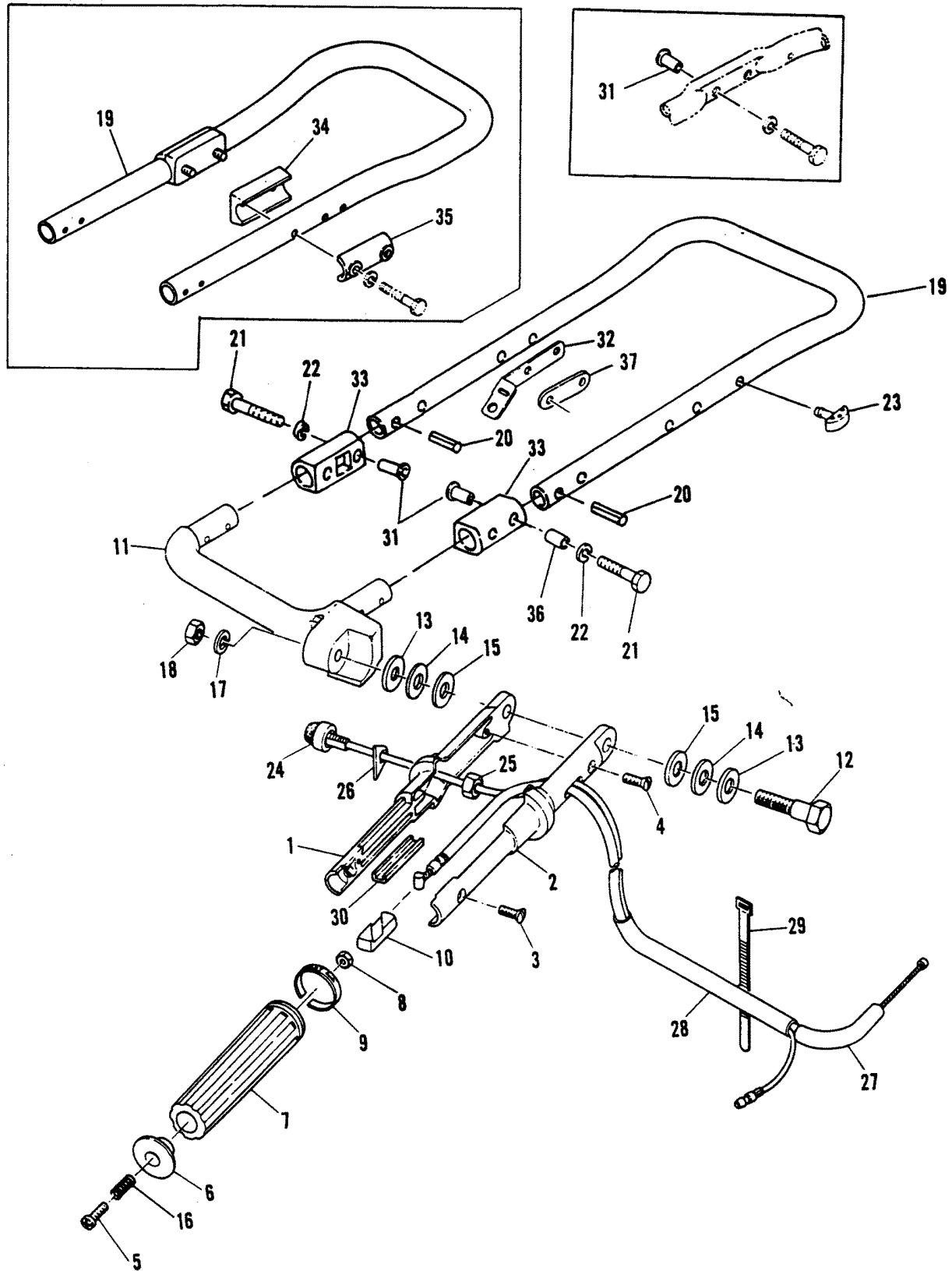


# STEERING HANDLE

REF. NO.	PART NO.	SYM.	QTY.	DESCRIPTION
1	84370M		1	STEERING ARM SERIAL 00023741-09999999
2	84371M		1	PORT STEERING ARM SERIAL 00023741-09999999
1	NLA		1	STEERING ARM SERIAL 00000000-00023740
2	80312M		1	PORT STEERIN ARM SERIAL 00000000-00023740
3	10-82532M		1	SCREW SERIAL 00016021-09999999
	10-82751M		1	SCREW SERIAL 00000000-00016020
4	10-82528M		1	SCREW
5	10-84438M		1	SCREW
6	80155M		1	CAP
7	80152M		1	GRIP
8	11-82388M		1	NUT
9	37-80156M		1	INDICATOR
10	80153M		1	GUIDE
11	80151M		1	FRONT BRACKET
12	10-84372M		1	BOLT SERIAL 00023741-09999999
	10-81716M		1	BOLT SERIAL 00000000-00023740
12A	12-81802M		2	WASHER SERIAL 00000000-00016020
13	12-81810M		2	WASHER
14	12-81850M		2	WASHER
15	12-81849M		2	WASHER
16	24-82075M		1	SPRING
17	13-82215M		1	LOCKWASHER
18	11-82393M		1	NUT
19	94784M		1	REAR BRACKET SERIAL 00004281-09999999
	80158M		1	REAR BRACKET SERIAL 00010621-00004280
	NLA		1	REAR BRACKET SERIAL 00000000-00016020
20	17-82157M		4	ROLL PIN
21	10-82457M		4	BOLT SERIAL 00004281-09999999
	10-83285M		4	BOLT SERIAL 00016021-0-004280
	10-82457M		4	BOLT SERIAL 00000000-00038865
	13-82212M		4	LOCKWASHER
22	13-82212M		4	LOCKWASHER
23	80094M		1	HOLDER
24	87-80184M		1	STOP SWITCH
25	11-82393M		1	NUT
26	80185M		1	STOPPER
27	80143M		1	THROTTLE WIRE
28	23-82029M		1	SLEEVE
29	80024M		1	BAND
30	23-80157M		1	BUSHING
31	23-82851M		4	BUSHING
32	NLA		1	BRACKET SERIAL 00000000-00000100

CONTINUED ON NEXT PAGE ➡

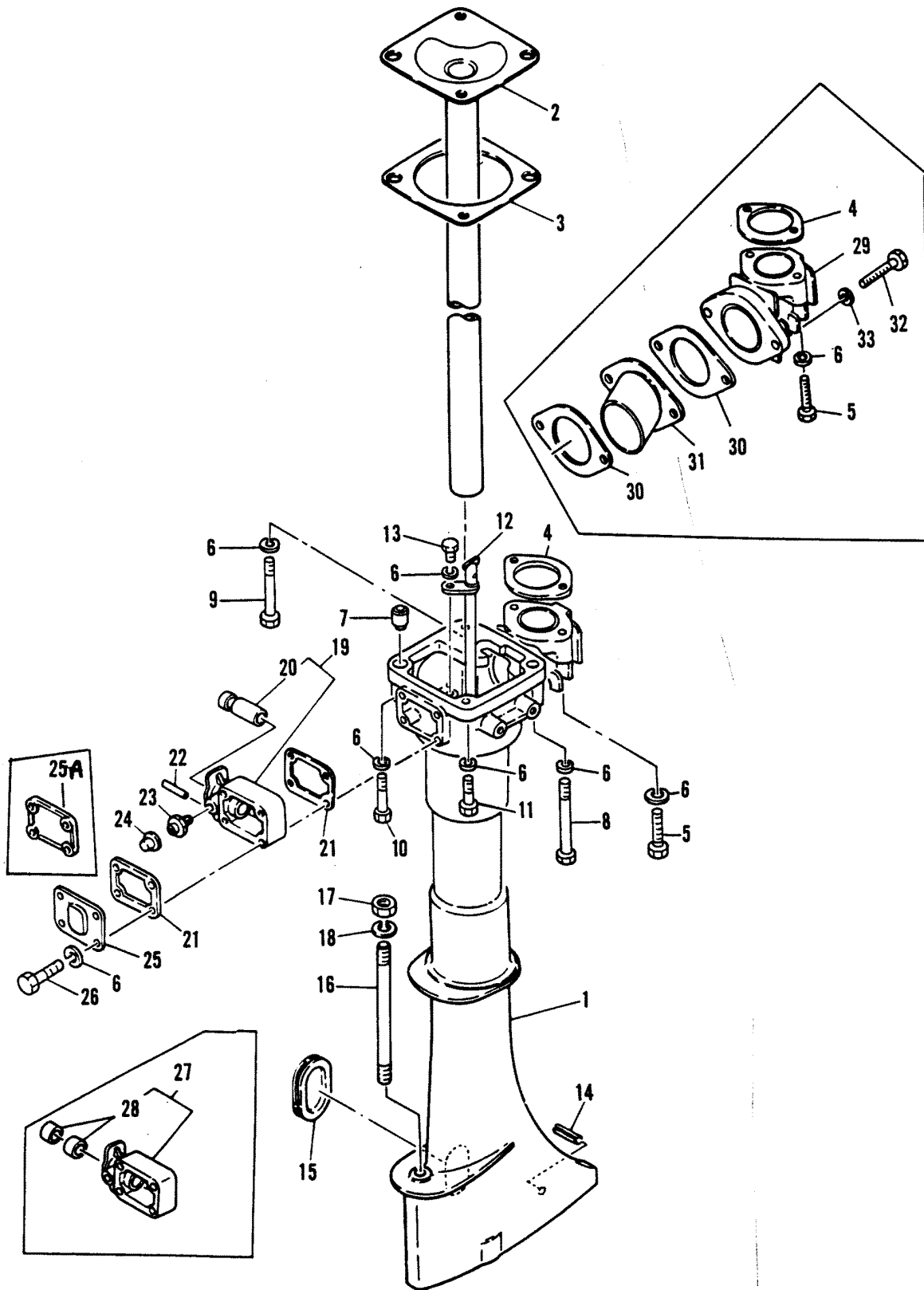
# STEERING HANDLE



# STEERING HANDLE

REF. NO.	PART NO.	SYM.	QTY.	DESCRIPTION
33	94785M		2	COVER SERIAL 00023741-09999999
34	NLA		2	MOUNT SERIAL 00000000-00016020
35	82585M		2	RETAINER
36	23-81968M		4	COLLAR SERIAL 00016021-00019075
37	NLA		2	WASHER

# DRIVSHAFT HOUSING

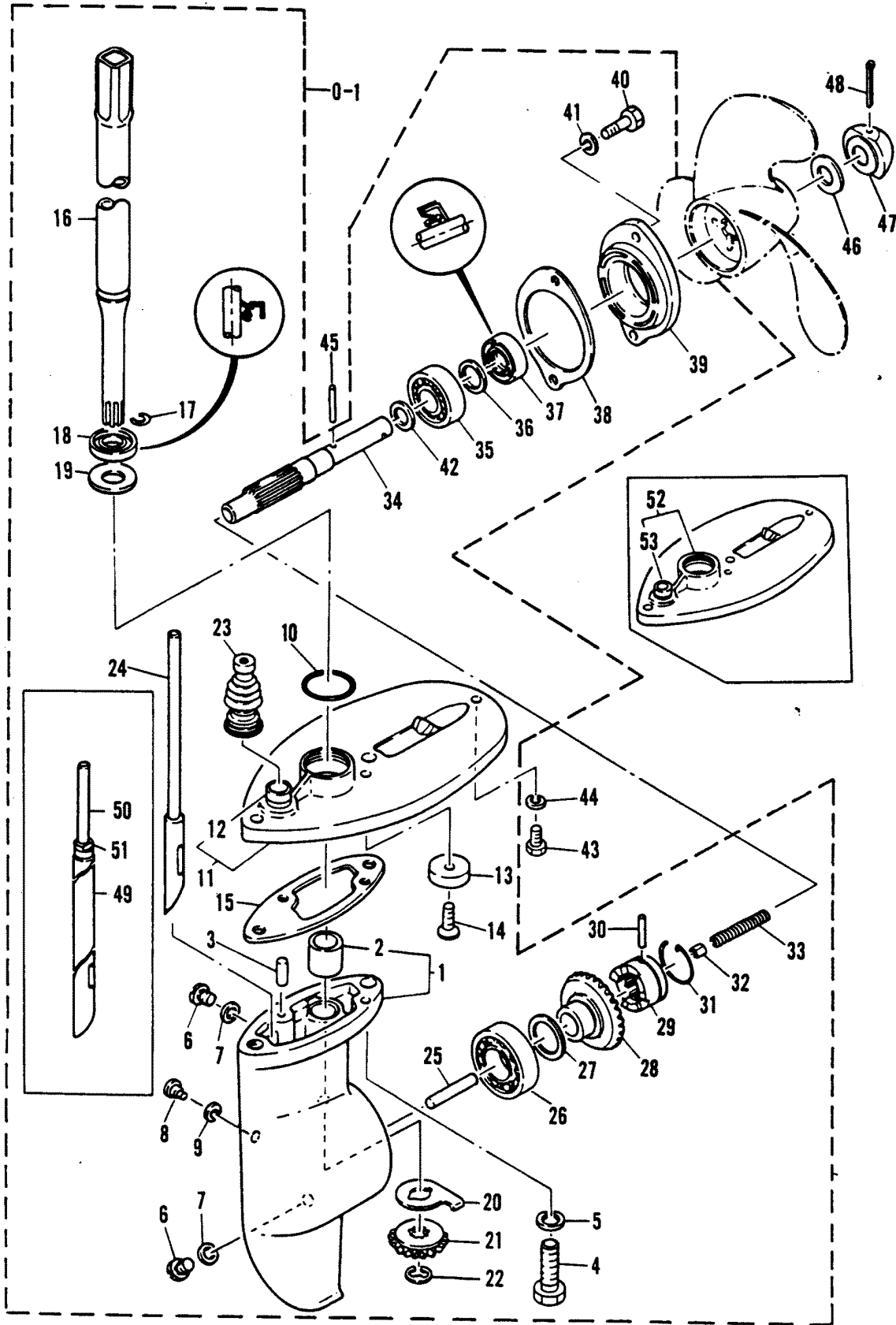




# DRIVSHAFT HOUSING

REF. NO.	PART NO.	SYM.	QTY.	DESCRIPTION
1	1587-6721M		1	DRIVSHAFT HOUSING (SHORT)
	NLA7-		1	DRIVSHAFT HOUSING (LONG)
2	32-80995M		1	TUBE (SHORT)
	32-80996M		1	TUBE (LONG)
3	27-80166M		1	GASKET
4	27-80146M		1	GASKET
5	10-83285M		2	BOLT
6	13-82212M		11	LOCKWASHER
7	17-14229M		2	DOWEL PIN
8	10-82460M		1	BOLT
9	10-92534M		1	BOLT
10	10-82405M		1	BOLT
11	10-82405M		1	BOLT
12	32-80165M		1	WATER TUBE (SHORT)
	32-80186M		1	WATER TUBE (LONG)
13	10-84368M		1	BOLT
14	17-82153M		1	ROLL PIN
15	80997M		1	COVER
16	16-81739M		1	STUD
17	11-82382M		1	NUT
18	13-82215M		1	LOCKWASHER
19	82859M		1	SHIFT CASING <b>SERIAL 00023741-09999999</b>
20	23-81948M		2	BUSHING
21	27-80297M		1	GASKET
22	17-82361M		1	DOWEL PIN
23	22-82369M		1	GREASE FITTING
24	81439M		1	CAP
25	84369M		1	COVER <b>SERIAL 00033791-09999999</b>
25A	80298M		1	COVER <b>SERIAL 00000000-00033790</b>
26	10-83285M		4	BOLT
27	NLA		1	SHIFTER CASING <b>SERIAL 00000000-00023740</b>
28	23-81948M		2	BUSHING <b>SERIAL 00000000-00041690</b>
29	NLA		1	EXHAUST MANIFOLD S-23810 L-41690 & BELOW <b>SERIAL 00000000-00023810</b>
30	NLA		2	GASKET <b>SERIAL 00000000-00023810</b>
31	NLA		1	GUIDE <b>SERIAL 00000000-00023810</b>
32	10-82405M		2	BOLT <b>SERIAL 00000000-00023810</b>
33	13-82212M		2	LOCKWASHER <b>SERIAL 00000000-00023810</b>

# GEARHOUSING ASSEMBLY

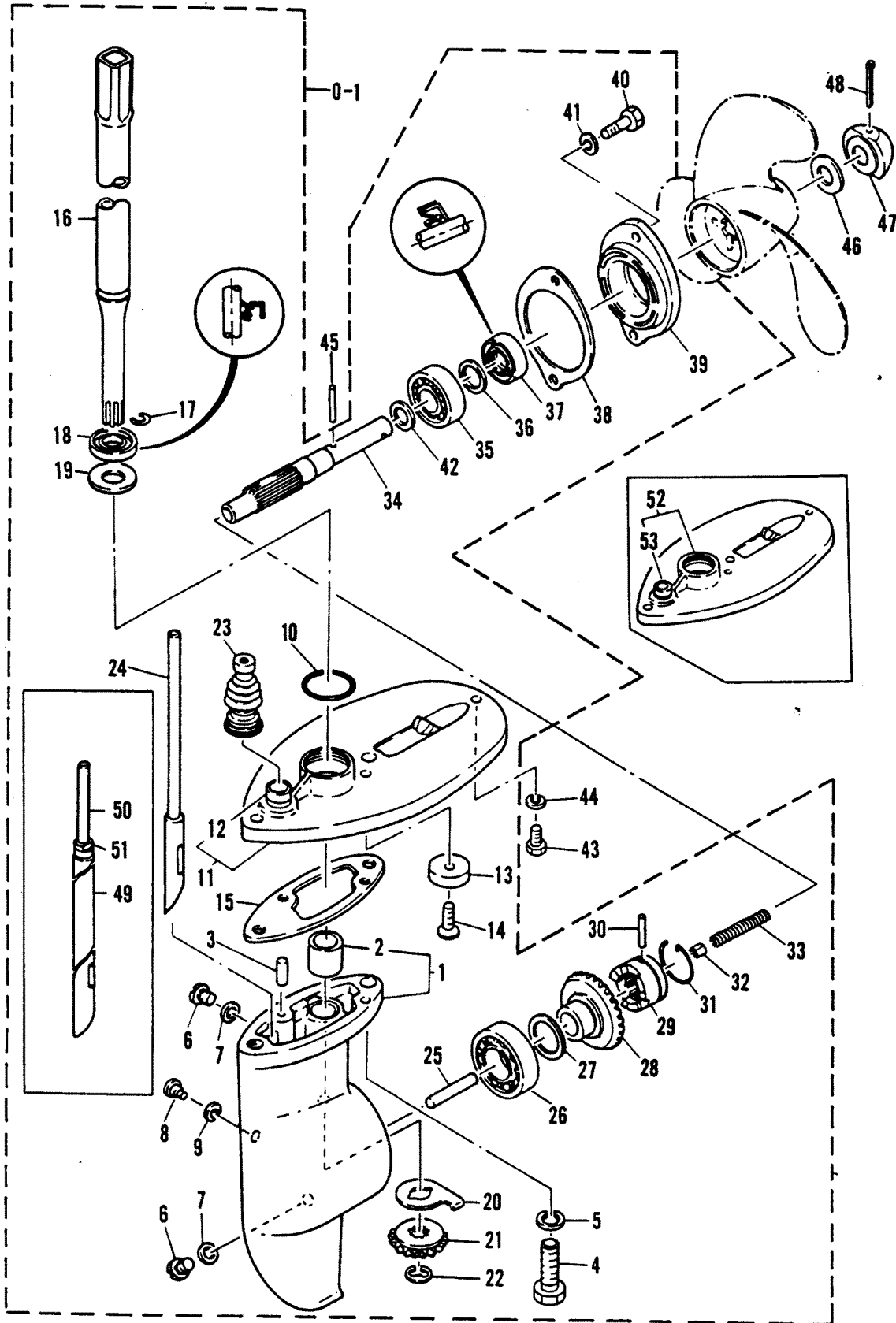


# GEARHOUSING ASSEMBLY

REF. NO.	PART NO.	SYM.	QTY.	DESCRIPTION
0-1	1651-6886M		1	GEARHOUSING ASSEMBLY (SHORT)
	1651-6904M		1	GEARHOUSING ASSEMBLY (LONG)
1	1651-6722M		1	GEARHOUSING
2	23-81933M		2	BUSHING
3	17-82365M		2	DOWEL
4	10-95416M		1	BOLT
5	13-82215M		1	LOCKWASHER
6	22-81924M		2	DRAIN PLUG
7	27-81987M		2	GASKET
8	NLA		1	DETENT SCREW
9	27-81985M		1	GASKET
10	25-82271M		1	O-RING
11	82836M		1	PLATE <b>SERIAL 00023741-09999999</b>
12	23-80293M		1	BUSHING <b>SERIAL 00023741-09999999</b>
13	43107M		1	ANODE
14	10-84367M		1	SCREW
15	27-80299M		1	GASKET
14A	82953M		1	SEAT
15	80529M		1	BOOT
16	45-80169M		1	DRIVESHAFT (SHORT)
	45-80187M		1	DRIVESHAFT (LONG)
17	53-80170M		1	CLIP
18	26-82236M		1	OIL SEAT
19	12-80172M		AR	THRUST WASHER (.3MM)
	12-80173M		AR	THRUST WASHER (.5MM)
20	12-80171M		1	THRUST WASHER
21	43-80046M		1	PINION GEAR
22	53-82332M		1	SNAP RING
23	80045M		1	BOOT
24	82837M		1	SHIM CAM <b>SERIAL 00023741-09999999</b>
25	81014M		1	PLUNGER
26	30-82291M		1	BEARING
27	15-80174M		AR	SHIM (.3MM)
	15-80175M		AR	SHIM (.5MM)
28	43-80300M		1	FORWARD GEAR
29	52-80302M		1	CLUTCH
30	17-81902M		1	CROSS PIN
31	53-82338M		1	RING
32	80303M		1	SHIFT SLIDE
33	24-82076M		1	SPRING
34	44-80301M		1	PROP SHAFT
35	30-82297M		1	BEARING
36	15-80010M		AR	SHIM (1.0MM)

CONTINUED ON NEXT PAGE ➡

# GEARHOUSING ASSEMBLY



# GEARHOUSING ASSEMBLY

REF. NO.	PART NO.	SYM.	QTY.	DESCRIPTION
36	15-80011M		AR	SHIM (1.2MM)
	15-80012M		AR	SHIM (1.6MM)
37	26-82252M		1	OIL SEAL
38	27-80168M		1	GASKET
39	NLA		1	CAP
40	10-84058M		2	BOLT
41	13-82212M		2	LOCKWASHER
42	12-82709M		1	THRUST WASHER <b>SERIAL 00016020-09999999</b>
43	10-82445M		1	BOLT
44	13-82208M		1	LOCKWASHER
45	17-17554M		1	DRIVE PIN
46	12-81855M		AR	WASHER
47	11-80103M		1	CAP
48	18-82134M		1	COTTER PIN
49	NLA		1	SHIFT CAM S-23740 L-41690 & BELOW <b>SERIAL 00000000-00023740</b>
50	NLA		1	SHIFT ROD <b>SERIAL 00000000-00023740</b>
51	11-80291M		1	NUT <b>SERIAL 00000000-00023740</b>
52	80295M		1	PLATE <b>SERIAL 00000000-00023740</b>
53	23-80293M		1	BUSHING <b>SERIAL 00000000-00023740</b>

# PARTS INDEX

Part Number	Description	Pg.	Ref. No.	Part Number	Description	Pg.	Ref. No.
15303M	BOWL	17	22	80162M	SEAL	19	4
43107M	ANODE	33	13	80179M	FLYWHEEL MAGNETO	7	0-1
80003M	LUBRICATOR	7	7	80181M	BREAKER	7	4
80014M	COVER	15	15	80182M	IGNITION COIL	7	15
80024M	BAND	27	29	80185M	STOPPER	27	26
80032M	PLATE	5	25	80276M	COVER	5	19
80036M	DRIVE PLATE	5	9	80283M	COVER	3	8
80039M	SPACER	5	2	80286M	KNOB	21	2
80044M	LEVER	3	12	80287M	CAM PLATE	21	5
80045M	BOOT	33	23	80288M	HANDLE ASSEMBLY	21	1
80048M	HANDLE	25	28	80295M	PLATE	35	52
80049M	CONNECTOR	21	16	80298M	COVER	31	25A
80050M	CONNECTOR	21	15	80303M	SHIFT SLIDE	33	32
80055M	CONDENSER	7	6	80312M	PORT STEERING ARM	27	2
80061M	PAWL	5	8	80529M	BOOT	33	15
80063M	HANDLE	5	13	80973M	PULLEY	5	15
80069M	LOW SPEED JET (#40)	15	25	80976M	BRACKET	23	6
80070M	JET PIPE	15	26	80988M	ARM	21	8
80072M	CAP	15	16	80989M	SHIFT ROD (SHORT)	21	14
80074M	PLATE	15	17	80990M	SHIFT ROD (LONG)	21	14
80075M	FLOAT	15	8	80997M	COVER	31	15
80077M	INLET VALVE	15	10	81014M	PLUNGER	33	25
80081M	CAP	15	35	81022M	CONDENSER	7	6
80082M	MAIN JET (#70)	15	12	81439M	CAP	25	16
80083M	MAIN JET (#75)	15	12	81439M	CAP	31	24
80084M	MAIN JET (#80)	15	12	814991M	SPARK PLUG CAP (NOISE SUPPRESSOR)	7	14
80085M	MAIN JET (#85)	15	12	82347M	STEEL BALL	21	4
80090M	BUTTON PUSH	15	36	82540M	DRAIN VALVE	15	29
80093M	CLAMP	25	8	82573M	BREAKER	7	4
80094M	HOLDER	27	23	82580M	PLATE	23	6A
80096M	TILT STOP LEVER	23	1	82581M	IGNITION COIL	7	2
80099M	SEAL	25	11	82585M	RETAINER	29	35
80100M	KNOB	23	2	82836M	PLATE	33	11
80101M	HOOK	23	9	82837M	SHIM CAM	33	24
80102M	SHAFT	23	10	82839M	FLOAT BOWL	15	1
80108M	SEAL LOCK	11	10	82842M	HANDLE ASSEMBLY	21	1
80113M	REED VALVE ASSEMBLY	13	33	82846M	LOCK	17	8
80117M	THROTTLE SHAFT	15	20	82855M	IGNITION COIL	7	2
80118M	FLOAT BOWL	15	1	82856M	LIGHTING COIL (15 WATT)		
80122M	AIR SHROUD	9	15		OPTIONAL PARTS	7	18
80125M	GUIDE	5	14	82857M	STOPPER PLATE	23	14
80127M	INDICATOR	13	14	82859M	SHIFT CASING	31	19
80128M	CHOKE INDICATOR	13	11	82953M	SEAT	33	14A
80129M	MOUNT	19	10	84369M	COVER	31	25
80132M	PAD	19	16	84370M	STEERING ARM	27	1
80133M	PORT BRACKET	19	9	84371M	PORT STEERING ARM	27	2
80134M	STARBOARD BRACKET	19	17	94784M	REAR BRACKET	27	19
80139M	LEVER	17	17	94785M	COVER	29	33
80140M	LINK ROD	13	19	NLA	STEERING ARM	27	1
80141M	SHAFT	13	18	NLA	BRACKET	19	9
80142M	FUEL COCK	13	13	NLA	BRACKET	23	6
80143M	THROTTLE WIRE	27	27	NLA	BRACKET	27	32
80148M	LINK ROD	13	12	NLA	BUSHING	15	21
80149M	CHOKE KNOB	13	10	NLA	CAP	35	39
80151M	FRONT BRACKET	27	11	NLA	CLAMP	7	9
80152M	GRIP	27	7	NLA	COVER	25	13
80153M	GUIDE	27	10	NLA	DECAL SET	19	2
80155M	CAP	27	6	NLA	DETENT SCREW	33	8
80158M	REAR BRACKET	27	19				
80161M	SPRING	3	13				

# PARTS INDEX

Part Number	Description	Pg.	Ref. No.	Part Number	Description	Pg.	Ref. No.
NLA	FUEL SHUT-OFF LEVER . . .	13	36	10-82501M	SCREW . . . . .	15	3
NLA	FUEL TANK . . . . .	19	1	10-82507M	SCREW . . . . .	7	3
NLA	GASKET . . . . .	31	30	10-82507M	SCREW OPTIONAL PARTS .	7	19
NLA	GUIDE . . . . .	31	31	10-82513M	SCREW . . . . .	13	21
NLA	HOLDER . . . . .	13	37	10-82524M	SCREW . . . . .	13	3
NLA	IGNITON COIL . . . . .	7	2	10-82528M	SCREW . . . . .	27	4
NLA	LEVER . . . . .	15	22	10-82532M	SCREW . . . . .	27	3
NLA	MAIN NOZZLE . . . . .	15	5	10-82751M	SCREW . . . . .	27	3
NLA	MOUNT . . . . .	29	34	10-82858M	BOLT . . . . .	25	23
NLA	PISTON (STANDARD) . . . . .	11	3	10-83285M	BOLT . . . . .	9	11
NLA	PISTON RING SET (45.50 MM O.S.) . . . . .	11	7	10-83285M	BOLT . . . . .	19	14
NLA	PLUNGER . . . . .	15	19	10-83285M	BOLT . . . . .	23	7
NLA	PULLEY . . . . .	5	15	10-83285M	BOLT . . . . .	25	3
NLA	REAR BRACKET . . . . .	27	19	10-83285M	BOLT . . . . .	27	21
NLA	REAR DECAL . . . . .	3	9	10-83285M	BOLT . . . . .	31	26
NLA	REAR DECAL . . . . .	19	3	10-83285M	BOLT . . . . .	31	5
NLA	RECEIVER . . . . .	25	33	10-83523M	SCREW . . . . .	3	15
NLA	SCREW . . . . .	7	11	10-83523M	SCREW . . . . .	13	8
NLA	SCREW . . . . .	25	32	10-83523M	SCREW . . . . .	17	9
NLA	SHAFT . . . . .	3	14	10-83539M	BOLT . . . . .	5	20
NLA	SHIFT CAM S-23740 L-41690 & BELOW . . . . .	35	49	10-83539M	BOLT . . . . .	21	17
NLA	SHIFT ROD . . . . .	35	50	10-83565M	SCREW . . . . .	7	10
NLA	SHIFTER CASING . . . . .	31	27	10-84058M	BOLT . . . . .	23	7
NLA	SILENCER . . . . .	13	1	10-84058M	BOLT . . . . .	35	40
NLA	SPRING . . . . .	15	14	10-84247M	BOLT . . . . .	19	18
NLA	SPRING . . . . .	23	12	10-84303M	BOLT . . . . .	5	26
NLA	SPRING (STARBOARD) . . . . .	23	5	10-84315M	BOLT . . . . .	5	17
NLA	STAY . . . . .	13	6	10-84315M	BOLT . . . . .	9	16
NLA	STOPPER PLATE . . . . .	23	14	10-84367M	SCREW . . . . .	33	14
NLA	WASHER . . . . .	17	4	10-84368M	BOLT . . . . .	31	13
NLA	WASHER . . . . .	29	37	10-84372M	BOLT . . . . .	27	12
NLA	WING NUT S-16020 L-38865 & BELOW . . . . .	25	30	10-84438M	SCREW . . . . .	27	5
10-11910M	AIR SCREW . . . . .	17	5	10-91772M	BOLT . . . . .	21	9
10-14265M	RIVET . . . . .	25	14	10-91772M	BOLT . . . . .	25	34
10-80001M	SCREW . . . . .	7	5	10-92534M	BOLT . . . . .	31	9
10-80009M	SCREW . . . . .	17	23	10-95416M	BOLT . . . . .	33	4
10-80079M	IDLE MIXTURE SCREW . . . . .	15	27	11-80103M	BOLT . . . . .	33	4
10-80089M	SCREW . . . . .	15	7	11-80291M	CAP . . . . .	35	47
10-80159M	SCREW . . . . .	25	12	11-82375M	NUT . . . . .	35	51
10-81682M	BOLT . . . . .	15	32	11-82382M	NUT . . . . .	15	24
10-81707M	BOLT . . . . .	25	19	11-82384M	NUT . . . . .	31	17
10-81716M	BOLT . . . . .	27	12	11-82384M	NUT . . . . .	7	12
10-81755M	SCREW . . . . .	25	26	11-82388M	NUT . . . . .	27	8
10-82178M	SCREW . . . . .	3	5	11-82389M	NUT . . . . .	13	29
10-82405M	BOLT . . . . .	7	16	11-82389M	NUT . . . . .	19	12
10-82405M	BOLT . . . . .	31	10	11-82389M	NUT . . . . .	25	25
10-82405M	BOLT . . . . .	31	11	11-82393M	NUT . . . . .	27	18
10-82405M	BOLT . . . . .	31	32	11-82393M	NUT . . . . .	27	25
10-82428M	BOLT . . . . .	9	7	11-82395M	NUT . . . . .	25	22
10-82434M	BOLT . . . . .	13	32	12-80171M	THRUST WASHER . . . . .	33	20
10-82445M	BOLT . . . . .	35	43	12-80172M	THRUST WASHER (.3MM) . .	33	19
10-82451M	BOLT . . . . .	5	27	12-80173M	THRUST WASHER (.5MM) . .	33	19
10-82457M	BOLT . . . . .	27	21	12-80638M	PAD . . . . .	25	27
10-82457M	BOLT . . . . .	27	21	12-81700M	WASHER . . . . .	15	31
10-82460M	BOLT . . . . .	31	8	12-81793M	WASHER . . . . .	19	13
10-82486M	SCREW . . . . .	15	13	12-81800M	WASHER . . . . .	3	11
10-82500M	SCREW . . . . .	7	8	12-81802M	WASHER . . . . .	23	17
				12-81802M	WASHER . . . . .	27	12A
				12-81810M	WASHER . . . . .	27	13
				12-81849M	WASHER . . . . .	27	15
				12-81850M	WASHER . . . . .	27	14

# PARTS INDEX

Part Number	Description	Pg.	Ref. No.	Part Number	Description	Pg.	Ref. No.
12-81855M	WASHER	35	46	17-82157M	ROLL PIN	27	20
12-82211M	WASHER	3	16	17-82361M	DOWEL PIN	31	22
12-82211M	WASHER	13	5	17-82365M	DOWEL	33	3
12-82211M	WASHER	21	12	17-82738M	ROLL PIN	25	31
12-82213M	WASHER	3	7	18-82053M	PIN	23	11
12-82213M	WASHER	5	22	18-82125M	COTTER PIN	21	13
12-82213M	WASHER	13	16	18-82134M	COTTER PIN	35	48
12-82214M	WASHER	7	17	21-80105M	CHECK VALVE ASSEMBLY	9	3
12-82214M	WASHER	9	12	21-80107M	CHECK VALVE	9	5
12-82709M	THRUST WASHER	35	42	22-80106M	FITTING	9	4
12-82782M	WASHER	5	10	22-80122M	DRAIN FITTING	9	2
12-82782M	WASHER	5	5	22-81924M	DRAIN PLUG	33	6
12-82847M	WASHER	17	15	22-81925M	DRAIN PLUG	19	5
12-98970M	WASHER	25	20	22-82369M	GREASE FITTING	25	15
13-82184M	LOCKWASHER	13	22	22-82369M	GREASE FITTING	31	23
13-82184M	LOCKWASHER	15	4	23-80043M	BUSHING (LOWER)	25	9
13-82186M	LOCKWASHER	13	9	23-80047M	BUSHING (UPPER)	25	7
13-82186M	LOCKWASHER	15	23	23-80053M	BUSHING	13	35
13-82208M	LOCKWASHER	13	4	23-80097M	BUSHING	23	3
13-82208M	LOCKWASHER	17	10	23-80130M	SLEEVE	19	11
13-82208M	LOCKWASHER	35	44	23-80157M	BUSHING	27	30
13-82212M	LOCKWASHER	3	6	23-80293M	BUSHING	33	12
13-82212M	LOCKWASHER	5	18	23-80293M	BUSHING	35	53
13-82212M	LOCKWASHER	5	21	23-81874M	COLLAR	25	5
13-82212M	LOCKWASHER	9	8	23-81933M	BUSHING	33	2
13-82212M	LOCKWASHER	13	30	23-81936M	BUSHING	3	10
13-82212M	LOCKWASHER	19	15	23-81940M	BUSHING	13	20
13-82212M	LOCKWASHER	21	10	23-81948M	BUSHING	31	20
13-82212M	LOCKWASHER	23	8	23-81948M	BUSHING	31	28
13-82212M	LOCKWASHER	25	35	23-81968M	COLLAR	29	36
13-82212M	LOCKWASHER	25	4	23-81975M	STARBOARD COLLAR	5	24
13-82212M	LOCKWASHER	27	22	23-81976M	PORT COLLAR	5	23
13-82212M	LOCKWASHER	31	33	23-82029M	SLEEVE	27	28
13-82212M	LOCKWASHER	31	6	23-82117M	SPACER	25	24
13-82212M	LOCKWASHER	35	41	23-82214M	WASHER	5	28
13-82212M	WASHER	21	18	23-82844M	BUSHING	17	13
13-82215M	LOCKWASHER	27	17	23-82851M	BUSHING	27	31
13-82215M	LOCKWASHER	31	18	24-80013M	SPRING	15	18
13-82215M	LOCKWASHER	33	5	24-80022M	SPRING	15	30
13-82218M	LOCKWASHER	7	13	24-80056M	SPRING	5	3
13-82218M	LOCKWASHER	25	21	24-80058M	SPRING	5	6
15-80010M	SHIM (1.0MM)	33	36	24-80060M	SPRING	5	7
15-80011M	SHIM (1.2MM)	35	36	24-80080M	SPRING	15	6
15-80012M	SHIM (1.6MM)	35	36	24-82071M	SPRING	17	19
15-80174M	SHIM (.3MM)	33	27	24-82075M	SPRING	27	16
15-80175M	SHIM (.5MM)	33	27	24-82076M	SPRING	33	33
16-81723M	STUD	13	28	24-82082M	SPRING	21	3
16-81739M	STUD	31	16	24-82099M	SPRING	23	16
17-14229M	DOWEL PIN	9	6	24-82110M	SPRING (STARBOARD)	23	5
17-14229M	DOWEL PIN	31	7	24-82111M	SPRING (PORT)	23	4
17-17554M	DRIVE PIN	35	45	24-82112M	SPRING	23	12
17-80076M	FLOAT PIN	15	9	24-82734M	SPRING (PORT)	23	4
17-80095M	TILT LOCK PIN	23	13	24-82819M	SPRING	17	14
17-81879M	JOINT	21	11	24-82819M	SPRING	17	3
17-81888M	PIN	25	29	24-82820M	SPRING	17	11
17-81902M	CROSS PIN	33	30	25-80006M	O-RING	17	18
17-82141M	PIN	23	15	25-82259M	O-RING	21	7
17-82142M	ROLL PIN	13	15	25-82262M	O-RING	19	6
17-82144M	ROLL PIN	23	15	25-82271M	O-RING	33	10
17-82153M	ROLL PIN	31	14	25-82282M	O-RING	25	10



# PARTS INDEX

Part Number	Description	Pg.	Ref. No.	Part Number	Description	Pg.	Ref. No.
25-82284M	O-RING	25	6	43-80300M	FORWARD GEAR	33	28
26-82236M	OIL SEAT	33	18	44-80301M	PROP SHAFT	33	34
26-82239M	UPPER OIL SEAL	11	8	45-80169M	DRIVESHAFT (SHORT)	33	16
26-82241M	LOWER OIL SEAL	11	9	45-80187M	DRIVESHAFT (LONG)	33	16
26-82252M	OIL SEAL	35	37	50-12066A9	STARTER ROPE	5	12
27-80008M	GASKET	15	11	50-80057M	STARTER SHEAVE	5	4
27-80028M	GASKET	9	9	52-80302M	CLUTCH	33	29
27-80067M	GASKET	13	27	53-80170M	CLIP	33	17
27-80078M	GASKET	15	2	53-82329M	SNAP RING	13	17
27-80086M	GASKET S-25235 L-42370 & BELOEW	15	28	53-82332M	SNAP RING	33	22
27-80114M	GASKET	13	31	53-82335M	SNAP RING	21	6
27-80115M	GASKET S-006600 L-303020 AND BELOW	13	25	53-82336M	SNAP RING	5	16
27-80120M	GASKET	13	26	53-82338M	RING	33	31
27-80121M	SEAL	13	7	53-82342M	CLIP	11	6
27-80126M	SEAL	19	8	54-80062M	SNAP RING	5	11
27-80131M	GASKET	19	7	54-82045M	CLAMP	15	34
27-80138M	GASKET	17	20	54-82046M	CLAMP	9	14
27-80146M	GASKET	31	4	54-82047M	CLAMP	17	25
27-80166M	GASKET	31	3	84-82831M	LEAD	7	15A
27-80168M	GASKET	35	38	85-63709A1	SPARK PLUG CAP	7	14
27-80297M	GASKET	31	21	87-80184M	STOP SWITCH	27	24
27-80299M	GASKET	33	15	91-81669M	TOOL KIT	3	17
27-81985M	GASKET	33	9	253-6717M	FLYWHEEL	7	1
27-81987M	GASKET	33	7	463-6706M	CRANKSHAFT	11	1
27-82814M	GASKET	17	6	761-8228M	PISTON (45.25 MM O.S.)	11	3
27-82845M	GASKET	17	7	761-8229M	PISTON (45.50 MM O.S.)	11	3
27-84360M	GASKET	13	24	968-6712M	CRANCASE ASSEMBLY	9	1
28-81911M	KEY	11	11	968-6715M	HEAD	9	10
30-82291M	BEARING	33	26	NLA-	FLYWHEEL	7	1
30-82292M	BEARING	11	2	NLA-	FLYWHEEL MAGNETO	7	0-1
30-82297M	BEARING	33	35	NLA-	MAGNETO BASE	7	0-2
31-82835M	BEARING	11	4	1383-6711M	CARBURETOR	15	--
32-80165M	WATER TUBE (SHORT)	31	12	1383-6908M	CARBURETOR	15	--
32-80186M	WATER TUBE (LONG)	31	12	1484-6702M	PORT CLAMP BRACKET	25	17
32-80995M	TUBE (SHORT)	31	2	1484-6703M	CLAMP BRACKET	25	18
32-80996M	TUBE (LONG)	31	2	1485-6705M	REAR SWIVEL BRACKET	25	2
32-811045M	DRAIN HOSE	9	13	1485-6716M	FRONT SWIVEL BRACKET	25	1
32-81324M	FUEL LINE	17	26	1587-6721M	DRIVESHAFT HOUSING (SHORT)	31	1
32-81992M	HOSE	15	33	1651-6722M	GEARHOUSING	33	1
32-82012M	FUEL LINE	17	24	1651-6886M	GEARHOUSING ASSEMBLY (SHORT)	33	0-1
32-82026M	FUEL LINE	19	19	1651-6904M	GEARHOUSING ASSEMBLY (LONG)	33	0-1
33-82370M	SPARK PLUG (NGK# B-6HS)	9	17	2168-7158M	PORT COWL	3	2
33-82371M	SPARK PLUG (NGK #B-7HS)	9	17	2169-6911M	STARTER ASSEMBLY	5	0-1
34-84365M	REED SET	13	34	2169-7159M	STARTER HOUSING	5	1
35-80000M	FUEL FILTER	17	21	NLA5-	FRONT SWIVEL BRACKET	25	1
35-80041M	STRAINER	17	27	NLA7-	DRIVESHAFT HOUSING (LONG)	31	1
35-80119M	AIR FILTER	13	23	NLA8-	TRIM DECAL	3	3
35-80136M	FUEL FILTER ASSEMBLY	17	16				
36-14268M	CAP ASSEMBLY	17	1				
37-80156M	INDICATOR	27	9				
37-80294M	SHIFT DECAL	3	4				
37-82838M	FRONT DECAL	13	2				
39-80109M	PISTON RING SET (STANDARD)	11	7				
39-80110M	PISTON RING SET (45.25 MM O.S.)	11	7				
41-80029M	PISTON PIN	11	5				
43-80046M	PINION GEAR	33	21				