



PARTS CATALOG

2 H.P.

SERIAL NUMBER

2A 646-31100 AND BELOW

TABLE OF CONTENTS:

CARBURETOR	12
CHOKE-MAGNETO CONTROL AND FUEL COCK	10
CLAMP AND SWIVEL BRACKET	16
COWLING	2
CRANKSHAFT AND PISTON	8
CYLINDER AND CYLINDER HEAD	6
DRIVESHAFT HOUSING AND STEERING HANDLE	18
FLYWHEEL MAGNETO AND STARTER	4
FUEL TANK	22
GEARHOUSING ASSEMBLY	20
PARTS INDEX	24

NOTE: *Indented description indicate that these parts are included in preceeding assembly.*

AR = As Required

NSS = Not Sold Separate

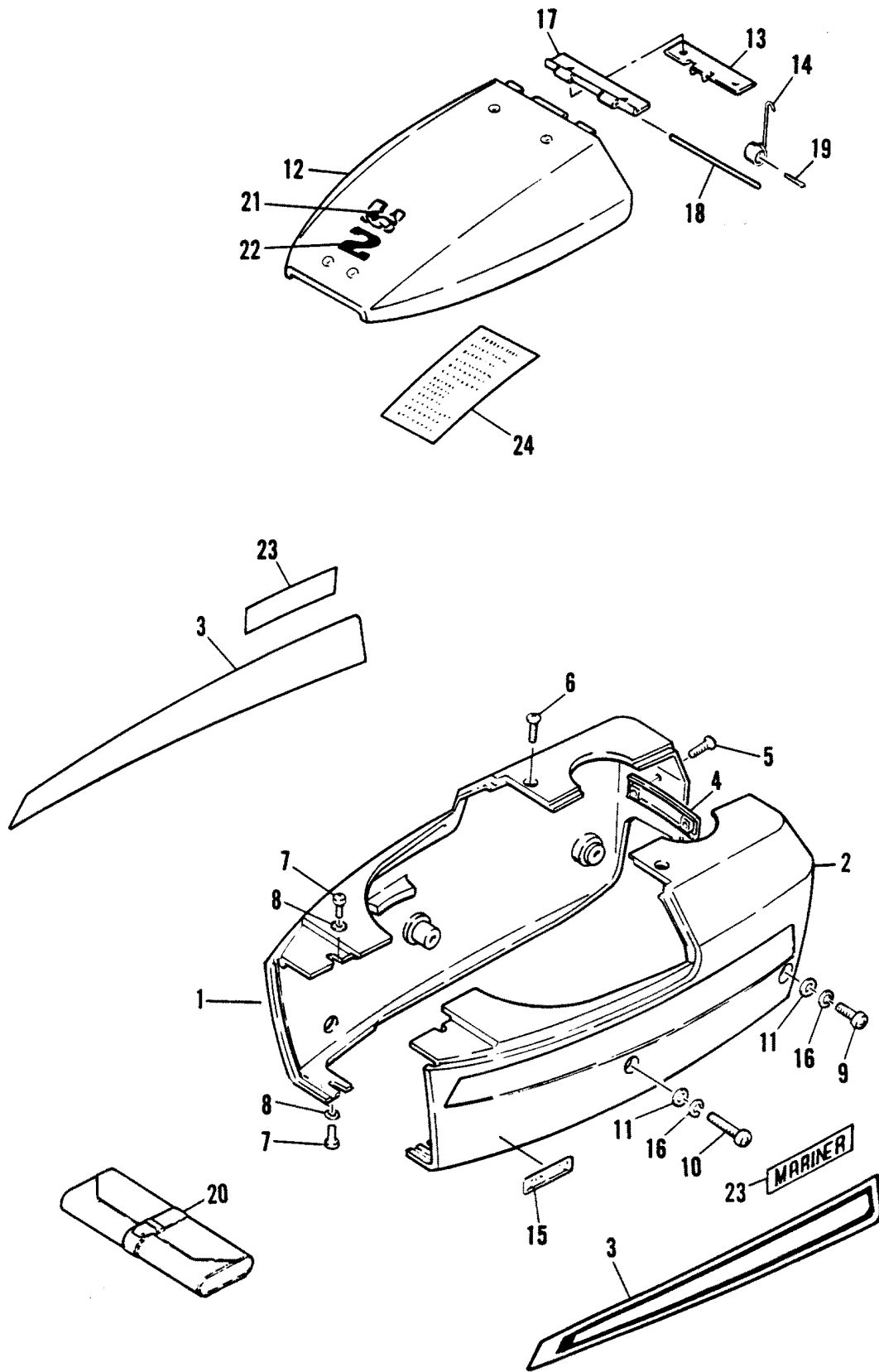
OPT = Optional

NS = Not Shown

THESE PARTS BOOKS/FICHE CARD ARE COPYRIGHTED AND MAY NOT BE DISTRIBUTED OR REPRODUCED IN ANY OTHER FORMAT BY ANYONE OTHER THAN MERCURY MARINE WITHOUT THE PRIOR WRITTEN CONSENT OF MERCURY MARINE.

THIS PAGE INTENTIONALLY LEFT BLANK

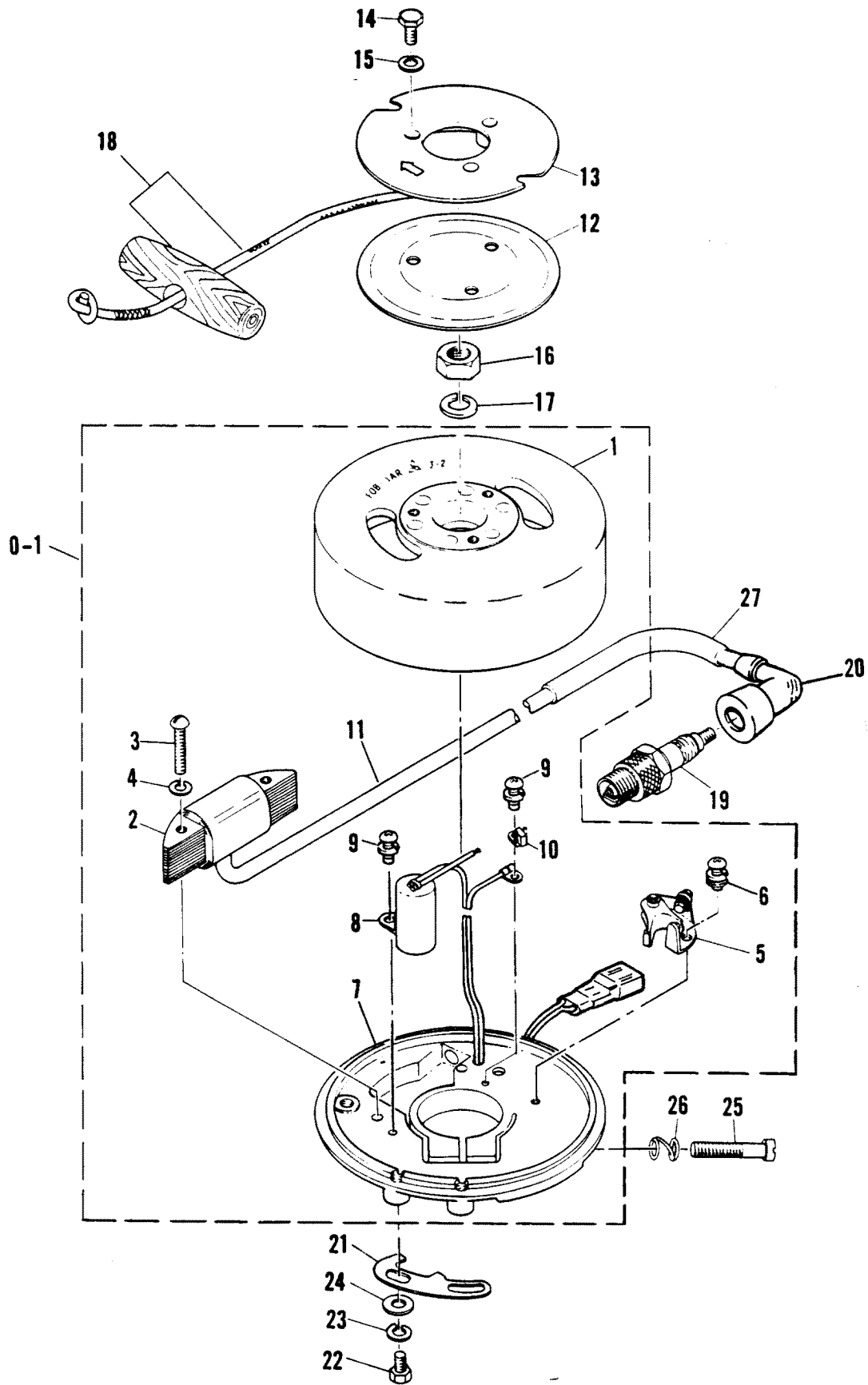
COWLING



COWLING

REF. NO.	PART NO.	SYM.	QTY.	DESCRIPTION
1	2168-6737M		1	STARBOARD COWL
2	NLA8-		1	PORT COWL
3	NLA8-		1	DECAL SET
4	80387M		1	BRACKET
5	10-82530M		2	SCREW
6	10-92556M		2	SCREW
7	NLA		4	SCREW
8	12-82211M		4	WASHER
9	10-82176M		2	SCREW
10	10-82179M		2	SCREW
11	12-82214M		4	WASHER
12	80357M		1	COVER
13	80388M		1	BRACKET
14	24-82107M		1	SPRING
15	NLA		1	INDICATOR
16	13-82212M		4	LOCKWASHER
17	80359M		1	HINGE
18	17-80360M		1	PIN
19	18-82126M		1	COTTER PIN
20	91-81669M		1	TOOL KIT
21	NLA		1	DECAL (MARINER)
22	37-82809M		1	DECAL (H.P.)
23	NLA		2	DECAL (REAR)
24	82810M		1	INDICATOR

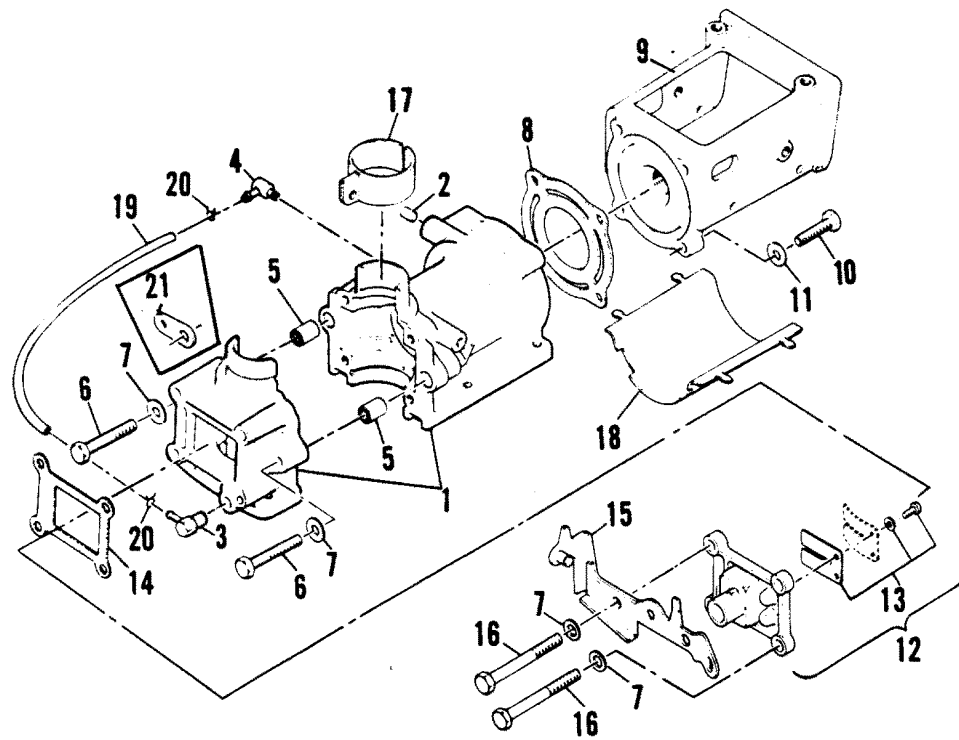
FLYWHEEL MAGNETO AND STARTER



FLYWHEEL MAGNETO AND STARTER

REF. NO.	PART NO.	SYM.	QTY.	DESCRIPTION
0-1	NLA		1	FLYWHEEL MAGNETO ASSEMBLY
1	NLA		1	FLYWHEEL
2	80413M		1	IGNITION COIL SERIAL 00#21746-09999999
	82604M		1	IGNITION COIL SERIAL 00000000-00#21745
3	10-82507M		2	SCREW
4	13-82184M		2	LOCKWASHER
5	80054M		1	BREAKER SERIAL 00#21746-09999999
	82693M		1	BREAKER SERIAL 00000000-00#21745
6	10-80001M		1	SCREW
7	80412M		1	MAGNETO BASE-SER & UP SERIAL 00#21746-09999999
8	80414M		1	CONDENSER SERIAL 00#21746-09999999
7	NLA		1	MAGNETO BASE-SER. & BELOW) SERIAL 00000000-00#21745
8	82572M		1	CONDENSER SERIAL 00000000-00#21745
9	10-80001M		2	SCREW
10	80003M		1	LUBRICATOR
11	84-82831M		1	HIGH TENSION LEAD
12	92543M		1	COVER(SER. & UP) SERIAL 00#21746-09999999
13	80358M		1	PULLEY
14	10-83539M		3	BOLT
15	13-82212M		3	LOCKWASHER
16	11-82384M		1	NUT
17	13-82218M		1	LOCKWASHER
18	47341A1		1	STARTER ROPE
19	33-82370M		1	SPARK PLUG (NGK #B-6HS)
20	85-63709A1		1	PROTECTOR
21	814991M		OPT	CAP (NOISE SUPPRESSOR)
	80373M		1	STOP
22	10-813477M		2	BOLT
23	13-82212M		2	LOCKWASHER
24	12-82214M		2	WASHER
25	NLA		1	SCREW
26	NLA		1	SPRING
27	23-82030M		1	GROMMET

CYLINDER AND CYLINDER HEAD

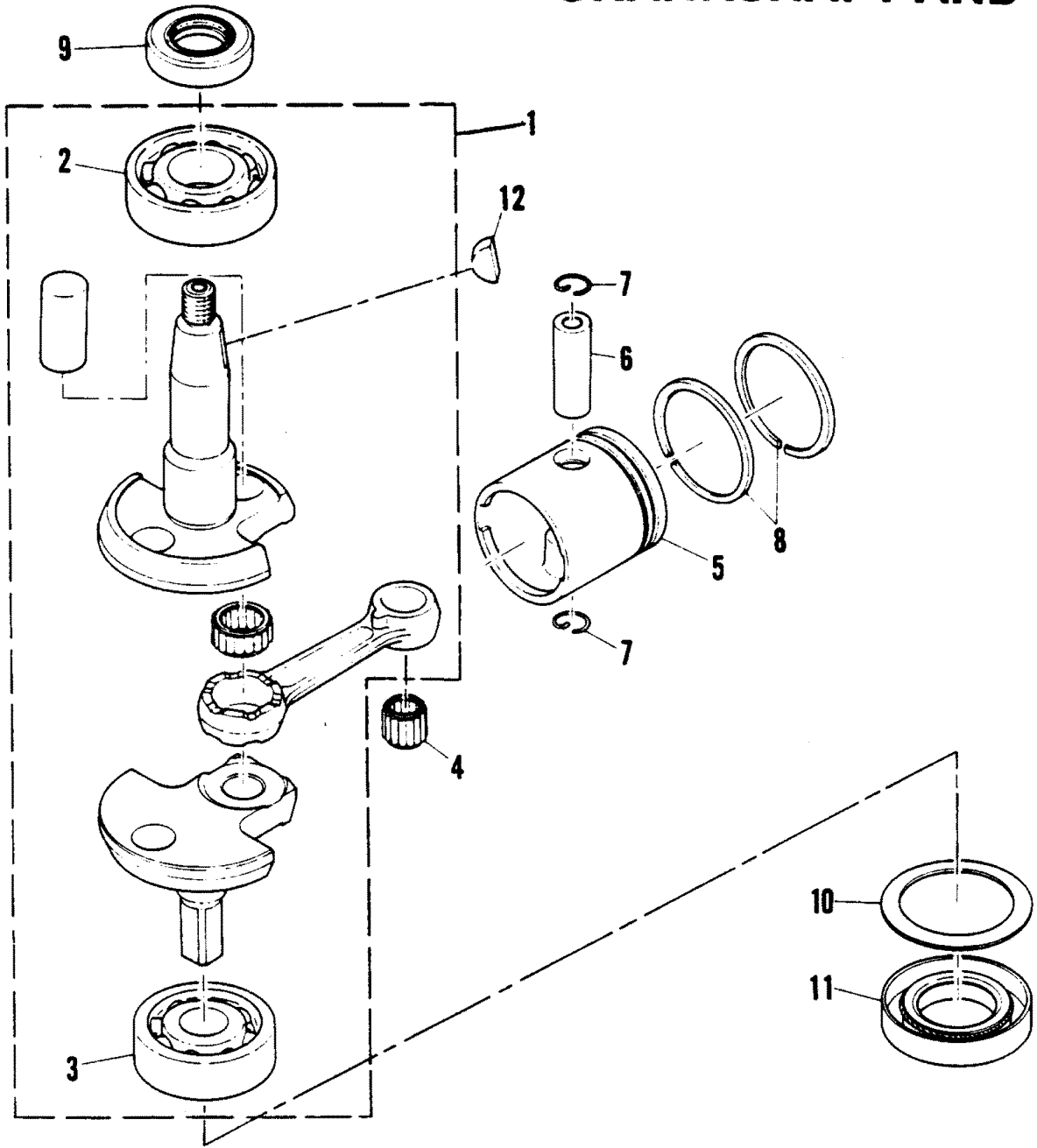


CYLINDER AND CYLINDER HEAD

REF. NO.	PART NO.	SYM.	QTY.	DESCRIPTION
1	870-6735M		1	CRANKCASE ASSEMBLY
2	22-81923M		1	PLUG
3	21-82692M		1	CHECK VALVE(SER. AND UP) SERIAL 00#40911-09999999
	21-80727M		1	CHECK VALVE(SER. & BELOW) SERIAL 0A000000-0#040910
4	22-80743M		1	DRAIN FITTING
5	17-14214M		2	DOWEL PIN
6	10-82428M		2	BOLT
7	12-82214M		6	WASHER
8	27-80313M		1	GASKET
9	NLA		1	CYLINDER HEAD
10	10-82405M		4	BOLT
11	12-82214M		2	WASHER
12	34-84983M		1	REED VALVE ASSEMBLY
13	NLA		1	REED SET(REED STOP NOT INCLUDED)
14	27-80319M		1	GASKET
15	80377M		1	BRACKET SERIAL 0#021516-0Z999999
	NLA		1	BRACKET SERIAL 00000000-00#21515
16	10-82432M		4	BOLT
17	80372M		1	STOP
18	80417M		1	COVER
19	32-811045M		1	HOSE
20	54-82046M		2	CLAMP
21	NLA		1	BRACKET SERIAL 00000000-00#21515

CRANKSHAFT AND PISTON

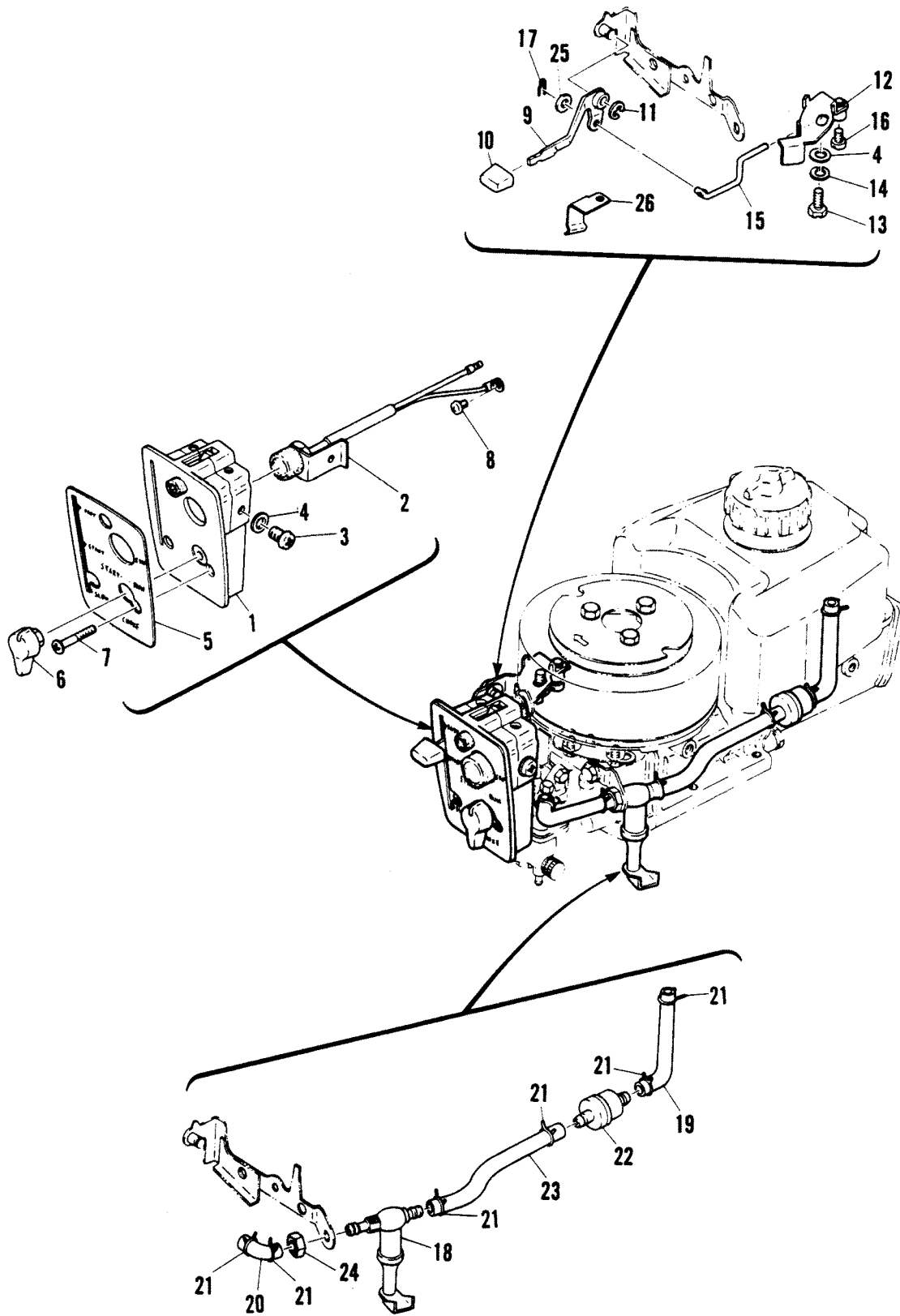
CRANKSHAFT AND PISTON



CRANKSHAFT AND PISTON

REF. NO.	PART NO.	SYM.	QTY.	DESCRIPTION
1	463-6729M		1	CRANKSHAFT ASSEMBLY
2	30-82293M		1	UPPER BEARING
3	30-82305M		1	LOWER BEARING
4	31-82310M		1	BEARING
5	761-6731M		1	PISTON (STANDARD)
	761-6732M		AR	PISTON (39.25MM O.S.)
	761-6733M		AR	PISTON (39.50MM O.S.)
6	41-80317M		1	PISTON PIN
7	53-82341M		2	LOCK RING
8	39-80314M		1	PISTON RING SET (STANDARD)
	39-80315M		AR	PISTON RING SET (1ST. O.S.)
	39-80316M		AR	PISTON RING SET (2ND.O.S.)
9	26-82242M		1	OIL SEAL
10	23-81840M		1	SPACER
11	26-82237M		1	OIL SEAL
12	28-18856M		1	KEY

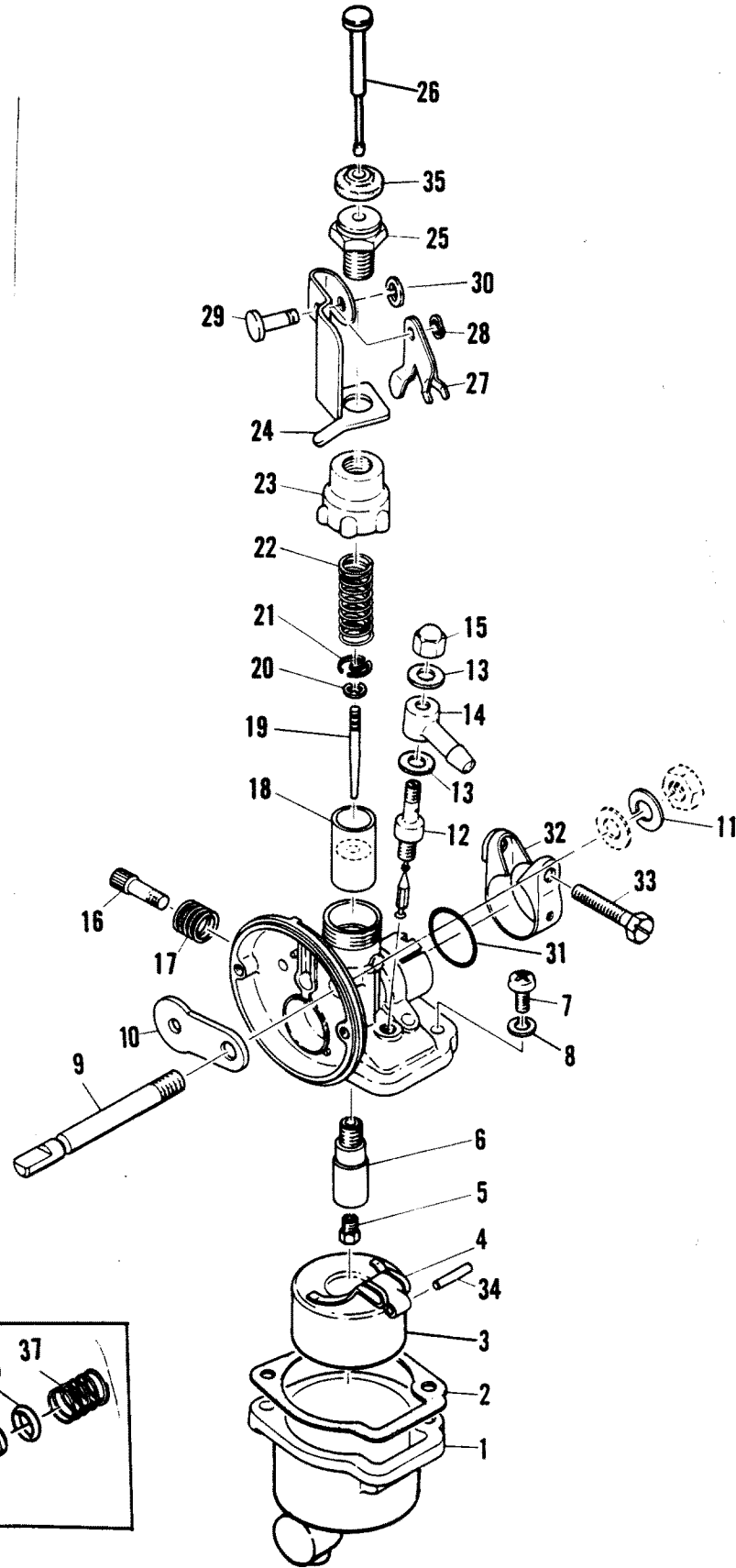
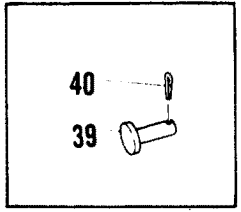
CHOKE-MAGNETO CONTROL AND FUEL COCK



CHOKE-MAGNETO CONTROL AND FUEL COCK

REF. NO.	PART NO.	SYM.	QTY.	DESCRIPTION
1	80351M		1	INTAKE SILENCER
2	87-80418M		1	STOP SWITCH
3	10-96671M		1	SCREW
4	12-82214M		2	WASHER
5	37-80386M		1	FRONT DECAL
6	80371M		1	CHOCK KNOB
7	10-82529M		2	SCREW
8	10-82512M		1	SCREW
9	80374M		1	MAGNETO CONTROL LEVER
10	80376M		1	KNOB
11	53-82327M		1	SNAOP RING
12	NLA		1	ACCELERATOR ARM
13	10-813477M		1	BOLT
14	13-82212M		1	LOCKWASHER
15	80375M		1	MAGNETO CONTROL ROD
16	10-83523M		1	SCREW
17	18-82050M		1	PIN
18	35-80366M		1	FUEL COCK
19	32-81324M		1	FUEL LINE
20	32-82012M		1	FUEL LINE
21	54-82047M		6	CLAMP
22	35-80365M		1	FUEL FILTER
23	32-82012M		1	FUEL LINE
24	11-82383M		1	NUT
25	12-82933M		1	WASHER
26	80378M		1	STOP

CARBURETOR

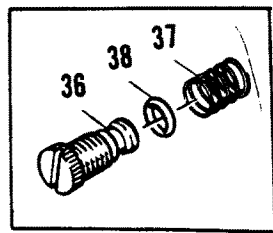
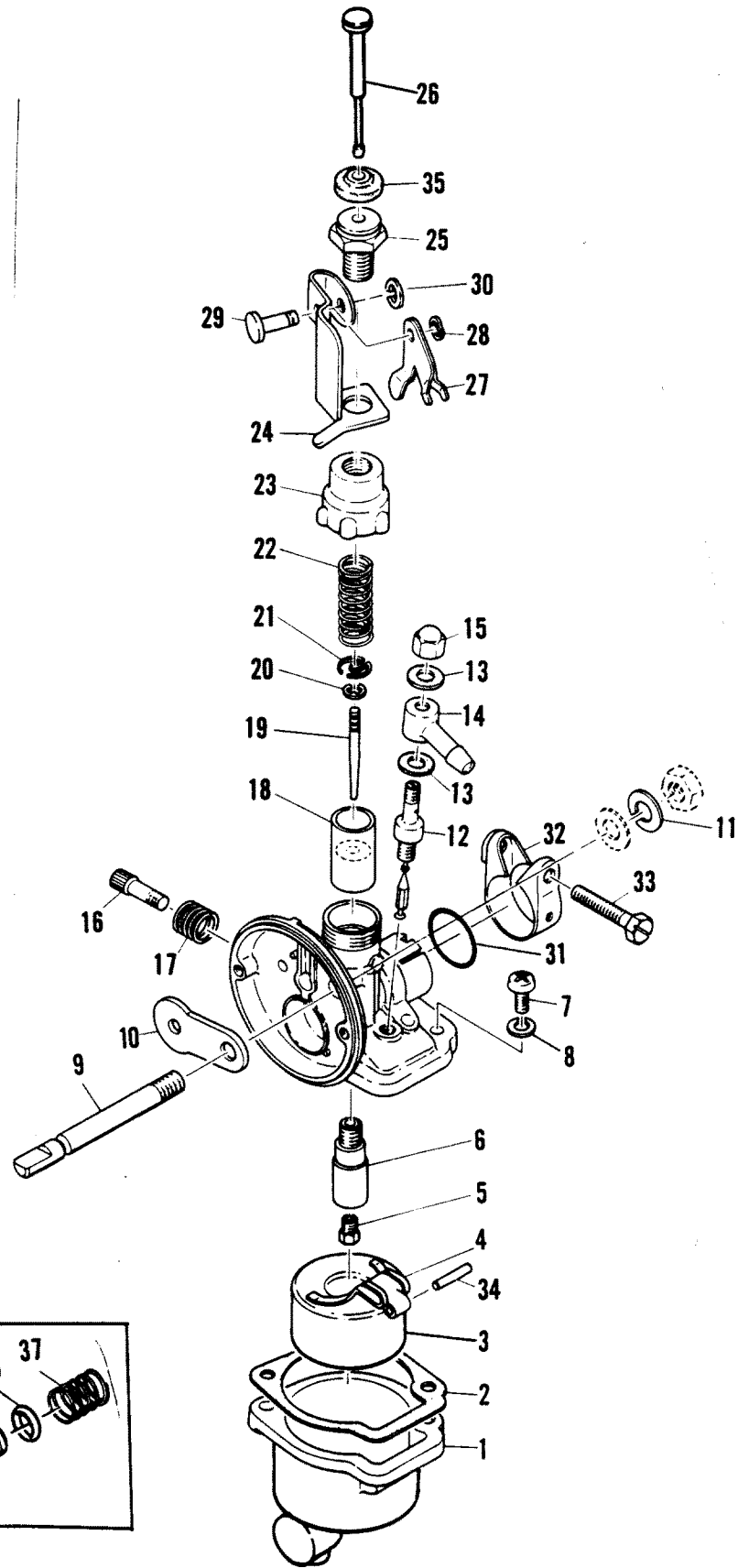
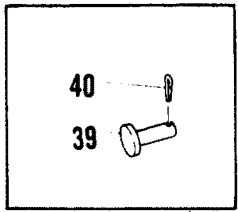


CARBURETOR

REF. NO.	PART NO.	SYM.	QTY.	DESCRIPTION
-	1383-6906M		1	CARBURETOR SERIAL 0#032731-0Z999999
-	1383-6734M		1	CARBURETOR SERIAL 00000000-00032730
-	1383-6901M		1	CARBURETOR SERIAL 00000000-00#20425
1	82832M		1	FLOAT BOWL SERIAL 0#032731-0Z999999
	80343M		1	FLOAT BOWL SERIAL 0A000000-0#032730
2	27-80344M		1	GASKET
3	80345M		1	FLOAT
4	80346M		1	FLOAT ARM
5	80339M		1	MAIN JET (#64)
6	80338M		1	MAIN NOZZLE
7	10-83509M		2	SCREW
8	13-82184M		2	LOCKWASHER
9	NLA		1	CHOKE LEVER
10	NLA		1	CHOKE VALVE
11	NLA		1	LOCKWASHER
12	80347M		1	INLET VALVE & SEAT SERIAL 00#21516-09999999
	82601M		1	INLET VALVE & SEAT SERIAL 00000000-00#21515
13	27-80327M		2	GASKET
14	22-80326M		1	CONNECTOR
15	11-80348M		1	NUT
16	10-80238M		1	SCREW
17	24-814460M		1	SPRING SERIAL 00#21516-09999999
	24-82596M		1	SPRING SERIAL 00000000-00#21515
18	80333M		1	THROTTLE VALVE
19	NLA		1	NEEDLE VALVE
20	83-80324M		1	CLIP
21	80323M		1	SEAT
22	NLA		1	SPRING SERIAL 00#21516-09999999
	24-82599M		1	SPRING SERIAL 00000000-00#21515
23	80325M		1	COVER
24	80353M		1	RETAINER
25	10-80336M		1	THROTTLE SCREW
26	NLA		1	PLUNGER
27	80335M		1	THROTTLE LEVER
28	NLA		1	WAVE WASHER
29	NLA		1	CLEVIS PIN- SERIAL 00#31101-09999999
30	53-82328M		1	SNAP RING
31	25-80332M		1	O-RING
32	80322M		1	CLIP
33	10-80321M		1	SCREW
34	17-82804M		1	FLOAT PIN
35	80196M		1	CAP
36	10-80349M		1	DRAIN VALVE SERIAL 0#021516-00032730

CONTINUED ON NEXT PAGE ➡

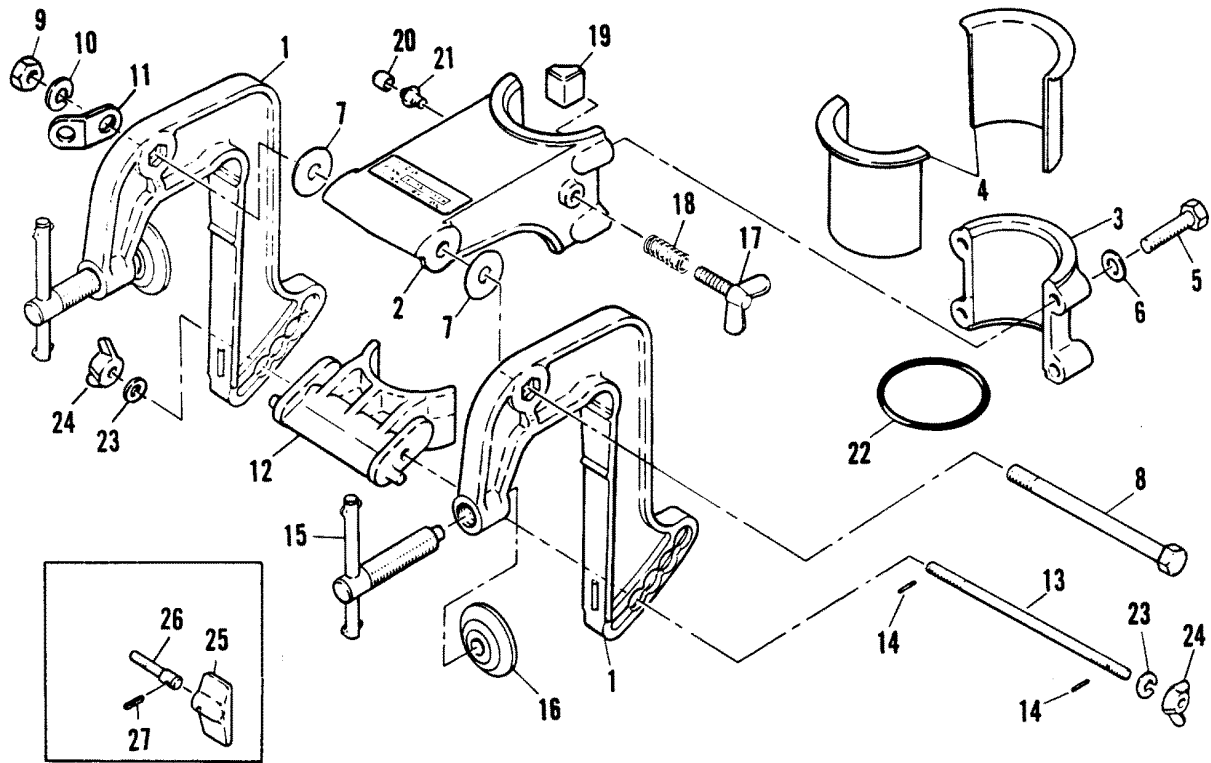
CARBURETOR



CARBURETOR

REF. NO.	PART NO.	SYM.	QTY.	DESCRIPTION
37	24-80331M		1	SPRING SERIAL 0#021516-00032730
36	NLA		1	DRAIN VALVE SERIAL 00000000-00#21515
37	NLA		1	SPRING SERIAL 00000000-00#21515
38	25-80350M		1	O-RING SERIAL 00000000-00#21515
	NLA		1	CLEVIS PIN SERIAL 00000000-00#31100
40	18-82050M		1	LOCK RING SERIAL 00000000-00#31100

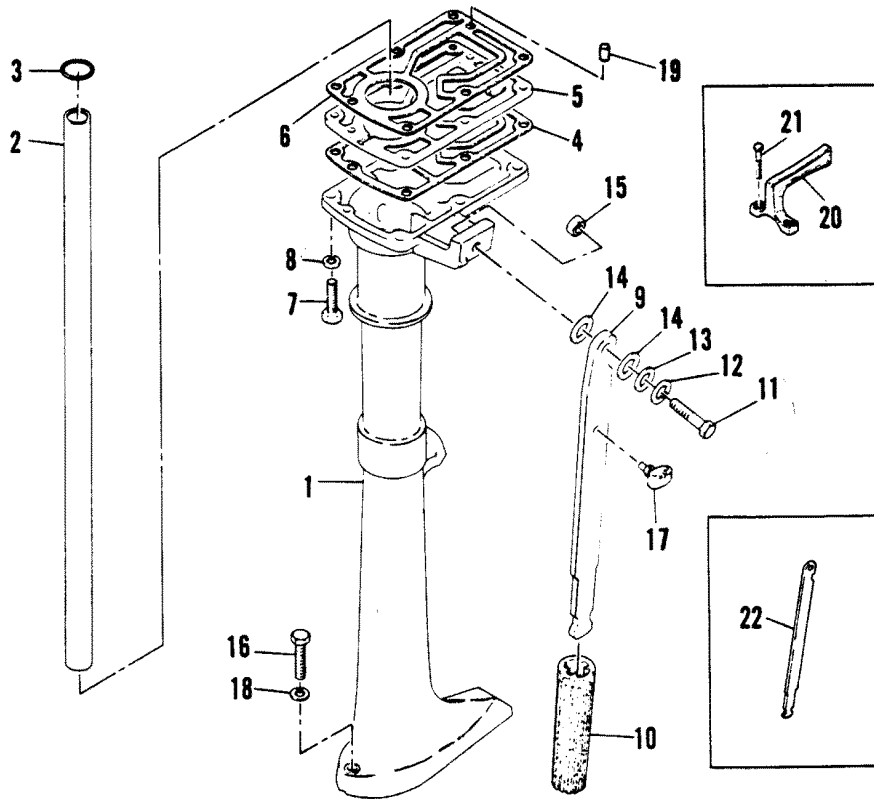
CLAMP AND SWIVEL BRACKET



CLAMP AND SWIVEL BRACKET

REF. NO.	PART NO.	SYM.	QTY.	DESCRIPTION
1	1484-6739M		2	CLAMP BRACKET
2/3	1485-6740M		1	SWIVEL BRACKET
4	23-80382M		2	BUSHING
5	10-83285M		4	BOLT
6	12-82214M		4	WASHER
7	12-81845M		2	WASHER
8	10-81705M		1	BOLT
9	11-82382M		1	NUT
10	13-82215M		1	LOCKWASHER
11	NLA		1	WASHER
12	92537M		1	RECIEVER
13	16-81730M		1	STUD
14	17-82140M		2	ROLL PIN
15	92539M		2	CLAMP SCREW
16	12-80638M		2	PAD
17	10-81745M		1	WING BOLT SERIAL 00#21516-09999999
18	24-82083M		1	SPRING
19	80381M		1	FRICTION PIECE
20	81439M		1	CAP
21	22-82369M		1	GREASE FITTING
22	25-82279M		1	O-RING
23	12-81791M		2	WASHER
24	11-81776M		2	WING NUT SERIAL 00#21516-09999999
	11-82703M		2	WING NUT SERIAL 00000000-00#21515
25	11-82577M		1	WING NUT SERIAL 00000000-00#21515
26	NLA		1	SCREW SERIAL 00000000-00#21515
27	17-82738M		1	ROLL PIN SERIAL 00000000-00#21515

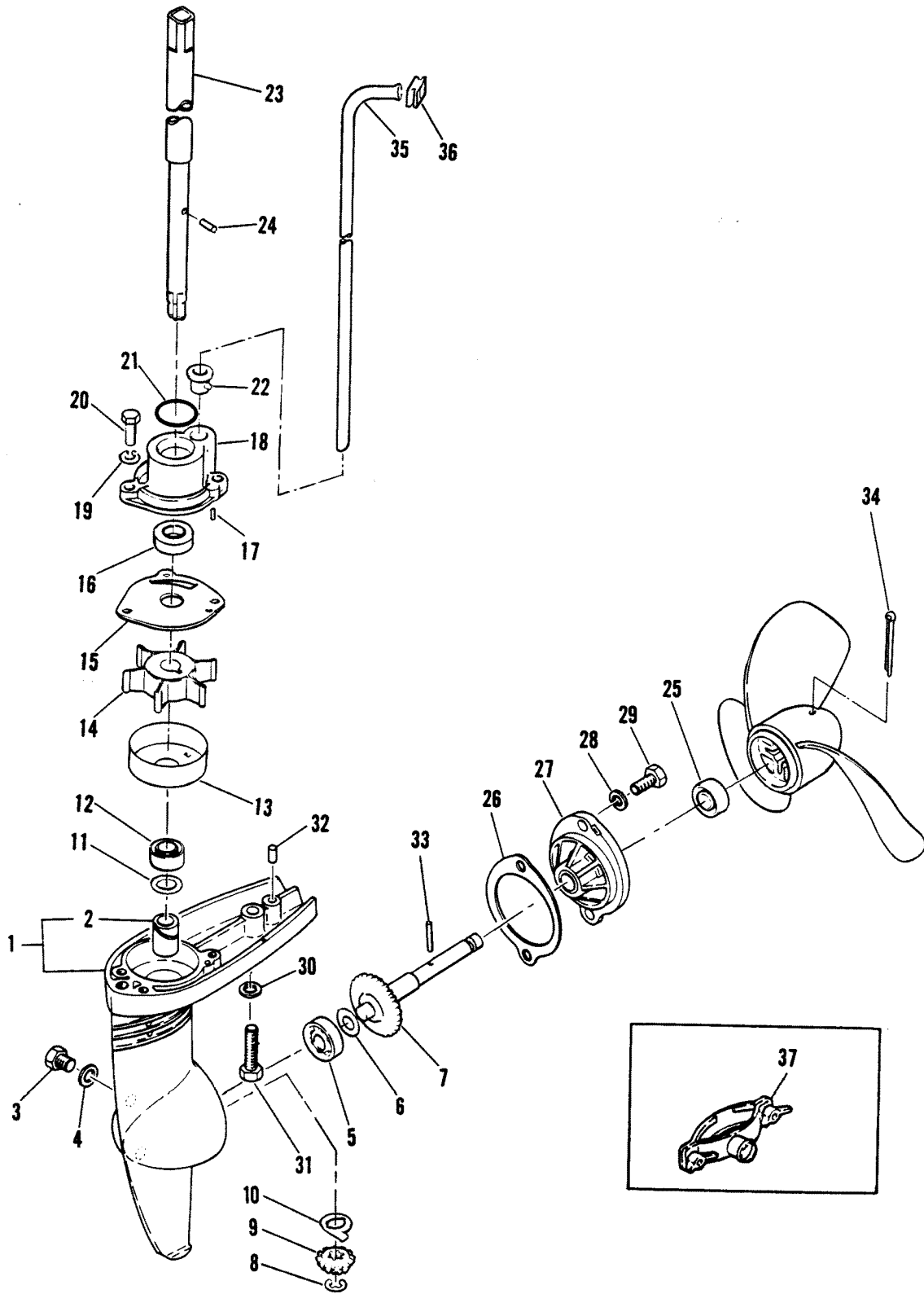
DRIVESHAFT HOUSING AND STEERING HANDLE



DRIVESHAFT HOUSING AND STEERING HANDLE

REF. NO.	PART NO.	SYM.	QTY.	DESCRIPTION
1	1587-7862M		1	DRIVESHAFT HOUSING
2	32-80399M		1	TUBE
3	25-82269M		1	O-RING
4	27-80355M		1	GASKET
5	80369M		1	EXHAUST GUIDE
6	27-80354M		1	GASKET
7	10-82405M		6	BOLT
8	13-82212M		6	LOCKWASHER
9	80379M		1	STEERING ARM
10	80380M		1	STEERING HANDLE
11	10-81704M		1	BOLT
12	13-82215M		1	LOCKWASHER
13	12-82216M		1	WASHER
14	12-81802M		2	WASHER
15	11-82382M		1	NUT
16	10-82454M		1	BOLT
17	80383M		1	HOLDER
18	12-82214M		1	WASHER
19	17-82360M		2	DOWEL PIN
20	84398M		1	BRACKET
21	10-82457M		2	BOLT
22	84399M		1	STEERING HANDLE (LONG - OPT.)

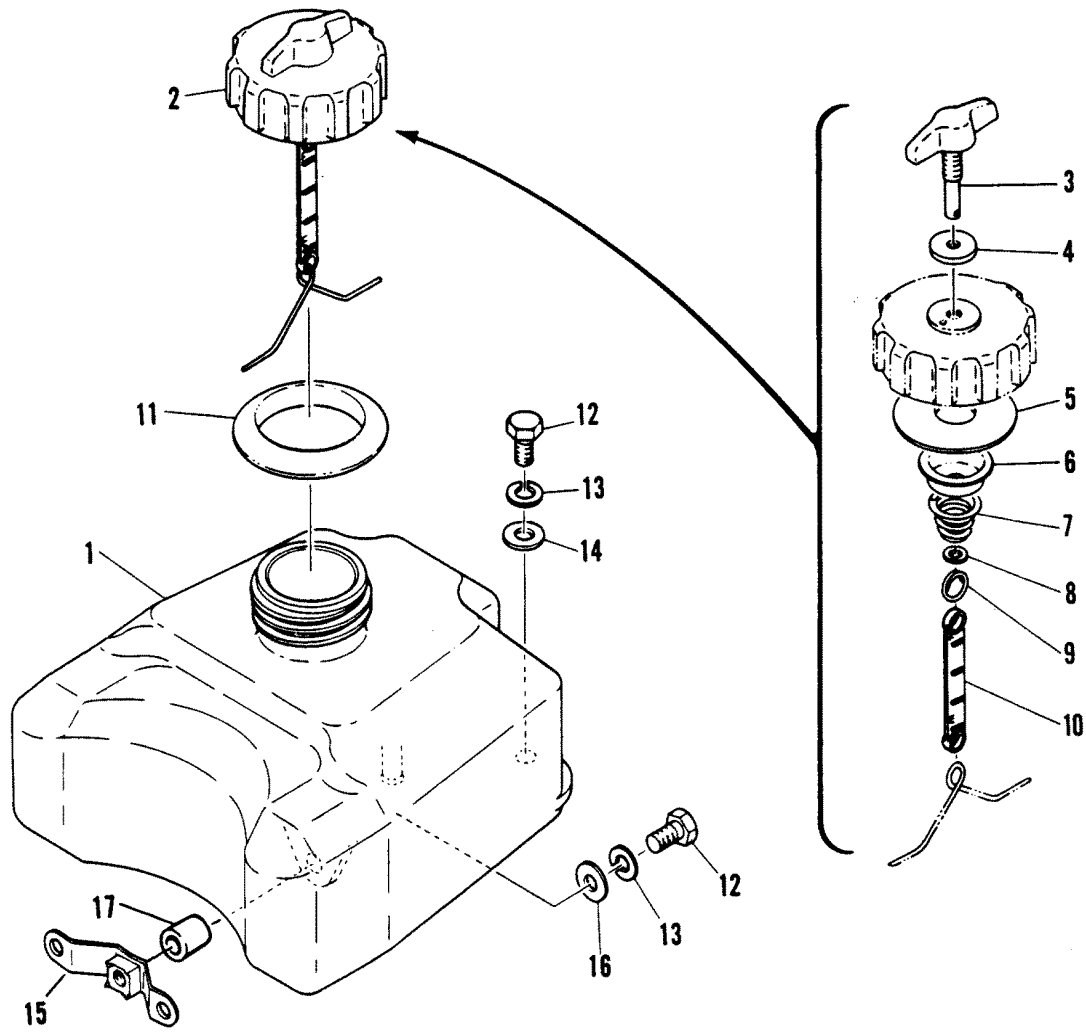
GEARHOUSING ASSEMBLY



GEARHOUSING ASSEMBLY

REF. NO.	PART NO.	SYM.	QTY.	DESCRIPTION
-	1651-6885M		1	GEARHOUSING ASSEMBLY
1	NLA1-		1	GEARHOUSING
2	23-95465M		2	BUSHING
3	22-81924M		2	PLUG
4	27-81987M		2	GASKET
5	30-82290M		1	BEARING
6	15-80407M		AR	SHIM(.3MM)
	15-80408M		AR	SHIM(.5MM)
7	43-80406M		1	GEAR ASSEMBLY
8	53-82331M		1	SNAP RING
9	43-80405M		1	PINION GEAR
10	12-81875M		1	THRUST WASHER
11	12-80404M		AR	SHIM(.3MM)
	15-82802M		AR	SHIM(.5MM)
12	26-82251M		1	OIL SEAL
13	80393M		1	INSERT
14	47-80395M		1	IMPELLER
15	80394M		1	OUTER PLATE
16	26-813497M		1	OIL SEAL
17	17-82356M		2	DOWEL PIN
18	46-96337M		1	COVER
19	13-82208M		2	LOCKWASHER
20	10-82521M		2	BOLT
21	25-82269M		1	O-RING
22	26-80398M		1	RUBBER
23	45-92522M		1	DRIVESHAFT
24	17-82355M		1	DOWEL PIN
25	26-82250M		1	OIL SEAL
26	27-80402M		1	GASKET
27	80401M		1	COVER
28	12-82214M		2	WASHER
29	10-84368M		2	BOLT
30	12-82214M		1	WASHER
31	10-82454M		1	BOLT
32	17-82360M		4	DOWEL PINE
33	17-81896M		1	DRIVE PIN
34	18-82134M		1	COTTER PIN
35	32-80396M		1	WATER TUBE
36	26-80397M		1	RUBBER
37	84358M		1	FLUSHING ATTACHMENT

FUEL TANK



FUEL TANK

REF. NO.	PART NO.	SYM.	QTY.	DESCRIPTION
1	1252-6736M		1	FUEL TANK
2	36-18857M		1	CAP ASSEMBLY
3	10-11910M		1	SCREW SERIAL 00#21516-09999999
	NLA		1	SCREW SERIAL 00000000-00#21515
4	27-82814M		1	GASKET
5	26-82815M		1	PACKING
6	27-82817M		1	GASKET
7	24-82819M		1	SPRING
8	12-82847M		1	WASHER
9	24-82820M		1	SPRING
10	82821M		1	INDICATOR
11	25-95458M		1	SEAT
12	10-84247M		3	BOLT
13	13-82212M		3	LOCKWASHER
14	12-82214M		2	WASHER
15	80363M		1	BRACKET
16	12-84359M		1	WASHER

PARTS INDEX

Part Number	Description	Pg.	Ref. No.	Part Number	Description	Pg.	Ref. No.
47341A1	STARTER ROPE	5	18	NLA	BRACKET	7	15
80003M	LUBRICATOR	5	10	NLA	BRACKET	7	21
80054M	BREAKER	5	5	NLA	CHOKE LEVER	13	9
80196M	CAP	13	35	NLA	CHOKE VALVE	13	10
80322M	CLIP	13	32	NLA	CLEVIS PIN	15	38
80323M	SEAT	13	21	NLA	CLEVIS PIN-	13	29
80325M	COVER	13	23	NLA	CYLINDER HEAD	7	9
80333M	THROTTLE VALVE	13	18	NLA	DECAL (MARINER)	3	21
80335M	THROTTLE LEVER	13	27	NLA	DECAL (REAR)	3	23
80338M	MAIN NOZZLE	13	6	NLA	DRAIN VALVE	15	36
80339M	MAIN JET (#64)	13	5	NLA	FLYWHEEL	5	1
80343M	FLOAT BOWL	13	1	NLA	FLYWHEEL MAGNETO		
80345M	FLOAT	13	3		ASSEMBLY	5	0-1
80346M	FLOAT ARM	13	4	NLA	INDICATOR	3	15
80347M	INLET VALVE & SEAT	13	12	NLA	LOCKWASHER	13	11
80351M	INTAKE SILENCER	11	1	NLA	MAGENTO BASE-SER. &		
80353M	RETAINER	13	24		BELOW)	5	7
80357M	COVER	3	12	NLA	NEEDLE VALVE	13	19
80358M	PULLEY	5	13	NLA	PLUNGER	13	26
80359M	HINGE	3	17	NLA	REED SET(REED STOP NOT		
80363M	BRACKET	23	15		INCLUDED)	7	13
80369M	EXHAUST GUIDE	19	5	NLA	SCREW	3	7
80371M	CHOCK KNOB	11	6	NLA	SCREW	5	25
80372M	STOP	7	17	NLA	SCREW	17	26
80373M	STOP	5	21	NLA	SCREW	23	3
80374M	MAGNETO CONTROL LEVER	11	9	NLA	SPRING	5	26
80375M	MAGNETO CONTROL ROD	11	15	NLA	SPRING	13	22
80376M	KNOB	11	10	NLA	SPRING	15	37
80377M	BRACKET	7	15	NLA	WASHER	17	11
80378M	STOP	11	26	NLA	WAVE WASHER	13	28
80379M	STEERING ARM	19	9	10-11910M	SCREW	23	3
80380M	STEERING HANDLE	19	10	10-80001M	SCREW	5	6
80381M	FRICITION PIECE	17	19	10-80001M	SCREW	5	9
80383M	HOLDER	19	17	10-80238M	SCREW	13	16
80387M	BRACKET	3	4	10-80321M	SCREW	13	33
80388M	BRACKET	3	13	10-80336M	THROTTLE SCREW	13	25
80393M	INSERT	21	13	10-80349M	DRAIN VALVE	13	36
80394M	OUTER PLATE	21	15	10-813477M	BOLT	5	22
80401M	COVER	21	27	10-813477M	BOLT	11	13
80412M	MAGNETO BASE-SER & UP	5	7	10-81704M	BOLT	19	11
80413M	IGNITION COIL	5	2	10-81705M	BOLT	17	8
80414M	CONDENSER	5	8	10-81745M	WING BOLT	17	17
80417M	COVER	7	18	10-82176M	SCREW	3	9
81439M	CAP	17	20	10-82179M	SCREW	3	10
814991M	CAP (NOISE SUPPRESSOR)	5	21	10-82405M	BOLT	7	10
82572M	CONDENSER	5	8	10-82405M	BOLT	19	7
82601M	INLET VALVE & SEAT	13	12	10-82428M	BOLT	7	6
82604M	IGNITION COIL	5	2	10-82432M	BOLT	7	16
82693M	BREAKER	5	5	10-82454M	BOLT	19	16
82810M	INDICATOR	3	24	10-82454M	BOLT	21	31
82821M	INDICATOR	23	10	10-82457M	BOLT	19	21
82832M	FLOAT BOWL	13	1	10-82507M	SCREW	5	3
84358M	FLUSHING ATTACHMENT	21	37	10-82512M	SCREW	11	8
84398M	BRACKET	19	20	10-82521M	BOLT	21	20
84399M	STEERING HANDLE (LONG -			10-82529M	SCREW	11	7
	OPT.)	19	22	10-82530M	SCREW	3	5
92537M	RECIEVER	17	12	10-83285M	BOLT	17	5
92539M	CLAMP SCREW	17	15	10-83509M	SCREW	13	7
92543M	COVER(SER. & UP)	5	12	10-83523M	SCREW	11	16
NLA	ACCELERATOR ARM	11	12	10-83539M	BOLT	5	14

PARTS INDEX

Part Number	Description	Pg.	Ref. No.	Part Number	Description	Pg.	Ref. No.
10-84247M	BOLT	23	12	18-82050M	PIN	11	17
10-84368M	BOLT	21	29	18-82126M	COTTER PIN	3	19
10-92556M	SCREW	3	6	18-82134M	COTTER PIN	21	34
10-96671M	SCREW	11	3	21-80727M	CHECK VALVE(SER. & BELOW)	7	3
11-80348M	NUT	13	15	21-82692M	CHECK VALVE(SER. AND UP)	7	3
11-81776M	WING NUT	17	24	22-80326M	CONNECTOR	13	14
11-82382M	NUT	17	9	22-80743M	DRAIN FITTING	7	4
11-82382M	NUT	19	15	22-81923M	PLUG	7	2
11-82383M	NUT	11	24	22-81924M	PLUG	21	3
11-82384M	NUT	5	16	22-82369M	GREASE FITTING	17	21
11-82577M	WING NUT	17	25	23-80382M	BUSHING	17	4
11-82703M	WING NUT	17	24	23-81840M	SPACER	9	10
12-80404M	SHIM(.3MM)	21	11	23-82030M	GROMMET	5	27
12-80638M	PAD	17	16	23-95465M	BUSHING	21	2
12-81791M	WASHER	17	23	24-80331M	SPRING	15	37
12-81802M	WASHER	19	14	24-814460M	SPRING	13	17
12-81845M	WASHER	17	7	24-82083M	SPRING	17	18
12-81875M	THRUST WASHER	21	10	24-82107M	SPRING	3	14
12-82211M	WASHER	3	8	24-82596M	SPRING	13	17
12-82214M	WASHER	3	11	24-82599M	SPRING	13	22
12-82214M	WASHER	5	24	24-82819M	SPRING	23	7
12-82214M	WASHER	7	11	24-82820M	SPRING	23	9
12-82214M	WASHER	7	7	25-80332M	O-RING	13	31
12-82214M	WASHER	11	4	25-80350M	O-RING	15	38
12-82214M	WASHER	17	6	25-82269M	O-RING	19	3
12-82214M	WASHER	19	18	25-82269M	O-RING	21	21
12-82214M	WASHER	21	28	25-82279M	O-RING	17	22
12-82214M	WASHER	21	30	25-95458M	SEAT	23	11
12-82214M	WASHER	23	14	26-80397M	RUBBER	21	36
12-82216M	WASHER	19	13	26-80398M	RUBBER	21	22
12-82847M	WASHER	23	8	26-813497M	OIL SEAL	21	16
12-82933M	WASHER	11	25	26-82237M	OIL SEAL	9	11
12-84359M	WASHER	23	16	26-82242M	OIL SEAL	9	9
13-82184M	LOCKWASHER	5	4	26-82250M	OIL SEAL	21	25
13-82184M	LOCKWASHER	13	8	26-82251M	OIL SEAL	21	12
13-82208M	LOCKWASHER	21	19	26-82815M	PACKING	23	5
13-82212M	LOCKWASHER	3	16	27-80313M	GASKET	7	8
13-82212M	LOCKWASHER	5	15	27-80319M	GASKET	7	14
13-82212M	LOCKWASHER	5	23	27-80327M	GASKET	13	13
13-82212M	LOCKWASHER	11	14	27-80344M	GASKET	13	2
13-82212M	LOCKWASHER	19	8	27-80354M	GASKET	19	6
13-82212M	LOCKWASHER	23	13	27-80355M	GASKET	19	4
13-82215M	LOCKWASHER	17	10	27-80402M	GASKET	21	26
13-82215M	LOCKWASHER	19	12	27-81987M	GASKET	21	4
13-82218M	LOCKWASHER	5	17	27-82814M	GASKET	23	4
15-80407M	SHIM(.3MM)	21	6	27-82817M	GASKET	23	6
15-80408M	SHIM(.5MM)	21	6	28-18856M	KEY	9	12
15-82802M	SHIM(.5MM)	21	11	30-82290M	BEARING	21	5
16-81730M	STUD	17	13	30-82293M	UPPER BEARING	9	2
17-14214M	DOWEL PIN	7	5	30-82305M	LOWER BEARING	9	3
17-80360M	PIN	3	18	31-82310M	BEARING	9	4
17-81896M	DRIVE PIN	21	33	32-80396M	WATER TUBE	21	35
17-82140M	ROLL PIN	17	14	32-80399M	TUBE	19	2
17-82355M	DOWEL PIN	21	24	32-811045M	HOSE	7	19
17-82356M	DOWEL PIN	21	17	32-81324M	FUEL LINE	11	19
17-82360M	DOWEL PIN	19	19	32-82012M	FUEL LINE	11	20
17-82360M	DOWEL PINE	21	32	32-82012M	FUEL LINE	11	23
17-82738M	ROLL PIN	17	27	33-82370M	SPARK PLUG (NGK #B-6HS)	5	19
17-82804M	FLOAT PIN	13	34				
18-82050M	LOCK RING	15	40				

PARTS INDEX

Part Number	Description	Pg.	Ref. No.	Part Number	Description	Pg.	Ref. No.
34-84983M	REED VALVE ASSEMBLY ..	7	12				
35-80365M	FUEL FILTER	11	22				
35-80366M	FUEL COCK	11	18				
36-18857M	CAP ASSEMBLY	23	2				
37-80386M	FRONT DECAL	11	5				
37-82809M	DECAL (H.P.)	3	22				
39-80314M	PISTON RING SET (STANDARD)	9	8				
39-80315M	PISTON RING SET (1ST. O.S.)	9	8				
39-80316M	PISTON RING SET (2ND.O.S.)	9	8				
41-80317M	PISTON PIN	9	6				
43-80405M	PINION GEAR	21	9				
43-80406M	GEAR ASSEMBLY	21	7				
45-92522M	DRIVESHAFT	21	23				
46-96337M	COVER	21	18				
47-80395M	IMPELLER	21	14				
53-82327M	SNAOP RING	11	11				
53-82328M	SNAP RING	13	30				
53-82331M	SNAP RING	21	8				
53-82341M	LOCK RING	9	7				
54-82046M	CLAMP	7	20				
54-82047M	CLAMP	11	21				
83-80324M	CLIP	13	20				
84-82831M	HIGH TENSION LEAD	5	11				
85-63709A1	PROTECTOR	5	20				
87-80418M	STOP SWITCH	11	2				
91-81669M	TOOL KIT	3	20				
463-6729M	CRANKSHAFT ASSEMBLY ..	9	1				
761-6731M	PISTON (STANDARD)	9	5				
761-6732M	PISTON (39.25MM O.S.) ...	9	5				
761-6733M	PISTON (39.50MM O.S.) ...	9	5				
870-6735M	CRANKCASE ASSEMBLY ..	7	1				
1252-6736M	FUEL TANK	23	1				
1383-6734M	CARBURETOR	13	-				
1383-6901M	CARBURETOR	13	-				
1383-6906M	CARBURETOR	13	-				
1484-6739M	CLAMP BRACKET	17	1				
1485-6740M	SWIVEL BRACKET	17	2/3				
1587-7862M	DRIVESHAFT HOUSING ...	19	1				
1651-6885M	GEARHOUSING ASSEMBLY	21	-				
2168-6737M	STARBOARD COWL	3	1				
NLA1-	GEARHOUSING	21	1				
NLA8-	DECAL SET	3	3				
NLA8-	PORT COWL	3	2				