



PARTS CATALOG

150 H.P.

SERIAL NUMBER

150 H.P. (1989-1992)	1989-A THRU 1992-C
150 H.P. (1992-1994)	0E000001 THRU 0E093699

TABLE OF CONTENTS:

BOTTOM COWL COMPONENTS	10
CARBURETOR	36
CRANKSHAFT / PISTON	52
CYLINDER BLOCK	48
DRIVESHAFT HOUSING	62
ELECTRICAL COMPONENTS	18
EXHAUST MANIFOLD AND COVER	56
FLARED HUB PROPS	2
FUEL INTAKE SYSTEM	26
FUEL PRIME SYSTEM (0E065372 Thru 0E093699)	32
FUEL PRIME SYSTEM (89A Thru 91D)	28
FUEL PRIME SYSTEM (91J Thru 92C - 0E000001 Thru 0E065371)	30
FUEL PUMP ASSEMBLY (0E065372 Thru 0E093699)	42
FUEL PUMP ASSEMBLY (89A Thru 92C - 0E000001 Thru 0E065371)	40
FUEL TANK (0E009500 Thru 0E093699)	98
FUEL TANK (89A Thru 92C - 0E000001 Thru 0E009499)	96
GEAR HOUSING	70
GEAR SHIFT LINKAGE (0E009500 Thru 0E093699)	68
GEAR SHIFT LINKAGE (89A Thru 92C - 0E000001 Thru 0E009499)	66
IGNITION SYSTEM (89A Thru 91A)	12
IGNITION SYSTEM (91B Thru 92C - 0E000001 Thru 0E093699)	14
MISCELLANEOUS ENGINE PARTS	102
PARTS INDEX	103
POWER TRIM (Design I - With Bayonet Connectors)	78
POWER TRIM (Design II - With Bullet Or Bayonet Connectors)	80
POWER TRIM (Design III - Bullet 0E009500 Thru 0E093699)	84
PUMP/MOTOR KIT	86
RECIRCULATION SYSTEM	24
REMOTE CONTROL (89A Thru 92C - 0E000001 Thru 0E009499)	92
STARTER	22
STEERING LINK KIT	34
SWIVEL BRACKET / STERN BRACKETS	58
THROTTLE LINKAGE (0E009500 Thru 0E093699)	46
THROTTLE LINKAGE (89A Thru 92C - 0E000001 Thru 0E009499)	44
TILT CYLINDER / MOTOR AND PUMP	90
TOOLS - SPECIAL	100
TOP COWL COMPONENTS	4
TRIM CYLINDER COMPONENTS	88

NOTE: Indented description indicate that these parts are included in preceding assembly.

AR = As Required

NSS = Not Sold Separate

OPT = Optional

NS = Not Shown

NOTE: Following symbols are located in **SYM** column.

■ = COMPONENT OF ENGINE/POWERHEAD
GASKET SET (FG1027-2)

▲ = COMPONENT OF POWERHEAD/PARTIAL
ENGINE (800-818155A16)

❖ = COMPONENT OF CARBURETOR GASKET
SET (FK10023)

□ = COMPONENT OF CARBURETOR REPAIR
KIT (820576A1)

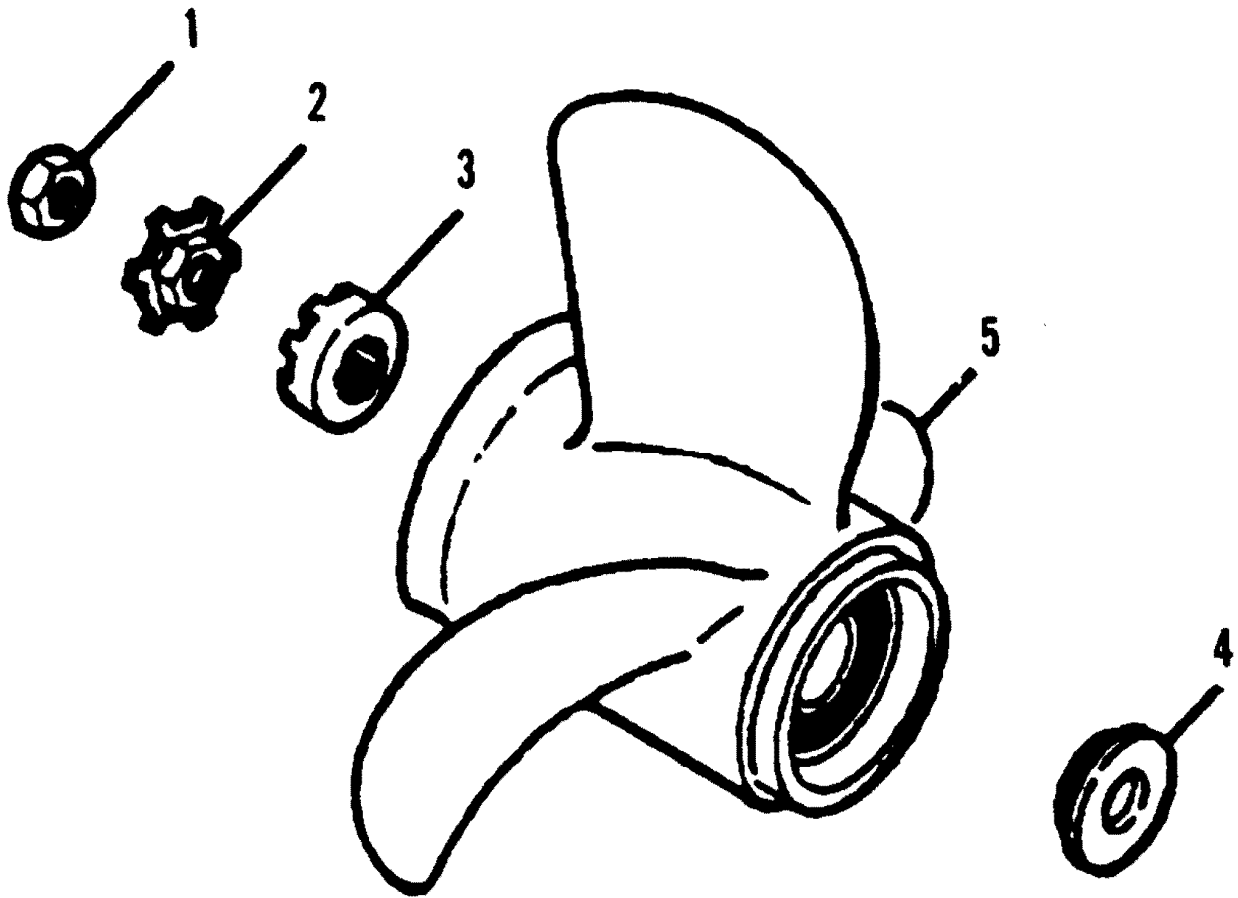
▷ = COMPONENT OF GEAR HOUSING SEAL
KIT (FK1203-1)

◆ = COMPONENT OF WATER PUMP REPAIR
KIT (FK1204-1)

THESE PARTS BOOKS/FICHE CARD ARE COPYRIGHTED AND MAY NOT BE DISTRIBUTED OR REPRODUCED IN ANY OTHER FORMAT BY ANYONE OTHER THAN MERCURY MARINE WITHOUT THE PRIOR WRITTEN CONSENT OF MERCURY MARINE.

THIS PAGE INTENTIONALLY LEFT BLANK

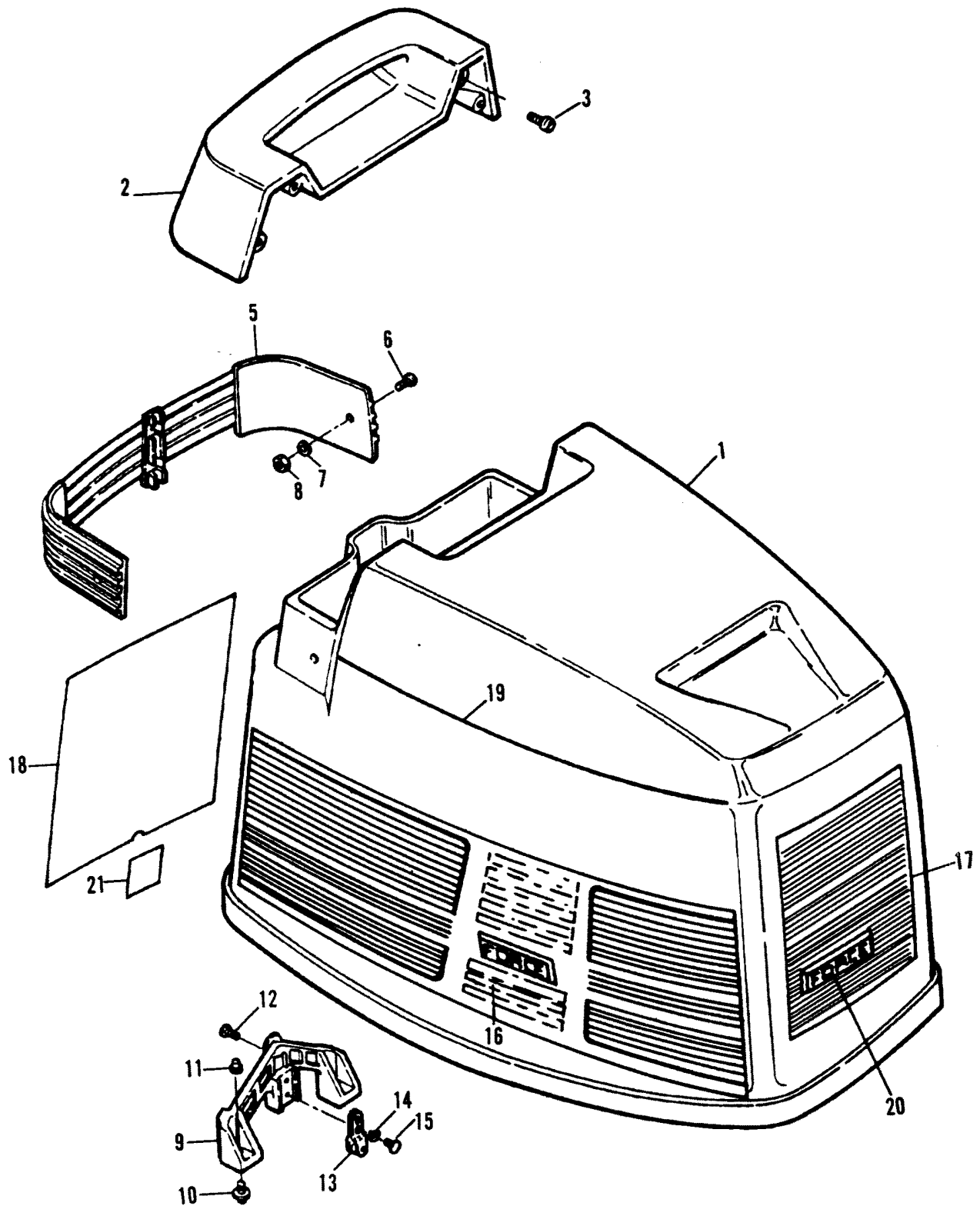
FLARED HUB PROPS



FLARED HUB PROPS

REF. NO.	PART NO.	SYM.	QTY.	DESCRIPTION
1	11-52707A1		1	NUT KIT (.750-16)
2	14-816629		1	WASHER (Tab)
3	F697299		1	WASHER (Splined)
4	F698099-1		1	SPACER
5			1	PROPELLER (SEE ACCESSORY GUIDE)

TOP COWL COMPONENTS

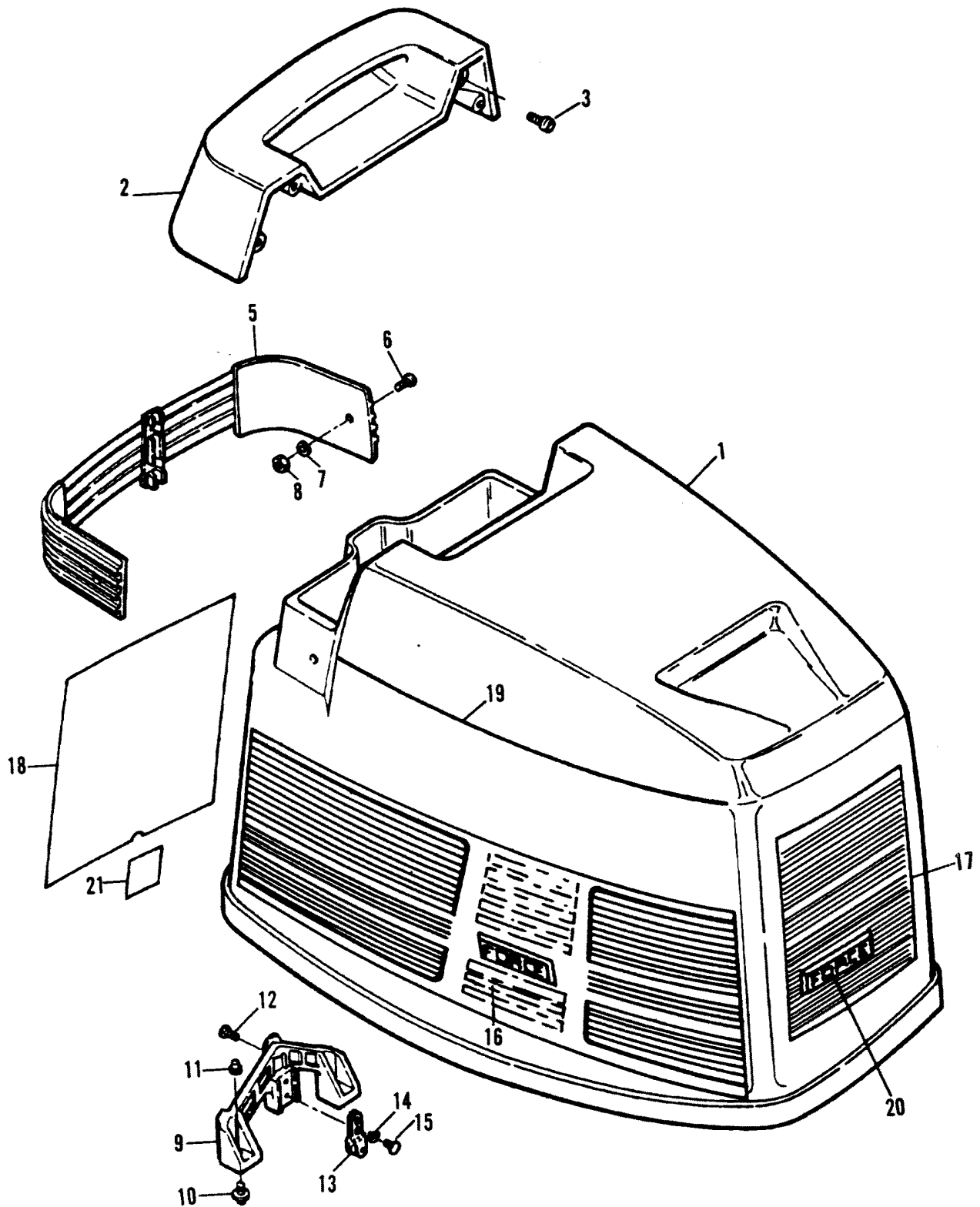


TOP COWL COMPONENTS

REF. NO.	PART NO.	SYM.	QTY.	DESCRIPTION
-	100-818094A1		1	COWL ASSEMBLY-Top (BAYLINER) (1990 Models With Decals)
	100-819098A1		1	COWL ASSEMBLY-Top (MAXUM) (1990 Models With Decals)
	F2C745712		1	COWL ASSEMBLY-Top (FORCE) (1991 Models With Decals)
	100-819098A1		1	COWL ASSEMBLY-Top (MAXUM) (1991 Models With Decals)
	100-819406A1		1	COWL ASSEMBLY-Top (FORCE) (1992 Models With Decals)
	100-819652A1		1	COWL ASSEMBLY-Top (MAXUM) (1992 Models With Decals)
1	100-819761A3		1	COWL ASSEMBLY-Top Basic (Painted) (All Models - Without Decals)
2	F694269-1		1	HANDLE-Tilt (Painted)
3	10-F2040		4	SCREW (.250-20 x .620)
5	F694597		1	GRILLE (Painted)
6	10-F1757		2	SCREW (#10-24 x .500)
7	12-89302		2	WASHER
8	11-F7009		2	NUT (#10-24)
9	F694774		1	BRACKET-Cowl Latch
10	F481434		2	GUIDE-Cowl Latch Bracket
11	F2088		2	FASTENER
12	10-28639		3	SCREW (.250-20 x .620)
13	18173		1	BRACKET ASSEMBLY-Latch
14	13-53166		2	LOCKWASHER (.312)
15	10-90285		2	SCREW (.312-18 x .620)
16	37-F694396		1	DECAL-Starboard (FORCE) (1989 Models)
	37-F694397		1	DECAL-Port (FORCE) (1989 Models)
	37-FX694396		1	DECAL-Starboard (BAYLINER) (1989 Models)
	37-FX694397		1	DECAL-Port (BAYLINER) (1989 Models)
	37-F721396		1	DECAL-Starboard (FORCE) (1990 Models)
	37-F721397		1	DECAL-Port (FORCE) (1990 Models)
	37-FX721396		1	DECAL-Starboard (BAYLINER) (1990 And 1991 COBRA Models)
	37-FX721397		1	DECAL-Port (BAYLINER) (1990 And 1991 COBRA Models)
	37-F745396		1	DECAL-Starboard (FORCE) (1991 Models)
	37-F745397		1	DECAL-Port (FORCE) (1991 Models)
	37-FX745396		1	DECAL-Starboard (BAYLINER) (1991 Models)
	37-FX745397		1	DECAL-Port (BAYLINER) (1991 Models)
	37-FZ745396		1	DECAL-Starboard (MAXUM) (1990 And 1991 Models)
	37-FZ745397		1	DECAL-Port (MAXUM) (1990 And 1991 Models)
	37-FP745396		1	DECAL-Starboard (FORCE) (1992 FORCE - 1991 ASTRO/PROCRAFT - 1992 COBRA Models)
	37-FP745397		1	DECAL-Port (FORCE) (1992 FORCE - 1991 ASTRO/PROCRAFT - 1992 COBRA Models)
	37-819576		1	DECAL-Starboard (BAYLINER) (1992 Models)
	37-819577		1	DECAL-Port (BAYLINER) (1992 Models)
37-819597		1	DECAL-Starboard (MAXUM) (1992 Models)	
37-819598		1	DECAL-Port (MAXUM) (1992 Models)	
17	37-F694892		1	DECAL-Front (FORCE) (1989 Models)

CONTINUED ON NEXT PAGE ➡

TOP COWL COMPONENTS

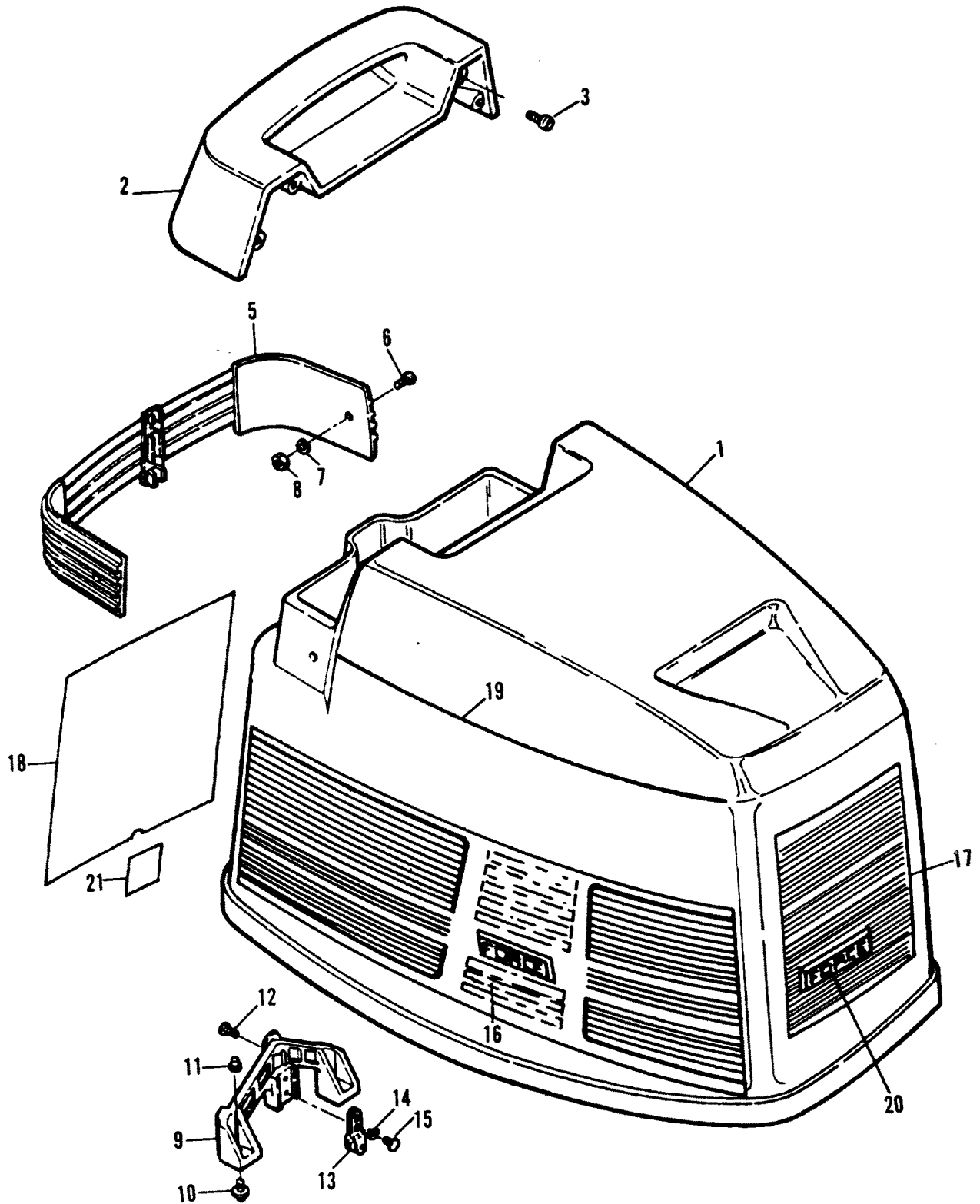


TOP COWL COMPONENTS

REF. NO.	PART NO.	SYM.	QTY.	DESCRIPTION
17	37-FX694892		1	DECAL-Front (BAYLINER) (1989 Models)
	37-F721892		1	DECAL-Front (FORCE) (1990 Models)
	37-FX721892		1	DECAL-Front (BAYLINER) (1990 And 1991 COBRA Models)
	37-F745892		1	DECAL-Front (FORCE) (1991 Models)
	37-FX745892		1	DECAL-Front (BAYLINER) (1991 Models)
	37-FZ745892		1	DECAL-Front (MAXUM) (1990 And 1991 Models)
	37-FP745892		1	DECAL-Front (FORCE) (1992 FORCE - 1991 ASTRO/PROCRAFT - 1992 COBRA Models)
	37-819579		1	DECAL-Front (BAYLINER) (1992 Models)
	37-819600		1	DECAL-Front (MAXUM) (1992 Models)
18	37-F694528		1	DECAL-Rear (FORCE) (1989 Models)
	37-FX694528		1	DECAL-Rear (BAYLINER) (1989 Models)
	37-F721528		1	DECAL-Rear (FORCE) (1990 Models)
	37-FX721528		1	DECAL-Rear (BAYLINER) (1990 And 1991 COBRA Models)
	37-F745528		1	DECAL-Rear (FORCE) (1991 Models)
	37-FX745528		1	DECAL-Rear (BAYLINER) (1991 Models)
	37-FZ745528		1	DECAL-Rear (MAXUM) (1990 And 1991 Models)
	37-FP745528		1	DECAL-Rear (FORCE) (1992 FORCE - 1991 ASTRO/PROCRAFT - 1992 COBRA Models)
	37-819578		1	DECAL-Rear (BAYLINER) (1992 Models)
37-819599		1	DECAL-Rear (MAXUM) (1992 Models)	
19	FS694373		1	DECAL-Top Stripe (FORCE) (1989 Models)
	FSX694373		1	DECAL-Top Stripe (BAYLINER) (1989 Models)
	FS694373		1	DECAL-Top Stripe (FORCE) (1990 Models)
	FSX721894		1	DECAL-Top Stripe (BAYLINER) (1990 And 1991 COBRA Models)
	FS745373		1	DECAL-Top Stripe (FORCE) (1991 Models)
	FSX721894		1	DECAL-Top Stripe (BAYLINER) (1991 Models)
	FSZ745373		1	DECAL-Top Stripe (MAXUM) (1990 And 1991 Models)
	FSP745373		1	DECAL-Top Stripe (FORCE) (1992 FORCE - 1991 ASTRO/PROCRAFT - 1992 COBRA Models)
	37-819580A1		1	DECAL-Top Stripe (BAYLINER) (1992 Models)
	37-819601A1		1	DECAL-Top Stripe (MAXUM) (1992 Models)
	FS694530		1	DECAL-Center Stripe (FORCE) (1989 Models)
	FSX694530		1	DECAL-Center Stripe (BAYLINER) (1989 Models)
	FS721530		1	DECAL-Center Stripe (FORCE) (1990 Models)
20	819169		1/2	MEDALLION (Silver FORCE)
	FZ721366		2	MEDALLION (Gold FORCE) (1989A Thru 1992C And 0E000001 Thru 0E009499)
21	37-817985--1		1	MEDALLION (Red US MARINE) (1989A Thru 1992C And 0E000001 Thru 0E009499)
	37-F694366-1		1	MEDALLION (Silver US MARINE) (1989A Thru 1992C And 0E000001 Thru 0E009499)
	FZ718366		1	MEDALLION (Gold US MARINE) (1989A Thru 1992C And 0E000001 Thru 0E009499)
NS	37-F694894		1	DECAL-Front Handle (FORCE) (1989 Models)

CONTINUED ON NEXT PAGE ➡

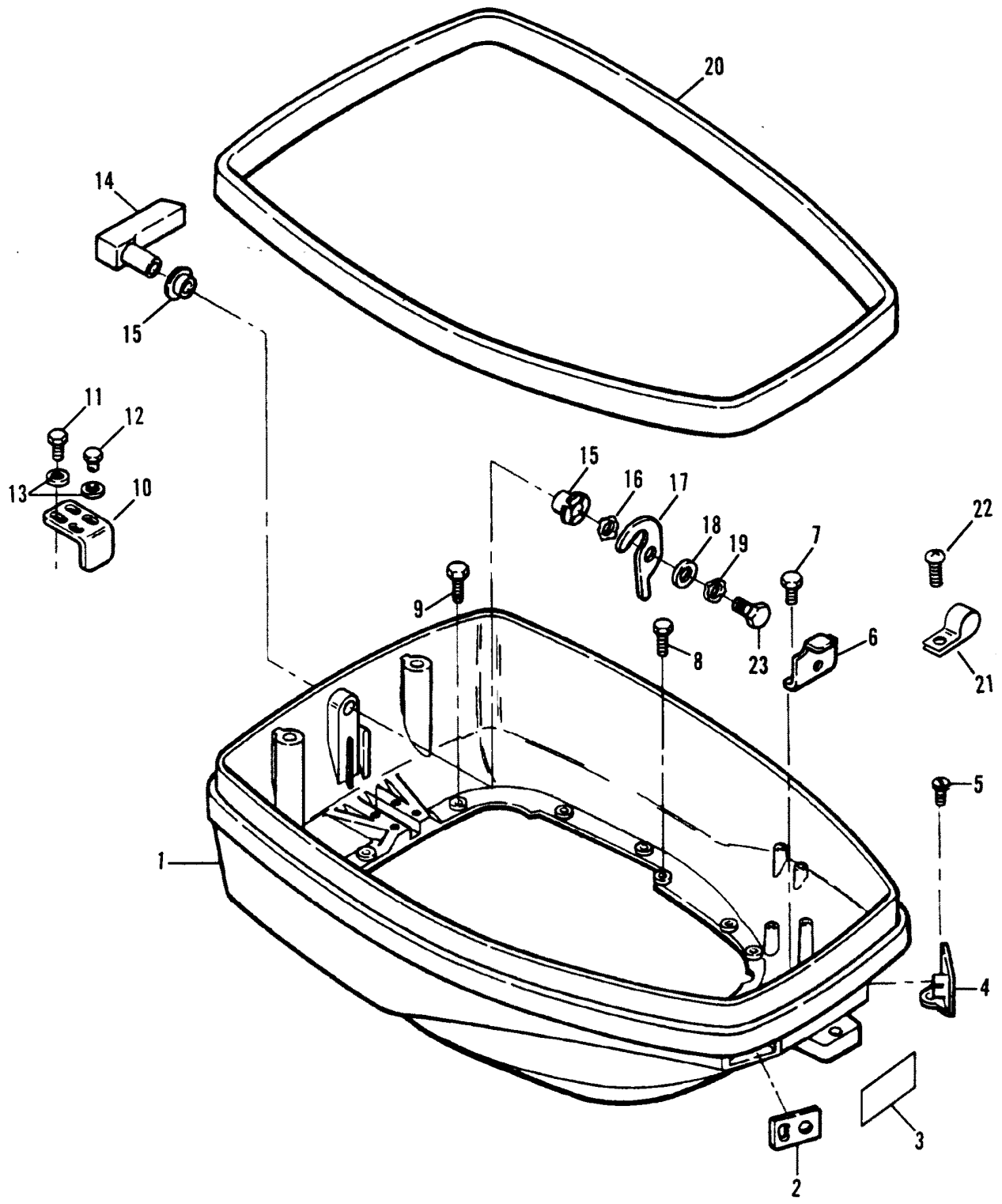
TOP COWL COMPONENTS



TOP COWL COMPONENTS

REF. NO.	PART NO.	SYM.	QTY.	DESCRIPTION
NS	37-F694894		1	DECAL-Front Handle (BAYLINER) (1989 Models)
	37-F694585		1	DECAL-Top Handle (FORCE) (1989 Models)
	37-F694585		1	DECAL-Top Handle (BAYLINER) (1989 Models)
	F694984		1	BLANKET-Sound (Top)
	F694985		1	BLANKET-Sound (Starboard)
	F694986		1	BLANKET-Sound (Port)
	37-820526A93		1	DECAL SET (Complete) (FORCE) (0E000001 Thru 0E093699)
	37-820518A93		1	DECAL SET (Complete) (BAYLINER) (0E000001 Thru 0E093699)
	37-820518A94		1	DECAL SET (Complete) (BAYLINER) (0E032000 Thru 0E093699)

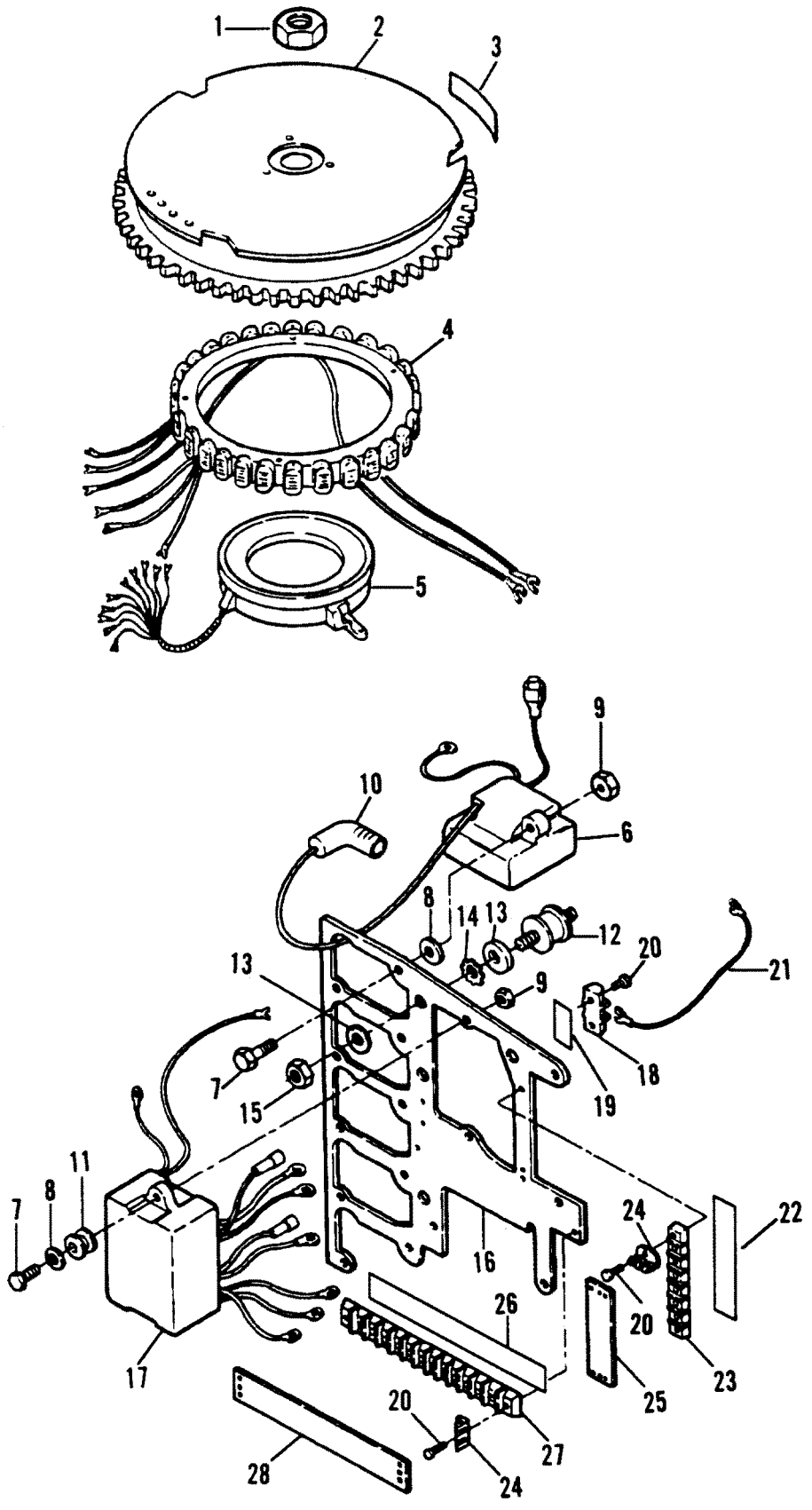
BOTTOM COWL COMPONENTS



BOTTOM COWL COMPONENTS

REF. NO.	PART NO.	SYM.	QTY.	DESCRIPTION
1	100-817607F		1	COWL-Bottom
2	23-819006--2		1	BUSHING-Cable Entry
3	37-818029		1	DECAL (Fuel Mix)
4	23-828763		1	BUSHING-Cable Entry
5	10-F1733		3	SCREW (#10-24 x .562)
6	F663480-1		1	RETAINER-Front Cowl Guide
7	10-28635		2	SCREW (.250-20 x .625)
8	10-49668		7	SCREW (.250-20 x .750)
9	10-76630		4	SCREW (.250-20 x 1.00)
10	F335654-2		1	STOP-Deflection
11	10-90285		2	SCREW (.312-18 x .625)
12	10-F1858		2	SCREW (.312-18 x 1.00)
13	13-53166		4	LOCKWASHER (.312)
14	820000A4		1	HANDLE ASSEMBLY-Cowl Release
15	23-812707		2	BUSHING
16	13-F2047		1	WASHER (Wave)
17	F481777		1	CAM-Latch Shaft
18	12-40023-16		1	WASHER
19	13-26992		1	LOCKWASHER (.250)
20	F663756-1		1	PACKING-Bottom Cowl
21	54-F407446		1	CLAMP-Battery Cable
22	10-34939		1	SCREW (.250-20 x .500)
23	10-19923062		1	SCREW (.250-20 x .625)

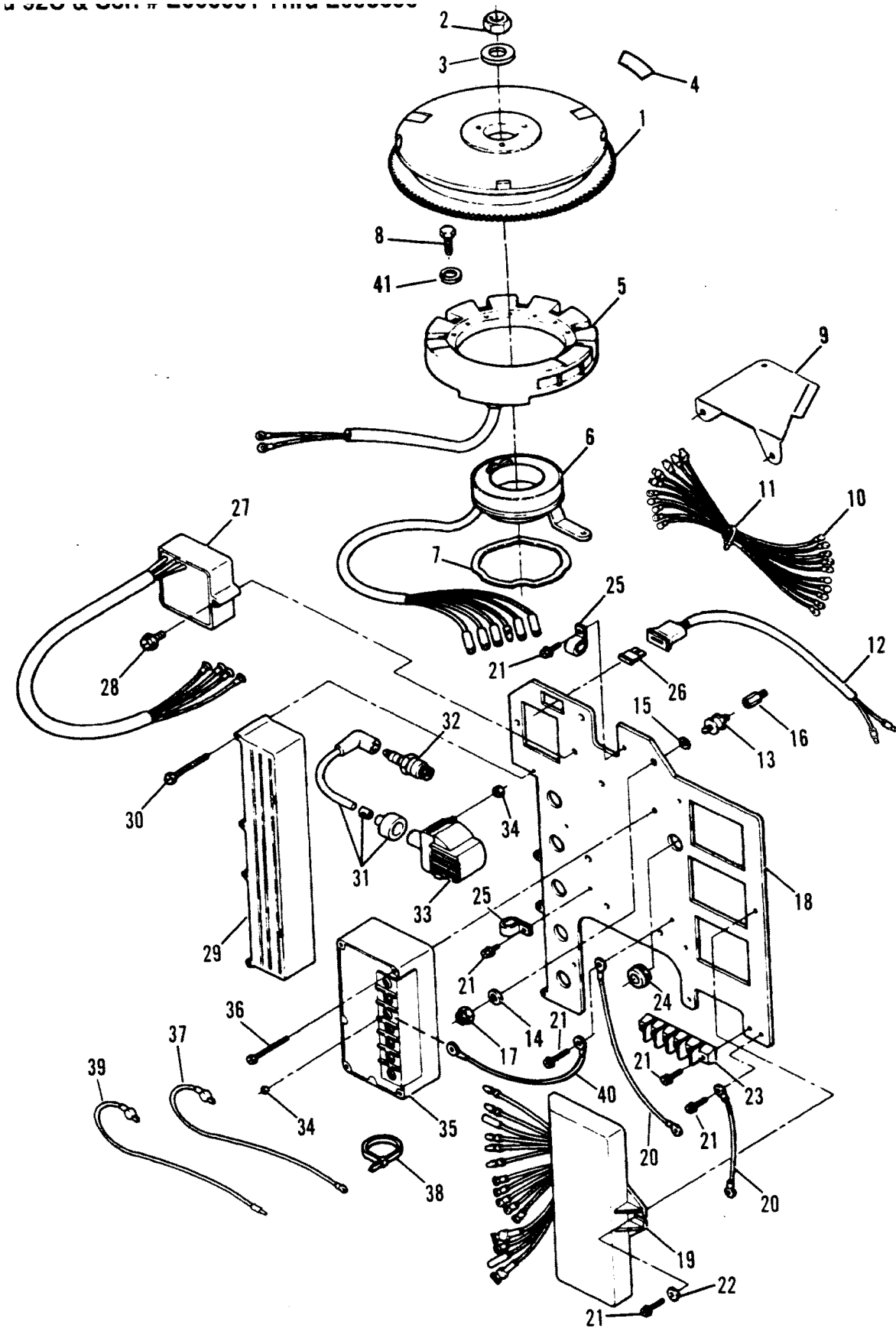
IGNITION SYSTEM (89A Thru 91A)



IGNITION SYSTEM (89A Thru 91A)

REF. NO.	PART NO.	SYM.	QTY.	DESCRIPTION
1	11-F1968		1	NUT (.750-16)
2	FA694097		1	FLYWHEEL KIT
3	FA609853		1	DECAL KIT (Shift To Neutral)
4	300-F694095-2		1	STATOR ASSEMBLY (89A Thru 90C Models)
	300-F721095-1		1	STATOR ASSEMBLY (90D Thru 91A Models)
5	300-F694029-2		1	TRIGGER ASSEMBLY
6	F684475-1		5	COIL ASSEMBLY (Blue) (Cut Wire As Required)
7	10-F2008		10	SCREW (.250-20 x .875)
8	12-35044		6	WASHER
9	11-814101		6	NUT (.250-20)
10	FK1123		5	BOOT KIT-Spark Plug
11	25-F475504		6	GROMMET
12	819869		3	MOUNT-Shock
13	13-F8124		6	LOCKWASHER (.312 External)
14	12-F8090		3	WASHER
15	11-68292		3	NUT (.312-18)
16	F694358		1	BRACKET-Electrical Mount
17	300-F685301-2		3	MODULE ASSEMBLY (Blue)
18	86-F694497		1	BLOCK-Terminal (1 Position)
19	F695025		1	PAD-Terminal Block
20	10-F1552		6	SCREW (#8-32 x .500)
21	84-F694683		1	WIRE ASSEMBLY (Black/Yellow)
22	F691025		1	PAD-Terminal Block
23	86-F722497		1	BLOCK-Terminal (6 Position)
24	54-F664384		4	CLIP-Terminal Block Cover
25	F694672		1	COVER-Terminal Block (6 Position)
26	F664025		1	PAD-Terminal Block
27	86-F664497		1	BLOCK-Terminal (12 Position)
28	F664672		1	COVER-Terminal Block (12 Position)
NS	10-F2200		4	SCREW (#12-24 x 1.00) (Stator To Bearing Cage)

IGNITION SYSTEM (91B Thru 92C - 0E000001 Thru 0E093699)



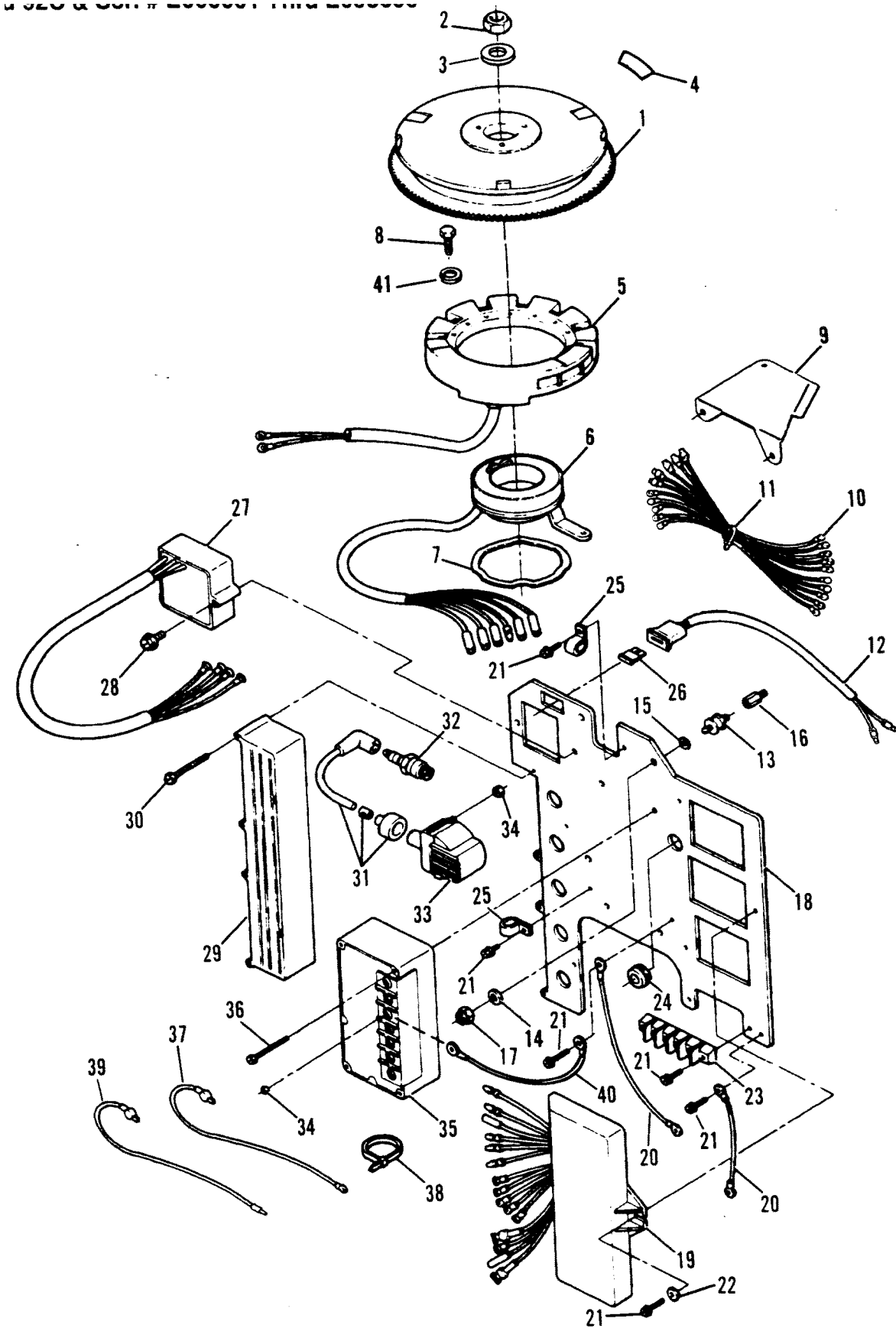
IGNITION SYSTEM (91B Thru 92C - 0E000001 Thru 0E093699)

REF. NO.	PART NO.	SYM.	QTY.	DESCRIPTION
1	200-819490A6		1	FLYWHEEL KIT
2	11-F1968		1	NUT (.750-16)
3	12-31247		1	WASHER
4	FA609853		1	DECAL KIT (Shift To Neutral)
5	398-6231A13		1	STATOR ASSEMBLY (91B Thru 92C And 0E000001 Thru 0E009499)
	398-6231A15		1	STATOR ASSEMBLY (0E009500 Thru 0E093699)
6	817029A6		1	TRIGGER ASSEMBLY
7	13-F2442		1	WASHER (Wave)
8	10-19926100		6	SCREW (#10-24 x 1.00)
9	819111		1	GUARD-Ignition Harness
10	84-817646A1		1	HARNESS ASSEMBLY (Coil To Switchbox)
11	54-816311		AR	CABLE TIE (8.00 Inch)
12	88-19637		1	SOCKET-Fuse
13	819869		3	MOUNT-Shock
14	13-53166		3	LOCKWASHER (.312)
15	13-F8124		3	LOCKWASHER (.312 External)
16	F322273-1	▲	1	STUD (92A Thru 92C And 0E000001 Thru 0E093699)
17	11-68292		3	NUT (.312-18)
18	817270		1	PLATE-Electrical Mount
19	817323A3		1	SWITCHBOX ASSEMBLY
20	84-88807A29		2	CABLE ASSEMBLY (Black)
21	10-41805		7/8	SCREW (#10-24 x .625)
22	12-40023-14		3	WASHER
23	817492		1	BLOCK-Terminal (91B Thru 92C And 0E000001 Thru 0E009499)
24	25-64872		1	GROMMET
25	54-63153		2	J CLIP (91B Thru 92C And 0E000001 Thru 0E009499)
26	88-812619		1	FUSE (20 AMP)
27	815279T2		1	VOLTAGE REGULATOR (91B Thru 92C And 0E000001 Thru 0E009499)
	815279T4		1	VOLTAGE REGULATOR (0E009500 Thru 0E093699)
28	10-817504		2	SCREW (.250-20 x 1.500)
29	817386		1	COVER-Coil
30	10-817458		6	SCREW (#10-24 x 2.250)
31	84-821945A28		4	CABLE ASSEMBLY-Hi Tension (Cylinders 1 - 2 - 3 - 4)
	84-821945A23		1	CABLE ASSEMBLY-Hi Tension (Cylinder 5)
	84-821945A54		4	CABLE ASSEMBLY-Hi Tension (RFI) (Cylinders 1 - 2- 3 -4)
	84-821945A53		1	CABLE ASSEMBLY-Hi Tension (RFI) (Cylinder 5)
32	33-827C		5	SPARK PLUG (Champion # L-76V)
	33-898		5	SPARK PLUG (RFI) (Champion # QL-76V)
33	339-7370A23		5	COIL ASSEMBLY-Ignition
34	11-45076		14	NUT (#10-32)
35	332-4796A8		1	CONVERTER-CD Ignition

▲ = COMPONENT OF POWERHEAD/PARTIAL ENGINE (800-818155A16)

CONTINUED ON NEXT PAGE ➡

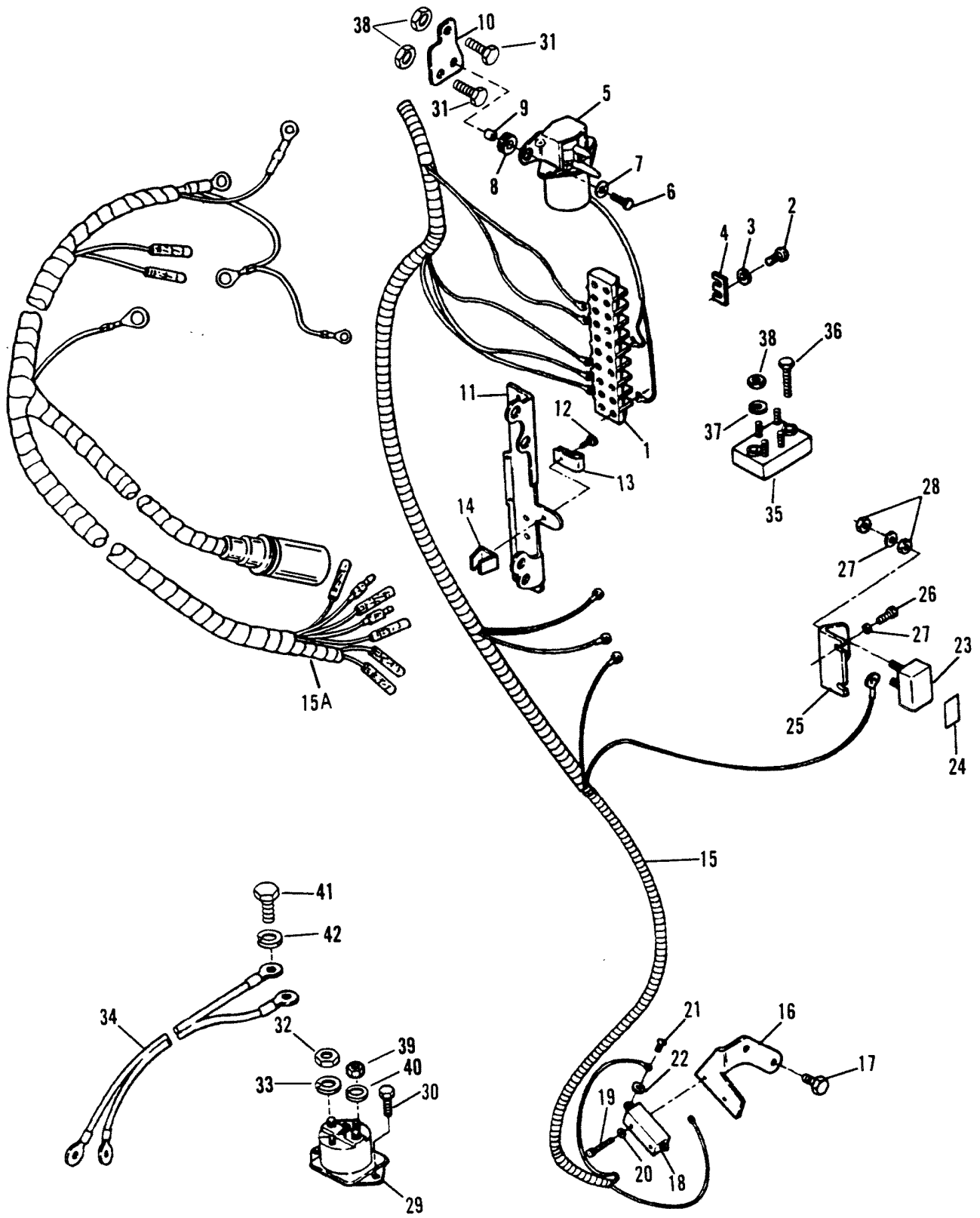
IGNITION SYSTEM (91B Thru 92C - 0E000001 Thru 0E093699)



IGNITION SYSTEM (91B Thru 92C - 0E000001 Thru 0E093699)

REF. NO.	PART NO.	SYM.	QTY.	DESCRIPTION
36	10-817503		4	SCREW (.250-20 x 2.00)
37	84-88808A24		1	WIRE ASSEMBLY (Red) (91B Thru 92C And 0E000001 Thru 0E009499)
38	54-823461		AR	CABLE TIE (8.50 Inch)
39	84-88810A4		1	WIRE ASSEMBLY (Purple)
40	84-88807A3		1	CABLE ASSEMBLY (Black)
41	13-26996		6	LOCKWASHER (#10) (For Screws Without Dri Loc)
NS	56762		AR	CABLE TIE (4.00 Inch)

ELECTRICAL COMPONENTS



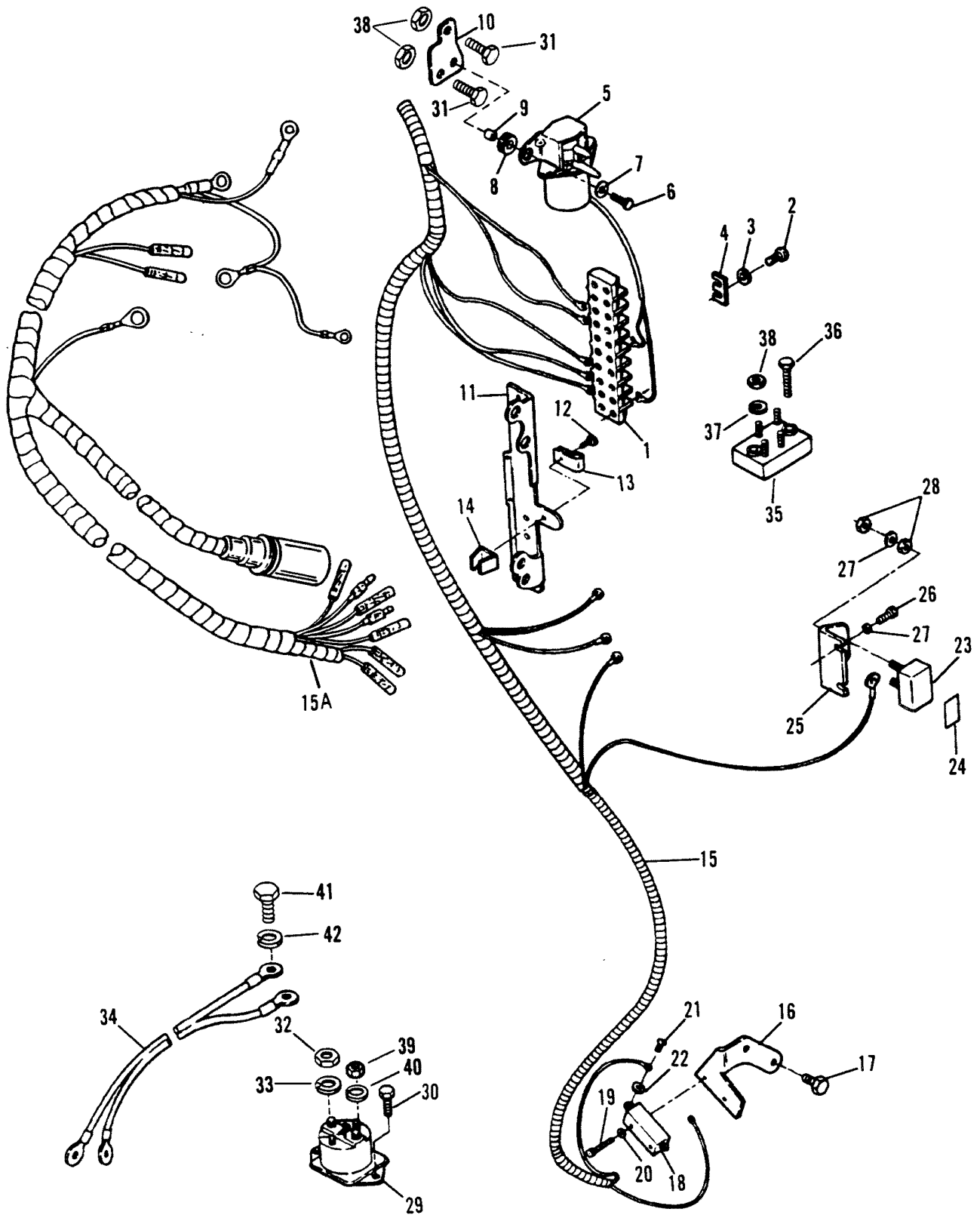
ELECTRICAL COMPONENTS

REF. NO.	PART NO.	SYM.	QTY.	DESCRIPTION
1	FA616497		1	BLOCK KIT-Terminal (2 Row-8 Position) (89A Thru 92C And 0E000001 Thru 0E009499)
2	10-41069		2	SCREW (#10-24 x .750) (89A Thru 92C And 0E000001 Thru 0E009499)
3	13-26996		2	LOCKWASHER (#10) (89A Thru 92C And 0E000001 Thru 0E009499)
4	54-F307317		2	CLIP-Terminal Block Ground (89A Thru 92C And 0E000001 Thru 0E009499)
5	89-F694924		1	SOLENOID-Primer (89A Thru 92C And 0E000001 Thru 0E009499)
	89-819503		1	SOLENOID-Primer (0E009500 Thru 0E093699)
6	10-28636		1	SCREW (.250-20 x .750)
7	12-35044		2	WASHER
8	25-F694504		1	GROMMET
9	23-F694359		1	SPACER
10	819705	▲	1	BRACKET-Solenoid
11	F439493-1		1	BRACKET-Terminal Block (89A Thru 92C And 0E000001 Thru 0E009499)
12	10-34939		1	SCREW (.250-20 x .500) (89A thru 92C And 0E000001 Thru 0E009499)
13	54-F289446-1		1	CLAMP (89A Thru 92C And 0E000001 Thru 0E009499)
14	54-F438668		1	RETAINER-Cable Clamp (89A Thru 92C And 0E000001 Thru 0E009499)
15	84-F694744-2		1	HARNESS ASSEMBLY-Wiring (89A Thru 90C)
	84-F721744		1	HARNESS ASSEMBLY-Wiring (90D Thru 91A)
	84-817459A1		1	HARNESS ASSEMBLY-Wiring (91B Thru 92C And 0E000001 Thru 0E009499)
15A	84-823392A1		1	HARNESS ASSEMBLY-Wiring (0E009500 Thru 0E093699)
16	819776		1	BRACKET-Neutral Interlock (89A Thru 92C And 0E000001 Thru 0E009499)
17	10-F1532		2	SCREW (.250-20 x 1.00) (89A Thru 92C And 0E000001 Thru 0E009499)
18	87-F84449		1	SWITCH-Neutral Interlock (89A thru 92C And 0E000001 Thru 0E009499)
19	10-F2193		2	SCREW (#6-32 x .875) (89A Thru 92C And 0E000001 Thru 0E009499)
20	13-26995		2	WASHER (89A Thru 92C And 0E000001 Thru 0E009499)
21	10-69080		2	SCREW (#6-32 x .250) (89A Thru 92C And 0E000001 Thru 0E009499)
22	13-F1704		2	WASHER (89A Thru 92C And 0E000001 Thru 0E009499)
23	88-F510460		1	BREAKER-Circuit (89A Thru 92C And 0E000001 Thru 0E009499)
24	37-F510374-1		1	DECAL (Circuit Breaker) (89A Thru 92C And 0E000001 Thru 0E009499)
25	F721446		1	BRACKET-Circuit Breaker (89A Thru 91A)
	F91446-2		1	BRACKET-Breaker (91B Thru 92C And 0E000001 Thru 0E009499)

▲ = COMPONENT OF POWERHEAD/PARTIAL ENGINE (800-818155A16)

CONTINUED ON NEXT PAGE ➡

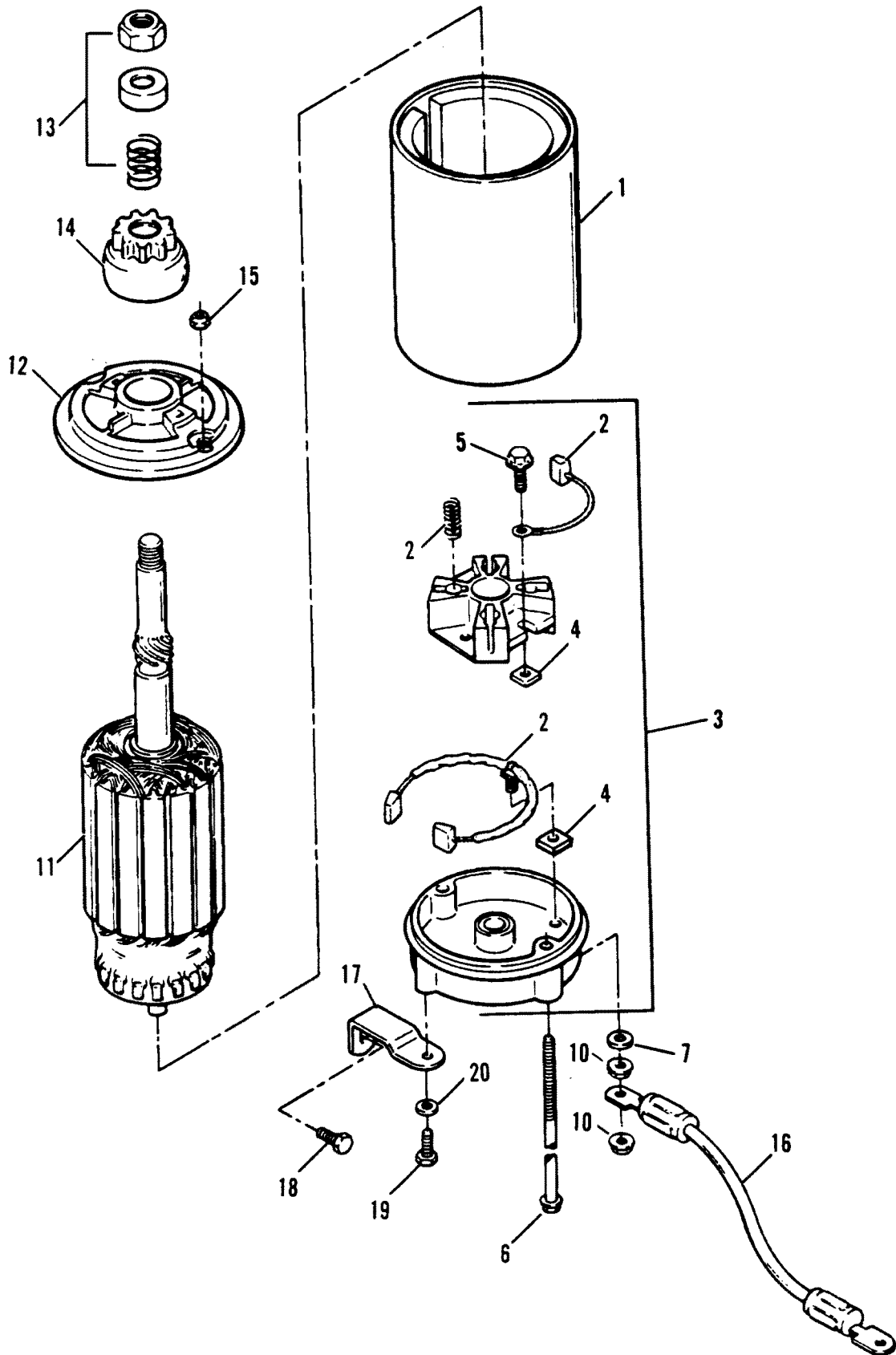
ELECTRICAL COMPONENTS



ELECTRICAL COMPONENTS

REF. NO.	PART NO.	SYM.	QTY.	DESCRIPTION
26	10-41772		2	SCREW (#10-24 x .500) (89A Thru 92C And 0E000001 Thru 0E009499)
27	13-26996		4	LOCKWASHER (#10) (89A Thru 92C And 0E000001 Thru 0E009499)
28	11-68219		6	NUT (#10-32) (89A Thru 92C And 0E000001 Thru 0E009499)
29	89-F460917-1		1	RELAY-Starter (89A)
30	10-90192		2	SCREW (.250-20 x .750)
31	10-F2030		2	SCREW (.250-20 x 1.250)
32	11-68292		2	NUT (.312-18)
33	13-53166		2	LOCKWASHER (.312)
34	84-F381896-4		1	CABLE ASSEMBLY-Battery
35	F369450-1		1	RECTIFIER (90A Thru 91A)
36	10-F2016		2	SCREW (#6-32 x .875) (90A Thru 91A)
37	13-F8056		4	LOCKWASHER (#8) (90D Thru 91A)
38	11-F1647		4	NUT (#8-32) (90D Thru 91A)
35	F699450		1	REGULATOR/RECTIFIER (89A Thru 90C)
36	10-73286		2	SCREW (.250-20 x .500) (89A Thru 90C)
38	11-814101		1	NUT (.250-20)
39	11-68219		2	NUT (#10)
40	13-26996		2	LOCKWASHER (#10)
41	10-F2000		1	SCREW (.312-18 x .750)-Ground
42	13-53166		1	LOCKWASHER (.312)-Ground

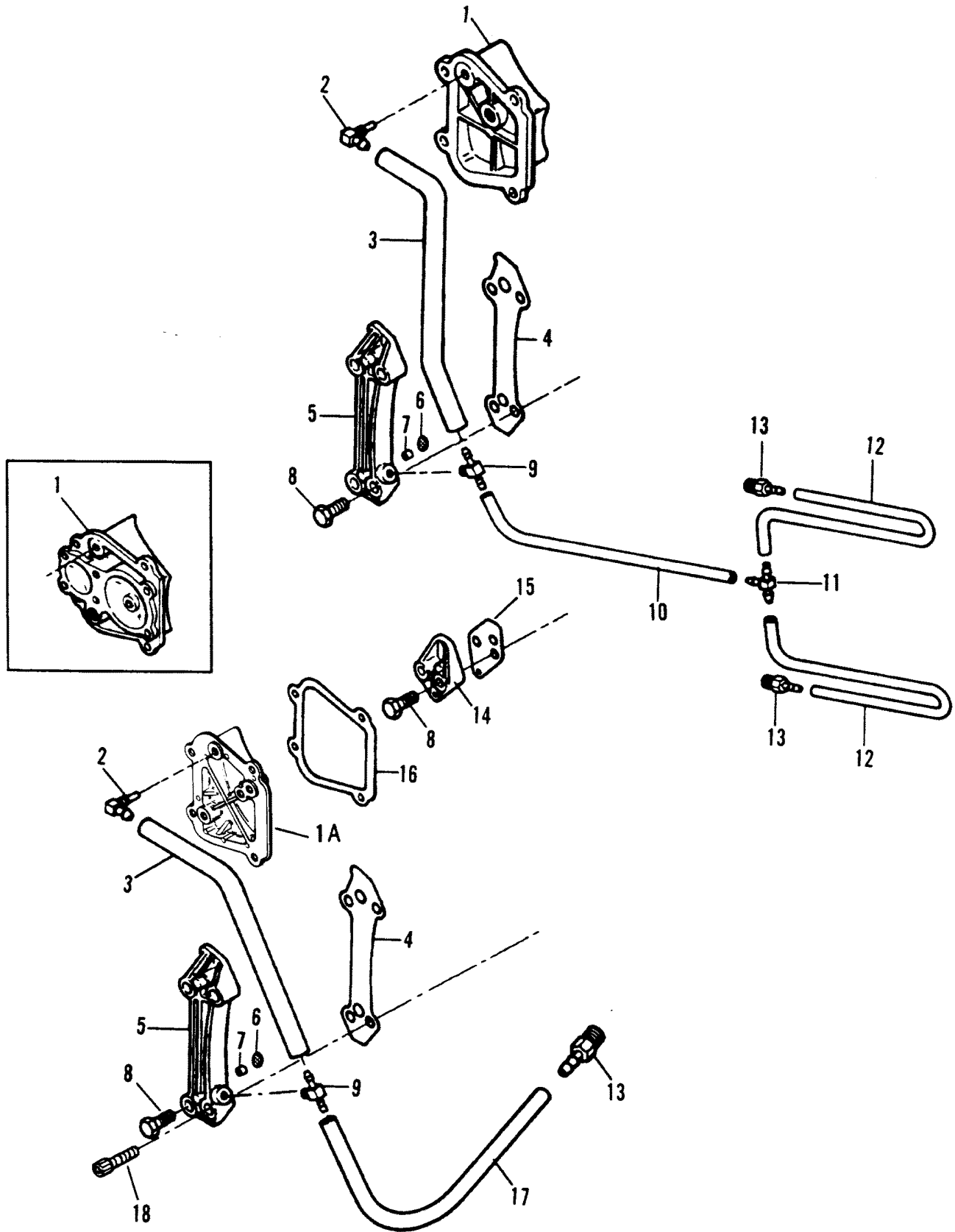
STARTER



STARTER

REF. NO.	PART NO.	SYM.	QTY.	DESCRIPTION
1	50-F616955		1	STARTER ASSEMBLY (Complete)
	50-F616955-1		1	STARTER ASSEMBLY (Complete)
	50-819085		1	STARTER ASSEMBLY (Complete)
2	F15190		1	BRUSH KIT (For 50-F616955-1 Or 50-819085)
3	F15189		1	END CAP (For 50-F616955-1 Or 50-819085)
2	75384		1	BRUSH KIT (For 50-F616955)
3	F15179		1	END CAP (For 50-F616955)
4	F15159		2	INSULATOR
5	F15158		2	SCREW
6	F15178		2	THRU BOLT
7	F15160		1	WASHER
10	F15162		2	NUT
11	F15177		1	ARMATURE
12	F15176		1	END CAP-Drive
13	90644		1	DRIVE KIT
14	819222		1	PINION
15	11-20361		2	NUT (.250-28)
16	84-820574		1	WIRE ASSEMBLY-Starter Lead (22.250 Inches - Straight Terminal)
	84-F85908-1		1	WIRE ASSEMBLY-Starter Lead (11.500 Inches - Straight Terminal)
17	F616675		1	BRACKET-Starter Mount
18	10-19923062		1	SCREW (.250-20 x .625)
19	10-19923062		1	SCREW (.250-20 x .625)
20	13-26992		1	LOCKWASHER (.250)
NS	37-825064		1	DECAL-Caution (Start In Gear)
	37-825066		1	DECAL-Warning (Hi Voltage)

RECIRCULATION SYSTEM



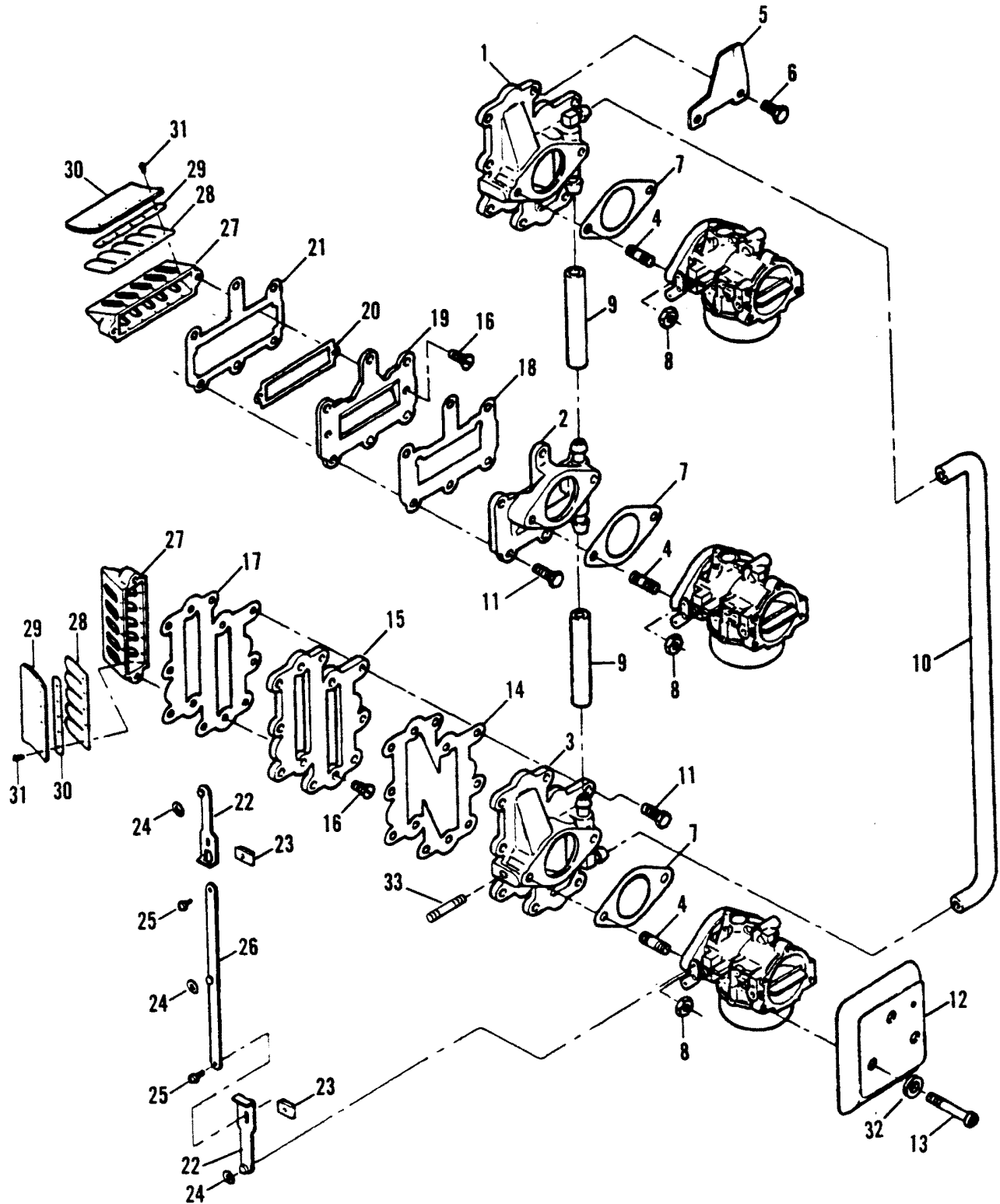
RECIRCULATION SYSTEM

REF. NO.	PART NO.	SYM.	QTY.	DESCRIPTION
1	817790A1		2	COVER KIT (89A Thru 92C And 0E000001 Thru 0E065371)
1A	817870--2	▲	1	COVER-Fuel Pump (0E065372 Thru 0E093699)
2	22-F404314		2	ELBOW (89A Thru 91D)
	22-F743314	▲	2	ELBOW (91F Thru 92C And 0E000001 Thru 0E093699)
3	32-99128-78		2	TUBING (26.00 Inches Bulk) (Cut 8.50 Inches) (89A Thru 91D)
	32-99130122	▲	2	TUBING (20.00 Feet Bulk) (Cut 8.750 Inches) (91F Thru 92C And 0E000001 Thru 0E093699)
4	27-F686472	■	2	GASKET-Cylinder Drain
5	817877A3	▲	2	COVER ASSEMBLY-Cylinder Drain (Top And Bottom)
6	F429811		4	SCREEN
7	21-42657A1		4	CHECK VALVE (90A Thru 92C And 0E000001 Thru 0E093699)
	21-817741A1		4	CHECK VALVE KIT (89A)
8	10-F1699	▲	9	SCREW (.250-20 x 1.125)
9	22-818103--1		2	ELBOW (89A Thru 91D)
	22-F745801	▲	2	FITTING-Tee (91F Thru 92C And 0E000001 Thru 0E093699)
10	32-99130122	▲	1	TUBING (20.00 Feet Bulk) (Cut 6.50 Inches) (91F Thru 92C And 0E000001 Thru 0E093699)
11	22-F694922	▲	1	FITTING-Tee (91F Thru 92C And 0E000001 Thru 0E093699)
12	32-99130122	▲	2	TUBING (20.00 Feet Bulk) (Cut 4.250 Inches) (91F Thru 92C And 0E000001 Thru 0E093699)
13	21-42658	▲	3	FITTING-Check
14	819539A1	▲	1	COVER ASSEMBLY-Center Cylinder Drain
NS	F429811		1	SCREEN
	21-42657A1		1	CHECK VALVE
15	27-F694748-1	■▲	1	GASKET-Center Cylinder Drain
16	27-820500	■▲	3	GASKET-Transfer Ports
17	32-99130122	■	1	TUBING (20.00 Feet Bulk) (Cut 14.00 Inches) (91F Thru 92C And 0E000001 Thru 0E093699)
18	10-55715	▲	1	SCREW (.250-20 x .875)
-	FG1027-2		1	GASKET SET-Powerhead
-	800-818155A16		1	POWERHEAD ASSEMBLY (Complete)

■ = COMPONENT OF ENGINE/POWERHEAD GASKET SET (FG1027-2)

▲ = COMPONENT OF POWERHEAD/PARTIAL ENGINE (800-818155A16)

FUEL INTAKE SYSTEM



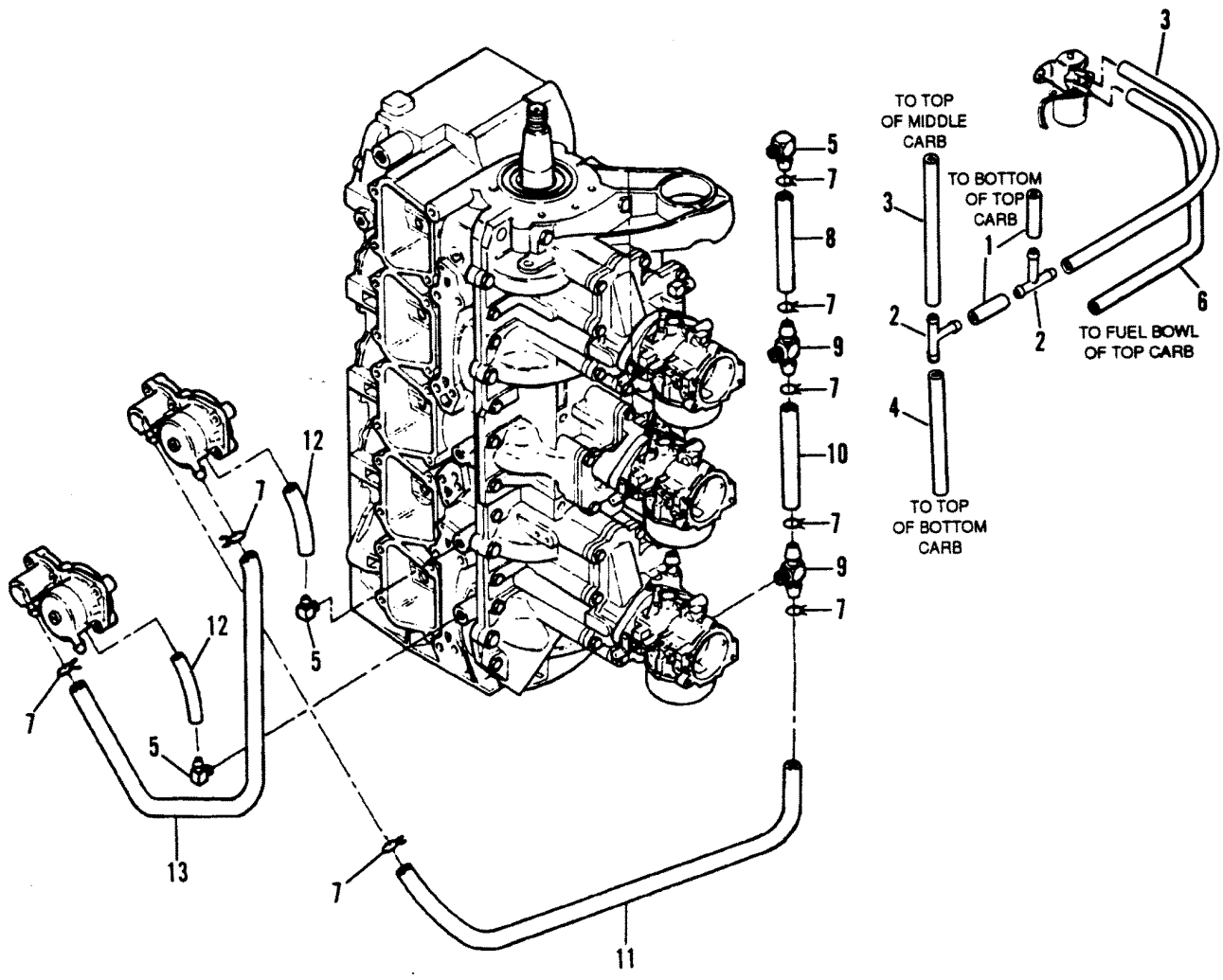
FUEL INTAKE SYSTEM

REF. NO.	PART NO.	SYM.	QTY.	DESCRIPTION
1	817875A1	▲	1	ADAPTER ASSEMBLY-Top Carburetor
2	FA694162	▲	1	ADAPTER ASSEMBLY-Center Carburetor
3	817876A1	▲	1	ADAPTER ASSEMBLY-Bottom Carburetor
4	16-826387		6	STUD (.375-16 x 1.625)
5	F500894	▲	1	POINTER-Timing
6	10-F1532	▲	13	SCREW (.250-20 x 1.00)
7	27-F440906	■▲	3	GASKET-Carburetor
8	11-86226		6	NUT (.375-16)
9	32-817736		2	HOSE (6.00 Inches Bulk) (Cut 4.00 Inches)
10	32-F694798		1	HOSE (17.250 Inches)
11	10-28668		7	SCREW (.250-20 x .875)
12	F511708-3		3	COVER-Carburetor
13	10-F2192		9	SCREW (.250-20 x 1.750)
14	27-F178168-1	■▲	2	GASKET-Carburetor Adaptor
15	820501	▲	2	PLATE-Deflector
16	10-826380	▲	10	SCREW (.250-20 x .625)
17	27-F406406	■▲	2	GASKET-Deflector Plate
18	27-F694159	■▲	1	GASKET-Carburetor Adaptor
19	F694047-1	▲	1	PLATE-Deflector
20	27-F694836	■▲	1	GASKET-Reed Plate
21	27-F694077	■▲	1	GASKET-Deflector Plate
22	FA85193		2	BAR ASSEMBLY-Throttle
23	11-F1693		2	NUT (#8-32)
24	53-21058		3	E RING-Retaining
25	10-F1064		2	SCREW (#8-32 x .375)
26	FA694511		1	TIE BAR ASSEMBLY-Throttle
27	34-819071A2		5	REED PLATE ASSEMBLY (90B Thru 92A)
	11645	▲	5	REED PLATE ASSEMBLY (92C And 0E000001 Thru 0E093699)
	818108A1		5	REED PLATE ASSEMBLY (89A Thru 90A)
28	34-F530160		10	REED (5 PETAL) (89A Thru 90A)
29	F523451		10	SPACER-Reed Stop (89A Thru 90A)
30	34-F85161-1		10	STOP-Reed 989A Thru 90A)
31	10-819074		50	SCREW (#6-32 x .312) (89A Thru 90A)
32	12-29245		9	WASHER
33	16-826389	▲	1	STUD (.250-20 x 1.250)-Throttle Cam
-	FG1027-2		1	GASKET SET-Powerhead
-	800-818155A16		1	POWERHEAD ASSEMBY

■ = COMPONENT OF ENGINE/POWERHEAD GASKET SET (FG1027-2)

▲ = COMPONENT OF POWERHEAD/PARTIAL ENGINE (800-818155A16)

FUEL PRIME SYSTEM (89A Thru 91D)



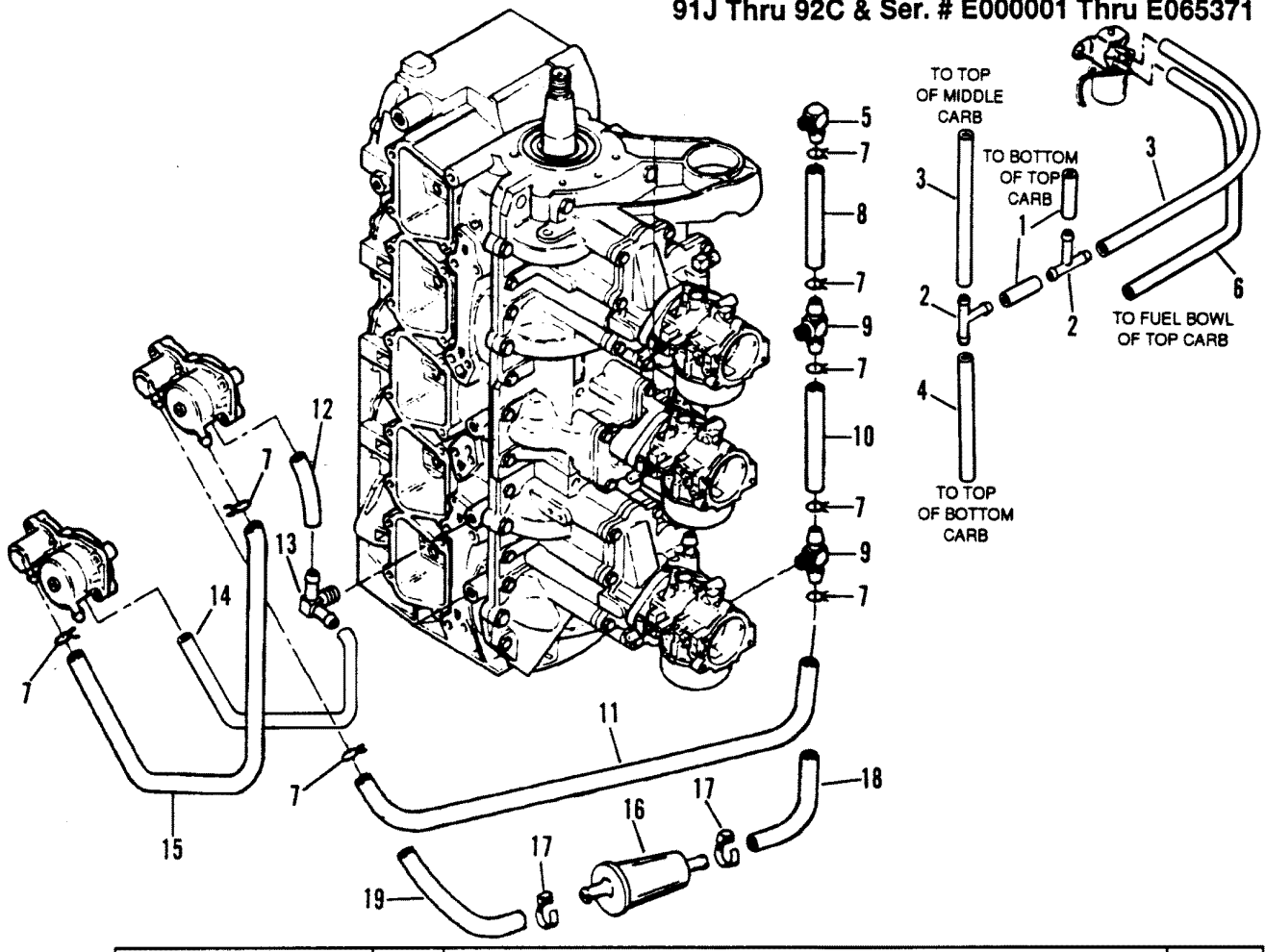
FUEL PRIME SYSTEM (89A Thru 91D)

REF. NO.	PART NO.	SYM.	QTY.	DESCRIPTION
1	32-99126-88		2	TUBING (36.00 Inches Bulk) (Cut 1.00 Inch)
2	22-F694922		2	FITTING-Tee
3	32-99126-88		2	TUBING (36.00 Inches Bulk) (Cut 5.50 Inches)
4	32-99126-88		1	TUBING (36.00 Inches Bulk) (Cut 8.50 Inches)
5	22-F84314-2		3	ELBOW
6	32-99126-88		1	TUBING (36.00 Inches Bulk) (Cut 5.50 Inches)
7	54-63933		8	CLAMP
8	32-99127109		1	HOSE (57.00 Inches Bulk) (Cut 4.750 Inches)
9	22-F85314-1		2	FITTING
10	32-99127109		1	HOSE (57.00 Inches Bulk) (Cut 6.125 Inches)
11	32-99127109		1	HOSE (57.00 Inches Bulk) (Cut 19.500 Inches)
12	32-99127109		2	HOSE (57.00 Inches Bulk) (Cut 4.50 Inches)
13	32-99127109		1	HOSE (57.00 Inches Bulk) (Cut 9.50 Inches)

FUEL PRIME SYSTEM (91J Thru 92C - 0E00001 Thru 0E065371)

FUEL LINES AND PRIME SYSTEM

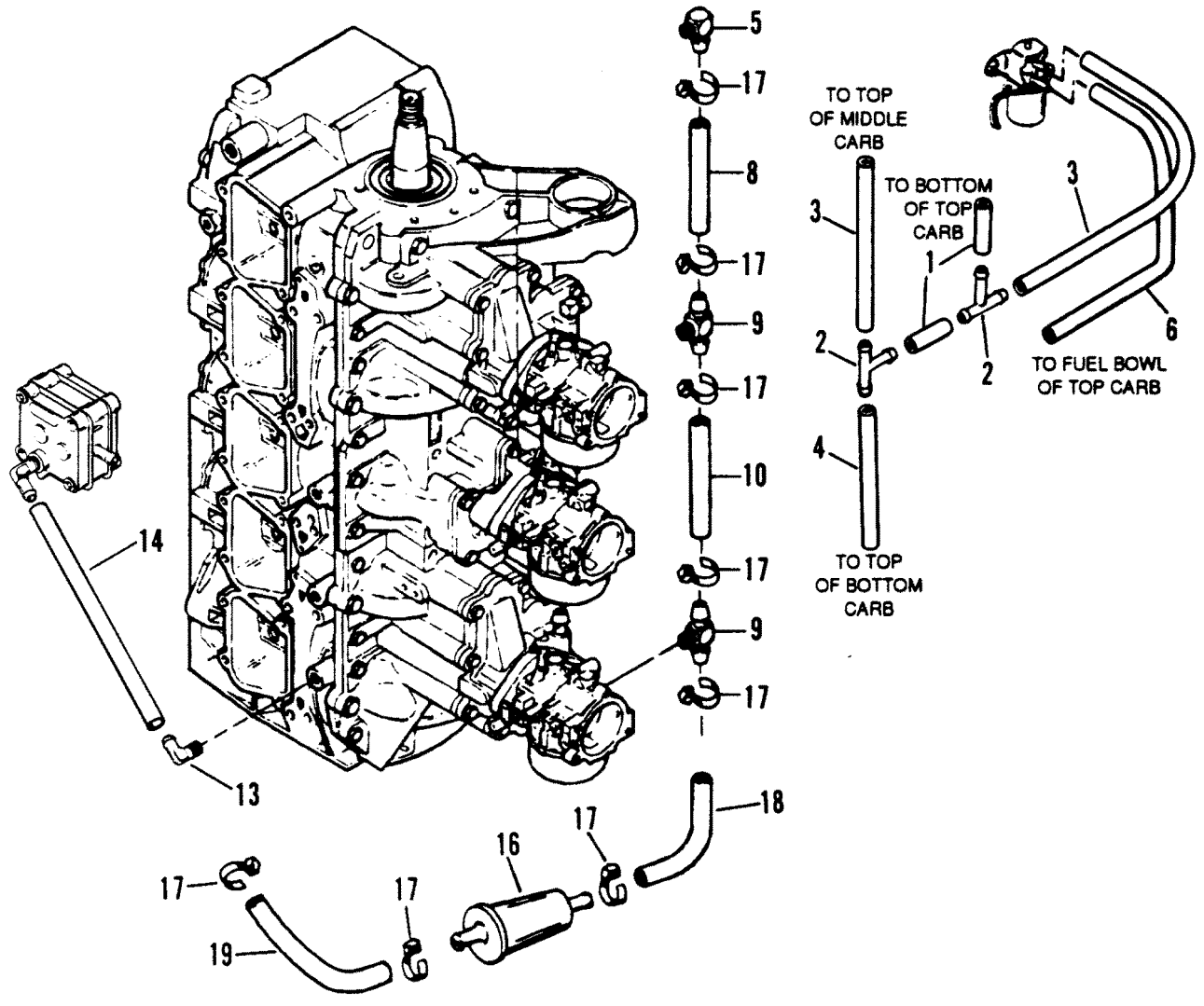
91J Thru 92C & Ser. # E00001 Thru E065371



FUEL PRIME SYSTEM (91J Thru 92C - 0E000001 Thru 0E065371)

REF. NO.	PART NO.	SYM.	QTY.	DESCRIPTION
1	32-99126-88		2	TUBING (36.00 Inches Bulk) (Cut 1.00 Inch)
2	22-F694922		2	FITTING-Tee
3	32-99126-88		2	TUBING (36.00 Inches Bulk) (Cut 5.50 Inches)
4	32-99126-88		1	TUBING (36.00 Inches Bulk) (Cut 8.50 Inches)
5	22-F84314-2		1	ELBOW
6	32-99126-88		1	TUBING (36.00 Inches Bulk) (Cut 5.50 Inches)
7	54-63933		8	CLAMP
8	32-99127109		1	HOSE (57.00 Inches Bulk) (Cut 4.750 Inches)
9	22-F85314-1		2	FITTING
10	32-99127109		1	HOSE (57.00 Inches Bulk) (Cut 6.125 Inches)
11	32-99127109		1	HOSE (57.00 Inches Bulk) (Cut 19.50 Inches) (91J Thru 92C And 0E000001 Thru 0E009499)
12	32-99127109		1	HOSE (57.00 Inches Bulk) (Cut 8.00 Inches)
13	22-F748314		1	FITTING
14	32-99127109		1	HOSE (57.00 Inches Bulk) (Cut 4.50 Inches)
15	32-99127109		1	HOSE (57.00 Inches Bulk) (Cut 9.50 Inches)
16	35-816296		1	FILTER-Fuel (0E009500 Thru 0E065371)
17	54-816311		2	CABLE TIE (8.00 Inch) (0E009500 Thru 0E065371)
18	32-99127109		1	HOSE (57.00 Inches Bulk) (Cut 5.00 Inches) (0E009500 Thru 0E065371)
19	32-99127109		1	HOSE (57.00 Inches Bulk) (Cut 19.00 Inches) (0E009500 Thru 0E065371)

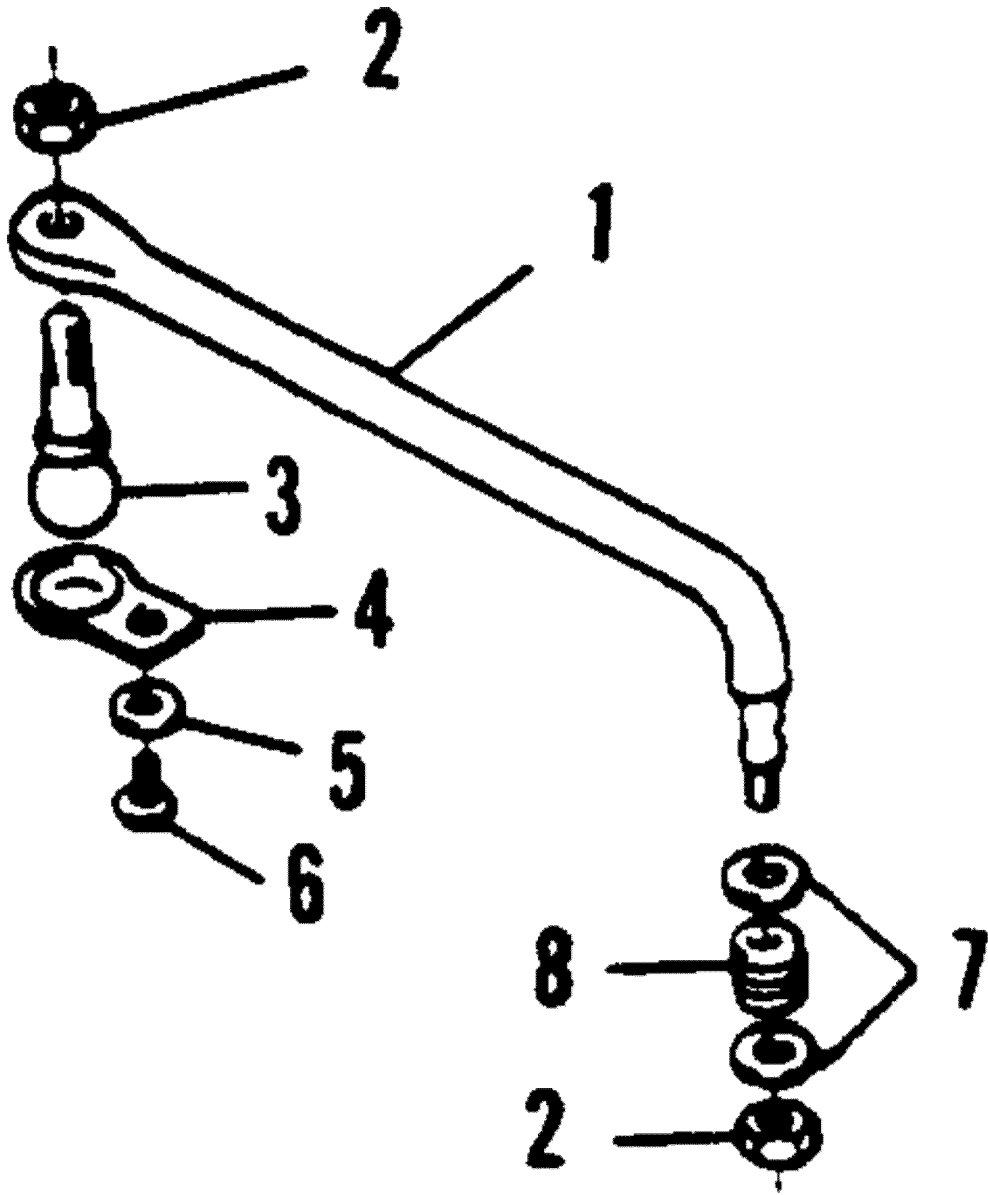
FUEL PRIME SYSTEM (0E065372 Thru 0E093699)



FUEL PRIME SYSTEM (0E065372 Thru 0E093699)

REF. NO.	PART NO.	SYM.	QTY.	DESCRIPTION
1	32-99126-88		2	TUBING (36.00 Inches Bulk) (Cut 1.00 Inch)
2	22-F694922		2	FITTING (T)
3	32-99126-88		2	TUBING (36.00 Inches Bulk) (Cut 5.00 Inches)
4	32-99126-88		1	TUBING (36.00 Inches Bulk) (Cut 8.500 Inches)
5	22-F84314-2		1	ELBOW
6	32-99126-88		1	TUBING (36.00 Inches Bulk) (Cut 5.500 Inches)
8	32-99127109		1	HOSE (57.00 Inches Bulk) (Cut 4.875 Inches)
9	22-F85314-1		2	FITTING
10	32-99127109		1	HOSE (57.00 Inches Bulk) (Cut 6.500 Inches)
13	22-99664		1	ELBOW
14	32-99127109		1	HOSE (57.00 Inches Bulk) (Cut 4.500 Inches)
16	35-816296		1	FILTER-Fuel
17	54-816311		2	CABLE TIE (8.00 Inch)
18	32-99127109		1	HOSE (57.00 Inches Bulk) (Cut 5.250 Inches)
19	32-99127109		1	HOSE (57.00 Inches Bulk) (Cut 21.00 Inches)
NS	56762		AR	CABLE TIE (4.00 Inch) (For Tubing)

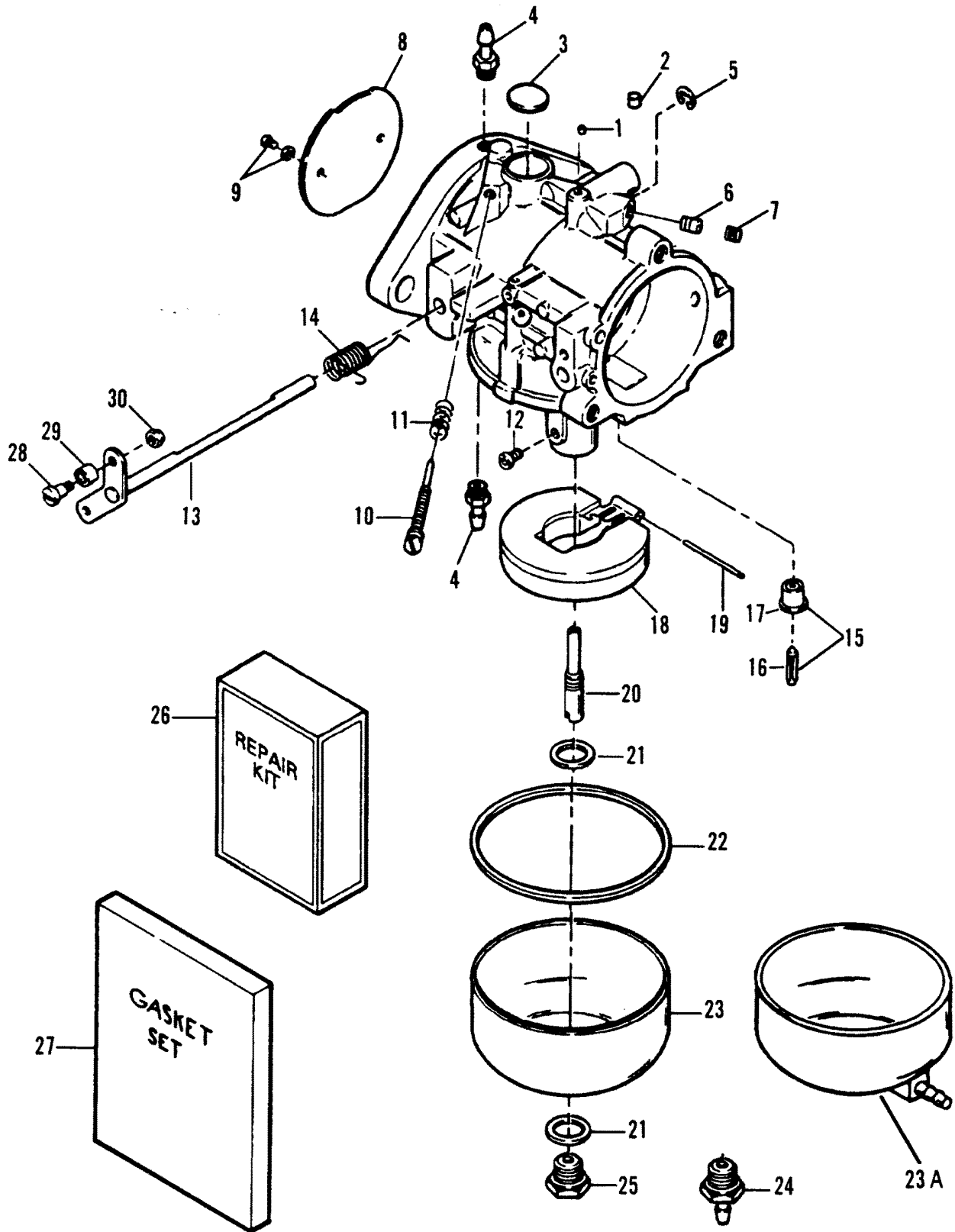
STEERING LINK KIT



STEERING LINK KIT

REF. NO.	PART NO.	SYM.	QTY.	DESCRIPTION
1	F5H094		1	LINK KIT-Steering
2	11-34863		2	NUT (.375-24)
3	F523273		1	STUD-Steering Ball
4	F523930		1	RETAINER-Stud
5	13-26995		1	LOCKWASHER (#8)
6	10-F1280		1	SCREW (#8-32 x .250)
7	12-37828		2	WASHER
8	24-F523300-1		1	SPRING-Steering Link

CARBURETOR



CARBURETOR

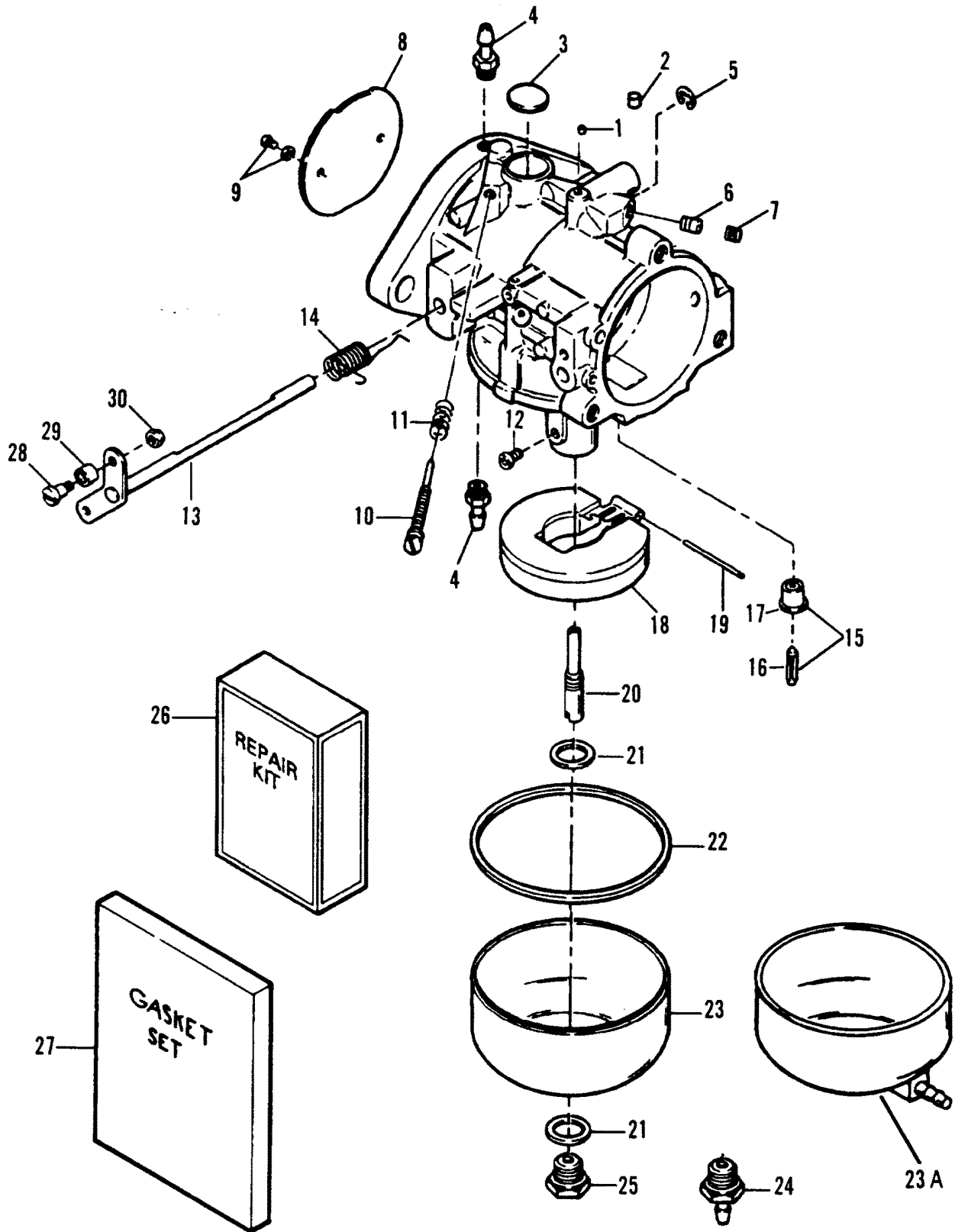
REF. NO.	PART NO.	SYM.	QTY.	DESCRIPTION
-	1300-F686061-2		1	CARBURETOR-Top (TC103C) (Serial # 89A/92C And 0E000001 Thru 0E009499)
	1300-F693061-1		1	CARBURETOR-Center (TC104B) (Serial # 89A/92C And 0E000001 Thru 0E009499)
	1300-F694061-2		1	CARBURETOR-Bottom (TC-105C) (Serial # 89A/92C And 0E000001 Thru 0E009499)
	1300-820200		1	CARBURETOR-Top (TC124A) (Serial # 0E009500 Thru 0E093699)
	1300-820204		1	CARBURETOR-Center (TC123A) (Serial # 0E009500 Thru 0E093699)
	1300-820201		1	CARBURETOR-Bottom (TC122A) (Serial # 0E009500 Thru 0E093699)
1	19-FO10588	☐	6	PLUG-Cup
2	F10263	☐	1	CUP-Metering
3	19-FO16128	☐	1	PLUG-Welch
4	F10274		1	CONNECTOR-Primer
5	FO16620		1	E RING-Throttle Shaft
6	F10273		1	JET (.047)-Throttle
7	F10275		1	SCREW-Sealing
8	FO16142		1	SHUTTER-Throttle
9	10-F10328	☐	2	SCREW-Shutter
10	F10268	☐	1	SEREW-Idle Mixture
11	24-27160	☐	1	SPRING-Idle Mixture Screw
12	FO14191		1	JET (.094)-Main Fuel (0 - 1500') (Top And Bottom)
	1395-5733		OPT	JET (.092)-Main Fuel (1500' - 3000') (Top And Bottom)
	1395-6247		OPT	JET (.090)-Main Fuel (3000' - 4500') (Top And Bottom)
	FO13193		OPT	JET (.088)-Main Fuel (4500' - 6000') (Top And Bottom)
	FO13949		OPT	JET (.086)-Main Fuel (6000' - 10000') (Top And Bottom)
	F10210		1	JET (.078)-Main Fuel (0 - 1500') (Center)
	1399-3796		OPT	JET (.076)-Main Fuel (1500' - 3000') (Center)
	1399-3794		OPT	JET (.074)-Main Fuel (3000' - 4500') (Center)
	1395-6207		OPT	JET (.072)-Main Fuel (4500' - 6000') (Center)
	1395-6030		OPT	JET (.070)-Main Fuel (6000' - 10000') (Center)
13	FO17884		1	SHAFT AND LEVER ASSEMBLY-Throttle
14	FO16143	☐	1	SPRING-Throttle Shaft
15	FK10264	☐	1	NEEDLE-Inlet (89A Thru 90D)
16	F10265	☐	1	NEEDLE-Inlet (Serial # 91A Thru 92C And 0E000001 Thru 0E093699)
17	F10367	☐	1	SEAT-Inlet (Serial # 91A Thru 92C And 0E000001 Thru 0E093699)
18	F10346		1	FLOAT-Fuel
19	17-FO13944	☐	1	PIN-Float
20	FO16133		1	NOZZLE-Main
21	27-FO5323	❖	2	GASKET-Fuel Bowl

❖ = COMPONENT OF CARBURETOR GASKET SET (FK10023)

☐ = COMPONENT OF CARBURETOR REPAIR KIT (820576A1)

CONTINUED ON NEXT PAGE ➡

CARBURETOR



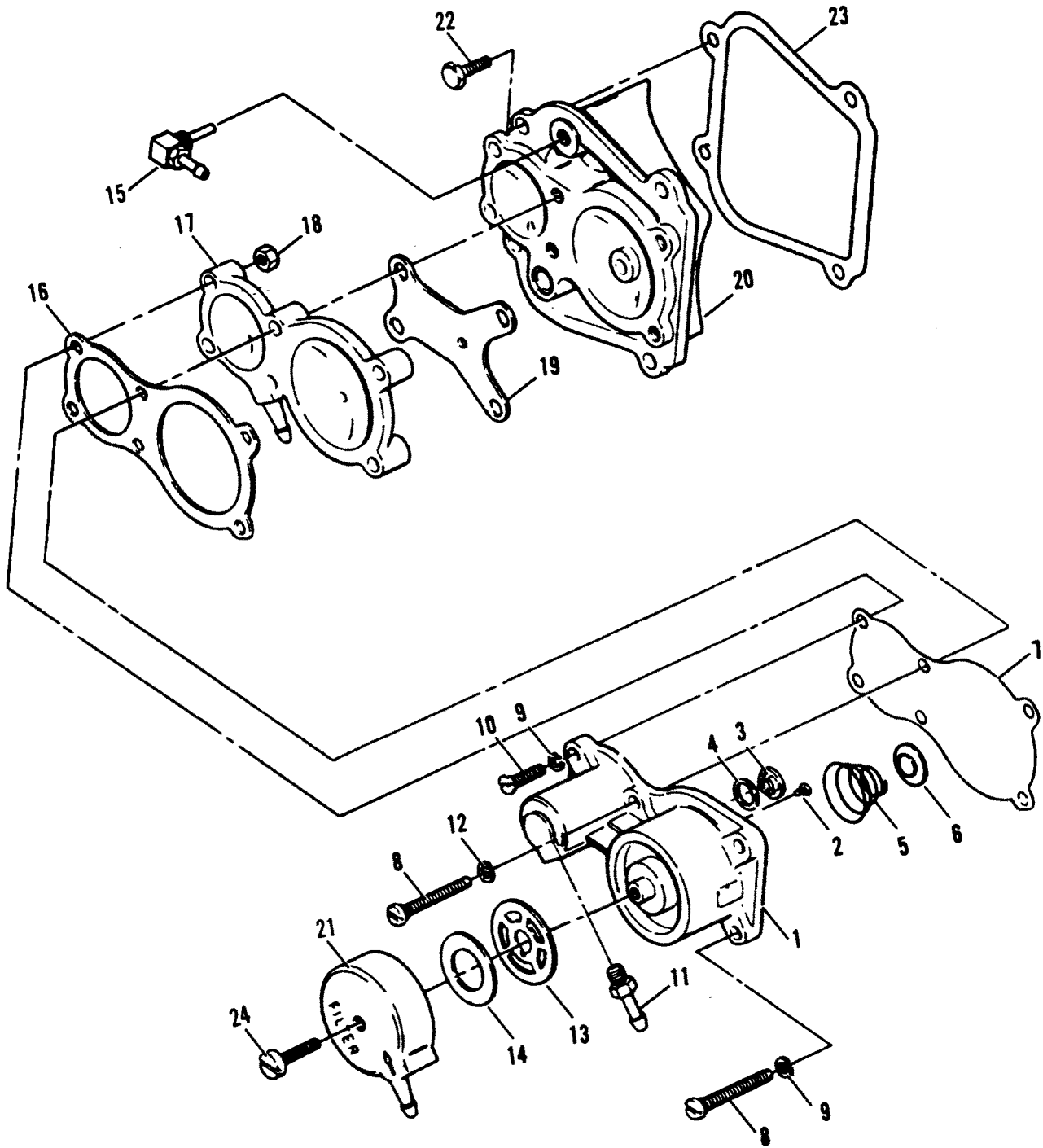
CARBURETOR

REF. NO.	PART NO.	SYM.	QTY.	DESCRIPTION
22	27-FO15623	❖	1	GASKET-Fuel Bowl
23	FO16130		1	BOWL-Fuel (Center And Bottom)
	FO16130		1	BOWL-Fuel (Top) (Serial # 89A Thru 92C And 0E000001 Thru 0E009499)
23A	820492		1	BOWL-Fuel (Top) (Serial # 0E009500 Thru 0E093699)
24	F10267		1	SCREW (Top) (Serial # 89A Thru 92C And 0E000001 Thru 0E009499)
25	FO16132		1	SCREW (Center And Bottom)
26	820576A1		1	REPAIR KIT-Carburetor
27	FK10023	□	1	GASKET SET-Carburetor
28	F333316		1	SHAFT-Throttle Roller (Bottom)
29	819225		1	ROLLER-Throttle Shaft (Bottom)
30	11-F1997		1	NUT (#8-32) (Bottom)

❖ = COMPONENT OF CARBURETOR GASKET SET (FK10023)

□ = COMPONENT OF CARBURETOR REPAIR KIT (820576A1)

FUEL PUMP ASSEMBLY (89A Thru 92C - 0E000001 Thru 0E065371)

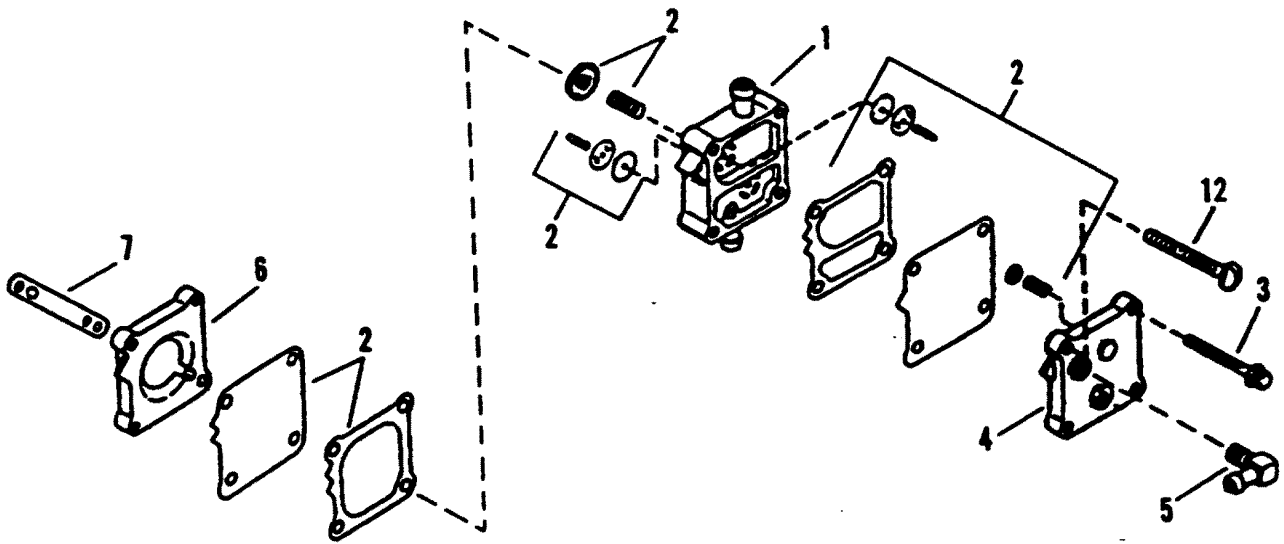
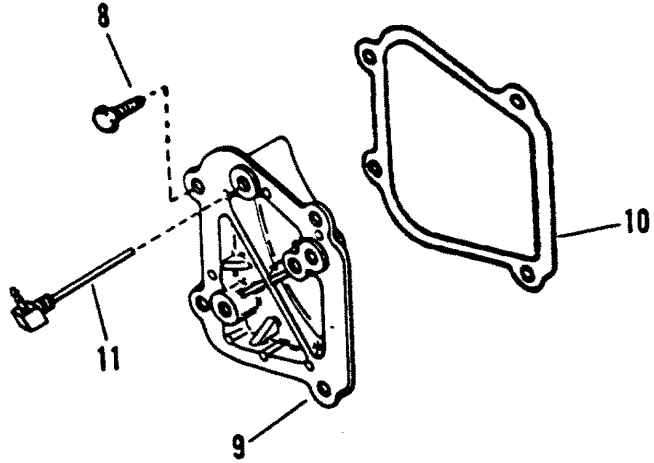


FUEL PUMP ASSEMBLY (89A Thru 92C - 0E000001 Thru 0E065371)

REF. NO.	PART NO.	SYM.	QTY.	DESCRIPTION
-	817919A1		2	PUMP KIT-Fuel (Serial # 89A Thru 92C And 0E000001 Thru 0E009499)
	820581A1		2	PUMP KIT-Fuel (Serial # 0E009500 Thru 0E065371)
1	819843A1		2	BODY ASSEMBLY-Fuel Pump
2	10-28430		4	SCREW (#6-32 x .250)
3	21-F177330		6	VALVE-Fuel Pump
4	27-F84792		2	GASKET-Center Valve
5	24-F686300		2	SPRING-Fuel Pump Boost
6	F686096		2	RETAINER-Booster Spring
7	F438747		2	DIAPHRAGM-Fuel Pump
8	10-F1504		8	SCREW (.250-20 x 1.250)
9	13-26996		4	LOCKWASHER (#10)
10	10-41069		4	SCREW (#10-24 x .750) (Design I)
	10-55515		4	SCREW (#10-32 x .750) (Design II)
11	22-64705		2	FITTING
12	13-26992		8	LOCKWASHER (.250)
13	27-823606		2	GASKET-Fuel Pump Bowl
14	35-F438653		2	SCREEN-Fuel Pump
15	22-F404314		1	ELBOW (.250 Diameter) (89A Thru 91D)
	22-F743314		1	ELBOW (.125 Diameter) (Serial # 91F/92C And 0E000001 Thru 0E065371)
16	27-820490		2	GASKET-Fuel Pump Spacer
17	F658836		2	SPACER-Fuel Pump
18	11-79989		4	NUT (#10-24) (Design I)
	11-68219		4	NUT (#10-32) (Design II)
19	27-F658803		2	GASKET-Fuel Pump Spacer
20	817870A1		2	COVER KIT (With Plug)
21	817066		2	BOWL-Fuel (Serial # 89A Thru 92C And 0E000001 Thru 0E009499)
	F695500		2	BOWL-Fuel (Serial # 0E009500 Thru 0E065371)
22	10-98254		8	SCREW (.250-20 x .620)
23	27-820500	■	2	GASKET-Fuel Pump Cover
24	10-56682		2	SCREW (#10-24 x .750)

■ = COMPONENT OF ENGINE/POWERHEAD GASKET SET (FG1027-2)

FUEL PUMP ASSEMBLY (0E065372 Thru 0E093699)

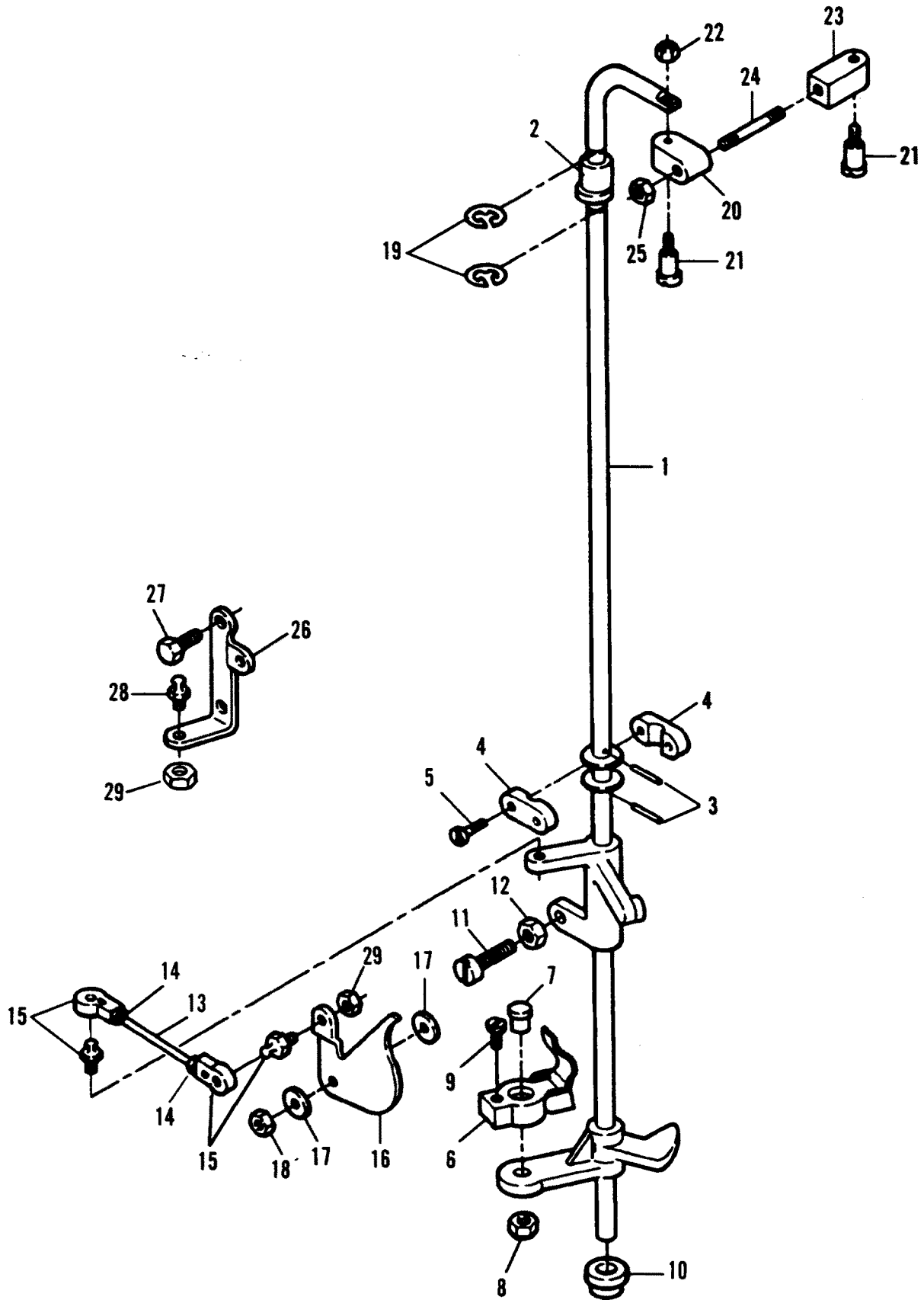


FUEL PUMP ASSEMBLY (0E065372 Thru 0E093699)

REF. NO.	PART NO.	SYM.	QTY.	DESCRIPTION
1	14360A49	▲	1	PUMP KIT-Fuel
2	21-42990A10		1	DIAPHRAGM KIT
3	10-821045-40		2	SCREW (M5 x 40)
4	98775--2		1	PLATE-Fuel Pump
5	22-99664		1	ELBOW
6	14430--3		1	BASE-Fuel Pump
7	27-98769--1		1	GASKET-Fuel Pump Base
8	10-98254	▲	4	SCREW (.250-20 x .620)
9	817870--2	▲	1	COVER-Fuel Pump
10	27-820500	■▲	1	GASKET-Fuel Pump Cover
11	22-F743314	▲	1	ELBOW-Recirculating
12	10-16452	▲	2	SCREW (#12-24 x 2.00)
-	27-FG1027-2		1	GASKET SET-Powerhead
-	800-818155A16		1	POWERHEAD ASSEMBLY

- = COMPONENT OF ENGINE/POWERHEAD GASKET SET (FG1027-2)
▲ = COMPONENT OF POWERHEAD/PARTIAL ENGINE (800-818155A16)

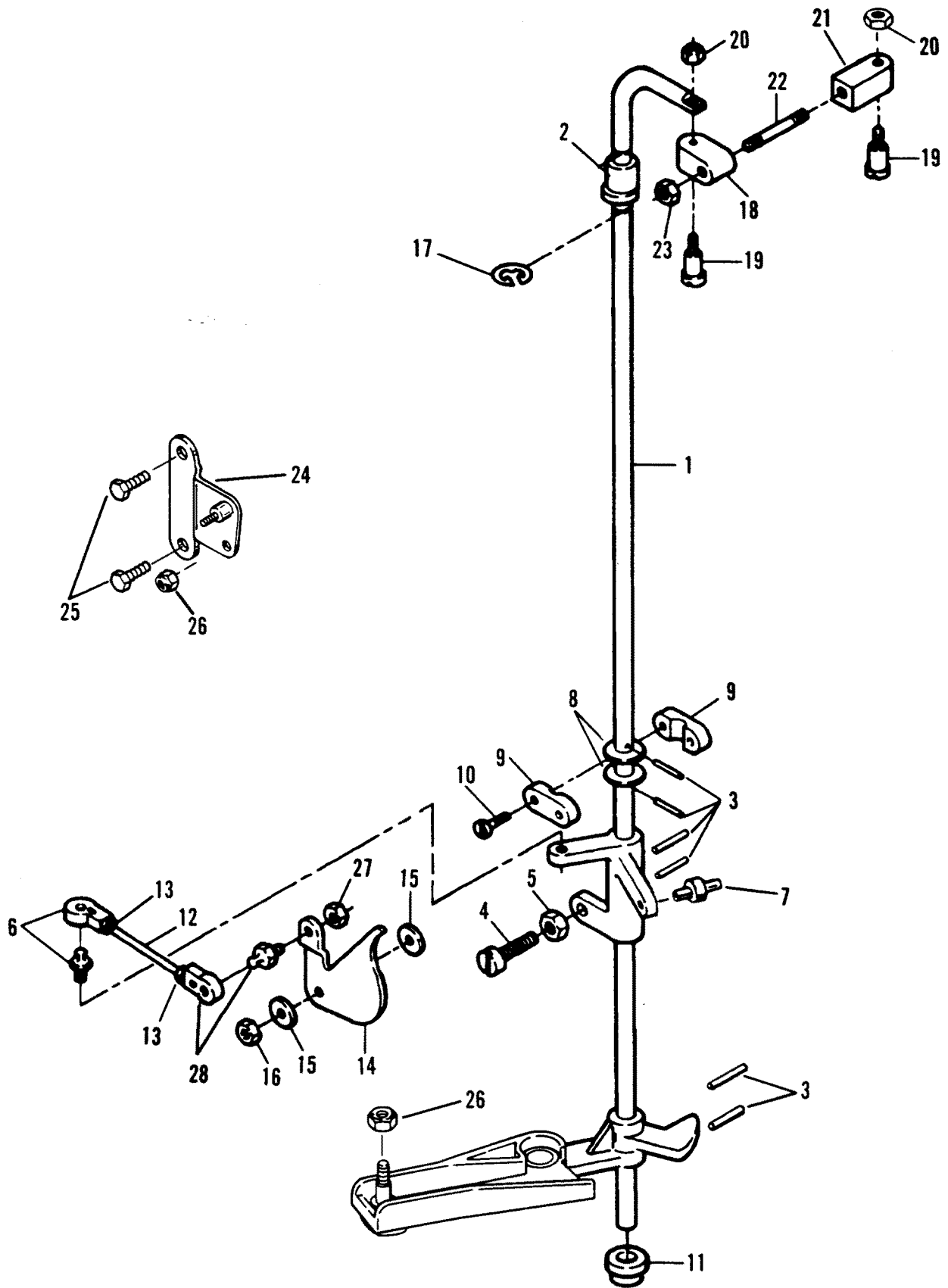
THROTTLE LINKAGE (89A Thru 92C - 0E000001 Thru 0E009499)



THROTTLE LINKAGE (89A Thru 92C - 0E000001 Thru 0E009499)

REF. NO.	PART NO.	SYM.	QTY.	DESCRIPTION
1	817979A1		1	TOWERSHAFT ASSEMBLY
2	23-819513		1	BUSHING
3	17-38489		2	PIN-Roll
4	F607689		2	BEARING-Towershaft Center
5	10-F1829		2	SCREW (#10-24 x .875)
6	FK405020		1	SWIVEL KIT-Cable Clamp
7	10-F405457		1	SCREW-Pivot
8	11-72008		1	NUT (.250-20)
9	10-F2217		1	SCREW (#10-24 x .375)
10	23-F40689-1		1	BEARING-Towershaft Bottom
11	F1052		1	SCREW (.250-20 x 1.00)
12	11-64015		1	NUT (.250-20)
13	819002		1	LINK-Throttle
14	11-68219		2	NUT (#10-32)
15	817747--1		2	BALL JOINT ASSEMBLY
16	F440192-2		1	CAM-Throttle
17	23-F269319		2	BEARING-Throttle Cam
18	11-72008		1	NUT (.250-20)
19	53-13194		2	RING-Retaining
20	F499035		1	END-Control Rod
21	F499026		2	SWIVEL-Towershaft
22	11-F7009		1	NUT (#10-24)
23	F499036-1		1	END-Control Rod (.250-28 LH)
24	F85445-1		1	ROD-Spark Control
25	11-F2015		1	NUT (.250-28)
26	F85872-2		1	BRACKET-Remote Cable
27	10-28636		2	SCREW (.250-20 x .750)
28	16-F98273		2	STUD-Rod End Connector
29	11-20110		2	NUT (#10-32)

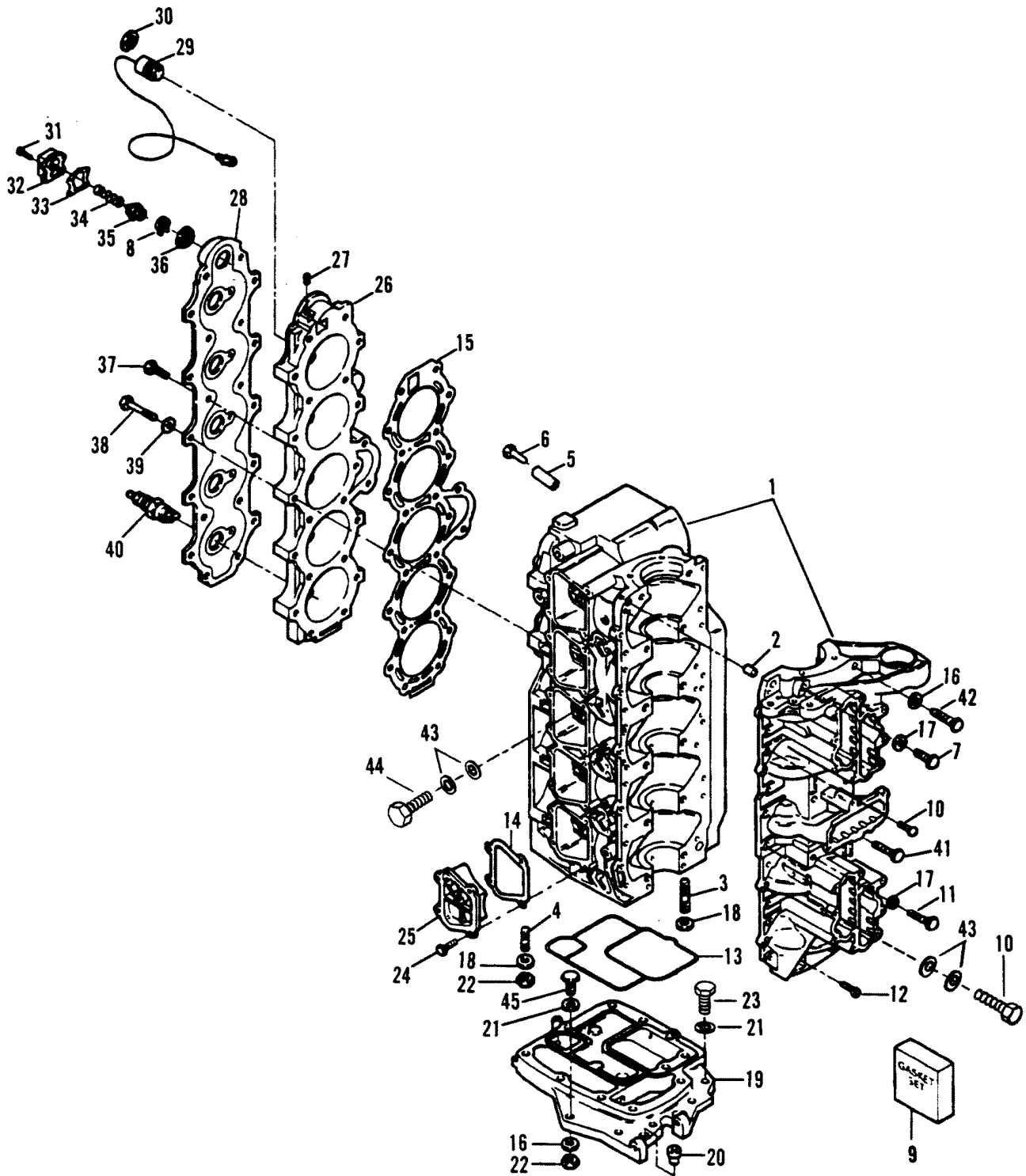
THROTTLE LINKAGE (0E009500 Thru 0E093699)



THROTTLE LINKAGE (0E009500 Thru 0E093699)

REF. NO.	PART NO.	SYM.	QTY.	DESCRIPTION
1	819475A1		1	TOWERSHAFT ASSEMBLY
2	23-819513		1	BUSHING
3	17-38489		6	PIN-Roll
4	10-F1504		1	SCREW (.250-20 x 1.250)
5	11-64015		1	NUT (.250-20)
6	817747--1		1	BALL JOINT ASSEMBLY
7	17-F1727		1	RIVET (Nylon)
8	12-F1856		2	WASHER
9	F607689		2	BEARING-Towershaft Center
10	10-19931088		2	SCREW (#10-24 x .875)
11	23-F40689-1		1	BEARING-Towershaft Bottom
12	819002		1	LINK-Throttle
13	11-68219		2	NUT (#10-32)
14	F440192-2		1	CAM-Throttle
15	23-F269319		2	BUSHING-Throttle Cam
16	11-72008		1	NUT (.250-20)
17	53-13194		1	RING-Retaining
18	F499035		1	END-Control Rod
19	F499026		2	SWIVEL-Towershaft
20	11-F7009		2	NUT (#10-24)
21	F499036-1		1	END-Control Rod (.250-28 LH)
22	F85445-1		1	ROD-Spark Control
23	11-F2015		1	NUT (.250-28)
24	819458A1		1	BRACKET ASSEMBLY-Remote Cable
25	10-49668		2	SCREW (.250-20 x .750)
26	11-34059		2	NUT (#10-32)
27	11-20110		1	NUT (#10-32)
28	817747--1		1	BALL JOINT ASSEMBLY

CYLINDER BLOCK



CYLINDER BLOCK

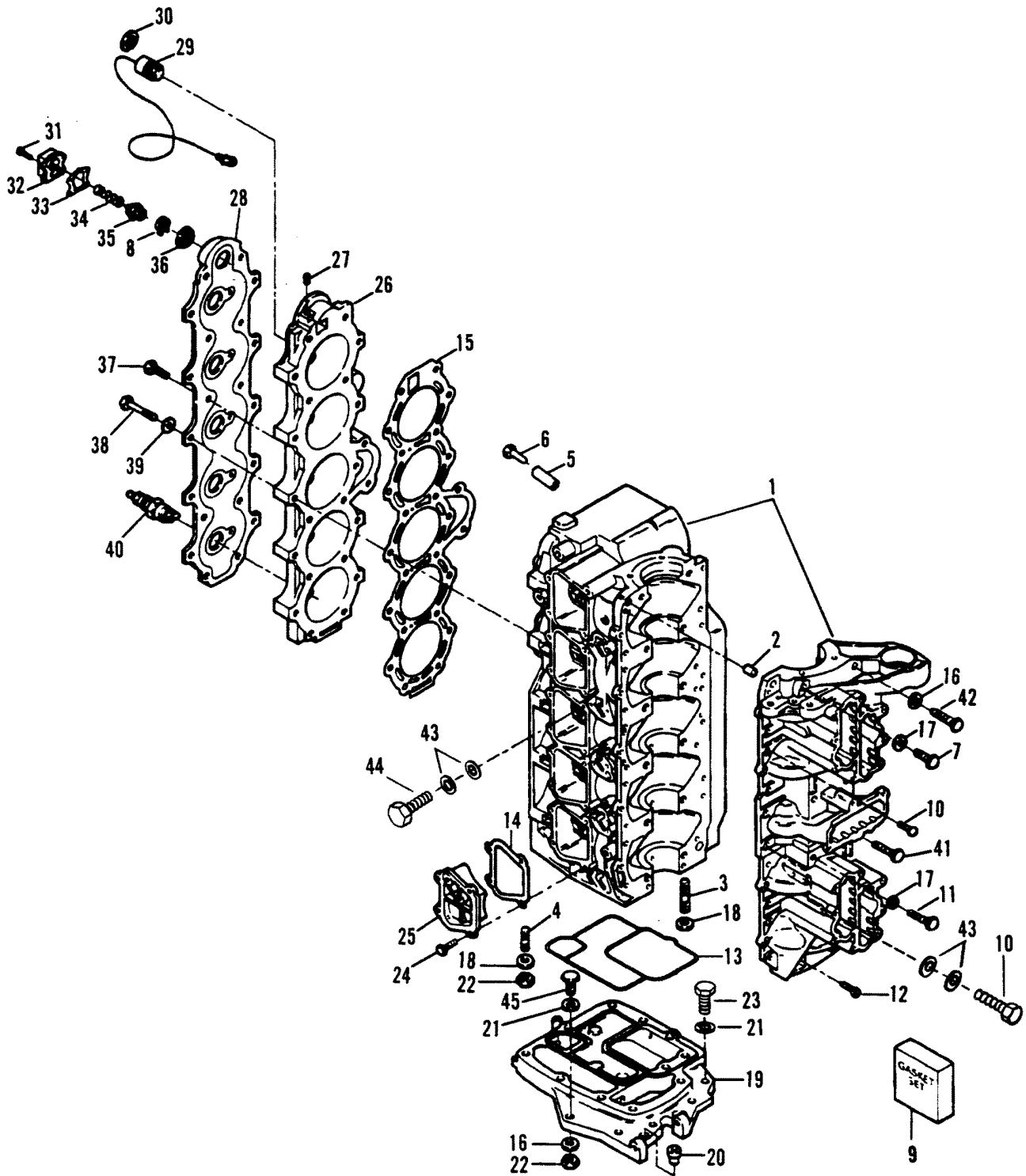
REF. NO.	PART NO.	SYM.	QTY.	DESCRIPTION
—	800-818155A16		1	POWERHEAD ASSEMBLY (All Models)
1	800-817880A3		1	CYLINDER BLOCK KIT (89A Thru 90A)
	800-819338A2		1	CYLINDER BLOCK KIT (90B Thru 91D)
	800-818155A13	▲	1	CYLINDER BLOCK KIT (91F Thru 92C And Serial # E000001 Thru 0E093699)
2	17-20433		2	PIN-Dowel (.375 x 1.00) (Style I)
	17-43044		2	PIN-Dowel (.375 x .620) (Style II)
3	16-826395		5	STUD (.375-16 x 2.250)
4	16-826391		6	STUD (.375-16 x 3.110)
5	32-F719418		4	TUBE-Water Jacket
6	17-F719372		4	PIN-Water Jacket Tube
7	10-47688		1	SCREW (.375-16 x 2.750)
8	F719902		1	SPACER-Thermostat
9	FG1027-2		1	GASKET SET-Powerhead
10	10-28636	▲	16	SCREW (.250-20 x .750)
11	10-94207	▲	4	SCREW (.375-16 x 2.00)
12	10-820589	▲	2	SCREW (.250-20 x 1.250)
13	25-F694278	■▲	1	SEAL-Spacer Plate
14	27-820500	■▲	3	GASKET-Transfer Port Covers
15	27-F694529-1	■▲	1	GASKET-Cylinder Head
16	12-20553		8	WASHER
17	12-37828		10	WASHER
18	12-20553		5	WASHER (89A Thru 92C And Serial # 0E000001 Thru 0E065371)
19	F694680-1	▲	1	PLATE-Spacer
20	23-F40689-1	▲	1	BEARING-Towershaft Lower
21	13-58643		5	LOCKWASHER (.375)
22	11-68411	▲	11	NUT (.375-16)
23	10-37612		3/5	SCREW (.375-16 x 1.250)
24	10-98254	▲	17	SCREW (.250-20 x .620)
25	817790A1	▲	3/4	COVER KIT-Transfer Port
26	900-F694518		1	HEAD-Cylinder (89A Thru 90A)
27	22-47945		1	PLUG (89A Thru 90A)
26	900-819787	▲	1	HEAD-Cylinder (90B Thru 92C And Serial # 0E000001 Thru 0E093699)
27	22-F722109-1	▲	1	PLUG (90B Thru 92C And Serial # 0E000001 Thru 0E093699)
28	F694995	▲	1	COVER-Cylinder Head
29	87-819022		1	THERMOSWITCH (89A Thru 92C And Serial # 0E000001 Thru 0E009499)
	87-819022--1		1	THERMOSWITCH (Serial # 0E009500 Thru 0E093699)
30	53-F717096		1	RING-Retaining
31	10-19927075	▲	4	SCREW (.250-20 x .750)
32	F476066-1	▲	1	COVER-Thermostat

■ = COMPONENT OF ENGINE/POWERHEAD GASKET SET (FG1027-2)

▲ = COMPONENT OF POWERHEAD/PARTIAL ENGINE (800-818155A16)

CONTINUED ON NEXT PAGE ➡

CYLINDER BLOCK



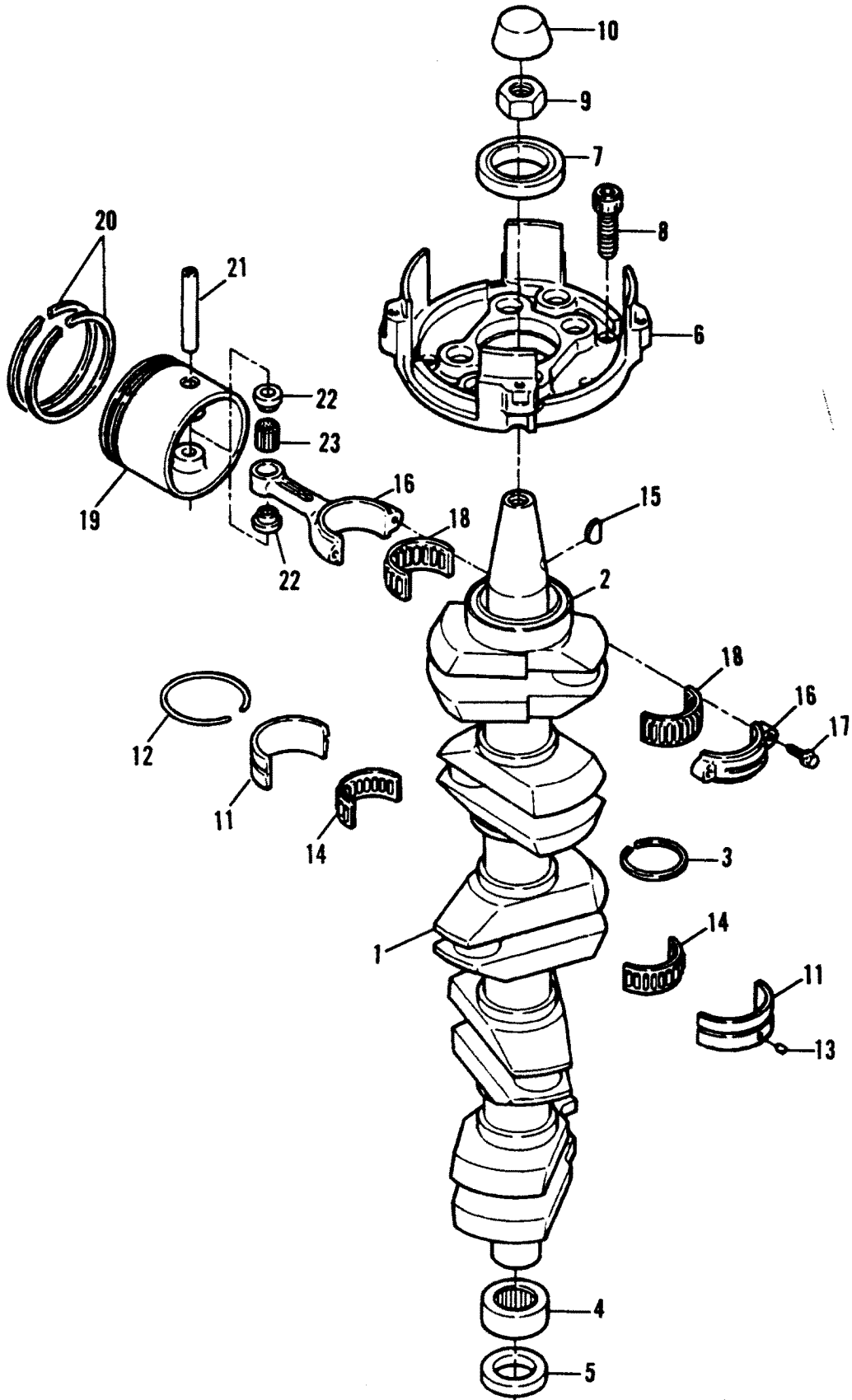
CYLINDER BLOCK

REF. NO.	PART NO.	SYM.	QTY.	DESCRIPTION
33	27-F476067	■▲	1	GASKET-Thermostat Cover
34	24-F692268	▲	1	SPRING (Red)
35	F664068	▲	1	THERMOSTAT (130 Degrees)
36	26-F664914	▲	1	SEAL-Thermostat
37	10-F2008	▲	4	SCREW (.250-20 x .875)
38	10-F1883	▲	22	SCREW (.312-18 x 2.375)
39	12-34437	▲	22	WASHER
40	33-818007--1		5	SPARK PLUG (Champion # UL-18V) (89A Thru 90A)
	33-827C		5	SPARK PLUG (Champion # L-76V) (90B Thru 92C And Serial # 0E000001 Thru 0E093699)
	33-898		5	SPARK PLUG (RFI) (Champion # QL-76V)
41	10-F2228	▲	4	SCREW (.375-16 x 3.00)
42	10-F1874	▲	1	SCREW (.375-16 x 3.125)
43	13-78968		4	LOCKWASHER (.250 Internal) (Ground Screw)
44	10-F1999		1	SCREW (.250-20 x .875) (Ground Wire)
45	10-68101		2	SCREW (.375-16 x 1.375)
NS	37-819526	▲	1	DECAL-Throttle Cable Adjust (Serial # 0E009500 Thru 0E093699)

■ = COMPONENT OF ENGINE/POWERHEAD GASKET SET (FG1027-2)

▲ = COMPONENT OF POWERHEAD/PARTIAL ENGINE (800-818155A16)

CRANKSHAFT / PISTON



CRANKSHAFT / PISTON

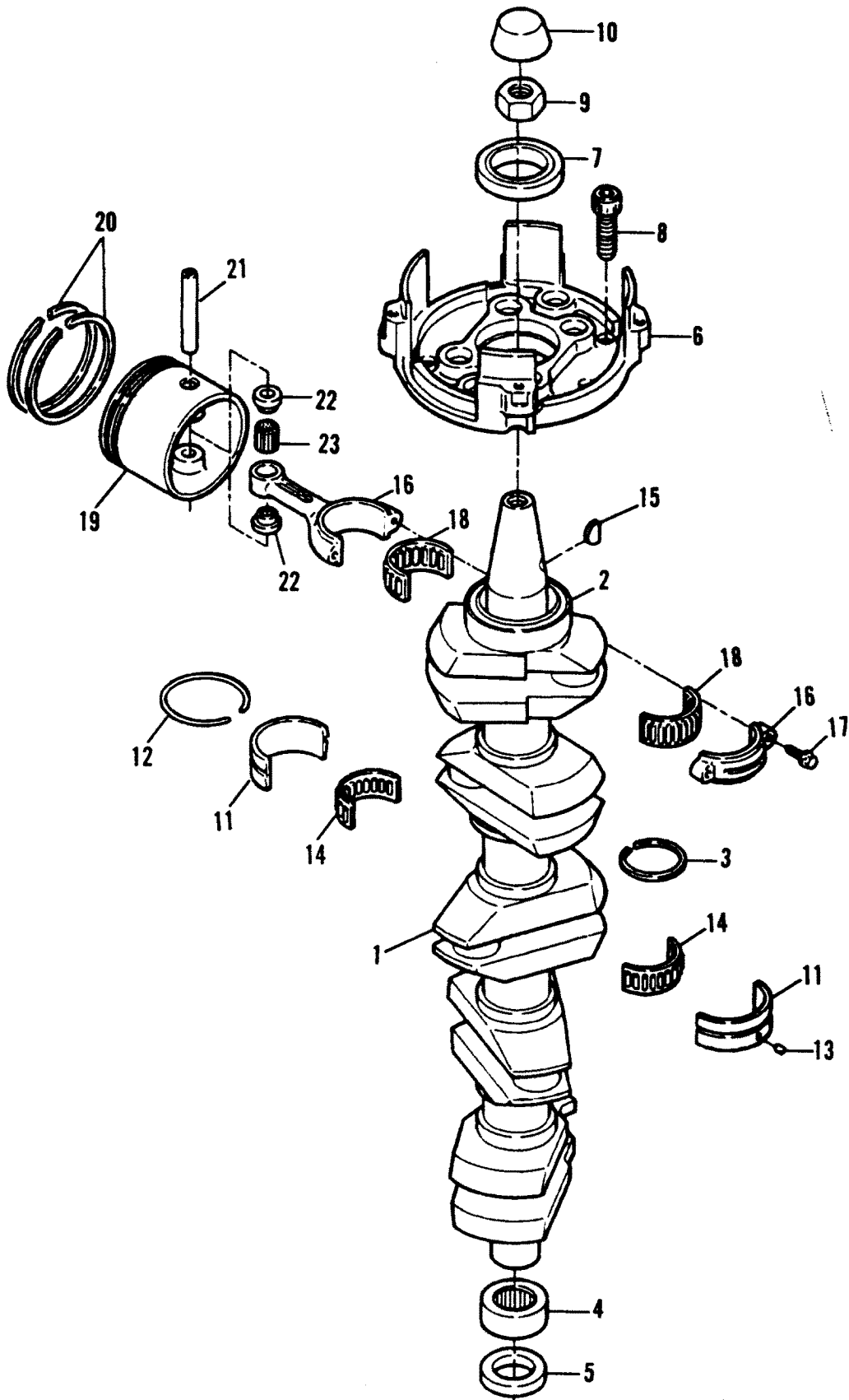
REF. NO.	PART NO.	SYM.	QTY.	DESCRIPTION
1	400-817399A3	▲	1	CRANKSHAFT ASSEMBLY
2	30-F284659-2		1	BEARING-Upper
3	F316579	▲	4	SEAL-Crankcase
4	31-FA523014	▲	1	BEARING ASSEMBLY-Lower
5	26-F523146-1	■	1	SEAL
6	1100-818070A1		1	CAGE ASSEMBLY-Bearing (89A Thru 91A)
	1100-819312A1	▲	1	CAGE ASSEMBLY-Bearing (91B Thru 92C And Serial # 0E000001 Thru 0E093699)
7	26-F523146-1	■	1	SEAL
8	10-92160	▲	5	SCREW (.250-20 x .750)
9	11-F1968		1	NUT (.750-16)
10	19-F2067		1	CAP-Crankshaft End
11	31-FA85655-1	▲	4	BEARING ASSEMBLY (Center Main)
12	53-F85410		4	RING-Snap
13	17-823605	▲	5	PIN-Locating (Pressed Into Block)
14	31-819193	▲	4	CAGE/ROLLER SET
15	28-F85498-1		1	KEY-Crankshaft/Flywheel
16	600-818052A6	▲	5	CONNECTING ROD ASSEMBLY
17	10-91012		10	SCREW-Conn Rod
18	31-62596A2	▲	5	CAGE/ROLLER SET
19	700-F691015		5	PISTON (Standard) (89A Thru 90A) (NOTE: This Is Not A kit. Order Each As Required)
	FSA691015		OPT	PISTON (.010 Oversize) (89A Thru 90A) (NOTE: This Is Not A kit. Order Each As Required)
	700-818133A1		OPT	PISTON (.030 Oversize) (89A Thru 90A) (NOTE: This Is Not A kit. Order Each As Required)
20	39-817869A1		5	RING SET (2 Rings) (Standard) (89A Thru 90A)
	FSA663260		OPT	RING SET (2 Rings) (.010 Oversize) (89A Thru 90A)
	39-817869A3		OPT	RING SET (2 Rings) (.030 Oversize) (89A Thru 90A)
21	41-F85017-3		5	PIN-Piston (89A Thru 90A)
22	23-826806		10	SPACER-Piston Pin (89A Thru 90A)
23	31-F335217-1		5	BEARING SET (26) (89A Thru 90A)
19	700-819690A1	▲	5	PISTON KIT (Standard) (90B Thru 92C And Serial # 0E000001 Thru 0E093699)
	700-819690A2		OPT	PISTON KIT (.010 Oversize) (90B Thru 92C And Serial # 0E000001 Thru 0E093699)
	700-819690A3		OPT	PISTON KIT (.030 Oversize) (90B Thru 92C And Serial # 0E000001 Thru 0E093699)
20	39-820457A2		5	RING SET (2 Rings) (Standard) (90B Thru 92C And Serial # 0E000001 Thru 0E093699)

■ = COMPONENT OF ENGINE/POWERHEAD GASKET SET (FG1027-2)

▲ = COMPONENT OF POWERHEAD/PARTIAL ENGINE (800-818155A16)

CONTINUED ON NEXT PAGE ➡

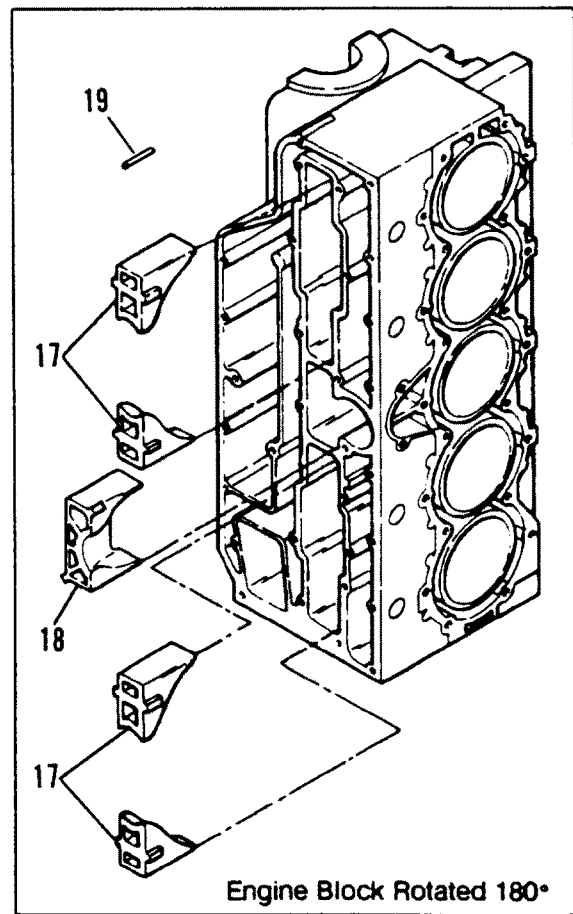
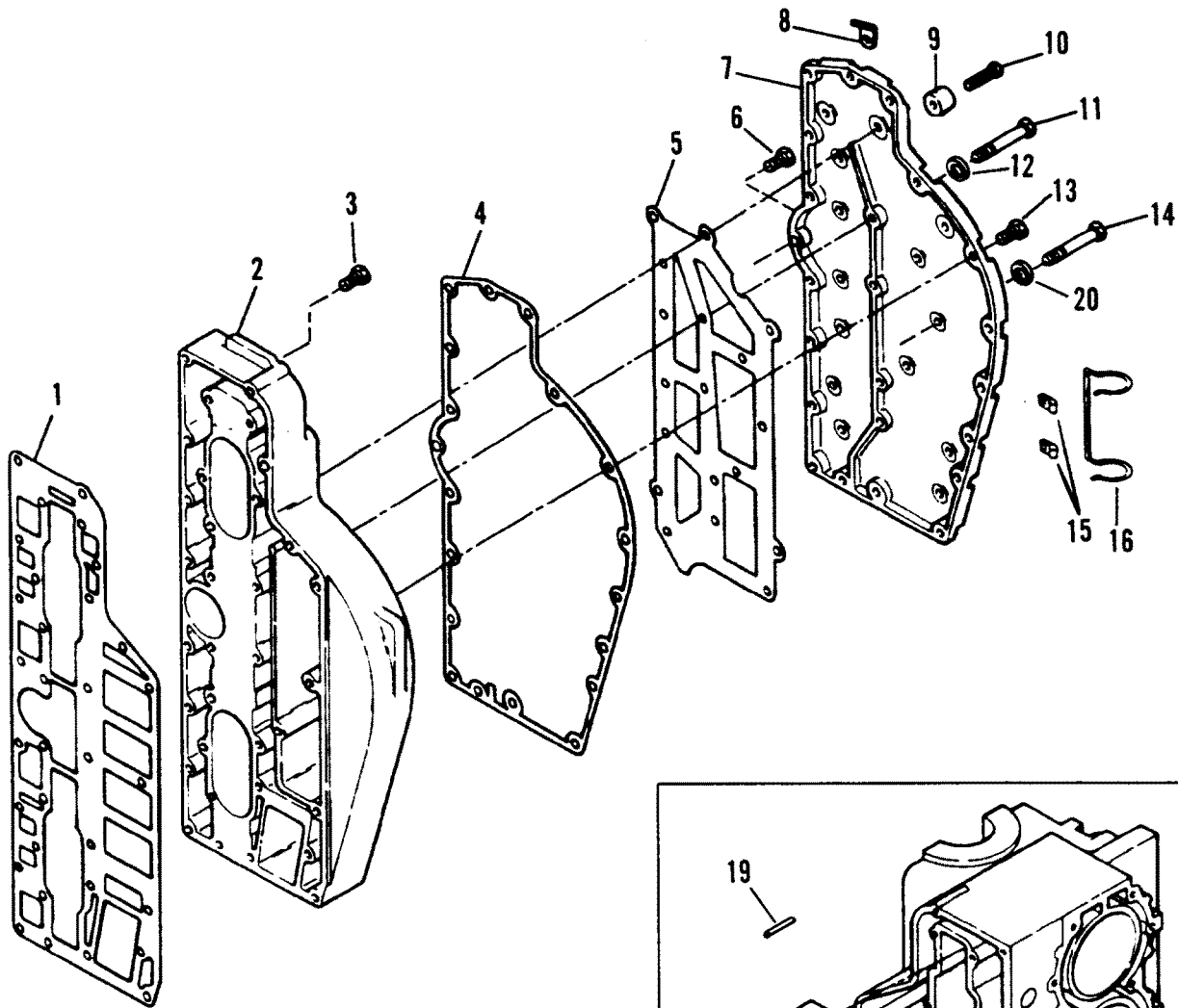
CRANKSHAFT / PISTON



CRANKSHAFT / PISTON

REF. NO.	PART NO.	SYM.	QTY.	DESCRIPTION
20	39-820641A1		OPT	RING SET (2 Rings) (.010 Oversize) (90B Thru 92C And Serial # 0E000001 Thru 0E093699)
	39-818129A2		OPT	RING SET (2 Rings) (.030 Oversize) (90B Thru 92C And Serial # 0E000001 Thru 0E093699)
21	41-F85017-3		5	PIN-Piston (90B Thru 92C And Serial # 0E000001 Thru 0E093699)
22	23-826806		10	SPACER-Piston Pin (90B Thru 92C And Serial # 0E000001 Thru 0E093699)
23	31-F335217-1		5	BEARING SET (26) (90B Thru 92C And Serial # 0E000001 Thru 0E093699)

EXHAUST MANIFOLD AND COVER



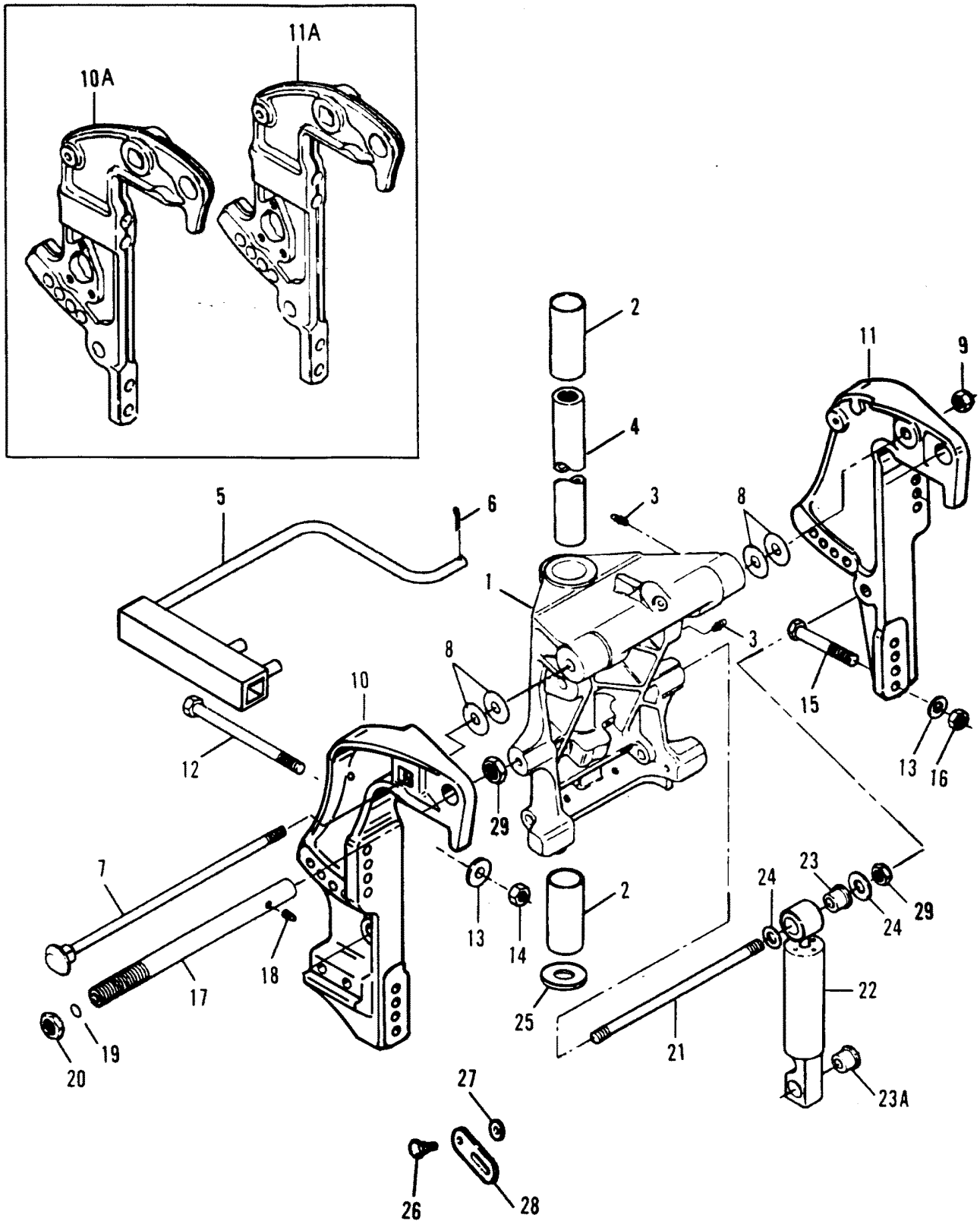
EXHAUST MANIFOLD AND COVER

REF. NO.	PART NO.	SYM.	QTY.	DESCRIPTION
1	27-819053--3	■▲	1	GASKET-Exhaust Manifold
2	819789	▲	1	MANIFOLD-Exhaust
3	10-70602	▲	4	SCREW (.250-20 x 2.00)
4	27-F694154-1	■▲	1	GASKET-Exhaust Cover
5	27-819984	■▲	1	GASKET-Exhaust Cover Inner
6	10-28668	▲	1	SCREW (.250-20 x .875)
7	819510--1	▲	1	COVER-Exhaust
8	F694384		1	RETAINER-Wire (89A Thru 92C)
9	F307942-2	▲	2	BUMPER
10	10-22794	▲	2	SCREW (#8-32 x .500)
11	10-74191	▲	4	SCREW (.312-18 x 3.250)
12	12-34437	▲	4	WASHER
13	10-49668	▲	6	SCREW (.250-20 x .750)
14	10-819988	▲	27	SCREW (.250-20 x 3.125)
15	54-820437	▲	2	CLIP-Wire Harness Retainer
16	92753	▲	1	RETAINER-Wire Harness
17	F694479	▲	4	STUFFER BLOCK-Exhaust (Part Of Cylinder Block)
18	F694182	▲	1	STUFFER BLOCK-Exhaust (Center) (Part Of Cylinder Block)
19	17-22389	▲	5	PIN-Roll (Part Of Cylinder Block)
20	12-22937	▲	30	WASHER

■ = COMPONENT OF ENGINE/POWERHEAD GASKET SET (FG1027-2)

▲ = COMPONENT OF POWERHEAD/PARTIAL ENGINE (800-818155A16)

SWIVEL BRACKET / STERN BRACKETS

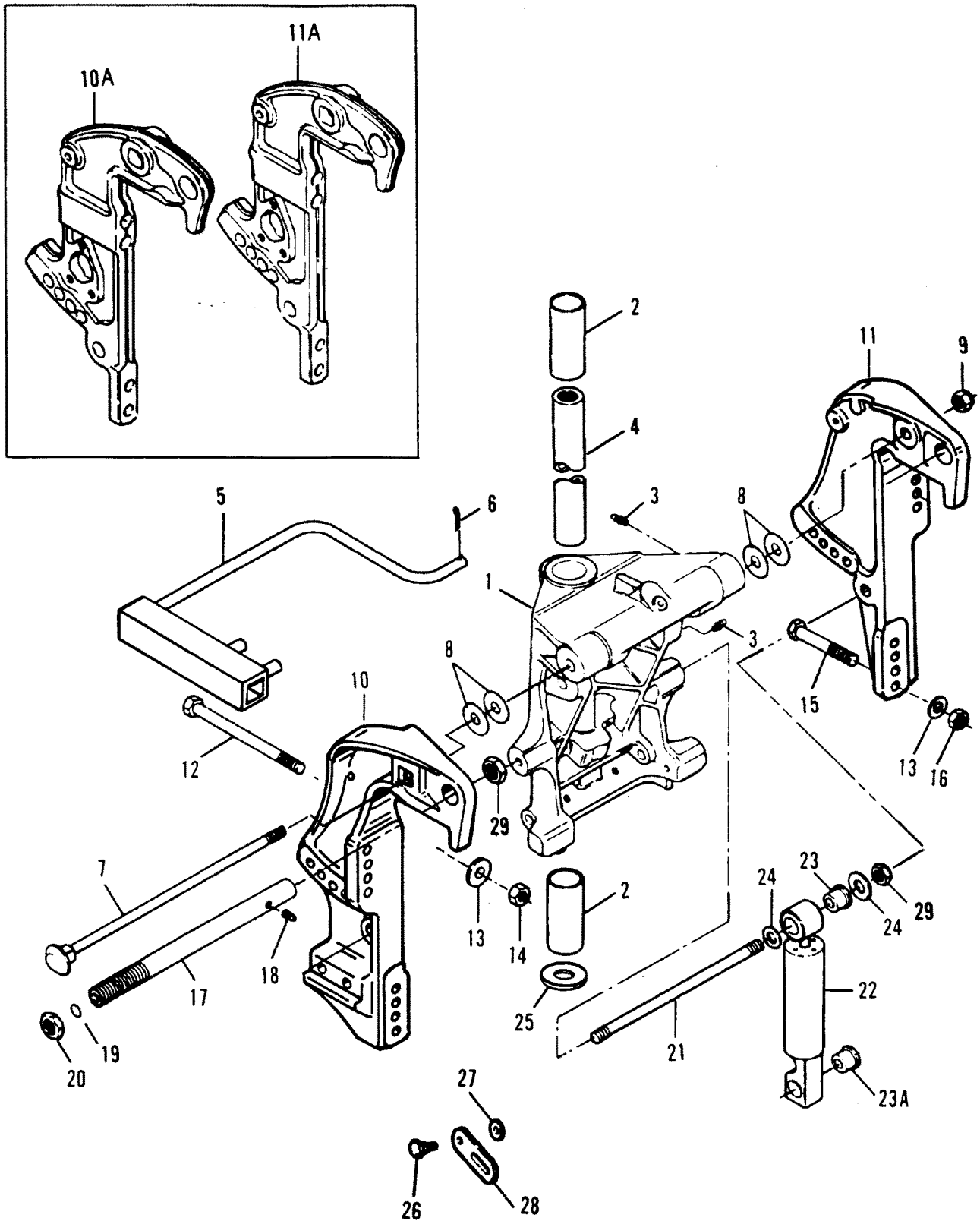


SWIVEL BRACKET / STERN BRACKETS

REF. NO.	PART NO.	SYM.	QTY.	DESCRIPTION
1	817783A5		1	BRACKET KIT-Swivel
2	23-819493		2	BUSHING-Swivel Bracket
3	22-F213274		3	FITTING-Grease
4	FS85019		1	KINGPIN ASSEMBLY (20.00 Inch)
	FA500019		1	KINGPIN ASSEMBLY (25.00 Inch)
5	819504A1		1	LOCK BRACKET KIT-Trailing
6	18-F525629		1	PIN-Cotter
7	10-F85037-1		1	BOLT-Stern Bracket Pivot
8	12-F84286-1		4	WASHER
9	11-28040		1	NUT (.500-20)
10A	1400-820445F		1	BRACKET-Stern (Starboard) (89A Thru 92C And Serial # 0E000001 Thru 0E009499)
11A	1400-820446F		1	BRACKET-Stern (Port) (89A Thru 92C And Serial # 0E000001 Thru 0E009499)
12	10-F685632		2	BOLT (.500-20 x 7.00) (89A Thru 92C And Serial # 0E000001 Thru 0E009499)
13	FK684201		4	WASHER KIT (89A Thru 92C And Serial # 0E000001 Thru 0E009499)
14	11-91962		2	NUT (.500-20) (89A Thru 92C And Serial # 0E000001 Thru 0E009499)
15	10-F2428		2	SCREW (.375-16 x .500) (89A Thru 92C And Serial # 0E000001 Thru 0E009499)
	10-F2185		2	SCREW (.375-16 x 3.500) (89A Thru 92C And Serial # 0E000001 Thru 0E009499)
16	11-86226		2	NUT (.375-16) (89A Thru 92C And Serial # 0E000001 Thru 0E009499)
10	1400-819424F		1	BRACKET-Stern (Starboard) (Serial # 0E009500 Thru 0E093699)
11	1400-819425F		1	BRACKET-Stern (Port) (Serial # 0E009500 Thru 0E093699)
12	10-67755--1		2	SCREW (.500-20 x 4.500) (Serial # 0E009500 Thru 0E093699)
13	12-28421		4	WASHER (Serial # 0E009500 Thru 0E093699)
14	11-91962		2	NUT (.500-20) (Serial # 0E009500 Thru 0E093699)
15	10-67755--1		2	SCREW (.500-20 x 4.500) (Serial # 0E009500 Thru 0E093699)
16	11-91962		2	NUT (.500-20) (Serial # 0E009500 Thru 0E093699)
17	32-818066A3		1	TUBE ASSEMBLY-Steering
18	22-F523274		1	FITTING-Grease
19	25-F316599		1	O RING-Steering Tube
20	11-F523280		2	NUT-Steering Support Tube
21	F449889		1	SHAFT-Upper Shock
22	55-FS631962		1	SHOCK ABSORBER ASSEMBLY
23	23-F178344		1	BUSHING (Upper)
23A	23-F449362		1	BUSHING (Lower)
24	12-F1960		2	WASHER
25	12-F84011		1	WASHER
26	F85350-1		4	PIVOT (Bayliner Models)

CONTINUED ON NEXT PAGE ➡

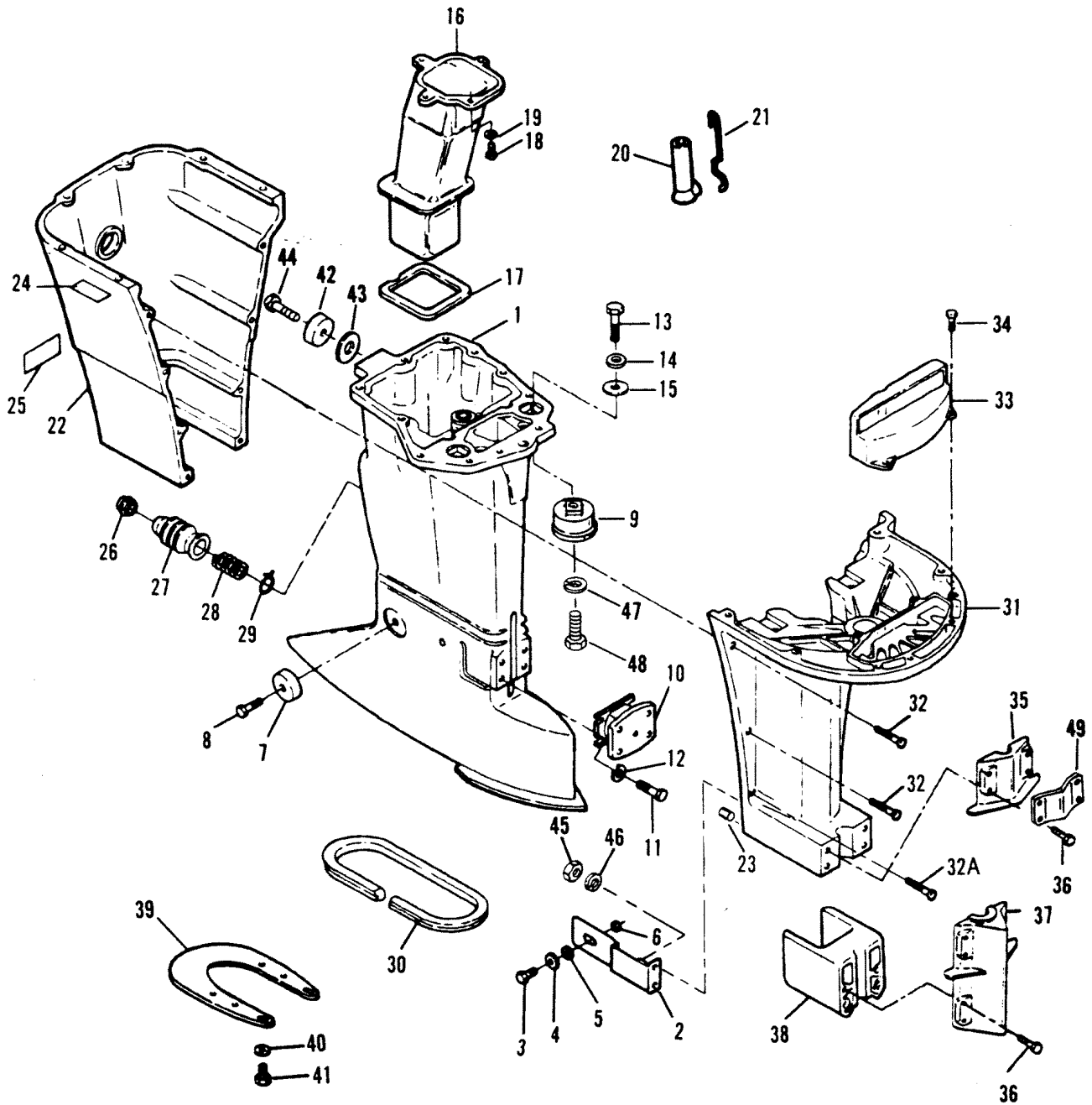
SWIVEL BRACKET / STERN BRACKETS



SWIVEL BRACKET / STERN BRACKETS

REF. NO.	PART NO.	SYM.	QTY.	DESCRIPTION
27	13-69150		2	WASHER (Wave) (Bayliner Models)
28	F694426		2	STOP-Tilt (Bayliner Models)
29	11-35778		2	NUT (.500-20)
NS	19-F9018		1	CAP-Stern Bracket (Starboard)
	19-F9052		1	PLUG-Tube Assembly (Port)

DRIVESHAFT HOUSING

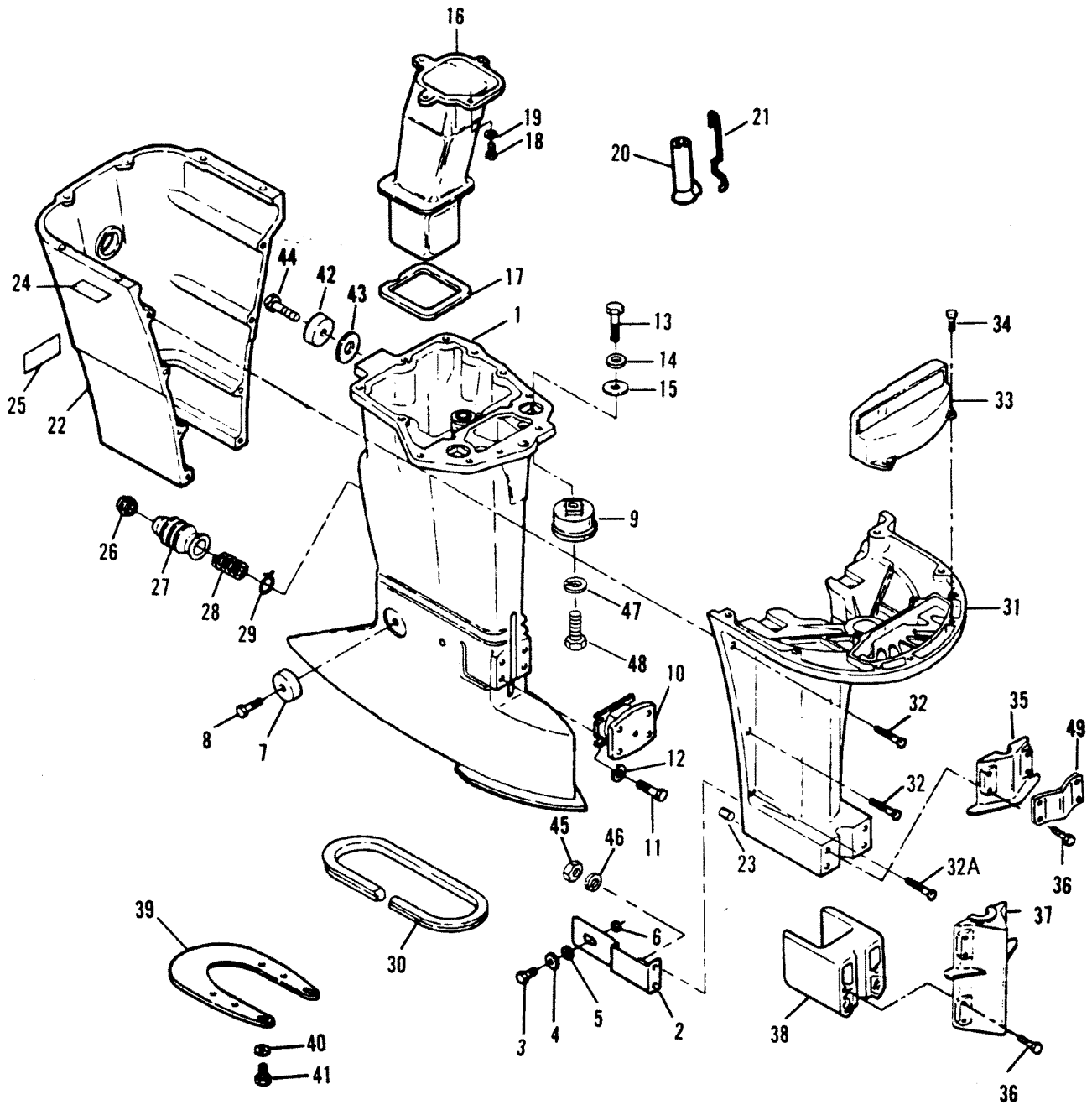


DRIVESHAFT HOUSING

REF. NO.	PART NO.	SYM.	QTY.	DESCRIPTION
1	1500-819434A2		1	HOUSING KIT-20.00 Inch Driveshaft
	1500-819435A2		1	HOUSING KIT-25.00 Inch Driveshaft
2	F720835-1		2	STRAP (91D Thru 92C And Serial # 0E000001 Thru 0E093699)
3	10-826377		2	SCREW (.312-18 x .750) (91D Thru 92C And Serial # 0E000001 Thru 0E093699)
4	12-F513286		2	WASHER (91D Thru 92C And Serial # 0E000001 Thru 0E093699)
5	13-69150		2	WASHER (91D Thru 92C And Serial # 0E000001 Thru 0E093699)
6	23-F720201		2	SPACER (91D Thru 92C And Serial # 0E000001 Thru 0E093699)
7	F438962		2	MOUNT-Shock (Side)
8	10-F1263		2	SCREW (.312-18 x .562)
9	F85965		2	MOUNT-Upper Shock (89A Thru 90A)
	F694347		2	MOUNT-Upper Shock (90B Thru 92C And Serial # 0E000001 Thru E093699)
10	F438346		1	MOUNT-Lower Shock
11	10-F1822		4	SCREW (.312-18 x .875)
12	13-53166		4	LOCKWASHER (.312)
13	10-19922075		2	SCREW (.375-16 x .750)
14	12-20553		2	WASHER
15	FA85355-1		2	WASHER SET
16	F694660-1		1	TUBE-Exhaust
17	25-F439736		1	SEAL-Exhaust Tube
18	10-19934075		4	SCREW (.250-20 x .750)
19	13-26992		4	LOCKWASHER (.250) (For Screws Without Dri Loc)
20	816515		2	STANDTUBE-Exhaust Relief
21	54-F686491		2	CLIP-Standtube
22	817931A7		1	COVER KIT-Rear (89A Thru 91B)
	100-819317F		1	COVER-Rear (91D Thru 92C And Serial # 0E000001 Thru 0E093699)
23	17-F1664		2	PIN-Spring
24	37-F717893		2	DECAL-Side (89A Thru 91J) (Bayliner And Maxum Models)
25	37-F716374		1	DECAL-Rear (89A Thru 92C And Serial # 0E000001 Thru 0E009499) (Force Models)
26	816513		1	INSERT-Idle Exhaust Boot
27	F85130		1	BOOT-Idle Exhaust
28	24-F85380		1	SPRING-Idle Exhaust Boot
29	54-F85772		1	CLAMP
30	F178323		1	SEAL-Driveshaft Housing
31	FK719135F		1	COVER KIT-Front
32	10-F2030		4	SCREW (.250-20 x 1.250)
32A	10-F2288		2	SCREW (.250-20 x 1.500)
33	FK692779		1	BAFFLE KIT-Air Intake

CONTINUED ON NEXT PAGE ➡

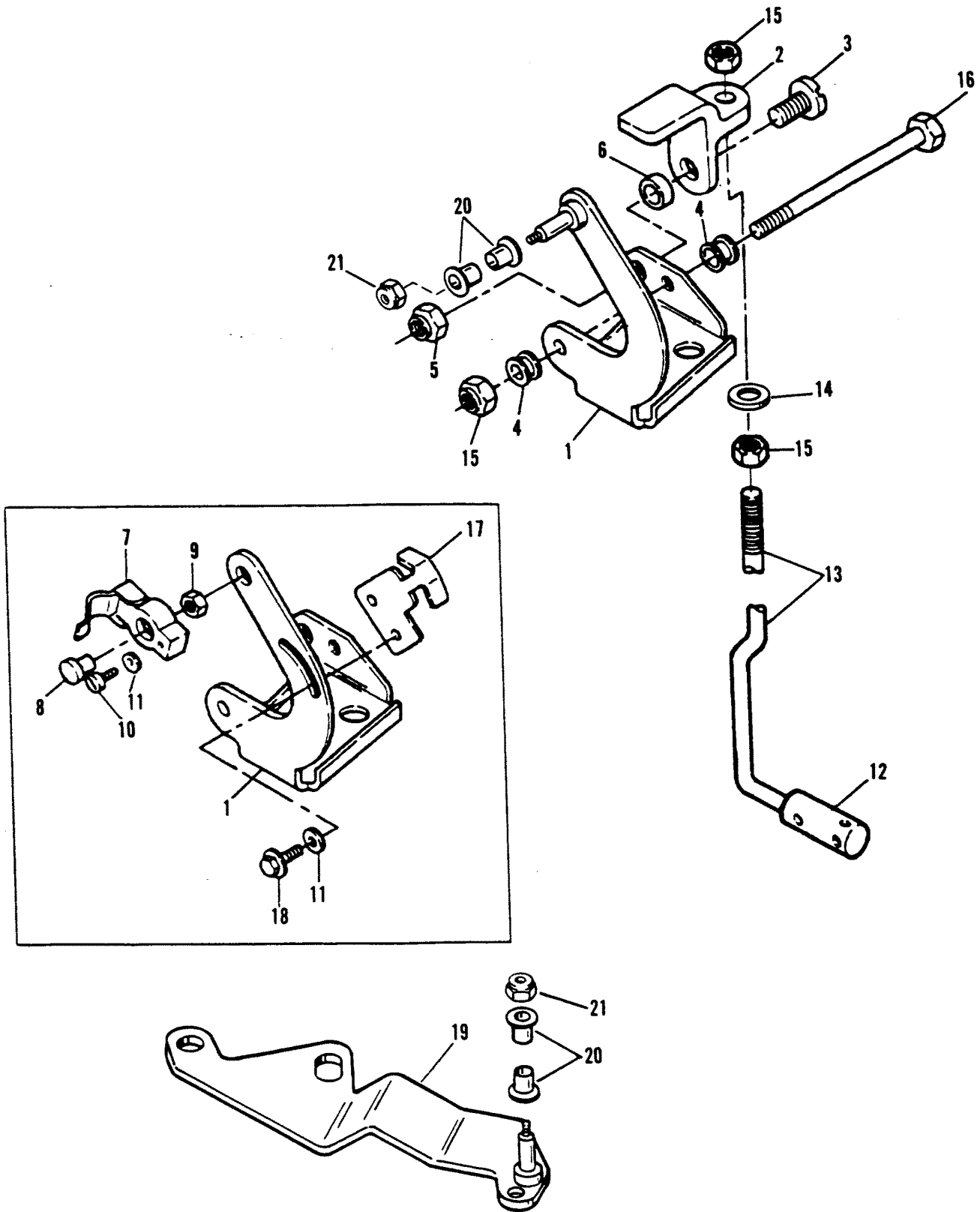
DRIVESHAFT HOUSING



DRIVESHAFT HOUSING

REF. NO.	PART NO.	SYM.	QTY.	DESCRIPTION
34	10-41772		4	SCREW (#10-24 x .500)
35	FK85606		1	CAP KIT-20.00 Inch Kingpin (89A Thru 90A)
	F720606F		1	CAP-20.00 Inch Kingpin (90B Thru 92C And Serial # 0E000001 Thru 0E093699)
36	10-69267		4/8	SCREW (.312-18 x 1.750) (89A Thru 90A)
	10-F2312		4/8	SCREW (.312-18 x 2.125) (90B Thru 92C And Serial # 0E000001 Thru 0E093699)
37	FK631606		1	CAP KIT-25.00 Inch Kingpin (89A Thru 90A)
	F721606F		1	CAP-25.00 Inch Kingpin (90B Thru 92C And Serial # 0E000001 Thru 0E093699)
38	F631707F		1	COVER-25.00 Inch Kingpin Shock Mount
39	F694711		1	PLATE-Stabilizer (89A Thru 90A)
40	12-89302		6	WASHER (89A Thru 90A)
41	10-F1950		6	SCREW (#10-24 x .562) (89A Thru 90A)
42	F438962		1	MOUNT-Rear Shock
43	12-820015		1	WASHER
44	10-F2280		1	SCREW (.312-18 x .875)
45	11-68292		4	NUT (.312-18)
46	13-53166		4	LOCKWASHER (.312)
47	13-35048		2	LOCKWASHER (.375) (89A Thru 90A)
	13-38829		2	LOCKWASHER (.500) (90B Thru 92C And Serial # 0E000001 Thru 0E093699)
48	10-98261		2	SCREW (.375-16 x .750) (89A Thru 90A)
	10-826577		2	SCREW (.500-13 x .875) (90B Thru 92C And Serial # 0E000001 Thru 0E093699)
49	F692934		1	PLATE-20.00 Inch Kingpin Cap (90B Thru 92C And Serial # 0E000001 Thru 0E093699)

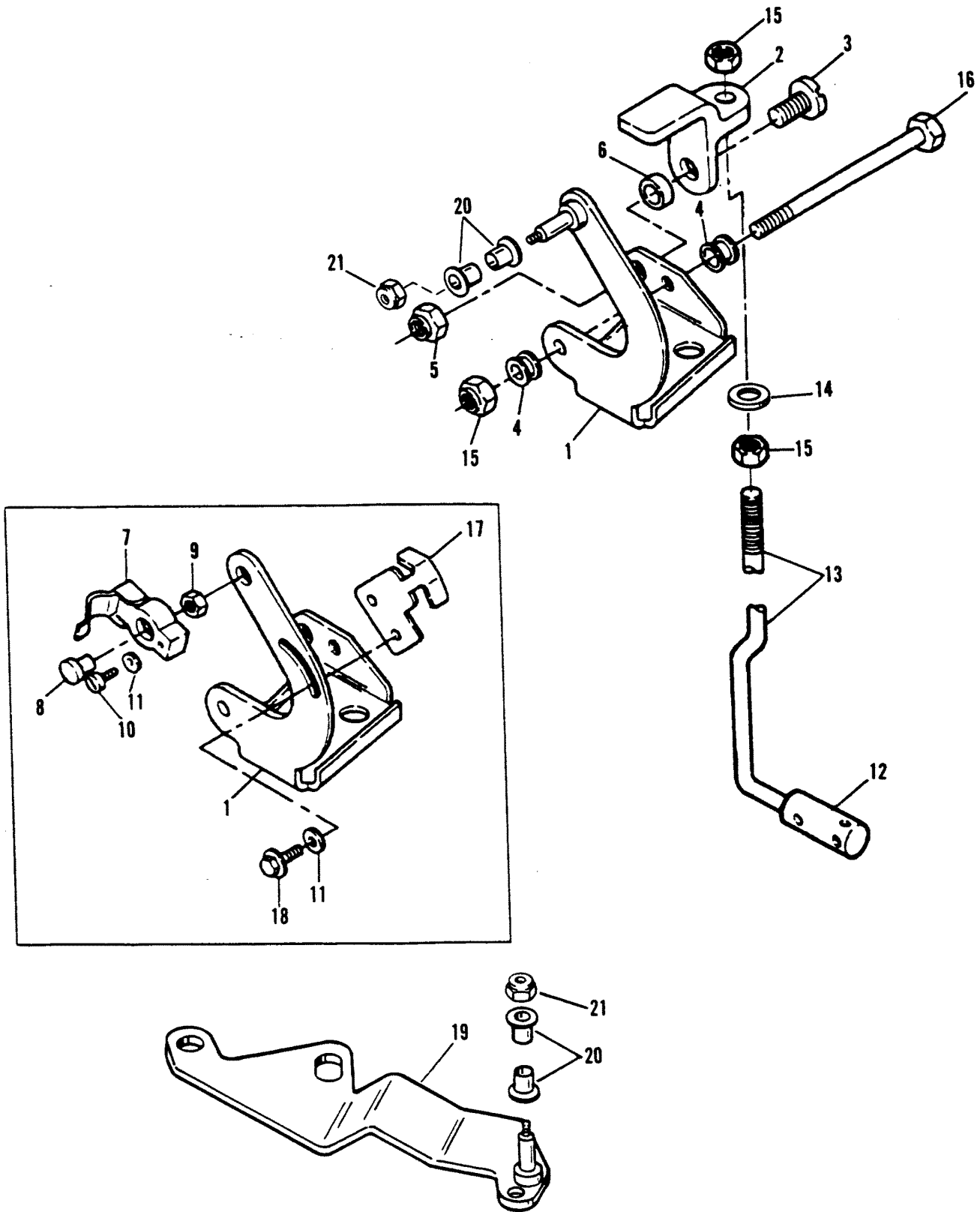
GEAR SHIFT LINKAGE (89A Thru 92C - 0E000001 Thru 0E009499)



GEAR SHIFT LINKAGE (89A Thru 92C - 0E000001 Thru 0E009499)

REF. NO.	PART NO.	SYM.	QTY.	DESCRIPTION
1	FA480876		1	ARM ASSEMBLY-Gear Shift
2	819932--1		1	ARM-Interlock
3	10-F369887		1	SCREW (Shoulder)
4	23-97896		2	BUSHING
5	11-814101		1	NUT (.250-20)
6	23-F369610		1	BUSHING
7	FK405020		1	SWIVEL KIT-Cable Clamp
8	10-F405457		1	SCREW-Pivot
9	11-72008		1	NUT (.250-20)
10	10-F2217		1	SCREW (#10-24 x .375)
11	12-89302		2	WASHER
12	F85704		1	COUPLING-Shift Rod
13	F85615-1		1	ROD-20.00 Inch Upper Gear Shift
	F500615-2		1	ROD-25.00 Inch Upper Gear Shift
14	12-34437		1	WASHER
15	11-F2108		3	NUT (.312-18)
16	10-F1885		1	SCREW (.312-18 x 4.250)
17	F480107-2		1	CAM-Starter Interlock
18	10-F2217		2	SCREW (#10-24 x .375)

GEAR SHIFT LINKAGE (0E009500 Thru 0E093699)

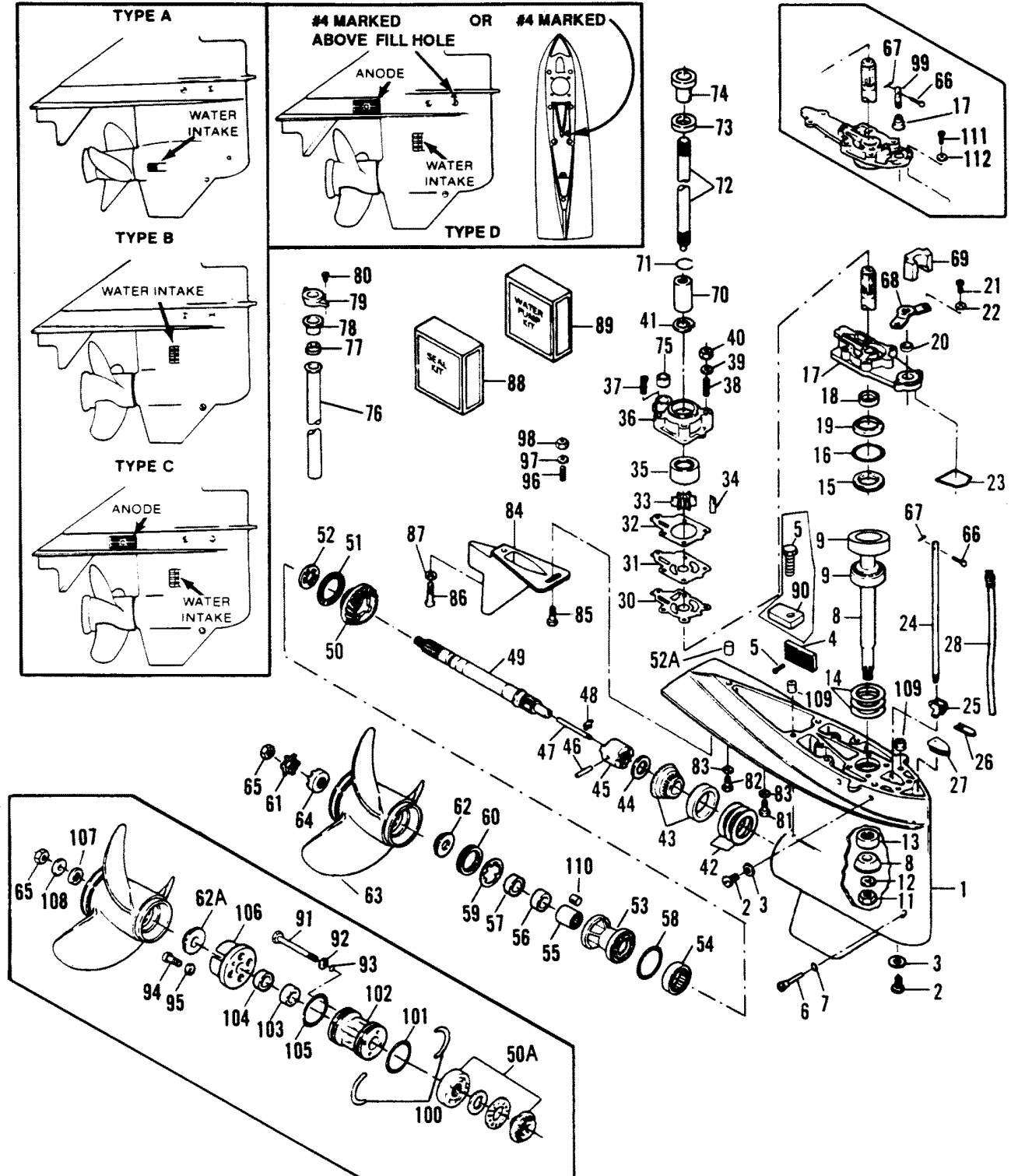


GEAR SHIFT LINKAGE (0E009500 Thru 0E093699)

REF. NO.	PART NO.	SYM.	QTY.	DESCRIPTION
1	819469A1	▲	1	ARM ASSEMBLY-Gear Shift
2	819932--1		1	ARM-Interlock
3	10-F369887		1	SCREW (Shoulder)
4	23-97896		2	BUSHING
5	11-814101		1	NUT (.250-20)
6	23-F369610		1	BUSHING
12	F85704		1	COUPLING-Shift Rod
13	F85615-1		1	ROD-20.00 Inch Upper Gear Shift
	F500615-2		1	ROD-25.00 Inch Upper Gear Shift
15	11-F2108	▲	3	NUT (.312-18)
16	10-F1885	▲	1	SCREW (.312-18 x 4.250)
19	819457A3		1	BRACKET ASSEMBLY-Throttle
20	23-819452		4	BUSHING
21	11-34059		2	NUT (#10-32)

▲ = COMPONENT OF POWERHEAD/PARTIAL ENGINE (800-818155A16)

GEAR HOUSING

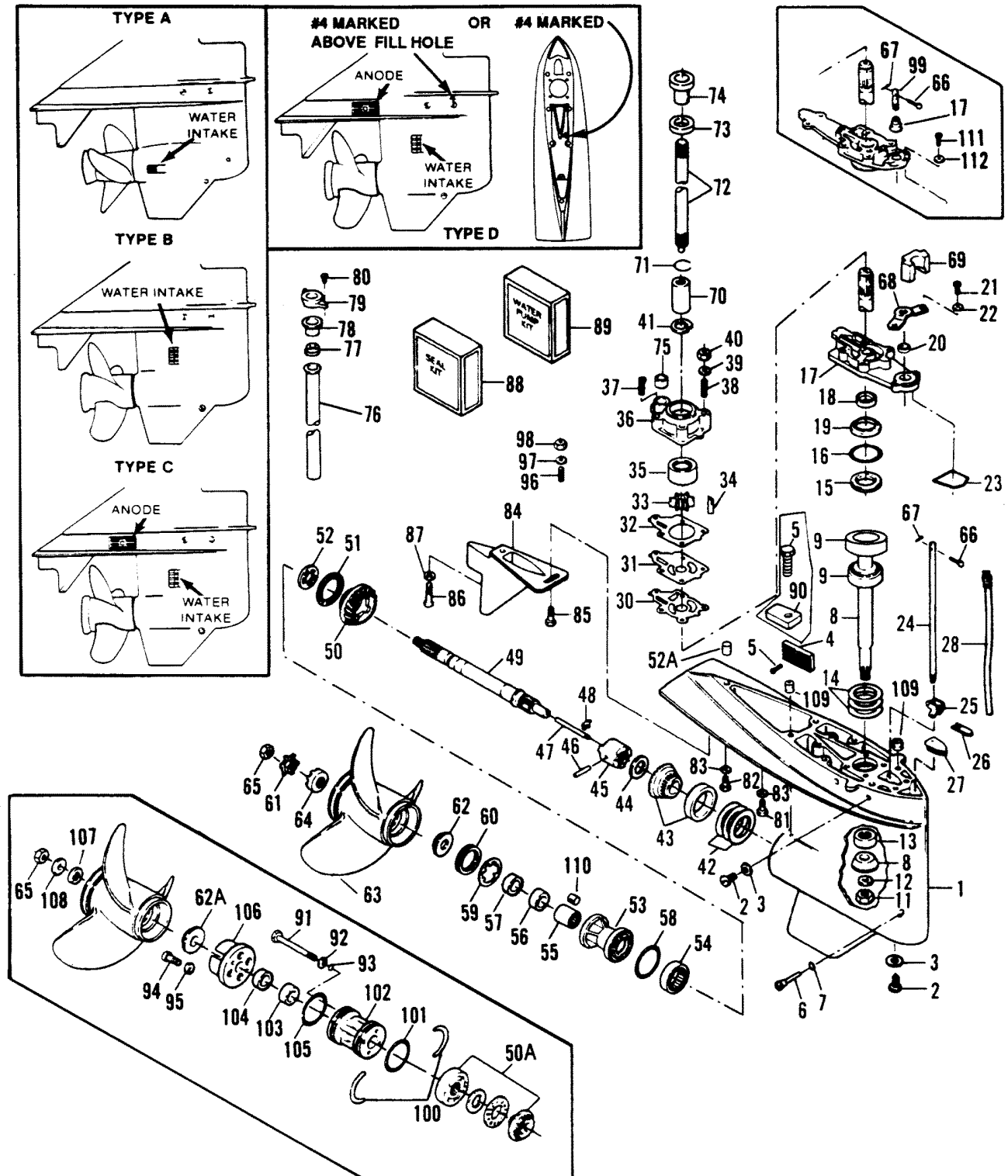


GEAR HOUSING

REF. NO.	PART NO.	SYM.	QTY.	DESCRIPTION
1	1600-817925A5		1	GEAR HOUSING ASSEMBLY (Complete - 1.93:1) (Type A - B)
	1600-819190A3		1	GEAR HOUSING KIT (Basic) (Type A - B)
	1600-820588A1		1	GEAR HOUSING ASSEMBLY (Complete - 1.93:1) (Type C)
	1600-819231A13		1	GEAR HOUSING KIT (Basic) (Type C)
	1600-820588A1		1	GEAR HOUSING ASSEMBLY (Complete - 1.93:1) (Type D) (Serial # 0E016973 Thru 0E093699)
	1600-820588A6		1	GEAR HOUSING KIT (Basic) (Type D) (Serial # 0E016973 Thru 0E093699)
2	10-F50109		3	PLUG
3	12-19183		3	WASHER
4	819232		2	ANODE (Type C - D)
5	10-F2317		2	SCREW (.250-20 x .875)
6	826374		1	PIN-Gear Shift Arm
7	25-25007		1	O RING
8	45-FS694628		1	DRIVESHAFT/PINION ASSEMBLY (1.93:1) (Type A)
	45-FS707628		1	DRIVESHAFT/PINION ASSEMBLY (1.93:1) (Type B - C)
	45-819738A2		1	DRIVESHAFT/PINION ASSEMBLY (1.93:1) (Type D)
9	31-35924A1		1	BEARING SET
11	11-826375		1	NUT (.562-18)
12	12-92721		1	WASHER
13	31-42647A1		1	BEARING ASSEMBLY
14	15-819415A1		AR	SHIM SET
15	824519		1	RETAINER-Driveshaft Upper Bearing
16	25-90011		1	SEAL-Driveshaft Cover
17	FK721706		1	COVER KIT (Replaces Bellows) (Type A) (NOTE: Bellows Are No Longer Available)
	818074A1		1	COVER ASSEMBLY (Type B - C - D)
18	26-819740		1	SEAL-Driveshaft Water Pump
19	26-F694305		1	SEAL-Driveshaft
20	26-817472		1	SEAL-Lower Gear Shift Rod
21	10-F1999		2	SCREW (.250-20 x .875)
22	13-26992		2	LOCKWASHER (.250)
23	25-F707305		1	O RING
24	F694705		1	ROD-Lower Gear Shift (Type A)
	F523705-1		1	ROD-Lower Gear Shift (Type B - C - D)
25	FA84621-1		1	COUPLING ASSEMBLY-Gear Shift
26	F707885		1	RETAINER-Pitot Plug
27	F694226		1	PLUG-Pitot Tube
28	22-85822A12		1	CONNECTOR ASSEMBLY
30	27-F694830		1	GASKET-Lower Water Pump
31	F699562		1	PLATE-Water Pump
32	27-F694031		1	GASKET-Upper Water Pump
33	47-F694065		1	IMPELLER-Water Pump
34	28-F694498		1	KEY-Driveshaft

CONTINUED ON NEXT PAGE ➡

GEAR HOUSING

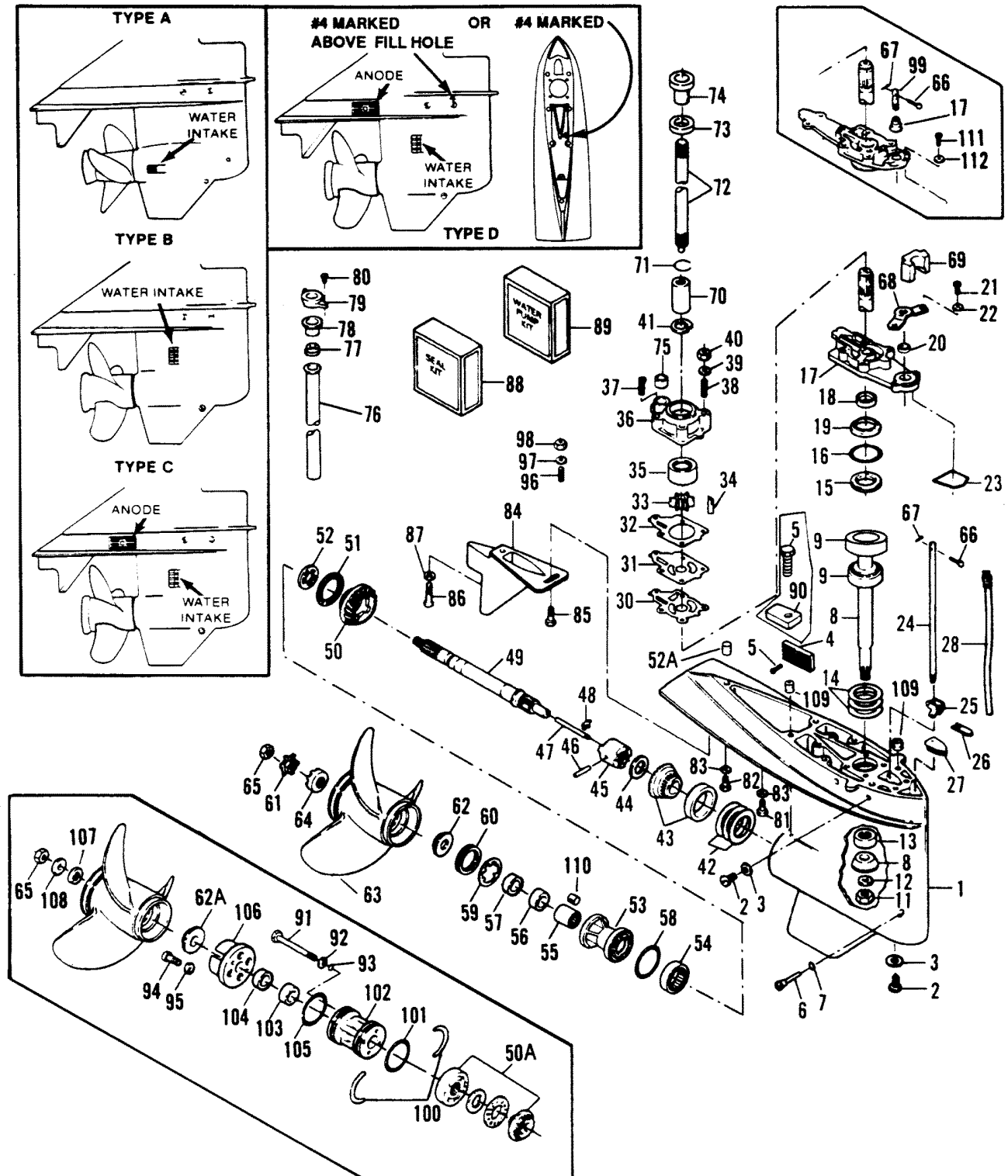


GEAR HOUSING

REF. NO.	PART NO.	SYM.	QTY.	DESCRIPTION
35	F694564-1		1	INSERT-Water Pump
36	46-F694060-2		1	BODY-Water Pump
37	10-F2234		1	SCREW (#10 x 1.125) (Type B - C - D)
38	16-826372		4	STUD (.250-28 x 3.125)
39	12-71055		4	WASHER
40	11-13438		4	NUT (.250-28)
41	25-F695830		1	GASKET
42	15-819416A1		AR	SHIM SET
43	43-FS694023		1	GEAR ASSEMBLY-Forward (1.93:1) (Type A)
	FS707023		1	GEAR ASSEMBLY-Forward (1.93:1) (Type B - C)
	43-816434A5		1	GEAR ASSEMBLY-Forward (1.93:1) (Type D)
44	23-819414A1		AR	SPACER SET (89A Thru 92C)
45	52-816433		1	CLUTCH-Shift
46	17-F2419		1	PIN-Spring
47	17-F84871-1		1	PIN-Shift
48	F90619-2		1	YOKE-Gear Shift
49	44-FA694098		1	PROPSHAFT (Type A)
	44-819284A3		1	PROPSHAFT (Type B - C - D)
50A	43-F2A694662		1	GEAR ASSEMBLY-Reverse (1.93:1) (Type A)
50	43-816435		1	GEAR ASSEMBLY-Reverse (1.93:1) (Type B - C - D)
51	31-12576		1	RING-Thrust
52	F707902		1	RING-Thrust
52A	17-F8580		1	PIN-Locating
53	FA707239		1	SPOOL ASSEMBLY-Propshaft
54	31-12578		1	BEARING (Needle)
55	31-30956		1	BEARING (Roller)
56	26-F697555		1	SEAL-Propshaft Spool
57	26-12224		1	SEAL-Propshaft Spool
58	25-F707278		1	SEAL-Propshaft Spool
59	14-F707286		1	TAB WASHER
60	819217		1	RETAINER
61	14-816629		1	TAB WASHER (Also See Propeller Reference Chart Book 90-826171940)
62A	23-F523099-1		1	SPACER (Type A) (Also See Propeller Reference Chart Book 90-826171940)
62	F698099-1		1	SPACER (Type B - C - D) (Also See Propeller Reference Chart Book 90-826171940)
	23-819057		1	SPACER (Type B - C - D) (Also See Propeller Reference Chart Book 90-826171940)
63			1	PROPELLER (Also See Propeller Reference Chart Book 90-826171940)
64	F697299		1	WASHER (Also See Propeller Reference Chart Book 90-826171940)
	12-F523282		1	WASHER (Also See Propeller Reference Chart Book 90-826171940)

CONTINUED ON NEXT PAGE ➡

GEAR HOUSING

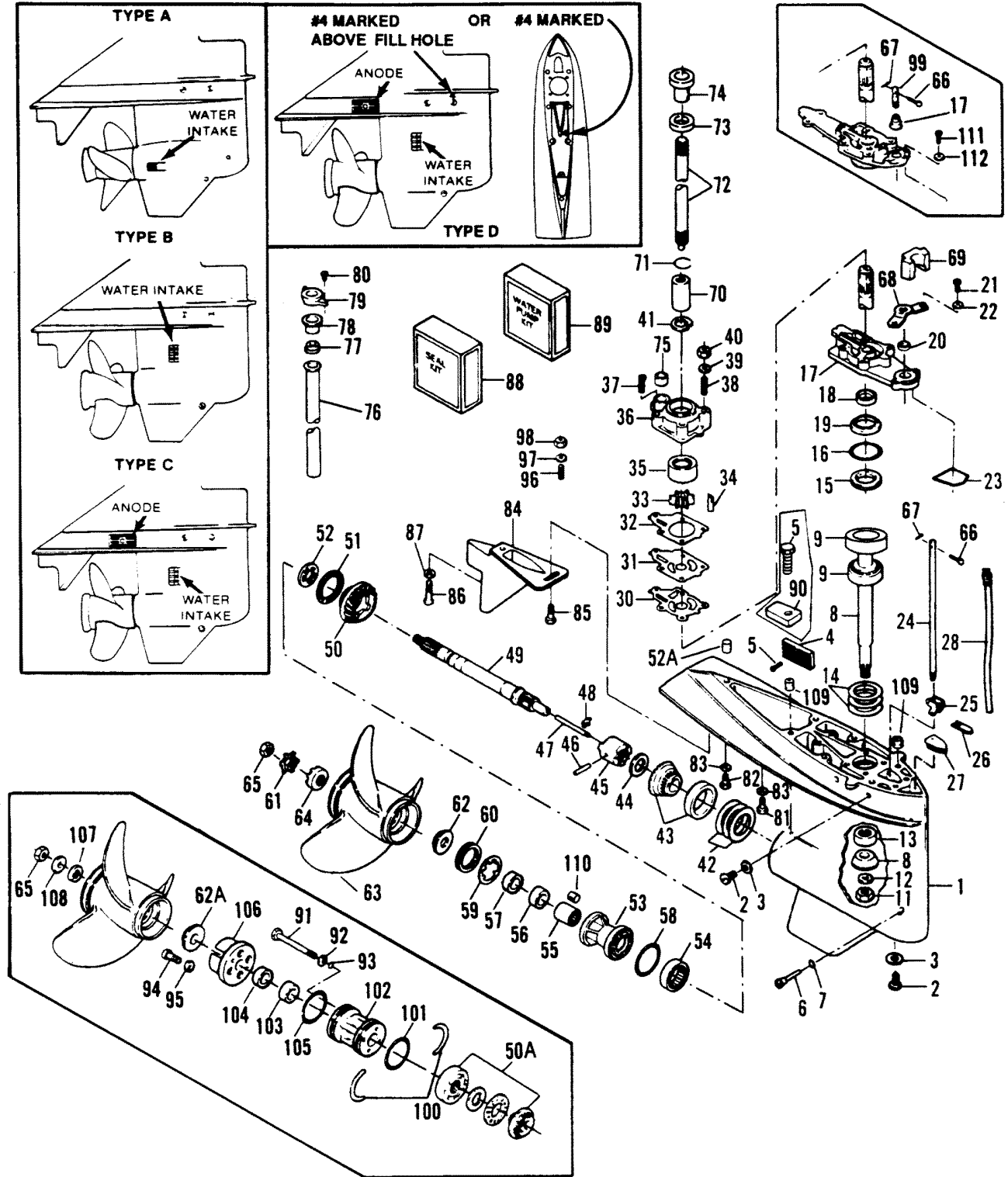


GEAR HOUSING

REF. NO.	PART NO.	SYM.	QTY.	DESCRIPTION
65	11-52707A1		1	NUT KIT-Propshaft (.750-16) (Also See Propeller Reference Chart Book 90-826171940)
66	17-F85372		1	PIN-Lower Gear Shift Rod
67	18-F1015		1	PIN-Cotter
68	819176		1	RETAINER-Shift Rod Seal
69	F698735-1		1	SEAL-Exhaust
70	F694125		1	COUPLING-Driveshaft
71	53-818826		1	RING-Retaining
72	45-F694128		1	DRIVESHAFT (20.00 Inch)
	45-F693128		1	DRIVESHAFT (25.00 Inch)
73	23-F438271		1	RETAINER-Driveshaft Spline Seal
74	25-819427		1	SEAL-Driveshaft Spline
75	26-F694735-1		1	SEAL-Waterline
76	32-F523244		1	WATERLINE (20.00 Inch)
	32-F500244		1	WATERLINE (25.00 Inch)
77	25-817491		1	GROMMET
78	25-F84342		1	SEAL-Upper Inlet Waterline
79	F692117		1	BRACKET-Waterline
80	10-28636		2	SCREW (.250-20 x .750)
81	10-19924325		6	SCREW (.312-18 x 3.250)
82	10-19924100		1	SCREW (.312-18 x 1.00)
83	12-F506186		7	WASHER
84	F523116-4		1	SNOUT-Exhaust
85	10-826377		1	SCREW (Special)
86	10-19928100		1	SCREW (.312-18 x 1.00)
87	12-F1856		1	WASHER
88	FK1203-1		1	SEAL KIT
89	FK1204-1		1	WATER PUMP KIT
90	F707485		1	ANODE (Type B)
91	10-F1885		4	SCREW (.312-18 x 4.250) (Type A)
92	12-12038		4	WASHER (Type A)
93	25-62702		4	O RING (Type A)
94	10-F1112		2	SCREW (.250-20 x .875) (Type A)
95	13-26992		2	LOCKWASHER (.250) (Type A)
96	16-F694211		1	STUD (#10 x 1.340) (Type A)
97	12-F8143		1	WASHER (Type A)
98	11-29488		1	NUT (#10-32) (Type A)
99	F694615		1	ROD-Intermediate Shift (Type A)
100	53-F523411		1	RING-Retaining (Type A)
101	25-32507		1	O RING (Type A)
102	F2A523239		1	SPOOL ASSEMBLY-Propshaft (Type A)
103	31-30956		1	BEARING (Roller) (Type A)
104	26-F506118-1		1	SEAL-Propshaft Spool (Type A)

CONTINUED ON NEXT PAGE ➡

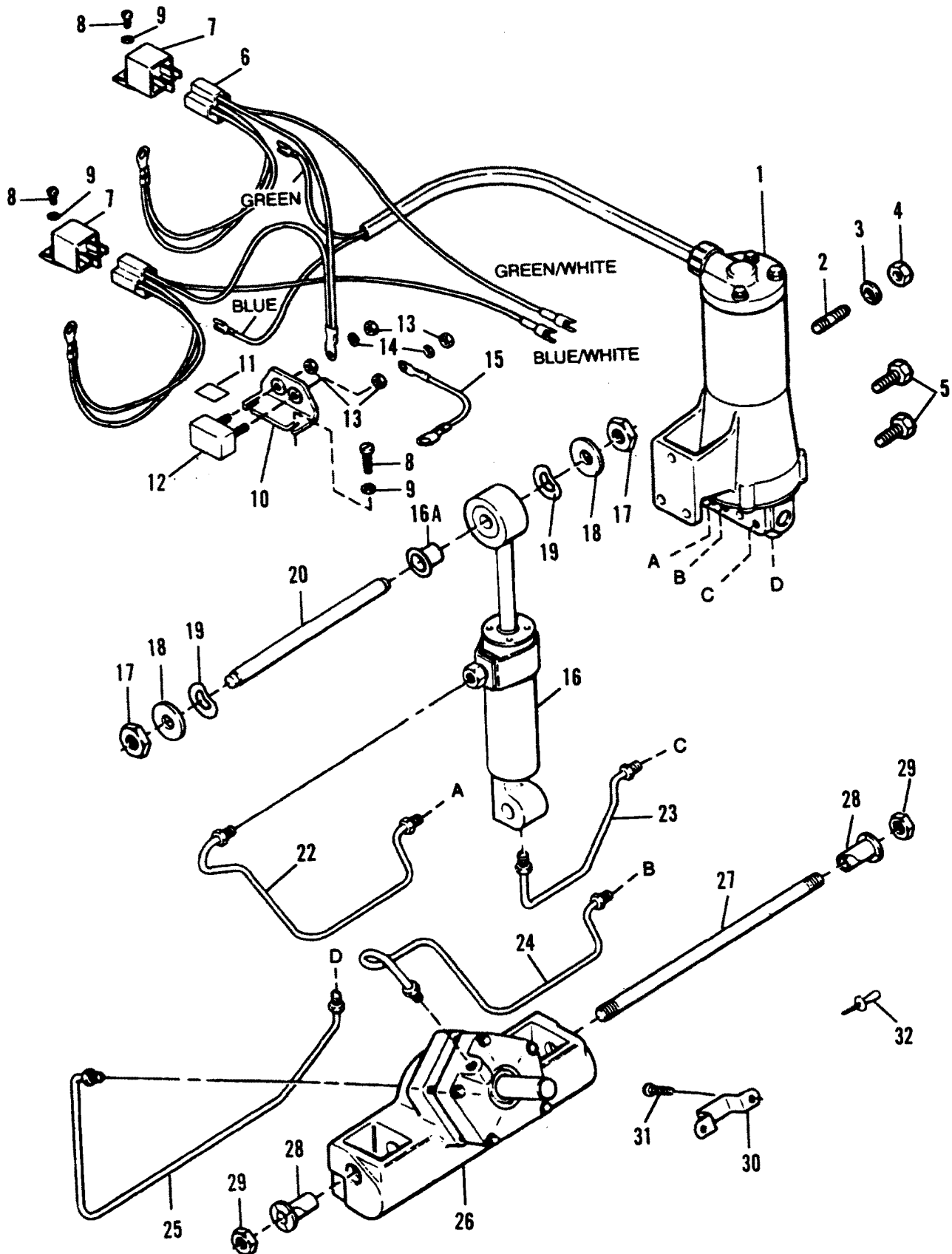
GEAR HOUSING



GEAR HOUSING

REF. NO.	PART NO.	SYM.	QTY.	DESCRIPTION
105	25-F24278		1	SEAL-Propshaft Spool (Type A)
106	FA523485		1	ANODE KIT (Type A)
107	12-F523282		1	WASHER (Splined) (Type A)
108	12-F8167		1	WASHER (Type A)
109	23-F694043-2		2	SLEEVE
110	16-F8586		1	PIN-Dowel
111	10-F1999		4	SCREW (.250-20 x .875) (Type A)
112	13-26992		4	LOCKWASHER (.250) (Type A)
NS	F719735-1		1	SEAL-Exhaust (Not All Models)
	FK719059		AR	SKEG REPAIR KIT

POWER TRIM (Design I - With Bayonet Connectors)



POWER TRIM (Design I - With Bayonet Connectors)

REF. NO.	PART NO.	SYM.	QTY.	DESCRIPTION
—	F5H196		1	POWER TRIM ASSEMBLY
1	F694541-2		1	PUMP/MOTOR KIT (See Tilt Cylinder Motor And Pump Section For Service Parts Breakdown)
2	16-F660273		1	STUD
3	13-53166		1	LOCKWASHER (.312)
4	11-68292		1	NUT (.312-18)
5	10-F1822		2	SCREW (.312-18 x .875)
6	FA663744		1	WIRE KIT
7	87-F660917		2	RELAY
8	10-F1760		4	SCREW (#10-24 x .375)
9	12-89302		4	WASHER
10	F91446-2		1	BRACKET-Circuit Breaker
11	37-F510374-1		1	DECAL-Circuit Breaker
12	88-F510460		1	BREAKER-Circuit
13	11-68219		4	NUT (#10-32)
14	13-26996		2	LOCKWASHER (#10)
15	84-F660908		1	WIRE (Red)
16	819108F		1	CYLINDER ASSEMBLY-Tilt (See Tilt Cylinder Motor And Pump Section For Service Parts Breakdown)
16A	23-F178344		1	BUSHING-Upper Tilt Cylinder
17	11-35778		2	NUT(.500-20)
18	12-F1710		2	WASHER
19	13-F1711		2	WASHER (Bowed)
20	F449889		1	SHAFT-Upper Tilt Cylinder
22	32-F660758		1	LINE-Hydraulic (Upper) (Tilt)
23	32-F660754		1	LINE-Hydraulic (Lower) (Tilt)
24	32-F660254		1	LINE-Hydraulic (Upper) (Trim)
25	32-F660253		1	LINE-Hydraulic (Lower) (Trim)
26	818055A3		1	HOUSING ASSEMBLY-Trim (See Trim Cylinder Components Section For Service Parts Breakdown)
27	F449632		1	SHAFT-Lower Tilt Cylinder
28	23-F449362		2	BUSHING
29	11-F7053		2	NUT (.625-18)
30	F449354		1	BRACKET-Thrust
31	10-34939		2	SCREW (.250-20 x .500)
32	19-F1966		1	PLUG

POWER TRIM (Design II - With Bullet Or Bayonet Connectors)

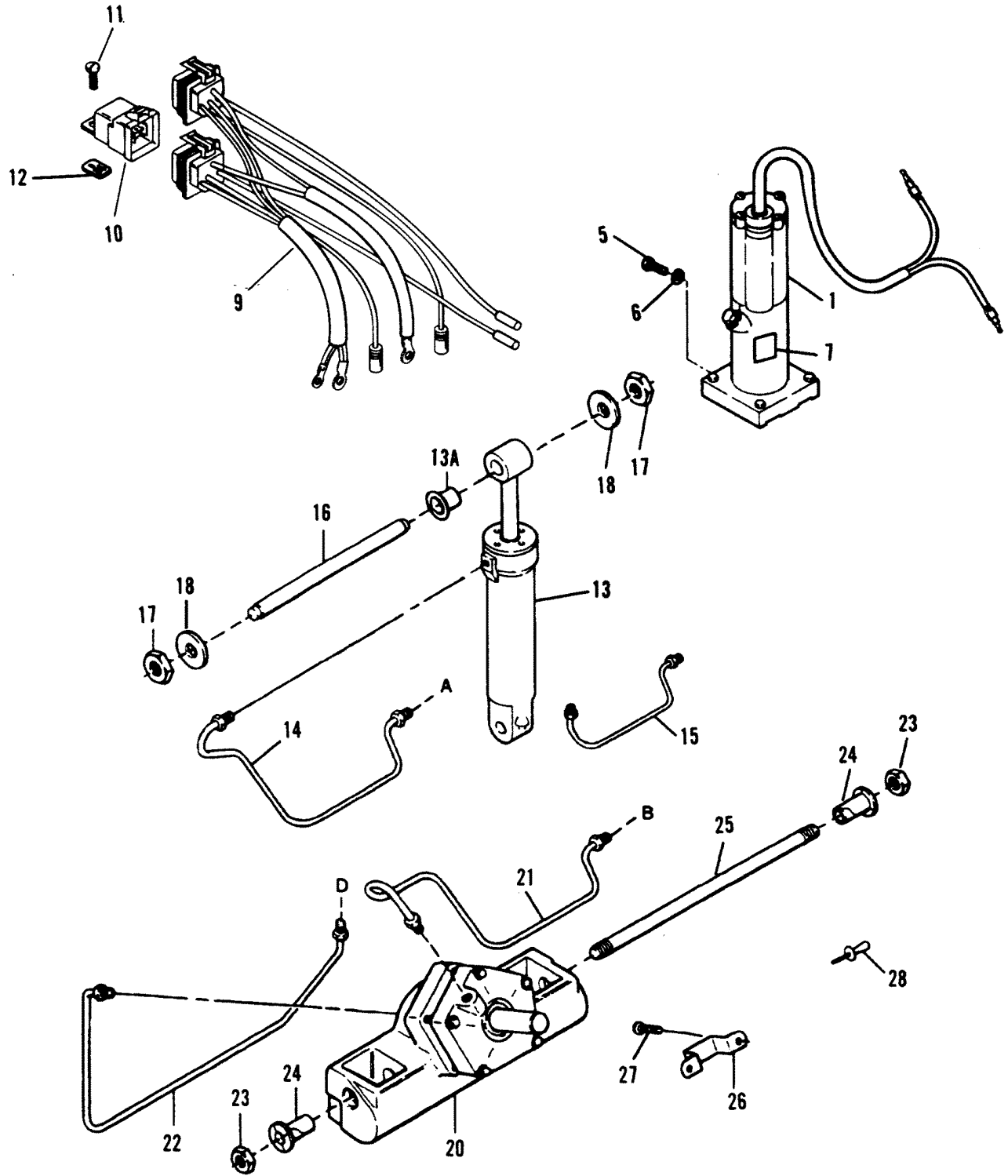
REF. NO.	PART NO.	SYM.	QTY.	DESCRIPTION
—	819762A4		1	POWER TRIM ASSEMBLY
1	819480A1		1	PUMP/MOTOR ASSEMBLY (Bullet Style) (See Pump/Motor Kit Section For Service Parts Breakdown)
	819480A2		1	PUMP/MOTOR KIT (Bayonet Style) (See Pump/Motor Kit Section For Service Parts Breakdown)
2	F743454F		1	BRACKET-Trim Mount
3	10-90086		3	SCREW (.312-18 x 1.500)
4	13-53166		3	LOCKWASHER (.312)
5	10-F1999		2	SCREW (.250-20 x .875)
6	13-26992		2	LOCKWASHER (.250)
7	37-43530--1		1	DECAL (Trim Pressure Caution)
8	84-88819A2		1	WIRE ASSEMBLY (Green/White)
	84-88212A4		1	WIRE ASSEMBLY (Blue/White)
9	84-819514A1		1	HARNESS ASSEMBLY
10	87-819509		2	RELAY
11	10-F1733		2	SCREW (#10-24 x .562)
12	819485		2	PLATE-Adapter
13	819108F		1	CYLINDER ASSEMBLY-Tilt (See Tilt Cylinder / Motor Pump Section For Service Parts Breakdown)
13A	23-F178344		1	BUSHING-Upper Tilt Cylinder
14	32-F719758		1	LINE-Hydraulic (Down)
15	32-F719865		1	LINE-Hydraulic (Up)
16	F449889		1	SHAFT-Upper Tilt Cylinder
17	11-35778		2	NUT (.500-20)
18	12-F1960		2	WASHER
20	818055A3		1	HOUSING ASSEMBLY-Tilt (See Trim Cylinder Components Section For Service Parts Breakdown)
21	32-F719254		1	LINE-Hydraulic (Down)
22	32-F719253		1	LINE-Hydraulic (Up)
23	11-F7053		2	NUT (.625-18)
24	23-F449362		2	BUSHING
25	F449632		1	SHAFT-Lower Tilt Cylinder
26	F449354		1	BRACKET-Thrust
27	10-34939		2	SCREW (.250-20 x .500)
28	19-F1966		1	PLUG
29	FA663744		1	WIRE KIT (Bayonet Models)
30	87-F660917		2	RELAY (Bayonet Models)
31	10-F1760		4	SCREW (#10-24 x .375) (Bayonet Models)
32	12-89302		4	WASHER (Bayonet Models)
33	F91446-2		1	BRACKET-Circuit Breaker (Bayonet Models)
34	37-F510374-1		1	DECAL-Circuit Breaker (Bayonet Models)

CONTINUED ON NEXT PAGE ➡

POWER TRIM (Design II - With Bullet Or Bayonet Connectors)

REF. NO.	PART NO.	SYM.	QTY.	DESCRIPTION
35	88-F510460		1	BREAKER-Circuit (Bayonet Models)
36	11-68219		4	NUT (#10-32) (Bayonet Models)
37	13-26996		2	LOCKWASHER (#10) (Bayonet Models)
38	84-F660908		1	WIRE (Red) (Bayonet Models)
39	F660978		2	BRACKET-Relay (Bayonet Models)

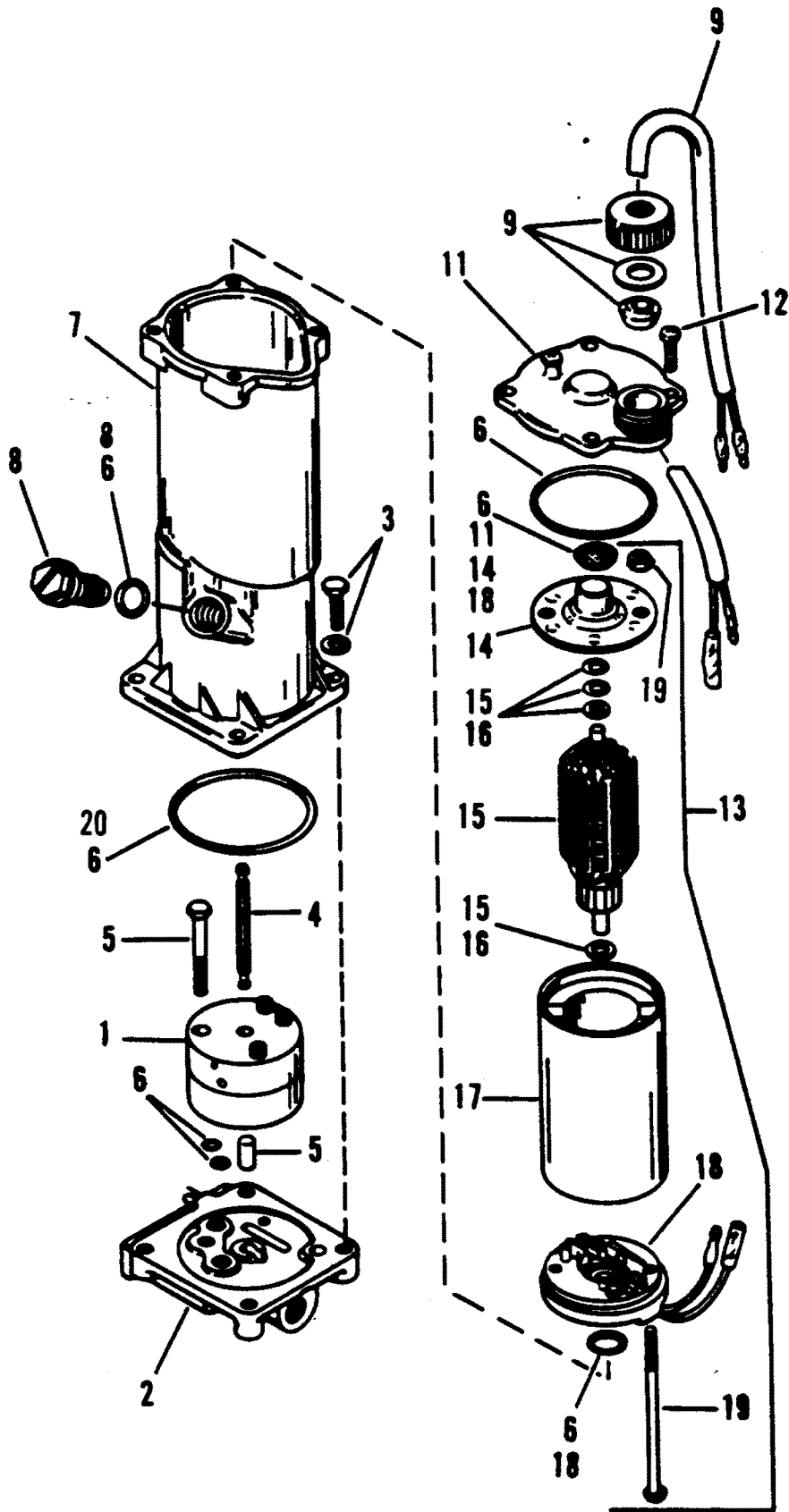
POWER TRIM (Design III - Bullet 0E009500 Thru 0E093699)



POWER TRIM (Design III - Bullet 0E009500 Thru 0E093699)

REF. NO.	PART NO.	SYM.	QTY.	DESCRIPTION
—	819762A7		1	POWER TRIM ASSEMBLY
1	819480A1		1	PUMP/MOTOR KIT (See Pump/Motor Kit Section For Service Parts Breakdown)
5	10-19923088		2	SCREW (.250-20 x .875)
6	13-26992		2	LOCKWASHER (.250)
7	37-43530--1		1	DECAL (Trim Pressure Caution)
9	84-819514A6		1	HARNESS ASSEMBLY
10	87-819509		2	RELAY
11	10-F1733		2	SCREW (#10-24 x .562)
12	819485		2	PLATE-Adapter
13	819108F		1	CYLINDER ASSEMBLY-Tilt (See Tilt Cylinder / Motor And Pump Section For Service Parts Breakdown)
13A	23-F178344		1	BUSHING-Upper Tilt Cylinder
14	32-819422		1	LINE-Hydraulic (Down)
15	32-819423		1	LINE-Hydraulic (Up)
16	F449889		1	SHAFT-Upper Tilt Cylinder
17	11-35778		2	NUT (.500-20)
18	12-F1960		2	WASHER
20	818055A3		1	HOUSING ASSEMBLY-Trim (See Trim Cylinder Components Section For Service Parts Breakdown)
21	32-819421		1	LINE-Hydraulic (Down)
22	32-819420		1	LINE-Hydraulic (Up)
23	11-F7053		2	NUT (.625-18)
24	23-F449362		2	BUSHING-Lower Tilt Cylinder Shaft
25	F449632		1	SHAFT-Lower Tilt Cylinder
26	F449354		1	BRACKET-Thrust
27	10-34939		2	SCREW (.250-20 x .500)
28	19-F1966		1	PLUG
NS	54-816311		2	CABLE TIE (8.00 Inch)

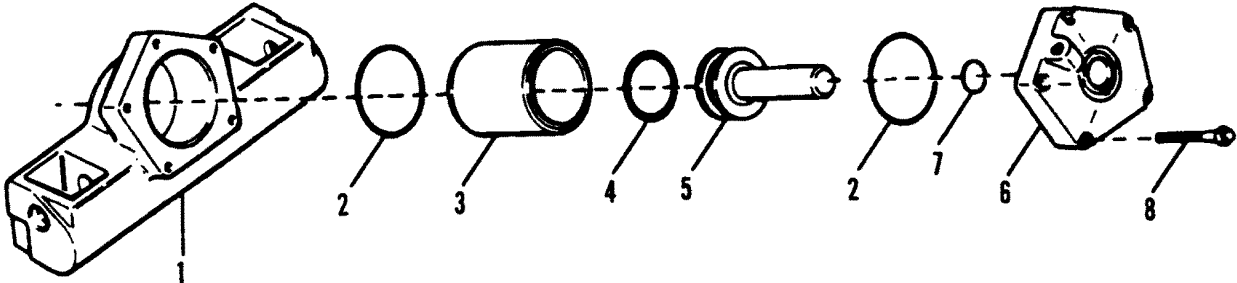
PUMP/MOTOR KIT



PUMP/MOTOR KIT

REF. NO.	PART NO.	SYM.	QTY.	DESCRIPTION
-	819480A1		1	PUMP/MOTOR KIT
	819480A2		1	PUMP/MOTOR KIT
1	811702		1	PUMP KIT
2	823085		1	MANIFOLD KIT
3	10-813436		1	SCREW AND WASHER KIT (4 Each)
4	813437		1	DRIVESHAFT
5	811697		1	SCREW/DOWEL PIN KIT
6	25-813439A2		1	SEAL KIT
7	813434A1		1	RESERVOIR
8	22-813435		1	PLUG KIT
9	84-811698		1	WIRING HARNESS
11	813445		1	CAP KIT-Reservoir
12	10-813446		1	SCREW KIT (4 Each)
13	813447		1	MOTOR KIT
14	813448		1	END CAP
15	813449A1		1	ARMATURE
16	12-813450		1	THRUST WASHER KIT
17	813451		1	SHELL AND MAGNET KIT
18	813452		1	END FRAME KIT
19	10-813453		1	BOLT AND NUT KIT
20	25-819638		1	O RING

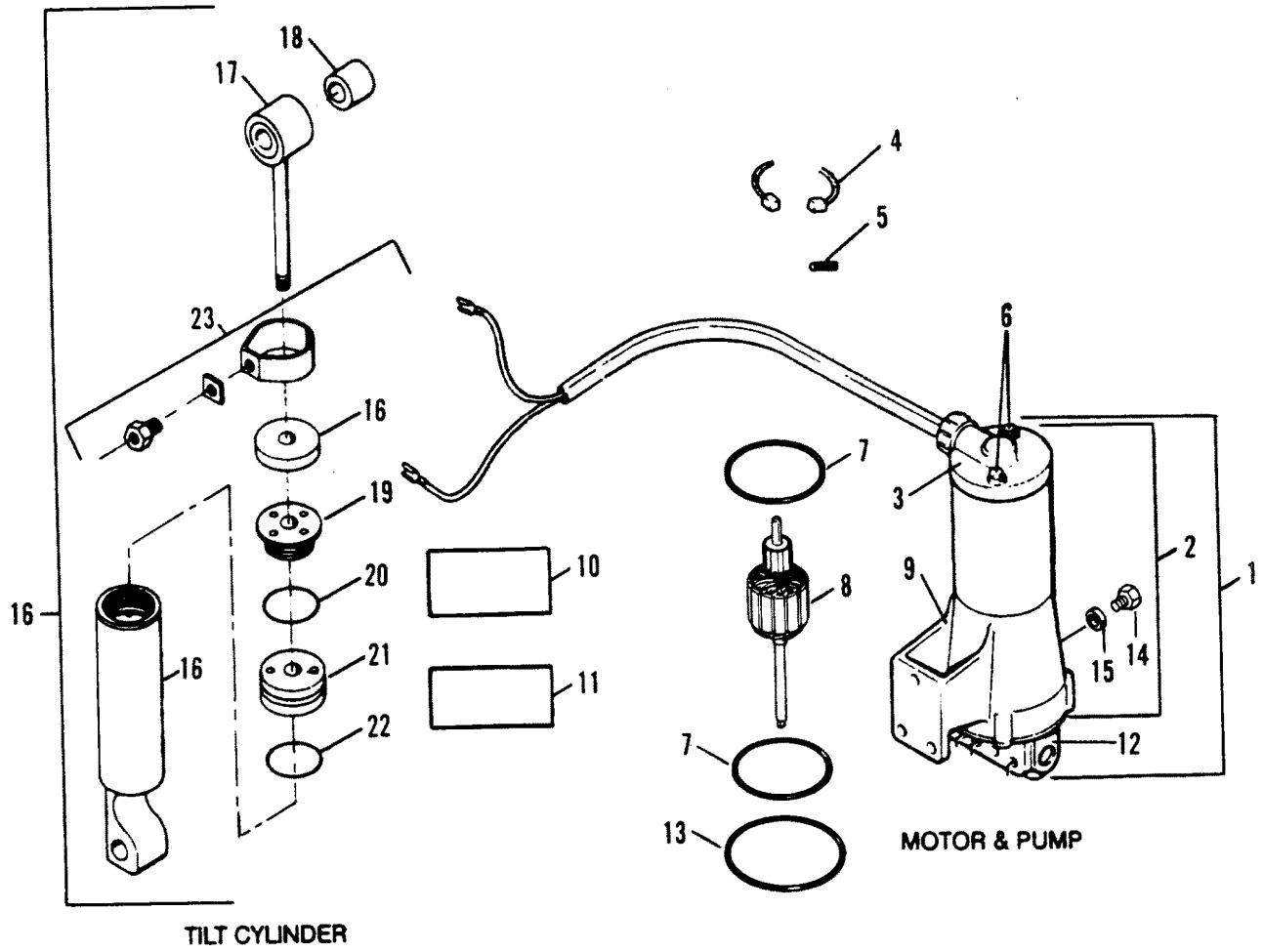
TRIM CYLINDER COMPONENTS



TRIM CYLINDER COMPONENTS

REF. NO.	PART NO.	SYM.	QTY.	DESCRIPTION
1	818055F		1	HOUSING-Hydraulic Cylinder
2	25-F40278		2	SEAL
3	F449010		1	CYLINDER-Hydraulic
4	25-F449278		1	SEAL-Piston
5	FA449015		1	PISTON-Hydraulic
6	817802A3		1	COVER ASSEMBLY
7	25-F449342		1	SEAL
8	10-F1959		5	SCREW (.250-20 x 1.750)

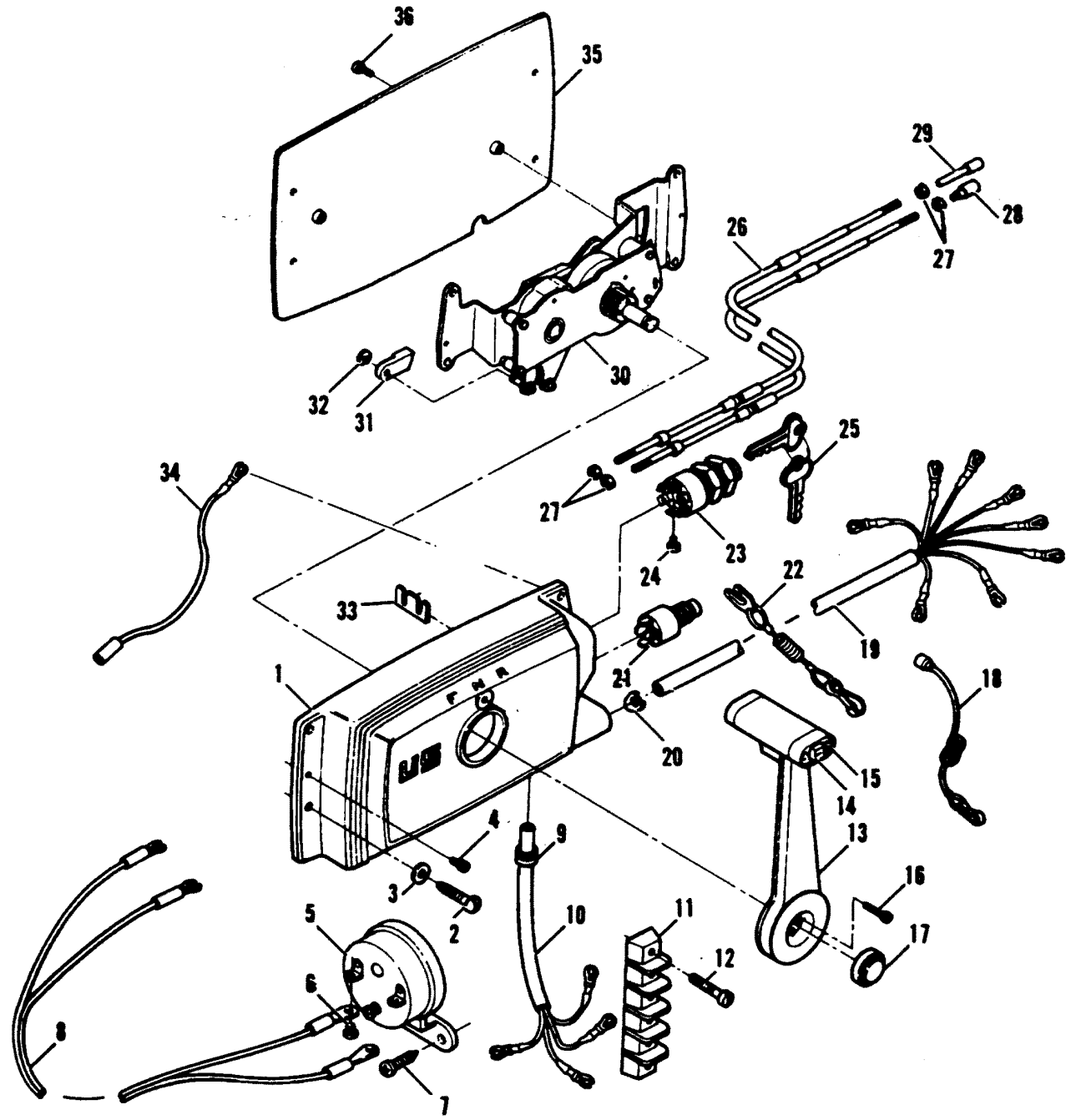
TILT CYLINDER / MOTOR AND PUMP



TILT CYLINDER / MOTOR AND PUMP

REF. NO.	PART NO.	SYM.	QTY.	DESCRIPTION
1	F694541-2		1	MOTOR AND PUMP ASSEMBLY
2	820545		1	MOTOR AND RESERVOIR ASSEMBLY
3	F17624		1	HEAD ASSEMBLY
4	392-8989		1	BRUSH SET
5	392-2529		1	SPRING SET
6	820549		1	THRU BOLT AND SEAL PACKAGE
7	392-8992		2	GASKET KIT
8	820546		1	ARMATURE
9	F17625		1	RESERVOIR
10	820547		1	BEARING AND RETAINER KIT
11	820548		1	SEAL KIT-Armature Shaft
12	820550		1	BODY AND CASE ASSEMBLY-Valve
13	392-2525		1	O RING (3.125 OD)
14	F17518		1	FILLER CAP
15	25-62702		1	O RING
16	819108F		1	CYLINDER ASSEMBLY-Tilt
17	F2A654017		1	ROD ASSEMBLY
18	23-F178344		1	BUSHING
19	FA654055		1	CAP KIT
20	25-F654618		1	O RING
21	FA654015		1	PISTON ASSEMBLY
22	25-F654984		1	O RING
23	F2A654983		1	BAND ASSEMBLY-Tilt Cylinder

REMOTE CONTROL (89A Thru 92C - 0E000001 Thru 0E009499)

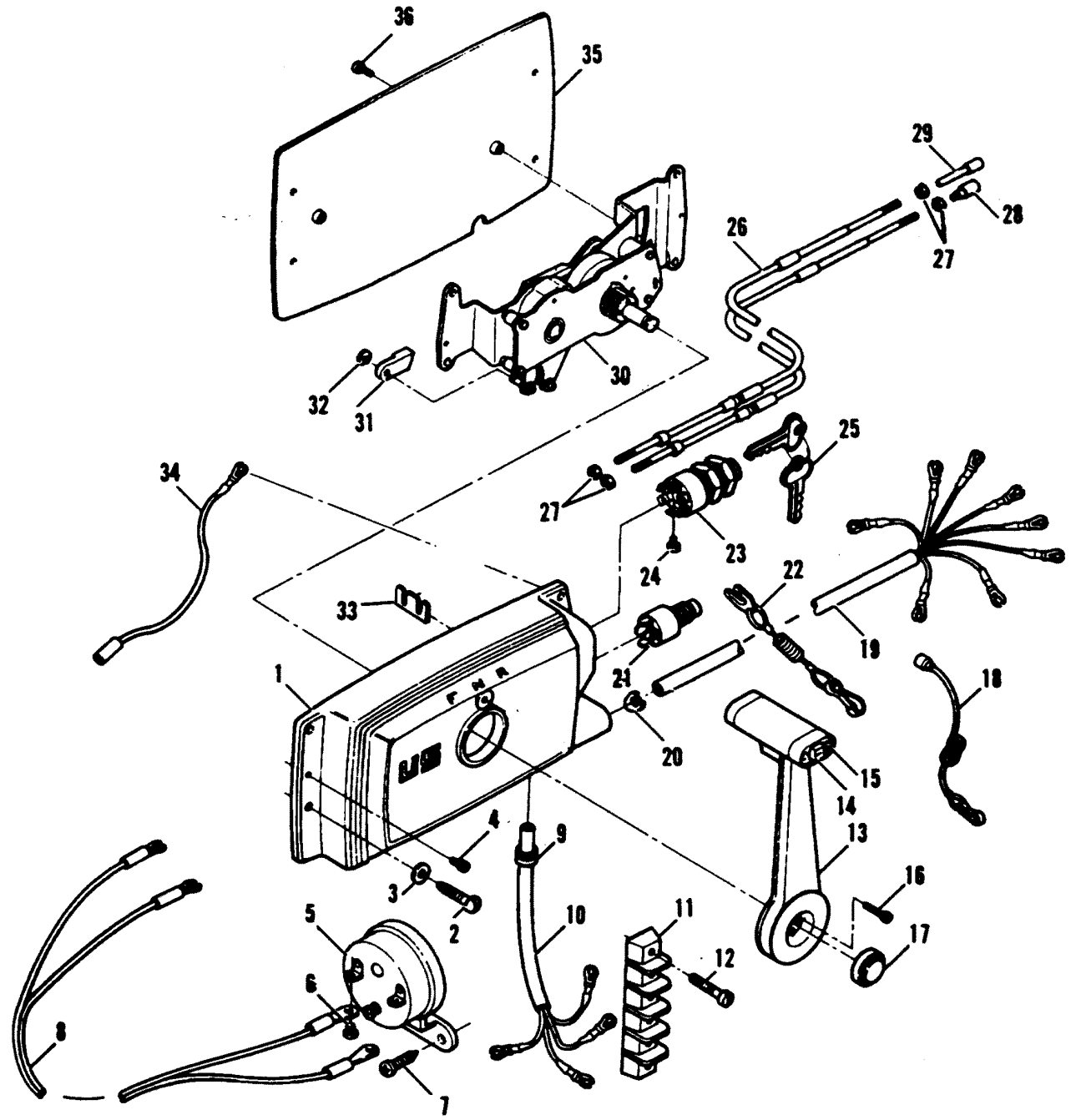


REMOTE CONTROL (89A Thru 92C - 0E000001 Thru 0E009499)

REF. NO.	PART NO.	SYM.	QTY.	DESCRIPTION
—	F5H267		1	REMOTE CONTROL ASSEMBLY
1	F660995		1	COVER
2	10-F660732		4	SCREW
3	12-F660595		4	WASHER
4	10-F660480		2	SCREW
5	F5H043		1	BUZZER KIT-Heat Indicator
6	10-69080		2	SCREW (#6-32 x .250)
7	10-F1741		2	SCREW (#8 x .750)
8	84-65017A24		1	HARNES ASSEMBLY
9	25-F660504		1	GROMMET
10	84-F660353		1	CABLE ASSEMBLY (5.00 Feet)
11	817492		1	BLOCK-Terminal
12	10-F1741		2	SCREW (#8 x .750)
13	F660611		1	LEVER ASSEMBLY
14	F17864		1	SWITCH ASSEMBLY
15	F17863		1	PLATE KIT-Button
16	10-F660165		4	SCREW
17	F660332		1	PLUG
18	FK681602		1	LANYARD KIT (Replaces Cup Style)
19	84-819200A1		1	CABLE ASSEMBLY (15.50 Feet)
	84-819203A1		OPT	CABLE ASSEMBLY (19.00 Feet)
	84-819204A1		OPT	CABLE ASSEMBLY (22.00 Feet)
	84-819205A1		OPT	CABLE ASSEMBLY (25.00 Feet)
	F5H193		OPT	CABLE ASSEMBLY-Extension (7.00 Feet)
20	54-F660446		1	CLAMP
21	FK681602		1	SWITCH KIT-Emergency Stop
22	819399A1		1	LANYARD ASSEMBLY (Fork Type)
23	F5H268		1	SWITCH KIT-Ignition (Short Barrel)
24	10-F1280		6	SCREW (#8-32 x .250)
25	819012		1	KEY SET (Stamped 51)
	819013		1	KEY SET (Stamped 55)
	819014		1	KEY SET (Stamped 65)
	819015		1	KEY SET (Stamped 66)
	819016		1	KEY SET (Stamped 67)
	817782--1		1	KEY SET (Stamped A)
	817883--1		1	KEY SET (Stamped B)
	817891--1		1	KEY SET (Stamped C)
	817928--1		1	KEY SET (Stamped D)
	817929--1		1	KEY SET (Stamped E)
26	F195/_		1	CABLE ASSEMBLY-Shift/Throttle (Specify Length)
27	11-68219		4	NUT (#10-32)
28	F58685-2		1	CONNECTOR-Shift
29	FA58976-1		1	CONNECTOR-Throttle

CONTINUED ON NEXT PAGE ➡

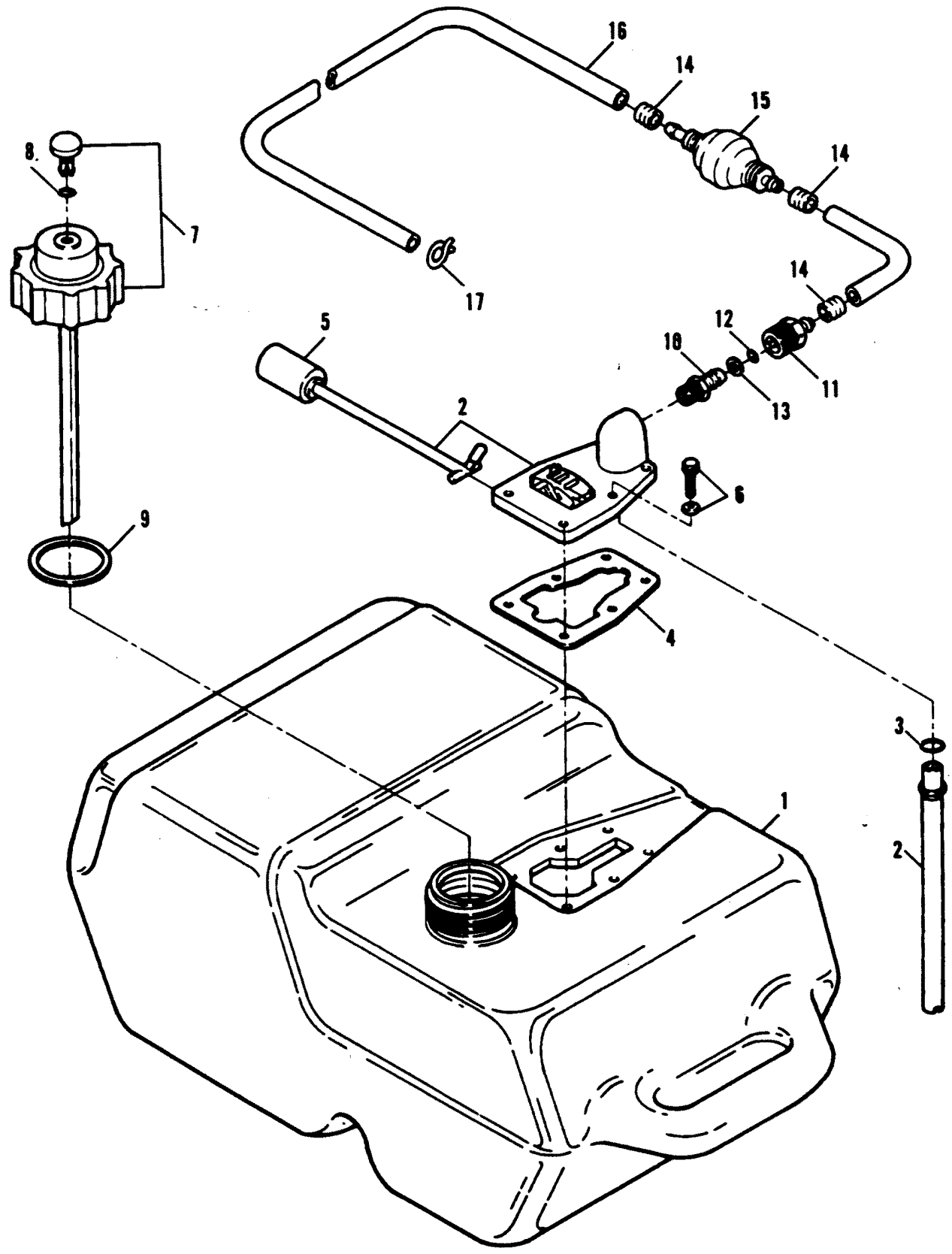
REMOTE CONTROL (89A Thru 92C - 0E000001 Thru 0E009499)



REMOTE CONTROL (89A Thru 92C - 0E000001 Thru 0E009499)

REF. NO.	PART NO.	SYM.	QTY.	DESCRIPTION
30	F660327		1	ACTUATOR
31	F660141-1		2	CONNECTOR
32	F660411		2	RING-Retaining
33	F660642		1	RETAINER
34	84-F660664		1	WIRE
35	F660911		1	PLATE
36	10-F660751		1	SCREW

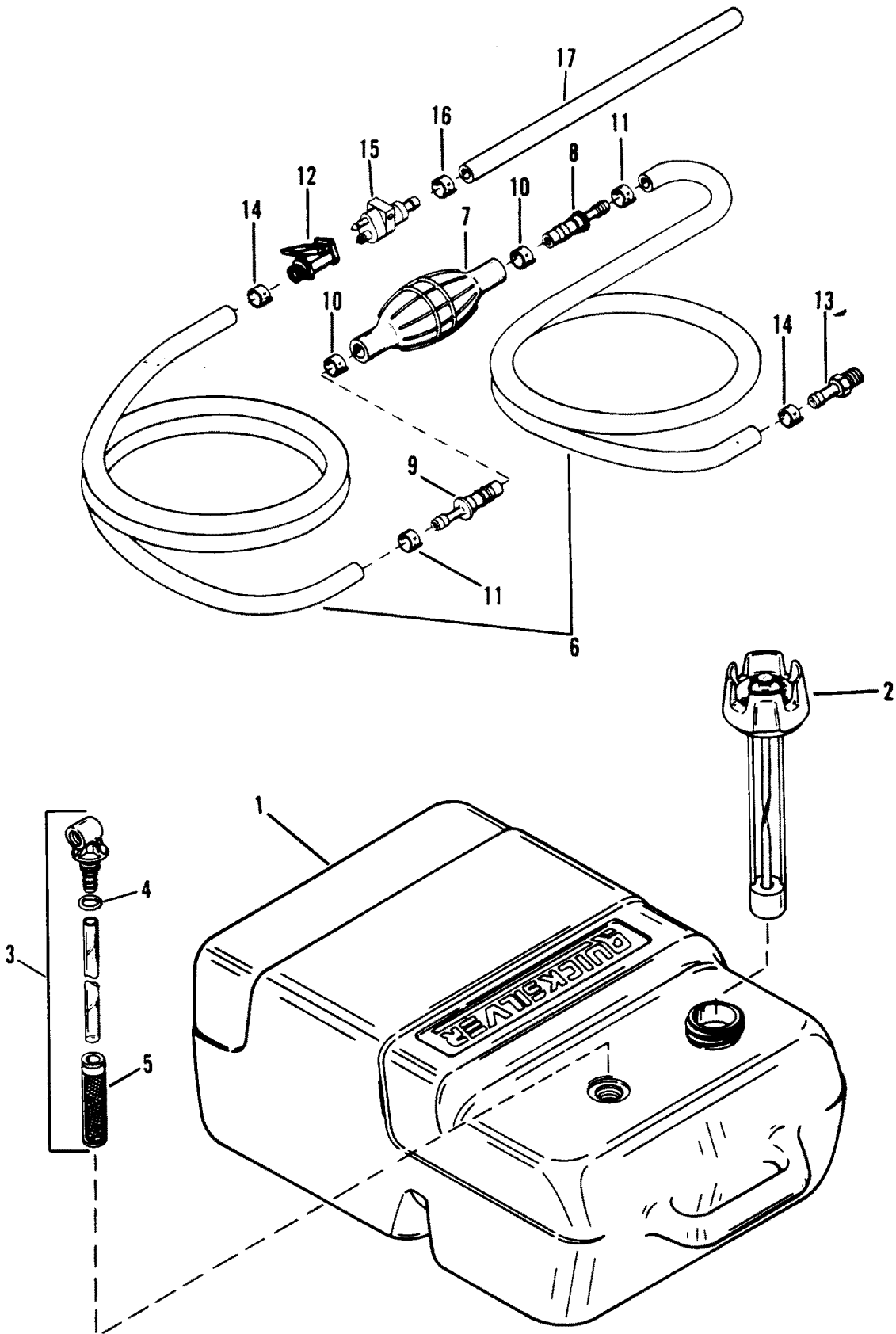
FUEL TANK (89A Thru 92C - 0E000001 Thru 0E009499)



FUEL TANK (89A Thru 92C - 0E000001 Thru 0E009499)

REF. NO.	PART NO.	SYM.	QTY.	DESCRIPTION
1	1200-819039A1		1	TANK ASSEMBLY-Fuel
2	F17828		1	GAUGE ASSEMBLY
3	F17827		1	SEAL
4	F17823-1		1	GASKET
5	F17826		1	FLOAT
6	F17824		6	SCREW
7	F17821		1	CAP ASSEMBLY
8	F17825		1	SEAL
9	F17822-1		1	GASKET
10	23-F213238-2		1	BUSHING-Fuel
11	F197787-3		1	COUPLER-Fuel
12	F17815		1	SEAL (Small)
13	F17816		1	SEAL (Large)
14	54-41582--7		3	CLAMP
15	89396A38		1	BULB KIT-Primer
16	FS409752		1	LINE ASSEMBLY-Fuel (Complete)
	32-817738A1		1	LINE KIT-Fuel
17	54-63933		1	CLAMP

FUEL TANK (0E009500 Thru 0E093699)



FUEL TANK (0E009500 Thru 0E093699)

REF. NO.	PART NO.	SYM.	QTY.	DESCRIPTION
1	1259-823504A2		1	TANK ASSEMBLY-Fuel (Complete)
	1259-823504A1		1	TANK ASSEMBLY-Fuel (Plastic - 6.6 Gallon.)
2	823536		1	GAUGE AND CAP ASSEMBLY
3	22-823532		1	CONNECTOR ASSEMBLY-Fuel
4	25-823533		1	O RING
5	35-823534		1	SCREEN-Filter
6	32-17146A8		1	LINE ASSEMBLY-Fuel (8.00 Feet) (.312 ID) (30.00 Inches And 60.00 Inches)
7	13330A3		1	BULB ASSEMBLY-Primer
8	21-13331A1		1	CHECK VALVE (Inlet)
9	21-13331A2		1	CHECK VALVE(Outlet)
10	54-41582-10		2	CLAMP (Large)
11	54-41582--7		2	CLAMP (Small)
12	22-13563A3		1	CONNECTOR-Engine
13	22-89771--1		1	CONNECTOR-Fuel Tank
14	54-41582--7		2	CLAMP
6	32-16789A26		1	LINE ASSEMBLY-Fuel (8.00 Feet) (.312 ID) (18.00 Inches And 72.00 Inches)
7	13330A3		1	BULB ASSEMBLY-Primer
8	21-13331A1		1	CHECK VALVE (Inlet)
9	21-13331A2		1	CHECK VALVE (Outlet)
10	54-41582-10		2	CLAMP (Large)
11	54-41582--7		2	CLAMP (Small)
12	22-13563A3		1	CONNECTOR-Engine
13	22-89771--1		1	CONNECTOR-Fuel Tank
14	54-F698772		1	CLAMP
15	22-816856A3		1	CONNECTOR ASSEMBLY-Fuel
16	54-41582--7		1	CLAMP
17	32-16789-78		AR	LINE-Fuel (9.00 Feet Bulk) (Cut As Required)
	32-16789100		AR	LINE-Fuel (100.00 Feet Bulk) (Cut As Required)

TOOLS - SPECIAL

REF. NO.	PART NO.	SYM.	QTY.	DESCRIPTION
NS	FT8948-1		1	PULLER KIT (Flywheel)
	10-F1800		2	SCREW (.250-20 x 7.00)
	10-F1972		3	SCREW (.250-20 x 2.500)
	10-40003-58		3	SCREW (M8 x 50)
	12-35044		3	WASHER (.281 x .625 x .065)
	12-F8012		2	WASHER (.203 x .469 x .049)
	12-25909		3	WASHER (.406 x .812 x .065)
	FT2991		1	BRUSH-Wire (Carbon Remover)
	FT8914		1	REMOVER-Seal (Crankshaft Cage)
	FT8903		1	INSTALLER-Seal (Crankshaft Cage)
	FT8907		1	HANDLE-Driver (Use With FT8903)
	FT8925		1	INSTALLER-Seal (Lower Crankshaft)
	FT2953		1	SOCKET (Conn Rod Screws)
	FT2990-1		1	PISTON PIN TOOLS (Piston Pins)
	FT2996		1	COMPRESSER (Piston Rings)
	FT8926		1	EXPANDER (Piston Rings)
	FT8933		1	HOOK-Lifting (Crankshaft End)
	FT8900		1	PLIERS (Fuel Line Hose Clamps)
	FT8957		1	INSTALLER-Seal (Shift Rod)
	FT8919		1	PUNCH (Clutch Spring Pin)
	FT11275		1	WRENCH-Spanner (Spool Retainer)
	FT16813		1	REMOVER-Bearing Cup (Forward Gear)
	FT16814		1	INSTALLER-Bearing Cup (Forward Gear)
	FT16433		1	REMOVER-Bearing (Lower Crankshaft)
	FT16496		1	INSTALLER-Bearing (Lower Crankshaft)
	FT11293		1	WRENCH-Spanner (Upper Driveshaft Retainer)
	FT16536		1	ADAPTER TOOL (Torquing)
	FT11240		1	WRENCH-Spanner (Trim/Tilt Cylinder)
	FT8985		1	INSTALLER-Seal (Driveshaft)
	FT11209		1	GUIDE SET-Installer/Remover (Gear Bearing Race)
	FT11292		1	PULLER ASSEMBLY (Drivershaft Remover)
	FT8978-1		1	TIMING LIGHT (Ignition System)
	FT2951		1	CIRCUIT TRACER (Electrical System)
	FT8950		1	LEAKAGE TESTER (Lower Unit)
	FT11295		1	SPARK TESTER (Ignition System)
	FT2938-1		1	CONTINUITY TESTER (Electrical Circuits)
	91-99750A1		1	MULTIMETER TESTER (Electrical Components)
	FT2969		1	HELI COIL KIT (#10-24)
	FT2970		1	HELI COIL KIT (.250-20)
	FT2971		1	HELI COIL KIT (.312-18)
FT2948		1	HELI COIL KIT (.375-16)	
92-825265A1		1	COMPOUND (8 Ounce) (Needle Bearings)	
92-FT2987-1		1	LUBICANT (Anti Seez)	

CONTINUED ON NEXT PAGE ➡

TOOLS - SPECIAL

REF. NO.	PART NO.	SYM.	QTY.	DESCRIPTION
NS	FT8969		1	LUBICANT (LPS #1)
	92-90113--2		1	SEALANT (RTV #1473)
	FT8936-1		1	SEALANT (Loctite RC-609)
	FT2962-2		1	SEALANT (Loctite H)
	92-823089--1		1	SEALANT (Loctite 8831)
	92-59327--1		1	SEALANT (Locquic Primer)

MISCELLANEOUS ENGINE PARTS

REF. NO.	PART NO.	SYM.	QTY.	DESCRIPTION
NS	FOB4305		1	MANUAL (Operation) (89A Thru 90D)
	90-819685		1	MANUAL (Operation) (91A Thru 92C And Serial # 0E000001 Thru 0E009499)
	90-819683930		1	MANUAL (Operation) (Serial # 0E009500 Thru 0E032056)
	90-819683941		1	MANUAL (Operation) (Serial # 0E032057 Thru 0E093699)
	92-819104-12		AR	LACQUER (Gray Acrylic Spray Can - 12 Per Case)
	92-825321-12		AR	LACQUER (Gray Acrylic Brush Bottle - 12 Per Box)
	92-819107-12		AR	LACQUER (Clear Acrylic Spray Can - 12 Per Case)

PARTS INDEX

Part Number	Description	Pg.	Ref. No.	Part Number	Description	Pg.	Ref. No.
11645	REED PLATE ASSEMBLY	27	27	819002	LINK-Throttle	45	13
13330A3	BULB ASSEMBLY-Primer	99	7	819002	LINK-Throttle	47	12
13330A3	BULB ASSEMBLY-Primer	99	7	819012	KEY SET (Stamped 51)	93	25
14360A49	PUMP KIT-Fuel	43	1	819013	KEY SET (Stamped 55)	93	25
14430--3	BASE-Fuel Pump	43	6	819014	KEY SET (Stamped 65)	93	25
18173	BRACKET ASSEMBLY-Latch	5	13	819015	KEY SET (Stamped 66)	93	25
56762	CABLE TIE (4.00 Inch)	17	NS	819016	KEY SET (Stamped 67)	93	25
56762	CABLE TIE (4.00 Inch)	33	NS	819108F	CYLINDER ASSEMBLY-Tilt	79	16
75384	BRUSH KIT	23	2	819108F	CYLINDER ASSEMBLY-Tilt	81	13
811697	SCREW/DOWEL PIN KIT	87	5	819108F	CYLINDER ASSEMBLY-Tilt	85	13
811702	PUMP KIT	87	1	819108F	CYLINDER ASSEMBLY-Tilt	91	16
813434A1	RESERVOIR	87	7	819111	GUARD-Ignition Harness	15	9
813437	DRIVESHAFT	87	4	819169	MEDALLION (Silver FORCE)	7	20
813445	CAP KIT-Reservoir	87	11	819176	RETAINER-Shift Rod Seal	75	68
813447	MOTOR KIT	87	13	819217	RETAINER	73	60
813448	END CAP	87	14	819222	PINION	23	14
813449A1	ARMATURE	87	15	819225	ROLLER-Throttle Shaft	39	29
813451	SHELL AND MAGNET KIT	87	17	819232	ANODE	71	4
813452	END FRAME KIT	87	18	819399A1	LANYARD ASSEMBLY (Fork Type)	93	22
815279T2	VOLTAGE REGULATOR	15	27	819457A3	BRACKET ASSEMBLY- Throttle	69	19
815279T4	VOLTAGE REGULATOR	15	27	819458A1	BRACKET ASSEMBLY- Remote Cable	47	24
816513	INSERT-Idle Exhaust Boot	63	26	819469A1	ARM ASSEMBLY-Gear Shift	69	1
816515	STANDTUBE-Exhaust Relief	63	20	819475A1	TOWERSHAFT ASSEMBLY	47	1
817029A6	TRIGGER ASSEMBLY	15	6	819480A1	PUMP/MOTOR ASSEMBLY (Bullet Style)	81	1
817066	BOWL-Fuel	41	21	819480A1	PUMP/MOTOR KIT	85	1
817270	PLATE-Electrical Mount	15	18	819480A1	PUMP/MOTOR KIT	87	-
817323A3	SWITCHBOX ASSEMBLY	15	19	819480A2	PUMP/MOTOR KIT	87	-
817386	COVER-Coil	15	29	819480A2	PUMP/MOTOR KIT (Bayonet Style)	81	1
817492	BLOCK-Terminal	15	23	819485	PLATE-Adapter	81	12
817492	BLOCK-Terminal	93	11	819485	PLATE-Adapter	85	12
817747--1	BALL JOINT ASSEMBLY	45	15	819504A1	LOCK BRACKET KIT- Trailing	59	5
817747--1	BALL JOINT ASSEMBLY	47	28	819510--1	COVER-Exhaust	57	7
817747--1	BALL JOINT ASSEMBLY	47	6	819539A1	COVER ASSEMBLY-Center Cylinder Drain	25	14
817782--1	KEY SET (Stamped A)	93	25	819705	BRACKET-Solenoid	19	10
817783A5	BRACKET KIT-Swivel	59	1	819762A4	POWER TRIM ASSEMBLY	81	-
817790A1	COVER KIT	25	1	819762A7	POWER TRIM ASSEMBLY	85	-
817790A1	COVER KIT-Transfer Port	49	25	819776	BRACKET-Neutral Interlock	19	16
817802A3	COVER ASSEMBLY	89	6	819789	MANIFOLD-Exhaust	57	2
817870--2	COVER-Fuel Pump	25	1A	819843A1	BODY ASSEMBLY-Fuel Pump	41	1
817870--2	COVER-Fuel Pump	43	9	819869	MOUNT-Shock	13	12
817870A1	COVER KIT (With Plug)	41	20	819869	MOUNT-Shock	15	13
817875A1	ADAPTER ASSEMBLY-Top Carburetor	27	1	819932--1	ARM-Interlock	67	2
817876A1	ADAPTER ASSEMBLY- Bottom Carburetor	27	3	819932--1	ARM-Interlock	69	2
817877A3	COVER ASSEMBLY-Cylinder Drain	25	5	820000A4	HANDLE ASSEMBLY-Cowl Release	11	14
817883--1	KEY SET (Stamped B)	93	25	820492	BOWL-Fuel	39	23A
817891--1	KEY SET (Stamped C)	93	25	820501	PLATE-Deflector	27	15
817919A1	PUMP KIT-Fuel	41	-	820545	MOTOR AND RESERVOIR ASSEMBLY	91	2
817928--1	KEY SET (Stamped D)	93	25	820546	ARMATURE	91	8
817929--1	KEY SET (Stamped E)	93	25	820547	BEARING AND RETAINER KIT	91	10
817931A7	COVER KIT-Rear	63	22	820548	SEAL KIT-Armature Shaft	91	11
817979A1	TOWERSHAFT ASSEMBLY	45	1				
818055A3	HOUSING ASSEMBLY-Tilt	81	20				
818055A3	HOUSING ASSEMBLY-Trim	79	26				
818055A3	HOUSING ASSEMBLY-Trim	85	20				
818055F	HOUSING-Hydraulic Cylinder	89	1				
818074A1	COVER ASSEMBLY	71	17				
818108A1	REED PLATE ASSEMBLY	27	27				

PARTS INDEX

Part Number	Description	Pg.	Ref. No.	Part Number	Description	Pg.	Ref. No.
820549	THRU BOLT AND SEAL PACKAGE	91	6	F2A654017	ROD ASSEMBLY	91	17
820550	BODY AND CASE ASSEMBLY-Valve	91	12	F2A654983	BAND ASSEMBLY-Tilt Cylinder	91	23
820576A1	REPAIR KIT-Carburetor	39	26	F2C745712	COWL ASSEMBLY-Top (FORCE)	5	-
820581A1	PUMP KIT-Fuel	41	-	F307942-2	BUMPER	57	9
823085	MANIFOLD KIT	87	2	F316579	SEAL-Crankcase	53	3
823536	GAUGE AND CAP ASSEMBLY	99	2	F322273-1	STUD	15	16
824519	RETAINER-Driveshaft Upper Bearing	71	15	F333316	SHAFT-Throttle Roller	39	28
826374	PIN-Gear Shift Arm	71	6	F335654-2	STOP-Deflection	11	10
89396A38	BULB KIT-Primer	97	15	F369450-1	RECTIFIER	21	35
90644	DRIVE KIT	23	13	F429811	SCREEN	25	6
92753	RETAINER-Wire Harness	57	16	F429811	SCREEN	25	NS
98775--2	PLATE-Fuel Pump	43	4	F438346	MOUNT-Lower Shock	63	10
F10210	JET (.078)-Main Fuel (0 - 1500')	37	12	F438747	DIAPHRAGM-Fuel Pump	41	7
F10263	CUP-Metering	37	2	F438962	MOUNT-Rear Shock	65	42
F10265	NEEDLE-Inlet	37	16	F438962	MOUNT-Shock (Side)	63	7
F10267	SCREW	39	24	F439493-1	BRACKET-Terminal Block	19	11
F10268	SCREW-Idle Mixture	37	10	F440192-2	CAM-Throttle	45	16
F10273	JET (.047)-Throttle	37	6	F440192-2	CAM-Throttle	47	14
F10274	CONNECTOR-Primer	37	4	F449010	CYLINDER-Hydraulic	89	3
F10275	SCREW-Sealing	37	7	F449354	BRACKET-Thrust	79	30
F10346	FLOAT-Fuel	37	18	F449354	BRACKET-Thrust	81	26
F10367	SEAT-Inlet	37	17	F449354	BRACKET-Thrust	85	26
F1052	SCREW (.250-20 x 1.00)	45	11	F449632	SHAFT-Lower Tilt Cylinder	79	27
F15158	SCREW	23	5	F449632	SHAFT-Lower Tilt Cylinder	81	25
F15159	INSULATOR	23	4	F449632	SHAFT-Lower Tilt Cylinder	85	25
F15160	WASHER	23	7	F449889	SHAFT-Upper Shock	59	21
F15162	NUT	23	10	F449889	SHAFT-Upper Tilt Cylinder	79	20
F15176	END CAP-Drive	23	12	F449889	SHAFT-Upper Tilt Cylinder	81	16
F15177	ARMATURE	23	11	F449889	SHAFT-Upper Tilt Cylinder	85	16
F15178	THRU BOLT	23	6	F476066-1	COVER-Thermostat	49	32
F15179	END CAP	23	3	F480107-2	CAM-Starter Interlock	67	17
F15189	END CAP	23	3	F481434	GUIDE-Cowl Latch Bracket	5	10
F15190	BRUSH KIT	23	2	F481777	CAM-Latch Shaft	11	17
F17518	FILLER CAP	91	14	F499026	SWIVEL-Towershaft	45	21
F17624	HEAD ASSEMBLY	91	3	F499026	SWIVEL-Towershaft	47	19
F17625	RESERVOIR	91	9	F499035	END-Control Rod	45	20
F17815	SEAL (Small)	97	12	F499035	END-Control Rod	47	18
F17816	SEAL (Large)	97	13	F499035-1	END-Control Rod (.250-28 LH)	45	23
F17821	CAP ASSEMBLY	97	7	F499035-1	END-Control Rod (.250-28 LH)	47	21
F17822-1	GASKET	97	9	F500615-2	ROD-25.00 Inch Upper Gear Shift	67	13
F17823-1	GASKET	97	4	F500615-2	ROD-25.00 Inch Upper Gear Shift	69	13
F17824	SCREW	97	6	F500894	POINTER-Timing	27	5
F17825	SEAL	97	8	F511708-3	COVER-Carburetor	27	12
F17826	FLOAT	97	5	F523116-4	SNOUT-Exhaust	75	84
F17827	SEAL	97	3	F523273	STUD-Steering Ball	35	3
F17828	GAUGE ASSEMBLY	97	2	F523451	SPACER-Reed Stop	27	29
F178323	SEAL-Driveshaft Housing	63	30	F523705-1	ROD-Lower Gear Shift	71	24
F17863	PLATE KIT-Button	93	15	F523930	RETAINER-Stud	35	4
F17864	SWITCH ASSEMBLY	93	14	F58685-2	CONNECTOR-Shift	93	28
F195/_	CABLE ASSEMBLY-Shift/Throttle (Specify Length)	93	26	F5H043	BUZZER KIT-Heat Indicator	93	5
F197787-3	COUPLER-Fuel	97	11	F5H094	LINK KIT-Steering	35	1
F2088	FASTENER	5	11	F5H193	CABLE ASSEMBLY-Extension (7.00 Feet)	93	19
F2A523239	SPOOL ASSEMBLY-Propshaft	75	102	F5H196	POWER TRIM ASSEMBLY	79	-
				F5H267	REMOTE CONTROL ASSEMBLY	93	-

PARTS INDEX

Part Number	Description	Pg.	Ref. No.	Part Number	Description	Pg.	Ref. No.
F5H268	SWITCH KIT-Ignition (Short Barrel)	93	23	F697299	WASHER (Splined)	3	3
F607689	BEARING-Towershaft Center	45	4	F698099-1	SPACER	3	4
F607689	BEARING-Towershaft Center	47	9	F698099-1	SPACER	73	62
F616675	BRACKET-Starter Mount	23	17	F698735-1	SEAL-Exhaust	75	69
F631707F	COVER-25.00 Inch Kingpin Shock Mount	65	38	F699450	REGULATOR/RECTIFIER	21	35
F658836	SPACER-Fuel Pump	41	17	F699562	PLATE-Water Pump	71	31
F660141-1	CONNECTOR	95	31	F707485	ANODE	75	90
F660327	ACTUATOR	95	30	F707885	RETAINER-Pitot Plug	71	26
F660332	PLUG	93	17	F707902	RING-Thrust	73	52
F660411	RING-Retaining	95	32	F719735-1	SEAL-Exhaust	77	NS
F660611	LEVER ASSEMBLY	93	13	F719902	SPACER-Thermostat	49	8
F660642	RETAINER	95	33	F720606F	CAP-20.00 Inch Kingpin	65	35
F660911	PLATE	95	35	F720835-1	STRAP	63	2
F660978	BRACKET-Relay	83	39	F721446	BRACKET-Circuit Breaker	19	25
F660995	COVER	93	1	F721606F	CAP-25.00 Inch Kingpin	65	37
F663480-1	RETAINER-Front Cowl Guide	11	6	F743454F	BRACKET-Trim Mount	81	2
F663756-1	PACKING-Bottom Cowl	11	20	F85130	BOOT-Idle Exhaust	63	27
F664025	PAD-Terminal Block	13	26	F85350-1	PIVOT	59	26
F664068	THERMOSTAT (130 Degrees)	51	35	F85445-1	ROD-Spark Control	45	24
F664672	COVER-Terminal Block (12 Position)	13	28	F85445-1	ROD-Spark Control	47	22
F684475-1	COIL ASSEMBLY (Blue)	13	6	F85615-1	ROD-20.00 Inch Upper Gear Shift	67	13
F686096	RETAINER-Booster Spring	41	6	F85615-1	ROD-20.00 Inch Upper Gear Shift	69	13
F691025	PAD-Terminal Block	13	22	F85704	COUPLING-Shift Rod	67	12
F692117	BRACKET-Waterline	75	79	F85704	COUPLING-Shift Rod	69	12
F692934	PLATE-20.00 Inch Kingpin Cap	65	49	F85872-2	BRACKET-Remote Cable	45	26
F694047-1	PLATE-Deflector	27	19	F85965	MOUNT-Upper Shock	63	9
F694125	COUPLING-Driveshaft	75	70	F90619-2	YOKE-Gear Shift	73	48
F694182	STUFFER BLOCK-Exhaust (Center)	57	18	F91446-2	BRACKET-Breaker	19	25
F694226	PLUG-Pitot Tube	71	27	F91446-2	BRACKET-Circuit Breaker	79	10
F694269-1	HANDLE-Tilt (Painted)	5	2	F91446-2	BRACKET-Circuit Breaker	81	33
F694347	MOUNT-Upper Shock	63	9	FA449015	PISTON-Hydraulic	89	5
F694358	BRACKET-Electrical Mount	13	16	FA480876	ARM ASSEMBLY-Gear Shift	67	1
F694384	RETAINER-Wire	57	8	FA500019	KINGPIN ASSEMBLY (25.00 Inch)	59	4
F694426	STOP-Tilt	61	28	FA523485	ANODE KIT	77	106
F694479	STUFFER BLOCK-Exhaust	57	17	FA58976-1	CONNECTOR-Throttle	93	29
F694541-2	MOTOR AND PUMP ASSEMBLY	91	1	FA609853	DECAL KIT (Shift To Neutral)	13	3
F694541-2	PUMP/MOTOR KIT	79	1	FA609853	DECAL KIT (Shift To Neutral)	15	4
F694564-1	INSERT-Water Pump	73	35	FA616497	BLOCK KIT-Terminal (2 Row-8 Position)	19	1
F694597	GRILLE (Painted)	5	5	FA654015	PISTON ASSEMBLY	91	21
F694615	ROD-Intermediate Shift	75	99	FA654055	CAP KIT	91	19
F694660-1	TUBE-Exhaust	63	16	FA663744	WIRE KIT	79	6
F694672	COVER-Terminal Block (6 Position)	13	25	FA663744	WIRE KIT	81	29
F694680-1	PLATE-Spacer	49	19	FA694097	FLYWHEEL KIT	13	2
F694705	ROD-Lower Gear Shift	71	24	FA694162	ADAPTER ASSEMBLY-Center Carburetor	27	2
F694711	PLATE-Stabilizer	65	39	FA694511	TIE BAR ASSEMBLY-Throttle	27	26
F694774	BRACKET-Cowl Latch	5	9	FA707239	SPOOL ASSEMBLY-Propshaft	73	53
F694984	BLANKET-Sound (Top)	9	NS	FA84621-1	COUPLING ASSEMBLY-Gear Shift	71	25
F694985	BLANKET-Sound (Starboard)	9	NS	FA85193	BAR ASSEMBLY-Throttle	27	22
F694986	BLANKET-Sound (Port)	9	NS	FA85355-1	WASHER SET	63	15
F694995	COVER-Cylinder Head	49	28	FG1027-2	GASKET SET-Powerhead	25	-
F695025	PAD-Terminal Block	13	19	FG1027-2	GASKET SET-Powerhead	27	-
F695500	BOWL-Fuel	41	21	FG1027-2	GASKET SET-Powerhead	49	9
F697299	WASHER	73	64	FK10023	GASKET SET-Carburetor	39	27
				FK10264	NEEDLE-Inlet	37	15

PARTS INDEX

Part Number	Description	Pg.	Ref. No.	Part Number	Description	Pg.	Ref. No.
FK1123	BOOT KIT-Spark Plug	13	10	FT11275	WRENCH-Spanner (Spool Retainer)	100	NS
FK1203-1	SEAL KIT	75	88	FT11292	PULLER ASSEMBLY (Drivershaft Remover)	100	NS
FK1204-1	WATER PUMP KIT	75	89	FT11293	WRENCH-Spanner (Upper Driveshaft Retainer)	100	NS
FK405020	SWIVEL KIT-Cable Clamp	45	6	FT11295	SPARK TESTER (Ignition System)	100	NS
FK405020	SWIVEL KIT-Cable Clamp	67	7	FT16433	REMOVER-Bearing (Lower Crankshaft)	100	NS
FK631606	CAP KIT-25.00 Inch Kingpin	65	37	FT16496	INSTALLER-Bearing (Lower Crankshaft)	100	NS
FK681602	LANYARD KIT	93	18	FT16536	ADAPTER TOOL (Torquing)	100	NS
FK681602	SWITCH KIT-Emergency Stop	93	21	FT16813	REMOVER-Bearing Cup (Forward Gear)	100	NS
FK684201	WASHER KIT	59	13	FT16814	INSTALLER-Bearing Cup (Forward Gear)	100	NS
FK692779	BAFFLE KIT-Air Intake	63	33	FT2938-1	CONTINUITY TESTER (Electrical Circuits)	100	NS
FK719059	SKEG REPAIR KIT	77	NS	FT2948	HELI COIL KIT (.375-16)	100	NS
FK719135F	COVER KIT-Front	63	31	FT2951	CIRCUIT TRACER (Electrical System)	100	NS
FK721706	COVER KIT (Replaces Bellows)	71	17	FT2953	SOCKET (Conn Rod Screws)	100	NS
FK85606	CAP KIT-20.00 Inch Kingpin	65	35	FT2962-2	SEALANT (Loctite H)	101	NS
FO13193	JET (.088)-Main Fuel (4500' - 6000')	37	12	FT2969	HELI COIL KIT (#10-24)	100	NS
FO13949	JET (.086)-Main Fuel (6000' - 10000')	37	12	FT2970	HELI COIL KIT (.250-20)	100	NS
FO14191	JET (.094)-Main Fuel (0 - 1500')	37	12	FT2971	HELI COIL KIT (.312-18)	100	NS
FO16130	BOWL-Fuel	39	23	FT2990-1	PISTON PIN TOOLS (Piston Pins)	100	NS
FO16130	BOWL-Fuel	39	23	FT2991	BRUSH-Wire (Carbon Remover)	100	NS
FO16132	SCREW	39	25	FT2996	COMPRESSER (Piston Rings)	100	NS
FO16133	NOZZLE-Main	37	20	FT8900	PLIERS (Fuel Line Hose Clamps)	100	NS
FO16142	SHUTTER-Throttle	37	8	FT8903	INSTALLER-Seal (Crankshaft Cage)	100	NS
FO16143	SPRING-Throttle Shaft	37	14	FT8907	HANDLE-Driver (Use With FT8903)	100	NS
FO16620	E RING-Throttle Shaft	37	5	FT8914	REMOVER-Seal (Crankshaft Cage)	100	NS
FO17884	SHAFT AND LEVER ASSEMBLY-Throttle	37	13	FT8919	PUNCH (Clutch Spring Pin)	100	NS
FOB4305	MANUAL (Operation)	102	NS	FT8925	INSTALLER-Seal (Lower Crankshaft)	100	NS
FS409752	LINE ASSEMBLY-Fuel (Complete)	97	16	FT8926	EXPANDER (Piston Rings)	100	NS
FS694373	DECAL-Top Stripe (FORCE)	7	19	FT8933	HOOK-Lifting (Crankshaft End)	100	NS
FS694373	DECAL-Top Stripe (FORCE)	7	19	FT8936-1	SEALANT (Loctite RC-609)	101	NS
FS694530	DECAL-Center Stripe (FORCE)	7	19	FT8948-1	PULLER KIT (Flywheel)	100	NS
FS707023	GEAR ASSEMBLY-Forward (1.93:1)	73	43	FT8950	LEAKAGE TESTER (Lower Unit)	100	NS
FS721530	DECAL-Center Stripe (FORCE)	7	19	FT8957	INSTALLER-Seal (Shift Rod)	100	NS
FS745373	DECAL-Top Stripe (FORCE)	7	19	FT8969	LUBICANT (LPS #1)	101	NS
FS85019	KINGPIN ASSEMBLY (20.00 Inch)	59	4	FT8978-1	TIMING LIGHT (Ignition System)	100	NS
FSA663260	RING SET (2 Rings) (.010 Oversize)	53	20	FT8985	INSTALLER-Seal (Driveshaft)	100	NS
FSA691015	PISTON (.010 Oversize)	53	19	FZ718366	MEDALLION (Gold US MARINE)	7	21
FSP745373	DECAL-Top Stripe (FORCE)	7	19	FZ721366	MEDALLION (Gold FORCE)	7	20
FSX694373	DECAL-Top Stripe (BAYLINER)	7	19	10-16452	SCREW (#12-24 x 2.00)	43	12
FSX694530	DECAL-Center Stripe (BAYLINER)	7	19	10-19922075	SCREW (.375-16 x .750)	63	13
FSX721894	DECAL-Top Stripe (BAYLINER)	7	19	10-19923062	SCREW (.250-20 x .625)	11	23
FSX721894	DECAL-Top Stripe (BAYLINER)	7	19				
FSZ745373	DECAL-Top Stripe (MAXUM)	7	19				
FT11209	GUIDE SET-Installer/Remover (Gear Bearing Race)	100	NS				

PARTS INDEX

Part Number	Description	Pg.	Ref. No.	Part Number	Description	Pg.	Ref. No.
10-19923062	SCREW (.250-20 x .625) ...	23	18	10-826377	SCREW (.312-18 x .750) ...	63	3
10-19923062	SCREW (.250-20 x .625) ...	23	19	10-826377	SCREW (Special)	75	85
10-19923088	SCREW (.250-20 x .875) ...	85	5	10-826380	SCREW (.250-20 x .625) ...	27	16
10-19924100	SCREW (.312-18 x 1.00) ...	75	82	10-826577	SCREW (.500-13 x .875) ...	65	48
10-19924325	SCREW (.312-18 x 3.250) ...	75	81	10-90086	SCREW (.312-18 x 1.500) ...	81	3
10-19926100	SCREW (#10-24 x 1.00)	15	8	10-90192	SCREW (.250-20 x .750) ...	21	30
10-19927075	SCREW (.250-20 x .750) ...	49	31	10-90285	SCREW (.312-18 x .620) ...	5	15
10-19928100	SCREW (.312-18 x 1.00) ...	75	86	10-90285	SCREW (.312-18 x .625) ...	11	11
10-19931088	SCREW (#10-24 x .875)	47	10	10-91012	SCREW-Conn Rod	53	17
10-19934075	SCREW (.250-20 x .750) ...	63	18	10-92160	SCREW (.250-20 x .750) ...	53	8
10-22794	SCREW (#8-32 x .500)	57	10	10-94207	SCREW (.375-16 x 2.00) ...	49	11
10-28430	SCREW (#6-32 x .250)	41	2	10-98254	SCREW (.250-20 x .620) ...	41	22
10-28635	SCREW (.250-20 x .625) ...	11	7	10-98254	SCREW (.250-20 x .620) ...	43	8
10-28636	SCREW (.250-20 x .750) ...	19	6	10-98254	SCREW (.250-20 x .620) ...	49	24
10-28636	SCREW (.250-20 x .750) ...	45	27	10-98261	SCREW (.375-16 x .750) ...	65	48
10-28636	SCREW (.250-20 x .750) ...	49	10	10-F10328	SCREW-Shutter	37	9
10-28636	SCREW (.250-20 x .750) ...	75	80	10-F1064	SCREW (#8-32 x .375)	27	25
10-28639	SCREW (.250-20 x .620) ...	5	12	10-F1112	SCREW (.250-20 x .875) ...	75	94
10-28668	SCREW (.250-20 x .875) ...	27	11	10-F1263	SCREW (.312-18 x .562) ...	63	8
10-28668	SCREW (.250-20 x .875) ...	57	6	10-F1280	SCREW (#8-32 x .250)	35	6
10-34939	SCREW (.250-20 x .500) ...	11	22	10-F1280	SCREW (#8-32 x .250)	93	24
10-34939	SCREW (.250-20 x .500) ...	19	12	10-F1504	SCREW (.250-20 x 1.250) ...	41	8
10-34939	SCREW (.250-20 x .500) ...	79	31	10-F1504	SCREW (.250-20 x 1.250) ...	47	4
10-34939	SCREW (.250-20 x .500) ...	81	27	10-F1532	SCREW (.250-20 x 1.00) ...	19	17
10-34939	SCREW (.250-20 x .500) ...	85	27	10-F1532	SCREW (.250-20 x 1.00) ...	27	6
10-37612	SCREW (.375-16 x 1.250) ...	49	23	10-F1552	SCREW (#8-32 x .500)	13	20
10-40003-58	SCREW (M8 x 50)	100	NS	10-F1699	SCREW (.250-20 x 1.125) ...	25	8
10-41069	SCREW (#10-24 x .750)	19	2	10-F1733	SCREW (#10-24 x .562)	11	5
10-41069	SCREW (#10-24 x .750)	41	10	10-F1733	SCREW (#10-24 x .562)	81	11
10-41772	SCREW (#10-24 x .500)	21	26	10-F1733	SCREW (#10-24 x .562)	85	11
10-41772	SCREW (#10-24 x .500)	65	34	10-F1741	SCREW (#8 x .750)	93	12
10-41805	SCREW (#10-24 x .625)	15	21	10-F1741	SCREW (#8 x .750)	93	7
10-47688	SCREW (.375-16 x 2.750) ...	49	7	10-F1757	SCREW (#10-24 x .500)	5	6
10-49668	SCREW (.250-20 x .750) ...	11	8	10-F1760	SCREW (#10-24 x .375)	79	8
10-49668	SCREW (.250-20 x .750) ...	47	25	10-F1760	SCREW (#10-24 x .375)	81	31
10-49668	SCREW (.250-20 x .750) ...	57	13	10-F1800	SCREW (.250-20 x 7.00) ...	100	NS
10-55515	SCREW (#10-32 x .750)	41	10	10-F1822	SCREW (.312-18 x .875) ...	63	11
10-55715	SCREW (.250-20 x .875) ...	25	18	10-F1822	SCREW (.312-18 x .875) ...	79	5
10-56682	SCREW (#10-24 x .750)	41	24	10-F1829	SCREW (#10-24 x .875)	45	5
10-67755--1	SCREW (.500-20 x 4.500) ...	59	12	10-F1858	SCREW (.312-18 x 1.00) ...	11	12
10-67755--1	SCREW (.500-20 x 4.500) ...	59	15	10-F1874	SCREW (.375-16 x 3.125) ...	51	42
10-68101	SCREW (.375-16 x 1.375)	51	45	10-F1883	SCREW (.312-18 x 2.375) ...	51	38
10-69080	SCREW (#6-32 x .250)	19	21	10-F1885	SCREW (.312-18 x 4.250) ...	67	16
10-69080	SCREW (#6-32 x .250)	93	6	10-F1885	SCREW (.312-18 x 4.250) ...	69	16
10-69267	SCREW (.312-18 x 1.750) ...	65	36	10-F1885	SCREW (.312-18 x 4.250) ...	75	91
10-70602	SCREW (.250-20 x 2.00) ...	57	3	10-F1950	SCREW (#10-24 x .562)	65	41
10-73286	SCREW (.250-20 x .500) ...	21	36	10-F1959	SCREW (.250-20 x 1.750) ...	89	8
10-74191	SCREW (.312-18 x 3.250) ...	57	11	10-F1972	SCREW (.250-20 x 2.500) ...	100	NS
10-76630	SCREW (.250-20 x 1.00) ...	11	9	10-F1999	SCREW (.250-20 x .875) ...	51	44
10-813436	SCREW AND WASHER KIT (4 Each)	87	3	10-F1999	SCREW (.250-20 x .875) ...	71	21
10-813446	SCREW KIT (4 Each)	87	12	10-F1999	SCREW (.250-20 x .875) ...	77	111
10-813453	BOLT AND NUT KIT	87	19	10-F1999	SCREW (.250-20 x .875) ...	81	5
10-817458	SCREW (#10-24 x 2.250) ...	15	30	10-F2000	SCREW (.312-18 x .750)- Ground	21	41
10-817503	SCREW (.250-20 x 2.00) ...	17	36	10-F2008	SCREW (.250-20 x .875) ...	13	7
10-817504	SCREW (.250-20 x 1.500) ...	15	28	10-F2008	SCREW (.250-20 x .875) ...	51	37
10-819074	SCREW (#6-32 x .312)	27	31	10-F2016	SCREW (#6-32 x .875)	21	36
10-819988	SCREW (.250-20 x 3.125) ...	57	14	10-F2030	SCREW (.250-20 x 1.250) ...	21	31
10-820589	SCREW (.250-20 x 1.250) ...	49	12	10-F2030	SCREW (.250-20 x 1.250) ...	63	32
10-821045-40	SCREW (M5 x 40)	43	3	10-F2040	SCREW (.250-20 x .620) ...	5	3

PARTS INDEX

Part Number	Description	Pg.	Ref. No.	Part Number	Description	Pg.	Ref. No.
10-F2185	SCREW (.375-16 x 3.500) ...	59	15	11-72008	NUT (.250-20)	67	9
10-F2192	SCREW (.250-20 x 1.750) ...	27	13	11-79989	NUT (#10-24)	41	18
10-F2193	SCREW (#6-32 x .875)	19	19	11-814101	NUT (.250-20)	13	9
10-F2200	SCREW (#12-24 x 1.00)	13	NS	11-814101	NUT (.250-20)	21	38
10-F2217	SCREW (#10-24 x .375)	45	9	11-814101	NUT (.250-20)	67	5
10-F2217	SCREW (#10-24 x .375)	67	10	11-814101	NUT (.250-20)	69	5
10-F2217	SCREW (#10-24 x .375)	67	18	11-826375	NUT (.562-18)	71	11
10-F2228	SCREW (.375-16 x 3.00) ...	51	41	11-86226	NUT (.375-16)	27	8
10-F2234	SCREW (#10 x 1.125)	73	37	11-86226	NUT (.375-16)	59	16
10-F2280	SCREW (.312-18 x .875) ...	65	44	11-91962	NUT (.500-20)	59	14
10-F2288	SCREW (.250-20 x 1.500) ...	63	32A	11-91962	NUT (.500-20)	59	14
10-F2312	SCREW (.312-18 x 2.125) ...	65	36	11-91962	NUT (.500-20)	59	16
10-F2317	SCREW (.250-20 x .875) ...	71	5	11-F1647	NUT (#8-32)	21	38
10-F2428	SCREW (.375-16 x .500) ...	59	15	11-F1693	NUT (#8-32)	27	23
10-F369887	SCREW (Shoulder)	67	3	11-F1968	NUT (.750-16)	13	1
10-F369887	SCREW (Shoulder)	69	3	11-F1968	NUT (.750-16)	15	2
10-F405457	SCREW-Pivot	45	7	11-F1968	NUT (.750-16)	53	9
10-F405457	SCREW-Pivot	67	8	11-F1997	NUT (#8-32)	39	30
10-F50109	PLUG	71	2	11-F2015	NUT (.250-28)	45	25
10-F660165	SCREW	93	16	11-F2015	NUT (.250-28)	47	23
10-F660480	SCREW	93	4	11-F2108	NUT (.312-18)	67	15
10-F660732	SCREW	93	2	11-F2108	NUT (.312-18)	69	15
10-F660751	SCREW	95	36	11-F523280	NUT-Steering Support Tube	59	20
10-F685632	BOLT (.500-20 x 7.00)	59	12	11-F7009	NUT (#10-24)	5	8
10-F85037-1	BOLT-Stern Bracket Pivot ...	59	7	11-F7009	NUT (#10-24)	45	22
11-13438	NUT (.250-28)	73	40	11-F7009	NUT (#10-24)	47	20
11-20110	NUT (#10-32)	45	29	11-F7053	NUT (.625-18)	79	29
11-20110	NUT (#10-32)	47	27	11-F7053	NUT (.625-18)	81	23
11-20361	NUT (.250-28)	23	15	11-F7053	NUT (.625-18)	85	23
11-28040	NUT (.500-20)	59	9	12-12038	WASHER	75	92
11-29488	NUT (#10-32)	75	98	12-19183	WASHER	71	3
11-34059	NUT (#10-32)	47	26	12-20553	WASHER	49	16
11-34059	NUT (#10-32)	69	21	12-20553	WASHER	49	18
11-34863	NUT (.375-24)	35	2	12-20553	WASHER	63	14
11-35778	NUT (.500-20)	61	29	12-22937	WASHER	57	20
11-35778	NUT (.500-20)	81	17	12-25909	WASHER (.406 x .812 x .065)	100	NS
11-35778	NUT (.500-20)	85	17	12-28421	WASHER	59	13
11-35778	NUT(.500-20)	79	17	12-29245	WASHER	27	32
11-45076	NUT (#10-32)	15	34	12-31247	WASHER	15	3
11-52707A1	NUT KIT (.750-16)	3	1	12-34437	WASHER	51	39
11-52707A1	NUT KIT-Propshaft (.750-16)	75	65	12-34437	WASHER	57	12
11-64015	NUT (.250-20)	45	12	12-34437	WASHER	67	14
11-64015	NUT (.250-20)	47	5	12-35044	WASHER	13	8
11-68219	NUT (#10)	21	39	12-35044	WASHER	19	7
11-68219	NUT (#10-32)	21	28	12-35044	WASHER (.281 x .625 x .065)	100	NS
11-68219	NUT (#10-32)	41	18	12-37828	WASHER	35	7
11-68219	NUT (#10-32)	45	14	12-37828	WASHER	49	17
11-68219	NUT (#10-32)	47	13	12-40023-14	WASHER	15	22
11-68219	NUT (#10-32)	79	13	12-40023-16	WASHER	11	18
11-68219	NUT (#10-32)	83	36	12-71055	WASHER	73	39
11-68219	NUT (#10-32)	93	27	12-813450	THRUST WASHER KIT	87	16
11-68292	NUT (.312-18)	13	15	12-820015	WASHER	65	43
11-68292	NUT (.312-18)	15	17	12-89302	WASHER	5	7
11-68292	NUT (.312-18)	21	32	12-89302	WASHER	65	40
11-68292	NUT (.312-18)	65	45	12-89302	WASHER	67	11
11-68292	NUT (.312-18)	79	4	12-89302	WASHER	79	9
11-68411	NUT (.375-16)	49	22	12-89302	WASHER	81	32
11-72008	NUT (.250-20)	45	18	12-92721	WASHER	71	12
11-72008	NUT (.250-20)	45	8	12-F1710	WASHER	79	18
11-72008	NUT (.250-20)	47	16	12-F1856	WASHER	47	8

PARTS INDEX

Part Number	Description	Pg.	Ref. No.	Part Number	Description	Pg.	Ref. No.
12-F1856	WASHER	75	87	15-819415A1	SHIM SET	71	14
12-F1960	WASHER	59	24	15-819416A1	SHIM SET	73	42
12-F1960	WASHER	81	18	16-826372	STUD (.250-28 x 3.125)	73	38
12-F1960	WASHER	85	18	16-826387	STUD (.375-16 x 1.625)	27	4
12-F506186	WASHER	75	83	16-826389	STUD (.250-20 x 1.250)- Throttle Cam	27	33
12-F513286	WASHER	63	4	16-826391	STUD (.375-16 x 3.110)	49	4
12-F523282	WASHER	73	64	16-826395	STUD (.375-16 x 2.250)	49	3
12-F523282	WASHER (Splined)	77	107	16-F660273	STUD	79	2
12-F660595	WASHER	93	3	16-F694211	STUD (#10 x 1.340)	75	96
12-F8012	WASHER (.203 x .469 x .049)	100	NS	16-F8586	PIN-Dowel	77	110
12-F8090	WASHER	13	14	16-F98273	STUD-Rod End Connector	45	28
12-F8143	WASHER	75	97	17-20433	PIN-Dowel (.375 x 1.00)	49	2
12-F8167	WASHER	77	108	17-22389	PIN-Roll	57	19
12-F84011	WASHER	59	25	17-38489	PIN-Roll	45	3
12-F84286-1	WASHER	59	8	17-38489	PIN-Roll	47	3
13-26992	LOCKWASHER (.250)	11	19	17-43044	PIN-Dowel (.375 x .620)	49	2
13-26992	LOCKWASHER (.250)	23	20	17-823605	PIN-Locating	53	13
13-26992	LOCKWASHER (.250)	41	12	17-F1664	PIN-Spring	63	23
13-26992	LOCKWASHER (.250)	63	19	17-F1727	RIVET (Nylon)	47	7
13-26992	LOCKWASHER (.250)	71	22	17-F2419	PIN-Spring	73	46
13-26992	LOCKWASHER (.250)	75	95	17-F719372	PIN-Water Jacket Tube	49	6
13-26992	LOCKWASHER (.250)	77	112	17-F84871-1	PIN-Shift	73	47
13-26992	LOCKWASHER (.250)	81	6	17-F85372	PIN-Lower Gear Shift Rod	75	66
13-26992	LOCKWASHER (.250)	85	6	17-F8580	PIN-Locating	73	52A
13-26995	LOCKWASHER (#8)	35	5	17-FO13944	PIN-Float	37	19
13-26995	WASHER	19	20	18-F1015	PIN-Cotter	75	67
13-26996	LOCKWASHER (#10)	17	41	18-F525629	PIN-Cotter	59	6
13-26996	LOCKWASHER (#10)	19	3	19-F1966	PLUG	79	32
13-26996	LOCKWASHER (#10)	21	27	19-F1966	PLUG	81	28
13-26996	LOCKWASHER (#10)	21	40	19-F1966	PLUG	85	28
13-26996	LOCKWASHER (#10)	41	9	19-F2067	CAP-Crankshaft End	53	10
13-26996	LOCKWASHER (#10)	79	14	19-F9018	CAP-Stern Bracket (Starboard)	61	NS
13-26996	LOCKWASHER (#10)	83	37	19-F9052	PLUG-Tube Assembly (Port)	61	NS
13-35048	LOCKWASHER (.375)	65	47	19-FO10588	PLUG-Cup	37	1
13-38829	LOCKWASHER (.500)	65	47	19-FO16128	PLUG-Welch	37	3
13-53166	LOCKWASHER (.312)	5	14	21-13331A1	CHECK VALVE (Inlet)	99	8
13-53166	LOCKWASHER (.312)	11	13	21-13331A1	CHECK VALVE (Inlet)	99	8
13-53166	LOCKWASHER (.312)	15	14	21-13331A2	CHECK VALVE (Outlet)	99	9
13-53166	LOCKWASHER (.312)	21	33	21-13331A2	CHECK VALVE (Outlet)	99	9
13-53166	LOCKWASHER (.312)	63	12	21-42657A1	CHECK VALVE	25	7
13-53166	LOCKWASHER (.312)	65	46	21-42657A1	CHECK VALVE	25	NS
13-53166	LOCKWASHER (.312)	79	3	21-42658	FITTING-Check	25	13
13-53166	LOCKWASHER (.312)	81	4	21-42990A10	DIAPHRAGM KIT	43	2
13-53166	LOCKWASHER (.312)-Ground	21	42	21-817741A1	CHECK VALVE KIT	25	7
13-58643	LOCKWASHER (.375)	49	21	21-F177330	VALVE-Fuel Pump	41	3
13-69150	WASHER	63	5	22-13563A3	CONNECTOR-Engine	99	12
13-69150	WASHER (Wave)	59	27	22-13563A3	CONNECTOR-Engine	99	12
13-78968	LOCKWASHER (.250 Internal)	51	43	22-47945	PLUG	49	27
13-F1704	WASHER	19	22	22-64705	FITTING	41	11
13-F1711	WASHER (Bowed)	79	19	22-813435	PLUG KIT	87	8
13-F2047	WASHER (Wave)	11	16	22-816856A3	CONNECTOR ASSEMBLY- Fuel	99	15
13-F2442	WASHER (Wave)	15	7	22-818103--1	ELBOW	25	9
13-F8056	LOCKWASHER (#8)	21	37	22-823532	CONNECTOR ASSEMBLY- Fuel	99	3
13-F8124	LOCKWASHER (.312 External)	13	13	22-85822A12	CONNECTOR ASSEMBLY	71	28
13-F8124	LOCKWASHER (.312 External)	15	15	22-89771--1	CONNECTOR-Fuel Tank	99	13
14-816629	TAB WASHER	73	61	22-89771--1	CONNECTOR-Fuel Tank	99	13
14-816629	WASHER (Tab)	3	2	22-99664	ELBOW	33	13
14-F707286	TAB WASHER	73	59				

PARTS INDEX

Part Number	Description	Pg.	Ref. No.	Part Number	Description	Pg.	Ref. No.
22-99664	ELBOW	43	5	24-F686300	SPRING-Fuel Pump Boost	41	5
22-F213274	FITTING-Grease	59	3	24-F692268	SPRING (Red)	51	34
22-F404314	ELBOW	25	2	24-F85380	SPRING-Idle Exhaust Boot	63	28
22-F404314	ELBOW (.250 Diameter)	41	15	25-25007	O RING	71	7
22-F523274	FITTING-Grease	59	18	25-32507	O RING	75	101
22-F694922	FITTING (T)	33	2	25-62702	O RING	75	93
22-F694922	FITTING-Tee	25	11	25-62702	O RING	91	15
22-F694922	FITTING-Tee	29	2	25-64872	GROMMET	15	24
22-F694922	FITTING-Tee	31	2	25-813439A2	SEAL KIT	87	6
22-F722109-1	PLUG	49	27	25-817491	GROMMET	75	77
22-F743314	ELBOW	25	2	25-819427	SEAL-Driveshaft Spline	75	74
22-F743314	ELBOW (.125 Diameter)	41	15	25-819638	O RING	87	20
22-F743314	ELBOW-Recirculating	43	11	25-823533	O RING	99	4
22-F745801	FITTING-Tee	25	9	25-90011	SEAL-Driveshaft Cover	71	16
22-F748314	FITTING	31	13	25-F24278	SEAL-Propshaft Spool	77	105
22-F84314-2	ELBOW	29	5	25-F316599	O RING-Steering Tube	59	19
22-F84314-2	ELBOW	31	5	25-F40278	SEAL	89	2
22-F84314-2	ELBOW	33	5	25-F439736	SEAL-Exhaust Tube	63	17
22-F85314-1	FITTING	29	9	25-F449278	SEAL-Piston	89	4
22-F85314-1	FITTING	31	9	25-F449342	SEAL	89	7
22-F85314-1	FITTING	33	9	25-F475504	GROMMET	13	11
23-812707	BUSHING	11	15	25-F654618	O RING	91	20
23-819006--2	BUSHING-Cable Entry	11	2	25-F654984	O RING	91	22
23-819057	SPACER	73	62	25-F660504	GROMMET	93	9
23-819414A1	SPACER SET	73	44	25-F694278	SEAL-Spacer Plate	49	13
23-819452	BUSHING	69	20	25-F694504	GROMMET	19	8
23-819493	BUSHING-Swivel Bracket	59	2	25-F695830	GASKET	73	41
23-819513	BUSHING	45	2	25-F707278	SEAL-Propshaft Spool	73	58
23-819513	BUSHING	47	2	25-F707305	O RING	71	23
23-826806	SPACER-Piston Pin	53	22	25-F84342	SEAL-Upper Inlet Waterline	75	78
23-826806	SPACER-Piston Pin	55	22	26-12224	SEAL-Propshaft Spool	73	57
23-828763	BUSHING-Cable Entry	11	4	26-817472	SEAL-Lower Gear Shift Rod	71	20
23-97896	BUSHING	67	4	26-819740	SEAL-Driveshaft Water Pump	71	18
23-97896	BUSHING	69	4	26-F506118-1	SEAL-Propshaft Spool	75	104
23-F178344	BUSHING	91	18	26-F523146-1	SEAL	53	5
23-F178344	BUSHING (Upper)	59	23	26-F523146-1	SEAL	53	7
23-F178344	BUSHING-Upper Tilt Cylinder	79	16A	26-F664914	SEAL-Thermostat	51	36
23-F178344	BUSHING-Upper Tilt Cylinder	81	13A	26-F694305	SEAL-Driveshaft	71	19
23-F178344	BUSHING-Upper Tilt Cylinder	85	13A	26-F694735-1	SEAL-Waterline	75	75
23-F213238-2	BUSHING-Fuel	97	10	26-F697555	SEAL-Propshaft Spool	73	56
23-F269319	BEARING-Throttle Cam	45	17	27-819053--3	GASKET-Exhaust Manifold	57	1
23-F269319	BUSHING-Throttle Cam	47	15	27-819984	GASKET-Exhaust Cover Inner	57	5
23-F369610	BUSHING	67	6	27-820490	GASKET-Fuel Pump Spacer	41	16
23-F369610	BUSHING	69	6	27-820500	GASKET-Fuel Pump Cover	41	23
23-F40689-1	BEARING-Towershaft Bottom	45	10	27-820500	GASKET-Fuel Pump Cover	43	10
23-F40689-1	BEARING-Towershaft Bottom	47	11	27-820500	GASKET-Transfer Port Covers	49	14
23-F40689-1	BEARING-Towershaft Lower	49	20	27-820500	GASKET-Transfer Ports	25	16
23-F438271	RETAINER-Driveshaft Spline Seal	75	73	27-823606	GASKET-Fuel Pump Bowl	41	13
23-F449362	BUSHING	79	28	27-98769--1	GASKET-Fuel Pump Base	43	7
23-F449362	BUSHING	81	24	27-F178168-1	GASKET-Carburetor Adaptor	27	14
23-F449362	BUSHING (Lower)	59	23A	27-F406406	GASKET-Deflector Plate	27	17
23-F449362	BUSHING-Lower Tilt Cylinder Shaft	85	24	27-F440906	GASKET-Carburetor	27	7
23-F523099-1	SPACER	73	62A	27-F476067	GASKET-Thermostat Cover	51	33
23-F694043-2	SLEEVE	77	109	27-F658803	GASKET-Fuel Pump Spacer	41	19
23-F694359	SPACER	19	9	27-F686472	GASKET-Cylinder Drain	25	4
23-F720201	SPACER	63	6	27-F694031	GASKET-Upper Water Pump	71	32
24-27160	SPRING-Idle Mixture Screw	37	11	27-F694077	GASKET-Deflector Plate	27	21
24-F523300-1	SPRING-Steering Link	35	8	27-F694154-1	GASKET-Exhaust Cover	57	4
				27-F694159	GASKET-Carburetor Adaptor	27	18
				27-F694529-1	GASKET-Cylinder Head	49	15

PARTS INDEX

Part Number	Description	Pg.	Ref. No.	Part Number	Description	Pg.	Ref. No.
27-F694748-1	GASKET-Center Cylinder Drain	25	15	32-99127109	HOSE	31	19
27-F694830	GASKET-Lower Water Pump	71	30	32-99127109	HOSE	31	8
27-F694836	GASKET-Reed Plate	27	20	32-99127109	HOSE	33	10
27-F84792	GASKET-Center Valve	41	4	32-99127109	HOSE	33	14
27-FG1027-2	GASKET SET-Powerhead	43	-	32-99127109	HOSE	33	18
27-FO15623	GASKET-Fuel Bowl	39	22	32-99127109	HOSE	33	19
27-FO5323	GASKET-Fuel Bowl	37	21	32-99127109	HOSE	33	8
28-F694498	KEY-Driveshaft	71	34	32-99130122	TUBING	25	3
28-F85498-1	KEY-Crankshaft/Flywheel	53	15	32-99130122	TUBING	25	10
30-F284659-2	BEARING-Upper	53	2	32-99130122	TUBING	25	12
31-12576	RING-Thrust	73	51	32-99130122	TUBING	25	17
31-12578	BEARING (Needle)	73	54	32-99130122	TUBING	25	3
31-30956	BEARING (Roller)	73	55	32-F500244	WATERLINE (25.00 Inch)	75	76
31-30956	BEARING (Roller)	75	103	32-F523244	WATERLINE (20.00 Inch)	75	76
31-35924A1	BEARING SET	71	9	32-F660253	LINE-Hydraulic (Lower) (Trim)	79	25
31-42647A1	BEARING ASSEMBLY	71	13	32-F660254	LINE-Hydraulic (Upper) (Trim)	79	24
31-62596A2	CAGE/ROLLER SET	53	18	32-F660754	LINE-Hydraulic (Lower) (Tilt)	79	23
31-819193	CAGE/ROLLER SET	53	14	32-F660758	LINE-Hydraulic (Upper) (Tilt)	79	22
31-F335217-1	BEARING SET (26)	53	23	32-F694798	HOSE (17.250 Inches)	27	10
31-F335217-1	BEARING SET (26)	55	23	32-F719253	LINE-Hydraulic (Up)	81	22
31-FA523014	BEARING ASSEMBLY-Lower	53	4	32-F719254	LINE-Hydraulic (Down)	81	21
31-FA85655-1	BEARING ASSEMBLY (Center Main)	53	11	32-F719418	TUBE-Water Jacket	49	5
32-16789-78	LINE-Fuel (9.00 Feet Bulk)	99	17	32-F719758	LINE-Hydraulic (Down)	81	14
32-16789100	LINE-Fuel (100.00 Feet Bulk)	99	17	32-F719865	LINE-Hydraulic (Up)	81	15
32-16789A26	LINE ASSEMBLY-Fuel (8.00 Feet)	99	6	33-818007--1	SPARK PLUG (Champion # UL-18V)	51	40
32-17146A8	LINE ASSEMBLY-Fuel (8.00 Feet)	99	6	33-827C	SPARK PLUG	15	32
32-817736	HOSE	27	9	33-827C	SPARK PLUG (Champion # L-76V)	51	40
32-817738A1	LINE KIT-Fuel	97	16	33-898	SPARK PLUG (RFI)	15	32
32-818066A3	TUBE ASSEMBLY-Steering	59	17	33-898	SPARK PLUG (RFI) (Champion # QL-76V)	51	40
32-819420	LINE-Hydraulic (Up)	85	22	34-819071A2	REED PLATE ASSEMBLY	27	27
32-819421	LINE-Hydraulic (Down)	85	21	34-F530160	REED (5 PETAL)	27	28
32-819422	LINE-Hydraulic (Down)	85	14	34-F85161-1	STOP-Reed	27	30
32-819423	LINE-Hydraulic (Up)	85	15	35-816296	FILTER-Fuel	31	16
32-99126-88	TUBING	29	1	35-816296	FILTER-Fuel	33	16
32-99126-88	TUBING	29	3	35-823534	SCREEN-Filter	99	5
32-99126-88	TUBING	29	4	35-F438653	SCREEN-Fuel Pump	41	14
32-99126-88	TUBING	29	6	37-43530--1	DECAL (Trim Pressure Caution)	81	7
32-99126-88	TUBING	31	1	37-43530--1	DECAL (Trim Pressure Caution)	85	7
32-99126-88	TUBING	31	3	37-817985--1	MEDALLION (Red US MARINE)	7	21
32-99126-88	TUBING	31	4	37-818029	DECAL (Fuel Mix)	11	3
32-99126-88	TUBING	31	6	37-819526	DECAL-Throttle Cable Adjust	51	NS
32-99126-88	TUBING	33	1	37-819576	DECAL-Starboard (BAYLINER)	5	16
32-99126-88	TUBING	33	3	37-819577	DECAL-Port (BAYLINER)	5	16
32-99126-88	TUBING	33	4	37-819578	DECAL-Rear (BAYLINER)	7	18
32-99126-88	TUBING	33	6	37-819579	DECAL-Front (BAYLINER)	7	17
32-99127109	HOSE	29	10	37-819580A1	DECAL-Top Stripe (BAYLINER)	7	19
32-99127109	HOSE	29	11	37-819597	DECAL-Starboard (MAXUM)	5	16
32-99127109	HOSE	29	12	37-819598	DECAL-Port (MAXUM)	5	16
32-99127109	HOSE	29	13	37-819599	DECAL-Rear (MAXUM)	7	18
32-99127109	HOSE	29	8	37-819600	DECAL-Front (MAXUM)	7	17
32-99127109	HOSE	31	10	37-819601A1	DECAL-Top Stripe (MAXUM)	7	19
32-99127109	HOSE	31	11				
32-99127109	HOSE	31	12				
32-99127109	HOSE	31	14				
32-99127109	HOSE	31	15				
32-99127109	HOSE	31	18				

PARTS INDEX

Part Number	Description	Pg.	Ref. No.	Part Number	Description	Pg.	Ref. No.
37-820518A94	DECAL SET (Complete) (BAYLINER)	9	NS	39-818129A2	RING SET (2 Rings) (.030 Oversize)	55	20
37-820526A93	DECAL SET (Complete) (FORCE)	9	NS	39-820457A2	RING SET (2 Rings) (Standard)	53	20
37-825064	DECAL-Caution (Start In Gear)	23	NS	39-820641A1	RING SET (2 Rings) (.010 Oversize)	55	20
37-825066	DECAL-Warning (Hi Voltage)	23	NS	41-F85017-3	PIN-Piston	53	21
37-F510374-1	DECAL (Circuit Breaker)	19	24	41-F85017-3	PIN-Piston	55	21
37-F510374-1	DECAL-Circuit Breaker	79	11	43-816434A5	GEAR ASSEMBLY-Forward (1.93:1)	73	43
37-F510374-1	DECAL-Circuit Breaker	81	34	43-816435	GEAR ASSEMBLY-Reverse (1.93:1)	73	50
37-F694366-1	MEDALLION (Silver US MARINE)	7	21	43-F2A694662	GEAR ASSEMBLY-Reverse (1.93:1)	73	50A
37-F694396	DECAL-Starboard (FORCE)	5	16	43-FS694023	GEAR ASSEMBLY-Forward (1.93:1)	73	43
37-F694397	DECAL-Port (FORCE)	5	16	44-819284A3	PROPSHAFT	73	49
37-F694528	DECAL-Rear (FORCE)	7	18	44-FA694098	PROPSHAFT	73	49
37-F694585	DECAL-Top Handle (BAYLINER)	9	NS	45-819738A2	DRIVESHAFT/PINION ASSEMBLY (1.93:1)	71	8
37-F694585	DECAL-Top Handle (FORCE)	9	NS	45-F693128	DRIVESHAFT (25.00 Inch)	75	72
37-F694892	DECAL-Front (FORCE)	5	17	45-F694128	DRIVESHAFT (20.00 Inch)	75	72
37-F694894	DECAL-Front Handle (BAYLINER)	9	NS	45-FS694628	DRIVESHAFT/PINION ASSEMBLY (1.93:1)	71	8
37-F694894	DECAL-Front Handle (FORCE)	7	NS	45-FS707628	DRIVESHAFT/PINION ASSEMBLY (1.93:1)	71	8
37-F716374	DECAL-Rear	63	25	46-F694060-2	BODY-Water Pump	73	36
37-F717893	DECAL-Side	63	24	47-F694065	IMPELLER-Water Pump	71	33
37-F721396	DECAL-Starboard (FORCE)	5	16	50-819085	STARTER ASSEMBLY (Complete)	23	1
37-F721397	DECAL-Port (FORCE)	5	16	50-F616955	STARTER ASSEMBLY (Complete)	23	1
37-F721528	DECAL-Rear (FORCE)	7	18	50-F616955-1	STARTER ASSEMBLY (Complete)	23	1
37-F721892	DECAL-Front (FORCE)	7	17	52-816433	CLUTCH-Shift	73	45
37-F745396	DECAL-Starboard (FORCE)	5	16	53-13194	RING-Retaining	45	19
37-F745397	DECAL-Port (FORCE)	5	16	53-13194	RING-Retaining	47	17
37-F745528	DECAL-Rear (FORCE)	7	18	53-21058	E RING-Retaining	27	24
37-F745892	DECAL-Front (FORCE)	7	17	53-818826	RING-Retaining	75	71
37-FP745396	DECAL-Starboard (FORCE)	5	16	53-F523411	RING-Retaining	75	100
37-FP745397	DECAL-Port (FORCE)	5	16	53-F717096	RING-Retaining	49	30
37-FP745528	DECAL-Rear (FORCE)	7	18	53-F85410	RING-Snap	53	12
37-FP745892	DECAL-Front (FORCE)	7	17	54-41582--7	CLAMP	97	14
37-FX694396	DECAL-Starboard (BAYLINER)	5	16	54-41582--7	CLAMP	99	14
37-FX694397	DECAL-Port (BAYLINER)	5	16	54-41582--7	CLAMP	99	16
37-FX694528	DECAL-Rear (BAYLINER)	7	18	54-41582--7	CLAMP (Small)	99	11
37-FX694892	DECAL-Front (BAYLINER)	7	17	54-41582--7	CLAMP (Small)	99	11
37-FX721396	DECAL-Starboard (BAYLINER)	5	16	54-41582-10	CLAMP (Large)	99	10
37-FX721397	DECAL-Port (BAYLINER)	5	16	54-41582-10	CLAMP (Large)	99	10
37-FX721528	DECAL-Rear (BAYLINER)	7	18	54-63153	J CLIP	15	25
37-FX721892	DECAL-Front (BAYLINER)	7	17	54-63933	CLAMP	29	7
37-FX745396	DECAL-Starboard	5	16	54-63933	CLAMP	31	7
37-FX745397	DECAL-Port (BAYLINER)	5	16	54-63933	CLAMP	97	17
37-FX745528	DECAL-Rear (BAYLINER)	7	18	54-816311	CABLE TIE (8.00 Inch)	15	11
37-FX745892	DECAL-Front (BAYLINER)	7	17	54-816311	CABLE TIE (8.00 Inch)	31	17
37-FZ745396	DECAL-Starboard (MAXUM)	5	16	54-816311	CABLE TIE (8.00 Inch)	33	17
37-FZ745397	DECAL-Port (MAXUM)	5	16	54-816311	CABLE TIE (8.00 Inch)	85	NS
37-FZ745528	DECAL-Rear (MAXUM)	7	18	54-820437	CLIP-Wire Harness Retainer	57	15
37-FZ745892	DECAL-Front (MAXUM)	7	17	54-823461	CABLE TIE (8.50 Inch)	17	38
39-817869A1	RING SET (2 Rings) (Standard)	53	20	54-F289446-1	CLAMP	19	13
39-817869A3	RING SET (2 Rings) (.030 Oversize)	53	20				

PARTS INDEX

Part Number	Description	Pg.	Ref. No.	Part Number	Description	Pg.	Ref. No.
54-F307317	CLIP-Terminal Block Ground	19	4	87-819022--1	THERMOSWITCH	49	29
54-F407446	CLAMP-Battery Cable	11	21	87-819509	RELAY	81	10
54-F438668	RETAINER-Cable Clamp	19	14	87-819509	RELAY	85	10
54-F660446	CLAMP	93	20	87-F660917	RELAY	79	7
54-F664384	CLIP-Terminal Block Cover	13	24	87-F660917	RELAY	81	30
54-F686491	CLIP-Standtube	63	21	87-F84449	SWITCH-Neutral Interlock	19	18
54-F698772	CLAMP	99	14	88-19637	SOCKET-Fuse	15	12
54-F85772	CLAMP	63	29	88-812619	FUSE (20 AMP)	15	26
55-FS631962	SHOCK ABSORBER ASSEMBLY	59	22	88-F510460	BREAKER-Circuit	19	23
84-65017A24	HARNESS ASSEMBLY	93	8	88-F510460	BREAKER-Circuit	79	12
84-811698	WIRING HARNESS	87	9	88-F510460	BREAKER-Circuit	83	35
84-817459A1	HARNESS ASSEMBLY-Wiring	19	15	89-819503	SOLENOID-Primer	19	5
84-817646A1	HARNESS ASSEMBLY (Coil To Switchbox)	15	10	89-F460917-1	RELAY-Starter	21	29
84-819200A1	CABLE ASSEMBLY (15.50 Feet)	93	19	89-F694924	SOLENOID-Primer	19	5
84-819203A1	CABLE ASSEMBLY (19.00 Feet)	93	19	90-819683930	MANUAL (Operation)	102	NS
84-819204A1	CABLE ASSEMBLY (22.00 Feet)	93	19	90-819683941	MANUAL (Operation)	102	NS
84-819205A1	CABLE ASSEMBLY (25.00 Feet)	93	19	90-819685	MANUAL (Operation)	102	NS
84-819514A1	HARNESS ASSEMBLY	81	9	91-99750A1	MULTIMETER TESTER (Electrical Components)	100	NS
84-819514A6	HARNESS ASSEMBLY	85	9	92-59327--1	SEALANT (Locquic Primer)	101	NS
84-820574	WIRE ASSEMBLY-Starter Lead	23	16	92-819104-12	LACQUER (Gray Acrylic Spray Can - 12 Per Case)	102	NS
84-821945A23	CABLE ASSEMBLY-Hi Tension	15	31	92-819107-12	LACQUER (Clear Acrylic Spray Can - 12 Per Case)	102	NS
84-821945A28	CABLE ASSEMBLY-Hi Tension	15	31	92-823089--1	SEALANT (Loctite 8831)	101	NS
84-821945A53	CABLE ASSEMBLY-Hi Tension (RFI)	15	31	92-825265A1	COMPOUND (8 Ounce) (Needle Bearings)	100	NS
84-821945A54	CABLE ASSEMBLY-Hi Tension (RFI)	15	31	92-825321-12	LACQUER (Gray Acrylic Brush Bottle - 12 Per Box)	102	NS
84-823392A1	HARNESS ASSEMBLY-Wiring	19	15A	92-90113--2	SEALANT (RTV #1473)	101	NS
84-88212A4	WIRE ASSEMBLY (Blue/White)	81	8	92-FT2987-1	LUBICANT (Anti Seez)	100	NS
84-88807A29	CABLE ASSEMBLY (Black)	15	20	100-817607F	COWL-Bottom	11	1
84-88807A3	CABLE ASSEMBLY (Black)	17	40	100-818094A1	COWL ASSEMBLY-Top (BAYLINER)	5	-
84-88808A24	WIRE ASSEMBLY (Red)	17	37	100-819098A1	COWL ASSEMBLY-Top (MAXUM)	5	-
84-88810A4	WIRE ASSEMBLY (Purple)	17	39	100-819098A1	COWL ASSEMBLY-Top (MAXUM)	5	-
84-88819A2	WIRE ASSEMBLY (Green/White)	81	8	100-819317F	COVER-Rear	63	22
84-F381896-4	CABLE ASSEMBLY-Battery	21	34	100-819406A1	COWL ASSEMBLY-Top (FORCE)	5	-
84-F660353	CABLE ASSEMBLY (5.00 Feet)	93	10	100-819652A1	COWL ASSEMBLY-Top (MAXUM)	5	-
84-F660664	WIRE	95	34	100-819761A3	COWL ASSEMBLY-Top Basic (Painted)	5	1
84-F660908	WIRE (Red)	79	15	200-819490A6	FLYWHEEL KIT	15	1
84-F660908	WIRE (Red)	83	38	300-F685301-2	MODULE ASSEMBLY (Blue)	13	17
84-F694683	WIRE ASSEMBLY (Black/Yellow)	13	21	300-F694029-2	TRIGGER ASSEMBLY	13	5
84-F694744-2	HARNESS ASSEMBLY-Wiring	19	15	300-F694095-2	STATOR ASSEMBLY	13	4
84-F721744	HARNESS ASSEMBLY-Wiring	19	15	300-F721095-1	STATOR ASSEMBLY	13	4
84-F85908-1	WIRE ASSEMBLY-Starter Lead	23	16	332-4796A8	CONVERTER-CD Ignition	15	35
86-F664497	BLOCK-Terminal (12 Position)	13	27	339-7370A23	COIL ASSEMBLY-Ignition	15	33
86-F694497	BLOCK-Terminal (1 Position)	13	18	392-2525	O RING (3.125 OD)	91	13
86-F722497	BLOCK-Terminal (6 Position)	13	23	392-2529	SPRING SET	91	5
87-819022	THERMOSWITCH	49	29	392-8989	BRUSH SET	91	4
				392-8992	GASKET KIT	91	7
				398-6231A13	STATOR ASSEMBLY	15	5
				398-6231A15	STATOR ASSEMBLY	15	5
				400-817399A3	CRANKSHAFT ASSEMBLY	53	1

PARTS INDEX

Part Number	Description	Pg.	Ref. No.	Part Number	Description	Pg.	Ref. No.
700-818133A1	PISTON (.030 Oversize)	53	19	1600-820588A6	GEAR HOUSING KIT (Basic)	71	1
700-819690A1	PISTON KIT (Standard)	53	19				
700-819690A2	PISTON KIT (.010 Oversize) .	53	19				
700-819690A3	PISTON KIT (.030 Oversize) .	53	19				
700-F691015	PISTON (Standard)	53	19				
800-817880A3	CYLINDER BLOCK KIT	49	1				
800-818155A13	CYLINDER BLOCK KIT	49	1				
800-818155A16	POWERHEAD ASSEMBLY . .	43	-				
800-818155A16	POWERHEAD ASSEMBLY (All Models)	49	-				
800-818155A16	POWERHEAD ASSEMBLY (Complete)	25	-				
800-818155A16	POWERHEAD ASSEMBLY . . .	27	-				
800-819338A2	CYLINDER BLOCK KIT	49	1				
900-819787	HEAD-Cylinder	49	26				
900-F694518	HEAD-Cylinder	49	26				
1100-818070A1	CAGE ASSEMBLY-Bearing . .	53	6				
1100-819312A1	CAGE ASSEMBLY-Bearing . .	53	6				
1200-819039A1	TANK ASSEMBLY-Fuel	97	1				
1259-823504A1	TANK ASSEMBLY-Fuel (Plastic - 6.6 Gallon.)	99	1				
1259-823504A2	TANK ASSEMBLY-Fuel (Complete)	99	1				
1300-820200	CARBURETOR-Top (TC124A)	37	-				
1300-820201	CARBURETOR-Bottom (TC122A)	37	-				
1300-820204	CARBURETOR-Center (TC123A)	37	-				
1300-F686061-2	CARBURETOR-Top (TC103C)	37	-				
1300-F693061-1	CARBURETOR-Center (TC104B)	37	-				
1300-F694061-2	CARBURETOR-Bottom (TC- 105C)	37	-				
1395-5733	JET (.092)-Main Fuel (1500' - 3000')	37	12				
1395-6030	JET (.070)-Main Fuel (6000' - 10000')	37	12				
1395-6207	JET (.072)-Main Fuel (4500' - 6000')	37	12				
1395-6247	JET (.090)-Main Fuel (3000' - 4500')	37	12				
1399-3794	JET (.074)-Main Fuel (3000' - 4500')	37	12				
1399-3796	JET (.076)-Main Fuel (1500' - 3000')	37	12				
1400-819424F	BRACKET-Stern (Starboard) .	59	10				
1400-819425F	BRACKET-Stern (Port)	59	11				
1400-820445F	BRACKET-Stern (Starboard) .	59	10A				
1400-820446F	BRACKET-Stern (Port)	59	11A				
1500-819434A2	HOUSING KIT-20.00 Inch Driveshaft	63	1				
1500-819435A2	HOUSING KIT-25.00 Inch Driveshaft	63	1				
1600-817925A5	GEAR HOUSING ASSEMBLY (Complete - 1.93:1)	71	1				
1600-819190A3	GEAR HOUSING KIT (Basic)	71	1				
1600-819231A13	GEAR HOUSING KIT (Basic)	71	1				
1600-820588A1	GEAR HOUSING ASSEMBLY (Complete - 1.93:1)	71	1				