



PARTS CATALOG

40/50 H.P.

SERIAL NUMBER

40 H.P. (1995)	0E093700 THRU 0E138599
50 H.P. (1995)	0E093700 THRU 0E138599

TABLE OF CONTENTS:

ADAPTOR PLATE - UPPER	30
BOTTOM COWL	6
CARBURETOR - 40 H.P.	18
CARBURETOR - 50 H.P.	20
CLAMP BRACKET	38
CRANKSHAFT AND PISTON	28
CYLINDER BLOCK	26
DRIVESHAFT HOUSING	40
ELECTRICAL COMPONENTS	12
FUEL PUMP ASSEMBLY	22
FUEL TANK AND LINE (PLASTIC - 6.6 GALLON)	52
GEAR HOUSING (DRIVESHAFT)	44
GEAR HOUSING (PROPELLER SHAFT)	46
IGNITION COMPONENTS	10
MISCELLANEOUS ENGINE PARTS	2
PARTS INDEX	56
POWER TRIM ASSEMBLY	50
POWER TRIM MOUNTING	48
RECIRCULATION AND PRIME SYSTEM	16
REED PLATE AND ADAPTER FLANGE	32
SHIFT THROTTLE LINKAGE	24
STARTER ASSEMBLY	14
SWIVEL BRACKET	36
SWIVEL TUBE	34
TOOLS - SPECIAL	54
TOP COWL	4

NOTE: Indented description indicate that these parts are included in preceding assembly.

AR = As Required

NSS = Not Sold Separate

OPT = Optional

NS = Not Shown

NOTE: Following symbols are located in **SYM** column.

- = COMPONENT OF POWERHEAD ASS'Y [800-818152A19]
- = COMPONENTS OF CARB REPAIR KIT [820721A1]
- ▀ = CONTENTS OF POWERHEAD GASKET SET [27-820751A1]
- ◇ = COMPONENTS OF SWITCHBOX KIT [18495A13]

- ▲ = COMPONENTS OF CARB GASKET SET [FK10323]
- † = COMPONENT OF SEAL KIT [823547A1]
- = COMPONENT OF WATER PUMP REPAIR KIT [821354A1]
- ❖ = COMPONENTS OF CARB REPAIR KIT [827688A1]

THESE PARTS BOOKS/FICHE CARD ARE COPYRIGHTED AND MAY NOT BE DISTRIBUTED OR REPRODUCED IN ANY OTHER FORMAT BY ANYONE OTHER THAN MERCURY MARINE WITHOUT THE PRIOR WRITTEN CONSENT OF MERCURY MARINE.

THIS PAGE INTENTIONALLY LEFT BLANK

MISCELLANEOUS ENGINE PARTS

QUICKSILVER[®]

MARINE PARTS AND ACCESSORIES

THESE PARTS BOOKS/FICHE CARDS ARE COPYRIGHTED AND MAY NOT BE DISTRIBUTED OR REPRODUCED IN ANY OTHER FORMAT BY ANYONE OTHER THAN MERCURY MARINE WITHOUT THE PRIOR WRITTEN CONSENT OF MERCURY MARINE.

Order by Part Number and Name, giving Motor Model and/or Serial Number

INSTRUCTIONS FOR PART NUMBER ENTRY FOR MIDAS DEALERS:

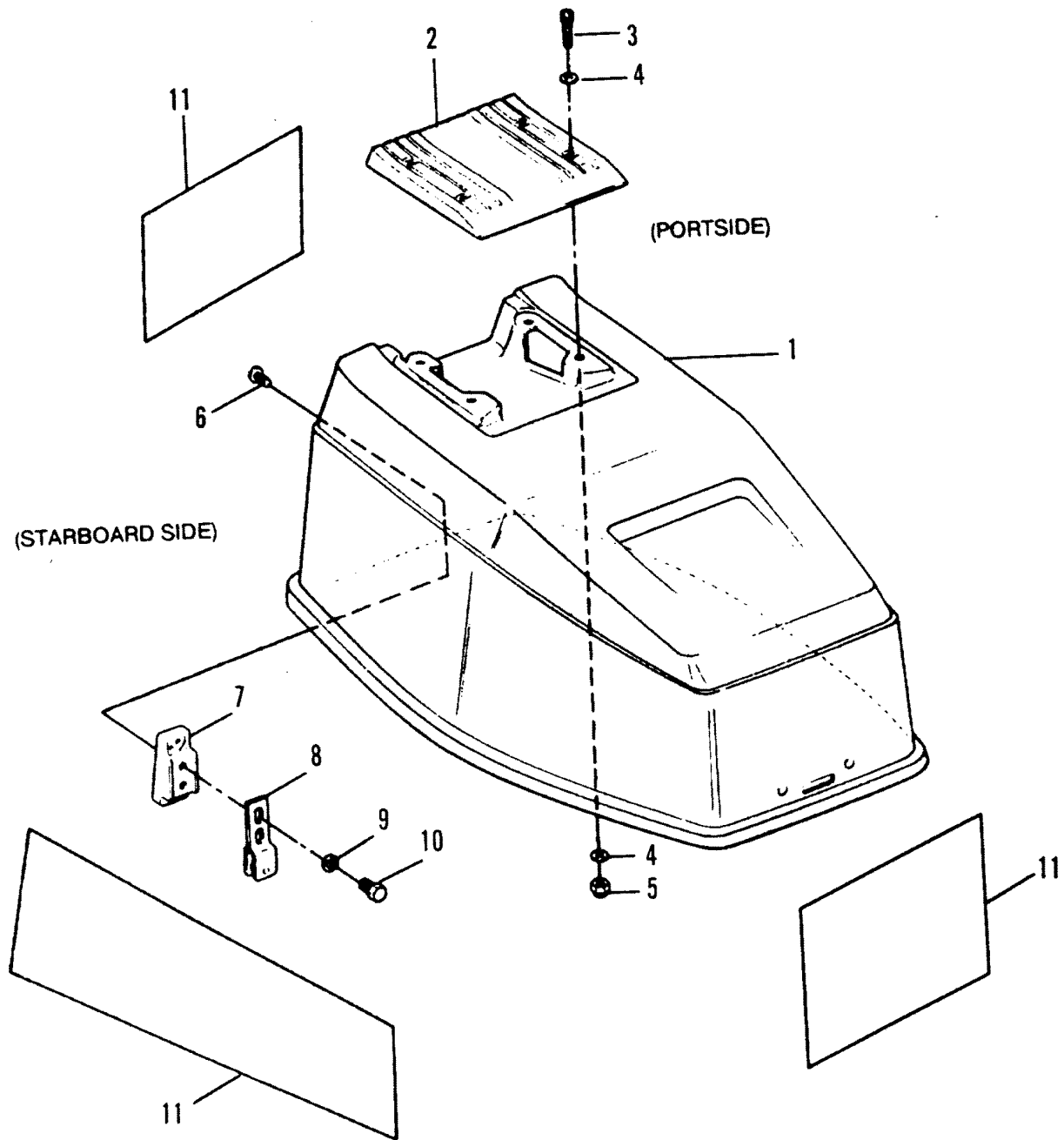
When entering a part number please keep these items in mind:

- 1) Some part numbers include the letter "F":
EXAMPLE: F23456 ENTER: F23456
- 2) Never enter the prefix and the dash:
EXAMPLE: 27-12345 ENTER: 12345
- 3) If the part number begins with an "F" and has a suffix (example -1), the dash must be used:
EXAMPLE: F46137-1 ENTER: F46137-1
- 4) If the part number **does not** begin with an "F" and has a suffix (example --2), the dashes **are not** used:
EXAMPLE: 89491--2 ENTER: 89491 (space bar) (space bar) 2
- 5) Some part numbers that begin with an "F" have a 2 digit suffix that uses a "/" instead of a "-":
EXAMPLE: F195/12 ENTER: F195/12
- 6) If the part number ends with a "A" followed by a single digit (A1), enter a space between the "A" and the digit:
EXAMPLE: 34565A1 ENTER: 34565A (space bar) 1
- 7) If the part number ends with a "A" followed by 2 digits (A12) **do not** enter a space:
EXAMPLE: 814716A12 ENTER: 814716A12

MISCELLANEOUS ENGINE PARTS

REF. NO.	PART NO.	SYM.	QTY.	DESCRIPTION
-	90-826878950		-	OPERATORS MANUAL
-	90-828821		-	SERVICE MANUAL
-	92-819104-12		-	LACQUER GRAPHITE GRAY ACRYLIC-SPRAY CAN (CASE OF 12)
-	F5S211-2		-	LACQUER GRAPHITE GRAY ACRYLIC-SPRAY CAN (12OZ CAN)
-	F5S211-2		-	LACQUER GRAY ACRYLIC-BRUSH BOTTLE (BOX OF 12)
-	92-819107-12		-	LACQUER CLEAR ACRYLIC-SPRAY CAN (CASE OF 12)

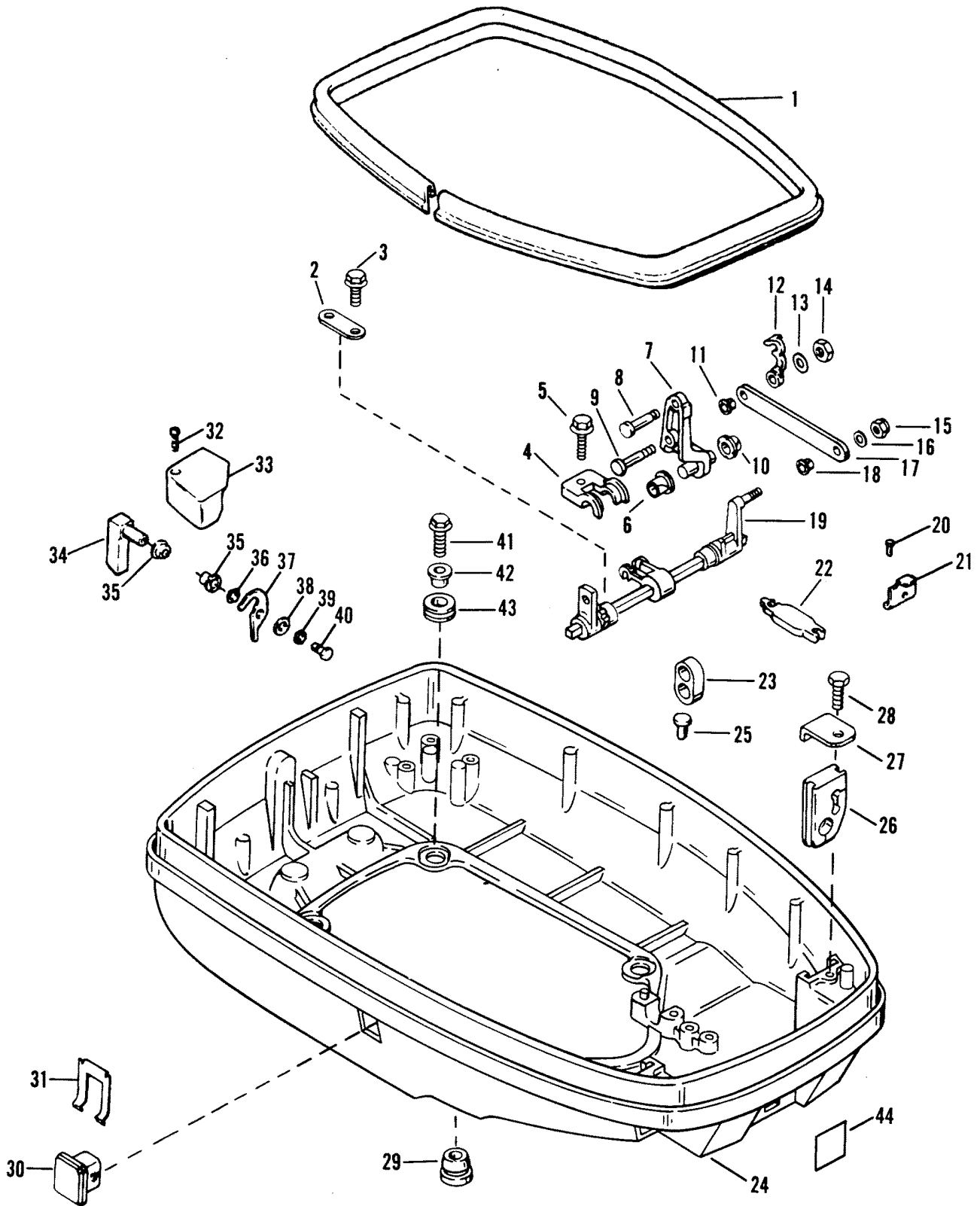
TOP COWL



TOP COWL

REF. NO.	PART NO.	SYM.	QTY.	DESCRIPTION
1	100-819748A3		1	COWL ASSEMBLY, TOP (PAINTED) WITHOUT DECALS
-	F684984		1	BLANKET, SOUND, TOP
-	F684985-1		2	BLANKET, SOUND, SIDE
2	816518		1	HANDLE, TILT
3	10-F2143		4	SCREW (1/4-20" X 1")
4	12-29245		8	WASHER
5	11-13855		4	NUT (1/4-20)
6	10-28639		2	SCREW (1/4-20" X 5/8")
7	F684774		1	BRACKET, COWL, LATCH REAR
8	18173		1	BRACKET ASSEMBLY, ROLLER LATCH
9	13-53166		2	LOCKWASHER (5/16")
10	10-90285		2	SCREW (5/16-18" X 5/8")
11	37-820734A95		1	DECAL SET (40 HP) FORCE SER.# E093700-E138599
	37-820735A95		1	DECAL SET (50 HP) FORCE SER.# E093700-E138599
	37-820740A95		1	DECAL SET (50 HP) BAYLINER SER.# E093700-E107667
	37-809467A95		1	DECAL SET (40 HP) BAYLINER SER.# E093700-E119524

BOTTOM COWL

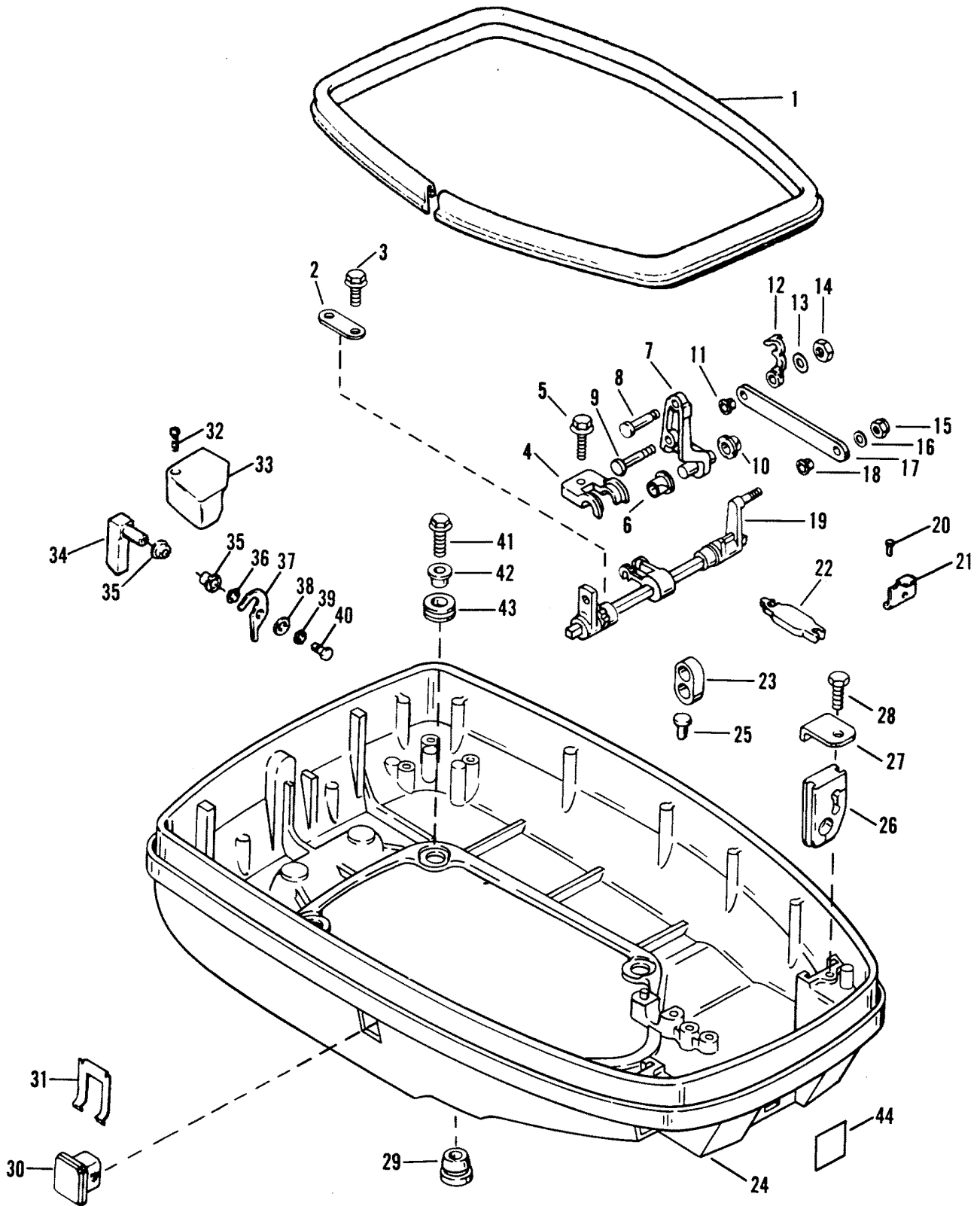


BOTTOM COWL

REF. NO.	PART NO.	SYM.	QTY.	DESCRIPTION
1	F663756-1		1	PACKING (70") CUT AS REQ'D
2	822541--1		2	STRAP, HORIZONTAL SHIFT SHAFT
3	10-40011127		2	SCREW (M6 X 1 X 16)
4	822469		1	CAP, INTERMEDIATE LEVER
5	10-40011127		1	SCREW (M6 X 1 X 16)
6	23-26954		1	BUSHING
7	822467--1		1	LEVER, INTERMEDIATE
8	42927		1	INSERT
9	17-822456		1	PIN, CABLE RETAINER
10	23-26954		1	BUSHING
11	23-48475		1	BUSHING
12	822459		1	RETAINER, REMOTE CABLE
13	12-69056		1	WASHER
14	11-826833--6		1	NUT (M6)
15	11-826833--6		1	NUT (M6)
16	12-69056		1	WASHER
17	822470		1	LINK, SHIFT
18	23-48475		1	BUSHING
19	821483A5		1	SHIFT SHAFT ASSEMBLY, HORIZONTAL
20	10-40011127		2	SCREW (M6 X 1 X 16)
21	F663480-1		1	RETAINER, COWL, FRONT
22	98889		1	LATCH, CONTROL CABLE
23	39519		1	CUP, CONTROL CABLE RETAINER
24	100-820186F1		1	COWL ASSEMBLY, BOTTOM (PAINTED)
25	10-42975		2	SCREW, DRIVE
26	26-820355		2	SEAL, CABLE ENTRY
27	826742		2	RETAINER, CABLE ENTRY SEAL
28	10-40019104		2	SCREW (M5 X 8)
29	25-19564		1	GROMMET (WITHOUT HOLE) NON POWER TRIM
	25-19565		1	GROMMET (WITH HOLE) POWER TRIM
30	812830--1		1	PLUG
31	812443--1		1	RETAINER
32	10-40056105		2	SCREW (M5 X 10)
33	F684408		1	COVER, STARTER RELAY
34	820000A4		1	HANDLE ASSEMBLY, COWL LATCH (PAINTED)
35	23-812707		2	BUSHING
36	13-F2047		1	WASHER, WAVE
37	F481777		1	CAM, LATCH SHAFT
38	12-40023-16		1	WASHER
39	13-26992		1	LOCKWASHER (1/4")

CONTINUED ON NEXT PAGE ➡

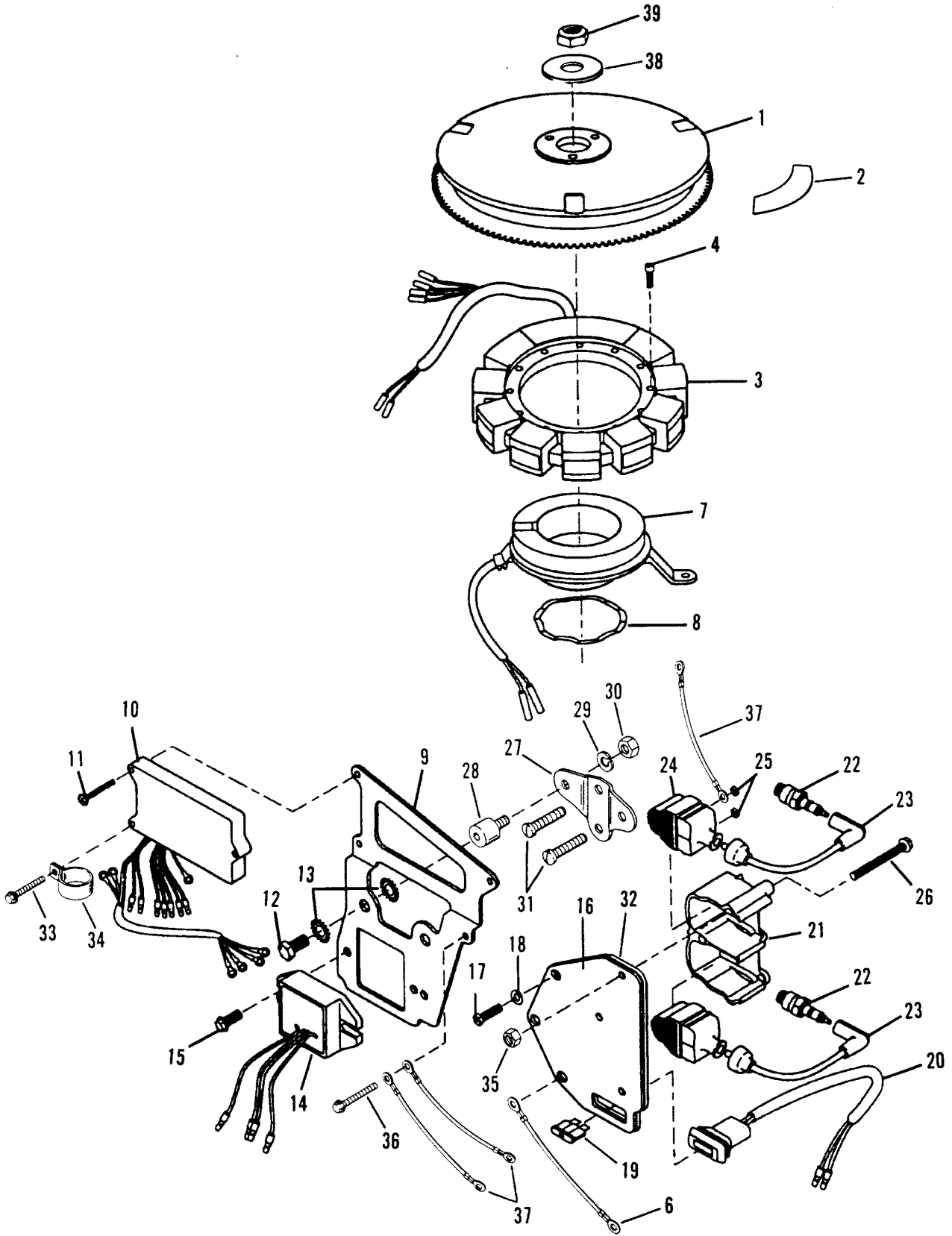
BOTTOM COWL



BOTTOM COWL

REF. NO.	PART NO.	SYM.	QTY.	DESCRIPTION
40	10-19923062		1	SCREW (1/4-20 X 5/8") WITH DRY LOC
41	10-40011129		4	SCREW (M6 X 25)
42	23-822003		4	BUSHING
43	25-822002		4	GROMMET
44	37-818029		1	DECAL, FUEL MIX

IGNITION COMPONENTS

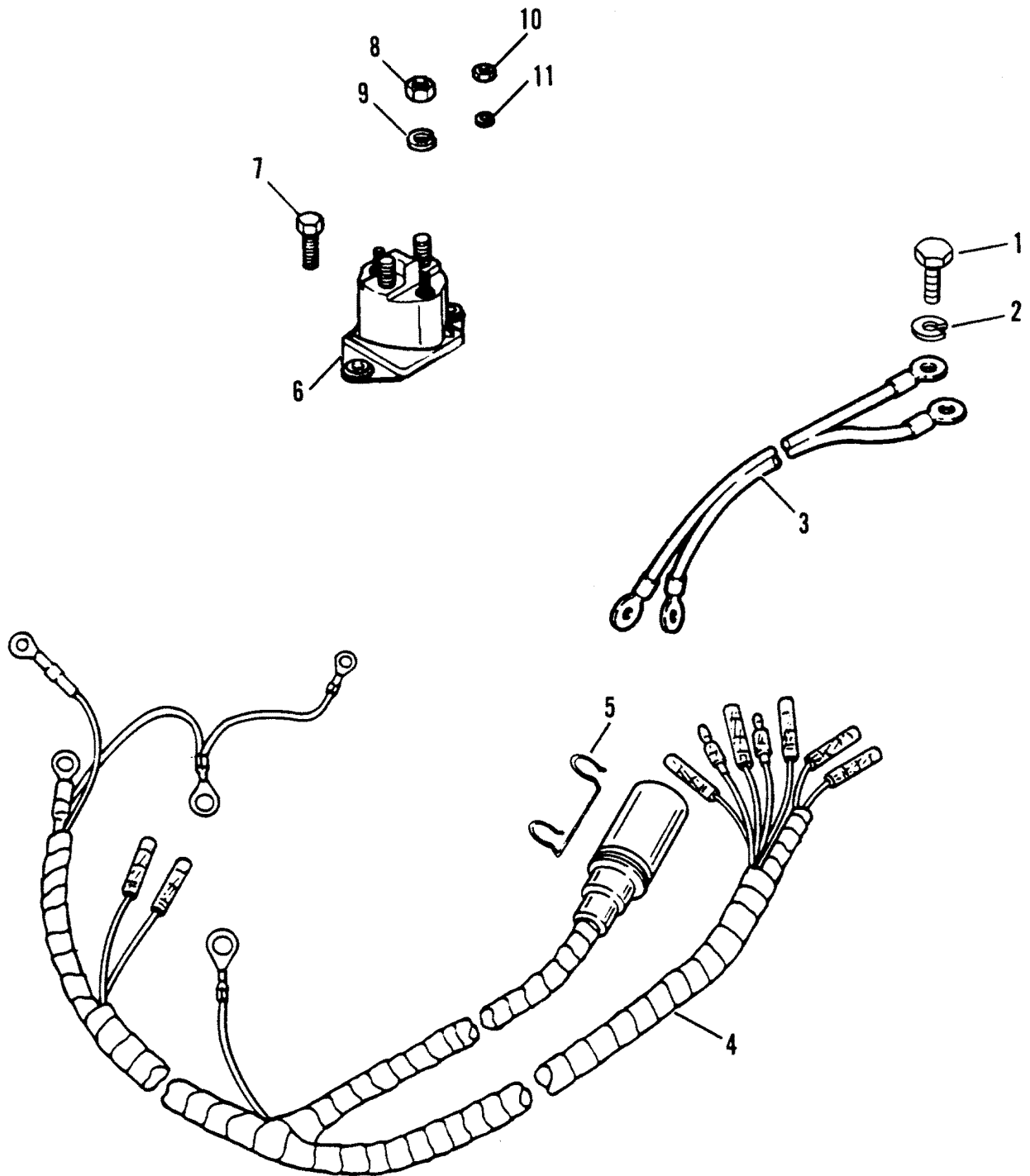


IGNITION COMPONENTS

REF. NO.	PART NO.	SYM.	QTY.	DESCRIPTION
1	200-817494A10		1	FLYWHEEL ASSEMBLY
2	FA609853		1	DECAL KIT, SHIFT TO NEUTRAL
3	398-818535A14		1	STATOR ASSEMBLY
4	10-19926100		6	SCREW (10-24 X 1") WITH DRY LOC
6	84-88807A36	◇	1	CABLE ASSEMBLY
7	819527A1		1	TRIGGER ASSEMBLY
8	13-F2442		1	WASHER, WAVE
9	819268		1	BRACKET, ELECTRICAL MOUNT
10	18495A13		1	SWITCHBOX KIT
11	10-812987		2	SCREW (10-24 X 1-1/4")
12	10-88743		2	SCREW (5/16-18 X 1/2")
13	13-F8124		4	LOCKWASHER (5/16" EXTERNAL)
14	815279T4		1	VOLTAGE REGULATOR
15	10-817504		2	SCREW (1/4-20 X 1-1/2")
16	819267		1	BRACKET (OUTSIDE)
17	10-19932062		3	SCREW (1/4-20 X 5/8") WITH DRY LOC
18	13-93702		3	LOCKWASHER (1/4" EXTERNAL)
19	88-812619		1	FUSE (20 AMP)
20	88-19637		1	SOCKET, FUSE
21	99762		1	COVER, COIL
22	33-97180		2	SPARK PLUG (NGK # BUHW)
	33-14103550		2	SPARK PLUG (RFI) (NKG # BUZHW)
23	84-821945A28		2	CABLE ASSEMBLY, HIGH TENSION
24	339-7370A23		2	COIL ASSEMBLY, IGNITION
25	11-45076		4	NUT (10-32)
26	10-817458		3	SCREW (10-24 X 2-1/4")
27	F684358		1	BRACKET, ELECTRICAL COMPONENTS
28	F684962		2	MOUNT, SHOCK
29	13-53166		2	LOCKWASHER (5/16")
30	11-68292		2	NUT (5/16-18)
31	10-19921075		2	SCREW (5/16-18 X 3/4") WITH DRY LOC
32	819760		1	BRACKET (INSIDE)
33	10-822970		1	SCREW (10-24 X 1-3/8")
34	54-820370		1	CLIP, WIRE HARNESS
35	11-F7009		3	NUT (10-24)
36	10-41805		1	SCREW (10-24 X 5/8")
37	84-88807A29		4	CABLE ASSEMBLY
38	12-31247		1	WASHER
39	11-F1968		1	NUT (3/4-16)
-	54-816311		AR	CABLE TIE (8")
-	54-814634		1	CLAMP, BATTERY CABLE

◇ = COMPONENTS OF SWITCHBOX KIT [18495A13]

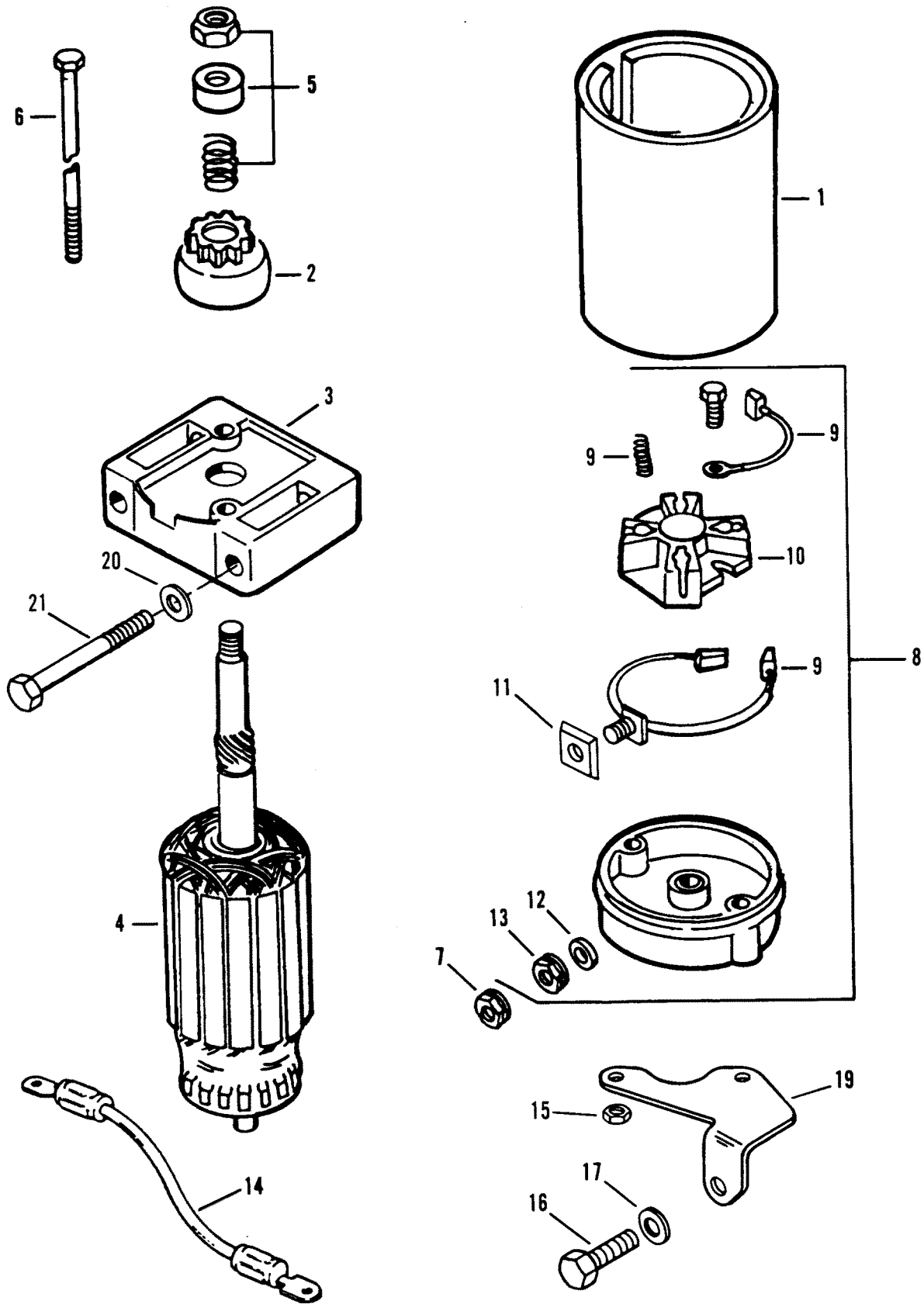
ELECTRICAL COMPONENTS



ELECTRICAL COMPONENTS

REF. NO.	PART NO.	SYM.	QTY.	DESCRIPTION
1	10-F2000		1	SCREW (5/16-18 X 3/4")
2	13-53166		1	LOCKWASHER (5/16")
3	84-F381896-4		1	CABLE, BATTERY
4	84-818952A1		1	HARNESS ASSEMBLY, WIRING
5	92753		1	RETAINER, HARNESS CONNECTOR
6	89-F460917-1		1	RELAY, STARTER
7	10-40011129		2	SCREW (M6 X 25)
8	11-68292		2	NUT (5/16-18)
9	13-53166		2	LOCKWASHER (5/16")
10	11-68219		2	NUT (10-32)
11	13-26996		2	LOCKWASHER (#10)

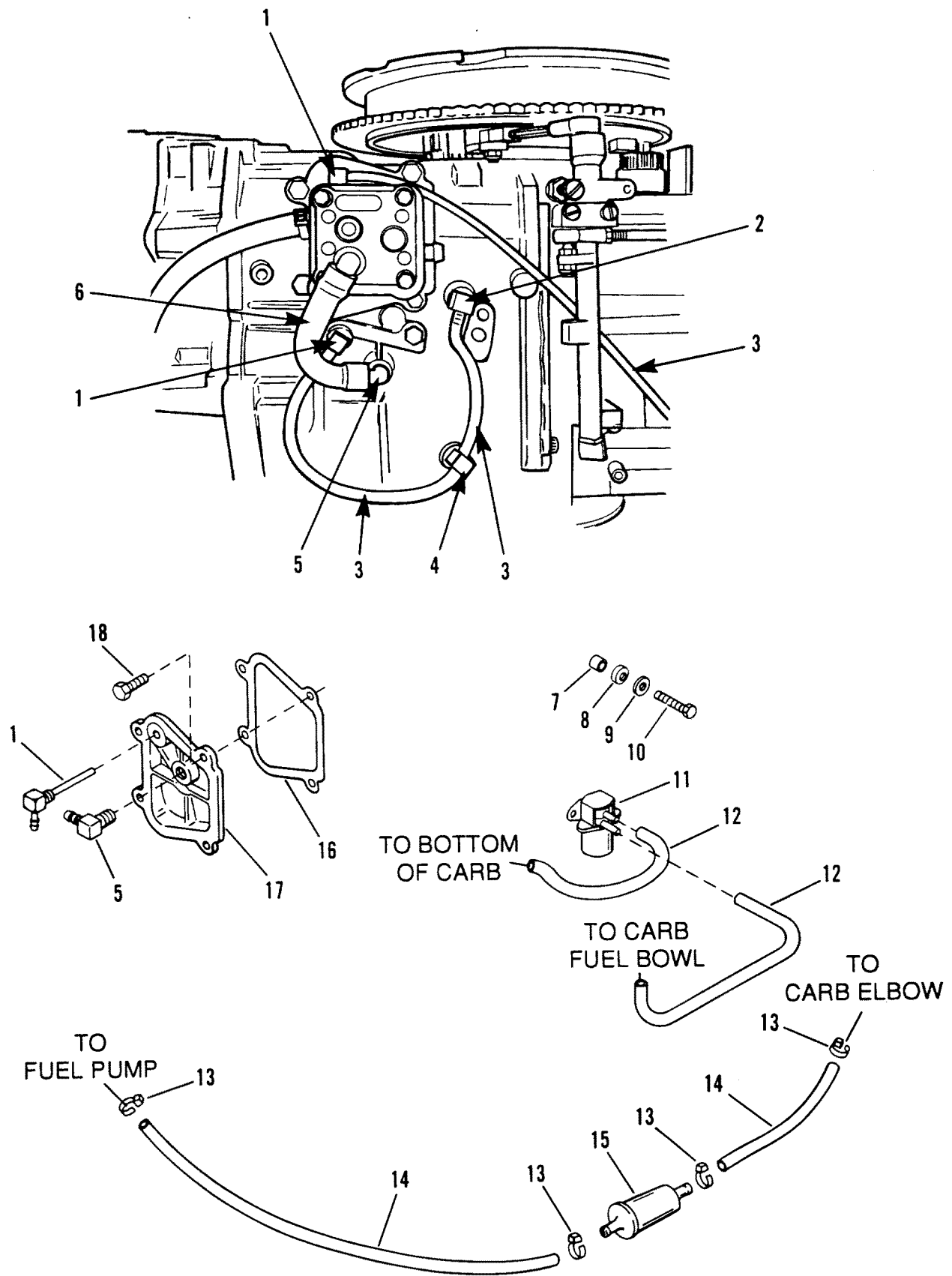
STARTER ASSEMBLY



STARTER ASSEMBLY

REF. NO.	PART NO.	SYM.	QTY.	DESCRIPTION
1	50-820193		1	STARTER ASSEMBLY
2	811902		1	PINION, DRIVE
3	820594		1	CAP, DRIVE END
4	F15183		1	ARMATURE
5	90643		1	DRIVE KIT
6	811903		2	THRU BOLT
7	F15162		1	NUT (1/4-20)
8	820595		1	CAP ASSEMBLY, COMM END
9	F15190		1	BRUSH & SPRING KIT
10	61787		1	HOLDER, BRUSH
11	F15159		1	INSULATOR
12	F15160		1	WASHER, INSULATOR
13	F15162		1	NUT (1/4-20)
14	84-820574		1	WIRE, STARTER LEAD
15	11-20361		2	NUT (1/4-28), THRU BOLT
16	10-F1822		1	SCREW (5/16-18 X 7/8")
17	13-53166		1	LOCKWASHER (5/16")
19	819272--2		1	BRACKET, STARTER SUPPORT
20	12-45175		2	WASHER
21	10-F2185		2	SCREW (3/8-16 X 3-1/2")
-	37-825066		1	DECAL, WARNING, HI-VOLTAGE
-	37-825064		1	DECAL, CAUTION, START IN GEAR
-	47341A1		1	ROPE AND HANDLE, EMERGENCY START

RECIRCULATION AND PRIME SYSTEM



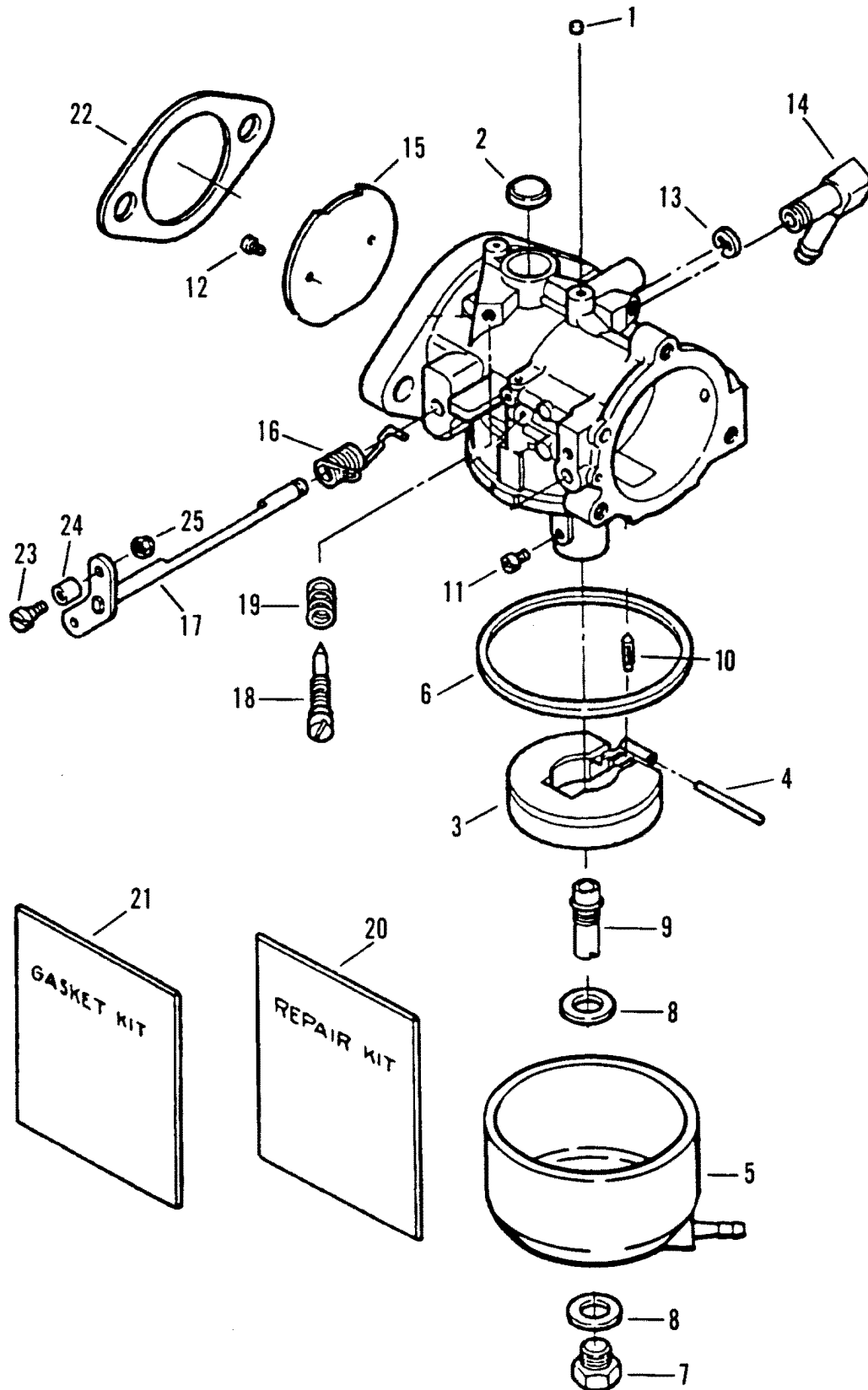
RECIRCULATON AND PRIME SYSTEM

REF. NO.	PART NO.	SYM.	QTY.	DESCRIPTION
1	22-F743314	●	1	ELBOW
2	21-42864	●	1	FITTING (90 DEGREE)
3	32-99130122	●	1	HOSE (18-1/2") (7-1/2") (3-3/4") CUT AS REQUIRED
4	21-820706	●	1	FITTING (T)
5	22-99664	●	1	ELBOW
6	32-99127109		1	HOSE (6") CUT AS REQ'D
7	23-F694359		1	SPACER
8	25-F694504		1	GROMMET
9	12-35044		1	WASHER
10	10-45561		1	SCREW (1/4-20 X 1-1/8")
11	89-819503		1	SOLENOID, PRIMER
12	32-99126-88		1	HOSE (4") (5-1/4") CUT AS REQ'D
13	54-816311		4	CABLE TIE (8")
14	32-99127109		1	HOSE (4-1/4") (19") CUT AS REQ'D
15	35-816296		1	FILTER, FUEL
16	27-820500	■●	1	GASKET, TRANSFER PORT
17	817790A1	●	1	COVER KIT, TRANSFER PORT
18	10-98254	●	4	SCREW (1/4-20 X 5/8")
-	1300-827022		1	CARBURETOR (WB-127A)

● = COMPONENT OF POWERHEAD ASS'Y [800-818152A19]

■ = CONTENTS OF POWERHEAD GASKET SET [27-820751A1]

CARBURETOR - 40 H.P.



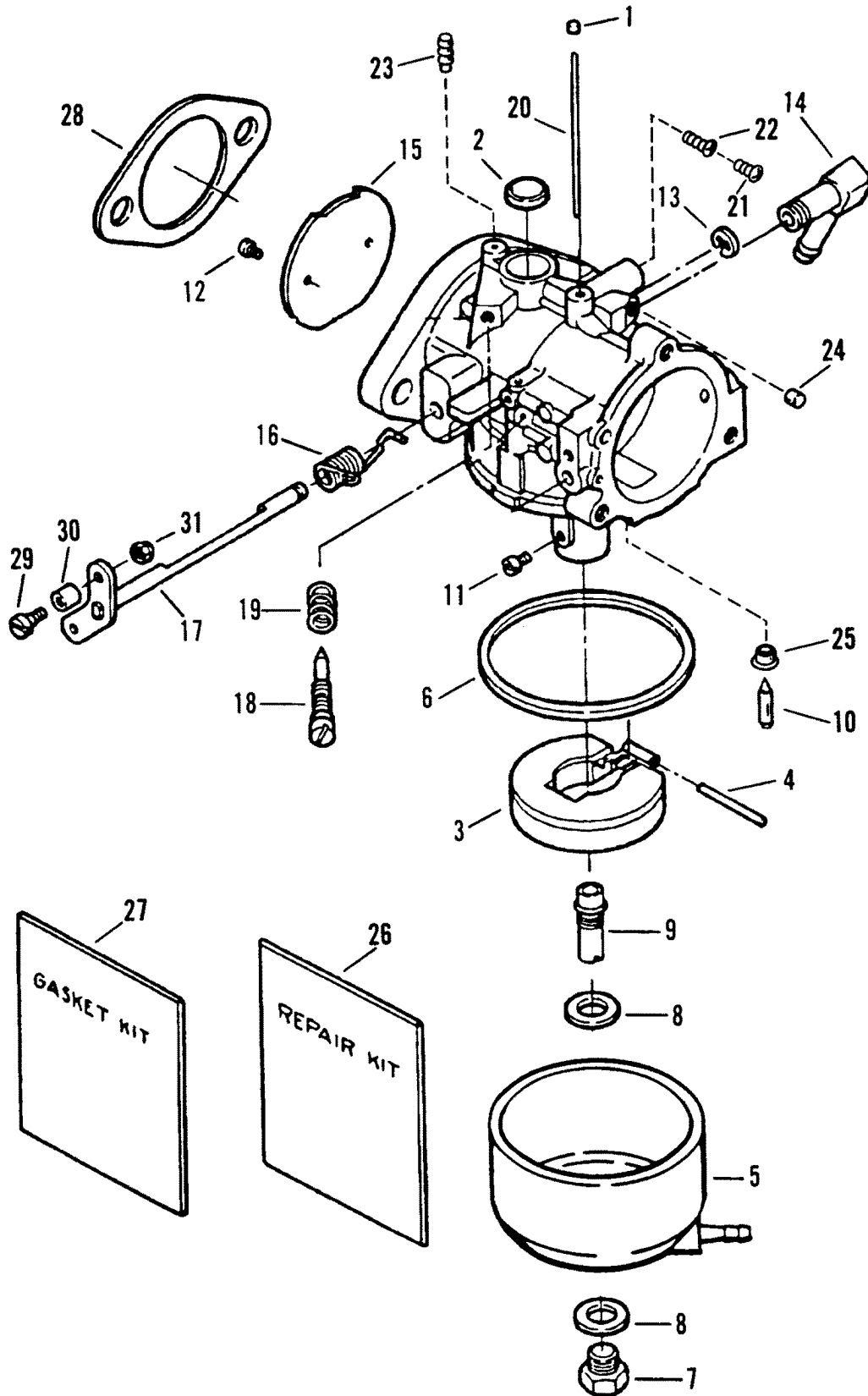
CARBURETOR - 40 H.P.

REF. NO.	PART NO.	SYM.	QTY.	DESCRIPTION
-	1300-827022		1	CARBURETOR (WB-127A)
1	19-FO10588	■	4	PLUG, CUP
2	19-FO16128	■	1	PLUG, WELCH
3	F10346		1	FLOAT, FUEL BOWL
4	17-FO13944	■	1	PIN, FLOAT
5	820491		1	BOWL, FUEL
6	27-FO15623	▲	1	GASKET, FUEL BOWL
7	1399-5128		1	SCREW, FUEL BOWL
8	27-FO2510	▲	2	GASKET, FUEL BOWL
9	820720		1	NOZZLE, MAIN
10	FK10309	■	1	NEEDLE AND SEAT KIT, INLET NOTE: DO NOT REMOVE INLET SEAT
11	1395-6487		1	JET, MAIN FUEL (.060) (0-2500')
	1395-7831		OPT.	JET, MAIN FUEL (.058) (2500-5000')
	1399-5213		OPT.	JET, MAIN FUEL (.056) (5000-7500')
	1399-5225		OPT.	JET, MAIN FUEL (.054) (7500-10000')
12	10-F10328	■	2	SCREW, SHUTTER
13	FO16620		1	E-RING, THROTTLE SHAFT
14	22-F84314-2		1	ELBOW, FUEL
15	827684		1	SHUTTER, THROTTLE
16	24-F10311	■	1	SPRING, THROTTLE SHAFT
17	F10304		1	SHAFT, THROTTLE
18	F10268		1	SCREW, IDLE MIXTURE
19	24-27160	■	1	SPRING, IDLE MIXTURE SCREW
20	820721A1		1	REPAIR KIT, CARBURETOR
21	FK10323	■	1	GASKET SET, CARBURETOR
22	27-F85906	■▲	1	GASKET, CARBURETOR FLANGE
23	F333316		1	SHAFT, ROLLER
24	819225		1	ROLLER, THROTTLE CAM
25	11-F1997		1	NUT (8-32)
-	56762		AR	CABLE TIE (4")
-	800-818152A19		-	COMPONENT OF POWERHEAD ASS'Y
-	27-820751A1		-	COMPONENT OF POWERHEAD GASKET SET

■ = COMPONENTS OF CARB REPAIR KIT [820721A1]

▲ = COMPONENTS OF CARB GASKET SET [FK10323]

CARBURETOR - 50 H.P.

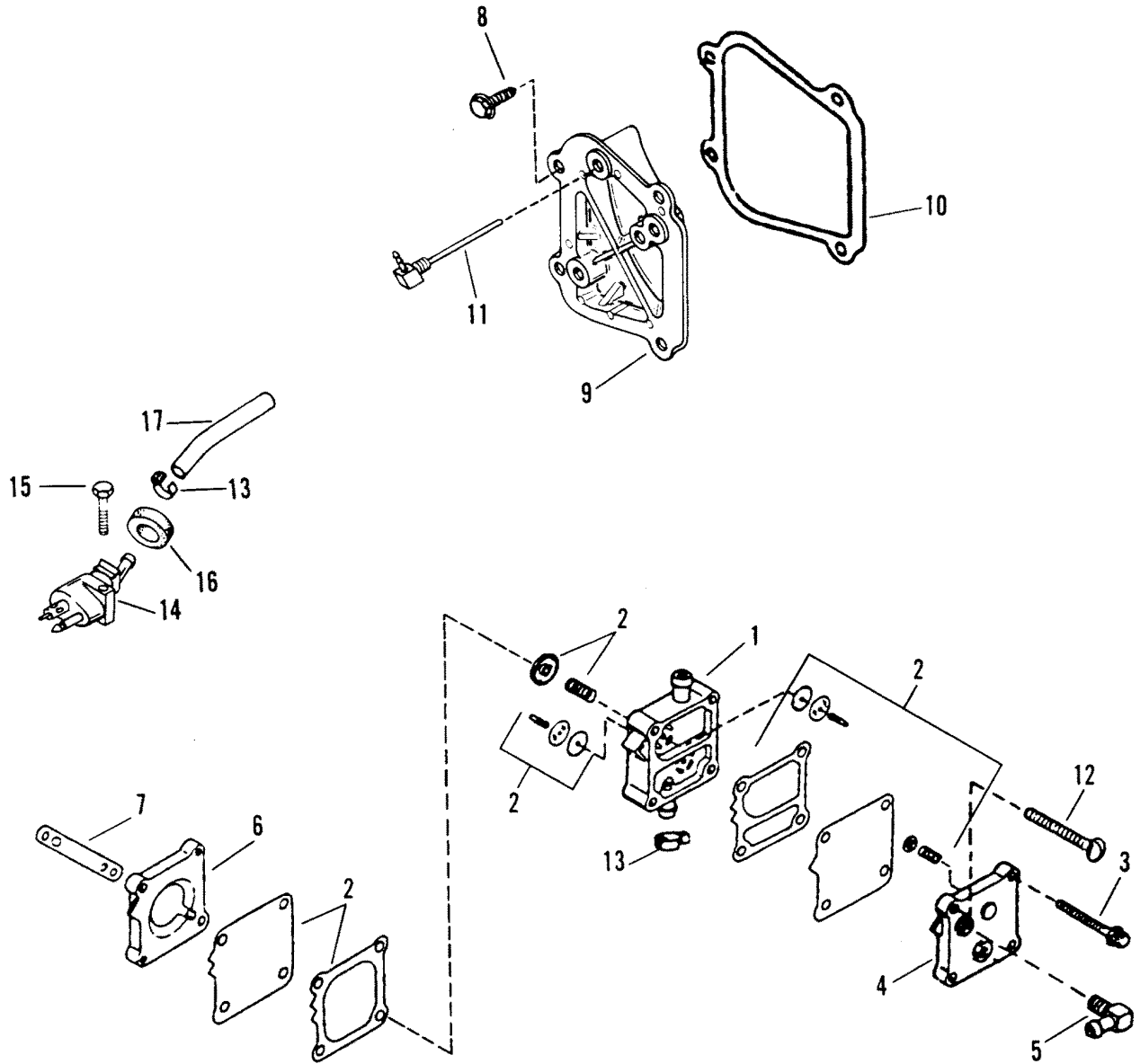


CARBURETOR - 50 H.P.

REF. NO.	PART NO.	SYM.	QTY.	DESCRIPTION
-	1300-827021		1	CARBURETOR (TC-130A)
1	19-FO10588	■	5	PLUG, CUP
2	19-FO16128	■	1	PLUG, WELCH
3	F10346		1	FLOAT, FUEL BOWL
4	17-FO13944	■	1	PIN, FLOAT
5	820492		1	BOWL, FUEL
6	27-FO15623	■	1	GASKET, FUEL BOWL
7	FO16132		1	SCREW, FUEL BOWL
8	27-FO5323	■▲	2	GASKET, FUEL BOWL
9	FO16133		1	NOZZLE, MAIN
10	F10265	■	1	NEEDLE , INLET NOTE: DO NOT REMOVE INLET SEAT
11	FO14191		1	JET, MAIN FUEL (.094) (0 - 1500')
	1395-5733		OPT.	JET, MAIN FUEL (.092) (1500' - 3000')
	1395-6247		OPT.	JET, MAIN FUEL (.090) (3000' - 4500')
	FO13193		OPT.	JET, MAIN FUEL (.088) (4500' - 6000')
	FO13949		OPT.	JET, MAIN FUEL (.086) (6000' & UP)
12	10-F10328	■	2	SCREW, SHUTTER
13	FO16620		1	E-RING, THROTTLE SHAFT
14	22-F84314-2		1	ELBOW, FUEL
15	FO16142		1	SHUTTER, THROTTLE
16	FO16143	■	1	SPRING, THROTTLE SHAFT
17	FO17884		1	SHAFT AND LEVER, THROTTLE
18	F10268		1	SCREW, IDLE MIXTURE
19	24-27160	■	1	SPRING, IDLE MIXTURE SCREW
20	FO16993		1	TUBE, BY-PASS
21	F10275		1	SCREW, SEALING
22	F10273	❖	1	JET (.047), IDLE AIR
23	F10274		1	NOZZLE, PRIMER
24	F10263		1	CUP, METERING
25	F10367	○	1	SEAT, INLET
26	827688A1		1	REPAIR KIT, CARBURETOR
27	FK10023		1	GASKET SET, CARBURETOR
28	27-F440906	■●■	1	GASKET, CARBURETOR FLANGE
29	F333316		1	SHAFT, ROLLER
30	819225		1	ROLLER, THROTTLE CAM
31	11-F1997		1	NUT (8-32)
-	56762		AR	CABLE TIE (4")

- = COMPONENT OF POWERHEAD ASS'Y [800-818152A19]
- = COMPONENTS OF CARB REPAIR KIT [820721A1]
- = CONTENTS OF POWERHEAD GASKET SET [27-820751A1]
- ▲ = COMPONENTS OF CARB GASKET SET [FK10323]
- = COMPONENT OF WATER PUMP REPAIR KIT [821354A1]
- ❖ = COMPONENTS OF CARB REPAIR KIT [827688A1]

FUEL PUMP ASSEMBLY

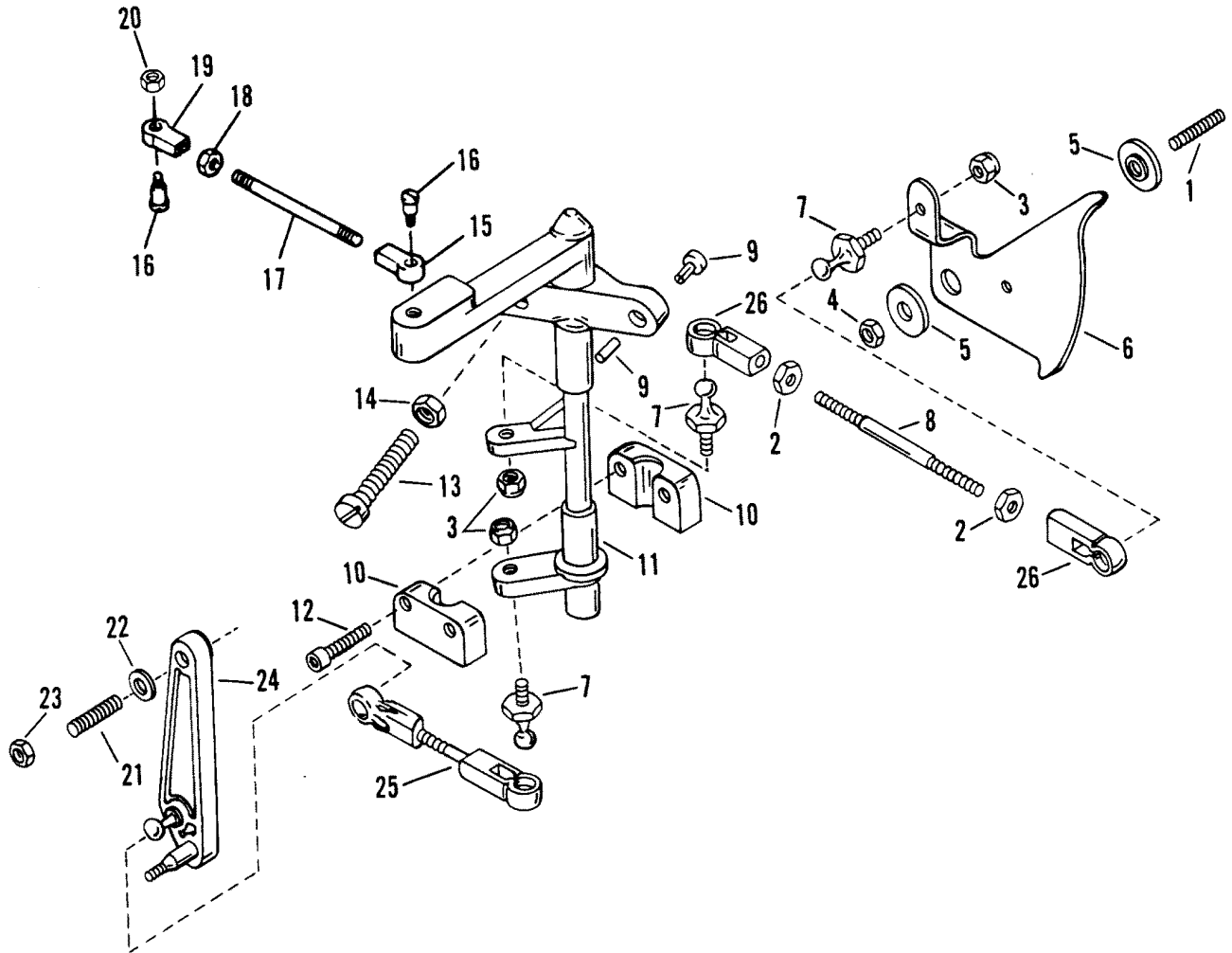


FUEL PUMP ASSEMBLY

REF. NO.	PART NO.	SYM.	QTY.	DESCRIPTION
1	14360A49	●	1	PUMP KIT, FUEL
2	21-42990A10		1	DIAPHRAGM KIT
3	10-821045-40		2	SCREW (M5 X .8 X 40), FUEL PUMP
4	98775--2		1	PLATE, FUEL PUMP
5	22-99664		1	ELBOW
6	14430--3		1	BASE, FUEL PUMP
7	27-98769--1	■	1	GASKET, FUEL PUMP BASE
8	10-98254	●	4	SCREW (1/4-20 X 5/8")
9	817870--2	●	1	COVER, FUEL PUMP
10	27-820500	●■	1	GASKET, FUEL PUMP COVER
11	22-F743314	●	1	ELBOW, RECIRCULATING
12	10-827357	●	2	SCREW (#12-24 X 2") WITH DRY LOC
13	54-816311		AR	CABLE TIE (8")
14	22-816856A1		1	CONNECTOR, FUEL
15	10-40003-32		1	SCREW (M6 X 35)
16	25-18202		1	GROMMET, FUEL CONNECTOR
17	32-99127109		1	HOSE (16") CUT AS REQUIRED
-	800-818152A19		-	COMPONENT OF POWERHEAD ASS'Y
-	27-820751A1		-	COMPONENT OF POWERHEAD GASKET SET

- = COMPONENT OF POWERHEAD ASS'Y [800-818152A19]
- = CONTENTS OF POWERHEAD GASKET SET [27-820751A1]

SHIFT THROTTLE LINKAGE

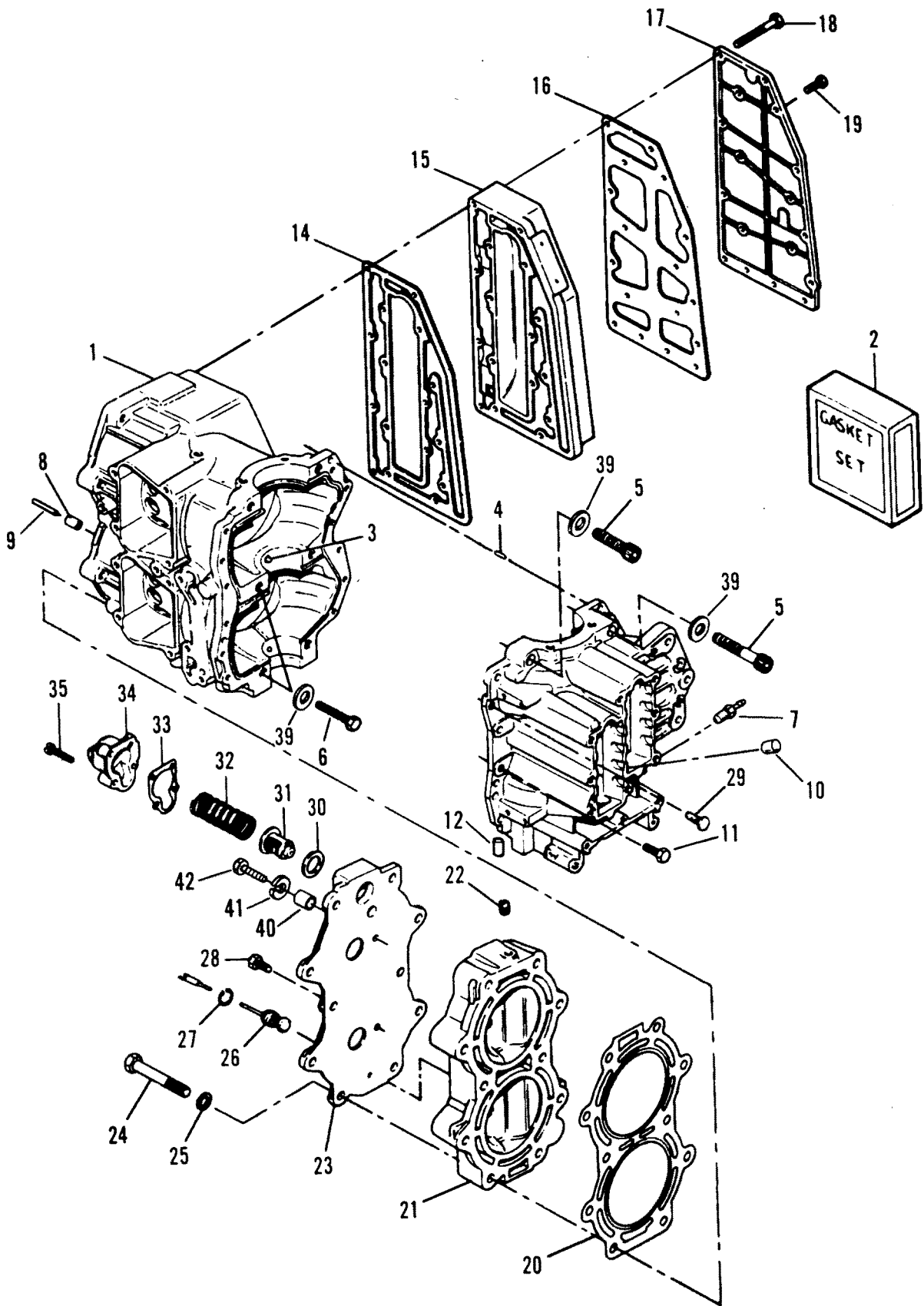


SHIFT THROTTLE LINKAGE

REF. NO.	PART NO.	SYM.	QTY.	DESCRIPTION
1	16-826389		1	STUD (1/4-20 X 1-1/4") WITH DRY LOC, THROTTLE CAM
2	11-68219		2	NUT (10-32)
3	11-40063--3		3	NUT (M5 X 0.8)
4	11-72008		1	NUT (1/4-20)
5	23-F269319		2	BEARING, THROTTLE CAM
6	819552		1	CAM, THROTTLE (ALL MODELS)
7	823569		3	BALL , THREADED
8	16-F718502		1	LINK, THROTTLE (ALL MODELS)
9	17-F1727		1	RIVET
10	816957		4	BEARING, TOWERSHAFT
11	826284		1	TOWERSHAFT
12	10-19926100		4	SCREW (10-24 X 1") WITH DRI LOC
13	10-F1504		1	SCREW (1/4-20 X 1")
14	11-64015		1	NUT (1/4-20)
15	819208		1	BEARING, SPARK CONTROL (LH) (BLACK)
16	10-819625		2	SCREW, SHOULDER
17	819521		1	LINK, SPARK CONTROL
18	11-79989		1	NUT (10-24)
19	816514		1	BEARING, SPARK CONTROL (RH) (RED)
20	11-F7009		1	NUT (10-24)
21	16-827425	●	1	STUD (5/16-18 X 1-1/2") WITH DRI LOC
22	12-34437		1	WASHER
23	11-45592		1	NUT (5/16-24)
24	826286		1	LEVER ASSEMBLY, TOWERSHAFT
25	19385-29		1	LINK ASSEMBLY, TOWERSHAFT LEVER
26	817428		2	SOCKET, BALL
27	11-826833--6		1	NUT (M6)
-	800-818152A19		-	COMPONENT OF POWERHEAD ASS'Y

● = COMPONENT OF POWERHEAD ASS'Y [800-818152A19]

CYLINDER BLOCK



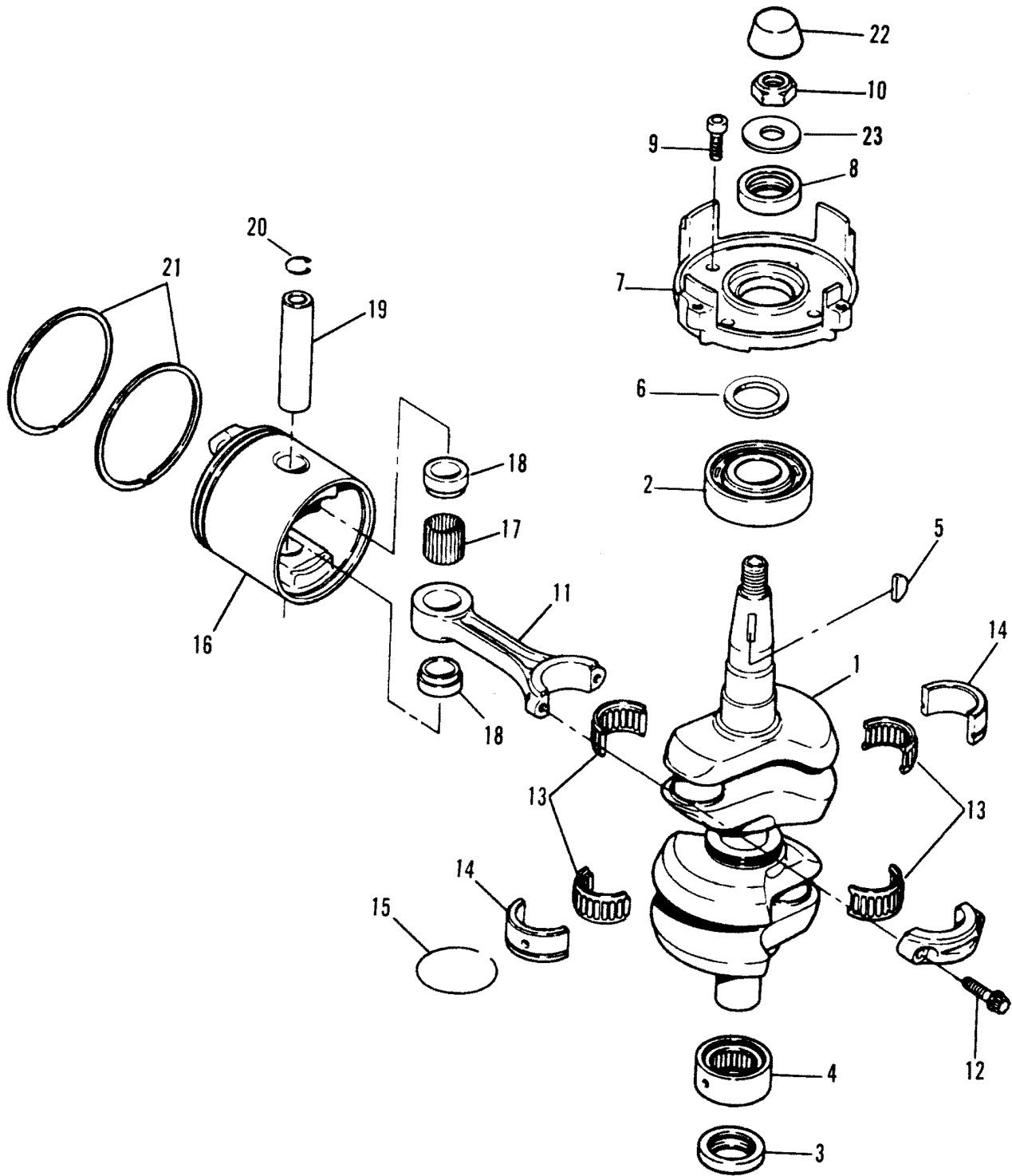
CYLINDER BLOCK

REF. NO.	PART NO.	SYM.	QTY.	DESCRIPTION
-	800-818152A19		1	POWERHEAD KIT(40 & 50 HP) (PAINTED)
1	800-818152A21	●	1	CYLINDER KIT(40 & 50 HP)
2	27-820751A1		1	GASKET SET
3	17-F40909		1	PIN, LOCATING
4	17-F8559		2	PIN, DOWEL
5	10-F2228		2	SCREW (3/8-16 X 3")
6	10-812567		4	SCREW (3/8-16 X 1-5/8")
7	21-42658		1	VALVE, CHECK
8	32-F691943		1	TUBE, WATER JACKET
9	17-F691372		1	PIN, WATER JACKET TUBE
10	F433473		1	CUP, METERING
11	10-28636	●	12	SCREW (1/4-20 X 3/4")
12	17-23784	●	2	PIN, DOWEL
14	27-F691154	■●	1	GASKET, EXHAUST PORT PLATE
15	F691151-1	●	1	PLATE, EXHAUST PORT
16	27-F691153	■●	1	GASKET, EXHAUST PORT COVER
17	1000-819269	●	1	COVER, EXHAUST PORT
18	10-F1972	●	15	SCREW (1/4-20 X 2-1/2")
19	10-49668	●	2	SCREW (1/4-20 X 3/4")
20	27-F691529-1	■●	1	GASKET, CYLINDER HEAD
21	900-819850--1	●	1	HEAD, CYLINDER
22	22-F722109-1		1	PLUG, CYLINDER HEAD
23	1000-819376	●	1	COVER, CYLINDER HEAD
24	10-F2254	●	10	SCREW (5/16-18 X 2-1/2")
25	12-34437	●	10	WASHER
26	87-819502		1	THERMOSWITCH
27	53-F717096		1	RING, RETAINING
28	10-98254	●	1	SCREW (1/4-20 X 5/8")
30	12-F658504	●	1	WASHER, THERMOSTAT
31	F97068-2		1	THERMOSTAT (130X)
32	24-64878		1	SPRING, THERMOSTAT
33	27-819377	■●	1	GASKET, THERMOSTAT COVER
34	819375		1	COVER, THERMOSTAT
35	10-19926100		4	SCREW (10-24 X 1") WITH DRY LOC
39	12-37828	●	6	WASHER
40	23-42182--1		1	BUSHING PART OF SWITCHBOX KIT 18495A13
41	13-78968		1	LOCKWASHER (1/4" INTERNAL) PART OF SWITCHBOX KIT 18495A13
42	10-45561		1	SCREW (1/4-20 X 1-1/8") PART OF SWITCHBOX KIT 18495A13
-	37-819526	●	1	DECAL, THROTTLE CABLE ADJUSTMENT

● = COMPONENT OF POWERHEAD ASS'Y [800-818152A19]

■ = CONTENTS OF POWERHEAD GASKET SET [27-820751A1]

CRANKSHAFT AND PISTON



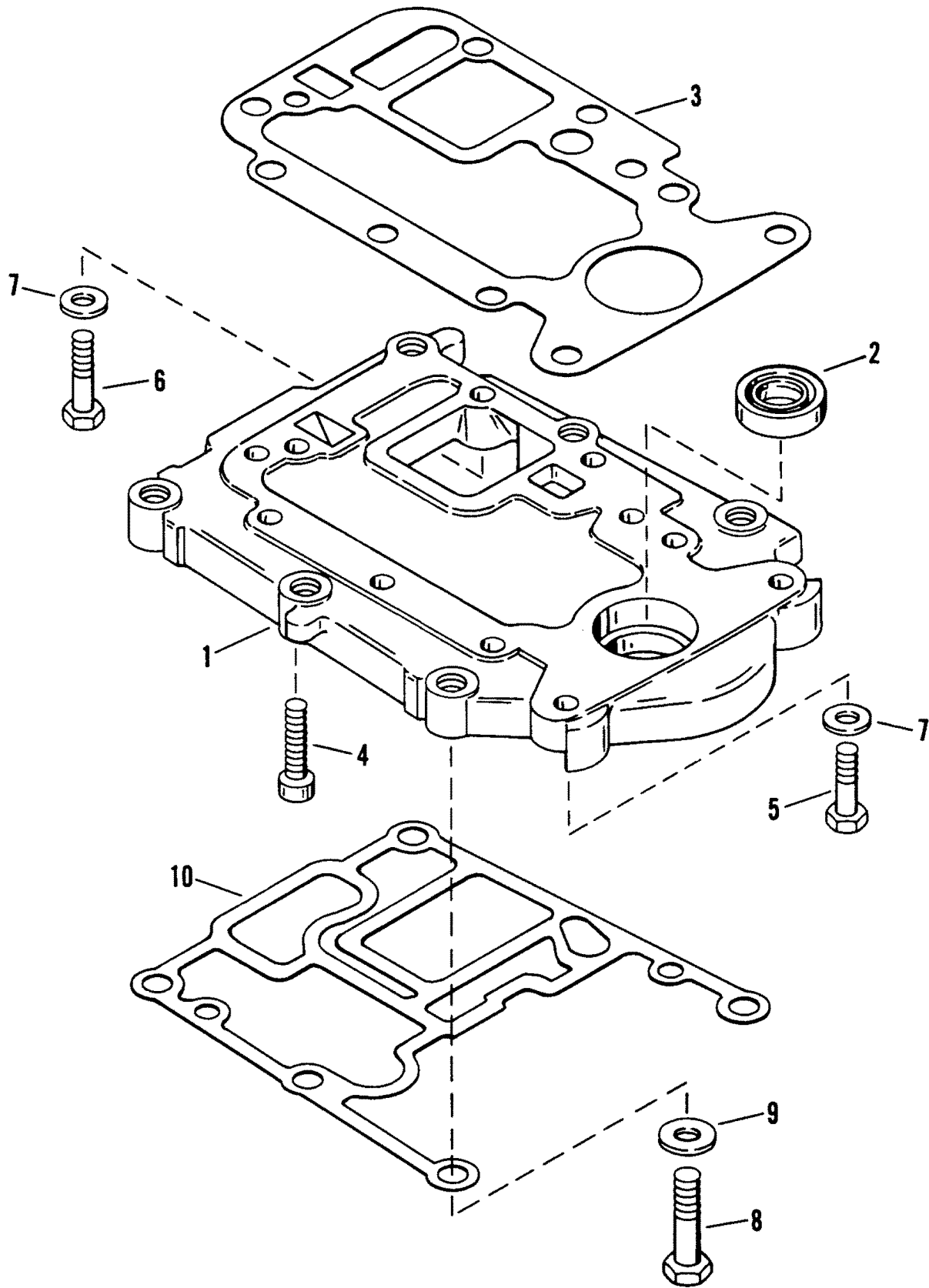
CRANKSHAFT AND PISTON

REF. NO.	PART NO.	SYM.	QTY.	DESCRIPTION
1	400-817398A3	●	1	CRANKSHAFT ASSEMBLY
2	30-F284659-2		1	BEARING, UPPER
3	26-819394	■	1	SEAL, CRANKSHAFT LOWER
4	31-F90014	●	1	BEARING, CRANKSHAFT LOWER MAIN
5	28-F85498-1		1	KEY, CRANKSHAFT/FLYWHEEL
6	12-819246	●	1	WASHER
7	1100-819312A2	●	1	CAGE ASSEMBLY, BEARING
8	26-F474146	■	1	SEAL, CRANKSHAFT UPPER
9	10-92160	●	4	SCREW (1/4-20 X 3/4")
10	11-F1968		1	NUT (3/4-16)
11	600-818052A6	●	2	CONNECTING ROD ASSEMBLY
12	10-91012		4	SCREW, CONNECTING ROD
13	31-62596A2	●	3	CAGE/ROLLER SET
14	31-FA40655	●	1	RACE ASSEMBLY
15	53-F40410		1	RING, SNAP
16	700-819005A8	●	2	PISTON KIT (STANDARD)
	700-819005A9		OPT.	PISTON KIT (.010 O.S.)
	700-819005A10		OPT.	PISTON KIT (.030 O.S.)
17	31-F335217-1		2	BEARING SET (26)
18	23-F366215		4	SPACER, PISTON PIN
19	41-F694017-1		2	PIN, PISTON
20	40-F694096		4	RETAINER, PISTON PIN
21	39-820457A2		2	RING SET (2 RINGS) (STANDARD)
	39-820641A1		OPT.	RING SET (2 RINGS) (.010 O.S.)
	39-818129A2		OPT.	RING SET (2 RINGS) (.030 O.S.)
22	19-F2067		1	CAP, CRANKSHAFT END
23	12-31247	●	1	WASHER
-	800-818152A19		-	COMPONENT OF POWERHEAD ASS'Y
-	27-820751A1		-	COMPONENT OF POWERHEAD GASKET SET

● = COMPONENT OF POWERHEAD ASS'Y [800-818152A19]

■ = CONTENTS OF POWERHEAD GASKET SET [27-820751A1]

ADAPTOR PLATE - UPPER



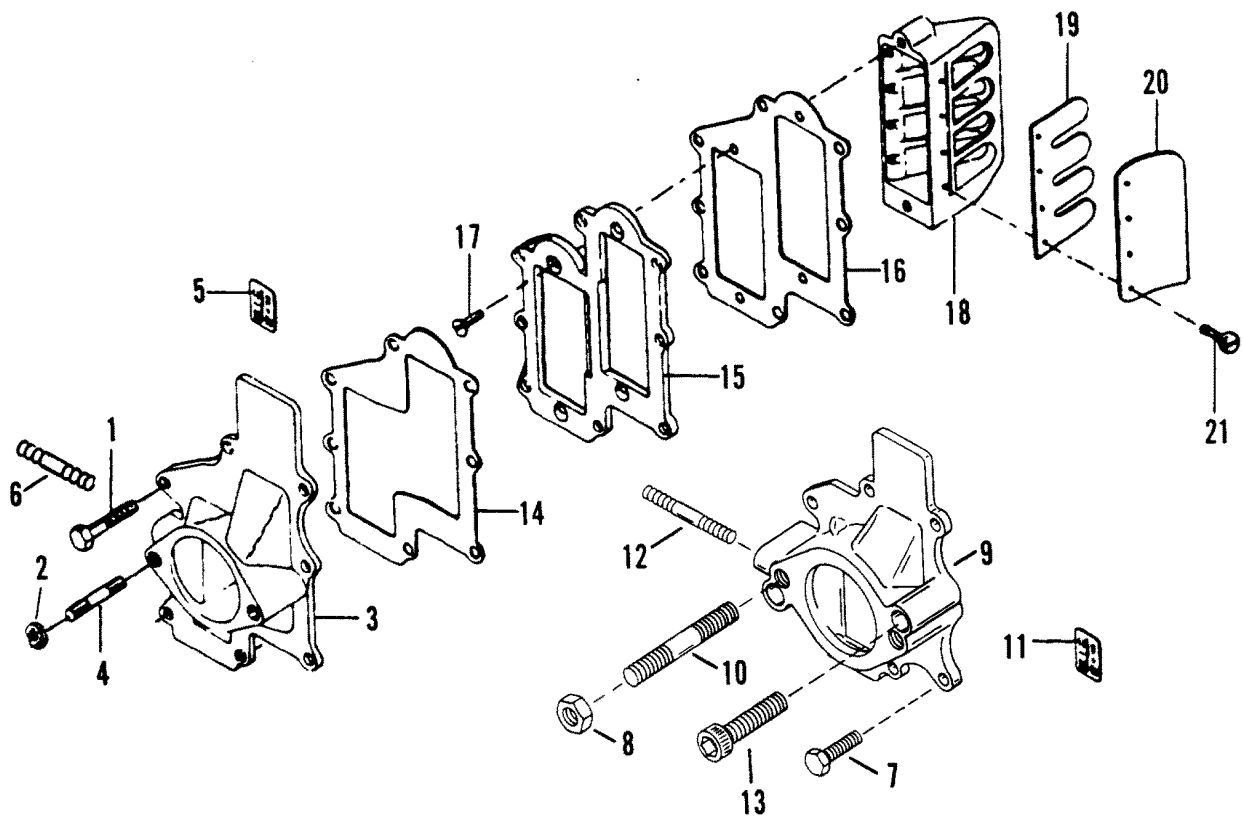
ADAPTOR PLATE - UPPER

REF. NO.	PART NO.	SYM.	QTY.	DESCRIPTION
1	820228A1		1	ADAPTOR PLATE ASSEMBLY, UPPER
2	26-821756	●	1	SEAL, DRIVESHAFT
3	27-826871--1	■●	1	GASKET, ADAPTOR PLATE
4	10-19949088		1	SCREW (1/4-20 X 7/8") WITH DRI LOC
5	10-19921125		6	SCREW (5/16-18 X 1-1/4") WITH DRI LOC
6	10-19921138		2	SCREW (5/16-18 X 1-3/8") WITH DRI LOC
7	12-34437		8	WASHER
8	10-19933100		6	SCREW (M10 X 100) WITH DRI LOC
9	12-45175		6	WASHER
10	27-826738	■●	1	GASKET, ADAPTOR PLATE
-	800-818152A19		-	COMPONENT OF POWERHEAD ASS'Y
-	27-820751A1		-	COMPONENT OF POWERHEAD SET

● = COMPONENT OF POWERHEAD ASS'Y [800-818152A19]

■ = CONTENTS OF POWERHEAD GASKET SET [27-820751A1]

REED PLATE AND ADAPTER FLANGE



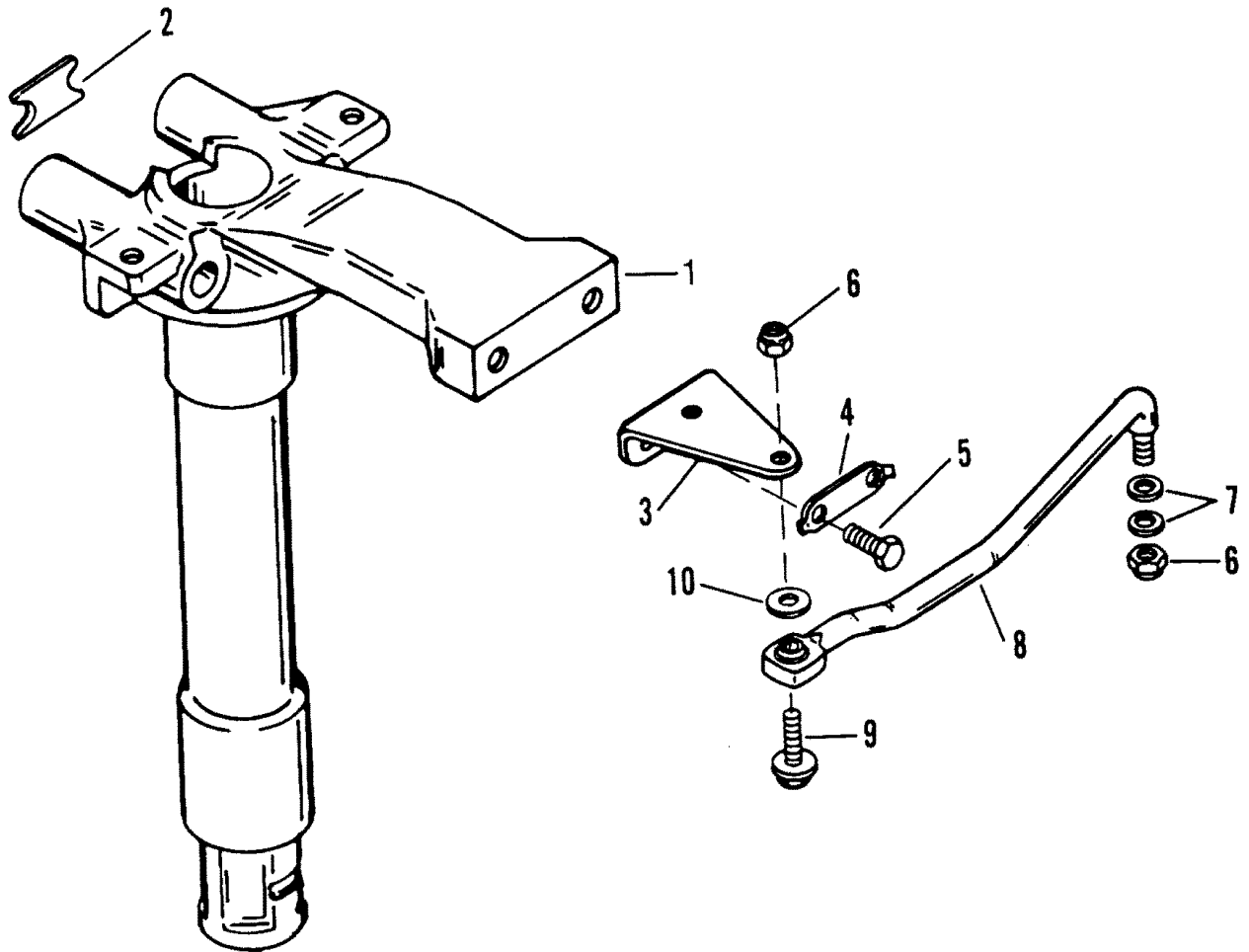
REED PLATE AND ADAPTER FLANGE

REF. NO.	PART NO.	SYM.	QTY.	DESCRIPTION
1	10-28668		7	SCREW (1/4-20 X 7/8"). 40 H.P.
2	11-68292		2	NUT (5/16-18) 40 H.P.
3	FA433167		1	ADAPTER KIT, CARBURETOR FLANGE 40 H.P.
4	16-826388		2	STUD (5/16-18 X 1-1/4") WITH DRI LOC 40 H.P.
5	37-817792A1	●	1	DECAL, TIMING 40 H.P.
6	16-826389		1	STUD (1/4-20 X 1-1/4") WITH DRI LOC, THROTTLE CAM 40 H.P.
7	10-28668		5	SCREW (1/4-20 X 7/8") 50 H.P.
8	11-86226		2	NUT (3/8-16) 50 H.P.
9	FA691167		1	ADAPTER KIT, CARBURETOR FLANGE 50 H.P.
10	16-826387		2	STUD (3/8-16 X 1-5/8") WITH DRI LOC 50 H.P.
11	37-817792A1	●	1	DECAL, TIMING 50 H.P.
12	16-826389		1	STUD (1/4-20 X 1-1/4") WITH DRI LOC, THROTTLE CAM 50 H.P.
13	10-F2192		2	SCREW (1/4-20 X 1-3/4") 50 H.P.
14	27-F433168	■●	1	GASKET, CARBURETOR ADAPTER
15	819807--1	●	1	PLATE, DEFLECTOR
16	27-F433406	■●	1	GASKET, DEFLECTOR PLATE
17	10-826379	●	4	SCREW (10-24 X 1/2") WITH DRI LOC
18	FA658158	●	2	PLATE ASSEMBLY, REED
19	34-F316160		4	REED (4 PETAL)
20	34-F88161-4		4	STOP, REED
21	10-819074		16	SCREW (6-32 X 5/16")

● = COMPONENT OF POWERHEAD ASS'Y [800-818152A19]

■ = CONTENTS OF POWERHEAD GASKET SET [27-820751A1]

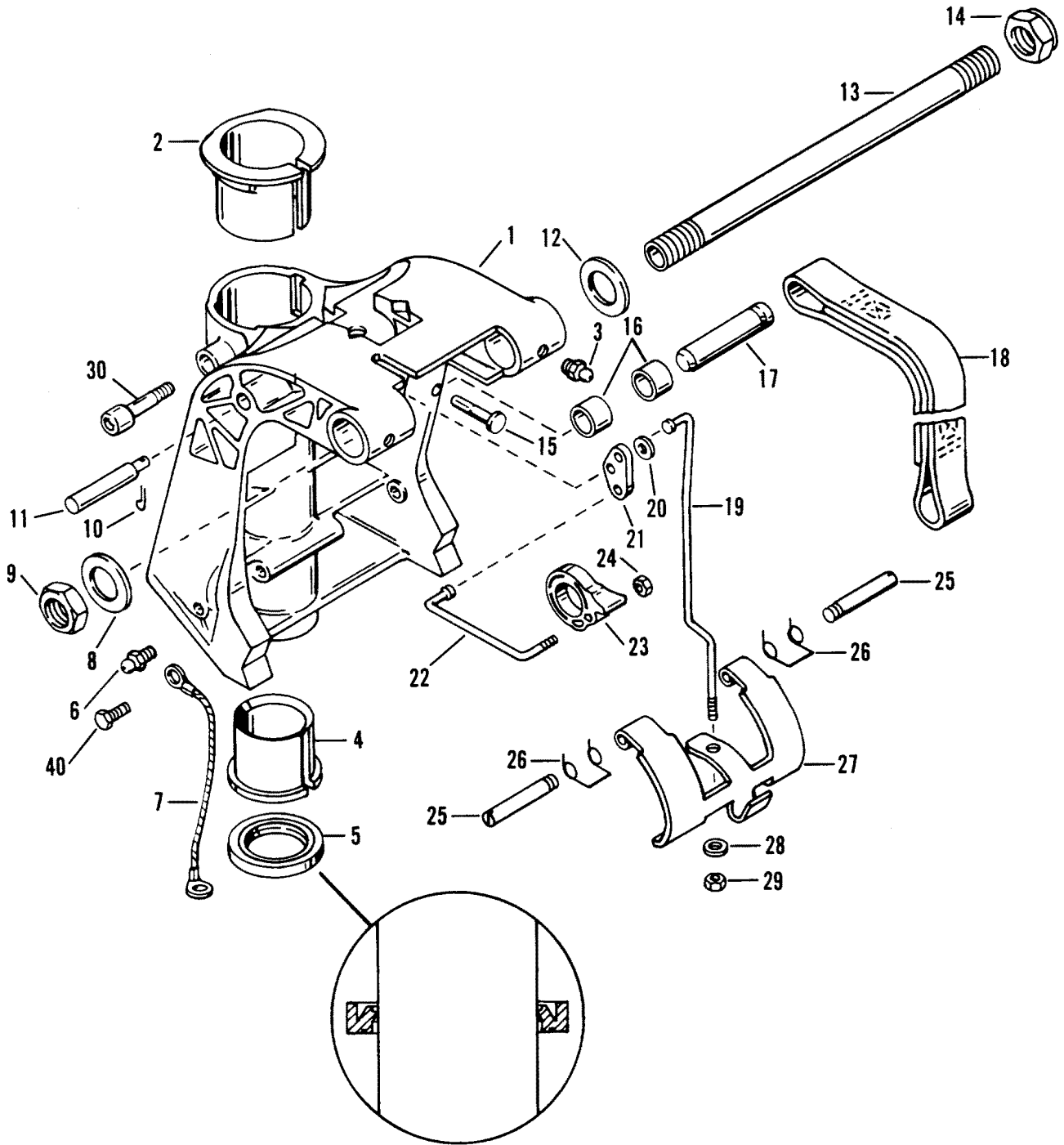
SWIVEL TUBE



SWIVEL TUBE

REF. NO.	PART NO.	SYM.	QTY.	DESCRIPTION
1	821769F3		1	SWIVEL TUBE HEAD (PAINTED)
2	826658		1	BUMPER
3	816667F3		1	BRACKET
4	14-816669F1		1	TAB WASHER
5	10-40003-77		2	SCREW (M10 X 30)
6	11-34863		2	NUT (3/8-24)
7	12-37828		2	WASHER
8	19608--1		1	LINK ROD (STARBOARD)
	19609--1		1	LINK ROD (PORT)
9	10-14000		1	SCREW (3/8-24 X 1-1/4")
10	12-71970		1	WASHER

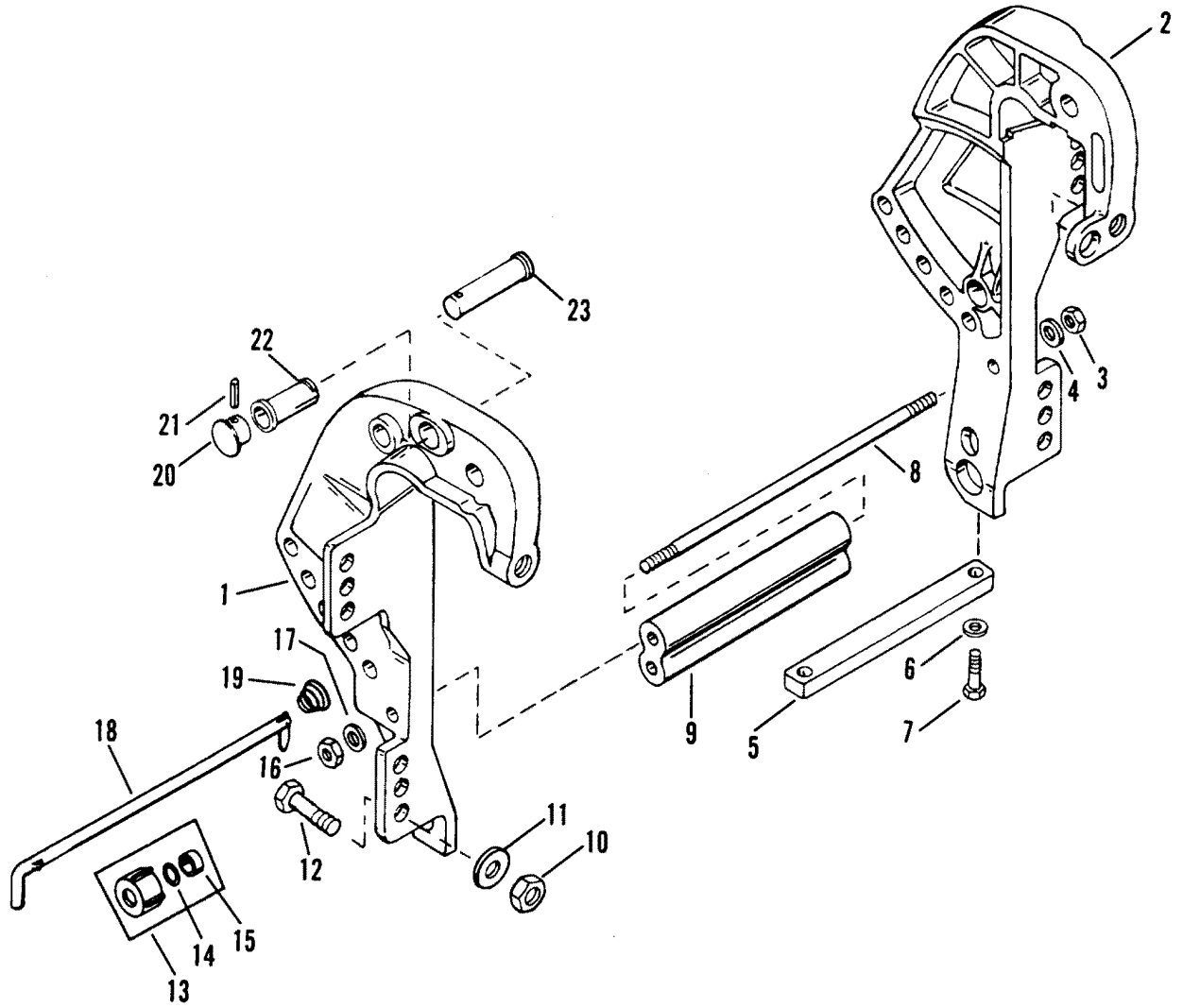
SWIVEL BRACKET



SWIVEL BRACKET

REF. NO.	PART NO.	SYM.	QTY.	DESCRIPTION
1	3410-821772A5		1	SWIVEL BRACKET ASSEMBLY (PAINTED)
2	23-821771		1	BUSHING (UPPER)
3	22-74036		2	FITTING, GREASE
4	23-821777		1	BUSHING (LOWER)
5	26-822404		1	SEAL
6	22-74036		1	FITTING, GREASE
7	88238A11		1	CABLE ASSEMBLY
8	12-19619		1	WASHER
9	11-826164		1	NUT (7/8-14)
10	18-27769		1	PIN, COTTER
11	821799		1	PIVOT PIN, REVERSE LOCK MANUAL TILT MODELS
12	12-19619		1	WASHER
13	19614		1	TILT TUBE
14	11-826164		1	NUT (7/8-14)
15	17-821539		1	PIN (TRILOBE)
16	23-823507		2	BUSHING
17	17-822480		1	PIVOT PIN (UPPER)
18	821775--1		1	STRAP, TILT STOP MANUAL TILT MODELS
19	821805--1		1	LINK, REVERSE LOCK MANUAL TILT MODELS
20	12-71055		1	WASHER(MANUAL TILT MODELS)
21	825181		1	ARM, REVERSE LOCK MANUAL TILT MODELS
22	821800		1	LINK, REVERSE LOCK (UPPER) MANUAL TILT MODELS
23	821798		1	LEVER, REVERSE LOCK MANUAL TILT MODELS
24	11-F1669		1	NUT (6-32) MANUAL TILT MODELS
25	826578		2	PIN, REVERSE LOCK MANUAL TILT MODELS
26	24-F366300		2	SPRING, REVERSE LOCK MANUAL TILT MODELS
27	F366349-1		1	LOCK, REVERSE MANUAL TILT MODELS
28	12-27882		1	WASHER MANUAL TILT MODELS
29	11-F1669		1	NUT (6-32) MANUAL TILT MODELS
30	10-817626		1	SCREW (10-16 X .38"), GROUND STRAP
31	10-40089-10		1	SCREW (M8 X 10), SOCKET HEAD

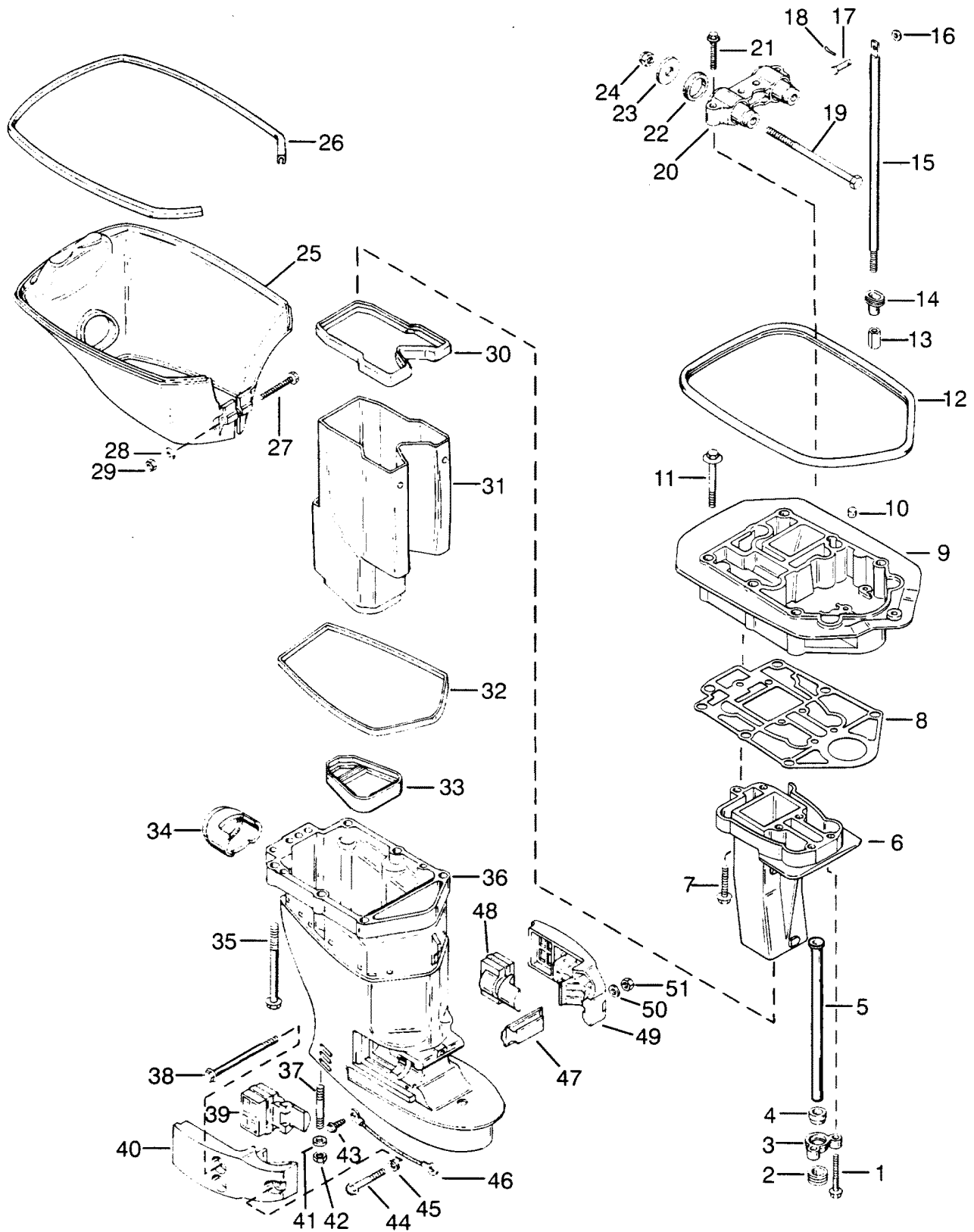
CLAMP BRACKET



CLAMP BRACKET

REF. NO.	PART NO.	SYM.	QTY.	DESCRIPTION
1	411-821773F5		1	BRACKET, CLAMP (PORT) (PAINTED)
2	3411-821774F5		1	BRACKET, CLAMP (STBD) (PAINTED)
3	11-40119-10		1	NUT (M10 X 1.5) (MANUAL TILT MODELS)
4	12-40023-19		1	WASHER (MANUAL TILT MODELS)
5	825271		1	ANODE
6	12-29245		2	WASHER
7	10-40003-30		2	SCREW (M6 X 25)
8	16-823656		1	STUD (M10 X 277) (MANUAL TILT MODELS)
9	23-824952		1	SPACER (MANUAL TILT MODELS)
10	11-91962		2	NUT (1/2-20)
11	12-28421		2	WASHER
12	10-814259		2	SCREW (1/2-20 X 4")
13	19624A1		1	SEAL KIT
14	25-29619		1	O-RING
15	23-78861		1	SPACER
16	11-40119-10		1	NUT (M10 X 1.5) (MANUAL TILT MODELS)
17	12-40023-19		1	WASHER (MANUAL TILT MODELS)
18	17-821457A1		1	PIN ASSEMBLY, TILT LOCK
19	24-821461		1	SPRING, TILT LOCK PIN (MANUAL TILT MODELS)
20	822401		1	CAP, TILT STOP PIN
21	17-25319		1	PIN, ROLL
22	23-823589		1	BUSHING
23	17-822400--1		1	PIN, TILT STOP

DRIVESHAFT HOUSING



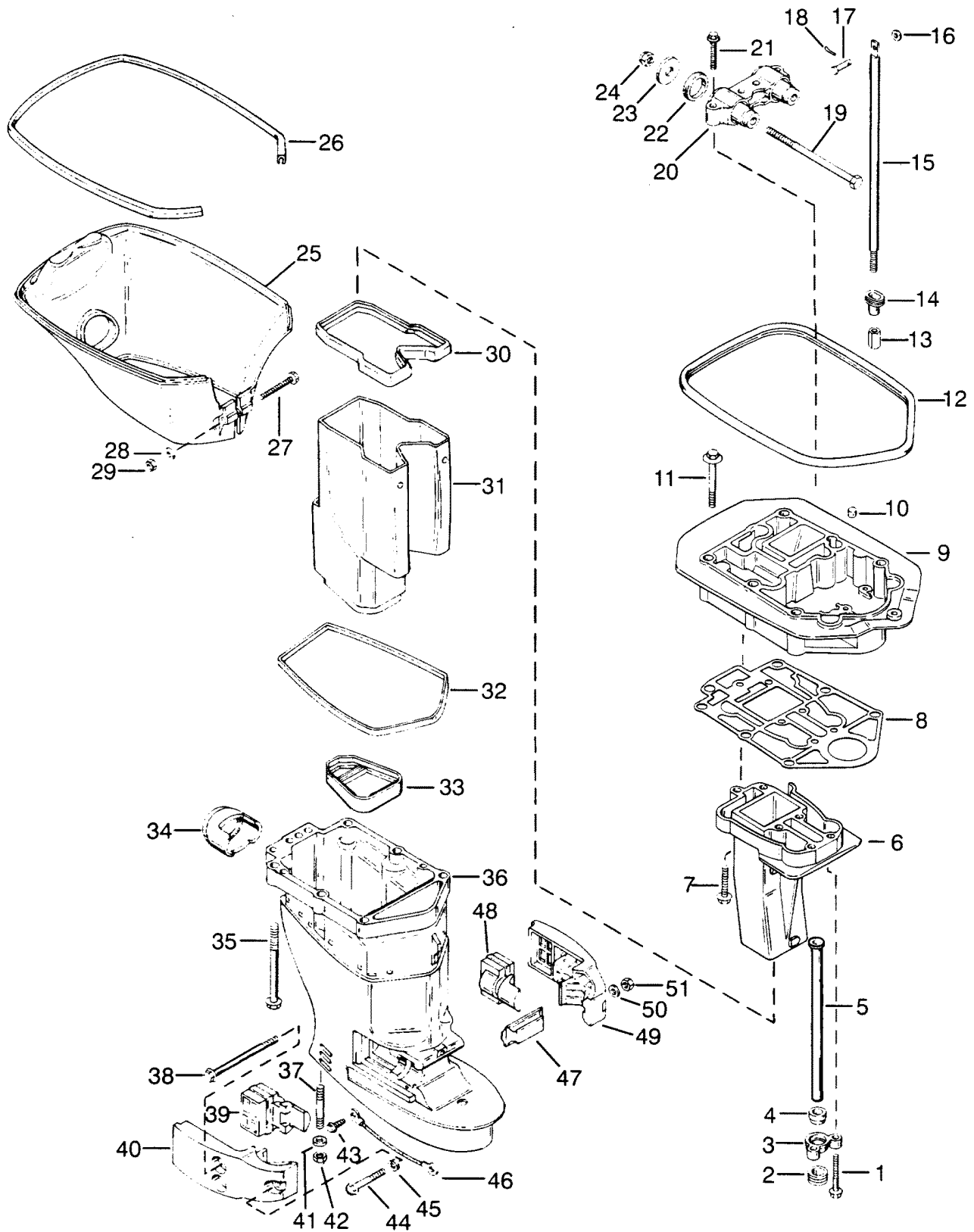
DRIVESHAFT HOUSING

REF. NO.	PART NO.	SYM.	QTY.	DESCRIPTION
1	10-40011155		2	SCREW (M8 X 1.25 X 55)
2	25-93221		1	GROMMET, WATER TUBE
3	99019		1	CLAMP, WATER TUBE
4	42941	■	1	SEAL, WATER TUBE
5	32-43014--3		1	TUBE, WATER
6	820069--1		1	TUBE, EXHAUST
7	10-40011153		3	SCREW (M8 X 1.25 X 45)
8	27-826739	■	1	GASKET, EXHAUST TUBE/ADAPTER PLATE
9	820268A1		1	PLATE ASSEMBLY, ADAPTER
10	17-23784		4	PIN, DOWEL
11	10-40108-75		1	SCREW (M10 X .75)
12	821510		1	SEAL, BOTTOM COWL
13	822419		1	COUPLER
14	25-822408		1	GROMMET, SHIFT SHAFT
15	822418		1	SHAFT, SHIFT UPPER
16	12-89302		1	WASHER
17	17-822417		1	PIN, SHIFT LINK
18	18-26953--1		1	PIN, COTTER
19	10-822396		2	SCREW (M12 X 1.75 X 162)
20	812893		1	MOUNT
21	10-40011153		4	SCREW (M8 X 1.25 X 45)
22	12-93416		2	WASHER
23	12-28421		2	WASHER
24	11-90099		2	NUT (M12 X 1.75)
25	821512A3		1	TRIM COVER ASSEMBLY (PAINTED)
26	822421		1	BUMPER, TRIM COVER
27	10-826173		1	SCREW (M5 X .8 X 60)
28	12-73288		1	WASHER
29	11-40026--3		1	NUT (M5 X .8)
30	824942--2		1	SEAL, EXHAUST BUCKET
31	824795		1	BUCKET, EXHAUST
32	822394		1	BUMPER, TRIM COVER
33	822395		1	SEAL, EXHAUST TUBE
34	822422		1	SEAL, IDLE RELIEF
35	10-817430110		6	SCREW (M10 X 110)
36	3531-821447A3		1	DRIVESHAFT HOUSING ASSEMBLY (PAINTED)
37	16-823984		1	STUD (M10 X 1.5 X 50)
38	10-824459120		2	SCREW (M8 X 1.25 X 120)
39	821781--2		1	MOUNT (LOWER)
40	821780F3		1	COVER, MOUNT (PAINTED)
41	12-45175		1	WASHER
42	11-13914		1	NUT (M10)

■ = CONTENTS OF POWERHEAD GASKET SET [27-820751A1]

CONTINUED ON NEXT PAGE ➡

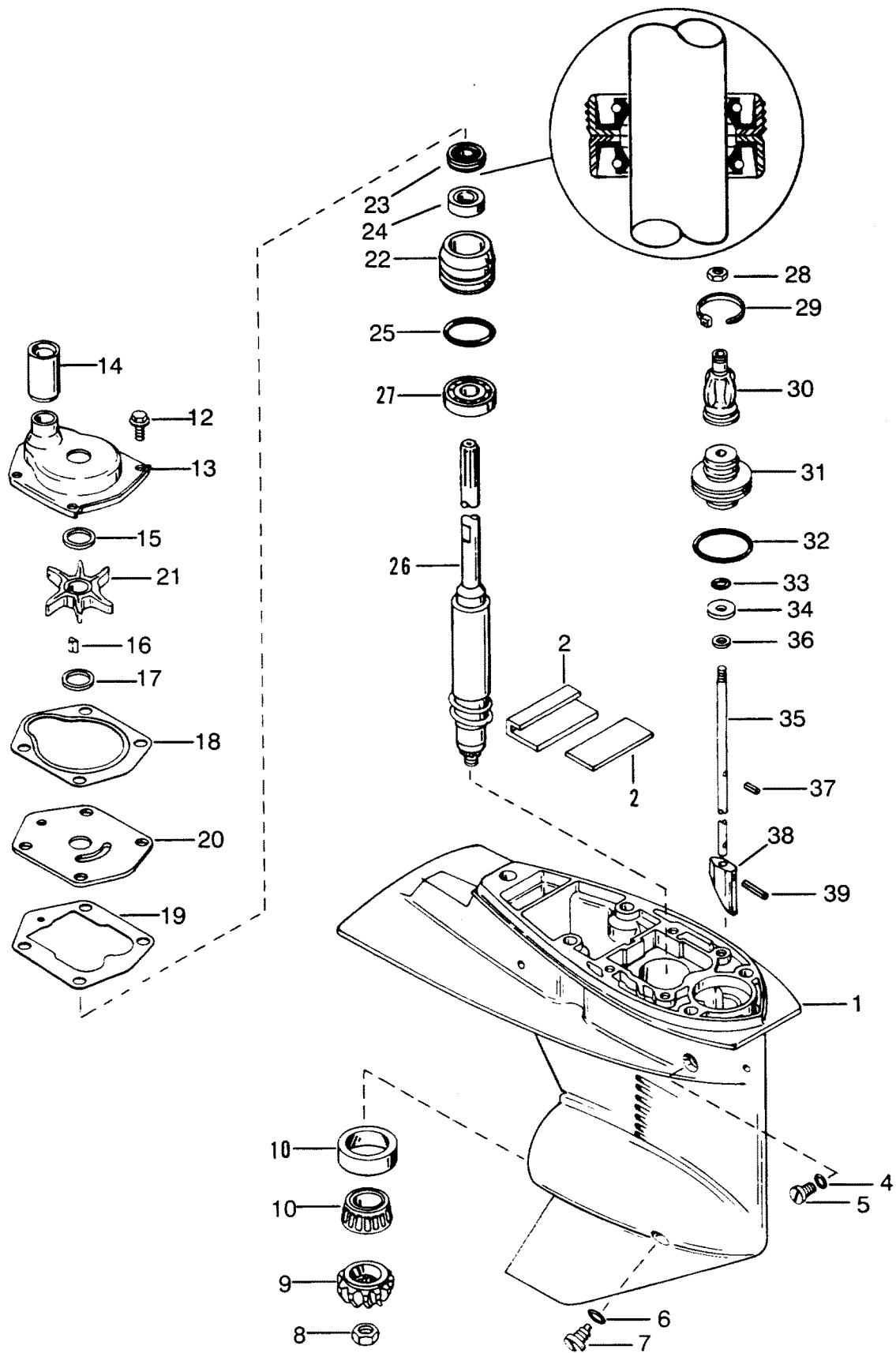
DRIVESHAFT HOUSING



DRIVESHAFT HOUSING

REF. NO.	PART NO.	SYM.	QTY.	DESCRIPTION
43	10-817626		1	SCREW (10-16 X .38")
44	10-824459-65		1	SCREW (M8 X 1.25 X 65)
45	13-72521		1	LOCKWASHER (5/16" INTERNAL)
46	88238A11		1	CABLE ASSEMBLY
47	821782--1		1	BUMPER (FRONT)
48	821781--2		1	MOUNT (LOWER)
49	821780F3		1	COVER, MOUNT (PAINTED)
50	12-36001		3	WASHER
51	11-40119--8		3	NUT (M8 X 1.25)
-	27-820751A1		0	COMPONENTS OF POWERHED GASKET SET

GEAR HOUSING (DRIVESHAFT)



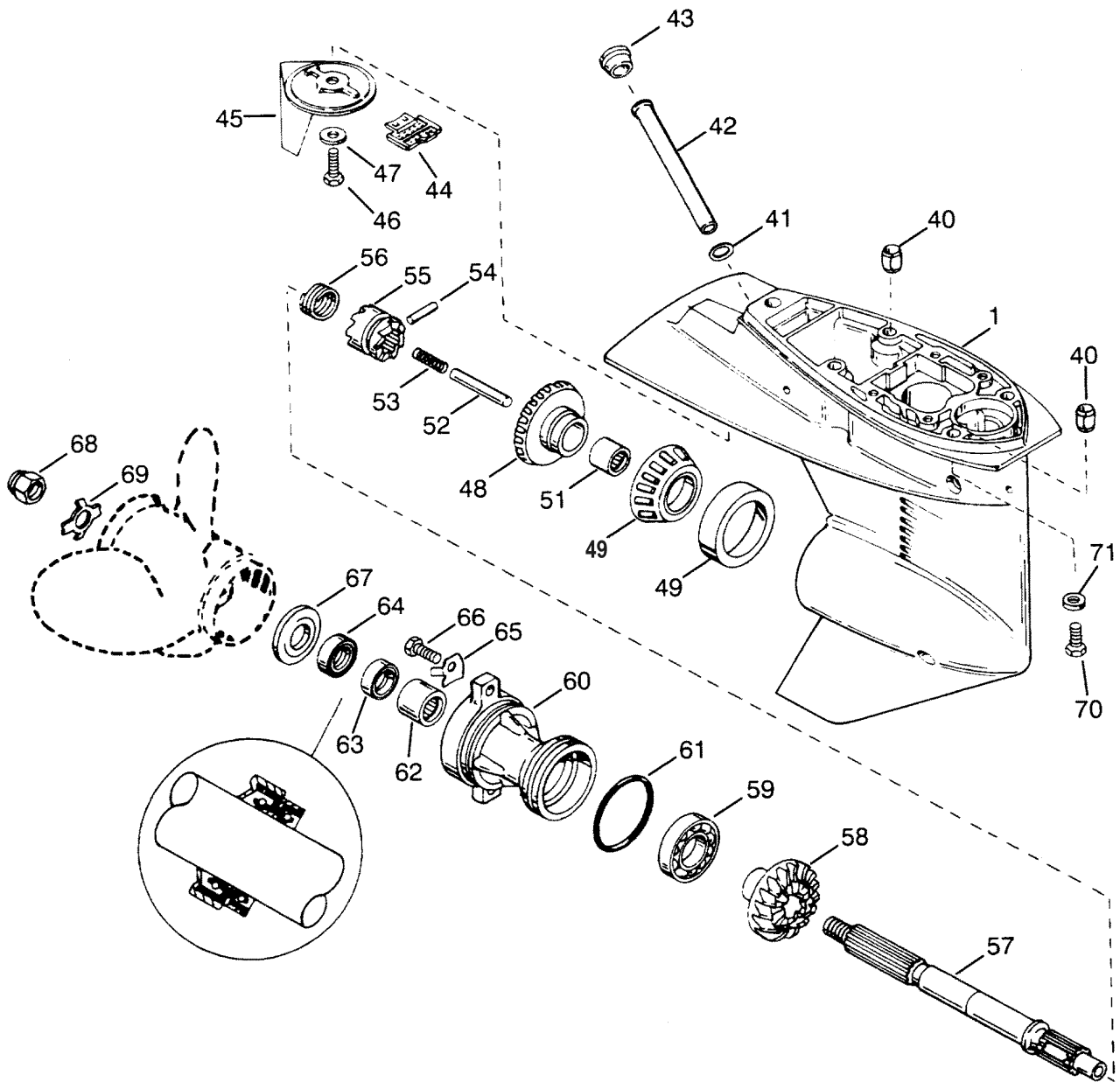
GEAR HOUSING (DRIVESHAFT)

REF. NO.	PART NO.	SYM.	QTY.	DESCRIPTION
-	1682-821306A16		1	GEAR HOUSING ASSEMBLY (COMPLETE) (PAINTED)
1	1682-821306A15		1	GEAR HOUSING (BASIC) (PAINTED)
2	818226A1		1	SEAL/PLATE KIT
4	12-19183		1	WASHER, SEALING
5	10-79953		1	SCREW (3/8-16 X .25")
6	12-19183		1	WASHER, SEALING
7	22-67892		1	DRAIN SCREW (MAGNETIC)
8	11-55910		1	NUT, SPECIAL (7/16-20)
9	43-821326		1	GEAR, PINION
10	31-821321A2		1	BEARING ASSEMBLY, CUP & ROLLER
12	10-824832--4		4	SCREW (M6 X 16)
13	46-821351A2		1	PUMP KIT, WATER
14	823547--1	†○	1	SEAL, WATER TUBE
15	12-86645--1	†○	1	WASHER
16	28-85119	○	1	KEY
17	12-86645--1	†○	1	WASHER
18	27-822189	†○	1	GASKET
19	27-822217	†○	1	GASKET (LOWER)
20	821354--1	○	1	FACEPLATE, WATER PUMP
21	47-85089--3	○	1	IMPELLER
22	46-821307A2		1	BASE ASSEMBLY, WATER PUMP
23	26-821309	†	1	SEAL, OIL
24	26-821310	†	1	SEAL, OIL
25	25-821308	†	1	O-RING
26	45-822159A1		1	DRIVESHAFT ASSEMBLY
27	30-821311		1	BEARING, BALL
28	11-40021--2		1	NUT (M6 X 1) (INCLUDED WITH REF # 35)
29	823548	†	1	CABLE TIE
30	822158	†	1	BOOT, SHIFT SHAFT
31	821827		1	RETAINER, SHIFT SHAFT
32	25-26855	†	1	O-RING
33	25-85594	†	1	O-RING
34	12-814803		1	WASHER
35	821319A1		1	SHAFT ASSEMBLY, SHIFT
36	12-29245		1	WASHER
37	17-85593		1	PIN, ROLL
38	821316--1		1	CAM, SHIFT
39	17-822369		1	PIN
-	823547A1		1	SEAL KIT, GEAR HOUSING
-	821354A1		1	REPAIR KIT, WATER PUMP

† = COMPONENT OF SEAL KIT [823547A1]

○ = COMPONENT OF WATER PUMP REPAIR KIT [821354A1]

GEAR HOUSING (PROPELLER SHAFT)

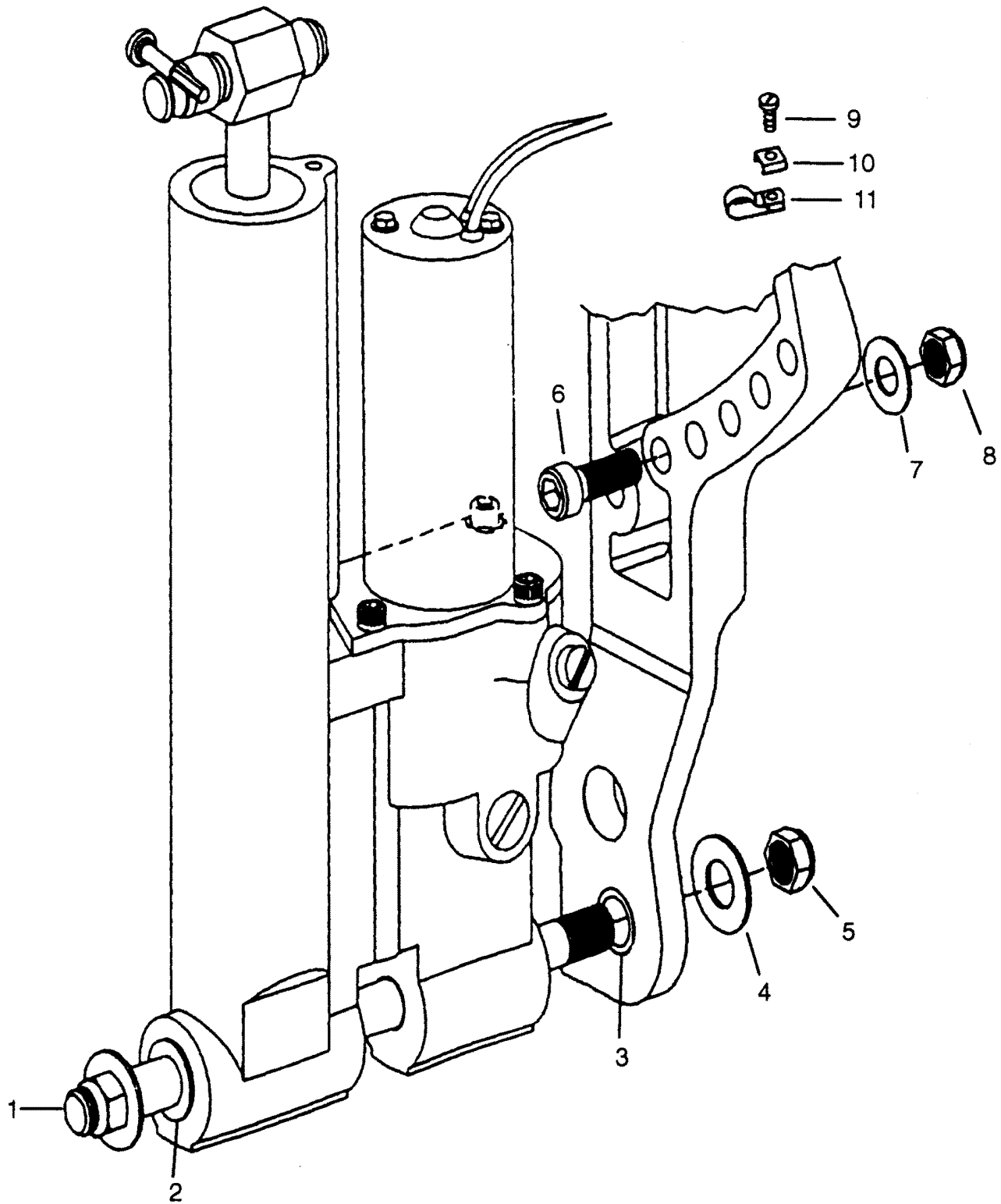


GEAR HOUSING (PROPELLER SHAFT)

REF. NO.	PART NO.	SYM.	QTY.	DESCRIPTION
-	1682-821306A16		1	GEAR HOUSING ASSEMBLY (COMPLETE)
1	1682-821306A15		1	GEAR HOUSING (BASIC)
40	17-821327		2	PIN, DOWEL
41	27-823942		1	GASKET, WATER TUBE
42	32-821828		1	TUBE, WATER
43	19-824928		1	PLUG, RUBBER
44	821829		1	SCREEN, WATER INLET
45	822157C2		1	TRIM TAB
46	10-824970-20		1	SCREW (M8 X 20)
47	12-72397		1	WASHER
48	43-821315A1		1	GEAR ASSEMBLY, FORWARD
49	31-99328A1		1	BEARING ASSEMBLY, CUP & ROLLER
51	31-41326		1	BEARING, ROLLER
52	821578		1	FOLLOWER, CAM
53	24-826199--1		1	SPRING
54	17-85093		1	PIN, CROSS
55	52-821314		1	CLUTCH
56	24-38114		1	SPRING, CLUTCH
57	44-821577--1		1	SHAFT, PROPELLER
58	43-821312		1	GEAR, REVERSE
59	30-20839		1	BEARING, BALL
60	19291A3		1	CARRIER ASSEMBLY, BEARING
61	25-815460	†	1	O-RING
62	31-21700		1	BEARING, NEEDLE
63	26-69188	†	1	SEAL, OIL
64	26-69189	†	1	SEAL, OIL
65	14-826613		2	TAB WASHER
66	10-40003-53		2	SCREW (M8 X 25)
67	73345A1		1	HUB, THRUST
68	11-69578A1		1	NUT KIT, PROPELLER
69	14-76281		1	TAB WASHER
70	10-40003-80		4	SCREW (M10 X 45)
71	12-43042		4	WASHER
-	823547A1		1	SEAL KIT, GEAR HOUSING

† = COMPONENT OF SEAL KIT [823547A1]

POWER TRIM MOUNTING

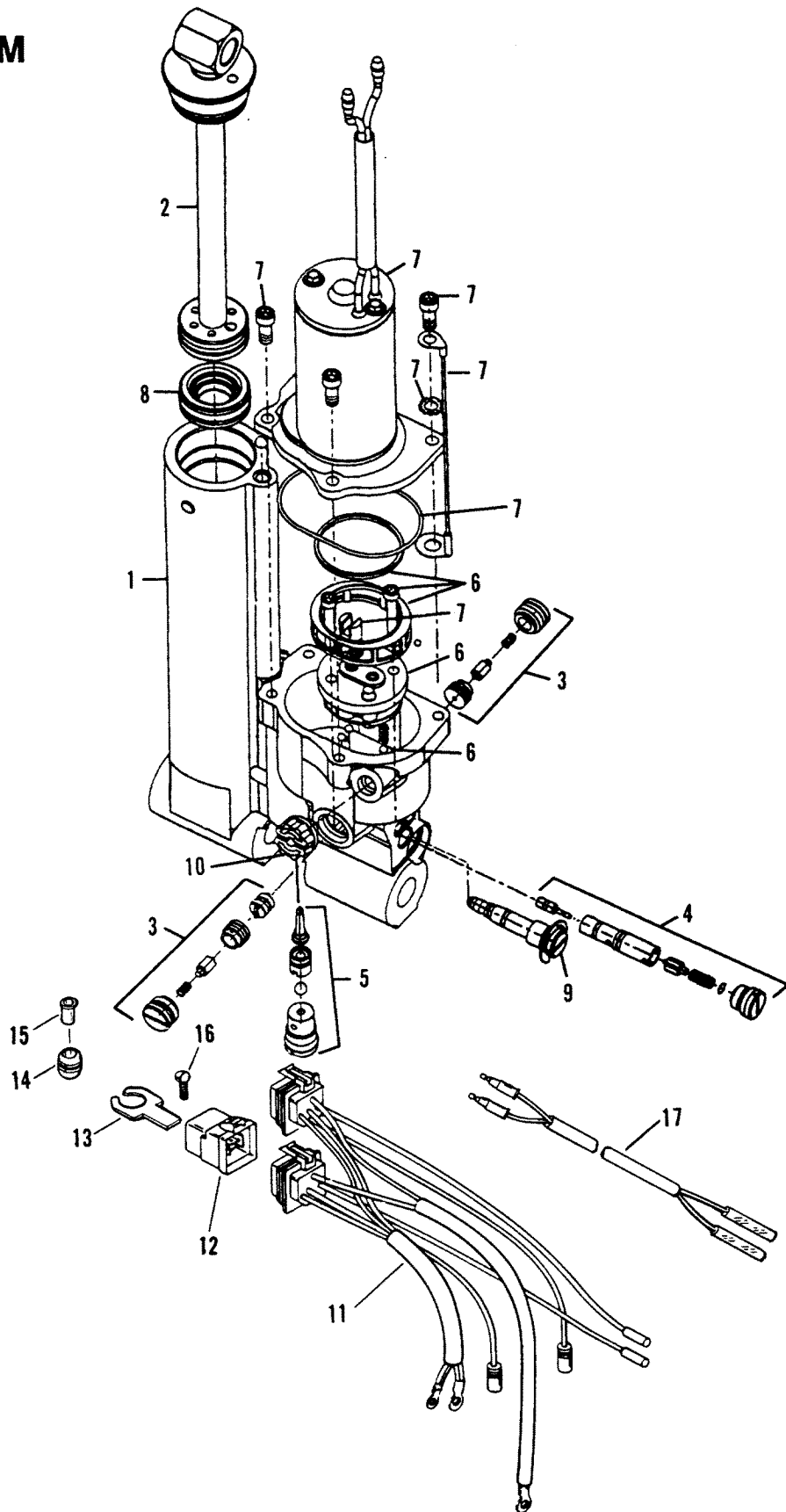


POWER TRIM MOUNTING

REF. NO.	PART NO.	SYM.	QTY.	DESCRIPTION
1	17-822481		1	PIN, ANCHOR, LOWER PIVOT (14MM)
2	23-822482		2	BUSHING
3	23-822484		2	BUSHING
4	12-825190		2	WASHER
5	11-40134-14		2	NUT (M14)
6	10-40090-40		2	SCREW (M10 X 40)
7	12-40023-19		2	WASHER
8	11-40119-10		2	NUT (M10)
9	10-817626		1	SCREW (10-16 X .38")
10	69205		1	C-WASHER
11	54-22740		1	CLIP, TRIM CABLE
12	17-821539		1	PIN-TRILOBE
13	17-822480		1	PIVOT PIN (UPPER)

POWER TRIM ASSEMBLY

POWER TRIM



PAGE 44

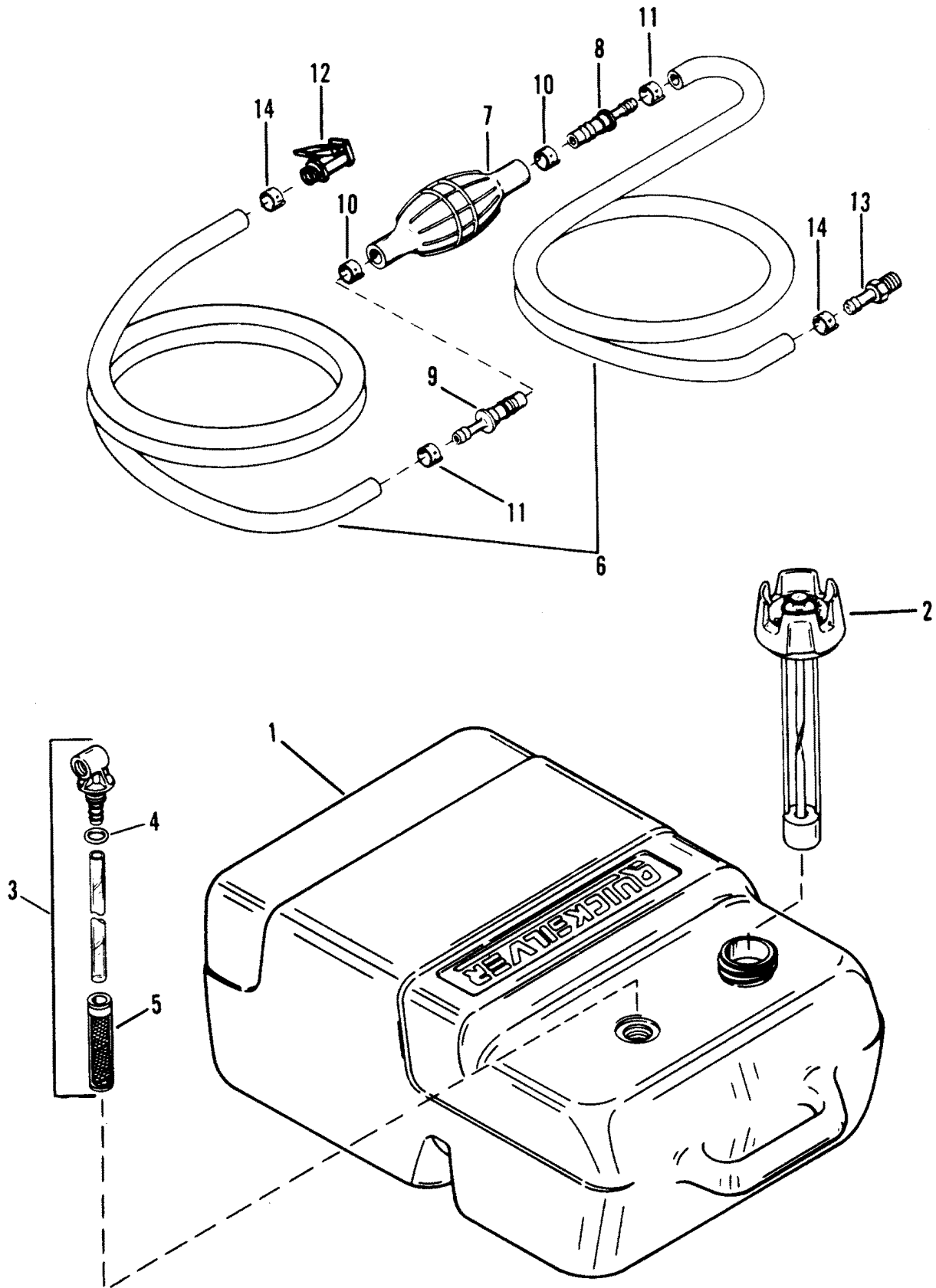
40/50 H.P.

MAY 1

POWER TRIM ASSEMBLY

REF. NO.	PART NO.	SYM.	QTY.	DESCRIPTION
1	822344A1		1	POWER TRIM ASSEMBLY
-	25-827668A1		1	O-RING KIT
2	827670A1		1	SHOCK ROD ASSEMBLY
3	827671A1		1	PILOT CHECK ASSEMBLY
4	827672A1		1	VALVE ASSEMBLY, TILT RELIEF
5	827673A1		1	SEAT ASSEMBLY, SUCTION
6	827674A1		1	PUMP ASSEMBLY
7	827675A1		1	MOTOR ASSEMBLY
8	827676		1	MEMORY PISTON
9	813442A2		1	RELIEF VALVE ASSEMBLY, MANUAL RELEASE
10	19-811613		1	RESERVOIR PLUG
11	84-819514A10		1	HARNESS ASSEMBLY, TRIM
12	821509		2	RELAY, TRIM
13	821382		2	BRACKET, RELAY
14	25-818967		2	GROMMET, RELAY BRACKET
15	23-818968		2	BUSHING, GROMMET
16	10-40011129		2	SCREW (M6 X 1 X 25)
17	84-17201A7		1	HARNESS ASSEMBLY, TRIM

FUEL TANK AND LINE (PLASTIC - 6.6 GALLON)



FUEL TANK AND LINE (PLASTIC - 6.6 GALLON)

REF. NO.	PART NO.	SYM.	QTY.	DESCRIPTION
-	1259-823504A2		1	TANK ASSEMBLY, FUEL (COMPLETE)
1	1259-823504A1		1	TANK ASSEMBLY, FUEL (PLASTIC - 6.6 GAL.)
2	823536		1	GAUGE & CAP ASSEMBLY
3	22-823532		1	CONNECTOR ASSEMBLY, FUEL
4	25-823533		1	O RING
5	35-823534		1	SCREEN, FILTER
6	32-17146A8		1	LINE ASSEMBLY, FUEL (5/16" I.D.) (8') (30" & 60")
7	13330A3		1	BULB ASSEMBLY, PRIMER
8	21-13331A1		1	VALVE, CHECK (INLET)
9	21-13331A2		1	VALVE, CHECK (OUTLET)
10	54-41582-10		2	CLAMP (LARGE)
11	54-41582--7		2	CLAMP (SMALL)
12	22-13563A3		1	CONNECTOR, ENGINE
13	22-89771--1		1	CONNECTOR, FUEL TANK
14	54-41582--7		2	CLAMP
6	32-16789A26		1	LINE ASSEMBLY, FUEL (5/16" I.D.) (8') (18" & 72")
7	13330A3		1	BULB ASSEMBLY, PRIMER
8	21-13331A1		1	VALVE, CHECK (INLET)
9	21-13331A2		1	VALVE, CHECK (OUTLET)
10	54-41582-10		2	CLAMP (LARGE)
11	54-41582--7		2	CLAMP (SMALL)
12	22-13563A3		1	CONNECTOR, ENGINE
13	22-89771--1		1	CONNECTOR, FUEL TANK
14	54-F698772		1	CLAMP
17	32-16789-78		AR	FUEL LINE (9') CUT AS REQUIRED
-	32-16789100		AR	FUEL LINE (100') CUT AS REQUIRED

TOOLS - SPECIAL

REF. NO.	PART NO.	SYM.	QTY.	DESCRIPTION
-	FT8948-1		1	PULLER KIT, FLYWHEEL
-	10-F1800		2	SCREW (1/4-20 X 7")
-	10-F1972		3	SCREW (1/4-20 X 2-1/2")
-	10-40003-58		3	SCREW (M8 X 1.25 X 50)
-	12-35044		3	WASHER (.281 X .625 X .065)
-	12-F8012		2	WASHER (.203 X .469 X .049)
-	12-25909		3	WASHER (.406 X .812 X .065)
-	FT2991		1	BRUSH, WIRE, CARBON REMOVER
-	FT2953		1	SOCKET, CONNECTING ROD SCREWS
-	FT2990-1		1	PISTON PIN TOOLS, PISTON PINS
-	FT2996		1	COMPRESSER, PISTON RINGS
-	FT8926		1	EXPANDER, PISTON RINGS
-	FT8933		1	HOOK, LIFTING, CRANKSHAFT END
-	FT11240		1	WRENCH, SPANNER, TRIM/TILT CYLINDER
-	FT11291		1	INSTALLER, PISTON PIN LOCKRING
-	91-36571		1	WRENCH, DRIVESHAFT BEARING
-	91-826872		1	INSTALLER, FORWARD GEAR BEARING
-	31-85560		1	BEARING
-	91-14308A1		1	RACE TOOL, BEARING
-	91-37241		1	PLATE, BEARING PULLER
-	91-817007		1	INSTALLER, BEARING CARRIER SEALS
-	91-817011		1	INSTALLER, NEEDLE BEARING CARRIER
-	91-825196		1	HOLDING TOOL, DRIVESHAFT
-	91-825197		1	INSTALLER, OIL SEAL
-	91-825198		1	INSTALLER, PINION CUP
-	91-825199		1	INSTALLER, BEARING CUP
-	91-31229A7		1	PULLER KIT, BEARING
-	11-24156		2	WASHER (.656 X 1.312 X .095)
-	12-34961		1	NUT (5/8-18)
-	91-29310		1	PLATE
-	91-31229		1	SHAFT
-	91-34569A1		1	PULLER ASSEMBLY, SLIDE HAMMER
-	91-825200A1		1	REMOVER ASSEMBLY, CUP
-	FT8978-1		1	TIMING LIGHT, IGNITION
-	FT2951		1	CIRCUIT TRACER, ELECTRICAL SYSTEM
-	FT8950		1	LEAKAGE TESTER, LOWER UNIT
-	FT11295		1	SPARK TESTER, IGNITION SYSTEM
-	FT2938-1		1	CONTINUITY TESTER, ELECTRICAL CIRCUITS
-	91-99750A1		1	MULTIMETER TESTER, ELECTRICAL COMPONENTS
-	91-58222A1		1	DIAL INDICATOR, TIMING
-	FT2969		1	HELI-COIL KIT (10-24)
-	FT2970		1	HELI-COIL KIT (1/4-20)
-	FT2971		1	HELI-COIL KIT (5/16-18)

CONTINUED ON NEXT PAGE ➡

TOOLS - SPECIAL

REF. NO.	PART NO.	SYM.	QTY.	DESCRIPTION
-	FT2948		1	HELI-COIL KIT (3/8-16)
-	92-825265A1		1	COMPOUND, NEEDLE BEARINGS
-	92-FT2987-1		1	LUBICANT, ANTI-SEEZ
-	FT8969		1	LUBICANT, LPS #1
-	92-823089--1		1	SEALANT, LOCTITE 8831
-	92-91601--1		1	SEALER, RTV, 10 OZ.
-	92-34227--1		1	SEALER, PINT
-	92-825407A12		1	MULTI-LUBE, 8 OZ., CASE OF 12
-	92-13872A1		1	LUBE, SPECIAL, 8 OZ.

PARTS INDEX

Part Number	Description	Pg.	Ref. No.	Part Number	Description	Pg.	Ref. No.
13330A3	BULB ASSEMBLY, PRIMER	53	7	820000A4	HANDLE ASSEMBLY, COWL LATCH (PAINTED)	7	34
13330A3	BULB ASSEMBLY, PRIMER	53	7	820069--1	TUBE, EXHAUST	41	6
14360A49	PUMP KIT, FUEL	23	1	820228A1	ADAPTOR PLATE ASSEMBLY, UPPER	31	1
14430--3	BASE, FUEL PUMP	23	6	820268A1	PLATE ASSEMBLY, ADAPTER	41	9
18173	BRACKET ASSEMBLY, ROLLER LATCH	5	8	820491	BOWL, FUEL	19	5
18495A13	SWITCHBOX KIT	11	10	820492	BOWL, FUEL	21	5
19291A3	CARRIER ASSEMBLY, BEARING	47	60	820594	CAP, DRIVE END	15	3
19385-29	LINK ASSEMBLY, TOWERSHAFT LEVER	25	25	820595	CAP ASSEMBLY, COMM END	15	8
19608--1	LINK ROD (STARBOARD)	35	8	820720	NOZZLE, MAIN	19	9
19609--1	LINK ROD (PORT)	35	8	820721A1	REPAIR KIT, CARBURETOR	19	20
19614	TILT TUBE	37	13	821316--1	CAM, SHIFT	45	38
19624A1	SEAL KIT	39	13	821319A1	SHAFT ASSEMBLY, SHIFT	45	35
39519	CUP, CONTROL CABLE RETAINER	7	23	821354--1	FACEPLATE, WATER PUMP	45	20
42927	INSERT	7	8	821354A1	REPAIR KIT, WATER PUMP	45	--
42941	SEAL, WATER TUBE	41	4	821382	BRACKET, RELAY	51	13
47341A1	ROPE AND HANDLE, EMERGENCY START	15	--	821483A5	SHIFT SHAFT ASSEMBLY, HORIZONTAL	7	19
56762	CABLE TIE (4")	19	--	821509	RELAY, TRIM	51	12
56762	CABLE TIE (4")	21	--	821510	SEAL, BOTTOM COWL	41	12
61787	HOLDER, BRUSH	15	10	821512A3	TRIM COVER ASSEMBLY (PAINTED)	41	25
69205	C-WASHER	49	10	821578	FOLLOWER, CAM	47	52
73345A1	HUB, THRUST	47	67	821769F3	SWIVEL TUBE HEAD (PAINTED)	35	1
811902	PINION, DRIVE	15	2	821775--1	STRAP, TILT STOP	37	18
811903	THRU BOLT	15	6	821780F3	COVER, MOUNT (PAINTED)	41	40
812443--1	RETAINER	7	31	821780F3	COVER, MOUNT (PAINTED)	43	49
812830--1	PLUG	7	30	821781--2	MOUNT (LOWER)	41	39
812893	MOUNT	41	20	821781--2	MOUNT (LOWER)	43	48
813442A2	RELIEF VALVE ASSEMBLY, MANUAL RELEASE	51	9	821782--1	BUMPER (FRONT)	43	47
815279T4	VOLTAGE REGULATOR	11	14	821798	LEVER, REVERSE LOCK	37	23
816514	BEARING, SPARK CONTROL (RH) (RED)	25	19	821799	PIVOT PIN, REVERSE LOCK	37	11
816518	HANDLE, TILT	5	2	821800	LINK, REVERSE LOCK (UPPER)	37	22
816667F3	BRACKET	35	3	821805--1	LINK, REVERSE LOCK	37	19
816957	BEARING, TOWERSHAFT	25	10	821827	RETAINER, SHIFT SHAFT	45	31
817428	SOCKET, BALL	25	26	821829	SCREEN, WATER INLET	47	44
817790A1	COVER KIT, TRANSFER PORT	17	17	822157C2	TRIM TAB	47	45
817870--2	COVER, FUEL PUMP	23	9	822158	BOOT, SHIFT SHAFT	45	30
818226A1	SEAL/PLATE KIT	45	2	822344A1	POWER TRIM ASSEMBLY	51	1
819208	BEARING, SPARK CONTROL (LH) (BLACK)	25	15	822394	BUMPER, TRIM COVER	41	32
819225	ROLLER, THROTTLE CAM	19	24	822395	SEAL, EXHAUST TUBE	41	33
819225	ROLLER, THROTTLE CAM	21	30	822401	CAP, TILT STOP PIN	39	20
819267	BRACKET (OUTSIDE)	11	16	822418	SHAFT, SHIFT UPPER	41	15
819268	BRACKET, ELECTRICAL MOUNT	11	9	822419	COUPLER	41	13
819272--2	BRACKET, STARTER SUPPORT	15	19	822421	BUMPER, TRIM COVER	41	26
819375	COVER, THERMOSTAT	27	34	822422	SEAL, IDLE RELIEF	41	34
819521	LINK, SPARK CONTROL	25	17	822459	RETAINER, REMOTE CABLE	7	12
819527A1	TRIGGER ASSEMBLY	11	7	822467--1	LEVER, INTERMEDIATE	7	7
819552	CAM, THROTTLE (ALL MODELS)	25	6	822469	CAP, INTERMEDIATE LEVER	7	4
819760	BRACKET (INSIDE)	11	32	822470	LINK, SHIFT	7	17
819807--1	PLATE, DEFLECTOR	33	15	822541--1	STRAP, HORIZONTAL SHIFT SHAFT	7	2
				823536	GAUGE & CAP ASSEMBLY	53	2
				823547--1	SEAL, WATER TUBE	45	14
				823547A1	SEAL KIT, GEAR HOUSING	45	--

PARTS INDEX

Part Number	Description	Pg.	Ref. No.	Part Number	Description	Pg.	Ref. No.
823547A1	SEAL KIT, GEAR HOUSING .	47	--	F684358	BRACKET, ELECTRICAL		
823548	CABLE TIE	45	29		COMPONENTS	11	27
823569	BALL , THREADED	25	7	F684408	COVER, STARTER RELAY .	7	33
824795	BUCKET, EXHAUST	41	31	F684774	BRACKET, COWL, LATCH		
824942--2	SEAL, EXHAUST BUCKET . .	41	30		REAR	5	7
825181	ARM, REVERSE LOCK	37	21	F684962	MOUNT, SHOCK	11	28
825271	ANODE	39	5	F684984	BLANKET, SOUND, TOP . . .	5	--
826284	TOWERSHAFT	25	11	F684985-1	BLANKET, SOUND, SIDE . . .	5	--
826286	LEVER ASSEMBLY,			F691151-1	PLATE, EXHAUST PORT . . .	27	15
	TOWERSHAFT	25	24	F97068-2	THERMOSTAT (130X)	27	31
826578	PIN, REVERSE LOCK	37	25	FA433167	ADAPTER KIT,		
826658	BUMPER	35	2		CARBURETOR FLANGE	33	3
826742	RETAINER, CABLE ENTRY			FA609853	DECAL KIT, SHIFT TO		
	SEAL	7	27		NEUTRAL	11	2
827670A1	SHOCK ROD ASSEMBLY	51	2	FA658158	PLATE ASSEMBLY, REED . . .	33	18
827671A1	PILOT CHECK ASSEMBLY . . .	51	3	FA691167	ADAPTER KIT,		
827672A1	VALVE ASSEMBLY, TILT				CARBURETOR FLANGE	33	9
	RELIEF	51	4	FK10023	GASKET SET,		
827673A1	SEAT ASSEMBLY, SUCTION	51	5		CARBURETOR	21	27
827674A1	PUMP ASSEMBLY	51	6	FK10309	NEEDLE AND SEAT KIT,		
827675A1	MOTOR ASSEMBLY	51	7		INLET	19	10
827676	MEMORY PISTON	51	8	FK10323	GASKET SET,		
827684	SHUTTER, THROTTLE	19	15		CARBURETOR	19	21
827688A1	REPAIR KIT, CARBURETOR	21	26	FO13193	JET, MAIN FUEL (.088) (4500'		
88238A11	CABLE ASSEMBLY	37	7		- 6000')	21	11
88238A11	CABLE ASSEMBLY	43	46	FO13949	JET, MAIN FUEL (.086) (6000'		
90643	DRIVE KIT	15	5		& UP)	21	11
92753	RETAINER, HARNESS			FO14191	JET, MAIN FUEL (.094) (0 -		
	CONNECTOR	13	5		1500')	21	11
98775--2	PLATE, FUEL PUMP	23	4	FO16132	SCREW, FUEL BOWL	21	7
98889	LATCH, CONTROL CABLE . . .	7	22	FO16133	NOZZLE, MAIN	21	9
99019	CLAMP, WATER TUBE	41	3	FO16142	SHUTTER, THROTTLE	21	15
99762	COVER, COIL	11	21	FO16143	SPRING, THROTTLE SHAFT	21	16
F10263	CUP, METERING	21	24	FO16620	E-RING, THROTTLE SHAFT	19	13
F10265	NEEDLE , INLET	21	10	FO16620	E-RING, THROTTLE SHAFT	21	13
F10268	SCREW, IDLE MIXTURE	19	18	FO16993	TUBE, BY-PASS	21	20
F10268	SCREW, IDLE MIXTURE	21	18	FO17884	SHAFT AND LEVER,		
F10273	JET (.047), IDLE AIR	21	22		THROTTLE	21	17
F10274	NOZZLE, PRIMER	21	23	FT11240	WRENCH, SPANNER,		
F10275	SCREW, SEALING	21	21		TRIM/TILT CYLINDER	54	-
F10304	SHAFT, THROTTLE	19	17	FT11291	INSTALLER, PISTON PIN		
F10346	FLOAT, FUEL BOWL	19	3		LOCKRING	54	-
F10346	FLOAT, FUEL BOWL	21	3	FT11295	SPARK TESTER, IGNITION		
F10367	SEAT, INLET	21	25		SYSTEM	54	-
F15159	INSULATOR	15	11	FT2938-1	CONTINUITY TESTER,		
F15160	WASHER, INSULATOR	15	12		ELECTRICAL CIRCUITS	54	-
F15162	NUT (1/4-20)	15	13	FT2948	HELI-COIL KIT (3/8-16)	55	-
F15162	NUT (1/4-20)	15	7	FT2951	CIRCUIT TRACER,		
F15183	ARMATURE	15	4		ELECTRICAL SYSTEM	54	-
F15190	BRUSH & SPRING KIT	15	9	FT2953	SOCKET, CONNECTING		
F333316	SHAFT, ROLLER	19	23		ROD SCREWS	54	-
F333316	SHAFT, ROLLER	21	29	FT2969	HELI-COIL KIT (10-24)	54	-
F366349-1	LOCK, REVERSE	37	27	FT2970	HELI-COIL KIT (1/4-20)	54	-
F433473	CUP, METERING	27	10	FT2971	HELI-COIL KIT (5/16-18)	54	-
F481777	CAM, LATCH SHAFT	7	37	FT2990-1	PISTON PIN TOOLS, PISTON		
F5S211-2	LACQUER	3	-		PINS	54	-
F5S211-2	LACQUER	3	-	FT2991	BRUSH, WIRE, CARBON		
F663480-1	RETAINER, COWL, FRONT . . .	7	21		REMOVER	54	-
F663756-1	PACKING (70") CUT AS			FT2996	COMPRESSOR, PISTON		
	REQ'D	7	1		RINGS	54	-

PARTS INDEX

Part Number	Description	Pg.	Ref. No.	Part Number	Description	Pg.	Ref. No.
FT8926	EXPANDER, PISTON RINGS	54	-	10-812567	SCREW (3/8-16 X 1-5/8") . . .	27	6
FT8933	HOOK, LIFTING, CRANKSHAFT END	54	-	10-812987	SCREW (10-24 X 1-1/4") . . .	11	11
FT8948-1	PULLER KIT, FLYWHEEL . . .	54	-	10-814259	SCREW (1/2-20 X 4")	39	12
FT8950	LEAKAGE TESTER, LOWER UNIT	54	-	10-817430110	SCREW (M10 X 110)	41	35
FT8969	LUBICANT, LPS #1	55	-	10-817458	SCREW (10-24 X 2-1/4") . . .	11	26
FT8978-1	TIMING LIGHT, IGNITION . .	54	-	10-817504	SCREW (1/4-20 X 1-1/2") . . .	11	15
10-14000	SCREW (3/8-24 X 1-1/4") . . .	35	9	10-817626	SCREW (10-16 X .38")	43	43
10-19921075	SCREW (5/16-18 X 3/4") WITH DRY LOC	11	31	10-817626	SCREW (10-16 X .38")	49	9
10-19921125	SCREW (5/16-18 X 1-1/4") WITH DRI LOC	31	5	10-817626	SCREW (10-16 X .38"), GROUND STRAP	37	30
10-19921138	SCREW (5/16-18 X 1-3/8") WITH DRI LOC	31	6	10-819074	SCREW (6-32 X 5/16")	33	21
10-19923062	SCREW (1/4-20 X 5/8") WITH DRY LOC	9	40	10-819625	SCREW, SHOULDER	25	16
10-19926100	SCREW (10-24 X 1") WITH DRI LOC	25	12	10-821045-40	SCREW (M5 X .8 X 40), FUEL PUMP	23	3
10-19926100	SCREW (10-24 X 1") WITH DRY LOC	11	4	10-822396	SCREW (M12 X 1.75 X 162) . .	41	19
10-19926100	SCREW (10-24 X 1") WITH DRY LOC	27	35	10-822970	SCREW (10-24 X 1-3/8") . . .	11	33
10-19932062	SCREW (1/4-20 X 5/8") WITH DRY LOC	11	17	10-824459-65	SCREW (M8 X 1.25 X 65) . .	43	44
10-19933100	SCREW (M10 X 100) WITH DRI LOC	31	8	10-824459120	SCREW (M8 X 1.25 X 120) . .	41	38
10-19949088	SCREW (1/4-20 X 7/8") WITH DRI LOC	31	4	10-824832--4	SCREW (M6 X 16)	45	12
10-28636	SCREW (1/4-20 X 3/4")	27	11	10-824970-20	SCREW (M8 X 20)	47	46
10-28639	SCREW (1/4-20" X 5/8")	5	6	10-826173	SCREW (M5 X .8 X 60)	41	27
10-28668	SCREW (1/4-20 X 7/8")	33	7	10-826379	SCREW (10-24 X 1/2") WITH DRI LOC	33	17
10-28668	SCREW (1/4-20 X 7/8").	33	1	10-827357	SCREW (#12-24 X 2") WITH DRY LOC	23	12
10-40003-30	SCREW (M6 X 25)	39	7	10-88743	SCREW (5/16-18 X 1/2")	11	12
10-40003-32	SCREW (M6 X 35)	23	15	10-90285	SCREW (5/16-18" X 5/8") . . .	5	10
10-40003-53	SCREW (M8 X 25)	47	66	10-91012	SCREW, CONNECTING ROD	29	12
10-40003-58	SCREW (M8 X 1.25 X 50) . .	54	-	10-92160	SCREW (1/4-20 X 3/4")	29	9
10-40003-77	SCREW (M10 X 30)	35	5	10-98254	SCREW (1/4-20 X 5/8")	17	18
10-40003-80	SCREW (M10 X 45)	47	70	10-98254	SCREW (1/4-20 X 5/8")	23	8
10-40011127	SCREW (M6 X 1 X 16)	7	20	10-F10328	SCREW (1/4-20 X 5/8")	27	28
10-40011127	SCREW (M6 X 1 X 16)	7	3	10-F10328	SCREW, SHUTTER	19	12
10-40011127	SCREW (M6 X 1 X 16)	7	5	10-F10328	SCREW, SHUTTER	21	12
10-40011129	SCREW (M6 X 1 X 25)	51	16	10-F1504	SCREW (1/4-20 X 1")	25	13
10-40011129	SCREW (M6 X 25)	9	41	10-F1800	SCREW (1/4-20 X 7")	54	-
10-40011129	SCREW (M6 X 25)	13	7	10-F1822	SCREW (5/16-18 X 7/8")	15	16
10-40011153	SCREW (M8 X 1.25 X 45) . .	41	21	10-F1972	SCREW (1/4-20 X 2-1/2") . . .	27	18
10-40011153	SCREW (M8 X 1.25 X 45) . .	41	7	10-F1972	SCREW (1/4-20 X 2-1/2") . . .	54	-
10-40011155	SCREW (M8 X 1.25 X 55) . .	41	1	10-F2000	SCREW (5/16-18 X 3/4")	13	1
10-40019104	SCREW (M5 X 8)	7	28	10-F2143	SCREW (1/4-20" X 1")	5	3
10-40056105	SCREW (M5 X 10)	7	32	10-F2185	SCREW (3/8-16 X 3-1/2") . . .	15	21
10-40089-10	SCREW (M8 X 10), SOCKET HEAD	37	31	10-F2192	SCREW (1/4-20 X 1-3/4") . . .	33	13
10-40090-40	SCREW (M10 X 40)	49	6	10-F2228	SCREW (3/8-16 X 3")	27	5
10-40108-75	SCREW (M10 X .75)	41	11	10-F2254	SCREW (5/16-18 X 2-1/2") . .	27	24
10-41805	SCREW (10-24 X 5/8")	11	36	11-13855	NUT (1/4-20)	5	5
10-42975	SCREW, DRIVE	7	25	11-13914	NUT (M10)	41	42
10-45561	SCREW (1/4-20 X 1-1/8") . . .	17	10	11-20361	NUT (1/4-28), THRU BOLT . .	15	15
10-45561	SCREW (1/4-20 X 1-1/8") . . .	27	42	11-24156	WASHER (.656 X 1.312 X .095)	54	-
10-49668	SCREW (1/4-20 X 3/4")	27	19	11-34863	NUT (3/8-24)	35	6
10-79953	SCREW (3/8-16 X .25")	45	5	11-40021--2	NUT (M6 X 1) (INCLUDED WITH REF # 35)	45	28
				11-40026--3	NUT (M5 X .8)	41	29
				11-40063--3	NUT (M5 X 0.8)	25	3
				11-40119--8	NUT (M8 X 1.25)	43	51
				11-40119-10	NUT (M10 X 1.5) (MANUAL TILT MODELS)	39	16
				11-40119-10	NUT (M10 X 1.5) (MANUAL TILT MODELS)	39	3

PARTS INDEX

Part Number	Description	Pg.	Ref. No.	Part Number	Description	Pg.	Ref. No.
11-40119-10	NUT (M10)	49	8	12-45175	WASHER	31	9
11-40134-14	NUT (M14)	49	5	12-45175	WASHER	41	41
11-45076	NUT (10-32)	11	25	12-69056	WASHER	7	13
11-45592	NUT (5/16-24)	25	23	12-69056	WASHER	7	16
11-55910	NUT, SPECIAL (7/16-20)	45	8	12-71055	WASHER(MANUAL TILT MODELS)	37	20
11-64015	NUT (1/4-20)	25	14	12-71970	WASHER	35	10
11-68219	NUT (10-32)	13	10	12-72397	WASHER	47	47
11-68219	NUT (10-32)	25	2	12-73288	WASHER	41	28
11-68292	NUT (5/16-18)	11	30	12-814803	WASHER	45	34
11-68292	NUT (5/16-18)	13	8	12-819246	WASHER	29	6
11-68292	NUT (5/16-18)	33	2	12-825190	WASHER	49	4
11-69578A1	NUT KIT, PROPELLER	47	68	12-86645--1	WASHER	45	15
11-72008	NUT (1/4-20)	25	4	12-86645--1	WASHER	45	17
11-79989	NUT (10-24)	25	18	12-89302	WASHER	41	16
11-826164	NUT (7/8-14)	37	14	12-93416	WASHER	41	22
11-826164	NUT (7/8-14)	37	9	12-F658504	WASHER, THERMOSTAT	27	30
11-826833--6	NUT (M6)	7	14	12-F8012	WASHER (.203 X .469 X .049)	54	-
11-826833--6	NUT (M6)	7	15	13-26992	LOCKWASHER (1/4")	7	39
11-826833--6	NUT (M6)	25	27	13-26996	LOCKWASHER (#10)	13	11
11-86226	NUT (3/8-16) 50 H.P.	33	8	13-53166	LOCKWASHER (5/16")	5	9
11-90099	NUT (M12 X 1.75)	41	24	13-53166	LOCKWASHER (5/16")	11	29
11-91962	NUT (1/2-20)	39	10	13-53166	LOCKWASHER (5/16")	13	2
11-F1669	NUT (6-32)	37	24	13-53166	LOCKWASHER (5/16")	13	9
11-F1669	NUT (6-32)	37	29	13-53166	LOCKWASHER (5/16")	15	17
11-F1968	NUT (3/4-16)	11	39	13-72521	LOCKWASHER (5/16" INTERNAL)	43	45
11-F1968	NUT (3/4-16)	29	10	13-78968	LOCKWASHER (1/4" INTERNAL)	27	41
11-F1997	NUT (8-32)	19	25	13-93702	LOCKWASHER (1/4" EXTERNAL)	11	18
11-F1997	NUT (8-32)	21	31	13-F2047	WASHER, WAVE	7	36
11-F7009	NUT (10-24)	11	35	13-F2442	WASHER, WAVE	11	8
11-F7009	NUT (10-24)	25	20	13-F8124	LOCKWASHER (5/16" EXTERNAL)	11	13
12-19183	WASHER, SEALING	45	4	14-76281	TAB WASHER	47	69
12-19183	WASHER, SEALING	45	6	14-816669F1	TAB WASHER	35	4
12-19619	WASHER	37	12	14-826613	TAB WASHER	47	65
12-19619	WASHER	37	8	16-823656	STUD (M10 X 277) (MANUAL TILT MODELS)	39	8
12-25909	WASHER (.406 X .812 X .065)	54	-	16-823984	STUD (M10 X 1.5 X 50)	41	37
12-27882	WASHER	37	28	16-826387	STUD (3/8-16 X 1-5/8") WITH DRI LOC	33	10
12-28421	WASHER	39	11	16-826388	STUD (5/16-18 X 1-1/4") WITH DRI LOC	33	4
12-28421	WASHER	41	23	16-826389	STUD (1/4-20 X 1-1/4")	25	1
12-29245	WASHER	5	4	16-826389	STUD (1/4-20 X 1-1/4") WITH DRI LOC, THROTTLE CAM	33	12
12-29245	WASHER	39	6	16-826389	STUD (1/4-20 X 1-1/4") WITH DRI LOC, THROTTLE CAM	33	6
12-29245	WASHER	45	36	16-827425	STUD (5/16-18 X 1-1/2") WITH DRI LOC	25	21
12-31247	WASHER	11	38	16-F718502	LINK, THROTTLE (ALL MODELS)	25	8
12-31247	WASHER	29	23	17-23784	PIN, DOWEL	27	12
12-34437	WASHER	25	22	17-23784	PIN, DOWEL	41	10
12-34437	WASHER	27	25	17-25319	PIN, ROLL	39	21
12-34437	WASHER	31	7	17-821327	PIN, DOWEL	47	40
12-34961	NUT (5/8-18)	54	-	17-821457A1	PIN ASSEMBLY, TILT LOCK	39	18
12-35044	WASHER	17	9	17-821539	PIN (TRILOBE)	37	15
12-35044	WASHER (.281 X .625 X .065)	54	-				
12-36001	WASHER	43	50				
12-37828	WASHER	27	39				
12-37828	WASHER	35	7				
12-40023-16	WASHER	7	38				
12-40023-19	WASHER	49	7				
12-40023-19	WASHER (MANUAL TILT MODELS)	39	17				
12-40023-19	WASHER (MANUAL TILT MODELS)	39	4				
12-43042	WASHER	47	71				
12-45175	WASHER	15	20				

PARTS INDEX

Part Number	Description	Pg.	Ref. No.	Part Number	Description	Pg.	Ref. No.
17-821539	PIN-TRILOBE	49	12	23-821777	BUSHING (LOWER)	37	4
17-822369	PIN	45	39	23-822003	BUSHING	9	42
17-822400--1	PIN, TILT STOP	39	23	23-822482	BUSHING	49	2
17-822417	PIN, SHIFT LINK	41	17	23-822484	BUSHING	49	3
17-822456	PIN, CABLE RETAINER	7	9	23-823507	BUSHING	37	16
17-822480	PIVOT PIN (UPPER)	37	17	23-823589	BUSHING	39	22
17-822480	PIVOT PIN (UPPER)	49	13	23-824952	SPACER (MANUAL TILT MODELS)	39	9
17-822481	PIN, ANCHOR, LOWER PIVOT (14MM)	49	1	23-F269319	BEARING, THROTTLE CAM	25	5
17-85093	PIN, CROSS	47	54	23-F366215	SPACER, PISTON PIN	29	18
17-85593	PIN, ROLL	45	37	23-F694359	SPACER	17	7
17-F1727	RIVET	25	9	24-27160	SPRING, IDLE MIXTURE SCREW	19	19
17-F40909	PIN, LOCATING	27	3	24-27160	SPRING, IDLE MIXTURE SCREW	21	19
17-F691372	PIN, WATER JACKET TUBE	27	9	24-38114	SPRING, CLUTCH	47	56
17-F8559	PIN, DOWEL	27	4	24-64878	SPRING, THERMOSTAT	27	32
17-FO13944	PIN, FLOAT	19	4	24-821461	SPRING, TILT LOCK PIN (MANUAL TILT MODELS)	39	19
17-FO13944	PIN, FLOAT	21	4	24-826199--1	SPRING	47	53
18-26953--1	PIN, COTTER	41	18	24-F10311	SPRING, THROTTLE SHAFT	19	16
18-27769	PIN, COTTER	37	10	24-F366300	SPRING, REVERSE LOCK	37	26
19-811613	RESERVOIR PLUG	51	10	25-18202	GROMMET, FUEL CONNECTOR	23	16
19-824928	PLUG, RUBBER	47	43	25-19564	GROMMET (WITHOUT HOLE)	7	29
19-F2067	CAP, CRANKSHAFT END	29	22	25-19565	GROMMET (WITH HOLE)	7	29
19-FO10588	PLUG, CUP	19	1	25-26855	O-RING	45	32
19-FO10588	PLUG, CUP	21	1	25-29619	O-RING	39	14
19-FO16128	PLUG, WELCH	19	2	25-815460	O-RING	47	61
19-FO16128	PLUG, WELCH	21	2	25-818967	GROMMET, RELAY BRACKET	51	14
21-13331A1	VALVE, CHECK (INLET)	53	8	25-821308	O-RING	45	25
21-13331A1	VALVE, CHECK (INLET)	53	8	25-822002	GROMMET	9	43
21-13331A2	VALVE, CHECK (OUTLET)	53	9	25-822408	GROMMET, SHIFT SHAFT	41	14
21-13331A2	VALVE, CHECK (OUTLET)	53	9	25-823533	O RING	53	4
21-42658	VALVE, CHECK	27	7	25-827668A1	O-RING KIT	51	--
21-42864	FITTING (90 DEGREE)	17	2	25-85594	O-RING	45	33
21-42990A10	DIAPHRAGM KIT	23	2	25-93221	GROMMET, WATER TUBE	41	2
21-820706	FITTING (T)	17	4	25-F694504	GROMMET	17	8
22-13563A3	CONNECTOR, ENGINE	53	12	26-69188	SEAL, OIL	47	63
22-13563A3	CONNECTOR, ENGINE	53	12	26-69189	SEAL, OIL	47	64
22-67892	DRAIN SCREW (MAGNETIC)	45	7	26-819394	SEAL, CRANKSHAFT LOWER	29	3
22-74036	FITTING, GREASE	37	3	26-820355	SEAL, CABLE ENTRY	7	26
22-74036	FITTING, GREASE	37	6	26-821309	SEAL, OIL	45	23
22-816856A1	CONNECTOR, FUEL	23	14	26-821310	SEAL, OIL	45	24
22-823532	CONNECTOR ASSEMBLY, FUEL	53	3	26-821756	SEAL, DRIVESHAFT	31	2
22-89771--1	CONNECTOR, FUEL TANK	53	13	26-822404	SEAL	37	5
22-89771--1	CONNECTOR, FUEL TANK	53	13	26-F474146	SEAL, CRANKSHAFT UPPER	29	8
22-99664	ELBOW	17	5	27-819377	GASKET, THERMOSTAT COVER	27	33
22-99664	ELBOW	23	5	27-820500	GASKET, FUEL PUMP COVER	23	10
22-F722109-1	PLUG, CYLINDER HEAD	27	22	27-820500	GASKET, TRANSFER PORT	17	16
22-F743314	ELBOW	17	1	27-820751A1	COMPONENT OF POWERHEAD GASKET SET	19	--
22-F743314	ELBOW, RECIRCULATING	23	11				
22-F84314-2	ELBOW, FUEL	19	14				
22-F84314-2	ELBOW, FUEL	21	14				
23-26954	BUSHING	7	10				
23-26954	BUSHING	7	6				
23-42182--1	BUSHING	27	40				
23-48475	BUSHING	7	11				
23-48475	BUSHING	7	18				
23-78861	SPACER	39	15				
23-812707	BUSHING	7	35				
23-818968	BUSHING, GROMMET	51	15				
23-821771	BUSHING (UPPER)	37	2				

PARTS INDEX

Part Number	Description	Pg.	Ref. No.	Part Number	Description	Pg.	Ref. No.
27-820751A1	COMPONENT OF POWERHEAD GASKET SET	29	-	32-99127109	HOSE (4-1/4") (19") CUT AS REQ'D	17	14
27-820751A1	COMPONENT OF POWERHEAD SET	31	-	32-99127109	HOSE (6") CUT AS REQ'D	17	6
27-820751A1	COMPONENTS OF POWERHEAD GASKET SET	43	-	32-99130122	HOSE (18-1/2") (7-1/2") (3-3/4")	17	3
27-820751A1	GASKET SET	27	2	32-F691943	TUBE, WATER JACKET	27	8
27-822189	GASKET	45	18	33-14103550	SPARK PLUG (RFI) (NKG # BUZHW)	11	22
27-822217	GASKET (LOWER)	45	19	33-97180	SPARK PLUG (NGK # BUHW)	11	22
27-823942	GASKET, WATER TUBE	47	41	34-F316160	REED (4 PETAL)	33	19
27-826738	GASKET, ADAPTOR PLATE	31	10	34-F88161-4	STOP, REED	33	20
27-826739	GASKET, EXHAUST TUBE/ADAPTER PLATE	41	8	35-816296	FILTER, FUEL	17	15
27-826871--1	GASKET, ADAPTOR PLATE	31	3	35-823534	SCREEN, FILTER	53	5
27-98769--1	GASKET, FUEL PUMP BASE	23	7	37-809467A95	DECAL SET (40 HP) BAYLINER	5	11
27-F433168	GASKET, CARBURETOR ADAPTER	33	14	37-817792A1	DECAL, TIMING	33	5
27-F433406	GASKET, DEFLECTOR PLATE	33	16	37-817792A1	DECAL, TIMING 50 H.P.	33	11
27-F440906	GASKET, CARBURETOR FLANGE	21	28	37-818029	DECAL, FUEL MIX	9	44
27-F691153	GASKET, EXHAUST PORT COVER	27	16	37-819526	DECAL, THROTTLE CABLE ADJUSTMENT	27	--
27-F691154	GASKET, EXHAUST PORT PLATE	27	14	37-820734A95	DECAL SET (40 HP) FORCE	5	11
27-F691529-1	GASKET, CYLINDER HEAD	27	20	37-820735A95	DECAL SET (50 HP) FORCE	5	11
27-F85906	GASKET, CARBURETOR FLANGE	19	22	37-820740A95	DECAL SET (50 HP) BAYLINER	5	11
27-FO15623	GASKET, FUEL BOWL	19	6	37-825064	DECAL, CAUTION, START IN GEAR	15	--
27-FO15623	GASKET, FUEL BOWL	21	6	37-825066	DECAL, WARNING, HI-VOLTAGE	15	--
27-FO2510	GASKET, FUEL BOWL	19	8	39-818129A2	RING SET (2 RINGS) (.030 O.S.)	29	21
27-FO5323	GASKET, FUEL BOWL	21	8	39-820457A2	RING SET (2 RINGS) (STANDARD)	29	21
28-85119	KEY	45	16	39-820641A1	RING SET (2 RINGS) (.010 O.S.)	29	21
28-F85498-1	KEY, CRANKSHAFT/FLYWHEEL	29	5	40-F694096	RETAINER, PISTON PIN	29	20
30-20839	BEARING, BALL	47	59	41-F694017-1	PIN, PISTON	29	19
30-821311	BEARING, BALL	45	27	43-821312	GEAR, REVERSE	47	58
30-F284659-2	BEARING, UPPER	29	2	43-821315A1	GEAR ASSEMBLY, FORWARD	47	48
31-21700	BEARING, NEEDLE	47	62	43-821326	GEAR, PINION	45	9
31-41326	BEARING, ROLLER	47	51	44-821577--1	SHAFT, PROPELLER	47	57
31-62596A2	CAGE/ROLLER SET	29	13	45-822159A1	DRIVESHAFT ASSEMBLY	45	26
31-821321A2	BEARING ASSEMBLY, CUP & ROLLER	45	10	46-821307A2	BASE ASSEMBLY, WATER PUMP	45	22
31-85560	BEARING	54	-	46-821351A2	PUMP KIT, WATER	45	13
31-99328A1	BEARING ASSEMBLY, CUP & ROLLER	47	49	47-85089--3	IMPELLER	45	21
31-F335217-1	BEARING SET (26)	29	17	50-820193	STARTER ASSEMBLY	15	1
31-F90014	BEARING, CRANKSHAFT LOWER MAIN	29	4	52-821314	CLUTCH	47	55
31-FA40655	RACE ASSEMBLY	29	14	53-F40410	RING, SNAP	29	15
32-16789-78	FUEL LINE (9')	53	17	53-F717096	RING, RETAINING	27	27
32-16789100	FUEL LINE (100')	53	--	54-22740	CLIP, TRIM CABLE	49	11
32-16789A26	LINE ASSEMBLY, FUEL	53	6	54-41582--7	CLAMP	53	14
32-17146A8	LINE ASSEMBLY, FUEL	53	6	54-41582--7	CLAMP (SMALL)	53	11
32-43014--3	TUBE, WATER	41	5	54-41582--7	CLAMP (SMALL)	53	11
32-821828	TUBE, WATER	47	42	54-41582-10	CLAMP (LARGE)	53	10
32-99126-88	HOSE (4") (5-1/4") CUT AS REQ'D	17	12	54-41582-10	CLAMP (LARGE)	53	10
32-99127109	HOSE (16")	23	17	54-814634	CLAMP, BATTERY CABLE	11	--
				54-816311	CABLE TIE (8")	11	--
				54-816311	CABLE TIE (8")	17	13
				54-816311	CABLE TIE (8")	23	13

PARTS INDEX

Part Number	Description	Pg.	Ref. No.	Part Number	Description	Pg.	Ref. No.
54-820370	CLIP, WIRE HARNESS	11	34	339-7370A23	COIL ASSEMBLY, IGNITION	11	24
54-F698772	CLAMP	53	14	398-818535A14	STATOR ASSEMBLY	11	3
84-17201A7	HARNESS ASSEMBLY, TRIM	51	17	400-817398A3	CRANKSHAFT ASSEMBLY .	29	1
84-818952A1	HARNESS ASSEMBLY, WIRING	13	4	411-821773F5	BRACKET, CLAMP (PORT) (PAINTED)	39	1
84-819514A10	HARNESS ASSEMBLY, TRIM	51	11	600-818052A6	CONNECTING ROD ASSEMBLY	29	11
84-820574	WIRE, STARTER LEAD	15	14	700-819005A10	PISTON KIT (.030 O.S.)	29	16
84-821945A28	CABLE ASSEMBLY, HIGH TENSION	11	23	700-819005A8	PISTON KIT (STANDARD) . .	29	16
84-88807A29	CABLE ASSEMBLY	11	37	700-819005A9	PISTON KIT (.010 O.S.)	29	16
84-88807A36	CABLE ASSEMBLY	11	6	800-818152A19	COMPONENT OF POWERHEAD ASS'Y	19	--
84-F381896-4	CABLE, BATTERY	13	3	800-818152A19	COMPONENT OF POWERHEAD ASS'Y	23	-
87-819502	THERMOSWITCH	27	26	800-818152A19	COMPONENT OF POWERHEAD ASS'Y	25	-
88-19637	SOCKET, FUSE	11	20	800-818152A19	COMPONENT OF POWERHEAD ASS'Y	29	-
88-812619	FUSE (20 AMP)	11	19	800-818152A19	COMPONENT OF POWERHEAD ASS'Y	31	-
89-819503	SOLENOID, PRIMER	17	11	800-818152A19	POWERHEAD KIT(40 & 50 HP) (PAINTED)	27	--
89-F460917-1	RELAY, STARTER	13	6	800-818152A21	CYLINDER KIT(40 & 50 HP) .	27	1
90-826878950	OPERATORS MANUAL	3	-	900-819850--1	HEAD, CYLINDER	27	21
90-828821	SERVICE MANUAL	3	-	1000-819269	COVER, EXHAUST PORT . .	27	17
91-14308A1	RACE TOOL, BEARING	54	-	1000-819376	COVER, CYLINDER HEAD . .	27	23
91-29310	PLATE	54	-	1100-819312A2	CAGE ASSEMBLY, BEARING	29	7
91-31229	SHAFT	54	-	1259-823504A1	TANK ASSEMBLY, FUEL (PLASTIC - 6.6 GAL.)	53	1
91-31229A7	PULLER KIT, BEARING	54	-	1259-823504A2	TANK ASSEMBLY, FUEL (COMPLETE)	53	--
91-34569A1	PULLER ASSEMBLY, SLIDE HAMMER	54	-	1300-827021	CARBURETOR (TC-130A) . .	21	--
91-36571	WRENCH, DRIVESHAFT BEARING	54	-	1300-827022	CARBURETOR (WB-127A) . .	17	--
91-37241	PLATE, BEARING PULLER .	54	-	1300-827022	CARBURETOR (WB-127A) . .	19	-
91-58222A1	DIAL INDICATOR, TIMING . .	54	-	1395-5733	JET, MAIN FUEL (.092) (1500' - 3000')	21	11
91-817007	INSTALLER, BEARING CARRIER SEALS	54	-	1395-6247	JET, MAIN FUEL (.090) (3000' - 4500')	21	11
91-817011	INSTALLER, NEEDLE BEARING CARRIER	54	-	1395-6487	JET, MAIN FUEL (.060) (0- 2500')	19	11
91-825196	HOLDING TOOL, DRIVESHAFT	54	-	1395-7831	JET, MAIN FUEL (.058) (2500-5000')	19	11
91-825197	INSTALLER, OIL SEAL	54	-	1399-5128	SCREW, FUEL BOWL	19	7
91-825198	INSTALLER, PINION CUP . .	54	-	1399-5213	JET, MAIN FUEL (.056) (5000-7500')	19	11
91-825199	INSTALLER, BEARING CUP	54	-	1399-5225	JET, MAIN FUEL (.054) (7500-10000')	19	11
91-825200A1	REMOVER ASSEMBLY, CUP	54	-	1682-821306A15	GEAR HOUSING (BASIC) . .	47	1
91-826872	INSTALLER, FORWARD GEAR BEARING	54	-	1682-821306A15	GEAR HOUSING (BASIC) (PAINTED)	45	1
91-99750A1	MULTIMETER TESTER, ELECTRICAL COMPONENTS	54	-	1682-821306A16	GEAR HOUSING ASSEMBLY (COMPLETE)	47	--
92-13872A1	LUBE, SPECIAL, 8 OZ.	55	-	1682-821306A16	GEAR HOUSING ASSEMBLY (COMPLETE) (PAINTED) .	45	--
92-34227--1	SEALER, PINT	55	-	3410-821772A5	SWIVEL BRACKET ASSEMBLY (PAINTED) . .	37	1
92-819104-12	LACQUER	3	-	3411-821774F5	BRACKET, CLAMP (STBD) (PAINTED)	39	2
92-819107-12	LACQUER	3	-	3531-821447A3	DRIVESHAFT HOUSING ASSEMBLY (PAINTED) . .	41	36
92-823089--1	SEALANT, LOCTITE 8831 . .	55	-				
92-825265A1	COMPOUND, NEEDLE BEARINGS	55	-				
92-825407A12	MULTI-LUBE, 8 OZ., CASE OF 12	55	-				
92-91601--1	SEALER, RTV, 10 OZ.	55	-				
92-FT2987-1	LUBRICANT, ANTI-SEEZ	55	-				
100-819748A3	COWL ASSEMBLY, TOP (PAINTED)	5	1				
100-820186F1	COWL ASSEMBLY, BOTTOM (PAINTED)	7	24				
200-817494A10	FLYWHEEL ASSEMBLY	11	1				

PARTS INDEX

Part Number	Description	Pg.	Ref. No.	Part Number	Description	Pg.	Ref. No.
-------------	-------------	-----	----------	-------------	-------------	-----	----------