



PARTS CATALOG

XR-2 / MAGNUM

SERIAL NUMBER

MERC/MAR XR2/MAGNUM0C276430 THRU 0D935270

TABLE OF CONTENTS:

CARBURETOR ASSEMBLY	18
CHOKE PLATE AND THROTTLE LEVERS	14
COWL BRACKET	58
COWLS	2
CRANKSHAFT, PISTONS AND CONNECTING RODS	32
CYLINDER BLOCK AND END CAPS	22
DRIVE SHAFT HOUSING	34
EXHAUST MANIFOLD	28
FLYWHEEL, STARTER MOTOR AND IGNITION COILS	6
FUEL LINES	16
GEAR HOUSING (DRIVE SHAFT)LHR 2-HOLE WATER PICK-UP	50
GEAR HOUSING (DRIVE SHAFT)LHR 4-HOLE WATER PICK-UP	68
GEAR HOUSING (DRIVE SHAFT)RHR 2-HOLE WATER PICK-UP	42
GEAR HOUSING (DRIVE SHAFT)RHR 4-HOLE WATER PICK-UP	60
GEAR HOUSING (PROPELLER SHAFT)LHR 2-HOLE WATER PICK-UP	54
GEAR HOUSING (PROPELLER SHAFT)LHR 4-HOLE WATER PICK-UP	72
GEAR HOUSING (PROPELLER SHAFT)RHR 2-HOLE WATER PICK-UP	46
GEAR HOUSING (PROPELLER SHAFT)RHR 4-HOLE WATER PICK-UP	64
HYDRAULIC PUMP AND MOUNTING BRACKETS(NEW DESIGN)	78
HYDRAULIC PUMP AND MOUNTING BRACKETS(OLD DESIGN)	76
HYDRAULIC PUMP ASSEMBLY(NEW DESIGN)	82
HYDRAULIC PUMP ASSEMBLY(REPAIR KITS)	80
INSTRUMENTATION	84
KEY SWITCH ASSEMBLY	86
MISCELLANEOUS PARTS/ACCESSORIES	1
PARTS INDEX	88
REED BLOCK AND CYLINDER HEAD	30
STARTER MOTOR ASSEMBLY	26
SWIVEL BRACKET AND STEERING ARM	36
THROTTLE LEVER AND SHIFT SHAFT	10
TRANSOM BRACKETS AND TRIM CYLINDER	38
WIRING HARNESS, STARTER SOLENOID & RECTIFIER	8

NOTE: Indented description indicate that these parts are included in preceeding assembly.

AR = As Required

NSS = Not Sold Separate

OPT = Optional

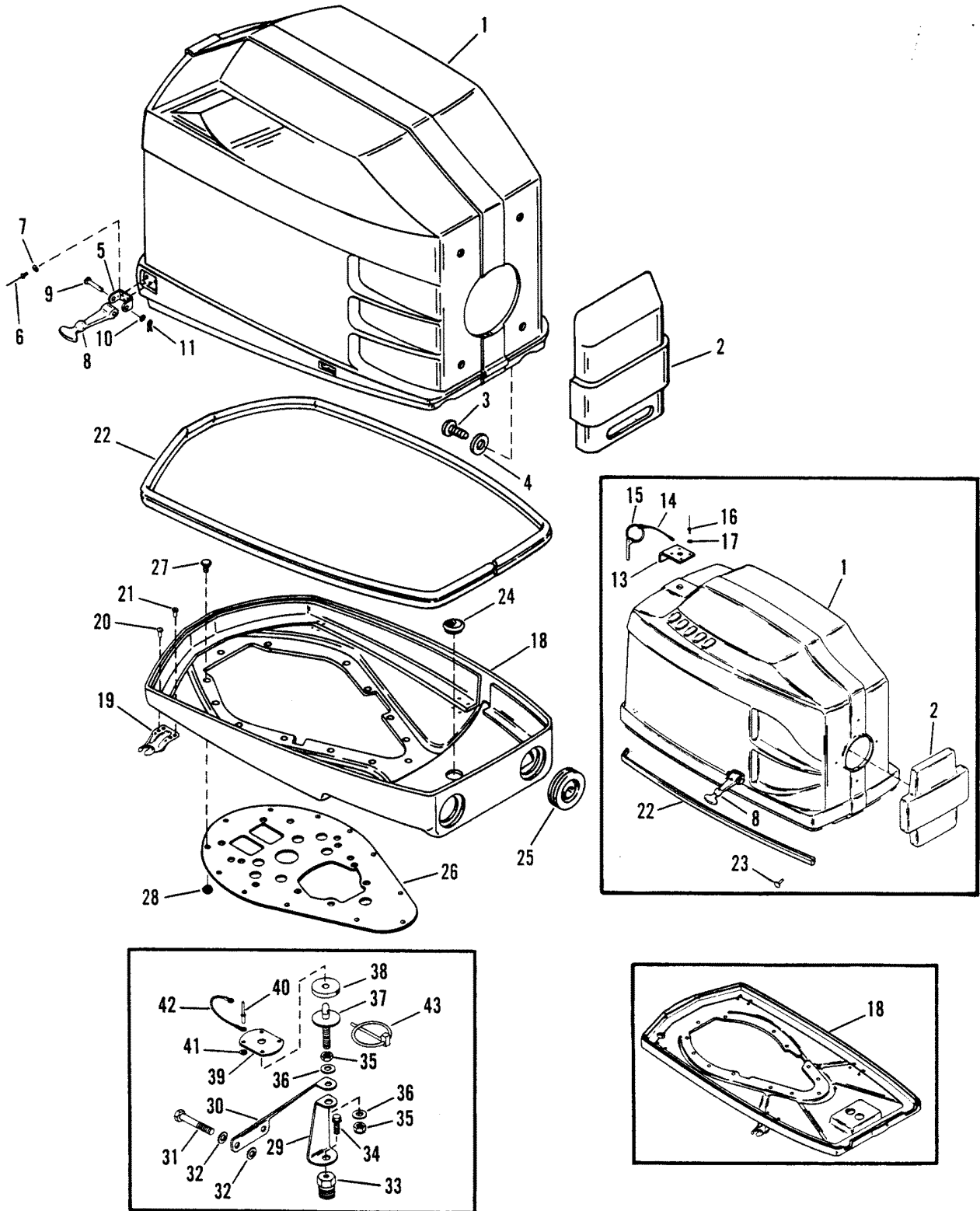
NS = Not Shown

THESE PARTS BOOKS/FICHE CARD ARE COPYRIGHTED AND MAY NOT BE DISTRIBUTED OR REPRODUCED IN ANY OTHER FORMAT BY ANYONE OTHER THAN MERCURY MARINE WITHOUT THE PRIOR WRITTEN CONSENT OF MERCURY MARINE.

MISCELLANEOUS PARTS/ACCESSORIES

REF. NO.	PART NO.	SYM.	QTY.	DESCRIPTION
-	90-817087-90		0	PARTS MANUAL
-	27-18051A90		0	GASKET SET
-	90-818344910		0	OWNER'S GUIDE BLACK
-	90-818345910		0	OWNER'S GUIDE GRAY

COWLS

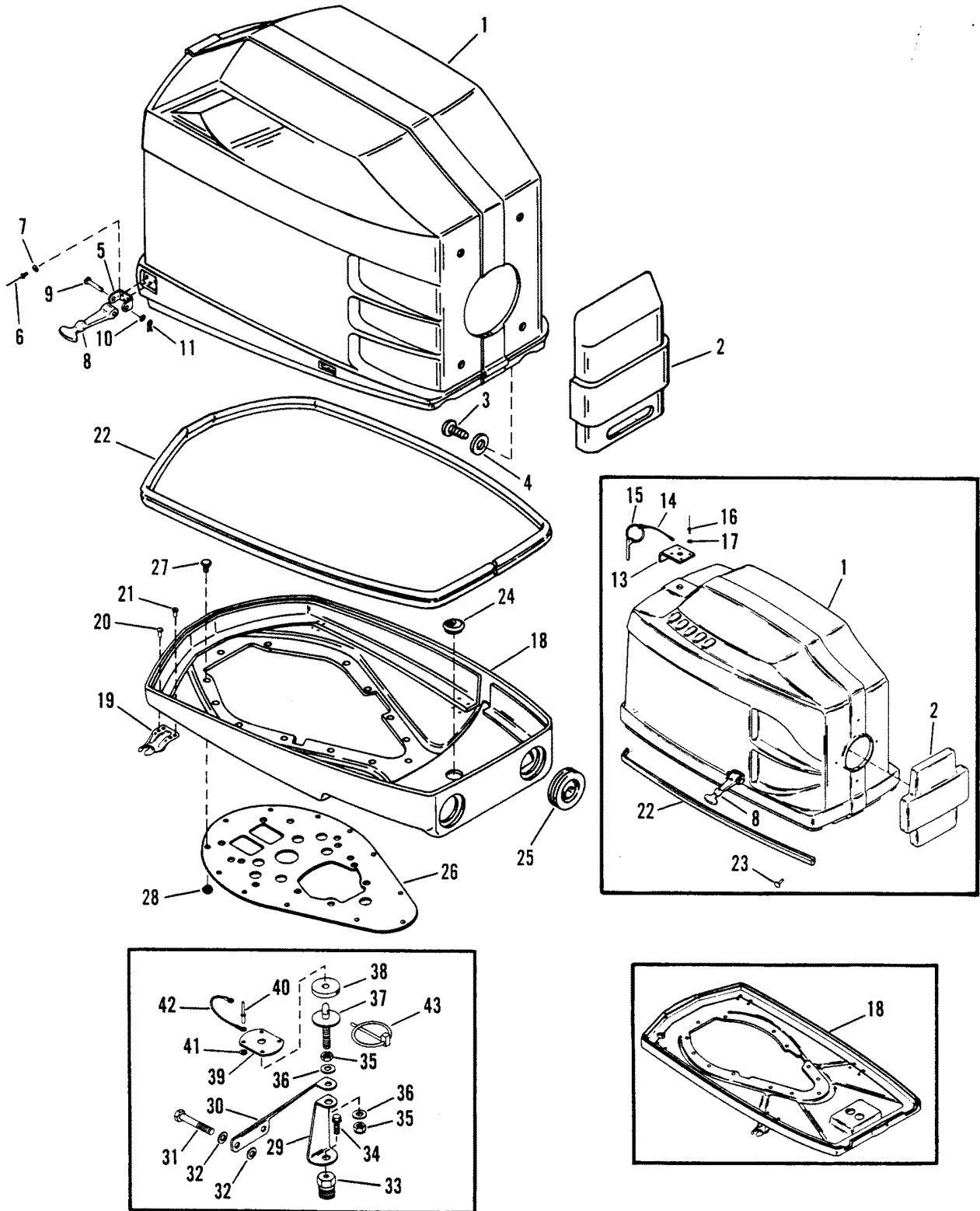


COWLS

REF. NO.	PART NO.	SYM.	QTY.	DESCRIPTION
1	2167-9442A6		1	TOP COWL (OLD DESIGN)
	4006-817704A5		1	TOP COWL (BLACK)-NEW DESIGN
	4006-817704A6		1	TOP COWL (GRAY) -NEW DESIGN
2	14410A1		1	FRONT COVER (OLD DESIGN)
	817706A3		1	FRONT COVER (BLACK)- NEW DESIGN
	817706A4		1	FRONT COVER (GRAY) - NEW DESIGN
3	10-69570		4	SCREW
4	12-22887		4	WASHER
5	71602		4	YOKE (BLACK)
	71602--1		4	YOKE (GRAY)
6	17-816771		12	RIVET
7	12-20128		12	WASHER
8	58707		4	HOLD DOWN (BUNGY CORD)(OLD DESIGN)
	817708		4	HOLD DOWN (NEW DESIGN)
9	17-58712		4	CLEVIS PIN
10	12-20128		4	WASHER
11	18-21071		4	COTTER PIN
-	37-13813A7		1	DECAL SET (OLD DESIGN)
-	37-817660A91		1	DECAL SET (BLACK) - NEW DESIGN
-	37-818263A91		1	DECAL SET (GRAY) - NEW DESIGN
13	99690		1	PLATE OLD DESIGN
14	88238A4		1	CABLE OLD DESIGN
15	99779		1	CLIP OLD DESIGN
16	17-12148		4	POP RIVET OLD DESIGN
17	12-20128		4	WASHER OLD DESIGN
18	12955A3		1	BOTTOM COWL (OLD DESIGN)
	4007-817709A5		1	BOTTOM COWL (BLACK) - NEW DESIGN
	4007-817709A6		1	BOTTOM COWL (GRAY) - NEW DESIGN
19	13734		4	RETAINER (BLACK)
	13734--1		4	RETAINER (GRAY)
20	17-12148		8	POP RIVET
21	17-14908		8	RIVET
22	19368--2		1	TRIM MOLDING - OLD DESIGN
23	17-12147		13	POP RIVET - OLD DESIGN
22	817712--1		1	COWL SEAL (NEW DESIGN)
24	22-14685		2	PLUG
25	25-817713--1		2	GROMMET
26	822188--1		1	PLATE
27	10-38601		13	SCREW
28	11-35045		13	NUT
-	821878A2		1	COWL SUPPORT KIT
29	821877		1	BRACKET
30	821878		1	BRACKET

CONTINUED ON NEXT PAGE ➡

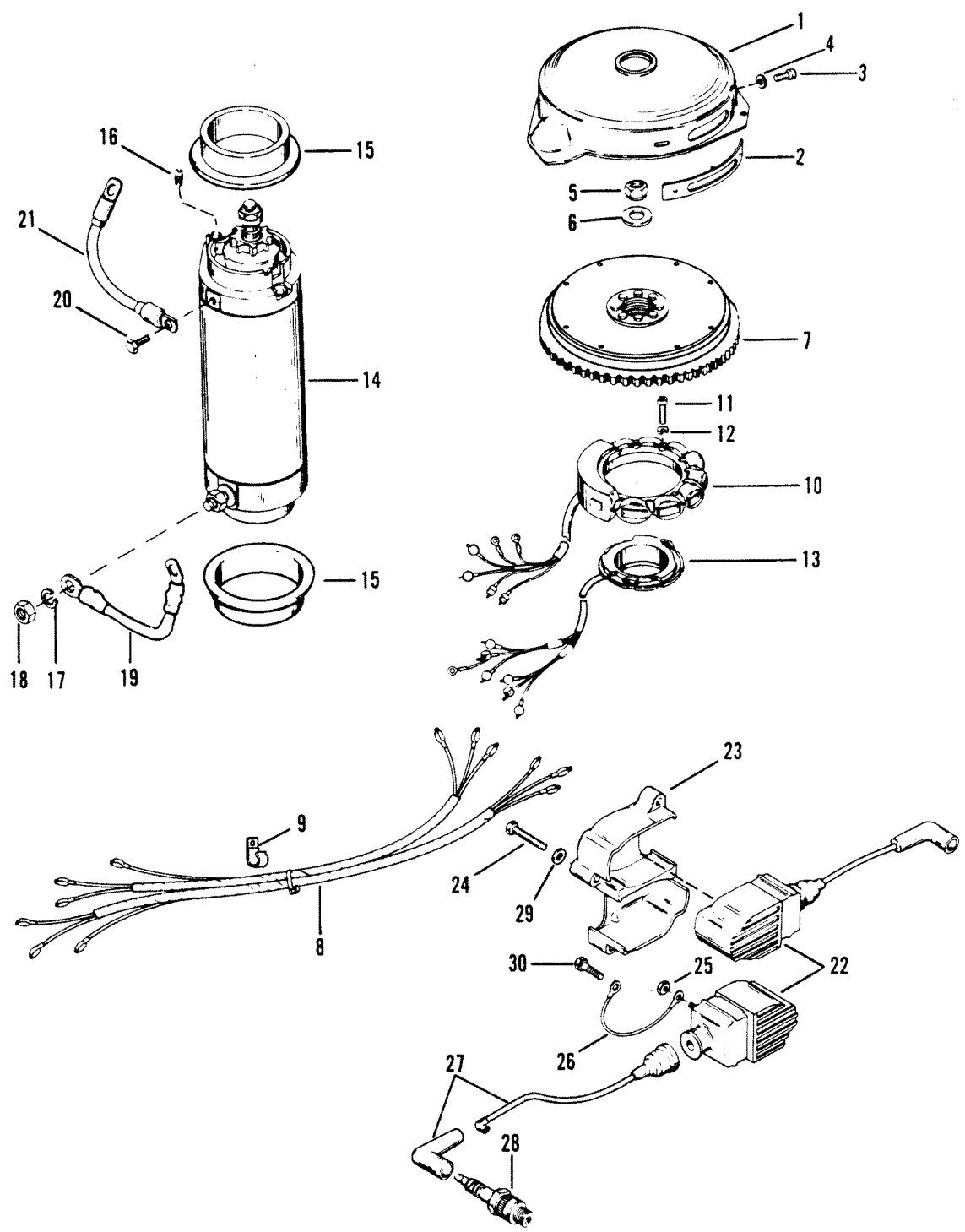
COWLS



COWLS

REF. NO.	PART NO.	SYM.	QTY.	DESCRIPTION
31	10-821933		2	SCREW
32	12-847539		4	WASHER
33	22-821881		1	PIPE PLUG
34	10-818146		1	SCREW
35	11-35053		2	NUT
36	12-74758		2	WASHER
37	821879		1	PIN
38	23-99509--1		1	RUBBER PAD
39	821880A1		1	COWL SUPPORT
40	17-12148		4	POP RIVET
41	12-20128		4	WASHER
42	88238A4		1	CABLE
43	99779		1	TORSION CLIP

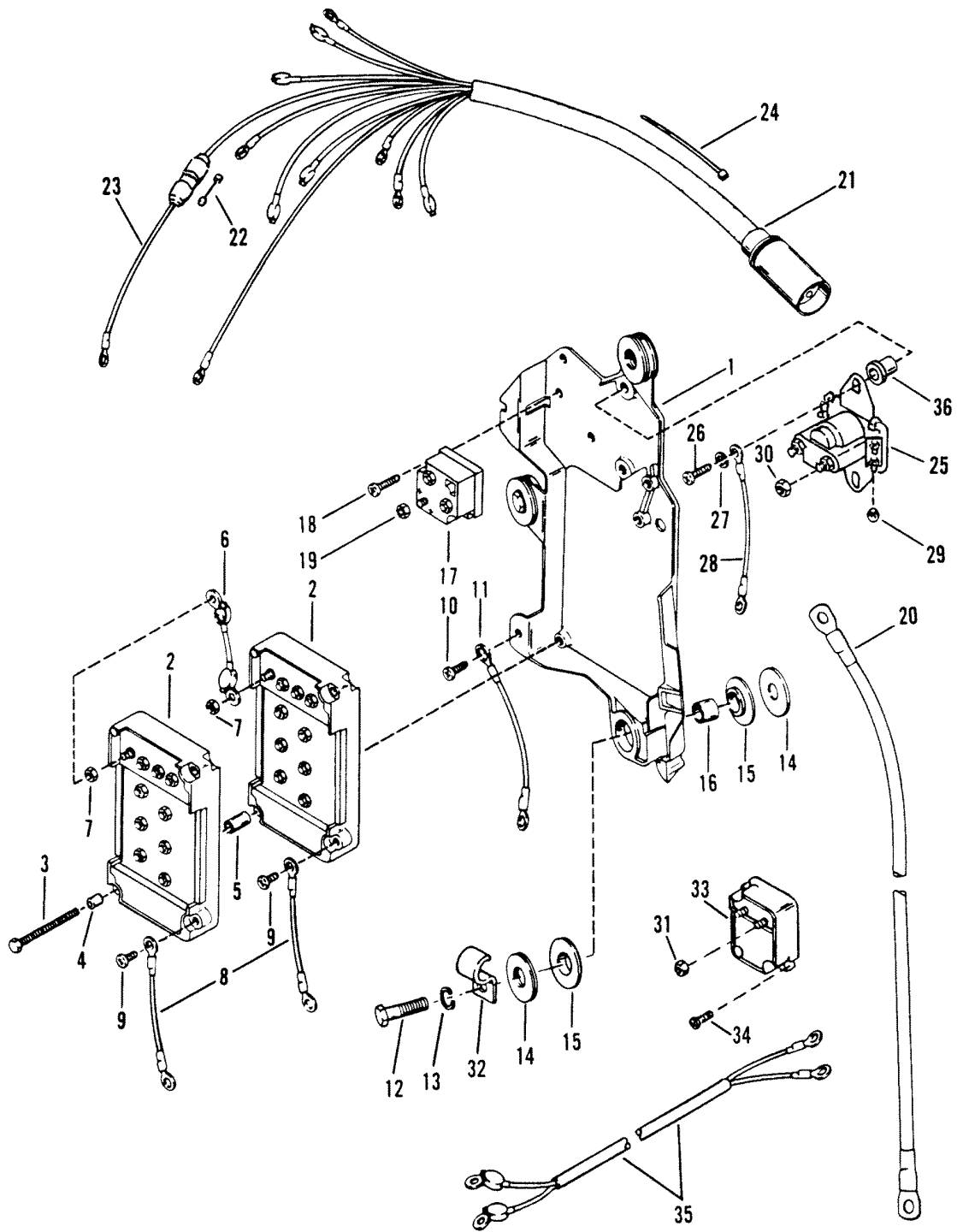
FLYWHEEL, STARTER MOTOR AND IGNITION COILS



FLYWHEEL, STARTER MOTOR AND IGNITION COILS

REF. NO.	PART NO.	SYM.	QTY.	DESCRIPTION
1	79918A1		1	COVER ASSEMBLY
2	79022		1	TIMING MARKER
3	10-37572		2	SCREW
4	12-72761		1	WASHER
5	11-52901		1	NUT
6	12-68229		1	WASHER
7	249-6080A5		1	FLYWHEEL ASSEMBLY
8	84-69738A7		1	HARNESS (#2,4 & 6)
	84-69739A2		1	HARNESS (#1,3 & 5)
9	54-814634		1	J-CLAMP
10	398-5454A35		1	STATOR ASSEMBLY
11	10-90028		4	SCREW
12	13-26996		4	LOCKWASHER
13	96455A10		1	TRIGGER PLATE
14	50-79472		1	STARTER MOTOR
15	56703		2	COLLAR
16	68042		2	RUBBER STOP
17	13-26992		1	LOCKWASHER
18	11-20890		1	NUT
19	84-93389A5		1	WIRE (YELLOW)
20	10-69035		1	SCREW
21	84-93388A1		1	WIRE (BLACK)
22	339-7370A13		6	IGNITION COIL
23	67614		3	COVER
24	10-88447		12	SCREW (1-5/8")
25	11-45076		12	NUT
26	84-88807A6		6	GROUND STRAP (BLACK)
27	84-815358A1		1	HIGH TENSION CABLE
28	33-97180		6	SPARK PLUG (NGK #BUHW)
29	12-30164		12	WASHER
30	10-68513		6	SCREW

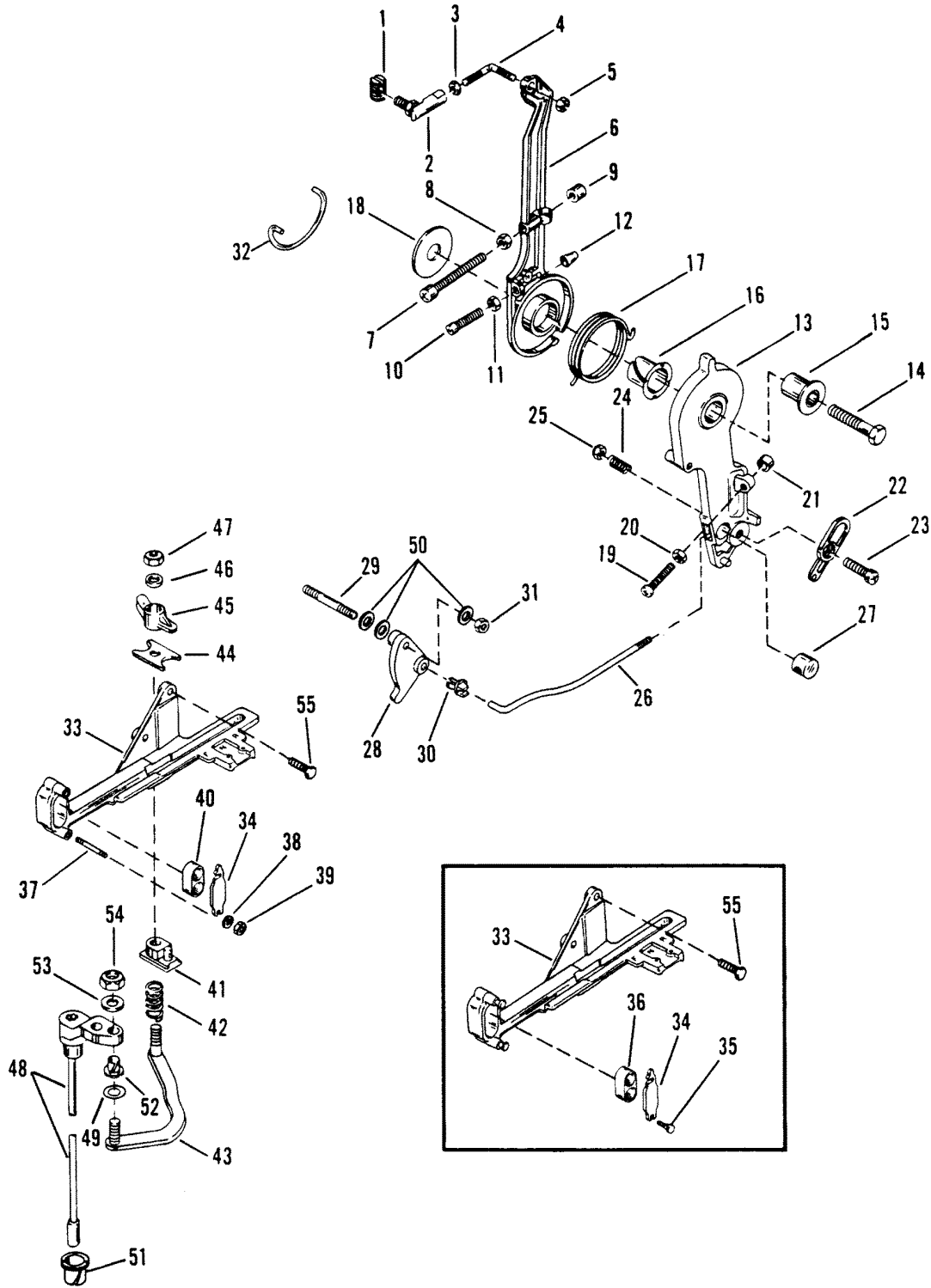
WIRING HARNESS, STARTER SOLENOID & RECTIFIER



WIRING HARNESS, STARTER SOLENOID & RECTIFIER

REF. NO.	PART NO.	SYM.	QTY.	DESCRIPTION
1	43429--2		1	IGNITION PLATE
2	332-7778A14		2	SWITCH BOX
3	10-90815		2	SCREW
4	23-94304		2	BUSHING
5	23-94453		2	BUSHING
6	84-62310A2		1	CABLE
7	11-45076		20	NUT
8	84-60871A10		2	WIRE
9	10-62568		2	SCREW
10	10-38055		1	SCREW (5/8")
11	84-65999A3		1	CABLE (BLACK)
12	10-69092		3	SCREW (1-1/4")
13	13-26993		3	LOCKWASHER
14	12-36042		6	WASHER
15	12-67264		6	WASHER (RUBBER)
16	23-67268		3	BUSHING
17	816770		1	RECTIFIER
18	10-38055		2	SCREW (5/8")
19	11-45076		3	NUT
20	84-88439A14		1	BATTERY CABLE (POSITIVE)
	84-88439A2		1	BATTERY CABLE (NEGATIVE)
21	84-96220A4		1	ENGINE HARNESS
22	88-79091		1	FUSE
23	84-95084A2		1	WIRE
24	54-816311		AR	STA-STRAP
25	89-76528A1		1	STARTERS SOLENOID
26	10-31716		2	SCREW (5/8")
27	13-26992		2	LOCKWASHER
28	84-65999A2		1	CABLE (BLACK)
29	11-45076		2	NUT
30	11-67980		2	NUT
31	11-45076		2	NUT
32	54-814634		2	J-CLAMP
33	88825A7		1	VOLTAGE REGULATOR
34	10-48409		2	SCREW
35	84-13397A1		1	HARNESS
36	23-823767		2	SPACER

THROTTLE LEVER AND SHIFT SHAFT

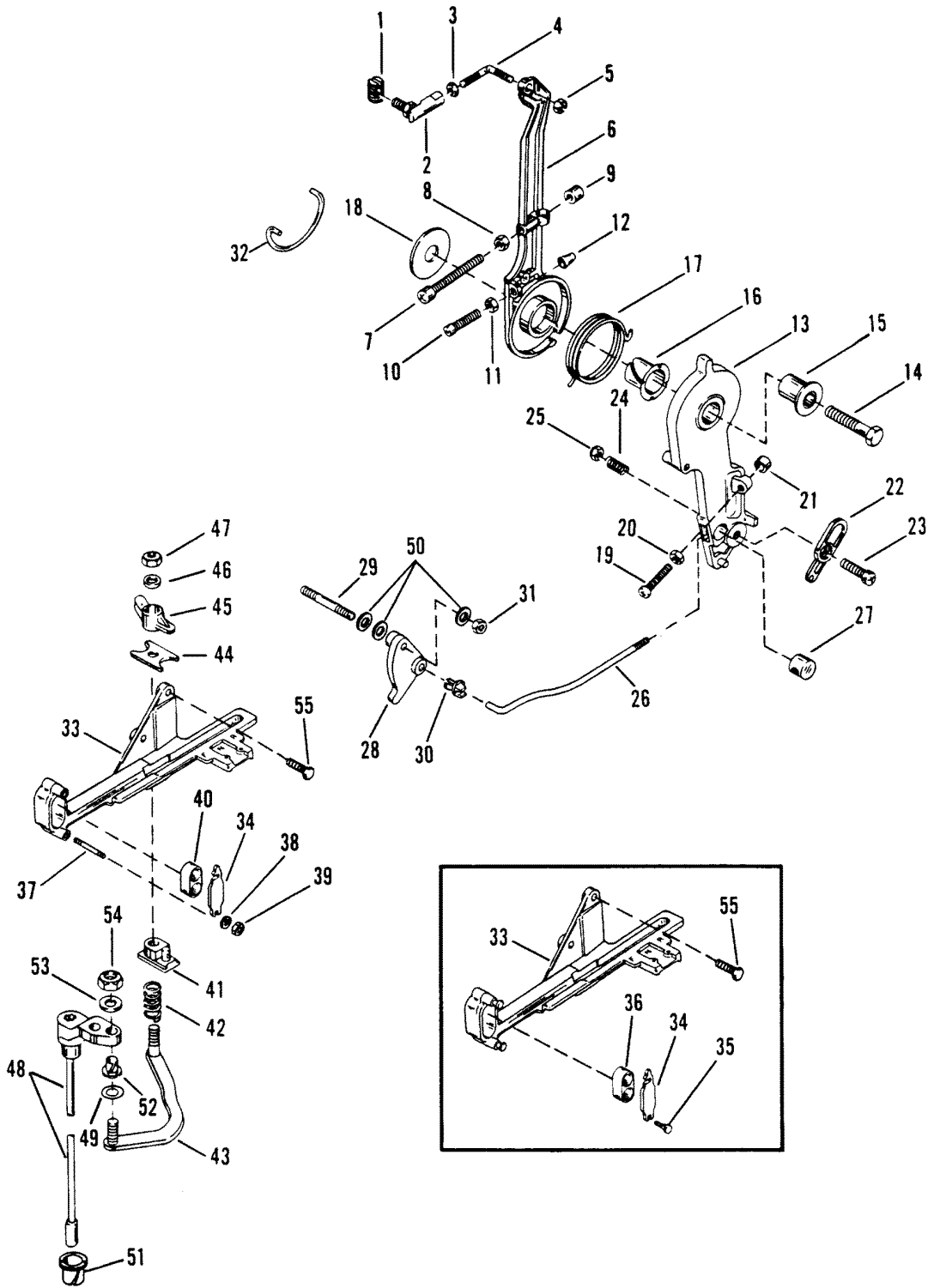


THROTTLE LEVER AND SHIFT SHAFT

REF. NO.	PART NO.	SYM.	QTY.	DESCRIPTION
1	74897		1	PIVOT
2	62459		1	BALL JOINT
3	11-68219		1	NUT
4	76035		1	LINK ROD
5	11-45812		1	NUT
6	41094A3		1	SPARK ADVANCE LEVER
7	10-64022		1	SCREW
8	11-64015		1	NUT
9	26852		1	CAP
10	10-69560		1	SCREW (1-1/4")
11	11-68219		1	NUT
12	48039		1	CAP
13	41095		1	THROTTLE CONTROL LEVER
14	10-818165		1	SCREW (1-3/4")
15	23-55164		1	BUSHING
16	23-55171		1	BUSHING
17	24-68784		1	SPRING
18	12-68410		1	WASHER
19	10-64022		1	SCREW (2-1/8")
20	11-64015		1	NUT
21	26852		1	CAP
22	39483		1	LATCH
23	10-22486		1	SCREW
24	24-20099		1	SPRING
25	11-35045		1	NUT
26	814929		1	THROTTLE CONTROL ROD
27	14638		1	BARREL
28	815539T		1	THROTTLE CAM
29	16-20353		1	STUD
30	23-93248--1		1	SWIVEL BUSHING
31	11-35045		1	NUT
32	24-41050		1	SPRING (OLD DESIGN)
33	814283A1		1	ANCHOR BRACKET SCREW ATTACHING
34	98889		1	LATCH SCREW ATTACHING
35	10-42975		2	SCREW SCREW ATTACHING
36	39519		1	CAP SCREW ATTACHING
33	814283A2		1	ANCHOR BRACKET STUD ATTACHING
34	98889		1	LATCH STUD ATTACHING
37	16-18101		2	STUD STUD ATTACHING
38	12-33786		2	WASHER STUD ATTACHING
39	11-18102		2	NUT STUD ATTACHING
40	39519		1	CAP STUD ATTACHING
41	37896		1	GUIDE BLOCK

CONTINUED ON NEXT PAGE ➡

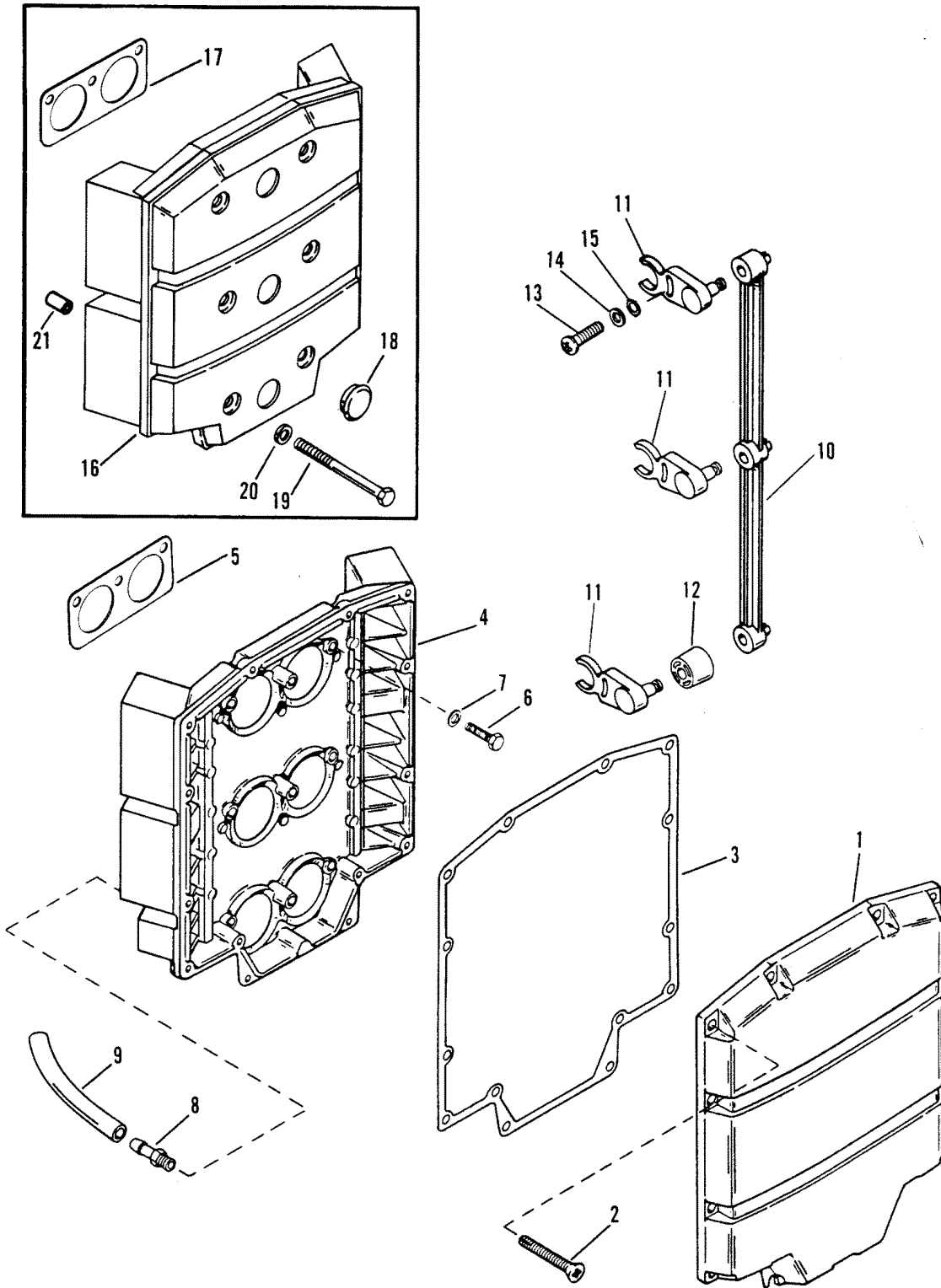
THROTTLE LEVER AND SHIFT SHAFT



THROTTLE LEVER AND SHIFT SHAFT

REF. NO.	PART NO.	SYM.	QTY.	DESCRIPTION
42	24-20099		1	SPRING
43	67073A1		1	LINK ROD
44	52100		1	WEAR PLATE
45	38279		1	LATCH
46	12-69056		1	WASHER
47	11-35045		1	NUT
48	79932A11		1	SHIFT SHAFT
49	13-29720		1	WAVE WASHER
50	12-29245		3	WASHER
51	23-27132		1	BUSHING
52	23-26600		1	BUSHING
53	12-35462		1	WASHER
54	11-35045		1	NUT
55	10-28782		3	SCREW

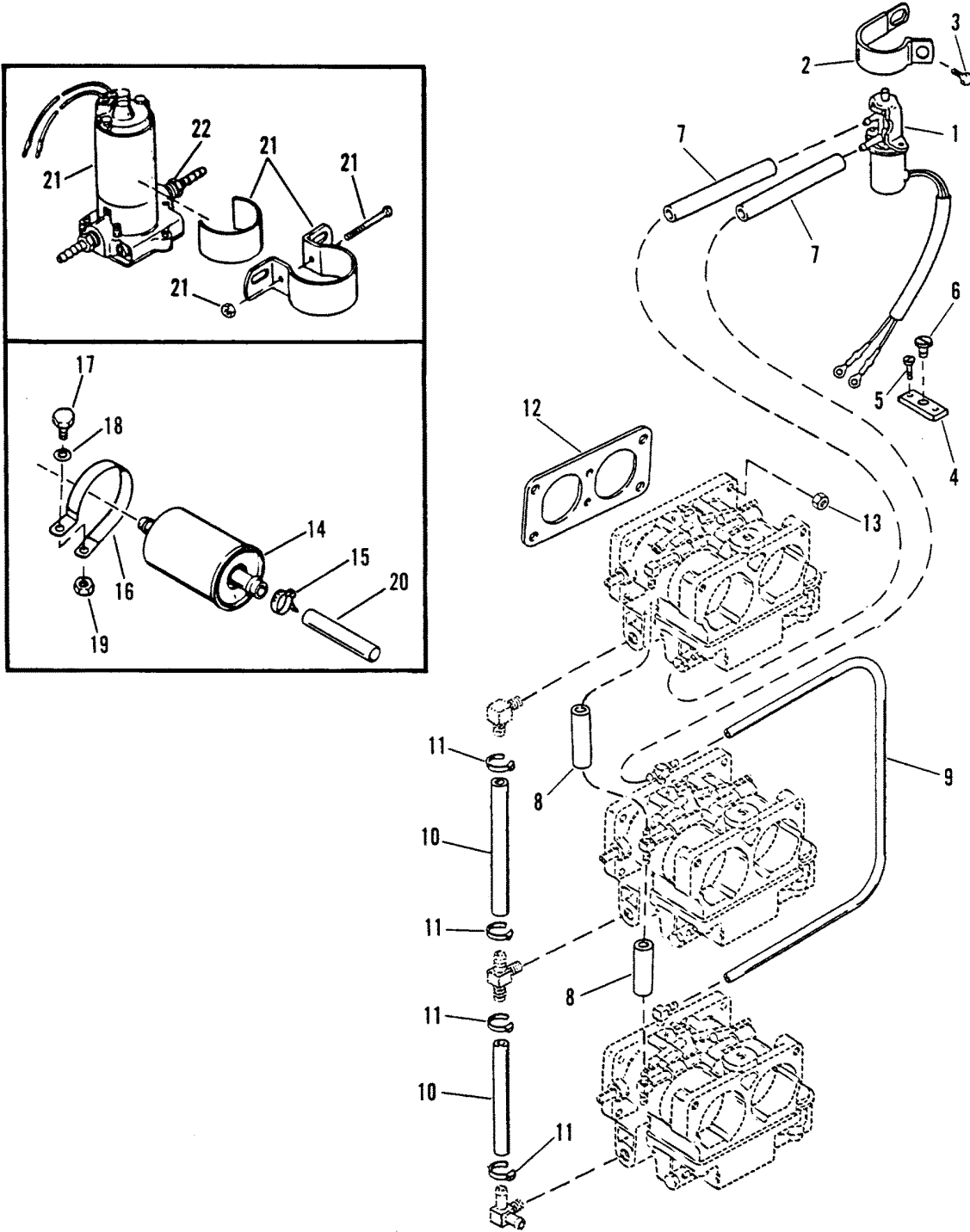
CHOKE PLATE AND THROTTLE LEVERS



CHOKE PLATE AND THROTTLE LEVERS

REF. NO.	PART NO.	SYM.	QTY.	DESCRIPTION
1	18866T		1	COVER DESIGN I
2	10-48409		14	SCREW DESIGN I
3	27-18889--1		1	GASKET DESIGN I
4	18867--2		1	SOUND ATTENUATOR PLATE DESIGN I
5	27-89221--1		3	GASKET DESIGN I
6	10-36137		6	SCREW DESIGN I
7	12-29245		6	WASHER DESIGN I
8	21-64871A2		1	CHECK VALVE DESIGN I
9	32-66285-70		1	HOSE DESIGN I
10	18180		1	THROTTLE LINK
11	18181		3	LINK
12	18178		1	ROLLER
13	10-87926		3	SCREW
14	12-89302		3	WASHER
15	13-69432		3	LOCKWASHER
16	817495A1		1	SOUND ATTENUATOR DESIGN II
17	27-89221--1		3	GASKET DESIGN II
18	19-815784		3	CAP PLUG DESIGN II
19	10-88489		6	SCREW DESIGN II
20	12-69057		6	WASHER DESIGN II
21	22-15026		1	CAP DESIGN II

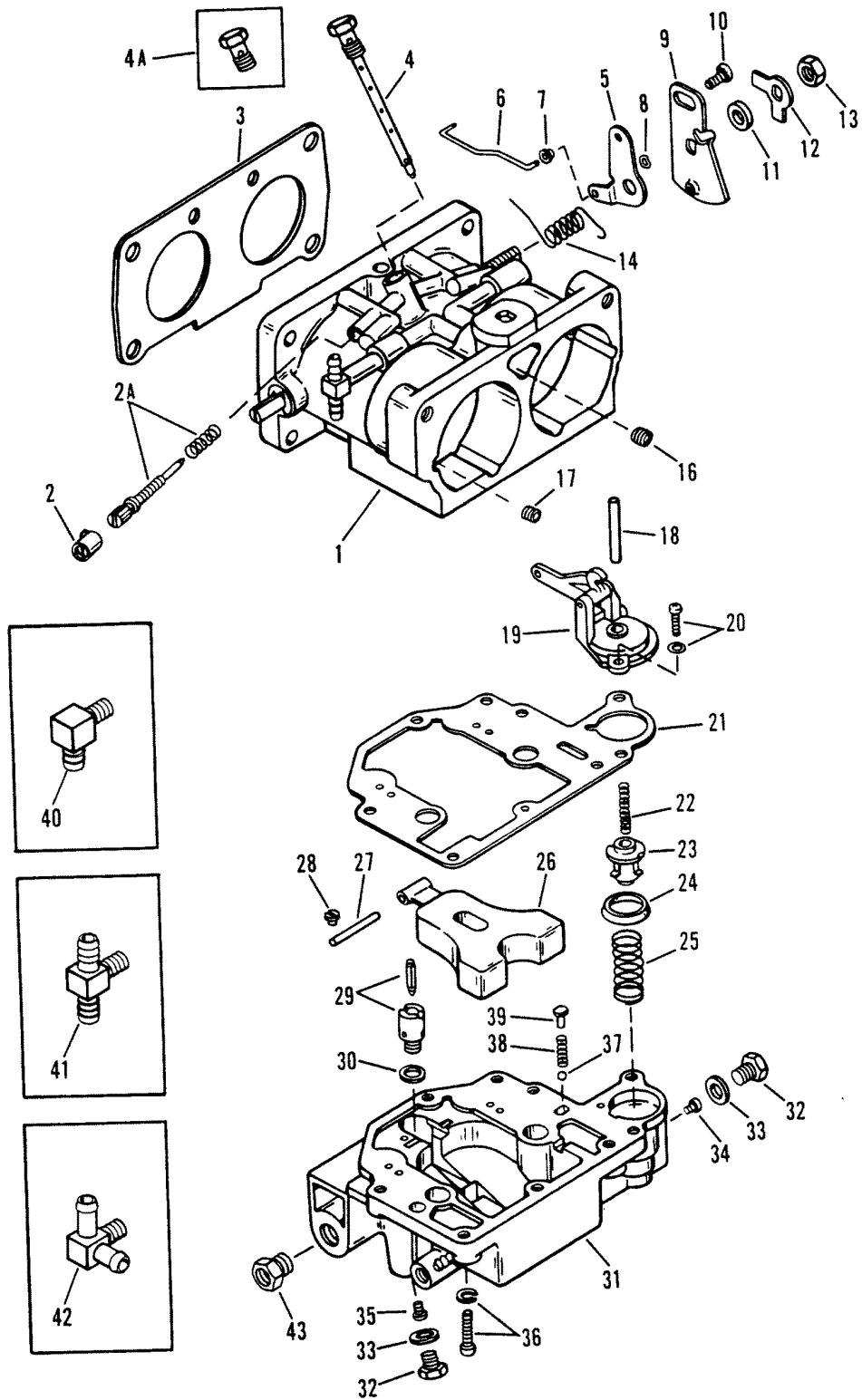
FUEL LINES



FUEL LINES

REF. NO.	PART NO.	SYM.	QTY.	DESCRIPTION
1	42859A2		1	ENRICHNER VALVE
2	54-63300--1		1	CLAMP
3	10-73286		1	SCREW
4	45915		1 OR 2	TERMINAL BLOCK
5	10-69079		1 OR 2	SCREW (7/16")
6	10-62568		1 OR 2	SCREW (3/8")
7	32-99126-88		2	FUEL LINE
8	32-99128-78		2	FUEL LINE
9	32-99130122		1	FUEL LINE
10	32-77457--2		2	FUEL LINE
11	54-816311		AR	STA-STRAP
12	27-67751		3	GASKET
13	11-20184		12	NUT, CARB MOUNTING
14	35-818700		1	FUEL FILTER
15	54-815504104		2	CLAMP
16	54-53020		1	CLIP
17	10-69028		1	SCREW
18	12-29245		2	WASHER
19	11-35888		1	NUT
20	32-77457--2		1	HOSE
21	18018A1		1	FUEL PUMP KIT
22	22-70834		2	BAYONET

CARBURETOR ASSEMBLY

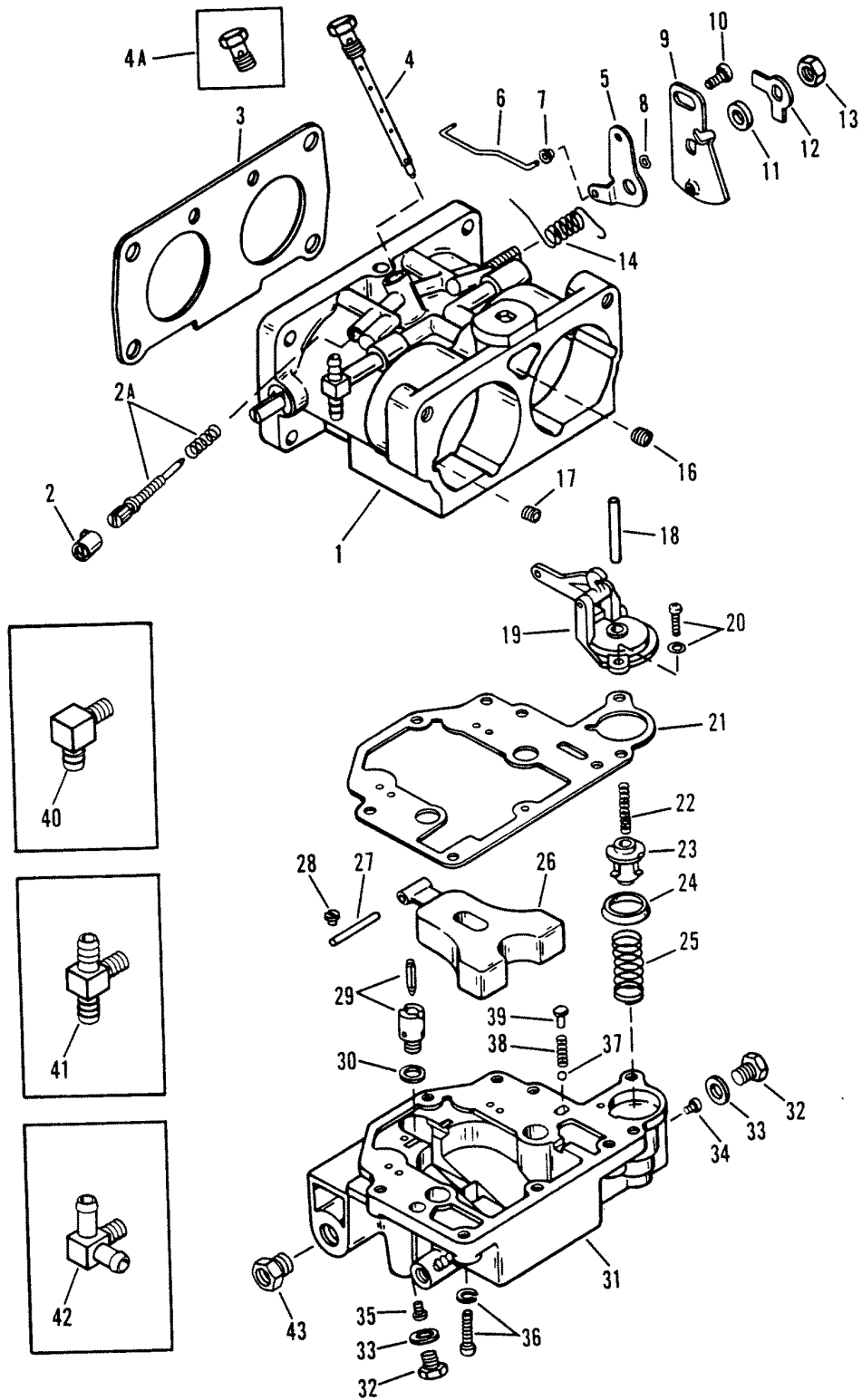


CARBURETOR ASSEMBLY

REF. NO.	PART NO.	SYM.	QTY.	DESCRIPTION
1	3308-9672A57		1	CARBURETOR (TOP)
	3308-9672A58		1	CARBURETOR (CENTER)
	3308-9672A59		1	CARBURETOR (BOTTOM)
2	810779		6	LIMTER CAP
2A			6	IDLE MIXTURE SCREW/SPRING
3	27-67751		3	GASKET
4	810743		3	EMULSION TUBE (WMH-7)
4A	1395-811803		3	RETAINER PLUG
5	810748		3	ACCELEAOR LEVER ASSEMBLY
6	810723		3	ACCELERATOR LINK
7			3	BUSHING
8			6	RING
9	810721		2	THROTTLE LEVER (TOP/CENTER)
	810722		1	THROTTLE LEVER (BOTTOM)
10			3	SCREW
11	1395-811284		3	SPACER
12	12-810745		3	WASHER
13	11-810744		3	NUT
14			3	SPRING
16	19266040		3	JET,IDLE AIR BLEED (.040 - WMH-7)
	1399-5315		3	JET,IDLE AIR BLEED (.042 - WMH-18A)
17	1399-3251		6	JET, PROGRESSION (.034 - WMH-7)
	815633070		6	JET,PROGRESSION (.070 - WMH-18A)
18	17-810747		3	STEM
19	810737		3	COVER ASSEMBLY
20			6	SCREW
21			3	GASKET
22			3	SPRING
23	810762		3	PUMP CUP ASSEMBLY
24			3	CUP
25			3	SPRING
26	810738		3	FLOAT
27			3	FLOAT SHAFT
28			3	SCREW
29	810739		3	VALVE SEAT KIT
30			3	GASKET
31	810729		1	FUEL BOWL (W/FITTING)(TOP) WMH-7
	810734		2	FUEL BOWL (CENTER/BOTTOM)
	1395-811932		1	FUEL BOWL (TOP) WMH-18A
	1395-811931		2	FUEL BOWL (CENTER/BOTTOM)
32	1395-9596		12	PLUG
33			12	GASKET
34	1399-3794		6	JET,MAIN FUEL (.074)(BREAK IN) WMH-7

CONTINUED ON NEXT PAGE ➡

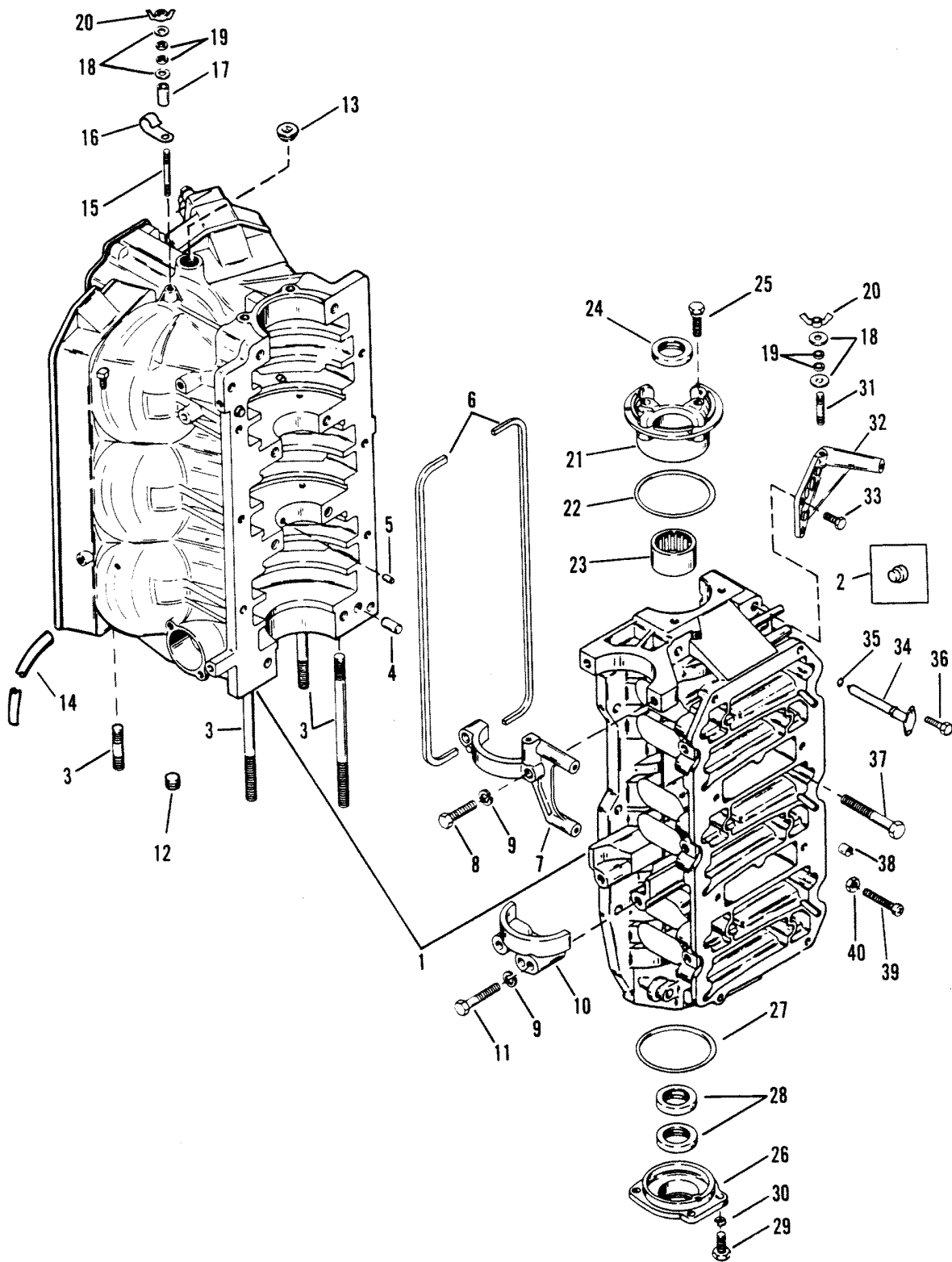
CARBURETOR ASSEMBLY



CARBURETOR ASSEMBLY

REF. NO.	PART NO.	SYM.	QTY.	DESCRIPTION
34	1395-6029		6	JET,MAIN FUEL (.068)(RUN)
	1399-3796		6	JET,MAIN FUEL (.076 - BREAK IN) WMH-18A
	1395-6207		6	JET,MAIN FUEL (.072 - RUN)
35	1395-811283		6	POWER JET (WMH-7)
	1395-811804		6	POWER JET (WMH-18A)
36			15	SCREW
37			3	METERING BALL
38			3	METERING SPRING
39			3	RETAINER
40	22-816875		1	ELBOW (TOP)
41	22-816876		1	TEE (CENTER)
42	22-94282		1	ELBOW (SPECIAL)(BOTTOM)
43	22-28586		3	ADAPTOR

CYLINDER BLOCK AND END CAPS

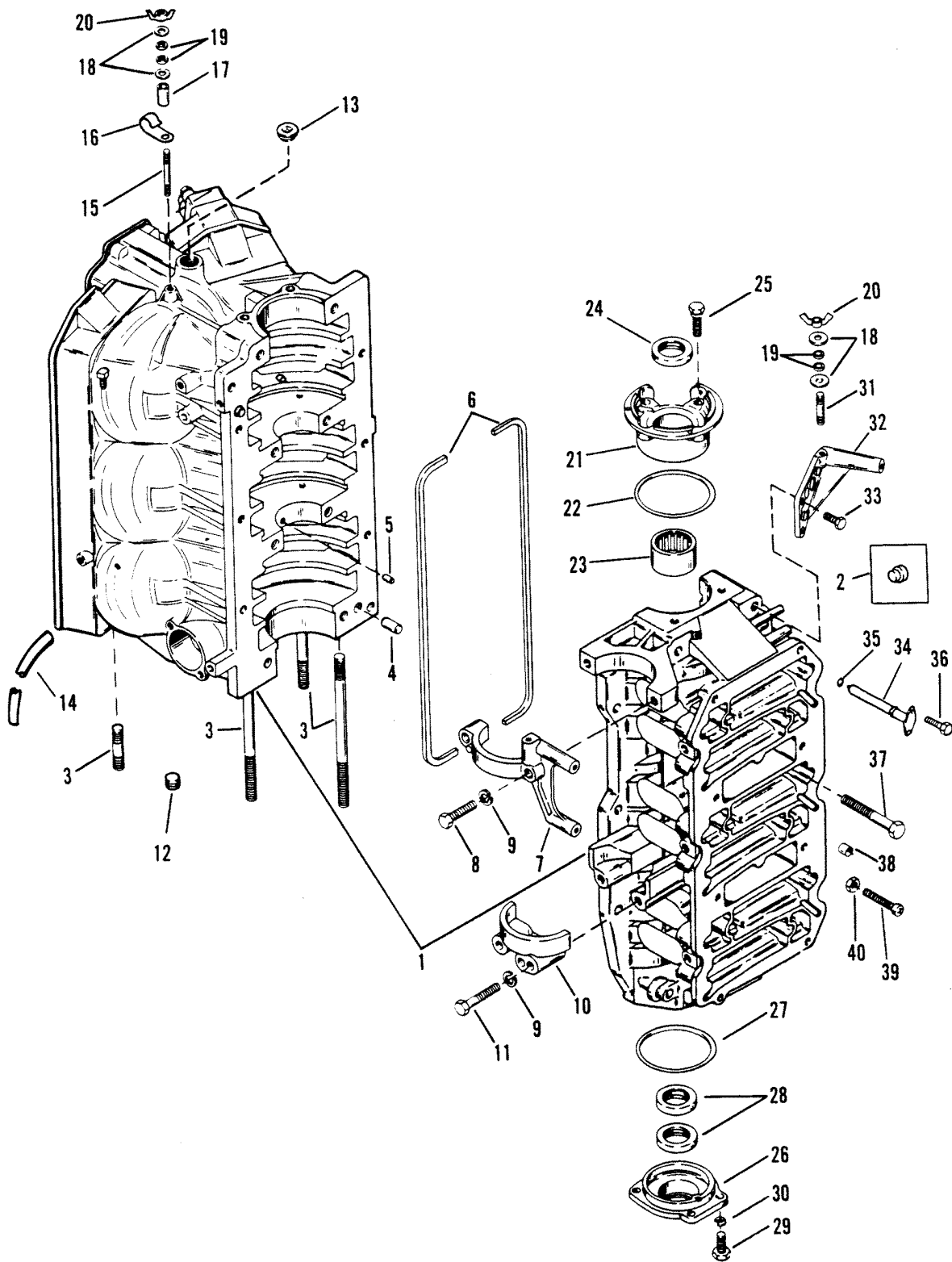


CYLINDER BLOCK AND END CAPS

REF. NO.	PART NO.	SYM.	QTY.	DESCRIPTION
1	884-9765A10		1	CYLINDER BLOCK
2	22-56800		1	PIPE PLUG
3	16-847530		AR	STUD (2")
	16-847529		AR	STUD (2-1/2")
	16-96908		AR	STUD (2-3/16")
	16-847532		AR	STUD (5-3/4")
	16-96909		AR	STUD (7")
4	17-20033		3	DOWEL PIN
5	17-67296		2	DOWEL PIN (BEARING RACE)
6	27-11338		2	GASKET
7	42249		1	COVER (UPPER)
8	10-90086		2	SCREW (1-1/2")
9	13-26993		4	LOCKWASHER (OLD DESIGN)
10	76867		1	COVER (LOWER)
11	10-815549		2	SCREW (2")
12	22-32561		1	PIPE PLUG
13	22-38407		1	PLUG (WATER JACKET)
14	32-99127109		2	TUBE
15	16-15094		1	STUD (1-7/8")
16	54-63153		1	J-CLAMP
17	23-67269		1	SPACER
18	12-49221--1		6	WASHER
19	12-72761		3	WASHER
20	11-816874		3	NUT
21	1159-9642A1		1	UPPER END CAP ASSEMBLY
22	25-54029		1	O-RING
23	31-16756A4		1	ROLLER BEARING
24	26-41953		1	OIL SEAL
25	10-69034		4	SCREW (1")
26	1156-7809A1		1	LOWER END CAP ASSEMBLY
27	25-62700		1	O-RING
28	26-41953		2	OIL SEAL
29	10-28636		4	SCREW (3/4")
30	13-26992		4	LOCKERWASHER
31	16-15093		2	STUD (1")
32	42248		1	BRACKET
33	10-28636		2	SCREW (3/4")
34	43453		1	PLUG
35	25-32509		1	O-RING
36	10-41506		2	SCREW

CONTINUED ON NEXT PAGE ➡

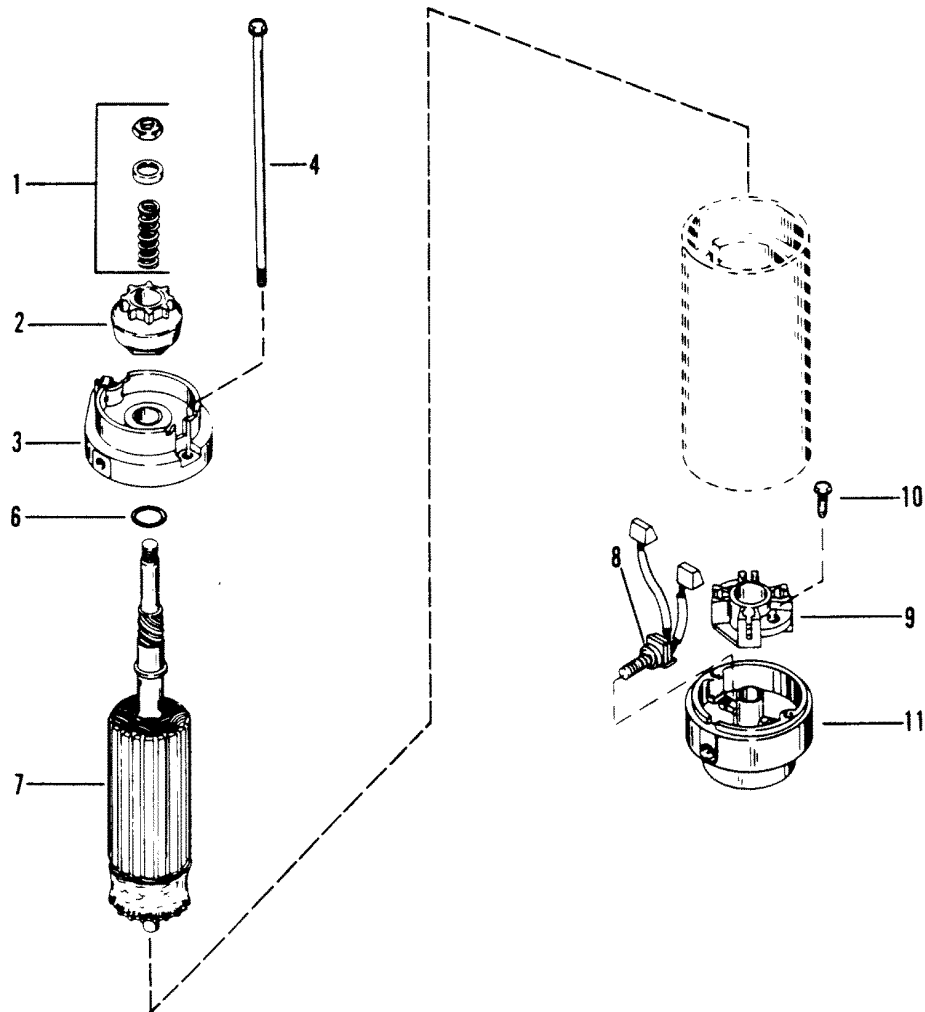
CYLINDER BLOCK AND END CAPS



CYLINDER BLOCK AND END CAPS

REF. NO.	PART NO.	SYM.	QTY.	DESCRIPTION
37	10-66717		8	SCREW (3-1/4")
	10-74824		6	SCREW (1-1/4")
38	26852		1	CAP
39	10-64022		1	ASJUSTING SCREW
40	11-64015		1	JAM NUT

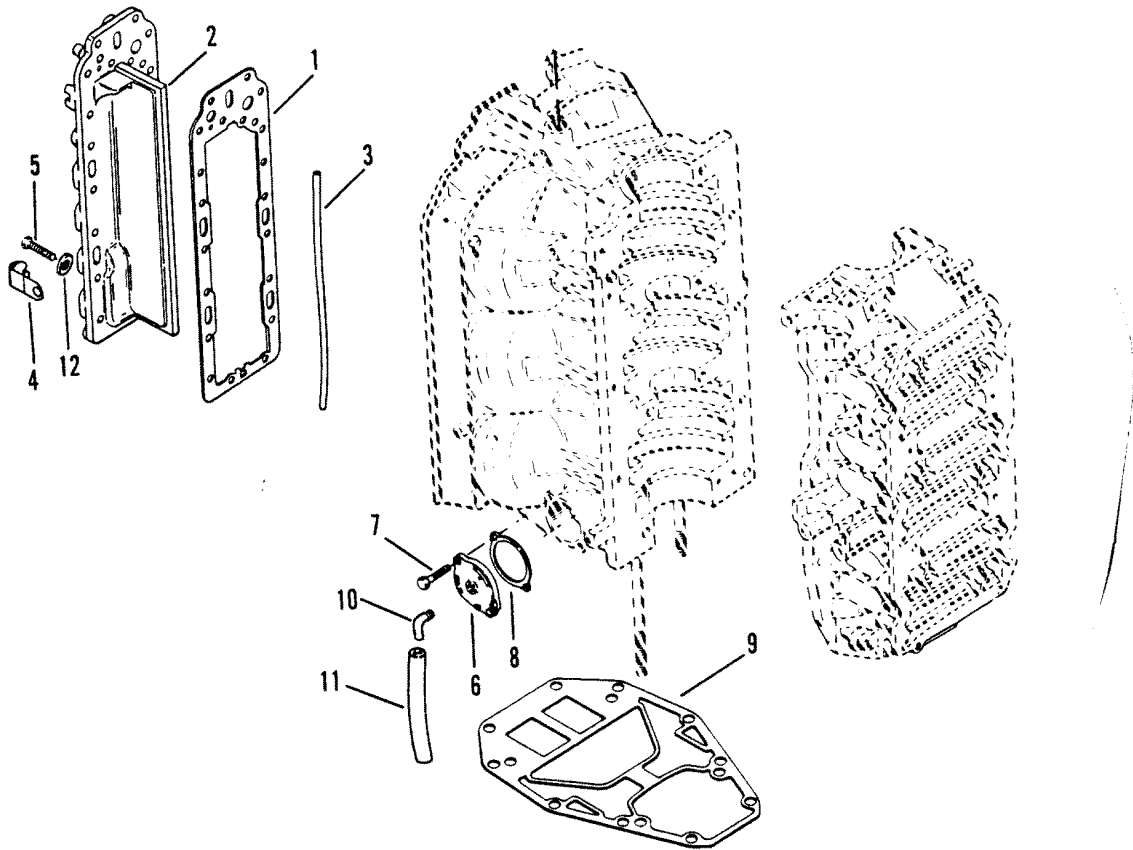
STARTER MOTOR ASSEMBLY



STARTER MOTOR ASSEMBLY

REF. NO.	PART NO.	SYM.	QTY.	DESCRIPTION
-	50-79472		1	STARTER MOTOR ASSEMBLY
1	90645		1	DRIVE KIT
2	75661		1	DRIVE
3	75660		1	PLATE
4	10-74968		2	THRU BOLT
6	N.S.S.		1	WASHER (AMERICAN BOSCH #WA3122)
7	79216		1	ARMATURE
8	75384		1	BRUSH SET
9	61787		2	BRUSH HOLDER
10	N.S.S.		2	SCREW (AMER. BOSCH #02441-22-SC-30SM)
11	15386		1	END CAP

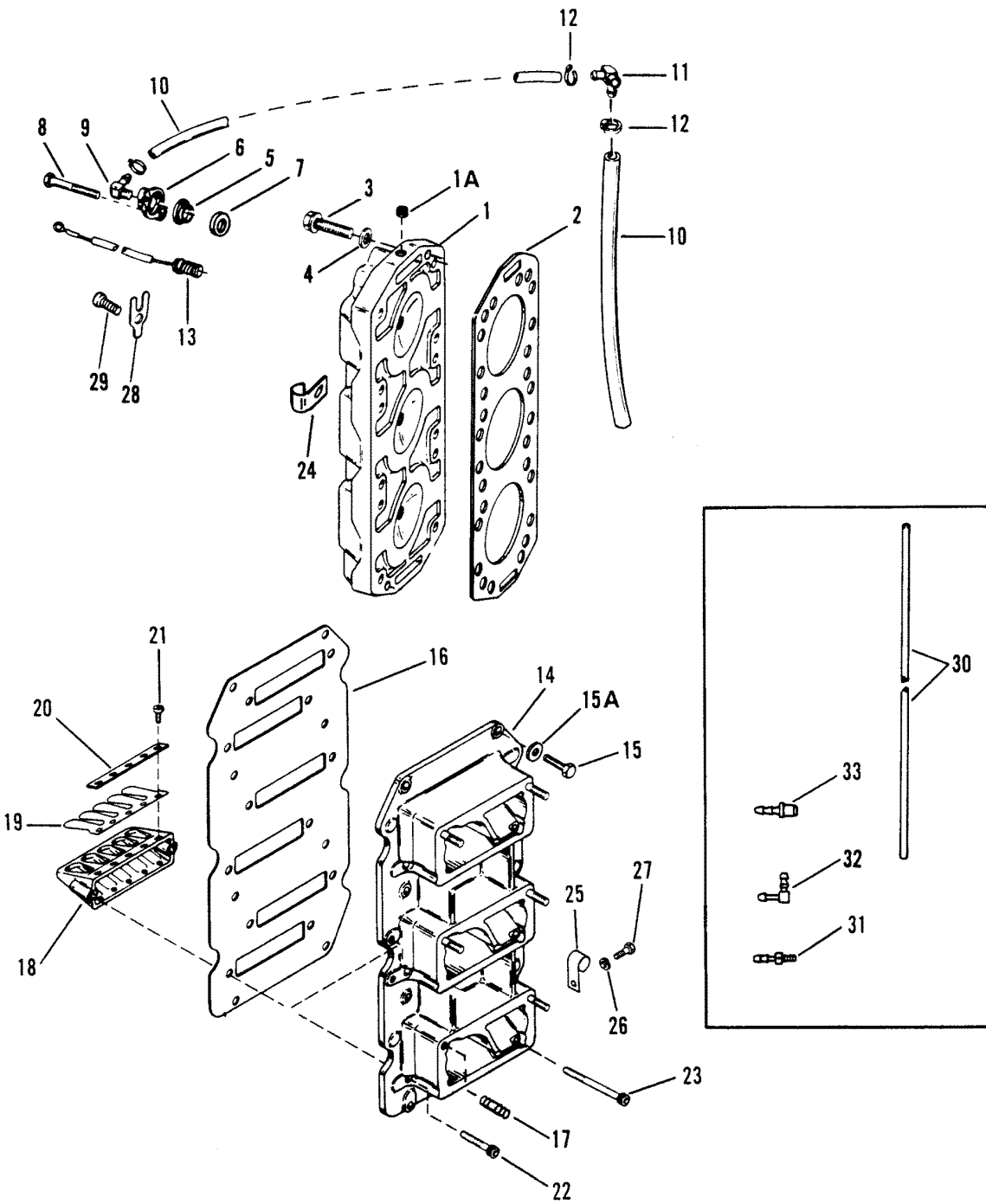
EXHAUST MANIFOLD



EXHAUST MANIFOLD

REF. NO.	PART NO.	SYM.	QTY.	DESCRIPTION
1	27-847525		1	GASKET
2	847609--1		1	DIVIDER PLATE
3	26-814754		1	SEAL
4	54-814634		2	J-CLAMP
5	10-818146		2	SCREW (7/8")
	10-818158		18	SCREW (1-3/8")
6	99193		1	COVER
7	10-28782		2	SCREW
8	27-88907		2	GASKET
9	27-99776--1		2	GASKET
10	22-68727		1	FITTING
11	32-77457--2		1	HOSE
12	12-847526		20	WASHER

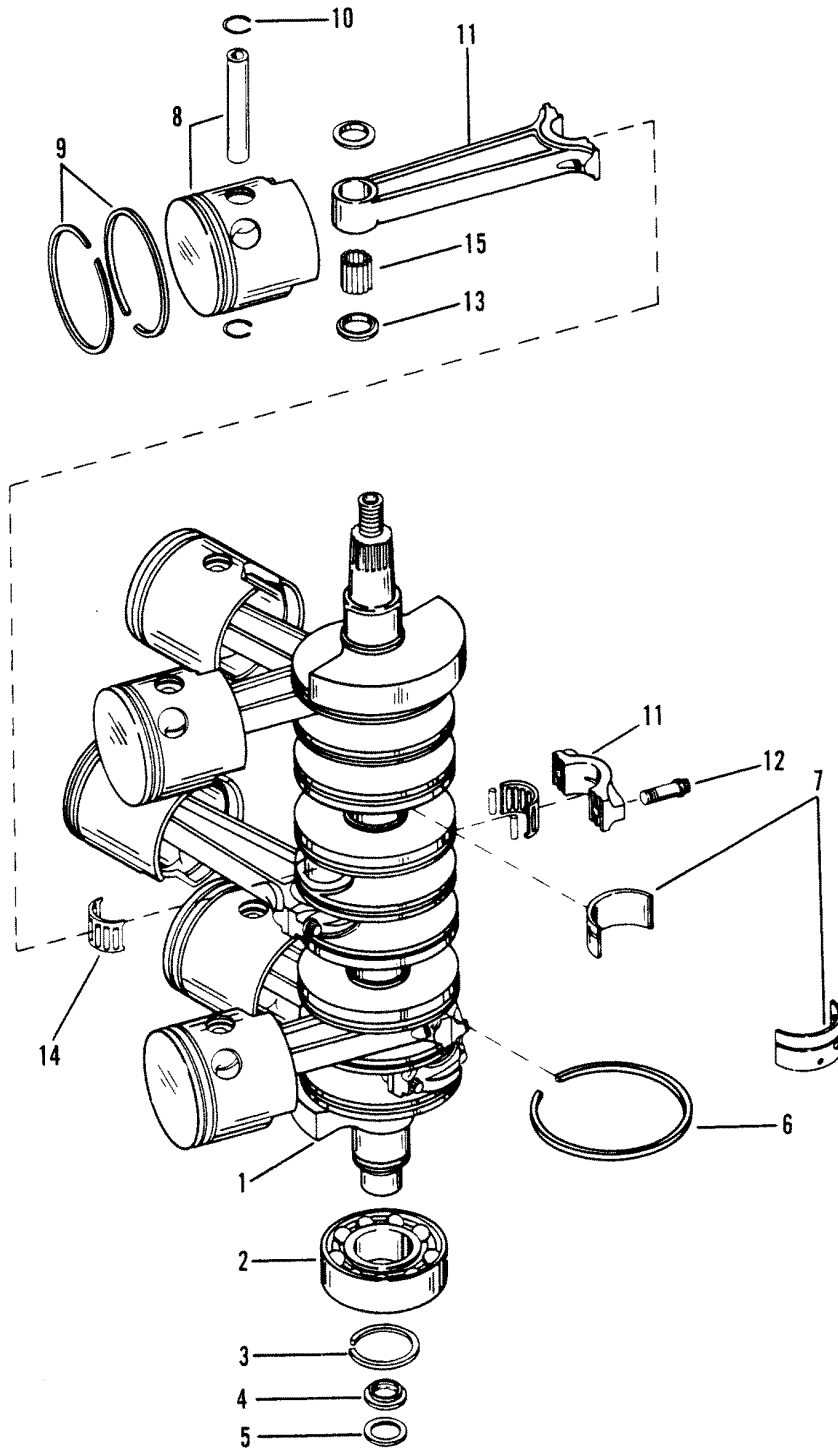
REED BLOCK AND CYLINDER HEAD



REED BLOCK AND CYLINDER HEAD

REF. NO.	PART NO.	SYM.	QTY.	DESCRIPTION
1	18787--5		2	CYLINDER HEAD (2 BOLT MAIN)
	18787A2		2	CYLINDER HEAD-4 BOLT MAIN
1A	22-32802		2	PLUG -4 BOLT MAIN
2	27-18785--1		2	GASKET
3	10-94929		24	SCREW
4	12-822838		24	WASHER
5	27-62386		2	GASKET
6	90390A1		2	COVER
7	12-47533--1		2	WASHER, SUBSTITUTE FOR THERMOSTAT
8	10-37562		2 OR 4	SCREW (1")
	10-38837		2	SCREW (1-1/8")
9	22-68727		1	FITTING
10	32-77457--2		2	HOSE 2
11	22-68728		1	FITTING
12	54-816311		AR	STA-STRAP
13	97465		1	TEMPERATURE SENDER
14	43657A3		1	REED BLOCK HOUSING
15	10-76630		8	SCREW
15A	12-39143		8	WASHER
16	27-14697--2		1	GASKET
17	16-27037		12	STUD, CARB MOUNTING
18	75953		6	REED BLOCK
19	34-14594A1		6	REED ASSEMBLY
20	96183--2		12	REED CLAMP
21	10-18308		60	SCREW
22	10-92160		6	SCREW (3/4")
23	10-96529		6	SCREW (1-1/8")
24	54-78945--1		1	J-CLAMP (1/2" DIA.)
	54-64235--2		1	J-CLAMP (1/5" DIA.)
25	54-23567		1	CLIP
26	69205		1	C-WASHER
27	10-69079		1	SCREW
28	13715		1	RETAINER
29	10-88743		1	SCREW
30	32-66285-70		1	BLEED HOSE
31	22-56759		5	FITTING (PRESS-IN)
32	22-15133		6	ELBOW (PRESS-IN)
33	21-42698		7	CHECK VALVE (13/16"CRANKCASE BOTTOM/SIDE)
	21-42623		1	CHECK VALVE (11/16"CRANKCASE TOP)

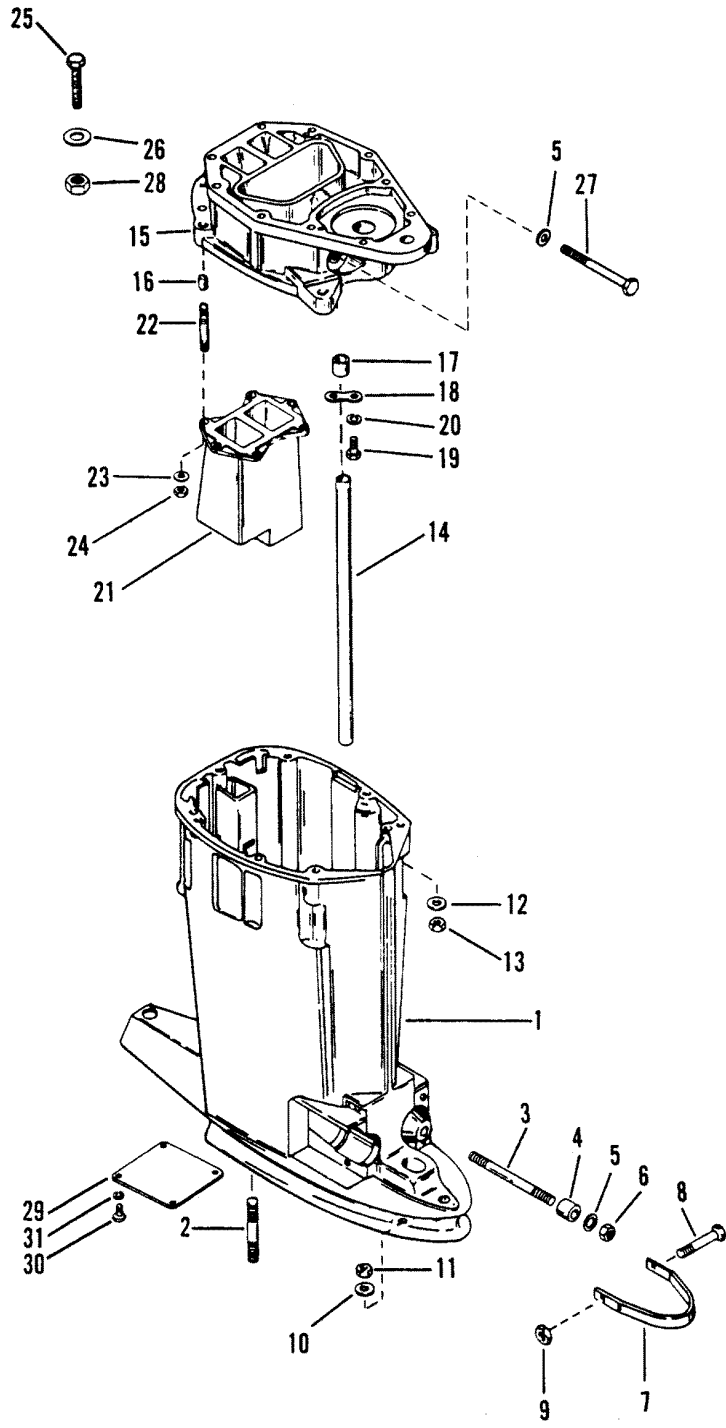
CRANKSHAFT, PISTONS AND CONNECTING RODS



CRANKSHAFT, PISTONS AND CONNECTING RODS

REF. NO.	PART NO.	SYM.	QTY.	DESCRIPTION
1	455-9536A5		1	CRANKSHAFT ASSEMBLY
2	30-67923		1	BALL BEARING
3	53-67446		1	RETAINING RING
4	54196A6		1	CARRIER ASSEMBLY
5	65800		1	SEAL
6	39-67377--1		8	SEALING RING
7	31-16756A5		2	ROLLER BEARING
8	765-7441A35		3	PISTON ASSEMBLY (STARBOARD) STANDARD
	765-7442A35		3	PISTON ASSEMBLY (PORT) STANDARD
	765-7443A13		3	PISTON ASSEMBLY (STARBOARD) .015 O.S.
	765-7444A13		3	PISTON ASSEMBLY (PORT) .015 O.S.
	765-7445A13		3	PISTON ASSEMBLY (STARBOARD) .030 O.S.
	765-7446A13		3	PISTON ASSEMBLY (PORT) .030 O.S.
9	39-816465A12		1	PISTON RING (STANDARD)
	39-818862A1		6	PISTON RING (.015 O.S.)
	39-818875A1		6	PISTON RING (.030 O.S.)
10	40-52035		12	LOCK RING
11	636-8119A6		6	CONNECTING ROD ASSEMBLY
12	10-93886		12	SCREW
13	12-47247		12	WASHER
14	31-821146A1		6	ROLLER BEARING
15	29-67483		174	NEEDLE BEARING

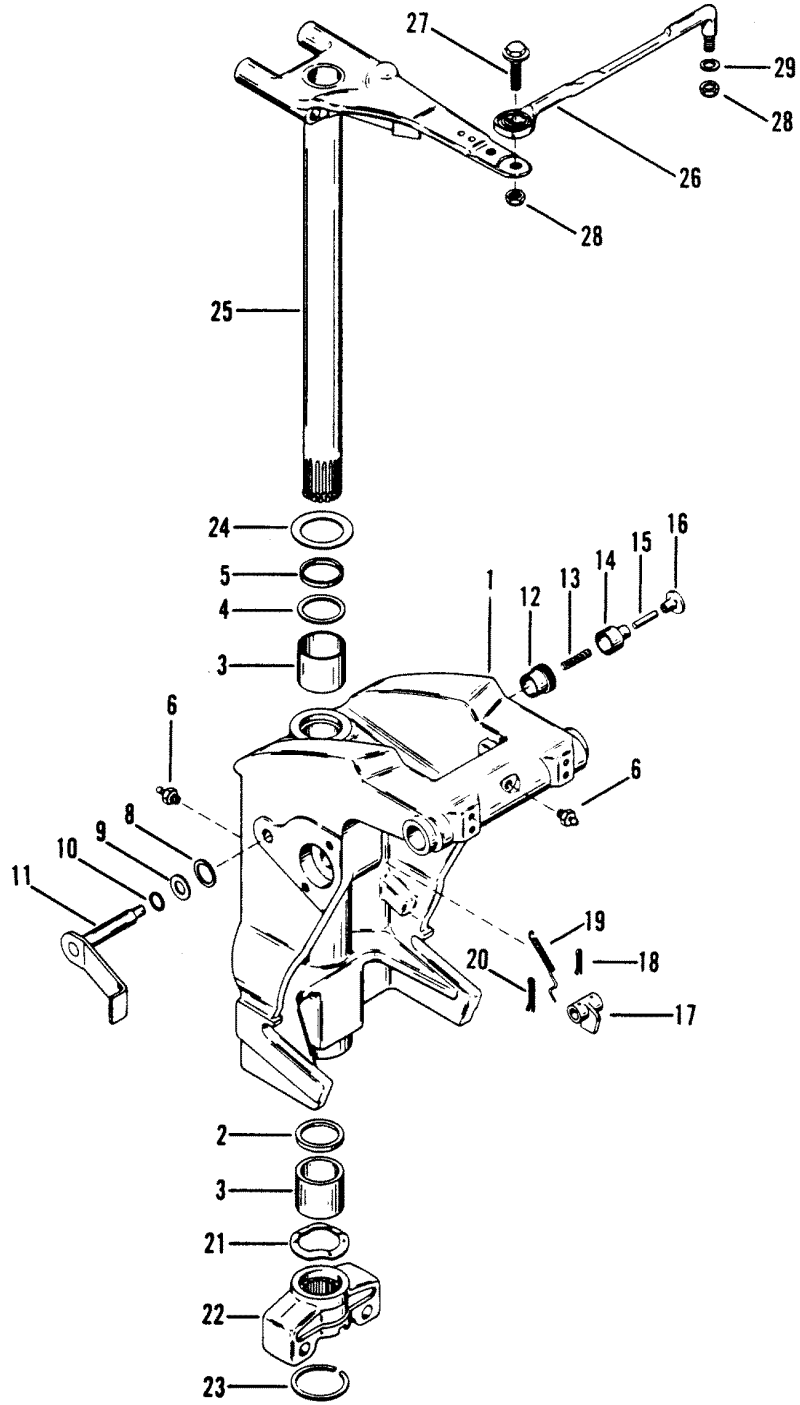
DRIVE SHAFT HOUSING



DRIVE SHAFT HOUSING

REF. NO.	PART NO.	SYM.	QTY.	DESCRIPTION
1	1581-8683A15		1	DRIVE SHAFT HOUSING ASSEMBLY (BLACK)
	1581-8683A24		1	DRIVE SHAFT HOUSING ASSEMBLY (GRAY)
2	16-56295		2	STUD
3	16-816055		2	STUD
4	23-816057		2	SPACER (BLACK)
	23-816057--1		2	SPACER (GRAY)
5	12-816056		4	WASHER
6	11-28040		2	NUT
7	67703		1	STRAP (BLACK)
	67703--1		1	STRAP (GRAY)
8	10-67769		1	SCREW
9	11-25269		1	NUT
10	12-822836		3	WASHER
11	11-34933		3	NUT
12	12-822838		10	WASHER
13	11-34932		8	NUT (FULL)
	11-34863		2	NUT (THIN)
14	32-67295		1	WATER TUBE
15	42732A2		1	PLATE ASSEMBLY (BLACK)
	42732A5		1	PLATE ASSEMBLY (GRAY)
16	17-20033		4	DOWEL PIN
17	26-38970		1	SEAL
18	44260		1	RETAINER
19	10-28636		1	SCREW
20	13-26992		1	LOCKWASHER
21	41941		1	DIFFUSER
22	16-58893		6	STUD
23	12-20533		6	WASHER
24	11-30506		6	NUT
25	10-91903		3	SCREW (1-3/4")
	10-92913		2	SCREW (3/4")
26	10-822836		5	WASHER
27	10-13212--1		2	SCREW
28	11-34933		5	NUT
29	818261		1	EXHAUST BLOCK-OFF PLATE
30	10-28635		4	SCREW
31	13-26992		4	LOCKWASHER

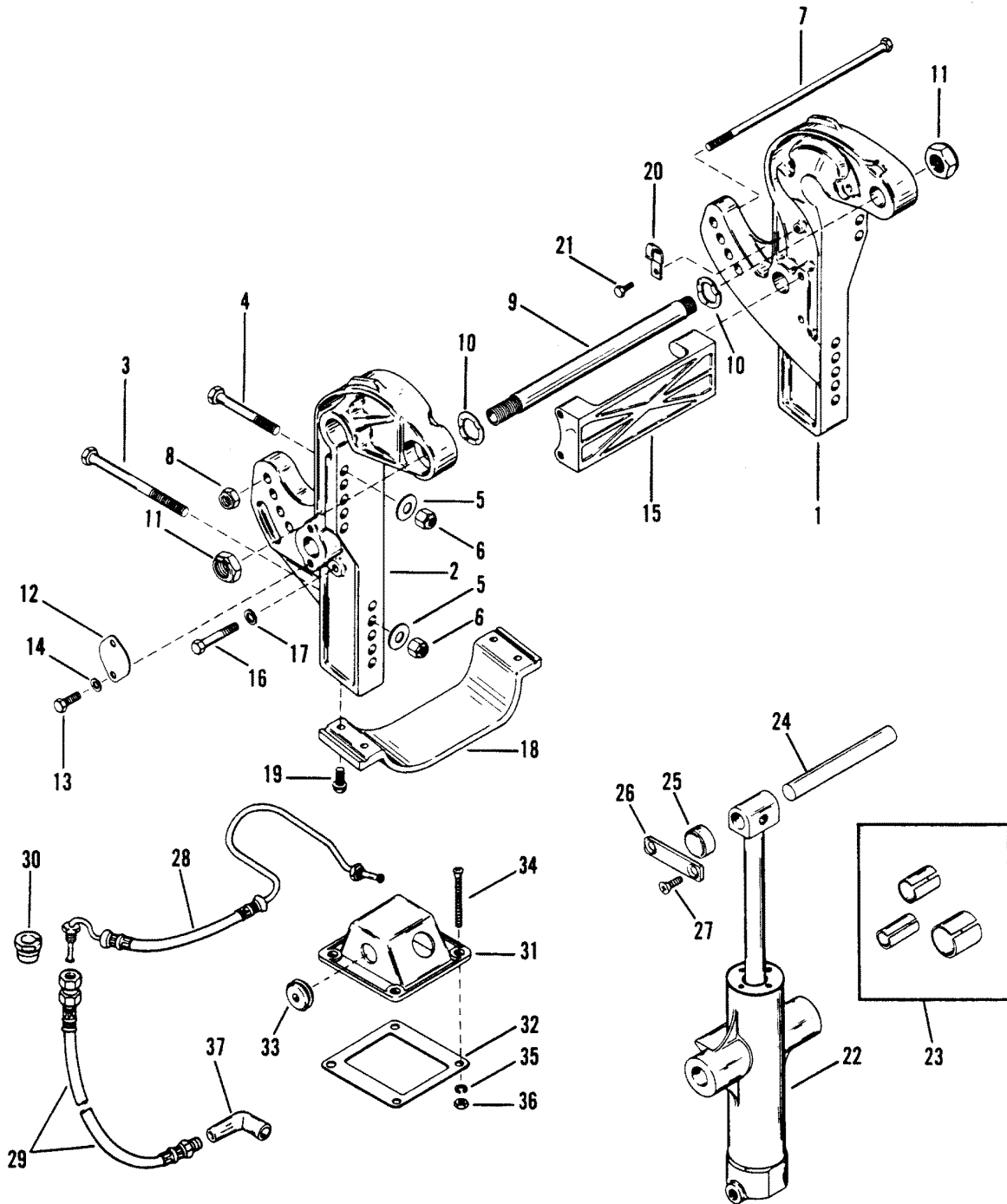
SWIVEL BRACKET AND STEERING ARM



SWIVEL BRACKET AND STEERING ARM

REF. NO.	PART NO.	SYM.	QTY.	DESCRIPTION
1	1491-9225A3		1	SWIVEL BRACKET ASSEMBLY (BLACK)
	1491-9225A4		1	SWIVEL BRACKET ASSEMBLY (GRAY) 1
2	26-87735		1	OIL SEAL
3	23-818764		2	BUSHING
4	25-33466		1	O-RING
5	23-67668		1	SPACER
6	22-74036		4	GREASE FITTING
8	26-85023		2	OIL SEAL
9	12-87161		2	9 WASHER
10	25-48171		2	O-RING
11	85030A2		1	TILT LOCK LEVER (PORT)
	85028A2		1	TILT LOCK LEVER (STARBOARD)
12	23-86600		1	BUSHING
13	24-85367		1	SPRING
14	41052		1	PLUNGER
15	16-88876		1	STUD
16	86603		1	KNOB
17	86475--1		1	COUPLING
18	17-69745		2	PIN
19	24-88049		1	SPRING
20	18-93861		1	COTTER PIN
21	13-78854		1	WAVE WASHER
22	86580A1		1	BOTTOM YOKE (BLACK)
	86580A2		1	BOTTOM YOKE (GRAY)
23	53-67684		1	RETAINING RING
24	12-67670		1	THRUST WASHER
25	17-67706A46		1	SWIVEL PIN AND STEERING ARM (BALCK)
	17-67706A47		1	SWIVEL PIN AND STEERING ARM (GRAY)
26	92876A1		1	STEERING LINK
27	10-14000		1	SCREW (1-1/4")
28	11-34863		2	NUT
29	12-34931		2	WASHER

TRANSOM BRACKETS AND TRIM CYLINDER

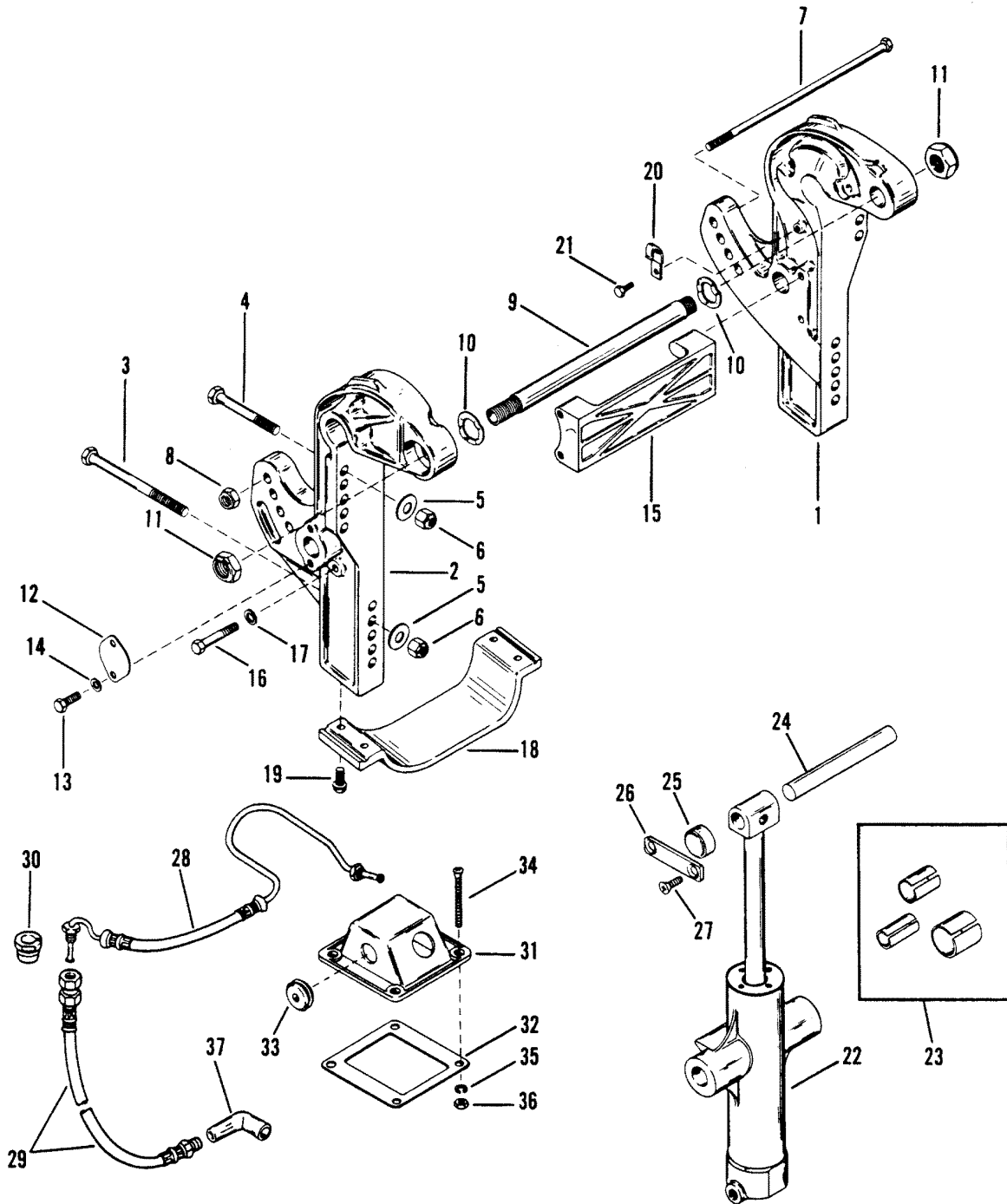


TRANSOM BRACKETS AND TRIM CYLINDER

REF. NO.	PART NO.	SYM.	QTY.	DESCRIPTION
1	1494-7476T1		1	TRANSOM BRACKET (PORT) BLACK
2	1495-7478T1		1	TRANSOM BRACKET (STARBOARD) BLACK
1	1494-7476T6		1	TRANSOM BRACKET (PORT) GRAY
2	1495-7478T6		1	TRANSOM BRACKET (STARBOARD) GRAY
3	10-67755--2		2	SCREW (6-1/2")
4	10-67755--1		2	SCREW (4-1/2")
5	12-28421		4	WASHER
6	11-816670		4	NUT
7	10-87180		1	BOLT
8	11-20220		1	NUT
9	99170A1		1	TILT TUBE
10	13-88750		2	WAVE WASHER
11	11-86041		1	NUT (7/8-14)
	11-90068T		1	NUT (1"-14) (BLACK)
	11-90068T6		1	NUT (1"-14) (GRAY)
12	85026T		2	PLATE
13	10-28636		4	SCREW
14	12-29245		4	WASHER
15	85035T		1	SPACER (BLACK)
	85035T6		1	SPACER (GRAY)
16	10-70732		4	SCREW
17	12-29245		4	WASHER
18	89949A1		1	PLATE ASSEMBLY
19	10-89996		4	SCREW
20	54-88512		4	CLAMP
	54-75275		2	CLAMP
21	10-88829		6	SCREW
22	79610A10		1	TRIM CYLINDER (79879A1 REPAIR KIT)
23	23-99813A2		1	BUSHING KIT
24	17-98683		1	PIN
25	98684		2	SPACER
26	15933		2	STRAP
27	10-15934		4	SCREW
28	32-96993		1	HYDRAULIC HOSE (PORT)
	32-96994		1	HYDRAULIC HOSE (STARBOARD)
29	32-89024		1	HYDRAULIC HOSE (PORT)
	32-89023		1	HYDRAULIC HOSE (STARBOARD)
30	25-12602		2	GROMMET
31	87871		1	COVER
32	27-87775		1	GASKET

CONTINUED ON NEXT PAGE ➡

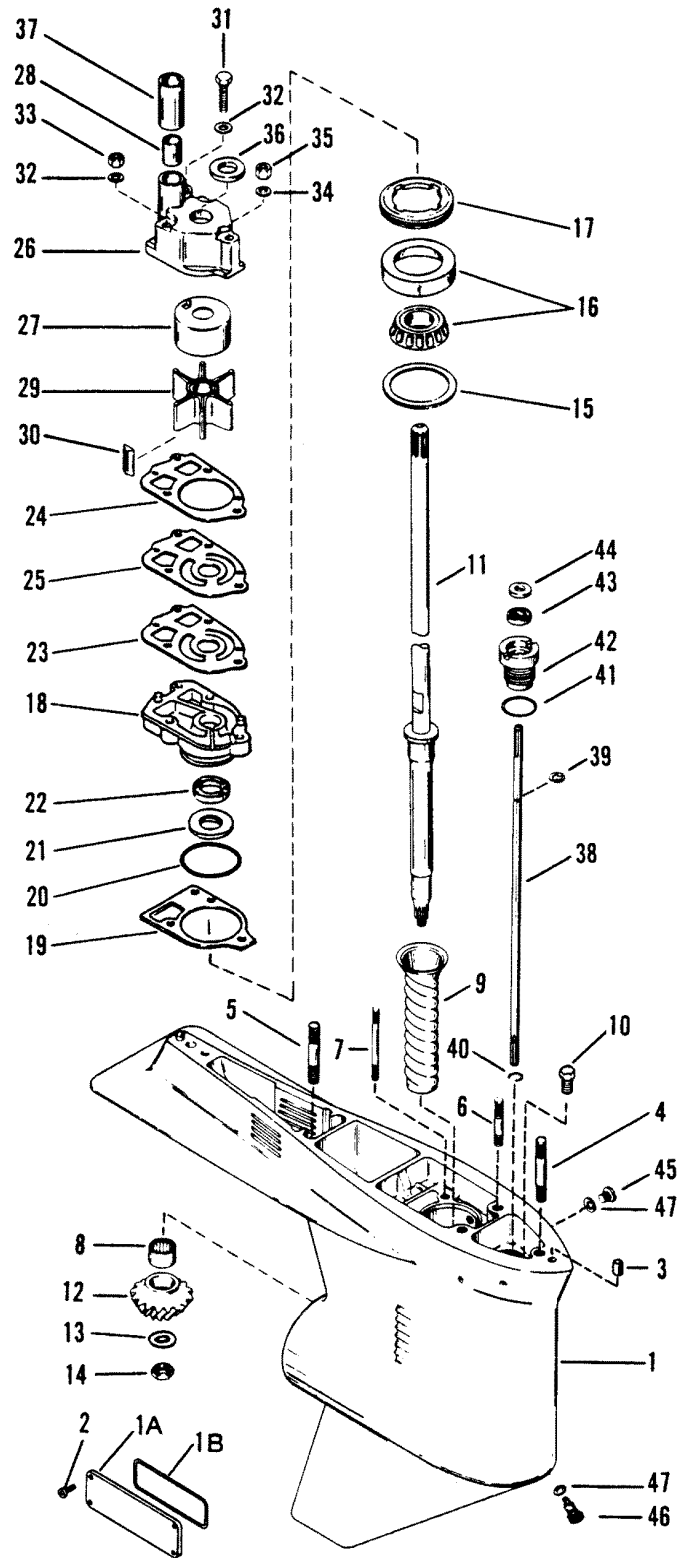
TRANSOM BRACKETS AND TRIM CYLINDER



TRANSOM BRACKETS AND TRIM CYLINDER

REF. NO.	PART NO.	SYM.	QTY.	DESCRIPTION
33	25-45507		1	GROMMET
34	10-32866		4	SCREW
35	12-20878		4	WASHER
36	11-29488		4	NUT
37	22-87207		1	CONNECTOR (OLD DESIGN)

GEAR HOUSING (DRIVE SHAFT)RHR 2-HOLE WATER PICK-UP



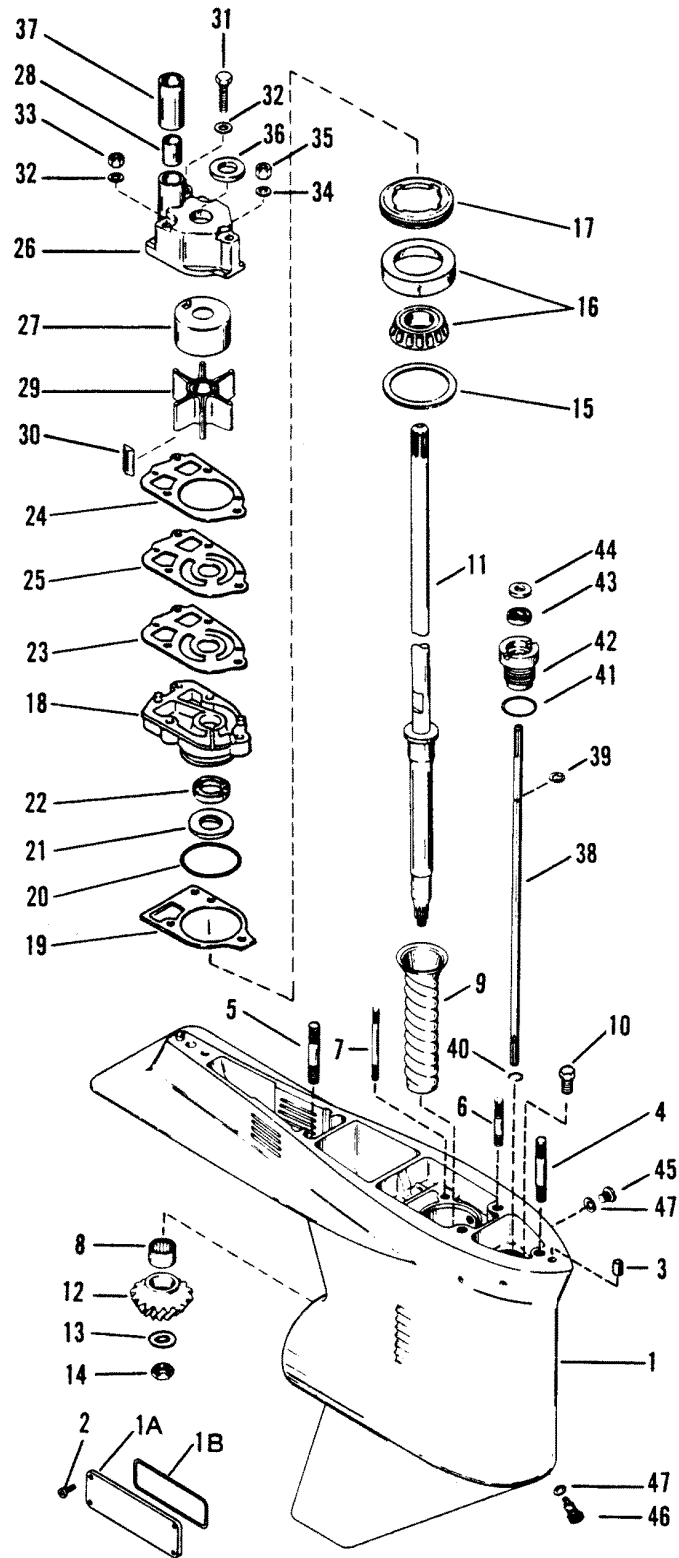
RHR

GEAR HOUSING (DRIVE SHAFT)RHR 2-HOLE WATER PICK-UP

REF. NO.	PART NO.	SYM.	QTY.	DESCRIPTION
-	1647-9561A50		1	GEAR HOUSING (COMPLETE-BLACK-1:87)
-	1647-9561A40		1	GEAR HOUSING (COMPLETE-GRAY-1:87)
-	1647-9561A55		1	GEAR HOUSING (COMPLETE-BLACK-2:1)
-	1647-9561A44		1	GEAR HOUSING (COMPLETE-GRAY-2:1)
1	1647-9561A70		1	GEAR HOUSING (BASIC-BLACK)
	1647-9561A48		1	GEAR HOUSING (BASIC-GRAY)
1A	12144		2	COVER (BLACK)
	12144--1		2	COVER (GRAY)
1B	25-39695		2	O-RING
2	10-815904		8	SCREW
3	17-20033		2	DOWEL PIN
4	16-78638		1	STUD (3-1/8")
5	16-57920		2	STUD (2-1/16")
6	16-56297		1	STUD (3-3/8")
7	16-69501		2	STUD (3-1/4")
8	31-42647A1		1	ROLLER BEARING
9	23-43998		1	SLEEVE
10	22-13820		1	PIPE PLUG
11	45-44000--1		1	DRIVE SHAFT
12	N.S.S.		1	GEAR (PART OF 43-44104A6 OR 43-44102A5)
13	12-92721		1	WASHER
14	11-35921		1	NUT
15	15-42637A1		AR	SHIM ASSEMBLY
16	31-36387A1		1	ROLLER BEARING
17	11-42633		1	NUT
18	46-44292A3		1	WATER PUMP BASE ASSEMBLY
19	27-42631--1		1	GASKET
20	25-90011		1	O-RING
21	26-89238		1	OIL SEAL
22	26-16977		1	OIL SEAL
23	27-18051		1	GASKET (LOWER)
24	27-85609--1		1	GASKET (UPPER)
25	32435		1	FACE PLATE
26	46-96148A1		1	WATER PUMP BODY ASSEMBLY
27	48752		1	INSERT
28	26-38970		1	RUBBER SEAL
29	47-89984		1	IMPELLER
30	28-56654		1	KEY
31	10-96411		1	SCREW (2-1/4")
32	12-29245		2	WASHER
33	11-13438		2	NUT
34	12-36001		1	WASHER
35	11-13436		1	NUT

CONTINUED ON NEXT PAGE ➡

GEAR HOUSING (DRIVE SHAFT)RHR 2-HOLE WATER PICK-UP

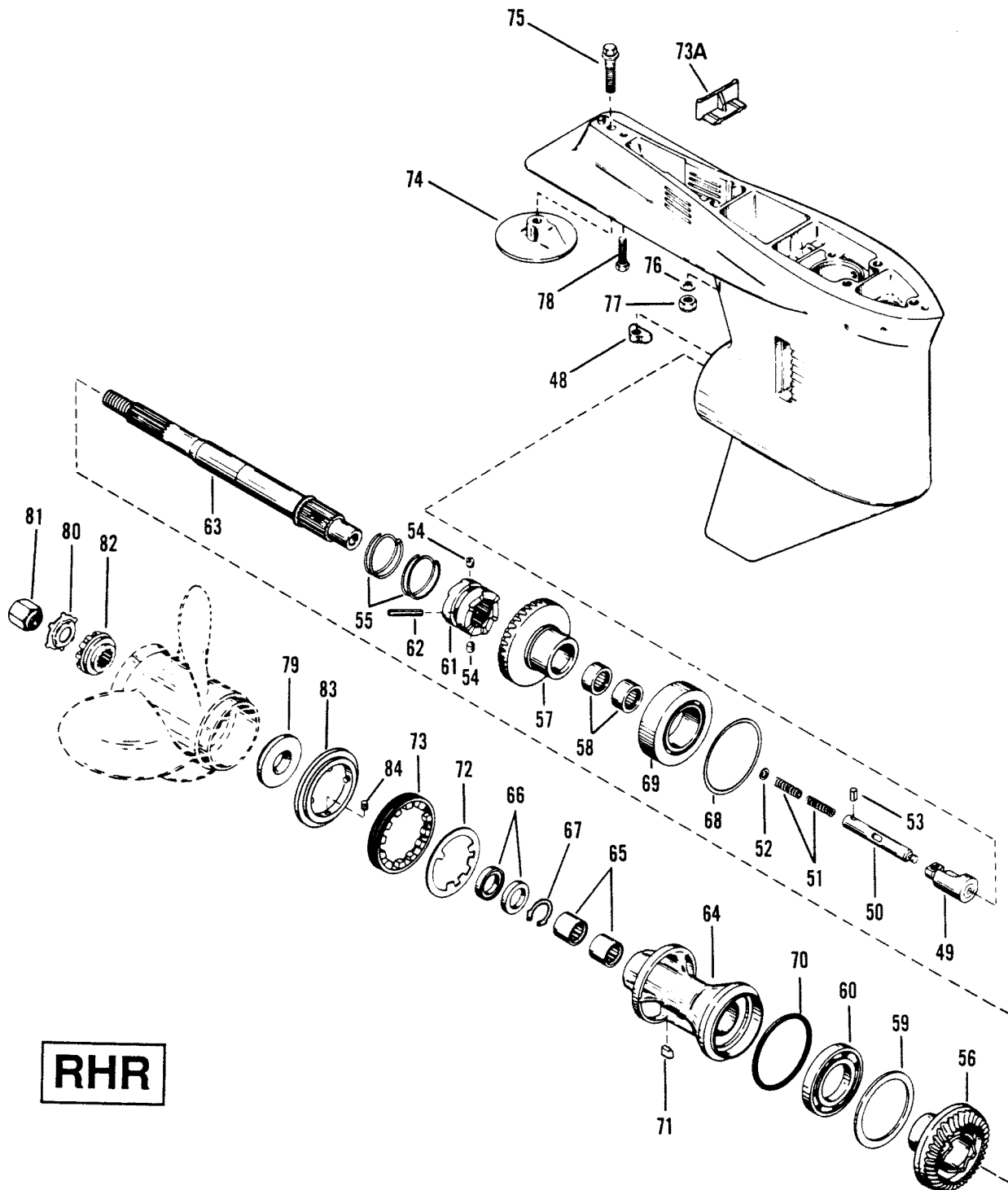


RHR

GEAR HOUSING (DRIVE SHAFT)RHR 2-HOLE WATER PICK-UP

REF. NO.	PART NO.	SYM.	QTY.	DESCRIPTION
36	25-30271		1	RUBBER RING (OLD DESIGN)
37	23-29804		1	SLEEVE
38	78902		1	SHIFT SHAFT (LOWER)
39	53-29641		1	E-RING
40	53-78907		1	RETAINING RING (OLD DESIGN)
41	25-25439		1	O-RING
42	23-77631A2		1	BUSHING ASSEMBLY
43	26-816464--1		1	OIL SEAL
44	12-77674		1	RUBBER WASHER
45	10-79953		1	SCREW
46	10-14834		1	DRAIN SCREW (MAGNETIC)
47	12-19183		2	WASHER

GEAR HOUSING (PROPELLER SHAFT)RHR 2-HOLE WATER PICK-UP



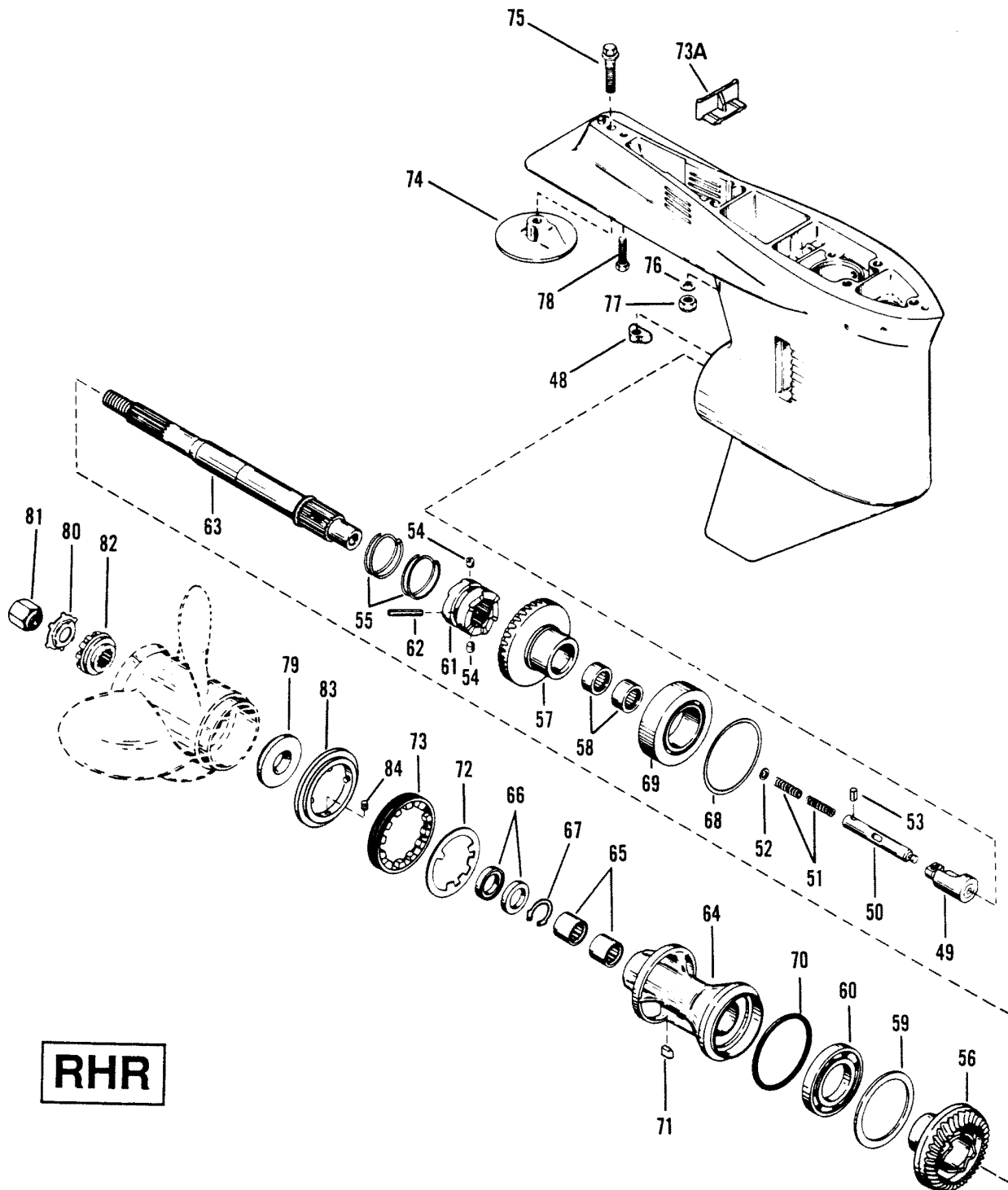
RHR

GEAR HOUSING (PROPELLER SHAFT)RHR 2-HOLE WATER PICK-UP

REF. NO.	PART NO.	SYM.	QTY.	DESCRIPTION
-	1647-9561A50		1	GEAR HOUSING (COMPLETE-BALCK-1:87)
-	1647-9561A40		1	GEAR HOUSING (COMPLETE-GRAY-1:87)
-	1647-9561A55		1	GEAR HOUSING (COMPLETE-BLACK-2:1)
-	1647-9561A44		1	GEAR HOUDING (COMPLETE-GRAY-2:1)
1	1647-9561A70		1	GEAR HOUSING (BASIC-BALCK)
	1647-9561A48		1	GEAR HOUSING (BASIC-GRAY)
48	78956		1	SHIFT CAM
49	89594A1		1	CAM FOLLOWER
50	79911		1	ROD
51	24-79910		2	SPRING
52	12-78910		AR	WASHER
53	17-78906		1	PIN
54	17-78909		2	DETENT PIN
55	24-78962		2	SPRING
56	43-816419A1		1	REVERSE GEAR (1:87)
	43-817683A1		1	REVERSE GEAR (2:1)
57	43-44104A6		1	FORWARD GEAR (1:87)
	43-44102A5		1	FORWARD GEAR (2:1)
58	31-54928--1		2	ROLLER BEARING
59	68100--1		1	THRUST RING
60	30-88957A1		1	BALL BEARING
61	52-42672		1	RATCHET
62	17-42671		1	CROSS PIN
63	44-816418T		1	PROPELLER SHAFT
64	815563A2		1	BEARING CARRIER
65	31-817072		1	ROLLER BEARING
66	26-815565		2	OIL SEAL
67	53-817071		1	SNAP RING
68	15-47397A1		AR	SHIM
69	31-78172A1		1	TAPERED ROLLER BEARING
70	25-31534		1	O-RING
71	28-30281		1	KEY
72	14-79447		1	TAB WASHER
73	15840--1		1	COVER
73A	67981		1	FILLER BLOCK
74	76214		1	ANODIC PLATE
75	10-66024		1	SCREW
76	12-822836		2	WASHER
77	11-34933		2	NUT
78	10-30206		1	SCREW
79	13171		1	THRUST HUB

CONTINUED ON NEXT PAGE ➡

GEAR HOUSING (PROPELLER SHAFT)RHR 2-HOLE WATER PICK-UP

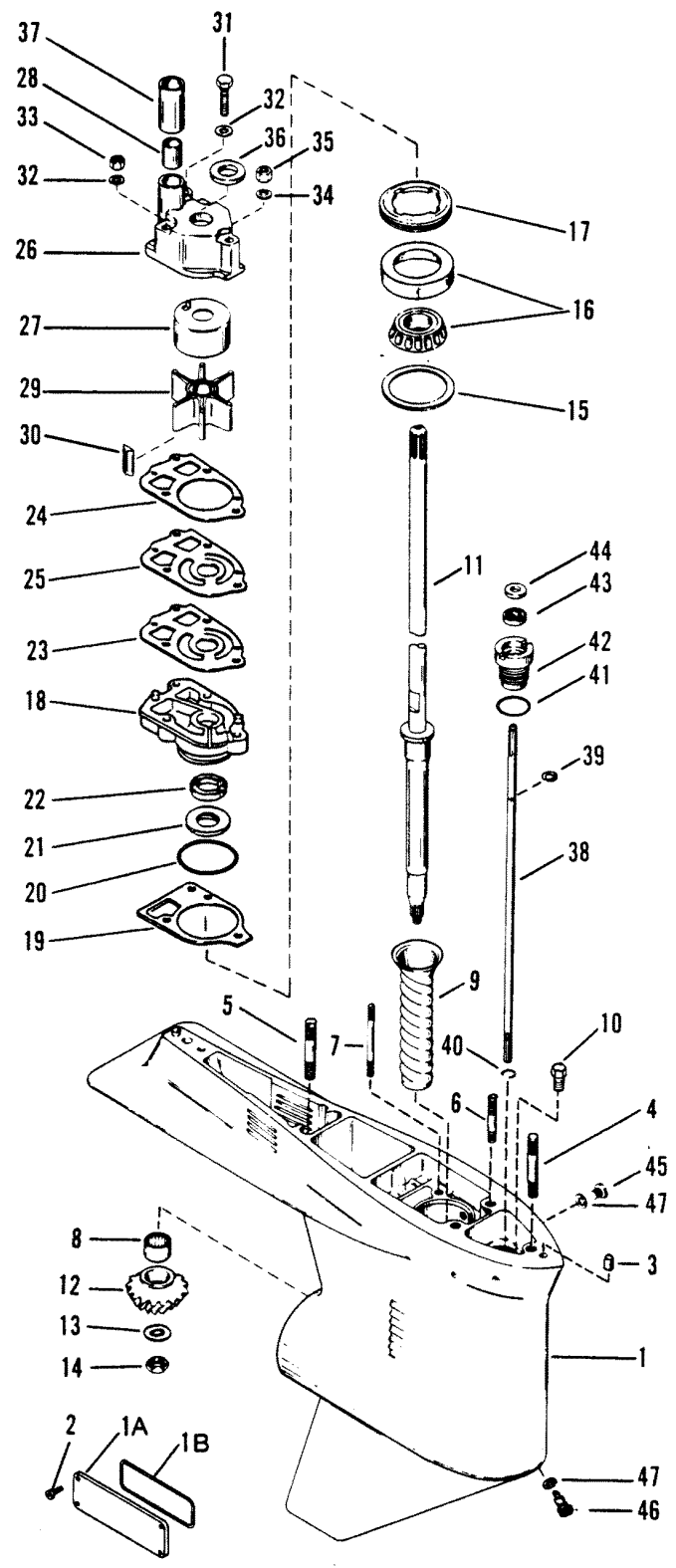


RHR

GEAR HOUSING (PROPELLER SHAFT)RHR 2-HOLE WATER PICK-UP

REF. NO.	PART NO.	SYM.	QTY.	DESCRIPTION
80	14-816629		1	TAB WASHER
81	11-52707A1		1	PROPELLER NUT
82	12-31211A2		1	WASHER
83	821978A1		1	EXHAUST EXTENSION RING
84	10-35057		4	SCREW

GEAR HOUSING (DRIVE SHAFT)LHR 2-HOLE WATER PICK-UP



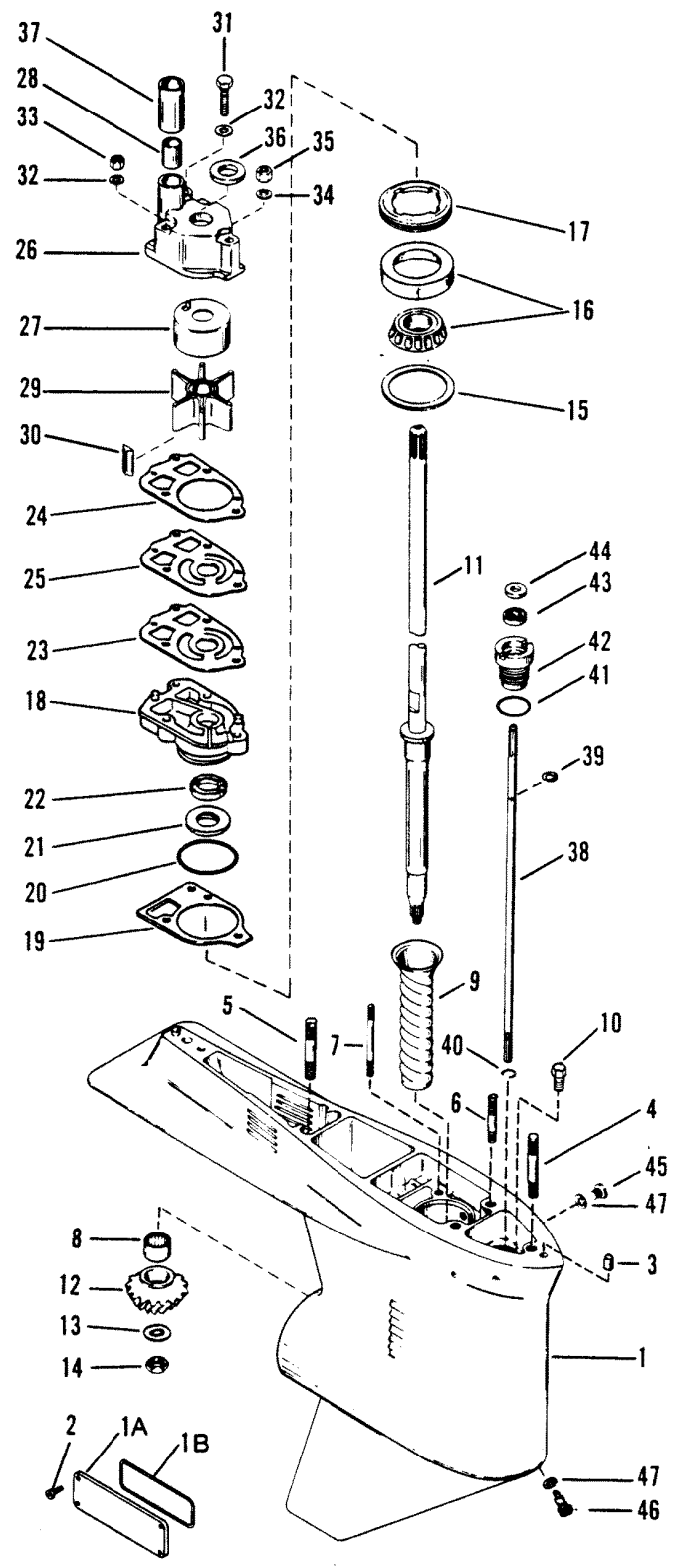
LHR

GEAR HOUSING (DRIVE SHAFT)LHR 2-HOLE WATER PICK-UP

REF. NO.	PART NO.	SYM.	QTY.	DESCRIPTION
-	1647-9561A51		1	GEAR HOUSING (COMPLETE - BLACK - 1:87)
-	1647-9561A41		1	GEAR HOUSING (COMPLETE - GRAY - 1:87)
-	1647-9561A56		1	GEAR HOUSING (COMPLETE - BLACK - 2:1)
-	1647-9561A45		1	GEAR HOUSING (COMPLETE - GRAY - 2:1)
1	1647-9561A70		1	GEAR HOUSING (BASIC - BLACK)
	1647-9561A48		1	GEAR HOUSING (BASIC - GRAY)
1A	12144		2	COVER (BLACK)
	12144--1		2	COVER (GRAY)
1B	25-39695		2	O-RING
2	10-815904		8	SCREW
3	17-20033		2	DOWEL PIN
4	16-78638		1	STUD (3-1/8")
5	16-57920		2	STUD (2-1/16")
6	16-56297		1	STUD (3-3/8")
7	16-69501		2	STUD (3-1/4")
8	31-42647A1		1	ROLLER BEARING
9	23-43998		1	SLEEVE
10	22-13820		1	PIPE PLUG
11	45-44000--1		1	DRIVE SHAFT
12	N.S.S.		1	GEAR (PART OF 43-15845A2 OR 43-817515A2)
13	12-92721		1	WASHER
14	11-35921		1	NUT
15	15-42637A1		AR	SHIM ASSEMBLY
16	31-36387A1		1	ROLLER BEARING
17	11-42633		1	NUT
18	46-44292A3		1	WATER PUMP BASE ASSEMBLY
19	27-42631--1		1	GASKET
20	25-90011		1	O-RING
21	26-89238		1	OIL SEAL
22	26-16977		1	OIL SEAL
23	27-18051		1	GASKET (LOWER)
24	27-85609--1		1	GASKET (UPPER)
25	32435		1	FACE PLATE
26	46-96148A1		1	WATER PUMP BODY ASSEMBLY
27	48752		1	INSERT
28	26-38970		1	RUBBER SEAL
29	47-89984		1	IMPELLER
30	28-56654		1	KEY
31	10-96411		1	SCREW (2-1/4")
32	12-29245		2	WASHER
33	11-13438		2	NUT
34	12-36001		1	WASHER
35	11-13436		1	NUT

CONTINUED ON NEXT PAGE ➡

GEAR HOUSING (DRIVE SHAFT)LHR 2-HOLE WATER PICK-UP

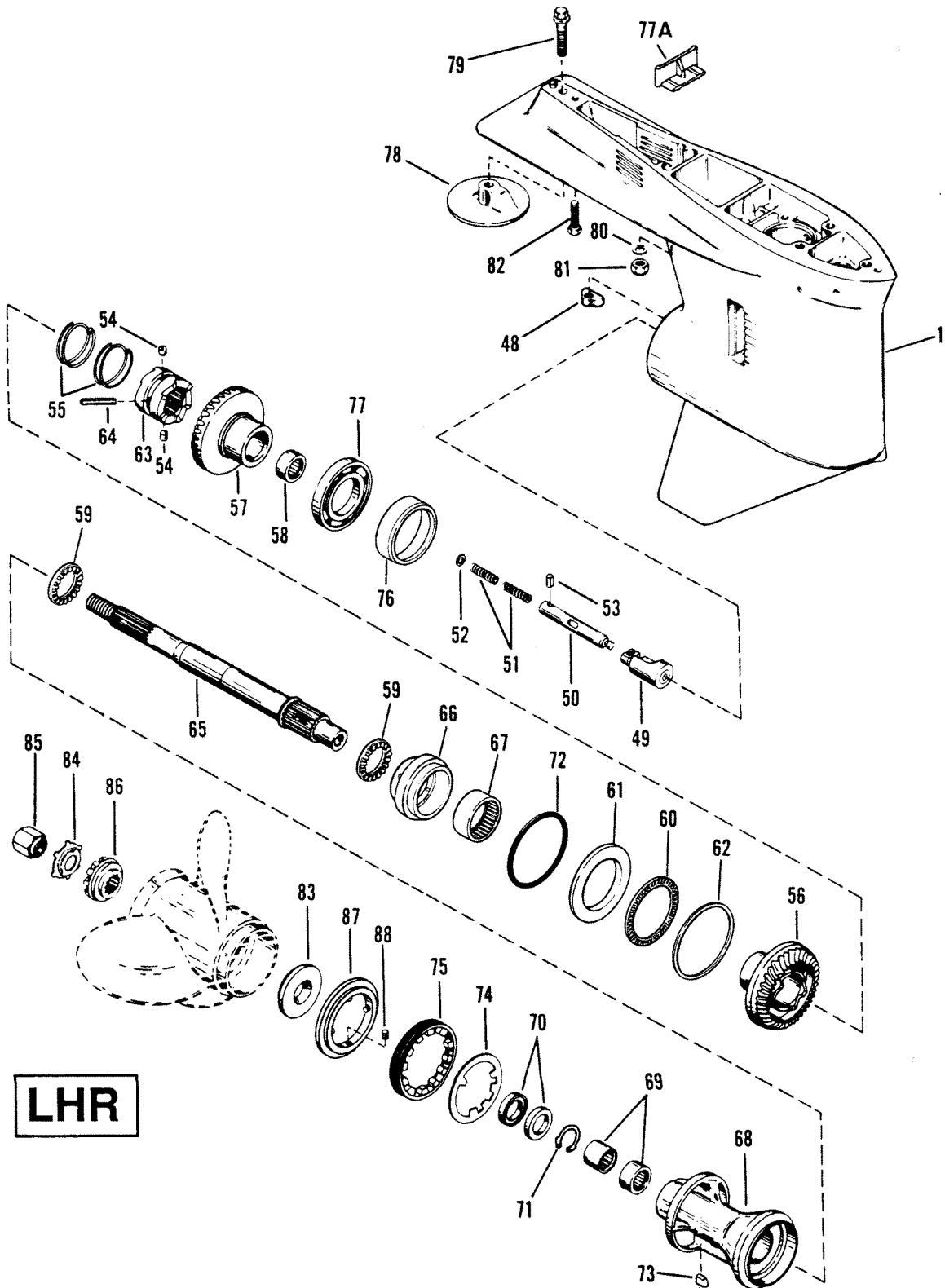


LHR

GEAR HOUSING (DRIVE SHAFT)LHR 2-HOLE WATER PICK-UP

REF. NO.	PART NO.	SYM.	QTY.	DESCRIPTION
36	25-30271		1	RUBBER RING (OLD DESIGN)
37	23-29804		1	SLEEVE
38	78902		1	SHIFT SHAFT (LOWER)
39	53-29641		1	E-RING
40	53-78907		1	RETAINING RING (OLD DESIGN)
41	25-25439		1	O-RING
42	23-77631A2		1	BUSHING ASSEMBLY
43	26-816464--1		1	OIL SEAL
44	12-77674		1	RUBBER WASHER
45	10-79953		1	SCREW
46	10-14834		1	DRAIN SCREW (MAGNETIC)
47	12-19183		2	WASHER

GEAR HOUSING (PROPELLER SHAFT)LHR 2-HOLE WATER PICK-UP

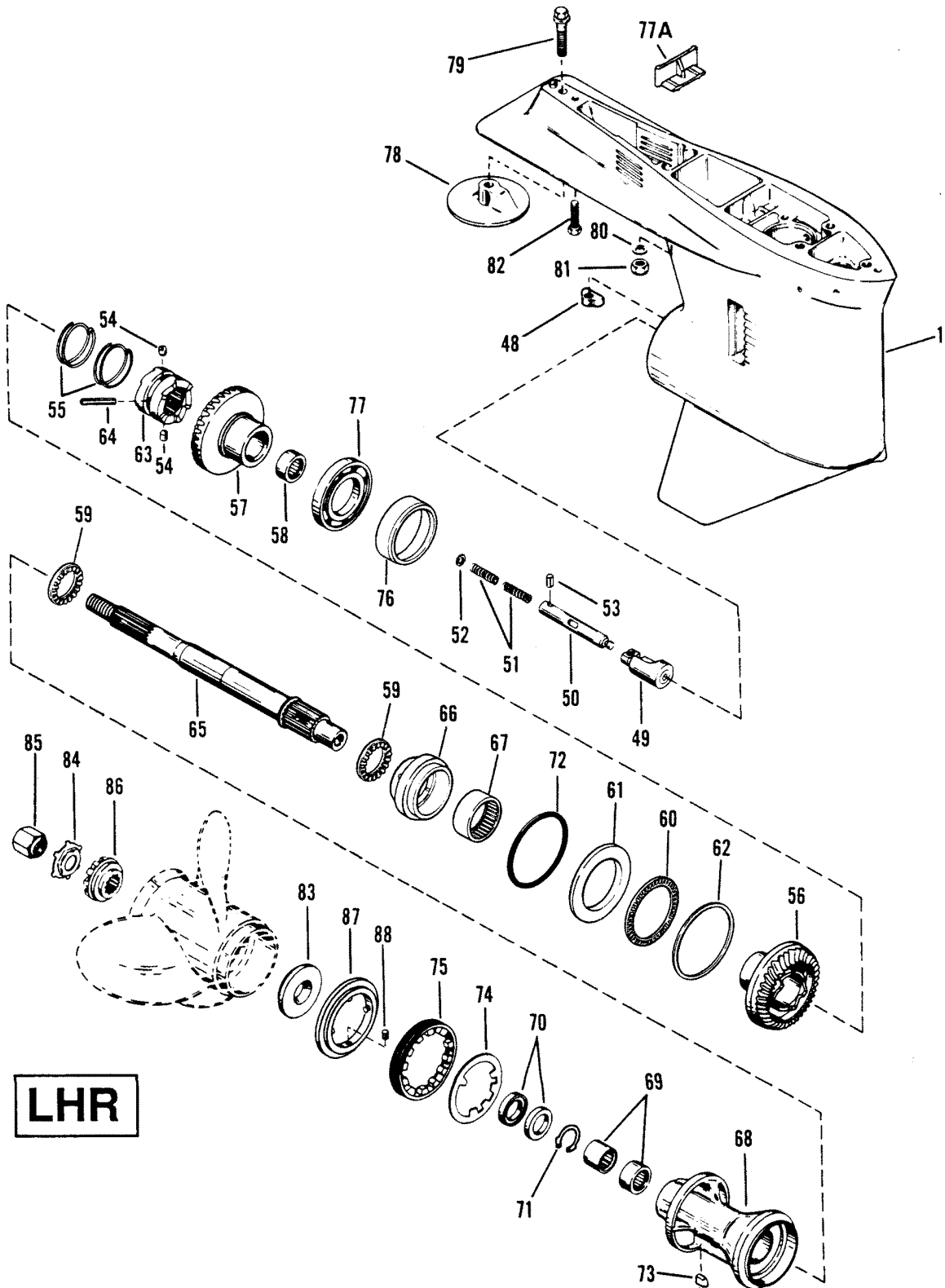


GEAR HOUSING (PROPELLER SHAFT)LHR 2-HOLE WATER PICK-UP

REF. NO.	PART NO.	SYM.	QTY.	DESCRIPTION
-	1647-9561A51		1	GEAR HOUSING (COMPLETE - BLACK 1:87)
-	1647-9561A41		1	GEAR HOUSING (COMPLETE - GRAY 1:87)
-	1647-9561A56		1	GEAR HOUSING (COMPLETE - BLACK 2:1)
-	1647-9561A45		1	GEAR HOUSING (COMPLETE - GRAY 2:1)
1	1647-9561A70		1	GEAR HOUSING (BASIC - BLACK)
	1647-9561A48		1	GEAR HOUSING (BASIC - GRAY)
48	78956		1	SHIFT CAM
49	89594A1		1	CAM FOLLOWER
50	79911		1	ROD
51	24-79910		2	SPRING
52	12-78910		AR	WASHER
53	17-78906		1	PIN
54	17-78909		2	DETENT PIN
55	24-78962		2	SPRING
56	N.S.S.		1	FORWARD GEAR (PART OF 43-15845A2)-1:87
57	43-15845A2		1	REVERSE GEAR ASSEMBLY -1:87
56	43-817515A2		1	FORWARD GEAR 2:1
57	43-817516A1		1	REVERSE GEAR 2:1
58	31-15844		1	ROLLER BEARING
59	31-15834		2	THRUST BEARING
60	31-15841		1	ROLLER BEARING
61	12-17616		1	THRUST RING
62	23-17615--1		AR	SPACER SHIM (.125")
	23-17615--2		AR	SPACER SHIM (.127")
	23-17615--3		AR	SPACER SHIM (.129")
	23-17615--4		AR	SPACER SHIM (.131")
	23-17615--5		AR	SPACER SHIM (.133")
	23-17615--6		AR	SPACER SHIM (.135")
	23-17615--7		AR	SPACER SHIM (.137")
	23-17615--8		AR	SPACER SHIM (.139")
	23-17615--9		AR	SPACER SHIM (.141")
	23-17615-10		AR	SPACER SHIM (.143")
	23-17615-11		AR	SPACER SHIM (.145")
	23-17615-12		AR	SPACER SHIM (.147")
	23-17615-13		AR	SPACER SHIM (.149")
63	52-42672		1	RATCHET
64	17-42671		1	CROSS PIN
65	44-815495T		1	PROPELLER SHAFT
66	15838A2		1	BEARING ADAPTOR
67	31-15843		1	ROLLER BEARING
68	814431A2		1	BEARING CARRIER
69	31-817072		1	ROLLER BEARING
70	26-815565		2	OIL SEAL

CONTINUED ON NEXT PAGE ➡

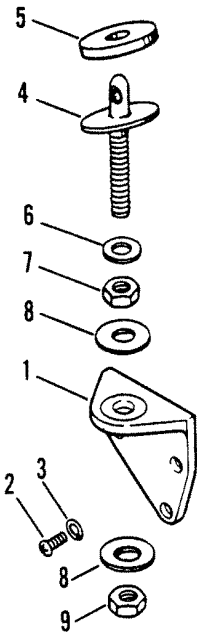
GEAR HOUSING (PROPELLER SHAFT)LHR 2-HOLE WATER PICK-UP



GEAR HOUSING (PROPELLER SHAFT)LHR 2-HOLE WATER PICK-UP

REF. NO.	PART NO.	SYM.	QTY.	DESCRIPTION
71	53-817071		1	SNAP RING
72	25-31534		1	O-RING
73	28-30281		1	KEY
74	14-79447		1	TAB WASHER
75	15840--1		1	COVER
76	14469		1	BEARING CUP
77	30-88957A1		1	BALL BEARING
77A	67891		1	FILLER BLOCK
78	76214		1	ANODIC PLATE
79	10-66024		1	SCREW
80	12-822836		2	WASHER
81	11-34933		2	NUT
82	10-30206		1	SCREW
83	13171		1	THRUST HUB
84	14-816629		1	TAB WASHER
85	11-52707A1		1	PROPELLER NUT
86	12-31211A2		1	WASHER
87	821978A1		1	EXHAUST EXTENSION RING
88	10-35057		4	SCREW

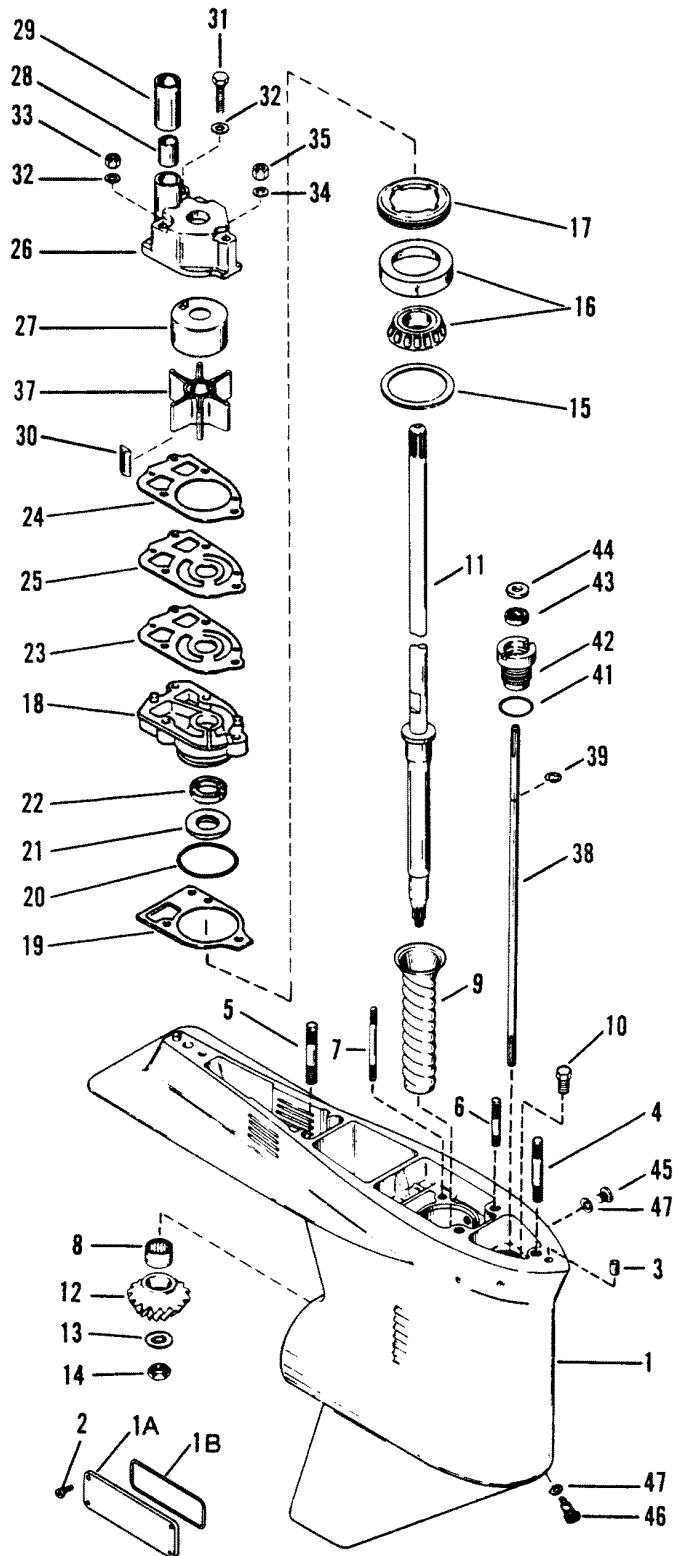
COWL BRACKET



COWL BRACKET

REF. NO.	PART NO.	SYM.	QTY.	DESCRIPTION
1	14871		1	COWL BRACKET
2	10-73278		3	SCREW
3	13-26993		3	LOCKWASHER
4	14984		1	HOLD DOWN
5	23-99509		1	RUBBER PAD
6	12-68410		1	WASHER
7	11-22496		1	JAM NUT
8	12-22248		2	WASHER
9	11-34933		1	NUT

GEAR HOUSING (DRIVE SHAFT)RHR 4-HOLE WATER PICK-UP



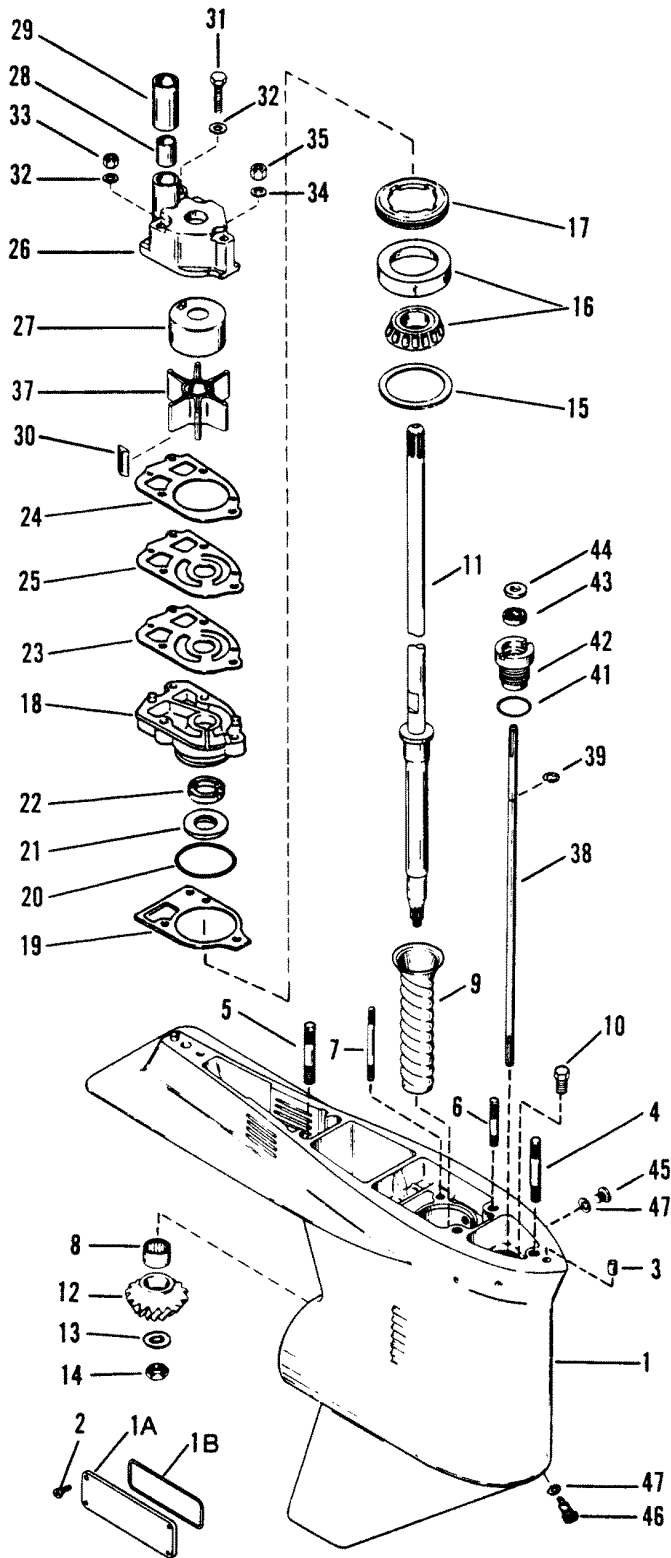
RHR

GEAR HOUSING (DRIVE SHAFT)RHR 4-HOLE WATER PICK-UP

REF. NO.	PART NO.	SYM.	QTY.	DESCRIPTION
1	1647-847625A15		1	GEAR HOUSING (BASIC - BLACK - STD. HOUSING)
	1647-847625A16		1	GEAR HOUSING (BASIC - GRAY - STD. HOUSING)
	1647-847626A27		1	GEAR HOUSING (BASIC - BLACK - CUT SKEG)
	1647-847626A28		1	GEAR HOUSING (BASIC - GRAY - CUT SKEG)
1A	12144		2	COVER (BLACK)
	12144--1		2	COVER (GRAY)
1B	25-39695		2	O-RING
2	10-815904		8	SCREW
3	17-43044		2	DOWEL PIN
4	16-78638		1	STUD (3-1/8") LONG
5	16-57920		2	STUD (2-1/16") LONG
4	16-78639		1	STUD (8-1/8") X-LONG
5	16-74730		2	STUD (7") X-LONG
6	16-56297		1	STUD (3-3/8")
7	16-69501		2	STUD (3-1/4")
8	31-42647A1		1	ROLLER BEARING
9	23-43998		1	SLEEVE
10	22-847627		1	PIPE PLUG
11	45-44000--6		1	DRIVE SHAFT (LONG)
	45-44000--7		1	DRIVE SHAFT (X-LONG)
12	N.S.S.		1	GEAR (PART OF 43-44104A7 OR 43-44102A5)
13	12-92721		1	WASHER
14	11-35921		1	NUT
15	15-42637A1		AR	SHIM ASSEMBLY
16	31-36387A1		1	ROLLER BEARING
17	11-42633		1	NUT
18	46-44292A3		1	WATER PUMP BASE ASSEMBLY
19	27-42631--1		1	GASKET
20	25-90011		1	O-RING
21	26-89238		1	OIL SEAL
22	26-16977		1	OIL SEAL
23	27-18051		1	GASKET (LOWER)
24	27-85609--1		1	GASKET (UPPER)
25	32435		1	FACE PLATE
26	46-847710A1		1	WATER PUMP BODY ASSEMBLY
27	48752		1	INSERT
28	26-88397		1	SEAL
29	23-847685		1	SLEEVE
30	28-56654		1	KEY
31	10-96411		1	SCREW (2-1/4")
32	12-29245		2	WASHER
33	11-13438		2	NUT
34	12-36001		1	WASHER

CONTINUED ON NEXT PAGE ➡

GEAR HOUSING (DRIVE SHAFT)RHR 4-HOLE WATER PICK-UP

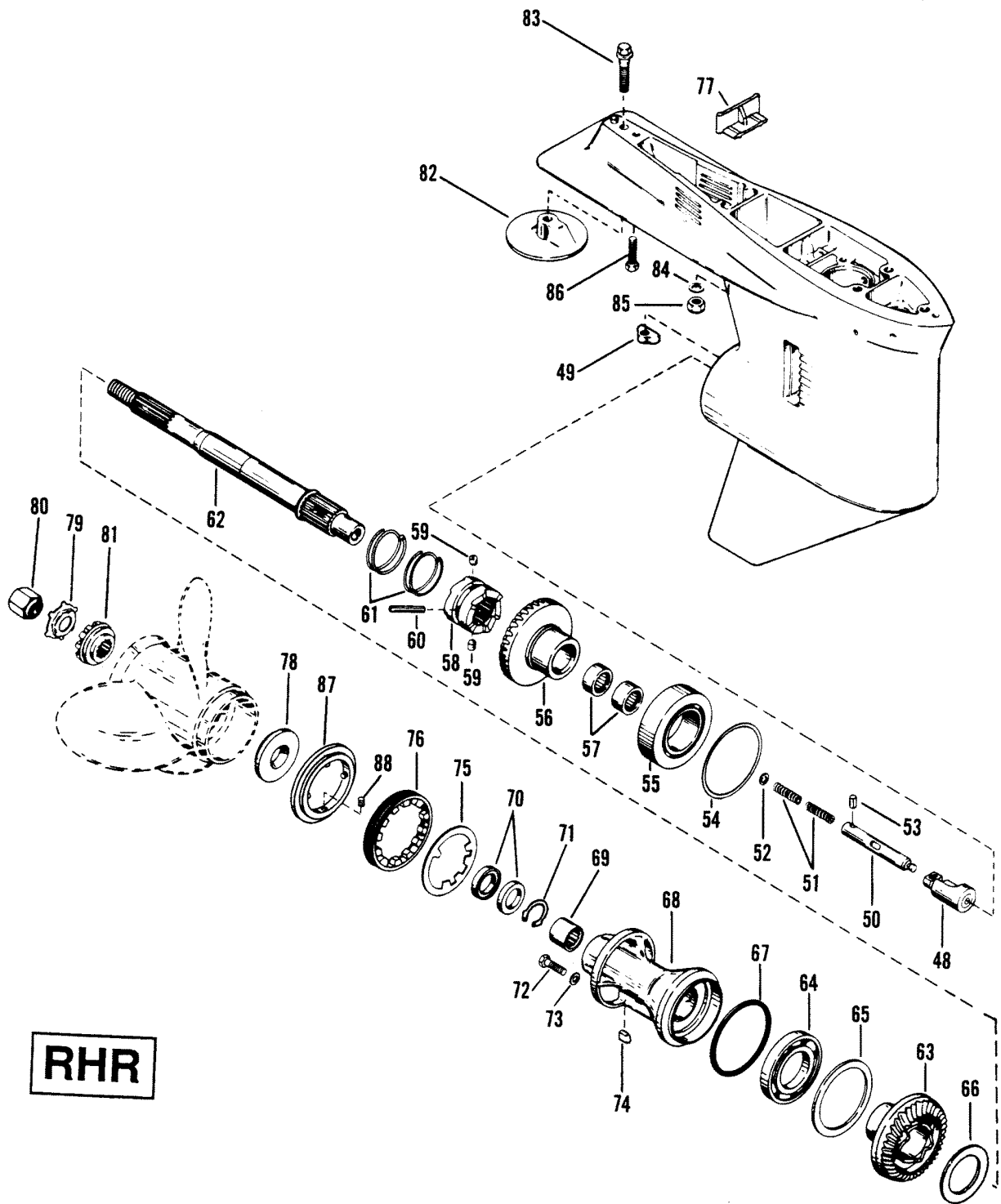


RHR

GEAR HOUSING (DRIVE SHAFT)RHR 4-HOLE WATER PICK-UP

REF. NO.	PART NO.	SYM.	QTY.	DESCRIPTION
35	11-13436		1	NUT
37	47-89984		1	IMPELLER
38	78902		1	SHIFT SHAFT (LOWER)
39	53-29641		1	E-RING
41	25-25439		1	O-RING
42	23-77631A2		1	BUSHING ASSEMBLY
43	26-816464--1		1	OIL SEAL
444	12-77674		1	RUBBER WASHER
45	10-79953		1	SCREW
46	10-14834		1	DRAIN SCREW (MAGNETIC)
47	12-19183		2	WASHER

GEAR HOUSING (PROPELLER SHAFT)RHR 4-HOLE WATER PICK-UP

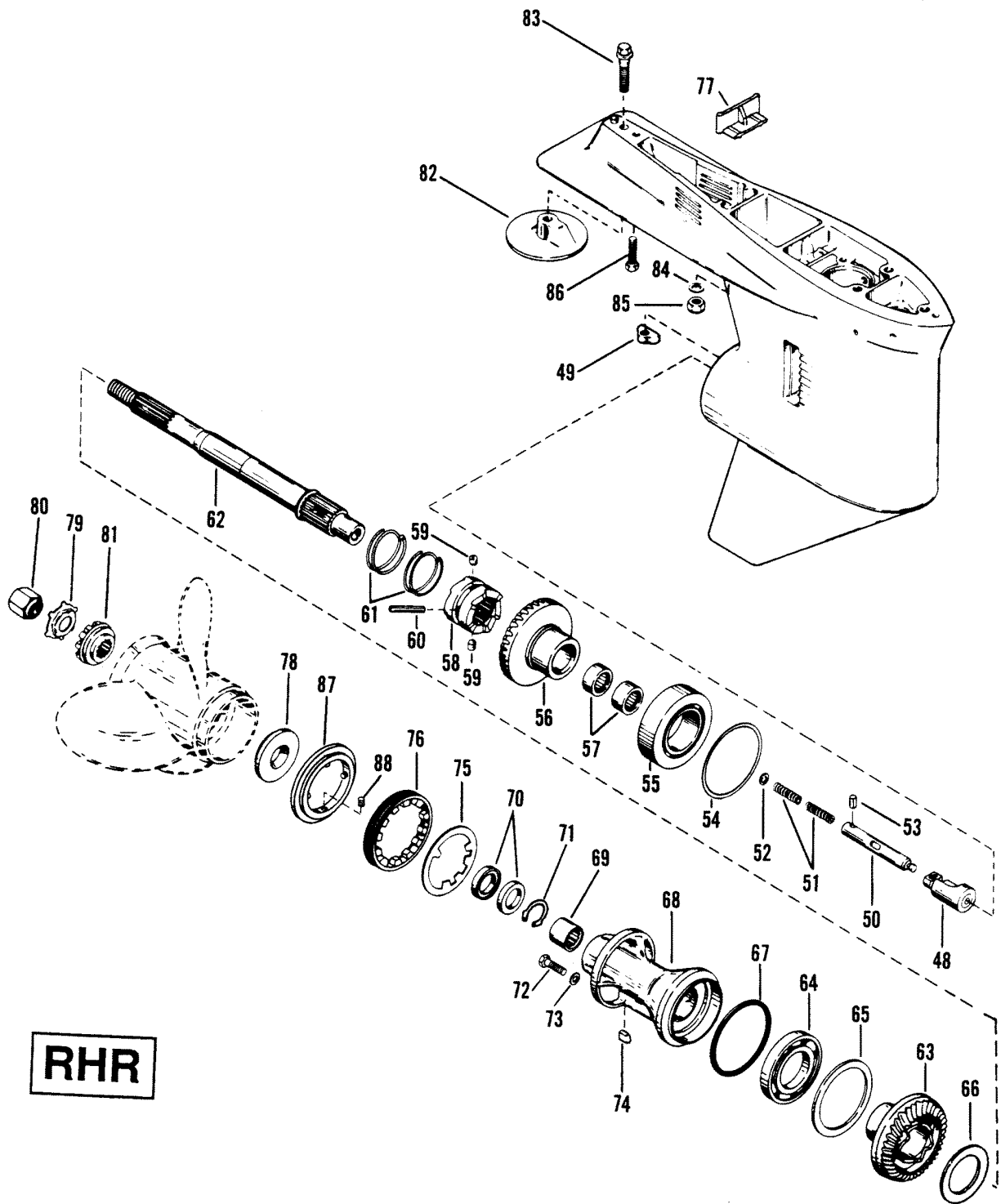


GEAR HOUSING (PROPELLER SHAFT)RHR 4-HOLE WATER PICK-UP

REF. NO.	PART NO.	SYM.	QTY.	DESCRIPTION
1	1647-847625A15		1	GEAR HOUSING (BASIC - BLACK - STD. HOUSING)
	1647-847625A16		1	GEAR HOUSING (BASIC - GRAY - STD. HOUSING)
	1647-847626A27		1	GEAR HOUSING (BASIC - BLACK - CUT SKEG)
	1647-847626A28		1	GEAR HOUSING (BASIC - GRAY - CUT SKEG)
48	89594A1		1	CAM FOLLOWER
49	78956		1	SHIFT CAM
50	79911		1	ROD
51	24-79910		2	SPRING
52	12-78910		AR	WASHER
53	17-78906		1	PIN
54	15-47397A1		AR	SHIN
55	31-78172A1		1	TAPERED ROLLER BEARING
56	43-44104A7		1	FORWARD GEAR (1:87)(INCLUDES REVERSE GEAR)
	43-44102A5		1	FORWARD GEAR (2:1)
57	31-54928--1		2	ROLLER BEARING
58	52-42672		1	RATCHET
59	17-78909		2	DETENT PIN
60	17-42671		1	CROSS PIN
61	24-78962		2	SPRING
62	44-822820		1	PROPELLER SHAFT
63	43-822824A1		1	REVERSE GEAR (1:87)
	43-847632A1		1	REVERSE GEAR (2:1)
64	30-88957A1		1	BALL BEARING
65	68100--1		1	THRUST RING
66	23-822823		1	THRUST RING
67	25-31534		1	O-RING
68	847610A1		1	BEARING CARRIER
69	31-817072		1	ROLLER BEARING
70	26-815565		2	OIL SEAL
71	53-817071		1	SNAP RING
72	10-14834		1	SCREW
73	12-19183		1	WASHER
74	28-30281		1	KEY
75	14-79447		1	TAB WASHER
76	15840--1		1	COVER
77	67891		1	FILLER BLOCK
78	13171		1	THRUST HUB
79	14-816629		1	TAB WASHER
80	11-52707A1		1	PROPELLER NUT
81	12-31211A2		1	WASHER
82	76214		1	ANODIC PLATE
83	10-66024		1	SCREW

CONTINUED ON NEXT PAGE ➡

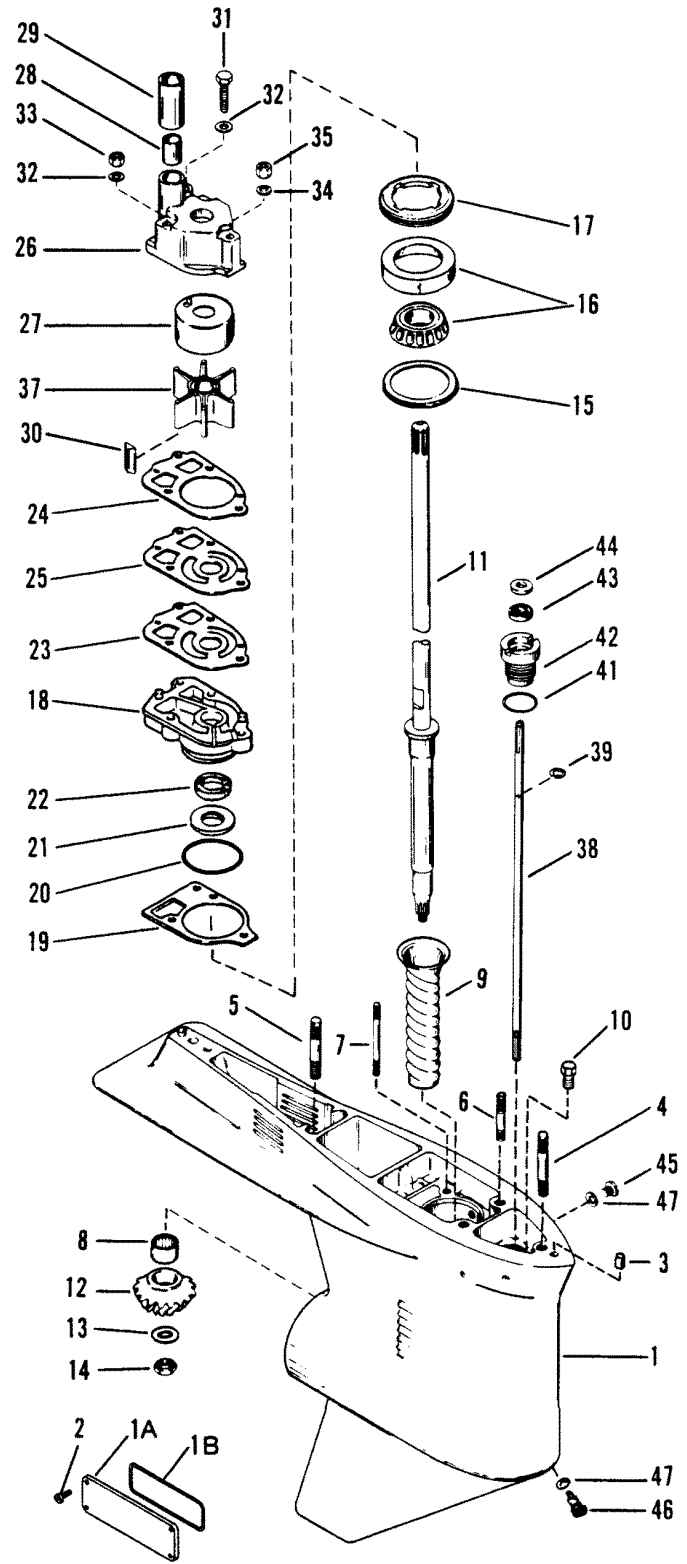
GEAR HOUSING (PROPELLER SHAFT)RHR 4-HOLE WATER PICK-UP



GEAR HOUSING (PROPELLER SHAFT)RHR 4-HOLE WATER PICK-UP

REF. NO.	PART NO.	SYM.	QTY.	DESCRIPTION
84	12-822836		2	WASHER
85	11-34933		2	NUT
86	10-30206		1	SCREW
87	821978A1		1	EXHAUST EXTENSION RING
88	10-35057		4	SCREW

GEAR HOUSING (DRIVE SHAFT)LHR 4-HOLE WATER PICK-UP



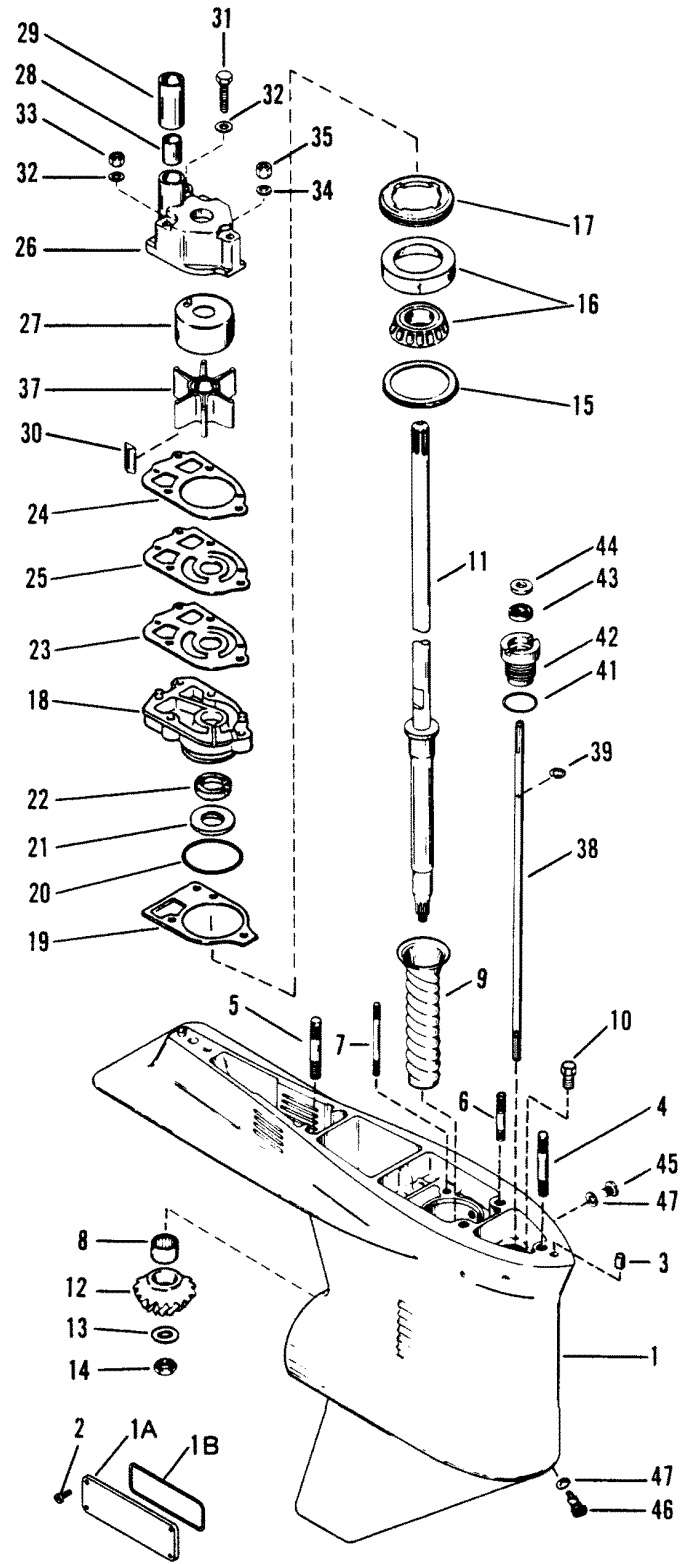
LHR

GEAR HOUSING (DRIVE SHAFT)LHR 4-HOLE WATER PICK-UP

REF. NO.	PART NO.	SYM.	QTY.	DESCRIPTION
1	1647-847625A15		1	GEAR HOUSING (BASIC-BLACK-STD. HOUSING)
	1647-847625A16		1	GEAR HOUSING (BASIC-GRAY-STD. HOUSING)
	1647-847626A27		1	GEAR HOUSING (BASIC-BLACK-CUT SKEG)
	1647-847626A28		1	GEAR HOUSING (BASIC-GRAY-CUT SKEG)
1A	12144		2	COVER (BLACK)
	12144--1		2	COVER (GRAY)
1B	25-39695		2	O-RING
2	10-815904		8	SCREW
3	17-43044		2	DOWELL PIN
4	16-78638		1	STUD (3-1/8") LONG
5	16-57920		2	STUD (2-1/16")
4	16-78639		1	STUD (8-1/8") X-LONG
5	16-74730		2	STUD (7")
6	16-56297		1	STUD (3-3/8")
7	16-69501		2	STUD (3-1/4")
8	31-42647A1		1	ROLLER BEARING
9	23-43998		1	SLEEVE
10	22-847627		1	PIPE PLUG
11	45-44000--6		1	DRIVE SHAFT (LONG)
	45-44000--7		1	DRIVE SHAFT (X-LONG)
12	N.S.S.		1	GEAR (PART OF 43-15845A2 OR 43-817515A2)
13	12-92721		1	WASHER
14	11-35921		1	NUT
15	15-42637A1		AR	SHIM ASSEMBLY
16	31-36387A1		1	ROLLER BEARING
17	11-42633		1	NUT
18	46-44292A3		1	WATER PUMP BASE ASSEMBLY
19	27-42631--1		1	GASKET
20	25-90011		1	O-RING
21	26-89238		1	OIL SEAL
22	26-16977		1	OIL SEAL
23	27-18051		1	GASKET (LOWER)
24	27-85609--1		1	GASKET (UPPER)
25	32435		1	FACE PLATE
26	46-847710A1		1	WATER PUMP BODY ASSEMBLY
27	48752		1	INSERT
28	26-88397		1	SEAL
29	23-847685		1	SLEEVE
30	28-56654		1	KEY
31	10-96411		1	SCREW (2-1/4")
32	12-29245		2	WASHER
33	11-13438		2	NUT
34	12-36001		1	WASHER

CONTINUED ON NEXT PAGE ➡

GEAR HOUSING (DRIVE SHAFT)LHR 4-HOLE WATER PICK-UP

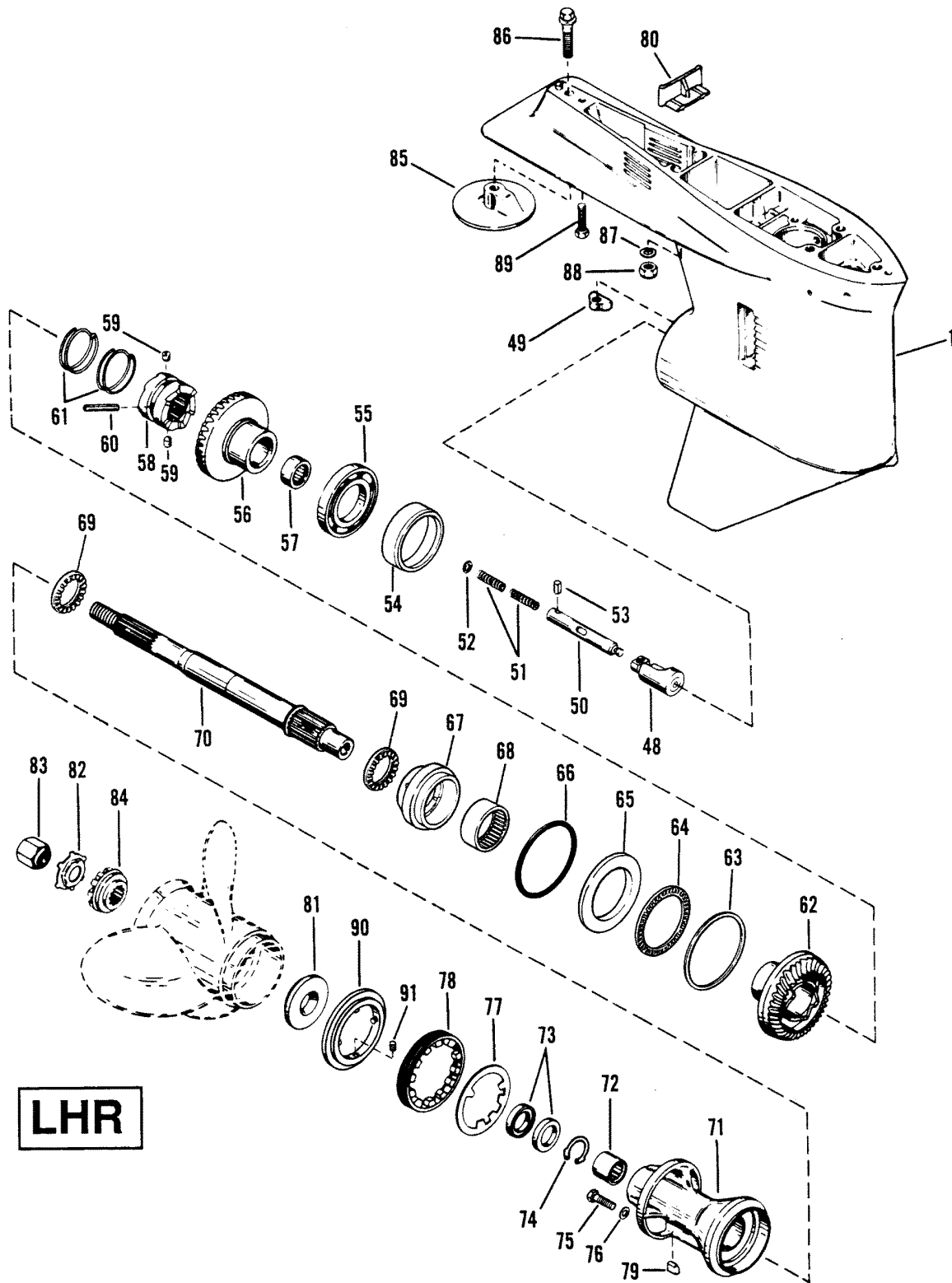


LHR

GEAR HOUSING (DRIVE SHAFT)LHR 4-HOLE WATER PICK-UP

REF. NO.	PART NO.	SYM.	QTY.	DESCRIPTION
35	11-13436		1	NUT
37	47-89984		1	IMPELLER
38	78902		1	SHIFT SHAFT (LOWER)
39	53-29641		1	E-RING
41	25-25439		1	O-RING
42	23-77631A2		1	BUSHING ASSEMBLY
43	26-816464--1		1	OIL SEAL
44	12-77674		1	RUBBER WASHER
45	10-79953		1	SCREW
46	10-14834		1	DRAIN SCREW (MAGNETIC)
47	12-19183		2	WASHER

GEAR HOUSING (PROPELLER SHAFT)LHR 4-HOLE WATER PICK-UP

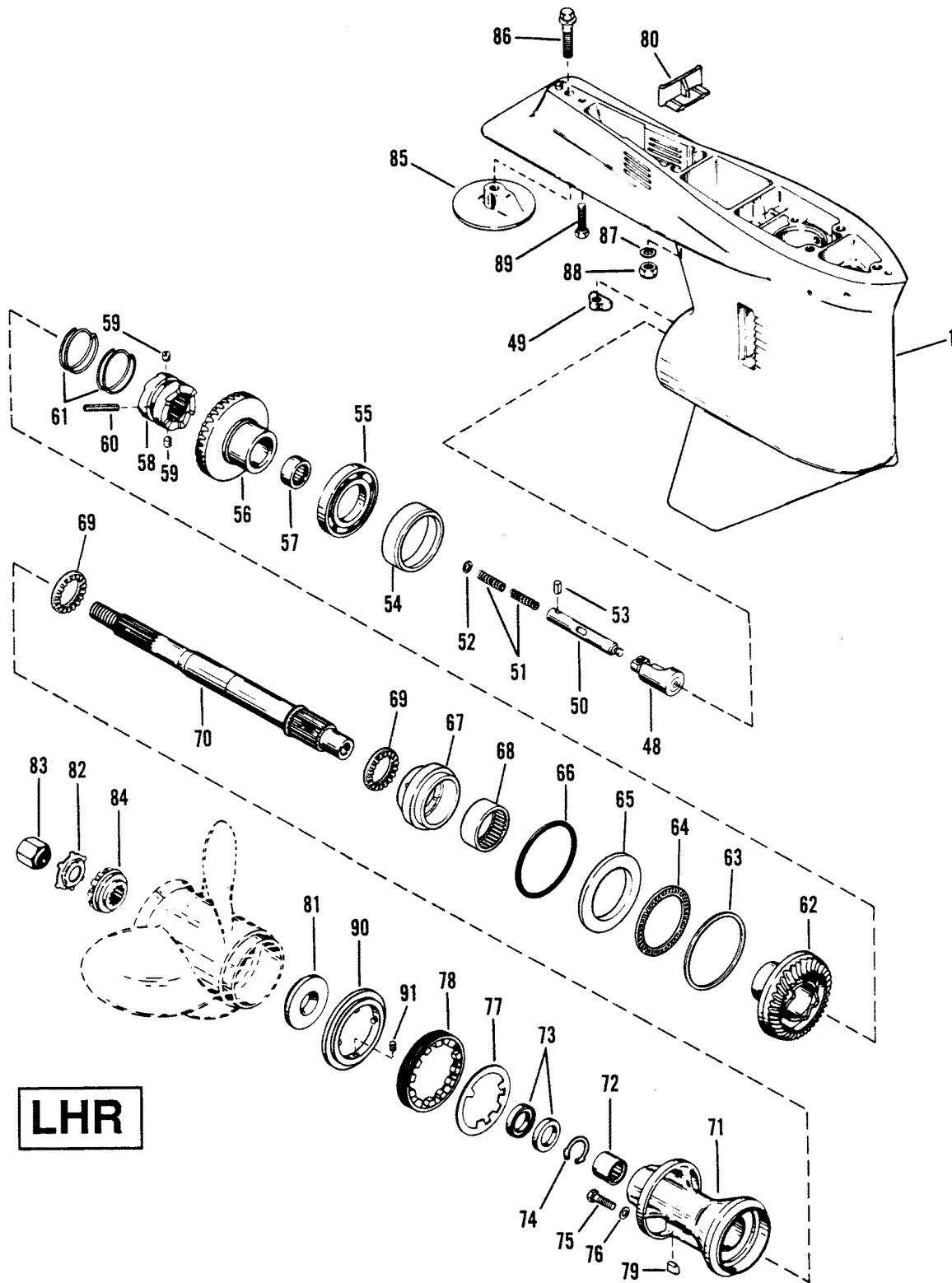


GEAR HOUSING (PROPELLER SHAFT)LHR 4-HOLE WATER PICK-UP

REF. NO.	PART NO.	SYM.	QTY.	DESCRIPTION
1	1647-847625A15		1	GEAR HOUSING (BASIC-BLACK-STD.HOUSING)
	1647-847625A16		1	GEAR HOUSING (BASIC-GRAY-STD.HOUSING)
	1647-847626A27		1	GEAR HOUSING (BASIC-BLACK-CUT SKEG)
	1647-847626A28		1	GEAR HOUSING (BASIC-GRAY-CUT SKEG)
48	89594A1		1	CAM FOLLOWER
49	78956		1	SHIFT CAM
50	79911		1	ROD
51	24-79910		2	SPRING
52	12-78910		AR	WASHER
53	17-78906		1	PIN
54	14469		1	BEARING CUP
55	30-88957A1		1	BALL BEARING
56	N.S.S.		1	REVERSE GEAR (PART OF 43-15845A2)(1:87)
	43-817516A1		1	REVERSE GEAR (2:1)
57	31-15844		1	ROLLER BEARING
58	52-42672		1	RATCHET
59	17-78909		2	DETENT PIN
60	17-42671		1	CROSS PIN
61	24-78962		2	SPRING
62	43-15845A2		1	FORWARD GEAR (1:87)
	43-817515A2		1	FORWARD GEAR (2:1)
63	23-17615--1		AR	SPACER SHIM (.125")
	23-17615--2		AR	SPACER SHIM (.127")
	23-17615--3		AR	SPACER SHIM (.129")
	23-17615--4		AR	SPACER SHIM (.131")
	23-17615--5		AR	SPACER SHIM (.133")
	23-17615--6		AR	SPACER SHIM (.135")
	23-17615--7		AR	SPACER SHIM (.137")
	23-17615--8		AR	SPACER SHIM (.139")
	23-17615--9		AR	SPACER SHIM (.141")
	23-17615-10		AR	SPACER SHIM (.143")
	23-17615-11		AR	SPACER SHIM (.145")
	23-17615-12		AR	SPACER SHIM (.147")
23-17615-13		AR	SPACER SHIM (.149")	
64	31-15841		1	ROLLER BEARING
65	12-17616		1	THRUST RING
66	25-31534		1	O-RING
67	15838A2		1	BEARING ADAPTOR
68	31-15843		1	ROLLER BEARING
69	31-15834		2	THRUST BEARING
70	44-815495T		1	PROPELLER SHAFT
71	847616A1		1	BEARING CARRIER
72	31-817072		1	ROLLER BEARING

CONTINUED ON NEXT PAGE ➡

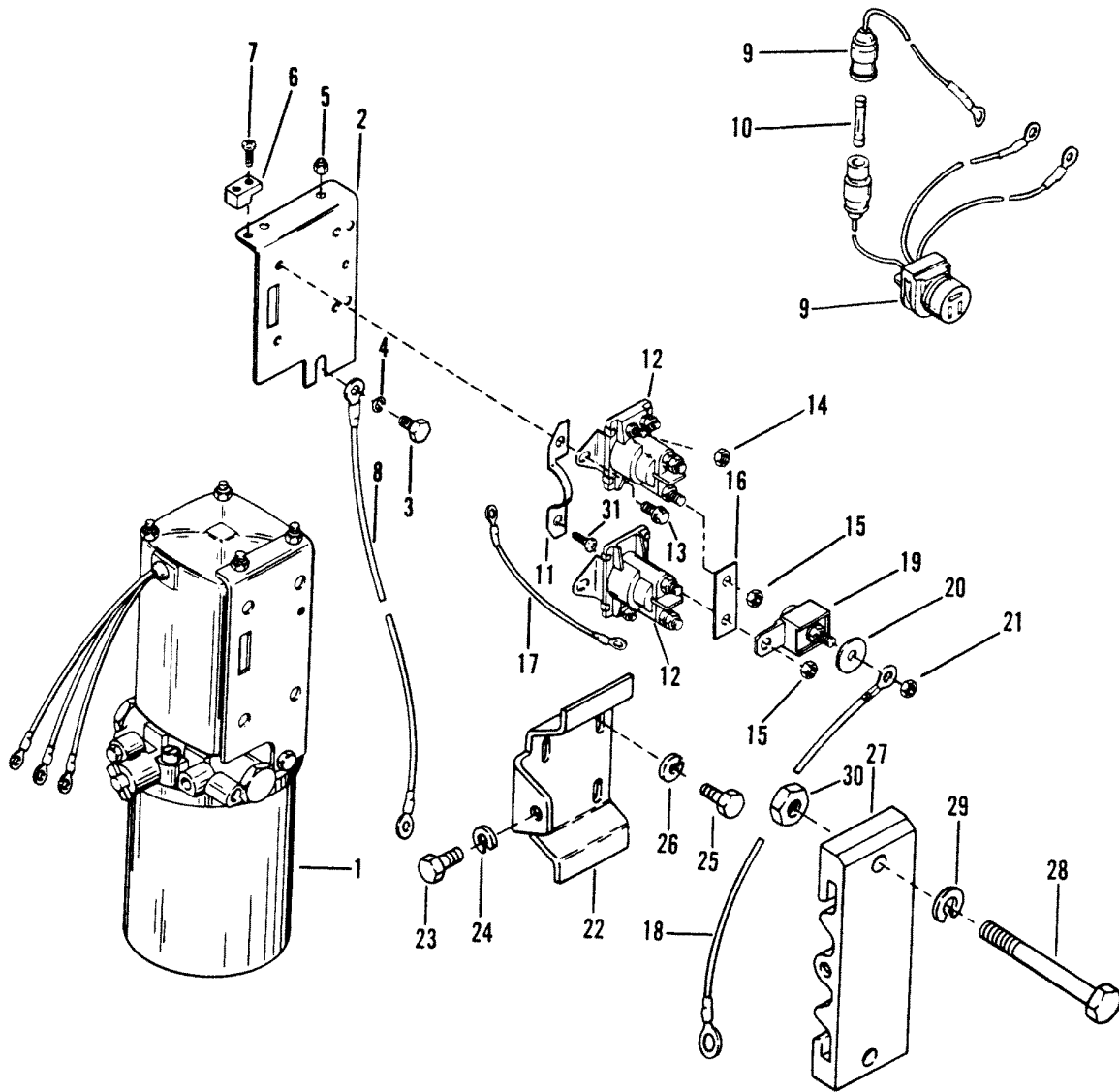
GEAR HOUSING (PROPELLER SHAFT)LHR 4-HOLE WATER PICK-UP



GEAR HOUSING (PROPELLER SHAFT)LHR 4-HOLE WATER PICK-UP

REF. NO.	PART NO.	SYM.	QTY.	DESCRIPTION
73	26-815565		2	OIL SEAL
74	53-817071		1	SNAP RING
75	10-14834		1	SCREW
76	12-19183		1	WASHER
77	14-79447		1	TAB WASHER
78	15840--1		1	COVER
79	28-30281		1	KEY
80	67891		1	FILLER BLOCK
81	13171		1	THRUST HUB
82	14-816629		1	TAB WASHER
83	11-52707A1		1	PROPELLER NUT
84	12-31211A2		1	WASHER
85	76214		1	ANODIC PLATE
86	10-66024		1	SCREW
87	12-822836		2	WASHER
88	11-34933		2	NUT
89	10-30206		1	SCREW
90	821978A1		1	EXHAUST EXTENSION RING
91	10-35057		4	SCREW

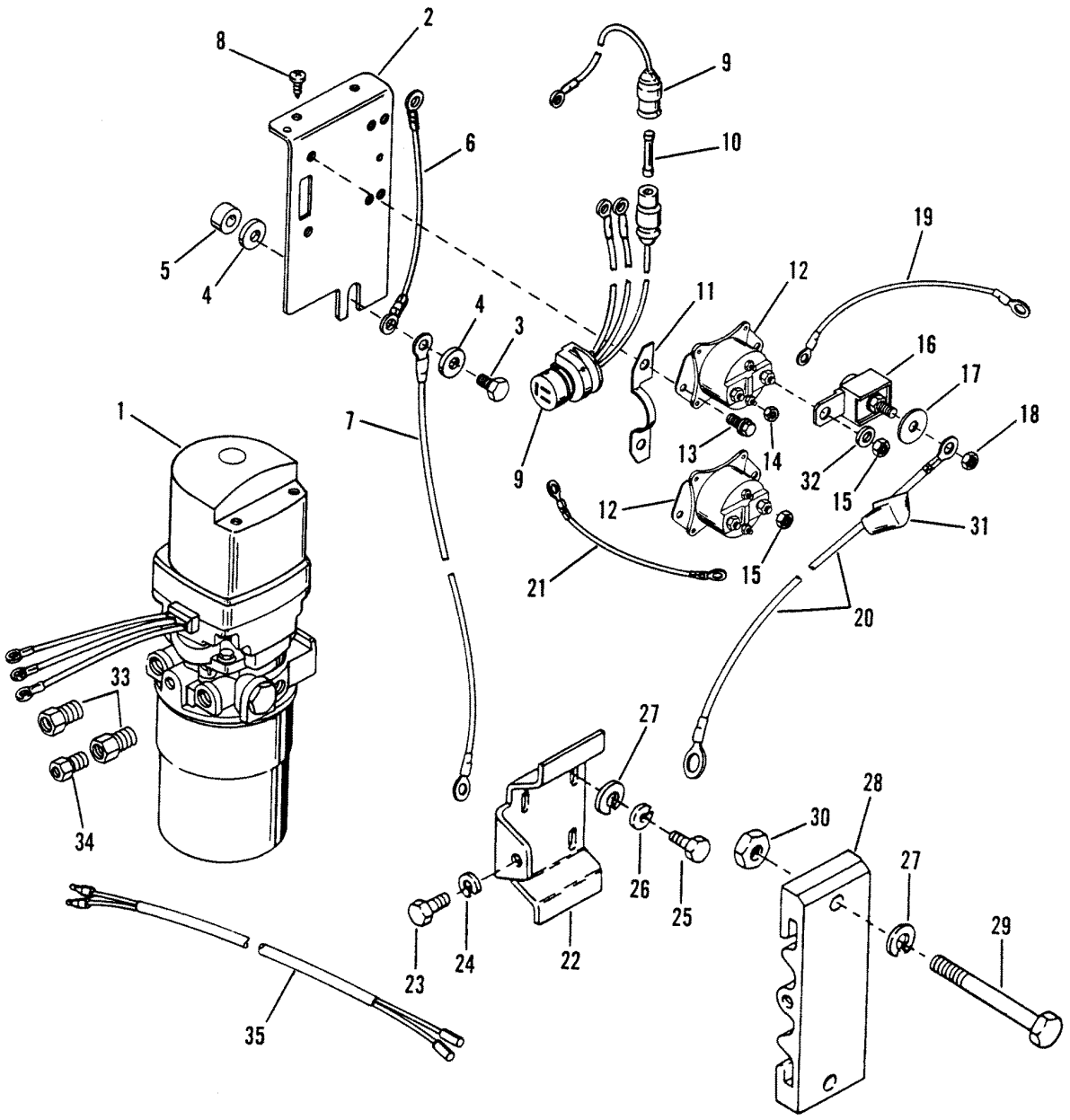
HYDRAULIC PUMP AND MOUNTING BRACKETS(OLD DESIGN)



HYDRAULIC PUMP AND MOUNTING BRACKETS(OLD DESIGN)

REF. NO.	PART NO.	SYM.	QTY.	DESCRIPTION
1	92459A4		1	HYDRAULIC PUMP ASSEMBLY
2	90318		1	BRACKET
3	10-90285		1	SCREW (5/8")
4	12-56720		1	WASHER
5	11-34059		2	NUT
6	45915		1	TERMINAL BLOCK
7	10-69079		2	SCREW
8	84-79138A9		1	BATTERY CABLE (NEGATIVE)
9	84-79147A3		1	HARNESS ASSEMBLY
10	88-79091		1	FUSE(20 AMP)
11	88075		1	RETAINER
12	89-96158		2	SOLENOID
13	10-41508		4	SCREW (3/8")
14	11-26419		4	NUT (#8-32)
15	11-94330		4	NUT (1/4-20)
16	94275		1	CONNECTOR
17	84-86322A15		1	WIRE (BLACK)
18	84-79139A12		1	BATTERY CABLE (RED-POSITIVE)
19	88-79023A10		1	FUSE (110 AMP)
20	12-96457		1	WASHER
21	11-21825		1	NUT
22	87760		1	MOUNTING PLATE
23	10-39349		1	SCREW (3/4")
24	13-26993		1	LOCKWASHER
25	10-90271		2	SCREW (5/8")
26	13-58643		2	LOCKWASHER
27	87762		1	BRACKET
28	10-31830		2	BOLT (1-3/4")
29	13-58643		2	LOCKWASHER
30	11-46335		2	NUT
31	10-48409		1	SCREW

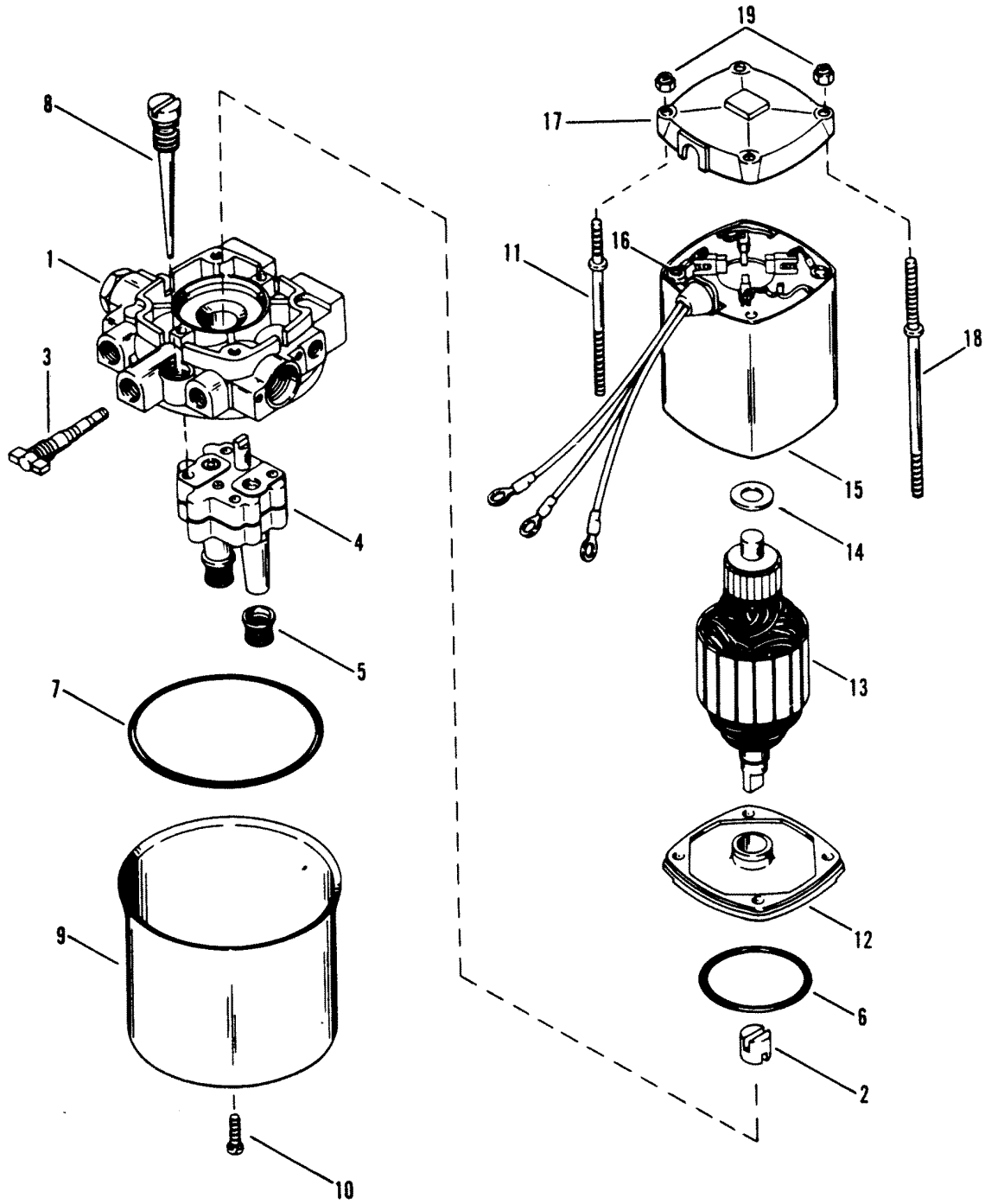
HYDRAULIC PUMP AND MOUNTING BRACKETS(NEW DESIGN)



HYDRAULIC PUMP AND MOUNTING BRACKETS(NEW DESIGN)

REF. NO.	PART NO.	SYM.	QTY.	DESCRIPTION
1	818161A4		1	HYDRAULIC PUMP ASSEMBLY
2	818567		1	BRACKET
3	10-38837		1	SCREW (1")
4	12-57792		2	WASHER
5	23-34948		1	SPACER
6	84-65999A12		1	CABLE
7	84-79138A9		1	BATTERY CABLE (NEGATIVE)
8	10-92051		2	SCREW
9	84-79147A5		1	HARNESS ASSEMBLY
10	88-79091		1	FUSE (20 AMP)
11	88075		1	RETAINER
12	89-68258A4		2	SOLENOID
13	10-41508		4	SCREW (3/8")
14	11-20110		4	NUT (#10-32)
15	11-26484		4	NUT (5/16-18)
16	88-79023A10		1	FUSE (110 AMP)
17	12-96457		1	WASHER
18	11-21825		1	NUT
19	84-65999A11		1	CABLE
20	84-79139A12		1	BATTERY CABLE (RED-POSITIVE)
21	84-79139A26		1	WIRE (RED)
22	87760		1	MOUNTING PLATE
23	10-39349		1	SCREW (3/4")
24	13-26993		1	LOCKWASHER
25	10-90271		2	SCREW (5/8")
26	13-58643		2	LOCKWASHER
27	12-45175		4	LOCKWASHER
28	87762		1	BRACKET
29	10-63826		2	BOLT (2-1/2")
30	11-68411		2	NUT
31	46265		4	BOOT
32	12-22753		4	WASHER
33	22-77366		2	CONNECTOR
34	22-818200		1	FITTING
35	84-65017A14		1	TILT HARNESS

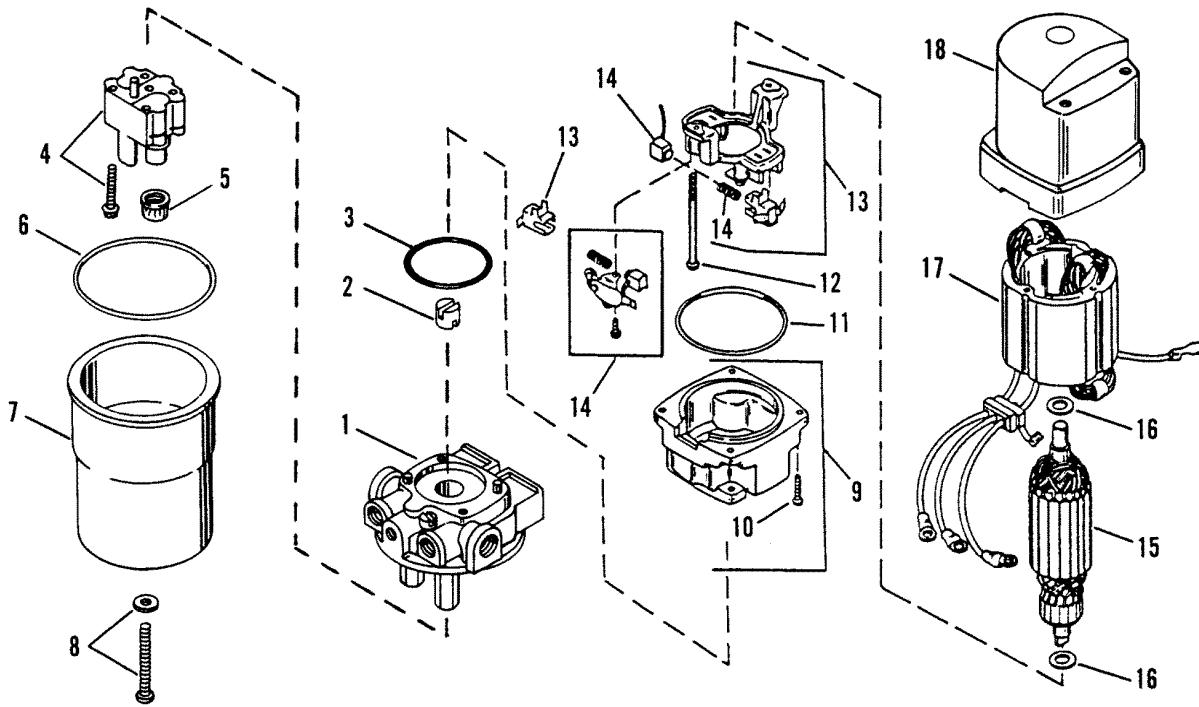
HYDRAULIC PUMP ASSEMBLY(REPAIR KITS)



HYDRAULIC PUMP ASSEMBLY(REPAIR KITS)

REF. NO.	PART NO.	SYM.	QTY.	DESCRIPTION
-	92459A4		1	HYDRAULIC PUMP ASSEMBLY
1	89492		1	ADAPTOR
2	89493		1	COUPLING
3	89494		AR	MANUAL RELEASE (INCLUDES 2 O-RINGS)
	96598		AR	MANUAL RELEASE (INCLUDES 3 O-RINGS)
4	89495		1	PUMP (INCLUDES SCREWS)
5	35-89496		2	FILTER
6	25-89498		1	O-RING, MOTOR END
7	25-89497		1	O-RING, RESERVOIR END
8	89499		1	DIPSITCK
9	90587		1	RESERVOIR
10	10-90588		1	SCREW (INCLUDES O-RING)
11	16-90589		1	THRU STUD (SHORT)
	16-90590		1	THRU STUD (LONG)
-	17649A1		1	MOTOR, POWER TRIM
12	89484		1	END FRAME, DRIVE END
13	89485		1	ARMATURE
14	12-89482		1	THRUST WASHER
15	89486		1	FIELD AND FRAME
16	89487		1	BRUSH CARD
17	89488		1	END FRAME, COMMUTATOR END
18	10-89483		1	THRU BOLT (4-1/4")
	10-89489		1	THRU BOLT (4-9/16")
19	11-89481		6	NUT

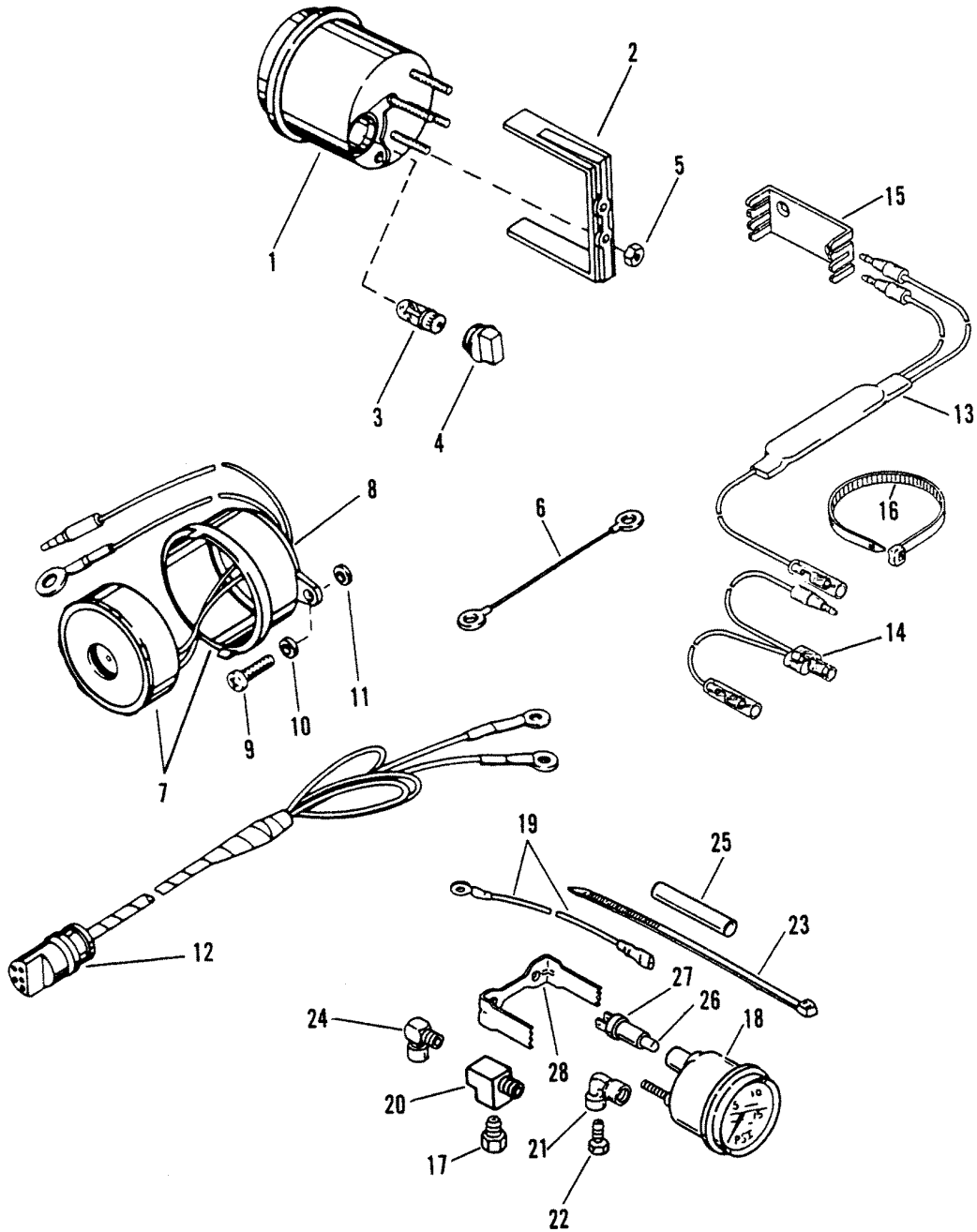
HYDRAULIC PUMP ASSEMBLY(NEW DESIGN)



HYDRAULIC PUMP ASSEMBLY(NEW DESIGN)

REF. NO.	PART NO.	SYM.	QTY.	DESCRIPTION
-	818161A4		1	HYDRAULIC PUMP ASSEMBLY
1	811491		1	ADAPTOR
2	89493		1	COUPLING
3	25-89498		1	O-RING, MOTOR END
4	811492		1	PUMP(INCLUDES SCREWS)
5	35-89496		2	FILTER
6	25-89497		1	O-RING, RESERVOIR END
7	41219		1	RESERVOIR
8	10-811493		1	SCREW KIT
-	17649		1	MOTOR
9	17632		1	END FRAME W/BEARING
10	10-17626		4	SCREW
11	25-17625		1	O-RING
12	10-17621		2	SCREW
13	17633		1	BRUSH HOLDER KIT
14	17631A1		1	BRUSH SET
15	17623		1	ARMATURE
16	12-17653		2	THRUST WASHER
17	17624		1	FIELD AND FRAME
18	17622		1	HOUSING W/BEARING

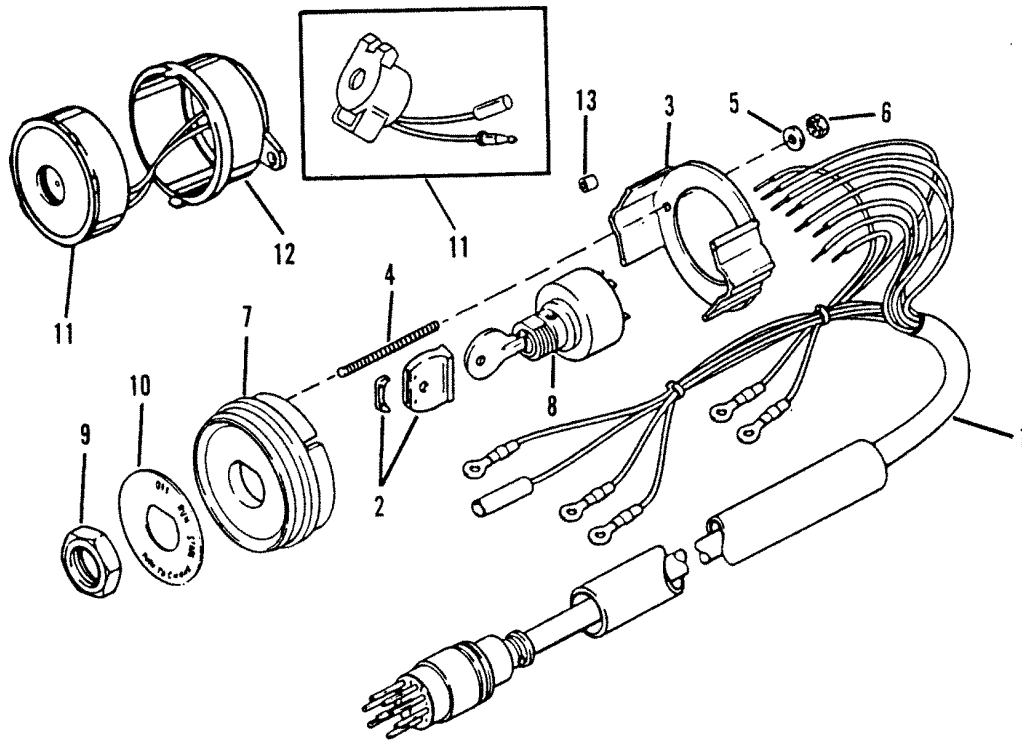
INSTRUMENTATION



INSTRUMENTATION

REF. NO.	PART NO.	SYM.	QTY.	DESCRIPTION
1	79-93953A1		1	TACHOMETER
2	79101T		1	BRACKET
3	88-72729		1	LIGHT BULB
4	88-79888		1	SOCKET
5	11-26419		5	NUT
6	84-86322A7		1	WIRE (BLACK - 1-1/2")
	84-86323A5		1	WIRE(PURPLE - 1-1/2")
7	68878A6		1	ALARM HORN AND WIRE ASSEMBLY
8	68879		1	COVER
9	10-35401		2	SCREW
10	12-26427		2	WASHER
11	23-79697		2	SPACER
12	84-86396A8		1	HARNESS
13	812497A2		1	DIODE KIT
14	84-11149A2		1	CABLE ASSEMBLY
15	79146		2	RETAINER
16	54-816311		AR	STA-STRAP
17	22-36492		1	BUSHING
18	79-15128A3		1	30 PSI GAUGE KIT
19	84-88532A1		1	CABLE ASSEMBLY (DARK BLUE)
	84-86322A16		1	CABLE ASSEMBLY (BLACK)
20	22-64706		1	TEE FITTING
21	22-63651		2	ELBOW
22	22-63670		2	FITTING
23	54-816311		5	STA-STRAP
24	22-77863		1	FITTING
25	32-64088--6		1	TUBING
26	88-95691		1	BULB
27	13631		1	SOCKET
28	17654		0	BRACKET

KEY SWITCH ASSEMBLY



KEY SWITCH ASSEMBLY

REF. NO.	PART NO.	SYM.	QTY.	DESCRIPTION
1	84-816626A2		1	KEY SWITCH ASSEMBLY (20')
2	90468A1		2	COVER
3	76424		1	BRACKET
4	16-55422		2	STUD
5	12-24676		2	WASHER
6	11-68219		2	NUT
7	816479		1	PLATE
8	87-88107		1	IGNITION SWITCH (See Below for Replacement Keys)
-	89491--1		AR	KEY-Ignition Switch (1A)
-	89491--2		AR	KEY-Ignition Switch (1B)
-	89491--3		AR	KEY-Ignition Switch (1C)
-	89491--4		AR	KEY-Ignition Switch (1D)
-	89491--5		AR	KEY-Ignition Switch (1E)
-	89491--6		AR	KEY-Ignition Switch (1F)
-	89491--7		AR	KEY-Ignition Switch (2A)
-	89491--8		AR	KEY-Ignition Switch (2B)
-	89491--9		AR	KEY-Ignition Switch (2C)
-	89491-10		AR	KEY-Ignition Switch (2D)
-	89491-11		AR	KEY-Ignition Switch (2E)
-	89491-12		AR	KEY-Ignition Switch (2F)
9	11-93543		1	NUT
10	38-90311		1	INSERT
11	68878A6		1	ALARM HORN - DESIGN I
12	68879		1	COVER - DESIGN I
11	816492A1		1	ALARM (DESIGN II)
13	23-812711		2	SPACER (3/8")
	23-812711		2	SPACER (1/4")

PARTS INDEX

Part Number	Description	Pg.	Ref. No.	Part Number	Description	Pg.	Ref. No.
12144	COVER (BLACK)	43	1A	32435	FACE PLATE	43	25
12144	COVER (BLACK)	51	1A	32435	FACE PLATE	51	25
12144	COVER (BLACK)	61	1A	32435	FACE PLATE	61	25
12144	COVER (BLACK)	69	1A	32435	FACE PLATE	69	25
12144--1	COVER (GRAY)	43	1A	37896	GUIDE BLOCK	11	41
12144--1	COVER (GRAY)	51	1A	38279	LATCH	13	45
12144--1	COVER (GRAY)	61	1A	39483	LATCH	11	22
12144--1	COVER (GRAY)	69	1A	39519	CAP STUD ATTACHING	11	40
12955A3	BOTTOM COWL (OLD DESIGN)	3	18	39519	CAP SCREW ATTACHING	11	36
13171	THRUST HUB	47	79	41052	PLUNGER	37	14
13171	THRUST HUB	57	83	41094A3	SPARK ADVANCE LEVER	11	6
13171	THRUST HUB	65	78	41095	THROTTLE CONTROL LEVER	11	13
13171	THRUST HUB	75	81	41219	RESERVOIR	83	7
13631	SOCKET	85	27	41941	DIFFUSER	35	21
13715	RETAINER	31	28	42248	BRACKET	23	32
13734	RETAINER (BLACK)	3	19	42249	COVER (UPPER)	23	7
13734--1	RETAINER (GRAY)	3	19	42732A2	PLATE ASSEMBLY (BLACK)	35	15
14410A1	FRONT COVER (OLD DESIGN)	3	2	42732A5	PLATE ASSEMBLY (GRAY)	35	15
14469	BEARING CUP	57	76	42859A2	ENRICHNER VALVE	17	1
14469	BEARING CUP	73	54	43429--2	IGNITION PLATE	9	1
14638	BARREL	11	27	43453	PLUG	23	34
14871	COWL BRACKET	59	1	43657A3	REED BLOCK HOUSING	31	14
14984	HOLD DOWN	59	4	44260	RETAINER	35	18
15386	END CAP	27	11	45915	TERMINAL BLOCK	17	4
15838A2	BEARING ADAPTOR	55	66	45915	TERMINAL BLOCK	77	6
15838A2	BEARING ADAPTOR	73	67	46265	BOOT	79	31
15840--1	COVER	47	73	48039	CAP	11	12
15840--1	COVER	57	75	48752	INSERT	43	27
15840--1	COVER	65	76	48752	INSERT	51	27
15840--1	COVER	75	78	48752	INSERT	61	27
15933	STRAP	39	26	48752	INSERT	69	27
17622	HOUSING W/BEARING	83	18	52100	WEAR PLATE	13	44
17623	ARMATURE	83	15	54196A6	CARRIER ASSEMBLY	33	4
17624	FIELD AND FRAME	83	17	56703	COLLAR	7	15
17631A1	BRUSH SET	83	14	58707	HOLD DOWN (BUNGY CORD)(OLD DESIGN)	3	8
17632	END FRAME W/BEARING	83	9	61787	BRUSH HOLDER	27	9
17633	BRUSH HOLDER KIT	83	13	62459	BALL JOINT	11	2
17649	MOTOR	83	-	65800	SEAL	33	5
17649A1	MOTOR, POWER TRIM	81	-	67073A1	LINK ROD	13	43
17654	BRACKET	85	28	67614	COVER	7	23
18018A1	FUEL PUMP KIT	17	21	67703	STRAP (BLACK)	35	7
18178	ROLLER	15	12	67703--1	STRAP (GRAY)	35	7
18180	THROTTLE LINK	15	10	67891	FILLER BLOCK	57	77A
18181	LINK	15	11	67891	FILLER BLOCK	65	77
18787--5	CYLINDER HEAD (2 BOLT MAIN)	31	1	67891	FILLER BLOCK	75	80
18787A2	CYLINDER HEAD-4 BOLT MAIN	31	1	67981	FILLER BLOCK	47	73A
18866T	COVER	15	1	68042	RUBBER STOP	7	16
18867--2	SOUND ATTENUATOR PLATE	15	4	68100--1	THRUST RING	47	59
19266040	JET, IDLE AIR BLEED (.040 - WMH-7)	19	16	68100--1	THRUST RING	65	65
19368--2	TRIM MOLDING - OLD DESIGN	3	22	68878A6	ALARM HORN - DESIGN I	87	11
26852	CAP	11	21	68878A6	ALARM HORN AND WIRE ASSEMBLY	85	7
26852	CAP	11	9	68879	COVER	85	8
26852	CAP	25	38	68879	COVER - DESIGN I	87	12
				69205	C-WASHER	31	26
				71602	YOKE (BLACK)	3	5
				71602--1	YOKE (GRAY)	3	5
				74897	PIVOT	11	1

PARTS INDEX

Part Number	Description	Pg.	Ref. No.	Part Number	Description	Pg.	Ref. No.
75384	BRUSH SET	27	8	816479	PLATE	87	7
75660	PLATE	27	3	816492A1	ALARM (DESIGN II)	87	11
75661	DRIVE	27	2	816770	RECTIFIER	9	17
75953	REED BLOCK	31	18	817495A1	SOUND ATTENUATOR	15	16
76035	LINK ROD	11	4	817706A3	FRONT COVER (BLACK)- NEW DESIGN	3	2
76214	ANODIC PLATE	47	74	817706A4	FRONT COVER (GRAY) - NEW DESIGN	3	2
76214	ANODIC PLATE	57	78	817708	HOLD DOWN (NEW DESIGN)	3	8
76214	ANODIC PLATE	65	82	817712--1	COWL SEAL (NEW DESIGN)	3	22
76214	ANODIC PLATE	75	85	818161A4	HYDRAULIC PUMP ASSEMBLY	79	1
76424	BRACKET	87	3	818161A4	HYDRAULIC PUMP ASSEMBLY	83	-
76867	COVER (LOWER)	23	10	818261	EXHAUST BLOCK-OFF PLATE	35	29
78902	SHIFT SHAFT (LOWER)	45	38	818567	BRACKET	79	2
78902	SHIFT SHAFT (LOWER)	53	38	821877	BRACKET	3	29
78902	SHIFT SHAFT (LOWER)	63	38	821878	BRACKET	3	30
78902	SHIFT SHAFT (LOWER)	71	38	821878A2	COWL SUPPORT KIT	3	-
78956	SHIFT CAM	47	48	821879	PIN	5	37
78956	SHIFT CAM	55	48	821880A1	COWL SUPPORT	5	39
78956	SHIFT CAM	65	49	821978A1	EXHAUST EXTENSION RING	49	83
78956	SHIFT CAM	73	49	821978A1	EXHAUST EXTENSION RING	57	87
79022	TIMING MARKER	7	2	821978A1	EXHAUST EXTENSION RING	67	87
79101T	BRACKET	85	2	821978A1	EXHAUST EXTENSION RING	75	90
79146	RETAINER	85	15	822188--1	PLATE	3	26
79216	ARMATURE	27	7	847609--1	DIVIDER PLATE	29	2
79610A10	TRIM CYLINDER (79879A1 REPAIR KIT)	39	22	847610A1	BEARING CARRIER	65	68
79911	ROD	47	50	847616A1	BEARING CARRIER	73	71
79911	ROD	55	50	85026T	PLATE	39	12
79911	ROD	65	50	85028A2	TILT LOCK LEVER (STARBOARD)	37	11
79911	ROD	73	50	85030A2	TILT LOCK LEVER (PORT)	37	11
79918A1	COVER ASSEMBLY	7	1	85035T	SPACER (BLACK)	39	15
79932A11	SHIFT SHAFT	13	48	85035T6	SPACER (GRAY)	39	15
810721	THROTTLE LEVER (TOP/CENTER)	19	9	86475--1	COUPLING	37	17
810722	THROTTLE LEVER (BOTTOM)	19	9	86580A1	BOTTOM YOKE (BLACK)	37	22
810723	ACCELERATOR LINK	19	6	86580A2	BOTTOM YOKE (GRAY)	37	22
810729	FUEL BOWL (W/FITTING)(TOP) WMH-7	19	31	86603	KNOB	37	16
810734	FUEL BOWL (CENTER/BOTTOM)	19	31	87760	MOUNTING PLATE	77	22
810737	COVER ASSEMBLY	19	19	87760	MOUNTING PLATE	79	22
810738	FLOAT	19	26	87762	BRACKET	77	27
810739	VALVE SEAT KIT	19	29	87762	BRACKET	79	28
810743	EMULSION TUBE (WMH-7)	19	4	87871	COVER	39	31
810748	ACCELEAOR LEVER ASSEMBLY	19	5	88075	RETAINER	77	11
810762	PUMP CUP ASSEMBLY	19	23	88075	RETAINER	79	11
810779	LIMTER CAP	19	2	88238A4	CABLE	5	42
811491	ADAPTOR	83	1	88238A4	CABLE OLD DESIGN	3	14
811492	PUMP(INCLUDES SCREWS)	83	4	88825A7	VOLTAGE REGULATOR	9	33
812497A2	DIODE KIT	85	13	89484	END FRAME, DRIVE END	81	12
814283A1	ANCHOR BRACKET SCREW ATTACHING	11	33	89485	ARMATURE	81	13
814283A2	ANCHOR BRACKET STUD ATTACHING	11	33	89486	FIELD AND FRAME	81	15
814431A2	BEARING CARRIER	55	68	89487	BRUSH CARD	81	16
814929	THROTTLE CONTROL ROD	11	26	89488	END FRAME, COMMUTATOR END	81	17
815539T	THROTTLE CAM	11	28	89491--1	KEY-Ignition Switch (1A)	87	-
815563A2	BEARING CARRIER	47	64	89491--2	KEY-Ignition Switch (1B)	87	-
				89491--3	KEY-Ignition Switch (1C)	87	-
				89491--4	KEY-Ignition Switch (1D)	87	-

PARTS INDEX

Part Number	Description	Pg.	Ref. No.	Part Number	Description	Pg.	Ref. No.
89491--5	KEY-Ignition Switch (1E)	87	-	10-13212--1	SCREW	35	27
89491--6	KEY-Ignition Switch (1F)	87	-	10-14000	SCREW (1-1/4")	37	27
89491--7	KEY-Ignition Switch (2A)	87	-	10-14834	DRAIN SCREW (MAGNETIC)	45	46
89491--8	KEY-Ignition Switch (2B)	87	-	10-14834	DRAIN SCREW (MAGNETIC)	53	46
89491--9	KEY-Ignition Switch (2C)	87	-	10-14834	DRAIN SCREW (MAGNETIC)	63	46
89491-10	KEY-Ignition Switch (2D)	87	-	10-14834	DRAIN SCREW (MAGNETIC)	71	46
89491-11	KEY-Ignition Switch (2E)	87	-	10-14834	SCREW	65	72
89491-12	KEY-Ignition Switch (2F)	87	-	10-14834	SCREW	75	75
89492	ADAPTOR	81	1	10-15934	SCREW	39	27
89493	COUPLING	81	2	10-17621	SCREW	83	12
89493	COUPLING	83	2	10-17626	SCREW	83	10
89494	MANUAL RELEASE (INCLUDES 2 O-RINGS) . .	81	3	10-18308	SCREW	31	21
89495	PUMP (INCLUDES SCREWS)	81	4	10-22486	SCREW	11	23
89499	DIPSITCK	81	8	10-28635	SCREW	35	30
89594A1	CAM FOLLOWER	47	49	10-28636	SCREW	35	19
89594A1	CAM FOLLOWER	55	49	10-28636	SCREW	39	13
89594A1	CAM FOLLOWER	65	48	10-28636	SCREW (3/4")	23	29
89594A1	CAM FOLLOWER	73	48	10-28636	SCREW (3/4")	23	33
89949A1	PLATE ASSEMBLY	39	18	10-28782	SCREW	13	55
90318	BRACKET	77	2	10-28782	SCREW	29	7
90390A1	COVER	31	6	10-30206	SCREW	47	78
90468A1	COVER	87	2	10-30206	SCREW	57	82
90587	RESERVOIR	81	9	10-30206	SCREW	67	86
90645	DRIVE KIT	27	1	10-30206	SCREW	75	89
92459A4	HYDRAULIC PUMP ASSEMBLY	77	1	10-31716	SCREW (5/8")	9	26
92459A4	HYDRAULIC PUMP ASSEMBLY	81	-	10-31830	BOLT (1-3/4")	77	28
92876A1	STEERING LINK	37	26	10-32866	SCREW	41	34
94275	CONNECTOR	77	16	10-35057	SCREW	49	84
96183--2	REED CLAMP	31	20	10-35057	SCREW	57	88
96455A10	TRIGGER PLATE	7	13	10-35057	SCREW	67	88
96598	MANUAL RELEASE (INCLUDES 3 O-RINGS) . .	81	3	10-35401	SCREW	75	91
97465	TEMPERATURE SENDER . .	31	13	10-35401	SCREW	85	9
98684	SPACER	39	25	10-36137	SCREW	15	6
98889	LATCH STUD ATTACHING .	11	34	10-37562	SCREW (1")	31	8
98889	LATCH SCREW ATTACHING	11	34	10-37572	SCREW	7	3
99170A1	TILT TUBE	39	9	10-38055	SCREW (5/8")	9	10
99193	COVER	29	6	10-38055	SCREW (5/8")	9	18
99690	PLATE OLD DESIGN	3	13	10-38601	SCREW	3	27
99779	CLIP OLD DESIGN	3	15	10-38837	SCREW (1")	79	3
99779	TORSION CLIP	5	43	10-38837	SCREW (1-1/8")	31	8
N.S.S.	GEAR (PART OF 43-15845A2 OR 43-817515A2)	51	12	10-39349	SCREW (3/4")	77	23
N.S.S.	GEAR (PART OF 43-44104A6 OR 43-44102A5)	43	12	10-39349	SCREW (3/4")	79	23
N.S.S.	FORWARD GEAR (PART OF 43-15845A2)-1:87	55	56	10-41506	SCREW	23	36
N.S.S.	GEAR (PART OF 43-15845A2 OR 43-817515A2)	69	12	10-41508	SCREW (3/8")	77	13
N.S.S.	GEAR (PART OF 43-44104A7 OR 43-44102A5)	61	12	10-41508	SCREW (3/8")	79	13
N.S.S.	REVERSE GEAR (PART OF 43-15845A2)(1:87)	73	56	10-42975	SCREW SCREW ATTACHING	11	35
N.S.S.	SCREW (AMER. BOSCH #02441-22-SC-30SM)	27	10	10-48409	SCREW	9	34
N.S.S.	WASHER (AMERICAN BOSCH #WA3122)	27	6	10-48409	SCREW	15	2
				10-48409	SCREW	77	31
				10-62568	SCREW	9	9
				10-62568	SCREW (3/8")	17	6
				10-63826	BOLT (2-1/2")	79	29
				10-64022	ASJUSTING SCREW	25	39
				10-64022	SCREW	11	7
				10-64022	SCREW (2-1/8")	11	19
				10-66024	SCREW	47	75
				10-66024	SCREW	57	79
				10-66024	SCREW	65	83
				10-66024	SCREW	75	86
				10-66717	SCREW (3-1/4")	25	37

PARTS INDEX

Part Number	Description	Pg.	Ref. No.	Part Number	Description	Pg.	Ref. No.
10-67755--1	SCREW (4-1/2")	39	4	10-96411	SCREW (2-1/4")	69	31
10-67755--2	SCREW (6-1/2")	39	3	10-96529	SCREW (1-1/8")	31	23
10-67769	SCREW	35	8	11-13436	NUT	43	35
10-68513	SCREW	7	30	11-13436	NUT	51	35
10-69028	SCREW	17	17	11-13436	NUT	63	35
10-69034	SCREW (1")	23	25	11-13436	NUT	71	35
10-69035	SCREW	7	20	11-13438	NUT	43	33
10-69079	SCREW	31	27	11-13438	NUT	51	33
10-69079	SCREW	77	7	11-13438	NUT	61	33
10-69079	SCREW (7/16")	17	5	11-13438	NUT	69	33
10-69092	SCREW (1-1/4")	9	12	11-18102	NUT STUD ATTACHING	11	39
10-69560	SCREW (1-1/4")	11	10	11-20110	NUT (#10-32)	79	14
10-69570	SCREW	3	3	11-20184	NUT, CARB MOUNTING	17	13
10-70732	SCREW	39	16	11-20220	NUT	39	8
10-73278	SCREW	59	2	11-20890	NUT	7	18
10-73286	SCREW	17	3	11-21825	NUT	77	21
10-74824	SCREW (1-1/4")	25	37	11-21825	NUT	79	18
10-74968	THRU BOLT	27	4	11-22496	JAM NUT	59	7
10-76630	SCREW	31	15	11-25269	NUT	35	9
10-79953	SCREW	45	45	11-26419	NUT	85	5
10-79953	SCREW	53	45	11-26419	NUT (#8-32)	77	14
10-79953	SCREW	63	45	11-26484	NUT (5/16-18)	79	15
10-79953	SCREW	71	45	11-28040	NUT	35	6
10-811493	SCREW KIT	83	8	11-29488	NUT	41	36
10-815549	SCREW (2")	23	11	11-30506	NUT	35	24
10-815904	SCREW	43	2	11-34059	NUT	77	5
10-815904	SCREW	51	2	11-34863	NUT	37	28
10-815904	SCREW	61	2	11-34863	NUT (THIN)	35	13
10-815904	SCREW	69	2	11-34932	NUT (FULL)	35	13
10-818146	SCREW	5	34	11-34933	NUT	35	11
10-818146	SCREW (7/8")	29	5	11-34933	NUT	35	28
10-818158	SCREW (1-3/8")	29	5	11-34933	NUT	47	77
10-818165	SCREW (1-3/4")	11	14	11-34933	NUT	57	81
10-821933	SCREW	5	31	11-34933	NUT	59	9
10-822836	WASHER	35	26	11-34933	NUT	67	85
10-87180	BOLT	39	7	11-34933	NUT	75	88
10-87926	SCREW	15	13	11-35045	NUT	3	28
10-88447	SCREW (1-5/8")	7	24	11-35045	NUT	11	25
10-88489	SCREW	15	19	11-35045	NUT	11	31
10-88743	SCREW	31	29	11-35045	NUT	13	47
10-88829	SCREW	39	21	11-35045	NUT	13	54
10-89483	THRU BOLT (4-1/4")	81	18	11-35053	NUT	5	35
10-89489	THRU BOLT (4-9/16")	81	18	11-35888	NUT	17	19
10-89996	SCREW	39	19	11-35921	NUT	43	14
10-90028	SCREW	7	11	11-35921	NUT	51	14
10-90086	SCREW (1-1/2")	23	8	11-35921	NUT	61	14
10-90271	SCREW (5/8")	77	25	11-35921	NUT	69	14
10-90271	SCREW (5/8")	79	25	11-42633	NUT	43	17
10-90285	SCREW (5/8")	77	3	11-42633	NUT	51	17
10-90588	SCREW (INCLUDES O-RING)	81	10	11-42633	NUT	61	17
10-90815	SCREW	9	3	11-42633	NUT	69	17
10-91903	SCREW (1-3/4")	35	25	11-45076	NUT	7	25
10-92051	SCREW	79	8	11-45076	NUT	9	19
10-92160	SCREW (3/4")	31	22	11-45076	NUT	9	29
10-92913	SCREW (3/4")	35	25	11-45076	NUT	9	31
10-93886	SCREW	33	12	11-45076	NUT	9	7
10-94929	SCREW	31	3	11-45812	NUT	11	5
10-96411	SCREW (2-1/4")	43	31	11-46335	NUT	77	30
10-96411	SCREW (2-1/4")	51	31	11-52707A1	PROPELLER NUT	49	81
10-96411	SCREW (2-1/4")	61	31	11-52707A1	PROPELLER NUT	57	85

PARTS INDEX

Part Number	Description	Pg.	Ref. No.	Part Number	Description	Pg.	Ref. No.
11-52707A1	PROPELLER NUT	65	80	12-36001	WASHER	61	34
11-52707A1	PROPELLER NUT	75	83	12-36001	WASHER	69	34
11-52901	NUT	7	5	12-36042	WASHER	9	14
11-64015	JAM NUT	25	40	12-39143	WASHER	31	15A
11-64015	NUT	11	20	12-45175	LOCKWASHER	79	27
11-64015	NUT	11	8	12-47247	WASHER	33	13
11-67980	NUT	9	30	12-47533--1	WASHER, SUBSTITUTE FOR THERMOSTAT	31	7
11-68219	NUT	11	11	12-49221--1	WASHER	23	18
11-68219	NUT	11	3	12-56720	WASHER	77	4
11-68219	NUT	87	6	12-57792	WASHER	79	4
11-68411	NUT	79	30	12-67264	WASHER (RUBBER)	9	15
11-810744	NUT	19	13	12-67670	THRUST WASHER	37	24
11-816670	NUT	39	6	12-68229	WASHER	7	6
11-816874	NUT	23	20	12-68410	WASHER	11	18
11-86041	NUT (7/8-14)	39	11	12-68410	WASHER	59	6
11-89481	NUT	81	19	12-69056	WASHER	13	46
11-90068T	NUT (1"-14) (BLACK)	39	11	12-69057	WASHER	15	20
11-90068T6	NUT (1"-14) (GRAY)	39	11	12-72761	WASHER	7	4
11-93543	NUT	87	9	12-72761	WASHER	23	19
11-94330	NUT (1/4-20)	77	15	12-74758	WASHER	5	36
12-17616	THRUST RING	55	61	12-77674	RUBBER WASHER	45	44
12-17616	THRUST RING	73	65	12-77674	RUBBER WASHER	53	44
12-17653	THRUST WASHER	83	16	12-77674	RUBBER WASHER	63	444
12-19183	WASHER	45	47	12-77674	RUBBER WASHER	71	44
12-19183	WASHER	53	47	12-78910	WASHER	47	52
12-19183	WASHER	63	47	12-78910	WASHER	55	52
12-19183	WASHER	65	73	12-78910	WASHER	65	52
12-19183	WASHER	71	47	12-78910	WASHER	73	52
12-19183	WASHER	75	76	12-810745	WASHER	19	12
12-20128	WASHER	3	10	12-816056	WASHER	35	5
12-20128	WASHER	3	7	12-822836	WASHER	35	10
12-20128	WASHER OLD DESIGN	5	41	12-822836	WASHER	47	76
12-20533	WASHER	3	17	12-822836	WASHER	57	80
12-20878	WASHER	35	23	12-822836	WASHER	65	84
12-22248	WASHER	41	35	12-822836	WASHER	75	87
12-22248	WASHER	59	8	12-822838	WASHER	31	4
12-22753	WASHER	79	32	12-822838	WASHER	35	12
12-22887	WASHER	3	4	12-847526	WASHER	29	12
12-24676	WASHER	87	5	12-847539	WASHER	5	32
12-26427	WASHER	85	10	12-87161	9 WASHER	37	9
12-28421	WASHER	39	5	12-89302	WASHER	15	14
12-29245	WASHER	13	50	12-89482	THRUST WASHER	81	14
12-29245	WASHER	15	7	12-92721	WASHER	43	13
12-29245	WASHER	17	18	12-92721	WASHER	51	13
12-29245	WASHER	39	14	12-92721	WASHER	61	13
12-29245	WASHER	39	17	12-92721	WASHER	69	13
12-29245	WASHER	43	32	12-96457	WASHER	77	20
12-29245	WASHER	51	32	12-96457	WASHER	79	17
12-29245	WASHER	61	32	13-26992	LOCKERWASHER	23	30
12-29245	WASHER	69	32	13-26992	LOCKWASHER	7	17
12-30164	WASHER	7	29	13-26992	LOCKWASHER	9	27
12-31211A2	WASHER	49	82	13-26992	LOCKWASHER	35	20
12-31211A2	WASHER	57	86	13-26992	LOCKWASHER	35	31
12-31211A2	WASHER	65	81	13-26993	LOCKWASHER	9	13
12-31211A2	WASHER	75	84	13-26993	LOCKWASHER	59	3
12-33786	WASHER STUD ATTACHING	11	38	13-26993	LOCKWASHER	77	24
12-34931	WASHER	37	29	13-26993	LOCKWASHER	79	24
12-35462	WASHER	13	53	13-26993	LOCKWASHER (OLD DESIGN)	23	9
12-36001	WASHER	43	34				
12-36001	WASHER	51	34				

PARTS INDEX

Part Number	Description	Pg.	Ref. No.	Part Number	Description	Pg.	Ref. No.
13-26996	LOCKWASHER	7	12	17-12148	POP RIVET	3	20
13-29720	WAVE WASHER	13	49	17-12148	POP RIVET	5	40
13-58643	LOCKWASHER	77	26	17-12148	POP RIVET OLD DESIGN	3	16
13-58643	LOCKWASHER	77	29	17-14908	RIVET	3	21
13-58643	LOCKWASHER	79	26	17-20033	DOWEL PIN	23	4
13-69432	LOCKWASHER	15	15	17-20033	DOWEL PIN	35	16
13-78854	WAVE WASHER	37	21	17-20033	DOWEL PIN	43	3
13-88750	WAVE WASHER	39	10	17-20033	DOWEL PIN	51	3
14-79447	TAB WASHER	47	72	17-42671	CROSS PIN	47	62
14-79447	TAB WASHER	57	74	17-42671	CROSS PIN	55	64
14-79447	TAB WASHER	65	75	17-42671	CROSS PIN	65	60
14-79447	TAB WASHER	75	77	17-42671	CROSS PIN	73	60
14-816629	TAB WASHER	49	80	17-43044	DOWEL PIN	61	3
14-816629	TAB WASHER	57	84	17-43044	DOWELL PIN	69	3
14-816629	TAB WASHER	65	79	17-58712	CLEVIS PIN	3	9
14-816629	TAB WASHER	75	82	17-67296	DOWEL PIN (BEARING RACE)	23	5
15-42637A1	SHIM ASSEMBLY	43	15	17-67706A46	SWIVEL PIN AND STEERING ARM (BALCK)	37	25
15-42637A1	SHIM ASSEMBLY	51	15	17-67706A47	SWIVEL PIN AND STEERING ARM (GRAY)	37	25
15-42637A1	SHIM ASSEMBLY	61	15	17-69745	PIN	37	18
15-42637A1	SHIM ASSEMBLY	69	15	17-78906	PIN	47	53
15-47397A1	SHIM	47	68	17-78906	PIN	55	53
15-47397A1	SHIN	65	54	17-78906	PIN	65	53
16-15093	STUD (1")	23	31	17-78906	PIN	73	53
16-15094	STUD (1-7/8")	23	15	17-78909	DETENT PIN	47	54
16-18101	STUD STUD ATTACHING	11	37	17-78909	DETENT PIN	55	54
16-20353	STUD	11	29	17-78909	DETENT PIN	65	59
16-27037	STUD, CARB MOUNTING	31	17	17-78909	DETENT PIN	73	59
16-55422	STUD	87	4	17-810747	STEM	19	18
16-56295	STUD	35	2	17-816771	RIVET	3	6
16-56297	STUD (3-3/8")	43	6	17-98683	PIN	39	24
16-56297	STUD (3-3/8")	51	6	18-21071	COTTER PIN	3	11
16-56297	STUD (3-3/8")	61	6	18-93861	COTTER PIN	37	20
16-56297	STUD (3-3/8")	69	6	19-815784	CAP PLUG	15	18
16-57920	STUD (2-1/16")	43	5	21-42623	CHECK VALVE (11/16"CRANKCASE TOP)	31	33
16-57920	STUD (2-1/16")	51	5	21-42698	CHECK VALVE (13/16"CRANKCASE BOTTOM/SIDE)	31	33
16-57920	STUD (2-1/16")	69	5	21-64871A2	CHECK VALVE	15	8
16-57920	STUD (2-1/16") LONG	61	5	22-13820	PIPE PLUG	43	10
16-58893	STUD	35	22	22-13820	PIPE PLUG	51	10
16-69501	STUD (3-1/4")	43	7	22-14685	PLUG	3	24
16-69501	STUD (3-1/4")	51	7	22-15026	CAP	15	21
16-69501	STUD (3-1/4")	61	7	22-15133	ELBOW (PRESS-IN)	31	32
16-69501	STUD (3-1/4")	69	7	22-28586	ADAPTOR	21	43
16-74730	STUD (7")	69	5	22-32561	PIPE PLUG	23	12
16-74730	STUD (7") X-LONG	61	5	22-32802	PLUG -4 BOLT MAIN	31	1A
16-78638	STUD (3-1/8")	43	4	22-36492	BUSHING	85	17
16-78638	STUD (3-1/8")	51	4	22-38407	PLUG (WATER JACKET)	23	13
16-78638	STUD (3-1/8") LONG	61	4	22-56759	FITTING (PRESS-IN)	31	31
16-78638	STUD (3-1/8") LONG	69	4	22-56800	PIPE PLUG	23	2
16-78639	STUD (8-1/8") X-LONG	61	4	22-63651	ELBOW	85	21
16-78639	STUD (8-1/8") X-LONG	69	4	22-63670	FITTING	85	22
16-816055	STUD	35	3	22-64706	TEE FITTING	85	20
16-847529	STUD (2-1/2")	23	3	22-68727	FITTING	29	10
16-847530	STUD (2")	23	3	22-68727	FITTING	31	9
16-847532	STUD (5-3/4")	23	3	22-68728	FITTING	31	11
16-88876	STUD	37	15				
16-90589	THRU STUD (SHORT)	81	11				
16-90590	THRU STUD (LONG)	81	11				
16-96908	STUD (2-3/16")	23	3				
16-96909	STUD (7")	23	3				
17-12147	POP RIVET - OLD DESIGN	3	23				

PARTS INDEX

Part Number	Description	Pg.	Ref. No.	Part Number	Description	Pg.	Ref. No.
22-70834	BAYONET	17	22	23-816057--1	SPACER (GRAY)	35	4
22-74036	GREASE FITTING	37	6	23-818764	BUSHING	37	3
22-77366	CONNECTOR	79	33	23-822823	THRUST RING	65	66
22-77863	FITTING	85	24	23-823767	SPACER	9	36
22-816875	ELBOW (TOP)	21	40	23-847685	SLEEVE	61	29
22-816876	TEE (CENTER)	21	41	23-847685	SLEEVE	69	29
22-818200	FITTING	79	34	23-86600	BUSHING	37	12
22-821881	PIPE PLUG	5	33	23-93248--1	SWIVEL BUSHING	11	30
22-847627	PIPE PLUG	61	10	23-94304	BUSHING	9	4
22-847627	PIPE PLUG	69	10	23-94453	BUSHING	9	5
22-87207	CONNECTOR (OLD DESIGN)	41	37	23-99509	RUBBER PAD	59	5
22-94282	ELBOW (SPECIAL)(BOTTOM)	21	42	23-99509--1	RUBBER PAD	5	38
23-17615--1	SPACER SHIM (.125")	55	62	23-99813A2	BUSHING KIT	39	23
23-17615--1	SPACER SHIM (.125")	73	63	24-20099	SPRING	11	24
23-17615--2	SPACER SHIM (.127")	55	62	24-20099	SPRING	13	42
23-17615--2	SPACER SHIM (.127")	73	63	24-41050	SPRING (OLD DESIGN)	11	32
23-17615--3	SPACER SHIM (.129")	55	62	24-68784	SPRING	11	17
23-17615--3	SPACER SHIM (.129")	73	63	24-78962	SPRING	47	55
23-17615--4	SPACER SHIM (.131")	55	62	24-78962	SPRING	55	55
23-17615--4	SPACER SHIM (.131")	73	63	24-78962	SPRING	65	61
23-17615--5	SPACER SHIM (.133")	55	62	24-78962	SPRING	73	61
23-17615--5	SPACER SHIM (.133")	73	63	24-79910	SPRING	47	51
23-17615--6	SPACER SHIM (.135")	55	62	24-79910	SPRING	55	51
23-17615--6	SPACER SHIM (.135")	73	63	24-79910	SPRING	65	51
23-17615--7	SPACER SHIM (.137")	55	62	24-79910	SPRING	73	51
23-17615--7	SPACER SHIM (.137")	73	63	24-85367	SPRING	37	13
23-17615--8	SPACER SHIM (.139")	55	62	24-88049	SPRING	37	19
23-17615--8	SPACER SHIM (.139")	73	63	25-12602	GROMMET	39	30
23-17615--9	SPACER SHIM (.141")	55	62	25-17625	O-RING	83	11
23-17615--9	SPACER SHIM (.141")	73	63	25-25439	O-RING	45	41
23-17615-10	SPACER SHIM (.143")	55	62	25-25439	O-RING	53	41
23-17615-10	SPACER SHIM (.143")	73	63	25-25439	O-RING	63	41
23-17615-11	SPACER SHIM (.145")	55	62	25-25439	O-RING	71	41
23-17615-11	SPACER SHIM (.145")	73	63	25-30271	RUBBER RING (OLD DESIGN)	45	36
23-17615-12	SPACER SHIM (.147")	55	62	25-30271	RUBBER RING (OLD DESIGN)	53	36
23-17615-12	SPACER SHIM (.147")	73	63	25-31534	O-RING	47	70
23-17615-13	SPACER SHIM (.149")	55	62	25-31534	O-RING	57	72
23-17615-13	SPACER SHIM (.149")	73	63	25-31534	O-RING	65	67
23-26600	BUSHING	13	52	25-31534	O-RING	73	66
23-27132	BUSHING	13	51	25-32509	O-RING	23	35
23-29804	SLEEVE	45	37	25-33466	O-RING	37	4
23-29804	SLEEVE	53	37	25-39695	O-RING	43	1B
23-34948	SPACER	79	5	25-39695	O-RING	51	1B
23-43998	SLEEVE	43	9	25-39695	O-RING	61	1B
23-43998	SLEEVE	51	9	25-39695	O-RING	69	1B
23-43998	SLEEVE	61	9	25-45507	GROMMET	41	33
23-43998	SLEEVE	69	9	25-48171	O-RING	37	10
23-55164	BUSHING	11	15	25-54029	O-RING	23	22
23-55171	BUSHING	11	16	25-62700	O-RING	23	27
23-67268	BUSHING	9	16	25-817713--1	GROMMET	3	25
23-67269	SPACER	23	17	25-89497	O-RING, RESERVOIR END	81	7
23-67668	SPACER	37	5	25-89497	O-RING, RESERVOIR END	83	6
23-77631A2	BUSHING ASSEMBLY	45	42	25-89498	O-RING, MOTOR END	81	6
23-77631A2	BUSHING ASSEMBLY	53	42	25-89498	O-RING, MOTOR END	83	3
23-77631A2	BUSHING ASSEMBLY	63	42	25-90011	O-RING	43	20
23-77631A2	BUSHING ASSEMBLY	71	42	25-90011	O-RING	51	20
23-79697	SPACER	85	11	25-90011	O-RING	61	20
23-812711	SPACER (1/4")	87	13	25-90011	O-RING	69	20
23-812711	SPACER (3/8")	87	13				
23-816057	SPACER (BLACK)	35	4				

PARTS INDEX

Part Number	Description	Pg.	Ref. No.	Part Number	Description	Pg.	Ref. No.
26-16977	OIL SEAL	43	22	29-67483	NEEDLE BEARING	33	15
26-16977	OIL SEAL	51	22	30-67923	BALL BEARING	33	2
26-16977	OIL SEAL	61	22	30-88957A1	BALL BEARING	47	60
26-16977	OIL SEAL	69	22	30-88957A1	BALL BEARING	57	77
26-38970	RUBBER SEAL	43	28	30-88957A1	BALL BEARING	65	64
26-38970	RUBBER SEAL	51	28	30-88957A1	BALL BEARING	73	55
26-38970	SEAL	35	17	31-15834	THRUST BEARING	55	59
26-41953	OIL SEAL	23	24	31-15834	THRUST BEARING	73	69
26-41953	OIL SEAL	23	28	31-15841	ROLLER BEARING	55	60
26-814754	SEAL	29	3	31-15841	ROLLER BEARING	73	64
26-815565	OIL SEAL	47	66	31-15843	ROLLER BEARING	55	67
26-815565	OIL SEAL	55	70	31-15843	ROLLER BEARING	73	68
26-815565	OIL SEAL	65	70	31-15844	ROLLER BEARING	55	58
26-815565	OIL SEAL	75	73	31-15844	ROLLER BEARING	73	57
26-816464--1	OIL SEAL	45	43	31-16756A4	ROLLER BEARING	23	23
26-816464--1	OIL SEAL	53	43	31-16756A5	ROLLER BEARING	33	7
26-816464--1	OIL SEAL	63	43	31-36387A1	ROLLER BEARING	43	16
26-816464--1	OIL SEAL	71	43	31-36387A1	ROLLER BEARING	51	16
26-85023	OIL SEAL	37	8	31-36387A1	ROLLER BEARING	61	16
26-87735	OIL SEAL	37	2	31-36387A1	ROLLER BEARING	69	16
26-88397	SEAL	61	28	31-36387A1	ROLLER BEARING	69	16
26-88397	SEAL	69	28	31-42647A1	ROLLER BEARING	43	8
26-89238	OIL SEAL	43	21	31-42647A1	ROLLER BEARING	51	8
26-89238	OIL SEAL	51	21	31-42647A1	ROLLER BEARING	61	8
26-89238	OIL SEAL	61	21	31-42647A1	ROLLER BEARING	69	8
26-89238	OIL SEAL	69	21	31-54928--1	ROLLER BEARING	47	58
26-89238	OIL SEAL	69	21	31-54928--1	ROLLER BEARING	65	57
27-11338	GASKET	23	6	31-78172A1	TAPERED ROLLER BEARING	47	69
27-14697--2	GASKET	31	16	31-78172A1	TAPERED ROLLER BEARING	65	55
27-18051	GASKET (LOWER)	43	23	31-817072	ROLLER BEARING	47	65
27-18051	GASKET (LOWER)	51	23	31-817072	ROLLER BEARING	55	69
27-18051	GASKET (LOWER)	61	23	31-817072	ROLLER BEARING	65	69
27-18051	GASKET (LOWER)	69	23	31-817072	ROLLER BEARING	73	72
27-18051A90	GASKET SET	1	-	31-817072	ROLLER BEARING	33	14
27-18785--1	GASKET	31	2	31-821146A1	ROLLER BEARING	85	25
27-18889--1	GASKET	15	3	32-64088--6	TUBING	31	30
27-42631--1	GASKET	43	19	32-66285-70	BLEED HOSE	15	9
27-42631--1	GASKET	51	19	32-66285-70	HOSE	35	14
27-42631--1	GASKET	61	19	32-67295	WATER TUBE	17	10
27-42631--1	GASKET	69	19	32-77457--2	FUEL LINE	17	20
27-62386	GASKET	31	5	32-77457--2	HOSE	29	11
27-67751	GASKET	17	12	32-77457--2	HOSE	31	10
27-67751	GASKET	19	3	32-77457--2	HOSE 2	39	29
27-847525	GASKET	29	1	32-89023	HYDRAULIC HOSE (STARBOARD)	39	29
27-85609--1	GASKET (UPPER)	43	24	32-89024	HYDRAULIC HOSE (PORT)	39	28
27-85609--1	GASKET (UPPER)	51	24	32-96993	HYDRAULIC HOSE (PORT)	39	28
27-85609--1	GASKET (UPPER)	61	24	32-96994	HYDRAULIC HOSE (STARBOARD)	17	7
27-85609--1	GASKET (UPPER)	69	24	32-99126-88	TUBE	23	14
27-87775	GASKET	39	32	32-99127109	FUEL LINE	17	8
27-88907	GASKET	29	8	32-99128-78	FUEL LINE	17	9
27-89221--1	GASKET	15	17	32-99130122	FUEL LINE	7	28
27-89221--1	GASKET	15	5	33-97180	SPARK PLUG (NGK #BUHW)	31	19
27-99776--1	GASKET	29	9	34-14594A1	REED ASSEMBLY	17	14
28-30281	KEY	47	71	35-818700	FUEL FILTER	81	5
28-30281	KEY	57	73	35-89496	FILTER	83	5
28-30281	KEY	65	74	35-89496	FILTER	3	-
28-30281	KEY	75	79	37-13813A7	DECAL SET (OLD DESIGN)	3	-
28-56654	KEY	43	30	37-817660A91	DECAL SET (BLACK) - NEW DESIGN	3	-
28-56654	KEY	51	30				
28-56654	KEY	61	30				
28-56654	KEY	69	30				

PARTS INDEX

Part Number	Description	Pg.	Ref. No.	Part Number	Description	Pg.	Ref. No.
38-90311	INSERT	87	10	53-29641	E-RING	45	39
39-67377--1	SEALING RING	33	6	53-29641	E-RING	53	39
39-816465A12	PISTON RING (STANDARD)	33	9	53-29641	E-RING	63	39
39-818862A1	PISTON RING (.015 O.S.)	33	9	53-29641	E-RING	71	39
39-818875A1	PISTON RING (.030 O.S.)	33	9	53-67446	RETAINING RING	33	3
40-52035	LOCK RING	33	10	53-67684	RETAINING RING	37	23
43-15845A2	FORWARD GEAR (1:87)	73	62	53-78907	RETAINING RING (OLD DESIGN)	45	40
43-15845A2	REVERSE GEAR ASSEMBLY -1:87	55	57	53-78907	RETAINING RING (OLD DESIGN)	53	40
43-44102A5	FORWARD GEAR (2:1)	47	57	53-817071	SNAP RING	47	67
43-44102A5	FORWARD GEAR (2:1)	65	56	53-817071	SNAP RING	57	71
43-44104A6	FORWARD GEAR (1:87)	47	57	53-817071	SNAP RING	65	71
43-44104A7	FORWARD GEAR (1:87)(INCLUDES REVERSE GEAR)	65	56	53-817071	SNAP RING	75	74
43-816419A1	REVERSE GEAR (1:87)	47	56	54-23567	CLIP	31	25
43-817515A2	FORWARD GEAR 2:1	55	56	54-53020	CLIP	17	16
43-817515A2	FORWARD GEAR (2:1)	73	62	54-63153	J-CLAMP	23	16
43-817516A1	REVERSE GEAR 2:1	55	57	54-63300--1	CLAMP	17	2
43-817516A1	REVERSE GEAR (2:1)	73	56	54-64235--2	J-CLAMP (1/5" DIA.)	31	24
43-817683A1	REVERSE GEAR (2:1)	47	56	54-75275	CLAMP	39	20
43-822824A1	REVERSE GEAR (1:87)	65	63	54-78945--1	J-CLAMP (1/2" DIA.)	31	24
43-847632A1	REVERSE GEAR (2:1)	65	63	54-814634	J-CLAMP	7	9
44-815495T	PROPELLER SHAFT	55	65	54-814634	J-CLAMP	9	32
44-815495T	PROPELLER SHAFT	73	70	54-814634	J-CLAMP	29	4
44-816418T	PROPELLER SHAFT	47	63	54-815504104	CLAMP	17	15
44-822820	PROPELLER SHAFT	65	62	54-816311	STA-STRAP	9	24
45-44000--1	DRIVE SHAFT	43	11	54-816311	STA-STRAP	17	11
45-44000--1	DRIVE SHAFT	51	11	54-816311	STA-STRAP	31	12
45-44000--6	DRIVE SHAFT (LONG)	61	11	54-816311	STA-STRAP	85	16
45-44000--6	DRIVE SHAFT (LONG)	69	11	54-816311	STA-STRAP	85	23
45-44000--7	DRIVE SHAFT (X-LONG)	61	11	54-88512	CLAMP	39	20
45-44000--7	DRIVE SHAFT (X-LONG)	69	11	79-15128A3	30 PSI GAUGE KIT	85	18
46-44292A3	WATER PUMP BASE ASSEMBLY	43	18	79-93953A1	TACHOMETER	85	1
46-44292A3	WATER PUMP BASE ASSEMBLY	51	18	84-11149A2	CABLE ASSEMBLY	85	14
46-44292A3	WATER PUMP BASE ASSEMBLY	61	18	84-13397A1	HARNESS	9	35
46-44292A3	WATER PUMP BASE ASSEMBLY	69	18	84-60871A10	WIRE	9	8
46-847710A1	WATER PUMP BODY ASSEMBLY	61	26	84-62310A2	CABLE	9	6
46-847710A1	WATER PUMP BODY ASSEMBLY	69	26	84-65017A14	TILT HARNESS	79	35
46-96148A1	WATER PUMP BODY ASSEMBLY	43	26	84-65999A11	CABLE	79	19
46-96148A1	WATER PUMP BODY ASSEMBLY	51	26	84-65999A12	CABLE	79	6
47-89984	IMPELLER	43	29	84-65999A2	CABLE (BLACK)	9	28
47-89984	IMPELLER	51	29	84-65999A3	CABLE (BLACK)	9	11
47-89984	IMPELLER	63	37	84-69738A7	HARNESS (#2,4 & 6)	7	8
47-89984	IMPELLER	71	37	84-69739A2	HARNESS (#1,3 & 5)	7	8
50-79472	STARTER MOTOR	7	14	84-79138A9	BATTERY CABLE (NEGATIVE)	77	8
50-79472	STARTER MOTOR ASSEMBLY	27	--	84-79138A9	BATTERY CABLE (NEGATIVE)	79	7
52-42672	RATCHET	47	61	84-79139A12	BATTERY CABLE (RED-POSITIVE)	77	18
52-42672	RATCHET	55	63	84-79139A12	BATTERY CABLE (RED-POSITIVE)	79	20
52-42672	RATCHET	65	58	84-79139A26	WIRE (RED)	79	21
52-42672	RATCHET	73	58	84-79147A3	HARNESS ASSEMBLY	77	9
				84-79147A5	HARNESS ASSEMBLY	79	9
				84-815358A1	HIGH TENSION CABLE	7	27
				84-816626A2	KEY SWITCH ASSEMBLY (20')	87	1
				84-86322A15	WIRE (BLACK)	77	17
				84-86322A16	CABLE ASSEMBLY (BLACK)	85	19

PARTS INDEX

Part Number	Description	Pg.	Ref. No.	Part Number	Description	Pg.	Ref. No.
84-86322A7	WIRE (BLACK - 1-1/2")	85	6	1395-811931	FUEL BOWL		
84-86323A5	WIRE(PURPLE - 1-1/2")	85	6		(CENTER/BOTTOM)	19	31
84-86396A8	HARNESS	85	12	1395-811932	FUEL BOWL (TOP) WMH-18A	19	31
84-88439A14	BATTERY CABLE (POSITIVE)	9	20	1395-9596	PLUG	19	32
84-88439A2	BATTERY CABLE (NEGATIVE)	9	20	1399-3251	JET, PROGRESSION (.034 - WMH-7)	19	17
84-88532A1	CABLE ASSEMBLY (DARK BLUE)	85	19	1399-3794	JET,MAIN FUEL (.074)(BREAK IN) WMH-7	19	34
84-88807A6	GROUND STRAP (BLACK)	7	26	1399-3796	JET,MAIN FUEL (.076 - BREAK IN) WMH-18A	21	34
84-93388A1	WIRE (BLACK)	7	21	1399-5315	JET,IDLE AIR BLEED (.042 - WMH-18A)	19	16
84-93389A5	WIRE (YELLOW)	7	19	1491-9225A3	SWIVEL BRACKET ASSEMBLY (BLACK)	37	1
84-95084A2	WIRE	9	23	1491-9225A4	SWIVEL BRACKET ASSEMBLY (GRAY) 1	37	1
84-96220A4	ENGINE HARNESS	9	21	1494-7476T1	TRANSOM BRACKET (PORT) BLACK	39	1
87-88107	IGNITION SWITCH (See Below for Replacement Keys)	87	8	1494-7476T6	TRANSOM BRACKET (PORT) GRAY	39	1
88-72729	LIGHT BULB	85	3	1495-7478T1	TRANSOM BRACKET (STARBOARD) BLACK	39	2
88-79023A10	FUSE (110 AMP)	77	19	1495-7478T6	TRANSOM BRACKET (STARBOARD) GRAY	39	2
88-79023A10	FUSE (110 AMP)	79	16	1581-8683A15	DRIVE SHAFT HOUSING ASSEMBLY (BLACK)	35	1
88-79091	FUSE	9	22	1581-8683A24	DRIVE SHAFT HOUSING ASSEMBLY (GRAY)	35	1
88-79091	FUSE (20 AMP)	79	10	1647-847625A15	GEAR HOUSING (BASIC - BLACK - STD. HOUSING)	61	1
88-79091	FUSE(20 AMP)	77	10	1647-847625A15	GEAR HOUSING (BASIC - BLACK - STD. HOUSING)	65	1
88-79888	SOCKET	85	4	1647-847625A15	GEAR HOUSING (BASIC - BLACK-STD. HOUSING)	69	1
88-95691	BULB	85	26	1647-847625A15	GEAR HOUSING (BASIC - BLACK-STD.HOUSING)	73	1
89-68258A4	SOLENOID	79	12	1647-847625A16	GEAR HOUSING (BASIC - GRAY - STD. HOUSING)	61	1
89-76528A1	STARTERS SOLENOID	9	25	1647-847625A16	GEAR HOUSING (BASIC - GRAY - STD. HOUSING)	65	1
89-96158	SOLENOID	77	12	1647-847625A16	GEAR HOUSING (BASIC - GRAY-STD. HOUSING)	69	1
90-817087-90	PARTS MANUAL	1	-	1647-847625A16	GEAR HOUSING (BASIC - GRAY-STD.HOUSING)	73	1
90-818344910	OWNER'S GUIDE BLACK	1	-	1647-847626A27	GEAR HOUSING (BASIC - BLACK - CUT SKEG)	61	1
90-818345910	OWNER'S GUIDE GRAY	1	-	1647-847626A27	GEAR HOUSING (BASIC - BLACK - CUT SKEG)	65	1
249-6080A5	FLYWHEEL ASSEMBLY	7	7	1647-847626A27	GEAR HOUSING (BASIC - BLACK-CUT SKEG)	69	1
332-7778A14	SWITCH BOX	9	2	1647-847626A27	GEAR HOUSING (BASIC - GRAY - CUT SKEG)	61	1
339-7370A13	IGNITION COIL	7	22	1647-847626A28	GEAR HOUSING (BASIC - GRAY - CUT SKEG)	65	1
398-5454A35	STATOR ASSEMBLY	7	10	1647-847626A28	GEAR HOUSING (BASIC - GRAY-CUT SKEG)	69	1
455-9536A5	CRANKSHAFT ASSEMBLY	33	1	1647-847626A28	GEAR HOUSING (BASIC - GRAY-CUT SKEG)	73	1
636-8119A6	CONNECTING ROD ASSEMBLY	33	11	1647-847626A28	GEAR HOUSING (BASIC - GRAY - CUT SKEG)	61	1
765-7441A35	PISTON ASSEMBLY (STARBOARD) STANDARD	33	8	1647-847626A28	GEAR HOUSING (BASIC - GRAY - CUT SKEG)	65	1
765-7442A35	PISTON ASSEMBLY (PORT) STANDARD	33	8	1647-847626A28	GEAR HOUSING (BASIC - GRAY-CUT SKEG)	69	1
765-7443A13	PISTON ASSEMBLY (STARBOARD) .015 O.S.	33	8	1647-847626A28	GEAR HOUSING (BASIC - GRAY-CUT SKEG)	73	1
765-7444A13	PISTON ASSEMBLY (PORT) .015 O.S.	33	8	1647-847626A28	GEAR HOUSING (BASIC - GRAY - CUT SKEG)	61	1
765-7445A13	PISTON ASSEMBLY (STARBOARD) .030 O.S.	33	8	1647-847626A28	GEAR HOUSING (BASIC - GRAY - CUT SKEG)	65	1
765-7446A13	PISTON ASSEMBLY (PORT) .030 O.S.	33	8	1647-847626A28	GEAR HOUSING (BASIC - GRAY-CUT SKEG)	69	1
884-9765A10	CYLINDER BLOCK	23	1	1647-847626A28	GEAR HOUSING (BASIC - GRAY - CUT SKEG)	73	1
1156-7809A1	LOWER END CAP ASSEMBLY	23	26	1647-847626A28	GEAR HOUSING (BASIC - GRAY - CUT SKEG)	61	1
1159-9642A1	UPPER END CAP ASSEMBLY	23	21	1647-847626A28	GEAR HOUSING (BASIC - GRAY - CUT SKEG)	65	1
1395-6029	JET,MAIN FUEL (.068)(RUN)	21	34	1647-847626A28	GEAR HOUSING (BASIC - GRAY - CUT SKEG)	69	1
1395-6207	JET,MAIN FUEL (.072 - RUN)	21	34	1647-847626A28	GEAR HOUSING (BASIC - GRAY-CUT SKEG)	69	1
1395-811283	POWER JET (WMH-7)	21	35	1647-847626A28	GEAR HOUSING (BASIC - GRAY-CUT SKEG)	73	1
1395-811284	SPACER	19	11	1647-847626A28	GEAR HOUSING (BASIC - GRAY-CUT SKEG)	73	1
1395-811803	RETAINER PLUG	19	4A				
1395-811804	POWER JET (WMH-18A)	21	35				

PARTS INDEX

Part Number	Description	Pg.	Ref. No.	Part Number	Description	Pg.	Ref. No.
1647-9561A40	GEAR HOUSING (COMPLETE-GRAY-1:87) .	43	-	4007-817709A6	BOTTOM COWL (GRAY) - NEW DESIGN	3	18
1647-9561A40	GEAR HOUSING (COMPLETE-GRAY-1:87) .	47	-				
1647-9561A41	GEAR HOUSING (COMPLETE - GRAY - 1:87)	51	-				
1647-9561A41	GEAR HOUSING (COMPLETE - GRAY 1:87)	55	-				
1647-9561A44	GEAR HOUDING (COMPLETE-GRAY-2:1) ..	47	-				
1647-9561A44	GEAR HOUSING (COMPLETE-GRAY-2:1) ..	43	-				
1647-9561A45	GEAR HOUSING (COMPLETE - GRAY - 2:1)	51	-				
1647-9561A45	GEAR HOUSING (COMPLETE - GRAY 2:1) .	55	-				
1647-9561A48	GEAR HOUSING (BASIC - GRAY)	51	1				
1647-9561A48	GEAR HOUSING (BASIC - GRAY)	55	1				
1647-9561A48	GEAR HOUSING (BASIC- GRAY)	43	1				
1647-9561A48	GEAR HOUSING (BASIC- GRAY)	47	1				
1647-9561A50	GEAR HOUSING (COMPLETE-BALCK-1:87)	47	-				
1647-9561A50	GEAR HOUSING (COMPLETE-BLACK-1:87)	43	-				
1647-9561A51	GEAR HOUSING (COMPLETE - BLACK - 1:87)	51	-				
1647-9561A51	GEAR HOUSING (COMPLETE - BLACK 1:87)	55	-				
1647-9561A55	GEAR HOUSING (COMPLETE-BLACK-2:1) .	43	-				
1647-9561A55	GEAR HOUSING (COMPLETE-BLACK-2:1) .	47	-				
1647-9561A56	GEAR HOUSING (COMPLETE - BLACK - 2:1)	51	-				
1647-9561A56	GEAR HOUSING (COMPLETE - BLACK 2:1)	55	-				
1647-9561A70	GEAR HOUSING (BASIC - BLACK)	51	1				
1647-9561A70	GEAR HOUSING (BASIC - BLACK)	55	1				
1647-9561A70	GEAR HOUSING (BASIC- BALCK)	47	1				
1647-9561A70	GEAR HOUSING (BASIC- BLACK)	43	1				
2167-9442A6	TOP COWL (OLD DESIGN) .	3	1				
3308-9672A57	CARBURETOR (TOP)	19	1				
3308-9672A58	CARBURETOR (CENTER) ..	19	1				
3308-9672A59	CARBURETOR (BOTTOM) ..	19	1				
4006-817704A5	TOP COWL (BLACK)-NEW DESIGN	3	1				
4006-817704A6	TOP COWL (GRAY) -NEW DESIGN	3	1				