



PARTS CATALOG

MERC 115

SERIAL NUMBER

115 (6 CYL.)	USA 5314656 THRU 5600966
115 (6 CYL.)	CAN 7131213 THRU 7147987
115 (6 CYL.)	AUS 8061120 THRU 8061269

TABLE OF CONTENTS:

BOTTOM COWL AND SHIFT LINKAGE	28
CARBURETOR ASSEMBLY	16
CARBURETOR LINKAGE AND CHOKE SOLENOID	14
CLAMP BRACKET AND REVERSE LOCK	34
COWLING AND FRONT COVER	4
CRANKSHAFT, PISTONS AND CONNECTING RODS	26
CYLINDER BLOCK AND CRANKCASE ASSEMBLY	22
DRIVE SHAFT HOUSING ASSEMBLY	38
END CAP, MANIFOLD AND EXHAUST COVERS	24
EXHAUST EXTENSION PLATE	30
FLYWHEEL, STARTER MOTOR AND STATOR	6
FUEL PUMP AND FUEL LINE ASSEMBLY	20
GEAR HOUSING ASSEMBLY, COMPLETE (PAGE 1)	42
GEAR HOUSING ASSEMBLY, COMPLETE (PAGE 2)	46
HYDRAULIC PUMP AND CONTROL VALVE	50
HYDRAULIC PUMP ASSEMBLY	48
MISCELLANEOUS PARTS/ACCESSORIES	1
PARTS INDEX	61
POWER TRIM CYLINDER REPAIR KITS	58
PROPELLERS (RIGHT HAND ROTATION)	60
SWIVEL BRACKET ASSEMBLY	32
THROTTLE LEVER AND LINK RODS	8
TOP COWL AND SUPPORT BRACKETS	2
TRIM CYLINDERS AND HYDRAULIC HOSES	54
WIRING HARNESS, SWITCH BOX AND IGNITION COIL	10

NOTE: Indented description indicate that these parts are included in preceding assembly.

AR = As Required

NSS = Not Sold Separate

OPT = Optional

NS = Not Shown

NOTE: Following symbols are located in **SYM** column.

● = CONTENTS OF [27-85653A79] GASKET SET

■ = NOT SOLD SEPARATELY.

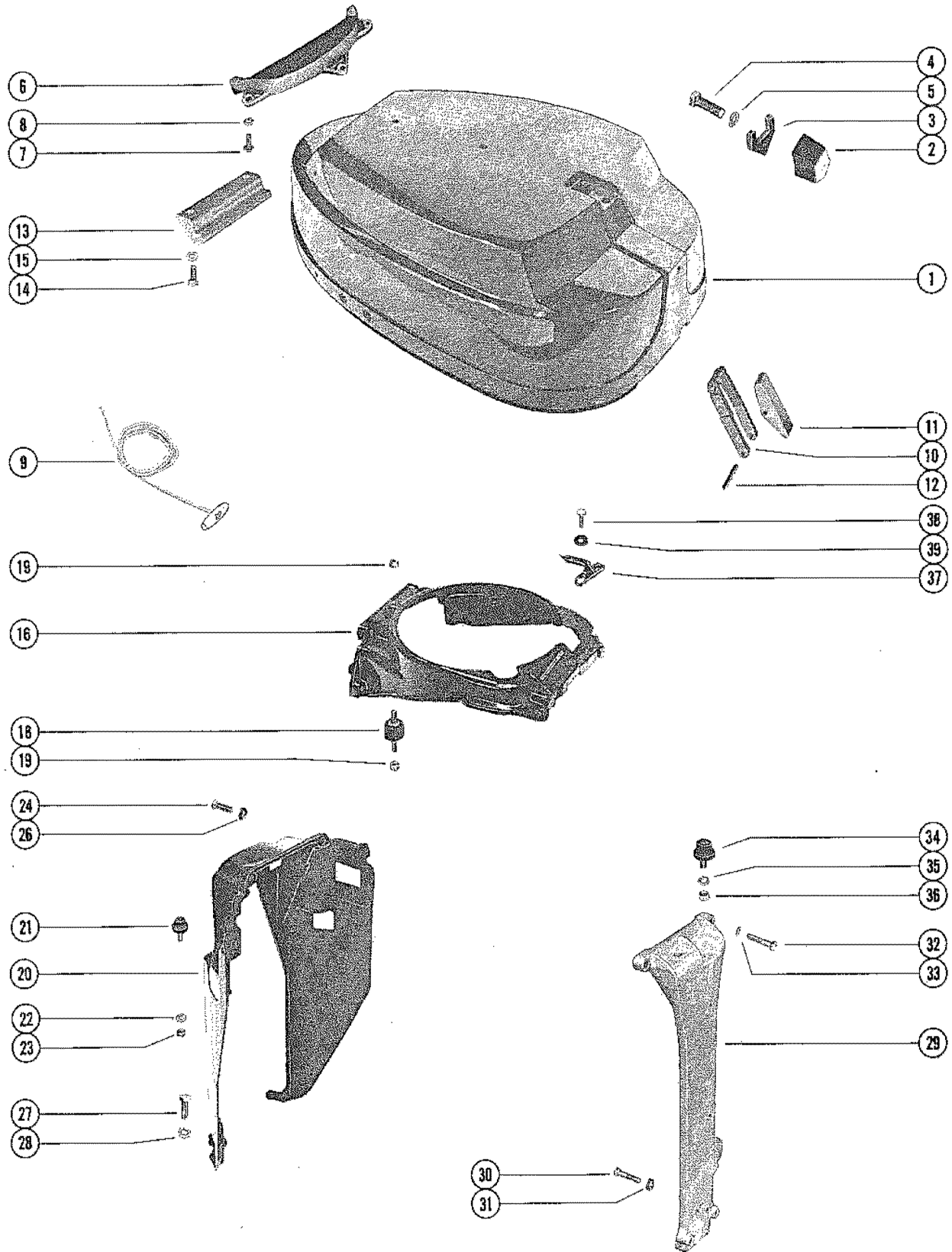
◇ = CONTENTS OF REPAIR PARTS KITS.

THESE PARTS BOOKS/FICHE CARD ARE COPYRIGHTED AND MAY NOT BE DISTRIBUTED OR REPRODUCED IN ANY OTHER FORMAT BY ANYONE OTHER THAN MERCURY MARINE WITHOUT THE PRIOR WRITTEN CONSENT OF MERCURY MARINE.

MISCELLANEOUS PARTS/ACCESSORIES

REF. NO.	PART NO.	SYM.	QTY.	DESCRIPTION
-	90-86167		0	MERC 115 PARTS LIST
-	27-85653A79		0	GASKET SET
-	37-86434A79		0	DECAL SET

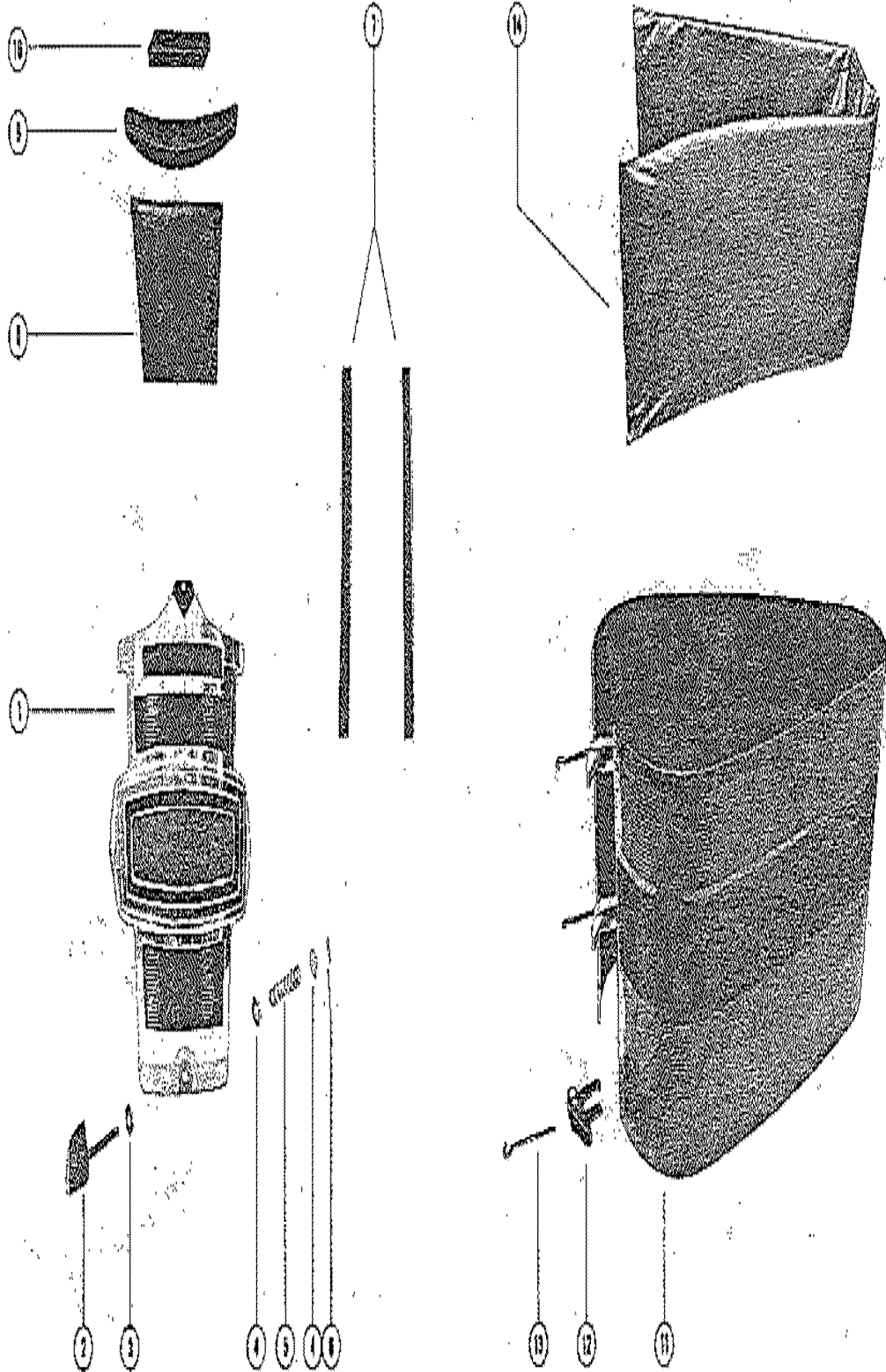
TOP COWL AND SUPPORT BRACKETS



TOP COWL AND SUPPORT BRACKETS

REF. NO.	PART NO.	SYM.	QTY.	DESCRIPTION
1	2114-5999		1	COWL, TOP (WITHOUT DECALS)
2	52733A9		1	RETAINER ASSEMBLY, TOP COWLS
3	35496		1	PAD, BUMPER - TOP COWL RETAINER
4	10-37558		1	SCREW, RETAINER TO TOP COWL (1 1/4")
5	13-39107		1	LOCKWASHER, RETAINER TO TOP COWL SCREW
6	76370		1	SHIELD, TOP COWL - REAR
7	10-37370		3	SCREW, SHIELD TO TOP COWL (5/8")
8	13-37371		3	LOCKWASHER, SHIELD SCREW
9	47341A1		1	ROPE, STARTER (FOR MANUAL STARTING ONLY)
10	52739		1	HINGE, COWL LATCH - TOP COWL
11	52737		1	LEVER, COWL LATCH HINGE
12	17-58998		1	PIN, ROLL - COWL LATCH LEVER TO HINGE
13	55455		1	HOOK, TOP COWL LATCH - REAR
14	10-22956		2	SCREW, REAR HOOK TO TOP COWL (7/8")
15	13-26992		2	LOCKWASHER, REAR HOOK MOUNTING SCREW
16	79897		1	FRAME, TOP COWL SUPPORT
18	63007		3	MOUNT, RUBBER - TOP COWL FRAME
	46096		OPT	MOUNT, RUBBER - TOP COWL FRAME (HEAVY DUTY)
19	11-35888		6	NUT, RUBBER MOUNT TO TOP COWL FRAME
20	86472		1	BRACKET, TOP COWL SUPPORT - REAR
21	31014		2	MOUNT, RUBBER - REAR SUPPORT BRACKET
22	13-26992		2	LOCKWASHER RUBBER MOUNT TO REAR SUPPORT BRACKET
23	11-29598		2	NUT RUBBER MOUNT TO REAR SUPPORT BRACKET
24	10-37562		4	SCREW, REAR BRACKET TO FRAME (1")
26	13-26993		4	LOCKWASHER, REAR BRACKET SCREW
27	10-37562		4	SCREW, REAR BRACKET TO BOTTOM COWL (1")
28	13-26993		4	LOCKWASHER REAR SUPPORT BRACKET SCREW
29	77103A3		1	BRACKET ASSEMBLY, TOP COWL - FRONT
30	10-69092		2	SCREW FRONT BRACKET TO BOTTOM COWL (1 1/4")
31	13-26993		2	LOCKWASHER FRONT SUPPORT BRACKET SCREW
32	10-69092		2	SCREW FRONT BRACKET TO TOP COWL FRAME (1 1/2")
33	13-26993		2	LOCKWASHER FRONT SUPPORT BRACKET SCREW
34	37640		1	MOUNT, RUBBER FRONT SUPPORT BRACKET
35	13-26993		1	LOCKWASHER RUBBER MOUNT TO FRONT SUPPORT BRACKET
36	11-28770		1	NUT RUBBER MOUNT TO FRONT SUPPORT BRACKET
37	87991		1	POINTER, TIMING
38	10-28636		1	SCREW, TIMING POINTER ATTACHING (3/4")
39	12-35462		1	WASHER, TIMING POINTER SCREW

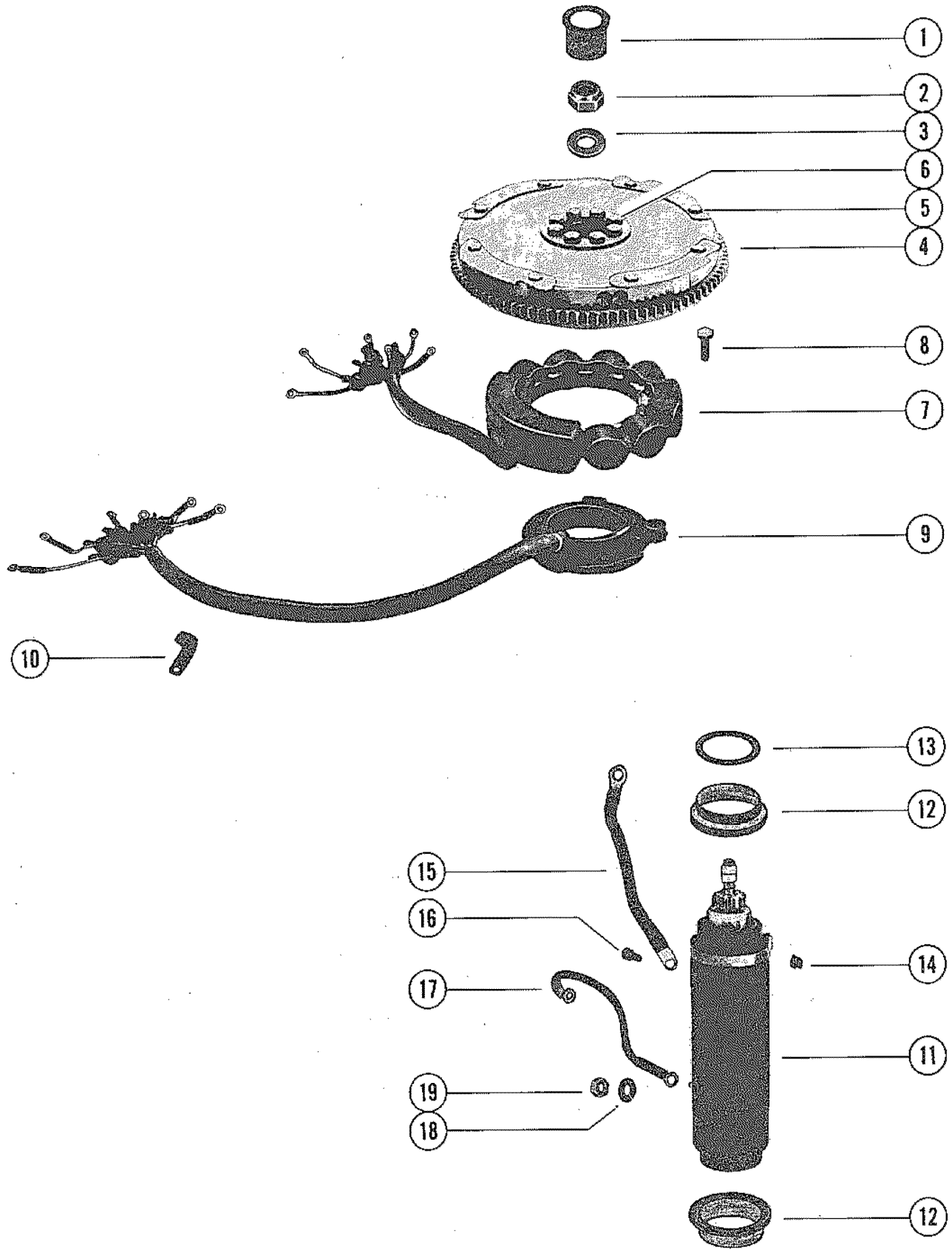
COWLING AND FRONT COVER



COWLING AND FRONT COVER

REF. NO.	PART NO.	SYM.	QTY.	DESCRIPTION
1	2113-5631A4		1	COWL FRONT COVER ASSEMBLY (WITHOUT DECALS)
2	56849		1	KNOB, COWL FRONT COVER FASTENING
3	12-30771		2	WASHER, COVER FASTENING KNOB (RUBBER)
4	12-59572		2	WASHER, COVER FASTENING KNOB (PLASTIC)
5	24-30772		1	SPRING, TENSION - FASTENING KNOB
6	17-29077		1	ROLL PIN, TENSION SPRING TO KNOB
7	31089		2	STRIP, SOUND ABSORBING
8	38674		1	BAG, STARTER ROPE
9	35769		1	SEAL, SOUND ABSORBING - UPPER
10	53334		1	SEAL, SOUND ABSORBING - TOP
11	2136-4660A4		1	WRAP AROUND COWL ASSEMBLY (WITHOUT DECALS)
12	46785A1		3	COWL LATCH ASSEMBLY
13	30413		3	HOOK, COWL LATCH FASTENING
14	30021		1	BLANKET, SOUND ABSORBING
-	29-25234--1		1	GLUE, ADHESIVE - BLANKET FASTENING
-	29-27109--1		1	ADHESIVE COMPOUND, EMBLEM FASTENING

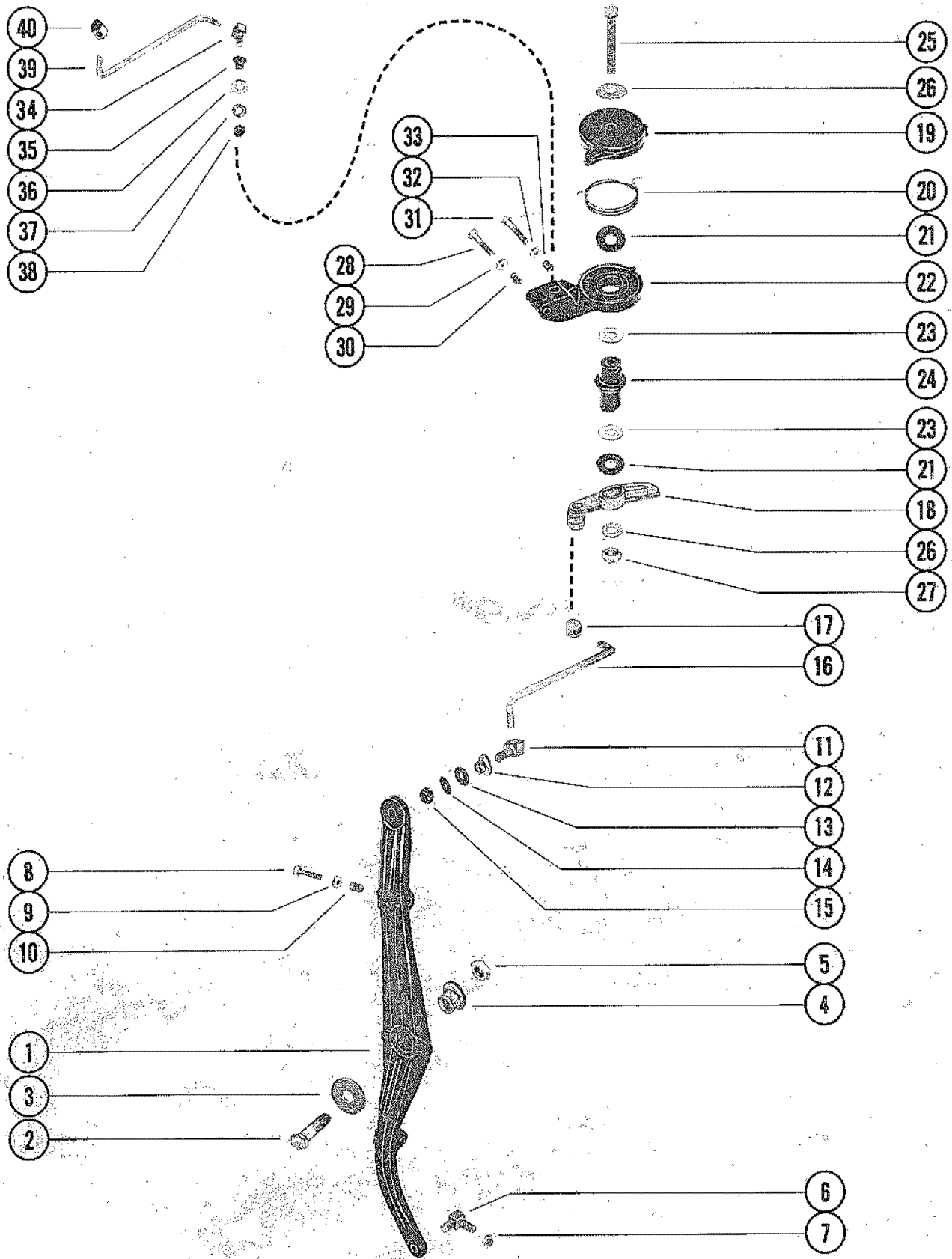
FLYWHEEL, STARTER MOTOR AND STATOR



FLYWHEEL, STARTER MOTOR AND STATOR

REF. NO.	PART NO.	SYM.	QTY.	DESCRIPTION
1	19-45907		1	PLUG, FLYWHEEL
2	11-52901		1	NUT, FLYWHEEL ATTACHING
3	12-68229		1	WASHER, FLYWHEEL ATTACHING
4	248-5977A28		1	FLYWHEEL ASSEMBLY, COMP.
5	10-32417		8	SCREW, FLYWHEEL PLATE
6	10-68997		8	SCREW, FLYWHEEL HUB
7	398-5454A8		1	STATOR ASSEMBLY
8	10-75840		4	SCREW, STATOR ATTACHING (7/8")
9	68162A8		1	TRIGGER PLATE ASSEMBLY
10	54-61001		3	CLAMP, TRIGGER HARNESS
11	50-72467		1	STARTER MOTOR
12	56703		2	COLLAR, STARTER MOTOR
13	23-56774		AR	SPACER, STARTER MOTOR
14	57247		2	STOP, RUBBER - STARTER MOTOR
15	84-66008A1		1	WIRE ASSEMBLY PLATE TO STARTER MOTOR (BLACK)
16	10-69035		1	SCREW, CABLE TO STARTER MOTOR
17	84-73453		1	WIRE ASSEMBLY SOLENOID TO STARTER MOTOR (YELLOW)
18	13-26992		1	LOCKWASHER, STARTER MOTOR TERMINAL
19	11-64015		1	NUT, STARTER MOTOR TERMINAL

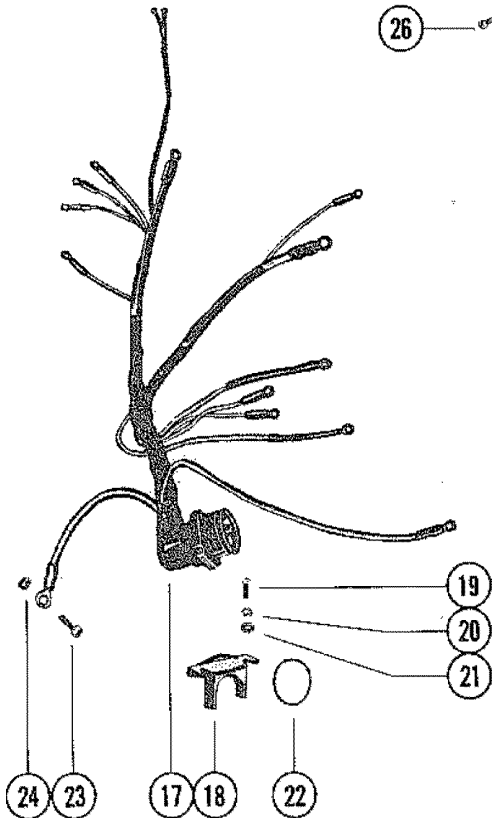
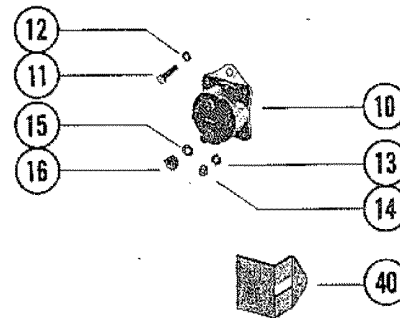
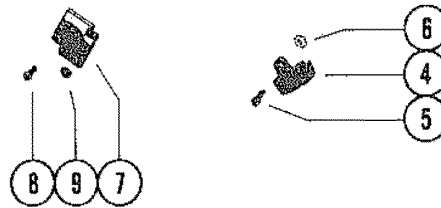
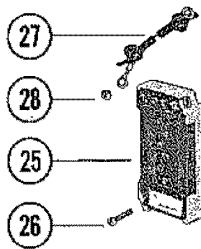
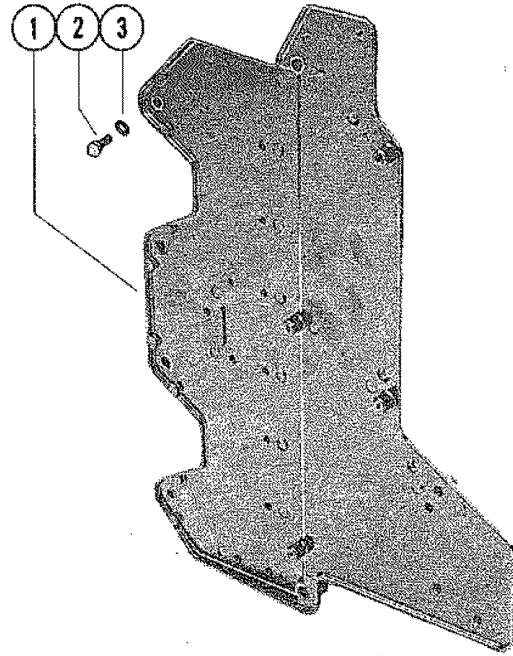
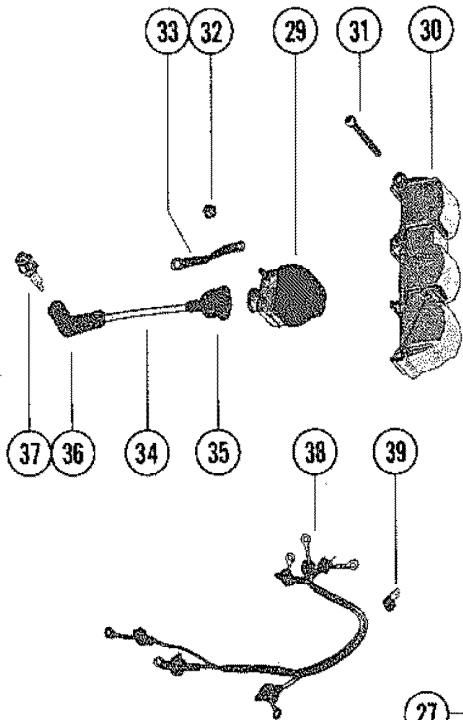
THROTTLE LEVER AND LINK RODS



THROTTLE LEVER AND LINK RODS

REF. NO.	PART NO.	SYM.	QTY.	DESCRIPTION
1	79900		1	LEVER, THROTTLE
2	10-37559		1	SCREW, THROTTLE LEVER TO EXHAUST COVER
3	12-29395		1	WASHER, THROTTLE LEVER SCREW
4	23-45818		1	BUSHING, THROTTLE LEVER SCREW
5	11-20509		1	NUT, THROTTLE LEVER SCREW
6	37587		1	SWIVEL, THROTTLE LEVER TO THROTTLE CABLE
7	11-20509		1	NUT, THROTTLE CABLE TO SWIVEL
8	10-75168		2	SCREW, ADJUSTING - THROTTLE LEVER
9	11-29598		2	NUT, ADJUSTING SCREW
10	52023		2	CAP, NYLON - ADJUSTING SCREW
11	77013A1		1	SWIVEL ASSEMBLY, THROTTLE LEVER
12	23-26856		1	BUSHING, SWIVEL
13	12-33786		1	WASHER, SWIVEL
14	13-29402		1	WAVE WASHER, SWIVEL
15	11-45774		1	NUT, SWIVEL TO THROTTLE LEVER
16	85300		1	LINK ROD, THROTTLE
17	23-74213		1	SWIVEL, LINK ROD TO THROTTLE CAM
18	85441		1	THROTTLE CAM
19	85082		1	HOUSING, THROTTLE - UPPER
20	24-85442		1	SPRING, TORSION - SHAFT
21	12-85303		2	WASHER, PLASTIC - THROTTLE CAM
22	79903		1	HOUSING, THROTTLE - LOWER
23	13-86498		2	WAVE WASHER, SHAFT
24	87937		1	SHAFT, THROTTLE AND SPARK ADVANCE
25	10-28239		1	SCREW, THROTTLE HOUSING
26	12-35462		2	WASHER, THROTTLE HOUSING SCREW
27	11-72008		1	NUT, THROTTLE HOUSING SCREW
28	10-75168		1	SCREW, ADJUSTING - LOWER HOUSING (2 1/4")
29	11-29598		1	NUT, ADJUSTING SCREW
30	52023		1	CAP, NYLON - ADJUSTING SCREW
31	10-25158		1	SCREW, ADJUSTING - LOWER HOUSING (1 1/2")
32	11-68219		1	NUT, ADJUSTING SCREW
33	48039		1	CAP, NYLON - ADJUSTING SCREW
34	77013A1		1	SWIVEL ASSEMBLY, SPARK LINK
35	23-26856		1	BUSHING, SWIVEL
36	12-33786		1	WASHER, SWIVEL
37	13-29402		1	WAVE WASHER, SWIVEL
38	11-45774		1	NUT, SWIVEL
39	85301		1	SPARK LINK
40	74897		1	BARREL, SPARK LINK TO TRIGGER

WIRING HARNESS, SWITCH BOX AND IGNITION COIL

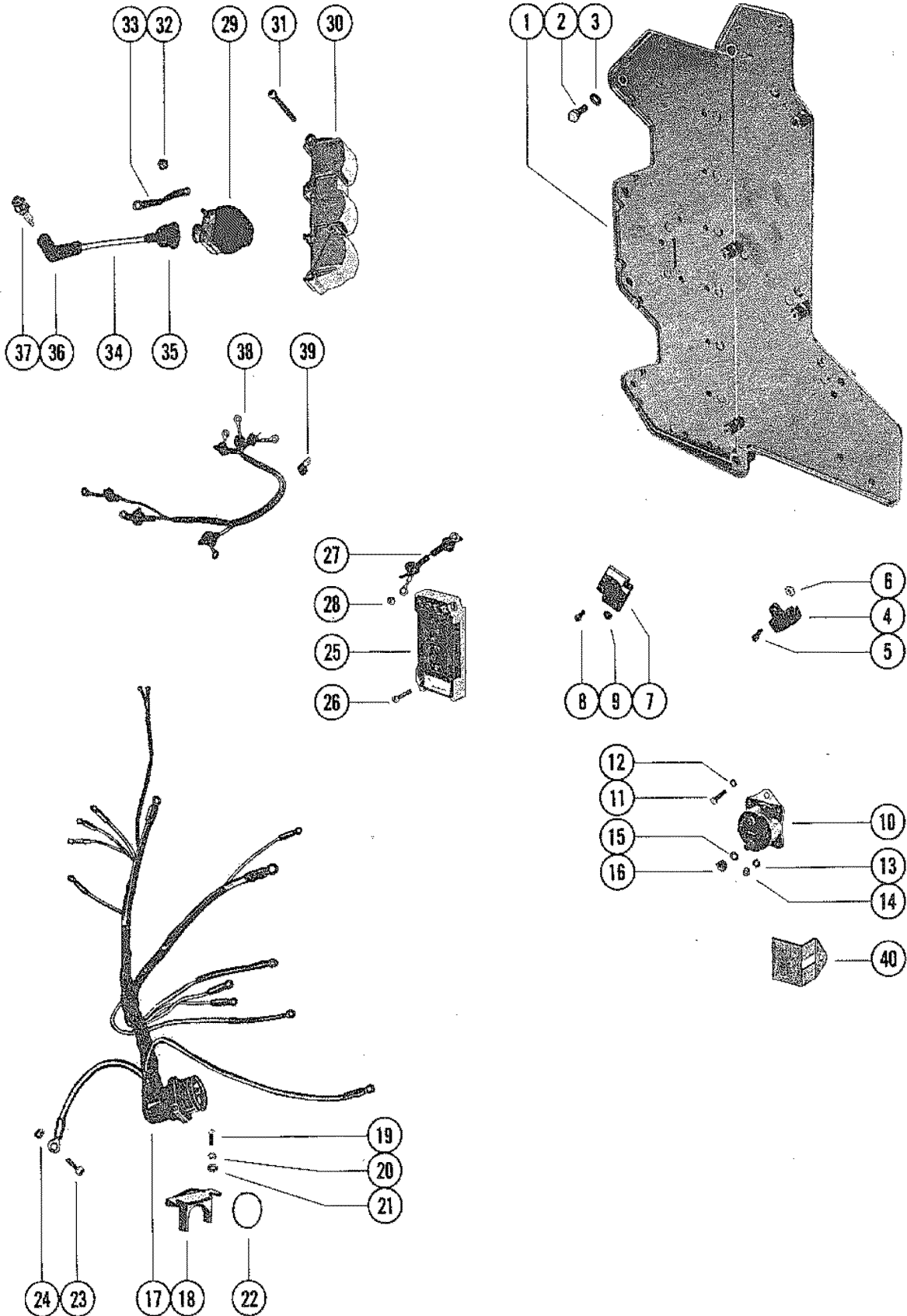


WIRING HARNESS, SWITCH BOX AND IGNITION COIL

REF. NO.	PART NO.	SYM.	QTY.	DESCRIPTION
1	79479		1	PLATE, ELECTRICAL MOUNTING
2	10-86885		4	SCREW, PLATE TO CYLINDER BLOCK (1 1/2")
	10-28636		2	SCREW, PLATE TO CYLINDER BLOCK (3/4")
	10-28667		3	SCREW, PLATE TO CYLINDER BLOCK (1")
3	12-38753		7	WASHER, PLATE SCREW
4	87-33386A2		1	SWITCH ASSEMBLY, MERCURY
5	10-25764		1	SCREW, MERCURY SWITCH TO PLATE (5/8")
6	11-45076		1	NUT, WIRE TO MERCURY SWITCH
7	62351A1		1	RECTIFIER ASSEMBLY
8	10-25764		2	SCREW, RECITFIER TO IGNITION PLATE (5/8")
9	11-45076		3	NUT, RECTIFIER TERMINALS
10	89-76545		1	SOLENOID, STARTER
11	10-38601		2	SCREW, STARTER TO SOLENOID TO PLATE (1/2")
12	13-26992		2	LOCKWASHER, STARTER SOLENOID SCREW
13	13-26996		2	LOCKWASHER, SOLENOID TERMINALS (#10)
14	11-68219		2	NUT, SOLENOID TERMINALS (10-32)
15	13-26993		2	LOCKWASHER, SOLENOID TERMINALS (5/16")
16	11-68292		2	NUT, SOLENOID TERMINALS (5/16 - 18)
17	84-85532		1	WIRING HARNESS, INTERNAL
18	54-76368		1	CLAMP, WIRING HARNESS TO BOTTOM COWL
19	10-69020		2	SCREW WIRING HARNESS CLAMP TO BOTTOM COWL (7/8")
20	13-26996		2	LOCKWASHER, WIRING HARNESS CLAMP SCREW
21	12-30164		2	WASHER, WIRING HARNESS CLAMP SCREW
22	24-28975		1	SPRING, GARTER - INTERNAL WIRING HARNESS
23	10-69052		1	SCREW, GROUND WIRE TO BOTTOM COWL
24	13-26992		1	LOCKWASHER, GROUND WIRE SCREW
25	332-5524A1		2	SWITCH BOX ASSEMBLY
26	10-26251		4	SCREW, SWITCH BOX TO IGNITION COIL (7/8")
27	84-62310A3		1	CABLE ASS'Y SWITCH BOX TO SWITCH BOX (WHITE AND BLACK)
28	11-45076		20	NUT, SWITCH BOX TERMINAL
29	338-4995A2		6	COIL ASSEMBLY, IGNITION
30	73218		2	COVER, IGNITION COIL
31	10-69046		12	SCREW, IGNITION COIL COVER (2")
32	11-45076		12	NUT, IGNITION COIL TERMINAL
33	84-60466A1		6	CABLE ASSEMBLY, IGNITION COIL (BLACK)
34	84-73451A8		6	CABLE, HIGH TENSION
35	332-2854		6	BOOT, HIGH TENSION CABLE
36	85-71006A1		6	PROTECTOR, HIGH TENSION CABLE

CONTINUED ON NEXT PAGE ➡

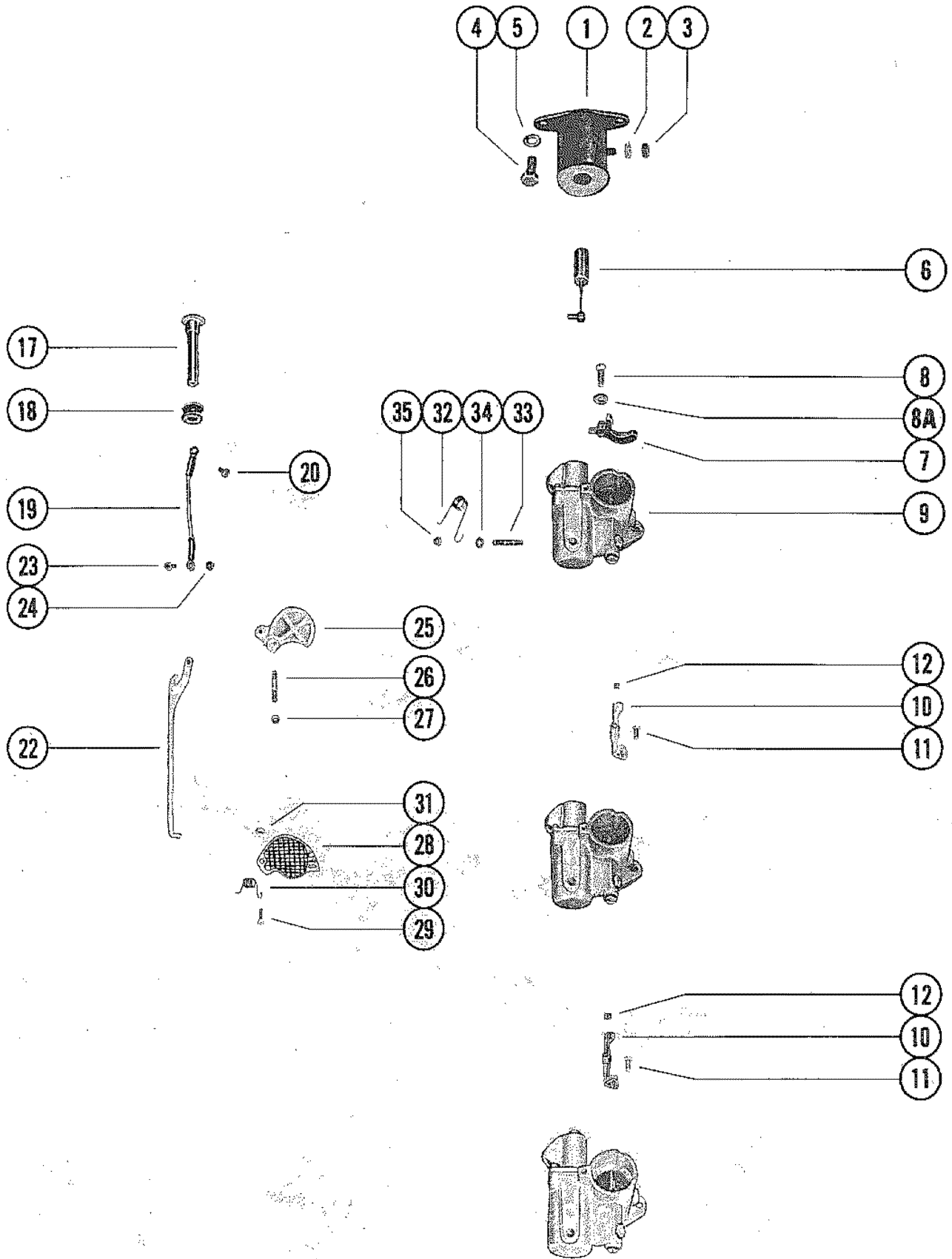
WIRING HARNESS, SWITCH BOX AND IGNITION COIL



WIRING HARNESS, SWITCH BOX AND IGNITION COIL

REF. NO.	PART NO.	SYM.	QTY.	DESCRIPTION
37	33-68057		6	SPARK PLUG (CHAMPION #L76-V)
38	84-85537A2		1	HARNESS ASSEMBLY COIL TO SWITCH BOX (#2, 4 AND 6)
	84-85537A1		1	HARNESS ASSEMBLY COIL TO SWITCH BOX (#1, 3 AND 5)
39	54-63153		2	CLIP, HARNESS TO COIL COVER
40	85-78866		1	INSULATOR, STARTER SOLENOID

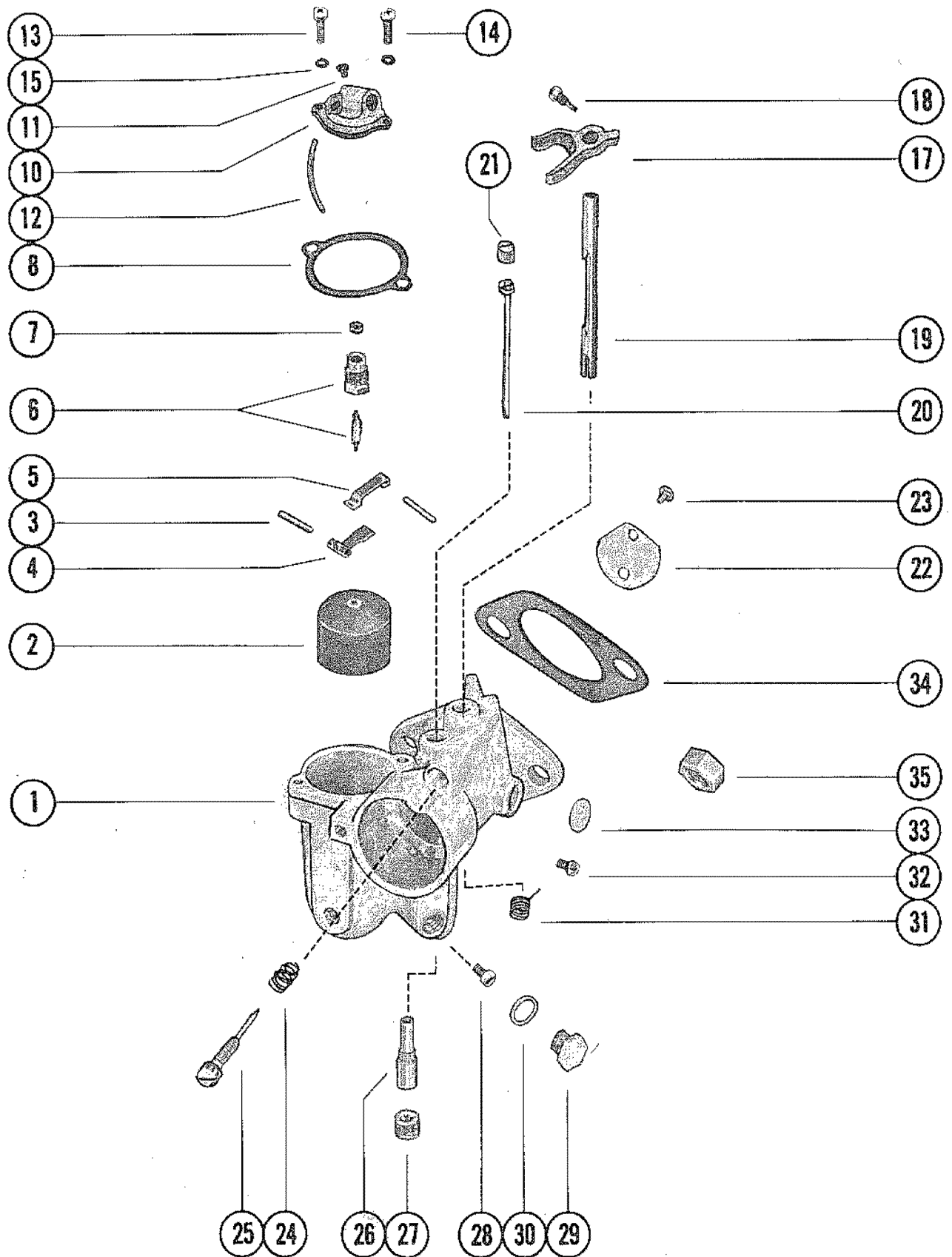
CARBURETOR LINKAGE AND CHOKE SOLENOID



CARBURETOR LINKAGE AND CHOKE SOLENOID

REF. NO.	PART NO.	SYM.	QTY.	DESCRIPTION
1	54293A4		1	CHOKE SOLENOID
2	13-26996		1	LOCKWASHER, SOLENOID TERMINAL
3	11-68219		1	NUT, SOLENOID TERMINAL
4	10-25299		2	SCREW, CHOKE SOLENOID (3/4")
5	13-26993		2	LOCKWASHER, CHOKE SOLENOID SCREW
6	54283A1		1	PLUNGER AND LINK ASSEMBLY, CHOKE SOLENOID
7	85943A1		1	LEVER, THROTTLE (UPPER CARBURETOR)
8	10-60293		1	SCREW, THROTTLE LEVER
8A	12-74726		1	WASHER, THROTTLE LEVER SCREW
9	1368-7472A1		1	CARBURETOR ASSEMBLY (TOP)
	1368-7472A3		2	CARBURETOR ASSEMBLY (CENTER/BOTTOM)
10	53720A2		2	THROTTLE PICK-UP BRACKET ASSEMBLY
11	10-66104		2	SCREW, THROTTLE BRACKET MOUNTING
12	53665		2	INSERT, THROTTLE COUPLING
17	73755A1		1	KNOB, CHOKE ROD
18	25-20116		1	GROMMET, CHOKE ROD
19	49589		1	STRAP, CHOKE KNOB TO CHOKE ROD
20	10-76196		1	SCREW, STRAP TO CHOKE KNOB (5/8")
22	48203		1	ROD, CHOKE
23	10-48591		1	SCREW, STRAP TO CHOKE ROD (1/2")
24	11-46438		1	NUT, STRAP TO CHOKE ROD SCREW
25	48152		2	SHUTTER, CHOKE - CARBURETOR
26	16-69037		2	STUD, CARBURETOR - CHOKE SHUTTER PIVOT
27	11-20110		2	NUT, CHOKE SHUTTER TO CARBURETOR STUD
28	35-57819		3	SCREEN ASSEMBLY, FILTER - CARBURETOR
29	10-22523		1	SCREW LOWER CARBURETOR FILTER SCREEN TO CARB. (5/8")
	10-23012		2	SCREW UPPER CARBURETOR FILTER SCREEN TO CARB. (1")
30	24-57818		2	SPRING, UPPER FILTER SCREEN SCREW
31	11-20110		3	NUT CARBURETOR FILTER SCREEN FASTENING SCREW
32	24-48230		1	SPRING, CHOKE ROD TENSION
33	16-39937		1	STUD, CHOKE ROD SPRING TO CARBURETOR
34	23-32427		1	SPACER, CHOKE ROD SPRING STUD
35	11-46887		1	NUT, CHOKE ROD SPRING TO CARBURETOR STUD

CARBURETOR ASSEMBLY



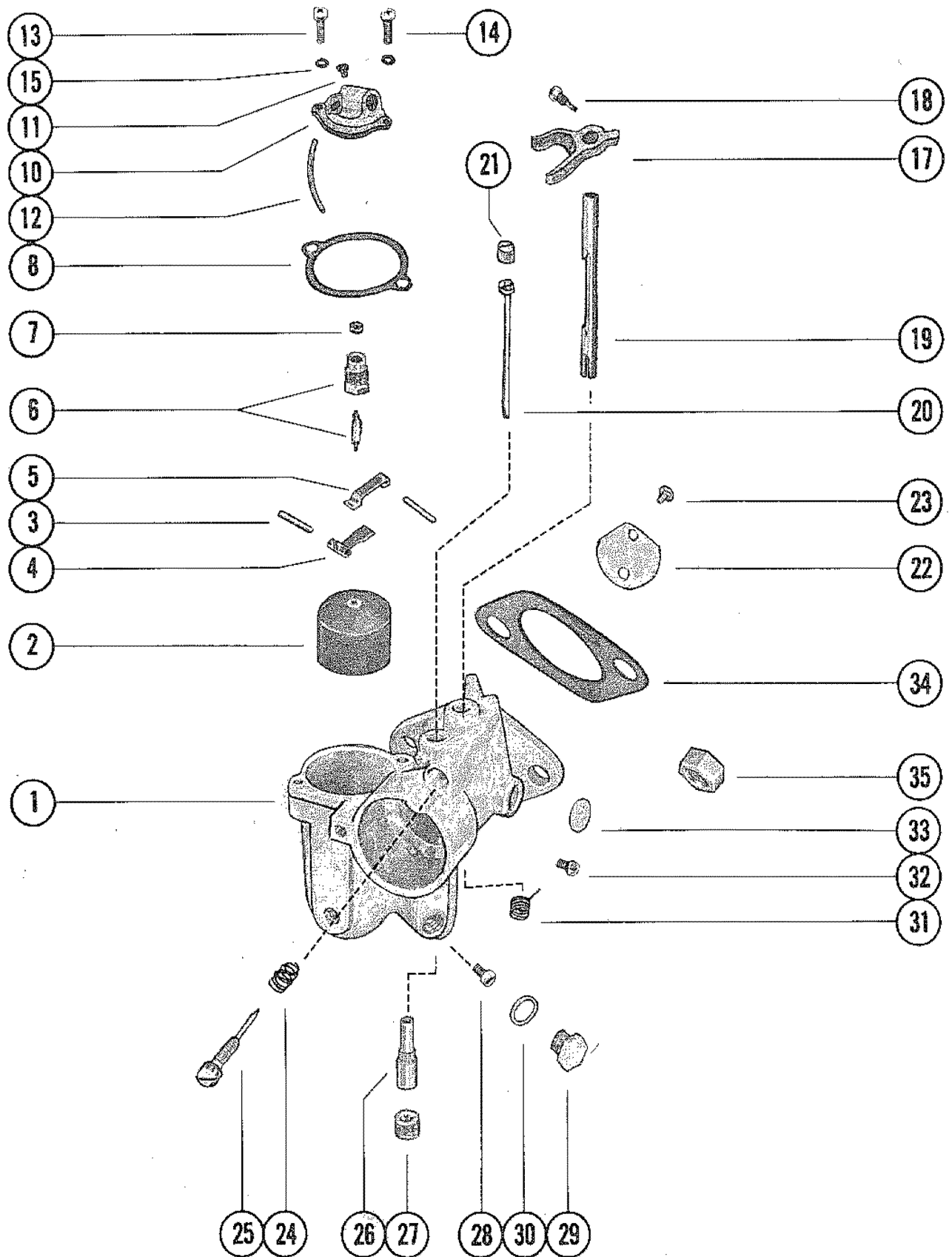
CARBURETOR ASSEMBLY

REF. NO.	PART NO.	SYM.	QTY.	DESCRIPTION
1	1368-7472A1		1	CARBURETOR ASSEMBLY (TOP)
	1368-7472A3		2	CARBURETOR ASSEMBLY (CENTER/BOTTOM)
2	1395-5353		3	FLOAT ASSEMBLY
3		■	6	PIN, FLOAT LEVER PINION
4		■	3	LEVER, FLOAT (LOWER)
5		■	3	LEVER, FLOAT (UPPER)
6	1395-4555		3	INLET NEEDLE, SETA AND GASKET
7		■◇	3	GASKET, INLET SEAT
8		■◇	3	GASKET, FLOAT BOWL COVER
10	1395-5680		3	COVER, FLOAT BOWL
11	1399-6249		3	JET, BOWL VENT (.096)
12	1395-5734		3	HOSE, ECONOMIZER
13	10-52195		3	SCREW, FLOAT BOWL COVER
14	1395-4804		3	SCREW, FLOAT BOWL COVER
15	13-26995		6	LOCKWASHER, FLOAT BOWL COVER SCREW
17	1399-97		3	LEVER, THROTTLE (SEE NOTE BELOW)
18	10-20847	■	3	SCREW, THROTTLE STOP LEVER
19	1395-7614		1	SHAFT, THROTTLE (TOP)
	1399-3527		2	SHAFT, THROTTLE (CENTER/BOTTOM)
20		■	3	TUBE, IDLE
21	1395-4540		3	SCREW, BODY (IDLE TUBE)
22	1395-7639		3	SHUTTER, THROTTLE
23		■	6	SCREW AND LOCKWASHER, THROTTLE SHUTTER
24		■	3	SPRING, IDLE ADJUSTMENT SCREW
25		■	3	SCREW, IDLE ADJUSTMENT
26		■	3	NOZZLE, MAIN
27	1395-4542		3	SCREW, PLUG - MAIN NOZZLE
28	1399-3794	■	3	JET, MAIN FUEL (.074) - STANDARD
	1395-6207		OPT	JET, MAIN FUEL (.072)
	1395-6030		OPT	JET, MAIN FUEL (.070)
	1395-6029		OPT	JET, MAIN FUEL
29	1395-4541		3	SCREW, PLUG - MAIN FUEL JET CHANNEL
30		■◇	3	GASKET, JET CHANNEL PLUG SCREW
31		■	3	SPRING, THROTTLE SHAFT RETURN
32	1395-4543		3	SCREW, BODY CHANNEL
33		■	3	WELCH PLUG, BODY CHANNEL

- = CONTENTS OF [27-85653A79] GASKET SET
- = NOT SOLD SERARATELY.
- ◇ = CONTENTS OF REPAIR PARTS KITS.

CONTINUED ON NEXT PAGE ➡

CARBURETOR ASSEMBLY



CARBURETOR ASSEMBLY

REF. NO.	PART NO.	SYM.	QTY.	DESCRIPTION
-	1395-4808	■	3	GASKET AND PACKING SET (1 PER CARBURETOR)
-	1395-7640		3	REPAIR PARTS KIT (1 PER CARBURETOR)
34	27-48164	● ■ ◇	3	GASKET, CARBURETOR FLANGE
35	11-64809		6	NUT, CARBURETOR MOUNTING STUD
-	27-85653A79		0	GASKET SET

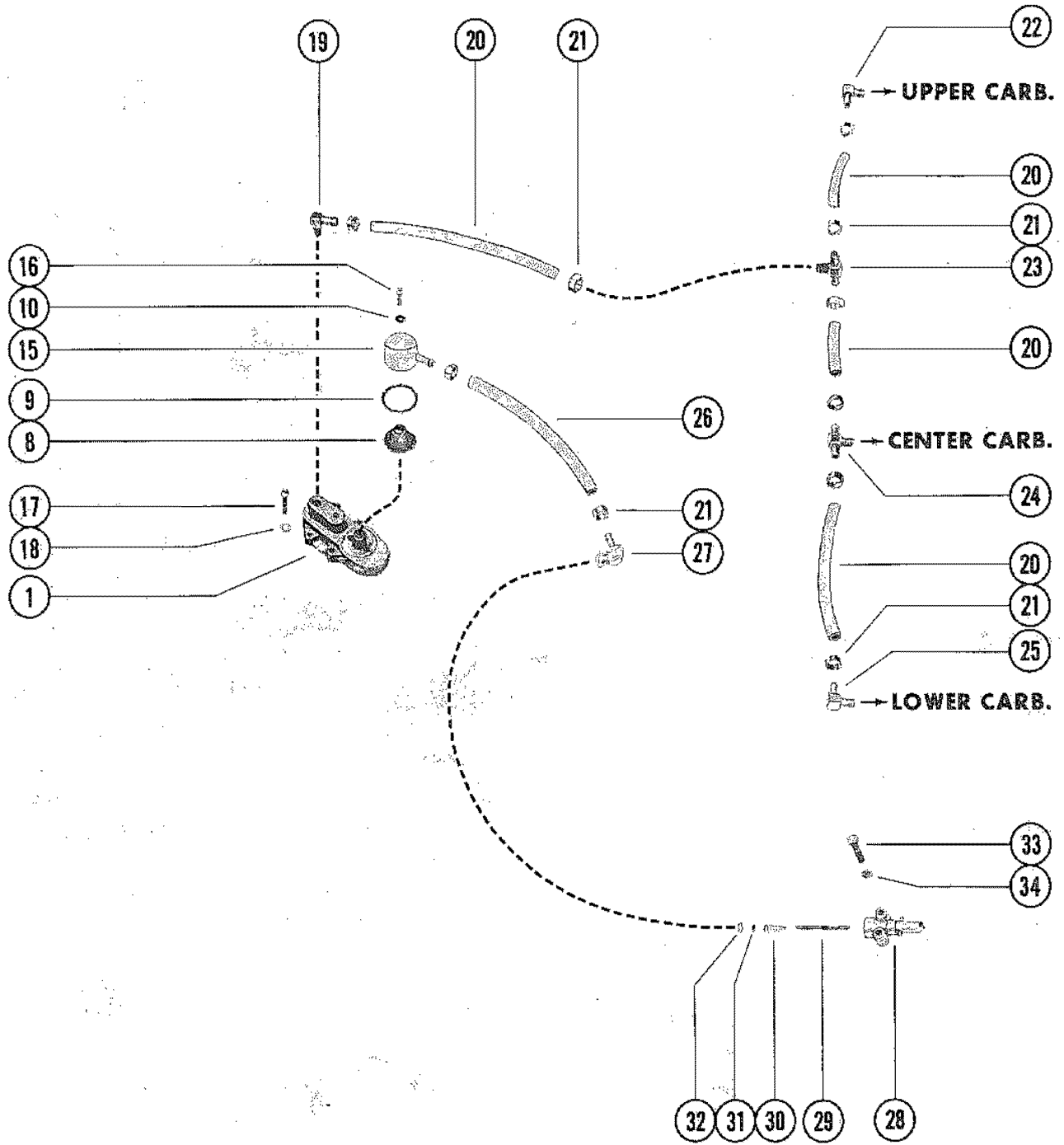
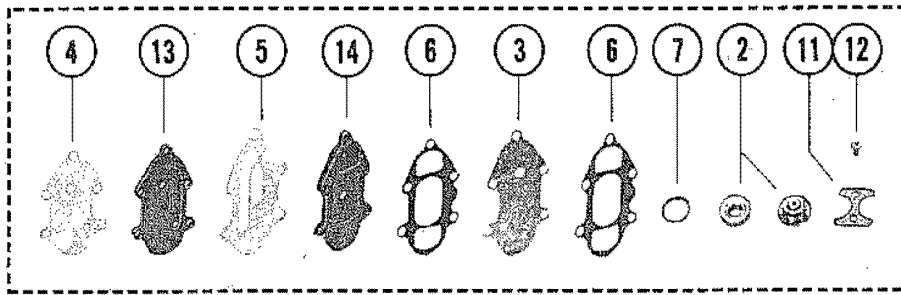
USED ON CENTER AND LOWER CARBURETOR ONLY--REPLACED WITH A-[85943A1] LEVER ON UPPER CARBURETOR FOR PLASTIC VENTURI ORDER A-[52106A1]

● = CONTENTS OF [27-85653A79] GASKET SET

■ = NOT SOLD SEPARATELY.

◇ = CONTENTS OF REPAIR PARTS KITS.

FUEL PUMP AND FUEL LINE ASSEMBLY

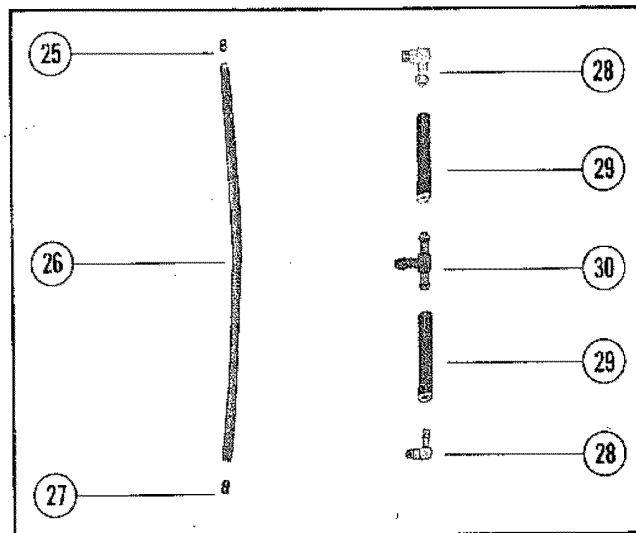
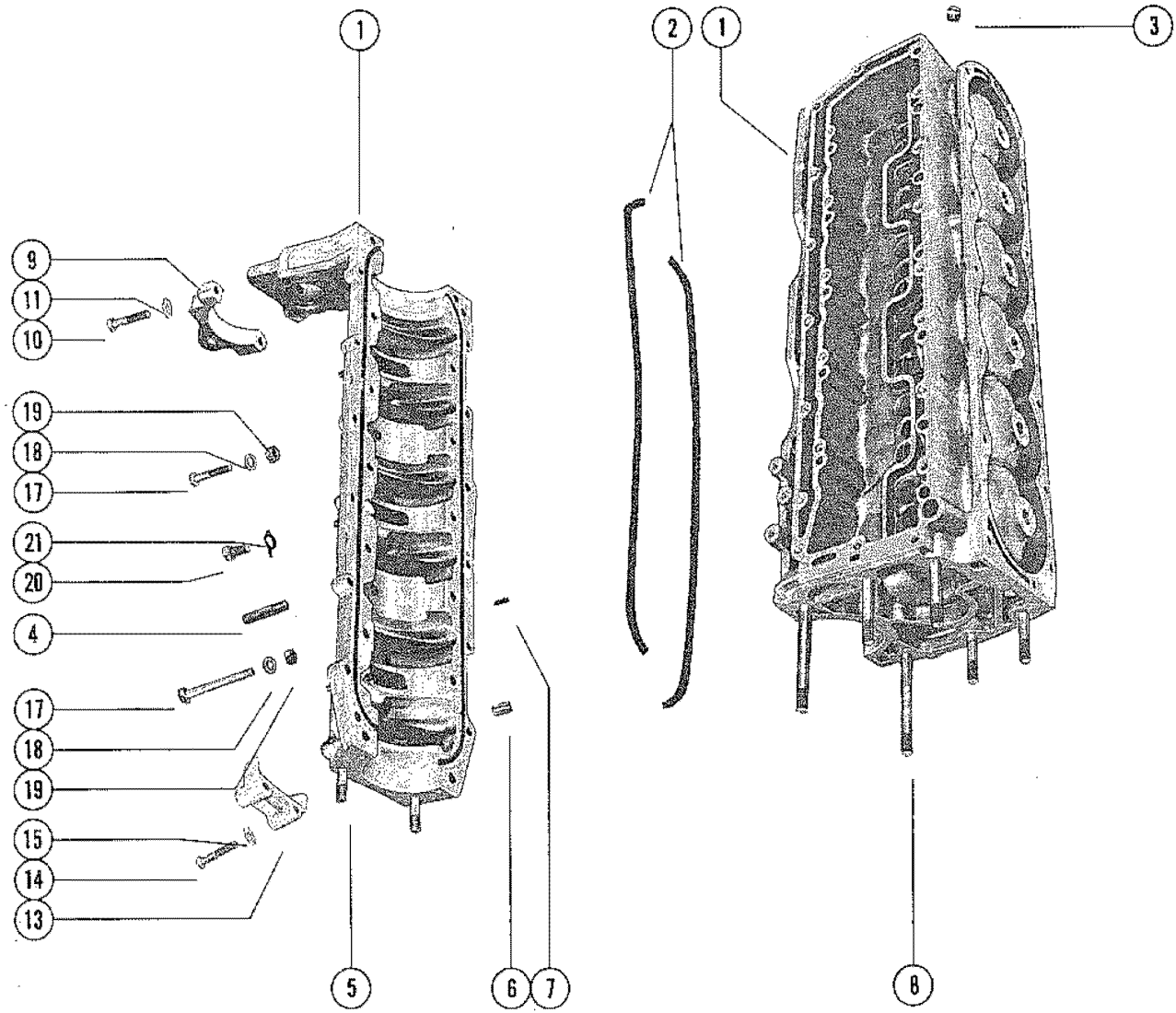


FUEL PUMP AND FUEL LINE ASSEMBLY

REF. NO.	PART NO.	SYM.	QTY.	DESCRIPTION
1	66530A6		1	FUEL PUMP ASSEMBLY
2	21-30430A10		1	CHECK VALVE ASSEMBLY
3	66599A3	●	1	DIAPHRAGM ASSEMBLY
4		●	1	GASKET FUEL PUMP
5		●	1	GASKET, PULSE CHAMBER
6		●	2	GASKET, FULE PUMP
7		●	2	GASKET, CHECK VALVE TO HOUSING
8	35-59072	●	1	SCREEN, FUEL INLET
9		●	1	"O" RING, FUEL INLET COVER
10		●	1	GASKET, COVER ATTACHING SCREW
11	23004		1	RETAINER, CHECK VALVE
12	10-20037		2	SCREW, RETAINER ATTACHING
13	86295		1	BASE FUEL PUMP
14	87990		1	CHAMBER, PULSE - FUEL PUMP
15	59071		1	COVER, FULE INLET
16	10-37370		1	SCREW, FUEL FILTER COVER ATTACHING (5/8")
17	10-73013		5	SCREW, FUEL PUMP ATTACHING (1 1/2")
18	13-26996		5	LOCKWASHER, FUEL PUMP ATTACHING SCREW
19	22-64704		1	FITTING, FUEL OUTLET
20	32-70432		4	FUEL LINE FUEL PUMP TO CARBURETOR (6 1/4" - 2 3/4")
21	54-68424		10	CLAMP, FUEL LINE ATTACHING
22	22-64704		1	FITTING, ELBOW - UPPER CARBURETOR
23	22-73318		1	TEE, FUEL LINE
24	22-64706		1	FITTING, TEE - CENTER CARBURETOT
25	22-64704		1	FITTING, ELBOW - LOWER CARBURETOR
26	32-70432		1	FUEL LINE, ADAPTOR TO FUEL PUMP (16")
27	22-63981		1	ELBOW, FULE LINE TO ADAPTOR
28	22833		1	ADAPTOR, CHECK UNIT (FUEL LINE)
29	23069		1	STEM, CHECK UNIT ADAPTOR
30	24-23067		1	SPRING, ADAPTOR STEM
31	25-20415	●	1	"O" RING, ADAPTOR STEM
32	30188		1	CUP WASHER, ADAPTOR
33	10-69029		2	SCREW, ADAPTOR TO BOTTOM COWL (1 3/4")
34	11-36069		2	NUT, ADAPTOR SCREW

● = CONTENTS OF [27-85653A79] GASKET SET

CYLINDER BLOCK AND CRANKCASE ASSEMBLY

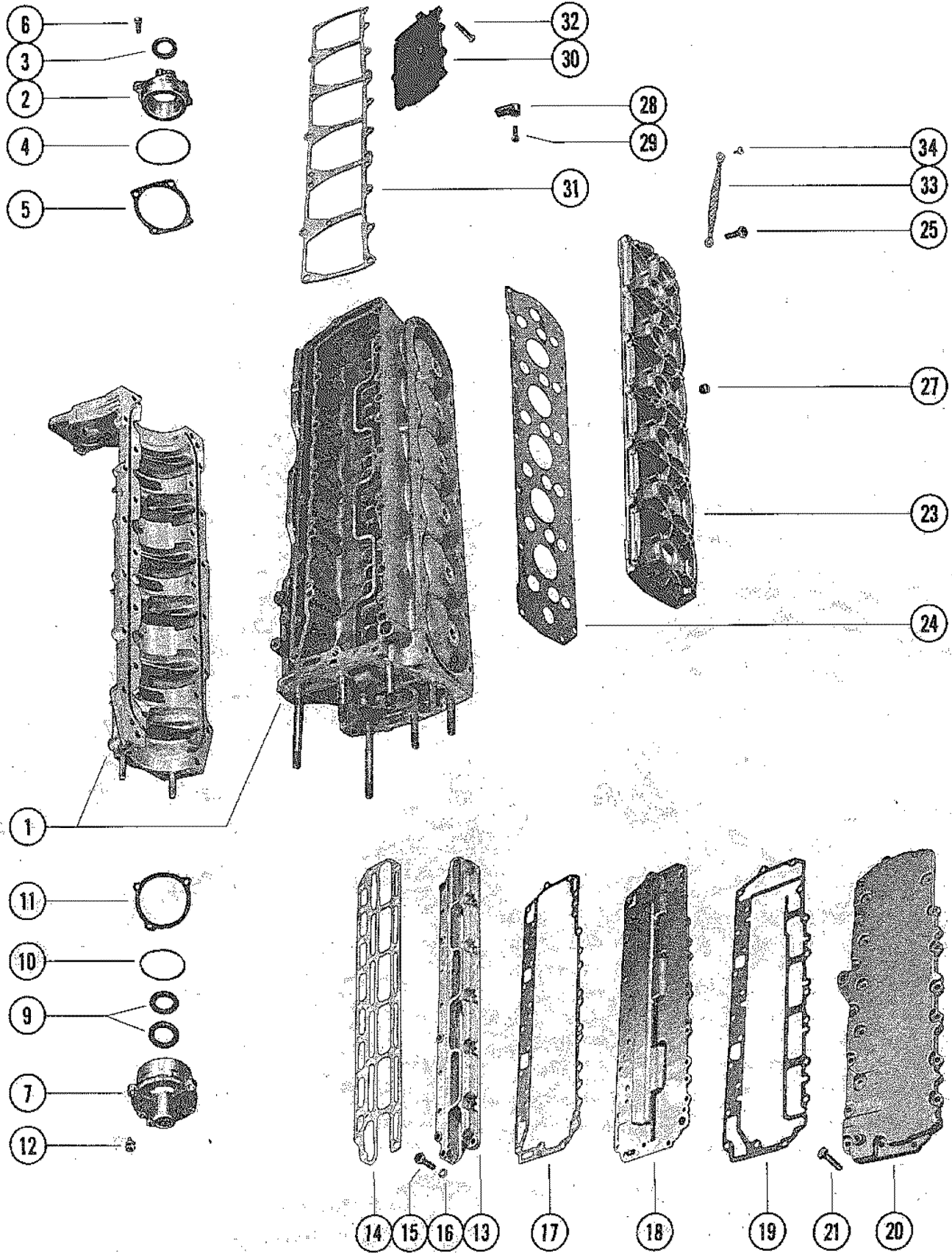


CYLINDER BLOCK AND CRANKCASE ASSEMBLY

REF. NO.	PART NO.	SYM.	QTY.	DESCRIPTION
1	852-7740A3		1	CYLINDER BLOCK AND CRANKCASE ASSEMBLY
2	27-53862	●	2	GASKET, CRANKCASE TO CYLINDER BLOCK
3	66517		5	RESTRICTION, CRANKCASE BLEED
4	16-64280		6	STUD, CARBURETOR MOUNTING (1 3/16")
5	16-64281		2	STUD CRANKCASE TO EXHAUST EXTENSION PLATE (1 7/8")
6	17-20033		2	PIN, DOWEL - CRANKCASE TO CYLINDER BLOCK
7	17-63779		3	PIN, DOWEL - CYLINDER BLOCK TO MAIN BEARING
8	16-64282		6	STUD CYLINDER BLOCK TO DRIVE SHAFT HOUSING PLATE (4")
9	86473		1	COVER, STARTER MOTOR BRACKET - TOP
10	10-77065		2	SCREW, TOP COVER ATTACHING (2")
11	13-26993		2	LOCKWASHER, TOP COVER SCREWS
13	76867		1	COVER, STARTER MOTOR BRACKET - BOTTOM
14	10-69268		2	SCREW, BOTTOM COVER ATTACHING (1 7/8")
15	13-26993		2	LOCKWASHER, BOTTOM COVER SCREW
17	10-57841		3	SCREW, CRANKCASE TO CYLINDER BLOCK (2 3/4")
	10-32293		3	SCREW, CRANKCASE TO CYLINDER BLOCK (1 3/4")
	10-73657		20	SCREW, CRANKCASE TO CYLINDER BLOCK (1 1/2")
	10-53016		2	SCREW, CRANKCASE TO CYLINDER BLOCK (1 1/4")
18	12-22753		25	WASHER CRANKCASE TO CYLINDER BLOCK SCREWS
19	11-29250		2	NUT CRANKCASE TO CYLINDER BLOCK SCREWS (LOWER)
20	10-20359		2	SCREW, CENTER MAIN BEARING LOCKING
21	14-20091		2	TAB WASHER, BEARING LOCKING SCREW
25	21-77560		1	CHECK VALVE, BLEED HOSE - UPPER
26	32-54936		1	HOSE, BLEED (22")
27	21-77561		1	CHECK VALVE, BLEED HOSE - LOWER
28	22-25885		2	ELBOW, BALANCE HOSE
29	32-34395A1		2	HOSE, BALANCE - MAIN BEARING (6 1/4")
30	22-85578		1	TEE, BALANCE HOSE
-	27-85653A79		0	GASKET SET

FOR REPLACEMENT OF POWERHEAD ASSEMBLY, COMPLETE, WHICH INCLUDES CYLINDER BLOCK AND CRANKCASE, PISTONS, CONNECTING RODS, AND BEARINGS, ETC. ORDER: A-[86251A79] POWERHEAD ASSEMBLY
 ● = CONTENTS OF [27-85653A79] GASKET SET

END CAP, MANIFOLD AND EXHAUST COVERS

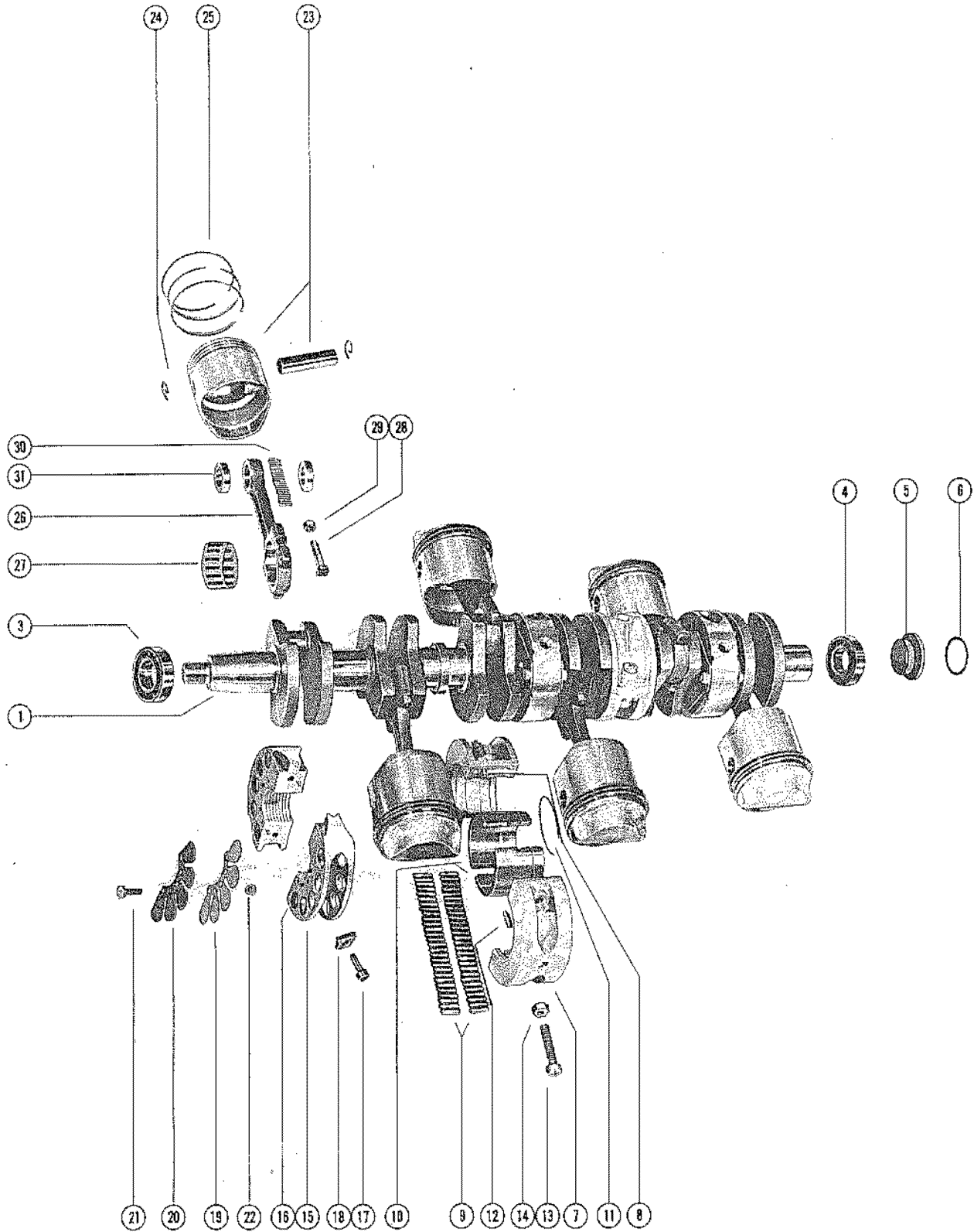


END CAP, MANIFOLD AND EXHAUST COVERS

REF. NO.	PART NO.	SYM.	QTY.	DESCRIPTION
1	852-7740A3		1	CYLINDER BLOCK AND CRANKCASE ASSEMBLY
2	1161-5940A2		1	END CAP ASSEMBLY
3	26-29476		1	OIL SEAL, END CAP
4	25-47254	●	1	"O" RING
5	15-73644A1		AR	SHIM, END CAP TO CRANKCASE (.006-10)
6	10-73169		4	SCREW, END CAP MOUNTING (1")
7	1148-5410A1		1	END CAP ASSEMBLY, LOWER
9	26-29476		2	OIL SEAL, END CAP
10	25-32546	●	1	"O" RING, END CAP
11	15-20085A1		AR	SHIM, END CAP TO CRANKCASE (.005-10)
12	10-69034		3	SCREW, END CAP MOUNTING (1")
13	71808		1	COVER, WATER JACKET - CYLINDER BLOCK
14	27-72142	●	1	GASKET, WATER JACKET COVER
15	10-53167		23	SCREW WATER JACKET COVER TO CYLINDER BLOCK (7/8")
16	12-70132		23	WASHER WATER JACKET COVER FASTENING SCREW
17	27-72507	●	1	GASKET, CYLINDER BLOCK TO BAFFLE PLATE
18	75778		1	PLATE, BAFFLE - EXHAUST MANIFOLD
19	27-72509	●	1	GASKET BAFFLE PLATE TO EXHAUST MANIFOLD COVER
20	86316		1	COVER, EXHAUST MANIFOLD
21	10-53576		24	SCREW, MANIFOLD COVER MOUNTING
23	1023-5070		1	COVER, CYLINDER BLOCK
24	27-72506	●	1	GASKET, CYLINDER BLOCK COVER
25	10-69100		16	SCREW, COVER MOUNTING (1")
27	22-68307		1	PLUG, PIPE - CYLINDER BLOCK COVER
28	37440		1	BRACKET, MOUNT SUPPORT - CYLINDER BLOCK
29	10-24234		1	SCREW, BRACKET TO CYLINDER BLOCK (1")
30	87872		3	COVER, TRANSFER PORT
31	27-85653	●	1	GASKET, TRANSFER PORT COVER
32	10-28636		24	SCREW, TRANSFER PORT COVER MOUNTING (3/4")
33	46933A3		2	GROUND STRAP ASSEMBLY CYLINDER BLOCK COVER
34	10-62568		2	SCREW, GROUND STRAP ATTACHING (3/8")

● = CONTENTS OF [27-85653A79] GASKET SET

CRANKSHAFT, PISTONS AND CONNECTING RODS

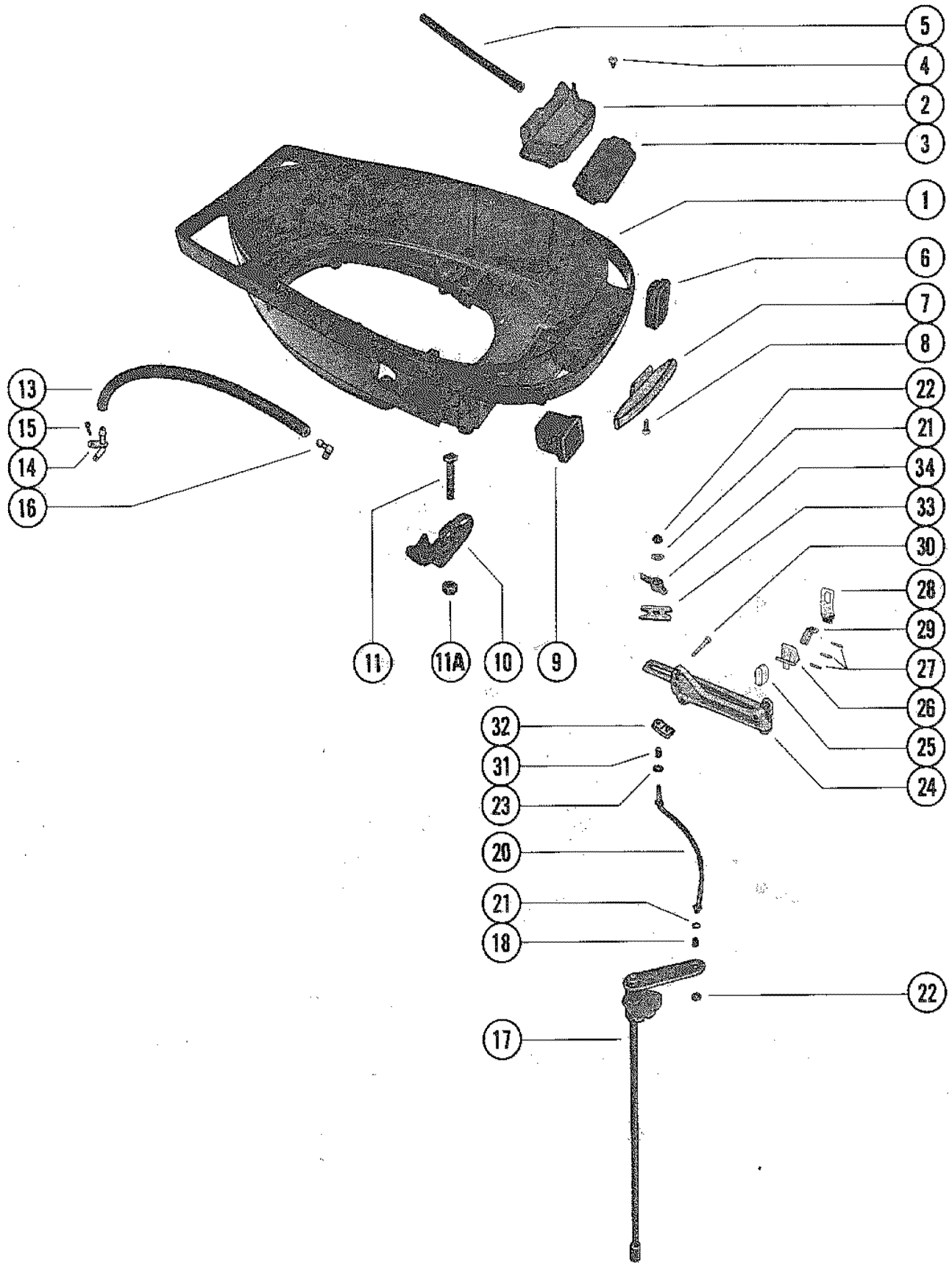


CRANKSHAFT, PISTONS AND CONNECTING RODS

REF. NO.	PART NO.	SYM.	QTY.	DESCRIPTION
1	3436-6646A2		1	CRANKSHAFT ASSEMBLY
3	30-62567		1	BEARING, BALL - UPPER
4	30-63742		1	BEARING, BALL - LOWER
5	54196A6		1	CARRIER ASSEMBLY, "O" RING
6	65800	●	1	"O" RING, CARRIER
7	535-5397A4		2	CENTER MAIN BEARING ASSEMBLY
8	17-20032		4	DOWEL PIN, CENTER MAIN BEARING
9	29-52168		112	BEARING, NEEDLE - OUTER RACE
10	26113		2	RACE, OUTER (PAIR)
11	53-26933		2	RING, SNAP - OUTER RACE
12	17-47246		2	DOWEL PIN, STEPPED
13	10-22968		4	SCREW, CENTER MAIN BEARING CLAMPING
14	11-46887		4	NUT, BEARING CLAMPING SCREW
15	540-5266A5		3	MAIN BEARING ASSEMBLY, VALVE TYPE
16	17-20032		6	DOWEL PIN, MAIN BEARING
17	10-45775		6	SCREW, MAIN BEARING CLAMPING
18	11-45774		6	NUT, MAIN BEARING CLAMPING SCREW
19	34-56007A1		3	REED SET, MATCHED - MAIN BEARING
20	34-56008		12	REED STOP, MAIN BEARING REED VALVES
21	10-62204		30	SCREW, REED STOP MOUNTING
22	11-53153		30	NUT, REED STOP SCREW
23	745-6661A4		6	PISTON PIN ASSEMBLY
24	40-52035		12	LOCK RING, PISTON PIN
25	39-78816A12		2	RING, PISTON
26	622-4850A3		6	CONNECTING ROD AND CAP ASSEMBLY
27	31-62596A1		6	BEARING ASSEMBLY, CRANKPIN
28	10-54803		12	SCREW, CONNECTING ROD
29	11-49091		12	NUT, CONNECTING ROD SCREW
30	29-47270		174	BEARING, NEEDLE - PISTON PIN
31	12-47247		12	WASHER, NEEDLE LOCATING
-	745-6696A2		6	PISTON AND PISTON PIN ASSEMBLY
-	39-78811A12		2	RING, PISTON OVERSIZED

● = CONTENTS OF [27-85653A79] GASKET SET

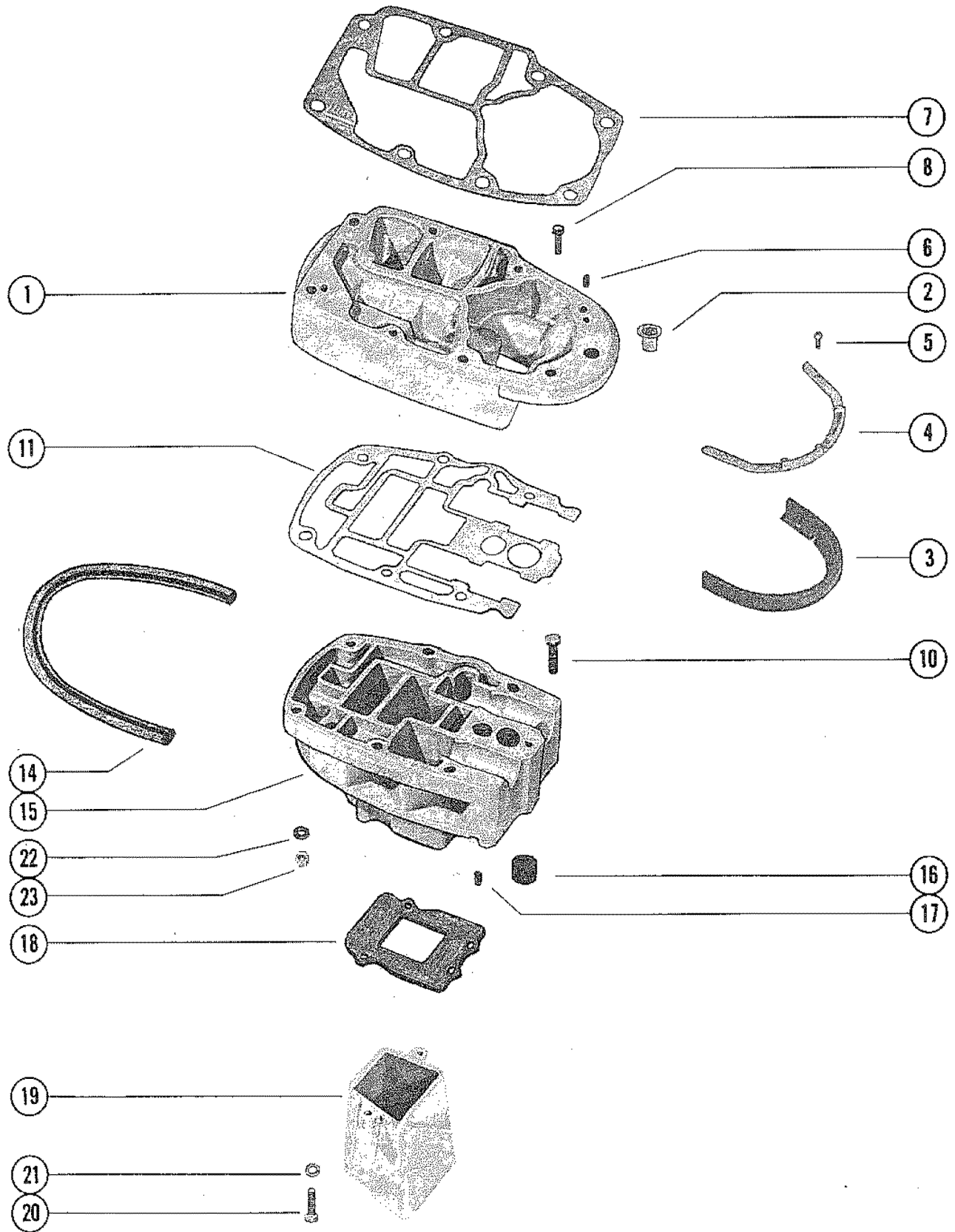
BOTTOM COWL AND SHIFT LINKAGE



BOTTOM COWL AND SHIFT LINKAGE

REF. NO.	PART NO.	SYM.	QTY.	DESCRIPTION
1	2115-6462		1	COWL, BOTTOM OVERSIZED
2	52862A2		1	DRIP TRAY ASSEMBLY, BOTTOM COWL
3	37940		1	PAD, SOUND - DRIP TRAY
4	10-48408		4	SCREW, DRIP TRAY TO BOTTOM COWL (1/2")
5	32-34395A1		1	HOSE, DRIP TRAY TO BOTTOM COWL (8")
6	39616		1	BOOT, CONTROL CABLES - BOTTOM COWL
7	76369		1	SPACER, BOTTOM COWL (COWL FRONT COVER)
8	10-48591		2	SCREW, SPACER TO BOTTOM COWL (1/2")
9	37637		1	BOOT, FUEL CONNECTOR - BOTTOM COWL
10	37445		1	SUPPORT, WIRING HARNESS - BOTTOM COWL
11	10-69029		2	SCREW, SUPPORT TO BOTTOM COWL (1 3/4")
11A	11-36069		2	NUT, SUPPORT SCREW
13	32-34395A1		1	HOSE TELL TALE - EXHAUST COVER TO BOTTOM COWL (21 1/2")
14	52889		1	NOZZLE, TELL TALE HOSE TO BOTTOM COWL
15	10-48408		1	SCREW TELL TALE NOZZLE TO BOTTOM COWL (1/2")
16	22-78279		1	ELBOW, TELL TALE HOSE TO CYLINDER BLOCK
17	60304A54		1	SHIFT SHAFT ASSEMBLY, UPPER
18	23-26600		1	BUSHING, SHIFT SHAFT
20	48047A1		1	LINK ROD ASSEMBLY
21	12-35462		2	WASHER, LINK ROD
22	11-20664		2	NUT, LINK ROD
23	13-29720		1	WASHER, WAVE - LINK ROD
24	52732		1	BRACKET, ANCHOR - CONTROL CABLES
25	39519		1	CAP, BARREL RETAINER - ANCHOR BRACKET
26	39618		1	LEVER, NYLON - SHIFT CABLE LOCKING
27	17-47175		3	PIN, LOCKING LEVER AND COVER FASTENING
28	39667		1	COVER, NYLON - SHIFT CABLE
29	65799		1	LINK, LOCKING LEVER TO COVER
30	10-24234		3	SCREW ANCHOR BRACKET TO CYLINDER BLOCK (1")
31	24-20099		1	SPRING, LINK ROD TO GUIDE BLOCK
32	37896		1	GUIDE BLOCK, LINK ROD
33	52100		1	WEAR PLATE, LINK ROD
34	38279		1	LATCH CONTROL CABLE FASTENING - ANCHOR BRACKET

EXHAUST EXTENSION PLATE

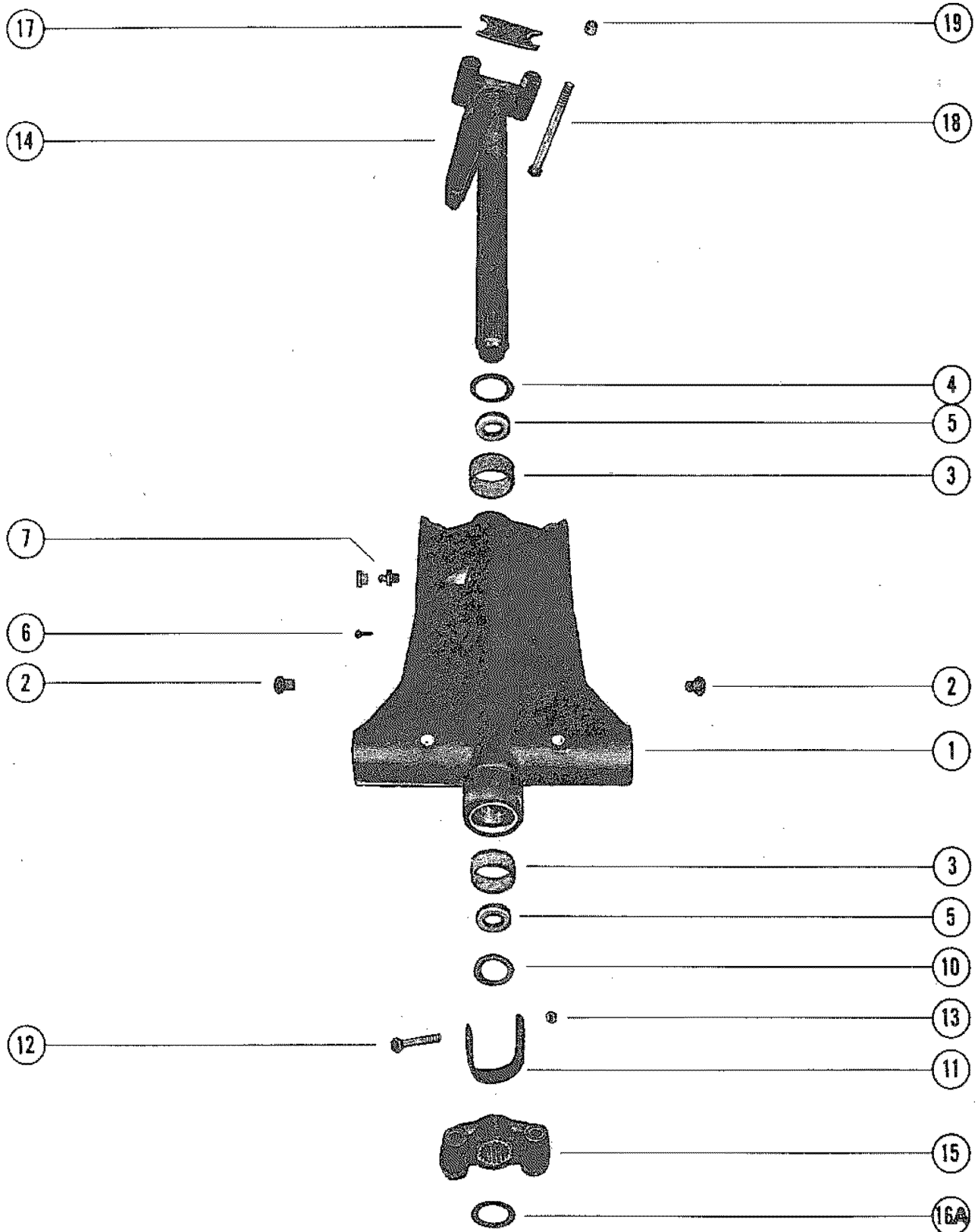


EXHAUST EXTENSION PLATE

REF. NO.	PART NO.	SYM.	QTY.	DESCRIPTION
1	66096A1		1	PLATE ASSEMBLY, EXHAUST EXTENSION
2	23-27132		1	BUSHING, NYLON - EXHAUST EXTENSION PLATE
3	37918		1	SEAL, EXHAUST EXTENSION PLATE
4	38032		1	STRIP RETAINING - EXHAUST EXTENSION PLATE SEAL
5	10-37571		5	SCREW SEAL AND RETAINING STRIP TO EXT. PLATE (1/2")
6	17-23784		2	DOWEL PIN, EXHAUST EXTENSION PLATE
7	27-69238	●	1	GASKET, POWERHEAD TO EXTENSION PLATE
8	10-66023		2	SCREW, ADAPTOR PLATE TO HOUSING PLATE (2")
10	10-66023		7	SCREW, HOUSING PLATE TO DRIVE SHAFT HSG. (2")
11	27-66102	●	1	GASKET, PLATE TO DRIVE SHAFT HSG. PLATE
14	26-60898		1	SEAL, DRIVE SHAFT HOUSING PLATE
15	74257A3		1	PLATE ASSEMBLY, DRIVE SHAFT HOUSING
16	26-38970	●	1	SEAL, RUBBER - WATER INLET TUBE
17	17-23784		2	DOWEL PIN, DRIVE SHAFT HOUSING PLATE
18	27-6362	●	1	GASKET, MEGAPHONE TO DRIVE SHAFT HOUSING PLATE
19	60437		1	MEGAPHONE, EXHAUST
20	10-60480		3	SCREW MEGAPHONE TO DRIVE SHAFT HOUSING PATE (1 1/8")
21	12-29245		3	WASHER, MEGAPHONE SCREW
22	12-25970		6	WASHER, POWERHEAD STUD
23	11-34932		6	NUT, POWERHEAD STUD
-	27-85653A79		0	GASKET SET

● = CONTENTS OF [27-85653A79] GASKET SET

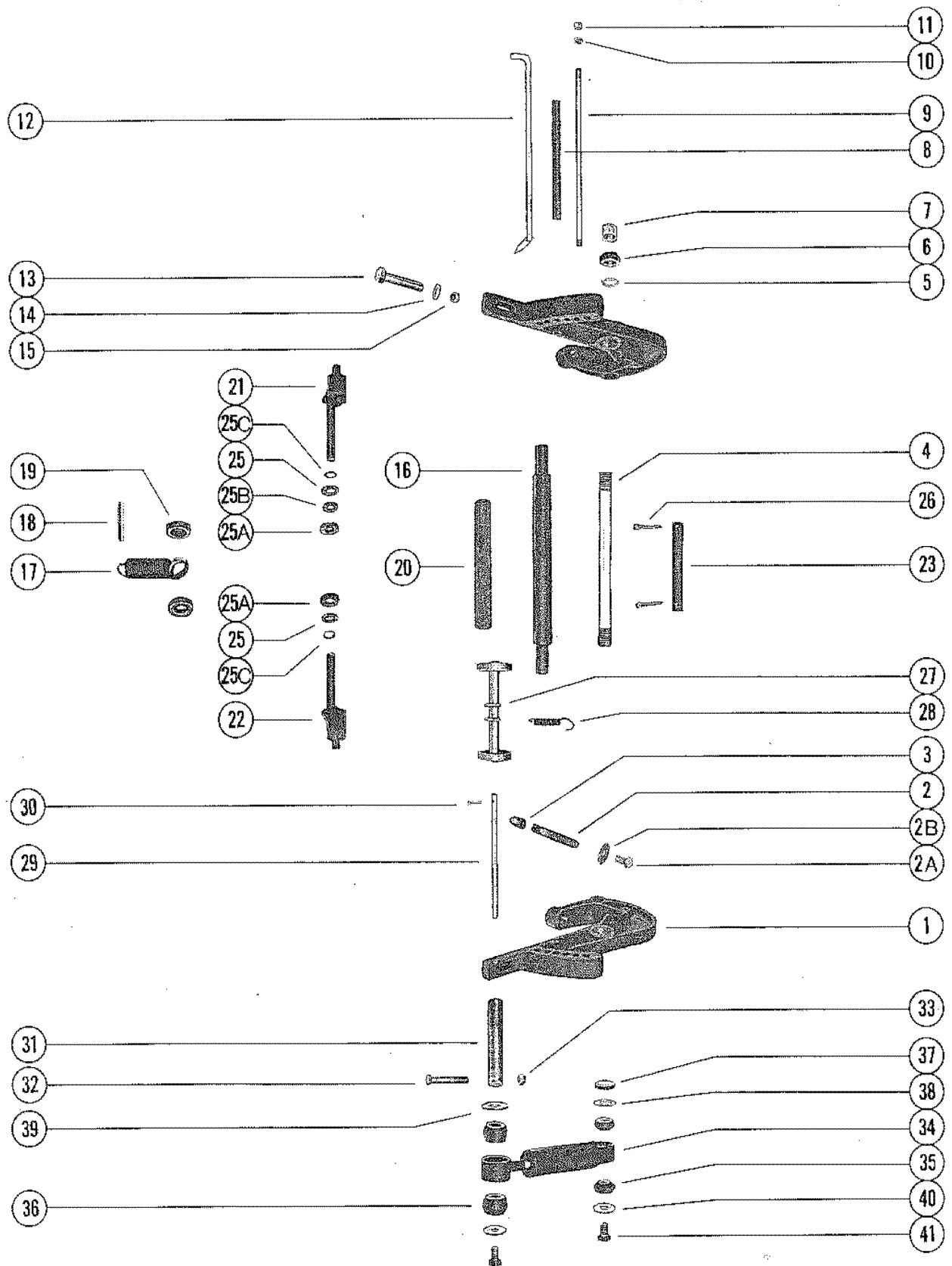
SWIVEL BRACKET ASSEMBLY



SWIVEL BRACKET ASSEMBLY

REF. NO.	PART NO.	SYM.	QTY.	DESCRIPTION
1	1482-6386A4		1	SWIVEL BRACKET ASSEMBLY
2	23-69132		2	BUSHING, REVERSE LOCK PIVOT SHAFT
3	23-69341		2	BUSHING, SWIVEL BRACKET
4	12-69342		1	WASHER, SWIVEL PIN, UPPER
5	26-37448		2	OIL SEAL, SWIVEL BRACKET
6	10-47828		1	SCREW, DRIVE - SWIVEL BRACKET
7	22-74036		4	FITTING, GREASE - SWIVEL BRACKET
10	12-69380		1	WASHER, SWIVEL PIN - LOWER
11	28205		1	STRAP STOP DRIVE SHAFT HOUSING TO SWIVEL BRACKET
12	10-28200		1	SCREW STRAP STOP TO DRIVE SHAFT HOUSING (2 7/8")
13	11-25269		1	NUT, STRAP STOP FASTENING SCREW
14	17-73593A1		1	SWIVEL PIN AND ARM ASSEMBLY
15	73984		1	YOKE, BOTTOM
16A	53-73591		1	RETAINING RING, BOTTOM YOKE ATTACHING
17	28203		1	BUMPER, STEERING ARM
18	10-49554		2	BOLT, STEERING ARM TO UPPER MOUNT (5 7/8")
19	11-34933		2	NUT, STEERING ARM BOLT FASTENING

CLAMP BRACKET AND REVERSE LOCK



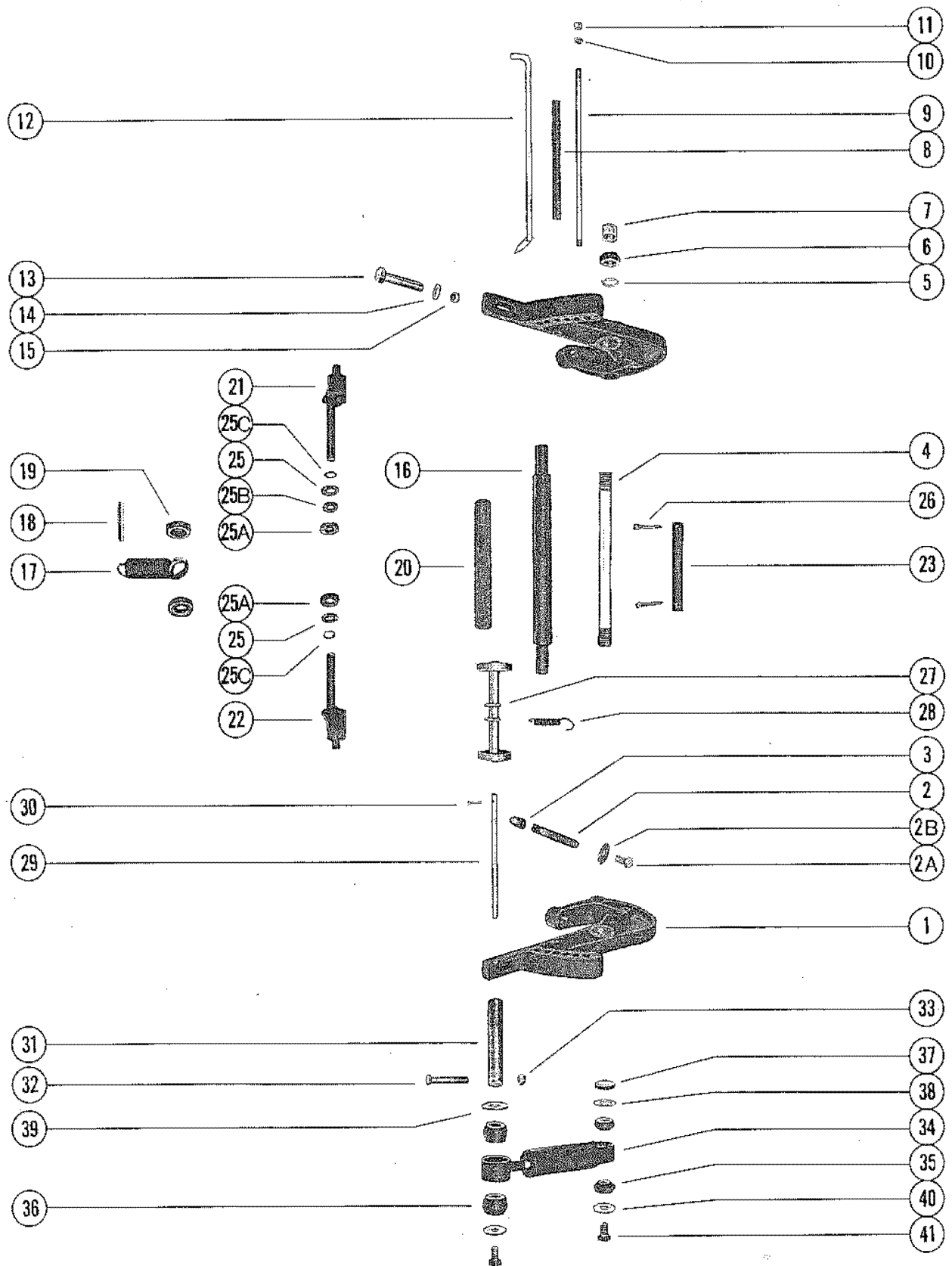
CLAMP BRACKET AND REVERSE LOCK

REF. NO.	PART NO.	SYM.	QTY.	DESCRIPTION
1	1440-6625A3		2	CLAMP BRACKET ASSEMBLY
2	10-78492A1		2	THUMB SCREW ASSEMBLY
2A	10-78495		2	SCREW, WASHER ATTACHING
2B	12-78493		2	WASHER, THUMB SCREW
3	75043		2	CAP, THUMB SCREW
4	74528		1	TUBE, TILT - CLAMP BRACKET TO SWIVEL BRACKET
5	12-52864		2	WASHER, CLAMP BRACKET TILT TUBE
6	11-56041		2	NUT, TILT TUBE FASTENING
7	53078		2	CAP, PLASTIC - TILT TUBE
8	23-59624		1	SPACER, CLAMP BRACKET STUD
9	16-59625		1	STUD CLAMP BRACKET (NOT USED WITH FULL POWER TRIM)
10	13-26993		2	LOCKWASHER, CLAMP BRACKET STUD
11	11-28770		2	NUT, CLAMP BRACKET STUD
12	17-49930A1		1	TITL LOCK PIN ASSEMBLY (NOT USED WITH FULL POWER TRIM)
13	10-68298		2	BOLT, CLAMP BRACKET TO BOAT TRANSOM (LOWER)
	10-68299		2	BOLT, CLAMP BRACKET TO BOAT TRANSOM (UPPER)
14	12-68410		2	WASHER, CLAMP BRACKET BOLT (LOWER)
	12-68300		2	WASHER, CLAMP BRACKET BOLT (UPPER)
15	11-68411		4	NUT, CLAMP BRACKET BOLT
16	55-28416		1	PIN, UPPER SHOCK MOUNTING
17	28659		1	SPRING, COIL - SWIVEL BRACKET NOT USED WITH FULL POWER TRI
18	17-38311		1	PIN, COIL SPRING MOUNTING NOT USED WITH FULL POWER TRI
19	23-28688		2	SPACER, RUBBER - COIL SPRING POSITIONING NOT USED WITH FULL POWER TRI
20	63473		1	TUBE CUSHION - SHOCK PIN (USED WITH FULL POWER TRIM)
21	76386		1	TILT LOCK ASSEMBLY (STARBOARD)
22	76385		1	TILT LOCK ASSEMBLY (PORT)
23	76387		1	TUBE, TILT LOCK
25	13-69150		1	WASHER WAVE - TILT LOCK (STARBOARD SIDE ONLY)
25A	26-22734		2	OIL SEAL, SWIVEL BRACKET (TILT LOCK)
25B	12-76388		1	WASHER, TILT LOCK (STARBOARD SIDE ONLY)
25C	25-62702	●	2	"O" RING, TILT LOCK
26	18-47959		2	COTTER PIN, TILT LOCK
27	70692		1	REVERSE LOCK ASSEMBLY NOT USED WITH FULL POWER TRIM
28	24-78203A1		1	SPRING, REVERSE LOCK TENSION NOT USED WITH FULL POWER TRIM
29	56349		1	SHAFT, REVERSE LOCK PIVOT NOT USED WITH FULL POWER TRIM

● = CONTENTS OF [27-85653A79] GASKET SET

CONTINUED ON NEXT PAGE ➡

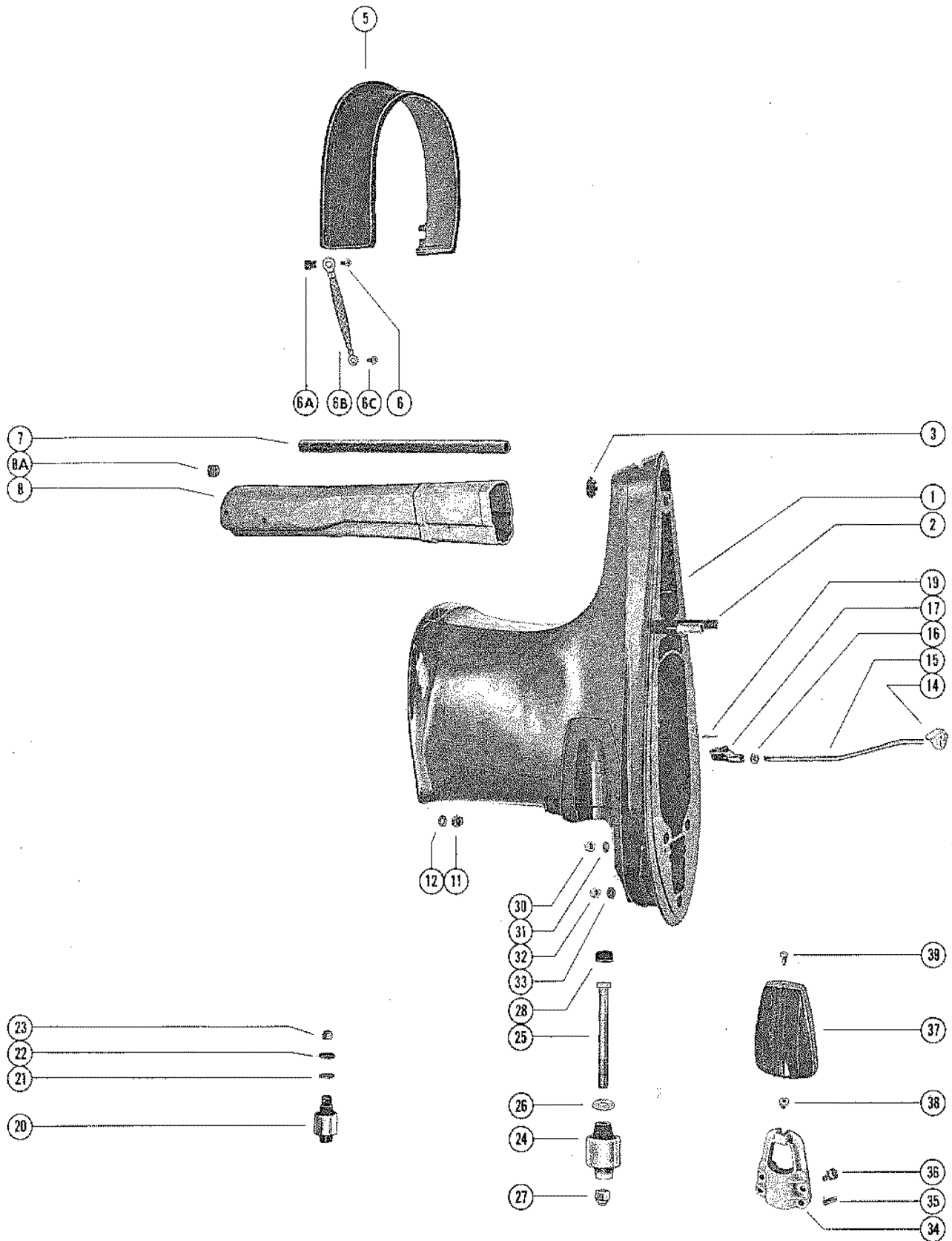
CLAMP BRACKET AND REVERSE LOCK



CLAMP BRACKET AND REVERSE LOCK

REF. NO.	PART NO.	SYM.	QTY.	DESCRIPTION
30	18-45882		1	COTTER PIN, REVERSE LOCK TO SHAFT NOT USED WITH FULL POWER TRIM
31	55-28414		2	PIN, LOWER SHOCK MOUNTING
32	10-21937		2	SCREW, LOWER SHOCK PIN
33	11-46887		2	NUT, LOWER SHOCK PIN SCREW
34	55-58780A2		2	SHOCK ABSORBER NOT USED WITH FULL POWER TRIM
35	23-32171		4	BUSHING, RUBBER - SHOCK ABSORBER (UPPER) NOT USED WITH FULL POWER TRIM
36	23-28198		4	BUHING, RUBBER - SHOCK ABSORBER (LOWER) NOT USED WITH FULL POWER TRIM
37	23-73203		2	SPACER UPPER SHOCK BUSHING TO CLAMP BRACKET
38	12-28196		2	WASHER, UPPER BUSHING RETAINER (INNER)
39	12-59378		2	WASHER, LOWER BUSHING RETAINER (INNER)
40	12-69374		4	WASHER UPPER AND LOWER BUSHING RETAINER (OUTER)
41	10-69375		4	SCREW, UPPER AND LOWER SHOCK MOUNTING PIN

DRIVE SHAFT HOUSING ASSEMBLY

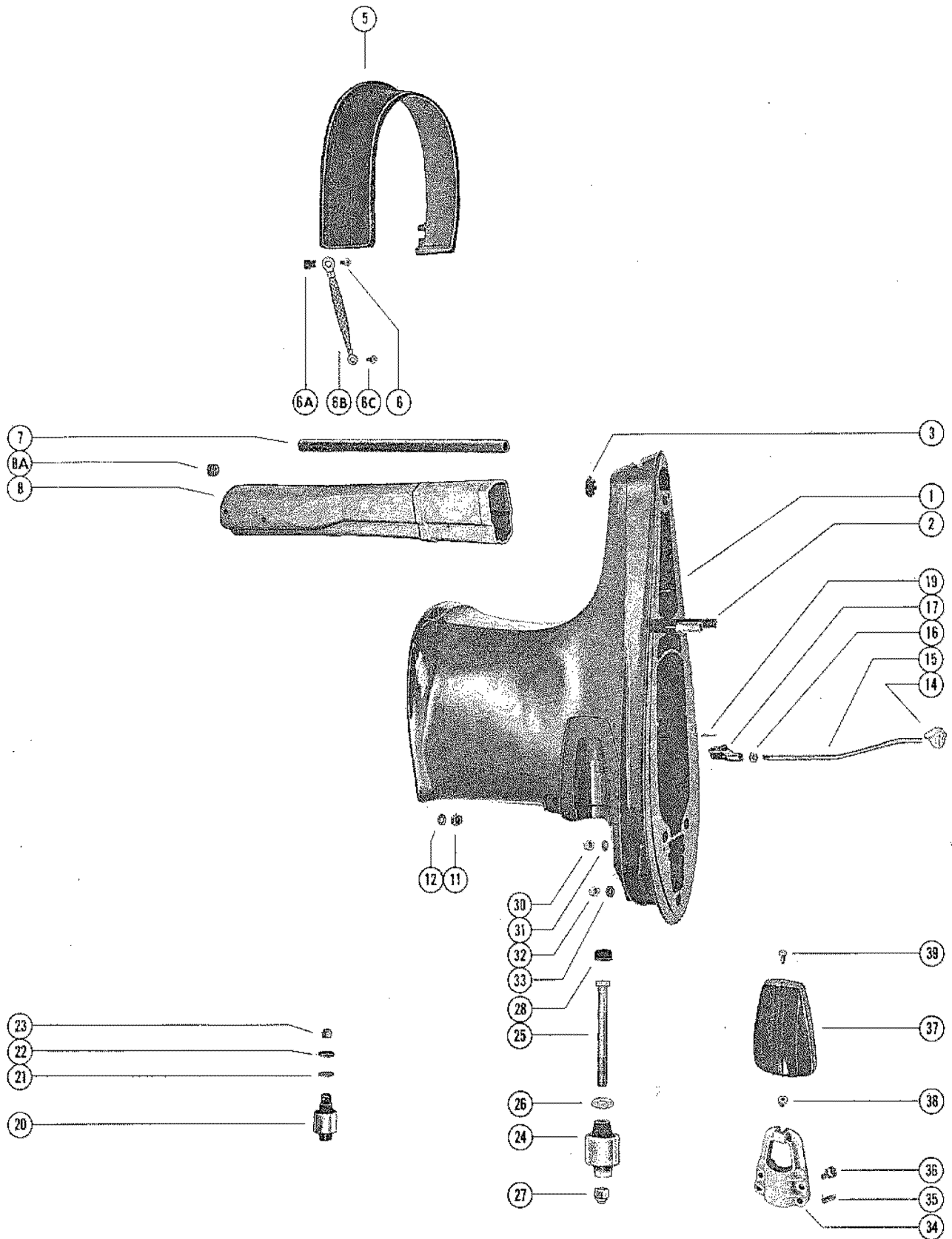


DRIVE SHAFT HOUSING ASSEMBLY

REF. NO.	PART NO.	SYM.	QTY.	DESCRIPTION
1	1573-5239A4		1	DRIVE SHAFT HOUSING ASSEMBLY
2	16-56295		2	STUD, DRIVE SHAFT HOUSING (LONG SHAFT)
	16-77168		2	STUD, DRIVE SHAFT HOUSING (EXTRA LONG SHAFT)
3	19-64649		1	PLUG, PLASTIC - TRIM TAB SCREW HOLE
5	37417		1	COVER, TRIM - DRIVE SHAFT HOUSING
6	10-57807		4	SCREW, TRIM COVER TO BOTTOM COWL
6A	25-57806		4	GROMMET, PLASTIC - TRIM COVER SCREW
6B	46933A2		2	GROUND STARP ASSEMBLY, TRIM COVER SCREW
6C	10-62568		2	SCREW, GROUND STRAP ATTACHING
7	32-60897		1	TUBE, WATER INLET (LONG SHAFT)
	32-77121		1	TUBE, WATER INLET (EXTRA LONG SHAFT)
8	78184		1	TUBE, EXHAUST
8A	65638		2	BOOT, TUBE MOUNT
11	11-69254		2	NUT, POWERHEAD STUDS (3/8-24)
12	12-25970		2	WASHER, POWERHEAD STUDS
14	52887		1	GUIDE, PUSH ROD - REVERSE LOCKING - NOT USED WITH FULL POWER TRIM
15	47558		1	ROD, PUSH - REVERSE LOCK - NOT USED WITH FULL POWER TRIM
16	11-47661		1	NUT, JAM - PUSH ROD - NOT USED WITH FULL POWER TRIM
17	47559		1	YOKE, PUSH ROD - NOT USED WITH FULL POWER TRIM
19	18-25191		1	COTTER PIN, PUSH ROD PIN - NOT USED WITH FULL POWER TRIM
20	75296		2	MOUNT, RUBBER - UPPER
21	12-47840		2	WASHER, RUBBER - UPPER MOUNT BOLT
22	12-31263		2	WASHER, UPPER MOUNT BOLT
23	11-34933		2	NUT, UPPER MOUNT BOLT
24	75299		2	MOUNT, RUBBER - LOWER
25	10-49318		2	SCREW, LOWER MOUNT (5 1/2")
26	12-49339		2	WASHER, LOWER MOUNT SCREW
27	11-25096		2	NUT, LOWER MOUNT SCREW
28	25067		2	BUMPER, RUBBER - LOWER MOUNTING SCREW
30	11-34933		2	NUT GEAR HOUSING AND DRIVE SHAFT HOUSING STUDS
31	12-45176		2	WASHER GEAR HOUSING TO DRIVE SHAFT HOUSING STUDS
32	11-29489		1	NUT, GEAR HOUSING AND DRIVE SHAFT STUDS
33	12-45176		1	WASHER GEAR HOUSING TO DRIVE SHAFT HOUSING STUDS
34	35608		2	CLAMP, LOWER MOUNT TO DRIVE SHAFT HOUSING
35	24-35522		4	SPRING, TENSION - LOWER MOUNT CLAMP
36	10-29256		4	SCREW LOWER MOUNT CLAMP TO DRIVE SHAFT HOUSING

CONTINUED ON NEXT PAGE ➡

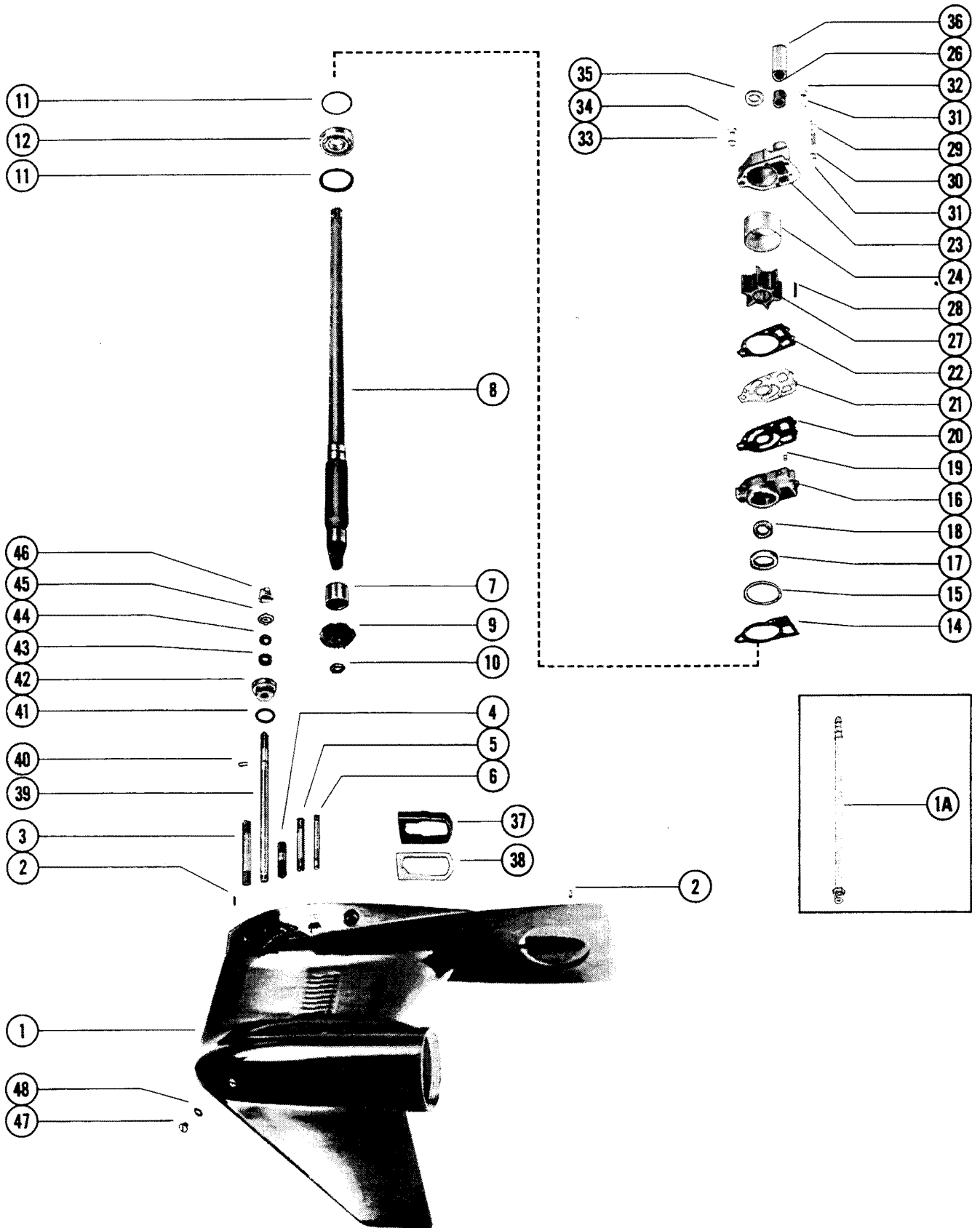
DRIVE SHAFT HOUSING ASSEMBLY



DRIVE SHAFT HOUSING ASSEMBLY

REF. NO.	PART NO.	SYM.	QTY.	DESCRIPTION
37	35474		2	COVER, LOWER MOUNT CLAMP
38	11-35521		2	NUT, LOWER MOUNT CLAMP COVER
39	10-29722		2	SCREW, COVER TO LOWER CLAMP MOUNT
-	77120		1	SPACER DRIVE SHAFT HOUSING - EXTRA LONG SHAFT
-	17-21438		2	DOWEL PIN, SPACER - EXTRA LONG SHAFT

GEAR HOUSING ASSEMBLY, COMPLETE (PAGE 1)



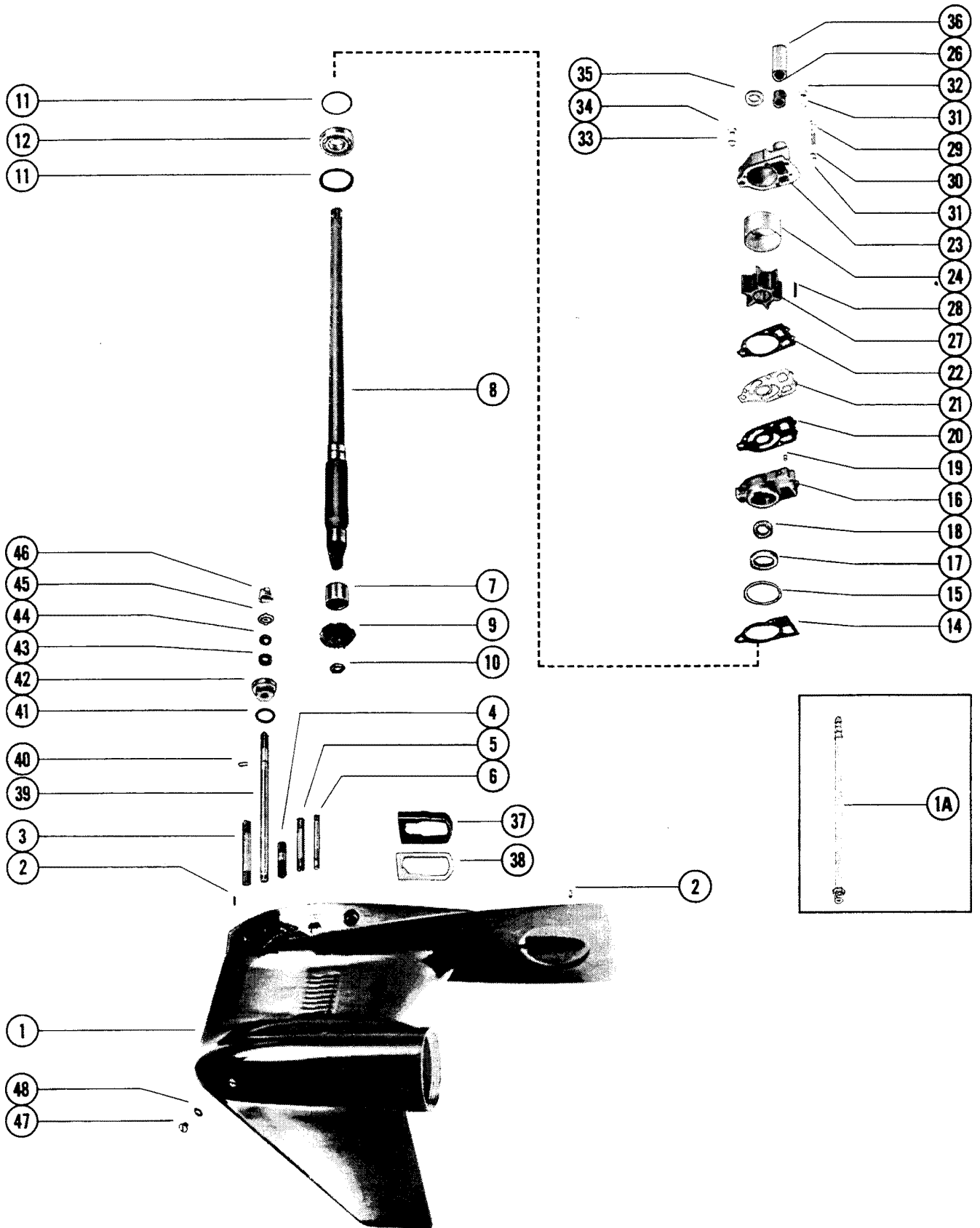
GEAR HOUSING ASSEMBLY, COMPLETE (PAGE 1)

REF. NO.	PART NO.	SYM.	QTY.	DESCRIPTION
-	1655-7333A24		1	GEAR HOUSING ASS'Y, COMP. (LONG SHAFT) .
-	1655-7333A26		1	GEAR HOUSING ASS'Y, COMP. (EXTRA LONG SHAFT) .
1	1655-7333A23		1	GEAR HOUSING ASS'Y
1A	22-85822A1		1	CONNECTOR ASSEMBLY, SPEEDOMETER
2	17-46912		2	DOWEL PIN, GEAR HOUSING LOCATING
3	16-57921		1	STUD, GEAR HOUSING TO DRIVE SHAFT HOUSING (4")
4	16-57920		2	STUD, GEAR HOUSING TO DRIVE SHAFT HOUSING (2 1/16")
5	16-56297		1	STUD, WATER PUMP BASE AND BODY TO GEAR HOUSING (3 3/8")
6	16-30667		2	STUD, WATER PUMP BASE AND BODY TO GEAR HOUSING (3 1/8")
7	31-32898		1	BEARING, ROLLER - DRIVE SHAFT
8	45-76036		1	DRIVE SHAFT (LONG SHAFT)
	45-77159		1	DRIVE SHAFT (EXTRA LONG SHAFT)
9	43-68548		1	GEAR, PINION - DRIVE SHAFT
10	11-35921		1	NUT, PINION GEAR TO DRIVE SHAFT
11	23-70412		1	SPACER, BALL BEARING TO BASE
	15-57007A1		AR	SHIM, BALL BEARING TO BASE
12	31-69220		1	ROLLER BEARING, DRIVE SHAFT
14	27-33146	●	1	GASKET, WATER PUMP BASE
15	25-33145	●	1	"O" RING, WATER PUMP BASE
16	46-73804A1		1	WATER PUMP BASE ASSEMBLY
17	26-31489		1	OIL SEAL, WATER PUMP BASE
18	26-31507		1	OIL SEAL, WATER PUMP BASE
19	17-35973		2	DOWEL PIN WATER PUMP BASE TO WATER PUMP BODY
20	27-32433	●	1	GASKET LOWER - WATER PUMMP BASE TO FACE PLATE
21	32435		1	PLATE, FACE WATER PUMP TO WATER PUMP BODY
22	27-32434	●	1	GASKET, UPPER FACE PLATE TO WATER PUMP BODY
23	46-64141A1		1	WATER PUMP BODY ASSEMBLY
24	48752		1	INSERT, WATER PUMP BODY
26	26-38970		1	SEAL, RUBBER - WATER INLET TUBE
27	47-65960		1	IMPELLER, WATER PUMP
28	28-56654		1	KEY, IMPEELER DRIVE
29	10-30720		1	SCREW WATER PUMP BODY TO GEAR HOUSING (2 1/4")
30	13-26992		1	LOCKWASHER. WATER PUMP BODY SCREW
31	12-29245		3	WASHER WATER PUMP BODY FASTENING SCREW AND STUD
32	11-35888		2	NUT, WATER PUMP FASTENING SCREW
33	12-36001		1	WASHER, WATER PUMP BODY FASTENING STUD
34	11-35814		1	NUT, WATER PUMP BODY FASTENING STUD
35	25-30271	●	1	RING, RUBBER - CENTRIFUGAL SLINGER (DRIVE SHAFT)
36	23-29804		1	SLEEVE, GUIDE - WATER INLET TUBE

● = CONTENTS OF [27-85653A79] GASKET SET

CONTINUED ON NEXT PAGE ➡

GEAR HOUSING ASSEMBLY, COMPLETE (PAGE 1)



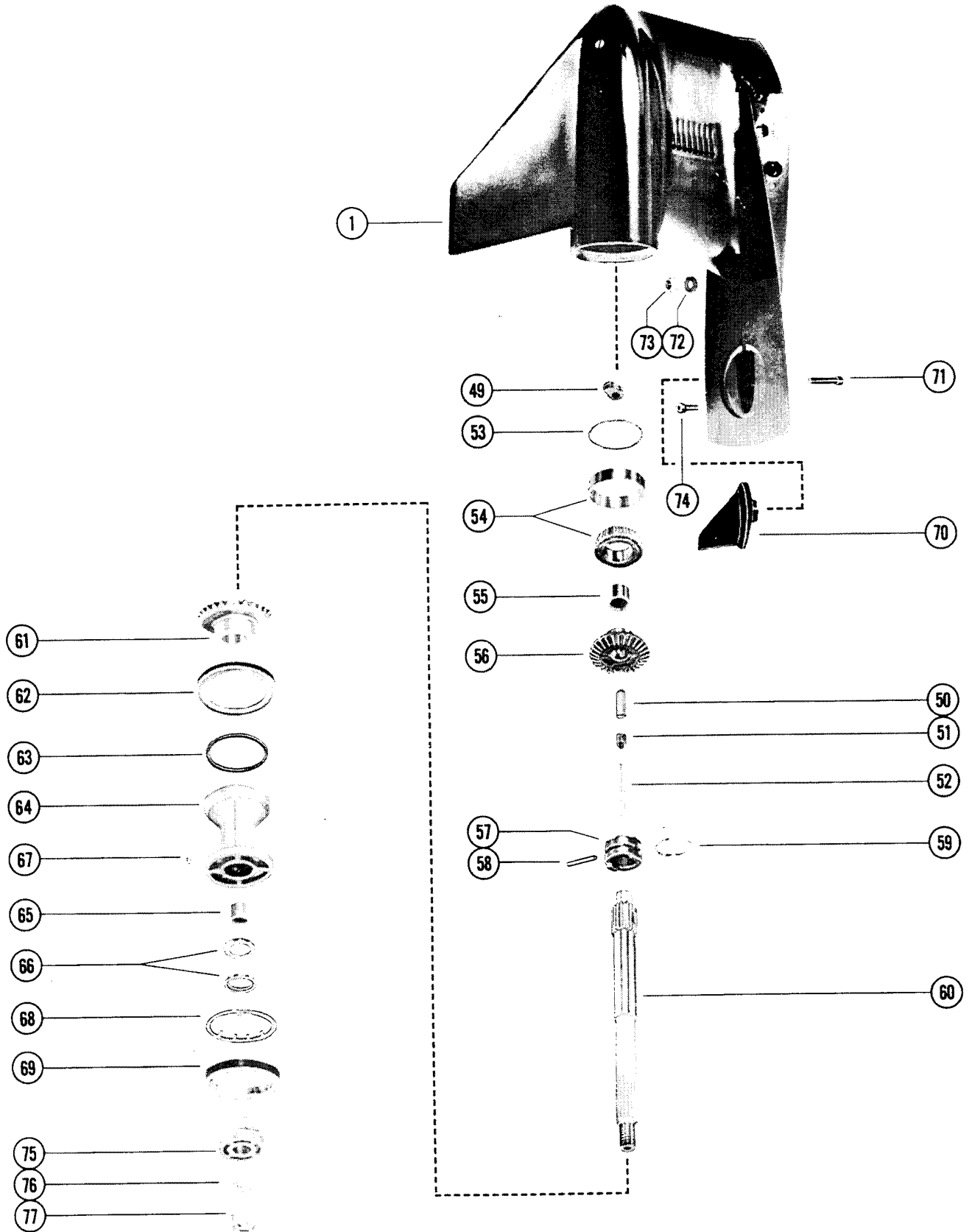
GEAR HOUSING ASSEMBLY, COMPLETE (PAGE 1)

REF. NO.	PART NO.	SYM.	QTY.	DESCRIPTION
37	37641		1	SEAL, EXHAUST ELBOW
38	38051		1	PLATE, SUPPORT - EXHAUST TUBE SEAL
39	77122		1	SHAFT, SHIFT - LOWER (EXTRA LONG SHAFT)
	76062A1		1	SHAFT ASSEMBLY, SHIFT - LOWER (LONG SHAFT)
40	53-29641		1	"E" RING, RETAINING - SHIFT SHAFT
41	25-25439	●	1	"O" RING, SHIFT SHAFT BUSHING
42	23-77631A2		1	BUSHING ASSEMBLY, SHIFT SHAFT
43	26-76384		1	OIL SEAL, SHIFT SHAFT BUSHING
44	12-77674		1	WASHER, RUBBER - SHIFT SHAFT BUSHING
45	39019		1	SPACER, LOWER - REVERSE LOCKING NOT USED WITH FULL POWER TRIM
46	39021		1	CAM, REVERSE LOCKING NOT USED WITH FULL POWER TRIM
47	10-79953		1	SCREW, GREASE FILLER AND VENT HOLE
	22-67892		1	PLUG, DRAIN (MAGNETIC)
48	12-20260		2	WASHER, GREASE FILLER AND VENT HOLE SCREW
-	27-85653A79		0	GASKET SET
-	46-73804A3		0	WATER PUMP REPAIR KIT
-	26-55682A1		0	SEAL REPAIR KIT

THE ENCLOSED GEAR HOUSING INCLUDE ALL PARTS FROM REF. #1 THRU #71 AS LISTED UNDER "GEAR HOUSING ASSEMBLY, COMPLETE (PAGE 1)"

● = CONTENTS OF [27-85653A79] GASKET SET

GEAR HOUSING ASSEMBLY, COMPLETE (PAGE 2)



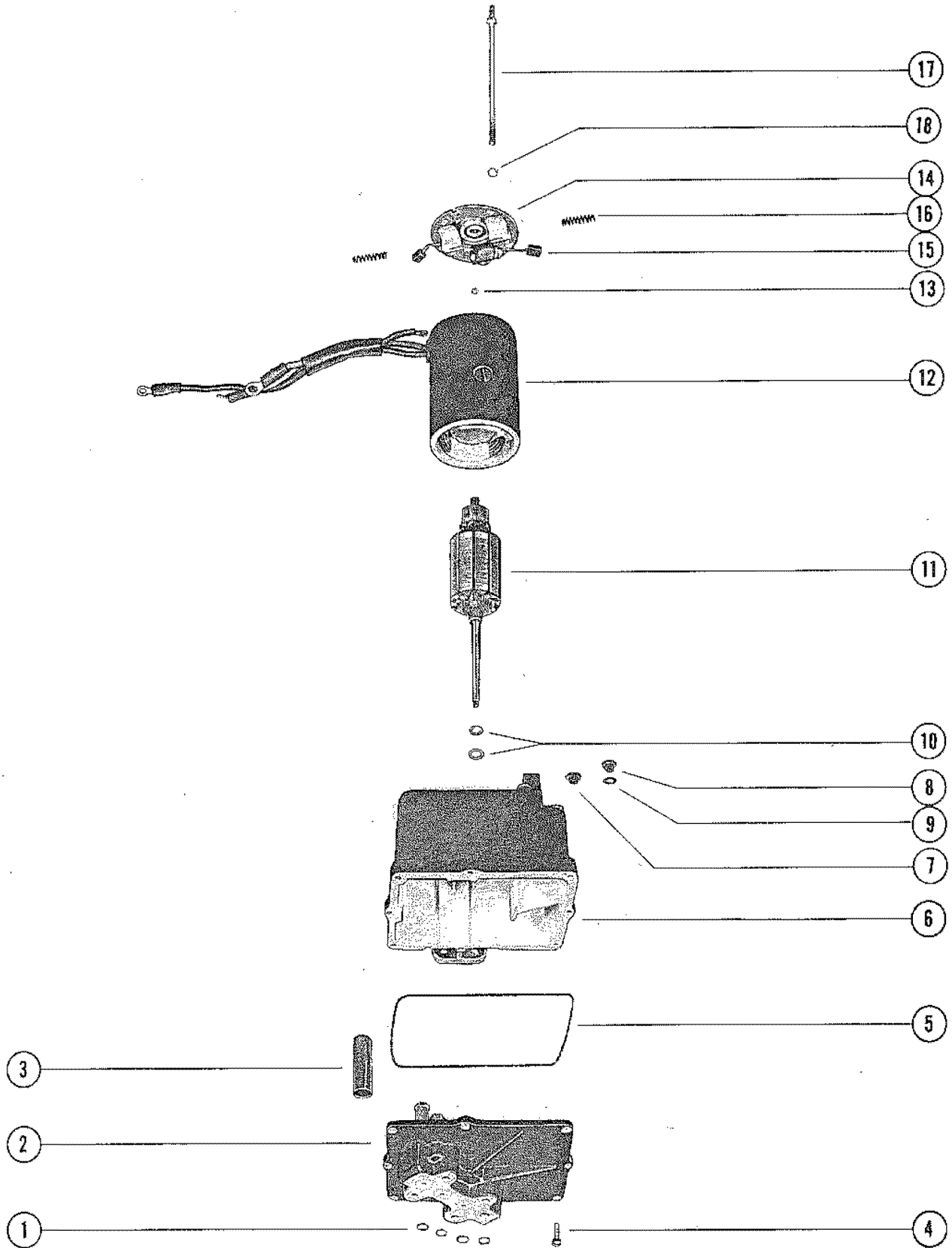
GEAR HOUSING ASSEMBLY, COMPLETE (PAGE 2)

REF. NO.	PART NO.	SYM.	QTY.	DESCRIPTION
-	1655-7333A24		1	GEAR HOUSING ASS'Y, COMP. (LONG SHAFT) - SEE NOTE BELOW
-	1655-7333A26		1	GEAR HOUSING ASS'Y, COMP. (EXTRA LONG SHAFT) - SEE NOTE BELOW
1	1655-7333A23		1	GEAR HOUSING ASS'Y
49	76039		1	CAM, SHIFT
50	30625		1	FOLLOWER, CAM
51	30624		1	SLIDE, CROSS PIN
52	24-30622		1	SPRING, COMPRESSION - CAM FOLLOWER
53	15-30923A1		AR	SHIM BEARING OUTER RACE TO HOUSING (.002-3-5-10)
54	31-30894A1		1	TAPERED ROLLER BEARING ASSEMBLY
55	31-30895		1	BEARING, ROLLER - FORWARD GEAR
56	43-68447		1	FORWARD GEAR
57	52-34239		1	RATCHET, SLIDING GEAR
58	17-30632		1	PIN CROSS - RATCHET TO PROPELLER SHAFT
59	24-30893		1	SPRING, RETAINING - CROSS PIN
60	44-52542		1	SHAFT, PROPELLER
61	43-76250		1	REVERSE GEAR
62	12-76805		1	WASHER THRUST - BEARING CARRIER TO GEAR HOUSING
63	25-29976	●	1	"O" RING, BEARING CARRIER
64	77520A1		1	BEARING CARRIER ASSEMBLY
65	31-30956		1	BEARING, ROLLER - BEARING CARRIER
66	26-76868		2	OIL SEAL, BEARING CARRIER
67	28-30281		1	KEY, LOCATING - BEARING CARRIER
68	14-52700		1	TAB WASHER, GEAR HOUSING COVER
69	52699		1	COVER, GEAR HOUSING
70	31640A1		1	TRIM TAB, GEAR HOUSING
71	10-66024		1	SCREW, TRIM TAB TO GEAR HOUSING (1 3/4")
72	12-45176		2	WASHER GEAR HOUSING TO DRIVE SHAFT HOUSING STUDS
73	11-34933		2	NUT GEAR HOUSING TO DRIVE SHAFT HOUSING STUDS
74	10-65210		1	SCREW, GEAR HOUSING (LONG SHAFT)
	10-77167		1	SCREW, GEAR HOUSING (EXTRA LONG SHAFT)
75	75282		1	THRUST HUB AND WASHER ASSEMBLY
76	14-31210		1	TAB WASHER, PROPELLER NUT
77	11-52707		1	NUT, PROPELLER

THE ENCLOSED GEAR HOUSINGS INCLUDE ALL PARTS FROM REF. #1 THRU #71 AS LISTED UNDER "GEAR HOUSING ASSEMBLY, COMPLETE"

● = CONTENTS OF [27-85653A79] GASKET SET

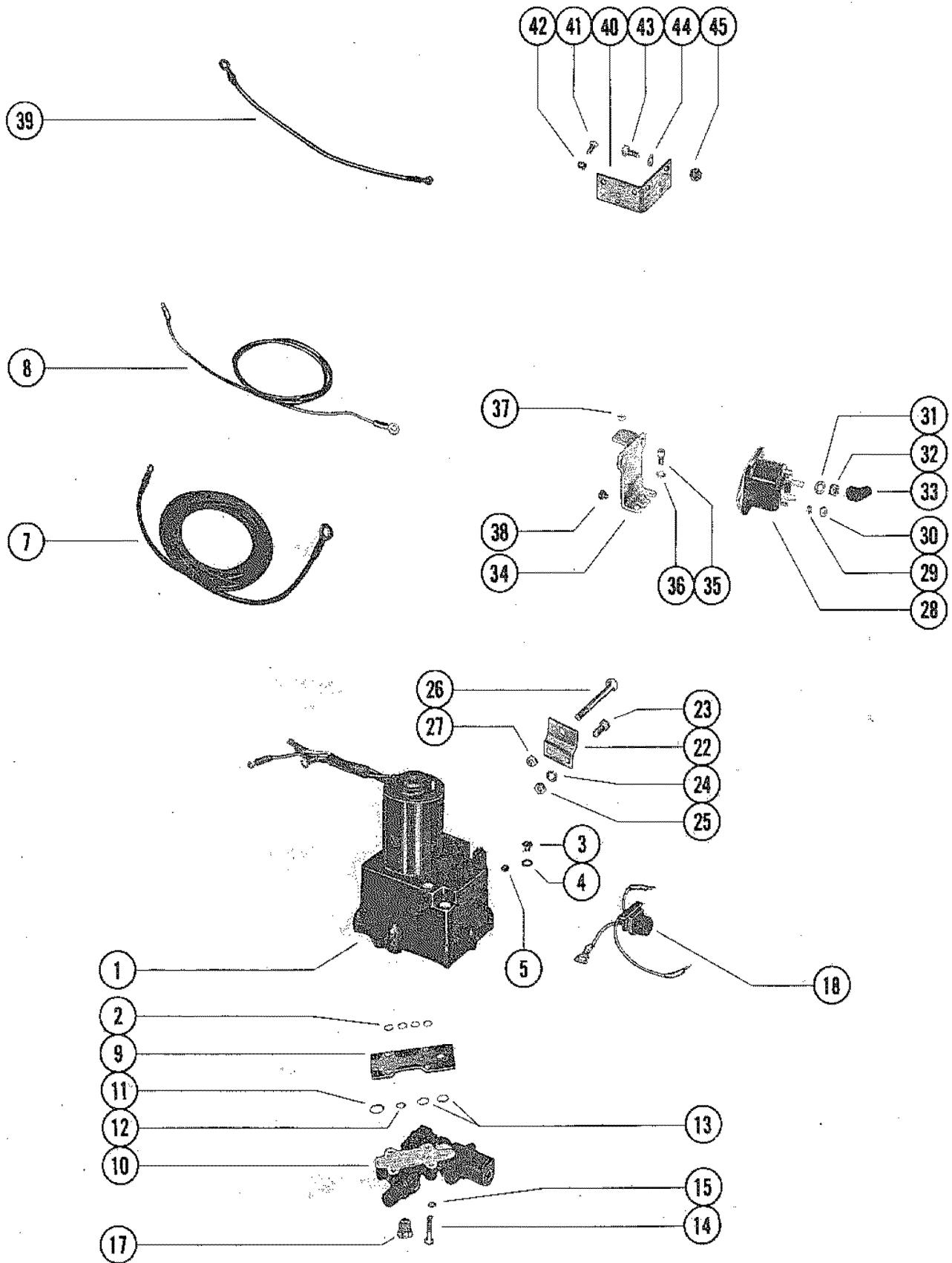
HYDRAULIC PUMP ASSEMBLY



HYDRAULIC PUMP ASSEMBLY

REF. NO.	PART NO.	SYM.	QTY.	DESCRIPTION
-	76395A5		1	HYDRAULIC PUMP ASSEMBLY, COMPLETE
1	25-21720		4	"O" RING, HYDRAULIC PUMP
2	392-2936		1	VALVE BODY AND GEAR ASSEMBLY
3	392-2618		2	CAN, VALVE BODY
4	10-20411		8	SCREW, VALVE BODY TO RESERVOIR
5	392-2937		1	SEAL, RESERVOIR TO VALVE BODY AND GEAR
6	392-2939		1	RESERVOIR ASSEMBLY
7	10-38257		1	SCREW, VENT - HYDAULIC PUMP
8	10-28634		1	SCREW, FILLER - HYDAULIC PUMP
9	12-20260		1	WASHER, SEALING - FILLER SCREW
10	392-2623		AR	WASHER, THRUST - ARMATURE
11	392-2943		1	ARMATURE, FIELD AND FRAME
12	392-2942		1	FIELD AND FRAME ASSEMBLY
13	392-2944		1	BALL, COMMUTATOR END PLATE
14	392-2940		1	PLATE ASSEMBLY, COMMUTATOR END
15	392-2941		1	BRUSH SET, COMMUTATOR END PLATE
16	392-2529		1	SPRING SET, BRUSH TENSION
17	392-2938		1	BOLT SET THRU - PLATE AND FRAME TO RESERVOIR
18	13-26996		2	LOCKWASHER, THRU BOLT

HYDRAULIC PUMP AND CONTROL VALVE

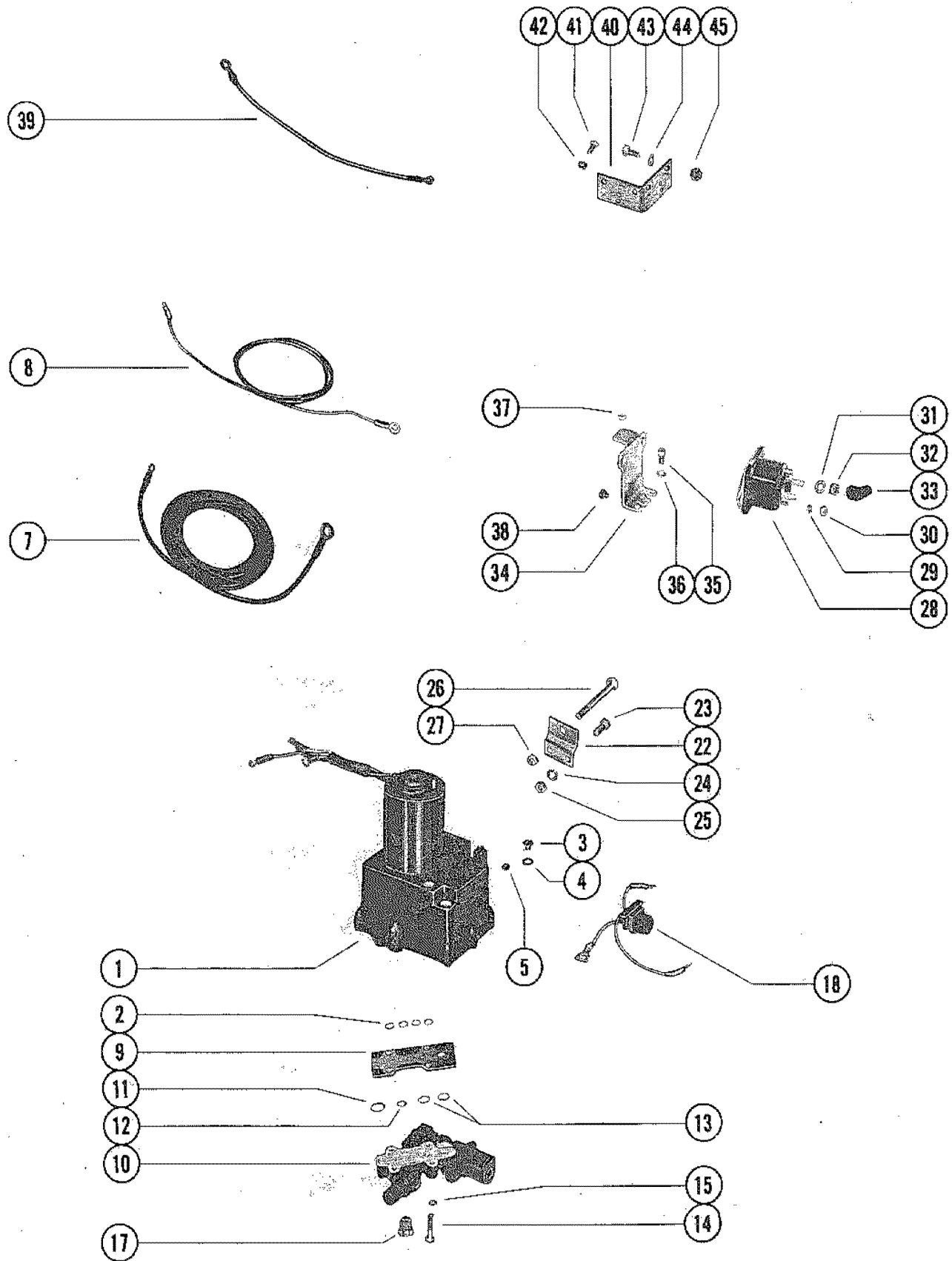


HYDRAULIC PUMP AND CONTROL VALVE

REF. NO.	PART NO.	SYM.	QTY.	DESCRIPTION
1	76395A5		1	HYDRAULIC PUMP ASSEMBLY
2	25-21720		4	"O" RING HYDRAULIC PUMMP TO MANIFOLD PLATE
3	10-28634		1	SCREW, FILLER - HYDRAULIC PUMP
4	12-20260		1	WASHER, SEALING HYDRAULIC PUMP FILLER SCREW
5	10-38257		1	SCREW, VENT - HYDRAULIC PUMP
7	32979		1	BATTERY LEAD (POSITIVE)
8	32988		1	BATTERY LEAD (NEGATIVE)
9	45336		1	PLATE, MANIFOLD
10	45197A2		1	CONTROL VALVE ASSEMBLY
-	25-21720		4	"O" RING PUMP TO MANIFOLD PLATE (SEE REFERENCE #2)
11	25-45254		1	"O" RING CONTROL VALVE TO MANIFOLD PLATE (3/4" O.D.)
12	25-21720		1	"O" RING CONTROL VALVE TO MANIFOLD PLATE (1/2" O.D.)
13	25-45253		2	"O" RING CONTROL VALVE TO MANIFOLD PLATE (5/8" O.D.)
14	10-56500		4	SCREW VALVE AND MANIFOLD PLATE TO PUMP (1 1/4")
15	13-26992		4	LOCKWASHER CONTROL VALVE AND MANIFOLD PLATE SCREW
17	22-46008		2	PLUG, CONTROL VALVE (1/2-20")
18	84-74023		1	CONNECTOR AND HARNESS
22	45377		2	BRACKET, MOUNTING - HYDRAULIC PUMP TO BOAT
23	10-24234		4	SCREW MOUNTING BRACKET TO HYDRAULIC PUMP (1")
24	13-39107		4	LOCKWASHER, MOUNTING BRACKET SCREW
25	11-21908		4	NUT, MOUNTING BRACKET SCREW
26	10-68298		2	BOLT, HYDRAULIC PUMP TO BOAT (3 1/4")
27	11-68411		2	NUT, HYDRAULIC PUMP BOLT
28	89-68258		2	STARTER SOLENOID
29	13-26996		4	LOCKWASHER STARTER SOLENOID TERMINAL (#10)
30	11-68219		4	NUT, STARTER SOLENOID TERMINAL (#10)
31	13-26993		4	LOCKWASHER STARTER SOLENOID TERMINAL (5/16")
32	11-68292		4	NUT, STARTER SOLENOID TERMINAL (5/16")
33	46265		4	BOOT, RUBBER - STARTER SOLENOID TERMINAL
34	74407		1	BRACKET, MOUNTING - STARTER SOLENOID
35	10-21140		2	SCREW MOUNTING BRACKET TO HYDRAULIC PUMP (1/2")
36	13-26992		2	LOCKWASHER, MOUNTING BRACKET SCREW
37	11-24656		1	NUT MOUNTING BRACKET TO HYDRAULIC PUMP THRU BOLT
38	26901		1	BUMPER, RUBBER - SOLENOID BRACKET
39	55991		1	BATTERY LEAD (POSITIVE)
	55992		1	BATTERY LEAD (NEGATIVE)
40	74406		1	BRACKET, MOUNTING - STARTER SOLENOID

CONTINUED ON NEXT PAGE ➡

HYDRAULIC PUMP AND CONTROL VALVE

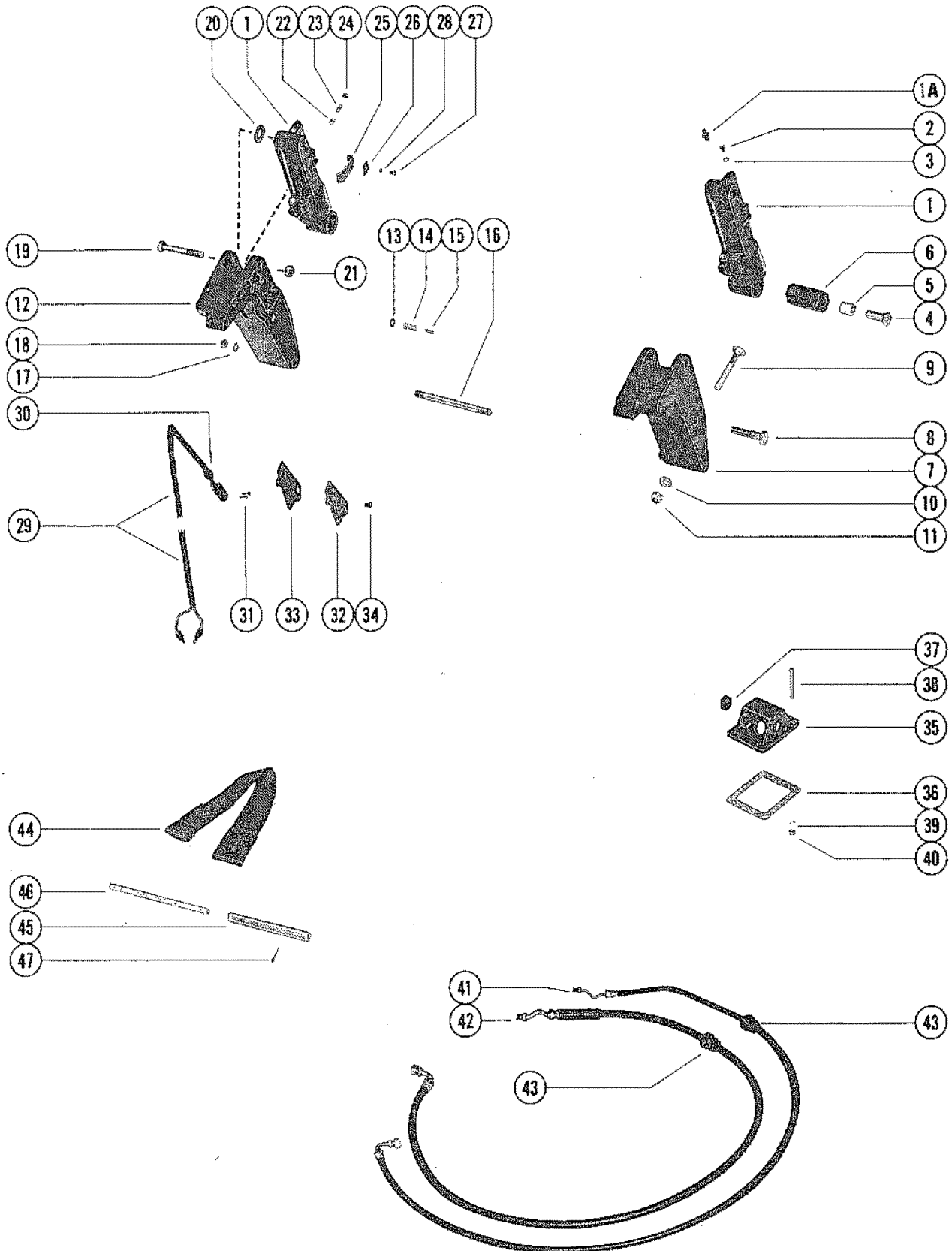


HYDRAULIC PUMP AND CONTROL VALVE

REF. NO.	PART NO.	SYM.	QTY.	DESCRIPTION
41	10-69028		2	SCREW MOUNTING BRACKET TO HYDRALIC PUMP (3/4")
42	13-26992		2	LOCKWASHER, MOUNTING BRACKET SCREW
43	10-34290		2	SCREW STARTER SOLENOID TO MOUNTING BRACKET (5/8")
44	13-26992		2	LOCKWASHER, STARTER SOLENOID SCREW
45	11-21825		4	NUT, STARTER SOLENOID SCREW

SEE "HYDRAULIC PUMP ASSEMBLY" FOR BREAKDOWN

TRIM CYLINDERS AND HYDRAULIC HOSES

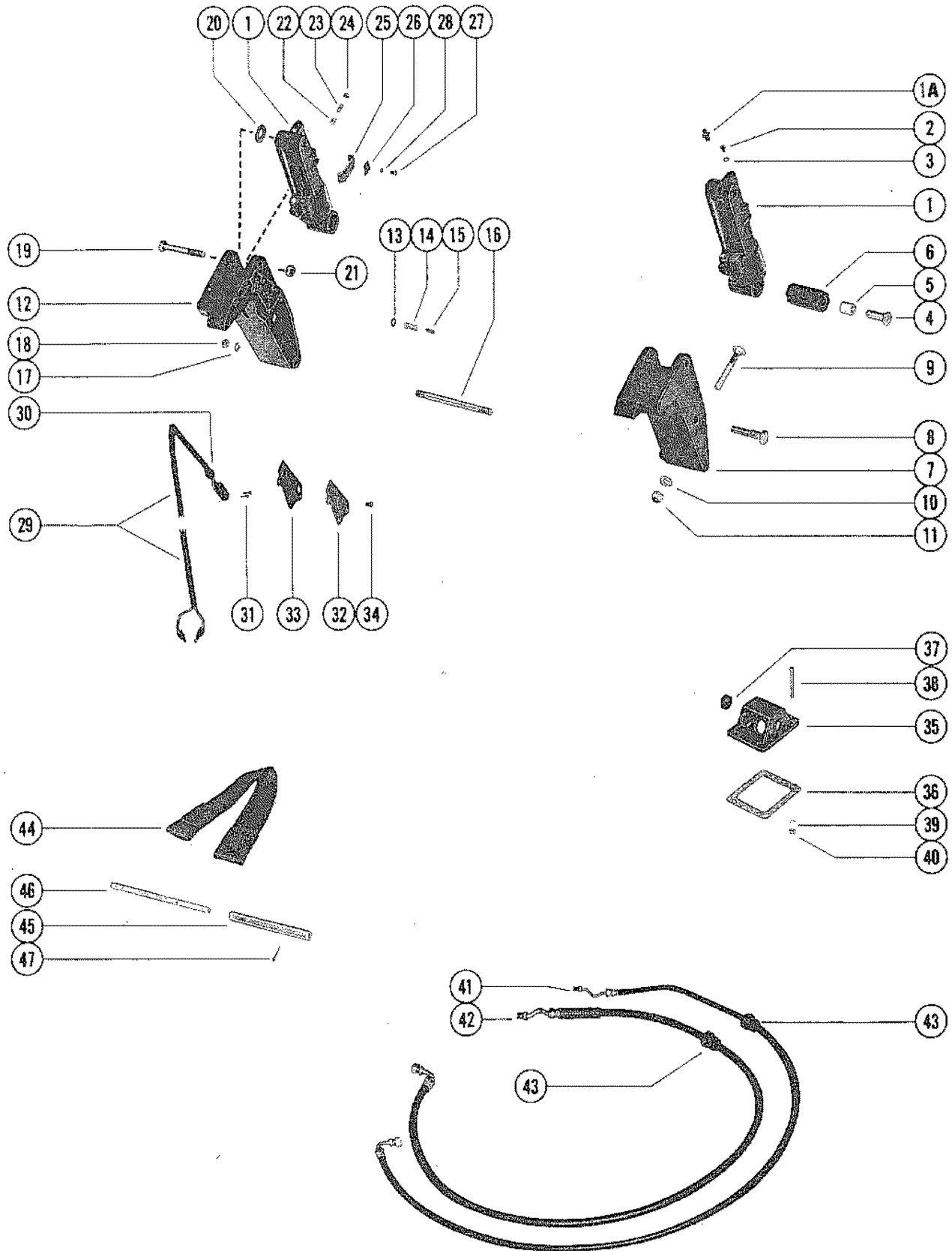


TRIM CYLINDERS AND HYDRAULIC HOSES

REF. NO.	PART NO.	SYM.	QTY.	DESCRIPTION
1	76509A3		2	TRIM CYLINDER ASSEMBLY (SEE D5 FOR REPAIR KIT)
1A	22-74036		2	GREASE FITTING
2	10-45265		4	SCREW, BLEED - SHOCK CYLINDER
3	25-45016		4	"O" RING, SHOCK CYLINDER BLEED SCREW
4	10-45264		2	SCREW SHOCK CYLINDER TO LOWER SHOCK PIN (1 9/16")
5	23-45280		2	SPACER, SHOCK CYLINDER - LOWER
6	23-45281		2	BUSHING, RUBBER - SHOCK CYLINDER
7	66084		1	BRACKET, MOUNTING - SHOCK CYLINDER (PORT)
8	10-45263		2	SCREW MOUNTING BRACKET TO UPPER SHOCK PIN (2 1/4")
9	10-68298		4	BOLT MOUNTING BRACKET TO BOAT TRANSOM (3 1/4")
10	12-68410		4	WASHER, MOUNTING BRACKET BOLT
11	11-68411		4	NUT, MOUNTING BRACKET BOLT
12	45196A2		1	BRACKET ASSEMBLY, MOUNTING - SHOCK CYLINDER (STARBOARD)
13	26-70608		1	OIL SEAL, STARBOARD MOUNTING BRACKET
14	45286		1	PLUNGER, LIMIT SWITCH ACTUATING
15	24-45272		1	SPRING, TENSION - LIMIT SWITCH PLUNGER
16	16-45282		1	STUD, MOUNTING BRACKET AND CLAMP BRACKET
17	13-26993		2	LOCKWASHER MOUNTING BRACKET TO CLAMP BRACKET STUD
18	11-28770		2	NUT MOUNTING BRACKET TO CLAMP BRACKET STUD
19	10-45328		2	SCREW SHOCK CYLINDER TO MOUNTING BRACKET (3 9/16")
20	12-37807		1	WASHER SHOCK CYLINDER SCREW (STARBOARD ONLY)
21	11-20696		2	NUT, SHOCK CYLINDER SCREW
22	24-24390		1	SPRING, TENSION - ADJUSTING STUD
23	16-21085		1	STUD, ADJUSTING - CUT-OUT LIMIT SWITCH (15/16")
24	11-45812		1	NUT, JAM - LIMIT SWITCH ADJUSTING STUD
25	45508		1	CAM, LIMIT SWITCH ADJUSTING STUD
26	86967		1	PLATE, RETAINING - LIMIT SWITCH CAM
27	10-68513		1	SCREW RETAINING PLATE AND CAM TO SHOCK CYLINDER (3/8")
28	13-26996		1	LOCKWASHER, RETAINING PLATE AND CAM SCREW
29	45326A2		1	SWITCH ASSEMBLY, CUT-OUT LIMIT
30	23-45354		1	BUSHING, RUBBER - CUT-OUT LIMIT SWITCH
31	10-47255		2	SCREW CUT-OUT LIMIT SWITCH TO MOUNTING BRACKET (9/16")
32	45287		1	COVER, LIMIT SWITCH
33	27-45275		1	GASKET, LIMIT SWITCH COVER
34	10-24942		5	SCREW LIMIT SWITCH COVER TO MOUNTING BRACKET (7/16")
35	45289		1	COVER, INLET - TRANSOM
36	27-45274		1	GASKET, INLET COVER
37	25-45507		1	GROMMET, RUBBER - INLET COVER
38	10-32866		4	SCREW, INLET COVER TO BOAT (2")

CONTINUED ON NEXT PAGE ➡

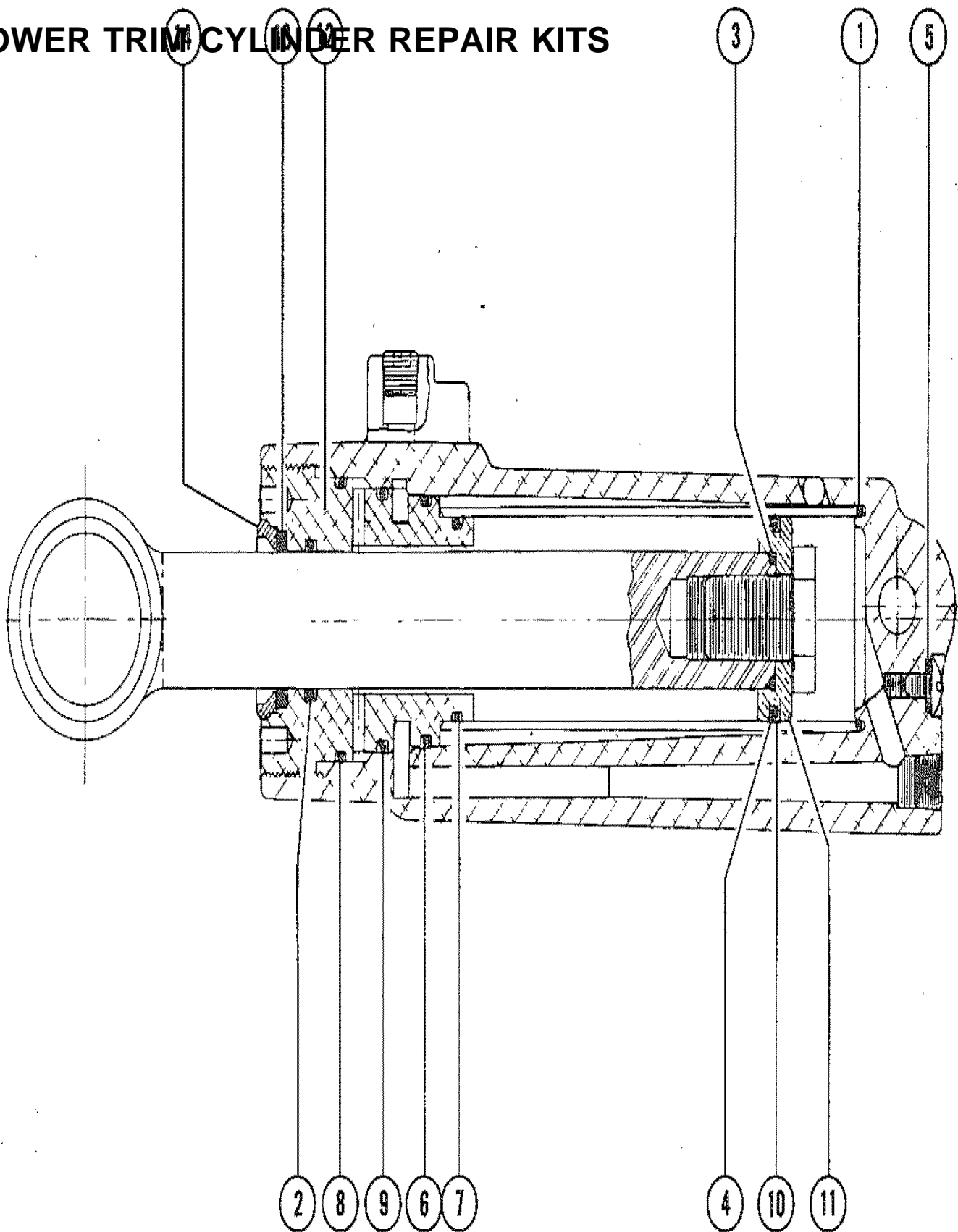
TRIM CYLINDERS AND HYDRAULIC HOSES



TRIM CYLINDERS AND HYDRAULIC HOSES

REF. NO.	PART NO.	SYM.	QTY.	DESCRIPTION
39	12-20878		4	WASHER, INLET COVER SCREW
40	11-29488		4	NUT, INLET COVER SCREW
41	32-45327		2	HOSE TRIM - CYLINDER TO CONTROL VALVE (5') - 13/23" O.D.
42	32-45959		2	HOSE LIFT - CYLINDER TO CONTROL VALVE (5') - 17/32" O.D.
43	23-35977		4	GROMMET, RUBBER - LIFT HOSE AND TRIM HOSE
44	73519A1		1	TILT STOP
45	69259		1	TUBE, MOUNTING - TILT STOP
46	77669		1	PIN, MOUNTING TUBE
47	18-36391		1	COTTER PIN, MOUNTING TUBE PIN

POWER TRIM CYLINDER REPAIR KITS



POWER TRIM CYLINDER REPAIR KITS

REF. NO.	PART NO.	SYM.	QTY.	DESCRIPTION
-	64507A1		1	REPAIR KIT
1	N.S.S.	■	1	"O" RING (1 1/2" X 1 5/8" X 1/16")
2	N.S.S.	■	1	"O" RING (3/4" X 15/16" X 1/8")
3	N.S.S.	■	1	"O" RING (5/8" X 3/4" X 1/16")
4	N.S.S.	■	1	"O" RING (1 1/4" X 1 7/16" X 1/16")
5	N.S.S.	■	2	"O" RING (7/32" X 11/32" X 1/16")
6	N.S.S.	■	1	"O" RING (1 5/8" X 1 13/16" X 1/8")
7	N.S.S.	■	1	"O" RING (1 5/16" X 1 1/2" X 1/8")
8	N.S.S.	■	1	"O" RING (1 7/8" X 2" X 1/8")
9	N.S.S.	■	1	"O" RING (1 3/4" X 1 15/16" X 1/8")
10	N.S.S.	■	1	SEAL, SLIPPER - PISTON
11	N.S.S.	■	1	PISTON, ROD - HEAVY DUTY
12	64505A1		1	RETAINER ASSEMBLY, PISTON
13	N.S.S.	■	1	ROD, SCRAPER
14	N.S.S.	■	1	RETAINER, SCRAPER

DO NOT SUBSTITUTE "O" RINGS AS THESE ARE OF SPECIAL MANUFACTURED MATERIAL.

■ = NOT SOLD SEPARATELY.

PROPELLERS (RIGHT HAND ROTATION)

REF. NO.	PART NO.	SYM.	QTY.	DESCRIPTION
-	48-77338A4		0	PROPELLER ASSEMBLY (ALUMINUM)(PITCH 11") 3 BLADES
-	48-77340A4		0	PROPELLER ASSEMBLY (ALUMINUM)(PITCH 13") 3 BLADES
-	48-77342A4		0	PROPELLER ASSEMBLY (ALUMINUM)(PITCH 15") 3 BLADES
-	48-77344A4		0	PROPELLER ASSEMBLY (ALUMINUM)(PITCH 17") 3 BLADES
-	48-77346A4		0	PROPELLER ASSEMBLY (ALUMINUM)(PITCH 19") 3 BLADES
-	48-77348A4		0	PROPELLER ASSEMBLY (ALUMINUM)(PITCH 21") 3 BLADES
-	48-77350A4		0	PROPELLER ASSEMBLY (ALUMINUM)(PITCH 23") 3 BLADES

PARTS INDEX

Part Number	Description	Pg.	Ref. No.	Part Number	Description	Pg.	Ref. No.
22833	ADAPTOR, CHECK UNIT (FUEL LINE)	21	28	39019	SPACER, LOWER - REVERSE LOCKING	45	45
23004	RETAINER, CHECK VALVE .	21	11	39021	CAM, REVERSE LOCKING .	45	46
23069	STEM, CHECK UNIT ADAPTOR	21	29	39519	CAP, BARREL RETAINER - ANCHOR BRACKET	29	25
25067	BUMPER, RUBBER - LOWER MOUNTING SCREW	39	28	39616	BOOT, CONTROL CABLES - BOTTOM COWL	29	6
26113	RACE, OUTER (PAIR)	27	10	39618	LEVER, NYLON - SHIFT CABLE LOCKING	29	26
26901	BUMPER, RUBBER - SOLENOID BRACKET . . .	51	38	39667	COVER, NYLON - SHIFT CABLE	29	28
28203	BUMPER, STEERING ARM .	33	17	45196A2	BRACKET ASSEMBLY, MOUNTING - SHOCK CYLINDER (STARBOARD)	55	12
28205	STRAP STOP	33	11	45197A2	CONTROL VALVE ASSEMBLY	51	10
28659	SPRING, COIL - SWIVEL BRACKET	35	17	45286	PLUNGER, LIMIT SWITCH ACTUATING	55	14
30021	BLANKET, SOUND ABSORBING	5	14	45287	COVER, LIMIT SWITCH	55	32
30188	CUP WASHER, ADAPTOR . .	21	32	45289	COVER, INLET - TRANSOM	55	35
30413	HOOK, COWL LATCH FASTENING	5	13	45326A2	SWITCH ASSEMBLY, CUT- OUT LIMIT	55	29
30624	SLIDE, CROSS PIN	47	51	45336	PLATE, MANIFOLD	51	9
30625	FOLLOWER, CAM	47	50	45377	BRACKET, MOUNTING - HYDRAULIC PUMP TO BOAT	51	22
31014	MOUNT, RUBBER - REAR SUPPORT BRACKET	3	21	45508	CAM, LIMIT SWITCH ADJUSTING STUD	55	25
31089	STRIP, SOUND ABSORBING	5	7	46096	MOUNT, RUBBER - TOP COWL FRAME	3	18
31640A1	TRIM TAB, GEAR HOUSING	47	70	46265	BOOT, RUBBER - STARTER SOLENOID TERMINAL . . .	51	33
32435	PLATE, FACE	43	21	46785A1	COWL LATCH ASSEMBLY . .	5	12
32979	BATTERY LEAD (POSITIVE)	51	7	46933A2	GROUND STARP ASSEMBLY, TRIM COVER SCREW	39	6B
32988	BATTERY LEAD (NEGATIVE)	51	8	46933A3	GROUND STRAP ASSEMBLY	25	33
35474	COVER, LOWER MOUNT CLAMP	41	37	47341A1	ROPE, STARTER (FOR MANUAL STARTING ONLY)	3	9
35496	PAD, BUMPER - TOP COWL RETAINER	3	3	47558	ROD, PUSH - REVERSE LOCK	39	15
35608	CLAMP, LOWER MOUNT TO DRIVE SHAFT HOUSING .	39	34	47559	YOKE, PUSH ROD	39	17
35769	SEAL, SOUND ABSORBING - UPPER	5	9	48039	CAP, NYLON - ADJUSTING SCREW	9	33
37417	COVER, TRIM - DRIVE SHAFT HOUSING	39	5	48047A1	LINK ROD ASSEMBLY	29	20
37440	BRACKET, MOUNT SUPPORT - CYLINDER BLOCK	25	28	48152	SHUTTER, CHOKE - CARBURETOR	15	25
37445	SUPPORT, WIRING HARNES - BOTTOM COWL	29	10	48203	ROD, CHOKE	15	22
37587	SWIVEL, THROTTLE LEVER TO THROTTLE CABLE . . .	9	6	48752	INSERT, WATER PUMP BODY	43	24
37637	BOOT, FUEL CONNECTOR - BOTTOM COWL	29	9	49589	STRAP, CHOKE KNOB TO CHOKE ROD	15	19
37640	MOUNT, RUBBER FRONT SUPPORT BRACKET	3	34	52023	CAP, NYLON - ADJUSTING SCREW	9	10
37641	SEAL, EXHAUST ELBOW . .	45	37	52023	CAP, NYLON - ADJUSTING SCREW	9	30
37896	GUIDE BLOCK, LINK ROD . .	29	32	52100	WEAR PLATE, LINK ROD . .	29	33
37918	SEAL, EXHAUST EXTENSION PLATE	31	3	52699	COVER, GEAR HOUSING . .	47	69
37940	PAD, SOUND - DRIP TRAY .	29	3				
38032	STRIP	31	4				
38051	PLATE, SUPPORT - EXHAUST TUBE SEAL . . .	45	38				
38279	LATCH	29	34				
38674	BAG, STARTER ROPE	5	8				

PARTS INDEX

Part Number	Description	Pg.	Ref. No.	Part Number	Description	Pg.	Ref. No.
52733A9	RETAINER ASSEMBLY, TOP COWLS	3	2	69259	TUBE, MOUNTING - TILT STOP	57	45
52737	LEVER, COWL LATCH HINGE	3	11	70692	REVERSE LOCK ASSEMBLY	35	27
52739	HINGE, COWL LATCH - TOP COWL	3	10	71808	COVER, WATER JACKET - CYLINDER BLOCK	25	13
52862A2	DRIP TRAY ASSEMBLY, BOTTOM COWL	29	2	73218	COVER, IGNITION COIL	11	30
52887	GUIDE, PUSH ROD - REVERSE LOCKING	39	14	73519A1	TILT STOP	57	44
52889	NOZZLE, TELL TALE HOSE TO BOTTOM COWL	29	14	73755A1	KNOB, CHOKE ROD	15	17
53078	CAP, PLASTIC - TILT TUBE	35	7	73984	YOKE, BOTTOM	33	15
53334	SEAL, SOUND ABSORBING - TOP	5	10	74257A3	PLATE ASSEMBLY, DRIVE SHAFT HOUSING	31	15
53665	INSERT, THROTTLE COUPLING	15	12	74406	BRACKET, MOUNTING - STARTER SOLENOID	51	40
53720A2	THROTTLE PICK-UP BRACKET ASSEMBLY	15	10	74407	BRACKET, MOUNTING - STARTER SOLENOID	51	34
54196A6	CARRIER ASSEMBLY, "O" RING	27	5	74528	TUBE, TILT - CLAMP BRACKET TO SWIVEL BRACKET	35	4
54283A1	PLUNGER AND LINK ASSEMBLY, CHOKE SOLENOID	15	6	74897	BARREL, SPARK LINK TO TRIGGER	9	40
54293A4	CHOKE SOLENOID	15	1	75043	CAP, THUMB SCREW	35	3
55455	HOOK, TOP COWL LATCH - REAR	3	13	75282	THRUST HUB AND WASHER ASSEMBLY	47	75
55991	BATTERY LEAD (POSITIVE)	51	39	75296	MOUNT, RUBBER - UPPER	39	20
55992	BATTERY LEAD (NEGATIVE)	51	39	75299	MOUNT, RUBBER - LOWER	39	24
56349	SHAFT, REVERSE LOCK PIVOT	35	29	75778	PLATE, BAFFLE - EXHAUST MANIFOLD	25	18
56703	COLLAR, STARTER MOTOR	7	12	76039	CAM, SHIFT	47	49
56849	KNOB, COWL FRONT COVER FASTENING	5	2	76062A1	SHAFT ASSEMBLY, SHIFT - LOWER (LONG SHAFT)	45	39
57247	STOP, RUBBER - STARTER MOTOR	7	14	76369	SPACER, BOTTOM COWL (COWL FRONT COVER)	29	7
59071	COVER, FULE INLET	21	15	76370	SHIELD, TOP COWL - REAR	3	6
60304A54	SHIFT SHAFT ASSEMBLY, UPPER	29	17	76385	TILT LOCK ASSEMBLY (PORT)	35	22
60437	MEGAPHONE, EXHAUST	31	19	76386	TILT LOCK ASSEMBLY (STARBOARD)	35	21
62351A1	RECTIFIER ASSEMBLY	11	7	76387	TUBE, TILT LOCK	35	23
63007	MOUNT, RUBBER - TOP COWL FRAME	3	18	76395A5	HYDRAULIC PUMP ASSEMBLY	51	1
63473	TUBE	35	20	76395A5	HYDRAULIC PUMP ASSEMBLY, COMPLETE	49	-
64505A1	RETAINER ASSEMBLY, PISTON	59	12	76509A3	TRIM CYLINDER ASSEMBLY (SEE D5 FOR REPAIR KIT)	55	1
64507A1	REPAIR KIT	59	-	76867	COVER, STARTER MOTOR BRACKET - BOTTOM	23	13
65638	BOOT, TUBE MOUNT	39	8A	77013A1	SWIVEL ASSEMBLY, SPARK LINK	9	34
65799	LINK, LOCKING LEVER TO COVER	29	29	77013A1	SWIVEL ASSEMBLY, THROTTLE LEVER	9	11
65800	"O" RING, CARRIER	27	6	77103A3	BRACKET ASSEMBLY, TOP COWL - FRONT	3	29
66084	BRACKET, MOUNTING - SHOCK CYLINDER (PORT)	55	7	77120	SPACER	41	--
66096A1	PLATE ASSEMBLY, EXHAUST EXTENSION	31	1	77122	SHAFT, SHIFT - LOWER (EXTRA LONG SHAFT)	45	39
66517	RESTRICTION, CRANKCASE BLEED	23	3	77520A1	BEARING CARRIER ASSEMBLY	47	64
66530A6	FUEL PUMP ASSEMBLY	21	1	77669	PIN, MOUNTING TUBE	57	46
66599A3	DIAPHRAGM ASSEMBLY	21	3	78184	TUBE, EXHAUST	39	8
68162A8	TRIGGER PLATE ASSEMBLY	7	9				

PARTS INDEX

Part Number	Description	Pg.	Ref. No.	Part Number	Description	Pg.	Ref. No.
79897	FRAME, TOP COWL			10-22968	SCREW, CENTER MAIN		
	SUPPORT	3	16		BEARING CLAMPING	27	13
79900	LEVER, THROTTLE	9	1	10-23012	SCREW	15	29
79903	HOUSING, THROTTLE -			10-24234	SCREW	29	30
	LOWER	9	22	10-24234	SCREW	51	23
85082	HOUSING, THROTTLE -			10-24234	SCREW, BRACKET TO		
	UPPER	9	19		CYLINDER BLOCK (1") ..	25	29
85300	LINK ROD, THROTTLE	9	16	10-24942	SCREW	55	34
85301	SPARK LINK	9	39	10-25158	SCREW, ADJUSTING -		
85441	THROTTLE CAM	9	18		LOWER HOUSING (1 1/2")	9	31
85943A1	LEVER, THROTTLE (UPPER			10-25299	SCREW, CHOKE SOLENOID		
	CARBURETOR)	15	7		(3/4")	15	4
86295	BASE FUEL PUMP	21	13	10-25764	SCREW, MERCURY SWITCH		
86316	COVER, EXHAUST				TO PLATE (5/8")	11	5
	MANIFOLD	25	20	10-25764	SCREW, RECITFIER TO		
86472	BRACKET, TOP COWL				IGNITION PLATE (5/8") ..	11	8
	SUPPORT - REAR	3	20	10-26251	SCREW, SWITCH BOX TO		
86473	COVER, STARTER MOTOR				IGNITION COIL (7/8")	11	26
	BRACKET - TOP	23	9	10-28200	SCREW	33	12
86967	PLATE, RETAINING - LIMIT			10-28239	SCREW, THROTTLE		
	SWITCH CAM	55	26		HOUSING	9	25
87872	COVER, TRANSFER PORT ..	25	30	10-28634	SCREW, FILLER - HYDAULIC		
87937	SHAFT, THROTTLE AND				PUMP	49	8
	SPARK ADVANCE	9	24	10-28634	SCREW, FILLER -		
87990	CHAMBER, PULSE - FUEL				HYDRAULIC PUMP	51	3
	PUMP	21	14	10-28636	SCREW, PLATE TO		
87991	POINTER, TIMING	3	37		CYLINDER BLOCK (3/4") ..	11	2
N.S.S.	"O" RING (1 1/2" X 1 5/8" X			10-28636	SCREW, TIMING POINTER		
	1/16")	59	1		ATTACHING (3/4")	3	38
N.S.S.	"O" RING (1 1/4" X 1 7/16" X			10-28636	SCREW, TRANSFER PORT		
	1/16")	59	4		COVER MOUNTING (3/4")	25	32
N.S.S.	"O" RING (1 3/4" X 1 15/16" X			10-28667	SCREW, PLATE TO		
	1/8")	59	9		CYLINDER BLOCK (1") ..	11	2
N.S.S.	"O" RING (1 5/16" X 1 1/2" X			10-29256	SCREW	39	36
	1/8")	59	7	10-29722	SCREW, COVER TO LOWER		
N.S.S.	"O" RING (1 5/8" X 1 13/16" X				CLAMP MOUNT	41	39
	1/8")	59	6	10-30720	SCREW	43	29
N.S.S.	"O" RING (1 7/8" X 2" X 1/8")			10-32293	SCREW, CRANKCASE TO		
N.S.S.	"O" RING (3/4" X 15/16" X				CYLINDER BLOCK (1 3/4")	23	17
	1/8")	59	2	10-32417	SCREW, FLYWHEEL PLATE	7	5
N.S.S.	"O" RING (5/8" X 3/4" X 1/16")			10-32866	SCREW, INLET COVER TO		
N.S.S.	"O" RING (7/32" X 11/32" X				BOAT (2")	55	38
	1/16")	59	5	10-34290	SCREW	53	43
N.S.S.	PISTON, ROD - HEAVY			10-37370	SCREW, FUEL FILTER		
	DUTY	59	11		COVER ATTACHING (5/8")	21	16
N.S.S.	RETAINER, SCRAPER	59	14	10-37370	SCREW, SHIELD TO TOP		
N.S.S.	ROD, SCRAPER	59	13		COWL (5/8")	3	7
N.S.S.	SEAL, SLIPPER - PISTON ..	59	10	10-37558	SCREW, RETAINER TO TOP		
10-20037	SCREW, RETAINER				COWL (1 1/4")	3	4
	ATTACHING	21	12	10-37559	SCREW, THROTTLE LEVER		
10-20359	SCREW, CENTER MAIN				TO EXHAUST COVER ...	9	2
	BEARING LOCKING	23	20	10-37562	SCREW, REAR BRACKET TO		
10-20411	SCREW, VALVE BODY TO				BOTTOM COWL (1")	3	27
	RESERVOIR	49	4	10-37562	SCREW, REAR BRACKET TO		
10-20847	SCREW, THROTTLE STOP				FRAME (1")	3	24
	LEVER	17	18	10-37571	SCREW	31	5
10-21140	SCREW	51	35	10-38257	SCREW, VENT - HYDAULIC		
10-21937	SCREW, LOWER SHOCK PIN				PUMP	49	7
10-22523	SCREW	15	29	10-38257	SCREW, VENT - HYDRAULIC		
					PUMP	51	5

PARTS INDEX

Part Number	Description	Pg.	Ref. No.	Part Number	Description	Pg.	Ref. No.
10-38601	SCREW, STARTER TO SOLENOID TO PLATE (1/2")	11	11	10-68299	BOLT, CLAMP BRACKET TO BOAT TRANSOM	35	13
10-45263	SCREW	55	8	10-68513	SCREW	55	27
10-45264	SCREW	55	4	10-68997	SCREW, FLYWHEEL HUB	7	6
10-45265	SCREW, BLEED - SHOCK CYLINDER	55	2	10-69020	SCREW	11	19
10-45328	SCREW	55	19	10-69028	SCREW	53	41
10-45775	SCREW, MAIN BEARING CLAMPING	27	17	10-69029	SCREW, ADAPTOR TO BOTTOM COWL (1 3/4")	21	33
10-47255	SCREW	55	31	10-69029	SCREW, SUPPORT TO BOTTOM COWL (1 3/4")	29	11
10-47828	SCREW, DRIVE - SWIVEL BRACKET	33	6	10-69034	SCREW, END CAP MOUNTING (1")	25	12
10-48408	SCREW	29	15	10-69035	SCREW, CABLE TO STARTER MOTOR	7	16
10-48408	SCREW, DRIP TRAY TO BOTTOM COWL (1/2")	29	4	10-69046	SCREW, IGNITION COIL COVER (2")	11	31
10-48591	SCREW, SPACER TO BOTTOM COWL (1/2")	29	8	10-69052	SCREW, GROUND WIRE TO BOTTOM COWL	11	23
10-48591	SCREW, STRAP TO CHOKE ROD (1/2")	15	23	10-69092	SCREW	3	30
10-49318	SCREW, LOWER MOUNT (5 1/2")	39	25	10-69092	SCREW	3	32
10-49554	BOLT, STEERING ARM TO UPPER MOUNT (5 7/8")	33	18	10-69100	SCREW, COVER MOUNTING (1")	25	25
10-52195	SCREW, FLOAT BOWL COVER	17	13	10-69268	SCREW, BOTTOM COVER ATTACHING (1 7/8")	23	14
10-53016	SCREW, CRANKCASE TO CYLINDER BLOCK (1 1/4")	23	17	10-69375	SCREW, UPPER AND LOWER SHOCK MOUNTING PIN	37	41
10-53167	SCREW	25	15	10-73013	SCREW, FUEL PUMP ATTACHING (1 1/2")	21	17
10-53576	SCREW, MANIFOLD COVER MOUNTING	25	21	10-73169	SCREW, END CAP MOUNTING (1")	25	6
10-54803	SCREW, CONNECTING ROD	27	28	10-73657	SCREW, CRANKCASE TO CYLINDER BLOCK (1 1/2")	23	17
10-56500	SCREW	51	14	10-75168	SCREW, ADJUSTING - LOWER HOUSING (2 1/4")	9	28
10-57807	SCREW, TRIM COVER TO BOTTOM COWL	39	6	10-75168	SCREW, ADJUSTING - THROTTLE LEVER	9	8
10-57841	SCREW, CRANKCASE TO CYLINDER BLOCK (2 3/4")	23	17	10-75840	SCREW, STATOR ATTACHING (7/8")	7	8
10-60293	SCREW, THROTTLE LEVER	15	8	10-76196	SCREW, STRAP TO CHOKE KNOB (5/8")	15	20
10-60480	SCREW	31	20	10-77065	SCREW, TOP COVER ATTACHING (2")	23	10
10-62204	SCREW, REED STOP MOUNTING	27	21	10-77167	SCREW, GEAR HOUSING (EXTRA LONG SHAFT)	47	74
10-62568	SCREW, GROUND STRAP ATTACHING	39	6C	10-78492A1	THUMB SCREW ASSEMBLY	35	2
10-62568	SCREW, GROUND STRAP ATTACHING (3/8")	25	34	10-78495	SCREW, WASHER ATTACHING	35	2A
10-65210	SCREW, GEAR HOUSING (LONG SHAFT)	47	74	10-79953	SCREW, GREASE FILLER AND VENT HOLE	45	47
10-66023	SCREW, ADAPTOR PLATE TO HOUSING PLATE (2")	31	8	10-86885	SCREW, PLATE TO CYLINDER BLOCK (1 1/2")	11	2
10-66023	SCREW, HOUSING PLATE TO DRIVE SHAFT HSG. (2")	31	10	11-20110	NUT	15	31
10-66024	SCREW, TRIM TAB TO GEAR HOUSING (1 3/4")	47	71	11-20110	NUT, CHOKE SHUTTER TO CARBURETOR STUD	15	27
10-66104	SCREW, THROTTLE BRACKET MOUNTING	15	11	11-20509	NUT, THROTTLE CABLE TO SWIVEL	9	7
10-68298	BOLT	55	9	11-20509	NUT, THROTTLE LEVER SCREW	9	5
10-68298	BOLT, CLAMP BRACKET TO BOAT TRANSOM	35	13	11-20664	NUT, LINK ROD	29	22

PARTS INDEX

Part Number	Description	Pg.	Ref. No.	Part Number	Description	Pg.	Ref. No.
11-20696	NUT, SHOCK CYLINDER			11-46887	NUT, LOWER SHOCK PIN		
	SCREW	55	21		SCREW	37	33
11-21825	NUT, STARTER SOLENOID			11-47661	NUT, JAM - PUSH ROD	39	16
	SCREW	53	45	11-49091	NUT, CONNECTING ROD		
11-21908	NUT, MOUNTING BRACKET				SCREW	27	29
	SCREW	51	25	11-52707	NUT, PROPELLER	47	77
11-24656	NUT	51	37	11-52901	NUT, FLYWHEEL		
11-25096	NUT, LOWER MOUNT				ATTACHING	7	2
	SCREW	39	27	11-53153	NUT, REED STOP SCREW	27	22
11-25269	NUT, STRAP STOP			11-56041	NUT, TILT TUBE FASTENING	35	6
	FASTENING SCREW	33	13	11-64015	NUT, STARTER MOTOR		
11-28770	NUT	3	36		TERMINAL	7	19
11-28770	NUT	55	18	11-64809	NUT, CARBURETOR		
11-28770	NUT, CLAMP BRACKET				MOUNTING STUD	19	35
	STUD	35	11	11-68219	NUT, ADJUSTING SCREW	9	32
11-29250	NUT	23	19	11-68219	NUT, SOLENOID TERMINAL	15	3
11-29488	NUT, INLET COVER SCREW	57	40	11-68219	NUT, SOLENOID TERMINALS		
11-29489	NUT, GEAR HOUSING AND				(10-32)	11	14
	DRIVE SHAFT STUDS	39	32	11-68219	NUT, STARTER SOLENOID		
11-29598	NUT	3	23		TERMINAL (#10)	51	30
11-29598	NUT, ADJUSTING SCREW	9	29	11-68292	NUT, SOLENOID TERMINALS		
11-29598	NUT, ADJUSTING SCREW	9	9		(5/16 - 18)	11	16
11-34932	NUT, POWERHEAD STUD	31	23	11-68292	NUT, STARTER SOLENOID		
11-34933	NUT	39	30		TERMINAL (5/16")	51	32
11-34933	NUT	47	73	11-68411	NUT, CLAMP BRACKET		
11-34933	NUT, STEERING ARM BOLT				BOLT	35	15
	FASTENING	33	19	11-68411	NUT, HYDRAULIC PUMP		
11-34933	NUT, UPPER MOUNT BOLT	39	23		BOLT	51	27
11-35521	NUT, LOWER MOUNT			11-68411	NUT, MOUNTING BRACKET		
	CLAMP COVER	41	38		BOLT	55	11
11-35814	NUT, WATER PUMP BODY			11-69254	NUT, POWERHEAD STUDS		
	FASTENING STUD	43	34		(3/8-24)	39	11
11-35888	NUT, RUBBER MOUNT TO			11-72008	NUT, THROTTLE HOUSING		
	TOP COWL FRAME	3	19		SCREW	9	27
11-35888	NUT, WATER PUMP			12-20260	WASHER, GREASE FILLER		
	FASTENING SCREW	43	32		AND VENT HOLE SCREW	45	48
11-35921	NUT, PINION GEAR TO			12-20260	WASHER, SEALING	51	4
	DRIVE SHAFT	43	10	12-20260	WASHER, SEALING - FILLER		
11-36069	NUT, ADAPTOR SCREW	21	34		SCREW	49	9
11-36069	NUT, SUPPORT SCREW	29	11A	12-20878	WASHER, INLET COVER		
11-45076	NUT, IGNITION COIL				SCREW	57	39
	TERMINAL	11	32	12-22753	WASHER	23	18
11-45076	NUT, RECTIFIER			12-25970	WASHER, POWERHEAD		
	TERMINALS	11	9		STUD	31	22
11-45076	NUT, SWITCH BOX			12-25970	WASHER, POWERHEAD		
	TERMINAL	11	28		STUDS	39	12
11-45076	NUT, WIRE TO MERCURY			12-28196	WASHER, UPPER BUSHING		
	SWITCH	11	6		RETAINER (INNER)	37	38
11-45774	NUT, MAIN BEARING			12-29245	WASHER	43	31
	CLAMPING SCREW	27	18	12-29245	WASHER, MEGAPHONE		
11-45774	NUT, SWIVEL	9	38		SCREW	31	21
11-45774	NUT, SWIVEL TO THROTTLE			12-29395	WASHER, THROTTLE LEVER		
	LEVER	9	15		SCREW	9	3
11-45812	NUT, JAM - LIMIT SWITCH			12-30164	WASHER, WIRING HARNESS		
	ADJUSTING STUD	55	24		CLAMP SCREW	11	21
11-46438	NUT, STRAP TO CHOKE			12-30771	WASHER, COVER		
	ROD SCREW	15	24		FASTENING KNOB		
11-46887	NUT, BEARING CLAMPING				(RUBBER)	5	3
	SCREW	27	14	12-31263	WASHER, UPPER MOUNT		
					BOLT	39	22

PARTS INDEX

Part Number	Description	Pg.	Ref. No.	Part Number	Description	Pg.	Ref. No.
12-33786	WASHER, SWIVEL	9	13	13-26992	LOCKWASHER, STARTER		
12-33786	WASHER, SWIVEL	9	36		MOTOR TERMINAL	7	18
12-35462	WASHER, LINK ROD	29	21	13-26992	LOCKWASHER, STARTER		
12-35462	WASHER, THROTTLE				SOLENOID SCREW	11	12
	HOUSING SCREW	9	26	13-26992	LOCKWASHER, STARTER		
12-35462	WASHER, TIMING POINTER				SOLENOID SCREW	53	44
	SCREW	3	39	13-26992	LOCKWASHER, WATER		
12-36001	WASHER, WATER PUMP				PUMP BODY SCREW	43	30
	BODY FASTENING STUD	43	33	13-26993	LOCKWASHER	3	28
12-37807	WASHER	55	20	13-26993	LOCKWASHER	3	31
12-38753	WASHER, PLATE SCREW	11	3	13-26993	LOCKWASHER	3	33
12-45176	WASHER	39	31	13-26993	LOCKWASHER	3	35
12-45176	WASHER	39	33	13-26993	LOCKWASHER	51	31
12-45176	WASHER	47	72	13-26993	LOCKWASHER	55	17
12-47247	WASHER, NEEDLE			13-26993	LOCKWASHER, BOTTOM		
	LOCATING	27	31		COVER SCREW	23	15
12-47840	WASHER, RUBBER - UPPER			13-26993	LOCKWASHER, CHOKE		
	MOUNT BOLT	39	21		SOLENOID SCREW	15	5
12-49339	WASHER, LOWER MOUNT			13-26993	LOCKWASHER, CLAMP		
	SCREW	39	26		BRACKET STUD	35	10
12-52864	WASHER, CLAMP BRACKET			13-26993	LOCKWASHER, REAR		
	TILT TUBE	35	5		BRACKET SCREW	3	26
12-59378	WASHER, LOWER BUSHING			13-26993	LOCKWASHER, SOLENOID		
	RETAINER (INNER)	37	39		TERMINALS (5/16")	11	15
12-59572	WASHER, COVER			13-26993	LOCKWASHER, TOP COVER		
	FASTENING KNOB				SCREWS	23	11
	(PLASTIC)	5	4	13-26995	LOCKWASHER, FLOAT		
12-68229	WASHER, FLYWHEEL				BOWL COVER SCREW	17	15
	ATTACHING	7	3	13-26996	LOCKWASHER	51	29
12-68300	WASHER, CLAMP BRACKET			13-26996	LOCKWASHER, FUEL PUMP		
	BOLT (UPPER)	35	14		ATTACHING SCREW	21	18
12-68410	WASHER, CLAMP BRACKET			13-26996	LOCKWASHER, RETAINING		
	BOLT (LOWER)	35	14		PLATE AND CAM SCREW	55	28
12-68410	WASHER, MOUNTING			13-26996	LOCKWASHER, SOLENOID		
	BRACKET BOLT	55	10		TERMINAL	15	2
12-69342	WASHER, SWIVEL PIN,			13-26996	LOCKWASHER, SOLENOID		
	UPPER	33	4		TERMINALS (#10)	11	13
12-69374	WASHER	37	40	13-26996	LOCKWASHER, THRU BOLT	49	18
12-69380	WASHER, SWIVEL PIN -			13-26996	LOCKWASHER, WIRING		
	LOWER	33	10		HARNESS CLAMP SCREW	11	20
12-70132	WASHER	25	16	13-29402	WAVE WASHER, SWIVEL	9	14
12-74726	WASHER, THROTTLE LEVER			13-29402	WAVE WASHER, SWIVEL	9	37
	SCREW	15	8A	13-29720	WASHER, WAVE - LINK ROD	29	23
12-76388	WASHER, TILT LOCK			13-37371	LOCKWASHER, SHIELD		
	(STARBOARD SIDE ONLY)	35	25B		SCREW	3	8
12-76805	WASHER	47	62	13-39107	LOCKWASHER, MOUNTING		
12-77674	WASHER, RUBBER - SHIFT				BRACKET SCREW	51	24
	SHAFT BUSHING	45	44	13-39107	LOCKWASHER, RETAINER		
12-78493	WASHER, THUMB SCREW	35	2B		TO TOP COWL SCREW	3	5
12-85303	WASHER, PLASTIC -			13-69150	WASHER	35	25
	THROTTLE CAM	9	21	13-86498	WAVE WASHER, SHAFT	9	23
13-26992	LOCKWASHER	3	22	14-20091	TAB WASHER, BEARING		
13-26992	LOCKWASHER	51	15		LOCKING SCREW	23	21
13-26992	LOCKWASHER, GROUND			14-31210	TAB WASHER, PROPELLER		
	WIRE SCREW	11	24		NUT	47	76
13-26992	LOCKWASHER, MOUNTING			14-52700	TAB WASHER, GEAR		
	BRACKET SCREW	51	36		HOUSING COVER	47	68
13-26992	LOCKWASHER, MOUNTING			15-20085A1	SHIM, END CAP TO		
	BRACKET SCREW	53	42		CRANKCASE (.005-10)	25	11
				15-30923A1	SHIM	47	53

PARTS INDEX

Part Number	Description	Pg.	Ref. No.	Part Number	Description	Pg.	Ref. No.
15-57007A1	SHIM, BALL BEARING TO BASE	43	11	17-63779	PIN, DOWEL - CYLINDER BLOCK TO MAIN BEARING	23	7
15-73644A1	SHIM, END CAP TO CRANKCASE (.006-10) ...	25	5	17-73593A1	SWIVEL PIN AND ARM ASSEMBLY	33	14
16-21085	STUD, ADJUSTING - CUT- OUT LIMIT SWITCH (15/16")	55	23	18-25191	COTTER PIN, PUSH ROD PIN	39	19
16-30667	STUD, WATER PUMP BASE AND BODY TO GEAR HOUSING (3 1/8")	43	6	18-36391	COTTER PIN, MOUNTING TUBE PIN	57	47
16-39937	STUD, CHOKE ROD SPRING TO CARBURETOR	15	33	18-45882	COTTER PIN, REVERSE LOCK TO SHAFT	37	30
16-45282	STUD, MOUNTING BRACKET AND CLAMP BRACKET ..	55	16	18-47959	COTTER PIN, TILT LOCK ..	35	26
16-56295	STUD, DRIVE SHAFT HOUSING (LONG SHAFT)	39	2	19-45907	PLUG, FLYWHEEL	7	1
16-56297	STUD, WATER PUMP BASE AND BODY TO GEAR HOUSING (3 3/8")	43	5	19-64649	PLUG, PLASTIC - TRIM TAB SCREW HOLE	39	3
16-57920	STUD, GEAR HOUSING TO DRIVE SHAFT HOUSING (2 1/16")	43	4	21-30430A10	CHECK VALVE ASSEMBLY ..	21	2
16-57921	STUD, GEAR HOUSING TO DRIVE SHAFT HOUSING (4")	43	3	21-77560	CHECK VALVE, BLEED HOSE - UPPER	23	25
16-59625	STUD	35	9	21-77561	CHECK VALVE, BLEED HOSE - LOWER	23	27
16-64280	STUD, CARBURETOR MOUNTING (1 3/16")	23	4	22-25885	ELBOW, BALANCE HOSE ..	23	28
16-64281	STUD	23	5	22-46008	PLUG, CONTROL VALVE (1/2-20")	51	17
16-64282	STUD	23	8	22-63981	ELBOW, FULE LINE TO ADAPTOR	21	27
16-69037	STUD, CARBURETOR - CHOKE SHUTTER PIVOT	15	26	22-64704	FITTING, ELBOW - LOWER CARBURETOR	21	25
16-77168	STUD, DRIVE SHAFT HOSING (EXTRA LONG SHAFT)	39	2	22-64704	FITTING, ELBOW - UPPER CARBURETOR	21	22
17-20032	DOWEL PIN, CENTER MAIN BEARING	27	8	22-64706	FITTING, FUEL OUTLET ...	21	19
17-20032	DOWEL PIN, MAIN BEARING	27	16	22-67892	FITTING, TEE - CENTER CARBURETOT	21	24
17-20033	PIN, DOWEL - CRANKCASE TO CYLINDER BLOCK ...	23	6	22-68307	PLUG, DRAIN (MAGNETIC) .	45	47
17-21438	DOWEL PIN, SPACER - EXTRA LONG SHAFT ...	41	--	22-73318	PLUG, PIPE - CYLINDER BLOCK COVER	25	27
17-23784	DOWEL PIN, DRIVE SHAFT HOUSING PLATE	31	17	22-74036	TEE, FUEL LINE	21	23
17-23784	DOWEL PIN, EXHAUST EXTENSION PLATE	31	6	22-74036	FITTING, GREASE - SWIVEL BRACKET	33	7
17-29077	ROLL PIN, TENSION SPRING TO KNOB	5	6	22-78279	GREASE FITTING	55	1A
17-30632	PIN CROSS - RATCHET TO PROPELLER SHAFT	47	58	22-85578	ELBOW, TELL TALE HOSE TO CYLINDER BLOCK ...	29	16
17-35973	DOWEL PIN	43	19	22-85822A1	TEE, BALANCE HOSE	23	30
17-38311	PIN, COIL SPRING MOUNTING	35	18	23-26600	CONNECTOR ASSEMBLY, SPEEDOMETER	43	1A
17-46912	DOWEL PIN, GEAR HOUSING LOCATING ...	43	2	23-26856	BUSHING, SHIFT SHAFT ...	29	18
17-47175	PIN, LOCKING LEVER AND COVER FASTENING	29	27	23-26856	BUSHING, SWIVEL	9	12
17-47246	DOWEL PIN, STEPPED	27	12	23-27132	BUSHING, SWIVEL	9	35
17-49930A1	TITL LOCK PIN ASSEMBLY .	35	12	23-28198	BUSHING, NYLON - EXHAUST EXTENSION PLATE	31	2
				23-28688	BUHING, RUBBER - SHOCK ABSORBER (LOWER) ...	37	36
				23-28688	SPACER, RUBBER - COIL SPRING POSITIONING ..	35	19
				23-29804	SLEEVE, GUIDE - WATER INLET TUBE	43	36
				23-32171	BUSHING, RUBBER - SHOCK ABSORBER (UPPER)	37	35
				23-32427	SPACER, CHOKE ROD SPRING STUD	15	34

PARTS INDEX

Part Number	Description	Pg.	Ref. No.	Part Number	Description	Pg.	Ref. No.
23-45280	SPACER, SHOCK CYLINDER - LOWER	55	5	25-32546	"O" RING, END CAP	25	10
23-45281	BUSHING, RUBBER - SHOCK CYLINDER	55	6	25-33145	"O" RING, WATER PUMP BASE	43	15
23-45354	BUSHING, RUBBER - CUT- OUT LIMIT SWITCH	55	30	25-45016	"O" RING, SHOCK CYLINDER BLEED SCREW	55	3
23-45818	BUSHING, THROTTLE LEVER SCREW	9	4	25-45253	"O" RING	51	13
23-56774	SPACER, STARTER MOTOR	7	13	25-45254	"O" RING	51	11
23-59624	SPACER, CLAMP BRACKET STUD	35	8	25-45507	GROMMET, RUBBER - INLET COVER	55	37
23-69132	BUSHING, REVERSE LOCK PIVOT SHAFT	33	2	25-47254	"O" RING	25	4
23-69341	BUSHING, SWIVEL BRACKET	33	3	25-57806	GROMMET, PLASTIC - TRIM COVER SCREW	39	6A
23-70412	SPACER, BALL BEARING TO BASE	43	11	25-62702	"O" RING, TILT LOCK	35	25C
23-73203	SPACER	37	37	26-22734	OIL SEAL, SWIVEL BRACKET (TILT LOCK)	35	25A
23-74213	SWIVEL, LINK ROD TO THROTTLE CAM	9	17	26-29476	OIL SEAL, END CAP	25	3
23-77631A2	BUSHING ASSEMBLY, SHIFT SHAFT	45	42	26-29476	OIL SEAL, END CAP	25	9
24-20099	SPRING, LINK ROD TO GUIDE BLOCK	29	31	26-31489	OIL SEAL, WATER PUMP BASE	43	17
24-23067	SPRING, ADAPTOR STEM	21	30	26-31507	OIL SEAL, WATER PUMP BASE	43	18
24-24390	SPRING, TENSION - ADJUSTING STUD	55	22	26-37448	OIL SEAL, SWIVEL BRACKET	33	5
24-28975	SPRING, GARTER - INTERNAL WIRING HARNESS	11	22	26-38970	SEAL, RUBBER - WATER INLET TUBE	31	16
24-30622	SPRING, COMPRESSION - CAM FOLLOWER	47	52	26-38970	SEAL, RUBBER - WATER INLET TUBE	43	26
24-30772	SPRING, TENSION - FASTENING KNOB	5	5	26-55682A1	SEAL REPAIR KIT	45	-
24-30893	SPRING, RETAINING - CROSS PIN	47	59	26-60898	SEAL, DRIVE SHAFT HOUSING PLATE	31	14
24-35522	SPRING, TENSION - LOWER MOUNT CLAMP	39	35	26-70608	OIL SEAL, STARBOARD MOUNTING BRACKET	55	13
24-45272	SPRING, TENSION - LIMIT SWITCH PLUNGER	55	15	26-76384	OIL SEAL, SHIFT SHAFT BUSHING	45	43
24-48230	SPRING, CHOKE ROD TENSION	15	32	26-76868	OIL SEAL, BEARING CARRIER	47	66
24-57818	SPRING, UPPER FILTER SCREEN SCREW	15	30	27-32433	GASKET	43	20
24-78203A1	SPRING, REVERSE LOCK TENSION	35	28	27-32434	GASKET, UPPER	43	22
24-85442	SPRING, TORSION - SHAFT	9	20	27-33146	GASKET, WATER PUMP BASE	43	14
25-20116	GROMMET, CHOKE ROD	15	18	27-45274	GASKET, INLET COVER	55	36
25-20415	"O" RING, ADAPTOR STEM	21	31	27-45275	GASKET, LIMIT SWITCH COVER	55	33
25-21720	"O" RING	51	--	27-48164	GASKET, CARBURETOR FLANGE	19	34
25-21720	"O" RING	51	12	27-53862	GASKET, CRANKCASE TO CYLINDER BLOCK	23	2
25-21720	"O" RING	51	2	27-6362	GASKET, MEGAPHONE TO DRIVE SHAFT HOUSING PLATE	31	18
25-21720	"O" RING, HYDRAULIC PUMP	49	1	27-66102	GASKET, PLATE TO DRIVE SHAFT HSG. PLATE	31	11
25-25439	"O" RING, SHIFT SHAFT BUSHING	45	41	27-69238	GASKET, POWERHEAD TO EXTENSION PLATE	31	7
25-29976	"O" RING, BEARING CARRIER	47	63	27-72142	GASKET, WATER JACKET COVER	25	14
25-30271	RING, RUBBER - CENTRIFUGAL SLINGER	43	35	27-72506	GASKET, CYLINDER BLOCK COVER	25	24
				27-72507	GASKET, CYLINDER BLOCK TO BAFFLE PLATE	25	17

PARTS INDEX

Part Number	Description	Pg.	Ref. No.	Part Number	Description	Pg.	Ref. No.
27-72509	GASKET	25	19	40-52035	LOCK RING, PISTON PIN	27	24
27-85653	GASKET, TRANSFER PORT COVER			43-68447	FORWARD GEAR	47	56
		25	31	43-68548	GEAR, PINION - DRIVE SHAFT	43	9
27-85653A79	GASKET SET	1	-	43-76250	REVERSE GEAR	47	61
27-85653A79	GASKET SET	19	-	44-52542	SHAFT, PROPELLER	47	60
27-85653A79	GASKET SET	23	-	45-76036	DRIVE SHAFT (LONG SHAFT)	43	8
27-85653A79	GASKET SET	31	-	45-77159	DRIVE SHAFT (EXTRA LONG SHAFT)	43	8
28-30281	KEY, LOCATING - BEARING CARRIER	47	67	46-64141A1	WATER PUMP BODY ASSEMBLY	43	23
28-56654	KEY, IMPEELER DRIVE	43	28	46-73804A1	WATER PUMP BASE ASSEMBLY	43	16
29-25234--1	GLUE, ADHESIVE - BLANKET FASTENING	5	--	46-73804A3	WATER PUMP REPAIR KIT	45	-
29-27109--1	ADHESIVE COMPOUND, EMBLEM FASTENING	5	--	47-65960	IMPELLER, WATER PUMP	43	27
29-47270	BEARING, NEEDLE - PISTON PIN	27	30	48-77338A4	PROPELLER ASSEMBLY (ALUMINUM)(PITCH 11")	60	-
29-52168	BEARING, NEEDLE - OUTER RACE	27	9	48-77340A4	PROPELLER ASSEMBLY (ALUMINUM)(PITCH 13")	60	-
30-62567	BEARING, BALL - UPPER	27	3	48-77342A4	PROPELLER ASSEMBLY (ALUMINUM)(PITCH 15")	60	-
30-63742	BEARING, BALL - LOWER	27	4	48-77344A4	PROPELLER ASSEMBLY (ALUMINUM)(PITCH 17")	60	-
31-30894A1	TAPERED ROLLER BEARING ASSEMBLY	47	54	48-77346A4	PROPELLER ASSEMBLY (ALUMINUM)(PITCH 19")	60	-
31-30895	BEARING, ROLLER - FORWARD GEAR	47	55	48-77348A4	PROPELLER ASSEMBLY (ALUMINUM)(PITCH 21")	60	-
31-30956	BEARING, ROLLER - BEARING CARRIER	47	65	48-77350A4	PROPELLER ASSEMBLY (ALUMINUM)(PITCH 23")	60	-
31-32898	BEARING, ROLLER - DRIVE SHAFT	43	7	50-72467	STARTER MOTOR	7	11
31-62596A1	BEARING ASSEMBLY, CRANKPIN	27	27	52-34239	RATCHET, SLIDING GEAR	47	57
31-69220	ROLLER BEARING, DRIVE SHAFT	43	12	53-26933	RING, SNAP - OUTER RACE	27	11
32-34395A1	HOSE	29	13	53-29641	"E" RING, RETAINING - SHIFT SHAFT	45	40
32-34395A1	HOSE, BALANCE - MAIN BEARING (6 1/4")	23	29	53-73591	RETAINING RING, BOTTOM YOKE ATTACHING	33	16A
32-34395A1	HOSE, DRIP TRAY TO BOTTOM COWL (8")	29	5	54-61001	CLAMP, TRIGGER HARNESS	7	10
32-45327	HOSE	57	41	54-63153	CLIP, HARNESS TO COIL COVER	13	39
32-45959	HOSE	57	42	54-68424	CLAMP, FUEL LINE ATTACHING	21	21
32-54936	HOSE, BLEED (22")	23	26	54-76368	CLAMP, WIRING HARNESS TO BOTTOM COWL	11	18
32-60897	TUBE, WATER INLET (LONG SHAFT)	39	7	55-28414	PIN, LOWER SHOCK MOUNTING	37	31
32-70432	FUEL LINE	21	20	55-28416	PIN, UPPER SHOCK MOUNTING	35	16
32-70432	FUEL LINE, ADAPTOR TO FUEL PUMP (16")	21	26	55-58780A2	SHOCK ABSORBER	37	34
32-77121	TUBE, WATER INLET (EXTRA LONG SHAFT)	39	7	84-60466A1	CABLE ASSEMBLY, IGNITION COIL (BLACK)	11	33
33-68057	SPARK PLUG (CHAMPION #L76-V)	13	37	84-62310A3	CABLE ASS'Y	11	27
34-56007A1	REED SET, MATCHED - MAIN BEARING	27	19	84-66008A1	WIRE ASSEMBLY	7	15
34-56008	REED STOP, MAIN BEARING REED VALVES	27	20	84-73451A8	CABLE, HIGH TENSION	11	34
35-57819	SCREEN ASSEMBLY, FILTER - CARBURETOR	15	28	84-73453	WIRE ASSEMBLY	7	17
35-59072	SCREEN, FUEL INLET	21	8	84-74023	CONNECTOR AND HARNESS	51	18
37-86434A79	DECAL SET	1	-	84-85532	WIRING HARNESS, INTERNAL	11	17
39-78811A12	RING, PISTON OVERSIZED	27	--	84-85537A1	HARNESS ASSEMBLY	13	38
39-78816A12	RING, PISTON	27	25				

PARTS INDEX

Part Number	Description	Pg.	Ref. No.	Part Number	Description	Pg.	Ref. No.
84-85537A2	HARNES ASSEMBLY	13	38	1368-7472A3	CARBURETOR ASSEMBLY (CENTER/BOTTOM)	17	1
85-71006A1	PROTECTOR, HIGH TENSION CABLE	11	36	1395-4540	SCREW, BODY (IDLE TUBE)	17	21
85-78866	INSULATOR, STARTER SOLENOID	13	40	1395-4541	SCREW, PLUG - MAIN FUEL JET CHANNEL	17	29
87-33386A2	SWITCH ASSEMBLY, MERCURY	11	4	1395-4542	SCREW, PLUG - MAIN NOZZLE	17	27
89-68258	STARTER SOLENOID	51	28	1395-4543	SCREW, BODY CHANNEL . .	17	32
89-76545	SOLENOID, STARTER	11	10	1395-4555	INLET NEEDLE, SETA AND GASKET	17	6
90-86167	MERC 115 PARTS LIST	1	-	1395-4804	SCREW, FLOAT BOWL COVER	17	14
248-5977A28	FLYWHEEL ASSEMBLY, COMP.	7	4	1395-4808	GASKET AND PACKING SET (1 PER CARBURETOR) . .	19	--
332-2854	BOOT, HIGH TENSION CABLE	11	35	1395-5353	FLOAT ASSEMBLY	17	2
332-5524A1	SWITCH BOX ASSEMBLY . .	11	25	1395-5680	COVER, FLOAT BOWL	17	10
338-4995A2	COIL ASSEMBLY, IGNITION	11	29	1395-5734	HOSE, ECONOMIZER	17	12
392-2529	SPRING SET, BRUSH TENSION	49	16	1395-6029	JET, MAIN FUEL	17	28
392-2618	CAN, VALVE BODY	49	3	1395-6030	JET, MAIN FUEL (.070) . . .	17	28
392-2623	WASHER, THRUST - ARMATURE	49	10	1395-6207	JET, MAIN FUEL (.072) . . .	17	28
392-2936	VALVE BODY AND GEAR ASSEMBLY	49	2	1395-7614	SHAFT, THROTTLE (TOP) . .	17	19
392-2937	SEAL, RESERVOIR TO VALVE BODY AND GEAR	49	5	1395-7639	SHUTTER, THROTTLE	17	22
392-2938	BOLT SET	49	17	1395-7640	REPAIR PARTS KIT (1 PER CARBURETOR)	19	--
392-2939	RESERVOIR ASSEMBLY . . .	49	6	1399-3527	SHAFT, THROTTLE (CENTER/BOTTOM)	17	19
392-2940	PLATE ASSEMBLY, COMMUTATOR END	49	14	1399-3794	JET, MAIN FUEL (.074) - STANDARD	17	28
392-2941	BRUSH SET, COMMUTATOR END PLATE	49	15	1399-6249	JET, BOWL VENT (.096) . . .	17	11
392-2942	FIELD AND FRAME ASSEMBLY	49	12	1399-97	LEVER, THROTTLE (SEE NOTE BELOW)	17	17
392-2943	ARMATURE, FIELD AND FRAME	49	11	1440-6625A3	CLAMP BRACKET ASSEMBLY	35	1
392-2944	BALL, COMMUTATOR END PLATE	49	13	1482-6386A4	SWIVEL BRACKET ASSEMBLY	33	1
398-5454A8	STATOR ASSEMBLY	7	7	1573-5239A4	DRIVE SHAFT HOUSING ASSEMBLY	39	1
535-5397A4	CENTER MAIN BEARING ASSEMBLY	27	7	1655-7333A23	GEAR HOUSING ASS'Y	43	1
540-5266A5	MAIN BEARING ASSEMBLY, VALVE TYPE	27	15	1655-7333A23	GEAR HOUSING ASS'Y	47	1
622-4850A3	CONNECTING ROD AND CAP ASSEMBLY	27	26	1655-7333A24	GEAR HOUSING ASS'Y, COMP. (LONG SHAFT) . . .	43	-
745-6661A4	PISTON PIN ASSEMBLY . . .	27	23	1655-7333A24	GEAR HOUSING ASS'Y, COMP. (LONG SHAFT) . . .	47	-
745-6696A2	PISTON AND PISTON PIN ASSEMBLY	27	--	1655-7333A26	GEAR HOUSING ASS'Y, COMP. (EXTRA LONG SHAFT)	43	-
852-7740A3	CYLINDER BLOCK AND CRANKCASE ASSEMBLY	23	1	1655-7333A26	GEAR HOUSING ASS'Y, COMP. (EXTRA LONG SHAFT)	47	-
852-7740A3	CYLINDER BLOCK AND CRANKCASE ASSEMBLY	25	1	2113-5631A4	COWL FRONT COVER ASSEMBLY (WITHOUT DECALS)	5	1
1023-5070	COVER, CYLINDER BLOCK .	25	23	2114-5999	COWL, TOP (WITHOUT DECALS)	3	1
1148-5410A1	END CAP ASSEMBLY, LOWER	25	7	2115-6462	COWL, BOTTOM OVERSIZED	29	1
1161-5940A2	END CAP ASSEMBLY	25	2	2136-4660A4	WRAP AROUND COWL ASSEMBLY	5	11
1368-7472A1	CARBURETOR ASSEMBLY (TOP)	15	9	3436-6646A2	CRANKSHAFT ASSEMBLY .	27	1
1368-7472A1	CARBURETOR ASSEMBLY (TOP)	17	1				