



PARTS CATALOG

FORCE 120 H.P. (1998-1999)

SERIAL NUMBER

120 H.P. (1998)	0E288000 THRU 0E344999
120 H.P. (1999)	0E345000 THRU 0E369299

TABLE OF CONTENTS:

ADAPTER PLATE - UPPER	26
CARBURETOR	16
COWL ASSEMBLY - BOTTOM	4
COWL ASSEMBLY - TOP	2
CRANKSHAFT AND PISTON	32
CYLINDER BLOCK ASSEMBLY	28
DRIVESHAFT HOUSING	40
EXHAUST PLATE	34
FUEL LINE ASSEMBLY	50
FUEL PUMP ASSEMBLY	22
GEAR HOUSING ASSEMBLY (DRIVESHAFT)	42
GEAR HOUSING ASSEMBLY (PROPSHAFT)	46
IGNITION COMPONENTS	6
IGNITION COMPONENTS	10
LITERATURE AND PAINT	57
PARTS INDEX	58
POWER TRIM COMPONENTS	48
RECIRCULATION SYSTEM	20
REED PLATE AND PRIMER	14
STARTER ASSEMBLY	12
SWIVEL BRACKET AND STEERING ARM	36
TOOLS - SPECIAL (PAGE 1 OF 2)	54
TOOLS - SPECIAL (PAGE 2 OF 2)	56
TOWERSHAFT AND THROTTLE LINKAGE	24
TRANSOM BRACKET	38

NOTE: Indented description indicate that these parts are included in preceding assembly.

AR = As Required

NSS = Not Sold Separate

OPT = Optional

NS = Not Shown

NOTE: Following symbols are located in **SYM** column.

● = COMPONENT OF POWERHEAD ASSEMBLY [800-818154A48]

■ = COMPONENT OF POWERHEAD GASKET SET [27-809125A2]

▣ = COMPONENT OF CARBURETOR REPAIR KIT [809807A1]

◇ = NEW PART NUMBER LISTED FOR FIRST TIME

▲ = COMPONENT OF GEAR HOUSING SEAL KIT [26-43035A4]

⊕ = COMPONENT OF WATER PUMP REPAIR KIT [46-43024A7]

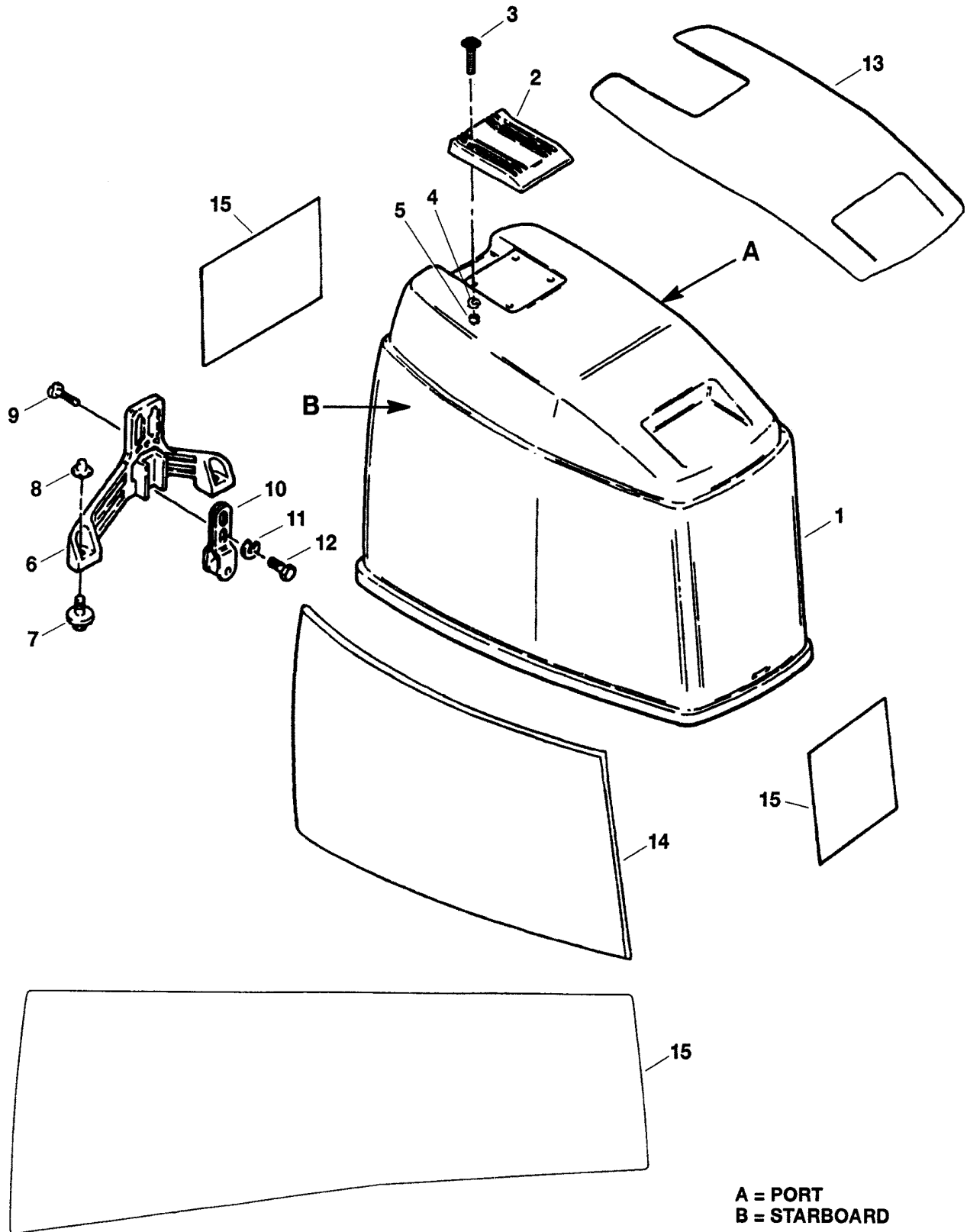
○ = COMPONENT OF CARBURETOR GASKET SET [FK10023]

❖ = COMPONENT OF FORWARD GEAR KIT [43-850035A3]

THESE PARTS BOOKS/FICHE CARD ARE COPYRIGHTED AND MAY NOT BE DISTRIBUTED OR REPRODUCED IN ANY OTHER FORMAT BY ANYONE OTHER THAN MERCURY MARINE WITHOUT THE PRIOR WRITTEN CONSENT OF MERCURY MARINE.

THIS PAGE INTENTIONALLY LEFT BLANK

COWL ASSEMBLY - TOP

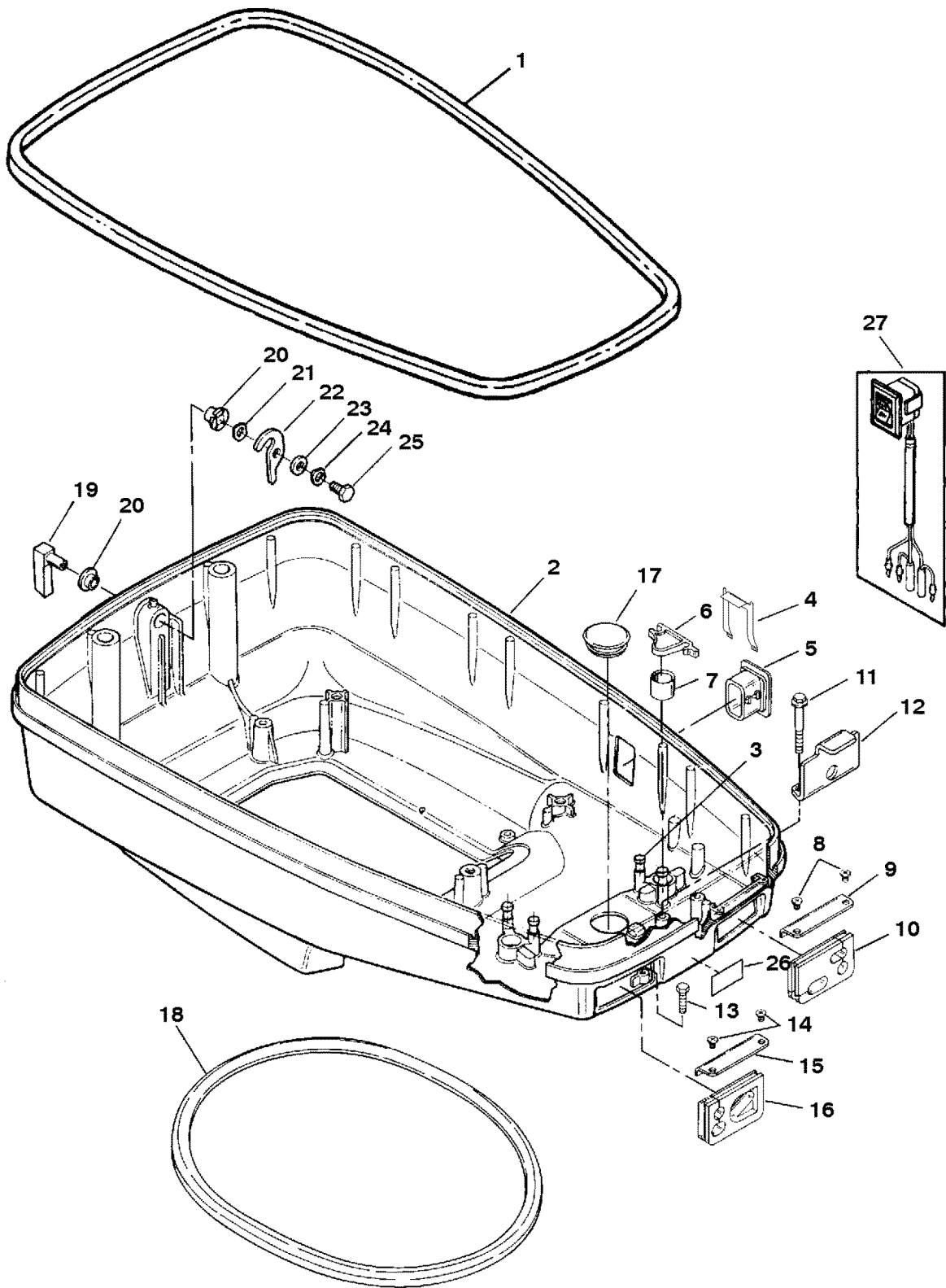


COWL ASSEMBLY - TOP

REF. NO.	PART NO.	SYM.	QTY.	DESCRIPTION
1	100-819747A9		1	COWL ASSEMBLY-TOP (PAINTED) (WITHOUT DECALS)
2	828477		1	HANDLE-TILT
3	10-828478		4	SCREW (.250-20 X 1.00)
4	12-29245		4	WASHER
5	11-56374		4	NUT (.250-20)
6	819814--1		1	BRACKET-COWL LATCH
7	F481434		2	GUIDE-COWL LATCH BRACKET
8	F2088		2	FASTENER
9	10-28639		3	SCREW (.250-20 X .625)
10	18173		1	BRACKET ASSEMBLY-LATCH ROLLER
11	13-53166		2	LOCKWASHER (.312)
12	10-90285		2	SCREW (.312-18 X .625)
13	827291		1	BLANKET-SOUND (TOP)
14	F664985		2	BLANKET-SOUND (SIDE - PORT OR STARBOARD)
15	37-855399A98		1	DECAL SET (FORCE) (FRONT-REAR-PORT-STARBOARD STYLE)
NS	37-852954A97		1	DECAL SET (TRACKER) (FRONT AND WRAPAROUND STYLE) (SERIAL # 0E288000 THRU 0E357646)
	37-803911A99	◇	1	DECAL SET (TRACKER) (FRONT-REAR-PORT-STARBOARD STYLE) (SERIAL # 0E357647 THRU 0E369299)

◇ = NEW PART NUMBER LISTED FOR FIRST TIME

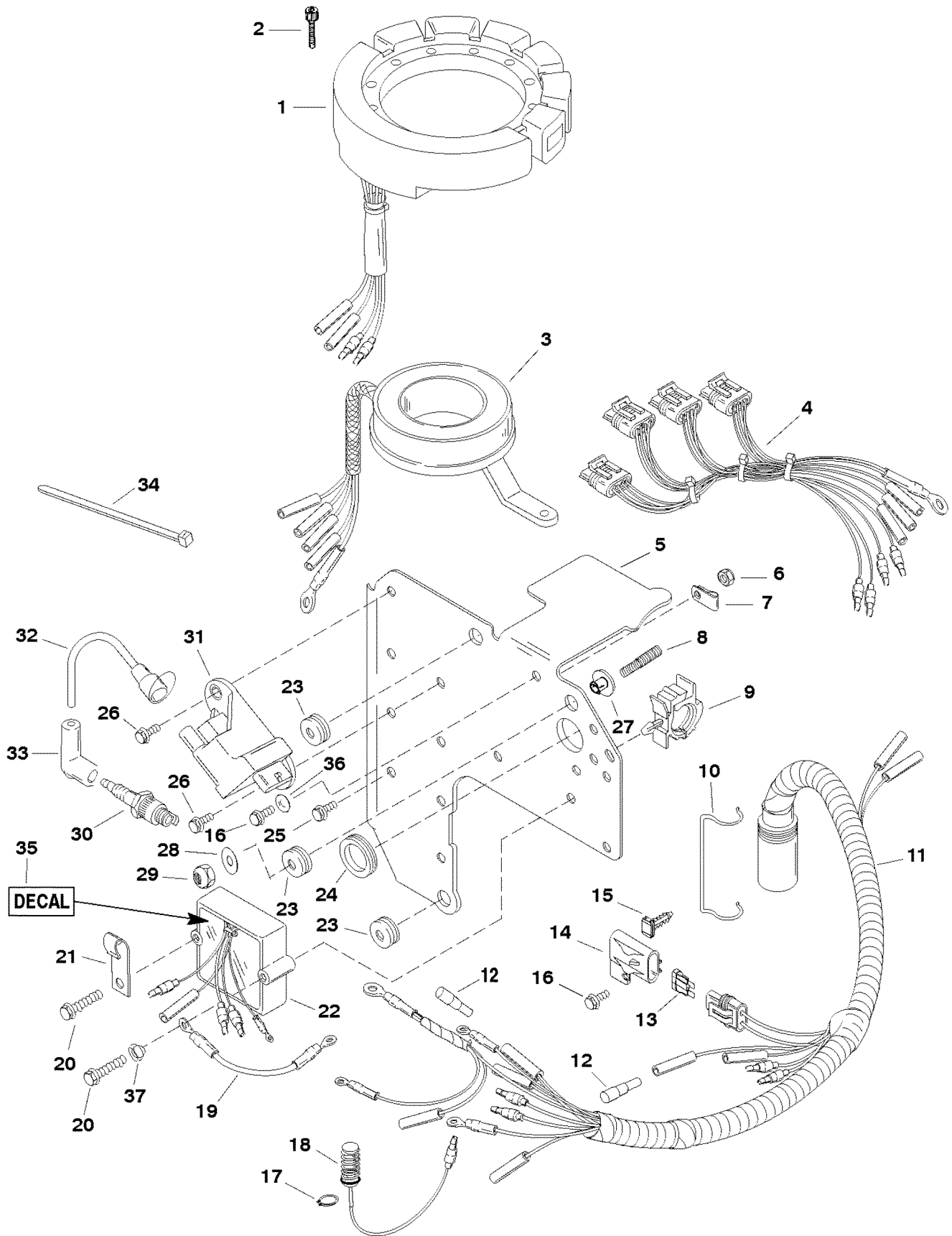
COWL ASSEMBLY - BOTTOM



COWL ASSEMBLY - BOTTOM

REF. NO.	PART NO.	SYM.	QTY.	DESCRIPTION
1	F663756-1		1	PACKING-COWL SUPPORT
2	100-819983F1		1	COWL ASSEMBLY-BOTTOM (PAINTED)
3	10-42975		4	SCREW-DRIVE (SPECIAL)
4	812443--1		1	RETAINER
5	812830--1		1	PLUG
6	820313		2	LATCH-CONTROL CABLE
7	824015		2	CUP-BARREL RETAINER
8	10-40019104		2	SCREW (M5 X 8)
9	823551		1	RETAINER-ENTRY CABLE SEAL
10	26-823550		1	SEAL-REMOTE CABLES
11	10-40011127		2	SCREW (M6 X 16)
12	F663480-1		1	RETAINER-COWL FRONT
13	10-40011131		1	SCREW (M6 X 35)-FUEL CONNECTOR
14	10-40019104		2	SCREW (M5 X 8)
15	823551		1	RETAINER-ENTRY CABLE SEAL
16	26-823549		1	SEAL-FUEL CONNECTOR AND REMOTE CABLES
17	19-819954--1		1	PLUG
18	813607--6		1	SEAL-BOTTOM COWL
19	820000A7		1	HANDLE ASSEMBLY (PAINTED)
20	23-812707		2	BUSHING
21	13-F2047		1	WASHER-WAVE
22	F481777		1	CAM-LATCH SHAFT
23	12-40023-16		1	WASHER
24	13-26992		1	LOCKWASHER (.250)
25	10-19923062		1	SCREW (.250-20 X .625) WITH DRI LOK
26	37-818029--1		1	DECAL-FUEL MIX
27	87-850691		OPT	SWITCH ASSEMBLY (POWER TRIM MODELS)

IGNITION COMPONENTS



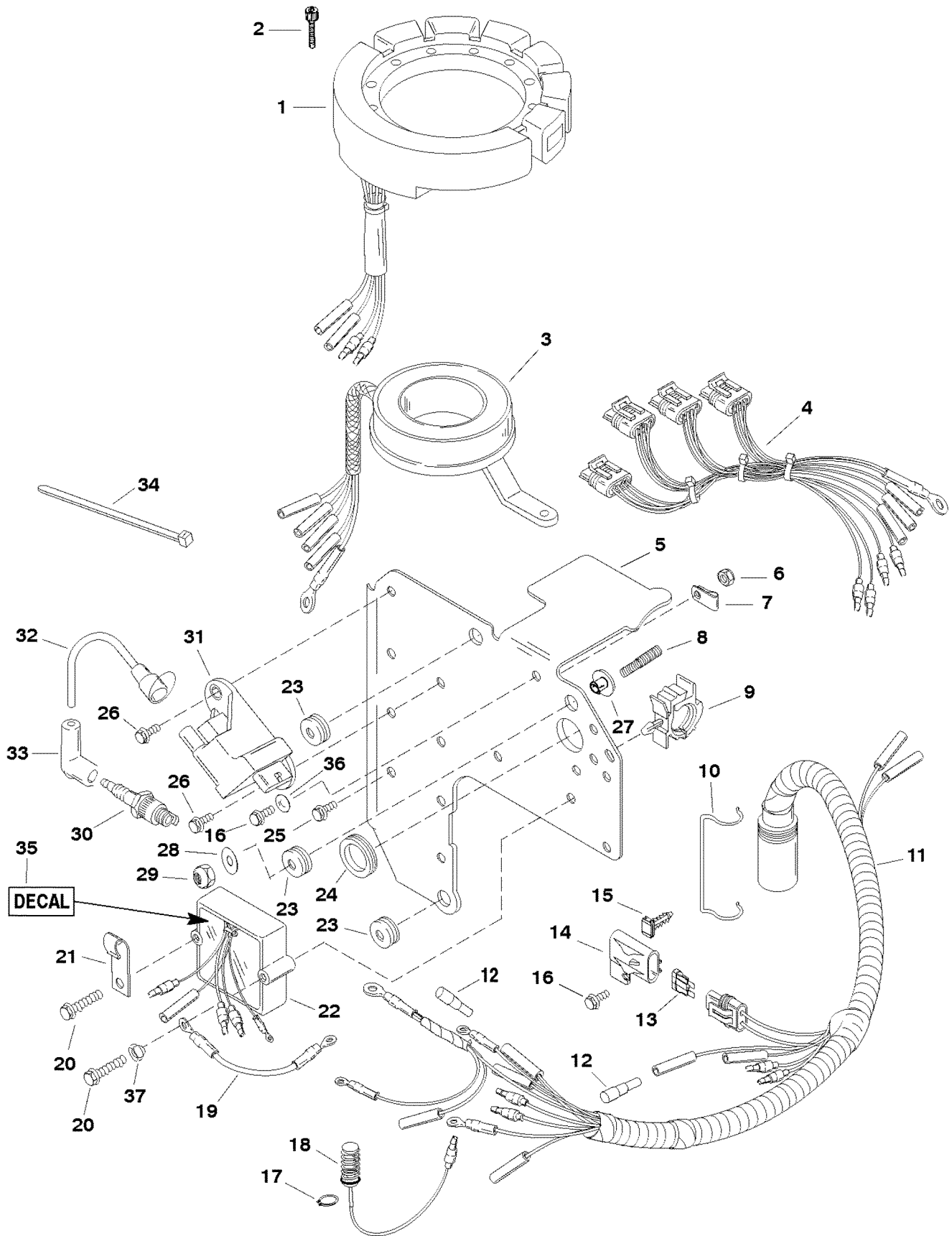
IGNITION COMPONENTS

REF. NO.	PART NO.	SYM.	QTY.	DESCRIPTION
1	398-832075A4		1	STATOR ASSEMBLY (RED)
2	10-19926100		6	SCREW (#10-24 X 1.00) WITH DRI LOK
3	828303A1		1	TRIGGER ASSEMBLY
4	84-828298A2		1	HARNESS ASSEMBLY-IGNITION
5	828312--1		1	PLATE-IGNITION COMPONENTS
6	11-826833--6		2	NUT (M6)
7	54-820437		2	CLIP-HARNESS RETAINER
8	16-830228	●	3	STUD (.312-18 AND .250-28 X 1.750)
9	828791		1	CLIP-HARNESS HOLD DOWN
10	92753		1	RETAINER-HARNESS
11	84-828297A1		1	HARNESS ASSEMBLY
12	13541		2	PLUG-MALE
13	88-812619		1	FUSE (20 AMP)
14	828054		1	COVER-FUSE HOUSING
15	54-828991		1	CLIP-FUSE HOLDER
16	10-822393-12		2	SCREW (M5 X 12)
17	53-F717096		1	RING-RETAINING-THERMOSWITCH TO CYL HEAD
18	87-819022--1		1	THERMOSWITCH
19	84-856583A1		1	CABLE ASSEMBLY-BLACK
20	10-821291-40		2	SCREW (M6 X 40)
21	54-54457		1	CLIP
22	854514A1		1	REGULATOR KIT-VOLTAGE
23	25-822002		3	GROMMET
24	25-828836		1	GROMMET
25	10-40106-20		2	SCREW (M6 X 20)
26	10-821291-16		6	SCREW (M6 X 16)
27	23-822003		3	BUSHING
28	12-40023-16		3	WASHER
29	11-828451		3	NUT (.250-28)
30	33-827C		4	SPARK PLUG (CHAMPION # L76V)
	33-898		OPT	SPARK PLUG (RFI) (CHAMPION # QL76V)
31	827509A10		4	CDM MODULE ASSEMBLY-IGNITION (CUT WIRE AS REQUIRED)
32	84-821945A61		1	CABLE ASSY-HI TENSION (BLACK - 7MM CABLE) (CUT AS REQ'D)
	84-857124A1		1	CABLE ASSY-HI TENSION (GRAY - 8MM CABLE) (CUT AS REQ'D)
33	85-63709A1		1	BOOT/TERMINAL KIT-IGNITION CABLE (BLACK - FOR 7MM CABLE)
	85-857074A1		1	BOOT/TERMINAL KIT-IGNITION CABLE (GRAY - FOR 8MM CABLE)

● = COMPONENT OF POWERHEAD ASSEMBLY [800-818154A48]

CONTINUED ON NEXT PAGE ➡

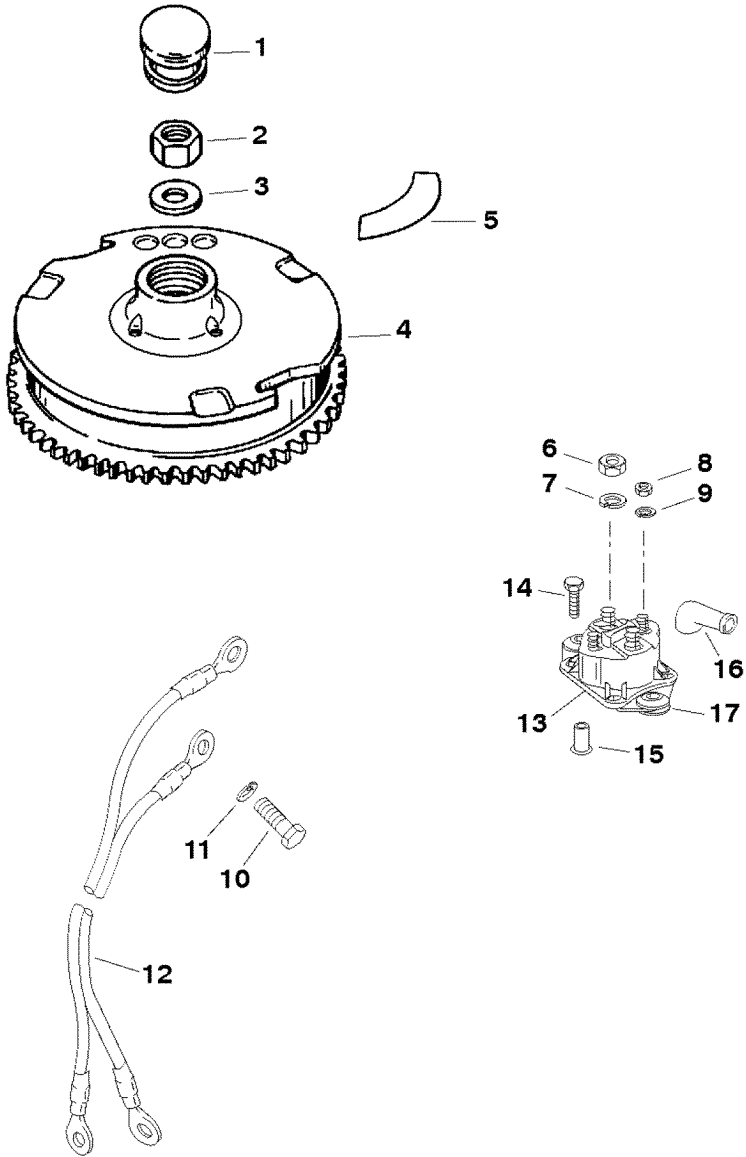
IGNITION COMPONENTS



IGNITION COMPONENTS

REF. NO.	PART NO.	SYM.	QTY.	DESCRIPTION
34	54-816311		AR	CABLE TIE (8.00 INCH)
35	37-819526		1	DECAL-THROTTLE CABLE ADJUSTMENT
36	12-89302		1	WASHER
37	12-29245		1	WASHER
-	800-818154A48		1	POWERHEAD ASSEMBLY

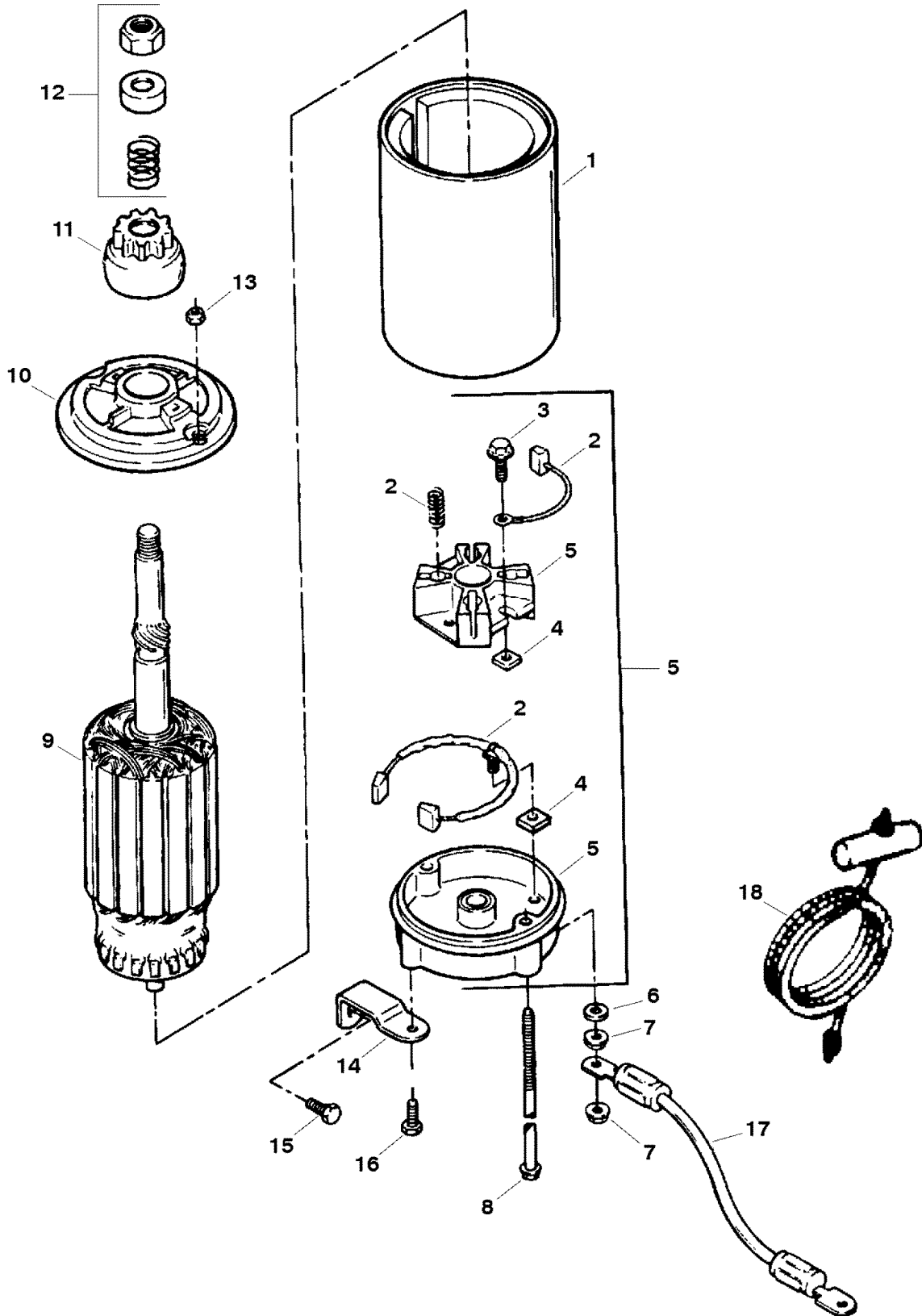
IGNITION COMPONENTS



IGNITION COMPONENTS

REF. NO.	PART NO.	SYM.	QTY.	DESCRIPTION
1	19-45907		1	PLUG (YELLOW)-CRANKSHAFT/FLYWHEEL
2	11-42979		1	NUT (M16)
3	12-68229		1	WASHER
4	261-9008A54		1	FLYWHEEL ASSEMBLY
5	37-825149A1		1	DECAL KIT-SHIFT TO NEUTRAL
6	11-68292		2	NUT (.312-18)
7	13-53166		2	LOCKWASHER (.312)
8	11-68219		2	NUT (#10-32)
9	13-26996		2	LOCKWASHER (#10)
10	10-39349		1	SCREW (.312-18 X .750)-GROUND
11	13-53166		1	LOCKWASHER (.312)-GROUND
12	84-F381896-4		1	CABLE ASSEMBLY-BATTERY
13	89-817109A3		1	SOLENOID KIT-STARTER
14	10-853652		2	SCREW (.250-20 X 1.125)
15	23-818968		2	BUSHING
16	85-830233		1	BOOT
17	25-822179		2	GROMMET

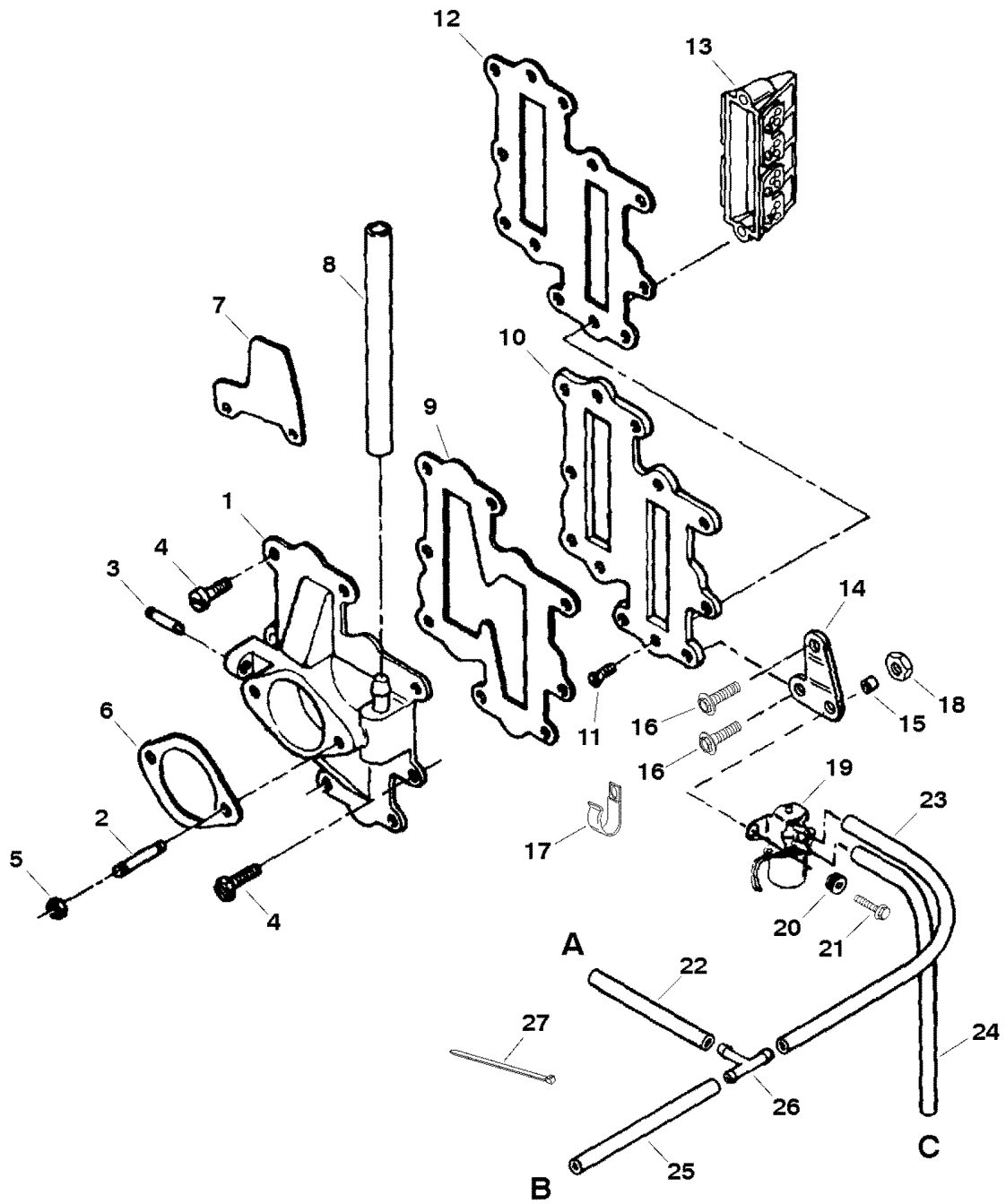
STARTER ASSEMBLY



STARTER ASSEMBLY

REF. NO.	PART NO.	SYM.	QTY.	DESCRIPTION
1	50-853869		1	STARTER ASSEMBLY
	50-853869T		1	STARTER ASSEMBLY
2	F15190		1	BRUSH/SPRING KIT
3	F15158		2	SCREW
4	F15159		2	BUSHING-INSULATOR
5	F15189		1	END CAP-COMMUTATOR
6	F15160		1	WASHER
7	F15162		2	NUT
8	F15178		2	THRU BOLT
9	F15177		1	ARMATURE
10	F15176		1	END CAP-DRIVE
11	802587		1	DRIVE ASSEMBLY
12	90644		1	DRIVE KIT
13	11-828451		2	NUT (.250-28)
14	F616675		1	BRACKET-STARTER MOUNT
15	10-19932062		1	SCREW (.250-20 X .625) WITH DRI LOK
16	10-19932062		1	SCREW (.250-20 X .625) WITH DRI LOK
17	84-93388A6		1	CABLE ASSY (5.500 INCHES)-STARTER LEAD
18	47341A1		1	ROPE AND HANDLE-EMERGENCY START
NS	37-825064		1	DECAL-CAUTION-START IN GEAR
	37-827282--2		1	DECAL-WARNING-HI VOLTAGE

REED PLATE AND PRIMER



A = TO BOTTOM OF TOP CARB
B = TO TOP OF BOTTOM CARB
C = TO FUEL BOWL TOP CARB

REED PLATE AND PRIMER

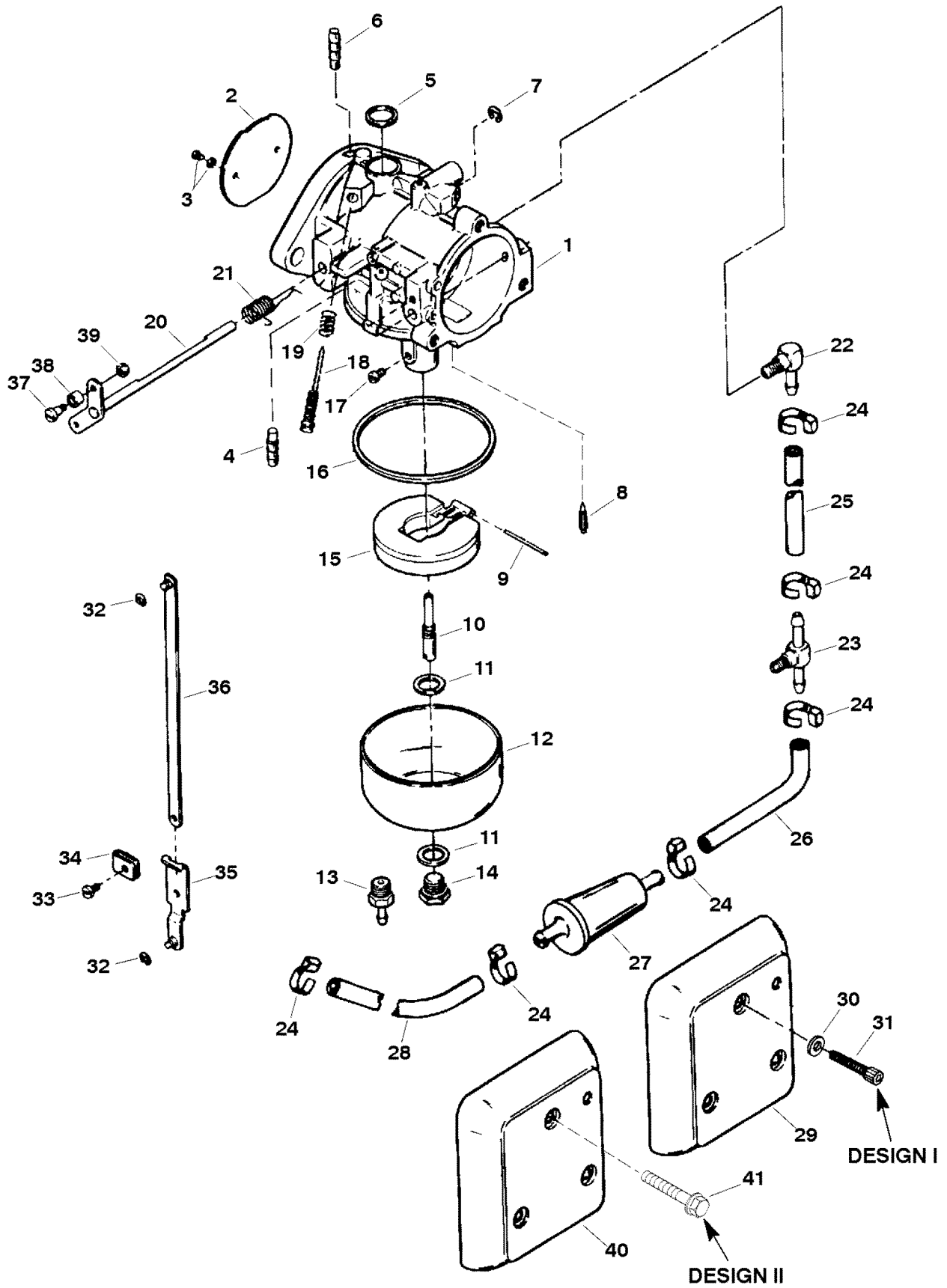
REF. NO.	PART NO.	SYM.	QTY.	DESCRIPTION
1	817799A1	●	1	ADAPTER ASSEMBLY (UPPER)
2	16-826387--2		2	STUD (.375-16 X 1.625) WITH DRI LOK
1	817800A1	●	1	ADAPTER ASSEMBLY (LOWER)
2	16-826387--2		2	STUD (.375-16 X 1.625) WITH DRI LOK
3	16-F433209-1		1	STUD (.250-20 X 1.250)
4	10-819110100	●	14	SCREW (.250-20 X 1.00)
5	11-86226		4	NUT (.375-16)
6	27-F440906	■●○	2	GASKET-CARBURETOR
7	F500894	●	1	POINTER-TIMING
8	32-830758-21		1	HOSE (6.00 INCHES)
9	27-828316	■●	2	GASKET-CARBURETOR INTAKE ADAPTER
10	820501	●	2	PLATE-DEFLECTOR
11	10-826380	●	8	SCREW (.250-20 X .625) WITH DRI LOK
12	27-F406406	■●	2	GASKET-DEFLECTOR PLATE
13	11645--2	●	4	REED BLOCK ASSEMBLY
14	819705	●	1	BRACKET-SOLENOID
15	23-F694359		1	SPACER
16	10-819110125	●	2	SCREW (.250-20 X 1.250)
17	54-65292	●	1	J CLIP
18	11-814101		1	NUT (.250-20)
19	89-819503		1	SOLENOID-PRIMER
20	25-F694504		1	GROMMET
21	10-90192		1	SCREW (.250-20 X .750)
22	32-99126-88		1	TUBING (36.00 INCHES BULK) (CUT 1.250 INCHES)
23	32-99126-88		1	TUBING (36.00 INCHES BULK) (CUT 4.500 INCHES)
24	32-99126-88		1	TUBING (36.00 INCHES BULK) (CUT 5.250 INCHES)
25	32-99126-88		1	TUBING (36.00 INCHES BULK) (CUT 8.00 INCHES)
26	22-F694922		1	FITTING-TEE
27	56762		3	CABLE TIE (4.00 INCH)
-	FK10023		1	GASKET SET-CARBURETOR
-	27-809125A2		1	GASKET SET-POWERHEAD
-	800-818154A48		1	POWERHEAD ASSEMBLY

● = COMPONENT OF POWERHEAD ASSEMBLY [800-818154A48]

■ = COMPONENT OF POWERHEAD GASKET SET [27-809125A2]

○ = COMPONENT OF CARBURETOR GASKET SET [FK10023]

CARBURETOR



CARBURETOR

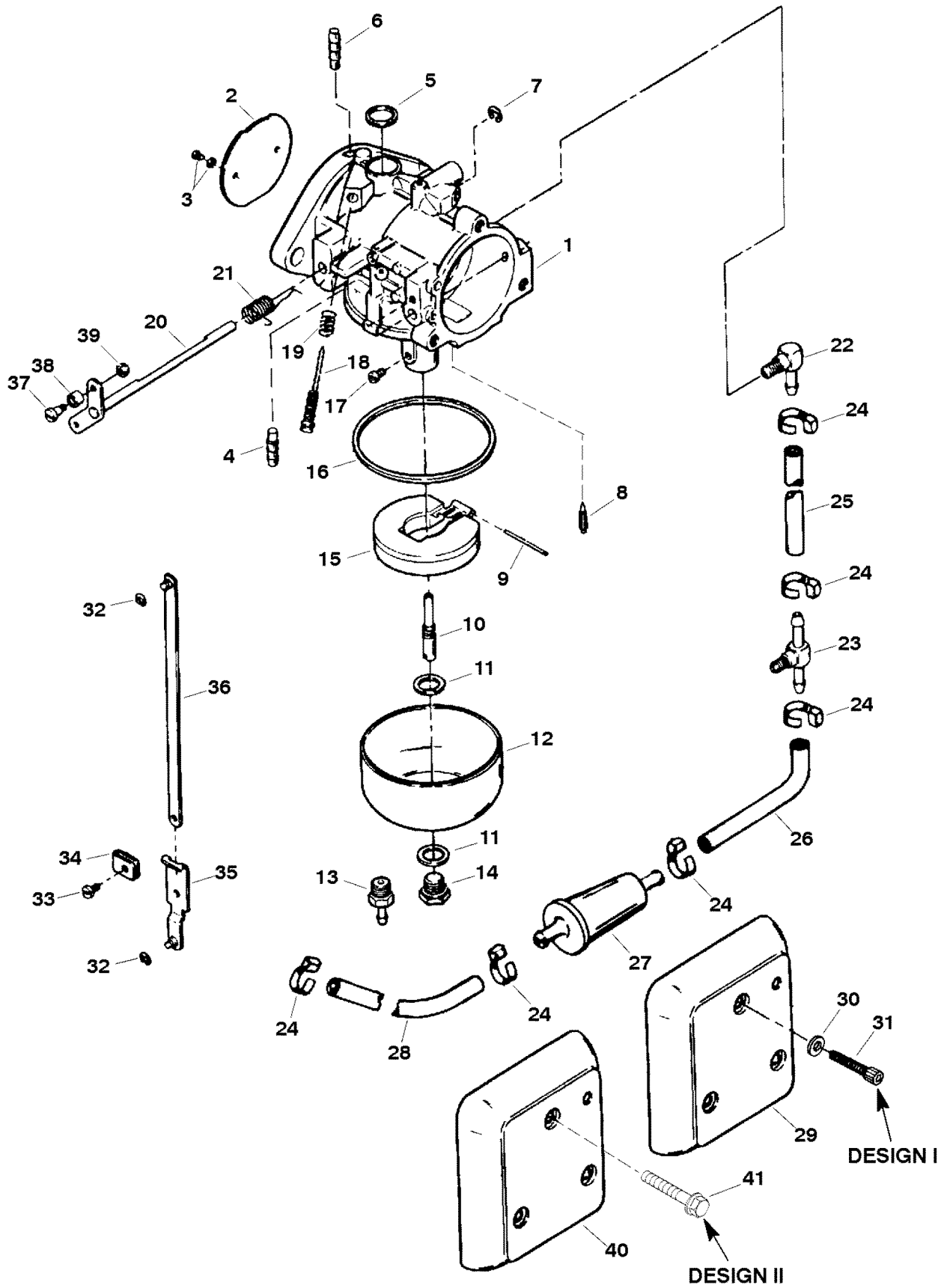
REF. NO.	PART NO.	SYM.	QTY.	DESCRIPTION
1	1300-854451		1	CARBURETOR (TC-138A) (TOP)
	1300-854452		1	CARBURETOR (TC-139A) (BOTTOM)
2	FO16142		1	SHUTTER-THROTTLE
3	10-F10328	■	2	SCREW-SHUTTER
4	F10274		1	NOZZLE-PRIMER (TOP CARB)
5	19-FO16128	■	1	PLUG-WELCH
6	F10274		1	NOZZLE-PRIMER (BOTTOM CARB)
7	FO16620		1	E RING-THROTTLE SHAFT
8	F10265	■	1	NEEDLE-INLET (NOTE: DO NOT REMOVE INLET SEAT)
9	17-FO13944	■	1	PIN-FLOAT
10	FO16133	■	1	NOZZLE-MAIN
11	27-FO5323	■○	2	GASKET-FUEL BOWL
12	FO16130		1	BOWL-FUEL
13	F10267		1	SCREW ASSY-FUEL BOWL (TOP CARB)
14	FO16132		1	SCREW-FUEL BOWL (BOTTOM CARB)
15	F10346		1	FLOAT-FUEL BOWL
16	27-FO15623	■○	1	GASKET-FUEL BOWL
17	FO13193		1	JET-MAIN FUEL (.088) (0 - 1500 FEET)
	FO13949		OPT	JET-MAIN FUEL (.086) (1500 - 3000 FEET)
	1399-3517		OPT	JET-MAIN FUEL (.084) (3000 - 4500 FEET)
	1399-3518		OPT	JET-MAIN FUEL (.082) (4500 - 6000 FEET)
	1395-6201		OPT	JET-MAIN FUEL (.080) (6000 - 10000 FEET)
18	F10268		1	SCREW-IDLE MIXTURE
19	24-27160	■	1	SPRING-IDLE MIXTURE SCREW
20	FO17884		1	SHAFT AND LEVER-THROTTLE
21	FO16143	■	1	SPRING-THROTTLE SHAFT
22	22-F84314-2		1	ELBOW (L) (TOP CARB)
23	22-F85314-1		1	TEE (T) (BOTTOM CARB)
24	54-816311		6	CABLE TIE (8.00 INCH)
25	32-830756109		1	HOSE (57.00 INCHES BULK) (CUT 7.500 INCHES)
26	32-830756109		1	HOSE (57.00 INCHES BULK) (CUT 21.00 INCHES)
27	35-816296		1	FILTER-FUEL
28	32-830756109		1	HOSE (57.00 INCHES BULK) (CUT 6.00 INCHES)
29	F511708-3		2	COVER-CARB (DESIGN I) (.530 HOLES FOR SOCKET HEAD SCREWS)
30	12-29245		6	WASHER (DESIGN I)
31	10-F2192		6	SCREW-SOCKET HEAD (.250-20 X 1.750) (DESIGN I)
32	53-21058		2	E RING-RETAINING
33	10-F1064		1	SCREW (#8-32 X .375)
34	11-F1693		1	NUT (#8-32)
35	FA85193		1	END ASSEMBLY-TIE BAR
36	FA178233		1	TIE BAR ASSEMBLY-THROTTLE

■ = COMPONENT OF CARBURETOR REPAIR KIT [809807A1]

○ = COMPONENT OF CARBURETOR GASKET SET [FK10023]

CONTINUED ON NEXT PAGE ➡

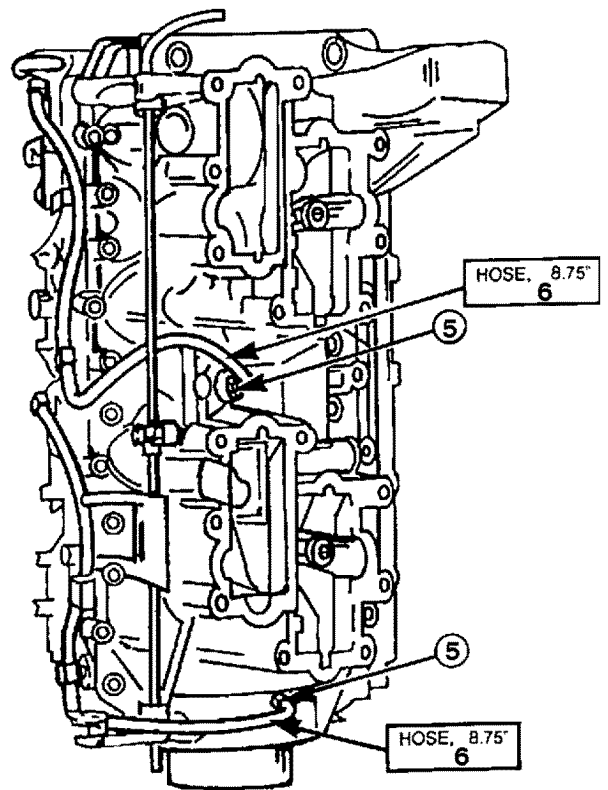
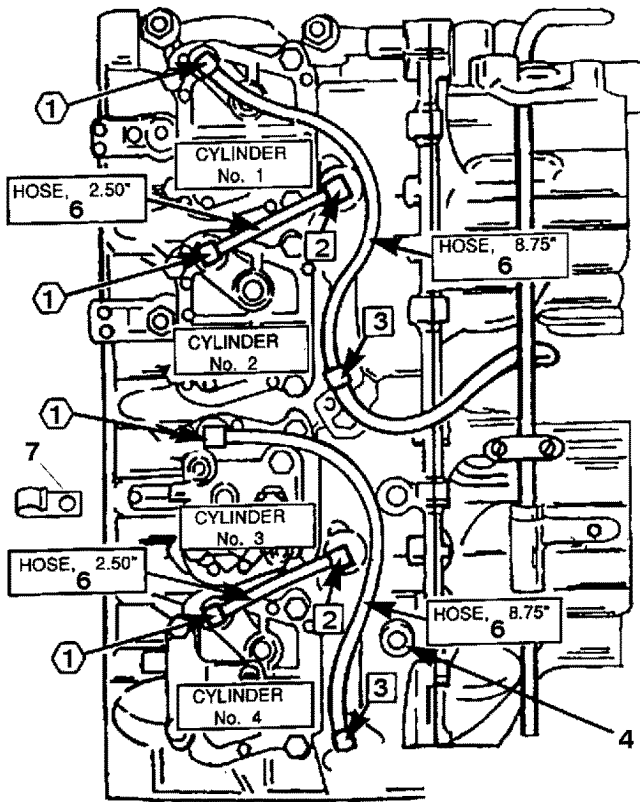
CARBURETOR



CARBURETOR

REF. NO.	PART NO.	SYM.	QTY.	DESCRIPTION
37	830110		1	SHAFT-THROTTLE ROLLER
38	819225		1	ROLLER-THROTTLE SHAFT
39	11-F1997		1	NUT (#8-32)
40	857010		2	COVER-CARBURETOR (DESIGN II) (.590 HOLES FOR WASHER AND SOCKET HEAD SCREWS OR HEX WASHERHEAD SCREWS)
41	10-19934175		6	SCREW-HEX WASHERHEAD WITH DRI LOK (.250-20 X 1.750) (DESIGN II)
-	FK10023		1	GASKET SET-CARBURETOR
-	809807A1		1	REPAIR KIT-CARBURETOR

RECIRCULATION SYSTEM

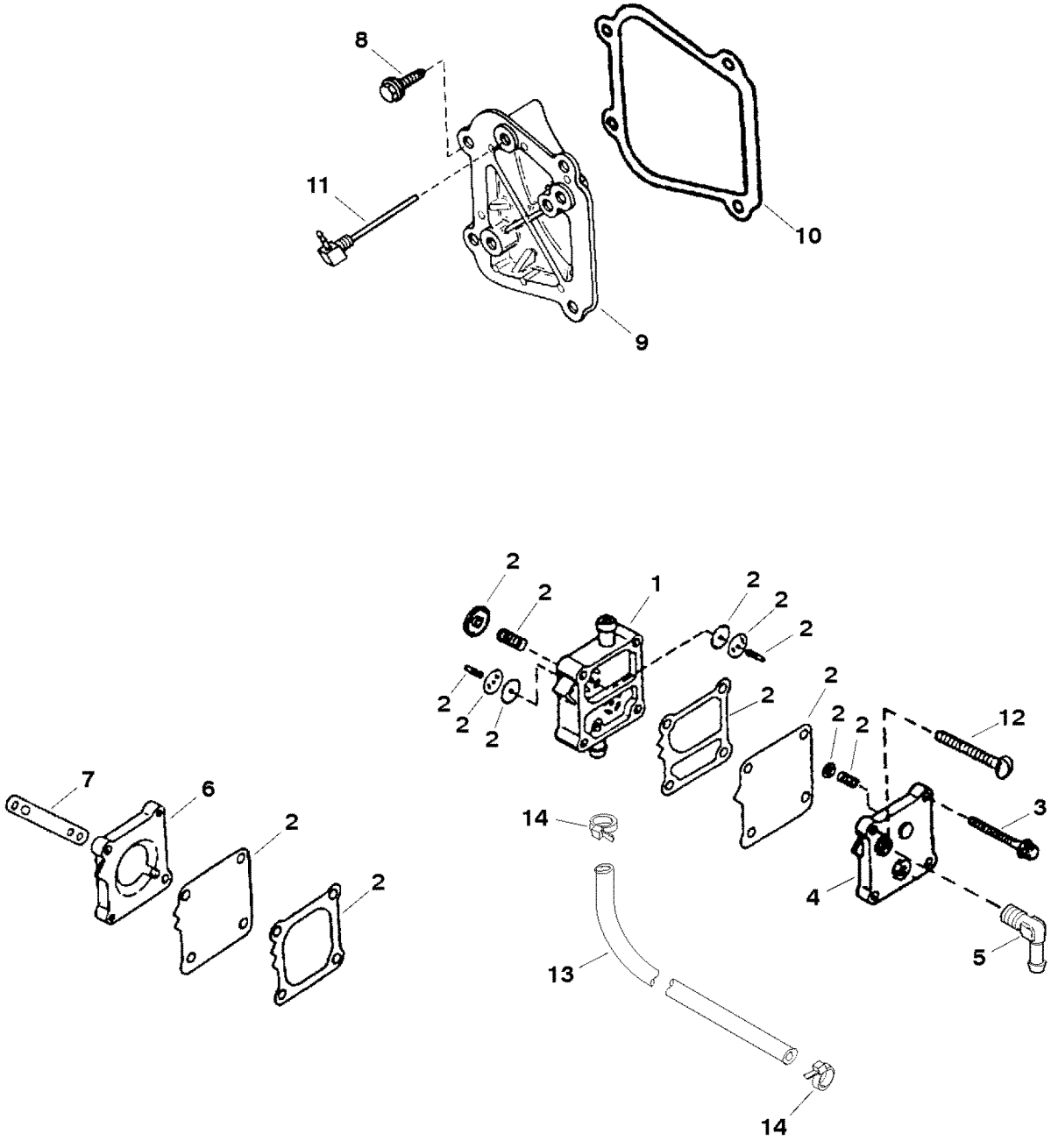


RECIRCULATION SYSTEM

REF. NO.	PART NO.	SYM.	QTY.	DESCRIPTION
1	22-F743314	●	4	ELBOW-RECIRCULATING
2	21-42864	●	2	VALVE-CHECK (90 DEGREE)
3	21-820706--1	●	2	VALVE-CHECK-RECIRCULATING TUBING
4	22-99664--1	●	1	ELBOW-FUEL PUMP HOSE
5	21-42658--5	●	2	VALVE-CHECK
6	32-99130122	●	1	HOSE (20.00 FEET BULK) (CUT 2 PIECES 2.500 INCHES) (CUT 4 PIECES 8.750 INCHES)
7	54-55098	●	1	J CLIP-FUEL HOSE
-	800-818154A48		1	POWERHEAD ASSEMBLY

● = COMPONENT OF POWERHEAD ASSEMBLY [800-818154A48]

FUEL PUMP ASSEMBLY



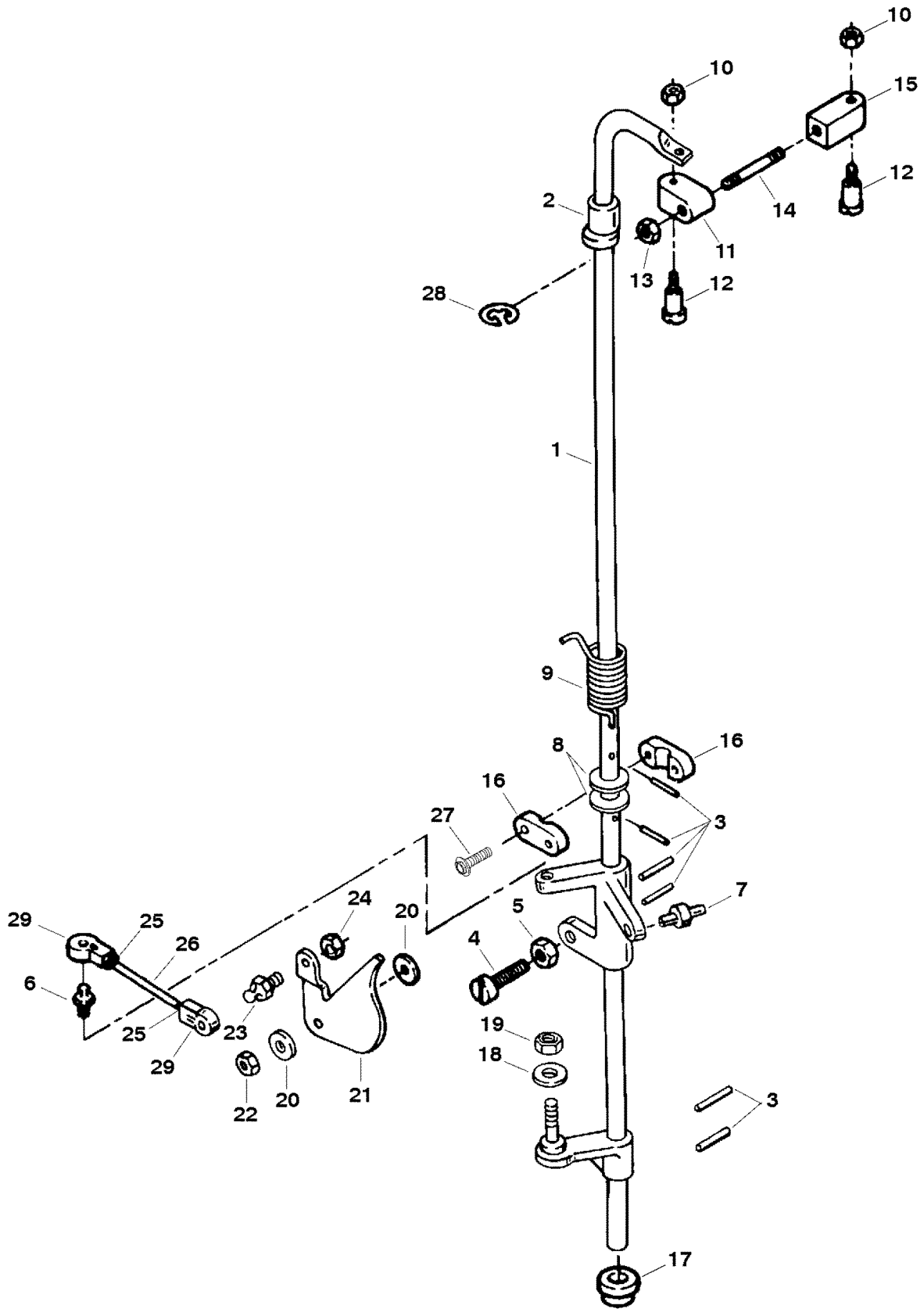
FUEL PUMP ASSEMBLY

REF. NO.	PART NO.	SYM.	QTY.	DESCRIPTION
1	14360A49		1	PUMP KIT-FUEL
2	21-42990A10		1	DIAPHRAGM KIT
3	10-821045-40		2	SCREW (M5 X 40)-FUEL PUMP
4	98775--2		1	PLATE-FUEL PUMP
5	22-99664--1		1	ELBOW
6	14430--3		1	BASE-FUEL PUMP
7	27-98769--1	■●	1	GASKET-FUEL PUMP BASE
8	10-819110062	●	4	SCREW (.250-20 X .625)
9	817870--3	●	1	COVER-FUEL PUMP
10	27-820500--2	■●	1	GASKET-FUEL PUMP COVER
11	22-F743314	●	1	ELBOW-RECIRCULATING
12	10-827357		2	SCREW (#12-24 X 2.00) WITH DRI LOK
13	32-830756109		1	HOSE-FUEL PUMP TO CYLINDER BLOCK (57.00 INCHES BULK) (CUT 4.500 INCHES)
14	54-816311		2	CABLE TIE (8.00 INCH)
-	27-809125A2		1	GASKET SET-POWERHEAD
-	800-818154A48		1	POWERHEAD ASSEMBLY

● = COMPONENT OF POWERHEAD ASSEMBLY [800-818154A48]

■ = COMPONENT OF POWERHEAD GASKET SET [27-809125A2]

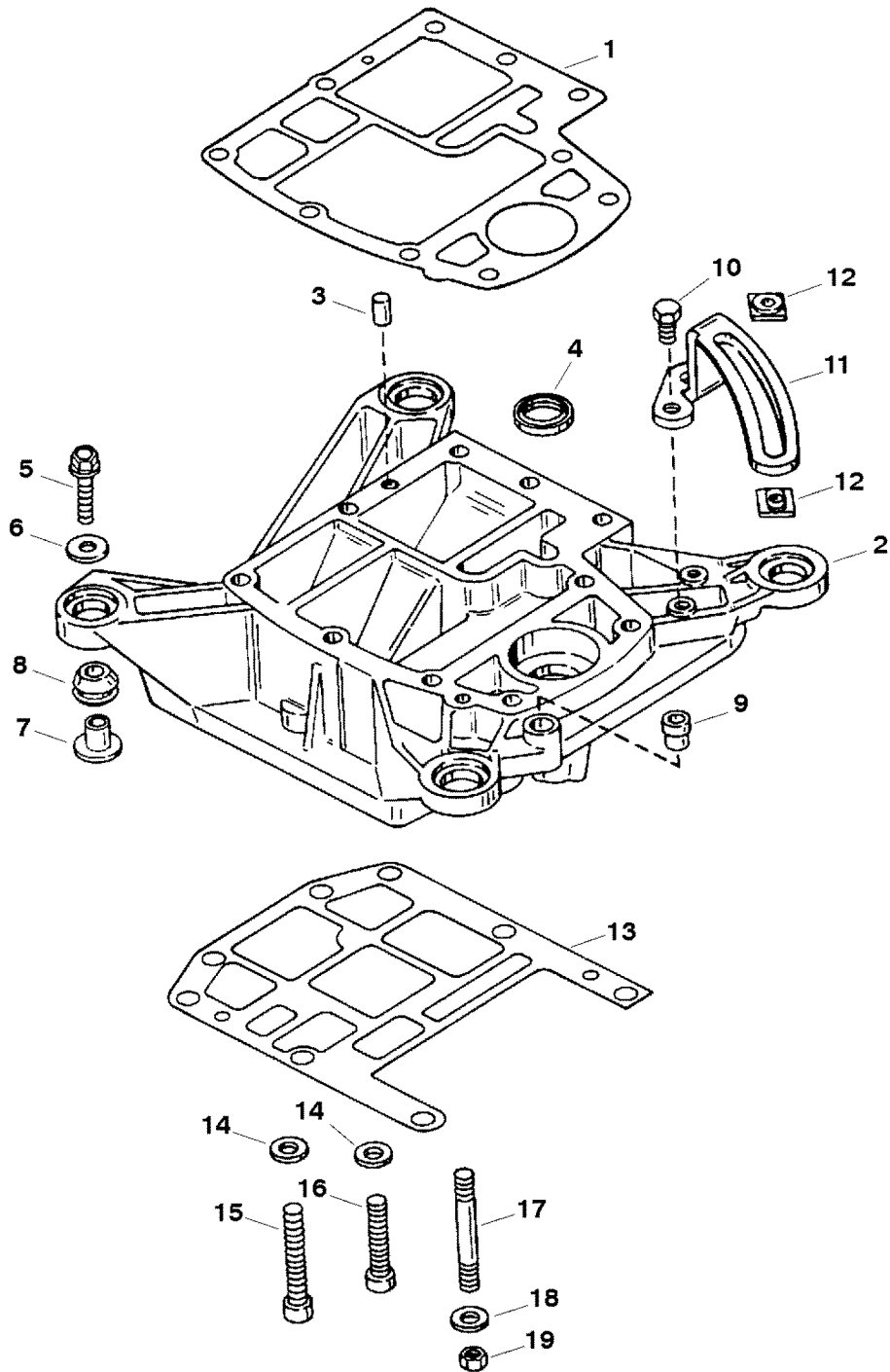
TOWERSHAFT AND THROTTLE LINKAGE



TOWERSHAFT AND THROTTLE LINKAGE

REF. NO.	PART NO.	SYM.	QTY.	DESCRIPTION
1	820303A1		1	TOWERSHAFT ASSEMBLY
2	23-819513		1	BUSHING-UPPER
3	17-38489		6	PIN-ROLL
4	10-F1504		1	SCREW (.250-20 X 1.250)
5	11-64015		1	NUT (.250-20)
6	828514		1	BALL-THREADED
7	17-F1727		1	RIVET-NYLON
8	12-F1856		2	WASHER
9	24-819533		1	SPRING-THROTTLE RETURN
10	11-F7009		2	NUT (#10-24)
11	F499035		1	END-CONTROL ROD (TO TOWERSHAFT)
12	F499026		2	SWIVEL-CONTROL ROD END
13	11-F2015		1	NUT (.250-28)
14	F85445-1		1	ROD-SPARK CONTROL
15	F499036-1		1	END-CONTROL ROD (.250-28 LH) (TO TRIGGER)
16	F607689		2	BEARING-TOWERSHAFT SUPPORT
17	23-F40689-1		1	BEARING-TOWERSHAFT LOWER
18	12-35459		1	WASHER
19	11-826833--6		1	NUT (M6)
20	23-F269319		2	BEARING-THROTTLE CAM
21	828950--1		1	CAM-THROTTLE
22	11-72008		1	NUT (.250-20)
23	828514		1	BALL-THREADED
24	11-20110		1	NUT (#10-32)
25	11-68219		2	NUT (#10-32)
26	819002		1	LINK-THROTTLE
27	10-19961088		2	SCREW (#10-24 X .875) WITH DRI LOK
28	53-13194		1	RING-RETAINING
29	830875		2	SOCKET-BALL

ADAPTER PLATE - UPPER



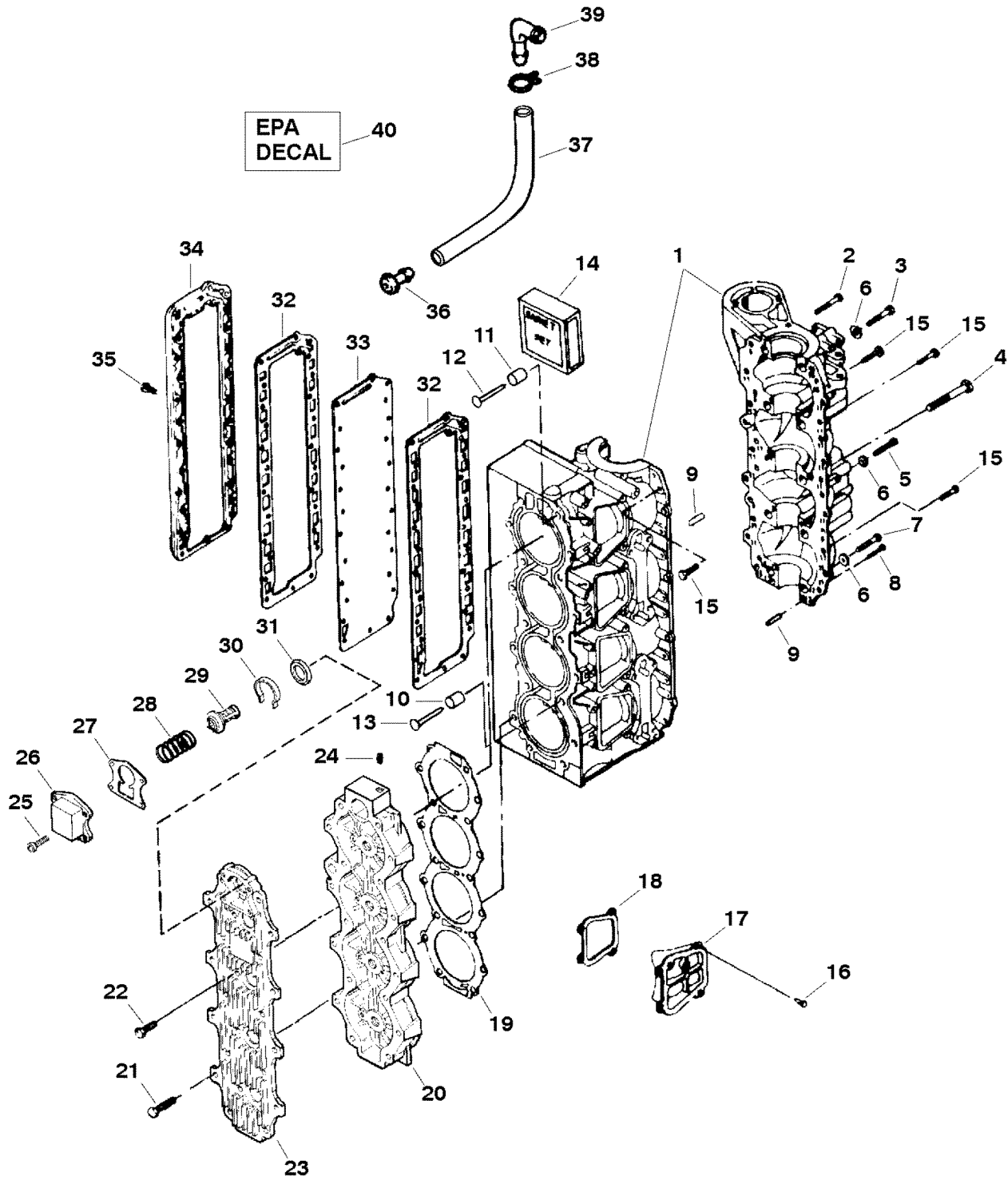
ADAPTER PLATE - UPPER

REF. NO.	PART NO.	SYM.	QTY.	DESCRIPTION
1	27-826549	■●	1	GASKET-POWERHEAD TO UPPER ADAPTER PLATE
2	820192A1		1	PLATE ASSEMBLY-UPPER ADAPTER
3	17-23784		2	PIN-DOWEL
4	26-819740		1	SEAL-DRIVESHAFT
5	10-818934-35		4	SCREW (M8 X 35)
6	12-49436		4	WASHER
7	23-19064		4	BUSHING-ADAPTER PLATE GROMMET
8	25-825380		4	GROMMET-ADAPTER PLATE
9	23-F40689-1		1	BEARING-TOWERSHAFT LOWER
10	10-19938-20		2	SCREW (M8 X 20) WITH DRI LOK
11	820280		1	RAIL-SHIFT
12	820277		2	SLIDE-SHIFT
13	27-826550	■●	1	GASKET-ADAPTER PLATE/DRIVESHAFT HOUSING
14	12-828271		10	WASHER
15	10-19929325		3	SCREW (.375-16 X 3.250) WITH DRI LOK
16	10-19929175		7	SCREW (.375-16 X 1.750) WITH DRI LOK
17	16-820702--1		8	STUD (M10)
18	12-856774		8	WASHER
19	11-13914		8	NUT (M10)
-	27-809125A2		1	GASKET SET-POWERHEAD
-	800-818154A48		1	POWERHEAD ASSEMBLY

● = COMPONENT OF POWERHEAD ASSEMBLY [800-818154A48]

■ = COMPONENT OF POWERHEAD GASKET SET [27-809125A2]

CYLINDER BLOCK ASSEMBLY



CYLINDER BLOCK ASSEMBLY

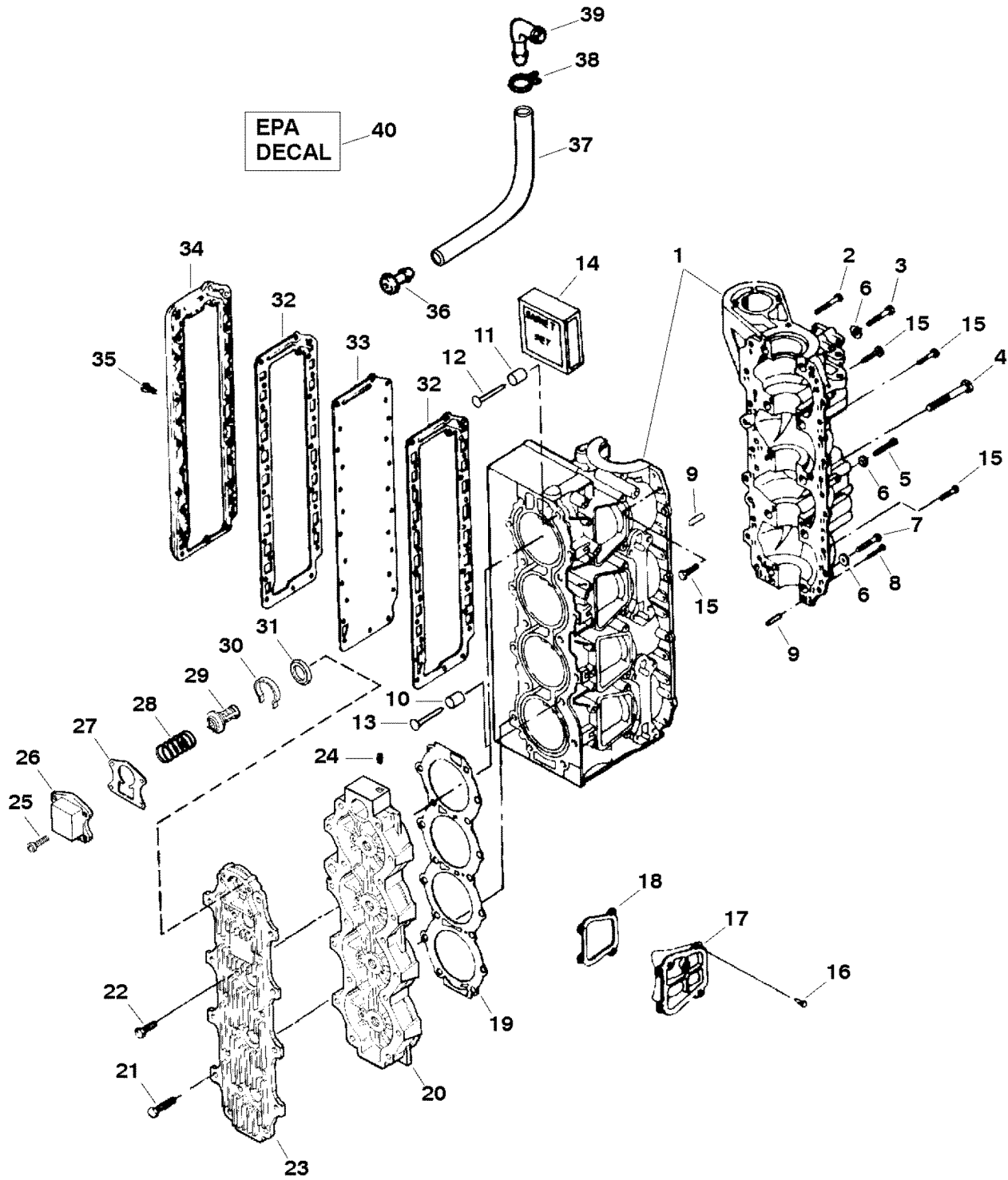
REF. NO.	PART NO.	SYM.	QTY.	DESCRIPTION
1	800-818154A48		1	POWERHEAD ASSEMBLY (PAINTED)
	800-818154A41	●	1	CYLINDER BLOCK KIT
2	10-F1874		1	SCREW (.375-16 X 3.125)
3	10-47688		1	SCREW (.375-16 X 2.750)
4	10-53734		2	SCREW (.375-16 X 3.00)
5	10-94207		4	SCREW (.375-16 X 2.00)
6	12-828271		10	WASHER
7	10-32132		2	SCREW (.375-16 X 1.750)
8	10-820589		2	SCREW (.250-20 X 1.250)
9	17-43044		2	PIN-DOWEL (.375 X .625)
10	32-F719418		3	TUBE-WATER JACKET
11	32-F719943		1	TUBE-WATER JACKET (TOP)
12	17-F691372		1	PIN-WATER JACKET TUBE (TOP)
13	17-F719372		3	PIN-WATER JACKET TUBE
14	27-809125A2		1	GASKET SET-POWERHEAD
15	10-819110088	●	24	SCREW (.250-20 X .875)
16	10-819110062	●	12	SCREW (.250-20 X .625)
17	819737--3	●	3	COVER-TRANSFER PORT
18	27-820500--2	■●	3	GASKET-TRANSFER PORT COVER
19	27-824615--2	■●	1	GASKET-CYLINDER HEAD
20	900-819777--2	●	1	HEAD-CYLINDER
21	10-79654	●	18	SCREW (.312-18 X 2.375) SEE NOTE #1
22	10-819110062	●	4	SCREW (.250-20 X .625)
23	F665995	●	1	COVER-CYLINDER HEAD
24	22-32802--1	●	1	PLUG (BRASS)-CYLINDER HEAD
25	10-19932075	●	4	SCREW (.250-20 X .750) WITH DRI LOK
26	819693--1	●	1	COVER-THERMOSTAT
27	27-828319	■●	1	GASKET-THERMOSTAT COVER
28	24-F664268	●	1	SPRING
29	F664068	●	1	THERMOSTAT (130 DEGREES)
	859620	●	OPT	THERMOSTAT (118 DEGREES)
30	23-828311--1	●	1	SPACER
31	26-F664914	■●	1	SEAL-THERMOSTAT
32	27-819024--2	■●	2	GASKET-EXHAUST PLATE
33	819779--1	●	1	PLATE-EXHAUST
34	F686152	●	1	COVER-EXHAUST
35	10-819110125	●	27	SCREW (.250-20 X 1.250)
36	22-813613		1	FITTING-TELLTALE HOSE
37	32-830756109		1	TUBING (57.00 INCHES BULK) (CUT 21.00 INCHES)
38	54-816311		1	CABLE TIE (8.00 INCH)

● = COMPONENT OF POWERHEAD ASSEMBLY [800-818154A48]

■ = COMPONENT OF POWERHEAD GASKET SET [27-809125A2]

CONTINUED ON NEXT PAGE ➡

CYLINDER BLOCK ASSEMBLY



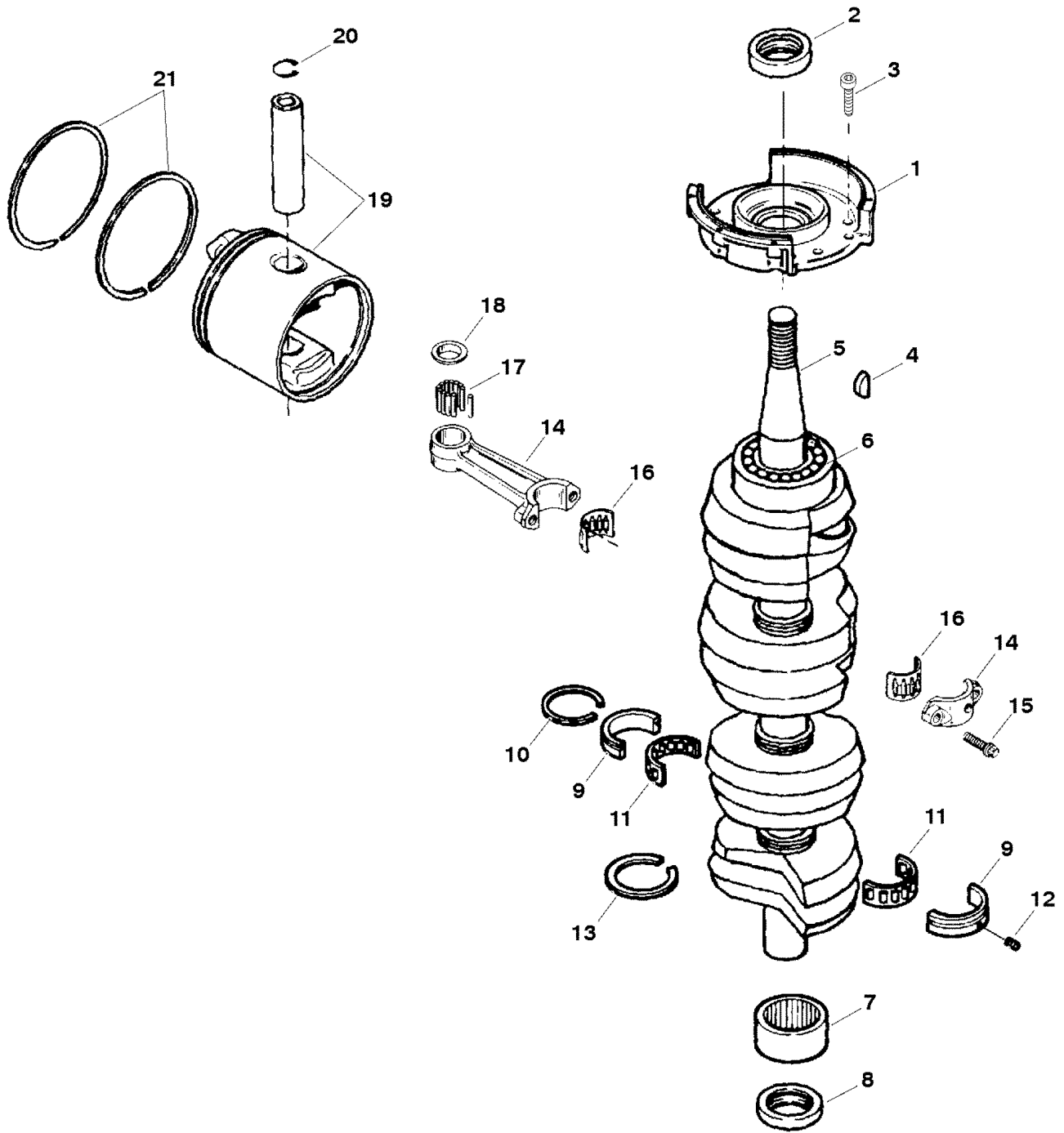
CYLINDER BLOCK ASSEMBLY

REF. NO.	PART NO.	SYM.	QTY.	DESCRIPTION
39	22-99664--1	●	1	ELBOW
40	37-855577-20		1	DECAL-EPA LABEL INFO (APPLIED TOP OF BLOCK NEAR EXHAUST COVER) (SEE NOTE #2) (SERIAL # 0E288000 THRU 0E344999)
	37-856985-17		1	DECAL-EPA LABEL INFO (APPLIED TOP OF BLOCK NEAR EXHAUST COVER) (SEE NOTE #2) (SERIAL # 0E345000 THRU 0E369299)
-	27-809125A2		1	GASKET SET-POWERHEAD
-	800-818154A48		1	POWERHEAD ASSEMBLY

NOTE #2: THE EPA LABEL HAS IMPORTANT INFORMATION ON EPA EMISSION REGULATIONS. REPLACE ANY MISSING OR UNREADABLE EPA LABEL.

● = COMPONENT OF POWERHEAD ASSEMBLY [800-818154A48]

CRANKSHAFT AND PISTON



CRANKSHAFT AND PISTON

REF. NO.	PART NO.	SYM.	QTY.	DESCRIPTION
1	1100-819312A3	●	1	CAGE ASSEMBLY-CRANKSHAFT UPPER
2	26-828626	■	1	SEAL-CRANKSHAFT UPPER
3	10-92160	●	5	SCREW (.250-20 X .750)
4	28-91800		1	KEY-CRANKSHAFT/FLYWHEEL
5	489-828306A1	●	1	CRANKSHAFT ASSEMBLY
6	30-F284659-2		1	BEARING-UPPER
7	31-818050A3	●	1	BEARING ASSEMBLY-LOWER
8	26-828627	■	1	SEAL-CRANKSHAFT LOWER (SEE NOTE #1)
9	31-FA85655-1	●	3	BEARING ASSEMBLY-CENTER MAIN
10	53-F85410		3	RING-SNAP
11	31-819193	●	3	CAGE/ROLLER SET
12	17-823605	●	4	PIN-LOCATING (INCLUDED AND PRESSED INTO CYLINDER ASSEMBLY 800-818154A41)
13	F316579	●	3	SEAL-CRANKCASE
14	640-9612A7	●	4	CONNECTING ROD ASSEMBLY
15	10-91012		8	SCREW-CONNECTING ROD SEE NOTE #2
16	31-17514A2		4	BEARING ASSEMBLY-ROLLER
17	29-47270		116	ROLLER-NEEDLE
18	12-812876		8	WASHER-THRUST
19	700-828304A10	●	4	PISTON KIT (STANDARD)
	700-828304A11		OPT	PISTON KIT (.015 OVERSIZE)
	700-828304A12		OPT	PISTON KIT (.030 OVERSIZE)
20	40-52035		8	RING-LOCK
21	39-828564A4		4	RING SET (2 RINGS) (STANDARD)
	39-828564A5		OPT	RING SET (2 RINGS) (.015 OVERSIZE)
	39-828564A6		OPT	RING SET (2 RINGS) (.030 OVERSIZE)
-	27-809125A2		1	GASKET SET-POWERHEAD
-	800-818154A48		1	POWERHEAD ASSEMBLY

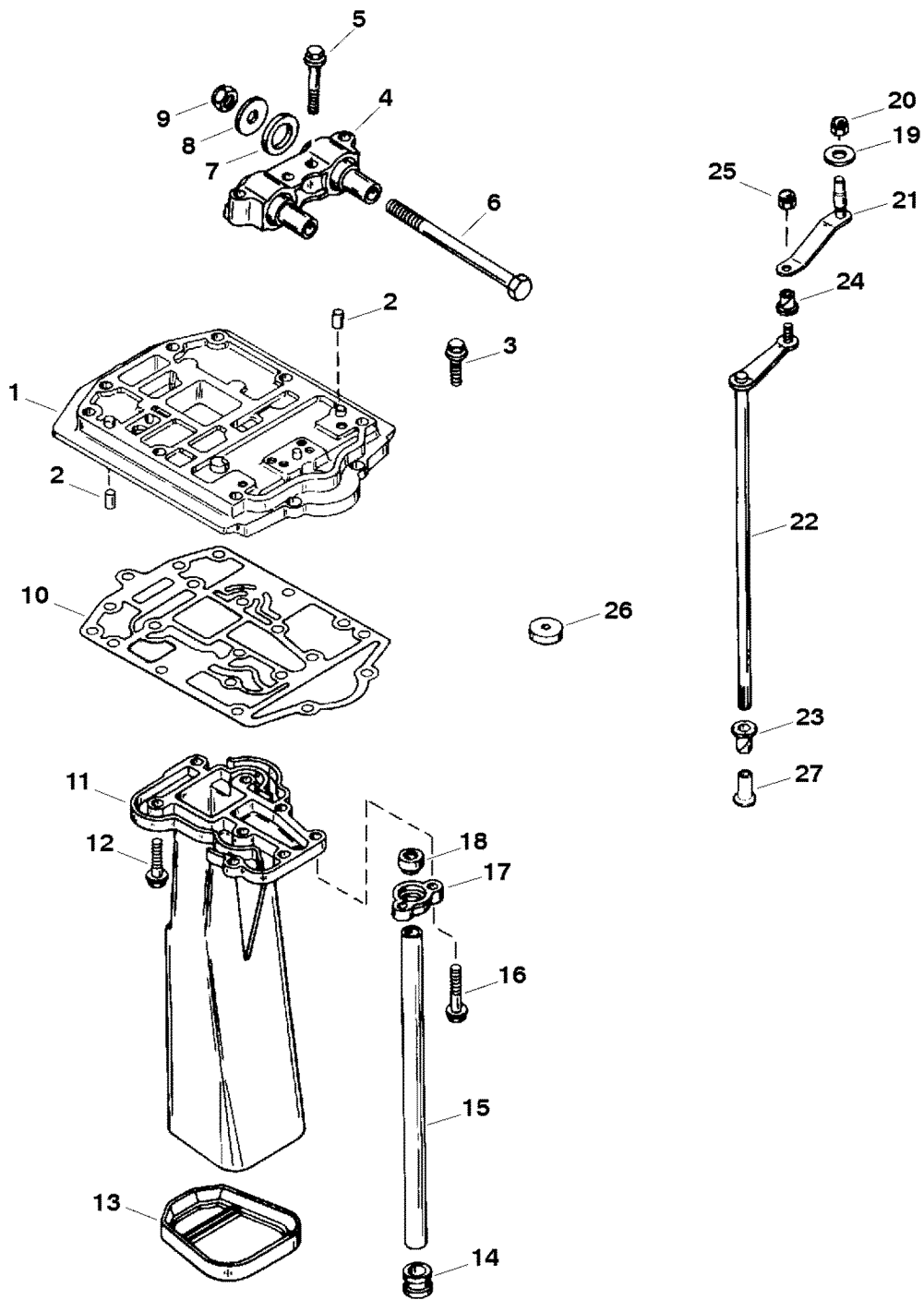
NOTE #1: GARTER SPRING TO BE DOWN AND CLOSED END OF SEAL AWAY FROM BEARING.

NOTE #2: APPLY LIGHT COAT OF 2-CYCLE OIL TO BOLT HEAD AND THREADS. ALWAYS USE NEW SCREWS. 120 LB. IN. (13.5 NJM) THEN TURN AN ADDITIONAL 90 DEGREES.

● = COMPONENT OF POWERHEAD ASSEMBLY [800-818154A48]

■ = COMPONENT OF POWERHEAD GASKET SET [27-809125A2]

EXHAUST PLATE

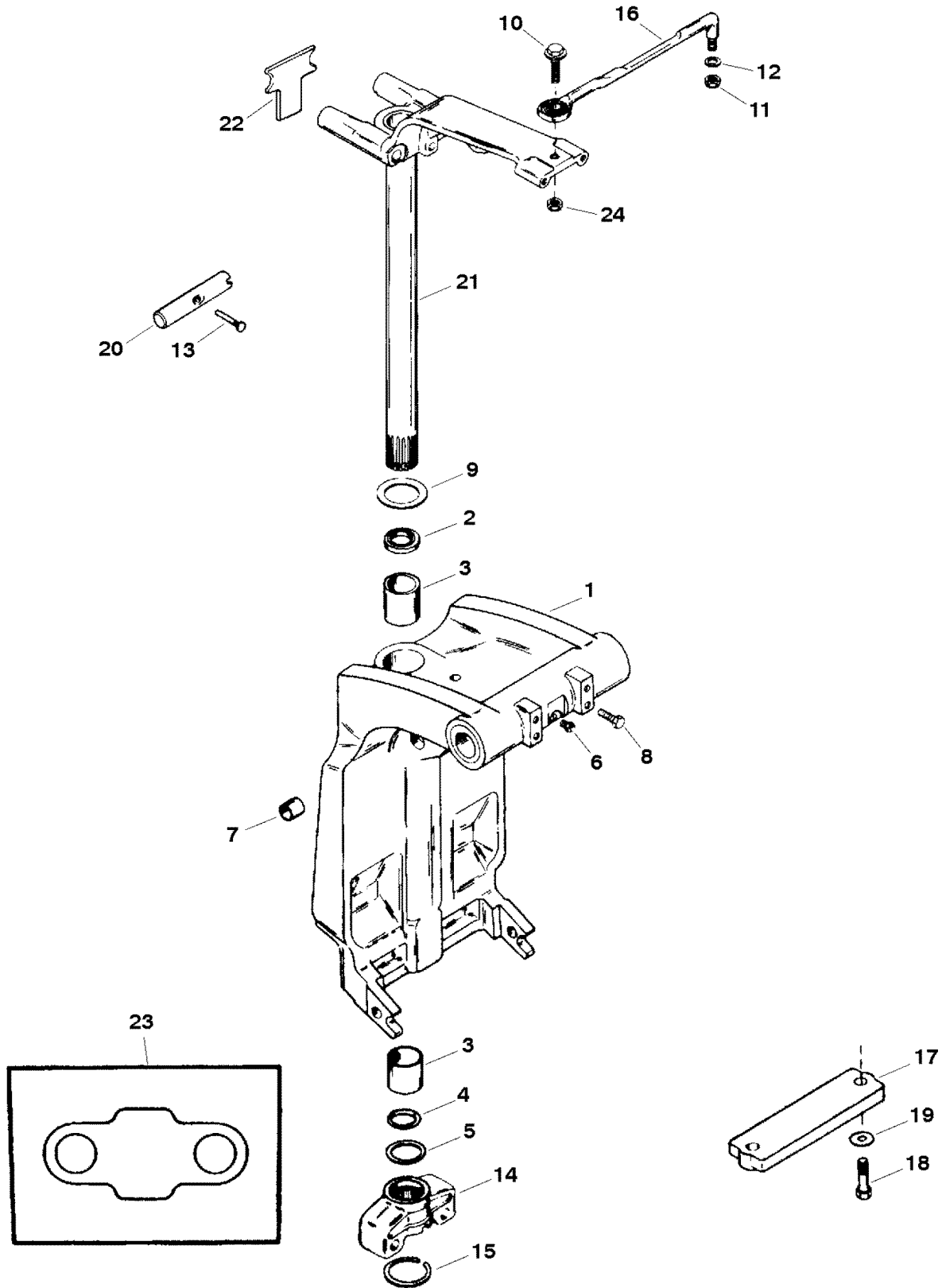


EXHAUST PLATE

REF. NO.	PART NO.	SYM.	QTY.	DESCRIPTION
1	820194A1		1	PLATE ASSEMBLY-EXHAUST (SERIAL # 0E288000 THRU 0E344999)
	856098T1		1	PLATE ASSEMBLY-EXHAUST (SERIAL # 0E345000 THRU 0E369299)
2	17-23784		5	PIN-DOWEL
3	10-40089-20		3	SCREW (M8 X 20)
4	44344--2		1	MOUNT
5	10-40107-50		4	SCREW (M8 X 50)
6	10-42974		2	SCREW (M12 X 175)
7	12-93416--1		2	WASHER
8	12-28421		2	WASHER
9	11-90099		2	NUT (M12)
10	27-43008--6		1	GASKET-EXHAUST PLATE/EXHAUST TUBE
11	42966--6		1	TUBE-EXHAUST (SERIAL # 0E288000 THRU 0E344999)
	42966--4		1	TUBE-EXHAUST (SERIAL # 0E345000 THRU 0E369299)
12	10-40107-25		6	SCREW (M8 X 25)
13	42962		1	SEAL-EXHAUST TUBE
14	25-89417--1		1	GROMMET-WATER TUBE LOWER
15	32-824660--1		1	TUBE-WATER (LONG MODELS)
	32-824660--2		1	TUBE-WATER (X-LONG MODELS)
16	10-40107-50		2	SCREW (M8 X 50)
17	824661		1	CLAMP-WATER TUBE
18	814080		1	SEAL-WATER TUBE UPPER
19	12-35459		1	WASHER
20	11-826833--6		1	NUT (M6) SEE NOTE #1
21	820278A1		1	LINK ASSEMBLY-SHIFT
22	79932A20		1	LEVER KIT-SHIFT SHAFT
23	23-48237		1	BUSHING
24	23-48475		1	BUSHING
25	11-826833--6		1	NUT (M6)
26	23-43041		1	SPACER (LONG MODELS)
	23-11289		1	SPACER (X-LONG MODELS)
27	43585		1	COUPLING-SHIFT SHAFT

NOTE #1: NO TORQUE REQUIREMENT, DRIVE UNIT TIGHT, BUT JOINT MUST BE FREE TO PIVOT.

SWIVEL BRACKET AND STEERING ARM

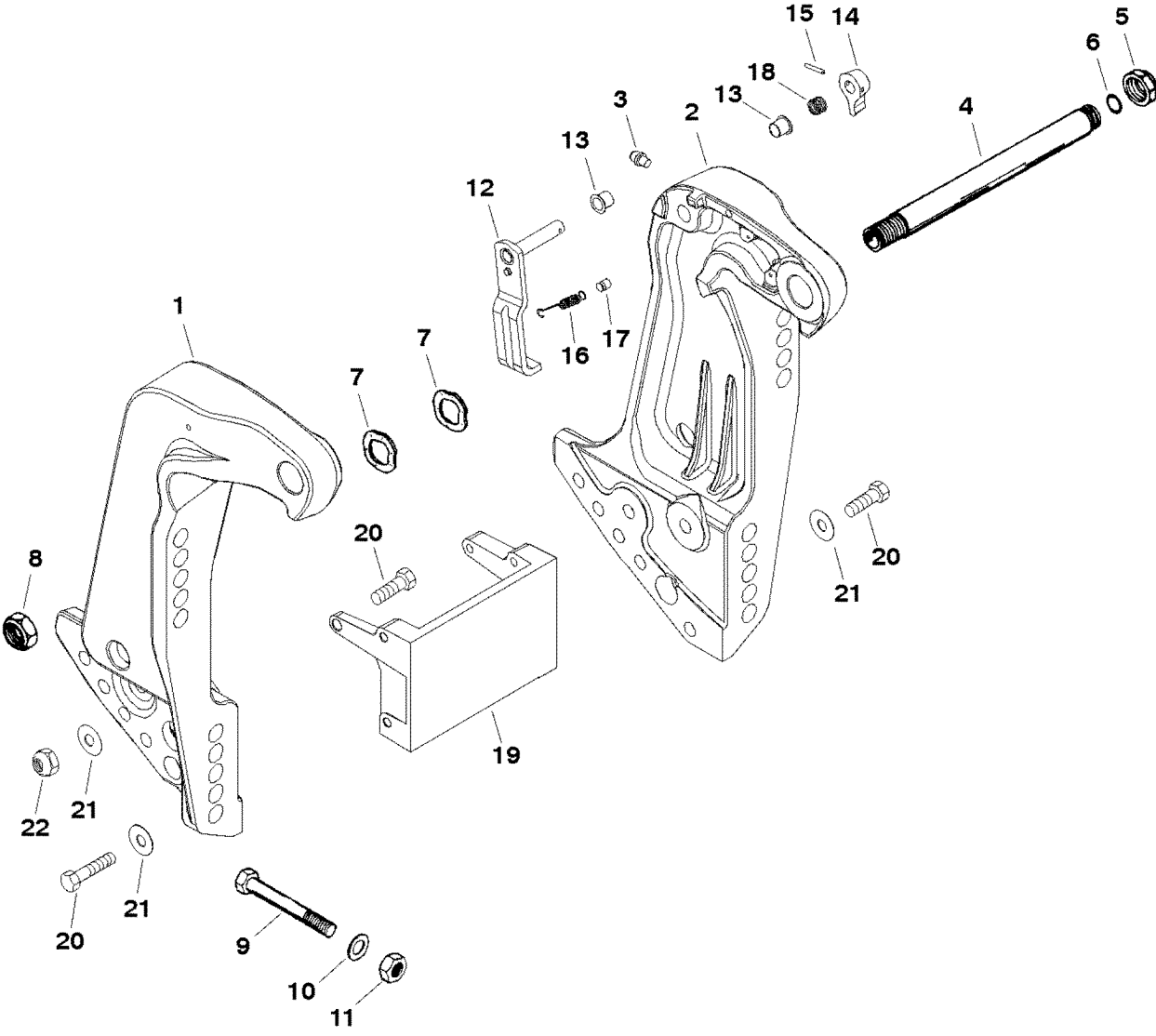


SWIVEL BRACKET AND STEERING ARM

REF. NO.	PART NO.	SYM.	QTY.	DESCRIPTION
1	3408-818904A4		1	BRACKET ASSEMBLY-SWIVEL (PAINTED)
2	26-87735		1	SEAL-OIL
3	23-818764		2	BUSHING
4	25-33504		1	O RING
5	23-816039		1	SPACER
6	22-74036		2	FITTING-GREASE
7	23-821207		2	BUSHING
8	10-64014		2	SCREW (.250-28 X .500)
9	12-816432		1	WASHER-THRUST
10	10-14000		1	SCREW (.375-24 X 1.250)
11	11-34863		1	NUT (.375-24) SEE NOTE #1
12	12-37828		2	WASHER
13	17-821539		1	PIN-TRILOBE
14	42961A5		1	YOKE ASSEMBLY-BOTTOM (PAINTED)
15	53-67684		1	RING-RETAINING
16	92876A1		1	STEERING LINK ASSEMBLY
17	818298A1		1	ANODE KIT
18	10-40003-30		2	SCREW (M6 X 25)
19	12-29245		2	WASHER
20	99625--1		1	SHAFT (UPPER)
21	99661A31		1	SWIVEL PIN ASSEMBLY (PAINTED)
22	88882		1	BUMPER-TOP YOKE (X-LONG MODELS)
23	11288		1	BUMPER-BOTTOM YOKE (X-LONG MODELS)
24	11-34863		1	NUT (.375-24)

NOTE #1: TIGHTEN UNTIL IT SEATS, THEN BACK OFF 1/4 TURN.

TRANSOM BRACKET

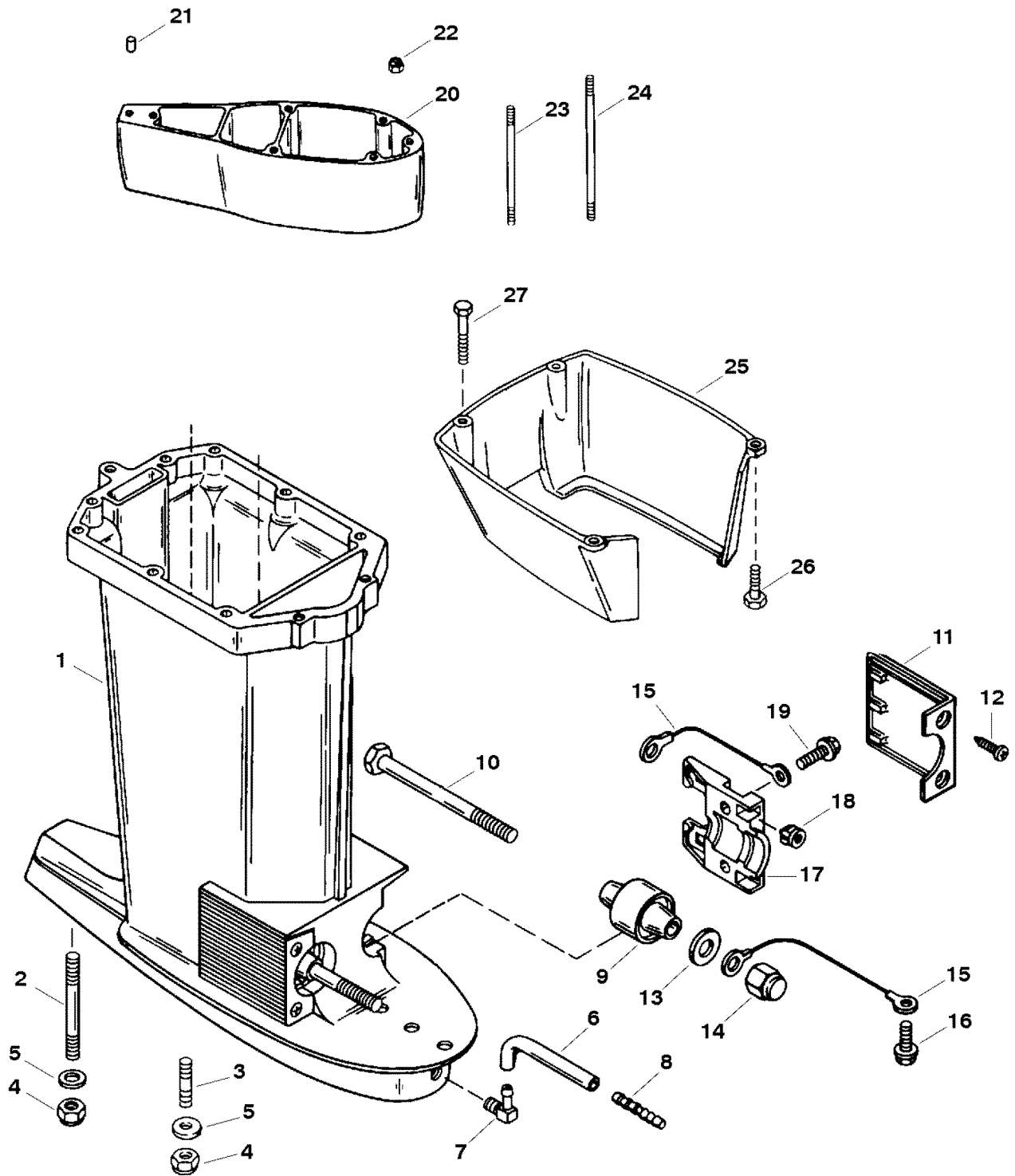


TRANSOM BRACKET

REF. NO.	PART NO.	SYM.	QTY.	DESCRIPTION
1	3426-828334F4		1	BRACKET-TRANSOM (PAINTED) (STARBOARD)
2	3425-828333A6		1	BRACKET ASSY-TRANSOM (PAINTED) (PORT)
3	22-98727		1	FITTING-GREASE
4	99170A2		1	TUBE KIT-TILT
5	11-34862		1	NUT (1.0-14) SEE NOTE #1
6	25-45711		1	O RING
7	13-88750		2	WASHER-WAVE
8	11-30499		1	NUT (.875-14) SEE NOTE #2
9	10-67755--1		4	BOLT (.500-20 X 4.500)
10	12-28421		4	WASHER
11	11-91962		4	NUT (.500-20)
12	821176A1		1	LEVER ASSEMBLY-TILT LOCK
13	23-65830		2	BUSHING
14	99633		1	KNOB-TILT LOCK LEVER
15	17-99615		1	PIN-GROOVE
16	24-830899		1	SPRING-TILT LOCK TENSION
17	17-99617		1	PIN-GROOVE
18	24-830900		1	SPRING
19	818771F8		1	BRACKET-TRANSOM BRACKET ANCHOR (PAINTED)
20	10-40003-77		6	SCREW (M10 X 30)
21	12-40023-19		6	WASHER
22	11-40114		1	NUT (M10)

NOTE #1: NO TORQUE REQUIREMENT, DRIVE NUT UNTIL BOTTOMED ON SHOULDER OF TILT TUBE.
 NOTE #2: NO TORQUE REQUIREMENT, DRIVE NUT UNTIL ASSEMBLY IS DRAWN TOGETHER, BUT MUST BE FREE TO PIVOT.

DRIVESHAFT HOUSING

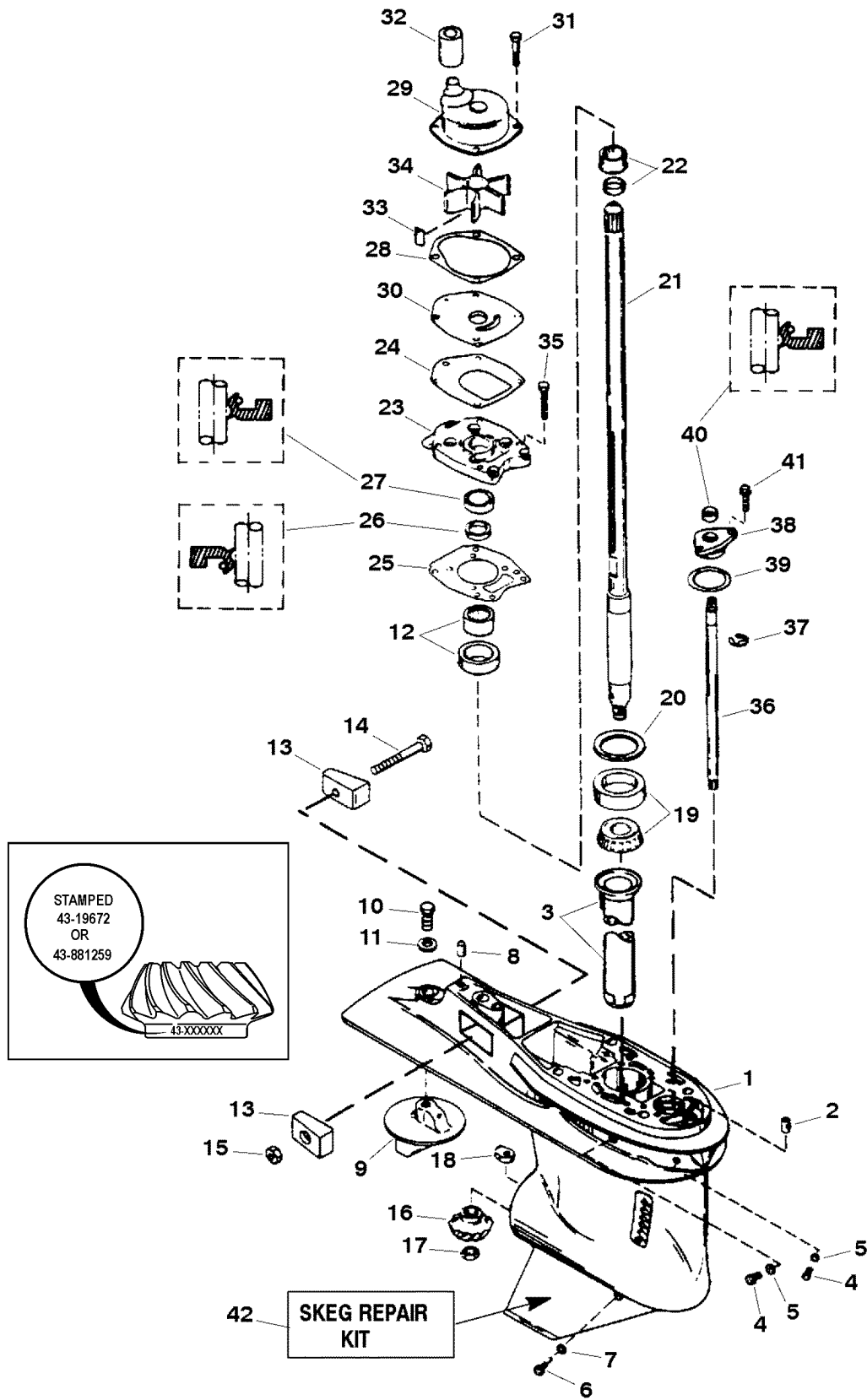


DRIVESHAFT HOUSING

REF. NO.	PART NO.	SYM.	QTY.	DESCRIPTION
1	1598-8974A28		1	HOUSING KIT-DRIVESHAFT (PAINTED)
2	16-90350--1		1	STUD (M10 X 100) (LONG MODELS)
3	16-90350-12		4	STUD (M10 X 63) (LONG MODELS)
4	11-13914		5	NUT (M10)
5	12-856774		5	WASHER (DESIGN II) (SEE NOTE #1) (.406 INSIDE DIAMETER X .750 OUTSIDE DIAMETER X .105)
	12-45176		5	WASHER (DESIGN I) (SEE NOTE #1) (.453 INSIDE DIAMETER X .812 OUTSIDE DIAMETER X .105)
6	22-85822A4		1	PICKUP ASSEMBLY-SPEEDOMETER
7	22-43335		1	CONNECTOR (90 DEGREE)
8	22-85822		1	CONNECTOR (STRAIGHT)
9	44343--1		2	MOUNT
10	10-42973		2	SCREW (M12 X 154)
11	67077F3		2	COVER-LOWER MOUNT CLAMP (PAINTED)
12	10-88417		4	SCREW (#12-24 X .625)
13	12-30119		2	WASHER
14	11-43528		2	NUT (M12)
15	88238A10		2	WIRE ASSEMBLY-GROUND
16	10-41508		1	SCREW (.250-20 X .500)
17	93192		2	CLAMP-LOWER MOUNT
18	11-35521		4	NUT (SPECIAL)
19	10-40107-25		4	SCREW (M8 X 25)
20	12092A15		1	SPACER KIT (PAINTED) (X-LONG MODELS)
21	17-43044		1	PIN-DOWEL
	17-43043		1	PIN-DOWEL (WITH HOLE)
22	11-13914		4	NUT (M10)
23	16-90350--3		4	STUD (M10 X 190) (X-LONG MODELS)
24	16-90350--2		1	STUD (M10 X 227) (X-LONG MODELS)
25	819955F		1	TRIM COVER (PAINTED)
26	10-821300-16		2	SCREW (M6 X 16)
27	10-821300-50		2	SCREW (M6 X 50)

NOTE #1: VERIFY GEAR HOUSING MOUNTING HOLE DESIGN. (DESIGN I) HAS MOUNTING STUD HOLES WITH A STRAIGHT MOUNTING BASE FOR .812 OUTSIDE DIAMETER WASHER. (DESIGN II) HAS MOUNTING STUD HOLES WITH A RECESS ON MOUNTING BASE FOR .750 OUTSIDE DIAMETER WASHER.

GEAR HOUSING ASSEMBLY (DRIVESHAFT)



GEAR HOUSING ASSEMBLY (DRIVESHAFT)

REF. NO.	PART NO.	SYM.	QTY.	DESCRIPTION
1	1667-9011G23		1	GEAR HOUSING ASSY (PAINTED) (LONG MODELS) (COMPLETE)
	1667-9011G24		1	GEAR HOUSING ASSY (PAINTED) (X-LONG MODELS) (COMPLETE)
	1667-9011G22		1	GEAR HOUSING ASSEMBLY (PAINTED) (BASIC)
2	17-43043		1	PIN-DOWEL (FRONT)
3	43046		1	TUBE-OILER
4	10-79953A2		2	SCREW KIT-DRAIN
5	12-19183	▲+	2	WASHER-SEALING
6	22-67892A1		1	PLUG KIT (MAGNETIC)
7	12-19183	▲+	1	WASHER-SEALING
8	17-43044		1	PIN-DOWEL (REAR)
9	31640--5		1	TRIM TAB
10	10-825427		1	SCREW (.437-14 X 1.250)
11	12-45176		1	WASHER
12	43040A1		1	CARRIER ASSEMBLY
13	826134		2	ANODE
14	10-40003-33		1	SCREW (M6 X 40)
15	11-826833--6		1	NUT (M6)
16	43-19672	❖	1	GEAR-PINION (14 TEETH) (2.07:1 RATIO) (Replacement requires re-shimming)
17	11-35921	❖	1	NUT (.625-18) (SPECIAL)
18	850307		1	CAM-SHIFT CONTROL
19	31-42677A1		1	BEARING ASSEMBLY (CONE AND CUP) (Use W/Pinion stamped 43-19672)
	31-883047A1		1	TAPERED ROLLER BEARING (Use W/Pinion stamped 43-881259)
20	15-44492A1	❖	1	SHIM SET
21	45-43031A1		1	DRIVESHAFT ASSY (LONG MODELS)
	45-43032A4		1	DRIVESHAFT ASSY (X-LONG MODELS)
22	42461A1		1	SLEEVE/RING KIT
23	43055A4	+	1	COVER ASSEMBLY
24	27-43033--1	▲+	1	GASKET
25	27-43047--2	▲+	1	GASKET
26	26-43036	▲+	1	SEAL-OIL (LOWER)
27	26-43035	▲+	1	SEAL-OIL (UPPER)
28	27-817277	▲+	1	GASKET (ALSO INCLUDED WITH WATER PUMP KIT 817275A2)
29	817275A2	+	1	PUMP KIT-WATER
30	817276	❖+	1	FACEPLATE
31	10-826844-30	+	4	SCREW (M6 X 30)
32	43023--2	▲+	1	SEAL-WATER TUBE

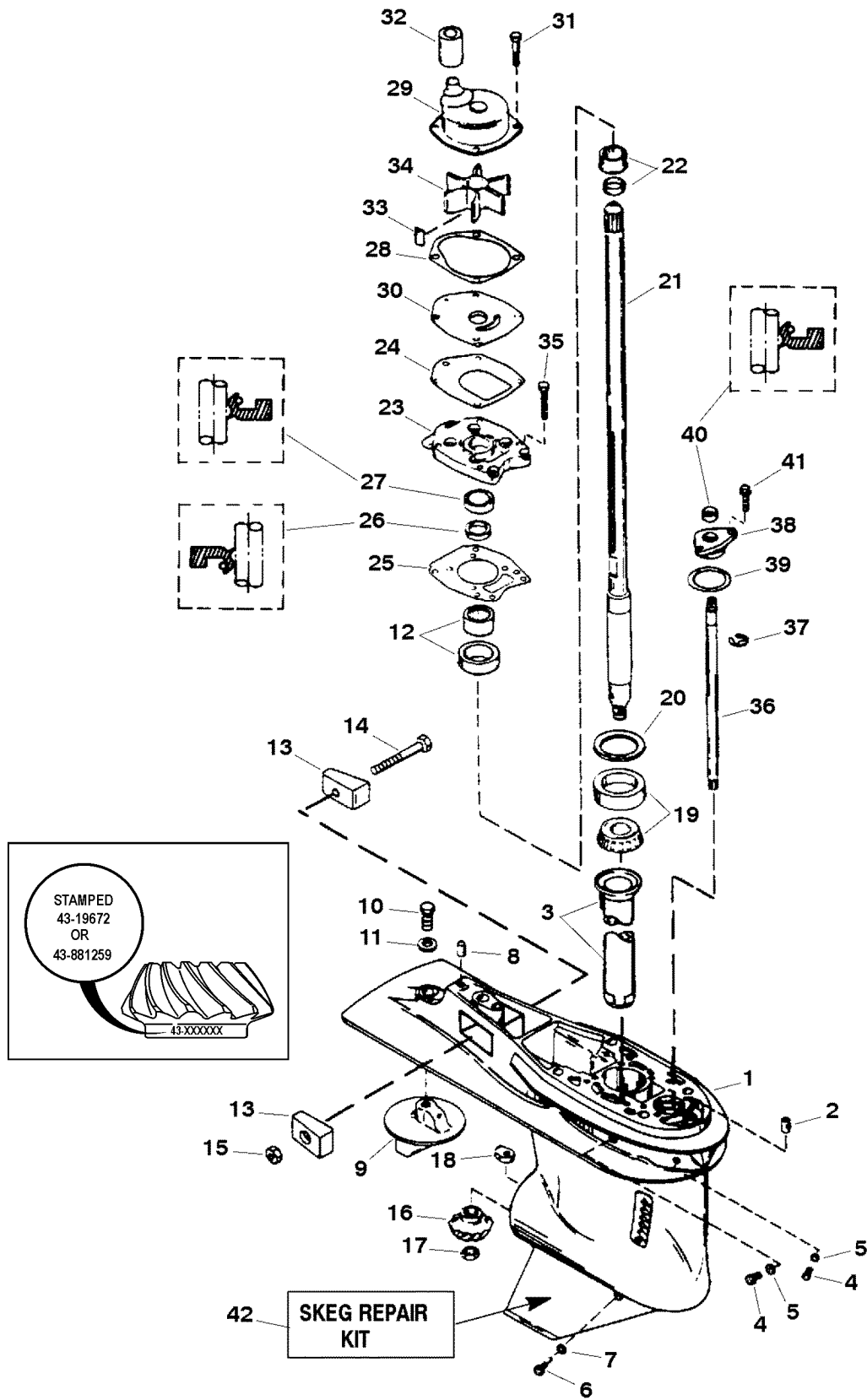
▲ = COMPONENT OF GEAR HOUSING SEAL KIT [26-43035A4]

⊕ = COMPONENT OF WATER PUMP REPAIR KIT [46-43024A7]

❖ = COMPONENT OF FORWARD GEAR KIT [43-850035A3]

CONTINUED ON NEXT PAGE ➡

GEAR HOUSING ASSEMBLY (DRIVESHAFT)

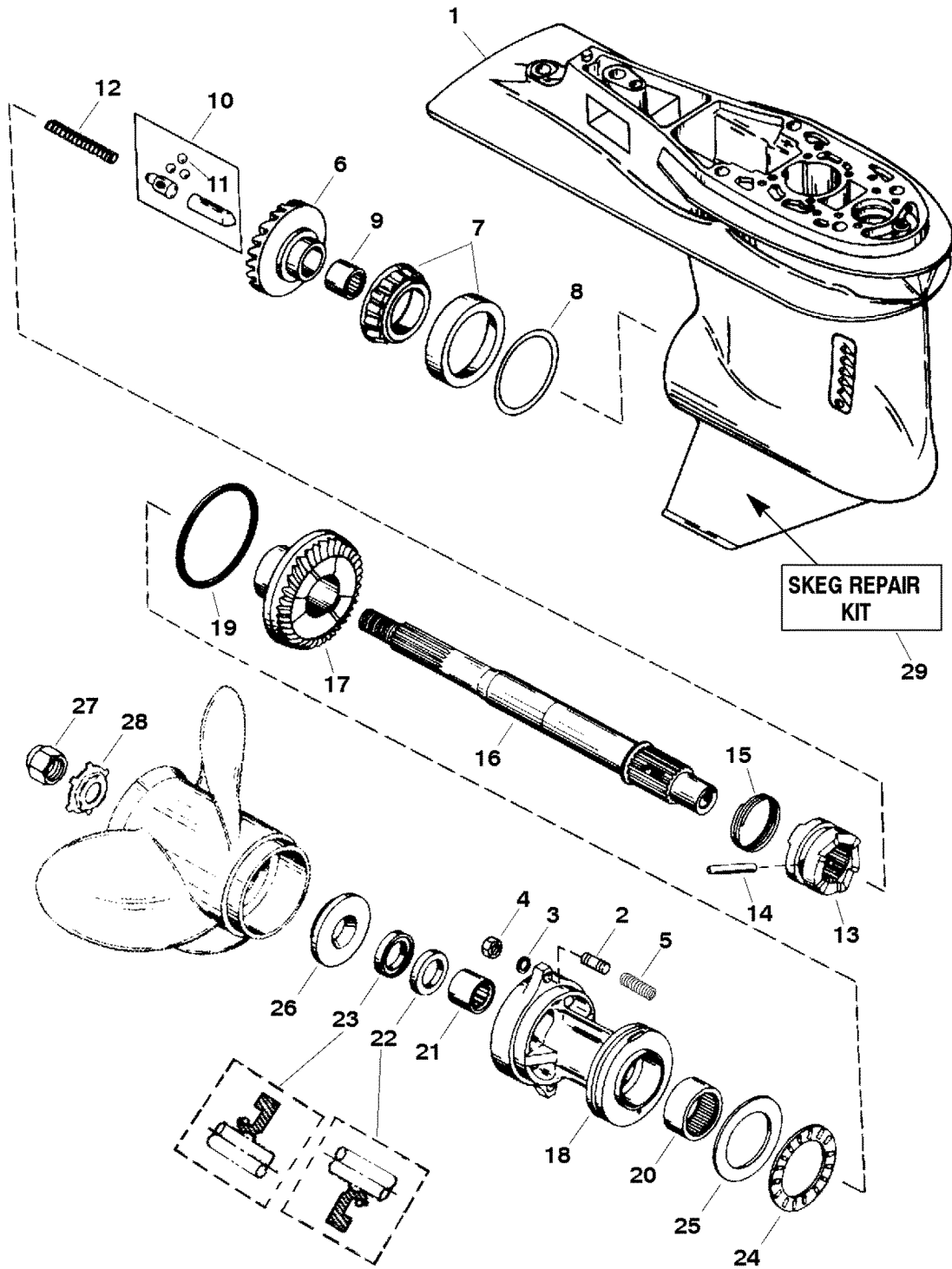


GEAR HOUSING ASSEMBLY (DRIVESHAFT)

REF. NO.	PART NO.	SYM.	QTY.	DESCRIPTION
33	28-43037	+	1	KEY-IMPELLER DRIVE
34	47-43026--2	+	1	IMPELLER
35	10-826844-25		6	SCREW (M6 X 25)
36	853906A1		1	SHAFT KIT-SHIFT (LONG MODELS)
	853908A1		1	SHAFT KIT-SHIFT (X-LONG MODELS)
37	53-29641		1	E RING
38	23-43052A4		1	BUSHING ASSEMBLY-SHIFT SHAFT
39	25-45710	▲	1	O RING
40	26-816464--1	▲	1	SEAL-OIL
41	10-826844-25		2	SCREW (M6 X 25)
42	15985A1		1	SKEG KIT-GEAR HOUSING REPAIR
-	26-43035A4	❖	1	SEAL KIT-GEAR HOUSING
-	46-43024A7		1	REPAIR KIT-WATER PUMP

- ▲ = COMPONENT OF GEAR HOUSING SEAL KIT [26-43035A4]
 + = COMPONENT OF WATER PUMP REPAIR KIT [46-43024A7]
 ❖ = COMPONENT OF FORWARD GEAR KIT [43-850035A3]

GEAR HOUSING ASSEMBLY (PROPSHAFT)

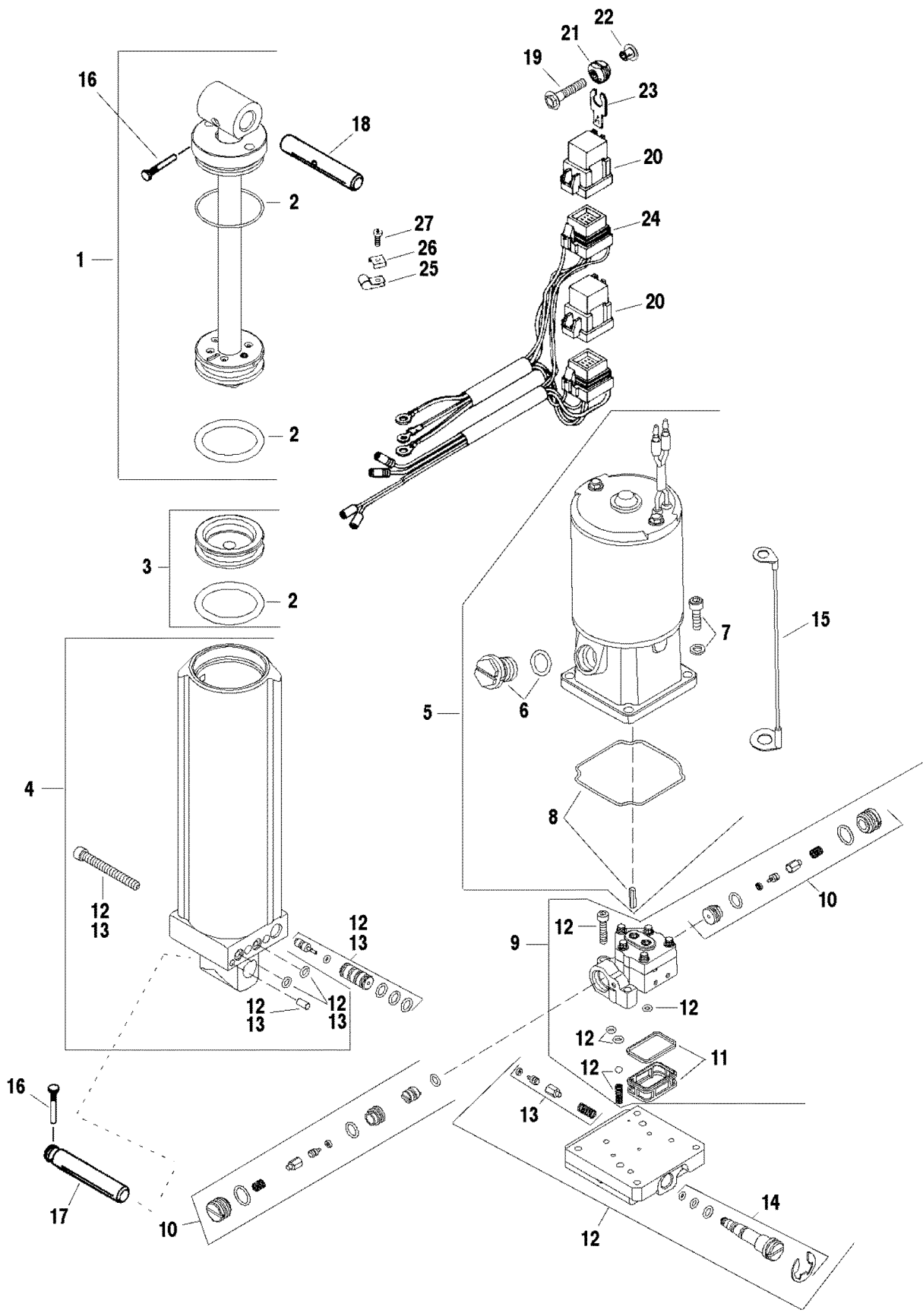


GEAR HOUSING ASSEMBLY (PROPSHAFT)

REF. NO.	PART NO.	SYM.	QTY.	DESCRIPTION
1	1667-9011G23		1	GEAR HOUSING ASSY (PAINTED) (LONG MODELS) (COMPLETE)
	1667-9011G24		1	GEAR HOUSING ASSY (PAINTED) (X-LONG MODELS) (COMPLETE)
	1667-9011G22		1	GEAR HOUSING ASSEMBLY (PAINTED) (BASIC)
2	16-42917--2		2	STUD (M8 X 48)
3	12-855941		2	WASHER
4	11-40119--8		2	NUT (M8)
5	822773--1		2	INSERT-THREADED
6	43-850035A3		1	GEAR KIT-FORWARD (29 TEETH) (2.07:1 RATIO)
7	31-30894A1		1	BEARING ASSY (CONE AND CUP)
8	15-44491A1		1	SHIM SET
9	31-30895		1	BEARING-NEEDLE
10	850315A1		1	CAM FOLLOWER KIT (WITH SLIDE)
11	30-44530		3	BALL
12	24-850327		1	SPRING-CAM FOLLOWER
13	52-850048		1	CLUTCH
14	17-30632		1	PIN-CROSS
15	24-30893		1	SPRING
16	44-850308		1	PROPSHAFT
17	43-850036		1	GEAR-REVERSE (29 TEETH) (2.07:1 RATIO)
18	12596A2		1	CARRIER ASSEMBLY-BEARING (PAINTED)
19	25-97386	▲	1	O RING
20	31-12578		1	BEARING-NEEDLE
21	31-30956		1	BEARING-NEEDLE
22	26-70080	▲	1	SEAL-OIL (INNER)
23	26-70081	▲	1	SEAL-OIL (OUTER)
24	31-12576		1	BEARING-THRUST
25	12-12577		1	WASHER-THRUST
26	13191A1		1	HUB-THRUST
27	11-52707A1		1	NUT KIT-PROPELLER
28	14-816629		1	WASHER-TAB
29	15985A1		1	SKEG KIT-GEAR HOUSING REPAIR
-	26-43035A4		1	SEAL KIT-GEAR HOUSING

▲ = COMPONENT OF GEAR HOUSING SEAL KIT [26-43035A4]

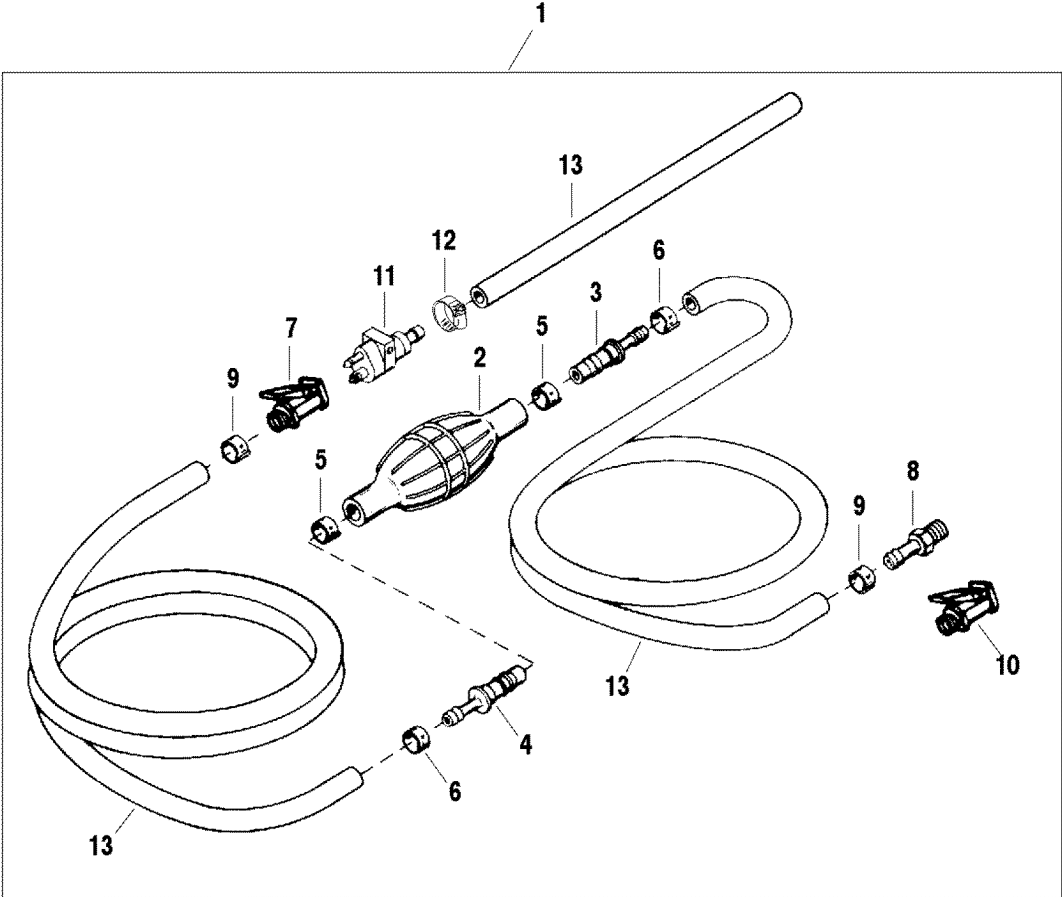
POWER TRIM COMPONENTS



POWER TRIM COMPONENTS

REF. NO.	PART NO.	SYM.	QTY.	DESCRIPTION
-	830250A3		1	PUMP/MOTOR ASSY-POWER TRIM AND TILT
1	811666A1		1	SHOCK ROD KIT
2	25-809872A2		1	O RING REBUILD KIT
3	810776A1		1	MEMORY PISTON ASSEMBLY
4	811669A1		1	CYLINDER ASSEMBLY
5	809885A1		1	MOTOR KIT
6	22-813435--1		1	PLUG ASSEMBLY-RESERVOIR
7	10-809876A1		1	SCREW KIT (QTY 4 PIECES)
8	809877A1		1	DRIVESHAFT KIT
9	809874A1		1	PUMP ASSEMBLY
10	809879A1		1	POPPET KIT
11	809878A1		1	FILTER KIT
12	809875A1		1	MANIFOLD KIT
13	809873A1		1	VALVE KIT-TRIM LIMIT
14	813442A2		1	VALVE KIT-MANUAL RELEASE
15	88238A18		1	CABLE ASSEMBLY-GROUND
NS	25-809880A1		1	O RING KIT (COMPLETE)
16	17-821539		2	PIN-TRILOBE
17	17-818898		1	PIN-ANCHOR (LOWER)
18	99625--1		1	SHAFT (UPPER)
19	10-19932100		2	SCREW (.250-20 X 1.00) WITH DRI LOK
20	828151A1		2	RELAY ASSEMBLY
21	25-818967		2	GROMMET
22	23-818968		2	BUSHING
23	828102		2	BRACKET-RELAY
24	84-819514A11		1	HARNESS ASSEMBLY
25	54-22740		1	CLAMP
26	69205		1	C WASHER
27	10-812832		1	SCREW (#10-16 X .500)

FUEL LINE ASSEMBLY

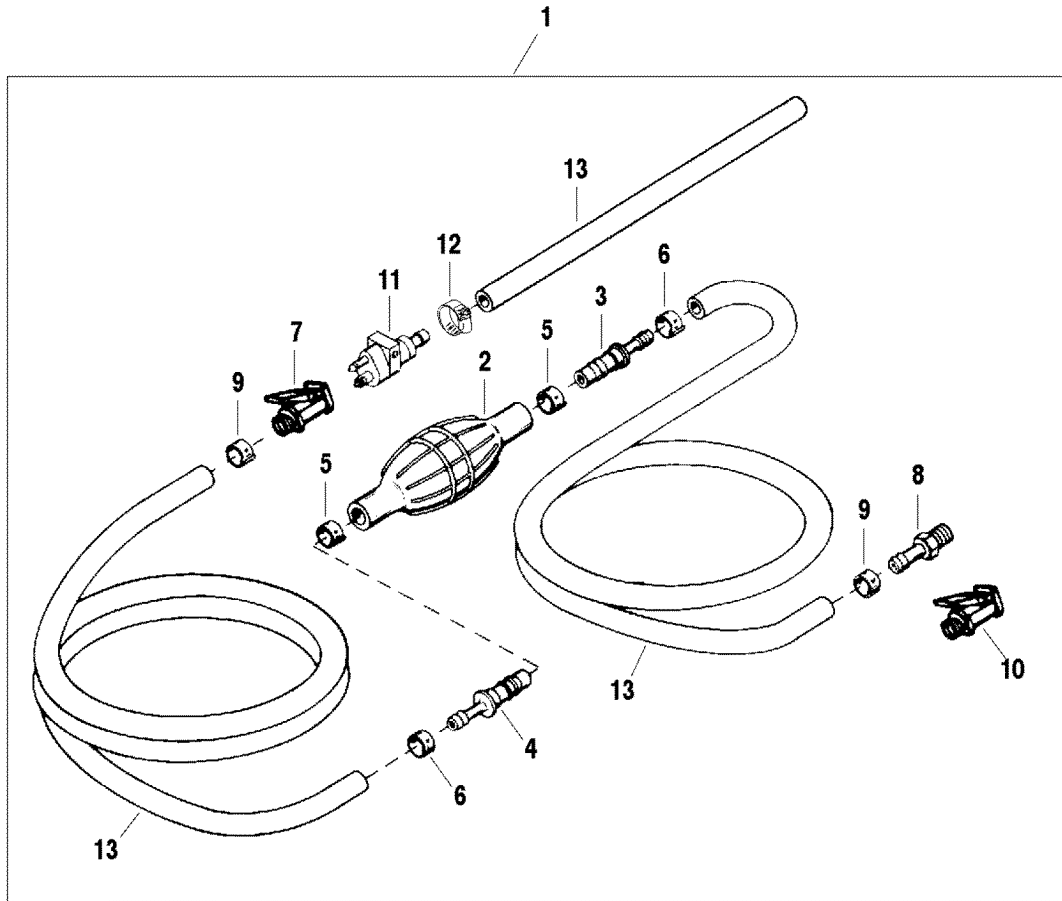


FUEL LINE ASSEMBLY

REF. NO.	PART NO.	SYM.	QTY.	DESCRIPTION
1	32-17146A8		1	LINE ASSY-FUEL (8.00 FEET) (30.00 INCHES AND 60.00 INCHES)
	32-17146A12		1	LINE ASSY-FUEL (12.00 FEET) (30.00 INCHES AND 108.00 INCHES)
2	13330A3		1	BULB ASSEMBLY-PRIMER
3	21-13331A1		1	VALVE-CHECK (INLET)
4	21-13331A2		1	VALVE-CHECK (OUTLET)
5	54-41582-10		2	CLAMP-NYLON (LARGE)
6	54-41582--7		2	CLAMP-NYLON (SMALL)
7	22-13563A3		1	CONNECTOR-ENGINE
8	22-89771--1		1	CONNECTOR (BRASS)-FUEL TANK
9	54-41582--7		OPT	CLAMP (NYLON)
	54-F698772		OPT	CLAMP (SS)
1	32-827927A8		1	LINE ASSY-FUEL (8.00 FEET) (30.00 INCHES AND 60.00 INCHES)
	32-827927A12		1	LINE ASSY-FUEL (12.00 FEET) (30.00 INCHES AND 108.00 INCHES)
2	13330A3		1	BULB ASSEMBLY-PRIMER
3	21-13331A1		1	VALVE-CHECK (INLET)
4	21-13331A2		1	VALVE-CHECK (OUTLET)
5	54-41582-10		2	CLAMP-NYLON (LARGE)
6	54-41582--7		2	CLAMP-NYLON (SMALL)
7	22-13563A3		1	CONNECTOR-ENGINE
9	54-41582--7		OPT	CLAMP (NYLON)
	54-F698772		OPT	CLAMP (SS)
10	22-13563A7		1	CONNECTOR-FUEL TANK
1	32-822379A12		1	LINE ASSY-FUEL (12.00 FEET) (30.00 INCHES AND 108.00 INCHES)
2	13330A3		1	BULB ASSEMBLY-PRIMER
3	21-13331A1		1	VALVE-CHECK (INLET)
4	21-13331A2		1	VALVE-CHECK (OUTLET)
5	54-41582-10		2	CLAMP-NYLON (LARGE)
6	54-41582--7		2	CLAMP-NYLON (SMALL)
9	54-41582--7		OPT	CLAMP (NYLON)
	54-F698772		OPT	CLAMP (SS)
1	32-16789A26		1	LINE ASSY-FUEL (8.00 FEET) (18.00 INCHES AND 72.00 INCHES)
2	13330A3		1	BULB ASSEMBLY-PRIMER
3	21-13331A1		1	VALVE-CHECK (INLET)
4	21-13331A2		1	VALVE-CHECK (OUTLET)
5	54-41582-10		2	CLAMP-NYLON (LARGE)
6	54-41582--7		2	CLAMP-NYLON (SMALL)
7	22-13563A3		1	CONNECTOR-ENGINE

CONTINUED ON NEXT PAGE ➡

FUEL LINE ASSEMBLY



FUEL LINE ASSEMBLY

REF. NO.	PART NO.	SYM.	QTY.	DESCRIPTION
9	54-F698772		OPT	CLAMP
11	22-816856A3		1	CONNECTOR ASSEMBLY-FUEL
12	54-F698772		1	CLAMP-SS
13	32-16789-78		AR	LINE-FUEL-BULK (9.00 FEET) (CUT AS REQUIRED)
	32-16789100		AR	LINE-FUEL-BULK (100.00 FEET) (CUT AS REQUIRED)

TOOLS - SPECIAL (PAGE 1 OF 2)

REF. NO.	PART NO.	SYM.	QTY.	DESCRIPTION
-	91-73687A2		1	PULLER KIT-FLYWHEEL
-	91-24161		1	CAP-FLYWHEEL PULLER
-	10-818494		1	SCREW-SPECIAL
-	91-52344		1	HOLDER TOOL-FLYWHEEL
-	FT2991		1	BRUSH-WIRE-CARBON REMOVER
-	FT8914		1	REMOVER-SEAL-CRANKSHAFT BEARING CAGE
-	FT8903		1	INSTALLER-SEAL-CRANKSHAFT BEARING CAGE
-	91-824892		1	HANDLE-DRIVER-USE WITH FT8903
-	FT8925		1	INSTALLER-SEAL-LOWER CRANKSHAFT
-	FT2953		1	SOCKET-CONNECTING ROD SCREWS
-	91-74607A3		1	INSTALLER KIT-PISTON PIN
-	FT2990-1		1	BLOCK-PISTON AND PISTON PIN
-	91-77109A2		1	INSTALLER KIT-PISTON PIN LOCK RING
-	25-69756		1	O RING
-	98530		1	KNOB-HANDLE
-	91-52952A1		1	REMOVAL TOOL-PISTON PIN LOCK RING
-	FT2996		1	COMPRESSOR-PISTON RINGS
-	91-24697		1	EXPANDER-PISTON RINGS
-	91-90455		1	EYE-LIFTING-CRANKSHAFT END
-	91-11230--1		1	ALIGNMENT TOOL-POWER TRIM
-	91-44486A1		1	REMOVAL TOOL-TRIM ROD
-	91-44487A1		1	REMOVAL TOOL-TRIM ROD GUIDE
-	91-52915A6		1	TEST GAUGE KIT-POWER TRIM
-	22-11243		1	CONNECTOR-MALE-POWER TRIM
-	91-74951		1	SPANNER WRENCH-POWER TRIM
-	91-63209		1	TORCHLAMP
-	91-12349A2		1	LOCATING TOOL-PINION GEAR
-	91-13945		1	INSTALLATION TOOL-BEARING
-	91-13949		1	INSTALLER TOOL-OIL SEAL
-	91-14308A1		1	RACE TOOL-BEARING
-	91-14309A1		1	INSTALLATION TOOL-BEARING
-	91-14310A1		1	INSTALLATION TOOL-WEAR SLEEVE
-	91-14311A2		1	PRE LOAD TOOL-BEARING
-	91-19660--1		1	INDICATOR TOOL-BACKLASH
-	91-31106		1	MANDREL
-	91-31108		1	DRIVER-OIL SEAL
-	91-31229A7		1	PULLER KIT-BEARING
-	11-24156		1	NUT (.625-18)
-	91-31229		1	SHAFT
-	91-36569		1	DRIVEHEAD
-	91-15755		1	MANDREL

CONTINUED ON NEXT PAGE ➡

TOOLS - SPECIAL (PAGE 1 OF 2)

REF. NO.	PART NO.	SYM.	QTY.	DESCRIPTION
-	91-37323		1	DRIVER ROD
-	91-34569A1		1	PULLER ASSEMBLY-SLIDE HAMMER
-	91-37241		1	PULLER PLATE-UNIVERSAL
-	91-37350		1	WASHER
-	91-46086A1		1	PULLER JAW ASSEMBLY

TOOLS - SPECIAL (PAGE 2 OF 2)

REF. NO.	PART NO.	SYM.	QTY.	DESCRIPTION
-	91-56775		1	HOLDING TOOL-DRIVESHAFT
-	91-856875A1		1	INSTALLER-FORWARD GEAR BEARING
-	91-58222A1		1	DIAL INDICATOR
-	91-83155		1	ADAPTOR KIT-DIAL INDICATOR
-	91-83165M		1	PULLER ASSEMBLY-BEARING
-	91-85716		1	PULLER BOLT
-	91-99379		1	TIMING LIGHT-IGNITION
-	91-79250A2		1	GAUGE KIT-WATER PRESSURE
-	91-850439		1	SPARK TESTER-IGNITION SYSTEM
-	91-59339		1	TACH/DWELL METER-IGNITION
-	91-99750A1		1	MULTIMETER TESTER-ELECTRICAL COMPONENTS
-	84-825207A2		1	HARNES ASSEMBLY-CDM TESTER
-	91-58222A1		1	DIAL INDICATOR
-	92-825265A1		1	COMPOUND (8 OUNCE)-NEEDLE BEARINGS
-	92-850735A1		1	LUBRICANT-ANTI CORROSION
-	92-809825		1	SEALANT-LOCTITE 587
-	92-90113--2		1	SEALER-RTV 1473 (2.8 OUNCE)
-	92-809818		1	THREADLOCKER (10 ML BOTTLE) (PURPLE)
-	92-809821		1	THREADLOCKER (10 ML BOTTLE) (BLUE)
-	92-809819		1	ADHESIVE/SEALANT (10 ML BOTTLE) (RED)
-	92-809820		1	ADHESIVE/SEALANT (50 ML BOTTLE) (RED)
-	92-809822		1	PIPE SEALANT (50 ML TUBE) (WHITE)
-	92-809824		1	PRIMER (4.5 OUNCE AEROSOL) (GREEN)
-	92-809825		1	RTV SILICONE (3 OUNCE TUBE) (METALLIC BLUE)
-	92-809826		1	RTV SILICONE (13 OUNCE CARTRIDGE) (BLACK)
-	92-809833		1	RETAINING COMPOUND (10 ML BOTTLE) (GREEN)
-	92-12564--2		1	MASTER GASKET KIT-SEALANT AND PRIMER (RED)
-	92-809834		1	FORM A GASKET (3 OUNCE TUBE) (BROWN)
-	92-809828		1	GASKET REMOVER (12 OUNCE AEROSOL)
-	92-809827		1	DEGREASER AND CLEANER (19 OUNCE AEROSOL)
-	92-34227--1		1	SEALER-PINT
-	92-850736A1		1	MULTI LUBE (8 OUNCE)
-	92-850737A1		1	GEAR LUBE-PREMIUM
-	92-90100A12		1	FLUID-POWER TRIM AND TILT-CASE OF 12
-	92-13872A1		1	LUBE-SPECIAL (8 OUNCE)
-	92-25711--2		1	NEOPRENE-LIQUID
-	91-98234A2		1	TRANSOM DRILL KIT

LITERATURE AND PAINT

REF. NO.	PART NO.	SYM.	QTY.	DESCRIPTION
-	90-10155980		1	OWNERS MANUAL (SERIAL # 0E288000 THRU 0E344999)
-	90-10155990		1	OWNERS MANUAL (SERIAL # 0E345000 THRU 0E369299)
-	90-832749R2		1	SERVICE MANUAL
-	90-855376		1	PARTS CATALOG (SERIAL # 0E288000 THRU 0E344999)
-	90-855376R1		1	PARTS CATALOG (SERIAL # 0E288000 THRU 0E357646)
-	90-855376R2	◇	1	PARTS CATALOG (SERIAL # 0E288000 THRU 0E369299)
-	92-827933-36		AR	PAINT-DAMASCUS STEEL GRAY- 12 OUNCE (355 ML) SPRAY CAN
-	92-827933-37		AR	PAINT-DAMASCUS STEEL GRAY- .5 OUNCE (15 ML) BRUSH BOTTLE
-	92-819107-12		AR	LACQUER-CLEAR ACRYLIC- (FOR COWL ONLY) 12 OUNCE (355 ML) SPRAY CAN

◇ = NEW PART NUMBER LISTED FOR FIRST TIME

PARTS INDEX

Part Number	Description	Pg.	Ref. No.	Part Number	Description	Pg.	Ref. No.
11288	BUMPER-BOTTOM YOKE ..	37	23	817276	FACEPLATE	43	30
11645--2	REED BLOCK ASSEMBLY ..	15	13	817799A1	ADAPTER ASSEMBLY (UPPER)	15	1
12092A15	SPACER KIT (PAINTED) ...	41	20	817800A1	ADAPTER ASSEMBLY (LOWER)	15	1
12596A2	CARRIER ASSEMBLY- BEARING (PAINTED)	47	18	817870--3	COVER-FUEL PUMP	23	9
13191A1	HUB-THRUST	47	26	818298A1	ANODE KIT	37	17
13330A3	BULB ASSEMBLY-PRIMER .	51	2	818771F8	BRACKET-TRANSOM BRACKET ANCHOR (PAINTED)	39	19
13330A3	BULB ASSEMBLY-PRIMER .	51	2	819002	LINK-THROTTLE	25	26
13330A3	BULB ASSEMBLY-PRIMER .	51	2	819225	ROLLER-THROTTLE SHAFT	19	38
13330A3	BULB ASSEMBLY-PRIMER .	51	2	819693--1	COVER-THERMOSTAT	29	26
13541	PLUG-MALE	7	12	819705	BRACKET-SOLENOID	15	14
14360A49	PUMP KIT-FUEL	23	1	819737--3	COVER-TRANSFER PORT .	29	17
14430--3	BASE-FUEL PUMP	23	6	819779--1	PLATE-EXHAUST	29	33
15985A1	SKEG KIT-GEAR HOUSING REPAIR	45	42	819814--1	BRACKET-COWL LATCH ...	3	6
15985A1	SKEG KIT-GEAR HOUSING REPAIR	47	29	819955F	TRIM COVER (PAINTED) ...	41	25
18173	BRACKET ASSEMBLY- LATCH ROLLER	3	10	820000A7	HANDLE ASSEMBLY (PAINTED)	5	19
31640--5	TRIM TAB	43	9	820192A1	PLATE ASSEMBLY-UPPER ADAPTER	27	2
42461A1	SLEEVE/RING KIT	43	22	820194A1	PLATE ASSEMBLY- EXHAUST	35	1
42961A5	YOKE ASSEMBLY-BOTTOM (PAINTED)	37	14	820277	SLIDE-SHIFT	27	12
42962	SEAL-EXHAUST TUBE	35	13	820278A1	LINK ASSEMBLY-SHIFT	35	21
42966--4	TUBE-EXHAUST	35	11	820280	RAIL-SHIFT	27	11
42966--6	TUBE-EXHAUST	35	11	820303A1	TOWERSHAFT ASSEMBLY .	25	1
43023--2	SEAL-WATER TUBE	43	32	820313	LATCH-CONTROL CABLE ..	5	6
43040A1	CARRIER ASSEMBLY	43	12	820501	PLATE-DEFLECTOR	15	10
43046	TUBE-OILER	43	3	821176A1	LEVER ASSEMBLY-TILT LOCK	39	12
43055A4	COVER ASSEMBLY	43	23	822773--1	INSERT-THREADED	47	5
43585	COUPLING-SHIFT SHAFT ..	35	27	823551	RETAINER-ENTRY CABLE SEAL	5	15
44343--1	MOUNT	41	9	823551	RETAINER-ENTRY CABLE SEAL	5	9
44344--2	MOUNT	35	4	824015	CUP-BARREL RETAINER ..	5	7
47341A1	ROPE AND HANDLE- EMERGENCY START	13	18	824661	CLAMP-WATER TUBE	35	17
56762	CABLE TIE (4.00 INCH)	15	27	826134	ANODE	43	13
67077F3	COVER-LOWER MOUNT CLAMP (PAINTED)	41	11	827291	BLANKET-SOUND	3	13
69205	C WASHER	49	26	827509A10	CDM MODULE ASSEMBLY- IGNITION	7	31
79932A20	LEVER KIT-SHIFT SHAFT ..	35	22	828054	COVER-FUSE HOUSING ...	7	14
802587	DRIVE ASSEMBLY	13	11	828102	BRACKET-RELAY	49	23
809807A1	REPAIR KIT-CARBURETOR .	19	-	828151A1	RELAY ASSEMBLY	49	20
809873A1	VALVE KIT-TRIM LIMIT	49	13	828303A1	TRIGGER ASSEMBLY	7	3
809874A1	PUMP ASSEMBLY	49	9	828312--1	PLATE-IGNITION COMPONENTS	7	5
809875A1	MANIFOLD KIT	49	12	828477	HANDLE-TILT	3	2
809877A1	DRIVESHAFT KIT	49	8	828514	BALL-THREADED	25	23
809878A1	FILTER KIT	49	11	828514	BALL-THREADED	25	6
809879A1	POPPET KIT	49	10	828791	CLIP-HARNESS HOLD DOWN	7	9
809885A1	MOTOR KIT	49	5	828950--1	CAM-THROTTLE	25	21
810776A1	MEMORY PISTON ASSEMBLY	49	3	830110	SHAFT-THROTTLE ROLLER	19	37
811666A1	SHOCK ROD KIT	49	1	830250A3	PUMP/MOTOR ASSY- POWER TRIM AND TILT .	49	-
811669A1	CYLINDER ASSEMBLY	49	4	830875	SOCKET-BALL	25	29
812443--1	RETAINER	5	4	850307	CAM-SHIFT CONTROL	43	18
812830--1	PLUG	5	5				
813442A2	VALVE KIT-MANUAL RELEASE	49	14				
813607--6	SEAL-BOTTOM COWL	5	18				
814080	SEAL-WATER TUBE UPPER	35	18				
817275A2	PUMP KIT-WATER	43	29				

PARTS INDEX

Part Number	Description	Pg.	Ref. No.	Part Number	Description	Pg.	Ref. No.
850315A1	CAM FOLLOWER KIT (WITH SLIDE)	47	10	F686152	COVER-EXHAUST	29	34
853906A1	SHAFT KIT-SHIFT	45	36	F85445-1	ROD-SPARK CONTROL	25	14
853908A1	SHAFT KIT-SHIFT	45	36	FA178233	TIE BAR ASSEMBLY-THROTTLE	17	36
854514A1	REGULATOR KIT-VOLTAGE	7	22	FA85193	END ASSEMBLY-TIE BAR . .	17	35
856098T1	PLATE ASSEMBLY-EXHAUST	35	1	FK10023	GASKET SET-CARBURETOR	15	-
857010	COVER-CARBURETOR	19	40	FK10023	GASKET SET-CARBURETOR	19	-
859620	THERMOSTAT	29	29	FO13193	JET-MAIN FUEL	17	17
88238A10	WIRE ASSEMBLY-GROUND	41	15	FO13949	JET-MAIN FUEL	17	17
88238A18	CABLE ASSEMBLY-GROUND	49	15	FO16130	BOWL-FUEL	17	12
88882	BUMPER-TOP YOKE	37	22	FO16132	SCREW-FUEL BOWL	17	14
90644	DRIVE KIT	13	12	FO16133	NOZZLE-MAIN	17	10
92753	RETAINER-HARNESS	7	10	FO16142	SHUTTER-THROTTLE	17	2
92876A1	STEERING LINK ASSEMBLY	37	16	FO16143	SPRING-THROTTLE SHAFT	17	21
93192	CLAMP-LOWER MOUNT . . .	41	17	FO16620	E RING-THROTTLE SHAFT .	17	7
98530	KNOB-HANDLE	54	-	FO17884	SHAFT AND LEVER-THROTTLE	17	20
98775--2	PLATE-FUEL PUMP	23	4	FT2953	SOCKET-CONNECTING ROD SCREWS	54	-
99170A2	TUBE KIT-TILT	39	4	FT2990-1	BLOCK-PISTON AND PISTON PIN	54	-
99625--1	SHAFT (UPPER)	37	20	FT2991	BRUSH-WIRE-CARBON REMOVER	54	-
99625--1	SHAFT (UPPER)	49	18	FT2996	COMPRESSOR-PISTON RINGS	54	-
99633	KNOB-TILT LOCK LEVER . .	39	14	FT8903	INSTALLER-SEAL-CRANKSHAFT BEARING CAGE	54	-
99661A31	SWIVEL PIN ASSEMBLY (PAINTED)	37	21	FT8914	REMOVER-SEAL-CRANKSHAFT BEARING CAGE	54	-
F10265	NEEDLE-INLET	17	8	FT8925	INSTALLER-SEAL-LOWER CRANKSHAFT	54	-
F10267	SCREW ASSY-FUEL BOWL .	17	13	10-14000	SCREW (.375-24 X 1.250) . .	37	10
F10268	SCREW-IDLE MIXTURE	17	18	10-19923062	SCREW (.250-20 X .625) WITH DRI LOK	5	25
F10274	NOZZLE-PRIMER	17	4	10-19926100	SCREW (#10-24 X 1.00) WITH DRI LOK	7	2
F10274	NOZZLE-PRIMER	17	6	10-19929175	SCREW (.375-16 X 1.750) WITH DRI LOK	27	16
F10346	FLOAT-FUEL BOWL	17	15	10-19929325	SCREW (.375-16 X 3.250) WITH DRI LOK	27	15
F15158	SCREW	13	3	10-19932062	SCREW (.250-20 X .625) WITH DRI LOK	13	15
F15159	BUSHING-INSULATOR	13	4	10-19932062	SCREW (.250-20 X .625) WITH DRI LOK	13	16
F15160	WASHER	13	6	10-19932075	SCREW (.250-20 X .750) WITH DRI LOK	29	25
F15162	NUT	13	7	10-19932100	SCREW (.250-20 X 1.00) WITH DRI LOK	49	19
F15176	END CAP-DRIVE	13	10	10-19934175	SCREW-HEX WASHERHEAD WITH DRI LOK (.250-20 X 1.750)	19	41
F15177	ARMATURE	13	9	10-19938-20	SCREW (M8 X 20) WITH DRI LOK	27	10
F15178	THRU BOLT	13	8	10-19961088	SCREW (#10-24 X .875) WITH DRI LOK	25	27
F15189	END CAP-COMMUTATOR . .	13	5	10-28639	SCREW (.250-20 X .625) . . .	3	9
F15190	BRUSH/SPRING KIT	13	2	10-32132	SCREW (.375-16 X 1.750) . .	29	7
F2088	FASTENER	3	8				
F316579	SEAL-CRANKCASE	33	13				
F481434	GUIDE-COWL LATCH BRACKET	3	7				
F481777	CAM-LATCH SHAFT	5	22				
F499026	SWIVEL-CONTROL ROD END	25	12				
F499035	END-CONTROL ROD (TO TOWERSHAFT)	25	11				
F499036-1	END-CONTROL ROD (.250-28 LH) (TO TRIGGER) . . .	25	15				
F500894	POINTER-TIMING	15	7				
F511708-3	COVER-CARB	17	29				
F607689	BEARING-TOWERSHAFT SUPPORT	25	16				
F616675	BRACKET-STARTER MOUNT	13	14				
F663480-1	RETAINER-COWL FRONT . .	5	12				
F663756-1	PACKING-COWL SUPPORT	5	1				
F664068	THERMOSTAT	29	29				
F664985	BLANKET-SOUND	3	14				
F665995	COVER-CYLINDER HEAD . .	29	23				

PARTS INDEX

Part Number	Description	Pg.	Ref. No.	Part Number	Description	Pg.	Ref. No.
10-40003-30	SCREW (M6 X 25)	37	18	10-F1064	SCREW (#8-32 X .375)	17	33
10-40003-33	SCREW (M6 X 40)	43	14	10-F1504	SCREW (.250-20 X 1.250)	25	4
10-40003-77	SCREW (M10 X 30)	39	20	10-F1874	SCREW (.375-16 X 3.125)	29	2
10-40011127	SCREW (M6 X 16)	5	11	10-F2192	SCREW-SOCKET HEAD (.250-20 X 1.750)	17	31
10-40011131	SCREW (M6 X 35)-FUEL CONNECTOR	5	13	11-13914	NUT (M10)	27	19
10-40019104	SCREW (M5 X 8)	5	14	11-13914	NUT (M10)	41	22
10-40019104	SCREW (M5 X 8)	5	8	11-13914	NUT (M10)	41	4
10-40089-20	SCREW (M8 X 20)	35	3	11-20110	NUT (#10-32)	25	24
10-40106-20	SCREW (M6 X 20)	7	25	11-24156	NUT (.625-18)	54	-
10-40107-25	SCREW (M8 X 25)	35	12	11-30499	NUT (.875-14)	39	8
10-40107-25	SCREW (M8 X 25)	41	19	11-34862	NUT (1.0-14)	39	5
10-40107-50	SCREW (M8 X 50)	35	16	11-34863	NUT (.375-24)	37	11
10-40107-50	SCREW (M8 X 50)	35	5	11-34863	NUT (.375-24)	37	24
10-41508	SCREW (.250-20 X .500)	41	16	11-35521	NUT (SPECIAL)	41	18
10-42973	SCREW (M12 X 154)	41	10	11-35921	NUT (.625-18) (SPECIAL)	43	17
10-42974	SCREW (M12 X 175)	35	6	11-40114	NUT (M10)	39	22
10-42975	SCREW-DRIVE (SPECIAL)	5	3	11-40119--8	NUT (M8)	47	4
10-47688	SCREW (.375-16 X 2.750)	29	3	11-42979	NUT (M16)	11	2
10-53734	SCREW (.375-16 X 3.00)	29	4	11-43528	NUT (M12)	41	14
10-64014	SCREW (.250-28 X .500)	37	8	11-52707A1	NUT KIT-PROPELLER	47	27
10-67755--1	BOLT (.500-20 X 4.500)	39	9	11-56374	NUT (.250-20)	3	5
10-79654	SCREW (.312-18 X 2.375)	29	21	11-64015	NUT (.250-20)	25	5
10-79953A2	SCREW KIT-DRAIN	43	4	11-68219	NUT (#10-32)	11	8
10-809876A1	SCREW KIT (QTY 4 PIECES)	49	7	11-68219	NUT (#10-32)	25	25
10-812832	SCREW (#10-16 X .500)	49	27	11-68292	NUT (.312-18)	11	6
10-818494	SCREW-SPECIAL	54	-	11-72008	NUT (.250-20)	25	22
10-818934-35	SCREW (M8 X 35)	27	5	11-814101	NUT (.250-20)	15	18
10-819110062	SCREW (.250-20 X .625)	23	8	11-826833--6	NUT (M6)	7	6
10-819110062	SCREW (.250-20 X .625)	29	16	11-826833--6	NUT (M6)	25	19
10-819110062	SCREW (.250-20 X .625)	29	22	11-826833--6	NUT (M6)	35	20
10-819110088	SCREW (.250-20 X .875)	29	15	11-826833--6	NUT (M6)	35	25
10-819110100	SCREW (.250-20 X 1.00)	15	4	11-826833--6	NUT (M6)	43	15
10-819110125	SCREW (.250-20 X 1.250)	15	16	11-828451	NUT (.250-28)	7	29
10-819110125	SCREW (.250-20 X 1.250)	29	35	11-828451	NUT (.250-28)	13	13
10-820589	SCREW (.250-20 X 1.250)	29	8	11-86226	NUT (.375-16)	15	5
10-821045-40	SCREW (M5 X 40)-FUEL PUMP	23	3	11-90099	NUT (M12)	35	9
10-821291-16	SCREW (M6 X 16)	7	26	11-91962	NUT (.500-20)	39	11
10-821291-40	SCREW (M6 X 40)	7	20	11-F1693	NUT (#8-32)	17	34
10-821300-16	SCREW (M6 X 16)	41	26	11-F1997	NUT (#8-32)	19	39
10-821300-50	SCREW (M6 X 50)	41	27	11-F2015	NUT (.250-28)	25	13
10-822393-12	SCREW (M5 X 12)	7	16	11-F7009	NUT (#10-24)	25	10
10-825427	SCREW (.437-14 X 1.250)	43	10	12-12577	WASHER-THRUST	47	25
10-826380	SCREW (.250-20 X .625) WITH DRI LOK	15	11	12-19183	WASHER-SEALING	43	5
10-826844-25	SCREW (M6 X 25)	45	35	12-19183	WASHER-SEALING	43	7
10-826844-25	SCREW (M6 X 25)	45	41	12-28421	WASHER	35	8
10-826844-30	SCREW (M6 X 30)	43	31	12-28421	WASHER	39	10
10-827357	SCREW (#12-24 X 2.00) WITH DRI LOK	23	12	12-29245	WASHER	3	4
10-828478	SCREW (.250-20 X 1.00)	3	3	12-29245	WASHER	9	37
10-853652	SCREW (.250-20 X 1.125)	11	14	12-29245	WASHER	17	30
10-88417	SCREW (#12-24 X .625)	41	12	12-29245	WASHER	37	19
10-90192	SCREW (.250-20 X .750)	15	21	12-30119	WASHER	41	13
10-90285	SCREW (.312-18 X .625)	3	12	12-35459	WASHER	25	18
10-91012	SCREW-CONNECTING ROD	33	15	12-35459	WASHER	35	19
10-92160	SCREW (.250-20 X .750)	33	3	12-37828	WASHER	37	12
10-94207	SCREW (.375-16 X 2.00)	29	5	12-40023-16	WASHER	5	23
10-F10328	SCREW-SHUTTER	17	3	12-40023-16	WASHER	7	28
				12-40023-19	WASHER	39	21
				12-45176	WASHER	41	5
				12-45176	WASHER	43	11

PARTS INDEX

Part Number	Description	Pg.	Ref. No.	Part Number	Description	Pg.	Ref. No.
12-49436	WASHER	27	6	21-13331A1	VALVE-CHECK (INLET)	51	3
12-68229	WASHER	11	3	21-13331A1	VALVE-CHECK (INLET)	51	3
12-812876	WASHER-THRUST	33	18	21-13331A1	VALVE-CHECK (INLET)	51	3
12-816432	WASHER-THRUST	37	9	21-13331A1	VALVE-CHECK (INLET)	51	3
12-828271	WASHER	27	14	21-13331A2	VALVE-CHECK (OUTLET)	51	4
12-828271	WASHER	29	6	21-13331A2	VALVE-CHECK (OUTLET)	51	4
12-855941	WASHER	47	3	21-13331A2	VALVE-CHECK (OUTLET)	51	4
12-856774	WASHER	27	18	21-13331A2	VALVE-CHECK (OUTLET)	51	4
12-856774	WASHER	41	5	21-42658--5	VALVE-CHECK	21	5
12-89302	WASHER	9	36	21-42864	VALVE-CHECK (90 DEGREE)	21	2
12-93416--1	WASHER	35	7	21-42990A10	DIAPHRAGM KIT	23	2
12-F1856	WASHER	25	8	21-820706--1	VALVE-CHECK- RECIRCULATING TUBING	21	3
13-26992	LOCKWASHER (.250)	5	24	22-11243	CONNECTOR-MALE-POWER TRIM	54	-
13-26996	LOCKWASHER (#10)	11	9	22-13563A3	CONNECTOR-ENGINE	51	7
13-53166	LOCKWASHER (.312)	3	11	22-13563A3	CONNECTOR-ENGINE	51	7
13-53166	LOCKWASHER (.312)	11	7	22-13563A3	CONNECTOR-ENGINE	51	7
13-53166	LOCKWASHER (.312)- GROUND	11	11	22-13563A7	CONNECTOR-FUEL TANK	51	10
13-88750	WASHER-WAVE	39	7	22-32802--1	PLUG (BRASS)-CYLINDER HEAD	29	24
13-F2047	WASHER-WAVE	5	21	22-43335	CONNECTOR (90 DEGREE)	41	7
14-816629	WASHER-TAB	47	28	22-67892A1	PLUG KIT (MAGNETIC)	43	6
15-44491A1	SHIM SET	47	8	22-74036	FITTING-GREASE	37	6
15-44492A1	SHIM SET	43	20	22-813435--1	PLUG ASSEMBLY- RESERVOIR	49	6
16-42917--2	STUD (M8 X 48)	47	2	22-813613	FITTING-TELLTALE HOSE	29	36
16-820702--1	STUD (M10)	27	17	22-816856A3	CONNECTOR ASSEMBLY- FUEL	53	11
16-826387--2	STUD (.375-16 X 1.625) WITH DRI LOK	15	2	22-85822	CONNECTOR (STRAIGHT)	41	8
16-826387--2	STUD (.375-16 X 1.625) WITH DRI LOK	15	2	22-85822A4	PICKUP ASSEMBLY- SPEEDOMETER	41	6
16-830228	STUD (.312-18 AND .250-28 X 1.750)	7	8	22-89771--1	CONNECTOR (BRASS)-FUEL TANK	51	8
16-90350--1	STUD (M10 X 100)	41	2	22-98727	FITTING-GREASE	39	3
16-90350--2	STUD (M10 X 227)	41	24	22-99664--1	ELBOW	23	5
16-90350--3	STUD (M10 X 190)	41	23	22-99664--1	ELBOW	31	39
16-90350-12	STUD (M10 X 63)	41	3	22-99664--1	ELBOW-FUEL PUMP HOSE	21	4
16-F433209-1	STUD (.250-20 X 1.250)	15	3	22-F694922	FITTING-TEE	15	26
17-23784	PIN-DOWEL	27	3	22-F743314	ELBOW-RECIRCULATING	21	1
17-23784	PIN-DOWEL	35	2	22-F743314	ELBOW-RECIRCULATING	23	11
17-30632	PIN-CROSS	47	14	22-F84314-2	ELBOW (L)	17	22
17-38489	PIN-ROLL	25	3	22-F85314-1	TEE (T)	17	23
17-43043	PIN-DOWEL (FRONT)	43	2	23-11289	SPACER	35	26
17-43043	PIN-DOWEL (WITH HOLE)	41	21	23-19064	BUSHING-ADAPTER PLATE GROMMET	27	7
17-43044	PIN-DOWEL	41	21	23-43041	SPACER	35	26
17-43044	PIN-DOWEL (.375 X .625)	29	9	23-43052A4	BUSHING ASSEMBLY-SHIFT SHAFT	45	38
17-43044	PIN-DOWEL (REAR)	43	8	23-48237	BUSHING	35	23
17-818898	PIN-ANCHOR (LOWER)	49	17	23-48475	BUSHING	35	24
17-821539	PIN-TRILOBE	37	13	23-65830	BUSHING	39	13
17-821539	PIN-TRILOBE	49	16	23-812707	BUSHING	5	20
17-823605	PIN-LOCATING	33	12	23-816039	SPACER	37	5
17-99615	PIN-GROOVE	39	15	23-818764	BUSHING	37	3
17-99617	PIN-GROOVE	39	17	23-818968	BUSHING	11	15
17-F1727	RIVET-NYLON	25	7	23-818968	BUSHING	49	22
17-F691372	PIN-WATER JACKET TUBE (TOP)	29	12	23-819513	BUSHING-UPPER	25	2
17-F719372	PIN-WATER JACKET TUBE	29	13	23-821207	BUSHING	37	7
17-FO13944	PIN-FLOAT	17	9	23-822003	BUSHING	7	27
19-45907	PLUG (YELLOW)- CRANKSHAFT/FLYWHEEL	11	1				
19-819954--1	PLUG	5	17				
19-FO16128	PLUG-WELCH	17	5				

PARTS INDEX

Part Number	Description	Pg.	Ref. No.	Part Number	Description	Pg.	Ref. No.
23-828311--1	SPACER	29	30	27-820500--2	GASKET-TRANSFER PORT COVER	29	18
23-F269319	BEARING-THROTTLE CAM	25	20	27-824615--2	GASKET-CYLINDER HEAD	29	19
23-F40689-1	BEARING-TOWERSHAFT LOWER	25	17	27-826549	GASKET-POWERHEAD TO UPPER ADAPTER PLATE	27	1
23-F40689-1	BEARING-TOWERSHAFT LOWER	27	9	27-826550	GASKET-ADAPTER PLATE/DRIVESHAFT HOUSING	27	13
23-F694359	SPACER	15	15	27-828316	GASKET-CARBURETOR INTAKE ADAPTER	15	9
24-27160	SPRING-IDLE MIXTURE SCREW	17	19	27-828319	GASKET-THERMOSTAT COVER	29	27
24-30893	SPRING	47	15	27-98769--1	GASKET-FUEL PUMP BASE	23	7
24-819533	SPRING-THROTTLE RETURN	25	9	27-F406406	GASKET-DEFLECTOR PLATE	15	12
24-830899	SPRING-TILT LOCK TENSION	39	16	27-F440906	GASKET-CARBURETOR	15	6
24-830900	SPRING	39	18	27-FO15623	GASKET-FUEL BOWL	17	16
24-850327	SPRING-CAM FOLLOWER	47	12	27-FO5323	GASKET-FUEL BOWL	17	11
24-F664268	SPRING	29	28	28-43037	KEY-IMPELLER DRIVE	45	33
25-33504	O RING	37	4	28-91800	KEY-CRANKSHAFT/FLYWHEEL	33	4
25-45710	O RING	45	39	29-47270	ROLLER-NEEDLE	33	17
25-45711	O RING	39	6	30-44530	BALL	47	11
25-69756	O RING	54	-	30-F284659-2	BEARING-UPPER	33	6
25-809872A2	O RING REBUILD KIT	49	2	31-12576	BEARING-THRUST	47	24
25-809880A1	O RING KIT (COMPLETE)	49	NS	31-12578	BEARING-NEEDLE	47	20
25-818967	GROMMET	49	21	31-17514A2	BEARING ASSEMBLY-ROLLER	33	16
25-822002	GROMMET	7	23	31-30894A1	BEARING ASSY (CONE AND CUP)	47	7
25-822179	GROMMET	11	17	31-30895	BEARING-NEEDLE	47	9
25-825380	GROMMET-ADAPTER PLATE	27	8	31-30956	BEARING-NEEDLE	47	21
25-828836	GROMMET	7	24	31-42677A1	BEARING ASSEMBLY (CONE AND CUP)	43	19
25-89417--1	GROMMET-WATER TUBE LOWER	35	14	31-818050A3	BEARING ASSEMBLY-LOWER	33	7
25-97386	O RING	47	19	31-819193	CAGE/ROLLER SET	33	11
25-F694504	GROMMET	15	20	31-883047A1	TAPERED ROLLER BEARING	43	19
26-43035	SEAL-OIL (UPPER)	43	27	31-FA85655-1	BEARING ASSEMBLY-CENTER MAIN	33	9
26-43035A4	SEAL KIT-GEAR HOUSING	45	-	32-16789-78	LINE-FUEL-BULK	53	13
26-43035A4	SEAL KIT-GEAR HOUSING	47	-	32-16789100	LINE-FUEL-BULK	53	13
26-43036	SEAL-OIL (LOWER)	43	26	32-16789A26	LINE ASSY-FUEL	51	1
26-70080	SEAL-OIL (INNER)	47	22	32-17146A12	LINE ASSY-FUEL	51	1
26-70081	SEAL-OIL (OUTER)	47	23	32-17146A8	LINE ASSY-FUEL	51	1
26-816464--1	SEAL-OIL	45	40	32-822379A12	LINE ASSY-FUEL	51	1
26-819740	SEAL-DRIVESHAFT	27	4	32-824660--1	TUBE-WATER	35	15
26-823549	SEAL-FUEL CONNECTOR AND REMOTE CABLES	5	16	32-824660--2	TUBE-WATER	35	15
26-823550	SEAL-REMOTE CABLES	5	10	32-827927A12	LINE ASSY-FUEL	51	1
26-828626	SEAL-CRANKSHAFT UPPER	33	2	32-827927A8	LINE ASSY-FUEL	51	1
26-828627	SEAL-CRANKSHAFT LOWER	33	8	32-830756109	HOSE (57.00 INCHES BULK)	17	25
26-87735	SEAL-OIL	37	2	32-830756109	HOSE (57.00 INCHES BULK)	17	26
26-F664914	SEAL-THERMOSTAT	29	31	32-830756109	HOSE (57.00 INCHES BULK)	17	28
27-43008--6	GASKET-EXHAUST PLATE/EXHAUST TUBE	35	10	32-830756109	HOSE-FUEL PUMP TO CYLINDER BLOCK (57.00 INCHES BULK)	23	13
27-43033--1	GASKET	43	24	32-830756109	TUBING (57.00 INCHES BULK)	29	37
27-43047--2	GASKET	43	25	32-830758-21	HOSE (6.00 INCHES)	15	8
27-809125A2	GASKET SET-POWERHEAD	15	-				
27-809125A2	GASKET SET-POWERHEAD	23	-				
27-809125A2	GASKET SET-POWERHEAD	27	-				
27-809125A2	GASKET SET-POWERHEAD	29	14				
27-809125A2	GASKET SET-POWERHEAD	31	-				
27-809125A2	GASKET SET-POWERHEAD	33	-				
27-817277	GASKET	43	28				
27-819024--2	GASKET-EXHAUST PLATE	29	32				

PARTS INDEX

Part Number	Description	Pg.	Ref. No.	Part Number	Description	Pg.	Ref. No.
32-99126-88	TUBING (36.00 INCHES BULK)	15	23	54-41582--7	CLAMP-NYLON (SMALL)	51	6
32-99126-88	TUBING (36.00 INCHES BULK)	15	24	54-41582--7	CLAMP-NYLON (SMALL)	51	6
32-99126-88	TUBING (36.00 INCHES BULK)	15	25	54-41582-10	CLAMP-NYLON (SMALL)	51	6
32-99130122	HOSE (20.00 FEET BULK)	21	6	54-41582-10	CLAMP-NYLON (LARGE)	51	5
32-F719418	TUBE-WATER JACKET	29	10	54-41582-10	CLAMP-NYLON (LARGE)	51	5
32-F719943	TUBE-WATER JACKET (TOP)	29	11	54-41582-10	CLAMP-NYLON (LARGE)	51	5
33-827C	SPARK PLUG	7	30	54-54457	CLIP	7	21
33-898	SPARK PLUG	7	30	54-55098	J CLIP-FUEL HOSE	21	7
35-816296	FILTER-FUEL	17	27	54-65292	J CLIP	15	17
37-803911A99	DECAL SET	3	NS	54-816311	CABLE TIE (8.00 INCH)	9	34
37-818029--1	DECAL-FUEL MIX	5	26	54-816311	CABLE TIE (8.00 INCH)	17	24
37-819526	DECAL-THROTTLE CABLE ADJUSTMENT	9	35	54-816311	CABLE TIE (8.00 INCH)	23	14
37-825064	DECAL-CAUTION-START IN GEAR	13	NS	54-816311	CABLE TIE (8.00 INCH)	29	38
37-825149A1	DECAL KIT-SHIFT TO NEUTRAL	11	5	54-820437	CLIP-HARNESS RETAINER	7	7
37-827282--2	DECAL-WARNING-HI VOLTAGE	13	NS	54-828991	CLIP-FUSE HOLDER	7	15
37-852954A97	DECAL SET	3	NS	54-F698772	CLAMP	51	9
37-855399A98	DECAL SET	3	15	54-F698772	CLAMP	51	9
37-855577-20	DECAL-EPA LABEL INFO (APPLIED TOP OF BLOCK NEAR EXHAUST COVER)	31	40	54-F698772	CLAMP	51	9
37-856985-17	DECAL-EPA LABEL INFO (APPLIED TOP OF BLOCK NEAR EXHAUST COVER)	31	40	54-F698772	CLAMP	53	9
39-828564A4	RING SET (2 RINGS)	33	21	54-F698772	CLAMP-SS	53	12
39-828564A5	RING SET (2 RINGS)	33	21	84-819514A11	HARNESS ASSEMBLY	49	24
39-828564A6	RING SET (2 RINGS)	33	21	84-821945A61	CABLE ASSY-HI TENSION	7	32
40-52035	RING-LOCK	33	20	84-825207A2	HARNESS ASSEMBLY-CDM TESTER	56	-
43-19672	GEAR-PINION (14 TEETH) (2.07:1 RATIO)	43	16	84-828297A1	HARNESS ASSEMBLY	7	11
43-850035A3	GEAR KIT-FORWARD (29 TEETH) (2.07:1 RATIO)	47	6	84-828298A2	HARNESS ASSEMBLY-IGNITION	7	4
43-850036	GEAR-REVERSE (29 TEETH) (2.07:1 RATIO)	47	17	84-856583A1	CABLE ASSEMBLY-BLACK	7	19
44-850308	PROPSHAFT	47	16	84-857124A1	CABLE ASSY-HI TENSION	7	32
45-43031A1	DRIVESHAFT ASSY	43	21	84-93388A6	CABLE ASSY (5.500 INCHES)-STARTER LEAD	13	17
45-43032A4	DRIVESHAFT ASSY	43	21	84-F381896-4	CABLE ASSEMBLY-BATTERY	11	12
46-43024A7	REPAIR KIT-WATER PUMP	45	-	85-63709A1	BOOT/TERMINAL KIT-IGNITION CABLE	7	33
47-43026--2	IMPELLER	45	34	85-830233	BOOT	11	16
50-853869	STARTER ASSEMBLY	13	1	85-857074A1	BOOT/TERMINAL KIT-IGNITION CABLE	7	33
50-853869T	STARTER ASSEMBLY	13	1	87-819022--1	THERMOSWITCH	7	18
52-850048	CLUTCH	47	13	87-850691	SWITCH ASSEMBLY	5	27
53-13194	RING-RETAINING	25	28	88-812619	FUSE (20 AMP)	7	13
53-21058	E RING-RETAINING	17	32	89-817109A3	SOLENOID KIT-STARTER	11	13
53-29641	E RING	45	37	89-819503	SOLENOID-PRIMER	15	19
53-67684	RING-RETAINING	37	15	90-10155980	OWNERS MANUAL	57	-
53-F717096	RING-RETAINING-THERMOSWITCH TO CYL HEAD	7	17	90-10155990	OWNERS MANUAL	57	-
53-F85410	RING-SNAP	33	10	90-832749R2	SERVICE MANUAL	57	-
54-22740	CLAMP	49	25	90-855376	PARTS CATALOG	57	-
54-41582--7	CLAMP	51	9	90-855376R1	PARTS CATALOG	57	-
54-41582--7	CLAMP	51	9	90-855376R2	PARTS CATALOG	57	-
54-41582--7	CLAMP	51	9	91-11230--1	ALIGNMENT TOOL-POWER TRIM	54	-
				91-12349A2	LOCATING TOOL-PINION GEAR	54	-
				91-13945	INSTALLATION TOOL-BEARING	54	-
				91-13949	INSTALLER TOOL-OIL SEAL	54	-
				91-14308A1	RACE TOOL-BEARING	54	-

PARTS INDEX

Part Number	Description	Pg.	Ref. No.	Part Number	Description	Pg.	Ref. No.
91-14310A1	INSTALLATION TOOL-WEAR SLEEVE	54	-	92-12564--2	MASTER GASKET KIT-SEALANT AND PRIMER (RED)	56	-
91-14311A2	PRE LOAD TOOL-BEARING	54	-	92-13872A1	LUBE-SPECIAL (8 OUNCE)	56	-
91-15755	MANDREL	54	-	92-25711--2	NEOPRENE-LIQUID	56	-
91-19660--1	INDICATOR TOOL-BACKLASH	54	-	92-34227--1	SEALER-PINT	56	-
91-24161	CAP-FLYWHEEL PULLER	54	-	92-809818	THREADLOCKER (10 ML BOTTLE) (PURPLE)	56	-
91-24697	EXPANDER-PISTON RINGS	54	-	92-809819	ADHESIVE/SEALANT (10 ML BOTTLE) (RED)	56	-
91-31106	MANDREL	54	-	92-809820	ADHESIVE/SEALANT (50 ML BOTTLE) (RED)	56	-
91-31108	DRIVER-OIL SEAL	54	-	92-809821	THREADLOCKER (10 ML BOTTLE) (BLUE)	56	-
91-31229	SHAFT	54	-	92-809822	PIPE SEALANT (50 ML TUBE) (WHITE)	56	-
91-31229A7	PULLER KIT-BEARING	54	-	92-809824	PRIMER (4.5 OUNCE AEROSOL) (GREEN)	56	-
91-34569A1	PULLER ASSEMBLY-SLIDE HAMMER	55	-	92-809825	RTV SILICONE (3 OUNCE TUBE) (METALLIC BLUE)	56	-
91-36569	DRIVEHEAD	54	-	92-809825	SEALANT-LOCTITE 587	56	-
91-37241	PULLER PLATE-UNIVERSAL	55	-	92-809826	RTV SILICONE (13 OUNCE CARTRIDGE) (BLACK)	56	-
91-37323	DRIVER ROD	55	-	92-809827	DEGREASER AND CLEANER (19 OUNCE AEROSOL)	56	-
91-37350	WASHER	55	-	92-809828	GASKET REMOVER (12 OUNCE AEROSOL)	56	-
91-44486A1	REMOVAL TOOL-TRIM ROD	54	-	92-809833	RETAINING COMPOUND (10 ML BOTTLE) (GREEN)	56	-
91-44487A1	REMOVAL TOOL-TRIM ROD GUIDE	54	-	92-809834	FORM A GASKET (3 OUNCE TUBE) (BROWN)	56	-
91-46086A1	PULLER JAW ASSEMBLY	55	-	92-819107-12	LACQUER-CLEAR ACRYLIC-(FOR COWL ONLY)	57	-
91-52344	HOLDER TOOL-FLYWHEEL	54	-	92-825265A1	COMPOUND (8 OUNCE)-NEEDLE BEARINGS	56	-
91-52915A6	TEST GAUGE KIT-POWER TRIM	54	-	92-827933-36	PAINT-DAMASCUS STEEL GRAY-	57	-
91-52952A1	REMOVAL TOOL-PISTON PIN LOCK RING	54	-	92-827933-37	PAINT-DAMASCUS STEEL GRAY-	57	-
91-56775	HOLDING TOOL-DRIVESHAFT	56	-	92-850735A1	LUBRICANT-ANTI CORROSION	56	-
91-58222A1	DIAL INDICATOR	56	-	92-850736A1	MULTI LUBE (8 OUNCE)	56	-
91-58222A1	DIAL INDICATOR	56	-	92-850737A1	GEAR LUBE-PREMIUM	56	-
91-59339	TACH/DWELL METER-IGNITION	56	-	92-90100A12	FLUID-POWER TRIM AND TILT-CASE OF 12	56	-
91-63209	TORCHLAMP	54	-	92-90113--2	SEALER-RTV 1473 (2.8 OUNCE)	56	-
91-73687A2	PULLER KIT-FLYWHEEL	54	-	100-819747A9	COWL ASSEMBLY-TOP (PAINTED)	3	1
91-74607A3	INSTALLER KIT-PISTON PIN	54	-	100-819983F1	COWL ASSEMBLY-BOTTOM (PAINTED)	5	2
91-74951	SPANNER WRENCH-POWER TRIM	54	-	261-9008A54	FLYWHEEL ASSEMBLY	11	4
91-77109A2	INSTALLER KIT-PISTON PIN LOCK RING	54	-	398-832075A4	STATOR ASSEMBLY (RED)	7	1
91-79250A2	GAUGE KIT-WATER PRESSURE	56	-	489-828306A1	CRANKSHAFT ASSEMBLY	33	5
91-824892	HANDLE-DRIVER-USE WITH FT8903	54	-	640-9612A7	CONNECTING ROD ASSEMBLY	33	14
91-83155	ADAPTOR KIT-DIAL INDICATOR	56	-	700-828304A10	PISTON KIT	33	19
91-83165M	PULLER ASSEMBLY-BEARING	56	-	700-828304A11	PISTON KIT	33	19
91-850439	SPARK TESTER-IGNITION SYSTEM	56	-	700-828304A12	PISTON KIT	33	19
91-856875A1	INSTALLER-FORWARD GEAR BEARING	56	-	800-818154A41	CYLINDER BLOCK KIT	29	1
91-85716	PULLER BOLT	56	-				
91-90455	EYE-LIFTING-CRANKSHAFT END	54	-				
91-98234A2	TRANSOM DRILL KIT	56	-				
91-99379	TIMING LIGHT-IGNITION	56	-				
91-99750A1	MULTIMETER TESTER-ELECTRICAL COMPONENTS	56	-				

PARTS INDEX

Part Number	Description	Pg.	Ref. No.	Part Number	Description	Pg.	Ref. No.
800-818154A48	POWERHEAD ASSEMBLY ..	9	-				
800-818154A48	POWERHEAD ASSEMBLY ..	15	-				
800-818154A48	POWERHEAD ASSEMBLY ..	21	-				
800-818154A48	POWERHEAD ASSEMBLY ..	23	-				
800-818154A48	POWERHEAD ASSEMBLY ..	27	-				
800-818154A48	POWERHEAD ASSEMBLY ..	31	-				
800-818154A48	POWERHEAD ASSEMBLY ..	33	-				
800-818154A48	POWERHEAD ASSEMBLY (PAINTED)D TOP OF BLOCK NEAR EXHAUST COVER)	29	1				
900-819777--2	HEAD-CYLINDER	29	20				
1100-819312A3	CAGE ASSEMBLY- CRANKSHAFT UPPER ...	33	1				
1300-854451	CARBURETOR (TC-138A) ..	17	1				
1300-854452	CARBURETOR (TC-139A) ..	17	1				
1395-6201	JET-MAIN FUEL	17	17				
1399-3517	JET-MAIN FUEL	17	17				
1399-3518	JET-MAIN FUEL	17	17				
1598-8974A28	HOUSING KIT-DRIVESHAFT (PAINTED)	41	1				
1667-9011G22	GEAR HOUSING ASSEMBLY (PAINTED)	43	1				
1667-9011G22	GEAR HOUSING ASSEMBLY (PAINTED)	47	1				
1667-9011G23	GEAR HOUSING ASSY (PAINTED)	43	1				
1667-9011G23	GEAR HOUSING ASSY (PAINTED)	47	1				
1667-9011G24	GEAR HOUSING ASSY (PAINTED)	43	1				
1667-9011G24	GEAR HOUSING ASSY (PAINTED)	47	1				
3408-818904A4	BRACKET ASSEMBLY- SWIVEL (PAINTED)	37	1				
3425-828333A6	BRACKET ASSY-TRANSOM (PAINTED)	39	2				
3426-828334F4	BRACKET-TRANSOM (PAINTED)	39	1				