



PARTS CATALOG

MERC 850 (4 CYLINDER)

SERIAL NUMBER

850 (4 CYL.)	USA 3493913 THRU 4366801
850 (4 CYL.)	CAN 7010108 THRU 7071372
850 (4 CYL.)	8005440 THRU 8043774
850 (4 CYL.)	BEL 9011604 THRU 9110013

TABLE OF CONTENTS:

BOTTOM COWL AND SHIFT LINKAGE	50
CARBURETOR ASSEMBLY	26
CARBURETOR LINKAGE AND CHOKE SOLENOID	24
CLAMP BRACKET AND REVERSE LOCK	58
COWLING AND FRONT COVER	6
CRANKSHAFT, PISTON AND CONNECTING ROD	46
CYLINDER BLOCK AND CRANKCASE ASSEMBLY	38
DISTRIBUTOR ADAPTOR AND VERTICAL LINKAGE	12
DISTRIBUTOR HOUSING AND ROTOR	10
DRIVE SHAFT HOUSING ASSEMBLY	62
END CAPS, MANIFOLD AND EXHAUST COVERS	42
EXHAUST EXTENSION PLATE	52
FLYWHEEL ASSEMBLY AND STATOR	8
FUEL PUMP AND FUEL LINE ASSEMBLY (SERIAL GROUP NO. 6)	34
FUEL PUMP AND FUEL LINE ASSEMBLY (SERIAL GROUP NO. 7)	32
GEAR HOUSING ASSEMBLY, COMPLETE (PAGE 1)	66
GEAR HOUSING ASSEMBLY, COMPLETE (PAGE 2)	72
MISCELLANEOUS PARTS/ACCESSORIES	1
PARTS INDEX	78
SERIAL GROUP CHART	76
STARTER MOTOR AND WIRING HARNESS (SERIAL GROUP #1)	16
STARTER MOTOR AND WIRING HARNESS (SERIAL GROUP #2)	20
SWIVEL BRACKET ASSEMBLY	56
TOP COWL AND SUPPORT BRACKETS	2

NOTE: Indented description indicate that these parts are included in preceding assembly.

AR = As Required

NSS = Not Sold Separate

OPT = Optional

NS = Not Shown

NOTE: Following symbols are located in **SYM** column.

■ = COMPONENT OF ENGINE OVERHAUL
GASKET SET- SERIAL GROUP NO. 1 (27-
64203A73)

▣ = COMPONENT OF ENGINE OVERHAUL
GASKET SET - SERIAL GROUP NO. 5
(27-64203A74)

◇ = COMPONENT OF ENGINE OVERHAUL
GASKET SET - SERIAL GROUP NO. 6
(27-64203A75)

❖ = COMPONENT OF CARBURETOR GASKET
SET

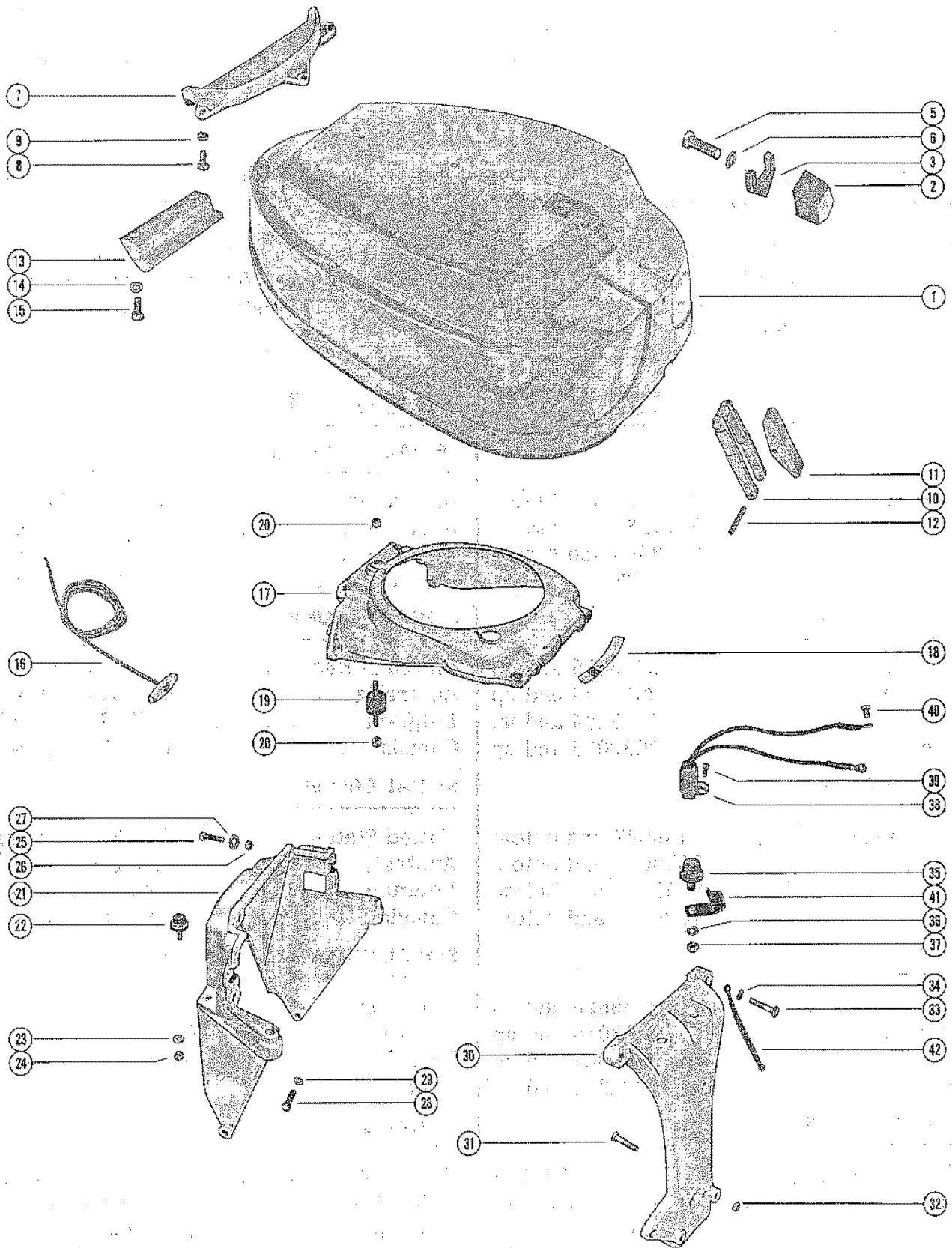
□ = COMPONENT OF CARBURETOR REPAIR
KIT

THESE PARTS BOOKS/FICHE CARD ARE COPYRIGHTED AND MAY NOT BE DISTRIBUTED OR REPRODUCED IN ANY OTHER FORMAT BY ANYONE OTHER THAN MERCURY MARINE WITHOUT THE PRIOR WRITTEN CONSENT OF MERCURY MARINE.

MISCELLANEOUS PARTS/ACCESSORIES

REF. NO.	PART NO.	SYM.	QTY.	DESCRIPTION
-	90-63271		0	MERC 850 (4CYLINDER) PARTS LIST
-	27-64203A73		0	GASKET SET(MOTOR OVERHAUL) UNITED STATES 3865694 AND BELOW AUSTRALIA 8017139 AND BELOW BELGIUM 9053363 AND BELOW CANADA 7033027 AND BELOW
-	27-64203A74		0	GASKET SET (MOTOR OVERHAUL) UNITED STATES 3865695 THRU 4092964 AUSTRALIA 8017140 THRU 8025614 BELGIUM 9053364 THRU 9069878 CANADA 7033028 THRU 7044107
-	27-64203A75		0	GASKET SET (MOTOR OVERHAUL) UNITED STATES 4092965 AND UP AUSTRALIA 8025615 AND UP BELGIUM 9069879 AND UP CANADA 7044108 AND UP
-	37-64308A73		0	DECAL SET UNITED STATES 3865694 AND BELOW AUSTRALIA 8017139 AND BELOW BELGIUM 9053363 AND BELOW CANADA 7033027 AND BELOW
-	37-66314A74		0	DECAL SET UNITED STATES 3865695 THRU 4092964 AUSTRALIA 8017140 THRU 8025614 BELGIUM 9053364 THRU 9069878 CANADA 7033028 THRU 7044107
-	37-70002A75		0	DECAL SET UNITED STATES 4092965 AND UP AUSTRALIA 8025615 AND UP BELGIUM 9069879 AND UP CANADA 7044108 AND UP
-	55398A4		0	TACHOMETER ASSEMBLY
-	48755A1		0	FLUSHING ATTACHMENT
-	46-48743A3		0	HEAVY DUTY WATER PUMP

TOP COWL AND SUPPORT BRACKETS

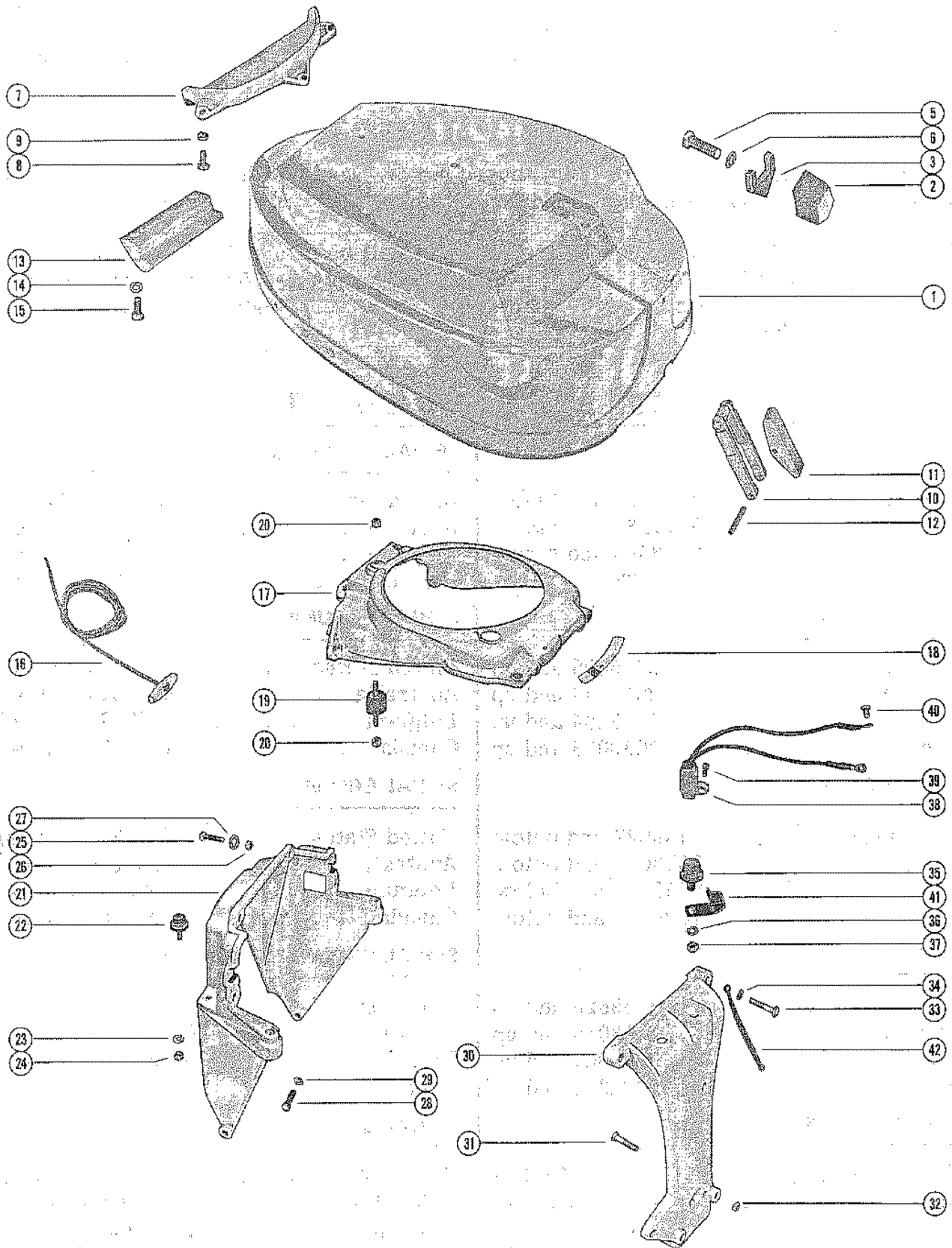


TOP COWL AND SUPPORT BRACKETS

REF. NO.	PART NO.	SYM.	QTY.	DESCRIPTION
1	2114-3806		1	COWL, TOP
2	52733A9		1	RETAINER ASSEMBLY, TOP COWL
3	35496		1	PAD, BUMPER - TOP COWL RETAINER
5	10-37558		1	SCREW, RETAINER TO TOP COWL (1 1/4")
6	13-39107		1	LOCKWASHER, RETAINER FASTENING SCREW
7	49448		1	SHIELD, TOP COWL - REAR
9	13-37371		3	LOCKWASHER, SHIELD SCREW
10	52739		1	HINGE, COWL LATCH - TOP COWL
11	52737		1	LEVER, COWL LATCH HINGE
12	17-33522		1	PIN, COWL LATCH LEVER TO HINGE
13	55455		1	HOOK, TOP COWL LATCH - REAR
14	13-26992		2	LOCKWASHER, REAR HOOK MOUNTING SCREW
15	10-22956		2	SCREW, REAR HOOK TO TOP COWL (7/8")
16	47341A1		1	ROPE, STARTER (FOR MANUAL STARTING ONLY)
17	47271		1	FRAME, TOP COWL SUPPORT UNITED STATES 3865694 AND BELOW AUSTRALIA 8017139 AND BELOW BELGIUM 9053363 AND BELOW CANADA 7033027 AND BELOW
18	37-60204		1	DECAL, TIMING - TOP COWL FRAME UNITED STATES 3865694 AND BELOW AUSTRALIA 8017139 AND BELOW BELGIUM 9053363 AND BELOW CANADA 7033027 AND BELOW
17	65609A2		1	FRAME, TOP COWL SUPPORT UNITED STATES 3865695 THRU 4092964 AUSTRALIA 8017140 THRU 8025614 BELGIUM 9053364 THRU 9069878 CANADA 7033028 THRU 7044107
18	37-65601		1	DECAL, TIMING - TOP COWL FRAME UNITED STATES 3865695 THRU 4092964 AUSTRALIA 8017140 THRU 8025614 BELGIUM 9053364 THRU 9069878 CANADA 7033028 THRU 7044107
17	69240A2		1	FRAME, TOP COWL SUPPORT UNITED STATES 4092965 AND UP AUSTRALIA 8025615 AND UP BELGIUM 9069879 AND UP CANADA 7044108 AND UP
19	37639		3	MOUNT, RUBBER - TOP COWL FRAME
20	11-35888		6	NUT, RUBBER MOUNT TO TOP COWL FRAME
21	52468		1	BRACKET, TOP COWL SUPPORT - REAR
22	31014		2	MOUNT, RUBBER - REAR SUPPORT BRACKET
23	13-26992		2	LOCKWASHER, RUBBER MOUNT TO REAR SUPPORT BRACKET
24	11-29598		2	NUT, RUBBER MOUNT TO REAR SUPPORT BRACKET
25	10-65263		4	SCREW, REAR BRACKET TO FRAME (1") UNITED STATES 4092964 AND BELOW AUSTRALIA 8025614 AND BELOW BELGIUM 9069878 AND BELOW CANADA 7044107 AND BELOW
26	11-60049		4	NUT, REAR BRACKET SCREW UNITED STATES 4092964 AND BELOW AUSTRALIA 8025614 AND BELOW BELGIUM 9069878 AND BELOW CANADA 7044107 AND BELOW
25	10-37562		4	SCREW, REAR BRACKET TO FRAME (1") UNITED STATES 4092965 AND UP AUSTRALIA 8025615 AND UP BELGIUM 9069879 AND UP CANADA 7044108 AND UP

CONTINUED ON NEXT PAGE ➡

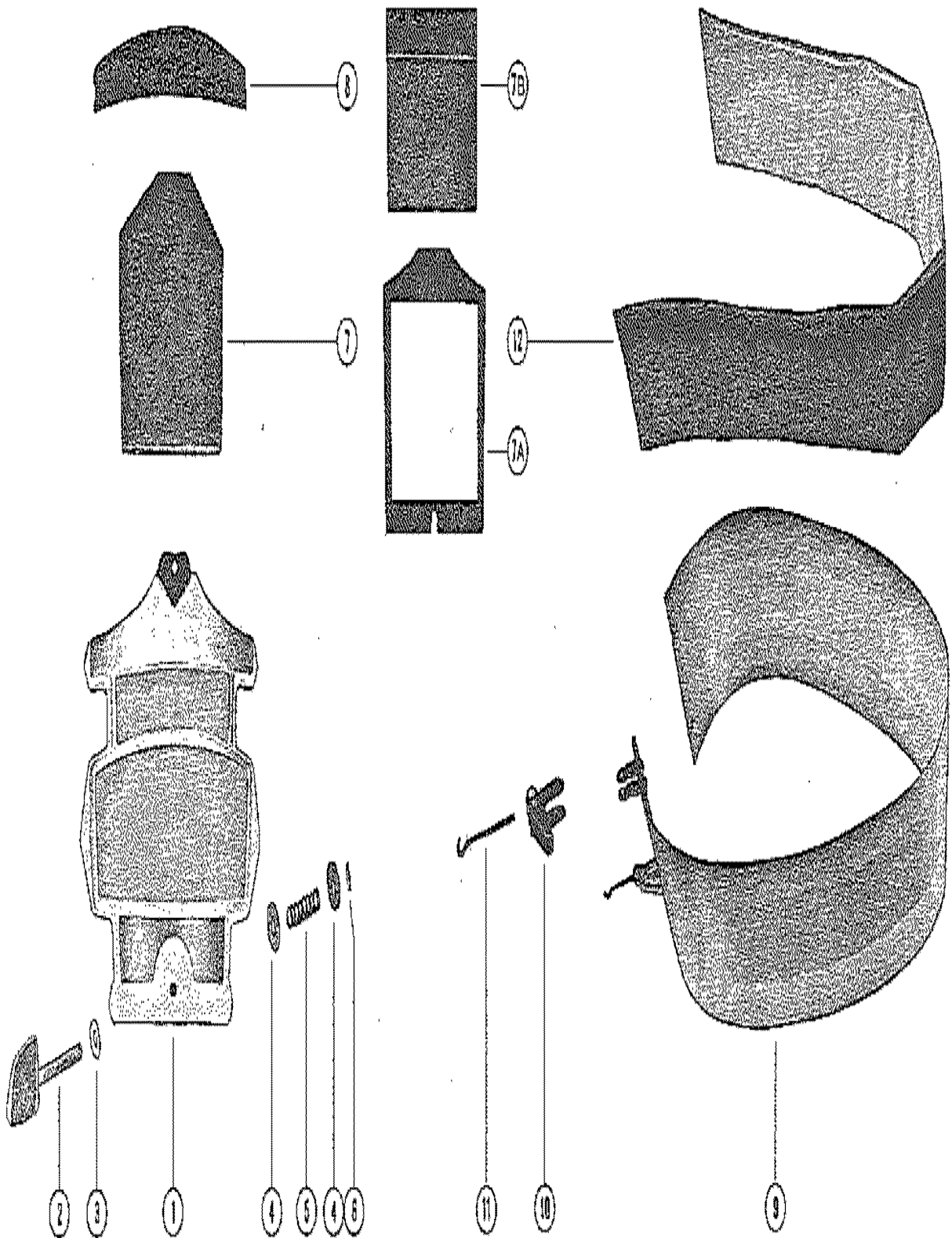
TOP COWL AND SUPPORT BRACKETS



TOP COWL AND SUPPORT BRACKETS

REF. NO.	PART NO.	SYM.	QTY.	DESCRIPTION
27	13-26993		4	LOCKWASHER, REAR BRACKET SCREW UNITED STATES 4092965 AND UP AUSTRALIA 8025615 AND UP BELGIUM 9069879 AND UP CANADA 7044108 AND UP
28	10-37562		4	SCREW, REAR SUPPORT BRACKET TO BOTTOM COWL (1")
29	13-26993		4	LOCKWASHER, REAR SUPPORT BRACKET SCREW
30	65077A3		1	BRACKET, SUPPORT - FRONT UNITED STATES 3865694 AND BELOW AUSTRALIA 8017139 AND BELOW BELGIUM 9053363 AND BELOW CANADA 7033027 AND BELOW
	66521A2		1	BRACKET, SUPPORT - FRONT UNITED STATES 3865695 AND UP AUSTRALIA 8017140 AND UP BELGIUM 9053364 AND UP CANADA 7033028 AND UP
31	10-71908		2	SCREW, FRONT SUPPORT BRACKET TO BOTTOM COWL (1-5/8")
32	11-60049		2	NUT, FRONT SUPPORT BRACKET SCREW
33	10-55511		2	SCREW, FRONT BRACKET TO TOP COWL FRAME (1 1/2")
34	13-26933		2	LOCKWASHER, FRONT SUPPORT BRACKET SCREW
35	37640		1	MOUNT, RUBBER - FRONT SUPPORT BRACKET
36	13-26993		1	LOCKWASHER, RUBBER MOUNT TO FRONT SUPPORT BRACKET
37	11-28770		1	NUT, RUBBER MOUNT TO FRONT SUPPORT BRACKET
38	58124A7		1	SWITCH, MERCURY
39	10-37571		1	SCREW, MERCURY SWITCH TO FRONT SUPPORT BRACKET (1/2")
40	10-62568		1	SCREW, MERCURY SWITCH LEAD (3/8")
41	54-55098		1	"J" CLAMP, STATOR LEADS
42	84-66008A1		1	GROUND STRAP ASSEMBLY, FRONT SUPPORT BRK. UNITED STATES 3865695 AND UP AUSTRALIA 8017140 AND UP BELGIUM 9053364 AND UP CANADA 7033028 AND UP

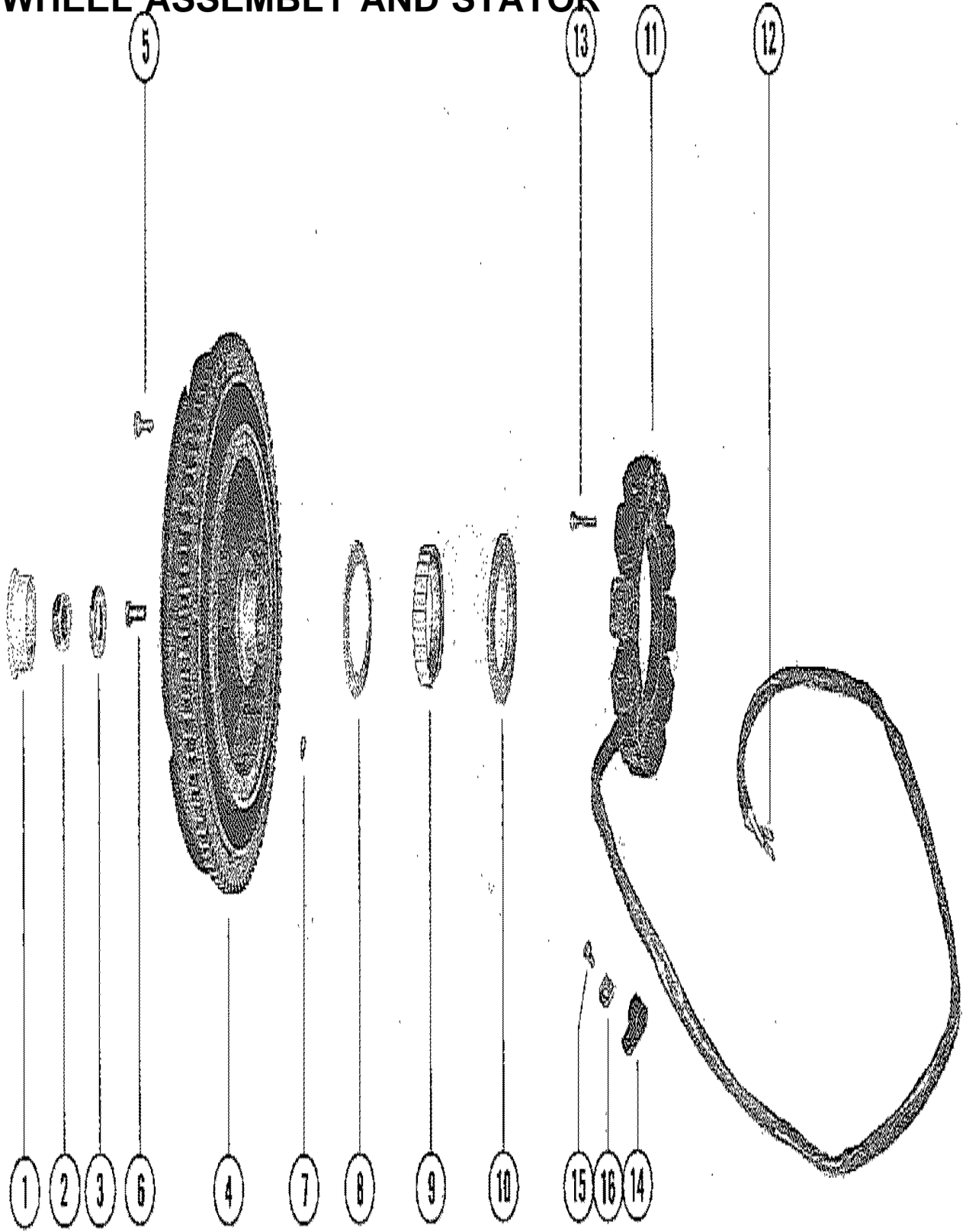
COWLING AND FRONT COVER



COWLING AND FRONT COVER

REF. NO.	PART NO.	SYM.	QTY.	DESCRIPTION
1	2104-2654A31		1	COWL FRONT COVER ASSEMBLY UNITED STATES 4092964 AND BELOW AUSTRALIA 8025614 AND BELOW BELGIUM 9069878 AND BELOW CANADA 7044107 AND BELOW
	2104-5642A1		1	COWL FRONT COVER ASSEMBLY UNITED STATES 4092965 AND UP AUSTRALIA 8025615 AND UP BELGIUM 9069879 AND UP CANADA 7044108 AND UP
2	56849		1	KNOB, COWL FRONT COVER FASTENING
3	12-30771		2	WASHER, COVER FASTENING KNOB (RUBBER)
4	12-59572		2	WASHER, COVER FASTENING KNOB (STEEL)
5	24-32271		1	SPRING, TENSION - COVER FASTENING KNOB
6	17-29077		1	ROLL PIN, TENSION SPRING TO KNOB
7	54142		1	BLANKET, SOUND ABSORBING UNITED STATES 4092964 AND BELOW AUSTRALIA 8025614 AND BELOW BELGIUM 9069878 AND BELOW CANADA 7044107 AND BELOW
7A	71040		1	SEAL, SOUND ABSORBING UNITED STATES 4092965 AND UP AUSTRALIA 8025615 AND UP BELGIUM 9069879 AND UP CANADA 7044108 AND UP
7B	38674		1	BLANKET, SOUND ABSORBING UNITED STATES 4092965 AND UP AUSTRALIA 8025615 AND UP BELGIUM 9069879 AND UP CANADA 7044108 AND UP
8	54143		1	SEAL, SOUND - UPPER
9	2119-3248A6		1	WRAP AROUND COWL ASSEMBLY
10	46785A1		2	COWL LATCH ASSEMBLY
11	30413		2	HOOK, COWL LATCH FASTENING
12	54141A1		1	BLANKET ASS'Y, SOUND ABSORBING - WRAP AROUND COWL
	92-25234--1		1	GLUE, ADHESIVE - SOUND BLANKET FASTENING

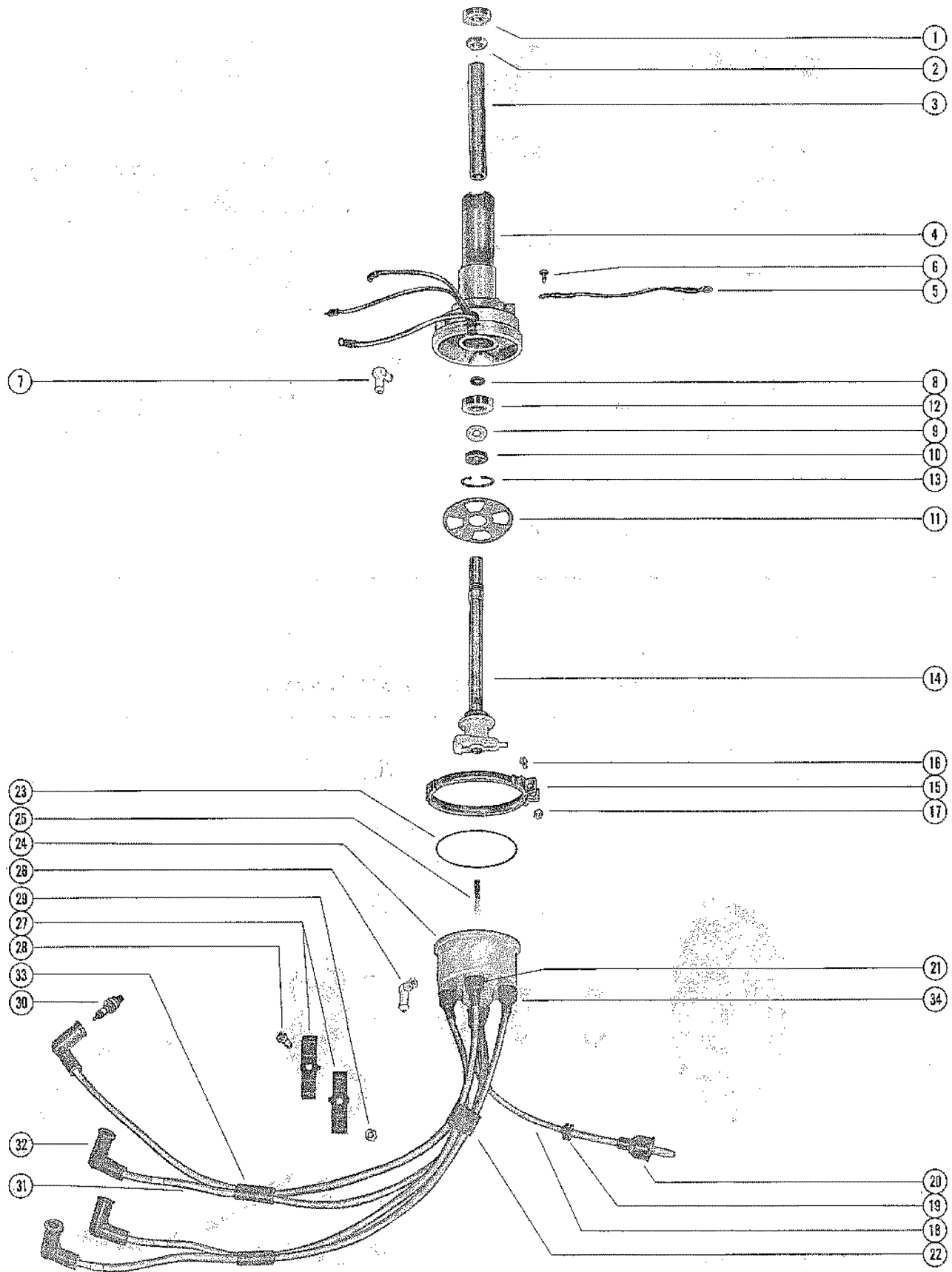
FLYWHEEL ASSEMBLY AND STATOR



FLYWHEEL ASSEMBLY AND STATOR

REF. NO.	PART NO.	SYM.	QTY.	DESCRIPTION
1	19-45907		1	PLUG, FLYWHEEL PULLER THREADS
2	11-52901		1	NUT, FLYWHEEL
3	12-68229		1	WASHER, FLYWHEEL NUT
4	225-2494A27		1	FLYWHEEL ASSEMBLY, COMPLETE UNITED STATES 3865694 AND BELOW AUSTRALIA 8017139 AND BELOW BELGIUM 9053363 AND BELOW CANADA 7033027 AND BELOW
	225-2494A30		1	FLYWHEEL ASSEMBLY, COMPLETE UNITED STATES 3865695 AND UP AUSTRALIA 8017140 AND UP BELGIUM 9053364 AND UP CANADA 7033028 AND UP
5	10-32417		8	SCREW, FLEXIBLE PLATE TO FLYWHEEL
6	10-49006		8	SCREW, PLATE/HUB TO FLEXIBLE PLATE UNITED STATES 3865694 AND BELOW AUSTRALIA 8017139 AND BELOW BELGIUM 9053363 AND BELOW CANADA 7033027 AND BELOW
	10-38398		8	SCREW, PLATE/HUB TO FLEXIBLE PLATE UNITED STATES 3865695 AND UP AUSTRALIA 8017140 AND UP BELGIUM 9053364 AND UP CANADA 7033028 AND UP
7	17-26618		1	PIN, DOWEL - PULLEY TO FLYWHEEL
8	29788		1	FLANGE, FLYWHEEL PULLEY
9	30306		1	PULLEY, FLYWHEEL
10	29787		1	HUB, FLYWHEEL PULLEY
11	398-4792		1	STATOR ALTERNATOR UNITED STATES 3865694 AND BELOW AUSTRALIA 8017139 AND BELOW BELGIUM 9053363 AND BELOW CANADA 7033027 AND BELOW
	398-5232		1	STATOR ALTERNATOR UNITED STATES 3865695 AND UP AUSTRALIA 8017140 AND UP BELGIUM 9053364 AND UP CANADA 7033028 AND UP
13	10-63136		4	SCREW, STATOR TO UPPER END CAP (7/8")
14	54-22627		2	CLIP, STATOR LEAD FASTENING (1/2") UNITED STATES 3865694 AND BELOW AUSTRALIA 8017139 AND BELOW BELGIUM 9053363 AND BELOW CANADA 7033027 AND BELOW
	54-22875		2	CLIP, STATOR LEAD FASTENING (1/2") UNITED STATES 3865695 AND UP AUSTRALIA 8017140 AND UP BELGIUM 9053364 AND UP CANADA 7033028 AND UP
15	10-62568		2	SCREW, STATOR LEAD FASTENING (3/8")
16	69205		2	"D" WASHER, CLIP FASTENING SCREW

DISTRIBUTOR HOUSING AND ROTOR

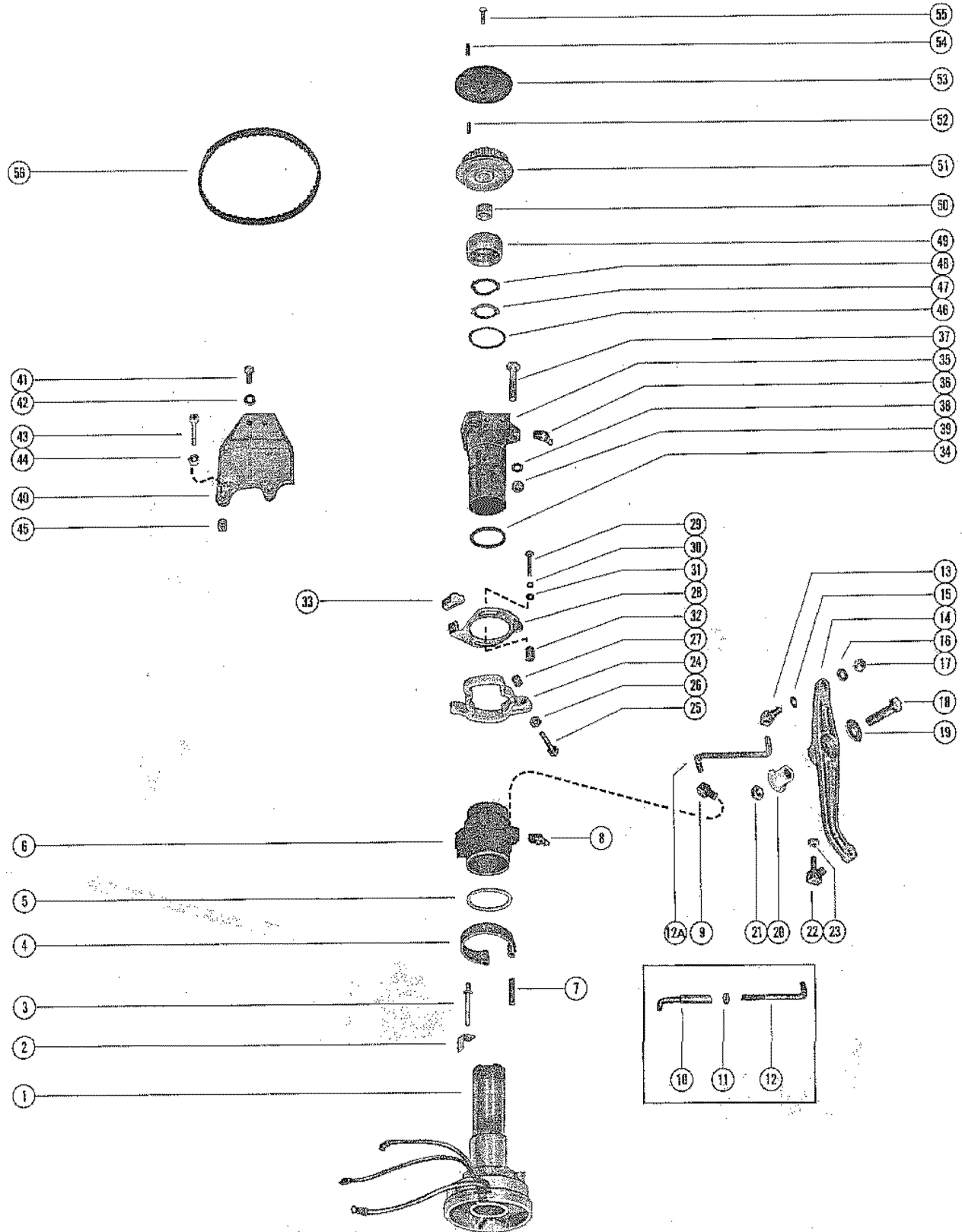


DISTRIBUTOR HOUSING AND ROTOR

REF. NO.	PART NO.	SYM.	QTY.	DESCRIPTION
1	30-20066		1	BALL BEARING< DISTRIBUTOR HOUSING (UPPER)
2	11-54209		1	NUT, ROTOR SHAFT TO DISTRIBUTOR HOUSING
3	23-53539		1	SLEEVE, ROTOR SHAFT
4	332-4177A3		1	HOUSING ASSEMBLY, DISTRIBUTOR
5	53417		1	GROUND STRAP ASSEMBLY, DISTRIBUTOR TO CRANKCASE
6	10-62568		1	SCREW, GROUND STRAP ATTACHING (3/8")
7	58807A1		1	FLAME ARRESTOR ASSEMBLY, DISTRIBUTOR HOUSING
8	15-21148A1		1	SHIM, ROTOR
9	15-55853		AR	SHIM, ROTOR
10	23-53538		1	SPACER, ROTOR SHAFT
11	393-3236		1	DISC, ROTOR
12	30-26379		1	BALL BEARING, DISTRIBUTOR HOUSING (LOWER)
13	53-26406		1	RING, RETAINING - BALL BEARING TO DISTRIBUTOR HOUSING
14	393-4371		1	ROTOR, DISTRIBUTOR
15	54-60768		1	CLAMP, DISTRIBUTOR CAP TO DISTRIBUTOR HOUSING
16	10-65774		1	SCREW, DISTRIBUTOR CAP CLAMP (1 1/8")
17	11-26768		1	NUT, DISTRIBUTOR CAP CLAMP SCREW
18	393-3294A1		1	CABLE ASSEMBLY, CAP TO COIL UNITED STATES 3865694 AND BELOW AUSTRALIA 8017139 AND BELOW BELGIUM 9053363 AND BELOW CANADA 7033027 AND BELOW
	84-66056A1		1	CABLE ASSEMBLY, CAP TO COIL UNITED STATES 3865695 AND UP AUSTRALIA 8017140 AND UP BELGIUM 9053364 AND UP CANADA 7033028 AND UP
19	25-26547		1	GROMMET, CABLE (5/16")
	25-56474		1	GROMMET, CABLE (7/8")
20	332-2854		1	BOOT, CABLE TO COIL
21	60096		1	SLEEVE, CABLE
22	32-46398		1	SLEEVE, (LEADS 1, 2, 3, 4) - 3/4"
23	27-55896	■ ■ ◇	1	GASKET, DISTRIBUTOR CAP TO DISTRIBUTOR HOUSING
24	393-3726A10		1	DISTRIBUTOR CAP ASSEMBLY
25	393-1293A1		1	BRUSH AND SPRING ASSEMBLY
26	58807A1		1	FLAME ARRESTOR ASSEMBLY
27	63319		4	RETAINER, LEADS
28	10-46378		2	SCREW, LEAD RETAINER (1")
29	11-20013		2	NUT, RETAINER SCREW
30	33-59599		4	SPARK PLUG (CHAMP L-77V)
31	84-63212A2		4	SPARK PLUG LEAD ASSEMBLY #1, #2, #3, #4 ORDER A-36549A1 KIT FOR REPLACEMENT OF LEAD WIRE MARKERS
32	47604A1		4	PROTECTOR, SPARK PLUG LEAD
33	32-26527		2	SLEEVE, SPARK PLUG LEAD (LEADS 1, 2, 3, 4)
34	60096		4	SLEEVE, SPARK PLUG LEAD TO DISTRIBUTOR

■ = COMPONENT OF ENGINE OVERHAUL GASKET SET- SERIAL GROUP NO. 1 (27-64203A73)
 ■ = COMPONENT OF ENGINE OVERHAUL GASKET SET - SERIAL GROUP NO. 5 (27-64203A74)
 ◇ = COMPONENT OF ENGINE OVERHAUL GASKET SET - SERIAL GROUP NO. 6 (27-64203A75)

DISTRIBUTOR ADAPTOR AND VERTICAL LINKAGE

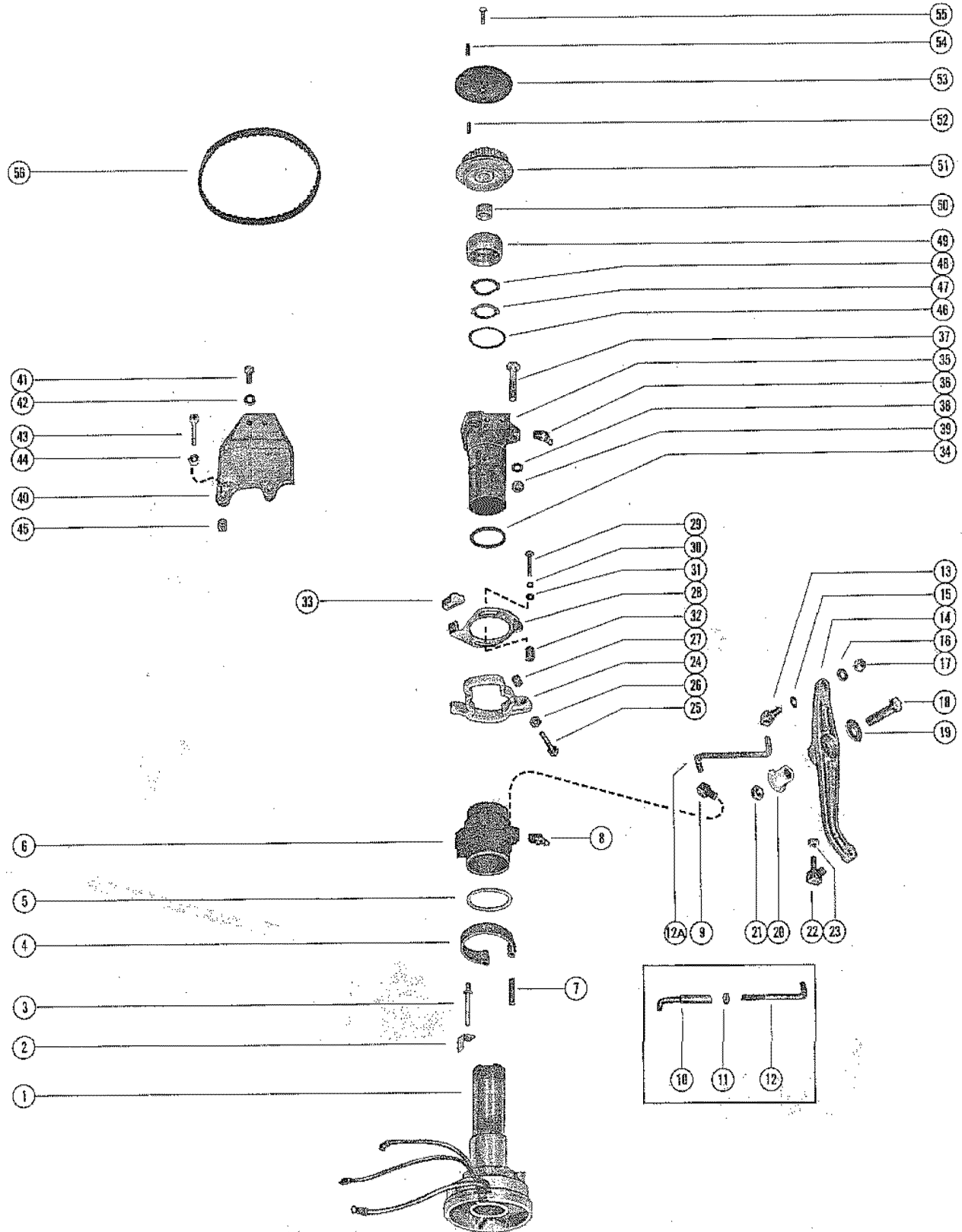


DISTRIBUTOR ADAPTOR AND VERTICAL LINKAGE

REF. NO.	PART NO.	SYM.	QTY.	DESCRIPTION
1	332-4177A3		1	HOUSING ASSEMBLY, DISTRIBUTOR
2	32197		1	STOP, SPARK ADVANCE - DISTRIBUTOR HOUSING
3	17-27962		1	PIN, ANCHOR SPRING - DISTRIBUTOR HOUSING
4	24-27944		1	SPRING, HORSESHOE - DISTRIBUTOR HOUSING
5	12-53540		1	WASHER, ECONOMIZER COLLAR - DISTRIBUTOR HOUSING
6	55804A1		1	ECONOMIZER COLLAR ASSEMBLY
7	17-27961		1	PIN, ECONOMIZER COLLAR - SPRING RETAINER
8	22-25094		1	FITTING, GREASE - ECONOMIZER COLLAR
9	27947		1	SWIVEL, LINKAGE - ECONOMIZER COLLAR
10	25996A1		1	SWIVEL AND LINK ROD ASSEMBLY UNITED STATES 3865694 AND BELOW AUSTRALIA 8017139 AND BELOW BELGIUM 9053363 AND BELOW CANADA 7033027 AND BELOW
11	11-64484		1	NUT, UPPER LINK ROD ADJUSTING UNITED STATES 3865694 AND BELOW AUSTRALIA 8017139 AND BELOW BELGIUM 9053363 AND BELOW CANADA 7033027 AND BELOW
12	37588		1	ROD, LINK - UPPER UNITED STATES 3865694 AND BELOW AUSTRALIA 8017139 AND BELOW BELGIUM 9053363 AND BELOW CANADA 7033027 AND BELOW
12A	67468		1	ROD, LINK - UPPER UNITED STATES 3865695 AND UP AUSTRALIA 8017140 AND UP BELGIUM 9053364 AND UP CANADA 7033028 AND UP
13	27948		1	SWIVEL, UPPER LINK ROD TO THROTTLE CONTROL LEVER
14	48562		1	LEVER, THROTTLE CONTROL
15	13-39954		1	WASHER, WAVE - THROTTLE CONTROL LEVER SWIVEL
16	12-29245		1	WASHER< THROTTLE CONTROL LEVER SWIVEL
17	11-35888		1	NUT, UPPER LINK ROD TO THROTTLE CONTROL LEVER
18	10-37559		1	SCREW, THROTTLE LEVER TO EXHAUST COVER (1 3/4")
19	12-29395		1	WASHER, THROTTLE CONTROL LEVER SCREW
20	23-45818		1	BUSHING, THROTTLE CONTROL LEVER SCREW
21	11-20509		1	NUT, THROTTLE CONTROL LEVER SCREW
22	37587		1	SWIVEL, LOWER - THROTTLE CONTROL LEVER TO THROTTLE CABLE
23	11-35888		1	NUT, THROTTLE CABLE TO LOWER SWIVEL
24	48692		1	COLLAR, THROTTLE ACTUATOR
25	10-61658		1	SCREW, ADJUSTING - ACTUATOR COLLAR (1 3/4")
26	11-64015		1	NUT, THROTTLE ACTUATOR COLLAR ADJUSTING SCREW
27	52023		1	CAP, NYLON - THROTTLE ACTUATOR COLLAR ADJUSTING SCREW
28	48671		1	PLATE, THROTTLE ACTUATOR
29	10-37892		2	SCREW, THROTTLE ACTUATOR PLATE TO ECONOMIZER COLLAR (1")
30	12-30164		2	WASHER, THROTTLE ACTUATOR PLATE FASTENING SCREW
31	13-26996		2	LOCKWASHER, THROTTLE ACTUATOR PLATE FASTENING SCREW
32	23-48674		2	SPACER, THROTTLE ACTUATOR PLATE SCREW
33	54239		1	CAM, THROTTLE ACTUATOR PLATE

CONTINUED ON NEXT PAGE ➡

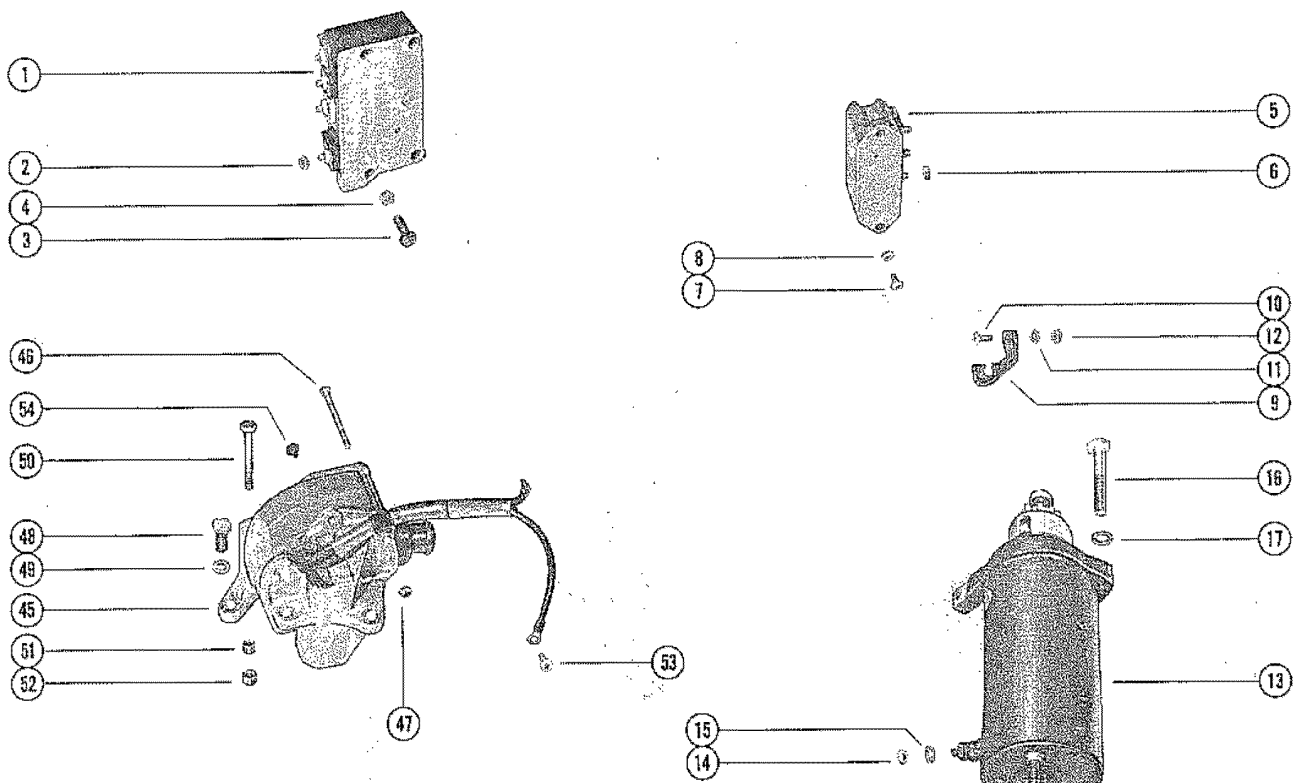
DISTRIBUTOR ADAPTOR AND VERTICAL LINKAGE



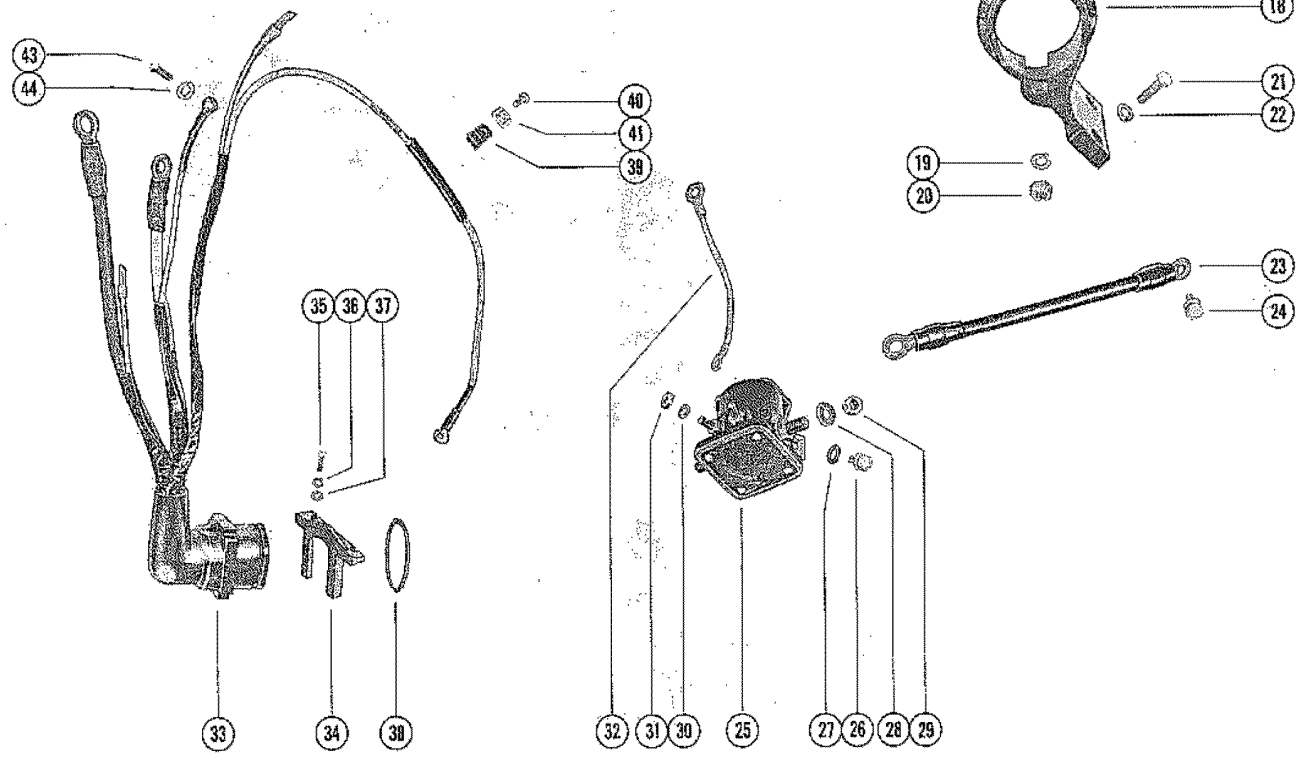
DISTRIBUTOR ADAPTOR AND VERTICAL LINKAGE

REF. NO.	PART NO.	SYM.	QTY.	DESCRIPTION
34	12-46246		1	WASHER, ADAPTOR - DISTRIBUTOR HOUSING
35	48666A1		1	ADAPTOR ASSEMBLY, DISTRIBUTOR UNITED STATES 3865694 AND BELOW AUSTRALIA 8017139 AND BELOW BELGIUM 9053363 AND BELOW CANADA 7033027 AND BELOW
	66165A2		1	ADAPTOR ASSEMBLY, DISTRIBUTOR UNITED STATES 3865695 AND UP AUSTRALIA 8017140 AND UP BELGIUM 9053364 AND UP CANADA 7033028 AND UP
36	22-25094		1	FITTING, GREASE - DISTRIBUTOR ADAPTOR
37	10-22040		3	SCREW, DISTRIBUTOR HOUSING TO CRANKCASE (1 1/2")
	10-20362		3	SCREW, DISTRIBUTOR HOUSING TO CRANKCASE (1 1/2")
38	12-20084		3	WASHER, DISTRIBUTOR HOUSING SCREW
39	11-20083		3	NUT, DISTRIBUTOR HOUSING SCREW UNITED STATES 3865694 AND BELOW AUSTRALIA 8017139 AND BELOW BELGIUM 9053363 AND BELOW CANADA 7033027 AND BELOW
40	55805		1	BRACKET, STOP
41	10-28636		2	SCREW, STOP BRACKET TO DISTRIBUTOR ADAPTOR (3/4")
42	12-35462		2	WASHER, STOP BRACKET FASTENING SCREW
43	10-24228		3	SCREW, STOP BRACKET ADJUSTING (1 7/8")
44	11-20890		3	NUT, STOP BRACKET ADJUSTING SCREWS
45	52023		3	CAP, NYLON - STOP BRACKET ADJUSTING SCREWS
46	12-27939		1	WASHER, DISTRIBUTOR HOUSING
47	14-27960		1	TAB WASHER, ADAPTOR CAP FASTENING
48	13-27959		1	WASHER, WAVE - DISTRIBUTOR BALL BEARING TENSION
49	54567		1	CAP, DISTRIBUTOR HOUSING
50	23-47250		1	SPACER, DRIVE PULLEY
51	29906A1		1	DRIVEN PULLEY ASSEMBLY
52	17-29908		1	PIN, ROLL - FLANGE LOCATING
53	29907		1	FLANGE, DRIVEN PULLEY
54	28-29910		1	KEY, DISTRIBUTOR DRIVER
55	10-68554		1	SCREW, PULLEY CLAMPING SCREW
56	20140		1	BELT, TIMING

STARTER MOTOR AND WIRING HARNESS (SERIAL GROUP #1)



Serial Group #1

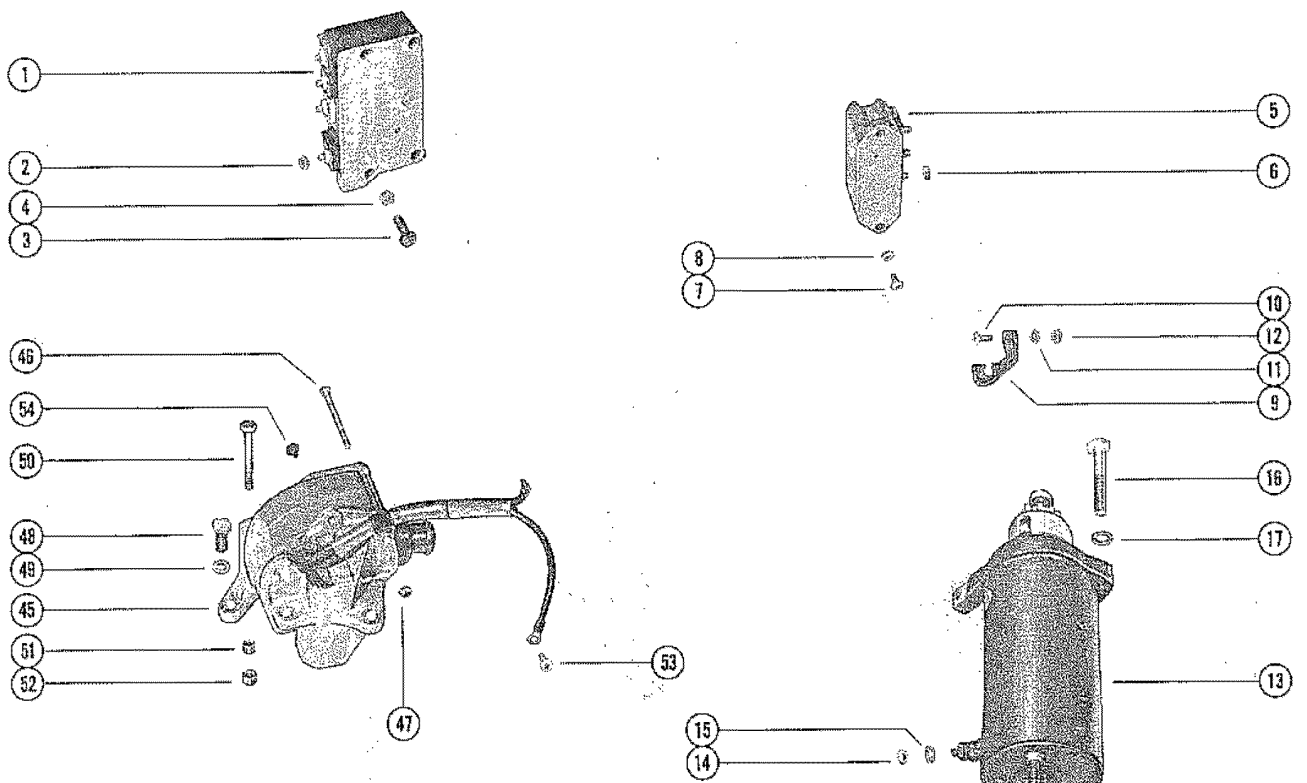


STARTER MOTOR AND WIRING HARNESS (SERIAL GROUP #1)

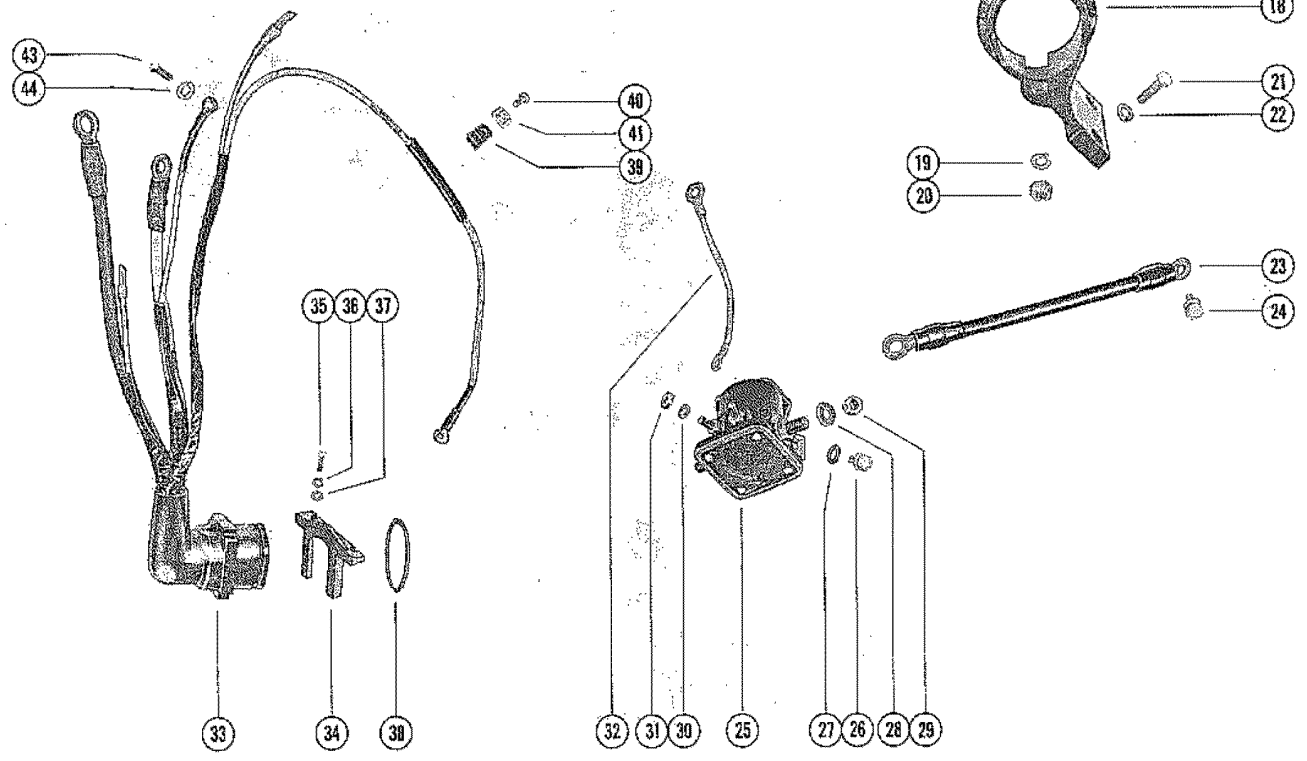
REF. NO.	PART NO.	SYM.	QTY.	DESCRIPTION
1	332-2986A8		1	SWITCH BOX ASSEMBLY, COMPLETE
2	11-45076		7	NUT, SWITCH BOX TERMINAL
3	10-21625		4	SCREW, SWITCH BOX TO FRONT SUPPORT BRACKET (3/4")
4	11-46887		4	NUT, SWITCH BOX TO FRONT SUPPOR BRACKET SCREW
5	332-2910A3		1	RECTIFIER ASSEMBLY, COMPLETE
6	11-45076		3	NUT, RECTIFIER TERMINAL
7	10-24963		2	SCREW, RECTIFIER TO BOTTOM COWL (7/8")
8	13-22773		2	LOCKWASHER, RECTIFIER MOUNTING SCREW
9	59757		1	BRACKET, RETAINER - HIGH TENSION LEAD
10	10-22956		1	SCREW, RETAINER BRACKET TO FRONT SUPPORT BRACKET (7/8")
11	12-29245		1	WASHER, RETAINER BRACKET FASTENING SCREW
12	11-46887		1	NUT, RETAINER BRACKET SCREW
13	50-58788		1	STARTER MOTOR ASSEMBLY (FOR BREAKDOWN, SEE ACCESSORY SECTION (FOR BREAKDOWN, SEE ACCESSORY SECTION "E"
14	11-20890		1	NUT, STARTER MOTOR TERMINAL
15	13-26992		1	LOCKWASHER, STARTER MOTOR TERMINAL
16	10-20362		1	SCREW, STARTER MOTOR TO CRANKCASE FLANGE (1 1/2")
	10-31984		1	SCREW, STARTER MOTOR TO CRANKCASE FLANGE (1 3/8")
17	13-26993		2	LOCKWASHER, STARTER MOTOR SCREW
18	52691		1	BRACKET, SUPPORT - STARTER MOTOR
19	13-26992		2	LOCKWASHER, THRU BOLT - BRACKET TO STARTER MOTOR
20	11-20013		2	NUT, THRU BOLT - BRACKET TO STARTER MOTOR
21	10-37562		2	SCREW, STARTER MOTOR BRACKET TO CRANKCASE (1")
22	13-26993		2	LOCKWASHER, STARTER MOTOR BRACKET FASTENING SCREW
23	25596		1	WIRE, STARTER MOTOR TO STARTER SOLENOID AND TOP MOUNT
24	10-29197		1	SCREW, GROUND WIRE TO STARTER MOTOR (5/8")
25	25661		1	STARTER SOLENOID
26	10-21625		2	SCREW, STARTER SOLENOID TO COIL BRACKET (3/4")
27	13-26992		2	LOCKWASHER, STARTER SOLENOID MOUNTING SCREW
28	13-26993		2	LOCKWASHER, SOLENOID TERMINAL (5/16")
29	11-20083		2	NUT, SOLENOID TERMINAL - INSIDE (5/16")
30	13-26996		2	LOCKWASHER, SOLENOID TERMINAL (#10)
31	11-20645		2	NUT, SOLENOID TERMINAL (#10)
32	52902		1	CABLE, STARTER SOLENOID TO STARTER MOTOR
33	52771		1	WIRING HARNESS (INTERNAL)
34	54-52876		1	CLAMP, WIRING HARNESS TO BOTTOM COWL
35	10-45862		2	SCREW, WIRING HARNESS CLAMP TO BOTTOM COWL (7/8")
36	13-26996		2	LOCKWASHER, WIRING HARNESS CLAMP SCREW
37	12-20128		2	WASHER, WIRING HARNESS CLAMP SCREW
38	24-28975		1	SPRING, GARTER - INTERNAL WIRING HARNESS

CONTINUED ON NEXT PAGE ➡

STARTER MOTOR AND WIRING HARNESS (SERIAL GROUP #1)



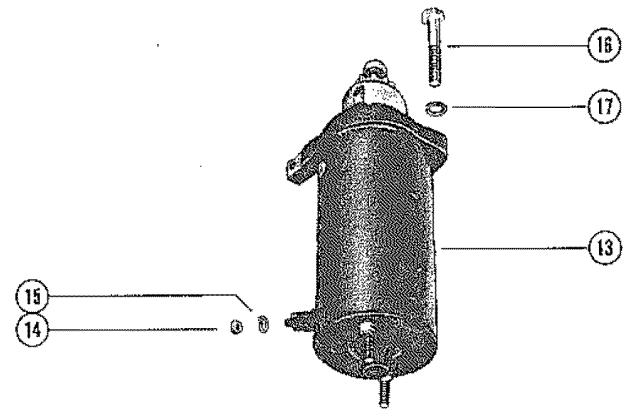
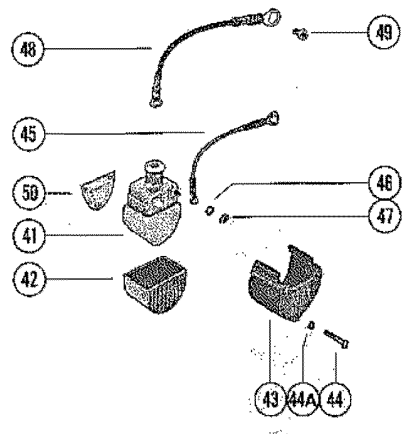
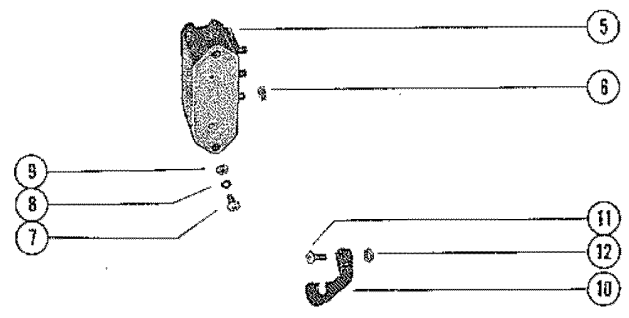
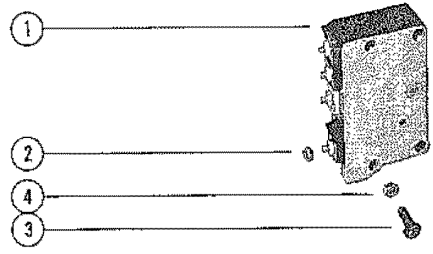
Serial Group #1



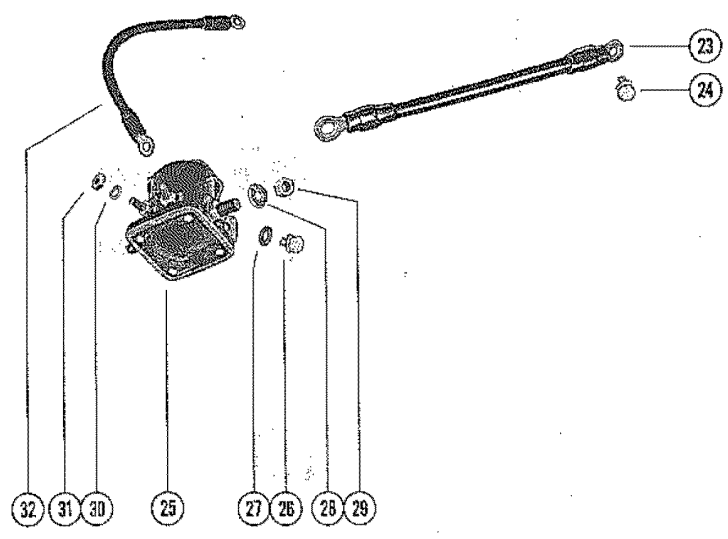
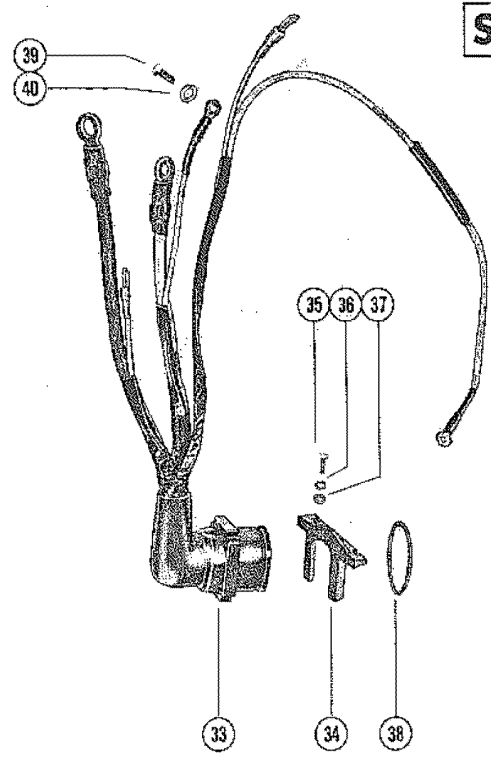
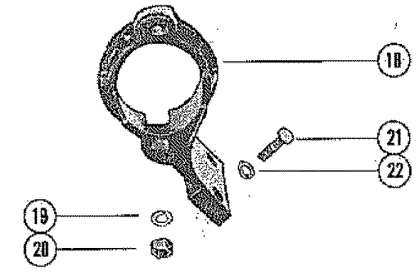
STARTER MOTOR AND WIRING HARNESS (SERIAL GROUP #1)

REF. NO.	PART NO.	SYM.	QTY.	DESCRIPTION
39	54-26550		1	CLAMP, WIRING HARNESS TO COIL BRACKET
40	10-31206		1	SCREW, WIRING HARNESS CLAMP TO COIL BRACKET
41	22789		1	"D" WASHER, WIRING HARNESS CLAMP
43	10-20776		1	SCREW, WIRING HARNESS LEAD TO BOTTOM COWL (1/2")
44	13-26992		1	LOCKWASHER, WIRING HARNESS LEAD SCREW
45	332-2983A19		1	IGNITION COIL ASSEMBLY, COMPLETE
46	10-46368		2	SCREW, IGNITION COIL CLAMPING (2 1/4")
47	11-20190		2	NUT, IGNITION COIL CLAMPING SCREW
48	10-37941		1	SCREW, IGNITION COIL TO BOTTOM COWL (1 3/4")
49	13-26992		1	LOCKWASHER, IGNITION COIL SCREW
50	10-31471		2	SCREW, IGNITION COIL TO BOTTOM COWL (3 1/4")
51	23-52933		3	SPACER, COIL BRACKET TO BOTTOM COWL
52	11-46887		2	NUT, IGNITION COIL SCREW
53	10-45218		1	SCREW, IGNITION COIL WIRE TO SWITCH BOX (3/8")
54	26901		1	BUMPER, IGNITION COIL

STARTER MOTOR AND WIRING HARNESS (SERIAL GROUP #2)



Serial Group #2

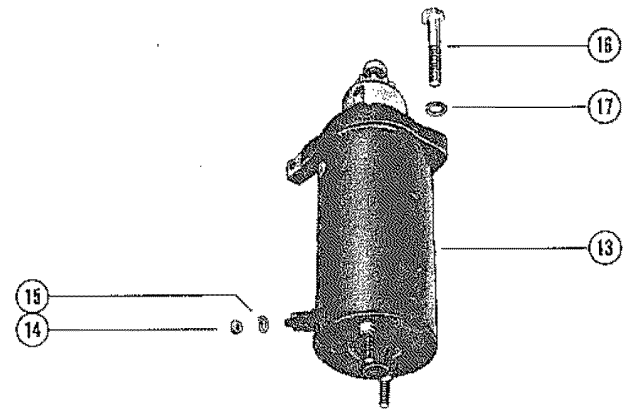
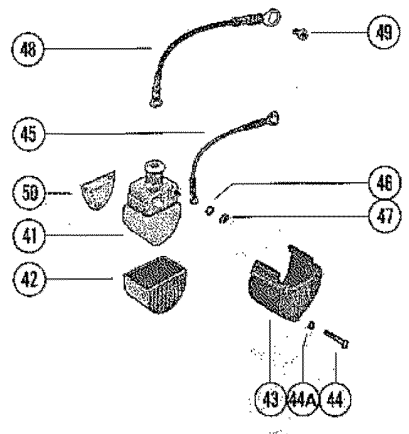
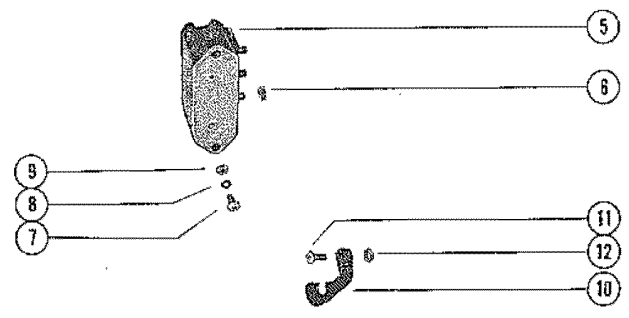
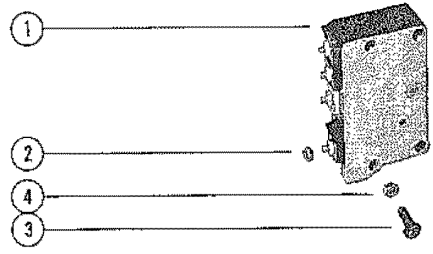


STARTER MOTOR AND WIRING HARNESS (SERIAL GROUP #2)

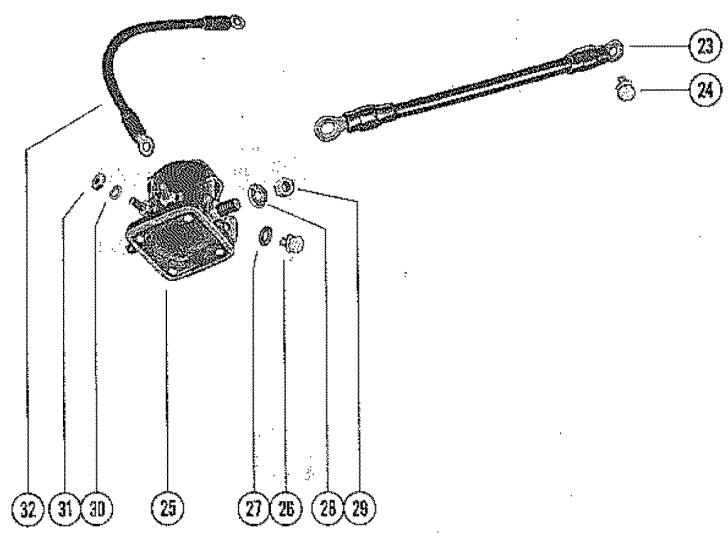
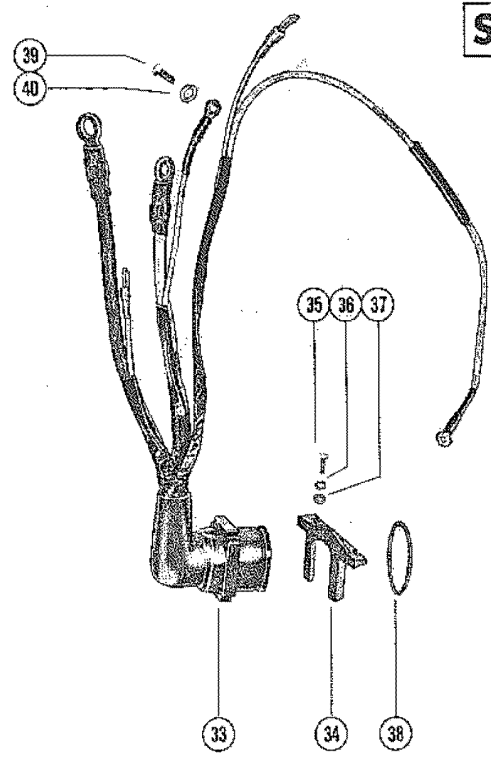
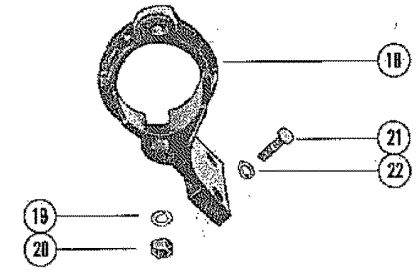
REF. NO.	PART NO.	SYM.	QTY.	DESCRIPTION
1	332-2986A22		1	SWITCH BOX ASSEMBLY, COMPLETE
2	11-45076		7	NUT, SWITCH BOX TERMINAL
3	10-64279		4	SCREW, SWITCH BOX TO FRONT SUPPORT BRACKET (3/4")
4	11-46887		4	NUT, SWITCH BOX TO FRONT SUPPORT BRACKET SCREW
5	62351A1		1	RECTIFIER ASSEMBLY, COMPLETE
6	11-45076		3	NUT, RECTIFIER TERMINAL
7	10-30405		2	SCREW, RECTIFIER TO FRONT SUPPORT BRACKET (5/8")
8	12-30164		2	WASHER, RECTIFIER MOUNTING SCREW
9	11-46438		2	NUT, RECTIFIER MOUNTING SCREW
10	59757		1	BRACKET, RETAINER - HIGH TENSION LEAD
11	10-28636		1	SCREW, RETAINER BRACKET TO FRONT SUPPORT TO BRACKET (3/4")
12	12-29245		1	WASHER, RETAINER BRACKET FASTENING SCREW
13	50-67341		1	STARTER MOTOR ASSEMBLY (FOR BREAKDOWN, SEE ACCESSORY SECTION)
14	11-64015		1	NUT, STARTER MOTOR TERMINAL
15	13-26992		1	LOCKWASHER, STARTER MOTOR TERMINAL
16	10-20362		1	SCREW, STARTER MOTOR TO CRANKCASE FLANGE (1 1/2")
	10-31984		1	SCREW, STARTER MOTOR TO CRANKCASE FLANGE (1 3/8")
17	13-26993		2	LOCKWASHER, STARTER MOTOR SCREW
18	67331		1	BRACKET, SUPPORT - STARTER MOTOR
19	13-26992		2	LOCKWASHER, THRU BOLT - BRACKET TO STARTER MOTOR
20	11-20013		2	NUT, THRU BOLT - BRACKET TO STARTER MOTOR
21	10-37562		2	SCREW, STARTER MOTOR BRACKET TO CRANKCASE (1")
22	13-26993		2	LOCKWASHER, STARTER MOTOR BRACKET FASTENING SCREW
23	54651		1	WIRE, STARTER MOTOR TO SUPPORT BRACKET
24	10-69035		1	SCREW, GROUND WIRE TO STARTER MOTOR (5/8")
25	87-61053		1	STARTER SOLENOID
26	10-38601		2	SCREW, STARTER SOLENOID TO COIL BRACKET (5/8")
27	13-26992		2	LOCKWASHER, STARTER SOLENOID MOUNTING SCREW
28	13-26993		2	LOCKWASHER, SOLENOID TERMINAL (5/16")
29	11-68292		2	NUT, SOLENOID TERMINAL - INSIDE (5/16")
30	13-26996		2	LOCKWASHER, SOLENOID TERMINAL (#10)
31	11-68219		2	NUT, SOLENOID TERMINAL (#10)
32	84-66053A1		1	CABLE, STARTER SOLENOID TO STARTER MOTOR
33	84-66055		1	WIRING HARNESS (INTERNAL)
34	54-52876		1	CLAMP, WIRING HARNESS TO BOTTOM COWL
35	10-69020		2	SCREW, WIRING HARNESS CLAMP TO BOTTOM COWL (7/8")
36	13-26993		2	LOCKWASHER, WIRING HARNESS CLAMP SCREW
37	12-30164		2	WASHER, WIRING HARNESS CLAMP SCREW
38	24-28975		1	SPRING, GARTER - INTERNAL WIRING HARNESS
39	10-20776		1	SCREW, WIRING HARNESS LEAD TO BOTTOM COWL (1/2")
40	13-26992		1	LOCKWASHER, WIRING HARNESS LEAD SCREW

CONTINUED ON NEXT PAGE ➡

STARTER MOTOR AND WIRING HARNESS (SERIAL GROUP #2)



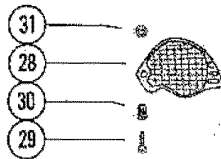
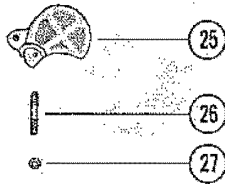
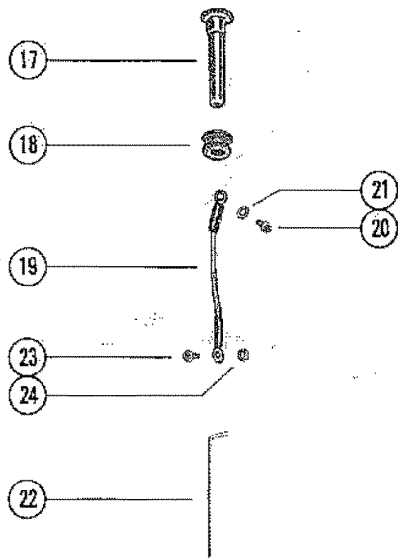
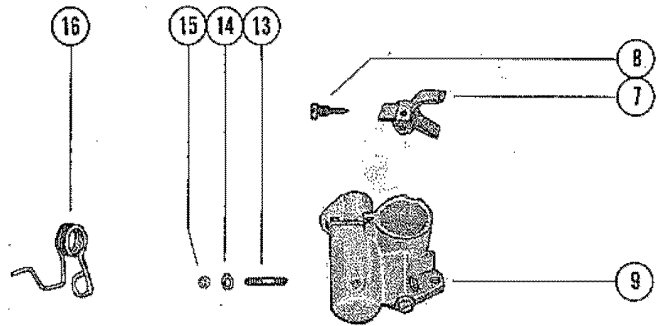
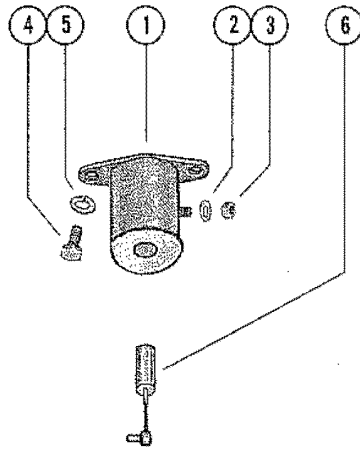
Serial Group #2



STARTER MOTOR AND WIRING HARNESS (SERIAL GROUP #2)

REF. NO.	PART NO.	SYM.	QTY.	DESCRIPTION
41	332-4895A1		1	IGNITION COIL ASSEMBLY
42	63194		1	PAD, RUBBER - IGNITION COIL
43	63195		1	COVER, IGNITION COIL
44	10-69046		3	SCREW, COIL TO CYLINDER BLOCK (2")
44A	12-30164		3	WASHER, COIL SCREW
45	84-60466A1		1	CABLE ASSEMBLY
46	13-26996		2	LOCKWASHER, IGNITION COIL TERMINAL (#10)
47	11-45076		2	NUT, IGNITION COIL TERMINAL (#10)
48	84-66054A1		1	CABLE ASSEMBLY, COIL TO SWITCH BOX
49	10-62568		1	SCREW, IGNITION COIL WIRE TO SWITCH BOX (3/8")
50	69190		1	PLATE, COIL MOUNTING UNITED STATES 4092965 AND UP AUSTRALIA 8025615 AND UP BELGIUM 9069879 AND UP CANADA 7044108 AND UP

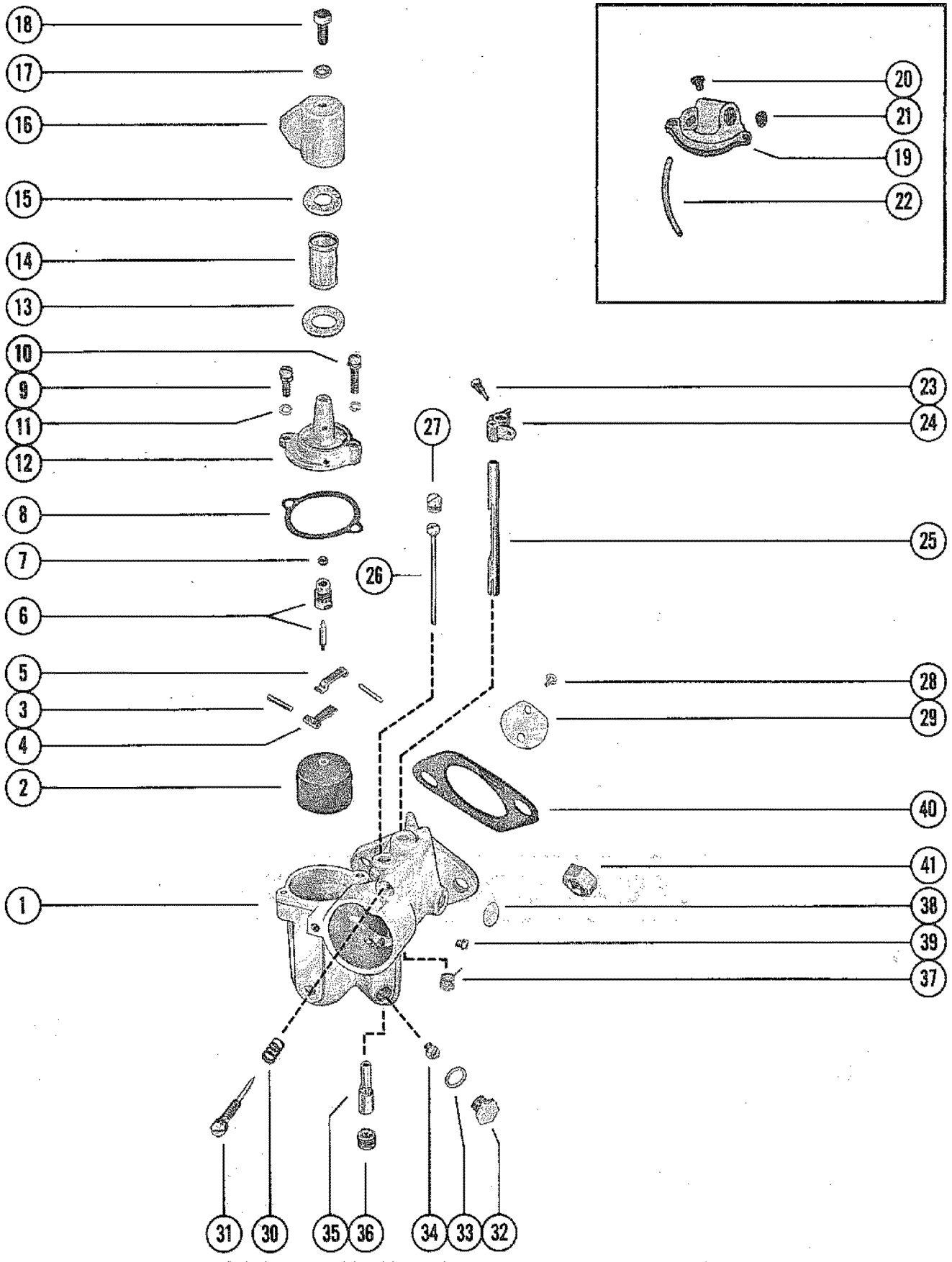
CARBURETOR LINKAGE AND CHOKE SOLENOID



CARBURETOR LINKAGE AND CHOKE SOLENOID

REF. NO.	PART NO.	SYM.	QTY.	DESCRIPTION
1	54293A4		1	CHOKE SOLENOID
2	13-26996		1	LOCKWASHER, HARNESS LEAD TO CHOKE SOLENOID
3	11-20645		1	NUT, WIRE HARNESS LEAD TO CHOKE SOLENOID
4	10-25299		2	SCREW, CHOKE SOLENOID ATTACHING (3/4")
5	13-26993		2	LOCKWASHER, CHOKE SOLENOID ATTACHING SCREW
6	54283A1		1	PLUNGER/LINK ASS'Y, CHOKE SOLENOID
7	52518		1	CLUSTER, THROTTLE LEVER
8	10-20847		1	SCREW, CLUSTER TO THROTTLE LEVER
9	1352-4510A27		2	CARBURETOR ASSEMBLY, COMPLETE UNITED STATES 3865694 AND BELOW AUSTRALIA 8017139 AND BELOW BELGIUM 9053363 AND BELOW CANADA 7033027 AND BELOW
	1352-4510A30		2	CARBURETOR ASSEMBLY, COMPLETE UNITED STATES 3865695 THRU 4092964 AUSTRALIA 8017140 THRU 8025614 BELGIUM 9053364 THRU 9069878 CANADA 7033028 THRU 7044107
	1368-5688A4		2	CARBURETOR ASSEMBLY, COMPLETE UNITED STATES 4092965 AND UP AUSTRALIA 8025615 AND UP BELGIUM 9069879 AND UP CANADA 7044108 AND UP
10	53720A2		1	THROTTLE PICK-UP COUPLING ASSEMBLY
11	10-66104		1	SCREW, THROTTLE COUPLING MOUNTING (3/4")
12	53665		1	INSERT, THROTTLE COUPLING
13	16-39937		1	STUD, CHOKE ROD SPRING TO CARBURETOR (7/8")
14	23-32427		1	SPACER, CHOKE ROD SPRING STUD
15	11-46887		1	NUT, CHOKE ROD SPRING TO CARBURETOR STUD
16	24-48230		1	SPRING, TENSION - CHOKE ROD
17	22463		1	KNOB, CHOKE ROD
18	25-20116		1	GROMMET, CHOKE ROD
19	49589		1	STRAP, CHOKE KNOB TO CHOKE ROD
20	10-29794		1	SCREW, STRAP TO CHOKE KNOB (3/8")
21	13-26996		1	LOCKWASHER, STRAP SCREW
22	48203		1	ROD, CHOKE
23	10-20100		1	SCREW, STRAP TO CHOKE ROD
24	11-46438		1	NUT, STRAP TO CHOKE ROD SCREW
25	48152		2	SHUTTER, CHOKE - CARBURETOR
26	16-52898		2	STUD, FILTER SCREEN TO CARBURETOR (1 1/8")
27	11-20110		2	NUT, CHOKE SHUTTER STUD
28	35-57819		2	SCREEN, FILTER - CARBURETOR
29	10-23015		2	SCREW, FILTER SCREEN TO CARBURETOR
30	24-57818		2	SPRING, FILTER SCREEN
31	11-20110		2	NUT, CARBURETOR SCREEN SCREW

CARBURETOR ASSEMBLY



CARBURETOR ASSEMBLY

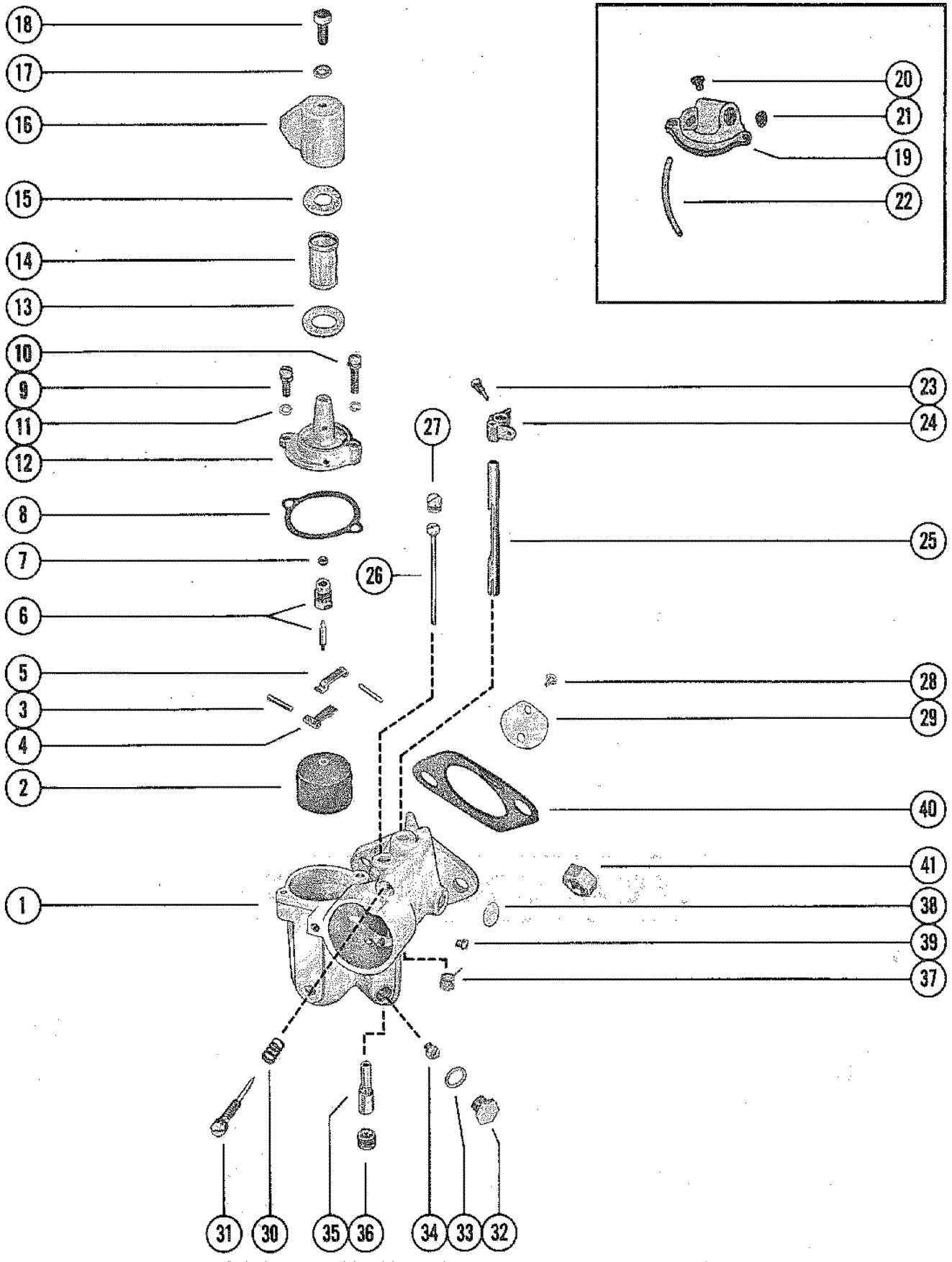
REF. NO.	PART NO.	SYM.	QTY.	DESCRIPTION
1	1352-4510A27		2	CARBURETOR ASSEMBLY, COMPLETE UNITED STATES 3865694 AND BELOW AUSTRALIA 8017139 AND BELOW BELGIUM 9053363 AND BELOW CANADA 7033027 AND BELOW
	1352-4510A30		2	CARBURETOR ASSEMBLY, COMPLETE UNITED STATES 3865695 THRU 4092964 AUSTRALIA 8017140 THRU 8025614 BELGIUM 9053364 THRU 9069878 CANADA 7033028 THRU 7044107
	1368-5688A4		2	CARBURETOR ASSEMBLY, COMPLETE UNITED STATES 4092965 AND UP AUSTRALIA 8025615 AND UP BELGIUM 9069879 AND UP CANADA 7044108 AND UP
2	1395-5353		2	FLOAT ASSEMBLY
3		□	4	PIN, FLOAT LEVER PINION
4		□	2	LEVER, FLOAT (LOWER)
5		□	2	LEVER, FLOAT (UPPER)
6	1395-4555		2	INLET NEEDLE, SEAT AND GASKET
7		❖ □	2	GASKET, INLET SEAT
8		❖ □	2	GASKET, FLOAT BOWL COVER
9	10-52195		2	SCREW, FLOAT BOWL COVER (SHORT)
10	10-52196		2	SCREW, FLOAT BOWL COVER (LONG)
11	13-26995		4	LOCKWASHER, FLOAT BOWL COVER SCREW
12	1399-4559		2	COVER, FLOAT BOWL UNITED STATES 4092964 AND BELOW AUSTRALIA 8025614 AND BELOW BELGIUM 9069878 AND BELOW CANADA 7044107 AND BELOW
13	27-25851	❖ □	2	GASKET, STRAINER COVER (LARGE) UNITED STATES 4092964 AND BELOW AUSTRALIA 8025614 AND BELOW BELGIUM 9069878 AND BELOW CANADA 7044107 AND BELOW
14	1399-3938		2	SCREEN, FILTER UNITED STATES 4092964 AND BELOW AUSTRALIA 8025614 AND BELOW BELGIUM 9069878 AND BELOW CANADA 7044107 AND BELOW
15	27-25849	❖ □	2	GASKET, STRAINER COVER (SMALL) UNITED STATES 4092964 AND BELOW AUSTRALIA 8025614 AND BELOW BELGIUM 9069878 AND BELOW CANADA 7044107 AND BELOW
16	1399-4791		1	COVER, STRAINER (UPPER CARBURETOR) UNITED STATES 4092964 AND BELOW AUSTRALIA 8025614 AND BELOW BELGIUM 9069878 AND BELOW CANADA 7044107 AND BELOW
	1399-3690		1	COVER, STRAINER (LOWER CARBURETOR) UNITED STATES 4092964 AND BELOW AUSTRALIA 8025614 AND BELOW BELGIUM 9069878 AND BELOW CANADA 7044107 AND BELOW
17		❖ □	2	GASKET, STRAINER COVER SCREW UNITED STATES 4092964 AND BELOW AUSTRALIA 8025614 AND BELOW BELGIUM 9069878 AND BELOW CANADA 7044107 AND BELOW

❖ = COMPONENT OF CARBURETOR GASKET SET

□ = COMPONENT OF CARBURETOR REPAIR KIT

CONTINUED ON NEXT PAGE ➡

CARBURETOR ASSEMBLY



CARBURETOR ASSEMBLY

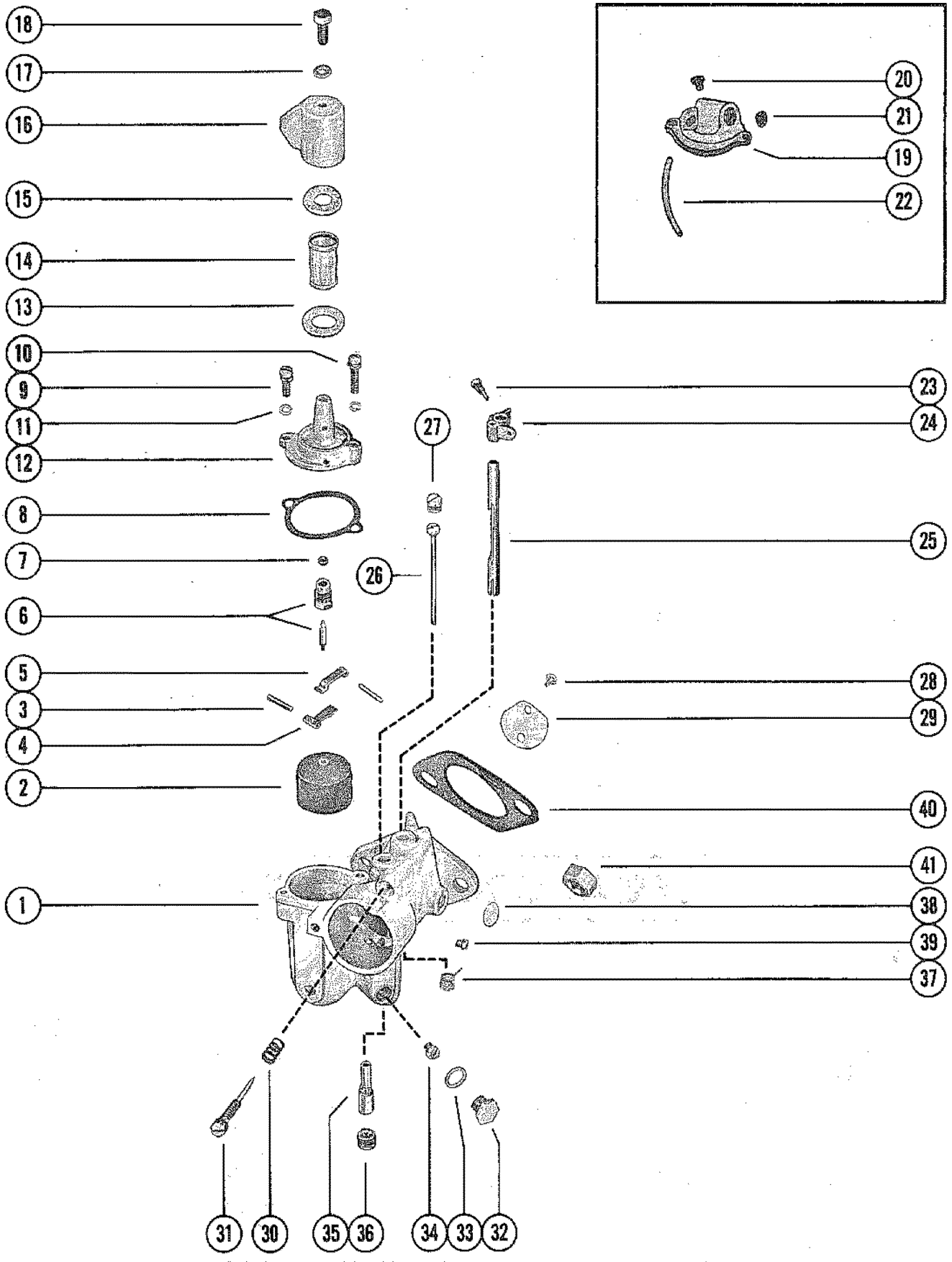
REF. NO.	PART NO.	SYM.	QTY.	DESCRIPTION
18	10-25822	☐	2	SCREW, STRAINER COVER FASTENING UNITED STATES 4092964 AND BELOW AUSTRALIA 8025614 AND BELOW BELGIUM 9069878 AND BELOW CANADA 7044107 AND BELOW
19	1395-5680		2	COVER, FLOAT BOWL UNITED STATES 4092965 AND UP AUSTRALIA 8025615 AND UP BELGIUM 9069879 AND UP CANADA 7044108 AND UP
20	1395-5733		2	JET, BOWL VENT UNITED STATES 4092965 AND UP AUSTRALIA 8025615 AND UP BELGIUM 9069879 AND UP CANADA 7044108 AND UP
21	1395-4805	☐	2	SCREEN, FILTER UNITED STATES 4092965 AND UP AUSTRALIA 8025615 AND UP BELGIUM 9069879 AND UP CANADA 7044108 AND UP
22	1395-5734		2	HOSE, ECONOMIZER UNITED STATES 4092965 AND UP AUSTRALIA 8025615 AND UP BELGIUM 9069879 AND UP CANADA 7044108 AND UP
23	10-20847	☐	2	SCREW, THROTTLE STOP LEVER
24	1399-97		2	LEVER, THROTTLE STOP (SEE NOTE BOTTOM)
25	1399-3527		2	SHAFT, THROTTLE
26		☐	2	TUBE, IDLE
27	1395-4540		2	SCREW, BODY (IDLE TUBE)
28		☐	4	SCREW AND LOCKWASHER, THROTTLE SHUTTER
29	1399-3528		2	SHUTTER, THROTTLE
30		☐	2	SPRING, IDLE ADJUSTMENT SCREW
31	1399-3515	☐	2	SCREW, IDLE ADJUSTMENTS
32	1395-4541		2	SCREW, PLUG - MAIN FUEL JET CHANNEL
33		❖☐	2	GASKET, JET CHANNEL PLUG SCREW
34	1399-3518		OPT.	JET, MAIN FUEL (.082)
	1399-3519		2	JET, MAIN FUEL (.080) - STANDARD UNITED STATES 3865694 AND BELOW AUSTRALIA 8017139 AND BELOW BELGIUM 9053363 AND BELOW CANADA 7033027 AND BELOW
	1399-3520		OPT.	JET, MAIN FUEL (.0785)
	1399-3796		2	JET, MAIN FUEL (.076) - STANDARD UNITED STATES 3865695 AND UP AUSTRALIA 8017140 AND UP BELGIUM 9053364 AND UP CANADA 7033028 AND UP
35		☐	2	NOZZLE, MAIN
36	1395-4542		2	SCREW, PLUG - MAIN NOZZLE
37		☐	1	SPRING, THROTTLE SHAFT RETURN (UPPER CARBURETOR)
		☐	1	SPRING, THROTTLE SHAFT RETURN (LOWER CARBURETOR)
38		☐	2	WELCH PLUG, BODY CHANNEL
39	1395-4543		2	SCREW, BODY CHANNEL
	1399-3523	☐	2	GASKET AND PACKING SET (1 PER CARBURETOR) UNITED STATES 4092964 AND BELOW AUSTRALIA 8025614 AND BELOW BELGIUM 9069878 AND BELOW CANADA 7044107 AND BELOW

❖ = COMPONENT OF CARBURETOR GASKET SET

☐ = COMPONENT OF CARBURETOR REPAIR KIT

CONTINUED ON NEXT PAGE ➡

CARBURETOR ASSEMBLY

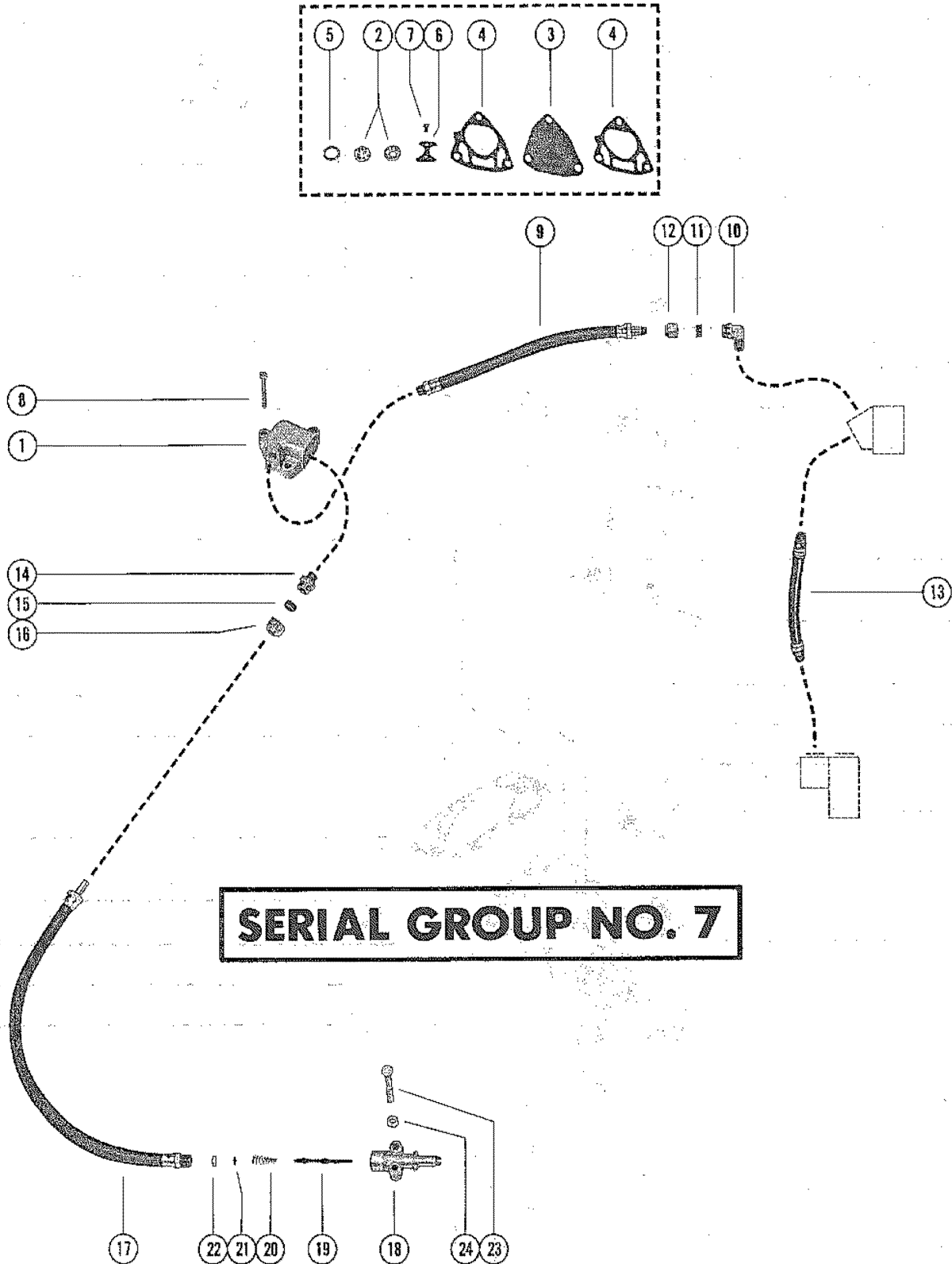


CARBURETOR ASSEMBLY

REF. NO.	PART NO.	SYM.	QTY.	DESCRIPTION
39	1395-4808	□	2	GASKET AND PACKING SET (1 PER CARBURETOR) UNITED STATES 4092965 AND UP AUSTRALIA 8025615 AND UP BELGIUM 9069879 AND UP CANADA 7044108 AND UP
	1395-5096		2	REPAIR PARTS KIT (1 PER CARBURETOR) UNITED STATES 3865694 AND BELOW AUSTRALIA 8017139 AND BELOW BELGIUM 9053363 AND BELOW CANADA 7033027 AND BELOW
	1395-5446		2	REPAIR PARTS KIT (1 PER CARBURETOR) UNITED STATES 3865695 THRU 4092964 AUSTRALIA 8017140 THRU 8025614 BELGIUM 9053364 THRU 9069878 CANADA 7033028 THRU 7044107
	1395-5735		2	REPAIR PARTS KIT (1 PER CARBURETOR) UNITED STATES 4092965 AND UP AUSTRALIA 8025615 AND UP BELGIUM 9069879 AND UP CANADA 7044108 AND UP
40	27-48164	■ ■ ◇ ❖	2	GASKET, CARBURETOR FLANGE (Contents of Carb Repair Kit)
41	11-46793		4	NUT, CARBURETOR MOUNTING STUD

- = COMPONENT OF ENGINE OVERHAUL GASKET SET- SERIAL GROUP NO. 1 (27-64203A73)
- = COMPONENT OF ENGINE OVERHAUL GASKET SET - SERIAL GROUP NO. 5 (27-64203A74)
- ◇ = COMPONENT OF ENGINE OVERHAUL GASKET SET - SERIAL GROUP NO. 6 (27-64203A75)
- ❖ = COMPONENT OF CARBURETOR GASKET SET
- = COMPONENT OF CARBURETOR REPAIR KIT

FUEL PUMP AND FUEL LINE ASSEMBLY (SERIAL GROUP NO. 7)



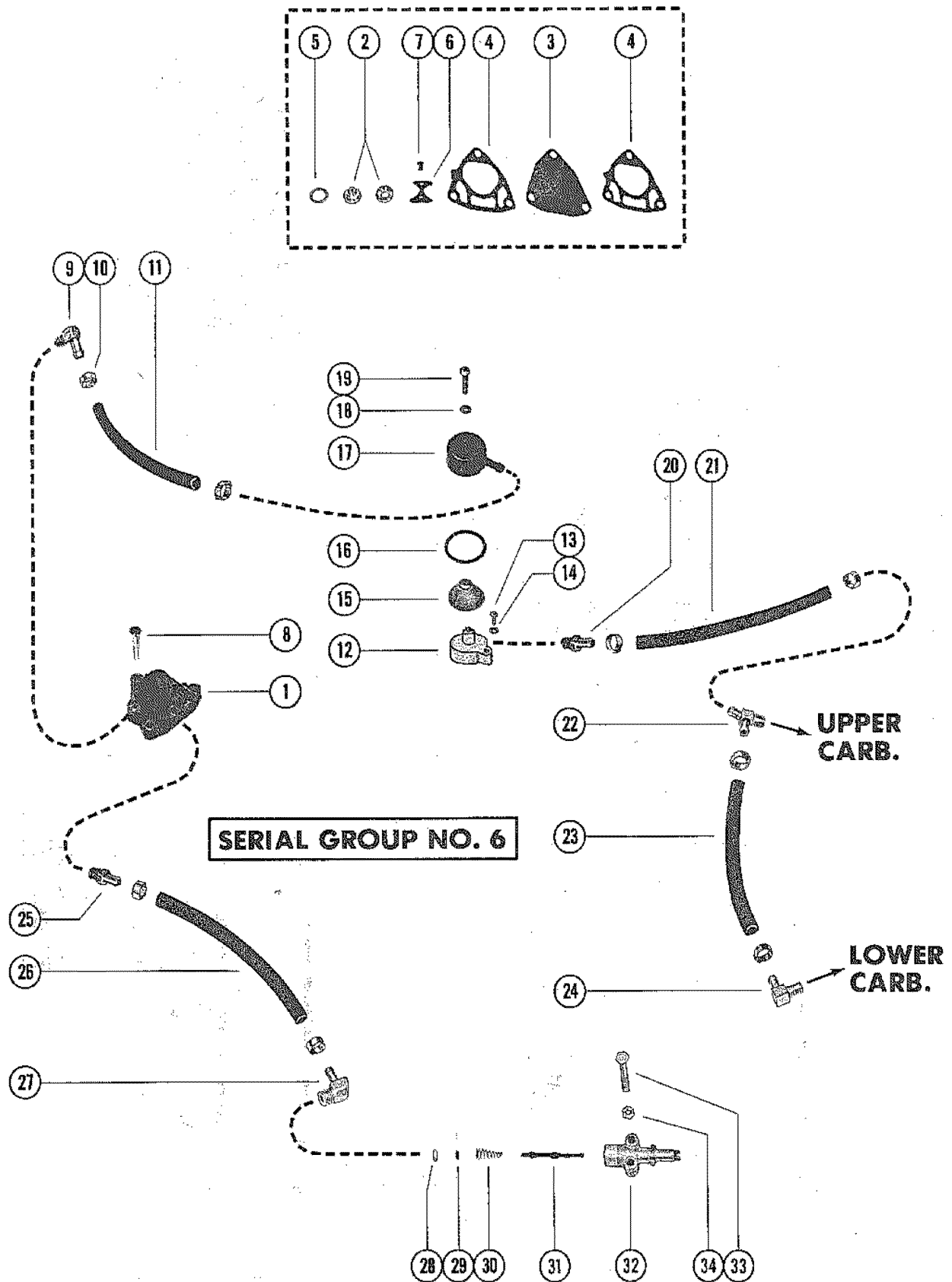
FUEL PUMP AND FUEL LINE ASSEMBLY (SERIAL GROUP NO. 7)

REF. NO.	PART NO.	SYM.	QTY.	DESCRIPTION
1	58888A4		1	FUEL PUMP ASSEMBLY
2	21-30430A5		1	CHECK VALVE ASSEMBLY
3	55278A2	■ ■	1	DIAPHRAGM KIT
4		■ ■	2	GASKET, FUEL PUMP
5		■ ■	2	GASKET, CHECK VALVE TO HOUSING
6	23004		1	RETAINER, CHECK VALVE
7	10-20037		2	SCREW, RETAINER TO HOUSING
8	10-27281		3	SCREW, PUMP MOUNTING (1 3/8")
9	32-55827A1		1	FUEL LINE ASSEMBLY, PUMP TO CARBURETOR (9 1/2")
10	22-59351		1	ELBOW, UPPER CARBURETOR
11	22-30175		1	SLEEVE, UPPER CARBURETOR ELBOW
12	22-30177		1	NUT, UPPER CARBURETOR ELBOW
13	32-59352		1	FUEL LINE, CARBURETOR TO CARBURETOR (6 5/8")
14	22-30468		2	CONNECTOR, FUEL PUMP
15	22-30175		1	SLEEVE, CONNECTOR
16	22-30177		1	NUT, CONNECTOR
17	32-55829		1	FUEL LINE, ADAPTOR TO UPPER FUEL PUMP (15")
18	30186		1	ADAPTOR, CHECK UNIT (FUEL LINE)
19	30187		1	STEM, CHECK UNIT ADAPTOR
20	24-30189		1	SPRING, ADAPTOR STEM
21	25-20415	■ ■	1	"O" RING, ADAPTOR STEM
22	30188		1	CUP WASHER, ADAPTOR
23	10-31471		1	SCREW, ADAPTOR TO BOTTOM COWL (3 1/4")
	10-37990		2	SCREW, ADAPTOR TO BOTTOM COWL (1 3/4")
24	11-46887		2	NUT, ADAPTOR FASTENING SCREW

■ = COMPONENT OF ENGINE OVERHAUL GASKET SET- SERIAL GROUP NO. 1 (27-64203A73)

■ = COMPONENT OF ENGINE OVERHAUL GASKET SET - SERIAL GROUP NO. 5 (27-64203A74)

FUEL PUMP AND FUEL LINE ASSEMBLY (SERIAL GROUP NO. 6)



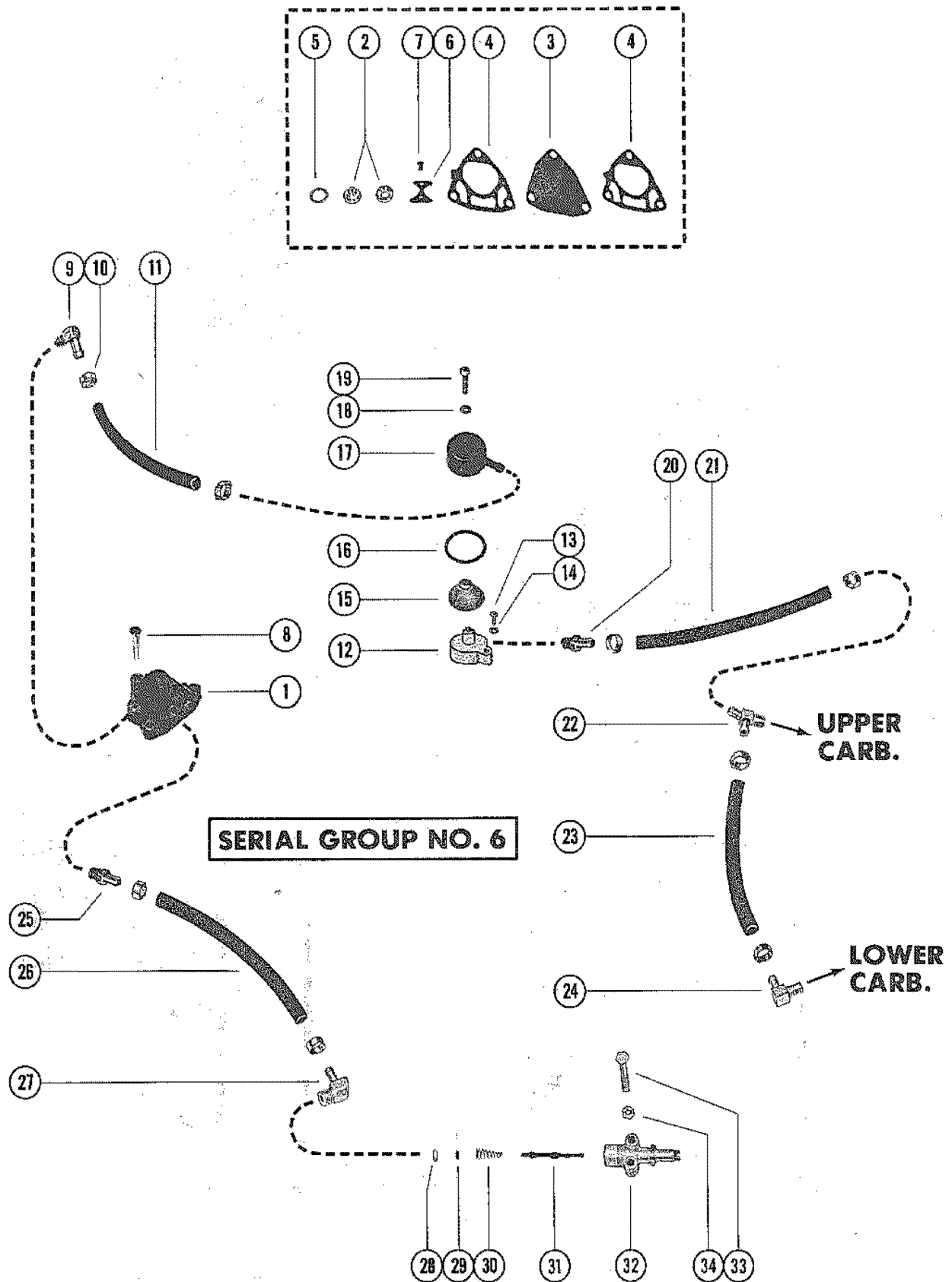
FUEL PUMP AND FUEL LINE ASSEMBLY (SERIAL GROUP NO. 6)

REF. NO.	PART NO.	SYM.	QTY.	DESCRIPTION
1	58888A4		1	FUEL PUMP ASSEMBLY
2	21-30430A5		1	CHECK VALVE ASSEMBLY
3	55278A2	◇	1	DIAPHRAGM KIT
4		◇	2	GASKET, FUEL PUMP
5		◇	2	GASKET, CHECK VALVE TO HOUSING
6	23004		1	RETAINER, CHECK VALVE
7	10-20037		2	SCREW, RETAINER TO HOUSING
8	10-27281		3	SCREW, PUMP MOUNTING (1 3/8")
9	22-64704		1	FITTING, FUEL PUMP (OUTLET)
10	54-68424		8	CLAMP, FUEL LINE ATTACHING
11	32-63146		1	FUEL LINE, FUEL PUMP TO FILTER COVER (4 1/2")
12	70929		1	BASE, FUEL PUMP
13	10-70939		1	SCREW, BASE TO TRANSFER PORT COVER
14	12-20533		1	WASHER, BASE SCREW
15	35-59072	◇	1	SCREEN, FILTER - INLET
16	25-47386	◇	1	"O" RING, COVER TO HOUSING
17	59071		1	COVER, FUEL INLET
18	27-25848	◇	1	GASKET, NYLON - FILTER COVER SCREW
19	10-37370		1	SCREW, COVER TO FUEL PUMP (5/8")
20	22-64705		1	FITTING, FILTER BASE
21	32-63146		1	FUEL LINE, FILTER COVER TO CARBURETOR (8 7/8")
22	22-66328		1	FITTING, TEE - UPPER CARBURETOR
23	32-63146		1	FUEL LINE, CARBURETOR TO CARBURETOR (6 1/4")
24	22-64704		1	FITTING, ELBOW - LOWER CARBURETOR
25	22-64705		1	FITTING, FUEL LINE TO FUEL PUMP (INLET)
26	32-63146		1	FUEL LINE, ADAPTOR TO FUEL PUMP (12 1/2")
27	22-63981		1	ELBOW, FUEL LINE TO ADAPTOR
28	30188		1	CUP WASHER, ADAPTOR
29	25-20415	◇	1	"O" RING, ADAPTOR STEM
30	24-30189		1	SPRING, ADAPTOR STEM UNITED STATES 4153349 AND BELOW AUSTRALIA 8030639 AND BELOW BELGIUM 9086163 AND BELOW CANADA 7054482 AND BELOW
31	30187		1	STEM, CHECK UNIT ADAPTOR UNITED STATES 4153349 AND BELOW AUSTRALIA 8030639 AND BELOW BELGIUM 9086163 AND BELOW CANADA 7054482 AND BELOW
32	30186		1	ADAPTOR, CHECK UNIT (FUEL LINE) UNITED STATES 4153349 AND BELOW AUSTRALIA 8030639 AND BELOW BELGIUM 9086163 AND BELOW CANADA 7054482 AND BELOW

◇ = COMPONENT OF ENGINE OVERHAUL GASKET SET - SERIAL GROUP NO. 6 (27-64203A75)

CONTINUED ON NEXT PAGE ➡

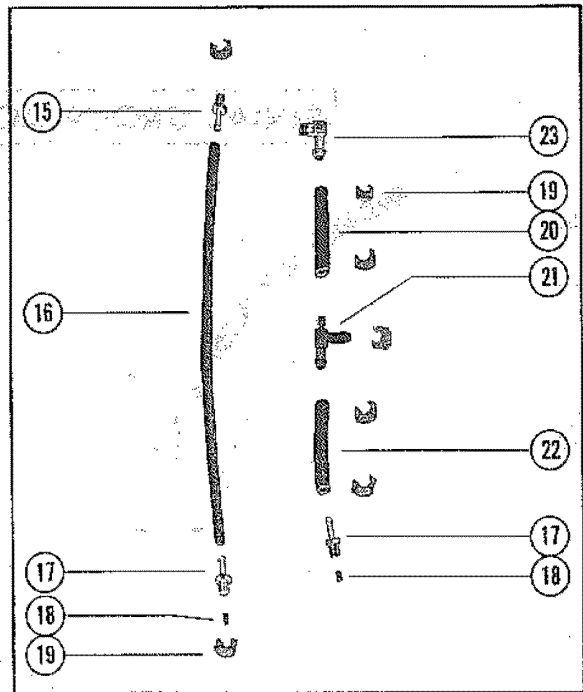
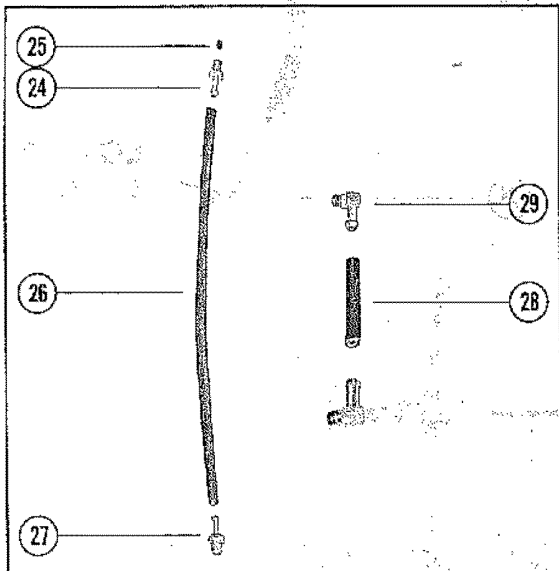
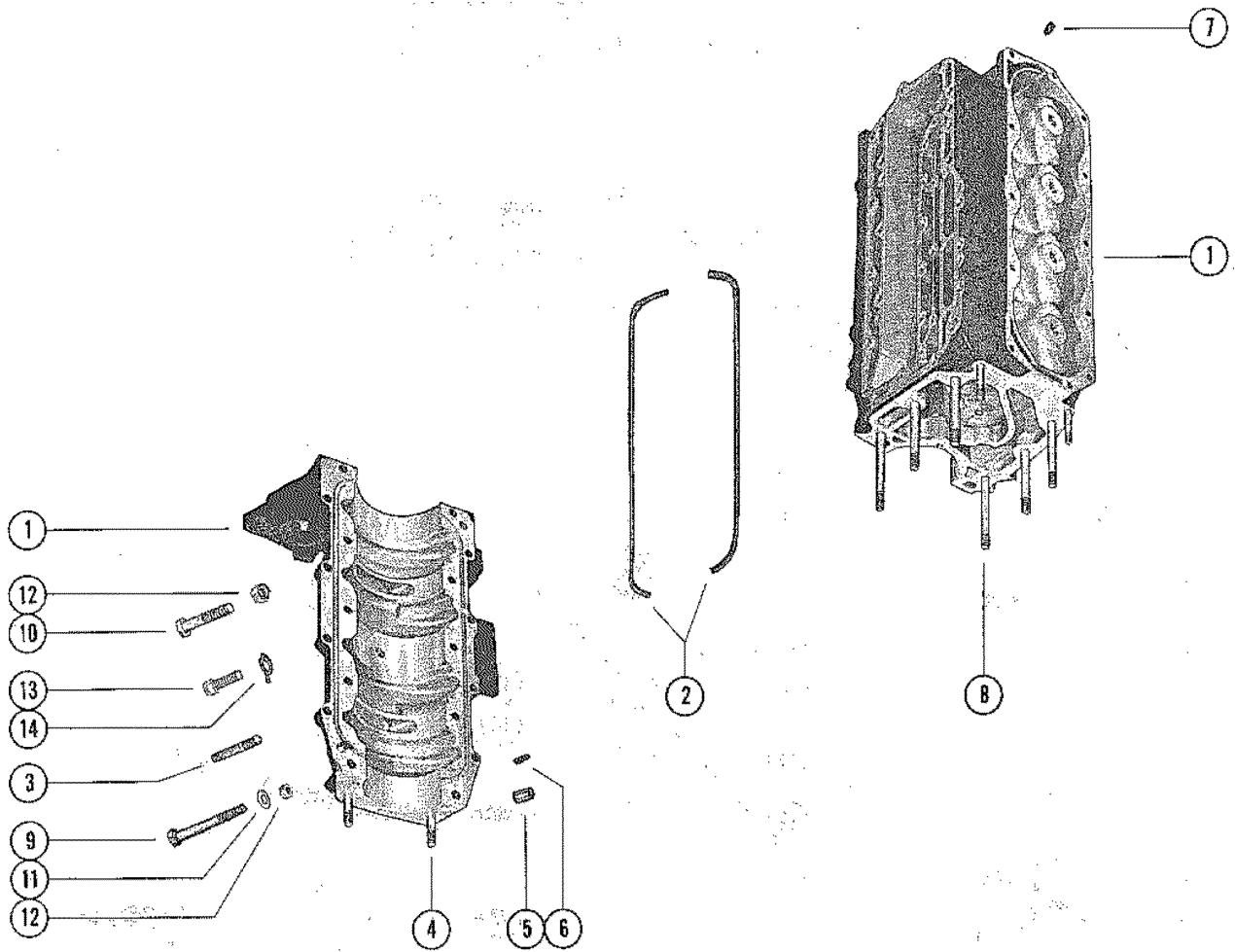
FUEL PUMP AND FUEL LINE ASSEMBLY (SERIAL GROUP NO. 6)



FUEL PUMP AND FUEL LINE ASSEMBLY (SERIAL GROUP NO. 6)

REF. NO.	PART NO.	SYM.	QTY.	DESCRIPTION
30	24-23067		1	SPRING, ADAPTOR STEM UNITED STATES 4153350 AND UP AUSTRALIA 8030640 AND UP BELGIUM 9086164 AND UP CANADA 7054483 AND UP
31	23069		1	STEM, CHECK UNIT ADAPTOR UNITED STATES 4153350 AND UP AUSTRALIA 8030640 AND UP BELGIUM 9086164 AND UP CANADA 7054483 AND UP
32	22833		1	ADAPTOR, CHECK UNIT (FUEL LINE) UNITED STATES 4153350 AND UP AUSTRALIA 8030640 AND UP BELGIUM 9086164 AND UP CANADA 7054483 AND UP
33	10-69029		2	SCREW, ADAPTOR TO BOTTOM COWL (1 3/4")
34	11-35045		2	NUT, ADAPTOR FASTENING SCREW

CYLINDER BLOCK AND CRANKCASE ASSEMBLY



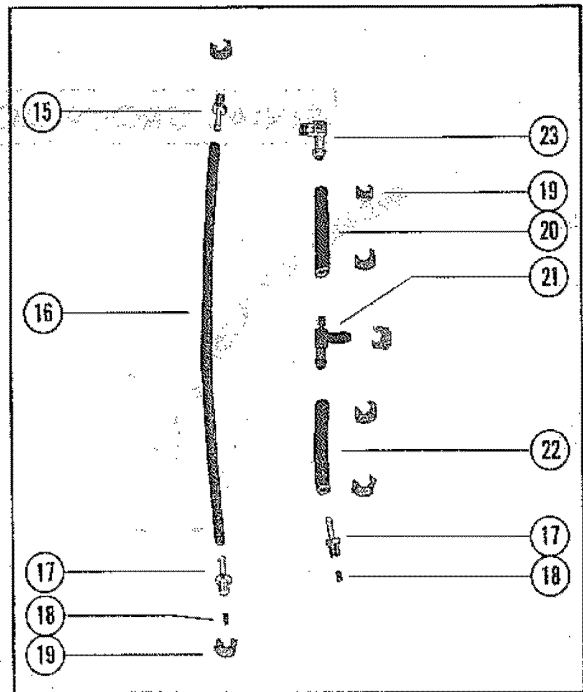
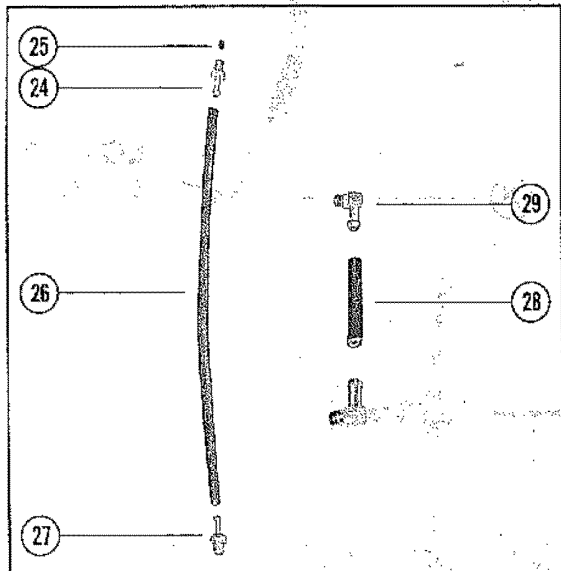
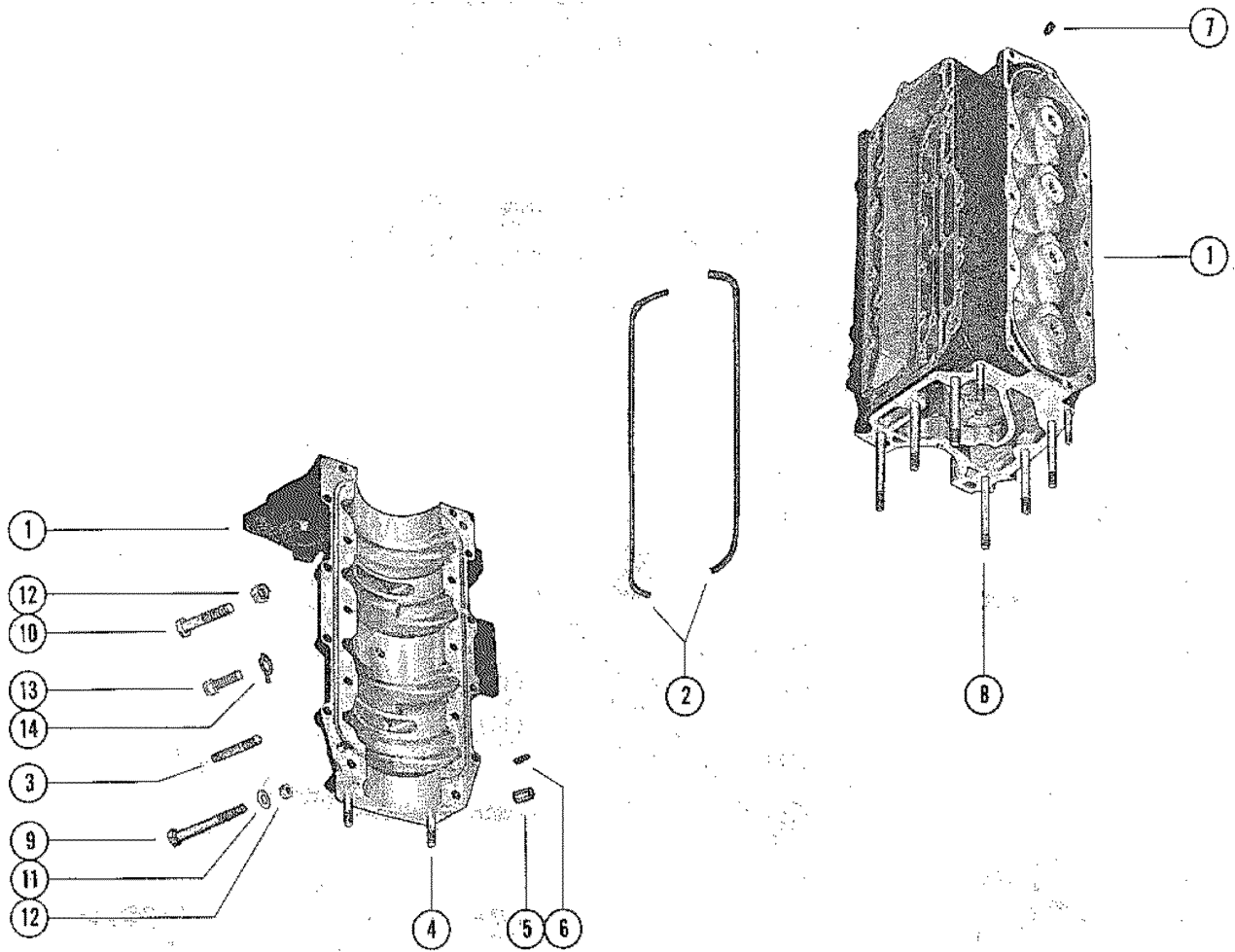
CYLINDER BLOCK AND CRANKCASE ASSEMBLY

REF. NO.	PART NO.	SYM.	QTY.	DESCRIPTION
1	847-4969A3		1	CYLINDER BLOCK AND CRANKCASE ASSEMBLY UNITED STATES 3865694 AND BELOW AUSTRALIA 8017139 AND BELOW BELGIUM 9053363 AND BELOW CANADA 7033027 AND BELOW
	847-5340A4		1	CYLINDER BLOCK AND CRANKCASE ASSEMBLY UNITED STATES 3865695 AND UP AUSTRALIA 8017140 AND UP BELGIUM 9053364 AND UP CANADA 7033028 AND UP
2	27-53650	■ ■ ◇	2	GASKET, CRANKCASE TO CYLINDER BLOCK
3	16-64280		4	STUD, CARBURETOR MOUNTING (1 3/16")
4	16-64281		2	STUD, CRANKCASE TO DRIVE SHAFT HOUSING (1 7/8")
5	17-20033		2	PIN, DOWEL - CRANKCASE TO CYLINDER BLOCK
6	17-63779		2	PIN, DOWEL - CYLINDER BLOCK TO MAIN BEARING
7	66517		3	RESTRICTOR, CRANKCASE BLEED
8	16-64282		6	STUD, CYLINDER BLOCK EXHAUST EXTENSION PLATE (4")
9	10-33473		2	SCREW, CRANKCASE TO CYLINDER BLOCK (2 5/8")
	10-32293		2	SCREW, CRANKCASE TO CYLINDER BLOCK (1 3/4")
10	10-21574		14	SCREW, CRANKCASE TO CYLINDER BLOCK (1 5/8")
11	12-22753		2	WASHER, CRANKCASE TO CYLINDER BLOCK SCREW (LOWER)
12	11-46793		18	NUT, CRANKCASE FASTENING SCREW
13	10-20359		1	SCREW, CENTER MAIN BEARING LOCKING (1")
14	14-20091		1	TAB WASHER, BEARING LOCKING SCREW
15	22-65367		1	CONNECTOR, CYLINDER BLEED HOSE - UPPER UNITED STATES 3865694 AND BELOW AUSTRALIA 8017139 AND BELOW BELGIUM 9053363 AND BELOW CANADA 7033027 AND BELOW
16	32-54936		1	HOSE, UPPER CYLINDER BLEED (12") UNITED STATES 3865694 AND BELOW AUSTRALIA 8017139 AND BELOW BELGIUM 9053363 AND BELOW CANADA 7033027 AND BELOW
17	22-65350A1		2	CHECK VALVE ASSEMBLY, BLEED HOSE UNITED STATES 3865694 AND BELOW AUSTRALIA 8017139 AND BELOW BELGIUM 9053363 AND BELOW CANADA 7033027 AND BELOW
18	21-56011A2		2	CHECK VALVE ASSEMBLY UNITED STATES 3865694 AND BELOW AUSTRALIA 8017139 AND BELOW BELGIUM 9053363 AND BELOW CANADA 7033027 AND BELOW
19	54-20387		7	CLAMP, BLEED HOSE TO CONNECTOR UNITED STATES 3865694 AND BELOW AUSTRALIA 8017139 AND BELOW BELGIUM 9053363 AND BELOW CANADA 7033027 AND BELOW
20	32-34395A1		1	TUBE, BALANCE - MAIN BEARING (6 1/4") UNITED STATES 3865694 AND BELOW AUSTRALIA 8017139 AND BELOW BELGIUM 9053363 AND BELOW CANADA 7033027 AND BELOW
21	22-65348		1	TEE, BLEED HOSE TO CYLINDER BLOCK - LOWER

- = COMPONENT OF ENGINE OVERHAUL GASKET SET- SERIAL GROUP NO. 1 (27-64203A73)
- = COMPONENT OF ENGINE OVERHAUL GASKET SET - SERIAL GROUP NO. 5 (27-64203A74)
- ◇ = COMPONENT OF ENGINE OVERHAUL GASKET SET - SERIAL GROUP NO. 6 (27-64203A75)

CONTINUED ON NEXT PAGE ➡

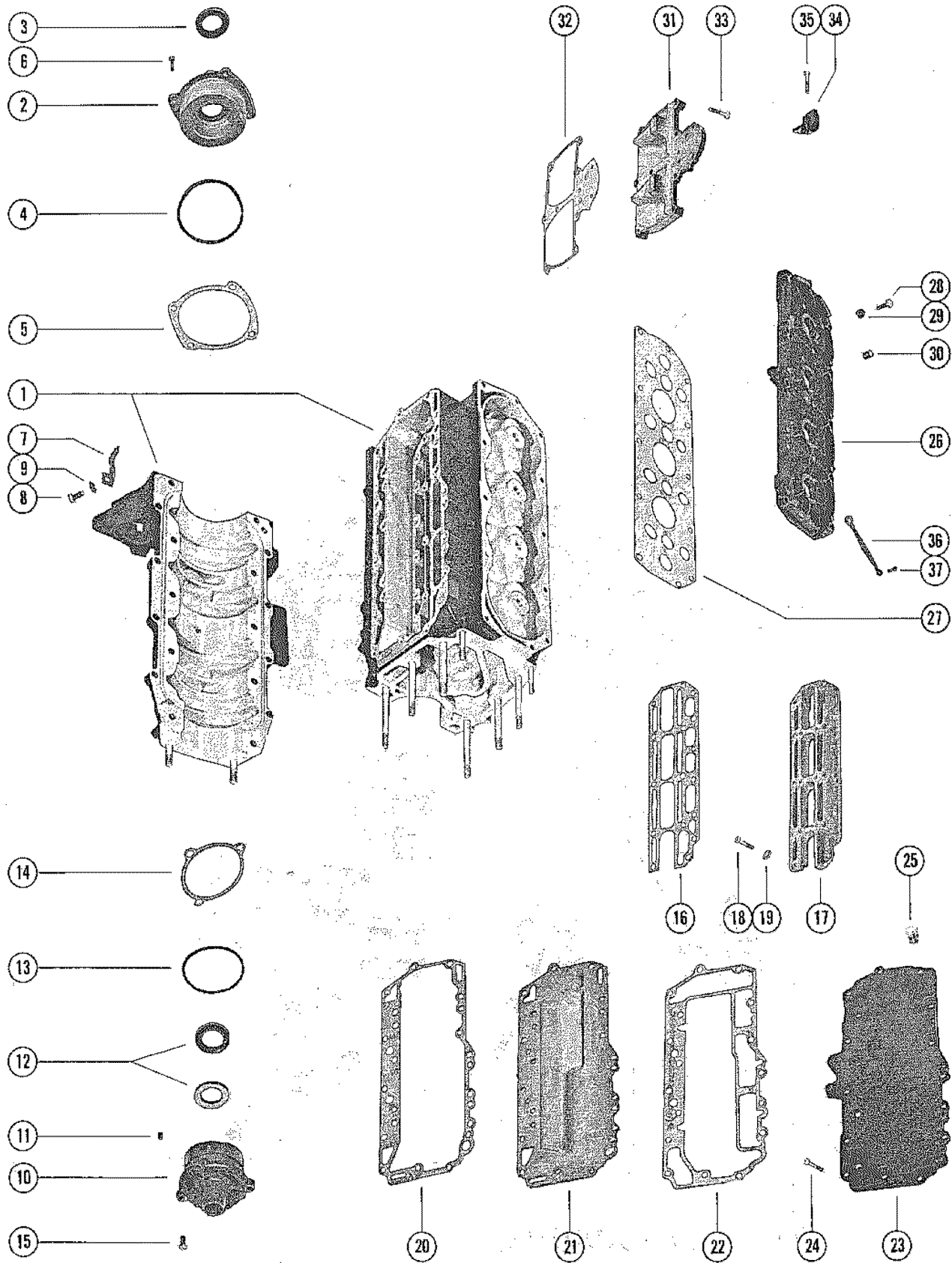
CYLINDER BLOCK AND CRANKCASE ASSEMBLY



CYLINDER BLOCK AND CRANKCASE ASSEMBLY

REF. NO.	PART NO.	SYM.	QTY.	DESCRIPTION
22	32-54936		1	HOSE, CYLINDER BLEED - LOWER (6 1/2") UNITED STATES 3865694 AND BELOW AUSTRALIA 8017139 AND BELOW BELGIUM 9053363 AND BELOW CANADA 7033027 AND BELOW
23	22-20781		1	ELBOW, BALANCE TUBE TO CRANKCASE UNITED STATES 3865694 AND BELOW AUSTRALIA 8017139 AND BELOW BELGIUM 9053363 AND BELOW CANADA 7033027 AND BELOW
24	22-65350A2		1	CHECK VALVE ASSEMBLY, BLEED HOSE - TOP UNITED STATES 3865695 AND UP AUSTRALIA 8017140 AND UP BELGIUM 9053364 AND UP CANADA 7033028 AND UP
25	21-56011A2		1	CHECK VALVE ASSEMBLY UNITED STATES 3865695 AND UP AUSTRALIA 8017140 AND UP BELGIUM 9053364 AND UP CANADA 7033028 AND UP
26	32-54936		1	HOSE, CYLINDER BLEED (15 1/2") UNITED STATES 3865695 AND UP AUSTRALIA 8017140 AND UP BELGIUM 9053364 AND UP CANADA 7033028 AND UP
27	21-64871A2		1	CHECK VALVE ASSEMBLY, BLEED HOSE - BOTTOM UNITED STATES 3865695 AND UP AUSTRALIA 8017140 AND UP BELGIUM 9053364 AND UP CANADA 7033028 AND UP
28	32-34395A1		1	HOSE ASSEMBLY, BALANCE (6 1/4") UNITED STATES 3865695 AND UP AUSTRALIA 8017140 AND UP BELGIUM 9053364 AND UP CANADA 7033028 AND UP
29	22-20781		2	ELBOW, BALANCE UNITED STATES 3865695 AND UP AUSTRALIA 8017140 AND UP BELGIUM 9053364 AND UP CANADA 7033028 AND UP

END CAPS, MANIFOLD AND EXHAUST COVERS



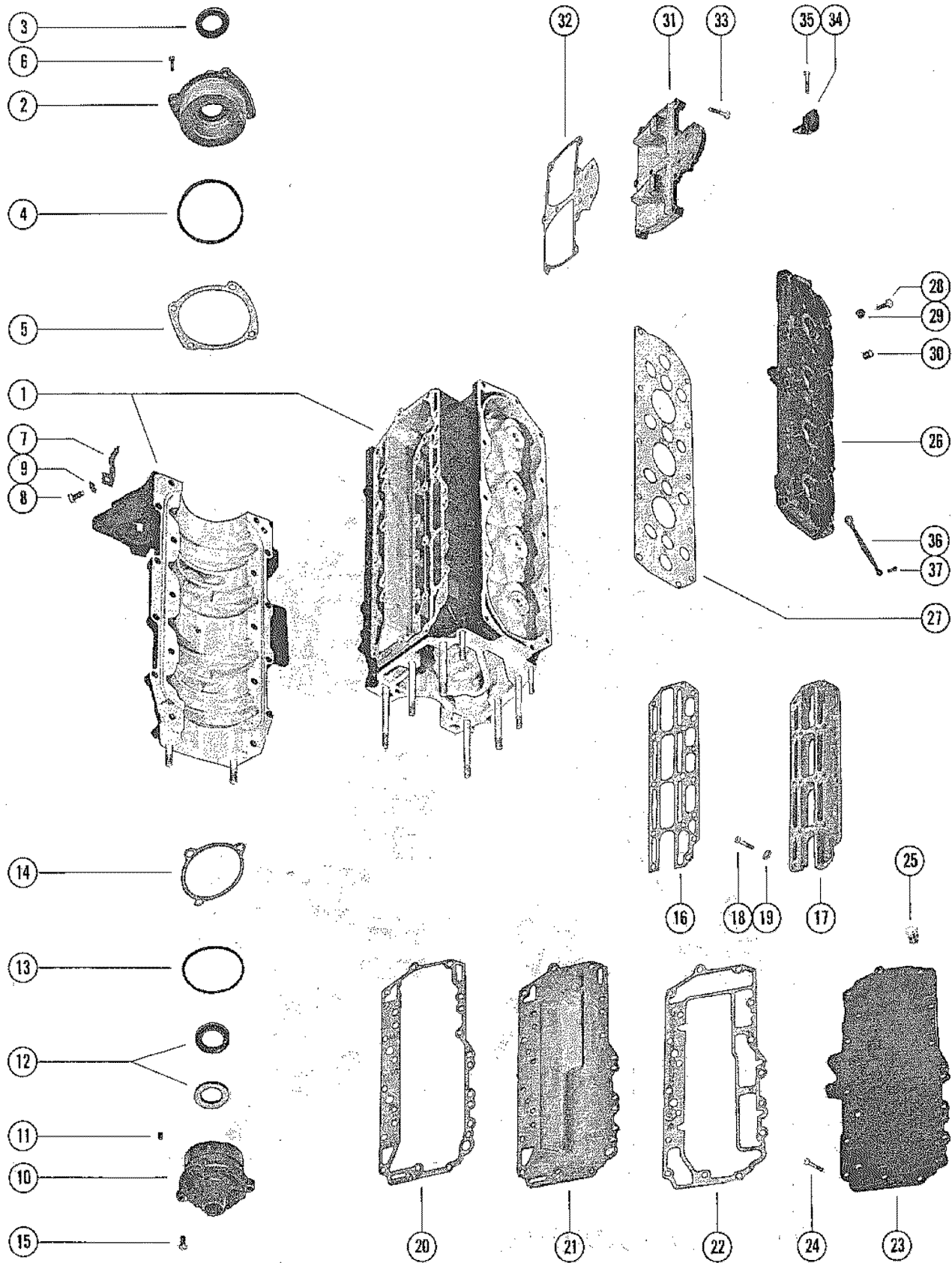
END CAPS, MANIFOLD AND EXHAUST COVERS

REF. NO.	PART NO.	SYM.	QTY.	DESCRIPTION
1	847-4969A3		1	CYLINDER BLOCK AND CRANKCASE ASSEMBLY UNITED STATES 3865694 AND BELOW AUSTRALIA 8017139 AND BELOW BELGIUM 9053363 AND BELOW CANADA 7033027 AND BELOW
	847-5340A4		1	CYLINDER BLOCK AND CRANKCASE ASSEMBLY UNITED STATES 3865695 AND UP AUSTRALIA 8017140 AND UP BELGIUM 9053364 AND UP CANADA 7033028 AND UP
2	1134-3197A1		1	END CAP ASSEMBLY, UPPER
3	26-29476		1	OIL SEAL
4	25-47254	■ ■ ◇	1	"O" RING
5	15-47248A1		AR	SHIM ASSEMBLY, END CAP TO CRANKCASE (.006-8-10)
6	10-30225		4	SCREW, END CAP MOUNTING (1")
7	65615		1	POINTER, TIMING UNITED STATES 3865695 AND UP AUSTRALIA 8017140 AND UP BELGIUM 9053364 AND UP CANADA 7033028 AND UP
8	10-28636		1	SCREW, TIMING POINTER ATTACHING (3/4") UNITED STATES 3865695 AND UP AUSTRALIA 8017140 AND UP BELGIUM 9053364 AND UP CANADA 7033028 AND UP
9	12-35462		1	WASHER, TIMING POINTER SCREW UNITED STATES 3865695 AND UP AUSTRALIA 8017140 AND UP BELGIUM 9053364 AND UP CANADA 7033028 AND UP
10	1148-4594A1		1	END CAP ASSEMBLY, LOWER UNITED STATES 3865694 AND BELOW AUSTRALIA 8017139 AND BELOW BELGIUM 9053363 AND BELOW CANADA 7033027 AND BELOW
	1148-5410A1		1	END CAP ASSEMBLY, LOWER UNITED STATES 3865695 AND UP AUSTRALIA 8017140 AND UP BELGIUM 9053364 AND UP CANADA 7033028 AND UP
11	21-56011A2		1	CHECK VALVE ASSEMBLY, END CAP UNITED STATES 3865694 AND BELOW AUSTRALIA 8017139 AND BELOW BELGIUM 9053363 AND BELOW CANADA 7033027 AND BELOW
12	26-29476		2	OIL SEAL, UPPER
13	25-32546	■ ■ ◇	1	"O" RING
14	15-20085A1		AR	SHIM, END CAP TO CRANKCASE (.002-3-5-10)
15	10-30225		3	SCREW, END CAP MOUNTING (1")
16	27-52892	■ ■ ◇	1	GASKET, WATER JACKET COVER - PART OF CYLINDER BLOCK AND CRANKCASE ASSEMBLY
17	64106		1	COVER, WATER JACKET - CYLINDER BLOCK - PART OF CYLINDER BLOCK AND CRANKCASE ASSEMBLY
18	10-53167		16	SCREW, WATER JACKET COVER TO CYLINDER BLOCK (7/8") - PART OF CYLINDER BLOCK AND CRANKCASE ASSEMBLY
19	12-70132		16	WASHER, WATER JACKET COVER FASTENING SCREW - PART OF CYLINDER BLOCK AND CRANKCASE ASSEMBLY
20	27-64203	■ ■ ◇	1	GASKET, CYLINDER BLOCK TO BAFFLE PLATE
21	64107		1	PLATE, BAFFLE - EXHAUST MANIFOLD
22	27-64204	■ ■ ◇	1	GASKET, BAFFLE PLATE TO EXHAUST MANIFOLD COVER
23	64108		1	COVER, EXHAUST MANIFOLD

- = COMPONENT OF ENGINE OVERHAUL GASKET SET- SERIAL GROUP NO. 1 (27-64203A73)
 ■ = COMPONENT OF ENGINE OVERHAUL GASKET SET - SERIAL GROUP NO. 5 (27-64203A74)
 ◇ = COMPONENT OF ENGINE OVERHAUL GASKET SET - SERIAL GROUP NO. 6 (27-64203A75)

CONTINUED ON NEXT PAGE ➡

END CAPS, MANIFOLD AND EXHAUST COVERS



END CAPS, MANIFOLD AND EXHAUST COVERS

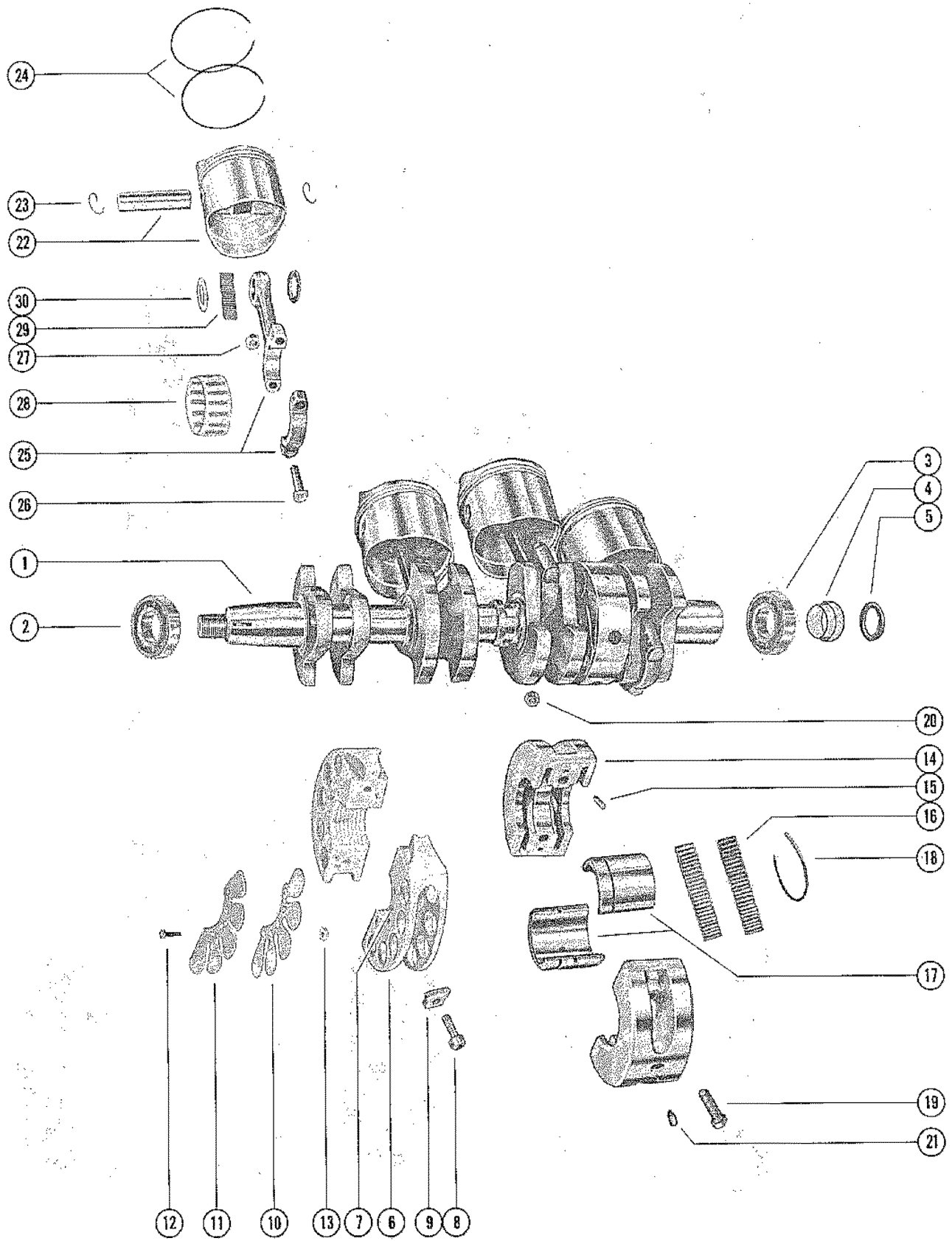
REF. NO.	PART NO.	SYM.	QTY.	DESCRIPTION
24	10-53576		18	SCREW, MANIFOLD COVER MOUNTING (1 1/8")
25	22-32802		1	PLUG, PIPE - EXHAUST MANIFOLD COVER UNITED STATES 3865695 AND UP AUSTRALIA 8017140 AND UP BELGIUM 9053364 AND UP CANADA 7033028 AND UP
26	1021-3514		1	COVER, CYLINDER BLOCK
27	27-52893	■ ■ ◇	1	GASKET, CYLINDER BLOCK COVER
28	10-21091		12	SCREW, CYLINDER BLOCK COVER MOUNTING (1 1/8")
29	11-46887		12	NUT, COVER MOUNTING SCREW
30	22-32802		1	PLUG, PIPE - CYLINDER BLOCK COVER UNITED STATES 3865694 AND BELOW AUSTRALIA 8017139 AND BELOW BELGIUM 9053363 AND BELOW CANADA 7033027 AND BELOW
31	62302		1	COVER, TRANSFER PORT - TOP
	62301		1	COVER, TRANSFER PORT - BOTTOM
32	27-62107	■ ■ ◇	1	GASKET, TRANSFER PORT COVER
33	10-53556		11	SCREW, TRANSFER PORT COVER MOUNTING (1")
	10-49668		3	SCREW, TRANSFER PORT COVER MOUNTING (3/4")
34	37440		1	BRACKET, MOUNT SUPPORT - CYLINDER BLOCK
35	10-24234		1	SCREW, BRACKET TO CYLINDER BLOCK (1")
36	46933A1		2	GROUND STRAP ASSEMBLY, EXHAUST COVER SCREW
37	10-62568		2	SCREW, GROUND STRAP ATTACHING (3/8")

■ = COMPONENT OF ENGINE OVERHAUL GASKET SET- SERIAL GROUP NO. 1 (27-64203A73)

■ = COMPONENT OF ENGINE OVERHAUL GASKET SET - SERIAL GROUP NO. 5 (27-64203A74)

◇ = COMPONENT OF ENGINE OVERHAUL GASKET SET - SERIAL GROUP NO. 6 (27-64203A75)

CRANKSHAFT, PISTON AND CONNECTING ROD



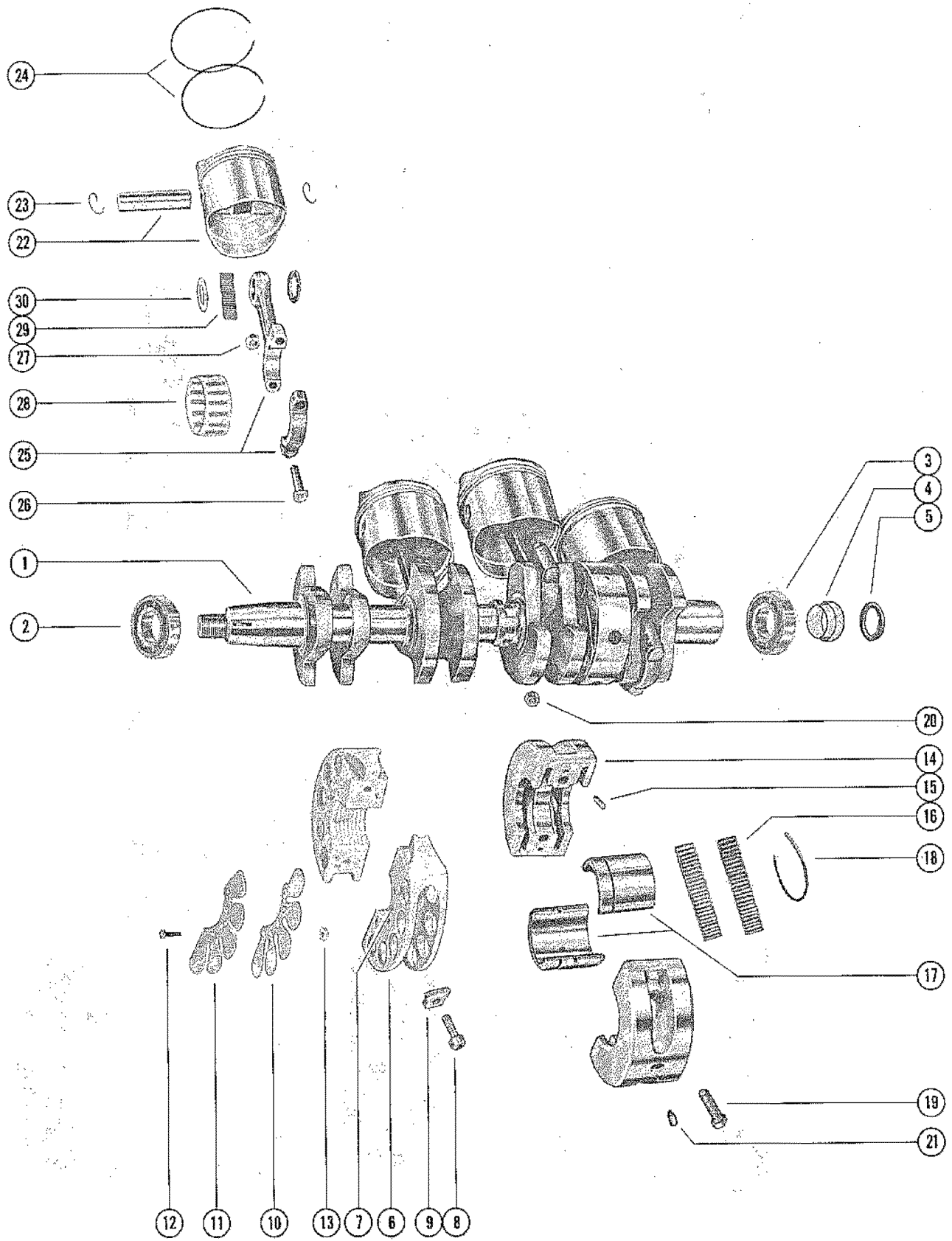
CRANKSHAFT, PISTON AND CONNECTING ROD

REF. NO.	PART NO.	SYM.	QTY.	DESCRIPTION
1	440-4979A2		1	CRANKSHAFT ASSEMBLY
2	30-32117		1	BEARING, BALL - UPPER
3	30-63742		1	BEARING, BALL - LOWER
4	54196A6		1	CARRIER ASSEMBLY, "O" RING
5	65800	■ ■ ◇	1	PACKING, CARRIER
6	540-5055A6		2	MAIN BEARING ASSEMBLY (VALVE TYPE) UNITED STATES 3865694 AND BELOW AUSTRALIA 8017139 AND BELOW BELGIUM 9053363 AND BELOW CANADA 7033027 AND BELOW
	540-5266A5		2	MAIN BEARING ASSEMBLY (VALVE TYPE) UNITED STATES 3865695 AND UP AUSTRALIA 8017140 AND UP BELGIUM 9053364 AND UP CANADA 7033028 AND UP
7	17-20032		4	DOWEL PIN, MAIN BEARING
8	10-45775		4	SCREW, MAIN BEARING CLAMPING
9	11-45774		4	NUT, MAIN BEARING CLAMPING SCREW
10	34-56007A1		2	REED SET, MATCHED - MAIN BEARING
11	34-56008		8	REED STOP, MAIN BEARING REED VALVES
12	10-62204		20	SCREW, REED STOP MOUNTING
13	11-53153		20	NUT, REED STOP MOUNTING SCREW
14	535-3190A2		1	CENTER MAIN BEARING ASSEMBLY UNITED STATES 3865694 AND BELOW AUSTRALIA 8017139 AND BELOW BELGIUM 9053363 AND BELOW CANADA 7033027 AND BELOW
	535-5397A4		1	CENTER MAIN BEARING ASSEMBLY UNITED STATES 3865695 AND UP AUSTRALIA 8017140 AND UP BELGIUM 9053364 AND UP CANADA 7033028 AND UP
15	17-20032		2	DOWEL PIN, CENTER MAIN BEARING
16	29-52168		56	BEARING, NEEDLE
17	26113		1	RACE, OUTER (PAIR)
18	53-26933		1	RING, SNAP - OUTER RACE CLAMPING
19	10-22968		2	SCREW, CENTER MAIN BEARING CLAMPING
20	11-46887		2	NUT, MAIN BEARING CLAMPING SCREW
21	17-47246		1	DOWEL PIN (STEPPED)
22	745-5035A2		4	PISTON AND PISTON PIN ASSEMBLY UNITED STATES 3865694 AND BELOW AUSTRALIA 8017139 AND BELOW BELGIUM 9053363 AND BELOW CANADA 7033027 AND BELOW
	745-5219A2		4	PISTON AND PISTON PIN ASSEMBLY UNITED STATES 3865695 AND UP AUSTRALIA 8017140 AND UP BELGIUM 9053364 AND UP CANADA 7033028 AND UP
23	40-52035		8	LOCK RING, PISTON PIN
24	39-45155A12		1	RING, PISTON
25	622-4850A3		4	CONNECTING ROD AND CAP ASSEMBLY
26	10-54803		8	SCREW, CAP TO CONNECTING ROD
27	11-49091		8	NUT, CONNECTING ROD SCREW
28	31-62596A1		4	BEARING ASSEMBLY, CRANKPIN

- = COMPONENT OF ENGINE OVERHAUL GASKET SET- SERIAL GROUP NO. 1 (27-64203A73)
- = COMPONENT OF ENGINE OVERHAUL GASKET SET - SERIAL GROUP NO. 5 (27-64203A74)
- ◇ = COMPONENT OF ENGINE OVERHAUL GASKET SET - SERIAL GROUP NO. 6 (27-64203A75)

CONTINUED ON NEXT PAGE ➡

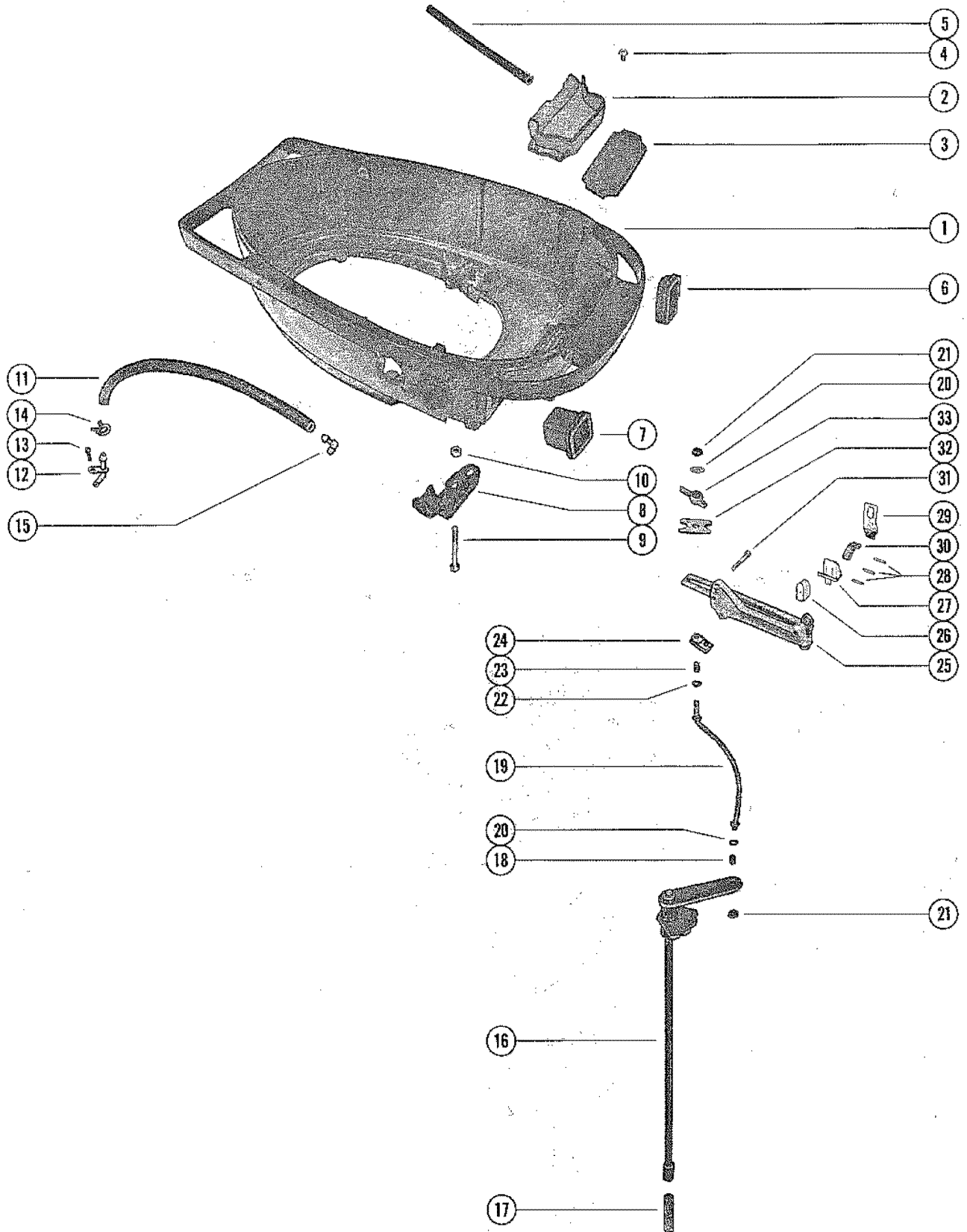
CRANKSHAFT, PISTON AND CONNECTING ROD



CRANKSHAFT, PISTON AND CONNECTING ROD

REF. NO.	PART NO.	SYM.	QTY.	DESCRIPTION
29	29-47270		116	BEARING, NEEDLE - PISTON PIN
30	12-47247		8	WASHER, NEEDLE LOCATING
	745-5097A1		4	PISTON AND PISTON PIN ASSEMBLY (.015) UNITED STATES 3865694 AND BELOW AUSTRALIA 8017139 AND BELOW BELGIUM 9053363 AND BELOW CANADA 7033027 AND BELOW
	745-5304A2		4	PISTON AND PISTON PIN ASSEMBLY (.015) UNITED STATES 3865695 AND UP AUSTRALIA 8017140 AND UP BELGIUM 9053364 AND UP CANADA 7033028 AND UP
	39-45204A12		1	RING, PISTON (.015)

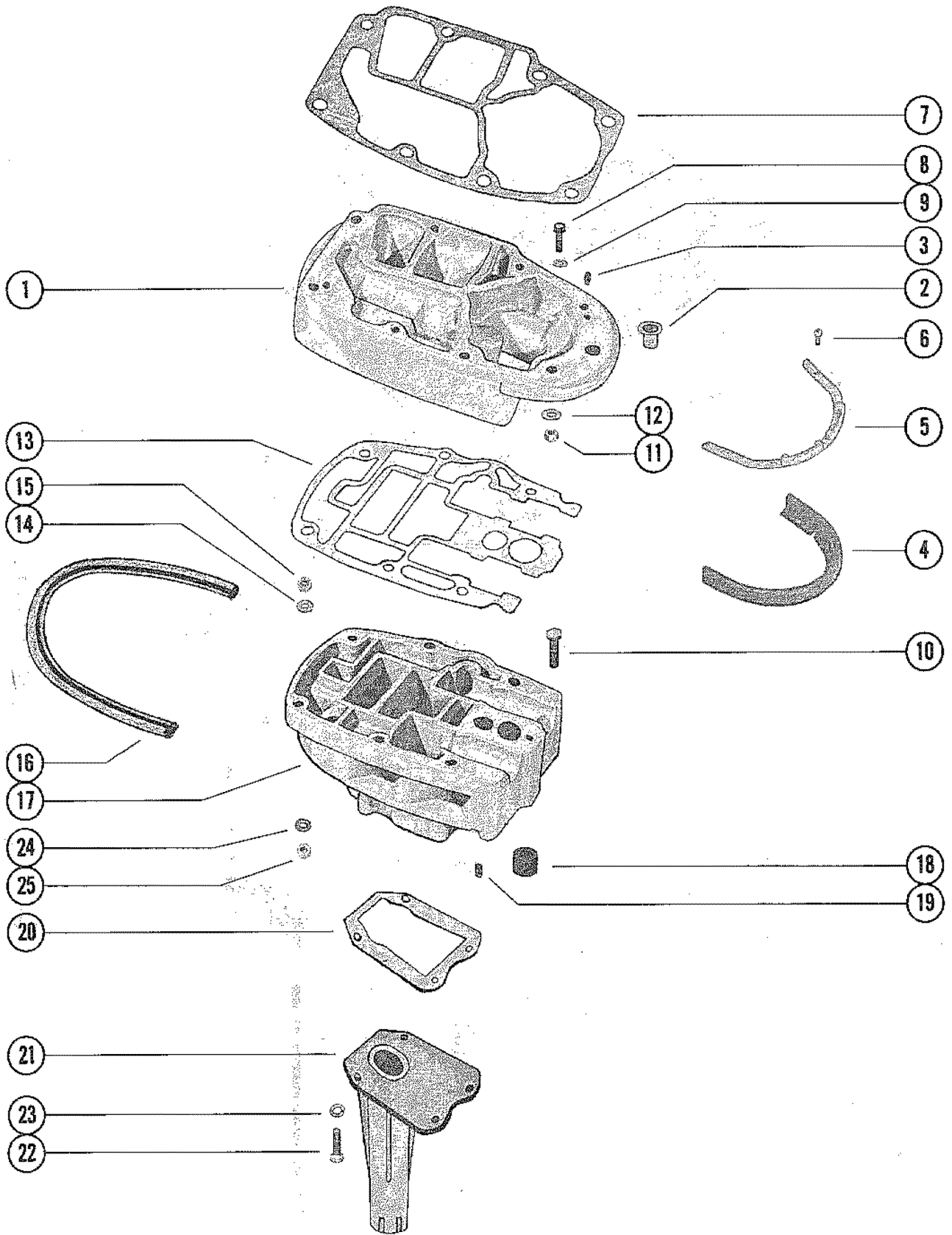
BOTTOM COWL AND SHIFT LINKAGE



BOTTOM COWL AND SHIFT LINKAGE

REF. NO.	PART NO.	SYM.	QTY.	DESCRIPTION
1	2115-3919		1	COWL, BOTTOM UNITED STATES 3865694 AND BELOW AUSTRALIA 8017139 AND BELOW BELGIUM 9053363 AND BELOW CANADA 7033027 AND BELOW
	2115-5269		1	COWL, BOTTOM UNITED STATES 3865695 AND UP AUSTRALIA 8017140 AND UP BELGIUM 9053364 AND UP CANADA 7033028 AND UP
2	52862A2		1	DRIP TRAY ASSEMBLY, BOTTOM COWL
3	37940		1	PAD, SOUND - DRIP TRAY
4	10-48408		4	SCREW, DRIP TRAY TO BOTTOM COWL (1/2")
5	32-34395A1		1	HOSE, DRIP TRAY TO BOTTOM COWL (8")
6	39616		1	BOOT, CONTROL CABLES - BOTTOM COWL
7	37637		1	BOOT, FUEL CONNECTOR - BOTTOM COWL
8	37445		1	SUPPORT, WIRING HARNESS - BOTTOM COWL
9	10-31471		1	SCREW, SUPPORT TO COWL (3 1/4") UNITED STATES 3865694 AND BELOW AUSTRALIA 8017139 AND BELOW BELGIUM 9053363 AND BELOW CANADA 7033027 AND BELOW
	10-69029		2	SCREW, SUPPORT TO COWL (1 3/4")
10	11-35045		2	NUT, WIRING HARNESS SUPPORT SCREW
11	32-34395A1		1	HOSE, TELL TALE - EXH. COVER TO BOTTOM COWL (16" OR 9")
12	52889		1	NOZZLE, TELL TALE HOSE TO BOTTOM COWL
13	10-48408		1	SCREW, TELL TALE NOZZLE TO BOTTOM COWL (1/2")
14	54-48123		2	CLAMP, TELL TALE HOSE TO CONNECTOR AND ELBOW
15	22-25885		1	ELBOW, TELL TALE HOSE TO EXHAUST COVER
16	60304A15		1	SHIFT SHAFT ASSEMBLY, UPPER (SHORT SHAFT)
	60304A16		1	SHIFT SHAFT ASSEMBLY, UPPER (LONG SHAFT)
17	55692		1	COUPLING, SHIFT SHAFT
18	23-26600		1	BUSHING, SHIFT SHAFT
19	48047A1		1	LINK ROD ASSEMBLY
20	12-35462		2	WASHER, LINK ROD (SHIFT LEVER END)
21	11-35045		2	NUT, LINK ROD
22	13-29720		1	WASHER, WAVE - LINK ROD
23	24-20099		1	SPRING, LINK ROD TO GUIDE BLOCK
24	37896		1	GUIDE BLOCK, LINK ROD
25	52732		1	BRACKET, ANCHOR - CONTROL CABLES
26	39519		1	CAP, BARREL RETAINER - ANCHOR BRACKET
27	39618		1	LEVER, NYLON - SHIFT CABLE LOCKING
28	17-47175		3	PIN, LOCKING LEVER AND COVER FASTENING
29	39667		1	COVER, NYLON - SHIFT CABLE
30	65799		1	LINK, LOCKING LEVER TO COVER
31	10-24234		3	SCREW, ANCHOR BRACKET TO CYLINDER BLOCK (1")
32	52100		1	WEAR PLATE, LINK ROD
33	38279		1	LATCH, CONTROL CABLE FASTENING - ANCHOR BRACKET

EXHAUST EXTENSION PLATE



EXHAUST EXTENSION PLATE

REF. NO.	PART NO.	SYM.	QTY.	DESCRIPTION
1	64165A1		1	PLATE ASSEMBLY, EXHAUST EXTENSION UNITED STATES 3865694 AND BELOW AUSTRALIA 8017139 AND BELOW BELGIUM 9053363 AND BELOW CANADA 7033027 AND BELOW
	66096A1		1	PLATE ASSEMBLY, EXHAUST EXTENSION UNITED STATES 3865695 AND UP AUSTRALIA 8017140 AND UP BELGIUM 9053364 AND UP CANADA 7033028 AND UP
2	23-27132		1	BUSHING, NYLON - EXHAUST EXTENSION PLATE UNITED STATES 3865695 AND UP AUSTRALIA 8017140 AND UP BELGIUM 9053364 AND UP CANADA 7033028 AND UP
3	17-23784		2	DOWEL PIN, EXHAUST EXTENSION PLATE
4	37918		1	SEAL, EXHAUST EXTENSION PLATE
5	38032		1	STRIP, RETAINING - EXHAUST EXTENSION PLATE
6	10-37571		5	SCREW, SEAL AND RETAINING STRIP TO EXHAUST PLATE (1/2")
7	27-66101	■	1	GASKET, POWERHEAD TO EXHAUST EXTENSION PLATE
	27-69238	■◇	1	GASKET, POWERHEAD TO EXHAUST EXTENSION PLATE
8	10-62644		1	SCREW, ADAPTOR PLATE ATTACHING (1 3/4") UNITED STATES 3865694 AND BELOW AUSTRALIA 8017139 AND BELOW BELGIUM 9053363 AND BELOW CANADA 7033027 AND BELOW
9	13-26993		1	LOCKWASHER, ADAPTOR PLATE SCREW UNITED STATES 3865694 AND BELOW AUSTRALIA 8017139 AND BELOW BELGIUM 9053363 AND BELOW CANADA 7033027 AND BELOW
8	10-66023		2	SCREW, ADAPTOR PLATE TO HOUSING PLATE (2") UNITED STATES 3865695 AND UP AUSTRALIA 8017140 AND UP BELGIUM 9053364 AND UP CANADA 7033028 AND UP
10	10-66023		7	SCREW, HOUSING PLATE TO DRIVE SHAFT HOUSING (2") UNITED STATES 3865695 AND UP AUSTRALIA 8017140 AND UP BELGIUM 9053364 AND UP CANADA 7033028 AND UP
11	11-69254		2	NUT, CRANKCASE STUDS TO EXHAUST EXTENSION PLATE
12	12-25970		2	WASHER, CRANKCASE STUDS TO EXHAUST EXTENSION PLATE
13	27-60945	■	1	GASKET, PLATE TO DRIVE SHAFT HSG. PLATE UNITED STATES 3865694 AND BELOW AUSTRALIA 8017139 AND BELOW BELGIUM 9053363 AND BELOW CANADA 7033027 AND BELOW
	27-66102	■◇	1	GASKET, PLATE TO DRIVE SHAFT HSG. PLATE UNITED STATES 3865695 AND UP AUSTRALIA 8017140 AND UP BELGIUM 9053364 AND UP CANADA 7033028 AND UP
14	12-34437		7	WASHER, DRIVE SHAFT HOUSING STUD UNITED STATES 3865694 AND BELOW AUSTRALIA 8017139 AND BELOW BELGIUM 9053363 AND BELOW CANADA 7033027 AND BELOW
15	11-64809		7	NUT, DRIVE SHAFT HOUSING STUD UNITED STATES 3865694 AND BELOW AUSTRALIA 8017139 AND BELOW BELGIUM 9053363 AND BELOW CANADA 7033027 AND BELOW
16	26-60898		1	SEAL, DRIVE SHAFT HOUSING PLATE

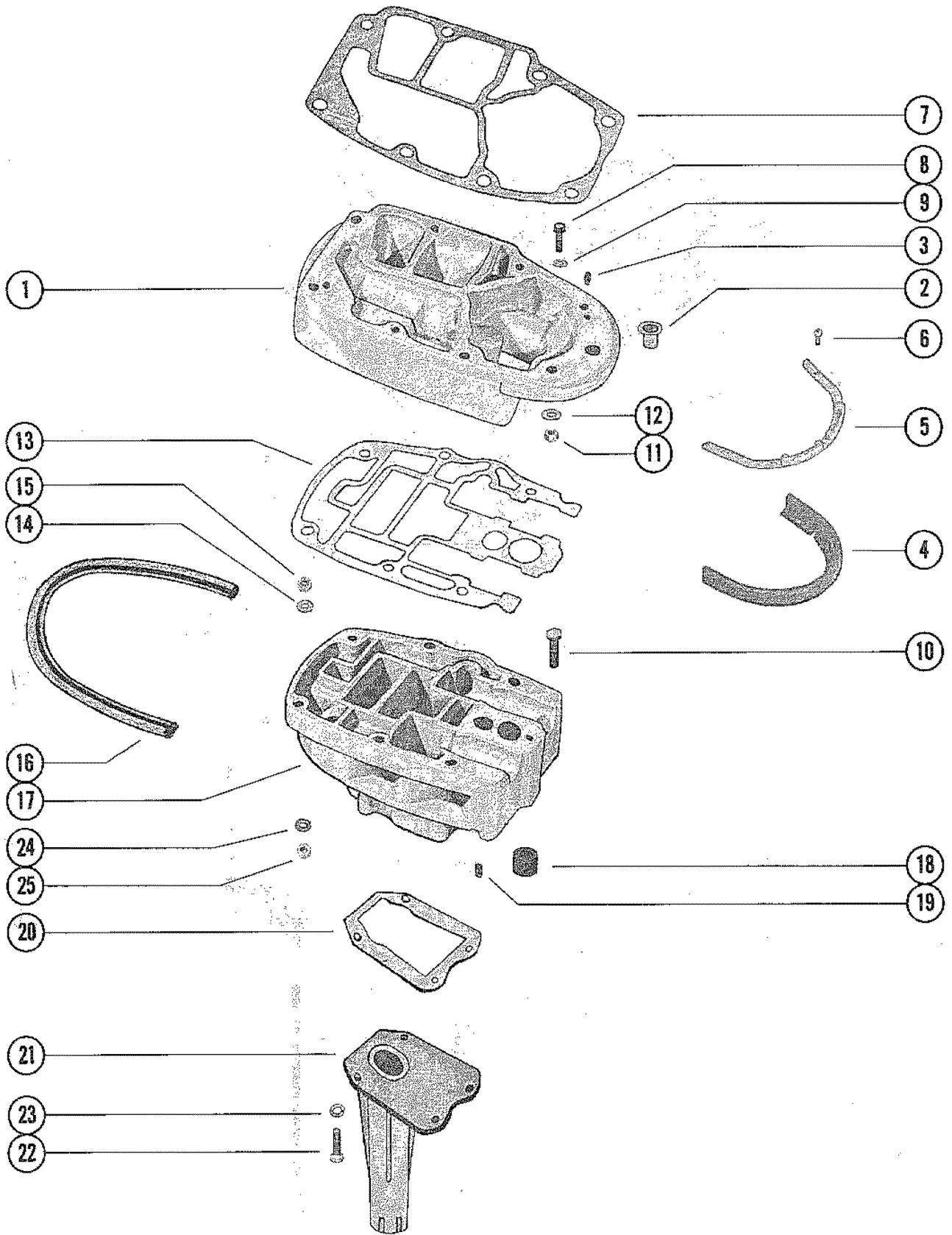
■ = COMPONENT OF ENGINE OVERHAUL GASKET SET- SERIAL GROUP NO. 1 (27-64203A73)

■ = COMPONENT OF ENGINE OVERHAUL GASKET SET - SERIAL GROUP NO. 5 (27-64203A74)

◇ = COMPONENT OF ENGINE OVERHAUL GASKET SET - SERIAL GROUP NO. 6 (27-64203A75)

CONTINUED ON NEXT PAGE ➡

EXHAUST EXTENSION PLATE



EXHAUST EXTENSION PLATE

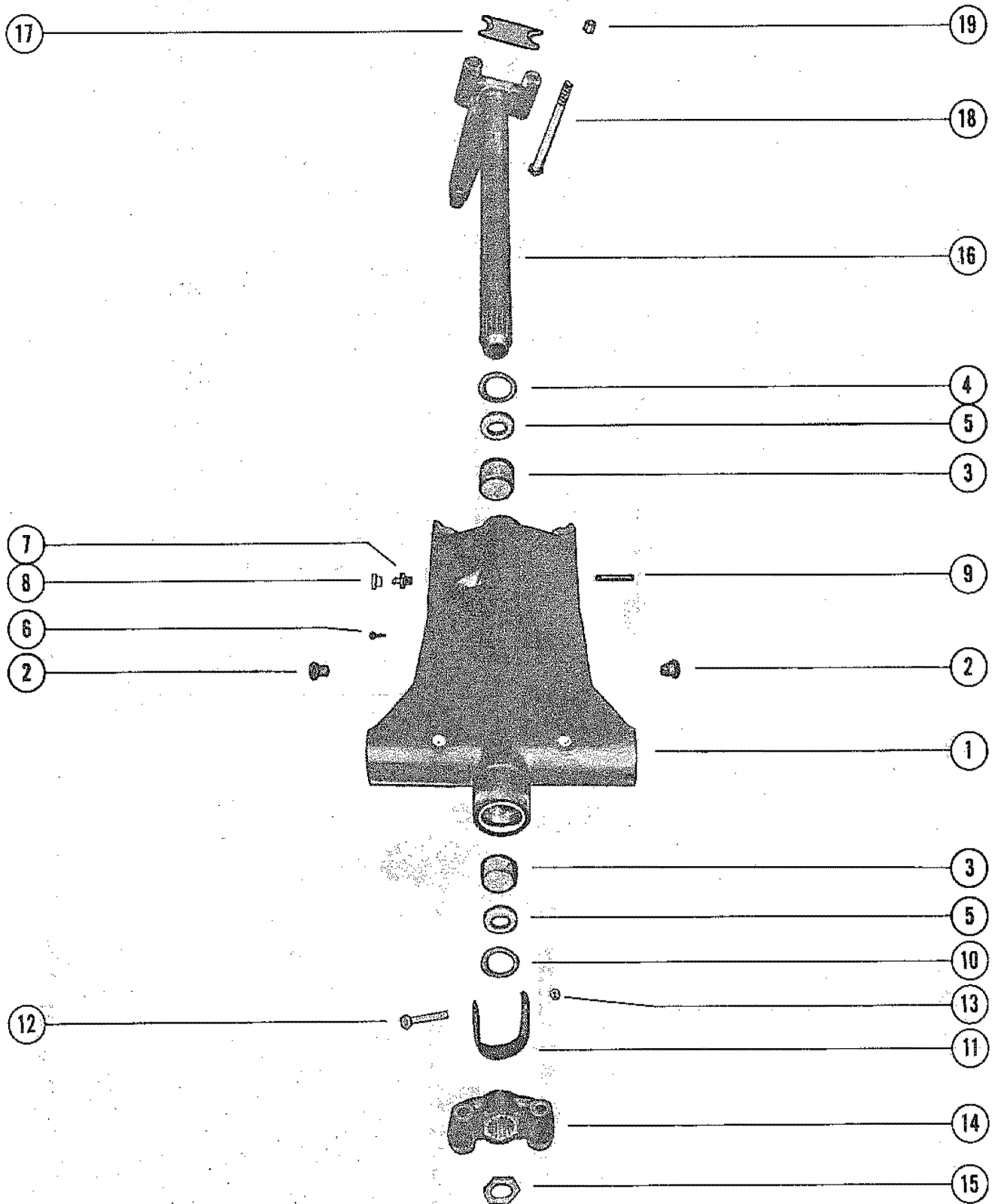
REF. NO.	PART NO.	SYM.	QTY.	DESCRIPTION
17	64103A3		1	PLATE ASSEMBLY, DRIVE SHAFT HOUSING UNITED STATES 3865694 AND BELOW AUSTRALIA 8017139 AND BELOW BELGIUM 9053363 AND BELOW CANADA 7033027 AND BELOW
	66100A2		1	PLATE ASSEMBLY, DRIVE SHAFT HOUSING UNITED STATES 3865695 AND UP AUSTRALIA 8017140 AND UP BELGIUM 9053364 AND UP CANADA 7033028 AND UP
18	26-38970	■ ■ ◇	1	SEAL, RUBBER - WATER INLET TUBE (DRIVE SHAFT HOUSING PLATE)
19	17-23784		2	DOWEL PIN, DRIVE SHAFT HOUSING PLATE
20	27-69860	■ ■ ◇	1	GASKET, DRIVE SHAFT HOUSING PLATE TO EXHAUST TUBE
21	65032		1	EXHAUST TUBE
22	10-61010		4	SCREW, EXHAUST TUBE TO DRIVE SHAFT HOUSING PLATE (3/4")
23	13-26992		4	LOCKWASHER, EXHAUST PLATE SCREW
24	12-25970		8	WASHER, POWERHEAD STUDS
25	11-34932		6	NUT, POWERHEAD STUDS

■ = COMPONENT OF ENGINE OVERHAUL GASKET SET- SERIAL GROUP NO. 1 (27-64203A73)

■ = COMPONENT OF ENGINE OVERHAUL GASKET SET - SERIAL GROUP NO. 5 (27-64203A74)

◇ = COMPONENT OF ENGINE OVERHAUL GASKET SET - SERIAL GROUP NO. 6 (27-64203A75)

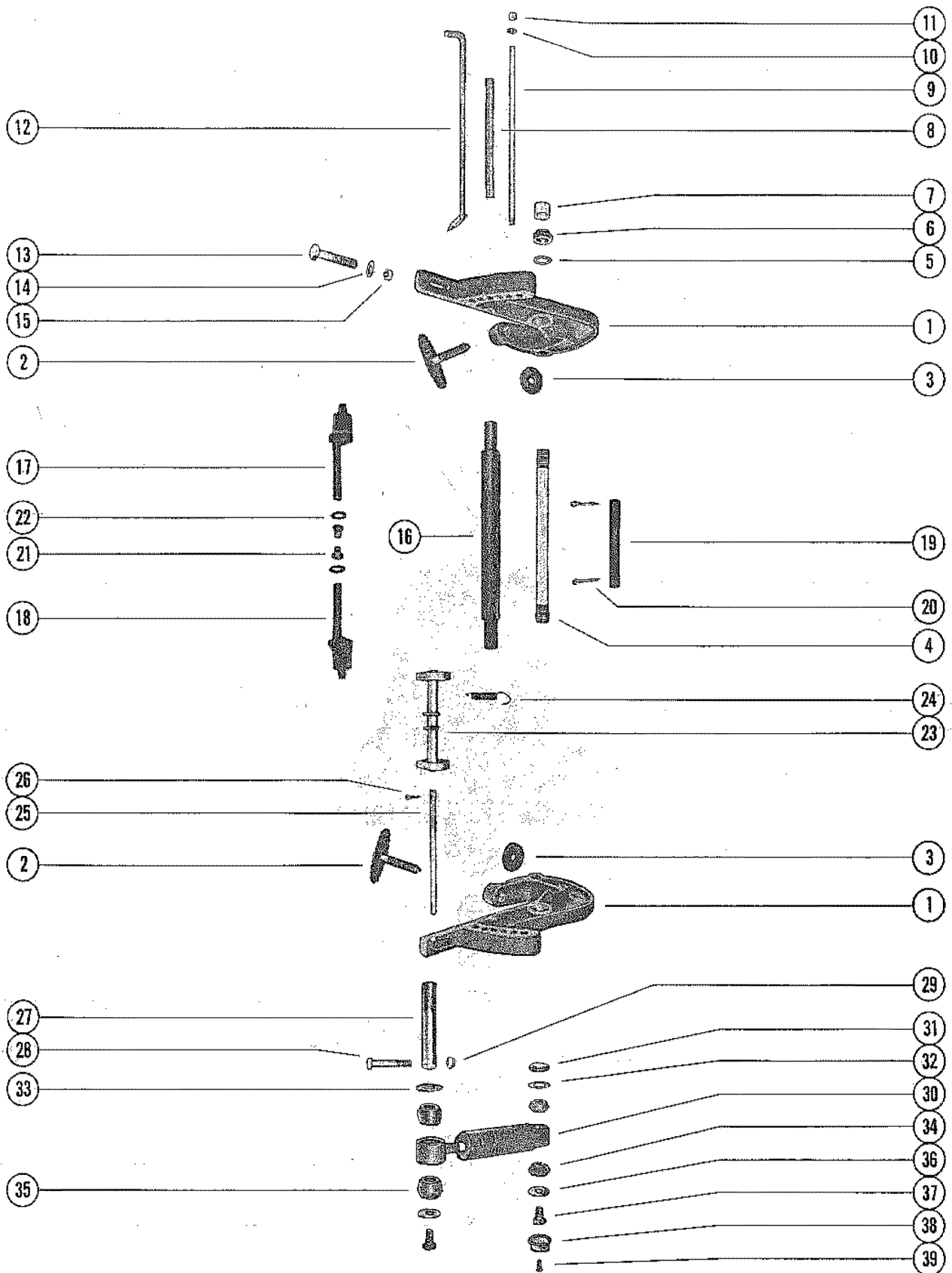
SWIVEL BRACKET ASSEMBLY



SWIVEL BRACKET ASSEMBLY

REF. NO.	PART NO.	SYM.	QTY.	DESCRIPTION
1	1453-5597A2		1	SWIVEL BRACKET ASSEMBLY (SHORT SHAFT)
	1447-5596A3		1	SWIVEL BRACKET ASSEMBLY (LONG SHAFT)
2	23-69132		2	BUSHING, REVERSE LOCK PIVOT SHAFT UNITED STATES 4092965 AND UP AUSTRALIA 8025615 AND UP BELGIUM 9069879 AND UP CANADA 7044108 AND UP
3	23-69341		2	BUSHING , SWIVEL BRACKET UNITED STATES 4092965 AND UP AUSTRALIA 8025615 AND UP BELGIUM 9069879 AND UP CANADA 7044108 AND UP
4	12-69342		1	WASHER, SWIVEL PIN - UPPER UNITED STATES 4092965 AND UP AUSTRALIA 8025615 AND UP BELGIUM 9069879 AND UP CANADA 7044108 AND UP
5	26-37448		2	OIL SEAL, SWIVEL BRACKET
6	10-47828		1	SCREW, DRIVE - SWIVEL BRACKET
7	22-69059		1	FITTING, GREASE
8	29359		1	LUBRICAP, SWIVEL BRACKET GREASE FITTING
9	17-25598		1	PIN, REVERSE LOCK SPRING ATTACHING
10	12-69380		1	WASHER, SWIVEL PIN - LOWER
11	28205		1	STRAP STOP, DRIVE SHAFT HOUSING TO SWIVEL BRACKET
12	10-28200		1	SCREW, STRAP STOP TO DRIVE SHAFT HOUSING (2 7/8")
13	11-25269		1	NUT, STRAP STOP FASTENING SCREW
14	37419		1	YOKE, BOTTOM
15	11-37424		1	NUT, SWIVEL PIN RETAINING
16	17-49841A1		1	SWIVEL PIN AND STEERING ARM ASSEMBLY (SHORT SHAFT)
	17-49840A1		1	SWIVEL PIN AND STEERING ARM ASSEMBLY (LONG SHAFT)
17	28203		1	BUMPER, STEERING ARM
18	10-49554		2	BOLT, STEERING ARM TO UPPER MOUNT (5 7/8")
19	11-34933		2	NUT, STEERING ARM BOLT FASTENING

CLAMP BRACKET AND REVERSE LOCK

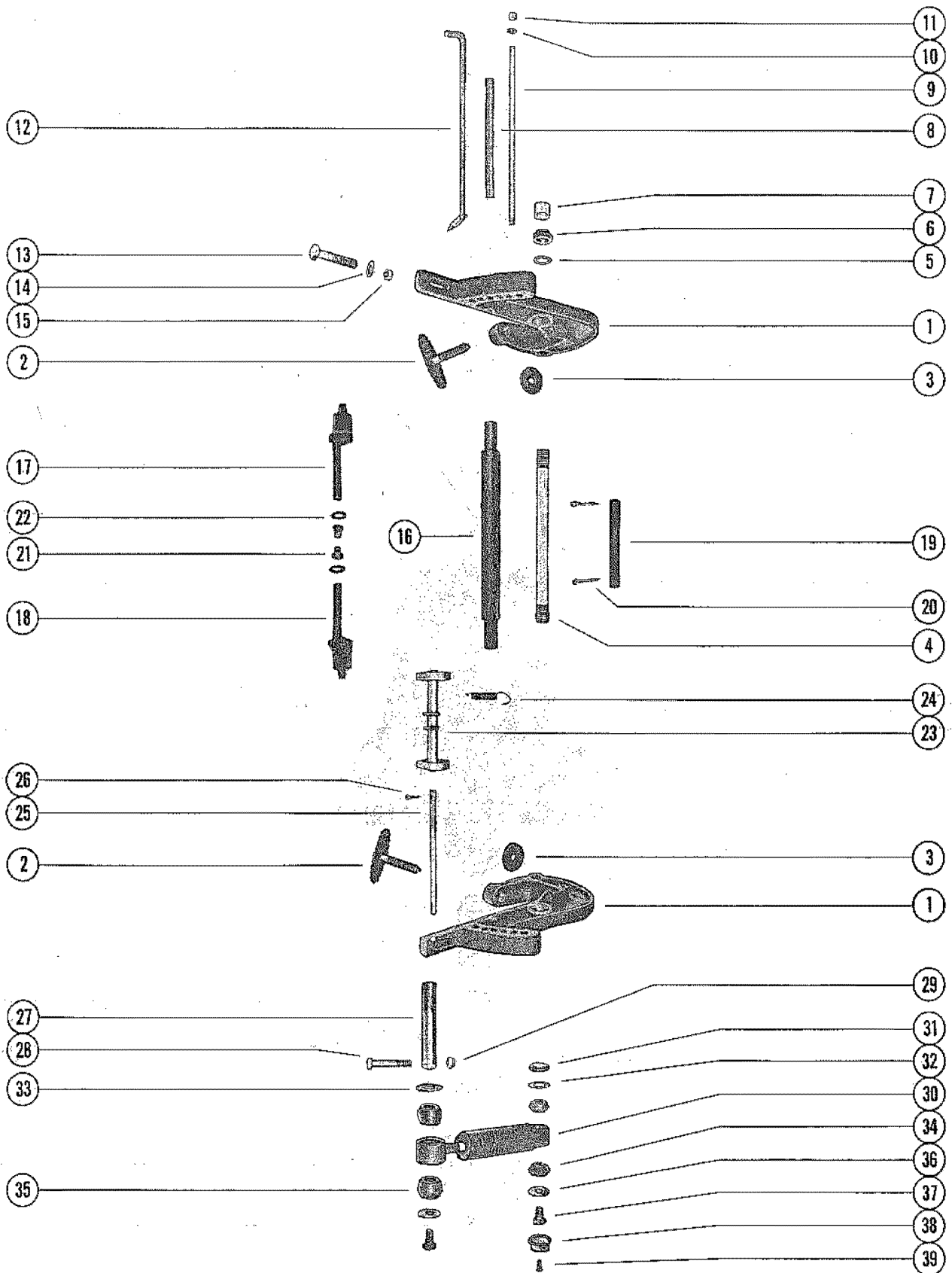


CLAMP BRACKET AND REVERSE LOCK

REF. NO.	PART NO.	SYM.	QTY.	DESCRIPTION
1	1440-5311A1		2	CLAMP BRACKET ASSEMBLY UNITED STATES 4092964 AND BELOW AUSTRALIA 8025614 AND BELOW BELGIUM 9069878 AND BELOW CANADA 7044107 AND BELOW
2	28403A3		2	THUMB SCREW ASSEMBLY UNITED STATES 4092964 AND BELOW AUSTRALIA 8025614 AND BELOW BELGIUM 9069878 AND BELOW CANADA 7044107 AND BELOW
3	12-28404		2	WASHER, THUMB SCREW UNITED STATES 4092964 AND BELOW AUSTRALIA 8025614 AND BELOW BELGIUM 9069878 AND BELOW CANADA 7044107 AND BELOW
1	1440-5576A1		2	CLAMP BRACKET ASSEMBLY UNITED STATES 4092965 AND UP AUSTRALIA 8025615 AND UP BELGIUM 9069879 AND UP CANADA 7044108 AND UP
2	69214A1		2	THUMB SCREW ASSEMBLY UNITED STATES 4092965 AND UP AUSTRALIA 8025615 AND UP BELGIUM 9069879 AND UP CANADA 7044108 AND UP
3	12-70988		2	WASHER, THUMB SCREW UNITED STATES 4092965 AND UP AUSTRALIA 8025615 AND UP BELGIUM 9069879 AND UP CANADA 7044108 AND UP
4	30664		1	TUBE, TILT - CLAMP BRACKET TO SWIVEL BRACKET
5	12-52864		2	WASHER, CLAMP BRACKET TILT TUBE
6	11-56041		2	NUT, TILT TUBE FASTENING
7	53078		2	CAP, PLASTIC - TILT TUBE
8	23-59624		1	SPACER, CLAMP BRACKET STUD
9	16-59625		1	STUD, CLAMP BRACKET
10	13-26993		2	LOCKWASHER, CLAMP BRACKET STUD
11	11-28770		2	NUT, CLAMP BRACKET STUD
12	17-49930A1		1	TILT LOCK PIN ASSEMBLY
13	10-68298		2	BOLT, CLAMP BRACKET TO BOAT TRANSOM (3 1/4")
14	12-68410		2	WASHER, CLAMP BRACKET BOLT
13	10-68299		2	BOLT, CLAMP BRACKET TO TRANSOM (3")
14	12-68300		2	WASHER, CLAMP BRACKET BOLT
15	11-68411		4	NUT, CLAMP BRACKET BOLT
16	55-28416		1	PIN, UPPER SHOCK MOUNTING
17	47799A1		1	TILT LOCK ASSEMBLY, STARBOARD
18	47800A1		1	TILT LOCK ASSEMBLY, PORT
19	47802		1	TUBE, TILT LOCK
20	18-47959		2	COTTER PIN, TILT LOCK TUBE
21	23-47803		2	BUSHING, TILT LOCK TUBE
22	13-69150		2	WASHER, WAVE - TILT LOCK TUBE
23	70692		1	REVERSE LOCK ASSEMBLY
24	24-29821		1	SPRING, REVERSE LOCK TENSION
25	56349		1	SHAFT, REVERSE LOCK PIVOT
26	18-45882		1	COTTER PIN, REVERSE LOCK TO SHAFT
27	55-65447		2	PIN, LOWER SHOCK MOUNTING (SHORT SHAFT)
	55-28414		2	PIN, LOWER SHOCK MOUNTING - (LONG SHAFT)
28	10-21937		2	SCREW, LOWER SHOCK PIN (2")- (LONG SHAFT)

CONTINUED ON NEXT PAGE ➡

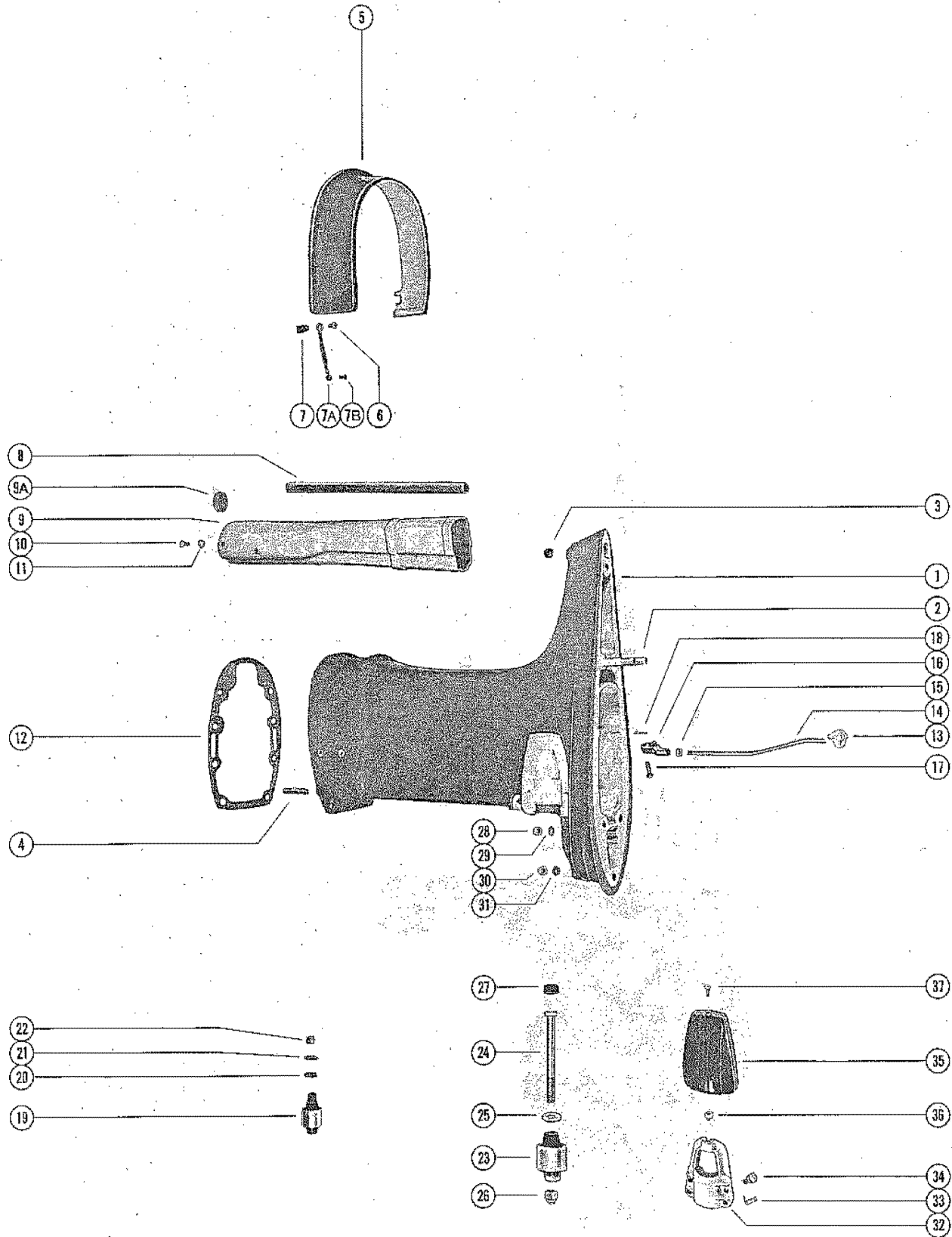
CLAMP BRACKET AND REVERSE LOCK



CLAMP BRACKET AND REVERSE LOCK

REF. NO.	PART NO.	SYM.	QTY.	DESCRIPTION
29	11-46887		2	NUT, LOWER SHOCK PIN SCREW- (LONG SHAFT)
30	55-58780A2		2	SHOCK ABSORBER
31	23-28199		2	SPACER, UPPER SHOCK BUSHING TO CLAMP BRACKET
32	12-28196		2	WASHER, UPPER BUSHING RETAINER (INNER)
33	12-59378		2	WASHER, LOWER BUSHING RETAINER (INNER)
34	23-32171		4	BUSHING, RUBBER - SHOCK ABSORBER (UPPER)
35	23-28198		4	BUSHING, RUBBER - SHOCK ABSORBER (LOWER)
36	12-28421		4	WASHER, UPPER AND LOWER BUSHING RETAINER (OUTER)
37	10-53077		4	SCREW, UPPER AND LOWER SHOCK MOUNTING PIN (3/4")
38	70679		4	COVER, UPPER AND LOWER SHOCK MOUNTING PIN
39	10-37655		4	SCREW, COVER TO SHOCK MOUNTING SCREWS (1/2")

DRIVE SHAFT HOUSING ASSEMBLY



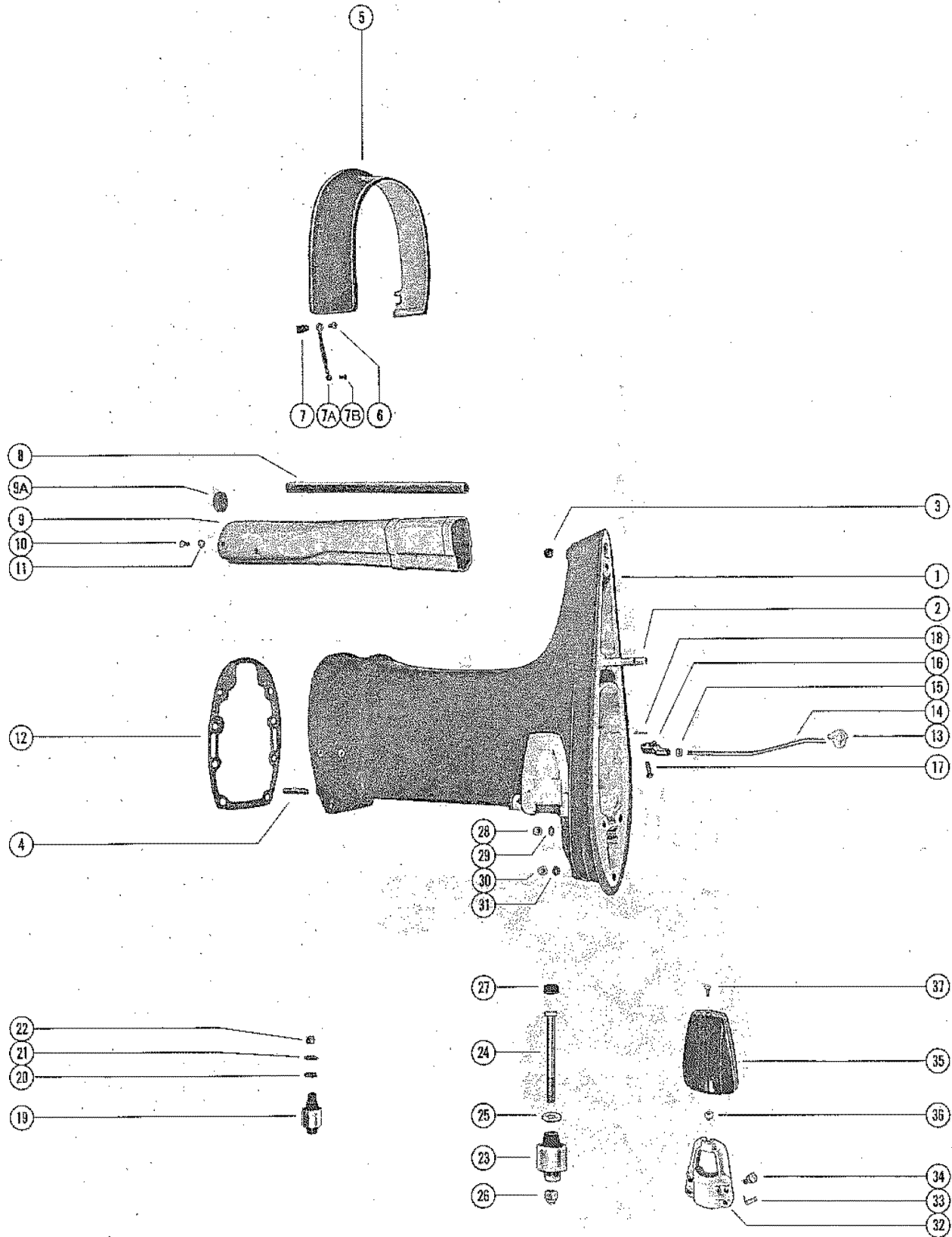
DRIVE SHAFT HOUSING ASSEMBLY

REF. NO.	PART NO.	SYM.	QTY.	DESCRIPTION
1	1575-4971A5		1	DRIVE SHAFT HOUSING ASSEMBLY (SHORT SHAFT) UNITED STATES 3865694 AND BELOW AUSTRALIA 8017139 AND BELOW BELGIUM 9053363 AND BELOW CANADA 7033027 AND BELOW
	1573-4933A3		1	DRIVE SHAFT HOUSING ASSEMBLY (LONG SHAFT) UNITED STATES 3865694 AND BELOW AUSTRALIA 8017139 AND BELOW BELGIUM 9053363 AND BELOW CANADA 7033027 AND BELOW
	1575-5240A4		1	DRIVE SHAFT HOUSING AUTHORITY (SHORT SHAFT) UNITED STATES 3865695 AND UP AUSTRALIA 8017140 AND UP BELGIUM 9053364 AND UP CANADA 7033028 AND UP
	1573-5239A4		1	DRIVE SHAFT HOUSING ASSEMBLY (LONG SHAFT) UNITED STATES 3865695 AND UP AUSTRALIA 8017140 AND UP BELGIUM 9053364 AND UP CANADA 7033028 AND UP
2	16-56295		2	STUD, DRIVE SHAFT HOUSING TO GEAR HOUSING (2 11/16")
3	19-64649		1	PLUG, PLASTIC - TRIM TAB SCREW HOLE
4	16-34378		7	STUD, DRIVE SHAFT HOUSING TO HSG. PLATE (2 5/6")
5	37417		1	COVER, TRIM - DRIVE SHAFT HOUSING
6	10-57807		4	SCREW, TRIM COVER TO BOTTOM COWL (3/4")
7	25-57806		4	GROMMET, TRIM COVER SCREW
7A	46933A2		2	GROUND STRAP ASSEMBLY, TRIM COVER SCREW
7B	10-62568		2	SCREW, GROUND STRAP ATTACHING
8	32-62864		1	TUBE, WATER INLET - SHORT SHAFT
9	62863		1	TUBE, EXHAUST - - SHORT SHAFT UNITED STATES 3865694 AND BELOW AUSTRALIA 8017139 AND BELOW BELGIUM 9053363 AND BELOW CANADA 7033027 AND BELOW
	65370		1	TUBE, EXHAUST - - SHORT SHAFT UNITED STATES 3865695 AND UP AUSTRALIA 8017140 AND UP BELGIUM 9053364 AND UP CANADA 7033028 AND UP
8	32-60897		1	TUBE, WATER INLET - LONG SHAFT
9	60435		1	TUBE, EXHAUST - - LONG SHAFT UNITED STATES 3739627 AND BELOW AUSTRALIA 8013014 AND BELOW BELGIUM 9053363 AND BELOW CANADA 7024072 AND BELOW
	65369		1	TUBE, EXHAUST - - LONG SHAFT UNITED STATES 3739628 AND UP AUSTRALIA 8013015 AND UP BELGIUM 9053364 AND UP CANADA 7024073 AND UP
9A	65638		2	BOOT, EXHAUST TUBE UNITED STATES 3739628 AND UP AUSTRALIA 8013015 AND UP BELGIUM 9053364 AND UP CANADA 7024073 AND UP
10	10-28636		2	SCREW, EXHAUST TUBE TO EXHAUST EXTENSION PLATE (3/4") - SERI UNITED STATES 3865694 AND BELOW AUSTRALIA 8017139 AND BELOW BELGIUM 9053363 AND BELOW CANADA 7033027 AND BELOW
11	13-26992		2	LOCKWASHER, EXHAUST SCREW UNITED STATES 3865694 AND BELOW AUSTRALIA 8017139 AND BELOW BELGIUM 9053363 AND BELOW CANADA 7033027 AND BELOW
12	27-64175	■	1	GASKET, DRIVE SHAFT HOUSING PLATE TO DRIVE SHAFT HSG. UNITED STATES 3865694 AND BELOW AUSTRALIA 8017139 AND BELOW BELGIUM 9053363 AND BELOW CANADA 7033027 AND BELOW

■ = COMPONENT OF ENGINE OVERHAUL GASKET SET- SERIAL GROUP NO. 1 (27-64203A73)

CONTINUED ON NEXT PAGE ➡

DRIVE SHAFT HOUSING ASSEMBLY



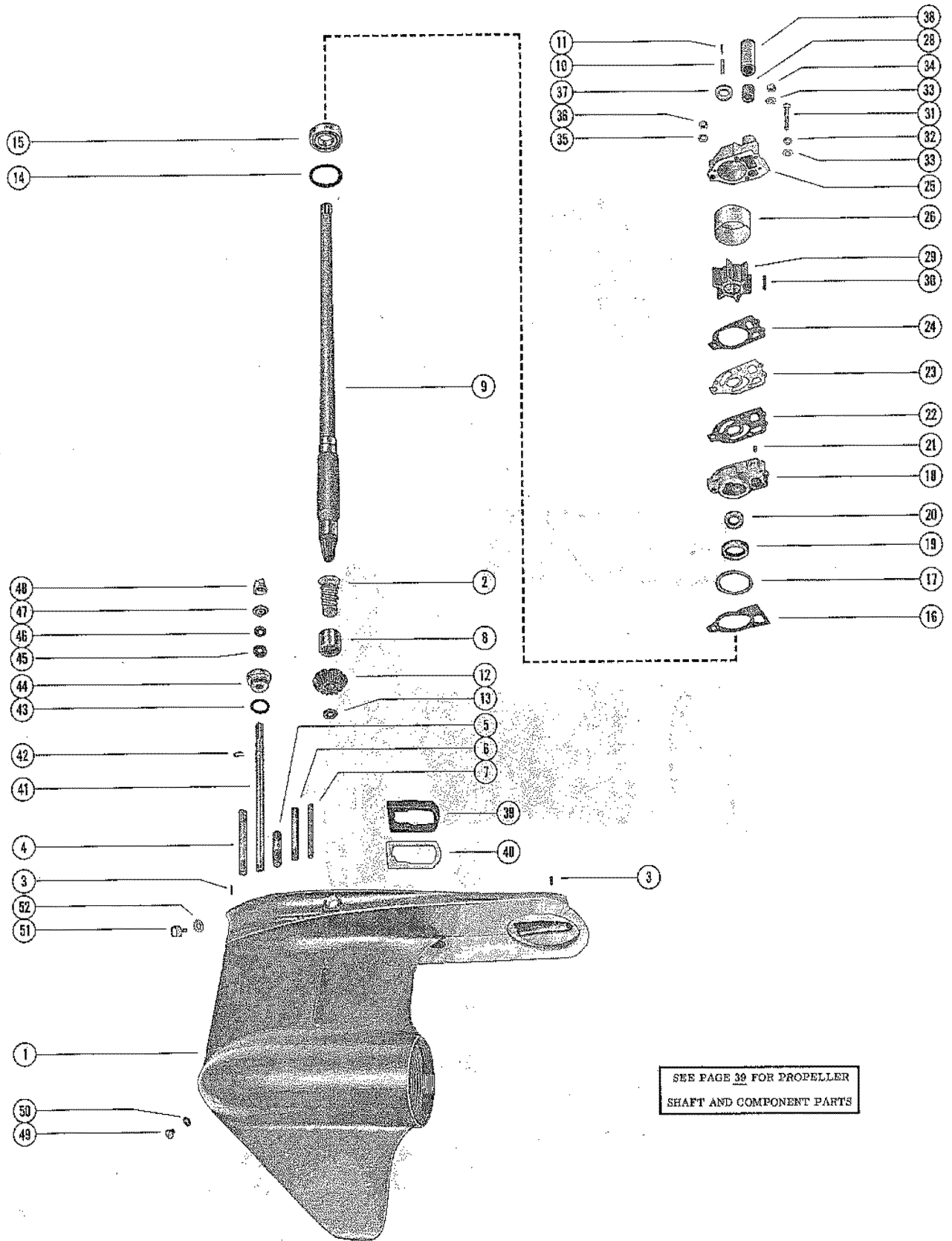
DRIVE SHAFT HOUSING ASSEMBLY

REF. NO.	PART NO.	SYM.	QTY.	DESCRIPTION
12	27-66335	■◇	1	GASKET, DRIVE SHAFT HOUSING PLATE TO DRIVE SHAFT HSG. UNITED STATES 3865695 AND UP AUSTRALIA 8017140 AND UP BELGIUM 9053364 AND UP CANADA 7033028 AND UP
13	52887		1	GUIDE, PUSH ROD - REVERSE LOCKING
14	47591		1	ROD, PUSH - REVERSE LOCK (SHORT SHAFT)
	47558		1	ROD, PUSH - REVERSE LOCK (LONG SHAFT)
15	11-47661		1	NUT, JAM - PUSH ROD
16	47559		1	YOKE, PUSH ROD
17	17-39023		1	PIN, PUSH ROD TO REVERSE LOCK
18	18-25191		1	COTTER PIN, PUSH ROD PIN
19	37398		2	MOUNT, RUBBER - UPPER
20	12-47840		2	WASHER, RUBBER - UPPER MOUNT BOLT
21	12-31263		2	WASHER, UPPER MOUNT BOLT
22	11-34933		2	NUT, UPPER MOUNT BOLT
23	54140		2	MOUNT, RUBBER - LOWER
24	10-49318		2	SCREW, UPPER MOUNT (5 1/2")
25	12-49339		2	WASHER, MOUNT SCREW
26	11-25096		2	NUT, MOUNT SCREW
27	25067		2	BUMPER, RUBBER - MOUNTING SCREW
28	11-34933		2	NUT, GEAR HOUSING AND DRIVE SHAFT HOUSING STUDS
29	12-45176		2	WASHER, GEAR HOUSING TO DRIVE SHAFT HOUSING STUDS
30	11-29489		1	NUT, GEAR HOUSING AND DRIVE SHAFT HOUSING STUDS
31	12-45176		1	WASHER, GEAR HOUSING TO DRIVE SHAFT HOUSING STUDS
32	35608		2	CLAMP, LOWER MOUNT TO DRIVE SHAFT HOUSING
33	24-35522		4	SPRING, TENSION - LOWER MOUNT CLAMP
34	10-29256		4	SCREW, LOWER MOUNT CLAMP TO DRIVE SHAFT HOUSING (7/8")
35	35474		2	COVER, LOWER MOUNT CLAMP
36	11-35521		2	NUT, LOWER MOUNT CLAMP COVER
37	10-29722		2	SCREW, COVER TO LOWER CLAMP MOUNT (5/8")

■ = COMPONENT OF ENGINE OVERHAUL GASKET SET - SERIAL GROUP NO. 5 (27-64203A74)

◇ = COMPONENT OF ENGINE OVERHAUL GASKET SET - SERIAL GROUP NO. 6 (27-64203A75)

GEAR HOUSING ASSEMBLY, COMPLETE (PAGE 1)



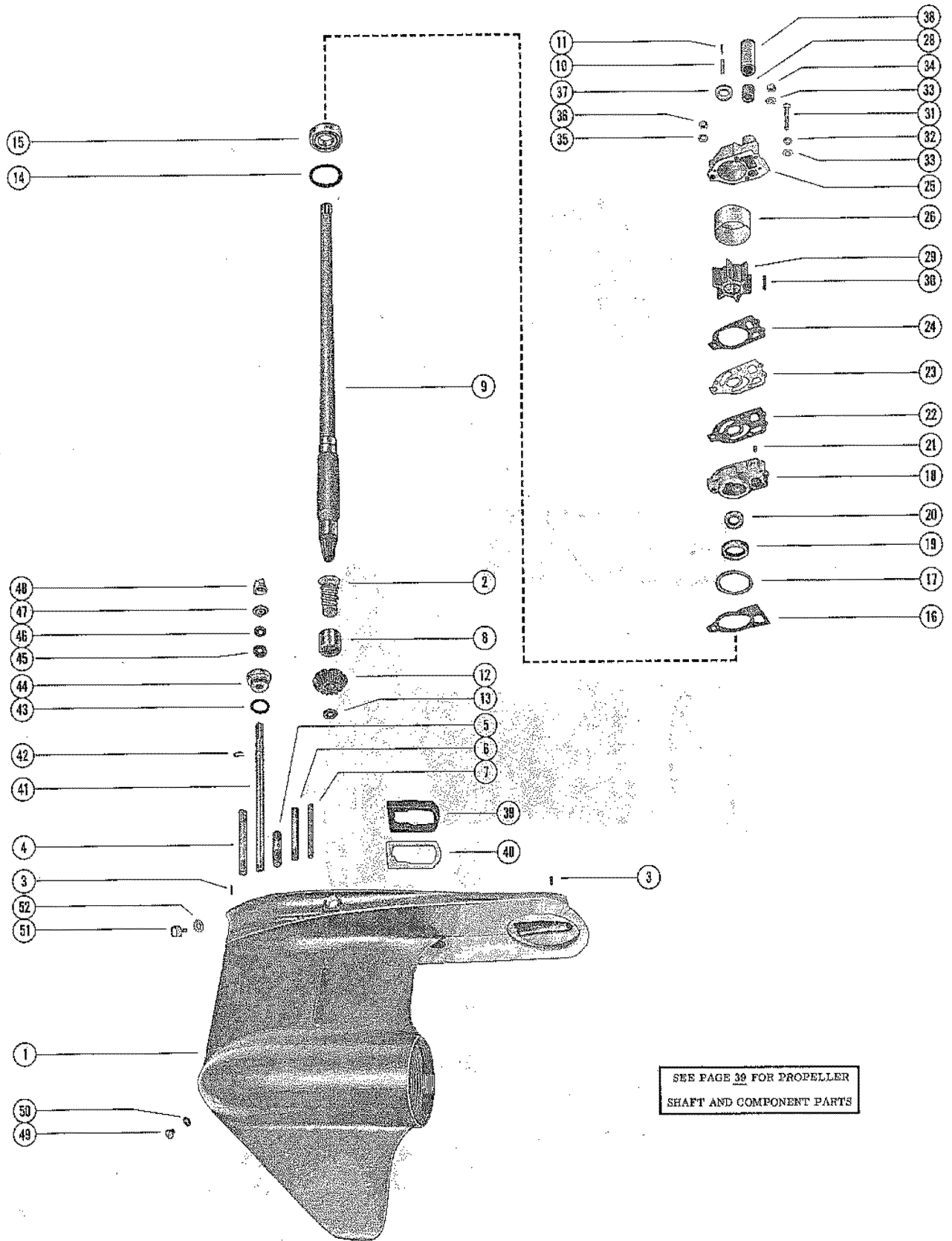
SEE PAGE 39 FOR PROPELLER
SHAFT AND COMPONENT PARTS

GEAR HOUSING ASSEMBLY, COMPLETE (PAGE 1)

REF. NO.	PART NO.	SYM.	QTY.	DESCRIPTION
-	1623-4021A4		1	GEAR HOUSING ASSEMBLY, COMPLETE (SHORT SHAFT) SEE NOTE BELOW UNITED STATES 3865694 AND BELOW AUSTRALIA 8017139 AND BELOW BELGIUM 9053363 AND BELOW CANADA 7033027 AND BELOW
-	1623-4021A5		1	GEAR HOUSING ASSEMBLY, COMPLETE (LONG SHAFT) SEE NOTE BELOW UNITED STATES 3865694 AND BELOW AUSTRALIA 8017139 AND BELOW BELGIUM 9053363 AND BELOW CANADA 7033027 AND BELOW
-	1623-5246A12		1	GEAR HOUSING ASSEMBLY, COMPLETE (SHORT SHAFT) SEE NOTE BELOW UNITED STATES 3865695 THRU 4153349 AUSTRALIA 8017140 THRU 8030639 BELGIUM 9053364 THRU 9086163 CANADA 7033028 THRU 7054482
-	1623-5246A13		1	GEAR HOUSING ASSEMBLY, COMPLETE (LONG SHAFT) SEE NOTE BELOW UNITED STATES 3865695 THRU 4153349 AUSTRALIA 8017140 THRU 8030639 BELGIUM 9053364 THRU 9086163 CANADA 7033028 THRU 7054482
-	1623-5892A3		1	GEAR HOUSING ASSEMBLY, COMPLETE (SHORT SHAFT) SEE NOTE BELOW UNITED STATES 4153350 AND UP AUSTRALIA 8030640 AND UP BELGIUM 9086164 AND UP CANADA 7054483 AND UP
-	1623-5892A4		1	GEAR HOUSING ASSEMBLY, COMPLETE (LONG SHAFT) SEE NOTE BELOW UNITED STATES 4153350 AND UP AUSTRALIA 8030640 AND UP BELGIUM 9086164 AND UP CANADA 7054483 AND UP
1	1623-6052A4		1	GEAR HOUSING ASSEMBLY UNITED STATES 3865694 AND BELOW AUSTRALIA 8017139 AND BELOW BELGIUM 9053363 AND BELOW CANADA 7033027 AND BELOW
	1623-5246A7		1	GEAR HOUSING ASSEMBLY UNITED STATES 3865695 THRU 4153349 AUSTRALIA 8017140 THRU 8030639 BELGIUM 9053364 THRU 9086163 CANADA 7033028 THRU 7054482
	1623-5892A5		1	GEAR HOUSING ASSEMBLY UNITED STATES 4153350 AND UP AUSTRALIA 8030640 AND UP BELGIUM 9086164 AND UP CANADA 7054483 AND UP
2	23-56513		1	SLEEVE, LUBRICATION
3	17-46912		2	PIN, GEAR HOUSING
4	16-57921		1	STUD, GEAR HOUSING TO DRIVE SHAFT HOUSING (4")
5	16-57920		2	STUD, GEAR HOUSING TO DRIVE SHAFT HOUSING (2 1/16")
6	16-56297		1	STUD, WATER PUMP BASE AND BODY TO GEAR HOUSING (3 3/8")
7	16-30667		2	STUD, WATER PUMP BASE AND BODY TO GEAR HOUSING (3 1/8")
8	31-32898		1	BEARING, ROLLER - DRIVE SHAFT
9	45-59117A1		1	DRIVE SHAFT ASSEMBLY (SHORT SHAFT)
	45-59116A1		1	DRIVE SHAFT ASSEMBLY (LONG SHAFT)
10	24-34576		1	SPRING, COMPRESSION - DRIVE SHAFT
11	17-30545		1	PIN, COMPRESSION SPRING RETAINING
12	43-56518		1	GEAR, PINION - DRIVE SHAFT
13	11-35921		1	NUT, PINION GEAR TO DRIVE SHAFT
14	15-57007A1		AR	SHIM, TAPERED ROLLER BEARING TO GEAR HOUSING (.002-3-5-10)

CONTINUED ON NEXT PAGE ➡

GEAR HOUSING ASSEMBLY, COMPLETE (PAGE 1)



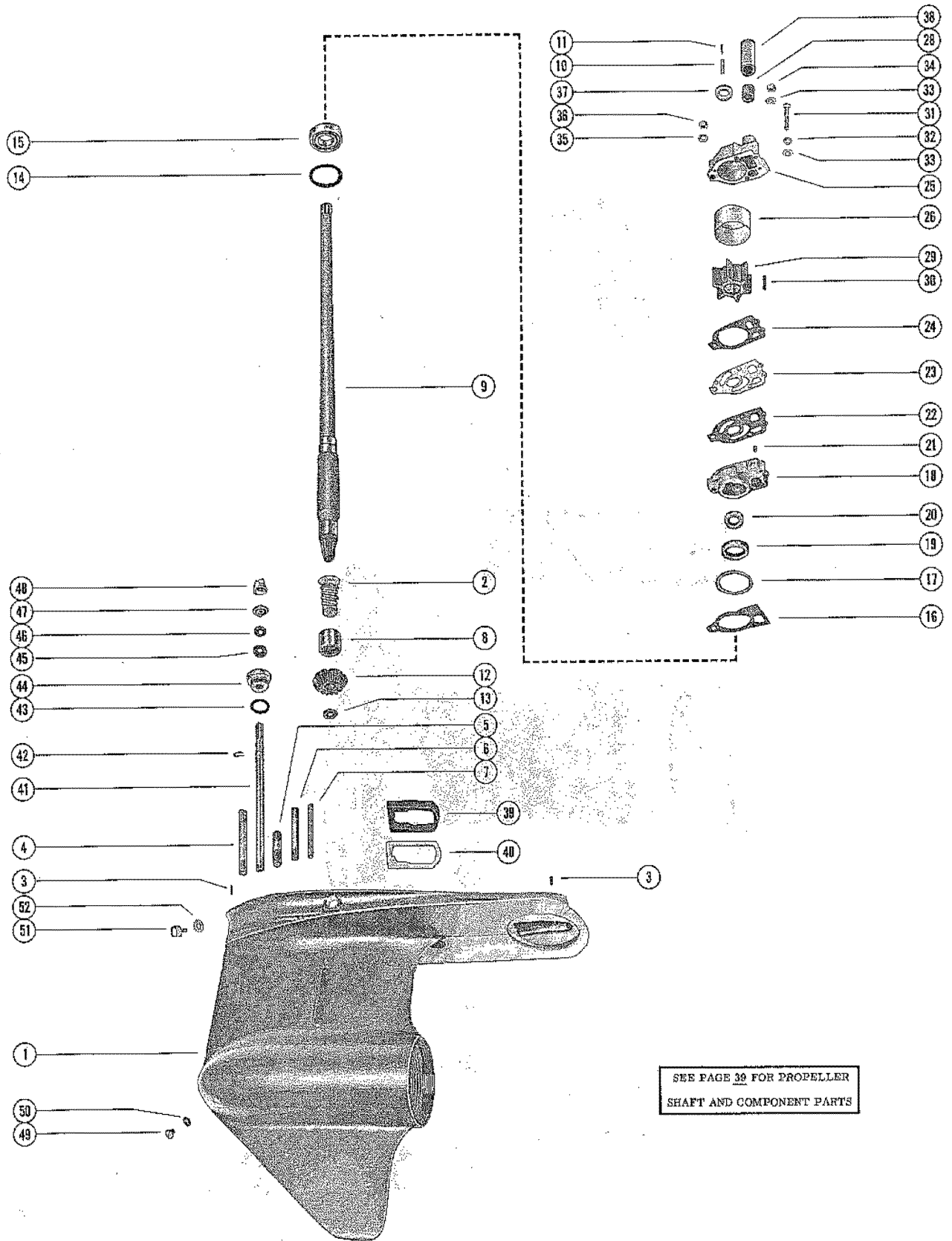
GEAR HOUSING ASSEMBLY, COMPLETE (PAGE 1)

REF. NO.	PART NO.	SYM.	QTY.	DESCRIPTION
15	31-33138A1		1	TAPERED ROLLER BEARING ASSEMBLY, DRIVE SHAFT
16	27-33146	■ ■ ◇	1	GASKET, WATER PUMP BASE TO GEAR HOUSING
17	25-33145	■ ■ ◇	1	"O" RING, WATER PUMP BASE
18	46-58618A1		1	WATER PUMP BASE ASSEMBLY
19	26-31489		1	OIL SEAL, WATER PUMP BASE
20	26-55682		1	OIL SEAL, WATER PUMP BASE
21	17-35973		2	DOWEL PIN, WATER PUMP BASE TO WATER PUMP
22	27-32433	■ ■ ◇	1	GASKET, LOWER - WATER PUMP BASE TO FACE PLATE
23	32435		1	PLATE, FACE - WATER PUMP BASE TO WATER PUMP BODY
24	27-32434	■ ■ ◇	1	GASKET, UPPER - FACE PLATE TO WATER PUMP BODY
25	46-64141A1		1	WATER PUMP BODY ASSEMBLY
26	48752		1	INSERT, WATER PUMP BODY
28	26-38970	■ ■ ◇	1	SEAL, RUBBER - WATER INLET TUBE
29	47-65960		1	IMPELLER, WATER PUMP
30	28-56654		1	KEY, IMPELLER DRIVE
31	10-30720		1	SCREW, WATER PUMP BODY TO GEAR HOUSING (2 1/4")
32	13-26992		1	LOCKWASHER, WATER PUMP BODY SCREW
33	12-29245		3	WASHER, WATER PUMP BODY FASTENING SCRW AND STUD
34	11-35045		2	NUT, WATER PUMP BODY FASTENING STUD
35	12-36001		1	WASHER, WATER PUMP BODY FASTENING STUD
36	11-45592		1	NUT, WATER PUMP BODY FASTENING STUD
37	25-30271	■ ■ ◇	1	RING, RUBBER - CENTRIFUGAL SLINGER (DRIVE SHAFT)
38	23-29804		1	SLEEVE, GUIDE - WATER INLET TUBE
39	60909	■	1	SEAL, EXHAUST TUBE - NOT PART OF GEAR HOUSING COMPLETE UNITED STATES 3739627 AND BELOW AUSTRALIA 8013014 AND BELOW BELGIUM 9053363 AND BELOW CANADA 7024072 AND BELOW
40	60910		1	PLATE, SUPPORT - EXHAUST TUBE SEAL - NOT PART OF GEAR HOUSING COMPLETE UNITED STATES 3739627 AND BELOW AUSTRALIA 8013014 AND BELOW BELGIUM 9053363 AND BELOW CANADA 7024072 AND BELOW
39	37641	■ ◇	1	SEAL, EXHAUST TUBE - NOT PART OF GEAR HOUSING COMPLETE UNITED STATES 3739628 AND UP AUSTRALIA 8013015 AND UP BELGIUM 9053364 AND UP CANADA 7024073 AND UP
40	38051		1	PLATE, SUPPORT - EXHAUST TUBE SEAL - NOT PART OF GEAR HOUSING COMPLETE UNITED STATES 3739628 AND UP AUSTRALIA 8013015 AND UP BELGIUM 9053364 AND UP CANADA 7024073 AND UP
41	55421A1		1	SHAFT ASSEMBLY, SHIFT - LOWER
42	53-29641		1	"E" RING, RETAINING, LOWER SHIFT SHAFT
43	25-25439	■ ■ ◇	1	"O" RING, SHIFT SHAFT BUSHING
44	23-55419A1		1	BUSHING ASSEMBLY, SHIFT SHAFT
45	26-24590		1	OIL SEAL, SHIFT SHAFT BUSHING (LOWER)

■ = COMPONENT OF ENGINE OVERHAUL GASKET SET- SERIAL GROUP NO. 1 (27-64203A73)
 ■ = COMPONENT OF ENGINE OVERHAUL GASKET SET - SERIAL GROUP NO. 5 (27-64203A74)
 ◇ = COMPONENT OF ENGINE OVERHAUL GASKET SET - SERIAL GROUP NO. 6 (27-64203A75)

CONTINUED ON NEXT PAGE ➡

GEAR HOUSING ASSEMBLY, COMPLETE (PAGE 1)

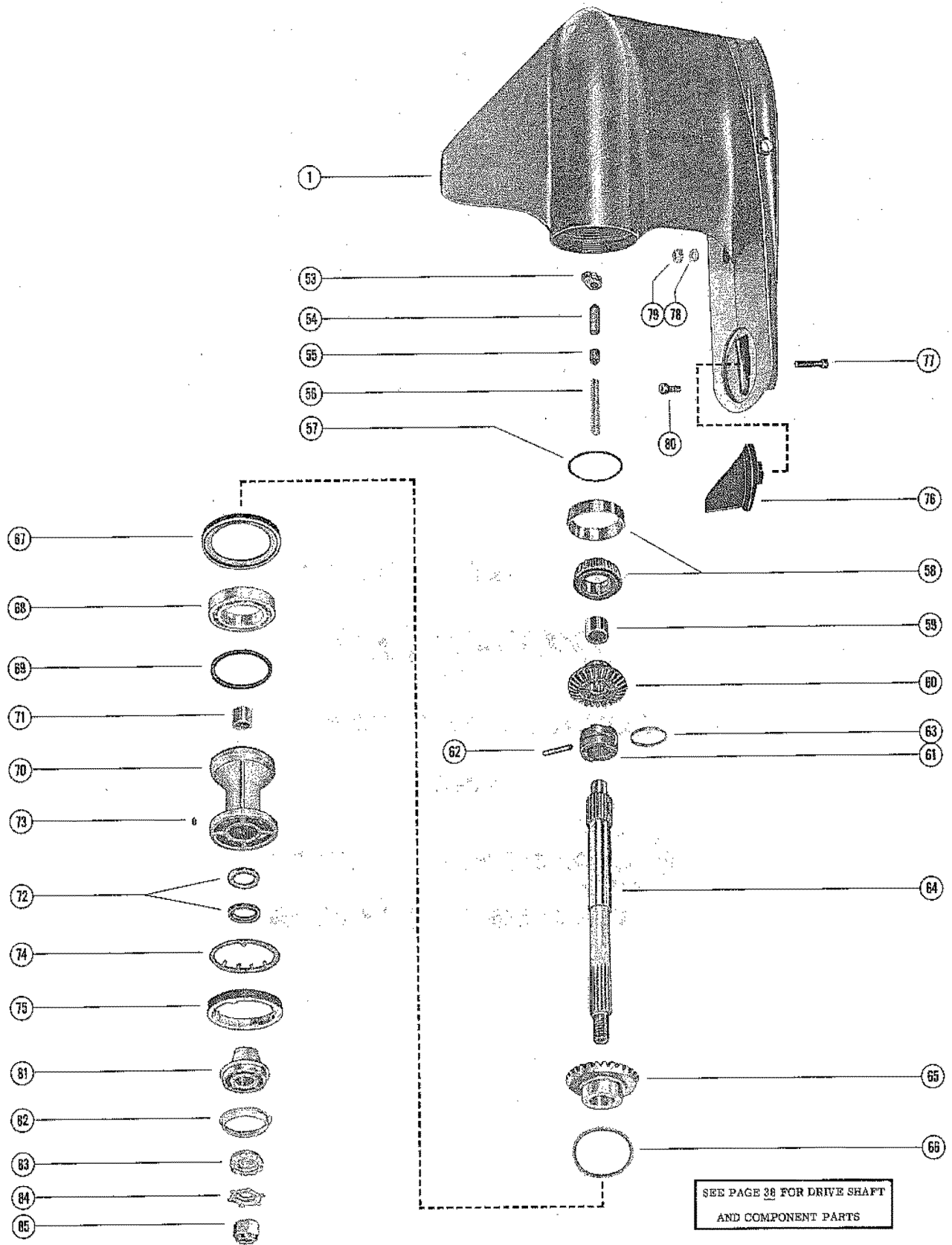


SEE PAGE 39 FOR PROPELLER
SHAFT AND COMPONENT PARTS

GEAR HOUSING ASSEMBLY, COMPLETE (PAGE 1)

REF. NO.	PART NO.	SYM.	QTY.	DESCRIPTION
45	26-31249		1	OIL SEAL, SHIFT SHAFT BUSHING (UPPER)
46	12-31266		1	WASHER, RUBBER - SHIFT SHAFT BUSHING
47	39019		1	SPACER, LOWER - REVERSE LOCKING
48	39021		1	CAM, REVERSE LOCKING
49	10-28634		2	SCREW, GREASE FILLER AND VENT HOLE - - QUANT UNITED STATES 4092965 AND UP AUSTRALIA 8025615 AND UP BELGIUM 9069879 AND UP CANADA 7044108 AND UP
	22-67892		1	PLUG, DRAIN (MAGNETIC) UNITED STATES 4092965 AND UP AUSTRALIA 8025615 AND UP BELGIUM 9069879 AND UP CANADA 7044108 AND UP
50	12-20260		2	WASHER, GREASE FILLER AND VENT HOLE SCREW
51	19-48750		1	PLUG, GEAR HOUSING FLUSHING HOLE
52	12-49221		1	WASHER, GEAR HOUSING FLUSHING HOLE PLUG

GEAR HOUSING ASSEMBLY, COMPLETE (PAGE 2)

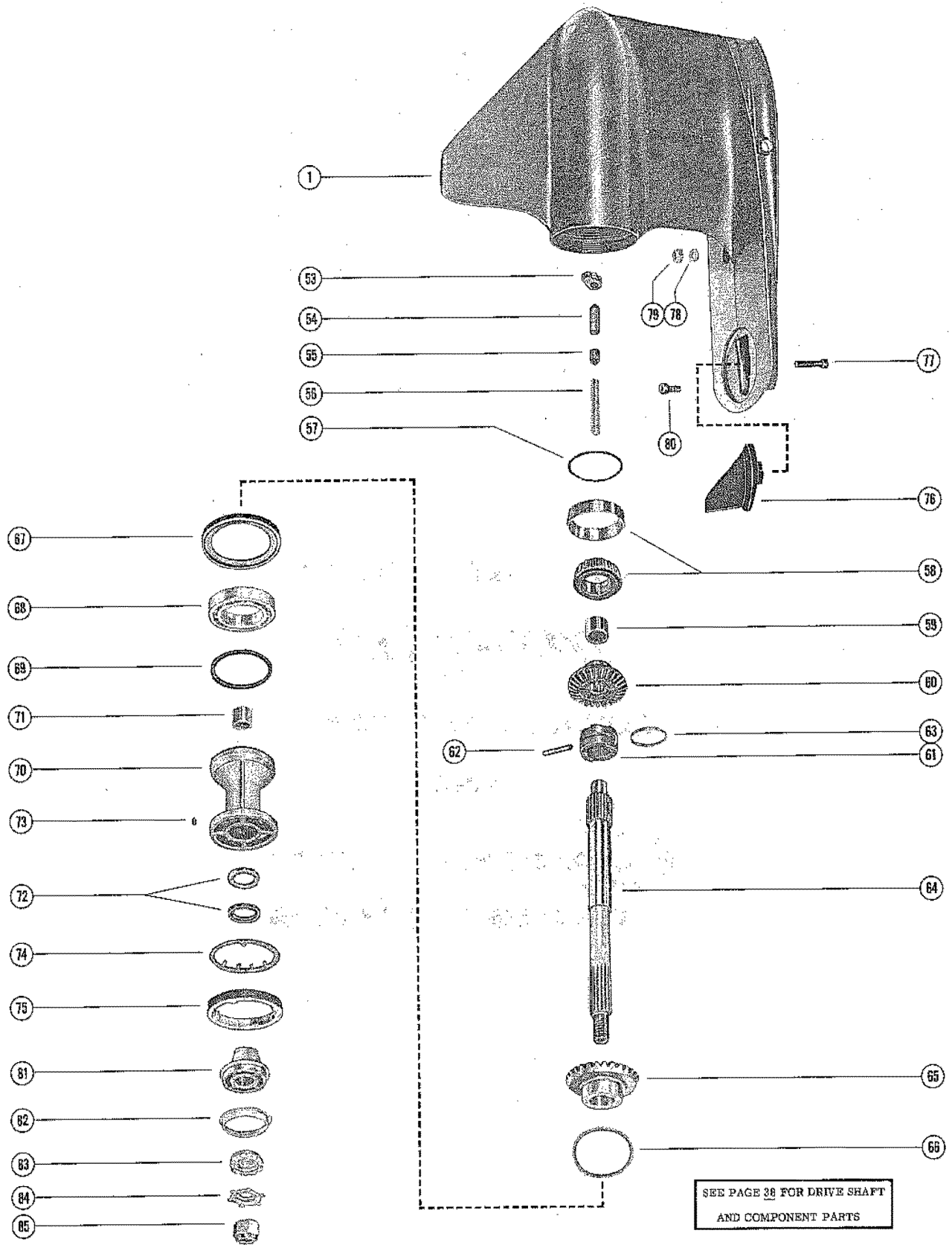


GEAR HOUSING ASSEMBLY, COMPLETE (PAGE 2)

REF. NO.	PART NO.	SYM.	QTY.	DESCRIPTION
-	1623-4021A4		1	GEAR HOUSING ASSEMBLY, COMPLETE (SHORT SHAFT) SEE NOTE BELOW UNITED STATES 3865694 AND BELOW AUSTRALIA 8017139 AND BELOW BELGIUM 9053363 AND BELOW CANADA 7033027 AND BELOW
-	1623-4021A5		1	GEAR HOUSING ASSEMBLY, COMPLETE (LONG SHAFT) SEE NOTE BELOW UNITED STATES 3865694 AND BELOW AUSTRALIA 8017139 AND BELOW BELGIUM 9053363 AND BELOW CANADA 7033027 AND BELOW
-	1623-5246A12		1	GEAR HOUSING ASSEMBLY, COMPLETE (SHORT SHAFT) SEE NOTE BELOW UNITED STATES 3865695 THRU 4153349 AUSTRALIA 8017140 THRU 8030639 BELGIUM 9053364 THRU 9086163 CANADA 7033028 THRU 7054482
-	1623-5246A13		1	GEAR HOUSING ASSEMBLY, COMPLETE (LONG SHAFT) SEE NOTE BELOW UNITED STATES 3865695 THRU 4153349 AUSTRALIA 8017140 THRU 8030639 BELGIUM 9053364 THRU 9086163 CANADA 7033028 THRU 7054482
-	1623-5892A3		1	GEAR HOUSING ASSEMBLY, COMPLETE (SHORT SHAFT) SEE NOTE BELOW UNITED STATES 4153350 AND UP AUSTRALIA 8030640 AND UP BELGIUM 9086164 AND UP CANADA 7054483 AND UP
-	1623-5892A4		1	GEAR HOUSING ASSEMBLY, COMPLETE (LONG SHAFT) SEE NOTE BELOW UNITED STATES 4153350 AND UP AUSTRALIA 8030640 AND UP BELGIUM 9086164 AND UP CANADA 7054483 AND UP
1	1623-4021A6		1	GEAR HOUSING ASSEMBLY SEE PAGE 38 FOR BREAKDOWN UNITED STATES 3865694 AND BELOW AUSTRALIA 8017139 AND BELOW BELGIUM 9053363 AND BELOW CANADA 7033027 AND BELOW
	1623-5246A7		1	GEAR HOUSING ASSEMBLY SEE PAGE 38 FOR BREAKDOWN UNITED STATES 3865695 THRU 4153349 AUSTRALIA 8017140 THRU 8030639 BELGIUM 9053364 THRU 9086163 CANADA 7033028 THRU 7054482
	1623-5892A5		1	GEAR HOUSING ASSEMBLY SEE PAGE 38 FOR BREAKDOWN UNITED STATES 4153350 AND UP AUSTRALIA 8030640 AND UP BELGIUM 9086164 AND UP CANADA 7054483 AND UP
53	54346		1	CAM, SHIFT
54	30625		1	FOLLOWER, CAM
55	30624		1	SLIDE, CROSS PIN
56	24-30622		1	SPRING, COMPRESSION - CAM FOLLOWER
57	15-30923A1		AR	SHIM, BEARING OUTER RACE TO GEAR HSG. (.002-3-5-10)
58	31-30894A1		1	TAPERED ROLLER BEARING ASSEMBLY
59	31-30895		1	BEARING, ROLLER - FORWARD GEAR
60	43-56517		1	FORWARD GEAR ASSEMBLY
61	52-34239		1	RATCHET, SLIDING CLUTCH
62	17-30632		1	PIN, CROSS - RATCHET TOO PROPELLER SHAFT
63	24-30893		1	SPRING, RETAINING - CROSS PIN
64	44-52542		1	SHAFT, PROPELLER
65	43-56516		1	REVERSE GEAR ASSEMBLY

CONTINUED ON NEXT PAGE ➡

GEAR HOUSING ASSEMBLY, COMPLETE (PAGE 2)



GEAR HOUSING ASSEMBLY, COMPLETE (PAGE 2)

REF. NO.	PART NO.	SYM.	QTY.	DESCRIPTION
66	15-29955A1		AR	SHIM, THRUST WASHER TO GEAR HOUSING (.002-3-5-10) UNITED STATES 3865694 AND BELOW AUSTRALIA 8017139 AND BELOW BELGIUM 9053363 AND BELOW CANADA 7033027 AND BELOW
67	12-71143A1		1	WASHER, THRUST - BEARING CARRIER TO GEAR HOUSING
68	30-31265		1	BEARING, BALL - REVERSE GEAR
69	25-29976	■ ■ ◇	1	"O" RING, BEARING CARRIER
70	52132A1		1	BEARING CARRIER ASSEMBLY
71	31-30956		1	BEARING, ROLLER - BEARING CARRIER
72	26-30550		2	OIL SEAL, BEARING CARRIER
73	28-30281		1	KEY, LOCATING - BEARING CARRIER
74	14-52700		1	TAB WASHER, GEAR HOUSING COVER
75	52699		1	COVER, GEAR HOUSING
76	72436A1		1	TRIM TAB ASSEMBLY, GEAR HOUSING
77	10-66024		1	SCREW, TRIM TAB TO GEAR HOUSING (1 3/4")
78	12-45176		2	WASHER, GEAR HOUSING TO DRIVE SHAFT HOUSING STUDS
79	11-34933		2	NUT, GEAR HOUSING TO DRIVE SHAFT HOUSING STUDS
80	10-65210		1	SCREW, GEAR HOUSING TO DRIVE SHAFT HOUSING (1")
81	46961A1		1	THRUST HUB AND WASHER ASSEMBLY UNITED STATES 3865694 AND BELOW AUSTRALIA 8017139 AND BELOW BELGIUM 9053363 AND BELOW CANADA 7033027 AND BELOW
82	12-29590		1	WASHER, CUPPED - THRUST HUB UNITED STATES 3865694 AND BELOW AUSTRALIA 8017139 AND BELOW BELGIUM 9053363 AND BELOW CANADA 7033027 AND BELOW
81	65091		1	THRUST HUB UNITED STATES 3865695 AND UP AUSTRALIA 8017140 AND UP BELGIUM 9053364 AND UP CANADA 7033028 AND UP
83	12-31211		1	WASHER, SPLINED - PROPELLER NUT
84	14-31210		1	TAB WASHER, PROPELLER NUT
85	11-52707		1	NUT, PROPELLER

- = COMPONENT OF ENGINE OVERHAUL GASKET SET- SERIAL GROUP NO. 1 (27-64203A73)
 ■ = COMPONENT OF ENGINE OVERHAUL GASKET SET - SERIAL GROUP NO. 5 (27-64203A74)
 ◇ = COMPONENT OF ENGINE OVERHAUL GASKET SET - SERIAL GROUP NO. 6 (27-64203A75)

SERIAL GROUP CHART

SERIAL GROUP CHART

SERIAL GROUP #1

United States 3865694 and below
 Australia 8017139 and below
 Belgium 9053363 and below
 Canada 7033027 and below

SERIAL GROUP #2

United States 3865695 and up
 Australia 8017140 and up
 Belgium 9053364 and up
 Canada 7033028 and up

SERIAL GROUP #3

United States 3739627 and below
 Australia 8013014 and below
 Belgium 9053363 and below
 Canada 7024072 and below

SERIAL GROUP #4

United States 3739628 and up
 Australia 8013015 and up
 Belgium 9053364 and up
 Canada 7024073 and up

SERIAL GROUP #5

United States 3865695 thru 4092964
 Australia 8017140 thru 8025614
 Belgium 9053364 thru 9069878
 Canada 7033028 thru 7044107

SERIAL GROUP #6

United States 4092965 and up
 Australia 8025615 and up
 Belgium 9069879 and up
 Canada 7044108 and up

SERIAL GROUP #7

United States 4092964 and below
 Australia 8025614 and below
 Belgium 9069878 and below
 Canada 7044107 and below

SERIAL GROUP #8

United States 4153349 and below
 Australia 8030639 and below
 Belgium 9086163 and below
 Canada 7054482 and below

SERIAL GROUP #9

United States 3865695 thru 4153349
 Australia 8017140 thru 8030639
 Belgium 9053364 thru 9086163
 Canada 7033028 thru 7054482

SERIAL GROUP #10

United States 4153350 and up
 Australia 8030640 and up
 Belgium 9086164 and up
 Canada 7054483 and up

Revised October 1975

SERIAL GROUP CHART

THIS PAGE INTENTIONALLY LEFT BLANK

PARTS INDEX

Part Number	Description	Pg.	Ref. No.	Part Number	Description	Pg.	Ref. No.
20140	BELT, TIMING	15	56	32435	PLATE, FACE - WATER		
22463	KNOB, CHOKE ROD	25	17		PUMP BASE TO WATER		
22789	"D" WASHER, WIRING				PUMP BODY	69	23
	HARNESS CLAMP	19	41	35474	COVER, LOWER MOUNT		
22833	ADAPTOR, CHECK UNIT				CLAMP	65	35
	(FUEL LINE)	37	32	35496	PAD, BUMPER - TOP COWL		
23004	RETAINER, CHECK VALVE .	33	6		RETAINER	3	3
23004	RETAINER, CHECK VALVE .	35	6	35608	CLAMP, LOWER MOUNT TO		
23069	STEM, CHECK UNIT				DRIVE SHAFT HOUSING .	65	32
	ADAPTOR	37	31	37398	MOUNT, RUBBER - UPPER .	65	19
25067	BUMPER, RUBBER -			37417	COVER, TRIM - DRIVE		
	MOUNTING SCREW	65	27		SHAFT HOUSING	63	5
25596	WIRE, STARTER MOTOR TO			37419	YOKE, BOTTOM	57	14
	STARTER SOLENOID AND			37440	BRACKET, MOUNT		
	TOP MOUNT	17	23		SUPPORT - CYLINDER		
25661	STARTER SOLENOID	17	25		BLOCK	45	34
25996A1	SWIVEL AND LINK ROD			37445	SUPPORT, WIRING		
	ASSEMBLY	13	10		HARNESS - BOTTOM		
26113	RACE, OUTER (PAIR)	47	17		COWL	51	8
26901	BUMPER, IGNITION COIL . .	19	54	37587	SWIVEL, LOWER -		
27947	SWIVEL, LINKAGE -				THROTTLE CONTROL		
	ECONOMIZER COLLAR . .	13	9		LEVER TO THROTTLE		
27948	SWIVEL, UPPER LINK ROD				CABLE	13	22
	TO THROTTLE CONTROL			37588	ROD, LINK - UPPER	13	12
	LEVER	13	13	37637	BOOT, FUEL CONNECTOR -		
28203	BUMPER, STEERING ARM .	57	17		BOTTOM COWL	51	7
28205	STRAP STOP, DRIVE SHAFT			37639	MOUNT, RUBBER - TOP		
	HOUSING TO SWIVEL				COWL FRAME	3	19
	BRACKET	57	11	37640	MOUNT, RUBBER - FRONT		
28403A3	THUMB SCREW ASSEMBLY	59	2		SUPPORT BRACKET	5	35
29359	LUBRICAP, SWIVEL			37641	SEAL, EXHAUST TUBE	69	39
	BRACKET GREASE			37896	GUIDE BLOCK, LINK ROD . .	51	24
	FITTING	57	8	37918	SEAL, EXHAUST		
29787	HUB, FLYWHEEL PULLEY . .	9	10		EXTENSION PLATE	53	4
29788	FLANGE, FLYWHEEL			37940	PAD, SOUND - DRIP TRAY .	51	3
	PULLEY	9	8	38032	STRIP, RETAINING -		
29906A1	DRIVEN PULLEY ASSEMBLY	15	51		EXHAUST EXTENSION		
29907	FLANGE, DRIVEN PULLEY .	15	53		PLATE	53	5
30186	ADAPTOR, CHECK UNIT			38051	PLATE, SUPPORT -		
	(FUEL LINE)	33	18		EXHAUST TUBE SEAL . . .	69	40
30186	ADAPTOR, CHECK UNIT			38279	LATCH, CONTROL CABLE		
	(FUEL LINE)	35	32		FASTENING - ANCHOR		
30187	STEM, CHECK UNIT				BRACKET	51	33
	ADAPTOR	33	19	38674	BLANKET, SOUND		
30187	STEM, CHECK UNIT				ABSORBING	7	7B
	ADAPTOR	35	31	39019	SPACER, LOWER -		
30188	CUP WASHER, ADAPTOR . .	33	22		REVERSE LOCKING	71	47
30188	CUP WASHER, ADAPTOR . .	35	28	39021	CAM, REVERSE LOCKING .	71	48
30306	PULLEY, FLYWHEEL	9	9	39519	CAP, BARREL RETAINER -		
30413	HOOK, COWL LATCH				ANCHOR BRACKET	51	26
	FASTENING	7	11	39616	BOOT, CONTROL CABLES -		
30624	SLIDE, CROSS PIN	73	55		BOTTOM COWL	51	6
30625	FOLLOWER, CAM	73	54	39618	LEVER, NYLON - SHIFT		
30664	TUBE, TILT - CLAMP				CABLE LOCKING	51	27
	BRACKET TO SWIVEL			39667	COVER, NYLON - SHIFT		
	BRACKET	59	4		CABLE	51	29
31014	MOUNT, RUBBER - REAR			46785A1	COWL LATCH ASSEMBLY . .	7	10
	SUPPORT BRACKET	3	22	46933A1	GROUND STRAP		
32197	STOP, SPARK ADVANCE -				ASSEMBLY, EXHAUST		
	DISTRIBUTOR HOUSING .	13	2		COVER SCREW	45	36

PARTS INDEX

Part Number	Description	Pg.	Ref. No.	Part Number	Description	Pg.	Ref. No.
46933A2	GROUND STRAP ASSEMBLY, TRIM COVER SCREW	63	7A	52737	LEVER, COWL LATCH HINGE	3	11
46961A1	THRUST HUB AND WASHER ASSEMBLY	75	81	52739	HINGE, COWL LATCH - TOP COWL	3	10
47271	FRAME, TOP COWL SUPPORT	3	17	52771	WIRING HARNESS (INTERNAL)	17	33
47341A1	ROPE, STARTER (FOR MANUAL STARTING ONLY)	3	16	52862A2	DRIP TRAY ASSEMBLY, BOTTOM COWL	51	2
47558	ROD, PUSH - REVERSE LOCK (LONG SHAFT)	65	14	52887	GUIDE, PUSH ROD - REVERSE LOCKING	65	13
47559	YOKE, PUSH ROD	65	16	52889	NOZZLE, TELL TALE HOSE TO BOTTOM COWL	51	12
47591	ROD, PUSH - REVERSE LOCK (SHORT SHAFT)	65	14	52902	CABLE, STARTER SOLENOID TO STARTER MOTOR	17	32
47604A1	PROTECTOR, SPARK PLUG LEAD	11	32	53078	CAP, PLASTIC - TILT TUBE	59	7
47799A1	TILT LOCK ASSEMBLY, STARBOARD	59	17	53417	GROUND STRAP ASSEMBLY, DISTRIBUTOR TO CRANKCASE	11	5
47800A1	TILT LOCK ASSEMBLY, PORT	59	18	53665	INSERT, THROTTLE COUPLING	25	12
47802	TUBE, TILT LOCK	59	19	53720A2	THROTTLE PICK-UP COUPLING ASSEMBLY	25	10
48047A1	LINK ROD ASSEMBLY	51	19	54140	MOUNT, RUBBER - LOWER	65	23
48152	SHUTTER, CHOKE - CARBURETOR	25	25	54141A1	BLANKET ASS'Y, SOUND ABSORBING - WRAP AROUND COWL	7	12
48203	ROD, CHOKE	25	22	54142	BLANKET, SOUND ABSORBING	7	7
48562	LEVER, THROTTLE CONTROL	13	14	54143	SEAL, SOUND - UPPER	7	8
48666A1	ADAPTOR ASSEMBLY, DISTRIBUTOR	15	35	54196A6	CARRIER ASSEMBLY, "O" RING	47	4
48671	PLATE, THROTTLE ACTUATOR	13	28	54239	CAM, THROTTLE ACTUATOR PLATE	13	33
48692	COLLAR, THROTTLE ACTUATOR	13	24	54283A1	PLUNGER/LINK ASS'Y, CHOKE SOLENOID	25	6
48752	INSERT, WATER PUMP BODY	69	26	54293A4	CHOKE SOLENOID	25	1
48755A1	FLUSHING ATTACHMENT	1	-	54346	CAM, SHIFT	73	53
49448	SHIELD, TOP COWL - REAR	3	7	54567	CAP, DISTRIBUTOR HOUSING	15	49
49589	STRAP, CHOKE KNOB TO CHOKE ROD	25	19	54651	WIRE, STARTER MOTOR TO SUPPORT BRACKET	21	23
52023	CAP, NYLON - STOP BRACKET ADJUSTING SCREWS	15	45	55278A2	DIAPHRAGM KIT	33	3
52023	CAP, NYLON - THROTTLE ACTUATOR COLLAR ADJUSTING SCREW	13	27	55278A2	DIAPHRAGM KIT	35	3
52100	WEAR PLATE, LINK ROD	51	32	55398A4	TACHOMETER ASSEMBLY	1	-
52132A1	BEARING CARRIER ASSEMBLY	75	70	55421A1	SHAFT ASSEMBLY, SHIFT - LOWER	69	41
52468	BRACKET, TOP COWL SUPPORT - REAR	3	21	55455	HOOK, TOP COWL LATCH - REAR	3	13
52518	CLUSTER, THROTTLE LEVER	25	7	55692	COUPLING, SHIFT SHAFT	51	17
52691	BRACKET, SUPPORT - STARTER MOTOR	17	18	55804A1	ECONOMIZER COLLAR ASSEMBLY	13	6
52699	COVER, GEAR HOUSING	75	75	55805	BRACKET, STOP	15	40
52732	BRACKET, ANCHOR - CONTROL CABLES	51	25	56349	SHAFT, REVERSE LOCK PIVOT	59	25
52733A9	RETAINER ASSEMBLY, TOP COWL	3	2	56849	KNOB, COWL FRONT COVER FASTENING	7	2
				58124A7	SWITCH, MERCURY	5	38
				58807A1	FLAME ARRESTOR ASSEMBLY	11	26

PARTS INDEX

Part Number	Description	Pg.	Ref. No.	Part Number	Description	Pg.	Ref. No.
58807A1	FLAME ARRESTOR ASSEMBLY, DISTRIBUTOR HOUSING	11	7	66100A2	PLATE ASSEMBLY, DRIVE SHAFT HOUSING	55	17
58888A4	FUEL PUMP ASSEMBLY	33	1	66165A2	ADAPTOR ASSEMBLY, DISTRIBUTOR	15	35
58888A4	FUEL PUMP ASSEMBLY	35	1	66517	RESTRICTOR, CRANKCASE BLEED	39	7
59071	COVER, FUEL INLET	35	17	66521A2	BRACKET, SUPPORT - FRONT	5	30
59757	BRACKET, RETAINER - HIGH TENSION LEAD	17	9	67331	BRACKET, SUPPORT - STARTER MOTOR	21	18
59757	BRACKET, RETAINER - HIGH TENSION LEAD	21	10	67468	ROD, LINK - UPPER	13	12A
60096	SLEEVE, CABLE	11	21	69190	PLATE, COIL MOUNTING	23	50
60096	SLEEVE, SPARK PLUG LEAD TO DISTRIBUTOR	11	34	69205	"D" WASHER, CLIP FASTENING SCREW	9	16
60304A15	SHIFT SHAFT ASSEMBLY, UPPER (SHORT SHAFT)	51	16	69214A1	THUMB SCREW ASSEMBLY	59	2
60304A16	SHIFT SHAFT ASSEMBLY, UPPER (LONG SHAFT)	51	16	69240A2	FRAME, TOP COWL SUPPORT	3	17
60435	TUBE, EXHAUST -- LONG SHAFT	63	9	70679	COVER, UPPER AND LOWER SHOCK MOUNTING PIN	61	38
60909	SEAL, EXHAUST TUBE	69	39	70692	REVERSE LOCK ASSEMBLY	59	23
60910	PLATE, SUPPORT - EXHAUST TUBE SEAL	69	40	70929	BASE, FUEL PUMP	35	12
62301	COVER, TRANSFER PORT - BOTTOM	45	31	71040	SEAL, SOUND ABSORBING	7	7A
62302	COVER, TRANSFER PORT - TOP	45	31	72436A1	TRIM TAB ASSEMBLY, GEAR HOUSING	75	76
62351A1	RECTIFIER ASSEMBLY, COMPLETE	21	5	10-20037	SCREW, RETAINER TO HOUSING	33	7
62863	TUBE, EXHAUST -- SHORT SHAFT	63	9	10-20037	SCREW, RETAINER TO HOUSING	35	7
63194	PAD, RUBBER - IGNITION COIL	23	42	10-20100	SCREW, STRAP TO CHOKE ROD	25	23
63195	COVER, IGNITION COIL	23	43	10-20359	SCREW, CENTER MAIN BEARING LOCKING (1")	39	13
63319	RETAINER, LEADS	11	27	10-20362	SCREW, DISTRIBUTOR HOUSING TO CRANKCASE (1 1/2")	15	37
64103A3	PLATE ASSEMBLY, DRIVE SHAFT HOUSING	55	17	10-20362	SCREW, STARTER MOTOR TO CRANKCASE FLANGE (1 1/2")	17	16
64106	COVER, WATER JACKET - CYLINDER BLOCK	43	17	10-20362	SCREW, STARTER MOTOR TO CRANKCASE FLANGE (1 1/2")	21	16
64107	PLATE, BAFFLE - EXHAUST MANIFOLD	43	21	10-20776	SCREW, WIRING HARNESS LEAD TO BOTTOM COWL (1/2")	19	43
64108	COVER, EXHAUST MANIFOLD	43	23	10-20776	SCREW, WIRING HARNESS LEAD TO BOTTOM COWL (1/2")	21	39
64165A1	PLATE ASSEMBLY, EXHAUST EXTENSION	53	1	10-20847	SCREW, CLUSTER TO THROTTLE LEVER	25	8
65032	EXHAUST TUBE	55	21	10-20847	SCREW, THROTTLE STOP LEVER	29	23
65077A3	BRACKET, SUPPORT - FRONT	5	30	10-21091	SCREW, CYLINDER BLOCK COVER MOUNTING (1 1/8")	45	28
65091	THRUST HUB	75	81	10-21574	SCREW, CRANKCASE TO CYLINDER BLOCK (1 5/8")	39	10
65369	TUBE, EXHAUST -- LONG SHAFT	63	9	10-21625	SCREW, STARTER SOLENOID TO COIL BRACKET (3/4")	17	26
65370	TUBE, EXHAUST -- SHORT SHAFT	63	9				
65609A2	FRAME, TOP COWL SUPPORT	3	17				
65615	POINTER, TIMING	43	7				
65638	BOOT, EXHAUST TUBE	63	9A				
65799	LINK, LOCKING LEVER TO COVER	51	30				
65800	PACKING, CARRIER	47	5				

PARTS INDEX

Part Number	Description	Pg.	Ref. No.	Part Number	Description	Pg.	Ref. No.
10-21625	SCREW, SWITCH BOX TO FRONT SUPPORT BRACKET (3/4")	17	3	10-30225	SCREW, END CAP MOUNTING (1")	43	15
10-21937	SCREW, LOWER SHOCK PIN (2")- (LONG SHAFT)	59	28	10-30225	SCREW, END CAP MOUNTING (1")	43	6
10-22040	SCREW, DISTRIBUTOR HOUSING TO CRANKCASE (1 1/2")	15	37	10-30405	SCREW, RECTIFIER TO FRONT SUPPORT BRACKET (5/8")	21	7
10-22956	SCREW, REAR HOOK TO TOP COWL (7/8")	3	15	10-30720	SCREW, WATER PUMP BODY TO GEAR HOUSING (2 1/4")	69	31
10-22956	SCREW, RETAINER BRACKET TO FRONT SUPPORT BRACKET (7/8")	17	10	10-31206	SCREW, WIRING HARNESS CLAMP TO COIL BRACKET	19	40
10-22968	SCREW, CENTER MAIN BEARING CLAMPING	47	19	10-31471	SCREW, ADAPTOR TO BOTTOM COWL (3 1/4")	33	23
10-23015	SCREW, FILTER SCREEN TO CARBURETOR	25	29	10-31471	SCREW, IGNITION COIL TO BOTTOM COWL (3 1/4")	19	50
10-24228	SCREW, STOP BRACKET ADJUSTING (1 7/8")	15	43	10-31471	SCREW, SUPPORT TO COWL (3 1/4")	51	9
10-24234	SCREW, ANCHOR BRACKET TO CYLINDER BLOCK (1")	51	31	10-31984	SCREW, STARTER MOTOR TO CRANKCASE FLANGE (1 3/8")	17	16
10-24234	SCREW, BRACKET TO CYLINDER BLOCK (1")	45	35	10-31984	SCREW, STARTER MOTOR TO CRANKCASE FLANGE (1 3/8")	21	16
10-24963	SCREW, RECTIFIER TO BOTTOM COWL (7/8")	17	7	10-32293	SCREW, CRANKCASE TO CYLINDER BLOCK (1 3/4")	39	9
10-25299	SCREW, CHOKE SOLENOID ATTACHING (3/4")	25	4	10-32417	SCREW, FLEXIBLE PLATE TO FLYWHEEL	9	5
10-25822	SCREW, STRAINER COVER FASTENING	29	18	10-33473	SCREW, CRANKCASE TO CYLINDER BLOCK (2 5/8")	39	9
10-27281	SCREW, PUMP MOUNTING (1 3/8")	33	8	10-37370	SCREW, COVER TO FUEL PUMP (5/8")	35	19
10-27281	SCREW, PUMP MOUNTING (1 3/8")	35	8	10-37558	SCREW, RETAINER TO TOP COWL (1 1/4")	3	5
10-28200	SCREW, STRAP STOP TO DRIVE SHAFT HOUSING (2 7/8")	57	12	10-37559	SCREW, THROTTLE LEVER TO EXHAUST COVER (1 3/4")	13	18
10-28634	SCREW, GREASE FILLER AND VENT HOLE - - QUANT	71	49	10-37562	SCREW, REAR BRACKET TO FRAME (1")	3	25
10-28636	SCREW, EXHAUST TUBE TO EXHAUST EXTENSION PLATE (3/4") - SERI	63	10	10-37562	SCREW, REAR SUPPORT BRACKET TO BOTTOM COWL (1")	5	28
10-28636	SCREW, RETAINER BRACKET TO FRONT SUPPORT TO BRACKET (3/4")	21	11	10-37562	SCREW, STARTER MOTOR BRACKET TO CRANKCASE (1")	17	21
10-28636	SCREW, STOP BRACKET TO DISTRIBUTOR ADAPTOR (3/4")	15	41	10-37562	SCREW, STARTER MOTOR BRACKET TO CRANKCASE (1")	21	21
10-28636	SCREW, TIMING POINTER ATTACHING (3/4")	43	8	10-37571	SCREW, MERCURY SWITCH TO FRONT SUPPORT BRACKET (1/2")	5	39
10-29197	SCREW, GROUND WIRE TO STARTER MOTOR (5/8")	17	24	10-37571	SCREW, SEAL AND RETAINING STRIP TO EXHAUST PLATE (1/2")	53	6
10-29256	SCREW, LOWER MOUNT CLAMP TO DRIVE SHAFT HOUSING (7/8")	65	34	10-37655	SCREW, COVER TO SHOCK MOUNTING SCREWS (1/2")	61	39
10-29722	SCREW, COVER TO LOWER CLAMP MOUNT (5/8")	65	37				
10-29794	SCREW, STRAP TO CHOKE KNOB (3/8")	25	20				

PARTS INDEX

Part Number	Description	Pg.	Ref. No.	Part Number	Description	Pg.	Ref. No.
10-37941	SCREW, IGNITION COIL TO BOTTOM COWL (1 3/4") ..	19	48	10-62204	SCREW, REED STOP MOUNTING	47	12
10-37990	SCREW, ADAPTOR TO BOTTOM COWL (1 3/4") ..	33	23	10-62568	SCREW, GROUND STRAP ATTACHING	63	7B
10-38398	SCREW, PLATE/HUB TO FLEXIBLE PLATE	9	6	10-62568	SCREW, GROUND STRAP ATTACHING (3/8")	11	6
10-38601	SCREW, STARTER SOLENOID TO COIL BRACKET (5/8")	21	26	10-62568	SCREW, GROUND STRAP ATTACHING (3/8")	45	37
10-45218	SCREW, IGNITION COIL WIRE TO SWITCH BOX (3/8")	19	53	10-62568	SCREW, IGNITION COIL WIRE TO SWITCH BOX (3/8")	23	49
10-45775	SCREW, MAIN BEARING CLAMPING	47	8	10-62568	SCREW, MERCURY SWITCH LEAD (3/8")	5	40
10-45862	SCREW, WIRING HARNESS CLAMP TO BOTTOM COWL (7/8")	17	35	10-62568	SCREW, STATOR LEAD FASTENING (3/8")	9	15
10-46368	SCREW, IGNITION COIL CLAMPING (2 1/4")	19	46	10-62644	SCREW, ADAPTOR PLATE ATTACHING (1 3/4")	53	8
10-46378	SCREW, LEAD RETAINER (1")	11	28	10-63136	SCREW, STATOR TO UPPER END CAP (7/8")	9	13
10-47828	SCREW, DRIVE - SWIVEL BRACKET	57	6	10-64279	SCREW, SWITCH BOX TO FRONT SUPPORT BRACKET (3/4")	21	3
10-48408	SCREW, DRIP TRAY TO BOTTOM COWL (1/2")	51	4	10-65210	SCREW, GEAR HOUSING TO DRIVE SHAFT HOUSING (1")	75	80
10-48408	SCREW, TELL TALE NOZZLE TO BOTTOM COWL (1/2")	51	13	10-65263	SCREW, REAR BRACKET TO FRAME (1")	3	25
10-49006	SCREW, PLATE/HUB TO FLEXIBLE PLATE	9	6	10-65774	SCREW, DISTRIBUTOR CAP CLAMP (1 1/8")	11	16
10-49318	SCREW, UPPER MOUNT (5 1/2")	65	24	10-66023	SCREW, ADAPTOR PLATE TO HOUSING PLATE (2")	53	8
10-49554	BOLT, STEERING ARM TO UPPER MOUNT (5 7/8") ..	57	18	10-66023	SCREW, HOUSING PLATE TO DRIVE SHAFT HOUSING (2")	53	10
10-49668	SCREW, TRANSFER PORT COVER MOUNTING (3/4")	45	33	10-66024	SCREW, TRIM TAB TO GEAR HOUSING (1 3/4")	75	77
10-52195	SCREW, FLOAT BOWL COVER (SHORT)	27	9	10-66104	SCREW, THROTTLE COUPLING MOUNTING (3/4")	25	11
10-52196	SCREW, FLOAT BOWL COVER (LONG)	27	10	10-68298	BOLT, CLAMP BRACKET TO BOAT TRANSOM (3 1/4")	59	13
10-53077	SCREW, UPPER AND LOWER SHOCK MOUNTING PIN (3/4")	61	37	10-68299	BOLT, CLAMP BRACKET TO TRANSOM (3")	59	13
10-53167	SCREW, WATER JACKET COVER TO CYLINDER BLOCK (7/8")	43	18	10-68554	SCREW, PULLEY CLAMPING SCREW	15	55
10-53556	SCREW, TRANSFER PORT COVER MOUNTING (1") ..	45	33	10-69020	SCREW, WIRING HARNESS CLAMP TO BOTTOM COWL (7/8")	21	35
10-53576	SCREW, MANIFOLD COVER MOUNTING (1 1/8")	45	24	10-69029	SCREW, ADAPTOR TO BOTTOM COWL (1 3/4") ..	37	33
10-54803	SCREW, CAP TO CONNECTING ROD	47	26	10-69029	SCREW, SUPPORT TO COWL (1 3/4")	51	9
10-55511	SCREW, FRONT BRACKET TO TOP COWL FRAME (1 1/2")	5	33	10-69035	SCREW, GROUND WIRE TO STARTER MOTOR (5/8")	21	24
10-57807	SCREW, TRIM COVER TO BOTTOM COWL (3/4")	63	6	10-69046	SCREW, COIL TO CYLINDER BLOCK (2")	23	44
10-61010	SCREW, EXHAUST TUBE TO DRIVE SHAFT HOUSING PLATE (3/4")	55	22	10-70939	SCREW, BASE TO TRANSFER PORT COVER	35	13

PARTS INDEX

Part Number	Description	Pg.	Ref. No.	Part Number	Description	Pg.	Ref. No.
11-20013	NUT, RETAINER SCREW . . .	11	29	11-35521	NUT, LOWER MOUNT		
11-20013	NUT, THRU BOLT - BRACKET TO STARTER MOTOR	17	20	11-35888	CLAMP COVER	65	36
11-20013	NUT, THRU BOLT - BRACKET TO STARTER MOTOR	21	20	11-35888	NUT, RUBBER MOUNT TO TOP COWL FRAME	3	20
11-20083	NUT, DISTRIBUTOR HOUSING SCREW	15	39	11-35888	NUT, THROTTLE CABLE TO LOWER SWIVEL	13	23
11-20083	NUT, SOLENOID TERMINAL - INSIDE (5/16")	17	29	11-35888	NUT, UPPER LINK ROD TO THROTTLE CONTROL LEVER	13	17
11-20110	NUT, CARBURETOR SCREEN SCREW	25	31	11-35921	NUT, PINION GEAR TO DRIVE SHAFT	67	13
11-20110	NUT, CHOKE SHUTTER STUD	25	27	11-37424	NUT, SWIVEL PIN RETAINING	57	15
11-20190	NUT, IGNITION COIL CLAMPING SCREW	19	47	11-45076	NUT, IGNITION COIL TERMINAL (#10)	23	47
11-20509	NUT, THROTTLE CONTROL LEVER SCREW	13	21	11-45076	NUT, RECTIFIER TERMINAL	17	6
11-20645	NUT, SOLENOID TERMINAL (#10)	17	31	11-45076	NUT, RECTIFIER TERMINAL	21	6
11-20645	NUT, WIRE HARNESS LEAD TO CHOKE SOLENOID . .	25	3	11-45076	NUT, SWITCH BOX TERMINAL	17	2
11-20890	NUT, STARTER MOTOR TERMINAL	17	14	11-45076	NUT, SWITCH BOX TERMINAL	21	2
11-20890	NUT, STOP BRACKET ADJUSTING SCREWS . . .	15	44	11-45592	NUT, WATER PUMP BODY FASTENING STUD	69	36
11-25096	NUT, MOUNT SCREW	65	26	11-45774	NUT, MAIN BEARING CLAMPING SCREW	47	9
11-25269	NUT, STRAP STOP FASTENING SCREW	57	13	11-46438	NUT, RECTIFIER MOUNTING SCREW	21	9
11-26768	NUT, DISTRIBUTOR CAP CLAMP SCREW	11	17	11-46438	NUT, STRAP TO CHOKE ROD SCREW	25	24
11-28770	NUT, CLAMP BRACKET STUD	59	11	11-46793	NUT, CARBURETOR MOUNTING STUD	31	41
11-28770	NUT, RUBBER MOUNT TO FRONT SUPPORT BRACKET	5	37	11-46793	NUT, CRANKCASE FASTENING SCREW	39	12
11-29489	NUT, GEAR HOUSING AND DRIVE SHAFT HOUSING STUDS	65	30	11-46887	NUT, ADAPTOR FASTENING SCREW	33	24
11-29598	NUT, RUBBER MOUNT TO REAR SUPPORT BRACKET	3	24	11-46887	NUT, CHOKE ROD SPRING TO CARBURETOR STUD .	25	15
11-34932	NUT, POWERHEAD STUDS .	55	25	11-46887	NUT, COVER MOUNTING SCREW	45	29
11-34933	NUT, GEAR HOUSING AND DRIVE SHAFT HOUSING STUDS	65	28	11-46887	NUT, IGNITION COIL SCREW	19	52
11-34933	NUT, GEAR HOUSING TO DRIVE SHAFT HOUSING STUDS	75	79	11-46887	NUT, LOWER SHOCK PIN SCREW- (LONG SHAFT) .	61	29
11-34933	NUT, STEERING ARM BOLT FASTENING	57	19	11-46887	NUT, MAIN BEARING CLAMPING SCREW	47	20
11-34933	NUT, UPPER MOUNT BOLT	65	22	11-46887	NUT, RETAINER BRACKET SCREW	17	12
11-35045	NUT, ADAPTOR FASTENING SCREW	37	34	11-46887	NUT, SWITCH BOX TO FRONT SUPPOR BRACKET SCREW	17	4
11-35045	NUT, LINK ROD	51	21	11-47661	NUT, SWITCH BOX TO FRONT SUPPORT BRACKET SCREW	21	4
11-35045	NUT, WATER PUMP BODY FASTENING STUD	69	34	11-49091	NUT, JAM - PUSH ROD	65	15
11-35045	NUT, WIRING HARNESS SUPPORT SCREW	51	10	11-49091	NUT, CONNECTING ROD SCREW	47	27
				11-52707	NUT, PROPELLER	75	85
				11-52901	NUT, FLYWHEEL	9	2
				11-53153	NUT, REED STOP MOUNTING SCREW	47	13

PARTS INDEX

Part Number	Description	Pg.	Ref. No.	Part Number	Description	Pg.	Ref. No.
11-56041	NUT, TILT TUBE FASTENING	59	6	12-30164	WASHER, COIL SCREW . . .	23	44A
11-60049	NUT, FRONT SUPPORT BRACKET SCREW	5	32	12-30164	WASHER, RECTIFIER MOUNTING SCREW	21	8
11-60049	NUT, REAR BRACKET SCREW	3	26	12-30164	WASHER, THROTTLE ACTUATOR PLATE FASTENING SCREW	13	30
11-64015	NUT, STARTER MOTOR TERMINAL	21	14	12-30164	WASHER, WIRING HARNESS CLAMP SCREW	21	37
11-64015	NUT, THROTTLE ACTUATOR COLLAR ADJUSTING SCREW	13	26	12-30771	WASHER, COVER FASTENING KNOB (RUBBER)	7	3
11-64484	NUT, UPPER LINK ROD ADJUSTING	13	11	12-31211	WASHER, SPLINED - PROPELLER NUT	75	83
11-64809	NUT, DRIVE SHAFT HOUSING STUD	53	15	12-31263	WASHER, UPPER MOUNT BOLT	65	21
11-68219	NUT, SOLENOID TERMINAL (#10)	21	31	12-31266	WASHER, RUBBER - SHIFT SHAFT BUSHING	71	46
11-68292	NUT, SOLENOID TERMINAL - INSIDE (5/16")	21	29	12-34437	WASHER, DRIVE SHAFT HOUSING STUD	53	14
11-68411	NUT, CLAMP BRACKET BOLT	59	15	12-35462	WASHER, LINK ROD (SHIFT LEVER END)	51	20
11-69254	NUT, CRANKCASE STUDS TO EXHAUST EXTENSION PLATE	53	11	12-35462	WASHER, STOP BRACKET FASTENING SCREW	15	42
12-20084	WASHER, DISTRIBUTOR HOUSING SCREW	15	38	12-35462	WASHER, TIMING POINTER SCREW	43	9
12-20128	WASHER, WIRING HARNESS CLAMP SCREW	17	37	12-36001	WASHER, WATER PUMP BODY FASTENING STUD	69	35
12-20260	WASHER, GREASE FILLER AND VENT HOLE SCREW	71	50	12-45176	WASHER, GEAR HOUSING TO DRIVE SHAFT HOUSING STUDS	65	29
12-20533	WASHER, BASE SCREW . . .	35	14	12-45176	WASHER, GEAR HOUSING TO DRIVE SHAFT HOUSING STUDS	65	31
12-22753	WASHER, CRANKCASE TO CYLINDER BLOCK SCREW (LOWER)	39	11	12-45176	WASHER, GEAR HOUSING TO DRIVE SHAFT HOUSING STUDS	75	78
12-25970	WASHER, CRANKCASE STUDS TO EXHAUST EXTENSION PLATE	53	12	12-46246	WASHER, ADAPTOR - DISTRIBUTOR HOUSING .	15	34
12-25970	WASHER, POWERHEAD STUDS	55	24	12-47247	WASHER, NEEDLE LOCATING	49	30
12-27939	WASHER, DISTRIBUTOR HOUSING	15	46	12-47840	WASHER, RUBBER - UPPER MOUNT BOLT	65	20
12-28196	WASHER, UPPER BUSHING RETAINER (INNER)	61	32	12-49221	WASHER, GEAR HOUSING FLUSHING HOLE PLUG . .	71	52
12-28404	WASHER, THUMB SCREW .	59	3	12-49339	WASHER, MOUNT SCREW .	65	25
12-28421	WASHER, UPPER AND LOWER BUSHING RETAINER (OUTER)	61	36	12-52864	WASHER, CLAMP BRACKET TILT TUBE	59	5
12-29245	WASHER, RETAINER BRACKET FASTENING SCREW	17	11	12-53540	WASHER, ECONOMIZER COLLAR - DISTRIBUTOR HOUSING	13	5
12-29245	WASHER, RETAINER BRACKET FASTENING SCREW	21	12	12-59378	WASHER, LOWER BUSHING RETAINER (INNER)	61	33
12-29245	WASHER, WATER PUMP BODY FASTENING SCRW AND STUD	69	33	12-59572	WASHER, COVER FASTENING KNOB (STEEL)	7	4
12-29245	WASHER< THROTTLE CONTROL LEVER SWIVEL	13	16	12-68229	WASHER, FLYWHEEL NUT .	9	3
12-29395	WASHER, THROTTLE CONTROL LEVER SCREW	13	19	12-68300	WASHER, CLAMP BRACKET BOLT	59	14
				12-68410	WASHER, CLAMP BRACKET BOLT	59	14

PARTS INDEX

Part Number	Description	Pg.	Ref. No.	Part Number	Description	Pg.	Ref. No.
12-69342	WASHER, SWIVEL PIN - UPPER	57	4	13-26993	LOCKWASHER, RUBBER MOUNT TO FRONT SUPPORT BRACKET	5	36
12-69380	WASHER, SWIVEL PIN - LOWER	57	10	13-26993	LOCKWASHER, SOLENOID TERMINAL (5/16")	17	28
12-70132	WASHER, WATER JACKET COVER FASTENING SCREW	43	19	13-26993	LOCKWASHER, SOLENOID TERMINAL (5/16")	21	28
12-70988	WASHER, THUMB SCREW	59	3	13-26993	LOCKWASHER, STARTER MOTOR BRACKET FASTENING SCREW	17	22
12-71143A1	WASHER, THRUST - BEARING CARRIER TO GEAR HOUSING	75	67	13-26993	LOCKWASHER, STARTER MOTOR BRACKET FASTENING SCREW	21	22
13-22773	LOCKWASHER, RECTIFIER MOUNTING SCREW	17	8	13-26993	LOCKWASHER, STARTER MOTOR SCREW	17	17
13-26933	LOCKWASHER, FRONT SUPPORT BRACKET SCREW	5	34	13-26993	LOCKWASHER, STARTER MOTOR SCREW	21	17
13-26992	LOCKWASHER, EXHAUST PLATE SCREW	55	23	13-26993	LOCKWASHER, WIRING HARNESS CLAMP SCREW	21	36
13-26992	LOCKWASHER, EXHAUST SCREW	63	11	13-26995	LOCKWASHER, FLOAT BOWL COVER SCREW	27	11
13-26992	LOCKWASHER, IGNITION COIL SCREW	19	49	13-26996	LOCKWASHER, HARNESS LEAD TO CHOKE SOLENOID	25	2
13-26992	LOCKWASHER, REAR HOOK MOUNTING SCREW	3	14	13-26996	LOCKWASHER, IGNITION COIL TERMINAL (#10)	23	46
13-26992	LOCKWASHER, RUBBER MOUNT TO REAR SUPPORT BRACKET	3	23	13-26996	LOCKWASHER, SOLENOID TERMINAL (#10)	17	30
13-26992	LOCKWASHER, STARTER MOTOR TERMINAL	17	15	13-26996	LOCKWASHER, SOLENOID TERMINAL (#10)	21	30
13-26992	LOCKWASHER, STARTER MOTOR TERMINAL	21	15	13-26996	LOCKWASHER, STRAP SCREW	25	21
13-26992	LOCKWASHER, STARTER SOLENOID MOUNTING SCREW	17	27	13-26996	LOCKWASHER, THROTTLE ACTUATOR PLATE FASTENING SCREW	13	31
13-26992	LOCKWASHER, STARTER SOLENOID MOUNTING SCREW	21	27	13-26996	LOCKWASHER, WIRING HARNESS CLAMP SCREW	17	36
13-26992	LOCKWASHER, THRU BOLT - BRACKET TO STARTER MOTOR	17	19	13-27959	WASHER, WAVE - DISTRIBUTOR BALL BEARING TENSION	15	48
13-26992	LOCKWASHER, THRU BOLT - BRACKET TO STARTER MOTOR	21	19	13-29720	WASHER, WAVE - LINK ROD	51	22
13-26992	LOCKWASHER, WATER PUMP BODY SCREW	69	32	13-37371	LOCKWASHER, SHIELD SCREW	3	9
13-26992	LOCKWASHER, WIRING HARNESS LEAD SCREW	19	44	13-39107	LOCKWASHER, RETAINER FASTENING SCREW	3	6
13-26992	LOCKWASHER, WIRING HARNESS LEAD SCREW	21	40	13-39954	WASHER, WAVE - THROTTLE CONTROL LEVER SWIVEL	13	15
13-26993	LOCKWASHER, ADAPTOR PLATE SCREW	53	9	13-69150	WASHER, WAVE - TILT LOCK TUBE	59	22
13-26993	LOCKWASHER, CHOKE SOLENOID ATTACHING SCREW	25	5	14-20091	TAB WASHER, BEARING LOCKING SCREW	39	14
13-26993	LOCKWASHER, CLAMP BRACKET STUD	59	10	14-27960	TAB WASHER, ADAPTOR CAP FASTENING	15	47
13-26993	LOCKWASHER, REAR BRACKET SCREW	5	27	14-31210	TAB WASHER, PROPELLER NUT	75	84
				14-52700	TAB WASHER, GEAR HOUSING COVER	75	74
				15-20085A1	SHIM, END CAP TO CRANKCASE (.002-3-5-10)	43	14

PARTS INDEX

Part Number	Description	Pg.	Ref. No.	Part Number	Description	Pg.	Ref. No.
15-21148A1	SHIM, ROTOR	11	8	17-27962	PIN, ANCHOR SPRING - DISTRIBUTOR HOUSING	13	3
15-29955A1	SHIM, THRUST WASHER TO GEAR HOUSING (.002-3-5-10)	75	66	17-29077	ROLL PIN, TENSION SPRING TO KNOB	7	6
15-30923A1	SHIM, BEARING OUTER RACE TO GEAR HSG. (.002-3-5-10)	73	57	17-29908	PIN, ROLL - FLANGE LOCATING	15	52
15-47248A1	SHIM ASSEMBLY, END CAP TO CRANKCASE (.006-8-10)	43	5	17-30545	PIN, COMPRESSION SPRING RETAINING	67	11
15-55853	SHIM, ROTOR	11	9	17-30632	PIN, CROSS - RATCHET TOO PROPELLER SHAFT	73	62
15-57007A1	SHIM, TAPERED ROLLER BEARING TO GEAR HOUSING (.002-3-5-10)	67	14	17-33522	PIN, COWL LATCH LEVER TO HINGE	3	12
16-30667	STUD, WATER PUMP BASE AND BODY TO GEAR HOUSING (3 1/8")	67	7	17-35973	DOWEL PIN, WATER PUMP BASE TO WATER PUMP	69	21
16-34378	STUD, DRIVE SHAFT HOUSING TO HSG. PLATE (2 5/6")	63	4	17-39023	PIN, PUSH ROD TO REVERSE LOCK	65	17
16-39937	STUD, CHOKE ROD SPRING TO CARBURETOR (7/8")	25	13	17-46912	PIN, GEAR HOUSING	67	3
16-52898	STUD, FILTER SCREEN TO CARBURETOR (1 1/8")	25	26	17-47175	PIN, LOCKING LEVER AND COVER FASTENING	51	28
16-56295	STUD, DRIVE SHAFT HOUSING TO GEAR HOUSING (2 11/16")	63	2	17-47246	DOWEL PIN (STEPPED)	47	21
16-56297	STUD, WATER PUMP BASE AND BODY TO GEAR HOUSING (3 3/8")	67	6	17-49840A1	SWIVEL PIN AND STEERING ARM ASSEMBLY (LONG SHAFT)	57	16
16-57920	STUD, GEAR HOUSING TO DRIVE SHAFT HOUSING (2 1/16")	67	5	17-49841A1	SWIVEL PIN AND STEERING ARM ASSEMBLY (SHORT SHAFT)	57	16
16-57921	STUD, GEAR HOUSING TO DRIVE SHAFT HOUSING (4")	67	4	17-49930A1	TILT LOCK PIN ASSEMBLY	59	12
16-59625	STUD, CLAMP BRACKET	59	9	17-63779	PIN, DOWEL - CYLINDER BLOCK TO MAIN BEARING	39	6
16-64280	STUD, CARBURETOR MOUNTING (1 3/16")	39	3	18-25191	COTTER PIN, PUSH ROD PIN	65	18
16-64281	STUD, CRANKCASE TO DRIVE SHAFT HOUSING (1 7/8")	39	4	18-45882	COTTER PIN, REVERSE LOCK TO SHAFT	59	26
16-64282	STUD, CYLINDER BLOCK EXHAUST EXTENSION PLATE (4")	39	8	18-47959	COTTER PIN, TILT LOCK TUBE	59	20
17-20032	DOWEL PIN, CENTER MAIN BEARING	47	15	19-45907	PLUG, FLYWHEEL PULLER THREADS	9	1
17-20032	DOWEL PIN, MAIN BEARING	47	7	19-48750	PLUG, GEAR HOUSING FLUSHING HOLE	71	51
17-20033	PIN, DOWEL - CRANKCASE TO CYLINDER BLOCK	39	5	19-64649	PLUG, PLASTIC - TRIM TAB SCREW HOLE	63	3
17-23784	DOWEL PIN, DRIVE SHAFT HOUSING PLATE	55	19	21-30430A5	CHECK VALVE ASSEMBLY	33	2
17-23784	DOWEL PIN, EXHAUST EXTENSION PLATE	53	3	21-30430A5	CHECK VALVE ASSEMBLY	35	2
17-25598	PIN, REVERSE LOCK SPRING ATTACHING	57	9	21-56011A2	CHECK VALVE ASSEMBLY	39	18
17-26618	PIN, DOWEL - PULLEY TO FLYWHEEL	9	7	21-56011A2	CHECK VALVE ASSEMBLY	41	25
17-27961	PIN, ECONOMIZER COLLAR - SPRING RETAINER	13	7	21-56011A2	CHECK VALVE ASSEMBLY, END CAP	43	11
				21-64871A2	CHECK VALVE ASSEMBLY, BLEED HOSE - BOTTOM	41	27
				22-20781	ELBOW, BALANCE	41	29
				22-20781	ELBOW, BALANCE TUBE TO CRANKCASE	41	23
				22-25094	FITTING, GREASE - DISTRIBUTOR ADAPTOR	15	36
				22-25094	FITTING, GREASE - ECONOMIZER COLLAR	13	8
				22-25885	ELBOW, TELL TALE HOSE TO EXHAUST COVER	51	15
				22-30175	SLEEVE, CONNECTOR	33	15

PARTS INDEX

Part Number	Description	Pg.	Ref. No.	Part Number	Description	Pg.	Ref. No.
22-30177	NUT, CONNECTOR	33	16	23-56513	SLEEVE, LUBRICATION . . .	67	2
22-30177	NUT, UPPER CARBURETOR ELBOW	33	12	23-59624	SPACER, CLAMP BRACKET STUD	59	8
22-30468	CONNECTOR, FUEL PUMP .	33	14	23-69132	BUSHING, REVERSE LOCK PIVOT SHAFT	57	2
22-32802	PLUG, PIPE - CYLINDER BLOCK COVER	45	30	23-69341	BUSHING , SWIVEL BRACKET	57	3
22-32802	PLUG, PIPE - EXHAUST MANIFOLD COVER	45	25	24-20099	SPRING, LINK ROD TO GUIDE BLOCK	51	23
22-59351	ELBOW, UPPER CARBURETOR	33	10	24-23067	SPRING, ADAPTOR STEM .	37	30
22-63981	ELBOW, FUEL LINE TO ADAPTOR	35	27	24-27944	SPRING, HORSESHOE - DISTRIBUTOR HOUSING .	13	4
22-64704	FITTING, ELBOW - LOWER CARBURETOR	35	24	24-28975	SPRING, GARTER - INTERNAL WIRING HARNESS	17	38
22-64704	FITTING, FUEL PUMP (OUTLET)	35	9	24-28975	SPRING, GARTER - INTERNAL WIRING HARNESS	21	38
22-64705	FITTING, FILTER BASE	35	20	24-29821	SPRING, REVERSE LOCK TENSION	59	24
22-64705	FITTING, FUEL LINE TO FUEL PUMP (INLET)	35	25	24-30189	SPRING, ADAPTOR STEM .	33	20
22-65348	TEE, BLEED HOSE TO CYLINDER BLOCK - LOWER	39	21	24-30189	SPRING, ADAPTOR STEM .	35	30
22-65350A1	CHECK VALVE ASSEMBLY, BLEED HOSE	39	17	24-30622	SPRING, COMPRESSION - CAM FOLLOWER	73	56
22-65350A2	CHECK VALVE ASSEMBLY, BLEED HOSE - TOP	41	24	24-30893	SPRING, RETAINING - CROSS PIN	73	63
22-65367	CONNECTOR, CYLINDER BLEED HOSE - UPPER . .	39	15	24-32271	SPRING, TENSION - COVER FASTENING KNOB	7	5
22-66328	FITTING, TEE - UPPER CARBURETOR	35	22	24-34576	SPRING, COMPRESSION - DRIVE SHAFT	67	10
22-67892	PLUG, DRAIN (MAGNETIC) .	71	49	24-35522	SPRING, TENSION - LOWER MOUNT CLAMP	65	33
22-69059	FITTING, GREASE	57	7	24-48230	SPRING, TENSION - CHOKE ROD	25	16
23-26600	BUSHING, SHIFT SHAFT . . .	51	18	24-57818	SPRING, FILTER SCREEN .	25	30
23-27132	BUSHING, NYLON - EXHAUST EXTENSION PLATE	53	2	25-20116	GROMMET, CHOKE ROD . .	25	18
23-28198	BUSHING, RUBBER - SHOCK ABSORBER (LOWER) . . .	61	35	25-20415	"O" RING, ADAPTOR STEM .	33	21
23-28199	SPACER, UPPER SHOCK BUSHING TO CLAMP BRACKET	61	31	25-20415	"O" RING, ADAPTOR STEM .	35	29
23-29804	SLEEVE, GUIDE - WATER INLET TUBE	69	38	25-25439	"O" RING, SHIFT SHAFT BUSHING	69	43
23-32171	BUSHING, RUBBER - SHOCK ABSORBER (UPPER)	61	34	25-26547	GROMMET, CABLE (5/16") .	11	19
23-32427	SPACER, CHOKE ROD SPRING STUD	25	14	25-29976	"O" RING, BEARING CARRIER	75	69
23-45818	BUSHING, THROTTLE CONTROL LEVER SCREW	13	20	25-30271	RING, RUBBER - CENTRIFUGAL SLINGER (DRIVE SHAFT)	69	37
23-47250	SPACER, DRIVE PULLEY . .	15	50	25-32546	"O" RING	43	13
23-47803	BUSHING, TILT LOCK TUBE	59	21	25-33145	"O" RING, WATER PUMP BASE	69	17
23-48674	SPACER, THROTTLE ACTUATOR PLATE SCREW	13	32	25-47254	"O" RING	43	4
23-52933	SPACER, COIL BRACKET TO BOTTOM COWL	19	51	25-47386	"O" RING, COVER TO HOUSING	35	16
23-53538	SPACER, ROTOR SHAFT . .	11	10	25-56474	GROMMET, CABLE (7/8") . .	11	19
23-53539	SLEEVE, ROTOR SHAFT . . .	11	3	25-57806	GROMMET, TRIM COVER SCREW	63	7
23-55419A1	BUSHING ASSEMBLY, SHIFT SHAFT	69	44	26-24590	OIL SEAL, SHIFT SHAFT BUSHING (LOWER)	69	45
				26-29476	OIL SEAL	43	3
				26-29476	OIL SEAL, UPPER	43	12

PARTS INDEX

Part Number	Description	Pg.	Ref. No.	Part Number	Description	Pg.	Ref. No.
26-31249	OIL SEAL, SHIFT SHAFT BUSHING (UPPER)	71	45	27-66102	GASKET, PLATE TO DRIVE SHAFT HSG. PLATE	53	13
26-31489	OIL SEAL, WATER PUMP BASE	69	19	27-66335	GASKET, DRIVE SHAFT HOUSING PLATE TO DRIVE SHAFT HSG.	65	12
26-37448	OIL SEAL, SWIVEL BRACKET	57	5	27-69238	GASKET, POWERHEAD TO EXHAUST EXTENSION PLATE	53	7
26-38970	SEAL, RUBBER - WATER INLET TUBE	69	28	27-69860	GASKET, DRIVE SHAFT HOUSING PLATE TO EXHAUST TUBE	55	20
26-38970	SEAL, RUBBER - WATER INLET TUBE (DRIVE SHAFT HOUSING PLATE)	55	18	28-29910	KEY, DISTRIBUTOR DRIVER	15	54
26-55682	OIL SEAL, WATER PUMP BASE	69	20	28-30281	KEY, LOCATING - BEARING CARRIER	75	73
26-60898	SEAL, DRIVE SHAFT HOUSING PLATE	53	16	28-56654	KEY, IMPELLER DRIVE	69	30
27-25848	GASKET, NYLON - FILTER COVER SCREW	35	18	29-47270	BEARING, NEEDLE - PISTON PIN	49	29
27-25849	GASKET, STRAINER COVER (SMALL)	27	15	29-52168	BEARING, NEEDLE	47	16
27-25851	GASKET, STRAINER COVER (LARGE)	27	13	30-20066	BALL BEARING< DISTRIBUTOR HOUSING (UPPER)	11	1
27-32433	GASKET, LOWER - WATER PUMP BASE TO FACE PLATE	69	22	30-26379	BALL BEARING, DISTRIBUTOR HOUSING (LOWER)	11	12
27-32434	GASKET, UPPER - FACE PLATE TO WATER PUMP BODY	69	24	30-31265	BEARING, BALL - REVERSE GEAR	75	68
27-33146	GASKET, WATER PUMP BASE TO GEAR HOUSING	69	16	30-32117	BEARING, BALL - UPPER	47	2
27-48164	GASKET, CARBURETOR FLANGE	31	40	30-63742	BEARING, BALL - LOWER	47	3
27-52892	GASKET, WATER JACKET COVER	43	16	31-30894A1	TAPERED ROLLER BEARING ASSEMBLY	73	58
27-52893	GASKET, CYLINDER BLOCK COVER	45	27	31-30895	BEARING, ROLLER - FORWARD GEAR	73	59
27-53650	GASKET, CRANKCASE TO CYLINDER BLOCK	39	2	31-30956	BEARING, ROLLER - BEARING CARRIER	75	71
27-55896	GASKET, DISTRIBUTOR CAP TO DISTRIBUTOR HOUSING	11	23	31-32898	BEARING, ROLLER - DRIVE SHAFT	67	8
27-60945	GASKET, PLATE TO DRIVE SHAFT HSG. PLATE	53	13	31-33138A1	TAPERED ROLLER BEARING ASSEMBLY, DRIVE SHAFT	69	15
27-62107	GASKET, TRANSFER PORT COVER	45	32	31-62596A1	BEARING ASSEMBLY, CRANKPIN	47	28
27-64175	GASKET, DRIVE SHAFT HOUSING PLATE TO DRIVE SHAFT HSG.	63	12	32-26527	SLEEVE, SPARK PLUG LEAD (LEADS 1, 2, 3, 4)	11	33
27-64203	GASKET, CYLINDER BLOCK TO BAFFLE PLATE	43	20	32-34395A1	HOSE ASSEMBLY, BALANCE (6 1/4")	41	28
27-64203A73	GASKET SET(MOTOR OVERHAUL)	1	-	32-34395A1	HOSE, DRIP TRAY TO BOTTOM COWL (8")	51	5
27-64203A74	GASKET SET (MOTOR OVERHAUL)	1	-	32-34395A1	HOSE, TELL TALE - EXH. COVER TO BOTTOM COWL (16" OR 9")	51	11
27-64203A75	GASKET SET (MOTOR OVERHAUL)	1	-	32-34395A1	TUBE, BALANCE - MAIN BEARING (6 1/4")	39	20
27-64204	GASKET, BAFFLE PLATE TO EXHAUST MANIFOLD COVER	43	22	32-46398	SLEEVE, (LEADS 1, 2, 3, 4) - 3/4")	11	22
				32-54936	HOSE, CYLINDER BLEED (15 1/2")	41	26
				32-54936	HOSE, CYLINDER BLEED - LOWER (6 1/2")	41	22
				32-54936	HOSE, UPPER CYLINDER BLEED (12")	39	16

PARTS INDEX

Part Number	Description	Pg.	Ref. No.	Part Number	Description	Pg.	Ref. No.
32-55829	FUEL LINE, ADAPTOR TO UPPER FUEL PUMP (15")	33	17	53-26933	RING, SNAP - OUTER RACE CLAMPING	47	18
32-59352	FUEL LINE, CARBURETOR TO CARBURETOR (6 5/8")	33	13	53-29641	"E" RING, RETAINING, LOWER SHIFT SHAFT . . .	69	42
32-60897	TUBE, WATER INLET - LONG SHAFT	63	8	54-20387	CLAMP, BLEED HOSE TO CONNECTOR	39	19
32-62864	TUBE, WATER INLET - SHORT SHAFT	63	8	54-22627	CLIP, STATOR LEAD FASTENING (1/2")	9	14
32-63146	FUEL LINE, ADAPTOR TO FUEL PUMP (12 1/2")	35	26	54-22875	CLIP, STATOR LEAD FASTENING (1/2")	9	14
32-63146	FUEL LINE, CARBURETOR TO CARBURETOR (6 1/4")	35	23	54-26550	CLAMP, WIRING HARNESS TO COIL BRACKET	19	39
32-63146	FUEL LINE, FILTER COVER TO CARBURETOR (8 7/8")	35	21	54-48123	CLAMP, TELL TALE HOSE TO CONNECTOR AND ELBOW	51	14
32-63146	FUEL LINE, FUEL PUMP TO FILTER COVER (4 1/2") . .	35	11	54-52876	CLAMP, WIRING HARNESS TO BOTTOM COWL	17	34
33-59599	SPARK PLUG (CHAMP L-77V)	11	30	54-52876	CLAMP, WIRING HARNESS TO BOTTOM COWL	21	34
34-56007A1	REED SET, MATCHED - MAIN BEARING	47	10	54-55098	"J" CLAMP, STATOR LEADS	5	41
34-56008	REED STOP, MAIN BEARING REED VALVES	47	11	54-60768	CLAMP, DISTRIBUTOR CAP TO DISTRIBUTOR HOUSING	11	15
35-57819	SCREEN, FILTER - CARBURETOR	25	28	54-68424	CLAMP, FUEL LINE ATTACHING	35	10
35-59072	SCREEN, FILTER - INLET . .	35	15	55-28414	PIN, LOWER SHOCK MOUNTING - (LONG SHAFT)	59	27
37-60204	DECAL, TIMING - TOP COWL FRAME	3	18	55-28416	PIN, UPPER SHOCK MOUNTING	59	16
37-64308A73	DECAL SET	1	-	55-58780A2	SHOCK ABSORBER	61	30
37-65601	DECAL, TIMING - TOP COWL FRAME	3	18	55-65447	PIN, LOWER SHOCK MOUNTING (SHORT SHAFT)	59	27
37-66314A74	DECAL SET	1	-	84-60466A1	CABLE ASSEMBLY	23	45
37-70002A75	DECAL SET	1	-	84-63212A2	SPARK PLUG LEAD ASSEMBLY #1, #2, #3, #4	11	31
39-45155A12	RING, PISTON	47	24	84-66008A1	GROUND STRAP ASSEMBLY, FRONT SUPPORT BRK.	5	42
39-45204A12	RING, PISTON (.015)	49	30	84-66053A1	CABLE, STARTER SOLENOID TO STARTER MOTOR	21	32
40-52035	LOCK RING, PISTON PIN . .	47	23	84-66054A1	CABLE ASSEMBLY, COIL TO SWITCH BOX	23	48
43-56516	REVERSE GEAR ASSEMBLY	73	65	84-66055	WIRING HARNESS (INTERNAL)	21	33
43-56517	FORWARD GEAR ASSEMBLY	73	60	84-66056A1	CABLE ASSEMBLY, CAP TO COIL	11	18
43-56518	GEAR, PINION - DRIVE SHAFT	67	12	87-61053	STARTER SOLENOID	21	25
44-52542	SHAFT, PROPELLER	73	64	90-63271	MERC 850 (4CYLINDER) PARTS LIST	1	-
45-59116A1	DRIVE SHAFT ASSEMBLY (LONG SHAFT)	67	9	92-25234--1	GLUE, ADHESIVE - SOUND BLANKET FASTENING . . .	7	12
45-59117A1	DRIVE SHAFT ASSEMBLY (SHORT SHAFT)	67	9	225-2494A27	FLYWHEEL ASSEMBLY, COMPLETE	9	4
46-48743A3	HEAVY DUTY WATER PUMP	1	-	225-2494A30	FLYWHEEL ASSEMBLY, COMPLETE	9	4
46-58618A1	WATER PUMP BASE ASSEMBLY	69	18	332-2854	BOOT, CABLE TO COIL	11	20
46-64141A1	WATER PUMP BODY ASSEMBLY	69	25				
47-65960	IMPELLER, WATER PUMP . .	69	29				
50-58788	STARTER MOTOR ASSEMBLY (FOR BREAKDOWN, SEE ACCESSORY SECTION . .	17	13				
50-67341	STARTER MOTOR ASSEMBLY	21	13				
52-34239	RATCHET, SLIDING CLUTCH	73	61				

PARTS INDEX

Part Number	Description	Pg.	Ref. No.	Part Number	Description	Pg.	Ref. No.
332-2983A19	IGNITION COIL ASSEMBLY, COMPLETE	19	45	1352-4510A30	CARBURETOR ASSEMBLY, COMPLETE	27	1
332-2986A22	SWITCH BOX ASSEMBLY, COMPLETE	21	1	1368-5688A4	CARBURETOR ASSEMBLY, COMPLETE	25	9
332-2986A8	SWITCH BOX ASSEMBLY, COMPLETE	17	1	1368-5688A4	CARBURETOR ASSEMBLY, COMPLETE	27	1
332-4177A3	HOUSING ASSEMBLY, DISTRIBUTOR	11	4	1395-4540	SCREW, BODY (IDLE TUBE)	29	27
332-4177A3	HOUSING ASSEMBLY, DISTRIBUTOR	13	1	1395-4541	SCREW, PLUG - MAIN FUEL JET CHANNEL	29	32
332-4895A1	IGNITION COIL ASSEMBLY	23	41	1395-4542	SCREW, PLUG - MAIN NOZZLE	29	36
393-1293A1	BRUSH AND SPRING ASSEMBLY	11	25	1395-4543	SCREW, BODY CHANNEL	29	39
393-3236	DISC, ROTOR	11	11	1395-4555	INLET NEEDLE, SEAT AND GASKET	27	6
393-3294A1	CABLE ASSEMBLY, CAP TO COIL	11	18	1395-4805	SCREEN, FILTER	29	21
393-3726A10	DISTRIBUTOR CAP ASSEMBLY	11	24	1395-4808	GASKET AND PACKING SET (1 PER CARBURETOR)	31	39
393-4371	ROTOR, DISTRIBUTOR	11	14	1395-5096	REPAIR PARTS KIT (1 PER CARBURETOR)	31	39
398-4792	STATOR ALTERNATOR	9	11	1395-5353	FLOAT ASSEMBLY	27	2
398-5232	STATOR ALTERNATOR	9	11	1395-5446	REPAIR PARTS KIT (1 PER CARBURETOR)	31	39
440-4979A2	CRANKSHAFT ASSEMBLY	47	1	1395-5680	COVER, FLOAT BOWL	29	19
535-3190A2	CENTER MAIN BEARING ASSEMBLY	47	14	1395-5733	JET, BOWL VENT	29	20
535-5397A4	CENTER MAIN BEARING ASSEMBLY	47	14	1395-5734	HOSE, ECONOMIZER	29	22
540-5055A6	MAIN BEARING ASSEMBLY (VALVE TYPE)	47	6	1395-5735	REPAIR PARTS KIT (1 PER CARBURETOR)	31	39
540-5266A5	MAIN BEARING ASSEMBLY (VALVE TYPE)	47	6	1399-3515	SCREW, IDLE ADJUSTMENTS	29	31
622-4850A3	CONNECTING ROD AND CAP ASSEMBLY	47	25	1399-3518	JET, MAIN FUEL (.082)	29	34
745-5035A2	PISTON AND PISTON PIN ASSEMBLY	47	22	1399-3519	JET, MAIN FUEL (.080) - STANDARD	29	34
745-5097A1	PISTON AND PISTON PIN ASSEMBLY (.015)	49	30	1399-3520	JET, MAIN FUEL (.0785)	29	34
745-5219A2	PISTON AND PISTON PIN ASSEMBLY	47	22	1399-3523	GASKET AND PACKING SET (1 PER CARBURETOR)	29	39
745-5304A2	PISTON AND PISTON PIN ASSEMBLY (.015)	49	30	1399-3527	SHAFT, THROTTLE	29	25
847-4969A3	CYLINDER BLOCK AND CRANKCASE ASSEMBLY	39	1	1399-3528	SHUTTER, THROTTLE	29	29
847-4969A3	CYLINDER BLOCK AND CRANKCASE ASSEMBLY	43	1	1399-3690	COVER, STRAINER (LOWER CARBURETOR)	27	16
847-5340A4	CYLINDER BLOCK AND CRANKCASE ASSEMBLY	39	1	1399-3796	JET, MAIN FUEL (.076) - STANDARD	29	34
847-5340A4	CYLINDER BLOCK AND CRANKCASE ASSEMBLY	43	1	1399-3938	SCREEN, FILTER	27	14
1021-3514	COVER, CYLINDER BLOCK	45	26	1399-4559	COVER, FLOAT BOWL	27	12
1134-3197A1	END CAP ASSEMBLY, UPPER	43	2	1399-4791	COVER, STRAINER (UPPER CARBURETOR)	27	16
1148-4594A1	END CAP ASSEMBLY, LOWER	43	10	1399-97	LEVER, THROTTLE STOP (SEE NOTE BOTTOM)	29	24
1148-5410A1	END CAP ASSEMBLY, LOWER	43	10	1440-5311A1	CLAMP BRACKET ASSEMBLY	59	1
1352-4510A27	CARBURETOR ASSEMBLY, COMPLETE	25	9	1440-5576A1	CLAMP BRACKET ASSEMBLY	59	1
1352-4510A27	CARBURETOR ASSEMBLY, COMPLETE	27	1	1447-5596A3	SWIVEL BRACKET ASSEMBLY (LONG SHAFT)	57	1
				1453-5597A2	SWIVEL BRACKET ASSEMBLY (SHORT SHAFT)	57	1
				1573-4933A3	DRIVE SHAFT HOUSING ASSEMBLY (LONG SHAFT)	63	1

PARTS INDEX

Part Number	Description	Pg.	Ref. No.	Part Number	Description	Pg.	Ref. No.
1573-5239A4	DRIVE SHAFT HOUSING ASSEMBLY (LONG SHAFT)	63	1				
1575-4971A5	DRIVE SHAFT HOUSING ASSEMBLY (SHORT SHAFT)	63	1				
1575-5240A4	DRIVE SHAFT HOUSING AUTHORITY (SHORT SHAFT)	63	1				
1623-4021A4	GEAR HOUSING ASSEMBLY, COMPLETE (SHORT SHAFT)	67	-				
1623-4021A4	GEAR HOUSING ASSEMBLY, COMPLETE (SHORT SHAFT)	73	-				
1623-4021A5	GEAR HOUSING ASSEMBLY, COMPLETE (LONG SHAFT)	67	-				
1623-4021A5	GEAR HOUSING ASSEMBLY, COMPLETE (LONG SHAFT)	73	-				
1623-4021A6	GEAR HOUSING ASSEMBLY	73	1				
1623-5246A12	GEAR HOUSING ASSEMBLY, COMPLETE (SHORT SHAFT)	67	-				
1623-5246A12	GEAR HOUSING ASSEMBLY, COMPLETE (SHORT SHAFT)	73	-				
1623-5246A13	GEAR HOUSING ASSEMBLY, COMPLETE (LONG SHAFT)	67	-				
1623-5246A13	GEAR HOUSING ASSEMBLY, COMPLETE (LONG SHAFT)	73	-				
1623-5246A7	GEAR HOUSING ASSEMBLY	67	1				
1623-5246A7	GEAR HOUSING ASSEMBLY	73	1				
1623-5892A3	GEAR HOUSING ASSEMBLY, COMPLETE (SHORT SHAFT)	67	-				
1623-5892A3	GEAR HOUSING ASSEMBLY, COMPLETE (SHORT SHAFT)	73	-				
1623-5892A4	GEAR HOUSING ASSEMBLY, COMPLETE (LONG SHAFT)	67	-				
1623-5892A4	GEAR HOUSING ASSEMBLY, COMPLETE (LONG SHAFT)	73	-				
1623-5892A5	GEAR HOUSING ASSEMBLY	67	1				
1623-5892A5	GEAR HOUSING ASSEMBLY	73	1				
1623-6052A4	GEAR HOUSING ASSEMBLY	67	1				
2104-2654A31	COWL FRONT COVER ASSEMBLY	7	1				
2104-5642A1	COWL FRONT COVER ASSEMBLY	7	1				
2114-3806	COWL, TOP	3	1				
2115-3919	COWL, BOTTOM	51	1				
2115-5269	COWL, BOTTOM	51	1				
2119-3248A6	WRAP AROUND COWL ASSEMBLY	7	9				