



# PARTS CATALOG

## 255 ENGINE

### SERIAL NUMBER

255 FORD 351 V-8 1973-1974 .....	3258728 THRU 4175499
255 MIE FORD 351 V-8 1973-1974 .....	3258728 THRU 4178299

# TABLE OF CONTENTS:

CARBURETOR ASSEMBLY (PAGE 1)	22
CARBURETOR ASSEMBLY (PAGE 2)	26
CRANKSHAFT, PISTON AND CONNECTING ROD	56
CYLINDER BLOCK, CYLINDER HEAD AND INTAKE MANIFOLD	50
DISTRIBUTOR ASSEMBLY, COMPLETE (MALLORY)	14
DISTRIBUTOR ASSEMBLY, COMPLETE (MERCURY)	10
ENGINE MOUNTING (STERN DRIVE)	38
ENGINE MOUNTING (STERN DRIVE)	40
EXHAUST MANIFOLD AND EXHAUST ELBOW	30
FLYWHEEL HOUSING AND OIL COOLER	34
FLYWHEEL HOUSING AND OIL COOLER	36
FUEL PUMP, FUEL FILTER AND CARBURETOR	18
OIL PUMP AND OIL PAN	54
PARTS INDEX	96
POWER STEERING COMPONENTS	78
POWER STEERING COMPONENTS (WITH "V" BELT)	74
REVERSE LOCK VALVE AND SHIFT ACTUATOR (STERN DRIVE)	90
ROCKER COVER, CAMSHAFT AND VALVES	46
SHIFT ACTUATOR ASSEMBLY, COMPLETE (STERN DRIVE)	92
STARTER MOTOR AND ALTERNATOR	2
TRANSMISSION AND ENGINE MOUNTING	64
TRANSMISSION AND ENGINE MOUNTING (INBOARD)	66
TRANSMISSION AND ENGINE MOUNTING (V-DRIVE)	72
TRANSMISSION AND RELATED PARTS (INBOARD)	60
TRANSMISSION AND RELATED PARTS (V-DRIVE)	68
TRANSMISSION ASSEMBLY (STERN DRIVE) (PAGE 1)	82
TRANSMISSION ASSEMBLY (STERN DRIVE) (PAGE 2)	86
WATER DISTRIBUTION HOSES	94
WATER PUMP ASSEMBLY, COMPLETE	42
WIRING HARNESS, CIRCUIT BREAKER AND STARTER SOLENOID (INBOARD)	6
WIRING HARNESS, CIRCUIT BREAKER AND STARTER SOLENOID (STERN)	8

**NOTE:** Indented description indicate that these parts are included in preceeding assembly.

**AR** = As Required

**NSS** = Not Sold Separate

**OPT** = Optional

**NS** = Not Shown

**THESE PARTS BOOKS/FICHE CARD ARE COPYRIGHTED AND MAY NOT BE DISTRIBUTED OR REPRODUCED IN ANY OTHER FORMAT BY ANYONE OTHER THAN MERCURY MARINE WITHOUT THE PRIOR WRITTEN CONSENT OF MERCURY MARINE.**

# **REPLACEMENT PARTS ! WARNING !**

Electrical, ignition and fuel system components on MerCruiser Engines and Stern Drives are designed and manufactured to comply with U.S. Coast Guard Rules and Regulations to minimize risks of fire or explosion. Use of replacement electrical, ignition or fuel system components, which do not comply to these rules and regulations, could result in a fire or explosion hazard and should be voided.

When servicing the electrical, ignition and fuel systems, it is extremely important that all components are properly installed and tightened. If not, any electrical or ignition component opening would permit sparks to ignite fuel vapors from fuel system leaks, if they existed.

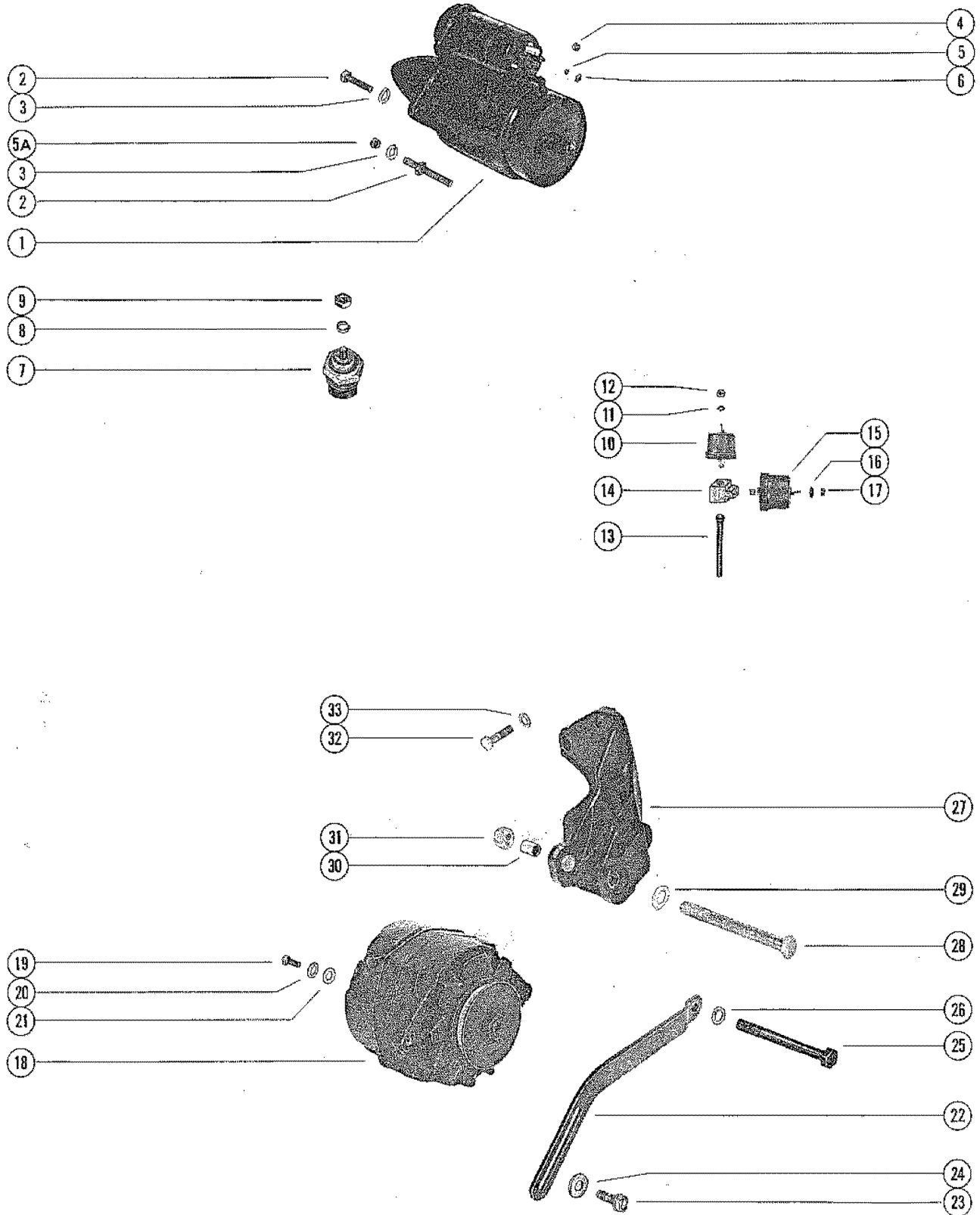
## **ENGINE MECHANICAL COMPONENTS**

Many of the engine mechanical components are designed for marine applications. Unlike automotive engines, marine engines are subjected to extended periods of heavy load and wide- open-throttle operation, therefore, require heavy-duty components. Special marine engine parts have design and manufacturing specifications, which are required to provide long life and dependable performance. Marine engine parts also must be able to resist the corrosive action of salt or brackish water that will rust or corrode standard automotive parts within a short period of time.

Failure to use recommended Mercury Precision Parts OR Quicksilver service replacement parts can result in poor engine performance and/or durability, rapid corrosion of parts subjected to salt water and possibly complete failure of the engine.

Use of parts other than recommended service replacement parts will void the warranty on those parts which are damaged as a result of the use of other than recommended parts.

# STARTER MOTOR AND ALTERNATOR

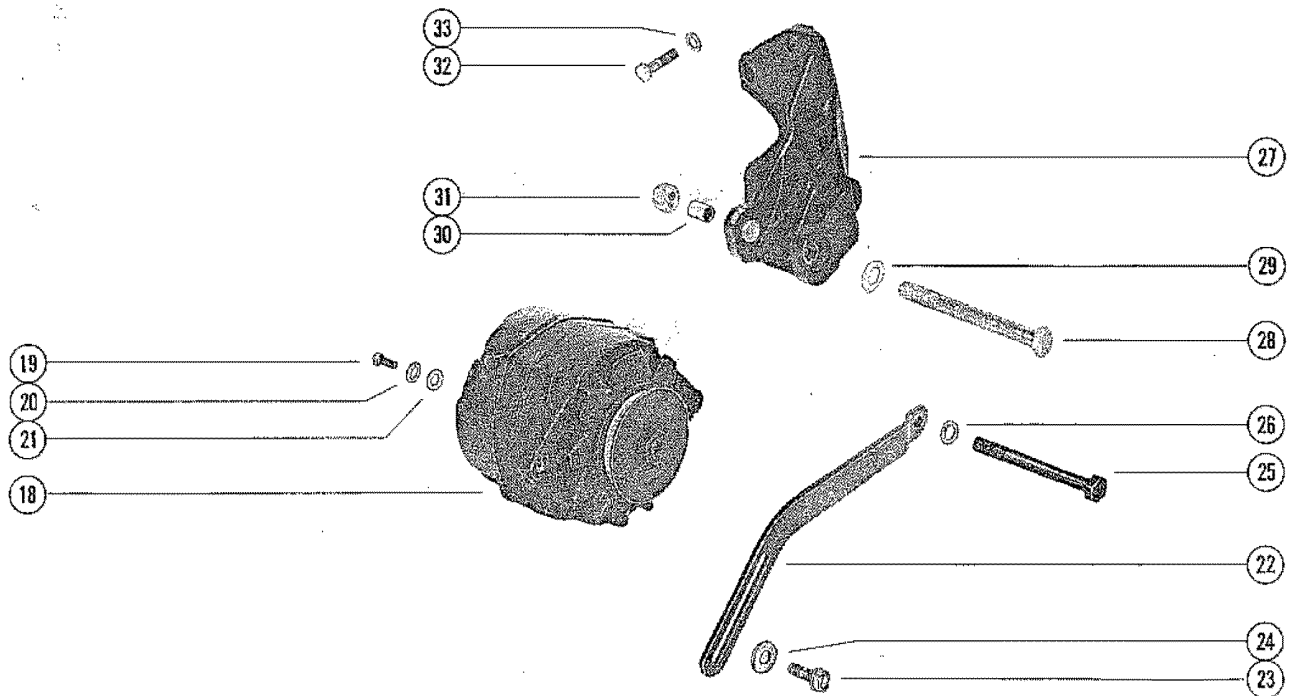
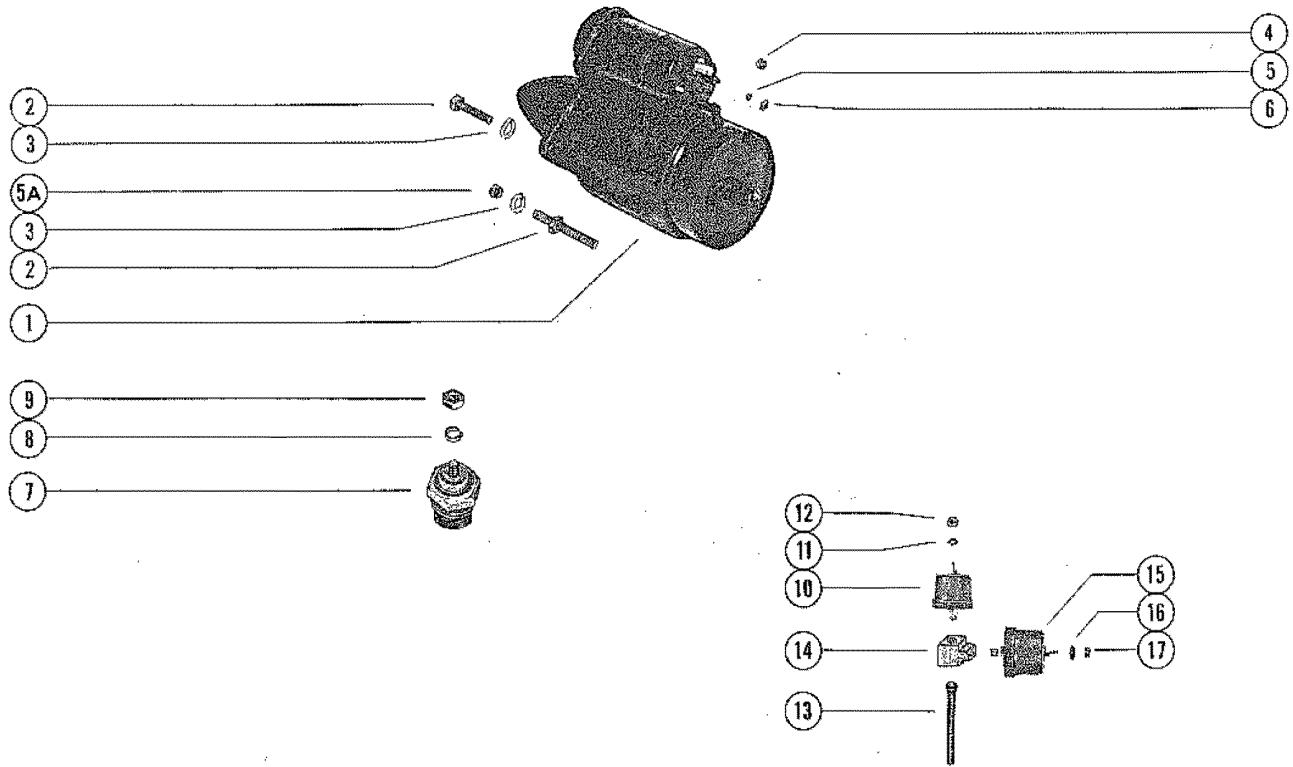


# STARTER MOTOR AND ALTERNATOR

REF. NO.	PART NO.	SYM.	QTY.	DESCRIPTION
1	50-65784A1		1	STARTER MOTOR ASSEMBLY (LEFT HAND CRANKSHAFT ROTATION) <b>SEE NOTE INBOARD</b>
	50-65785A1		1	STARTER MOTOR ASSEMBLY (RIGHT HAND CRANKSHAFT ROTATION) <b>SEE NOTE INBOARD</b>
2	10-47462		2	SCREW, STARTER MOTOR TO FLYWHEEL HOUSING (1 1/4") <b>INBOARD</b>
3	13-32993		2	LOCKWASHER, STARTER MOTOR SCREW <b>INBOARD</b>
4	11-28517		1	NUT, STARTER TERMINAL (3/8") <b>INBOARD</b>
5	13-26995		2	LOCKWASHER, STARTER TERMINAL (#8) <b>INBOARD</b>
6	11-26419		1	NUT, STARTER TERMINAL (#8) <b>INBOARD</b>
1	50-56886		1	STARTER MOTOR ASSEMBLY (LEFT HAND CRANKSHAFT ROTATION) <b>SEE NOTE STERN DRIVE</b>
2	10-26632		1	SCREW, STARTER MOTOR TO FLYWHEEL HOUSING (1 1/4") - LOWER <b>STERN DRIVE</b>
	16-64066		2	STUD, STARTER MOTOR TO FLYWHEEL HOUSING - UPPER <b>STERN DRIVE</b>
3	13-37459		5	LOCKWASHER, STARTER MOTOR SCREW AND STUD <b>STERN DRIVE</b>
5	13-26993		1	LOCKWASHER, STARTER MOTOR TERMINAL <b>STERN DRIVE</b>
5A	11-32219		1	NUT, STARTER MOTOR STUD <b>STERN DRIVE</b>
6	11-21908		1	NUT, STARTER MOTOR TERMINAL <b>STERN DRIVE</b>
7	34625		1	WATER TEMPERATURE SENDER ASSEMBLY
8	13-26996		1	LOCKWASHER, WATER TEMPERATURE SENDER TERMINAL (#10)
9	11-20645		1	NUT, WATER TEMPERATURE SENDER TERMINAL (#10)
10	34623		1	OIL PRESSURE SENDER ASSEMBLY (FOR GAUGE)
11	13-26996		1	LOCKWASHER, OIL PRESSURE SENDER TERMINAL (#10)
12	11-20645		1	NUT, OIL PRESSURE SENDER TERMINAL (#10)
13	22-54522		1	NIPPLE, OIL PRESSURE SENDER
14	22-56770		1	COUPLING, OIL PRESSURE SENDER <b>SERIAL 00000000-03415950</b>
	22-64485		1	FITTING, TEE - OIL PRESSURE SENDER <b>SERIAL 33523621-09999999</b>
15	38559		1	SWITCH, OIL PRESSURE (FOR IGNITION LIGHT) <b>SERIAL 33523621-09999999</b>
16	12-20878		1	WASHER, OIL PRESSURE SWITCH TERMINAL (#10) <b>SERIAL 33523621-09999999</b>
17	11-20645		1	NUT, OIL PRESSURE SWITCH TERMINAL (#10) <b>SERIAL 33523621-09999999</b>
18	59755		1	ALTERNATOR ASSEMBLY
19	10-20055		1	SCREW, WIRING HARNESS TO ALTERNATOR (3/8")
20	13-26996		1	LOCKWASHER, WIRING HARNESS SCREW
21	12-30164		1	WASHER, WIRING HARNESS SCREW
22	54479		1	BRACE, ALTERNATOR ADJUSTING
23	10-29198		1	SCREW, ALTERNATOR BRACE TO ALTERNATOR (7/8")
24	12-26168		1	WASHER, ALTERNATOR BRACE SCREW
25	10-55300		1	SCREW, ALTERNATOR BRACE TO CYLINDER BLOCK (5 1/4")

CONTINUED ON NEXT PAGE ➡

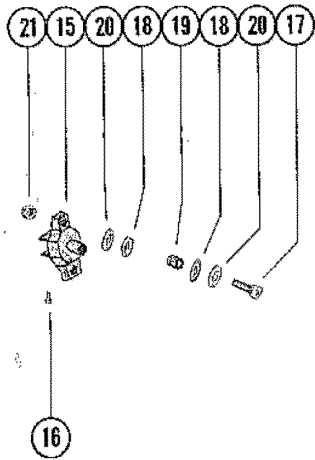
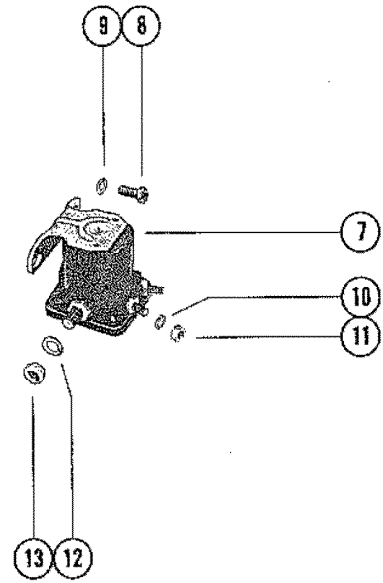
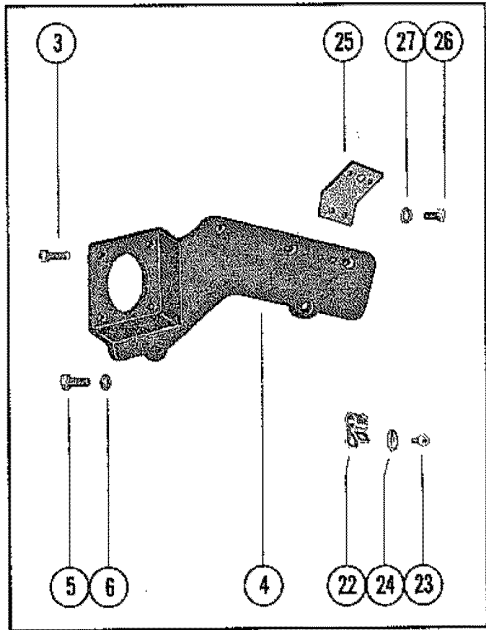
# STARTER MOTOR AND ALTERNATOR



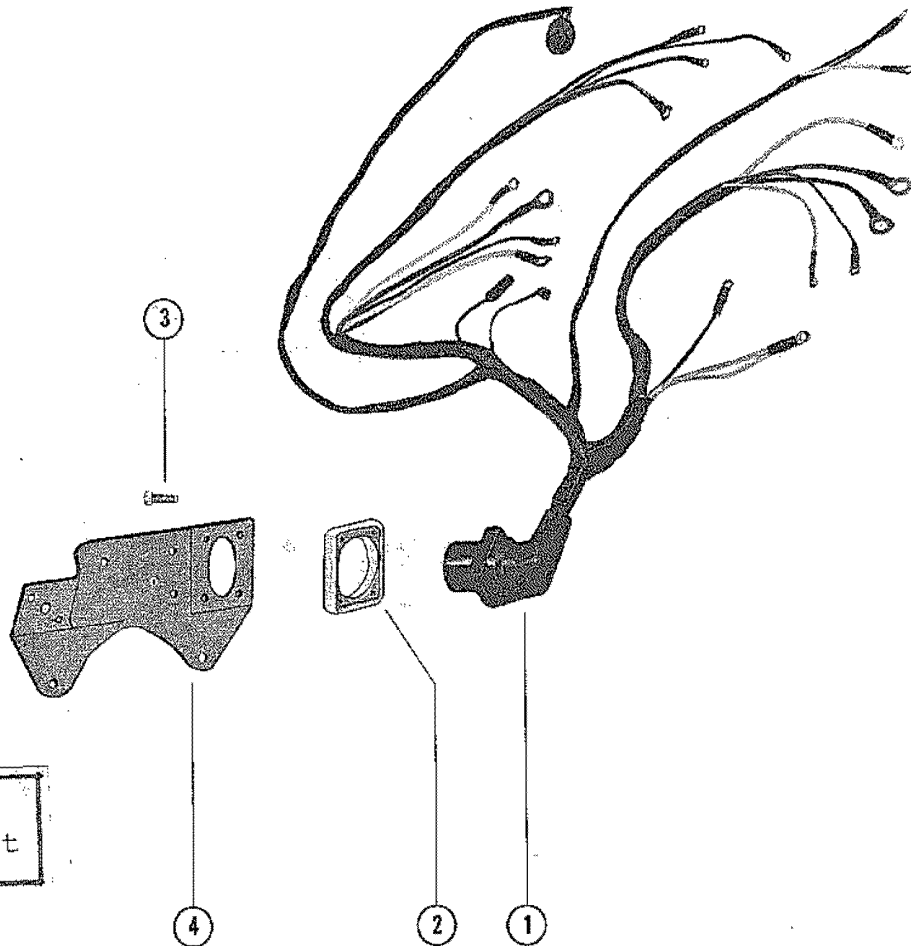
# STARTER MOTOR AND ALTERNATOR

REF. NO.	PART NO.	SYM.	QTY.	DESCRIPTION
26	13-39107		1	LOCKWASHER, ALTERNATOR BRACE SCREW
27	61859		1	BRACKET, ALTERNATOR MOUNTING (STERN DRIVE)
	54464		1	BRACKET, ALTERNATOR MOUNTING (INBOARD)
28	10-48308		1	SCREW, ALTERNATOR TO ALTERNATOR BRACKET
29	12-20553		2	WASHER, ALTERNATOR BRACKET SCREW
30	23-63764		1	BUSHING, ALTERNATOR BRACKET SCREW
31	11-23161		1	NUT, ALTERNATOR BRACKET SCREW
32	10-37612		2	SCREW, ALTERNATOR BRACKET TO TIMING COVER (1 1/4")
33	13-37459		2	LOCKWASHER, ALTERNATOR BRACKET SCREW

# WIRING HARNESS, CIRCUIT BREAKER AND STARTER SOLENOID (INBOARD)



84-94227A2  
Resistance Wire Kit

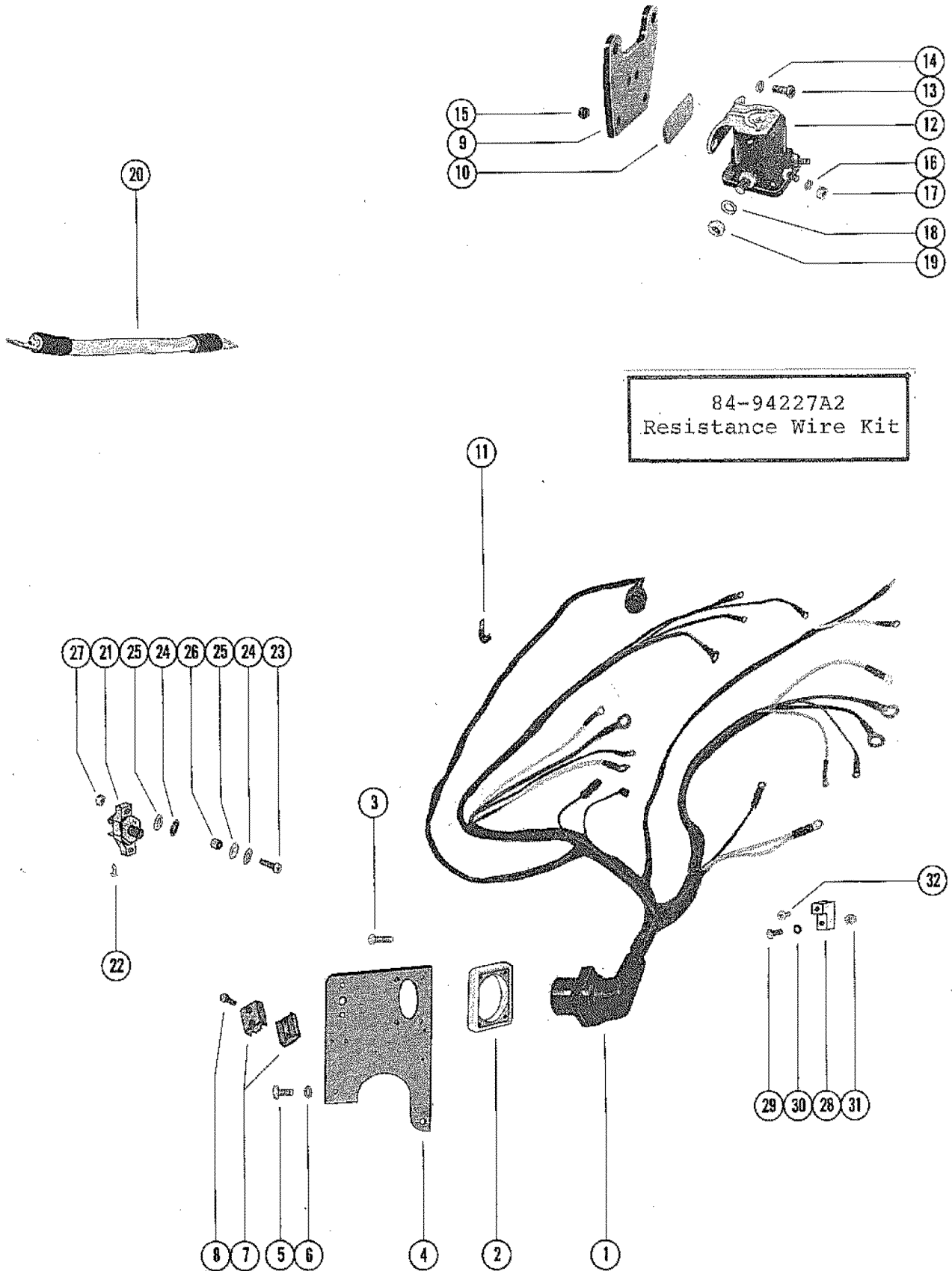




# WIRING HARNESS, CIRCUIT BREAKER AND STARTER SOLENOID (INBOAR

REF. NO.	PART NO.	SYM.	QTY.	DESCRIPTION
1	84-64600		1	WIRING HARNESS <b>SERIAL 00000000-03259127</b>
	84-64635		1	WIRING HARNESS <b>SERIAL 03603978-09999999</b>
2	26079		1	PLATE, WIRING HARNESS PLATE TO MOUNTING BRACKET (3/4")
4	54227		1	BRACKET, MOUNTING - ELECTRICAL <b>SERIAL 03603978-09999999</b>
5	10-21077		2	SCREW, MOUNTING BRACKET ATTACHING (7/8") <b>SERIAL 00000000-03259127</b>
6	13-35048		2	LOCKWASHER, MOUNTING BRACKET SCREW <b>SERIAL 03259127-09999999</b>
7	25661		1	STARTER SOLENOID <b>SERIAL 03259127-09999999</b>
8	10-28063		2	SCREW, STARTER SOLENOID TO MOUNTING BRACKET (5/8")
9	13-26992		2	LOCKWASHER, STARTER SOLENOID SCREW
10	13-26996		2	LOCKWASHER, STARTER SOLENOID TERMINAL *#10)
11	11-20645		2	NUT, STARTER SOLENOID TERMINAL (10-32)
12	13-26993		2	LOCKWASHER, STARTER SOLENOID TERMINAL (5/16")
13	11-20083		2	NUT, STARTER SOLENOID TERMINAL (5/16")
15	59816		1	CIRCUIT BREAKER
16	10-36046		2	SCREW< WIRING HARNESS LEAD TO TERMINAL (1/4")
17	10-47618		2	SCREW, CIRCUIT BREAKER TO BRACKET (1")
18	25-61999		4	GROMMET, CIRCUIT BREAKER SCREW
19	23-61998		2	SPACER, CIRCUIT BREAKER GROMMET
20	12-47960		4	WASHER, CIRCUIT BREAKER SCREW
21	11-46438		2	NUT, CIRCUIT BREAKER SCREW
22	54-37304		1	CLAMP, HARNESS TO MOUNTING BRACKET <b>SERIAL 33259127-09999999</b>
23	10-20031		1	SCREW, CLAMP TO MOUNTING BRACKET (1/2") <b>SERIAL 33259127-09999999</b>
24	13-26992		1	LOCKWASHER, CLAMP TO MOUNTING SCREW <b>SERIAL 33259127-09999999</b>
25	61969		1	BRACKET, CIRCUIT BREAKER <b>SERIAL 33259127-09999999</b>
26	10-47194		2	SCREW, CIRCUIT BREAKER BRACKET (9/16") <b>SERIAL 33259127-09999999</b>
27	13-26996		2	LOCKWASHER, BRACKET SCREW <b>SERIAL 33259127-09999999</b>

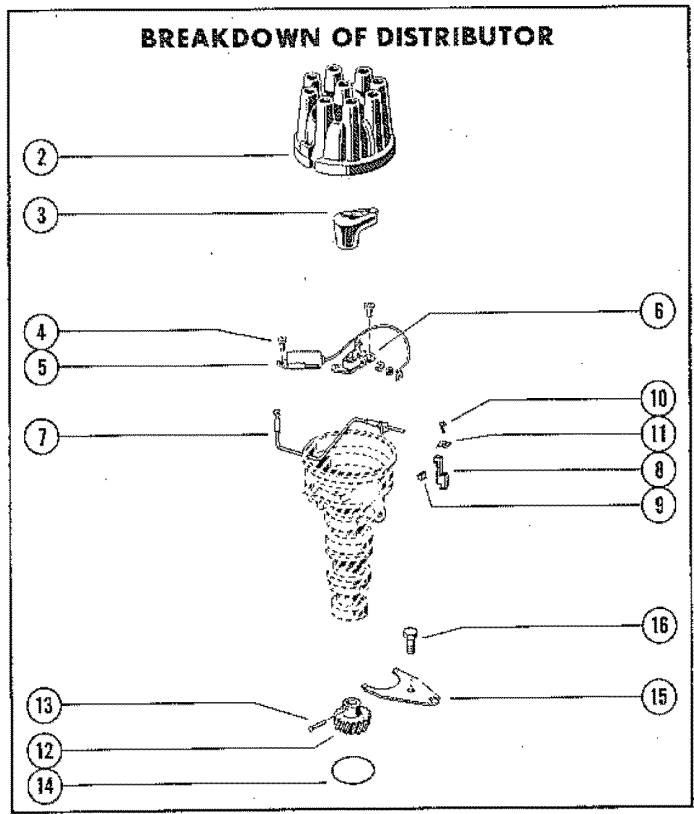
# WIRING HARNESS, CIRCUIT BREAKER AND STARTER SOLENOID (STERN)



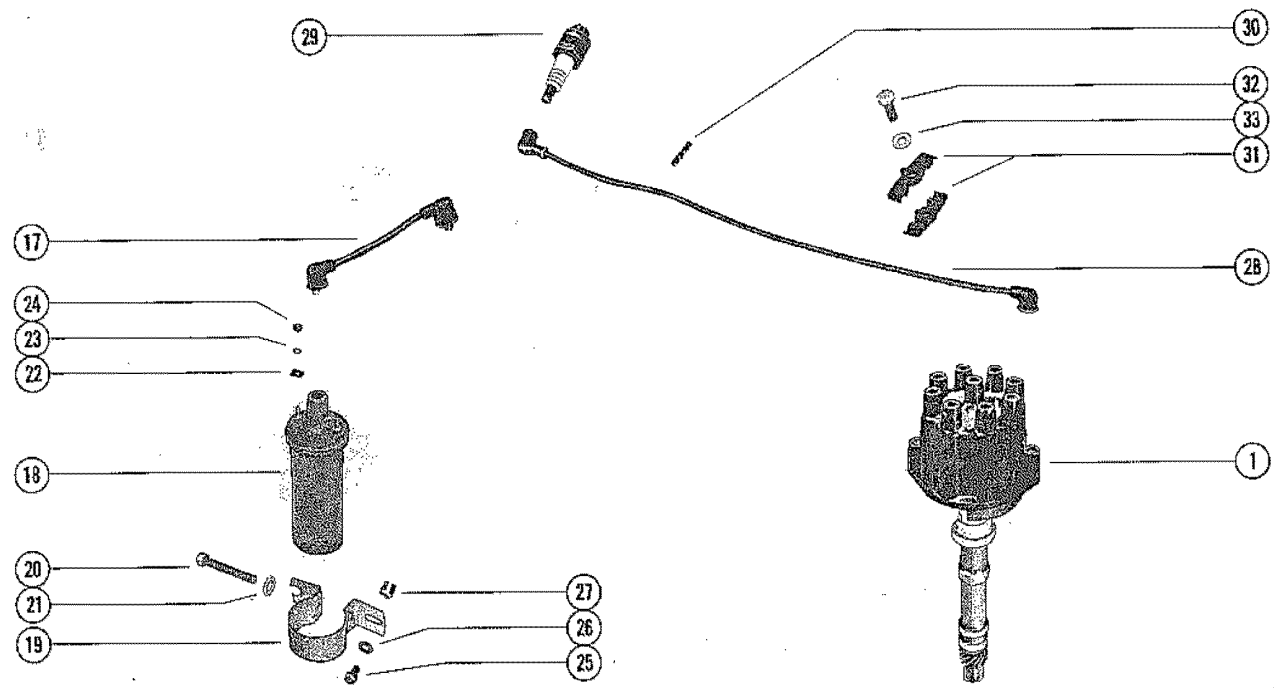
# WIRING HARNESS, CIRCUIT BREAKER AND STARTER SOLENOID (STERN

REF. NO.	PART NO.	SYM.	QTY.	DESCRIPTION
1	84-62137		1	WIRING HARNESS SERIAL 00000000-03415950
	84-64606		1	WIRING HARNESS SERIAL 03523621-09999999
2	26079		1	PLATE, WIRING HARNESS TO MOUNTING BRACKET
3	10-46718		1	SCREW, WIRING HARNESS PLATE TO MOUNTING BRACKET (3/4")
4	63087		1	BRACKET, MOUNTING - HARNESS AND CIRCUIT BREAKER
5	10-25038		2	SCREW, MOUNTING BRACKET ATTACHING (7/8")
6	13-26993		2	LOCKWASHER, MOUNTING BRACKET SCREW
7	39974		2	CONNECTOR, TRIM LEADS - MOUNTING BRACKET SERIAL 00000000-03415950
8	10-47815		2	SCREW, CONNECTOR TO BRACKET (3/4") SERIAL 00000000-03415950
7	86-63813		1	TERMINAL BLOCK, TRIM LEADS - MOUNTING BRACKET (NOT AS SHOWN SERIAL 03523621-09999999
8	10-48591		2	SCREW, TERMINAL BLOCK TO BRACKET (1/2") SERIAL 03523621-09999999
9	54869		1	BRACKET, MOUNTING - STARTER SOLENOID
10	36177		1	INSULATOR, SOLENOID TO MOUNTING BRACKET
11	54-47729		1	CLIP, WIRING HARNESS
12	65057		1	STARTER SOLENOID
13	10-22956		2	SCREW, STARTER SOLENOID TO MOUNTING BRACKET (7/8")
14	12-22937		2	WASHER, STARTER SOLENOID SCREW
15	11-20361		2	NUT, STARTER SOLENOID SCREW
16	13-26996		2	LOCKWASHER, STARTER SOLENOID TERMINAL (#10)
17	11-20645		2	NUT, STARTER SOLENOID TERMINAL (10-32)
18	13-26993		2	LOCKWASHER, STARTER SOLENOID TERMINAL (5/16")
19	11-20083		2	NUT, STARTER SOLENOID TERMINAL (5/16")
20	54979		1	CABLE, STARTER SOLENOID TO STARTER MOTOR (YELLOW - 9 1/2")
21	59816		1	CIRCUIT BREAKER
22	10-36046		2	SCREW, WIRING HARNESS LEAD TO CIRCUIT BREAKER
23	10-47618		2	SCREW, CIRCUIT BREAKER TO BRACKET (1")
24	25-61999		4	GROMMET, CIRCUIT BREAKER SCREW
25	12-47960		4	WASHER, CIRCUIT BREAKER SCREW
26	23-61998		2	SPACER, CIRCUIT BREAKER GROMMET
27	11-46438		2	NUT, CIRCUIT BREAKER SCREW
28	52418		1	TERMINAL BLOCK, NEUTRAL STARTER LEADS
29	10-21091		1	SCREW, TERMINAL BLOCK TO FLYWHEEL HOUSING (1")
30	13-26992		1	LOCKWASHER, TERMINAL BLOCK SCREW
31	11-24652		1	NUT, TERMINAL BLOCK SCREW
32	10-38792		1	SCREW, LEAD TO TERMINAL BLOCK

# DISTRIBUTOR ASSEMBLY, COMPLETE (MERCURY)



## MERCURY MARINE

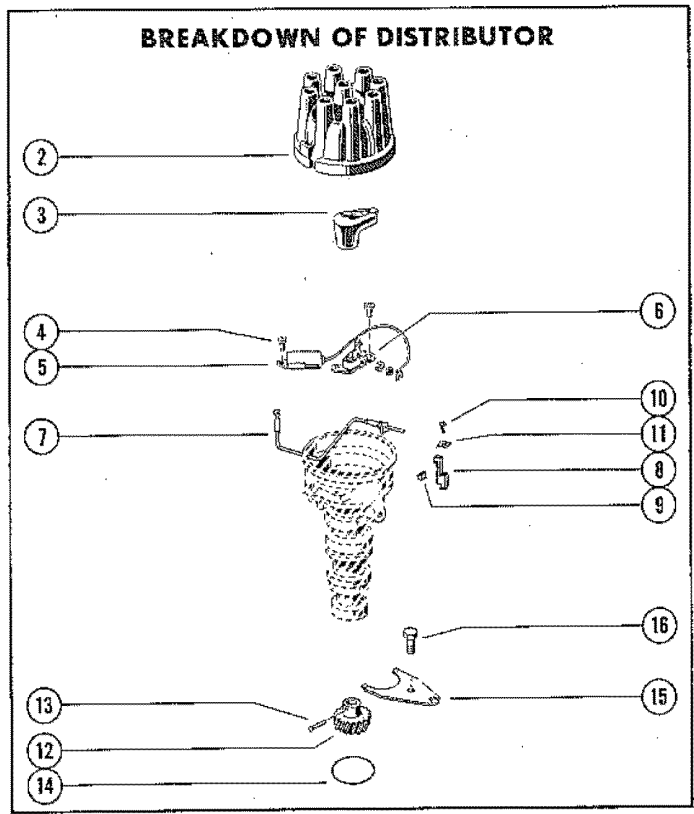


## DISTRIBUTOR ASSEMBLY, COMPLETE (MERCURY)

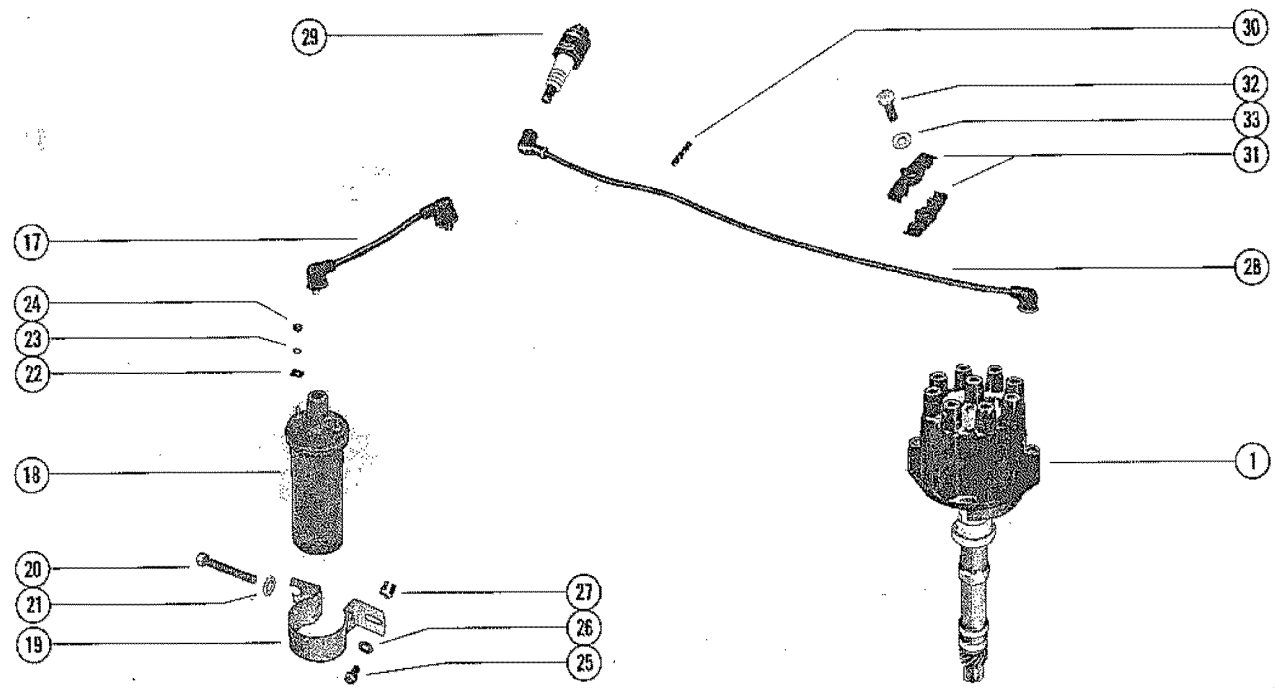
REF. NO.	PART NO.	SYM.	QTY.	DESCRIPTION
1	64026A2		1	DISTRIBUTOR ASSEMBLY, COMPLETE LEFT HAND <b>CRANKSHAFT ROTATION</b>
	64026A3		1	DISTRIBUTOR ASSEMBLY, COMPLETE RIGHT HAND <b>CRANKSHAFT ROTATION</b>
2	393-3230		1	CAP, DISTRIBUTOR
-	<b>37-54675</b>		1	<b>DECAL, DISTRIBUTOR CAP</b>
3	49924		1	ROTOR
4	10-36046		3	SCREW, BREAKER AND CONDENSER ATTACHING (1/4")
5	81-64851		1	CONDENSER
6	64850		1	BREAKER ASSEMBLY
7	84-64846		1	LEAD ASSEMBLY, PRIMARY TERMINAL
8	54-60048A2		2	CLAMP ASSEMBLY, DISTRIBUTOR CAP ATTACHING
9	54205		2	BUMPER, CLAMP
10	10-21335		2	SCREW, CLAMP TO DISTRIBUTOR (7/8")
11	13-26996		2	LOCKWASHER, DISTRIBUTOR CLAMP SCREW
12	43-64907		1	GEAR, DRIVE (LEFT HAND CRANKSHAFT ROTATION)
	43-64908		1	GEAR, DRIVE (RIGHT HAND CRANKSHAFT ROTATION)
13	17-58021		1	PIN, DRIVE GEAR
14	27-58025		1	"O" RING, DISTRIBUTOR
15	58258		1	CLAMP, DISTRIBUTOR TO INTAKE MANIFOLD
16	10-29198		1	SCREW, DISTRIBUTOR CLAMP ATTACHING (7/8")
17	84-65796		1	LEAD ASSEMBLY, DISTRIBUTOR TO COIL (8 1/2")
18	26433		1	COIL, IGNITION
19	33321		1	BRACKET, IGNITION COIL MOUNTING (NOT AS SHOWN)
20	10-33311		1	SCREW, BRACKET TO IGNITION COIL (1 1/2")
21	13-35048		1	LOCKWASHER, BRACKET SCREW
22	12-30164		2	WASHER, IGNITION COIL TERMINAL
23	13-26996		2	LOCKWASHER, IGNITION COIL TERMINAL
24	11-20645		2	NUT, IGNITION COIL TERMINAL
25	10-34613		1	SCREW, IGNITION COIL ATTACHING (1 3/4") STERN DRIVE
26	12-20553		1	WASHER, IGNITION COIL ATTACHING SCREW STERN DRIVE
27	23-60339		1	SPACER, IGNITION COIL ATTACHING SCREW STERN DRIVE
25	10-26332		1	SCREW, IGNITION COIL ATTACHING (1 1/4") INBOARD
26	12-20553		1	WASHER, IGNITION COIL ATTACHING SCREW INBOARD
27	23-36534		1	SPACER, IGNITION COIL ATTACHING SCREW INBOARD
28	84-65795--5		1	LEAD ASSEMBLY, HIGH TENSION (38 1/2") SERIAL AND BE <b>SERIAL 00000000-03838787</b>
	84-65795--8		1	LEAD ASSEMBLY, HIGH TENSION (37") <b>SERIAL 00000000-03838787</b>
	84-65795--4		1	LEAD ASSEMBLY, HIGH TENSION (34") <b>SERIAL 00000000-03838787</b>
	84-65795--1		1	LEAD ASSEMBLY, HIGH TENSION (31") <b>SERIAL 00000000-03838787</b>
	84-65795--2		2	LEAD ASSEMBLY, HIGH TENSION (28") <b>SERIAL 00000000-03838787</b>

CONTINUED ON NEXT PAGE ➡

# DISTRIBUTOR ASSEMBLY, COMPLETE (MERCURY)



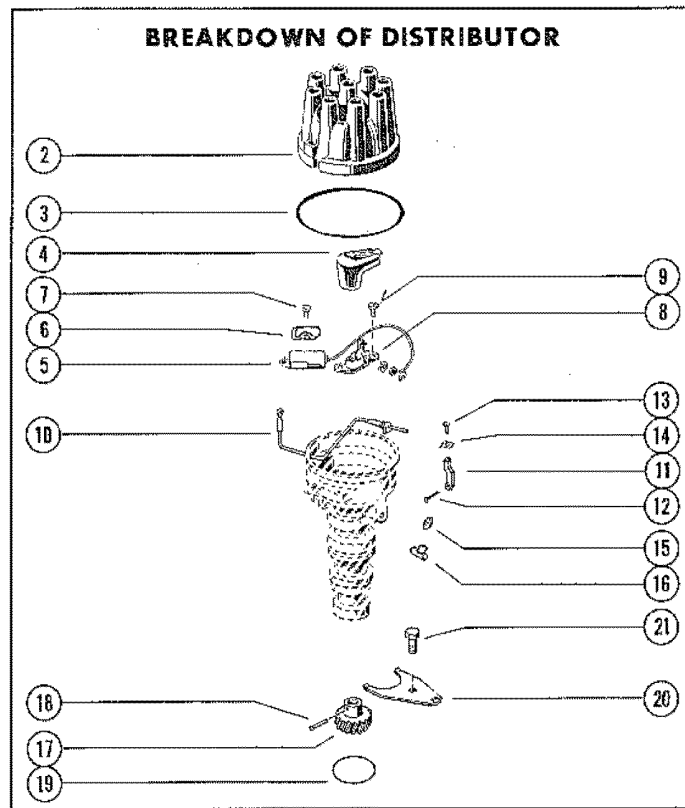
## MERCURY MARINE



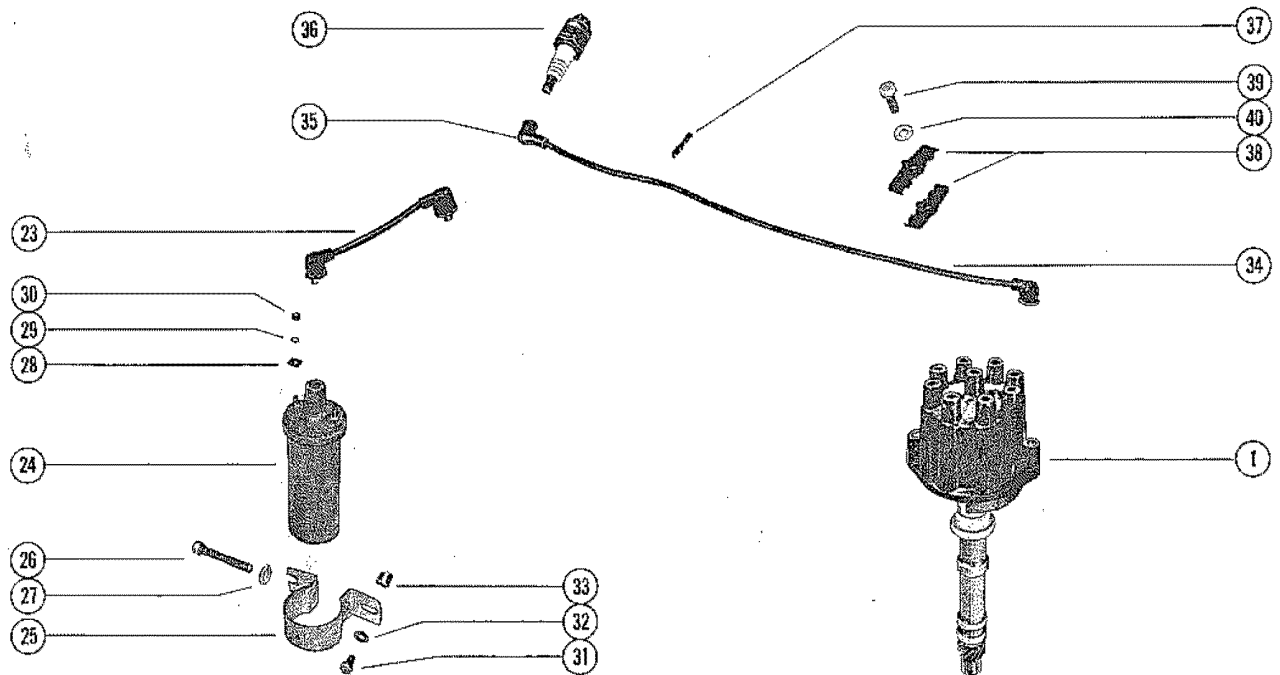
## DISTRIBUTOR ASSEMBLY, COMPLETE (MERCURY)

REF. NO.	PART NO.	SYM.	QTY.	DESCRIPTION
28	84-65795--7		2	LEAD ASSEMBLY, HIGH TENSION (24") <b>SERIAL 00000000-03838787</b>
	84-67957--5		1	LEAD ASSEMBLY, HIGH TENSION (38 1/2") SERIAL AND UP <b>SERIAL 03838788-09999999</b>
	84-67957--8		1	LEAD ASSEMBLY, HIGH TENSION (37") <b>SERIAL 03838788-09999999</b>
	84-67957--4		1	LEAD ASSEMBLY, HIGH TENSION (34") <b>SERIAL 03838788-09999999</b>
	84-67957--1		1	LEAD ASSEMBLY, HIGH TENSION (31") <b>SERIAL 03838788-09999999</b>
	84-67957--2		2	LEAD ASSEMBLY, HIGH TENSION (28") <b>SERIAL 03838788-09999999</b>
	84-67957--7		2	LEAD ASSEMBLY, HIGH TENSION (24") <b>SERIAL 03838788-09999999</b>
29	33-61783		8	SPARK PLUG (AC#C83T)
30	54676		2	RETAINER, HIGH TENSION LEADS (2 WIRE)
	32783		2	RETAINER, HIGH TENSION LEADS (3 WIRE)
	32784		2	RETAINER, HIGH TENSION LEADS (4 WIRE)
31	63192		4	RETAINER, HIGH TENSION LEADS
32	10-47462		2	SCREW, RETAINER ATTACHING (1 1/4")
33	12-34567		2	WASHER, RETAINER SCREW

# DISTRIBUTOR ASSEMBLY, COMPLETE (MALLORY)



**MALLORY**



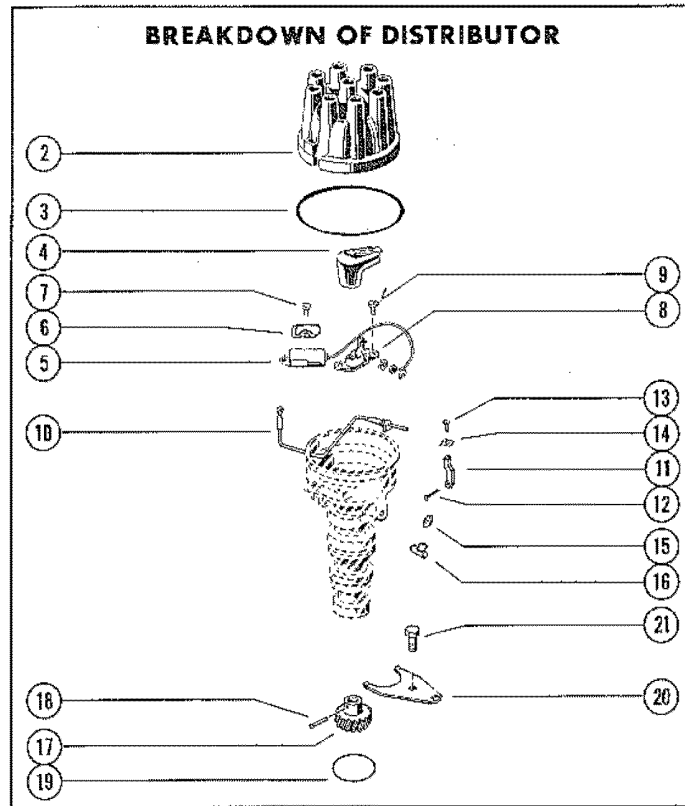


## DISTRIBUTOR ASSEMBLY, COMPLETE (MALLORY)

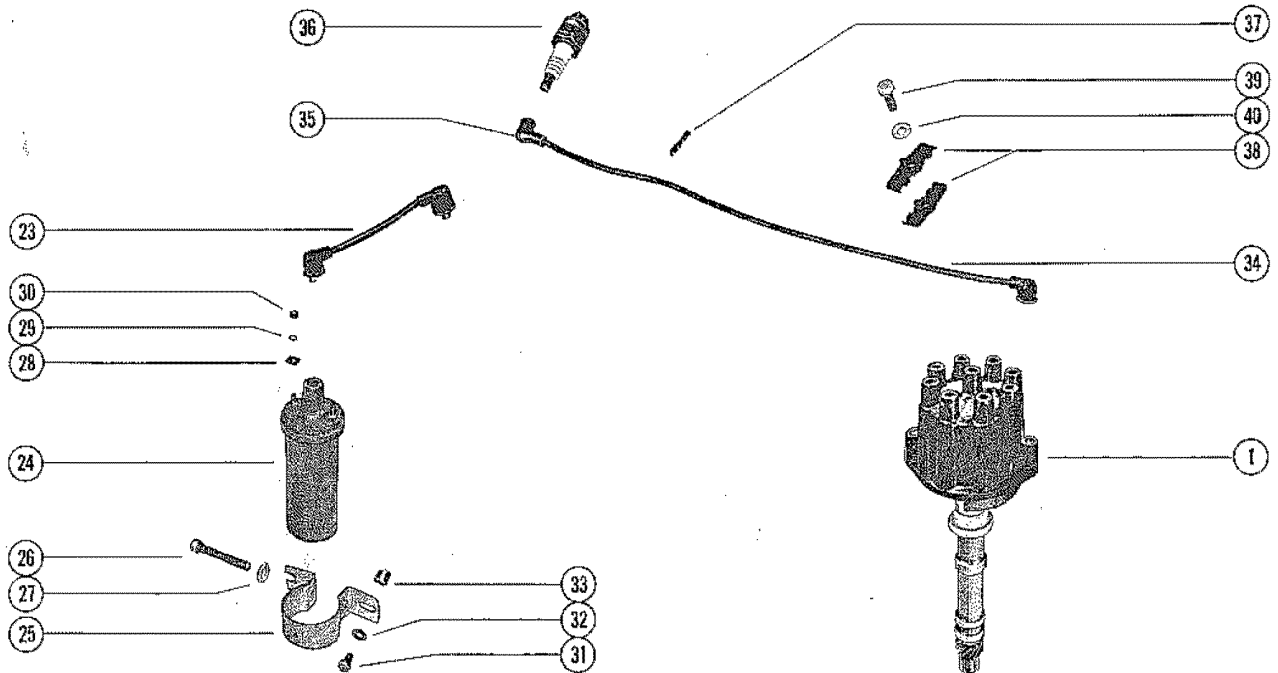
REF. NO.	PART NO.	SYM.	QTY.	DESCRIPTION
1	391-5073		1	DISTRIBUTOR ASSEMBLY, COMPLETE LEFT HAND <b>CRANKSHAFT ROTATION</b>
	391-5074		1	DISTRIBUTOR ASSEMBLY, COMPLETE RIGHT HAND <b>CRANKSHAFT ROTATION</b>
2	391-5075		1	CAP, DISTRIBUTOR
-	<b>37-61593</b>		1	<b>DECAL, DISTRIBUTOR CAP</b>
3	391-5076		1	GASKET, DISTRIBUTOR CAP
4	391-5088		1	ROTOR
5	391-5092		1	CONDENSER
6	391-5093		1	BRACKET, CONDENSER ATTACHING
7	391-5091		1	SCREW, CONDENSER BRACKET ATTACHING
8	391-5090		1	BREAKER ASSEMBLY
9	391-5089		1	SCREW, BREAKER ATTACHING
10	391-5077		1	LEAD ASSEMBLY, PRIMERY TERMINAL
11	391-5085		2	CLAMP, DISTRIBUTOR CAP ATTACHING
12	391-5084		2	PIN, CLAMP TO DISTRIBUTOR
13	391-5087		2	SCREW, DISTRIBUTOR CAP ATTACHING
14	391-5086		2	WASHER, DISTRIBUTOR CAP SCREW
15	391-5083		2	VENT, SCREEN
16	391-5080		1	OILER
17	391-5094		1	GEAR, DRIVE (LEFT HAND CRANKSHAFT ROTATION)
	391-5095		1	GEAR, DRIVE (RIGHT HAND CRANKSHAFT ROTATION)
18	391-5079		1	PIN, DRIVE GEAR
19	391-2081		1	"O" RING, DISTRIBUTOR
20	58258		1	CLAMP, DISTRIBUTOR TO INTAKE MANIFOLD
21	10-29198		1	SCREW, DISTRIBUTOR CLAMP ATTACHING (7/8")
23	84-61891		1	LEAD ASSEMBLY, DISTRIBUTOR TO COIL (8 1/2")
24	26433		1	COIL, IGNITION
25	33321		1	BRACKET, IGNITION COIL MOUNTING (NOT AS SHOWN)
26	10-33311		1	SCREW, BRACKET TO IGNITION COIL (1 1/2")
27	13-35048		1	LOCKWASHER, BRACKET SCREW
28	12-30164		2	WASHER, IGNITION COIL TERMINAL
29	13-26996		2	LOCKWASHER, IGNITION COIL TERMINAL
30	11-20645		2	NUT, IGNITION COIL TERMINAL
31	10-34613		1	SCREW, IGNITION COIL ATTACHING (1 3/4") STERN DRIVE
32	12-20553		1	WASHER, IGNITION COIL ATTACHING SCREW STERN DRIVE
33	23-60339		1	SPACER, IGNITION COIL ATTACHING SCREW STERN DRIVE
31	10-26632		1	SCREW, IGNITION COIL ATTACHING (1 1/4") INBOARD
32	12-20553		1	WASHER, IGNITION COIL ATTACHING SCREW INBOARD
33	23-36534		1	SPACER, IGNITION COIL ATTACHING SCREW INBOARD
34	84-61801A4		2	LEAD ASSEMBLY, HIGH TENSION (41")
	84-61801A3		2	LEAD ASSEMBLY, HIGH TENSION (36 1/2")
	84-61801A2		2	LEAD ASSEMBLY, HIGH TENSION (30")
	84-61801A1		2	LEAD ASSEMBLY, HIGH TENSION (27")

CONTINUED ON NEXT PAGE ➡

# DISTRIBUTOR ASSEMBLY, COMPLETE (MALLORY)



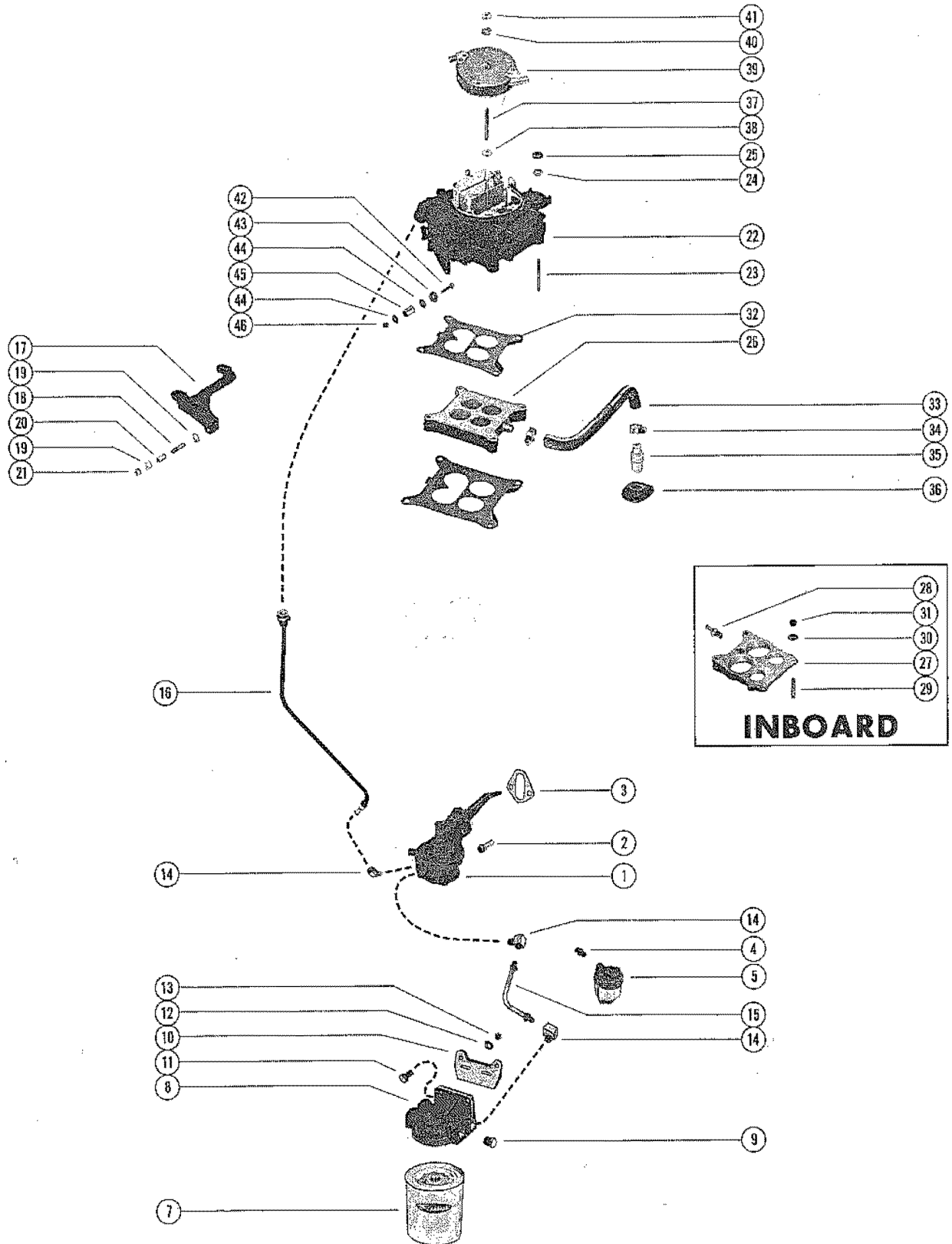
**MALLORY**



## DISTRIBUTOR ASSEMBLY, COMPLETE (MALLORY)

REF. NO.	PART NO.	SYM.	QTY.	DESCRIPTION
35	47604A1		8	PROTECTOR, SPARK PLUG
36	33-61783		8	SPARK PLUG (AC#C83T)
37	54676		2	RETAINER, HIGH TENSION LEADS (2 WIRE)
	32783		2	RETAINER, HIGH TENSION LEADS (3 WIRE)
	32784		2	RETAINER, HIGHT ENSION LEADS (4 WIRE)
38	63192		4	RETAINER, HIGH TENSION LEADS
39	10-47462		2	SCREW, RETAINER ATTACHING (1 1/4")
40	12-34567		2	WASHER, RETAINER SCREW

# FUEL PUMP, FUEL FILTER AND CARBURETOR

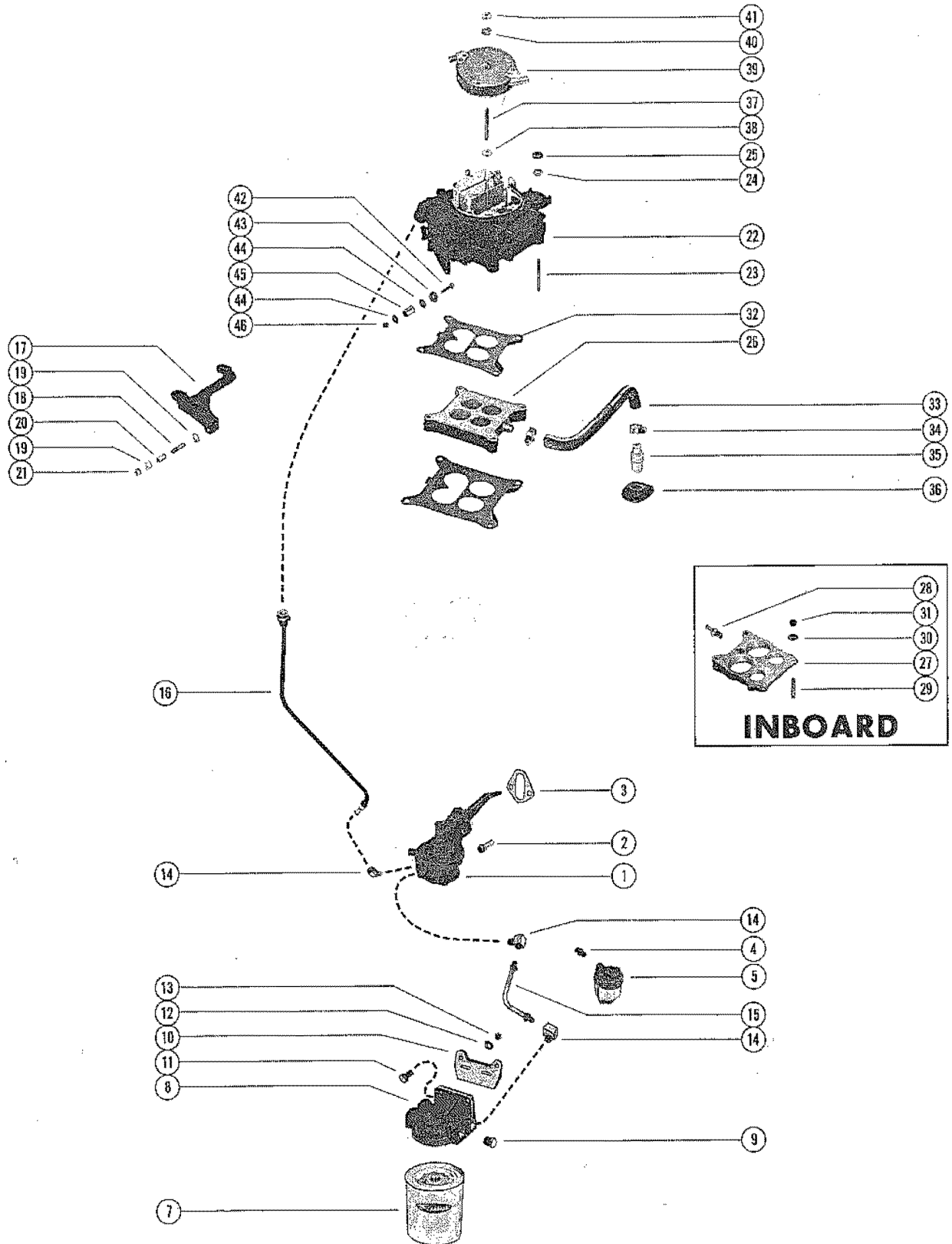


# FUEL PUMP, FUEL FILTER AND CARBURETOR

REF. NO.	PART NO.	SYM.	QTY.	DESCRIPTION
1	62092		1	FUEL PUMP ASSEMBLY
2	10-56882		2	SCREW, FUEL PUMP TO CYLINDER BLOCK (1 1/2")
3	27-34213		1	GASKET, FUEL PUMP
4	22-32876		1	NIPPLE, SIGHT GLASS TO FUEL PUMP
5	47816		1	SIGHT GLASS
7	35-60494		1	FUEL FILTER
8	55481		1	BASE, FUEL FILTER
9	22-36382		2	PLUG, PIPE - FUEL FILTER BASE
10	54646		1	BRACKET, MOUNTING - FUEL FILTER
11	10-20639		2	SCREW, FUEL FILTER TO MOUNTING BRACKET (1 1/8")
12	12-20084		2	WASHER, FUEL FILTER SCREW
13	11-35814		2	NUT, FUEL FILTER SCREW
14	22-33821		3	FITTING, FUEL LINE TO FUEL PUMP, FUEL FILTER AND CARBURETOR
15	32-61817		1	FUEL LINE, FUEL FILTER TO FUEL PUMP (STEEL TUBING) <b>STERN DRIVE</b>
	32-64967		1	FUEL LINE, FUEL FILTER TO FUEL PUMP (STEEL TUBING) <b>INBOARD</b>
16	32-62874		1	FUEL LINE, PUMP TO CARBURETOR) <b>STERN DRIVE AND V-DRIVE</b>
	32-64375		1	FUEL LINE, FUEL PUMP TO CARBURETOR (STEEL TUBING) <b>INBOARD</b>
17	54807		1	BRACKET, MOUNTING - THROTTLE CABLE
18	16-35897		1	STUD, THROTTLE CABLE TO MOUNTING BRACKET (1 11/16")
19	12-21631		2	WASHER, THROTTLE CABLE STUD
20	23-31866		1	SPACER, THROTTLE CABLE STUD
21	11-20586		1	NUT, THROTTLE CABLE STUD
22	1356-5169		1	CARBURETOR ASSEMBLY
23	16-63004		2	STUD, CARBURETOR TO INTAKE MANIFOLD (2 5/8") STERN DRIVE
	16-63003		2	STUD, CARBURETOR TO INTAKE MANIFOLD (3 1/4") STERN DRIVE
24	12-20084		4	WASHER, CARBURETOR STUD STERN DRIVE
25	11-46793		4	NUT, CARBURETOR STUD STERN DRIVE
26	56885		1	SPACER, CARBURETOR STERN DRIVE
27	54554		1	WEDGE, CARBURETOR MOUNTING INBOARD
28	22-38939		1	FITTING, CARBURETOR WEDGE INBOARD
29	16-53724		2	STUD, CARBURETOR MOUNTING (1 3/4") INBOARD
	16-46857		2	STUD, CARBURETOR MOUNTING (1 7/8") INBOARD
	16-63332		2	STUD, CARBURETOR MOUNTING (1 1/4") INBOARD
30	12-20084		6	WASHER CARBURETOR MOUNTING STUD INBOARD
31	11-46793		6	NUT, CARBURETOR MOUNTING STUD
32	27-65577		2	GASKET, CARBURETOR
33	32-64790		1	HOSE, CARBURETOR
34	54-32523		2	CLAMP, HOSE ATTACHING

CONTINUED ON NEXT PAGE ➡

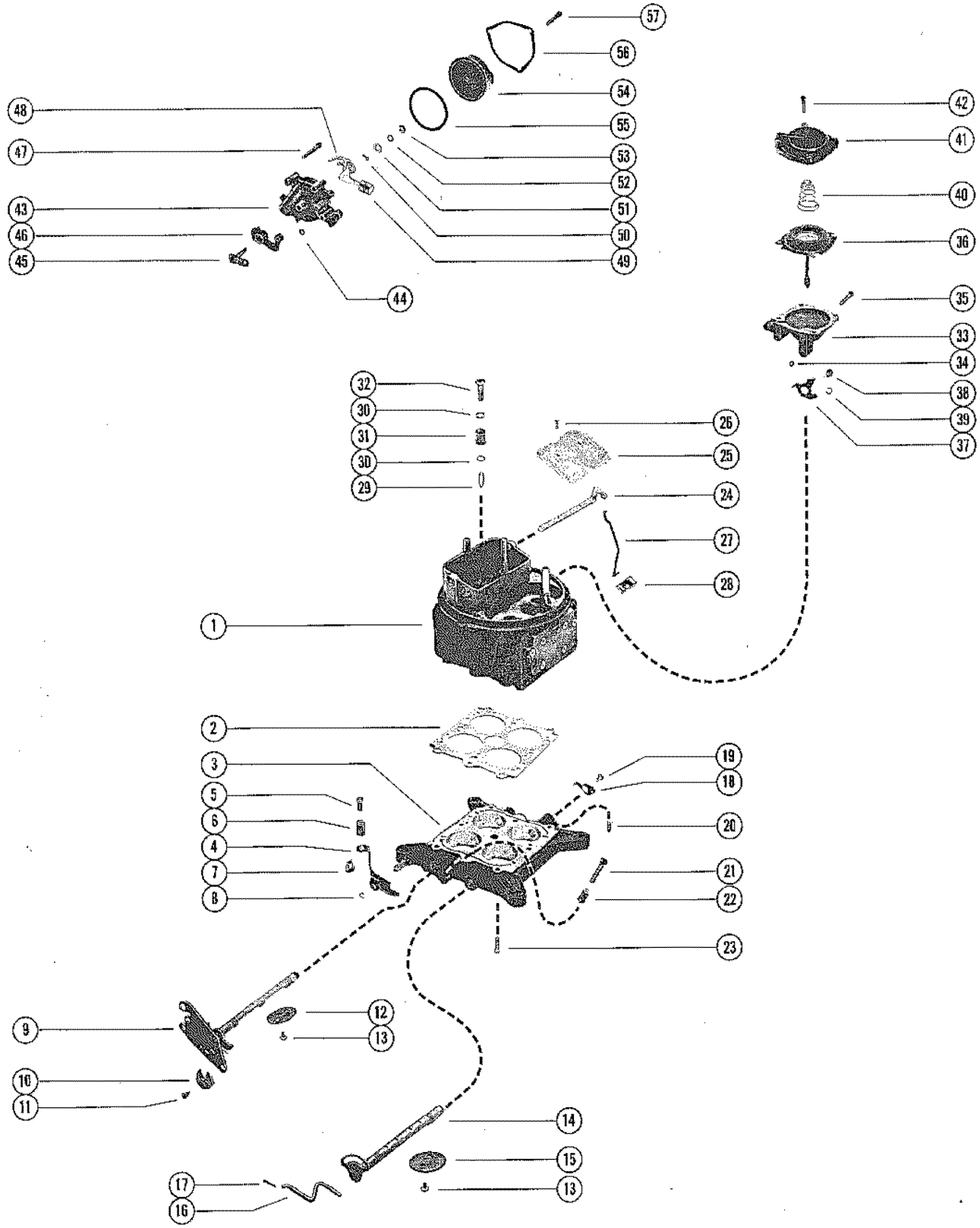
# FUEL PUMP, FUEL FILTER AND CARBURETOR



## FUEL PUMP, FUEL FILTER AND CARBURETOR

REF. NO.	PART NO.	SYM.	QTY.	DESCRIPTION
35	56863		1	VALVE, HOSE TO ROCKER COVER
36	25-56877		1	GROMMET, ROCKER COVER TO HOSE
37	16-20500		1	STUD, FLAME ARRESTOR MOUNTIING - CARBURETOR (2 1/4")
38	11-28941		1	NUT, JAM - FLAME ARRESTOR MOUNTING STUD (BOTTOM)
39	62312		1	FLAME ARRESTOR, CARBURETOR (NOT AS SHOWN)
40	12-22937		1	WASHER, FLAME ARRESTOR STUD
41	11-20586		1	NUT, FLAME ARRESTOR STUD
42	10-37892		1	SCREW, THROTTLE CABLE TO CARBURETOR (1")
43	12-26907		1	WASHER, THROTTLE CABLE SCREW
44	12-20128		2	WASHER, THROTTLE CABLE SCREW
45	23-57938		1	BUSHING, THROTTLE CABLE SCREW
46	11-45812		1	NUT, THROTTLE CABLE SCREW

# CARBURETOR ASSEMBLY (PAGE 1)



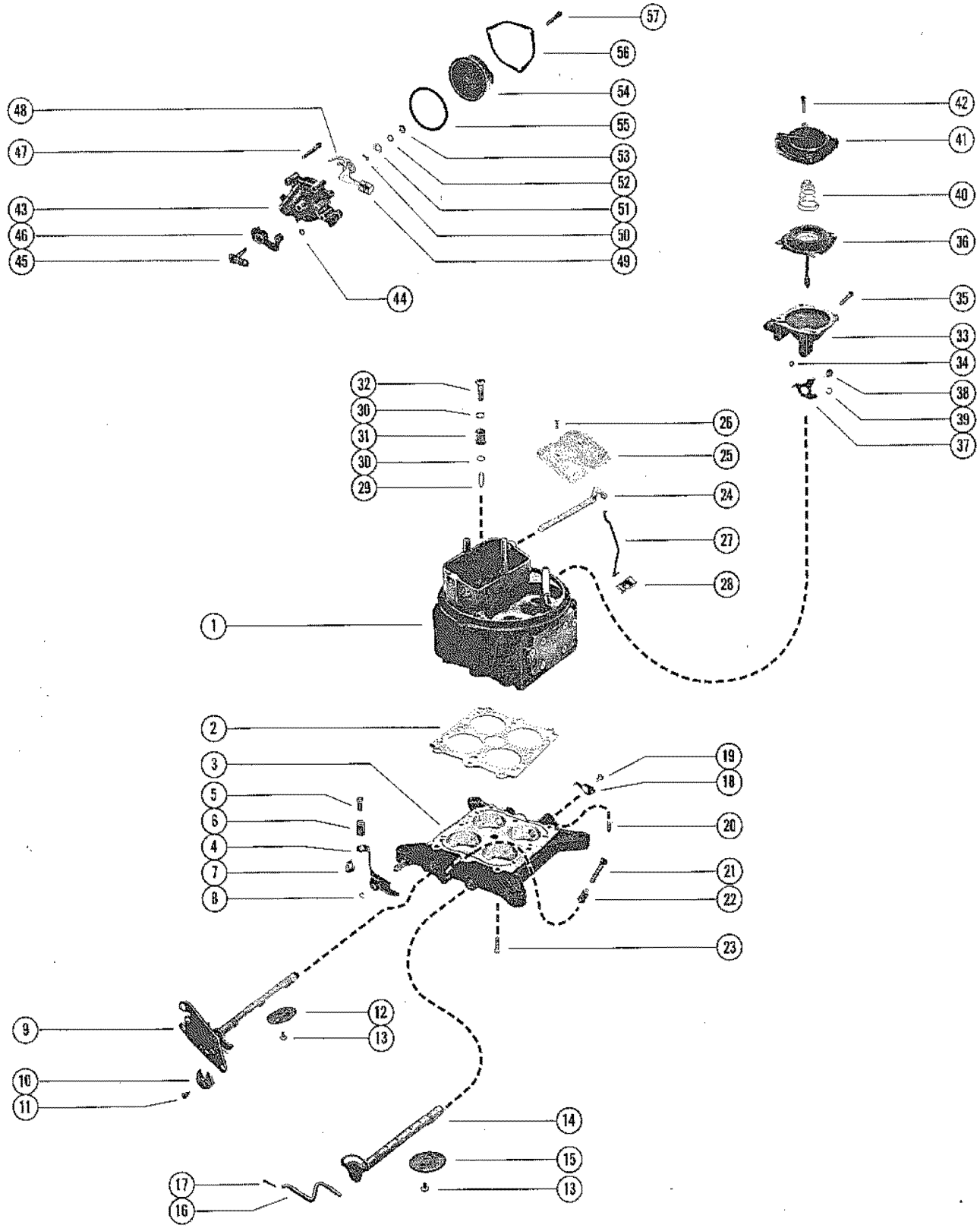


## CARBURETOR ASSEMBLY (PAGE 1)

REF. NO.	PART NO.	SYM.	QTY.	DESCRIPTION
1	1356-5169		1	CARBURETOR ASSEMBLY, COMPLETE (SEE NOTE
2			1	GASKET, THROTTLE BODY
3	1396-5158		1	THROTTLE BODY ASSEMBLY
4	1396-4155		1	LDVER, FUEL PUMP ACTUATING
5	1396-4133		1	SCREW, PUMP LEVER ADJUSTING
6	1396-4105		1	SPRING, PUMP LEVER ADJUSTING SCREW
7	1396-4089		1	NUT, PUMP LEVER ADJUSTING SCREW
8			1	RETAINER, PUMP LEVER
9	N.S.S.		1	ROD, PRIMARY (NOT SOLD SEPARATELY)
10	1396-5166		1	CAM, FUEL PUMP
11	1396-4135		1	SCREW, PUMP CAM ATTACHING
12	1396-5157		2	VALVE, PRIMARY THROTTLE
13			8	SCREW, THROTTLE VALVE ATTACHING
14	N.S.S.		1	ROD, SECONDARY (NOT SOLD SEPARATELY)
15	1396-5156		2	VALVE, SECONDARY THROTTLE
16	1396-4146		1	ROD, SECONDARY CONNECTING
17			1	COTTER PIN, CONNECTING ROD
18	1396-4144		1	LEVER, SECONDARY STOP
19	1396-4131		1	SCREW, SECONDARY STOP LEVER ATTACHING
20	1396-4127		1	SCREW, SECONDARY STOP
21	1396-4123		1	SCREW, THROTTLE STOP
22	1396-4102		1	SPRING, THROTTLE STOP SCREW
23	1396-4128		8	SCREW, THROTTLE BOTY ATTACHING
24	1396-4643		1	CHOKE SHAFT AND LEVER ASSEMBLY
25	1396-4116		1	VALVE, CHOKE
26			2	SCREW, CHOKE VALVE TO CHOKE SHAFT
27	1396-4145		1	LINK, CHOKE
28			1	SEAL, CHOKE LINK
29			1	VALVE, PUMP DISCHARGE
30			2	GASKET, DISCHARGE NOZZLE
31			1	NOZZLE, PUMP DISCHARGE
32	1396-4138		1	SCREW, DISCHARGE NOZZLE
33	1396-5167		1	HOUSING, SECONDARY DIAPHRAGM
34			1	GASKET, SECONDARY DIAPHRAGM HOUSING
35	1396-4129		3	SCREW, SECONDARY DIAPHRAGM HOUSING ATTACHING
36			1	DIAPHRAGM ASSEMBLY, SECONDARY
37	1396-4154		1	LEVER, SECONDARY DIAPHGRAGM
38	1396-4131		1	SCREW, ADJUSTING - SECONDARY DIAPHRAGM LEVER
39			1	RETAINER, SECONDARY DIAPHRAGM LEVER
40	1396-5165		1	SPRING, RETURN - SECONDARY DIAPHRAGM
41	1396-4094		1	COVER, SECONDARY DIAPHRAGM HOUSING
42	1396-4124		4	SCREW, SECONDARY DIAPHRAGM COVER ATTACHING
43	1396-4649		1	HOUSING ASSEMBLY, CHOKE

CONTINUED ON NEXT PAGE ➡

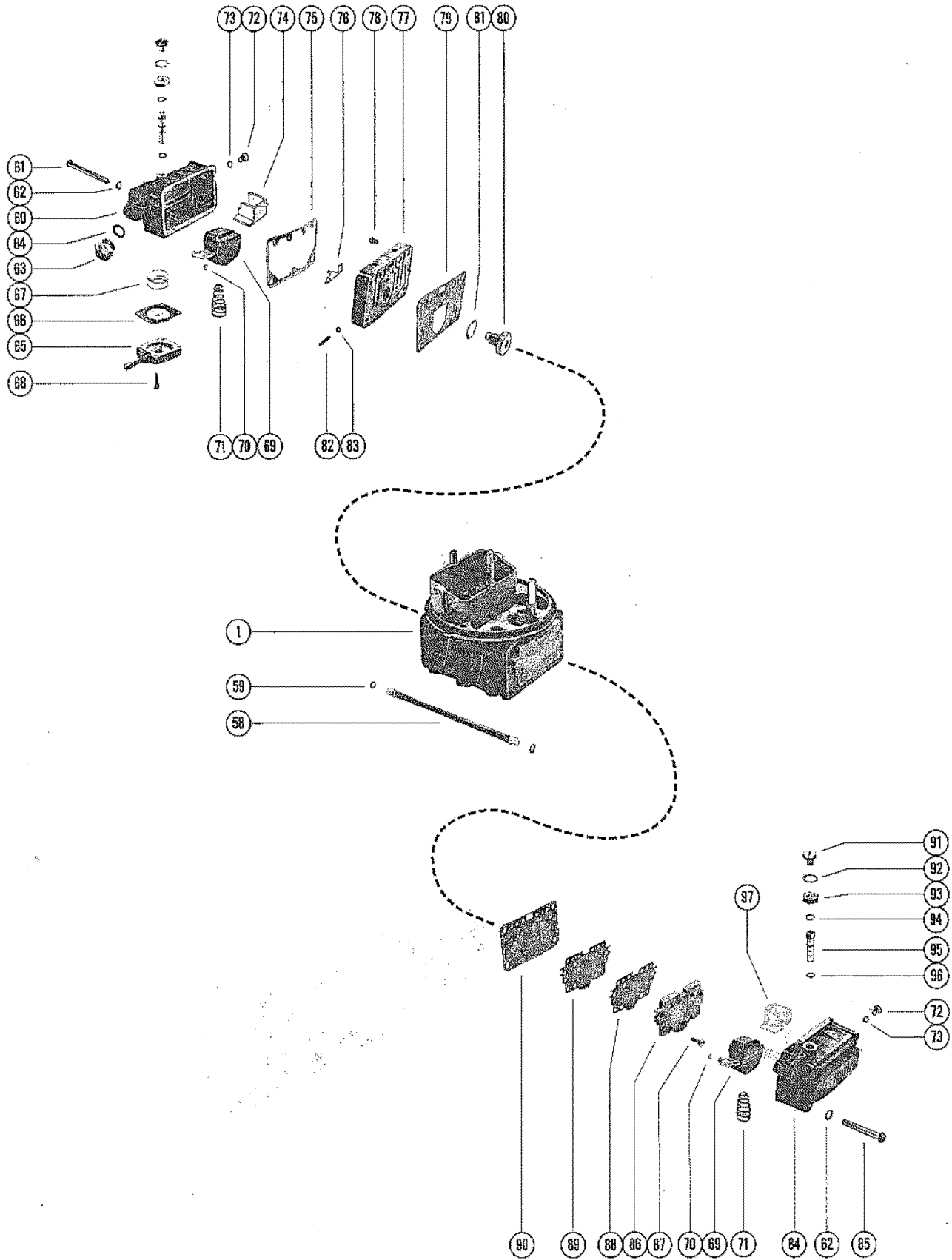
# CARBURETOR ASSEMBLY (PAGE 1)



## CARBURETOR ASSEMBLY (PAGE 1)

REF. NO.	PART NO.	SYM.	QTY.	DESCRIPTION
44			2	GASKET, CHOKE HOUSING
45	1396-4119		1	SHAFT ASSEMBLY, CHOKE HOUSING
46	1396-4118		1	LEVER, PICK-UP - FAST IDLE
47	1396-4130		3	SCREW, CHOKE HOUSING ATTACHING
48	1396-4120		1	LEVER, CHOKE THERMOSTAT
49	1396-4121		1	LINK AND PISTON ASSEMBLY
50			1	RETAINER, CHOKE LEVER
51	1396-4142		1	SPACER, CHOKE LEVER
52	1396-4147		1	LOCKWASHER, CHOKE LEVER
53	1396-4141		1	NUT, CHOKE LEVER
54	1396-4148		1	HOUSING ASSEMBLY, THERMOSTAT
55			1	GASKET, THERMOSTAT HOUSING
56	1396-4149		1	CLAMP, THERMOSTAT HOUSING
57	1396-4122		3	SCREW, THERMOSTAT HOUSING ATTACHING

# CARBURETOR ASSEMBLY (PAGE 2)

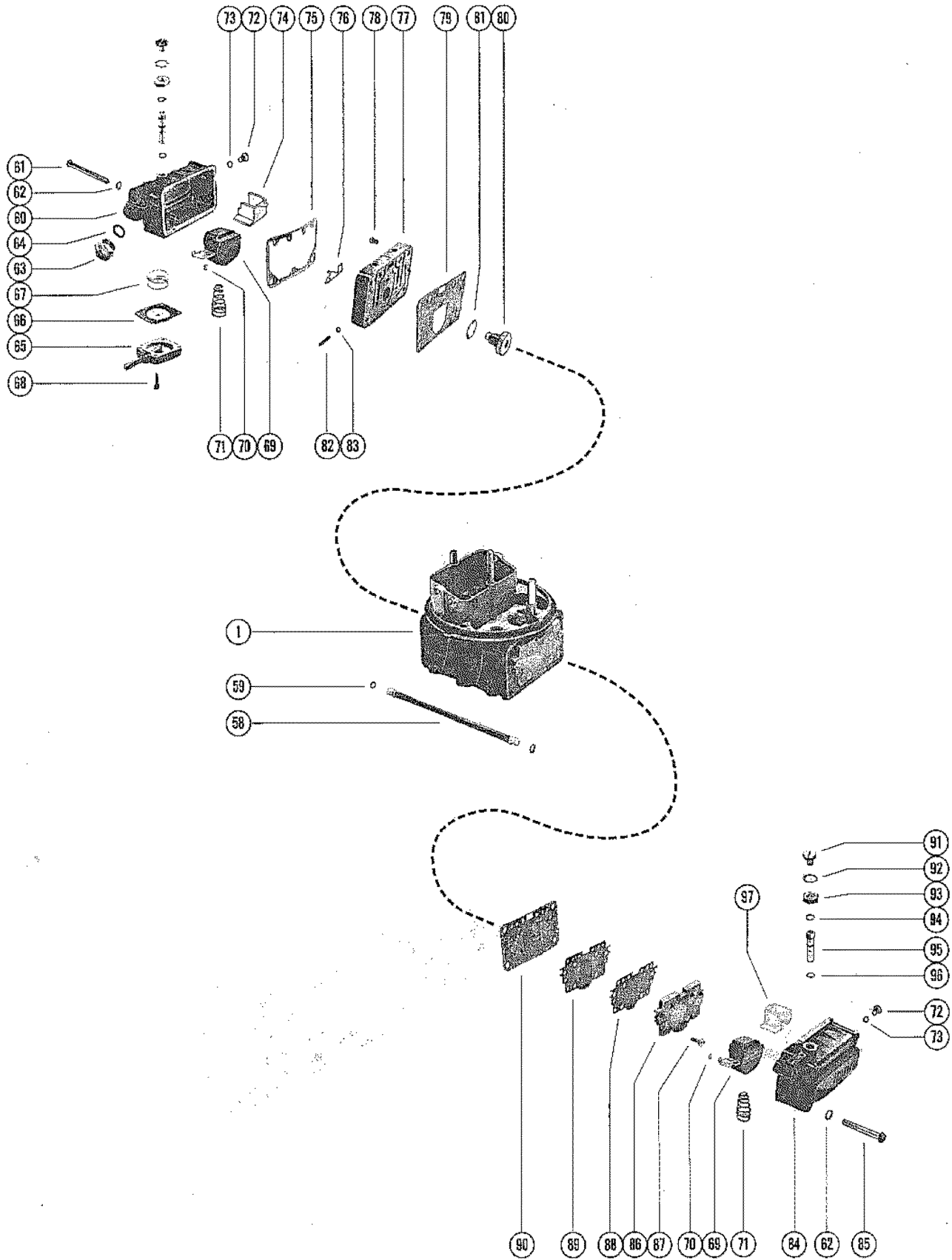


## CARBURETOR ASSEMBLY (PAGE 2)

REF. NO.	PART NO.	SYM.	QTY.	DESCRIPTION
1	1356-5169		1	CARBURETOR ASSEMBLY, COMPLETE (SEE NOTE)
58	1396-4087		1	TUBE, METERING BODY CONNECTING
59			2	"O" RING, CONNECTING TUBE
60	1396-5163		1	FUEL BOWL ASSEMBLY, PRIMARY
61	1396-4126		4	SCREW, PRIMARY FUEL BOWL ATTACHING
62			8	GASKET, FUEL BOWL SCREW
63	1396-5159		1	FITTING, FUEL INLET
64			1	GASKET, FUEL INLET FITTING
65	1396-4097		1	COVER, FUEL PUMP
66			1	DIAPHRAGM ASSEMBLY, PRIMARY
67	1396-4103		1	SPRING, DIAPHRAGM RETURN - PRIMARY
68	1396-4644		4	SCREW, FUEL PUMP COVER ATTACHING
69	1396-4088		2	FLOAT ASSEMBLY
70			2	RETAINER, FLOAT
71	1396-4104		2	SPRING, FLOAT
72	1396-4344		2	PLUG, CHECK - FUEL LEVEL
73			2	GASKET, FUEL LEVEL CHECK PLUG
74	1396-4152		1	BAFFLE, FUEL BOWL - PRIMARY
75			1	GASKET, FUEL BOWL
76	1396-4151		1	BAFFLE, PRIMARY METERING BODY
77	1396-5164		1	METERING BODY, PRIMARY
78	1396-5160		2	MAIN JET
79			1	GASKET, PRIMARY METERING BODY
80			1	POWER VALVE ASSEMBLY
81			1	GASKET, POWER VALVE
82			2	NEEDLE, IDLE ADJUSTING
83			2	SEAL, IDLE ADJUSTING NEEDLE
84	1396-5162		1	FUEL BOWL ASSEMBLY, SECONDARY
85	1396-4134		4	SCREW, SECONDARY FUEL BOWL ATTACHING
86	1396-5161		1	METERING BODY, SECONDARY
87	1396-4136		6	SCREW, SECONDARY METERING BODY ATTACHING
88			1	GASKET, SECONDARY METERING BODY
89	1396-4095		1	PLATE, SECONDARY METERING BODY
90			1	GASKET, SECONDARY METERING BODY PLATE
91	1396-4137		2	SCREW, LOCKING - FUEL VALVE SEAT
92			2	GASKET, VALVE SEAT LOCKING SCREW
93	1396-4140		2	NUT, ADJUSTING - FUEL VALVE
94			2	GASKET, VALVE SEAT ADJUSTING NUT

CONTINUED ON NEXT PAGE ➡

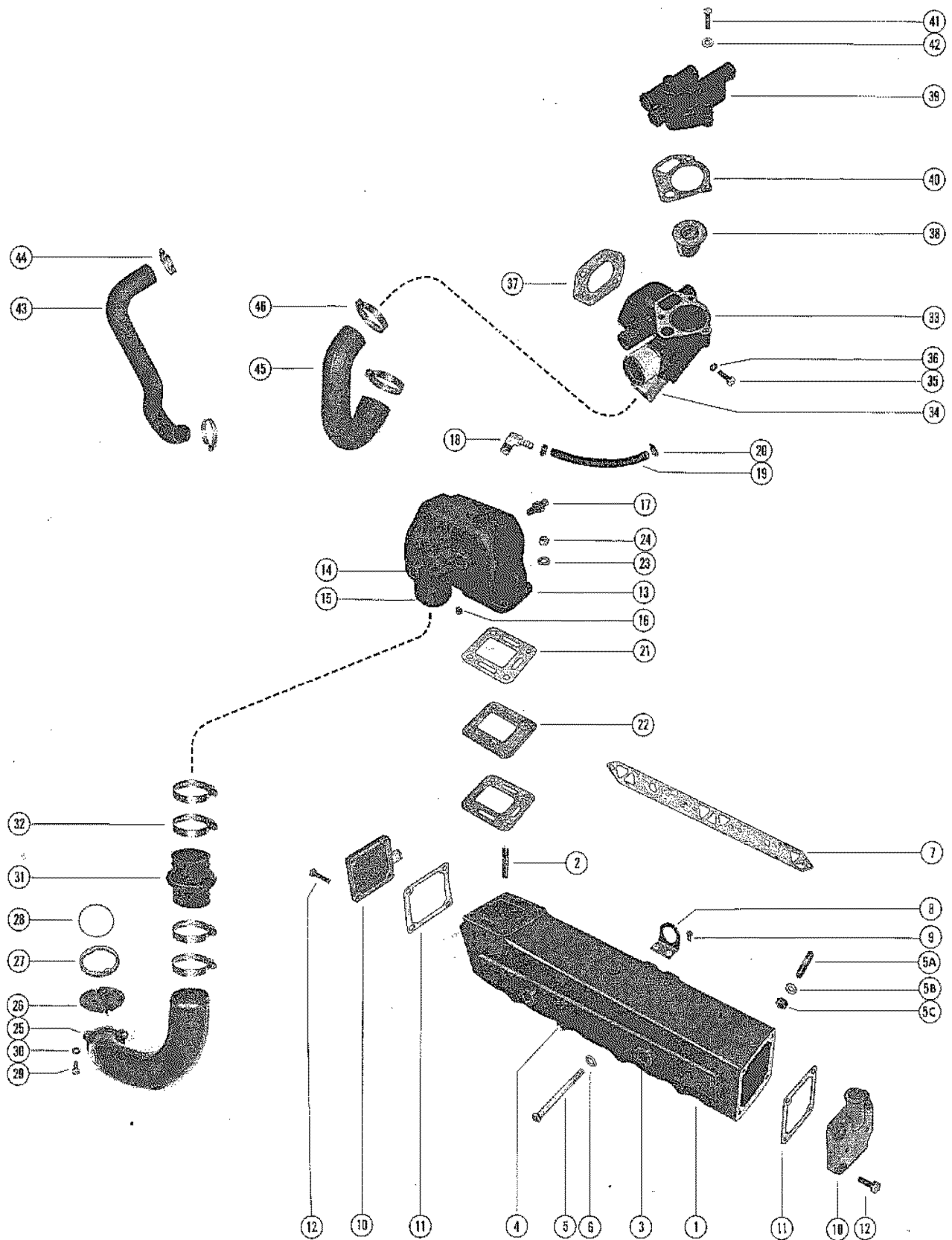
# CARBURETOR ASSEMBLY (PAGE 2)



## CARBURETOR ASSEMBLY (PAGE 2)

REF. NO.	PART NO.	SYM.	QTY.	DESCRIPTION
95			2	FUEL VALVE ASSEMBLY
96			2	"O" RING, FUEL VALVE
97	1396-4153		1	BAFFLE, FUEL BOWL - SECONDARY
-	<b>1396-5221</b>		<b>1</b>	<b>GASKET KIT</b>
-	<b>1396-5222</b>		<b>1</b>	<b>CARBURETOR REPAIR KIT</b>

# EXHAUST MANIFOLD AND EXHAUST ELBOW



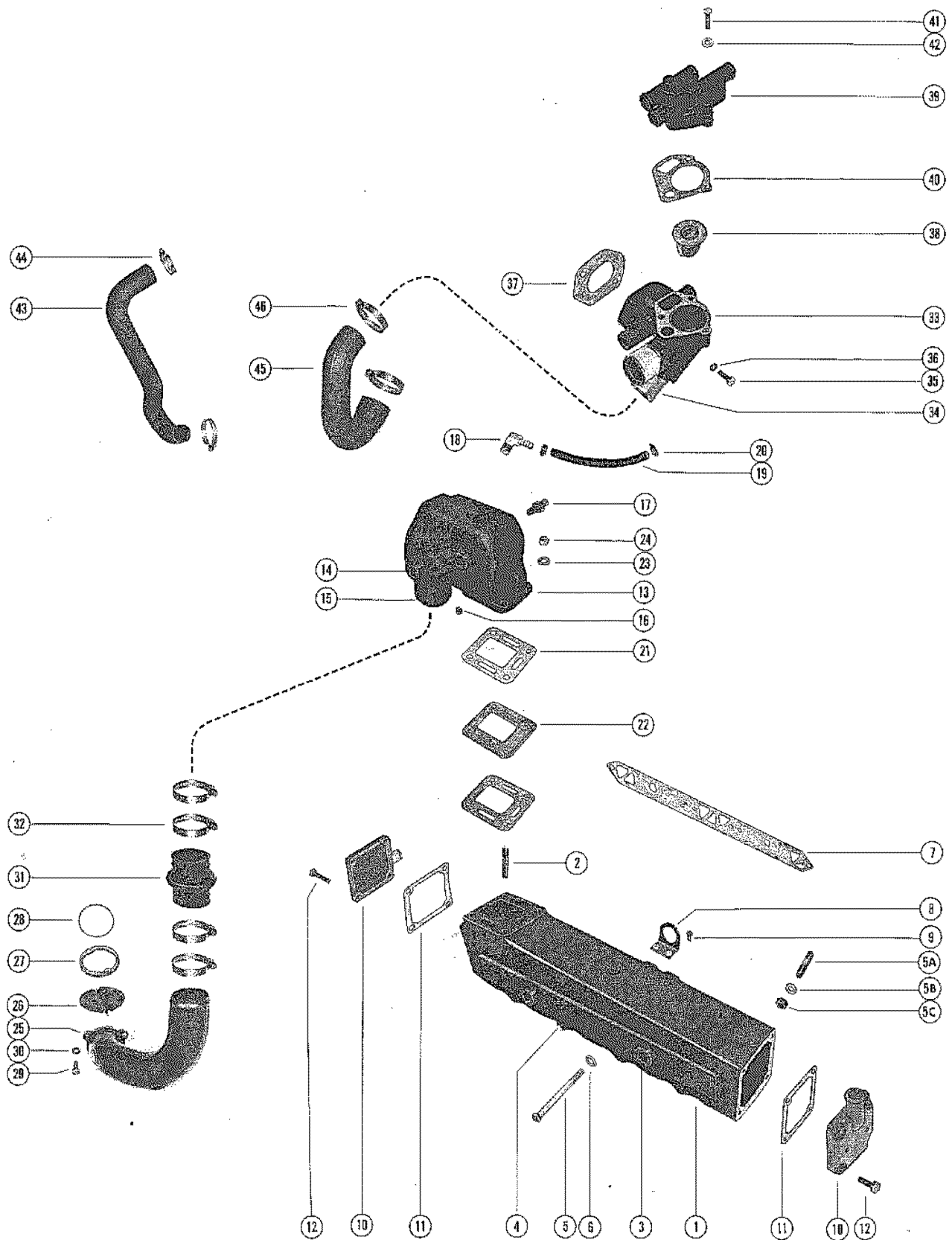


## EXHAUST MANIFOLD AND EXHAUST ELBOW

REF. NO.	PART NO.	SYM.	QTY.	DESCRIPTION
1	54100A5		1	EXHAUST MANIFOLD ASSEMBLY, PORT <b>SERIAL 00000000-03838787</b>
	54099A5		1	EXHAUST MANIFOLD ASSEMBLY, STARBOARD <b>SERIAL 00000000-03838787</b>
2	16-49545		8	STUD, EXHAUST MANIFOLD TO EXHAUST ELBOW (1 3/4") <b>SERIAL 00000000-03838787</b>
3	22-48118		2	PLUG, EXHAUST MANIFOLD <b>SERIAL 00000000-03838787</b>
4	22-32802		2	PLUG, PIPE - EXHAUST MANIFOLD <b>SERIAL 00000000-03838787</b>
5	10-37612		16	SCREW, EXHAUST MANIFOLD TO CYLINDER HEAD (1 1/4") <b>SERIAL 00000000-03838787</b>
6	13-35048		16	LOCKWASHER, EXHAUST MANIFOLD TO CYLINDER HEAD SCREW <b>SERIAL 00000000-03838787</b>
1	65604A4		1	EXHAUST MANIFOLD ASSEMBLY, PORT SERIAL # AND UP <b>SERIAL 03838788-09999999</b>
	65603A4		1	EXHAUST MANIFOLD ASSEMBLY, STARBOARD <b>SERIAL 03838788-09999999</b>
2	16-49545		8	STUD, EXHAUST MANIFOLD TO EXHAUST ELBOW (1 3/4") <b>SERIAL 03838788-09999999</b>
4	22-32802		2	PLUG, PIPE - EXHAUST MANIFOLD <b>SERIAL 03838788-09999999</b>
5A	16-49545		8	STUD, EXHAUST MANIFOLD TO CYL. HEAD (1 3/4") <b>SERIAL 03838788-09999999</b>
	16-65947		8	STUD, EXHAUST MANIFOLD TO CYL. HEAD (3 1/16") <b>SERIAL 03838788-09999999</b>
5B	13-35048		16	WASHER, EXHAUST MANIFOLD STUD <b>SERIAL 03838788-09999999</b>
5C	11-49838		16	NUT, EXHAUST MANIFOLD STUD <b>SERIAL 03838788-09999999</b>
7	27-54566		2	GASKET, EXHAUST MANIFOLD TO CYLINDER HEAD
8	54-54509		2	EYE, LIFTING - EXHAUST MANIFOLD
9	10-27165		4	SCREW, LIFTING EYE ATTACHING (3/4")
10	60252		4	END CAP/CONNECTOR, EXHAUST MANIFOLD
11	27-48043		4	GASKET, END CAP/CONNECTOR TO EXHAUST MANIFOLD
12	10-35386		12	SCREW, END CAP/CONNECTOR TO EXHAUST MANIFOLD (1")
	10-53016		4	SCREW, END CAP/CONNECTOR TO EXHAUST MANIFOLD (1 1/4")
10	54870		2	END CAP, EXHAUST MANIFOLD - REAR <b>V-DRIVE ONLY</b>
11	27-48043		2	GASKET, END CAP TO MANIFOLD <b>V-DRIVE ONLY</b>
12	10-25038		2	SCREW, END CAP TO MANIFOLD (7/8") <b>8 V-DRIVE ONLY</b>
13	60426A1		2	EXHAUST ELBOW ASSEMBLY (STERN DRIVE)
	60427A2		2	EXHAUST ELBOW ASSEMBLY (INBOARD)
14	22-33198		8	PLUG, EXHAUST ELBOW
15	32-58616A1		2	TUBE, WATER SEPARATION - EXHAUST ELBOW
16	22-32802		2	PLUG, PIPE - EXHAUST ELBOW
17	22-45084		2	FITTING, EXHAUST ELBOW
18	22-62910		1	FITTING EXHAUST ELBOW STERN DRIVE

CONTINUED ON NEXT PAGE ➡

# EXHAUST MANIFOLD AND EXHAUST ELBOW



## EXHAUST MANIFOLD AND EXHAUST ELBOW

REF. NO.	PART NO.	SYM.	QTY.	DESCRIPTION
19	32-62987--2		1	HOSE, EXHAUST ELBOW TO TRANSMISSION COOLER <b>STERN DRIVE</b>
20	54-32523		2	CLAMP, HOSE ATTACHING STERN DRIVE <b>STERN DRIVE</b>
21	27-52076		4	GASKET, EXHAUST ELBOW TO EXHAUST MANIFOLD <b>STERN DRIVE</b>
22	60207		2	PLATE, EXHAUST ELBOW TO EXHAUST MANIFOLD
23	13-37459		8	LOCKWASHER, EXHAUST ELBOW TO EXHAUST MANIFOLD STUD
24	11-49838		8	NUT, EXHAUST ELBOW TO EXHAUST MANIFOLD
25	62893		1	ELBOW, EXHAUST (STARBOARD SIDE) <b>STERN DRIVE</b>
	62892		1	ELBOW, EXHAUST (PORT SIDE) STERN DRIVE <b>STERN DRIVE</b>
26	60930		2	WATER SHUTTER, EXHAUST ELBOW STERN DRIVE <b>STERN DRIVE</b>
27	63151		2	RETAINER, SHUTTER TO EXHAUST ELBOW STERN DRIVE <b>STERN DRIVE</b>
28	25-35029		2	"O" RING, EXHAUST ELBOW TO TRANSOM PLATE STERN DRIVE <b>STERN DRIVE</b>
29	10-58640		6	SCREW< EXHAUST ELBOW TO TRANSOM PLATE (1 1/4") STERN DRIVE <b>STERN DRIVE</b>
30	13-35048		6	LOCKWASHER, EXHAUST ELBOW SCREW STERN DRIVE <b>STERN DRIVE</b>
31	53821		2	BELLOWS, EXHAUST ELBOW <b>STERN DRIVE</b>
32	54-33683		8	CLAMP, BELLOWS TO EXHAUST ELBOW <b>STERN DRIVE</b>
33	59497A1		1	THERMOSTAT HOUSING ASSEMBLY <b>SERIAL 00000000-03838787</b>
	63588A1		1	THERMOSTAT HOUSING ASSEMBLY <b>SERIAL 03838788-09999999</b>
34	23-54476		1	SLEEVE, THERMOSTAT HOUSING
35	10-54523		1	SCREW, THERMOSTAT HOUSING TO INTAKE MANIFOLD (1")
	10-35386		1	SCREW, THERMOSTAT HOUSING TO INTAKE MANIFOLD (1")
36	12-20084		2	WASHER< THERMOSTAT HOUSING SCREW
37	27-54506		1	GASKET, THERMOSTAT HOUSING
38	59137		1	THERMOSTAT
39	59498		1	COVER, THERMOSTAT
40	27-60208		1	GASKET, THERMOSTAT COVER
41	10-24234		3	SCREW, THERMOSTAT COVER TO THERMOSTAT HOUSING (1")
42	13-39107		3	LOCKWASHER, THERMOSTAT COVER SCREW
43	32-54906		1	HOSE, THERMOSTAT HSG. TO WATER PUMP <b>STERN DRIVE W/O POWER STEERING</b>
	32-58466		1	HOSE, THERMOSTAT HOUSING TO OIL COOLER (INBOARD)
	32-64815		1	HOSE, THERMOSTAT HOUSING TO OIL COOLER (INBOARD)
44	54-32780		2	CLAMP, HOSE ATTACHING
45	32-54570		1	HOSE, THERMOSTAT HOUSING TO WATER PUMP
46	54-32781		2	CLAMP, HOSE TO THERMOSTAT HOUSING AND WATER PUMP

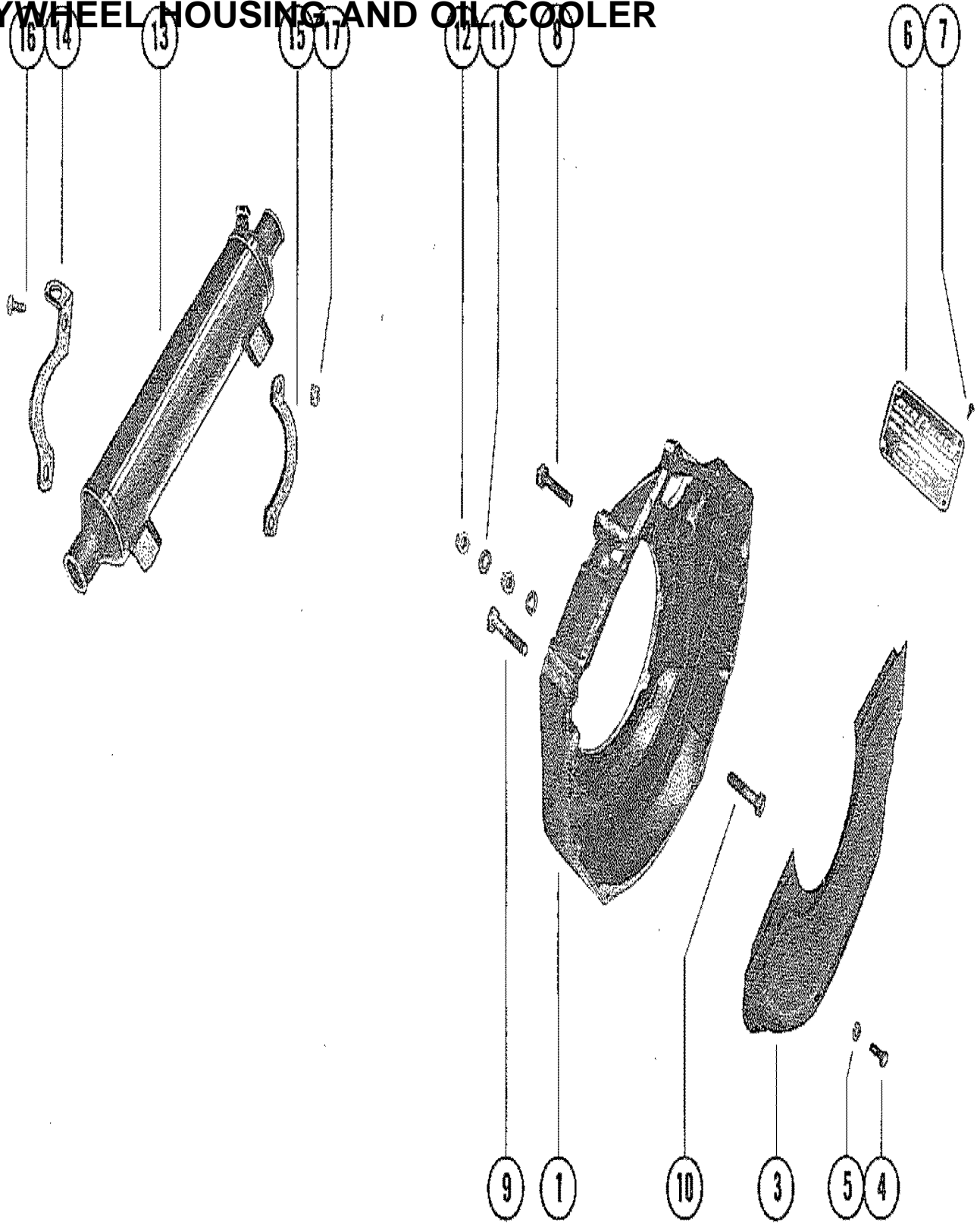
# FLYWHEEL HOUSING AND OIL COOLER



## FLYWHEEL HOUSING AND OIL COOLER

REF. NO.	PART NO.	SYM.	QTY.	DESCRIPTION
1	54480		1	HOUSING, FLYWHEEL
2	23-47511		2	SLEEVE, FLYWHEEL HOUSING
3	22-39072		1	PLUG, DRAIN - FLYWHEEL HOUSING
4	47542		1	COVER, FLYWHEEL HOUSING
5	10-28635		4	SCREW, COVER TO FLYWHEEL HOUSING (5/8")
6	13-26992		4	LOCKWASHER, COVER SCREW
7	38-47520		1	SERIAL PLATE
8	10-20314		4	SCREW, SERIAL PLATE ATTACHING (3/16")
9	10-47462		3	SCREW, FLYWHEEL HOUSING TO ENGINE (1 1/4")
10	10-54493		1	SCREW, FLYWHEEL HOUSING TO ENGINE (2 1/2")
	10-47654		1	SCREW, FLYWHEEL HOUSING TO ENGINE (2 3/4")
11	12-57864		2	WASHER, SEALING - FLYWHEEL HOUSING SCREW
12	47610		1	COOLER, OIL
13	62288A1		1	COVER ASSEMBLY, OIL COOLER
14	22-32802		1	PLUG, DRAIN - OIL COOLER COVER
15	27-47495		1	GASKET, OIL COOLER COVER
16	25-47632		2	"O" RING, SEALING - OIL COOLER
17	11-47521		2	NUT, JAM - OIL COOLER
18	22-47917		1	ELECTRODE, OIL COOLER
19	10-20362		6	SCREW, OIL COOLER COVER TO FLYWHEEL HOUSING (1 7/16")
20	12-36533		2	WASHER, OIL COOLER COVER SCREW
	13-26993		4	LOCKWASHER, OIL COOLER COVER SCREW

# FLYWHEEL HOUSING AND OIL COOLER

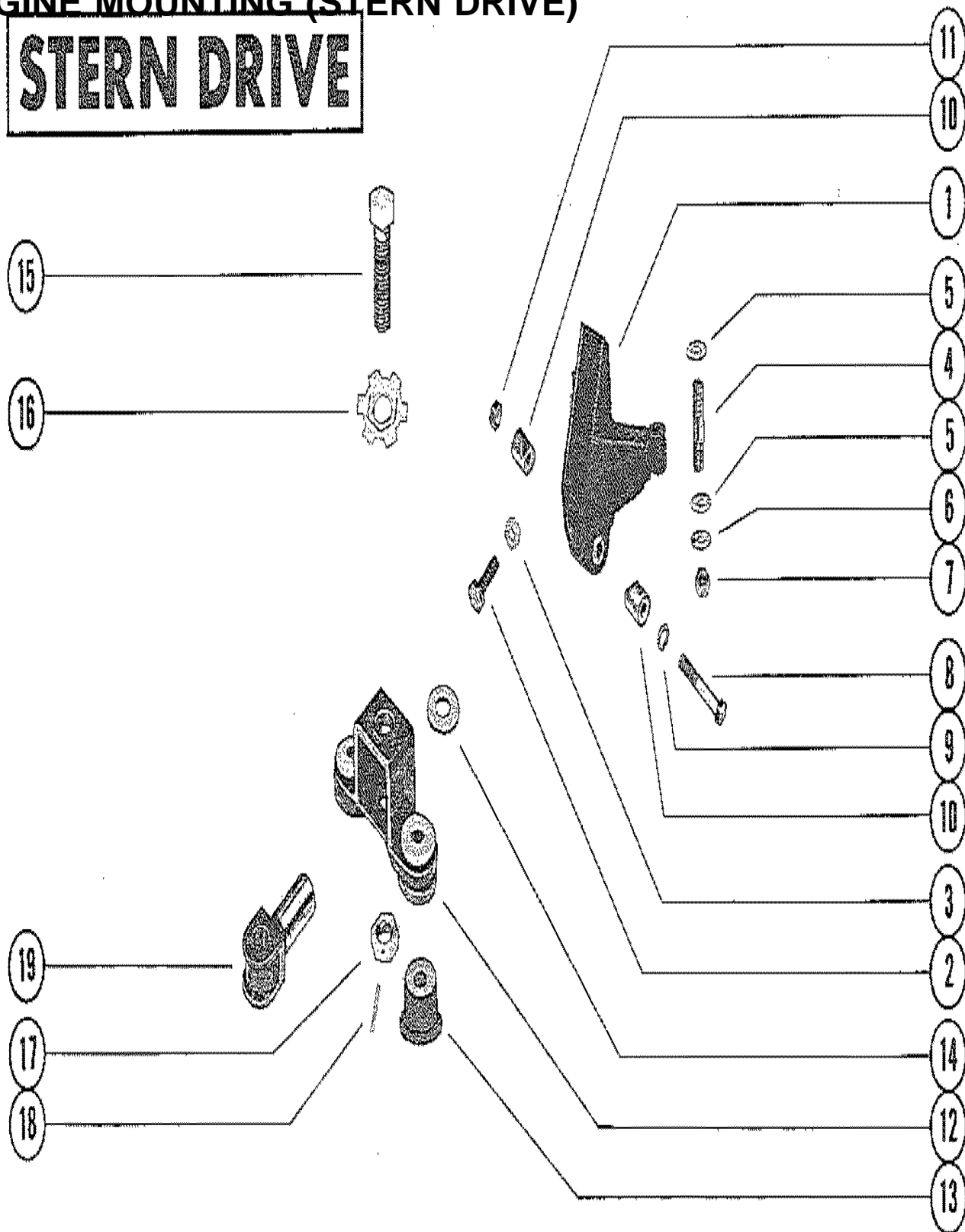


## FLYWHEEL HOUSING AND OIL COOLER

REF. NO.	PART NO.	SYM.	QTY.	DESCRIPTION
1	63827		1	HOUSING, FLYWHEEL
3	63833		1	COVER, FLYWHEEL HOUSING
4	10-20031		4	SCREW, COVER TO FLYWHEEL HOUSING (5/8")
5	13-26992		4	LOCKWASHER, COVER SCREW
8	10-47651		2	SCREW, FLYWHEEL HOUSING TO ENGINE (1 1/2")
9	10-59589		4	SCREW, FLYWHEEL HOUSING TO ENGINE (2 1/2")
10	10-34613		1	SCREW, GROUND CABLE TO FLYWHEEL (1 3/4")
11	13-37459		2	LOCKWASHER, GROUND CABLE TO FLYWHEEL SCREW
12	11-32219		2	NUT, GROUND CABLE TO FLYWHEEL SCREW
13	63832--1		1	COOLER, OIL (9")
	63832--2		1	COOLER, OIL (12") V-DRIVE ONLY
14	56329		1	BRACKET, COOLER CLAMPING (LONG)
15	56328		1	BRACKET, COOLER CLAMPING (SHORT)
16	10-21625		2	SCREW, COOLER BRACKET ATTACHING (3/4")
17	11-30506		2	NUT, COOLER BRACKET ATTACHING SCREW

# ENGINE MOUNTING (STERN DRIVE)

## STERN DRIVE

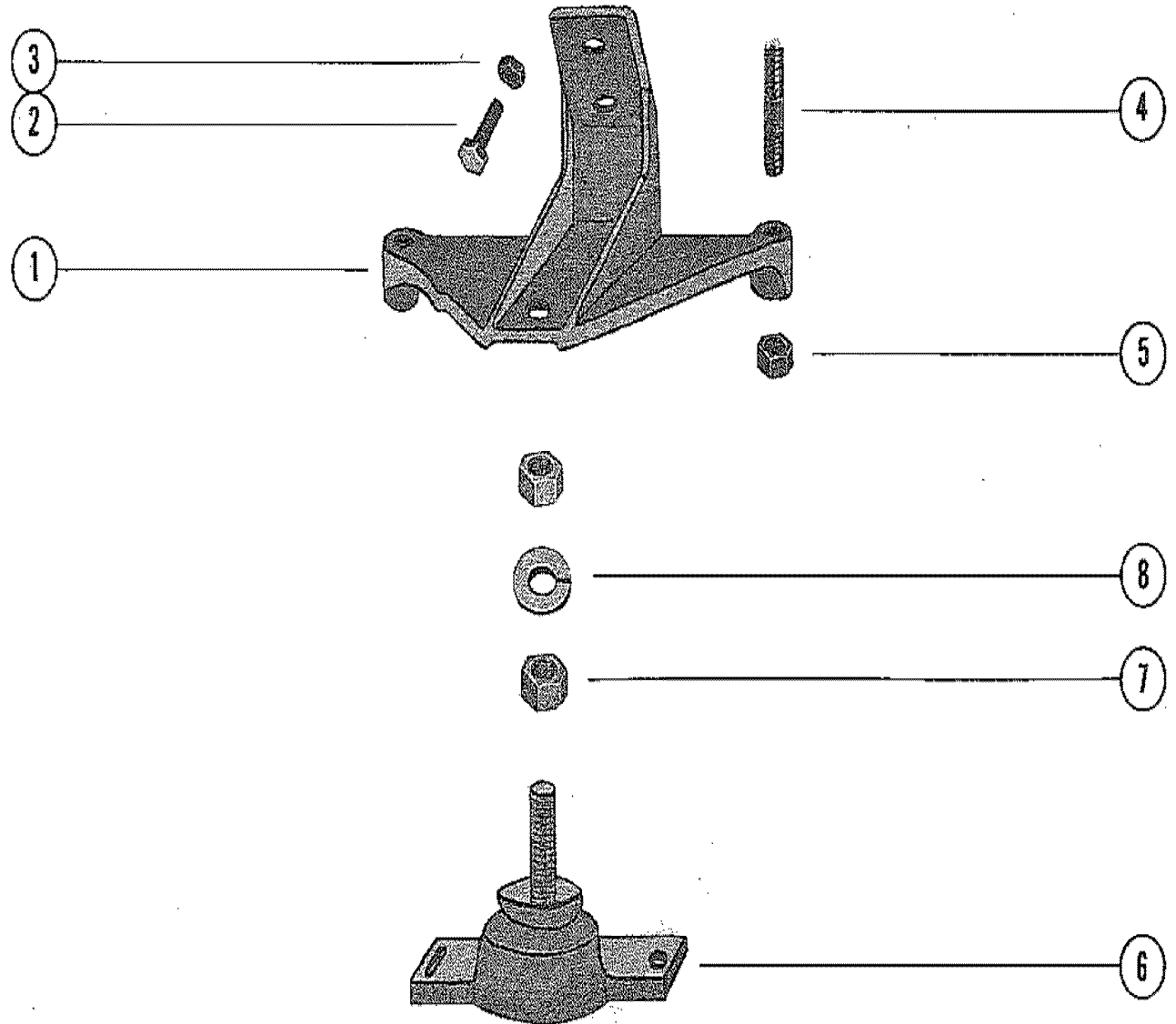




## ENGINE MOUNTING (STERN DRIVE)

REF. NO.	PART NO.	SYM.	QTY.	DESCRIPTION
1	61815		2	BRACKET, MOUNTING (FRONT)
2	10-30155		2	SCREW, ENGINE LOCATING (1 1/4")
3	11-22024		2	NUT, ENGINE LOCATING SCREW
4	16-65737		3	STUD, MTG. BRKT. TO CYL. BLOCK ( 2 5/8") <b>SEE NOTE</b>
	16-65743		1	STUD, MTG. BRKT. TO CYL. BLOCK (3") - STARBOARD FRONT <b>SEE NOTE</b>
5	12-34567		2	WASHER, MOUNTING TO BRACKET STUD (STARBOARD FRONT)
6	12-54426		4	WASHER, MOUNTING BRACKET SCREW
7	11-34933		4	NUT, MOUNTING BRACKET TO CYLINDER BLOCK STUD (SEE NOTE BELOW)
8	10-47654		2	SCREW, CLAMP - ADJUSTING TRUNNION (2 3/4")
9	13-32993		2	LOCKWASHER, CLAMP ADJUSTING TRUNNION SCREW
10	54-47528		4	CLAMP, ADJUSTING TRUNNION SCREW
11	11-29553		2	NUT, CLAMP ADJUSTING TRUNNION SCREW
12	60421A5		2	BRACKET ASSEMBLY, MOUNTING - FRONT
13	52753		4	MOUNT, MOUNTING BRACKET
14	12-48611		4	WASHER, MOUNTING BRACKET
15	10-52156		2	SCREW, ADJUSTING TRUNNION (4 1/2")
16	14-48467		2	TAB WASHER, ADJUSTING TRUNNION SCREW
17	11-47525		2	NUT, JAM - ADJUSTING TRUNNION SCREW
18	17-22116		2	PIN, ROLL - JAM NUT
19	47518		2	TRUNNION, ADJUSTING - MOUNTING BRACKET

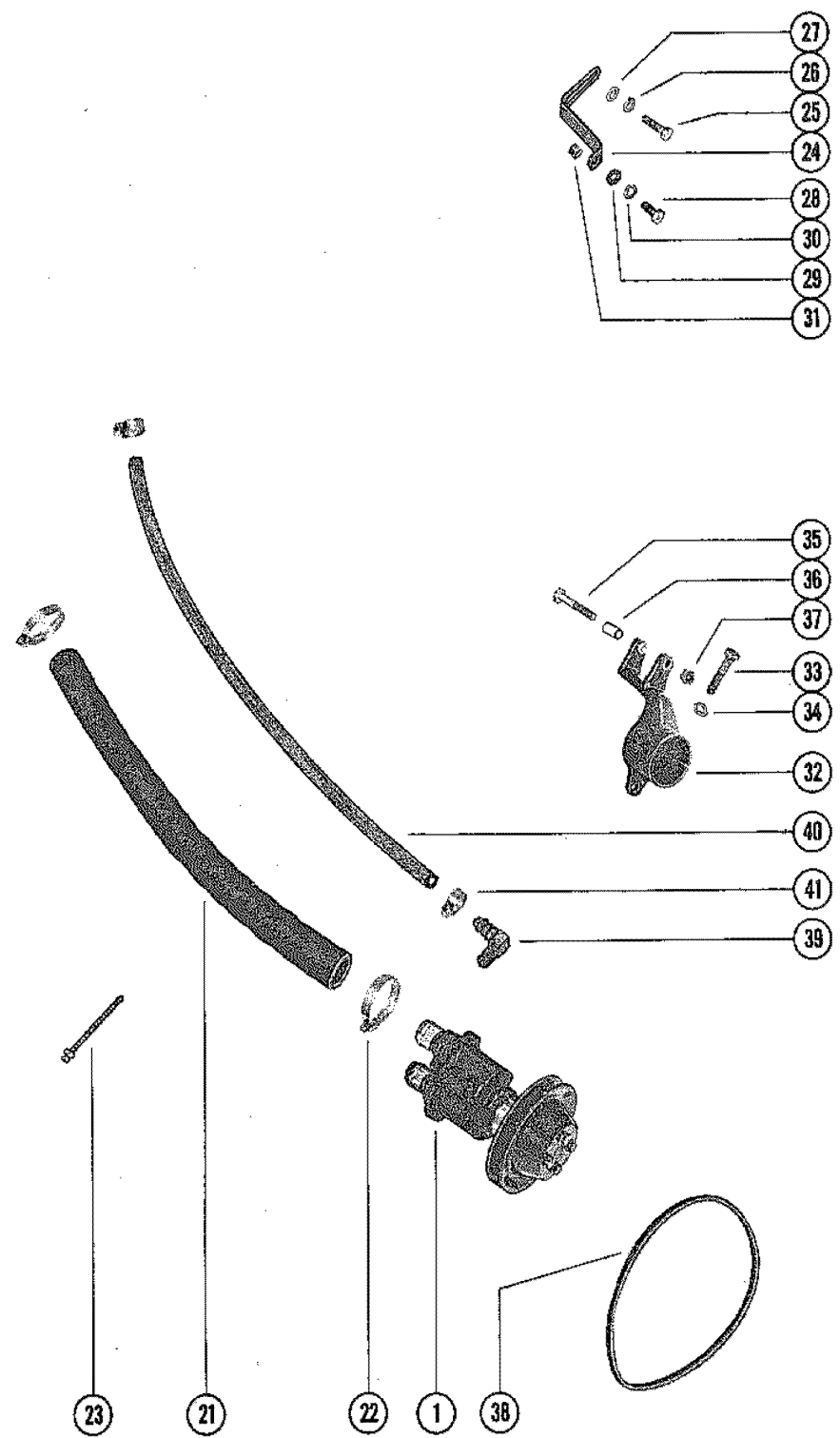
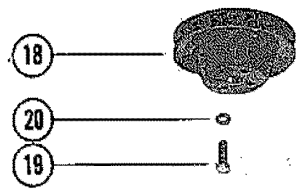
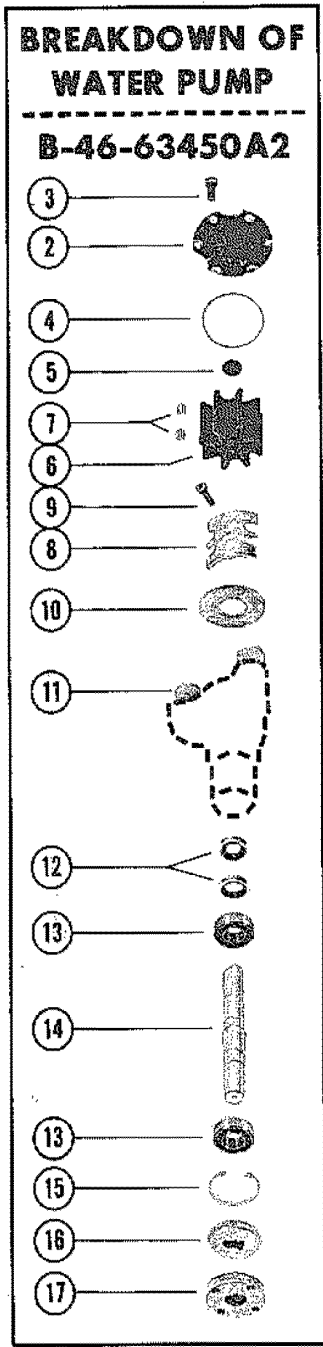
# ENGINE MOUNTING (STERN DRIVE)



## ENGINE MOUNTING (STERN DRIVE)

REF. NO.	PART NO.	SYM.	QTY.	DESCRIPTION
1	63499		2	BRACKET, MOUNTING - ENGINE
2	10-68743		2	SCREW, ENGINE LOCATING
3	11-22024		2	NUT, ENGINE LOCATING SCREW
4	16-65737		3	STUD, BRACKET TO ENGINE (2 5/8")
	16-65743		1	STUD, BRACKET TO ENGINE (3")
5	11-34933		4	NUT, MOUNTING BRACKET STUD
6	66284		2	BRACKET, MOUNTING
7	11-20739		4	NUT, JAM - MOUNTING BRACKET
8	13-68102		2	LOCKWASHER, MOUNTING BRACKET

# WATER PUMP ASSEMBLY, COMPLETE

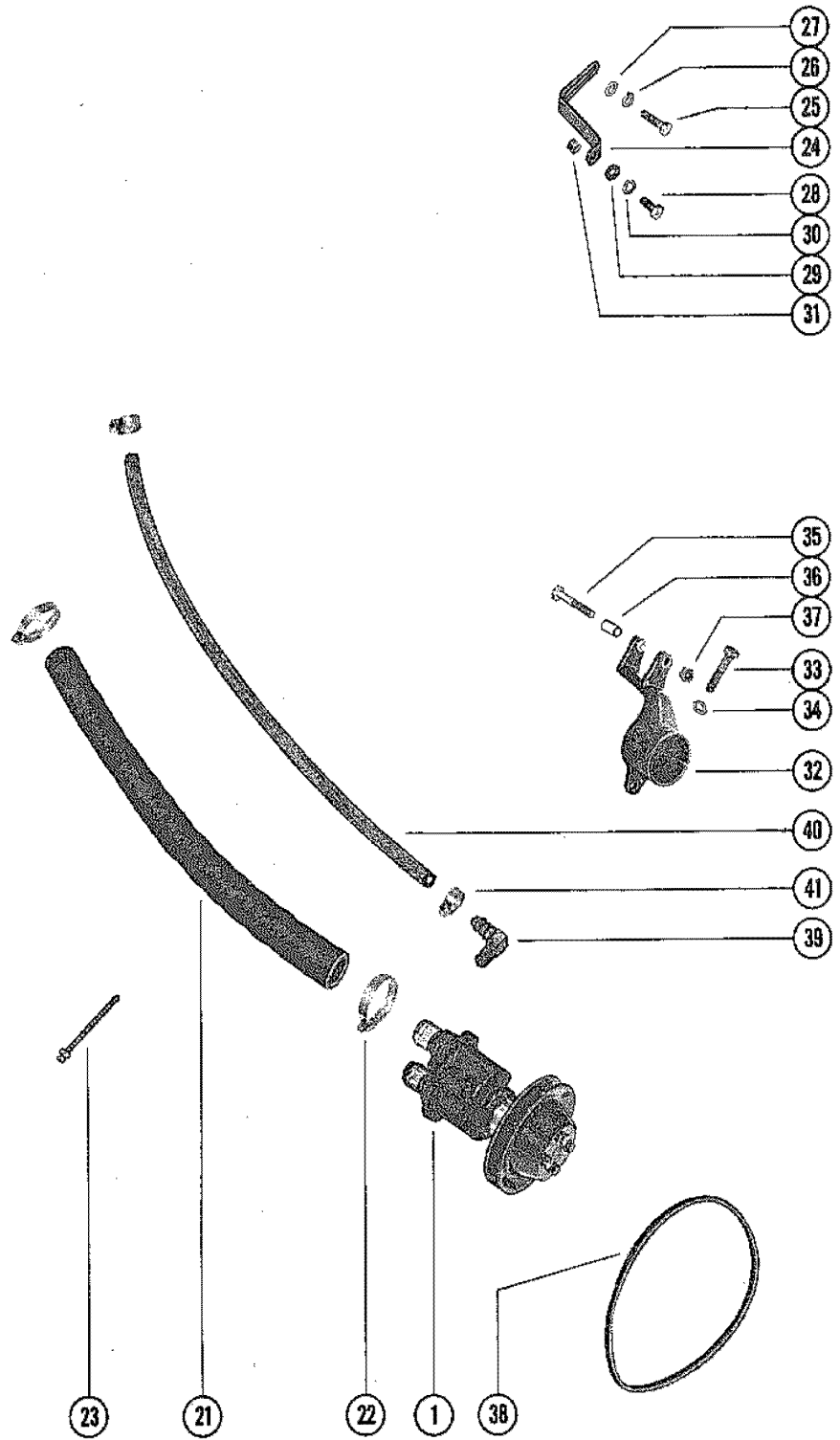
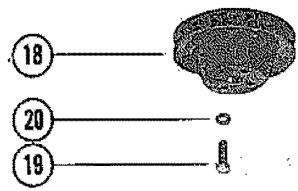
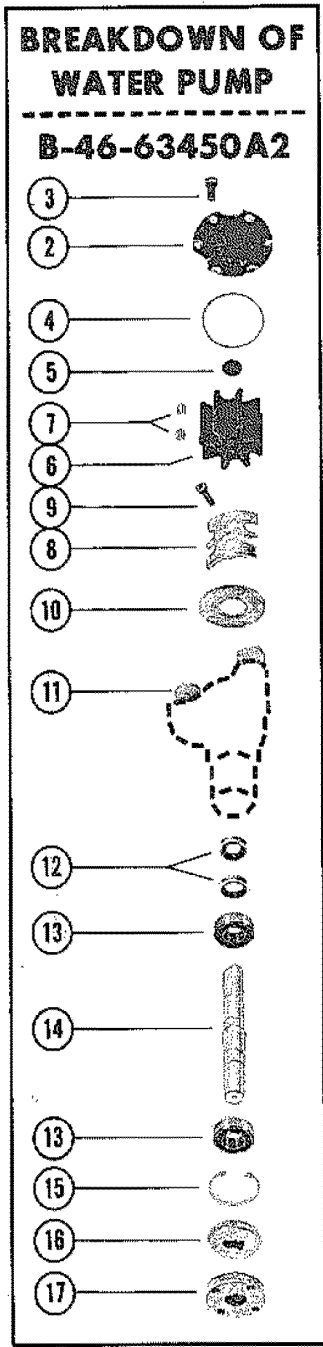


# WATER PUMP ASSEMBLY, COMPLETE

REF. NO.	PART NO.	SYM.	QTY.	DESCRIPTION
1	46-63450A2		1	WATER PUMP ASSEMBLY, COMPLETE
2	59155		1	COVER, WATER PUMP
3	10-28635		6	SCREW, WATER PUMP COVER ATTACHING (5/8")
4	25-59712		1	"O" RINIG, WATER PUMP COVER
5	19-59504		1	PLUG, IIMPELLER
6	47-59362		1	IMPELLER
7	28-56662		2	KEY, IMPELLER DRIVE
8	59363A1		1	CAM SEGMENT ASSEMBLY, WATER PUMP
9	10-60777		1	SCREW< CAM SEGMENT ATTACHING (1/2")
10	59503		2	WEAR PLATE
11	23-47511		2	SLEEVE, WATER PUMP COVER
12	26-23300		2	OIL SEAL, WATER PUMP SHAFT
13	30-20861		2	BALL BEARING, WATER PUMP SHAFT
14	59501		1	SHAFT, WATER PUMP
15	53-23720		1	RING, SNAP - BALL BEARING RETAINING
16	26-59564		1	OIL SEAL, WATER PUMP SHAFT
17	47530		1	HUB, WATER PUMP PULLEY
18	59762		1	PULLEY, WATER PUMP
19	10-54630		4	SCREW, WATER PUMP PULLEY TO WATER PUMP (3/4")
20	13-39107		4	LOCKWASHER, WATER PUMP PULLEY SCREW
21	32-62010		1	HOSE, PUMP TO OIL COOLER INBOARD
22	54-32780		2	CLAMP, WATER PUMP HOSE INBOARD
23	61990		2	STA STRAP, HOSE ATTACHING
24	61860		1	BRACE, WATER PUMP ADJUSTING (STERN DRIVE)
	54478		1	BRACE, WATER PUMP ADJUSTING INBOARD
25	10-34353		1	SCREW, ADJUSTING BRACE TO OIL PAN (1") INBOARD
26	13-35048		1	LOCKWASHER, ADJUSTING BRACE SCREW
27	12-20553		1	WASHER, ADJUSTING BRACE SCREW (STERN DRIVE)
	12-34714		1	WASHER, ADJSUTING BRACE SCREW (IINBOARD)
28	10-37612		2	SCREW, ADJUSTING BRACE TO WATER PUMP (1 1/4")-STERN DRIVE
	10-26632		1	SCREW, ADJUSTING BRACE TO WATER PUMP (1 1/4")-INBOARD
29	12-34714		2	WASHER, ADJUSTING BRACE SCREW (STERN DRIVE)
	12-20553		1	WASHER< ADJUSTING BRACE SCREW (INBOARD)
30	13-35048		1	LOCKWASHER, ADJUSTING BRACE SCREW
31	11-32219		2	NUT, ADJUSTIGN BRACE SCREW (STERN DRIVE)
	11-28517		1	NUT, ADJUSTING BRACE SCREW (INBOARD)
32	49581		1	BRACKET, WATER PUMP
33	10-34354		1	SCREW, WATER PUMP BRACKET CLAMPING (1 1/2")
34	13-35048		1	LOCKWASHER, WATER PUMP BRACKET CLAMPING SCREW
35	10-52409		1	SCREW, WATER PUMP BRACKET TO ALTERNATOR BRACKET (3 1/4")
36	23-33186		1	BUSHING, WATER PUMP BRACKET SCREW

CONTINUED ON NEXT PAGE ➡

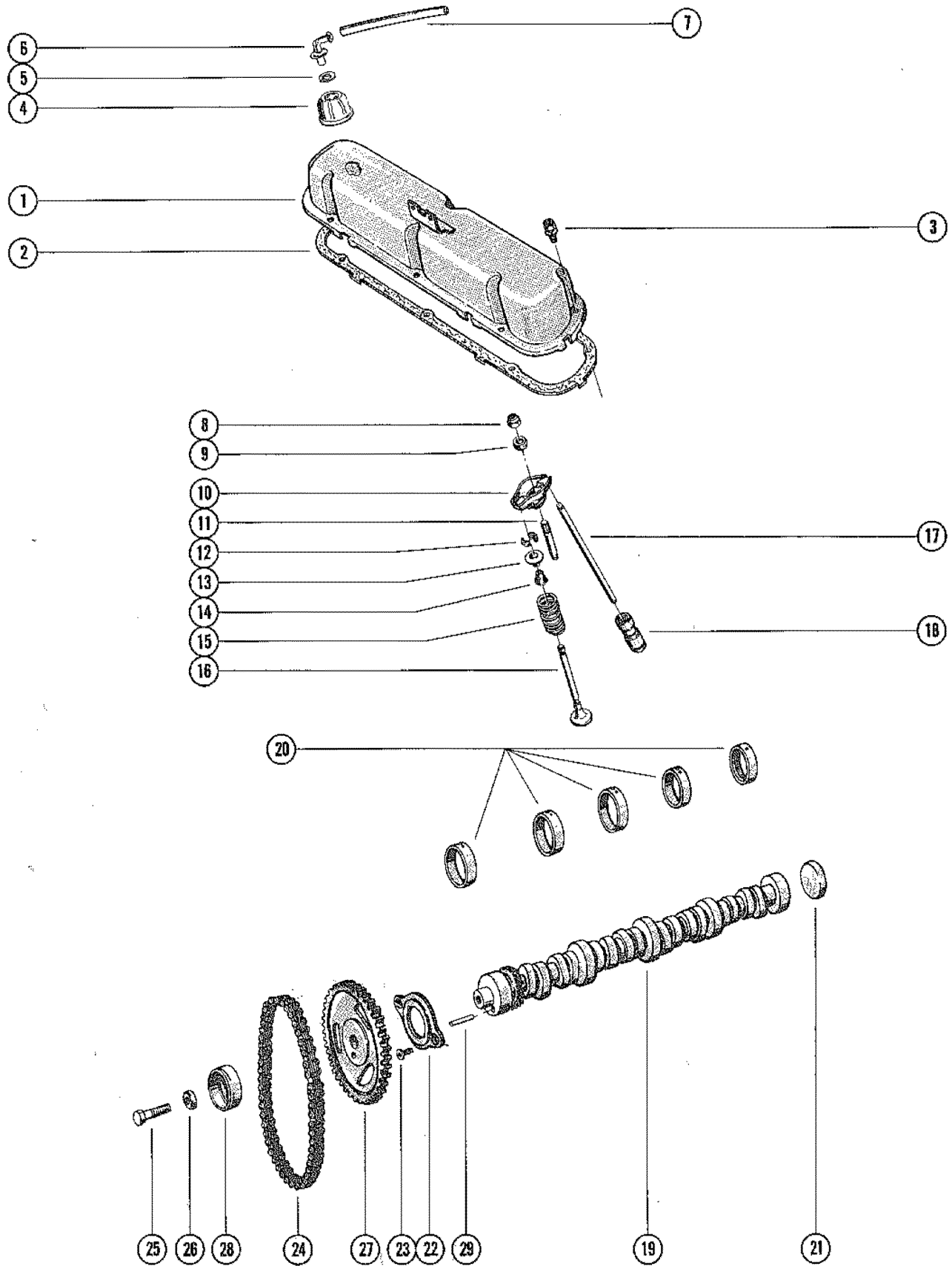
# WATER PUMP ASSEMBLY, COMPLETE



## WATER PUMP ASSEMBLY, COMPLETE

REF. NO.	PART NO.	SYM.	QTY.	DESCRIPTION
37	11-23161		1	NUT, WATER PUMP BRACKET SCREW
38	57-60327		1	BELT, WATER PUMP
39	22-32802		1	PLUG, WATER PUMP BODY (INBOARD)-NOT AS SHOWN
	22-62910		1	FITTING, WATER PUMP BODY STERN DRIVE
40	32-62987--2		1	HOSE, PUMP TO TRANSMISSION COOLER STERN DRIVE
41	54-32523		2	CLAMP, HOSE ATTACHING STERN DRIVE

# ROCKER COVER, CAMSHAFT AND VALVES



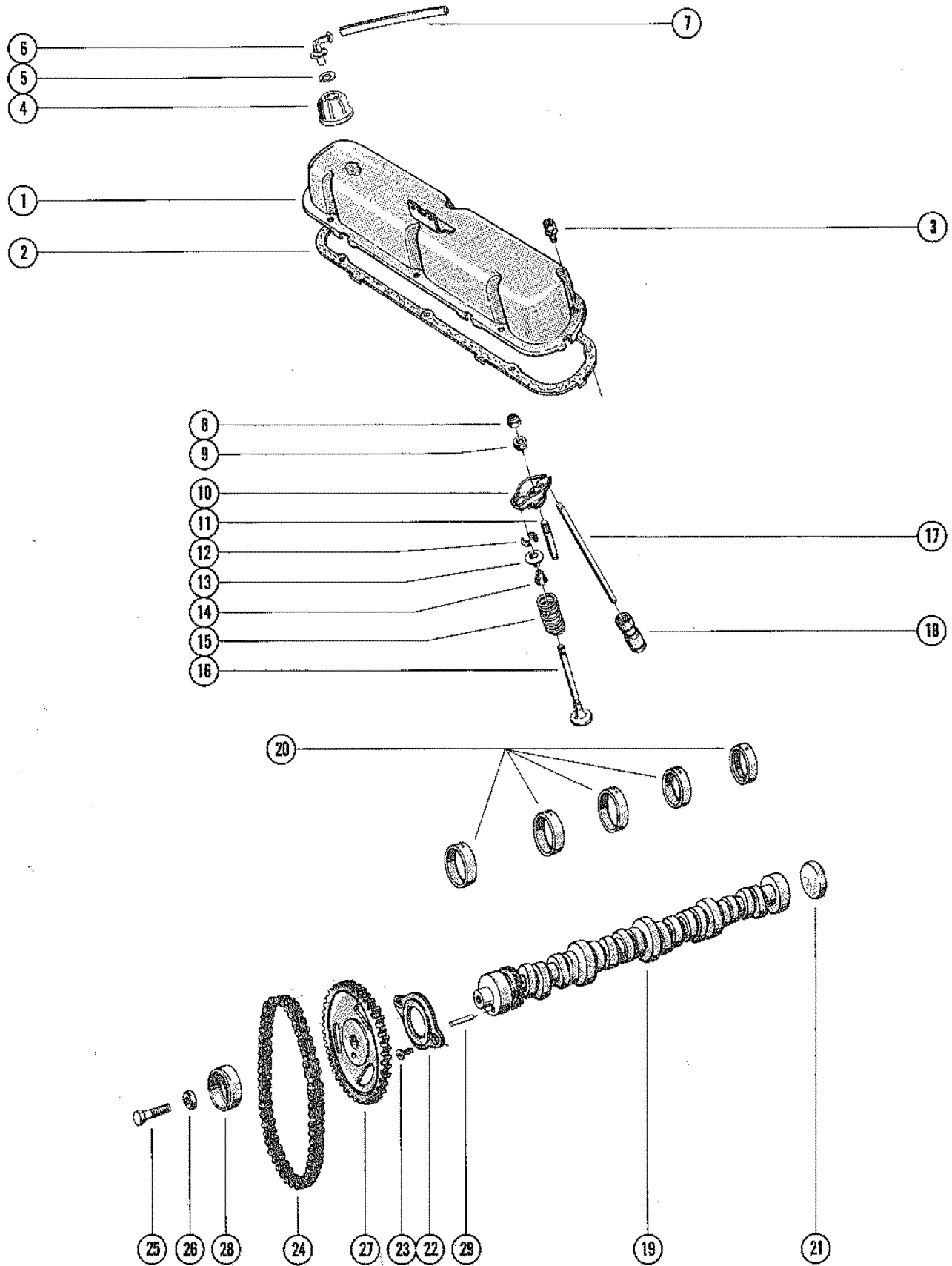


# ROCKER COVER, CAMSHAFT AND VALVES

REF. NO.	PART NO.	SYM.	QTY.	DESCRIPTION
1	56156		1	COVER, ROCKER (PORT)
	56171		1	COVER, ROCKER (STARBOARD)
2	27-56173		2	GASKET, ROCKER COVER
3	10-60708		12	SCREW, ROCKER COVER TO CYLINDER HEAD (9/16")
4	65152		1	CAP, OIL FILLER - ROCKER COVER
5	25-65196		1	GROMMET, OIL FILLER CAP
6	65197		1	ELBOW, OIL FILTER CAP
7	32-63002--1		1	HOSE, OIL FILTER CAP TO FLAME ARRESTOR
-	<b>37-64707</b>		<b>1</b>	<b>DECAL, ROCKER COVER-"MERCUISER MARINE"</b>
-	<b>37-61699</b>		<b>1</b>	<b>DECAL, HORSEPOWER-"255 HP"</b>
8	11-56167		16	NUT, ROCKER ARM STUD
9	56166		16	BALL, ROCKER ARM
10	56168		16	ARM< ROCKER
11	16-56164		16	STUD, ROCKER ARM-CYLINDER HEAD (STANDARD)
	16-58242		AR	STUD ROCKER ARM - CYLINDER HEAD (.006 O.S.)
	16-58243		AR	STUD, ROCKER ARM - CYLINDER HEAD (.015 O.S.)
12	28-56162		32	KEY, VALVE STEM (2 PER VALVE)
13	56160		16	RETAINER, VALVE SPRING (INLET AND EXHAUST)
	56161		16	SLEEVE, VALVE SPRING - INLET AND EXHUST (NOT AS SHOWN)
14	26-58094		16	SEAL, VALVE
15	24-56159		16	SPRING, VALVE
16	56154		8	VALVE, EXHAUST (STANDARD)
	56155		AR	VALVE, EXHUAST (.015 O.S.)
	56157		8	VALVE, INLET (STANDARD)
	56158		AR	VALVE, INLET (.015 O.S.)
17	64784		16	ROD, PUSH
18	56153		16	LIFTER, HYDRAULIC - TAPPET
19	447-5098		1	CAMSHAFT (LEFT CRANKSHAFT ROATATION)
	447-5099		1	CAMSHAFT (RIGHT HAND CRANKSHAFT ROTATION)
20	23-56124		1	BEARING SET, CAMSHAFT
21	19-56128		1	PLUG, EXPANSION - CAMSHAFT BEARING HOLE
22	56130		1	PLATE, THRUST - CAMSHAFT (STANDARD)
	56131		AR	PLATE, THRUST - CAMSHAFT (.002 OS)
	56132		AR	PLATE, THRUST - CAMSHAFT (.004 OS)
23	10-56133		2	SCREW, THRUST PLATE TO CYLINDER BLOCK (5/8")
24	56129		1	CHAIN, TIMING
25	10-56138		1	SCREW, ECCENTRIC AND SPROCKET TO CAMSHAFT (1 1/2")
26	12-56136		1	WASHER, ECCENTRIC AND SPROCKET SCREW
27	43-56126		1	SPROCKET, CAMSHAFT TIMING (42 TEETH) <b>SEE NOTE</b>

CONTINUED ON NEXT PAGE ➡

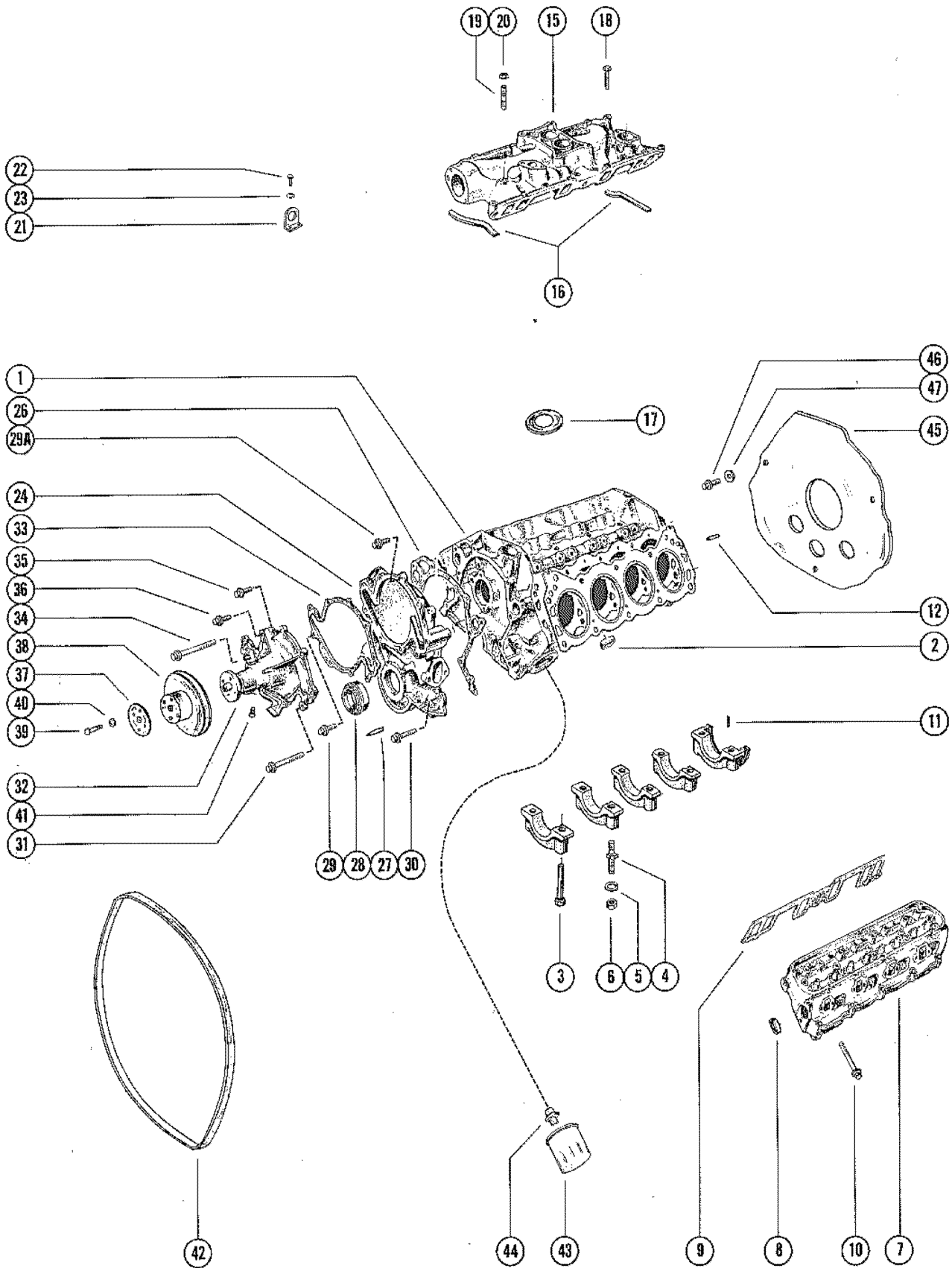
# ROCKER COVER, CAMSHAFT AND VALVES



# ROCKER COVER, CAMSHAFT AND VALVES

REF. NO.	PART NO.	SYM.	QTY.	DESCRIPTION
28	56137		1	ECCENTRIC, CAMSHAFT (FUEL PUMP DRIVE)-1 PIECE <b>SEE NOTE</b>
29	17-66176		1	PIN, DOWEL-CAMSHAFT <b>SEE NOTE</b>
27	43-66177A1		1	SPROCKET ASS'Y, CAMSHAFT TIMING (42 TEETH) <b>SEE NOTE</b>
28	66178A1		1	ECCENTRIC ASS'Y, CAMSHAFT (FUEL PUMP DRIVE)- 2PIECE <b>SEE NOTE</b>
29	17-66180		1	PIN, DOWEL - CAMSHAFT <b>SEE NOTE</b>

# CYLINDER BLOCK, CYLINDER HEAD AND INTAKE MANIFOLD

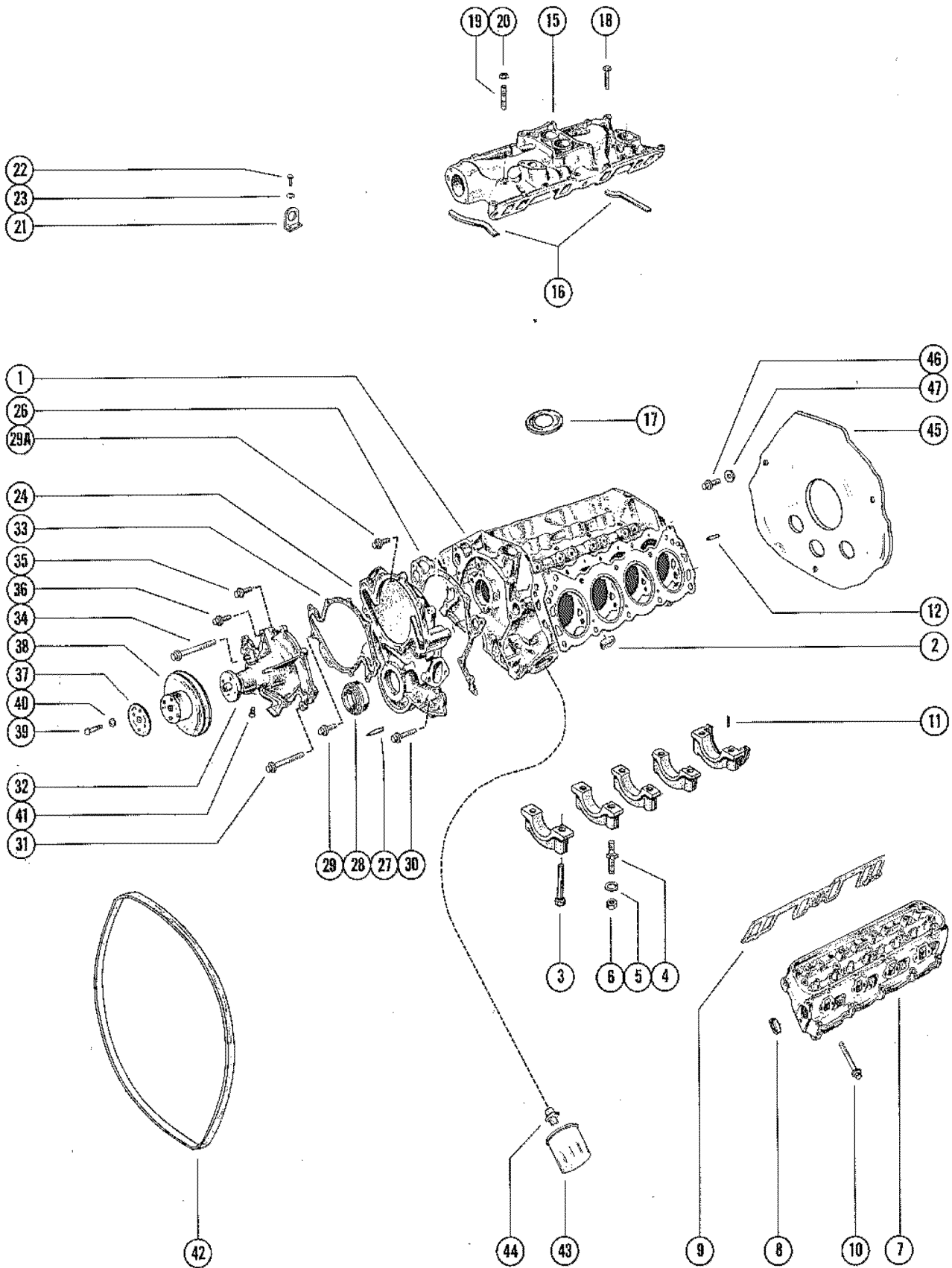


# CYLINDER BLOCK, CYLINDER HEAD AND INTAKE MANIFOLD

REF. NO.	PART NO.	SYM.	QTY.	DESCRIPTION
1	853-5100		1	CYLINDER BLOCK ASSEMBLY (INCLUDES BEARING CAPS)
2	19-56102		6	PLUG, EXPANSION-CYLINDER BLOCK
-	<b>19-60667</b>		<b>3</b>	<b>PLUG, CYLINDER BLOCK (1/4")</b>
-	<b>19-60668</b>		<b>1</b>	<b>PLUG, EXPANSION-CYLINDER BLOCKS (3/4")</b>
-	<b>19-60669</b>		<b>2</b>	<b>PLUG, EXPANSION-CYLINDER BLOCK (1/2")</b>
-	<b>19-64759</b>		<b>4</b>	<b>PLUG, DRAIN - CYLINDER BLOCK (1/4")</b>
-	<b>19-60722</b>		<b>6</b>	<b>PLUG, DRAIN-CYLINDER BLOCK (3/4")</b>
-	<b>22-64426</b>		<b>2</b>	<b>PETCOCK, WATER DRAIN-CYLINDER BLOCK</b>
-	<b>22-37682</b>		<b>1</b>	<b>ELBOW, (STARBOARD) WATER DRAIN PETCOCK SERIAL 03258728-03259127</b>
-	<b>22-64970</b>		<b>1</b>	<b>ADAPTOR, (STARBOARD) WATER DRAIN PETCOCK</b>
3	10-64782		10	BOLT, BEARING CAPT O CYLINDER BLOCK (3 1/2")
4	16-62299		1	STUD, BEARING CAP TO CYLINDER BLOCK (OIL PUMP SCREEN) <b>INBOARD</b>
5	12-58790		1	WASHER, OIL PUMP SCREEN STUD <b>INBOARD</b>
6	11-53301		1	NUT, OIL PUMP SCREEN STUD <b>INBOARD</b>
7	949-4057		2	CYLINDER HEAD ASSEMBLY
8	19-56102		4	PLUG, EXPANSION - CYLINDER HEAD
9	27-64763		2	GASKET, CYLINDER HEAD
10	10-64762		10	BOLT, CYLINDER HEAD TO CYLINDER BLOCK (4 5/16")
	10-64761		10	BOLT, CYLINDER HEAD TO CYLINDER BLOCK (2 1/2")
11	17-56139		1	PIN, REAR BEARING CAP - REAR SEAL RETAINING
12	17-60670		4	PIN, DOWEL - CYL. BLOCK TO FLYWHELL HSG
15	64795		1	INTAKE MANIFOLD
-	<b>19-64793</b>		<b>2</b>	<b>PLUG, INTAKE MANIFOLD (3/8")</b>
-	<b>19-60722</b>		<b>1</b>	<b>PLUG, INTAKE MANIFOLD (3/4")</b>
-	<b>19-64794</b>		<b>1</b>	<b>PLUG, INTAKE MANIFOLD (1/2")</b>
16	27-65159A1		1	GASKET, SET, INTAKE MANIFOLD
17	64783		1	BAFFLE, INTAKE MANIFOLD
18	10-58261		16	SCREW, INTAKE MANIFOLD TO CYLINDER HEAD (2") <b>LEFT HAND CRANKSHAFT ROTATION</b>
	10-58261		18	SCREW, INTAKE MANIFOLD TO CYLINDER HEAD (2") <b>RIGHT HAND CRANKSHAFT ROTATION</b>
19	16-58264		4	STUD, INTAKE MANIFOLD TO CYLINDER HEAD (2 3/8")
20	11-58263		4	NUT, INTAKE MANIFOLD STUD
21	54-54509		1	LIFTING EYE, INTAKE MANIFOLD
22	10-59645		2	SCREW, LIFTING EYE TO INTAKE MANIFOLD (3/4")
23	13-39107		2	LOCKWASHER, LIFTING EYE SCREW
24	56103		1	COVER, TIMING <b>LEFT HAND CRANKSHAFT ROTATION</b>
	64760		1	COVER, TIMING <b>RIGHT HAND CRANKSHAFT ROTATION</b>
26	27-56108		1	GASKET, TIMING COVER
27	56109		1	POINTER, TIMING COVER
28	26-56866		1	OIL SEAL, (TIMING COVER) <b>LEFT HAND CRANKSHAFT ROTATION</b>

CONTINUED ON NEXT PAGE ➡

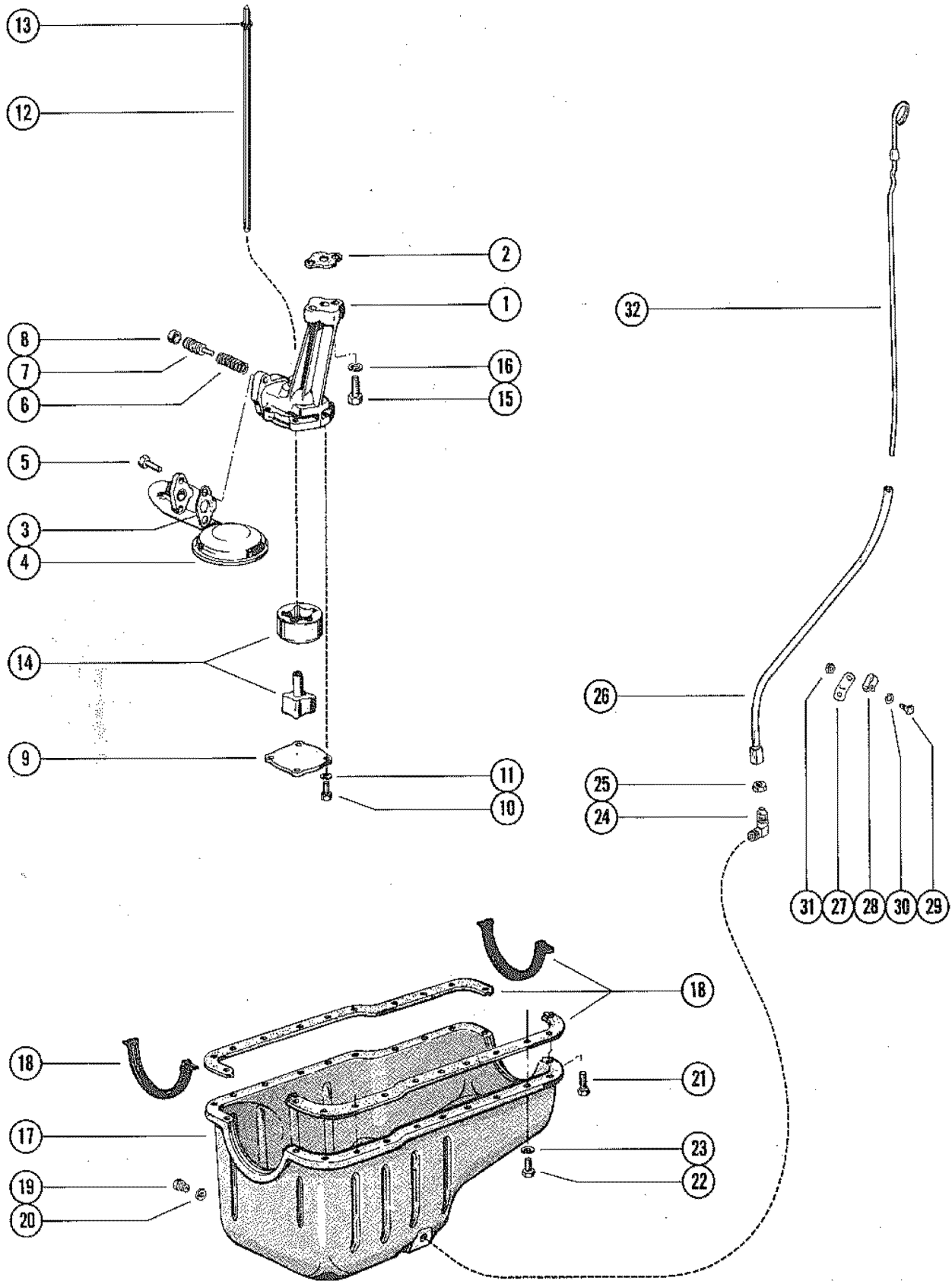
# CYLINDER BLOCK, CYLINDER HEAD AND INTAKE MANIFOLD



# CYLINDER BLOCK, CYLINDER HEAD AND INTAKE MANIFOLD

REF. NO.	PART NO.	SYM.	QTY.	DESCRIPTION
28	26-56867		1	OIL SEAL, TIMING COVER RIGHT HAND CRANKSHAFT ROTATION
29	10-55511		1	SCREW, TIMING COVER TO CYLINDER BLOCK (1 1/2")
29A	10-28782		3	SCREW, TIMING COVER TO CYLINDER BLOCK (7/8")
30	10-25503		2	SCREW, TIMING COVER TO CYLINDER BLOCK (2")
31	10-52743		3	SCREW, WATER PUMP AND TIMING COVER TO CYLINDER BLOCK (3 3/4")
32	58086		1	WATER PUMP ASSEMBLY LEFT HAND CRANKSHAFT ROTATION
	56879		1	WATER PUMP ASSEMBLY RIGHT HAND CRANKSHAFT ROTATION
33	27-56880		1	GASKET, WATER PUMP
34	10-55300		1	SCREW, WATER PUMP AND TIMING COVER TO CYLINDER BLOCK (5 1/4")
35	10-45474		4	SCREW, WATER PUMP TO TIMING COVER (1 1/2")
36	10-57841		1	SCREW, WATER PUMP TO TIMING COVER (2 3/4")
37	58265		1	REINFORCEMENT, WATER PUMP PULLEY
38	56881		1	PULLEY, WATER PUMP
39	10-54630		4	SCREW, PULLEY TO WATER PUMP (5/8")
40	13-39107		4	LOCKWASHER, PULLEY SCREW
41	22-36373		1	PLUG, PIPE - WATER PUMP (3/8-14) <b>SERIAL 00000000-03415950</b>
42	57-49213		1	BELT, DRIVE - ALTERNATOR AND WATER PUMP
43	60565		1	OIL FILTER
	38463		1	OIL FILTER (V-DRIVE ONLY)
44	22-56876		1	CONNECTOR, OIL FILTER TO CYLINDER BLOCK
45	63006		1	PLATE, COVER - REAR <b>STERN DRIVE</b>
46	10-25299		3	SCREW, COVER PLATE TO TRANSMISSION (3/4") <b>STERN DRIVE</b>
47	13-39107		3	LOCKWASHER, COVER PLATE SCREW <b>STERN DRIVE</b>
-	<b>62738A3</b>		1	<b>STERN DRIVE (LEFT HAND CRANKSHAFT ROTATION) MARINE 255 SHORT BLOCK</b>
-	<b>61693A3</b>		1	<b>INBOARD (LEFT HAND CRANKSHAFT ROTATION) MARINE 255 SHORT BLOCK</b>
-	<b>61861A3</b>		1	<b>INBOARD (RIGHT HAND CRANKSHAFT ROTATION) MARINE 255 SHORT BLOCK</b>

# OIL PUMP AND OIL PAN

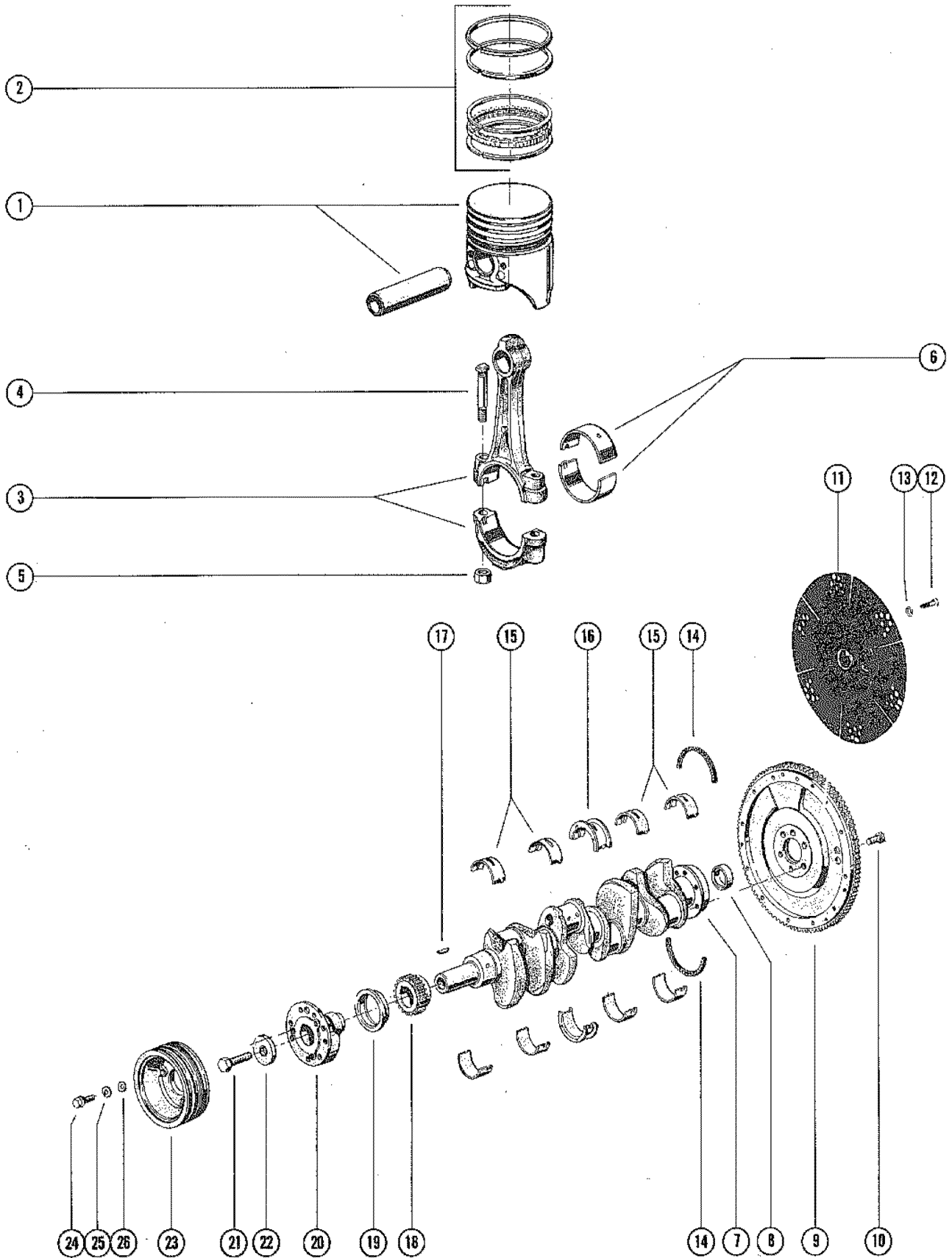




# OIL PUMP AND OIL PAN

REF. NO.	PART NO.	SYM.	QTY.	DESCRIPTION
1	64787		1	OIL PUMP ASSEMBLY
2	27-64789		1	GASKET, OIL PUMP
3	27-56859		1	GASKET, OIL PUMP SCREEN
4	64788		1	SCREEN, OIL PUMP (STERN DRIVE)
	32-62131A1		1	OIL PICKUP ASSEMBLY (INBOARD)
5	10-56858		2	SCREW, SCREEN TO OIL PUMP (7/8")
6	24-64791		1	SPRING, OIL PUMP RELIEF VALVE
7	64792		1	PLUNGER, OIL PUMP RELIEF VALVE
8	19-65117		1	PLUG, OIL PUMP RELIEF VALVE
9	56179		1	PLATE, OIL PUMP
10	10-56133		4	SCREW, PLATE TO OIL PUMP (5/8")
11	13-26992		4	LOCKWASHER, PLATE SCREW
12	64786		1	SHAFT, ASSEMBLY, OIL PUMP
13	53-56860		1	RING, RETAINING - OIL PUMP SHAFT
14	64785		1	ROTOR AND SHAFT, OIL PUMP
15	10-56176		2	SCREW, OIL PUMP TO CYLINDER BLOCK (1 1/4")
16	13-56177		2	LOCKWASHER, OIL PUMP SCREW
17	64799		1	OIL PAN (STERN DRIVE)
	59529		1	OIL PAN (INBOARD)
18	27-65114A1		1	GASKET SET, OIL PAN
19	22-60720		1	PLUG, PIPE - OIL PAN DRAIN (STERN DRIVE)
	22-36373		1	PLUG, PIPE - OIL PAN DRAIN (INBOARD)
20	27-60721		1	GASKET, OIL DRAIN PLUG
21	10-56858		4	SCREW, OIL PAN TO CYL BLOCK (5/16-18 X 7/8") <b>STERN DRIVE</b>
22	10-60708		18	SCREW, OIL PAN TO CYL BLOCK (1/4-20 X 9/16") <b>STERN DRIVE</b>
21	10-55714		4	SCREW, OIL PAN TO CYL BLOCK (5/16-18 X 7/8") <b>INBOARD</b>
22	10-55715		8	SCREW, OIL PAN TO CYL BLOCK (1/4-20 X 7/8") <b>INBOARD</b>
23	13-26993		4	LOCKWASHER, OIL PAN SCREW (5/16") <b>INBOARD</b>
	13-26992		8	LOCKWASHER, OIL PAN SCREW (1/4") <b>INBOARD</b>
24	22-47625		1	ELBOW, OIL LEVEL GAUGE TUBE TO OIL PAN <b>INBOARD</b>
25	11-47626		1	NUT, OIL LEVEL GAUGE TUBE <b>INBOARD</b>
26	62965		1	TUBE, OIL LEVEL GAUGE <b>STERN DRIVE</b>
	47492		1	TUBE, OIL LEVEL GAUGE <b>INBOARD</b>
27	60606		1	BRACKET, OIL LEVEL GAUGE TUBE CLIP <b>INBOARD</b>
28	54-28938		1	CLIP, OIL LEVEL GAUGE TUBE <b>INBOARD</b>
29	10-21548		1	SCREW, OIL GUAGE TUBE CLIP TO BRACKET (5/8") <b>INBOARD</b>
30	13-26992		1	LOCKWASHER, OIL LEVEL GAUGE TUBE CLIP SCREW <b>INBOARD</b>
31	11-20088		1	NUT, OIL LEVEL GAUGE TUBE CLIP SCREW <b>INBOARD</b>
32	63179		1	GAUGE, OIL LEVEL (DIPSTICK) <b>STERN DRIVE</b>
	62311		1	GAUGE, OIL LEVEL (DIPSTICK) <b>INBOARD</b>

# CRANKSHAFT, PISTON AND CONNECTING ROD

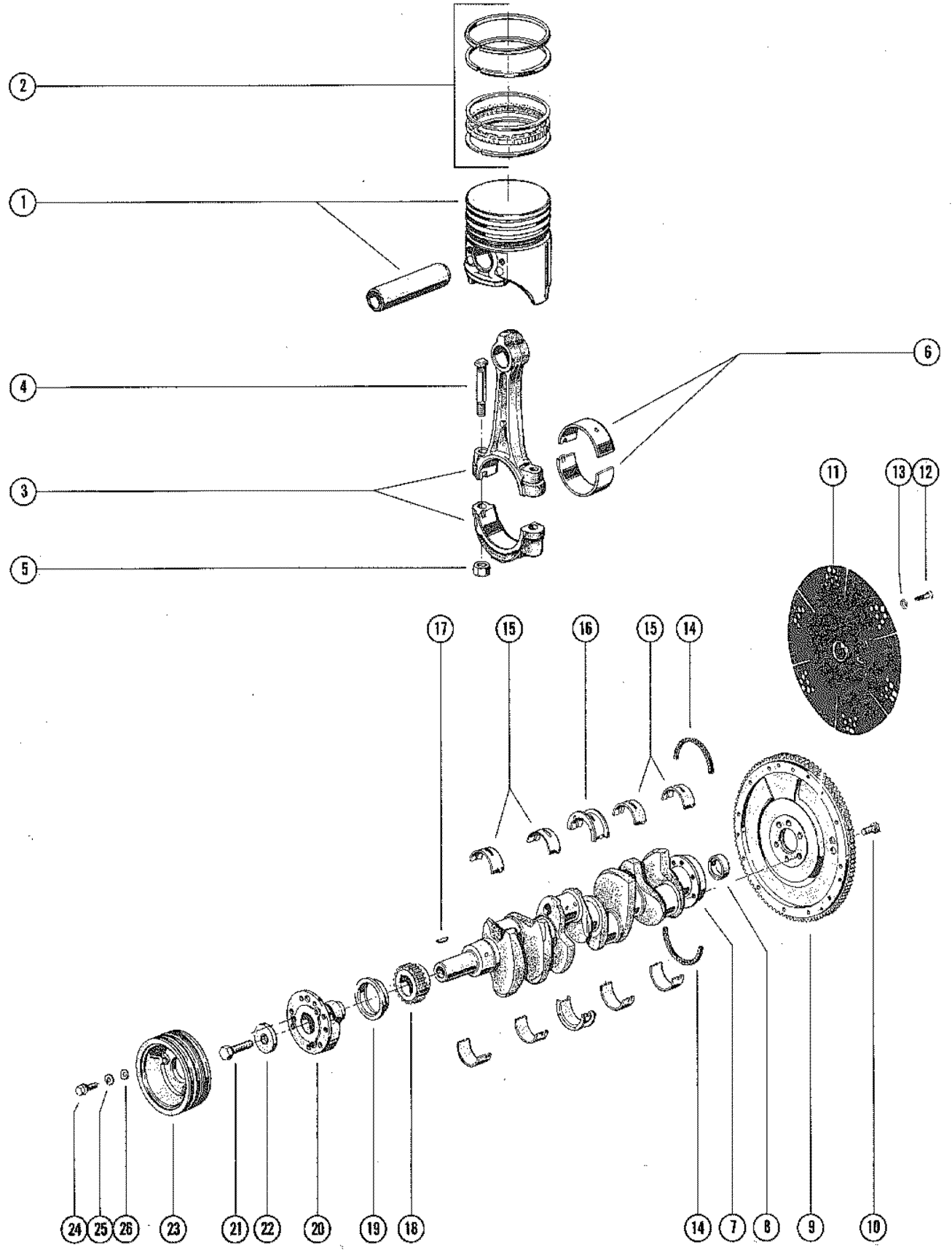


# CRANKSHAFT, PISTON AND CONNECTING ROD

REF. NO.	PART NO.	SYM.	QTY.	DESCRIPTION
1	749-5101		8	PISTON AND PISTON PIN ASSEMBLY (STANDARD)
	749-5102		AR	PISTON AND PISTON PIN ASSEMBLY (.003 OS) <b>USE STANDARD RING</b>
	749-5103		AR	PISTON AND PISTON PIN ASSEMBLY (.020 OS)
2	39-56114		8	RING ASSEMBLY, PISTON (STANDARD) <b>EACH PART NUMBER INCLUDES ENOUGH RINGS TO RERING 2 PISTONS</b>
	39-56115		AR	RING ASSEMBLY, PISTON (.020 OS) <b>EACH PART NUMBER INCLUDES ENOUGH RINGS TO RERING 2 PISTONS</b>
3	623-5104		8	CONNECTING ROD ASSEMBLY
4	10-64770		16	BOLT, CONNECTING ROD
5	11-64769		16	NUT, CONNECTING ROD BOLT
6	23-64764		8	BEARING UNIT, CONNECTING ROD (STANDARD)
	23-64765		AR	BEARING UNIT, CONNECTING ROD (.001 US)
	23-64766		AR	BEARING UNIT, CONNECTING ROD (.002 US)
	23-64767		AR	BEARING UNIT, CONNECTING ROD (.010 US)
	23-64768		AR	BEARING UNIT, CONNECTING ROD (.020 US)
7	446-5105		1	CRANKSHAFT (LEFT HAND CRANKSHAFT ROTATION)
	446-5106		1	CRANKSHAFT (RIGHT HAND ROTATION)
8	23-55248		1	BEARING, CLUTCH PILOT
9	238-4428		1	FLYWHEEL ASSEMBLY - 157 TEETH (STERN DRIVE)
	238-4055		1	FLYWHEEL ASSEMBLY - 164 TEETH (INBOARD)
10	10-60706		6	BOLT, FLYWHEEL TO CRANKSHAFT (15/16")
11	62819		1	DRIVE PLATE, FLYWHEEL (STERN DRIVE)
	47608		1	DRIVE PLATE, FLYWHEEL (INBOARD)
12	10-56889		6	SCREW, DRIVE PLATE TO FLYWHEEL
13	13-26993		6	LOCKWASHER, DRIVE PLATE SCREW
14	26-64796		1	OIL SEAL, CRANKSHAFT REAR (LEFT HAND CRANKSHAFT ROTATION)
	26-64797		1	OIL SEAL, CRANKSHAFT REAR (RIGHT HAND CRANKSHAFT ROTATION)
15	23-64774		8	BEARING , CRANKSHAFT MAIN - (STANDARD)
	23-64775		AR	BEARING, CRANKSHAFT MAIN - (.002 US)
	23-64776		AR	BEARING, CRANKSHAFT MAIN - (.010 US)
	23-64777		AR	BEARING, CRANKSHAFT MAIN - (.020 US)
16	23-64778		1	BEARING, CRANKSHAFT MAIN - CENTER (STANDARD)
	23-64779		AR	BEARING, CRANKSHAFT MAIN - CENTER (.002 US)
	23-64780		AR	BEARING, CRANKSHAFT MAIN - CENTER (.010 US)
	23-64781		AR	BEARING, CRANKSHAFT MAIN - CENTER (.020 US)
17	28-64771		1	KEY, TIMING SPROCKET TO CRANKSHAFT
18	43-56141		1	SPROCKET, CRANKSHAFT TIMING (21 TEETH)
19	56143		1	SLINGER, OIL - CRANKSHAFT
20	64772		1	DAMPER ASSEMBLY, CRANKSHAFT (LEFT HAND CRANKSHAFT ROTATION)
	64773		1	DAMPER ASSEMBLY, CRANKSHAFT (RIGHT HAND CRANKSHAFT ROTATION)

CONTINUED ON NEXT PAGE ➡

# CRANKSHAFT, PISTON AND CONNECTING ROD

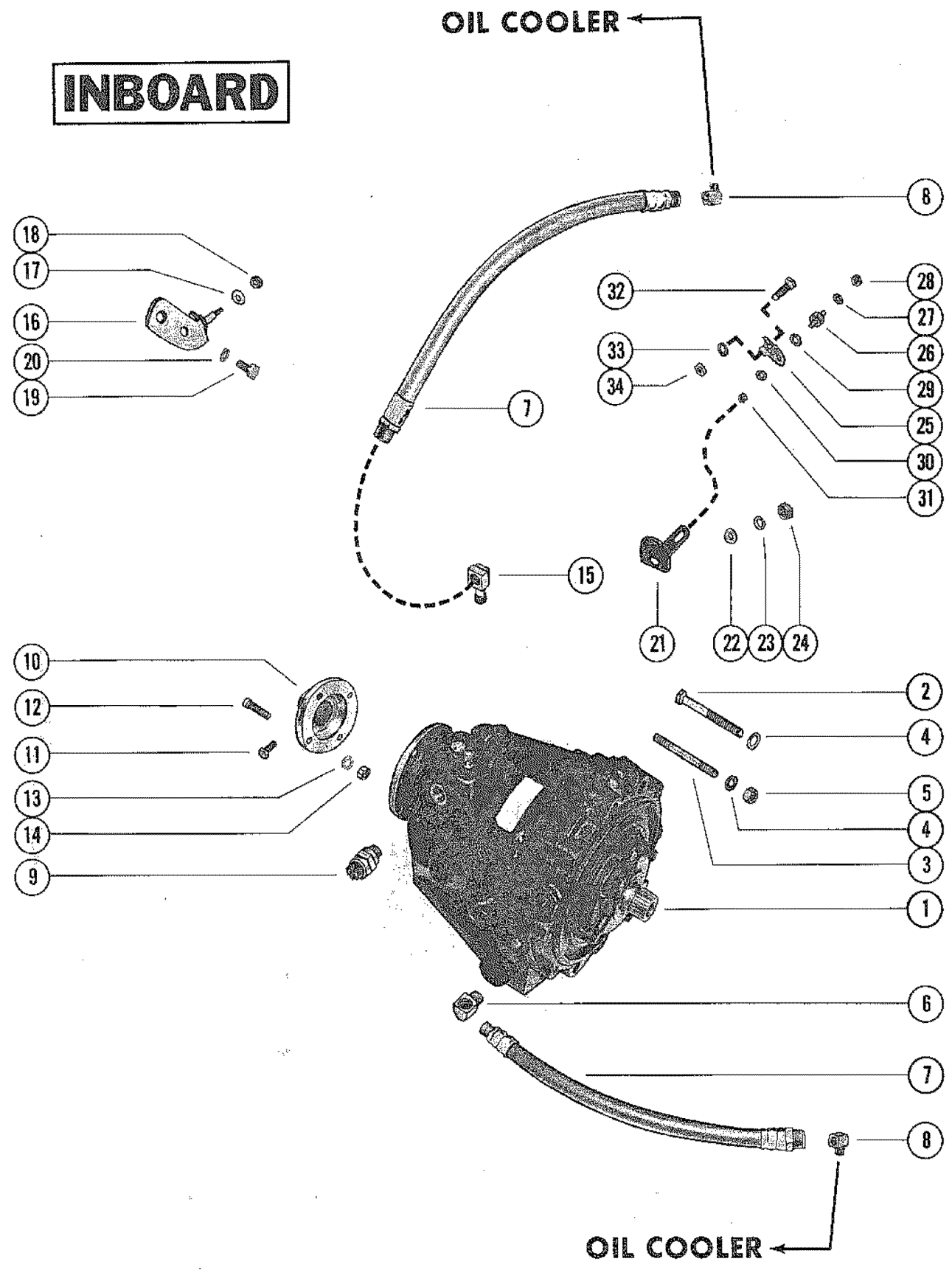


## CRANKSHAFT, PISTON AND CONNECTING ROD

REF. NO.	PART NO.	SYM.	QTY.	DESCRIPTION
21	10-60709		1	BOLT, DAMPER TO CRANKSHAFT (1 5/8")
22	12-56148		1	WASHER, DAMPER TO CRANKSHAFT BOLT
23	56144		1	PULLEY, CRANKSHAFT <b>STERN DRIVE WITHOUT POWER STEERING AND INBOARD</b>
24	10-21077		3	SCREW, PULLEY TO DAMPER <b>STERN DRIVE WITHOUT POWER STEERING AND INBOARD</b>
25	13-35048		3	LOCKWASHER, PULLEY SCREW <b>STERN DRIVE WITHOUT POWER STEERING AND INBOARD</b>
26	12-20553		3	WASHER, PULLEY SCREW <b>STERN DRIVE WITHOUT POWER STEERING AND INBOARD</b>

# TRANSMISSION AND RELATED PARTS (INBOARD)

**INBOARD**



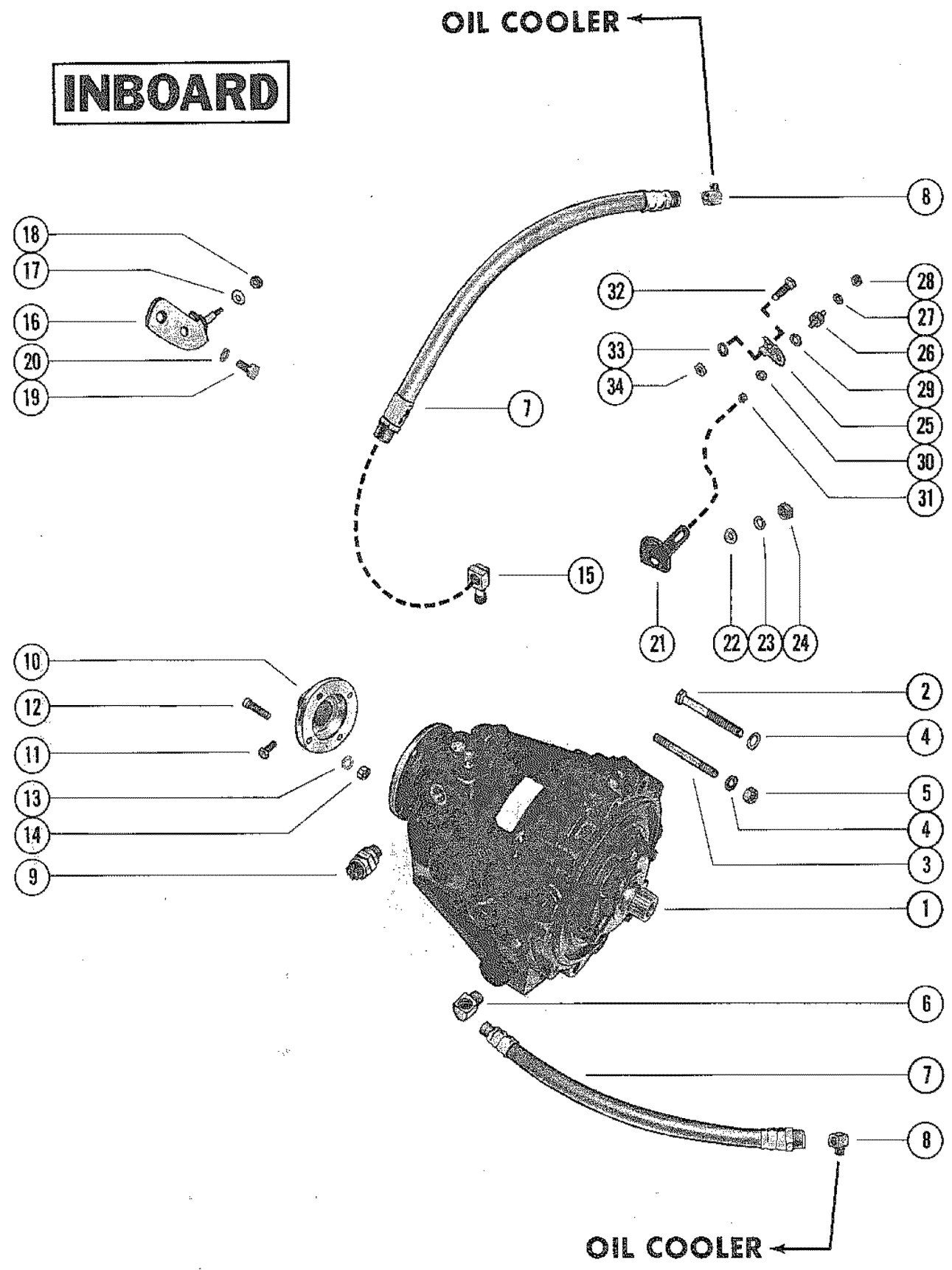
## TRANSMISSION AND RELATED PARTS (INBOARD)

REF. NO.	PART NO.	SYM.	QTY.	DESCRIPTION
1	47805		1,,,	TRANSMISSION (DIRECT DRIVE)
	47806		,1,,	TRANSMISSION (1.523:1 REDUCTION)
	47807		,,1,,	TRANSMISSION (1.909:1 REDUCTION)
	47808		,,,1,	TRANSMISSION (2.57:1 REDUCTION)
	47809		,,,1	TRANSMISSION (2.909:1 REDUCTION)
2	10-47724		4,,,	SCREW, TRANSMISSION TO ENGINE (3")
	10-47724		,6,6,6,6	SCREW, TRANSMISSION TO ENGINE (3")
3	16-57921		2,,,	STUD, TRANSMISSION TO ENGINE (4")
4	13-32993		,6,6,6,6,6	LOCKWASHER, TRANSMISSION SCREW AND STUD
5	11-22024		2,,,	NUT, TRANSMISSION STUD
6	22-47629		1,1,1,1,1	ELBOW, HOSE TO TRANSMISSION (90)
7	32-47516-11		1,,,	HOSE, TRANSMISSION TO OIL COOLER (28)
	32-47516-12		,1,1,1,1	HOSE, TRANSMISSION TO OIL COOLER (20)
	32-47516--6		1,1,1,1,1	HOSE, TRANSMISSION TO OIL COOLER (30")
8	22-63835		,1,1,1,1	ELBOW, HOSE TO OIL COOLER
9	47613		1,1,1,1,1	SWITCH, NEUTRAL SAFETY
10	48381A1		OPT,OPT,OP	FLANGE ASSEMBLY (1") <b>SEE NOTE A</b>
	48382A1		OPT,OPT,OP	FLANGE ASSEMBLY (1 1/8") <b>SEE NOTE A</b>
	48383A1		OPT,OPT,OP	FLANGE ASSEMBLY (1 1/4") <b>SEE NOTE A</b>
	48384A1		OPT,OPT,OP	FLANGE ASSEMBLY (1 3/8") <b>SEE NOTE A</b>
	48385A1		OPT,OPT,OP	FLANGE ASSEMBLY (1 1/2") <b>SEE NOTE A</b>
	48386A1		,,OPT,OPT	FLANGE ASSEMBLY (1") <b>SEE NOTE B</b>
	48387A1		,,OPT,OPT	FLANGE ASSEMBLY (1 1/8") <b>SEE NOTE B</b>
	48388A1		,,OPT,OPT	FLANGE ASSEMBLY (1 1/4") <b>SEE NOTE B</b>
	48389A1		,,OPT,OPT	FLANGE ASSEMBLY (1 3/8") <b>SEE NOTE B</b>
48389A1		,,OPT,OPT	FLANGE ASSEMBLY (1 1/2") <b>SEE NOTE B</b>	
11	10-60168		2,2,2,,	SCREW, FLANGE TO PROPELLER SHAFT (1 1/2") <b>SEE NOTE A AND B</b>
	10-60171		,,,2,2	SREW, FLANGE TO PROPELLER SHAFT (1 1/4") <b>SEE NOTE A AND B</b>
	10-60170		,,,2,2	SCREW, FLANGE TO PROPELLER SHAFT(1") <b>SEE NOTE A AND B</b>
	10-60169		2,2,2,,	SCREW, FLANGE TO PROPELLER SHAFT (3/4") <b>SEE NOTE A AND B</b>
12	10-37909		4,4,4,,	SCREW, FLANGE TO TRANSMISSION (1 1/8")
13	13-35048		4,4,4,,	LOCKWASHER, TRANSMISSION FLANGE SCREW
14	11-24883		4,4,4,,	NUT, TRANSMISSION FLANGE SCREW
15	22-63824		,1,1,1,1	ELBOW, HOSE TO TRANSMISSION (90)
16	48648		1,1,1,1,1	BRACKET, SHIFT CABLE (SERIAL #3259127 AND BELOW)
	63815A1		1,1,1,1,1	BRACKET, SHIFT CABLE (SERIAL #3603978 AND UP)
17	12-37407		1,1,1,1,1	WASHER, SHIFT CABLE TO BRASKET STUD
18	11-46438		1,1,1,1,1	NUT, SHIFT CALBE TO BRACKET STUD(10-32)
19	10-35585		2,2,2,2,2	SCREW, BRACKET TO TRANSMISSION (3/4")
20	13-26992		2,2,2,2,2	LOCKWASHER, BRACKET SCREW

CONTINUED ON NEXT PAGE ➡

# TRANSMISSION AND RELATED PARTS (INBOARD)

**INBOARD**

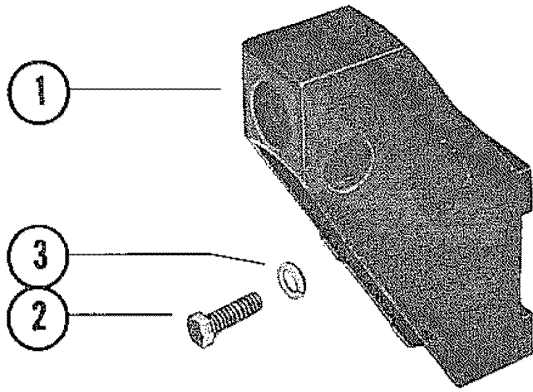




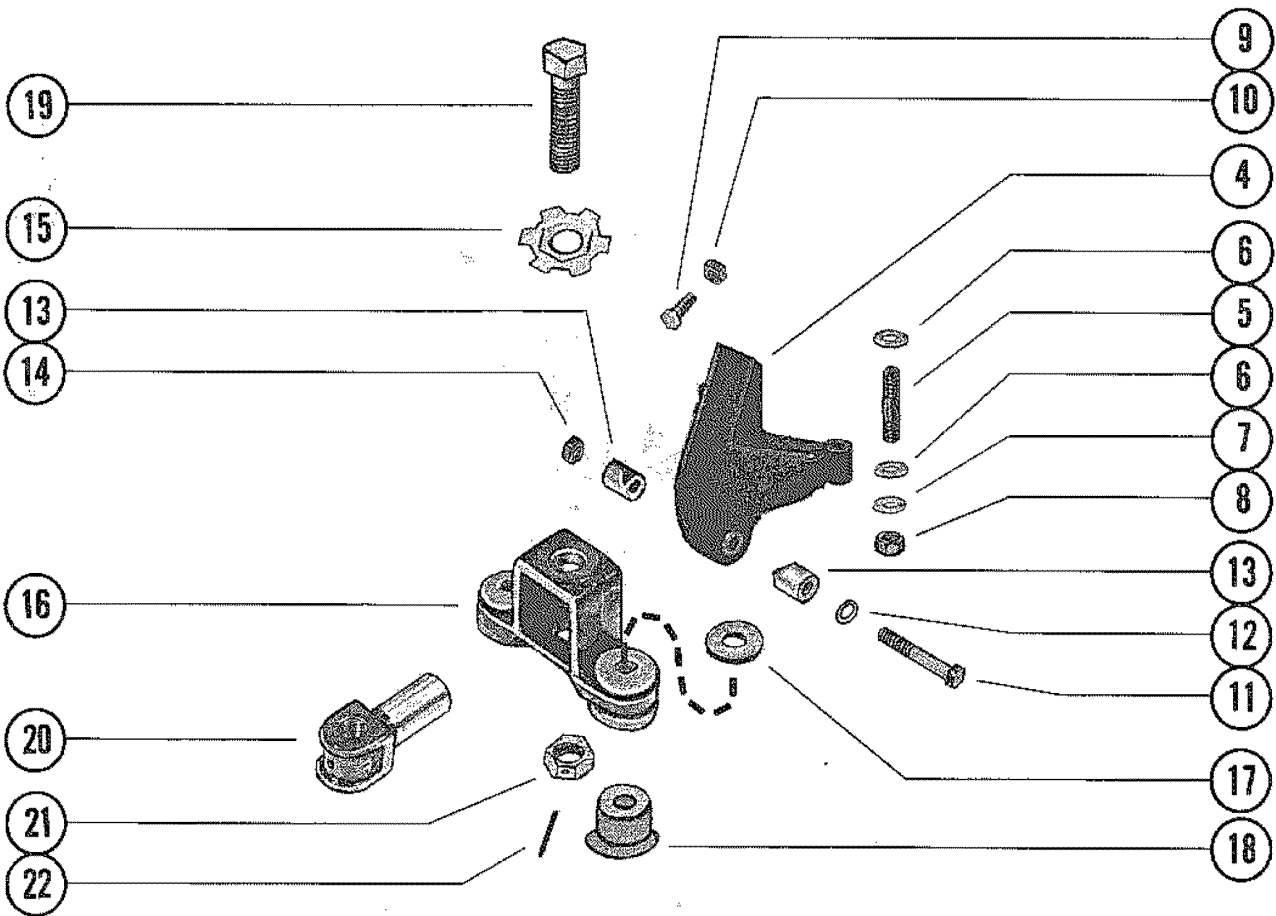
## TRANSMISSION AND RELATED PARTS (INBOARD)

REF. NO.	PART NO.	SYM.	QTY.	DESCRIPTION
21	48515		1,1,1,1,1	LEVER, SHIFT-TRANSMISSION
22	12-20722		1,1,1,1,1	WASHER, SHIFT LEBER TO TRANSMISSION
23	13-26993		1,1,1,1,1	LOCKWSHER, SHIFT LEVER TO TRANSMISSION
24	11-20083		1,1,1,1,1	NUT, SHIFT LEVER TO TRANSMISSION
25	48652		1,1,1,1,1	ADAPTOR, SHIFT BALE TO SHIFT LEVER
26	16-48680		1,1,1,1,1	STUD, SHIFT CABLE ADAPTOR TO SHIFT LEVER (1 1/4")
27	12-20533		1,1,1,1,1	WASHER, SHIFT CABLE ADAPTOR STUD
28	11-46887		1,1,1,1,1	NUT, SHIFT CALE ADA{TPR STUD(1 1/4-28)
29	13-29402		1,1,1,1,1	WAVE WASHER, SHIFT CABLE ADAPTOR STUD
30	12-37407		1,1,1,1,1	WASHER, SHIFT CABLE ADAPTOR STUD
31	11-46438		1,1,1,1,1	NUT, SHIFT CABLE ADAPTOR STUDE(10-32)
32	10-20639		1,1,1,1,1	SCREW, CABLE TO ADAPTOR (1 1/8")
33	12-22753		1,1,1,1,1	WASHER, SHIFT CABLE SCREW
34	11-46793		1,1,1,1,1	NUT, SHIFT CABLE SCREW(5/16-24

# TRANSMISSION AND ENGINE MOUNTING



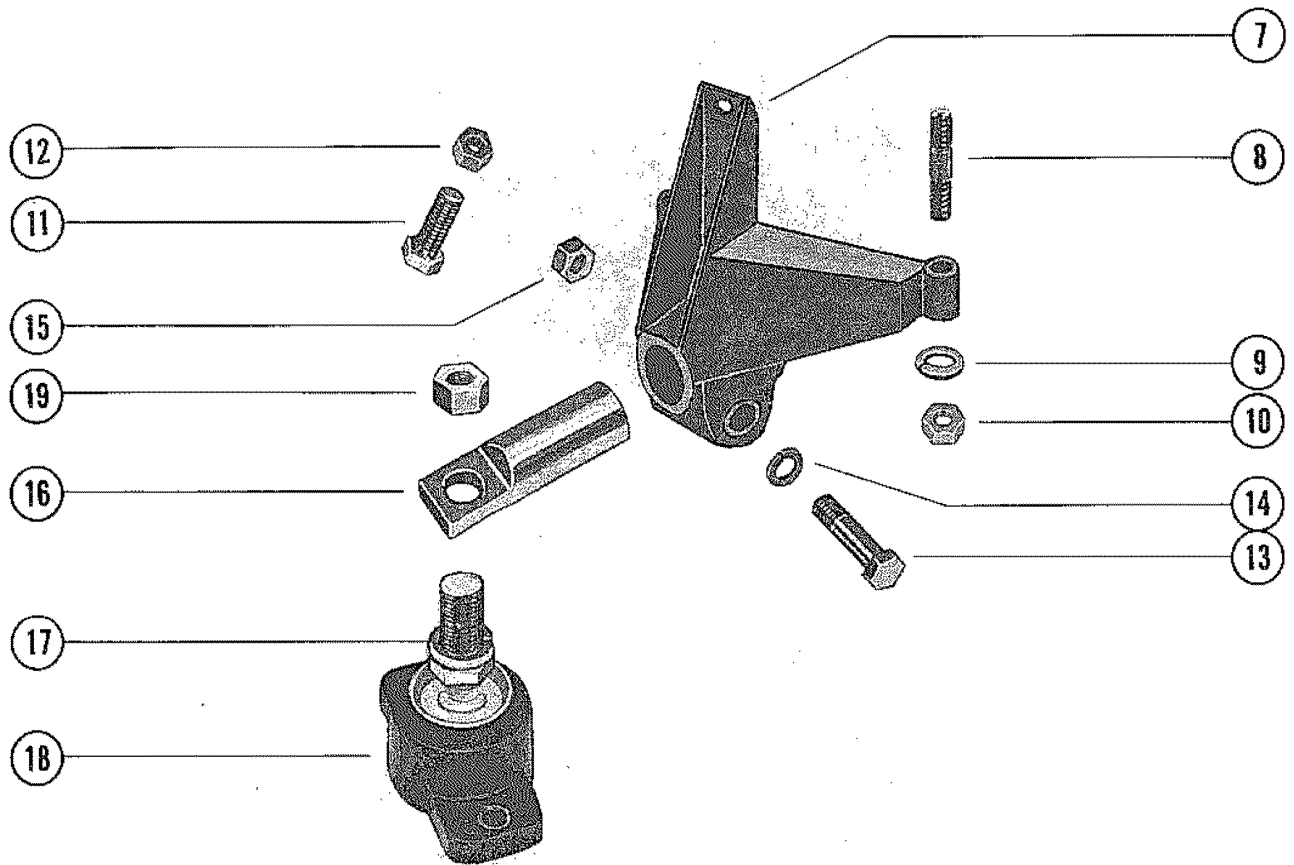
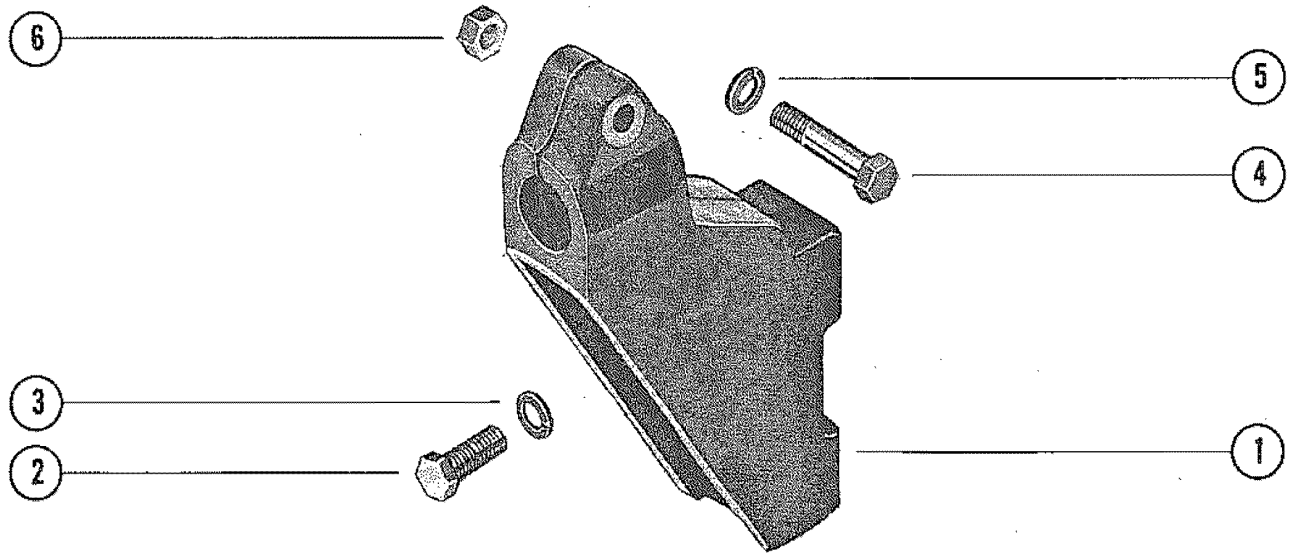
## INBOARD



# TRANSMISSION AND ENGINE MOUNTING

REF. NO.	PART NO.	SYM.	QTY.	DESCRIPTION
1	62255		2	BRACKET, MOUNTING (REAR)
2	10-37269		4	SCREW, MOUNTING BRACKET TO TRANSMISSION (2")
3	13-32993		4	LOCKWASHER, MOUNTING BRACKET SCREW
4	61815		2	BRACKET, MOUNTING (FRONT)
5	16-65737		3	STUD, FRONT MOUNTING BRACKET (2 5/8")
	16-65743		1	STUD, FRONT MOUNTING BRACKET STBD. REAR (3") <b>SEE NOTE</b>
6	12-34567		1	WASHER, MOUNTING BRACKET STUD-STBD. REAR <b>SEE NOTE</b>
	12-54426		4	WASHER, MOUNTING BRACKET STUD
7	13-32993		4	LOCKWASHER, MOUNTING BRACKET SCREW
8	11-34933		4	NUT, MOUNTING BRACKET STUD
9	10-30155		2	SCREW, ENGINE LOCATING (1 1/4")
10	11-22024		2	NUT, ENGINE LCATING SCREW
11	10-47654		4	SCREW, CLAMP-ADJUSTING TRUNNION (2 3/4")
12	13-32993		4	LOCKWASHER, CLAMP ADJUSTING TRUNNION SCREW
13	54-47528		8	CLAMP, ADJUSTING TRUNNION SCREW
14	11-29553		4	NUT, CLAMP ADJUSTING TRUNNION SCREW
15	14-48467		4	TAB WASHER, ADJUSTING TRUNNION SCREW
16	52139A2		4	BRACKET ASSEMBLY, MOUNTING -FRONT AND REAR
17	12-48611		8	WASHER, MOUNTING BRACKET
18	47656		8	MOUNT, MOUNTING BRACKET
19	10-52156		4	SCREW, ADJUSTING TRUNNION (4 1/2")
20	47518		4	TRUSSION, ADJUSTING-MOUNTING BRACKET
21	11-47525		4	NUT, JAM-ADJUSTING TRUNNION SCREW
22	17-22116		4	PIN, ROL-JAM NUT

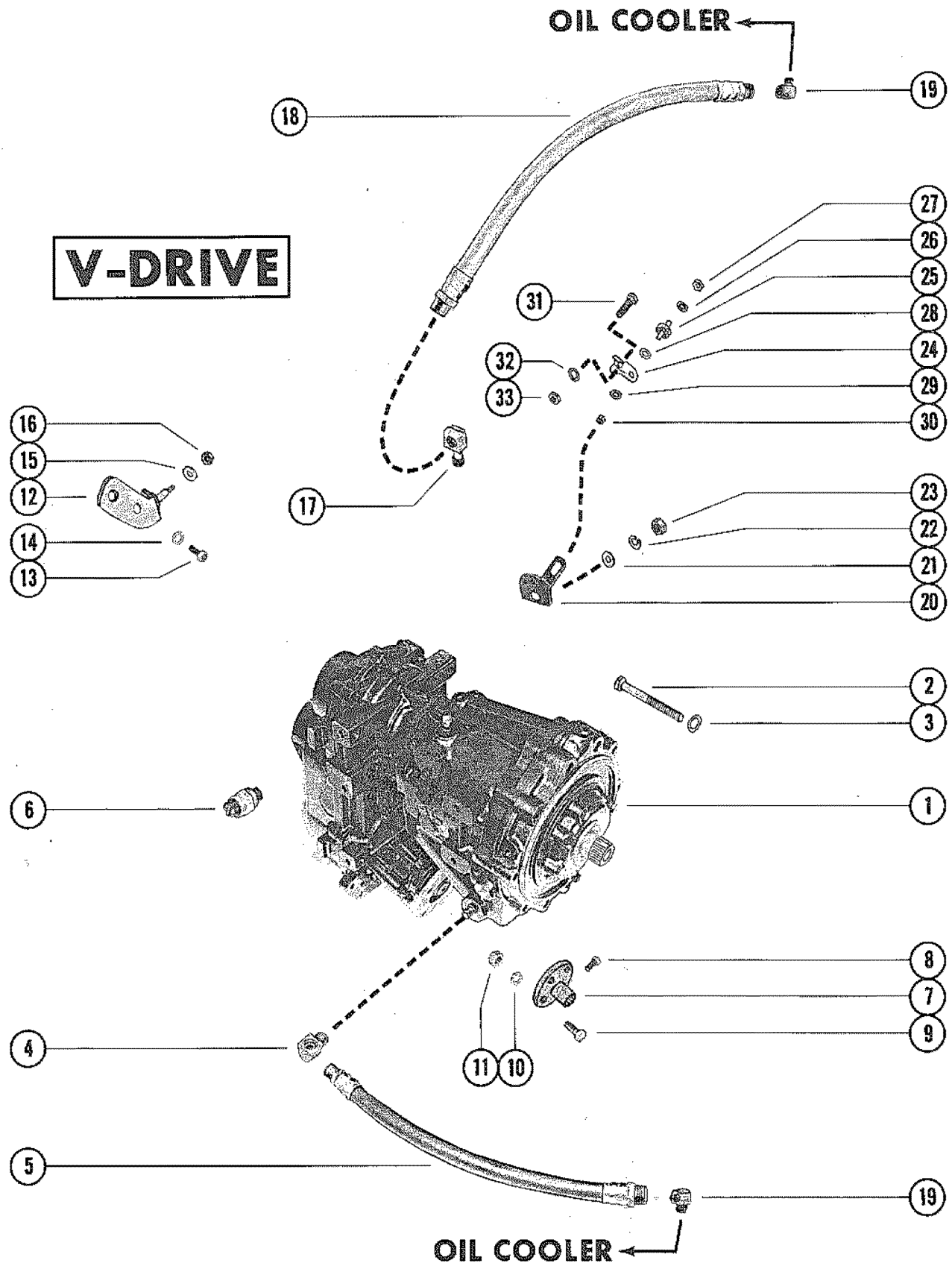
# TRANSMISSION AND ENGINE MOUNTING (INBOARD)



## TRANSMISSION AND ENGINE MOUNTING (INBOARD)

REF. NO.	PART NO.	SYM.	QTY.	DESCRIPTION
1	66417		2	BRACKET, MOUNTING-TRANSMISSION (REAR)
2	10-37269		4	SCREW, BRACKET TO TRANSMISSION (2")
3	13-32993		4	LOCKWASHER, BRACKET SCREW
4	10-57357		2	SCREW< CLAMPING-MOUTING BRACKET (2 1/4")
5	13-32993		2	LOCKWASHER, CLAMPING SCREW
6	11-29553		2	NUT, CLAMPING SCREW
7	66169		2	BRACKET, MOUNTING-ENGINE (FRONT)
8	16-65737		3	STUD, FRONT MOUNTING BRACKET(2 5/8")
	16-65743		1	STUD, FRONT MOUNTING BRACKET STARBORARD REAR (3")
9	13-32993		2	LOCKWASHER< FRONT MOUNTING BRACKET
10	11-34933		4	NUT< FRONT MOUNTING BRACKET
11	10-68743		2	SCREW,ENGINE LOCATING (1 1/4")
12	11-22024		2	NUT, ENGINE LOCATING SCREW
13	10-37269		2	SCREW, CLAMPING-MOUNTING BRACKET (2")
14	13-32993		2	LOCKWASHER, CLAMPING SCREW
15	11-29553		2	NUT, CLAMPING SCREW
16	66166		4	TRUNNION, ADJUSTING-MOUNTING BRACKET
17	13-68102		4	LOCKWASHER, MOUNTING BRACKET
18	66284		4	BASE, ENGINE MOUNT
19	11-20739		8	NUT, JAM-ENGINE MOUNT BASE

# TRANSMISSION AND RELATED PARTS (V-DRIVE)

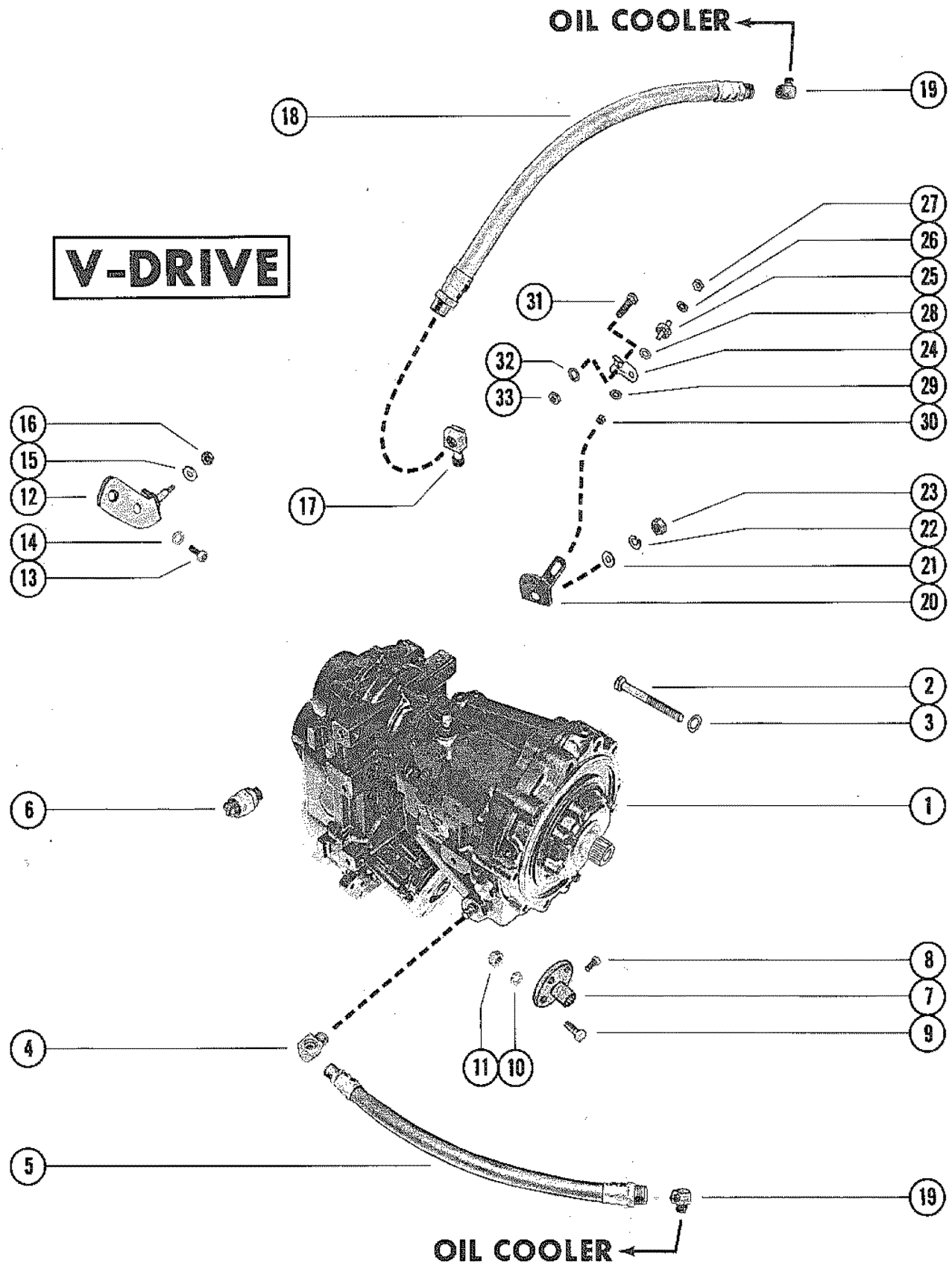


## TRANSMISSION AND RELATED PARTS (V-DRIVE)

REF. NO.	PART NO.	SYM.	QTY.	DESCRIPTION
1	60953		1	TRANSMISSION, V-DRIVE(DIRECT DRIVE)
	60588		1	TRANSMISSION, V-DRIVE(1.51:1 REDUCTION)
	60954		1	TRANSMISSION, V-DRIVE(1.99:1 REDUCTION)
	60955		1	TRANSMISSION, V-DRIVE(2.49:1 REDUCTION)
	60956		1	TRANSMISSION, V-DRIVE(3.14:1 REDUCTION)
2	10-47724		6	SCREW, TRANSMISSION TO ENGINE (3")
3	13-32993		6	LOCKWASHER, TRANSMISSION SCREW
4	22-63824		1	ELBOW, HOSE TO TRANSMISSION (90)
5	32-47516--9		1	HOSE, OIL COOLER TO TRANSMISSION(37")
6	47613		1	SWITCH, NEUTRAL SAFETY
7	48386A1		OPT	FLANGE ASSEMBLY(1")
	48387A1		OPT	FLANGE ASSEMBLY (1 1/8")
	48388A1		OPT	FLANGE ASSEMBLY (1 1/4")
	48389A1		OPT	FLANGE ASSEMBLY(1 3/8")
	48390A1		OPT	FLANGE ASSEMBLY (1 1/2")
	57295A1		OPT	FLANGE ASSEMBLY (1 3/4")
	57296A1		OPT	FLANGE ASSEMBLY (2")
8	10-60171		2	SCREW, FLANGE TO PROPELLER SHAFT 91 1/4") <b>SEE NOTE</b>
	10-60170		2	SCREW, FLANGE TO PROPELLER SHAFT (1") <b>SEE NOTE</b>
	10-60169		2	SCREW, FLANGE TO PROPELLER SHAFT (3/4") <b>SEE NOTE</b>
9	10-60106		4	SCREW, TRANSMISSION FLANGE TO PROPELLER FLANGE (1 1/4")
10	13-32993		4	LOCKWASHER, FLANGE SCREW
11	11-22024		4	NUT, FLANGE SCREW
12	63815A1		1	BRACKET, SHIFT CABLE
13	10-22469		2	SCREW, BRACKET TO TRANSMISSION
14	13-26992		2	LOCKWASHER, BRACKET TO TRANSMISSION SCREW
15	12-37407		1	WASHER, SHIFT CABLE TO BRACKET STUD
16	11-46438		1	NUT, SHIFT CABLE TO BRACKET STUD (10-32)
17	22-47629		1	ELBOW, HOSE TO TRANSMISSION(90)
18	32-47516-10		1	HOSE, TRANSMISSION TO OIL COOLER (33")
19	22-47629		2	ELBOW, HOSE TO OIL COOLER (90)
20	48515		1	LEVER, SHIFT-TRANSMISSION
21	12-20722		1	WASHER, SHIFT LEVER TO TRANSMISSION
22	13-26993		1	LOCKWASHER, SHIFT LEVER TO TRANSMISSION
23	11-20083		1	NUT, SHIFT LEVER TO TRANSMISSION
24	48652		1	ADAPTOR, SHIFT BAVLE TO SHIFT LEVER
25	16-48680		1	STUD, SHIFT CALBE ADAPTOR TO SHIFT LEVER (1 1/4")
26	12-20533		1	WASHER, SHIFT CABLE ADAPTOR STUD
27	11-46887		1	NUT, SHIFT CABLE ADAPTOR STUD (1/4-28)
28	13-29402		1	WAVE WASHER, SHIFT CABLE ADAPTOR STUD

CONTINUED ON NEXT PAGE ➡

# TRANSMISSION AND RELATED PARTS (V-DRIVE)

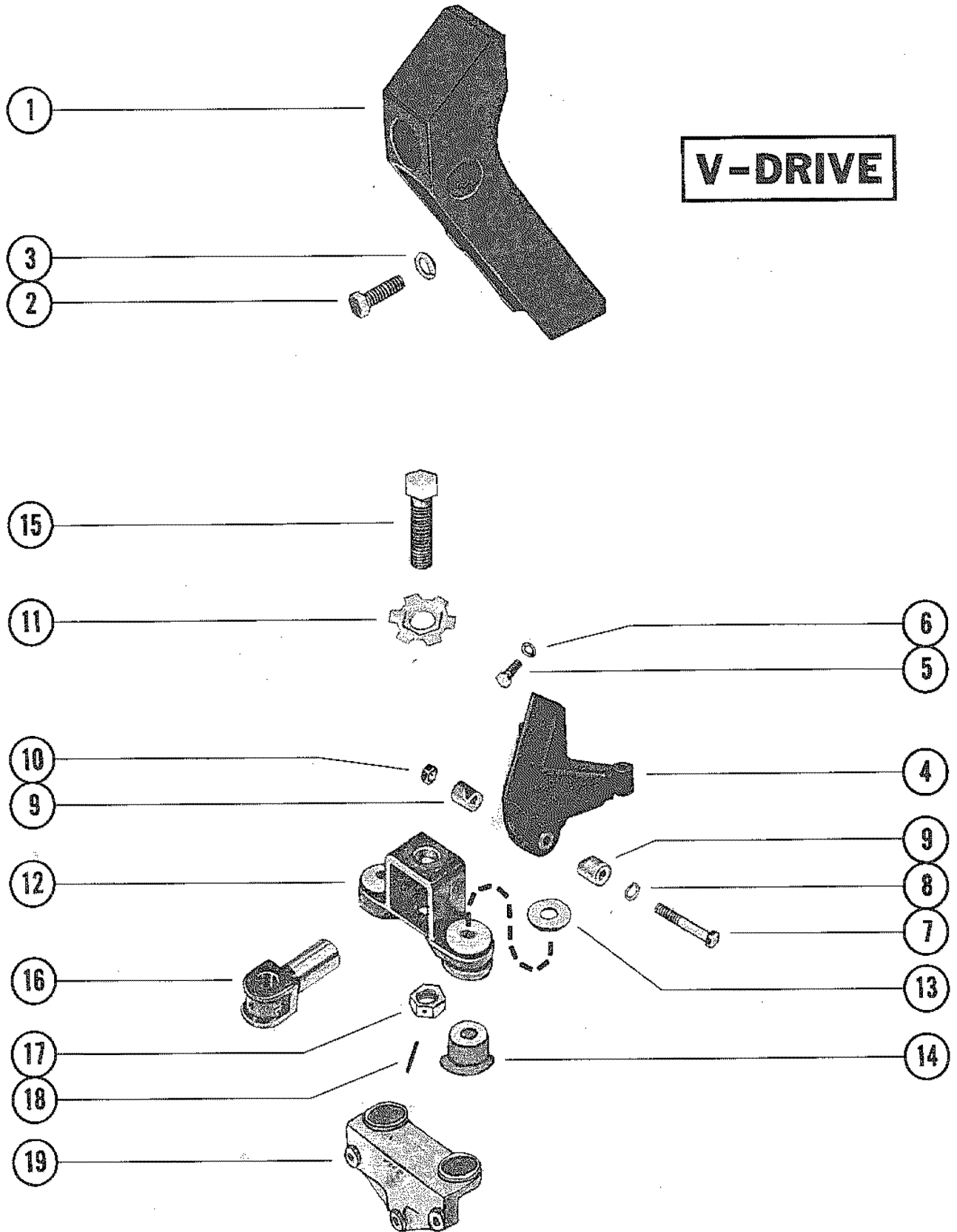




## TRANSMISSION AND RELATED PARTS (V-DRIVE)

REF. NO.	PART NO.	SYM.	QTY.	DESCRIPTION
29	12-37407		1	WASHER, SHIFT CABLE ADAPTOR STUD
30	11-46438		1	NUT, SHIFT CALBE ADAPTOR STUD(10-32)
31	10-20639		1	SCREW, SHIFT CABLE TO ADAPTOR (1 1/8")
32	12-22753		1	WASHER, SHIFT CABLE SCREW
33	11-46793		1	NUT, SHIFT CABLE SCREW(5/16-24)

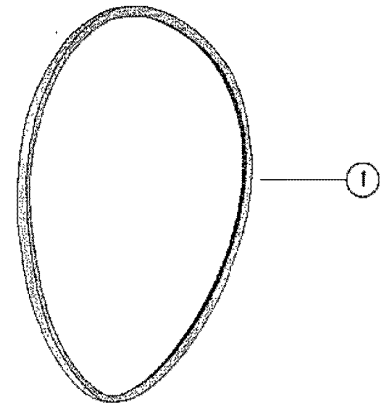
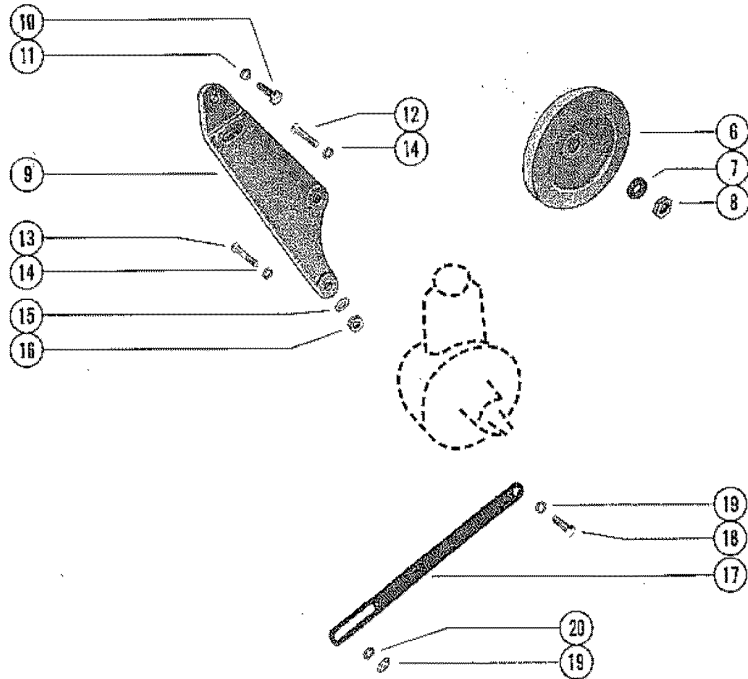
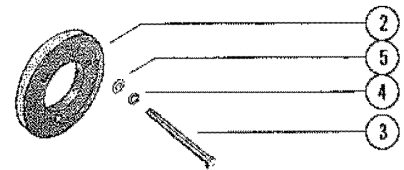
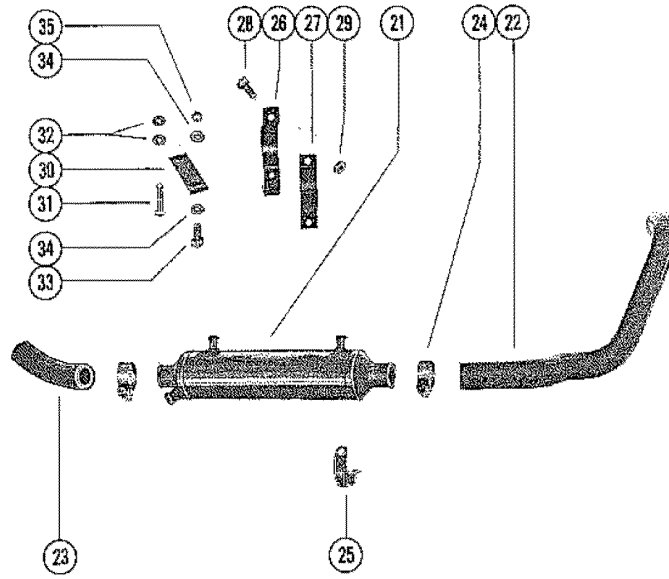
# TRANSMISSION AND ENGINE MOUNTING (V-DRIVE)



## TRANSMISSION AND ENGINE MOUNTING (V-DRIVE)

REF. NO.	PART NO.	SYM.	QTY.	DESCRIPTION
1	62285		2	BRACKET, MOUNTING (REAR)
2	10-47462		6	SCREW, MOUNTING BRACKET TO TRANSMISSION(1 1/4")
3	13-32993		6	LOCKWASHER, MOUNTING BRACKET SCREW
4	61815		2	BRACKET, MOUNTING (FRONT)
5	10-47724		6	SCREW, MOUNTING BRACKET TO CYLINDER BLOCK (3")
6	13-32993		6	LOCKWASHER, MOUNTING BRACKET SCREW
7	10-47654		4	SCREW, CLAMP-ADJUSTING TRUNNION (2 3/4")
8	13-32993		4	LOCKWASHER, CLAMP ADJUSTING TRUNNION SCREW
9	54-47528		8	CLAMP, ADJUSTING TRUNNION SCREW
10	11-29553		4	NUT, CLAMP ADJUSTING TRUNNION SCREW
11	14-48467		4	TAB WASHER, ADJUSTING TRUNNION SCREW
12	52139A2		4	BRACKET ASSEMBLY, MOUNTING FRONT AND REAR
13	12-48611		8	WASHER, MOUNTING BRACKET
14	47656		8	MOUNT, MOUNTING BRACKET
15	10-52156		4	SCREW, ADJSUTING TRUNNION (4 1/2")
16	47518		4	TRUNNION, ADJUSTING-MOUNTING BRACKET
17	11-47525		4	NUT, JAM-ADJUSTING TRUNNION SCREW
18	17-22116		4	PIN,ROLL-JAM NUT
19	62255		4	BRACKET, MOUNTING-ENGINE
-	<b>27-65577</b>		<b>2</b>	<b>GASKET, CARBURETOR</b>
-	<b>16-29208</b>		<b>2</b>	<b>STUD, CARBURETOR MOUNTING (2 1/8")</b>
-	<b>16-30669</b>		<b>2</b>	<b>STUD, CARBURETOR MOUNTING (3 1/4")</b>
-	<b>55241</b>		<b>1</b>	<b>GUAGE, OIL LEVEL(DIPSTICK)</b>
-	<b>60212A1</b>		<b>2</b>	<b>EXHAUST ELBOW RISER</b>
-	<b>16-49545</b>		<b>8</b>	<b>STUD, EXHAUST ELBOW TO RISER (1 3/4")</b>
-	<b>22-32802</b>		<b>2</b>	<b>PLUG, EXHAUST ELBOW RISER</b>
-	<b>22-36305</b>		<b>2</b>	<b>ELBOW, EXHAUST RISER</b>
-	<b>16-60607</b>		<b>4</b>	<b>STUD, MANIFOLD TO RISER (2 1/4")</b>
-	<b>11-48383</b>		<b>8</b>	<b>NUT, RISER TO EXHASUT ELBOW STUD</b>
-	<b>13-37459</b>		<b>8</b>	<b>LOCKWASHER, RISER TO EXHAUST ELBOW STUD</b>
-	<b>27-52076</b>		<b>6</b>	<b>GASKET, ELBOW TO RISER</b>

# POWER STEERING COMPONENTS (WITH "V" BELT)

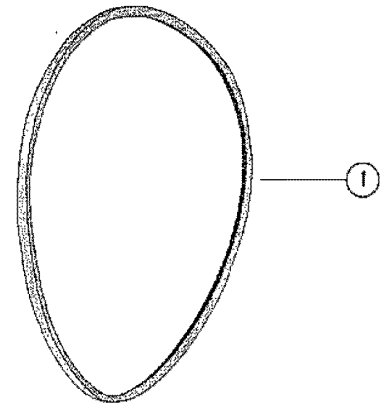
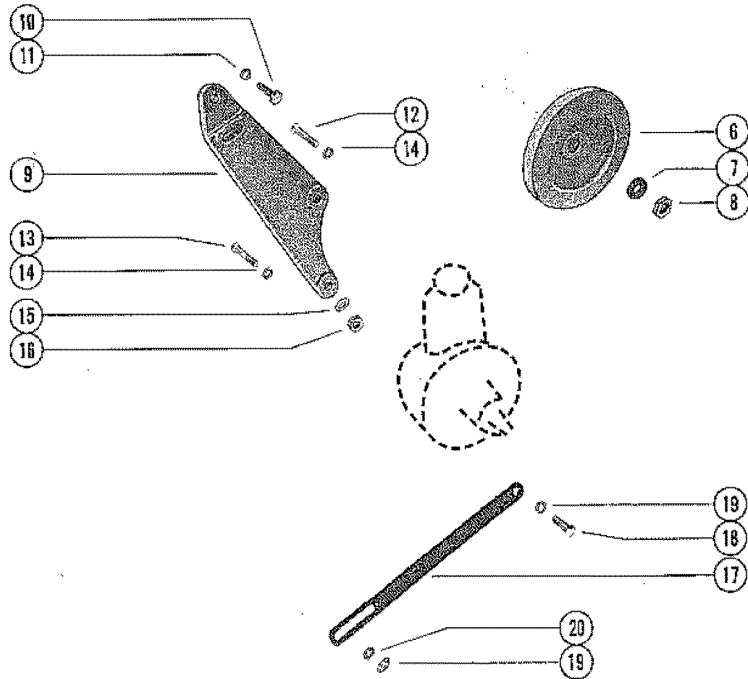
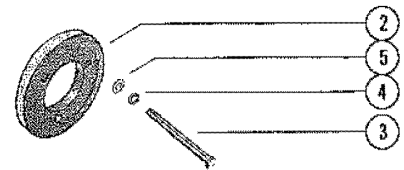
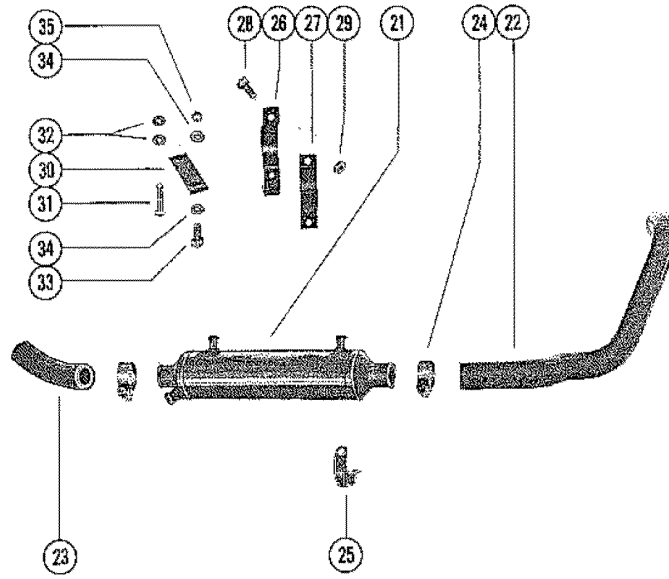


## POWER STEERING COMPONENTS (WITH "V" BELT)

REF. NO.	PART NO.	SYM.	QTY.	DESCRIPTION
1	57-57298		1	"V" BELT, HYDRAULIC PUMP DRIVE
2	56331A1		1	PULLEY ASSEMBLY, CRANKSHFT(NOT AS SHOWN)
3	10-52693		3	SCREW, PULLEY TO CRANKSHAFT (5")
4	13-35048		3	LOCKWASHER, PULLEY SCREW
5	12-20553		3	WASHER, PULLEY SCREW
6	49181		1	PULLEY, HYDRAULIC PUMP
7	12-21901		1	WASHER, PULLEY TO HYDRAULIC PUMP
8	11-25899		1	NUT, PULLEY TO HYDRAULIC PUMP
9	56313		1	BRACKET, HYDRAULIC PUMP MOUNTING
10	10-47462		2	SCREW, PUMP MOUNTING BRACKET TO CYL> BLOCK (1 1/2")
11	13-37272		2	LOCKWASHER, PUMP MOUNTING BRACKET SCREW
12	10-37612		1	SCREW, HYDRAULIC PUMP TO MOUNTING BRACKET (1 1/4")
13	10-34354		1	SCREW, HYDRAULIC PUMP TO MOUNTING BRACKET (1 1/2")
14	132-37459		2	LOCKWASHER, HYDRAULIC PUMP SCREW
15	12-25909		2	WASHER< HYDRAULIC PUMP SCREW
16	23-57369		1	SPACER, HYDRAULIC PUMP SCREW
17	63005		1	BRACE, HYDRAULIC PUMP
18	10-34353		1	SCREW, BRACE TO HYDRAULIC PUMP (1 1/4")
19	13-35048		2	LOCKWASHER, BRACE SCREW
20	12-34714		1	WASHER, BRACE SCREW
21	62649		1	OIL COOLER <b>SERIAL 00000000-03415950</b>
	64865		1	OIL COOLER <b>SERIAL 03523621-09999999</b>
22	32-57231		1	HOSE, OIL COOLER TO THERMOSTAT HOUSING <b>SERIAL 00000000-03415950</b>
23	32-57230		1	HIISE, OIL COOLER TO WATER PUMP <b>SERIAL 00000000-03415950</b>
22	32-64917		1	HOSE, OIL COOLER TO THERMOSTAT HOUSING <b>SERIAL 00352621-09999999</b>
23	32-62010		1	HOSE, OIL COOLER TO WATER PUMP <b>SERIAL 00352621-09999999</b>
24	54-32780		4	CLAMP, HOSE ATTACHING
25	54-64324		2	CLAMP, HOSE ATTACHING TO OIL COOLER BRACKET
26	62870		1	BRCKET, OIL COOLER <b>SERIAL 00000000-03415950</b>
	64864		1	BRACKET, OIL COOLE <b>SERIAL 33523621-09999999</b>
27	56328		1	BRACKET, CLAMP-OIL COOLER
28	10-21625		2	SCREW, CLAMP BRACKET TO OIL COOLER BRACKET (3/4")
29	11-20361		2	NUT, CLAMP BRCKET SCREW <b>SERIAL 00000000-03415950</b>
30	62871		1	PLATE, MOUNTING -OIL COOLER BRACKET <b>SERIAL 00000000-03415950</b>

CONTINUED ON NEXT PAGE ➡

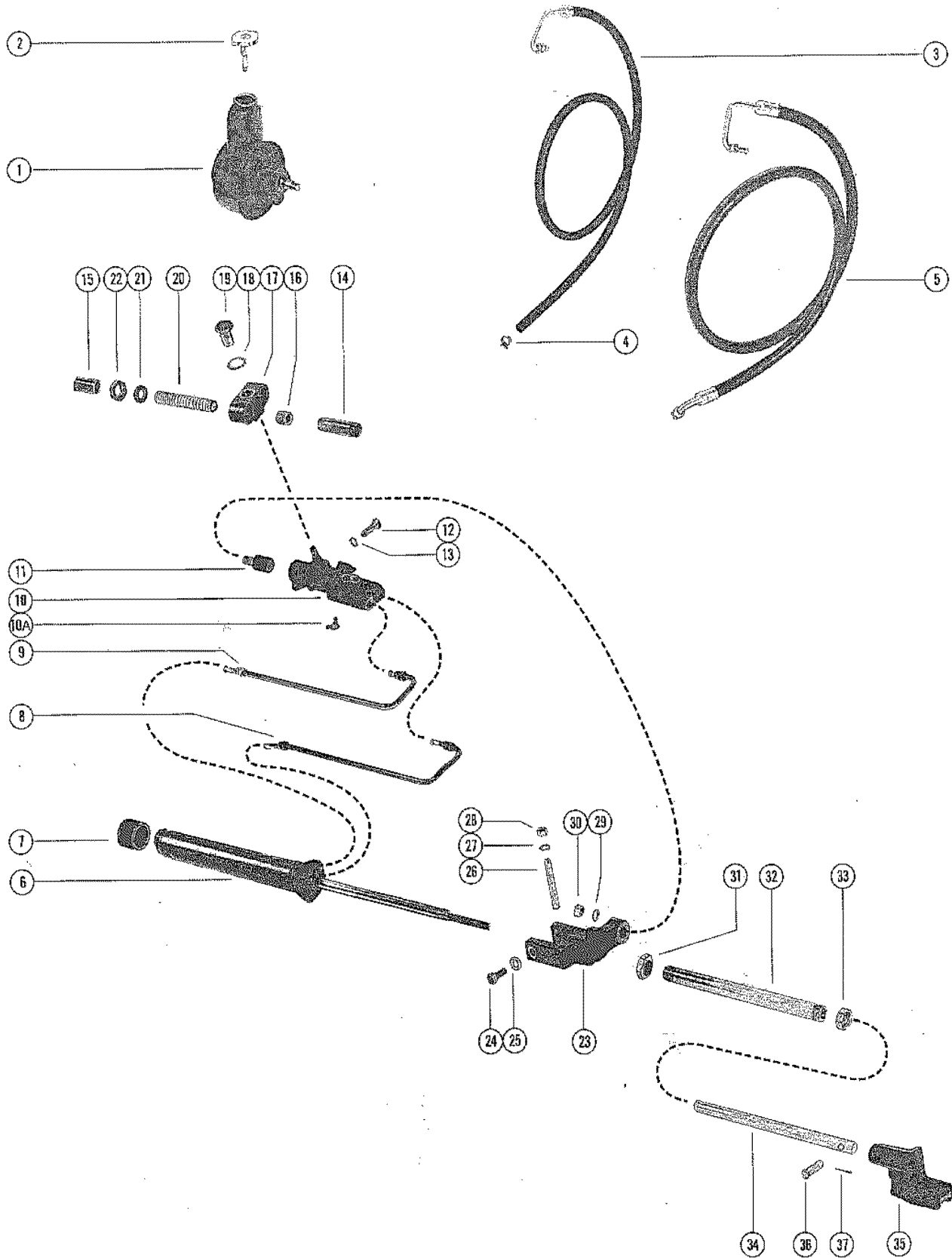
# POWER STEERING COMPONENTS (WITH "V" BELT)



## POWER STEERING COMPONENTS (WITH "V" BELT)

REF. NO.	PART NO.	SYM.	QTY.	DESCRIPTION
31	10-57357		1	SCREW, MOUNT PLATE TO ENGINE MOUNT (2 1/4") <b>SERIAL 00000000-03415950</b>
32	12-34567		2	WASHER< MOUNT PLATE SCREW <b>SERIAL 00000000-03415950</b>
33	10-26068		1	SCREW, OIL COOLER BRACKET TO MOUNT PLATE (1") <b>SERIAL 00000000-03415950</b>
34	12-26825		2	WASHER, OIL COOLER BRACKET SCREW <b>SERIAL 00000000-03415950</b>
35	11-35814		1	NUT, OIL COOLER BRACKET SCREW <b>SERIAL 00000000-03415950</b>

# POWER STEERING COMPONENTS



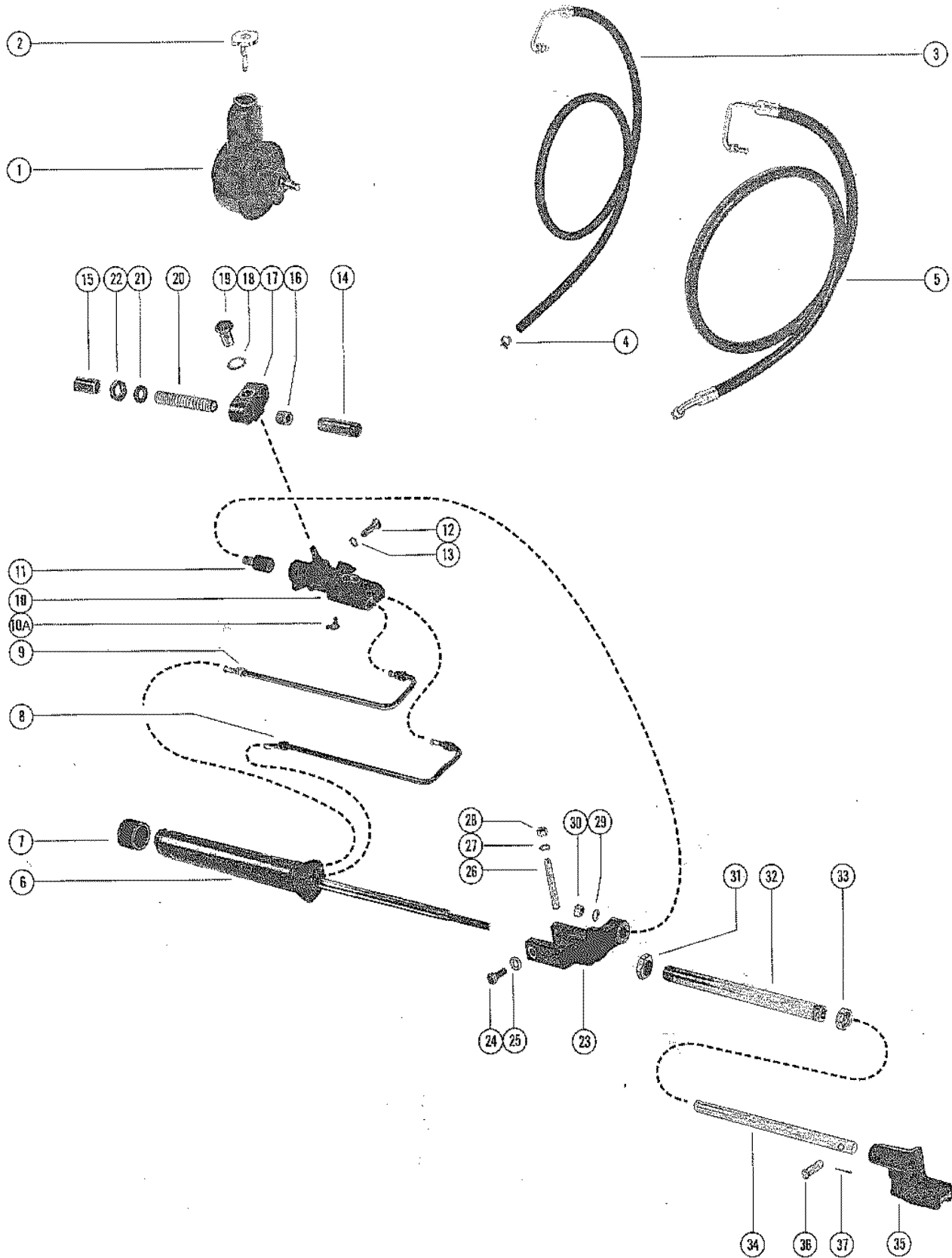


# POWER STEERING COMPONENTS

REF. NO.	PART NO.	SYM.	QTY.	DESCRIPTION
1	36368		1	HYDRAULIC PUMP ASSEMBLY, POWER STEERING
2	38333		1	CAP, FILLER-HYDRAULIC PUMP
3	32-55117		1	HOSE, RETURN-POWER STEERING (72") <b>SERIAL 00000000-03415950</b>
	32-65929		1	HOSE, RETURN-POWER STEERING (46") <b>SERIAL 03523621-09999999</b>
	32-65231		1	HOSE, RETURN-POWER STEERING (26") <b>SERIAL 03523621-09999999</b>
4	54-35830		3	CLAMP, HOSE TO HYDRAULIC PUMP
5	32-55116		1	HOSE, PRESSURE-POWER STEERING (72")
6	57969		1	CYLINDER, BOOSTER-POWER STEERING
7	26059		1	CAP, RUBBER-BOOSTER CYLINDER
8	32-57633		1	TUBE, EXTENDING-POWER STEERING <b>STARBOARD MOUNTING</b>
9	32-57634		1	TUBE, RETRACTING-POWER STEERING <b>STARBOARD MOUNTING</b>
8	32-57632		1	TUBE, EXTENDING-POWER STEERING <b>PORT MOUNTING</b>
9	32-57631		1	TUBE, RETRACTING-POWER STEERING <b>PORT MOUNTING</b>
10	52779		1	VALVE, POWER STEERING
10A	22-67305		1	FITTING, GREASE-POWER VALVE
11	16-55109		1	STUD< ADAPTOR-POWER STEERING VALVE
12	10-37961--2		1	SCREW, CLAMPING (1 1/4")
13	13-37459		1	LOCKWASHER, CLAMPING SCREW
14	23-60652		1	SLEEVE, ADJUSTING -CABLE GUIDE TUBE
15	57972		1	GUIDE, CABLE GUIDE TUBE <b>SERIAL 00000000-03415950</b>
	64414		1	GUIDE, CABLE GUIDE TUBE <b>SERIAL 03526321-09999999</b>
16	23-60773		1	SLEEVE, CABLE GUIDE TUBE
17	55110		1	ADAPTOR, CABLE GUIDE TUBE (DUAL)
18	13-20897		1	LOCKWASHER, DUAL ADAPTOR NUT
19	11-55111		1	NUT, DUAL ADAPTOR TO POWER STEERING VALVE
20	32-55112		1	TUBE, CABLE GUIDE
21	12-37985		1	WASHER, CABLE GUIDE TUB
22	11-37984		1	NUT, CABLE GUIDE TUBE
23	57286		1	BRACKET, MOUNTING -TRANSCOM PLATE
24	10-31832		2	SCREW, MOUNTING BRACKET TO TRANSCOM PLATE (1")
25	13-31848		2	LOCKWASHER, MOUNTING BRACKET SCREW
26	10-57968		1	SCREW, ADJUSTING-MOUNTING BRACKET(3")
27	13-37459		1	LOCKWASHER, ADJUSTING SCREW
28	11-24883		1	NUT, ADJUSTING SCREW
29	12-20959		1	WASHER, VALVE ADAPTOR STUD
30	11-28040		1	NUT, VALVE ADAPTOR STUD
31	11-32882		1	NUT, MOUNTING TUBE
32	57971		1	TUBE, MOUNTING-BOOSTER ROD EXTENSION
33	11-55983		1	NUT, JAM-MOUNTING TUBE

CONTINUED ON NEXT PAGE ➡

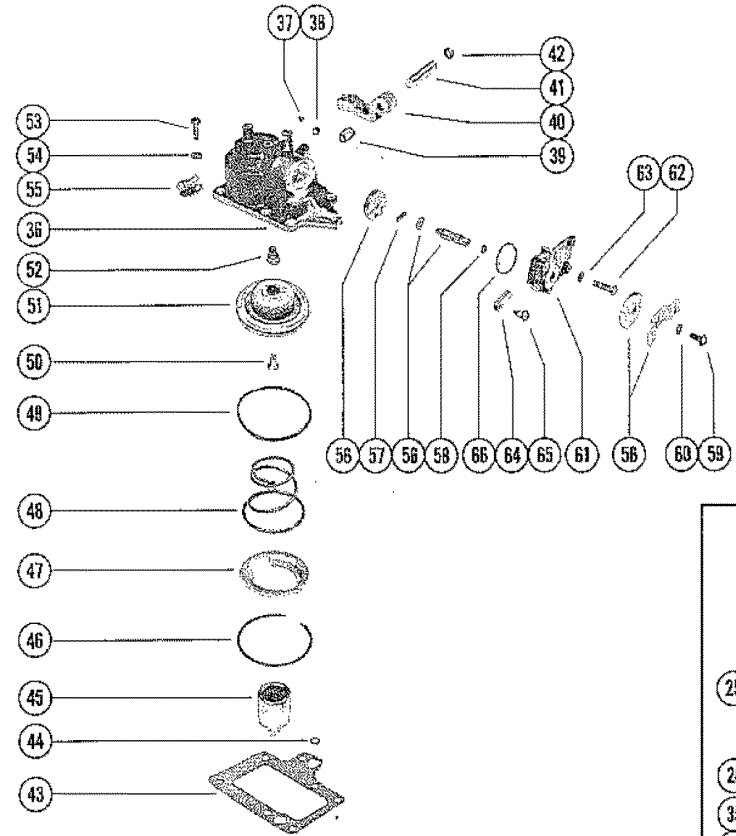
# POWER STEERING COMPONENTS



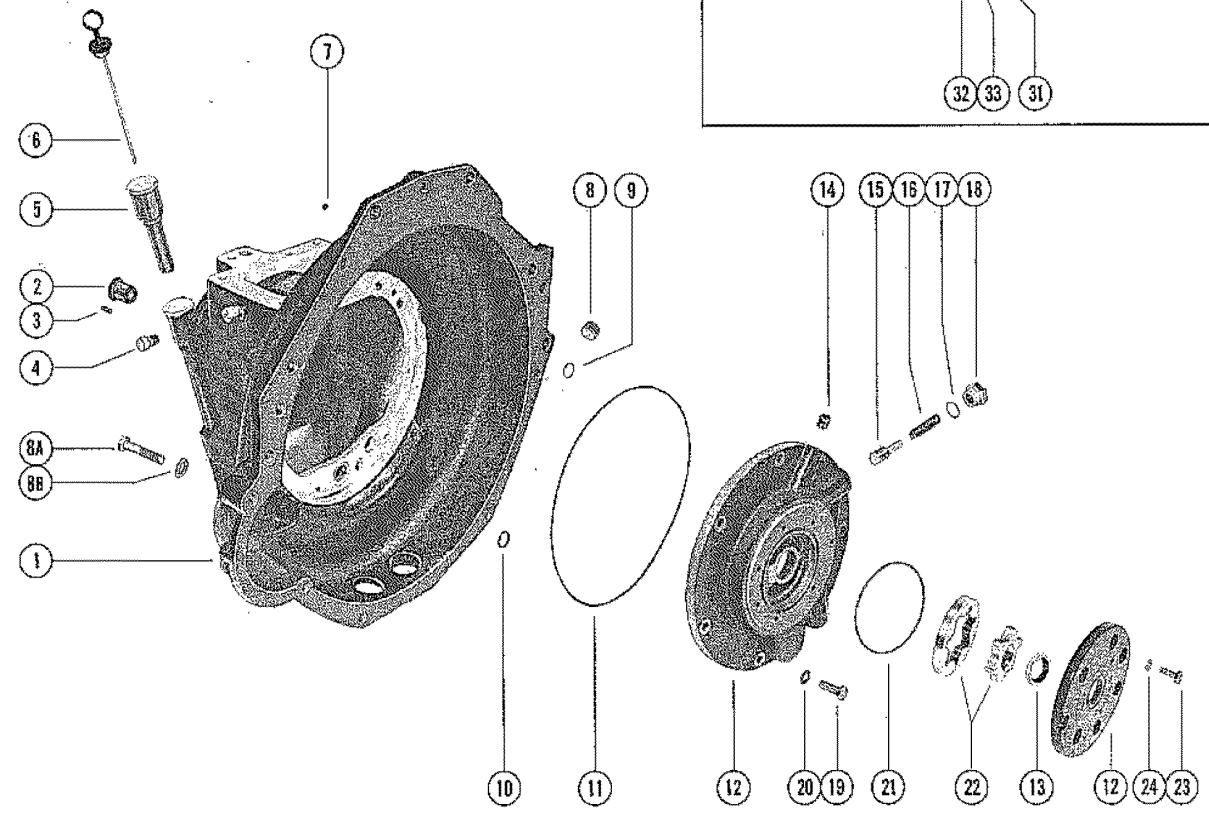
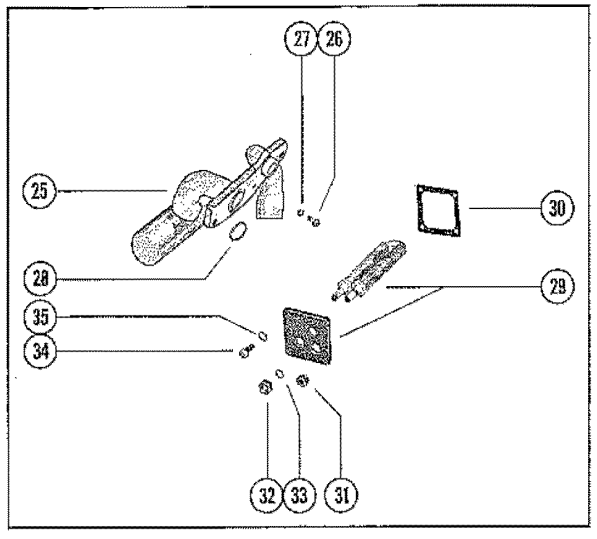
## POWER STEERING COMPONENTS

REF. NO.	PART NO.	SYM.	QTY.	DESCRIPTION
34	57970		1	EXTENSION, CYLINDER BOOSTER ROD
35	66626		1	ADAPTOR, ROD END (STARBOARD MOUNTING)
	66627		1	ADAPTOR, ROD END (PORT MOUNTING)
36	17-52798		2	PIN, CLEVIS-STEERING CABLE AND CLEVIS ATTACHING
37	18-46950		2	COTTER PIN, CLEVIS PIN RETAINING

# TRANSMISSION ASSEMBLY (STERN DRIVE) (PAGE 1)



## STERN DRIVE

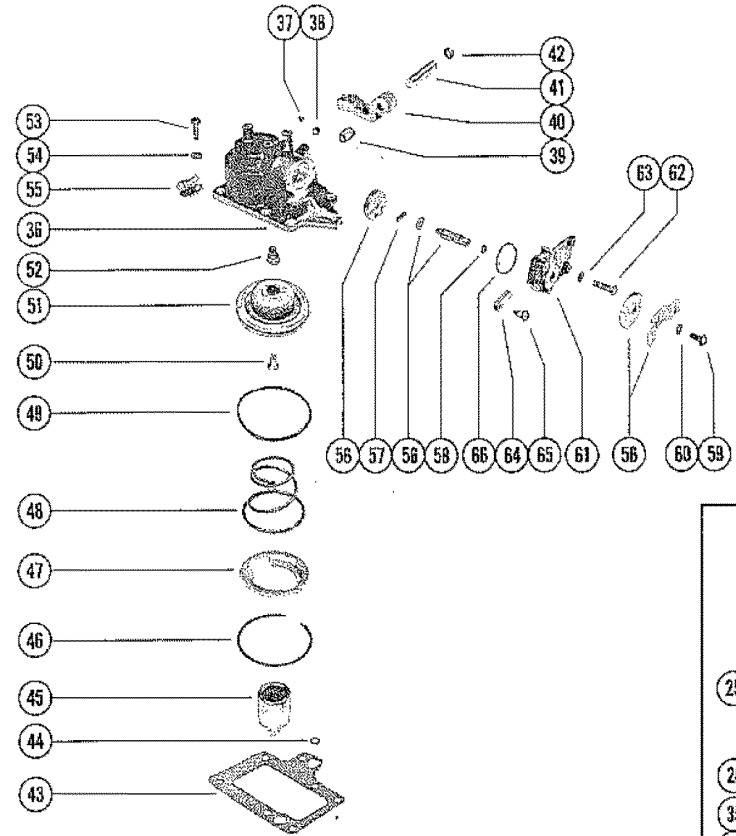


# TRANSMISSION ASSEMBLY (STERN DRIVE) (PAGE 1)

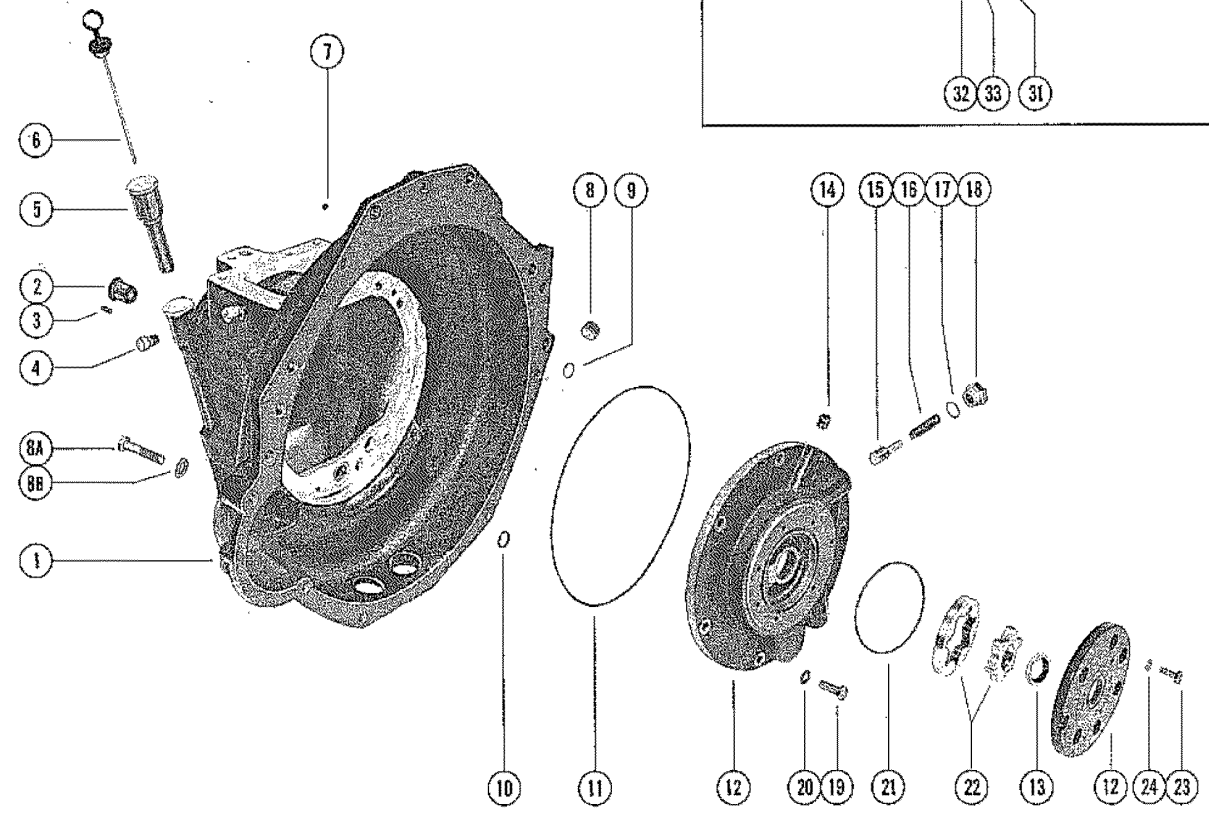
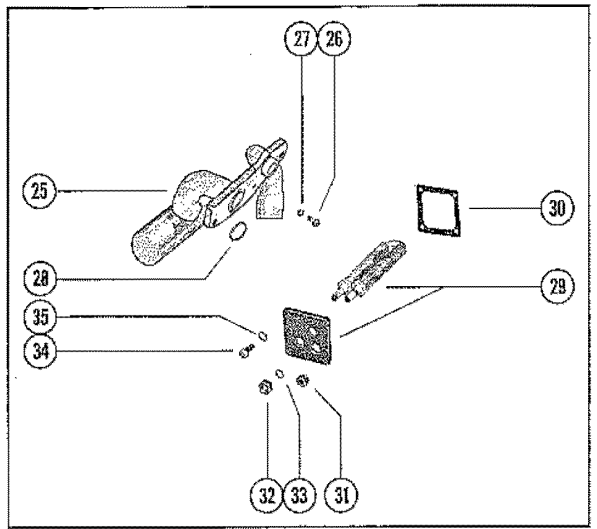
REF. NO.	PART NO.	SYM.	QTY.	DESCRIPTION
-	62767A7		1	TRANSMISSION ASSEMBLY COMPLETE B62767A7 TRANSMISSION ASSEMBLY INCLUDES ALL PARTS FROM REFERENCE #1 THRU #109 AS LISTED ON 49 AND 51
1	62767A4		1	HOUSING ASSEMBLY, TRANSMISSION
3			1	PIN, SPRING-TRANSMISSION HOUSING
4	22-47902		1	VENT, TRANSMISSION HOUSING
5	64090A1		1	TUBE ASSEMBLY, DIPSTICK
6	63037		1	DIPSTICK, OIL LEVEL GAUGE
7			1	BALL, TRANSMISSION HOUSING (1/4")
8	22-36373		1	PLUG, PIPE-TRANSMISSION HOUSING
8A	10-47462		6	SCREW, TRANSMISSION HOUSING TO ENGINE (1-1/4") <b>NOT INCLUDED WITH TRANSMISSION ASSEMBLY</b>
8B	13-32993		6	LOCKWASH, TRANSMISSION HOUSING SCREW <b>NOT INCLUDED WITH TRANSMISSION ASSEMBLY</b>
9			2	"O"RING, PUMP TO TRANSMISSION HOUSING (1/2" O.D.) 2
10			1	"O"RING< PUMP TO TRANSMISSION HOUSING (1"O.D.) 2
11			1	"O"RING, PUMP TO TRANSMISSION HOUSING (9"O.D.) 2
12	62718A2		1	PUMP ASSEMBLY
13			1	SEAL, PUMP COVER 2
14	22-20025		2	PLUG, PUMP
15	62722		1	PISTON,RELIEF VALVE
16	24-62790		1	SPRING, FELIEF VALVE PISTON
17			2	"O" RING, PUMP PLUG (3/4 O.D.) 2
18	19-62753		2	PLUG, PUMP
19	10-35386		5	SCREW,PUMP TO TRANSMISSION HOUSING(1')
	10-31984		2	SCREW, PUMP TO TRANSMISSION HOSUING (1 3/8")
20			7	WASHER, SEALING-PUMP SCREW 2
21			1	"O" RING, PUMP (3 7/16' O.D.) 2
22	62662		1	PUMP,GREOTOR
23	10-60300		7	SCREW, PUMP ATTACHING (3/4")
24	13-26992		7	LOCKWASHER.PUMP SCREW
25	63126		1	FLANGE ASSEMBLY, OIL COOLER
26	10-66137		1	SCREW,FLANGE TO TRANSMISSION HOUSING( 1/2")
27	13-26992		1	LOCKWASHER, FLANGE SCREW
28			1	"O"RING, FLANGE TO TRANSMISSION HOUSING (1'O.D.) 2
29	66515A1		1	COVER ASSEMBLY, OIL COOLER
30	27-62724		1	GASKET,OIL COOLER COVER
31	22-36373		1	PLUG, PIPE-COVER
32	11-21612		2	NUT, JAM-OIL COOLER
33			2	"O" RING, OIL COOLER JAM NUT (9/16" O.D.) 2
34	10-60300		4	SCREW, COVER TO TANSMISSION HOUSING(3/4")
35	13-26992		4	LOCKWASHER,COVER SCREW
36	62740A2		1	CONTROL VALVE ASSEMBLY
37			1	BALL,CONTROL VALVE (1/4") 1

CONTINUED ON NEXT PAGE ➡

# TRANSMISSION ASSEMBLY (STERN DRIVE) (PAGE 1)



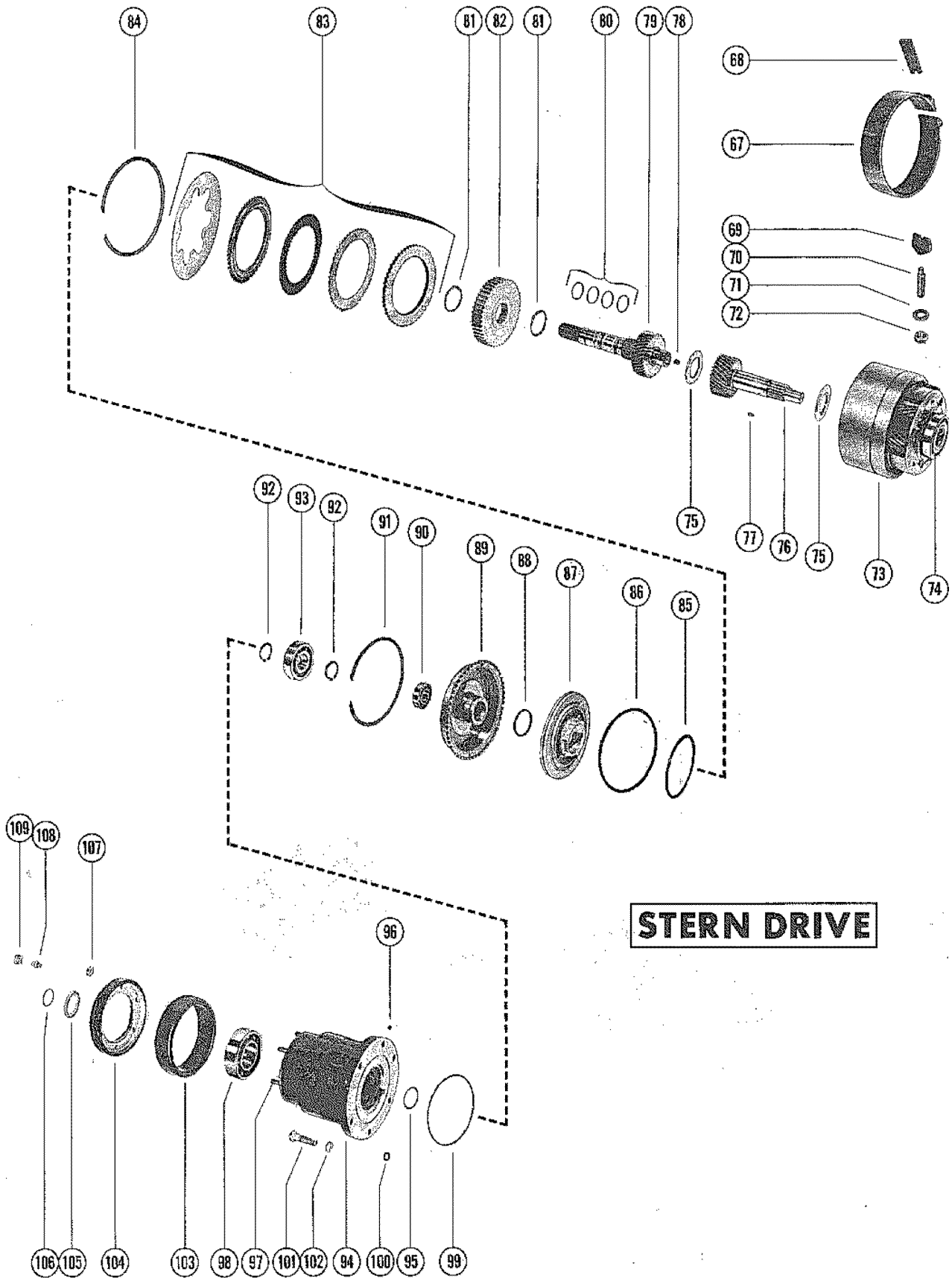
## STERN DRIVE



# TRANSMISSION ASSEMBLY (STERN DRIVE) (PAGE 1)

REF. NO.	PART NO.	SYM.	QTY.	DESCRIPTION
38	22-39072		1	PLUG, CONTROL VALVE
39	23-47797		1	BUSHING, REVERSE CLUTCH LEVER
40	62735		1	LEVER, REVERSE CLUTCH
41	17-62730		1	PIN, LEVER TO CONTROL VALVE
42			1	PLUG, EXPANSION-CONTROL VALVE (9/16") 1
43			1	GASKET, CONTROL VALVE 2
44			2	"O" RING CONTROL VALVE (9/16" O.D.) 2
45	62664		1	PISTON, ACCUMULATOR
46			1	SNAP RING 1
47	62665		1	RETAINER, SPRING
48	24-62677		1	SPRING, SERVO PISTON
49			1	"O" RING, ACCUMULATOR PISTON 2
50	21-62669		1	CHECK VALVE (EARLY MODELS ONLY)
51	66981A2		1	PISTON< SERVO
52	24-62678		1	SPRING, SERVO ACCUMULATOR
53	10-35386		7	SCREW, CONTROL VALVE TO TRANSMISSION HOUSING (1")
54	13-39107		7	LOCKWASHER, CONTROL VALVE SCREW
55	54-47483		1	"J" CLAMP, CONTROL VALVE SCREW
56	65080A1		1	SHAFT ASSEMBLY, CONTROL VALVE
57	17-24800		1	ROLL PIN, CONTROL SHAFT
58			1	"O" RING, CONTROL SHAFT (7-16" O.D.) 2
59	10-32417		1	SCREW, LINK AND CAM TO CONTROL SHAFT (5/8')
60	13-26992		1	LOCKWASHER, LINK AND CAM SCREW
61	62747		1	CAP, CONTROL VALVE
62	10-65027		2	SCREW, CAP TO CONTROL VALVE (1")
63	13-26992		2	LOCKWASHER, CAP SCREW
64	62742		1	CAM FOLLOWER
65	10-53192		1	SCREW, CAM FOLLOWER TO CAP (1/2")
66			1	"O" RING, CONTROL VALVE CAP (1 9/16" O.D.) 2

# TRANSMISSION ASSEMBLY (STERN DRIVE) (PAGE 2)



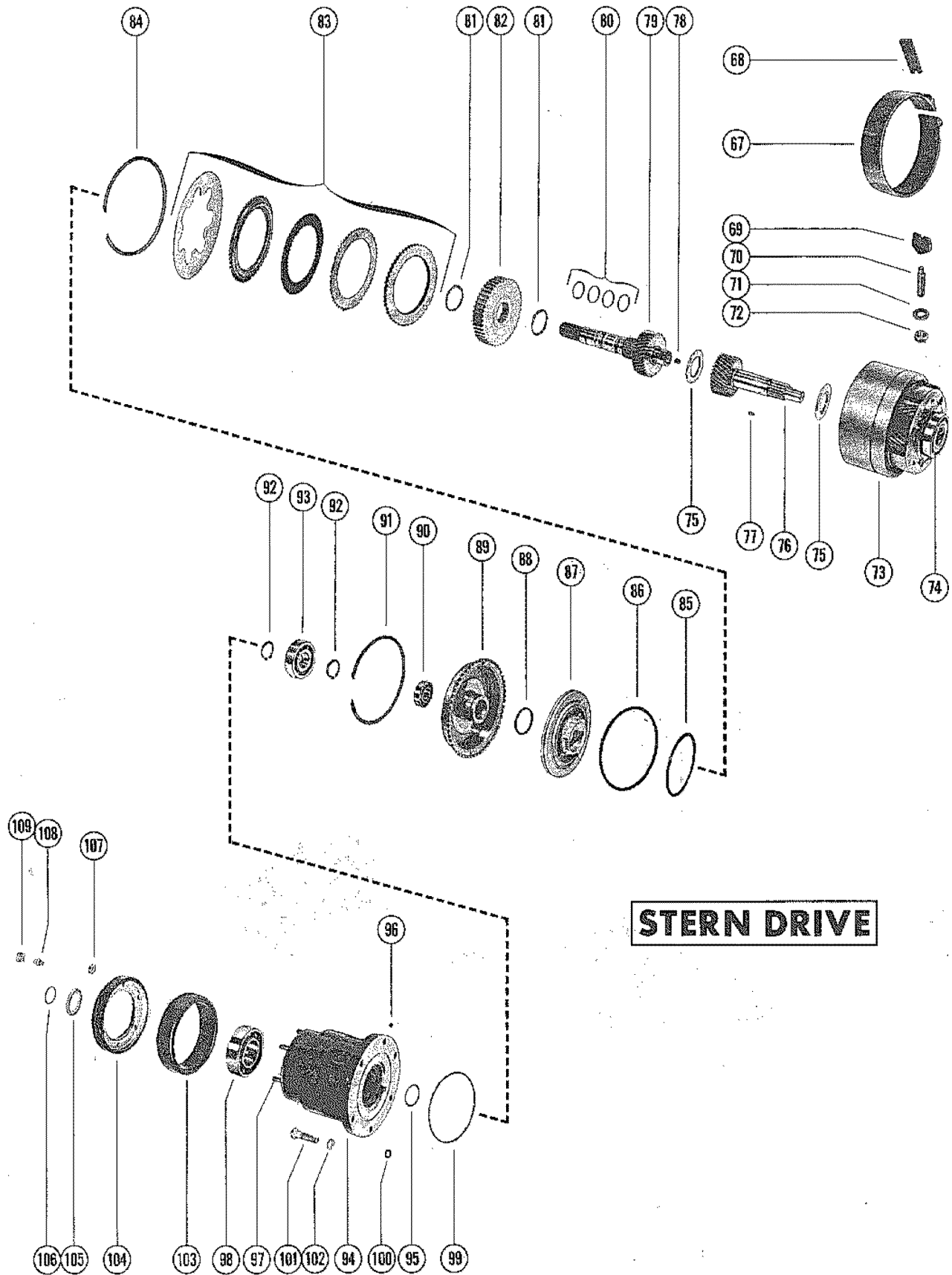


## TRANSMISSION ASSEMBLY (STERN DRIVE) (PAGE 2)

REF. NO.	PART NO.	SYM.	QTY.	DESCRIPTION
-	62767A7		1	TRANSMISSION ASSEMBLY, COMPLETE (SEE NOTE BELOW)
67	62687		1	BAND, CLUTCH
68	62723		1	LINK, CLUTCH BAND
69	62666		1	STRUT, CLUTDH BAND ANCHOR
70	10-62679		1	SCREW, ADJUSTINGND ANCHOR-CLUTCH BAND
71	12-62781		1	WASHER, SEALING--ADJUSTING SCREW
72	11-21612		1	NUT , JAM-ADJUSTING ACREW
73	62694A3		1	PLANTARY AND CLUTCH DRUM ASSEMBLY
74	30-62699		1	BALL BAEARING, PLANETARY AND CLUTCH DRUM
75	31-66723		2	BEARING ASSEMBLY<THRUST-INPUT SHAFT
76	62736A1		1	SHAFT ASSEMBLY, INPUT
77			1	KEY, INPUT SHAFT
78	22-39072		1	PLUG, PIPE-OUTPUT SHAFT
79	67993A2		1	SHAFT, OUTPUT
80			4	RING SEAL, OUTPUT SHAFT
81			2	SNAP RING, CLUTCH HUB TO OUTPUT SHAFT
82	62693		1	HUB, CLUTCH
83	62691A1		1	CLUTCH PLATE KIT
84			1	SNAP RING, CLUTCH PACK KIT RETAINING
85	62686		1	RING, PRESSURE-CLUTCH SPRING
86			1	SEAL, PISTON-OUTER
87	62667		1	PISTON, CLUTCH
88			1	"O"RING, PISTON-INNER
89	62685A1		1	HOUSING ASSEMBLY, PISTON
90	30-62697		1	BALL BEARING, PISTON HOUSING
91			1	SNAP RING, PISTON HOUSING TO OUTPUT SHAFT
92			2	SNAP RING, BALL BEARING TO OUTPUT SHAFT
93	30-62698		1	BALL BEARING, OUTPUT SHAFT
94	62739A2		1	HOUSING ASSEMBLY, OUTPUT
95			1	SEAL, OUTPUT HOUSING
96			1	BALL, OUTPUT HOUSING (3/16")
97	16-32027		6	STUD, RETIANER TO OUTPUT HOUSING
98	30-62780		1	BALL BEARING, OUTPUT HOUSING
99			1	O""RING, OUTPUT HSG./TRANSMISSION HSG(3 7/16" O.D.)
100			1	"O" RING, OIL PASSAGE-OUTPUT HOUSING (7/16" O.D.)
101	10-53016		6	SCREW, OUTPUT HOUSING TO TRANSMISSION HOUSING (1 1/4")
102	13-39107		6	LOCKWASHER, OUTPUT HOUSING SCREW
103	62734		1	MOUNT, RUBBER-OUTPUT HOUSING (REAR)
104	65989		1	RETAINER, BALL BEARING

CONTINUED ON NEXT PAGE ➡

# TRANSMISSION ASSEMBLY (STERN DRIVE) (PAGE 2)

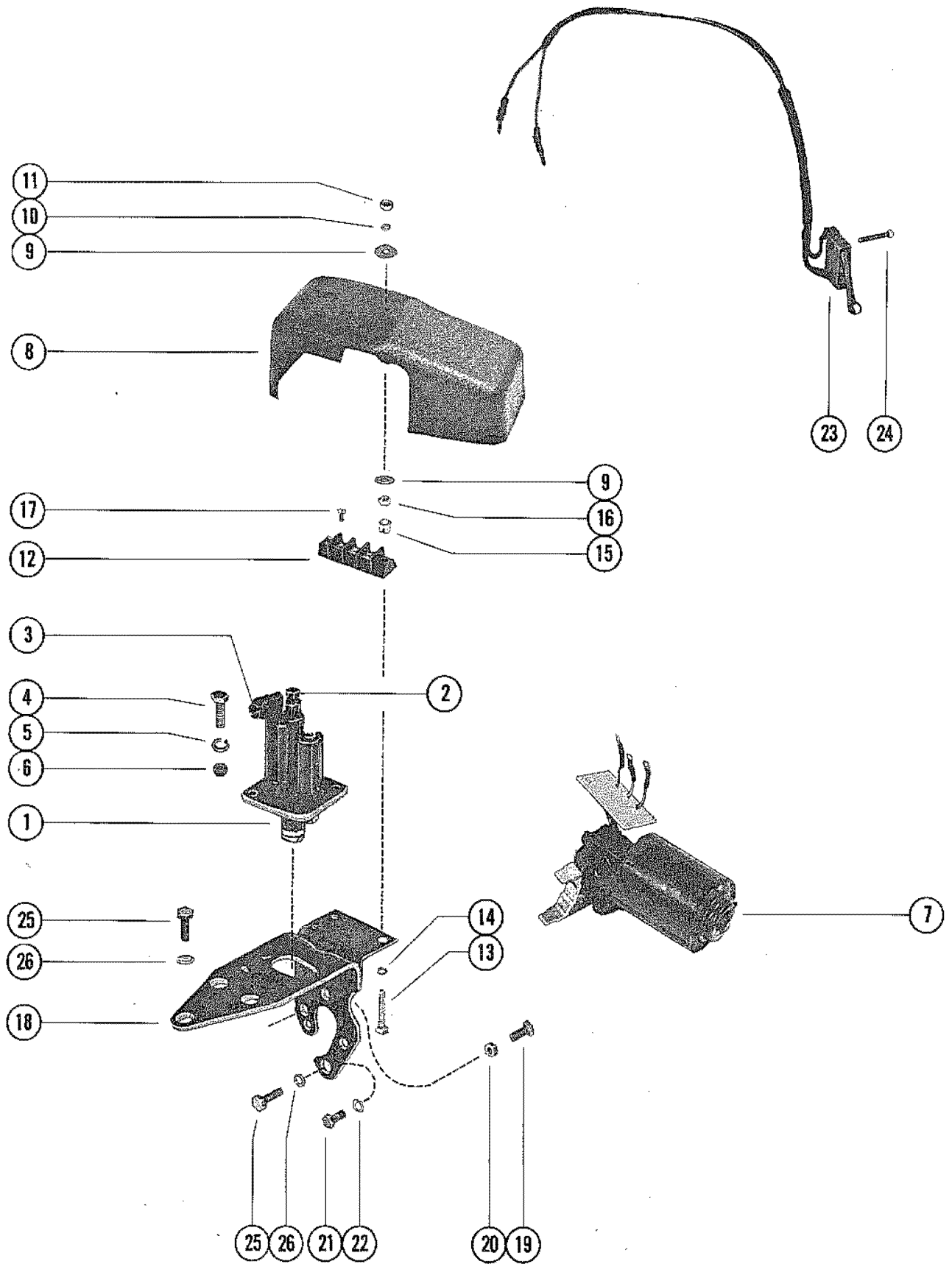


**STERN DRIVE**

## TRANSMISSION ASSEMBLY (STERN DRIVE) (PAGE 2)

REF. NO.	PART NO.	SYM.	QTY.	DESCRIPTION
105	122-62684		1	WASHER, THRUST-OUTPUT HOUSING
106			1	"O" RING, OUTPUT HOUSING (7/8"O.D.) 2
107	11-24652		6	NUT, RETAINER STUD
108	22-31345		1	FITTING, GREASE-RETAINER
109	29359		1	LUBRICAP, GREASE FITTING

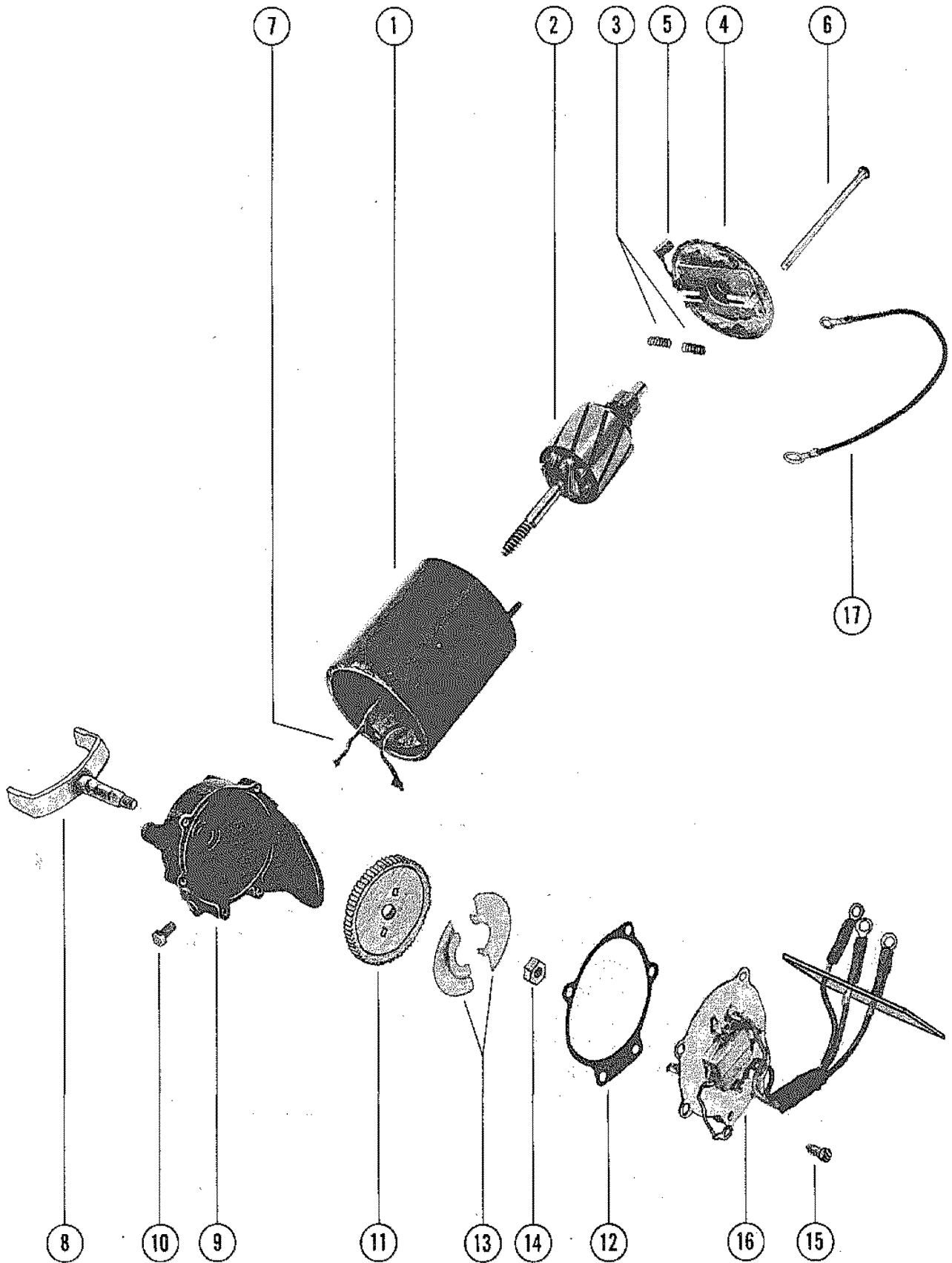
# REVERSE LOCK VALVE AND SHIFT ACTUATOR (STERN DRIVE)



## REVERSE LOCK VALVE AND SHIFT ACTUATOR (STERN DRIVE)

REF. NO.	PART NO.	SYM.	QTY.	DESCRIPTION
1	54951A2		1	REVERSE LOCK VALVE ASSEMBLY
2	22-48166		1	FITTING, STRIGHT-REVERSE LOCK VALVE
3	22-52666		1	ELBOW, REVERSE LOCK VALVE
4	10-22485		2	SCREW, REVERSE LOCK VALVE TO CONTROL VALVE (3/4")
5	12-20583		2	WASHER, REVERSE LOCK VALVE SCREW
6	46887		2	NUT, REVERSE LOCK VALVE SCREW
7	62845		1	SHIFT ACTUATOR ASSEMBLY(SEE D14 FOR BREAKDOWNAA)
8	63038		1	COVER,SHIFT ACTUATOR
9	12-22887		4	WASHER, TERMINAL BLOCK AND COVER SCREW
10	13-26996		2	LOCKWASHERH, TERMINAL BVLOCK AND COVER SCREW
11	11-20645		2	NUT< TERMIANLBLOCK AND COVER SCREW
12	86-62993		1	TERMINAL BLOCK, MOUNTING BRACKET
13	10-24233		2	SCREW, TERMINAL BLOCK AND COVER TO BRACKET (1 3/8")
14	12-26996		2	LOCKWASHER, TERMINAL BLOCK AND COVER SCREW
15	23-61526		2	SPACER, TERMINAL BLOCK AND COVER SCREW
16	11-24656		2	NUT, TERMIANL BLOCK AND COVER SCREW
17	10-36046		3	SCREW, HARNESS TO TERMINAL BLOCK(1/4')
18	62745A1		1	BRACKET ASSEMBLY< MOUNTING--SHIFT ACTUATOR
19	10-21625		1	SCREW, STOP (3/4")
20	11-46887		1	NUT,STOP SCREW
21	10-34290		3	SCREW, SHIFT ACTUATOR TO MOUNTING BRACKET (5/8")
22	13-26992		3	LOCKWASHER, SHIFT ACTUATOR SCREW
23	39670A2		1	SWITCH, ASSEMBLY, CUT OUTF
24	10-30902		2	SWITCH TO CONTROL VALVE CAP (3/4")
25	10-25299		4	SCREW, MOUNTIN BRACKET TO CONTROL VALVE (3/4")
26	13-39107		4	LOCKWASHER, CONTROL VALVE BRACKET SCREW

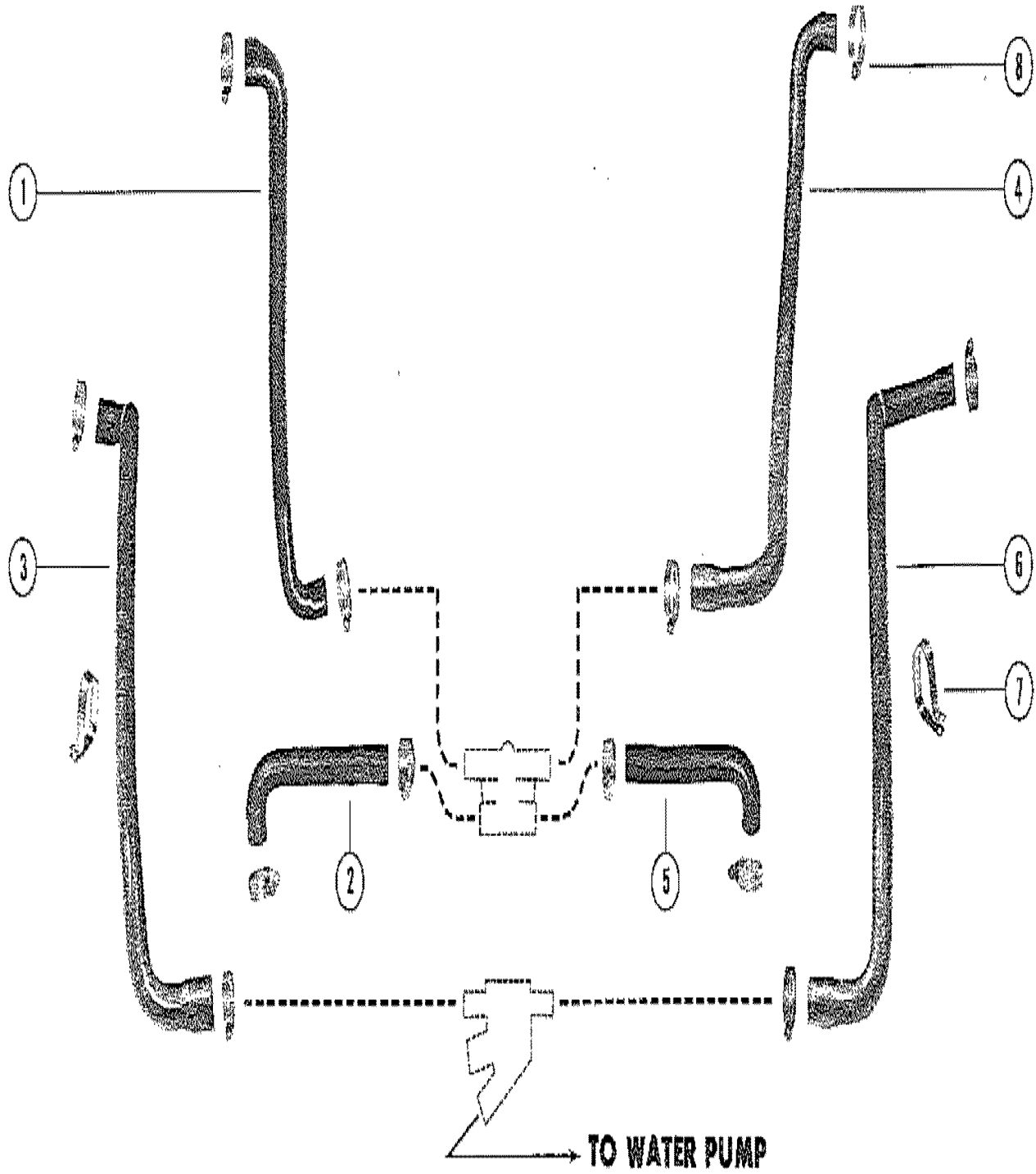
# SHIFT ACTUATOR ASSEMBLY, COMPLETE (STERN DRIVE)



# SHIFT ACTUATOR ASSEMBLY, COMPLETE (STERN DRIVE)

REF. NO.	PART NO.	SYM.	QTY.	DESCRIPTION
1	62845		1	SHIFT ACTUATOR ASSEMBLY, COMPLETE (SEE NOTE BELOW)
2	392-4949		1	ARMATURE
3	392-4960		1	SPRING SET, BRUSH
4	392-4955		1	HEAD ASSEMBLY, COMMUTATOR END
5	392-4956		1	BRUSH SET
6	392-4962		2	THRU BOLT
7	392-4950		1	FIELD COIL ASSEMBLY
8	393-4951		1	CRANK ARM ASSEMBLY
9	392-4957		1	HEAD ASSEMBLY, DRIVE END
10	392-4959		1	SCREW AND DISC PACKAGE
11	392-4952		1	GEAR AND GASKET PACKAGE
12	392-4953		1	GASKET, COVER
13	392-4958		2	PLATE,CAM
14	11-20890		1	NUT, CRANK ARM
15	10-47220		4	SCREW, COVER ATTACHING(3/8")
16	66401A1		1	HARNESS ASSEMBLY (3WIRE LEAD)
17	84-60871A5		1	>GROUND WIRE ASSEMBLY

# WATER DISTRIBUTION HOSES





# WATER DISTRIBUTION HOSES

REF. NO.	PART NO.	SYM.	QTY.	DESCRIPTION
1	32-61386		1	HOSE, THERMOSTAT COVERTO EXHAUST ELBOW <b>STARBOARD</b>
2	32-60202		1	HOSE, THERMOSTAT COVER TO FRONT END CAP <b>STARBOARD</b>
3	32-61383		1	HOSE, THERMOSTAT HOUSING TO REAR END CAP <b>STARBOARD</b>
4	32-61387		1	HOSE, THERMOSTAT COVER TO EXHAUST ELBOW <b>PORT</b>
5	32-61385		1	HOSE, THERMOSTAT COVER TO FRONT END CAP <b>PORT</b>
6	32-61384		1	HOSE, THERMOSTAT HOUSING TO REAR END CAP <b>PORT</b>
7	54-60539		2	CLAMP, HOSE ATTACHING
8	54-32880		12	CLAMP, HOSE ATTACHING

# PARTS INDEX

Part Number	Description	Pg.	Ref. No.	Part Number	Description	Pg.	Ref. No.
25661	STARTER SOLENOID	7	7	47613	SWITCH, NEUTRAL SAFETY	61	9
26059	CAP, RUBBER-BOOSTER CYLINDER	79	7	47613	SWITCH, NEUTRAL SAFETY	69	6
26079	PLATE, WIRING HARNESS PLATE TO MOUNTING BRACKET (3/4")	7	2	47656	MOUNT, MOUNTING BRACKET	65	18
26079	PLATE, WIRING HARNESS TO MOUNTING BRACKET	9	2	47656	MOUNT, MOUNTING BRACKET	73	14
26433	COIL, IGNITION	11	18	47805	TRANSMISSION (DIRECT DRIVE)	61	1
26433	COIL, IGNITION	15	24	47806	TRANSMISSION (1.523:1 REDUCTION)	61	1
29359	LUBRICAP, GREASE FITTING	89	109	47807	TRANSMISSION (1.909:1 REDUCTION)	61	1
32783	RETAINER, HIGH TENSION LEADS (3 WIRE)	13	30	47808	TRANSMISSION (2.57:1 REDUCTION)	61	1
32783	RETAINER, HIGH TENSION LEADS (3 WIRE)	17	37	47809	TRANSMISSION (2.909:1 REDUCTION)	61	1
32784	RETAINER, HIGH TENSION LEADS (4 WIRE)	13	30	47816	SIGHT GLASS	19	5
32784	RETAINER, HIGH TENSION LEADS (4 WIRE)	17	37	48381A1	FLANGE ASSEMBLY (1")	61	10
33321	BRACKET, IGNITION COIL MOUNTING (NOT AS SHOWN)	11	19	48382A1	FLANGE ASSEMBLY (1 1/8")	61	10
33321	BRACKET, IGNITION COIL MOUNTING (NOT AS SHOWN)	15	25	48383A1	FLANGE ASSEMBLY (1 1/4")	61	10
34623	OIL PRESSURE SENDER ASSEMBLY (FOR GAUGE)	3	10	48384A1	FLANGE ASSEMBLY (1 3/8")	61	10
34625	WATER TEMPERATURE SENDER ASSEMBLY	3	7	48385A1	FLANGE ASSEMBLY (1 1/2")	61	10
36177	INSULATOR, SOLENOID TO MOUNTING BRACKET	9	10	48386A1	FLANGE ASSEMBLY (1")	61	10
36368	HYDRAULIC PUMP ASSEMBLY, POWER STEERING	79	1	48386A1	FLANGE ASSEMBLY (1")	69	7
38333	CAP, FILLER-HYDRAULIC PUMP	79	2	48387A1	FLANGE ASSEMBLY (1 1/8")	61	10
38463	OIL FILTER (V-DRIVE ONLY)	53	43	48387A1	FLANGE ASSEMBLY (1 1/8")	69	7
38559	SWITCH, OIL PRESSURE (FOR IGNITION LIGHT)	3	15	48388A1	FLANGE ASSEMBLY (1 1/4")	61	10
39670A2	SWITCH, ASSEMBLY, CUT OFF	91	23	48388A1	FLANGE ASSEMBLY (1 1/4")	69	7
39974	CONNECTOR, TRIM LEADS - MOUNTING BRACKET	9	7	48389A1	FLANGE ASSEMBLY (1 1/2")	61	10
46887	NUT, REVERSE LOCK VALVE SCREW	91	6	48389A1	FLANGE ASSEMBLY (1 3/8")	61	10
47492	TUBE, OIL LEVEL GAUGE	55	26	48389A1	FLANGE ASSEMBLY (1 3/8")	69	7
47518	TRUNNION, ADJUSTING - MOUNTING BRACKET	39	19	48390A1	FLANGE ASSEMBLY (1 1/2")	69	7
47518	TRUNNION, ADJUSTING - MOUNTING BRACKET	73	16	48515	LEVER, SHIFT-TRANSMISSION	63	21
47518	TRUSSION, ADJUSTING - MOUNTING BRACKET	65	20	48515	LEVER, SHIFT-TRANSMISSION	69	20
47530	HUB, WATER PUMP PULLEY	43	17	48648	BRACKET, SHIFT CABLE (SERIAL #3259127 AND BELOW)	61	16
47542	COVER, FLYWHEEL HOUSING	35	4	48652	ADAPTOR, SHIFT BALE TO SHIFT LEVER	63	25
47604A1	PROTECTOR, SPARK PLUG	17	35	48652	ADAPTOR, SHIFT BAVLE TO SHIFT LEVER	69	24
47608	DRIVE PLATE, FLYWHEEL (INBOARD)	57	11	49181	PULLEY, HYDRAULIC PUMP	75	6
47610	COOLER, OIL	35	12	49581	BRACKET, WATER PUMP	43	32
				49924	ROTOR	11	3
				52139A2	BRACKET ASSEMBLY, MOUNTING -FRONT AND REAR	65	16
				52139A2	BRACKET ASSEMBLY, MOUNTING FRONT AND REAR	73	12
				52418	TERMINAL BLOCK, NEUTRAL STARTER LEADS	9	28
				52753	MOUNT, MOUNTING BRACKET	39	13
				52779	VALVE, POWER STEERING	79	10
				53821	BELLOWS, EXHAUST ELBOW	33	31

# PARTS INDEX

Part Number	Description	Pg.	Ref. No.	Part Number	Description	Pg.	Ref. No.
54099A5	EXHAUST MANIFOLD ASSEMBLY, STARBOARD	31	1	56158	VALVE, INLET (.015 O.S.)	47	16
54100A5	EXHAUST MANIFOLD ASSEMBLY, PORT	31	1	56160	RETAINER, VALVE SPRING (INLET AND EXHAUST)	47	13
54205	BUMPER, CLAMP	11	9	56161	SLEEVE, VALVE SPRING - INLET AND EXHUST (NOT AS SHOWN)	47	13
54227	BRACKET, MOUNTING - ELECTRICAL	7	4	56166	BALL, ROCKER ARM	47	9
54464	BRACKET, ALTERNATOR MOUNTING (INBOARD)	5	27	56168	ARM< ROCKER	47	10
54478	BRACE, WATER PUMP ADJUSTING INBOARD	43	24	56171	COVER, ROCKER (STARBOARD)	47	1
54479	BRACE, ALTERNATOR ADJUSTING	3	22	56179	PLATE, OIL PUMP	55	9
54480	HOUSING, FLYWHEEL	35	1	56313	BRACKET, HYDRAULIC PUMP MOUNTING	75	9
54554	WEDGE, CARBURETOR MOUNTING INBOARD	19	27	56328	BRACKET, CLAMP-OIL COOLER	75	27
54646	BRACKET, MOUNTING - FUEL FILTER	19	10	56328	BRACKET, COOLER CLAMPING (SHORT)	37	15
54676	RETAINER, HIGH TENSION LEADS (2 WIRE)	13	30	56329	BRACKET, COOLER CLAMPING (LONG)	37	14
54676	RETAINER, HIGH TENSION LEADS (2 WIRE)	17	37	56331A1	PULLEY ASSEMBLY, CRANKSHFT(NOT AS SHOWN)	75	2
54807	BRACKET, MOUNTING - THROTTLE CABLE	19	17	56863	VALVE, HOSE TO ROCKER COVER	21	35
54869	BRACKET, MOUNTING - STARTER SOLENOID	9	9	56879	WATER PUMP ASSEMBLY	53	32
54870	END CAP, EXHAUST MANIFOLD - REAR	31	10	56881	PULLEY, WATER PUMP	53	38
54951A2	REVERSE LOCK VALVE ASSEMBLY	91	1	56885	SPACER, CARBURETOR STERN DRIVE	19	26
54979	CABLE, STARTER SOLENOID TO STARTER MOTOR (YELLOW - 9 1/2")	9	20	57286	BRACKET, MOUNTING -TRANSCOM PLATE	79	23
55110	ADAPTOR, CABLE GUIDE TUBE (DUAL)	79	17	57295A1	FLANGE ASSEMBLY (1 3/4")	69	7
55241	GUAGE, OIL LEVEL( DIPSTICK)	73	--	57296A1	FLANGE ASSEMBLY (2")	69	7
55481	BASE, FUEL FILTER	19	8	57969	CYLINDER, BOOSTER- POWER STEERING	79	6
56103	COVER, TIMING	51	24	57970	EXTENSION, CYLINDER BOOSTER ROD	81	34
56109	POINTER, TIMING COVER	51	27	57971	TUBE, MOUNTING- BOOSTER ROD EXTENSION	79	32
56129	CHAIN, TIMING	47	24	57972	GUIDE, CABLE GUIDE TUBE	79	15
56130	PLATE, THRUST - CAMSHAFT (STANDARD)	47	22	58086	WATER PUMP ASSEMBLY	53	32
56131	PLATE, THRUST - CAMSHAFT (.002 OS)	47	22	58258	CLAMP, DISTRIBUTOR TO INTAKE MANIFOLD	11	15
56132	PLATE, THRUST - CAMSHAFT (.004 OS)	47	22	58258	CLAMP, DISTRIBUTOR TO INTAKE MANIFOLD	15	20
56137	ECCENTRIC, CAMSHAFT (FUEL PUMP DRIVE)-1 PIECE	49	28	58265	REINFORCEMENT, WATER PUMP PULLEY	53	37
56143	SLINGER, OIL - CRANKSHAFT	57	19	59137	THERMOSTAT	33	38
56144	PULLEY, CRANKSHAFT	59	23	59155	COVER, WATER PUMP	43	2
56153	LIFTER, HYDRAULIC - TAPPET	47	18	59363A1	CAM SEGMENT ASSEMBLY, WATER PUMP	43	8
56154	VALVE, EXHAUST (STANDARD)	47	16	59497A1	THERMOSTAT HOUSING ASSEMBLY	33	33
56155	VALVE, EXHUAUST (.015 O.S.)	47	16	59498	COVER, THERMOSTAT	33	39
56156	COVER, ROCKER (PORT)	47	1	59501	SHAFT, WATER PUMP	43	14
56157	VALVE, INLET (STANDARD)	47	16	59503	WEAR PLATE	43	10
				59529	OIL PAN (INBOARD)	55	17
				59755	ALTERNATOR ASSEMBLY	3	18
				59762	PULLEY, WATER PUMP	43	18
				59816	CIRCUIT BREAKER	7	15

# PARTS INDEX

Part Number	Description	Pg.	Ref. No.	Part Number	Description	Pg.	Ref. No.
59816	CIRCUIT BREAKER	9	21	62312	FLAME ARRESTOR,		
60207	PLATE, EXHAUST ELBOW TO EXHAUST MANIFOLD	33	22		CARBURETOR (NOT AS SHOWN)	21	39
60212A1	EXHAUST ELBOW RISER	73	--	62649	OIL COOLER	75	21
60252	END CAP/CONNECTOR, EXHAUST MANIFOLD	31	10	62662	PUMP, GREOTOR	83	22
60421A5	BRACKET ASSEMBLY, MOUNTING - FRONT	39	12	62664	PISTON, ACCUMULATOR	85	45
60426A1	EXHAUST ELBOW ASSEMBLY (STERN DRIVE)	31	13	62665	RETAINER, SPRING	85	47
60427A2	EXHAUST ELBOW ASSMEBLY (INBOARD)	31	13	62666	STRUT, CLUTDH BAND ANCHOR	87	69
60565	OIL FILTER	53	43	62667	PISTON, CLUTCH	87	87
60588	TRANSMISSION, V-DRIVE( 1.51:1 REDUCTIONG)	69	1	62685A1	HOUSING ASSEMBLY,PISTON	87	89
60606	BRACKET, OIL LEVEL GAUGE TUBE CLIP	55	27	62686	RING, PRESSURE-CLUTCH SPRING	87	85
60930	WATER SHUTTER, EXHAUST ELBOW STERN DRIVE	33	26	62687	BAND, CLUTCH	87	67
60953	TRAMMISSION, V-DRIVE( DIRECT DRIVE)	69	1	62691A1	CLUTCH PLATE KIT	87	83
60954	TRAMMISSION,V-DRIVE(1.99:1 REDUCTION)	69	1	62693	HUB, CLUTCH	87	82
60955	TRANMISSION, V-DRIVE( 2.49:1 REDUCTION)	69	1	62694A3	PLANTARY AND CLUTCH DRUM ASSEMBLY	87	73
60956	TRANMISSION, V-DRIVE( 3.14:1 REDUCTION)	69	1	62718A2	PUMP ASSEMBLY	83	12
61693A3	INBOARD (LEFT HAND CRANKSHAFT ROTATION)	53	-	62722	PISTON,RELIEF VALVE	83	15
61815	BRACKET, MOUNTING (FRONT)	39	1	62723	LINK, CLUTCH BAND	87	68
61815	BRACKET, MOUNTING (FRONT)	65	4	62734	MOUNT, RUBBER-OUTPUT HOUSING (REAR)	87	103
61815	BRACKET, MOUNTING (FRONT)	73	4	62735	LEVER, REVERSE CLUTCH	85	40
61859	BRACKET, ALTERNATOR MOUNTING (STERN DRIVE)	5	27	62736A1	SHAFT ASSEMBLY,INPUT	87	76
61860	BRACE, WATER PUMP ADJUSTING (STERN DRIVE)	43	24	62738A3	STERN DRIVE (LEFT HAND CRANKSHAFT ROTATION)	53	-
61861A3	INBOARD (RIGHT HAND CRANKSHAFT ROTATION)	53	-	62739A2	HOUSING ASSEMBLY, OUTPUT	87	94
61969	BRACKET, CIRCUIT BREAKER	7	25	62740A2	CONTROL VALVE ASSEMBLY	83	36
61990	STA STRAP, HOSE ATTACHING	43	23	62742	CAM FOLLOWER	85	64
62092	FUEL PUMP ASSEMBLY	19	1	62745A1	BRACKET ASSEMBLY< MOUNTING--SHIFT ACTUATOR	91	18
62255	BRACKET, MOUNTING (REAR)	65	1	62747	CAP, CONTROL VALVE	85	61
62255	BRACKET, MOUNTING- ENGINE	73	19	62767A4	HOUSING ASSEMBLY, TRANSMISSION	83	1
62285	BRACKET, MOUNTING (REAR)	73	1	62767A7	TRANSMISSION ASSEMBLY,COMPLETE( SEE NOTE BELOW)	87	-
62288A1	COVER ASSEMBLY, OIL COOLER	35	13	62767A7	TRANSMISSIONASSEMBLY COMPLETE	83	-
62311	GAUGE, OIL LEVEL (DIPSTICK)	55	32	62819	DRIVE PLATE, FLYWHEEL (STERN DRIVE)	57	11
				62845	SHIFT ACTUATOR ASSEMBLY, COMPLETE (SEE NOTE BELOW)	93	1
				62845	SHIFT ACTUATOR ASSEMBLY(SEE D14 FOR BREAKDOWNAA)	91	7
				62870	BRCKET, OIL COOLER	75	26
				62871	PLATE, MOUNTING -OIL COOLER BRACKET	75	30
				62892	ELBOW, EXHAUST (PORT SIDE) STERN DRIVE	33	25
				62893	ELBOW, EXHAUST (STARBOARD SIDE)	33	25
				62965	TUBE, OIL LEVEL GUAGE	55	26

# PARTS INDEX

Part Number	Description	Pg.	Ref. No.	Part Number	Description	Pg.	Ref. No.
63005	BRACE, HYDRAULIC PUMP	75	17	64799	OIL PAN (STERN DRIVE) . . .	55	17
63006	PLATE, COVER - REAR . . . .	53	45	64850	BREAKER ASSEMBLY . . . . .	11	6
63037	DIPSTICK, OIL LEVEL GAUGE . . . . .	83	6	64864	BRACKET, OIL COOLE . . . .	75	26
63038	COVER,SHIFT ACTUATOR .	91	8	64865	OIL COOLER . . . . .	75	21
63087	BRACKET, MOUNTING - HARNES AND CIRCUIT BREAKER . . . . .	9	4	65057	STARTER SOLENOID . . . . .	9	12
63126	FLANGE ASSEMBLY, OIL COOLER . . . . .	83	25	65080A1	SHAFT ASSEMBLY, CONTROL VALVE . . . . .	85	56
63151	RETAINER, SHUTTER TO EXHAUST ELBOW STERN DRIVE . . . . .	33	27	65152	CAP, OIL FILLER - ROCKER COVER . . . . .	47	4
63179	GAUGE, OIL LEVEL (DIPSTICK) . . . . .	55	32	65197	ELBOW, OIL FILTER CAP ..	47	6
63192	RETAINER, HIGH TENSION LEADS . . . . .	13	31	65603A4	EXHUAUST MANIFOLD ASSEMBLY, STARBOARD	31	1
63192	RETAINER, HIGH TENSION LEADS . . . . .	17	38	65604A4	EXHAUST MANIFOLD ASSEMBLY, PORT SERIAL # AND UP . . . . .	31	1
63499	BRACKET, MOUNTING - ENGINE . . . . .	41	1	65989	RETAINER, BALL BEARING .	87	104
63588A1	THERMOSTAT HOUSING ASSEMBLY . . . . .	33	33	66166	TRUNNION, ADJUSTING- MOUNTING BRACKET ...	67	16
63815A1	BRACKET, SHIFT CABLE ..	69	12	66169	BRACKET, MOUNTING- ENGINE (FRONT) . . . . .	67	7
63815A1	BRACKET, SHIFT CABLE (SERIAL #3603978 AND UP) . . . . .	61	16	66178A1	ECCENTRIC ASS'Y, CAMSHAFT (FUEL PUMP DRIVE)-2PIECE . . . . .	49	28
63827	HOUSING, FLYWHEEL . . . .	37	1	66284	BASE, ENGINE MOUNT . . . .	67	18
63832--1	COOLER, OIL (9") . . . . .	37	13	66284	BRACKET, MOUNTING . . . .	41	6
63832--2	COOLER, OIL (12") V-DRIVE ONLY . . . . .	37	13	66401A1	HARNES ASSEMBLY (3WIRE LEAD) . . . . .	93	16
63833	COVER, FLYWHEEL HOUSING . . . . .	37	3	66417	BRACKET, MOUNTING- TRANSMISSION (REAR) .	67	1
64026A2	DISTRIBUTOR ASSEMBLY, COMPLETE . . . . .	11	1	66515A1	COVER ASSEMBLY, OIL COOLER . . . . .	83	29
64026A3	DISTRIBUTOR ASSEMBLY, COMPLETE . . . . .	11	1	66626	ADAPTOR, ROD END (STARBOARD MOUNTING)	81	35
64090A1	TUBE ASSEMBLY, DIPSTICK	83	5	66627	ADAPTOR, ROD END (PORT MOUNTING) . . . . .	81	35
64414	GUIDE, CABLE GUIDE TUBE	79	15	66981A2	PISTON< SERVO . . . . .	85	51
64760	COVER, TIMING . . . . .	51	24	67993A2	SHAFT, OUTPUT . . . . .	87	79
64772	DAMPER ASSEMBLY, CRANKSHAFT (LEFT HAND CRANKSHAFT ROTATION) . . . . .	57	20	N.S.S.	ROD, PRIMARY (NOT SOLD SEPARATELY) . . . . .	23	9
64773	DAMPER ASSEMBLY, CRANKSHAFT (RIGHT HAND CRANKSHAFT ROTATION) . . . . .	57	20	N.S.S.	ROD, SECONDARY (NOT SOLD SEPARATELY) . . . .	23	14
64783	BAFFLE, INTAKE MANIFOLD	51	17	10-20031	SCREW, CLAMP TO MOUNTING BRACKET (1/2") . . . . .	7	23
64784	ROD, PUSH . . . . .	47	17	10-20031	SCREW, COVER TO FLYWHEEL HOUSING (5/8") . . . . .	37	4
64785	ROTOR AND SHAFT, OIL PUMP . . . . .	55	14	10-20055	SCREW, WIRING HARNES TO ALTERNATOR (3/8") ..	3	19
64786	SHAFT, ASSEMBLY, OIL PUMP . . . . .	55	12	10-20314	SCREW, SERIAL PLATE ATTACHING (3/16") . . . .	35	8
64787	OIL PUMP ASSEMBLY . . . . .	55	1	10-20362	SCREW, OIL COOLER COVER TO FLYWHEEL HOUSING (1 7/16") . . . . .	35	19
64788	SCREEN, OIL PUMP (STERN DRIVE) . . . . .	55	4	10-20639	SCREW, CABLE TO ADAPTOR (1 1/8") . . . . .	63	32
64792	PLUNGER, OIL PUMP RELIEF VALVE . . . . .	55	7	10-20639	SCREW, FUEL FILTER TO MOUNTING BRACKET (1 1/8") . . . . .	19	11
64795	INTAKE MANIFOLD . . . . .	51	15				

# PARTS INDEX

Part Number	Description	Pg.	Ref. No.	Part Number	Description	Pg.	Ref. No.
10-21077	SCREW, MOUNTING BRACKET ATTACHING (7/8")	7	5	10-28063	SCREW, STARTER SOLENOID TO MOUNTING BRACKET (5/8")	7	8
10-21077	SCREW, PULLEY TO DAMPER	59	24	10-28635	SCREW, COVER TO FLYWHEEL HOUSING (5/8")	35	5
10-21091	SCREW, TERMINAL BLOCK TO FLYWHEEL HOUSING (1")	9	29	10-28635	SCREW, WATER PUMP COVER ATTACHING (5/8")	43	3
10-21335	SCREW, CLAMP TO DISTRIBUTOR (7/8")	11	10	10-28782	SCREW, TIMING COVER TO CYLINDER BLOCK (7/8")	53	29A
10-21548	SCREW, OIL GUAGE TUBE CLIP TO BRACKET (5/8")	55	29	10-29198	SCREW, ALTERNATOR BRACE TO ALTERNATOR (7/8")	3	23
10-21625	SCREW, CLAMP BRACKET TO OIL COOLER BRACKET (3/4")	75	28	10-29198	SCREW, DISTRIBUTOR CLAMP ATTACHING (7/8")	11	16
10-21625	SCREW, COOLER BRACKET ATTACHING (3/4")	37	16	10-29198	SCREW, DISTRIBUTOR CLAMP ATTACHING (7/8")	15	21
10-21625	SCREW, STOP (3/4")	91	19	10-30155	SCREW, ENGINE LOCATING (1 1/4")	65	9
10-22469	SCREW, BRACKET TO TRASMISSION	69	13	10-30155	SCREW, ENGINE LOCATING (1 1/4")	39	2
10-22485	SCREW, REVERSE LOCK VALVE TO CONTROL VALVE (3/4")	91	4	10-30902	SWITCH TO CONTROL VALVE CAP (3/4")	91	24
10-22956	SCREW, STARTER SOLENOID TO MOUNTING BRACKET (7/8")	9	13	10-31832	SCREW, MOUNTING BRACKET TO TRANSOM PLATE (1")	79	24
10-24233	SCREW, TERMINAL BLOCK AND COVER TO BRACKET (1 3/8")	91	13	10-31984	SCREW, PUMP TO TRANSMISSION HOSUING (1 3/8")	83	19
10-24234	SCREW, THERMOSTAT COVER TO THERMOSTAT HOUSING (1")	33	41	10-32417	SCREW, LINK AND CAM TO CONTROL SHAFT (5/8")	85	59
10-25038	SCREW, END CAP TO MANIFOLD (7/8")	8	31	10-33311	SCREW, BRACKET TO IGNITION COIL (1 1/2")	11	20
10-25038	SCREW, MOUNTING BRACKET ATTACHING (7/8")	9	5	10-33311	SCREW, BRACKET TO IGNITION COIL (1 1/2")	15	26
10-25299	SCREW, COVER PLATE TO TRANSMISSION (3/4")	53	46	10-34290	SCREW, SHIFT ACTUATOR TO MOUNTING BRACKET (5/8")	91	21
10-25299	SCREW, MOUNTIN BRACKET TO CONTROL VALVE (3/4")	91	25	10-34353	SCREW, ADJUSTING BRACE TO OIL PAN (1") INBOARD	43	25
10-25503	SCREW, TIMING COVER TO CYLINDER BLOCK (2")	53	30	10-34353	SCREW, BRACE TO HYDRAULIC PUMP (1 1/4")	75	18
10-26068	SCREW, OIL COOLER BRACKET TO MOUNT PLATE (1")	77	33	10-34354	SCREW, HYDRAULIC PUMP TO MOUNTING BRCKET (1 1/2")	75	13
10-26332	SCREW, IGNITION COIL ATTACHING (1 1/4") INBOARD	11	25	10-34354	SCREW, WATER PUMP BRACKET CLAMPING (1 1/2")	43	33
10-26632	SCREW, ADJUSTING BRACE TO WATER PUMP (1 1/4")- INBOARD	43	28	10-34613	SCREW, GROUND CABLE TO FLYWHEEL (1 3/4")	37	10
10-26632	SCREW, IGNITION COIL ATTACHING (1 1/4") INBOARD	15	31	10-34613	SCREW, IGNITION COIL ATTACHING (1 3/4") STERN DRIVE	11	25
10-26632	SCREW, STARTER MOTOR TO FLYWHEEL HOUSING (1 1/4") - LOWER	3	2	10-34613	SCREW, IGNITION COIL ATTACHING (1 3/4") STERN DRIVE	15	31
				10-35386	SCREW, CONTROL VALVE TOTRANSMISSION HOUSING (1")	85	53

# PARTS INDEX

Part Number	Description	Pg.	Ref. No.	Part Number	Description	Pg.	Ref. No.
10-35386	SCREW, THERMOSTAT HOUSING TO INTAKE MANIFOLD (1")	33	35	10-47462	SCREW, RETAINER ATTACHING (1 1/4")	13	32
10-35386	SCREW, PUMP TO TRANSMISSION HOUSING(1')	83	19	10-47462	SCREW, RETAINER ATTACHING (1 1/4")	17	39
10-35585	SCREW, BRACKET TO TRANSMISSION (3/4")	61	19	10-47462	SCREW, STARTER MOTOR TO FLYWHEEL HOUSING (1 1/4")	3	2
10-36046	SCREW, BREAKER AND CONDENSER ATTACHING (1/4")	11	4	10-47462	SCREW, TRANSMISSION HOUSING TO ENGINE (1-1/4")	83	8A
10-36046	SCREW, HARNESS TO TERMINAL BLOCK(1/4')	91	17	10-47618	SCREW, CIRCUIT BREAKER TO BRACKET (1")	7	17
10-36046	SCREW, WIRING HARNESS LEAD TO CIRCUIT BREAKER	9	22	10-47618	SCREW, CIRCUIT BREAKER TO BRACKET (1")	9	23
10-36046	SCREW< WIRING HARNESS LEAD TO TERMINAL (1/4")	7	16	10-47651	SCREW, FLYWHEEL HOUSING TO ENGINE (1 1/2")	37	8
10-37269	SCREW, BRACKET TO TRANSMISSION (2")	67	2	10-47654	SCREW, CLAMP - ADJUSTING TRUNNION (2 3/4")	39	8
10-37269	SCREW, CLAMPING-MOUNTING BRACKET (2")	67	13	10-47654	SCREW, CLAMP-ADJUSTING TRUNNION (2 3/4")	65	11
10-37269	SCREW, MOUNTING BRACKET TO TRANSMISSION (2")	65	2	10-47654	SCREW, CLAMP-ADJUSTING TRUNNION (2 3/4")	73	7
10-37612	SCREW, ADJUSTING BRACE TO WATER PUMP (1 1/4")-STERN DRIVE	43	28	10-47654	SCREW, FLYWHEEL HOUSING TO ENGINE (2 3/4")	35	10
10-37612	SCREW, ALTERNATOR BRACKET TO TIMING COVER (1 1/4")	5	32	10-47724	SCREW, MOUNTING BRACKET TO CYLINDER BLOCK (3")	73	5
10-37612	SCREW, EXHAUST MANIFOLD TO CYLINDER HEAD (1 1/4")	31	5	10-47724	SCREW, TRANSMISSION TO ENGINE (3")	61	2
10-37612	SCREW, HYDRAULIC PUMP TO MOUNTING BRACKET (1 1/4")	75	12	10-47724	SCREW, TRANSMISSION TO ENGINE (3")	61	2
10-37892	SCREW, THROTTLE CABLE TO CARBURETOR (1")	21	42	10-47724	SCREW, TRANSMISSION TO ENGINE (3")	69	2
10-37909	SCREW, FLANGE TO TRANSMISSION (1 1/8")	61	12	10-47815	SCREW, CONNECTOR TO BRACKET (3/4")	9	8
10-37961--2	SCREW, CLAMPING (1 1/4")	79	12	10-48308	SCREW, ALTERNATOR TO ALTERNATOR BRACKET	5	28
10-38792	SCREW, LEAD TO TERMINAL BLOCK	9	32	10-48591	SCREW, TERMINAL BLOCK TO BRACKET (1/2")	9	8
10-45474	SCREW, WATER PUMP TO TIMING COVER (1 1/2")	53	35	10-52156	SCREW, ADJUSTING TRUNNION (4 1/2")	73	15
10-46718	SCREW, WIRING HARNESS PLATE TO MOUNTING BRACKET (3/4")	9	3	10-52156	SCREW, ADJUSTING TRUNNION (4 1/2")	39	15
10-47194	SCREW, CIRCUIT BREAKER BRACKET (9/16")	7	26	10-52156	SCREW, ADJUSTING TRUNNION (4 1/2")	65	19
10-47220	SCREW, COVER ATTACHING(3/8")	93	15	10-52409	SCREW, WATER PUMP BRACKET TO ALTERNATOR BRACKET (3 1/4")	43	35
10-47462	SCREW, FLYWHEEL HOUSING TO ENGINE (1 1/4")	35	9	10-52693	SCREW, PULLEY TO CRANKSHAFT (5")	75	3
10-47462	SCREW, MOUNTING BRACKET TO TRANSMISSION(1 1/4")	73	2	10-52743	SCREW, WATER PUMP AND TIMING COVER TO CYLINDER BLOCK (3 3/4")	53	31

# PARTS INDEX

Part Number	Description	Pg.	Ref. No.	Part Number	Description	Pg.	Ref. No.
10-53016	SCREW, OUTPUT HOUSING TO TRANSMISSION HOUSING (1 1/4")	87	101	10-59589	SCREW, FLYWHEEL HOUSING TO ENGINE (2 1/2")	37	9
10-53192	SCREW, CAM FLOOLWER TO CAP (1/2")	85	65	10-59645	SCREW, LIFTING EYE TO INTAKE MANIFOLD (3/4")	51	22
10-54493	SCREW, FLYWHEEL HOUSING TO ENGINE (2 1/2")	35	10	10-60106	SCREW, TRANSMISSION FLANGE TO PROPELLER FLANGE (1 1/4")	69	9
10-54523	SCREW, THERMOSTAT HOUSING TO INTAKE MANIFOLD (1")	33	35	10-60168	SCREW, FLANGE TO PROPELLER SHAFT (1 1/2")	61	11
10-54630	SCREW, PULLEY TO WATER PUMP (5/8")	53	39	10-60169	SCREW, FLANGE TO PROPELLER SHAFT (3/4")	61	11
10-54630	SCREW, WATER PUMP PULLEY TO WATER PUMP (3/4")	43	19	10-60169	SCREW, FLANGE TO PROPELLER SHAFT (3/4")	69	8
10-55300	SCREW, ALTERNATOR BRACE TO CYLINDER BLOCK (5 1/4")	3	25	10-60170	SCREW, FLANGE TO PROPELER SHAFT (1")	69	8
10-55300	SCREW, WATER PUMP AND TIMING COVER TO CYLINDER BLOCK (5 1/4")	53	34	10-60170	SCREW, FLANGE TO PROPELLER SHAFT(1")	61	11
10-55511	SCREW, TIMING COVER TO CYLINDER BLOCK (1 1/2")	53	29	10-60171	SCREW, FLANGE TO PROPELLER SHAFT 91 1/4")	69	8
10-55714	SCREW, OIL PAN TO CYL BLOCK (5/16-18 X 7/8")	55	21	10-60171	SREW,FLANGE TO PROPELLER SHAFT (1 1/4")	61	11
10-55715	SCREW, OIL PAN TO CYL BLOCK (1/4-20 X 7/8")	55	22	10-60300	SCREW, COVER TO TANSMISSION HOUSING( 3/4")	83	34
10-56133	SCREW, PLATE TO OIL PUMP (5/8")	55	10	10-60300	SCREW, PUMP ATTACHING (3/4")	83	23
10-56133	SCREW, THRUST PLATE TO CYLINDER BLOCK (5/8")	47	23	10-60706	BOLT, FLYWHEEL TO CRANKSHAFT (15/16")	57	10
10-56138	SCREW, ECCENTRIC AND SPROCKET TO CAMSHAFT (1 1/2")	47	25	10-60708	SCREW, OIL PAN TO CYL BLOCK (1/4-20 X 9/16")	55	22
10-56176	SCREW, OIL PUMP TO CYLINDER BLOCK (1 1/4")	55	15	10-60708	SCREW, ROCKER COVER TO CYULINDER HEAD (9/16")	47	3
10-56858	SCREW, OIL PAN TO CYL BLOCK (5/16-18 X 7/8")	55	21	10-60709	BOLT, DAMPER TO CRANKSHAFT (1 5/8")	59	21
10-56858	SCREW, SCREEN TO OIL PUMP (7/8")	55	5	10-60777	SCREW< CAM SEGMENT ATTACHING (1/2")	43	9
10-56882	SCREW, FUEL PUMP TO CYLINDER BLOCK (1 1/2")	19	2	10-62679	SCREW, ADJUSTINGND ANCHOR-CLUTCH BAND	87	70
10-56889	SCREW, DRIVE PLATE TO FLYWHEEL	57	12	10-64761	BOLT, CYLINDER HEAD TO CYLINDER BLOCK (2 1/2")	51	10
10-57357	SCREW, MOUNT PLATE TO ENGINE MOUNT (2 1/4")	77	31	10-64762	BOLT, CYLINDER HEAD TO CYLINDER BLOCK (4 5/16")	51	10
10-57357	SCREW< CLAMPING-MOUTING BRACKET (2 1/4")	67	4	10-64770	BOLT, CONNECTING ROD	57	4
10-57841	SCREW, WATER PUMP TO TIMING COVER (2 3/4")	53	36	10-64782	BOLT, BEARING CAPT O CYLINDER BLOCK (3 1/2")	51	3
10-57968	SCREW, ADJUSTING-MOUNTING BRACKET(3")	79	26	10-65027	SCREW, CAP TO CONTROL VALVE (1")	85	62
10-58261	SCREW, INTAKE MANIFOLD TO CYLINDER HEAD (2")	51	18	10-66137	SCREW,FLANGE TO TRANSMISSION HOUSING( 1/2")	83	26
10-58261	SCREW, INTAKE MANIFOLD TO CYLINDER HEAD (2")	51	18	10-68743	SCREW, ENGINE LOCATING	41	2
				10-68743	SCREW,ENGINE LOCATING (1 1/4")	67	11



# PARTS INDEX

Part Number	Description	Pg.	Ref. No.	Part Number	Description	Pg.	Ref. No.
11-20083	NUT, SHIFT LEVER TO TRANSMISSION	69	23	11-24656	NUT, TERMINAL BLOCK AND COVER SCREW	91	16
11-20083	NUT, STARTER SOLENOID TERMINAL (5/16")	7	13	11-24883	NUT, ADJUSTING SCREW	79	28
11-20083	NUT, STARTER SOLENOID TERMINAL (5/16")	9	19	11-24883	NUT, TRANSMISSION FLANGE SCREW	61	14
11-20088	NUT, OIL LEVEL GAUGE TUBE CLIP SCREW	55	31	11-25899	NUT, PULLEY TO HYDRAULIC PUMP	75	8
11-20361	NUT, CLAMP BRACKET SCREW	75	29	11-26419	NUT, STARTER TERMINAL (#8)	3	6
11-20361	NUT, STARTER SOLENOID SCREW	9	15	11-28040	NUT, VALVE ADAPTOR STUD	79	30
11-20586	NUT, FLAME ARRESTOR STUD	21	41	11-28517	NUT, ADJUSTING BRACE SCREW (INBOARD)	43	31
11-20586	NUT, THROTTLE CABLE STUD	19	21	11-28517	NUT, STARTER TERMINAL (3/8")	3	4
11-20645	NUT, IGNITION COIL TERMINAL	11	24	11-28941	NUT, JAM - FLAME ARRESTOR MOUNTING STUD (BOTTOM)	21	38
11-20645	NUT, IGNITION COIL TERMINAL	15	30	11-29553	NUT, CLAMP ADJUSTING TRUNNION SCREW	39	11
11-20645	NUT, OIL PRESSURE SENDER TERMINAL (#10)	3	12	11-29553	NUT, CLAMP ADJUSTING TRUNNION SCREW	65	14
11-20645	NUT, OIL PRESSURE SWITCH TERMINAL (#10)	3	17	11-29553	NUT, CLAMP ADJUSTING TRUNNION SCREW	73	10
11-20645	NUT, STARTER SOLENOID TERMINAL (10-32)	7	11	11-29553	NUT, CLAMPING SCREW	67	15
11-20645	NUT, STARTER SOLENOID TERMINAL (10-32)	9	17	11-29553	NUT, CLAMPING SCREW	67	6
11-20645	NUT, WATER TEMPERATURE SENDER TERMINAL (#10)	3	9	11-30506	NUT, COOLER BRACKET ATTACHING SCREW	37	17
11-20645	NUT< TERMINAL BLOCK AND COVER SCREW	91	11	11-32219	NUT, ADJUSTING BRACE SCREW (STERN DRIVE)	43	31
11-20739	NUT, JAM - MOUNTING BRACKET	41	7	11-32219	NUT, GROUND CABLE TO FLYWHEEL SCREW	37	12
11-20739	NUT, JAM-ENGINE MOUNT BASE	67	19	11-32219	NUT, STARTER MOTOR STUD	3	5A
11-20890	NUT, CRANK ARM	93	14	11-32882	NUT, MOUNTING TUBE	79	31
11-21612	NUT, JAM-ADJUSTING ACREW	87	72	11-34933	NUT, MOUNTING BRACKET STUD	41	5
11-21612	NUT, JAM-OIL COOLER	83	32	11-34933	NUT, MOUNTING BRACKET STUD	65	8
11-21908	NUT, STARTER MOTOR TERMINAL	3	6	11-34933	NUT, MOUNTING BRACKET TO CYLINDER BLOCK STUD (SEE NOTE BELOW)	39	7
11-22024	NUT, ENGINE LOCATING SCREW	65	10	11-34933	NUT< FRONT MOUNTING BRACKET	67	10
11-22024	NUT, ENGINE LOCATING SCREW	39	3	11-35814	NUT, FUEL FILTER SCREW	19	13
11-22024	NUT, ENGINE LOCATING SCREW	41	3	11-35814	NUT, OIL COOLER BRACKET SCREW	77	35
11-22024	NUT, ENGINE LOCATING SCREW	67	12	11-37984	NUT, CABLE GUIDE TUBE	79	22
11-22024	NUT, FLANGE SCREW	69	11	11-45812	NUT, THROTTLE CABLE SCREW	21	46
11-22024	NUT, TRANSMISSION STUD	61	5	11-46438	NUT, CIRCUIT BREAKER SCREW	7	21
11-23161	NUT, ALTERNATOR BRACKET SCREW	5	31	11-46438	NUT, CIRCUIT BREAKER SCREW	9	27
11-23161	NUT, WATER PUMP BRACKET SCREW	45	37	11-46438	NUT, SHIFT CABLE ADAPTOR STUD(10-32)	63	31
11-24652	NUT, RETAINER STUD	89	107	11-46438	NUT, SHIFT CABLE TO BRACKET STUD (10-32)	69	16
11-24652	NUT, TERMINAL BLOCK SCREW	9	31	11-46438	NUT, SHIFT CALBE ADAPTOR STUD(10-32)	71	30

# PARTS INDEX

Part Number	Description	Pg.	Ref. No.	Part Number	Description	Pg.	Ref. No.
11-46438	NUT, SHIFT CALBE TO BRACKET STUD(10-32) . .	61	18	12-20553	WASHER, IGNITION COIL ATTACHING SCREW INBOARD . . . . .	11	26
11-46793	NUT, CARBURETOR MOUNTING STUD . . . . .	19	31	12-20553	WASHER, IGNITION COIL ATTACHING SCREW INBOARD . . . . .	15	32
11-46793	NUT, CARBURETOR STUD STERN DRIVE . . . . .	19	25	12-20553	WASHER, IGNITION COIL ATTACHING SCREW STERN DRIVE . . . . .	11	26
11-46793	NUT, SHIFT CABLE SCREW( 5/16-24 . . . . .	63	34	12-20553	WASHER, IGNITION COIL ATTACHING SCREW STERN DRIVE . . . . .	15	32
11-46793	NUT, SHIFT CABLE SCREW( 5/16-24) . . . . .	71	33	12-20553	WASHER, IGNITION COIL ATTACHING SCREW STERN DRIVE . . . . .	15	32
11-46887	NUT, SHIFT CABLE ADAPTOR STUD (1/4-28) .	69	27	12-20553	WASHER, PULLEY SCREW	75	5
11-46887	NUT, SHIFT CALE ADA(TPR STUD(1 1/4-28) . . . . .	63	28	12-20553	WASHER< ADJUSTING BRACE SCREW (INBOARD) . . . . .	43	29
11-46887	NUT, STOP SCREW . . . . .	91	20	12-20583	WASHER, REVERSE LOCK VALVE SCREW . . . . .	91	5
11-47521	NUT, JAM - OIL COOLER . .	35	17	12-20722	WASHER, SHIFT LEBER TO TRANSMISSION . . . . .	63	22
11-47525	NUT, JAM - ADJUSTING TRUNNION SCREW . . . . .	39	17	12-20722	WASHER, SHIFT LEVER TO TRANSMISSION . . . . .	69	21
11-47525	NUT, JAM-ADJUSTING TRUNNION SCREW . . . . .	65	21	12-20878	WASHER, OIL PRESSURE SWITCH TERMINAL (#10)	3	16
11-47525	NUT, JAM-ADJUSTING TRUNNION SCREW . . . . .	73	17	12-20959	WASHER, VAVLE ADAPTOR STUD . . . . .	79	29
11-47626	NUT, OIL LEVEL GAUGE TUBE . . . . .	55	25	12-21631	WASHER, THROTTLE CABLE STUD . . . . .	19	19
11-48383	NUT, RISER TO EXHASUT ELBOW STUD . . . . .	73	--	12-21901	WASHER, PULLEY TO HYDRAULIC PUMP . . . . .	75	7
11-49838	NUT, EXHAUST ELBOW TO EXHAUST MANIFOLD . . .	33	24	12-22753	WASHER, SHIFT CABLE SCREW . . . . .	63	33
11-49838	NUT, EXHAUST MANIFOLD STUD . . . . .	31	5C	12-22753	WASHER, SHIFT CABLE SCREW . . . . .	71	32
11-53301	NUT, OIL PUMP SCREEN STUD . . . . .	51	6	12-22887	WASHER, TERMINAL BLOCK AND COVER SCREW . . . .	91	9
11-55111	NUT, DUAL ADAPTOR TO POWER STEERING VALVE	79	19	12-22937	WASHER, FLAME ARRESTOR STUD . . . . .	21	40
11-55983	NUT, JAM-MOUNTING TUBE	79	33	12-22937	WASHER, STARTER SOLENOID SCREW . . . . .	9	14
11-56167	NUT, ROCKER ARM STUD .	47	8	12-25909	WASHER< HYDRAULIC PUMP SCREW . . . . .	75	15
11-58263	NUT, INTAKE MANIFOLD STUD . . . . .	51	20	12-26168	WASHER, ALTERNATOR BRACE SCREW . . . . .	3	24
11-64769	NUT, CONNECTING ROD BOLT . . . . .	57	5	12-26825	WASHER, OIL COOLER BRACKET SCREW . . . . .	77	34
12-20084	WASHER CARBURETOR MOUNTING STUD INBOARD . . . . .	19	30	12-26907	WASHER, THROTTLE CABLE SCREW . . . . .	21	43
12-20084	WASHER, CARBURETOR STUD STERN DRIVE . . . .	19	24	12-26996	LOCKWASHER, TERMINAL BLOCK AND COVER SCREW . . . . .	91	14
12-20084	WASHER, FUEL FILTER SCREW . . . . .	19	12	12-30164	WASHER, IGNITION COIL TERMINAL . . . . .	11	22
12-20084	WASHER< THERMOSTAT HOUSING SCREW . . . . .	33	36	12-30164	WASHER, IGNITION COIL TERMINAL . . . . .	15	28
12-20128	WASHER, THROTTLE CABLE SCREW . . . . .	21	44	12-30164	WASHER, WIRING HARNESS SCREW . . . . .	3	21
12-20533	WASHER, SHIFT CABLE ADAPTOR STUD . . . . .	63	27	12-34567	WASHER, MOUNTING BRACKET STUD-STBD. REAR . . . . .	65	6
12-20533	WASHER, SHIFT CABLE ADAPTOR STUD . . . . .	69	26				
12-20553	WAHSER, PULLEY SCREW .	59	26				
12-20553	WASHER, ADJUSTING BRACE SCREW (STERN DRIVE) . . . . .	43	27				

# PARTS INDEX

Part Number	Description	Pg.	Ref. No.	Part Number	Description	Pg.	Ref. No.
12-34567	WASHER, MOUNTING TO BRACKET STUD (STARBOARD FRONT)	39	5	13-26992	LOCKWASHER, CLAMP TO MOUNTING SCREW	7	24
12-34567	WASHER, RETAINER SCREW	13	33	13-26992	LOCKWASHER, COVER SCREW	35	6
12-34567	WASHER, RETAINER SCREW	17	40	13-26992	LOCKWASHER, COVER SCREW	37	5
12-34567	WASHER< MOUNT PLATE SCREW	77	32	13-26992	LOCKWASHER, FLANGE SCREW	83	27
12-34714	WASHER, ADJSUTING BRACE SCREW (IINBOARD)	43	27	13-26992	LOCKWASHER, LINK AND CAM SCREW	85	60
12-34714	WASHER, ADJUSTING BRACE SCREW (STERN DRIVE)	43	29	13-26992	LOCKWASHER, OIL LEVEL GAUGE TUBE CLIP SCREW	55	30
12-34714	WASHER, BRACE SCREW	75	20	13-26992	LOCKWASHER, OIL PAN SCREW (1/4")	55	23
12-36533	WASHER, OIL COOLER COVER SCREW	35	20	13-26992	LOCKWASHER, PLATE SCREW	55	11
12-37407	WASHER, SHIFT CABLE ADAPTOR STUD	63	30	13-26992	LOCKWASHER, SHIFT ACTUATOR SCREW	91	22
12-37407	WASHER, SHIFT CABLE ADAPTOR STUD	71	29	13-26992	LOCKWASHER, STARTER SOLENOID SCREW	7	9
12-37407	WASHER, SHIFT CABLE TO BRACKET STUD	69	15	13-26992	LOCKWASHER, TERMINAL BLOCK SCREW	9	30
12-37407	WASHER, SHIFT CABLE TO BRASKET STUD	61	17	13-26992	LOCKWASHER,COVER SCREW	83	35
12-37985	WASHER, CABLE GUIDE TUB	79	21	13-26992	LOCKWASHER.PUMP SCREW	83	24
12-47960	WASHER, CIRCUIT BREAKER SCREW	7	20	13-26993	LOCKWASHER, DRIVE PLATE SCREW	57	13
12-47960	WASHER, CIRCUIT BREAKER SCREW	9	25	13-26993	LOCKWASHER, MOUNTING BRACKET SCREW	9	6
12-48611	WASHER, MOUNTING BRACKET	39	14	13-26993	LOCKWASHER, OIL COOLER COVER SCREW	35	20
12-48611	WASHER, MOUNTING BRACKET	65	17	13-26993	LOCKWASHER, OIL PAN SCREW (5/16")	55	23
12-48611	WASHER, MOUNTING BRACKET	73	13	13-26993	LOCKWASHER, SHIFT LEVER TO TRANSMISSION	69	22
12-54426	WASHER, MOUNTING BRACKET SCREW	39	6	13-26993	LOCKWASHER, STARTER MOTOR TERMINAL	3	5
12-54426	WASHER, MOUNTING BRACKET STUD	65	6	13-26993	LOCKWASHER, STARTER SOLENOID TERMINAL (5/16")	7	12
12-56136	WASHER, ECCENTRIC AND SPROCKET SCREW	47	26	13-26993	LOCKWASHER, STARTER SOLENOID TERMINAL (5/16")	9	18
12-56148	WASHER, DAMPER TO CRANKSHAFT BOLT	59	22	13-26993	LOCKWSHER, SHIFT LEVER TO TRANSMISSION	63	23
12-57864	WASHER, SEALING - FLYWHEEL HOUSING SCREW	35	11	13-26995	LOCKWASHER, STARTER TERMINAL (#8)	3	5
12-58790	WASHER, OIL PUMP SCREEN STUD	51	5	13-26996	LOCKWASERH, TERMINAL BVLOCK AND COVER SCREW	91	10
12-62781	WASHER, SEALING-- ADJUSTING SCREW	87	71	13-26996	LOCKWASHER, BRACKET SCREW	7	27
13-20897	LOCKWASHER, DUAL ADAPTOR NUT	79	18	13-26996	LOCKWASHER, DISTRIBUTOR CLAMP SCREW	11	11
13-26992	LOCKWASHER, BRACKEET TO TRANMISSION SCREW	69	14	13-26996	LOCKWASHER, IGNITION COIL TERMINAL	11	23
13-26992	LOCKWASHER, BRACKET SCREW	61	20				
13-26992	LOCKWASHER, CAP SCREW	85	63				

# PARTS INDEX

Part Number	Description	Pg.	Ref. No.	Part Number	Description	Pg.	Ref. No.
13-26996	LOCKWASHER, IGNITION COIL TERMINAL . . . . .	15	29	13-35048	LOCKWASHER, ADJUSTING BRACE SCREW . . . . .	43	26
13-26996	LOCKWASHER, OIL PRESSURE SENDER TERMINAL (#10) . . . . .	3	11	13-35048	LOCKWASHER, ADJUSTING BRACE SCREW . . . . .	43	30
13-26996	LOCKWASHER, STARTER SOLENOID TERMINAL (#10) . . . . .	9	16	13-35048	LOCKWASHER, BRACE SCREW . . . . .	75	19
13-26996	LOCKWASHER, STARTER SOLENOID TERMINAL *#10) . . . . .	7	10	13-35048	LOCKWASHER, BRACKET SCREW . . . . .	11	21
13-26996	LOCKWASHER, WATER TEMPERATURE SENDER TERMINAL (#10) . . . . .	3	8	13-35048	LOCKWASHER, BRACKET SCREW . . . . .	15	27
13-26996	LOCKWASHER, WIRING HARNESS SCREW . . . . .	3	20	13-35048	LOCKWASHER, EXHAUST ELBOW SCREW STERN DRIVE . . . . .	33	30
13-29402	WAVE WASHER, SHIFT CABLE ADAPTOR STUD . . . . .	63	29	13-35048	LOCKWASHER, EXHAUST MANIFOLD TO CYLINDER HEAD SCREW . . . . .	31	6
13-29402	WAVE WASHER, SHIFT CABLE ADAPTOR STUD . . . . .	69	28	13-35048	LOCKWASHER, MOUNTING BRACKET SCREW . . . . .	7	6
13-31848	LOCKWASHER, MOUNTING BRACEKT SCREW . . . . .	79	25	13-35048	LOCKWASHER, PULLEY SCREW . . . . .	75	4
13-32993	LOCKWASH, TRANSMISSION HOUSING SCREW . . . . .	83	8B	13-35048	LOCKWASHER, TRANSMISSION FLANGE SCREW . . . . .	61	13
13-32993	LOCKWASHER, BRACKET SCREW . . . . .	67	3	13-35048	LOCKWASHER, WATER PUMP BRACKET CLAMPING SCREW . . . . .	43	34
13-32993	LOCKWASHER, CLAMP ADJUSTING TRUNNION SCREW . . . . .	39	9	13-37272	WASHER, EXHAUST MANIFOLD STUD . . . . .	31	5B
13-32993	LOCKWASHER, CLAMP ADJUSTING TRUNNION SCREW . . . . .	65	12	13-37459	LOCKWASHER, PUMP MOUNTING BRACKET SCREW . . . . .	75	11
13-32993	LOCKWASHER, CLAMP ADJUSTING TRUNNION SCREW . . . . .	73	8	13-37459	LOCKWASHER, ADJUSTING SCREW . . . . .	79	27
13-32993	LOCKWASHER, CLAMPING SCREW . . . . .	67	14	13-37459	LOCKWASHER, ALTERNATOR BRACKET SCREW . . . . .	5	33
13-32993	LOCKWASHER, CLAMPING SCREW . . . . .	67	5	13-37459	LOCKWASHER, CLAMPING SCREW . . . . .	79	13
13-32993	LOCKWASHER, FLANGE SCREW . . . . .	69	10	13-37459	LOCKWASHER, EXHAUST ELBOW TO EXHAUST MANIFOLD STUD . . . . .	33	23
13-32993	LOCKWASHER, MOUNTING BRACKET SCREW . . . . .	65	3	13-37459	LOCKWASHER, GROUND CABLE TO FLYWHEEL SCREW . . . . .	37	11
13-32993	LOCKWASHER, MOUNTING BRACKET SCREW . . . . .	65	7	13-37459	LOCKWASHER, RISER TO EXHAUST ELBOW STUD . . . . .	73	--
13-32993	LOCKWASHER, MOUNTING BRACKET SCREW . . . . .	73	3	13-37459	LOCKWASHER, STARTER MOTOR SCREW AND STUD . . . . .	3	3
13-32993	LOCKWASHER, MOUNTING BRACKET SCREW . . . . .	73	6	13-39107	LOCKWASHER, ALTERNATOR BRACE SCREW . . . . .	5	26
13-32993	LOCKWASHER, STARTER MOTOR SCREW . . . . .	3	3	13-39107	LOCKWASHER, CONTROL VALVE BRACKET SCREW . . . . .	91	26
13-32993	LOCKWASHER, TRANMISSION SCREW . . . . .	69	3	13-39107	LOCKWASHER, CONTROL VALVE SCREW . . . . .	85	54
13-32993	LOCKWASHER, TRANSMISSION SCREW AND STUD . . . . .	61	4	13-39107	LOCKWASHER, COVER PLATE SCREW . . . . .	53	47
13-32993	LOCKWASHER< FRONT MOUNTING BRACKET . . . . .	67	9	13-39107	LOCKWASHER, LIFTING EYE SCREW . . . . .	51	23

# PARTS INDEX

Part Number	Description	Pg.	Ref. No.	Part Number	Description	Pg.	Ref. No.
13-39107	LOCKWASHER, OUTPUT HOUSING SCREW	87	102	16-57921	STUD, TRANSMISSION TO ENGINE (4")	61	3
13-39107	LOCKWASHER, PULLEY SCREW	53	40	16-58242	STUD ROCKER ARM - CYLINDER HEAD (.006 O.S.)	47	11
13-39107	LOCKWASHER, THERMOSTAT COVER SCREW	33	42	16-58243	STUD, ROCKER ARM - CYLINDER HEAD (.015 O.S.)	47	11
13-39107	LOCKWASHER, WATER PUMP PULLEY SCREW	43	20	16-58264	STUD, INTAKE MANIFOLD TO CYLINDER HEAD (2 3/8")	51	19
13-56177	LOCKWASHER, OIL PUMP SCREW	55	16	16-60607	STUD, MANIFOLD TO RISER (2 1/4")	73	--
13-68102	LOCKWASHER, MOUNTING BRACKET	41	8	16-62299	STUD, BEARING CAP TO CYLINDER BLOCK (OIL PUMP SCREEN)	51	4
13-68102	LOCKWASHER, MOUNTING BRACKET	67	17	16-63003	STUD, CARBURETOR TO INTAKE MANIFOLD (3 1/4") STERN DRIVE	19	23
14-48467	TAB WASHER, ADJUSTING TRUNNION SCREW	39	16	16-63004	STUD, CARBURETOR TO INTAKE MANIFOLD (2 5/8") STERN DRIVE	19	23
14-48467	TAB WASHER, ADJUSTING TRUNNION SCREW	65	15	16-63332	STUD, CARBURETOR MOUNTING (1 1/4") INBOARD	19	29
14-48467	TAB WASHER, ADJUSTING TRUNNION SCREW	73	11	16-64066	STUD, STARTER MOTOR TO FLYWHEEL HOUSING - UPPER	3	2
16-20500	STUD, FLAME ARRESTOR MOUNTING - CARBURETOR (2 1/4")	21	37	16-65737	STUD, BRACKET TO ENGINE (2 5/8")	41	4
16-29208	STUD, CARBURETOR MOUNTING (2 1/8")	73	--	16-65737	STUD, FRONT MOUNTING BRACKET (2 5/8")	65	5
16-30669	STUD, CARBURETOR MOUNTING (3 1/4")	73	--	16-65737	STUD, FRONT MOUNTING BRACKET (2 5/8")	67	8
16-32027	STUD, RETIANER TO OUTPUT HOUSING	87	97	16-65737	STUD, MTG. BRKT. TO CYL. BLOCK ( 2 5/8")	39	4
16-35897	STUD, THROTTLE CABLE TO MOUNTING BRACKET (1 11/16")	19	18	16-65743	STUD, BRACKET TO ENGINE (3")	41	4
16-46857	STUD, CARBURETOR MOUNTING (1 7/8") INBOARD	19	29	16-65743	STUD, FRONT MOUNTING BRACKET STARBOARD REAR (3")	67	8
16-48680	STUD, SHIFT CABLE ADAPTOR TO SHIFT LEVER (1 1/4")	63	26	16-65743	STUD, FRONT MOUNTING BRACKET STBD. REAR (3")	65	5
16-48680	STUD, SHIFT CALBE ADAPTOR TO SHIFT LEVER (1 1/4")	69	25	16-65743	STUD, MTG. BRKT. TO CYL. BLOCK (3") - STARBOARD FRONT	39	4
16-49545	STUD, EXHAUST ELBOW TO RISER (1 3/4")	73	--	16-65947	STUD, EXHAUST MANIFOLD TO CYL. HEAD (3 1/16")	31	5A
16-49545	STUD, EXHAUST MANIFOLD TO CYL. HEAD (1 3/4")	31	5A	17-22116	PIN, ROL-JAM NUT	65	22
16-49545	STUD, EXHAUST MANIFOLD TO EXHAUST ELBOW 1 3/4")	31	2	17-22116	PIN, ROLL - JAM NUT	39	18
16-49545	STUD, EXHAUST MANIFOLD TO EXHUAST ELBOW (1 3/4")	31	2	17-22116	PIN,ROLL-JAM NUT	73	18
16-53724	STUD, CARBURETOR MOUNTING (1 3/4") INBOARD	19	29	17-24800	ROLL PIN, CONTROL SHAFT	85	57
16-55109	STUD< ADAPTOR-POWER STEERING VALVE	79	11	17-52798	PIN, CLEVIS-STEERING CABLE AND CLEVIS ATTACHING	81	36
16-56164	STUD, ROCKER ARM-CYLINDER HEAD (STANDARD)	47	11	17-56139	PIN, REAR BEARING CAP - REAR SEAL RETAINING	51	11
				17-58021	PIN, DRIVE GEAR	11	13

# PARTS INDEX

Part Number	Description	Pg.	Ref. No.	Part Number	Description	Pg.	Ref. No.
17-62730	PIN, LEVER TO CONTROL VALVE	85	41	22-36373	PLUG, PIPE - WATER PUMP (3/8-14)	53	41
17-66176	PIN, DOWEL-CAMSHAFT	49	29	22-36373	PLUG, PIPE-COVER	83	31
17-66180	PIN, DOWEL - CAMSHAFT	49	29	22-36373	PLUG, PIPE-TRANSMISSION HOUSING	83	8
18-46950	COTTER PIN, CLEVIS PIN RETAINING	81	37	22-36382	PLUG, PIPE - FUEL FILTER BASE	19	9
19-56102	PLUG, EXPANSION - CYLINDER HEAD	51	8	22-37682	ELBOW, (STARBOARD) WATER DRAIN PETCOCK	51	-
19-56102	PLUG, EXPANSION-CYLINDER BLOCK	51	2	22-38939	FITTING, CARBURETOR WEDGE INBOARD	19	28
19-56128	PLUG, EXPANSION - CAMSHAFT BEARING HOLE	47	21	22-39072	PLUG, CONTROL VALVE	85	38
19-59504	PLUG, IMPELLER	43	5	22-39072	PLUG, DRAIN - FLYWHEEL HOUSING	35	3
19-60667	PLUG, CYLINDER BLOCK (1/4")	51	-	22-39072	PLUG, PIPE-OUTPUT SHAFT	87	78
19-60668	PLUG, EXPANSION-CYLINDER BLOCKS (3/4")	51	-	22-45084	FITTING, EXHAUST ELBOW	31	17
19-60669	PLUG, EXPANSION-CYLINDER BLOCK (1/2")	51	-	22-47625	ELBOW, OIL LEVEL GAUGE TUBE TO OIL PAN	55	24
19-60722	PLUG, DRAIN-CYLINDER BLOCK (3/4")	51	-	22-47629	ELBOW, HOSE TO OIL COOLER (90)	69	19
19-60722	PLUG, INTAKE MANIFOLD (3/4")	51	-	22-47629	ELBOW, HOSE TO TRANSMISSION (90)	61	6
19-62753	PLUG, PUMP	83	18	22-47629	ELBOW, HOSE TO TRANSMISSION(90)	69	17
19-64759	PLUG, DRAIN - CYLINDER BLOCK (1/4")	51	-	22-47902	VENT, TRANSMISSION HOUSING	83	4
19-64793	PLUG, INTAKE MANIFOLD (3/8")	51	-	22-47917	ELECTRODE, OIL COOLER	35	18
19-64794	PLUG, INTAKE MANIFOLD (1/2")	51	-	22-48118	PLUG, EXHAUST MANIFOLD	31	3
19-65117	PLUG, OIL PUMP RELIEF VALVE	55	8	22-48166	FITTING, STRIGHT-REVERSE LOCK VALVE	91	2
21-62669	CHECK VALVE (EARLY MODELS ONLY)	85	50	22-52666	ELBOW, REVERSE LOCK VALVE	91	3
22-20025	PLUG, PUMP	83	14	22-54522	NIPPLE, OIL PRESSURE SENDER	3	13
22-31345	FITTING, GREASE-RETAINER	89	108	22-56770	COUPLING, OIL PRESSURE SENDER	3	14
22-32802	PLUG, DRAIN - OIL COOLER COVER	35	14	22-56876	CONNECTOR, OIL FILTER TO CYLINDER BLOCK	53	44
22-32802	PLUG, EXHAUST ELBOW RISER	73	--	22-60720	PLUG, PIPE - OIL PAN DRAIN (STERN DRIVE)	55	19
22-32802	PLUG, PIPE - EXHAUST ELBOW	31	16	22-62910	FITTING EXHAUST ELBOW STERN DRIVE	31	18
22-32802	PLUG, PIPE - EXHAUST MANIFOLD	31	4	22-62910	FITTING, WATER PUMP BODY STERN DRIVE	45	39
22-32802	PLUG, PIPE - EXHAUST MANIFOLD	31	4	22-63824	ELBOW, HOSE TO TRANSMISSION (90)	61	15
22-32802	PLUG, WATER PUMP BODY (INBOARD)-NOT AS SHOWN	45	39	22-63824	ELBOW, HOSE TO TRANSMISSION (90)	69	4
22-32876	NIPPLE, SIGHT GLASS TO FUEL PUMP	19	4	22-63835	ELBOW, HOSE TO OIL COOLER	61	8
22-33198	PLUG, EXHAUST ELBOW	31	14	22-64426	PETCOCK, WATER DRAIN-CYLINDER BLOCK	51	-
22-33821	FITTING, FUEL LINE TO FUEL PUMP, FUEL FILTER AND CARBURETOR	19	14	22-64485	FITTING, TEE - OIL PRESSURE SENDER	3	14
22-36305	ELBOW, EXHAUST RISER	73	--	22-64970	ADAPTOR, (STARBOARD) WATER DRAIN PETCOCK	51	-
22-36373	PLUG, PIPE - OIL PAN DRAIN (INBOARD)	55	19	22-67305	FITTING, GREASE-POWER VALVE	79	10A
				23-31866	SPACER, THROTTLE CABLE STUD	19	20

# PARTS INDEX

Part Number	Description	Pg.	Ref. No.	Part Number	Description	Pg.	Ref. No.
23-33186	BUSHING, WATER PUMP			23-64777	BEARING, CRANKSHAFT		
	BRACKET SCREW . . . . .	43	36		MAIN - (.020 US) . . . . .	57	15
23-36534	SPACER, IGNITION COIL			23-64778	BEARING, CRANKSHAFT		
	ATTACHING SCREW				MAIN - CENTER		
	INBOARD . . . . .	11	27		(STANDARD) . . . . .	57	16
23-36534	SPACER, IGNITION COIL			23-64779	BEARING, CRANKSHAFT		
	ATTACHING SCREW				MAIN - CENTER (.002 US)	57	16
	INBOARD . . . . .	15	33	23-64780	BEARING, CRANKSHAFT		
23-47511	SLEEVE, FLYWHEEL				MAIN - CENTER (.010 US)	57	16
	HOUSING . . . . .	35	2	23-64781	BEARING, CRANKSHAFT		
23-47511	SLEEVE, WATER PUMP				MAIN - CENTER (.020 US)	57	16
	COVER . . . . .	43	11	24-56159	SPRING, VALVE . . . . .	47	15
23-47797	BUSHING, REVERSE			24-62677	SPRING, SERVO PISTON . .	85	48
	CLUTCH LEVER . . . . .	85	39	24-62678	SPRING, SERVO		
23-54476	SLEEVE, THERMOSTAT				ACCUMULATOR . . . . .	85	52
	HOUSING . . . . .	33	34	24-62790	SPRING, FELIEF VALVE		
23-55248	BEARING, CLUTCH PILOT .	57	8		PISTON . . . . .	83	16
23-56124	BEARING SET, CAMSHAFT .	47	20	24-64791	SPRING, OIL PUMP RELIEF		
23-57369	SPACER, HYDRAULIC PUMP				VALVE . . . . .	55	6
	SCREW . . . . .	75	16	25-35029	"O" RING, EXHAUST ELBOW		
23-57938	BUSHING, THROTTLE				TO TRANSOM PLATE		
	CABLE SCREW . . . . .	21	45		STERN DRIVE . . . . .	33	28
23-60339	SPACER, IGNITION COIL			25-47632	"O" RING, SEALING - OIL		
	ATTACHING SCREW				COOLER . . . . .	35	16
	STERN DRIVE . . . . .	11	27	25-56877	GROMMET, ROCKER		
23-60339	SPACER, IGNITION COIL				COVER TO HOSE . . . . .	21	36
	ATTACHING SCREW			25-59712	"O" RING, WATER PUMP		
	STERN DRIVE . . . . .	15	33		COVER . . . . .	43	4
23-60652	SLEEVE, ADJUSTING			25-61999	GROMMET, CIRCUIT		
	-CABLE GUIDE TUBE . . .	79	14		BREAKER SCREW . . . . .	7	18
23-60773	SLEEVE, CABLE GUIDE			25-61999	GROMMET, CIRCUIT		
	TUBE . . . . .	79	16		BREAKER SCREW . . . . .	9	24
23-61526	SPACER, TERMINAL BLOCK			25-65196	GROMMET, OIL FILLER CAP	47	5
	AND COVER SCREW . . . .	91	15	26-23300	OIL SEAL, WATER PUMP		
23-61998	SPACER, CIRCUIT BREAKER				SHAFT . . . . .	43	12
	GROMMET . . . . .	7	19	26-56866	OIL SEAL, TIMING COVER)	51	28
23-61998	SPACER, CIRCUIT BREAKER			26-56867	OIL SEAL, TIMING COVER .	53	28
	GROMMET . . . . .	9	26	26-58094	SEAL, VALVE . . . . .	47	14
23-63764	BUSHING, ALTERNATOR			26-59564	OIL SEAL, WATER PUMP		
	BRACKET SCREW . . . . .	5	30		SHAFT . . . . .	43	16
23-64764	BEARING UNIT,			26-64796	OIL SEAL, CRANKSHAFT		
	CONNECTING ROD				REAR (LEFT HAND		
	(STANDARD) . . . . .	57	6		CRANKSHAFT ROTATION)	57	14
23-64765	BEARING UNIT,			26-64797	OIL SEAL, CRANKSHAFT		
	CONNECTING ROD (.001				REAR (RIGHT HAND		
	US) . . . . .	57	6		CRANKSHAFT ROTATION)	57	14
23-64766	BEARING UNIT,			27-34213	GASKET, FUEL PUMP . . . . .	19	3
	CONNECTING ROD (.002			27-47495	GASKET, OIL COOLER		
	US) . . . . .	57	6		COVER . . . . .	35	15
23-64767	BEARING UNIT,			27-48043	GASKET, END CAP TO		
	CONNECTING ROD (.010				MANIFOLD . . . . .	31	11
	US) . . . . .	57	6	27-48043	GASKET, END		
23-64768	BEARING UNIT,				CAP/CONNECTOR TO		
	CONNECTING ROD (.020				EXHAUST MANIFOLD . . .	31	11
	US) . . . . .	57	6	27-52076	GASKET, ELBOW TO RISER	73	--
23-64774	BEARING , CRANKSHAFT			27-52076	GASKET, EXHAUST ELBOW		
	MAIN - (STANDARD) . . . .	57	15		TO EXHAUST MANIFOLD	33	21
23-64775	BEARING, CRANKSHAFT			27-54506	GASKET, THERMOSTAT		
	MAIN - (.002 US) . . . . .	57	15		HOUSING . . . . .	33	37

# PARTS INDEX

Part Number	Description	Pg.	Ref. No.	Part Number	Description	Pg.	Ref. No.
27-56108	GASKET, TIMING COVER . . .	51	26	32-57631	TUBE, RETRACTING-POWER STEERING . . . . .	79	9
27-56173	GASKET, ROCKER COVER . .	47	2	32-57632	TUBER, EXTENDING-POWER STEERING . . . . .	79	8
27-56859	GASKET, OIL PUMP SCREEN . . . . .	55	3	32-57633	TUBE, ECTENDING-POWER STEERING . . . . .	79	8
27-56880	GASKET, WATER PUMP . . .	53	33	32-57634	TUBE, RETRACTING-POWER STEERING . . . . .	79	9
27-58025	"O" RING, DISTRIBUTOR . . .	11	14	32-58466	HOSE, THERMOSTAT HOUSING TO OIL COOLER (INBOARD) . . . .	33	43
27-60208	GASKET, THERMOSTAT COVER . . . . .	33	40	32-58616A1	TUBE, WATER SEPARATION - EXHAUST ELBOW . . . . .	31	15
27-60721	GASKET, OIL DRAIN PLUG . .	55	20	32-60202	HOSE, THERMOSTAT COVER TO FRONT END CAP . . . . .	95	2
27-62724	GASKET,OIL COOLER COVER . . . . .	83	30	32-61383	HOSE, THERMOSTAT HOUSING TO REAR END CAP . . . . .	95	3
27-64763	GASKET, CYLINDER HEAD . .	51	9	32-61384	HOSE, THERMOSTAT HOUSING TO REAR END CAP . . . . .	95	6
27-64789	GASKET, OIL PUMP . . . . .	55	2	32-61385	HOSE, THERMOSTAT COVER TO FRONT END CAP . . . . .	95	5
27-65114A1	GASKET SET, OIL PAN . . . .	55	18	32-61386	HOSE, THERMOSTAT COVERTO EXHAUST ELBOW . . . . .	95	1
27-65159A1	GASKET, SET, INTAKE MANIFOLD . . . . .	51	16	32-61387	HOSE, THERMOSTAT COVER TO EXHAUST ELBOW . . . . .	95	4
27-65577	GASKET, CARBURETOR . . .	19	32	32-61817	FUEL LINE, FUEL FILTER TO FUEL PUMP (STEEL TUBING) . . . . .	19	15
27-65577	GASKET, CARBURETOR . . .	73	--	32-62010	HOSE, OIL COOLER TO WATER PUMP . . . . .	75	23
28-56162	KEY, VALVE STEM (2 PER VALVE) . . . . .	47	12	32-62010	HOSE, PUMP TO OIL COOLER INBOARD . . . . .	43	21
28-56662	KEY, IMPELLER DRIVE . . . .	43	7	32-62131A1	OIL PICKUP ASSEMBLY (INBOARD) . . . . .	55	4
28-64771	KEY, TIMING SPROCKET TO CRANKSHAFT . . . . .	57	17	32-62874	FUEL LINE, PUMP TO CARBURETOR) . . . . .	19	16
30-20861	BALL BEARING, WATER PUMP SHAFT . . . . .	43	13	32-62987--2	HOSE, EXHAUST ELBOW TO TRANSMISSION COOLER . . . .	33	19
30-62697	BALL BEARING, PISTON HOUSING . . . . .	87	90	32-62987--2	HOSE, PUMP TO TRANSMISSION COOLER STERN DRIVE . . . . .	45	40
30-62698	BALL BEARING, OUTPUT SHAFT . . . . .	87	93	32-63002--1	HOSE, OIL FILTER CAP TO FLAME ARRESTOR . . . . .	47	7
30-62699	BALL BAEARING, PLANETARY AND CLUTCH DRUM . . . . .	87	74	32-64375	FUEL LINE, FUEL PUMP TO CARBURETOR (STEEL TUBING) . . . . .	19	16
30-62780	BALL BEARING, OUTPUT HOUSING . . . . .	87	98	32-64790	HOSE, CARBURETOR . . . . .	19	33
31-66723	BEARING ASSEMBLY<THRUST-INPUT SHAFT . . . . .	87	75	32-64815	HOSE, THERMOSTAT HOUSING TO OIL COOLER (INBOARD) . . . .	33	43
32-47516--6	HOSE, TRANSMISSION TO OIL COOLER (30") . . . . .	61	7	32-64917	HOSE, OIL COOLER TO THERMOSTAT HOUSING . . . .	75	22
32-47516--9	HOSE, OIL COOLER TO TRANSMISSION(37") . . . .	69	5				
32-47516-10	HOSE, TRANSMISSION TO OIL COOLER (33") . . . . .	69	18				
32-47516-11	HOSE, TRANSMISSION TO OIL COOLER (28) . . . . .	61	7				
32-47516-12	HOSE, TRANSMISSION TO OIL COOLER (20) . . . . .	61	7				
32-54570	HOSE, THERMOSTAT HOUSING TO WATER PUMP . . . . .	33	45				
32-54906	HOSE, THERMOSTAT HSG. TO WATER PUMP . . . . .	33	43				
32-55112	TUBE, CABLE GUIDE . . . . .	79	20				
32-55116	HOSE, PRESSURE-POWER STEERING (72") . . . . .	79	5				
32-55117	HOSE, RETURN-POWER STEERING (72") . . . . .	79	3				
32-57230	HIISE, OIL COOLER TO WATER PUMP . . . . .	75	23				



# PARTS INDEX

Part Number	Description	Pg.	Ref. No.	Part Number	Description	Pg.	Ref. No.
32-65231	HOSE, RETURN-POWER STEERING (26")	79	3	54-32880	CLAMP, HOSE ATTACHING	95	8
32-65929	HOSE, RETURN-POWER STEERING (46")	79	3	54-33683	CLAMP, BELLOWS TO EXHAUST ELBOW	33	32
33-61783	SPARK PLUG (AC#C83T)	13	29	54-35830	CLAMP, HOSE TO HYDRAULIC PUMP	79	4
33-61783	SPARK PLUG (AC#C83T)	17	36	54-37304	CLAMP, HARNESS TO MOUNTING BRACKET	7	22
35-60494	FUEL FILTER	19	7	54-47483	"J"CLAMP, CONTROL VALVE SCREW	85	55
37-54675	DECAL, DISTRIBUTOR CAP	11	-	54-47528	CLAMP, ADJUSTING TRUNNION SCREW	39	10
37-61593	DECAL, DISTRIBUTOR CAP	15	-	54-47528	CLAMP, ADJUSTING TRUNNION SCREW	65	13
37-61699	DECAL, HORSEPOWER-"255 HP"	47	-	54-47528	CLAMP, ADJUSTING TRUNNION SCREW	73	9
37-64707	DECAL, ROCKER COVER-"MERCUISER MARINE"	47	-	54-47528	CLAMP, ADJUSTING TRUNNION SCREW	73	9
38-47520	SERIAL PLATE	35	7	54-47528	CLAMP, ADJUSTING TRUNNION SCREW	73	9
39-56114	RING ASSEMBLY, PISTON (STANDARD)	57	2	54-47729	CLIP, WIRING HARNESS	9	11
39-56115	RING ASSEMBLY, PISTON (.020 OS)	57	2	54-54509	EYE, LIFTING - EXHAUST MANIFOLD	31	8
43-56126	SPROCKET, CAMSHAFT TIMING (42 TEETH)	47	27	54-54509	LIFTING EYE, INTAKE MANIFOLD	51	21
43-56141	SPROCKET, CRANKSHAFT TIMING (21 TEETH)	57	18	54-60048A2	CLAMP ASSEMBLY, DISTRIBUTOR CAP ATTACHING	11	8
43-64907	GEAR, DRIVE (LEFT HAND CRANKSHAFT ROTATION)	11	12	54-60539	CLAMP, HOSE ATTACHING	95	7
43-64908	GEAR, DRIVE (RIGHT HAND CRANKSHAFT ROTATION)	11	12	54-64324	CLAMP, HOSE ATTACHING TO OIL COOLER BRACKET	75	25
43-66177A1	SPROCKET ASS'Y, CAMSHAFT TIMING (42 TEETH)	49	27	57-49213	BELT, DRIVE - ALTERNATOR AND WATER PUMP	53	42
46-63450A2	WATER PUMP ASSEMBLY, COMPLETE	43	1	57-57298	"V" BELT, HYDRAULIC PUMP DRIVEREW	75	1
47-59362	IMPELLER	43	6	57-60327	BELT, WATER PUMP	45	38
50-56886	STARTER MOTOR ASSEMBLY (LEFT HAND CRANKSHAFT ROTATION)	3	1	81-64851	CONDENSER	11	5
50-65784A1	STARTER MOTOR ASSEMBLY (LEFT HAND CRANKSHAFT ROTATION)	3	1	84-60871A5	>GROUND WIRE ASSEMBLY	93	17
50-65785A1	STARTER MOTOR ASSEMBLY (RIGHT HAND CRANKSHAFT ROTATION)	3	1	84-61801A1	LEAD ASSEMBLY, HIGH TENSION (27")	15	34
53-23720	RING, SNAP - BALL BEARING RETAINING	43	15	84-61801A2	LEAD ASSEMBLY, HIGH TENSION (30")	15	34
53-56860	RING, RETAINING - OIL PUMP SHAFT	55	13	84-61801A3	LEAD ASSEMBLY, HIGH TENSION (36 1/2")	15	34
54-28938	CLIP, OIL LEVEL GAUGE TUBE	55	28	84-61801A4	LEAD ASSEMBLY, HIGH TENSION (41")	15	34
54-32523	CLAMP, HOSE ATTACHING STERN DRIVE	33	20	84-61891	LEAD ASSEMBLY, DISTRIBUTOR TO COIL (8 1/2")	15	23
54-32523	CLAMP, HOSE ATTACHING STERN DRIVE	45	41	84-62137	WIRING HARNESS	9	1
54-32780	CLAMP, HOSE ATTACHING	33	44	84-64600	WIRING HARNESS	7	1
54-32780	CLAMP, HOSE ATTACHING	75	24	84-64606	WIRING HARNESS	9	1
54-32780	CLAMP, WATER PUMP HOSE INBOARD	43	22	84-64635	WIRING HARNESS	7	1
54-32781	CLAMP, HOSE TO THERMOSTAT HOUSING AND WATER PUMP	33	46	84-64846	LEAD ASSEMBLY, PRIMARY TERMINAL	11	7
				84-65795--1	LEAD ASSEMBLY, HIGH TENSION (31")	11	28
				84-65795--2	LEAD ASSEMBLY, HIGH TENSION (28")	11	28
				84-65795--4	LEAD ASSEMBLY, HIGH TENSION (34")	11	28
				84-65795--5	LEAD ASSEMBLY, HIGH TENSION (38 1/2") SERIAL AND BE	11	28

# PARTS INDEX

Part Number	Description	Pg.	Ref. No.	Part Number	Description	Pg.	Ref. No.
84-65795--7	LEAD ASSEMBLY, HIGH TENSION (24")	13	28	391-5092	CONDENSER	15	5
84-65795--8	LEAD ASSEMBLY, HIGH TENSION (37")	11	28	391-5093	BRACKET, CONDENSER ATTACHING	15	6
84-65796	LEAD ASSEMBLY, DISTRIBUTOR TO COIL (8 1/2")	11	17	391-5094	GEAR, DRIVE (LEFT HAND CRANKSHAFT ROTATION)	15	17
84-67957--1	LEAD ASSEMBLY, HIGH TENSION (31")	13	28	391-5095	GEAR, DRIVE (RIGHT HAND CRANKSHAFT ROTATION)	15	17
84-67957--2	LEAD ASSEMBLY, HIGH TENSION (28")	13	28	392-4949	ARMATURE	93	2
84-67957--4	LEAD ASSEMBLY, HIGH TENSION (34")	13	28	392-4950	FIELD COIL ASSEMBLY	93	7
84-67957--5	LEAD ASSEMBLY, HIGH TENSION (38 1/2") SERIAL AND UP	13	28	392-4952	GEAR AND GASKET PACKAGE	93	11
84-67957--7	LEAD ASSEMBLY, HIGH TENSION (24")	13	28	392-4953	GASKET, COVER	93	12
84-67957--8	LEAD ASSEMBLY, HIGH TENSION (37")	13	28	392-4955	HEAD ASSEMBLY, COMMUTATOR END	93	4
86-62993	TERMINAL BLOCK, MOUNTING BRACKET	91	12	392-4956	BRUSH SET	93	5
86-63813	TERMINAL BLOCK, TRIM LEADS - MOUNTING BRACKET (NOT AS SHOWN)	9	7	392-4957	HEAD ASSEMBLY, DRIVE END	93	9
122-62684	WASHER, THRUST-OUTPUT HOUSING	89	105	392-4958	PLATE,CAM	93	13
132-37459	LOCKWASHER, HYDRAULIC PUMP SCREW	75	14	392-4959	SCREW AND DISC PACKAGE	93	10
238-4055	FLYWHEEL ASSEMBLY - 164 TEETH (INBOARD)	57	9	392-4960	SPRING SET, BRUSH	93	3
238-4428	FLYWHEEL ASSEMBLY - 157 TEETH (STERN DRIVE)	57	9	392-4962	THRU BOLT	93	6
391-2081	"O" RING, DISTRIBUTOR	15	19	393-3230	CAP, DISTRIBUTOR	11	2
391-5073	DISTRIBUTOR ASSEMBLY, COMPLETE	15	1	393-4951	CRANK ARM ASSEMBLY	93	8
391-5074	DISTRIBUTOR ASSEMBLY, COMPLETE	15	1	446-5105	CRANKSHAFT (LEFT HAND CRANKSHAFT ROTATION)	57	7
391-5075	CAP, DISTRIBUTOR	15	2	446-5106	CRANKSHAFT (RIGHT HAND ROTATION)	57	7
391-5076	GASKET, DISTRIBUTOR CAP	15	3	447-5098	CAMSHAFT (LEFT CRANKSHAFT ROATATION)	47	19
391-5077	LEAD ASSEMBLY, PRIMERY TERMINAL	15	10	447-5099	CAMSHAFT (RIGHT HAND CRANKSHAFT ROTATION)	47	19
391-5079	PIN, DRIVE GEAR	15	18	623-5104	CONNECTING ROD ASSEMBLY	57	3
391-5080	OILER	15	16	749-5101	PISTON AND PISTON PIN ASSEMBLY (STANDARD)	57	1
391-5083	VENT, SCREEN	15	15	749-5102	PISTON AND PISTON PIN ASSEMBLY (.003 OS)	57	1
391-5084	PIN, CLAMP TO DISTRIBUTOR	15	12	749-5103	PISTON AND PISTON PIN ASSEMBLY (.020 OS)	57	1
391-5085	CLAMP, DISTRIBUTOR CAP ATTACHING	15	11	853-5100	CYLINDER BLOCK ASSEMBLY (INCLUDES BEARING CAPS)	51	1
391-5086	WASHER, DISTRIBUTOR CAP SCREW	15	14	949-4057	CYLINDER HEAD ASSEMBLY	51	7
391-5087	SCREW, DISTRIBUTOR CAP ATTACHING	15	13	1356-5169	CARBURETOR ASSEMBLY	19	22
391-5088	ROTOR	15	4	1356-5169	CARBURETOR ASSEMBLY, COMPLETE (SEE NOTE	23	1
391-5089	SCREW, BREAKER ATTACHING	15	9	1356-5169	CARBURETOR ASSEMBLY, COMPLETE (SEE NOTE)	27	1
391-5090	BREAKER ASSEMBLY	15	8	1396-4087	TUBE, METERING BODY CONNECTING	27	58
391-5091	SCREW, CONDENSER BRACKET ATTACHING	15	7	1396-4088	FLOAT ASSEMBLY	27	69
				1396-4089	NUT, PUMP LEVER ADJUSTING SCREW	23	7
				1396-4094	COVER, SECONDARY DIAPHRAGM HOUSING	23	41
				1396-4095	PLATE, SECONDARY		
				1396-4097	METERING BODY	27	89
					COVER, FUEL PUMP	27	65

# PARTS INDEX

Part Number	Description	Pg.	Ref. No.	Part Number	Description	Pg.	Ref. No.
1396-4102	SPRING, THROTTLE STOP SCREW .....	23	22	1396-4148	HOUSING ASSEMBLY, THERMOSTAT .....	25	54
1396-4103	SPRING, DIAPHRAGM RETURN - PRIMARY ....	27	67	1396-4149	CLAMP, THERMOSTAT HOUSING .....	25	56
1396-4104	SPRING, FLOAT .....	27	71	1396-4151	BAFFLE, PRIMARY METERING BODY .....	27	76
1396-4105	SPRING, PUMP LEVER ADJUSTING SCREW ....	23	6	1396-4152	BAFFLE, FUEL BOWL - PRIMARY .....	27	74
1396-4116	VALVE, CHOKE .....	23	25	1396-4153	BAFFLE, FUEL BOWL - SECONDARY .....	29	97
1396-4118	LEVER, PICK-UP - FAST IDLE .....	25	46	1396-4154	LEVER, SECONDARY DIAPHRAGM .....	23	37
1396-4119	SHAFT ASSEMBLY, CHOKE HOUSING .....	25	45	1396-4155	LDVER, FUEL PUMP ACTUATING .....	23	4
1396-4120	LEVER, CHOKE THERMOSTAT .....	25	48	1396-4344	PLUG, CHECK - FUEL LEVEL	27	72
1396-4121	LINK AND PISTON ASSEMBLY .....	25	49	1396-4643	CHOKE SHAFT AND LEVER ASSEMBLY .....	23	24
1396-4122	SCREW, THERMOSTAT HOUSING ATTACHING ..	25	57	1396-4644	SCREW, FUEL PUMP COVER ATTACHING ....	27	68
1396-4123	SCREW, THROTTLE STOP .	23	21	1396-4649	HOUSING ASSEMBLY, CHOKE .....	23	43
1396-4124	SCREW, SECONDARY DIAPHRAGM COVER ATTACHING .....	23	42	1396-5156	VALVE, SECONDARY THROTTLE .....	23	15
1396-4126	SCREW, PRIMARY FUEL BOWL ATTACHING .....	27	61	1396-5157	VALVE, PRIMARY THROTTLE .....	23	12
1396-4127	SCREW, SECONDARY STOP	23	20	1396-5158	THROTTLE BODY ASSEMBLY .....	23	3
1396-4128	SCREW, THROTTLE BOTY ATTACHING .....	23	23	1396-5159	FITTING, FUEL INLET .....	27	63
1396-4129	SCREW, SECONDARY DIAPHRAGM HOUSING ATTACHING .....	23	35	1396-5160	MAIN JET .....	27	78
1396-4130	SCREW, CHOKE HOUSING ATTACHING .....	25	47	1396-5161	METERING BODY, SECONDARY .....	27	86
1396-4131	SCREW, ADJUSTING - SECONDARY DIAPHRAGM LEVER .....	23	38	1396-5162	FUEL BOWL ASSEMBLY, SECONDARY .....	27	84
1396-4131	SCREW, SECONDARY STOP LEVER ATTACHING .....	23	19	1396-5163	FUEL BOWL ASSEMBLY, PRIMARY .....	27	60
1396-4133	SCREW, PUMP LEVER ADJUSTING .....	23	5	1396-5164	METERING BODY, PRIMARY	27	77
1396-4134	SCREW, SECONDARY FUEL BOWL ATTACHING .....	27	85	1396-5165	SPRING, RETURN - SECONDARY DIAPHRAGM	23	40
1396-4135	SCREW, PUMP CAM ATTACHING .....	23	11	1396-5166	CAM, FUEL PUMP .....	23	10
1396-4136	SCREW, SECONDARY METERING BODY ATTACHING .....	27	87	1396-5167	HOUSING, SECONDARY DIAPHRAGM .....	23	33
1396-4137	SCREW, LOCKING - FUEL VALVE SEAT .....	27	91	1396-5221	GASKET KIT .....	29	--
1396-4138	SCREW, DISCHARGE NOZZLE .....	23	32	1396-5222	CARBURETOR REPAIR KIT .	29	--
1396-4140	NUT, ADJUSTING - FUEL VALVE .....	27	93				
1396-4141	NUT, CHOKE LEVER .....	25	53				
1396-4142	SPACER, CHOKE LEVER ..	25	51				
1396-4144	LEVER, SECONDARY STOP	23	18				
1396-4145	LINK, CHOKE .....	23	27				
1396-4146	ROD, SECONDARY CONNECTING .....	23	16				
1396-4147	LOCKWASHER, CHOKE LEVER .....	25	52				