



PARTS CATALOG

MERC 650 (3 CYLINDER)

SERIAL NUMBER

650 (3 CYL.)	USA 3547987 THRU 4382056
650 (3 CYL.)	CAN 7013633 THRU 7073472
650 (3 CYL.)	8006640 THRU 8042349
650 (3 CYL.)	BEL 9020074 THRU 9112988

TABLE OF CONTENTS:

CARBURETOR ASSEMBLY	30
CARBURETOR LINKAGE AND CHOKE SOLENOID	28
CLAMP AND SWIVEL BRACKET ASSEMBLY	56
COWL SUPPORT BRACKETS	8
COWLING AND FRONT COVER	4
CRANKSHAFT, PISTONS AND CONNECTING RODS	50
CYLINDER BLOCK AND CRANKCASE ASSEMBLY	40
CYLINDER BLOCK AND CRANKCASE COMPONENTS	44
DISTRIBUTOR ADAPTOR AND THROTTLE LINKAGE	20
DISTRIBUTOR HOUSING AND ROTOR	16
DRIVE SHAFT HOUSING ASSEMBLY	62
FLYWHEEL ASSEMBLY AND STATOR	14
FUEL PUMP, FUEL FILTER AND FUEL LINE (SERIAL GROUP NO. 11)	34
FUEL PUMP, FUEL FILTER AND FUEL LINES (SERIAL GROUP NO. 13)	36
GEAR HOUSING ASSEMBLY, COMPLETE	68
GEAR HOUSING ASSEMBLY, COMPLETE (CONTINUED)	72
PARTS INDEX	76
SERIAL GROUP CHART/MISCELLANEOUS PARTS	2
SHIFT LINKAGE AND EXHAUST PLATE	52
STARTER MOTOR, STARTER SOLENOID, RECTIFIER & WIRING HARNESS	24

NOTE: *Indented description indicate that these parts are included in preceeding assembly.*

AR = As Required

NSS = Not Sold Separate

OPT = Optional

NS = Not Shown

THESE PARTS BOOKS/FICHE CARD ARE COPYRIGHTED AND MAY NOT BE DISTRIBUTED OR REPRODUCED IN ANY OTHER FORMAT BY ANYONE OTHER THAN MERCURY MARINE WITHOUT THE PRIOR WRITTEN CONSENT OF MERCURY MARINE.

THIS PAGE INTENTIONALLY LEFT BLANK

SERIAL GROUP CHART/MISCELLANEOUS PARTS

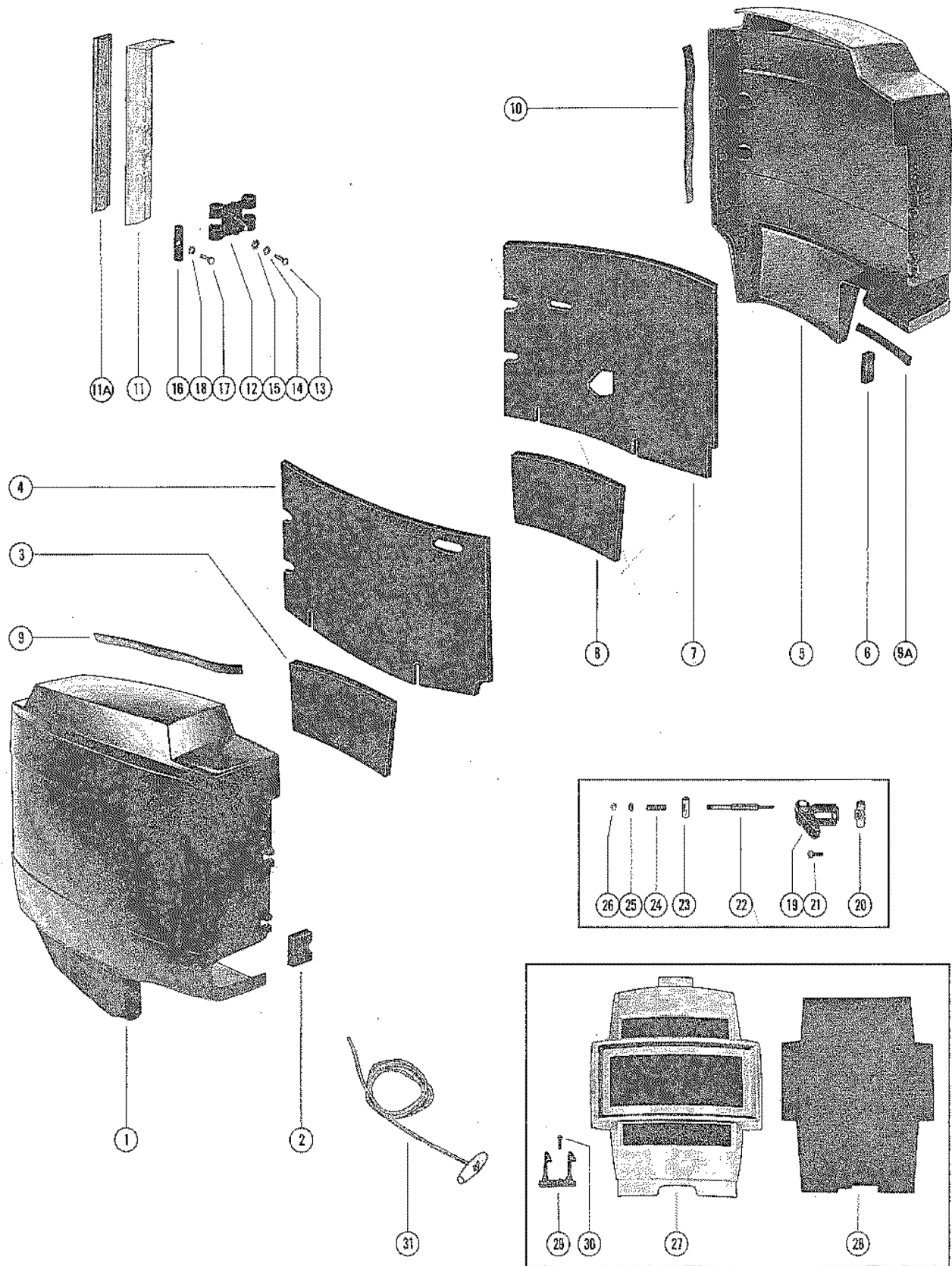
SERIAL GROUP CHART

SERIAL GROUP #1	SERIAL GROUP #7	SERIAL GROUP #13
United States 3807832 and below	United States 3807833 thru 4042111	United States 4136685 and up
Australia 8015539 and below	Australia 8015540 thru 8021839	Australia 8029190 and up
Belgium 9046298 and below	Belgium 9046299 thru 9067868	Belgium 9062139 and up
Canada 7029947 and below	Canada 7029948 thru 7039237	Canada 7051133 and up
SERIAL GROUP #2	SERIAL GROUP #8	SERIAL GROUP #14
United States 3807833 and up	United States 4136684 and below	United States 3660088 thru 4136684
Australia 8015540 and up	Australia 8021839 and below	Australia 8009825 thru 8029189
Belgium 9046299 and up	Belgium 9067868 and below	Belgium 9031354 thru 9062138
Canada 7029948 and up	Canada 7039237 and below	Canada 7019758 thru 7051132
SERIAL GROUP #3	SERIAL GROUP #9	SERIAL GROUP #15
United States 3660087 and below	United States 4136685 and up	United States 4259239 and below
Australia 8009824 and below	Australia 8021840 and up	Australia 8029514 and below
Belgium 9031353 and below	Belgium 9067869 and up	Belgium 9096013 and below
Canada 7019757 and below	Canada 7039238 and up	Canada 7056207 and below
SERIAL GROUP #4	SERIAL GROUP #10	SERIAL GROUP #16
United States 3660088 and up	United States 4042112 thru 4136684	United States 4259240 and up
Australia 8009825 and up	Australia 8021840 thru 8029189	Belgium 9096014 and up
Belgium 9031354 and up	Belgium 9067869 thru 9062138	Canada 7056208 and up
Canada 7019758 and up	Canada 7039238 thru 7051132	
SERIAL GROUP #5	SERIAL GROUP #11	SERIAL GROUP #17
United States 4042112 and up	United States 4136684 and below	United States 3807833 thru 4259239
Australia 8021840 and up	Australia 8029189 and below	Australia 8015540 thru 8029514
Belgium 9067869 and up	Belgium 9062138 and below	Belgium 9046299 thru 9096013
Canada 7039238 and up	Canada 7051132 and below	Canada 7029948 thru 7056207
SERIAL GROUP #6	SERIAL GROUP #12	
United States 4042111 and below	United States 3807833 thru 4136684	
Australia 8021839 and below	Australia 8015540 thru 8029189	
Belgium 9067868 and below	Belgium 9046299 thru 9062138	
Canada 7039237 and below	Canada 7029948 thru 7051132	

SERIAL GROUP CHART/MISCELLANEOUS PARTS

REF. NO.	PART NO.	SYM.	QTY.	DESCRIPTION
-	90-65151		0	MERC 650E PARTS LIST
-	27-64859A73		0	GASKET SET (MOTOR OVERHAUL) UNITED STATES 3807832 AND BELOW AUSTRALIA 8015539 AND BELOW BELGIUM 9046298 AND BELOW CANADA 7029947 AND BELOW
-	27-64859A74		0	GASKET SET (MOTOR OVERHAUL) UNITED STATES 3807833 THRU 4136684 AUSTRALIA 8015540 THRU 8029189 BELGIUM 9046299 THRU 9082138 CANADA 7029948 THRU 7051132
-	27-69524A75		0	GASKET SET (MOTOR OVERHAUL) UNITED STATES 4136685 AND UP AUSTRALIA 8029190 AND UP BELGIUM 9082139 AND UP CANADA 7051133 AND UP
-	37-61301A73		0	DECAL SET UNITED STATES 3807832 AND BELOW AUSTRALIA 8015539 AND BELOW BELGIUM 9046298 AND BELOW CANADA 7029947 AND BELOW
-	37-65860A74		0	DECAL SET UNITED STATES 3807833 THRU 4136684 AUSTRALIA 8015540 THRU 8029189 BELGIUM 9046299 THRU 9082138 CANADA 7029948 THRU 7051132
-	37-69564A75		0	DECAL SET UNITED STATES 4136685 AND UP AUSTRALIA 8029190 AND UP BELGIUM 9082139 AND UP CANADA 7051133 AND UP
-	37-69564A75		0	EXTRA HEAVY DUTY WATER PUMP KIT
-	55398A4		0	TACHOMETER ASSEMBLY

COWLING AND FRONT COVER

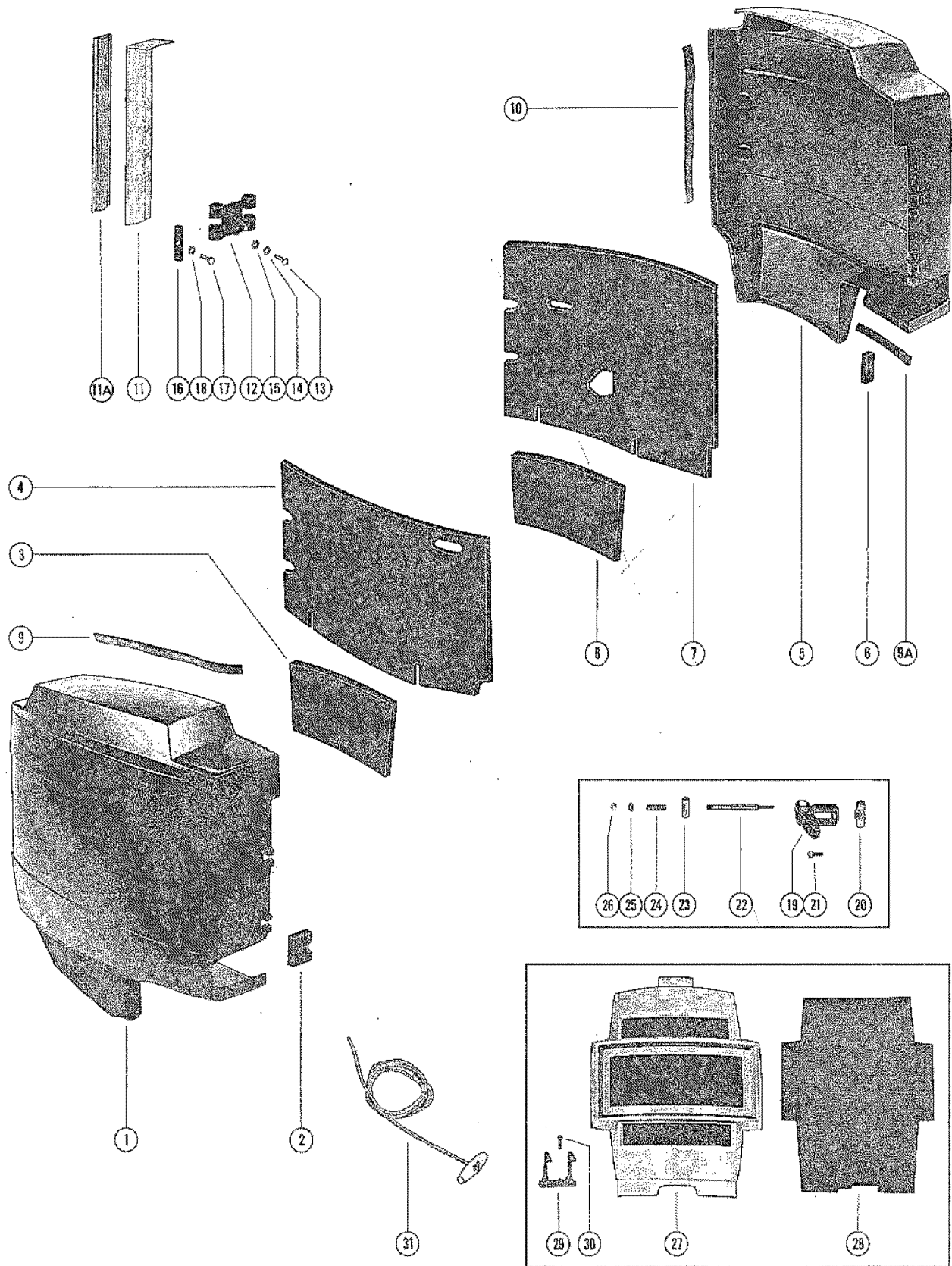


COWLING AND FRONT COVER

REF. NO.	PART NO.	SYM.	QTY.	DESCRIPTION
1	2142-4538A4		1	COWL ASSEMBLY, (STARBOARD)
2	26-60297		1	SEAL, FUEL CONNECTOR - COWL
3	61634		1	BLANKET, SOUND ABSORBING (LOWER)
4	61633		1	BLANKET, SOUND ABSORBING (UPPER)
5	2141-4537A4		1	COWL ASSEMBLY (PORT)
6	26-60298		1	SEAL, CONTROL CABLES - COWL
7	61631		1	BLANKET, SOUND ABSORBING (UPPER)
8	61632		1	BLANKET, SOUND ABSORBING (LOWER)
9	61661		2	SEAL, RUBBER - COWL UNITED STATES 4042111 AND BELOW AUSTRALIA 8021839 AND BELOW BELGIUM 9067868 AND BELOW CANADA 7039237 AND BELOW
9A	61661		2	SEAL, RUBBER - COWL UNITED STATES 4136684 AND BELOW AUSTRALIA 8029189 AND BELOW BELGIUM 9082138 AND BELOW CANADA 7051132 AND BELOW
10	61662		2	SEAL, RUBBER - COWL UNITED STATES 4136684 AND BELOW AUSTRALIA 8029189 AND BELOW BELGIUM 9082138 AND BELOW CANADA 7051132 AND BELOW
11	60121		1	BRACKET, COWL SEALING - REAR UNITED STATES 4042111 AND BELOW AUSTRALIA 8021839 AND BELOW BELGIUM 9067868 AND BELOW CANADA 7039237 AND BELOW
	69566		1	BRACKET, COWL SEALING - REAR UNITED STATES 4042112 AND UP AUSTRALIA 8021840 AND UP BELGIUM 9067869 AND UP CANADA 7039238 AND UP
11A	69876--1		2	SEAL< REAR BRACKET UNITED STATES 4136685 AND UP AUSTRALIA 8029190 AND UP BELGIUM 9082139 AND UP CANADA 7051133 AND UP
12	69568		2	BRACKET, COWL HINGE
13	10-45561		4	SCREW, HINGE BRACKET TO COWL SEALING BRACKET (1 1/8")
14	13-26992		4	LOCKWASHER, HINGE BRACKET SCREW
15	12-37998		4	WASHER, HINGE BRACKER SCREW
16	17-60301		4	PIN, COWL HINGE
17	10-28782		4	SCREW, PIN TO COWL (7/8")
18	13-26993		4	LOCKWASHER, PIN ATTACHING SCREW
19	46785A2		2	COWL LATCH ASSEMBLY
20	62628		2	BARREL, COWL LATCH
21	10-31312		2	SCREW, LATCH ASSEMBLY TO BARREL (7/8")
22	62627		2	BAR, ADJUSTMENT - COWL LATCH
23	62629		2	BARREL, COWL LATCH
24	24-62624		2	SPRING, TENSION - COWL LATCH
25	12-30164		2	WASHER, ADJUSTMENT BAR TO BARREL
26	11-45812		2	NUT, ADJUSTMENT BAR TO BARREL
27	2143-4552A2		1	COWL FRONT COVER ASSEMBLY UNITED STATES 4136684 AND BELOW AUSTRALIA 8029189 AND BELOW BELGIUM 9082138 AND BELOW CANADA 7051132 AND BELOW

CONTINUED ON NEXT PAGE ➡

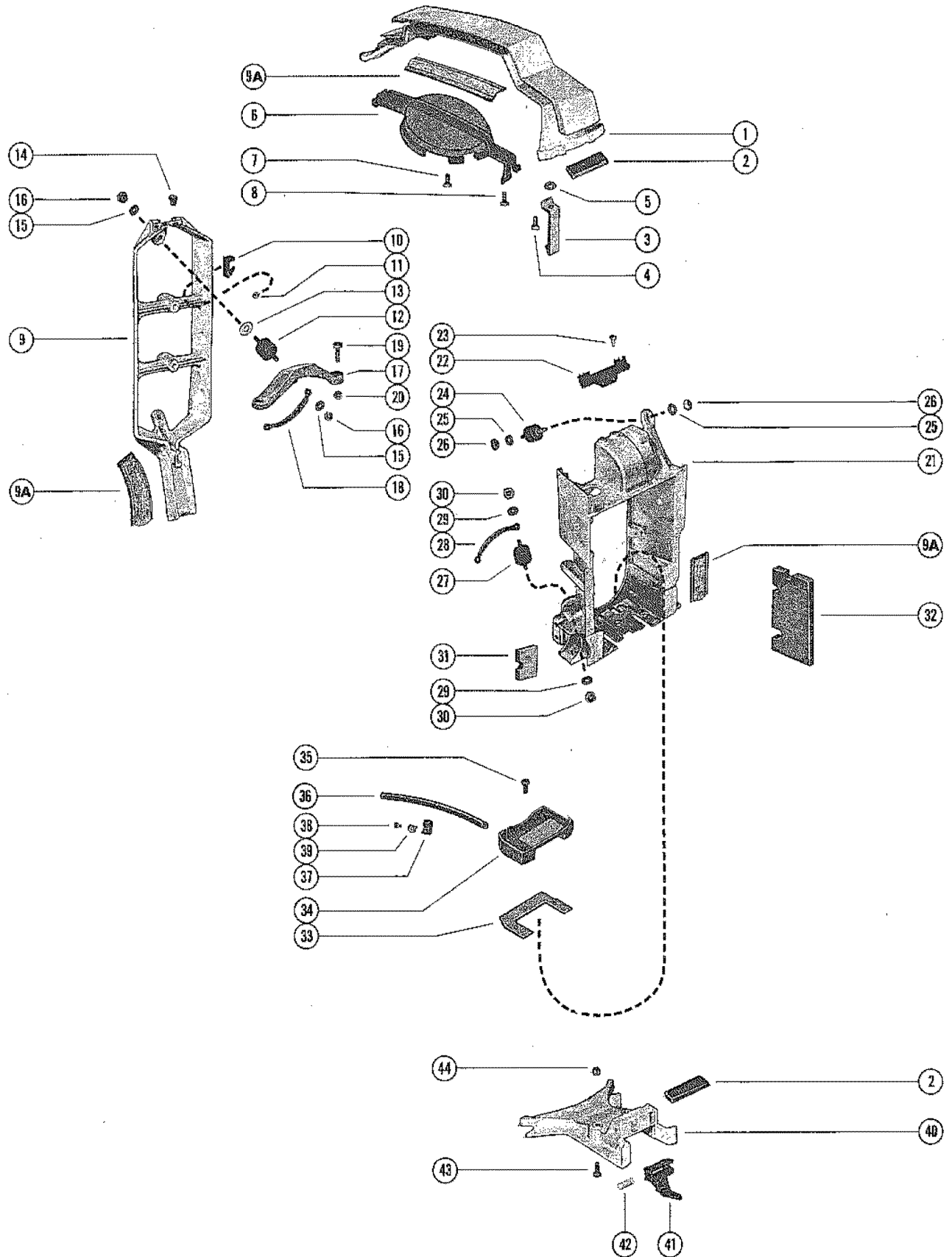
COWLING AND FRONT COVER



COWLING AND FRONT COVER

REF. NO.	PART NO.	SYM.	QTY.	DESCRIPTION
27	2143-5689A2		1	COWL FRONT COVER ASSEMBLY UNITED STATES 4136685 AND UP AUSTRALIA 8029190 AND UP BELGIUM 9082139 AND UP CANADA 7051133 AND UP
28	61663		1	BLANKET, SOUND ABSORBING - FRONT COVER
29	61158		1	HOOK, COWL FRONT COVER FASTENING
30	10-69570		1	SCREW, FASTENING HOOK TO COWL FRONT COVER (3/4")
31	47341A1		1	STARTER ROPE ASSEMBLY (FOR MANUAL STARTING ONLY)

COWL SUPPORT BRACKETS

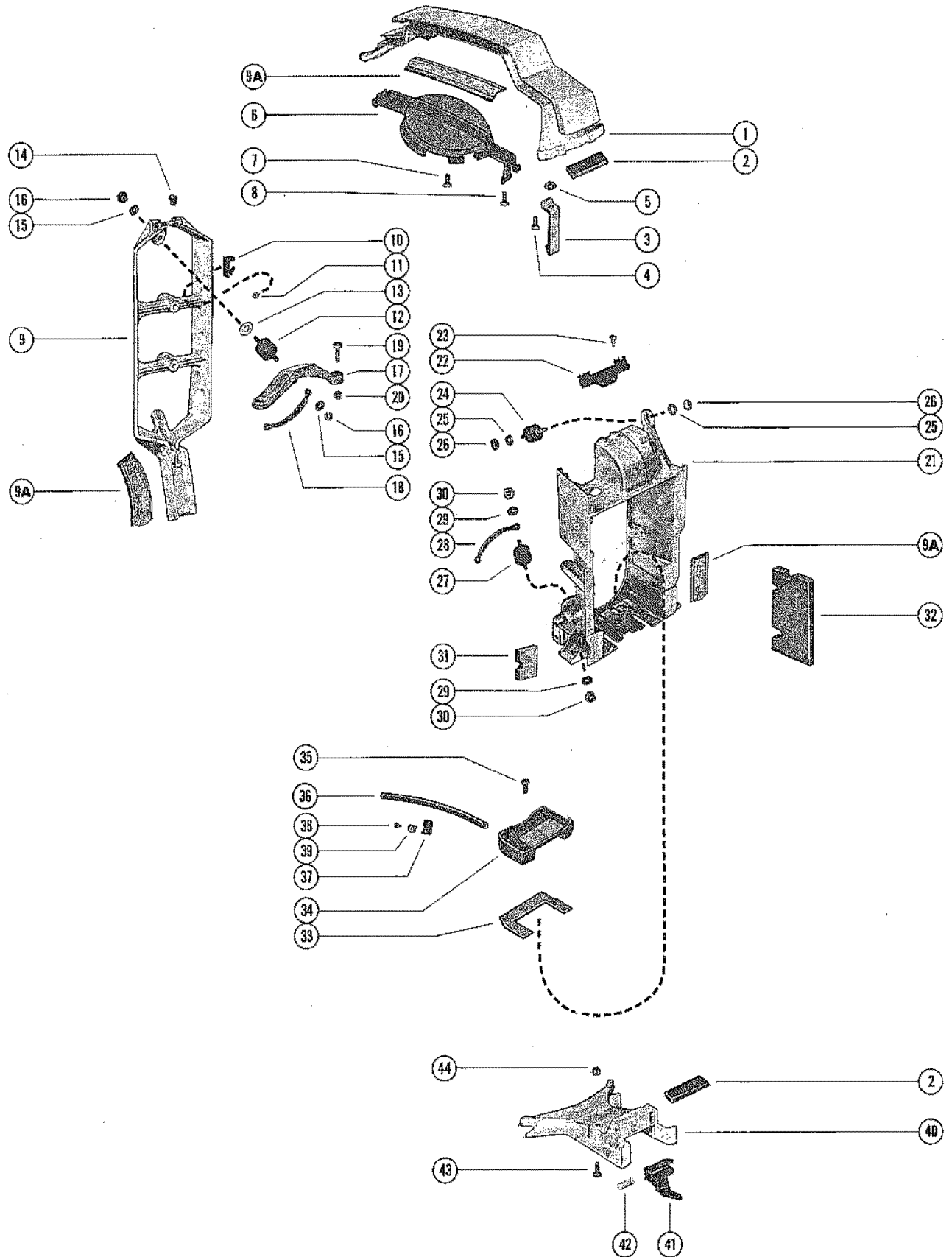


COWL SUPPORT BRACKETS

REF. NO.	PART NO.	SYM.	QTY.	DESCRIPTION
1	64956		1	BRACKET, COWL SUPPORT - TOP UNITED STATES 4042111 AND BELOW AUSTRALIA 8021839 AND BELOW BELGIUM 9067868 AND BELOW CANADA 7039237 AND BELOW
	65852A1		1	BRACKET, COWL SUPPORT - TOP UNITED STATES 4042112 AND UP AUSTRALIA 8021840 AND UP BELGIUM 9067869 AND UP CANADA 7039238 AND UP
2	62444		2	SEAL, RUBBER - TOP BRACKET AND COVER MOUNTING PLATE
3	64852		1	CLIP, TOP COWL SUPPORT BRACKET
4	10-30663		1	SCREW, CLIP TO TOP COWL SUPPORT (3/8") UNITED STATES 4042111 AND BELOW AUSTRALIA 8021839 AND BELOW BELGIUM 9067868 AND BELOW CANADA 7039237 AND BELOW
	10-48408		1	SCREW, CLIP TO TOP COWL SUPPORT (1/2") UNITED STATES 4042112 AND UP AUSTRALIA 8021840 AND UP BELGIUM 9067869 AND UP CANADA 7039238 AND UP
5	12-45075		AR	WASHER, CLIP TO TOP COWL SUPPORT BRACKET
6	62501A1		1	SHIELD ASSEMBLY, FLYWHEEL UNITED STATES 4042111 AND BELOW AUSTRALIA 8021839 AND BELOW BELGIUM 9067868 AND BELOW CANADA 7039237 AND BELOW
	65851		1	SHIELD ASSEMBLY, FLYWHEEL UNITED STATES 4042112 AND UP AUSTRALIA 8021840 AND UP BELGIUM 9067869 AND UP CANADA 7039238 AND UP
7	10-48409		3	SCREW, SHIELD TO TOP SUPPORT BRACKET (5/8") UNITED STATES 4042111 AND BELOW AUSTRALIA 8021839 AND BELOW BELGIUM 9067868 AND BELOW CANADA 7039237 AND BELOW
8	10-48408		1	SCREW, SHIELD TO TOP SUPPORT BRACKET (1/2") UNITED STATES 4042111 AND BELOW AUSTRALIA 8021839 AND BELOW BELGIUM 9067868 AND BELOW CANADA 7039237 AND BELOW
7	10-37656		1	SCREW, SHIELD TO TOP SUPPORT BRACKET (5/8") UNITED STATES 4042112 AND UP AUSTRALIA 8021840 AND UP BELGIUM 9067869 AND UP CANADA 7039238 AND UP
8	10-48408		3	SCREW, SHIELD TO TOP SUPPORT BRACKET (1/2") UNITED STATES 4042112 AND UP AUSTRALIA 8021840 AND UP BELGIUM 9067869 AND UP CANADA 7039238 AND UP
9	64957		1	BRACKET, COWL SUPPORT - REAR UNITED STATES 4042111 AND BELOW AUSTRALIA 8021839 AND BELOW BELGIUM 9067868 AND BELOW CANADA 7039237 AND BELOW
	69553		1	BRACKET, COWL SUPPORT - REAR UNITED STATES 4042112 THRU 4136684 AUSTRALIA 8021840 THRU 8029189 BELGIUM 9067869 THRU 9082138 CANADA 7039238 THRU 7051132
	72265A2		1	BRACKET, COWL SUPPORT - REAR UNITED STATES 4136685 AND UP AUSTRALIA 8029190 AND UP BELGIUM 9082139 AND UP CANADA 7051133 AND UP
9A	69876--1		6	SEAL, REAR BRACKET AND TOP BRACKET UNITED STATES 4136685 AND UP AUSTRALIA 8029190 AND UP BELGIUM 9082139 AND UP CANADA 7051133 AND UP
10	60299		3	RETAINER, SPARK PLUG LEADS
11	10-31206		3	SCREW, RETAINER TO REAR SUPPORT BRACKET (3/8")
12	63007		1	MOUNT, RUBBER - BRACE TO REAR SUPPORT BRACKET

CONTINUED ON NEXT PAGE ➡

COWL SUPPORT BRACKETS

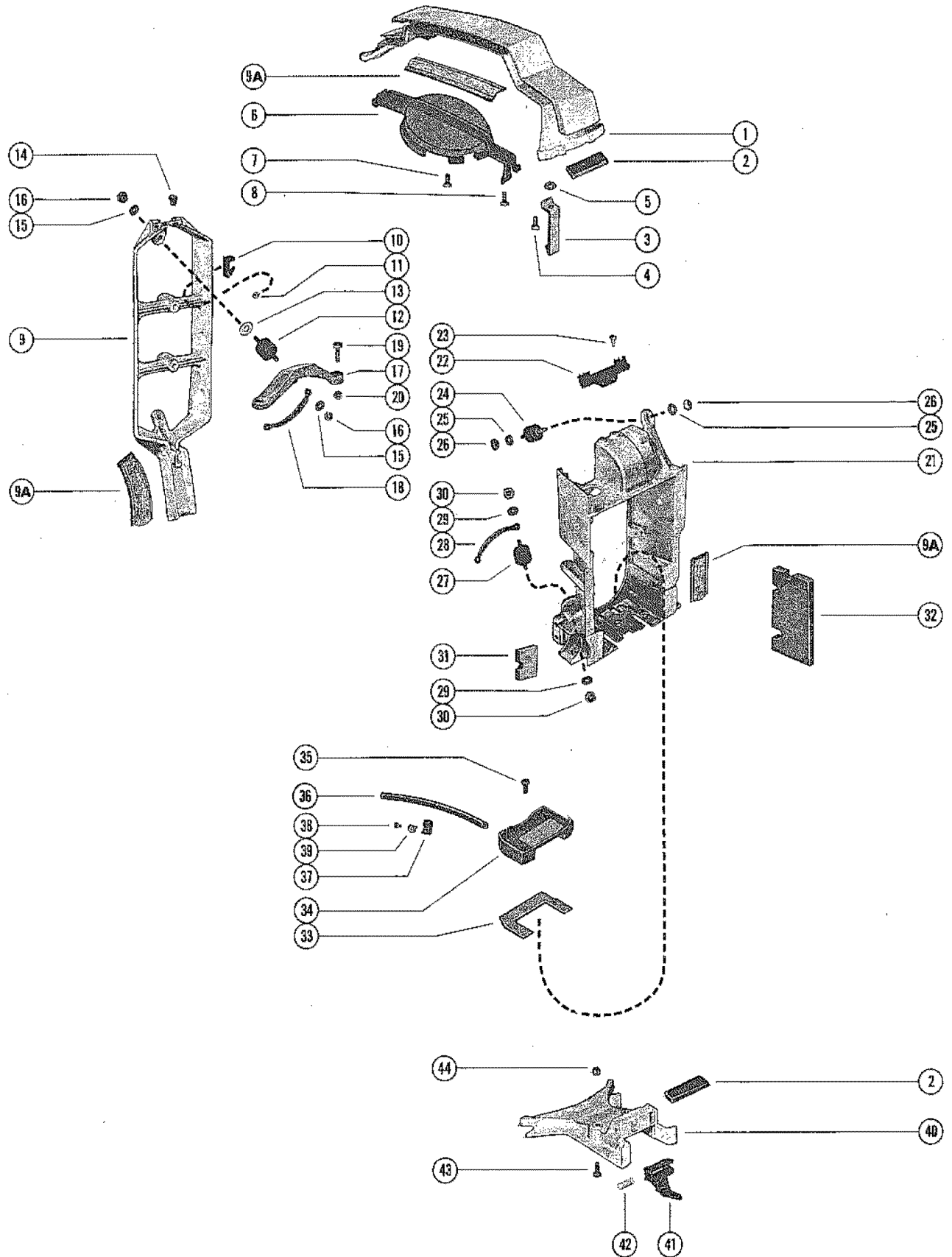


COWL SUPPORT BRACKETS

REF. NO.	PART NO.	SYM.	QTY.	DESCRIPTION
13	12-22753		1	WASHER, RUBBER MOUNT TO REAR SUPPORT BRACKET
14	26901		2	STOP, RUBBER - REAR SUPPORT BRACKET
15	12-20346		2	WASHER, RUBBER MOUNT TO REAR SUPPORT BRACKET
16	11-35045		2	NUT, RUBBER MOUNT TO REAR SUPPORT BRACKET
17	60116		1	BRACE, REAR COWL SUPPORT BRACKET (TOP)
18	49651A1		1	GROUND STRAP ASS'Y, BRACE TO REAR SUPPORT BRACKET
19	10-24644		3	SCREW, SUPPORT BRACKET BRACE TO CYL. BLOCK COVER (1 3/8")
20	11-46887		3	NUT, SUPPORT BRACKET BRACE ATTACHING SCREW
21	64926		1	BRACKET, COWL SUPPORT (FRONT) UNITED STATES 4042111 AND BELOW AUSTRALIA 8021839 AND BELOW BELGIUM 9067868 AND BELOW CANADA 7039237 AND BELOW
	69557		1	BRACKET, COWL SUPPORT (FRONT) UNITED STATES 4042112 AND UP AUSTRALIA 8021840 AND UP BELGIUM 9067869 AND UP CANADA 7039238 AND UP
22	61344		1	RETAINER, WIRING HARNESS AND BATTERY CABLE
23	10-48408		2	SCREW, RETAINER TO FRONT SUPPORT BRACKET (1/2")
24	63007		1	MOUNT, RUBBER - FRONT SUPPORT BRACKET TO DIST. ADAPTOR
25	12-20346		2	WASHER, RUBBER MOUNT TO FRONT SUPPORT BRACKET
26	11-35045		2	NUT, RUBBER MOUNT TO FRONT SUPPORT BRACKET
27	63007		1	MOUNT, RUBBER - FRONT SUPPORT TO STARTER MOTOR COVER
28	49651A1		1	GROUND STRAP ASSEMBLY, FRONT SUPPORT BRACKET
29	12-20346		2	WASHER, RUBBER MOUNT ATTACHING
30	11-35045		2	NUT, RUBBER MOUNT ATTACHING
31	26-60296		1	SEAL, FUEL CONNECTOR - FRONT SUPPORT BRACKET
32	62391		1	BLANKET, SOUND - FRONT SUPPORT BRACKET (PORT)
33	62869		1	BLANKET, SOUND - DRIP TRAY TO FRONT SUPPORT BRACKET
34	62219		1	DRIP TRAY, FRONT SUPPORT BRACKET 1 SERIAL GROUP #
35	10-30663		3	SCREW, DRIP TRAY TO FRONT SUPPORT BRACKET (3/8") SERIAL GROUP #
34	65915A2		1	DRIP TRAY ASSEMBLY, FRONT SUPPORT BRACKET UNITED STATES 3807833 AND UP AUSTRALIA 8015540 AND UP BELGIUM 9046299 AND UP CANADA 9029948 AND UP
35	10-69163		3	SCREW, DIP TRAY TO FRONT SUPPORT BRACKET UNITED STATES 3807833 AND UP AUSTRALIA 8015540 AND UP BELGIUM 9046299 AND UP CANADA 9029948 AND UP
36	32-52742A1		1	HOSE, DRIP TRAY TO REAR SUPPORT BRACKET
37	54-22740		1	CLIP, HOSE TO REAR SUPPORT BRACKET
38	10-30663		1	SCREW, HOSE CLIP FASTENING (3/8")
39	22789		1	"D" WASHER, CLIP FASTENING SCREW
37	54-22875		1	CLIP, HOSE TO EXHAUST PLATE

CONTINUED ON NEXT PAGE ➡

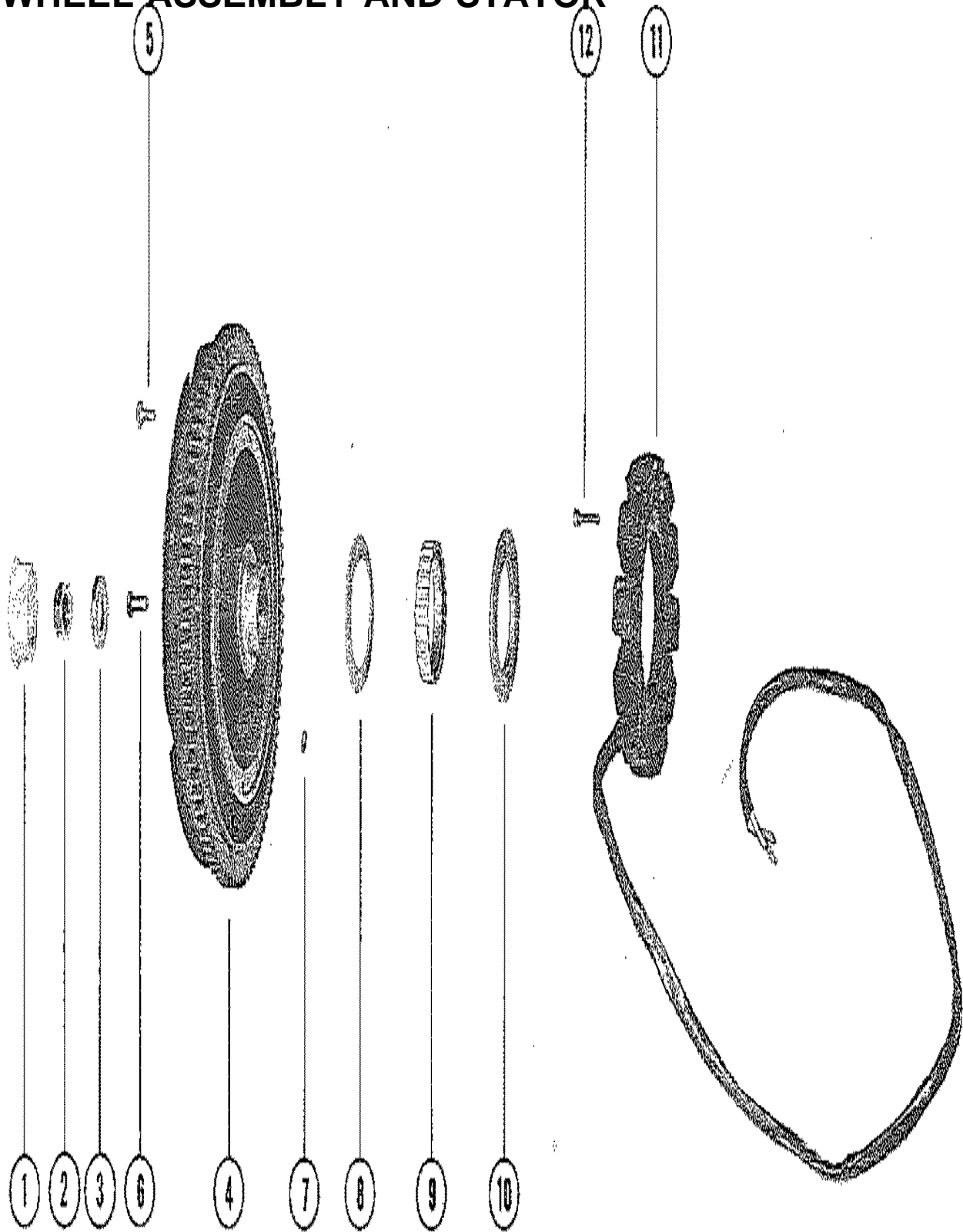
COWL SUPPORT BRACKETS



COWL SUPPORT BRACKETS

REF. NO.	PART NO.	SYM.	QTY.	DESCRIPTION
38	10-69079		1	SCREW, HOSE CLIP FASTENING (7/16")
39	22789		1	"D" WASHER, CLIP FASTENING SCREW
40	60113		1	PLATE, FRONT COVER MOUNTING UNITED STATES 4042111 AND BELOW AUSTRALIA 8021839 AND BELOW BELGIUM 9067868 AND BELOW CANADA 7039237 AND BELOW
	68760A1		1	PLATE ASSEMBLY, FRONT COVER MOUNTING UNITED STATES 4042112 AND UP AUSTRALIA 8021840 AND UP BELGIUM 9067869 AND UP CANADA 7039238 AND UP
41	60313		1	LATCH, FRONT COVER ATTACHING
42	24-60295		1	SPRING, FRONT COVER LATCH
43	10-38862		3	SCREW, COVER PLATE TO SUPPORT BRACKET (5/8")
44	11-46887		3	NUT, ATTACHING SCREW COVER PLATE

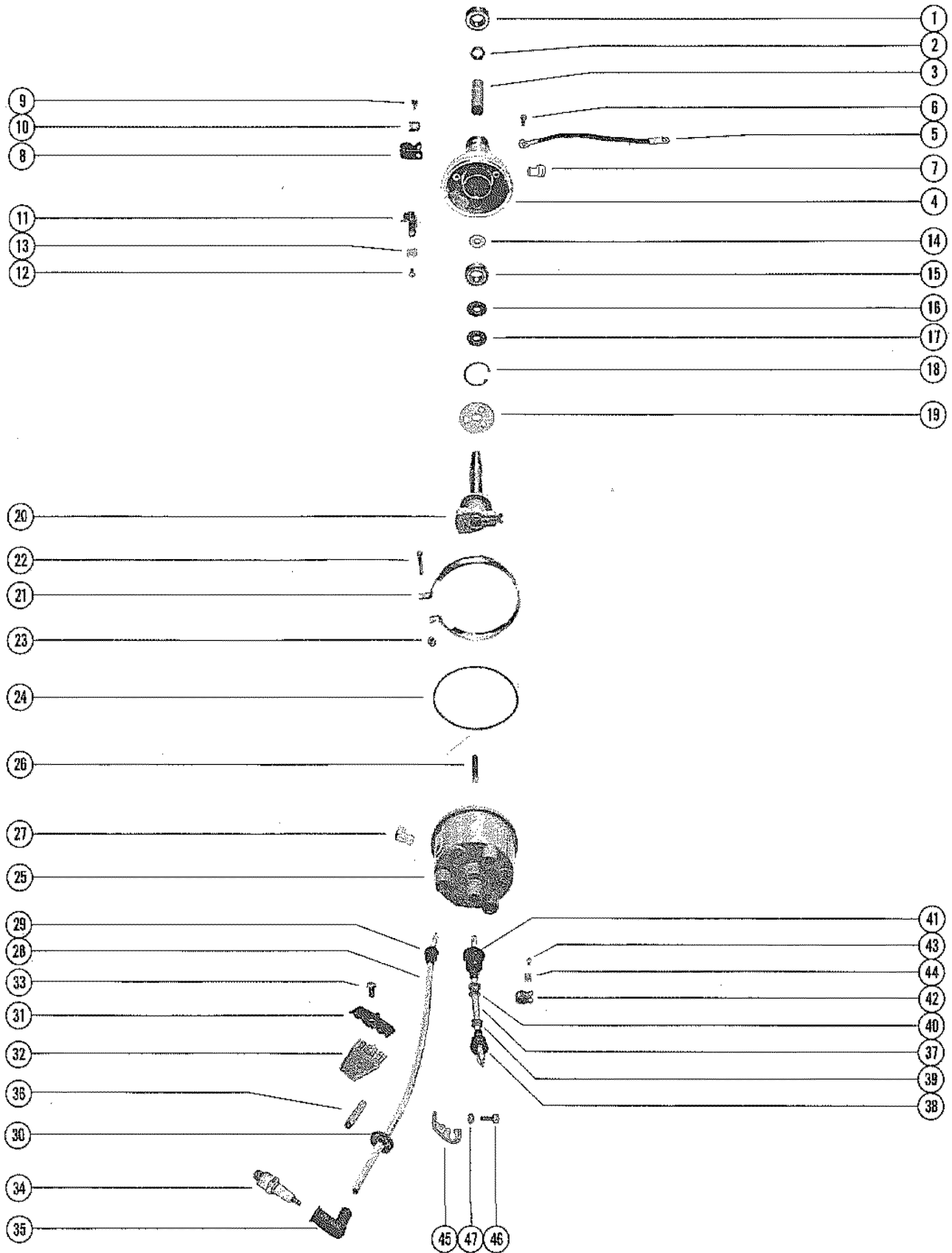
FLYWHEEL ASSEMBLY AND STATOR



FLYWHEEL ASSEMBLY AND STATOR

REF. NO.	PART NO.	SYM.	QTY.	DESCRIPTION
1	19-45907		1	PLUG, FLYWHEEL PULLER THREADS
2	11-52901		1	NUT, FLYWHEEL
3	12-68229		1	WASHER, FLYWHEEL NUT
4	225-4591A6		1	FLYWHEEL ASSEMBLY, COMPLETE UNITED STATES 4136684 AND BELOW AUSTRALIA 8029189 AND BELOW BELGIUM 9082138 AND BELOW CANADA 7051132 AND BELOW
	225-4591A7		1	FLYWHEEL ASSEMBLY, COMPLETE UNITED STATES 4136685 AND UP AUSTRALIA 8029190 AND UP BELGIUM 9082139 AND UP CANADA 7051133 AND UP
5	10-32417		8	SCREW, FLEXIBLE PLATE TO FLYWHEEL (3/8")
6	10-49006		8	SCREW, PLATE AND HUB (3/4") UNITED STATES 4136684 AND BELOW AUSTRALIA 8029189 AND BELOW BELGIUM 9082138 AND BELOW CANADA 7051132 AND BELOW
	10-38398		8	SCREW, PLATE AND HUB (7/8") UNITED STATES 4136685 AND UP AUSTRALIA 8029190 AND UP BELGIUM 9082139 AND UP CANADA 7051133 AND UP
7	17-26618		1	PIN, DOWEL - PULLEY TO FLYWHEEL
8	29788		1	FLANGE, FLYWHEEL PULLEY
9	30306		1	PULLEY, FLYWHEEL
10	29787		1	HUB, FLYWHEEL PULLEY
11	398-4634		1	STATOR, ALTERNATOR
12	10-57021		4	SCREW, STATOR TO UPPER END CAP (7/8")

DISTRIBUTOR HOUSING AND ROTOR

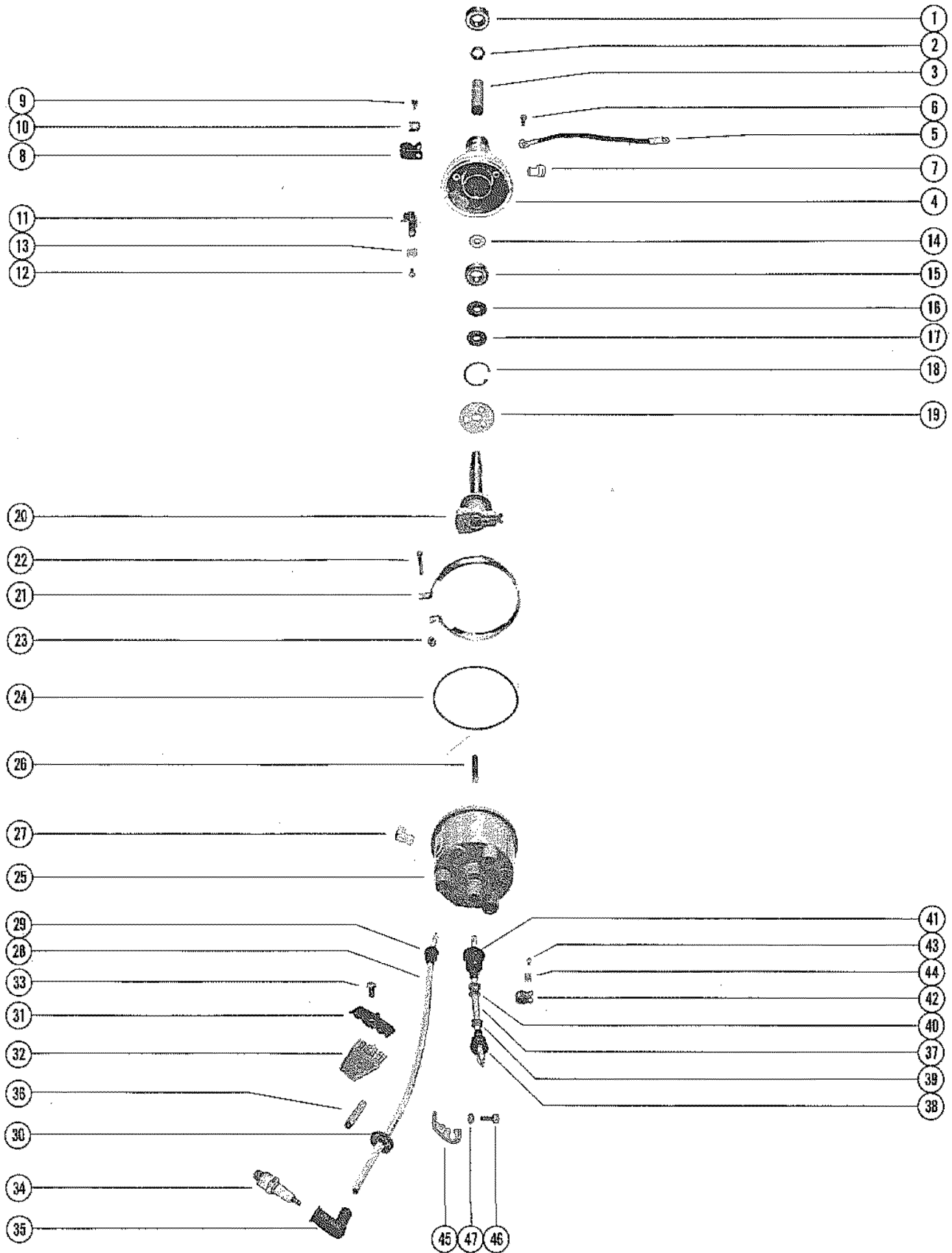


DISTRIBUTOR HOUSING AND ROTOR

REF. NO.	PART NO.	SYM.	QTY.	DESCRIPTION
1	30-20066		1	BALL BEARING, DISTRIBUTOR HOUSING (UPPER)
2	11-54209		1	NUT, ROTOR SHAFT TO DISTRIBUTOR HOUSING
3	23-60566		1	SLEEVE, ROTOR SHAFT
4	332-4797A3		1	HOUSING ASSEMBLY, DISTRIBUTOR
5	53417		1	GROUND STRAP ASSEMBLY, DISTRIBUTOR TO CRANKCASE
6	10-62568		1	SCREW, GROUND STRAP ATTACHING (3/8")
7	58807A1		1	FLAME ARRESTOR ASSEMBLY, DISTRIBUTOR HOUSING
8	54-22875		1	CLAMP, DISTRIBUTOR LEADS TO DISTRIBUTOR HOUSING
9	10-62568		1	SCREW, DISTRIBUTOR LEAD CLIP FASTENING (3/8")
10	22789		1	"D" WASHER, CLIP SCREW
11	54-22875		1	CLIP, DISTRIBUTOR LEADS TO FRONT SUPPORT BRACKET
12	10-30663		1	SCREW, DISTRIBUTOR LEAD CLIP (3/8")
13	22789		1	"D" WASHER, CLIP SCREW
14	15-21148A1		1	SHIM, BEARING TO SPACER
15	30-26379		1	BALL BEARING, DISTRIBUTOR HOUSING (LOWER)
16	15-55853		AR	SHIM, BEARING TO DISTRIBUTOR HOUSING
17	23-53538		1	SPACER, ROTOR SHAFT
18	53-26406		1	RING, RETAINING - BALL BEARING TO DISTRIBUTOR HOUSING
19	332-4801		1	DISC, ROTOR
20	337-4603		1	ROTOR, DISTRIBUTOR
21	54-60768		1	CLAMP, DISTRIBUTOR CAP TO DISTRIBUTOR HOUSING
22	10-65774		1	SCREW, DISTRIBUTOR CAP CLAMP (1 1/8")
23	11-26768		1	NUT, DISTRIBUTOR CAP CLAMP SCREW
24	27-55896		1	GASKET, DISTRIBUTOR CAP TO DISTRIBUTOR HOUSING
25	393-4606A2		1	DISTRIBUTOR CAP ASSEMBLY
26	393-1293A1		1	BRUSH AND SPRING ASSEMBLY
27	58807A1		1	FLAME ARRESTOR ASSEMBLY, DISTRIBUTOR CAP
28	84-63212A2		3	SPARK PLUG LEAD ASSEMBLY #1, #2, AND #3
-	20121		3	CONNECTOR, SPARK PLUG LEAD
29	60096		3	SLEEVE, SPARK PLUG LEAD TO DISTRIBUTOR
30	25-26547		3	CROMMET, SPARK PLUG LEAD
31	63319		1	RETAINER, HIGH TENSION LEADS
32	62877		1	RETAINER, HIGH TENSION LEADS
33	10-28638		1	SCREW, HIGH TENSION LEAD RETAINER (3/4")
34	33-57451		3	SPARK PLUG (AC#V40FFM)
35	85-71006A1		3	PROTECTOR, SPARK PLUG LEAD
36	23-57459		1	SLEEVE, SPARK PLUG LEAD (LEADS 1, 2, 3) ORDER A-36549A1 KIT FOR REPLACEMENT OF LEAD WIRE MARKERS
37	84-60870A4		1	HIGH TENSION CABLE ASSEMBLY , DISTRIBUTOR CAP TO COIL
38	332-2854		1	BOOT, HIGH TENSION CABLE TO COIL
39	25-26547		1	GROMMET, HIGH TENSION LEAD
40	25-56474		1	GROMMET, HIGH TENSION LEAD

CONTINUED ON NEXT PAGE ➡

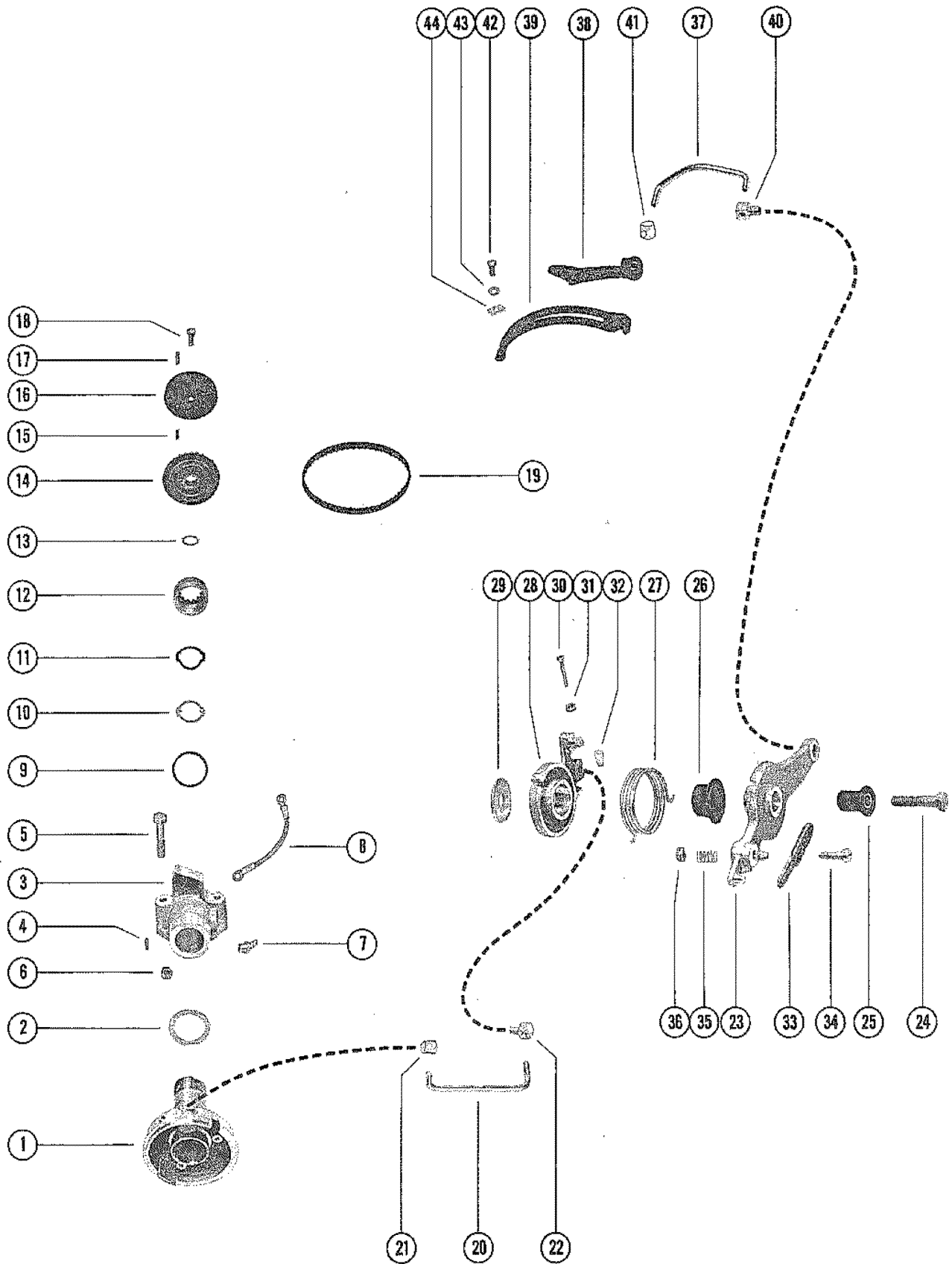
DISTRIBUTOR HOUSING AND ROTOR



DISTRIBUTOR HOUSING AND ROTOR

REF. NO.	PART NO.	SYM.	QTY.	DESCRIPTION
41	60096		1	SLEEVE, HIGH TENSION CABLE
42	54-22627		1	CLIP, HIGH TENSION LEAD TO CRANKCASE
43	10-69079		1	SCREW, HIGH TENSION CLIP (7/16")
44	22789		1	"D" WASHER, CLIP SCREW
45	59757		1	BRACKET, COIL WIRE
46	10-69054		1	SCREW, BRACKET TO CRANKCASE (5/8")
47	13-26992		1	LOCKWASHER, BRACKET SCREW

DISTRIBUTOR ADAPTOR AND THROTTLE LINKAGE

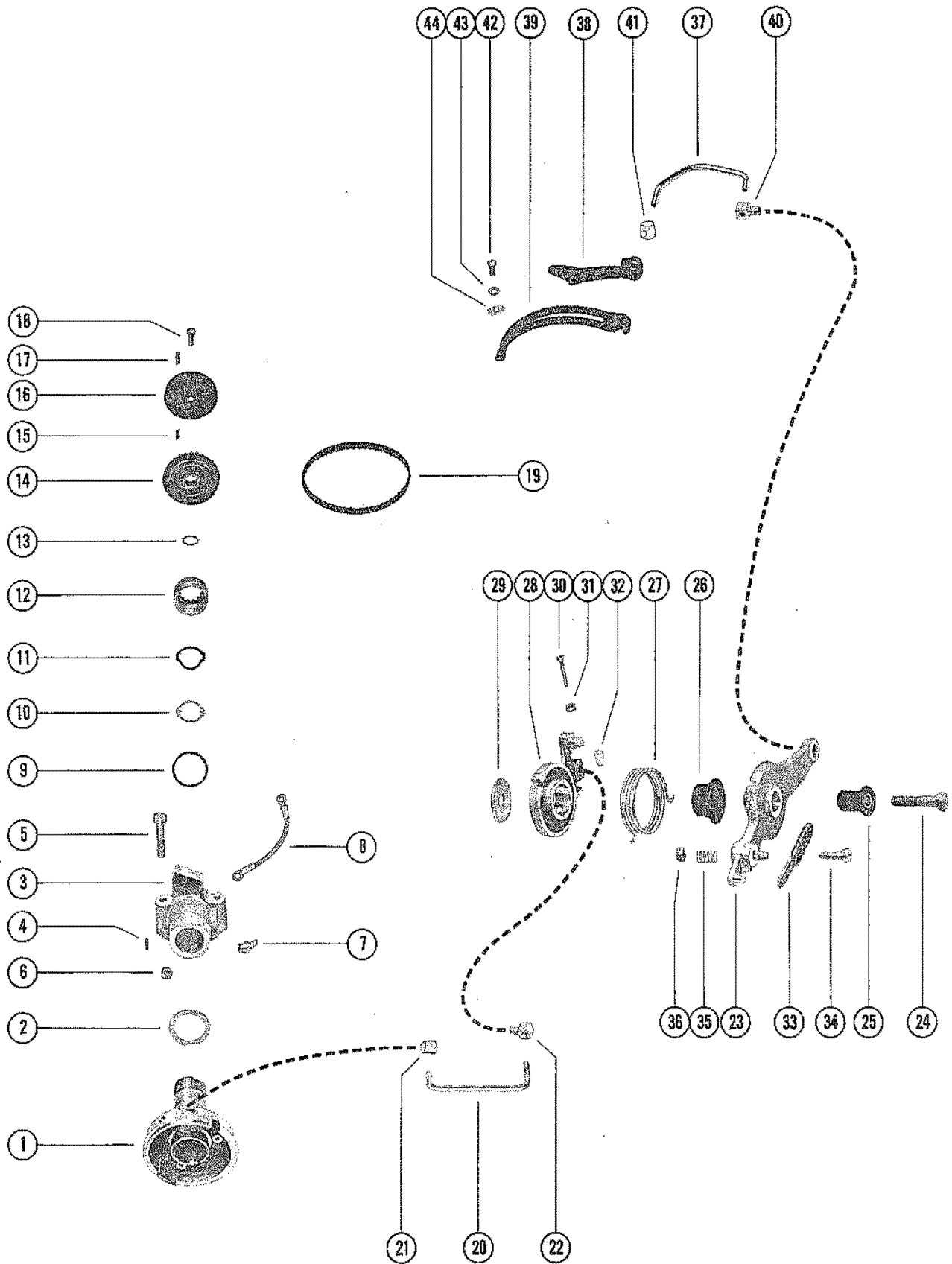


DISTRIBUTOR ADAPTOR AND THROTTLE LINKAGE

REF. NO.	PART NO.	SYM.	QTY.	DESCRIPTION
1	332-4797A3		1	HOUSING ASSEMBLY, DISTRIBUTOR
2	12-60569		1	WASHER, DISTRIBUTOR ADAPTOR TO DISTRIBUTOR HOUSING
3	60576		1	ADAPTOR, DISTRIBUTOR UNITED STATES 3807832 AND BELOW AUSTRALIA 8015539 AND BELOW BELGIUM 9046298 AND BELOW CANADA 7029947 AND BELOW
	67304		1	ADAPTOR, DISTRIBUTOR UNITED STATES 3807833 AND UP AUSTRALIA 8015540 AND UP BELGIUM 9046299 AND UP CANADA 9029948 AND UP
4	17-46912		2	PIN, DISTRIBUTOR ADAPTOR TO CRANKCASE LOCATING
5	10-69047		2	SCREW, DISTRIBUTOR ADAPTOR TO CRANKCASE (2 3/8")
6	11-46793		2	NUT, DISTRIBUTOR ADAPTOR SCREW
7	22-25094		1	FITTING, GREASE - DISTRIBUTOR ADAPTOR
8	84-60871A3		1	CABLE ASSEMBLY, ADAPTOR TO FRONT SUPPORT BRACKET
9	12-27939		1	WASHER, DISTRIBUTOR ADAPTOR
10	14-27960		1	TAB WASHER, ADAPTOR CAP FASTENING
11	13-27959		1	WASHER, WAVE - DISTRIBUTOR ADAPTOR
12	54567		1	CAP, DISTRIBUTOR HOUSING
13	23-29909		1	SPACER, DRIVE PULLEY
14	29906A1		1	DRIVEN PULLEY ASSEMBLY
15	17-29908		1	PIN, ROLL - FLANGE LOCATING
16	29907		1	FLANGE, DRIVEN PULLEY
17	28-29910		1	KEY, DISTRIBUTOR DRIVER
18	10-68554		1	SCREW, PULLEY CLAMPING (1/2")
19	20140		1	BELT, TIMING
20	64868		1	ROD, LINK - SPARK ADVANCE
21	60572		1	BARREL, NYLON - LINK ROD TO DISTRIBUTOR HOUSING
22	27947		1	SWIVEL, LINK ROD TO SPARK ADVANCE LEVER
23	60578		1	LEVER, THROTTLE CONTROL
24	10-55337		1	SCREW, THROTTLE CONTROL LEVER TO CYLINDER BLOCK (1 3/4")
25	23-55164		1	BUSHING, THROTTLE CONTROL LEVER SCREW
26	23-55171		1	BUSHING, THROTTLE CONTROL LEVER SCREW
27	24-55162		1	SPRING, RETURN - SPARK ADVANCE LEVER
28	60579		1	LEVER, SPARK ADVANCE
29	12-28008		1	WASHER, THROTTLE CONTROL LEVER SCREW
30	10-69003		1	SCREW, SPARK ADVANCE ADJUSTING (1 1/4")
31	11-20645		1	NUT, SPARK ADVANCE ADJUSTING SCREW
32	48039		1	CAP, SPARK ADJUSTING SCREW
33	39483		1	LATCH, THROTTLE CONTROL LEVER (THROTTLE CABLE)
34	10-22486		1	SCREW, LATCH TO THROTTLE CONTROL LEVER (7/8")
35	24-20099		1	SPRING, COMPRESSION - LATCH SCREW
36	11-20586		1	NUT, LATCH ATTACHING SCREW

CONTINUED ON NEXT PAGE ➡

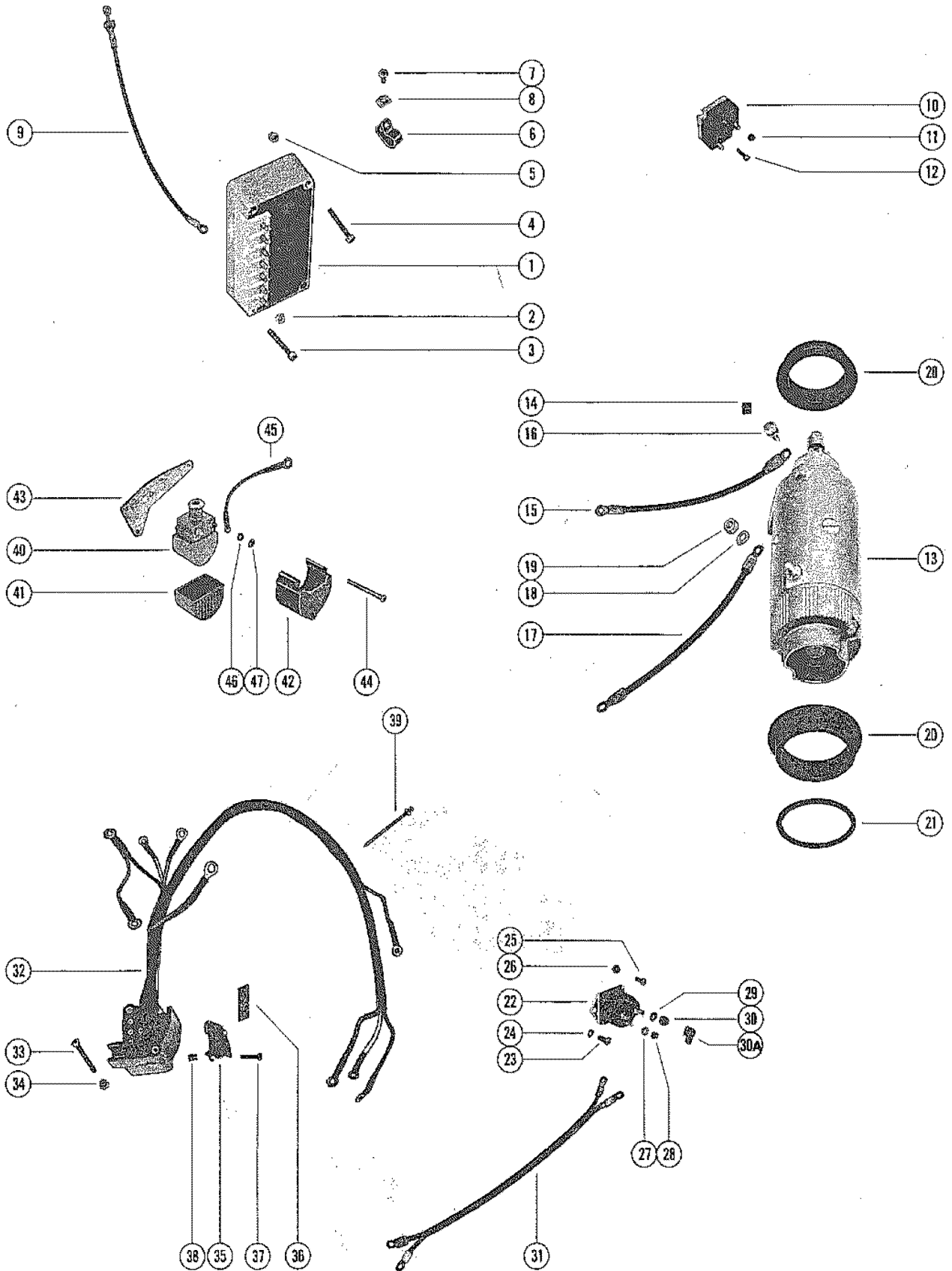
DISTRIBUTOR ADAPTOR AND THROTTLE LINKAGE



DISTRIBUTOR ADAPTOR AND THROTTLE LINKAGE

REF. NO.	PART NO.	SYM.	QTY.	DESCRIPTION
37	64869		1	ROD, LINK - THROTTLE UNITED STATES 3660087 AND BELOW AUSTRALIA 8009824 AND BELOW BELGIUM 9031353 AND BELOW CANADA 7019757 AND BELOW
38	60575		1	CAM, NYLON - THROTTLE ACTUATOR UNITED STATES 3660087 AND BELOW AUSTRALIA 8009824 AND BELOW BELGIUM 9031353 AND BELOW CANADA 7019757 AND BELOW
39	60574		1	HOUSING, NYLON - THROTTLE ACTUATOR UNITED STATES 3660087 AND BELOW AUSTRALIA 8009824 AND BELOW BELGIUM 9031353 AND BELOW CANADA 7019757 AND BELOW
37	66287		1	ROD, LINK - THROTTLE UNITED STATES 3660088 AND UP AUSTRALIA 8009835 AND UP BELGIUM 9031354 AND UP CANADA 7019758 AND UP
38	65914		1	CAM, NYLON - THROTTLE ACTUATOR UNITED STATES 3660088 AND UP AUSTRALIA 8009835 AND UP BELGIUM 9031354 AND UP CANADA 7019758 AND UP
39	65913		1	HOUSING, NYLON - THROTTLE ACTUATOR UNITED STATES 3660088 AND UP AUSTRALIA 8009835 AND UP BELGIUM 9031354 AND UP CANADA 7019758 AND UP
40	27947		1	SWIVEL, LINK ROD TO THROTTLE CONTROL LEVER
41	60572		1	BARREL, NYLON - THROTTLE LINK ROD TO ACTUATOR CAM
42	10-37571		1	SCREW, HOUSING TO CRANKCASE (1/2")
43	13-26996		1	LOCKWASHER, HOUSING TO CRANKCASE SCREW
44	60570		1	PLATE, RETAINER - ACTUATOR HOUSING

STARTER MOTOR, STARTER SOLENOID, RECTIFIER & WIRING HARNESS

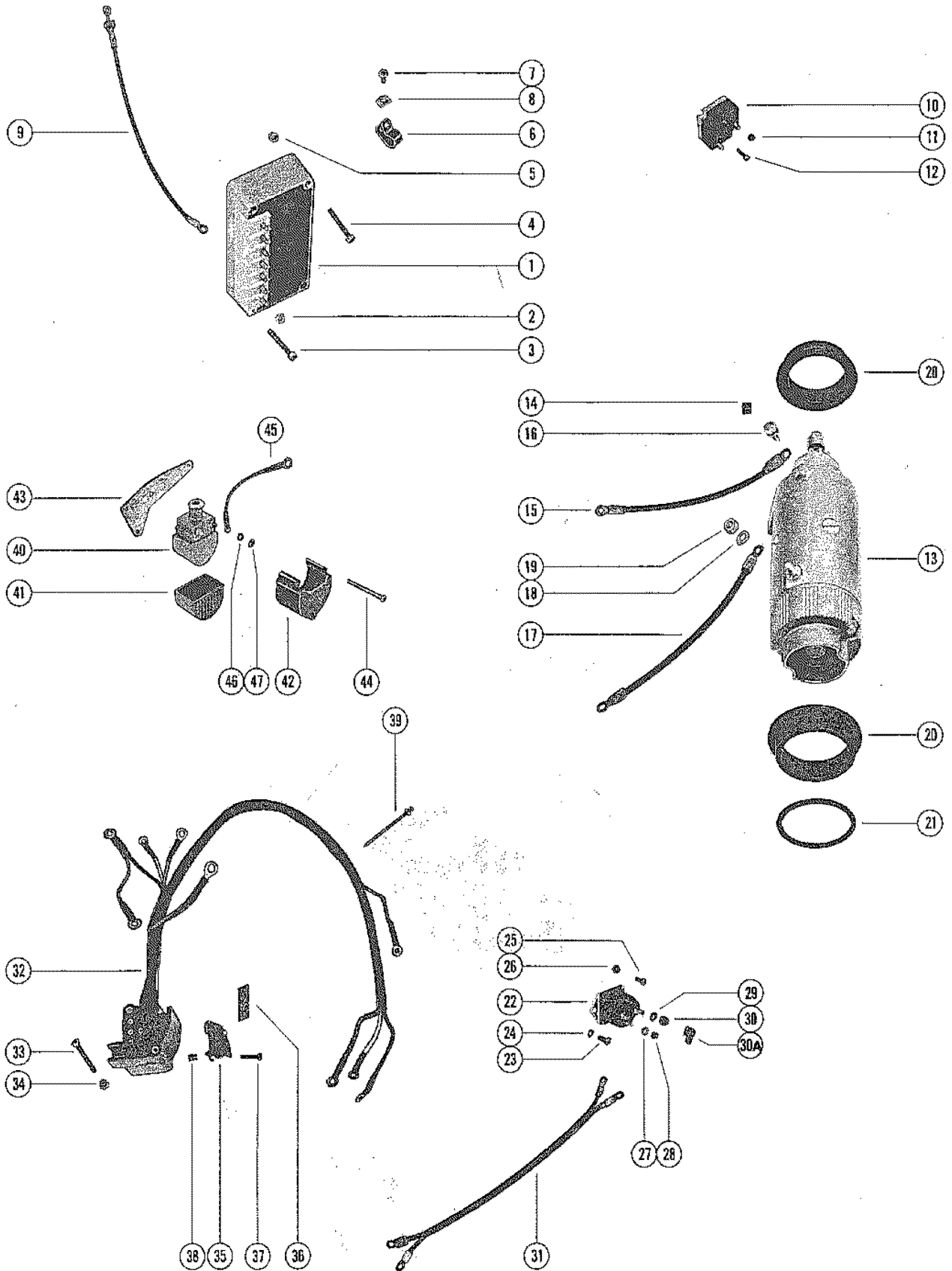


STARTER MOTOR, STARTER SOLENOID, RECTIFIER & WIRING HARNESS

REF. NO.	PART NO.	SYM.	QTY.	DESCRIPTION
1	332-4796A3		1	SWITCH BOX ASSEMBLY, COMPLETE UNITED STATES 3807832 AND BELOW AUSTRALIA 8015539 AND BELOW BELGIUM 9046298 AND BELOW CANADA 7029947 AND BELOW
	332-4796A6		1	SWITCH BOX ASSEMBLY, COMPLETE UNITED STATES 3807833 AND UP AUSTRALIA 8015540 AND UP BELGIUM 9046299 AND UP CANADA 9029948 AND UP
2	11-45076		7	NUT, SWITCH TERMINAL
3	10-64022		1	SCREW, SWITCH BOX TO FRONT SUPPORT BRACKET (2 1/8")
4	10-63506		3	SCREW, SWITCH BOX TO FRONT SUPPORT BRACKET (2 1/8")
5	11-46887		3	NUT, SWITCH BOX SCREW ATTACHING
6	54-22627		1	CLAMP, ELECTRICAL LEADS TO SWITCH BOX
7	10-69079		1	SCREW, CLAMP TO SWITCH BOX (7/16")
8	22789		1	"D" WASHER, CLAMP FASTENING SCREW
9	56318A5		1	CABLE ASSEMBLY, COIL TO SWITCH BOX (GREEN)
10	62351A1		1	RECTIFIER ASSEMBLY
11	11-45076		4	NUT, RECTIFIER TERMINAL
12	10-37571		2	SCREW, RECTIFIER TO FRONT SUPPORT BRACKET (1/2")
13	50-63015		1	STARTER MOTOR ASSEMBLY UNITED STATES 3660087 AND BELOW AUSTRALIA 8009824 AND BELOW BELGIUM 9031353 AND BELOW CANADA 7019757 AND BELOW
	50-65436		1	STARTER MOTOR ASSEMBLY UNITED STATES 3660088 AND UP AUSTRALIA 8009835 AND UP BELGIUM 9031354 AND UP CANADA 7019758 AND UP
14	57247		2	STOP, RUBBER - STARTER MOTOR
15	84-60872		1	CABLE, STARTER TO FRONT SUPPORT BRACKET (9/2")
16	10-28635		1	SCREW, CABLE TO STARTER MOTOR (5/8")
17	84-60970		1	CABLE, SOLENOID TO STARTER MOTOR (21 1/4") UNITED STATES 4042111 AND BELOW AUSTRALIA 8021839 AND BELOW BELGIUM 9067868 AND BELOW CANADA 7039237 AND BELOW
	84-68890		1	CABLE, SOLENOID TO STARTER MOTOR (22 1/2") UNITED STATES 4042112 AND UP AUSTRALIA 8021840 AND UP BELGIUM 9067869 AND UP CANADA 7039238 AND UP
18	13-26992		1	LOCKWASHER, STARTER MOTOR TERMINAL
19	11-20890		1	NUT, STARTER MOTOR TERMINAL
20	56703		2	COLLAR, RUBBER - STARTER MOTOR MOUNT
21	23-56774		AR	SPACER, COLLAR TO MOUNTING BRACKETS
22	87-61053		1	STARTER SOLENOID
23	10-69054		1	SCREW, SOLENOID TO FRONT SUPPORT BRACKET (5/8")
24	13-26992		1	LOCKWASHER, SOLENOID MOUNTING SCREW
25	10-69052		1	SCREW, SOLENOID TO FRONT SUPPORT BRACKET (1/2")
26	11-46887		1	NUT, SOLENOID MOUNTING SCREW
27	13-26996		2	LOCKWASHER, SOLENOID TERMINAL (#10)
28	11-20645		2	NUT, SOLENOID TERMINAL (#10)
29	13-26993		2	LOCKWASHER, SOLENOID TERMINAL (5/16")
30	11-21908		2	NUT, SOLENOID TERMINAL (5/16")

CONTINUED ON NEXT PAGE ➡

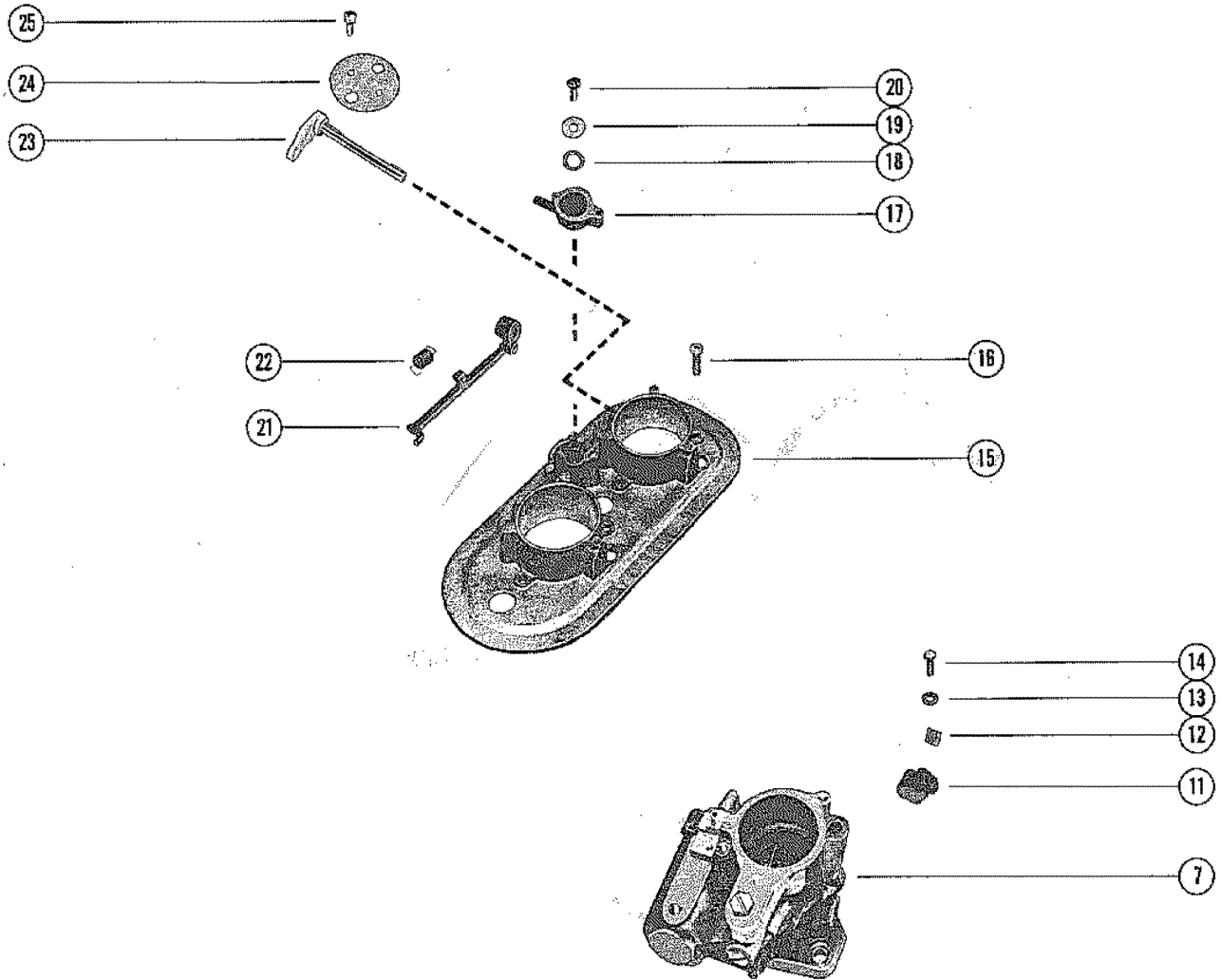
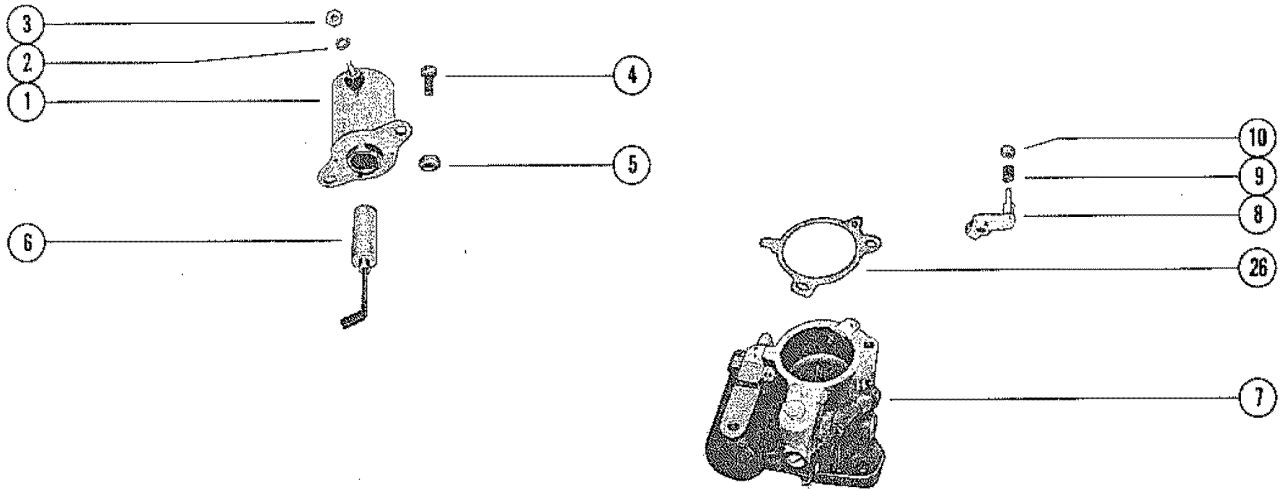
STARTER MOTOR, STARTER SOLENOID, RECTIFIER & WIRING HARNESS



STARTER MOTOR, STARTER SOLENOID, RECTIFIER & WIRING HARNESS

REF. NO.	PART NO.	SYM.	QTY.	DESCRIPTION
30A	46265		1	BOOT, STARTER SOLENOID TERMINAL
31	84-61378		1	CABLE, BATTERY TO STARTER SOLENOID
32	84-60795		1	WIRING HARNESS (INTERNAL)
33	10-69560		2	SCREW, WIRING HARNESS TO FRONT SUPPORT BRACKET (1 1/4")
34	11-46438		2	NUT, WIRING HARNESS SCREW
35	60114A1		1	BRACKET ASSEMBLY, WIRING HARNESS
36	26-60925		1	SEAL, WIRING HARNESS BRACKET
37	10-69082		2	SCREW, WIRING HARNESS BRACKET MOUNTING (2 3/8")
38	25-57806		2	GROMMET, WIRING HARNESS BRACKET SCREW
39	61990		7	STA-STRAP, INTERNAL HARNESS AND CABLES
40	332-4895A2		1	IGNITION COIL ASSEMBLY
41	63194		1	PAD, RUBBER - IGNITION COIL
42	63195		1	COVER, IGNITION COIL
43	62094		1	BRACKET, COIL MOUNTING
44	10-69046		3	SCREW, COIL AND BRACKET TO CYLINDER BLOCK (2")
45	84-60466A1		1	CABLE ASSEMBLY, GROUND - MOUNTING SCREW
46	13-26996		2	LOCKWASHER, IGNITION COIL TERMINAL (#10)
47	11-45076		2	NUT, IGNITION COIL TERMINAL (#10)

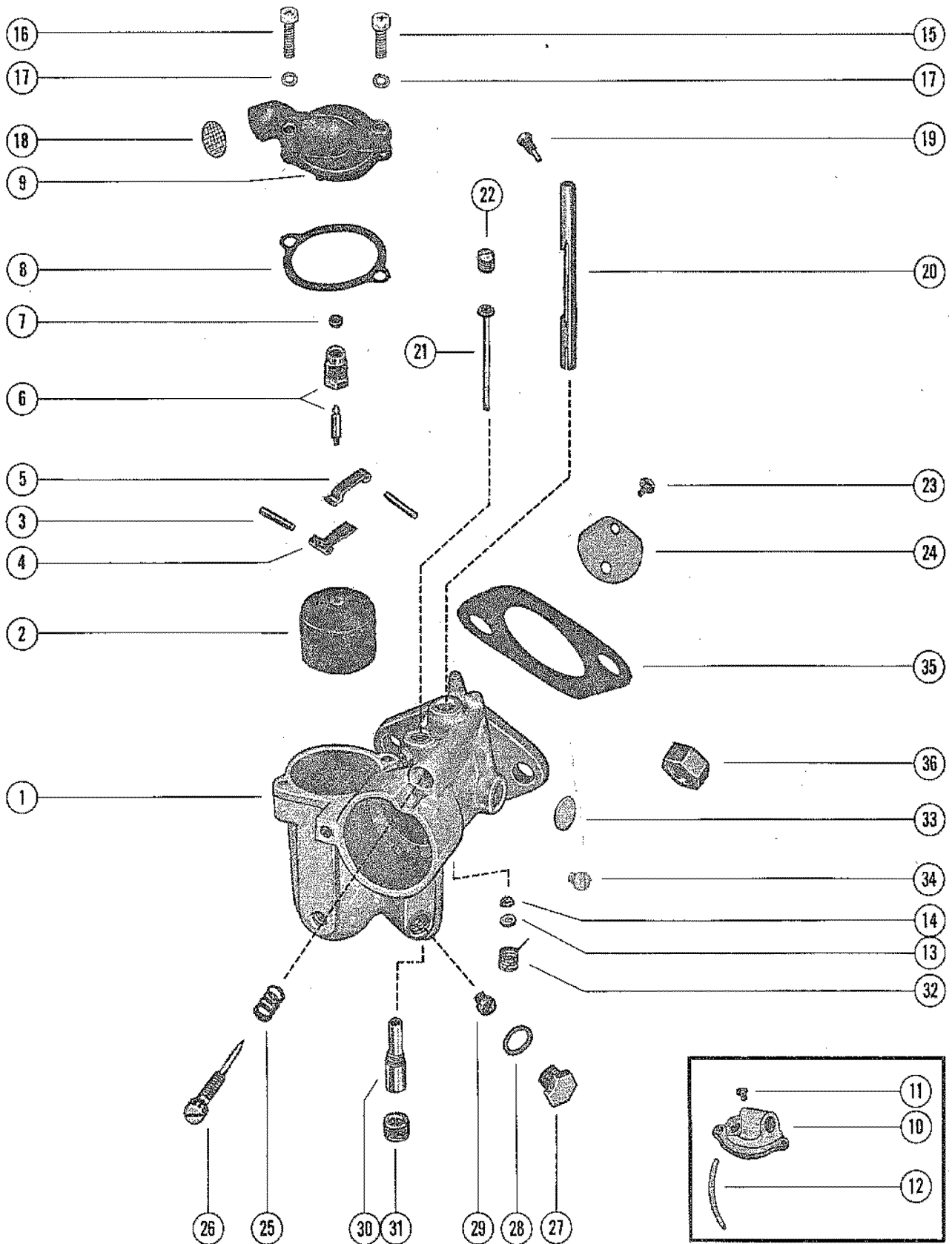
CARBURETOR LINKAGE AND CHOKE SOLENOID



CARBURETOR LINKAGE AND CHOKE SOLENOID

REF. NO.	PART NO.	SYM.	QTY.	DESCRIPTION
1	60549A3		1	CHOKE SOLENOID
2	13-26996		1	LOCKWASHER, HARNESS LEAD TO CHOKE SOLENOID
3	11-20645		1	NUT, HARNESS LEAD TO CHOKE SOLENOID ATTACHING
4	10-33524		2	SCREW, CHOKE SOLENOID ATTACHING (5/8")
5	11-46793		2	NUT, CHOKE SOLENOID ATTACHING SCREWS
6	56074A5		1	PLUNGER ASSEMBLY, CHOKE SOLENOID
7	1360-5146A1		2	CARBURETOR ASSEMBLY, COMPLETE UNITED STATES 3660087 AND BELOW AUSTRALIA 8009824 AND BELOW BELGIUM 9031353 AND BELOW CANADA 7019757 AND BELOW
	1360-5228A5		2	CARBURETOR ASSEMBLY, COMPLETE UNITED STATES 3660088 THRU 4136684 AUSTRALIA 8009825 THRU 8029189 BELGIUM 9031354 THRU 9082138 CANADA 7019758 THRU 7051132
	1360-5615A4		2	CARBURETOR ASSEMBLY, COMPLETE UNITED STATES 4136685 AND UP AUSTRALIA 8029190 AND UP BELGIUM 9082139 AND UP CANADA 7051133 AND UP
8	63985A1		1	LEVER, THROTTLE
9	63987		1	CAM, THROTTLE LEVER
10	11-63983		1	NUT, CAM TO THROTTLE LEVER
11	60292A1		1	COUPLING ASSEMBLY
12	53665		1	INSERT, THROTTLE SHAFT COUPLING
13	12-64444		1	WASHER, ROLLED - COUPLING
14	10-60293		1	SCREW, ROLLED WASHER TO COUPLING
15	60120		1	HOUSING, CHOKE
16	10-38055		4	SCREW, CHOKE HOUSING MOUNTING (5/8")
17	60312		1	LEVER, MANUAL CHOKE
18	13-34632		1	WASHER, WAVE - CHOKE LEVER TO CHOKE HOUSING SCREW
19	12-34392		1	WASHER, CHOKE LEVER TO CHOKE HOUSING SCREW
20	10-48080		1	SCREW, CHOKE LEVER TO CHOKE HOUSING (3/8")
21	60305		1	ROD, CHOKE
22	24-60288		1	SPRING, TENSION - CHOKE ROD
23	60290A1		2	CHOKE ARM LEVER ASSEMBLY
24	60291		2	SHUTTER, CHOKE - CARBURETOR
25	10-60846		4	SCREW, CHOKE SHUTTER TO CHOKE LEVER (1/4")
26	27-71827		2	GASKET, CARBURETOR TO CHOKE PLATE UNITED STATES 4136685 AND UP AUSTRALIA 8029190 AND UP BELGIUM 9082139 AND UP CANADA 7051133 AND UP

CARBURETOR ASSEMBLY

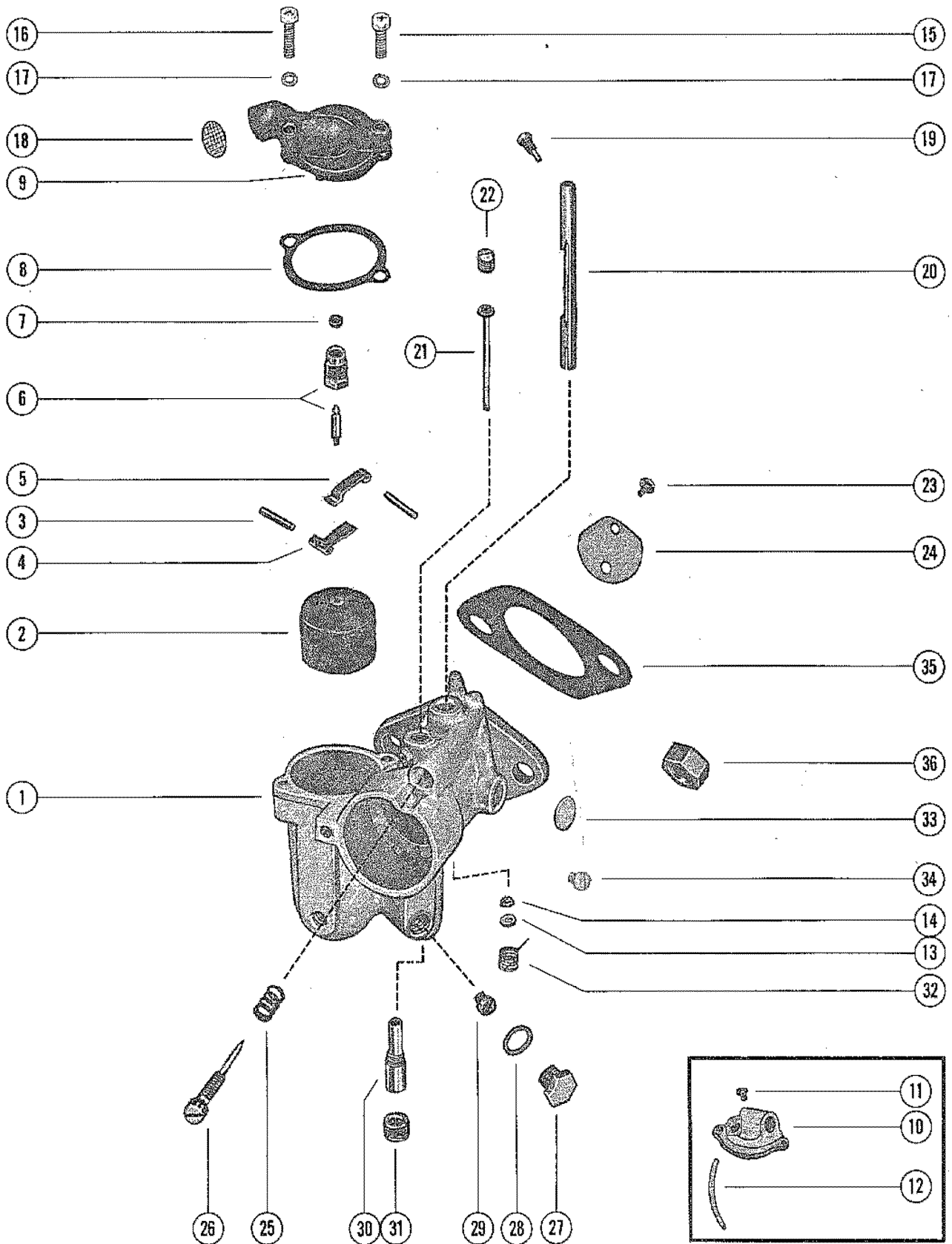


CARBURETOR ASSEMBLY

REF. NO.	PART NO.	SYM.	QTY.	DESCRIPTION
1	1360-5146A1		2	CARBURETOR ASSEMBLY, COMPLETE UNITED STATES 3660087 AND BELOW AUSTRALIA 8009824 AND BELOW BELGIUM 9031353 AND BELOW CANADA 7019757 AND BELOW
	1360-5228A5		2	CARBURETOR ASSEMBLY, COMPLETE UNITED STATES 3660088 THRU 4136684 AUSTRALIA 8009825 THRU 8029189 BELGIUM 9031354 THRU 9082138 CANADA 7019758 THRU 7051132
	1360-5615A4		2	CARBURETOR ASSEMBLY, COMPLETE UNITED STATES 4136685 AND UP AUSTRALIA 8029190 AND UP BELGIUM 9082139 AND UP CANADA 7051133 AND UP
2	1399-110A1		2	FLOAT ASSEMBLY UNITED STATES 4136684 AND BELOW AUSTRALIA 8029189 AND BELOW BELGIUM 9082138 AND BELOW CANADA 7051132 AND BELOW
	1395-5353		2	FLOAT ASSEMBLY UNITED STATES 4136685 AND UP AUSTRALIA 8029190 AND UP BELGIUM 9082139 AND UP CANADA 7051133 AND UP
3			4	PIN, FLOAT LEVER PINION
4			2	LEVER, FLOAT (LOWER)
5			2	LEVER, FLOAT (UPPER)
6	1395-4555		2	INLET NEEDLE, SEAT AND GASKET
7			2	GASKET, INLET SEAT
8			2	GASKET, FLOAT BOWL COVER
9	1399-5152		2	COVER, FLOAT BOWL UNITED STATES 4136684 AND BELOW AUSTRALIA 8029189 AND BELOW BELGIUM 9082138 AND BELOW CANADA 7051132 AND BELOW
10	1395-5680		2	COVER, FLOAT BOWL UNITED STATES 4136685 AND UP AUSTRALIA 8029190 AND UP BELGIUM 9082139 AND UP CANADA 7051133 AND UP
11	1395-5815		2	JET, GOWL VENT (.086) UNITED STATES 4136685 AND UP AUSTRALIA 8029190 AND UP BELGIUM 9082139 AND UP CANADA 7051133 AND UP
12	1395-5734		2	HOSE, ECONOMIZER UNITED STATES 4136685 AND UP AUSTRALIA 8029190 AND UP BELGIUM 9082139 AND UP CANADA 7051133 AND UP
13	12-71052		2	WASHER, SEAL RETAINER UNITED STATES 4136685 AND UP AUSTRALIA 8029190 AND UP BELGIUM 9082139 AND UP CANADA 7051133 AND UP
14	26-71022		2	SEAL, THROTTLE SHAFT UNITED STATES 4136685 AND UP AUSTRALIA 8029190 AND UP BELGIUM 9082139 AND UP CANADA 7051133 AND UP
15	10-52195		2	SCREW, FLOAT BOWL COVER (SHORT)
16	1395-4804		2	SCREW, FLOAT BOWL COVER (LONG)
17	13-26995		4	LOCKWASHER, FLOAT BOWL COVER SCREW
18	1395-4805		2	SCREEN, FILTER
19			2	SCREW, THROTTLE STOP LEVER
20	1395-4807		2	SHAFT, THROTTLE
21			2	TUBE, IDLE
22	1395-4540		2	SCREW, BODY (IDLE TUBE)

CONTINUED ON NEXT PAGE ➡

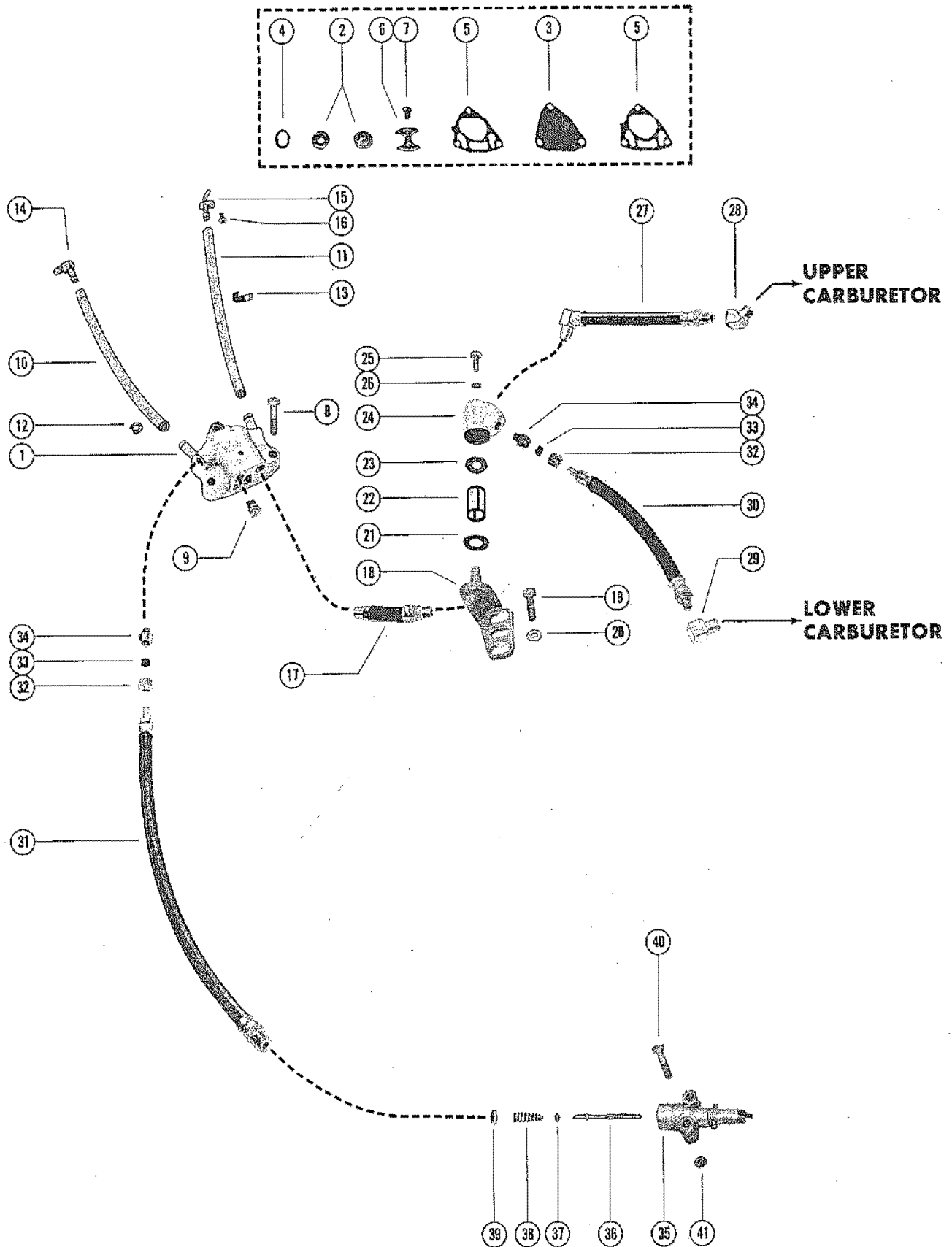
CARBURETOR ASSEMBLY



CARBURETOR ASSEMBLY

REF. NO.	PART NO.	SYM.	QTY.	DESCRIPTION
23			4	SCREW AND LOCKWASHER, THROTTLE SHUTTER
24	1395-5200		2	SHUTTER, THROTTLE UNITED STATES 3660087 AND BELOW AUSTRALIA 8009824 AND BELOW BELGIUM 9031353 AND BELOW CANADA 7019757 AND BELOW
	1399-3528		2	SHUTTER, THROTTLE UNITED STATES 3660088 AND UP AUSTRALIA 8009835 AND UP BELGIUM 9031354 AND UP CANADA 7019758 AND UP
25			2	SPRING, IDLE ADJUSTMENT SCREW
26	1399-3515		2	SCREW, IDLE ADJUSTMENT
27	1395-4541		2	SCREW, PLUG - MAIN FUEL JET CHANNEL
28			2	GASKET, JET CHANNEL PLUG SCREW
29	1399-3796		OPT.	JET, MAIN FUEL (.076)
	1399-3794		2	JET, MAIN FUEL (.074) - STANDARD
	1399-3795		OPT.	JET, MAIN FUEL (.072)
	1399-3811		OPT.	JET, MAIN FUEL (.070)
30			2	NOZZLE, MAIN
31	1395-4542		2	SCREW, PLUG - MAIN NOZZLE
32			1	SPRING, THROTTLE SHAFT RETURN
33			2	WELCH PLUG, BOY CHANNEL
34	1395-4543		2	SCREW, BODY CHANNEL
-	1395-4808		2	GASKET AND PACKING SET (1 PER CARBURETOR)
-	1395-5201		2	REPAIR PARTS KIT (1 PER CARBURETOR)
35	27-48164		2	GASKET, CARBURETOR FLANGE
36	11-25594		4	NUT, CARBURETOR MOUNTING STUD

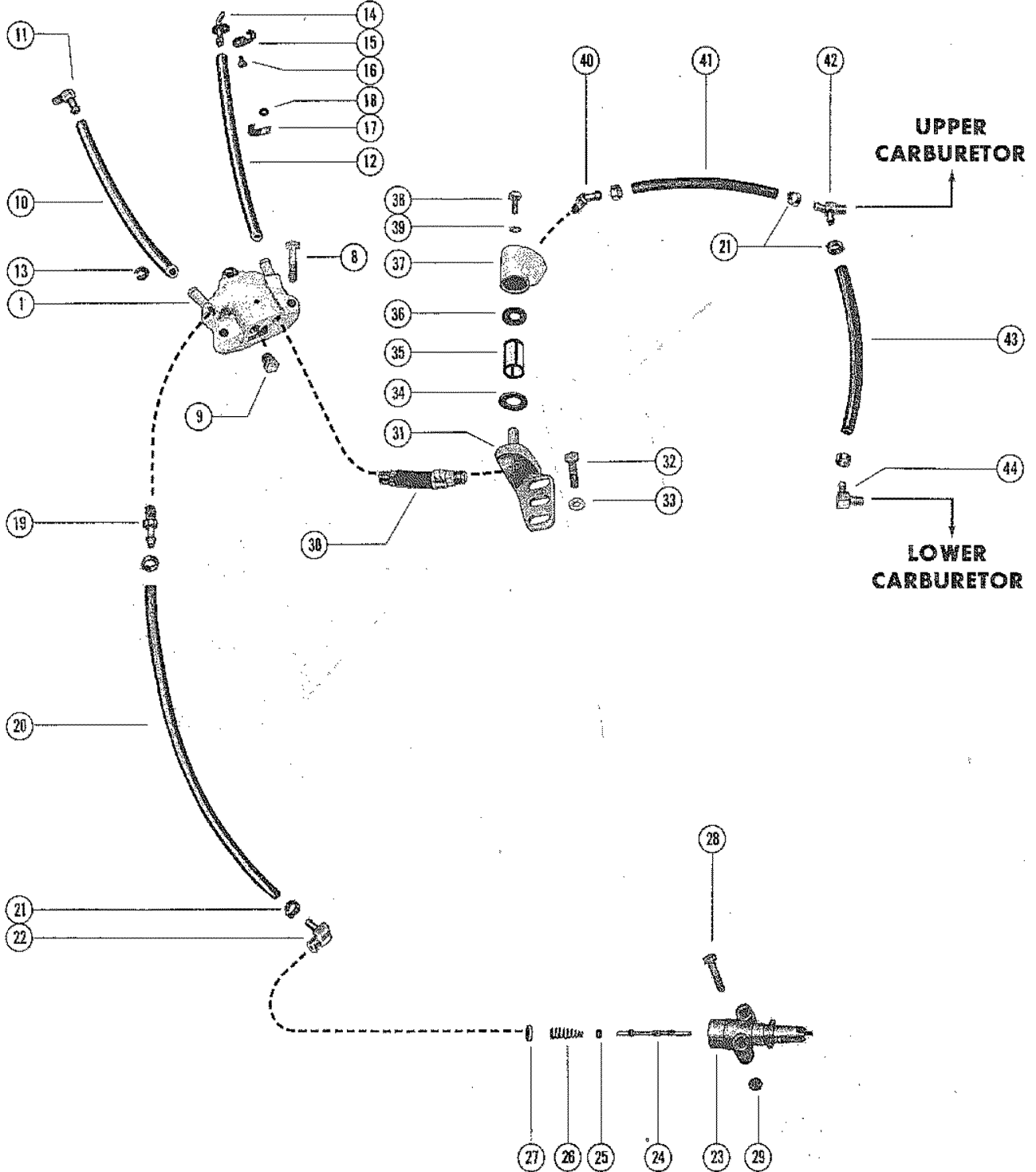
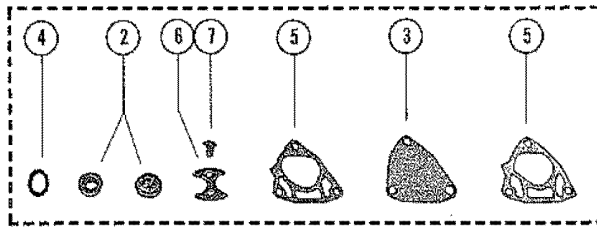
FUEL PUMP, FUEL FILTER AND FUEL LINE (SERIAL GROUP NO. 11)



FUEL PUMP, FUEL FILTER AND FUEL LINE (SERIAL GROUP NO. 11)

REF. NO.	PART NO.	SYM.	QTY.	DESCRIPTION
1	62973A4		1	FUEL PUMP ASSEMBLY
2	21-30430A3		2	CHECK VALVE ASSEMBLY
3	55278A1		1	DIAPHRAGM KIT
4			2	GASKET, CHECK VALVE TO HOUSING
5			2	GASKET, FUEL PUMP
6	23004		1	RETAINER, CHECK VALVE
7	10-20037		2	SCREW, RETAINER TO HOUSING (1/4")
8	10-35581		3	SCREW, PUMP MOUNTING (1 5/8")
9	22-32802		1	PLUG, PIPE - FUEL PUMP
10	32-71121		1	HOSE ASSEMBLY, FUEL PUMP TO EXHAUST PLATE (12 5/8")
11	32-71121		1	HOSE ASSEMBLY, FUEL PUMP TO TELL TALE NOZZLE (25")
12	54-20386		4	CLAMP, HOSE TO FUEL PUMP AND FITTINGS
13	54-47483		2	CLAMP, TELL TALE HOSE TO EXHAUST MANIFOLD COVER
14	22-25885		1	ELBOW, HOSE TO EXHAUST PLATE
15	52889		1	NOZZLE, TELL TALE - REAR SUPPORT BRACKET
16	10-30663		1	SCREW, NOZZLE TO REAR SUPPORT BRACKET (3/8")
17	21-65424A1		1	FUEL LINE ASSEMBLY, FUEL PUMP/FUEL FILTER HSG (2 1/2")
18	58907		1	HOUSING, FUEL FILTER AND COVER
19	10-37558		2	SCREW, FILTER HOUSING TO TRANSFER PASSAGE COVER (1 1/4")
20	12-34437		2	WASHER, FUEL FILTER HOUSING MOUNTING SCREW
21	27-25851		1	GASKET, FILTER COVER (BOTTOM)
22	1399-3938		1	ELEMENT, FUEL FILTER
23	27-25849		1	GASKET, FILTER COVER (TOP)
24	1399-4791		1	COVER, FUEL FILTER
25	10-25822		1	SCREW, FILTER COVER FASTENING (5/8")
26	27-25848		1	GASKET, FILTER COVER FASTENING SCREW
27	32-65423		1	FUEL LINE, FILTER COVER TO UPPER CARBURETOR (6 5/16")
28	22-29085		1	ELBOW, (45 DEGREE) - UPPER CARBURETOR
29	22-36567		1	ELBOW, LOWER CARBURETOR
30	32-62989A1		1	FUEL LINE, FILTER COVER TO LOWER CARBURETOR (7 1/8")
31	32-64347		1	FUEL LINE ASSEMBLY, FUEL PUMP TO ADAPTOR (14 1/2")
32	22-30177		2	NUT, FUEL LINE
33	22-30175		2	SLEEVE, FUEL LINE
34	22-30468		2	CONNECTOR, FUEL LINE
35	30186		1	ADAPTOR, CHECK UNIT (FUEL LINE)
36	30187		1	STEM, CHECK UNIT ADAPTOR
37	25-20415		1	"O" RING, ADAPTOR STEM
38	24-30189		1	SPRING, ADAPTOR STEM
39	30188		1	CUP WASHER, ADAPTOR
40	10-24644		2	SCREW, ADAPTOR TO FRONT SUPPORT BRACKET (1 3/8")
41	11-46887		2	NUT, ADAPTOR FASTENING SCREW

FUEL PUMP, FUEL FILTER AND FUEL LINES (SERIAL GROUP NO. 13)

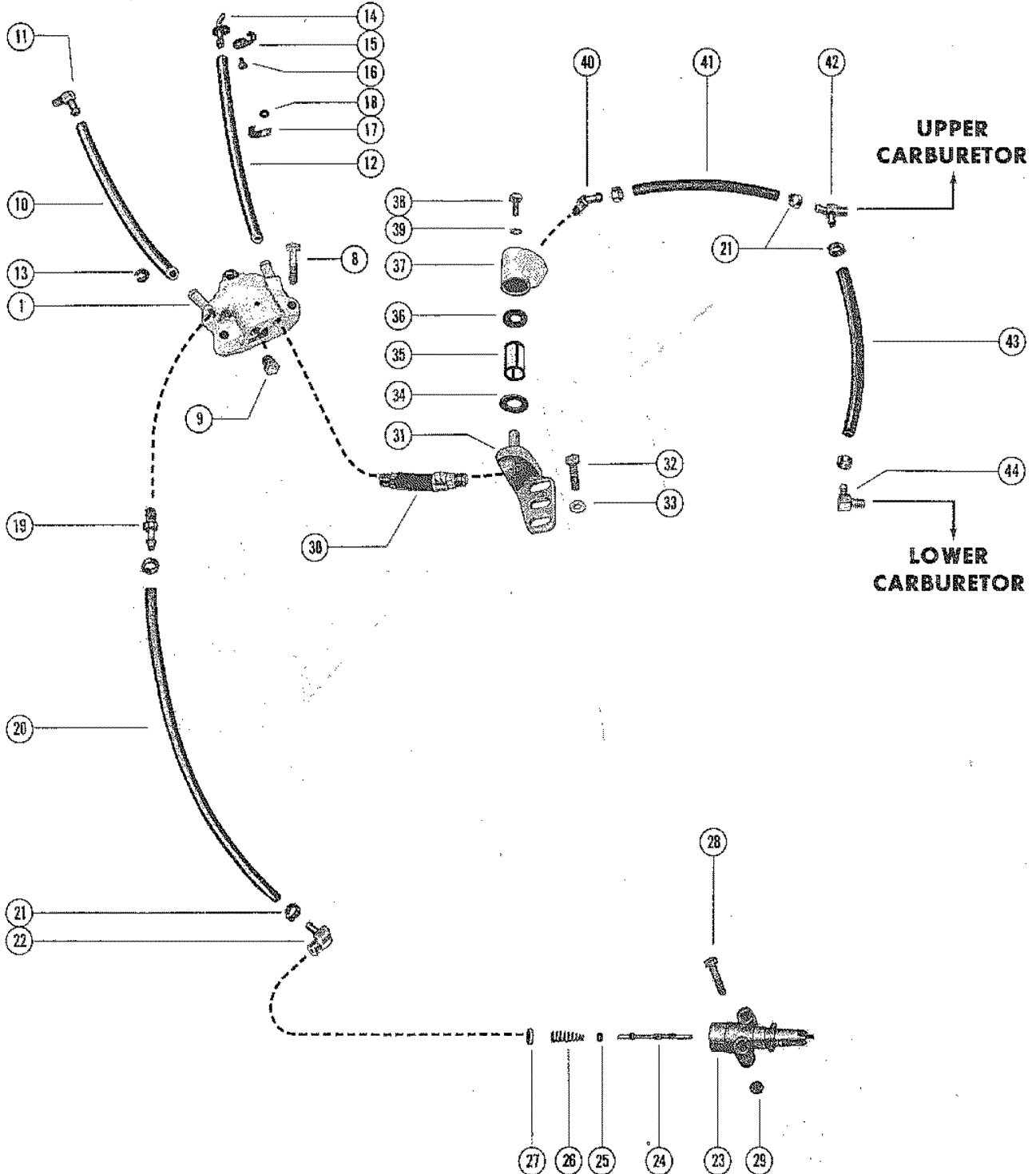
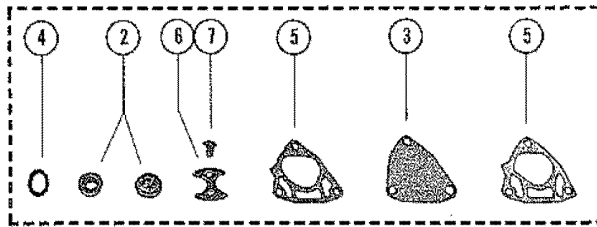


FUEL PUMP, FUEL FILTER AND FUEL LINES (SERIAL GROUP NO. 13)

REF. NO.	PART NO.	SYM.	QTY.	DESCRIPTION
1	62973A4		1	FUEL PUMP ASSEMBLY
2	21-30430A3		1	CHECK VALVE ASSEMBLY
3	55278A1		1	DIAPHRAGM KIT
4			2	GASKET, CHECK VALVE TO HOUSING
5			2	GASKET, FUEL PUMP
6	23004		1	RETAINER, CHECK VALVE
7	10-68789		2	SCREW, RETAINER TO HOUSING (3/8")
8	10-35581		3	SCREW, PUMP MOUNTING (1 5/8")
9	22-32802		1	PLUG, PIPE - FUEL PUMP
10	32-71121		1	HOSE ASSEMBLY, FUEL PUMP TO EXHAUST PLATE (12 5/8")
11	22-25885		1	ELBOW, HOSE TO EXHAUST PLATE
12	32-71121		1	HOSE ASSEMBLY, FUEL PUMP TO TELL TALE NOZZLE (25")
13	54-68725		4	CLAMP, HOSE TO FUEL PUMP AND FITTING
14	69555		1	NOZZLE, TELL TALE - REAR SUPPORT BRACKET
15	54-70705		1	CLAMP, TELL TALE NOZZLE
16	10-30663		2	SCREW, TELL TALE CLAMP
17	54-47483		3	CLAMP, TELL TALE HOSE TO EXHAUST MANIFOLD COVER
18	12-29626		2	WASHER, CLAMP SCREW
19	22-64705		1	FITTING, FUEL PUMP (INLET)
20	32-70432		1	FUEL LINE, ADAPTOR TO FUEL PUMP
21	54-68424		6	CLAMP, FUEL LINE ATTACHING
22	22-71909		1	FITTING, FUEL LINE TO ADAPTOR
23	22833		1	ADAPTOR, CHECK UNIT (FUEL PUMP)
24	23069		1	STEM, CHECK UNIT ADAPTOR
25	25-20415		1	"O" RING, ADAPTOR STEM
26	24-23067		1	SPRING, ADAPTOR STEM
27	30188		1	CUP WASHER, ADAPTOR
28	10-36154		2	SCREW, ADAPTOR TO FRONT SUPPORT BRACKET (1 3/8")
29	11-46887		2	NUT, ADAPTOR FASTENING SCREW
30	32-65424A1		1	FUEL LINE ASSEMBLY, FUEL PUMP/FUEL FILTER HSG. (1 1/2")
31	58907		1	HOUSING, FUEL FILTER AND COVER
32	10-69092		2	SCREW, FILTER HOUSING TO TRANSFER PASSAGE COVER (1 1/4")
33	12-34437		2	WASHER, FUEL FILTER HOUSING MOUNTING SCREW
34	27-25851		1	GASKET, FILTER COVER (BOTTOM)
35	1399-3938		1	FILTER, FUEL
36	27-25849		1	GASKET, FILTER COVER (TOP)
37	1399-3690		1	COVER, FUEL STRAINER
38	10-25822		1	SCREW, FILTER COVER FASTENING (5/8")
39	27-25848		1	GASKET, FILTER COVER FASTENING SCREW

CONTINUED ON NEXT PAGE ➡

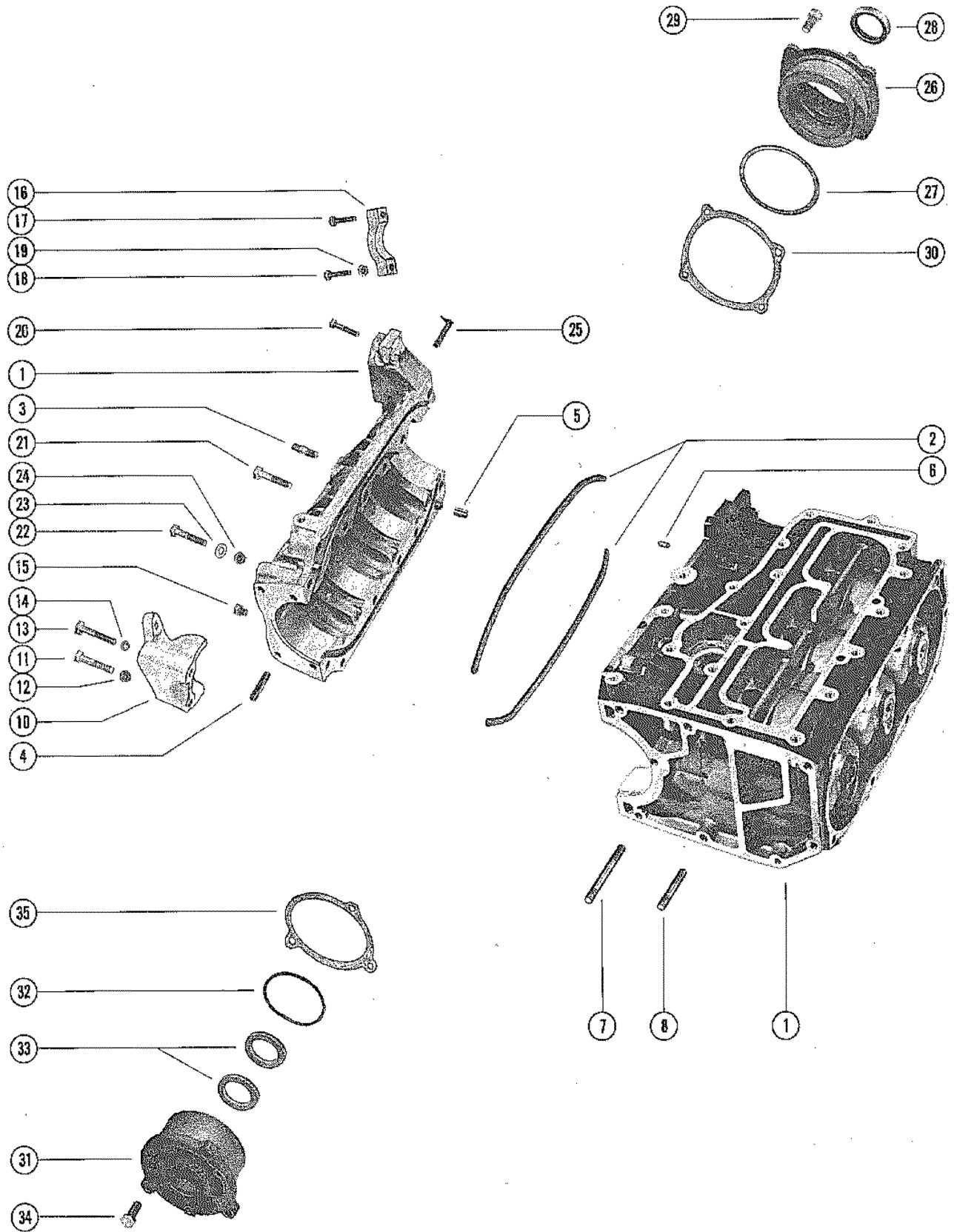
FUEL PUMP, FUEL FILTER AND FUEL LINES (SERIAL GROUP NO. 13)



FUEL PUMP, FUEL FILTER AND FUEL LINES (SERIAL GROUP NO. 13)

REF. NO.	PART NO.	SYM.	QTY.	DESCRIPTION
40	22-70007		1	FITTING, FUEL STRAINER COVER
41	32-63146		1	FUEL LINE, COVER TO UPPER CARBURETOR
42	22-66328		1	FITTING, FUEL INLET - UPPER CARBURETOR
43	32-63146		1	FUEL LINE, CARBURETOR TO CARBURETOR
44	22-64704		1	FITTING, ELBOW - LOWER CARBURETOR

CYLINDER BLOCK AND CRANKCASE ASSEMBLY

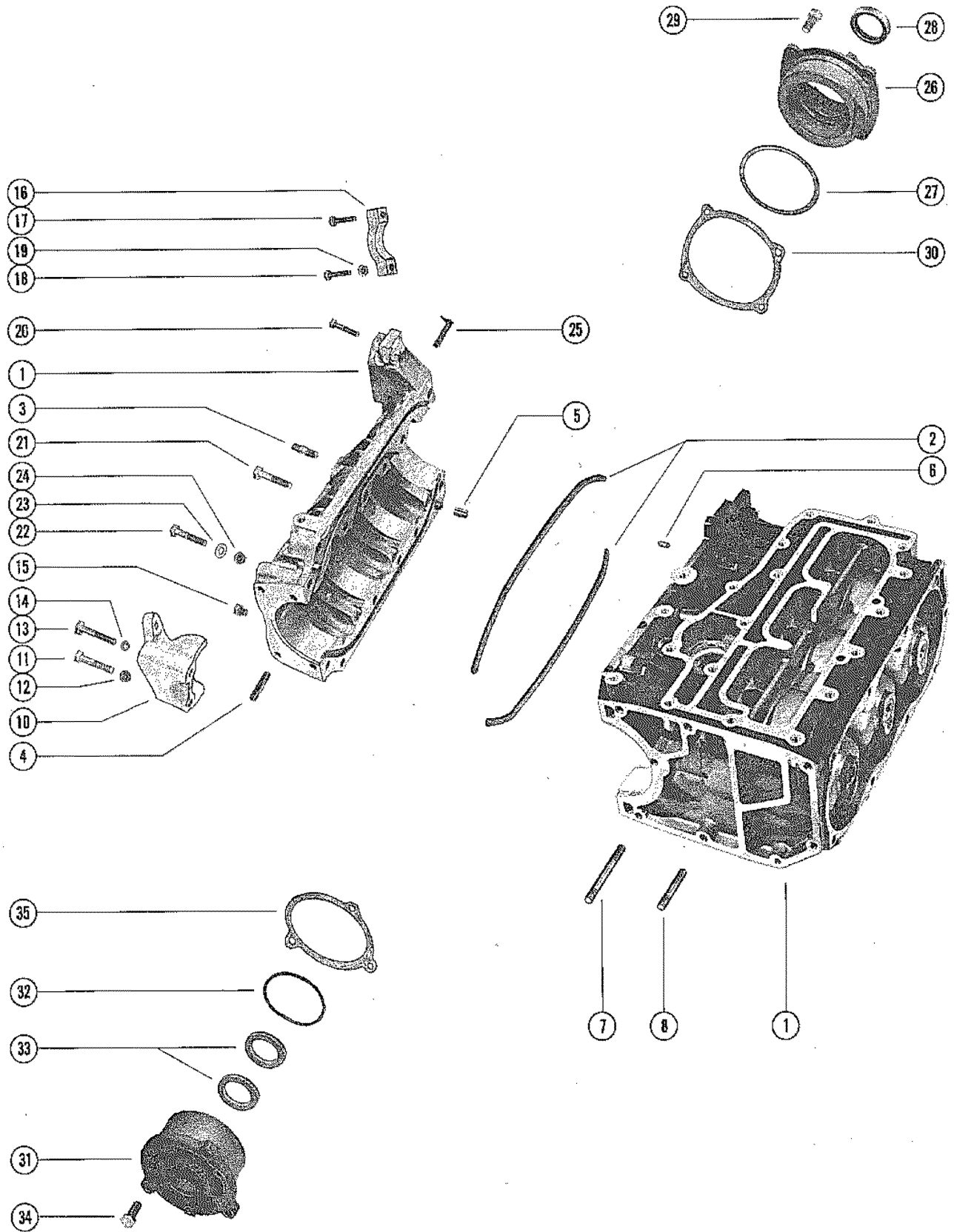


CYLINDER BLOCK AND CRANKCASE ASSEMBLY

REF. NO.	PART NO.	SYM.	QTY.	DESCRIPTION
1	864-5989A3		1	CYLINDER BLOCK AND CRANKCASE ASSEMBLY (SHORT SHAFT)
	855-5059A3		1	CYLINDER BLOCK AND CRANKCASE ASSEMBLY UNITED STATES 4042111 AND BELOW AUSTRALIA 8021839 AND BELOW BELGIUM 9067868 AND BELOW CANADA 7039237 AND BELOW
	855-5646A3		1	CYLINDER BLOCK AND CRANKCASE ASSEMBLY UNITED STATES 4042112 AND UP AUSTRALIA 8021840 AND UP BELGIUM 9067869 AND UP CANADA 7039238 AND UP
2	27-60286		2	GASKET, CRANKCASE TO CYLINDER BLOCK
3	16-68164		4	STUD, CARBURETOR MOUNTING (1 1/4")
4	16-68201		2	STUD, CRANKCASE TO DRIVE SHAFT HOUSING (2 1/4")
5	17-20033		2	DOWEL PIN, CRANKCASE TO CYLINDER BLOCK
6	17-20323		2	DOWEL PIN, CYLINDER BLOCK TO MAIN BEARING
7	16-68203		2	STUD, BLOCK TO DRIVE SHAFT HSG. (4")
8	16-68202		1	STUD, BLOCK TO DRIVE SHAFT HSG.(3") - EXHAUST SIDE
	16-68167		1	STUD, BLOCK TO DRIVE SHAFT HSG.(2 9/16") - TRANSFER SIDE
10	60115		1	COVER, STARTER MOTOR TO CRANKCASE (BOTTOM)
11	10-26132		1	SCREW, STARTER MOTOR COVER TO CRANKCASE (2 1/2")
12	11-46793		1	NUT, STARTER MOTOR COVER SCREW
13	10-72799		1	SCREW, STARTER MOTOR COVER TO CRANKCASE (2 3/4")
14	13-26993		1	LOCKWASHER, STARTER MOTOR COVER SCREW
15	22-32802		1	PIPE PLUG, CRANKCASE
16	58906		1	COVER, STARTER MOTOR TO CRANKCASE (TOP)
17	10-33860		1	SCREW, STARTER MOTOR COVER TO CRANKCASE (2")
18	10-26132		1	SCREW, STARTER MOTOR COVER TO CRANKCASE (2 1/2")
19	11-46793		2	NUT, STARTER MOTOR COVER SCREW
20	10-69094		2	SCREW, CRANKCASE TO CYLINDER BLOCK (1 7/8")
21	10-69090		7	SCREW, CRANKCASE TO CYLINDER BLOCK (2 1/4")
22	10-69089		4	SCREW, CRANKCASE TO CYLINDER BLOCK (2 3/4")
23	12-26020		13	WASHER, CRANKCASE TO CYLINDER BLOCK SCREW
24	11-46793		13	NUT, CRANKCASE TO CYLINDER BLOCK SCREW
25	62397		1	INDICATOR, TIMING
26	1143-5063A1		1	END CAP ASSEMBLY, UPPER
27	25-64966		1	"O" RING, END CAP
28	26-29476		1	OIL SEAL, END CAP
29	10-69034		4	SCREW, UPPER END CAP MOUNTING (1")
30	15-47248A1		AR	SHIM, UPPER END CAP (.006-8-10)

CONTINUED ON NEXT PAGE ➡

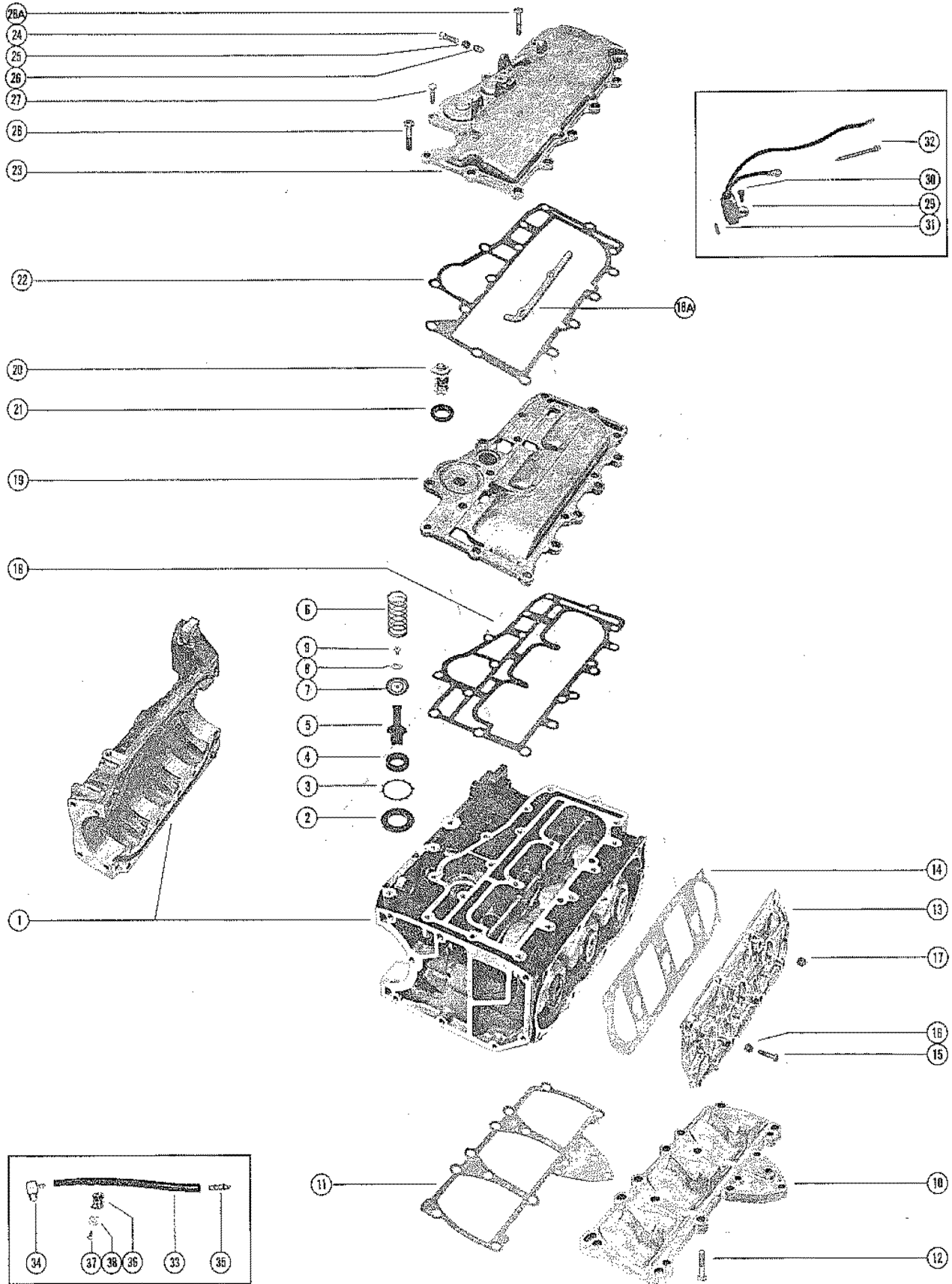
CYLINDER BLOCK AND CRANKCASE ASSEMBLY



CYLINDER BLOCK AND CRANKCASE ASSEMBLY

REF. NO.	PART NO.	SYM.	QTY.	DESCRIPTION
31	1144-5117A1		1	END CAP ASSEMBLY, LOWER
32	25-32546		1	"O" RING, END CAP
33	26-29476		2	OIL SEAL, END CAP
34	10-69034		3	SCREW, LOWER END CAP MOUNTING (1")
35	15-20085A1		AR	SHIM, LOWER END CAP (.002-3-5-10)

CYLINDER BLOCK AND CRANKCASE COMPONENTS

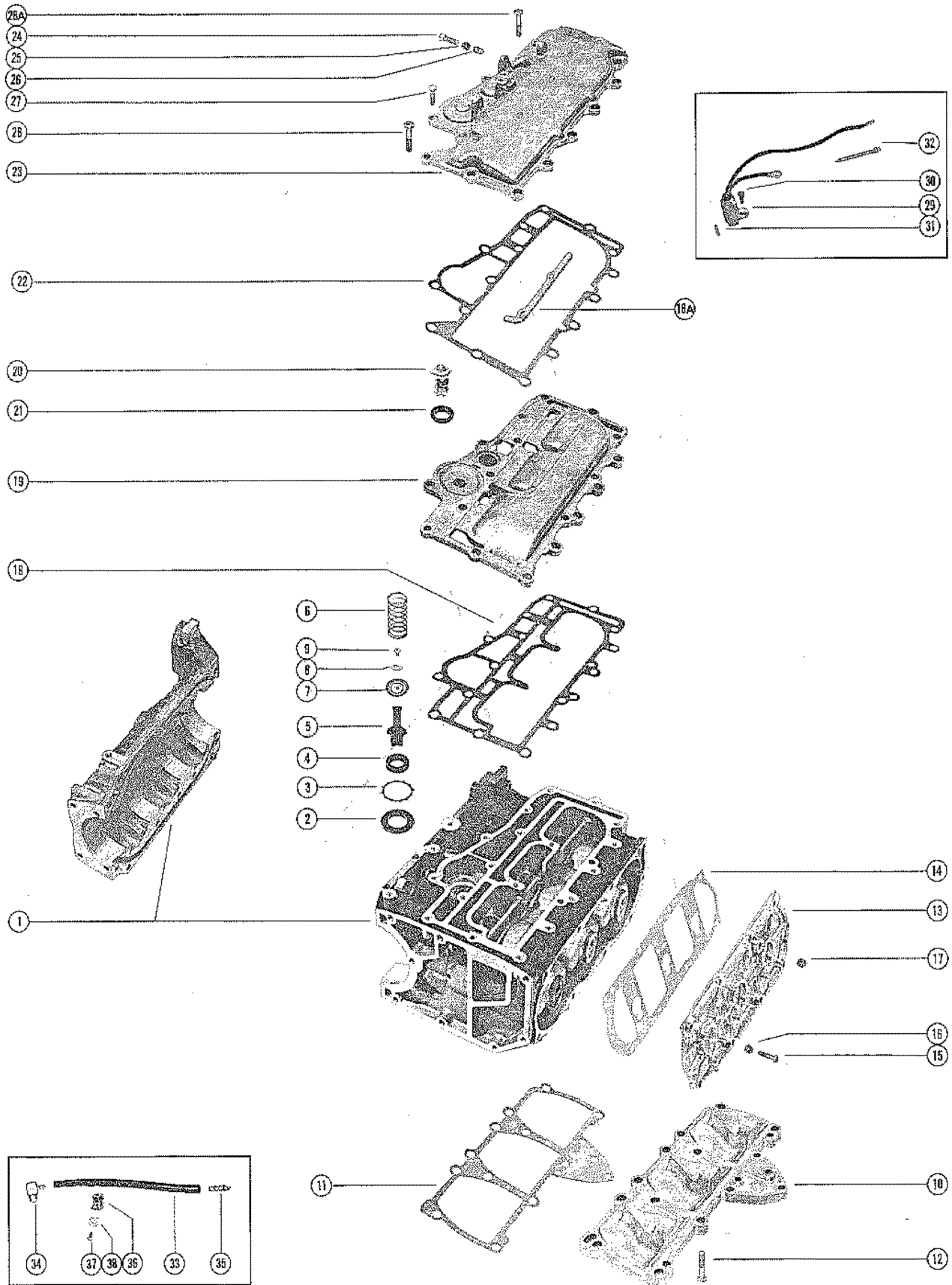


CYLINDER BLOCK AND CRANKCASE COMPONENTS

REF. NO.	PART NO.	SYM.	QTY.	DESCRIPTION
1	864-5989A3		1	CYLINDER BLOCK AND CRANKCASE ASSEMBLY (SHORT SHAFT)
	855-5059A3		1	CYLINDER BLOCK AND CRANKCASE ASSEMBLY UNITED STATES 4042111 AND BELOW AUSTRALIA 8021839 AND BELOW BELGIUM 9067868 AND BELOW CANADA 7039237 AND BELOW
	855-5646A3		1	CYLINDER BLOCK AND CRANKCASE ASSEMBLY UNITED STATES 4042112 AND UP AUSTRALIA 8021840 AND UP BELGIUM 9067869 AND UP CANADA 7039238 AND UP
2	64873		1	CARRIER, GROMMET UNITED STATES 3807832 AND BELOW AUSTRALIA 8015539 AND BELOW BELGIUM 9046298 AND BELOW CANADA 7029947 AND BELOW
	65848		1	CARRIER, GROMMET UNITED STATES 3807833 AND UP AUSTRALIA 8015540 AND UP BELGIUM 9046299 AND UP CANADA 9029948 AND UP
3	53-65264		1	RETAINER, CARRIER TO CYLINDER BLOCK UNITED STATES 3807832 AND BELOW AUSTRALIA 8015539 AND BELOW BELGIUM 9046298 AND BELOW CANADA 7029947 AND BELOW
4	25-64872		1	GROMMET, POPPET RELIEF VALVE
5	64874		1	POPPET, RELIEF VALVE UNITED STATES 4042111 AND BELOW AUSTRALIA 8021839 AND BELOW BELGIUM 9067868 AND BELOW CANADA 7039237 AND BELOW
	65409		1	POPPET, RELIEF VALVE UNITED STATES 4042112 AND UP AUSTRALIA 8021840 AND UP BELGIUM 9067869 AND UP CANADA 7039238 AND UP
6	24-65339		1	SPRING, COMPRESSION - POPPET RELIEF VALVE UNITED STATES 3807832 AND BELOW AUSTRALIA 8015539 AND BELOW BELGIUM 9046298 AND BELOW CANADA 7029947 AND BELOW
	24-64878		1	SPRING, COMPRESSION - POPPET RELIEF VALVE UNITED STATES 3807833 AND UP AUSTRALIA 8015540 AND UP BELGIUM 9046299 AND UP CANADA 9029948 AND UP
7	64877		1	DIAPHRAGM, POPPET VALVE UNITED STATES 3807833 AND UP AUSTRALIA 8015540 AND UP BELGIUM 9046299 AND UP CANADA 9029948 AND UP
8	12-64879		1	WASHER, DIAPHRAGM UNITED STATES 3807833 AND UP AUSTRALIA 8015540 AND UP BELGIUM 9046299 AND UP CANADA 9029948 AND UP
9	10-69594		1	SCREW, WASHER AND DIAPHRAGM TO POPPET VALVE UNITED STATES 3807833 AND UP AUSTRALIA 8015540 AND UP BELGIUM 9046299 AND UP CANADA 9029948 AND UP
10	58910		1	COVER, TRANSFER PASSAGE
11	27-60311		1	GASKET, TRANSFER PASSAGE COVER
12	10-38837		9	SCREW, TRANSFER PASSAGE COVER MOUNTING (1 1/8")
13	1025-4389		1	COVER, CYLINDER BLOCK
14	27-60310		1	GASKET, CYLINDER BLOCK COVER
15	10-69086		6	SCREW, CYLINDER BLOCK COVER MOUNTING (1 1/8")
16	11-46887		6	NUT, COVER MOUNTING SCREWS
17	22-32802		1	PLUG, CYLINDER BLOCK COVER
18	27-69525		1	GASKET, BAFFLE PLATE TO CYLINDER BLOCK

CONTINUED ON NEXT PAGE ➡

CYLINDER BLOCK AND CRANKCASE COMPONENTS

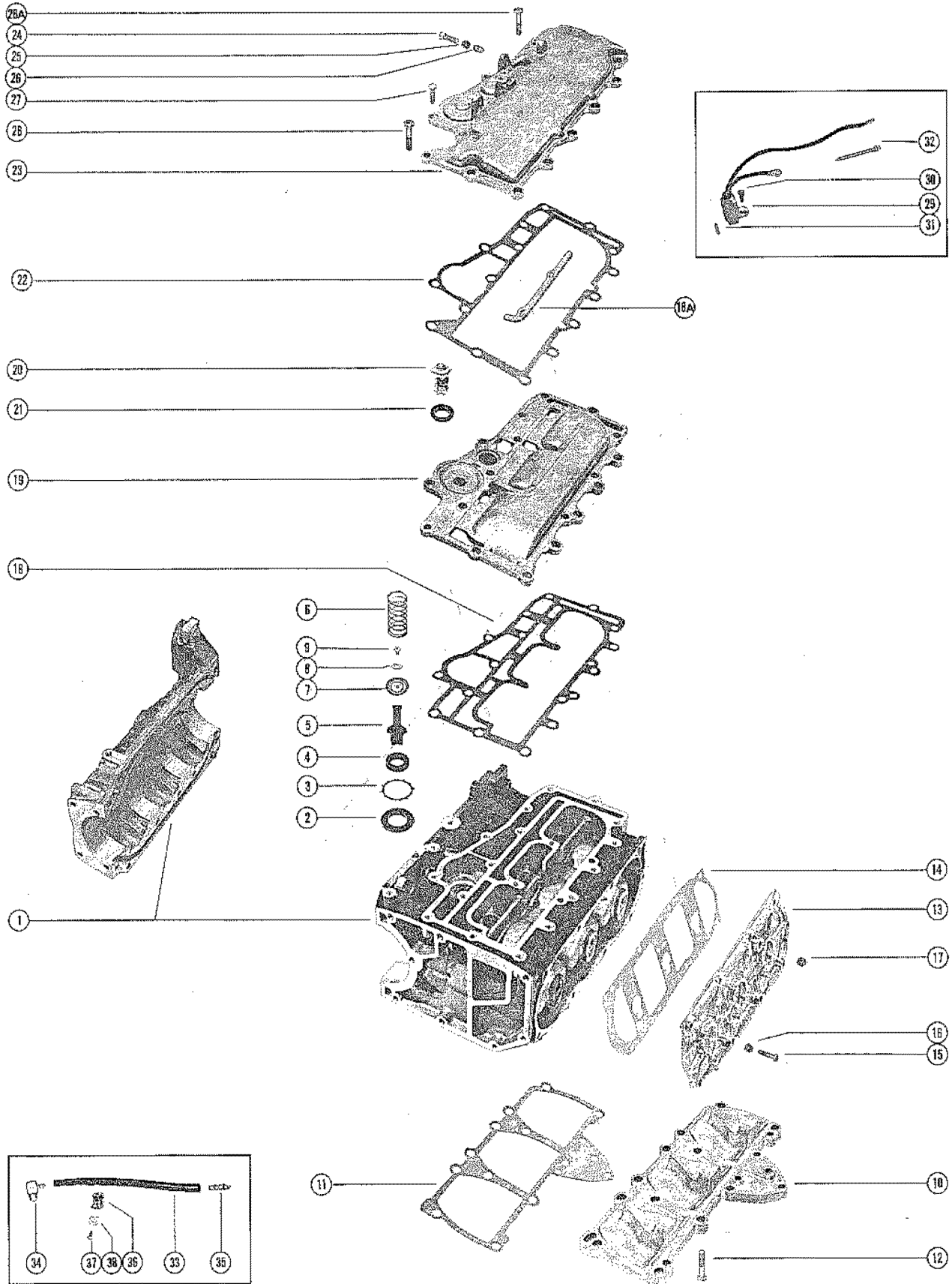


CYLINDER BLOCK AND CRANKCASE COMPONENTS

REF. NO.	PART NO.	SYM.	QTY.	DESCRIPTION
18A	27-70335		1	GASKET, BAFFLE PLATE TO CYLINDER BLOCK UNITED STATES 4042112 AND UP AUSTRALIA 8021840 AND UP BELGIUM 9067869 AND UP CANADA 7039238 AND UP
19	64856		1	PLATE, BAFFLE - EXHAUST MANIFOLD UNITED STATES 4042111 AND BELOW AUSTRALIA 8021839 AND BELOW BELGIUM 9067868 AND BELOW CANADA 7039237 AND BELOW
	69579		1	PLATE, BAFFLE - EXHAUST MANIFOLD UNITED STATES 4042112 AND UP AUSTRALIA 8021840 AND UP BELGIUM 9067869 AND UP CANADA 7039238 AND UP
20	66850		1	THERMOSTAT
21	27-62386		1	GASKET, THERMOSTAT
22	27-64859		1	GASKET, PLATE TO EXHAUST MANIFOLD COVER UNITED STATES 4042111 AND BELOW AUSTRALIA 8021839 AND BELOW BELGIUM 9067868 AND BELOW CANADA 7039237 AND BELOW
	27-69524		1	GASKET, PLATE TO EXHAUST MANIFOLD COVER UNITED STATES 4042112 AND UP AUSTRALIA 8021840 AND UP BELGIUM 9067869 AND UP CANADA 7039238 AND UP
23	64955		1	COVER, EXHAUST MANIFOLD UNITED STATES 3807832 AND BELOW AUSTRALIA 8015539 AND BELOW BELGIUM 9046298 AND BELOW CANADA 7029947 AND BELOW
	65945		1	COVER, EXHAUST MANIFOLD UNITED STATES 3807833 THRU 4042111 AUSTRALIA 8015540 THRU 8021839 BELGIUM 9046299 THRU 9067868 CANADA 7029948 THRU 7039237
	69526		1	COVER, EXHAUST MANIFOLD UNITED STATES 4042112 AND UP AUSTRALIA 8021840 AND UP BELGIUM 9067869 AND UP CANADA 7039238 AND UP
24	10-64022		3	SCREW, THROTTLE LEVER ADJUSTING (2 1/8")
25	11-20890		3	NUT, THROTTLE LEVER ADJUSTING SCREWS
26	52023		3	CAP, NYLON - THROTTLE LEVER ADJUSTING SCREWS
27	10-38837		1	SCREW, PLATE AND MANIFOLD COVER MOUNTING (1 1/8")
28	10-69092		15	SCREW, PLATE AND MANIFOLD COVER MOUNTING (1 1/4")
28A	10-70602		2	SCREW, PLATE/MANIFOLD COVER MOUNTING (2") UNITED STATES 4042112 AND UP AUSTRALIA 8021840 AND UP BELGIUM 9067869 AND UP CANADA 7039238 AND UP
29	58124A15		1	SWITCH, MERCURY
30	10-37655		1	SCREW, MERCURY SWITCH TO CRANKCASE (1/2")
31	17-36242		2	PIN, ROLL - MERCURY SWITCH
32	61990		1	STA-STRAP, MERCURY SWITCH LEAD
33	32-60584		1	HOSE, CRANKCASE BLEED (12") UNITED STATES 3807832 AND BELOW AUSTRALIA 8015539 AND BELOW BELGIUM 9046298 AND BELOW CANADA 7029947 AND BELOW
34	21-64871A1		1	FITTING, CRANKCASE BLEED UNITED STATES 3807832 AND BELOW AUSTRALIA 8015539 AND BELOW BELGIUM 9046298 AND BELOW CANADA 7029947 AND BELOW
35	22-56759		1	FITTING, CRANKCASE BLEED UNITED STATES 3807832 AND BELOW AUSTRALIA 8015539 AND BELOW BELGIUM 9046298 AND BELOW CANADA 7029947 AND BELOW

CONTINUED ON NEXT PAGE ➡

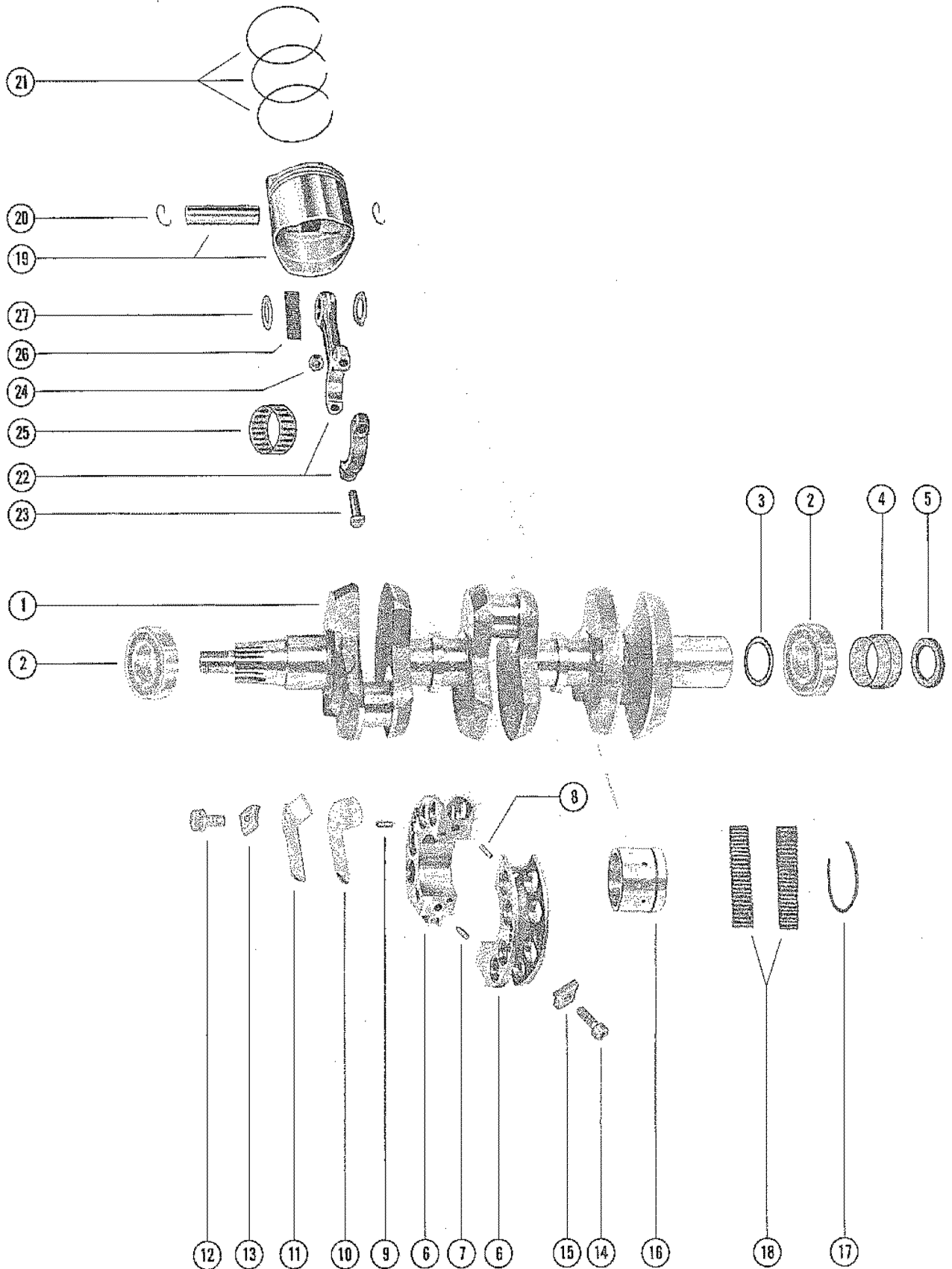
CYLINDER BLOCK AND CRANKCASE COMPONENTS



CYLINDER BLOCK AND CRANKCASE COMPONENTS

REF. NO.	PART NO.	SYM.	QTY.	DESCRIPTION
33	32-54936		1	HOSE, CRANKCASE BLEED PART OF CYL. BLOCK AND CRANKCASE ASS'Y UNITED STATES 3807833 AND UP AUSTRALIA 8015540 AND UP BELGIUM 9046299 AND UP CANADA 9029948 AND UP
34	21-64871A3		1	FITTING, CRANKCASE BLEED PART OF CYL. BLOCK AND CRANKCASE ASS'Y U.S. 3807833 AND UP AUSTRALIA 8015540 AND UP BELGIUM 9046299 AND UP CANADA 9029948 AND UP
35	22-65857		1	FITTING, CRANKCASE BLEED PART OF CYL. BLOCK AND CRANKCASE ASS'Y U.S. 3807833 AND UP AUSTRALIA 8015540 AND UP BELGIUM 9046299 AND UP CANADA 9029948 AND UP
36	54-64855		1	CLIP, BLEED HOSE
37	10-30663		1	SCREW, BLEED HOSE CLIP TO BOTTOM STARTER MOTOR COVER
38	22789		1	"C" WASHER, BLEED HOSE CLIP

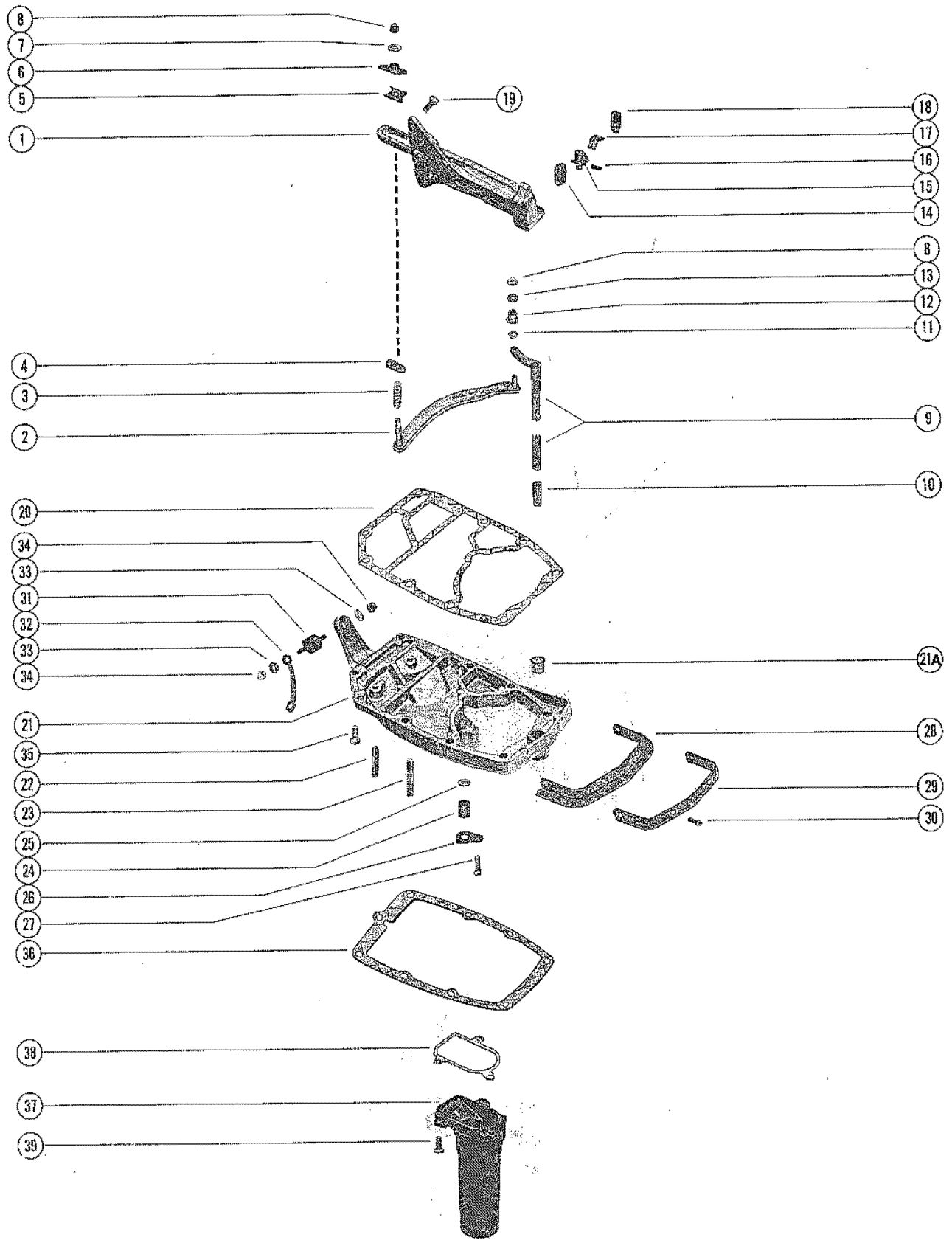
CRANKSHAFT, PISTONS AND CONNECTING RODS



CRANKSHAFT, PISTONS AND CONNECTING RODS

REF. NO.	PART NO.	SYM.	QTY.	DESCRIPTION
1	450-4393A2		1	CRANKSHAFT ASSEMBLY
2	30-64424		2	BEARING, BALL - LOWER AND UPPER
3	15-22369A1		AR	SHIM, LOWER BEARING TO CRANKSHAFT
4	60834A3		1	CARRIER ASSEMBLY, "O" RING
5	64254		1	"O" RING, CARRIER
6	542-4846A7		2	MAIN BEARING ASSEMBLY (VALVE TYPE)
7	17-20032		4	DOWEL PIN, MAIN BEARING
8	17-60282		2	DOWEL PIN (STEPPED)
9	17-65855		16	DOWEL PIN, REED STOP
10	34-66051A1		2	REED SET, MATCHED - MAIN BEARING
11	34-65946		8	REED STOP
12	10-53481		8	SCREW, REED STOP MOUNTING (9/16")
13	11-20110		8	NUT, REED STOP MOUNTING SCREW
14	10-45775		4	SCREW, MAIN BEARING CLAMPING (9/16")
15	11-45774		4	NUT, MAIN BEARING SCREW CLAMPING
16	26113		2	RACE, OUTER (PAIR)
17	53-26933		2	RING, SNAP - OUTER RACE CLAMPING
18	29-52168		112	BEARING, NEEDLE
19	745-5218A3		3	PISTON AND PISTON PIN ASSEMBLY
20	40-52035		6	LOCK RING, PISTON PIN
21	39-45155A12		1	RING, PISTON
22	622-4850A3		3	CONNECTING ROD AND CAP ASSEMBLY
23	10-54803		6	SCREW, CAP TO CONNECTING ROD (1 1/2")
24	11-49091		6	NUT, CONNECTING ROD SCREW
25	31-62596A1		3	BEARING ASSEMBLY, CRANKPIN
26	29-47270		87	BEARING, NEEDLE - PISTON PIN
27	12-47247		6	WASHER, NEEDLE LOCATING
-	745-5303A2		3	PISTON AND PISTON PIN ASSEMBLY (.015) OVERSIZE PISTON AND RING
-	39-45204A12		1	RING, PISTON (.015) OVERSIZE PISTON AND RING

SHIFT LINKAGE AND EXHAUST PLATE

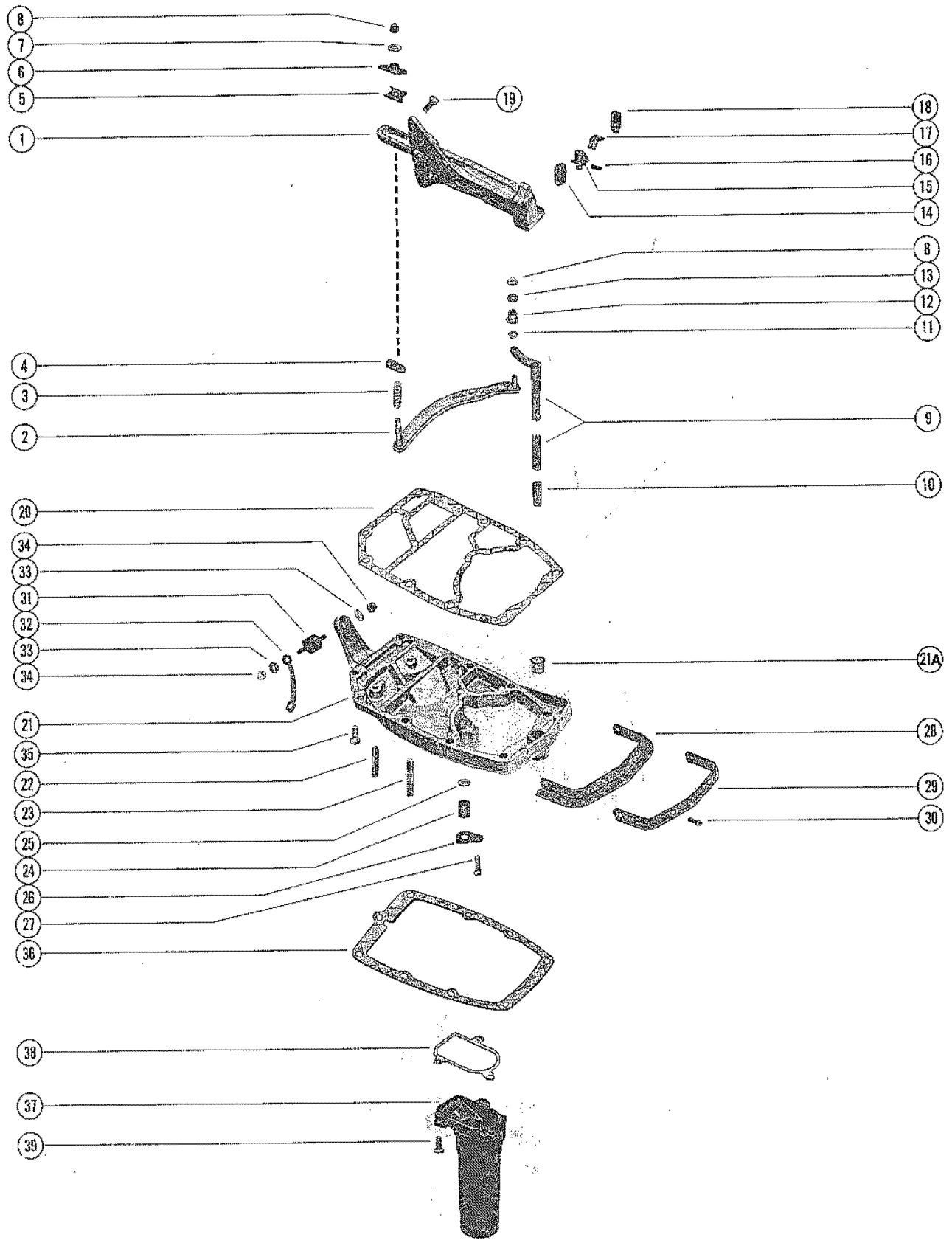


SHIFT LINKAGE AND EXHAUST PLATE

REF. NO.	PART NO.	SYM.	QTY.	DESCRIPTION
1	58908		1	BRACKET, ANCHOR - CONTROL CABLES
2	60283A1		1	LINK ASSEMBLY, SHIFT SHAFT AND ANCHOR BRACKET
3	24-20099		1	SPRING, LINK TO ANCHOR BRACKET
4	37896		1	GUIDE BLOCK, LINK
5	52100		1	WEAR PLATE, NYLON - LINK
6	38279		1	LATCH, LINK TO ANCHOR BRACKET
7	12-21631		1	WASHER, LINK LATCH
8	11-20664		2	NUT, LINK ATTACHING
9	60304A2		1	SHIFT SHAFT ASSEMBLY, UPPER (SHORT SHAFT) UNITED STATES 4259239 AND BELOW AUSTRALIA 8029514 AND BELOW BELGIUM 9096013 AND BELOW CANADA 7058207 AND BELOW
	60304A1		1	SHIFT SHAFT, ASSEMBLY, UPPER (LONG SHAFT) UNITED STATES 4259239 AND BELOW AUSTRALIA 8029514 AND BELOW BELGIUM 9096013 AND BELOW CANADA 7058207 AND BELOW
10	55692		1	COUPLING, SHIFT SHAFT UNITED STATES 4259239 AND BELOW AUSTRALIA 8029514 AND BELOW BELGIUM 9096013 AND BELOW CANADA 7058207 AND BELOW
9	69785A3		1	SHIFT SHAFT ASSEMBLY, UPPER (SHORT SHAFT) UNITED STATES 4259240 AND UP BELGIUM 9096014 AND UP CANADA 7058208 AND UP
	69785A4		1	SHIFT SHAFT ASSEMBLY, UPPER (LONG SHAFT) UNITED STATES 4259240 AND UP BELGIUM 9096014 AND UP CANADA 7058208 AND UP
11	13-29720		1	WASHER, WAVE - SHIFT SHAFT TO LINK
12	23-26600		1	BUSHING, NYLON - SHIFT SHAFT TO LINK
13	12-24664		1	WASHER, LINK (SHIFT SHAFT END)
14	39519		1	CUP, RETAINER - ANCHOR BRACKET
15	39618		1	LEVER, NYLON - SHIFT CABLE LOCKING
16	17-47175		3	PIN, LOCKING LEVER AND COVER FASTENING
17	39536		1	LINK, LOCKING LEVER TO COVER UNITED STATES 3807832 AND BELOW AUSTRALIA 8015539 AND BELOW BELGIUM 9046298 AND BELOW CANADA 7029947 AND BELOW
	65799		1	LINK, LOCKING LEVER TO COVER UNITED STATES 3807833 AND UP AUSTRALIA 8015540 AND UP BELGIUM 9046299 AND UP CANADA 9029948 AND UP
18	39667		1	COVER, NYLON - SHIFT CABLE
19	10-69101		3	SCREW, ANCHOR BRACKET TO CRANKCASE/CYL. BLOCK (7/8")
20	27-60317		1	GASKET, POWERHEAD TO EXHAUST PLATE
21	64965A4		1	EXHAUST PLATE ASSEMBLY UNITED STATES 3660087 AND BELOW AUSTRALIA 8009824 AND BELOW BELGIUM 9031353 AND BELOW CANADA 7019757 AND BELOW
	65354A4		1	EXHAUST PLATE ASSEMBLY UNITED STATES 3660088 THRU 4136684 AUSTRALIA 8009825 THRU 8029189 BELGIUM 9031354 THRU 9082138 CANADA 7019758 THRU 7051132

CONTINUED ON NEXT PAGE ➡

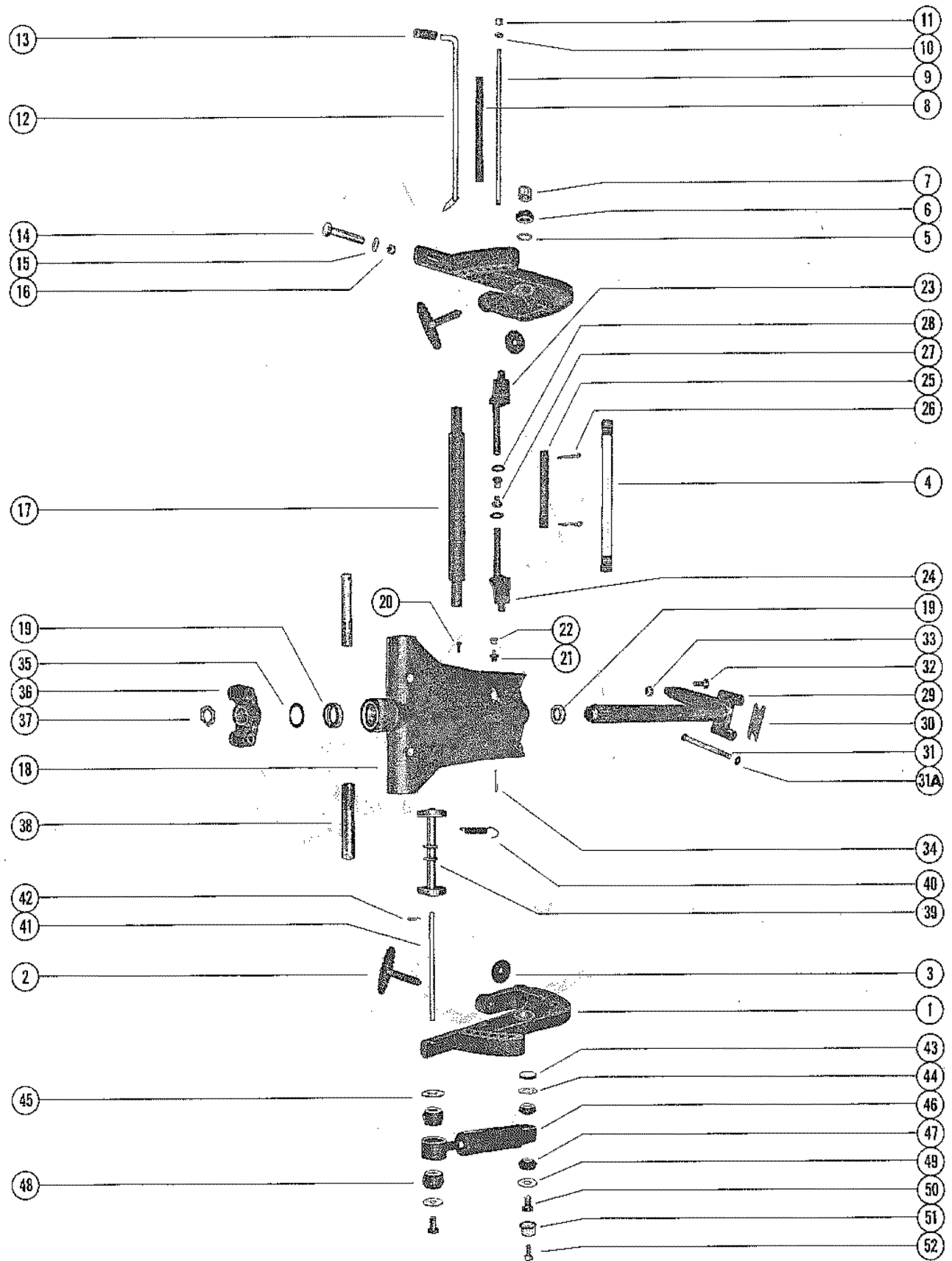
SHIFT LINKAGE AND EXHAUST PLATE



SHIFT LINKAGE AND EXHAUST PLATE

REF. NO.	PART NO.	SYM.	QTY.	DESCRIPTION
21	72268A1		1	EXHAUST PLATE ASSEMBLY UNITED STATES 4136685 AND UP AUSTRALIA 8029190 AND UP BELGIUM 9082139 AND UP CANADA 7051133 AND UP
21A	23-27132		1	BUSHING, NYLON - EXHAUST PLATE UNITED STATES 4136685 AND UP AUSTRALIA 8029190 AND UP BELGIUM 9082139 AND UP CANADA 7051133 AND UP
22	16-69058		1	STUD, EXHAUST PLATE TO DRIVE SHAFT HOUSING (1 11/16")
23	16-68166		1	STUD, EXHAUST PLATE TO DRIVE SHAFT HOUSING (2 1/8")
24	73156		1	SEAL, WATER INLET TUBE
25	12-38453		1	WASHER, NYLON - WATER INLET TUBE SEAL
26	38500		1	RETAINER, WATER INLET TUBE SEAL
27	10-69069		1	SCREW, RETAINER TO EXHAUST PLATE (3/4")
28	60307		1	SEAL, EXHAUST PLATE
29	60306		1	STRIP, RETAINING - EXHAUST PLATE SEAL
30	10-62568		4	SCREW, RETAINING STRIP TO EXHAUST PLATE (3/8")
31	63007		1	MOUNT, RUBBER - EXHAUST PLATE TO REAR COWL SUPPORT
32	49651A1		1	GROUND STRAP ASS'Y, EXHAUST PLATE TO REAR COWL SUPPORT
33	12-20346		2	WASHER, RUBBER MOUNT ATTACHING
34	11-20361		2	NUT, RUBBER MOUNT TO EXHAUST PLATE
35	10-37562		3	SCREW, EXHAUST PLATE TO CYLINDER BLOCK (1")
36	27-38501		1	GASKET, ADAPTOR PLATE TO DRIVE SHAFT HOUSING
37	58911		1	EXHAUST TUBE, ADAPTOR
38	27-60280		1	GASKET, EXHAUST TUBE TO EXHAUST PLATE
39	10-28636		3	SCREW, EXHAUST TUBE TO EXHAUST PLATE (3/4")

CLAMP AND SWIVEL BRACKET ASSEMBLY

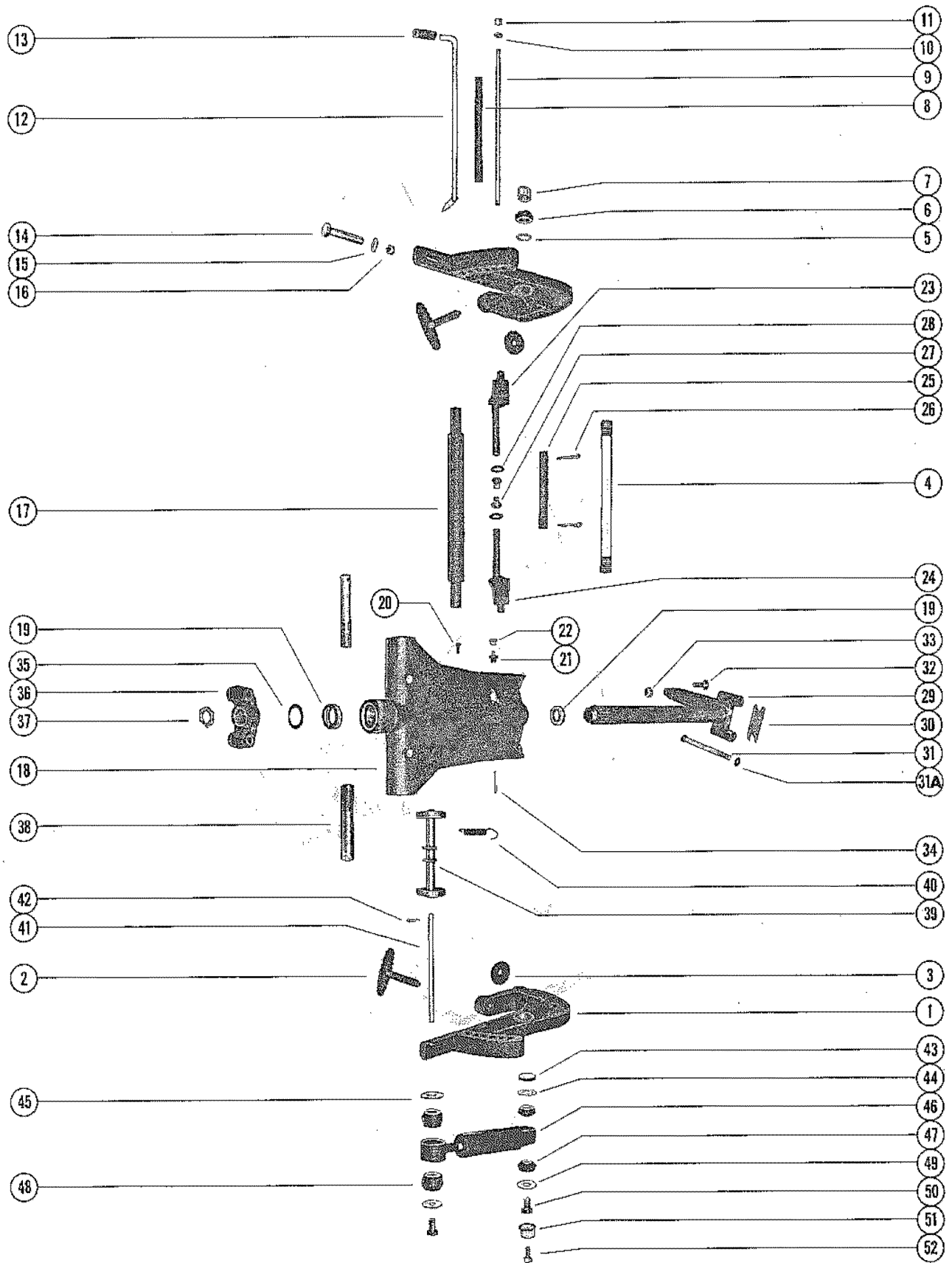


CLAMP AND SWIVEL BRACKET ASSEMBLY

REF. NO.	PART NO.	SYM.	QTY.	DESCRIPTION
1	1440-5311A1		2	CLAMP BRACKET ASSEMBLY UNITED STATES 4136684 AND BELOW AUSTRALIA 8029189 AND BELOW BELGIUM 9082138 AND BELOW CANADA 7051132 AND BELOW
2	28403A3		2	THUMB SCREW ASSEMBLY UNITED STATES 4136684 AND BELOW AUSTRALIA 8029189 AND BELOW BELGIUM 9082138 AND BELOW CANADA 7051132 AND BELOW
3	12-28404		2	WASHER, THUMB SCREW UNITED STATES 4136684 AND BELOW AUSTRALIA 8029189 AND BELOW BELGIUM 9082138 AND BELOW CANADA 7051132 AND BELOW
1	1440-5576A1		2	CLAMP BRACKET ASSEMBLY UNITED STATES 4136685 AND UP AUSTRALIA 8029190 AND UP BELGIUM 9082139 AND UP CANADA 7051133 AND UP
2	69214A1		2	THUMB SCREW ASSEMBLY UNITED STATES 4136685 AND UP AUSTRALIA 8029190 AND UP BELGIUM 9082139 AND UP CANADA 7051133 AND UP
3	12-70988		2	WASHER, THUMB SCREW UNITED STATES 4136685 AND UP AUSTRALIA 8029190 AND UP BELGIUM 9082139 AND UP CANADA 7051133 AND UP
4	30664		1	TUBE, TILT - CLAMP BRACKET TO SWIVEL BRACKET
5	12-52864		2	WASHER, CLAMP BRACKET TILT TUBE
6	11-30499		2	NUT, TILT TUBE FASTENING
7	53078		2	CAP, PLASTIC - TILT TUBE
8	23-59624		1	SPACER, CLAMP BRACKET SUTD
9	16-59625		1	STUD, CLAMP BRACKET (9 1/2")
10	13-26993		2	LOCKWASHER, CLAMP BRACKET STUD
11	11-28770		2	NUT, CLAMP BRACKET STUD
12	17-49930A1		1	TILT LOCK PIN ASSEMBLY
13	32-28053		1	SLEEVE, RUBBER - TILT LOCK PIN BUMPER
14	10-68298		2	BOLT, CLAMP BRACKET TO BOAT TRANSCOM (3 1/4")
15	12-68410		2	WASHER, CLAMP BRACKET BOLT
14	10-68299		2	BOLT, CLAMP BRACKET TO BOAT TRANSCOM (3")
15	12-68300		2	WASHER, CLAMP BRACKET BOLT
16	11-68411		4	NUT, CLAMP BRACKET BOLT
17	55-28416		1	PIN, UPPER SHOCK MOUNTING
18	1472-5047A1		1	SWIVEL BRACKET ASSEMBLY (SHORT SHAFT)
	1473-5048A1		1	SWIVEL BRACKET ASSEMBLY (LONG SHAFT)
19	26-32911		3	OIL SEAL, SWIVEL BRACKET
20	10-47828		1	SCREW, DRIVE - SWIVEL BRACKET
21	22-69059		1	FITTING, GREASE
22	29359		1	LUBRICAP, SWIVEL BRACKET GREASE FITTING
23	47799A1		1	TILT LOCK ASSEMBLY, STARBOARD
24	47800A1		1	TILT LOCK ASSEMBLY, PORT
25	47802		1	RUBE, TILT LOCK
26	18-47959		2	COTTER PIN, TILT LOCK
27	23-71574		2	BUSHING, TILT LOCK TUBE
28	13-69150		2	WASHER, WAVE - TILT LOCK TUBE

CONTINUED ON NEXT PAGE ➡

CLAMP AND SWIVEL BRACKET ASSEMBLY

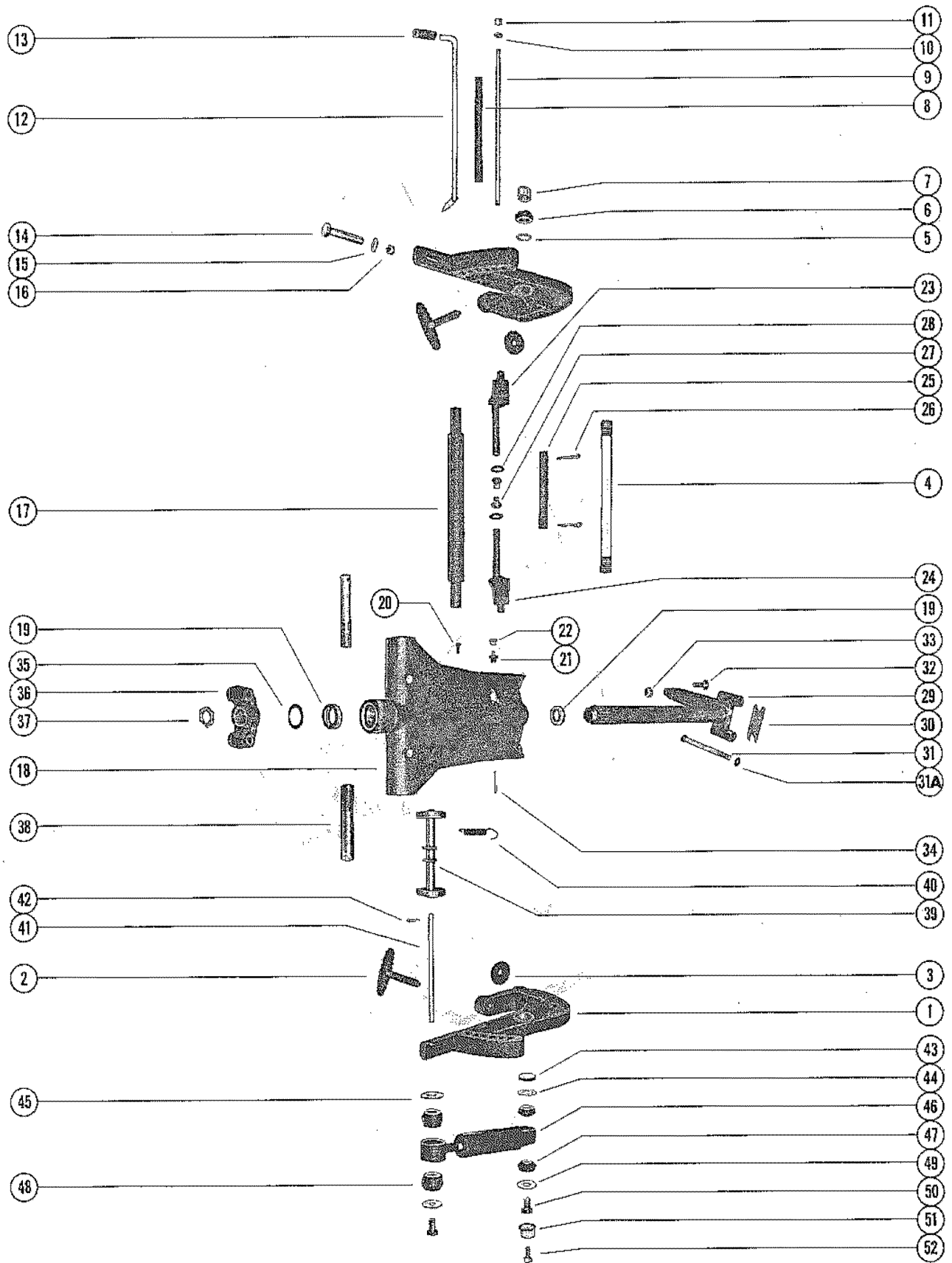


CLAMP AND SWIVEL BRACKET ASSEMBLY

REF. NO.	PART NO.	SYM.	QTY.	DESCRIPTION
29	60316A2		1	SWIVEL PIN AND STEERING ARM ASSEMBLY (SHORT SHAFT) UNITED STATES 4136684 AND BELOW AUSTRALIA 8021839 AND BELOW BELGIUM 9067868 AND BELOW CANADA 7039237 AND BELOW
	60316A1		1	SWIVEL PIN AND STEERING ARM ASSEMBLY (LONG SHAFT) UNITED STATES 4136684 AND BELOW AUSTRALIA 8021839 AND BELOW BELGIUM 9067868 AND BELOW CANADA 7039237 AND BELOW
	66898A2		1	SWIVEL PIN AND STEERING ARM ASSEMBLY (SHORT SHAFT) UNITED STATES 4136685 AND UP AUSTRALIA 8021840 AND UP BELGIUM 9067869 AND UP CANADA 7039238 AND UP
	66898A1		1	SWIVEL PIN AND STEERING ARM ASSEMBLY (LONG SHAFT) UNITED STATES 4136685 AND UP AUSTRALIA 8021840 AND UP BELGIUM 9067869 AND UP CANADA 7039238 AND UP
30	30711		1	BUMPER, STEERING ARM
31	10-33986		2	BOLT, UPPER MOUNT TO SWIVEL PIN (3/8 X 5 1/4") UNITED STATES 4136684 AND BELOW AUSTRALIA 8021839 AND BELOW BELGIUM 9067868 AND BELOW CANADA 7039237 AND BELOW
	10-66897		2	BOLT, UPPER MOUNT TO SWIVEL PIN (7/16 X 5 1/4") UNITED STATES 4136685 AND UP AUSTRALIA 8021840 AND UP BELGIUM 9067869 AND UP CANADA 7039238 AND UP
31A	12-35935		2	WASHER, UPPER MOUNT BOLT
32	10-31830		1	SCREW, RIDE-GUIDE ATTACHING (1 3/4") UNITED STATES 3807832 AND BELOW AUSTRALIA 8015539 AND BELOW BELGIUM 9046298 AND BELOW CANADA 7029947 AND BELOW
33	11-20509		1	NUT, RIDE-GUIDE ATTACHING SCREW UNITED STATES 3807832 AND BELOW AUSTRALIA 8015539 AND BELOW BELGIUM 9046298 AND BELOW CANADA 7029947 AND BELOW
34	17-25598		1	PIN, REVERSE LOCK SPRING ATTACHING
35	12-25176		1	WASHER, SWIVEL PIN TO BOTTOM YOKE (.062)
	12-26837		AR	WASHER, SWIVEL PIN TO BOTTOM YOKE (.065)
36	57452		1	YOKE, BOTTOM UNITED STATES 4136684 AND BELOW AUSTRALIA 8029189 AND BELOW BELGIUM 9082138 AND BELOW CANADA 7051132 AND BELOW
	69654		1	YOKE, BOTTOM UNITED STATES 4136685 AND UP AUSTRALIA 8029190 AND UP BELGIUM 9082139 AND UP CANADA 7051133 AND UP
37	11-71956		1	NUT, SWIVEL PIN RETAINING
38	55-69653		2	PIN, LOWER SHOCK MOUNTING
39	70691		1	REVERSE LOCK
40	24-29821		1	SPRING, REVERSE LOCK TENSION
41	56349		1	SHAFT, REVERSE LOCK PIVOT
42	18-45882		1	COTTER PIN, REVERSE LOCK TO SHAFT
43	23-28199		2	SPACER, UPPER SHOCK BUSHING TO CLAMP BRACKET
44	12-28196		2	WASHER, UPPER BUSHING RETAINER (INNER)
45	12-59378		2	WASHER, LOWER BUSHING RETAINER (INNER)
46	55-58780A2		2	SHOCK ABSORBER

CONTINUED ON NEXT PAGE ➡

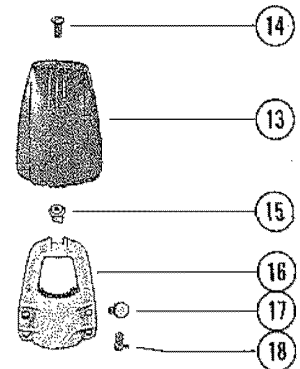
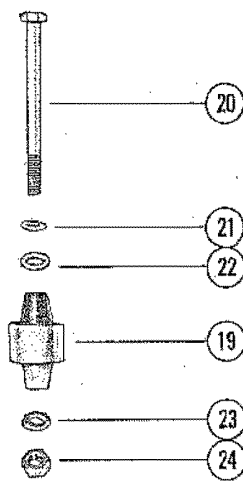
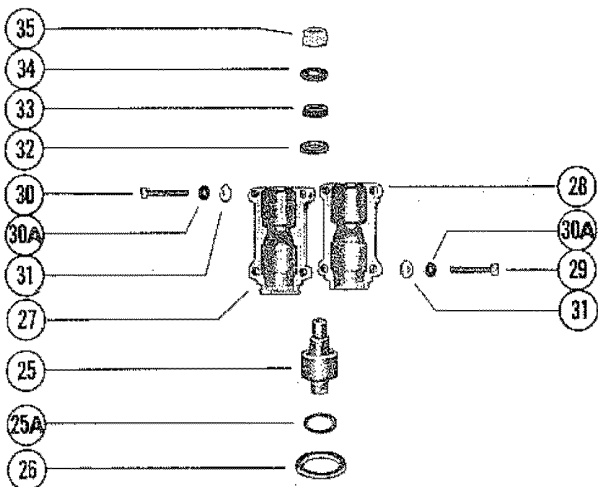
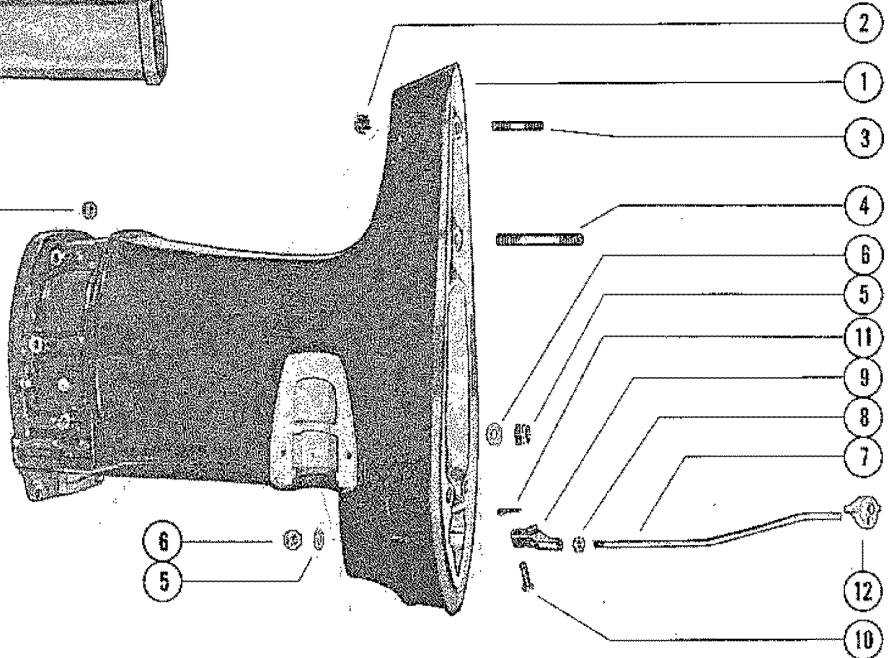
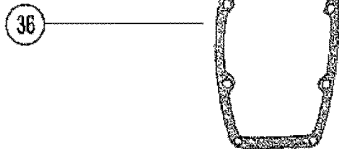
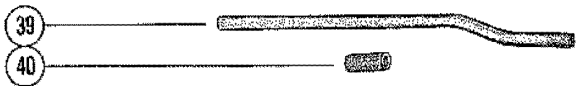
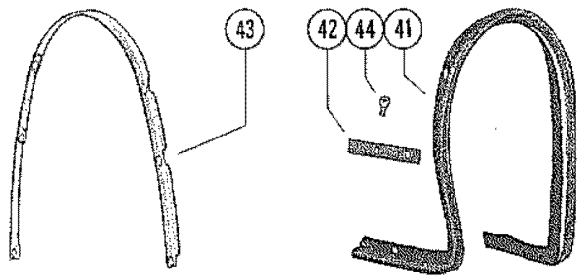
CLAMP AND SWIVEL BRACKET ASSEMBLY



CLAMP AND SWIVEL BRACKET ASSEMBLY

REF. NO.	PART NO.	SYM.	QTY.	DESCRIPTION
47	23-32171		4	BUSHING, RUBBER - SHOCK ABSORBER (UPPER)
48	23-28198		4	BUSHING, RUBBER - SHOCK ABSORBER (LOWER)
49	12-28421		4	WASHER, UPPER AND LOWER BUSHING RETAINER (OUTER)
50	10-53077		4	SCREW, UPPER AND LOWER SHOCK MOUNTING PIN (3/4")
51	70679		4	COVER, UPPER AND LOWER SHOCK MOUNTING PIN
52	10-37655		4	SCREW, COVER TO SHOCK MOUNTING SCREWS (1/2")

DRIVE SHAFT HOUSING ASSEMBLY

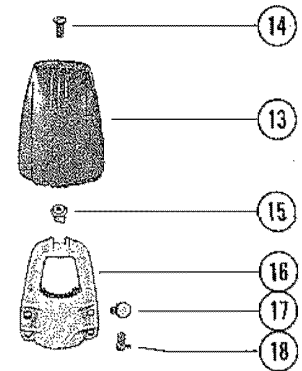
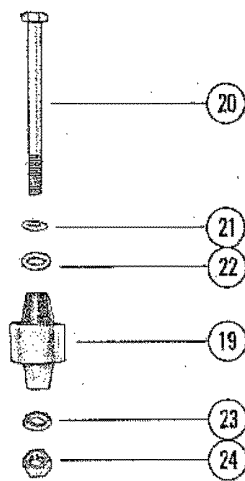
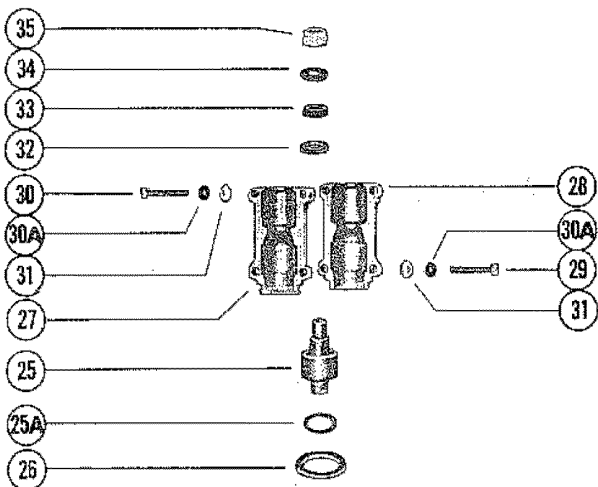
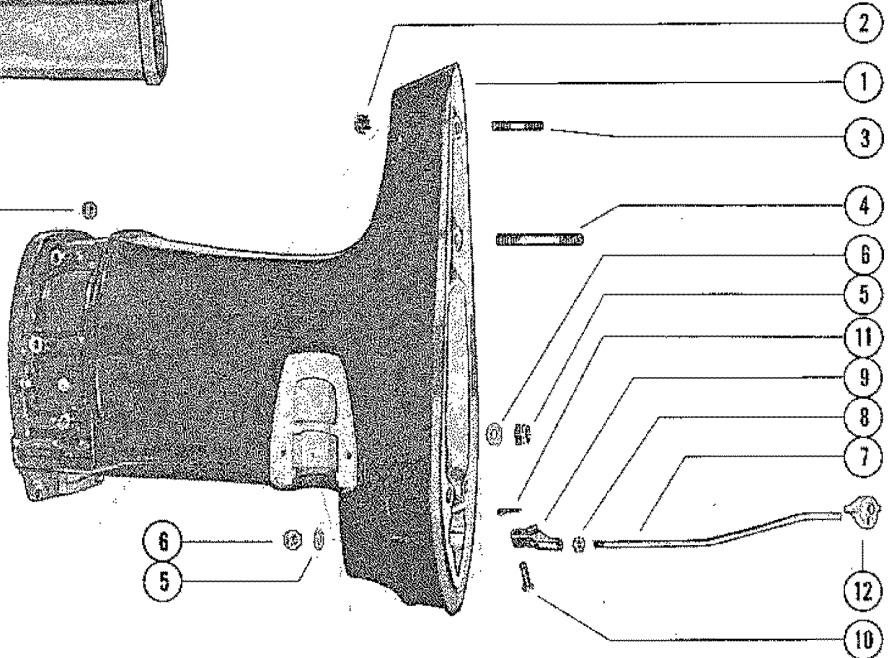
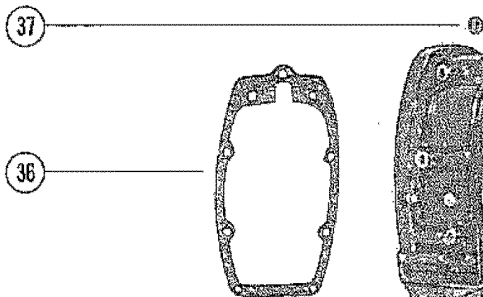
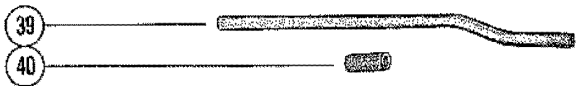
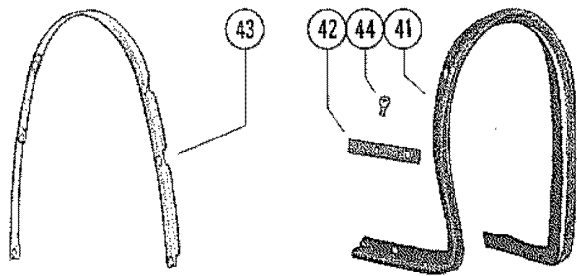


DRIVE SHAFT HOUSING ASSEMBLY

REF. NO.	PART NO.	SYM.	QTY.	DESCRIPTION
1	1554-4813A2		1	DRIVE SHAFT HOUSING ASSEMBLY (SHORT SHAFT)
	1564-4812A2		1	DRIVE SHAFT HOUSING ASSEMBLY (LONG SHAFT)
2	19-64649		1	PLUG, PLASTIC - TRIM TAB SCREW HOLE
3	16-57932		1	STUD, DRIVE SHAFT HOUSING TO GEAR HOUSING (1 3/4")
4	16-57935		1	STUD, DRIVE SHAFT HOUSING TO GEAR HOUSING (3")
5	12-65791		2	WASHER, GEAR HOUSING TO DRIVE SHAFT HOUSING STUDS
6	11-34933		2	NUT, GEAR HOUSING TO DRIVE SHAFT HOUSING STUDS (7/16")
7	47835		1	ROD, PUSH - REVERSE LOCK (SHORT SHAFT)
	47836		1	ROD, PUSH - REVERSE LOCK (LONG SHAFT)
8	11-28770		1	NUT, JAM - PUSH ROD
9	47837		1	ROD END, PUSH ROD
10	17-39023		1	PIN, PUSH ROD TO REVERSE LOCK
11	18-25191		1	COTTER PIN, PUSH ROD PIN
12	52917		1	GUDIE, PUSH ROD UNITED STATES 4259239 AND BELOW AUSTRALIA 8029514 AND BELOW BELGIUM 9096013 AND BELOW CANADA 7058207 AND BELOW
	69786		1	GUIDE, PUSH ROD UNITED STATES 4259240 AND UP BELGIUM 9096014 AND UP CANADA 7058208 AND UP
13	35474		2	COVER, LOWER MOUNT CLAMP
14	10-29722		2	SCREW, COVER TO LOWER MOUNT CLAMP (5/8")
15	11-35521		2	NUT, LOWER MOUNT CLAMP COVER
16	35473		2	CLAMP, LOWER MOUNT TO DRIVE SHAFT HOUSING UNITED STATES 4136684 AND BELOW AUSTRALIA 8029189 AND BELOW BELGIUM 9082138 AND BELOW CANADA 7051132 AND BELOW
	69592		2	CLAMP, LOWER MOUNT TO DRIVE SHAFT HOUSING UNITED STATES 4136685 AND UP AUSTRALIA 8029190 AND UP BELGIUM 9082139 AND UP CANADA 7051133 AND UP
17	10-29256		4	SCREW, LOWER MOUNT CLAMP TO DRIVE SHAFT HOUSING (7/8")
18	24-35522		4	SPRING TENISON - LOWER MOUNT CLAMP
19	37395		2	MOUNT, RUBBER - LOWER
20	10-49318		2	SCREW, LOWER MOUNT (5 1/2")
21	12-28051		2	WASHER, LOWER MOUNT SCREW
22	12-28053		2	WASHER, RUBBER - LOWER MOUNT SCREW
23	12-61709		2	WASHER, LOWER MOUNT SCREW
24	11-25096		2	NUT, LOWER MOUNT SCREW
25	37394		2	MOUNT, RUBBER - UPPER UNITED STATES 4136684 AND BELOW AUSTRALIA 8021839 AND BELOW BELGIUM 9067868 AND BELOW CANADA 7039237 AND BELOW
	66883		2	MOUNT, RUBBER - UPPER UNITED STATES 4136685 AND UP AUSTRALIA 8021840 AND UP BELGIUM 9067869 AND UP CANADA 7039238 AND UP
25A	25-65936		2	"O" RING, UPPER MOUNT UNITED STATES 3807833 AND UP AUSTRALIA 8015540 AND UP BELGIUM 9046299 AND UP CANADA 9029948 AND UP

CONTINUED ON NEXT PAGE ➡

DRIVE SHAFT HOUSING ASSEMBLY

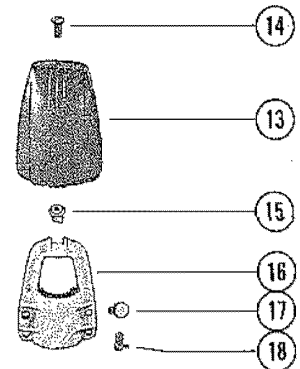
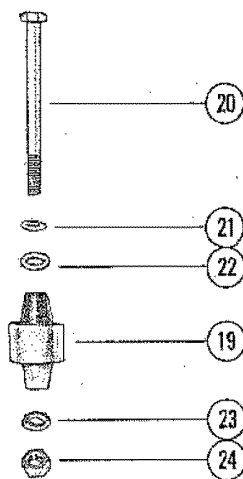
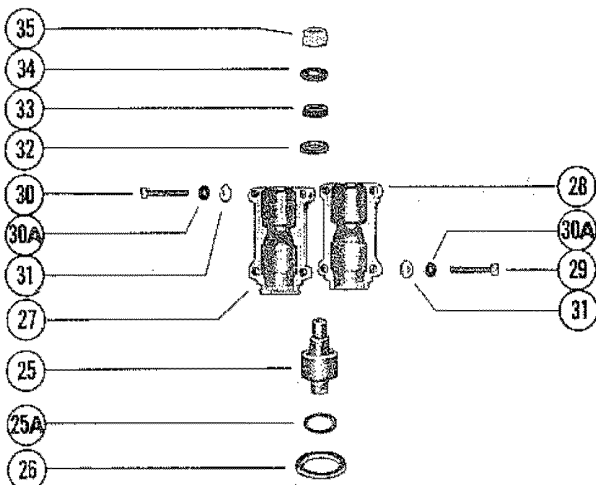
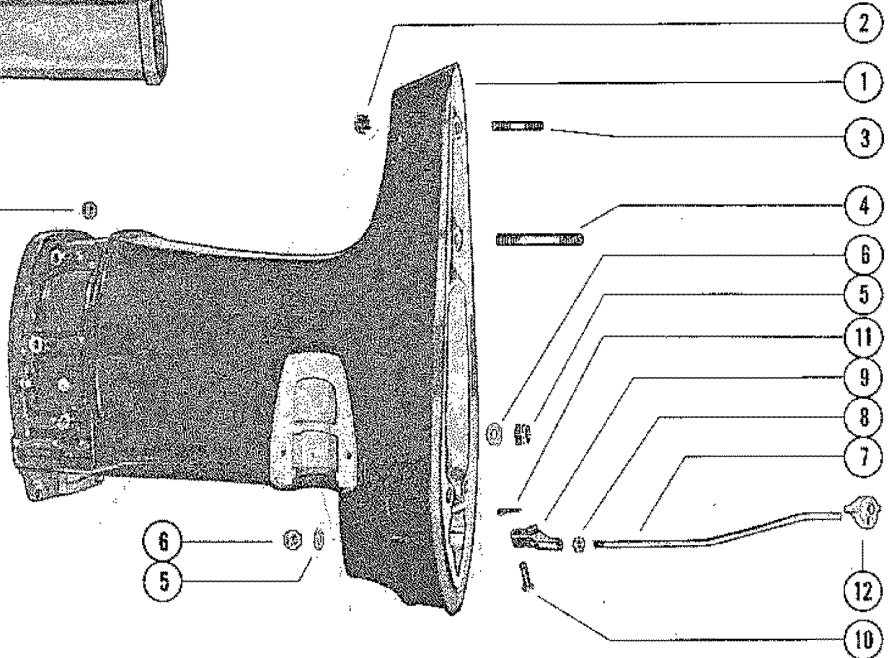
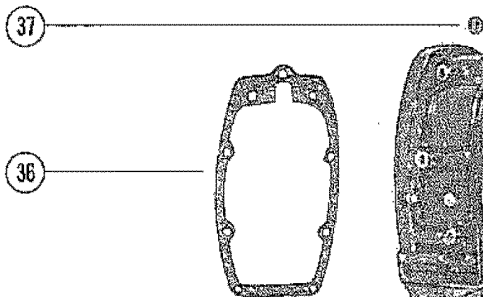
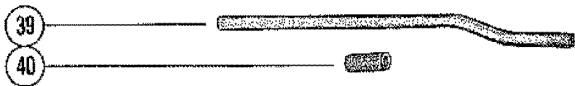
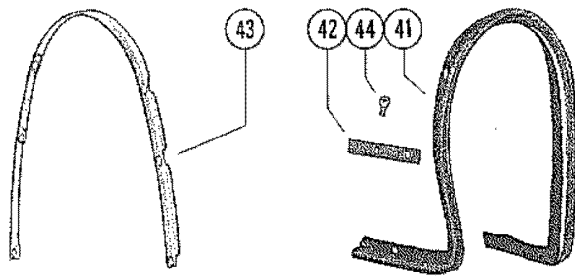


DRIVE SHAFT HOUSING ASSEMBLY

REF. NO.	PART NO.	SYM.	QTY.	DESCRIPTION
26	24929		2	PACKING, "U" CUP - UPPER MOUNT SCREW
27	24935		2	COVER, UPPER MOUNT - OUTSIDE HALF
28	31120		2	COVER, UPPER MOUNT - INSIDE HALF
29	10-71959		4	SCREW, UPPER MOUNT COVER - REAR (1 1/2")
30	10-71958		4	SCREW, UPPER MOUNT COVER - FRONT (1 3/4")
30A	12-29245		8	WASHER, UPPER MOUNT COVER SCREW
31	11-69431		8	NUT, UPPER MOUNT COVER SCREW
32	12-30520		2	WASHER, UPPER MOUNT BOLT (37/64 ID) UNITED STATES 4136684 AND BELOW AUSTRALIA 8021839 AND BELOW BELGIUM 9067868 AND BELOW CANADA 7039237 AND BELOW
33	12-30521		2	WASHER, RUBBER - UPPER MOUNT BOLT UNITED STATES 4136684 AND BELOW AUSTRALIA 8021839 AND BELOW BELGIUM 9067868 AND BELOW CANADA 7039237 AND BELOW
34	12-30519		2	WASHER, UPPER MOUNT BOLT (3/8 ID) UNITED STATES 4136684 AND BELOW AUSTRALIA 8021839 AND BELOW BELGIUM 9067868 AND BELOW CANADA 7039237 AND BELOW
35	11-2161		2	NUT, UPPER MOUNT BOLT UNITED STATES 4136684 AND BELOW AUSTRALIA 8021839 AND BELOW BELGIUM 9067868 AND BELOW CANADA 7039237 AND BELOW
32	12-27727		2	WASHER, UPPER MOUNT BOLT (4/16 ID) UNITED STATES 4136685 AND UP AUSTRALIA 8021840 AND UP BELGIUM 9067869 AND UP CANADA 7039238 AND UP
33	12-66966		2	WASHER, RUBBER - UPPER MOUNT BOLT UNITED STATES 4136685 AND UP AUSTRALIA 8021840 AND UP BELGIUM 9067869 AND UP CANADA 7039238 AND UP
34	12-30514		2	WASHER, UPPER MOUNT BOLT (7/16 ID) UNITED STATES 4136685 AND UP AUSTRALIA 8021840 AND UP BELGIUM 9067869 AND UP CANADA 7039238 AND UP
35	11-34933		2	NUT, UPPER MOUNT BOLT UNITED STATES 4136685 AND UP AUSTRALIA 8021840 AND UP BELGIUM 9067869 AND UP CANADA 7039238 AND UP
36	27-38501		1	GASKET, EXHAUST EXTENSION PLATE TO DRIVE SHAFT HOUSING
37	11-69072		8	NUT, POWERHEAD TO DRIVE SHAFT HOUSING STUDS (5/16")
38	39526		1	TUBE, EXHAUST (SHORT SHAFT) UNITED STATES 4136684 AND BELOW AUSTRALIA 8029189 AND BELOW BELGIUM 9082138 AND BELOW CANADA 7051132 AND BELOW
	45786		1	TUBE, EXHAUST (LONG SHAFT) UNITED STATES 4136684 AND BELOW AUSTRALIA 8029189 AND BELOW BELGIUM 9082138 AND BELOW CANADA 7051132 AND BELOW
	69543		1	TUBE, EXHAUST (SHORT SHAFT) UNITED STATES 4136685 AND UP AUSTRALIA 8029190 AND UP BELGIUM 9082139 AND UP CANADA 7051133 AND UP
	69544		1	TUBE, EXHAUST (LONG SHAFT) UNITED STATES 4136685 AND UP AUSTRALIA 8029190 AND UP BELGIUM 9082139 AND UP CANADA 7051133 AND UP
39	32-37727		1	TUBE, WATER INLET (SHORT SHAFT)
	32-45679		1	TUBE, WATER INLET (LONG SHAFT)

CONTINUED ON NEXT PAGE ➡

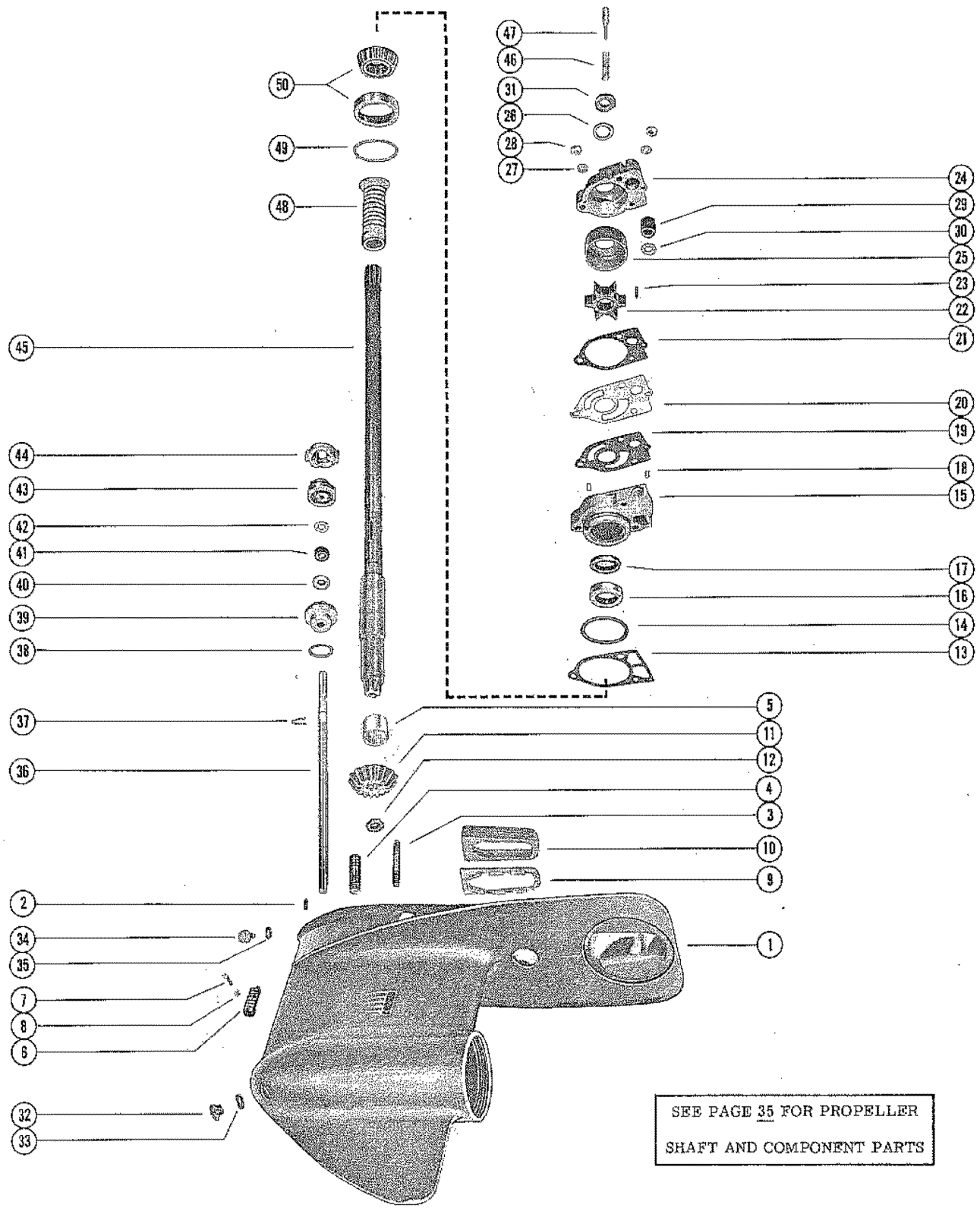
DRIVE SHAFT HOUSING ASSEMBLY



DRIVE SHAFT HOUSING ASSEMBLY

REF. NO.	PART NO.	SYM.	QTY.	DESCRIPTION
40	23-23651		1	SLEEVE, WATER INLET TUBE
41	38157		1	SEAL, TRIM COVER TO DRIVE SHAFT HOUSING
42	38154		2	STRIP, RETAINING - TRIM COVER SEAL (SIDE)
43	38158		1	STRIP, RETAINING - TRIM COVER SEAL (REAR)
44	10-48408		10	SCREW, RETAINING STRIP TO DRIVE SHAFT HOUSING (SELF TAPPING)

GEAR HOUSING ASSEMBLY, COMPLETE



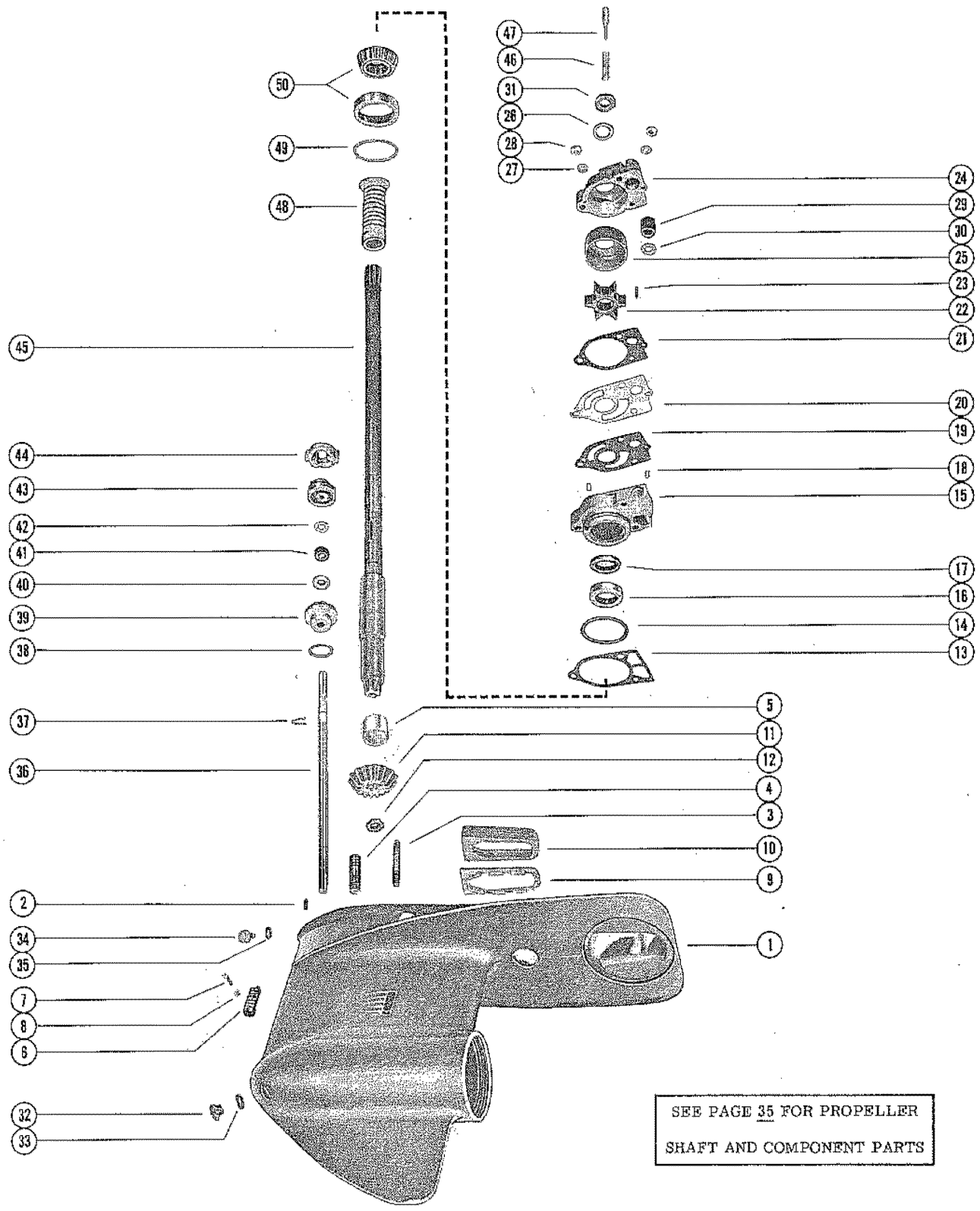
SEE PAGE 35 FOR PROPELLER
SHAFT AND COMPONENT PARTS

GEAR HOUSING ASSEMBLY, COMPLETE

REF. NO.	PART NO.	SYM.	QTY.	DESCRIPTION
-	4931A7		1	GEAR HOUSING ASSEMBLY, COMPLETE (SHORT SHAFT) SEE NOTE 1 IN BLOCK COMMENTS U.S. 4259239 AND BELOW AUSTR. 8029514 AND BELOW BELGIUM 9096013 AND BELOW CAN 7058207-BELOW U.S. 3807832-BELOW AUSTR 8015539-BELOW BELGM 9046298-BELOW CAN 7029947-BELOW
-	1643-4931A8		1	GEAR HOUSING ASSEMBLY, COMPLETE (LONG SHAFT) SEE NOTE 1 IN BLOCK COMMENTS U.S. 4259239-BELOW AUSTR 8029514-BELOW BELGM 9096013-BELOW CAN 7058207-BELOW U.S. 3807832-BELOW AUSTR 8015539-BELOW BELGM 9046298-BELOW CAN 7029947-BELOW
-	1643-4931A27		1	GEAR HOUSING ASSEMBLY, COMPLETE (SHORT SHAFT) SEE NOTE 1 IN BLOCK COMMENTS U.S. 4259240-UP BELGM 9096014-UP CAN 7058208-UP U.S. 3807832-BELOW AUSTR 8015539-BELOW BELGM 9046298-BELOW CAN 7029947-BELOW
-	1643-4931A28		1	GEAR HOUSING ASSEMBLY, COMPLETE (LONG SHAFT) SEE NOTE 1 IN BLOCK COMMENTS U.S. 4259240-UP BELGM 9096014-UP CAN 7058208-UP U.S. 3807832-BELOW AUSTR 8015539-BELOW BELGM 9046298-BELOW CAN 7029947-BELOW
1	1643-4931A6		1	GEAR HOUSING ASSEMBLY
2	17-21438		2	PIN, DOWEL - GEAR HOUSING
3	16-33778		3	STUD, WATER PUMP BODY/BASE TO GEAR HOUSING (2 5/8")
4	16-57933		2	STUD, GEAR HOUSING TO DRIVE SHAFT HOUSING (2 3/16")
5	31-62091		1	BEARING, ROLLER - DRIVE SHAFT
6	63850		1	SCREEN, WATER INTAKE - STARBOARD
	63851		1	SCREEN, WATER INTAKE - PORT
7	10-36070		1	SCREW, SCREENS TO GEAR HOUSING (1 1/4")
8	11-45812		1	NUT, SCREEN TO GEAR HOUSING SCREW
9	38071		1	PLATE, SUPPORT - EXHAUST TUBE SEAL
10	37721		1	SEAL, EXHAUST TUBE
11	43-60245		1	GEAR, PINION - DRIVE SHAFT
12	11-55910		1	NUT, PINION GEAR TO DRIVE SHAFT
13	27-32771		1	GASKET, WATER PUMP BASE TO GEAR HOUSING
14	25-26855		1	"O" RING, WATER PUMP BASE
15	46-73842A2		1	WATER PUMP BASE ASSEMBLY
16	26-26782		1	OIL SEAL, WATER PUMP BASE
17	26-23300		1	OIL SEAL, WATER PUMP BASE
18	17-35973		2	DOWEL PIN, WATER PUMP BASE TO WATER PUMP BODY
19	27-32769		1	GASKET, LOWER - WATER PUMP BASE TO FACE PLATE
20	54705		1	PLATE, FACE - WATER PUMP BASE TO WATER PUMP BODY
21	27-32770		1	GASKET, UPPER - FACE PLATE TO WATER PUMP BODY
22	47-65959		1	IMPELLER, WATER PUMP
23	28-56662		1	KEY, IMPELLER DRIVE

CONTINUED ON NEXT PAGE ➡

GEAR HOUSING ASSEMBLY, COMPLETE

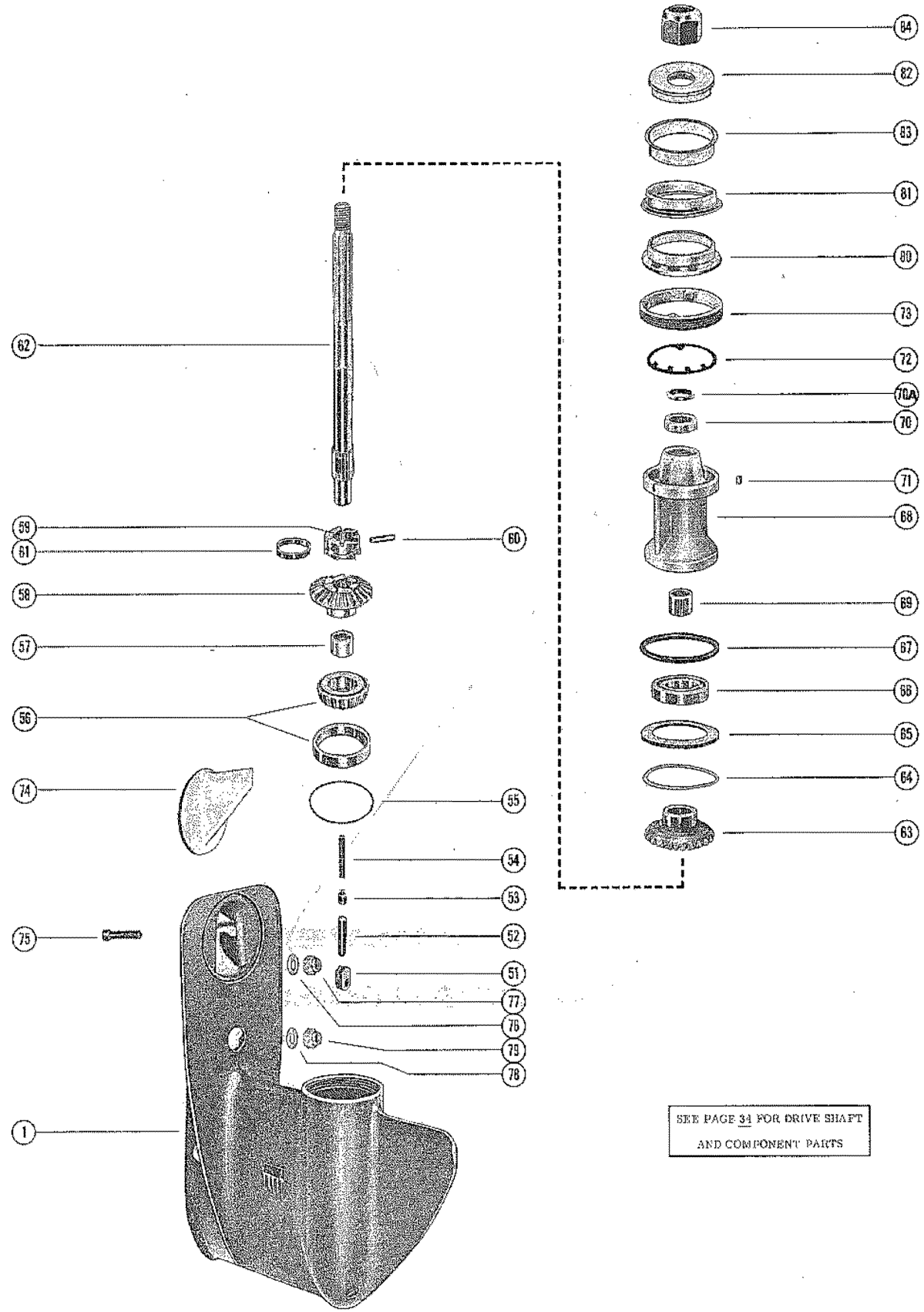


SEE PAGE 35 FOR PROPELLER
SHAFT AND COMPONENT PARTS

GEAR HOUSING ASSEMBLY, COMPLETE

REF. NO.	PART NO.	SYM.	QTY.	DESCRIPTION
24	46-48746A1		1	WATER PUMP BODY ASSEMBLY
25	48753		1	INSERT, WATER PUMP BODY
26	26-32121		1	OIL SEAL, WATER PUMP BODY
27	12-29245		3	WASHER, WATER PUMP BODY AND BASE STUDS
28	11-35045		3	NUT, WATER PUMP BODY AND BASE STUDS
29	26-38452		1	SEAL, WATER PUMP BODY TO WATER TUBE
30	12-38453		1	WASHER, CUPPED - WATER TUBE SEAL
31	25-20273		1	RING, RUBBER - CENTRIFUGAL SLINGER
32	10-28634		2	SCREW, GREASE FILLER AND VENT HOLE
33	12-20260		2	WASHER, GREASE FILLER AND VENT HOLE SCREW
34	19-48750		1	PLUG, GEAR HOUSING FLUSHING HOLE
35	12-49221		1	WASHER, GEAR HOUSING FLUSHING HOLE
36	60241A1		1	SHAFT ASSEMBLY, SHIFT - LOWER UNITED STATES 4259239 AND BELOW AUSTRALIA 8029514 AND BELOW BELGIUM 9096013 AND BELOW CANADA 7058207 AND BELOW
	69787A1		1	SHAFT ASSEMBLY, SHIFT - LOWER UNITED STATES 4259240 AND UP BELGIUM 9096014 AND UP CANADA 7058208 AND UP
37	53-29641		1	CLIP, RETAINING - SHIFT SHAFT
38	25-25439		1	"O" RING, SHIFT SHAFT BUSHING
39	23-55419A1		1	BUSHING ASSEMBLY, SHIFT SHAFT
40	26-24590		1	OIL SEAL, SHIFT SHAFT BUSHING (LOWER)
41	26-31249		1	OIL SEAL, SHIFT SHAFT BUSHING (UPPER)
42	12-31266		1	WASHER, RUBBER - SHIFT SHAFT BUSHING
43	39019		1	BASE, LOWER - REVERSE LOCKING
44	39021		1	CAM, REVERSE LOCKING UNITED STATES 4259239 AND BELOW AUSTRALIA 8029514 AND BELOW BELGIUM 9096013 AND BELOW CANADA 7058207 AND BELOW
	69542		1	CAM, REVERSE LOCKING UNITED STATES 4259240 AND UP BELGIUM 9096014 AND UP CANADA 7058208 AND UP
45	45-69164A2		1	DRIVE SHAFT ASSEMBLY (SHORT SHAFT)
	45-69165A2		1	DRIVE SHAFT ASSEMBLY (LONG SHAFT)
46	24-20254		1	SPRING, COMPRESSION - DRIVE SHAFT
47	17-30545		1	PIN, DRIVE SHAFT
48	23-60242		1	SLEEVE, LUBRICATION - DRIVE SHAFT
49	15-20929A1		AR	SHIM, BEARING TO GEAR HOUSING (.002-3-5-10)
50	31-38146A1		1	ROLLER BEARING ASSEMBLY, TAPERED - DRIVE SHAFT

GEAR HOUSING ASSEMBLY, COMPLETE (CONTINUED)

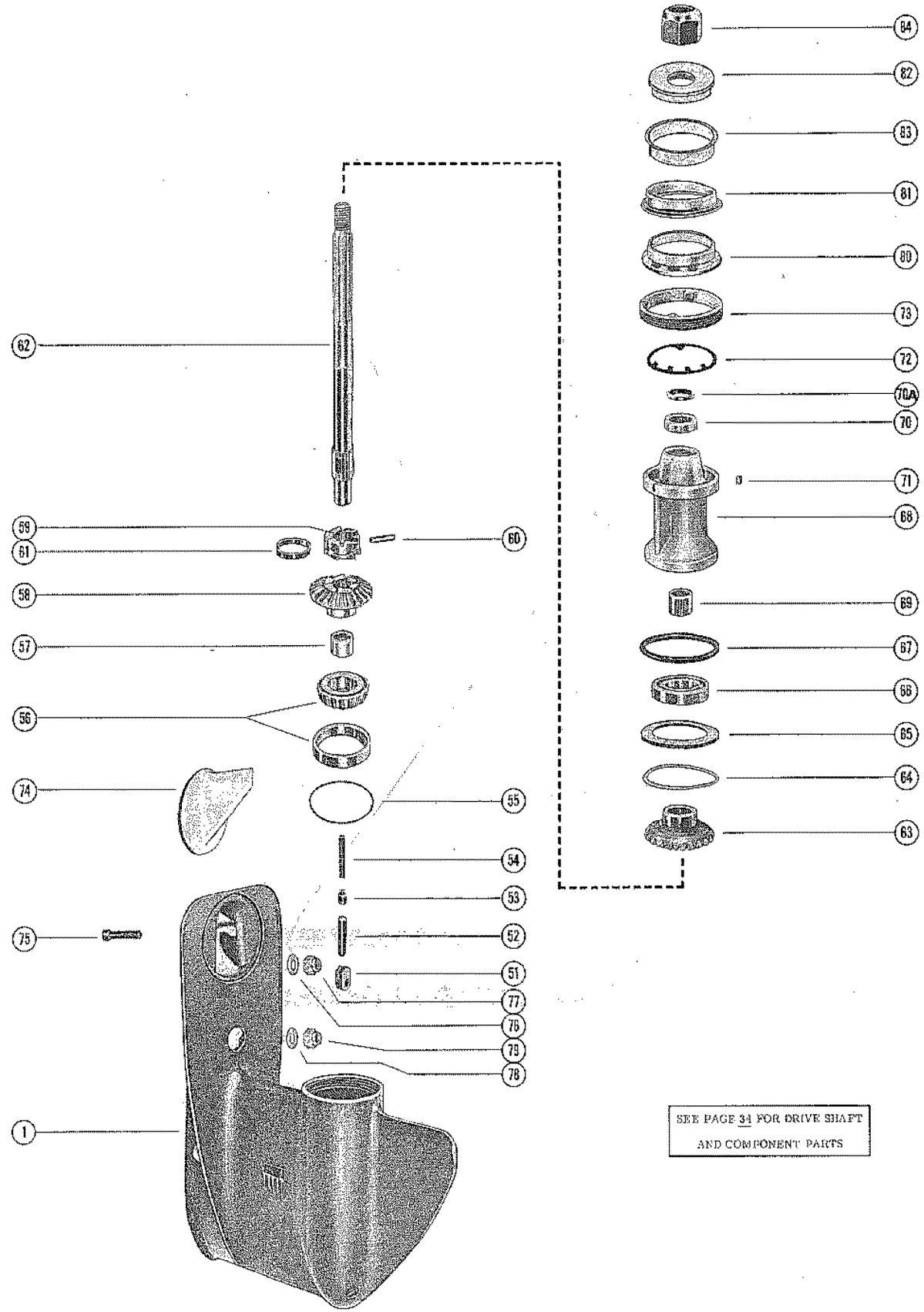


GEAR HOUSING ASSEMBLY, COMPLETE (CONTINUED)

REF. NO.	PART NO.	SYM.	QTY.	DESCRIPTION
-	1643-4931A7		1	GEAR HOUSING ASSEMBLY, COMPLETE (SHORT SHAFT) SEE NOTE 1 IN BLOCK COMMENTS U.S. 4259239-BELOW AUSTR 8029514-BELOW BELGM 9096013-BELOW CAN 7058207-BELOW U.S. 3807832-BELOW AUSTR 8015539-BELOW BELGM 9046298-BELOW CAN 7029947-BELOW
-	1643-4931A8		1	GEAR HOUSING ASSEMBLY, COMPLETE (LONG SHAFT) SEE NOTE 1 IN BLOCK COMMENTS U.S. 4259239-BELOW AUSTR 8029514-BELOW BELGM 9096013-BELOW CAN 7058207-BELOW U.S. 3807832-BELOW AUSTR 8015539-BELOW BELGM 9046298-BELOW CAN 7029947-BELOW
-	1643-4931A27		1	GEAR HOUSING ASSEMBLY, COMPLETE (SHORT SHAFT) SEE NOTE 1 IN BLOCK COMMENTS U.S. 4259240-UP BELGM 9096014-UP CAN 7058208-UP U.S. 3807832-BELOW AUSTR 8015539-BELOW BELGM 9046298-BELOW CAN 7029947-BELOW
-	1643-4931A28		1	GEAR HOUSING ASSEMBLY, COMPLETE (LONG SHAFT) SEE NOTE 1 IN BLOCK COMMENTS U.S. 4259240-UP BELGM 9096014-UP CAN 7058208-UP U.S. 3807832-BELOW AUSTR 8015539-BELOW BELGM 9046298-BELOW CAN 7029947-BELOW
1	1643-4931A6		1	GEAR HOUSING ASSEMBLY (SEE PAGE 34 FOR BREAKDOWN)
51	36288		1	CAM, SHIFT UNITED STATES 3807832 AND BELOW AUSTRALIA 8015539 AND BELOW BELGIUM 9046298 AND BELOW CANADA 7029947 AND BELOW
	54346		1	CAM, SHIFT UNITED STATES 3807833 THRU 4259239 AUSTRALIA 8015540 THRU 8029514 BELGIUM 9046299 THRU 9096013 CANADA 7029948 THRU 7058207
	69792		1	CAM, SHIFT UNITED STATES 4259240 AND UP BELGIUM 9096014 AND UP CANADA 7058208 AND UP
52	38441		1	FOLLOWER, CAM
53	20843		1	SLIDE, CROSS PIN
54	24-39845		1	SPRING, COMPRESSION - CAM FOLLOWER
55	15-38374A1		AR	SHIM, BEARING CUP TO GEAR HOUSING (.002-3-5-10)
56	31-38356A1		1	TAPERED ROLLER BEARING ASSEMBLY
57	31-21739		1	BEARING, ROLLER - FORWARD GEAR
58	43-60247		1	FORWARD GEAR ASSEMBLY
59	52-47586		1	RATCHET, SLIDING CLUTCH
60	17-38113		1	PIN, CROSS - RATCHET TO PROPELLER SHAFT
61	24-38114		1	SPRING, RETAINING - CROSS PIN
62	44-55911		1	SHAFT, PROPELLER
63	43-60246		1	REVERSE GEAR ASSEMBLY UNITED STATES 3807832 AND BELOW AUSTRALIA 8015539 AND BELOW BELGIUM 9046298 AND BELOW CANADA 7029947 AND BELOW
	43-66555		1	REVERSE GEAR ASSEMBLY UNITED STATES 3807833 AND UP AUSTRALIA 8015540 AND UP BELGIUM 9046299 AND UP CANADA 9029948 AND UP
64	15-20927A1		AR	SHIM, THRUST WASHER TO GEAR HOUSING (.002-3-5-10)
65	12-32004		1	WASHER, TRHUST - REVERSE GEAR
66	30-20839		1	BEARING, BALL - REVERSE GEAR

CONTINUED ON NEXT PAGE ➡

GEAR HOUSING ASSEMBLY, COMPLETE (CONTINUED)



SEE PAGE 34 FOR DRIVE SHAFT
AND COMPONENT PARTS

GEAR HOUSING ASSEMBLY, COMPLETE (CONTINUED)

REF. NO.	PART NO.	SYM.	QTY.	DESCRIPTION
67	25-31986		1	"O" RING, BEARING CARRIER
68	69386A1		1	BEARING CARRIER ASSEMBLY
69	31-21700		1	BEARING, ROLLER - BEARING CARRIER
70	26-56788		1	OIL SEAL, BEARING CARRIER UNITED STATES 4136684 AND BELOW AUSTRALIA 8029189 AND BELOW BELGIUM 9082138 AND BELOW CANADA 7051132 AND BELOW
	26-69188		1	OIL SEAL, BEARING CARRIER UNITED STATES 4136685 AND UP AUSTRALIA 8029190 AND UP BELGIUM 9082139 AND UP CANADA 7051133 AND UP
70A	26-69189		1	OIL SEAL, BEARING CARRIER - LINE CUTTER UNITED STATES 4136685 AND UP AUSTRALIA 8029190 AND UP BELGIUM 9082139 AND UP CANADA 7051133 AND UP
71	28-30281		1	KEY, LOCATING - BEARING CARRIER
72	14-53012		1	TAB WASHER, GEAR HOUSING COVER
73	53013		1	COVER, GEAR HOUSING
74	31640A1		1	TRIM TAB ASSEMBLY, GEAR HOUSING
75	10-66024		1	SCREW, TRIM TAB TO GEAR HOUSING (1 3/4")
76	12-45175		1	WASHER, DRIVE SHAFT HOSUING STUD (3/8")
77	11-34863		1	NUT, DRIVE SHAFT HOUSING TO GEAR HOUSING (3/8")
78	12-65791		1	WASHER, DRIVE SHAFT HOUSING STUD (7/16")
79	11-34933		1	NUT, DRIVE SHAFT HOUSING TO GEAR HOUSING (7/16")
80	62122A1		1	THRUST HUB ASSEMBLY, FRONT UNITED STATES 4136684 AND BELOW AUSTRALIA 8029189 AND BELOW BELGIUM 9082138 AND BELOW CANADA 7051132 AND BELOW
81	12-62123		1	WASHER, CUPPED - THRUST HUB UNITED STATES 4136684 AND BELOW AUSTRALIA 8029189 AND BELOW BELGIUM 9082138 AND BELOW CANADA 7051132 AND BELOW
80	65758		1	THRUST HUB, PROPELLER UNITED STATES 4136685 AND UP AUSTRALIA 8029190 AND UP BELGIUM 9082139 AND UP CANADA 7051133 AND UP
82	62124A1		1	THRUST HUB ASSEMBLY, REAR
83	12-31992		1	WASHER, CUPPED - THRUST HUB
84	11-69578		1	NUT, PROPELLER

PARTS INDEX

Part Number	Description	Pg.	Ref. No.	Part Number	Description	Pg.	Ref. No.
20121	CONNECTOR, SPARK PLUG			36288	CAM, SHIFT	73	51
	LEAD	17	--	37394	MOUNT, RUBBER - UPPER .	63	25
20140	BELT, TIMING	21	19	37395	MOUNT, RUBBER - LOWER	63	19
20843	SLIDE, CROSS PIN	73	53	37721	SEAL, EXHAUST TUBE	69	10
22789	"C" WASHER, BLEED HOSE			37896	GUIDE BLOCK, LINK	53	4
	CLIP	49	38	38071	PLATE, SUPPORT -		
22789	"D" WASHER, CLAMP				EXHAUST TUBE SEAL	69	9
	FASTENING SCREW	25	8	38154	STRIP, RETAINING - TRIM		
22789	"D" WASHER, CLIP				COVER SEAL (SIDE)	67	42
	FASTENING SCREW	11	39	38157	SEAL, TRIM COVER TO		
22789	"D" WASHER, CLIP				DRIVE SHAFT HOUSING . . .	67	41
	FASTENING SCREW	13	39	38158	STRIP, RETAINING - TRIM		
22789	"D" WASHER, CLIP SCREW	17	10		COVER SEAL (REAR)	67	43
22789	"D" WASHER, CLIP SCREW	17	13	38279	LATCH, LINK TO ANCHOR		
22789	"D" WASHER, CLIP SCREW	19	44		BRACKET	53	6
22833	ADAPTOR, CHECK UNIT			38441	FOLLOWER, CAM	73	52
	(FUEL PUMP)	37	23	38500	RETAINER, WATER INLET		
23004	RETAINER, CHECK VALVE .	35	6		TUBE SEAL	55	26
23004	RETAINER, CHECK VALVE .	37	6	39019	BASE, LOWER - REVERSE		
23069	STEM, CHECK UNIT				LOCKING	71	43
	ADAPTOR	37	24	39021	CAM, REVERSE LOCKING .	71	44
24929	PACKING, "U" CUP - UPPER			39483	LATCH, THROTTLE		
	MOUNT SCREW	65	26		CONTROL LEVER		
24935	COVER, UPPER MOUNT -				(THROTTLE CABLE)	21	33
	OUTSIDE HALF	65	27	39519	CUP, RETAINER - ANCHOR		
26113	RACE, OUTER (PAIR)	51	16		BRACKET	53	14
26901	STOP, RUBBER - REAR			39526	TUBE, EXHAUST (SHORT		
	SUPPORT BRACKET	11	14		SHAFT)	65	38
27947	SWIVEL, LINK ROD TO			39536	LINK, LOCKING LEVER TO		
	SPARK ADVANCE LEVER	21	22		COVER	53	17
27947	SWIVEL, LINK ROD TO			39618	LEVER, NYLON - SHIFT		
	THROTTLE CONTROL				CABLE LOCKING	53	15
	LEVER	23	40	39667	COVER, NYLON - SHIFT		
28403A3	THUMB SCREW ASSEMBLY	57	2		CABLE	53	18
29359	LUBRICAP, SWIVEL			45786	TUBE, EXHAUST (LONG		
	BRACKET GREASE				SHAFT)	65	38
	FITTING	57	22	46265	BOOT, STARTER SOLENOID		
29787	HUB, FLYWHEEL PULLEY . .	15	10		TERMINAL	27	30A
29788	FLANGE, FLYWHEEL			46785A2	COWL LATCH ASSEMBLY . .	5	19
	PULLEY	15	8	47341A1	STARTER ROPE ASSEMBLY		
29906A1	DRIVEN PULLEY ASSEMBLY	21	14		(FOR MANUAL STARTING		
29907	FLANGE, DRIVEN PULLEY .	21	16		ONLY)	7	31
30186	ADAPTOR, CHECK UNIT			47799A1	TILT LOCK ASSEMBLY,		
	(FUEL LINE)	35	35		STARBOARD	57	23
30187	STEM, CHECK UNIT			47800A1	TILT LOCK ASSEMBLY,		
	ADAPTOR	35	36		PORT	57	24
30188	CUP WASHER, ADAPTOR . .	35	39	47802	RUBE, TILT LOCK	57	25
30188	CUP WASHER, ADAPTOR . .	37	27	47835	ROD, PUSH - REVERSE		
30306	PULLEY, FLYWHEEL	15	9		LOCK (SHORT SHAFT) . . .	63	7
30664	TUBE, TILT - CLAMP			47836	ROD, PUSH - REVERSE		
	BRACKET TO SWIVEL				LOCK (LONG SHAFT)	63	7
	BRACKET	57	4	47837	ROD END, PUSH ROD	63	9
30711	BUMPER, STEERING ARM .	59	30	48039	CAP, SPARK ADJUSTING		
31120	COVER, UPPER MOUNT -				SCREW	21	32
	INSIDE HALF	65	28	48753	INSERT, WATER PUMP		
31640A1	TRIM TAB ASSEMBLY, GEAR				BODY	71	25
	HOUSING	75	74	4931A7	GEAR HOUSING ASSEMBLY,		
35473	CLAMP, LOWER MOUNT TO				COMPLETE (SHORT		
	DRIVE SHAFT HOUSING .	63	16		SHAFT)	69	-

PARTS INDEX

Part Number	Description	Pg.	Ref. No.	Part Number	Description	Pg.	Ref. No.
49651A1	GROUND STRAP ASS'Y, EXHAUST PLATE TO REAR COWL SUPPORT .	55	32	60096	SLEEVE, HIGH TENSION CABLE	19	41
49651A1	GROUND STRAP ASSEMBLY, FRONT SUPPORT BRACKET	11	28	60096	SLEEVE, SPARK PLUG LEAD TO DISTRIBUTOR	17	29
52023	CAP, NYLON - THROTTLE LEVER ADJUSTING SCREWS	47	26	60113	PLATE, FRONT COVER MOUNTING	13	40
52100	WEAR PLATE, NYLON - LINK	53	5	60114A1	BRACKET ASSEMBLY, WIRING HARNESS	27	35
52889	NOZZLE, TELL TALE - REAR SUPPORT BRACKET	35	15	60115	COVER, STARTER MOTOR TO CRANKCASE (BOTTOM)	41	10
52917	GUDIE, PUSH ROD	63	12	60116	BRACE, REAR COWL SUPPORT BRACKET (TOP)	11	17
53013	COVER, GEAR HOUSING . .	75	73	60120	HOUSING, CHOKE	29	15
53078	CAP, PLASTIC - TILT TUBE .	57	7	60121	BRACKET, COWL SEALING - REAR	5	11
53417	GROUND STRAP ASSEMBLY, DISTRIBUTOR TO CRANKCASE	17	5	60241A1	SHAFT ASSEMBLY, SHIFT - LOWER	71	36
53665	INSERT, THROTTLE SHAFT COUPLING	29	12	60283A1	LINK ASSEMBLY, SHIFT SHAFT AND ANCHOR BRACKET	53	2
54346	CAM, SHIFT	73	51	60290A1	CHOKE ARM LEVER ASSEMBLY	29	23
54567	CAP, DISTRIBUTOR HOUSING	21	12	60291	SHUTTER, CHOKE - CARBURETOR	29	24
54705	PLATE, FACE - WATER PUMP BASE TO WATER PUMP BODY	69	20	60292A1	COUPLING ASSEMBLY	29	11
55278A1	DIAPHRAGM KIT	35	3	60299	RETAINER, SPARK PLUG LEADS	9	10
55278A1	DIAPHRAGM KIT	37	3	60304A1	SHIFT SHAFT, ASSEMBLY, UPPER (LONG SHAFT) . .	53	9
55398A4	TACHOMETER ASSEMBLY .	3	-	60304A2	SHIFT SHAFT ASSEMBLY, UPPER (SHORT SHAFT) .	53	9
55692	COUPLING, SHIFT SHAFT . .	53	10	60305	ROD, CHOKE	29	21
56074A5	PLUNGER ASSEMBLY, CHOKE SOLENOID	29	6	60306	STRIP, RETAINING - EXHAUST PLATE SEAL . .	55	29
56318A5	CABLE ASSEMBLY, COIL TO SWITCH BOX (GREEN) . .	25	9	60307	SEAL, EXHAUST PLATE . . .	55	28
56349	SHAFT, REVERSE LOCK PIVOT	59	41	60312	LEVER, MANUAL CHOKE . .	29	17
56703	COLLAR, RUBBER - STARTER MOTOR MOUNT	25	20	60313	LATCH, FRONT COVER ATTACHING	13	41
57247	STOP, RUBBER - STARTER MOTOR	25	14	60316A1	SWIVEL PIN AND STEERING ARM ASSEMBLY (LONG SHAFT)	59	29
57452	YOKE, BOTTOM	59	36	60316A2	SWIVEL PIN AND STEERING ARM ASSEMBLY (SHORT SHAFT)	59	29
58124A15	SWITCH, MERCURY	47	29	60549A3	CHOKE SOLENOID	29	1
58807A1	FLAME ARRESTOR ASSEMBLY, DISTRIBUTOR CAP	17	27	60570	PLATE, RETAINER - ACTUATOR HOUSING . . .	23	44
58807A1	FLAME ARRESTOR ASSEMBLY, DISTRIBUTOR HOUSING	17	7	60572	BARREL, NYLON - LINK ROD TO DISTRIBUTOR HOUSING	21	21
58906	COVER, STARTER MOTOR TO CRANKCASE (TOP) . .	41	16	60572	BARREL, NYLON - THROTTLE LINK ROD TO ACTUATOR CAM	23	41
58907	HOUSING, FUEL FILTER AND COVER	35	18	60574	HOUSING, NYLON - THROTTLE ACTUATOR . .	23	39
58907	HOUSING, FUEL FILTER AND COVER	37	31	60575	CAM, NYLON - THROTTLE ACTUATOR	23	38
58908	BRACKET, ANCHOR - CONTROL CABLES	53	1	60576	ADAPTOR, DISTRIBUTOR . .	21	3
58910	COVER, TRANSFER PASSAGE	45	10				
58911	EXHAUST TUBE, ADAPTOR	55	37				
59757	BRACKET, COIL WIRE	19	45				

PARTS INDEX

Part Number	Description	Pg.	Ref. No.	Part Number	Description	Pg.	Ref. No.
60578	LEVER, THROTTLE CONTROL	21	23	63007	MOUNT, RUBBER - FRONT SUPPORT BRACKET TO DIST. ADAPTOR	11	24
60579	LEVER, SPARK ADVANCE	21	28	63007	MOUNT, RUBBER - FRONT SUPPORT TO STARTER MOTOR COVER	11	27
60834A3	CARRIER ASSEMBLY, "O" RING	51	4	63194	PAD, RUBBER - IGNITION COIL	27	41
61158	HOOK, COWL FRONT COVER FASTENING	7	29	63195	COVER, IGNITION COIL	27	42
61344	RETAINER, WIRING HARNESS AND BATTERY CABLE	11	22	63319	RETAINER, HIGH TENSION LEADS	17	31
61631	BLANKET, SOUND ABSORBING (UPPER)	5	7	63850	SCREEN, WATER INTAKE - STARBOARD	69	6
61632	BLANKET, SOUND ABSORBING (LOWER)	5	8	63851	SCREEN, WATER INTAKE - PORT	69	6
61633	BLANKET, SOUND ABSORBING (UPPER)	5	4	63985A1	LEVER, THROTTLE	29	8
61634	BLANKET, SOUND ABSORBING (LOWER)	5	3	63987	CAM, THROTTLE LEVER	29	9
61661	SEAL, RUBBER - COWL	5	9	64254	"O" RING, CARRIER	51	5
61661	SEAL, RUBBER - COWL	5	9A	64852	CLIP, TOP COWL SUPPORT BRACKET	9	3
61662	SEAL, RUBBER - COWL	5	10	64856	PLATE, BAFFLE - EXHAUST MANIFOLD	47	19
61663	BLANKET, SOUND ABSORBING - FRONT COVER	7	28	64868	ROD, LINK - SPARK ADVANCE	21	20
61990	STA-STRAP, INTERNAL HARNESS AND CABLES	27	39	64869	ROD, LINK - THROTTLE	23	37
61990	STA-STRAP, MERCURY SWITCH LEAD	47	32	64873	CARRIER, GROMMET	45	2
62094	BRACKET, COIL MOUNTING	27	43	64874	POPPET, RELIEF VALVE	45	5
62122A1	THRUST HUB ASSEMBLY, FRONT	75	80	64877	DIAPHRAGM, POPPET VALVE	45	7
62124A1	THRUST HUB ASSEMBLY, REAR	75	82	64926	BRACKET, COWL SUPPORT (FRONT)	11	21
62219	DRIP TRAY, FRONT SUPPORT BRACKET 1	11	34	64955	COVER, EXHAUST MANIFOLD	47	23
62351A1	RECTIFIER ASSEMBLY	25	10	64956	BRACKET, COWL SUPPORT - TOP	9	1
62391	BLANKET, SOUND - FRONT SUPPORT BRACKET (PORT)	11	32	64957	BRACKET, COWL SUPPORT - REAR	9	9
62397	INDICATOR, TIMING	41	25	64965A4	EXHAUST PLATE ASSEMBLY	53	21
62444	SEAL, RUBBER - TOP BRACKET AND COVER MOUNTING PLATE	9	2	65354A4	EXHAUST PLATE ASSEMBLY	53	21
62501A1	SHIELD ASSEMBLY, FLYWHEEL	9	6	65409	POPPET, RELIEF VALVE	45	5
62627	BAR, ADJUSTMENT - COWL LATCH	5	22	65758	THRUST HUB, PROPELLER	75	80
62628	BARREL, COWL LATCH	5	20	65799	LINK, LOCKING LEVER TO COVER	53	17
62629	BARREL, COWL LATCH	5	23	65848	CARRIER, GROMMET	45	2
62869	BLANKET, SOUND - DRIP TRAY TO FRONT SUPPORT BRACKET	11	33	65851	SHIELD ASSEMBLY, FLYWHEEL	9	6
62877	RETAINER, HIGH TENSION LEADS	17	32	65852A1	BRACKET, COWL SUPPORT - TOP	9	1
62973A4	FUEL PUMP ASSEMBLY	35	1	65913	HOUSING, NYLON - THROTTLE ACTUATOR	23	39
62973A4	FUEL PUMP ASSEMBLY	37	1	65914	CAM, NYLON - THROTTLE ACTUATOR	23	38
63007	MOUNT, RUBBER - BRACE TO REAR SUPPORT BRACKET	9	12	65915A2	DRIP TRAY ASSEMBLY, FRONT SUPPORT BRACKET	11	34
				65945	COVER, EXHAUST MANIFOLD	47	23
				66287	ROD, LINK - THROTTLE	23	37

PARTS INDEX

Part Number	Description	Pg.	Ref. No.	Part Number	Description	Pg.	Ref. No.
66850	THERMOSTAT	47	20	10-24644	SCREW, ADAPTOR TO FRONT SUPPORT BRACKET (1 3/8")	35	40
66883	MOUNT, RUBBER - UPPER	63	25				
66898A1	SWIVEL PIN AND STEERING ARM ASSEMBLY (LONG SHAFT)	59	29	10-24644	SCREW, SUPPORT BRACKET BRACE TO CYL. BLOCK COVER (1 3/8")	11	19
66898A2	SWIVEL PIN AND STEERING ARM ASSEMBLY (SHORT SHAFT)	59	29	10-25822	SCREW, FILTER COVER FASTENING (5/8")	35	25
67304	ADAPTOR, DISTRIBUTOR	21	3	10-25822	SCREW, FILTER COVER FASTENING (5/8")	37	38
68760A1	PLATE ASSEMBLY, FRONT COVER MOUNTING	13	40	10-26132	SCREW, STARTER MOTOR COVER TO CRANKCASE (2 1/2")	41	11
69214A1	THUMB SCREW ASSEMBLY	57	2	10-26132	SCREW, STARTER MOTOR COVER TO CRANKCASE (2 1/2")	41	18
69386A1	BEARING CARRIER ASSEMBLY	75	68	10-28634	SCREW, GREASE FILLER AND VENT HOLE	71	32
69526	COVER, EXHAUST MANIFOLD	47	23	10-28635	SCREW, CABLE TO STARTER MOTOR (5/8")	25	16
69542	CAM, REVERSE LOCKING	71	44	10-28636	SCREW, EXHAUST TUBE TO EXHAUST PLATE (3/4")	55	39
69543	TUBE, EXHAUST (SHORT SHAFT)	65	38	10-28638	SCREW, HIGH TENSION LEAD RETAINER (3/4")	17	33
69544	TUBE, EXHAUST (LONG SHAFT)	65	38	10-28782	SCREW, PIN TO COWL (7/8")	5	17
69553	BRACKET, COWL SUPPORT - REAR	9	9	10-29256	SCREW, LOWER MOUNT CLAMP TO DRIVE SHAFT HOUSING (7/8")	63	17
69555	NOZZLE, TELL TALE - REAR SUPPORT BRACKET	37	14	10-29722	SCREW, COVER TO LOWER MOUNT CLAMP (5/8")	63	14
69557	BRACKET, COWL SUPPORT (FRONT)	11	21	10-30663	SCREW, BLEED HOSE CLIP TO BOTTOM STARTER MOTOR COVER	49	37
69566	BRACKET, COWL SEALING - REAR	5	11	10-30663	SCREW, CLIP TO TOP COWL SUPPORT (3/8")	9	4
69568	BRACKET, COWL HINGE	5	12	10-30663	SCREW, DISTRIBUTOR LEAD CLIP (3/8")	17	12
69579	PLATE, BAFFLE - EXHAUST MANIFOLD	47	19	10-30663	SCREW, DRIP TRAY TO FRONT SUPPORT BRACKET (3/8")	11	35
69592	CLAMP, LOWER MOUNT TO DRIVE SHAFT HOUSING	63	16	10-30663	SCREW, HOSE CLIP FASTENING (3/8")	11	38
69654	YOKE, BOTTOM	59	36	10-30663	SCREW, NOZZLE TO REAR SUPPORT BRACKET (3/8")	35	16
69785A3	SHIFT SHAFT ASSEMBLY, UPPER (SHORT SHAFT)	53	9	10-31206	SCREW, TELL TALE CLAMP	37	16
69785A4	SHIFT SHAFT ASSEMBLY, UPPER (LONG SHAFT)	53	9	10-31206	SCREW, RETAINER TO REAR SUPPORT BRACKET (3/8")	9	11
69786	GUIDE, PUSH ROD	63	12	10-31312	SCREW, LATCH ASSEMBLY TO BARREL (7/8")	5	21
69787A1	SHAFT ASSEMBLY, SHIFT - LOWER	71	36	10-31830	SCREW, RIDE-GUIDE ATTACHING (1 3/4")	59	32
69792	CAM, SHIFT	73	51	10-32417	SCREW, FLEXIBLE PLATE TO FLYWHEEL (3/8")	15	5
69876--1	SEAL, REAR BRACKET AND TOP BRACKET	9	9A	10-33524	SCREW, CHOKE SOLENOID ATTACHING (5/8")	29	4
69876--1	SEAL, REAR BRACKET	5	11A	10-33860	SCREW, STARTER MOTOR COVER TO CRANKCASE (2")	41	17
70679	COVER, UPPER AND LOWER SHOCK MOUNTING PIN	61	51				
70691	REVERSE LOCK	59	39				
72265A2	BRACKET, COWL SUPPORT - REAR	9	9				
72268A1	EXHAUST PLATE ASSEMBLY	55	21				
73156	SEAL, WATER INLET TUBE	55	24				
10-20037	SCREW, RETAINER TO HOUSING (1/4")	35	7				
10-22486	SCREW, LATCH TO THROTTLE CONTROL LEVER (7/8")	21	34				

PARTS INDEX

Part Number	Description	Pg.	Ref. No.	Part Number	Description	Pg.	Ref. No.
10-35581	SCREW, PUMP MOUNTING (1 5/8")	35	8	10-48409	SCREW, SHIELD TO TOP SUPPORT BRACKET (5/8")	9	7
10-35581	SCREW, PUMP MOUNTING (1 5/8")	37	8	10-49006	SCREW, PLATE AND HUB (3/4")	15	6
10-36070	SCREW, SCREENS TO GEAR HOUSING (1 1/4")	69	7	10-49318	SCREW, LOWER MOUNT (5 1/2")	63	20
10-36154	SCREW, ADAPTOR TO FRONT SUPPORT BRACKET (1 3/8")	37	28	10-52195	SCREW, FLOAT BOWL COVER (SHORT)	31	15
10-37558	SCREW, FILTER HOUSING TO TRANSFER PASSAGE COVER (1 1/4")	35	19	10-53077	SCREW, UPPER AND LOWER SHOCK MOUNTING PIN (3/4")	61	50
10-37562	SCREW, EXHAUST PLATE TO CYLINDER BLOCK (1")	55	35	10-53481	SCREW, REED STOP MOUNTING (9/16")	51	12
10-37571	SCREW, HOUSING TO CRANKCASE (1/2")	23	42	10-54803	SCREW, CAP TO CONNECTING ROD (1 1/2")	51	23
10-37571	SCREW, RECTIFIER TO FRONT SUPPORT BRACKER (1/2")	25	12	10-55337	SCREW, THROTTLE CONTROL LEVER TO CYLINDER BLOCK (1 3/4")	21	24
10-37655	SCREW, COVER TO SHOCK MOUNTING SCREWS (1/2")	61	52	10-57021	SCREW, STATOR TO UPPER END CAP (7/8")	15	12
10-37655	SCREW, MERCURY SWITCH TO CRANKCASE (1/2")	47	30	10-60293	SCREW, ROLLED WASHER TO COUPLING	29	14
10-37656	SCREW, SHIELD TO TOP SUPPORT BRACKET (5/8")	9	7	10-60846	SCREW, CHOKE SHUTTER TO CHOKE LEVER (1/4")	29	25
10-38055	SCREW, CHOKE HOUSING MOUNTING (5/8")	29	16	10-62568	SCREW, DISTRIBUTOR LEAD CLIP FASTENING (3/8")	17	9
10-38398	SCREW, PLATE AND HUB (7/8")	15	6	10-62568	SCREW, GROUND STRAP ATTACHING (3/8")	17	6
10-38837	SCREW, PLATE AND MANIFOLD COVER MOUNTING (1 1/8")	47	27	10-62568	SCREW, RETAINING STRIP TO EXHAUST PLATE (3/8")	55	30
10-38837	SCREW, TRANSFER PASSAGE COVER MOUNTING (1 1/8")	45	12	10-63506	SCREW, SWITCH BOX TO FRONT SUPPORT BRACKET (2 1/8")	25	4
10-38862	SCREW, COVER PLATE TO SUPPORT BRACKET (5/8")	13	43	10-64022	SCREW, SWITCH BOX TO FRONT SUPPORT BRACKET (2 1/8")	25	3
10-45561	SCREW, HINGE BRACKET TO COWL SEALING BRACKET (1 1/8")	5	13	10-64022	SCREW, THROTTLE LEVER ADJUSTING (2 1/8")	47	24
10-45775	SCREW, MAIN BEARING CLAMPING (9/16")	51	14	10-65774	SCREW, DISTRIBUTOR CAP CLAMP (1 1/8")	17	22
10-47828	SCREW, DRIVE - SWIVEL BRACKET	57	20	10-66024	SCREW, TRIM TAB TO GEAR HOUSING (1 3/4")	75	75
10-48080	SCREW, CHOKE LEVER TO CHOKE HOUSING (3/8")	29	20	10-66897	BOLT, UPPER MOUNT TO SWIVEL PIN (7/16 X 5 1/4")	59	31
10-48408	SCREW, CLIP TO TOP COWL SUPPORT (1/2")	9	4	10-68298	BOLT, CLAMP BRACKET TO BOAT TRANSCOM (3 1/4")	57	14
10-48408	SCREW, RETAINER TO FRONT SUPPORT BRACKET (1/2")	11	23	10-68299	BOLT, CLAMP BRACKET TO BOAT TRANSCOM (3")	57	14
10-48408	SCREW, RETAINING STRIP TO DRIVE SHAFT HOUSING (SELF TAPPING)	67	44	10-68554	SCREW, PULLEY CLAMPING (1/2")	21	18
10-48408	SCREW, SHIELD TO TOP SUPPORT BRACKET (1/2")	9	8	10-68789	SCREW, RETAINER TO HOUSING (3/8")	37	7
10-48408	SCREW, SHIELD TO TOP SUPPORT BRACKET (1/2")	9	8	10-69003	SCREW, SPARK ADVANCE ADJUSTING (1 1/4")	21	30
				10-69034	SCREW, LOWER END CAP MOUNTING (1")	43	34
				10-69034	SCREW, UPPER END CAP MOUNTING (1")	41	29

PARTS INDEX

Part Number	Description	Pg.	Ref. No.	Part Number	Description	Pg.	Ref. No.
10-69046	SCREW, COIL AND BRACKET TO CYLINDER BLOCK (2")	27	44	10-72799	SCREW, STARTER MOTOR COVER TO CRANKCASE (2 3/4")	41	13
10-69047	SCREW, DISTRIBUTOR ADAPTOR TO CRANKCASE (2 3/8")	21	5	11-20110	NUT, REED STOP MOUNTING SCREW	51	13
10-69052	SCREW, SOLENOID TO FRONT SUPPORT BRACKET (1/2")	25	25	11-20361	NUT, RUBBER MOUNT TO EXHAUST PLATE	55	34
10-69054	SCREW, BRACKET TO CRANKCASE (5/8")	19	46	11-20509	NUT, RIDE-GUIDE ATTACHING SCREW	59	33
10-69054	SCREW, SOLENOID TO FRONT SUPPORT BRACKET (5/8")	25	23	11-20586	NUT, LATCH ATTACHING SCREW	21	36
10-69069	SCREW, RETAINER TO EXHAUST PLATE (3/4")	55	27	11-20645	NUT, HARNESS LEAD TO CHOKE SOLENOID ATTACHING	29	3
10-69079	SCREW, CLAMP TO SWITCH BOX (7/16")	25	7	11-20645	NUT, SOLENOID TERMINAL (#10)	25	28
10-69079	SCREW, HIGH TENSION CLIP (7/16")	19	43	11-20645	NUT, SPARK ADVANCE ADJUSTING SCREW	21	31
10-69079	SCREW, HOSE CLIP FASTENING (7/16")	13	38	11-20664	NUT, LINK ATTACHING	53	8
10-69082	SCREW, WIRING HARNESS BRACKET MOUNTING (2 3/8")	27	37	11-20890	NUT, STARTER MOTOR TERMINAL	25	19
10-69086	SCREW, CYLINDER BLOCK COVER MOUNTING (1 1/8")	45	15	11-20890	NUT, THROTTLE LEVER ADJUSTING SCREWS	47	25
10-69089	SCREW, CRANKCASE TO CYLINDER BLOCK (2 3/4")	41	22	11-2161	NUT, UPPER MOUNT BOLT	65	35
10-69090	SCREW, CRANKCASE TO CYLINDER BLOCK (2 1/4")	41	21	11-21908	NUT, SOLENOID TERMINAL (5/16")	25	30
10-69092	SCREW, FILTER HOUSING TO TRANSFER PASSAGE COVER (1 1/4")	37	32	11-25096	NUT, LOWER MOUNT SCREW	63	24
10-69092	SCREW, PLATE AND MANIFOLD COVER MOUNTING (1 1/4")	47	28	11-25594	NUT, CARBURETOR MOUNTING STUD	33	36
10-69094	SCREW, CRANKCASE TO CYLINDER BLOCK (1 7/8")	41	20	11-26768	NUT, DISTRIBUTOR CAP CLAMP SCREW	17	23
10-69101	SCREW, ANCHOR BRACKET TO CRANKCASE/CYL. BLOCK (7/8")	53	19	11-28770	NUT, CLAMP BRACKET STUD	57	11
10-69163	SCREW, DIP TRAY TO FRONT SUPPORT BRACKET	11	35	11-28770	NUT, JAM - PUSH ROD	63	8
10-69560	SCREW, WIRING HARNESS TO FRONT SUPPORT BRACKET (1 1/4")	27	33	11-30499	NUT, TILT TUBE FASTENING	57	6
10-69570	SCREW, FASTENING HOOK TO COWL FRONT COVER (3/4")	7	30	11-34863	NUT, DRIVE SHAFT HOUSING TO GEAR HOUSING (3/8")	75	77
10-69594	SCREW, WASHER AND DIAPHRAGM TO POPPET VALVE	45	9	11-34933	NUT, DRIVE SHAFT HOUSING TO GEAR HOUSING (7/16")	75	79
10-70602	SCREW, PLATE/MANIFOLD COVER MOUNTING (2")	47	28A	11-34933	NUT, GEAR HOUSING TO DRIVE SHAFT HOUSING STUDS (7/16")	63	6
10-71958	SCREW, UPPER MOUNT COVER - FRONT (1 3/4")	65	30	11-34933	NUT, UPPER MOUNT BOLT	65	35
				11-35045	NUT, RUBBER MOUNT ATTACHING	11	30
				11-35045	NUT, RUBBER MOUNT TO FRONT SUPPORT BRACKET	11	26
				11-35045	NUT, RUBBER MOUNT TO REAR SUPPORT BRACKET	11	16
				11-35045	NUT, WATER PUMP BODY AND BASE STUDS	71	28
				11-35521	NUT, LOWER MOUNT CLAMP COVER	63	15
				11-45076	NUT, IGNITION COIL TERMINAL (#10)	27	47

PARTS INDEX

Part Number	Description	Pg.	Ref. No.	Part Number	Description	Pg.	Ref. No.
11-45076	NUT, RECTIFIER TERMINAL	25	11	12-20346	WASHER, RUBBER MOUNT TO FRONT SUPPORT BRACKET	11	25
11-45076	NUT, SWITCH TERMINAL	25	2				
11-45774	NUT, MAIN BEARING SCREW CLAMPING	51	15	12-20346	WASHER, RUBBER MOUNT TO REAR SUPPORT BRACKET	11	15
11-45812	NUT, ADJUSTMENT BAR TO BARREL	5	26				
11-45812	NUT, SCREEN TO GEAR HOUSING SCREW	69	8	12-21631	WASHER, LINK LATCH	53	7
11-46438	NUT, WIRING HARNESS SCREW	27	34	12-22753	WASHER, RUBBER MOUNT TO REAR SUPPORT BRACKET	11	13
11-46793	NUT, CHOKE SOLENOID ATTACHING SCREWS	29	5	12-24664	WASHER, LINK (SHIFT SHAFT END)	53	13
11-46793	NUT, CRANKCASE TO CYLINDER BLOCK SCREW	41	24	12-25176	WASHER, SWIVEL PIN TO BOTTOM YOKE (.062)	59	35
11-46793	NUT, DISTRIBUTOR ADAPTOR SCREW	21	6	12-26020	WASHER, CRANKCASE TO CYLINDER BLOCK SCREW	41	23
11-46793	NUT, STARTER MOTOR COVER SCREW	41	12	12-26837	WASHER, SWIVEL PIN TO BOTTOM YOKE (.065)	59	35
11-46793	NUT, STARTER MOTOR COVER SCREW	41	19	12-27727	WASHER, UPPER MOUNT BOLT (4/16 ID)	65	32
11-46887	NUT, ADAPTOR FASTENING SCREW	35	41	12-27939	WASHER, DISTRIBUTOR ADAPTOR	21	9
11-46887	NUT, ADAPTOR FASTENING SCREW	37	29	12-28008	WASHER, THROTTLE CONTROL LEVER SCREW	21	29
11-46887	NUT, ATTACHING SCREW COVER PLATE	13	44	12-28051	WASHER, LOWER MOUNT SCREW	63	21
11-46887	NUT, COVER MOUNTING SCREWS	45	16	12-28053	WASHER, RUBBER - LOWER MOUNT SCREW	63	22
11-46887	NUT, SOLENOID MOUNTING SCREW	25	26	12-28196	WASHER, UPPER BUSHING RETAINER (INNER)	59	44
11-46887	NUT, SUPPORT BRACKET BRACE ATTACHING SCREW	11	20	12-28404	WASHER, THUMB SCREW	57	3
11-46887	NUT, SWITCH BOX SCREW ATTACHING	25	5	12-28421	WASHER, UPPER AND LOWER BUSHING RETAINER (OUTER)	61	49
11-49091	NUT, CONNECTING ROD SCREW	51	24	12-29245	WASHER, UPPER MOUNT COVER SCREW	65	30A
11-52901	NUT, FLYWHEEL	15	2	12-29245	WASHER, WATER PUMP BODY AND BASE STUDS	71	27
11-54209	NUT, ROTOR SHAFT TO DISTRIBUTOR HOUSING	17	2	12-29626	WASHER, CLAMP SCREW	37	18
11-55910	NUT, PINION GEAR TO DRIVE SHAFT	69	12	12-30164	WASHER, ADJUSTMENT BAR TO BARREL	5	25
11-63983	NUT, CAM TO THROTTLE LEVER	29	10	12-30514	WASHER, UPPER MOUNT BOLT (7/16 ID)	65	34
11-68411	NUT, CLAMP BRACKET BOLT	57	16	12-30519	WASHER, UPPER MOUNT BOLT (3/8 ID)	65	34
11-69072	NUT, POWERHEAD TO DRIVE SHAFT HOUSING STUDS (5/16")	65	37	12-30520	WASHER, UPPER MOUNT BOLT (37/64 ID)	65	32
11-69431	NUT, UPPER MOUNT COVER SCREW	65	31	12-30521	WASHER, RUBBER - UPPER MOUNT BOLT	65	33
11-69578	NUT, PROPELLER	75	84	12-31266	WASHER, RUBBER - SHIFT SHAFT BUSHING	71	42
11-71956	NUT, SWIVEL PIN RETAINING	59	37	12-31992	WASHER, CUPPED - THRUST HUB	75	83
12-20260	WASHER, GREASE FILLER AND VENT HOLE SCREW	71	33	12-32004	WASHER, TRHUST - REVERSE GEAR	73	65
12-20346	WASHER, RUBBER MOUNT ATTACHING	11	29	12-34392	WASHER, CHOKE LEVER TO CHOKE HOUSING SCREW	29	19

PARTS INDEX

Part Number	Description	Pg.	Ref. No.	Part Number	Description	Pg.	Ref. No.
12-34437	WASHER, FUEL FILTER HOUSING MOUNTING SCREW	37	33	13-26993	LOCKWASHER, SOLENOID TERMINAL (5/16")	25	29
12-35935	WASHER, UPPER MOUNT BOLT	59	31A	13-26993	LOCKWASHER, STARTER MOTOR COVER SCREW	41	14
12-37998	WASHER, HINGE BRACKER SCREW	5	15	13-26995	LOCKWASHER, FLOAT BOWL COVER SCREW	31	17
12-38453	WASHER, CUPPED - WATER TUBE SEAL	71	30	13-26996	LOCKWASHER, HARNESS LEAD TO CHOKE SOLENOID	29	2
12-38453	WASHER, NYLON - WATER INLET TUBE SEAL	55	25	13-26996	LOCKWASHER, HOUSING TO CRANKCASE SCREW	23	43
12-45075	WASHER, CLIP TO TOP COWL SUPPORT BRACKET	9	5	13-26996	LOCKWASHER, IGNITION COIL TERMINAL (#10)	27	46
12-45175	WASHER, DRIVE SHAFT HOSUING STUD (3/8")	75	76	13-26996	LOCKWASHER, SOLENOID TERMINAL (#10)	25	27
12-47247	WASHER, NEEDLE LOCATING	51	27	13-27959	WASHER, WAVE - DISTRIBUTOR ADAPTOR	21	11
12-49221	WASHER, GEAR HOUSING FLUSHING HOLE	71	35	13-29720	WASHER, WAVE - SHIFT SHAFT TO LINK	53	11
12-52864	WASHER, CLAMP BRACKET TILT TUBE	57	5	13-34632	WASHER, WAVE - CHOKE LEVER TO CHOKE HOUSING SCREW	29	18
12-59378	WASHER, LOWER BUSHING RETAINER (INNER)	59	45	13-69150	WASHER, WAVE - TILT LOCK TUBE	57	28
12-60569	WASHER, DISTRIBUTOR ADAPTOR TO DISTRIBUTOR HOUSING	21	2	14-27960	TAB WASHER, ADAPTOR CAP FASTENING	21	10
12-61709	WASHER, LOWER MOUNT SCREW	63	23	14-53012	TAB WASHER, GEAR HOUSING COVER	75	72
12-62123	WASHER, CUPPED - THRUST HUB	75	81	15-20085A1	SHIM, LOWER END CAP (.002-3-5-10)	43	35
12-64444	WASHER, ROLLED - COUPLING	29	13	15-20927A1	SHIM, THRUST WASHER TO GEAR HOUSING (.002-3-5-10)	73	64
12-64879	WASHER, DIAPHRAGM	45	8	15-20929A1	SHIM, BEARING TO GEAR HOUSING (.002-3-5-10)	71	49
12-65791	WASHER, DRIVE SHAFT HOUSING STUD (7/16")	75	78	15-21148A1	SHIM, BEARING TO SPACER	17	14
12-65791	WASHER, GEAR HOUSING TO DRIVE SHAFT HOUSING STUDS	63	5	15-22369A1	SHIM, LOWER BEARING TO CRANKSHAFT	51	3
12-66966	WASHER, RUBBER - UPPER MOUNT BOLT	65	33	15-38374A1	SHIM, BEARING CUP TO GEAR HOUSING (.002-3-5-10)	73	55
12-68229	WASHER, FLYWHEEL NUT	15	3	15-47248A1	SHIM, UPPER END CAP (.006-8-10)	41	30
12-68300	WASHER, CLAMP BRACKET BOLT	57	15	15-55853	SHIM, BEARING TO DISTRIBUTOR HOUSING	17	16
12-68410	WASHER, CLAMP BRACKET BOLT	57	15	16-33778	STUD, WATER PUMP BODY/BASE TO GEAR HOUSING (2 5/8")	69	3
12-70988	WASHER, THUMB SCREW	57	3	16-57932	STUD, DRIVE SHAFT HOUSING TO GEAR HOUSING (1 3/4")	63	3
12-71052	WASHER, SEAL RETAINER	31	13	16-57933	STUD, GEAR HOUSING TO DRIVE SHAFT HOUSING (2 3/16")	69	4
13-26992	LOCKWASHER, BRACKET SCREW	19	47	16-57935	STUD, DRIVE SHAFT HOUSING TO GEAR HOUSING (3")	63	4
13-26992	LOCKWASHER, HINGE BRACKET SCREW	5	14	16-59625	STUD, CLAMP BRACKET (9 1/2")	57	9
13-26992	LOCKWASHER, SOLENOID MOUNTING SCREW	25	24				
13-26992	LOCKWASHER, STARTER MOTOR TERMINAL	25	18				
13-26993	LOCKWASHER, CLAMP BRACKET STUD	57	10				
13-26993	LOCKWASHER, PIN ATTACHING SCREW	5	18				

PARTS INDEX

Part Number	Description	Pg.	Ref. No.	Part Number	Description	Pg.	Ref. No.
16-68166	STUD, EXHAUST PLATE TO DRIVE SHAFT HOUSING (2 1/8")	55	23	21-30430A3	CHECK VALVE ASSEMBLY	35	2
16-68167	STUD, BLOCK TO DRIVE SHAFT HSG.(2 9/16") - TRANSFER SIDE	41	8	21-30430A3	CHECK VALVE ASSEMBLY	37	2
16-68201	STUD, CRANKCASE TO DRIVE SHAFT HOUSING (2 1/4")	41	4	21-64871A1	FITTING, CRANKCASE BLEED	47	34
16-68202	STUD, BLOCK TO DRIVE SHAFT HSG.(3") - EXHAUST SIDE	41	8	21-64871A3	FITTING, CRANKCASE BLEED	49	34
16-68203	STUD, BLOCK TO DRIVE SHAFT HSG. (4")	41	7	21-65424A1	FUEL LINE ASSEMBLY, FUEL PUMP/FUEL FILTER HSG (2 1/2")	35	17
16-69058	STUD, EXHAUST PLATE TO DRIVE SHAFT HOUSING (1 11/16")	55	22	22-25094	FITTING, GREASE - DISTRIBUTOR ADAPTOR	21	7
17-20032	DOWEL PIN, MAIN BEARING	51	7	22-25885	ELBOW, HOSE TO EXHAUST PLATE	35	14
17-20033	DOWEL PIN, CRANKCASE TO CYLINDER BLOCK	41	5	22-25885	ELBOW, HOSE TO EXHAUST PLATE	37	11
17-20323	DOWEL PIN, CYLINDER BLOCK TO MAIN BEARING	41	6	22-29085	ELBOW, (45 DEGREE) - UPPER CARBURETOR	35	28
17-21438	PIN, DOWEL - GEAR HOUSING	69	2	22-30175	SLEEVE, FUEL LINE	35	33
17-25598	PIN, REVERSE LOCK SPRING ATTACHING	59	34	22-30177	NUT, FUEL LINE	35	32
17-26618	PIN, DOWEL - PULLEY TO FLYWHEEL	15	7	22-30468	CONNECTOR, FUEL LINE	35	34
17-29908	PIN, ROLL - FLANGE LOCATING	21	15	22-32802	PIPE PLUG, CRANKCASE	41	15
17-30545	PIN, DRIVE SHAFT	71	47	22-32802	PLUG, CYLINDER BLOCK COVER	45	17
17-35973	DOWEL PIN, WATER PUMP BASE TO WATER PUMP BODY	69	18	22-32802	PLUG, PIPE - FUEL PUMP	35	9
17-36242	PIN, ROLL - MERCURY SWITCH	47	31	22-32802	PLUG, PIPE - FUEL PUMP	37	9
17-38113	PIN, CROSS - RATCHET TO PROPELLER SHAFT	73	60	22-36567	ELBOW, LOWER CARBURETOR	35	29
17-39023	PIN, PUSH ROD TO REVERSE LOCK	63	10	22-56759	FITTING, CRANKCASE BLEED	47	35
17-46912	PIN, DISTRIBUTOR ADAPTOR TO CRANKCASE LOCATING	21	4	22-64704	FITTING, ELBOW - LOWER CARBURETOR	39	44
17-47175	PIN, LOCKING LEVER AND COVER FASTENING	53	16	22-64705	FITTING, FUEL PUMP (INLET)	37	19
17-49930A1	TILT LOCK PIN ASSEMBLY	57	12	22-65857	FITTING, CRANKCASE BLEED	49	35
17-60282	DOWEL PIN (STEPPED)	51	8	22-66328	FITTING, FUEL INLET - UPPER CARBURETOR	39	42
17-60301	PIN, COWL HINGE	5	16	22-69059	FITTING, GREASE	57	21
17-65855	DOWEL PIN, REED STOP	51	9	22-70007	FITTING, FUEL STRAINER COVER	39	40
18-25191	COTTER PIN, PUSH ROD PIN	63	11	22-71909	FITTING, FUEL LINE TO ADAPTOR	37	22
18-45882	COTTER PIN, REVERSE LOCK TO SHAFT	59	42	23-23651	SLEEVE, WATER INLET TUBE	67	40
18-47959	COTTER PIN, TILT LOCK	57	26	23-26600	BUSHING, NYLON - SHIFT SHAFT TO LINK	53	12
19-45907	PLUG, FLYWHEEL PULLER THREADS	15	1	23-27132	BUSHING, NYLON - EXHAUST PLATE	55	21A
19-48750	PLUG, GEAR HOUSING FLUSHING HOLE	71	34	23-28198	BUSHING, RUBBER - SHOCK ABSORBER (LOWER)	61	48
19-64649	PLUG, PLASTIC - TRIM TAB SCREW HOLE	63	2	23-28199	SPACER, UPPER SHOCK BUSHING TO CLAMP BRACKET	59	43
				23-29909	SPACER, DRIVE PULLEY	21	13
				23-32171	BUSHING, RUBBER - SHOCK ABSORBER (UPPER)	61	47
				23-53538	SPACER, ROTOR SHAFT	17	17
				23-55164	BUSHING, THROTTLE CONTROL LEVER SCREW	21	25

PARTS INDEX

Part Number	Description	Pg.	Ref. No.	Part Number	Description	Pg.	Ref. No.
23-55419A1	BUSHING ASSEMBLY, SHIFT SHAFT	71	39	25-64872	GROMMET, POPPET RELIEF VALVE	45	4
23-56774	SPACER, COLLAR TO MOUNTING BRACKETS	25	21	25-64966	"O" RING, END CAP	41	27
23-57459	SLEEVE, SPARK PLUG LEAD (LEADS 1, 2, 3)	17	36	25-65936	"O" RING, UPPER MOUNT	63	25A
23-59624	SPACER, CLAMP BRACKET SUTD	57	8	26-23300	OIL SEAL, WATER PUMP BASE	69	17
23-60242	SLEEVE, LUBRICATION - DRIVE SHAFT	71	48	26-24590	OIL SEAL, SHIFT SHAFT BUSHING (LOWER)	71	40
23-60566	SLEEVE, ROTOR SHAFT	17	3	26-26782	OIL SEAL, WATER PUMP BASE	69	16
23-71574	BUSHING, TILT LOCK TUBE	57	27	26-29476	OIL SEAL, END CAP	41	28
24-20099	SPRING, COMPRESSION - LATCH SCREW	21	35	26-29476	OIL SEAL, END CAP	43	33
24-20099	SPRING, LINK TO ANCHOR BRACKET	53	3	26-31249	OIL SEAL, SHIFT SHAFT BUSHING (UPPER)	71	41
24-20254	SPRING, COMPRESSION - DRIVE SHAFT	71	46	26-32121	OIL SEAL, WATER PUMP BODY	71	26
24-23067	SPRING, ADAPTOR STEM	37	26	26-32911	OIL SEAL, SWIVEL BRACKET	57	19
24-29821	SPRING, REVERSE LOCK TENSION	59	40	26-38452	SEAL, WATER PUMP BODY TO WATER TUBE	71	29
24-30189	SPRING, ADAPTOR STEM	35	38	26-56788	OIL SEAL, BEARING CARRIER	75	70
24-35522	SPRING TENISON - LOWER MOUNT CLAMP	63	18	26-60296	SEAL, FUEL CONNECTOR - FRONT SUPPORT BRACKET	11	31
24-38114	SPRING, RETAINING - CROSS PIN	73	61	26-60297	SEAL, FUEL CONNECTOR - COWL	5	2
24-39845	SPRING, COMPRESSION - CAM FOLLOWER	73	54	26-60298	SEAL, CONTROL CABLES - COWL	5	6
24-55162	SPRING, RETURN - SPARK ADVANCE LEVER	21	27	26-60925	SEAL, WIRING HARNESS BRACKET	27	36
24-60288	SPRING, TENSION - CHOKE ROD	29	22	26-69188	OIL SEAL, BEARING CARRIER	75	70
24-60295	SPRING, FRONT COVER LATCH	13	42	26-69189	OIL SEAL, BEARING CARRIER - LINE CUTTER	75	70A
24-62624	SPRING, TENSION - COWL LATCH	5	24	26-71022	SEAL, THROTTLE SHAFT	31	14
24-64878	SPRING, COMPRESSION - POPPET RELIEF VALVE	45	6	27-25848	GASKET, FILTER COVER FASTENING SCREW	35	26
24-65339	SPRING, COMPRESSION - POPPET RELIEF VALVE	45	6	27-25848	GASKET, FILTER COVER FASTENING SCREW	37	39
25-20273	RING, RUBBER - CENTRIFUGAL SLINGER	71	31	27-25849	GASKET, FILTER COVER (TOP)	35	23
25-20415	"O" RING, ADAPTOR STEM	35	37	27-25849	GASKET, FILTER COVER (TOP)	37	36
25-20415	"O" RING, ADAPTOR STEM	37	25	27-25851	GASKET, FILTER COVER (BOTTOM)	35	21
25-25439	"O" RING, SHIFT SHAFT BUSHING	71	38	27-25851	GASKET, FILTER COVER (BOTTOM)	37	34
25-26547	CROMMET, SPARK PLUG LEAD	17	30	27-32769	GASKET, LOWER - WATER PUMP BASE TO FACE PLATE	69	19
25-26547	GROMMET, HIGH TENSION LEAD	17	39	27-32770	GASKET, UPPER - FACE PLATE TO WATER PUMP BODY	69	21
25-26855	"O" RING, WATER PUMP BASE	69	14	27-32771	GASKET, WATER PUMP BASE TO GEAR HOUSING	69	13
25-31986	"O" RING, BEARING CARRIER	75	67	27-38501	GASKET, ADAPTOR PLATE TO DRIVE SHAFT HOUSING	55	36
25-32546	"O" RING, END CAP	43	32				
25-56474	GROMMET, HIGH TENSION LEAD	17	40				
25-57806	GROMMET, WIRING HARNESS BRACKET SCREW	27	38				

PARTS INDEX

Part Number	Description	Pg.	Ref. No.	Part Number	Description	Pg.	Ref. No.
27-48164	GASKET, CARBURETOR FLANGE	33	35	31-62091	BEARING, ROLLER - DRIVE SHAFT	69	5
27-55896	GASKET, DISTRIBUTOR CAP TO DISTRIBUTOR HOUSING	17	24	31-62596A1	BEARING ASSEMBLY, CRANKPIN	51	25
27-60280	GASKET, EXHAUST TUBE TO EXHAUST PLATE	55	38	32-28053	SLEEVE, RUBBER - TILT LOCK PIN BUMPER	57	13
27-60286	GASKET, CRANKCASE TO CYLINDER BLOCK	41	2	32-37727	TUBE, WATER INLET (SHORT SHAFT)	65	39
27-60310	GASKET, CYLINDER BLOCK COVER	45	14	32-45679	TUBE, WATER INLET (LONG SHAFT)	65	39
27-60311	GASKET, TRANSFER PASSAGE COVER	45	11	32-52742A1	HOSE, DRIP TRAY TO REAR SUPPORT BRACKET	11	36
27-60317	GASKET, POWERHEAD TO EXHAUST PLATE	53	20	32-54936	HOSE, CRANKCASE BLEED	49	33
27-62386	GASKET, THERMOSTAT	47	21	32-60584	HOSE, CRANKCASE BLEED (12")	47	33
27-64859	GASKET, PLATE TO EXHAUST MANIFOLD COVER	47	22	32-62989A1	FUEL LINE, FILTER COVER TO LOWER CARBURETOR (7 1/8")	35	30
27-64859A73	GASKET SET (MOTOR OVERHAUL)	3	-	32-63146	FUEL LINE, CARBURETOR TO CARBURETOR	39	43
27-64859A74	GASKET SET (MOTOR OVERHAUL)	3	-	32-63146	FUEL LINE, COVER TO UPPER CARBURETOR	39	41
27-69524	GASKET, PLATE TO EXHAUST MANIFOLD COVER	47	22	32-64347	FUEL LINE ASSEMBLY, FUEL PUMP TO ADAPTOR (14 1/2")	35	31
27-69524A75	GASKET SET (MOTOR OVERHAUL)	3	-	32-65423	FUEL LINE, FILTER COVER TO UPPER CARBURETOR (6 5/16")	35	27
27-69525	GASKET, BAFFLE PLATE TO CYLINDER BLOCK	45	18	32-65424A1	FUEL LINE ASSEMBLY, FUEL PUMP/FUEL FILTER HSG. (1 1/2")	37	30
27-70335	GASKET, BAFFLE PLATE TO CYLINDER BLOCK	47	18A	32-70432	FUEL LINE, ADAPTOR TO FUEL PUMP	37	20
27-71827	GASKET, CARBURETOR TO CHOKE PLATE	29	26	32-71121	HOSE ASSEMBLY, FUEL PUMP TO EXHAUST PLATE (12 5/8")	35	10
28-29910	KEY, DISTRIBUTOR DRIVER	21	17	32-71121	HOSE ASSEMBLY, FUEL PUMP TO EXHAUST PLATE (12 5/8")	37	10
28-30281	KEY, LOCATING - BEARING CARRIER	75	71	32-71121	HOSE ASSEMBLY, FUEL PUMP TO TELL TALE NOZZLE (25")	35	11
28-56662	KEY, IMPELLER DRIVE	69	23	32-71121	HOSE ASSEMBLY, FUEL PUMP TO TELL TALE NOZZLE (25")	37	12
29-47270	BARING, NEEDLE - PISTON PIN	51	26	33-57451	SPARK PLUG (AC#V40FFM)	17	34
29-52168	BEARING, NEEDLE	51	18	34-65946	REED STOP	51	11
30-20066	BALL BEARING, DISTRIBUTOR HOUSING (UPPER)	17	1	34-66051A1	REED SET, MATCHED - MAIN BEARING	51	10
30-20839	BEARING, BALL - REVERSE GEAR	73	66	37-61301A73	DECAL SET	3	-
30-26379	BALL BEARING, DISTRIBUTOR HOUSING (LOWER)	17	15	37-65860A74	DECAL SET	3	-
30-64424	BEARING, BALL - LOWER AND UPPOER	51	2	37-69564A75	DECAL SET	3	-
31-21700	BEARING, ROLLER - BEARING CARRIER	75	69	37-69564A75	EXTRA HEAVY DUTY WATER PUMP KIT	3	-
31-21739	BEARING, ROLLER - FORWARD GEAR	73	57	39-45155A12	RING, PISTON	51	21
31-38146A1	ROLLER BEARING ASSEMBLY, TAPERED - DRIVE SHAFT	71	50	39-45204A12	RING, PISTON (.015)	51	--
31-38356A1	TAPERED ROLLER BEARING ASSEMBLY	73	56	40-52035	LOCK RING, PISTON PIN	51	20
				43-60245	GEAR, PINION - DRIVE SHAFT	69	11
				43-60246	REVERSE GEAR ASSEMBLY	73	63

PARTS INDEX

Part Number	Description	Pg.	Ref. No.	Part Number	Description	Pg.	Ref. No.
43-60247	FORWARD GEAR ASSEMBLY	73	58	55-58780A2	SHOCK ABSORBER	59	46
43-66555	REVERSE GEAR ASSEMBLY	73	63	55-69653	PIN, LOWER SHOCK MOUNTING	59	38
44-55911	SHAFT, PROPELLER	73	62	84-60466A1	CABLE ASSEMBLY, GROUND - MOUNTING SCREW	27	45
45-69164A2	DRIVE SHAFT ASSEMBLY (SHORT SHAFT)	71	45	84-60795	WIRING HARNESS (INTERNAL)	27	32
45-69165A2	DRIVE SHAFT ASSEMBLY (LONG SHAFT)	71	45	84-60870A4	HIGH TENSION CABLE ASSEMBLY, DISTRIBUTOR CAP TO COIL	17	37
46-48746A1	WATER PUMP BODY ASSEMBLY	71	24	84-60871A3	CABLE ASSEMBLY, ADAPTOR TO FRONT SUPPORT BRACKET	21	8
46-73842A2	WATER PUMP BASE ASSEMBLY	69	15	84-60872	CABLE, STARTER TO FRONT SUPPORT BRACKET (9/2")	25	15
47-65959	IMPELLER, WATER PUMP	69	22	84-60970	CABLE, SOLENOID TO STARTER MOTOR (21 1/4")	25	17
50-63015	STARTER MOTOR ASSEMBLY	25	13	84-61378	CABLE, BATTERY TO STARTER SOLENOID	27	31
50-65436	STARTER MOTOR ASSEMBLY	25	13	84-63212A2	SPARK PLUG LEAD ASSEMBLY #1, #2, AND #3	17	28
52-47586	RATCHET, SLIDING CLUTCH	73	59	84-68890	CABLE, SOLENOID TO STARTER MOTOR (22 1/2")	25	17
53-26406	RING, RETAINING - BALL BEARING TO DISTRIBUTOR HOUSING	17	18	85-71006A1	PROTECTOR, SPARK PLUG LEAD	17	35
53-26933	RING, SNAP - OUTER RACE CLAMPING	51	17	87-61053	STARTER SOLENOID	25	22
53-29641	CLIP, RETAINING - SHIFT SHAFT	71	37	90-65151	MERC 650E PARTS LIST	3	-
53-65264	RETAINER, CARRIER TO CYLINDER BLOCK	45	3	225-4591A6	FLYWHEEL ASSEMBLY, COMPLETE	15	4
54-20386	CLAMP, HOSE TO FUEL PUMP AND FITTINGS	35	12	225-4591A7	FLYWHEEL ASSEMBLY, COMPLETE	15	4
54-22627	CLAMP, ELECTRICAL LEADS TO SWITCH BOX	25	6	332-2854	BOOT, HIGH TENSION CABLE TO COIL	17	38
54-22627	CLIP, HIGH TENSION LEAD TO CRANKCASE	19	42	332-4796A3	SWITCH BOX ASSEMBLY, COMPLETE	25	1
54-22740	CLIP, HOSE TO REAR SUPPORT BRACKET	11	37	332-4796A6	SWITCH BOX ASSEMBLY, COMPLETE	25	1
54-22875	CLAMP, DISTRIBUTOR LEADS TO DISTRIBUTOR HOUSING	17	8	332-4797A3	HOUSING ASSEMBLY, DISTRIBUTOR	17	4
54-22875	CLIP, DISTRIBUTOR LEADS TO FRONT SUPPORT BRACKET	17	11	332-4797A3	HOUSING ASSEMBLY, DISTRIBUTOR	21	1
54-22875	CLIP, HOSE TO EXHAUST PLATE	11	37	332-4801	DISC, ROTOR	17	19
54-47483	CLAMP, TELL TALE HOSE TO EXHAUST MANIFOLD COVER	35	13	332-4895A2	IGNITION COIL ASSEMBLY	27	40
54-47483	CLAMP, TELL TALE HOSE TO EXHAUST MANIFOLD COVER	37	17	337-4603	ROTOR, DISTRIBUTOR	17	20
54-60768	CLAMP, DISTRIBUTOR CAP TO DISTRIBUTOR HOUSING	17	21	393-1293A1	BRUSH AND SPRING ASSEMBLY	17	26
54-64855	CLIP, BLEED HOSE	49	36	393-4606A2	DISTRIBUTOR CAP ASSEMBLY	17	25
54-68424	CLAMP, FUEL LINE ATTACHING	37	21	398-4634	STATOR, ALTERNATOR	15	11
54-68725	CLAMP, HOSE TO FUEL PUMP AND FITTING	37	13	450-4393A2	CRANKSHAFT ASSEMBLY	51	1
54-70705	CLAMP, TELL TALE NOZZLE	37	15	542-4846A7	MAIN BEARING ASSEMBLY (VALVE TYPE)	51	6
55-28416	PIN, UPPER SHOCK MOUNTING	57	17	622-4850A3	CONNECTING ROD AND CAP ASSEMBLY	51	22

PARTS INDEX

Part Number	Description	Pg.	Ref. No.	Part Number	Description	Pg.	Ref. No.
745-5303A2	PISTON AND PISTON PIN ASSEMBLY (.015)	51	--	1399-3795	JET, MAIN FUEL (.072)	33	29
855-5059A3	CYLINDER BLOCK AND CRANKCASE ASSEMBLY	41	1	1399-3796	JET, MAIN FUEL (.076)	33	29
855-5059A3	CYLINDER BLOCK AND CRANKCASE ASSEMBLY	45	1	1399-3811	JET, MAIN FUEL (.070)	33	29
855-5646A3	CYLINDER BLOCK AND CRANKCASE ASSEMBLY	41	1	1399-3938	ELEMENT, FUEL FILTER	35	22
855-5646A3	CYLINDER BLOCK AND CRANKCASE ASSEMBLY	45	1	1399-3938	FILTER, FUEL	37	35
864-5989A3	CYLINDER BLOCK AND CRANKCASE ASSEMBLY (SHORT SHAFT)	45	1	1399-4791	COVER, FUEL FILTER	35	24
864-5989A3	CYLINDER BLOCK AND CRANKCASE ASSEMBLY (SHORT SHAFT)	41	1	1399-5152	COVER, FLOAT BOWL	31	9
1025-4389	COVER, CYLINDER BLOCK	45	13	1440-5311A1	CLAMP BRACKET ASSEMBLY	57	1
1143-5063A1	END CAP ASSEMBLY, UPPER	41	26	1440-5576A1	CLAMP BRACKET ASSEMBLY	57	1
1144-5117A1	END CAP ASSEMBLY, LOWER	43	31	1472-5047A1	SWIVEL BRACKET ASSEMBLY (SHORT SHAFT)	57	18
1360-5146A1	CARBURETOR ASSEMBLY, COMPLETE	29	7	1473-5048A1	SWIVEL BRACKET ASSEMBLY (LONG SHAFT)	57	18
1360-5146A1	CARBURETOR ASSEMBLY, COMPLETE	31	1	1554-4813A2	DRIVE SHAFT HOUSING ASSEMBLY (SHORT SHAFT)	63	1
1360-5228A5	CARBURETOR ASSEMBLY, COMPLETE	29	7	1564-4812A2	DRIVE SHAFT HOUSING ASSEMBLY (LONG SHAFT)	63	1
1360-5228A5	CARBURETOR ASSEMBLY, COMPLETE	31	1	1643-4931A27	GEAR HOUSING ASSEMBLY, COMPLETE (SHORT SHAFT)	69	-
1360-5615A4	CARBURETOR ASSEMBLY, COMPLETE	29	7	1643-4931A27	GEAR HOUSING ASSEMBLY, COMPLETE (SHORT SHAFT)	73	-
1360-5615A4	CARBURETOR ASSEMBLY, COMPLETE	31	1	1643-4931A28	GEAR HOUSING ASSEMBLY, COMPLETE (LONG SHAFT)	69	-
1395-4540	SCREW, BODY (IDLE TUBE)	31	22	1643-4931A28	GEAR HOUSING ASSEMBLY, COMPLETE (LONG SHAFT)	73	-
1395-4541	SCREW, PLUG - MAIN FUEL JET CHANNEL	33	27	1643-4931A6	GEAR HOUSING ASSEMBLY	69	1
1395-4542	SCREW, PLUG - MAIN NOZZLE	33	31	1643-4931A6	GEAR HOUSING ASSEMBLY (SEE PAGE 34 FOR BREAKDOWN)	73	1
1395-4543	SCREW, BODY CHANNEL	33	34	1643-4931A7	GEAR HOUSING ASSEMBLY, COMPLETE (SHORT SHAFT)	73	-
1395-4555	INLET NEEDLE, SEAT AND GASKET	31	6	1643-4931A8	GEAR HOUSING ASSEMBLY, COMPLETE (LONG SHAFT)	69	-
1395-4804	SCREW, FLOAT BOWL COVER (LONG)	31	16	1643-4931A8	GEAR HOUSING ASSEMBLY, COMPLETE (LONG SHAFT)	73	-
1395-4805	SCREEN, FILTER	31	18	1643-4931A8	GEAR HOUSING ASSEMBLY, COMPLETE (LONG SHAFT)	69	-
1395-4807	SHAFT, THROTTLE	31	20	1643-4931A8	GEAR HOUSING ASSEMBLY, COMPLETE (LONG SHAFT)	73	-
1395-4808	GASKET AND PACKING SET (1 PER CARBURETOR)	33	--	2141-4537A4	COWL ASSEMBLY (PORT)	5	5
1395-5200	SHUTTER, THROTTLE	33	24	2142-4538A4	COWL ASSEMBLY, (STARBOARD)	5	1
1395-5201	REPAIR PARTS KIT (1 PER CARBURETOR)	33	--	2143-4552A2	COWL FRONT COVER ASSEMBLY	5	27
1395-5353	FLOAT ASSEMBLY	31	2	2143-5689A2	COWL FRONT COVER ASSEMBLY	5	27
1395-5680	COVER, FLOAT BOWL	31	10				
1395-5734	HOSE, ECONOMIZER	31	12				
1395-5815	JET, GOWL VENT (.086)	31	11				
1399-110A1	FLOAT ASSEMBLY	31	2				
1399-3515	SCREW, IDLE ADJUSTMENT	33	26				
1399-3528	SHUTTER, THROTTLE	33	24				
1399-3690	COVER, FUEL STRAINER	37	37				
1399-3794	JET, MAIN FUEL (.074) - STANDARD	33	29				