



PARTS CATALOG

ACCESSORIES RIDE-GUIDE VOLUME I

SERIAL NUMBER

POWER STEERING/ TILLER HANDLES/ SHIFT KITS . Ride Guide Vol.1(1986 thru 1993)

TABLE OF CONTENTS:

ATTACHING KIT (19608A3, A5) AND (19609A2, A3)	70
ATTACHING KIT (73693A7)	48
ATTACHING KIT (89568A2, 41323A2)	46
ATTACHING KIT (DUAL) (88521A6)	52
ATTACHING KIT (DUAL) (89107A2, 92876A2)	58
ATTACHING KIT (SINGLE) (92876A3, 89107A1)	50
CO-PILOT REPLACEMENT ASSEMBLY	44
DUAL ENGINE EXTENSION KIT	82
DUAL ENGINE EXTENSION KIT (92876A6)	68
DUAL STEERING KIT	72
PARTS INDEX	84
POWER STEERING ATTACHING KIT	74
RACK AND PINION ASSEMBLY	12
REMOTE POWER STEERING KIT	78
RIDE GUIDE STEERING KIT	80
RIDE-GUIDE ATTACHING KIT (11606A1, A2)	64
RIDE-GUIDE ATTACHING KIT (34749A6)	40
RIDE-GUIDE ATTACHING KIT (79278A1, 89638A3)	38
RIDE-GUIDE ATTACHING KIT (DUAL) (79278A2, A3, A4)	54
RIDE-GUIDE ATTACHING KIT (DUAL) (77143A2)	34
RIDE-GUIDE ATTACHING KIT (DUAL) (88521A2)	36
RIDE-GUIDE ATTACHING KIT (SINGLE) (78834A2)	32
RIDE-GUIDE ATTACHING KIT (SINGLE) (88320A1)	42
RIDE-GUIDE ATTACHING KIT (SINGLE) (88320A3)	60
RIDE-GUIDE STEERING CABLE	18
ROTARY RIDE-GUIDE CABLE ASSEMBLY	16
ROTARY STEERING SYSTEM	62
STEERING BRACKETS (12569A1)	20
STEERING BRACKETS (34745A2)	22
STEERING BRACKETS (52992A2)	24
STEERING BRACKETS (96186A2)	26
STEERING KIT, TRANSOM MOUNTED (73770A1)	30
STEERING KIT, TRANSOM MOUNTED (74754A1)	28
STEERING MOUNT ASSEMBLY	6
STEERING WHEEL ASSEMBLY (PLASTIC)	2
STEERING WHEEL ASSEMBLY (WOOD GRAIN)	4
SUPER RIDE-GUIDE STEERING KIT	14
TILT MOUNT	8
TILT MOUNT	66
TRANSOM MOUNT POWER STEERING KIT	76
WEDGE KIT (20 DEGREES)	10

NOTE: Indented description indicate that these parts are included in preceeding assembly.

AR = As Required

NSS = Not Sold Separate

OPT = Optional

NS = Not Shown

NOTE: Following symbols are located in **SYM** column.

● = NO LONGER AVAILABLE

■ = AVAILABLE IN LENGTHS OF 8', 9', 10', 11', 12', 13', 14', 15', 16', 17', 18', 19', AND 20'.

▣ = ADD THE LENGTH REQUIRED AFTER THE PART NUMBER.

◇ = AVAILABLE IN LENGTHS OF 12', 13', 14', 15', 16', 17', 18', 19', 20', 21',

▲ = 22', 23', 24', 25', 26', 27', 28', 29', 30', 32', 34', 36', 38', 40', 41', AND 42'.

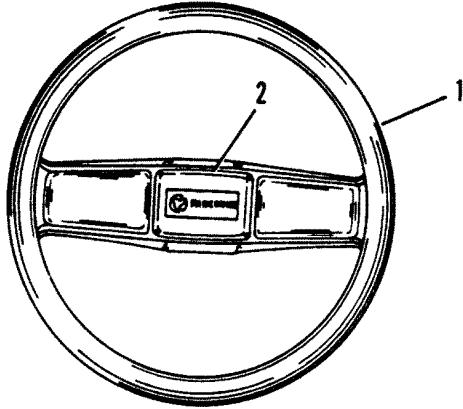
⊕ = LONGER CABLES AVAILABLE UPON SPECIAL ORDER.

⊛ = THE ENCLOSED PARTS MUST BE ORDERED SEPARATELY; THEY ARE NOT PART OF DUAL RIDE GUIDE ATTACHING KITS.

THESE PARTS BOOKS/FICHE CARD ARE COPYRIGHTED AND MAY NOT BE DISTRIBUTED OR REPRODUCED IN ANY OTHER FORMAT BY ANYONE OTHER THAN MERCURY MARINE WITHOUT THE PRIOR WRITTEN CONSENT OF MERCURY MARINE.

THIS PAGE INTENTIONALLY LEFT BLANK

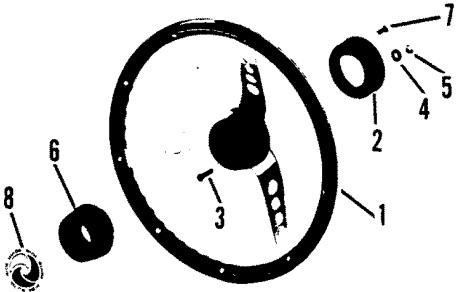
STEERING WHEEL ASSEMBLY (PLASTIC)



STEERING WHEEL ASSEMBLY (PLASTIC)

REF. NO.	PART NO.	SYM.	QTY.	DESCRIPTION
1	79979A5		1	STEERING WHEEL ASSEMBLY (SQUARE TAPER)
	79979A7		1	STEERING WHEEL ASSEMBLY (ROUND TAPER)
2	88646A2		1	COVER

STEERING WHEEL ASSEMBLY (WOOD GRAIN)

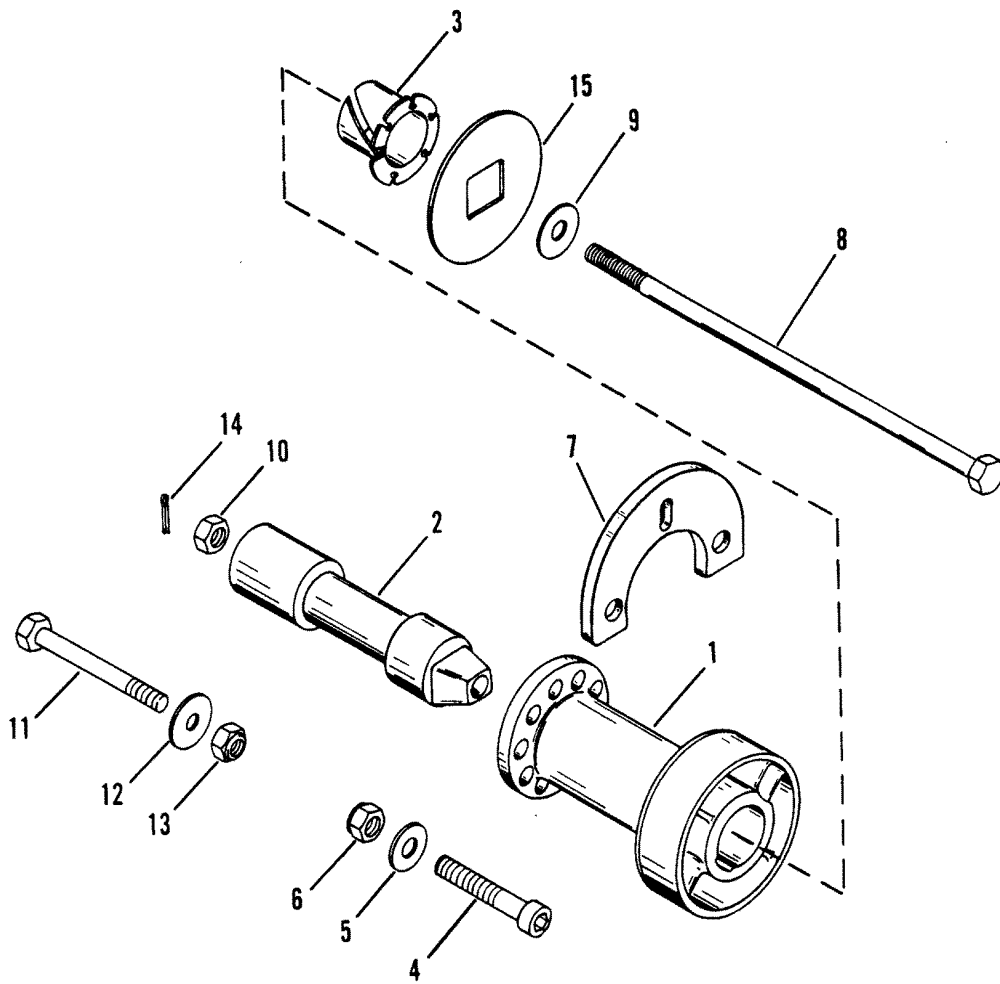


STEERING WHEEL ASSEMBLY (WOOD GRAIN)

REF. NO.	PART NO.	SYM.	QTY.	DESCRIPTION
1	NLA	●	1	STEERING WHEEL ASSEMBLY (SQUARE TAPER)
	NLA	●	1	STEERING WHEEL ASSEMBLY (ROUND TAPER)
2	76125		1	HUB (SQUARE TAPER)
	NLA	●	1	HUB (ROUND TAPER)
3	10-26065		3	SCREW
4	12-20084		3	WASHER
5	11-35814		3	NUT
6	76126		1	CAP
7	10-56027		3	SCREW
8	78972		1	INSERT (ROUND TAPER)
	37-13934--1		1	DECAL (SQUARE TAPER)

● = NO LONGER AVAILABLE

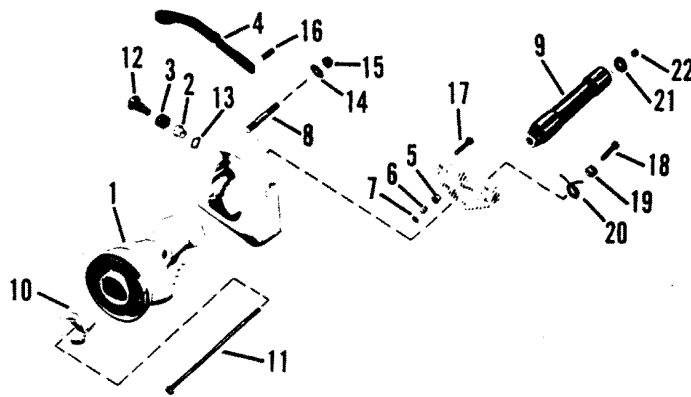
STEERING MOUNT ASSEMBLY



STEERING MOUNT ASSEMBLY

REF. NO.	PART NO.	SYM.	QTY.	DESCRIPTION
-	76640A2		1	STEERING MOUNT ASSEMBLY (90 DEGREES)
1	76640T		1	STEERING POST
2	76706		1	SHAFT
3	23-29097		1	BUSHING
4	10-76736		3	SCREW (2")
5	12-26825		3	WASHER
6	11-35814		3	NUT
7	76646		1	U-PLATE
8	10-15775		1	BOLT (10")
9	12-48241		1	WASHER
10	11-23161		1	NUT
11	10-69098		2	SCREW (3-1/2")
12	12-63032		2	WASHER
13	11-35814		2	NUT
14	18-29623		1	COTTER PIN (OLD DESIGN)
15	76909		1	DIVIDER PLATE

TILT MOUNT

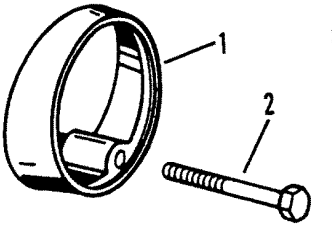


TILT MOUNT

TILT MOUNT

REF. NO.	PART NO.	SYM.	QTY.	DESCRIPTION
-	87422A2		1	RIDE-GUIDE TILT MOUNT ASSEMBLY
1	87422T		1	POST
2	23-48237		2	BUSHING (3/8")
3	11-22024		2	LOCK NUT
4	48224		1	LEVER
5	17-20009		1	PIN
6	24-35227		1	SPRING
7	19-20011		1	PLUG
8	16-29208		4	STUD
9	67352		1	SHAFT
10	23-29097		1	BUSHING
11	10-15773		1	SCREW (3/8-24 X 12")
12	N.S.S.		2	SCREW (1-1/2")
13	N.S.S.		2	QUAD RING
14	12-26825		4	WASHER
15	11-35814		6	NUT
16	N.S.S.		1	PIN
17	N.S.S.		2	SCREW (1-1/4")
18	N.S.S.		1	SCREW (1-1/4")
19	N.S.S.		1	SPACER
20	N.S.S.		1	SPRING
21	12-48241		1	WASHER
22	11-23161		1	NUT

WEDGE KIT (20 DEGREES)

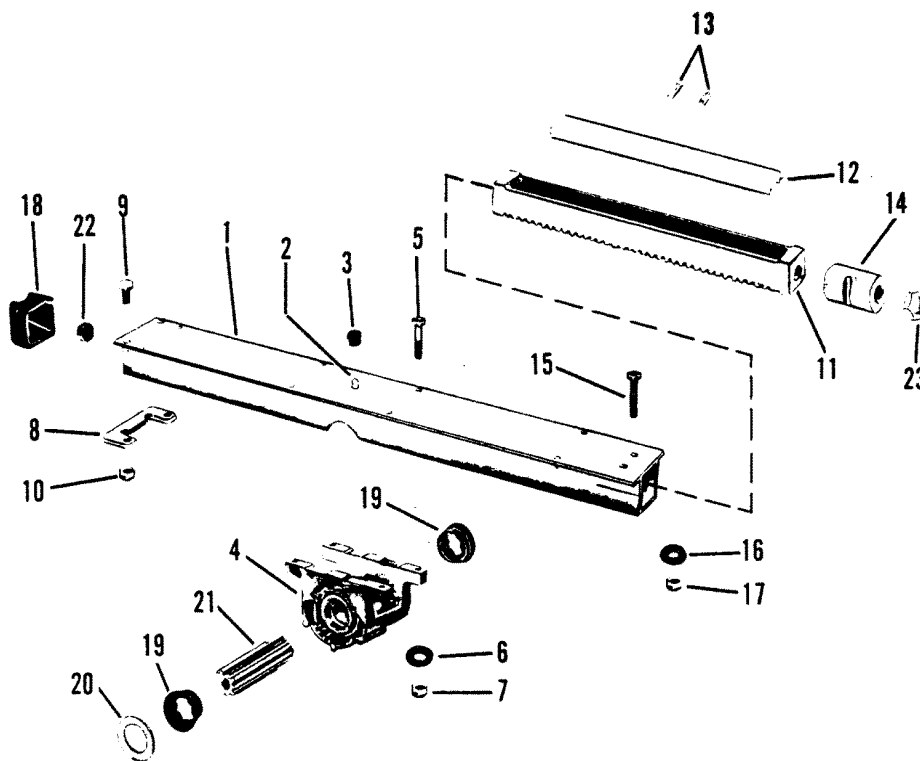


WEDGE KIT (20°)

WEDGE KIT (20 DEGREES)

REF. NO.	PART NO.	SYM.	QTY.	DESCRIPTION
1	76641A2		1	WEDGE KIT (20 DEGREES)
2	10-76737		1	SCREW (2-1/2")
	10-76735		2	SCREW (3")

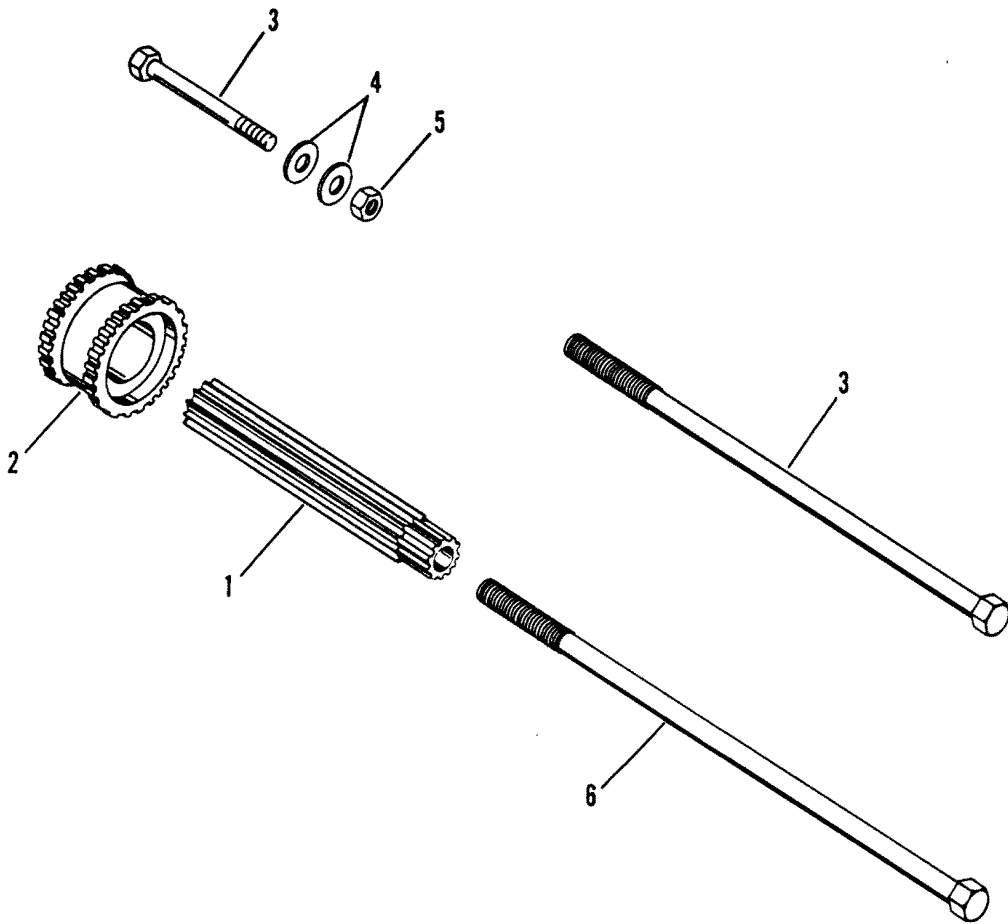
RACK AND PINION ASSEMBLY



RACK AND PINION ASSEMBLY

REF. NO.	PART NO.	SYM.	QTY.	DESCRIPTION
-	66800A5		1	RACK AND PINION ASSEMBLY
1	16540A1		1	HOUSING, RACK (20-1/4")
2	22-26000		1	GREASE FITTING
3	19-77633		1	LUBRICAP
4	N.S.S.		1	HOUSING
5	10-21091		4	SCREW (1-1/8")
6	12-29245		4	WASHER
7	11-20361		4	NUT
8	66801		1	BRACKET (USE WITH 21" RACK HSG.)
	16538		1	BRACKET (USE WITH 20-1/4" RACK HSG.)
9	10-60300		2	SCREW (3/4")
10	11-20361		2	NUT
11	66802T		1	RACK
12	66803		1	BUSHING
13	66804		2	GUIDE
14	66805		1	MOUNT (USE WITH 21" RACK HOUSING)
15	10-21937		2	SCREW (2") (USE WITH 21" RACK HOUSING)
16	12-29245		2	WASHER (USE WITH 21" RACK HOUSING)
17	11-20361		2	NUT (USE WITH 21" RACK HOUSING)
18	66806		1	COVER (USE WITH 21" RACK HOUSING)
19	23-25901		2	BUSHING
20	12-25897		1	WASHER
21	25898		1	PINION
22	11-20088		2	NUT
23	11-25899		1	JAM NUT

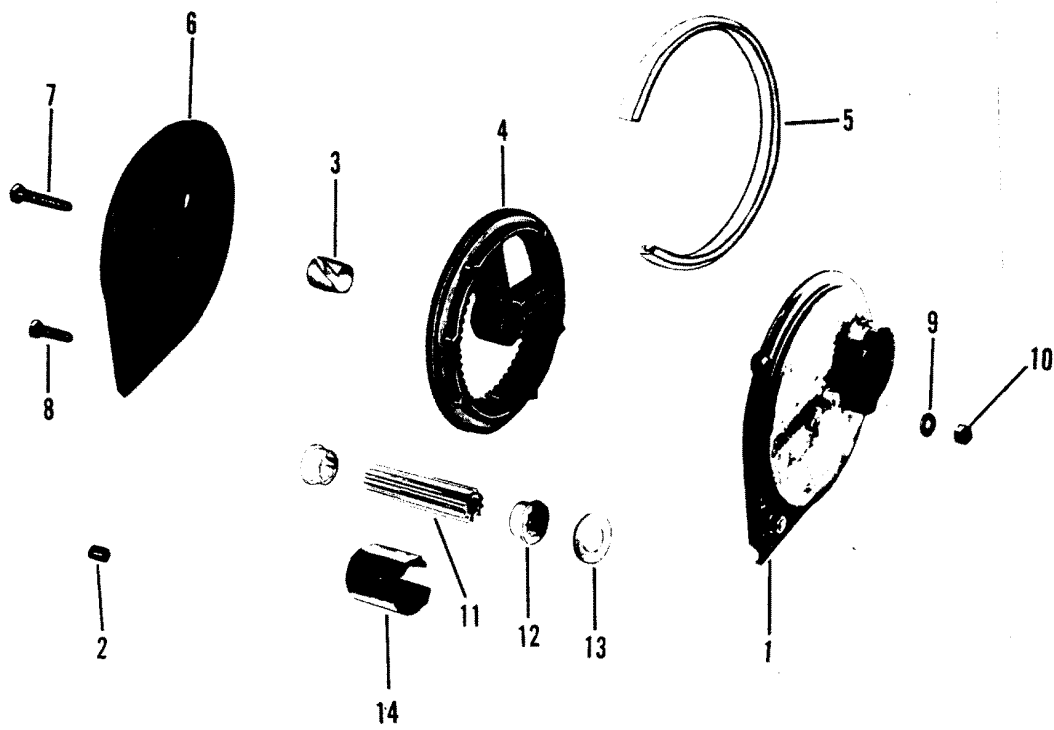
SUPER RIDE-GUIDE STEERING KIT



SUPER RIDE-GUIDE STEERING KIT

REF. NO.	PART NO.	SYM.	QTY.	DESCRIPTION
-	66815A2		-	SUPER ROTARY RIDE-GUIDE STEERING KIT QUANTITIES: (66815A2) - 1, (66800A6) - 0
-	66800A6		-	SUPER RIDE-GUIDE STEERING KIT QUANTITIES: (66815A2) - 0, (66800A6) - 1
1	43-73956		-	PINION, STEERING QUANTITIES: (66815A2) - 1, (66800A6) - 0
	43-73961		-	PINION, STEERING QUANTITIES: (66815A2) - 0, (66800A6) - 1
2	73957		-	ADAPTOR QUANTITIES: (66815A2) - 1, (66800A6) - 1
3	10-69098		-	SCREW (3-1/2") QUANTITIES: (66815A2) - 2, (66800A6) - 2
	10-15774		-	SCREW (13-5/8") QUANTITIES: (66815A2) - 1, (66800A6) - 1
4	12-57792		-	WASHER QUANTITIES: (66815A2) - 4, (66800A6) - 4
5	11-35814		-	NUT QUANTITIES: (66815A2) - 2, (66800A6) - 2
6	10-15776		-	SCREW (15-1/4") QUANTITIES: (66815A2) - 1, (66800A6) - 0

ROTARY RIDE-GUIDE CABLE ASSEMBLY



ROTARY RIDE-GUIDE CABLE ASSEMBLY

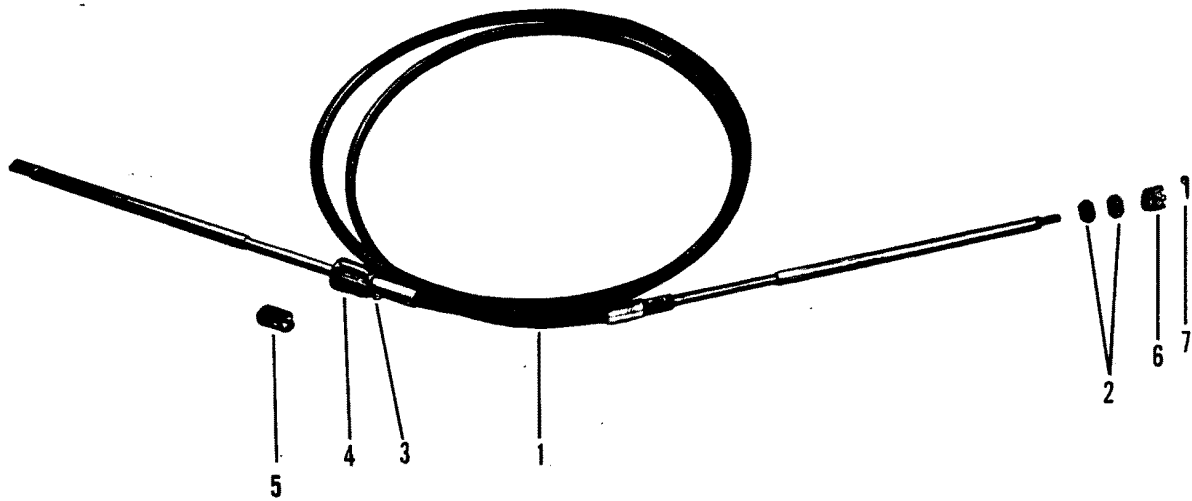
REF. NO.	PART NO.	SYM.	QTY.	DESCRIPTION
-	11140A_	■ ■	1	ROTARY STEERING CABLE ASSEMBLY SEE FOOTNOTE
1	N.S.S.		1	HOUSING (STARBOARD)
2	NLA	●	1	SPACER
3	23-54123		1	BUSHING
4	43-66144		1	GEAR
5	N.S.S.		1	LINER
6	N.S.S.		1	HOUSING (PORT)
7	10-32293		1	SCREW (1-3/4")
8	10-20639		1	SCREW (1-1/8")
9	12-20722		2	WASHER
10	11-29250		2	NUT
8	10-98509		2	SCREW
9	12-24676		2	WASHER
10	11-46438		2	NUT
11	66990		1	PINION
12	23-66811		2	BUSHING
13	12-67369		1	WASHER
14	NLA	●	1	LOCKING SLEEVE ASSEMBLY

● = NO LONGER AVAILABLE

■ = AVAILABLE IN LENGTHS OF 8', 9', 10', 11', 12', 13', 14', 15', 16', 17', 18', 19', AND 20'.

■ = ADD THE LENGTH REQUIRED AFTER THE PART NUMBER.

RIDE-GUIDE STEERING CABLE



RIDE-GUIDE STEERING CABLE

REF. NO.	PART NO.	SYM.	QTY.	DESCRIPTION
1	11111A_	◇▲■+	1	RIDE-GUIDE STEERING CABLE, 7/8" O.D. SEE FOOTNOTE
2	11-21825		2	NUT
3	22-26000		1	GREASE FITTING
4	11-71670		1	NUT
5	NLA	●	1	SLEEVE ASSEMBLY
6	66812		1	CAP
7	18-26953		1	COTTER PIN

● = NO LONGER AVAILABLE

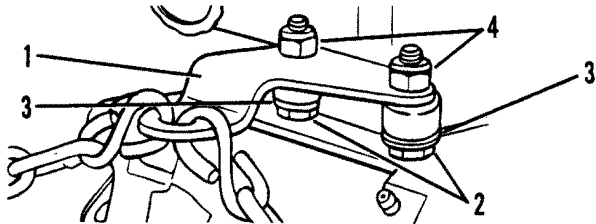
■ = ADD THE LENGTH REQUIRED AFTER THE PART NUMBER.

◇ = AVAILABLE IN LENGTHS OF 12', 13', 14', 15', 16', 17', 18', 19', 20', 21',

▲ = 22', 23', 24', 25', 26', 27', 28', 29', 30', 32', 34', 36', 38', 40', 41', AND 42'.

⊕ = LONGER CABLES AVAILABLE UPON SPECIAL ORDER.

STEERING BRACKETS (12569A1)

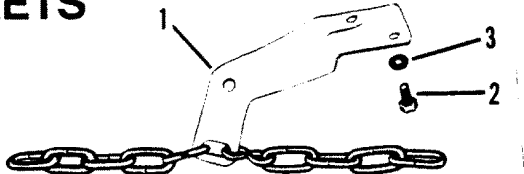


STEERING BRACKETS (12569A1)

REF. NO.	PART NO.	SYM.	QTY.	DESCRIPTION
1	12569A1		1	CABLE AND PULLEY ATTACHING KIT
2	10-40003-54		2	SCREW
3	12-56720		2	WASHER
4	11-40063-5		2	NUT

STEERING BRACKETS (34745A2)

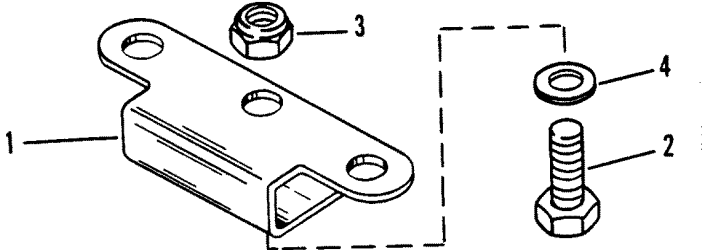
STEERING BRACKETS



STEERING BRACKETS (34745A2)

REF. NO.	PART NO.	SYM.	QTY.	DESCRIPTION
1	34745A2		1	STEERING BRACKET ASSEMBLY
2	10-28635		2	SCREW
3	13-26992		2	LOCKWASHER

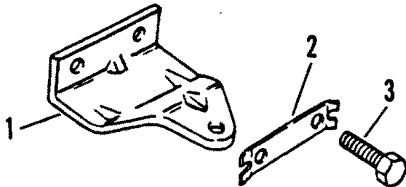
STEERING BRACKETS (52992A2)



STEERING BRACKETS (52992A2)

REF. NO.	PART NO.	SYM.	QTY.	DESCRIPTION
1	52992A2		1	STEERING BRACKET ASSEMBLY
2	10-37909		1	SCREW
3	11-34863		1	NUT
4	23-35016		1	SPACER

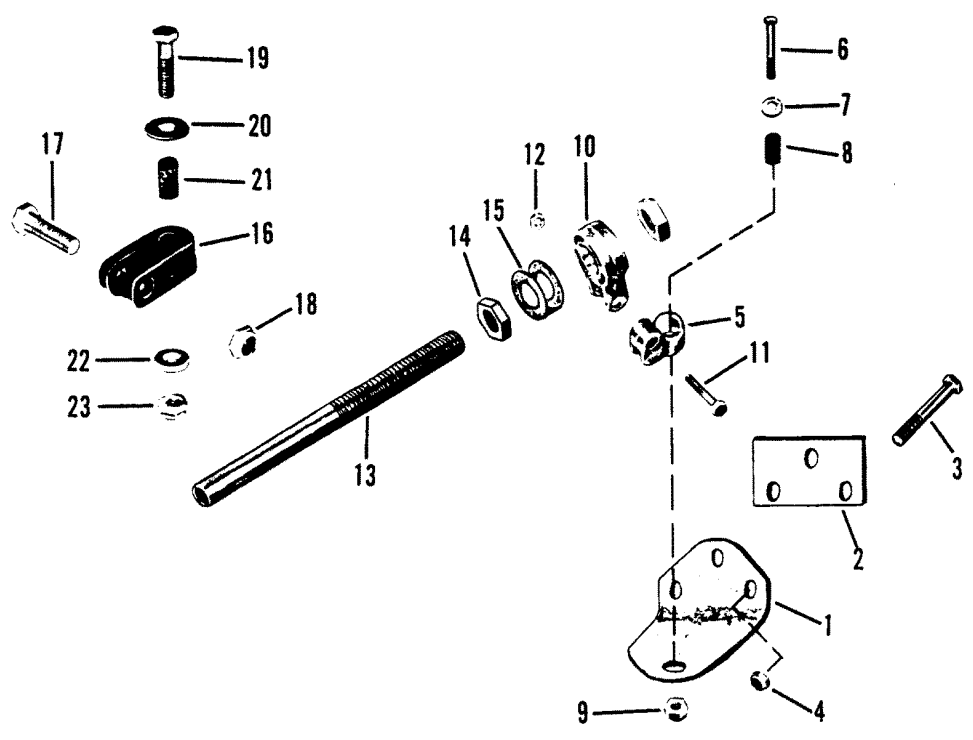
STEERING BRACKETS (96186A2)



STEERING BRACKETS (96186A2)

REF. NO.	PART NO.	SYM.	QTY.	DESCRIPTION
1	96186A2		1	BRACKET ASSEMBLY
2	96201		1	STRAP
3	10-40003-76		2	SCREW (25MM)

STEERING KIT,TRANSOM MOUNTED (74754A1)

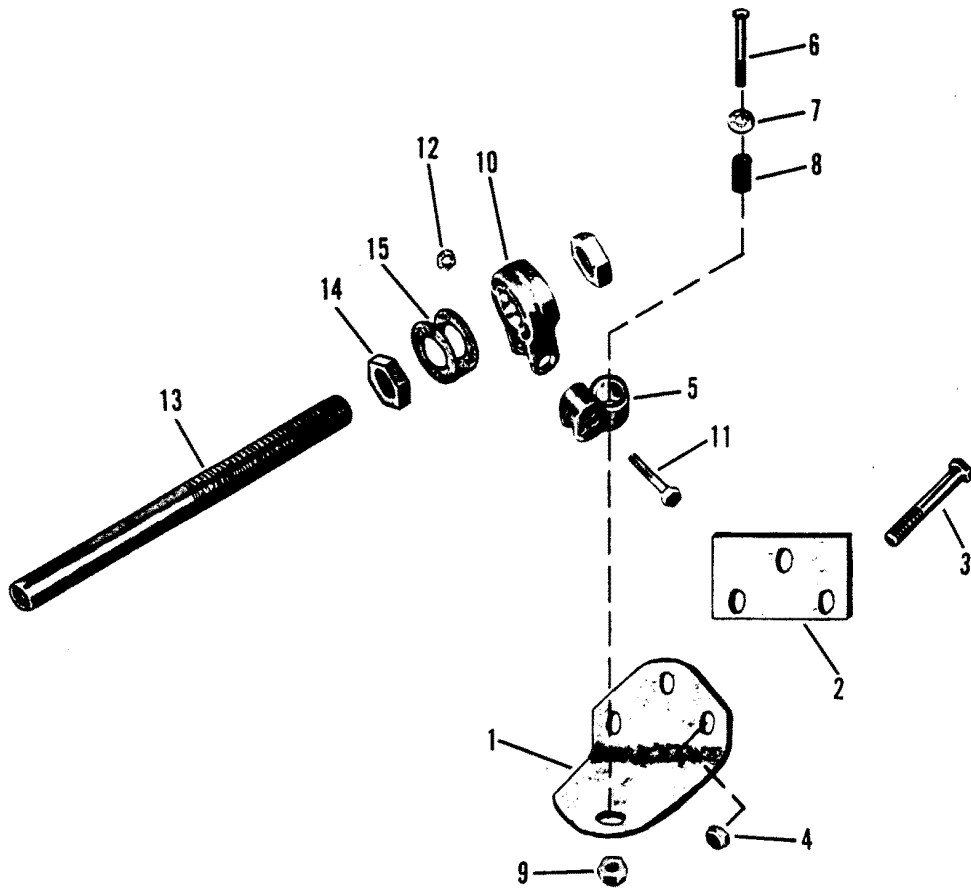


STEERING KIT, TRANSOM MOUNTED (74754A1)

REF. NO.	PART NO.	SYM.	QTY.	DESCRIPTION
-	74754A1		1	STEERING KIT
1	NLA	●	1	BRACKET
2	74755		1	PLATE
3	10-74757		3	SCREW (3-1/4")
4	11-35814		3	NUT
5	73772		1	PIVOT BLOCK
6	10-70890		1	SCREW (1-3/4")
7	NLA	●	1	WASHER
8	23-74756		1	SPACER
9	11-34933		1	NUT
10	73774		1	YOKE
11	10-70890		1	SCREW (1-3/4")
12	11-34933		1	NUT
13	71565		1	TUBE
14	11-37984		2	JAM NUT
15	14-73777		1	TAB WASHER
16	78282		1	CLEVIS
17	10-70891		1	SCREW
18	11-34863		1	NUT
19	10-90092		1	SCREW (1-1/4")
20	12-34931		1	WASHER (THIN)
21	23-71564		1	SPACER
22	N.S.S.		1	WASHER (THICK)
23	11-34863		1	NUT

● = NO LONGER AVAILABLE

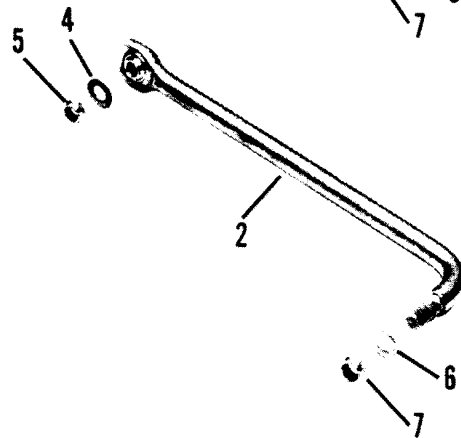
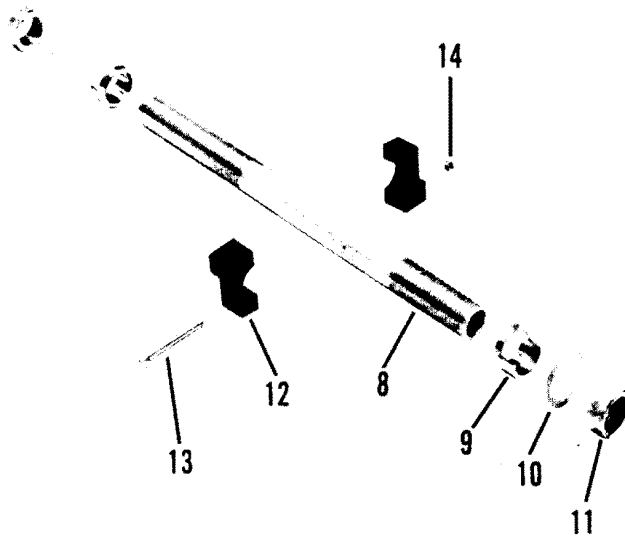
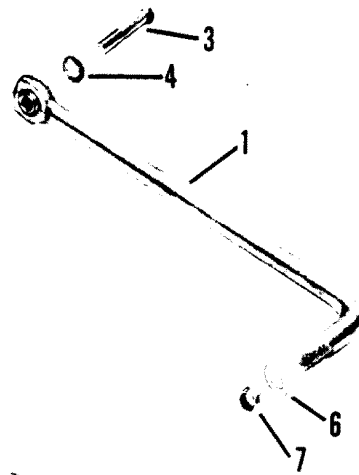
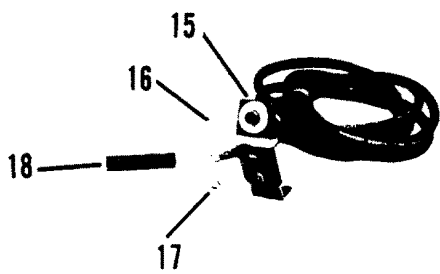
STEERING KIT, TRANSOM MOUNTED (73770A1)



STEERING KIT, TRANSOM MOUNTED (73770A1)

REF. NO.	PART NO.	SYM.	QTY.	DESCRIPTION
-	73770A1		1	STEERING KIT
1	73770		1	BRACKET
2	74755		1	PLATE
3	10-74757		3	SCREW (3-1/4")
4	11-35814		3	NUT
5	73772		1	PIVOT BLOCK
6	10-70892		1	SCREW (2-1/2")
7	12-34931		1	WASHER
8	23-73775		1	SPACER
9	11-34863		1	NUT
10	73774		1	YOKE
11	10-70890		1	SCREW (1-3/4")
12	11-35053		1	NUT
13	71565		1	TUBE
14	11-37984		2	JAM NUT
15	14-73777		1	TAB WASHER

RIDE-GUIDE ATTACHING KIT (SINGLE) (78834A2)

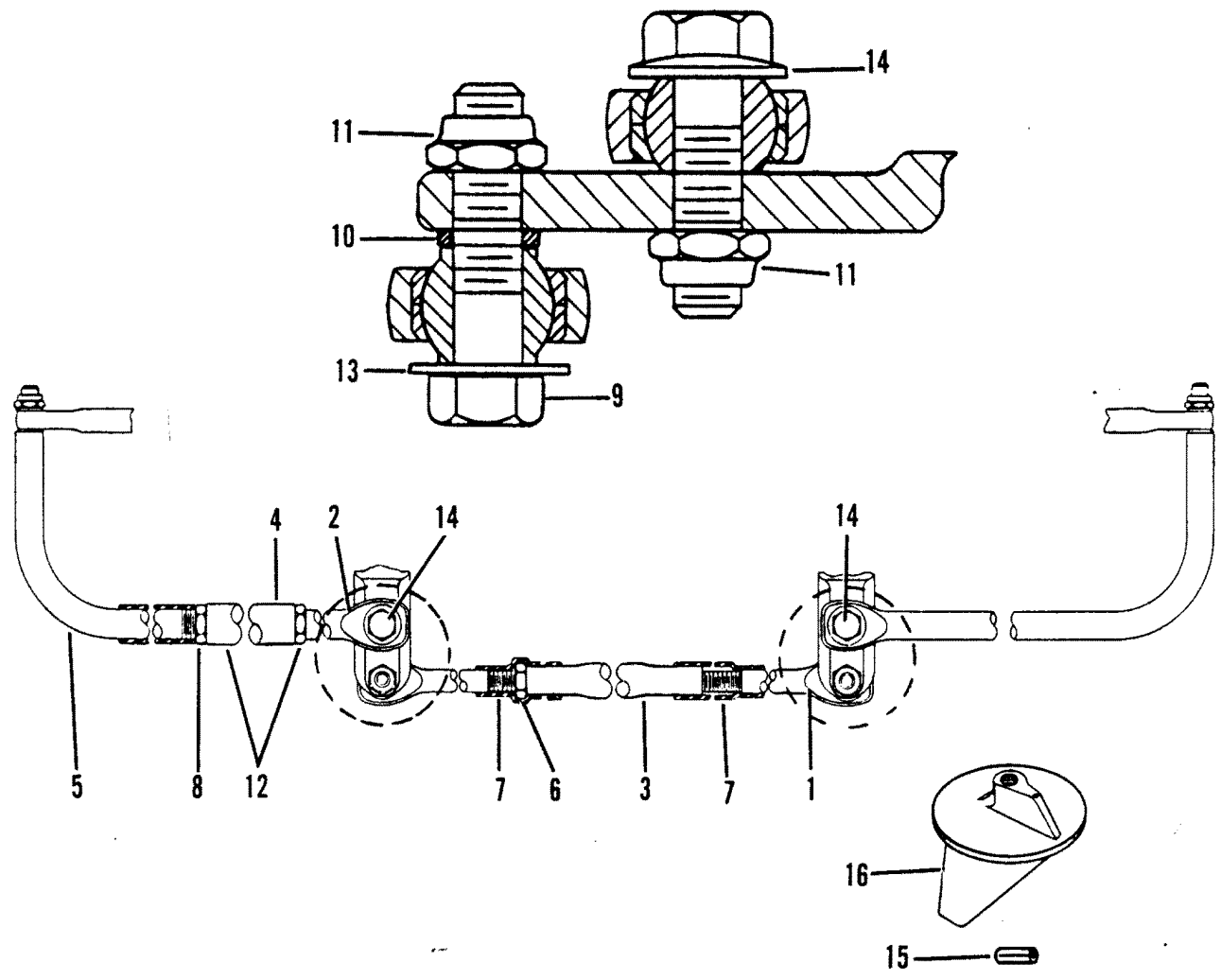


RIDE-GUIDE ATTACHING KIT (SINGLE) (78834A2)

REF. NO.	PART NO.	SYM.	QTY.	DESCRIPTION
-	78834A2		1	RIDE-GUIDE ATTACHING KIT (SINGLE)
1	78834A1		1	STEERING LINK (UPPER-LONGER BENT END)
2	78836A1		1	STEERING LINK (LOWER)
3	10-68496		1	SCREW (2-1/4")
4	12-34931		2	WASHER
5	11-34863		1	NUT
6	12-34931		4	WASHER
7	11-34863		2	NUT
8	NLA	●	1	TUBE
9	78839		2	SPACER
10	NLA	●	2	TAB WASHER
11	11-55983		2	JAM NUT
12	NLA	●	2	CLAMP
13	NLA	●	2	SCREW
14	11-45812		2	NUT
15	NLA	●	1	SWITCH ASSEMBLY
16	10-24231		1	SCREW
17	11-27164		1	NUT
18	85-62359--4		1	TUBE

● = NO LONGER AVAILABLE

RIDE-GUIDE ATTACHING KIT (DUAL) (77143A2)

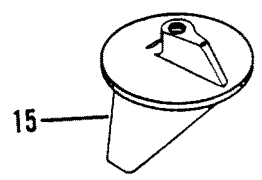
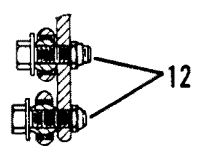
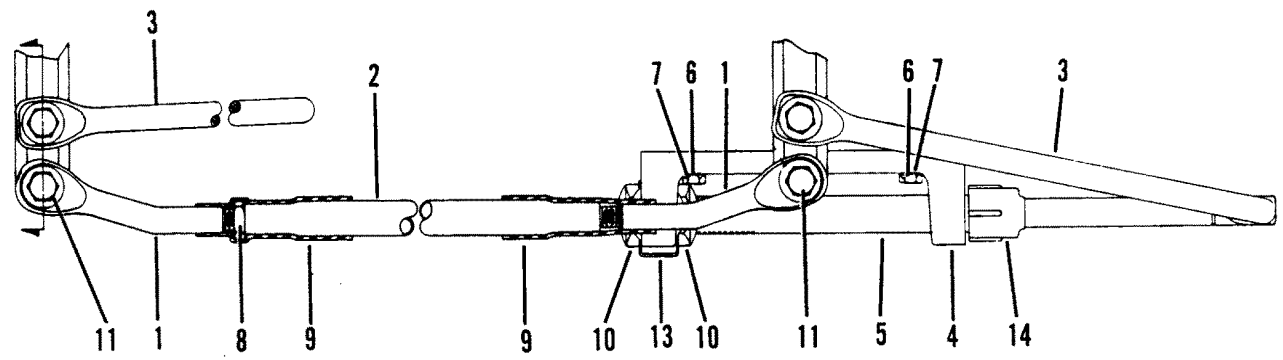


RIDE-GUIDE ATTACHING KIT (DUAL) (77143A2)

REF. NO.	PART NO.	SYM.	QTY.	DESCRIPTION
-	77143A2		1	RIDE-GUIDE ATTACHING KIT (DUAL)
1	77143A1		2	STEERING LINK ASSEMBLY
2	NLA	●	1	STEERING LINK ASSEMBLY
3	77144--2		1	TUBE
4	NLA	●	1	TUBE
5	N.S.S.		1	LINK ROD
6	11-71852		1	JAM NUT
7	NLA	●	2	HOSE
8	NLA	●	1	HOSE
9	10-90072		2	SCREW (1-5/8")
10	12-34931		4	WASHER
11	11-34863		4	NUT
12	N.S.S.		2	JAM NUT
13	12-29395		2	WASHER
14	10-14000		2	SCREW
15	17-75688		1	PIN
16	77210		2	TRIM TAB

● = NO LONGER AVAILABLE

RIDE-GUIDE ATTACHING KIT (DUAL) (88521A2)

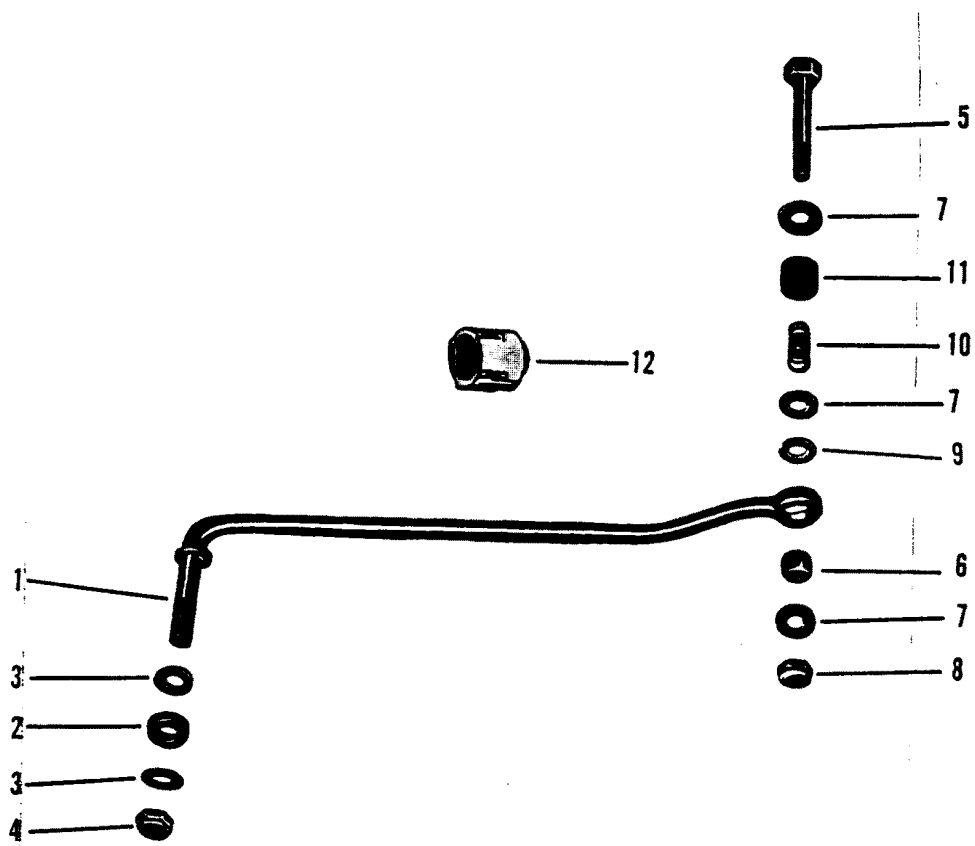


RIDE-GUIDE ATTACHING KIT (DUAL) (88521A2)

REF. NO.	PART NO.	SYM.	QTY.	DESCRIPTION
-	88521A2		1	RIDE-GUIDE ATTACHING KIT (DUAL)
1	92877A1		2	STEERING EYE ASSEMBLY
2	77144--2		1	TUBE
3	92876A1		1	LINK ROD ASSEMBLY
4	88320		1	BRACKET
5	71565		1	TUBE
6	88404		2	LOCKING TAB
7	10-38601		4	SCREW
8	11-71852		1	JAM NUT
9	NLA	●	2	HOSE
10	11-37984		2	JAM NUT
11	10-14000		2	SCREW (1-1/4")
12	11-34863		2	NUT
13	14-73777		1	TAB WASHER
14	26-78862A2		1	SEAL
15	77210		2	TRIM TAB

● = NO LONGER AVAILABLE

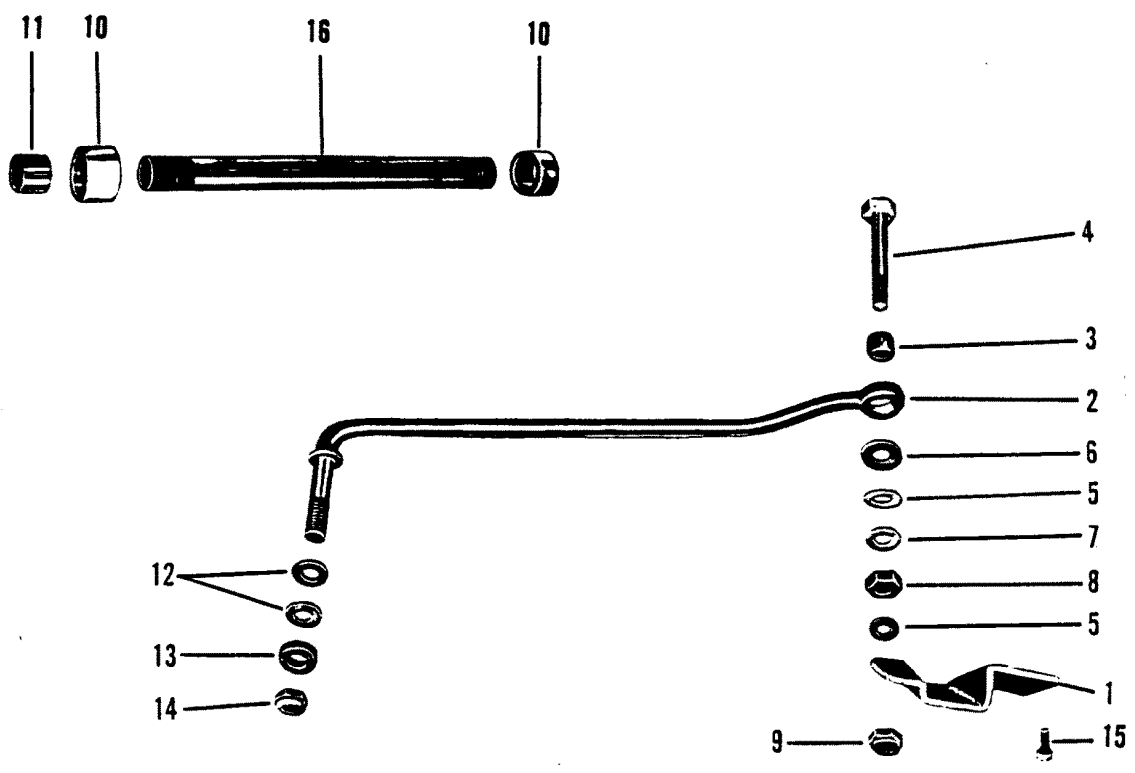
RIDE-GUIDE ATTACHING KIT (79278A1, 89638A3)



RIDE-GUIDE ATTACHING KIT (79278A1, 89638A3)

REF. NO.	PART NO.	SYM.	QTY.	DESCRIPTION
-	79278A1		1	RIDE-GUIDE ATTACHMENT KIT
-	89638A3		1	RIDE-GUIDE ATTACHMENT KIT
1	79278		1	ROD (USE WITH SPACER)
2	23-66751		1	SPACER (USE WITH SPACER)
1	89638A3		1	ROD (USE W/O SPACER)
3	12-34931		2	WASHER
4	11-34863		1	NUT
5	10-90072		1	PIVOT BOLT
6	29698		1	STEEL BALL
7	12-34931		3	WASHER
8	11-34863		1	NUT (LOWER)
9	12-29330		1	WASHER
10	24-71641		1	SPRING
11	23-71642		1	BUSHING
12	26-78862A2		1	STEERING CABLE SEAL KIT

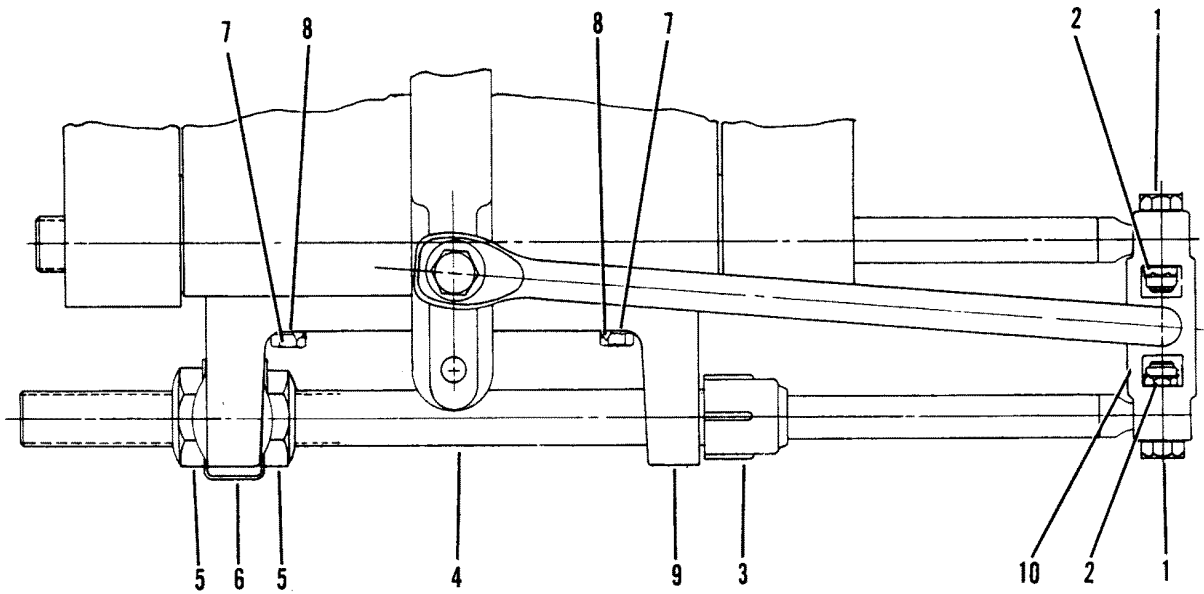
RIDE-GUIDE ATTACHING KIT (34749A6)



RIDE-GUIDE ATTACHING KIT (34749A6)

REF. NO.	PART NO.	SYM.	QTY.	DESCRIPTION
-	34749A6		1	RIDE-GUIDE ATTACHING KIT
1	34749		1	BRACKET
2	87354		1	STEERING LINK ROD
3	29698		1	BALL
4	10-90072		1	SCREW
5	12-73729		1	WASHER
6	12-30521		1	WASHER, NEOPRENE
7	12-34931		1	WASHER
8	11-46335		1	NUT
9	11-34863		1	NUT
10	N.S.S.		2	SPACER
11	30744		1	CAP (OPEN END)
12	12-34931		2	WASHER
13	23-66751		1	SPACER
14	11-34863		1	NUT
15	10-75677		2	SCREW
16	30664		1	TILT TUBE

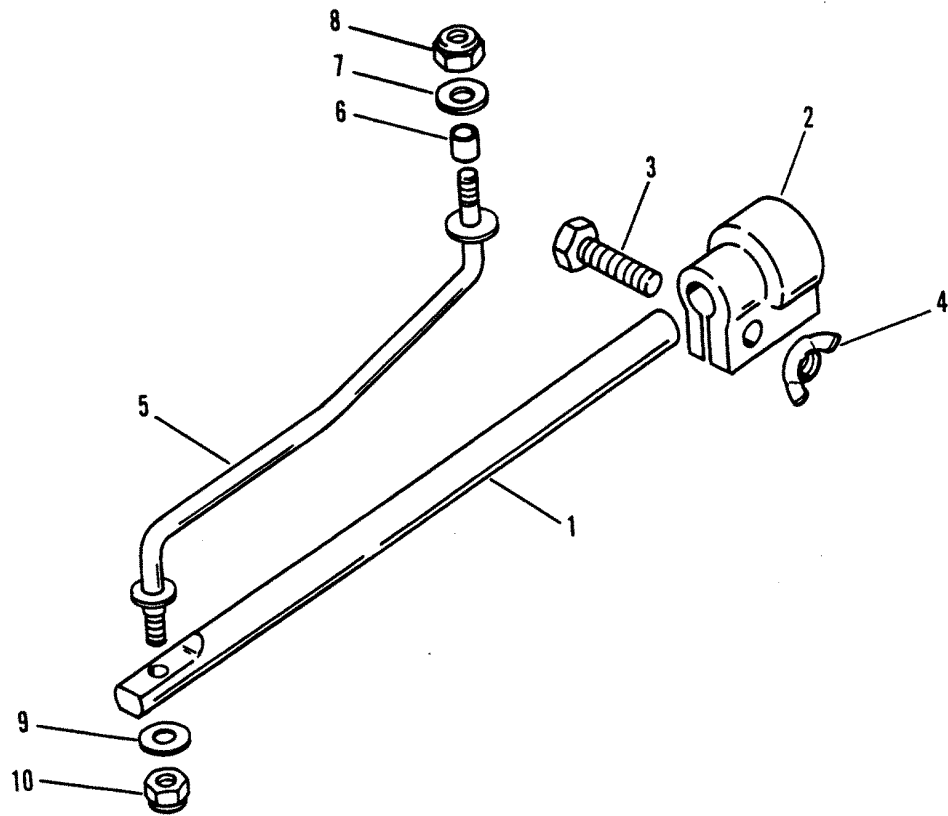
RIDE-GUIDE ATTACHING KIT (SINGLE) (88320A1)



RIDE-GUIDE ATTACHING KIT (SINGLE) (88320A1)

REF. NO.	PART NO.	SYM.	QTY.	DESCRIPTION
-	88320A1		1	RIDE-GUIDE ATTACHING KIT (SINGLE)
1	10-73732		2	SCREW (1-1/8")
2	11-34863		2	NUT
3	26-78862A2		1	SEAL ASSEMBLY
4	71565		1	TUBE
5	11-37984		2	JAM NUT
6	14-73777		1	TAB WASHER
7	10-38601		4	SCREW (5/8")
8	88404		2	TAB WASHER
9	88320		1	BRACKET
10	88319		1	COUPLING

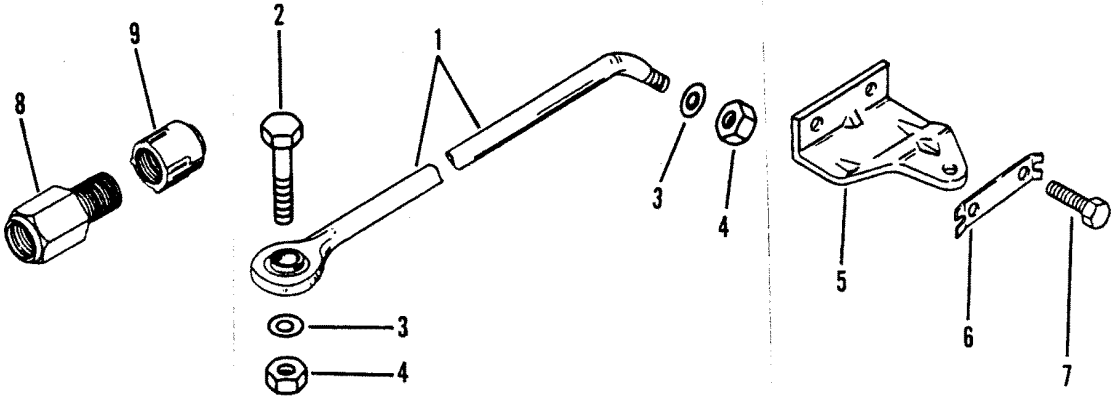
CO-PILOT REPLACEMENT ASSEMBLY



CO-PILOT REPLACEMENT ASSEMBLY

REF. NO.	PART NO.	SYM.	QTY.	DESCRIPTION
-	52148A1		1	CO-PILOT REPLACEMENT ASSEMBLY
1	52148		1	CO-PILOT ROD
2	11-52155A1		1	FRICTION NUT ASSEMBLY
3	10-36154		1	SCREW
4	11-52152		1	WING NUT
5	87349		1	ROD
6	23-52151--2		1	BUSHING
7	12-20722		1	WASHER
8	11-45592		1	NUT
9	12-20722		1	WASHER
10	11-45592		1	NUT

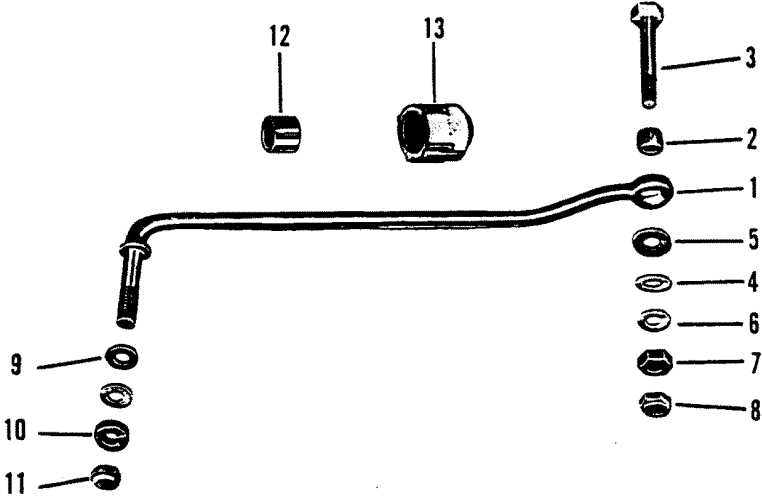
ATTACHING KIT (89568A2, 41323A2)



ATTACHING KIT (89568A2, 41323A2)

REF. NO.	PART NO.	SYM.	QTY.	DESCRIPTION
-	89568A2		1	RIDE-GUIDE ATTACHING KIT
-	41323A2		1	RIDE-GUIDE ATTACHING KIT
1	96487A2		1	LINK ROD ASSEMBLY
2	10-14000		1	SCREW
3	12-34931		2	WASHER
4	11-34863		2	NUT
5	96186A2		1	BRACKET ASSEMBLY
6	96201		1	STRAP
7	10-40003-76		2	SCREW
8	91949		1	EXTENSION (PART OF 89568A2 KIT ONLY)
9	26-78862A2		1	SEALING KIT

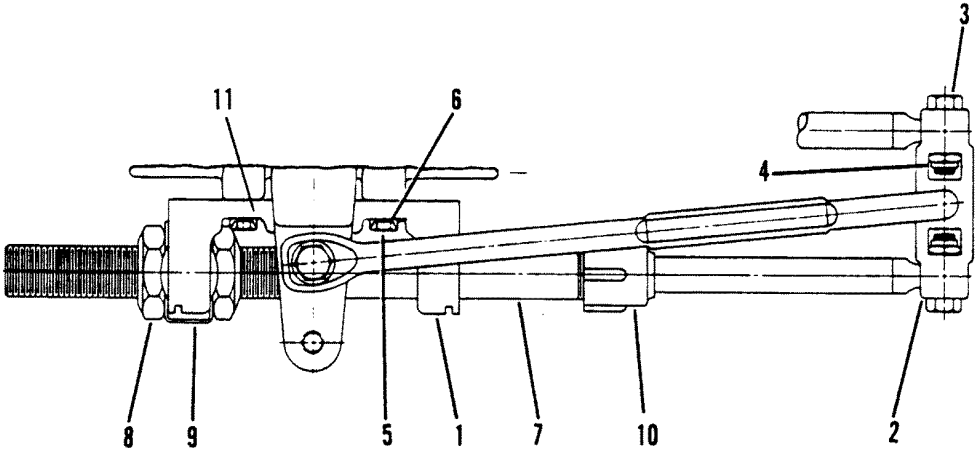
ATTACHING KIT (73693A7)



ATTACHING KIT (73693A7)

REF. NO.	PART NO.	SYM.	QTY.	DESCRIPTION
-	73693A7		1	RIDE-GUIDE ATTACHING KIT
1	87354		1	STEERING LINK ROD
2	29698		1	STEEL BALL
3	10-90072		1	SCREW
4	12-73729		1	WASHER (1/2" O.D.)
5	12-30521		1	WASHER (NEOPRENE)
6	12-34931		1	WASHER (3/4" O.D.)
7	11-46335		1	NUT
8	11-34863		1	NUT
9	12-34931		2	WASHER
10	23-66751		1	SPACER
11	11-34863		1	NUT
12	30744		1	CAP (OPEN END)
13	26-78862A2		1	CABLE SEAL KIT

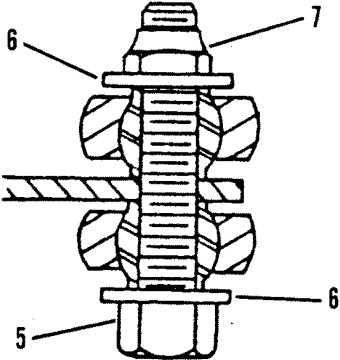
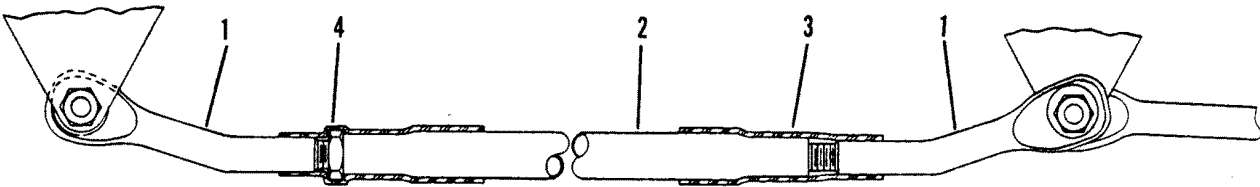
ATTACHING KIT (SINGLE) (92876A3, 89107A1)



ATTACHING KIT (SINGLE) (92876A3, 89107A1)

REF. NO.	PART NO.	SYM.	QTY.	DESCRIPTION
-	92876A3		-	RIDE-GUIDE ATTACHING KIT (SINGLE) QUANTITIES: (92876A3) - 1, (89107A1) - 0
-	89107A1		-	RIDE-GUIDE ATTACHING KIT (SINGLE) QUANTITIES: (92876A3) - 0, (89107A1) - 1
1	41055A1		-	MOUNT QUANTITIES: (92876A3) - 1, (89107A1) - 0
	89107		-	MOUNT QUANTITIES: (92876A3) - 0, (89107A1) - 1
2	88319		-	COUPLING QUANTITIES: (92876A3) - 1, (89107A1) - 1
3	10-73732		-	SCREW QUANTITIES: (92876A3) - 2, (89107A1) - 2
4	11-34863		-	NUT QUANTITIES: (92876A3) - 3, (89107A1) - 2
5	10-59702		-	SCREW QUANTITIES: (92876A3) - 4, (89107A1) - 0
	10-38601		-	SCREW QUANTITIES: (92876A3) - 0, (89107A1) - 4
6	88404		-	LOCKING TAB QUANTITIES: (92876A3) - 2, (89107A1) - 2
7	71565		-	TUBE QUANTITIES: (92876A3) - 1, (89107A1) - 1
8	11-37984		-	NUT QUANTITIES: (92876A3) - 2, (89107A1) - 2
9	14-42100		-	TAB WASHER QUANTITIES: (92876A3) - 2, (89107A1) - 0
	14-73777		-	TAB WASHER QUANTITIES: (92876A3) - 0, (89107A1) - 1
10	26-78862A2		-	CABLE SEAL KIT QUANTITIES: (92876A3) - 0, (89107A1) - 1
11	42101		-	SPACER QUANTITIES: (92876A3) - 2, (89107A1) - 0

ATTACHING KIT (DUAL) (88521A6)

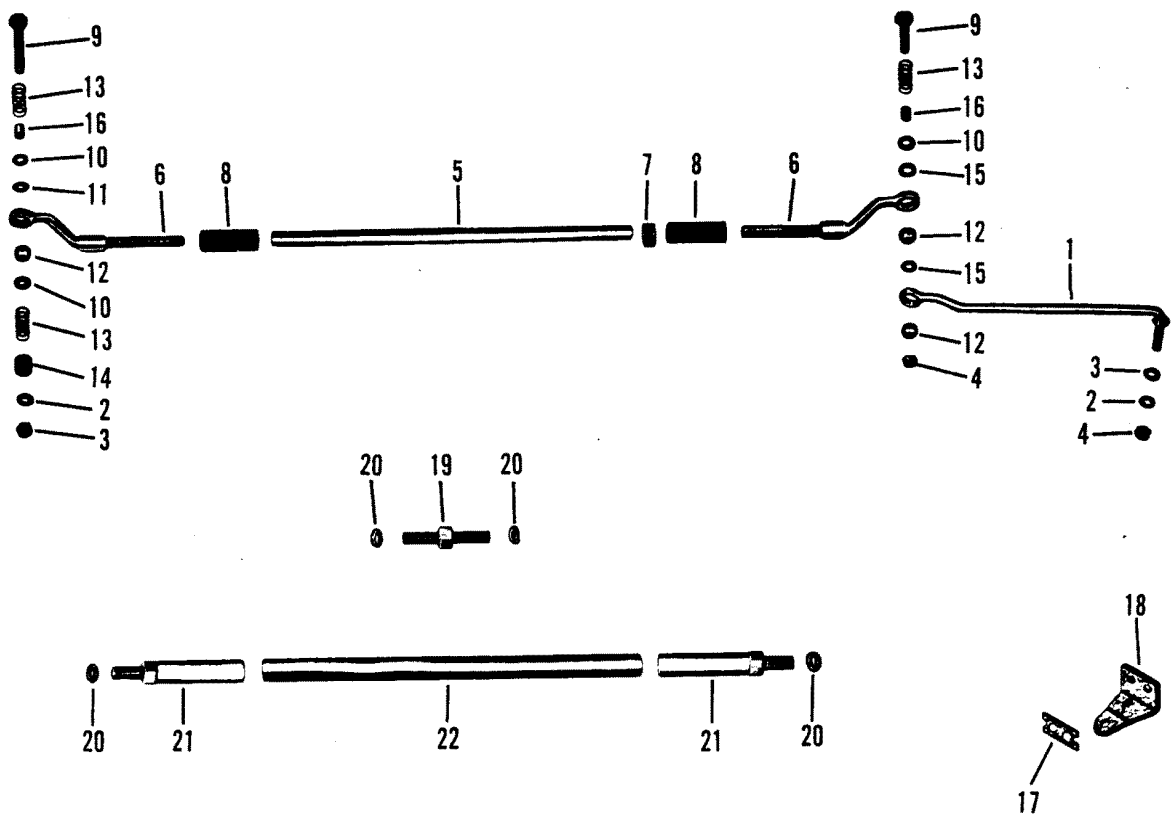


ATTACHING KIT (DUAL) (88521A6)

REF. NO.	PART NO.	SYM.	QTY.	DESCRIPTION
-	88521A6		1	RIDE GUIDE ATTACHING KIT (DUAL)
1	92877A1		2	STEERING EYE ASSEMBLY
2	77144--1		1	TUBE
3	NLA	●	2	HOSE
4	11-71852		1	JAM NUT
5	10-66752		1	SCREW
6	12-28420		2	WASHER
7	11-34863		1	NUT

● = NO LONGER AVAILABLE

RIDE-GUIDE ATTACHING KIT (DUAL) (79278A2, A3, A4)



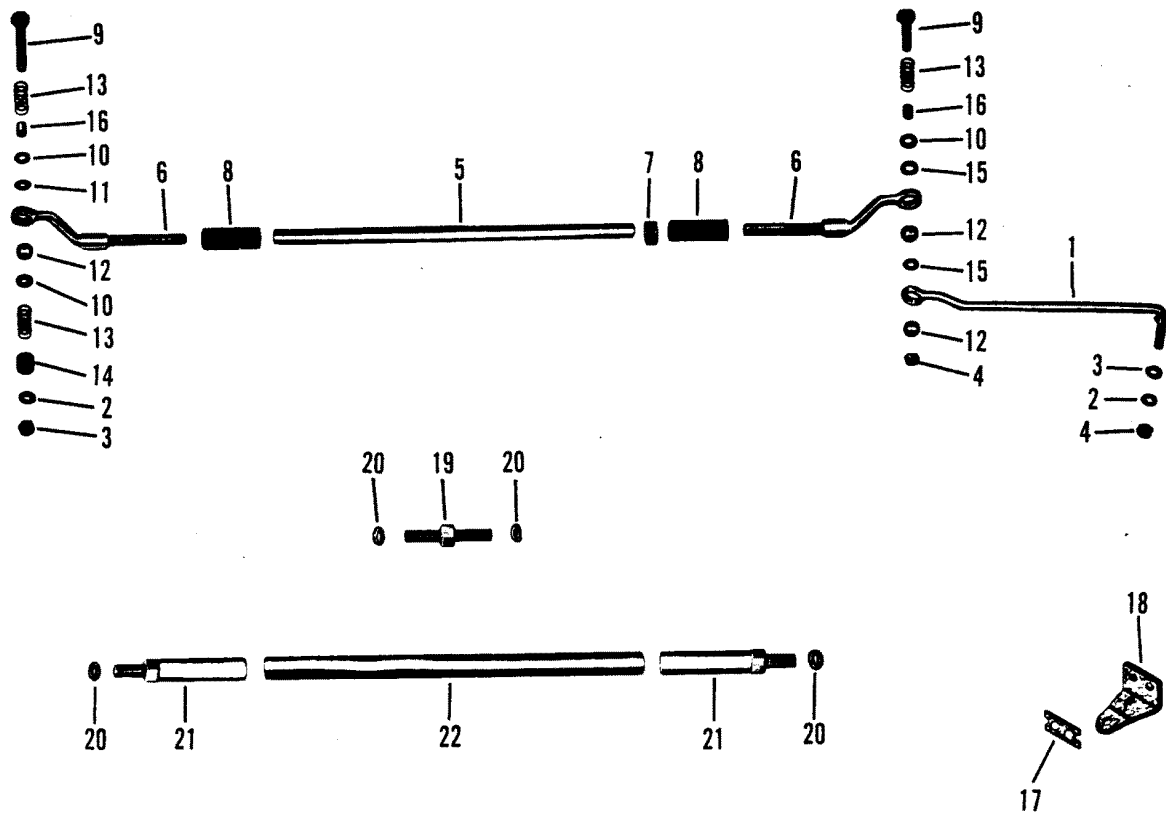
RIDE-GUIDE ATTACHING KIT (DUAL) (79278A2, A3, A4)

REF. NO.	PART NO.	SYM.	QTY.	DESCRIPTION
-	79278A3		-	RIDE-GUIDE ATTACHING KIT (DUAL) QUANTITIES: (79278A3) - 1, (79278A4) - 0, (79278A2) - 0
-	79278A4		-	RIDE-GUIDE ATTACHING KIT (DUAL) QUANTITIES: (79278A3) - 0, (79278A4) - 1, (79278A2) - 0
-	79278A2		-	RIDE-GUIDE ATTACHING KIT (DUAL) QUANTITIES: (79278A3) - 0, (79278A4) - 0, (79278A2) - 1
1	79278		-	STEERING LINK ROD QUANTITIES: (79278A3) - 1, (79278A4) - 1, (79278A2) - 1
2	12-34931		-	WASHER QUANTITIES: (79278A3) - 2, (79278A4) - 2, (79278A2) - 2
3	23-66751		-	SPACER QUANTITIES: (79278A3) - 1, (79278A4) - 1, (79278A2) - 1
4	11-34863		-	NUT QUANTITIES: (79278A3) - 3, (79278A4) - 3, (79278A2) - 3
5	77144--1		-	COUPLING QUANTITIES: (79278A3) - 1, (79278A4) - 1, (79278A2) - 1
6	NLA	●	-	EYE ASSEMBLY QUANTITIES: (79278A3) - 2, (79278A4) - 0, (79278A2) - 2
	NLA	●	-	EYE ASSEMBLY QUANTITIES: (79278A3) - 0, (79278A4) - 2, (79278A2) - 0
7	11-71852		-	JAM NUT QUANTITIES: (79278A3) - 1, (79278A4) - 1, (79278A2) - 1
8	NLA	●	-	RUBBER SLEEVE QUANTITIES: (79278A3) - 2, (79278A4) - 2, (79278A2) - 2
9	10-90072		-	SCREW (1-5/8") QUANTITIES: (79278A3) - 2, (79278A4) - 0, (79278A2) - 0
	10-68340		-	SCREW (1-5/8") QUANTITIES: (79278A3) - 0, (79278A4) - 0, (79278A2) - 1
	10-68496		-	SCREW (2-1/4") QUANTITIES: (79278A3) - 0, (79278A4) - 0, (79278A2) - 1
10	12-34931		-	WASHER QUANTITIES: (79278A3) - 3, (79278A4) - 4, (79278A2) - 3
11	12-29330		-	WASHER QUANTITIES: (79278A3) - 1, (79278A4) - 3, (79278A2) - 3
12	29698		-	STEEL BALL QUANTITIES: (79278A3) - 3, (79278A4) - 3, (79278A2) - 3
13	24-20510		-	SPRING QUANTITIES: (79278A3) - 1, (79278A4) - 0, (79278A2) - 0
	24-71641		-	SPRING QUANTITIES: (79278A3) - 0, (79278A4) - 2, (79278A2) - 2
14	23-31293		-	BUSHING QUANTITIES: (79278A3) - 1, (79278A4) - 0, (79278A2) - 0
	23-71642		-	BUSHING QUANTITIES: (79278A3) - 0, (79278A4) - 2, (79278A2) - 2
15	12-56085		-	NEOPRENE WASHER QUANTITIES: (79278A3) - 2, (79278A4) - 0, (79278A2) - 0
16	N.S.S.		-	SPACER QUANTITIES: (79278A3) - 0, (79278A4) - 1, (79278A2) - 0

● = NO LONGER AVAILABLE

CONTINUED ON NEXT PAGE ➡

RIDE-GUIDE ATTACHING KIT (DUAL) (79278A2, A3, A4)



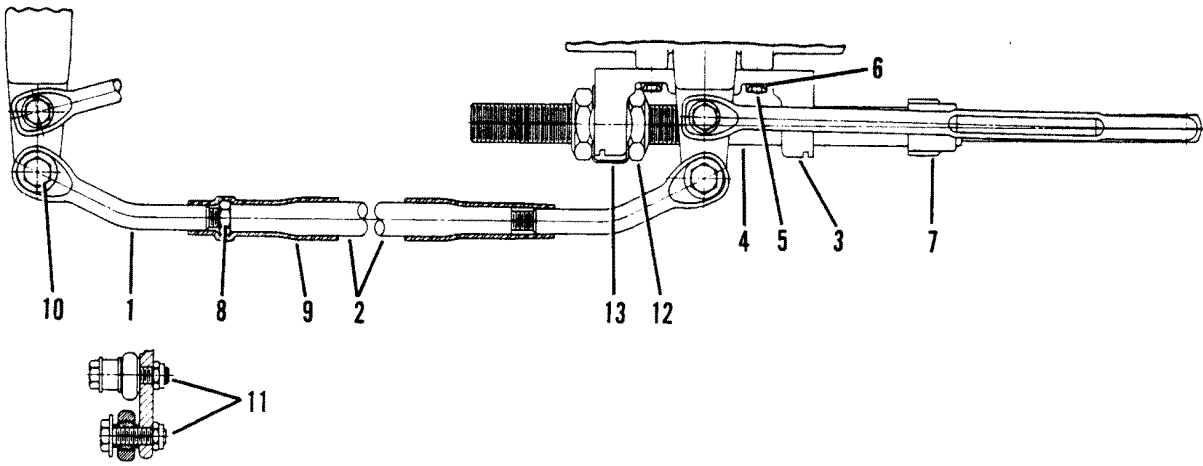
RIDE-GUIDE ATTACHING KIT (DUAL) (79278A2, A3, A4)

REF. NO.	PART NO.	SYM.	QTY.	DESCRIPTION
17	76533		-	STRAP QUANTITIES: (79278A3) - 0, (79278A4) - 0, (79278A2) - 2
18	N.S.S.		-	BRACKET QUANTITIES: (79278A3) - 0, (79278A4) - 0, (79278A2) - 2
19	NLA	● ♣	-	COUPLER QUANTITIES: (79278A3) - AR, (79278A4) - AR, (79278A2) - AR
20	13-30381	♣	-	LOCKWASHER QUANTITIES: (79278A3) - 2, (79278A4) - 2, (79278A2) - 2
21	N.S.S.	♣	-	BAR ASS'Y (4" EXTENSION) QUANTITIES: (79278A3) - 0, (79278A4) - 0, (79278A2) - AR
22	NLA	● ♣	-	LINK ROD (16" EXTENSION) QUANTITIES: (79278A3) - 0, (79278A4) - 0, (79278A2) - AR

● = NO LONGER AVAILABLE

♣ = THE ENCLOSED PARTS MUST BE ORDERED SEPARATELY; THEY ARE NOT PART OF DUAL RIDE GUIDE ATTACHING KIT

ATTACHING KIT (DUAL) (89107A2, 92876A2)

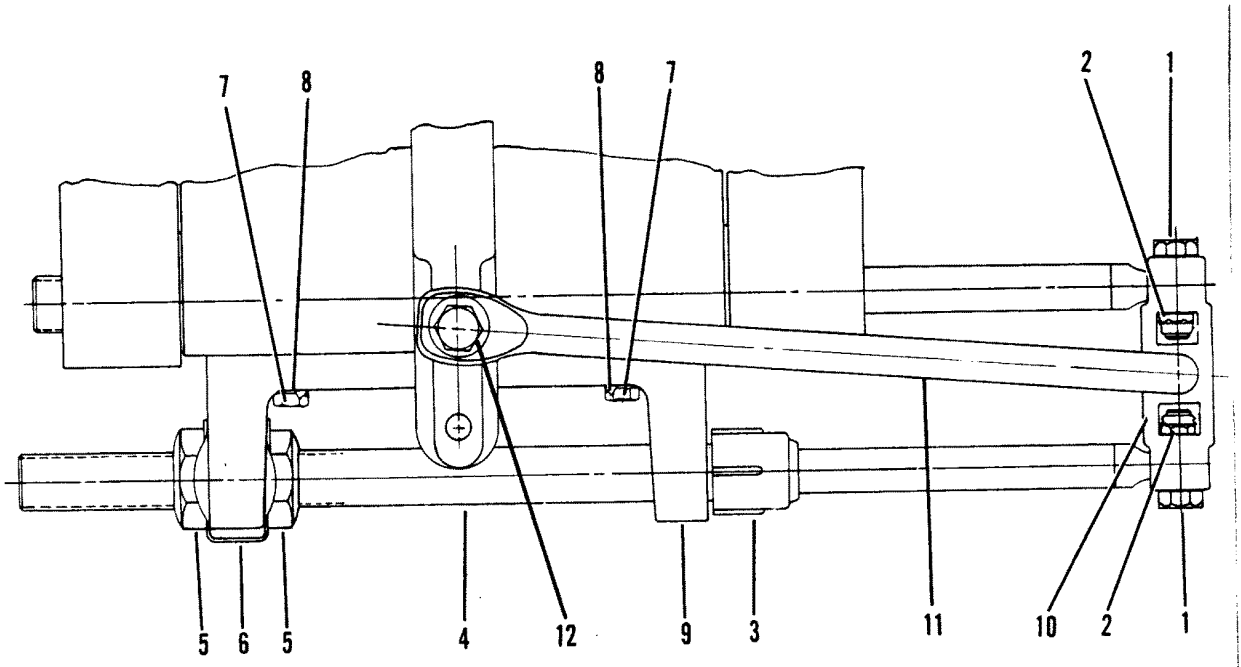


ATTACHING KIT (DUAL) (89107A2, 92876A2)

REF. NO.	PART NO.	SYM.	QTY.	DESCRIPTION
-	92876A2		-	RIDE-GUIDE ATTACHING KIT (DUAL) QUANTITIES: (92876A2) - 1, (89107A2) - 0
-	89107A2		-	RIDE-GUIDE ATTACHING KIT (DUAL) QUANTITIES: (92876A2) - 0, (89107A2) - 1
1	97933A1		-	STEERING EYE ASSEMBLY QUANTITIES: (92876A2) - 2, (89107A2) - 0
	92877A1		-	STEERING EYE ASSEMBLY QUANTITIES: (92876A2) - 0, (89107A2) - 2
2	97932--1		-	TUBE (12") QUANTITIES: (92876A2) - 1, (89107A2) - 0
	97932--2		-	TUBE (15") QUANTITIES: (92876A2) - 1, (89107A2) - 0
	97931		-	TUBE (4") QUANTITIES: (92876A2) - 2, (89107A2) - 0
	77144--2		-	TUBE QUANTITIES: (92876A2) - 0, (89107A2) - 1
3	41055A1		-	MOUNT QUANTITIES: (92876A2) - 1, (89107A2) - 0
	89107		-	MOUNT QUANTITIES: (92876A2) - 0, (89107A2) - 1
4	71565		-	TUBE QUANTITIES: (92876A2) - 1, (89107A2) - 1
5	10-38601		-	SCREW QUANTITIES: (92876A2) - 4, (89107A2) - 4
6	88404		-	LOCKING TAB QUANTITIES: (92876A2) - 2, (89107A2) - 2
7	26-78862A2		-	CABLE SEAL KIT QUANTITIES: (92876A2) - 1, (89107A2) - 1
8	11-42099		-	JAM NUT QUANTITIES: (92876A2) - 1, (89107A2) - 0
	11-71852		-	JAM NUT QUANTITIES: (92876A2) - 0, (89107A2) - 1
9	23-23651		-	SLEEVE QUANTITIES: (92876A2) - 2, (89107A2) - 0
	NLA	●	-	HOSE QUANTITIES: (92876A2) - 0, (89107A2) - 2
10	10-14000		-	SCREW QUANTITIES: (92876A2) - 4, (89107A2) - 2
11	11-34863		-	NUT QUANTITIES: (92876A2) - 4, (89107A2) - 2
12	11-37984		-	NUT QUANTITIES: (92876A2) - 2, (89107A2) - 2
13	14-42100		-	TAB WASHER QUANTITIES: (92876A2) - 1, (89107A2) - 0
	14-73777		-	TAB WASHER QUANTITIES: (92876A2) - 0, (89107A2) - 1

● = NO LONGER AVAILABLE

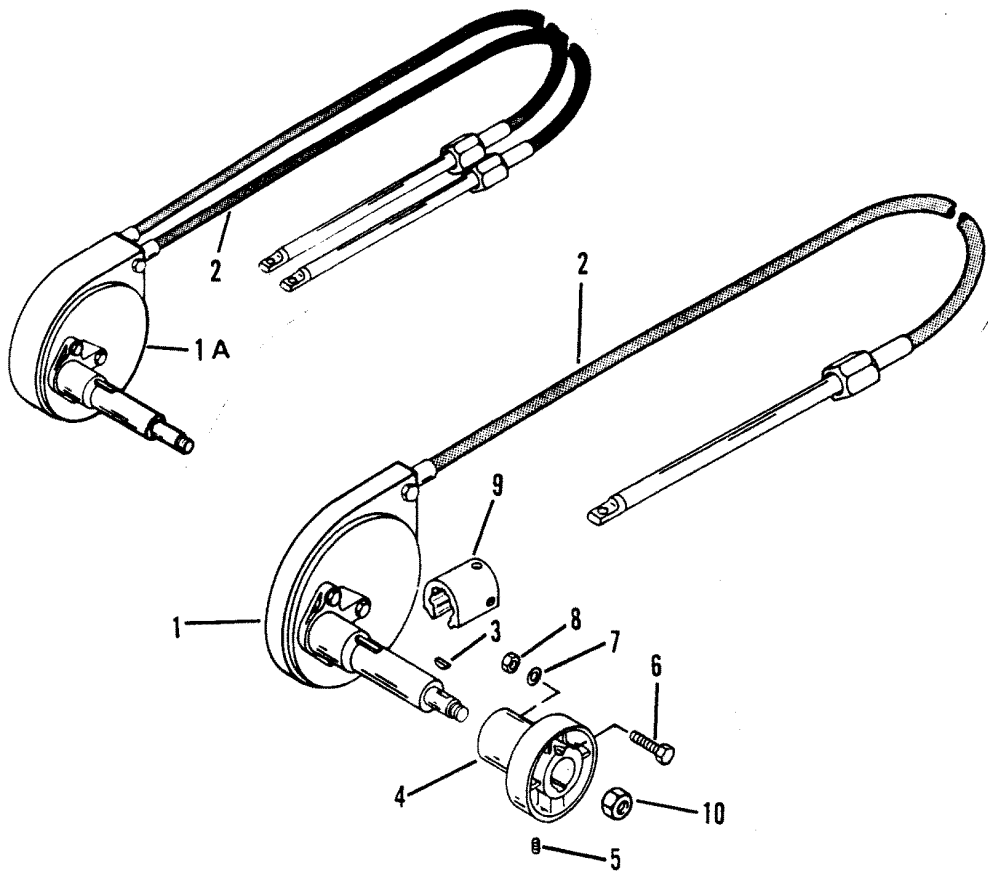
RIDE-GUIDE ATTACHING KIT (SINGLE) (88320A3)



RIDE-GUIDE ATTACHING KIT (SINGLE) (88320A3)

REF. NO.	PART NO.	SYM.	QTY.	DESCRIPTION
-	88320A3		1	RIDE-GUIDE ATTACHING KIT (SINGLE)
1	10-73732		2	SCREW (1-1/8")
2	11-34863		2	NUT
3	26-78862A2		1	SEAL ASSEMBLY
4	71565		1	TUBE
5	11-37984		2	JAM NUT
6	14-73777		1	TAB WASHER
7	10-38601		4	SCREW (5/8")
8	88404		2	TAB WASHER
9	88320		1	BRACKET
10	88319		1	COUPLING
11	92876A1		1	LINK ROD ASSEMBLY
12	10-68496		1	SCREW

ROTARY STEERING SYSTEM



ROTARY STEERING SYSTEM

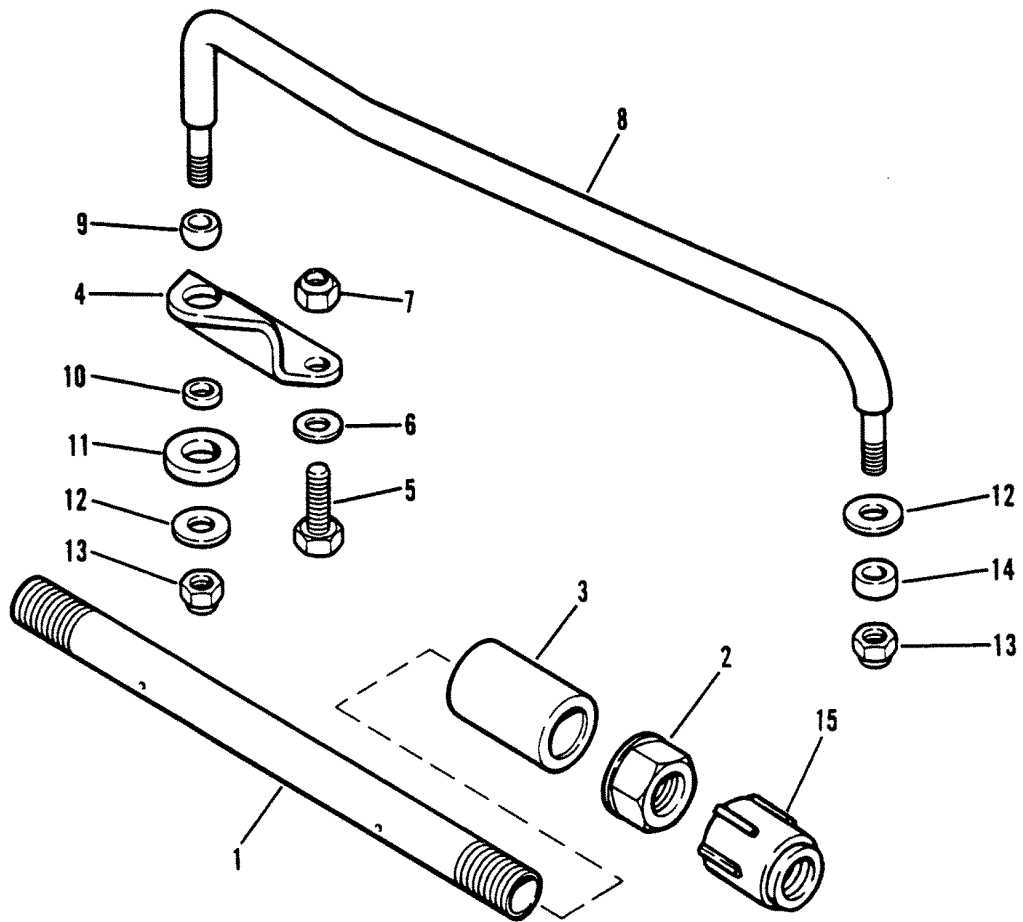
REF. NO.	PART NO.	SYM.	QTY.	DESCRIPTION
1	44588A_	■ ■	1	ROTARY STEERING SYSTEM (SINGLE) SEE FOOTNOTE
1A	13762A_	■ ■	1	ROTARY STEERING SYSTEM (DUAL) SEE FOOTNOTE
2	11110A_	■ ■	AR	CABLE SEE FOOTNOTE
3	28-91800		1	KEY
4	44419A5		1	STEERING POST ASSEMBLY
5	10-44416		1	SET SCREW
6	10-76736		3	SCREW
7	12-26825		3	WASHER
8	11-35814		3	NUT
9	NLA	●	1	LOCKING SLEEVE ASSEMBLY (OLD DESIGN)
10	11-20220		1	NUT

● = NO LONGER AVAILABLE

■ = AVAILABLE IN LENGTHS OF 8', 9', 10', 11', 12', 13', 14', 15', 16', 17', 18', 19', AND 20'.

■ = ADD THE LENGTH REQUIRED AFTER THE PART NUMBER.

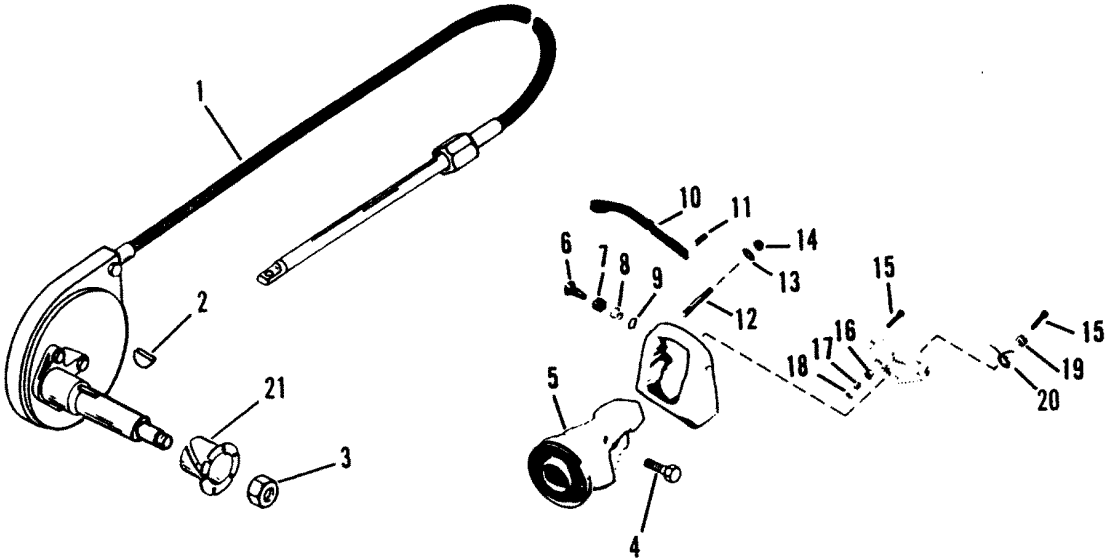
RIDE-GUIDE ATTACHING KIT (11606A1, A2)



RIDE-GUIDE ATTACHING KIT (11606A1, A2)

REF. NO.	PART NO.	SYM.	QTY.	DESCRIPTION
-	11606A1		1	RIDE GUIDE ATTACHING KIT (STARBOARD)
-	11606A2		1	RIDE GUIDE ATTACHING KIT (PORT)
1	30664		1	TILT TUBE
2	11-93164		2	NUT
3	23-11384--1		1	SPACER
4	11607		1	BRACKET
5	10-40003-54		2	SCREW
6	12-56720		2	WASHER
7	11-40063--5		2	NUT
8	11606		1	TIE ROD (STARBOARD)
	14071		1	TIE ROD (PORT)
9	29698		1	BALL JOINT
10	12-71970		1	WASHER
11	12-30521		1	WASHER
12	12-34931		3	WASHER
13	11-34863		2	NUT
14	23-66751		1	SPACER
15	26-78862A2		1	SEAL KIT

TILT MOUNT

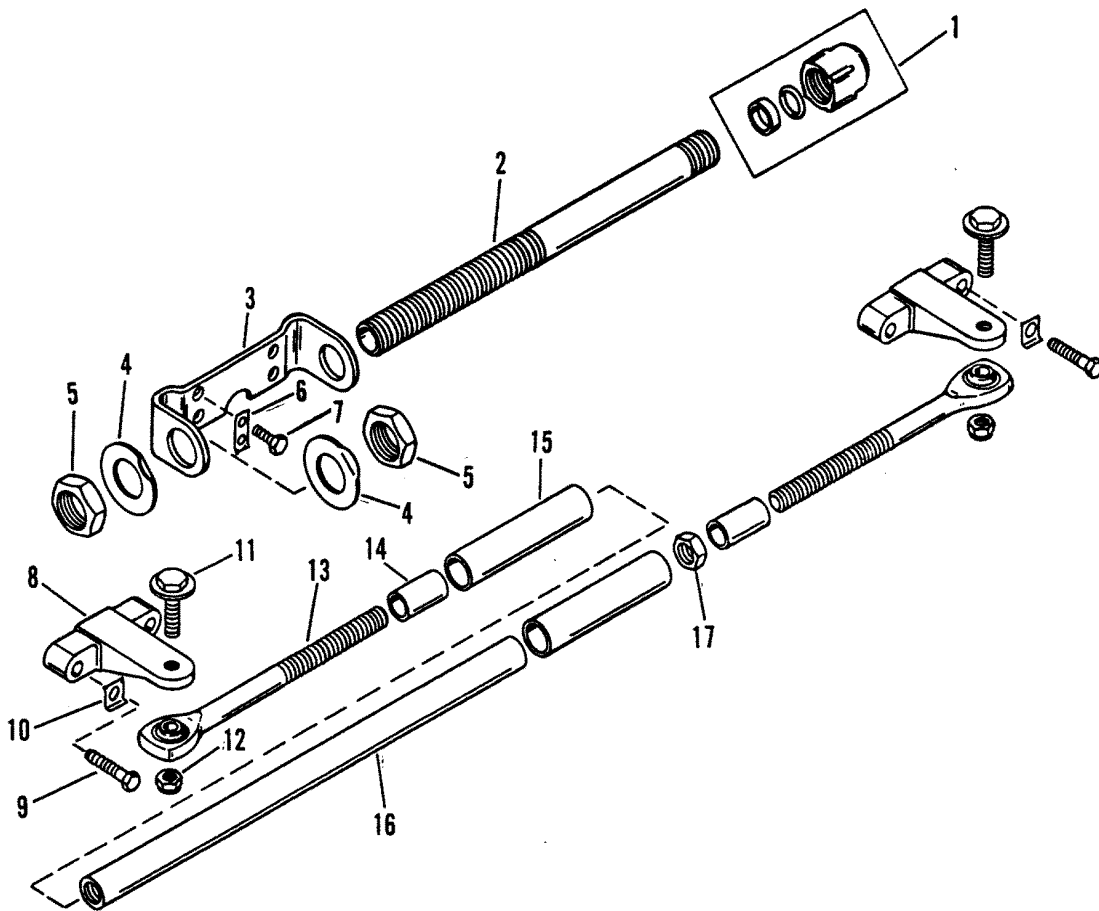


TILT MOUNT

REF. NO.	PART NO.	SYM.	QTY.	DESCRIPTION
-	14144A_	■ ■	1	ROTARY STEERING/TILT SYSTEM SEE FOOTNOTE
1	11110A_	■ ■	1	CABLE SEE FOOTNOTE
2	28-91800		1	KEY
3	11-20220		1	NUT
4	10-44416		1	SET SCREW
5	14119T		1	POST
6	N.S.S.		2	SCREW (1-1/2")
7	11-22024		2	LOCK NUT
8	23-48237		2	BUSHING (3/8")
9	N.S.S.		2	QUAD RING
10	48224		1	LEVER
11	N.S.S.		1	DETENT PIN
12	16-29208		4	STUD
13	12-26825		4	WASHER
14	11-35814		4	NUT
15	N.S.S.		3	SCREW (1-1/4")
16	17-20009		1	PIN
17	24-35227		1	SPRING
18	19-20011		1	PLUG
19	N.S.S.		1	SPACER
20	N.S.S.		1	SPRING
21	23-28104		1	BUSHING

■ = AVAILABLE IN LENGTHS OF 8', 9', 10', 11', 12', 13', 14', 15', 16', 17', 18', 19', AND 20'.
 ■ = ADD THE LENGTH REQUIRED AFTER THE PART NUMBER.

DUAL ENGINE EXTENSION KIT (92876A6)

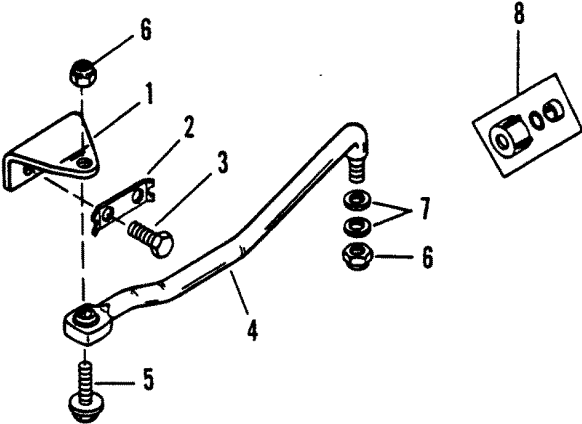


DUAL ENGINE EXTENSION KIT (92876A6)

REF. NO.	PART NO.	SYM.	QTY.	DESCRIPTION
-	92876A6		1	DUAL ENGINE EXTENSION KIT
1	26-78862A2		1	SEAL KIT
2	71565		1	TUBE
3	41055A1		1	MOUNT
4	14-42100		2	TAB WASHER
5	11-37984		2	JAM NUT
6	88404		2	TAB WASHER
7	10-38601		4	SCREW
8	17729A1		2	BRACKET
9	10-62055		4	SCREW
10	F1778		4	TABWASHER
11	10-14000		4	SCREW
12	11-34863		4	NUT
13	97933A1		2	STEERING EYE
14	23-23651		2	SLEEVE
15	97931		2	TUBING
16	97932--2		1	TUBE
17	11-42099		1	JAM NUT

ATTACHING KIT (19608A3, A5) AND (19609A2, A3)

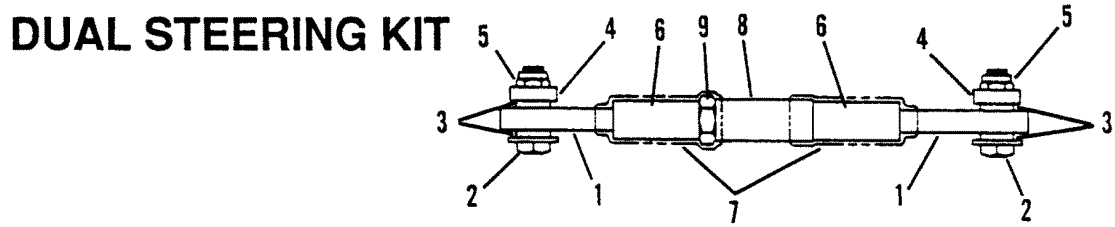
ATTACHING KIT



ATTACHING KIT (19608A3, A5) AND (19609A2, A3)

REF. NO.	PART NO.	SYM.	QTY.	DESCRIPTION
-	19609A2		1	RIDE-GUIDE STEERING KIT (PORT)
-	19609A3		1	RIDE-GUIDE STEERING KIT (PORT)
-	19608A3		1	RIDE-GUIDE STEERING KIT (STARBOARD)
-	19608A5		1	RIDE-GUIDE STEERING KIT (STARBOARD)
1	19616A1		1	BRACKET (BLACK) NOT INCLUDED WITH (19609A3) OR (19608A5)
	19616T6		1	BRACKET (GRAY) NOT INCLUDED WITH (19609A3) OR (19608A5)
2	76533		1	STRAP NOT INCLUDED WITH (19609A3) OR (19608A5)
3	10-34352		2	SCREW NOT INCLUDED WITH (19609A3) OR (19608A5)
4	19608--1		1	LINK ROD (STARBOARD)
	19609		1	LINK ROD (PORT)
5	10-14000		1	SCREW
6	11-34863		2	NUT
7	12-34931		2	WASHER
8	19624A1		1	SEAL KIT

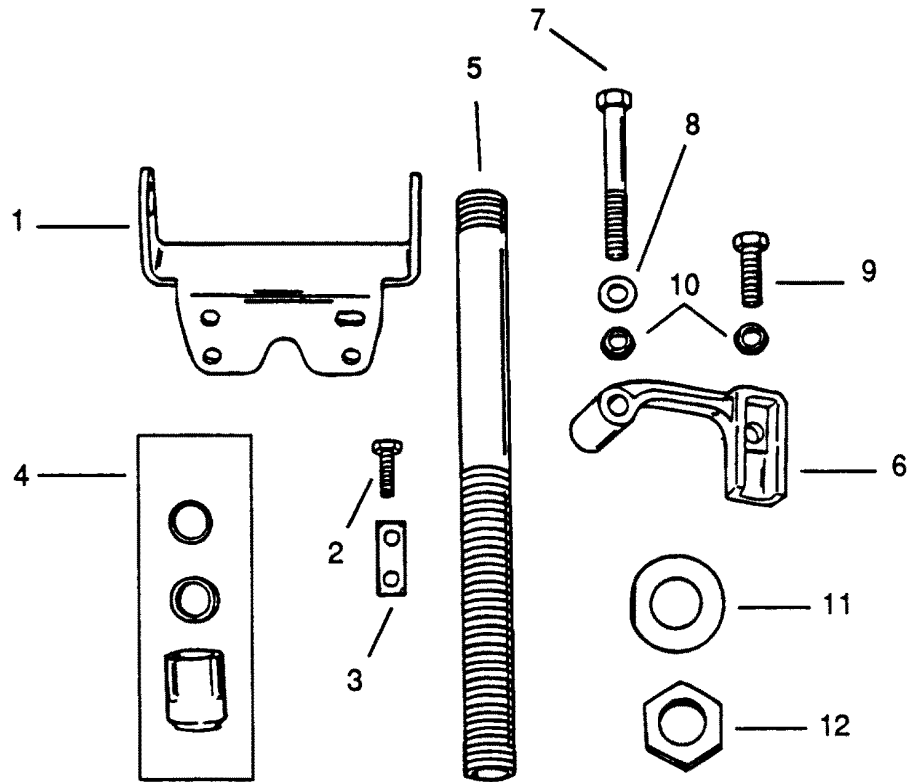
DUAL STEERING KIT



DUAL STEERING KIT

REF. NO.	PART NO.	SYM.	QTY.	DESCRIPTION
-	97933A4		-	DUAL STEERING KIT QUANTITIES: (97933A4) - 1, (97933A5) - 0
-	97933A5		-	DUAL STEERING KIT QUANTITIES: (97933A4) - 0, (97933A5) - 1
1	97933--1		-	STEERING EYE QUANTITIES: (97933A4) - 2, (97933A5) - 0
	97933A1		-	STEERING EYE QUANTITIES: (97933A4) - 0, (97933A5) - 2
2	10-90041		-	SCREW (1-5/8") QUANTITIES: (97933A4) - 2, (97933A5) - 2
	10-90043		-	SCREW (2-3/8") QUANTITIES: (97933A4) - 1, (97933A5) - 0
3	23-66751		-	SPACER (1/4") QUANTITIES: (97933A4) - 2, (97933A5) - 0
	12-71970		-	WASHER QUANTITIES: (97933A4) - 5, (97933A5) - 5
4	19617		-	BRACKET QUANTITIES: (97933A4) - 2, (97933A5) - 0
5	11-34863		-	NUT QUANTITIES: (97933A4) - 2, (97933A5) - 2
6	23-23651		-	SLEEVE QUANTITIES: (97933A4) - 2, (97933A5) - 2
7	97931		-	TUBING QUANTITIES: (97933A4) - 2, (97933A5) - 2
8	814951--1		-	COUPLER QUANTITIES: (97933A4) - 1, (97933A5) - 0
	97932--1		-	LINK ROD TUBE QUANTITIES: (97933A4) - 0, (97933A5) - 1
9	11-42099		-	JAM NUT QUANTITIES: (97933A4) - 1, (97933A5) - 1

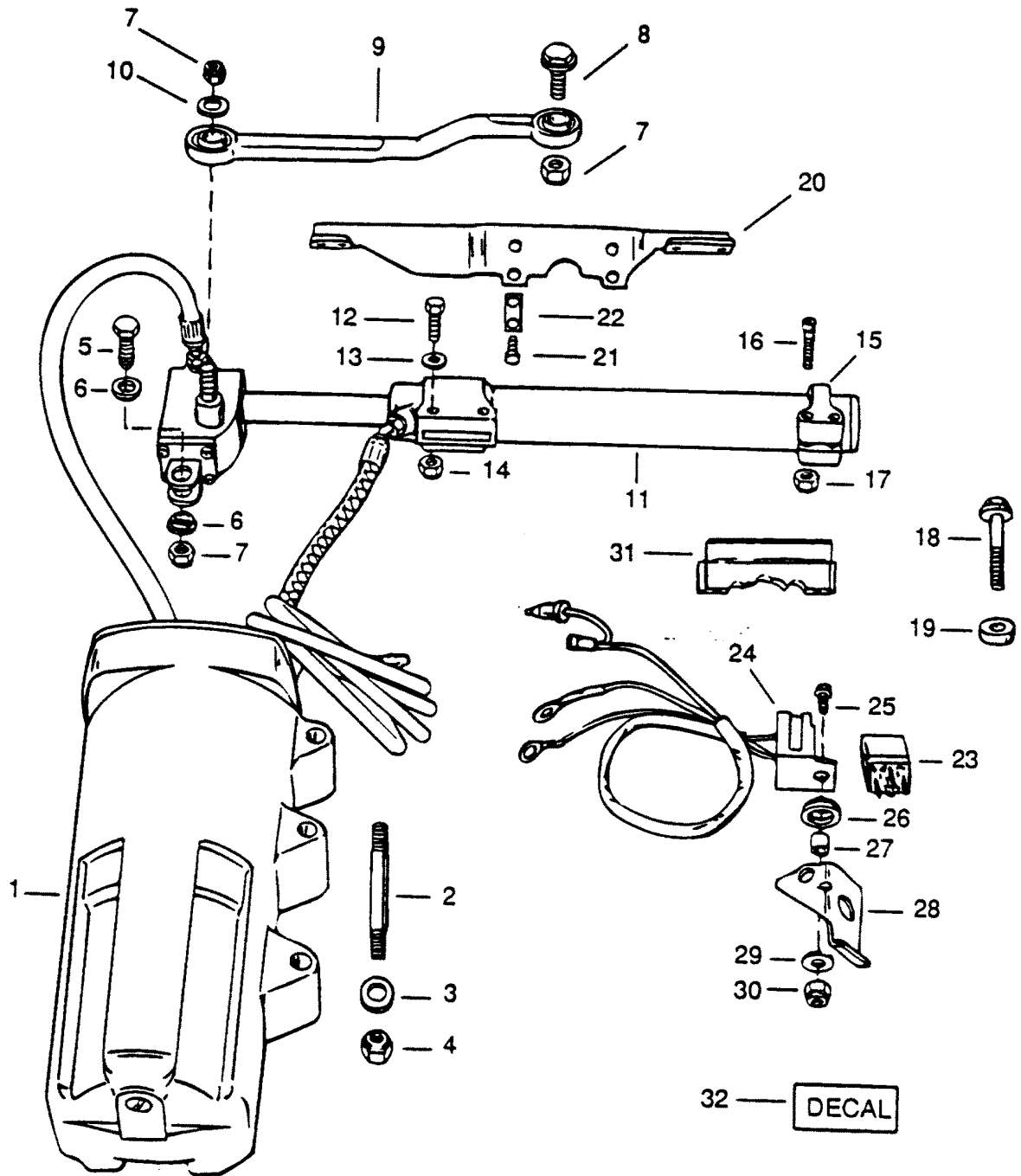
POWER STEERING ATTACHING KIT



POWER STEERING ATTACHING KIT

REF. NO.	PART NO.	SYM.	QTY.	DESCRIPTION
-	17443A1		1	ATTACHING KIT
1	17771		1	MOUNT
2	10-59702		4	SCREW
3	88404		2	LOCK
4	26-78862A2		1	SEAL KIT
5	71565		1	TUBE
6	17776		1	COUPLING
7	10-817040		1	SCREW
8	12-34931		1	WASHER
9	10-58126		1	SCREW
10	11-34863		2	NUT
11	14-42100		2	TAB WASHER
12	11-37984		2	NUT

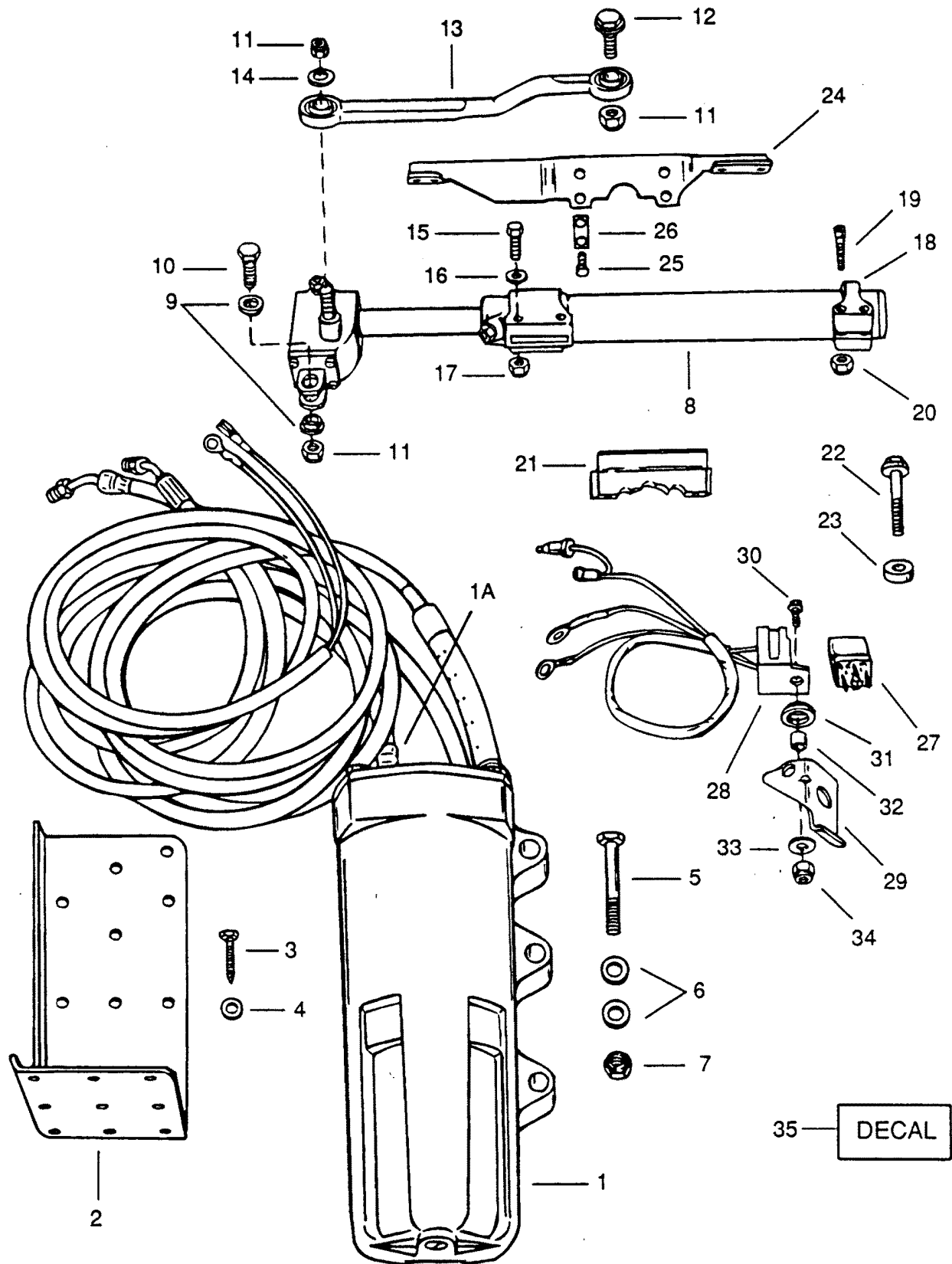
TRANSOM MOUNT POWER STEERING KIT



TRANSOM MOUNT POWER STEERING KIT

REF. NO.	PART NO.	SYM.	QTY.	DESCRIPTION
-	17443A2		1	POWER STEERING KIT (BLACK)
-	17443A3		1	POWER STEERING KIT (GRAY)
-	17443A8		1	POWER STEERING KIT (DUAL ENGINES)
1	811288		1	ACCUMULATOR
2	16-17772		3	STUD
3	12-40023-19		3	WASHER
4	11-13914		3	NUT
5	10-94319		1	SCREW
6	23-17405		2	SPACER
7	11-34863		3	NUT
8	10-14000		1	SCREW
9	92876A4		1	LINK ROD
10	12-68300		1	WASHER
11	811289--1		1	ACTUATOR (811632 REPAIR KIT)
12	10-40003-30		2	SCREW
13	12-43450		2	WASHER
14	11-40063--4		2	NUT
15	811292		1	CLAMP
16	10-818182		2	SCREW
17	11-40026--3		2	NUT
18	10-40095-55		1	SCREW
19	23-66751		1	SPACER
20	811291		1	BRACKET
21	10-38601		4	SCREW
22	88404		6	TAB WASHER
23	87-18211		1	RELAY SWITCH
24	84-18244A1		1	HARNESS ASSEMBLY
25	10-18124		1	SCREW
26	25-90329		1	GROMMET
27	23-30977--2		1	SPACER
28	816994		1	BRACKET
29	12-42118		1	WASHER
30	11-29488		1	NUT
31	54-19749--1		1	CLAMP
32	37-815630-24		1	DECAL
-	84-11149A7		1	CABLE (DUAL ENGINES)

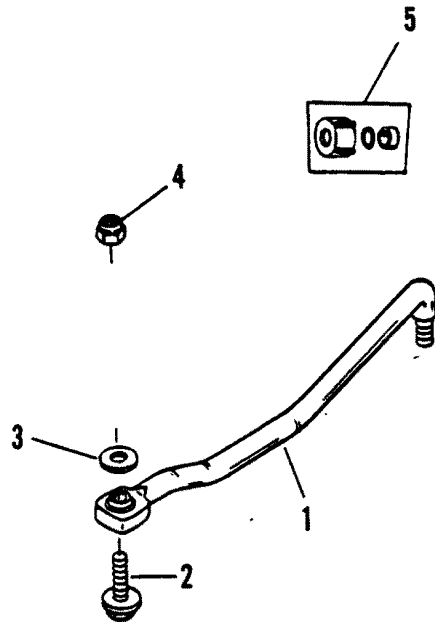
REMOTE POWER STEERING KIT



REMOTE POWER STEERING KIT

REF. NO.	PART NO.	SYM.	QTY.	DESCRIPTION
-	17443A7		1	POWER STEERING KIT
-	17443A10		1	POWER STEERING KIT
1	811290		1	ACCUMULATOR
1A	32-811525		1	TUBING
2	817372		1	BRACKET
3	10-16862		4	SCREW
4	12-29245		4	WASHER
5	10-40003-83		2	SCREW
6	12-40023-19		4	WASHER
7	11-13914		2	NUT
8	811289--1		1	ACTUATOR (811632 REPAIR KIT)
9	23-17405		2	SPACER
10	10-94319		1	SCREW
11	11-34863		3	NUT
12	10-14000		1	SCREW
13	92876A4		1	LINK ROD
14	12-68300		1	WASHER
15	10-40003-30		2	SCREW
16	12-43450		2	WASHER
17	11-40063--4		2	NUT
18	811292		1	CLAMP
19	10-818182		2	SCREW
20	11-40026--3		2	NUT
21	54-19749--1		1	CLAMP
22	10-40095-55		1	SCREW
23	23-66751		1	SPACER
24	811291		1	BRACKET
25	10-38601		4	SCREW
26	88404		6	TAB WASHER
27	87-18211		1	RELAY SWITCH
28	84-18244A1		1	HARNESS ASSEMBLY
29	816994		1	BRACKET
30	10-18124		1	SCREW
31	25-90329		1	GROMMET
32	23-30977--2		1	SPACER
33	12-42118		1	WASHER
34	11-29488		1	NUT
35	37-815630-24		1	DECAL
-	84-11149A7		1	CABLE (DUAL ENGINES)

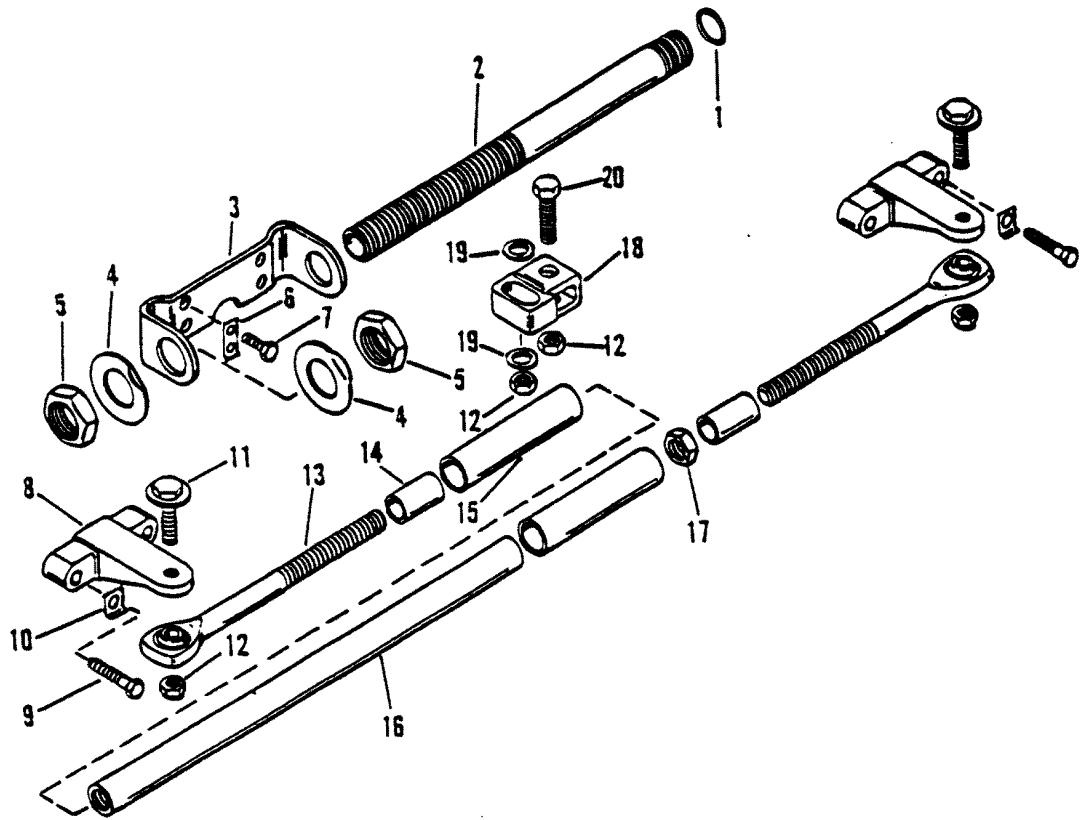
RIDE GUIDE STEERING KIT



RIDE GUIDE STEERING KIT

REF. NO.	PART NO.	SYM.	QTY.	DESCRIPTION
-	19609A5		1	PORT STEERING KIT
-	19608A11		1	STARBOARD STEERING KIT
1	19608--1		1	LINK ROD (STARBOARD)
	19609--1		1	LINK ROD (PORT)
2	10-90041		1	SCREW (1-5/8")
3	12-71970		1	WASHER
4	11-34863		2	NUT
5	19624A1		1	SEAL KIT

DUAL ENGINE EXTENSION KIT



DUAL ENGINE EXTENSION KIT

REF. NO.	PART NO.	SYM.	QTY.	DESCRIPTION
-	92876A9		1	DUAL ENGINE EXTENSION KIT
1	25-48462		1	O-RING
2	71565--1		1	TUBE, CABLE GUIDE
3	41055		1	MOUNT
4	14-42100		2	TAB WASHER
5	11-37984		2	JAM NUT
6	88404		2	TAB WASHER
7	10-38601		4	SCREW
8	17729A1		2	BRACKET
9	10-62055		4	SCREW
10	17728		4	TAB WASHER
11	10-14000		4	SCREW
12	11-34863		6	NUT
13	97933--1		2	STEERING EYE
14	23-23651		2	SLEEVE
15	97931		2	TUBING
16	814951--3		1	COUPLER
17	11-42099		1	JAM NUT
18	22-821169		1	COUPLING
19	12-34931		2	WASHER
20	10-94319		1	SCREW

PARTS INDEX

Part Number	Description	Pg.	Ref. No.	Part Number	Description	Pg.	Ref. No.
11110A_	CABLE	63	2	29698	STEEL BALL	49	2
11110A_	CABLE	67	1	29698	STEEL BALL	55	12
11111A_	RIDE-GUIDE STEERING CABLE, 7/8" O.D.	19	1	30664	TILT TUBE	41	16
11140A_	ROTARY STEERING CABLE ASSEMBLY	17	-	30664	TILT TUBE	65	1
11606	TIE ROD (STARBOARD) ...	65	8	30744	CAP (OPEN END)	41	11
11606A1	RIDE GUIDE ATTACHING KIT (STARBOARD)	65	-	30744	CAP (OPEN END)	49	12
11606A2	RIDE GUIDE ATTACHING KIT (PORT)	65	-	34745A2	STEERING BRACKET ASSEMBLY	23	1
11607	BRACKET	65	4	34749	BRACKET	41	1
12569A1	CABLE AND PULLEY ATTACHING KIT	21	1	34749A6	RIDE-GUIDE ATTACHING KIT	41	-
13762A_	ROTARY STEERING SYSTEM (DUAL)	63	1A	41055	MOUNT	83	3
14071	TIE ROD (PORT)	65	8	41055A1	MOUNT	51	1
14119T	POST	67	5	41055A1	MOUNT	59	3
14144A_	ROTARY STEERING/TILT SYSTEM	67	-	41055A1	MOUNT	69	3
16538	BRACKET (USE WITH 20-1/4" RACK HSG.)	13	8	41323A2	RIDE-GUIDE ATTACHING KIT	47	-
16540A1	HOUSING, RACK (20-1/4") ..	13	1	42101	SPACER	51	11
17443A1	ATTACHING KIT	75	-	44419A5	STEERING POST ASSEMBLY	63	4
17443A10	POWER STEERING KIT	79	-	44588A_	ROTARY STEERING SYSTEM (SINGLE)	63	1
17443A2	POWER STEERING KIT (BLACK)	77	-	48224	LEVER	9	4
17443A3	POWER STEERING KIT (GRAY)	77	-	48224	LEVER	67	10
17443A7	POWER STEERING KIT	79	-	52148	CO-PILOT ROD	45	1
17443A8	POWER STEERING KIT (DUAL ENGINES)	77	-	52148A1	CO-PILOT REPLACEMENT ASSEMBLY	45	-
17728	TAB WASHER	83	10	52992A2	STEERING BRACKET ASSEMBLY	25	1
17729A1	BRACKET	69	8	66800A5	RACK AND PINION ASSEMBLY	13	-
17729A1	BRACKET	83	8	66800A6	SUPER RIDE-GUIDE STEERING KIT	15	-
17771	MOUNT	75	1	66801	BRACKET (USE WITH 21" RACK HSG.)	13	8
17776	COUPLING	75	6	66802T	RACK	13	11
19608--1	LINK ROD (STARBOARD) ..	71	4	66803	BUSHING	13	12
19608--1	LINK ROD (STARBOARD) ..	81	1	66804	GUIDE	13	13
19608A11	STARBOARD STEERING KIT	81	-	66805	MOUNT (USE WITH 21" RACK HOUSING)	13	14
19608A3	RIDE-GUIDE STEERING KIT (STARBOARD)	71	-	66806	COVER (USE WITH 21" RACK HOUSING)	13	18
19608A5	RIDE-GUIDE STEERING KIT (STARBOARD)	71	-	66812	CAP	19	6
19609	LINK ROD (PORT)	71	4	66815A2	SUPER ROTARY RIDE- GUIDE STEERING KIT ...	15	-
19609--1	LINK ROD (PORT)	81	1	66990	PINION	17	11
19609A2	RIDE-GUIDE STEERING KIT (PORT)	71	-	67352	SHAFT	9	9
19609A3	RIDE-GUIDE STEERING KIT (PORT)	71	-	71565	TUBE	29	13
19609A5	PORT STEERING KIT	81	-	71565	TUBE	31	13
19616A1	BRACKET (BLACK)	71	1	71565	TUBE	37	5
19616T6	BRACKET (GRAY)	71	1	71565	TUBE	43	4
19617	BRACKET	73	4	71565	TUBE	51	7
19624A1	SEAL KIT	71	8	71565	TUBE	59	4
19624A1	SEAL KIT	81	5	71565	TUBE	61	4
25898	PINION	13	21	71565	TUBE	69	2
29698	BALL	41	3	71565--1	TUBE, CABLE GUIDE	75	5
29698	BALL JOINT	65	9	73693A7	RIDE-GUIDE ATTACHING KIT	49	-
29698	STEEL BALL	39	6	73770	BRACKET	31	1
				73770A1	STEERING KIT	31	-
				73772	PIVOT BLOCK	29	5
				73772	PIVOT BLOCK	31	5
				73774	YOKE	29	10

PARTS INDEX

Part Number	Description	Pg.	Ref. No.	Part Number	Description	Pg.	Ref. No.
73774	YOKE	31	10	814951--1	COUPLER	73	8
73957	ADAPTOR	15	2	814951--3	COUPLER	83	16
74754A1	STEERING KIT	29	-	816994	BRACKET	77	28
74755	PLATE	29	2	816994	BRACKET	79	29
74755	PLATE	31	2	817372	BRACKET	79	2
76125	HUB (SQUARE TAPER)	5	2	87349	ROD	45	5
76126	CAP	5	6	87354	STEERING LINK ROD	41	2
76533	STRAP	57	17	87354	STEERING LINK ROD	49	1
76533	STRAP	71	2	87422A2	RIDE-GUIDE TILT MOUNT ASSEMBLY	9	-
76640A2	STEERING MOUNT ASSEMBLY (90 DEGREES)	7	-	87422T	POST	9	1
76640T	STEERING POST	7	1	88319	COUPLING	43	10
76641A2	WEDGE KIT (20 DEGREES)	11	1	88319	COUPLING	51	2
76646	U-PLATE	7	7	88319	COUPLING	61	10
76706	SHAFT	7	2	88320	BRACKET	37	4
76909	DIVIDER PLATE	7	15	88320	BRACKET	43	9
77143A1	STEERING LINK ASSEMBLY	35	1	88320	BRACKET	61	9
77143A2	RIDE-GUIDE ATTACHING KIT (DUAL)	35	-	88320A1	RIDE-GUIDE ATTACHING KIT (SINGLE)	43	-
77144--1	COUPLING	55	5	88320A3	RIDE-GUIDE ATTACHING KIT (SINGLE)	61	-
77144--1	TUBE	53	2	88404	LOCK	75	3
77144--2	TUBE	35	3	88404	LOCKING TAB	37	6
77144--2	TUBE	37	2	88404	LOCKING TAB	51	6
77144--2	TUBE	59	2	88404	LOCKING TAB	59	6
77210	TRIM TAB	35	16	88404	LOCKING TAB	43	8
77210	TRIM TAB	37	15	88404	TAB WASHER	61	8
78282	CLEVIS	29	16	88404	TAB WASHER	69	6
78834A1	STEERING LINK (UPPER-LONGER BENT END)	33	1	88404	TAB WASHER	77	22
78834A2	RIDE-GUIDE ATTACHING KIT (SINGLE)	33	-	88404	TAB WASHER	79	26
78836A1	STEERING LINK (LOWER)	33	2	88404	TAB WASHER	83	6
78839	SPACER	33	9	88521A2	RIDE-GUIDE ATTACHING KIT (DUAL)	37	-
78972	INSERT (ROUND TAPER)	5	8	88521A6	RIDE GUIDE ATTACHING KIT (DUAL)	53	-
79278	ROD (USE WITH SPACER)	39	1	88646A2	COVER	3	2
79278	STEERING LINK ROD	55	1	89107	MOUNT	51	1
79278A1	RIDE-GUIDE ATTACHMENT KIT	39	-	89107	MOUNT	59	3
79278A2	RIDE-GUIDE ATTACHING KIT (DUAL)	55	-	89107A1	RIDE-GUIDE ATTACHING KIT (SINGLE)	51	-
79278A3	RIDE-GUIDE ATTACHING KIT (DUAL)	55	-	89107A2	RIDE-GUIDE ATTACHING KIT (DUAL)	59	-
79278A4	RIDE-GUIDE ATTACHING KIT (DUAL)	55	-	89568A2	RIDE-GUIDE ATTACHING KIT	47	-
79979A5	STEERING WHEEL ASSEMBLY (SQUARE TAPER)	3	1	89638A3	RIDE-GUIDE ATTACHMENT KIT	39	-
79979A7	STEERING WHEEL ASSEMBLY (ROUND TAPER)	3	1	89638A3	ROD (USE W/O SPACER)	39	1
811288	ACCUMULATOR	77	1	91949	EXTENSION (PART OF 89568A2 KIT ONLY)	47	8
811289--1	ACTUATOR (811632 REPAIR KIT)	77	11	92876A1	LINK ROD ASSEMBLY	37	3
811289--1	ACTUATOR (811632 REPAIR KIT)	79	8	92876A1	LINK ROD ASSEMBLY	61	11
811290	ACCUMULATOR	79	1	92876A2	RIDE-GUIDE ATTACHING KIT (DUAL)	59	-
811291	BRACKET	77	20	92876A3	RIDE-GUIDE ATTACHING KIT (SINGLE)	51	-
811291	BRACKET	79	24	92876A4	LINK ROD	77	9
811292	CLAMP	77	15	92876A4	LINK ROD	79	13
811292	CLAMP	79	18	92876A6	DUAL ENGINE EXTENSION KIT	69	-
				92876A9	DUAL ENGINE EXTENSION KIT	83	-

PARTS INDEX

Part Number	Description	Pg.	Ref. No.	Part Number	Description	Pg.	Ref. No.
92877A1	STEERING EYE ASSEMBLY	37	1	NLA	LOCKING SLEEVE		
92877A1	STEERING EYE ASSEMBLY	53	1		ASSEMBLY	17	14
92877A1	STEERING EYE ASSEMBLY	59	1	NLA	LOCKING SLEEVE		
96186A2	BRACKET ASSEMBLY	27	1		ASSEMBLY (OLD DESIGN)	63	9
96186A2	BRACKET ASSEMBLY	47	5	NLA	RUBBER SLEEVE	55	8
96201	STRAP	27	2	NLA	SCREW	33	13
96201	STRAP	47	6	NLA	SLEEVE ASSEMBLY	19	5
96487A2	LINK ROD ASSEMBLY	47	1	NLA	SPACER	17	2
97931	TUBE (4")	59	2	NLA	STEERING LINK ASSEMBLY	35	2
97931	TUBING	69	15	NLA	STEERING WHEEL		
97931	TUBING	73	7		ASSEMBLY (ROUND		
97931	TUBING	83	15		TAPER)	5	1
97932--1	LINK ROD TUBE	73	8	NLA	STEERING WHEEL		
97932--1	TUBE (12")	59	2		ASSEMBLY (SQUARE		
97932--2	TUBE	69	16		TAPER)	5	1
97932--2	TUBE (15")	59	2	NLA	SWITCH ASSEMBLY	33	15
97933--1	STEERING EYE	73	1	NLA	TAB WASHER	33	10
97933--1	STEERING EYE	83	13	NLA	TUBE	33	8
97933A1	STEERING EYE	69	13	NLA	TUBE	35	4
97933A1	STEERING EYE	73	1	NLA	WASHER	29	7
97933A1	STEERING EYE ASSEMBLY	59	1	10-14000	SCREW	35	14
97933A4	DUAL STEERING KIT	73	-	10-14000	SCREW	47	2
97933A5	DUAL STEERING KIT	73	-	10-14000	SCREW	59	10
F1778	TABWASHER	69	10	10-14000	SCREW	69	11
N.S.S.	BAR ASS'Y (4" EXTENSION)	57	21	10-14000	SCREW	71	5
N.S.S.	BRACKET	57	18	10-14000	SCREW	77	8
N.S.S.	DETENT PIN	67	11	10-14000	SCREW	79	12
N.S.S.	HOUSING	13	4	10-14000	SCREW	83	11
N.S.S.	HOUSING (PORT)	17	6	10-14000	SCREW (1-1/4")	37	11
N.S.S.	HOUSING (STARBOARD)	17	1	10-15773	SCREW (3/8-24 X 12")	9	11
N.S.S.	JAM NUT	35	12	10-15774	SCREW (13-5/8")	15	3
N.S.S.	LINER	17	5	10-15775	BOLT (10")	7	8
N.S.S.	LINK ROD	35	5	10-15776	SCREW (15-1/4")	15	6
N.S.S.	PIN	9	16	10-16862	SCREW	79	3
N.S.S.	QUAD RING	9	13	10-18124	SCREW	77	25
N.S.S.	QUAD RING	67	9	10-18124	SCREW	79	30
N.S.S.	SCREW (1-1/2")	9	12	10-20639	SCREW (1-1/8")	17	8
N.S.S.	SCREW (1-1/2")	67	6	10-21091	SCREW (1-1/8")	13	5
N.S.S.	SCREW (1-1/4")	9	17	10-21937	SCREW (2") (USE WITH 21"		
N.S.S.	SCREW (1-1/4")	9	18		RACK HOUSING)	13	15
N.S.S.	SCREW (1-1/4")	67	15	10-24231	SCREW	33	16
N.S.S.	SPACER	9	19	10-26065	SCREW	5	3
N.S.S.	SPACER	41	10	10-28635	SCREW	23	2
N.S.S.	SPACER	55	16	10-32293	SCREW (1-3/4")	17	7
N.S.S.	SPACER	67	19	10-34352	SCREW	71	3
N.S.S.	SPRING	9	20	10-36154	SCREW	45	3
N.S.S.	SPRING	67	20	10-37909	SCREW	25	2
N.S.S.	WASHER (THICK)	29	22	10-38601	SCREW	37	7
NLA	BRACKET	29	1	10-38601	SCREW	51	5
NLA	CLAMP	33	12	10-38601	SCREW	59	5
NLA	COUPLER	57	19	10-38601	SCREW	69	7
NLA	EYE ASSEMBLY	55	6	10-38601	SCREW	77	21
NLA	EYE ASSEMBLY	55	6	10-38601	SCREW	79	25
NLA	HOSE	35	7	10-38601	SCREW	83	7
NLA	HOSE	35	8	10-38601	SCREW (5/8")	43	7
NLA	HOSE	37	9	10-38601	SCREW (5/8")	61	7
NLA	HOSE	53	3	10-40003-30	SCREW	77	12
NLA	HOSE	59	9	10-40003-30	SCREW	79	15
NLA	HUB (ROUND TAPER)	5	2	10-40003-54	SCREW	21	2
NLA	LINK ROD (16" EXTENSION)	57	22	10-40003-54	SCREW	65	5

PARTS INDEX

Part Number	Description	Pg.	Ref. No.	Part Number	Description	Pg.	Ref. No.
10-40003-76	SCREW	47	7	11-21825	NUT	19	2
10-40003-76	SCREW (25MM)	27	3	11-22024	LOCK NUT	9	3
10-40003-83	SCREW	79	5	11-22024	LOCK NUT	67	7
10-40095-55	SCREW	77	18	11-23161	NUT	7	10
10-40095-55	SCREW	79	22	11-23161	NUT	9	22
10-44416	SET SCREW	63	5	11-25899	JAM NUT	13	23
10-44416	SET SCREW	67	4	11-27164	NUT	33	17
10-56027	SCREW	5	7	11-29250	NUT	17	10
10-58126	SCREW	75	9	11-29488	NUT	77	30
10-59702	SCREW	51	5	11-29488	NUT	79	34
10-59702	SCREW	75	2	11-34863	NUT	25	3
10-60300	SCREW (3/4")	13	9	11-34863	NUT	29	18
10-62055	SCREW	69	9	11-34863	NUT	29	23
10-62055	SCREW	83	9	11-34863	NUT	31	9
10-66752	SCREW	53	5	11-34863	NUT	33	5
10-68340	SCREW (1-5/8")	55	9	11-34863	NUT	33	7
10-68496	SCREW	61	12	11-34863	NUT	35	11
10-68496	SCREW (2-1/4")	33	3	11-34863	NUT	37	12
10-68496	SCREW (2-1/4")	55	9	11-34863	NUT	39	4
10-69098	SCREW (3-1/2")	7	11	11-34863	NUT	41	14
10-69098	SCREW (3-1/2")	15	3	11-34863	NUT	41	9
10-70890	SCREW (1-3/4")	29	11	11-34863	NUT	43	2
10-70890	SCREW (1-3/4")	29	6	11-34863	NUT	47	4
10-70890	SCREW (1-3/4")	31	11	11-34863	NUT	49	11
10-70891	SCREW	29	17	11-34863	NUT	49	8
10-70892	SCREW (2-1/2")	31	6	11-34863	NUT	51	4
10-73732	SCREW	51	3	11-34863	NUT	53	7
10-73732	SCREW (1-1/8")	43	1	11-34863	NUT	55	4
10-73732	SCREW (1-1/8")	61	1	11-34863	NUT	59	11
10-74757	SCREW (3-1/4")	29	3	11-34863	NUT	61	2
10-74757	SCREW (3-1/4")	31	3	11-34863	NUT	65	13
10-75677	SCREW	41	15	11-34863	NUT	69	12
10-76735	SCREW (3")	11	2	11-34863	NUT	71	6
10-76736	SCREW	63	6	11-34863	NUT	73	5
10-76736	SCREW (2")	7	4	11-34863	NUT	75	10
10-76737	SCREW (2-1/2")	11	2	11-34863	NUT	77	7
10-817040	SCREW	75	7	11-34863	NUT	79	11
10-818182	SCREW	77	16	11-34863	NUT	81	4
10-818182	SCREW	79	19	11-34863	NUT	83	12
10-90041	SCREW (1-5/8")	73	2	11-34863	NUT (LOWER)	39	8
10-90041	SCREW (1-5/8")	81	2	11-34933	NUT	29	12
10-90043	SCREW (2-3/8")	73	2	11-34933	NUT	29	9
10-90072	PIVOT BOLT	39	5	11-35053	NUT	31	12
10-90072	SCREW	41	4	11-35814	NUT	5	5
10-90072	SCREW	49	3	11-35814	NUT	7	13
10-90072	SCREW (1-5/8")	35	9	11-35814	NUT	7	6
10-90072	SCREW (1-5/8")	55	9	11-35814	NUT	9	15
10-90092	SCREW (1-1/4")	29	19	11-35814	NUT	15	5
10-94319	SCREW	77	5	11-35814	NUT	29	4
10-94319	SCREW	79	10	11-35814	NUT	31	4
10-94319	SCREW	83	20	11-35814	NUT	63	8
10-98509	SCREW	17	8	11-35814	NUT	67	14
11-13914	NUT	77	4	11-37984	JAM NUT	29	14
11-13914	NUT	79	7	11-37984	JAM NUT	31	14
11-20088	NUT	13	22	11-37984	JAM NUT	37	10
11-20220	NUT	63	10	11-37984	JAM NUT	43	5
11-20220	NUT	67	3	11-37984	JAM NUT	61	5
11-20361	NUT	13	10	11-37984	JAM NUT	69	5
11-20361	NUT	13	7	11-37984	JAM NUT	83	5
				11-37984	NUT	51	8

PARTS INDEX

Part Number	Description	Pg.	Ref. No.	Part Number	Description	Pg.	Ref. No.
11-37984	NUT	59	12	12-34931	WASHER	55	2
11-37984	NUT	75	12	12-34931	WASHER	65	12
11-40026--3	NUT	77	17	12-34931	WASHER	71	7
11-40026--3	NUT	79	20	12-34931	WASHER	75	8
11-40063--4	NUT	77	14	12-34931	WASHER	83	19
11-40063--4	NUT	79	17	12-34931	WASHER (3/4" O.D.)	49	6
11-40063--5	NUT	65	7	12-34931	WASHER (THIN)	29	20
11-40063-5	NUT	21	4	12-40023-19	WASHER	77	3
11-42099	JAM NUT	59	8	12-40023-19	WASHER	79	6
11-42099	JAM NUT	69	17	12-42118	WASHER	77	29
11-42099	JAM NUT	73	9	12-42118	WASHER	79	33
11-42099	JAM NUT	83	17	12-43450	WASHER	77	13
11-45592	NUT	45	10	12-43450	WASHER	79	16
11-45592	NUT	45	8	12-48241	WASHER	7	9
11-45812	NUT	33	14	12-48241	WASHER	9	21
11-46335	NUT	41	8	12-56085	NEOPRENE WASHER	55	15
11-46335	NUT	49	7	12-56720	WASHER	21	3
11-46438	NUT	17	10	12-56720	WASHER	65	6
11-52152	WING NUT	45	4	12-57792	WASHER	15	4
11-52155A1	FRICITION NUT ASSEMBLY	45	2	12-63032	WASHER	7	12
11-55983	JAM NUT	33	11	12-67369	WASHER	17	13
11-71670	NUT	19	4	12-68300	WASHER	77	10
11-71852	JAM NUT	35	6	12-68300	WASHER	79	14
11-71852	JAM NUT	37	8	12-71970	WASHER	65	10
11-71852	JAM NUT	53	4	12-71970	WASHER	73	3
11-71852	JAM NUT	55	7	12-71970	WASHER	81	3
11-71852	JAM NUT	59	8	12-73729	WASHER	41	5
11-93164	NUT	65	2	12-73729	WASHER (1/2" O.D.)	49	4
12-20084	WASHER	5	4	13-26992	LOCKWASHER	23	3
12-20722	WASHER	17	9	13-30381	LOCKWASHER	57	20
12-20722	WASHER	45	7	14-42100	TAB WASHER	51	9
12-20722	WASHER	45	9	14-42100	TAB WASHER	59	13
12-24676	WASHER	17	9	14-42100	TAB WASHER	69	4
12-25897	WASHER	13	20	14-42100	TAB WASHER	75	11
12-26825	WASHER	7	5	14-42100	TAB WASHER	83	4
12-26825	WASHER	9	14	14-73777	TAB WASHER	29	15
12-26825	WASHER	63	7	14-73777	TAB WASHER	31	15
12-26825	WASHER	67	13	14-73777	TAB WASHER	37	13
12-28420	WASHER	53	6	14-73777	TAB WASHER	43	6
12-29245	WASHER	13	6	14-73777	TAB WASHER	51	9
12-29245	WASHER	79	4	14-73777	TAB WASHER	59	13
12-29245	WASHER (USE WITH 21" RACK HOUSING)	13	16	14-73777	TAB WASHER	61	6
12-29330	WASHER	39	9	16-17772	STUD	77	2
12-29330	WASHER	55	11	16-29208	STUD	9	8
12-29395	WASHER	35	13	16-29208	STUD	67	12
12-30521	WASHER	65	11	17-20009	PIN	9	5
12-30521	WASHER (NEOPRENE)	49	5	17-20009	PIN	67	16
12-30521	WASHER, NEOPRENE	41	6	17-75688	PIN	35	15
12-34931	WASHER	31	7	18-26953	COTTER PIN	19	7
12-34931	WASHER	33	4	18-29623	COTTER PIN (OLD DESIGN)	7	14
12-34931	WASHER	33	6	19-20011	PLUG	9	7
12-34931	WASHER	35	10	19-20011	PLUG	67	18
12-34931	WASHER	39	3	19-77633	LUBRICAP	13	3
12-34931	WASHER	39	7	22-26000	GREASE FITTING	13	2
12-34931	WASHER	41	12	22-26000	GREASE FITTING	19	3
12-34931	WASHER	41	7	22-821169	COUPLING	83	18
12-34931	WASHER	47	3	23-11384--1	SPACER	65	3
12-34931	WASHER	49	9	23-17405	SPACER	77	6
12-34931	WASHER	55	10	23-17405	SPACER	79	9
				23-23651	SLEEVE	59	9

PARTS INDEX

Part Number	Description	Pg.	Ref. No.	Part Number	Description	Pg.	Ref. No.
23-23651	SLEEVE	69	14	84-11149A7	CABLE (DUAL ENGINES) ...	77	-
23-23651	SLEEVE	73	6	84-11149A7	CABLE (DUAL ENGINES) ...	79	-
23-23651	SLEEVE	83	14	84-18244A1	HARNESS ASSEMBLY	77	24
23-25901	BUSHING	13	19	84-18244A1	HARNESS ASSEMBLY	79	28
23-28104	BUSHING	67	21	85-62359--4	TUBE	33	18
23-29097	BUSHING	7	3	87-18211	RELAY SWITCH	77	23
23-29097	BUSHING	9	10	87-18211	RELAY SWITCH	79	27
23-30977--2	SPACER	77	27				
23-30977--2	SPACER	79	32				
23-31293	BUSHING	55	14				
23-35016	SPACER	25	4				
23-48237	BUSHING (3/8")	9	2				
23-48237	BUSHING (3/8")	67	8				
23-52151--2	BUSHING	45	6				
23-54123	BUSHING	17	3				
23-66751	SPACER	41	13				
23-66751	SPACER	49	10				
23-66751	SPACER	55	3				
23-66751	SPACER	65	14				
23-66751	SPACER	77	19				
23-66751	SPACER	79	23				
23-66751	SPACER (USE WITH SPACER)	39	2				
23-66751	SPACER (1/4")	73	3				
23-66811	BUSHING	17	12				
23-71564	SPACER	29	21				
23-71642	BUSHING	39	11				
23-71642	BUSHING	55	14				
23-73775	SPACER	31	8				
23-74756	SPACER	29	8				
24-20510	SPRING	55	13				
24-35227	SPRING	9	6				
24-35227	SPRING	67	17				
24-71641	SPRING	39	10				
24-71641	SPRING	55	13				
25-48462	O-RING	83	1				
25-90329	GROMMET	77	26				
25-90329	GROMMET	79	31				
26-78862A2	CABLE SEAL KIT	49	13				
26-78862A2	CABLE SEAL KIT	51	10				
26-78862A2	CABLE SEAL KIT	59	7				
26-78862A2	SEAL	37	14				
26-78862A2	SEAL ASSEMBLY	43	3				
26-78862A2	SEAL ASSEMBLY	61	3				
26-78862A2	SEAL KIT	65	15				
26-78862A2	SEAL KIT	69	1				
26-78862A2	SEAL KIT	75	4				
26-78862A2	SEALING KIT	47	9				
26-78862A2	STEERING CABLE SEAL KIT	39	12				
28-91800	KEY	63	3				
28-91800	KEY	67	2				
32-811525	TUBING	79	1A				
37-13934--1	DECAL (SQUARE TAPER) ..	5	8				
37-815630-24	DECAL	77	32				
37-815630-24	DECAL	79	35				
43-66144	GEAR	17	4				
43-73956	PINION, STEERING	15	1				
43-73961	PINION, STEERING	15	1				
54-19749--1	CLAMP	77	31				
54-19749--1	CLAMP	79	21				